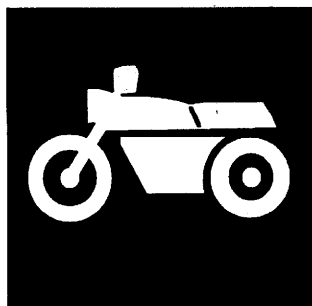


YAMAHA



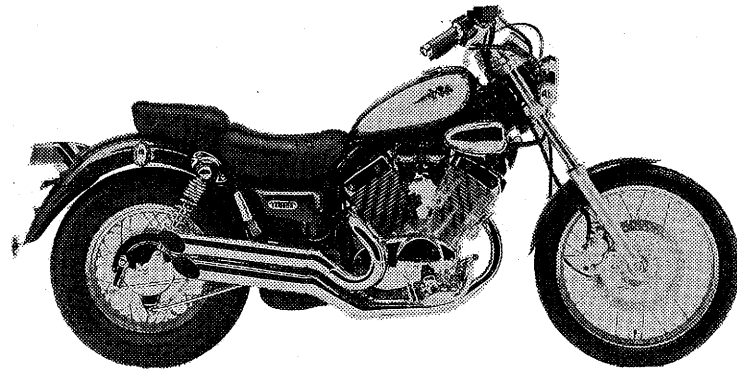
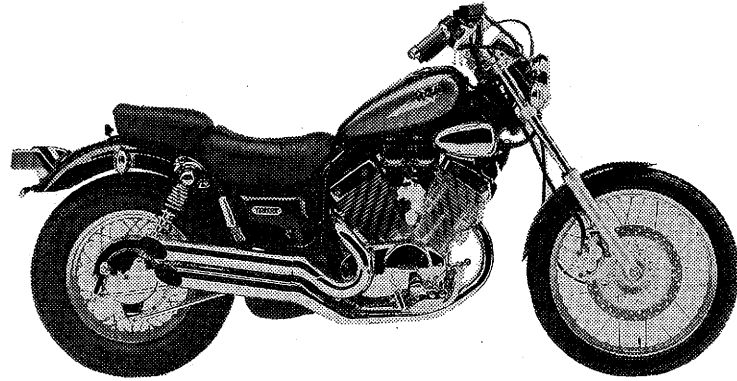
**PARTS
CATALOGUE**

XV535'98 (4YH7) EUROPE

184YH-300E1

YAMAHA
GENUINE
Parts & Accessories





A3

FOREWORD

This Parts Catalogue is related to the parts for the model(s) in the below frame. When you are ordering replacement parts, please refer to this Parts Catalogue and quote both part numbers and part names correctly.

XV535'98(4YH7)

1. Modifications or additions which have been made after issue of the Parts Catalogue will be announced in the Yamaha Parts News.
It is advisable that you make necessary corrections to the Parts Catalogue according to the Yamaha Parts News.

2. Abbreviations

The following abbreviations are used in this Parts Catalogue.

- "UR" Use specified parts number.
- "UN" Use as many as needed.
- "AP" Alternate Parts
- "LM" Local Made (Parts need to be ordered locally)
- "F#" Frame No. (Applicable machine No.)

3. Parts, which are to be supplied in an assembly, are listed with a dot (.) in front of the part name as shown below.

EXAMPLE

- CARBURETOR ASSY
- . JET, PILOT
- . NOZZLE, MAIN

4. Number of component for assembly

The numeral appearing to the right of each component part indicates the quantity of parts for each assembly unit.

EXAMPLE

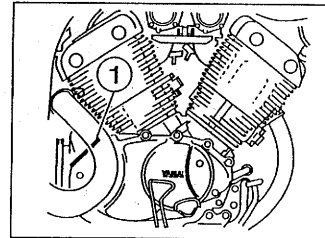
PART NO.	DESCRIPTION	Q'TY	REMARKS
2F5-83310-60	FRONT FLASHER LIGHT ASSY	2	
115-83311-60	. BULB (6V-18W)	1	

5. Applicable colors of graphics are represented in the "REMARKS" as shown below.

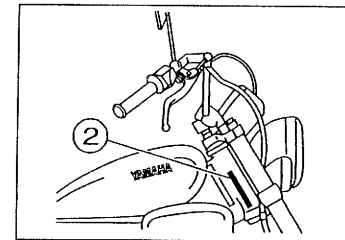
PART NO.	DESCRIPTION	Q'TY	REMARKS
2N4-24110-00-X5	FUEL TANK COMP.	1	MAXIM RED
3J1-24240-10	. GRAPHIC, FUEL TANK	1	for MXR

6. Applicable Serial No.

① Engine Serial No.



② Frame Serial No.



7. Note that the illustrations are for reference in finding parts numbers, not to be used for assembling. When assembling, please use the applicable service manual.

8. The asterisk (*) before a reference number indicates modification items after the first edition.

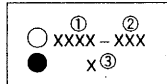
9. Quantity Information

PART NO.	DESCRIPTION	A	B	C	D	REMARKS
	AUT, DNK, FIN.	↑	↑	↑	↑	
	NOR, SWE	↑	↑	↑	↑	
	GRC, ITA, NLD.	↑	↑	↑	↑	GBR
		↑	↑	↑	↑	BEL, PRT

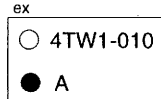
MODEL LABEL

(1) A label called "Model Label" is affixed in the location as indicated in (3) below. When using this parts catalogue, please be sure to cross-refer the "model code – production code No." in the catalogue to the "model code – production code No." indicated on the Model Label affixed onto the product concerned.

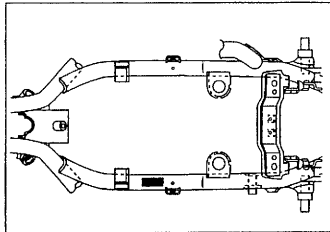
(2) "Model Label" Indication



- ① Model Type Code
- ② Production Code No.
- ③ Colouring Type



(3) Model Label Affixing Location



(4) Model Code – Production Code Number of Model Listed in This Parts Catalog

Model code	Production code No.	Country (destination)	Model code	Production code No.	Country (destination)
4YH7	020	AUSTRIA			
	030	BELGIUM			
	040	DENMARK			
	050	FINLAND			
	070	ENGLAND			
	080	GREECE			
	090	ITALY			
	100	HOLLAND			
	110	NORWAY			
	120	PORTUGAL			
	130	SWEDEN			

(5) Colouring Information

Model code	Colouring type code	Colour code	Colour Name	Abbreviation
4YH7	A	00JW	URUSHI BLACK	URB
	B	0567	DARK PURPLISH RED COCKTAIL 3	DPRC3
	C	003G	MILKY BROWN	MKB

CONTENTS

ENGINE

Cylinder Head.....	B2~B3
Cylinder.....	B4
Crankshaft. Piston.....	B5
Valve.....	B6
Camshaft. Chain.....	B7
Oil Pump.....	B8
Oil Cleaner.....	B9
Intake.....	B10~B11
Carburetor.....	B12~B14
Exhaust.....	B15
Crankcase.....	C2~C3
Crankcase Cover 1.....	C4~C5
Starter Clutch.....	C6
Clutch.....	C7~C8
Transmission.....	C9
Middle Drive Gear.....	C10
Shift Cam. Fork.....	C11
Shift Shaft.....	C12

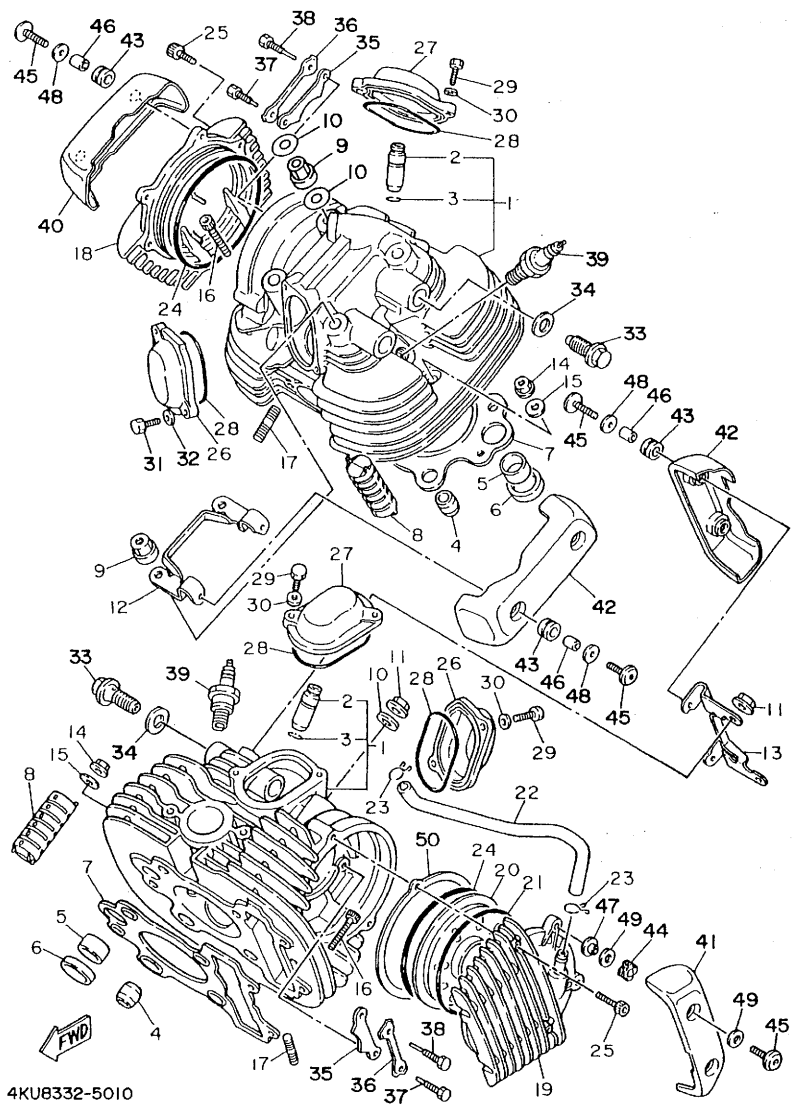
CHASSIS

Frame.....	C13~C14
Fender.....	C15~D2
Side Cover.....	D3
Rear Arm. Suspension.....	D4
Drive Shaft.....	D5~D6
Steering.....	D7~D8
Front Fork.....	D9~D10
Fuel Tank.....	D11~D13
Seat.....	D14

Front Wheel.....	D15
Front Brake.....	E2
Rear Wheel.....	E3~E4
Steering Handle. Cable.....	E5
Front Master Cylinder.....	E6
Stand. Footrest.....	E7~E9
Generator.....	E10
Flasher Light.....	E11
Meter.....	E12
Headlight.....	E13
Taillight.....	E14
Handle Switch. Lever.....	E15
Electrical 1.....	F2
Electrical 2.....	F3~F4

INDEX

Numerical Index.....	M1~M4
----------------------	-------



4KU8332-5010

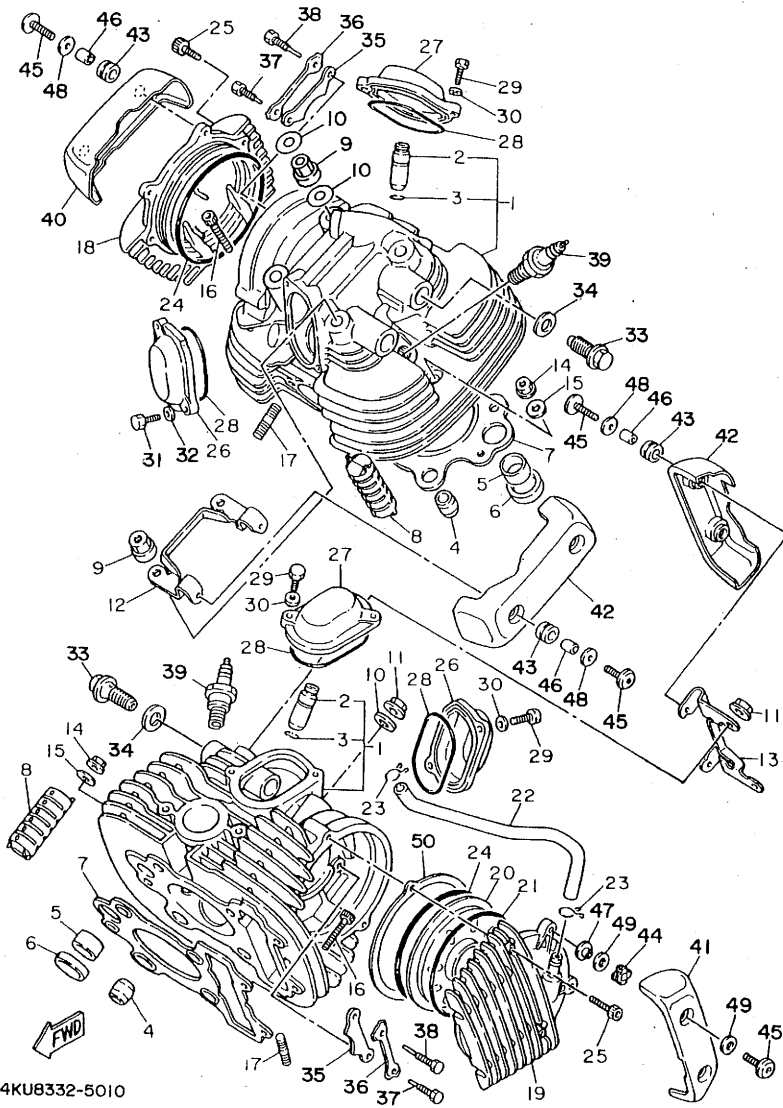
FIG. 1 CYLINDER HEAD

REF. NO.	PART NO.	DESCRIPTION	A	B	C	D	REMARKS
1	2GV-11102-02	CYLINDER HEAD ASSY	2	2	2	2	
2	4H7-11133-10	.GUIDE, INTAKE VALVE	2	2	2	2	
3	93440-12052	.CIRCLIP	2	2	2	2	
4	99530-17016	PIN, DOWEL	4	4	4	4	
5	90387-226G7	COLLAR	2	2	2	2	
6	90430-24184	GASKET	2	2	2	2	
7	2GV-11181-00	GASKET, CYLINDER HEAD 1	2	2	2	2	
8	2GV-11127-00	ABSORBER 3	4	4	4	4	
9	90179-10395	NUT	4	4	4	4	
10	90201-10131	WASHER, PLATE	6	6	6	6	
11	90179-10279	NUT	4	4	4	4	
12	2GV-11142-00	BRACKET, CYLINDER HEAD COVER 2	1	1	1	1	
13	2GV-11152-00	BRACKET, CYLINDER HEAD COVER	1	1	1	1	
14	95707-08500	NUT, FLANGE	2	2	2	2	
15	90201-08366	WASHER, PLATE	2	2	2	2	
16	91314-08030	BOLT	4	4	4	4	
17	95617-08630	BOLT, STUD	4	4	4	4	
18	2GV-11185-00	COVER, CYLINDER HEAD SIDE 1	1	1	1	1	
19	2GV-1111H-00	COVER, CYLINDER HEAD SIDE 4	1	1	1	1	
20	22U-11165-00	PLATE, BREATHER	1	1	1	1	
21	93210-89568	O-RING	1	1	1	1	
22	2GV-11166-00	PIPE, BREATHER 1	1	1	1	1	
23	90467-14015	CLIP	2	2	2	2	
24	93211-00612	O-RING	2	2	2	2	
25	91314-06025	BOLT	4	4	4	4	
26	22U-11186-00	COVER, CYLINDER HEAD SIDE 2	2	2	2	2	
27	22U-11187-00	COVER, CYLINDER HEAD SIDE 3	2	2	2	2	

B2

FIG. 1 CYLINDER HEAD

REF. NO.	PART NO.	DESCRIPTION	A	B	C	D	REMARKS
28	93210-62446	O-RING	4	4	4	4	
29	97027-06016	BOLT	6	6	6	6	
30	92907-06600	WASHER, PLATE	6	6	6	6	
31	97024-06016	BOLT	2	2	2	2	
32	92904-06600	WASHER	2	2	2	2	
33	90401-16166	BOLT, UNION	4	4	4	4	
34	90430-17168	GASKET	4	4	4	4	
35	22U-1111F-01	PLATE	2	2	2	2	
36	90215-08229	WASHER, LOCK	2	2	2	2	
37	90109-08782	BOLT	2	2	2	2	
38	90109-08781	BOLT	2	2	2	2	
39	94701-00228	PLUG, SPARK (ND W20EPR-U)	2	2	2	2	UR
	94701-00234	PLUG, SPARK (NGK BPR6ES)	2	2	2	2	UR
40	2NT-11186-01	COVER, CYLINDER HEAD SIDE 2	1	1	1	1	
41	2NT-1110M-01	COVER ASSY 1	1	1	1	1	
42	2NT-11187-01	COVER, CYLINDER HEAD SIDE 3	2	2	2	2	
43	90480-18411	GROMMET	6	6	6	6	
44	90480-19471	GROMMET	2	2	2	2	
45	90110-06198	BOLT, HEXAGON SOCKET HEAD	8	8	8	8	
46	90387-06518	COLLAR	6	6	6	6	
47	90387-074T1	COLLAR	2	2	2	2	
48	90201-06071	WASHER, PLATE	6	6	6	6	
49	3BT-11195-00	GASKET	4	4	4	4	
50	3BT-11196-00	GASKET, CYLINDER HEAD SIDE	1	1	1	1	



4KU8332-5010

B3

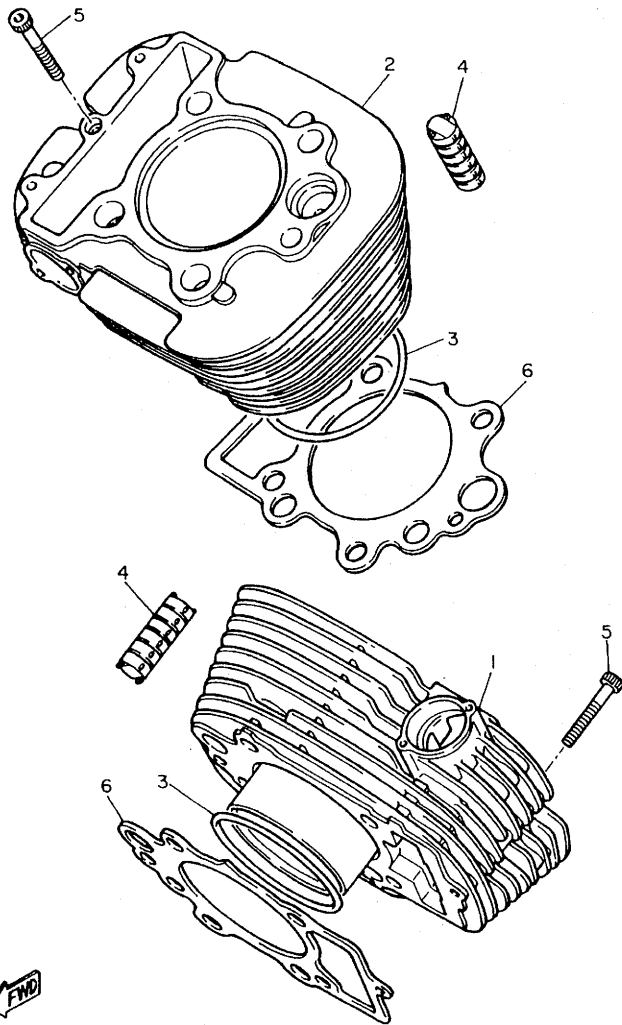


FIG. 2 CYLINDER

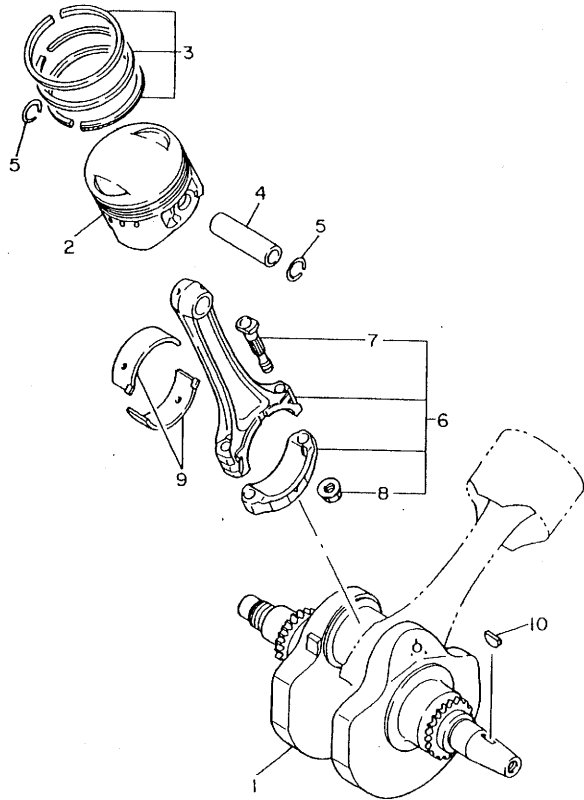
REF. NO.	PART NO.	DESCRIPTION	A	B	C	D	REMARKS
1	2GV-11310-00	CYLINDER	1	1	1	1	
2	2GV-11320-00	CYLINDER 2	1	1	1	1	
3	93210-81411	O-RING	2	2	2	2	
4	15A-11162-00	ABSORBER 2	6	6	6	6	
5	91317-06085	BOLT	2	2	2	2	
6	3BT-11351-00	GASKET, CYLINDER	2	2	2	2	



2GV110-7020

B4

FIG. 3 CRANKSHAFT. PISTON



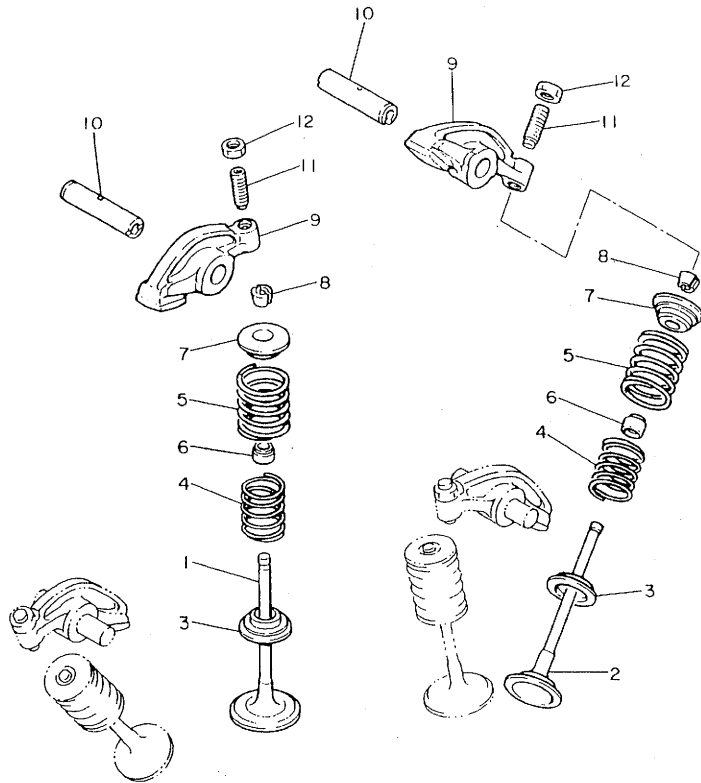
REF. NO.	PART NO.	DESCRIPTION	A	B	C	D	REMARKS
1	22U-11411-00	CRANKSHAFT	1	1	1	1	
2	2GV-11631-00-C0	PISTON (STD)	2	2	2	2	
	2GV-11636-00	PISTON (0.50MM O/S)	2	2	2	2	AP
	2GV-11638-00	PISTON (1.00MM O/S)	2	2	2	2	AP
3	2GV-11610-00	PISTON RING SET (STD)	2	2	2	2	
	2GV-11610-20	PISTON RING SET (0.50MM O/S)	2	2	2	2	AP
	2GV-11610-40	PISTON RING SET (1.00MM O/S)	2	2	2	2	AP
4	22U-11633-01	PIN, PISTON	2	2	2	2	
5	93450-19052	CIRCLIP	4	4	4	4	
6	22U-11650-00	CONNECTING ROD ASSY	2	2	2	2	
7	22U-11654-00	.BOLT, CONNECTING ROD	2	2	2	2	
8	90179-08327	.NUT	2	2	2	2	
9	22U-11656-00	PLANE BEARING, CONNECTING ROD	4	4	4	4	UR BLUE
	22U-11656-10	PLANE BEARING, CONNECTING ROD	4	4	4	4	UR BLACK
	22U-11656-20	PLANE BEARING, CONNECTING ROD	4	4	4	4	UR BROWN
	22U-11656-30	PLANE BEARING, CONNECTING ROD	4	4	4	4	UR GREEN
10	90280-05048	KEY, WOODRUFF	1	1	1	1	



2GV110-7030

B5

FIG. 4 VALVE

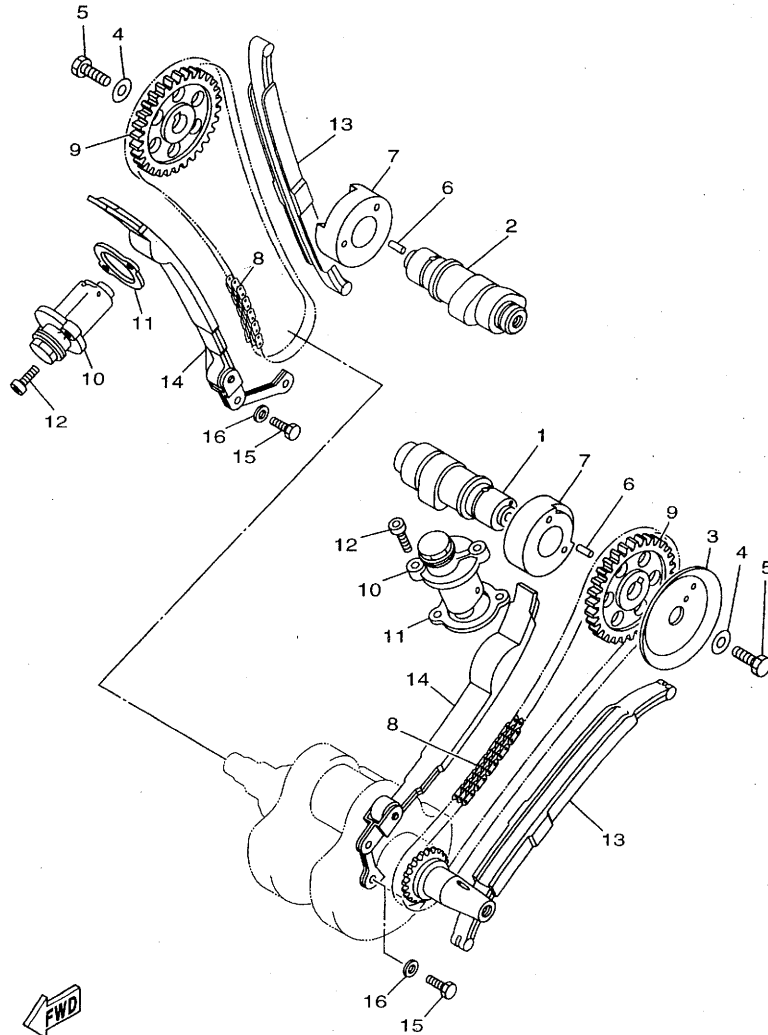


REF. NO.	PART NO.	DESCRIPTION	A	B	C	D	REMARKS
1	22U-12111-00	VALVE, INTAKE	2	2	2	2	
2	22U-12121-01	VALVE, EXHAUST	2	2	2	2	
3	3Y1-12116-00	SEAT, VALVE SPRING	4	4	4	4	
4	22U-12113-00	SPRING, VALVE INNER	4	4	4	4	
5	22U-12114-00	SPRING, VALVE OUTER	4	4	4	4	
6	1J7-12119-01	SEAL, VALVE STEM	4	4	4	4	
7	3Y1-12117-01	RETAINER, VALVE SPRING	4	4	4	4	
8	1J7-12118-00	COTTER, VALVE	8	8	8	8	
9	22U-12151-00	ARM, VALVE ROCKER	4	4	4	4	
10	22U-12156-01	SHAFT, ROCKER 2	4	4	4	4	
11	22U-12159-00	SCREW, VALVE ADJUSTING	4	4	4	4	
12	90170-06128	NUT	4	4	4	4	

FWD
22U110-3050

B6

FIG. 5 CAMSHAFT. CHAIN

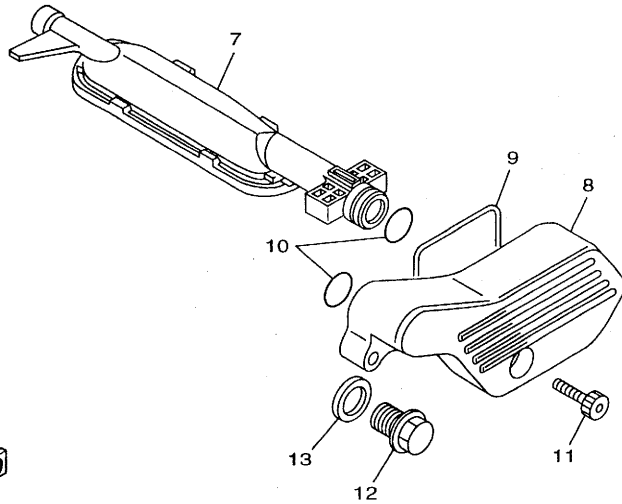
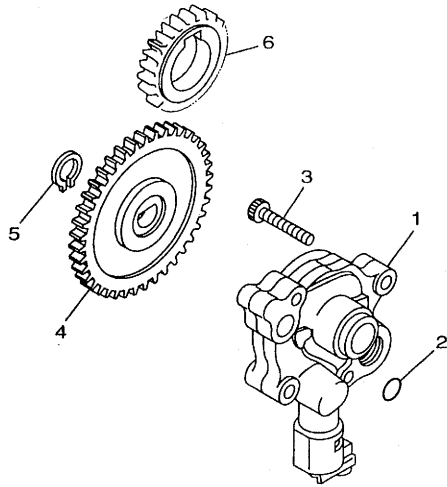


REF. NO.	PART NO.	DESCRIPTION	A	B	C	D	REMARKS
1	22U-12171-01	CAMSHAFT 1	1	1	1	1	
2	22U-12181-01	CAMSHAFT 2	1	1	1	1	
3	22U-11145-00	PLATE, BREATHER 2	1	1	1	1	
4	90201-10591	WASHER, PLATE	2	2	2	2	
5	90101-10303	BOLT	2	2	2	2	
6	93605-10108	PIN, DOWEL	2	2	2	2	
7	90380-28110	BUSH, SOLID	2	2	2	2	
8	94591-41118	CHAIN	2	2	2	2	
9	22U-12176-01	SPROCKET, CAM CHAIN	2	2	2	2	
10	11H-12210-02	TENSIONER ASSY, CAM CHAIN	2	2	2	2	
11	3BT-12213-00	GASKET, TENSIONER CASE	2	2	2	2	
12	91314-06025	BOLT	4	4	4	4	
13	22U-12231-00	GUIDÉ, STOPPER 1	2	2	2	2	
14	22U-12241-00	GUIDE, STOPPER 2	2	2	2	2	
15	97027-06016	BOLT	4	4	4	4	
16	92907-06600	WASHER, PLATE	4	4	4	4	



4VR1300-7050

B7



4YH7351-8060

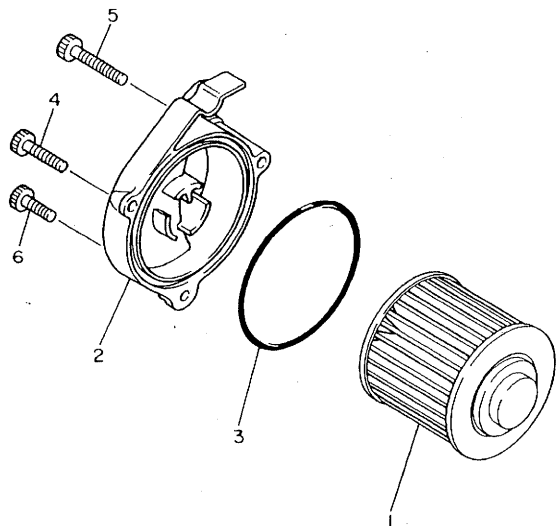
FIG. 6 OIL PUMP

REF. NO.	PART NO.	DESCRIPTION	A	B	C	D	REMARKS
1	22U-13300-00	OIL PUMP ASSY	1	1	1	1	
2	93210-10096	O-RING	1	1	1	1	
3	91317-06030	BOLT	3	3	3	3	
4	4VR-13325-00	GEAR, PUMP DRIVEN	1	1	1	1	
5	99009-11400	CIRCLIP	1	1	1	1	
6	22U-13324-00	GEAR, DRIVE (24T)	1	1	1	1	
7	22U-13410-00	STRAINER HOUSING ASSY	1	1	1	1	
8	2GV-13417-00	COVER, STRAINER	1	1	1	1	
9	22U-13415-00	SEAL, OIL STRAINER	1	1	1	1	
10	93210-15151	O-RING	2	2	2	2	
11	91317-06025	BOLT	3	3	3	3	
12	90340-14132	PLUG, STRAIGHT SCREW	1	1	1	1	
13	214-11198-01	GASKET	1	1	1	1	

B8

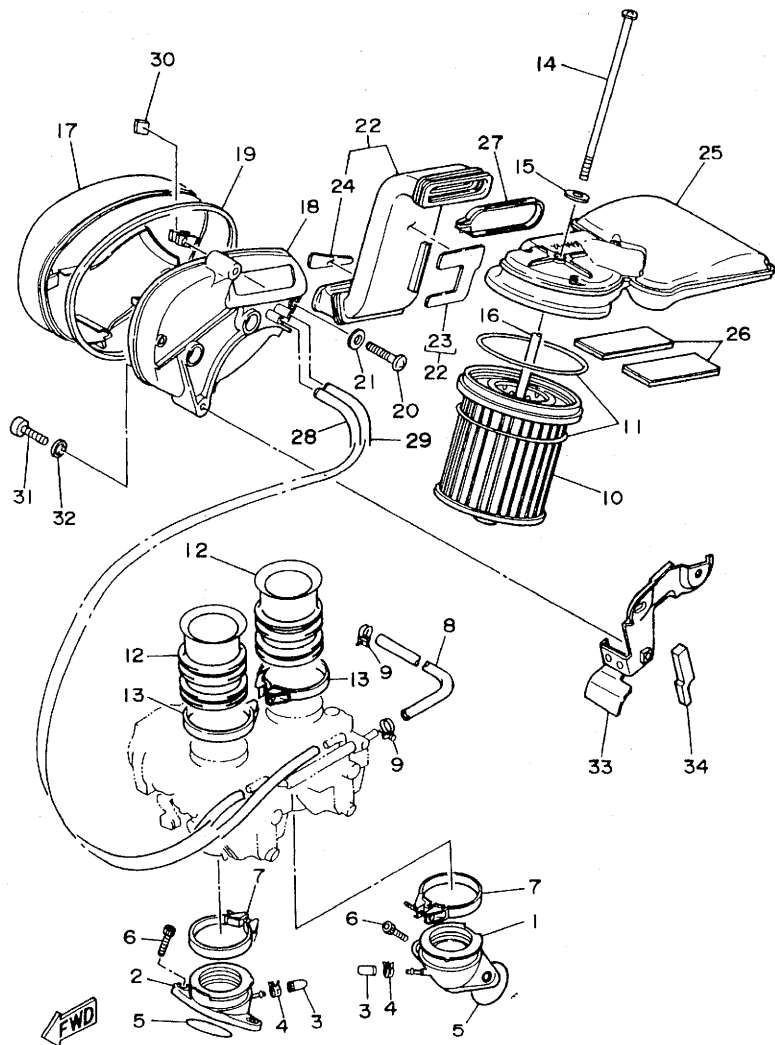
FIG. 7 OIL CLEANER

REF. NO.	PART NO.	DESCRIPTION	A	B	C	D	REMARKS
1	4X7-13440-01	ELEMENT ASSY, OIL CLEANER	1	1	1	1	
2	3JB-13447-00	COVER, OIL ELEMENT	1	1	1	1	
3	93210-64297	O-RING	1	1	1	1	
4	91314-06060	BOLT	1	1	1	1	
5	91314-06095	BOLT	1	1	1	1	
6	91314-06025	BOLT	1	1	1	1	



2GV110-7070

B9



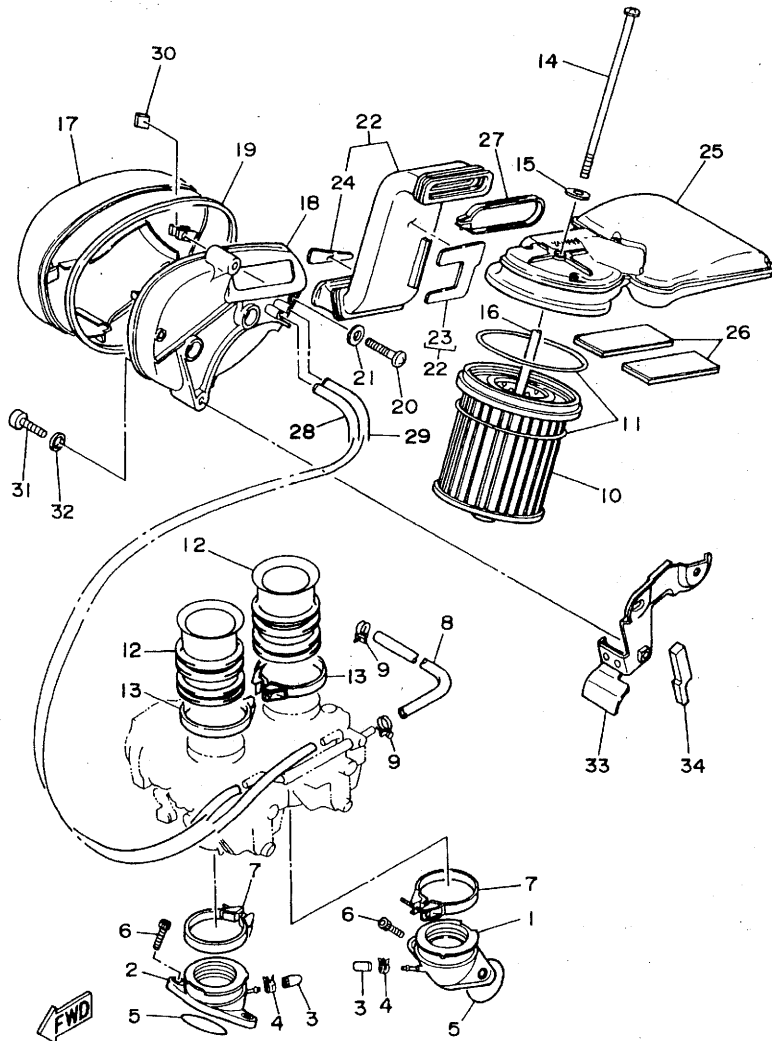
4KUK351-6081

FIG. 8 INTAKE

REF. NO.	PART NO.	DESCRIPTION	A	B	C	D	REMARKS
1	2GV-13586-01	JOINT, CARBURETOR 1	1	1	1	1	
2	2GV-13596-00	JOINT, CARBURETOR 2	1	1	1	1	
3	16G-13569-00	PLUG, BLIND	2	2	2	2	
4	90467-10039	CLIP	2	2	2	2	
5	93210-36769	O-RING	2	2	2	2	
6	91317-06020	BOLT	4	4	4	4	
7	90460-52210	CLAMP, HOSE	2	2	2	2	
8	90445-111F3	HOSE	1	1	1	1	
9	90460-12256	CLAMP, HOSE	2	2	2	2	
10	2NT-14451-00	ELEMENT, AIR CLEANER	1	1	1	1	
11	2GV-14452-00	SEAL	2	2	2	2	
12	22U-14469-00	FUNNEL, AIR	2	2	2	2	
13	90460-58124	CLAMP, HOSE	2	2	2	2	
14	98517-06160	SCREW, PAN HEAD	1	1	1	1	
15	90201-06380	WASHER, PLATE	1	1	1	1	
16	90387-062T3	COLLAR	1	1	1	1	
17	3JB-14422-00	CAP, CLEANER CASE 2	1	1	1	1	
18	3JB-14417-00	COVER 1	1	1	1	1	
19	3JB-14452-00	SEAL	1	1	1	1	
20	98507-06035	SCREW, PAN HEAD	2	2	2	2	
21	92907-06600	WASHER, PLATE	2	2	2	2	
22	3JB-14437-01	DUCT	1	1	1	1	
23	3JB-14426-00	.DAMPER 2	1	1	1	1	
24	3JB-1442G-00	.DAMPER 3	1	1	1	1	
25	3JB-14412-00	CAP, CLEANER CASE 1	1	1	1	1	
26	3JB-14409-00	DAMPER	2	2	2	2	
27	3JB-14455-00	BAND	1	1	1	1	

B10

FIG. 8 INTAKE

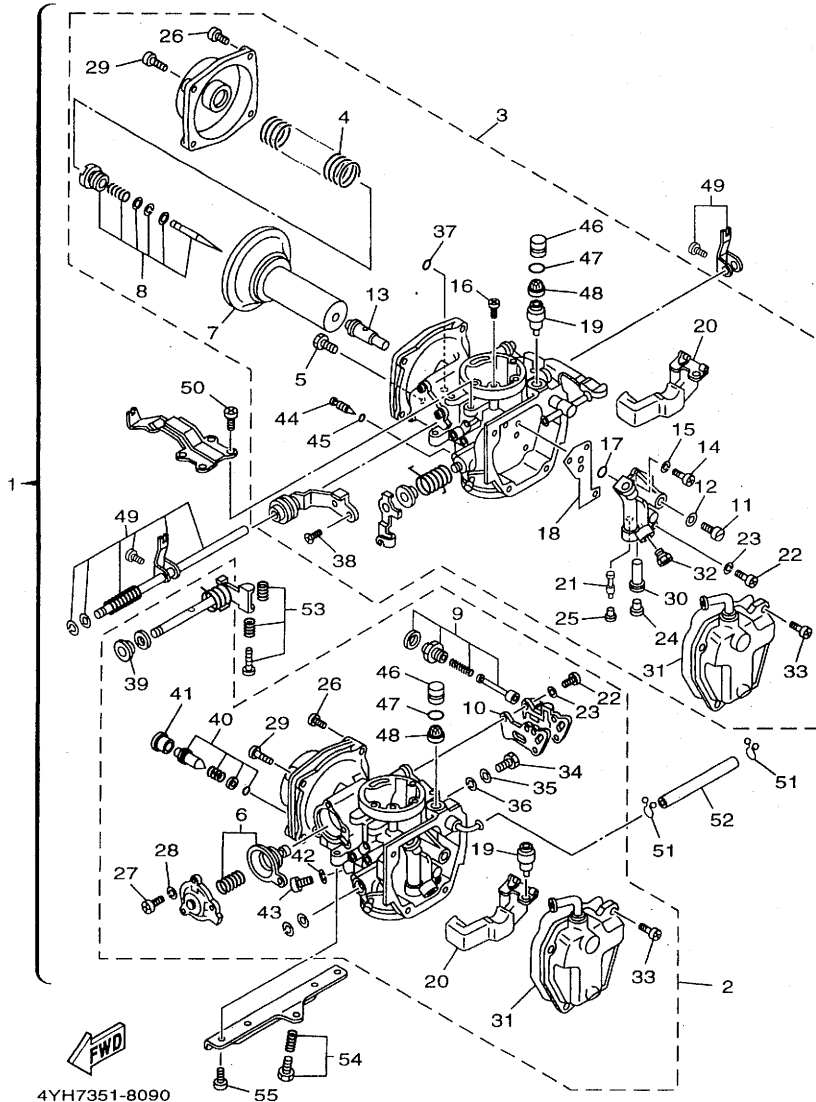


4KUK35I-6081

REF. NO.	PART NO.	DESCRIPTION	A	B	C	D	REMARKS
28	90445-11290	HOSE	1	1	1	1	
29	90445-11152	HOSE	1	1	1	1	
30	90173-06015	NUT, SQUARE	2	2	2	2	
31	91317-06030	BOLT	2	2	2	2	
32	92907-06600	WASHER, PLATE	2	2	2	2	
33	3JB-14414-00	STAY 2	1	1	1	1	
34	3JB-14425-00	DAMPER 1	1	1	1	1	

B11

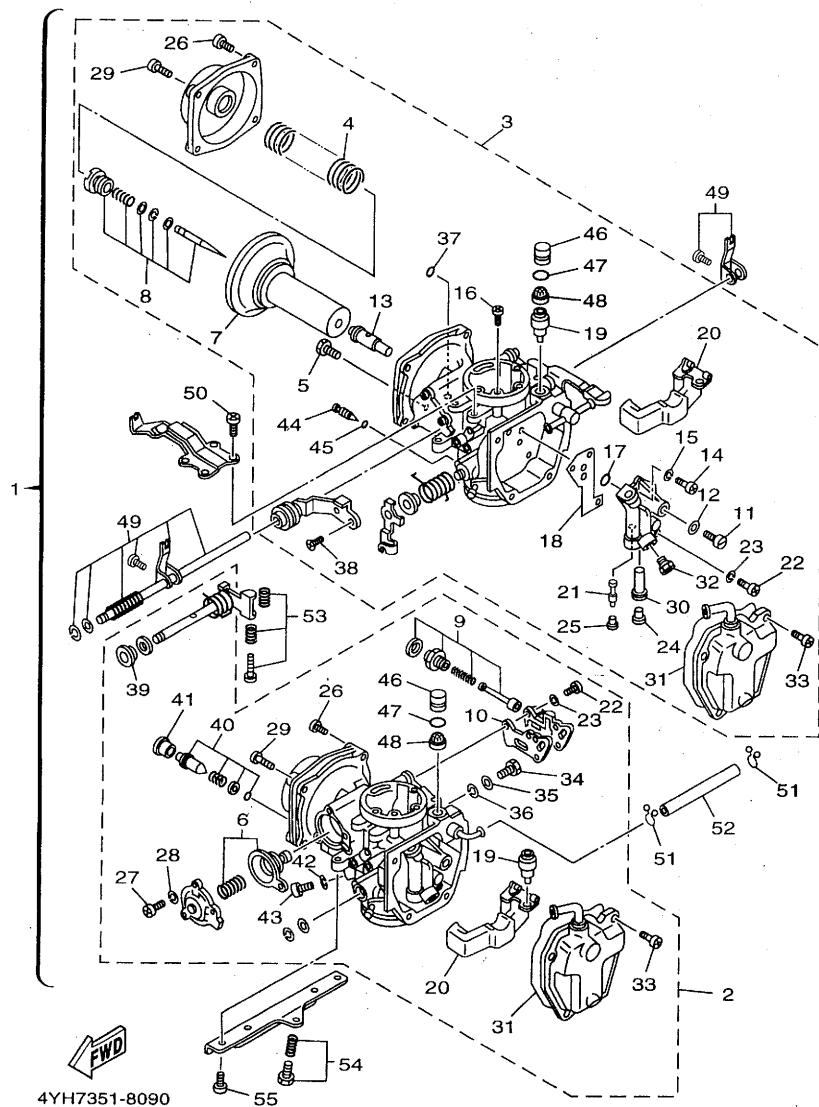
FIG. 9 CARBURETOR



REF. NO.	PART NO.	DESCRIPTION	A	B	C	D	REMARKS
1	4KU-14900-10	CARBURETOR ASSY	1	1	1	1	
2	4KU-14901-10	..CARBURETOR ASSY 1	1	1	1	1	
3	4KU-14902-10	..CARBURETOR ASSY 2	1	1	1	1	
4	1FK-14933-00	..SPRING, DIAPHRAGM	1	1	1	1	
5	3G2-14231-34	..JET, PILOT AIR (#170)	1	1	1	1	
6	22U-1490H-00	..DIAPHRAGM SET 5	1	1	1	1	
7	41R-14940-00	..DIAPHRAGM ASSY	1	1	1	1	
8	3BM-1490J-00	..NEEDLE SET	1	1	1	1	UR FRONT
	3BM-1490J-10	..NEEDLE SET	1	1	1	1	UR REAR
9	11H-1410A-00	..STARTER SET	1	1	1	1	
10	3JB-14536-00	..GASKET	1	1	1	1	
11	22U-14565-00	..SCREW	1	1	1	1	
12	137-14153-00	..WASHER, MAIN JET	1	1	1	1	
13	2JU-14141-90	..NOZZLE, MAIN	1	1	1	1	
14	98502-04018	..SCREW, PAN HEAD	1	1	1	1	
15	92902-04100	..WASHER, SPRING	1	1	1	1	
16	3G2-14231-14	..JET, PILOT AIR (#70)	1	1	1	1	
17	22U-14147-00	..O-RING	1	1	1	1	
18	3JB-14199-00	..GASKET	1	1	1	1	
19	1FK-14190-15	..NEEDLE VALVE ASSY	1	1	1	1	
20	1FK-14985-00	..FLOAT	1	1	1	1	
21	4G0-14142-35	..JET, PILOT (# 35)	1	1	1	1	
22	98501-04012	..SCREW, PAN HEAD	4	4	4	4	
23	92901-04100	..WASHER, SPRING	4	4	4	4	
24	22U-14968-00	..CAP	1	1	1	1	
25	22V-14968-00	..CAP	1	1	1	1	
26	97880-05014	..SCREW, PAN HEAD	3	3	3	3	

B12

FIG. 9 CARBURETOR

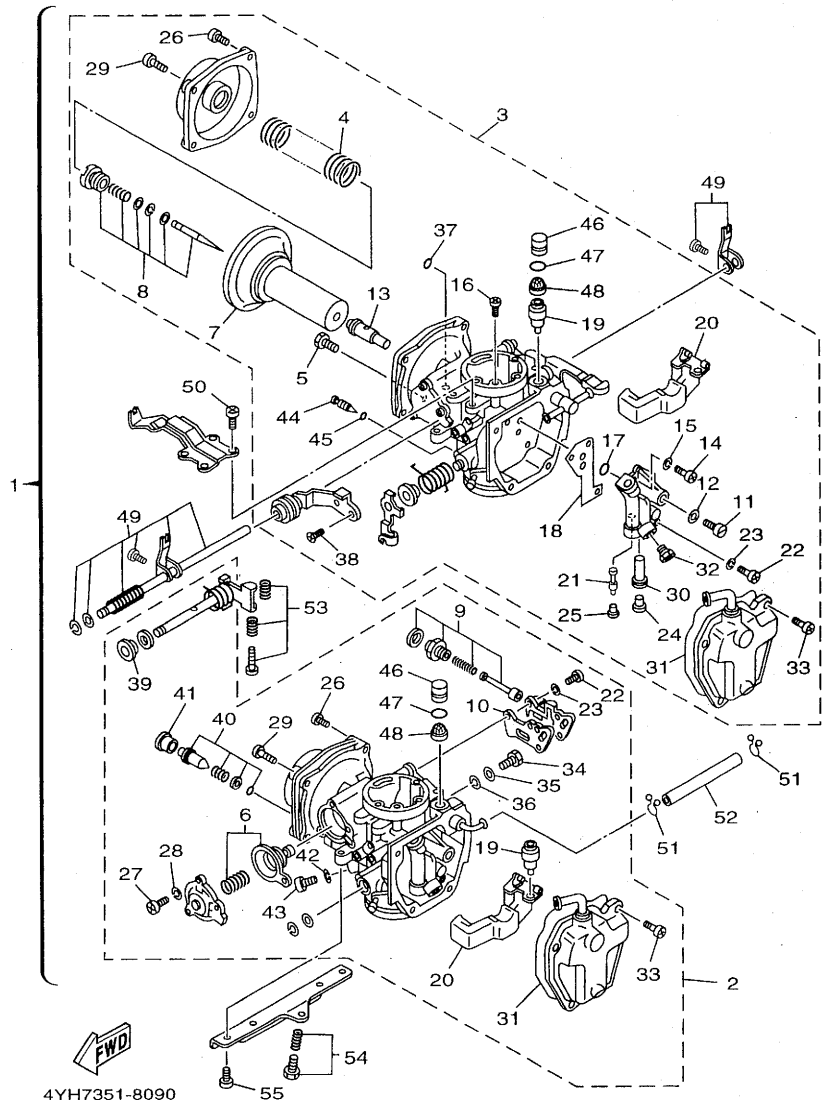


4YH7351-8090

REF. NO.	PART NO.	DESCRIPTION	A	B	C	D	REMARKS
27	98501-04010	..SCREW, PAN HEAD	3	3	3	3	
28	92901-04100	..WASHER, SPRING	3	3	3	3	
29	90157-05050	..SCREW, PAN HEAD	1	1	1	1	
30	4FT-1414G-00	..PIPE, MAIN BREED	1	1	1	1	
31	22V-14147-00	..O-RING	1	1	1	1	
32	3G2-1423A-72	..JET, MAIN (#107.5)	1	1	1	1	
33	98501-05012	..SCREW, PAN HEAD	4	4	4	4	
34	341-14991-00	..SCREW	1	1	1	1	
35	26H-14952-00	..WASHER	1	1	1	1	
36	22U-14952-00	..WASHER	1	1	1	1	
37	93210-03119	..O-RING	1	1	1	1	
38	92701-06010	..SCREW, FLAT HEAD	2	2	2	2	
39	341-14954-00	..WASHER	1	1	1	1	
40	12R-14105-00	..PILOT SCREW SET	1	1	1	1	
41	22F-14991-00	..CAP	1	1	1	1	
42	127-14198-00	..GASKET	2	2	2	2	
43	92502-08014	..SCREW, PAN HEAD	2	2	2	2	
44	2L1-14191-00	..PLUG, DRAIN	1	1	1	1	
45	214-14147-00	..O-RING	1	1	1	1	
46	41R-14118-01	..CAP	1	1	1	1	
47	1FK-14147-00	..O-RING	1	1	1	1	
48	1HX-14994-00	..NET, FILTER	1	1	1	1	
49	3JB-1490L-00	..STARTER LEVER SET, 1	1	1	1	1	
50	98501-05010	..SCREW, PAN HEAD	4	4	4	4	
51	90467-10041	..CLIP	2	2	2	2	
52	31H-14987-00	..HOSE	1	1	1	1	
53	3EN-1490K-00	..STOP SCREW SET	1	1	1	1	

B13

FIG. 9 CARBURETOR

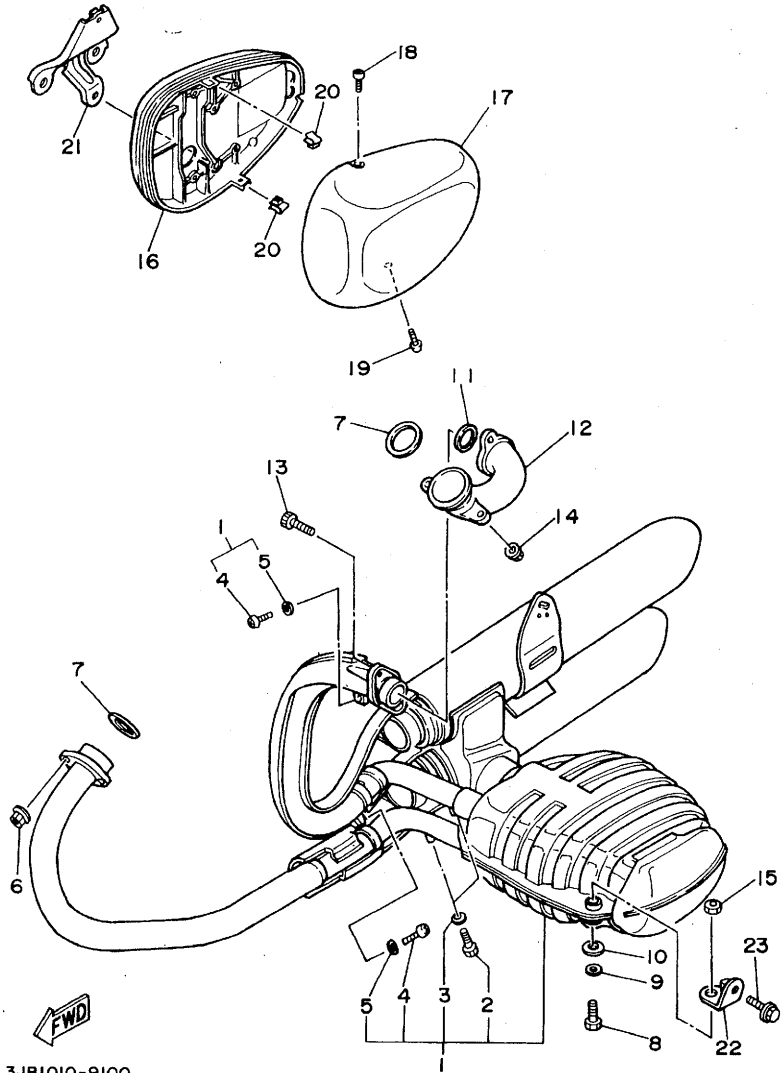


4YH7351-8090

REF. NO.	PART NO.	DESCRIPTION	A	B	C	D	REMARKS
54	22U-14103-00	.THROTTLE SCREW SET	1	1	1	1	
55	98507-06012	.SCREW, PAN HEAD	4	4	4	4	

B14

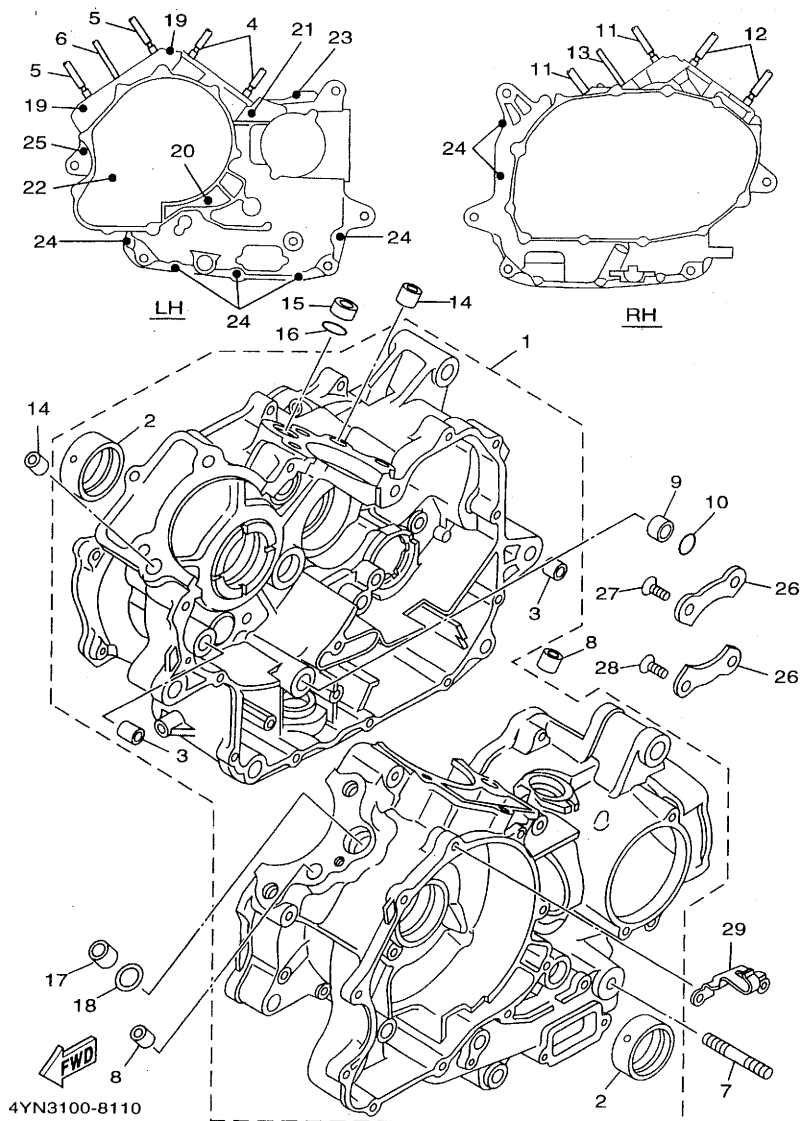
FIG. 10 EXHAUST



3JB1010-9100

REF. NO.	PART NO.	DESCRIPTION	A	B	C	D	REMARKS
1	4KU-14703-00	MUFFLER COMP. 1	1	1	1	1	
2	90101-06576	.BOLT	2	2	2	2	
3	92990-06600	.WASHER, PLATE	2	2	2	2	
4	98504-06020	.SCREW, PAN HEAD	2	2	2	2	
5	92903-06600	.WASHER, PLATE	2	2	2	2	
6	90179-08410	NUT	2	2	2	2	
7	4BE-14613-00	GASKET, EXHAUST PIPE	2	2	2	2	
8	97027-08030	BOLT	1	1	1	1	
9	92907-08100	WASHER, SPRING	1	1	1	1	
10	92907-08200	WASHER	1	1	1	1	
11	4BR-14613-00	GASKET, EXHAUST PIPE	1	1	1	1	
12	2GV-14625-00	JOINT, EXHAUST 2	1	1	1	1	
13	91317-06025	BOLT	2	2	2	2	
14	90185-08097	NUT, SELF-LOCKING	2	2	2	2	
15	95317-08700	NUT	1	1	1	1	
16	2GV-14663-00	PLATE, AIR CLEANER	1	1	1	1	
17	2GV-14603-00	COVER 1	1	1	1	1	
18	97704-40012	SCREW, TAPPING	1	1	1	1	
19	90163-04003	SCREW, TAPPING	1	1	1	1	
20	90183-04027	NUT, SPRING	2	2	2	2	
21	2GV-14484-00	PLATE, CLEANER CASE FITTING	1	1	1	1	
22	2GV-2138L-00	BRACKET 2	1	1	1	1	
23	95807-08016	BOLT, FLANGE	1	1	1	1	

B15



4YN3100-8110

FIG. 11 CRANKCASE

REF. NO.	PART NO.	DESCRIPTION	A	B	C	D	REMARKS
1	2GV-15100-02	CRANKCASE ASSY	1	1	1	1	
2	22U-11416-80	.PLANE BEARING, CRANKSHAFT 1	2	2	2	2	UR BLUE
	22U-11416-90	.PLANE BEARING, CRANKSHAFT 1	2	2	2	2	UR GREEN
3	91815-16017	.PIN, DOWEL	2	2	2	2	
4	90116-10406	BOLT, STUD	2	2	2	2	
5	90116-10405	BOLT, STUD	2	2	2	2	
6	90116-08404	BOLT, STUD	1	1	1	1	
7	95617-10680	BOLT, STUD	1	1	1	1	
8	99530-14016	PIN, DOWEL	2	2	2	2	
9	90387-16547	COLLAR	1	1	1	1	
10	93210-18322	O-RING	1	1	1	1	
11	90116-10406	BOLT, STUD	2	2	2	2	
12	90116-10405	BOLT, STUD	2	2	2	2	
13	90116-08404	BOLT, STUD	1	1	1	1	
14	99530-14016	PIN, DOWEL	2	2	2	2	
15	90387-16547	COLLAR	1	1	1	1	
16	93210-18322	O-RING	1	1	1	1	
17	90387-16547	COLLAR	1	1	1	1	
18	93210-18322	O-RING	1	1	1	1	
19	91314-08060	BOLT	2	2	2	2	
20	91317-08080	BOLT	1	1	1	1	
21	91314-08100	BOLT	1	1	1	1	
22	91317-06095	BOLT	1	1	1	1	
23	91314-06045	BOLT	1	1	1	1	
24	91317-06045	BOLT	7	7	7	7	
25	91314-06055	BOLT	1	1	1	1	
26	11H-15383-01	PLATE, BEARING COVER	2	2	2	2	

C2

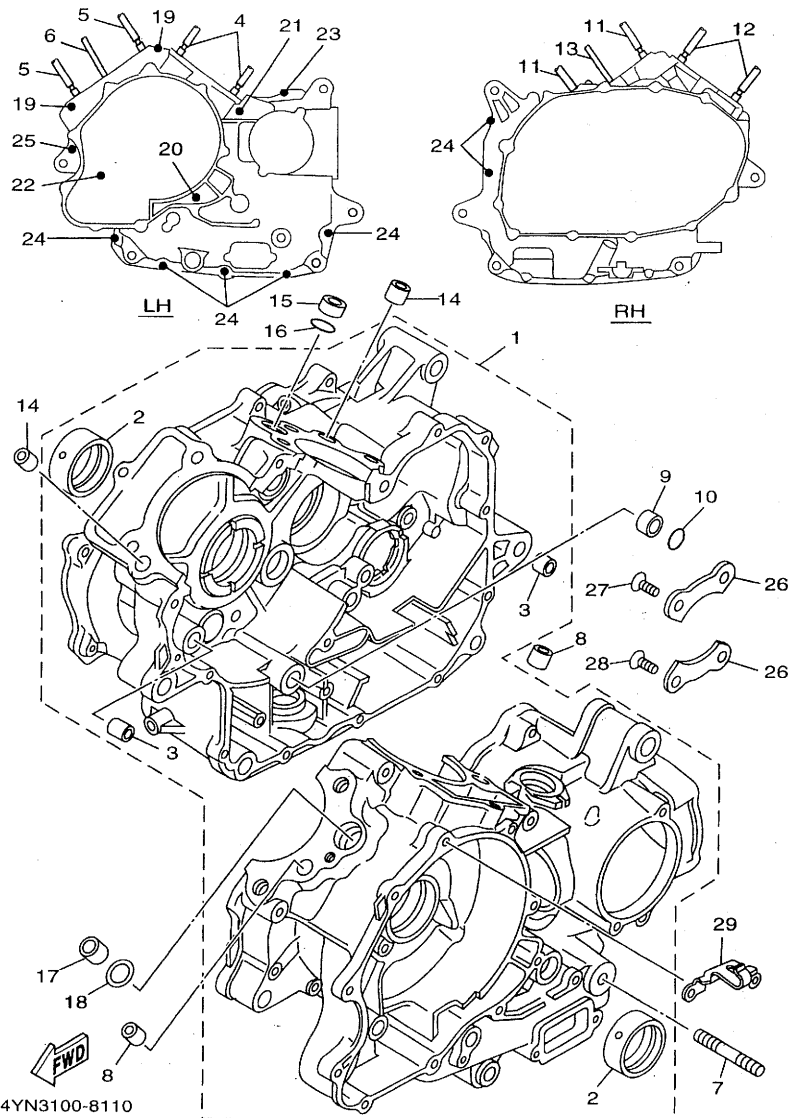
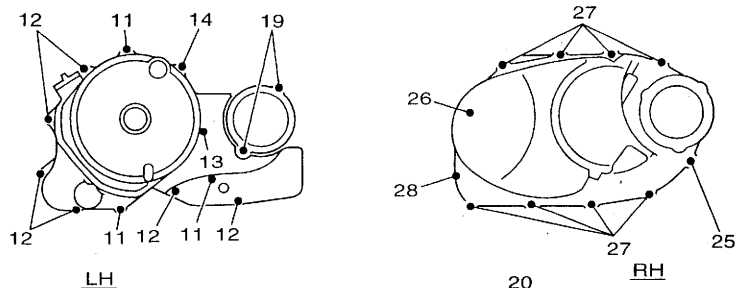


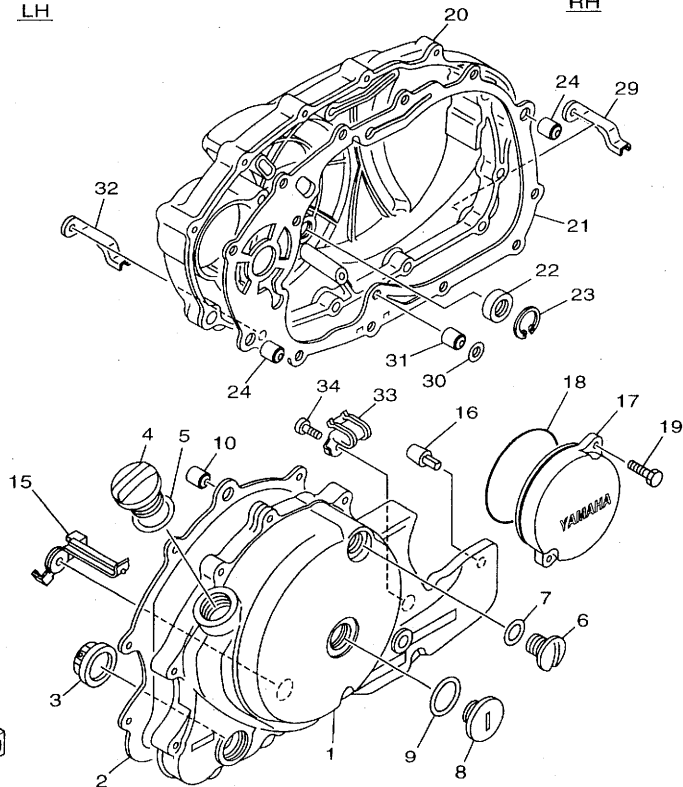
FIG. 11 CRANKCASE

REF. NO.	PART NO.	DESCRIPTION	A	B	C	D	REMARKS
27	90151-08022	SCREW, COUNTERSUNK	1	1	1	1	
28	90149-08152	SCREW	3	3	3	3	
29	22U-15441-01	HOLDER, CLUTCH CABLE	1	1	1	1	



LH

RH



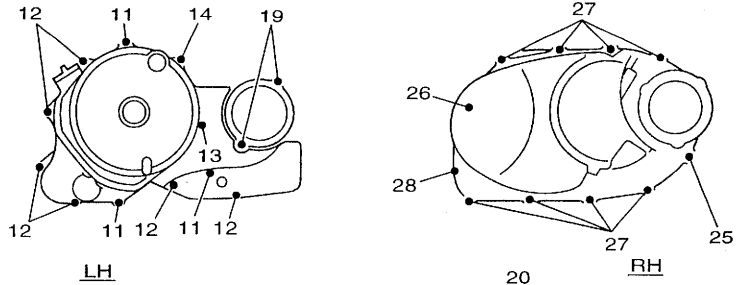
4YN3100-8120

FIG. 12 CRANKCASE COVER 1

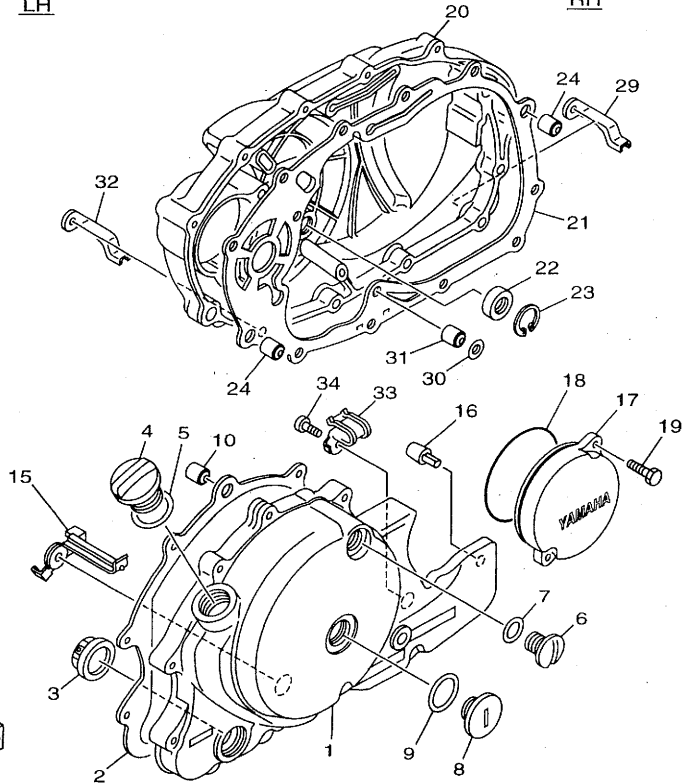
REF. NO.	PART NO.	DESCRIPTION	A	B	C	D	REMARKS
1	3JB-15411-01	COVER, CRANKCASE 1	1	1	1	1	
2	4VR-15451-00	GASKET, CRANKCASE COVER 1	1	1	1	1	
3	2H7-15361-00	GAUGE, LEVEL	1	1	1	1	
4	3F9-15362-00	PLUG, OIL LEVEL	1	1	1	1	
5	93210-27370	O-RING	1	1	1	1	
6	90340-14139	PLUG, STRAIGHT SCREW	1	1	1	1	
7	93210-14369	O-RING	1	1	1	1	
8	90340-32140	PLUG, STRAIGHT SCREW	1	1	1	1	
9	93210-32172	O-RING	1	1	1	1	
10	99530-10014	PIN, DOWEL	2	2	2	2	
11	91314-06040	BOLT	3	3	3	3	
12	91314-06025	BOLT	6	6	6	6	
13	91314-06055	BOLT	1	1	1	1	
14	91314-06030	BOLT	1	1	1	1	
15	3BT-15484-00	CLAMP 2	1	1	1	1	
16	2GV-15316-00	DAMPER, ENGINE MOUNT 1	1	1	1	1	
17	3JB-15415-00	COVER, GENERATOR	1	1	1	1	
18	93210-74316	O-RING	1	1	1	1	
19	91314-06018	BOLT	2	2	2	2	
20	3JB-15421-00	COVER, CRANKCASE 2	1	1	1	1	
21	4VR-15461-00	GASKET, CRANKCASE COVER 2	1	1	1	1	
22	93101-14089	OIL SEAL	1	1	1	1	
23	99009-25500	CIRCLIP	1	1	1	1	
24	99530-10120	PIN, DOWEL	2	2	2	2	
25	91314-06040	BOLT	1	1	1	1	
26	91314-06055	BOLT	1	1	1	1	
27	91314-06025	BOLT	8	8	8	8	

C4

FIG. 12 CRANKCASE COVER 1

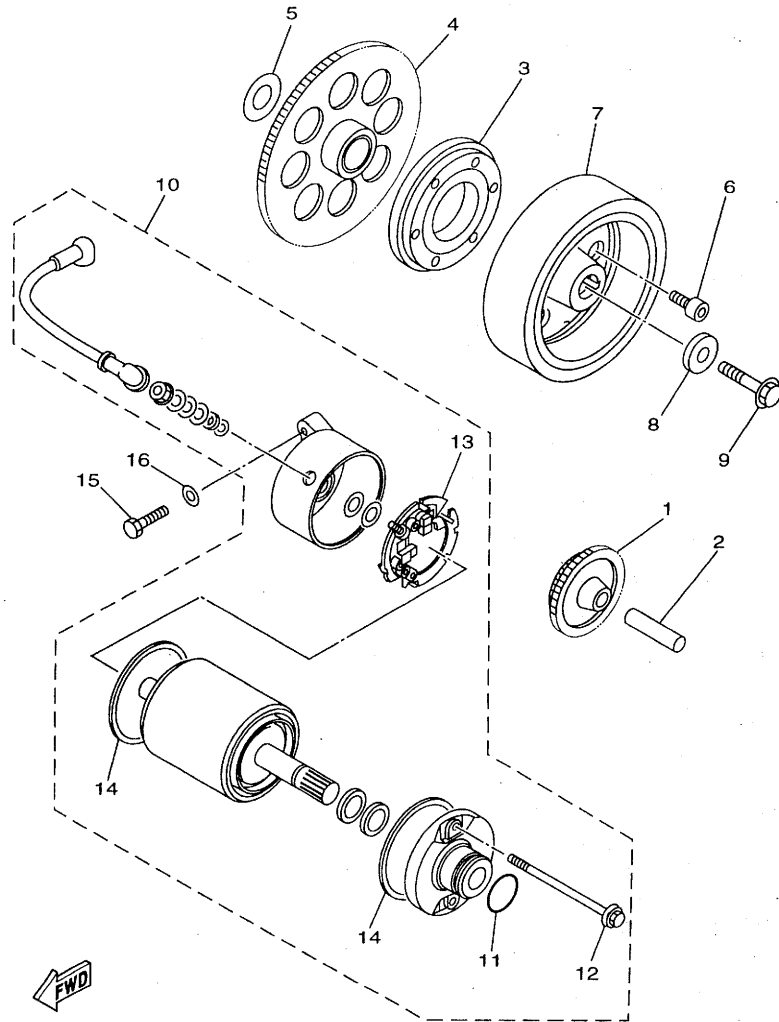


REF. NO.	PART NO.	DESCRIPTION	A	B	C	D	REMARKS
28	91380-06025	BOLT	1	1	1	1	
29	90462-10115	CLAMP	2	2	2	2	
30	93210-15566	O-RING	1	1	1	1	
31	91815-16017	PIN, DOWEL	1	1	1	1	
32	90462-10118	CLAMP	2	2	2	2	
33	90462-06119	CLAMP	1	1	1	1	
34	98507-06010	SCREW, PAN HEAD	1	1	1	1	



4YN3100-8120

C5



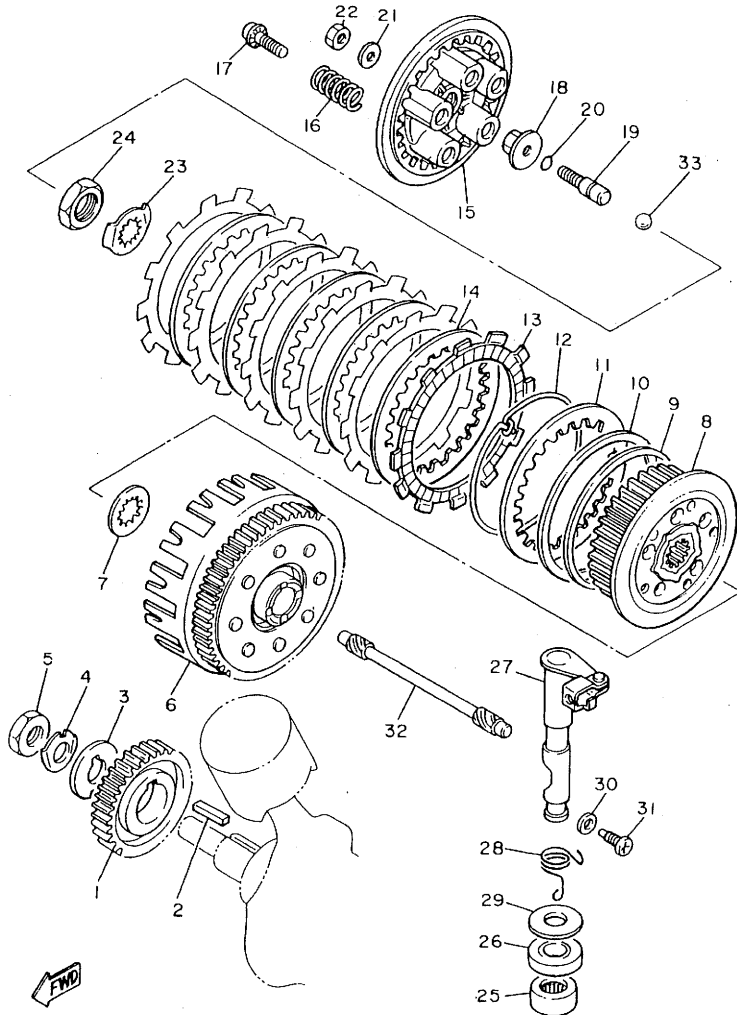
4TR1010-6120

FIG. 13 STARTER CLUTCH

REF. NO.	PART NO.	DESCRIPTION	A	B	C	D	REMARKS
1	22U-15512-00	GEAR, IDLER 1 (12T-50T)	1	1	1	1	
2	5H0-15521-00	SHAFT 1	1	1	1	1	
3	4TR-15590-00	STARTER ONE-WAY ASSY	1	1	1	1	
4	4TR-15517-00	GEAR, IDLER 2	1	1	1	1	
5	90201-25290	WASHER, PLATE	1	1	1	1	
6	90110-08212	BOLT, HEXAGON SOCKET HEAD	6	6	6	6	
7	4TR-81450-00	ROTOR ASSY	1	1	1	1	
8	90201-107E9	WASHER, PLATE	1	1	1	1	
9	90105-10152	BOLT, WASHER BASED	1	1	1	1	
10	3JB-81800-01	STARTING MOTOR ASSY	1	1	1	1	
11	1FK-81847-00	.O-RING	1	1	1	1	
12	3HE-81826-00	.BOLT	2	2	2	2	
13	3KS-81840-00	.BRUSH HOLDER ASSY	1	1	1	1	
14	11H-81844-00	.GASKET	2	2	2	2	
15	97070-06025	BOLT	2	2	2	2	
16	92990-06600	WASHER, PLATE	2	2	2	2	

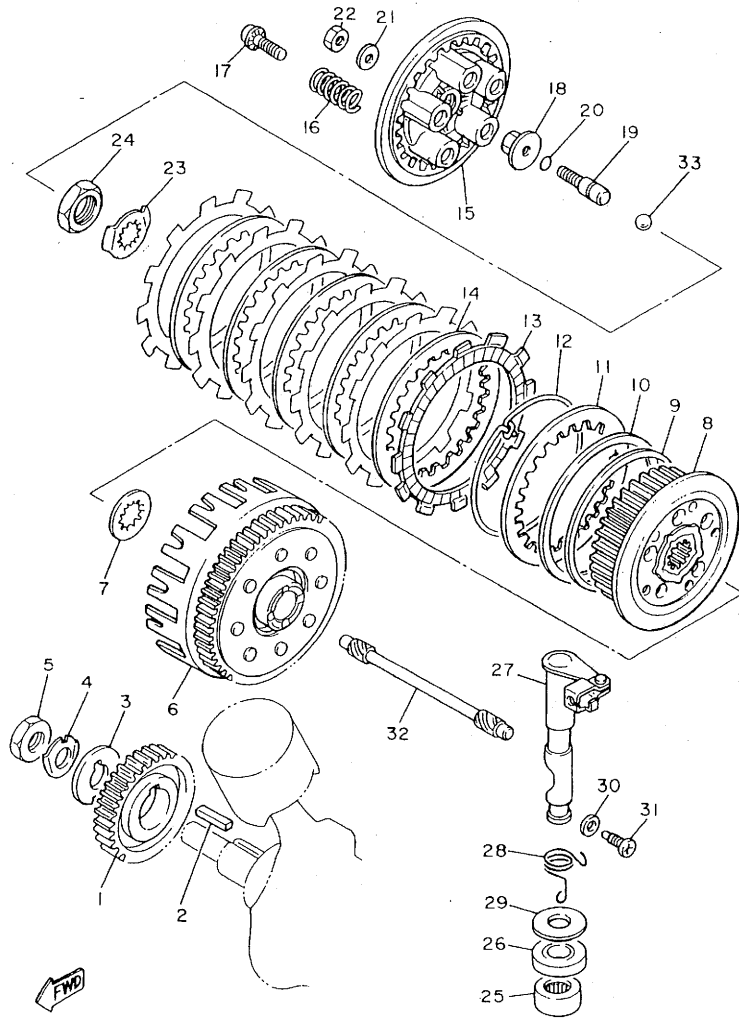
C6

FIG. 14 CLUTCH



REF. NO.	PART NO.	DESCRIPTION	A	B	C	D	REMARKS
1	4KU-16111-00	GEAR, PRIMARY DRIVE (36T)	1	1	1	1	
2	90280-07036	KEY, WOODRUFF	1	1	1	1	
3	90214-16026	WASHER, CLAW	1	1	1	1	
4	90215-16157	WASHER, LOCK	1	1	1	1	
5	90170-16256	NUT	1	1	1	1	
6	22U-16150-01	PRIMARY DRIVEN GEAR COMP.	1	1	1	1	
7	22U-16154-00	PLATE, THRUST 1	1	1	1	1	
8	22U-16371-01	BOSS, CLUTCH	1	1	1	1	
9	4X7-16384-00	PLATE, SEAT	1	1	1	1	
10	4X7-16383-01	SPRING, CLUTCH BOSS	1	1	1	1	
11	4X7-16324-00	PLATE, CLUTCH 1	1	1	1	1	
12	4X7-16385-00	RING, CLUTCH BOSS	1	1	1	1	
13	22U-16321-00	PLATE, FRICTION	6	6	6	6	
14	4X7-16325-00	PLATE, CLUTCH 2	5	5	5	5	
15	22U-16351-00	PLATE, PRESSURE 1	1	1	1	1	
16	90501-23738	SPRING, COMPRESSION	5	5	5	5	
17	90159-06016	SCREW, WITH WASHER	5	5	5	5	
18	1W1-16358-01	PLATE, PUSH	1	1	1	1	
19	4PT-16356-01	ROD, PUSH 1	1	1	1	1	
20	93210-09525	O-RING	1	1	1	1	
21	92907-06200	WASHER	1	1	1	1	
22	95307-06600	NUT	1	1	1	1	
23	90215-22210	WASHER, LOCK	1	1	1	1	
24	90170-20310	NUT	1	1	1	1	
25	93315-21813	BEARING	1	1	1	1	
26	93102-18278	OIL SEAL	1	1	1	1	
27	22U-16380-00	PUSH LEVER ASSY	1	1	1	1	

FWD
22U110-3160



22U110-3160

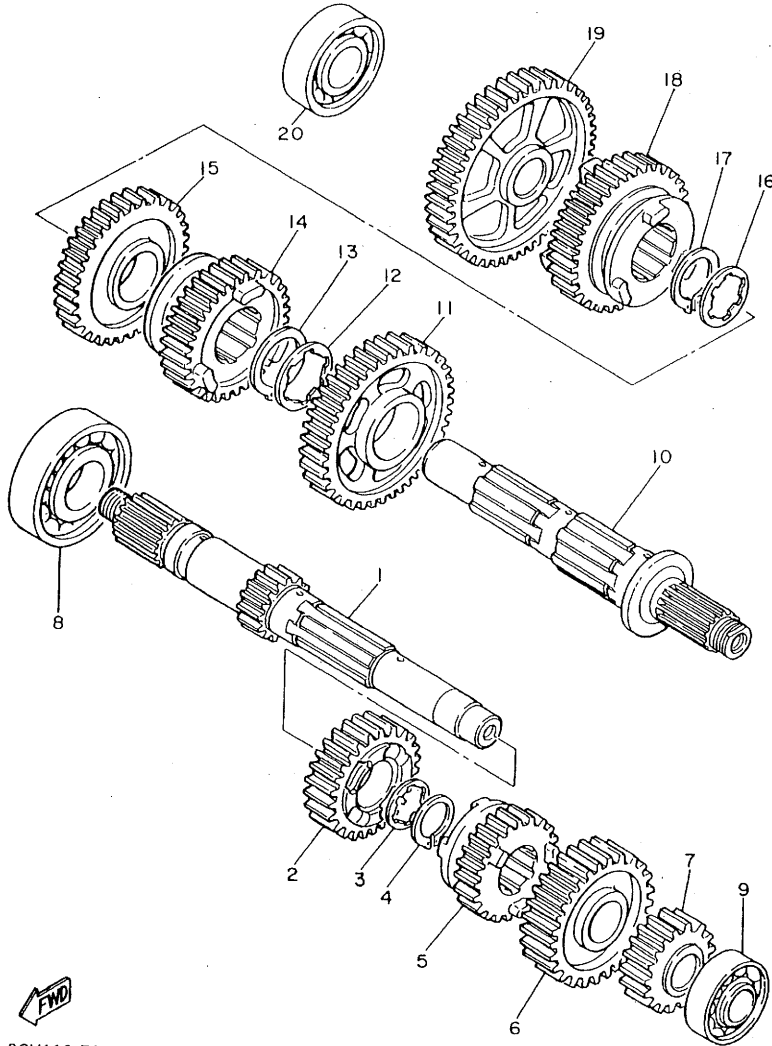
FIG. 14 CLUTCH

REF. NO.	PART NO.	DESCRIPTION	A	B	C	D	REMARKS
28	90508-16577	SPRING, TORSION	1	1	1	1	
29	90201-18262	WASHER, PLATE	1	1	1	1	
30	90430-08119	GASKET	1	1	1	1	
31	90149-08067	SCREW	1	1	1	1	
32	22U-16357-00	ROD, PUSH 2	1	1	1	1	
33	93515-32029	BALL	1	1	1	1	

C8

FIG. 15 TRANSMISSION

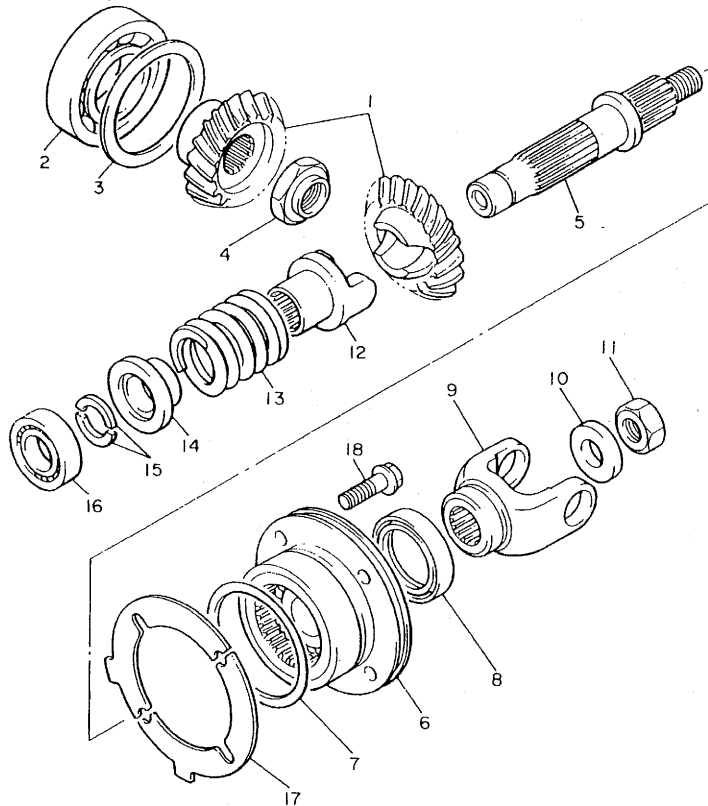
REF. NO.	PART NO.	DESCRIPTION	A	B	C	D	REMARKS
1	4VR-17411-00	AXLE, MAIN (14T)	1	1	1	1	
2	22U-17141-00	GEAR, 4TH PINION (24T)	1	1	1	1	
3	90209-22191	WASHER	1	1	1	1	
4	93440-25084	CIRCLIP	1	1	1	1	
5	4KU-17131-00	GEAR, 3RD PINION (24T)	1	1	1	1	
6	11H-17151-01	GEAR, 5TH PINION (30T)	1	1	1	1	
7	4KU-17121-00	GEAR, 2ND PINION (20T)	1	1	1	1	
8	93306-30525	BEARING (B6305)	1	1	1	1	
9	93306-00401	BEARING (B6004)	1	1	1	1	
10	22U-17402-00	DRIVE AXLE ASSY	1	1	1	1	
11	4KU-17221-00	GEAR, 2ND WHEEL (38T)	1	1	1	1	
12	90209-27192	WASHER	1	1	1	1	
13	93440-30077	CIRCLIP	1	1	1	1	
14	11H-17251-00	GEAR, 5TH WHEEL (29T)	1	1	1	1	
15	4KU-17231-00	GEAR, 3RD WHEEL (35T)	1	1	1	1	
16	90209-22191	WASHER	1	1	1	1	
17	93440-25084	CIRCLIP	1	1	1	1	
18	22U-17241-00	GEAR, 4TH WHEEL (28T)	1	1	1	1	
19	22U-17211-00	GEAR, 1ST WHEEL (38T)	1	1	1	1	
20	93306-00428	BEARING	1	1	1	1	



2GV110-7150

C9

FIG. 16 MIDDLE DRIVE GEAR



REF. NO.	PART NO.	DESCRIPTION	A	B	C	D	REMARKS
1	22U-Y1754-00	MIDDLE GEAR COMP.	1	1	1	1	
2	93306-20711	BEARING	1	1	1	1	
3	4H7-17537-00-20	SHIM, THRUST (0.20T)	1	1	1	1	UR
	4H7-17537-00-30	SHIM, THRUST (0.30T)	1	1	1	1	UR
	4H7-17537-00-40	SHIM, THRUST (0.40T)	1	1	1	1	UR
4	90179-18396	NUT	1	1	1	1	
5	22U-17553-01	SHAFT, MIDDLE DRIVEN	1	1	1	1	
6	4H7-W1752-10	HOUSHING COMP.	1	1	1	1	
7	93210-71360	O-RING	1	1	1	1	
8	93101-35097	OIL SEAL	1	1	1	1	
9	22U-17556-00	YOKE, JOINT	1	1	1	1	
10	90201-14633	WASHER, PLATE	1	1	1	1	
11	90185-14070	NUT, SELF-LOCKING	1	1	1	1	
12	22U-17527-01	CAM, DRIVEN	1	1	1	1	
13	90501-60716	SPRING, COMPRESSION	1	1	1	1	
14	22U-17524-00	HOLDER	1	1	1	1	
15	3H5-17529-00	WASHER, THRUST	2	2	2	2	
16	93306-00401	BEARING (B6004)	1	1	1	1	
17	3JB-17531-00	SHIM, PINION (0.10T)	2	2	2	2	UR
	3JB-17531-10	SHIM, PINION (0.15T)	2	2	2	2	UR
	3JB-17531-20	SHIM, PINION (0.20T)	2	2	2	2	UR
18	95827-08030	BOLT, FLANGE	4	4	4	4	

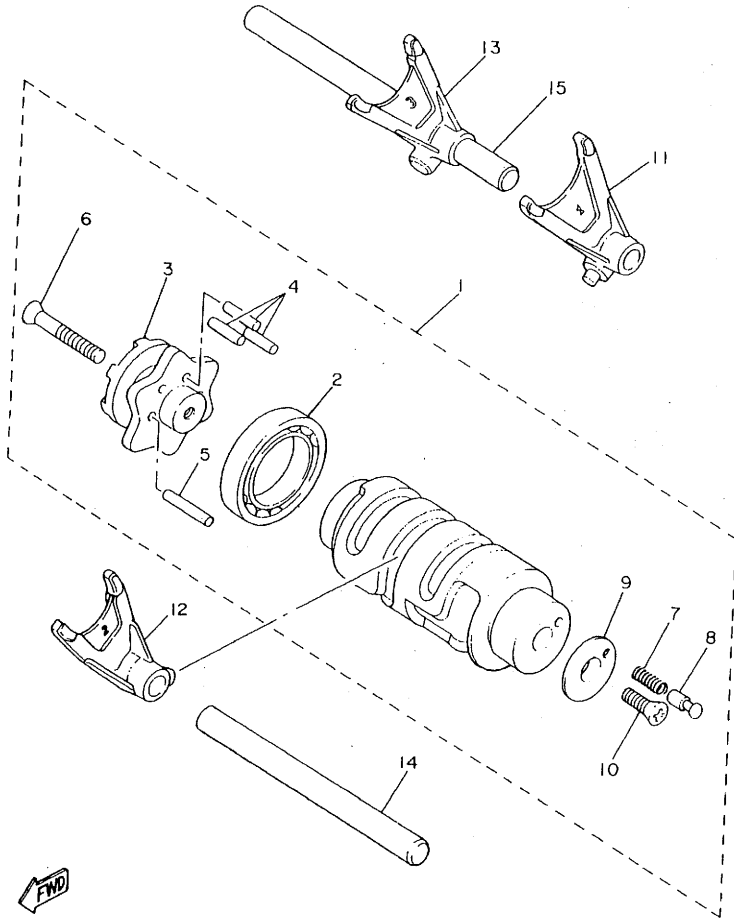


22U110-3180

C10

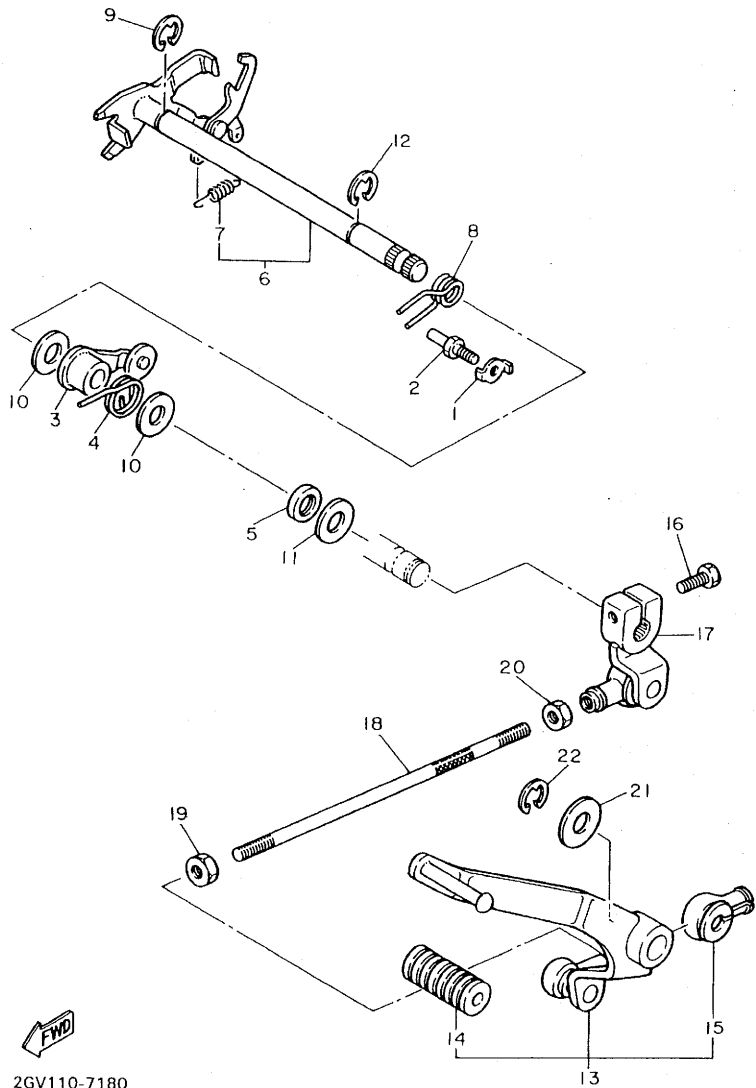
FIG. 17 SHIFT CAM. FORK

REF. NO.	PART NO.	DESCRIPTION	A	B	C	D	REMARKS
1	4TR-18540-01	SHIFT CAM ASSY	1	1	1	1	
2	93306-90602	.BEARING	1	1	1	1	
3	4H7-18185-00	.SEGMENT	1	1	1	1	
4	93604-16092	.PIN, DOWEL	3	3	3	3	
5	93604-20156	.PIN, DOWEL	1	1	1	1	
6	98707-05035	.SCREW, FLAT HEAD	1	1	1	1	
7	90501-06022	.SPRING, COMPRESSION	1	1	1	1	
8	4UN-18542-00	.POINT, NEUTRAL	1	1	1	1	
9	4UN-18566-00	.PLATE, SIDE 2	1	1	1	1	
10	98707-05016	.SCREW, FLAT HEAD	1	1	1	1	
11	4TR-18511-00	FORK, SHIFT 1	1	1	1	1	
12	4TR-18512-00	FORK, SHIFT 2	1	1	1	1	
13	4TR-18513-00	FORK, SHIFT 3	1	1	1	1	
14	3YF-18531-00	BAR, SHIFT FORK GUIDE 1	1	1	1	1	
15	4TR-18535-00	BAR, SHIFT FORK GUIDE 2	1	1	1	1	



22U110-3190

C11



2GV110-7180

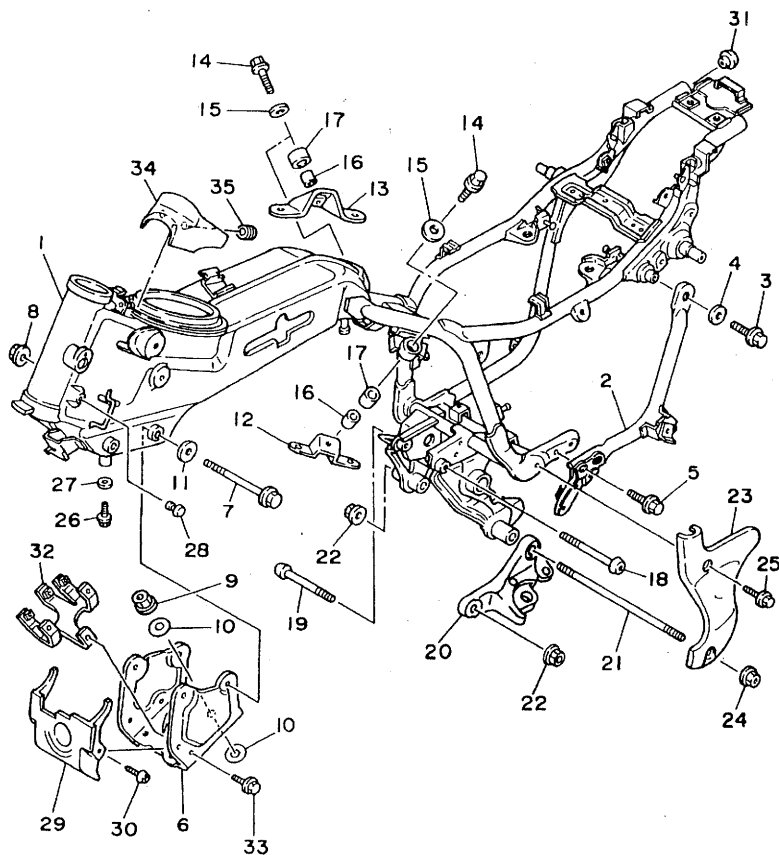
FIG. 18 SHIFT SHAFT

REF. NO.	PART NO.	DESCRIPTION	A	B	C	D	REMARKS
1	90215-18178	WASHER, LOCK	1	1	1	1	
2	4G0-18127-00	STOPPER, SCREW	1	1	1	1	
3	4TR-18140-00	STOPPER LEVER ASSY	1	1	1	1	
4	90508-290B5	SPRING, TORSION	1	1	1	1	
5	93102-12106	OIL SEAL (SD 12-22-5 HS)	1	1	1	1	
6	22U-18120-02	SHIFT LEVER ASSY	1	1	1	1	
7	90506-08227	SPRING, TENSION	1	1	1	1	
8	90508-32536	SPRING, TORSION	1	1	1	1	
9	99001-10600	CIRCLIP	1	1	1	1	
10	90201-12588	WASHER, PLATE	2	2	2	2	
11	90201-12575	WASHER, PLATE	1	1	1	1	
12	99001-10600	CIRCLIP	1	1	1	1	
13	2GV-18110-00	SHIFT PEDAL ASSY	1	1	1	1	
14	132-18113-01	COVER, SHIFT PEDAL	1	1	1	1	
15	2H9-18154-00	COVER, DUST	1	1	1	1	
16	97024-06020	BOLT	1	1	1	1	
17	2GV-18112-00	ARM, SHIFT	1	1	1	1	
18	2GV-18115-00	ROD, SHIFT	1	1	1	1	
19	90170-06228	NUT(COUNTER CLOCKWISE)	1	1	1	1	
20	95304-06700	NUT	1	1	1	1	
21	90201-12688	WASHER, PLATE	1	1	1	1	
22	99009-12400	CIRCLIP	1	1	1	1	

C12

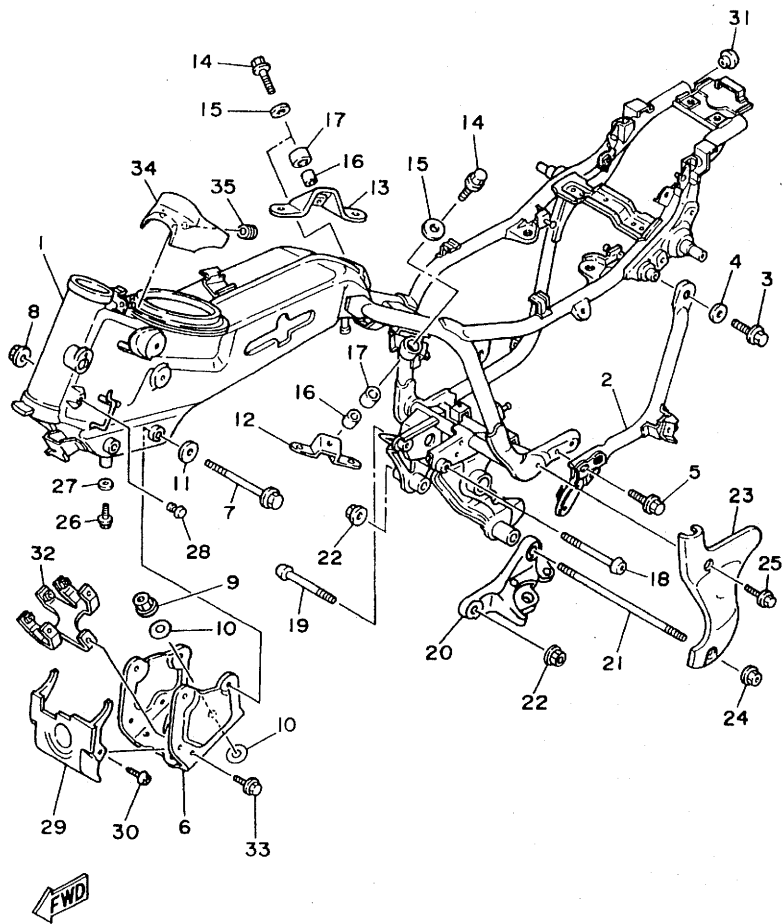
FIG. 19 FRAME

REF. NO.	PART NO.	DESCRIPTION	A	B	C	D	REMARKS
1	4FT-21110-10-33	FRAME COMP.(YB)	1		1		
	4KU-21110-20-33	FRAME COMP.(YB)		1		1	
2	3JB-21105-00-33	BACK STAY SUB COMP. 1	1	1	1	1	YB
3	90105-08066	BOLT, WASHER BASED	1	1	1	1	
4	90201-08326	WASHER, PLATE	1	1	1	1	
5	90109-08718	BOLT	2	2	2	2	
6	2GV-21317-00	STAY, ENGINE 3	1	1	1	1	
7	90105-10183	BOLT, WASHER BASED	2	2	2	2	
8	90179-10247	NUT	2	2	2	2	
9	90179-10279	NUT	4	4	4	4	
10	90201-10131	WASHER, PLATE	4	4	4	4	
11	90201-10140	WASHER, PLATE	2	2	2	2	
12	22U-21315-00	STAY, ENGINE 2	1	1	1	1	
13	22U-21316-00	STAY, ENGINE 3	1	1	1	1	
14	90105-10186	BOLT, WASHER BASED	2	2	2	2	
15	90201-104A7	WASHER, PLATE	2	2	2	2	
16	90387-100E2	COLLAR	2	2	2	2	
17	4X7-21485-00	DAMPER, RUBBER 1	2	2	2	2	
18	90149-10238	SCREW	1	1	1	1	
19	90149-10239	SCREW	1	1	1	1	
20	4KU-21458-00	BRACKET, SIDE STAND	1	1	1	1	
21	90116-12495	BOLT, STUD	1	1	1	1	
22	90179-12248	NUT	2	2	2	2	
23	2GV-2171E-00	COVER, SIDE 5	1	1	1	1	
24	95307-12800	NUT	1	1	1	1	
25	95027-06016	BOLT, FLANGE	1	1	1	1	
26	90105-06069	BOLT, WASHER BASED	1	1	1	1	



3JCG100-5190

C13



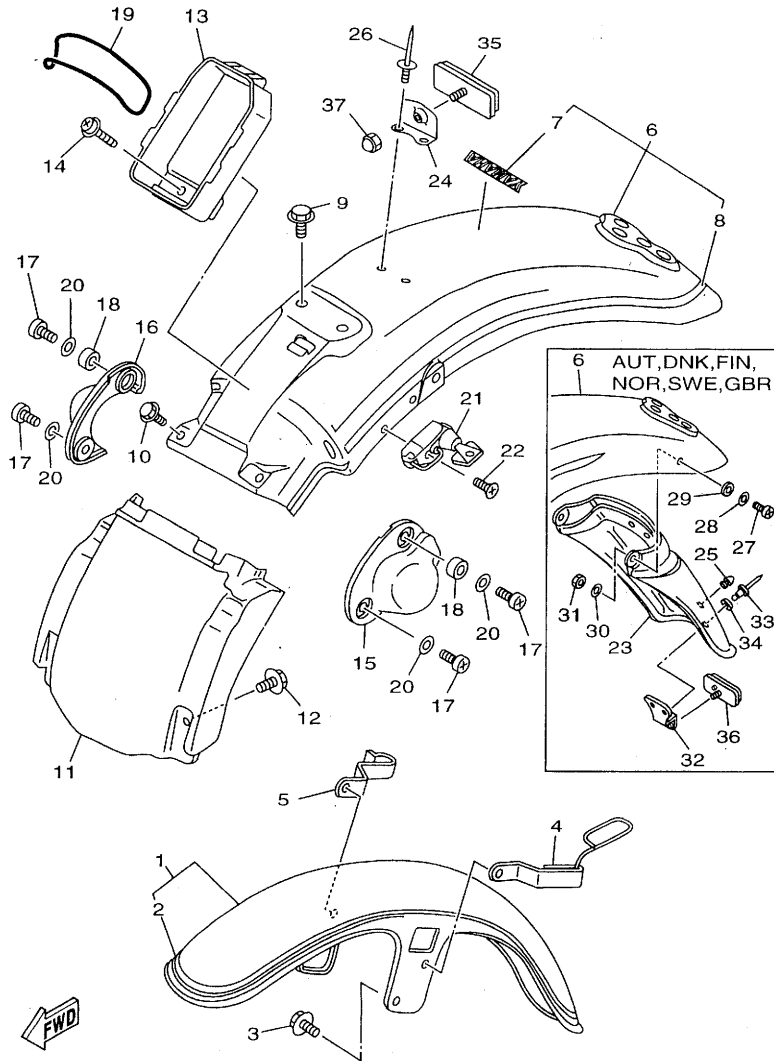
3JCG100-5190

FIG. 19 FRAME

REF. NO.	PART NO.	DESCRIPTION	A	B	C	D	REMARKS
27	90202-05193	WASHER, PLATE	1	1	1	1	
28	90338-07043	PLUG	4	4	4	4	
29	2GV-2139R-00	COVER 2	1	1	1	1	
30	97707-60514	SCREW, TAPPING	2	2	2	2	
31	1AA-2143A-00	CAP	2	2	2	2	
32	2GV-21359-00	BRACKET, COIL	1	1	1	1	
33	95807-06012	BOLT, FLANGE	2	2	2	2	
34	3JB-2139R-00	COVER 2	1	1	1	1	
35	90480-10334	GROMMET	2	2	2	2	

C14

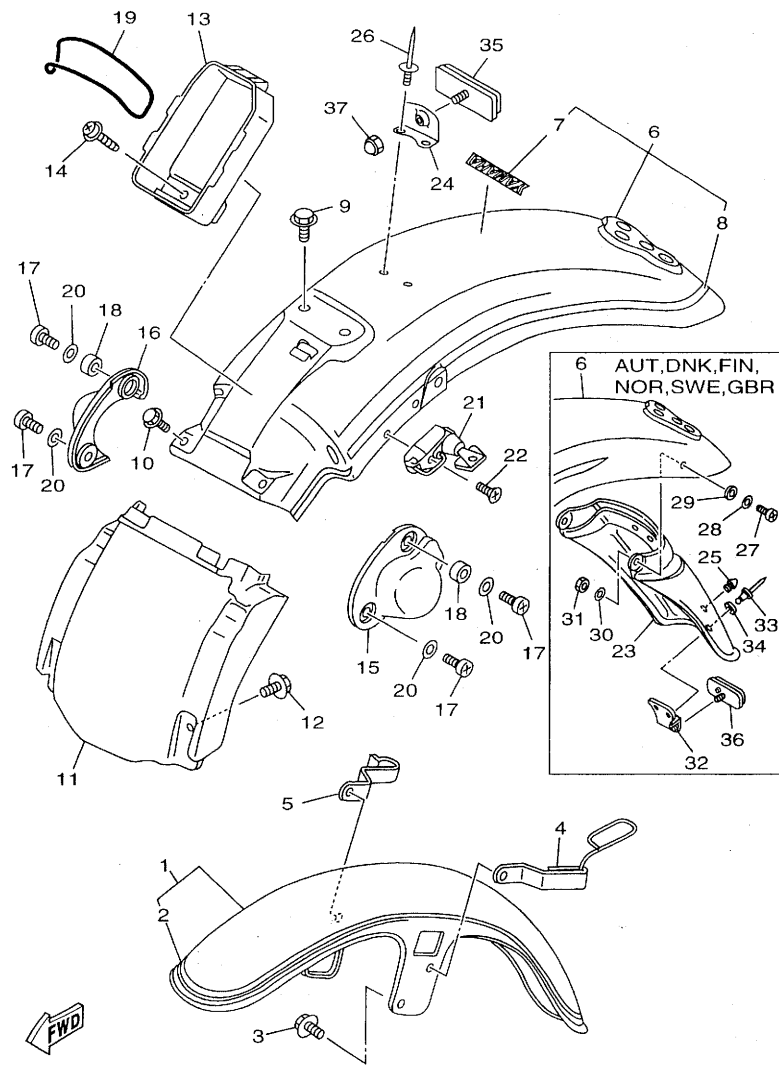
FIG. 20 FENDER



REF. NO.	PART NO.	DESCRIPTION	A	B	C	D	REMARKS
1	2GV-Y2150-E1-JW	FRONT FENDER ASSY	1	1	1	1	UR URB
	2GV-Y2150-F1-PB	FRONT FENDER ASSY	1	1	1	1	UR DPRC3
	2GV-Y2150-G1-3G	FRONT FENDER ASSY	1	1	1	1	UR MKB
2	4KU-21570-80	.GRAPHIC SET, FRONT FENDER	1	1	1	1	UR FOR URB
	4KU-21570-90	.GRAPHIC SET, FRONT FENDER	1	1	1	1	UR FOR DPRC3
	4KU-21570-A0	.GRAPHIC SET, FRONT FENDER	1	1	1	1	UR FOR MKB
3	95027-08012	BOLT, FLANGE	4	4	4	4	
4	2NT-21597-01	HOLDER, WIRE 1	1	1	1	1	
5	3JB-21598-00	HOLDER, WIRE 2	1	1	1	1	
6	3BR-Y2161-0V-JW	REAR FENDER COMP.	1			1	UR URB
	3BR-Y2161-0W-P3	REAR FENDER COMP.	1			1	UR DPRC3
	3BR-Y2161-0X-3G	REAR FENDER COMP.	1			1	UR MKB
	3JB-Y2161-0K-JW	REAR FENDER COMP.		1	1		UR URB
	3JB-Y2161-0L-3G	REAR FENDER COMP.		1	1		UR MKB
	3JB-Y2161-0M-P4	REAR FENDER COMP.		1	1		UR DPRC3
7	99236-00080	.EMBLEM, YAMAHA	1	1	1	1	UR FOR URB
	99237-00080	.EMBLEM, YAMAHA	1	1	1	1	UR FOR DPRC3, MKB
8	4KU-2165A-80	.GRAPHIC SET, REAR FENDER	1	1	1	1	UR FOR URB
	4KU-2165A-90	.GRAPHIC SET, REAR FENDER	1	1	1	1	UR FOR DPRC3
	4KU-2165A-A0	.GRAPHIC SET, REAR FENDER	1	1	1	1	UR FOR MKB
9	95807-08012	BOLT, FLANGE	2	2	2	2	
10	95807-06010	BOLT, FLANGE	2	2	2	2	
11	2GV-21629-00-JW	GUARD, MUD	1	1	1	1	UR URB
	2GV-21629-00-P5	GUARD, MUD	1	1	1	1	UR DPRC3
	2GV-21629-00-3G	GUARD, MUD	1	1	1	1	UR MKB
12	90119-06123	BOLT, WITH WASHER	2	2	2	2	
13	2GV-2160E-00	BOX	1	1	1	1	

4YH7300-8200

C15



4YH7300-8200

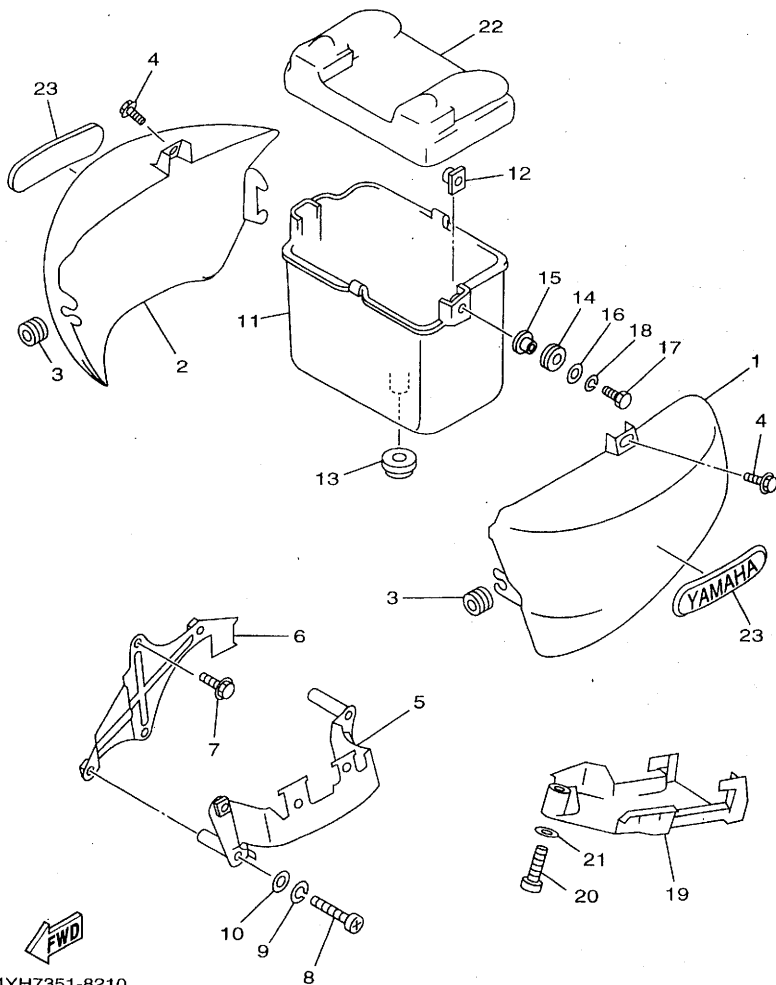


FIG. 20 FENDER

REF. NO.	PART NO.	DESCRIPTION	A	B	C	D	REMARKS
14	90159-06059	SCREW, WITH WASHER	1	1	1	1	
15	2GV-2163A-00	COVER, REAR FENDER 1	1	1	1	1	
16	2GV-2163E-00	COVER, REAR FENDER 2	1	1	1	1	
17	98904-08014	SCREW, BIND	4	4	4	4	
18	90560-08326	SPACER	2	2	2	2	
19	93210-71360	O-RING	1	1	1	1	
20	92903-08200	WASHER, PLAIN	4	4	4	4	
21	4R8-21308-00	HELMET HANGER ASSY	1	1	1	1	
22	90149-06154	SCREW	1	1	1	1	
23	3BR-21621-00	FLAP	1			1	
24	3JB-21641-00	BRACKET, REFLECTOR		1	1		
25	4G0-21639-00	DAMPER 2	1			1	
26	90267-48104	RIVET, BLIND		2	2		
27	98507-06012	SCREW, PAN HEAD	2			2	
28	92907-06600	WASHER, PLATE	2			2	
29	90202-05193	WASHER, PLATE	2			2	
30	92907-06200	WASHER	2			2	
31	95307-06600	NUT	2			2	
32	2AE-21641-00	BRACKET, REFLECTOR	1			1	
33	90267-40076	RIVET, BLIND	2			2	
34	90201-04018	WASHER, PLATE	2			2	
35	3Y6-85130-02	REAR REFLECTOR ASSY		1	1		
36	449-85131-02	REFLECTOR, REAR 1	1			1	
37	95307-05800	NUT		1	1		

D2

FIG. 21 SIDE COVER

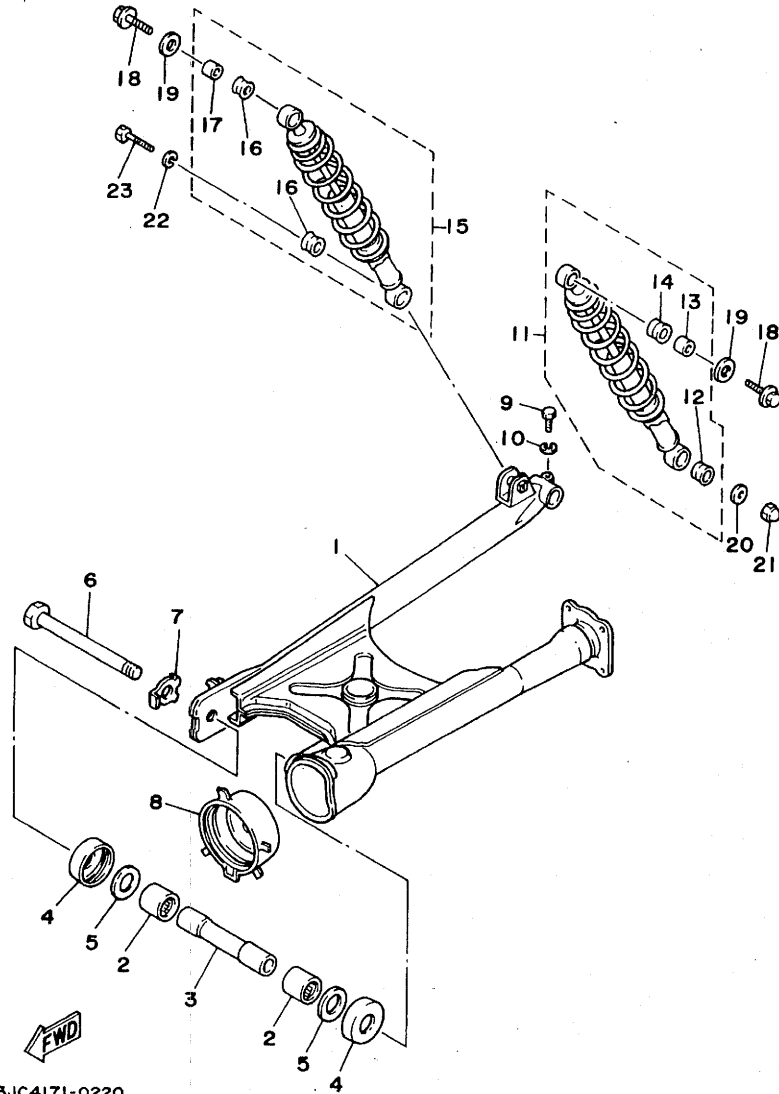


4YH7351-8210

REF. NO.	PART NO.	DESCRIPTION	A	B	C	D	REMARKS
1	2GV-21711-00-3G	COVER, SIDE 1	1	1	1	1	UR MKB
	2GV-21711-00-JW	COVER, SIDE 1	1	1	1	1	UR URB
	2GV-21711-00-P5	COVER, SIDE 1	1	1	1	1	UR DPRC3
2	2GV-21721-00-3G	COVER, SIDE 2	1	1	1	1	UR MKB
	2GV-21721-00-JW	COVER, SIDE 2	1	1	1	1	UR URB
	2GV-21721-00-P5	COVER, SIDE 2	1	1	1	1	UR DPRC3
3	90480-12320	GROMMET	2	2	2	2	
4	90119-06123	BOLT, WITH WASHER	2	2	2	2	
5	3JB-2172F-00	PANEL 2	1	1	1	1	
6	3JB-2172E-00	STAY, SIDE COVER 1	1	1	1	1	
7	95807-06020	BOLT, FLANGE	2	2	2	2	
8	98507-06050	SCREW, PAN HEAD	2	2	2	2	
9	92907-06100	WASHER, SPRING	2	2	2	2	
10	92907-06600	WASHER, PLATE	2	2	2	2	
11	2GV-21171-00	BOX	1	1	1	1	
12	31A-14477-00	PLATE	2	2	2	2	
13	90480-22362	GROMMET	1	1	1	1	
14	90480-14229	GROMMET	2	2	2	2	
15	90387-07391	COLLAR	2	2	2	2	
16	90201-06380	WASHER, PLATE	2	2	2	2	
17	97007-06025	BOLT	2	2	2	2	
18	92907-06100	WASHER, SPRING	2	2	2	2	
19	3JB-2176E-00	PLATE	1	1	1	1	
20	98507-06035	SCREW, PAN HEAD	1	1	1	1	
21	92907-06600	WASHER, PLATE	1	1	1	1	
22	3JB-28185-00	LID	1	1	1	1	
23	4KU-21781-00	EMBLEM 1	2	2	2	2	

D3

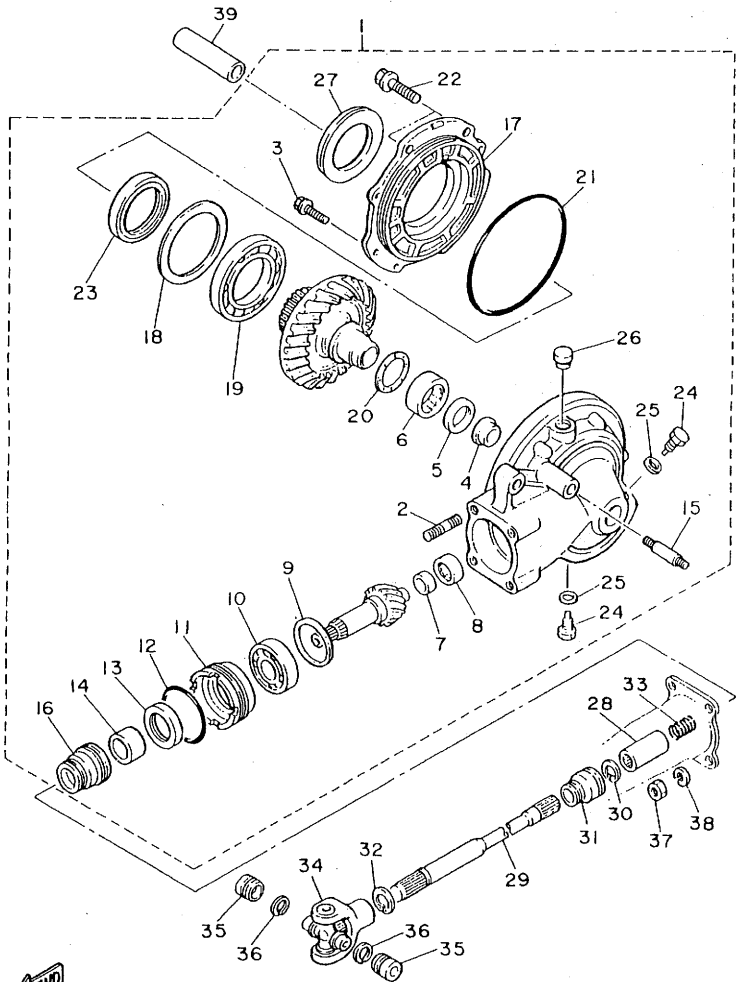
FIG. 22 REAR ARM. SUSPENSION



3JC4171-0220

REF. NO.	PART NO.	DESCRIPTION	A	B	C	D	REMARKS
1	2GV-22110-00-35	REAR ARM COMP.	1	1	1	1	SL
2	93320-32403	BEARING	2	2	2	2	
3	4X7-22124-00	BUSH 2	1	1	1	1	
4	4X7-22129-00	COVER, THRUST 2	2	2	2	2	
5	90201-244A8	WASHER, PLATE (1.95T)	2	2	2	2	
6	4X7-22141-00	SHAFT, PIVOT	1	1	1	1	
7	90215-16181	WASHER, LOCK	1	1	1	1	
8	22U-22189-00	BOOT, RUBBER	1	1	1	1	
9	97004-08035	BOLT	1	1	1	1	
10	92904-08100	WASHER	1	1	1	1	
11	2YL-22210-01	SHOCK ABSORBER ASSY, REAR	1	1	1	1	
12	2GV-22216-00	.BUSH, REAR SHOCK ABSORBER	1	1	1	1	
13	2GV-22253-00	.COLLAR, DISTANCE	1	1	1	1	
14	2GV-22226-00	.BUSH, SHOCK ABSORBER LOWER	1	1	1	1	
15	2YL-22220-01	SHOCK ABSORBER ASSY, REAR	1	1	1	1	
16	2GV-22226-00	.BUSH, SHOCK ABSORBER LOWER	2	2	2	2	
17	5M0-22253-00	.COLLAR, DISTANCE	1	1	1	1	
18	95807-08012	BOLT, FLANGE	2	2	2	2	
19	90201-08753	WASHER, PLATE	2	2	2	2	
20	90201-105R9	WASHER, PLATE	1	1	1	1	
21	90176-10073	NUT, CROWN	1	1	1	1	
22	92903-10100	WASHER, SPRING	1	1	1	1	
23	90106-10052	BOLT	1	1	1	1	

D4

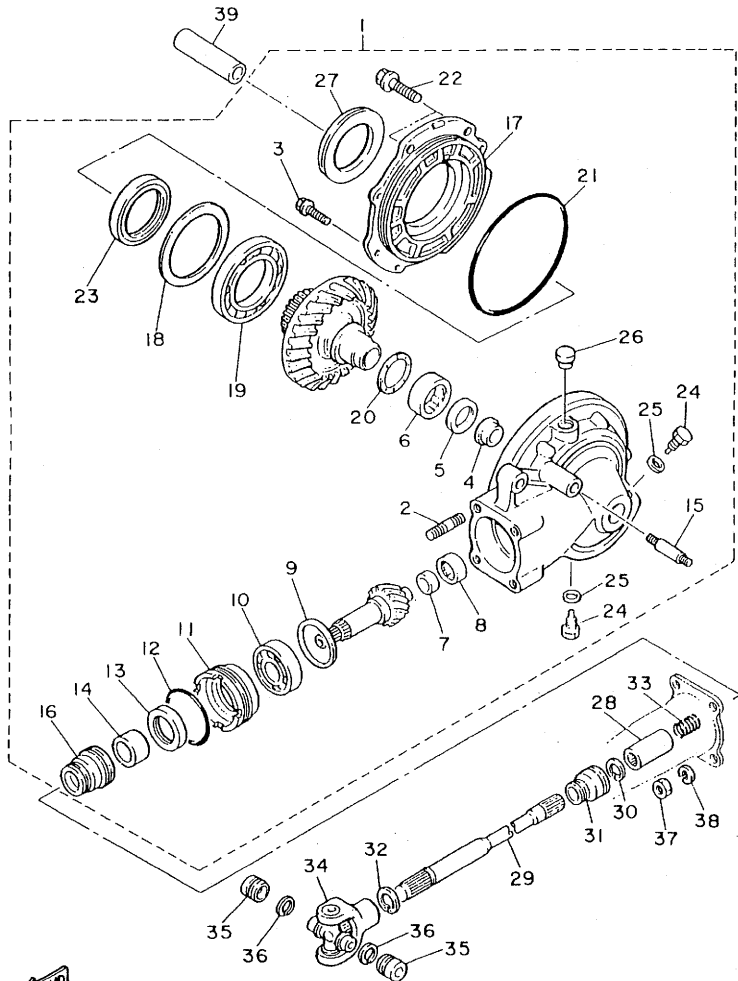


2JV171-7230

FIG. 23 DRIVE SHAFT

REF. NO.	PART NO.	DESCRIPTION	A	B	C	D	REMARKS
1	2NT-46101-00	REAR AXLE GEAR CASE ASSY	1	1	1	1	
2	90116-10428	.BOLT, STUD	4	4	4	4	
3	90119-08126	.BOLT, WITH WASHER	6	6	6	6	
4	22U-46153-00	.COLLAR, GUIDE	1	1	1	1	
5	93101-30084	.OIL SEAL	1	1	1	1	
6	93311-43729	.BEARING	1	1	1	1	
7	2H7-46122-00	.RACE, INNER	1	1	1	1	
8	93317-41510	.BEARING	1	1	1	1	
9	1J7-17537-Y0-30	.SHIM, THRUST (0.30T)	1	1	1	1	UR
	1J7-17537-Y0-40	.SHIM, THRUST (0.40T)	1	1	1	1	UR
	1J7-17537-Y0-50	.SHIM, THRUST (0.50T)	1	1	1	1	UR
10	93306-30539	.BEARING	1	1	1	1	
11	4H7-46125-00	.RETAINER, BEARING	1	1	1	1	
12	93210-60426	.O-RING	1	1	1	1	
13	93101-38098	.OIL SEAL	1	1	1	1	
14	90387-256G9	.COLLAR	1	1	1	1	
15	90116-10249	.BOLT, STUD	1	1	1	1	
16	22U-46136-00	.SEAL 1	1	1	1	1	
17	22U-46152-00	.HOUSING, BEARING	1	1	1	1	
18	22U-46117-00-25	.SHIM, RING GEAR (0.25T)	1	1	1	1	UR
	22U-46117-00-30	.SHIM, RING GEAR (0.30T)	1	1	1	1	UR
	22U-46117-00-40	.SHIM, RING GEAR (0.40T)	1	1	1	1	UR
19	93316-01301	.BEARING	1	1	1	1	
20	22U-46118-00-12	.SHIM, THRUST (1.2T)	1	1	1	1	UR
	22U-46118-00-14	.SHIM, THRUST (1.4T)	1	1	1	1	UR
	22U-46118-00-16	.SHIM, THRUST (1.6T)	1	1	1	1	UR
	22U-46118-00-18	.SHIM, THRUST (1.8T)	1	1	1	1	UR

D5



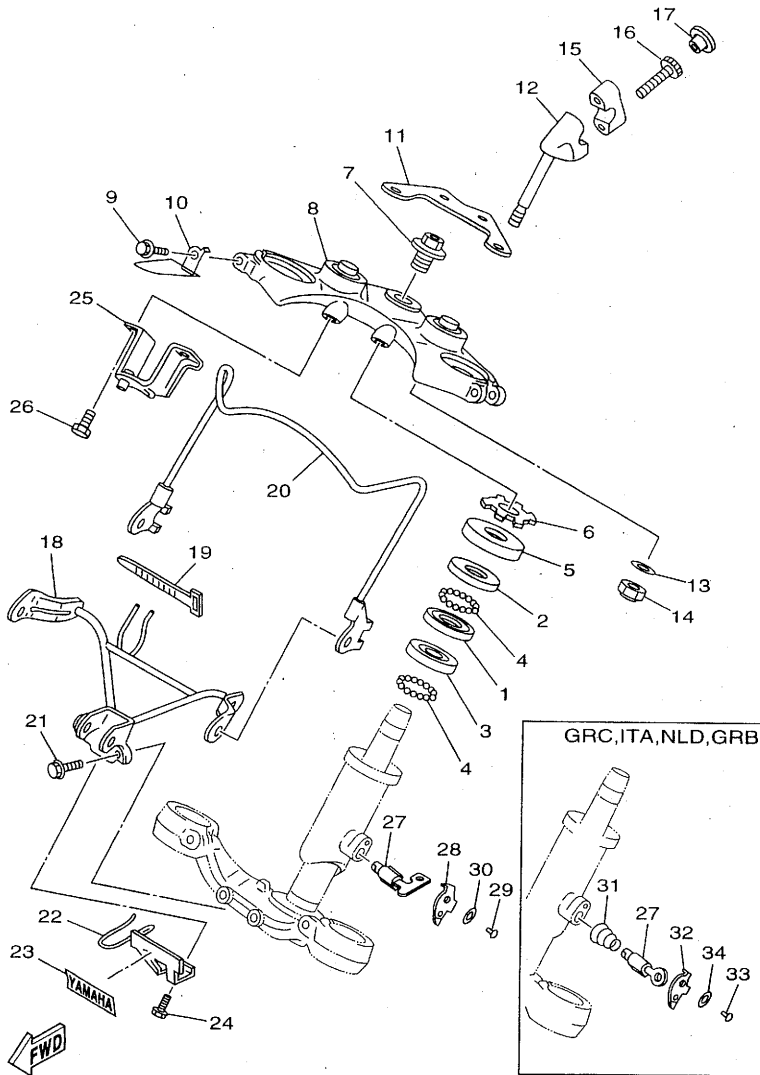
2JV171-7230

FIG. 23 DRIVE SHAFT

REF. NO.	PART NO.	DESCRIPTION	A	B	C	D	REMARKS
20	22U-46118-00-20	.SHIM, THRUST (2.0T)	1	1	1	1	UR
21	93211-39569	.O-RING	1	1	1	1	
22	90105-10285	.BOLT, WASHER BASED	2	2	2	2	
23	93102-65277	.OIL SEAL	1	1	1	1	
24	90340-14009	.PLUG, STRAIGHT SCREW	2	2	2	2	
25	214-11198-01	.GASKET	2	2	2	2	
26	2H7-17590-00	.BREATHER COMP.	1	1	1	1	
27	1J7-25319-01	.SEAL, HUB DUST	1	1	1	1	
28	22U-46123-00	COUPLING, GEAR	1	1	1	1	
29	2GV-46172-00	SHAFT, DRIVE	1	1	1	1	
30	93440-19112	CIRCLIP	1	1	1	1	
31	22U-46137-00	SEAL 2	1	1	1	1	
32	93410-22039	CIRCLIP	1	1	1	1	
33	90501-15722	SPRING, COMPRESSION	1	1	1	1	
34	4X7-46180-00	CROSS JOINT COMP.	1	1	1	1	
35	93311-21044	BEARING	2	2	2	2	
36	93440-20088	CIRCLIP	2	2	2	2	
37	95314-10600	NUT	4	4	4	4	
38	92903-10100	WASHER, SPRING	4	4	4	4	
39	90387-156G8	COLLAR	1	1	1	1	

D6

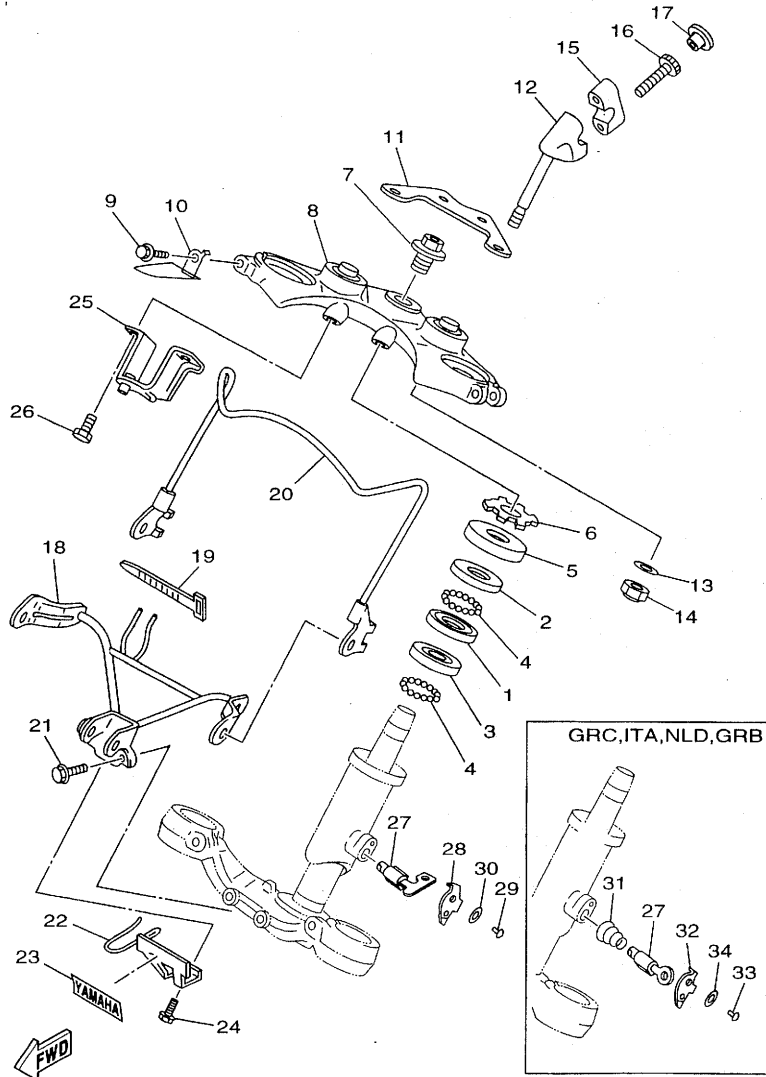
FIG. 24 STEERING



4YH7300-8240

REF. NO.	PART NO.	DESCRIPTION	A	B	C	D	REMARKS
1	156-23412-00	RACE, BALL 2	1	1	1	1	
2	183-23411-00	RACE, BALL 1	1	1	1	1	
3	183-23412-00	RACE, BALL 2	1	1	1	1	
4	93501-04011	BALL	38	38	38	38	
5	136-23415-00	COVER, BALL RACE 1	1	1	1	1	
6	90179-25033	NUT	1	1	1	1	
7	90105-14102	BOLT, WASHER BASED	1	1	1	1	
8	2GV-W2341-00-38	CROWN, HANDLE	1	1	1	1	CLP
9	95024-08040	BOLT, FLANGE	2	2	2	2	
10	3JC-23317-00	HOLDER, CABLE	1	1	1	1	
11	2GV-2317F-00	STAY 2	1	1	1	1	
12	42X-23442-00-38	HOLDER, HANDLE LOWER	2	2	2	2	CLP
13	90201-10141	WASHER, PLATE	2	2	2	2	
14	95607-10100	NUT, U	2	2	2	2	
15	4H7-23441-00-38	HOLDER, HANDLE UPPER	2	2	2	2	CLP
16	91314-08030	BOLT	4	4	4	4	
17	90338-08163	PLUG	4	4	4	4	
18	2GV-23174-01	STAY, HEADLIGHT	1	1	1	1	
19	3TB-83936-00	BAND, SWITCH CORD	1	1	1	1	
20	2NT-23164-00	STAY, LIGHT GUARD	1	1	1	1	
21	95027-06020	BOLT, FLANGE	2	2	2	2	
22	2GV-2317M-00	STAY 3	1	1	1	1	
23	3WF-2153E-40	EMBLEM, YAMAHA	1	1	1	1	
24	95024-06008	BOLT, FLANGE	1	1	1	1	
25	2GV-2317E-00	STAY	1	1	1	1	
26	91317-06016	BOLT	2	2	2	2	
27	4R3-23408-00	STEERING LOCK ASSY	1			1	

D7

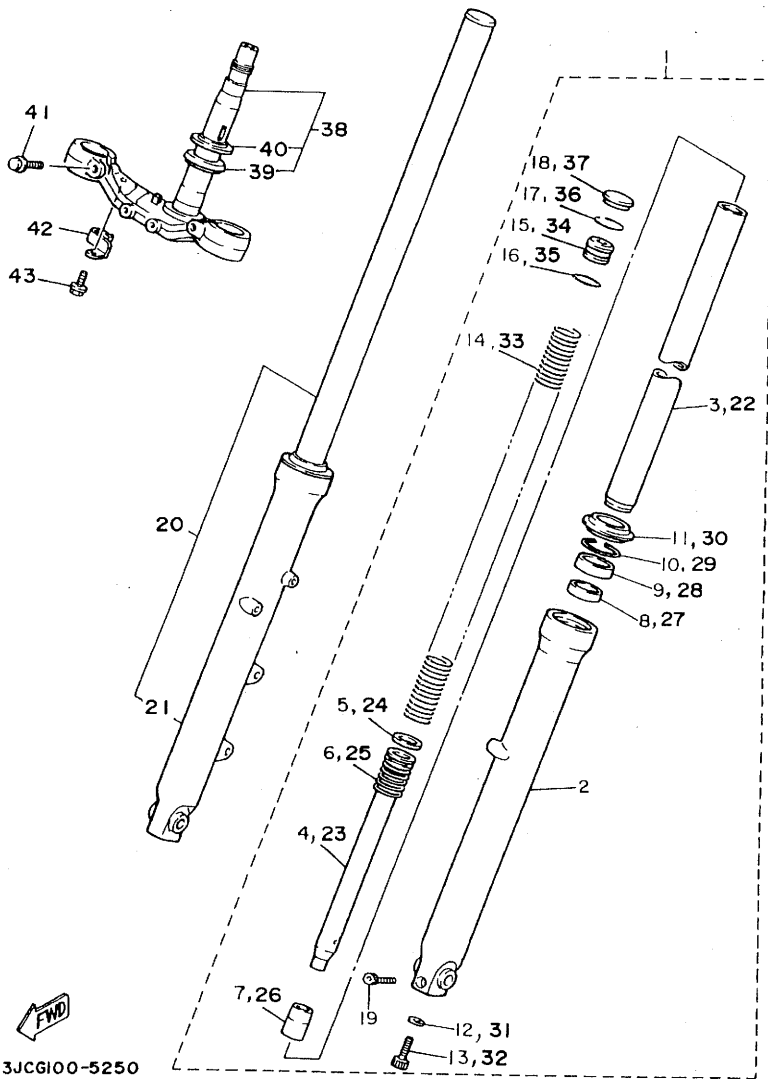


4YH7300-8240

FIG. 24 STEERING

REF. NO.	PART NO.	DESCRIPTION	A	B	C	D	REMARKS
27	*	STEERING LOCK ASSY	1		1		LM
28	134-23484-10	CAP, HANDLE LOCK	1		1		
29	90269-04003	RIVET	1		1		
30	90208-04029	WASHER, CONICAL SPRING	1		1		
31	90502-09024	SPRING, CONICAL		1		1	
32	584-23484-01	CAP, HANDLE LOCK		1		1	
33	90269-04003	RIVET		1		1	
34	90208-04029	WASHER, CONICAL SPRING		1		1	

D8

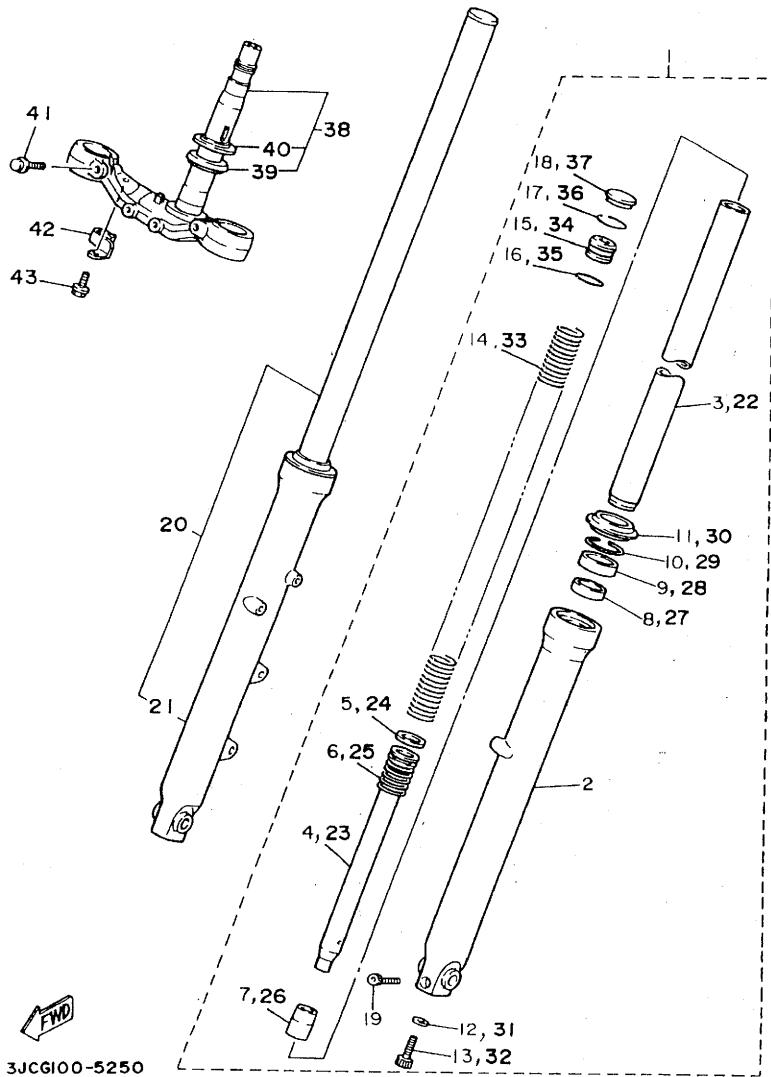


3JCG100-5250

FIG. 25 FRONT FORK

REF. NO.	PART NO.	DESCRIPTION	A	B	C	D	REMARKS
1	4KU-23102-01	FRONT FORK ASSY (L.H)	1	1	1	1	
2	3JB-23126-11	.TUBE, OUTER (LEFT)	1	1	1	1	
3	2GV-23110-01	.INNER TUBE COMP.1	1	1	1	1	
4	2GV-23171-01	.PISTON, FRONT FORK	1	1	1	1	
5	1GU-23157-00	.RING, PISTON	1	1	1	1	
6	1GU-23151-00	.SPRING, REBOUND	1	1	1	1	
7	1GU-23173-00	.SPINDLE, TAPER	1	1	1	1	
8	2GV-23125-00	.METAL, SLIDE 1	1	1	1	1	
9	2AJ-23145-00	.OIL SEAL	1	1	1	1	
10	1HX-23156-00	.CLIP, OIL SEAL	1	1	1	1	
11	2GV-23144-00	.SEAL, DUST	1	1	1	1	
12	90201-081E6	.WASHER, PLATE	1	1	1	1	
13	91317-08025	.BOLT	1	1	1	1	
14	2GV-23141-00	.SPRING, FRONT FORK	1	1	1	1	
15	1HX-23111-00	.BOLT, CAP	1	1	1	1	
16	93210-24709	.O-RING	1	1	1	1	
17	93450-32116	.CIRCLIP	1	1	1	1	
18	1HX-23154-00	.PLUG, INNER TUBE	1	1	1	1	
19	91314-08035	.BOLT	1	1	1	1	
20	4KU-23103-01	FRONT FORK ASSY (R.H)	1	1	1	1	
21	3JB-23136-11	.TUBE, OUTER (RIGHT)	1	1	1	1	
22	2GV-23110-01	.INNER TUBE COMP.1	1	1	1	1	
23	2GV-23171-01	.PISTON, FRONT FORK	1	1	1	1	
24	1GU-23157-00	.RING, PISTON	1	1	1	1	
25	1GU-23151-00	.SPRING, REBOUND	1	1	1	1	
26	1GU-23173-00	.SPINDLE, TAPER	1	1	1	1	
27	2GV-23125-00	.METAL, SLIDE 1	1	1	1	1	

D9

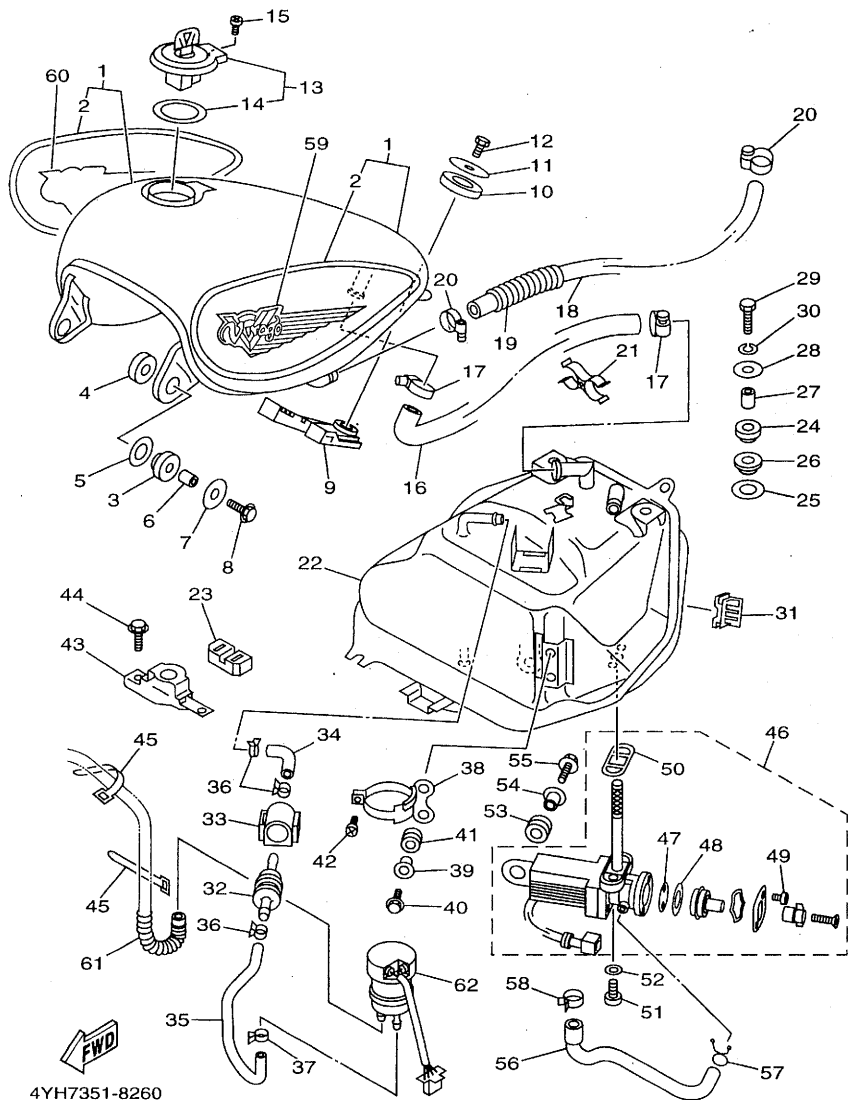


3JCG100-5250

FIG. 25 FRONT FORK

REF. NO.	PART NO.	DESCRIPTION	A	B	C	D	REMARKS
28	2AJ-23145-00	.OIL SEAL	1	1	1	1	
29	1HX-23156-00	.CLIP, OIL SEAL	1	1	1	1	
30	2GV-23144-00	.SEAL, DUST	1	1	1	1	
31	90201-081E6	.WASHER, PLATE	1	1	1	1	
32	91317-08025	.BOLT	1	1	1	1	
33	2GV-23141-00	.SPRING, FRONT FORK	1	1	1	1	
34	1HX-23111-00	.BOLT, CAP	1	1	1	1	
35	93210-24709	.O-RING	1	1	1	1	
36	93450-32116	.CIRCLIP	1	1	1	1	
37	1HX-23154-00	.PLUG, INNER TUBE	1	1	1	1	
38	2GV-23340-00	UNDER BRACKET COMP.		1		1	
	3BR-23340-00	UNDER BRACKET COMP.	1			1	
39	164-23462-00	.SEAL, STEERING	1	1	1	1	
40	156-23411-00	.RACE, BALL 1	1	1	1	1	
41	90105-12353	BOLT, WASHER BASED	2	2	2	2	
42	3JB-25886-00	HOLDER, BRAKE HOSE	1	1	1	1	
43	95807-06010	BOLT, FLANGE	1	1	1	1	

D10

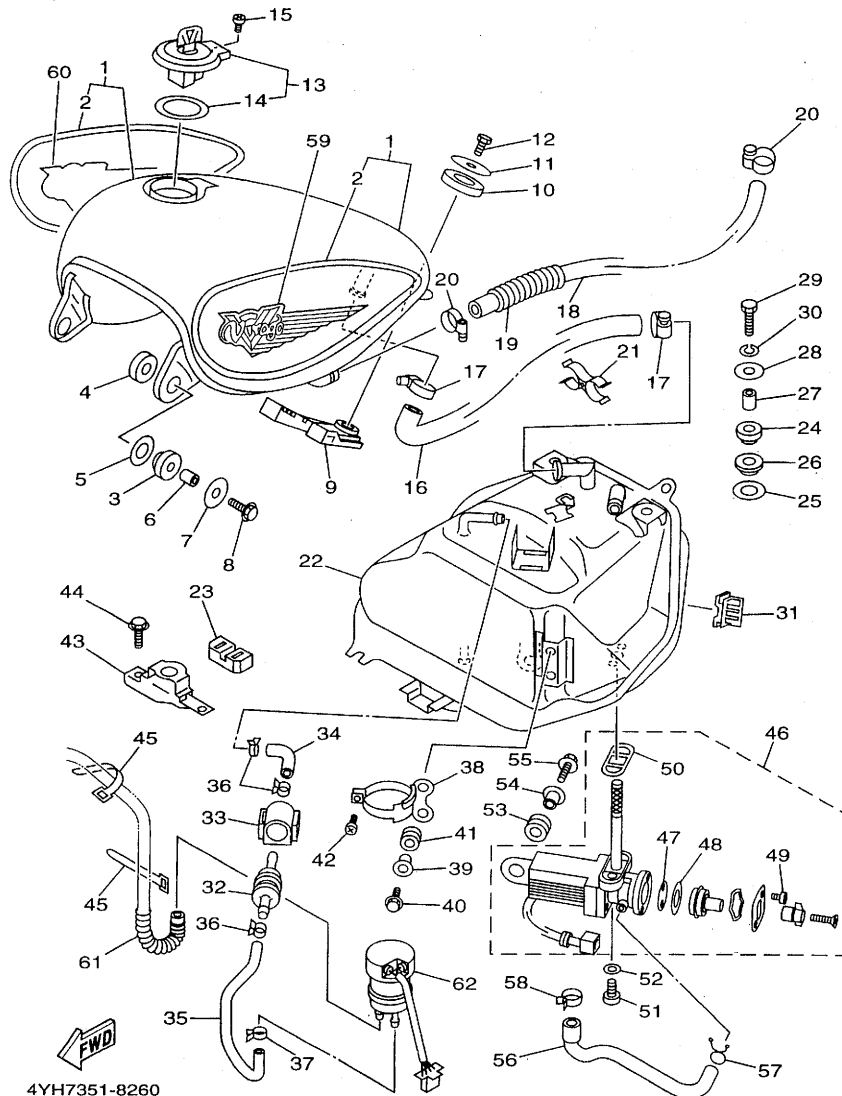


4YH7351-8260

FIG. 26 FUEL TANK

REF. NO.	PART NO.	DESCRIPTION	A	B	C	D	REMARKS
1	3BR-Y2428-S0-2X	SUB TANK ASSY	1	1	1	1	UR URB/MRGD
	3BR-Y2428-T0-3X	SUB TANK ASSY	1	1	1	1	UR DPRC3/CRI
	3BR-Y2428-U0-4X	SUB TANK ASSY	1	1	1	1	UR MKB/BL2
2	4KU-24240-70	.GRAPHIC SET	1	1	1	1	UR FOR URB
	4KU-24240-60	.GRAPHIC SET	1	1	1	1	UR FOR DPRC3
	4KU-24240-50	.GRAPHIC SET	1	1	1	1	UR FOR MKB
3	1FK-24182-00	DAMPER, LOCATING 2	2	2	2	2	
4	1FK-24183-00	DAMPER, LOCATING 3	2	2	2	2	
5	1FK-24186-00	WASHER, SPECIAL	2	2	2	2	
6	90387-062G5	COLLAR	2	2	2	2	
7	90201-066M2	WASHER, PLATE	2	2	2	2	
8	95024-06025	BOLT, FLANGE	2	2	2	2	
9	3JB-24182-00	DAMPER, LOCATING 2	1	1	1	1	
10	42X-24183-00	DAMPER, LOCATING 3	1	1	1	1	
11	90201-08569	WASHER, PLATE	1	1	1	1	
12	97007-08016	BOLT	1	1	1	1	
13	4X7-24602-04	CAP ASSY	1	1	1	1	
14	4X7-24612-00	.GASKET, CAP	1	1	1	1	
15	91317-05010	BOLT	1	1	1	1	
16	3JB-24316-00	PIPE 6	1	1	1	1	
17	90450-25037	HOSE CLAMP ASSY	2	2	2	2	
18	3JB-24317-00	PIPE 7	1	1	1	1	
19	90501-101J4	SPRING, COMPRESSION	1	1	1	1	
20	90450-22017	HOSE CLAMP ASSY	2	2	2	2	
21	3JB-24135-00	CLAMP 1	1	1	1	1	
22	3JB-24110-01-33	FUEL TANK COMP.	1	1	1	1	YB
23	2GV-24181-00	DAMPER, LOCATING 1	1	1	1	1	

D11



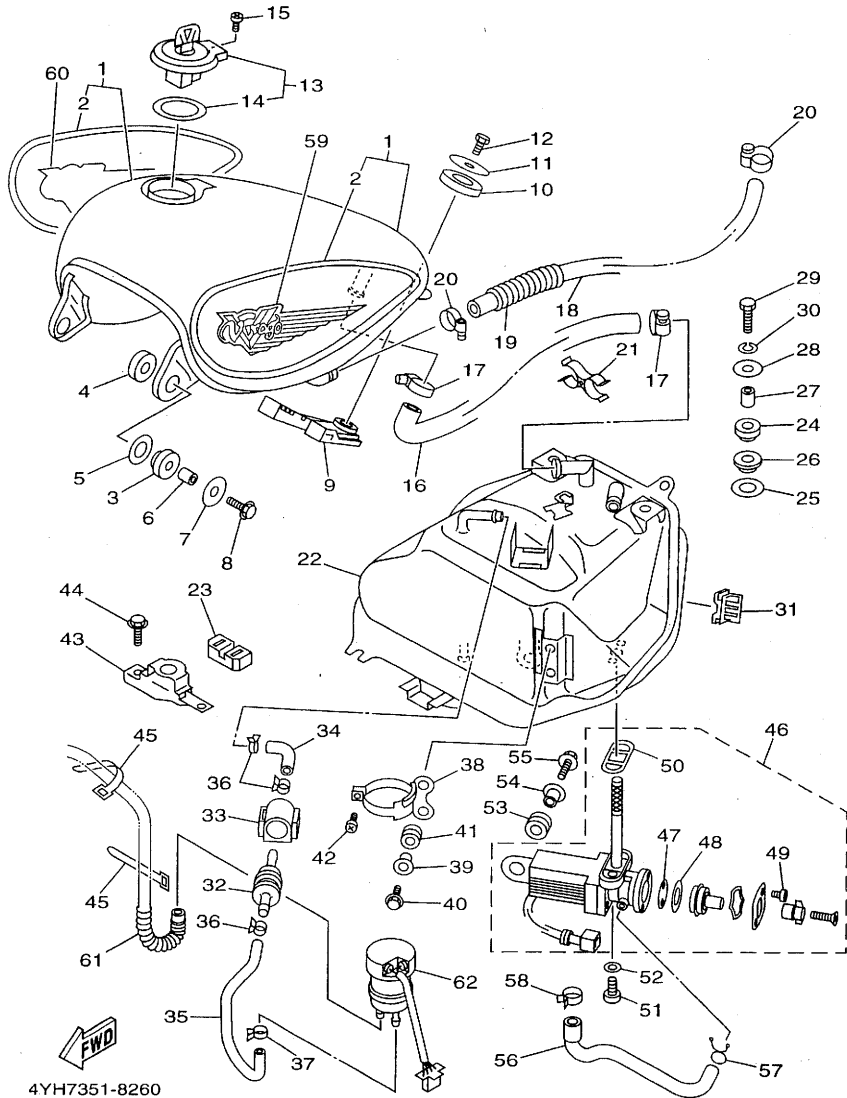
4YH7351-8260

FIG. 26 FUEL TANK

REF. NO.	PART NO.	DESCRIPTION	A	B	C	D	REMARKS
24	1FK-24182-00	DAMPER, LOCATING 2	2	2	2	2	
25	1FK-24183-00	DAMPER, LOCATING 3	2	2	2	2	
26	1FK-24186-00	WASHER, SPECIAL	2	2	2	2	
27	90387-062G5	COLLAR	2	2	2	2	
28	90201-065G8	WASHER, PLATE	2	2	2	2	
29	97027-06030	BOLT	2	2	2	2	
30	92907-06100	WASHER, SPRING	2	2	2	2	
31	2GV-24184-00	DAMPER, LOCATING 4	2	2	2	2	
32	1FK-24560-00	FILTER ASSY	1	1	1	1	
33	1FK-24566-00	BRACKET, FILTER	1	1	1	1	
34	2GV-24311-00	PIPE, FUEL 1	1	1	1	1	
35	2GV-24312-00	PIPE 2	1	1	1	1	
36	90467-12053	CLIP	3	3	3	3	
37	90467-10135	CLIP	1	1	1	1	
38	2GV-24491-00	BRACKET, FUEL PUMP	1	1	1	1	
39	90387-062L2	COLLAR	2	2	2	2	
40	95807-06016	BOLT, FLANGE	2	2	2	2	
41	90480-13163	GROMMET	2	2	2	2	
42	98507-05016	SCREW, PAN HEAD	1	1	1	1	
43	2GV-24191-00	BRACKET, FUEL TANK 1	1	1	1	1	
44	90119-06123	BOLT, WITH WASHER	2	2	2	2	
45	437-83936-11	BAND, SWITCH CORD	3	3	3	3	
46	3JB-24500-03	FUEL COCK ASSY 1	1	1	1	1	
47	3AJ-24523-00	.VALVE PACKING	1	1	1	1	
48	3AJ-24534-00	.SEAL, COCK	1	1	1	1	
49	98507-03008	.SCREW, PAN HEAD	2	2	2	2	
50	4X8-24512-00	.O-RING	1	1	1	1	

D12

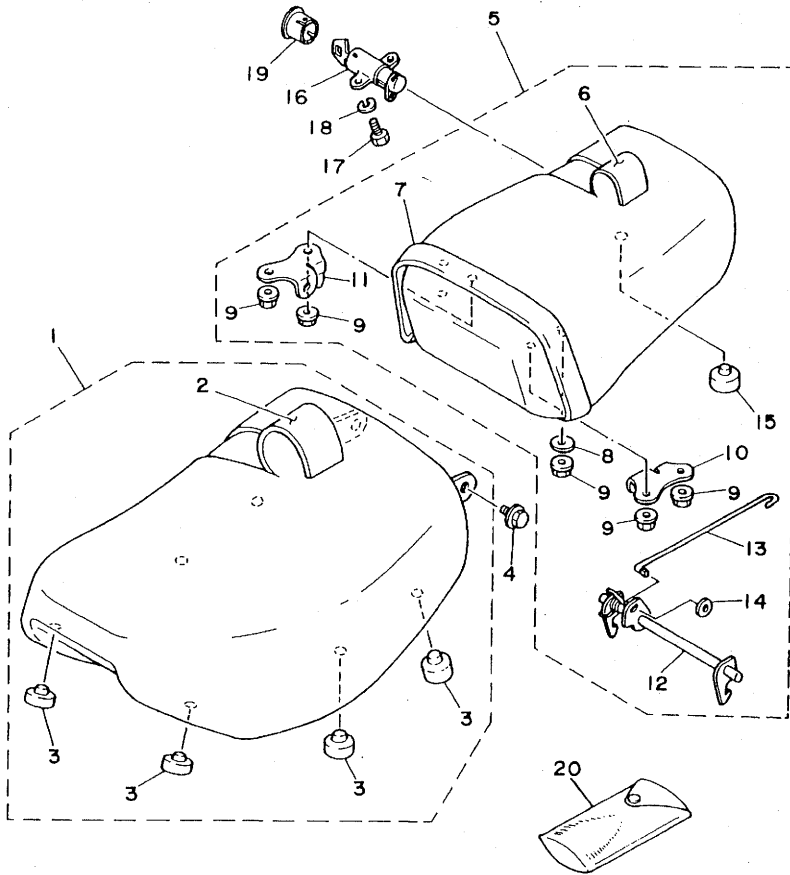
FIG. 26 FUEL TANK



REF. NO.	PART NO.	DESCRIPTION	A	B	C	D	REMARKS
51	90149-06008	SCREW	2	2	2	2	
52	90202-05193	WASHER, PLATE	2	2	2	2	
53	90480-14102	GROMMET	1	1	1	1	
54	90387-063E6	COLLAR	1	1	1	1	
55	95807-06025	BOLT, FLANGE	1	1	1	1	
56	3JB-24314-00	PIPE 4	1	1	1	1	
57	90467-10008	CLIP	1	1	1	1	
58	90467-12053	CLIP	1	1	1	1	
59	4MC-24161-00	EMBLEM 1	1	1	1	1	
60	4MC-24162-00	EMBLEM 2	1	1	1	1	
61	90501-100F8	SPRING, COMPRESSION	1	1	1	1	
62	2GV-13907-00	FUEL PUMP COMP.	1	1	1	1	

D13

FIG. 27 SEAT



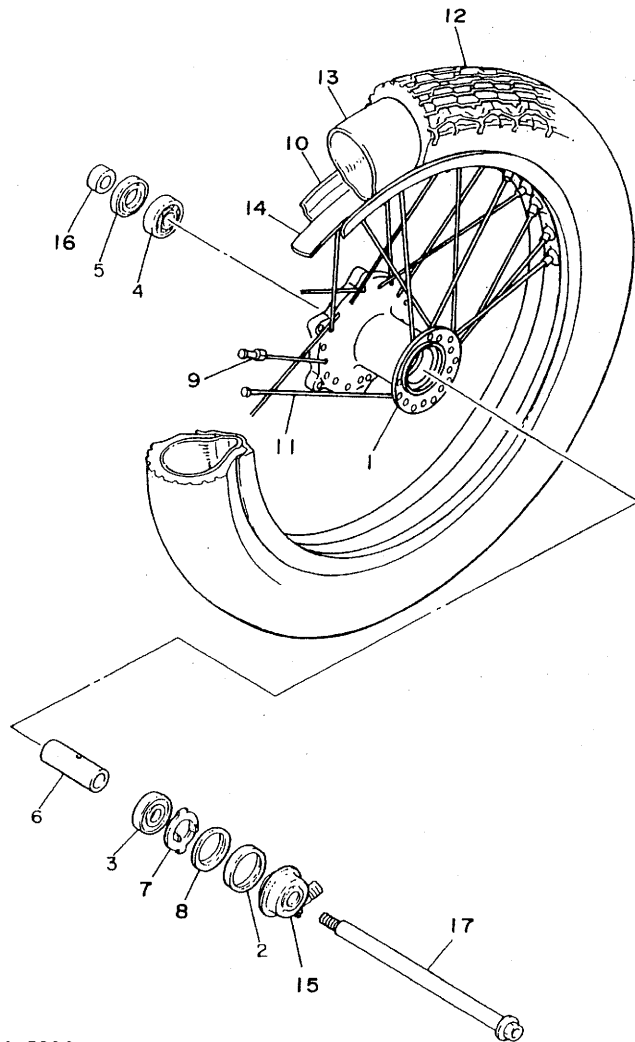
REF. NO.	PART NO.	DESCRIPTION	A	B	C	D	REMARKS
1	3JB-24710-10	SINGLE SEAT ASSY	1	1	1	1	
2	3JB-24711-10	.COVER, SINGLE SEAT	1	1	1	1	
3	18A-24724-00	.DAMPER, SEAT	6	6	6	6	
4	95807-06012	BOLT, FLANGE	2	2	2	2	
5	3JB-24750-10	TANDEM SEAT ASSY	1	1	1	1	
6	3JB-24751-10	.COVER, TANDEM SEAT	1	1	1	1	
7	3JB-24734-10	BAND, SEAT	1	1	1	1	
8	90201-06765	.WASHER, PLATE	2	2	2	2	
9	95707-06500	.NUT, FLANGE	6	6	6	6	
10	3JB-24718-00	.BRACKET, SEAT	1	1	1	1	
11	3JB-24728-00	.BRACKET, SEAT	1	1	1	1	
12	3JB-24776-00	.LEVER, SEAT	1	1	1	1	
13	3JB-2478F-00	.ROD, CONNECTING	1	1	1	1	
14	92907-03200	.WASHER	1	1	1	1	
15	18A-24724-00	.DAMPER, SEAT	1	1	1	1	
16	47X-24705-00	SEAT LOCK ASSY	1	1	1	1	
17	97007-06014	BOLT	2	2	2	2	
18	92907-06100	WASHER, SPRING	2	2	2	2	
19	51Y-24796-00	COVER	1	1	1	1	
20	2GV-28100-00	TOOL KIT	1	1	1	1	



3JCG100-5280

D14

FIG. 28 FRONT WHEEL

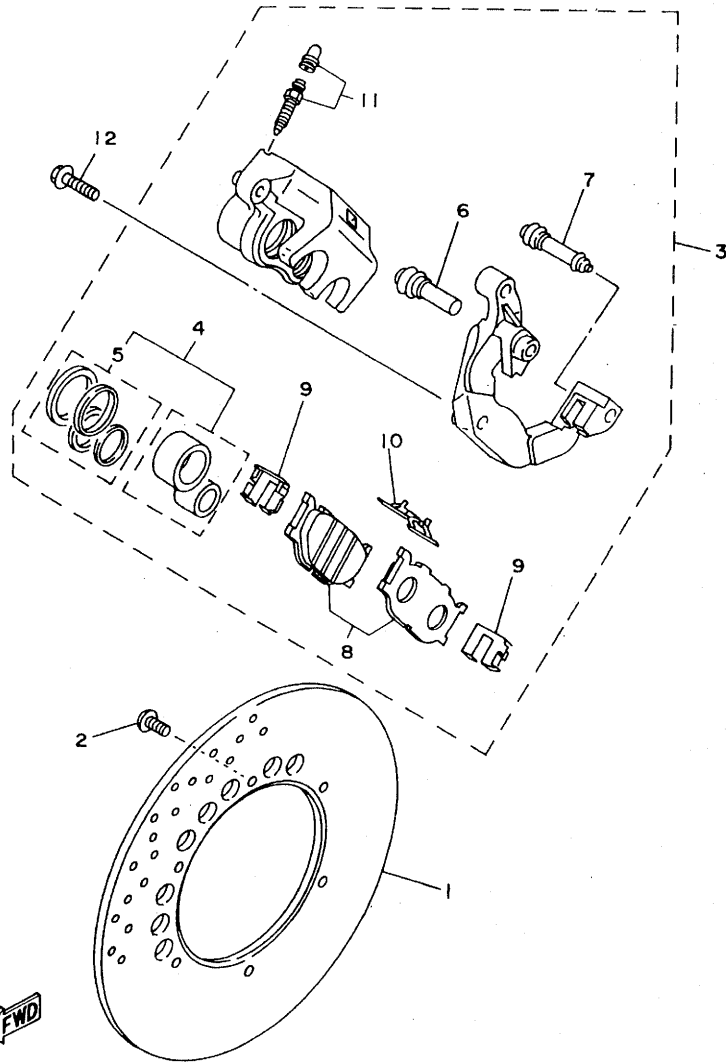


REF. NO.	PART NO.	DESCRIPTION	A	B	C	D	REMARKS
1	4KU-25111-00	HUB, FRONT	1	1	1	1	
2	93105-45017	OIL SEAL	1	1	1	1	
3	93306-30319	BEARING	1	1	1	1	
4	93306-30319	BEARING	1	1	1	1	
5	93102-28022	OIL SEAL	1	1	1	1	
6	90560-17126	SPACER	1	1	1	1	
7	341-25149-00	CLUTCH, METER	1	1	1	1	
8	341-25846-00	RETAINER, CLUTCH	1	1	1	1	
9	5V4-25398-00	BALANCER, WHEEL	1	1	1	1	UN
10	94418-19543	RIM (1.85-19)	1	1	1	1	
11	3JB-25104-01	SPOKE SET, FRONT	1	1	1	1	
12	94130-197N0	TIRE(300S19 4PR F14GDOTN)	1	1	1	1	UR DUNLOP
	94130-197N1	TIRE (3.00S19 4PR L303A T/T)	1	1	1	1	UR BRIDGESTONE
13	94227-19177	TUBE (2.75-19)	1	1	1	1	DUNLOP
14	94325-19115	BAND, RIM (2.50-19)	1	1	1	1	DUNLOP
15	4TX-25190-10	GEAR UNIT ASSY	1	1	1	1	
16	90387-177R1	COLLAR	1	1	1	1	
17	2GV-25181-00	AXLE, WHEEL	1	1	1	1	

3JCG100-5290

D15

FIG. 29 FRONT BRAKE

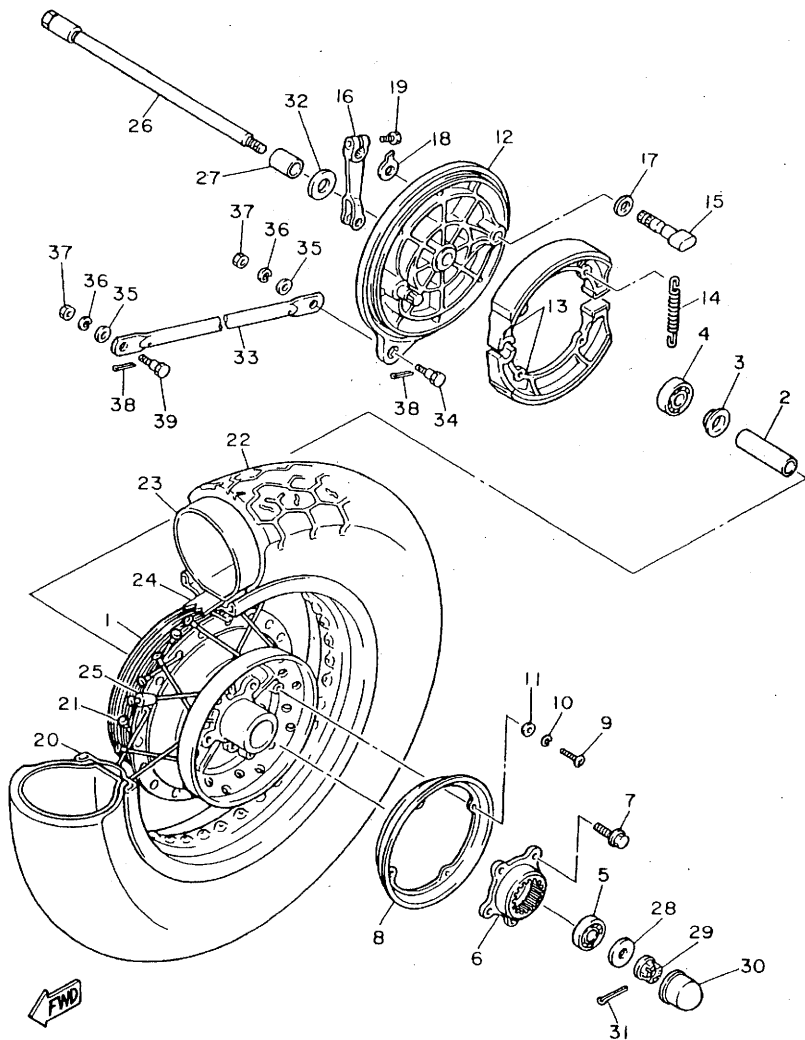


3JB7010-4300

REF. NO.	PART NO.	DESCRIPTION	A	B	C	D	REMARKS
1	3JB-2582U-01	DISC, BRAKE (RIGHT)	1	1	1	1	
2	90109-081F0	BOLT	6	6	6	6	
3	3JB-2580U-11	CALIPER ASSY (RIGHT)	1	1	1	1	
4	3JB-W0057-00	.PISTON ASSY, CALIPER	1	1	1	1	
5	3JB-W0047-00	..CALIPER SEAL KIT	1	1	1	1	
6	5R2-25937-00	.BOOT 2	1	1	1	1	
7	3YX-25937-00	.BOOT 2	1	1	1	1	
8	4BP-W0045-00	.BRAKE PAD KIT	1	1	1	1	
9	3YX-25919-00	.SUPPORT, PAD	2	2	2	2	
10	3YX-25929-00	.SPRING, ANTI RATTLE	1	1	1	1	
11	51L-W0048-00	.BLEED SCREW KIT	1	1	1	1	
12	90105-10638	BOLT, WASHER BASED	2	2	2	2	

E2

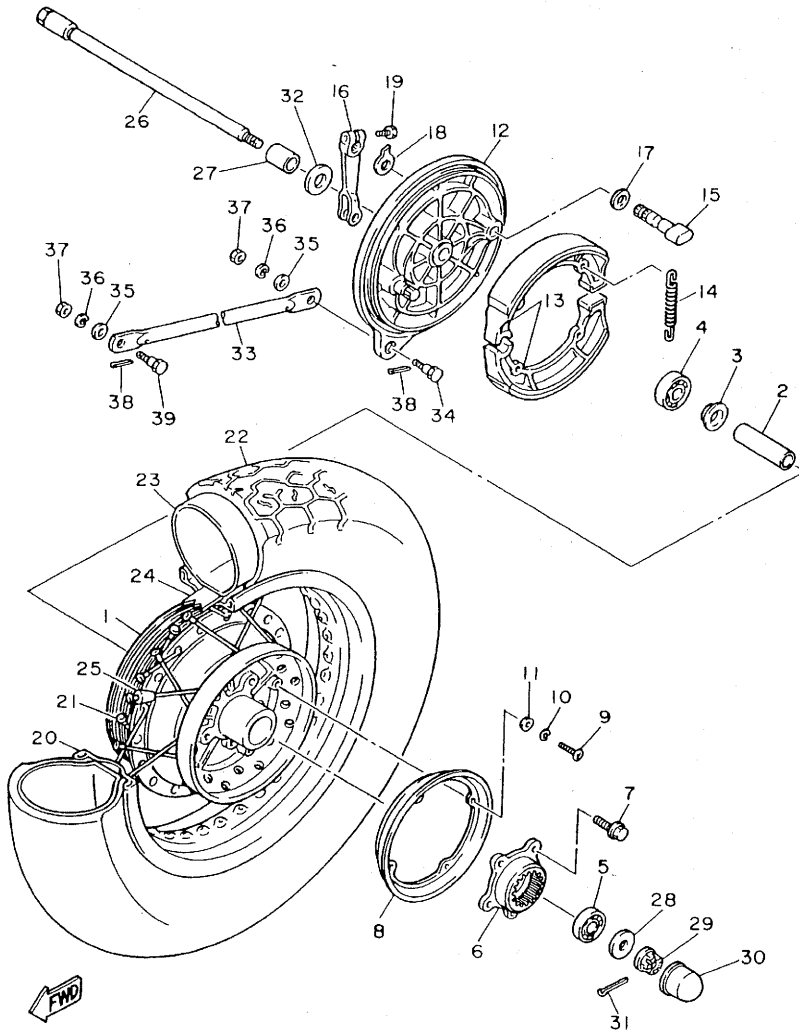
FIG. 30 REAR WHEEL



REF. NO.	PART NO.	DESCRIPTION	A	B	C	D	REMARKS
1	2GV-25311-00-35	HUB, REAR	1	1	1	1	SL
2	2GV-25317-00	SPACER, BEARING	1	1	1	1	
3	2GV-25315-00	FLANGE, SPACER	1	1	1	1	
4	93306-30209	BEARING	1	1	1	1	
5	93306-30202	BEARING	1	1	1	1	
6	2GV-25366-00	CLUTCH, HUB	1	1	1	1	
7	90105-10200	BOLT, WASHER BASED	5	5	5	5	
8	2GV-25319-00	SEAL, HUB DUST	1	1	1	1	
9	98507-05012	SCREW, PAN HEAD	4	4	4	4	
10	92907-05100	WASHER, SPRING	4	4	4	4	
11	92907-05600	WASHER, PLATE	4	4	4	4	
12	2NT-25321-00	PLATE, BRAKE SHOE	1	1	1	1	
13	3DR-W2536-00	BRAKE SHOE SET	1	1	1	1	
14	90507-20002	SPRING, TENSION	2	2	2	2	
15	4H7-25351-00	CAMSHAFT	1	1	1	1	
16	214-25355-00	LEVER, CAMSHAFT	1	1	1	1	
17	90201-14577	WASHER, PLATE	1	1	1	1	
18	4H7-2533A-02	PLATE, INDICATOR	1	1	1	1	
19	90101-06764	BOLT	1	1	1	1	
20	94430-15544	RIM	1	1	1	1	
21	2GV-25304-01	SPOKE SET, REAR	1	1	1	1	
22	94114-156U1	TIRE (140/90-15M/C70SK425)	1	1	1	1	UR DUNLOP
	94114-156U2	TIRE (140/90-15M/C70SK425)	1	1	1	1	UR BRIDGESTONE
23	94214-15225	TUBE (140/90-15)	1	1	1	1	DUNLOP
24	94330-15136	BAND, RIM (3.00-15)	1	1	1	1	DUNLOP
25	5V4-25398-00	BALANCER, WHEEL	1	1	1	1	UN
26	2GV-25381-00	AXLE, WHEEL	1	1	1	1	

3BR1332-8300

E3



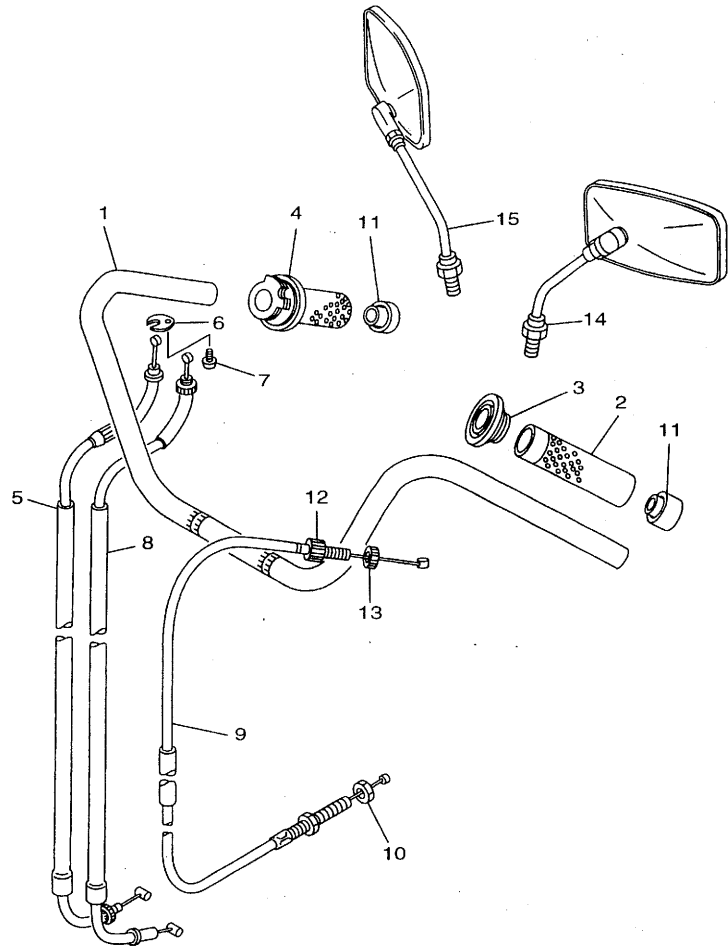
3BR1332-8300

FIG. 30 REAR WHEEL

REF. NO.	PART NO.	DESCRIPTION	A	B	C	D	REMARKS
27	90387-157R0	COLLAR	1	1	1	1	
28	90201-146R0	WASHER, PLATE	1	1	1	1	
29	90171-14029	NUT, CASTLE	1				UR FOR AUT
	90171-14044	NUT, CASTLE	1	1	1	1	UR
30	4E7-25188-00	CAP	1				FOR AUT
31	91401-30030	PIN, COTTER	1	1	1	1	
32	22U-25377-00	COLLAR, WHEEL	1	1	1	1	
33	42X-25371-02	BAR, TENSION	1	1	1	1	
34	90109-08406	BOLT	1	1	1	1	
35	92903-08600	WASHER, PLATE	2	2	2	2	
36	92903-08100	WASHER, SPRING	2	2	2	2	
37	95304-08700	NUT	2	2	2	2	
38	91401-20015	PIN, COTTER	2	2	2	2	
39	90109-08368	BOLT	1	1	1	1	

E4

FIG. 31 STEERING HANDLE. CABLE



REF. NO.	PART NO.	DESCRIPTION	A	B	C	D	REMARKS
1	2GV-26111-11	HANDLEBAR	1	1	1	1	
2	3JB-26241-00	GRIP (LEFT)	1	1	1	1	
3	3JB-26273-00	ROTOR	1	1	1	1	
4	3JB-26240-00	GRIP ASSY	1	1	1	1	
5	3JC-26311-00	CABLE, THROTTLE 1	1	1	1	1	
6	5H0-26393-00	HOLDER	1	1	1	1	
7	98507-05008	SCREW, PAN HEAD	1	1	1	1	
8	3JC-26312-00	CABLE, THROTTLE 2	1	1	1	1	
9	3JB-26335-20	CABLE, CLUTCH	1	1	1	1	
10	95304-08700	NUT	1	1	1	1	
11	3JB-2628J-00	CAP, GRIP	2	2	2	2	
12	90123-08046	BOLT	1	1	1	1	
13	90179-08148	NUT	1	1	1	1	
14	4H7-26290-A1	REAR VIEW MIRROR ASSY (LEFT)	1	1	1	1	
15	4H7-26290-E1	REAR VIEW MIRROR ASSY (RIGHT)	1	1	1	1	



4YN3100-8320

E5

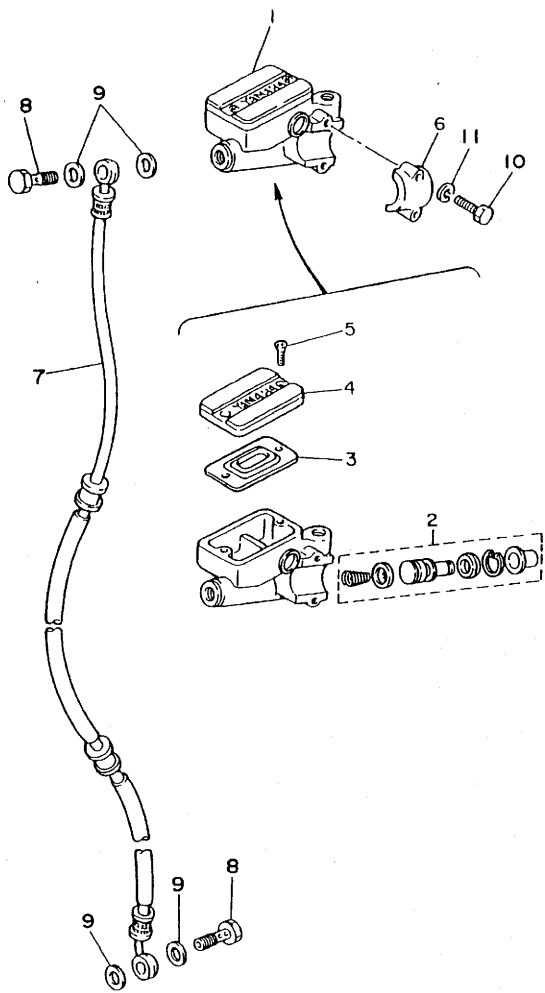


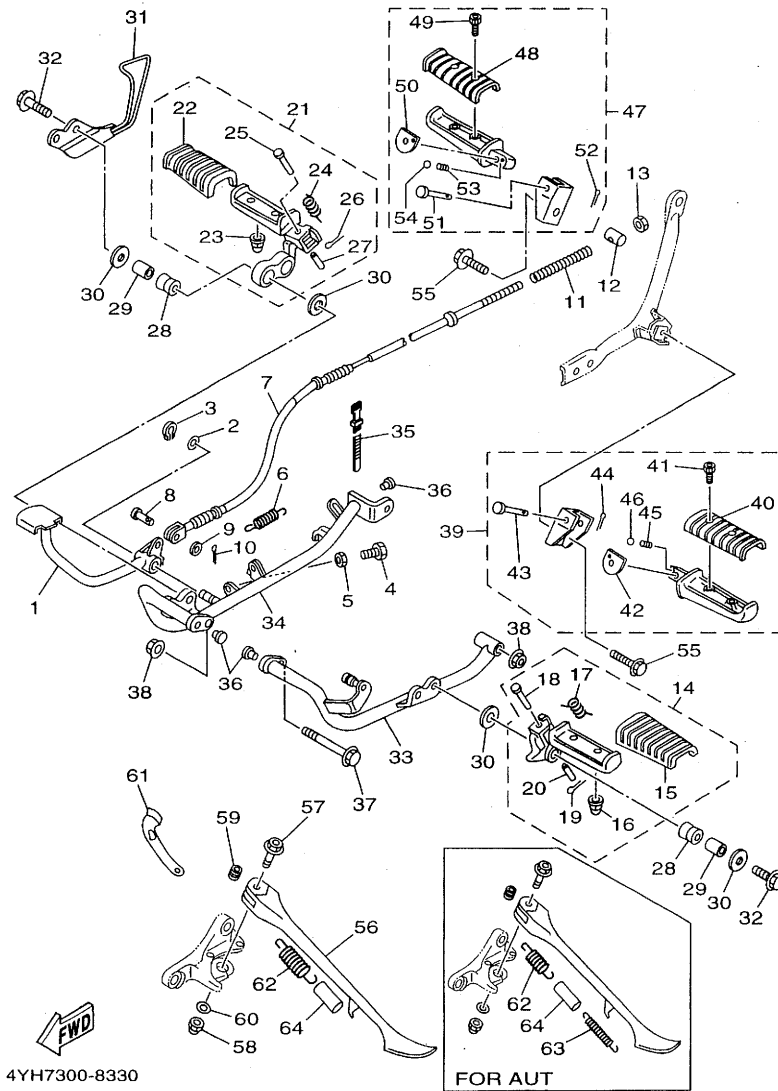
FIG. 32 FRONT MASTER CYLINDER

REF. NO.	PART NO.	DESCRIPTION	A	B	C	D	REMARKS
1	4H7-25850-02	MASTER CYLINDER ASSY	1	1	1	1	
2	4H7-W0041-00	.CYLINDER KIT, MASTER	1	1	1	1	
3	4L0-25854-00	.DIAPHRAGM, RESERVOIR	1	1	1	1	
4	4H7-25852-00	.CAP, RESERVOIR	1	1	1	1	
5	98706-04012	.SCREW, FLAT HEAD	2	2	2	2	
6	4L0-25867-00	BRACKET, MASTER CYLINDER	1	1	1	1	
7	4KU-25872-00	HOSE, BRAKE 1	1	1	1	1	
8	90401-10159	BOLT, UNION	2	2	2	2	
9	90201-10118	WASHER, PLATE	4	4	4	4	
10	97007-08025	BOLT	2	2	2	2	
11	92907-06600	WASHER, PLATE	2	2	2	2	

FWD
3JCG100-5330

E6

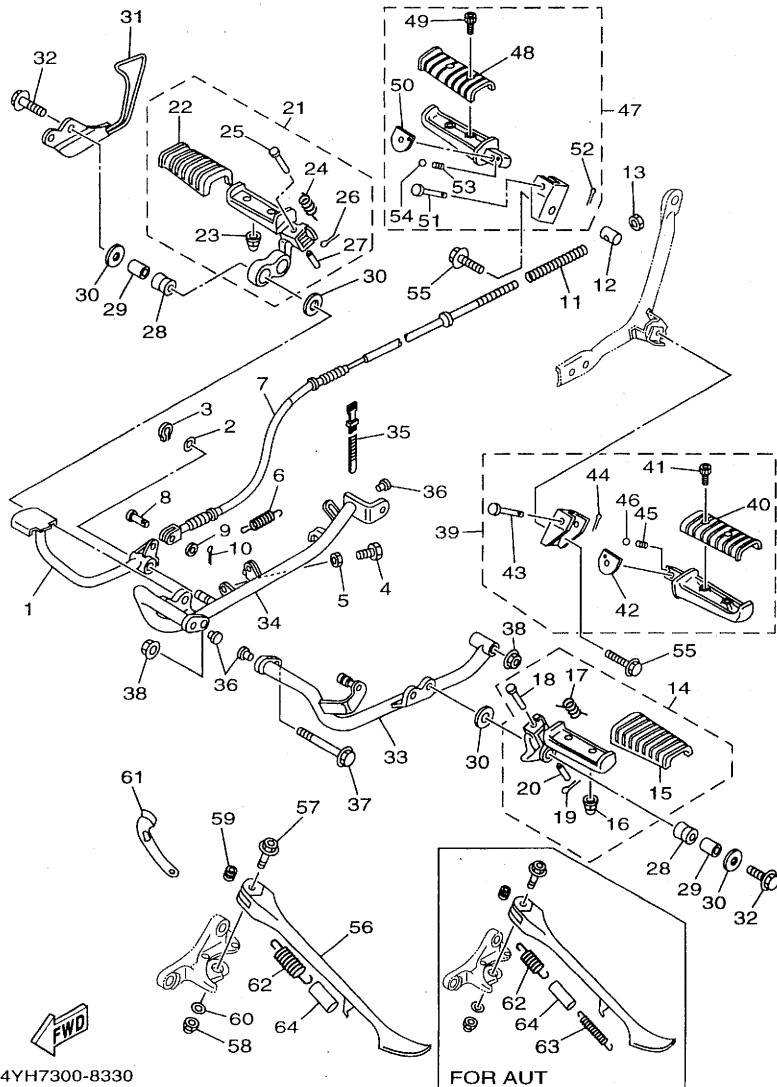
FIG. 33 STAND. FOOTREST



4YH7300-8330

REF. NO.	PART NO.	DESCRIPTION	A	B	C	D	REMARKS
1	2GV-27211-00-93	PEDAL, BRAKE	1	1	1	1	CM
2	90201-152L1	WASHER, PLATE	1	1	1	1	
3	99009-15400	CIRCLIP	1	1	1	1	
4	90101-06288	BOLT	1	1	1	1	
5	95307-06600	NUT	1	1	1	1	
6	90506-20380	SPRING, TENSION	1	1	1	1	
7	2GV-26351-00	CABLE, BRAKE	1	1	1	1	
8	91701-06022	PIN, CLEVIS	1	1	1	1	
9	92907-06200	WASHER	1	1	1	1	
10	91401-20012	PIN, COTTER	1	1	1	1	
11	90501-10245	SPRING, COMPRESSION	1	1	1	1	
12	90249-12008	PIN	1	1	1	1	
13	90179-06411	NUT	1	1	1	1	
14	1RM-27410-00-93	FRONT FOOTREST ASSY (LEFT)	1	1	1	1	CM
15	1NH-27413-00	.COVER, FOOTREST	1	1	1	1	
16	95607-06100	.NUT, U	2	2	2	2	
17	90508-18696	.SPRING, TORSION	1	1	1	1	
18	90240-08084	.PIN, CLEVIS	1	1	1	1	
19	91401-25015	.PIN, COTTER	1	1	1	1	
20	90387-087K5	.COLLAR	1	1	1	1	
21	1RM-27420-00-93	FRONT FOOTREST ASSY (RIGHT)	1	1	1	1	CM
22	1NH-27413-00	.COVER, FOOTREST	1	1	1	1	
23	95607-06100	.NUT, U	2	2	2	2	
24	90508-18696	.SPRING, TORSION	1	1	1	1	
25	90240-08084	.PIN, CLEVIS	1	1	1	1	
26	91401-25015	.PIN, COTTER	1	1	1	1	
27	90387-087K5	.COLLAR	1	1	1	1	

E7



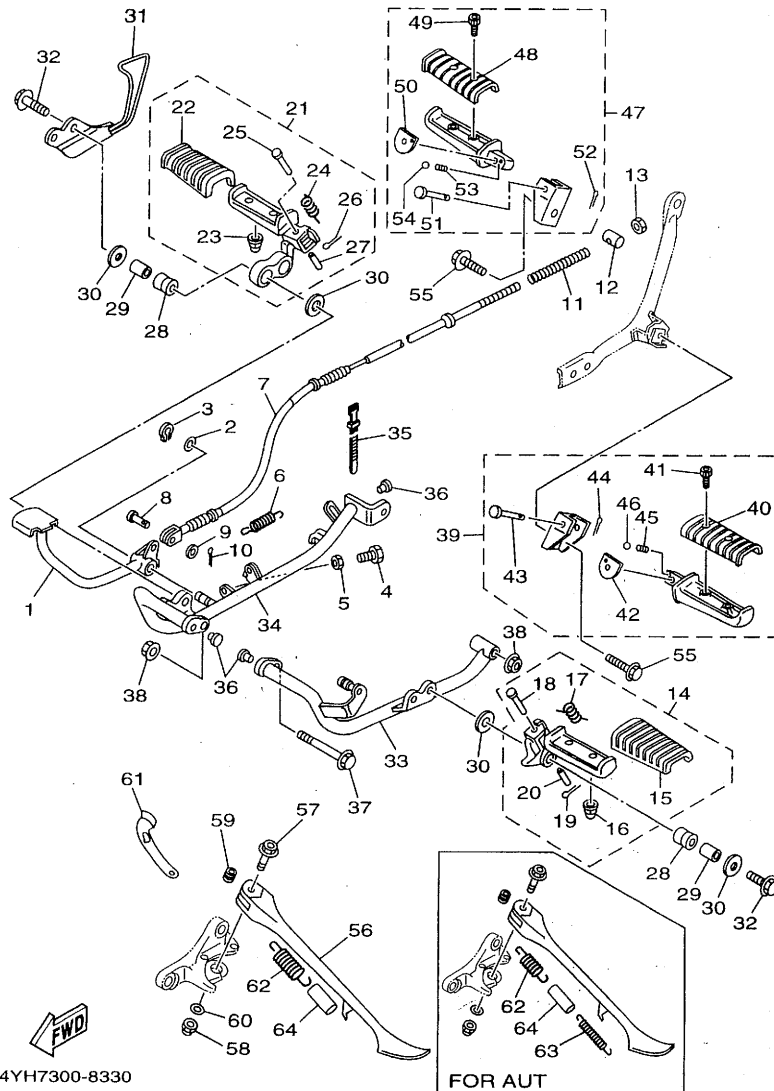
4YH7300-8330

FIG. 33 STAND. FOOTREST

REF. NO.	PART NO.	DESCRIPTION	A	B	C	D	REMARKS
28	4X7-27414-00	DAMPER, FOOTREST	4	4	4	4	
29	90387-107A7	COLLAR	4	4	4	4	
30	90201-100A1	WASHER, PLATE	6	6	6	6	
31	2GV-27491-00	PROTECTOR	1	1	1	1	
32	90109-100G0	BOLT	4	4	4	4	
33	2GV-27471-02	BAR, FOOTREST 1	1	1	1	1	
34	2GV-27472-02	BAR, FOOTREST 2	1	1	1	1	
35	90465-13152	CLAMP	1	1	1	1	
36	90338-09161	PLUG	3	3	3	3	
37	90105-10312	BOLT, WASHER BASED	1	1	1	1	
38	95704-10500	NUT, FLANGE	2	2	2	2	
39	2NT-27430-01	REAR FOOTREST ASSY 1	1	1	1	1	
40	1NH-27433-00	.COVER, REAR FOOTREST	1	1	1	1	
41	92016-06012	.BOLT, BUTTON HEAD	2	2	2	2	
42	2NT-27437-00	.WASHER, SPECIAL	1	1	1	1	
43	91701-06032	.PIN, CLEVIS	1	1	1	1	
44	91401-20015	.PIN, COTTER	1	1	1	1	
45	90501-12743	.SPRING, COMPRESSION	1	1	1	1	
46	93501-04011	.BALL	1	1	1	1	
47	2NT-27440-01	REAR FOOTREST ASSY 2	1	1	1	1	
48	1NH-27433-00	.COVER, REAR FOOTREST	1	1	1	1	
49	92016-06012	.BOLT, BUTTON HEAD	2	2	2	2	
50	2NT-27437-00	.WASHER, SPECIAL	1	1	1	1	
51	91701-06032	.PIN, CLEVIS	1	1	1	1	
52	91401-20015	.PIN, COTTER	1	1	1	1	
53	90501-12743	.SPRING, COMPRESSION	1	1	1	1	
54	93501-04011	.BALL	1	1	1	1	

E8

FIG. 33 STAND. FOOTREST



4YH7300-8330

REF. NO.	PART NO.	DESCRIPTION	A	B	C	D	REMARKS
55	95804-10016	BOLT, FLANGE	2	2	2	2	
56	4KU-27311-11	STAND, SIDE	1	1	1	1	
57	90105-10188	BOLT, WASHER BASED	1	1	1	1	
58	95617-10100	NUT, U	1	1	1	1	
59	90387-1003G	COLLAR	1	1	1	1	
60	92907-10200	WASHER, PLAIN	1	1	1	1	
61	5H0-27315-00	LINK, SIDE STAND	1	1	1	1	
62	90506-29507	SPRING, TENSION	1				UR FOR AUT
	90506-35473	SPRING, TENSION	1	1	1	1	UR
63	90506-23490	SPRING, TENSION	1				FOR AUT
64	90445-16641	HOSE	1				UR FOR AUT
	90445-22327	HOSE	1	1	1	1	UR

E9

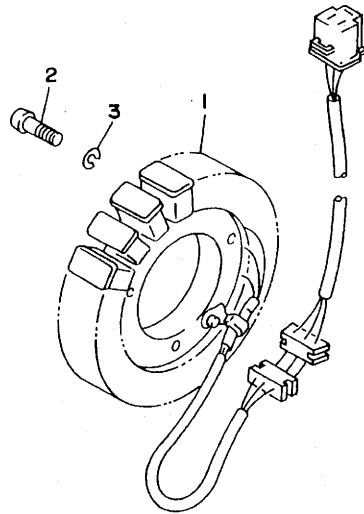
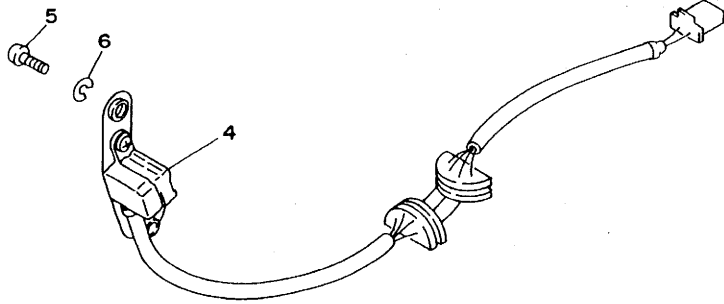


FIG. 34 GENERATOR

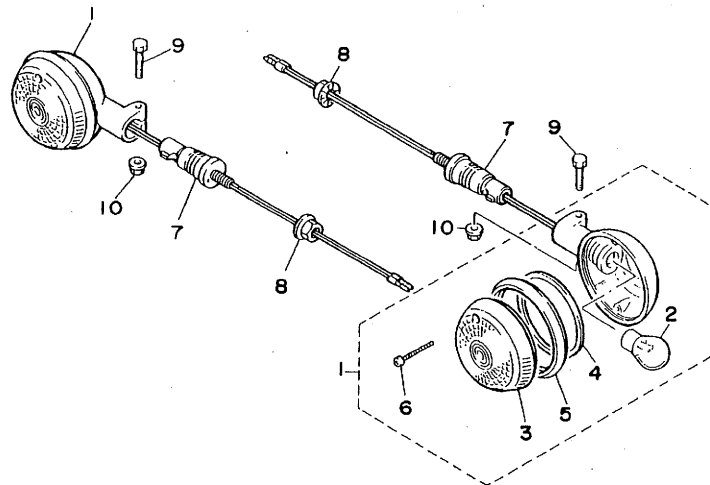
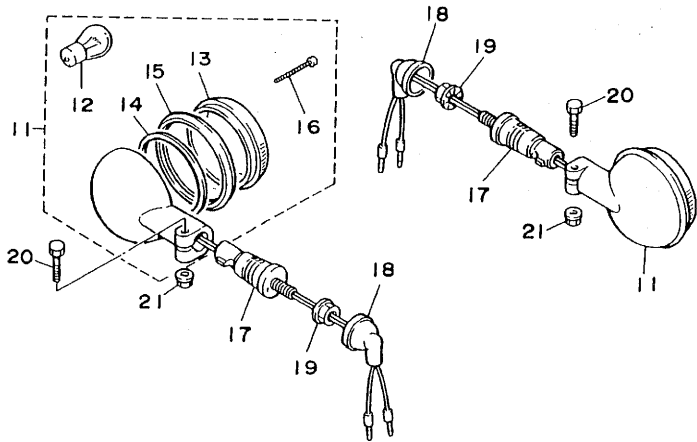
REF. NO.	PART NO.	DESCRIPTION	A	B	C	D	REMARKS
1	2GV-81410-20	STATOR ASSY	1	1	1	1	
2	98507-06025	SCREW, PAN HEAD	3	3	3	3	
3	92907-06100	WASHER, SPRING	3	3	3	3	
4	3BT-81670-00	PICK-UP ASSY	1	1	1	1	
5	98507-06020	SCREW, PAN HEAD	3	3	3	3	
6	92907-06100	WASHER, SPRING	3	3	3	3	



4TRI010-6330

E10

FIG. 35 FLASHER LIGHT



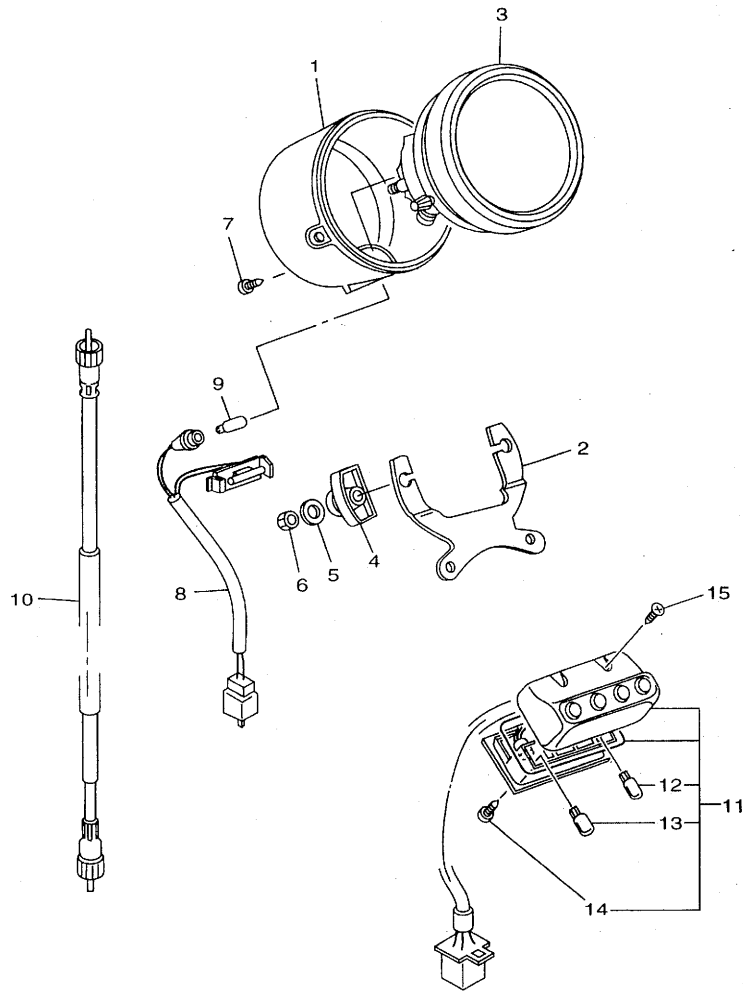
REF. NO.	PART NO.	DESCRIPTION	A	B	C	D	REMARKS
1	3LS-83310-00	FRONT FLASHER LIGHT ASSY 1	2	2	2	2	
2	2AE-83311-00	.BULB, FLASHER (12V-21W)	1	1	1	1	
3	42X-83312-00	.LENS, FLASHER	1	1	1	1	
4	42X-83313-00	.GASKET, FLASHER LENS	1	1	1	1	
5	42X-83363-00	.LENS, RIM	1	1	1	1	
6	57M-83358-00	.SCREW, SPECIAL	2	2	2	2	
7	1AA-83318-00	STAY, FLASHER 1	2	2	2	2	
8	95307-12600	NUT	2	2	2	2	
9	95024-06030	BOLT, FLANGE	2	2	2	2	
10	95704-06500	NUT, FLANGE	2	2	2	2	
11	2EN-83330-00	REAR FLASHER LIGHT ASSY 1	2	2	2	2	
12	2AE-83311-00	.BULB, FLASHER (12V-21W)	1	1	1	1	
13	2AE-83312-00	.LENS, FLASHER	1	1	1	1	
14	42X-83313-00	.GASKET, FLASHER LENS	1	1	1	1	
15	42X-83363-00	.LENS, RIM	1	1	1	1	
16	57M-83358-00	.SCREW, SPECIAL	2	2	2	2	
17	1AA-83318-00	STAY, FLASHER 1	2	2	2	2	
18	18G-83365-00	CAP	2	2	2	2	
19	95307-12600	NUT	2	2	2	2	
20	95024-06030	BOLT, FLANGE	2	2	2	2	
21	95704-06500	NUT, FLANGE	2	2	2	2	



3BMF361-7350

E11

FIG. 36 METER

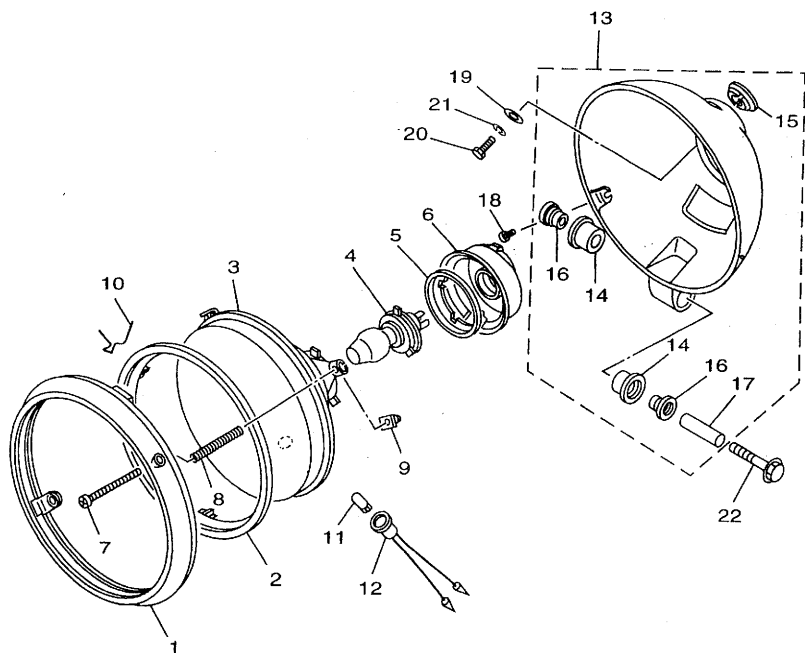


REF. NO.	PART NO.	DESCRIPTION	A	B	C	D	REMARKS
1	1FK-83507-10	COVER, SPEEDOMETER	1	1	1	1	
2	2UJ-83519-00	BRACKET, METER	1	1	1	1	
3	2JV-8351A-10	METER ASSY	1	1	1		
	3BT-8351A-10	METER ASSY				1	
4	2UJ-83523-00	DAMPER	2	2	2	2	
5	92907-05600	WASHER, PLATE	2	2	2	2	
6	95307-05600	NUT	2	2	2	2	
7	90164-04009	SCREW, TAPPING	1	1	1	1	
8	2UJ-83509-00	SOCKET CORD ASSY	1	1	1	1	
9	2UJ-83517-00	BULB	1	1	1	1	
10	3Y0-83550-01	SPEEDOMETER CABLE ASSY	1	1	1	1	
11	3BT-83530-10	PILOT LIGHT ASSY	1	1	1	1	
12	42X-83517-00	.BULB (12V-3W)	2	2	2	2	
13	2GV-83517-00	.BULB (12V-1.7W, T6.5)	1	1	1	1	
14	4AS-83616-10	.SCREW, TAPPING	1	1	1	1	
15	98507-04025	SCREW, PAN HEAD	2	2	2	2	

4FTA362-7361

E12

FIG. 37 HEADLIGHT



REF. NO.	PART NO.	DESCRIPTION	A	B	C	D	REMARKS
1	42X-84315-01	RIM, HEADLIGHT	1	1	1	1	
2	5Y3-84395-00	RING, RETAINING	1	1	1	1	
3	2AE-84320-G0	LENS ASSY	1	1	1		
	55R-84321-H0	LENS ASSY				1	
4	2F9-84314-00	BULB (12V-60/55W)	1	1	1	1	(H4)HALOGEN
5	2F9-84375-00	SETTING PLATE, BULB	1	1	1	1	
6	2F9-84397-01	COVER, SOCKET	1	1	1	1	
7	341-84331-60	SCREW, RIM ADJUSTING	2	2	2	2	
8	1A0-84332-60	SPRING, SCREW	2	2	2	2	
9	198-84334-60	NUT, ADJUSTING	2	2	2	2	
10	42X-84124-60	SPRING, SET	1	1	1	1	
11	306-84347-30	BULB (12V 3.4W)				1	
	4E2-84347-00	BULB (12V-4W)	1	1	1		
12	306-84346-30	SOCKET, PILOT LIGHT				1	
	34L-84346-00	SOCKET, PILOT LIGHT	1	1	1		
13	2UJ-84330-00	BODY ASSY	1	1	1	1	
14	42X-84345-00	.DAMPER, HEADLIGHT	2	2	2	2	
15	42X-84366-00	.DAMPER, HEADLIGHT 1	1	1	1	1	
16	1FK-84338-00	.COLLAR, BODY FITTING	2	2	2	2	
17	2UJ-84338-00	.COLLAR, BODY FITTING	1	1	1	1	
18	90157-05084	SCREW, PAN HEAD	2	2	2	2	
19	90201-060A3	WASHER, PLATE	1	1	1	1	
20	97007-06016	BOLT	1	1	1	1	
21	92907-06100	WASHER, SPRING	1	1	1	1	
22	95027-06040	BOLT, FLANGE	1	1	1	1	



4FTA362-7370

E13

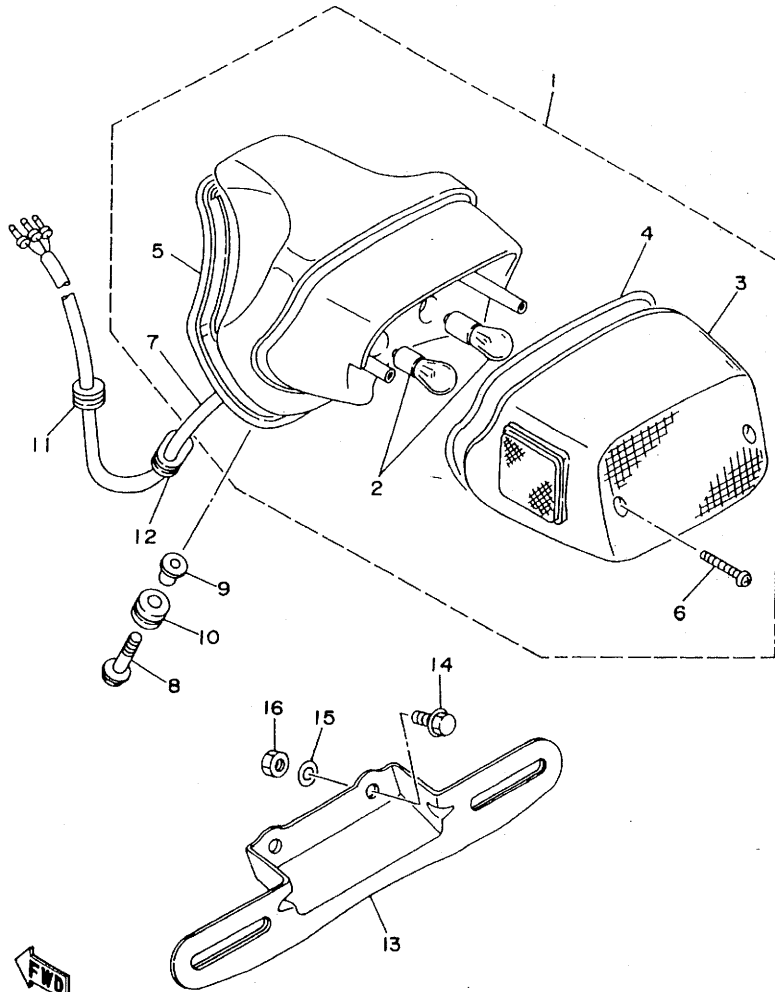


FIG. 38 TAILLIGHT

REF. NO.	PART NO.	DESCRIPTION	A	B	C	D	REMARKS
1	2YL-84700-E0	TAILLIGHT ASSY	1	1	1	1	
2	1A2-84714-41	.BULB (12V-21/5W)	2	2	2	2	
3	2AE-84721-00	.LENS, TAILLIGHT	1	1	1	1	
4	42X-84723-01	.GASKET, TAIL LENS	1	1	1	1	
5	1RM-84704-00	.GASKET, TAILLIGHT	1	1	1	1	
6	97701-40625	.SCREW, TAPPING	2	2	2	2	
7	2GV-84717-00	.CORD, TAILLIGHT	1	1	1	1	
8	90119-06097	BOLT, WITH WASHER	3	3	3	3	
9	90387-06026	COLLAR	3	3	3	3	
10	90480-15316	GROMMET	3	3	3	3	
11	90480-16501	GROMMET	1	1	1	1	
12	90480-01502	GROMMET	2	2	2	2	
13	2YL-84751-00	BRACKET, LICENSE	1	1	1	1	
14	95807-06016	BOLT, FLANGE	2	2	2	2	
15	92907-06200	WASHER	2			2	
16	95307-06600	NUT	2			2	

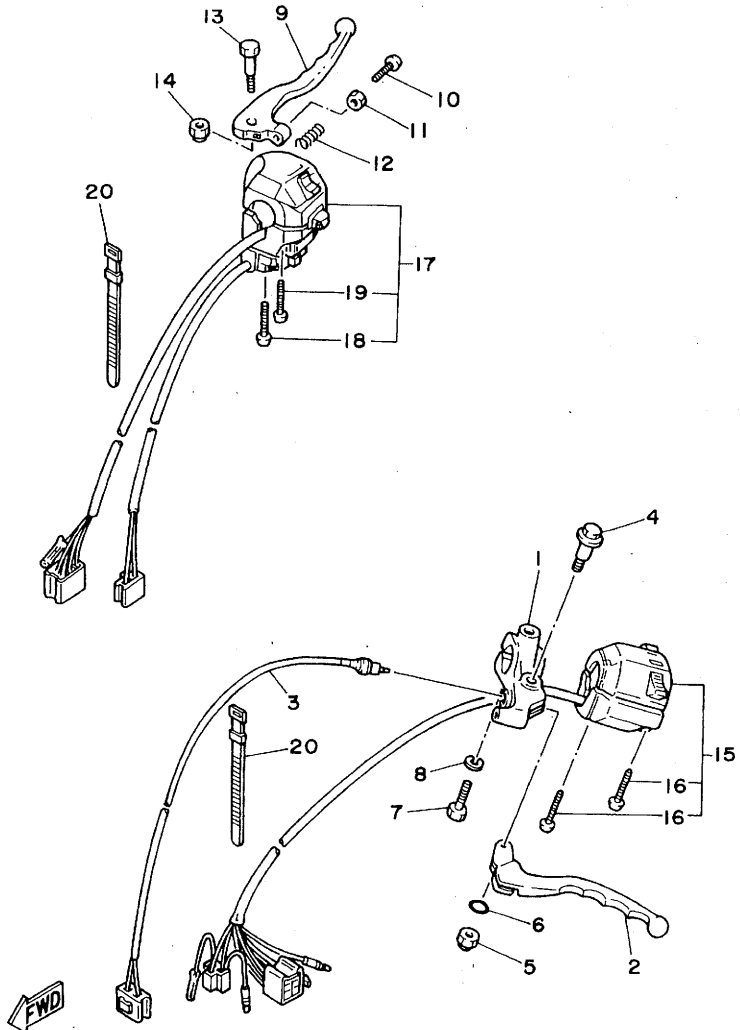


3BTP332-3390

E14

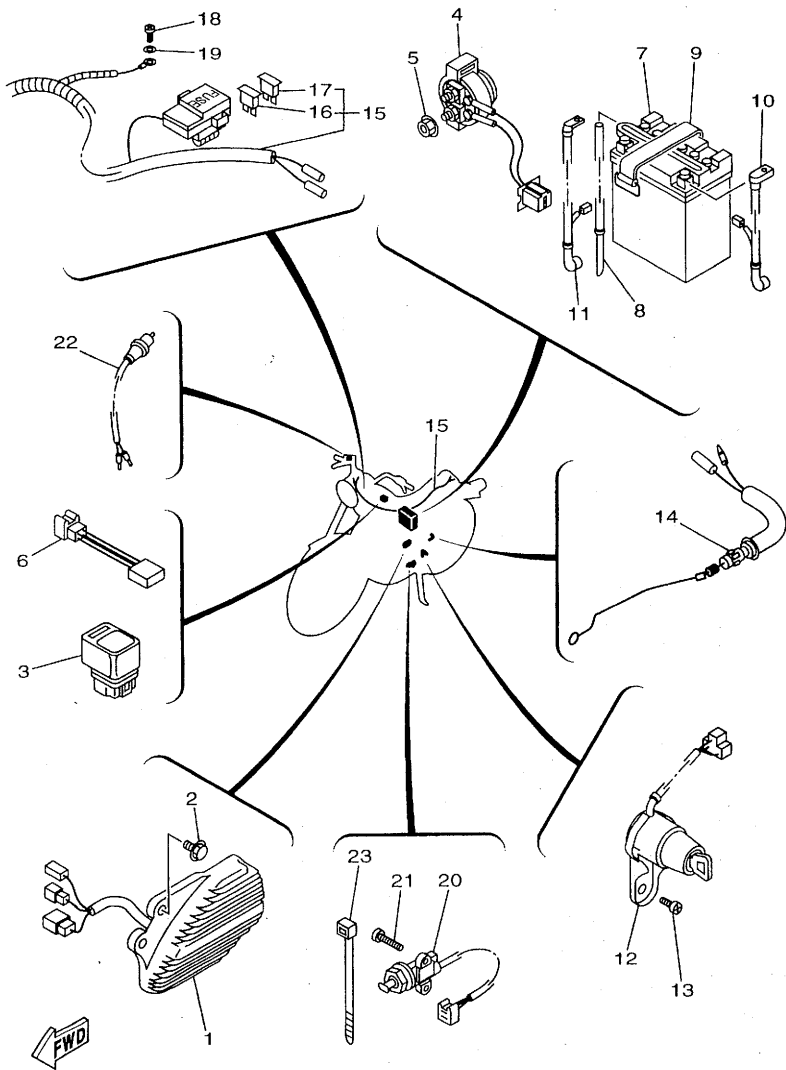
FIG. 39 HANDLE SWITCH. LEVER

REF. NO.	PART NO.	DESCRIPTION	A	B	C	D	REMARKS
1	42X-82911-00	HOLDER, LEVER 1	1	1	1	1	
2	2GV-83912-00	LEVER 1	1	1	1	1	
3	2GV-82917-00	SWITCH	1	1	1	1	
4	90109-06799	BOLT	1	1	1	1	
5	95607-06100	NUT, U	1	1	1	1	
6	93210-11368	O-RING	1	1	1	1	
7	97007-06025	BOLT	1	1	1	1	
8	92907-06100	WASHER, SPRING	1	1	1	1	
9	2W1-83922-00	LEVER 2	1	1	1	1	
10	90149-06131	SCREW	1	1	1	1	
11	90170-06010	NUT	1	1	1	1	
12	90501-10312	SPRING, COMPRESSION	1	1	1	1	
13	90109-06577	BOLT	1	1	1	1	
14	95607-06100	NUT, U	1	1	1	1	
15	2YL-83972-00	SWITCH, HANDLE 4	1	1	1	1	
16	98501-05035	.SCREW, PAN HEAD	2	2	2	2	
17	3LP-83972-00	SWITCH, HANDLE 4	1	1	1	1	
18	98506-05040	.SCREW, PAN HEAD	1	1	1	1	
19	98506-05045	.SCREW, PAN HEAD	1	1	1	1	
20	437-83936-01	BAND, SWITCH CORD	4	4	4	4	



38T3351-9430

E15

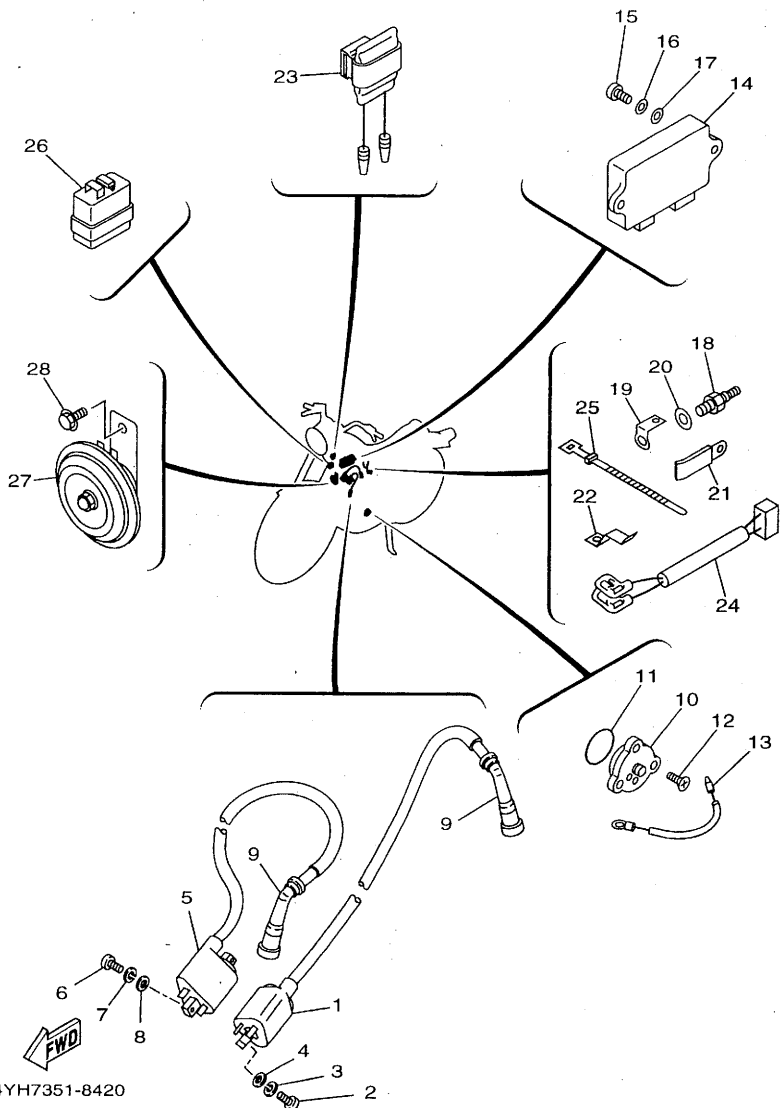


3JCV100-7410

FIG. 40 ELECTRICAL 1

REF. NO.	PART NO.	DESCRIPTION	A	B	C	D	REMARKS
1	3JB-81960-01	RECTIFIER & REGULATOR ASSY	1	1	1	1	
2	95807-06012	BOLT, FLANGE	2	2	2	2	
3	25G-81950-01	RELAY ASSY	1	1	1	1	
4	3AY-81940-00	STARTER RELAY ASSY	1	1	1	1	
5	95707-06500	NUT, FLANGE	2	2	2	2	
6	4H7-81980-M0	DIODE ASSY	1	1	1	1	
7	1VJ-82110-60	BATTERY ASSY (GM12AZ-3A-2)	1	1	1	1	
8	90445-08248	HOSE	1	1	1	1	
9	120-82131-00	BAND, BATTERY	1	1	1	1	
10	2GV-82115-00	WIRE, PLUS LEAD	1	1	1	1	
11	2GV-82116-00	WIRE, MINUS LEAD	1	1	1	1	
12	2NT-82510-01	MAIN SWITCH ASSY	1	1	1	1	
13	92017-08016	BOLT, BUTTON HEAD	1	1	1	1	
14	2GV-82530-10	STOP SWITCH ASSY	1	1	1	1	
15	4KU-82590-00	WIRE HARNESS ASSY	1	1	1	1	
16	36Y-82151-00	.FUSE (15A-BL)	4	4	4	4	
17	1AE-82151-00	.FUSE (30A-BL)	2	2	2	2	
18	98507-06010	SCREW, PAN HEAD	1	1	1	1	
19	92907-06600	WASHER, PLATE	1	1	1	1	
20	3LD-82566-70	SWITCH, SIDE STAND	1	1	1	1	
21	90157-05079	SCREW, PAN HEAD	2	2	2	2	
22	1A0-83980-30	FRONT STOP SWITCH ASSY	1	1	1	1	
23	12R-82591-00	BAND	1	1	1	1	

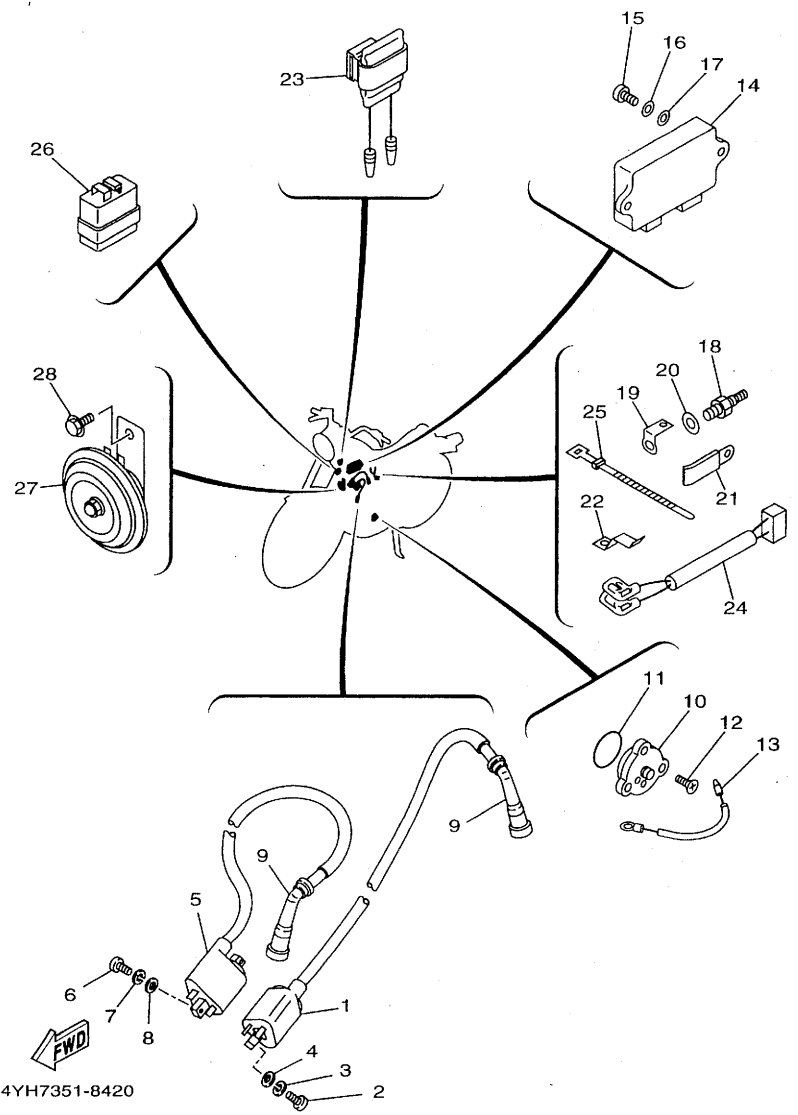
FIG. 41 ELECTRICAL 2



4YH7351-8420

REF. NO.	PART NO.	DESCRIPTION	A	B	C	D	REMARKS
1	2GV-82310-30	IGNITION COIL ASSY	1	1	1	1	
2	98507-05016	SCREW, PAN HEAD	2	2	2	2	
3	92907-05100	WASHER, SPRING	2	2	2	2	
4	92907-05600	WASHER, PLATE	2	2	2	2	
5	2GV-82320-30	IGNITION COIL ASSY	1	1	1	1	
6	98507-05016	SCREW, PAN HEAD	2	2	2	2	
7	92907-05100	WASHER, SPRING	2	2	2	2	
8	92907-05600	WASHER, PLATE	2	2	2	2	
9	2GV-82370-00	PLUG CAP ASSY	2	2	2	2	
10	1L9-82540-00	NEUTRAL SWITCH ASSY	1	1	1	1	
11	93210-29196	O-RING	1	1	1	1	
12	90149-05321	SCREW	3	3	3	3	
13	22U-82509-00	WIRE, SUB LEAD	1	1	1	1	
14	3BT-82305-00	IGNITOR UNIT ASSY	1	1	1	1	
15	98507-06020	SCREW, PAN HEAD	2	2	2	2	
16	92907-06100	WASHER, SPRING	2	2	2	2	
17	92907-06600	WASHER, PLATE	2	2	2	2	
18	3BT-83790-00	HEATER ASSY (30W)	2	2		2	FOR NLD, NOR
19	3BT-82103-00	TERMINAL 1	2	2		2	FOR NLD, NOR
20	90201-085R5	WASHER, PLATE	2	2		2	FOR NLD, NOR
21	3UH-14146-00	PLATE	1	1		1	FOR NLD, NOR
22	3JC-14146-10	PLATE	1	1		1	FOR NLD, NOR
23	3BT-82560-00	THERMO SWITCH ASSY	1	1		1	FOR NLD, NOR
24	3JC-82509-00	WIRE, SUB LEAD	2	2		2	FOR NLD, NOR
25	437-83936-01	BAND, SWITCH CORD	2	2		2	FOR NLD, NOR
26	41R-83350-71	FLASHER RELAY ASSY	1	1	1	1	UR
	47G-83350-41	FLASHER RELAY ASSY	1				UR FOR AUT

F3



4YH7351-8420

FIG. 41 ELECTRICAL 2

REF. NO.	PART NO.	DESCRIPTION	A	B	C	D	REMARKS
27	35J-83371-32	HORN	1	1	1	1	
28	95807-06010	BOLT, FLANGE	1	1	1	1	

F4



INDEX

NUMERICAL INDEX

PART NO.	GRID NO.	PART NO.	GRID NO.	PART NO.	GRID NO.	PART NO.	GRID NO.	PART NO.	GRID NO.	PART NO.	GRID NO.	PART NO.	GRID NO.
4H7-W0041-00	D- 5	22U-11416-90	B- 12	4FT-14146-00	B- 10	4KU-14902-10	B- 10	22U-17211-00	C- 2	2GV-2138L-00	B- 11		
4B- W0045-00	D- 2	26V-11610-00	B- 4	2JU-14141-90	B- 10	1FK-14933-00	B- 10	4KU-17221-00	C- 2	2GV-2139R-00	C- 6		
3JB-W0047-00	D- 2	26V-11610-20	B- 4	4G0-14142-35	B- 10	41R-14940-00	B- 10	4KU-17231-00	C- 2	3JB-2139R-00	C- 6		
51L-W0048-00	D- 2	26V-11610-40	B- 4	3JC-14146-10	D- 14	22U-14952-00	B- 10	22U-17241-00	C- 2	1AA-2143A-00	C- 6		
3JB-W0057-00	D- 2	26V-11631-00-00	B- 4	3UH-14146-00	D- 14	26H-14952-00	B- 10	11H-17251-00	C- 2	4KU-21458-00	C- 6		
4H7-W1752-10	C- 3	22U-11633-01	B- 4	1FK-14147-00	B- 10	341-14954-00	B- 10	22U-17402-00	C- 2	4X7-21485-00	C- 6		
2GV-W2341-00-38	C- 11	26V-11636-00	B- 4	214-14147-00	B- 10	22U-14968-00	B- 10	4VR-17411-00	C- 2	3WF-2153E-40	C- 11		
3DR-W2536-00	D- 3	26V-11638-00	B- 4	22U-14147-00	B- 10	22V-14968-00	B- 10	22U-17524-00	C- 3	4KU-21570-A0	C- 7		
22U-Y1754-00	C- 3	22U-11650-00	B- 4	22U-14147-00	B- 10	1FK-14985-00	B- 10	22U-17527-01	C- 3	4KU-21570-80	C- 7		
2GV-Y2150-E1-JW	C- 7	22U-11654-00	B- 4	137-14153-00	B- 10	31H-14987-00	B- 10	3H5-17529-00	C- 3	4KU-21570-90	C- 7		
2GV-Y2150-F1-PB	C- 7	22U-11656-00	B- 4	1FK-14190-15	B- 10	22F-14991-00	B- 10	3JB-17531-00	C- 3	2NT-21597-01	C- 7		
2GV-Y2150-G1-3G	C- 7	22U-11656-10	B- 4	2L1-14191-00	B- 10	341-14991-00	B- 10	3JB-17531-10	C- 3	3JB-21598-00	C- 7		
3BR-Y2161-0V-JW	C- 7	22U-11656-20	B- 4	127-14198-00	B- 10	1HX-14994-00	B- 10	3JB-17531-20	C- 3	2GV-2160E-00	C- 7		
3BR-Y2161-0W-P3	C- 7	22U-11656-30	B- 4	3JB-14199-00	B- 10	2GV-15100-02	B- 12	1J7-17537-Y0-30	C- 10	3BR-21621-00	C- 7		
3BR-Y2161-0X-3G	C- 7	22U-12111-00	B- 5	3G2-1423A-72	B- 10	2GV-15316-00	B- 13	1J7-17537-Y0-40	C- 10	2GV-21629-00-JW	C- 7		
3JB-Y2161-0K-JW	C- 7	22U-12113-00	B- 5	3G2-14231-14	B- 10	2H7-15361-00	B- 13	1J7-17537-Y0-50	C- 10	2GV-21629-00-P5	C- 7		
3JB-Y2161-0L-3G	C- 7	22U-12114-00	B- 5	3G2-14231-34	B- 10	3F9-15362-00	B- 13	4H7-17537-02-30	C- 3	2GV-21629-00-3G	C- 7		
3JB-Y2161-0M-P4	C- 7	3Y1-12116-00	B- 5	3JB-14409-00	B- 9	11H-15383-01	B- 12	4H7-17537-00-30	C- 3	2GV-2163A-00	C- 7		
3BR-Y2428-S0-2X	C- 13	3Y1-12117-01	B- 5	3JB-14412-00	B- 9	3JB-15411-01	B- 13	4H7-17537-00-40	C- 3	2GV-2163E-00	C- 7		
3BR-Y2428-T0-3X	C- 13	1J7-12118-00	B- 5	3JB-14414-00	B- 9	3JB-15415-00	B- 13	22U-17553-01	C- 3	4G0-21639-00	C- 7		
3BR-Y2428-U0-4X	C- 13	1J7-12119-01	B- 5	3JB-14417-00	B- 9	3JB-15421-00	B- 13	22U-17556-00	C- 3	2AE-21641-00	C- 7		
2NT-1110M-01	B- 2	22U-12121-01	B- 5	3JB-14426-00	B- 9	22U-15441-01	B- 12	2H7-17590-00	C- 10	3JB-21641-00	C- 7		
2GV-11102-02	B- 2	22U-12151-00	B- 5	3JB-14422-00	B- 9	4VR-15451-00	B- 13	2GV-18110-00	C- 5	4KU-2165A-A0	C- 7		
22U-1111F-01	B- 2	22U-12156-01	B- 5	3JB-14425-00	B- 9	4VR-15461-00	B- 13	2GV-18112-00	C- 5	4KU-2165A-80	C- 7		
2GV-1111H-00	B- 2	22U-12159-00	B- 5	3JB-14426-00	B- 9	3BT-15484-00	B- 13	132-18113-01	C- 5	4KU-2165A-90	C- 7		
2GV-11127-00	B- 2	22U-12171-01	B- 6	3JB-14437-01	B- 9	22U-15512-00	B- 14	2GV-18115-00	C- 5	2GV-2171E-00	C- 6		
4H7-11133-10	B- 2	22U-12176-01	B- 6	2NT-14451-00	B- 9	4TR-15517-00	B- 14	22U-18120-02	C- 5	2GV-21711-00-JW	C- 8		
2GV-11142-00	B- 2	22U-12181-01	B- 6	2GV-14452-00	B- 9	5H0-15521-00	B- 14	4G0-18127-00	C- 5	2GV-21711-00-P5	C- 8		
22U-11145-00	B- 6	11H-12210-02	B- 6	3JB-14452-00	B- 9	4TR-15590-00	B- 14	4TR-18140-00	C- 5	2GV-21711-00-3G	C- 8		
2GV-11152-00	B- 2	3BT-12213-00	B- 6	3JB-14455-00	B- 9	4KU-16111-00	B- 15	2H9-18154-00	C- 5	3JB-2172E-00	C- 8		
15A-11162-00	B- 3	22U-12231-00	B- 6	22U-14469-00	B- 9	22U-16150-01	B- 15	4H7-18185-00	C- 4	3JB-2172F-00	C- 8		
22U-11165-00	B- 2	22U-12241-00	B- 6	31A-14477-00	C- 8	22U-16154-00	B- 15	4TR-18511-00	C- 4	2GV-21721-00-JW	C- 8		
2GV-11166-00	B- 2	22U-13300-00	B- 7	2GV-14484-00	B- 11	22U-16321-00	B- 15	4TR-18512-00	C- 4	2GV-21721-00-P5	C- 8		
2GV-11181-00	B- 2	22U-13324-00	B- 7	3JB-14536-00	B- 10	4X7-16324-00	B- 15	4TR-18513-00	C- 4	2GV-21721-00-3G	C- 8		
2GV-11185-00	B- 2	4VR-13325-00	B- 7	22U-14565-00	B- 10	4X7-16325-00	B- 15	3YF-18531-00	C- 4	3JB-2176E-00	C- 8		
2NT-11186-01	B- 2	22U-13410-00	B- 7	2GV-14603-00	B- 11	22U-16351-00	B- 15	4TR-18535-00	C- 4	4KU-21781-00	C- 8		
22U-11186-00	B- 2	22U-13415-00	B- 7	4BE-14613-00	B- 11	4PT-16356-01	B- 15	4TR-18540-01	C- 4	2GV-22110-00-35	C- 9		
2NT-11187-01	B- 2	2GV-13417-00	B- 7	4BR-14613-00	B- 11	22U-16357-00	B- 15	4UN-18542-00	C- 4	4X7-22124-00	C- 9		
22U-11187-00	B- 2	4X7-13440-01	B- 8	2GV-14625-00	B- 11	1W1-16358-01	B- 15	4UN-18566-00	C- 4	4X7-22129-00	C- 9		
3BT-11195-00	B- 2	3JB-13447-00	B- 8	2GV-14663-00	B- 11	22U-16371-01	B- 15	3JB-21105-00-33	C- 6	4X7-22141-00	C- 9		
3BT-11196-00	B- 2	166-13569-00	B- 9	4KU-14703-00	B- 11	22U-16380-00	B- 15	4FT-21110-10-33	C- 6	22U-22189-00	C- 9		
214-11198-01	B- 7	26V-13586-01	B- 9	22U-1490H-00	B- 10	4X7-16383-01	B- 15	4KU-21110-20-33	C- 6	2YL-22210-01	C- 9		
	C- 10	26V-13596-00	B- 9	3BM-1490J-00	B- 10	4X7-16384-00	B- 15	2GV-21171-00	C- 8	2GV-22216-00	C- 9		
2GV-11310-00	B- 3	2GV-13907-00	C- 13	3BM-1490J-10	B- 10	4X7-16385-00	B- 15	4R8-21308-00	C- 7	2YL-22220-01	C- 9		
2GV-11320-00	B- 3	11H-1410A-00	B- 10	3EN-1490K-00	B- 10	4KU-17121-00	C- 2	22U-21315-00	C- 6	2GV-22226-00	C- 9		
3BT-11351-00	B- 3	22U-14103-00	B- 10	3JB-1490L-00	B- 10	4KU-17131-00	C- 2	22U-21316-00	C- 6		C- 9		
22U-11411-00	B- 4	12R-14105-00	B- 10	4KU-14900-10	B- 10	22U-17141-00	C- 2	2GV-21317-00	C- 6	2GV-22253-00	C- 9		
22U-11416-80	B- 12	41R-14118-01	B- 10	4KU-14901-10	B- 10	11H-17151-01	C- 2	2GV-21359-00	C- 6	5M0-22253-00	C- 9		

NUMERICAL INDEX

PART NO.	GRID NO.	PART NO.	GRID NO.	PART NO.	GRID NO.	PART NO.	GRID NO.	PART NO.	GRID NO.	PART NO.	GRID NO.
4KU-23102-01	C-12	3JB-24135-00	C-13	4E7-25188-00	D-3	1NH-27413-00	D-6	120-82131-00	D-13	3BT-83790-00	D-14
4KU-23103-01	C-12	4MC-24161-00	C-13	4TX-25190-10	C-15	4X7-27414-00	D-6	1AE-82151-00	D-13	2GV-83912-00	D-12
2GV-23110-01	C-12	4MC-24162-00	C-13	2GV-25304-01	D-3	1RM-27420-00-93	D-6	36Y-82151-00	D-13	2W1-83922-00	D-12
	C-12	2GV-24181-00	C-13	2GV-25311-00-35	D-3	2NT-27430-01	D-6	3BT-82305-00	D-14	3TB-83936-00	C-11
1HX-23111-00	C-12	1FK-24182-00	C-13	2GV-25315-00	D-3	1NH-27433-00	D-6	2GV-82310-30	D-14	437-83936-01	D-12
	C-12		C-13	2GV-25317-00	D-3		D-6	2GV-82320-30	D-14		D-14
2GV-23125-00	C-12	3JB-24182-00	C-13	1J7-25319-01	C-10	2NT-27437-00	D-6	2GV-82370-00	D-14	437-83936-11	C-13
	C-12	1FK-24183-00	C-13	2GV-25319-00	D-3		D-6	22U-82509-00	D-14	2YL-83972-00	D-12
3JB-23126-11	C-12		C-13	2NT-25321-00	D-3	2NT-27440-01	D-6	3JC-82509-00	D-14	3LP-83972-00	D-12
3JB-23136-11	C-12	42X-24183-00	C-13	4H7-2533A-02	D-3	2GV-27471-02	D-6	2NT-82510-01	D-13	1A0-83980-30	D-13
2GV-23141-00	C-12	2GV-24184-00	C-13	4H7-25351-00	D-3	2GV-27472-02	D-6	2GV-82530-10	D-13	42X-84124-60	D-10
	C-12	1FK-24186-00	C-13	214-25355-00	D-3	2GV-27491-00	D-6	1L9-82540-00	D-14	2F9-84314-00	D-10
2GV-23144-00	C-12		C-13	2GV-25366-00	D-3	2GV-28100-00	C-14	3BT-82560-00	D-14	42X-84315-01	D-10
	C-12	2GV-24191-00	C-13	42X-25371-02	D-3	3JB-28185-00	C-8	3LD-82566-70	D-13	2AE-84320-60	D-10
2AJ-23145-00	C-12	4KU-24240-50	C-13	22U-25377-00	D-3	2NT-46101-00	C-10	4KU-82590-00	D-13	55R-84321-H0	D-10
	C-12	4KU-24240-60	C-13	2GV-25381-00	D-3	22U-46117-00-25	C-10	12R-82591-00	D-13	2UJ-84330-00	D-10
1GU-23151-00	C-12	4KU-24240-70	C-13	5V4-25398-00	C-15	22U-46117-00-30	C-10	42X-82911-00	D-12	341-84331-60	D-10
	C-12	2GV-24311-00	C-13		D-3	22U-46117-00-40	C-10	2GV-82917-00	D-12	1A0-84332-60	D-10
1HX-23154-00	C-12	2GV-24312-00	C-13	3JB-2580U-11	D-2	22U-46118-00-12	C-10	3LS-83310-04	D-8	198-84334-60	D-10
	C-12	3JB-24314-00	C-13	3JB-2582U-01	D-2	22U-46118-00-14	C-10	2AE-83311-00	D-8	1FK-84338-00	D-10
1HX-23156-00	C-12	3JB-24316-00	C-13	341-25846-00	C-15	22U-46118-00-16	C-10		D-8	2UJ-84338-00	D-10
	C-12	3JB-24317-00	C-13	4H7-25850-02	D-5	22U-46118-00-18	C-10	2AE-83312-00	D-8	42X-84345-00	D-10
1GU-23157-00	C-12	2GV-24491-00	C-13	4H7-25852-00	D-5	22U-46118-00-20	C-10	42X-83312-00	D-8	306-84346-30	D-10
	C-12	3JB-24500-03	C-13	4L0-25854-00	D-5	2H7-46122-00	C-10	42X-83313-00	D-8	34L-84346-00	D-10
2NT-23164-00	C-11	4X8-24512-00	C-13	4L0-25867-00	D-5	22U-46123-00	C-10		D-8	306-84347-30	D-10
2GV-2317E-00	C-11	3AJ-24523-00	C-13	4KU-25872-00	D-5	4H7-46125-00	C-10	1AA-83318-00	D-8	4E2-84347-00	D-10
2GV-2317F-00	C-11	3AJ-24534-00	C-13	3JB-25886-00	C-12	22U-46136-00	C-10		D-8	42X-84366-00	D-10
2GV-2317M-00	C-11	1FK-24560-00	C-13	3YX-25919-00	D-2	22U-46137-00	C-10	2EN-83330-00	D-8	2F9-84375-00	D-10
2GV-23171-01	C-12	1FK-24566-00	C-13	3YX-25929-00	D-2	22U-46152-00	C-10	41R-83350-71	D-14	5Y3-84395-00	D-10
	C-12	4X7-24602-04	C-13	3YX-25937-00	D-2	22U-46153-00	C-10	47G-83350-41	D-14	2F9-84397-01	D-10
1GU-23173-00	C-12	4X7-24612-00	C-13	5R2-25937-00	D-2	2GV-46172-00	C-10	57M-83358-00	D-8	2YL-84700-E0	D-11
	C-12	47X-24705-00	C-14	2GV-26111-11	D-4	4X7-46180-00	C-10		D-8	1RM-84704-00	D-11
2GV-23174-01	C-11	3JB-24710-10	C-14	3JB-26240-00	D-4	2GV-81410-20	D-7	42X-83363-00	D-8	1A2-84714-41	D-11
3JC-23317-00	C-11	3JB-24711-10	C-14	3JB-26241-00	D-4	4TR-81450-00	B-14		D-8	2GV-84717-00	D-11
2GV-23340-00	C-12	3JB-24718-00	C-14	3JB-26273-00	D-4	3BT-81670-00	D-7	18G-83365-00	D-8	2AE-84721-00	D-11
3BF-23340-00	C-12	18A-24724-00	C-14	3JB-2628J-00	D-4	3JB-81800-01	B-14	35J-83371-32	D-14	42X-84723-01	D-11
4R3-23408-00	C-11		C-14	4H7-26290-A1	D-4	3HE-81826-00	B-14	1FK-83507-10	D-9	2YL-84751-00	D-11
156-23411-00	C-12	3JB-24728-00	C-14	4H7-26290-E1	D-4	3KS-81840-00	B-14	2UJ-83509-00	D-9	3Y6-85130-02	C-7
183-23411-00	C-11	3JB-24734-10	C-14	3JC-26311-00	D-4	11H-81844-00	B-14	2JV-8351A-10	D-9	449-85131-02	C-7
156-23412-00	C-11	3JB-24750-10	C-14	3JC-26312-00	D-4	1FK-81847-00	B-14	3BT-8351A-10	D-9	90101-06288	D-6
183-23412-00	C-11	3JB-24751-10	C-14	3JB-26335-20	D-4	3AY-81940-00	D-13	2GV-83517-00	D-9	90101-06576	B-11
136-23415-00	C-11	3JB-24776-00	C-14	2GV-26351-00	D-6	25G-81950-01	D-13	2UJ-83517-00	D-9	90101-06764	D-3
4H7-23441-00-38	C-11	3JB-2478F-00	C-14	5H0-26393-00	D-4	3JB-81960-01	D-13	42X-83517-00	D-9	90101-10303	B-6
42X-23442-00-38	C-11	5Y-24796-00	C-14	2GV-27211-00-93	D-6	4H7-81980-M0	D-13	2UJ-83519-00	D-9	90105-06069	C-6
164-23462-00	C-12	3JB-25104-01	C-15	4KU-27311-11	D-6	3BT-82103-00	D-14	2UJ-83523-00	D-9	90105-08066	C-6
134-23484-10	C-11	4KU-25111-00	C-15	5H0-27315-00	D-6	1VJ-82110-60	D-13	3BT-83530-10	D-9	90105-10152	B-14
584-23484-01	C-11	341-25149-00	C-15	1RM-27410-00-93	D-6	2GV-82115-00	D-13	3Y0-83550-01	D-9	90105-10183	C-6
3JB-24110-01-33	C-13	2GV-25181-00	C-15	1NH-27413-00	D-6	2GV-82116-00	D-13	4AS-83616-10	D-9	90105-10186	C-6

NUMERICAL INDEX

PART NO.	GRID NO.	PART NO.	GRID NO.	PART NO.	GRID NO.	PART NO.	GRID NO.	PART NO.	GRID NO.	PART NO.	GRID NO.
90105-10188	D- 6	90163-04003	B- 11	90201-10591	B- 6	90387-063E6	C- 13	90480-14102	C- 13	91314-08035	C- 12
90105-10200	D- 3	90164-04009	D- 9	90201-107E9	B- 14	90387-06518	B- 2	90480-14229	C- 8	91314-08060	B- 12
90105-10285	C- 10	90170-06010	D- 12	90201-12575	C- 5	90387-07391	C- 8	90480-15316	D- 11	91314-08100	B- 12
90105-10312	D- 6	90170-06128	B- 5	90201-12588	C- 5	90387-074T1	B- 2	90480-16501	D- 11	91317-05010	C- 13
90105-10638	D- 2	90170-06228	C- 5	90201-12688	C- 5	90387-087K5	D- 6	90480-18411	B- 2	91317-06016	C- 11
90105-12353	C- 12	90170-16256	B- 15	90201-14577	D- 3		D- 6	90480-19471	B- 2	91317-06020	B- 9
90105-14102	C- 11	90170-20310	B- 15	90201-146R0	D- 3	90387-100E2	C- 6	90480-22362	C- 8	91317-06025	B- 7
90106-10052	C- 9	90171-14029	D- 3	90201-14633	C- 3	90387-1003G	D- 6	90501-06022	C- 4		B- 11
90109-06577	D- 12	90171-14044	D- 3	90201-152L1	D- 6	90387-107A7	D- 6	90501-100F8	C- 13	91317-06030	B- 7
90109-06799	D- 12	90173-06015	B- 9	90201-18262	B- 15	90387-156G8	C- 10	90501-101J4	C- 13		B- 9
90109-081F0	D- 2	90176-10073	C- 9	90201-244A8	C- 9	90387-157R0	D- 3	90501-10245	D- 6	91317-06045	B- 12
90109-08368	D- 3	90179-06411	D- 6	90201-25290	B- 14	90387-16547	B- 12	90501-10312	D- 12	91317-06085	B- 3
90109-08406	D- 3	90179-08148	D- 4	90202-05193	C- 6		B- 12	90501-12743	D- 6	91317-06095	B- 12
90109-08718	C- 6	90179-08327	B- 4		C- 7		B- 12		D- 6	91317-08025	C- 12
90109-08781	B- 2	90179-08410	B- 11		C- 13	90387-177R1	C- 15	90501-15722	C- 10		C- 12
90109-08782	B- 2	90179-10247	C- 6	90208-04029	C- 11	90387-226G7	B- 2	90501-23738	B- 15	91317-08080	B- 12
90109-10060	D- 6	90179-10279	B- 2		C- 11	90387-256G9	C- 10	90501-60716	C- 3	91380-06025	B- 13
90110-06198	B- 2		C- 6	90209-22191	C- 2	90401-10159	D- 5	90502-09024	C- 11	91401-20012	D- 6
90110-08212	B- 14	90179-10395	B- 2		C- 2	90401-16166	B- 2	90506-08227	C- 5	91401-20015	D- 3
90116-08404	B- 12	90179-12248	C- 6	90209-27192	C- 2	90430-08119	B- 15	90506-20380	D- 6		D- 6
	B- 12	90179-18396	C- 3	90214-16026	B- 15	90430-17168	B- 2	90506-23490	D- 6		D- 6
90116-10249	C- 10	90179-25033	C- 11	90215-08229	B- 2	90430-24184	B- 2	90506-29507	D- 6	91401-25015	D- 6
90116-10405	B- 12	90183-04027	B- 11	90215-16157	B- 15	90445-08248	D- 13	90506-35473	D- 6		D- 6
	B- 12	90185-08097	B- 11	90215-16181	C- 9	90445-111F3	B- 9	90507-20002	D- 3	91401-30030	D- 3
90116-10406	B- 12	90185-14070	C- 3	90215-18178	C- 5	90445-11152	B- 9	90508-16577	B- 15	91701-06022	D- 6
	B- 12	90201-04018	C- 7	90215-22210	B- 15	90445-11290	B- 9	90508-18696	D- 6	91701-06032	D- 6
90116-10428	C- 10	90201-060A3	D- 10	90240-08084	D- 6	90445-16641	D- 6		D- 6		D- 6
90116-12495	C- 6	90201-06071	B- 2		D- 6	90445-22327	D- 6	90508-290B5	C- 5	91815-16017	B- 12
90119-06097	D- 11	90201-06380	B- 9	90249-12008	D- 6	90450-22017	C- 13	90508-32536	C- 5		B- 13
90119-06123	C- 7		C- 8	90267-40076	C- 7	90450-25037	C- 13	90560-08326	C- 7	92016-06012	D- 6
	C- 8	90201-065G8	C- 13	90267-48104	C- 7	90460-12256	B- 9	90560-17126	C- 15		D- 6
	C- 13	90201-066M2	C- 13	90269-04003	C- 11	90460-52210	B- 9	91314-06018	B- 13	92017-08016	D- 13
90119-08126	C- 10	90201-06765	C- 14		C- 11	90460-58124	B- 9	91314-06025	B- 2	92502-08014	B- 10
90123-08046	D- 4	90201-081E6	C- 12	90280-05048	B- 4	90462-06119	B- 13		B- 6	92701-06010	B- 10
90149-05321	D- 14		C- 12	90280-07036	B- 15	90462-10115	B- 13		B- 8	92901-04100	B- 10
90149-06008	C- 13	90201-08326	C- 6	90338-07043	C- 6	90462-10118	B- 13		B- 13		B- 10
90149-06131	D- 12	90201-08366	B- 2	90338-08163	C- 11	90465-13152	D- 6		B- 13	92902-04100	B- 10
90149-06154	C- 7	90201-085R5	D- 14	90338-09161	D- 6	90467-10008	C- 13	91314-06030	C- 13	92903-06600	B- 11
90149-08067	B- 15	90201-08569	C- 13	90340-14009	C- 10	90467-10039	B- 9	91314-06040	B- 13	92903-08100	D- 3
90149-08152	B- 12	90201-08753	C- 9	90340-14132	B- 7	90467-10041	B- 10		B- 13	92903-08200	C- 7
90149-10238	C- 6	90201-100A1	D- 6	90340-14139	B- 13	90467-10135	C- 13	91314-06045	B- 12	92903-08600	D- 3
90149-10239	C- 6	90201-10118	D- 5	90340-32140	B- 13	90467-12053	C- 13	91314-06055	B- 12	92903-10100	C- 9
90151-08022	B- 12	90201-10131	B- 2	90380-28110	B- 6		C- 13		B- 13		C- 10
90157-05050	B- 10		C- 6	90387-06026	D- 11	90467-14015	B- 2		B- 13	92904-06600	B- 2
90157-05079	D- 13	90201-10140	C- 6	90387-06265	C- 13	90480-01502	D- 11	91314-06060	B- 8	92904-08100	C- 9
90157-05084	D- 10	90201-10141	C- 11		C- 13	90480-10334	C- 6	91314-06095	B- 8	92907-03200	C- 14
90159-06016	B- 15	90201-104A7	C- 6	90387-062L2	C- 13	90480-12320	C- 8	91314-08030	B- 2	92907-05100	D- 3
90159-06059	C- 7	90201-105R9	C- 9	90387-062T3	B- 9	90480-13163	C- 13		C- 11		D- 14

NUMERICAL INDEX

PART NO.	GRID NO.	PART NO.	GRID NO.	PART NO.	GRID NO.	PART NO.	GRID NO.	PART NO.	GRID NO.	PART NO.	GRID NO.
92907-05100	D- 14	93210-15566	B- 13	93501-04011	D- 6	95617-10100	D- 6	98506-05040	D- 12		
92907-05600	D- 3	93210-18322	B- 12		D- 6	95617-10680	B- 12	98506-05045	D- 12		
	D- 9		B- 12	93515-32029	B- 15	95704-06500	D- 8	98507-03008	C- 13		
	D- 14		B- 12	93604-16092	C- 4		D- 8	98507-04025	D- 9		
	D- 14	93210-24709	C- 12	93604-20156	C- 4	95704-10500	D- 6	98507-05008	D- 4		
92907-06100	C- 8		C- 12	93605-10108	B- 6	95707-06500	C- 14	98507-05012	D- 3		
	C- 8	93210-27370	B- 13	94114-156U1	D- 3		D- 13	98507-05016	C- 13		
	C- 13	93210-29196	D- 14	94114-156U2	D- 3	95707-08500	B- 2		D- 14		
	C- 14	93210-32172	B- 13	94130-197N0	C- 15	95804-10016	D- 6		D- 14		
	D- 7	93210-36769	B- 9	94130-197N1	C- 15	95807-06010	C- 7	98507-06010	B- 13		
	D- 7	93210-60426	C- 10	94214-15225	D- 3		C- 12		D- 13		
	D- 10	93210-62446	B- 2	94227-19177	C- 15		D- 14	98507-06012	B- 10		
	D- 12	93210-64297	B- 8	94325-19115	C- 15	95807-06012	C- 6		C- 7		
	D- 14	93210-71360	C- 3	94330-15136	D- 3		C- 14	98507-06020	D- 7		
92907-06200	B- 15		C- 7	94418-19543	C- 15		D- 13		D- 14		
	C- 7	93210-74316	B- 13	94430-15544	D- 3	95807-06016	C- 13	98507-06025	D- 7		
	D- 6	93210-81411	B- 3	94591-41118	B- 6		D- 11	98507-06035	B- 9		
	D- 11	93210-89568	B- 2	94701-00228	B- 2	95807-06020	C- 8		C- 8		
92907-06600	B- 2	93211-00612	B- 2	94701-00234	B- 2	95807-06025	C- 13	98507-06050	C- 8		
	B- 6	93211-39569	C- 10	95024-06008	C- 11	95807-08012	C- 7	98517-06160	B- 9		
	B- 9	93306-00401	C- 2	95024-06025	C- 13		C- 9	98706-04012	D- 5		
	B- 9		C- 3	95024-06030	D- 8	95807-08016	B- 11	98707-05016	C- 4		
	C- 7	93306-00428	C- 2		D- 8	95827-08030	C- 3	98707-05035	C- 4		
	C- 8	93306-20711	C- 3	95024-08040	C- 11	97004-08035	C- 9	98904-08014	C- 7		
	C- 8	93306-30202	D- 3	95027-06016	C- 6	97007-06014	C- 14	99001-10600	C- 5		
	D- 5	93306-30209	D- 3	95027-06020	C- 11	97007-06016	D- 10		C- 5		
	D- 13	93306-30319	C- 15	95027-06040	D- 10	97007-06025	C- 8	99009-11400	B- 7		
	D- 14		C- 15	95027-08012	C- 7		D- 5	99009-12400	C- 5		
92907-08100	B- 11	93306-30525	C- 2	95304-06700	C- 5		D- 12	99009-15400	D- 6		
92907-08200	B- 11	93306-30539	C- 10	95304-08700	D- 3	97007-08016	C- 13	99009-25500	B- 13		
92907-10200	D- 6	93306-90602	C- 4		D- 4	97024-06016	B- 2	99236-00080	C- 7		
92990-06600	B- 11	93311-21044	C- 10	95307-05600	D- 9	97024-06020	C- 5	99237-00080	C- 7		
	B- 14	93311-43729	C- 10	95307-05800	C- 7	97027-06016	B- 2	99530-10014	B- 13		
93101-14089	B- 13	93315-21813	B- 15	95307-06600	B- 15		B- 6	99530-10120	B- 13		
93101-30084	C- 10	93316-01301	C- 10		C- 7	97027-06030	C- 13	99530-14016	B- 12		
93101-35097	C- 3	93317-41510	C- 10		D- 6	97027-08030	B- 11		B- 12		
93101-38098	C- 10	93320-32403	C- 9		D- 11	97070-06025	B- 14	99530-17016	B- 2		
93102-12106	C- 5	93410-22039	C- 10	95307-12600	D- 8	97701-40625	D- 11				
93102-18278	B- 15	93440-12052	B- 2		D- 8	97704-40012	B- 11				
93102-28022	C- 15	93440-19112	C- 10	95307-12800	C- 6	97707-60514	C- 6				
93102-65277	C- 10	93440-20088	C- 10	95314-10600	C- 10	97880-05014	B- 10				
93105-45017	C- 15	93440-25084	C- 2	95317-08700	B- 11	98501-04010	B- 10				
93210-03119	B- 10		C- 2	95607-06100	D- 6	98501-04012	B- 10				
93210-09525	B- 15	93440-30077	C- 2		D- 6	98501-05010	B- 10				
93210-10096	B- 7	93450-19052	B- 4		D- 12	98501-05012	B- 10				
93210-11368	D- 12	93450-32116	C- 12		D- 12	98501-05035	D- 12				
93210-14369	B- 13		C- 12	95607-10100	C- 11	98502-04018	B- 10				
93210-15151	B- 7	93501-04011	C- 11	95617-08630	B- 2	98504-06020	B- 11				

