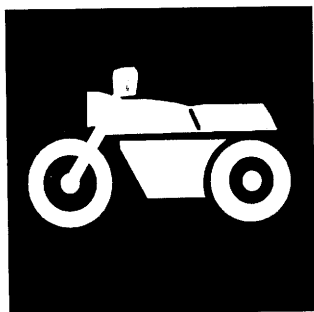


**YAMAHA**



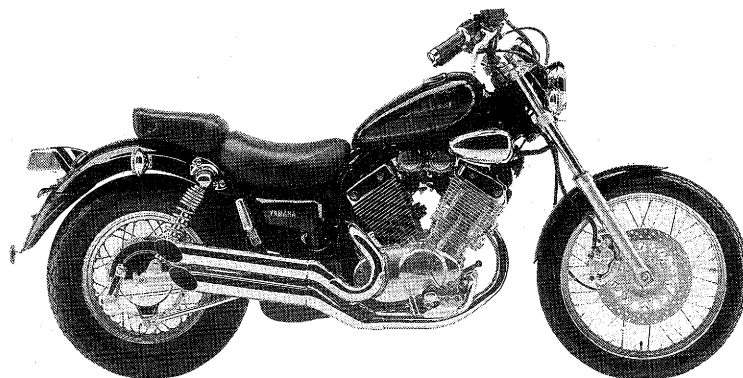
# **PARTS CATALOGUE**

- XV535'97 (4KUV / 4KUX) ✓ (UP)**
- XV535'97 (4KUW / 4KUY) (FLAT)**
- XV535S'97 (4YH2 / 4YH4) (UP)**
- XV535S'97 (4YH3) (FLAT) EUROPE**
- 

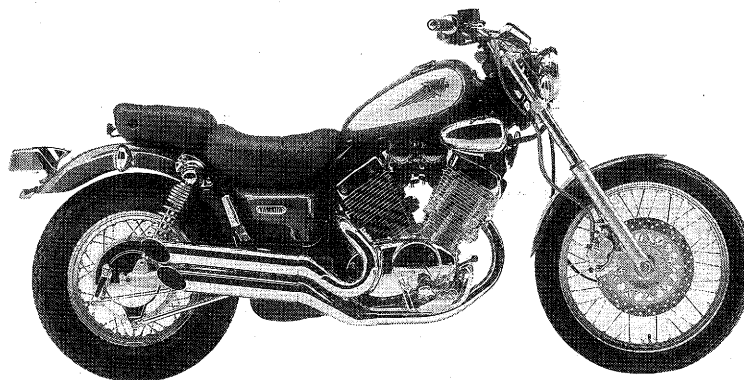
174KU-300E1

**YAMAHA**  
**GENUINE**  
Parts & Accessories





XV535 MODEL



XV535S MODEL

**A3**

# FOREWORD

This Parts Catalogue is related to the parts for the model(s) in the below frame. When you are ordering replacement parts, please refer to this Parts Catalogue and quote both part numbers and part names correctly.

XV535'97(4KUV/4KUX/4KUW/4KUY), XV535S'97(4YH2/4YH4/4YH3)

1. Modifications or additions which have been made after issue of the Parts Catalogue will be announced in the Yamaha Parts News. It is advisable that you make necessary corrections to the Parts Catalogue according to the Yamaha Parts News.

2. Abbreviations

The following abbreviations are used in this Parts Catalogue.

- "UR" Use specified parts number.
- "UN" Use as many as needed.
- "AP" Alternate Parts
- "LM" Local Made (Parts need to be ordered locally)
- "F#" Frame No. (Applicable machine No.)

3. Parts, which are to be supplied in an assembly, are listed with a dot (.) in front of the part name as shown below.

EXAMPLE

- CARBURETOR ASSY
- . JET, PILOT
- . NOZZLE, MAIN

4. Number of component for assembly

The numeral appearing to the right of each component part indicates the quantity of parts for each assembly unit.

EXAMPLE

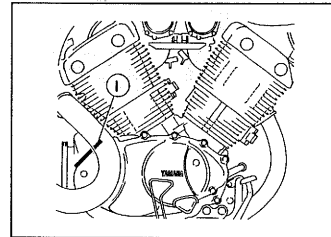
PART NO.	DESCRIPTION	Q'TY	REMARKS
2F5-83310-60	FRONT FLASHER LIGHT ASSY	2	
115-83311-60	. BULB (6V-18W)	1	

5. Applicable colors of graphics are represented in the "REMARKS" as shown below.

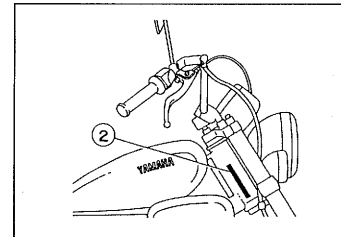
PART NO.	DESCRIPTION	Q'TY	REMARKS
2N4-24110-00-X5	FUEL TANK COMP.	1	MAXIM RED
3J1-24240-10	. GRAPHIC, FUEL TANK	1	for MXR

6. Applicable Serial No.

① Engine Serial No.



② Frame Serial No.

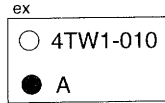
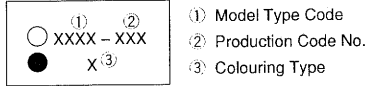


7. Note that the illustrations are for reference in finding parts numbers, not to be used for assembling. When assembling, please use the applicable service manual.
8. The asterisk (\*) before a reference number indicates modification items after the first edition.

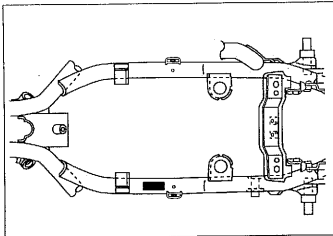
# MODEL LABEL

(1) A label called "Model Label" is affixed in the location as indicated in (3) below. When using this parts catalogue, please be sure to cross-refer the "model code – production code No." in the catalogue to the "model code – production code No." indicated on the Model Label affixed onto the product concerned.

(2) "Model Label" Indication



(3) Model Label Affixing Location



(4) Model Code – Production Code Number of Model Listed in This Parts Catalog

Model code	Production code No.	Country (destination)	Model code	Production code No.	Country (destination)
4KUV	020	DENMARK	4YH2	060	SWEDEN
	030	FINLAND	4YH3	020	BELGIUM
	040	ENGLAND		030	ITALY
	050	NORWAY	4YH4	020	HOLLAND
	060	SWEDEN		030	ITALY
4KUX	020	HOLLAND	040	PORTUGAL	
	030	PORTUGAL			
4KUW	020	BELGIUM			
	030	GREECE			
	040	ITALY			
4KUY	010	ENGLAND			
4YH2	020	DENMARK			
	030	FINLAND			
	040	ENGLAND			
	050	NORWAY			

(5) Colouring Information

Model code	Colouring type code	Colour code	Colour Name	Abbreviation
4KUV				
4KUX	A	004B	BLACK 2	BL2
4KUW	B	009U	TRADITIONAL BLUE	TDB
4KUY				
4YH2	A	00KM	NEW BLACK BLUE	NBB
4YH3	B	00EG	MAPLE RED	MPR
4YH4	C	003G	MILKY BROWN	MKB

# CONTENTS

## GENERAL SPEC.

### ENGINE

Cylinder Head .....	B2~B3
Cylinder .....	B4
Crankshaft, Piston .....	B5
Valve .....	B6
Camshaft, Chain .....	B7
Oil Pump .....	B8
Oil Cleaner .....	B9
Intake .....	B10~B11
Carburetor .....	B12~B14
Exhaust .....	B15
Crankcase .....	C2~C3
Crankcase Cover 1 .....	C4~C5
Starter Clutch .....	C6
Clutch .....	C7~C8
Transmission .....	C9
Middle Drive Gear .....	C10
Shift Cam, Fork .....	C11
Shift Shaft .....	C12

### CHASSIS

Frame .....	C13~C14
Fender .....	C15~D2
Side Cover .....	D3~D4
Rear Arm, Suspension .....	D5
Drive Shaft .....	D6~D7
Steering .....	D8~D9
Front Fork .....	D10~D11
Fuel Tank .....	D12~D14
Seat .....	D15~E2

Front Wheel .....	E3
Front Brake Caliper .....	E4
Rear Wheel .....	E5~E6
Steering Handle, Cable .....	E7
Front Master Cylinder (Flat Handle) .....	E8
Front Master Cylinder (Up Handle) .....	E9
Stand, Footrest .....	E10~E12
Generator .....	E13
Flasher Light .....	E14
Meter .....	E15
Headlight .....	F2
Taillight .....	F3
Handle Switch, Lever (Flat Handle) .....	F4
Handle Switch, Lever (Up Handle) .....	F5
Electrical 1 .....	F6
Electrical 2 (GBR.,DNK.,FIN.,NOR.,SWE.,NLD.) .....	F7~F8
Electrical 2 (BEL.,GRC.,ITA.,PRT.) .....	F9

### INDEX (GENERAL SPEC.)

Numerical Index .....	L2~L6
-----------------------	-------

## INDIVIDUAL SPEC.

### FOR ITALY HOLLAND GREECE

Alternate (Frame) .....	F11
Alternate (Chassis) .....	F12
Alternate (Taillight) .....	F13

### FOR BELGIUM PORTUGAL

Alternate (Chassis) .....	F15
Alternate (Taillight) .....	G2

### FOR ENGLAND

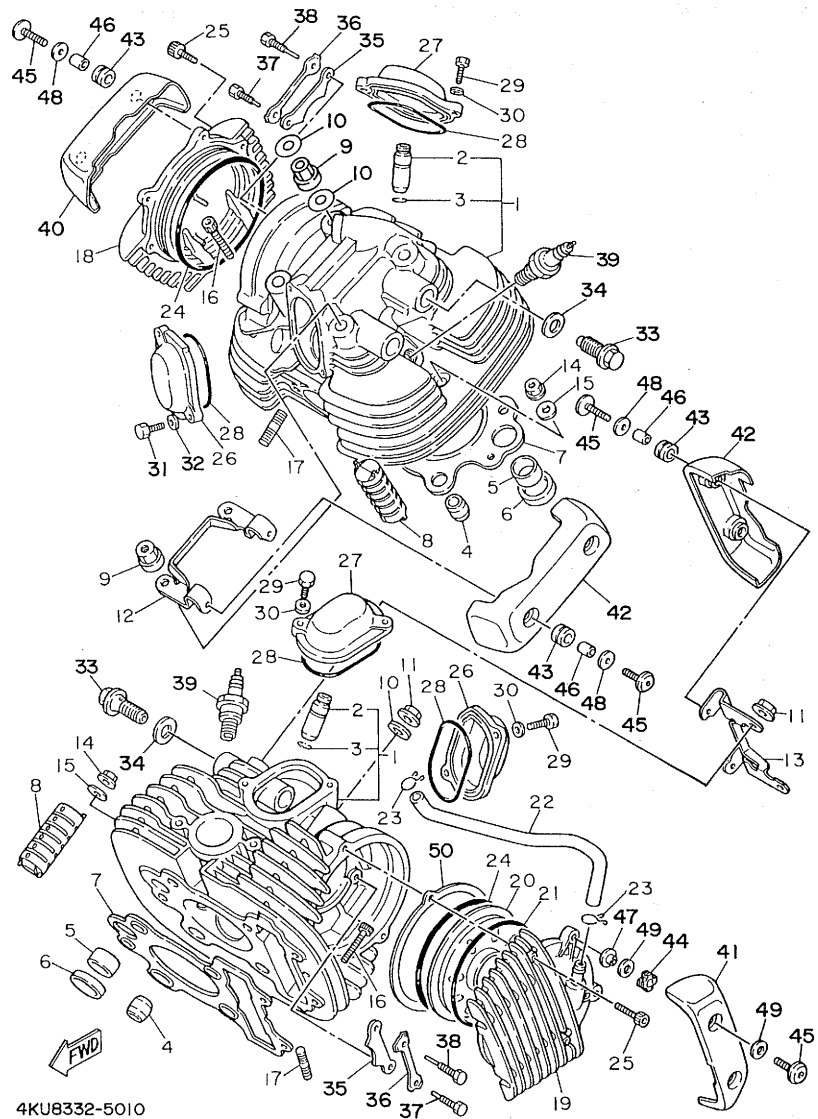
Alternate (Frame) .....	G4
Alternate (Meter) .....	G5
Alternate (Headlight) .....	G6
Alternate (Taillight) .....	G7

### INDEX (INDIVIDUAL SPEC.)

Numerical Index .....	M2
-----------------------	----

**GENERAL SPEC.**



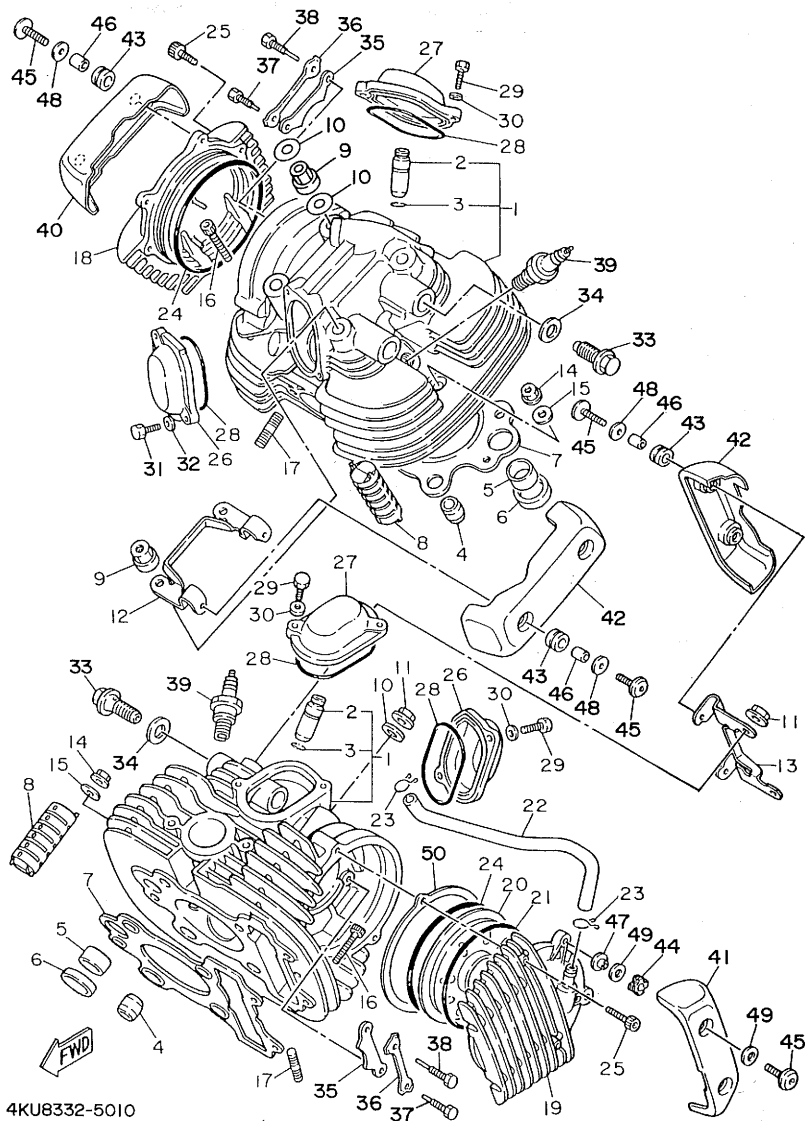


4KU8332-5010

FIG. 1 CYLINDER HEAD

REF. NO.	PART NO.	DESCRIPTION	Q'TY	REMARKS
1	2GV-11102-01	CYLINDER HEAD ASSY	2	
2	4H7-11133-10	.GUIDE, intake valve	2	
3	93440-12052	.CIRCLIP	2	
4	99530-17016	PIN, dowel	4	
5	90387-22667	COLLAR	2	
6	90430-24184	GASKET	2	
7	2GV-11181-00	GASKET, cylinder head 1	2	
8	2GV-11127-00	ABSORBER 3	4	
9	90179-10395	NUT	4	
10	90201-10131	WASHER, plate	4	
11	90179-10279	NUT	4	
12	2GV-11142-00	BRACKET, cylinder head cover 2	1	
13	2GV-11152-00	BRACKET, cylinder head cover	1	
14	95707-08500	NUT, flange	2	
15	90201-09461	WASHER, plate	2	
16	91314-08030	BOLT	4	
17	95617-08630	BOLT, stud	4	
18	2GV-11185-00	COVER, cylinder head side 1	1	
19	2GV-1111H-00	COVER, cylinder head side 4	1	
20	22U-11165-00	PLATE, breather	1	
21	93210-89568	O-RING	1	
22	2GV-11166-00	PIPE, breather 1	1	
23	90467-14015	CLIP	2	
24	93211-00612	O-RING	2	
25	91314-06025	BOLT	4	
26	22U-11186-00	COVER, cylinder head side 2	2	
27	22U-11187-00	COVER, cylinder head side 3	2	
28	93210-62446	O-RING	4	

**B2**



4KU8332-5010

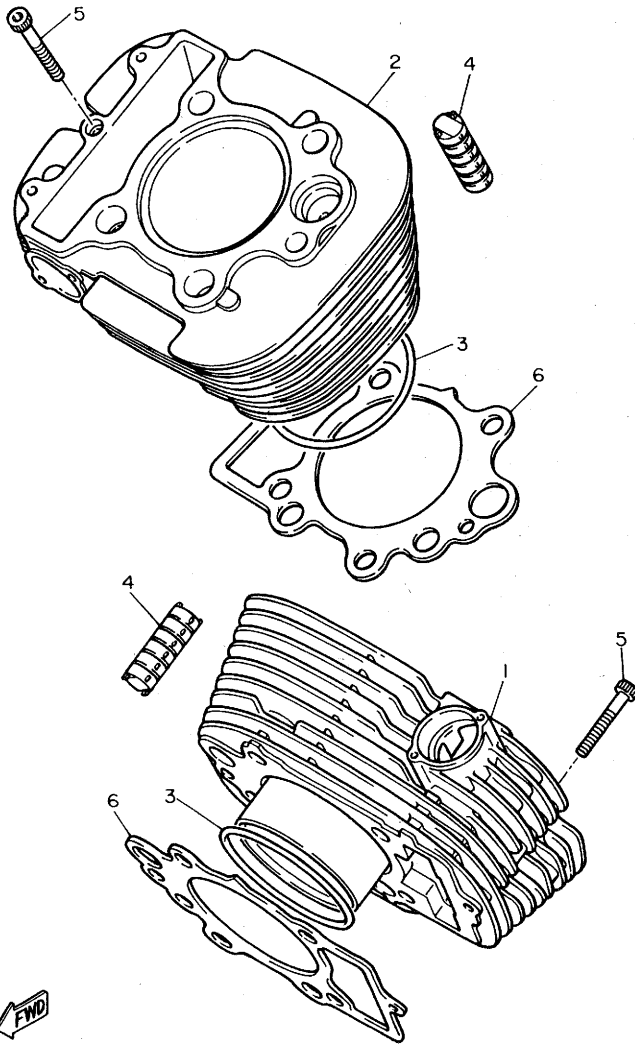
FIG. 1 CYLINDER HEAD

REF. NO.	PART NO.	DESCRIPTION	Q'TY	REMARKS
29	97027-06016	BOLT	6	
30	92907-06600	WASHER, plate	6	
31	97024-06016	BOLT	2	
32	92990-06600	WASHER, plate	2	
33	90401-16073	BOLT, union	4	
34	90430-17168	GASKET	4	
35	22U-1111F-01	PLATE	2	
36	90215-08229	WASHER, lock	2	
37	90109-08782	BOLT	2	
38	90109-08781	BOLT	2	
39	94701-00234	PLUG, spark (NGK BPR6ES)	2 UR	
	94701-00228	PLUG, spark (ND W20EPR-U)	2 UR	
40	2NT-11186-01	COVER, cylinder head side 2	1	
41	2NT-1110M-00	COVER ASSY 1	1	
42	2NT-11187-01	COVER, cylinder head side 3	2	
43	90480-18411	GROMMET	6	
44	90480-19471	GROMMET	2	
45	90110-06198	BOLT, hexagon socket head	8	
46	90387-06518	COLLAR	6	
47	90387-072W2	COLLAR	2	
48	90201-06697	WASHER, plate	6	
49	3BT-11195-00	WASHER, plate	4	
50	3BT-11196-00	GASKET, cylinder head side	1	

B3

FIG. 2 CYLINDER

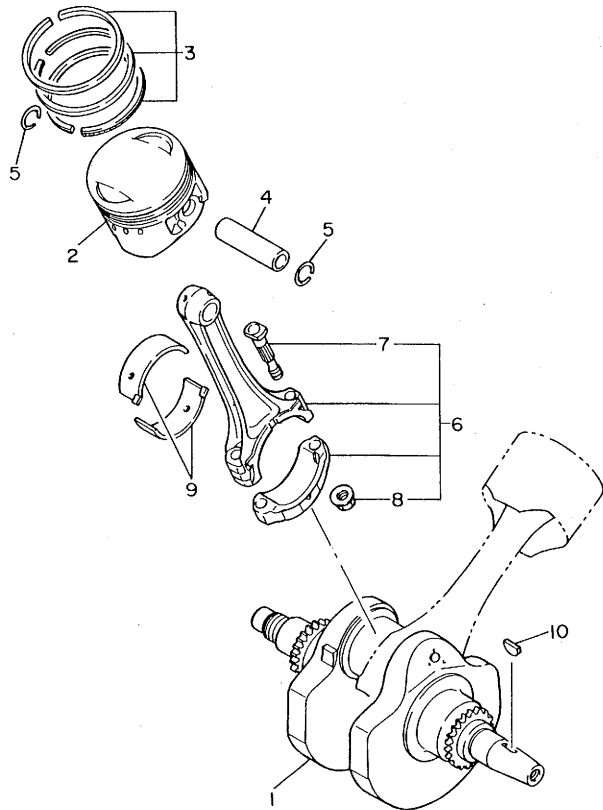
REF. NO.	PART NO.	DESCRIPTION	Q'TY	REMARKS
1	2GV-11310-00	CYLINDER	1	
2	2GV-11320-00	CYLINDER 2	1	
3	93210-81411	O-RING	2	
4	15A-11162-00	ABSORBER 2	6	
5	91317-06085	BOLT, socket head	2	
6	3BT-11351-00	GASKET, cylinder	2	



2GV110-7020

**B4**

FIG. 3 CRANKSHAFT. PISTON



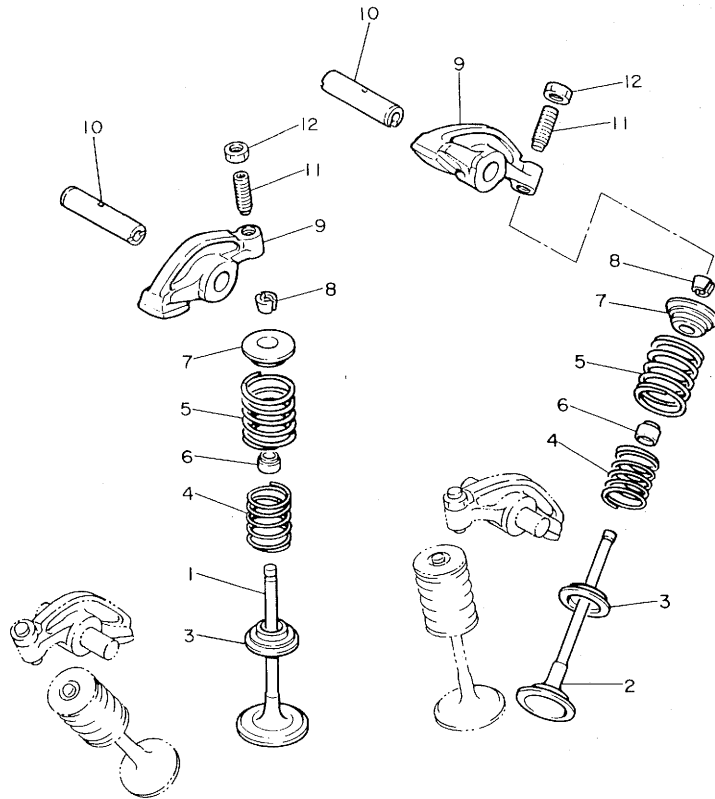
REF. NO.	PART NO.	DESCRIPTION	Q'TY	REMARKS
1	22U-11411-00	CRANKSHAFT	1	
2	2GV-11631-00-CO	PISTON (STD)	2	
	2GV-11636-00	PISTON (0.50MM O/S)	2	AP
	2GV-11638-00	PISTON (1.00MM O/S)	2	AP
3	2GV-11610-00	PISTON RING SET (STD)	2	
	2GV-11610-20	PISTON RING SET (0.50MM O/S)	2	AP
	2GV-11610-40	PISTON RING SET (1.00MM O/S)	2	AP
4	22U-11633-01	PIN, piston	2	
5	93450-19052	CIRCLIP	4	
6	22U-11650-00	CONNECTING ROD ASSY	2	
7	22U-11654-00	.BOLT, connecting rod	2	
8	90179-08327	.NUT	2	
9	22U-11656-00	PLANE BEARING, connecting rod	4	UR BLUE
	22U-11656-10	PLANE BEARING, connecting rod	4	UR BLACK
	22U-11656-20	PLANE BEARING, connecting rod	4	UR BROWN
	22U-11656-30	PLANE BEARING, connecting rod	4	UR GREEN
10	90280-16053	KEY, woodruff	1	



2GV110-7030

**B5**

FIG. 4 VALVE



REF. NO.	PART NO.	DESCRIPTION	Q'TY	REMARKS
1	22U-12111-00	VALVE, intake	2	
2	22U-12121-01	VALVE, exhaust	2	
3	3Y1-12116-00	SEAT, valve spring	4	
4	22U-12113-00	SPRING, valve inner	4	
5	22U-12114-00	SPRING, valve outer	4	
6	1J7-12119-01	SEAL, valve stem	4	
7	3Y1-12117-01	RETAINER, valve spring	4	
8	1J7-12118-00	COTTER, valve	8	
9	22U-12151-00	ARM, valve rocker	4	
10	22U-12156-01	SHAFT, rocker 2	4	
11	22U-12159-00	SCREW, valve adjusting	4	
12	90170-06128	NUT	4	



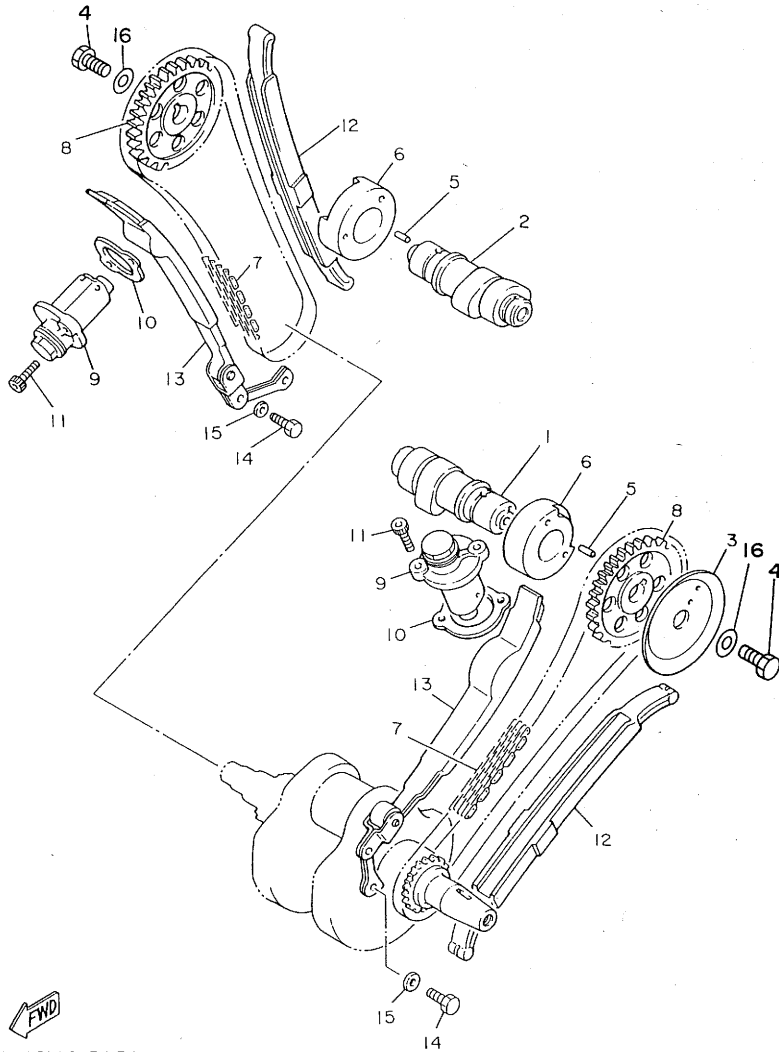
22U110-3050

**B6**

FIG. 5 CAMSHAFT. CHAIN

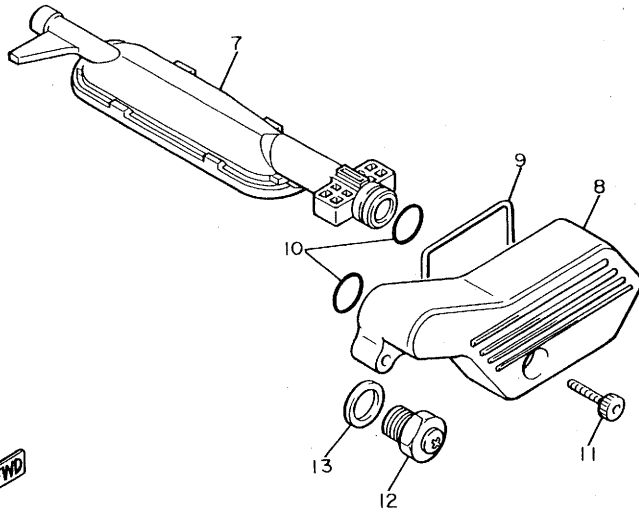
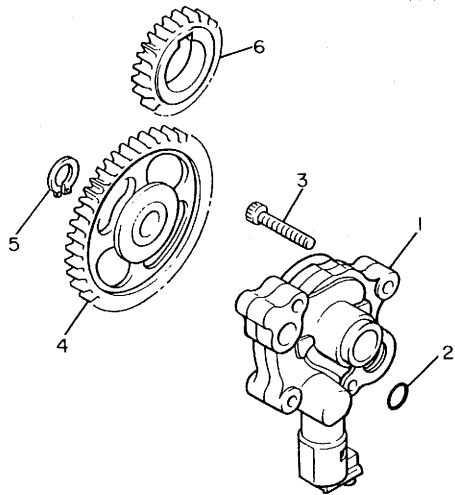
REF. NO.	PART NO.	DESCRIPTION	Q'TY	REMARKS
----------	----------	-------------	------	---------

1	22U-12171-01	CAMSHAFT 1	1	
2	22U-12181-01	CAMSHAFT 2	1	
3	22U-11145-00	PLATE, breather 2	1	
4	90101-10303	BOLT, washer based	2	
5	93605-10108	PIN, dowel	2	
6	90380-28110	BUSH, solid	2	
7	94590-27118	CHAIN	2	
8	22U-12176-01	SPROCKET, cam chain	2	
9	11H-12210-02	TENSIONER ASSY, cam chain	2	
10	3BT-12213-00	GASKET, tensioner case	2	
11	91314-06025	BOLT	4	
12	22U-12231-00	GUIDE, stopper 1	2	
13	22U-12241-00	GUIDE, stopper 2	2	
14	97027-06016	BOLT	4	
15	92907-06600	WASHER, plate	4	
16	90201-10774	WASHER, plate	2	



3JCG100-5050

**B7**



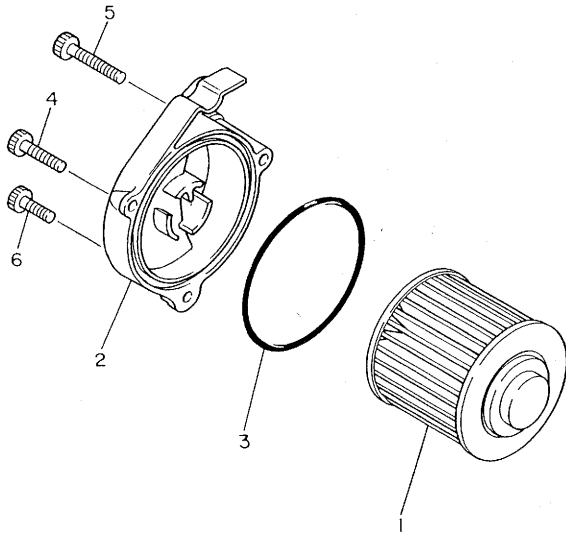
2GV110-7060

FIG. 6 OIL PUMP

REF. NO.	PART NO.	DESCRIPTION	Q'TY	REMARKS
1	22U-13300-00	OIL PUMP ASSY	1	
2	93210-10096	O-RING	1	
3	91317-06030	BOLT	3	
4	22U-13325-00	GEAR, driven (39T)	1	
5	99009-11400	CIRCLIP	1	
6	22U-13324-00	GEAR, drive (24T)	1	
7	22U-13410-00	STRAINER HOUSING ASSY	1	
8	2GV-13417-00	COVER, strainer	1	
9	22U-13415-00	SEAL, oil strainer	1	
10	93210-15151	O-RING	2	
11	91317-06025	BOLT	3	
12	3VD-13455-00	PLUG	1	
13	214-11198-01	GASKET	1	

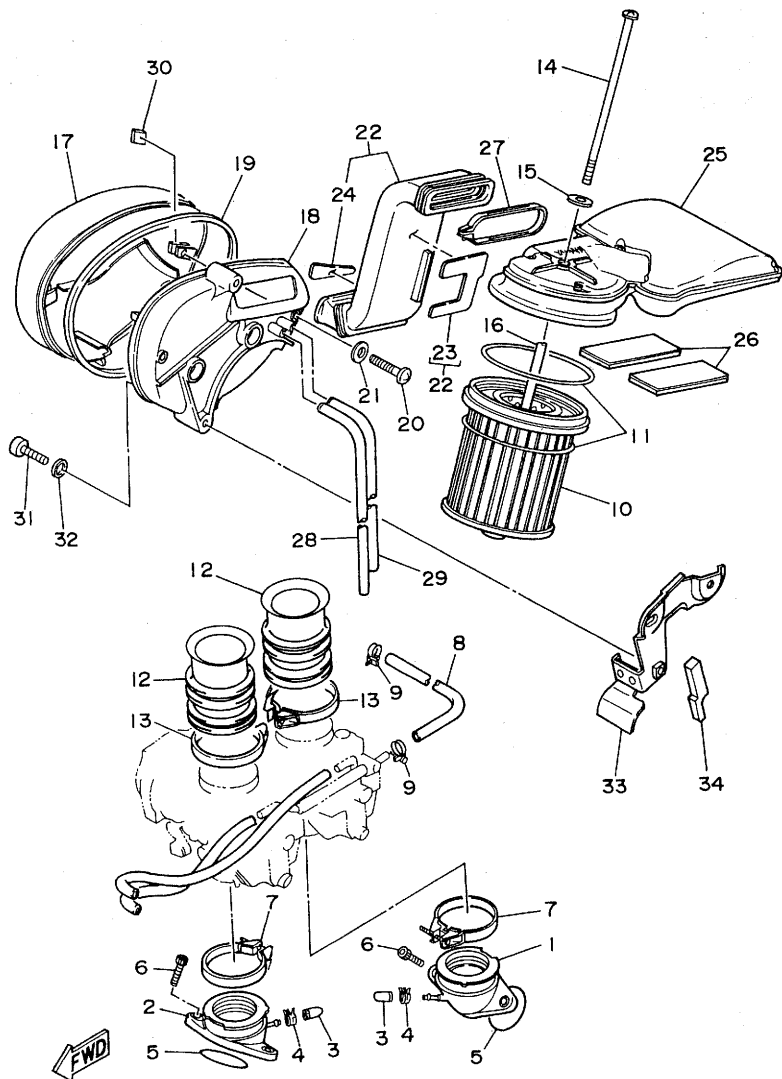
FIG. 7 OIL CLEANER

REF. NO.	PART NO.	DESCRIPTION	Q'TY	REMARKS
1	4X7-13440-90	ELEMENT ASSY, oil cleaner	1	
2	2NT-13447-00	COVER, oil element	1	UR
	3JB-13447-00	COVER, oil element	1	UR XV535S MODEL
3	93210-64297	O-RING	1	
4	91314-06060	BOLT	1	
5	91314-06095	BOLT	1	
6	91314-06025	BOLT	1	



2GV110-7070

**B9**

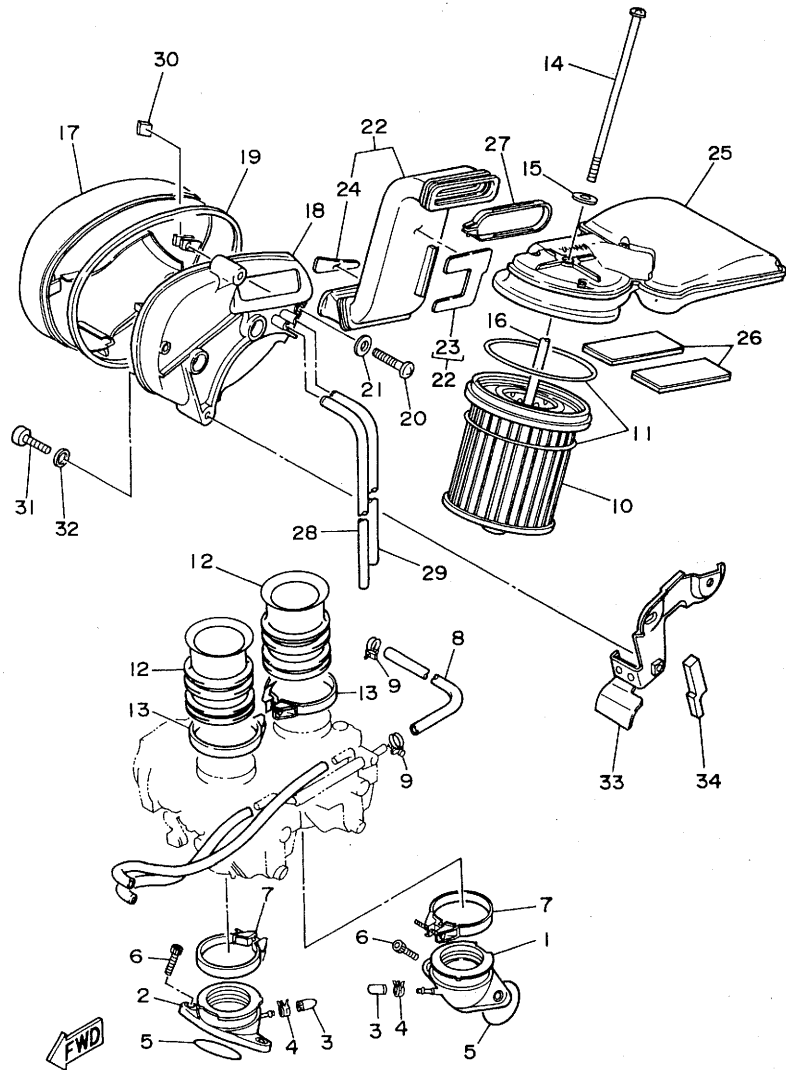


4KUK351-6080

FIG. 8 INTAKE

REF. NO.	PART NO.	DESCRIPTION	Q'TY	REMARKS
1	2GV-13586-01	JOINT, carburetor 1	1	
2	2GV-13596-00	JOINT, carburetor 2	1	
3	16G-13569-00	PLUG, blind	2	
4	90467-10039	CLIP	2	
5	93210-36769	O-RING	2	
6	91317-06020	BOLT	4	
7	90460-52210	CLAMP, hose	2	
8	90445-111F3	HOSE	1	
9	90460-12256	CLAMP, hose	2	
10	2NT-14451-00	ELEMENT, air cleaner	1	
11	2GV-14452-00	SEAL	2	
12	22U-14469-00	FUNNEL, air	2	
13	90460-58015	CLAMP, hose	2	
14	98517-06160	SCREW, pan head	1	
15	90201-06059	WASHER, plate	1	
16	90387-062T3	COLLAR	1	
17	3JB-14422-00	CAP, cleaner case 2	1	
18	3JB-14417-00	COVER 1	1	
19	3JB-14452-00	SEAL	1	
20	98507-06035	SCREW, pan head	2	
21	92907-06600	WASHER, plate	2	
22	3JB-14437-01	DUCT	1	
23	3JB-14426-00	.DAMPER 2	1	
24	3JB-14426-00	.DAMPER 3	1	
25	3JB-14412-00	CAP, cleaner case 1	1	
26	3JB-14409-00	DAMPER	2	
27	3JB-14455-00	BAND	1	
28	90445-11290	HOSE	1	

**B10**

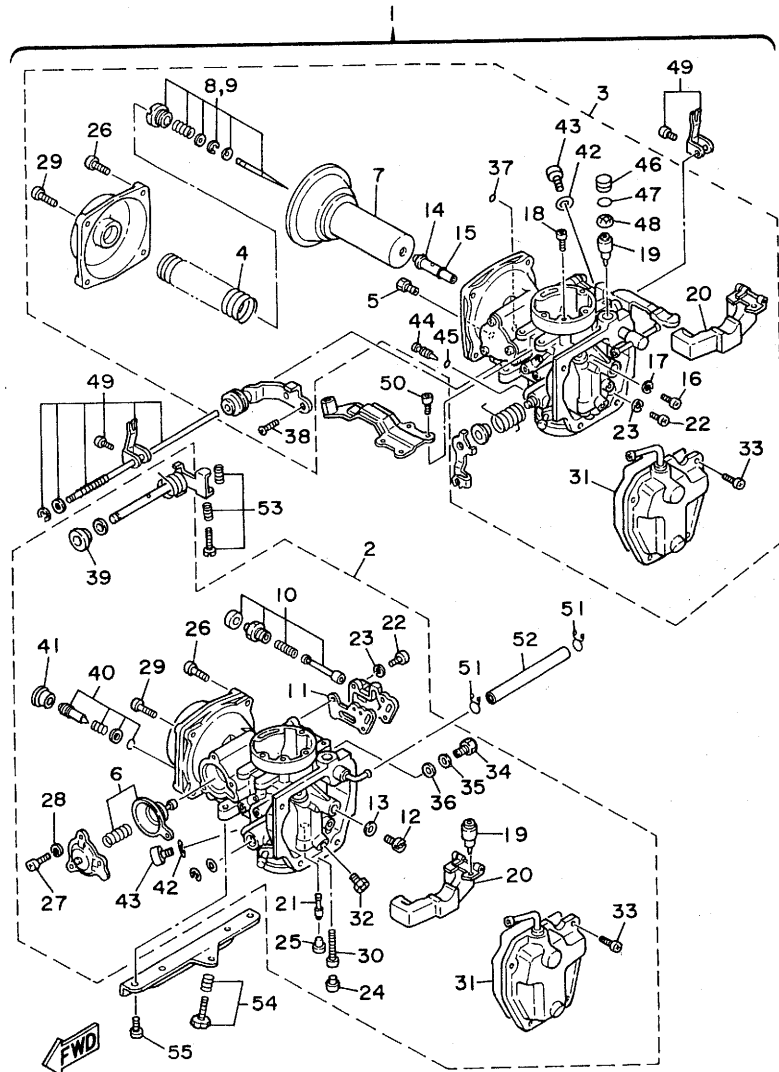


4KUK351-6080

FIG. 8 INTAKE

REF. NO.	PART NO.	DESCRIPTION	Q'TY	REMARKS
29	90445-11152	HOSE	1	
30	90173-06015	NUT, square	2	
31	91317-06030	BOLT, socket head	2	
32	92907-06600	WASHER, plate	2	
33	3JB-14414-00	STAY 2	1	
34	3JB-14425-00	DAMPER 1	1	

FIG. 9 CARBURETOR



4KUK351-6090

REF. NO.	PART NO.	DESCRIPTION	Q'TY	REMARKS
1	4KU-14900-00	CARBURETOR ASSY	1	UR
	4KU-14900-10	CARBURETOR ASSY	1	UR XV535S MODEL
2	4KU-14901-00	.CARBURETOR ASSY 1	1	UR (#1)
	4KU-14901-10	.CARBURETOR ASSY 1	1	UR (#1) XV535S MODEL
3	4KU-14902-00	.CARBURETOR ASSY 2	1	UR (#2)
	4KU-14902-10	.CARBURETOR ASSY 2	1	UR (#2) XV535S MODEL
4	1FK-14933-00	..SPRING, diaphragm	1	
5	3G2-14231-34	..JET, pilot air (#170)	1	
6	22U-1490H-00	..DIAPHRAGM SET 5	1	
7	41R-14940-00	..DIAPHRAGM ASSY	1	
8	3BM-1490J-00	..NEEDLE SET	1	(#1)
9	3BM-1490J-10	..NEEDLE SET	1	(#2)
10	11H-1410A-00	..STARTER SET	1	
11	3JB-14536-00	..GASKET	1	
12	22U-14565-00	..SCREW	1	
13	137-14153-00	..WASHER, main jet	1	
14	2JU-14141-90	..NOZZLE, main	1	
15	22U-14147-00	..O-RING	1	
16	98506-04018	..SCREW, pan head	1	
17	92902-04100	..WASHER, spring	1	
18	3G2-14231-14	..JET, pilot air (#70)	1	
19	1FK-14190-15	..NEEDLE VALVE ASSY	1	
20	1FK-14985-00	..FLOAT	1	
21	460-14142-35-A0	..JET, pilot (#35)	1	
22	98511-04012	..SCREW, pan head	4	
23	92901-04100	..WASHER, spring	4	
24	22U-14968-00	..CAP	1	
25	22V-14968-00	..CAP	1	

**B12**



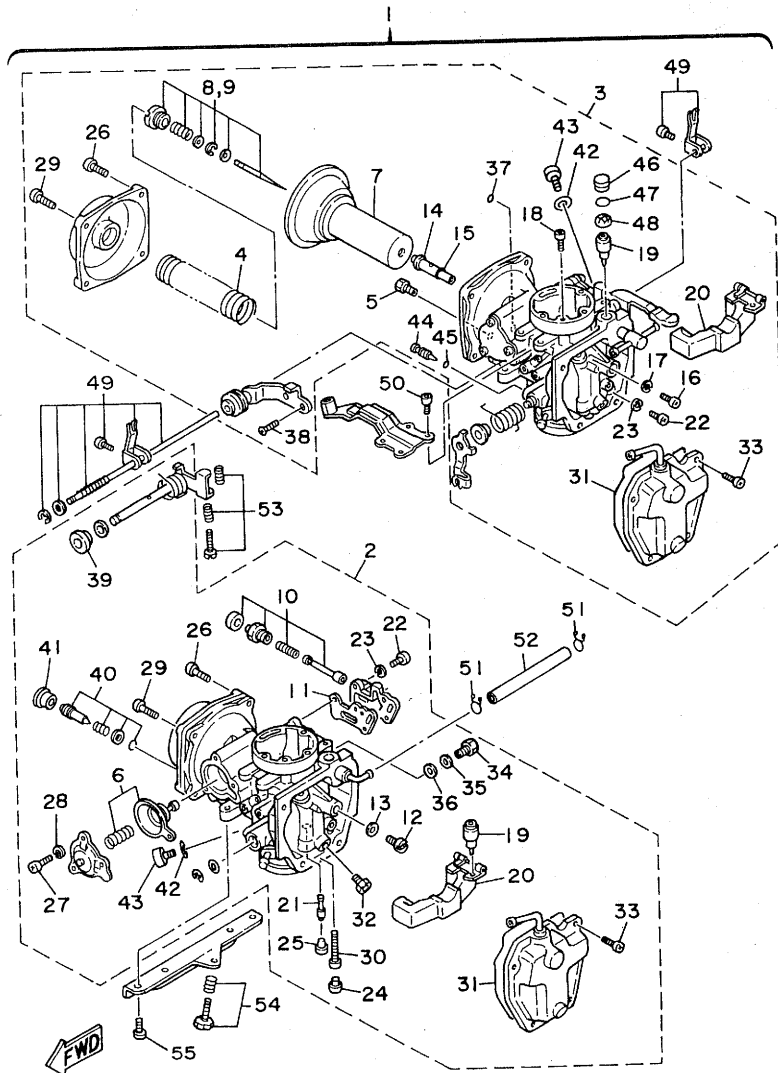


FIG. 9 CARBURETOR

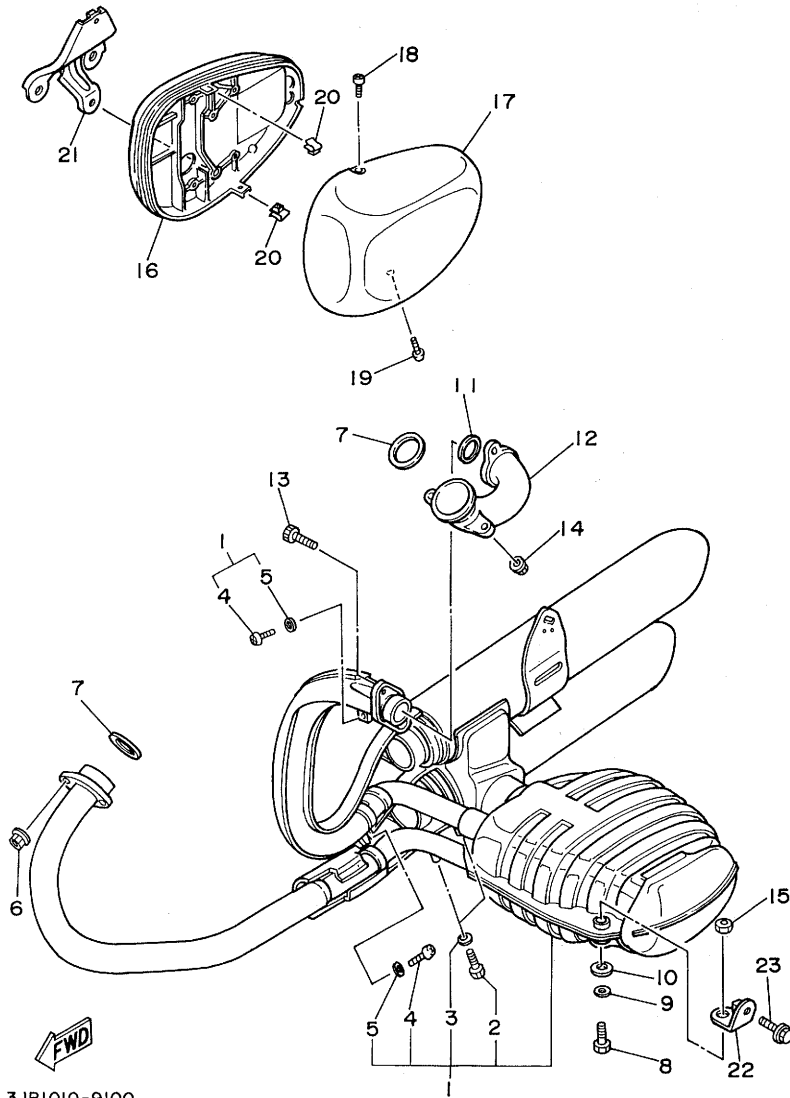
REF. NO.	PART NO.	DESCRIPTION	Q'TY	REMARKS
54	22U-14103-00	.THROTTLE SCREW SET	1	
55	98517-06012	.SCREW, pan head	4	

4KUK351-6090

**B14**

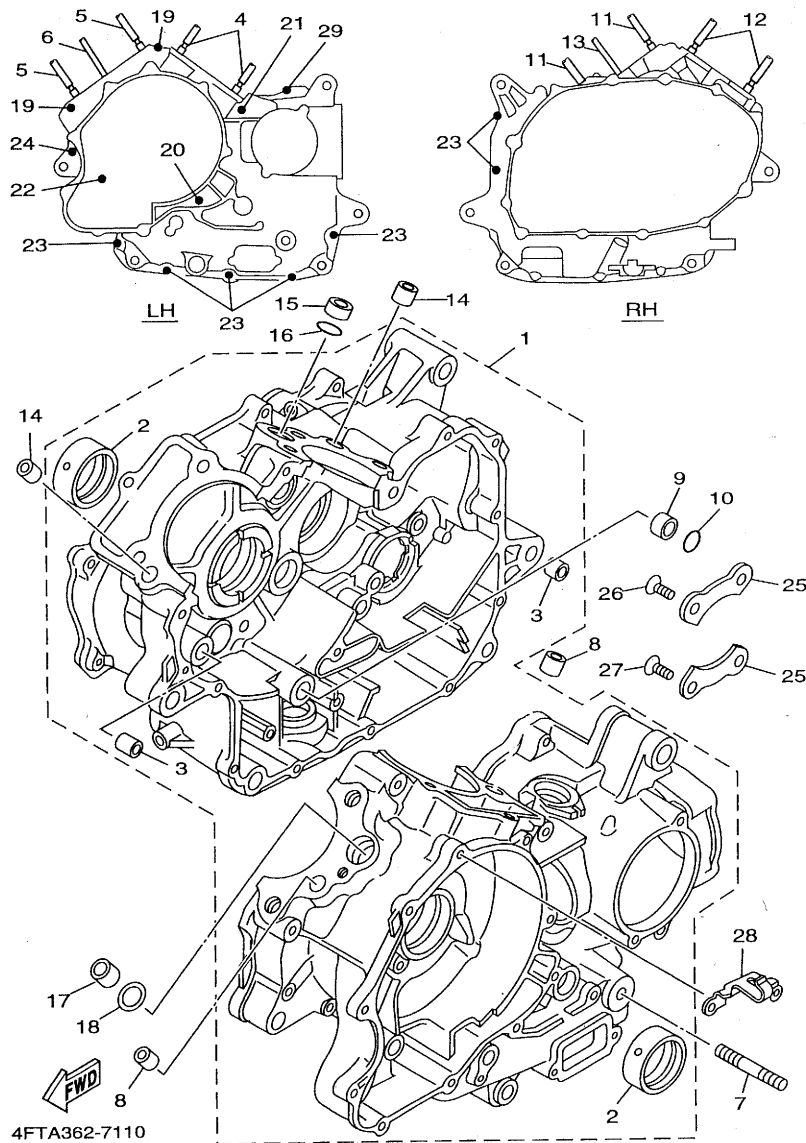
FIG. 10 EXHAUST

REF. NO.	PART NO.	DESCRIPTION	Q'TY	REMARKS
1	4KU-14703-00	MUFFLER COMP. 1	1	
2	90101-06576	.BOLT	2	
3	92990-06600	.WASHER, plate	2	
4	98580-06020	.SCREW, pan head	2	
5	92990-06600	.WASHER, plate	2	
6	90179-08410	NUT	2	
7	4BE-14613-00	GASKET, exhaust pipe	2	
8	97027-08030	BOLT	1	
9	92907-08100	WASHER	1	
10	92907-08200	WASHER, plate	1	
11	4BR-14613-00	GASKET, exhaust pipe	1	
12	2GV-14625-00	JOINT, exhaust 2	1	
13	91317-06025	BOLT	2	
14	90185-08097	NUT, self-locking	2	
15	95317-08700	NUT	1	
16	2GV-14663-00	PLATE, air cleaner	1	
17	2GV-14603-00	COVER 1	1	
18	97704-40012	SCREW, tapping	1	
19	90163-04003	SCREW, tapping	1	
20	90183-04027	NUT, spring	2	
21	2GV-14484-00	PLATE, cleaner case fitting	1	
22	2GV-2138L-00	BRACKET 2	1	
23	95807-08016	BOLT, flange	1	



3JB1010-9100

**B15**



4FTA362-7110

FIG. 11 CRANKCASE

REF. NO.	PART NO.	DESCRIPTION	Q'TY	REMARKS
1	2GV-15100-00	CRANKCASE ASSY	1	
2	22U-11416-80	.PLANE BEARING, crankshaft 1	2	UR BLUE
	22U-11416-90	.PLANE BEARING, crankshaft 1	2	UR GREEN
3	91815-16017	.PIN, dowel	2	
4	90116-10406	BOLT, stud	2	
5	90116-10405	BOLT, stud	2	
6	90116-08404	BOLT, stud	1	
7	95617-10680	BOLT, stud	1	
8	99530-14016	PIN, dowel	2	
9	90387-16547	COLLAR	1	
10	93210-18322	O-RING	1	
11	90116-10406	BOLT, stud	2	
12	90116-10405	BOLT, stud	2	
13	90116-08404	BOLT, stud	1	
14	99530-14016	PIN, dowel	2	
15	90387-16547	COLLAR	1	
16	93210-18322	O-RING	1	
17	90387-16547	COLLAR	1	
18	93210-18322	O-RING	1	
19	91314-08060	BOLT	2	
20	91317-08080	BOLT, socket head	1	
21	91314-08100	BOLT	1	
22	91317-06095	BOLT, socket head	1	
23	91317-06045	BOLT, socket head	7	
24	91314-06055	BOLT	1	
25	11H-15383-01	PLATE, bearing cover	2	
26	90151-08022	SCREW, countersunk	1	
27	90149-08152	SCREW	3	

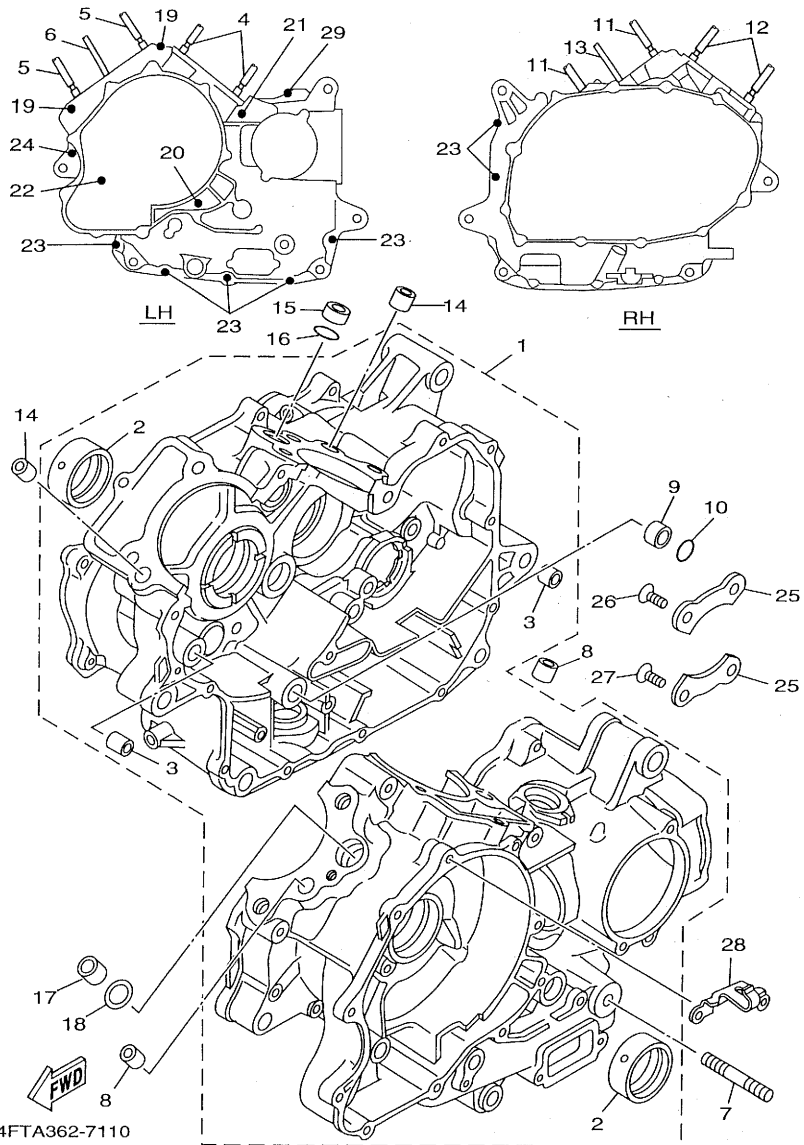
**C2**

FIG. 11 CRANKCASE

REF. NO.	PART NO.	DESCRIPTION	Q'TY	REMARKS
----------	----------	-------------	------	---------

28	22U-15441-01	HOLDER, clutch cable	1	
----	--------------	----------------------	---	--

29	91314-06045	BOLT	1	
----	-------------	------	---	--



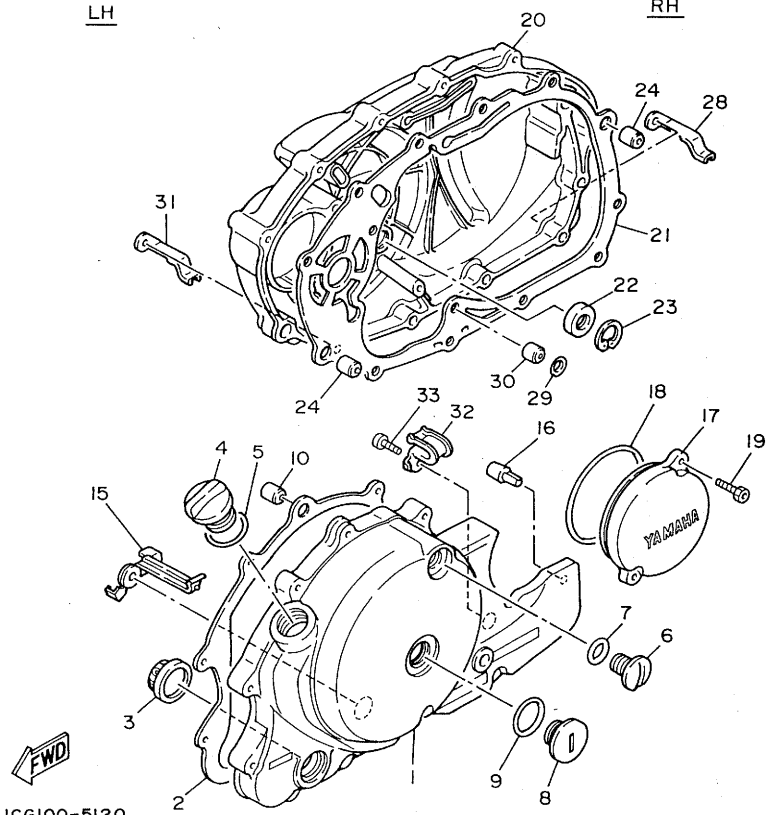
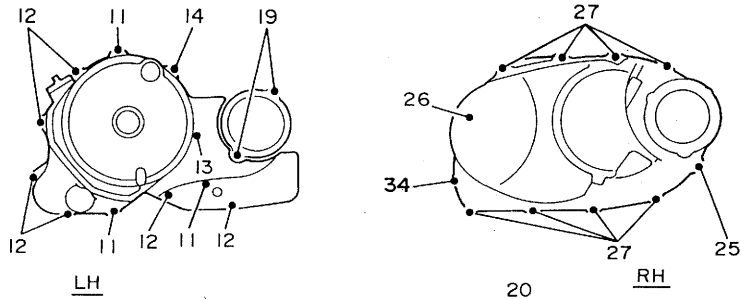
4FTA362-7110

**C3**



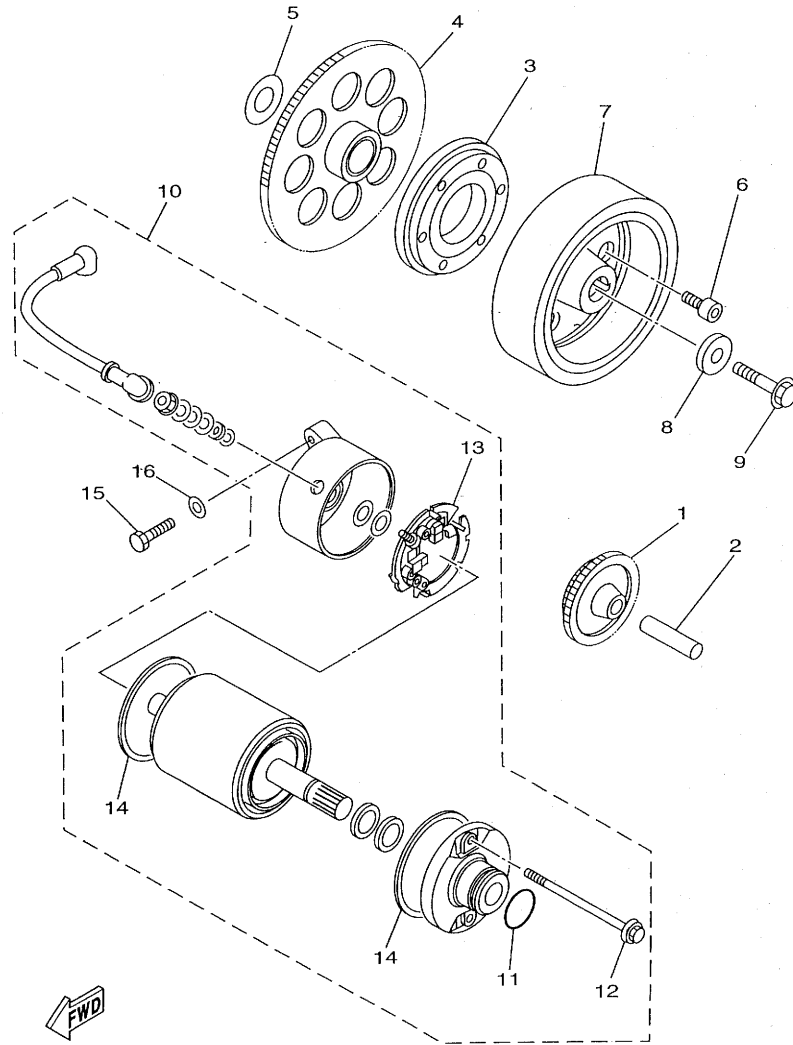
FIG. 12 CRANKCASE COVER 1

REF. NO.	PART NO.	DESCRIPTION	Q'TY	REMARKS
24	99530-10120	PIN, dowel	2	
25	91314-06040	BOLT	1	
26	91314-06055	BOLT	1	
27	91314-06025	BOLT	8	
28	90462-10115	CLAMP	2	
29	93210-15566	O-RING	1	
30	91815-16017	PIN, dowel	1	
31	90462-10118	CLAMP	2	
32	90462-06119	CLAMP	1	
33	98507-06010	SCREW, pan head	1	
34	91380-06025	BOLT	1	



3JCG100-5120

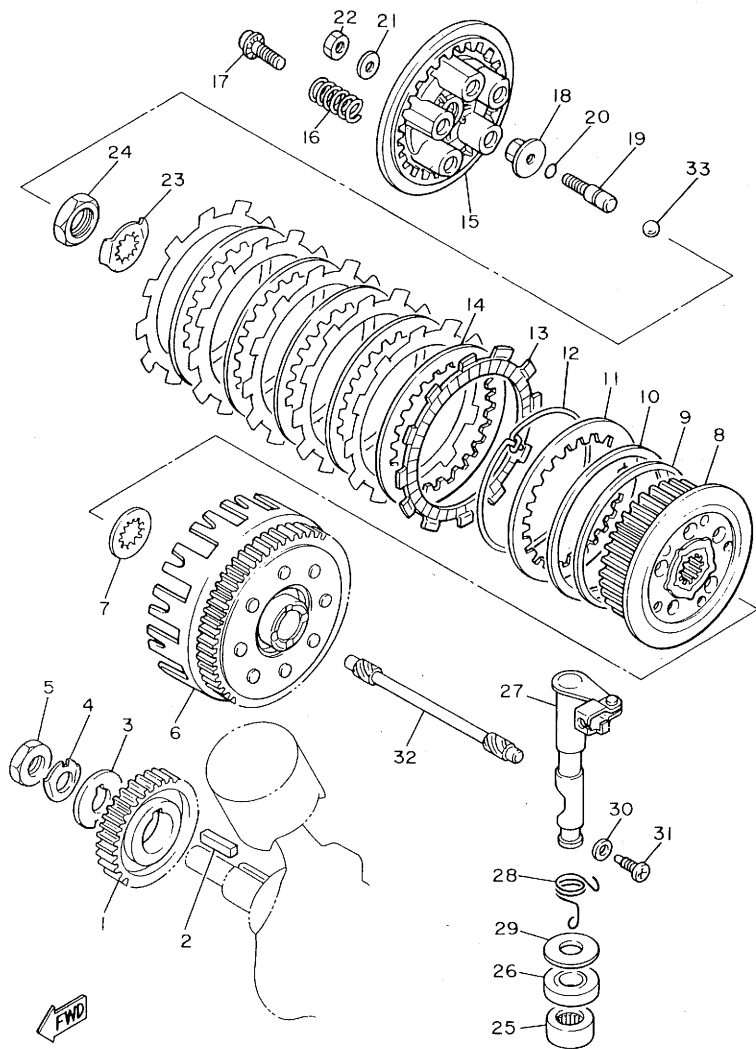
FIG. 13 STARTER CLUTCH



REF. NO.	PART NO.	DESCRIPTION	Q'TY	REMARKS
1	22U-15512-00	GEAR, idler 1 (12T-50T)	1	
2	5H0-15521-00	SHAFT 1	1	
3	4TR-15590-00	STARTER ONE-WAY ASSY	1	
4	4TR-15517-00	GEAR, idler 2	1	
5	90201-256K6	WASHER, plate (0.9T)	1	
6	90110-08212	BOLT, hexagon socket head	6	
7	4TR-81450-00	ROTOR ASSY	1	
8	90201-107K6	WASHER, plate	1	
9	90105-10152	BOLT, washer based	1	
10	3J8-81800-01	STARTING MOTOR ASSY	1	
11	26H-81847-00	.O-RING	1	
12	3HE-81826-00	.BOLT	2	
13	3KS-81840-00	.BRUSH HOLDER ASSY	1	
14	11H-81844-00	.GASKET	2	
15	97070-06025	BOLT	2	
16	92990-06600	WASHER, plate	2	

4TR1010-6120

C6



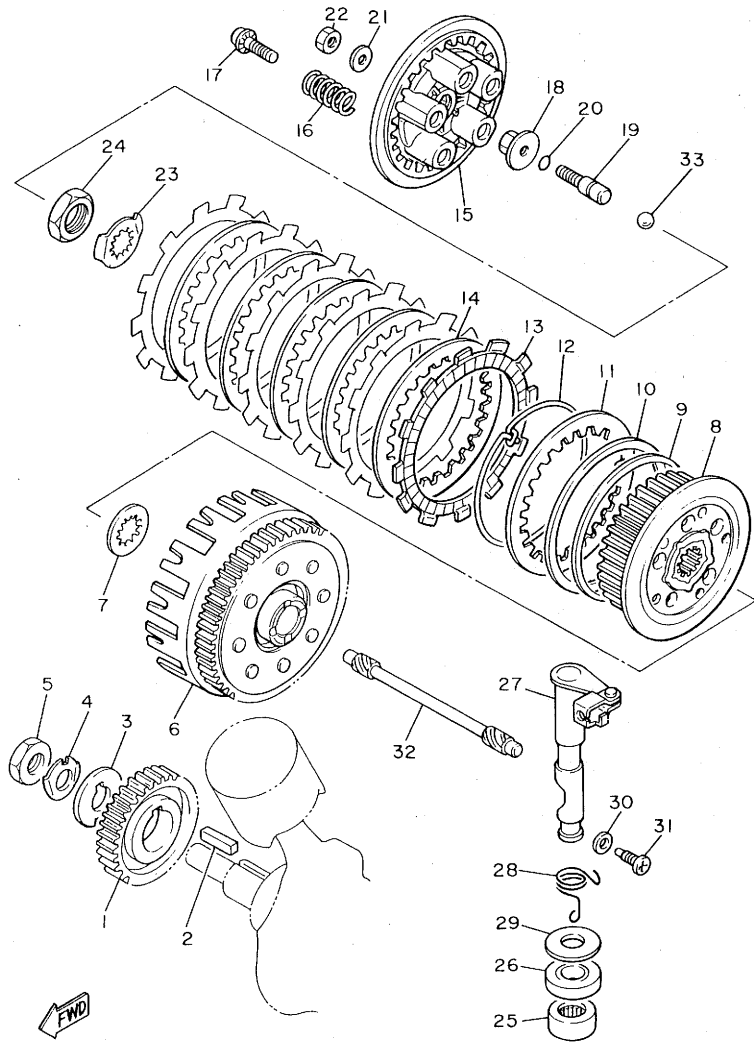
22U110-3160

FIG. 14 CLUTCH

REF. NO.	PART NO.	DESCRIPTION	Q'TY	REMARKS
1	4KU-16111-00	GEAR, primary drive (36T)	1	
2	90280-07036	KEY, woodruff	1	
3	90214-16026	WASHER, claw	1	
4	90215-16222	WASHER, lock	1	
5	90170-16311	NUT	1	
6	22U-16150-01	PRIMARY DRIVEN GEAR COMP.	1	
7	22U-16154-00	PLATE, thrust 1	1	
8	22U-16371-02	BOSS, clutch	1	
9	4X7-16384-00	PLATE, seat	1	
10	4X7-16383-01	SPRING, clutch boss	1	
11	4X7-16324-00	PLATE, clutch 1	1	
12	4X7-16385-00	RING, clutch boss	1	
13	22U-16321-00	PLATE, friction	6	
14	4X7-16325-00	PLATE, clutch 2	5	
15	22U-16351-00	PLATE, pressure 1	1	
16	90501-23738	SPRING, compression	5	
17	90159-06016	SCREW, with washer	5	
18	1W1-16358-01	PLATE, push	1	
19	5Y1-16356-00	ROD, push 1	1	
20	93210-09525	O-RING	1	
21	92907-06200	WASHER, plain	1	
22	95307-06600	NUT	1	
23	90215-22244	WASHER, lock	1	
24	90170-20323	NUT	1	
25	93315-21813	BEARING, cylindrical	1	
26	93102-18278	OIL SEAL	1	
27	22U-16380-00	PUSH LEVER ASSY	1	
28	90508-16577	SPRING, torsion	1	

C7

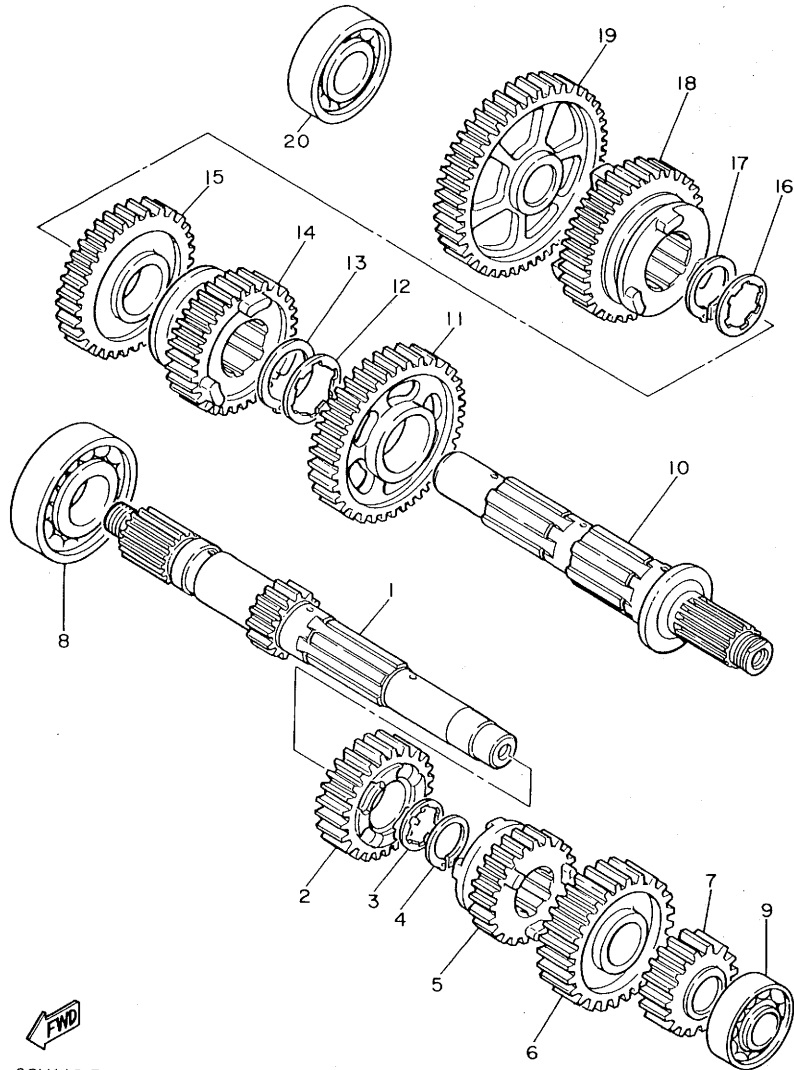
FIG. 14 CLUTCH



REF. NO.	PART NO.	DESCRIPTION	Q'TY	REMARKS
29	90201-18262	WASHER, plate	1	
30	90201-08087	WASHER, plate	1	
31	90149-08067	SCREW	1	
32	22U-16357-00	ROD, push 2	1	
33	93515-32029	BALL	1	

 22U110-3160

FIG. 15 TRANSMISSION



REF. NO.	PART NO.	DESCRIPTION	Q'TY	REMARKS
1	22U-17411-00	AXLE, main (14T)	1	
2	22U-17141-00	GEAR, 4th pinion (24T)	1	
3	90209-22191	WASHER	1	
4	93440-25084	CIRCLIP	1	
5	4KU-17131-00	GEAR, 3rd pinion (24T)	1	
6	11H-17151-01	GEAR, 5th pinion (30T)	1	
7	4KU-17121-00	GEAR, 2nd pinion (20T)	1	
8	93306-30525	BEARING (B6305)	1	
9	93306-00426	BEARING (B6004)	1	
10	22U-17402-00	DRIVE AXLE ASSY	1	
11	4KU-17221-00	GEAR, 2nd wheel (38T)	1	
12	90209-27192	WASHER	1	
13	93440-30077	CIRCLIP	1	
14	11H-17251-00	GEAR, 5th wheel (29T)	1	
15	4KU-17231-00	GEAR, 3rd wheel (35T)	1	
16	90209-22191	WASHER	1	
17	93440-25084	CIRCLIP	1	
18	22U-17241-00	GEAR, 4th wheel (28T)	1	
19	22U-17211-00	GEAR, 1st wheel (38T)	1	
20	93306-00428	BEARING	1	



2GV110-7150

**C9**

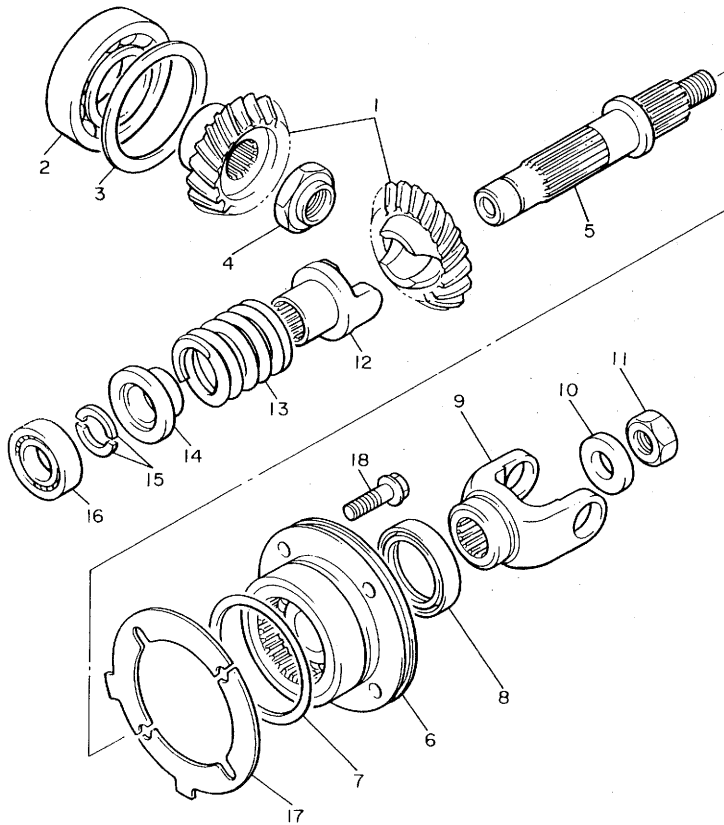


FIG. 16 MIDDLE DRIVE GEAR

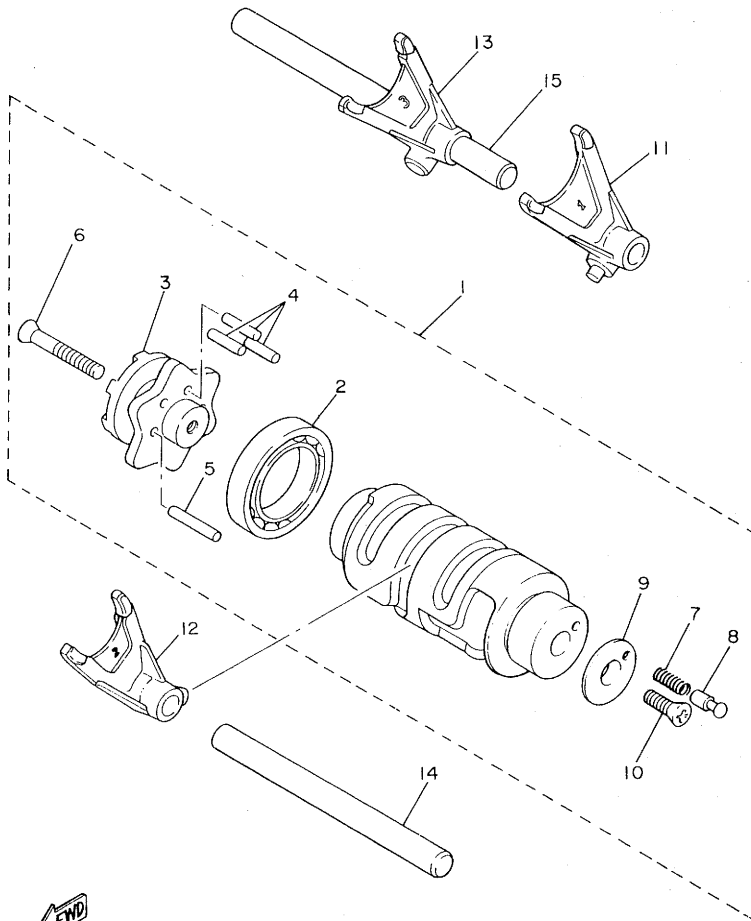
REF. NO.	PART NO.	DESCRIPTION	Q'TY	REMARKS
1	22U-Y1754-00	MIDDLE GEAR COMP.	1	
2	93306-20711	BEARING	1	
3	4H7-17537-00-20	SHIM, thrust (0.20T)	1	UR
	4H7-17537-00-30	SHIM, thrust (0.30T)	1	UR
	4H7-17537-00-40	SHIM, thrust (0.40T)	1	UR
4	90179-18396	NUT	1	
5	22U-17553-01	SHAFT, middle driven	1	
6	4H7-W1752-00	HOUSHING COMP	1	
7	93210-71360	O-RING	1	
8	93101-35097	OIL SEAL	1	
9	22U-17556-00	YOKE, joint	1	
10	90201-14633	WASHER, plate	1	
11	90185-14070	NUT, self-locking	1	
12	22U-17527-01	CAM, driven	1	
13	90501-60716	SPRING, compression	1	
14	22U-17524-00	HOLDER	1	
15	3H5-17529-00	WASHER, thrust	2	
16	93306-00426	BEARING	1	
17	3JB-17531-00	SHIM, pinion (0.10T)	2	UR
	3JB-17531-10	SHIM, pinion (0.15T)	2	UR
	3JB-17531-20	SHIM, pinion (0.20T)	2	UR
	3JB-17531-30	SHIM, pinion (0.30T)	2	UR
	3JB-17531-40	SHIM, pinion (0.40T)	2	UR
	3JB-17531-50	SHIM, pinion (0.50T)	2	UR
18	95827-08030	BOLT, flange	4	



22U110-3180

FIG. 17 SHIFT CAM. FORK

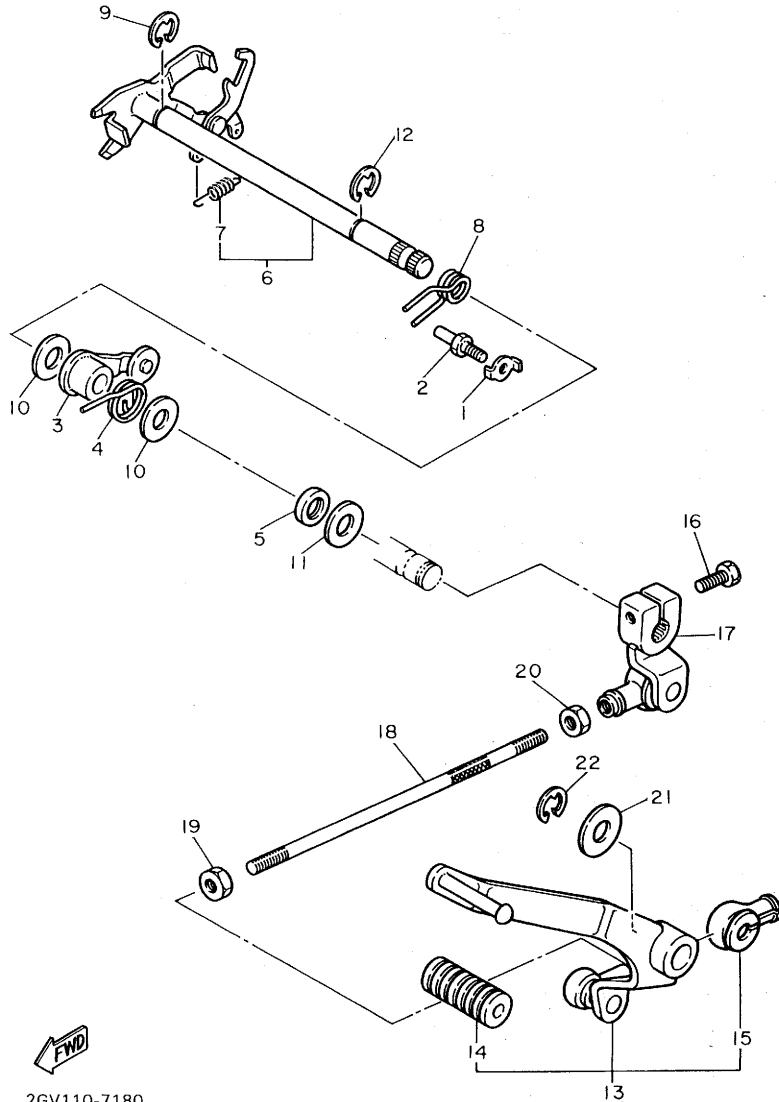
REF. NO.	PART NO.	DESCRIPTION	Q'TY	REMARKS
1	22U-18540-00	SHIFT CAM ASSY	1	
2	93306-90602	.BEARING	1	
3	16G-18185-00	.SEGMENT	1	
4	93604-16092	.PIN, dowel	3	
5	93604-20156	.PIN, dowel	1	
6	98701-05035	.SCREW, flat head	1	
7	90501-06022	.SPRING, compression	1	
8	278-18542-00	.POINT, neutral	1	
9	278-18566-00	.PLATE, side 2	1	
10	98701-05016	.SCREW, flat head	1	
11	11H-18511-00	FORK, shift 1	1	
12	11H-18512-00	FORK, shift 2	1	
13	11H-18513-00	FORK, shift 3	1	
14	3YF-18531-00	BAR, shift fork guide 1	1	
15	22U-18535-00	BAR, shift fork guide 2	1	



22U110-3190

C11

FIG. 18 SHIFT SHAFT



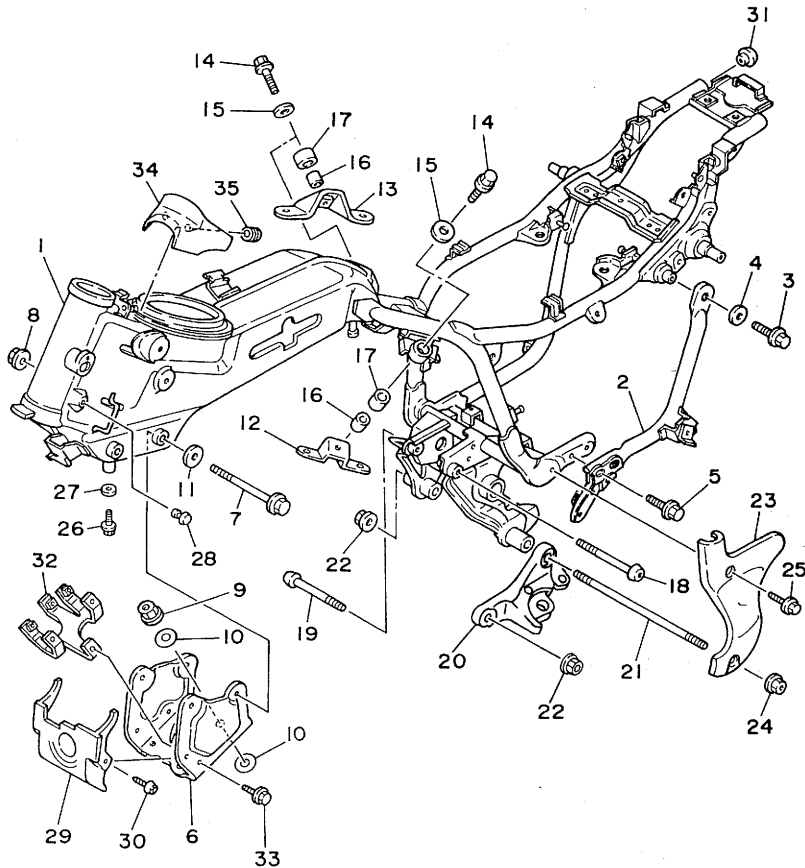
2GV110-7180

REF. NO.	PART NO.	DESCRIPTION	Q'TY	REMARKS
1	90215-18178	WASHER, lock	1	
2	460-18127-00	STOPPER, screw	1	
3	11H-18140-00	STOPPER LEVER ASSY	1	
4	90508-29519	SPRING, torsion	1	
5	93102-12106	OIL SEAL (SD 12-22-5 HS)	1	
6	22U-18120-01	SHIFT LEVER ASSY	1	
7	90506-08227	.SPRING, tension	1	
8	90508-32536	SPRING, torsion	1	
9	99006-10600	CIRCLIP	1	
10	90201-12588	WASHER, plate	2	
11	90201-12575	WASHER, plate	1	
12	99006-10600	CIRCLIP	1	
13	2GV-18110-00	SHIFT PEDAL ASSY	1	
14	132-18113-01	.COVER, shift pedal	1	
15	2H9-18154-00	.COVER, dust	1	
16	97024-06020	BOLT	1	
17	2GV-18112-00	ARM, shift	1	
18	2GV-18115-00	ROD, shift	1	
19	90170-06228	NUT	1	
20	95304-06700	NUT	1	
21	90201-124E4	WASHER, plate	1	
22	99009-12400	CIRCLIP	1	

**C12**

FIG. 19 FRAME

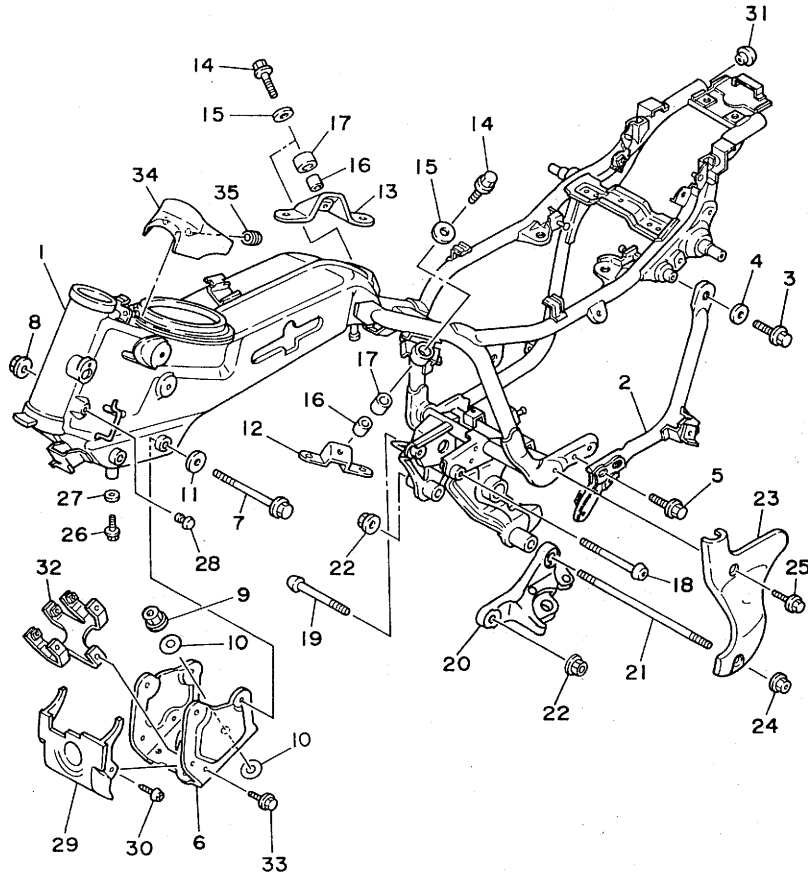
REF. NO.	PART NO.	DESCRIPTION	Q'TY	REMARKS
1	4FT-21110-10-33	FRAME COMP.	1	YAMAHA BLACK
2	3JB-21105-00-33	BACK STAY SUB COMP. 1	1	YAMAHA BLACK
3	90105-08066	BOLT, washer based	1	
4	90201-08326	WASHER, plate	1	
5	90109-08718	BOLT	2	
6	2GV-21317-00	STAY, engine 4	1	
7	90105-10183	BOLT, washer based	2	
8	90179-10658	NUT	2	
9	90179-10279	NUT	4	
10	90201-10131	WASHER, plate	4	
11	90201-10437	WASHER, plate	2	
12	22U-21315-00	STAY, engine 2	1	
13	22U-21316-00	STAY, engine 3	1	
14	90105-10186	BOLT, washer based	2	
15	90201-105H3	WASHER, plate	2	
16	90387-100E2	COLLAR	2	
17	4X7-21485-00	DAMPER, rubber 1	2	
18	90149-10238	SCREW	1	
19	90149-10239	SCREW	1	
20	4KU-21458-00	BRACKET, side stand	1	
21	90116-12495	BOLT, stud	1	
22	90179-12248	NUT	2	
23	2GV-2171E-00	COVER, side 5	1	
24	95307-12800	NUT	1	
25	95027-06016	BOLT, flange	1	
26	90105-06069	BOLT, washer based	1	
27	90202-05187	WASHER, plate	1	
28	90338-07043	PLUG	4	



3JCG100-5190

FIG. 19 FRAME

REF. NO.	PART NO.	DESCRIPTION	Q'TY	REMARKS
29	2GV-2139R-00	COVER 2	1	
30	97707-60514	SCREW, tapping	2	
31	3YJ-24481-00	PLUG	2	
32	2GV-21359-00	BRACKET, coil	1	
33	95807-06012	BOLT, flange	2	
34	3JB-2139R-00	COVER 2	1	
35	90480-10334	GROMMET	2	

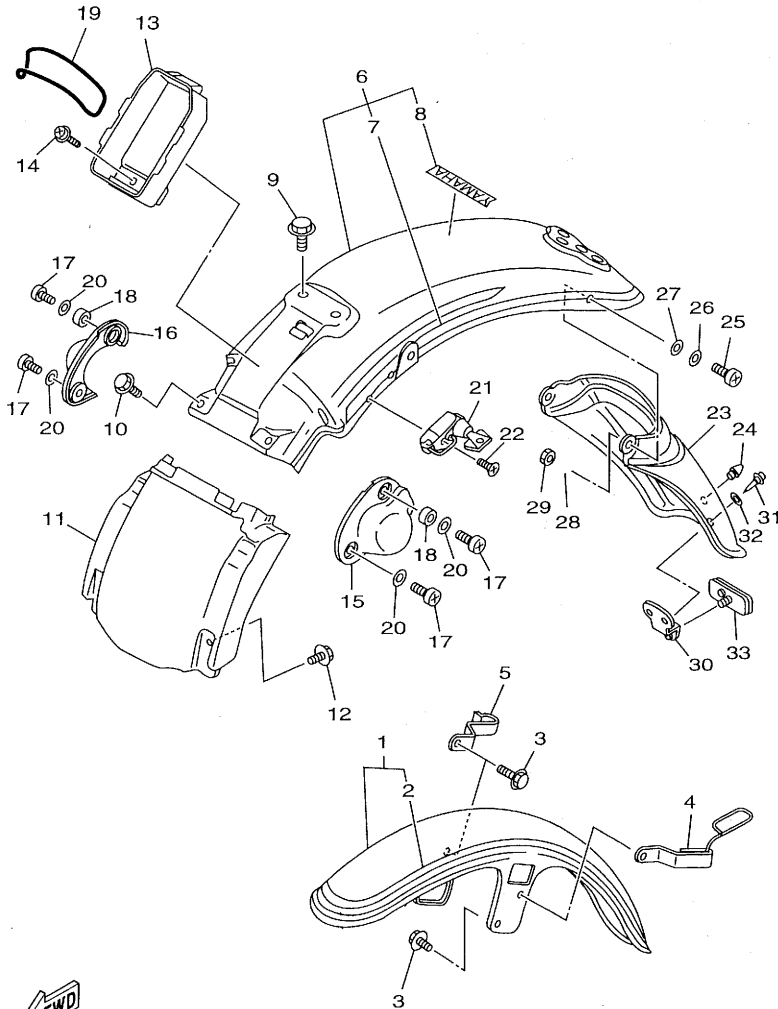


3JCG100-5190

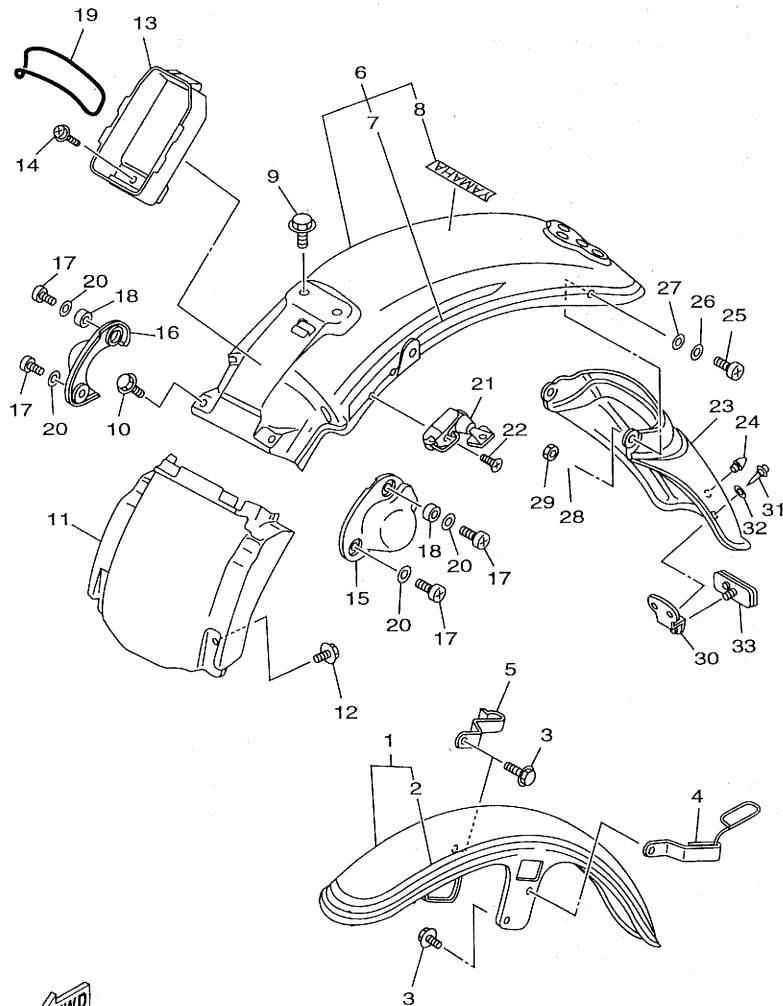
**C14**

FIG. 20 FENDER

REF. NO.	PART NO.	DESCRIPTION	Q'TY	REMARKS
1	2GV-Y2150-81-4B	FRONT FENDER COMP.	1	UR BLACK 2
	2GV-Y2150-91-9U	FRONT FENDER COMP.	1	UR TRADITIONAL BLUE
	2GV-Y2150-11-KM	FRONT FENDER COMP.(XV535S MODEL)	1	UR NEW BLACK BLUE
	2GV-Y2150-01-EG	FRONT FENDER COMP.(XV535S MODEL)	1	UR MAPLE RED
	2GV-Y2150-B1-3G	FRONT FENDER COMP.(XV535S MODEL)	1	UR MILKY BROWN
2	4KU-21570-40	.GRAPHIC, front fender	1	UR FOR BL2
	3JC-21570-10	.GRAPHIC, front fender	1	UR FOR TDB
	4KU-21570-20	.GRAPHIC, front fender (XV535S MODEL)	1	UR FOR NBB
	4KU-21570-30	.GRAPHIC, front fender (XV535S MODEL)	1	UR FOR MPR
	4KU-21570-50	.GRAPHIC, front fender (XV535S MODEL)	1	UR FOR MKB
3	95027-08012	BOLT	4	
4	2NT-21597-01	HOLDER, wire 1	1	
5	3JB-21598-00	HOLDER, wire 2	1	
6	3BR-Y2161-0N-4B	REAR FENDER COMP.	1	UR BLACK 2
	3BR-Y2161-30-9U	REAR FENDER COMP.	1	UR TRADITIONAL BLUE
	3BR-Y2161-Y0-2X	REAR FENDER COMP. (XV535S MODEL)	1	UR NEW BLACK BLUE/ STAR SILVER
	3BR-Y2161-0A-3X	REAR FENDER COMP. (XV535S MODEL)	1	UR MAPLE RED/ NEW PEARL WHITE
	3BR-Y2161-0P-4X	REAR FENDER COMP. (XV535S MODEL)	1	UR MILKY BROWN/BLACK 2
7	99237-00080	.EMBLEM, yamaha	1	UR FOR BL2
	99235-00080	.EMBLEM, yamaha	1	UR FOR TDB
	99236-00080	.EMBLEM, yamaha (XV535S MODEL)	1	UR FOR NBB
	99237-00080	.EMBLEM, yamaha (XV535S MODEL)	1	UR FOR MPR, MKB
8	4KU-2165A-40	.GRAPHIC, rear fender	1	UR FOR BL2
	3JC-2165A-30	.GRAPHIC, rear fender	1	UR FOR TDB
	4KU-2165A-21	.GRAPHIC, rear fender (XV535S MODEL)	1	UR FOR NBB
	4KU-2165A-31	.GRAPHIC, rear fender (XV535S MODEL)	1	UR FOR MPR
	4KU-2165A-50	.GRAPHIC, rear fender (XV535S MODEL)	1	UR FOR MKB
9	95807-08012	BOLT, flange	2	



4KUV332-7200

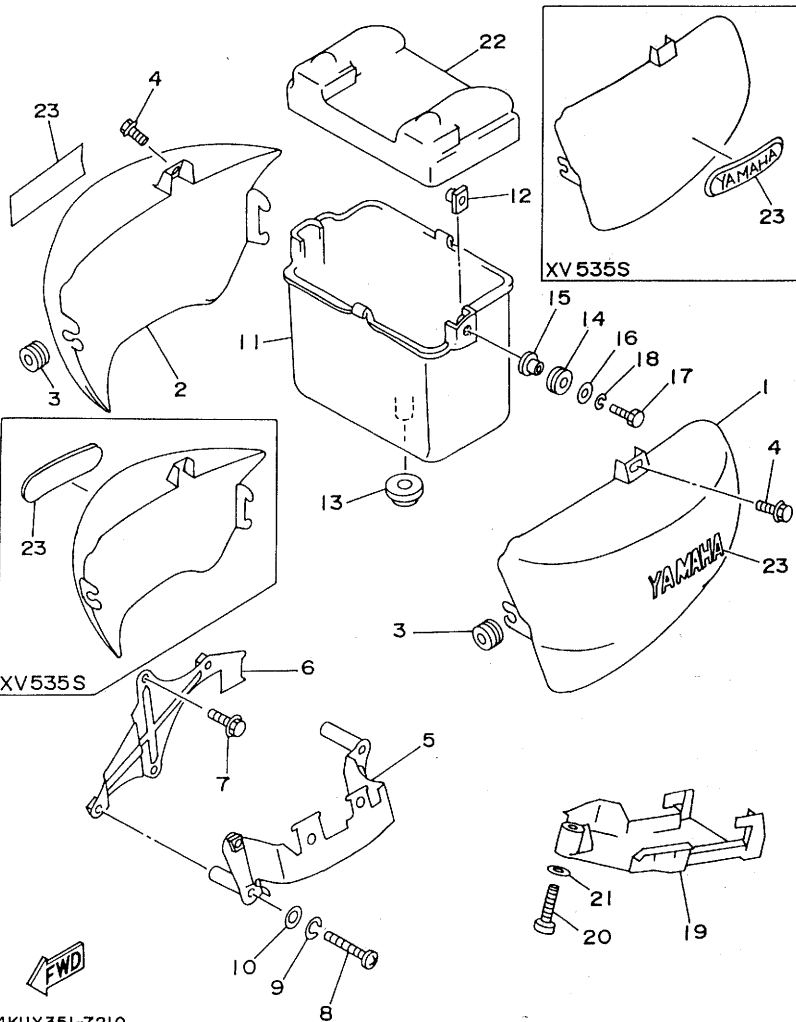


4KUV332-7200

FIG. 20 FENDER

REF. NO.	PART NO.	DESCRIPTION	Q'TY	REMARKS
10	95807-06010	BOLT, flange	2	
11	2GV-21629-00-4B	GUARD, mud	1	UR BLACK 2
	2GV-21629-00-9U	GUARD, mud	1	UR TRADITIONAL BLUE
	2GV-21629-00-KM	GUARD, mud (XV535S MODEL)	1	UR NEW BLACK BLUE
	2GV-21629-00-EG	GUARD, mud (XV535S MODEL)	1	UR MAPLE RED
	2GV-21629-00-3G	GUARD, mud (XV535S MODEL)	1	UR MILKY BROWN
12	90119-06123	BOLT, with washer	2	
13	2GV-2160E-00	BOX	1	
14	90159-06059	SCREW, with washer	1	
15	2GV-2163A-00	COVER, rear fender 1	1	
16	2GV-2163E-00	COVER, rear fender 2	1	
17	98904-08014	SCREW, bind	4	
18	90560-08326	SPACER	2	
19	93210-71360	O-RING	1	
20	92990-08200	WASHER, plain	4	
21	26H-21308-00	HELMET HANGER ASSY	1	
22	90149-06154	SCREW	1	
23	3BR-21621-00	FLAP	1	
24	4G0-21639-00	DAMPER 2	1	
25	95807-06012	SCREW, pan head	2	
26	92907-06600	WASHER, plate	2	
27	90202-05187	WASHER, plate	2	
28	92907-06200	WASHER	2	
29	95307-06600	NUT	2	
30	2AE-21641-00	BRACKET, reflector	1	
31	90267-40076	RIVET, blind	2	
32	90201-04018	WASHER, plate	2	
33	449-85131-02	REFLECTOR, rear 1	1	

**D2**



4KUX351-7210

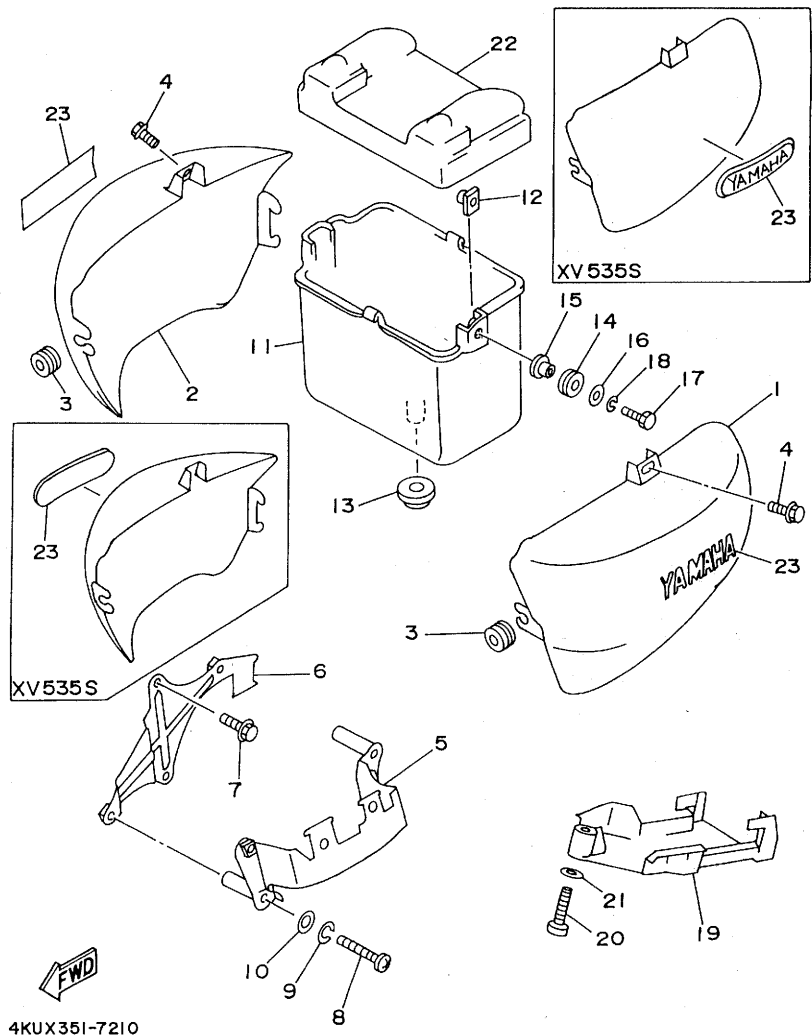
FIG. 21 SIDE COVER

REF. NO.	PART NO.	DESCRIPTION	Q'TY	REMARKS
1	2GV-21711-00-4B	COVER, side 1	1	UR BLACK 2
	2GV-21711-00-9U	COVER, side 1	1	UR TRADITIONAL BLUE
	2GV-21711-00-KM	COVER, side 1 (XV535S MODEL)	1	UR NEW BLACK BLUE
	2GV-21711-00-EG	COVER, side 1 (XV535S MODEL)	1	UR MAPLE RED
	2GV-21711-00-3G	COVER, side 1 (XV535S MODEL)	1	UR MILKY BROWN
2	2GV-21721-00-4B	COVER, side 2	1	UR BLACK 2
	2GV-21721-00-9U	COVER, side 2	1	UR TRADITIONAL BLUE
	2GV-21721-00-KM	COVER, side 2 (XV535S MODEL)	1	UR NEW BLACK BLUE
	2GV-21721-00-EG	COVER, side 2 (XV535S MODEL)	1	UR MAPLE RED
	2GV-21721-00-3G	COVER, side 2 (XV535S MODEL)	1	UR MILKY BROWN
3	90480-12320	GROMMET	2	
4	90119-06123	BOLT, with washer	2	
5	3JB-2172F-00	PANEL 2	1	
6	3JB-2172E-00	STAY, side cover 1	1	
7	95817-06020	BOLT, flange	2	
8	98507-06050	SCREW, pan head	2	
9	92907-06100	WASHER, spring	2	
10	92907-06600	WASHER, plate	2	
11	2GV-21171-00	BOX, tool	1	
12	31A-14477-00	PLATE	2	
13	90480-22362	GROMMET	1	
14	90480-14229	GROMMET	2	
15	90387-07391	COLLAR	2	
16	90201-06059	WASHER, plate	2	
17	97007-06025	BOLT	2	
18	92907-06100	WASHER, spring	2	
19	3JB-2176E-00	PLATE	1	
20	98507-06035	SCREW, pan head	1	

D3

FIG. 21 SIDE COVER

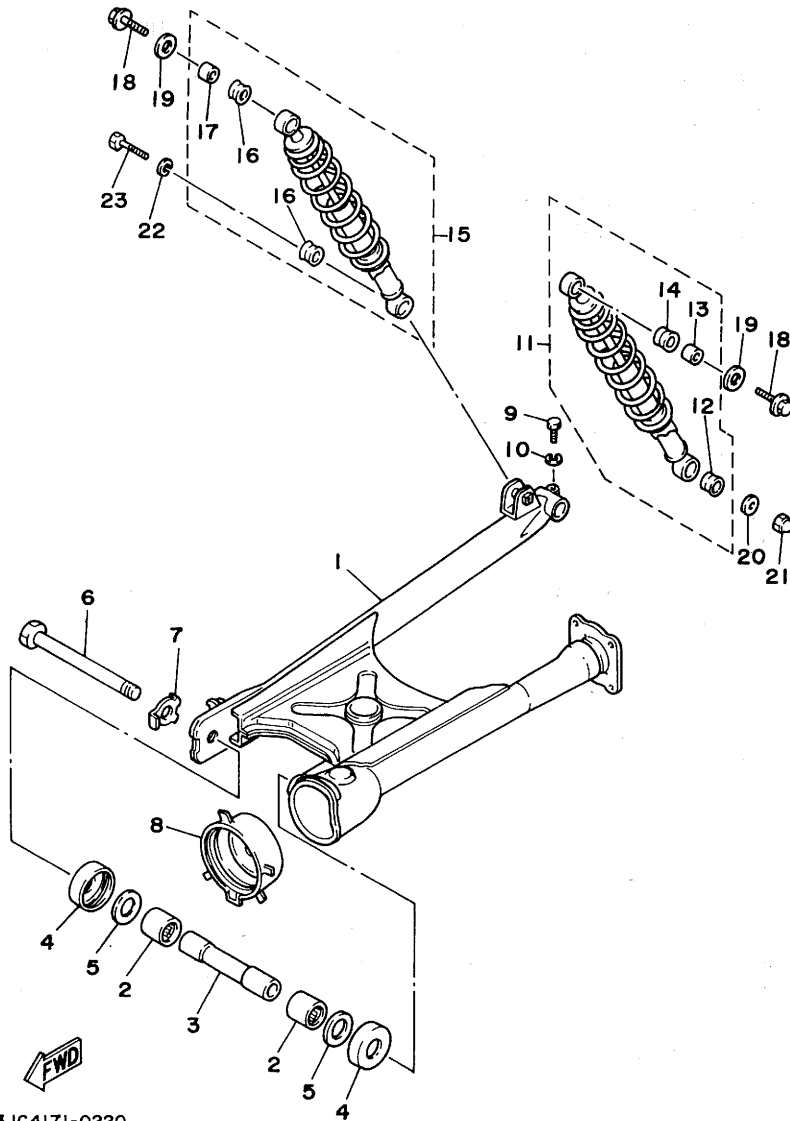
REF. NO.	PART NO.	DESCRIPTION	Q'TY	REMARKS
21	92907-06600	WASHER, plate	1	
22	3JB-28185-00	LID	1	
23	99237-00080	EMBLEM, yamaha	2	UR FOR BL2
	99235-00080	EMBLEM, yamaha	2	UR FOR TDB
	4KU-21781-00	EMBLEM 1	1	UR FOR XV535S MODEL



4KUX351-7210

D4

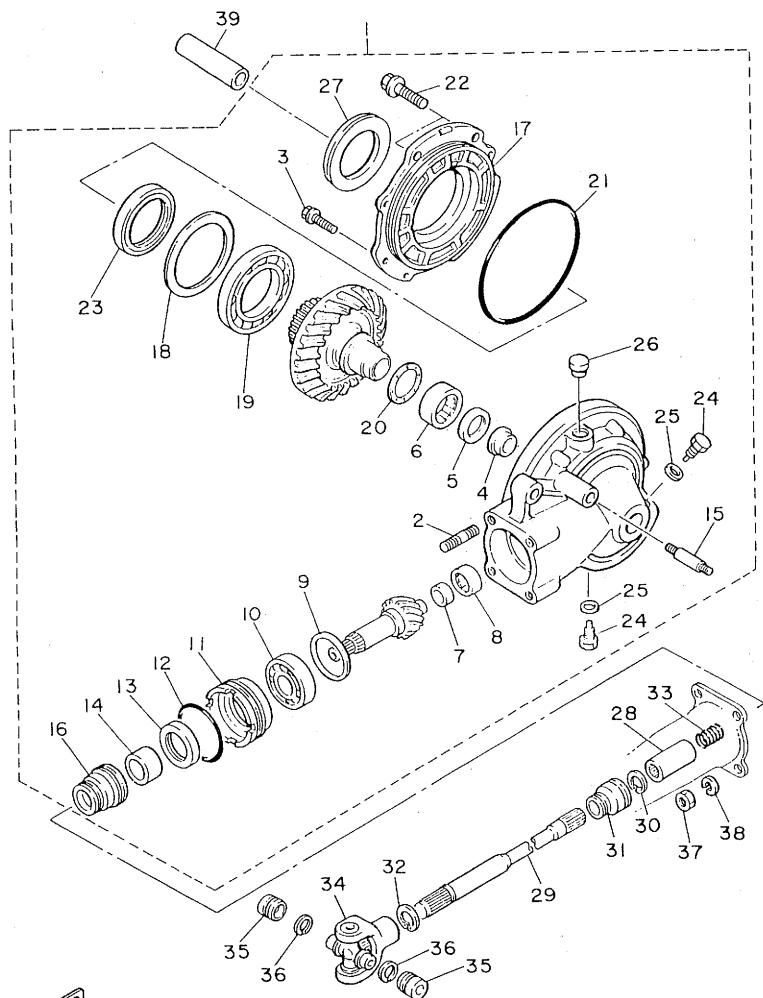
FIG. 22 REAR ARM. SUSPENSION



3JC4171-0220

REF. NO.	PART NO.	DESCRIPTION	Q'TY	REMARKS
1	2GV-22110-00-35	REAR ARM COMP.	1	SILVER
2	93320-32403	BEARING	2	
3	4X7-22124-00	BUSH 2	1	
4	4X7-22129-00	COVER, thrust 2	2	
5	3YF-22149-00	WASHER	2	
6	4X7-22141-00	SHAFT, pivot	1	
7	90215-16181	WASHER, lock	1	
8	22U-22189-00	BOOT, rubber	1	
9	97004-08035	BOLT	1	
10	92990-08100	WASHER, spring	1	
11	2YL-22210-01	SHOCK ABSORBER ASSY, rear	1	
12	2GV-22216-00	.BUSH, shock absorber lower	1	
13	2GV-22253-00	.COLLAR, distance	1	
14	2GV-22226-00	.BUSH, rear shock absorber	1	
15	2YL-22220-01	SHOCK ABSORBER ASSY, rear	1	
16	2GV-22226-00	.BUSH, shock absorber lower	2	
17	5M0-22253-00	.COLLAR, distance	1	
18	95807-08012	BOLT, flange	2	
19	90201-08753	WASHER, plate	2	
20	90201-105R9	WASHER, plate	1	
21	90176-10073	NUT, crown	1	
22	92990-10100	WASHER, spring	1	
23	90106-10052	BOLT	1	

D5

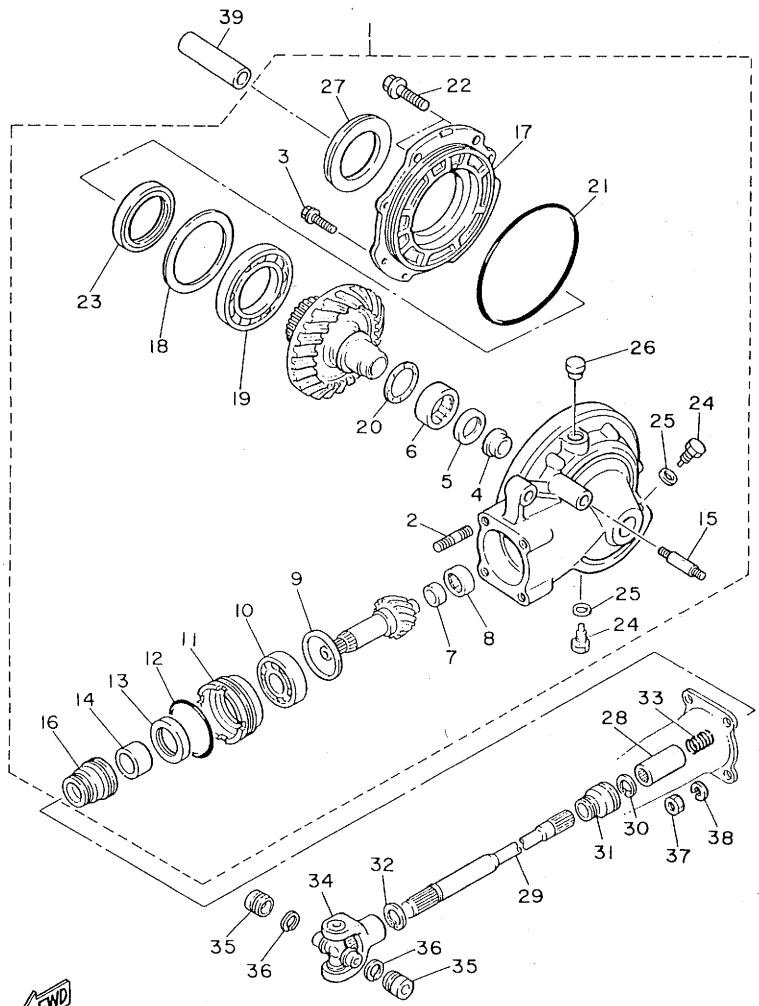


2JV171-7230

FIG. 23 DRIVE SHAFT

REF. NO.	PART NO.	DESCRIPTION	Q'TY	REMARKS
1	2NT-46101-00	REAR AXLE GEAR CASE ASSY	1	
2	90116-10593	.BOLT, stud	4	
3	90119-08126	.BOLT, with washer	6	
4	22U-46153-00	.COLLAR, guide	1	
5	93101-30084	.OIL SEAL	1	
6	93311-43729	.BEARING, cylindrical	1	
7	2H7-46122-00	.RACE, inner	1	
8	93317-41510	.BEARING, cylindrical	1	
9	1J7-17537-Y0-30	.SHIM, thrust (0.30T)	1 UR	
	1J7-17537-Y0-40	.SHIM, thrust (0.40T)	1 UR	
	1J7-17537-Y0-50	.SHIM, thrust (0.50T)	1 UR	
10	93306-30539	.BEARING	1	
11	4H7-46125-00	.RETAINER, bearing	1	
12	93210-60426	.O-RING	1	
13	93101-38098	.OIL SEAL	1	
14	90387-25669	.COLLAR	1	
15	90116-10249	.BOLT, stud	1	
16	22U-46136-00	.SEAL 1	1	
17	22U-46152-00	.HOUSING, bearing	1	
18	22U-46117-00-25	.SHIM, ring gear (0.25T)	1 UR	
	22U-46117-00-30	.SHIM, ring gear (0.30T)	1 UR	
	22U-46117-00-40	.SHIM, ring gear (0.40T)	1 UR	
	22U-46117-00-50	.SHIM, ring gear (0.50T)	1 UR	
19	93316-01301	.BEARING, cylindrical	1	
20	22U-46118-00-12	.SHIM, thrust (1.2T)	1 UR	
	22U-46118-00-14	.SHIM, thrust (1.4T)	1 UR	
	22U-46118-00-16	.SHIM, thrust (1.6T)	1 UR	
	22U-46118-00-18	.SHIM, thrust (1.8T)	1 UR	

D6



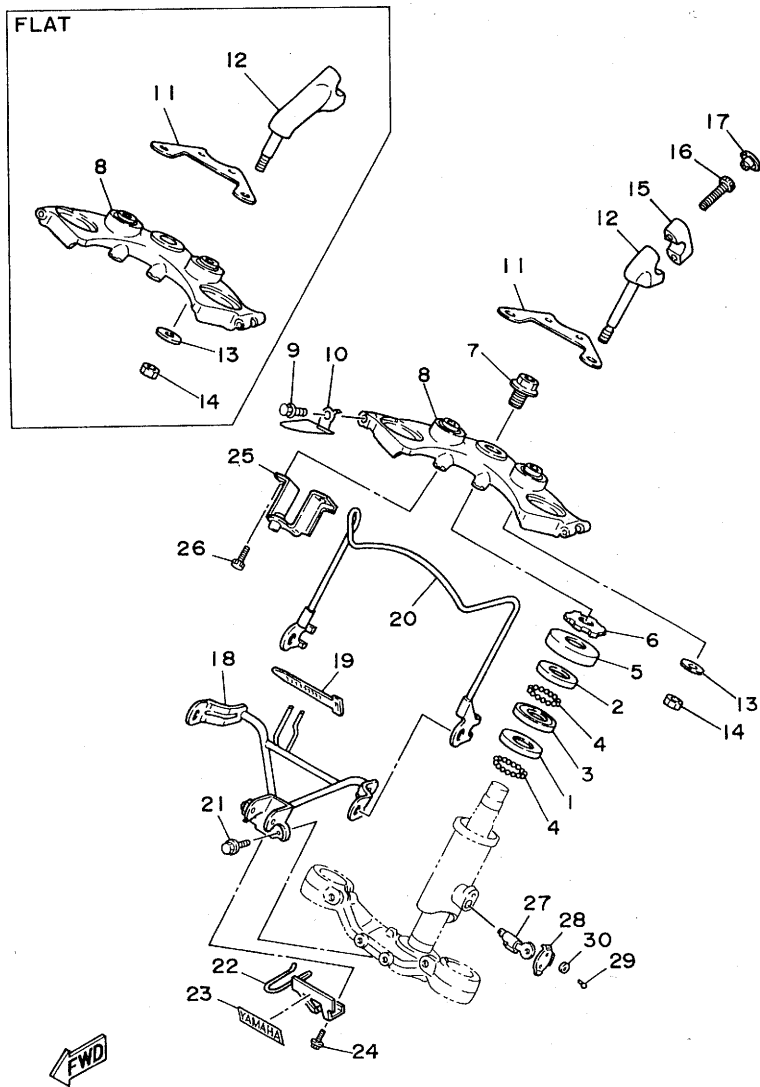
2JV171-7230

**D7**

FIG. 23 DRIVE SHAFT

REF. NO.	PART NO.	DESCRIPTION	Q'TY	REMARKS
20	22U-46118-00-20	.SHIM, thrust (2.0T)	1	UR
21	93211-39569	.O-RING	1	
22	90105-10285	.BOLT, washer based	2	
23	93102-65277	.OIL SEAL	1	
24	3VD-13455-00	.PLUG	2	
25	214-11198-01	.GASKET	2	
26	2H7-17590-00	.BREATHER COMP.	1	
27	1J7-25319-01	.SEAL, hub dust	1	
28	22U-46123-00	COUPLING, gear	1	
29	2GV-46172-00	SHAFT, drive	1	
30	93440-19112	CIRCLIP	1	
31	22U-46137-00	SEAL 2	1	
32	93410-22039	CIRCLIP	1	
33	90501-15722	SPRING, compression	1	
34	4X7-46180-00	CROSS JOINT COMP.	1	
35	93399-99926	BEARING	2	
36	93440-20088	CIRCLIP	2	
37	95314-10600	NUT	4	
38	92990-10100	WASHER, spring	4	
39	90387-15668	COLLAR	1	

FIG. 24 STEERING



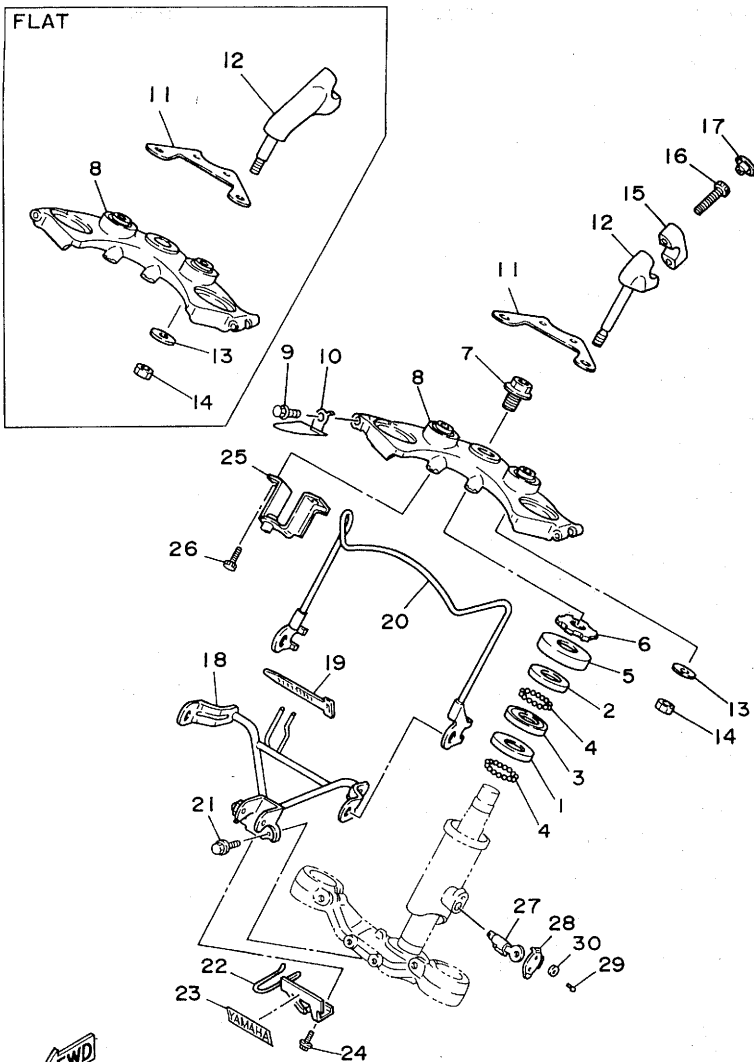
REF. NO.	PART NO.	DESCRIPTION	Q'TY	REMARKS
1	156-23412-00	RACE, ball 2	1	
2	183-23411-00	RACE, ball 1	1	
3	183-23412-00	RACE, ball 2	1	
4	93501-04011	BALL	38	
5	136-23415-00	COVER, ball race 1	1	
6	90179-25033	NUT	1	
7	90105-14102	BOLT, washer based	1	
8	3JB-W2341-00-38	CROWN, handle	1	UR FOR FLAT HANDLE
	2GV-W2341-00-38	CROWN, handle	1	UR FOR UP HANDLE
9	95024-08040	BOLT, flange	2	
10	3JC-23317-00	HOLDER, cable	1	UP HANDLE
11	3JB-2317F-00	STAY 2	1	UR FOR FLAT HANDLE
	2GV-2317F-00	STAY 2	1	UR FOR UP HANDLE
12	3JB-23442-00-38	HOLDER, handle lower	2	UR CLEAR (WITH BUFF) FOR FLAT HANDLE
	42X-23442-00-38	HOLDER, handle lower	2	UR CLEAR (WITH BUFF) FOR UP HANDLE
13	90201-12195	WASHER, plain	2	UR FOR FLAT HANDLE
	90201-100A1	WASHER, plate	2	UR FOR UP HANDLE
14	95607-12100	NUT	2	UR FOR FLAT HANDLE
	95607-10100	NUT	2	UR FOR UP HANDLE
15	4H7-23441-00-38	HOLDER, handle upper	2	CLEAR (WITH BUFF)
16	91314-08030	BOLT	4	
17	90338-08163	PLUG	4	
18	2GV-23174-01	STAY, headlight	1	
19	437-83936-11	BAND, switch cord	1	
20	2NT-23164-00	STAY, light guard	1	
21	95027-06020	BOLT, flange	2	
22	2GV-2317M-00	STAY 3	1	
23	3WF-2153E-40	EMBLEM, yamaha	1	

4KUX351-7240

D8

FIG. 24 STEERING

REF. NO.	PART NO.	DESCRIPTION	Q'TY	REMARKS
24	95024-06008	BOLT	1	
25	2GV-2317E-00	STAY	1	
26	91317-06016	BOLT	2	
27	*	STEERING LOCK ASSY	1	LM
28	134-23484-10	CAP, handle lock	1	
29	90269-04003	RIVET	1	
30	90208-04029	WASHER, conical spring	1	



4KUX351-7240

D9

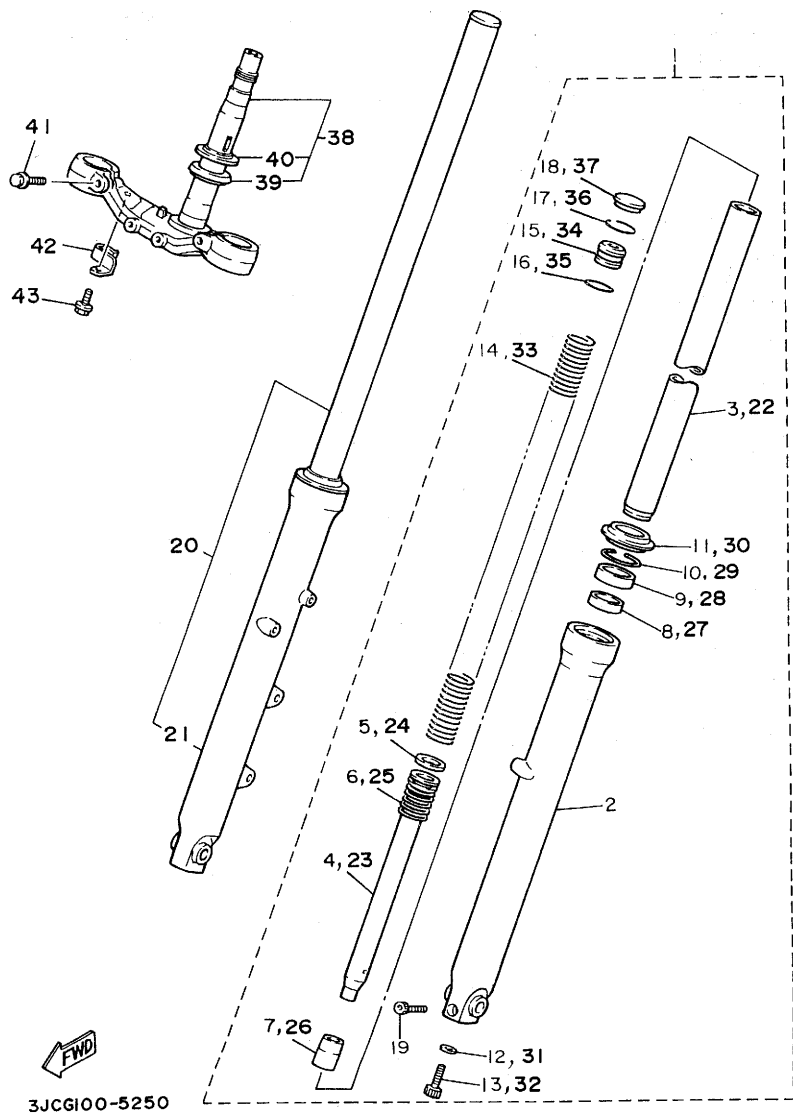
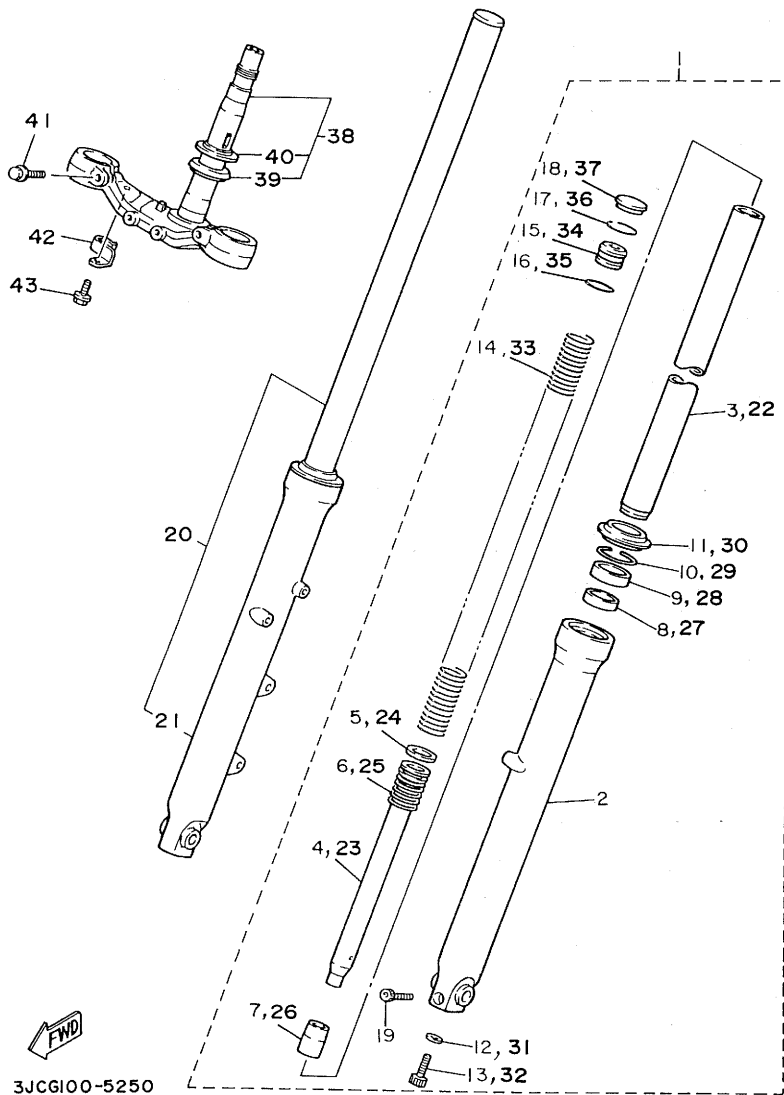


FIG. 25 FRONT FORK

REF. NO.	PART NO.	DESCRIPTION	Q'TY	REMARKS
1	4KU-23102-01	FRONT FORK ASSY (L.H)	1	UR
	4KU-23102-11	FRONT FORK ASSY (L.H)	1	UR XV535S MODEL
2	3JB-23126-11	.TUBE, outer 1	1	
3	2GV-23110-01	.INNER TUBE COMP. 1	1	
4	2GV-23171-01	.PISTON, front fork	1	
5	1GU-23157-00	.RING, piston	1	
6	1GU-23151-00	.SPRING, rebound	1	
7	1GU-23173-00	.SPINDLE, taper	1	
8	2GV-23125-00	.METAL, slide 1	1	
9	2AJ-23145-00	.OIL SEAL	1	
10	1HX-23156-00	.CLIP, oil seal	1	
11	2GV-23144-00	.SEAL, dust	1	
12	90430-08155	.GASKET	1	
13	91317-08025	.BOLT	1	
14	2GV-23141-00	.SPRING, front fork	1	
15	1HX-23111-00	.BOLT, cap	1	
16	93210-24709	.O-RING	1	
17	93450-32116	.CIRCLIP	1	
18	1HX-23154-00	.PLUG, inner tube	1	UR
	3JB-23154-00	.PLUG, inner tube	1	UR XV535S MODEL
19	91314-08035	.BOLT	1	
20	4KU-23103-01	FRONT FORK ASSY (R.H)	1	UR
	4KU-23103-11	FRONT FORK ASSY (R.H)	1	UR XV535S MODEL
21	3JB-23136-11	.TUBE, outer 2	1	
22	2GV-23110-01	.INNER TUBE COMP. 1	1	
23	2GV-23171-01	.PISTON, front fork	1	
24	1GU-23157-00	.RING, piston	1	
25	1GU-23151-00	.SPRING, rebound	1	

3JCG100-5250

**D10**



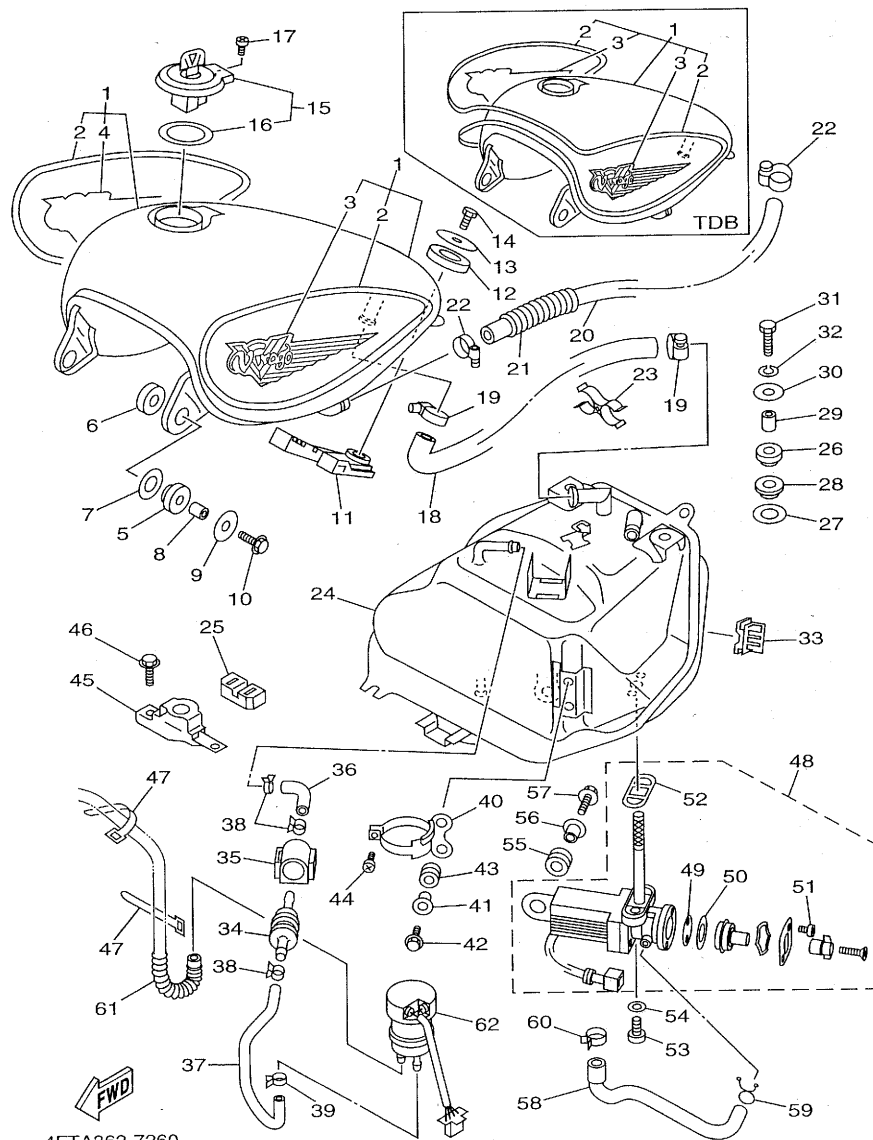
3JCG100-5250

FIG. 25 FRONT FORK

REF. NO.	PART NO.	DESCRIPTION	Q'TY	REMARKS
26	1GU-23173-00	.SPINDLE, taper	1	
27	2GV-23125-00	.METAL, slide 1	1	
28	2AJ-23145-00	.OIL SEAL	1	
29	1HX-23156-00	.CLIP, oil seal	1	
30	2GV-23144-00	.SEAL, dust	1	
31	90430-08155	.GASKET	1	
32	91317-08025	.BOLT	1	
33	2GV-23141-00	.SPRING, front fork	1	
34	1HX-23111-00	.BOLT, cap	1	
35	93210-24709	.O-RING	1	
36	93450-32116	.CIRCLIP	1	
37	1HX-23154-00	.PLUG, inner tube	1	UR
	3JB-23154-00	.PLUG, inner tube	1	UR XV535S MODEL
38	3BR-23340-00	UNDER BRACKET COMP.	1	
39	164-23462-00	.SEAL, steering	1	
40	156-23411-00	.RACE, ball 1	1	
41	90105-12353	BOLT, flange	2	
42	3JB-25886-00	HOLDER, brake hose	1	
43	95807-06010	BOLT, flange	1	

D11

FIG. 26 FUEL TANK



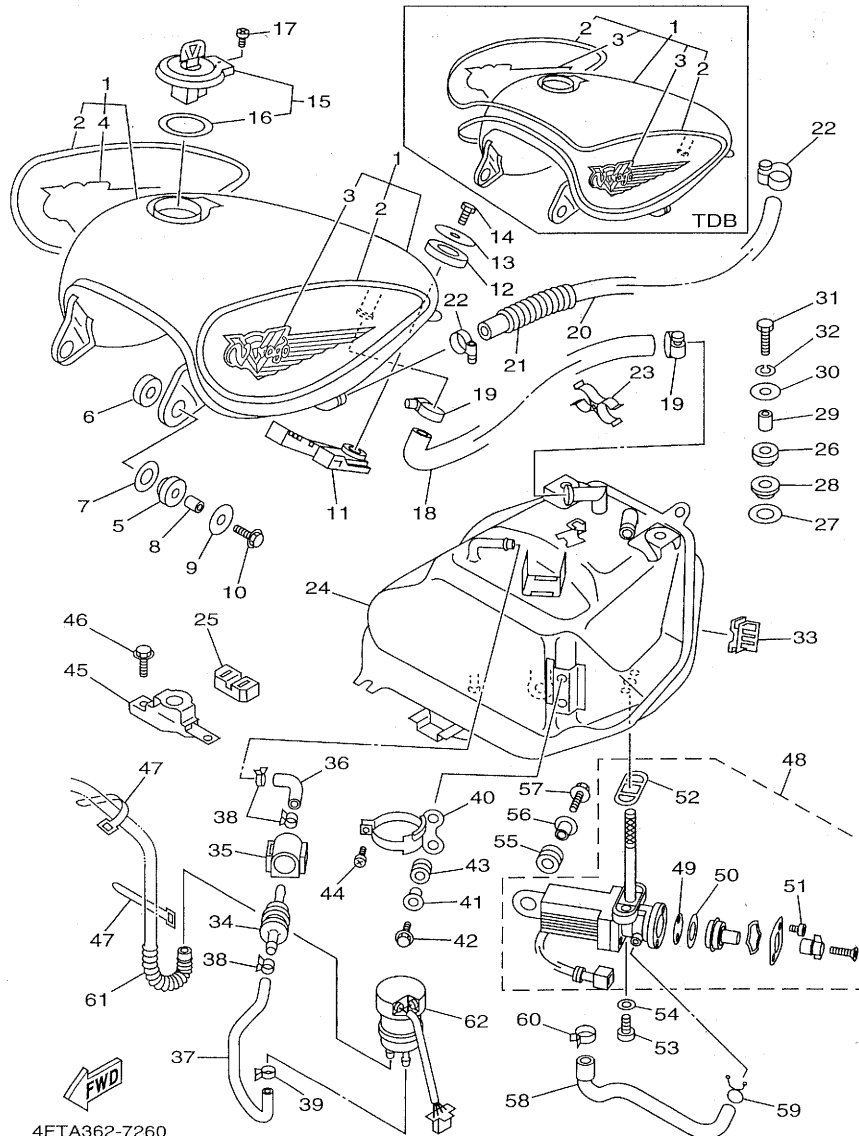
4FTA362-7260

REF. NO.	PART NO.	DESCRIPTION	Q'TY	REMARKS
1	3BR-Y2428-M0-4B	SUB TANK ASSY	1	UR BLACK 2
	3BR-Y2428-L0-1X	SUB TANK ASSY	1	UR TRADITIONAL BLUE/ BLUISH WHITE COCKTAIL 1
	3BR-Y2428-B0-2X	SUB TANK ASSY (XV535S MODEL)	1	UR NEW BLACK BLUE/ STAR SILVER
	3BR-Y2428-J0-3X	SUB TANK ASSY (XV535S MODEL)	1	UR MAPLE RED/ NEW PEARL WHITE
	3BR-Y2428-K0-4X	SUB TANK ASSY (XV535S MODEL)	1	UR MILKY BROWN/BLACK 2
2	4KU-24240-40	.GRAPHIC, fuel tank	1	UR FOR BL2
	3JC-24240-10	.GRAPHIC, fuel tank	1	UR FOR TDB
	4KU-24240-20	.GRAPHIC, fuel tank (XV535S MODEL)	1	UR FOR NBB
	4KU-24240-30	.GRAPHIC, fuel tank (XV535S MODEL)	1	UR FOR MPR
	4KU-24240-50	.GRAPHIC, fuel tank (XV535S MODEL)	1	UR FOR MKB
3	4KU-24161-20	.EMBLEM 1	1	UR FOR BL2
	3JC-24161-10	.EMBLEM 1	1	UR FOR TDB
	4YH-24161-00	.EMBLEM 1 (XV535S MODEL)	1	UR FOR NBB
	4YH-24161-10	.EMBLEM 1 (XV535S MODEL)	1	UR FOR MPR
	4YH-24161-20	.EMBLEM 1 (XV535S MODEL)	1	UR FOR MKB
4	4KU-24162-20	.EMBLEM 2	1	UR FOR BL2
	3JC-24162-10	.EMBLEM 2	1	UR FOR TDB
	4YH-24162-00	.EMBLEM 2 (XV535S MODEL)	1	UR FOR NBB
	4YH-24162-10	.EMBLEM 2 (XV535S MODEL)	1	UR FOR MPR
	4YH-24162-20	.EMBLEM 2 (XV535S MODEL)	1	UR FOR MKB
5	1FK-24182-00	DAMPER, locating 2	2	
6	23T-24724-01	DAMPER, seat	2	
7	1FK-24186-00	WASHER, special	2	
8	90387-06387	COLLAR	2	
9	90201-066M2	WASHER, plate	2	
10	95024-06025	BOLT, flange	2	
11	3JB-24182-00	DAMPER, locating 2	1	
12	42X-24183-00	DAMPER, locating 3	1	

D12



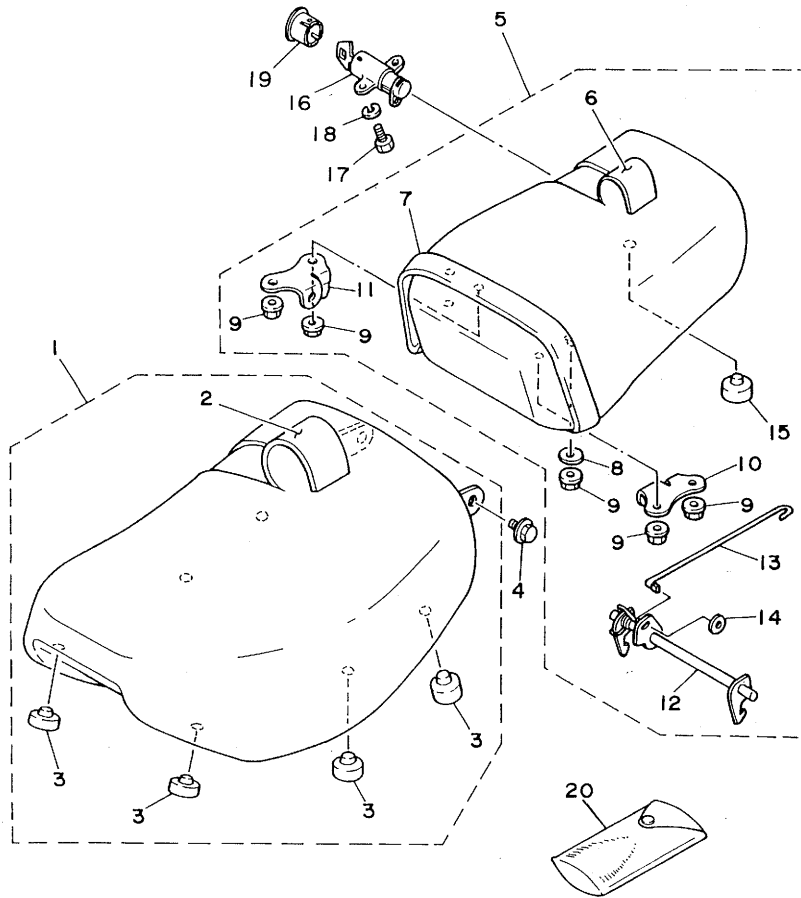
FIG. 26 FUEL TANK



4FTA362-7260

REF. NO.	PART NO.	DESCRIPTION	Q'TY	REMARKS
41	90387-062L2	COLLAR	2	
42	95807-06016	BOLT, flange	2	
43	90480-13163	GROMMET	2	
44	98507-05016	SCREW, pan head	1	
45	2GV-24191-00	BRACKET, fuel tank 1	1	
46	90119-06123	BOLT, with washer	2	
47	437-83936-11	BAND, switch cord	3	
48	3JB-24500-03	FUEL COCK ASSY 1	1	
49	3AJ-24523-00	.VALVE	1	
50	3AJ-24534-00	.SEAL, cock	1	
51	98503-03008	.SCREW, pan head	2	
52	4X8-24512-00	.O-RING	1	
53	90149-06008	SCREW	2	
54	90202-05187	WASHER, plate	2	
55	90480-14023	GROMMET	1	
56	90387-06388	COLLAR	1	
57	95807-06025	BOLT, flange	1	
58	3JB-24314-00	PIPE 4	1	
59	90467-10008	CLIP	1	
60	90467-11044	CLIP	1	
61	90501-100F8	SPRING, compression	1	
62	1HX-13907-00	FUEL PUMP COMP.	1	

FIG. 27 SEAT



REF. NO.	PART NO.	DESCRIPTION	Q'TY	REMARKS
1	3JB-24710-00	SINGLE SEAT ASSY	1	UR
	3JB-24710-10	SINGLE SEAT ASSY (XV535S MODEL)	1	UR FOR NBB, MKB
	4KU-24710-00	SINGLE SEAT ASSY (XV535S MODEL)	1	UR FOR MPR
2	3JB-24711-00	.COVER, single seat	1	UR
	3JB-24711-10	.COVER, single seat (XV535S MODE	1	UR FOR NBB, MKB
	4KU-24711-00	.COVER, single seat (XV535S MODE	1	UR FOR MPR
3	18A-24724-00	.DAMPER, seat	6	
4	95807-06012	BOLT, with washer	2	
5	3JB-24750-00	TANDEM SEAT ASSY	1	UR
	3JB-24750-10	TANDEM SEAT ASSY (XV535S MODEL)	1	UR FOR NBB, MKB
	4KU-24750-00	TANDEM SEAT ASSY (XV535S MODEL)	1	UR FOR MPR
6	3JB-24751-00	.COVER, tandem seat	1	UR
	3JB-24751-10	.COVER, tandem seat (XV535S MODE	1	UR FOR NBB, MKB
	4KU-24751-00	.COVER, tandem seat (XV535S MODE	1	UR FOR MPR
7	3JB-24734-00	.BAND, seat	1	UR
	3JB-24734-10	.BAND, seat (XV535S MODEL)	1	UR FOR NBB, MKB
	4KU-24734-00	.BAND, seat (XV535S MODEL)	1	UR FOR MPR
8	90201-06765	.WASHER, plate	2	
9	95707-06500	.NUT, flange	6	
10	3JB-24718-00	.BRACKET, seat	1	
11	3JB-24728-00	.BRACKET, seat	1	
12	3JB-24776-00	.LEVER, seat	1	
13	3JB-2478F-00	.ROD, connecting	1	
14	92907-03200	.WASHER	1	
15	18A-24724-00	.DAMPER, seat	1	
16	51X-24705-00	SEAT LOCK ASSY	1	
17	97007-06014	BOLT	2	
18	92907-06100	WASHER, spring	2	

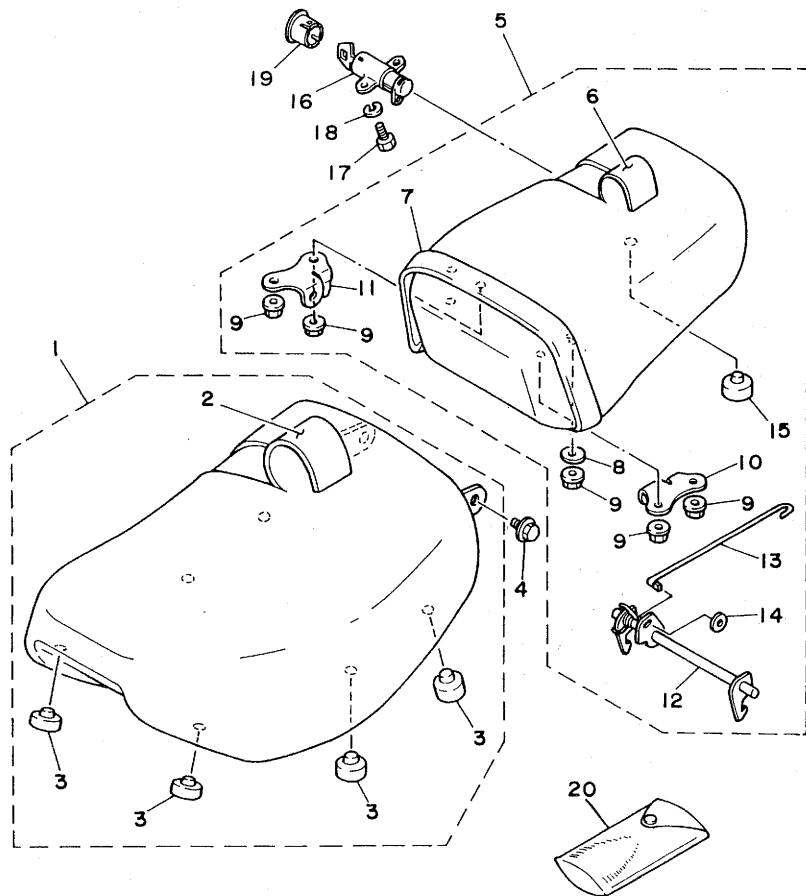


3JCG100-5280

D15

FIG. 27 SEAT

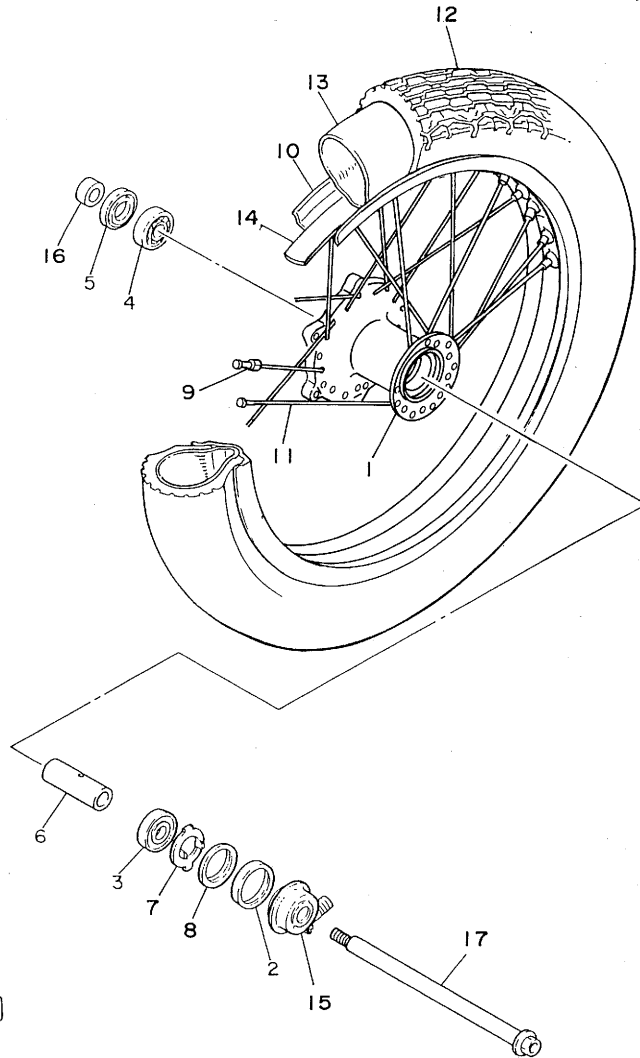
REF. NO.	PART NO.	DESCRIPTION	Q'TY	REMARKS
19	51Y-24796-00	COVER	1	
20	2GV-28100-00	TOOL KIT	1	



3JCG100-5280

**E2**

FIG. 28 FRONT WHEEL



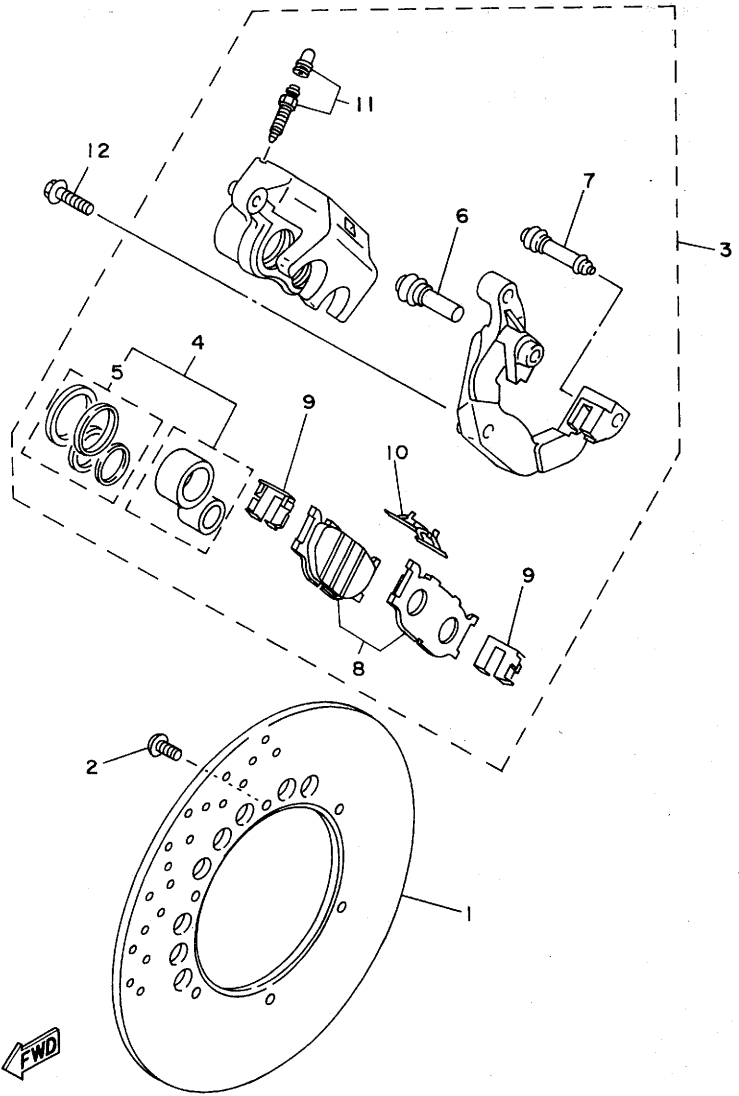
REF. NO.	PART NO.	DESCRIPTION	Q'TY	REMARKS
1	4KU-25111-00	HUB, front	1	
2	93105-45017	OIL SEAL	1	
3	93306-30309	BEARING (B6303ZZ)	1	
4	93306-30309	BEARING (B6303ZZ)	1	
5	93102-28022	OIL SEAL	1	
6	90560-17126	SPACER	1	
7	341-25149-00	CLUTCH, meter	1	
8	341-25846-00	RETAINER, clutch	1	
9	156-25398-00	BALANCER, wheel	1	UN
10	94418-19543	RIN (1.85-19)	1	
11	3JB-25104-00	SPOKE SET, front	1	
12	94130-197N1	TIRE (3.00S19 4PR L303A T/T)	1	UR BRIDGESTONE
	94130-197N0	TIRE (300S19 4PR F14GDOTN)	1	UR DUNLOP
13	94227-19177	TUBE (2.75-19)	1	DUNLOP
14	94335-19026	BAND, rim (3.50-19)	1	BRIDGESTONE
15	4TX-25190-00	GEAR UNIT ASSY	1	
16	90387-177R1	COLLAR	1	
17	2GV-25181-00	AXLE, wheel	1	

FWD

3JCG100-5290

E3

FIG. 29 FRONT BRAKE CALIPER

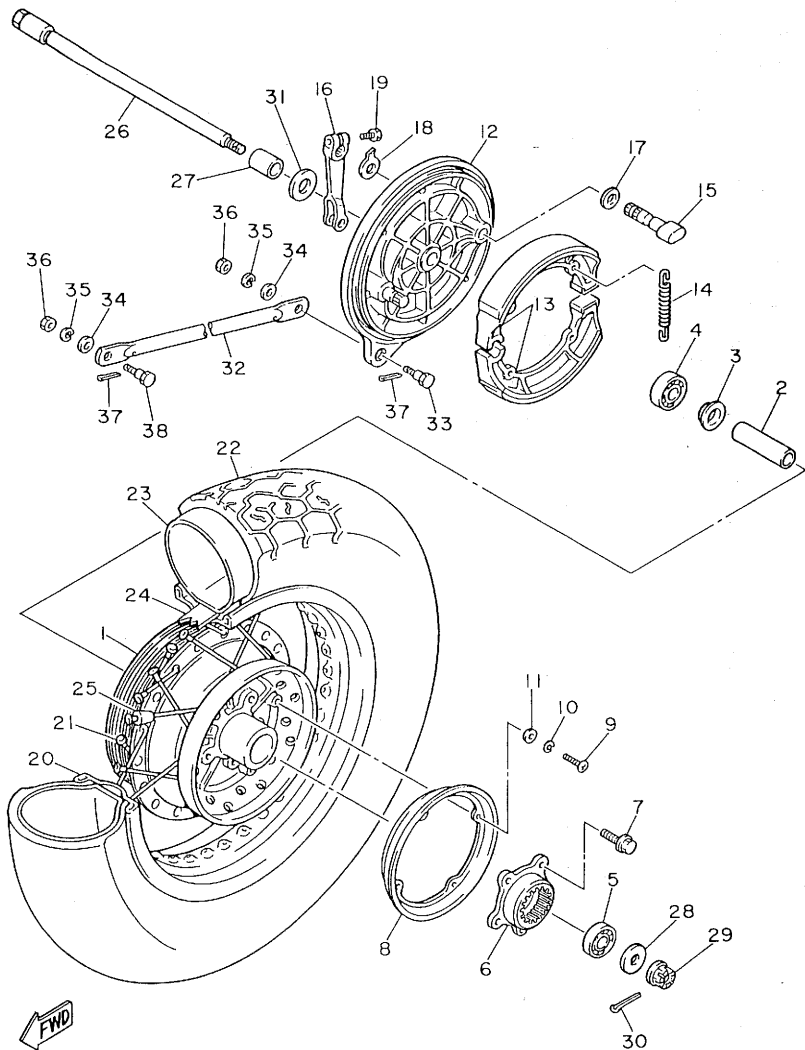


REF. NO.	PART NO.	DESCRIPTION	Q'TY	REMARKS
1	3JB-2582U-01	DISC, brake (RIGHT)	1	
2	90109-081F0	BOLT	6	
3	3JB-2580U-11	CALIPER ASSY (RIGHT)	1	
4	3JB-W0057-00	.PISTON ASSY, caliper	1	
5	3JB-W0047-00	..CALIPER SEAL KIT	1	
6	5R2-25937-00	.BOOT 2	1	
7	3YX-25937-00	.BOOT 2	1	
8	4BP-W0045-00	.BRAKE PAD KIT	1	
9	3YX-25919-00	.SUPPORT, pad	2	
10	3YX-25929-00	.SPRING, anti rattle	1	
11	51L-W0048-00	.BLEED SCREW KIT	1	
12	90105-10638	BOLT, washer based	2	

3JB7010-4300

**E4**

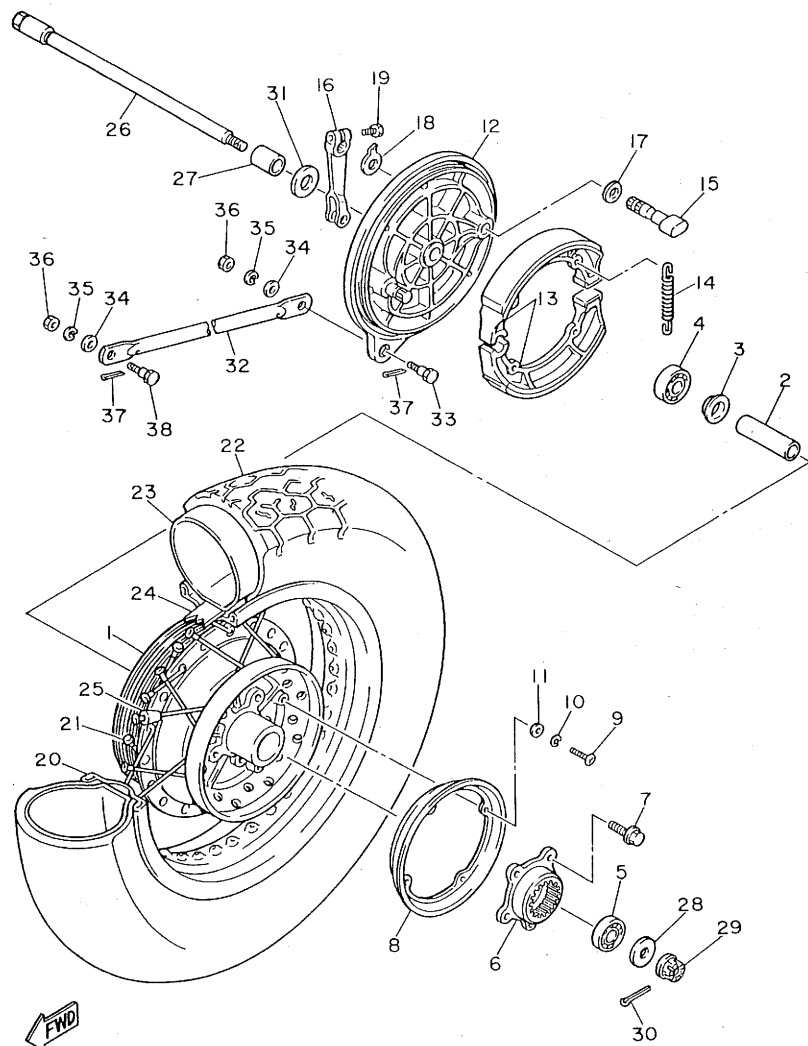
FIG. 30 REAR WHEEL



2GV110-7300

REF. NO.	PART NO.	DESCRIPTION	Q'TY	REMARKS
1	2GV-25311-00-35	HUB, rear	1	SILVER
2	2GV-25317-00	SPACER, bearing	1	
3	146-25115-00	FLANGE, spacer 1	1	
4	93306-30209	BEARING	1	
5	93306-30202	BEARING (B6302Z)	1	
6	2GV-25366-00	CLUTCH, hub	1	
7	90105-10200	BOLT, washer based	5	
8	2GV-25319-00	SEAL, hub dust	1	
9	98507-05012	SCREW, pan head	4	
10	92907-05100	WASHER, spring	4	
11	92907-05600	WASHER, plate	4	
12	2NT-25321-00	PLATE, brake shoe	1	
13	3DR-W2536-00	BRAKE SHOE SET	2	
14	90507-20002	SPRING, tension	2	
15	4H7-25351-00	CAMSHAFT	1	
16	214-25355-00	LEVER, camshaft	1	
17	90201-14218	WASHER, plate	1	
18	4H7-2533A-02	PLATE, indicator	1	
19	90101-06764	BOLT	1	
20	94430-15544	RIM	1	
21	2GV-25304-00	SPOKE SET, rear	1	
22	94114-156U2	TIRE (140/90-15M/C70SK425)	1	UR BRIDGESTONE
	94114-156U1	TIRE (140/90-15M/C70SK425)	1	UR DUNLOP
23	94214-15223	TUBE (140-15)	1	BRIDGESTONE
24	94330-15134	BAND, rim (3.00-15)	1	BRIDGESTONE
25	156-25398-00	BALANCER, wheel	1	
26	2GV-25381-00	AXLE, wheel	1	
27	90387-157R0	COLLAR	1	

**E5**



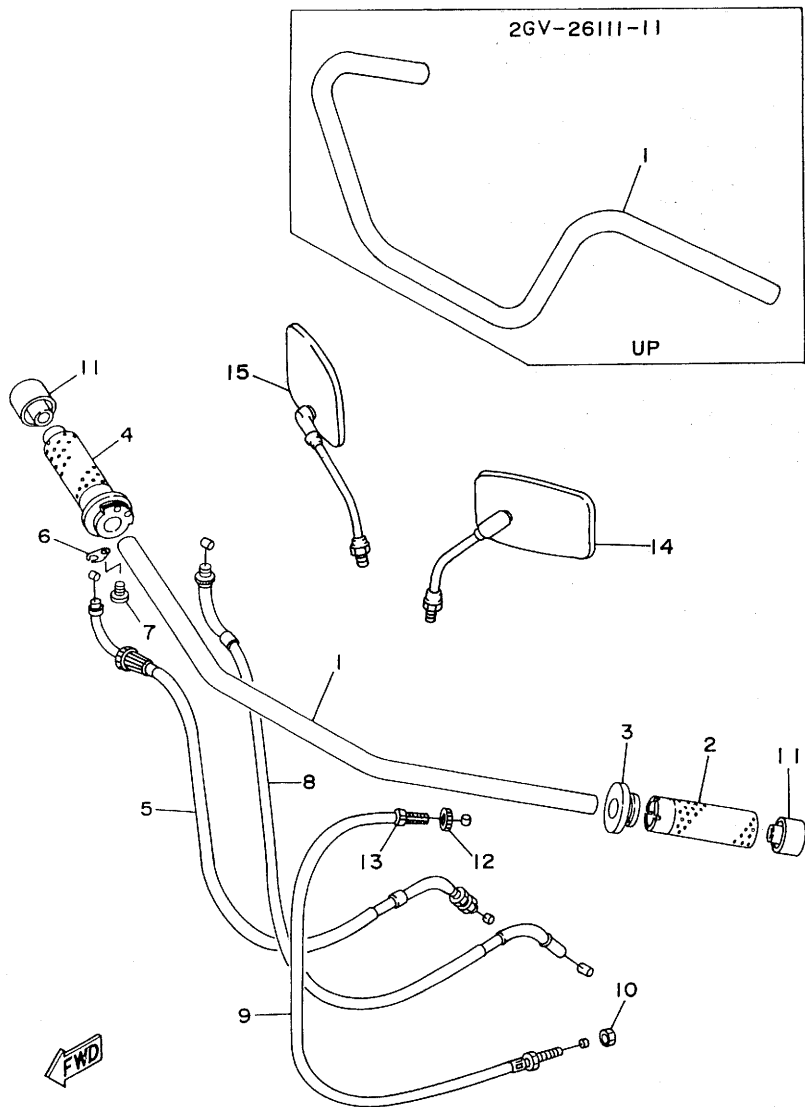
2GV110-7300

FIG. 30 REAR WHEEL

REF. NO.	PART NO.	DESCRIPTION	Q'TY	REMARKS
28	90201-146R0	WASHER, plate	1	
29	90171-14044	NUT, castle	1	
30	91401-30030	PIN, cotter	1	
31	22U-25377-00	COLLAR, wheel	1	
32	42X-25371-02	BAR, tension	1	
33	90109-08406	BOLT	1	
34	92990-08600	WASHER, plate	2	
35	92990-08100	WASHER, spring	2	
36	95304-08700	NUT	2	
37	91401-20015	PIN, cotter	2	
38	90109-08368	BOLT	1	

**E6**

FIG. 31 STEERING HANDLE. CABLE



REF. NO.	PART NO.	DESCRIPTION	Q'TY	REMARKS
1	2NT-26111-10	HANDLEBAR	1	UR FLAT HANDLE
	2GV-26111-11	HANDLEBAR	1	UR UP HANDLE
2	3JB-26241-00	GRIP (LEFT)	1	
3	3JB-26273-00	ROTOR	1	
4	3JB-26240-00	GRIP ASSY	1	
5	3JB-26311-00	CABLE, throttle 1	1	UR FLAT HANDLE
	3JC-26311-00	CABLE, throttle 1	1	UR UP HANDLE
6	5H0-26393-00	HOLDER	1	
7	98507-05008	SCREW, pan head	1	
8	3JB-26312-00	CABLE, throttle 2	1	UR FLAT HANDLE
	3JC-26312-00	CABLE, throttle 2	1	UR UP HANDLE
9	3JB-26335-10	CABLE, clutch	1	UR FLAT HANDLE
	3JB-26335-20	CABLE, clutch	1	UR UP HANDLE
10	95304-08700	NUT	1	
11	3JB-2628J-00	CAP, grip	2	
12	90179-08148	NUT	1	
13	90123-08046	BOLT	1	
14	4H7-26290-A1	REAR VIEW MIRROR ASSY (RIGHT)	1	
15	4H7-26290-E1	REAR VIEW MIRROR ASSY (RIGHT)	1	

4KUK351-6310

E7

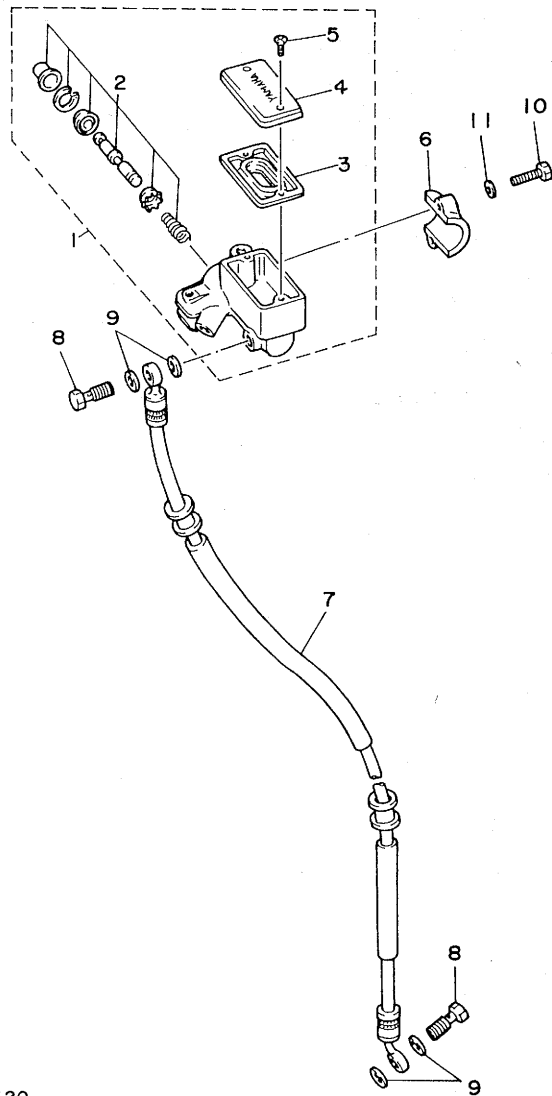


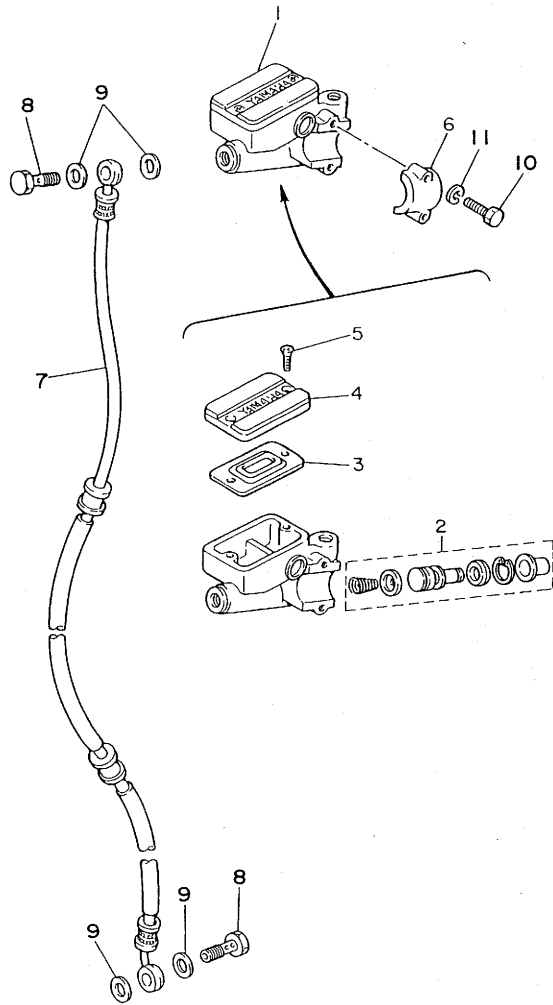
FIG. 32 FRONT MASTER CYLINDER (FLAT HANDLE)

REF. NO.	PART NO.	DESCRIPTION	Q'TY	REMARKS
1	2GV-25850-01	MASTER CYLINDER ASSY	1	
2	4H7-W0041-00	.CYLINDER KIT, master	1	
3	4K0-25854-00	.DIAPHRAGM, reservoir	1	
4	3GM-25852-01	.CAP, reservoir	1	
5	98707-04012	.SCREW, flat head	2	
6	4L0-25867-00	BRACKET, master cylinder	1	
7	4KU-25872-50	HOSE, brake 1	1	UR
	3JB-25872-30	HOSE, brake 1	1	UR XV535S MODEL
8	90401-10159	BOLT, union	2	
9	90201-10118	WASHER, plate	4	
10	97017-06025	BOLT	2	
11	92907-06600	WASHER, spring	2	

  
 4KUA351-5320

**E8**

FIG. 33 FRONT MASTER CYLINDER (UP HANDLE)

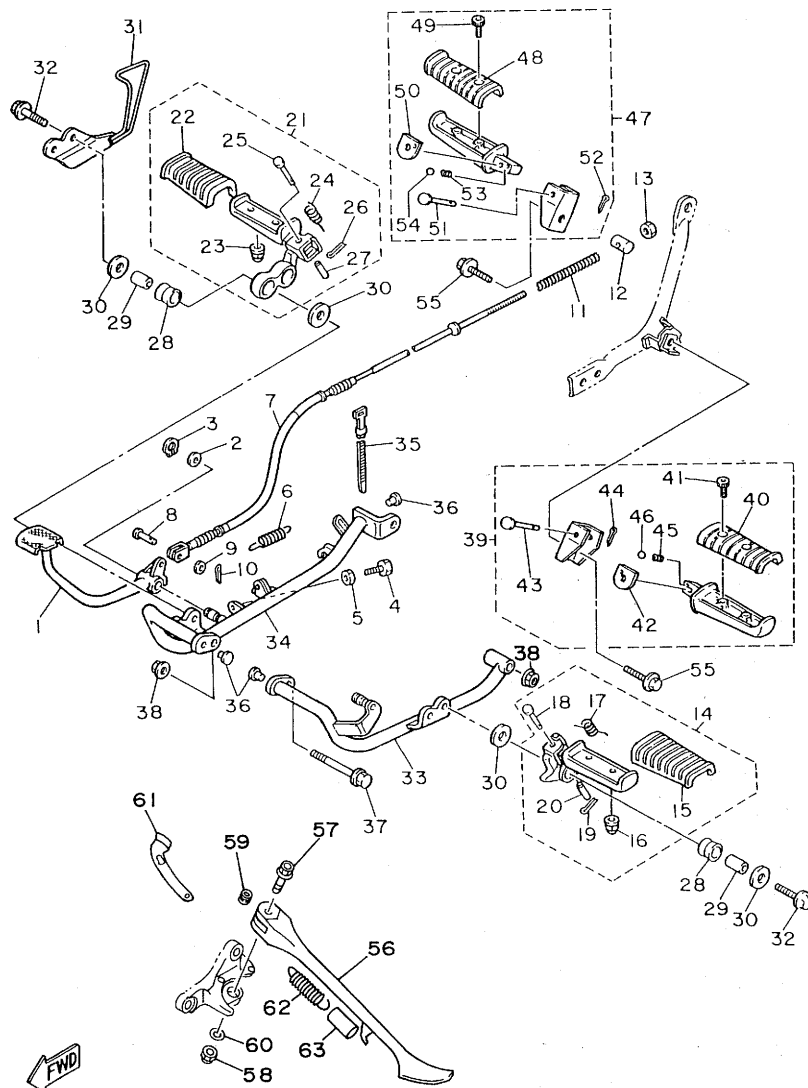


REF. NO.	PART NO.	DESCRIPTION	Q'TY	REMARKS
1	4H7-25850-02	MASTER CYLINDER ASSY	1	
2	4H7-W0041-00	.CYLINDER KIT, master	1	
3	4L0-25854-00	.DIAPHRAGM, reservoir	1	
4	4H7-25852-00	.CAP, reservoir	1	
5	98707-04012	.SCREW, flat head	2	
6	4L0-25867-00	BRACKET, master cylinder	1	
7	4KU-25872-00	HOSE, brake 1	1	UR
	3JB-25872-40	HOSE, brake 1	1	UR XV535S MODEL
8	90401-10159	BOLT, union	2	
9	90201-10118	WASHER, plate	4	
10	97017-06025	BOLT	2	
11	92907-06600	WASHER, spring	2	



3JCG100-5330

E9

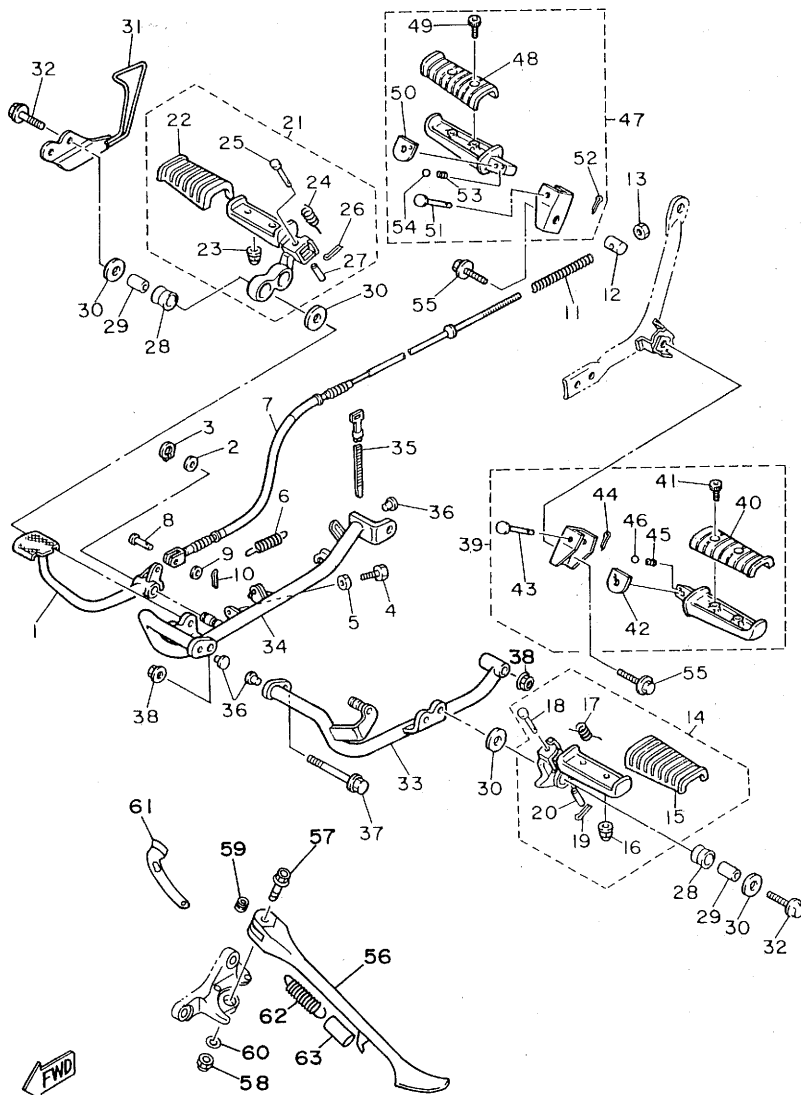


3JCG100-5340

FIG. 34 STAND. FOOTREST

REF. NO.	PART NO.	DESCRIPTION	Q'TY	REMARKS
1	2GV-27211-00-93	PEDAL, brake	1	CHROME PLATED
2	90201-152L1	WASHER, plate	1	
3	99009-15400	CIRCLIP	1	
4	90101-06288	BOLT	1	
5	95307-06600	NUT	1	
6	90506-20380	SPRING, tension	1	
7	2GV-26351-00	CABLE, brake	1	
8	91701-06022	PIN, clevis	1	
9	92907-06200	WASHER, plain	1	
10	91401-20015	PIN, cotter	1	
11	90501-10245	SPRING, compression	1	
12	90249-12008	PIN	1	
13	90179-06411	NUT	1	
14	1RM-27410-00-93	FRONT FOOTREST ASSY (LEFT)	1	CHROME PLATED
15	1NH-27413-00	.COVER, footrest	1	
16	95607-06100	.NUT, crown	2	
17	90508-18696	.SPRING, torsion	1	
18	91701-08038	.PIN, clevis	1	
19	91401-25015	.PIN, cotter	1	
20	90387-087K5	.COLLAR	1	
21	1RM-27420-00-93	FRONT FOOTREST ASSY (RIGHT)	1	CHROME PLATED
22	1NH-27413-00	.COVER, footrest	1	
23	95607-06100	.NUT, crown	2	
24	90508-18696	.SPRING, torsion	1	
25	91701-08038	.PIN, clevis	1	
26	91401-25015	.PIN, cotter	1	
27	90387-087K5	.COLLAR	1	
28	4X7-27414-00	DAMPER, footrest	4	

E10



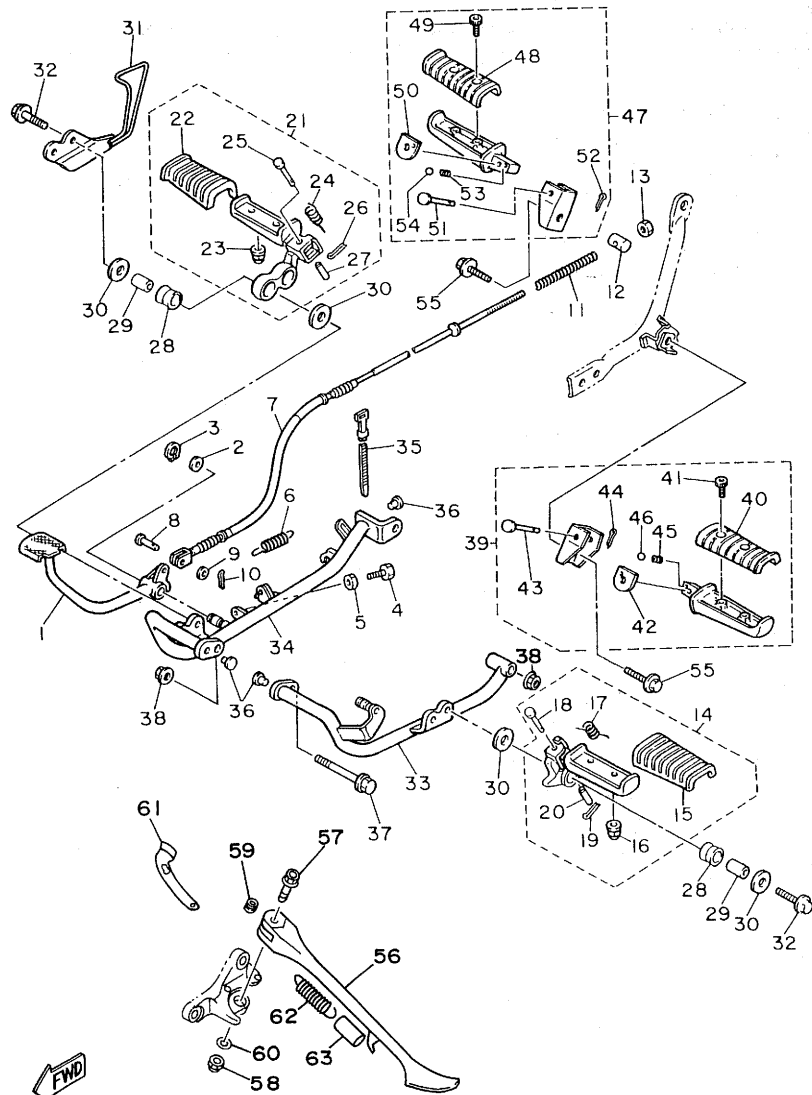
3JCG100-5340

FIG. 34 STAND. FOOTREST

REF. NO.	PART NO.	DESCRIPTION	Q'TY	REMARKS
29	90387-107A7	COLLAR	4	
30	90201-100A1	WASEHR, plate	6	
31	2GV-27491-00	PROTECTOR	1	
32	90109-100G0	BOLT	4	
33	2GV-27471-02	BAR, footrest 1	1	
34	2GV-27472-02	BAR, footrest 2	1	
35	90464-13080	CLAMP	1	
36	90338-09161	PLUG	3	
37	90105-10312	BOLT, washer based	1	
38	95704-10500	NUT, flange	2	
39	2NT-27430-01	REAR FOOTREST ASSY 1	1	
40	1NH-27433-00	.COVER, rear footrest	1	
41	92017-06012	.BOLT	2	
42	2NT-27437-00	.WASHER, special	1	
43	91701-06032	.PIN, clevis	1	
44	91401-20015	.PIN, cotter	1	
45	90501-12743	.SPRING, compression	1	
46	93501-04011	.BALLL	1	
47	2NT-27440-01	REAR FOOTREST ASSY 2	1	
48	1NH-27433-00	.COVER, rear footrest	1	
49	92017-06012	.BOLT	2	
50	2NT-27437-00	.WASHER, special	1	
51	91701-06032	.PIN, clevis	1	
52	91401-20015	.PIN, cotter	1	
53	90501-12743	.SPRING, compression	1	
54	93501-04011	.BALL	1	
55	95804-10016	BOLT, flange	2	
56	4KU-27311-00	STAND, side	1	UR

E11

FIG. 34 STAND. FOOTREST



REF. NO.	PART NO.	DESCRIPTION	Q'TY	REMARKS
56	4KU-27311-10	STAND, side	1	UR FOR XV535S MODEL
57	90105-10188	BOLT	1	
58	95617-10100	NUT, self-locking	1	
59	90387-10036	COLLAR	1	
60	92907-10200	WASHER	1	
61	5HO-27315-00	LINK, side stand	1	
62	90506-35473	SPRING, tension	1	
63	90445-22327	HOSE	1	

3JCG100-5340

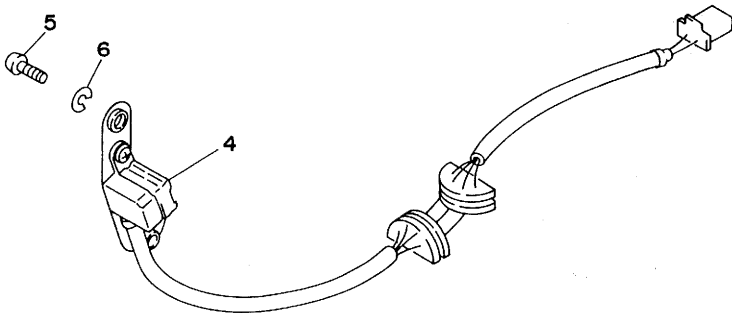
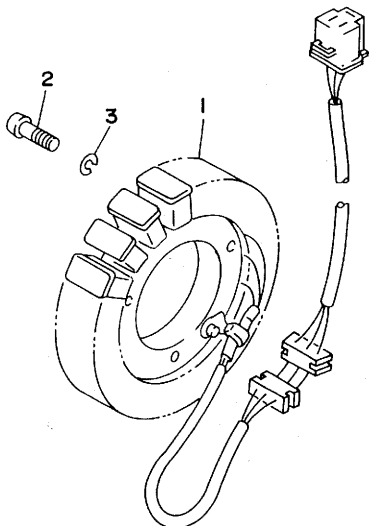


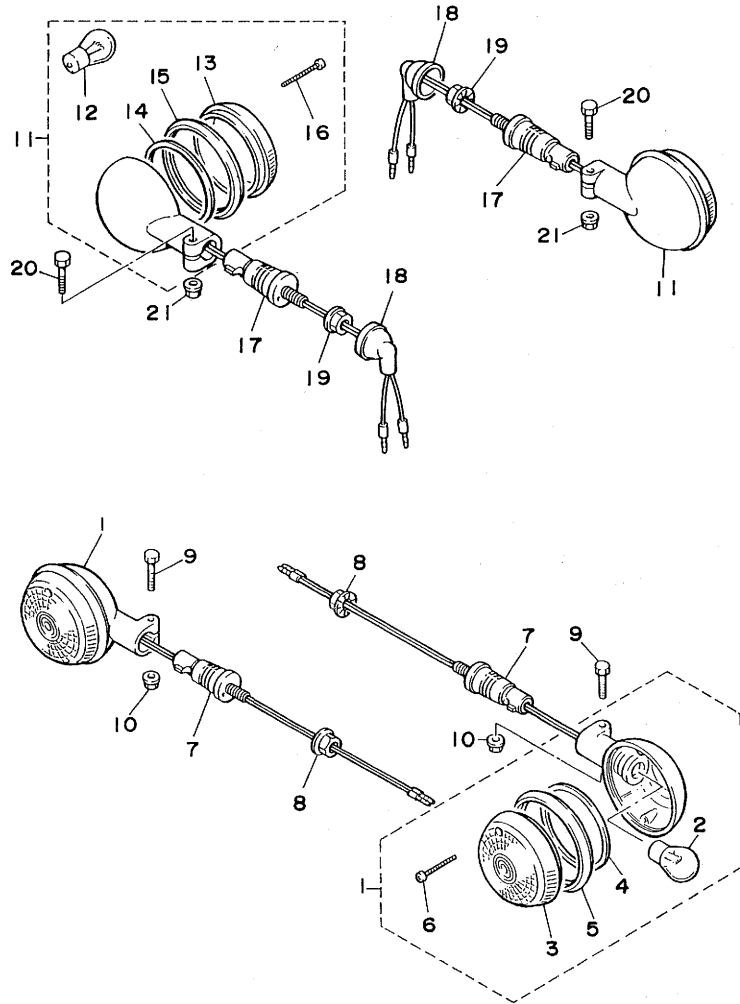
FIG. 35 GENERATOR

REF. NO.	PART NO.	DESCRIPTION	Q'TY	REMARKS
1	2GV-81410-20	STATOR ASSY	1	
2	98507-06025	SCREW, pan head	3	
3	92907-06100	WASHER	3	
4	3BT-81670-00	PICK-UP ASSY	1	
5	98507-06020	SCREW, pan head	3	
6	92907-06100	WASHER	3	



4TR1010-6330

FIG. 36 FLASHER LIGHT

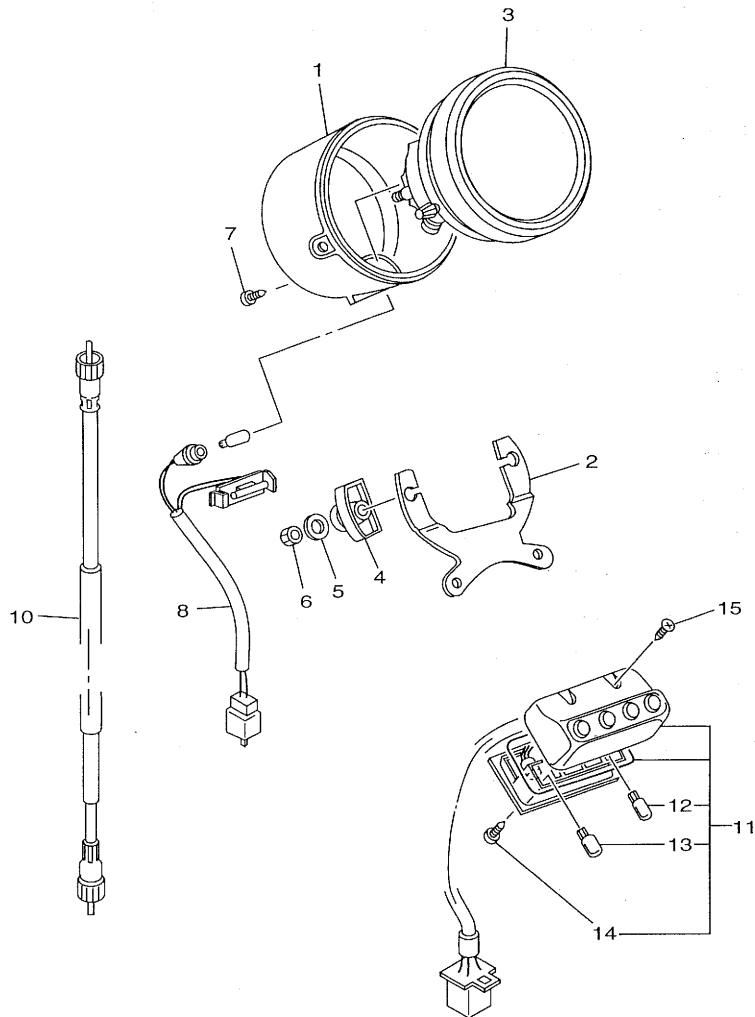


REF. NO.	PART NO.	DESCRIPTION	Q'TY	REMARKS
1	3LS-83310-00	FRONT FLASHER LIGHT ASSY 1	2	
2	1KT-83311-00	.BULB (12V-21W)	1	
3	42X-83312-00	.LENS, flasher	1	
4	42X-83313-00	.GASKET, flasher lens	1	
5	42X-83363-00	.LENS, rim	1	
6	57M-83358-00	.SCREW, special	2	
7	1AA-83318-00	STAY, flasher 1	2	
8	95307-12600	NUT	2	
9	97004-06030	BOLT	2	
10	95704-06500	NUT, flange	2	
11	2EN-83330-00	REAR FLASHER LIGHT ASSY 1	2	
12	1KT-83311-00	.BULB (12V-21W)	1	
13	2AE-83312-00	.LENS, flasher	1	
14	42X-83313-00	.GASKET, flasher lens	1	
15	42X-83363-00	.LENS, rim	1	
16	57M-83358-00	.SCREW, special	2	
17	1AA-83318-00	STAY, flasher 1	2	
18	18G-83365-00	CAP	2	
19	95307-12600	NUT	2	
20	97004-06030	BOLT	2	
21	95704-06500	NUT, flange	2	



3BMF36I-7350

FIG. 37 METER



REF. NO.	PART NO.	DESCRIPTION	Q'TY	REMARKS
1	1FK-83507-10	COVER, speedometer	1	UR
	1FK-83507-00	COVER, speedometer	1	UR XV535S MODEL
2	2GV-83519-00	BRACKET, meter	1	
3	2JV-8351A-F0	METER ASSY	1	UR
	3JB-8351A-10	METER ASSY	1	UR XV535S MODEL
4	1FG-83523-00	DAMPER	2	
5	90201-05600	WASHER, plate	2	UR
	90201-05725	WASHER, plate	2	UR XV535S MODEL
6	95307-05600	NUT	2	
7	90164-04009	SCREW, tapping	1	
8	2UJ-83509-00	SOCKET CORD ASSY	1	UR
	2GV-83509-00	SOCKET CORD ASSY	1	UR XV535S MODEL
9	42X-83517-00	BULB (12V-3W)	1	
10	34L-83550-01	SPEEDOMETER CABLE ASSY	1	
11	3BT-83530-10	PILOT LIGHT ASSY	1	
12	42X-83517-00	.BULB (12V-3W)	2	
13	2GV-83517-00	.BULB (12V-1.7W)	1	
14	4AS-83616-10	.SCREW, tapping	1	
15	98507-04025	SCREW, pan head	2	



4FTA362-7360

**E15**

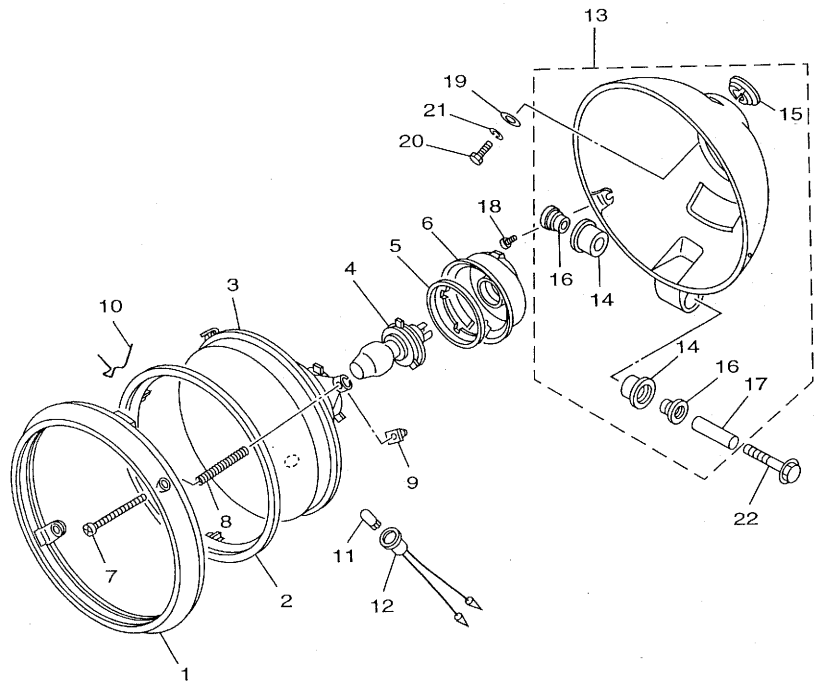


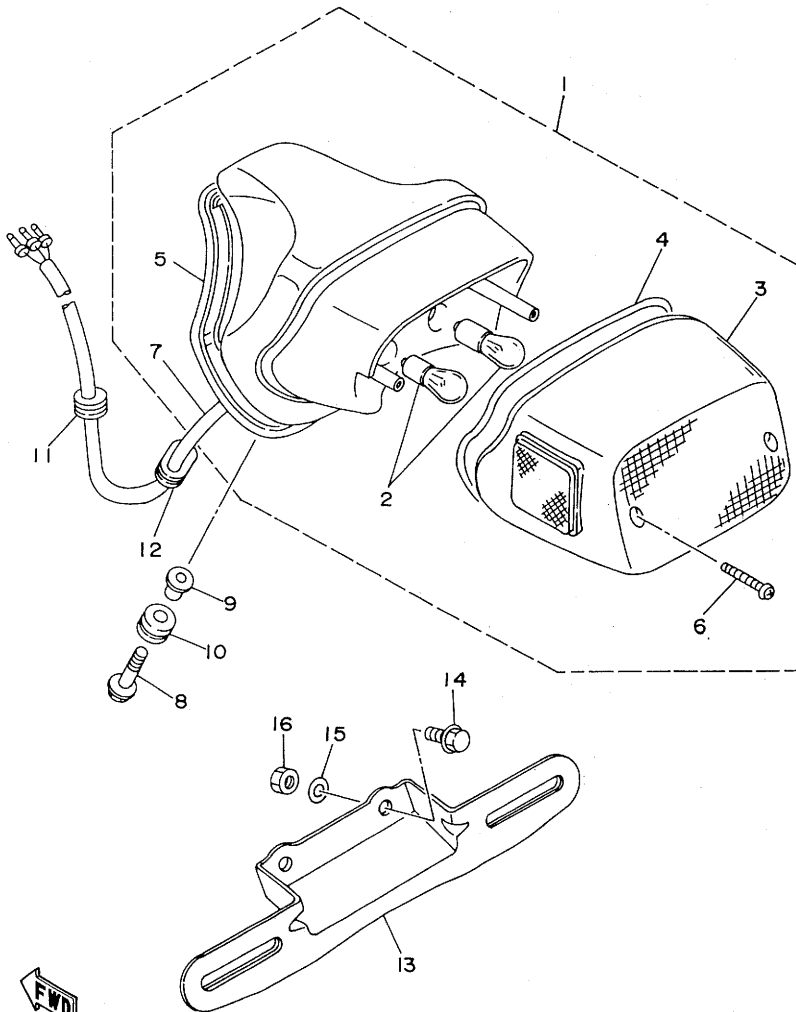
FIG. 38 HEADLIGHT

REF. NO.	PART NO.	DESCRIPTION	Q'TY	REMARKS
1	42X-84315-01	RIM, headlight	1	
2	5Y3-84395-00	RING, retaining	1	
3	2AE-84320-60	LENS ASSY	1	
4	2F9-84314-00	BULB (12V-60/55W)	1	HALOGEN
5	2F9-84375-00	FITTING PLATE, bulb	1	
6	2F9-84397-01	COVER, socket	1	
7	90157-04001	SCREW, rim adjusting	2	
8	1A0-84332-60	SPRING, screw	2	
9	198-84334-60	NUT, adjusting	2	
10	42X-84124-60	SPRING, set	1	
11	4E2-84347-00	BULB (12V-4W)	1	
12	34L-84346-00	SOCKET, pilot light	1	
13	42X-84330-01	BODY ASSY	1	EMPRESS MAROON
14	42X-84345-00	.DAMPER, headlight	2	
15	42X-84366-00	.DAMPER, headlight 1	1	
16	1FK-84338-00	.COLLAR, body fitting	2	
17	2UJ-84338-00	.COLLAR, body fitting	1	
18	90157-05084	SCREW, pan head	2	
19	90201-06073	WASHER, plate	1	
20	97007-06016	BOLT	1	
21	92907-06100	WASHER, spring	1	
22	95027-06040	BOLT, flange	1	



4FTA362-7370

FIG. 39 TAILLIGHT



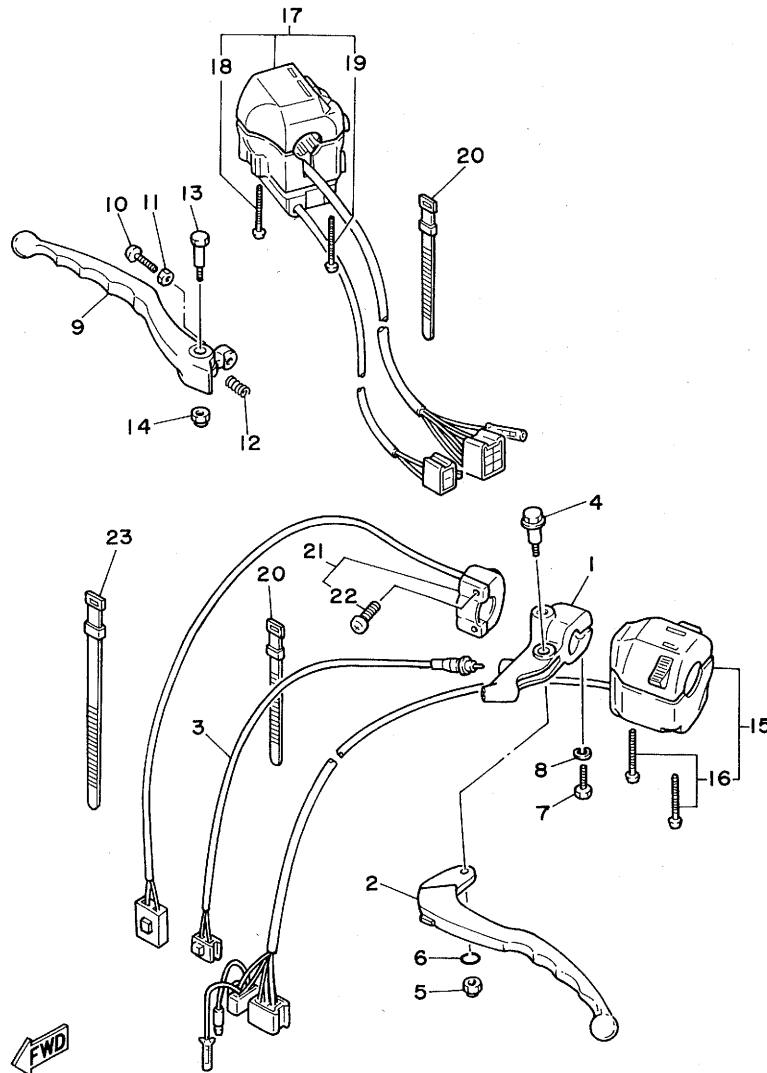
REF. NO.	PART NO.	DESCRIPTION	Q'TY	REMARKS
1	2YL-84700-E0	TAILLIGHT ASSY	1	
2	1A2-84714-41	.BULB, taillight (12V-21/5W)	2	
3	2GV-82917-00	.LENS, taillight	1	
4	42X-84723-01	.GASKET, tail lens	1	
5	1RM-84704-00	.GASKET, taillight	1	
6	97780-40525	.SCREW, tapping	2	
7	2GV-84717-00	.CORD, taillight	1	
8	90119-06097	BOLT, with washer	3	
9	90387-06026	COLLAR	3	
10	90480-14229	GROMMET	3	
11	90480-16501	GROMMET	1	
12	90480-01502	GROMMET	2	
13	2YL-84751-00	BRACKET, license	1	
14	95807-06016	BOLT, flange	2	
15	92907-06200	WASHER, plain	2	
16	95307-06600	NUT	2	



3BTP332-3390

**F3**

FIG. 40 HANDLE SWITCH. LEVER (FLAT HANDLE)

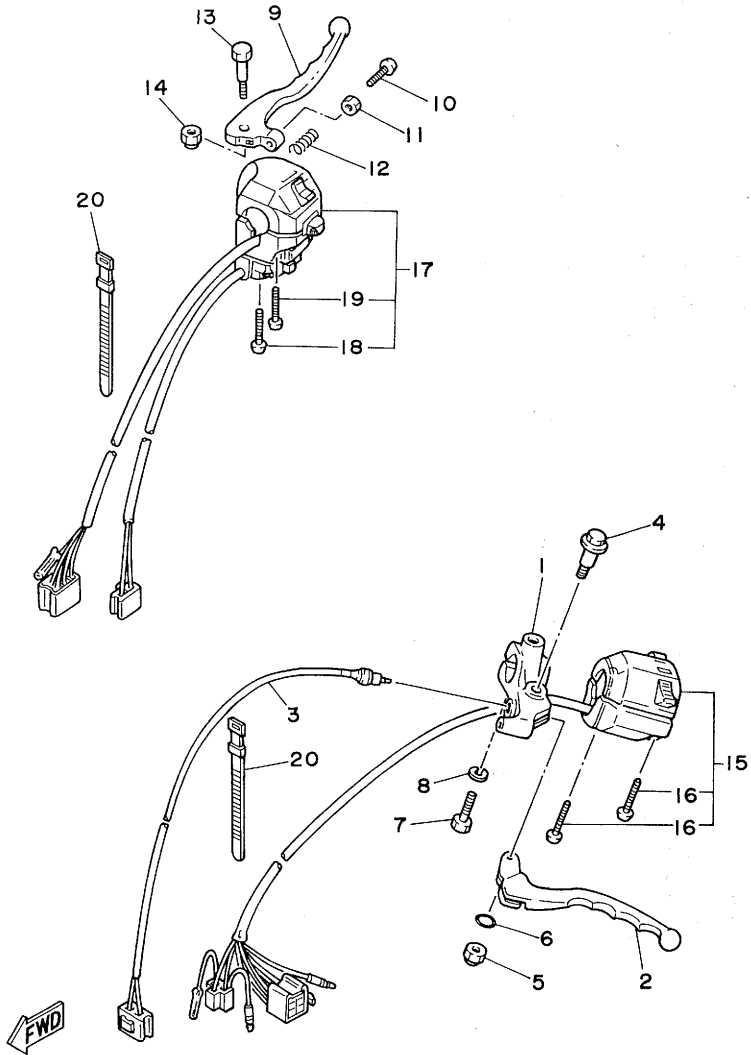


3BT3351-9420

REF. NO.	PART NO.	DESCRIPTION	Q'TY	REMARKS
1	11U-82911-00	HOLDER, lever 1	1	
2	1AA-83912-00	LEVER 1	1	
3	2GV-82917-00	SWITCH	1	
4	90109-06799	BOLT	1	
5	95607-06100	NUT, u	1	
6	93210-11368	O-RING	1	
7	97007-06025	BOLT	1	
8	92907-06100	WASHER, spring	1	
9	2W1-83922-00	LEVER 2	1	
10	90149-06131	SCREW	1	
11	90170-06010	NUT	1	
12	90501-10312	SPRING, compression	1	
13	90109-06577	BOLT	1	
14	95607-06100	NUT, u	1	
15	3BT-83972-00	SWITCH, handle 4	1	
16	98507-05035	.SCREW, pan head	2	
17	4FY-83963-00	SWITCH, handle 3 (RIGHT)	1	
18	98506-05040	.SCREW, pan head	1	
19	98506-05045	.SCREW, pan head	1	
20	437-83936-01	BAND, switch cord	2	
21	3JB-83964-00	SWITCH	1	
22	98504-04012	.SCREW, pan head	2	
23	437-83936-11	BAND, switch cord	2	

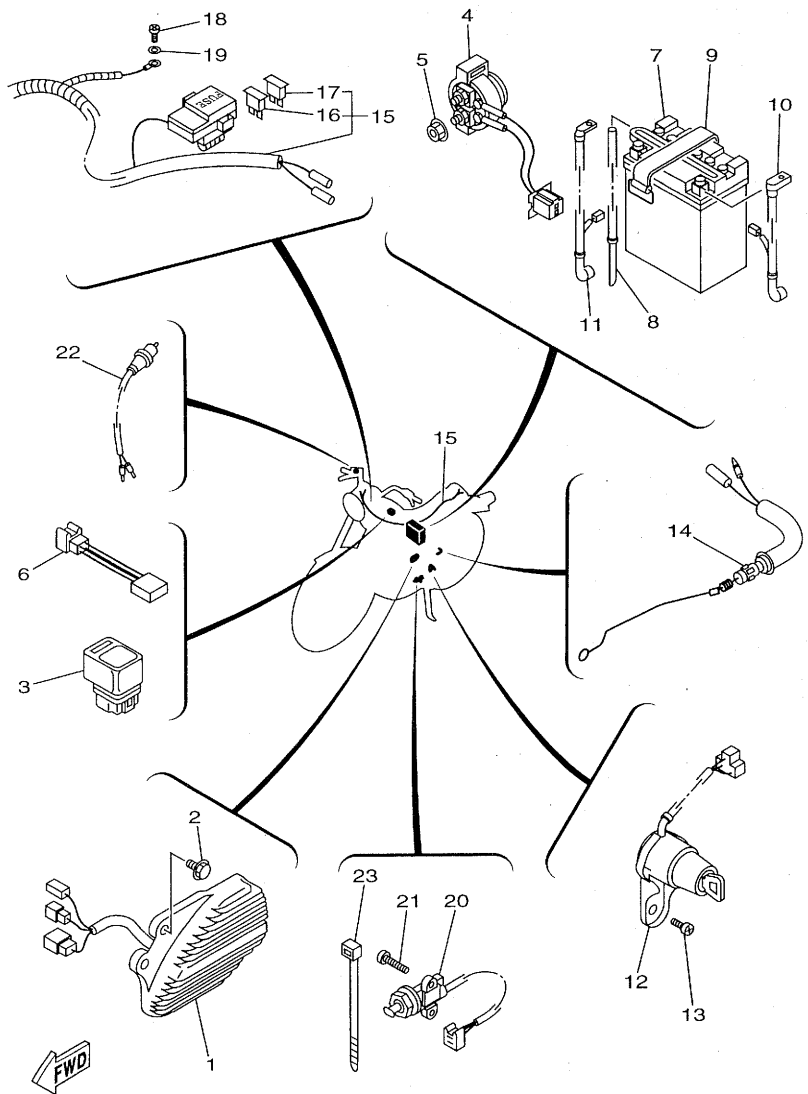
FIG. 41 HANDLE SWITCH. LEVER (UP HANDLE)

REF. NO.	PART NO.	DESCRIPTION	Q'TY	REMARKS
1	10M-82911-00	HOLDER, lever 1	1	
2	2GV-83912-00	LEVER 1	1	
3	2GV-82917-00	SWITCH	1	
4	90109-06799	BOLT	1	
5	95607-06100	NUT, u	1	
6	93210-11368	O-RING	1	
7	97007-06025	BOLT	1	
8	92907-06100	WASEHR, spring	1	
9	2W1-83922-00	LEVER 2	1	
10	90149-06131	SCREW	1	
11	90170-06010	NUT	1	
12	90501-10312	SPRING, compression	1	
13	90109-06577	BOLT	1	
14	95607-06100	NUT, u	1	
15	2YL-83972-00	SWITCH, handle 4	1	
16	98507-05035	.SCREW, pan head	2	
17	3LP-83972-00	SWITCH, handle 4	1	
18	98506-05040	.SCREW, pan head	1	
19	98506-05045	.SCREW, pan head	1	
20	437-83936-01	BAND, switch cord	4	



3BT3351-9430

**F5**



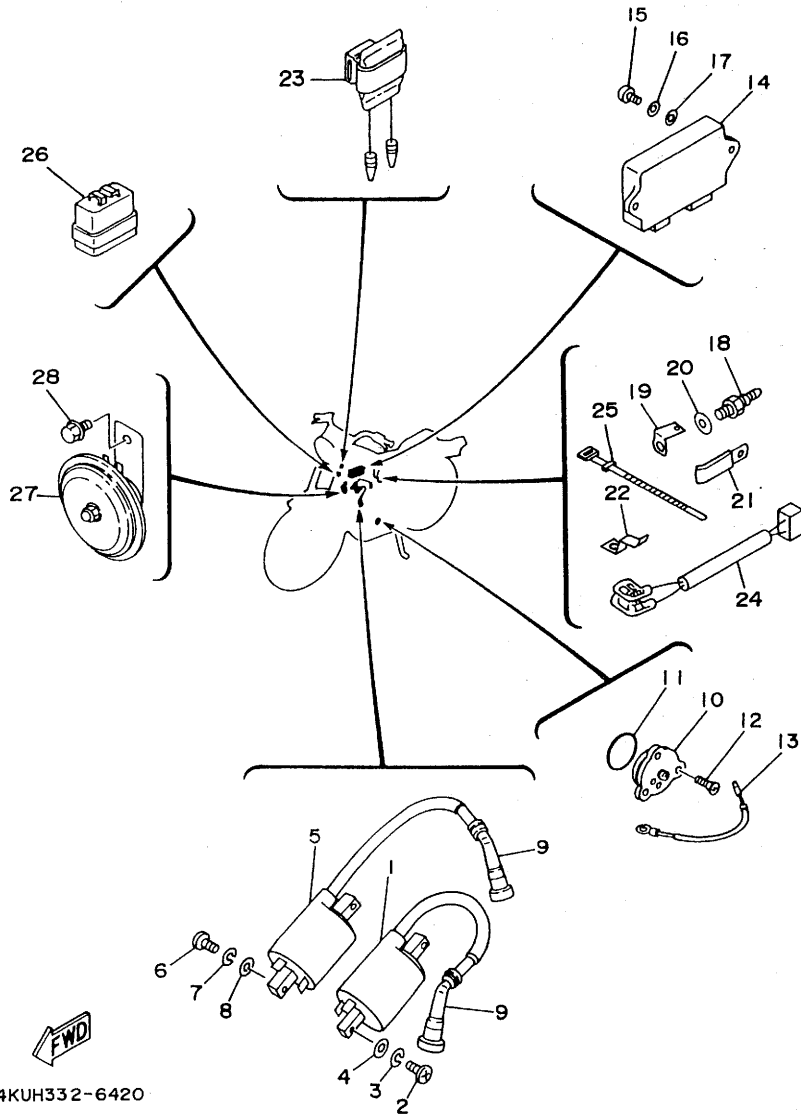
3JCV100-7410

FIG. 42 ELECTRICAL 1

REF. NO.	PART NO.	DESCRIPTION	Q'TY	REMARKS
1	3JB-81960-00	RECTIFIER & REGULATOR ASSY	1	
2	95807-06012	BOLT, flange	2	
3	25G-81950-01	RELAY ASSY	1	
4	3AY-81940-00	STARTER RELAY ASSY	1	
5	95707-06500	NUT, flange	2	
6	4H7-81980-M0	RECTIFIER 2	1	
7	1VJ-82110-60	BATTERY ASSY (GM12AZ-3A-2)	1	
8	90445-08248	HOSE	1	
9	120-82131-00	BAND, battery	1	
10	2GV-82115-00	WIRE, plus lead	1	
11	2GV-82116-00	WIRE, minus lead	1	
12	2NT-82510-01	MAIN SWITCH ASSY	1	
13	92017-08016	SCREW	1	
14	2GV-82530-10	STOP SWITCH ASSY	1	
15	4KU-82590-00	WIRE HARNESS ASSY	1	
16	36Y-82151-00	.FUSE (15A)	4	
17	1AE-82151-00	.FUSE (30A)	2	
18	98507-06010	SCREW, pan head	1	
19	92907-06600	WASHER	1	
20	3LD-82566-70	SWITCH, side stand	1	
21	90157-05079	SCREW, pan head	2	
22	1A0-83980-30	FRONT STOP SWITCH ASSY	1	
23	12R-82591-00	BAND	1	

FIG. 43 ELECTRICAL 2 (GBR., DNK., FIN., NOR., SWE., NLD.)

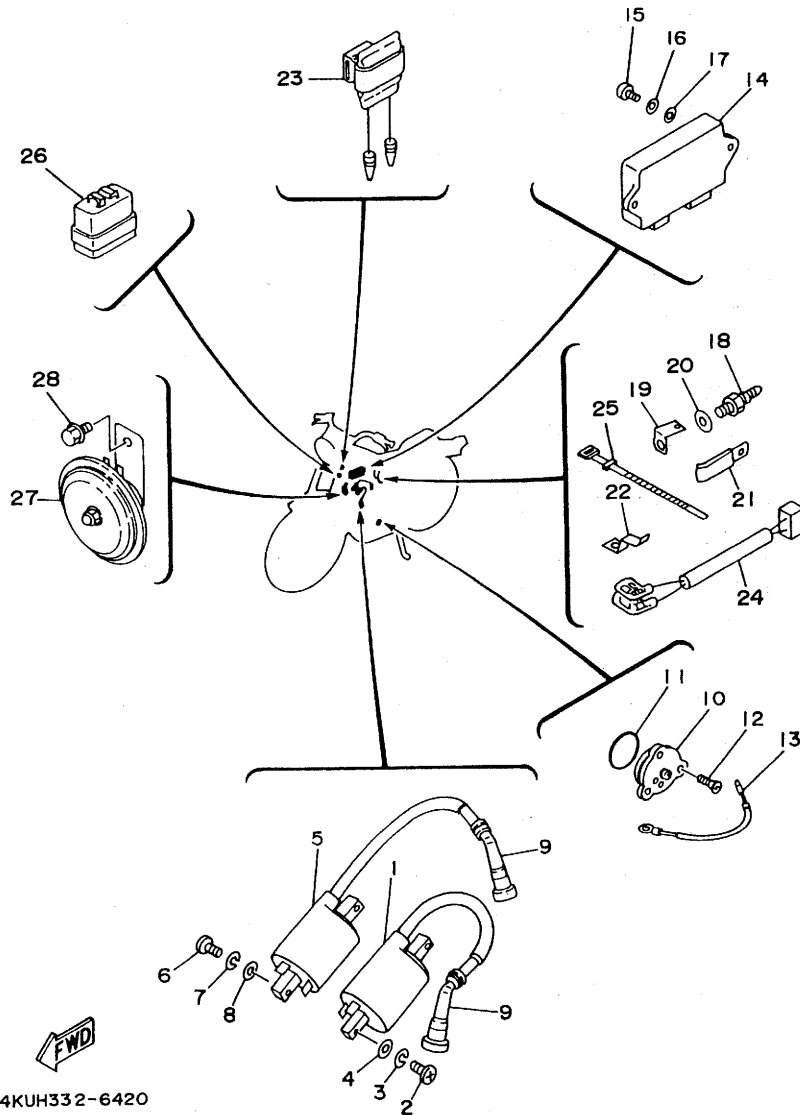
REF. NO.	PART NO.	DESCRIPTION	Q'TY	REMARKS
1	2GV-82310-30	IGNITION COIL ASSY	1	
2	98507-05016	SCREW, pan head	2	
3	92907-05100	WASHER, spring	2	
4	92907-05600	WASHER, plate	2	
5	2GV-82320-30	IGNITION COIL ASSY	1	
6	98507-05016	SCREW, pan head	2	
7	92907-05100	WASHER, spring	2	
8	92907-05600	WASHER, plate	2	
9	2GV-82370-00	PLUG CAP ASSY	2	
10	1L9-82540-00	NEUTRAL SWITCH ASSY	1	
11	93210-29196	O-RING	1	
12	98707-05012	SCREW, flat head	3	
13	2JX-82541-00	WIRE, lead	1	
14	3BT-82305-00	IGNITOR UNIT ASSY	1	
15	98507-06020	SCREW, pan head	2	
16	92907-06100	WASHER, spring	2	
17	92907-06600	WASHER, plate	2	
18	3BT-83790-00	HEATER ASSY	2	
19	3BT-82103-00	TERMINAL 1	2	
20	90201-085R5	WASHER, plain	2	
21	3UH-14146-00	PLATE	1	
22	3JC-14146-10	PLATE	1	
23	3BT-82560-00	THERM. SWITCH ASSY	1	
24	3JC-82509-00	WIRE, sub-lead	2	
25	437-83936-01	BAND, switch cord	2	
26	41R-83350-71	FLASHER RELAY ASSY	1	
27	35J-83371-32	HORN	1	UR
	3JB-83371-00	HORN	1	UR XV535S MODEL



4KUH332-6420

**F7**

FIG. 43 ELECTRICAL 2 (GBR., DNK., FIN., NOR., SWE., NLD.)



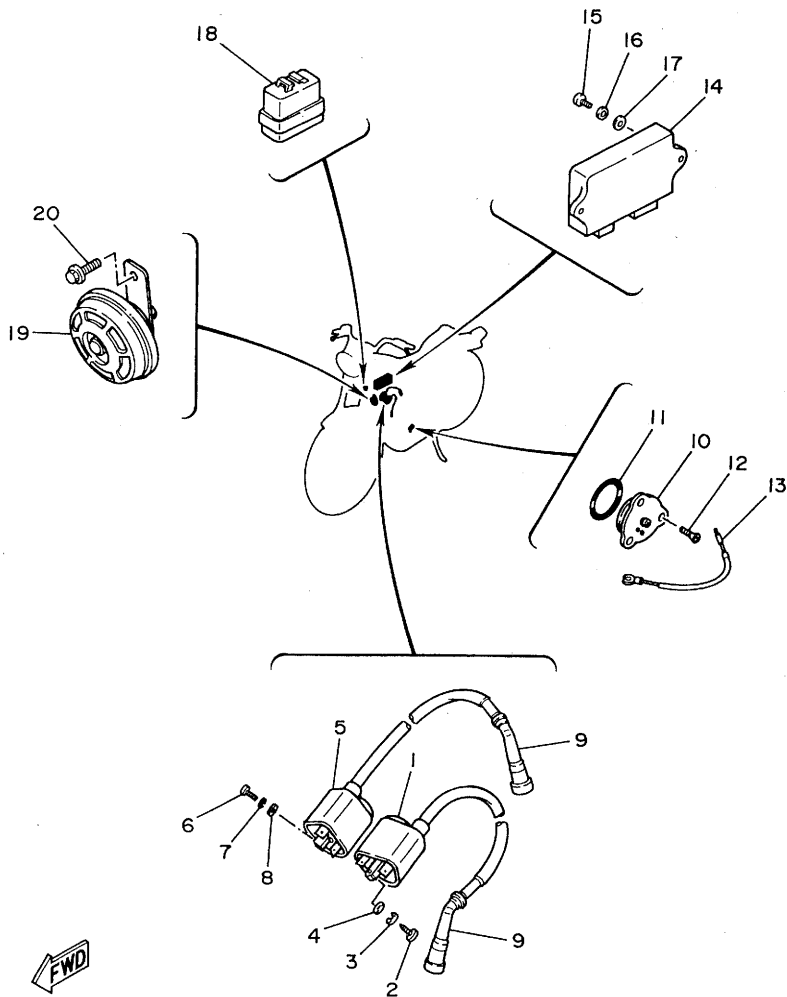
REF. NO.	PART NO.	DESCRIPTION	Q'TY	REMARKS
28	95817-06010	BOLT, flange	1	

 4KUH332-6420

**F8**

FIG. 44 ELECTRICAL 2 (BEL., GRC., ITA., PRT.)

REF. NO.	PART NO.	DESCRIPTION	Q'TY	REMARKS
1	2GV-82310-30	IGNITION COIL ASSY	1	
2	98507-05016	SCREW, pan head	2	
3	92907-05100	WASHER, spring	2	
4	92907-05600	WASHER, plate	2	
5	2GV-82320-30	IGNITION COIL ASSY	1	
6	98507-05016	SCREW, pan head	2	
7	92907-05100	WASHER, spring	2	
8	92907-05600	WASHER, plate	2	
9	2GV-82370-00	PLUG CAP ASSY	2	
10	1L9-82540-00	NEUTRAL SWITCH ASSY	1	
11	93210-29196	O-RING	1	
12	98707-05012	SCREW, flat head	3	
13	2JX-82541-00	WIRE, lead	1	
14	3BT-82305-00	IGNITOR UNIT ASSY	1	
15	98507-06020	SCREW, pan head	2	
16	92907-06100	WASHER, spring	2	
17	92907-06600	WASHER, plate	2	
18	41R-83350-71	FLASHER RELAY ASSY	1	
19	35J-83371-32	HORN	1	UR
	3JB-83371-00	HORN	1	UR XV535S MODEL
20	95827-06010	BOLT, flange	1	



3BMA361-5420

**INDIVIDUAL SPEC.**

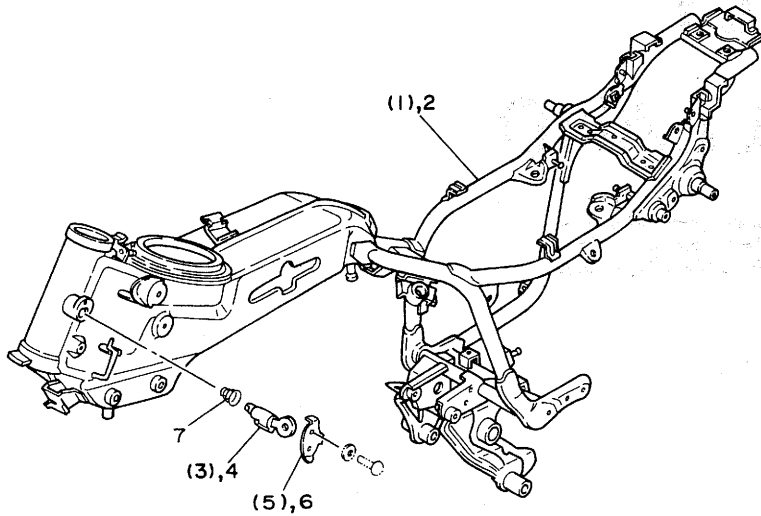


**FOR ITALY**  
**FOR HOLLAND**  
**FOR GREECE**

The following pages provides a listing of only the parts that meet the specifications peculiar to your market. For those parts not appearing in these pages, refer to the "GENERAL SPEC." section.

FIG. 45 ALTERNATE (FRAME)

REF. NO.	PART NO.	DESCRIPTION	Q'TY	REMARKS
1	4FT-21110-10-33	FRAME COMP.	*	YAMAHA BLACK
2	4KU-21110-20-33	FRAME COMP.	1	YAMAHA BLACK
3	*	STEERING LOCK ASSY	*	LM
4	2A6-23408-00	STEERING LOCK ASSY	1	
5	134-23484-10	CAP, handle lock	*	
6	3DM-23484-00	CAP, handle lock	1	
7	90502-09024	SPRING, conical	1	



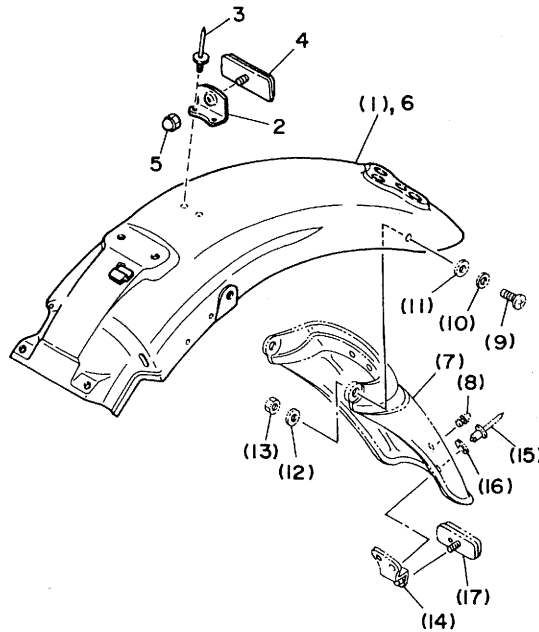
\* For convenience of reference:

Disregard the items asterisked (\*) in the "QTY" column. These are intended for GENERAL SPEC, and NOT for INDIVIDUAL SPEC.

**F11**



FIG. 46 ALTERNATE (CHASSIS)



REF. NO.	PART NO.	DESCRIPTION	Q'TY	REMARKS
1	3BR-Y2161-0N-4B	REAR FENDER COMP.	*	UR BLACK 2
	3BR-Y2161-30-9U	REAR FENDER COMP.	*	UR TRADITIONAL BLUE
	3BR-Y2161-Y0-2X	REAR FENDER COMP.(XV535S MODEL)	*	UR NEW BLACK BLUE/ STAR SILVER
	3BR-Y2161-0A-3X	REAR FENDER COMP.(XV535S MODEL)	*	UR MAPLE RED/ NEW PEARL WHITE
	3BR-Y2161-0P-4X	REAR FENDER COMP.(XV535S MODEL)	*	UR MILKY BROWN/BLACK 2
2	3JB-21641-00	BRACKET, reflector	1	
3	90267-48104	RIVET, blind	2	
4	3Y6-85130-02	REAR REFLECTOR ASSY	1	
5	95307-05800	NUT, cap	1	
6	3JB-Y2161-J0-4B	REAR FENDER COMP.	1	UR BLACK 2
	3JB-Y2161-A0-9U	REAR FENDER COMP.	1	UR TRADITIONAL BLUE
	3JB-Y2161-1E-4X	REAR FENDER COMP.(XV535S MODEL)	1	UR NEW BLACK BLUE/ STAR SILVER
	3JB-Y2161-0Y-5X	REAR FENDER COMP.(XV535S MODEL)	1	UR MAPLE RED/ NEW PEARL WHITE
	3JB-Y2161-60-6X	REAR FENDER COMP.(XV535S MODEL)	1	UR MILKY BROWN/BLACK 2
7	3BR-21621-00	FLAP	*	
8	460-21639-00	DAMPER 2	*	
9	98507-06012	SCREW, pan head	*	
10	92907-06600	WASHER, plate	*	
11	90202-05187	WASHER, plain	*	
12	92907-06200	WASHER, plain	*	
13	95307-06600	NUT	*	
14	2AE-21641-00	BRACKET, reflector	*	
15	90267-40076	RIVET, blind	*	
16	90201-04018	WASHER, plate	*	
17	449-85131-02	REFLECTOR, rear 1	*	

\* For convenience of reference:

Disregard the items asterisked (\*) in the "QTY" column. These are intended for GENERAL SPEC, and NOT for INDIVIDUAL SPEC.

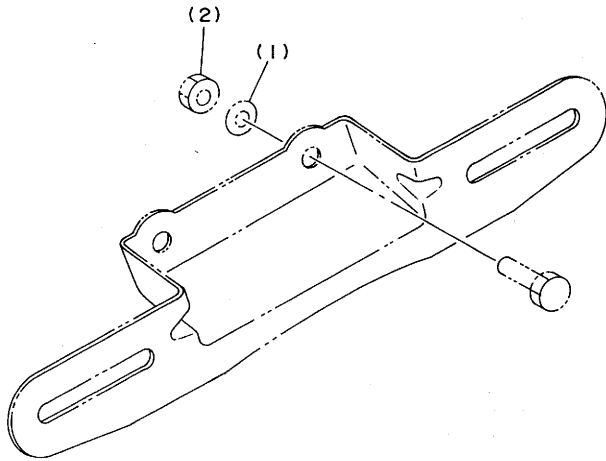


3BTR300-3460

**F12**

FIG. 47 ALTERNATE (TAILLIGHT)

REF. NO.	PART NO.	DESCRIPTION	Q'TY	REMARKS
1	92907-06200	WASHER, plain	*	
2	95307-06600	NUT	*	



4KUA300-5470

\* For convenience of reference:

Disregard the items asterisked (\*) in the "QTY" column. These are intended for GENERAL SPEC, and NOT for INDIVIDUAL SPEC.

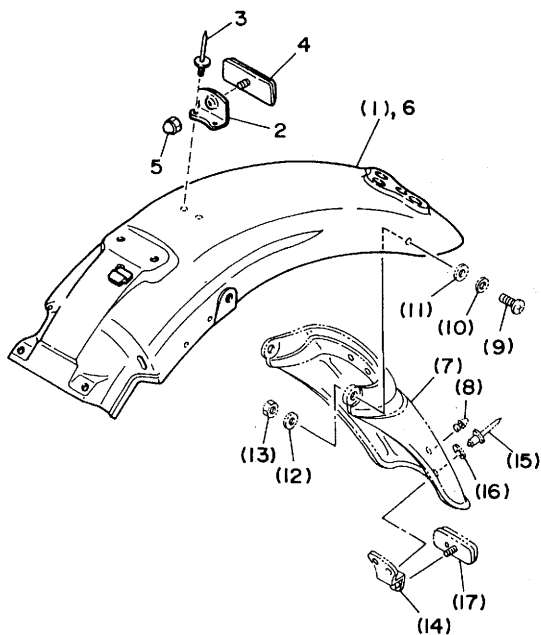
**F13**

# **FOR BELGIUM**

# **FOR PORTUGAL**

The following pages provides a listing of only the parts that meet the specifications peculiar to your market. For those parts not appearing in these pages, refer to the "GENERAL SPEC." section.

FIG. 48 ALTERNATE (CHASSIS)



REF. NO.	PART NO.	DESCRIPTION	Q'TY	REMARKS
1	3BR-Y2161-0N-4B	REAR FENDER COMP.	*	UR BLACK 2
	3BR-Y2161-30-9U	REAR FENDER COMP.	*	UR TRADITIONAL BLUE
	3BR-Y2161-Y0-2X	REAR FENDER COMP. (XV535S MODEL)	*	UR NEW BLACK BLUE/ STAR SILVER
	3BR-Y2161-0A-3X	REAR FENDER COMP. (XV535S MODEL)	*	UR MAPLE RED/ NEW PEARL WHITE
	3BR-Y2161-0P-4X	REAR FENDER COMP. (XV535S MODEL)	*	UE MILKY BROWN/BLACK 2
2	3JB-21641-00	BRACKET, reflector	1	
3	90267-48104	RIVET, blind	2	
4	3Y6-85130-02	REAR REFLECTOR ASSY	1	
5	95307-05800	NUT, cap	1	
6	3JB-Y2161-J0-4B	REAR FENDER COMP.	1	UR BLACK 2
	3JB-Y2161-A0-9U	REAR FENDER COMP.	1	UR TRADITIONAL BLUE
	3JB-Y2161-1E-4X	REAR FENDER COMP. (XV535S MODEL)	1	UR NEW BLACK BLUE/ STAR SILVER
	3JB-Y2161-0Y-5X	REAR FENDER COMP. (XV535S MODEL)	1	UR MAPLE RED/ NEW PEARL WHITE
	3JB-Y2161-60-6X	REAR FENDER COMP. (XV535S MODEL)	1	UR MILKY BROWN/BLACK 2
7	3BR-21621-00	FLAP	*	
8	4G0-21639-00	DAMPER 2	*	
9	98507-06012	SCREW, pan head	*	
10	92907-06600	WASHER, plate	*	
11	90202-05187	WASHER, plate	*	
12	92907-06200	WASHER, plain	*	
13	95307-06600	NUT	*	
14	2AE-21641-00	BRACKET, reflector	*	
15	90267-40076	RIVET, blind	*	
16	90201-04018	WASHER, plate	*	
17	449-85131-02	REFLECTOR, rear 1	*	

\* For convenience of reference:

Disregard the items asterisked (\*) in the "QTY" column. These are intended for GENERAL SPEC, and NOT for INDIVIDUAL SPEC.

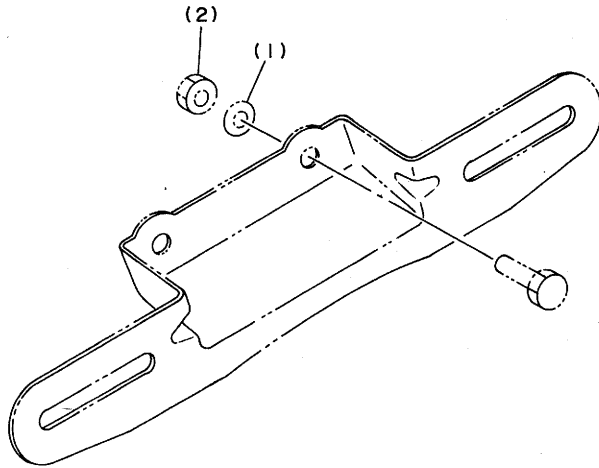


3BTR300-3460

**F15**

FIG. 49 ALTERNATE (TAILLIGHT)

REF. NO.	PART NO.	DESCRIPTION	Q'TY	REMARKS
1	92907-06200	WASHER, plain	*	
2	95307-06600	NUT	*	



4KUA300-5470

\* For convenience of reference:

Disregard the items asterisked (\*) in the "QTY" column. These are intended for GENERAL SPEC, and NOT for INDIVIDUAL SPEC.

**G2**

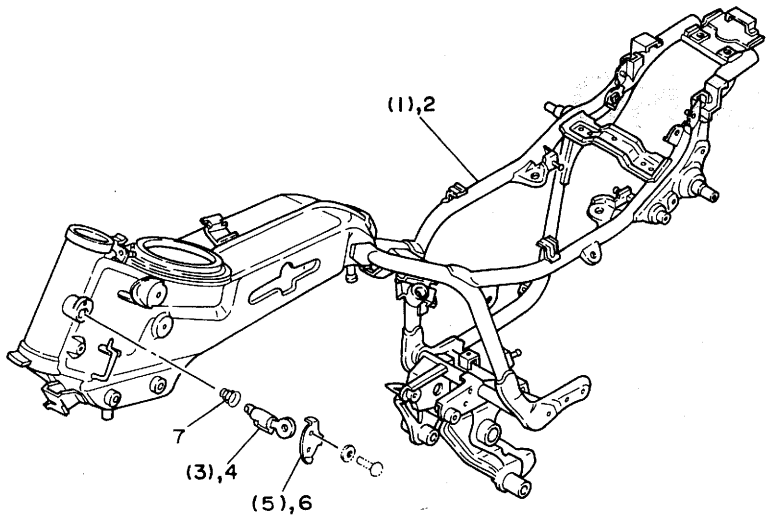


# **FOR ENGLAND**

The following pages provides a listing of only the parts that meet the specifications peculiar to your market. For those parts not appearing in these pages, refer to the "GENERAL SPEC." section.

FIG. 50 ALTERNATE (FRAME)

REF. NO.	PART NO.	DESCRIPTION	Q'TY	REMARKS
1	4FT-21110-10-33	FRAME COMP.	*	YAMAHA BLACK
2	4KU-21110-20-33	FRAME COMP.	1	YAMAHA BLACK
3	*	STEERING LOCK ASSY	*	LM
4	2A6-23408-00	STEERING LOCK ASSY	1	
5	134-23484-10	CAP, handle lock	*	
6	3DM-23484-00	CAP, handle lock	1	
7	90502-09024	SPRING, conical	1	



4KUH300-6450

\* For convenience of reference:

Disregard the items asterisked (\*) in the "QTY" column. These are intended for GENERAL SPEC, and NOT for INDIVIDUAL SPEC.

G4

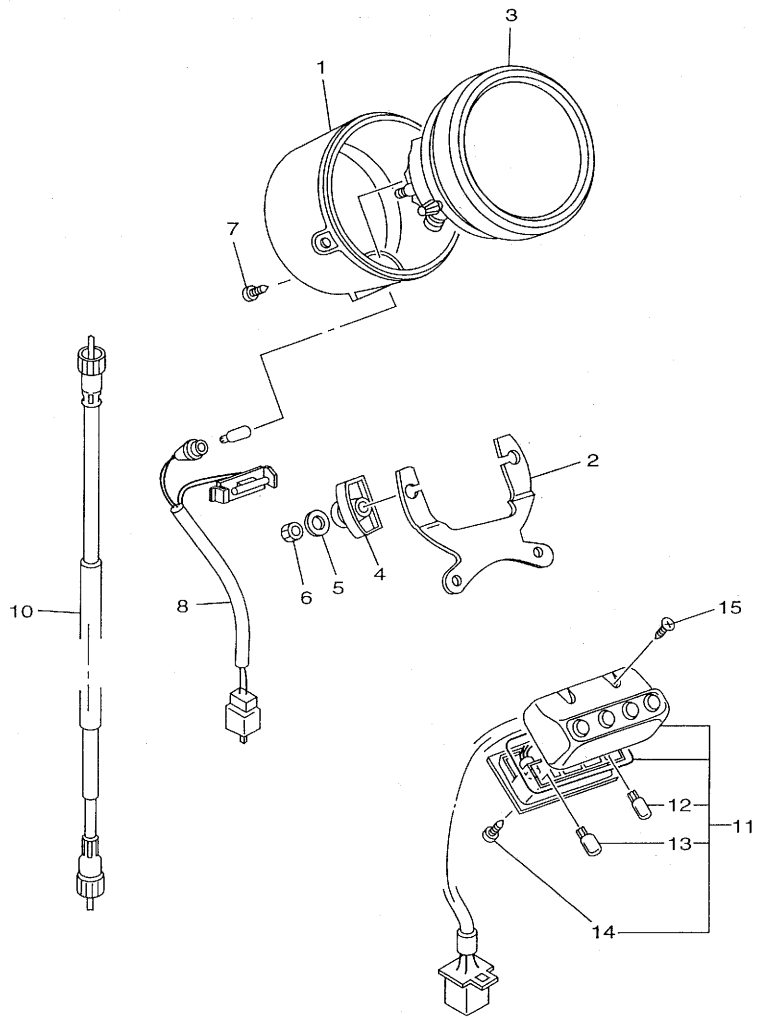


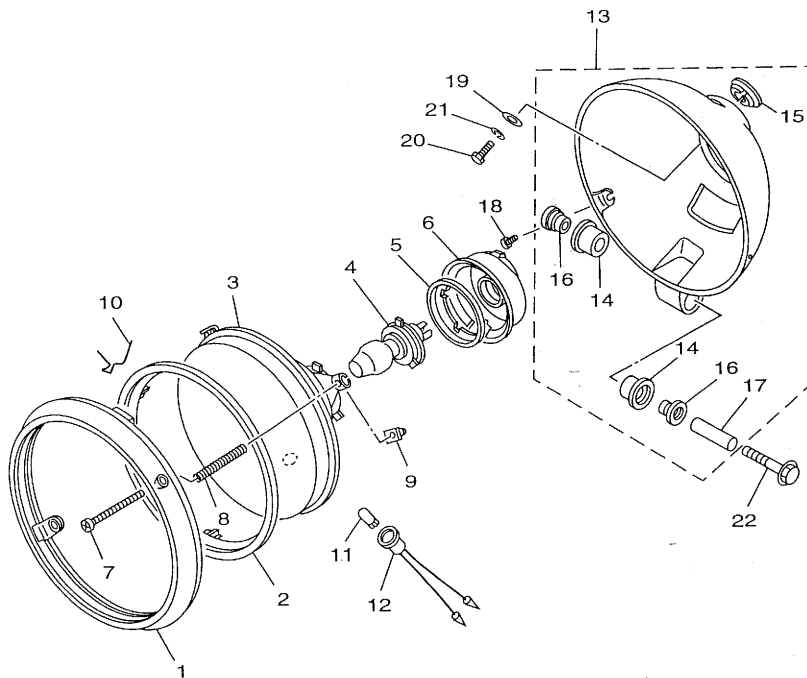
FIG. 51 ALTERNATE (METER)

REF. NO.	PART NO.	DESCRIPTION	Q'TY	REMARKS
1	1FK-83507-10	COVER, speedometer	1	
2	2GV-83519-00	BRACKET, meter	1	
3	3BT-8351A-10	METER ASSY	1	UR
	4KU-8351A-10	METER ASSY	1	UR XV535S MODEL
4	1FG-83523-00	DAMPER	2	
5	90201-05600	WASHER, plate	2	
6	95307-05600	NUT	2	
7	90164-04009	SCREW, tapping	1	
8	2UJ-83509-00	SOCKET CORD ASSY	1	
9	42X-83517-00	BULB (12V-3W)	1	
10	34L-83550-01	SPEEDOMETER CABLE ASSY	1	
11	3BT-83530-10	PILOT LIGHT ASSY	1	
12	42X-83517-00	.BULB (12V-3W)	2	
13	2GV-83517-00	.BULB (12V-1.7W)	1	
14	4AS-83616-10	.SCREW, tapping	1	
15	98507-04025	SCREW, pan head	2	



4FTA362-7360

FIG. 52 ALTERNATE (HEADLIGHT)



REF. NO.	PART NO.	DESCRIPTION	Q'TY	REMARKS
1	42X-84315-01	RIM, headlight	1	
2	5Y3-84395-00	RING, retaining	1	
3	55R-84321-H0	LENS ASSY	1	
4	2F9-84314-00	BULB (12V-60/55W)	1	HALOGEN
5	2F9-84375-00	FITTING PLATE, bulb	1	
6	2F9-84397-01	COVER, socket	1	
7	90157-04001	SCREW, rim adjusting	2	
8	1A0-84332-60	SPRING, screw	2	
9	198-84334-60	NUT, adjusting	2	
10	42X-84124-60	SPRING, set	1	
11	123-83516-21	BULB (12V-3.4W)	1	
12	34L-84346-00	SOCKET, pilot light	1	
13	42X-84330-01	BODY ASSY	1	EMPRESS MAROON
14	42X-84345-00	.DAMPER, headlight	2	
15	42X-84366-00	.DAMPER, headlight	1	
16	1FK-84338-00	.COLLAR, body fitting	2	
17	2UJ-84338-00	.COLLAR, body fitting	1	
18	90157-05084	SCREW, pan head	2	
19	90201-06073	WASHER, plate	1	
20	97007-06016	BOLT	1	
21	92907-06100	WASHER, spring	1	
22	95027-06040	BOLT, flange	1	

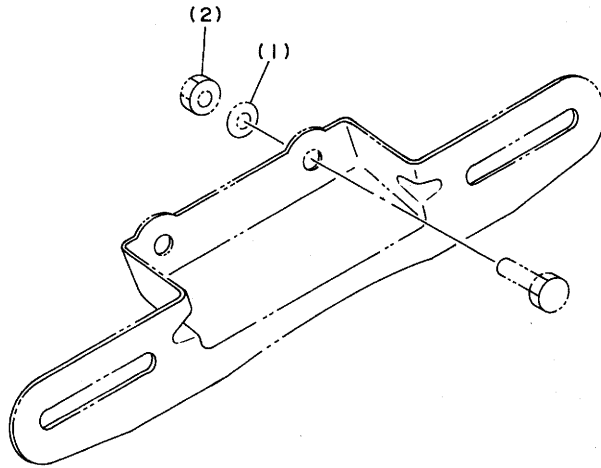


4FTA362-7370

G6

FIG. 53 ALTERNATE (TAILLIGHT)

REF. NO.	PART NO.	DESCRIPTION	Q'TY	REMARKS
1	92907-06200	WASHER, plain	*	
2	95307-06600	NUT	*	



4KUA300-5470

\* For convenience of reference:

Disregard the items asterisked (\*) in the "QTY" column. These are intended for GENERAL SPEC, and NOT for INDIVIDUAL SPEC.

**G7**



# **INDEX**

**(GENERAL SPEC.)**

NUMERICAL INDEX

PART NO.	GRID NO.	PART NO.	GRID NO.	PART NO.	GRID NO.	PART NO.	GRID NO.	PART NO.	GRID NO.	PART NO.	GRID NO.
4H7-W0041-00	E- 8	2GV-11310-00	B- 4	16G-13569-00	B-10	22U-1490H-00	B-12	22U-16351-00	C- 7	11H-18512-00	C-11
	E- 9	2GV-11320-00	B- 4	2GV-13586-01	B-10	3BM-1490J-00	B-12	5Y1-16356-00	C- 7	11H-18513-00	C-11
4BP-W0045-00	E- 4	3BT-11351-00	B- 4	2GV-13596-00	B-10	3BM-1490J-10	B-12	22U-16357-00	C- 8	3YF-18531-00	C-11
3JB-W0047-00	E- 4	22U-11411-00	B- 5	1HX-13907-00	D-14	3EN-1490K-00	B-13	1W1-16358-01	C- 7	22U-18535-00	C-11
51L-W0048-00	E- 4	22U-11416-80	C- 2	11H-1410A-00	B-12	3JB-1490L-00	B-13	22U-16371-02	C- 7	22U-18540-00	C-11
3JB-W0057-00	E- 4	22U-11416-90	C- 2	22U-14103-00	B-14	4KU-14900-00	B-12	22U-16380-00	C- 7	278-18542-00	C-11
4H7-W1752-00	C-10	2GV-11610-00	B- 5	12R-14105-00	B-13	4KU-14900-10	B-12	4X7-16383-01	C- 7	278-18566-00	C-11
2GV-W2341-00-38	D- 8	2GV-11610-20	B- 5	41R-14118-01	B-13	4KU-14901-00	B-12	4X7-16384-00	C- 7	3JB-21105-00-33	C-13
3JB-W2341-00-38	D- 8	2GV-11610-40	B- 5	4FT-14146-00	B-13	4KU-14901-10	B-12	4X7-16385-00	C- 7	4FT-21110-10-33	C-13
3DR-W2536-00	E- 5	2GV-11631-00-CO	B- 5	2JU-14141-90	B-12	4KU-14902-00	B-12	4KU-17121-00	C- 9	2GV-21171-00	D- 3
22U-Y1754-00	C-10	22U-11633-01	B- 5	4G0-14142-35-AO	B-12	4KU-14902-10	B-12	4KU-17131-00	C- 9	26H-21308-00	D- 2
2GV-Y2150-B1-3G	C-15	2GV-11636-00	B- 5	3JC-14146-10	F- 7	1FK-14933-00	B-12	22U-17141-00	C- 9	22U-21315-00	C-13
2GV-Y2150-01-EG	C-15	2GV-11638-00	B- 5	3UH-14146-00	F- 7	41R-14940-00	B-12	11H-17151-01	C- 9	22U-21316-00	C-13
2GV-Y2150-11-KM	C-15	22U-11650-00	B- 5	1FK-14147-00	B-13	22U-14952-00	B-13	22U-17211-00	C- 9	2GV-21317-00	C-13
2GV-Y2150-81-4B	C-15	22U-11654-00	B- 5	214-14147-00	B-13	26H-14952-00	B-13	4KU-17221-00	C- 9	2GV-21359-00	C-14
2GV-Y2150-91-9U	C-15	22U-11656-00	B- 5	22U-14147-00	B-12	341-14954-00	B-13	4KU-17231-00	C- 9	2GV-2138L-00	B-15
3BR-Y2161-YO-2X	C-15	22U-11656-10	B- 5	22V-14147-00	B-13	22U-14968-00	B-12	22U-17241-00	C- 9	2GV-2139R-00	C-14
3BR-Y2161-OA-3X	C-15	22U-11656-20	B- 5	137-14153-00	B-12	22V-14968-00	B-12	11H-17251-00	C- 9	3JB-2139R-00	C-14
3BR-Y2161-ON-4B	C-15	22U-11656-30	B- 5	1FK-14190-15	B-12	1FK-14985-00	B-12	22U-17402-00	C- 9	4KU-21458-00	C-13
3BR-Y2161-OP-4X	C-15	22U-12111-00	B- 6	2L1-14191-00	B-13	31H-14987-00	B-13	22U-17411-00	C- 9	4X7-21485-00	C-13
3BR-Y2161-30-9U	C-15	22U-12113-00	B- 6	127-14198-00	B-13	22F-14991-00	B-13	22U-17524-00	C-10	3WF-2153E-40	D- 8
3BR-Y2428-80-2X	D-12	22U-12114-00	B- 6	3G2-1423A-72	B-13	341-14991-00	B-13	22U-17527-01	C-10	3JC-21570-10	C-15
3BR-Y2428-JO-3X	D-12	3Y1-12116-00	B- 6	3G2-14231-14	B-12	1HX-14994-00	B-13	3H5-17529-00	C-10	4KU-21570-20	C-15
3BR-Y2428-KO-4X	D-12	3Y1-12117-01	B- 6	3G2-14231-34	B-12	2GV-15100-00	C- 2	3JB-17531-00	C-10	4KU-21570-30	C-15
3BR-Y2428-LO-1X	D-12	1J7-12118-00	B- 6	3JB-14409-00	B-10	2GV-15316-00	C- 4	3JB-17531-10	C-10	4KU-21570-40	C-15
3BR-Y2428-MO-4B	D-12	1J7-12119-01	B- 6	3JB-14412-00	B-10	2H7-15361-00	C- 4	3JB-17531-20	C-10	4KU-21570-50	C-15
2NT-1110M-00	B- 3	22U-12121-01	B- 6	3JB-14414-00	B-11	3F9-15362-00	C- 4	3JB-17531-30	C-10	2NT-21597-01	C-15
2GV-11102-01	B- 2	22U-12151-00	B- 6	3JB-14417-00	B-10	11H-15383-01	C- 2	3JB-17531-40	C-10	3JB-21598-00	C-15
22U-1111F-01	B- 3	22U-12156-01	B- 6	3JB-14426-00	B-10	2NT-15411-01	C- 4	3JB-17531-50	C-10	2GV-2160E-00	D- 2
2GV-1111H-00	B- 2	22U-12159-00	B- 6	3JB-14422-00	B-10	3JB-15411-00	C- 4	1J7-17537-YO-30	D- 6	3BR-21621-00	D- 2
2GV-11127-00	B- 2	22U-12171-01	B- 7	3JB-14425-00	B-11	2NT-15415-00	C- 4	1J7-17537-YO-40	D- 6	2GV-21629-00-EG	D- 2
4H7-11133-10	B- 2	22U-12176-01	B- 7	3JB-14426-00	B-10	3JB-15415-00	C- 4	1J7-17537-YO-50	D- 6	2GV-21629-00-KM	D- 2
2GV-11142-00	B- 2	22U-12181-01	B- 7	3JB-14437-01	B-10	2NT-15421-00	C- 4	4H7-17537-00-20	C-10	2GV-21629-00-3G	D- 2
22U-11145-00	B- 7	11H-12210-02	B- 7	2NT-14451-00	B-10	3JB-15421-00	C- 4	4H7-17537-00-30	C-10	2GV-21629-00-4B	D- 2
2GV-11152-00	B- 2	3BT-12213-00	B- 7	2GV-14452-00	B-10	22U-15441-01	C- 3	4H7-17537-00-40	C-10	2GV-21629-00-9U	D- 2
15A-11162-00	B- 4	22U-12231-00	B- 7	3JB-14452-00	B-10	3BT-15451-00	C- 4	22U-17553-01	C-10	2GV-2163A-00	D- 2
22U-11165-00	B- 2	22U-12241-00	B- 7	3JB-14455-00	B-10	3BT-15461-00	C- 4	22U-17556-00	C-10	2GV-2163E-00	D- 2
2GV-11166-00	B- 2	22U-13300-00	B- 8	22U-14469-00	B-10	3BT-15484-00	C- 4	2H7-17590-00	D- 7	4G0-21639-00	D- 2
2GV-11181-00	B- 2	22U-13324-00	B- 8	31A-14477-00	D- 3	22U-15512-00	C- 6	2GV-18110-00	C-12	2AE-21641-00	D- 2
2GV-11185-00	B- 2	22U-13325-00	B- 8	2GV-14484-00	B-15	4TR-15517-00	C- 6	2GV-18112-00	C-12	3JC-2165A-30	C-15
2NT-11186-01	B- 3	22U-13410-00	B- 8	3JB-14536-00	B-12	5H0-15521-00	C- 6	132-18113-01	C-12	4KU-2165A-21	C-15
22U-11186-00	B- 2	22U-13415-00	B- 8	22U-14565-00	B-12	4TR-15590-00	C- 6	2GV-18115-00	C-12	4KU-2165A-31	C-15
2NT-11187-01	B- 3	2GV-13417-00	B- 8	2GV-14603-00	B-15	4KU-16111-00	C- 7	22U-18120-01	C-12	4KU-2165A-40	C-15
22U-11187-00	B- 2	4X7-13440-90	B- 9	4BE-14613-00	B-15	22U-16150-01	C- 7	4G0-18127-00	C-12	4KU-2165A-50	C-15
3BT-11195-00	B- 3	2NT-13447-00	B- 9	4BR-14613-00	B-15	22U-16154-00	C- 7	11H-18140-00	C-12	2GV-2171E-00	C-13
3BT-11196-00	B- 3	3JB-13447-00	B- 9	2GV-14625-00	B-15	22U-16321-00	C- 7	2H9-18154-00	C-12	2GV-21711-00-EG	D- 3
214-11198-01	B- 8	3VD-13455-00	B- 8	2GV-14663-00	B-15	4X7-16324-00	C- 7	16G-18185-00	C-11	2GV-21711-00-KM	D- 3
	D- 7		D- 7	4KU-14703-00	B-15	4X7-16325-00	C- 7	11H-18511-00	C-11	2GV-21711-00-3G	D- 3

NUMERICAL INDEX

PART NO.	GRID NO.	PART NO.	GRID NO.	PART NO.	GRID NO.	PART NO.	GRID NO.	PART NO.	GRID NO.	PART NO.	GRID NO.
2GV-21711-00-4B	D- 3	1HX-23156-00	D-10	4KU-24240-20	D-12	2GV-25181-00	E- 3	3JC-26312-00	E- 7	3HE-81826-00	C- 6
2GV-21711-00-9U	D- 3		D-11	4KU-24240-30	D-12	4TX-25190-00	E- 3	3JB-26335-10	E- 7	3KS-81840-00	C- 6
3JB-2172E-00	D- 3	1GU-23157-00	D-10	4KU-24240-40	D-12	2GV-25304-00	E- 5	3JB-26335-20	E- 7	11H-81844-00	C- 6
3JB-2172F-00	D- 3		D-10	4KU-24240-50	D-12	2GV-25311-00-35	E- 5	2GV-26351-00	E-10	26H-81847-00	C- 6
2GV-21721-00-EG	D- 3	2NT-23164-00	D- 8	2GV-24311-00	D-13	2GV-25317-00	E- 5	5HO-26393-00	E- 7	3AY-81940-00	F- 6
2GV-21721-00-KM	D- 3	2GV-2317E-00	D- 9	2GV-24312-00	D-13	1J7-25319-01	D- 7	2GV-27211-00-93	E-10	25G-81950-01	F- 6
2GV-21721-00-3G	D- 3	2GV-2317F-00	D- 8	3JB-24314-00	D-14	2GV-25319-00	E- 5	4KU-27311-00	E-11	3JB-81960-00	F- 6
2GV-21721-00-4B	D- 3	3JB-2317F-00	D- 8	3JB-24316-00	D-13	2NT-25321-00	E- 5	4KU-27311-10	E-12	4H7-81980-00	F- 6
2GV-21721-00-9U	D- 3	2GV-2317M-00	D- 8	3JB-24317-00	D-13	4H7-2533A-02	E- 5	5HO-27315-00	E-12	3BT-82103-00	F- 7
3JB-2176E-00	D- 3	2GV-23171-01	D-10	3YJ-24481-00	C-14	4H7-25351-00	E- 5	1RM-27410-00-93	E-10	1VJ-82110-60	F- 6
4KU-21781-00	D- 4		D-10	2GV-24491-00	D-13	214-25355-00	E- 5	1NH-27413-00	E-10	2GV-82115-00	F- 6
2GV-22110-00-35	D- 5	1GU-23173-00	D-10	3JB-24500-03	D-14	2GV-25366-00	E- 5		E-10	2GV-82116-00	F- 6
4X7-22124-00	D- 5		D-11	4X8-24512-00	D-14	42X-25371-02	E- 6	4X7-27414-00	E-10	120-82131-00	F- 6
4X7-22129-00	D- 5	2GV-23174-01	D- 8	3AJ-24523-00	D-14	22U-25377-00	E- 6	1RM-27420-00-93	E-10	1AE-82151-00	F- 6
4X7-22141-00	D- 5	3JC-23317-00	D- 8	3AJ-24534-00	D-14	2GV-25381-00	E- 5	2NT-27430-01	E-11	36Y-82151-00	F- 6
3YF-22149-00	D- 5	3BR-23340-00	D-11	1FK-24560-01	D-13	156-25398-00	E- 3	1NH-27433-00	E-11	3BT-82305-00	F- 7
22U-22189-00	D- 5	156-23411-00	D-11	1FK-24566-00	D-13		E- 5		E-11		F- 9
2YL-22210-01	D- 5	183-23411-00	D- 8	4X7-24602-04	D-13	3JB-2580U-11	E- 4	2NT-27437-00	E-11	2GV-82310-30	F- 7
2GV-22216-00	D- 5	156-23412-00	D- 8	4X7-24612-00	D-13	3JB-2582U-01	E- 4		E-11		F- 9
2YL-22220-01	D- 5	183-23412-00	D- 8	51X-24705-00	D-15	341-25846-00	E- 3	2NT-27440-01	E-11	2GV-82320-30	F- 7
2GV-22226-00	D- 5	136-23415-00	D- 8	3JB-24710-00	D-15	2GV-25850-01	E- 8	2GV-27471-02	E-11		F- 9
	D- 5	4H7-23441-00-38	D- 8	3JB-24710-10	D-15	4H7-25850-02	E- 9	2GV-27472-02	E-11	2GV-82370-00	F- 7
2GV-22253-00	D- 5	3JB-23442-00-38	D- 8	4KU-24710-00	D-15	3GM-25852-01	E- 8	2GV-27491-00	E-11		F- 9
5M0-22253-00	D- 5	42X-23442-00-38	D- 8	3JB-24711-00	D-15	4H7-25852-00	E- 9	2GV-28100-00	E- 2	3JC-82509-00	F- 7
4KU-23102-01	D-10	164-23462-00	D-11	3JB-24711-10	D-15	4KO-25854-00	E- 8	3JB-28185-00	D- 4	2NT-82510-01	F- 6
4KU-23102-11	D-10	134-23484-10	D- 9	4KU-24711-00	D-15	410-25854-00	E- 9	2NT-46101-00	D- 6	2GV-82530-10	F- 6
4KU-23103-01	D-10	3JB-24110-01-33	D-13	3JB-24718-00	D-15	410-25867-00	E- 8	22U-46117-00-25	D- 6	119-82540-00	F- 7
4KU-23103-11	D-10	3JB-24135-00	D-13	18A-24724-00	D-15		E- 9	22U-46117-00-30	D- 6		F- 9
2GV-23110-01	D-10	3JC-24161-10	D-12		D-15	3JB-25872-30	E- 8	22U-46117-00-40	D- 6	2JX-82541-00	F- 7
	D-10	4KU-24161-20	D-12	23T-24724-01	D-12	3JB-25872-40	E- 9	22U-46117-00-50	D- 6		F- 9
1HX-23111-00	D-10	4YH-24161-00	D-12		D-13	4KU-25872-00	E- 9	22U-46118-00-12	D- 6	3BT-82560-00	F- 7
	D-11	4YH-24161-10	D-12	3JB-24728-00	D-15	4KU-25872-50	E- 8	22U-46118-00-14	D- 6	3LD-82566-70	F- 6
2GV-23125-00	D-10	4YH-24161-20	D-12	3JB-24734-00	D-15	3JB-25886-00	D-11	22U-46118-00-16	D- 6	4KU-82590-00	F- 6
	D-11	3JC-24162-10	D-12	3JB-24734-10	D-15	3YX-25919-00	E- 4	22U-46118-00-18	D- 6	12R-82591-00	F- 6
3JB-23126-11	D-10	4KU-24162-20	D-12	4KU-24734-00	D-15	3YX-25929-00	E- 4	22U-46118-00-20	D- 7	10M-82911-00	F- 5
3JB-23136-11	D-10	4YH-24162-00	D-12	3JB-24750-00	D-15	3YX-25937-00	E- 4	2H7-46122-00	D- 6	11U-82911-00	F- 4
2GV-23141-00	D-10	4YH-24162-10	D-12	3JB-24750-10	D-15	5R2-25937-00	E- 4	22U-46123-00	D- 7	2GV-82917-00	F- 4
	D-11	4YH-24162-20	D-12	4KU-24750-00	D-15	2GV-26111-11	E- 7	4H7-46125-00	D- 6		F- 5
2GV-23144-00	D-10	2GV-24181-00	D-13	3JB-24751-00	D-15	2NT-26111-10	E- 7	22U-46136-00	D- 6	3LS-83310-00	E-14
	D-11	1FK-24182-00	D-12	3JB-24751-10	D-15	3JB-26240-00	E- 7	22U-46137-00	D- 7	1KT-83311-00	E-14
2AJ-23145-00	D-10		D-13	4KU-24751-00	D-15	3JB-26241-00	E- 7	22U-46152-00	D- 6		E-14
	D-11	3JB-24182-00	D-12	3JB-24776-00	D-15	3JB-26273-00	E- 7	22U-46153-00	D- 6	2AE-83312-00	E-14
1GU-23151-00	D-10	42X-24183-00	D-12	3JB-2478F-00	D-15	3JB-2628J-00	E- 7	2GV-46172-00	D- 7	42X-83312-00	E-14
	D-10	2GV-24184-00	D-13	51Y-24796-00	E- 2	4H7-26290-A1	E- 7	4X7-46180-00	D- 7	42X-83313-00	E-14
1HX-23154-00	D-10	1FK-24186-00	D-12	3JB-25104-00	E- 3	4H7-26290-E1	E- 7	2GV-81410-20	E-13		E-14
	D-11		D-13	4KU-25111-00	E- 3	3JB-26311-00	E- 7	4TR-81450-00	C- 6	1AA-83318-00	E-14
3JB-23154-00	D-10	2GV-24191-00	D-14	146-25115-00	E- 5	3JC-26311-00	E- 7	3BT-81670-00	E-13		E-14
	D-11	3JC-24240-10	D-12	341-25149-00	E- 3	3JB-26312-00	E- 7	3JB-81800-01	C- 6	2EN-83330-00	E-14

NUMERICAL INDEX

PART NO.	GRID NO.	PART NO.	GRID NO.	PART NO.	GRID NO.	PART NO.	GRID NO.	PART NO.	GRID NO.	PART NO.	GRID NO.
41R-83350-71	F- 7	198-84334-60	F- 2	90116-08404	C- 2	90179-10658	C-13	90209-22191	C- 9	90430-08155	D-11
	F- 9	1FK-84338-00	F- 2		C- 2	90179-12248	C-13		C- 9	90430-17168	B- 3
57M-83358-00	E-14	2UJ-84338-00	F- 2	90116-10249	D- 6	90179-18396	C-10	90209-27192	C- 9	90430-24184	B- 2
	E-14	42X-84345-00	F- 2	90116-10405	C- 2	90179-25033	D- 8	90214-16026	C- 7	90445-08248	F- 6
42X-83363-00	E-14	34L-84346-00	F- 2		C- 2	90183-04027	B-15	90215-08229	B- 3	90445-111F3	B-10
	E-14	4E2-84347-00	F- 2	90116-10406	C- 2	90185-08097	B-15	90215-16181	D- 5	90445-11152	B-11
18G-83365-00	E-14	42X-84366-00	F- 2		C- 2	90185-14070	C-10	90215-16222	C- 7	90445-11290	B-10
3JB-83371-00	F- 7	2F9-84375-00	F- 2	90116-10593	D- 6	90201-04018	D- 2	90215-18178	C-12	90445-22327	E-12
	F- 9	5Y3-84395-00	F- 2	90116-12495	C-13	90201-05600	E-15	90215-22244	C- 7	90450-22017	D-13
35J-83371-32	F- 7	2F9-84397-01	F- 2	90119-06097	F- 3	90201-05725	E-15	90249-12008	E-10	90450-25037	D-13
	F- 9	2YL-84700-E0	F- 3	90119-06123	D- 2	90201-06059	B-10	90267-40076	D- 2	90460-12256	B-10
1FK-83507-00	E-15	1RM-84704-00	F- 3		D- 3		D- 3	90269-04003	D- 9	90460-52210	B-10
1FK-83507-10	E-15	1AE-84714-41	F- 3		D-14	90201-06073	F- 2	90280-07036	C- 7	90460-58015	B-10
2GV-83509-00	E-15	2GV-84717-00	F- 3	90119-08126	D- 6	90201-06568	D-13	90280-16053	B- 5	90462-06119	C- 5
2UJ-83509-00	E-15	2AE-84721-00	F- 3	90123-08046	E- 7	90201-066M2	D-12	90338-07043	C-13	90462-10115	C- 5
2JV-8351A-F0	E-15	42X-84723-01	F- 3	90149-06008	D-14	90201-06697	B- 3	90338-08163	D- 8	90462-10118	C- 5
3JB-8351A-10	E-15	2YL-84751-00	F- 3	90149-06131	F- 4	90201-06765	D-15	90338-09161	E-11	90464-13080	E-11
2GV-83517-00	E-15	449-85131-02	D- 2		F- 5	90201-08087	C- 8	90340-14068	C- 4	90467-10008	B-13
42X-83517-00	E-15	90101-06288	E-10	90149-06154	D- 2	90201-08326	C-13	90340-14139	C- 4		D-14
	E-15	90101-06576	B-15	90149-08067	C- 8	90201-085R5	F- 7	90340-32088	C- 4	90467-10039	B-10
	E-15	90101-06764	E- 5	90149-08152	C- 2	90201-08569	D-13	90340-32140	C- 4	90467-10135	D-13
2GV-83519-00	E-15	90101-10303	B- 7	90149-10238	C-13	90201-08753	D- 5	90380-28110	B- 7	90467-11044	D-13
1FG-83523-00	E-15	90105-06069	C-13	90149-10239	C-13	90201-094G1	B- 2	90387-06026	F- 3		D-14
3BT-83530-10	E-15	90105-08066	C-13	90151-08022	C- 2	90201-100A1	D- 8	90387-062L2	D-14	90467-14015	B- 2
34L-83550-01	E-15	90105-10152	C- 6	90157-04001	F- 2		E-11	90387-062T3	B-10	90480-01502	F- 3
4AS-83616-10	E-15	90105-10183	C-13	90157-05050	B-13	90201-10118	E- 8	90387-06387	D-12	90480-10334	C-14
3BT-83790-00	F- 7	90105-10186	C-13	90157-05079	F- 6		E- 9		D-13	90480-12320	D- 3
1AA-83912-00	F- 4	90105-10188	E-12	90157-05084	F- 2	90201-10131	B- 2	90387-06388	D-14	90480-13163	D-14
2GV-83912-00	F- 5	90105-10200	E- 5	90159-06016	C- 7		C-13	90387-06518	B- 3	90480-14023	D-14
2W1-83922-00	F- 5	90105-10285	D- 7	90159-06059	D- 2	90201-10437	C-13	90387-072W2	B- 3	90480-14229	D- 3
	F- 4	90105-10312	E-11	90163-04003	B-15	90201-105H3	C-13	90387-07391	D- 3		F- 3
437-83936-01	F- 5	90105-10638	E- 4	90164-04009	E-15	90201-105R9	D- 5	90387-087K5	E-10	90480-16501	F- 3
	F- 7	90105-12353	D-11	90170-06010	F- 4	90201-107K6	C- 6		E-10	90480-18411	B- 3
	D- 8	90105-14102	D- 8		F- 5	90201-10774	B- 7	90387-100E2	C-13	90480-19471	B- 3
437-83936-11	D-14	90106-10052	D- 5	90170-06128	B- 6	90201-12195	D- 8	90387-1003G	E-12	90480-22362	D- 3
	F- 4	90109-06577	F- 4	90170-06228	C-12	90201-124E4	C-12	90387-107A7	E-11	90501-06022	C-11
	F- 4		F- 5	90170-16311	C- 7	90201-12575	C-12	90387-15668	D- 7	90501-100F8	D-14
4FY-83963-00	F- 4	90109-06799	F- 4	90170-20323	C- 7	90201-12588	C-12	90387-157R0	E- 5	90501-101J4	D-13
3JB-83964-00	F- 5		F- 5	90171-14044	E- 6	90201-14218	E- 5	90387-16547	C- 2	90501-10245	E-10
2YL-83972-00	F- 4	90109-081F0	E- 4	90173-06015	B-11	90201-146R0	E- 6		C- 2	90501-10312	F- 4
3BT-83972-00	F- 5	90109-08368	E- 6	90176-10073	D- 5	90201-14633	C-10		C- 2		F- 5
3LP-83972-00	F- 6	90109-08406	E- 6	90179-06411	E-10	90201-152L1	E-10	90387-177R1	E- 3	90501-12743	E-11
1AO-83980-30	F- 2	90109-08718	C-13	90179-08148	E- 7	90201-18262	C- 8	90387-226G7	B- 2		E-11
42X-84124-60	F- 2	90109-08781	B- 3	90179-08327	B- 5	90201-256K6	C- 6	90387-256G9	D- 6	90501-15722	D- 7
2F9-84314-00	F- 2	90109-08782	B- 3	90179-08410	B-15	90202-05187	C-13	90401-10159	E- 8	90501-23738	C- 7
42X-84315-01	F- 2	90109-100G0	E-11	90179-10279	B- 2		D- 2		E- 9	90501-60716	C-10
2AE-84320-60	F- 2	90110-06198	B- 3		C-13		D-14	90401-16073	B- 3	90506-08227	C-12
42X-84330-01	F- 2	90110-08212	C- 6	90179-10395	B- 2	90208-04029	D- 9	90430-08155	D-10	90506-20380	E-10

NUMERICAL INDEX

PART NO.	GRID NO.	PART NO.	GRID NO.	PART NO.	GRID NO.	PART NO.	GRID NO.	PART NO.	GRID NO.	PART NO.	GRID NO.
90506-35473	E-12	91401-25015	E-10	92907-06600	E- 8	93210-71360	C-10	94335-19026	E- 3	95807-06012	D-15
90507-20002	E- 5	91401-30030	E- 6		E- 9		D- 2	94418-19543	E- 3		F- 6
90508-16577	C- 7	91701-06022	E-10		F- 6	93210-74316	C- 4	94430-15544	E- 5	95807-06016	D-14
90508-18696	E-10	91701-06032	E-11		F- 7	93210-81411	B- 4	94590-27118	B- 7		F- 3
	E-10		E-11		F- 9	93210-89568	B- 2	94701-00228	B- 3	95807-06025	D-14
90508-29519	C-12	91701-08038	E-10	92907-08100	B-15	93211-00612	B- 2	94701-00234	B- 3	95807-08012	C-15
90508-32536	C-12		E-10	92907-08200	B-15	93211-39569	D- 7	95024-06008	D- 9		D- 5
90560-08326	D- 2	91815-16017	C- 2	92907-10200	E-12	93306-00426	C- 9	95024-06025	D-12	95807-08016	B-15
90560-17126	E- 3		C- 5	92990-06600	B- 3		C-10	95024-08040	D- 8	95817-06010	F- 8
91314-06018	C- 4	92017-06012	E-11		B-15	93306-00428	C- 9	95027-06016	C-13	95817-06020	D- 3
91314-06025	B- 2		E-11		B-15	93306-20711	C-10	95027-06020	D- 8	95827-06010	F- 9
	B- 7	92017-08016	F- 6		C- 6	93306-30202	E- 5	95027-06040	F- 2	95827-08030	C-10
	B- 9	92901-04100	B-12	92990-08100	D- 5	93306-30209	E- 5	95027-08012	C-15	97004-06030	E-14
	C- 4		B-13		E- 6	93306-30309	E- 3	95304-06700	C-12		E-14
	C- 5	92902-04100	B-12	92990-08200	D- 2		D- 2	95304-08700	E- 6	97004-08035	D- 5
91314-06030	C- 4	92907-03200	D-15	92990-08600	E- 6	93306-30525	C- 9		E- 7	97007-06014	D-15
91314-06040	C- 4	92907-05100	E- 5	92990-10100	D- 5	93306-30539	D- 6	95307-05600	E-15	97007-06016	F- 2
	C- 5		F- 7		D- 7	93306-90602	C-11	95307-06600	C- 7	97007-06025	D- 3
91314-06045	C- 3		F- 7	93101-14089	C- 4	93311-43729	D- 6		D- 2		F- 4
91314-06055	C- 2		F- 9	93101-30084	D- 6	93315-21813	C- 7		E-10		F- 5
	C- 4		F- 9	93101-35097	C-10	93316-01301	D- 6		F- 3	97007-08016	D-13
	C- 5	92907-05600	E- 5	93101-38098	D- 6	93317-41510	D- 6	95307-12600	E-14	97017-06025	E- 8
91314-06060	B- 9		F- 7	93102-12106	C-12	93320-32403	D- 5		E-14		E- 9
91314-06095	B- 9		F- 7	93102-18278	C- 7	93399-99926	D- 7	95307-12800	C-13	97024-06016	B- 3
91314-08030	B- 2		F- 9	93102-28022	E- 3	93410-22039	D- 7	95314-10600	D- 7	97024-06020	C-12
	D- 8		F- 9	93102-65277	D- 7	93440-12052	B- 2	95317-08700	B-15	97027-06016	B- 3
91314-08035	D-10	92907-06100	D- 3	93105-45017	E- 3	93440-19112	D- 7	95607-06100	E-10		B- 7
91314-08060	C- 2		D- 3	93210-03119	B-13	93440-20088	D- 7		E-10	97027-06030	D-13
91314-08100	C- 2		D-13	93210-09525	C- 7	93440-25084	C- 9		F- 4	97027-08030	B-15
91317-05010	D-13		D-15	93210-10096	B- 8		C- 9		F- 4	97070-06025	C- 6
91317-06016	D- 9		E-13	93210-11368	F- 4	93440-30077	C- 9		F- 5	97704-40012	B-15
91317-06020	B-10		E-13		F- 5	93450-19052	B- 5		F- 5	97707-60514	C-14
91317-06025	B- 8		F- 2	93210-14369	C- 4	93450-32116	D-10	95607-10100	D- 8	97780-40525	F- 3
	B-15		F- 4	93210-15151	B- 8		D-11	95607-12100	D- 8	97880-05014	B-13
91317-06030	B- 8		F- 5	93210-15566	C- 5	93501-04011	D- 8	95617-08630	B- 2	98501-05010	B-13
	B-11		F- 7	93210-18322	C- 2		E-11	95617-10100	E-12	98503-03008	D-14
	C- 2		F- 9		C- 2		E-11	95617-10680	C- 2	98504-04012	F- 4
91317-06045	B- 4	92907-06200	C- 7		C- 2	93515-32029	C- 8	95704-06500	E-14	98506-04018	B-12
91317-06085	C- 2		D- 2	93210-24709	D-10	93604-16092	C-11		E-14	98506-05040	F- 4
91317-06095	C- 2		E-10		D-11	93604-20156	C-11	95704-10500	E-11		F- 5
91317-08025	D-10		F- 3	93210-27778	C- 4	93605-10108	B- 7	95707-06500	D-15	98506-05045	F- 4
	D-11		B- 3	93210-29196	F- 7	94114-156U1	E- 5		F- 6		F- 5
91317-08080	C- 2	92907-06600	B- 7		F- 9	94114-156U2	E- 5	95707-08500	B- 2	98507-04025	E-15
91380-06025	C- 5		B- 10	93210-32172	C- 4	94130-197N0	E- 3	95804-10016	E-11	98507-05008	E- 7
91401-20015	E- 6		B-11	93210-36769	B-10	94130-197N1	E- 3	95807-06010	D- 2	98507-05012	E- 5
	E-10		D- 2	93210-60426	D- 6	94214-15223	E- 5		D-11	98507-05016	D-14
	E-11		D- 3	93210-62446	B- 2	94227-19177	E- 3	95807-06012	C-14		F- 7
	E-11		D- 4	93210-64297	B- 9	94330-15134	E- 5		D- 2		F- 7

NUMERICAL INDEX

PART NO.	GRID NO.	PART NO.	GRID NO.	PART NO.	GRID NO.	PART NO.	GRID NO.	PART NO.	GRID NO.
98507-05016	F- 9								
	F- 9								
98507-05035	F- 4								
	F- 5								
98507-06010	C- 5								
	F- 6								
98507-06020	E-13								
	F- 7								
	F- 9								
98507-06025	E-13								
98507-06035	B-10								
	D- 3								
98507-06050	D- 3								
98511-04012	B-12								
98517-05012	B-13								
98517-06012	B-14								
98517-06160	B-10								
98580-04010	B-13								
98580-06020	B-15								
98701-05016	C-11								
98701-05035	C-11								
98707-04012	E- 8								
	E- 9								
98707-05012	F- 7								
	F- 9								
98707-06010	B-13								
98902-08014	B-13								
98904-08014	D- 2								
99006-10600	C-12								
	C-12								
99009-11400	B- 8								
99009-12400	C-12								
99009-15400	E-10								
99009-25500	C- 4								
99235-00080	C-15								
	D- 4								
99236-00080	C-15								
99237-00080	C-15								
	C-15								
	D- 4								
99530-10014	C- 4								
99530-10120	C- 5								
99530-14016	C- 2								
	C- 2								
99530-17016	B- 2								

# **INDEX**

**(INDIVIDUAL SPEC.)**

NUMERICAL INDEX

PART NO.	GRID NO.	PART NO.	GRID NO.	PART NO.	GRID NO.	PART NO.	GRID NO.	PART NO.	GRID NO.
3JB-Y2161-A0-9U	F-12	90157-04001	G- 6						
	F-15	90157-05084	G- 6						
3JB-Y2161-J0-4B	F-12	90164-04009	G- 5						
	F-15	90201-05600	G- 5						
3JB-Y2161-0Y-5X	F-12	90201-06073	G- 6						
	F-15	90267-48104	F-12						
3JB-Y2161-1E-4X	F-12		F-15						
	F-15	90502-09024	F-11						
3JB-Y2161-60-6X	F-12		G- 4						
	F-15	92907-06100	G- 6						
4KU-21110-20-33	F-11	95027-06040	G- 6						
	G- 4	95307-05600	G- 5						
3JB-21641-00	F-12	95307-05800	F-12						
	F-15		F-15						
2A6-23408-00	F-11	97007-06016	G- 6						
	G- 4	98507-04025	G- 5						
3DM-23484-00	F-11								
	G- 4								
1FK-83507-10	G- 5								
2UJ-83509-00	G- 5								
3BT-8351A-10	G- 5								
4KU-8351A-10	G- 5								
123-83516-21	G- 6								
2GV-83517-00	G- 5								
42X-83517-00	G- 5								
	G- 5								
2GV-83519-00	G- 5								
1FG-83523-00	G- 5								
3BT-83530-10	G- 5								
34L-83550-01	G- 5								
4AS-83616-10	G- 5								
42X-84124-60	G- 6								
2F9-84314-00	G- 6								
42X-84315-01	G- 6								
55R-84321-H0	G- 6								
42X-84330-01	G- 6								
1A0-84332-60	G- 6								
198-84334-60	G- 6								
1FK-84338-00	G- 6								
2UJ-84338-00	G- 6								
42X-84345-00	G- 6								
34L-84346-00	G- 6								
42X-84366-00	G- 6								
2F9-84375-00	G- 6								
5Y3-84395-00	G- 6								
2F9-84397-01	G- 6								
3Y6-85130-02	F-12								
	F-15								