

# PARTS CATALOGUE

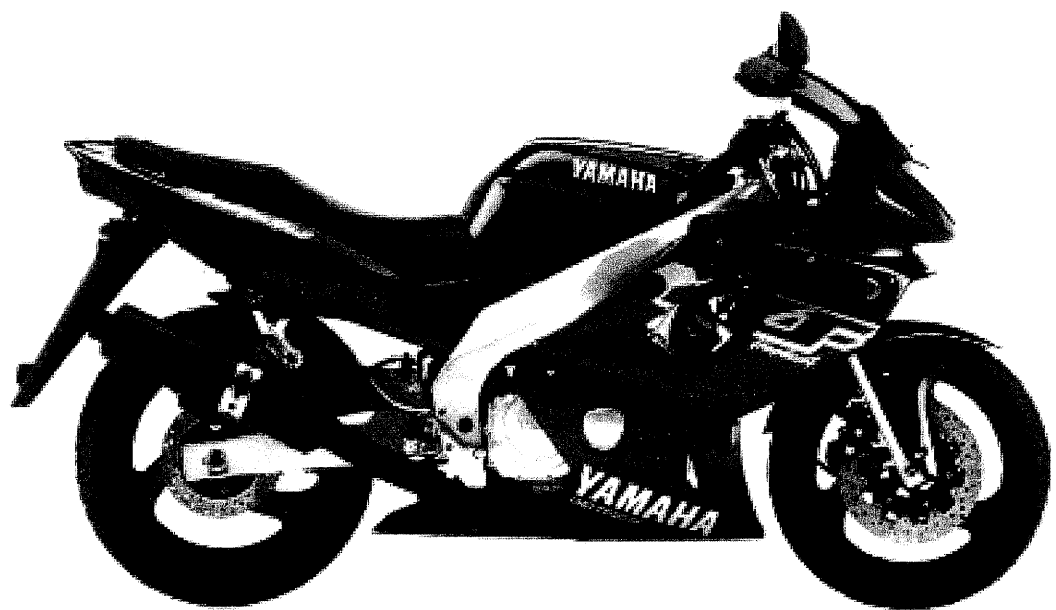
# YZF600R '01 (4TVB)

---

**YAMAHA**  
**GENUINE**  
Parts & Accessories

214TV-300E1

A1



A2

# FOREWORD

This Parts Catalogue is related to the parts for the model(s) in the below frame. When you are ordering replacement parts, please refer to this Parts Catalogue and quote both part numbers and part names correctly.

YZF600R(4TVB/4WE6)

1. Modifications or additions which have been made after issue of the Parts Catalogue will be announced in the Yamaha Parts News. It is advisable that you make necessary corrections to the Parts Catalogue according to the Yamaha Parts News.

2. Abbreviations

The Following abbreviations are used in this Parts Catalogue.

"UR" Use specified parts number.

"UN" Use as many as needed.

"AP" Alternate Parts

"LM" Local Made (Parts need to be ordered locally)

"F#" Frame No. (Applicable machine No.)

3. Parts, which are to be supplied in an assembly, are listed with a dot(.) in front of the part name as shown below.

EXAMPLE

CARBURETOR ASSY

.JET, PILOT

.NOZZLE, MAIN

4. Number of component for assembly

The numeral appearing to the right of each component part indicates the quantity of parts for each assembly unit.

EXAMPLE

PART NO.	DESCRIPTION	Q'TY	REMARKS
2F5-83310-60	FRONT FLASHER LIGHT ASSY	2	
115-83311-60	.BULB (6V-18W)	1	
1M1-83309-60	.REFLECTOR	1	

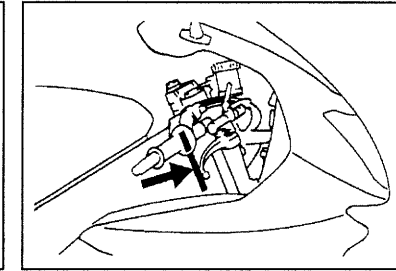
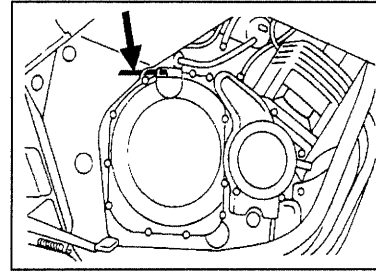
5. Applicable colors of graphics are represented in the "REMARKS" as shown below.

PART NO.	DESCRIPTION	Q'TY	REMARKS
2N4-24110-00-X5	.FUEL TANK COMP.	2	MXR
3J1-24240-10	.GRAPHIC, FUEL TANK	1	for MXR

6. Applicable Serial No.

Engine Serial No.

Frame Serial No.



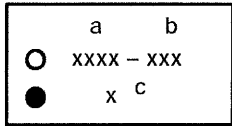
7. Note that the illustrations for reference in finding parts numbers, not to be used for assembling. When assembling, please use the applicable service manual.

8. The asterisk (\*) before a reference number indicates modification items after the first edition.

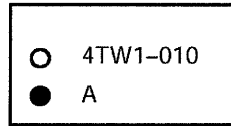
# MODEL LABEL

(1) A label called "Model Label" is affixed in the location as indicated in (3) below.  
 When using this parts catalogue, please be sure to cross-refer the "model code – production code No." in the catalogue to the "model code – production code No." indicated on the Model Label affixed onto the product concerned.

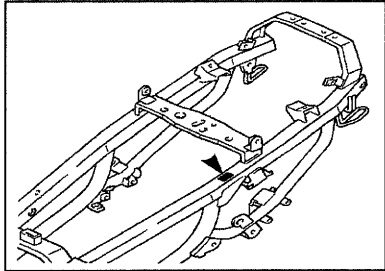
(2) "Model Label" Indication



a: Model Type Code  
 b: Production Code No.  
 c: Colouring Type



(3) Model Label Affixing Location



(4) Model Code – Production Code Number of Model Listed in This Parts Catalog

Model Code	Production Code No.	Country (destination)	Model Code	Production Code No.	Country (destination)
4TVB	030	DENMARK			

(5) Colouring Information

Colouring type code	Colour code	Colour Name	Abbreviation
A	0580	VIVID RED COCKTAIL 7	VRC7
B	0564	DEEP PURPLISH BLUE METALLIC C	DPBMC

# CONTENTS

## ENGINE

CYLINDER HEAD .....	B2
CYLINDER .....	B3
CRANKSHAFT. PISTON .....	B4
VALVE .....	B5
CAMSHAFT. CHAIN .....	B7
WATER PUMP .....	B8
RADIATOR. HOSE .....	B10
OIL PUMP .....	B12
OIL COOLER .....	B13
INTAKE .....	B14
CARBURETOR .....	C5
EXHAUST .....	C8
CRANKCASE .....	C9
CRANKCASE COVER 1 .....	C11
STARTER CLUTCH .....	C13
CLUTCH .....	C14
TRANSMISSION .....	D2
SHIFT CAM. FORK .....	D4
SHIFT SHAFT .....	D5

## CHASSIS

FRAME .....	D6
FENDER .....	D7
SIDE COVER .....	D9
REAR ARM .....	D10
REAR SUSPENSION .....	D12
STEERING .....	D13
FRONT FORK .....	D14
FUEL TANK .....	E2
SEAT .....	E5
FRONT WHEEL .....	E6

FRONT BRAKE CALIPER .....	E7
REAR WHEEL .....	E8
REAR BRAKE CALIPER .....	E10
STEERING HANDLE. CABLE .....	E11
FRONT MASTER CYLINDER .....	E12
STAND. FOOTREST .....	E14
REAR MASTER CYLINDER .....	F2
COWLING 1 .....	F4
COWLING 2 .....	F7
GENERATOR .....	F9
STARTING MOTOR .....	F10
FLASHER LIGHT .....	F11
METER .....	F12
HEADLIGHT .....	F13
TAILLIGHT .....	F14
HANDLE SWITCH. LEVER .....	F15
ELECTRICAL 1 .....	G2
ELECTRICAL 2 .....	G3

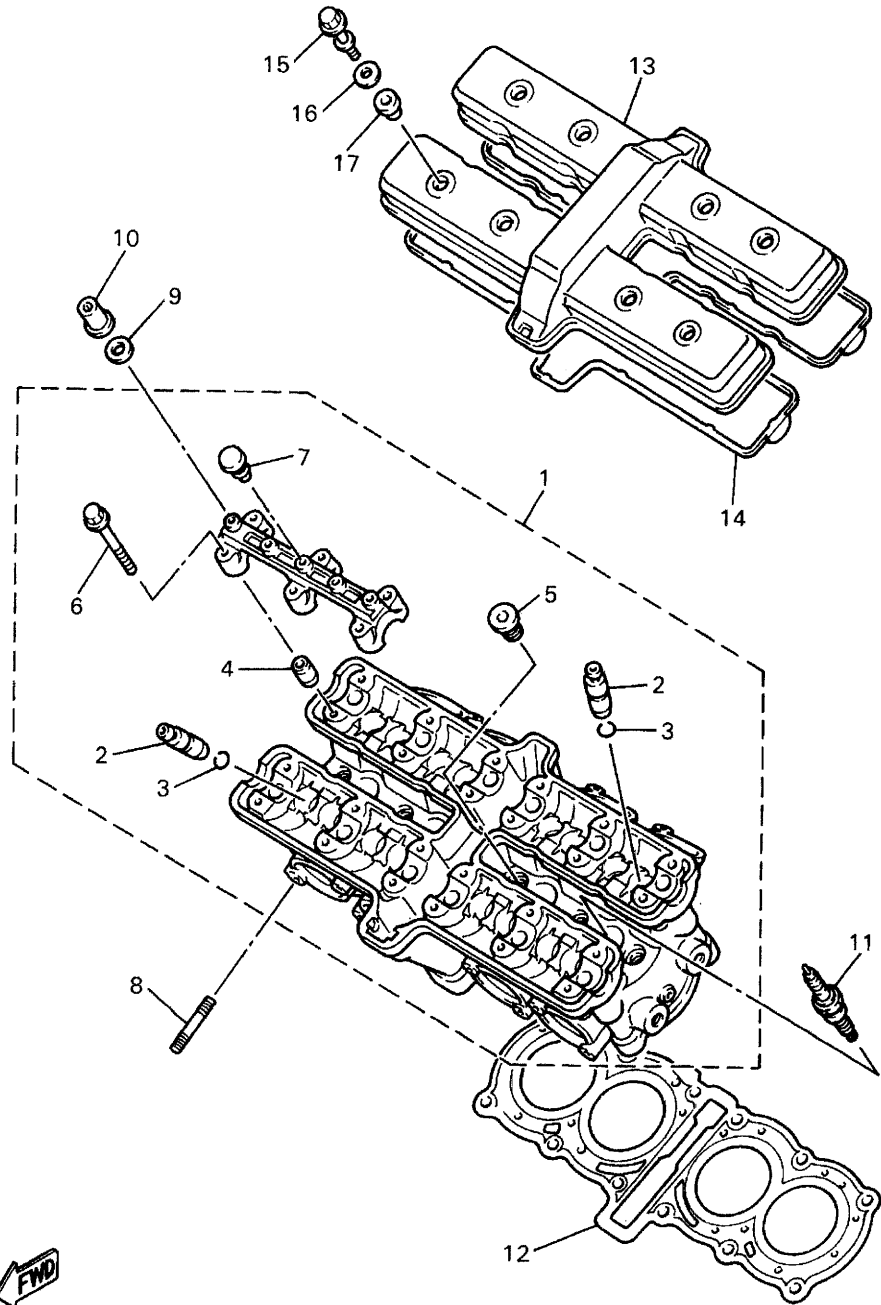


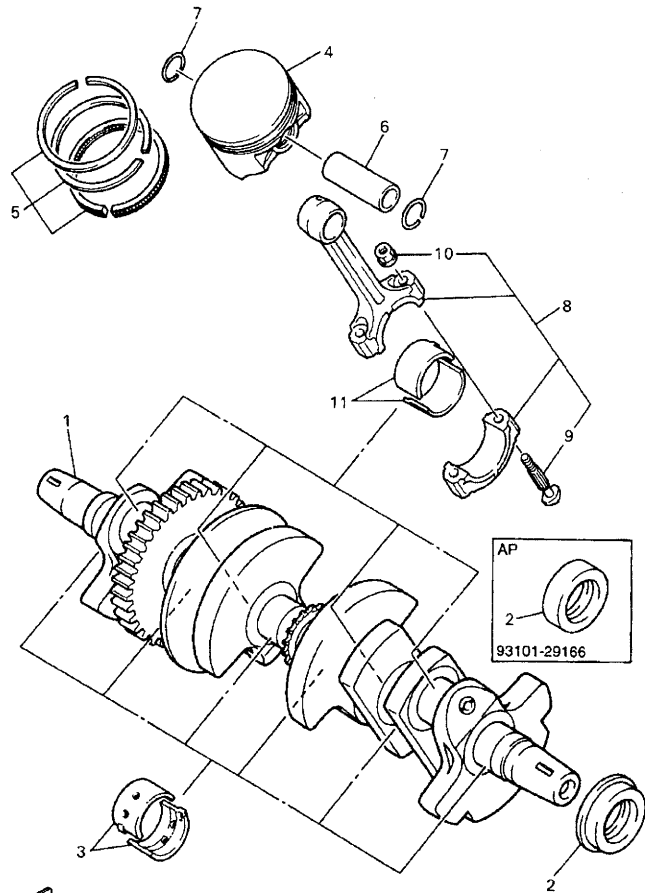
FIG. 1 CYLINDER HEAD

REF. NO.	PART NO.	DESCRIPTION	4TVB	4WE6		REMARKS
1	4JH-11101-01	CYLINDER HEAD ASSY	1			
2	3TJ-11133-10	.GUIDE, INTAKE VALVE	16	16		
3	93440-07149	.CIRCLIP	16	16		
4	99510-08016	.PIN, DOWEL	12	12		
5	90340-12112	.PLUG, STRAIGHT SCREW	6	6		
6	90105-06384	.BOLT, WASHER BASED	24	24		
7	90338-08174	.PLUG	12	12		
8	95617-06630	BOLT, STUD	8	8		
9	90201-090P4	WASHER, PLATE	12	12		
10	90179-09612	NUT	12	12		
11	010-CR9E-PK10	PLUG, S PA R K (NGK R CR9E)	4	4		UR
12	4JH-11181-00	GASKET, CYLINDER HEAD 1	1	1		
13	3TJ-11191-00	COVER, CYLINDER HEAD 1	1	1		
14	4TV-11193-00	GASKET, HEAD COVER 1	1	1		
15	90109-064F0	BOLT	8	8		
16	90209-11262	WASHER	8	8		
17	2GH-1111G-00	RUBBER, MOUNT 1	8	8		



4JH351-4010

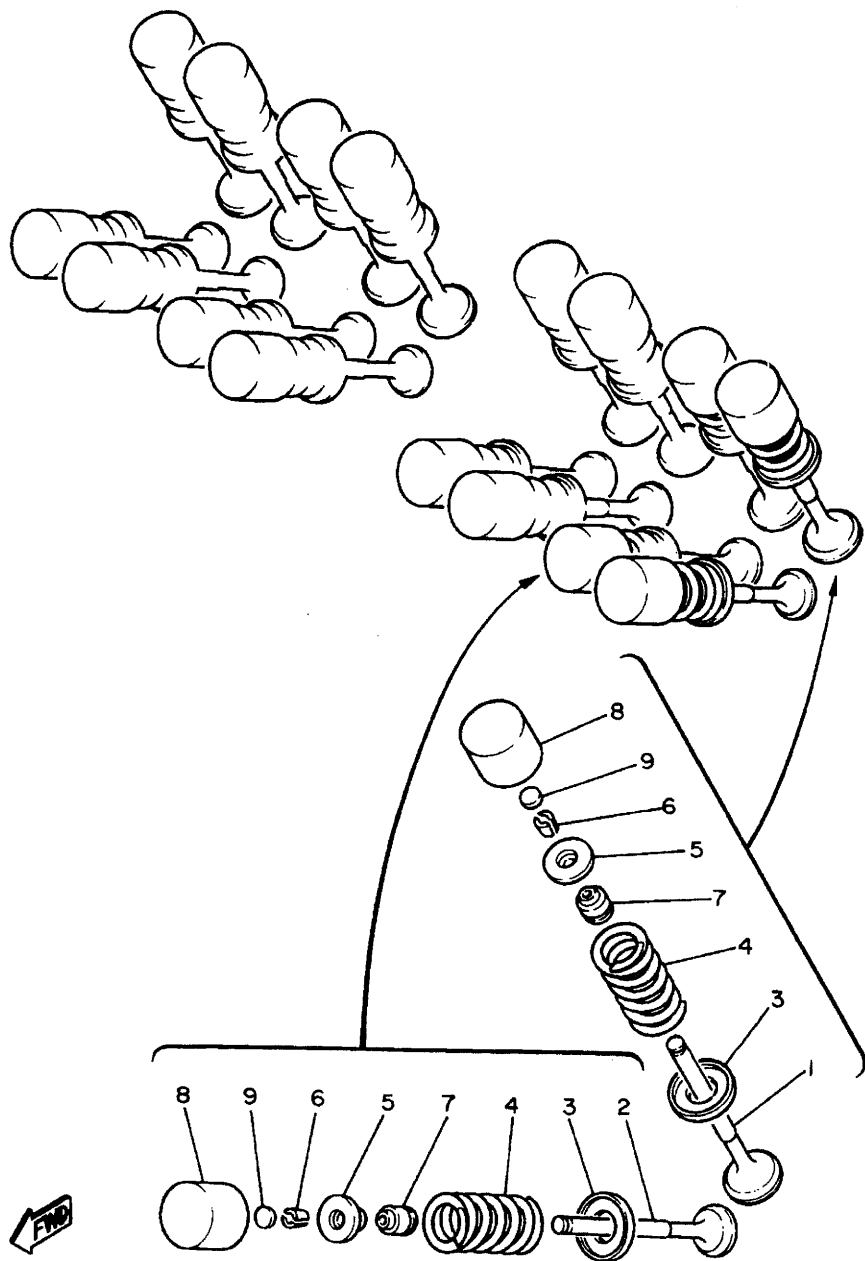




FWD  
4JH351-5030

FIG. 3 CRANKSHAFT. PISTON

REF. NO.	PART NO.	DESCRIPTION	4TVB	4WEG	REMARKS
1	4TV-11411-00	CRANKSHAFT	1	1	
2	93101-29165	OIL SEAL	1	1	UR
	93101-29166	OIL SEAL	1	1	AP
3	4TV-11416-00	PLANE BEARING, CRANKSHAFT 1	12	12	UR BLUE
	4TV-11416-10	PLANE BEARING, CRANKSHAFT 1	12	12	UR BLACK
	4TV-11416-20	PLANE BEARING, CRANKSHAFT 1	12	12	UR BROWN
	4TV-11416-30	PLANE BEARING, CRANKSHAFT 1	12	12	UR GREEN
	4TV-11416-40	PLANE BEARING, CRANKSHAFT 1	12	12	UR YELLOW
	4TV-11416-50	PLANE BEARING, CRANKSHAFT 1	12	12	UR PINK
4	4TV-11631-00	PISTON (STD)	4	4	
5	4JH-11603-00	PISTON RING SET (STD)	4	4	
6	4JH-11633-00	PIN, PISTON	4	4	
7	90468-12069	CLIP	8	8	
8	4JH-11650-00	CONNECTING ROD ASSY	4	4	
9	4JH-11654-00	.BOLT, CONNECTING ROD	2	2	
10	90179-07652	.NUT	2	2	
11	4TV-11656-00	PLANE BEARING, CONNECTING ROD	8	8	UR BLUE
	4TV-11656-10	PLANE BEARING, CONNECTING ROD	8	8	UR BLACK
	4TV-11656-20	PLANE BEARING, CONNECTING ROD	8	8	UR BROWN
	4TV-11656-30	PLANE BEARING, CONNECTING ROD	8	8	UR GREEN



1WG010-6040

FIG. 4 VALVE

REF. NO.	PART NO.	DESCRIPTION	4TVB	4WE6	REMARKS
1	4JH-12111-00	VALVE, INTAKE	8	8	
2	4TV-12121-01	VALVE, EXHAUST	8	8	
3	1WG-12116-00	SEAT, VALVE SPRING	16	16	
4	4TV-12113-00	SPRING, VALVE INNER	16	16	
5	3TJ-12117-00	RETAINER, VALVE SPRING	16	16	
6	1HX-12118-00	COTTER, VALVE	32	32	
7	4TV-12119-00	SEAL, VALVE STEM	16	16	
8	3FV-12153-10	LIFTER, VALVE	16	16	UR YELLOW
	3FV-12153-09	LIFTER, VALVE (O/S)	16	16	AP GREEN
9	1HX-12168-00	PAD, ADJUSTING 2 (1.20)	16	16	UR
	1HX-12168-20	PAD, ADJUSTING 2 (1.25)	16	16	UR
	1HX-12168-40	PAD, ADJUSTING 2 (1.30)	16	16	UR
	1HX-12168-60	PAD, ADJUSTING 2 (1.35)	16	16	UR
	1HX-12168-80	PAD, ADJUSTING 2 (1.40)	16	16	UR
	1HX-12168-A0	PAD, ADJUSTING 2 (1.45)	16	16	UR
	1HX-12168-F0	PAD, ADJUSTING 2 (1.50)	16	16	UR
	1HX-12168-H1	PAD, ADJUSTING 2 (1.55)	16	16	UR
	1HX-12168-K1	PAD, ADJUSTING 2 (1.60)	16	16	UR
	1HX-12168-M1	PAD, ADJUSTING 2 (1.65)	16	16	UR
	1HX-12168-R1	PAD, ADJUSTING 2 (1.70)	16	16	UR
	1HX-12168-U1	PAD, ADJUSTING 2 (1.75)	16	16	UR
	1HX-12168-W1	PAD, ADJUSTING 2 (1.80)	16	16	UR
	1HX-12168-Y1	PAD, ADJUSTING 2 (1.85)	16	16	UR
	1HX-12169-11	PAD, ADJUSTING 2 (1.90)	16	16	UR
	1HX-12169-31	PAD, ADJUSTING 2 (1.95)	16	16	UR
	1HX-12169-50	PAD, ADJUSTING 2 (2.00)	16	16	UR
	1HX-12169-70	PAD, ADJUSTING 2 (2.05)	16	16	UR

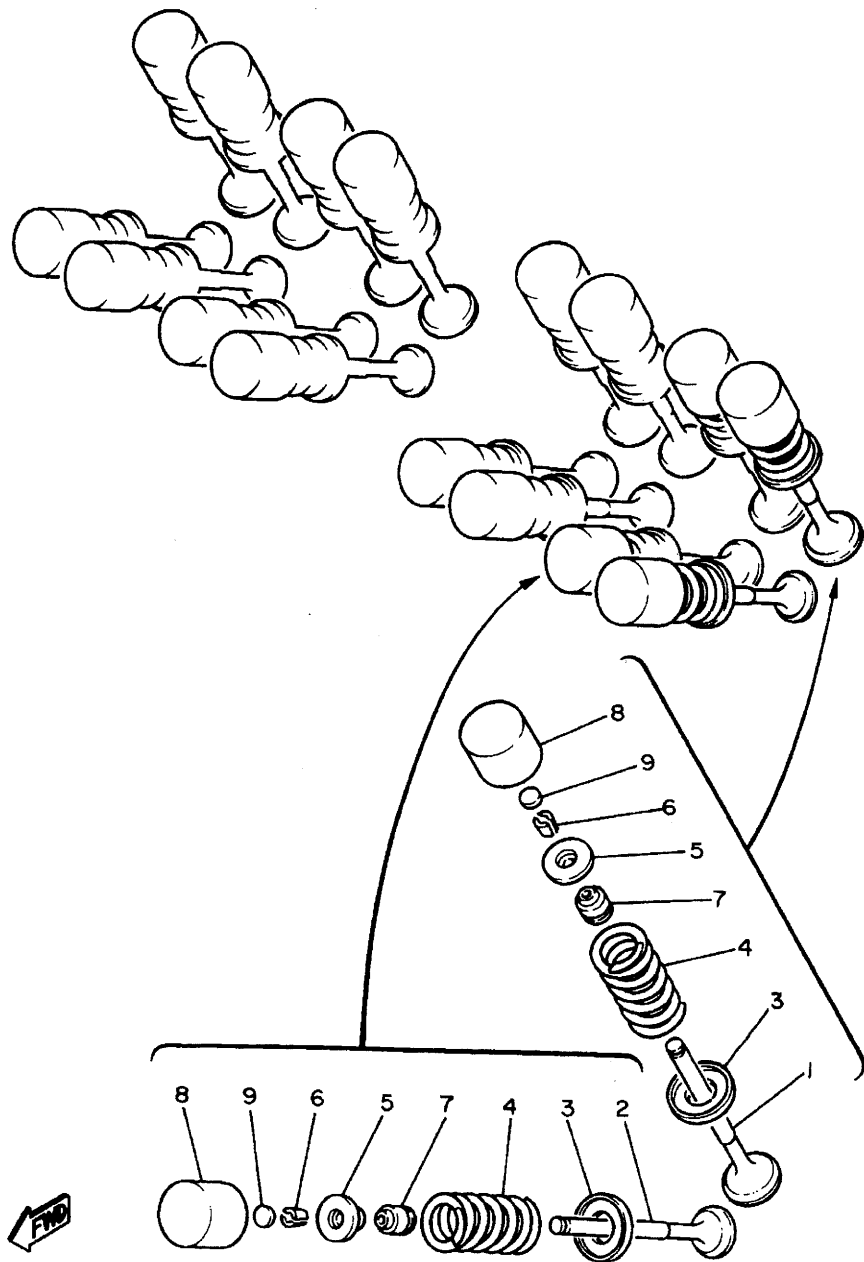


FIG. 4 VALVE

REF. NO.	PART NO.	DESCRIPTION	4TVB	4WE6	REMARKS
9	1HX-12169-90	PAD, ADJUSTING 2 (2.10)	16	16	UR
	1HX-12169-E0	PAD, ADJUSTING 2 (2.15)	16	16	UR
	1HX-12169-G0	PAD, ADJUSTING 2 (2.20)	16	16	UR
	1HX-12169-J0	PAD, ADJUSTING 2 (2.25)	16	16	UR
	1HX-12169-L0	PAD, ADJUSTING 2 (2.30)	16	16	UR
	1HX-12169-N0	PAD, ADJUSTING 2 (2.35)	16	16	UR
	1HX-12169-T0	PAD, ADJUSTING 2 (2.40)	16	16	UR

1WG010-6040

B6

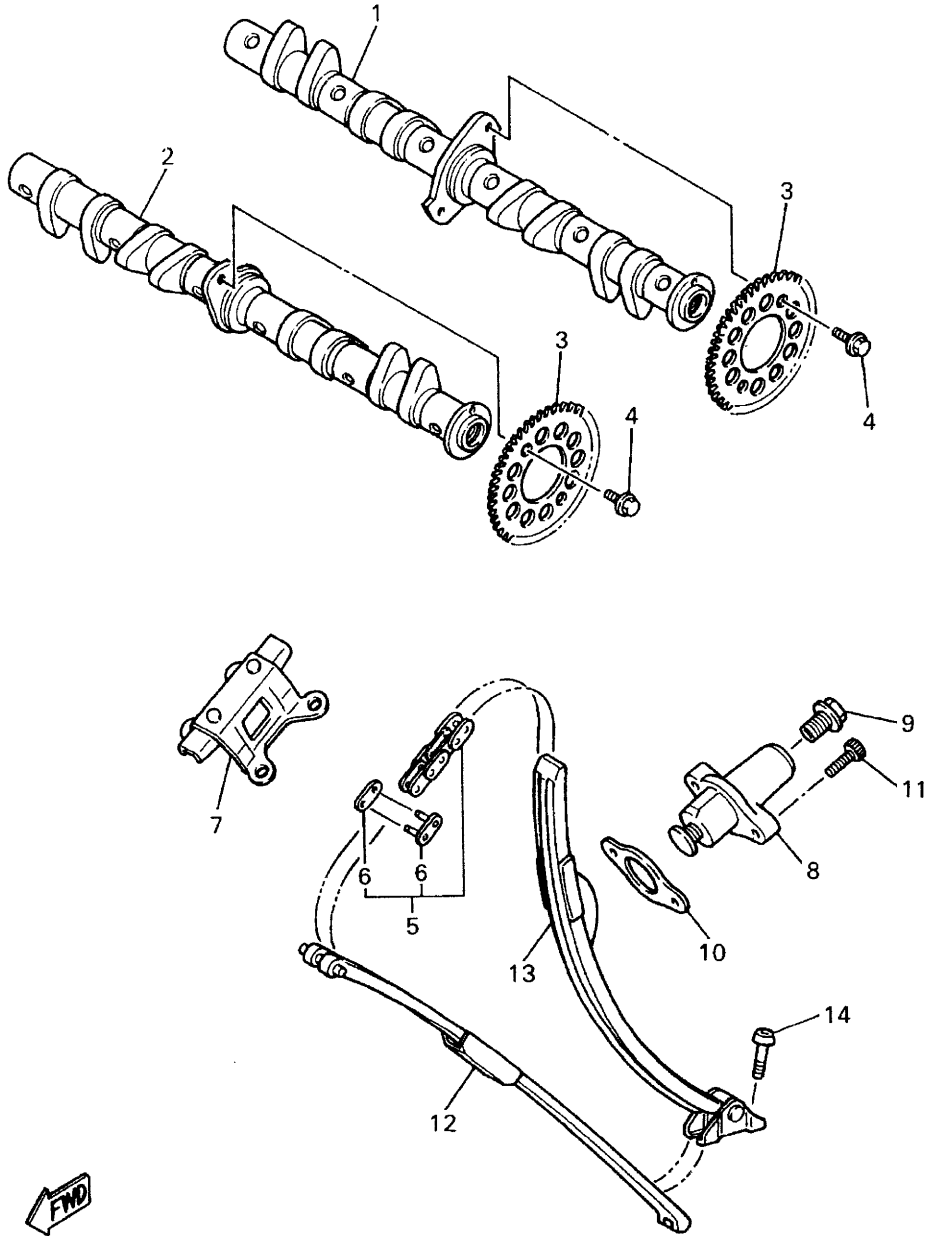


FIG. 5 CAMSHAFT. CHAIN

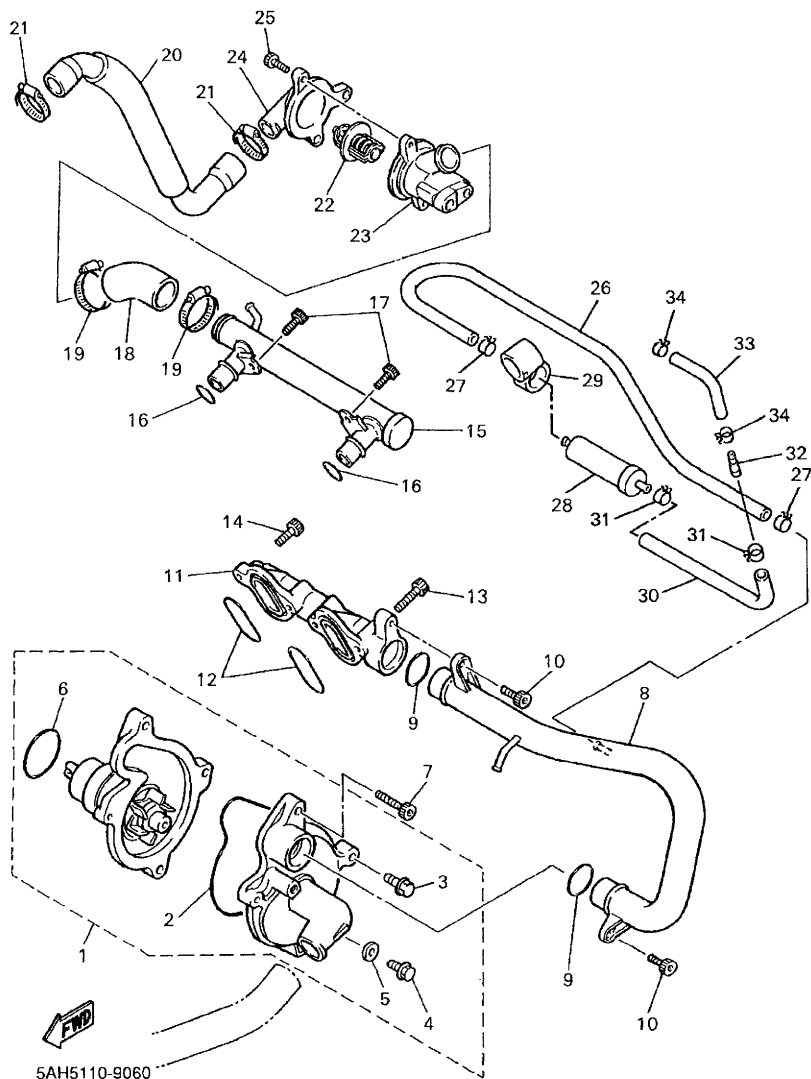
REF. NO.	PART NO.	DESCRIPTION	4TVB	4WE6			REMARKS
1	4JH-12171-01	CAMSHAFT 1	1	1			
2	4JH-12181-00	CAMSHAFT 2	1	1			
3	1WG-12176-00	SPROCKET, CAM CHAIN	2	2			
4	90105-07385	BOLT, WASHER BASED	4	4			
5	9Y581-32117	CHAIN (D.I.D. 215F DHA 118L)	1	1			
6	4TV-11498-00	.PIN, JOINT	1	1			
7	3TJ-12241-00	GUIDE, STOPPER 2	1	1			
8	1WG-12210-02	TENSIONER ASSY, CAM CHAIN	1	1			
9	90109-112F1	BOLT	1	1			
10	4FM-12213-00	GASKET, TENSIONER CASE	1	1			
11	91317-06025	BOLT	2	2			
12	3HE-12251-00	DAMPER, CHAIN 1	1	1			
13	4JH-12252-00	DAMPER, CHAIN 2	1	1			
14	90109-065A8	BOLT	2	2			



4JH351-4050

B7

FIG. 6 WATER PUMP



REF. NO.	PART NO.	DESCRIPTION	4TVB	4WE6	REMARKS
1	3TJ-Y1242-00	WATER PUMP ASSY	1	1	
2	1WG-12439-00	.O-RING	1	1	
3	90105-066A5	.BOLT, WASHER BASED	2	2	
4	95027-06012	.BOLT, FLANGE	1	1	
5	90430-06014	.GASKET	1	1	
6	93210-33133	.O-RING	1	1	
7	91317-06035	BOLT	2	2	
8	4TV-12481-00	PIPE 1	1	1	
9	93210-21190	O-RING	2	2	
10	91317-06010	BOLT	2	2	
11	1WG-12446-01	JOINT	1	1	
12	93210-17746	O-RING	2	2	
13	91317-06040	BOLT	3	3	
14	91317-06025	BOLT	1	1	
15	4JH-12482-00	PIPE 2	1	1	
16	93210-15414	O-RING	2	2	
17	91317-06010	BOLT	2	2	
18	3TJ-12576-00	HOSE 1	1	1	
19	90450-32015	HOSE CLAMP ASSY	2	2	
20	4JH-12577-00	HOSE 2	1	1	
21	90450-32015	HOSE CLAMP ASSY	2	2	
22	4JH-12410-00	THERMOSTAT ASSY	1	1	
23	3TJ-12417-00	HOUSING, THERMOSTAT	1	1	
24	3TJ-12413-00	COVER, THERMOSTAT	1	1	
25	91317-06020	BOLT	2	2	
26	4TV-12589-00	HOSE 6	1	1	
27	90467-11044	CLIP	2	2	





4TV351-6070

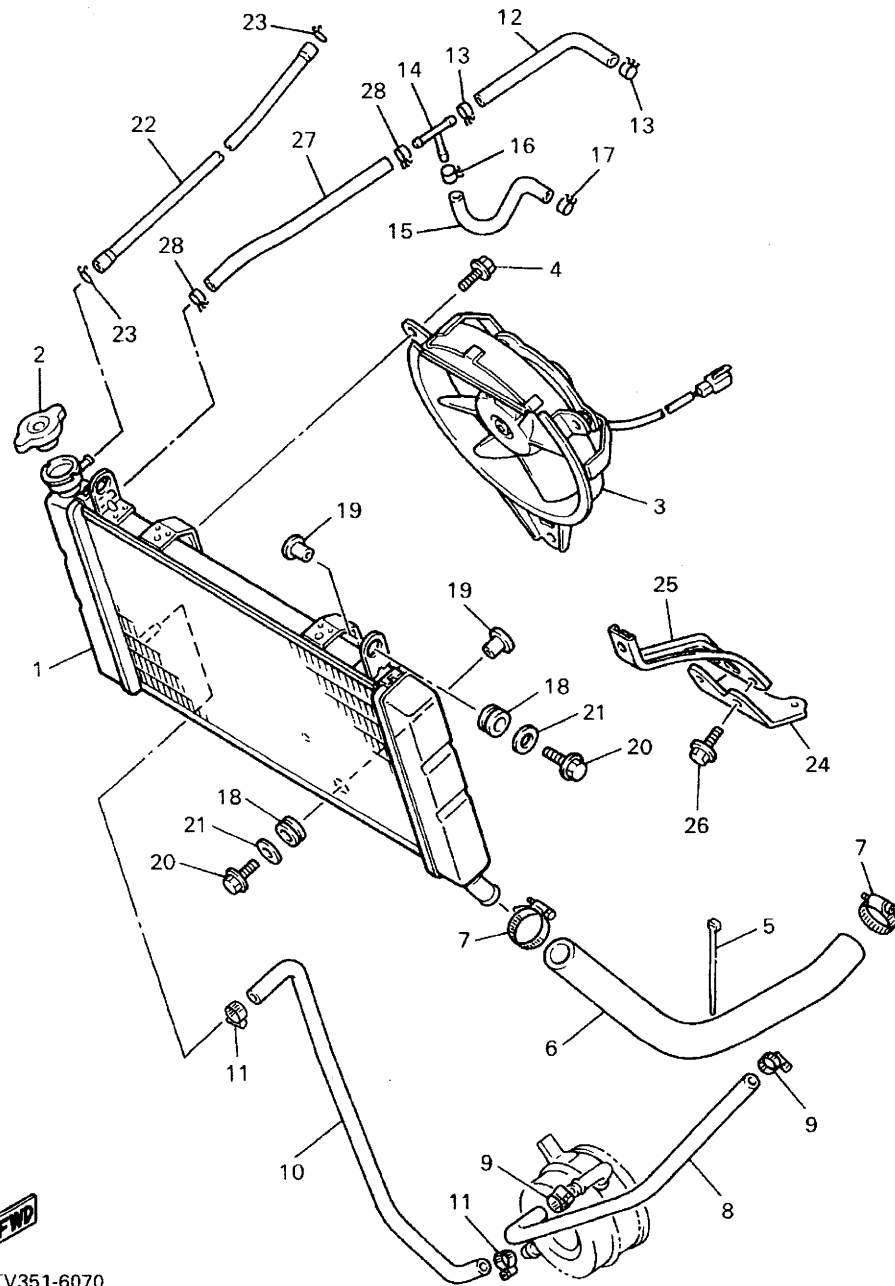
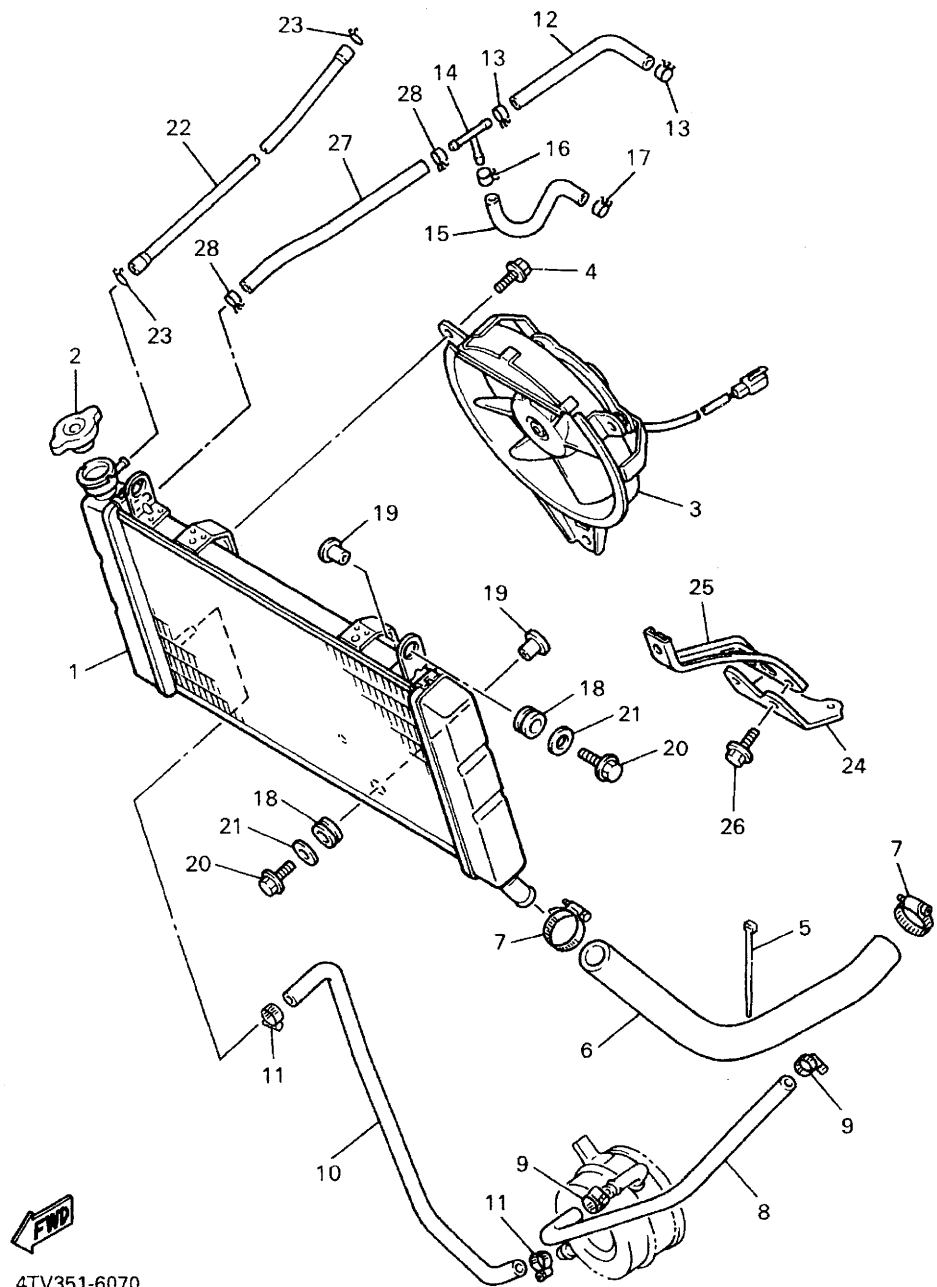


FIG. 7 RADIATOR. HOSE

REF. NO.	PART NO.	DESCRIPTION	4TVB	4WE6	REMARKS
1	4TV-12461-00	RADIATOR ASSY	1	1	
2	4JH-12462-00	CAP, RADIATOR	1	1	
3	4JH-12405-00	BLOWER ASSY	1	1	
4	95811-06010	BOLT, FLANGE	3	3	
5	90464-12045	CLAMP	1	1	
6	4TV-12578-00	HOSE 3	1	1	
7	90450-32015	HOSE CLAMP ASSY	2	2	
8	4TV-12579-00	HOSE 4	1	1	
9	90450-17036	HOSE CLAMP ASSY	2	2	
10	4JH-12588-00	HOSE 5	1	1	
11	90450-17036	HOSE CLAMP ASSY	2	2	
12	4TV-1243A-00	HOSE 1	1	1	
13	90467-11090	CLIP	2	2	
14	90413-08012	WAY 3	1	1	
15	4TV-1243F-00	HOSE,3	1	1	
16	90467-11090	CLIP	1	1	
17	90467-09037	CLIP	1	1	
18	90480-15363	GROMMET	3	3	
19	90387-07391	COLLAR	3	3	
20	95807-06025	BOLT, FLANGE	3	3	
21	90201-06071	WASHER, PLATE	3	3	
22	90445-083J9	HOSE (L960)	1	1	
23	90467-08075	CLIP	2	2	
24	4JH-1244F-00	BRACKET 1	1	1	
25	4JH-2142K-00	BRACKET, RADIATOR	1	1	
26	95807-06012	BOLT, FLANGE	2	2	
27	4TV-1244G-00	HOSE, 4	1	1	

FIG. 7 RADIATOR. HOSE

REF. NO.	PART NO.	DESCRIPTION	4TVB	4WE6	REMARKS
28	90467-11090	CLIP	2	2	
-----					
-----					
-----					
-----					
-----					
-----					
-----					
-----					
-----					
-----					



FWD  
4TV351-6070

B11

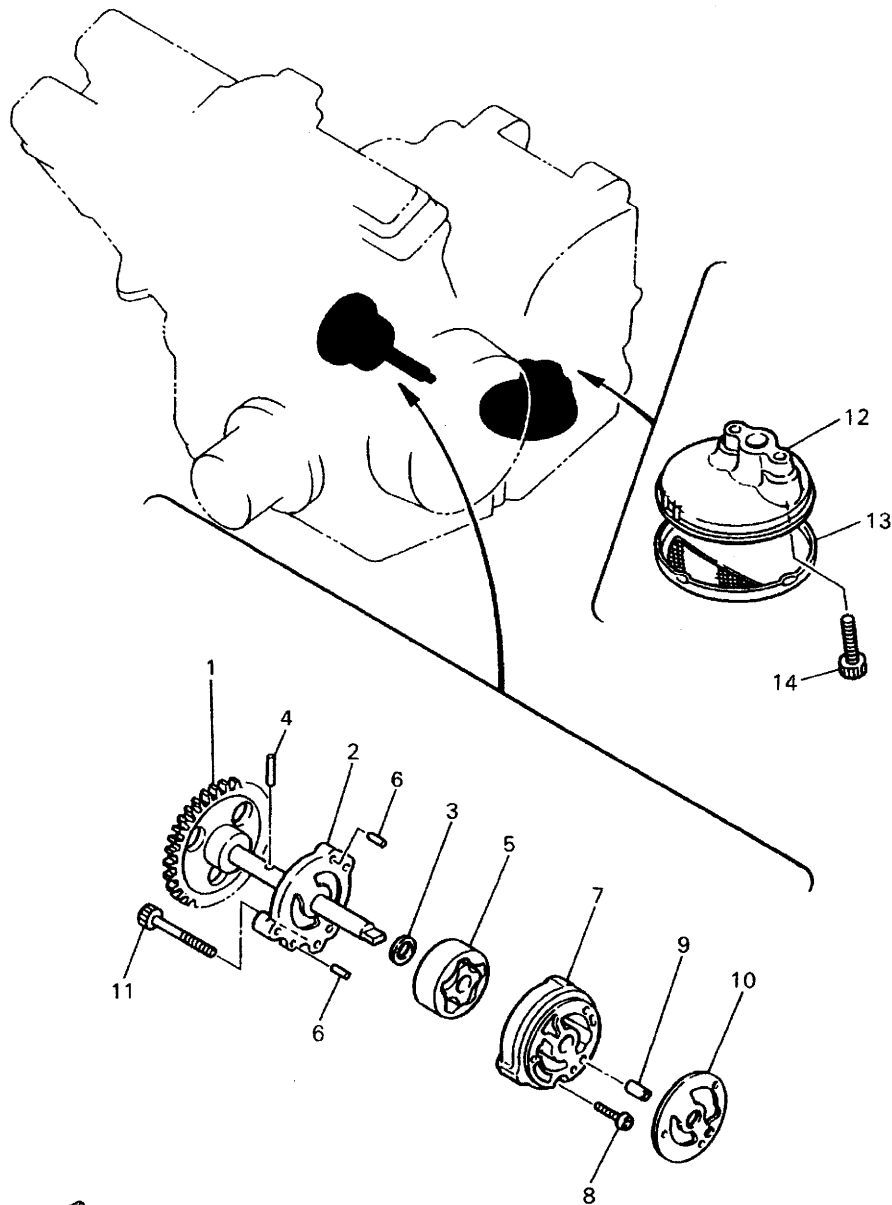


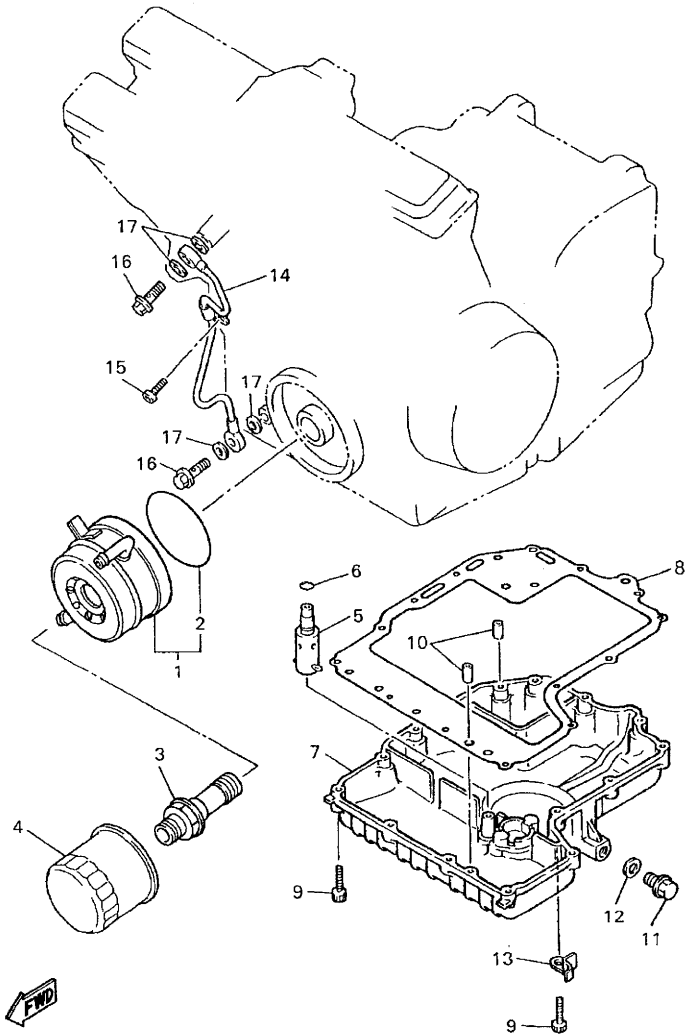
FIG. 8 OIL PUMP

REF. NO.	PART NO.	DESCRIPTION	4TVB	4WE6				REMARKS
1	4JH-13330-00	PUMP SHAFT ASSY	1	1				
2	1WG-13316-00	COVER, PUMP	1	1				
3	90201-113K2	WASHER, PLATE	1	1				
4	93603-17070	PIN, DOWEL	1	1				
5	1WG-13310-00	ROTOR ASSY 1	1	1				
6	93603-09106	PIN, DOWEL	2	2				
7	1WG-13336-00	HOUSING, ROTOR	1	1				
8	98507-06020	SCREW, PAN HEAD	1	1				
9	99530-08012	PIN, DOWEL	1	1				
10	1WG-13329-00	GASKET, PUMP COVER	1	1				
11	90110-06130	BOLT, HEXAGON SOCKET HEAD	3	3				
12	3TJ-13412-00	HOUSING, STRAINER	1	1				
13	4H7-13411-02	STRAINER, OIL	1	1				
14	90110-06225	BOLT, HEXAGON SOCKET HEAD	2	2				



4JH351-4080

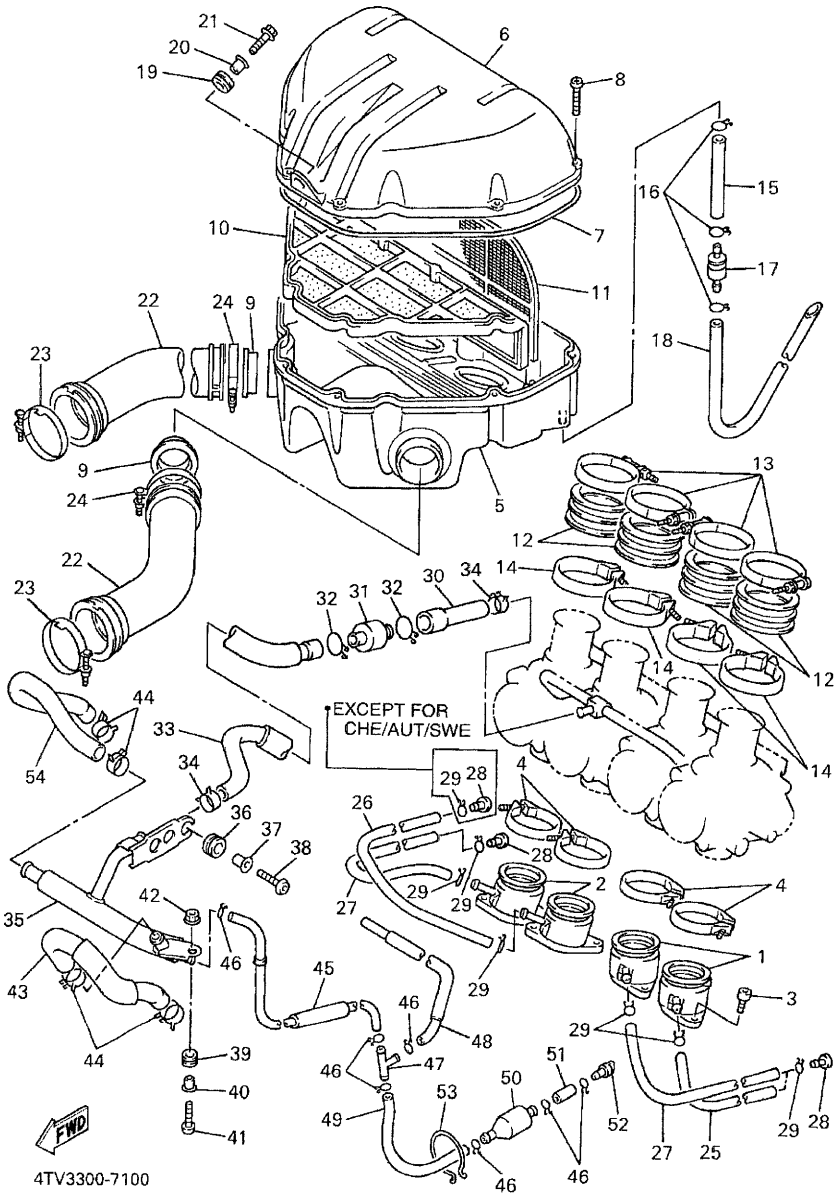
FIG. 9 OIL COOLER



4TV5351-8090

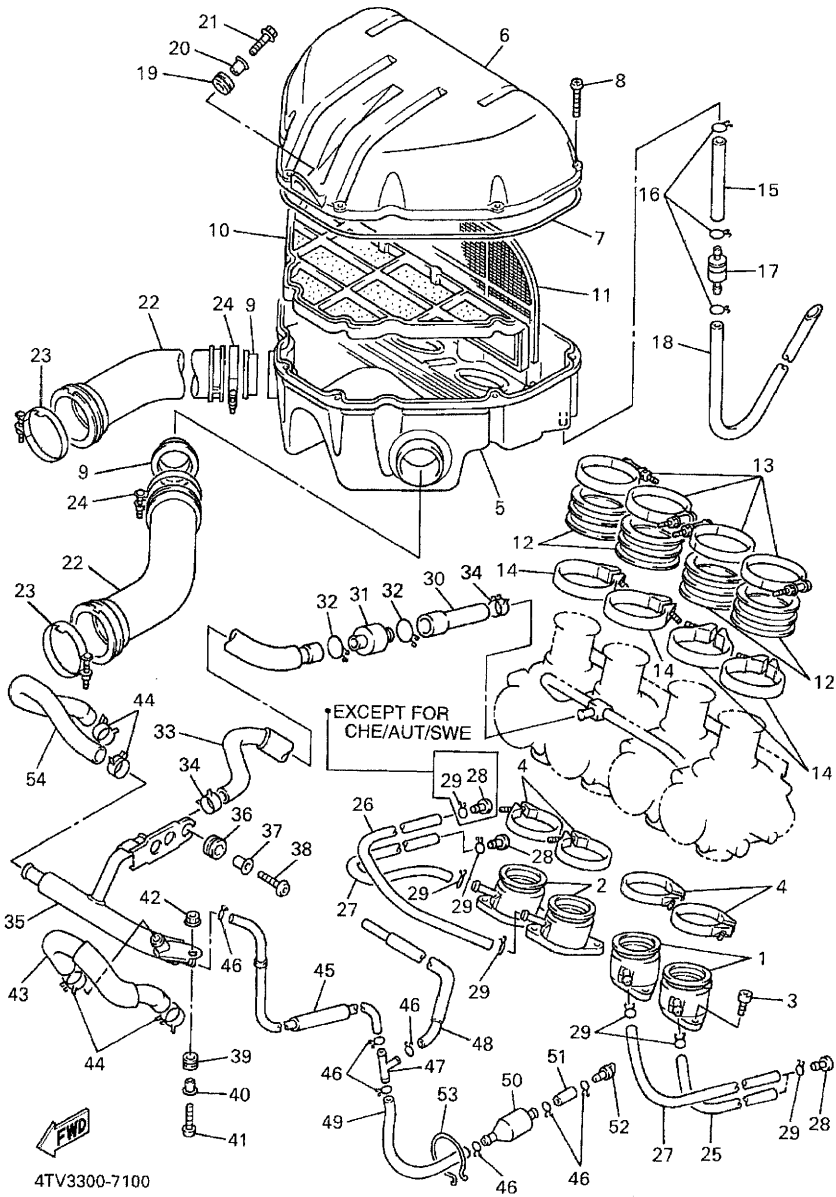
REF. NO.	PART NO.	DESCRIPTION	4TVB	4WE6	REMARKS
1	4TV-13470-10	OIL COOLER ASSY	1	1	
2	4JH-13473-00	.O-RING	1	1	
3	90401-20171	BOLT, UNION	1	1	
4	5GH-13440-00	ELEMENT ASSY, OIL CLEANER	1	1	
5	4G0-13490-01	RELIEF VALVE ASSY	1	1	
6	93210-10096	O-RING	1	1	
7	4JH-13417-00	COVER, STRAINER	1	1	
8	4TV-13414-00	GASKET, STRAINER COVER	1	1	
9	91317-06025	BOLT	14	14	
10	99530-08016	PIN, DOWEL	2	2	
11	90340-14132	PLUG, STRAIGHT SCREW	1	1	
12	214-11198-01	GASKET	1	1	
13	90465-10306	CLAMP	1	1	
14	3HE-13161-00	PIPE, DELIVERY 1	1	1	
15	91317-06010	BOLT	1	1	
16	90401-10106	BOLT, UNION	2	2	
17	90430-10188	GASKET	4	4	

FIG. 10 INTAKE



REF. NO.	PART NO.	DESCRIPTION	4TVB	4WE6	REMARKS
1	4JH-13586-02	JOINT, CARBURETOR 1	2	2	
2	4JH-13596-02	JOINT, CARBURETOR 2	2	2	
3	91317-06020	BOLT	8	8	
4	90450-52074	HOSE CLAMP ASSY	4	4	
5	4TV-14411-00	CASE, AIR CLEANER 1	1		
6	4TV-14421-00	CASE, AIR CLEANER 2	1	1	
7	4KM-14452-00	SEAL	1	1	
8	98507-05025	SCREW, PAN HEAD	8	8	
9	4TV-1441J-00	PIPE, SILENCER	2	2	
10	4TV-14468-00	PLATE, ELEMENT FITTING	1	1	
11	4TV-1444A-00	NET, FLAME ARRESTER1	1	1	
12	4TV-14453-00	JOINT, AIR CLEANER 1	4	4	
13	4TV-14455-00	BAND	4	4	
14	90450-60085	HOSE CLAMP ASSY	4	4	
15	90445-11452	HOSE (L125)	1	1	
16	90467-10041	CLIP	3	3	
17	4X7-2149Y-00	FILTER ASSY	1	1	
18	90445-075G7	HOSE (L600)	1	1	
19	90480-12314	GROMMET	1	1	
20	90387-065J6	COLLAR	1	1	
21	90119-06172	BOLT, WITH WASHER	1	1	
22	4TV-1446F-00	JOINT, SURGE TANK 1	2	2	
23	4TV-13575-00	BAND	2	2	
24	90460-59211	CLAMP, HOSE	2	2	
25	90445-09488	HOSE (L170)	1	1	
26	90445-09496	HOSE (L310)	1	1	

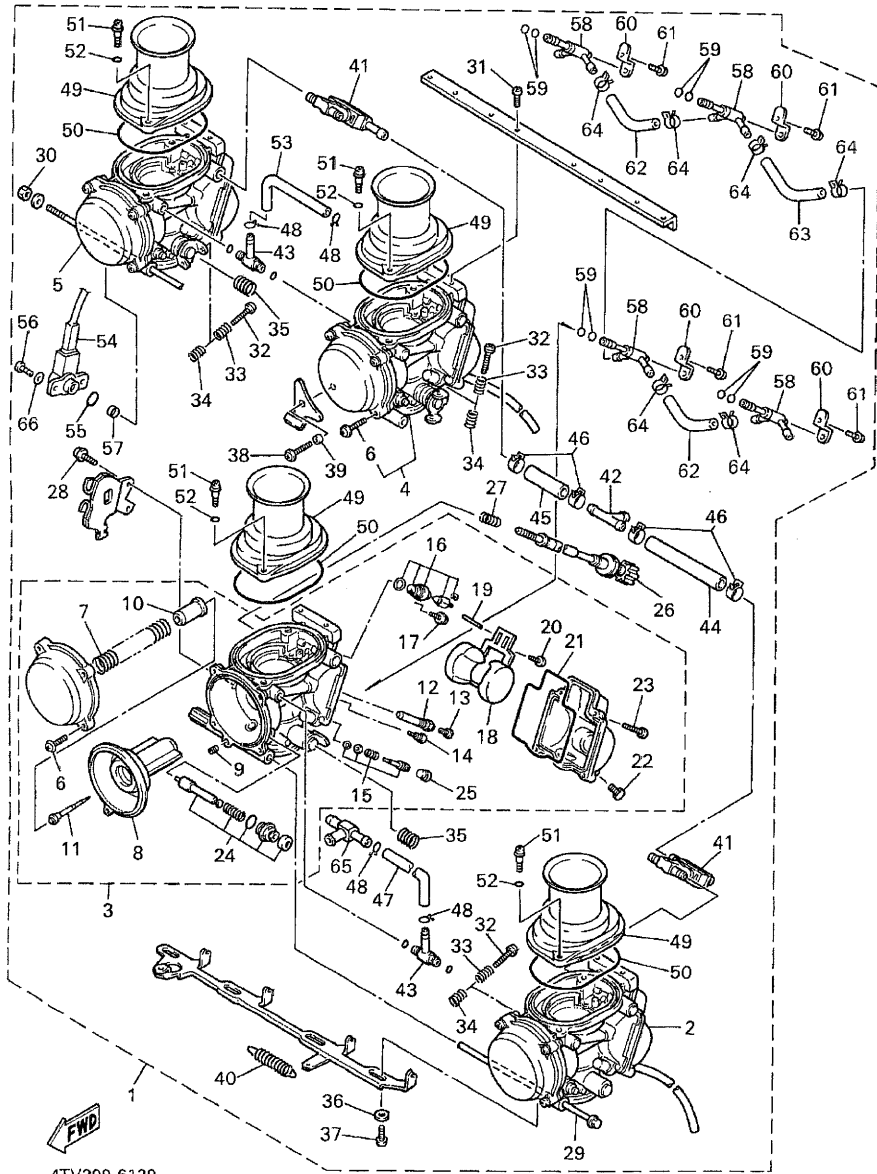
FIG. 10 INTAKE



REF. NO.	PART NO.	DESCRIPTION	4TVB	4WIE6	REMARKS
27	90445-09757	HOSE (L270)	2	2	
28	90338-05194	PLUG	4		
29	90467-08017	CLIP	8		
30	4TV-14485-01	PIPE, JOINT	1	1	
31	3GM-14467-00	SEAL	1	1	
32	90467-20030	CLIP	2	2	
33	4TV-14197-00	PIPE	1	1	
34	90467-19160	CLIP	2	2	
35	4TV-14466-00	PIPE	1	1	
36	90480-15363	GROMMET	1	1	
37	90387-07391	COLLAR	1	1	
38	90110-06087	BOLT, HEXAGON SOCKET HEAD	1	1	
39	90480-12237	GROMMET	1	1	
40	90387-087L0	COLLAR	1	1	
41	92017-06016	BOLT, BUTTON HEAD	1	1	
42	95707-06500	NUT, FLANGE	1	1	
43	4TV-14148-00	PIPE	1	1	
44	90467-20154	CLIP	4	4	
45	4TV-1443E-00	PIPE, DRAIN	1	1	
46	90467-11106	CLIP	7	7	
47	90413-08009	WAY 3	1	1	
48	90445-110H9	HOSE (L390)	1	1	
49	90445-114J7	HOSE	1	1	
50	4TV-14226-00	CUP, DRAIN	1	1	
51	90445-11262	HOSE (L30)	1	1	



FIG. 12 CARBURETOR



4TV300-6120

REF. NO.	PART NO.	DESCRIPTION	4TVB	4WE6	REMARKS
1	4TV-14900-01	CARBURETOR ASSY	1		
2	4TV-14901-01	.CARBURETOR ASSY 1	1		
3	4TV-14902-01	.CARBURETOR ASSY 2	1		
4	4TV-14903-01	.CARBURETOR ASSY 3	1		
5	4TV-14904-01	.CARBURETOR ASSY 4	1		
6	4JH-14216-00	..SCREW	3	3	UR #3
	4JH-14216-00	..SCREW	4	4	UR #1,2,4
7	4TV-14933-00	..SPRING, DIAPHRAGM	1	1	
8	4TV-14940-00	..DIAPHRAGM ASSY	1	1	
9	4JH-14515-00	..JET	1	1	
10	4JH-14936-00	..SEAT, SPRING	1	1	
11	4TV-14916-00	..NEEDLE	1	1	UR #1,4
	4TV-14916-10	..NEEDLE	1	1	UR #2,3
12	4TV-1414G-00	..PIPE, MAIN BREED	1	1	
13	3TJ-14943-38	..JET, MAIN (#155)	1	1	
14	4JH-14948-02	..JET (#38)	1	1	
15	4JH-14105-00	..PILOT SCREW SET	1	1	
16	4JH-14107-00	..NEEDLE VALVE SET	1	1	
17	3TJ-14216-40	..SCREW	1	1	
18	4JH-14985-00	..FLOAT	1	1	
19	676-14548-00	..PIN, FLOAT ARM	1	1	
20	688-14592-00	..SCREW	1	1	

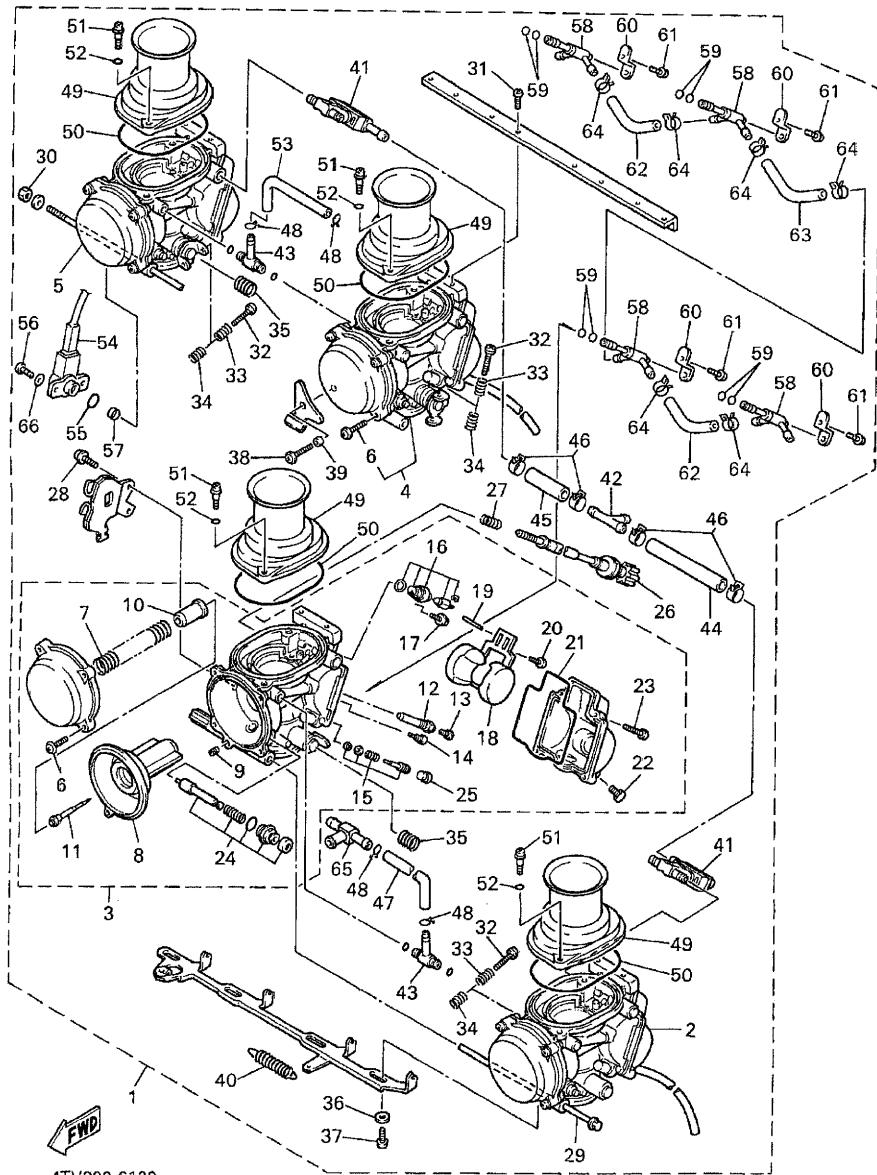
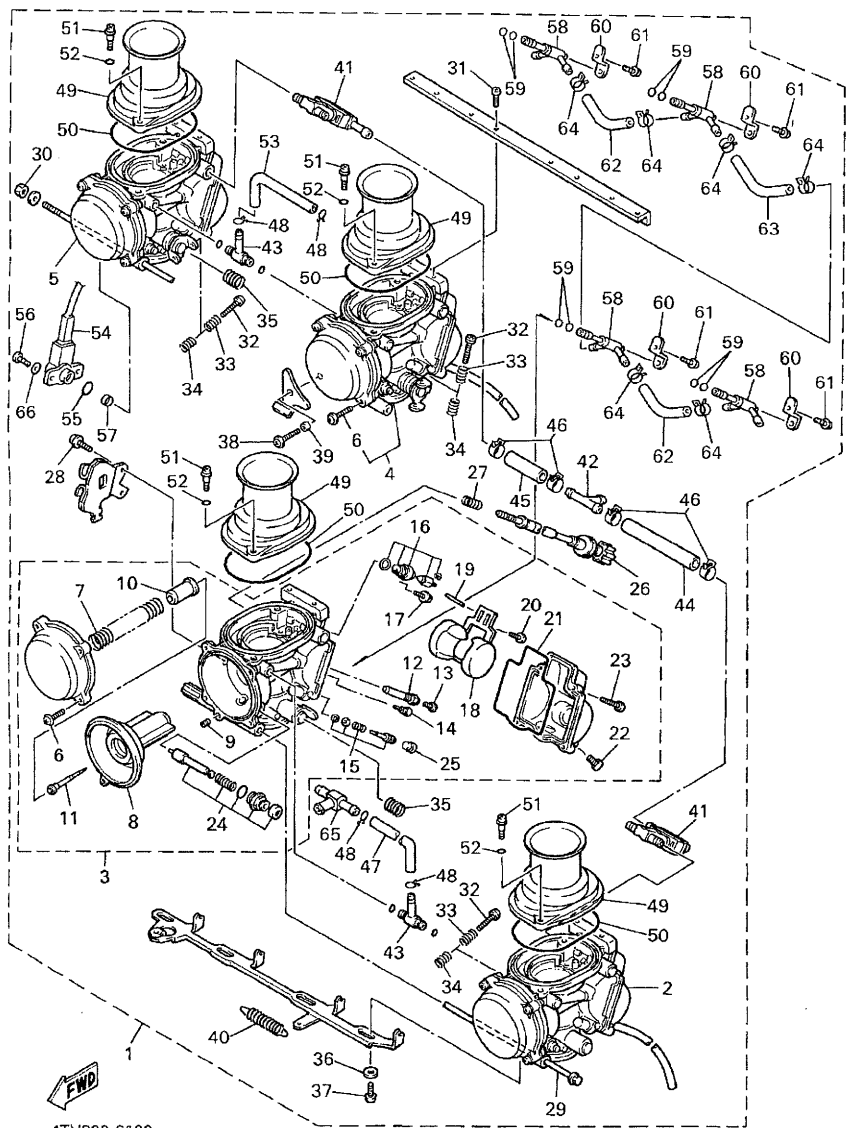


FIG. 12 CARBURETOR

REF. NO.	PART NO.	DESCRIPTION	4TVB	4WE6	REMARKS
21	4JH-14984-00	..GASKET, FLOAT CHAMBER	1	1	
22	3TJ-14191-40	..PLUG, DRAIN	1	1	
23	98502-04014	..SCREW, PAN HEAD	4	4	
24	4TV-1410A-01	..STARTER SET	1	1	
25	NOT APPLICABLE				
26	4JH-14922-00	..SCREW, THROTTLE	1	1	
27	4JH-14934-00	..SPRING, THROTTLE STOP	1	1	
28	4JH-14429-00	..SCREW	1	1	
29	4JH-14162-00	..BOLT, HOLDING	1	1	
30	4JH-14358-00	..NUT	1	1	
31	4JH-14325-00	..SCREW, PAN HEAD	8	8	
32	4JH-14121-00	..SCREW, THROTTLE STOP	3	3	
33	7A9-14555-00	..SPRING	3	3	
34	4JH-14133-00	..SPRING, THROTTLE STOP	3	3	
35	4JH-14487-00	..SPRING	2	2	
36	90202-06056	..WASHER, PLATE	6	6	
37	3TJ-14245-40	..SCREW, GUIDE	3	3	
38	4JH-14565-00	..SCREW	1	1	
39	4JH-14264-00	..COLLAR	1	1	
40	4JH-14935-00	..SPRING	1	1	
41	4JH-14350-00	..PIPE ADAPTOR ASSY	2	2	
42	4JH-13918-00	..PIPE T	1	1	
43	4JH-14197-00	..PIPE	2	2	
44	4JH-14294-00	..HOSE	1	1	
45	4JH-14298-00	..PIPE	1	1	
46	4JH-14137-00	..CLIP	4	4	
47	4TV-14349-00	..PIPE	1	1	

4TV300-6120

FIG. 12 CARBURETOR

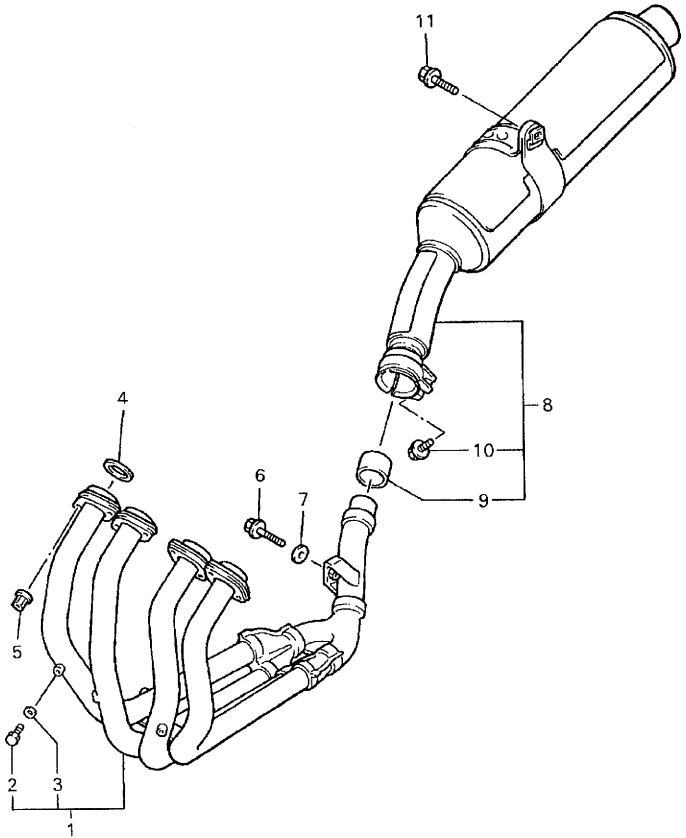


4TV300-6120

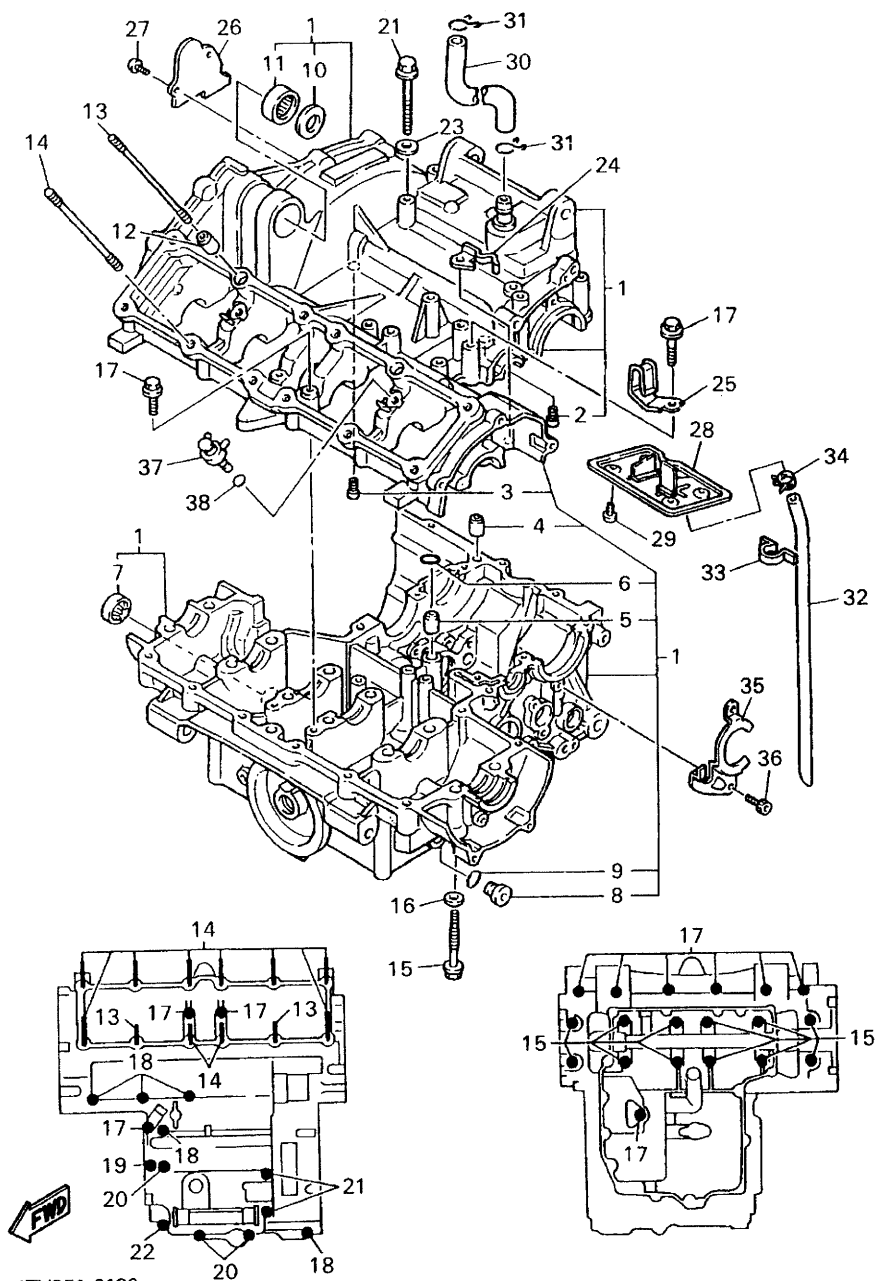
REF. NO.	PART NO.	DESCRIPTION	4TVB	4WE6	REMARKS
48	3TJ-14937-40	.CLIP	4	4	
49	4TV-1440F-00	.JOINT, AIR FILTER 1	4	4	
50	4JH-14561-00	.O-RING	4	4	
51	4JH-14245-00	.SCREW, GUIDE	8	8	
52	4TV-14561-00	.O-RING	8	8	
53	4TV-14348-00	.PIPE 1	1	1	
54	4TV-85885-00	.THROTTLE POSITION SENSOR ASSY	1	1	
55	4TV-14562-00	.O-RING	1	1	
56	4TV-14216-00	.SCREW	2	2	
57	4TV-14534-00	.COLLAR	1	1	
58	4TV-12446-00	.JOINT	4	4	
59	4TV-12439-00	.O-RING	8	8	
60	4TV-12573-00	.FLANGE, HOSE JT. 1	4	4	
61	4TV-14567-00	.SCREW	4	4	
62	4TV-12576-00	.HOSE 1	2	2	
63	4TV-12577-00	.HOSE 2	1	1	
64	4TV-12486-00	.CLIP	6	6	
65	4TV-14465-00	.PIPE	1	1	
66	4TV-14557-00	.WASHER	2	2	

FIG. 13 EXHAUST

REF. NO.	PART NO.	DESCRIPTION	4TV	4WE6		REMARKS
1	4TV-14602-00	EXHAUST PIPE COMP.	1	1		
2	97080-06008	.BOLT	4	4		
3	92990-06600	.WASHER, PLATE	4	4		
4	3YF-14613-01	GASKET, EXHAUST PIPE	4	4		
5	90179-06668	NUT	8	8		
6	95817-08030	BOLT, FLANGE	1	1		
7	90201-08730	WASHER, PLATE	1	1		
8	4TV-14710-10	MUFFLER ASSY 1	1	1		
9	3XW-14714-00	.GASKET, MUFFLER	1	1		
10	95814-08025	.BOLT, FLANGE	1	1		
11	95814-10025	BOLT, FLANGE	1	1		



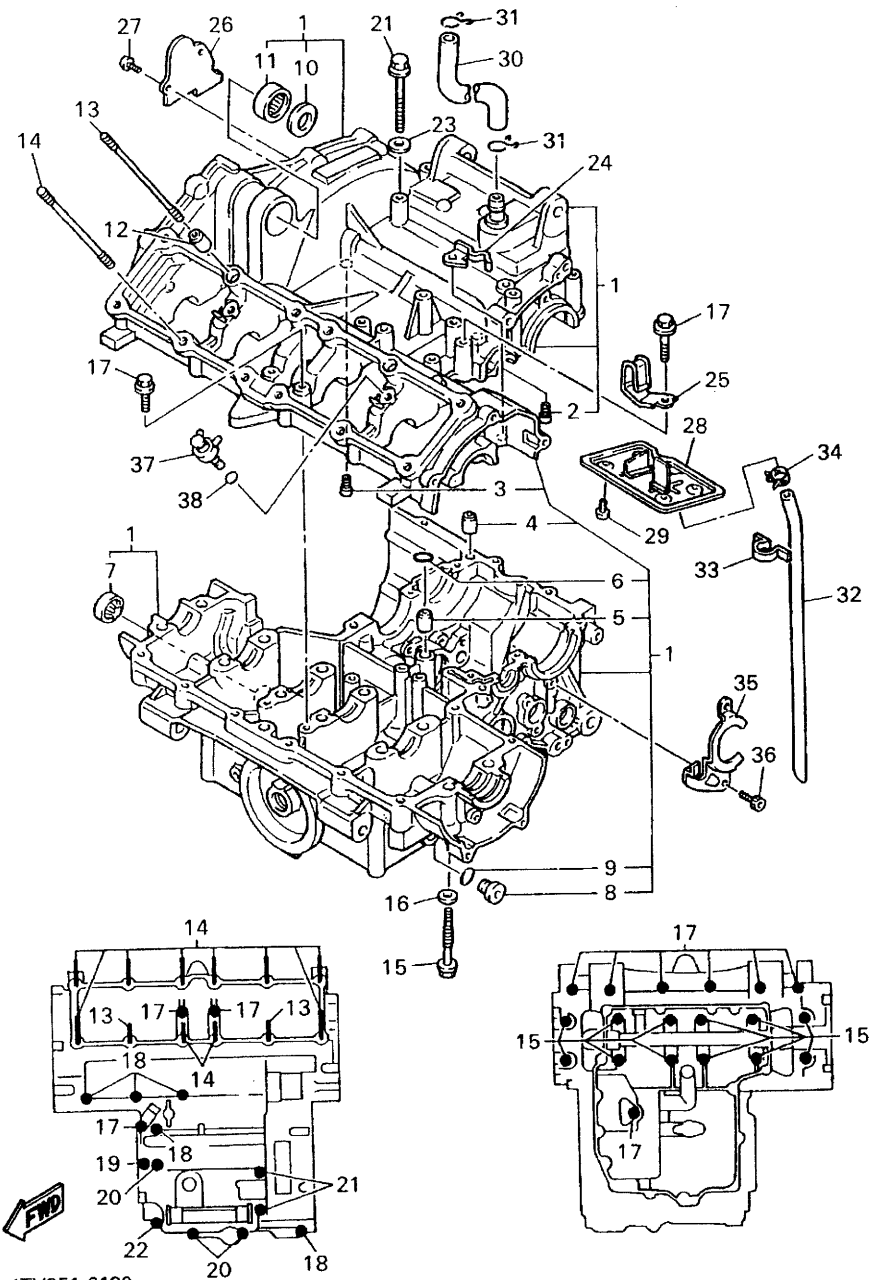
  
4TV5351-8120



4TV351-6130

FIG. 14 CRANKCASE

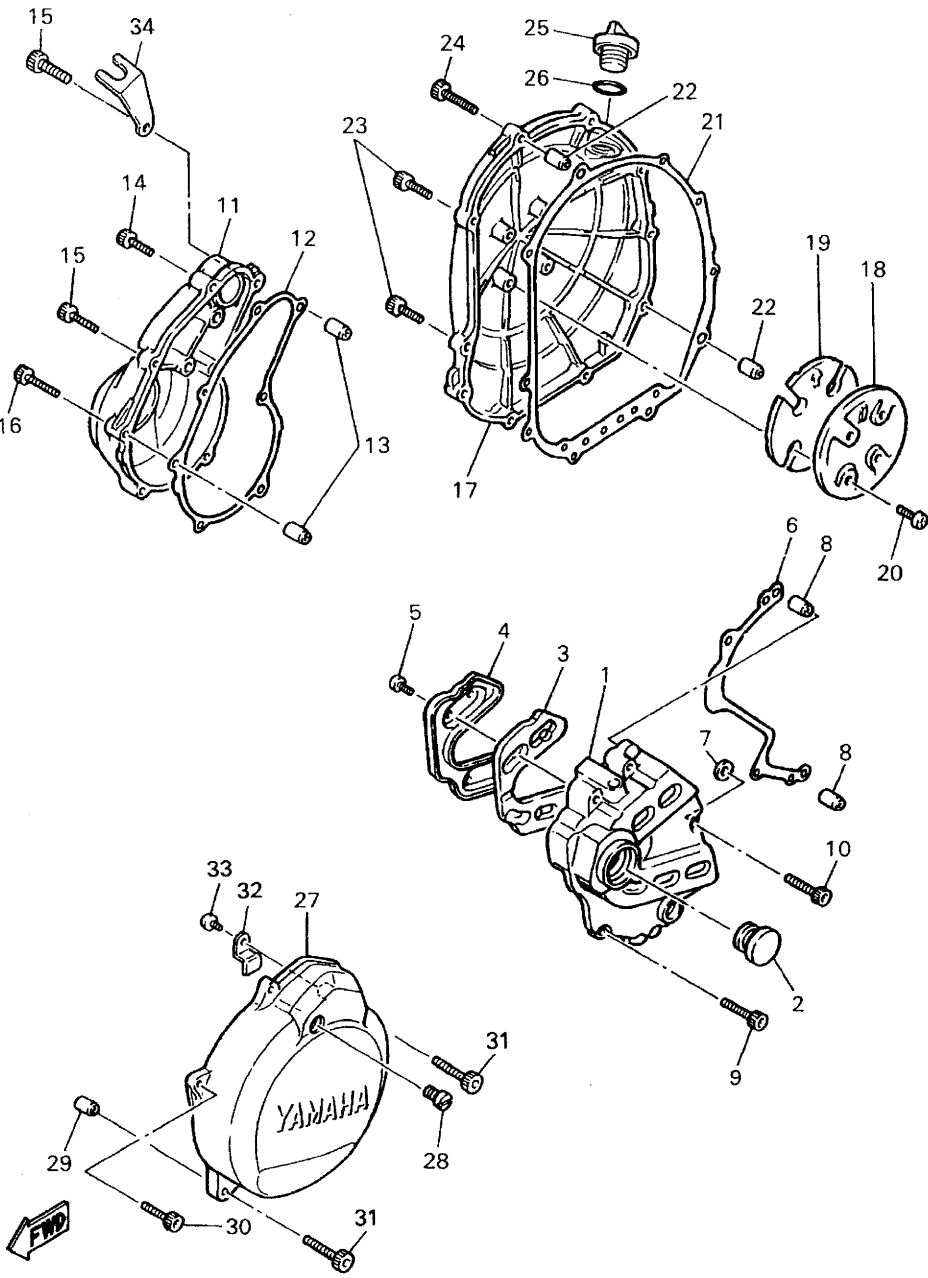
REF. NO.	PART NO.	DESCRIPTION	4TVB	4WE6	REMARKS
1	4JH-15100-03	CRANKCASE ASSY	1	1	
2	11H-15138-00	.NOZZLE 1	1	1	
3	26H-15138-00	.NOZZLE 1	1	1	
4	99530-12016	.PIN, DOWEL	1	1	
5	4JH-15138-00	.NOZZLE 1	1	1	
6	93210-12152	.O-RING	1	1	
7	4H7-15361-00	.GAUGE, LEVEL	1	1	
8	36Y-15189-00	.PLUG	2	2	
9	93210-16325	.O-RING	2	2	
10	90201-237K5	.WASHER, PLATE	1	1	
11	93315-32516	.BEARING	1	1	
12	93612-16254	PIN, DOWEL	2	2	
13	90116-09583	BOLT, STUD	2	2	
14	90116-09584	BOLT, STUD	10	10	
15	90105-08630	BOLT, WASHER BASED	12	12	
16	90201-087K3	WASHER, PLATE	12	12	
17	95817-06040	BOLT, FLANGE	10	10	
18	95817-06050	BOLT, FLANGE	5	5	
19	95817-06070	BOLT, FLANGE	1	1	
20	95817-06080	BOLT, FLANGE	3	3	
21	95817-06090	BOLT, FLANGE	2	2	
22	95817-08070	BOLT, FLANGE	1	1	
23	90430-06166	GASKET	1	1	
24	90465-10307	CLAMP	1	1	
25	90465-10308	CLAMP	1	1	
26	4JH-11165-00	PLATE, BREATHER	1	1	
27	98507-06012	SCREW, PAN HEAD	2	2	



4TV351-6130

FIG. 14 CRANKCASE

REF. NO.	PART NO.	DESCRIPTION	4TVB	4WE6	REMARKS
28	3HE-11145-00	PLATE, BREATHER 2	1	1	
29	98507-06012	SCREW, PAN HEAD	4	4	
30	1WG-11166-00	PIPE, BREATHER 1	1	1	
31	90467-14015	CLIP	2	2	
32	90445-116E9	HOSE (L249)	1	1	
33	90465-06289	CLAMP	1	1	
34	90467-10038	CLIP	1	1	
35	4JH-15381-00	PLATE, BEARING COVER	1	1	
36	91317-06012	BOLT	2	2	
37	3HE-15105-02	NOZZLE ASSY	2	2	
38	93210-06422	O-RING	2	2	



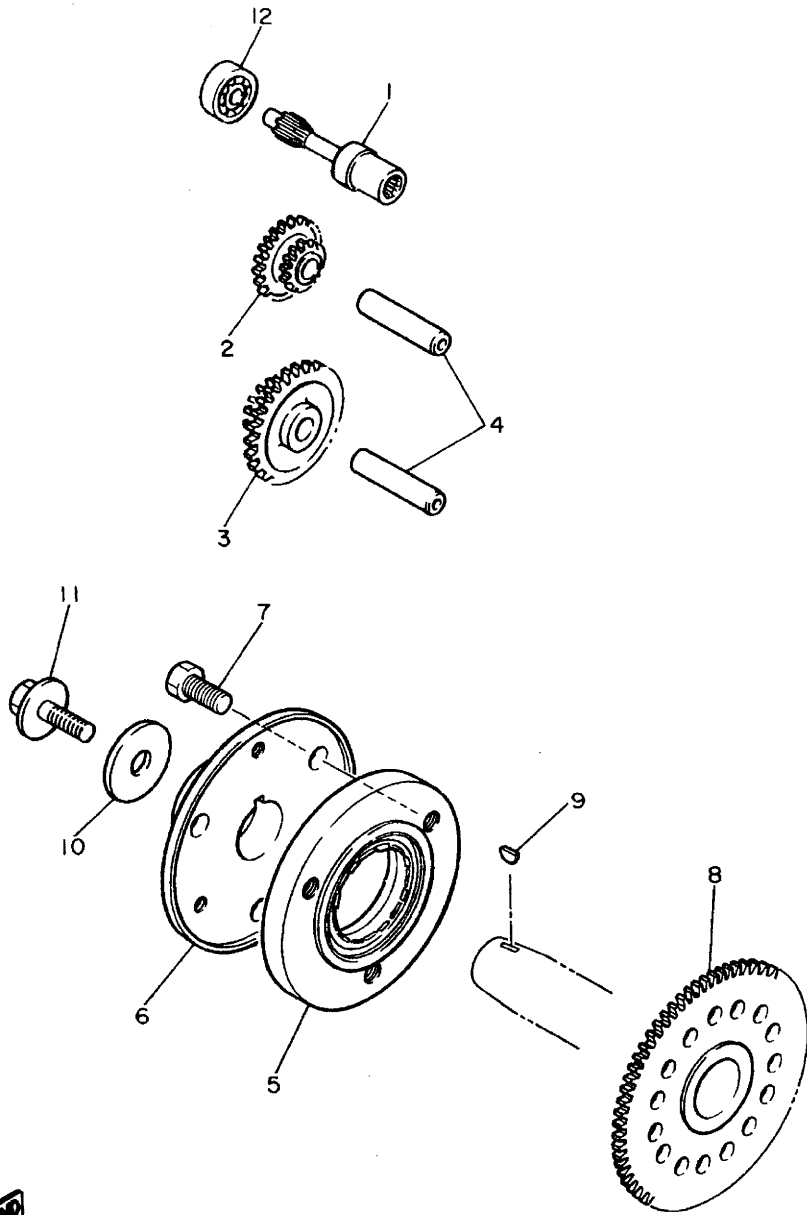
4TV351-6140

FIG. 15 CRANKCASE COVER 1

REF. NO.	PART NO.	DESCRIPTION	4TVB	4WE6	REMARKS
1	4JH-15411-00	COVER, CRANKCASE 1	1	1	
2	1L9-15417-00	COVER, CAP	1	1	
3	1WG-15316-00	DAMPER, ENGINE MOUNT 1	1	1	
4	1WG-15427-00	COVER, CAP 2	1	1	
5	98907-05008	SCREW, BIND	4	4	
6	3HE-15451-10	GASKET, CRANKCASE COVER 1	1	1	
7	3HE-15467-10	GASKET	1	1	
8	99530-08016	PIN, DOWEL	2	2	
9	90110-06149	BOLT, HEXAGON SOCKET HEAD	4	4	
10	90110-06130	BOLT, HEXAGON SOCKET HEAD	1	1	
11	4JH-15421-00	COVER, CRANKCASE 2	1	1	
12	4TV-15461-00	GASKET, CRANKCASE COVER 2	1	1	
13	99530-08016	PIN, DOWEL	2	2	
14	91314-06025	BOLT	2	2	
15	91314-06035	BOLT	4	4	
16	91314-06045	BOLT	1	1	
17	4JH-15431-00	COVER, CRANKCASE 3	1	1	
18	1WG-15425-00	COVER, GENERATOR 2	1	1	
19	1WG-15326-00	DAMPER, ENGINE MOUNT 2	1	1	
20	98907-05008	SCREW, BIND	4	4	
21	4TV-15462-00	GASKET, CRANKCASE COVER 3	1	1	
22	99530-08016	PIN, DOWEL	2	2	
23	91314-06025	BOLT	8	8	
24	91314-06035	BOLT	2	2	
25	3F9-15362-00	PLUG, OIL LEVEL	1	1	
26	93210-27194	O-RING	1	1	
27	4TV-15415-00	COVER, GENERATOR	1	1	

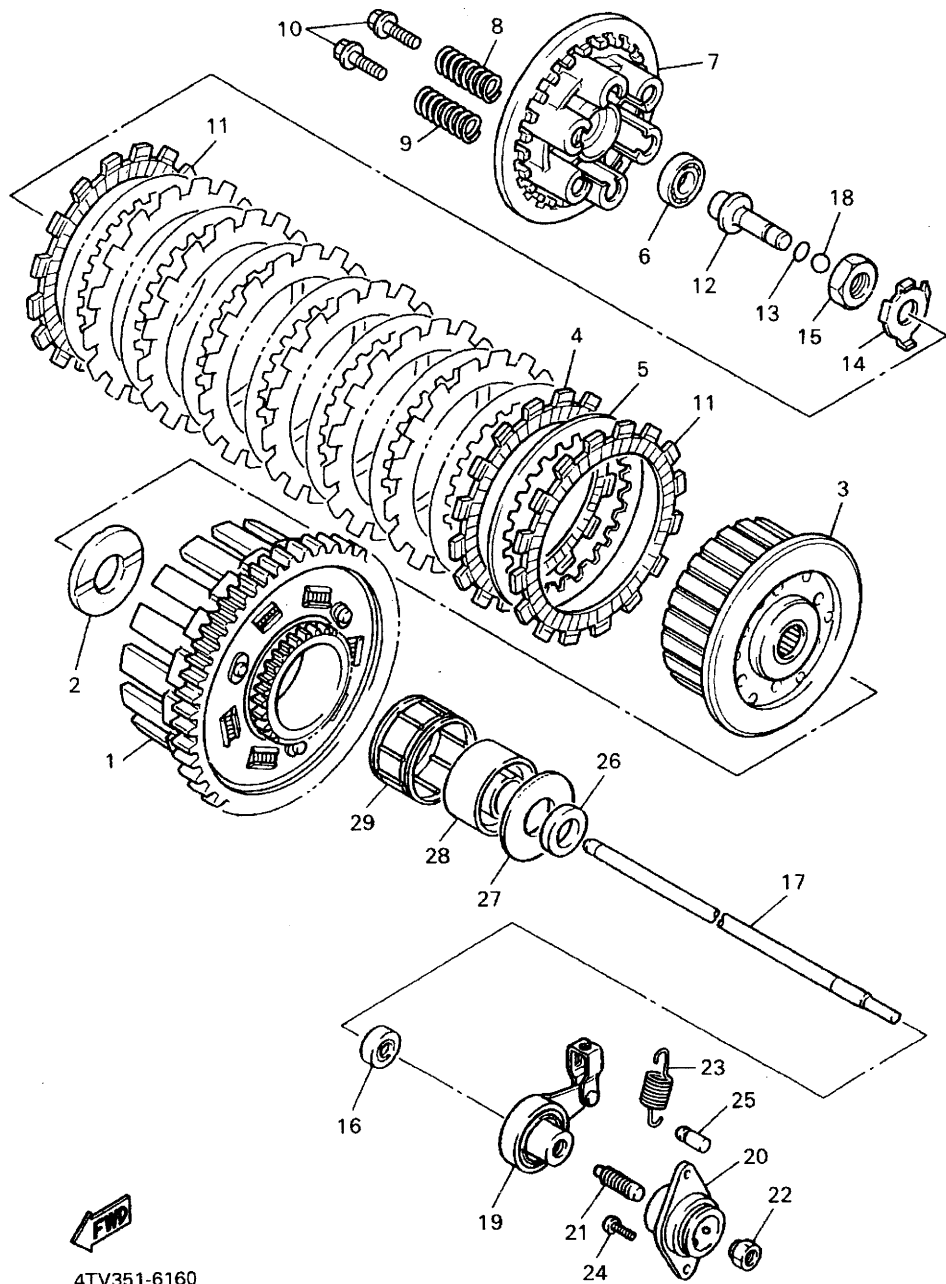


FIG. 16 STARTER CLUTCH



REF. NO.	PART NO.	DESCRIPTION	4TVB	4WE6	REMARKS
1	3HE-15521-00	SHAFT 1	1	1	
2	3HE-15512-00	GEAR, IDLER 1	1	1	
3	3HE-15517-00	GEAR, IDLER 2	1	1	
4	3TJ-15521-00	SHAFT 1	2	2	
5	3HE-15590-02	STARTER ONE-WAY ASSY	1	1	
6	3HE-15524-00	WHEEL, STARTER	1	1	
7	91317-08020	BOLT	3	3	
8	4JH-15515-00	GEAR 3	1	1	
9	90280-05048	KEY, WOODRUFF	1	1	
10	90201-107K6	WASHER, PLATE	1	1	
11	90105-10445	BOLT, WASHER BASED	1	1	
12	93306-20006	BEARING (B6200)	1	1	NTN

FWD  
3HE332-9160



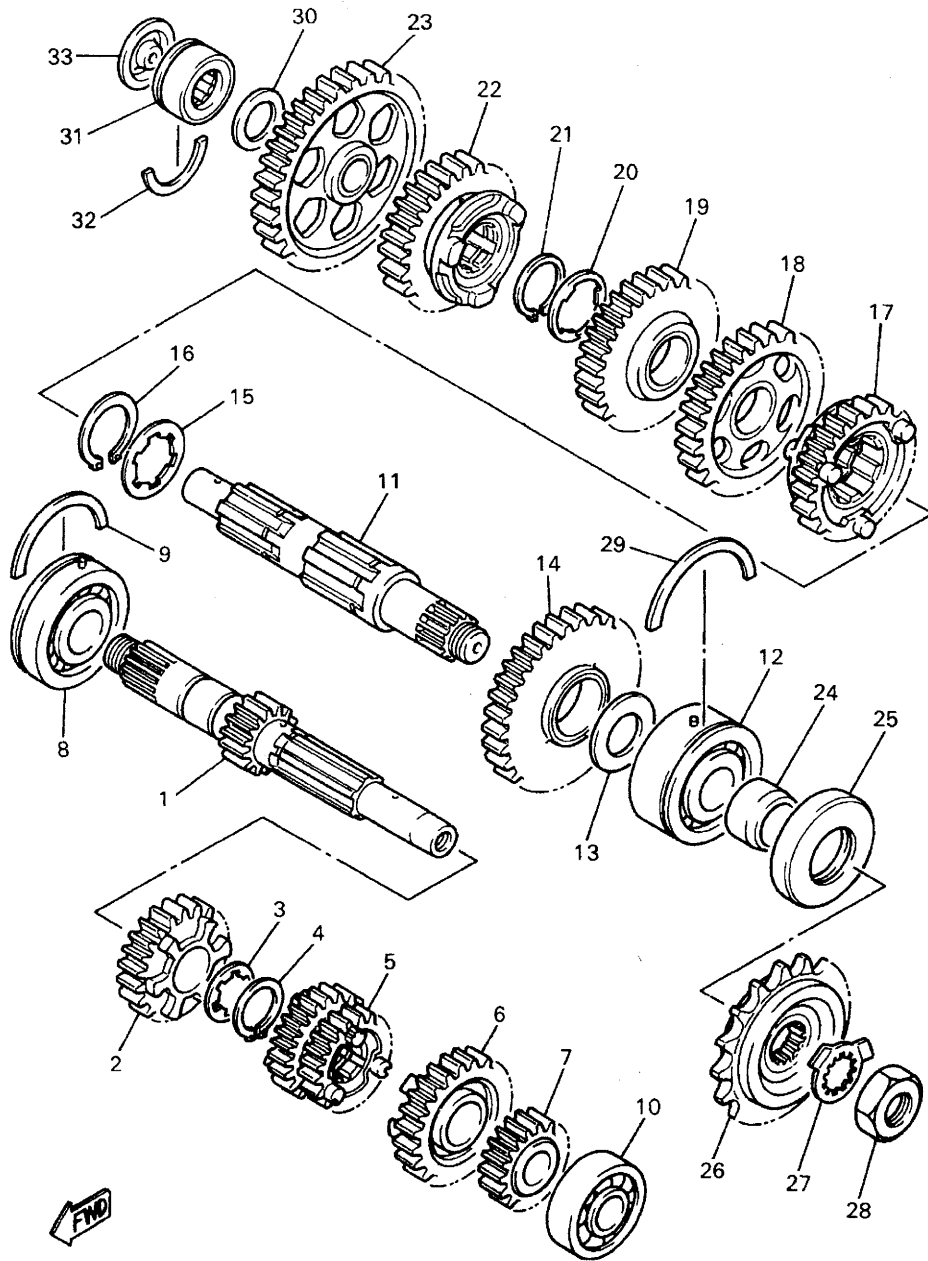
4TV351-6160

FIG. 17 CLUTCH

REF. NO.	PART NO.	DESCRIPTION	4TVB	4WEG	REMARKS
1	4JH-16150-00	PRIMARY DRIVEN GEAR COMP.	1	1	
2	1WG-16154-00	PLATE, THRUST 1	1	1	
3	4JH-16371-01	BOSS, CLUTCH	1	1	
4	4JH-16321-00	PLATE, FRICTION	7	7	
5	1LX-16324-00	PLATE, CLUTCH 1	8	8	
6	93306-00105	BEARING (B6001)	1	1	
7	4JH-16351-00	PLATE, PRESSURE 1	1	1	
8	90501-23346	SPRING, COMPRESSION	3	3	
9	90501-224J9	SPRING, COMPRESSION	3	3	
10	90159-06092	SCREW, WITH WASHER	6	6	
11	3JD-16321-00	PLATE, FRICTION	2	2	
12	4JH-16356-00	ROD, PUSH 1	1	1	
13	93210-48364	O-RING	1	1	
14	90215-18225	WASHER, LOCK	1	1	
15	90170-18221	NUT	1	1	
16	93109-08058	OIL SEAL (SD07 8-21-5.5 HS)	1	1	
17	4JH-16357-00	ROD, PUSH 2	1	1	
18	93505-16006	BALL	1	1	
19	4JH-16340-00	PUSH LEVER ASSY	1	1	
20	1WG-16304-00	BALL SCREW HOUSING ASSY	1	1	
21	90113-08021	BOLT, SET	1	1	
22	90179-08179	NUT	1	1	
23	90506-11488	SPRING, TENSION	1	1	
24	90157-05065	SCREW, PAN HEAD	2	2	
25	132-16346-00	HOOK, SPRING	1	1	
26	90387-212R3	COLLAR	1	1	
27	1WG-16164-00	PLATE, THRUST 2	1	1	



FIG. 18 TRANSMISSION



REF. NO.	PART NO.	DESCRIPTION	4TVB	4WE6	REMARKS
1	4JH-17411-00	AXLE, MAIN (13T)	1	1	
2	4TV-17151-00	GEAR, 5TH PINION (21T)	1	1	
3	90209-22191	WASHER	1	1	
4	93440-25084	CIRCLIP	1	1	
5	4JH-17131-00	GEAR, 3RD/4TH PINION (22T/21T)	1	1	
6	4TV-17161-00	GEAR, 6TH PINION (27T)	1	1	
7	4TV-17121-00	GEAR, 2ND PINION (19T)	1	1	
8	93306-37208	BEARING	1	1	
9	93440-54152	CIRCLIP	1	1	
10	93306-20464	BEARING	1	1	
11	4TV-17421-00	AXLE, DRIVE	1	1	
12	93305-20509	BEARING	1	1	
13	4TV-17417-00	SHIM 1	1	1	
14	4JH-17221-00	GEAR, 2ND WHEEL (37T)	1	1	
15	90209-27336	WASHER	1	1	
16	93440-30077	CIRCLIP	1	1	
17	4TV-17261-00	GEAR, 6TH WHEEL (29T)	1	1	
18	4JH-17231-00	GEAR, 3RD WHEEL (34T)	1	1	
19	4JH-17241-00	GEAR, 4TH WHEEL (28T)	1	1	
20	90209-22191	WASHER	1	1	
21	93440-25084	CIRCLIP	1	1	
22	4TV-17251-00	GEAR, 5TH WHEEL (25T)	1	1	
23	4JH-17211-00	GEAR, 1ST WHEEL (37T)	1	1	
24	90387-2504A	COLLAR	1	1	
25	93102-35368	OIL SEAL	1	1	
26	4TV-17460-00	SPROCKET, DRIVE (15T)	1	1	
27	90215-21022	WASHER, LOCK	1	1	



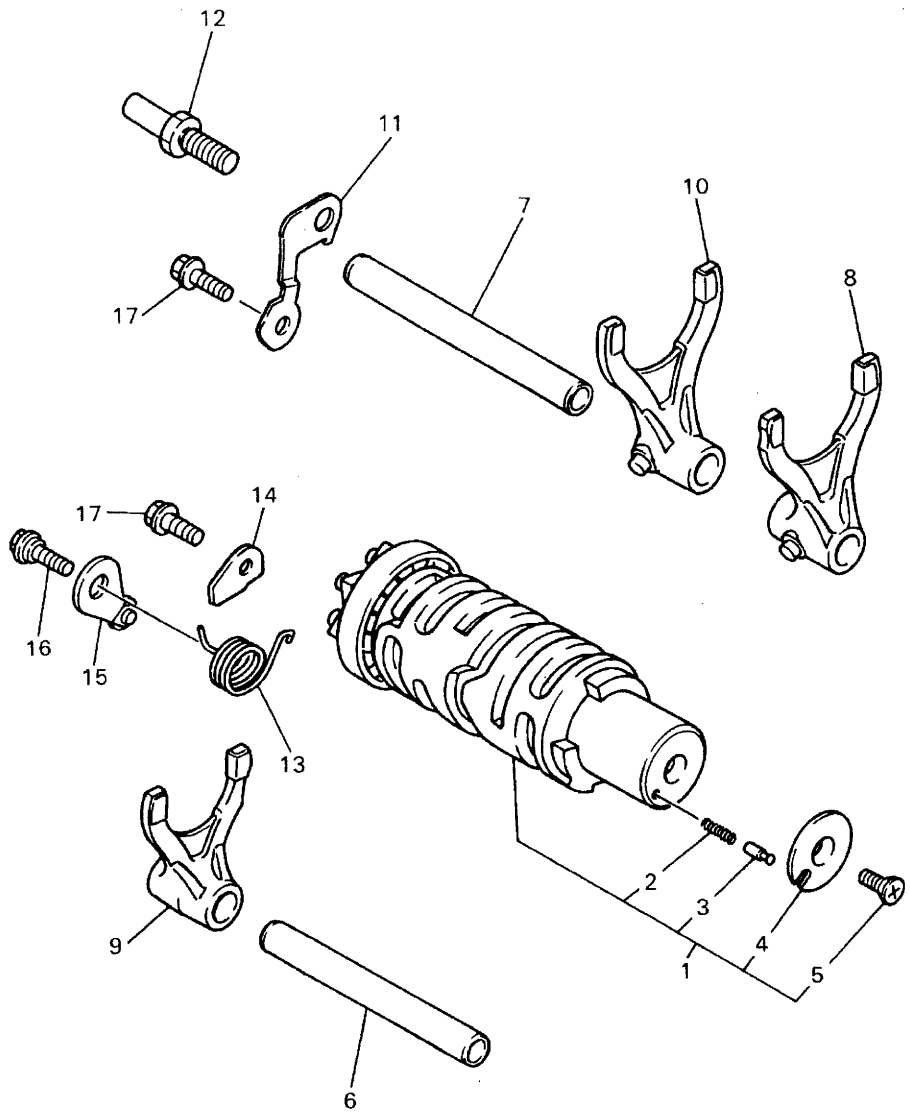
4JH351-4170

D2

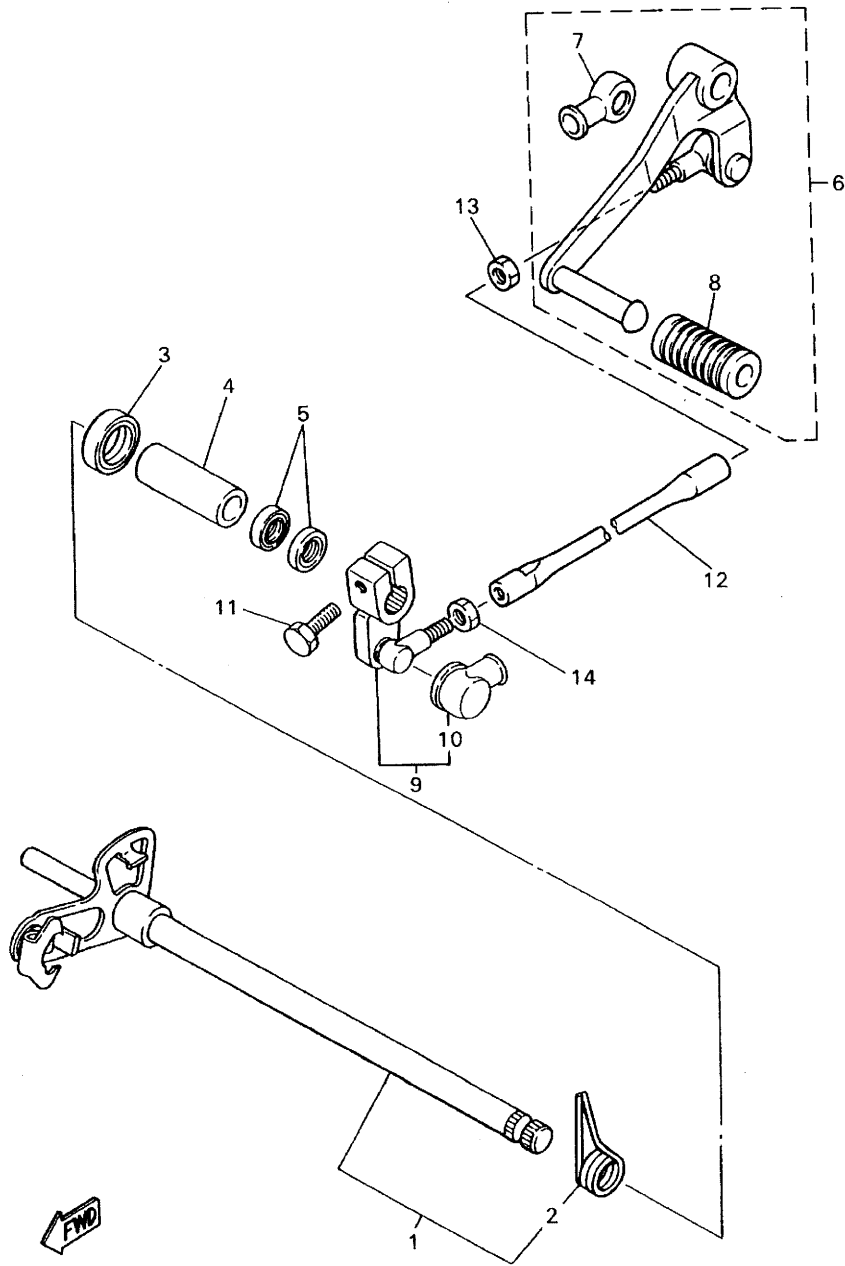


FIG. 19 SHIFT CAM. FORK

REF. NO.	PART NO.	DESCRIPTION	4TVB	4WE6	REMARKS
1	4JH-18540-02	SHIFT CAM ASSY	1	1	
2	90501-06022	.SPRING, COMPRESSION	1	1	
3	4UN-18542-00	.POINT, NEUTRAL	1	1	
4	4UN-18566-00	.PLATE, SIDE 2	1	1	
5	90149-05321	.SCREW	1	1	
6	4JH-18531-01	BAR, SHIFT FORK GUIDE 1	1	1	
7	4JH-18535-00	BAR, SHIFT FORK GUIDE 2	1	1	
8	4JH-18511-00	FORK, SHIFT 1	1	1	
9	4JH-18512-00	FORK, SHIFT 2	1	1	
10	4JH-18513-00	FORK, SHIFT 3	1	1	
11	1WG-18536-00	STOPPER, SHIFT BAR	1	1	
12	1HX-18127-00	STOPPER, SCREW	1	1	
13	90508-237A0	SPRING, TORSION	1	1	
14	1WG-18562-00	PLATE, STOPPER 2	1	1	
15	36Y-18140-00	STOPPER LEVER ASSY	1	1	
16	90109-063F7	BOLT	1	1	
17	95827-06016	BOLT, FLANGE	2	2	



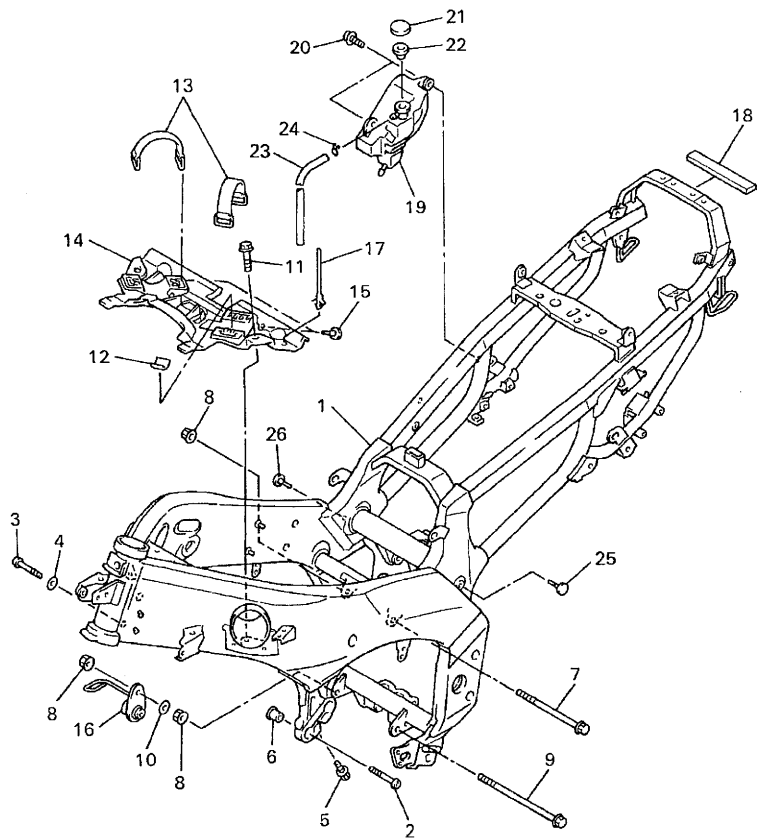
4JH351-4180



4JH351-4190

FIG. 20 SHIFT SHAFT

REF. NO.	PART NO.	DESCRIPTION	4TVB	4WE6	REMARKS
1	4JH-18101-00	SHIFT SHAFT ASSY	1	1	
2	90508-32682	.SPRING, TORSION	1	1	
3	93102-12106	OIL SEAL (SD 12-22-5 HS)	1	1	
4	90560-12211	SPACER	1	1	
5	93109-12075	OIL SEAL	2	2	
6	4JH-18110-01	SHIFT PEDAL ASSY	1	1	
7	2H9-18154-00	.COVER, DUST	1	1	
8	132-18113-01	.COVER, SHIFT PEDAL	1	1	
9	4JH-18130-00	SHIFT SHAFT ASSY	1	1	
10	2H9-18154-00	.COVER, DUST	1	1	
11	97027-06020	BOLT	1	1	
12	4JH-18115-01	ROD, SHIFT	1	1	
13	90170-08358	NUT	1	1	
14	95304-08700	NUT	1	1	



4TV5351-8200

FIG. 21 FRAME

REF. NO.	PART NO.	DESCRIPTION	4TVB	4WE6		REMARKS
1	4TV-21110-01-35	FRAME COMP.	1	1		SL
2	91314-10045	BOLT	2	2		
3	91314-10050	BOLT	2	2		
4	90201-110T8	WASHER, PLATE	2	2		
5	95814-10025	BOLT, FLANGE	2	2		
6	90387-115V8	COLLAR	2	2		
7	90105-10731	BOLT, WASHER BASED	1	1		
8	95707-10500	NUT, FLANGE	3	3		
9	95827-10175	BOLT, FLANGE	1	1		
10	90201-10774	WASHER, PLATE	1	1		
11	90119-06044	BOLT, WITH WASHER	2	2		
12	31A-28217-00	DAMPER 1	2	2		
13	36X-2811G-00	BAND	2	2		
14	4TV-2117M-00	COVER 2	1	1		
15	36Y-21639-00	DAMPER 2	2	2		
16	4JH-21446-00	STAY, MUFFLER 2	1	1		
17	90464-12089	CLAMP	2	2		
18	4TV-21486-00	DAMPER 2	1	1		
19	4FM-21871-02	TANK, RECOVERY	1	1		
20	90159-06033	SCREW, WITH WASHER	2	2		
21	4L0-21875-00	CAP	1	1		
22	1AA-21874-00	GASKET	1	1		
23	90445-08786	HOSE (L730)	1	1		
24	90467-08003	CLIP	1	1		
25	36Y-21639-00	DAMPER 2	1	1		
26	36Y-21639-00	DAMPER 2	1	1		

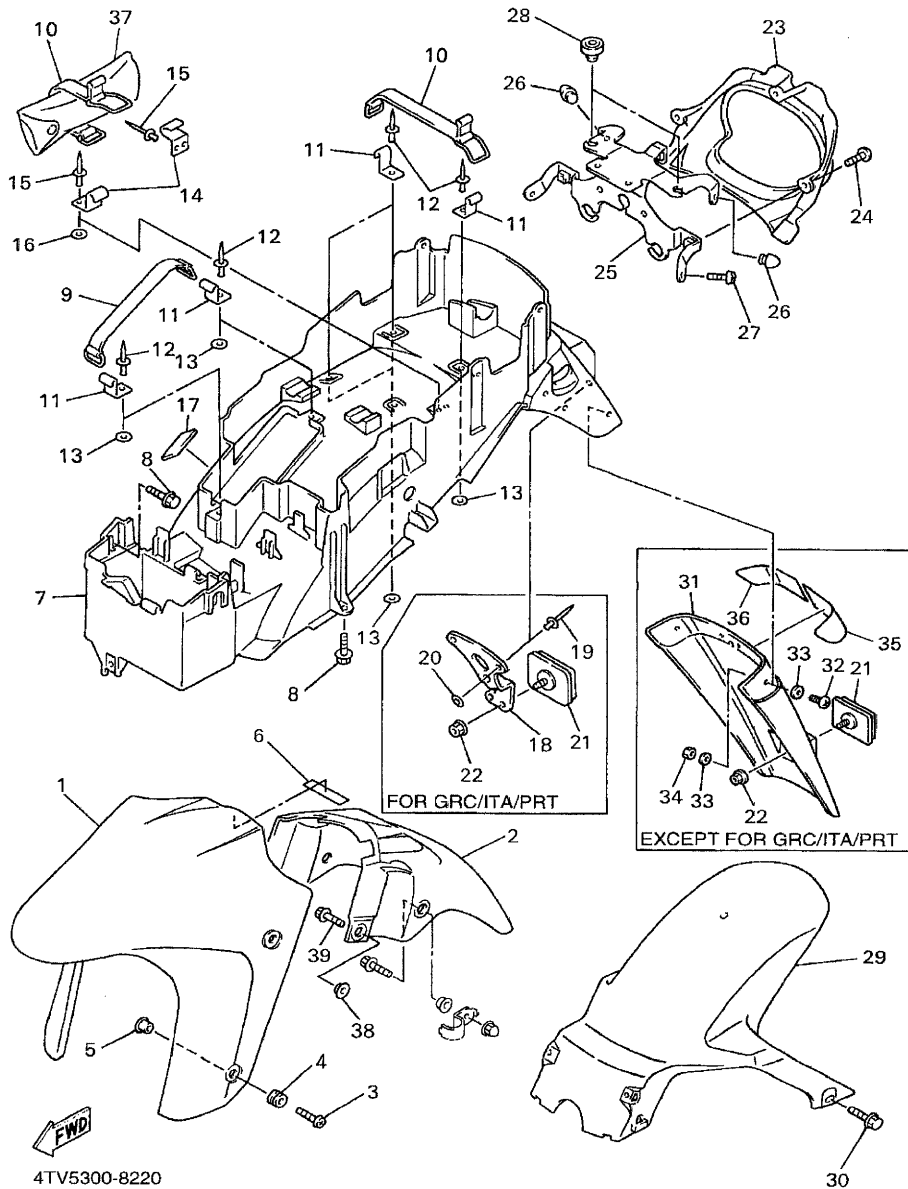


FIG. 22 FENDER

REF. NO.	PART NO.	DESCRIPTION	4TVB	4WE6	REMARKS
1	4SV-21511-00-P6	FENDER, FRONT	1	1	UR VRC7
	4SV-21511-00-P5	FENDER, FRONT	1	1	UR DPBMC
2	4SV-21556-00	FENDER, FRONT 2	1	1	
3	90154-06061	SCREW, BINDING	4	4	
4	90480-12072	GROMMET	4	4	
5	90387-065J6	COLLAR	4	4	
6	1LJ-2414J-00	DAMPER, PLATE 2	1	1	
7	4TV-21611-10	FENDER, REAR	1	1	
8	90119-06118	BOLT, WITH WASHER	6	6	
9	4J2-82131-01	BAND, BATTERY	1	1	
10	36X-2811G-00	BAND	3	3	
11	4HM-2162A-00	HOOK	6	6	
12	90267-40076	RIVET, BLIND	6	6	
13	90201-04018	WASHER, PLATE	6	6	
14	3VD-21366-00	HOOK, TOOL BAND	2	2	
15	90267-40076	RIVET, BLIND	4	4	
16	90201-04018	WASHER, PLATE	2	2	
17	3XV-21778-00	DAMPER, LOCATING 1	1	1	
18	NOT APPLICABLE				
19	NOT APPLICABLE				
20	90201-04018	WASHER, PLATE	2		
21	4KM-85130-00	REAR REFLECTOR ASSY	1	1	
22	95707-05500	NUT, FLANGE	1	1	
23	4TV-2163E-00	COVER, REAR FENDER 2	1	1	
24	90154-05059	SCREW, BINDING	3	3	
25	4TV-2117E-01	BRACKET, TAILLIGHT	1	1	
26	42U-21639-00	DAMPER 2	2	2	

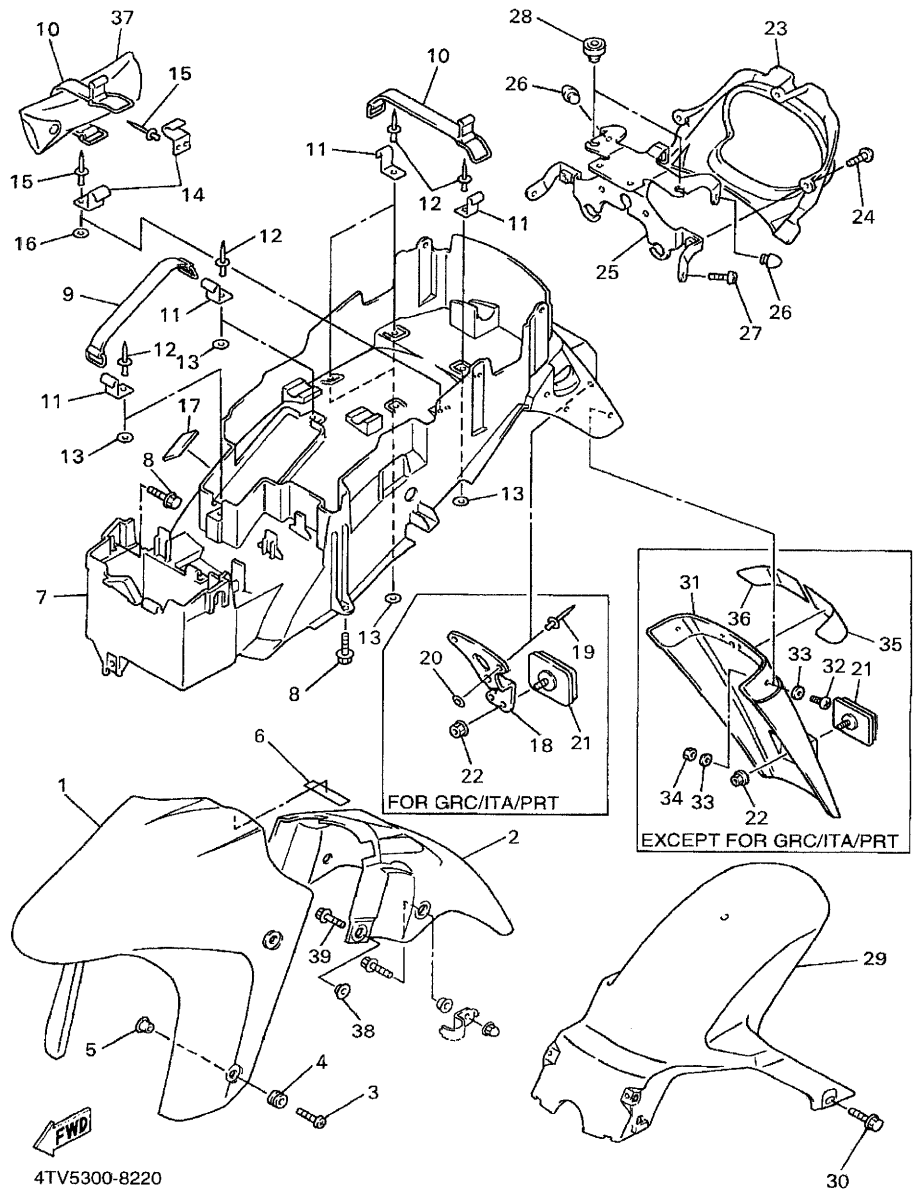
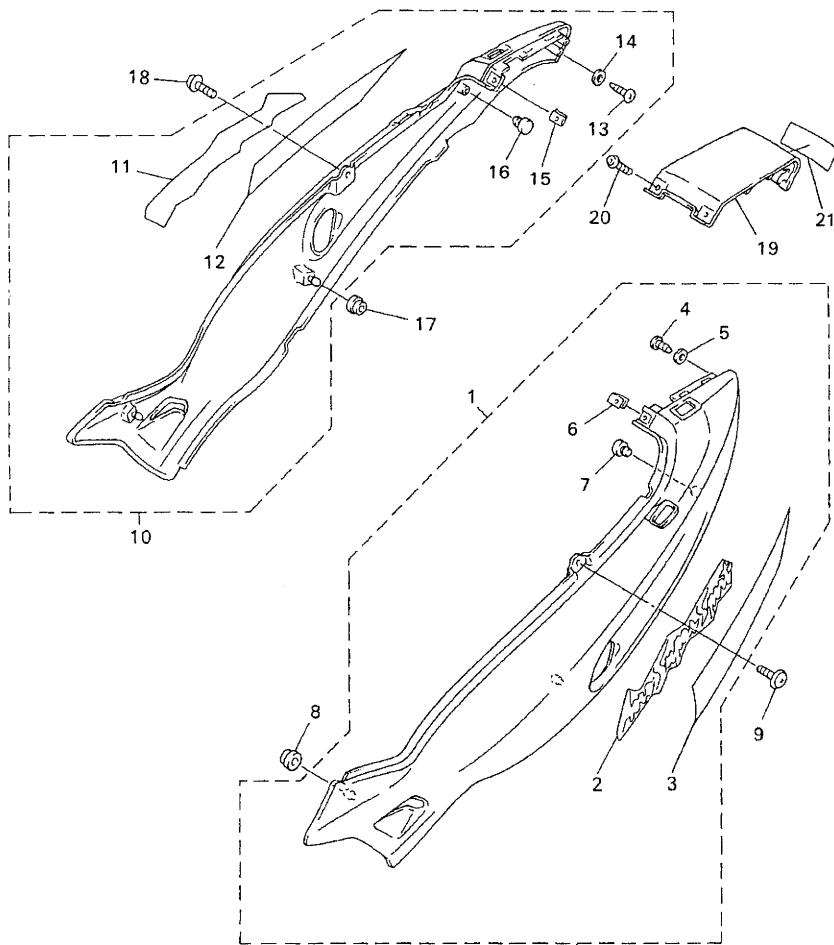


FIG. 22 FENDER

REF. NO.	PART NO.	DESCRIPTION	4TVB	4WE6	REMARKS
27	92017-06016	BOLT, BUTTON HEAD	4	4	
28	4G0-24723-00	DAMPER, SEAT	2	2	
29	4JH-21650-00	REAR FENDER COMP.	1	1	
30	90119-06194	BOLT, WITH WASHER	3	3	
31	3GM-21621-00	FLAP	1	1	
32	90149-04278	SCREW	4	4	
33	90201-04018	WASHER, PLATE	8	8	
34	95607-04100	NUT, U	4	4	
35	3GM-21649-00	DAMPER	1	1	
36	3GM-21649-10	DAMPER	1	1	
37	1WG-28100-01	TOOL KIT	1	1	
38	90387-07717	COLLAR	2	2	
39	90119-06097	BOLT, WITH WASHER	2	2	

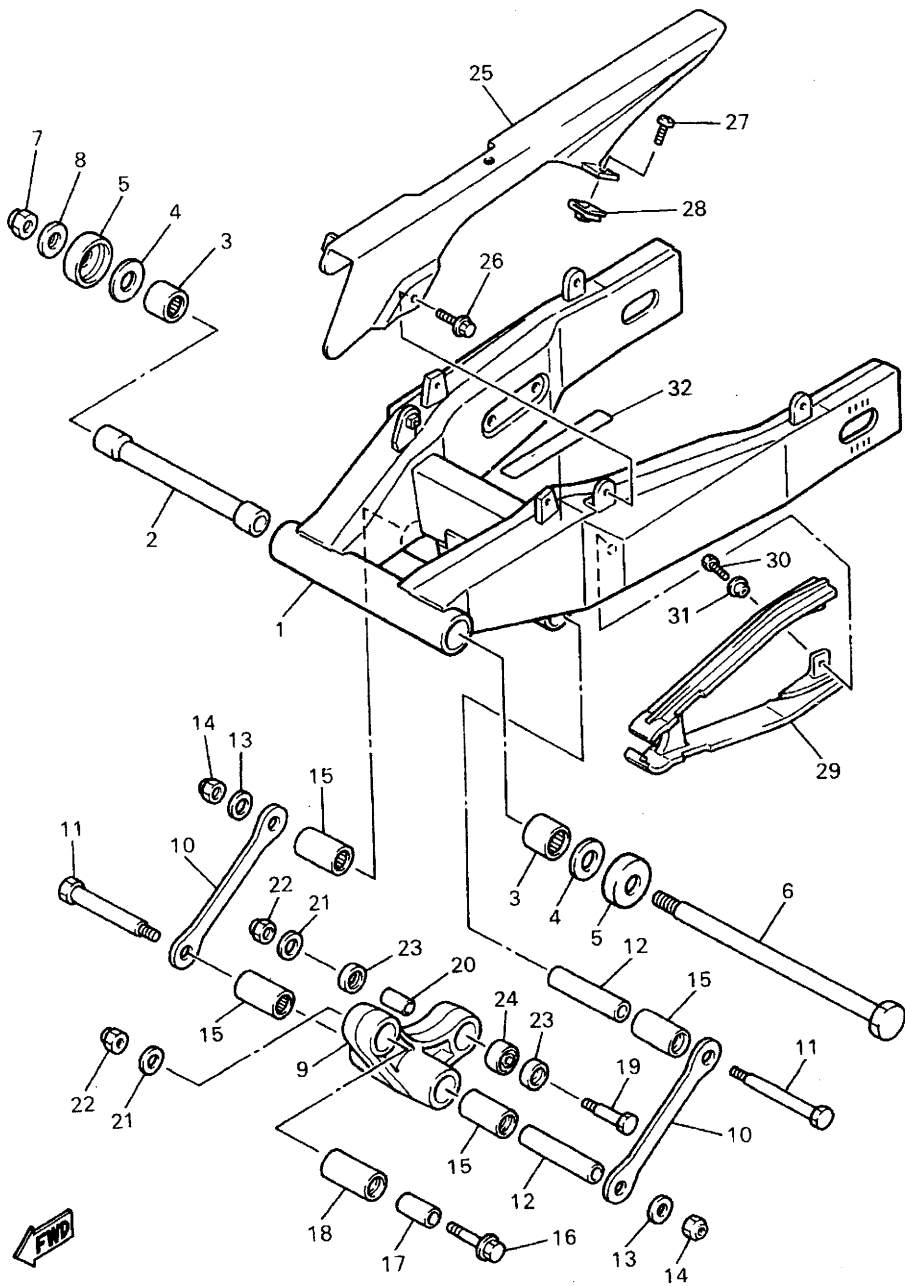
4TV5300-8220



4TV9351-0220

FIG. 23 SIDE COVER

REF. NO.	PART NO.	DESCRIPTION	4TVB	4WE6	REMARKS
1	4TV-Y2171-V1-P3	COVER, SIDE 1	1	1	UR VRC7
	4TV-Y2171-0U-P4	COVER, SIDE 1	1	1	UR DPBMC
2	4TV-21781-50	.EMBLEM 1	1	1	UR FOR VRC7
	4TV-21781-60	.EMBLEM 1	1	1	UR FOR DPBMC
3	4TV-2173E-30	.GRAPHIC 1	1	1	FOR VRC7
4	97707-40010	.SCREW, TAPPING	1	1	
5	90201-042E0	.WASHER, PLATE	1	1	
6	90183-05024	.NUT, SPRING	1	1	
7	90338-10132	.PLUG	1	1	
8	90480-13567	GROMMET	2	2	
9	90159-06033	SCREW, WITH WASHER	1	1	
10	4TV-Y2172-F1-P3	COVER, SIDE 2	1	1	UR VRC7
	4TV-Y2172-M1-P4	COVER, SIDE 2	1	1	UR DPBMC
11	4TV-21781-50	.EMBLEM 1	1	1	UR FOR VRC7
	4TV-21781-60	.EMBLEM 1	1	1	UR FOR DPBMC
12	4TV-2173F-30	.GRAPHIC 2	1	1	FOR VRC7
13	97707-40010	.SCREW, TAPPING	1	1	
14	90201-042E0	.WASHER, PLATE	1	1	
15	90183-05024	.NUT, SPRING	1	1	
16	90338-10132	.PLUG	1	1	
17	90480-13567	GROMMET	2	2	
18	90159-06033	SCREW, WITH WASHER	1	1	
19	4TV-21651-00-P4	COVER, REAR FENDER	1	1	UR VRC7
	4TV-21651-00-P2	COVER, REAR FENDER	1	1	UR DPBMC
20	90154-05059	SCREW, BINDING	2	2	
21	99246-00080	EMBLEM, YAMAHA	1	1	



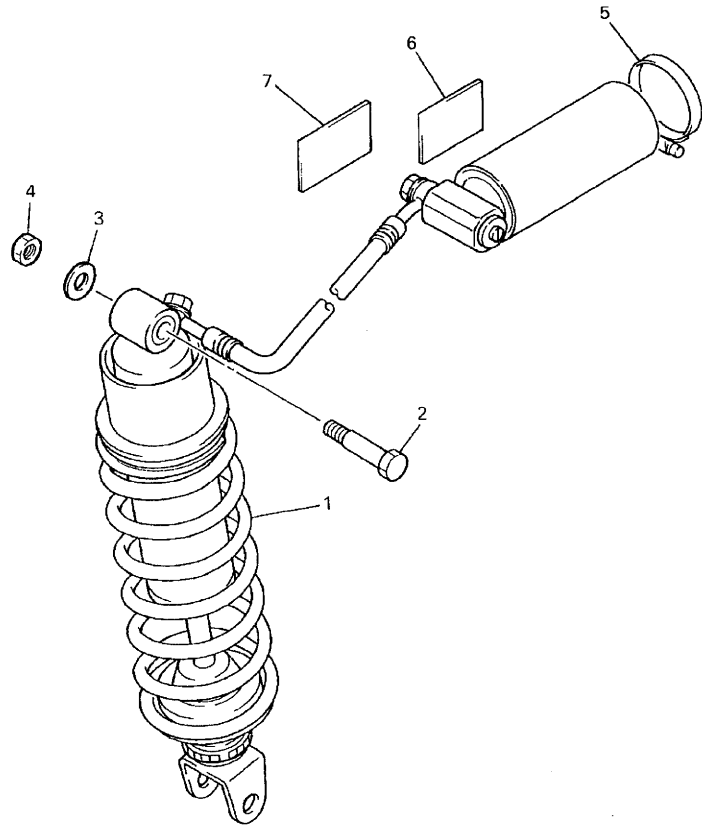
4TV351-6230

FIG. 24 REAR ARM

REF. NO.	PART NO.	DESCRIPTION	4TVB	4WEG	REMARKS
1	4JH-22110-00-35	REAR ARM COMP.	1	1	SL
2	47X-22184-00	BUSH	1	1	
3	93320-32403	BEARING	2	2	
4	90201-161J3	WASHER, PLATE	2	2	
5	4X7-22129-00	COVER, THRUST 2	2	2	
6	1UY-22141-01	SHAFT, PIVOT	1	1	
7	90185-16127	NUT, SELF-LOCKING	1	1	
8	90201-160F6	WASHER, PLATE	1	1	
9	4TV-2217A-00	ARM, RELAY	1	1	
10	3GM-2217M-00	ARM 1	2	2	
11	90101-12673	BOLT	2	2	
12	90387-126T1	COLLAR	2	2	
13	90201-126A7	WASHER, PLATE	2	2	
14	95617-12100	NUT, U	2	2	
15	93317-41761	BEARING	4	4	
16	90105-10727	BOLT, WASHER BASED	1	1	
17	90387-100T8	COLLAR	1	1	
18	93317-42060	BEARING	1	1	
19	90101-10659	BOLT	1	1	
20	90387-127W0	COLLAR	1	1	
21	90201-101J1	WASHER, PLATE	2	2	
22	95607-10100	NUT, U	2	2	
23	93109-17071	OIL SEAL	2	2	
24	93317-31771	BEARING	1	1	
25	4JH-22311-00	CASE, CHAIN	1	1	
26	90119-06194	BOLT, WITH WASHER	1	1	
27	90154-05013	SCREW, BINDING	2	2	



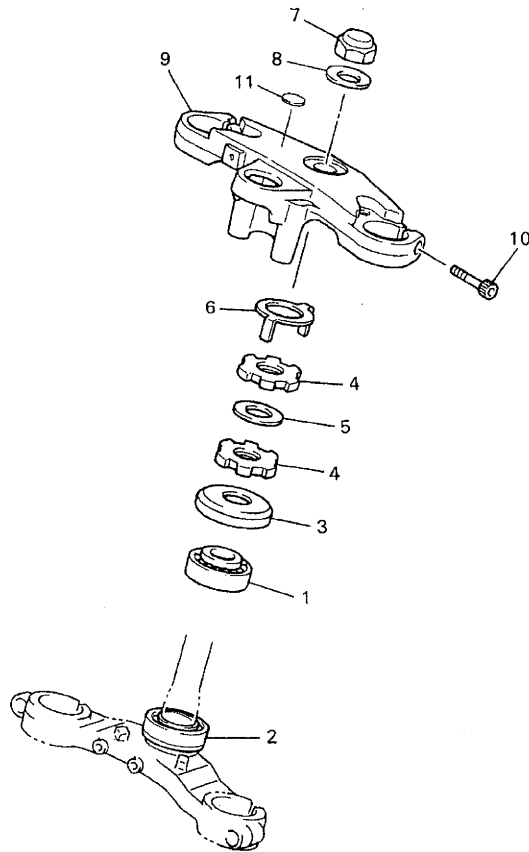
FIG. 25 REAR SUSPENSION



REF. NO.	PART NO.	DESCRIPTION	4TVB	4WE6	REMARKS
1	4TV-22210-30	SHOCK ABSORBER ASSY, REAR	1	1	
2	90109-10554	BOLT	1	1	
3	90201-101J1	WASHER, PLATE	1	1	
4	95607-10100	NUT, U	1	1	
5	90450-32008	HOSE CLAMP ASSY	1	1	
6	4TV-22261-00	DAMPER, SUB TANK	1	1	
7	3YL-12232-00	DAMPER	1	1	

 4TV5351-8240

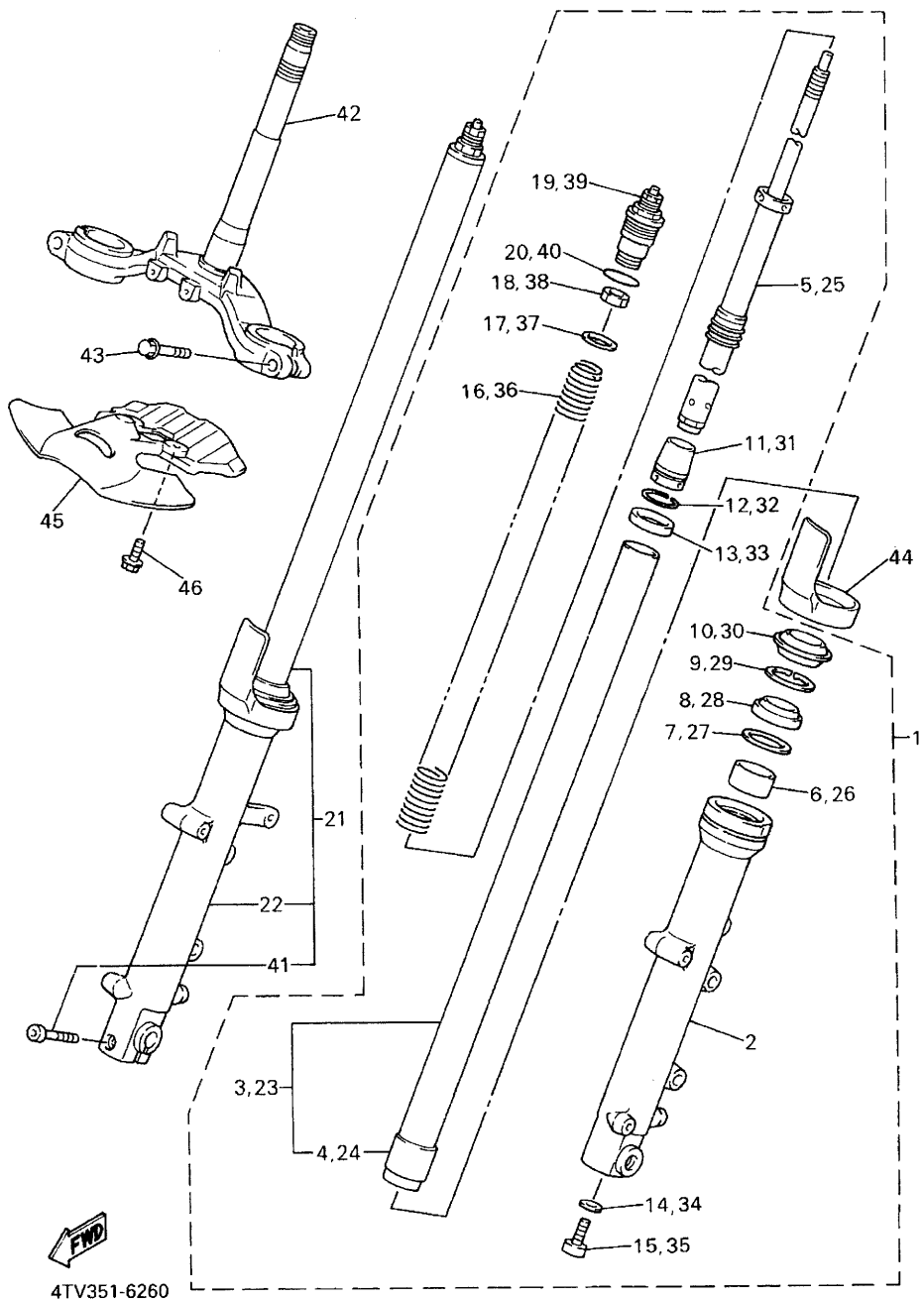
FIG. 26 STEERING



REF. NO.	PART NO.	DESCRIPTION	4TVB	4WE6	REMARKS
1	93332-00001	BEARING	1	1	
2	93332-00008	BEARING	1	1	
3	1W1-23416-00	COVER, BALL RACE 2	1	1	
4	90179-25033	NUT	2	2	
5	90202-26142	WASHER, PLATE	1	1	
6	26H-23418-01	WASHER, SPECIAL	1	1	
7	90176-22081	NUT, CROWN	1	1	
8	90201-220T0	WASHER, PLATE	1	1	
9	4NX-23435-10	CROWN, HANDLE	1	1	
10	91314-08030	BOLT	2	2	
11	4XV-2341B-00	EMBLEM	1	1	



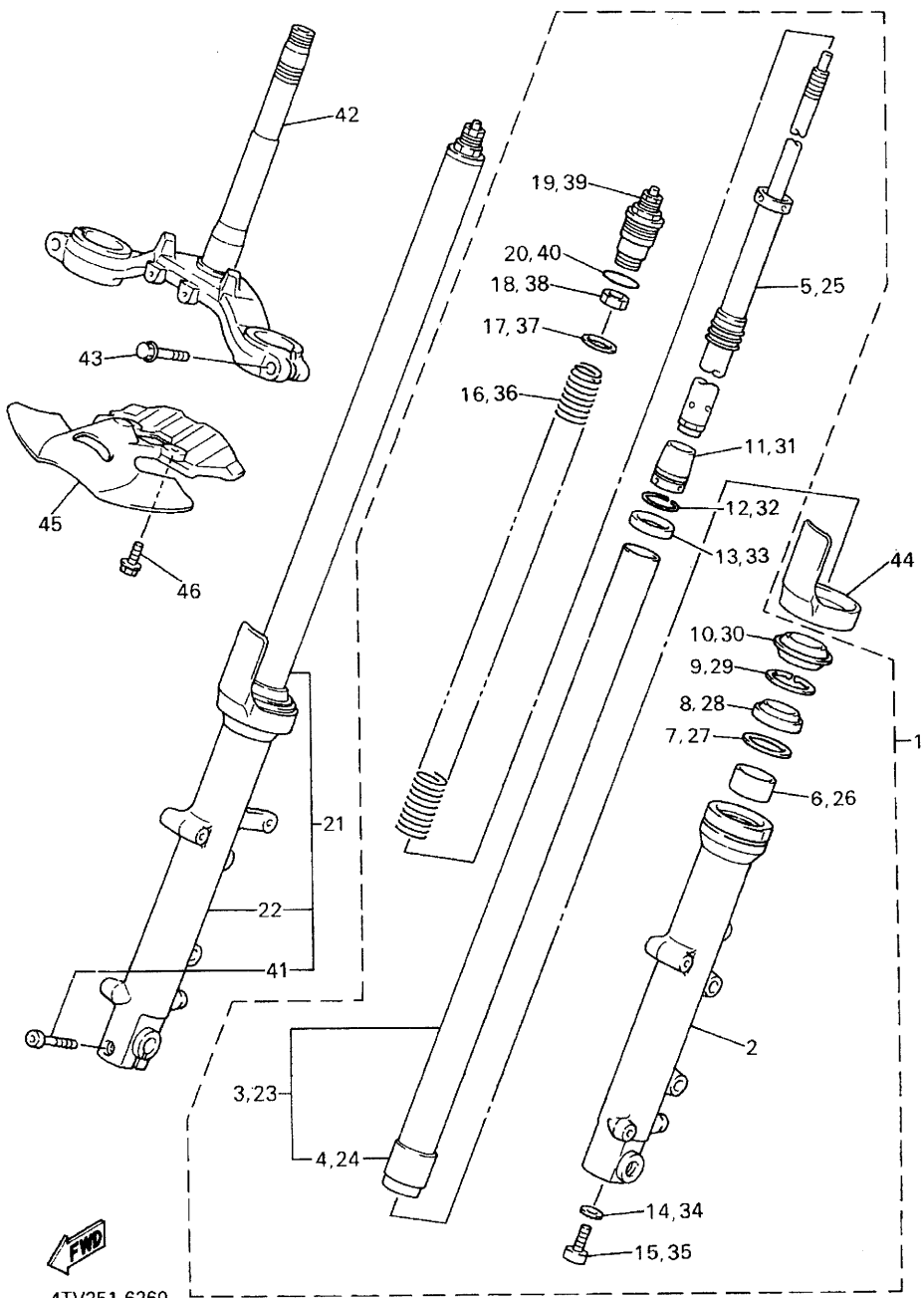
4TV9351-0250



4TV351-6260

FIG. 27 FRONT FORK

REF. NO.	PART NO.	DESCRIPTION	4TVB	4WE6	REMARKS
1	4TV-23102-00	FRONT FORK ASSY (L.H)	1	1	
2	4TV-23126-00	.TUBE, OUTER (LEFT)	1	1	
3	4TV-23110-00	.INNER TUBE COMP.1	1	1	
4	4FM-23171-40	.METAL, SLIDE	1	1	
5	4TV-23170-00	.CYLINDER COMP., FRONT FORK	1	1	
6	4FM-23125-40	.METAL, SLIDE 1	1	1	
7	36Y-23146-10	.WASHER, OIL SEAL	1	1	
8	3SP-23145-L0	.OIL SEAL	1	1	
9	26H-23156-00	.CLIP, OIL SEAL	1	1	
10	3XV-23144-50	.SEAL, DUST	1	1	
11	4TV-23173-00	.SPINDLE, TAPER	1	1	
12	4TV-23153-00	.RING, SNAP	1	1	
13	4TV-23184-00	.CAP, AIR VALVE	1	1	
14	2K8-23158-L0	.GASKET	1	1	
15	3LC-23181-00	.BOLT, HEXAGON SOCKET HEAD	1	1	
16	4JH-23141-10	.SPRING, FRONT FORK	1	1	
17	3LC-23149-00	.WASHER, SPRING UPPER	1	1	
18	3LC-23357-00	.NUT	1	1	
19	4JH-23111-10	.BOLT, CAP	1	1	
20	43F-23188-10	.O-RING	1	1	
21	4TV-23103-00	FRONT FORK ASSY (R.H)	1	1	
22	4TV-23136-00	.TUBE, OUTER (RIGHT)	1	1	
23	4TV-23110-00	.INNER TUBE COMP.1	1	1	
24	4FM-23171-40	.METAL, SLIDE	1	1	
25	4TV-23170-00	.CYLINDER COMP., FRONT FORK	1	1	
26	4FM-23125-40	.METAL, SLIDE 1	1	1	
27	36Y-23146-10	.WASHER, OIL SEAL	1	1	

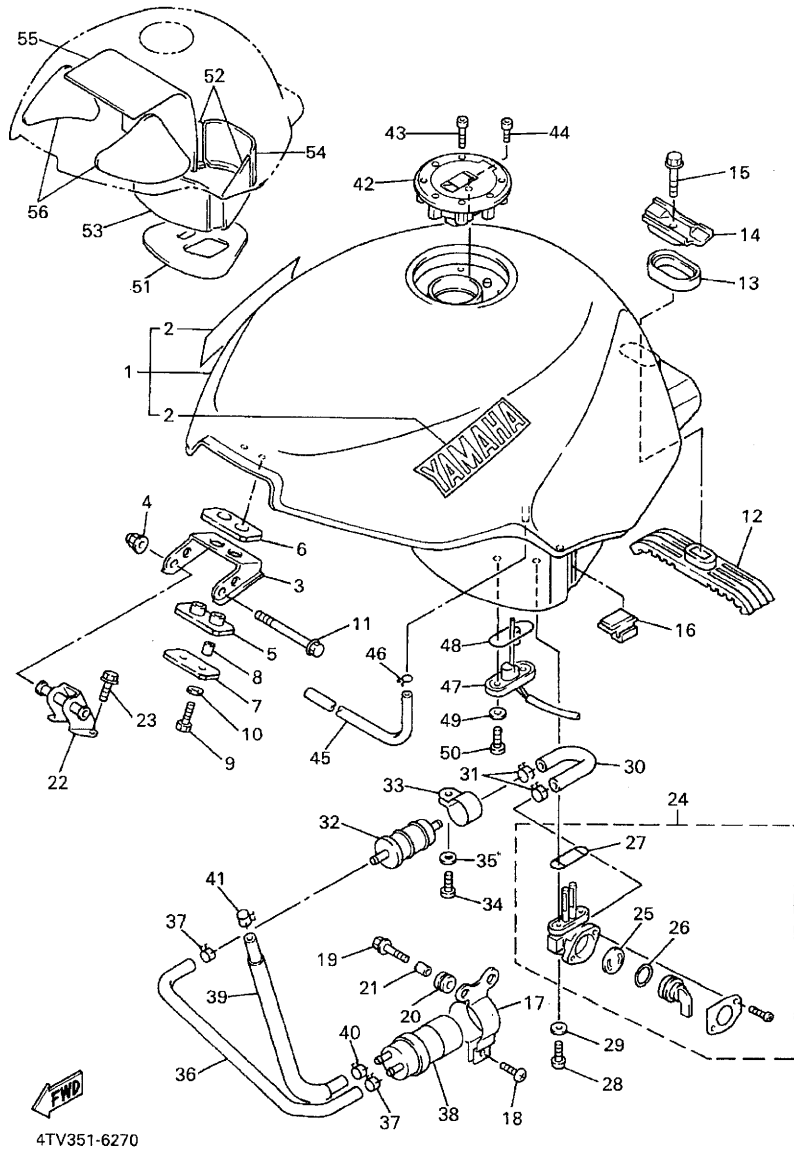


4TV351-6260

FIG. 27 FRONT FORK

REF. NO.	PART NO.	DESCRIPTION	4TVB	4WE6	REMARKS
28	3SP-23145-L0	.OIL SEAL	1	1	
29	26H-23156-00	.CLIP, OIL SEAL	1	1	
30	3XV-23144-50	.SEAL, DUST	1	1	
31	4TV-23173-00	.SPINDLE, TAPER	1	1	
32	4TV-23153-00	.RING, SNAP	1	1	
33	4TV-23184-00	.CAP, AIR VALVE	1	1	
34	2K8-23158-L0	.GASKET	1	1	
35	3LC-23181-00	.BOLT, HEXAGON SOCKET HEAD	1	1	
36	4JH-23141-10	.SPRING, FRONT FORK	1	1	
37	3LC-23149-00	.WASHER, SPRING UPPER	1	1	
38	3LC-23357-00	.NUT	1	1	
39	4JH-23111-10	.BOLT, CAP	1	1	
40	43F-23188-10	.O-RING	1	1	
41	91314-08040	.BOLT	1	1	
42	4TV-23340-00	UNDER BRACKET COMP.	1	1	
43	4TV-23356-00	BOLT 2	2	2	
44	4PU-2331G-00	COVER	2	2	
45	4TV-23818-00	COVER, STEERING	1	1	
46	90119-06117	BOLT, WITH WASHER	2	2	

FIG. 28 FUEL TANK



4TV351-6270

REF. NO.	PART NO.	DESCRIPTION	4TVB	4WE6	REMARKS
1	4TV-Y2410-10-02	FUEL TANK COMP.	1	1	UR VRC7
	4TV-Y2410-10-07	FUEL TANK COMP.	1	1	UR DPBMC
2	4TV-2153A-20	.EMBLEM, YAMAHA	2	2	
3	4FM-24191-00	BRACKET, FUEL TANK 1	1	1	
4	90176-06055	NUT, CROWN	1	1	
5	2GH-24181-00	DAMPER, LOCATING 1	1	1	
6	2GH-24183-00	DAMPER, LOCATING 3	1	1	
7	2GH-24186-00	WASHER, SPECIAL	1	1	
8	90387-06299	COLLAR	2	2	
9	97007-06025	BOLT	2	2	
10	92907-06600	WASHER, PLATE	2	2	
11	95817-06075	BOLT, FLANGE	1	1	
12	33M-24182-01	DAMPER, LOCATING 2	1	1	
13	3Y6-24183-00	DAMPER, LOCATING 3	1	1	
14	4FM-24187-00	WASHER, SPECIAL	1	1	
15	95807-08035	BOLT, FLANGE	1	1	
16	4TV-24183-10	DAMPER, LOCATING 3	2	2	
17	3CV-24491-10	BRACKET, FUEL PUMP	1	1	
18	98907-05010	SCREW, BIND	1	1	
19	90119-06096	BOLT, WITH WASHER	2	2	
20	90480-13163	GROMMET	2	2	
21	90387-060G7	COLLAR	2	2	
22	4TV-24115-00	STAY, FUEL TANK 1	1	1	
23	95027-06016	BOLT, FLANGE	2	2	
24	4TV-24500-00	FUEL COCK ASSY 1	1	1	
25	3XV-24523-00	.VALVE	1	1	
26	3XV-24534-00	.SEAL, COCK	1	1	

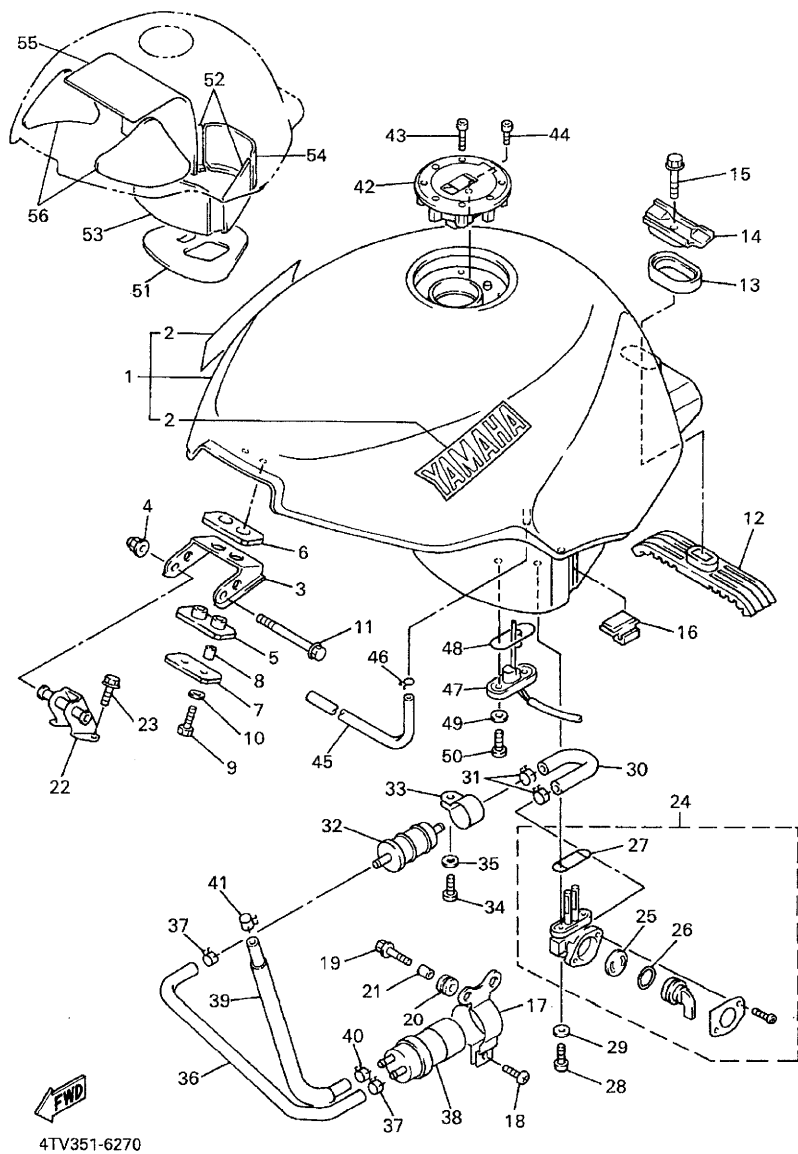


FIG. 28 FUEL TANK

REF. NO.	PART NO.	DESCRIPTION	4TVB	4WE6	REMARKS
27	4X8-24512-00	.O-RING	1	1	
28	90149-06008	SCREW	2	2	
29	90202-05193	WASHER, PLATE	2	2	
30	4TV-24313-00	PIPE 3	1	1	
31	90467-14057	CLIP	2	2	
32	4TV-24560-00	FILTER ASSY	1	1	
33	1AE-24366-00	CLAMP, FUEL PIPE 1	1	1	
34	98507-06012	SCREW, PAN HEAD	1	1	
35	92907-06600	WASHER, PLATE	1	1	
36	4TV-24311-00	PIPE, FUEL 1	1	1	
37	90467-14057	CLIP	2	2	
38	4TV-13907-00	FUEL PUMP COMP.	1	1	
39	4TV-14294-00	HOSE	1	1	
40	90467-13123	CLIP	1	1	
41	90467-11032	CLIP	1	1	
42	4FM-24602-10	CAP ASSY	1	1	
43	90110-05112	BOLT, HEXAGON SOCKET HEAD	3	3	
44	91317-05010	BOLT	1	1	
45	90445-107H3	HOSE (L700)	1	1	
46	90467-09006	CLIP	1	1	
47	3GM-85752-01	SENDER UNIT ASSY, FUEL METER	1	1	
48	42X-85753-00	GASKET, SENDER UNIT	1	1	
49	90202-05193	WASHER, PLATE	2	2	
50	90149-06008	SCREW	2	2	
51	4TV-24145-00	DAMPER, SIDE COVER	1	1	
52	4TV-24145-10	DAMPER, SIDE COVER	2	2	
53	4TV-24145-20	DAMPER, SIDE COVER	1	1	



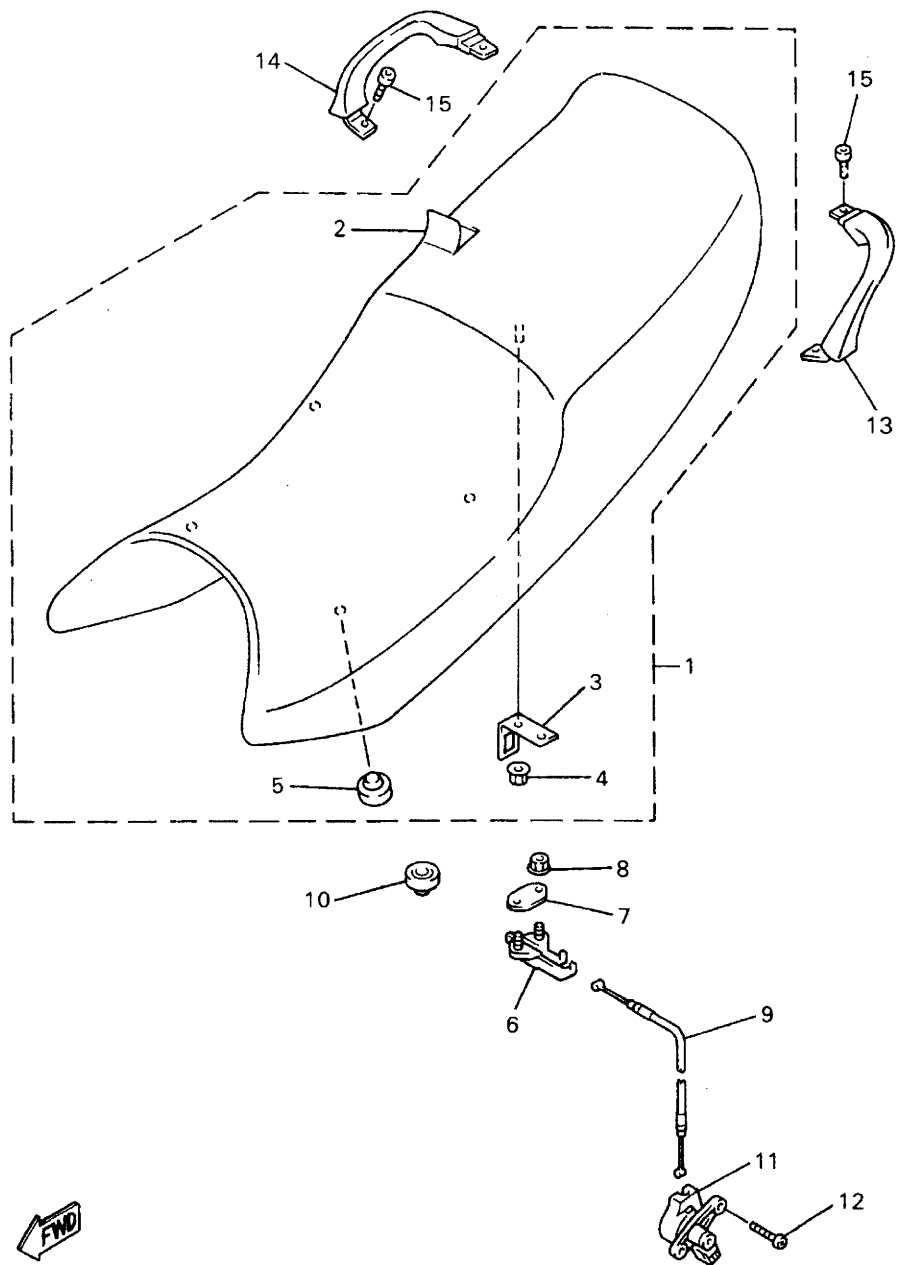


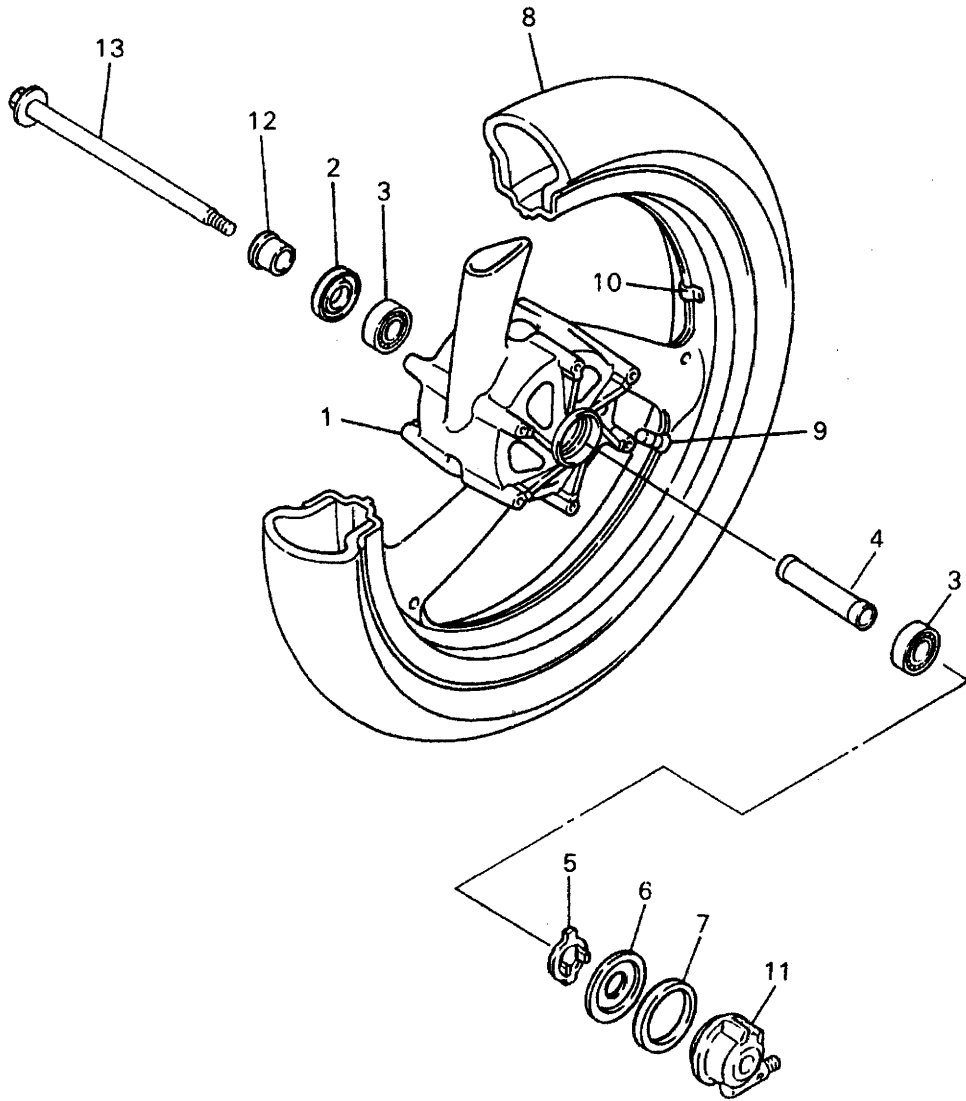
FIG. 29 SEAT

REF. NO.	PART NO.	DESCRIPTION	4TVB	4WE6	REMARKS
1	4TV-24730-00	DOUBLE SEAT ASSY	1	1	
2	4TV-24731-00	.COVER, SEAT	1	1	
3	4HM-24728-00	.BRACKET, SEAT	1	1	
4	90179-06635	.NUT	1	1	
5	22W-24741-00	.PAD, SEAT	4	4	
6	4BP-24780-00	SEAT LOCK ASSY	1	1	
7	4BP-24792-00	PLATE	1	1	
8	95707-06500	NUT, FLANGE	2	2	
9	4TV-2478E-01	CABLE, SEAT LOCK	1	1	
10	22W-24741-00	PAD, SEAT	2	2	
11	3YX-21308-00	HELMET HANGER ASSY	1	1	
12	90149-06313	SCREW	2	2	
13	4BP-21644-01	STAY, REAR	1	1	
14	4BP-21645-01	STAY, REAR	1	1	
15	90109-060E9	BOLT	4	4	



4TV351-6280

FIG. 30 FRONT WHEEL

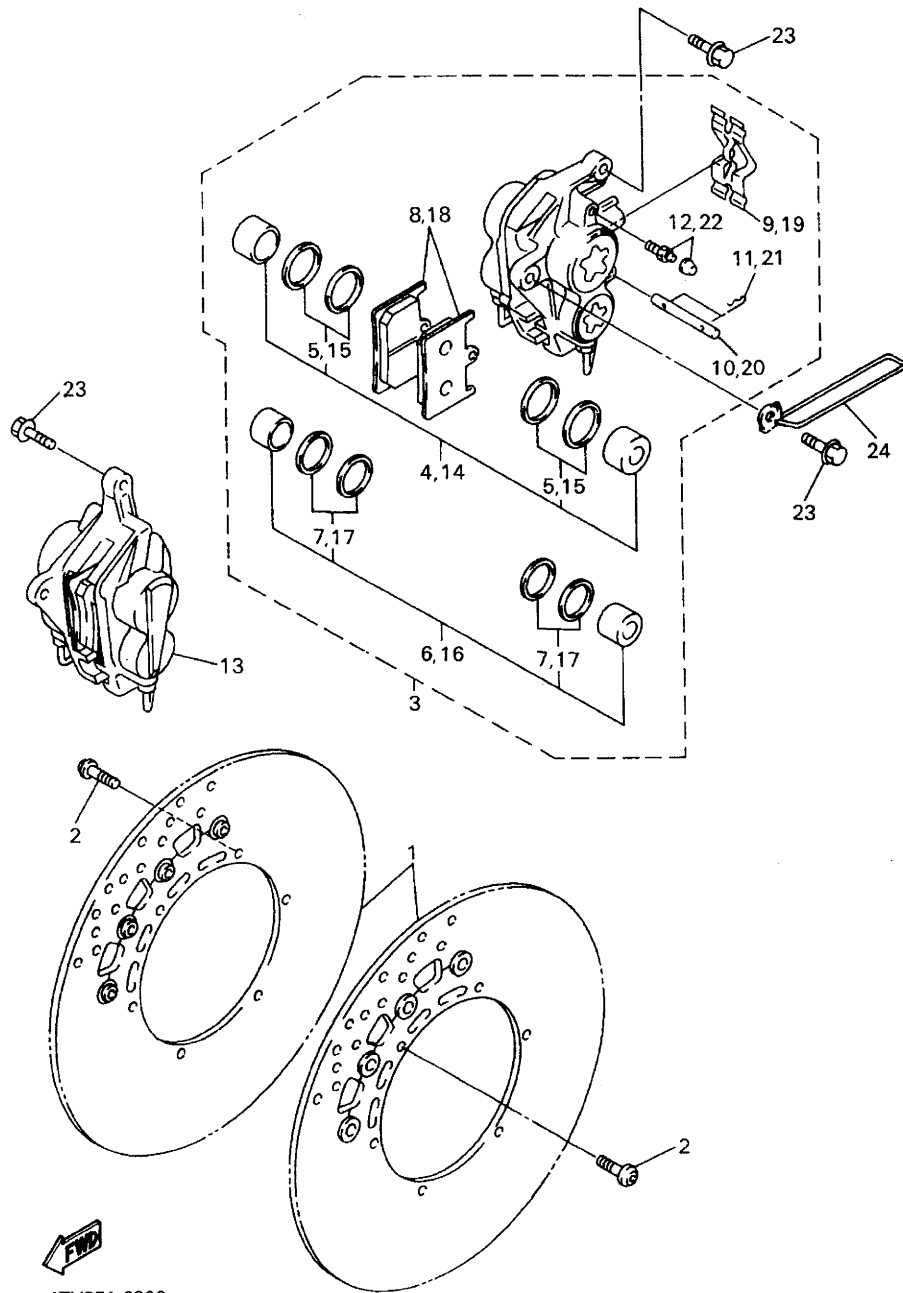


REF. NO.	PART NO.	DESCRIPTION	4TVB	4WE6	REMARKS
1	4TV-25168-00-7B	CAST WHEEL, FRONT	1	1	BIB2
2	93102-23252	OIL SEAL	1	1	
3	93306-20314	BEARING (B6203)	2	2	
4	90560-17356	SPACER	1	1	
5	341-25149-00	CLUTCH, METER	1	1	
6	341-25846-00	RETAINER, CLUTCH	1	1	
7	93105-45017	OIL SEAL	1	1	
8	*	TYRE (120/60ZR17 D204FG)	1		
9	93900-00030	VALVE, RIM	1	1	
10	29L-25398-00	BALANCER, WHEEL (10G)	1	1	UR
	29L-25398-10	BALANCER, WHEEL (20G)	1	1	UR
	29L-25398-20	BALANCER, WHEEL (30G)	1	1	UR
11	4HM-25190-10	GEAR UNIT ASSY	1	1	
12	90387-177V5	COLLAR	1	1	
13	3GM-25181-03	AXLE, WHEEL	1	1	



4TV351-6290

FIG. 31 FRONT BRAKE CALIPER



REF. NO.	PART NO.	DESCRIPTION	4TVB	4WE6	REMARKS
1	4SV-2581T-00	DISC BRAKE ASSY	2	2	
2	90109-083G4	BOLT	12	12	
3	4SV-2580T-00	CALIPER ASSY (LEFT)	1	1	
4	4SV-W0057-00	.PISTON ASSY, CALIPER	1	1	
5	3MA-W0047-10	..CALIPER SEAL KIT	1	1	
6	4SV-W0057-10	.PISTON ASSY, CALIPER	1	1	
7	3GM-W0047-10	..CALIPER SEAL KIT	1	1	
8	4SV-W0045-00	.BRAKE PAD KIT	1	1	
9	4SV-25919-00	.SUPPORT, PAD	1	1	
10	4SV-25924-00	.PIN, PAD	1	1	
11	3GM-25925-00	.CLIP	2	2	
12	1J3-W0048-00	.BLEED SCREW KIT	1	1	
13	4SV-2580U-00	CALIPER ASSY (RIGHT)	1	1	
14	4SV-W0057-00	.PISTON ASSY, CALIPER	1	1	
15	3MA-W0047-10	..CALIPER SEAL KIT	1	1	
16	4SV-W0057-10	.PISTON ASSY, CALIPER	1	1	
17	3GM-W0047-10	..CALIPER SEAL KIT	1	1	
18	4SV-W0045-00	.BRAKE PAD KIT	1	1	
19	4SV-25919-00	.SUPPORT, PAD	1	1	
20	4SV-25924-00	.PIN, PAD	1	1	
21	3GM-25925-00	.CLIP	2	2	
22	1J3-W0048-00	.BLEED SCREW KIT	1	1	
23	90105-10638	BOLT, WASHER BASED	4	4	
24	4TV-21596-00	HOLDER	1	1	

FRONT  
4TV351-6300

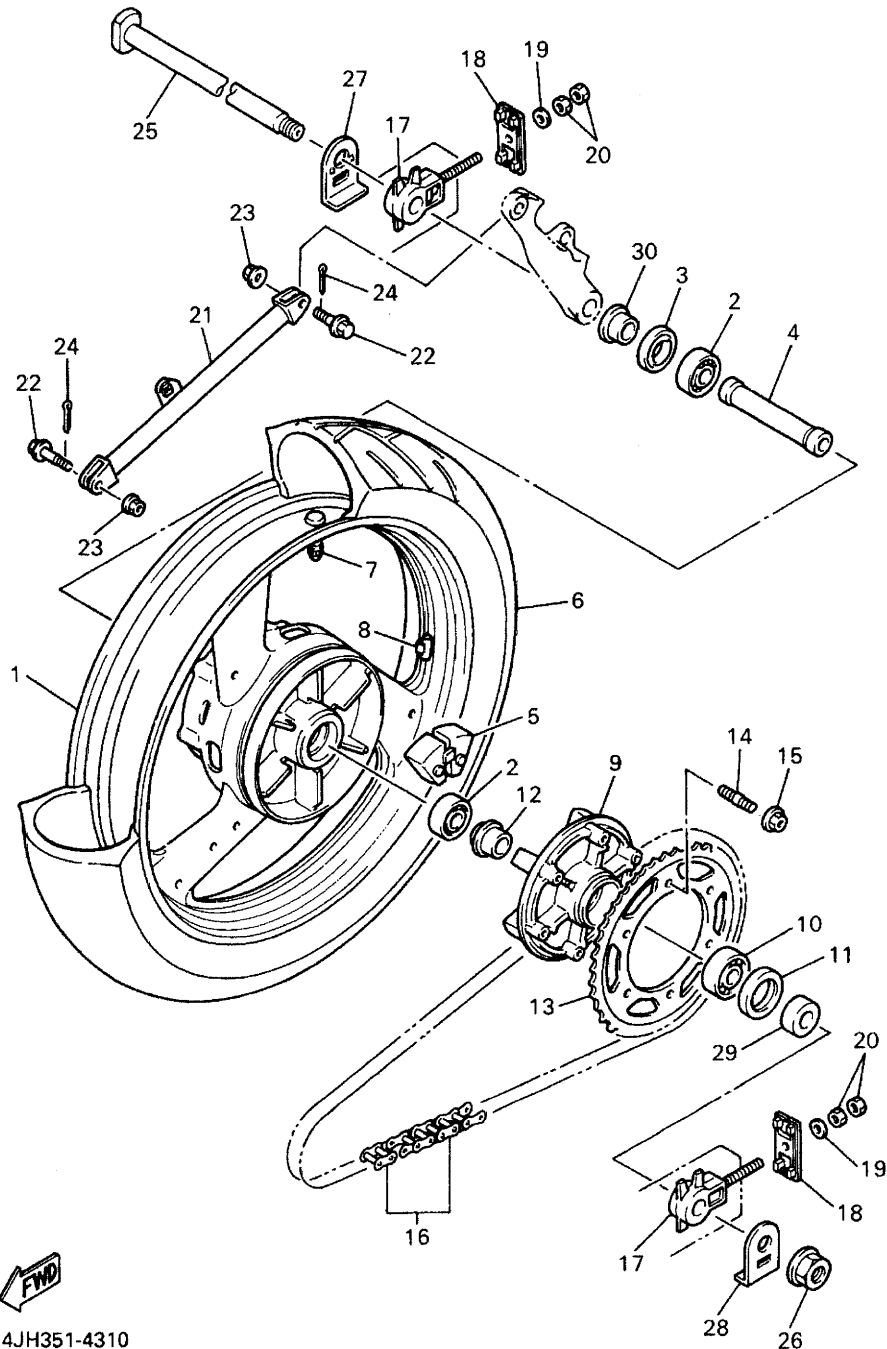


FIG. 32 REAR WHEEL

REF. NO.	PART NO.	DESCRIPTION	4TVB	4WE6	REMARKS
1	4JH-25338-00-7B	CAST WHEEL, REAR	1	1	BIB2
2	93306-20417	BEARING (B62042RS)	2	2	
3	93102-28022	OIL SEAL	1	1	
4	90387-2004F	COLLAR	1	1	
5	4FM-25364-00	DAMPER	6	6	
6	*	TYRE (160/60ZR17 D204G)	1		
7	93900-00030	VALVE, RIM	1	1	
8	29L-25398-00	BALANCER, WHEEL (10G)	1	1	UR
	29L-25398-10	BALANCER, WHEEL (20G)	1	1	UR
	29L-25398-20	BALANCER, WHEEL (30G)	1	1	UR
9	4FM-25366-00	CLUTCH, HUB	1	1	
10	93306-20644	BEARING	1	1	
11	93106-40041	OIL SEAL	1	1	
12	90387-2004E	COLLAR	1	1	
13	4JH-25447-00	SPROCKET, DRIVEN (47T)	1	1	
14	90116-10575	BOLT, STUD	6	6	
15	95607-10200	NUT, SELF-LOCKING	6	6	
16	94581-59108	CHAIN (DID50VA7-108LE)	1	1	
17	3XW-25388-00	PULLER, CHAIN 1	2	2	
18	4JH-22174-00	END 1	2	2	
19	92907-08600	WASHER, PLATE	2	2	
20	95307-08600	NUT	4	4	
21	4JH-25371-01	BAR, TENSION	1	1	
22	90105-08321	BOLT, WASHER BASED	2	2	
23	95707-08500	NUT, FLANGE	2	2	



4JH351-4310



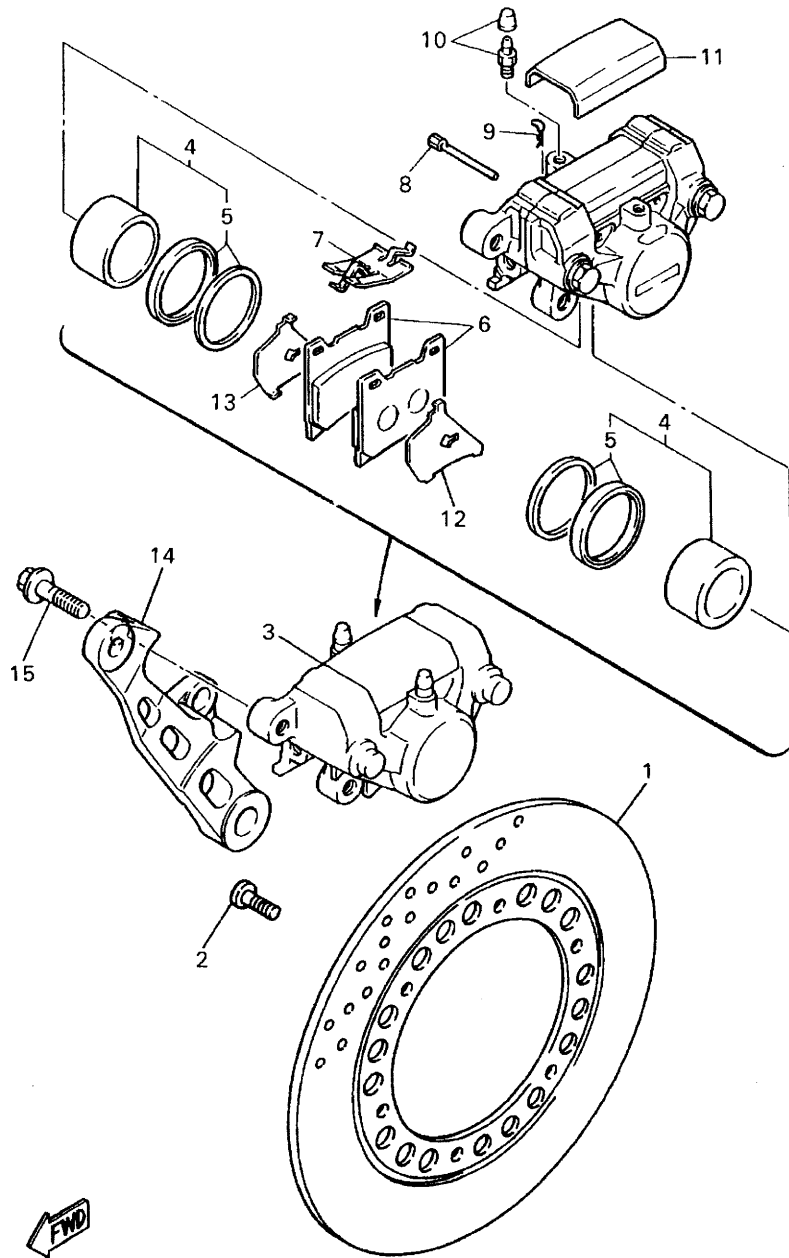


FIG. 33 REAR BRAKE CALIPER

REF. NO.	PART NO.	DESCRIPTION	4TVB	4WE6	REMARKS
1	4JH-2582W-00	DISC, REAR BRAKE 2	1	1	
2	90109-083G4	BOLT	6	6	
3	3GM-2580W-A0	CALIPER ASSY, REAR 2	1	1	
4	31A-W0057-00	.PISTON ASSY, CALIPER	1	1	
5	31A-W0047-00	..CALIPER SEAL KIT	1	1	
6	1FK-W0046-02	..BRAKE PAD KIT 2	1	1	
7	29L-25919-A0	..SUPPORT, PAD	1	1	
8	3HE-25924-00	..PIN, PAD	2	2	
9	3HE-25925-00	..CLIP	2	2	
10	1J3-W0048-00	..BLEED SCREW KIT	2	2	
11	51J-25836-00	..COVER, DUST	1	1	
12	1FK-25827-00	..SHIM, CALIPER	1	1	
13	1FK-25828-00	..SHIM, CALIPER	1	1	
14	4JH-25819-00	BRACKET, CALIPER	1	1	
15	90105-10638	BOLT, WASHER BASED	2	2	



4JH351-4320

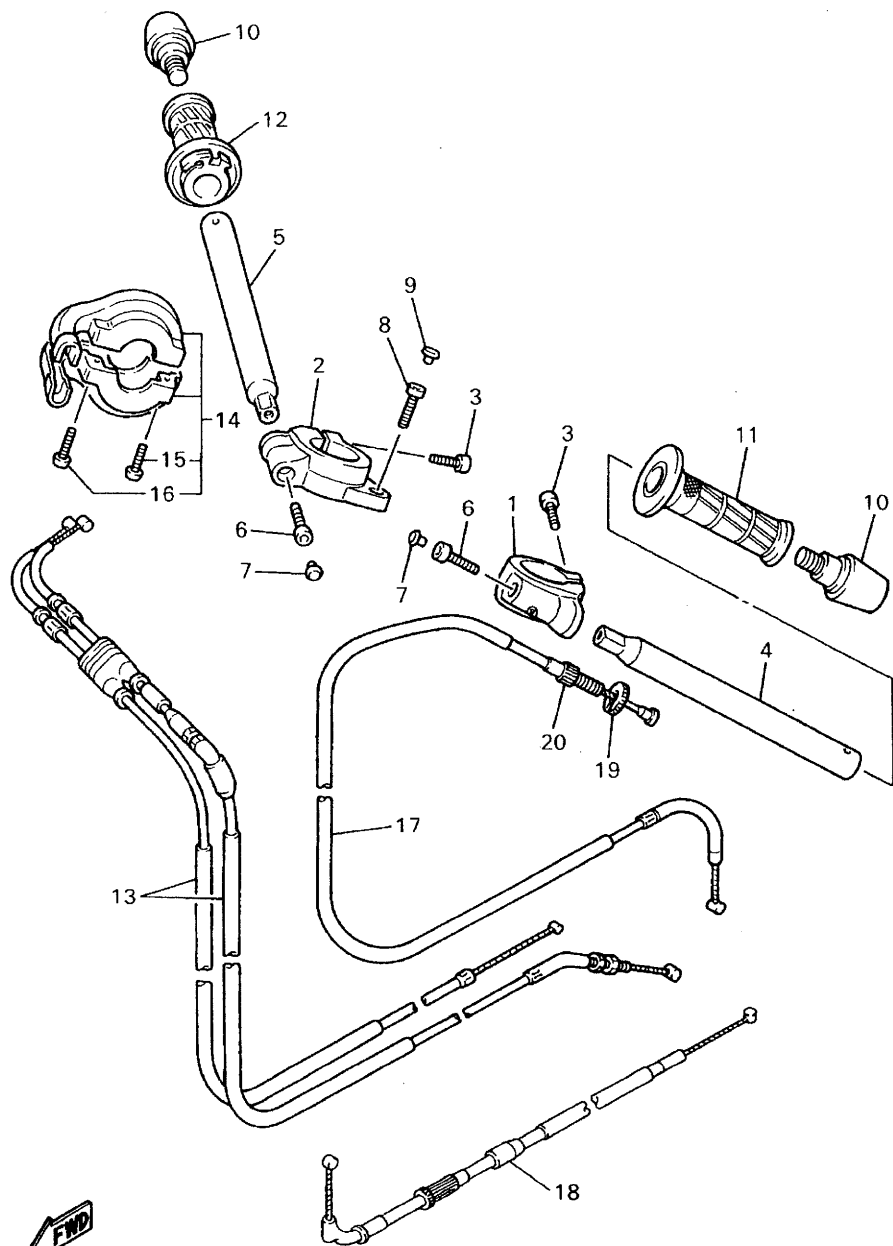


FIG. 34 STEERING HANDLE. CABLE

REF. NO.	PART NO.	DESCRIPTION	4TVB	4WE6	REMARKS
1	4JH-26121-00	BOSS, HANDLEBAR (L.H)	1	1	
2	4JH-26122-00	BOSS, HANDLEBAR (R.H)	1	1	
3	91314-06020	BOLT	4	4	
4	4SV-26111-00	HANDLEBAR	1	1	
5	4SV-26112-00	BAR, HANDLE	1	1	
6	91317-08025	BOLT	2	2	
7	341-23469-00	CAP, BOLT	2	2	
8	91317-06025	BOLT	2	2	
9	10L-23469-00	CAP, BOLT	2	2	
10	36Y-26246-00	END, GRIP	2	2	
11	4FM-26241-01	GRIP (LEFT)	1	1	
12	4TV-26240-00	GRIP ASSY	1	1	
13	4TV-26302-00	THROTTLE CABLE ASSY	1	1	
14	3LN-26270-01	CABLE CONNECTOR CAP ASSY	1	1	
15	98507-05020	.SCREW, PAN HEAD	1	1	
16	98507-05025	.SCREW, PAN HEAD	1	1	
17	4JH-26335-10	CABLE, CLUTCH	1	1	
18	4TV-26331-00	CABLE, STARTER 1	1	1	
19	90179-08148	NUT	1	1	
20	90123-08046	BOLT	1	1	



4TV351-6330

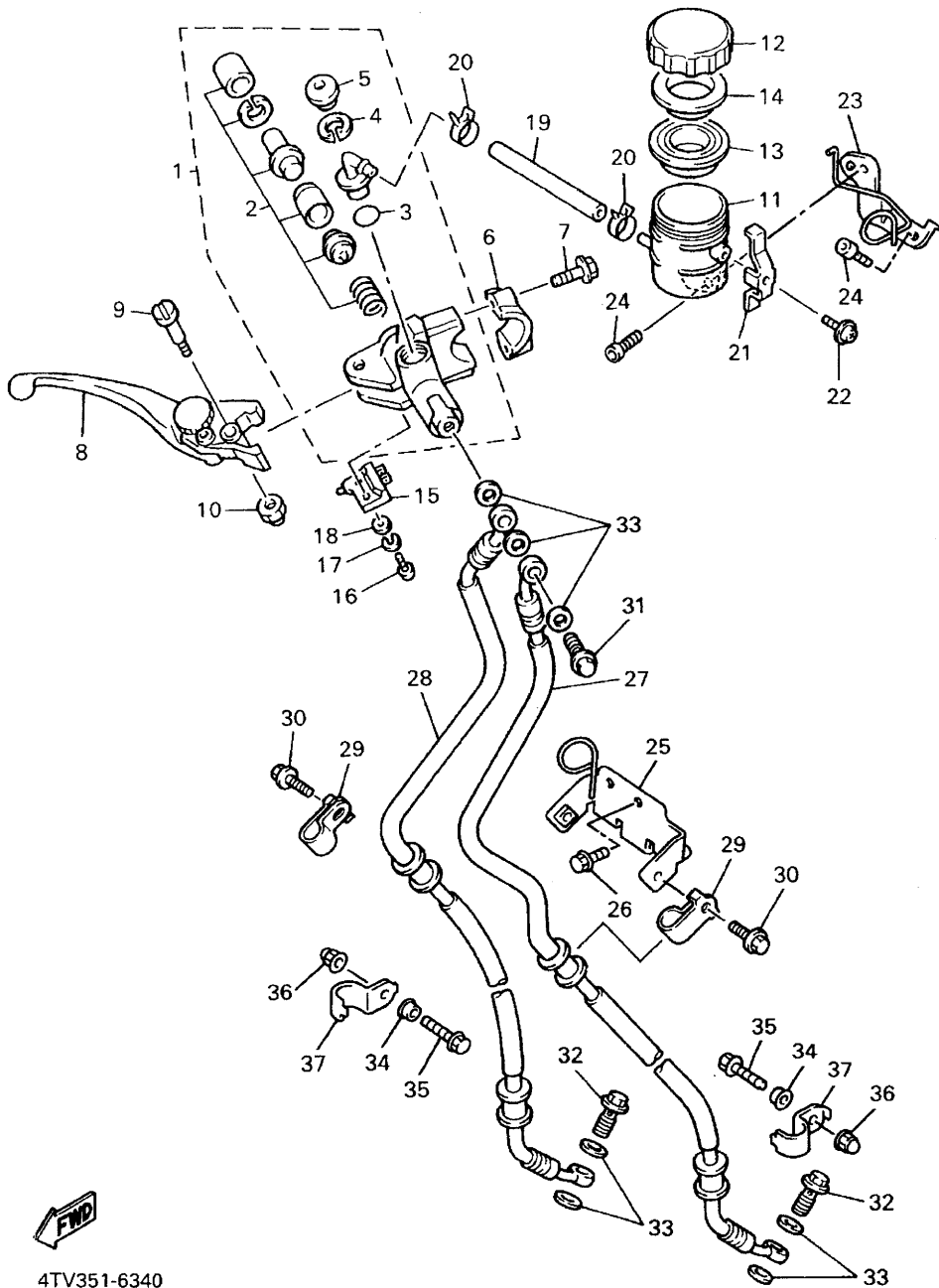


FIG. 35 FRONT MASTER CYLINDER

REF. NO.	PART NO.	DESCRIPTION	4TVB	4WE6	REMARKS
1	4SV-W2587-00	MASTER CYLINDER SUB ASSY	1	1	
2	4SV-W0041-00	.CYLINDER KIT, MASTER	1	1	
3	93210-15620	.O-RING	1	1	
4	2VN-25866-00	.CIRCLIP	1	1	
5	3FV-2589A-00	.COVER, DUST	1	1	
6	56A-25867-00	BRACKET, MASTER CYLINDER	1	1	
7	95026-06025	BOLT, FLANGE	2	2	
8	4SV-83922-00	LEVER 2	1	1	
9	3FV-2589F-00	BOLT, LEVER	1	1	
10	95606-06100	NUT, U	1	1	
11	3FV-25894-00	TANK, RESERVOIR	1	1	
12	3GM-25852-50	CAP, RESERVOIR	1	1	
13	3FV-25854-00	DIAPHRAGM, RESERVOIR	1	1	
14	2J2-25855-50	BUSH,DIAPHRAGM	1	1	
15	3FV-83980-00	FRONT STOP SWITCH ASSY	1	1	
16	98502-04012	SCREW, PAN HEAD	1	1	
17	92902-04100	WASHER, SPRING	1	1	
18	92902-04600	WASHER, PLATE	1	1	
19	3GM-2582F-00	HOSE	1	1	
20	3PA-24356-00	CLIP, PIPE 1	2	2	
21	3FV-2589G-00	HOLDER	1	1	
22	3GM-2589H-00	SCREW	1	1	
23	4TV-26292-00	STAY	1	1	
24	91317-06012	BOLT	2	2	
25	4TV-2134K-00	BRACKET, HORN	1	1	
26	95807-06012	BOLT, FLANGE	2	2	
27	4TV-25872-00	HOSE, BRAKE 1	1	1	



4TV351-6340

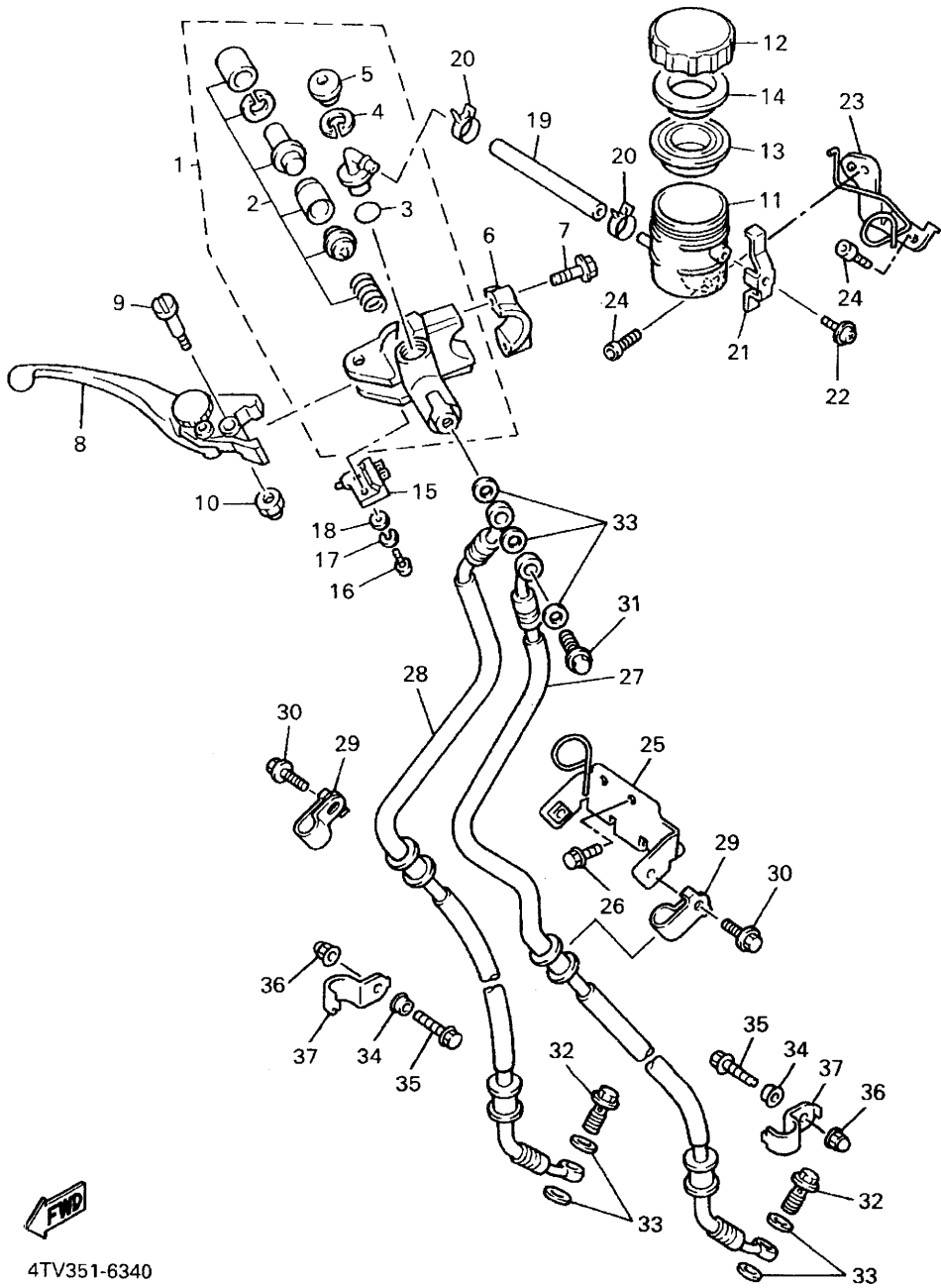


FIG. 35 FRONT MASTER CYLINDER

REF. NO.	PART NO.	DESCRIPTION			REMARKS
			4TVB	4WEG	
28	4TV-25873-00	HOSE, BRAKE 2	1	1	
29	90461-10132	CLAMP	2	2	
30	95807-06012	BOLT, FLANGE	2	2	
31	90401-10160	BOLT, UNION	1	1	
32	90401-10159	BOLT, UNION	2	2	
-----					
33	90201-10118	WASHER, PLATE	7	7	
34	90387-07717	COLLAR	2	2	
35	90119-06097	BOLT, WITH WASHER	2	2	
36	90176-06065	NUT, CROWN	2	2	
37	4SV-25876-00	HOLDER, BRAKE HOSE 2	2	2	
-----					
-----					
-----					
-----					
-----					



4TV351-6340

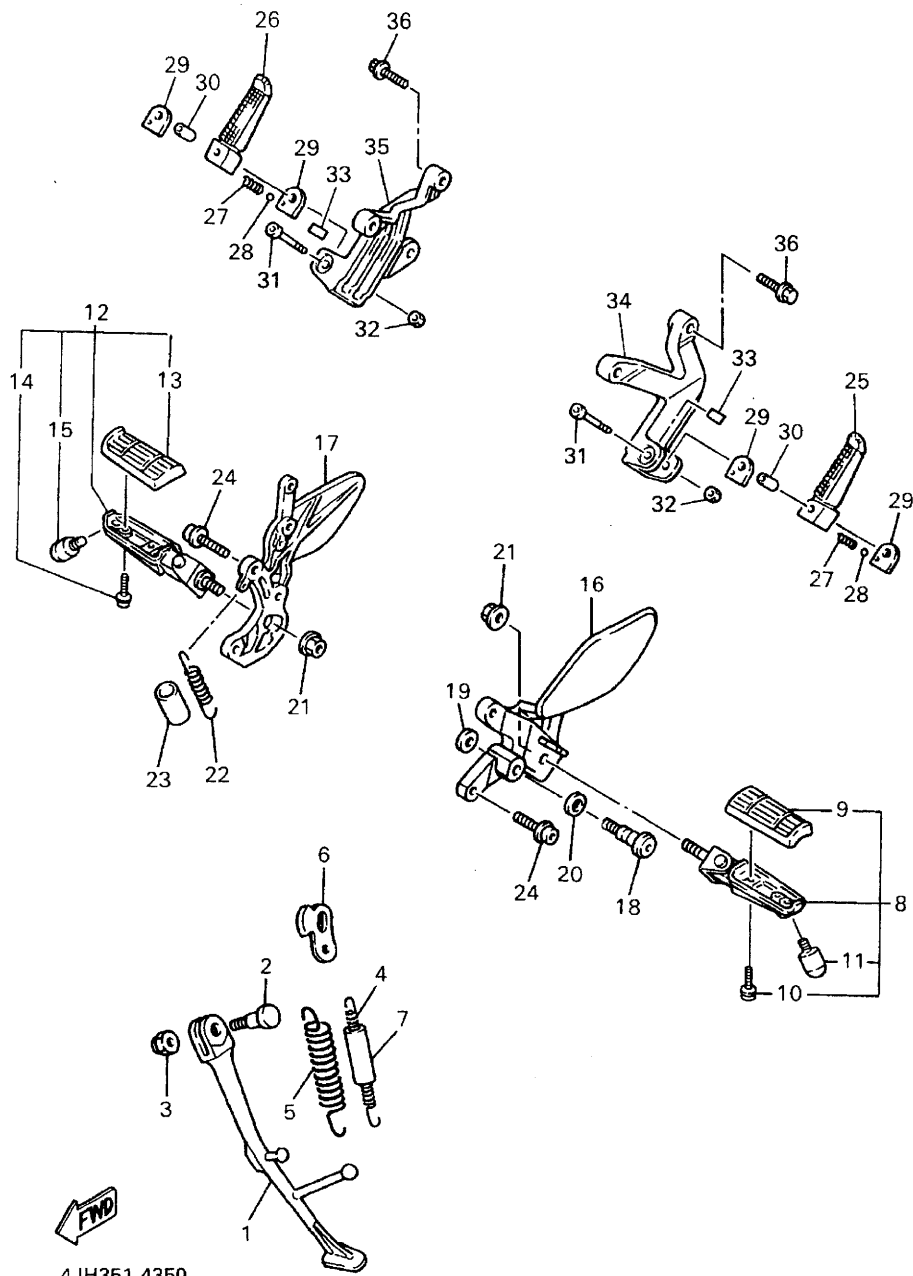
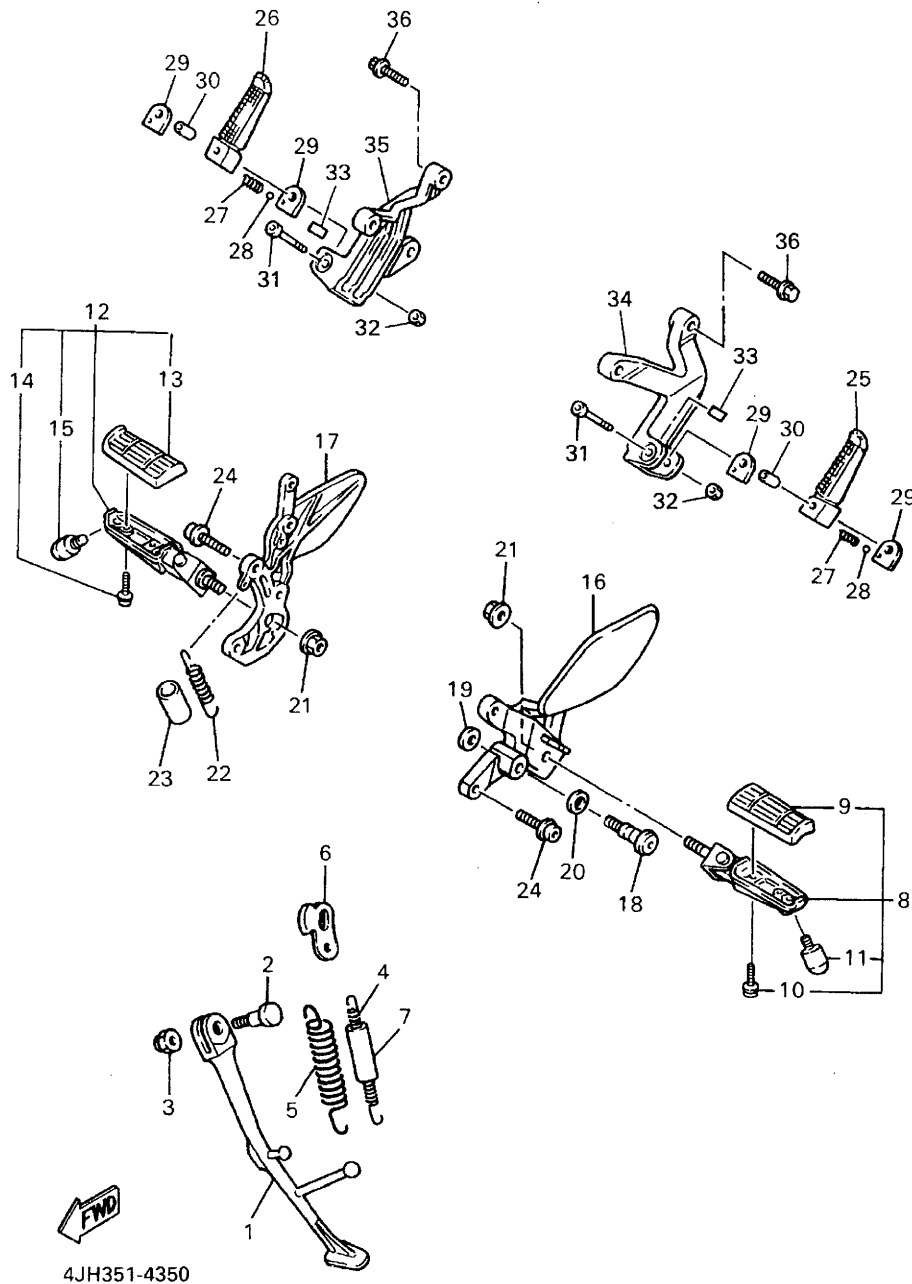


FIG. 36 STAND. FOOTREST

REF. NO.	PART NO.	DESCRIPTION	4TVB	4WE6	REMARKS
1	4FM-27311-00	STAND, SIDE	1	1	
2	90109-104E6	BOLT	1	1	
3	90185-10037	NUT, SELF-LOCKING	1	1	
4	90506-18224	SPRING, TENSION	1	1	
5	90506-26225	SPRING, TENSION	1	1	
6	4FM-27315-00	LINK, SIDE STAND	1	1	
7	1TX-27351-00	GUIDE, SIDE STAND	1	1	
8	4JH-27410-01	FRONT FOOTREST ASSY (LEFT)	1	1	
9	3YX-27413-00	.COVER, FOOTREST	1	1	
10	90157-05079	.SCREW, PAN HEAD	2	2	
11	3HE-27435-00	.BOLT	1	1	
12	4JH-27420-01	FRONT FOOTREST ASSY (RIGHT)	1	1	
13	3YX-27413-00	.COVER, FOOTREST	1	1	
14	90157-05079	.SCREW, PAN HEAD	2	2	
15	3HE-27435-00	.BOLT	1	1	
16	4FM-27442-02	BRACKET 2	1	1	
17	4FM-27443-02	BRACKET 3	1	1	
18	2YK-27434-01	BOLT	1	1	
19	90201-08326	WASHER, PLATE	1	1	
20	90206-12074	WASHER, WAVE	1	1	
21	90179-10247	NUT	2	2	
22	90506-20377	SPRING, TENSION	1	1	
23	90446-17346	HOSE	1	1	
24	91314-08025	BOLT	4	4	
25	3XV-27431-01	FOOTREST, REAR 1	1	1	
26	3XV-27441-11	FOOTREST, REAR 2	1	1	
27	90501-12743	SPRING, COMPRESSION	2	2	



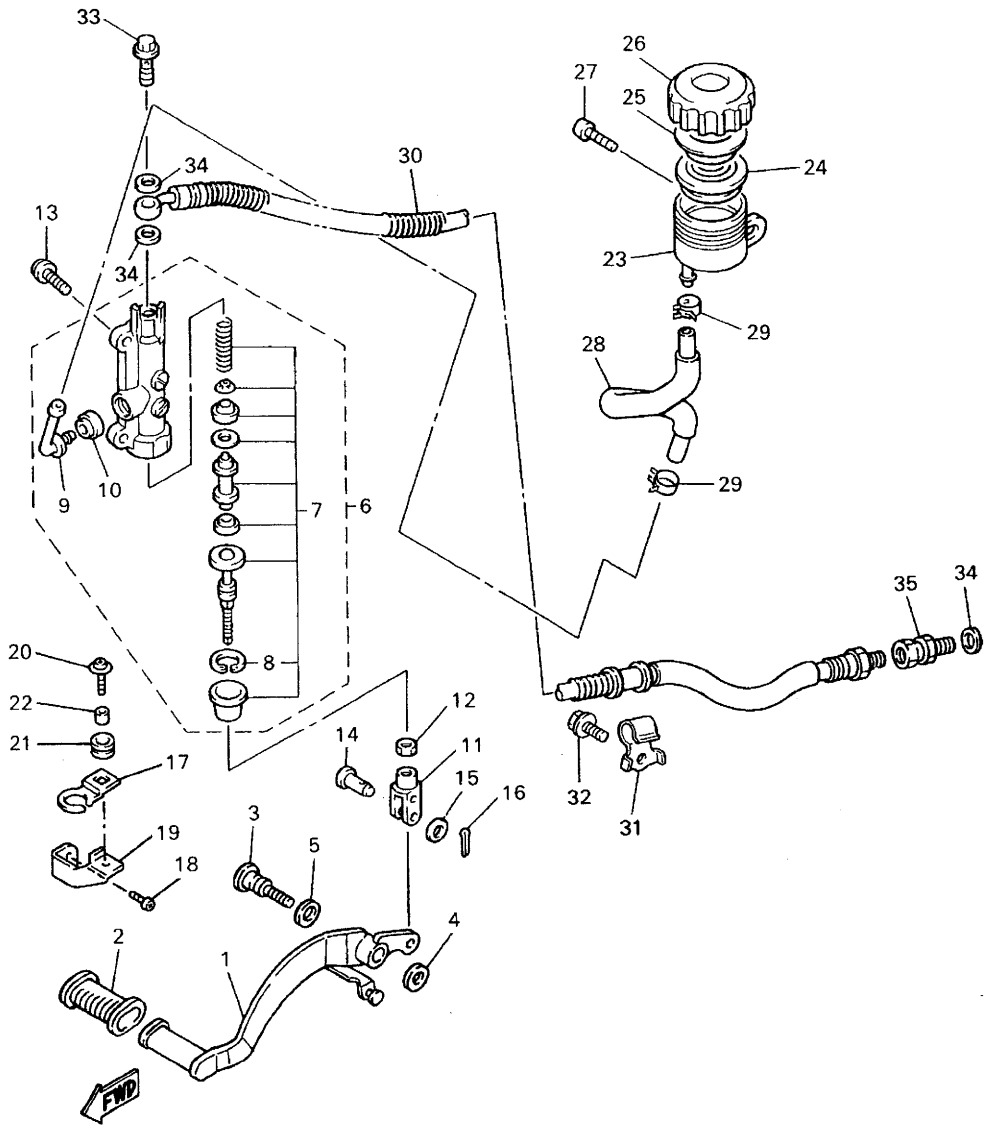
4JH351-4350

FIG. 36 STAND. FOOTREST

REF. NO.	PART NO.	DESCRIPTION	4TVB	4WE6	REMARKS
28	93501-04011	BALL	2	2	
29	1HX-27437-00	WASHER, SPECIAL	4	4	
30	90387-064H8	COLLAR	2	2	
31	95024-06045	BOLT, FLANGE	2	2	
32	95604-06200	NUT, U FLANGE	2	2	
33	1HX-27415-00	PLATE, FOOTREST	2	2	
34	4JH-2741L-03	BRACKET 4	1	1	
35	4JH-2742L-10	BRACKET 5	1	1	
36	95814-08035	BOLT, FLANGE	4	4	

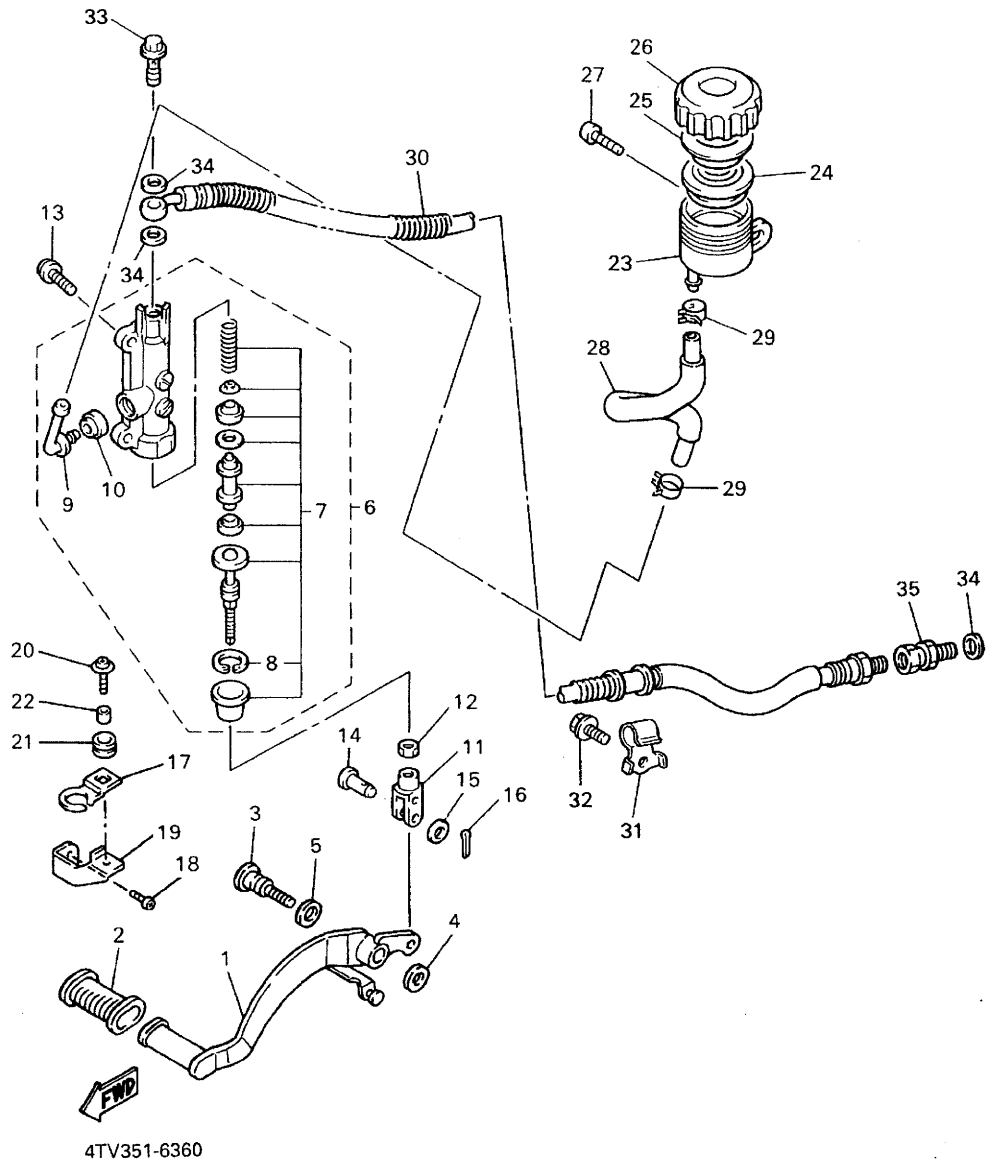
FIG. 37 REAR MASTER CYLINDER

REF. NO.	PART NO.	DESCRIPTION	4TVB	4WE6	REMARKS
1	4JH-27211-10	PEDAL, BRAKE	1	1	
2	22N-18113-00	COVER, SHIFT PEDAL	1	1	
3	4SV-27261-00	SHAFT	1	1	
4	90201-104R2	WASHER, PLATE	1	1	
5	90206-14086	WASHER, WAVE	1	1	
6	4BH-2583V-00	RR. MASTER CYLINDER ASSY.	1	1	
7	4BH-W0042-50	.CYLINDER KIT, MASTER	1	1	
8	3LN-2585G-00	.CIRCLIP	1	1	
9	4BP-2582A-00	.JOINT	1	1	
10	4BP-2585F-00	.BUSH	1	1	
11	47X-27222-00	JOINT	1	1	
12	95307-08700	NUT	1	1	
13	92014-08020	BOLT, BUTTON HEAD	2	2	
14	90240-08124	PIN, CLEVIS	1	1	
15	90201-08083	WASHER, PLATE	1	1	
16	91401-20012	PIN, COTTER	1	1	
17	4SV-2144G-00	STAY, STOP SWITCH	1	1	
18	98507-06008	SCREW, PAN HEAD	1	1	
19	4SV-21441-00	BRACKET, STOP SWITCH	1	1	
20	90159-06150	SCREW, WITH WASHER	1	1	
21	90480-12607	GROMMET	1	1	
22	90387-06023	COLLAR	1	1	
23	31A-25894-01	TANK, RESERVOIR	1	1	
24	360-25854-01	DIAPHRAGM, RESERVOIR	1	1	
25	2GU-25855-00	BUSH,DIAPHRAGM	1	1	
26	2KF-25852-50	CAP, RESERVOIR	1	1	
27	90159-06085	SCREW, WITH WASHER	1	1	



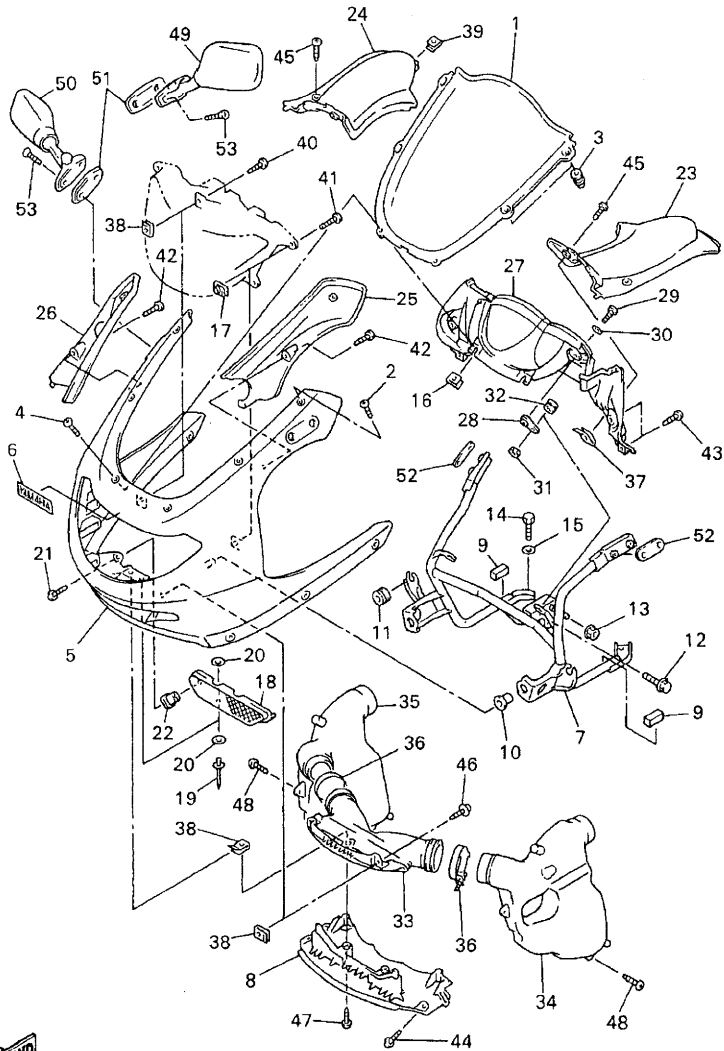
4TV351-6360

FIG. 37 REAR MASTER CYLINDER



REF. NO.	PART NO.	DESCRIPTION	4TVB	4WE6	REMARKS
28	4JH-25895-00	HOSE, RESERVOIR	1	1	
29	90467-14057	CLIP	2	2	
30	4JH-25874-01	HOSE, BRAKE	1	1	
31	90461-08031	CLAMP	1	1	
32	95807-06012	BOLT, FLANGE	1	1	
33	90401-10159	BOLT, UNION	1	1	
34	90201-10118	WASHER, PLATE	3	3	
35	3LC-25885-00	JOINT	1	1	
-----					
-----					
-----					
-----					
-----					
-----					
-----					
-----					

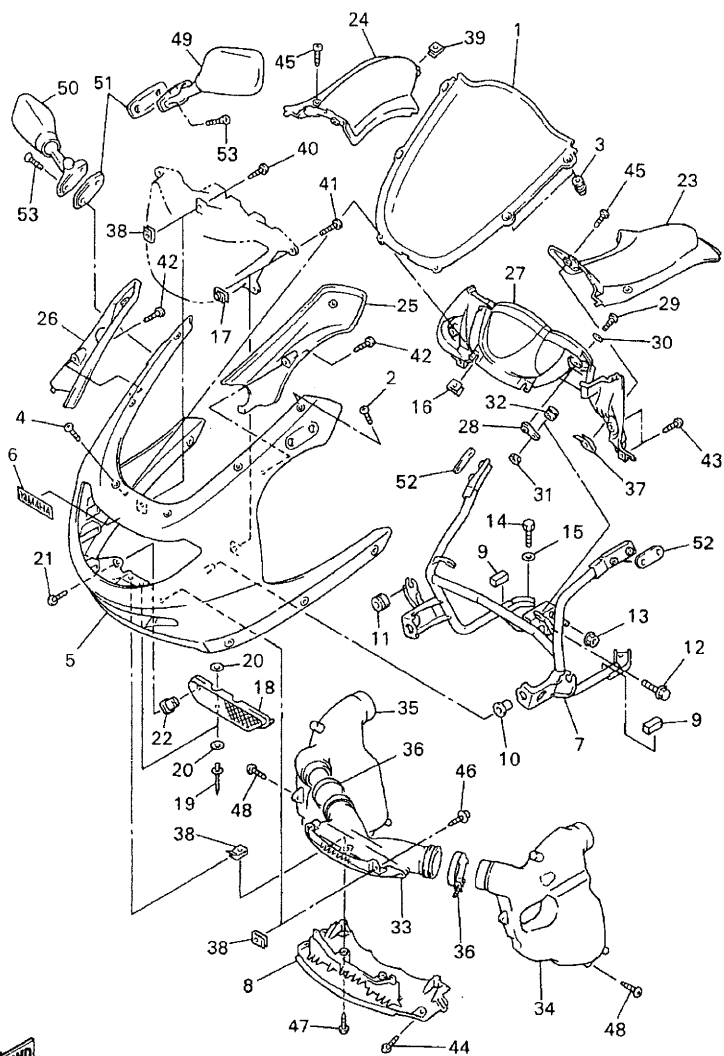
FIG. 38 COWLING 1



4TVB351-1370

REF. NO.	PART NO.	DESCRIPTION	4TVB	4WE6	REMARKS
1	4TV-28381-00	WINDSHIELD	1	1	
2	90150-05023	SCREW, ROUND HEAD	4	4	
3	90179-05523	NUT	4	4	
4	90150-05024	SCREW, ROUND HEAD	2	2	
5	4TV-2835G-00-P4	BODY, FRONT UPPER 1	1	1	UR VRC7
	4TV-2835G-00-P3	BODY, FRONT UPPER 1	1	1	UR DPBMC
6	99246-00100	EMBLEM, YAMAHA	1	1	
7	4TV-28356-00	STAY 1	1	1	
8	4TV-2835H-00-P4	BODY, FRONT UPPER 2	1	1	UR VRC7
	4TV-2835H-00-P3	BODY, FRONT UPPER 2	1	1	UR DPBMC
9	22F-21746-01	DAMPER	2	2	
10	90480-18277	GROMMET	2	2	
11	90480-18330	GROMMET	2	2	
12	90109-08789	BOLT	1	1	
13	95607-08200	NUT, SELF-LOCKING	1	1	
14	97027-08016	BOLT	2	2	
15	92907-08600	WASHER, PLATE	2	2	
16	90183-05074	NUT, SPRING	2	2	
17	90183-05074	NUT, SPRING	4	4	
18	4TV-2172A-00	PANEL 1	1	1	
19	90267-40191	RIVET, BLIND	2	2	
20	90201-04018	WASHER, PLATE	4	4	
21	97707-40012	SCREW, TAPPING	2	2	
22	90480-01605	GROMMET	2	2	
23	4TV-2836K-00	PANEL, INNER 1	1	1	
24	4TV-2836L-00	PANEL, INNER 2	1	1	
25	4TV-2836M-00	PANEL, INNER 3	1	1	

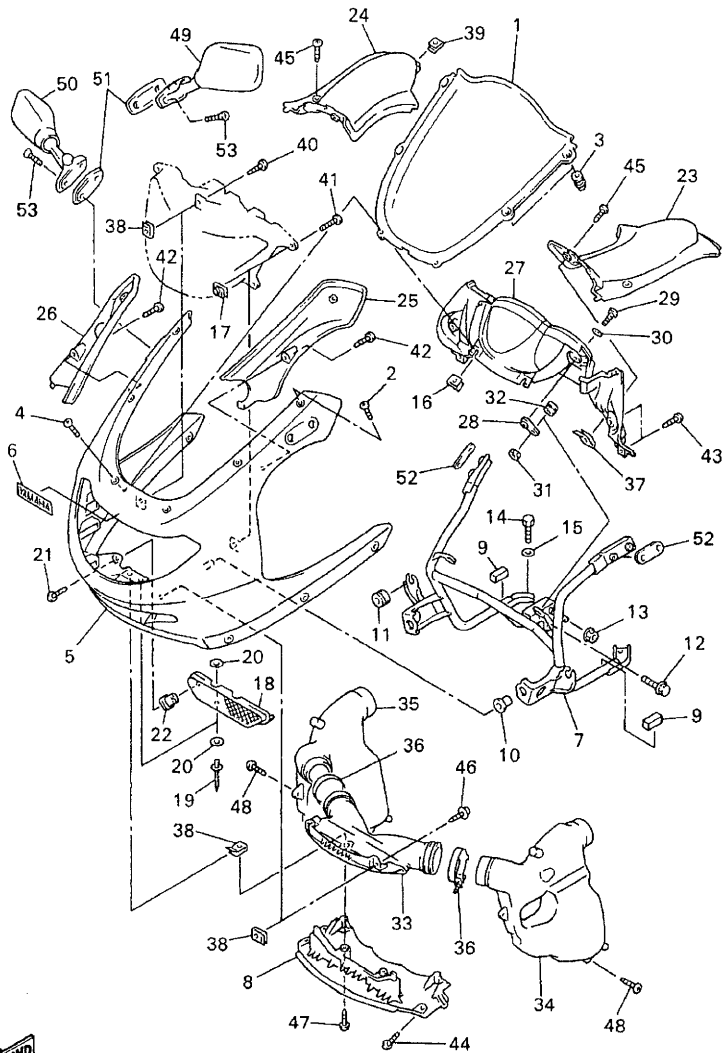
FIG. 38 COWLING 1



4TVB351-1370

REF. NO.	PART NO.	DESCRIPTION	4TVB	4WEG	REMARKS
26	4TV-2836N-00	PANEL, INNER 4	1	1	
27	4TV-2836R-00	PANEL, INNER 5	1	1	
28	4TV-2833A-00	BRACET 7	2	2	
29	98507-05012	SCREW, PAN HEAD	2	2	
30	92907-05600	WASHER, PLATE	2	2	
31	95307-06600	NUT	2	2	
32	90480-14585	GROMMET	2	2	
33	4TV-2838N-00	DUCT 1	1	1	
34	4TV-2838R-00	DUCT 2	1	1	
35	4TV-2838T-00	DUCT 3	1	1	
36	4TV-13575-00	BAND	2	2	
37	90183-05042	NUT, SPRING	2	2	
38	90183-05042	NUT, SPRING	7	7	
39	90183-05042	NUT, SPRING	2	2	
40	97707-50016	SCREW, TAPPING	1	1	
41	90159-05065	SCREW, WITH WASHER	4	4	
42	90167-05077	SCREW, TAPPING	4	4	
43	90167-05078	SCREW, TAPPING	4	4	
44	97704-50016	SCREW, TAPPING	2	2	
45	90167-05077	SCREW, TAPPING	6	6	
46	90167-05015	SCREW, TAPPING	2	2	
47	90167-05077	SCREW, TAPPING	2	2	
48	97707-50016	SCREW, TAPPING	6	6	
49	4FM-26280-10	REAR VIEW MIRROR ASSY(LEFT)	1	1	BLACK
50	4FM-26290-10	REAR VIEW MIRROR ASSY(RIGHT)	1	1	BLACK
51	4FM-26299-00	PLATE, MIRROR FITTING 2	2	2	
52	3XV-26298-00	PLATE, MIRROR FITTING 1	2	2	

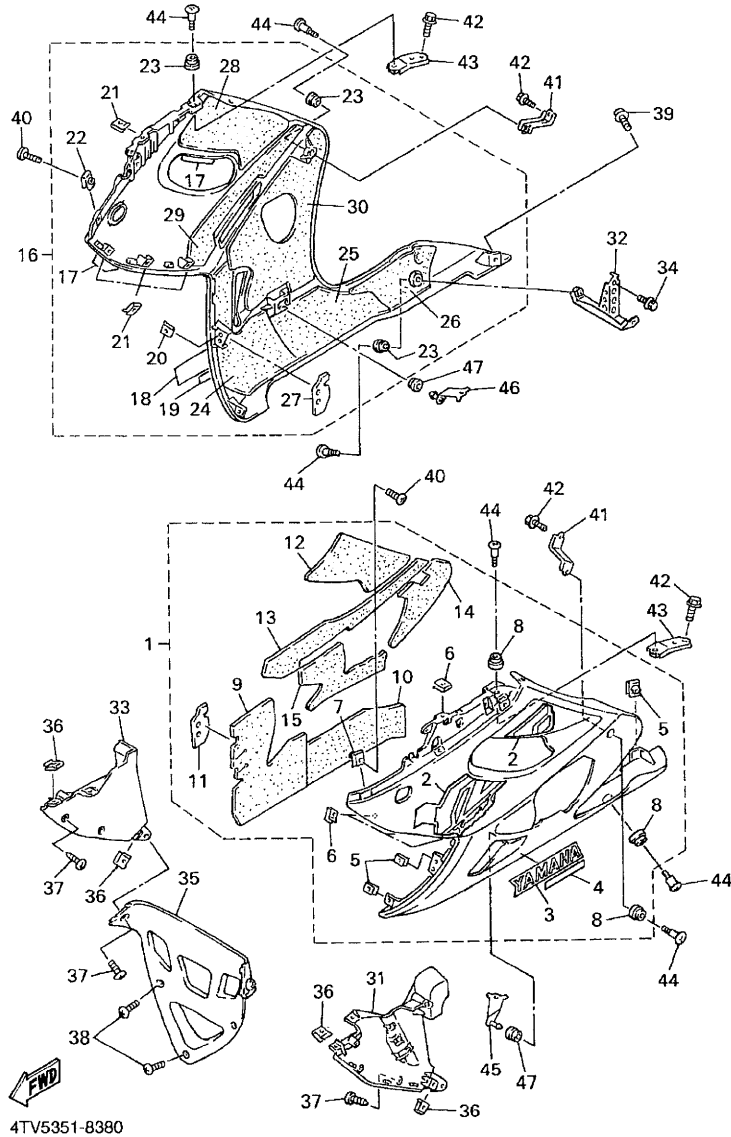
FIG. 38 COWLING 1



4TVB351-1370

REF. NO.	PART NO.	DESCRIPTION	4TVB	4WE6	REMARKS
53	90151-06061	SCREW, COUNTERSUNK	4	4	
-----					
-----					
-----					
-----					
-----					
-----					
-----					
-----					
-----					
-----					

FIG. 39 COWLING 2



REF. NO.	PART NO.	DESCRIPTION	4TVB	4WE6	REMARKS
1	4TV-Y283U-1B-P4	PANEL ASSEMBLY 1	1	1	UR VRC7
	4TV-Y283U-1G-P3	PANEL ASSEMBLY 1	1	1	UR DPBMC
2	4TV-28304-30	.GRAPHIC SET, LOWER COVER 3	1	1	UR FOR VRC7
	4TV-28304-50	.GRAPHIC SET, LOWER COVER 3	1	1	UR FOR DPBMC
3	99246-00320	.EMBLEM, YAMAHA	1	1	
4	4SV-28328-40	.EMBLEM	1	1	
5	90183-05074	.NUT, SPRING	3	3	
6	90183-05042	.NUT, SPRING	4	4	
7	90183-05073	.NUT, SPRING	3	3	
8	90480-13398	.GROMMET	3	3	
9	4TV-2848L-03	.SEAT 3	1	1	
10	4TV-2848N-02	.SEAT 5	1	1	
11	4TV-2848R-00	.SEAT 7	1	1	
12	4TV-28227-00	.DAMPER 2	1	1	
13	4TV-2834F-00	.DAMPER	1	1	
14	4TV-2837J-00	.DAMPER 5	1	1	
15	4TV-2837K-00	.DAMPER 6	1	1	
16	4TV-Y283V-1C-P4	PANEL ASSEMBLY 2	1	1	UR VRC7
	4TV-Y283V-1H-P3	PANEL ASSEMBLY 2	1	1	UR DPBMC
17	4TV-28305-30	.GRAPHIC SET, LOWER COVER 4	1	1	UR FOR VRC7
	4TV-28305-50	.GRAPHIC SET, LOWER COVER 4	1	1	UR FOR DPBMC
18	99246-00320	.EMBLEM, YAMAHA	1	1	
19	4SV-28328-40	.EMBLEM	1	1	
20	90183-05074	.NUT, SPRING	1	1	
21	90183-05042	.NUT, SPRING	4	4	
22	90183-05073	.NUT, SPRING	3	3	
23	90480-13398	.GROMMET	3	3	

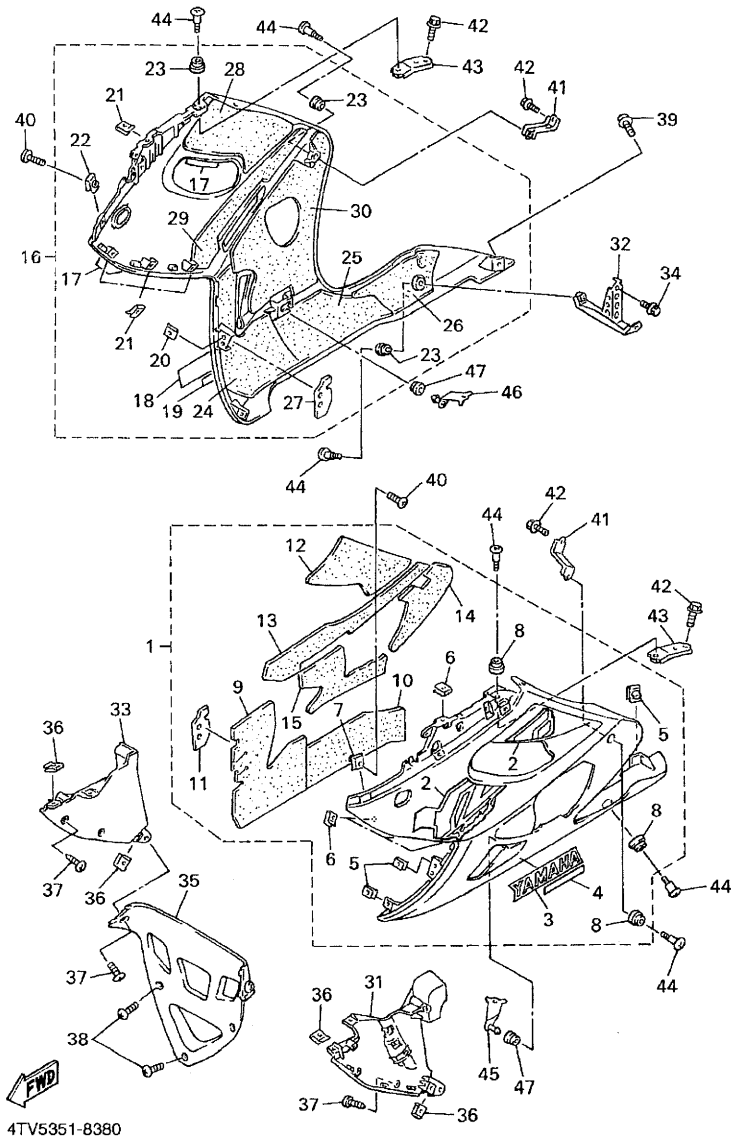


FIG. 39 COWLING 2

REF. NO.	PART NO.	DESCRIPTION	4TVB	4WE6	REMARKS
24	4TV-2848K-03	.SEAT 2	1	1	
25	4TV-2848M-02	.SEAT 4	1	1	
26	4TV-2848H-00	.SEAT	1	1	
27	4TV-2848P-00	.SEAT 6	1	1	
28	4TV-28217-00	.DAMPER 1	1	1	
29	4TV-2834E-00	.DAMPER	1	1	
30	4TV-28371-00	.DAMPER	1	1	
31	4TV-2835J-00-P4	BODY, FRONT LOWER 1	1	1	UR VRC7
	4TV-2835J-00-P3	BODY, FRONT LOWER 1	1	1	UR DPBMC
32	4JH-2831T-00	STAY, SUPPORT 1	1	1	
33	4TV-2835K-00-P4	BODY, FRONT LOWER 2	1	1	UR VRC7
	4TV-2835K-00-P3	BODY, FRONT LOWER 2	1	1	UR DPBMC
34	95807-06010	BOLT, FLANGE	1	1	
35	4TV-28385-00-P8	COVER, LOWER	1	1	UR VRC7
	4TV-28385-00-P3	COVER, LOWER	1	1	UR DPBMC
36	90183-05042	NUT, SPRING	4	4	
37	97704-50016	SCREW, TAPPING	8	8	
38	90154-05059	SCREW, BINDING	3	3	
39	90159-05065	SCREW, WITH WASHER	1	1	
40	90154-05059	SCREW, BINDING	6	6	
41	4JH-2832U-00	STAY, SIDE 1	2	2	
42	95807-06010	BOLT, FLANGE	4	4	
43	4TV-2836H-00	BRACKET 5	2	2	
44	90150-06036	SCREW, ROUND HEAD	6	6	
45	4JH-2836F-00	BRACKET 3	1	1	
46	4JH-2836G-00	BRACKET 4	1	1	
47	90480-01531	GROMMET	2	2	

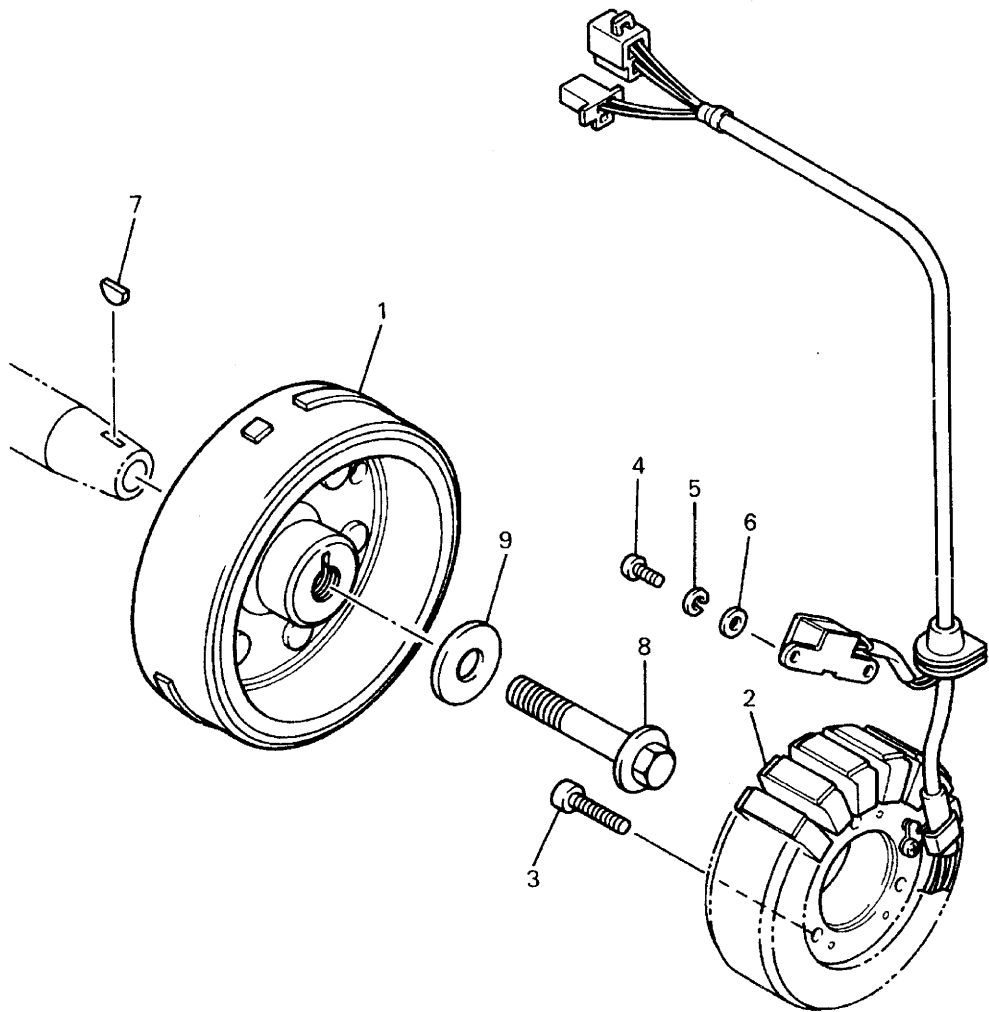
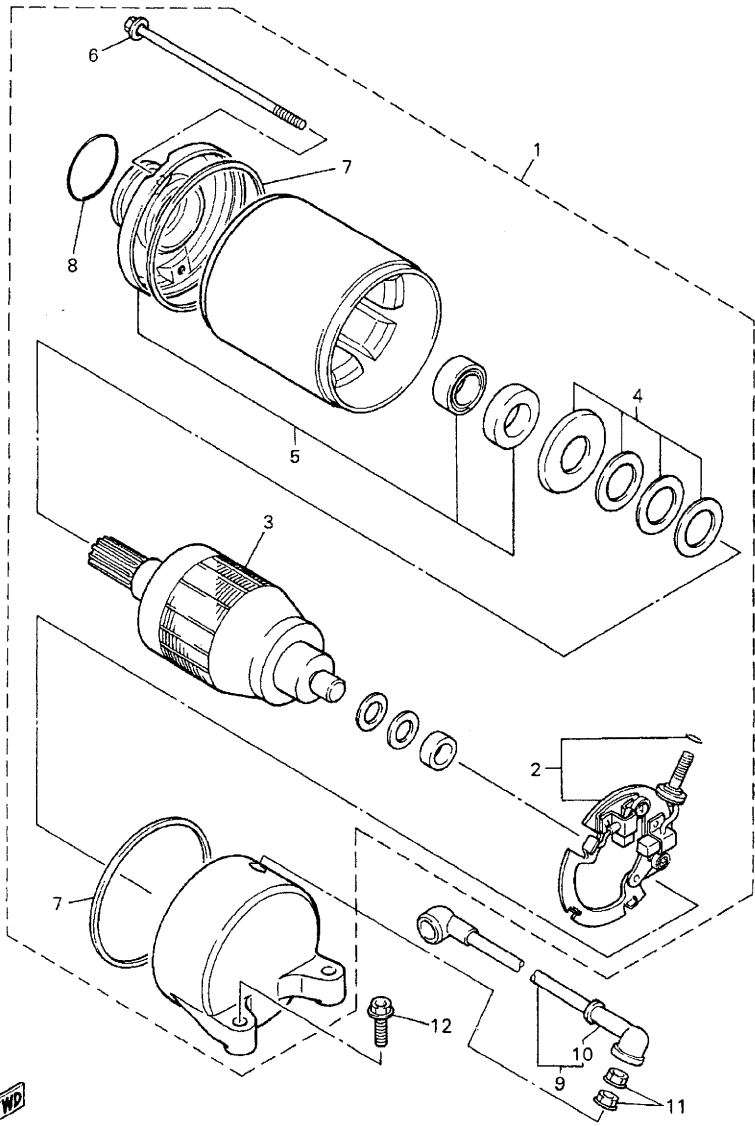


FIG. 40 GENERATOR

REF. NO.	PART NO.	DESCRIPTION	4TVB	4WE6	REMARKS
1	4TV-81450-00	ROTOR ASSY	1	1	
2	4TV-81410-01	STATOR ASSY	1	1	
3	92017-06030	BOLT, BUTTON HEAD	3	3	
4	98507-05016	SCREW, PAN HEAD	2	2	
5	92907-05600	WASHER, PLATE	2	2	
6	90201-05027	WASHER, PLATE	2	2	
7	90280-03047	KEY, WOODRUFF	1	1	
8	90105-12584	BOLT, WASHER BASED	1	1	
9	90201-121H0	WASHER, PLATE	1	1	



4JH351-4390

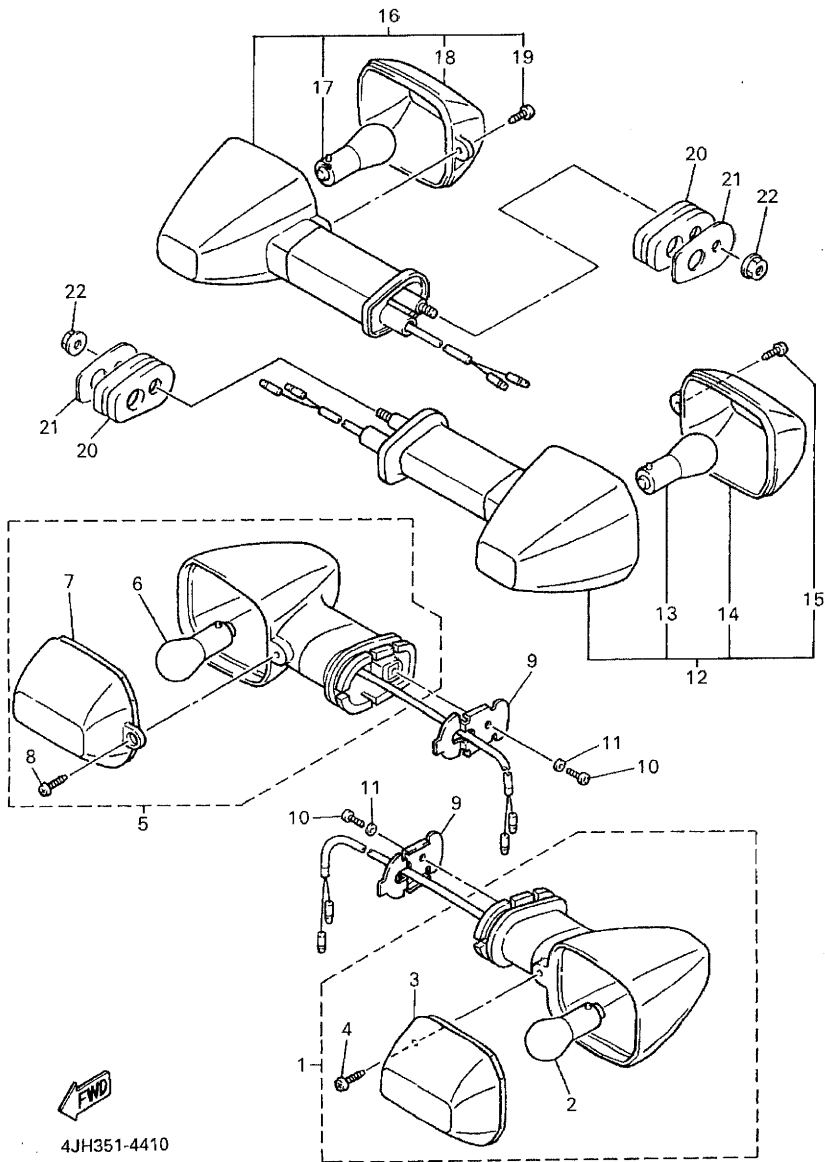


4TV9351-0400

FIG. 41 STARTING MOTOR

REF. NO.	PART NO.	DESCRIPTION	4TVB	4WE6	REMARKS
1	3HE-81890-00	MOTOR ASSY	1	1	
2	3HE-81840-00	.BRUSH HOLDER ASSY	1	1	
3	3HE-81850-00	.ARMATURE ASSY	1	1	
4	3AJ-81809-00	.WASHER KIT	1	1	
5	3HE-81830-00	.FRONT BRACKET ASSY	1	1	
6	3HE-81826-00	.BOLT	1	1	
7	11H-81844-00	.GASKET	2	2	
8	1FK-81847-00	.O-RING	1	1	
9	1HX-81815-00	CORD, STARTER MOTOR	1	1	
10	4G0-81871-00	.CAP	1	1	
11	4XV-8182A-00	NUT	2	2	
12	95027-06025	BOLT, FLANGE	2	2	

FIG. 42 FLASHER LIGHT



4JH351-4410

REF. NO.	PART NO.	DESCRIPTION	4TVB	4WE6	REMARKS
1	4JH-83310-01	FRONT FLASHER LIGHT ASSY 1	1	1	
2	306-83311-40	.BULB, FLASHER (12V-21W)	1	1	
3	4JH-83332-00	.LENS, FLASHER	1	1	
4	97702-40610	.SCREW, TAPPING	1	1	
5	4JH-83320-01	FRONT FLASHER LIGHT ASSY 2	1	1	
6	306-83311-40	.BULB, FLASHER (12V-21W)	1	1	
7	4JH-83342-00	.LENS, FLASHER 2	1	1	
8	97702-40610	.SCREW, TAPPING	1	1	
9	4JH-83318-00	STAY, FLASHER 1	2	2	
10	98507-04008	SCREW, PAN HEAD	2	2	
11	92907-04600	WASHER	2	2	
12	4JH-83330-00	REAR FLASHER LIGHT ASSY 1	1	1	UR
13	306-83311-40	.BULB, FLASHER (12V-21W)	1	1	
14	4JH-83342-00	.LENS, FLASHER 2	1	1	
15	97702-40610	.SCREW, TAPPING	1	1	
16	4JH-83340-00	FLASHER LIGHT ASSY 2	1	1	UR
17	306-83311-40	.BULB, FLASHER (12V-21W)	1	1	
18	4JH-83332-00	.LENS, FLASHER	1	1	
19	97702-40610	.SCREW, TAPPING	1	1	
20	4FM-83345-00	PLUG, BLIND	2	2	
21	4FM-83369-00	STAY, FLASHER 2	2	2	
22	95707-06500	NUT, FLANGE	2	2	

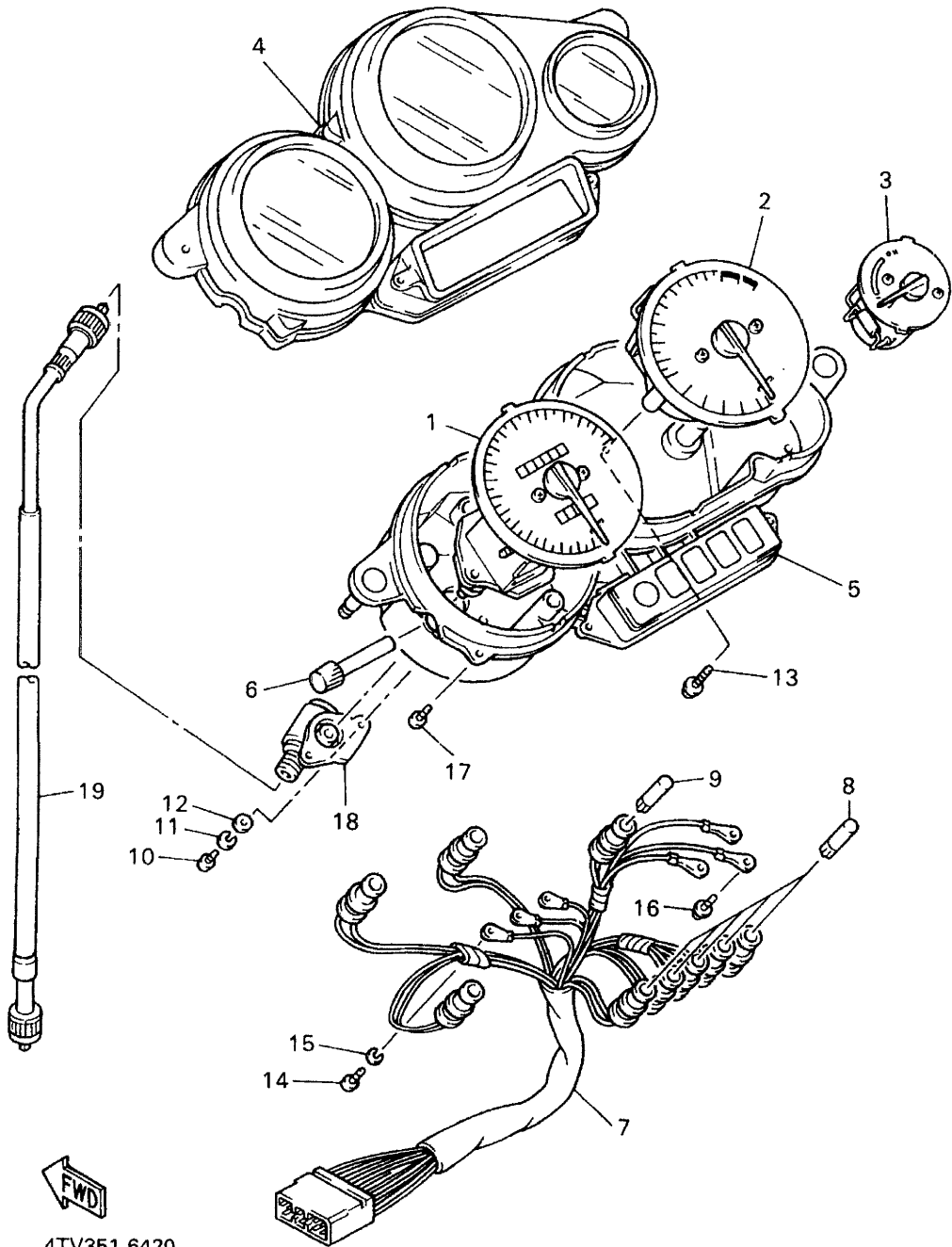


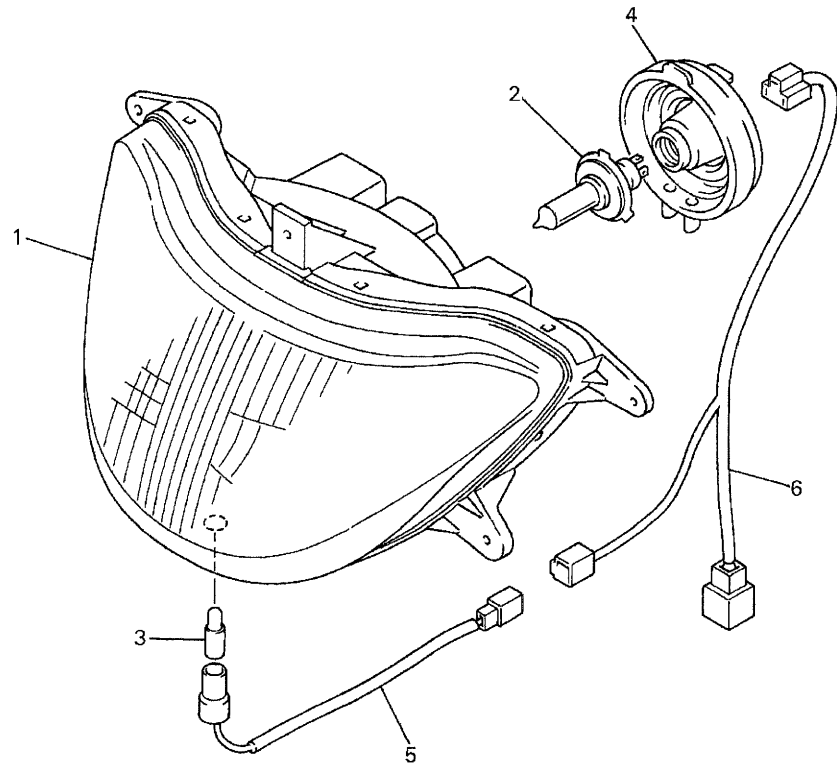
FIG. 43 METER

REF. NO.	PART NO.	DESCRIPTION	4TVB	4WE6	REMARKS
1	4TV-83570-20	SPEEDOMETER ASSY	1	1	UR
2	4TV-83540-00	TACHOMETER ASSY	1	1	
3	4SV-83590-00	WATER TEMPERATURE ASSY	1	1	
4	4FM-83559-00	COVER, METER	1	1	
5	4FM-8353H-40	CASE, UNDER	1	1	
6	4SV-83578-00	KNOB, TRIP METER	1	1	
7	4TV-83509-00	SOCKET CORD ASSY	1	1	
8	4R0-83517-00	BULB (12V-3.4W T10)	5	5	
9	3GM-83517-00	BULB (12V-1.7W)	4	4	
10	98507-04010	SCREW, PAN HEAD	4	4	
11	92907-04100	WASHER, SPRING	4	4	
12	92907-04600	WASHER	4	4	
13	4NX-83546-00	BOLT	2	2	
14	98507-03010	SCREW, PAN HEAD	3	3	
15	92907-03100	WASHER	3	3	
16	90159-03102	SCREW, WITH WASHER	3	3	
17	4SV-83546-00	BOLT	5	5	
18	4FM-83520-00	SOCKET CORD ASSY	1	1	
19	4TV-83550-00	SPEEDOMETER CABLE ASSY	1	1	



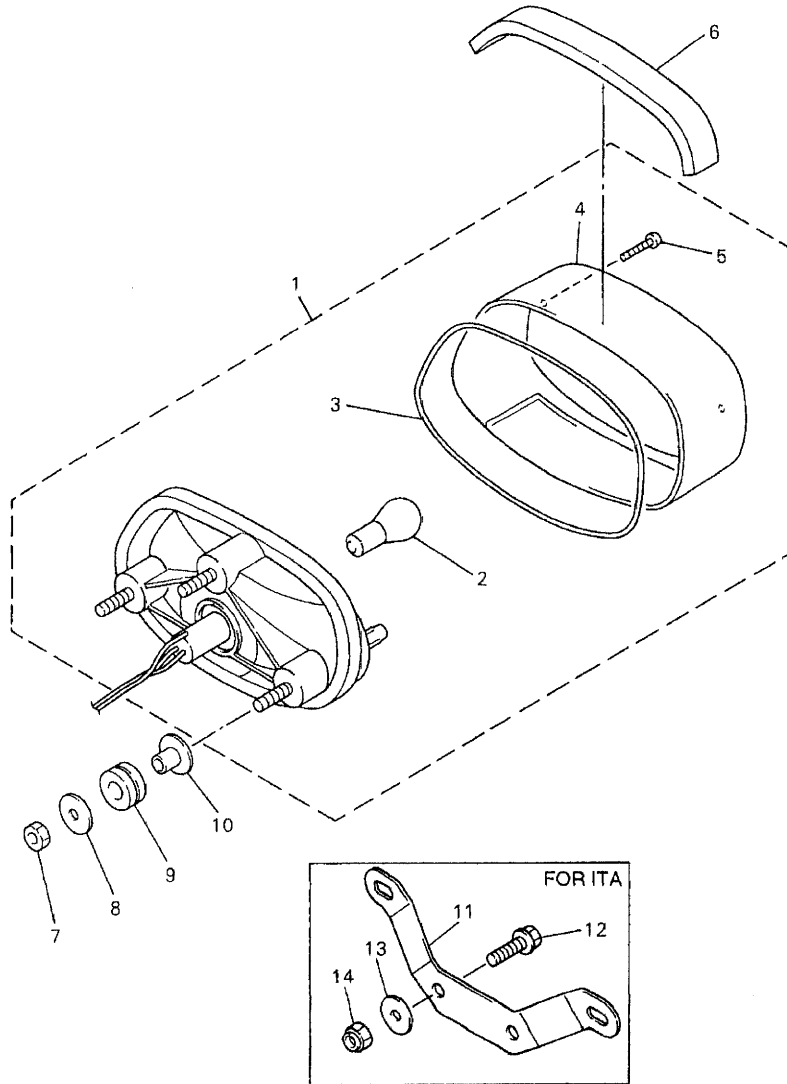
4TV351-6420

FIG. 44 HEADLIGHT



REF. NO.	PART NO.	DESCRIPTION	4TVB	4WE6		REMARKS
1	4TV-84310-10	HEADLIGHT UNIT ASSY	1			ZAF
2	*	BULB (12V 60/55W HALOGEN)	1	1		LM
3	4E2-84347-00	BULB (12V-4W)	1	1		
4	4TV-84397-00	COVER, SOCKET	1	1		
5	4TV-84312-00	HOLDER, SOCKET	1	1		
6	4TV-84359-00	CORD, HEADLIGHT	1	1		

FIG. 45 TAILLIGHT

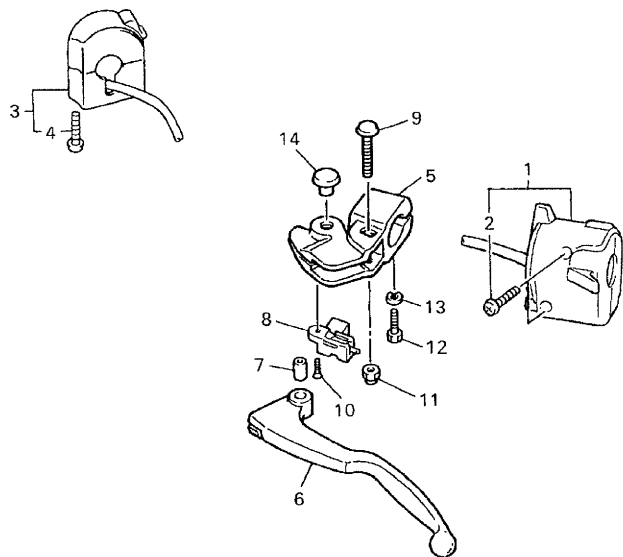


REF. NO.	PART NO.	DESCRIPTION	4TVB	4WEG	REMARKS
1	4TR-84700-00	TAILLIGHT ASSY	1	1	
2	31L-84714-00	.BULB, TAILLIGHT (12V-21/5W)	1	1	
3	4TR-84723-00	.GASKET, TAIL LENS	1	1	
4	4TR-84733-00	.LENS, TAILLIGHT	1	1	
5	97706-40620	.SCREW, TAPPING	2	2	
6	4TV-84753-00	DAMPER	1	1	
7	95307-06600	NUT	3	3	
8	90201-06071	WASHER, PLATE	3	3	
9	90480-18276	GROMMET	3	3	
10	90387-062W4	COLLAR	3	3	
11	N/A				
12	N/A				
13	N/A				
14	N/A				



4TV9300-0450

FIG. 46 HANDLE SWITCH, LEVER

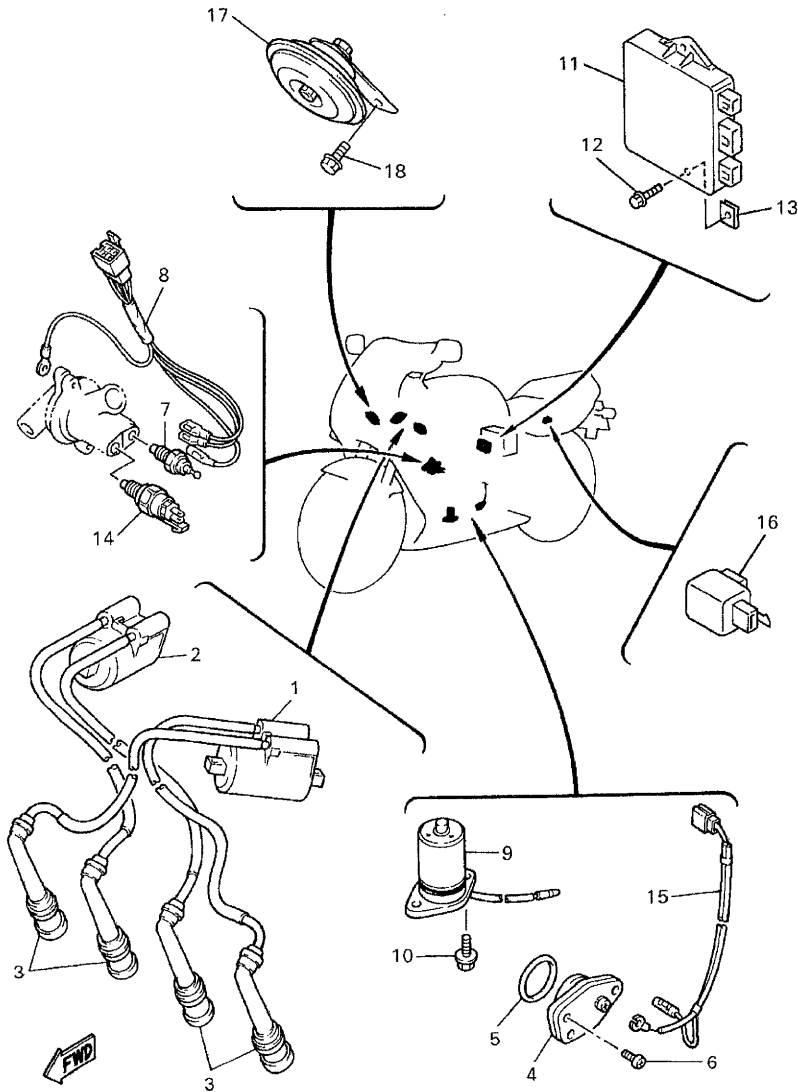


REF. NO.	PART NO.	DESCRIPTION	4TVB	4WE6	REMARKS
1	4TV-83972-00	SWITCH, HANDLE 4	1	1	
2	98507-05025	.SCREW, PAN HEAD	2	2	
3	4PU-83963-00	SWITCH, HANDLE 3 (RIGHT)	1	1	
4	98507-05045	.SCREW, PAN HEAD	2	2	
5	29L-82911-01	HOLDER, LEVER 1	1	1	
6	3LN-83912-00	LEVER 1	1	1	
7	31A-83913-00	COLLAR, LEVER 1	1	1	
8	31A-82917-00	SWITCH	1	1	
9	31A-83945-00	BOLT, LEVER	1	1	
10	98707-03008	SCREW, FLAT HEAD	1	1	
11	95607-06100	NUT, U	1	1	
12	97007-06025	BOLT	1	1	
13	92907-06100	WASHER, SPRING	1	1	
14	90338-09012	PLUG	1	1	



4TV351-6450

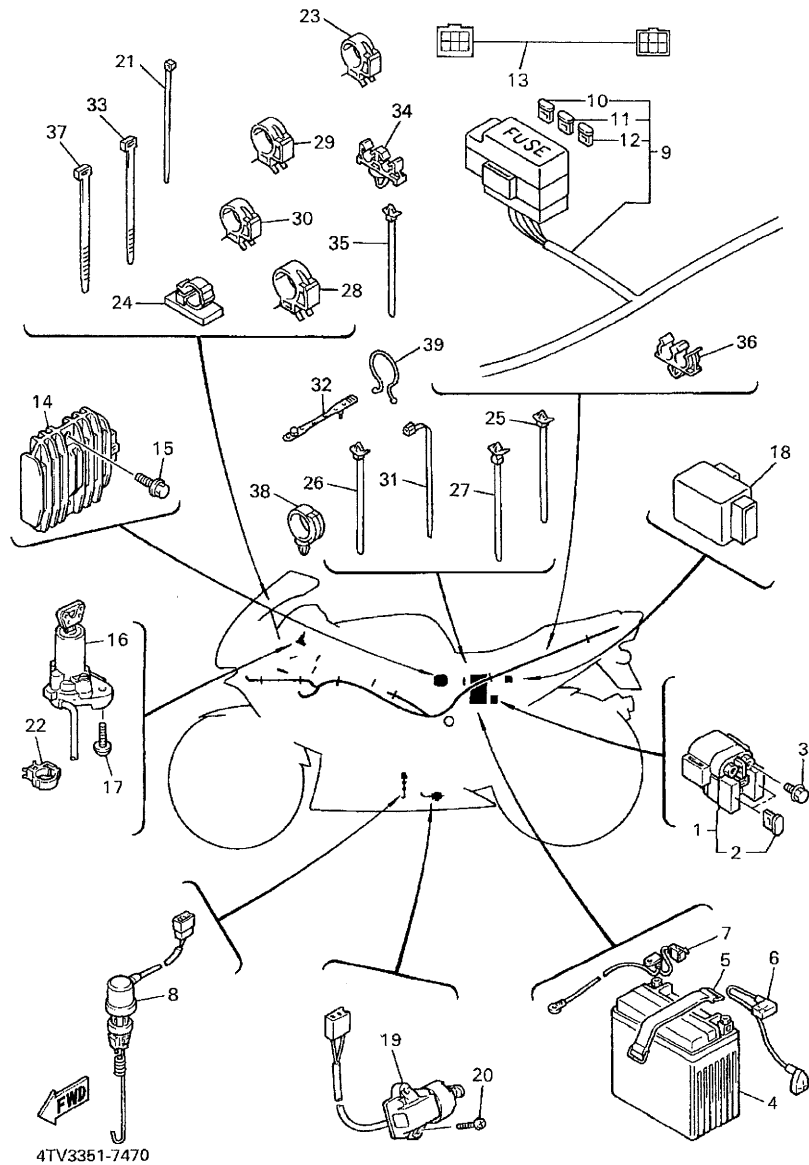
FIG. 47 ELECTRICAL 1



4TV351-6460

REF. NO.	PART NO.	DESCRIPTION	4TVB	4WE6		REMARKS
1	4TV-82310-01	IGNITION COIL ASSY	1	1		
2	4FM-82320-01	IGNITION COIL ASSY	1	1		
3	4TV-82370-00	PLUG CAP ASSY	4	4		
4	1AE-82540-00	NEUTRAL SWITCH ASSY	1	1		
5	93210-29196	O-RING	1	1		
6	98507-06016	SCREW, PAN HEAD	2	2		
7	11H-83591-00	THERMO UNIT	1	1		
8	3TJ-82583-00	WIRE, SUB LEAD	1	1		
9	4JH-85720-01	OIL LEVEL GAUGE ASSY	1	1		
10	95027-06016	BOLT, FLANGE	2	2		
11	4TV-82305-00	IGNITOR UNIT ASSY	1			
12	95027-06020	BOLT, FLANGE	1	1		
13	90183-06023	NUT, SPRING	1	1		
14	3LN-82560-01	THERMO SWITCH ASSY	1	1		
15	1WG-82541-00	WIRE, LEAD	1	1		
16	4MY-83350-01	FLASHER RELAY ASSY	1	1		
17	4TH-83371-00	HORN	1	1		
18	95807-06012	BOLT, FLANGE	1	1		

FIG. 48 ELECTRICAL 2



REF. NO.	PART NO.	DESCRIPTION	4TVB	4WE6	REMARKS
1	4DN-81940-00	STARTER RELAY ASSY	1	1	
2	1AE-82151-00	.FUSE (30A-BL)	2	2	
3	95027-06008	BOLT, FLANGE	2	2	
4	3VD-82100-01	BATTERY ASSY (YTX12-BS)	1	1	
5	2T4-82131-00	BAND, BATTERY	1	1	
6	4JH-82115-00	WIRE, PLUS LEAD	1	1	
7	4JH-82116-00	WIRE, MINUS LEAD	1	1	
8	1KT-82530-03	STOP SWITCH ASSY	1	1	
9	4TV-82590-20	WIRE HARNESS ASSY	1	1	
10	2GH-82151-00	.FUSE (20A-BL)	2	2	
11	2KW-82151-00	.FUSE (7.5A-BL)	3	3	
12	36Y-82151-00	.FUSE (15A-BL)	1	1	
13	4TV-82509-00	WIRE, SUB LEAD	1	1	
14	4JH-81960-01	RECTIFIER & REGULATOR ASSY	1	1	
15	95807-06020	BOLT, FLANGE	2	2	
16	4JH-82501-04	MAIN SWITCH STEERING LOCK	1	1	
17	90109-080G5	BOLT	2	2	
18	4TV-81950-00	RELAY ASSY	1	1	
19	3LD-82566-50	SWITCH, SIDE STAND	1	1	
20	90157-05079	SCREW, PAN HEAD	2	2	
21	90464-13073	CLAMP	2	2	
22	90464-15192	CLAMP	1	1	
23	90464-10190	CLAMP	5	5	
24	90464-25160	CLAMP	1	1	
25	90464-12089	CLAMP	1	1	
26	90464-12089	CLAMP	2	2	
27	90464-10112	CLAMP	1	1	

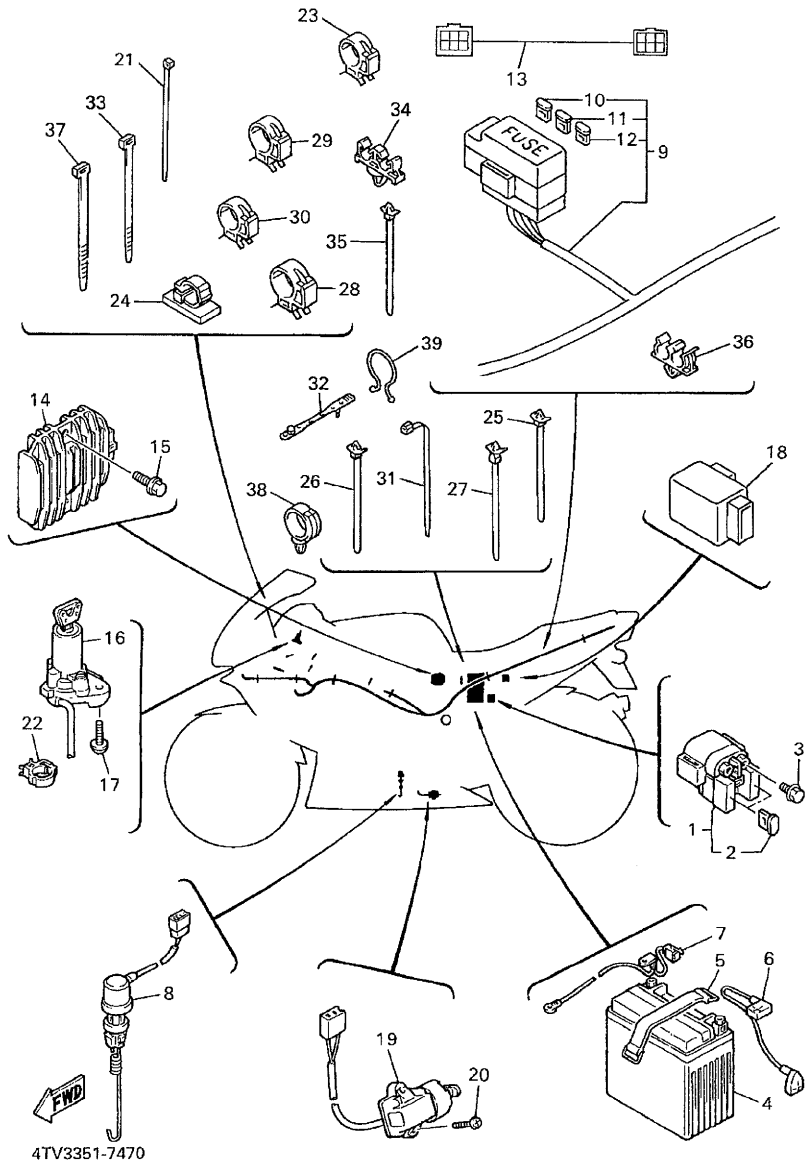


FIG. 48 ELECTRICAL 2

REF. NO.	PART NO.	DESCRIPTION	4TVB	4WE6	REMARKS
28	90464-25217	CLAMP	1	1	
29	90464-15192	CLAMP	2	2	
30	90464-10190	CLAMP	1	1	
31	90464-15195	CLAMP	4	4	
32	90464-07121	CLAMP	2	2	
33	1UA-82591-00	BAND	1	1	
34	90464-08211	CLAMP	2	2	
35	90464-12089	CLAMP	2	2	
36	90464-08126	CLAMP	1	1	
37	25G-83936-01	BAND, SWITCH CORD	1	1	
38	90464-20181	CLAMP	1	1	
39	90464-16039	CLAMP	1	1	

NUMERICAL INDEX

PART NO.	GRID NO.	PART NO.	GRID NO.	PART NO.	GRID NO.	PART NO.	GRID NO.	PART NO.	GRID NO.	PART NO.	GRID NO.
4SV-W0041-00	E - 12	4JH-11633-00	B - 4	3HE-12251-00	B - 7	4TV-13575-00	B - 14	4TV-14455-00	B - 14	4TV-14916-00	C - 5
4BH-W0042-50	F - 2	4JH-11650-00	B - 4	4JH-12252-00	B - 7	4TV-1446F-00	F - 5	4TV-1446F-00	B - 14	4TV-14916-10	C - 5
4SV-W0045-00	E - 7	4JH-11654-00	B - 4	5AH-1240G-00	B - 9	4MM-13582-00	C - 4	4TV-14465-00	C - 7	4JH-14922-00	C - 6
1FK-W0046-02	E - 10	4TV-11656-00	B - 4	4JH-12405-00	B - 10	4JH-13586-02	B - 14	4TV-14466-00	B - 15	4TV-14933-00	C - 5
3GM-W0047-10	E - 7	4TV-11656-10	B - 4	4JH-12410-00	B - 8	4JH-13596-02	B - 14	3GM-14467-00	B - 15	4JH-14934-00	C - 6
3MA-W0047-10	E - 7	4TV-11656-20	B - 4	3TJ-12413-00	B - 8	4TV-13907-00	E - 3	4TV-14468-00	B - 14	4JH-14935-00	C - 6
31A-W0047-00	E - 10	4TV-11656-30	B - 4	3TJ-12417-00	B - 8	4JH-13918-00	C - 6	4TV-14485-01	B - 15	4JH-14936-00	C - 5
1J3-W0048-00	E - 10	4JH-12111-00	B - 5	4TV-1243A-00	B - 10	4TV-1410A-01	C - 6	4JH-14487-00	C - 6	3TJ-14937-40	C - 7
	E - 7	4TV-12113-00	B - 5	4TV-1243E-00	B - 9	4JH-14105-00	C - 5	4JH-14515-00	C - 5	4TV-14940-00	C - 5
31A-W0057-00	E - 10	1WG-12116-00	B - 5	4JH-1243F-00	B - 10	4JH-14107-00	C - 5	4TV-14534-00	C - 7	3TJ-14943-38	C - 5
4SV-W0057-00	E - 7	3TJ-12117-00	B - 5	1WG-12439-00	B - 8	4MM-14118-00	C - 6	676-14548-00	C - 5	4JH-14948-02	C - 5
4SV-W0057-10	E - 7	1HX-12118-00	B - 5	4TV-12439-00	C - 7	4JH-14121-00	C - 6	7A9-14555-00	C - 6	4JH-14984-00	C - 6
4SV-W2587-00	E - 12	4TV-12119-00	B - 5	4JH-1244F-00	B - 10	4JH-14133-00	C - 6	4TV-14557-00	C - 7	4JH-14985-00	C - 5
3TJ-Y1242-00	B - 8	4TV-12121-01	B - 5	4TV-1244G-00	B - 10	4JH-14137-00	C - 6	4JH-14561-00	C - 7	4JH-15100-03	C - 9
4TV-Y2171-V1-P3	D - 9	3FV-12153-09	B - 5	1WG-12446-01	B - 8	4TV-1414G-00	C - 5	4TV-14561-00	C - 7	3HE-15105-02	C - 10
4TV-Y2171-0U-P4	D - 9	3FV-12153-10	B - 5	4TV-12446-00	C - 7	4TV-14148-00	B - 15	4TV-14562-00	C - 7	11H-15138-00	C - 9
4TV-Y2172-F1-P3	D - 9	1HX-12168-A0	B - 5	4TV-12461-00	B - 10	4TV-14149-00	C - 2	4JH-14565-00	C - 6	26H-15138-00	C - 9
4TV-Y2172-M1-P4	D - 9	1HX-12168-F0	B - 5	4JH-12462-00	B - 10	4JH-14162-00	C - 6	4TV-14567-00	C - 7	4JH-15138-00	C - 9
4TV-Y2410-10-02	E - 2	1HX-12168-H1	B - 5	4TV-12481-00	B - 8	3TJ-14191-40	C - 6	688-14592-00	C - 5	36Y-15189-00	C - 9
4TV-Y2410-10-07	E - 2	1HX-12168-K1	B - 5	4JH-12482-00	B - 8	4TV-14191-00	C - 2	4TV-14602-00	C - 8	1WG-15316-00	C - 11
4TV-Y283U-1B-P4	F - 7	1HX-12168-M1	B - 5	4TV-12486-00	C - 7	4JH-14197-00	C - 6	3YF-14613-01	C - 8	1WG-15326-00	C - 11
4TV-Y283U-1G-P3	F - 7	1HX-12168-R1	B - 5	5Y9-12491-00	C - 3	4TV-14197-00	B - 15	4TV-14710-10	C - 8	4H7-15361-00	C - 9
4TV-Y283V-1C-P4	F - 7	1HX-12168-U1	B - 5	4TV-12551-00	B - 9	3TJ-14216-40	C - 5	3XW-14714-00	C - 8	3F9-15362-00	C - 11
4TV-Y283V-1H-P3	F - 7	1HX-12168-W1	B - 5	4JH-12512-00	B - 9	4JH-14216-00	C - 5	42H-14714-10	C - 3	4JH-15381-00	C - 10
4JH-11101-01	B - 2	1HX-12168-Y1	B - 5	4TV-12573-00	C - 7	4TV-14216-00	C - 7	4MM-14808-00	C - 3	4JH-15411-00	C - 11
4MM-11101-01	B - 2	1HX-12168-00	B - 5	3TJ-12576-00	B - 8	4TV-14226-00	B - 15	4MM-14840-00	C - 3	4TV-15415-00	C - 11
2GH-1111G-00	B - 2	1HX-12168-20	B - 5	4TV-12576-00	C - 7	3TJ-14245-40	C - 6	4MM-14849-00	C - 4	1L9-15417-00	C - 11
3TJ-11133-10	B - 2	1HX-12168-40	B - 5	4JH-12577-00	B - 8	4JH-14245-00	C - 7	4MM-14868-00	C - 4	4JH-15421-00	C - 11
3HE-11145-00	C - 10	1HX-12168-60	B - 5	4TV-12577-00	C - 7	4JH-14264-00	C - 6	4MM-14869-00	C - 4	1WG-15425-00	C - 11
4JH-11165-00	C - 9	1HX-12168-80	B - 5	4TV-12578-00	B - 10	4JH-14294-00	C - 6	4WE-14872-00	C - 3	1WG-15427-00	C - 11
1WG-11166-00	C - 10	1HX-12169-E0	B - 6	4TV-12579-00	B - 10	4TV-14294-00	E - 3	4MM-14873-00	C - 3	4JH-15431-00	C - 11
4JH-11181-00	B - 2	1HX-12169-G0	B - 6	4TV-12581-00	B - 9	4JH-14298-00	C - 6	2LJ-14874-00	C - 3	3HE-15451-10	C - 11
3TJ-11191-00	B - 2	1HX-12169-J0	B - 6	4JH-12588-00	B - 10	4JH-14325-00	C - 6	4MM-14875-00	C - 3	4TV-15461-00	C - 11
4TV-11193-00	B - 2	1HX-12169-L0	B - 6	4TV-12589-00	B - 8	4TV-14348-00	C - 7	4MM-14881-00	C - 3	4TV-15462-00	C - 11
214-11198-01	B - 13	1HX-12169-N0	B - 6	3HE-13161-00	B - 13	4TV-14349-00	C - 6	2LJ-14882-00	C - 3	3HE-15467-10	C - 11
4JH-11311-01	B - 3	1HX-12169-00	B - 6	1WG-13310-00	B - 12	4JH-14350-00	C - 6	2LJ-14883-00	C - 3	3HE-15512-00	C - 13
4MM-11311-01	B - 3	1HX-12169-11	B - 5	1WG-13316-00	B - 12	4JH-14358-00	C - 6	4MM-14884-00	C - 3	4JH-15515-00	C - 13
3TJ-11351-00	B - 3	1HX-12169-31	B - 5	1WG-13329-00	B - 12	4TV-1440F-00	C - 7	4MM-14885-00	C - 3	3HE-15517-00	C - 13
4TV-11411-00	B - 4	1HX-12169-50	B - 5	4JH-13330-00	B - 12	4TV-1441J-00	B - 14	4TV-14900-01	C - 5	3HE-15521-00	C - 13
4TV-11416-00	B - 4	1HX-12169-70	B - 5	1WG-13336-00	B - 12	4TV-14411-00	B - 14	4TV-14900-11	C - 5	3TJ-15521-00	C - 13
4TV-11416-10	B - 4	1HX-12169-90	B - 6	4H7-13411-02	B - 12	4WE-14411-00	B - 14	4TV-14901-01	C - 5	3HE-15524-00	C - 13
4TV-11416-20	B - 4	4JH-12171-01	B - 7	3TJ-13412-00	B - 12	4JH-14413-00	C - 12	4TV-14901-11	C - 5	3HE-15590-02	C - 13
4TV-11416-30	B - 4	1WG-12176-00	B - 7	4TV-13414-00	B - 13	4TV-14421-00	B - 14	4TV-14902-01	C - 5	4JH-16150-00	C - 14
4TV-11416-40	B - 4	4JH-12181-00	B - 7	4JH-13417-00	B - 13	4JH-14429-00	C - 6	4TV-14902-11	C - 5	1WG-16154-00	C - 14
4TV-11416-50	B - 4	1WG-12210-02	B - 7	5GH-13440-00	B - 13	4TV-1443E-00	B - 15	4TV-14903-01	C - 5	1WG-16164-00	C - 14
4TV-11498-00	B - 7	4FM-12213-00	B - 7	4TV-13470-10	B - 13	4TV-1444A-00	B - 14	4TV-14903-11	C - 5	1WG-16181-00	C - 15
4JH-11603-00	B - 4	3YL-12232-00	D - 12	4JH-13473-00	B - 13	4KM-14452-00	B - 14	4TV-14904-01	C - 5	1WG-16304-00	C - 14
4TV-11631-00	B - 4	3TJ-12241-00	B - 7	4GO-13490-01	B - 13	4TV-14453-00	B - 14	4TV-14904-11	C - 5	3JD-16321-00	C - 14

NUMERICAL INDEX

PART NO.	GRID NO.	PART NO.	GRID NO.	PART NO.	GRID NO.	PART NO.	GRID NO.	PART NO.	GRID NO.	PART NO.	GRID NO.
4JH-16321-00	C - 14	3VD-21366-00	D - 7	4TV-23110-00	D - 14	4TV-24145-30	E - 4	4JH-25447-00	E - 8	36Y-26246-00	E - 11
1LX-16324-00	C - 14	4JH-2142K-00	B - 10	4JH-23111-10	D - 14	4TV-24145-40	E - 4	4SV-2580T-00	E - 7	3LN-26270-01	E - 11
4JH-16340-00	C - 14	4SV-2144G-00	F - 2		D - 15	4TV-24145-50	E - 4	4SV-2580U-00	E - 7	4FM-26280-10	F - 5
132-16346-00	C - 14	4SV-21441-00	F - 2	4FM-23125-40	D - 14	2GH-24181-00	E - 2	3GM-2580W-A0	E - 10	4FM-26290-10	F - 5
4JH-16351-00	C - 14	4JH-21446-00	D - 6	4TV-23126-00	D - 14	33M-24182-01	E - 2	4SV-2581T-00	E - 7	4TV-26292-00	E - 12
4JH-16356-00	C - 14	4TV-21486-00	D - 6	4TV-23136-00	D - 14	2GH-24183-00	E - 2	4JH-25819-00	E - 10	3XV-26298-00	F - 5
4JH-16357-00	C - 14	4X7-2149Y-00	B - 14	4JH-23141-10	D - 14	3Y6-24183-00	E - 2	4BP-2582A-00	F - 2	4FM-26299-00	F - 5
4JH-16371-01	C - 14	4SV-21511-00-P5	D - 7		D - 15	4TV-24183-10	E - 2	3GM-2582F-00	E - 12	4TV-26302-00	E - 11
4TV-17121-00	D - 2	4SV-21511-00-P6	D - 7	3XV-23144-50	D - 14	2GH-24186-00	E - 2	4JH-2582W-00	E - 10	4TV-26331-00	E - 11
4JH-17131-00	D - 2	4TV-2153A-20	E - 2		D - 15	4FM-24187-00	E - 2	4TV-25827-00	E - 10	4JH-26335-10	E - 11
4TV-17151-00	D - 2	4SV-21556-00	D - 7	3SP-23145-L0	D - 14	4FM-24191-00	E - 2	1FK-25828-00	E - 10	4JH-27211-10	F - 2
4TV-17161-00	D - 2	4TV-21596-00	E - 7		D - 15	4TV-24311-00	E - 3	4BH-2583V-00	F - 2	47X-27222-00	F - 2
4JH-17211-00	D - 2	4TV-21611-10	D - 7	36Y-23146-10	D - 14	4TV-24313-00	E - 3	51J-25836-00	E - 10	4SV-27261-00	F - 2
4JH-17221-00	D - 2	4HM-2162A-00	D - 7	3LC-23149-00	D - 14	3PA-24356-00	E - 12	341-25846-00	E - 6	4FM-27311-00	E - 14
4JH-17231-00	D - 2	3GM-21621-00	D - 8		D - 15	1AE-24366-00	E - 3	4BP-2585F-00	F - 2	4FM-27315-00	E - 14
4JH-17241-00	D - 2	4TV-2163E-00	D - 7	4TV-23153-00	D - 14	3CV-24491-10	E - 2	3LN-2585G-00	F - 2	1TX-27351-00	E - 14
4TV-17251-00	D - 2	36Y-21639-00	D - 6		D - 15	4TV-24500-00	E - 2	2KF-25852-50	F - 2	4JH-2741L-03	E - 15
4TV-17261-00	D - 2	42U-21639-00	D - 7	26H-23156-00	D - 14	4X8-24512-00	E - 3	3GM-25852-50	E - 12	4JH-27410-01	E - 14
4JH-17411-00	D - 2	4BP-21644-01	E - 5		D - 15	3XV-24523-00	E - 2	3FV-25854-00	E - 12	3YX-27413-00	E - 14
4TV-17417-00	D - 2	4BP-21645-01	E - 5	2K8-23158-L0	D - 14	3XV-24534-00	E - 2	360-25854-01	F - 2	1HX-27415-00	E - 15
4TV-17421-00	D - 2	3GM-21649-00	D - 8		D - 15	4TV-24560-00	E - 3	2GU-25855-00	F - 2	4JH-2742L-10	E - 15
278-17425-00	D - 3	3GM-21649-10	D - 8	4TV-23170-00	D - 14	4FM-24602-10	E - 3	2J2-25855-50	E - 12	4JH-27420-01	E - 14
4G0-17433-01	D - 3	4JH-21650-00	D - 8	4FM-23171-40	D - 14	4G0-24723-00	D - 8	2VN-25866-00	E - 12	3XV-27431-01	E - 14
4TV-17460-00	D - 2	4TV-21651-00-P2	D - 9	4TV-23173-00	D - 14	4HM-24728-00	E - 5	56A-25867-00	E - 12	2YK-27434-01	E - 14
4JH-18101-00	D - 5	4TV-21651-00-P4	D - 9		D - 15	4TV-24730-00	E - 5	4TV-25872-00	E - 12	3HE-27435-00	E - 14
4JH-18110-01	D - 5	4TV-2172A-00	F - 4	3LC-23181-00	D - 14	4TV-24731-00	E - 5	4TV-25873-00	E - 13	1HX-27437-00	E - 15
132-18113-01	D - 5	4TV-2173E-30	D - 9		D - 15	22W-24741-00	E - 5	4JH-25874-01	F - 3	3XV-27441-11	E - 14
22N-18113-00	F - 2	4TV-2173F-30	D - 9	4TV-23184-00	D - 14	4TV-2478E-01	E - 5	4SV-25876-00	E - 13	4FM-27442-02	E - 14
4JH-18115-01	D - 5	22F-21746-01	F - 4	43F-23188-10	D - 14	4BP-24780-00	E - 5	3LC-25885-00	F - 3	4FM-27443-02	E - 14
1HX-18127-00	D - 4	3XV-21778-00	D - 7		D - 15	4BP-24792-00	E - 5	3FV-2589A-00	E - 12	1WG-28100-01	D - 8
4JH-18130-00	D - 5	4TV-21781-50	D - 9	4PU-2331G-00	D - 15	341-25149-00	E - 6	3FV-2589F-00	E - 12	36X-2811G-00	D - 6
36Y-18140-00	D - 4	4TV-21781-60	D - 9	4TV-23340-00	D - 15	4TV-25168-00-7B	E - 6	3FV-2589G-00	E - 12		D - 7
2H9-18154-00	D - 5	4FM-21871-02	D - 6	4TV-23356-00	D - 15	3GM-25181-03	E - 6	3GM-2589H-00	E - 12	31A-28217-00	D - 6
4JH-18511-00	D - 4	1AA-21874-00	D - 6	3LC-23357-00	D - 14	4HM-25190-10	E - 6	3FV-25894-00	E - 12	4TV-28217-00	F - 8
4JH-18512-00	D - 4	4L0-21875-00	D - 6		D - 15	4JH-25338-00-7B	E - 8	31A-25894-01	F - 2	4TV-28227-00	F - 7
4JH-18513-00	D - 4	4JH-22110-00-35	D - 10	4XV-2341B-00	D - 13	4FM-25364-00	E - 8	4JH-25895-00	F - 3	4TV-28304-30	F - 7
4JH-18531-01	D - 4	4X7-22129-00	D - 10	1W1-23416-00	D - 13	4FM-25366-00	E - 8	29L-25919-A0	E - 10	4TV-28304-50	F - 7
4JH-18535-00	D - 4	1UY-22141-01	D - 10	26H-23418-01	D - 13	4JH-25371-01	E - 8	4SV-25919-00	E - 7	4TV-28305-30	F - 7
1WG-18536-00	D - 4	4JH-22151-00	D - 11	4NX-23435-10	D - 13	3GM-25381-A0	E - 9	3HE-25924-00	E - 10	4TV-28305-50	F - 7
4JH-18540-02	D - 4	4TV-2217A-00	D - 10	10L-23469-00	E - 11	4JH-25384-03	E - 9	4SV-25924-00	E - 7	4JH-2831T-00	F - 8
4UN-18542-00	D - 4	3GM-2217M-00	D - 10	341-23469-00	E - 11	4JH-25384-12	E - 9	3GM-25925-00	E - 7	4JH-2832U-00	F - 8
1WG-18562-00	D - 4	4JH-22174-00	E - 8	4TV-23818-00	D - 15	3XW-25388-00	E - 8	3HE-25925-00	E - 10	4SV-28328-40	F - 7
4UN-18566-00	D - 4	47X-22184-00	D - 10	4TV-24115-00	E - 2	29L-25398-00	E - 6	4SV-26111-00	E - 11	4TV-2833A-00	F - 5
4TV-21110-01-35	D - 6	4TV-22210-30	D - 12	1LJ-2414J-00	D - 7		E - 8	4SV-26112-00	E - 11	4TV-2834E-00	F - 8
4TV-2117E-01	D - 7	4TV-22261-00	D - 12	4TV-24145-00	E - 3	29L-25398-10	E - 6	4JH-26121-00	E - 11	4TV-2834F-00	F - 7
4TV-2117M-00	D - 6	4JH-22311-00	D - 10	4TV-24145-10	E - 3		E - 8	4JH-26122-00	E - 11	3TU-28344-00	D - 11
3YX-21308-00	E - 5	4TV-23102-00	D - 14	4TV-24145-20	E - 3	29L-25398-20	E - 6	4TV-26240-00	E - 11	4TV-2835G-00-P3	F - 4
4TV-2134K-00	E - 12	4TV-23103-00	D - 14		E - 3		E - 8	4FM-26241-01	E - 11	4TV-2835G-00-P4	F - 4

NUMERICAL INDEX

PART NO.	GRID NO.	PART NO.	GRID NO.	PART NO.	GRID NO.	PART NO.	GRID NO.	PART NO.	GRID NO.	PART NO.	GRID NO.
4TV-2835H-00-P3	F - 4	4JH-82115-00	G - 3	4FM-83559-00	F - 12	90109-063F7	D - 4	90159-05065	F - 8	90201-101J1	D - 10
4TV-2835H-00-P4	F - 4	4JH-82116-00	G - 3	4TV-83570-20	F - 12	90109-064F0	B - 2	90159-06033	D - 6		D - 12
4TV-2835J-00-P3	F - 8	2T4-82131-00	G - 3	4TV-83570-30	F - 12	90109-065A8	B - 7		D - 9	90201-10118	E - 13
4TV-2835J-00-P4	F - 8	4J2-82131-01	D - 7	4SV-83578-00	F - 12	90109-080G5	G - 3	90159-06085	F - 2		F - 3
4TV-2835K-00-P3	F - 8	1AE-82151-00	G - 3	4SV-83590-00	F - 12	90109-083G4	E - 10	90159-06092	C - 14	90201-104R2	F - 2
4TV-2835K-00-P4	F - 8	2GH-82151-00	G - 3	11H-83591-00	G - 2		E - 7	90159-06150	F - 2	90201-107K6	C - 13
4TV-28356-00	F - 4	2KW-82151-00	G - 3	3LN-83912-00	F - 15	90109-08789	F - 4	90167-05015	F - 5	90201-10774	D - 6
4JH-2836F-00	F - 8	36Y-82151-00	G - 3	31A-83913-00	F - 15	90109-104E6	E - 14	90167-05077	F - 5	90201-110T8	D - 6
4JH-2836G-00	F - 8	4TV-82305-00	G - 2	4SV-83922-00	E - 12	90109-10554	D - 12	90167-05078	F - 5	90201-113K2	B - 12
4TV-2836H-00	F - 8	4TV-82305-30	G - 2	25G-83936-01	G - 4	90109-112F1	B - 7	90170-08358	D - 5	90201-121H0	F - 9
4TV-2836K-00	F - 4	4TV-82310-01	G - 2	31A-83945-00	F - 15	90110-05112	E - 3	90170-18221	C - 14	90201-126A7	D - 10
4TV-2836L-00	F - 4	4FM-82320-01	G - 2	4PU-83963-00	F - 15	90110-06087	B - 15	90176-06055	E - 2	90201-160F6	D - 10
4TV-2836M-00	F - 4	4TV-82370-00	G - 2	4TV-83972-00	F - 15	90110-06130	B - 12	90176-06065	E - 13	90201-161J3	D - 10
4TV-2836N-00	F - 5	4JH-82501-04	G - 3	3FV-83980-00	E - 12		C - 11	90176-22081	D - 13	90201-20276	D - 3
4TV-2836R-00	F - 5	4TV-82509-00	G - 3	4TV-84310-00	F - 13	90110-06149	C - 11	90179-05523	F - 4	90201-220T0	D - 13
4TV-2837J-00	F - 7	1KT-82530-03	G - 3	4TV-84310-10	F - 13	90110-06225	B - 12	90179-06635	E - 5	90201-237K5	C - 9
4TV-2837K-00	F - 7	1AE-82540-00	G - 2	4TV-84312-00	F - 13	90113-08021	C - 14	90179-06668	C - 8	90202-05193	E - 3
4TV-28371-00	F - 8	1WG-82541-00	G - 2	4E2-84347-00	F - 13	90116-09583	C - 9	90179-07652	B - 4	90202-06056	C - 6
4TV-2838N-00	F - 5	3LN-82560-01	G - 2	4TV-84359-00	F - 13	90116-09584	C - 9	90179-08148	E - 11	90202-26142	D - 13
4TV-2838R-00	F - 5	3LD-82566-50	G - 3	4TV-84397-00	F - 13	90116-10575	E - 8	90179-08179	C - 14	90206-12074	E - 14
4TV-2838T-00	F - 5	3TJ-82583-00	G - 2	4TR-84700-00	F - 14	90119-06044	D - 6	90179-09612	B - 2	90206-14086	F - 2
4TV-28381-00	F - 4	4TV-82590-20	G - 3	31L-84714-00	F - 14	90119-06096	E - 2	90179-10247	E - 14	90209-11262	B - 2
4TV-28385-00-P3	F - 8	1UA-82591-00	G - 4	4TR-84723-00	F - 14	90119-06097	D - 8	90179-18020	D - 3	90209-22191	D - 2
4TV-28385-00-P8	F - 8	29L-82911-01	F - 15	4TR-84733-00	F - 14		E - 13	90179-25033	D - 13	90209-27336	D - 2
4TV-2848H-00	F - 8	31A-82917-00	F - 15	4TV-84751-11	F - 14	90119-06117	D - 15	90183-05024	D - 11	90215-18225	C - 14
4TV-2848K-03	F - 8	4JH-83310-01	F - 11	4TV-84753-00	F - 14	90119-06118	D - 7		D - 9	90215-21022	D - 2
4TV-2848L-03	F - 7	306-83311-40	F - 11	4KM-85130-00	D - 7	90119-06172	B - 14	90183-05042	F - 5	90240-08124	F - 2
4TV-2848M-02	F - 8	4JH-83318-00	F - 11	4TV-85132-00	D - 7	90119-06194	D - 10		F - 7	90267-40076	D - 7
4TV-2848N-02	F - 7	4JH-83320-01	F - 11	4JH-85720-01	G - 2		D - 8		F - 8	90267-40191	F - 4
4TV-2848P-00	F - 8	4JH-83330-00	F - 11	3GM-85752-01	E - 3	90123-08046	E - 11	90183-05073	F - 7	90280-03047	F - 9
4TV-2848R-00	F - 7	4JH-83330-10	F - 11	42X-85753-00	E - 3	90149-04278	D - 8	90183-05074	F - 4	90280-05048	C - 13
4TV-81410-01	F - 9	4JH-83332-00	F - 11	4TV-85885-00	C - 7	90149-05321	D - 4		F - 7	90338-05194	B - 15
4TV-81450-00	F - 9	4JH-83340-00	F - 11	9Y581-32117	B - 7	90149-06008	E - 3	90183-06023	G - 2	90338-08174	B - 2
3AJ-81809-00	F - 10	4JH-83340-10	F - 11	90101-10659	D - 10	90149-06313	E - 5	90185-10037	E - 14	90338-09012	F - 15
1HX-81815-00	F - 10	4JH-83342-00	F - 11	90101-12673	D - 10	90150-05023	F - 4	90185-16127	D - 10	90338-10132	D - 9
4XV-8182A-00	F - 10	4FM-83345-00	F - 11	90105-06384	B - 2	90150-05024	F - 4	90201-04018	D - 7	90340-08014	C - 12
3HE-81826-00	F - 10	4MY-83350-01	G - 2	90105-066A5	B - 8	90150-06036	F - 8		D - 8	90340-12112	B - 2
3HE-81830-00	F - 10	4FM-83369-00	F - 11	90105-07385	B - 7	90151-06061	F - 6		F - 4	90340-14132	B - 13
3HE-81840-00	F - 10	4TH-83371-00	G - 2	90105-08321	E - 8	90154-05013	D - 10	90201-042E0	D - 9	90387-060G7	E - 2
11H-81844-00	F - 10	4TV-83509-00	F - 12	90105-08630	C - 9	90154-05059	D - 7	90201-05027	F - 9	90387-06023	F - 2
1FK-81847-00	F - 10	3GM-83517-00	F - 12	90105-10169	C - 4		D - 9	90201-06071	B - 10	90387-062W4	F - 14
3HE-81850-00	F - 10	4R0-83517-00	F - 12	90105-10445	C - 13		F - 8		F - 14	90387-06299	E - 2
4G0-81871-00	F - 10	4FM-83520-00	F - 12	90105-10638	E - 10	90154-06061	D - 7	90201-06380	F - 14	90387-064H8	E - 15
3HE-81890-00	F - 10	4FM-8353H-40	F - 12		E - 7	90157-05065	C - 14	90201-08083	F - 2	90387-065J6	B - 14
4DN-81940-00	G - 3	4TV-83540-00	F - 12	90105-10727	D - 10	90157-05079	E - 14	90201-08326	E - 14		D - 7
4TV-81950-00	G - 3	4NX-83546-00	F - 12	90105-10731	D - 6		G - 3	90201-087K3	C - 9	90387-07391	B - 10
4JH-81960-01	G - 3	4SV-83546-00	F - 12	90105-12584	F - 9	90159-03102	F - 12	90201-08730	C - 8		B - 15
3VD-82100-01	G - 3	4TV-83550-00	F - 12	90109-060E9	E - 5	90159-05065	F - 5	90201-090P4	B - 2		C - 3

NUMERICAL INDEX

PART NO.	GRID NO.	PART NO.	GRID NO.	PART NO.	GRID NO.	PART NO.	GRID NO.	PART NO.	GRID NO.	PART NO.	GRID NO.
90387-07717	D - 8	90461-10132	E - 13	90467-14057	F - 3	91317-06010	B - 13	93210-10096	B - 13	95027-06008	G - 3
	E - 13	90462-10182	C - 12	90467-19051	C - 3		B - 8	93210-12152	C - 9	95027-06012	B - 8
90387-081R2	D - 11	90462-20188	C - 3	90467-19160	B - 15	91317-06012	C - 10	93210-15414	B - 8	95027-06016	E - 2
90387-087L0	B - 15	90464-07121	G - 4	90467-20030	B - 15		E - 12	93210-15620	E - 12		F - 14
90387-100T8	D - 10	90464-08126	G - 4	90467-20154	B - 15	91317-06020	B - 14	93210-16325	C - 9		G - 2
90387-115V8	D - 6	90464-08211	G - 4	90467-23067	C - 3		B - 8	93210-17746	B - 8	95027-06020	G - 2
90387-126T1	D - 10	90464-10112	G - 3	90468-08104	C - 3	91317-06025	B - 13	93210-21190	B - 8	95027-06025	C - 3
90387-127W0	D - 10	90464-10190	G - 3	90468-12069	B - 4		B - 7	93210-27194	C - 11		F - 10
90387-177V5	E - 6		G - 4	90480-01531	F - 8		B - 8	93210-29196	G - 2	95304-08700	D - 5
90387-2004C	E - 9	90464-12045	B - 10	90480-01605	F - 4		E - 11	93210-33133	B - 8	95307-06600	F - 14
90387-2004D	E - 9	90464-12089	D - 6	90480-12072	D - 7	91317-06035	B - 8	93210-48364	C - 14		F - 5
90387-2004E	E - 8		G - 3	90480-12237	B - 15	91317-06040	B - 8	93305-20509	D - 2	95307-08600	E - 8
90387-2004F	E - 8		G - 4	90480-12314	B - 14	91317-08020	C - 13	93306-00105	C - 14	95307-08700	F - 2
90387-212R3	C - 14	90464-13073	G - 3	90480-12607	F - 2	91317-08025	E - 11	93306-20006	C - 13	95604-06200	E - 15
90387-2504A	D - 2	90464-15192	G - 3	90480-13163	E - 2	91401-20012	E - 9	93306-20314	E - 6	95606-06100	E - 12
90401-10106	B - 13		G - 4	90480-13398	F - 7		F - 2	93306-20417	E - 8	95607-04100	D - 8
90401-10159	E - 13	90464-15195	G - 4	90480-13567	D - 9	92014-08020	F - 2	93306-20464	D - 2	95607-06100	F - 14
	F - 3	90464-16039	G - 4	90480-14585	F - 5	92017-06016	B - 15	93306-20644	E - 8		F - 15
90401-10160	E - 13	90464-20181	G - 4	90480-15316	C - 3		D - 8	93306-37208	D - 2	95607-08200	F - 4
90401-20171	B - 13	90464-23041	C - 3	90480-15363	B - 10	92017-06030	F - 9	93310-345R8	C - 15	95607-10100	D - 10
90413-08009	B - 15	90464-25160	G - 3		B - 15	92902-04100	E - 12	93311-42045	D - 3		D - 12
90413-08012	B - 10	90464-25217	G - 4	90480-18276	F - 14	92902-04600	E - 12	93315-32516	C - 9	95607-10200	E - 8
90430-06014	B - 3	90464-30040	C - 3	90480-18277	F - 4	92907-03100	F - 12	93317-31771	D - 10	95607-18200	E - 9
	B - 8	90464-44109	C - 2	90480-18330	F - 4	92907-04100	F - 12	93317-41761	D - 10	95617-06630	B - 2
	C - 9	90465-06289	C - 10	90501-06022	D - 4	92907-04600	F - 11	93317-42060	D - 10	95617-10100	C - 4
90430-06166	B - 13	90465-10306	B - 13	90501-12743	E - 14		F - 12	93320-32403	D - 10	95617-12100	D - 10
90430-10188	B - 14	90465-10307	C - 9	90501-224J9	C - 14	92907-05600	F - 5	93332-00001	D - 13	95707-05500	D - 7
90445-075G7	B - 10	90465-10308	C - 9	90501-23346	C - 14		F - 9	93332-00008	D - 13	95707-06500	B - 15
90445-083J9	D - 6	90467-08003	D - 6	90506-11488	C - 14	92907-06100	F - 15	93440-07149	B - 2		E - 5
90445-08786	C - 3	90467-08017	B - 15	90506-18224	E - 14	92907-06600	C - 3	93440-25084	D - 2		F - 11
90445-091J2	B - 14		C - 4	90506-20377	E - 14		E - 2	93440-30077	D - 2	95707-08500	E - 8
90445-09488	B - 14	90467-08075	B - 10	90506-26225	E - 14		E - 3	93440-52014	D - 3	95707-10500	D - 6
90445-09496	B - 14	90467-08092	C - 3	90508-237A0	D - 4	92907-08600	E - 8	93440-54152	D - 2	95807-06010	C - 4
90445-09757	B - 15	90467-09006	E - 3	90508-32682	D - 5		F - 4	93501-04011	E - 15		F - 8
90445-107H3	E - 3	90467-09037	B - 10	90560-12211	D - 5	92907-10600	C - 4	93505-16006	C - 14	95807-06012	B - 10
90445-110H9	B - 15		B - 9	90560-17356	E - 6	92990-06600	C - 8	93603-09106	B - 12		E - 12
90445-11262	B - 15	90467-10038	C - 10	91314-06020	E - 11	93101-29165	B - 4	93603-17070	B - 12		E - 13
90445-114J7	B - 15	90467-10041	B - 14	91314-06025	C - 11	93101-29166	B - 4	93612-16254	B - 3		F - 3
90445-11452	B - 14	90467-11032	E - 3		C - 12	93102-12106	D - 5		C - 9		G - 2
90445-116E9	C - 10	90467-11044	B - 8	91314-06035	C - 11	93102-23252	E - 6	93900-00030	E - 6	95807-06014	B - 3
90446-17346	E - 14		B - 9		C - 12	93102-28022	E - 8		E - 8	95807-06020	G - 3
90446-17346	E - 14		B - 10	91314-06045	C - 11	93102-35368	D - 2	94112-1711W	E - 6	95807-06025	B - 10
90450-17036	B - 10		B - 11	91314-08025	E - 14	93105-45017	E - 6	94116-1711X	E - 8	95807-08035	E - 2
90450-32008	D - 12	90467-11106	B - 15	91314-08030	D - 13	93106-40041	E - 8	94581-59108	E - 8	95811-06010	B - 10
90450-32015	B - 10	90467-13123	E - 3	91314-08040	D - 15	93109-08058	C - 14	94701-00318	B - 2	95814-08025	C - 8
	B - 8	90467-14015	C - 10	91314-10045	D - 6	93109-12075	D - 5	94701-00319	B - 2	95814-08035	E - 15
90450-52074	B - 14		C - 3	91314-10050	D - 6	93109-17071	D - 10	95024-06045	E - 15	95814-10025	C - 8
90450-60085	B - 14	90467-14057	E - 3	91317-05010	E - 3	93210-06422	C - 10	95026-06025	E - 12		D - 6

NUMERICAL INDEX

PART NO.	GRID NO.	PART NO.	GRID NO.	PART NO.	GRID NO.	PART NO.	GRID NO.	PART NO.	GRID NO.
95817-06040	C - 9	99246-00100	F - 4						
95817-06050	C - 9	99246-00320	F - 7						
95817-06070	C - 9	99510-08016	B - 2						
95817-06075	E - 2	99530-08012	B - 12						
95817-06080	C - 9	99530-08016	B - 13						
95817-06090	C - 9		C - 11						
95817-08030	C - 8		C - 12						
95817-08070	C - 9	99530-12016	C - 9						
95827-06010	B - 3								
95827-06016	D - 4								
95827-10175	D - 6								
97007-06014	D - 11								
97007-06025	E - 2								
	F - 15								
97027-06020	D - 5								
97027-08016	F - 4								
97080-06008	C - 8								
97702-40610	F - 11								
97704-50016	F - 5								
	F - 8								
97706-40620	F - 14								
97707-40010	D - 9								
97707-40012	F - 4								
97707-50016	F - 5								
98502-04012	E - 12								
98502-04014	C - 6								
98507-03010	F - 12								
98507-04008	F - 11								
98507-04010	F - 12								
98507-05012	F - 5								
98507-05016	F - 9								
98507-05020	E - 11								
98507-05025	B - 14								
	E - 11								
	F - 15								
98507-05045	F - 15								
98507-06008	F - 2								
98507-06010	C - 12								
98507-06012	C - 10								
	C - 9								
	E - 3								
98507-06016	C - 3								
	G - 2								
98507-06020	B - 12								
98707-03008	F - 15								
98907-05008	C - 11								
98907-05010	E - 2								
99246-00080	D - 9								