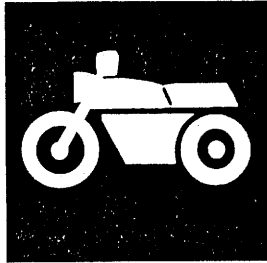


14/15
10

YAMAHA



**PARTS
CATALOGUE**

YZF1000RH (4WN1) CANADA

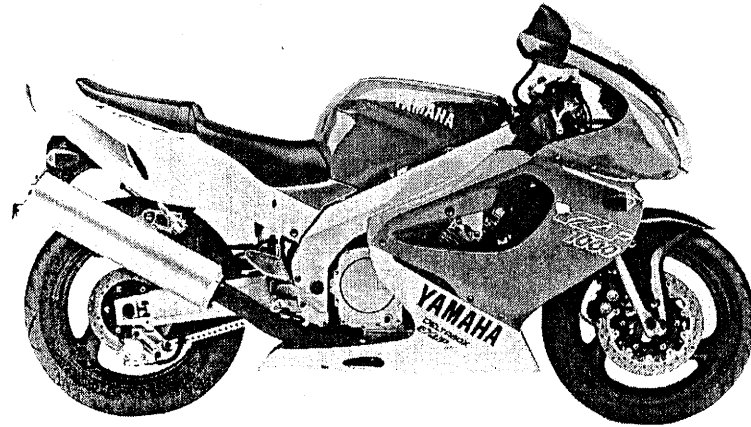
YZF1000RJ (4XJ1) OCEANIA

164WN-171E1

YAMAHA
GENUINE
Parts & Accessories

7 7
2 1 8

2
8 1 4
1



A3

FOREWORD

This Parts Catalogue is related to the parts for the model(s) in the below frame. When you are ordering replacement parts, please refer to this Parts Catalogue and quote both part numbers and part names correctly.

YZF1000RH(4WN1)/YZF1000RJ(4XJ1)

1. Modifications or additions which have been made after issue of the Parts Catalogue will be announced in the Yamaha Parts News.
It is advisable that you make necessary corrections to the Parts Catalogue according to the Yamaha Parts News.

2. Abbreviations

The following abbreviations are used in this Parts Catalogue.

- "UR" Use specified parts number.
- "UN" Use as many as needed.
- "AP" Alternate Parts
- "LM" Local Made (Parts need to be ordered locally)
- "F#" Frame No. (Applicable machine No.)

3. Parts, which are to be supplied in an assembly, are listed with a dot (.) in front of the part name as shown below.

EXAMPLE
 CARBURETOR ASSY
 . JET, PILOT
 . NOZZLE, MAIN

4. Number of component for assembly

The numeral appearing to the right of each component part indicates the quantity of parts for each assembly unit.

EXAMPLE

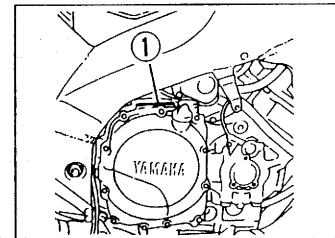
PART NO.	DESCRIPTION	Q'TY	REMARKS
2F5-83310-60	FRONT FLASHER LIGHT ASSY	2	
115-83311-60	. BULB (6V-18W)	1	

5. Applicable colors of graphics are represented in the "REMARKS" as shown below.

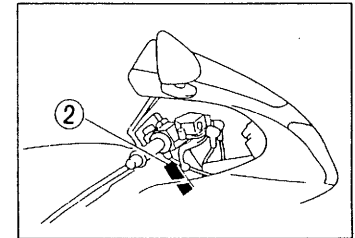
PART NO.	DESCRIPTION	Q'TY	REMARKS
2N4-24110-00-X5	FUEL TANK COMP.	1	MAXIM RED
3J1-24240-10	. GRAPHIC, FUEL TANK	1	for MXR

6. Applicable Serial No.

① Engine Serial No.



② Frame Serial No.



7. Note that the illustrations are for reference in finding parts numbers, not to be used for assembling. When assembling, please use the applicable service manual.
8. The asterisk (*) before a reference number indicates modification items after the first edition.

CONTENTS

ENGINE

Cylinder Head	B2
Cylinder	B3
Crankshaft · Piston	B4
Valve	B5 ~ B6
Camshaft · Chain	B7
Water Pump	B8
Radiator · Hose	B9 ~ B10
Oil Pump	B11 ~ B12
Oil Cleaner	B13
Intake	B14 ~ B15
Carburetor	C2 ~ C3
Exhaust	C4
Crankcase	C5 ~ C6
Crankcase Cover 1	C7 ~ C8
Starter	C9
Clutch	C10
Transmission	C11 ~ C12
Shift Cam · Fork	C13
Shift Shaft	C14

CHASSIS

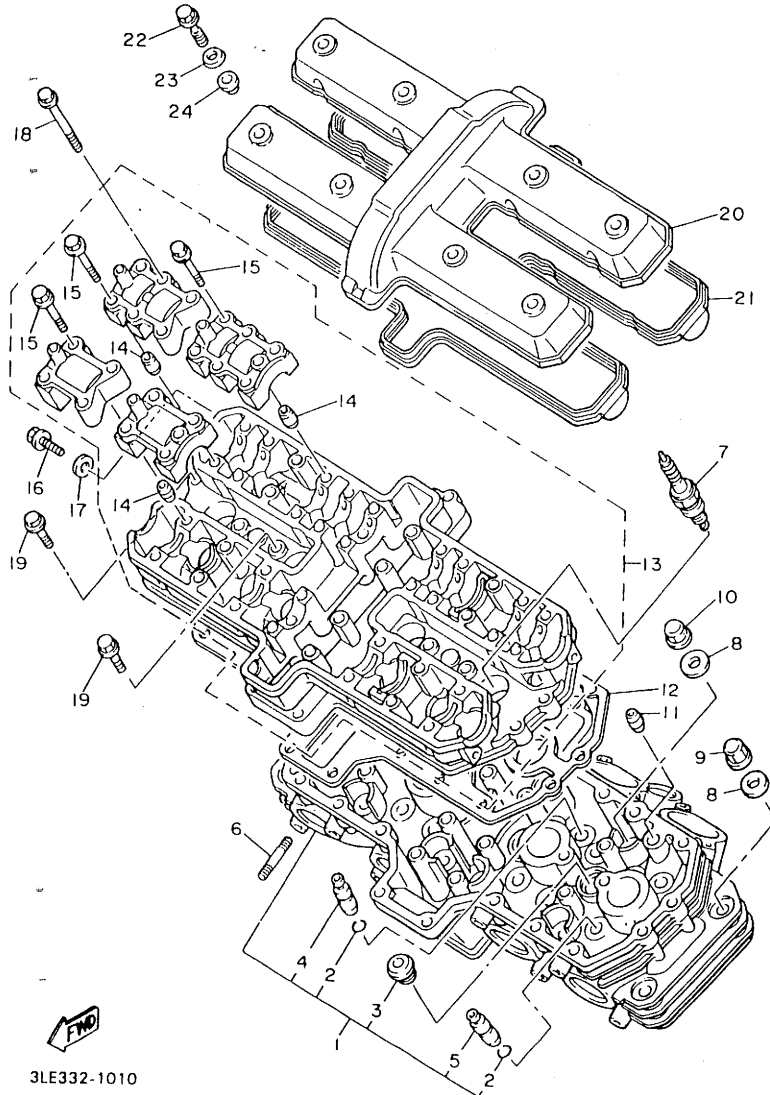
Frame	C15 ~ D2
Fender	D3 ~ D4
Side Cover	D5
Rear Arm	D6 ~ D7
Rear Suspension	D8

Steering	D9
Front Fork	D10 ~ D11
Fuel Tank	D12 ~ D13
Seat	D14
Front Wheel	D15
Front Brake Caliper	E2
Rear Wheel	E3 ~ E4
Rear Brake Caliper	E5
Steering Handle · Cable	E6
Front Master Cylinder	E7 ~ E8
Front Master Cylinder 2	E9
Stand · Footrest	E10 ~ E12
Rear Master Cylinder	E13 ~ E14
Cowling 1	E15 ~ F2
Cowling 2	F3 ~ F4
Generator	F5
Pick Up Coil · Governor	F6
Starting Motor	F7
Flasher Light	F8 ~ F9
Meter	F10
Headlight	F11
Taillight	F12
Electrical 1	F13 ~ F14
Electrical 2	F15 ~ G2

INDEX

NUMERICAL INDEX	L1 ~ L5
-----------------------	---------

FIG. 1 CYLINDER HEAD

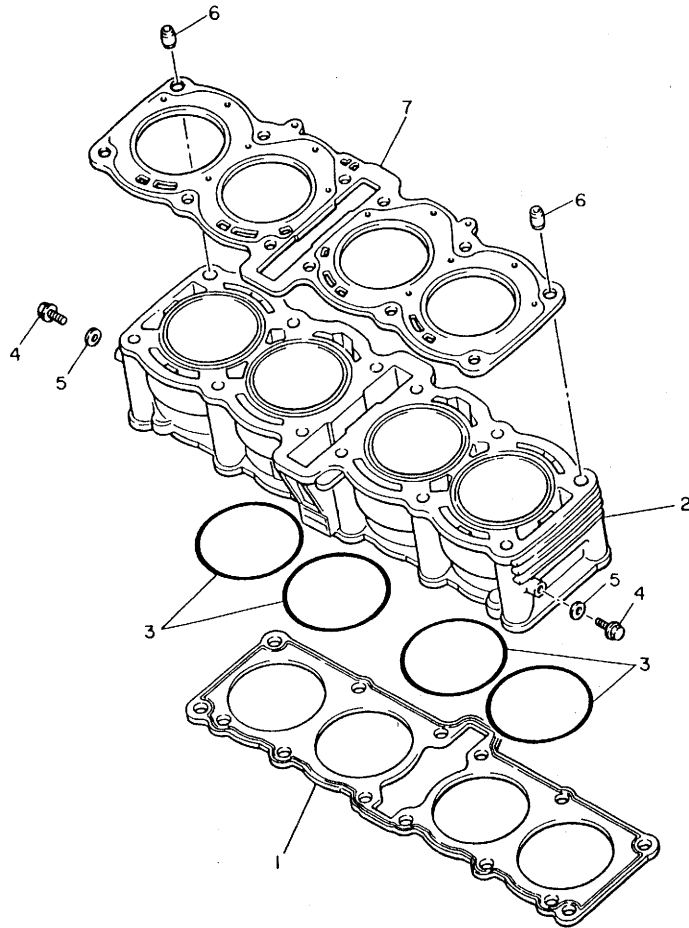


3LE332-1010

REF. NO.	PART NO.	DESCRIPTION	Q'TY	REMARKS
1	4SV-11102-00	CYLINDER HEAD ASSY	1	
2	93440-10153	.CIRCLIP	20	
3	90340-18101	.PLUG, STRAIGHT SCREW	4	
4	3GM-11133-10	.GUIDE, INTAKE VALVE	12	
5	3GM-11134-10	.GUIDE, EXHAUST VALVE	8	
6	95617-08625	BOLT, STUD	8	
7	94701-00333	PLUG, SPARK (NGK DR8EA)	4	UR
	94701-00222	PLUG, SPARK (ND X24ESR-U)	4	UR
8	90201-103M4	WASHER, PLATE	12	
9	90176-10075	NUT, CROWN	4	
10	90179-10584	NUT	8	
11	99530-10014	PIN, DOWEL	2	
12	3FV-11182-00	GASKET, CYLINDER HEAD 2	1	
13	3GM-1115A-01	CAM CASE ASSY	1	
14	99510-08016	.PIN, DOWEL	16	
15	90105-06153	.BOLT, WASHER BASED	16	
16	95027-06012	BOLT, FLANGE	1	
17	90430-06014	GASKET	1	
18	90105-06541	BOLT, WASHER BASED	24	
19	90105-060A0	BOLT, WASHER BASED	11	
20	3GM-11191-00	COVER, CYLINDER HEAD 1	1	
21	4SV-11193-00	GASKET, HEAD COVER 1	1	
22	90109-064F0	BOLT	8	
23	90209-11262	WASHER	8	
24	2GH-1111G-00	RUBBER, MOUNT 1	8	

FIG. 2 CYLINDER

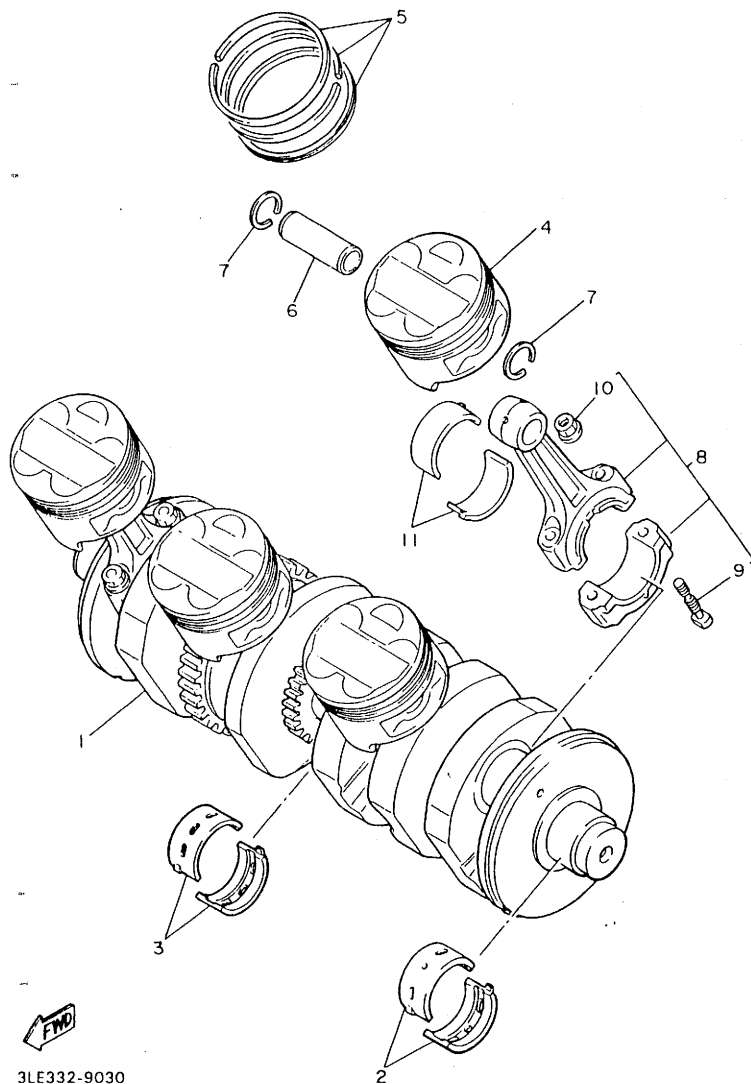
REF. NO.	PART NO.	DESCRIPTION	Q'TY	REMARKS
1	4SV-11351-00	GASKET, CYLINDER	1	
2	3GM-11310-01	CYLINDER	1	
3	93210-77363	O-RING	4	
4	95027-06012	BOLT, FLANGE	2	
5	90430-06014	GASKET	2	
6	99530-14016	PIN, DOWEL	2	
7	4SV-11181-00	GASKET, CYLINDER HEAD 1	1	



3LE332-9020

B3

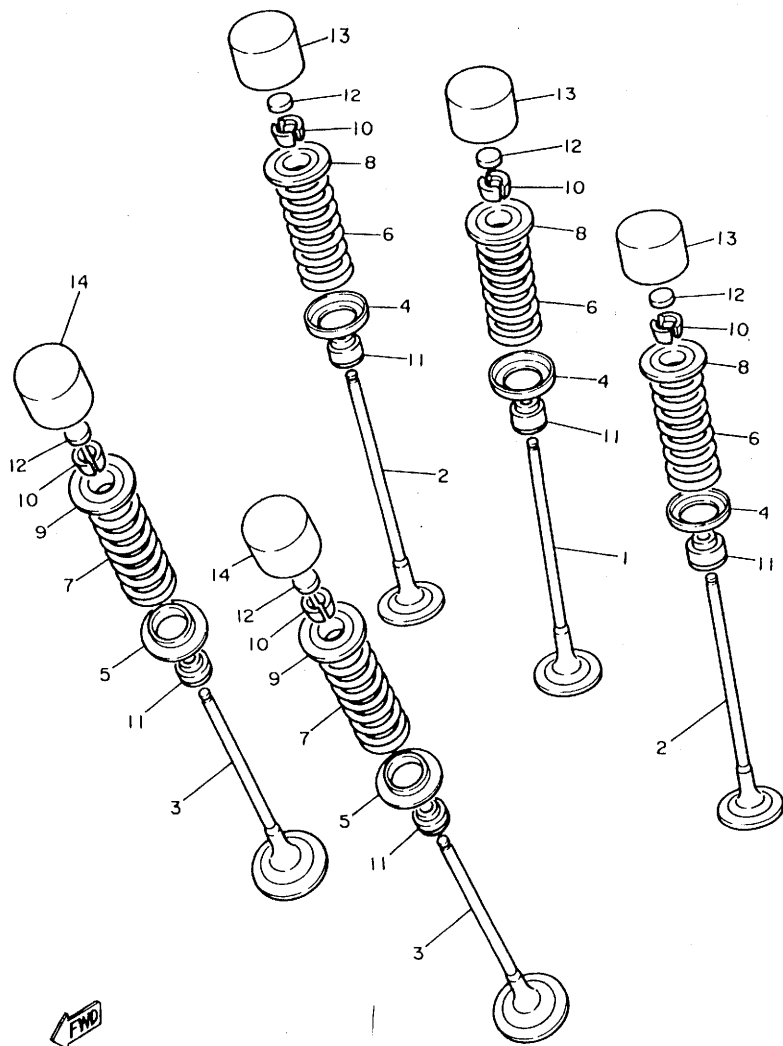
FIG. 3 CRANKSHAFT • PISTON



3LE332-9030

REF. NO.	PART NO.	DESCRIPTION	Q'TY	REMARKS
1	4SV-11411-00	CRANKSHAFT	1	
2	4SV-11416-00	PLANE BEARING, CRANKSHAFT 1	2	UR BLUE
	4SV-11416-10	PLANE BEARING, CRANKSHAFT 1	2	UR BLACK
	4SV-11416-20	PLANE BEARING, CRANKSHAFT 1	2	UR BROWN
	4SV-11416-30	PLANE BEARING, CRANKSHAFT 1	2	UR GREEN
	4SV-11416-40	PLANE BEARING, CRANKSHAFT 1	2	UR YELLOW
3	3GM-11416-00	PLANE BEARING, CRANKSHAFT 1	8	UR BLUE
	3GM-11416-10	PLANE BEARING, CRANKSHAFT 1	8	UR BLACK
	3GM-11416-20	PLANE BEARING, CRANKSHAFT 1	8	UR BROWN
	3GM-11416-30	PLANE BEARING, CRANKSHAFT 1	8	UR GREEN
	3GM-11416-40	PLANE BEARING, CRANKSHAFT 1	8	UR YELLOW
4	4SV-11631-00	PISTON (STD)	4	
	4SV-11636-00	PISTON (0.50MM O/S)	4	AP
5	3GM-11610-00	PISTON RING SET (STD)	4	
	3GM-11610-20	PISTON RING SET (0.50MM O/S)	4	AP
6	4SV-11633-00	PIN, PISTON	4	
7	93450-19095	CIRCLIP	8	
8	3GM-11650-10	CONNECTING ROD ASSY	4	
9	12R-11654-00	.BOLT, CONNECTING ROD	2	
10	90179-08327	.NUT	2	
11	3GM-11656-00	PLANE BEARING, CONNECTING ROD	8	UR BLUE
	3GM-11656-10	PLANE BEARING, CONNECTING ROD	8	UR BLACK
	3GM-11656-20	PLANE BEARING, CONNECTING ROD	8	UR BROWN
	3GM-11656-30	PLANE BEARING, CONNECTING ROD	8	UR GREEN

FIG. 4 VALVE

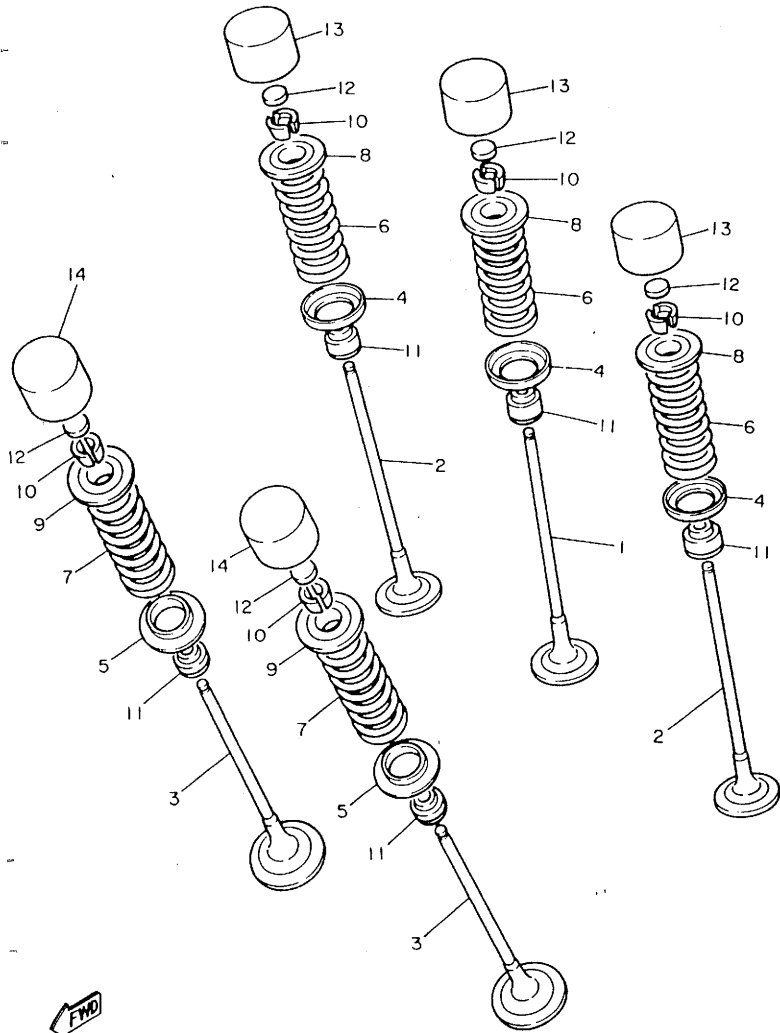


REF. NO.	PART NO.	DESCRIPTION	Q'TY	REMARKS
1	3GM-12111-00	VALVE, INTAKE	4	
2	3GM-12112-00	VALVE, INTAKE 2	8	
3	4SV-12121-00	VALVE, EXHAUST	8	
4	3GM-12116-00	SEAT, VALVE SPRING	12	
5	3GM-12126-00	SEAT, VALVE SPRING 2	8	
6	3GM-12113-00	SPRING, VALVE INNER	12	
7	3GM-12114-00	SPRING, VALVE OUTER	8	
8	3GM-12117-00	RETAINER, VALVE SPRING	12	
9	1WG-12117-00	RETAINER, VALVE SPRING	8	
10	1WG-12118-00	COTTER, VALVE	40	
11	4SV-12119-00	SEAL, VALVE STEM	20	
12	1HX-12168-00	PAD, ADJUSTING 2 (1.20)	20	UR
	1HX-12168-20	PAD, ADJUSTING 2 (1.25)	20	UR
	1HX-12168-40	PAD, ADJUSTING 2 (1.30)	20	UR
	1HX-12168-60	PAD, ADJUSTING 2 (1.35)	20	UR
	1HX-12168-80	PAD, ADJUSTING 2 (1.40)	20	UR
	1HX-12168-A0	PAD, ADJUSTING 2 (1.45)	20	UR
	1HX-12168-F0	PAD, ADJUSTING 2 (1.50)	20	UR
	1HX-12168-H1	PAD, ADJUSTING 2 (1.55)	20	UR
	1HX-12168-K1	PAD, ADJUSTING 2 (1.60)	20	UR
	1HX-12168-M1	PAD, ADJUSTING 2 (1.65)	20	UR
	1HX-12168-R1	PAD, ADJUSTING 2 (1.70)	20	UR
	1HX-12168-U1	PAD, ADJUSTING 2 (1.75)	20	UR
	1HX-12168-W1	PAD, ADJUSTING 2 (1.80)	20	UR
	1HX-12168-Y1	PAD, ADJUSTING 2 (1.85)	20	UR
	1HX-12169-11	PAD, ADJUSTING 2 (1.90)	20	UR
	1HX-12169-31	PAD, ADJUSTING 2 (1.95)	20	UR
	1HX-12169-50	PAD, ADJUSTING 2 (2.00)	20	UR



3LE332-9040

FIG. 4 VALVE



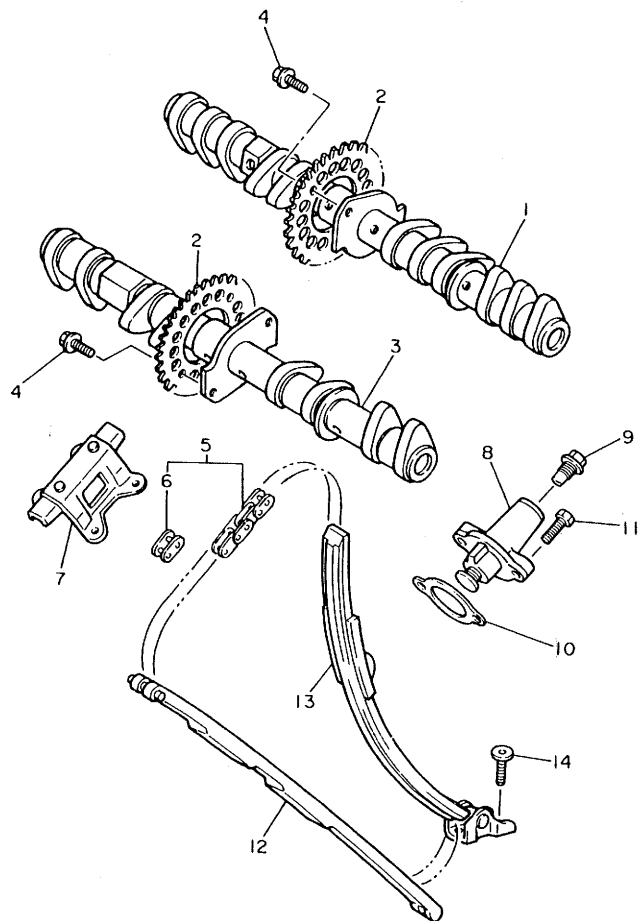
REF. NO.	PART NO.	DESCRIPTION	Q'TY	REMARKS
12	1HX-12169-70	PAD, ADJUSTING 2 (2.05)	20	UR
	1HX-12169-90	PAD, ADJUSTING 2 (2.10)	20	UR
	1HX-12169-E0	PAD, ADJUSTING 2 (2.15)	20	UR
	1HX-12169-G0	PAD, ADJUSTING 2 (2.20)	20	UR
	1HX-12169-J0	PAD, ADJUSTING 2 (2.25)	20	UR
	1HX-12169-L0	PAD, ADJUSTING 2 (2.30)	20	UR
	1HX-12169-N0	PAD, ADJUSTING 2 (2.35)	20	UR
	1HX-12169-T0	PAD, ADJUSTING 2 (2.40)	20	UR
13	2NK-12153-02	LIFTER, VALVE	12	UR BLACK
	2NK-12153-09	LIFTER, VALVE (O/S)	12	UR WHITE
14	1WG-12153-21	LIFTER, VALVE	8	UR BLUE
	1WG-12153-09	LIFTER, VALVE (O/S)	8	UR WHITE



3LE332-9040

B6

FIG. 5 CAMSHAFT • CHAIN



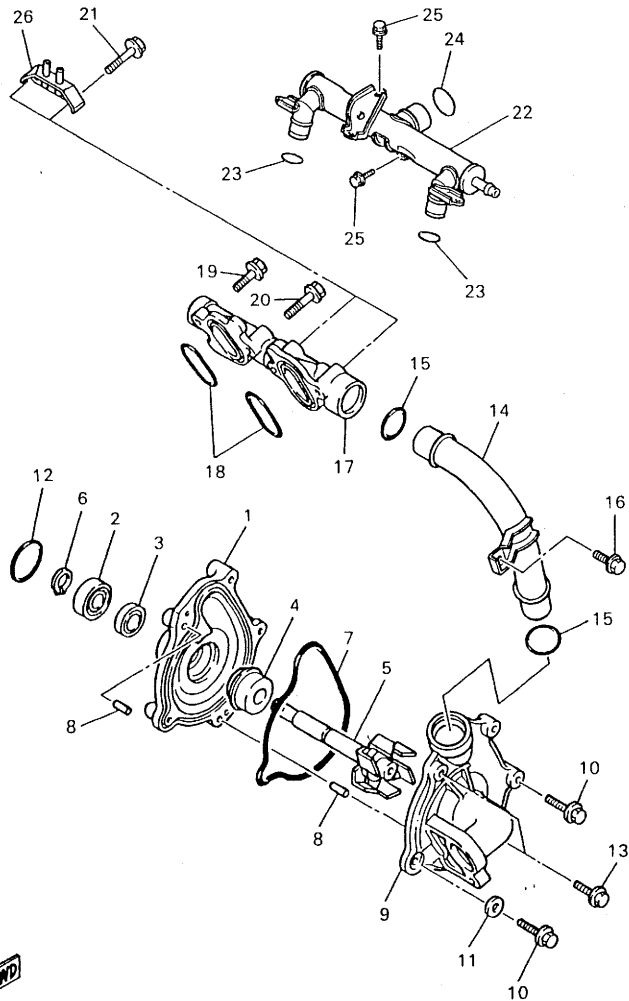
REF. NO.	PART NO.	DESCRIPTION	Q'TY	REMARKS
1	4SV-12171-00	CAMSHAFT 1	1	
2	3GM-12176-00	SPROCKET, CAM CHAIN	2	
3	4SV-12181-00	CAMSHAFT 2	1	
4	90105-07342	BOLT, WASHER BASED	4	
5	9Y581-01107	CHAIN (DID219FS-108L)	1	
6	4SV-11498-00	•PIN, JOINT	1	
7	2GH-12241-00	GUIDE, STOPPER 2	1	
8	3GM-12210-00	TENSIONER ASSY, CAM CHAIN	1	
9	90109-112F1	BOLT	1	
10	4BE-12213-00	GASKET, TENSIONER CASE	1	
11	90105-060A0	BOLT, WASHER BASED	2	
12	3GM-12251-00	DAMPER, CHAIN 1	1	
13	3GM-12252-01	DAMPER, CHAIN 2	1	
14	90109-065A8	BOLT	2	



3LE332-9050

B7

FIG. 6 WATER PUMP

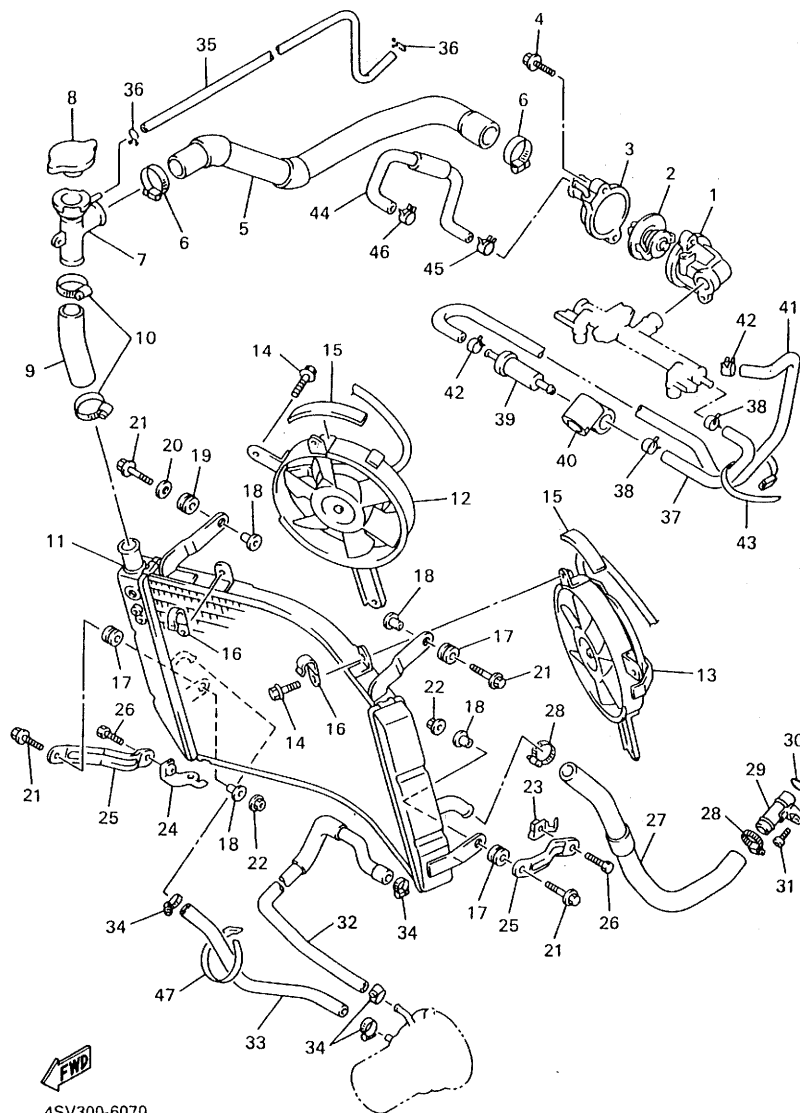


REF. NO.	PART NO.	DESCRIPTION	Q'TY	REMARKS
1	1UF-12421-09	HOUSING, WATER PUMP	1	
2	93306-00105	BEARING (B6001)	1	
3	93101-12060	OIL SEAL	1	
4	11H-12438-00	SEAL, MECHANICAL	1	
5	1UF-12450-00	IMPELLER SHAFT ASSY	1	
6	99009-12400	CIRCLIP	1	
7	1AE-12439-00	O-RING	1	
8	93604-10011	PIN, DOWEL	2	
9	3GM-12422-00	COVER, HOUSING	1	
10	90105-060A0	BOLT, WASHER BASED	3	
11	90430-06014	GASKET	1	
12	93210-33133	O-RING	1	
13	90105-06798	BOLT, WASHER BASED	2	
14	1AE-12481-01	PIPE 1	1	
15	93210-23787	O-RING	2	
16	95027-06012	BOLT, FLANGE	1	
17	3FV-12469-00	JOINT 1	1	
18	93210-30694	O-RING	2	
19	95027-06020	BOLT, FLANGE	1	
20	95027-06030	BOLT, FLANGE	1	
21	95027-06040	BOLT, FLANGE	2	
22	4SV-12482-00	PIPE 2	1	
23	93210-18417	O-RING	2	
24	93210-23787	O-RING	1	
25	95027-06010	BOLT, FLANGE	2	
26	2GH-14413-00	STAY	1	



4SV300-6060

FIG. 7 RADIATOR • HOSE

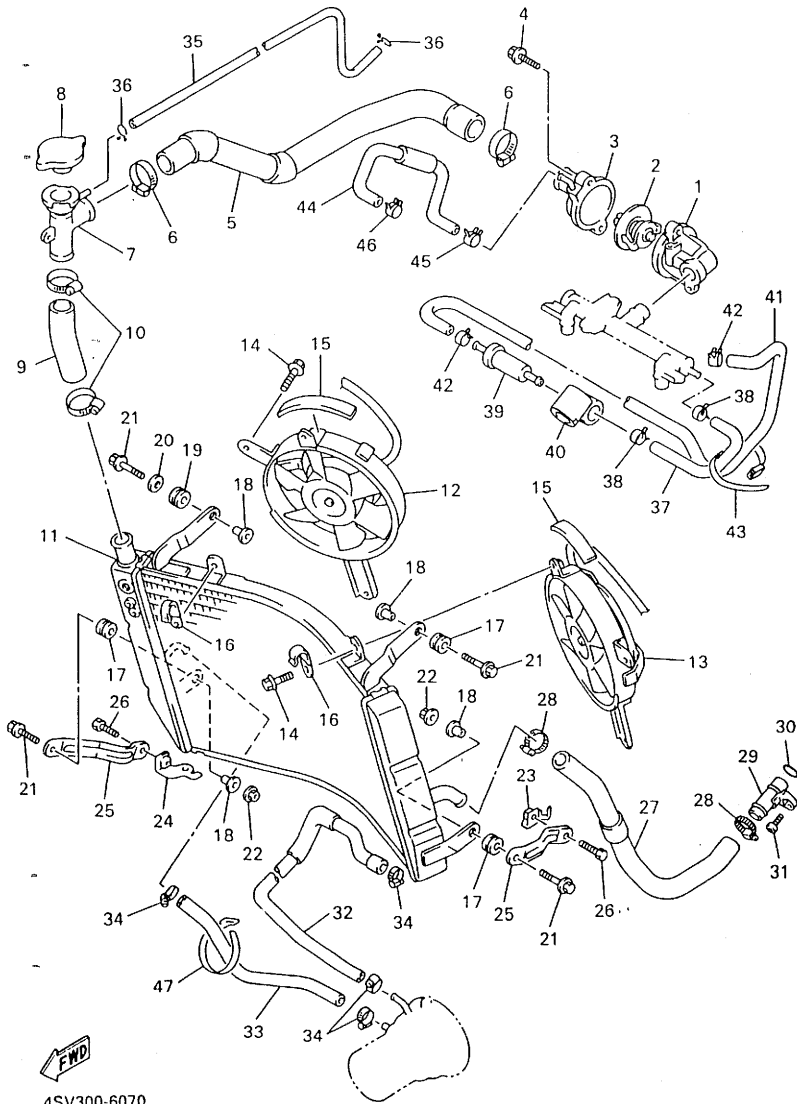


4SV300-6070

REF. NO.	PART NO.	DESCRIPTION	Q'TY	REMARKS
1	3GM-12417-00	HOUSING, THERMOSTAT	1	
2	4FM-12410-00	THERMOSTAT ASSY	1	
3	3FV-1240G-00	THERMOSTAT COVER ASSY	1	
4	90105-060A0	BOLT, WASHER BASED	2	
5	4SV-12576-00	HOSE 1	1	
6	90450-38040	HOSE CLAMP ASSY	2	
7	4SV-12591-00	SUPT, FILLER NECK	1	
8	4JH-12462-00	CAP, RADIATOR	1	
9	4SV-12577-00	HOSE 2	1	
10	90450-38040	HOSE CLAMP ASSY	2	
11	4SV-12461-00	RADIATOR ASSY	1	
12	4SV-12405-00	BLOWER ASSY	1	
13	4SV-12405-10	BLOWER ASSY	1	
14	95817-06010	BOLT, FLANGE	6	
15	2TV-21638-00	DAMPER 1	2	
16	90465-08028	CLAMP	2	
17	90480-15363	GROMMET	3	
18	90387-07391	COLLAR	4	
19	90480-10542	GROMMET	1	
20	90201-065F3	WASHER, PLATE	1	
21	95817-06025	BOLT, FLANGE	4	
22	95707-06500	NUT, FLANGE	2	
23	4SV-1244E-00	BRACKET 1	1	
24	4SV-1244F-00	BRACKET 1	1	
25	4SV-12464-00	STAY, RADIATOR	2	
26	97027-06012	BOLT	2	
27	4SV-12579-00	HOSE 4	1	
28	90450-38040	HOSE CLAMP ASSY	2	

B9

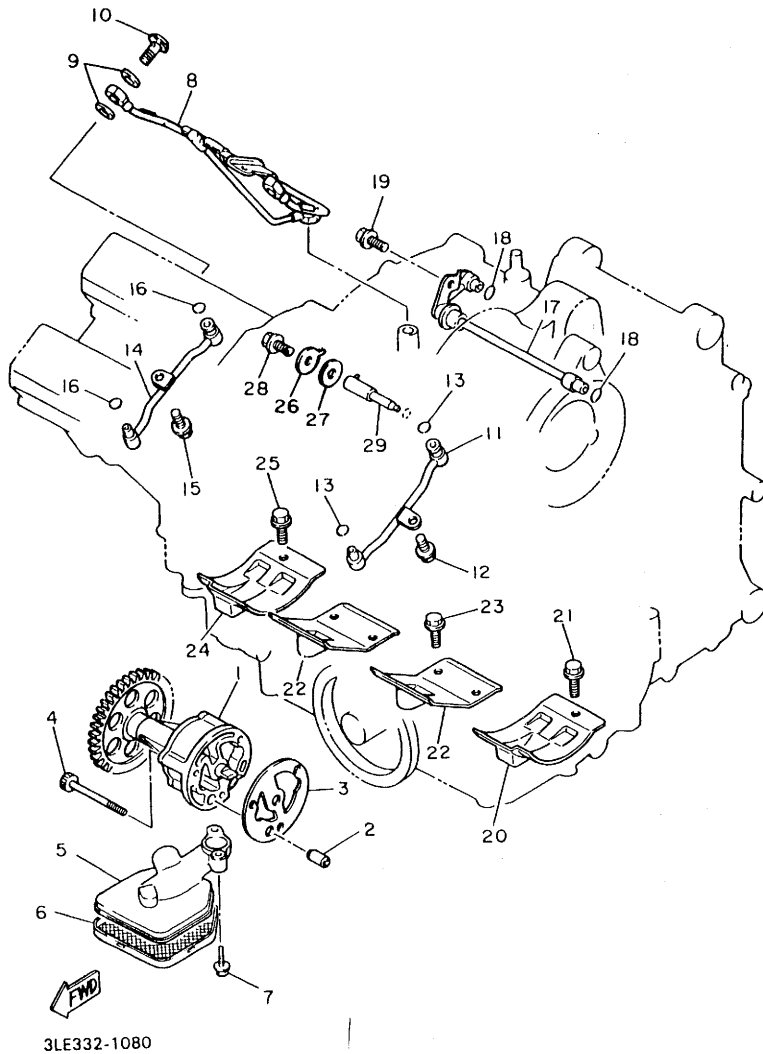
FIG. 7 RADIATOR • HOSE



REF. NO.	PART NO.	DESCRIPTION	Q'TY	REMARKS
29	2GH-12484-00	PIPE 4	1	
30	93210-23787	O-RING	1	
31	90110-06142	BOLT, HEXAGON SOCKET HEAD	1	
32	4SV-12588-00	HOSE 5	1	
33	4SV-12589-00	HOSE 6	1	
34	90450-22052	HOSE CLAMP ASSY	4	
35	90445-083J9	HOSE	1	
36	90467-08021	CLIP	2	
37	4SV-12551-00	HOSE 7	1	
38	90467-11044	CLIP	2	
39	4SV-1240G-00	THERMOSTAT COVER ASSY	1	
40	4TV-12572-00	ADAPTER	1	
41	4SV-12552-00	HOSE 8	1	
42	90467-11044	CLIP	2	
43	90464-13073	CLAMP	1	
44	4SV-1243E-00	HOSE 2	1	
45	90467-10039	CLIP	1	
46	90467-09037	CLIP	1	
47	437-83936-01	BAND, SWITCH CORD	1	

4SV300-6070

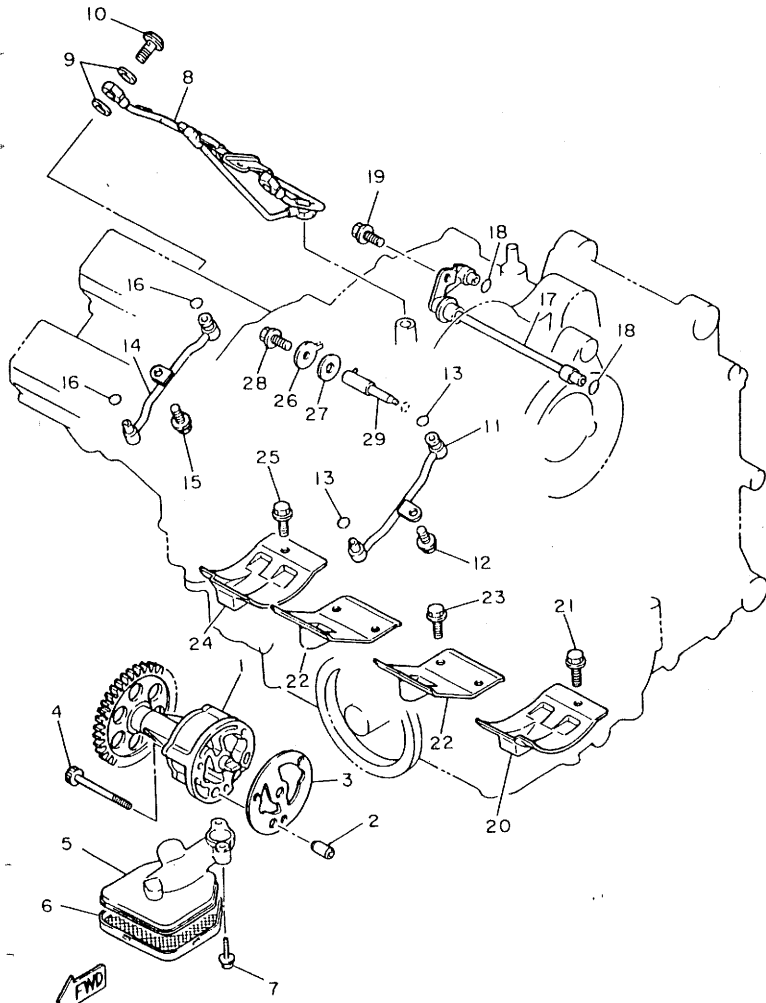
FIG. 8 OIL PUMP



REF. NO.	PART NO.	DESCRIPTION	Q'TY	REMARKS
1	4SV-13300-00	OIL PUMP ASSY	1	
2	99530-08012	PIN, DOWEL	1	
3	2GH-13329-00	GASKET, PUMP COVER	1	
4	91317-06050	BOLT, SOCKET HEAD	3	
5	3GM-13412-50	HOUSING, STRAINER	1	
6	3GM-13411-00	STRAINER, OIL	1	
7	95027-06030	BOLT, FLANGE	2	
8	3GM-13171-00	PIPE, DELIVERY 2	1	
9	90430-10171	GASKET	6	
10	90401-10139	BOLT, UNION	3	
11	3GM-13181-00	PIPE, DELIVERY 3	1	
12	95027-06012	BOLT, FLANGE	1	
13	93210-06632	O-RING	2	
14	3GM-13191-00	PIPE, DELIVERY 4	1	
15	95027-06012	BOLT, FLANGE	1	
16	93210-06632	O-RING	2	
17	2GH-1316E-01	PIPE, DELEVERY 5	1	
18	93210-07135	O-RING	2	
19	95027-06012	BOLT, FLANGE	1	
20	2GH-15123-00	PLATE, BUFFLE 1	1	
21	95027-06012	BOLT, FLANGE	2	
22	1AE-15124-00	PLATE, BUFFLE 2	2	
23	95027-06012	BOLT, FLANGE	6	
24	2GH-15133-00	PLATE, BUFFLE 3	1	
25	95027-06012	BOLT, FLANGE	2	
26	90201-061M7	WASHER, PLATE	1	
27	4FM-13475-00	GASKET	1	
28	95817-06016	BOLT, FLANGE	1	

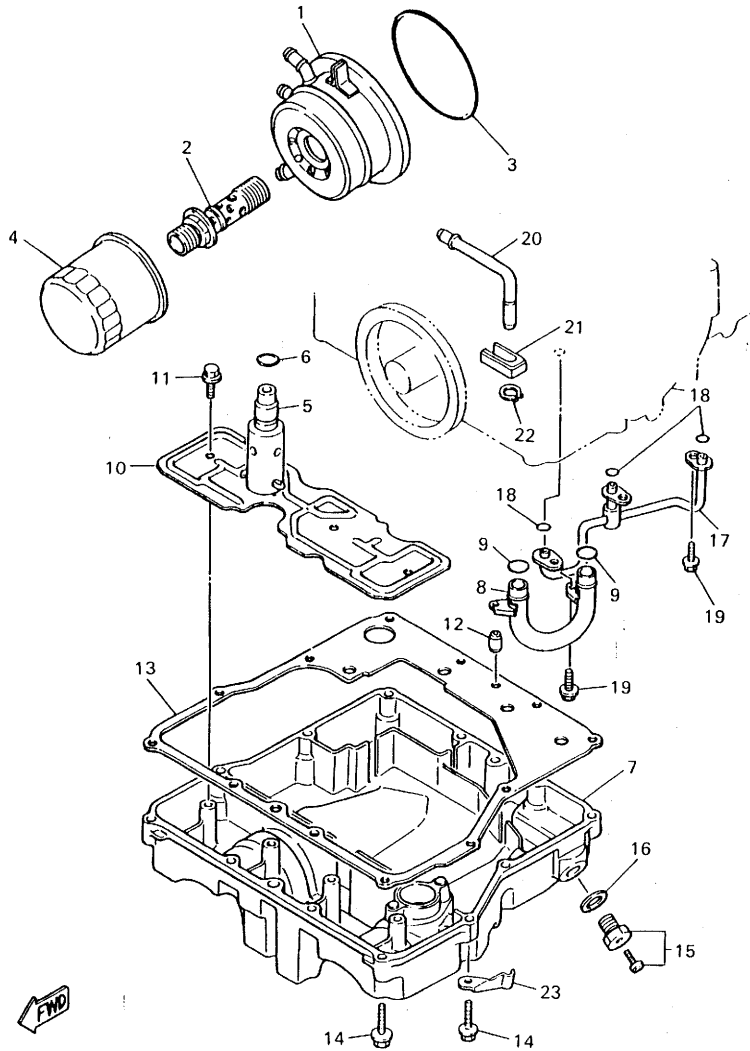
FIG. 8 OIL PUMP

REF. NO.	PART NO.	DESCRIPTION	Q'TY	REMARKS
29	3GM-13454-00	NOZZLE	1	



3LE332-1080

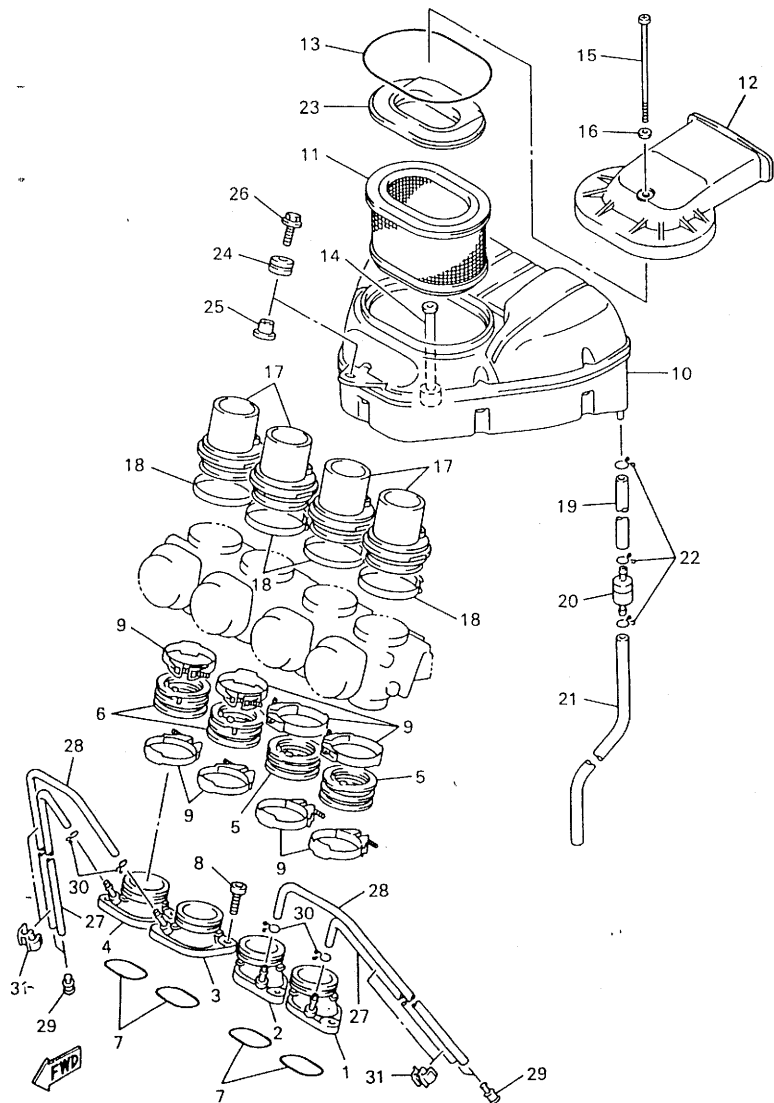
FIG. 9 OIL CLEANER



4LE110-4090

REF. NO.	PART NO.	DESCRIPTION	Q'TY	REMARKS
1	4FM-13470-10	OIL COOLER ASSY	1	
2	90401-20161	BOLT, UNION	1	
3	93210-87723	O-RING	1	
4	3FV-13440-00	ELEMENT ASSY, OIL CLEANER	1	
5	3KS-13490-00	RELIEF VALVE ASSY	1	
6	93210-15566	O-RING	1	
7	4FM-13417-00	COVER, STRAINER	1	
8	3FV-13416-01	PIPE, OIL 1	1	
9	93210-14579	O-RING	2	
10	3GM-13337-00	PLATE, BAFFLE LOWER	1	
11	95027-06010	BOLT, FLANGE	4	
12	99510-08016	PIN, DOWEL	2	
13	4FM-13414-00	GASKET, STRAINER COVER	1	
14	95027-06030	BOLT, FLANGE	12	
15	3VD-13455-00	PLUG	1	
16	214-11198-01	GASKET	1	
17	3GM-13161-01	PIPE, DELIVERY 1	1	
18	93210-06714	O-RING	3	
19	95027-06012	BOLT, FLANGE	3	
20	3GM-15373-00	PIPE, BREATHER	1	
21	3GM-13174-00	HOLDER, OIL PIPE	1	
22	99009-10400	CIRCLIP	1	
23	90465-08076	CLAMP	1	

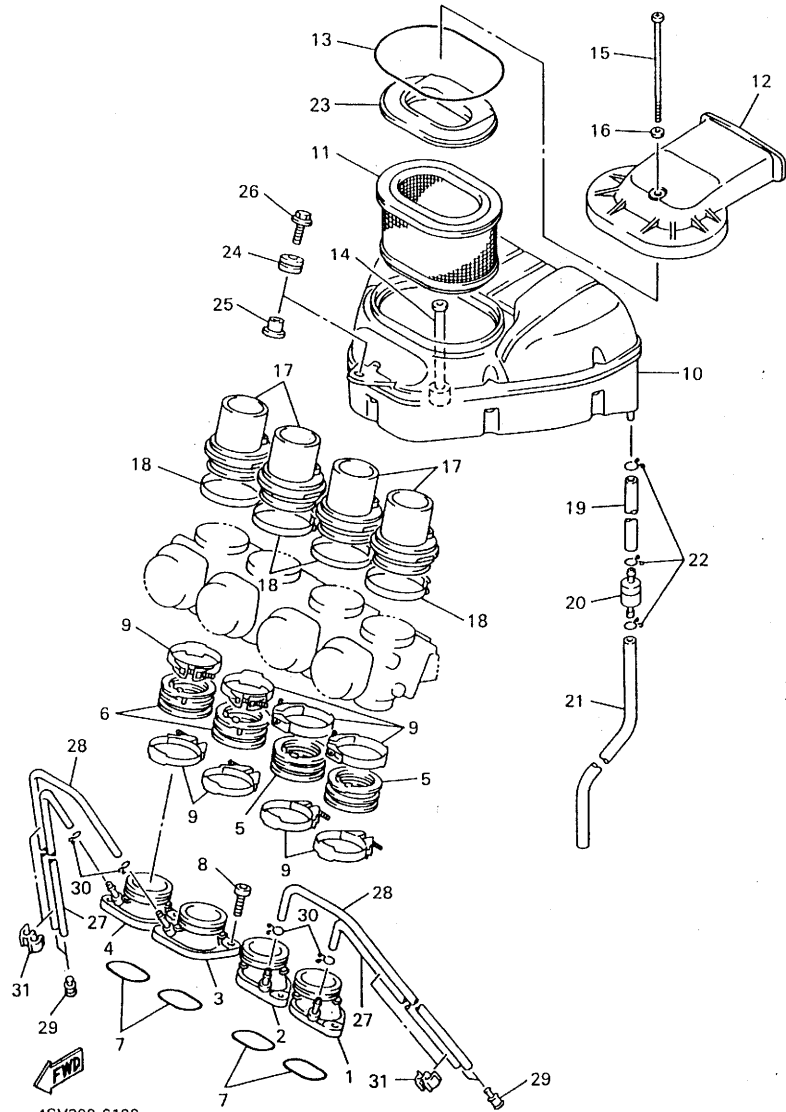
FIG. 10 INTAKE



REF. NO.	PART NO.	DESCRIPTION	Q'TY	REMARKS
1	4SV-13586-00	JOINT, CARBURETOR 1	1	
2	4SV-13586-10	JOINT, CARBURETOR 1	1	
3	4SV-13596-10	JOINT, CARBURETOR 2	1	
4	4SV-13596-00	JOINT, CARBURETOR 2	1	
5	3GM-13597-00	JOINT, CARBURETOR 3	2	
6	3GM-13598-00	JOINT, CARBURETOR 4	2	
7	93210-44545	O-RING	4	
8	91317-06020	BOLT, SOCKET HEAD	8	
9	90450-57034	HOSE CLAMP ASSY	8	
10	4SV-14401-00	AIR CLEANER CASE ASSY	1	
11	3GM-14451-00	ELEMENT, AIR CLEANER	1	
12	4SV-14422-00	CAP, CLEANER CASE 2	1	
13	1VJ-14462-00	SEAL	1	
14	3GM-14443-00	COLLAR	1	
15	98517-06140	SCREW, PAN HEAD	1	
16	92907-06600	WASHER, PLATE	1	
17	4SV-14453-00	JOINT, AIR CLEANER 1	4	
18	90450-75083	HOSE CLAMP ASSY	4	
19	90445-11452	HOSE	1	
20	4X7-2149Y-00	FILTER ASSY	1	
21	90445-114E2	HOSE	1	
22	90467-10008	CLIP	3	
23	3GM-14432-00	SILENCER, INNER	1	
24	90480-12314	GROMMET	1	
25	90387-065J6	COLLAR	1	
26	95817-06020	BOLT, FLANGE	1	
27	90445-09496	HOSE	2	
28	90445-090E5	HOSE	2	

4SV300-6100

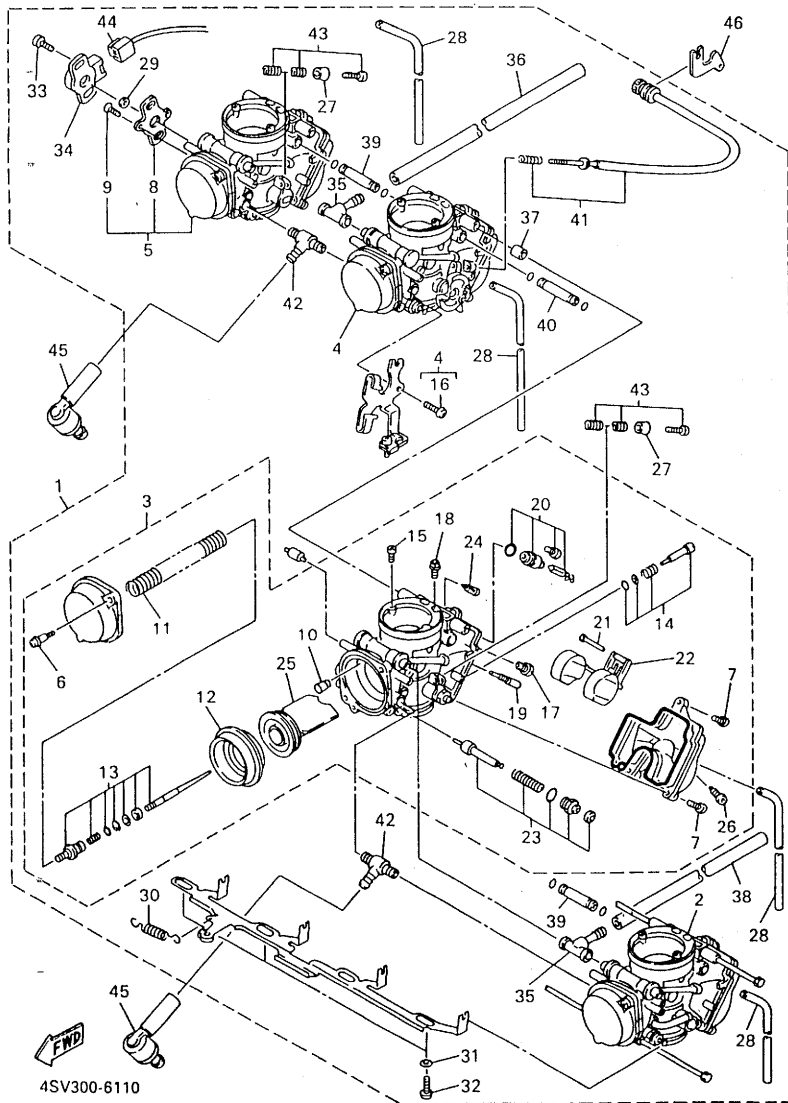
FIG. 10 INTAKE



4SV300-6100

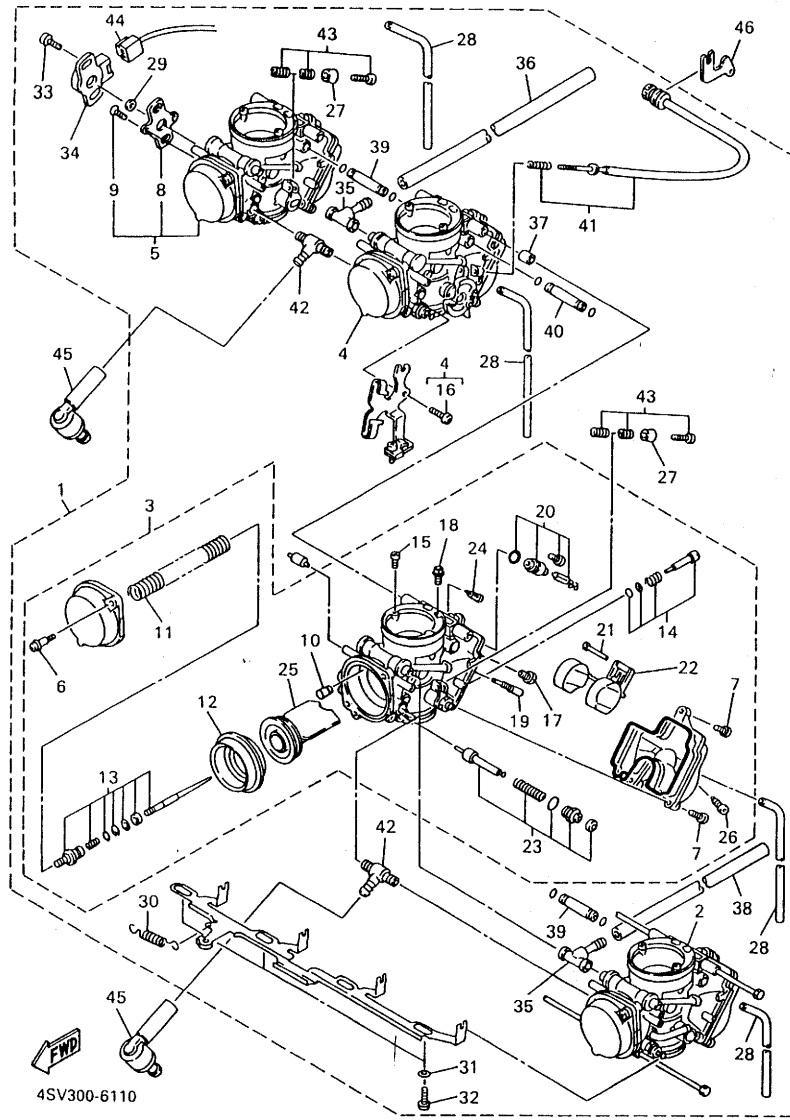
REF. NO.	PART NO.	DESCRIPTION	Q'TY	REMARKS
29	90338-05240	PLUG	4	
30	90467-08017	CLIP	4	
31	90468-15139	CLIP	4	

FIG. 11 CARBURETOR



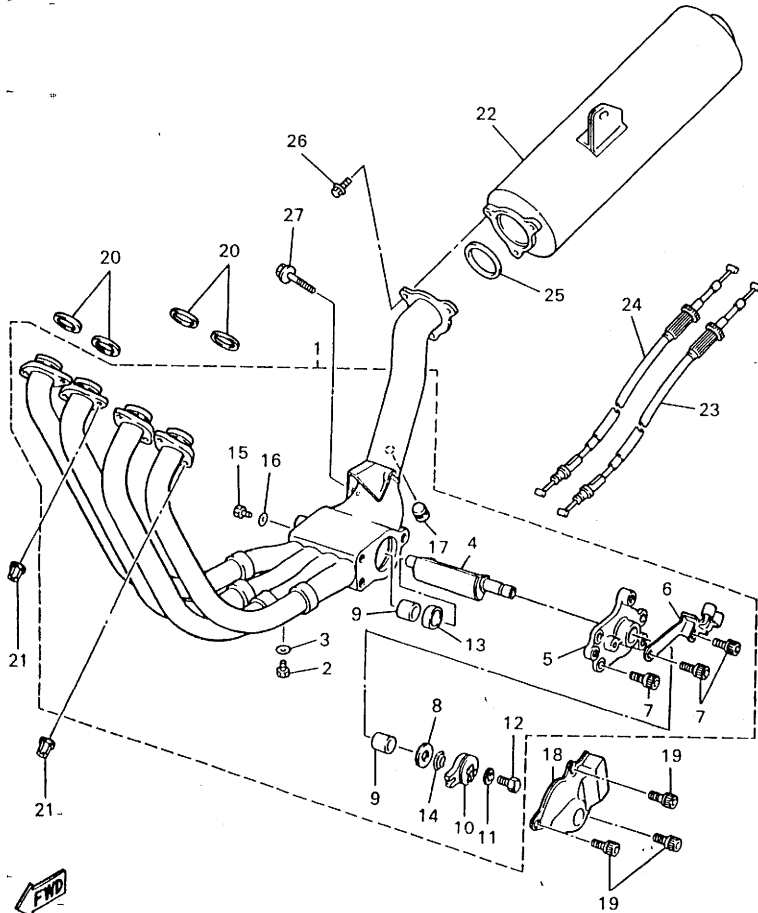
REF. NO.	PART NO.	DESCRIPTION	Q'TY	REMARKS
1	4SV-14900-00	CARBURETOR ASSY	1	
2	4SV-14901-00	..CARBURETOR ASSY 1	1	
3	4SV-14902-00	..CARBURETOR ASSY 2	1	
4	4SV-14903-00	..CARBURETOR ASSY 3	1	
5	4SV-14904-00	..CARBURETOR ASSY 4	1	
6	4KM-14216-00	..SCREW	1	
7	98517-05012	..SCREW, PAN HEAD	3	
8	4KG-14995-00	..BRACKET	1	
9	98707-04008	..SCREW, FLAT HEAD	2	
10	4SV-14968-00	..CAP	1	
11	4SV-14933-00	..SPRING, DIAPHRAGM	1	
12	4SV-24411-00	..DIAPHRAGM	1	
13	4SV-1490J-00	..NEEDLE SET	1	
14	4SV-14105-00	..PILOT SCREW SET	1	
15	98507-04014	..SCREW, PAN HEAD	2	
16	98507-05010	..SCREW, PAN HEAD	1	
17	3G2-1423A-76	..JET, MAIN (#127.5)	1	UR #1, #4
	3G2-14231-25	..JET, MAIN (#125)	1	UR #2, #3
18	8CC-1423A-76	..JET, MAIN (#127.5)	1	
19	4KM-14142-20	..JET, PILOT (# 20)	1	
20	4SV-14107-00	..NEEDLE VALVE SET	1	
21	620-14186-00	..PIN, FLOAT	1	
22	4SV-14985-00	..FLOAT	1	
23	4SV-1410A-00	..STARTER SET	1	
24	1KT-14994-00	..NET, FILTER	1	
25	4SV-14112-00	..VALVE, THROTTLE	1	
26	4KP-14191-00	..PLUG, DRAIN	1	
27	4SV-14261-00	..HOLDER	2	

FIG. 11 CARBURETOR



REF. NO.	PART NO.	DESCRIPTION	Q'TY	REMARKS
28	3LK-14987-00	•HOSE	4	
29	4KG-14285-00	•WASHER	1	
30	4SV-14935-00	•SPRING	1	
31	4NK-14327-00	•PACKING	3	
32	4SV-24453-00	•SCREW	3	
33	4KM-24453-00	•SCREW	2	
34	4SV-85885-00	•THROTTLE SENSOR ASSY	1	
35	4SV-14987-00	•HOSE	2	
36	4SV-14987-20	•HOSE	1	
37	4SV-14996-30	•PIPE	1	
38	4SV-14987-30	•HOSE	1	
39	4SV-14996-40	•PIPE	2	
40	4SV-14996-50	•PIPE	1	
41	4SV-14103-00	•THROTTLE SCREW SET	1	
42	4SV-14987-10	•HOSE	2	
43	3EN-1490K-00	•STOP SCREW SET	3	
44	4HD-14188-00	•CONNECTOR	1	
45	4SV-14197-00	PIPE	2	
46	4FN-14413-00	STAY	1	

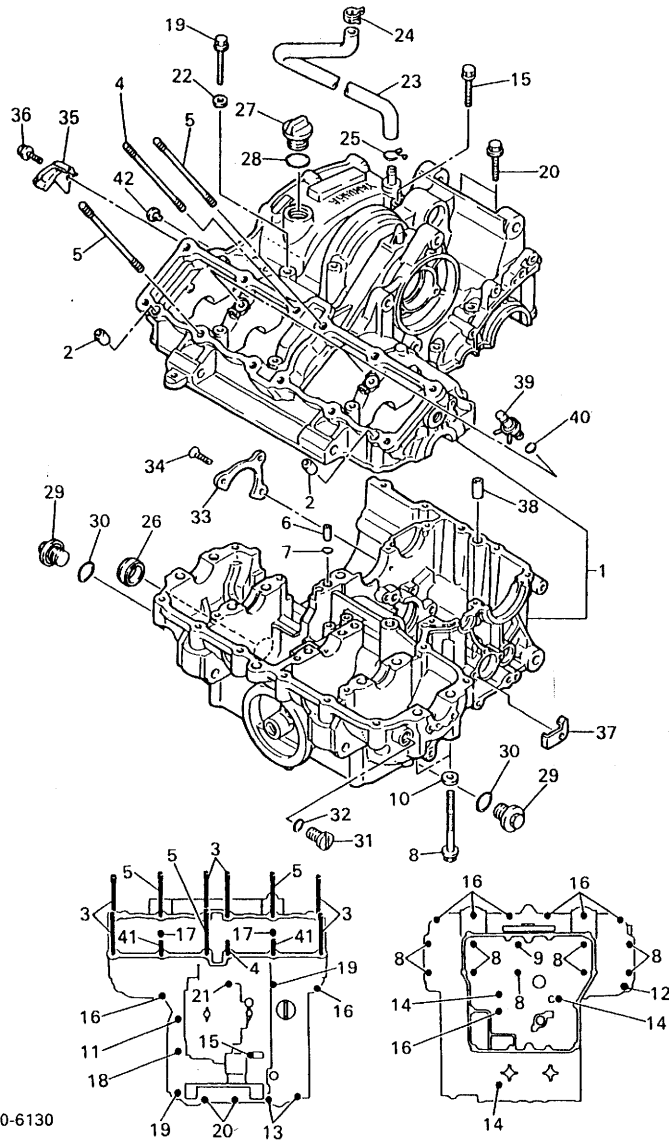
FIG. 12 EXHAUST



4SV300-6120

REF. NO.	PART NO.	DESCRIPTION	Q'TY	REMARKS
1	4SV-14610-00	EXHAUST PIPE ASSY 1	1	
2	97080-06008	•BOLT	4	
3	92990-06600	•WASHER, PLATE	4	
4	4SV-14821-00	•ARM, SHAFT (VALVE)	1	
5	3GM-14811-00	•HOUSING	1	
6	2TK-14867-01	•BRACKET	1	
7	90119-06115	•BOLT, WITH WASHER	3	
8	90201-106M5	•WASHER, PLATE	1	
9	4SV-14638-00	•COLLAR	2	
10	2TK-14865-01	•PULLEY	1	
11	90201-050T4	•WASHER, PLATE	1	
12	97095-05012	•BOLT	1	
13	90387-106U7	•COLLAR	1	
14	3GM-14683-00	•SPRING, HOOK	1	
15	91380-04006	•BOLT	2	
16	92990-04600	•WASHER, PLATE	2	
17	4FM-24181-00	•DAMPER, LOCATING 1	1	
18	4HD-14826-00	PROTECTOR, EXHAUST	1	
19	90119-06187	BOLT, WITH WASHER	3	
20	3YF-14613-01	GASKET, EXHAUST PIPE	4	
21	90179-08410	NUT	8	
22	4SV-14711-00	MUFFLER 1	1	
23	4FM-1133E-00	CABLE, PULLEY 1	1	
24	4FM-1133F-00	CABLE, PULLEY 2	1	
25	4SV-14714-00	GASKET, MUFFLER	1	
26	95817-08020	BOLT, FLANGE	3	
27	95817-08035	BOLT, FLANGE	1	

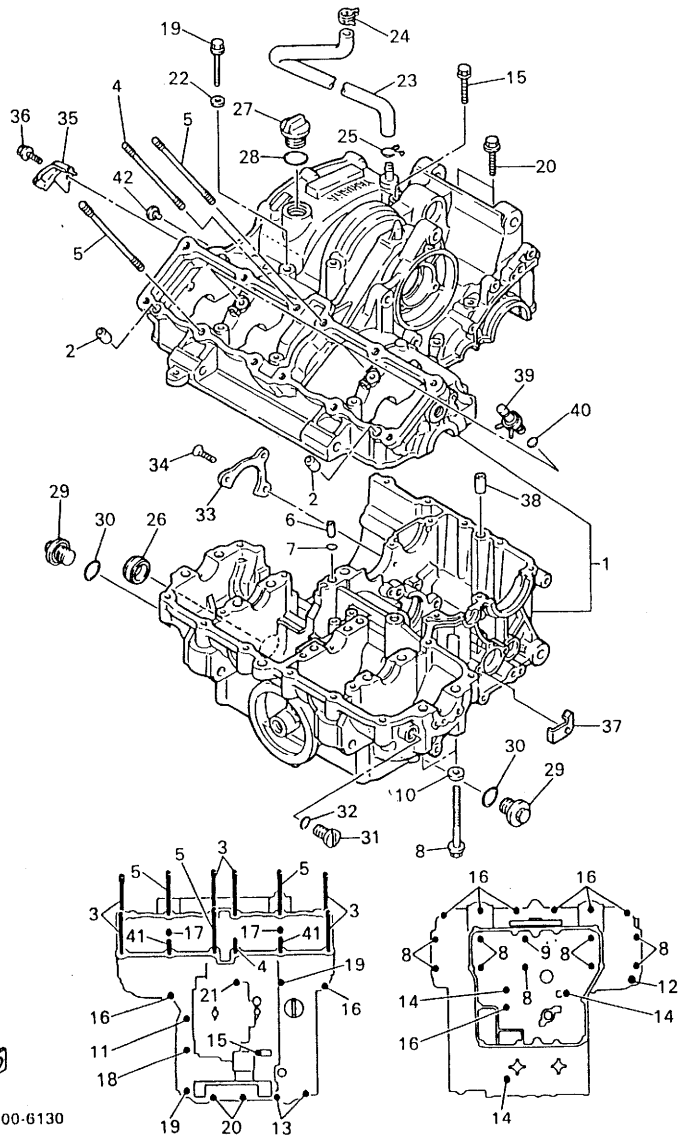
FIG. 13 CRANKCASE



4SV300-6130

REF. NO.	PART NO.	DESCRIPTION	Q'TY.	REMARKS
1	4SV-15100-00	CRANKCASE ASSY	1	
2	99530-10014	PIN, DOWEL	2	
3	90116-10532	BOLT, STUD	6	
4	90116-10531	BOLT, STUD	1	
5	90116-10576	BOLT, STUD	3	
6	90387-05383	COLLAR	1	
7	93210-07135	O-RING	1	
8	90105-09373	BOLT, WASHER BASED	9	
9	90105-09580	BOLT, WASHER BASED	1	
10	90201-096J9	WASHER, PLATE	4	
11	95817-06035	BOLT, FLANGE	1	
12	95817-08045	BOLT, FLANGE	1	
13	95817-06060	BOLT, FLANGE	2	
14	95817-06080	BOLT, FLANGE	3	
15	95817-06140	BOLT, FLANGE	1	
16	95817-08045	BOLT, FLANGE	9	
17	95817-08055	BOLT, FLANGE	2	
18	95817-08065	BOLT, FLANGE	1	
19	95817-08090	BOLT, FLANGE	2	
20	95817-08060	BOLT, FLANGE	2	
21	90105-09555	BOLT, WASHER BASED	1	
22	90201-08087	WASHER, PLATE	1	
23	3FV-11166-00	PIPE, BREATHER 1	1	
24	90467-15054	CLIP	1	
25	90467-14015	CLIP	1	
26	90338-30096	PLUG	1	
27	3FV-15363-00	PLUG, OIL	1	
28	93210-27778	O-RING	1	

FIG. 13 CRANKCASE



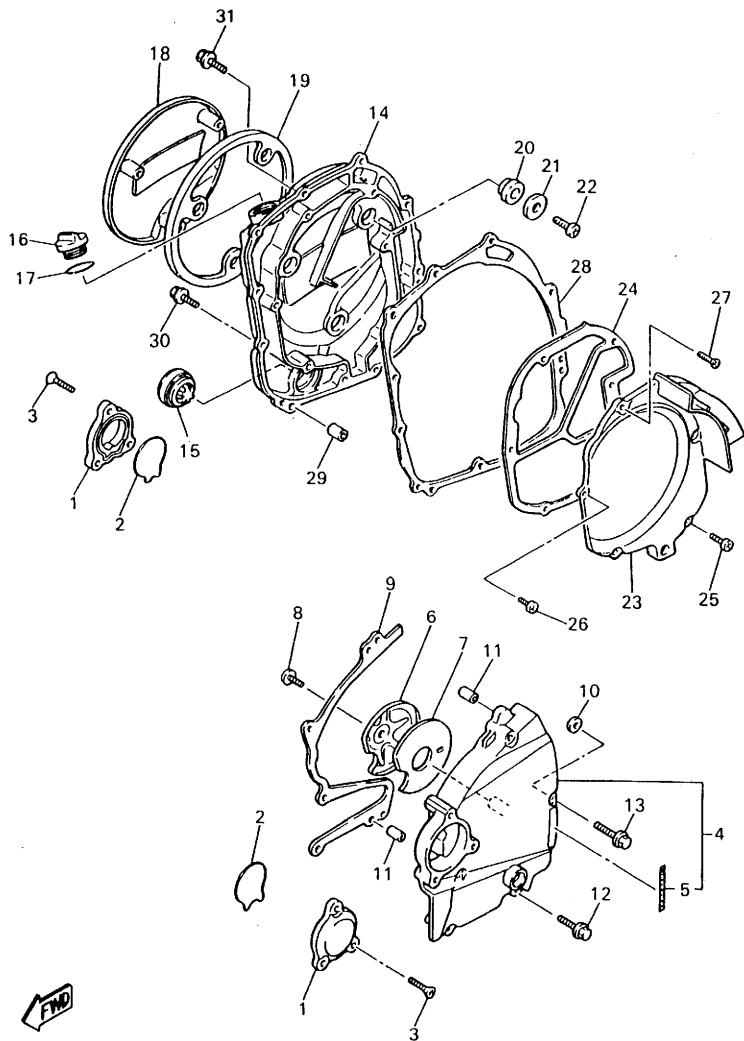
REF. NO.	PART NO.	DESCRIPTION	Q'TY	REMARKS
29	4H7-15189-00	PLUG	2	
30	93210-20573	O-RING	2	
31	90340-14068	PLUG, STRAIGHT SCREW	1	
32	93210-14369	O-RING	1	
33	1AE-15383-00	PLATE, BEARING COVER	1	
34	90151-06014	SCREW, COUNTERSUNK	3	
35	90462-08184	CLAMP	1	
36	95027-06012	BOLT, FLANGE	1	
37	90462-08158	CLAMP	1	
38	99510-12016	PIN, DOWEL	1	
39	2TK-15105-00	NOZZLE ASSY	2	
40	93210-06632	O-RING	2	
41	90116-10569	BOLT, STUD	2	
42	4SV-15385-00	PLUG, BLIND	1	



4SV300-6130

C6

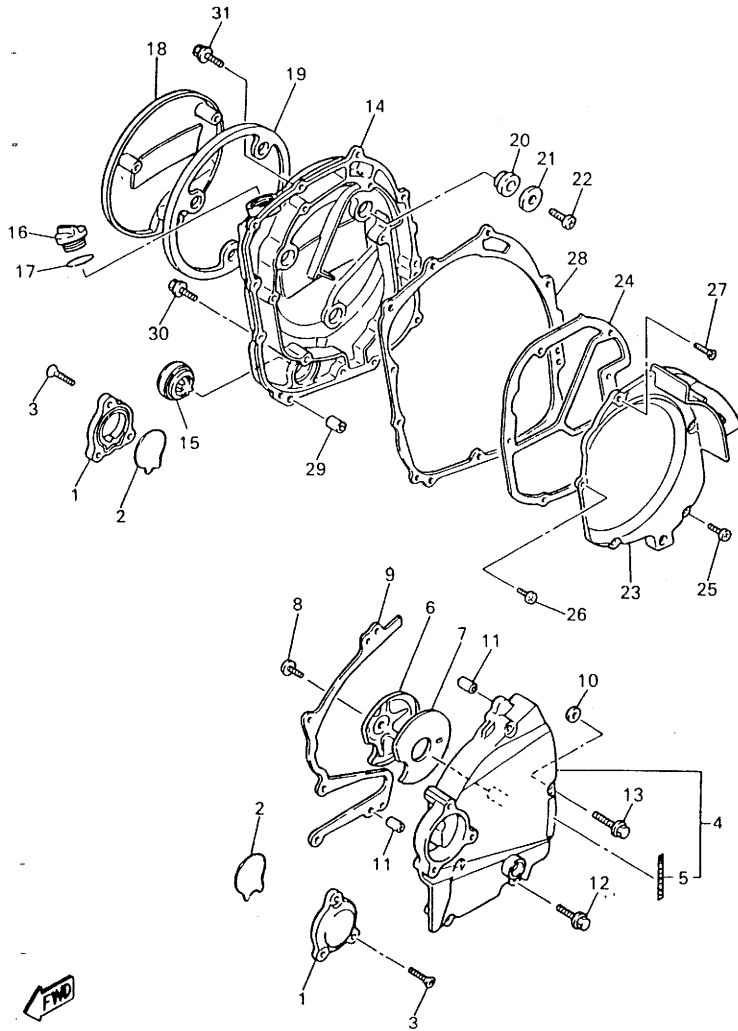
FIG. 14 CRANKCASE COVER 1



4HD300-3140

REF. NO.	PART NO.	DESCRIPTION	Q'TY	REMARKS
1	3GM-15416-00	COVER, OIL PUMP	2	
2	1AE-15456-00	GASKET, OIL PUMP COVER 1	2	
3	90152-06014	SCREW, COUNTERSUNK	6	
4	3GM-15410-01	CRANKCASE COVER ASSY 1	1	
5	2GH-15435-00	EMBLEM	1	
6	3GM-15427-00	COVER, CAP 2	1	
7	1AE-15316-00	DAMPER, ENGINE MOUNT 1	1	
8	92017-06010	SCREW	1	
9	4FM-15451-00	GASKET, CRANKCASE COVER 1	1	
10	4FM-15467-00	GASKET	1	
11	99530-08012	PIN, DOWEL	2	
12	95024-06040	BOLT, FLANGE	3	
13	95024-06050	BOLT, FLANGE	2	
14	4FM-15421-01	COVER, CRANKCASE 2	1	
15	3Y1-15361-00	GAUGE, LEVEL	1	
16	4FM-15362-00	PLUG, OIL LEVEL	1	
17	93210-27778	O-RING	1	
18	3GM-15417-00	COVER, CAP	1	
19	3GM-15449-00	RING, RUBBER	1	
20	4H7-15486-00	GROMMET	3	
21	90209-06096	WASHER	3	
22	98507-06010	SCREW, PAN HEAD	3	
23	4SV-15346-00	BREATHER 1	1	
24	4FM-15463-00	GASKET, CARBURETOR COVER 2	1	
25	98517-06020	SCREW, PAN HEAD	4	
26	90157-06104	SCREW, PAN HEAD	1	
27	90152-06024	SCREW, COUNTERSUNK	1	
28	4FM-15461-00	GASKET, CRANKCASE COVER 2	1	

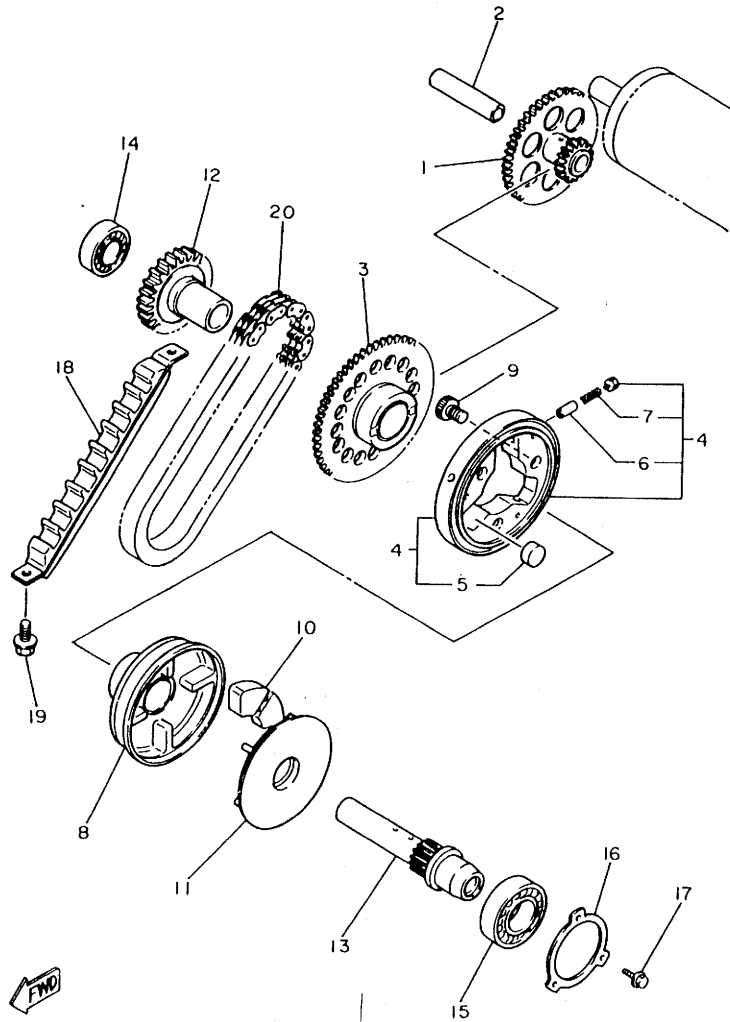
FIG. 14 CRANKCASE COVER 1



REF. NO.	PART NO.	DESCRIPTION	Q'TY	REMARKS
29	99530-08012	PIN, DOWEL	2	
30	95024-06030	BOLT, FLANGE	2	
31	95024-06020	BOLT, FLANGE	9	

4HD300-3140

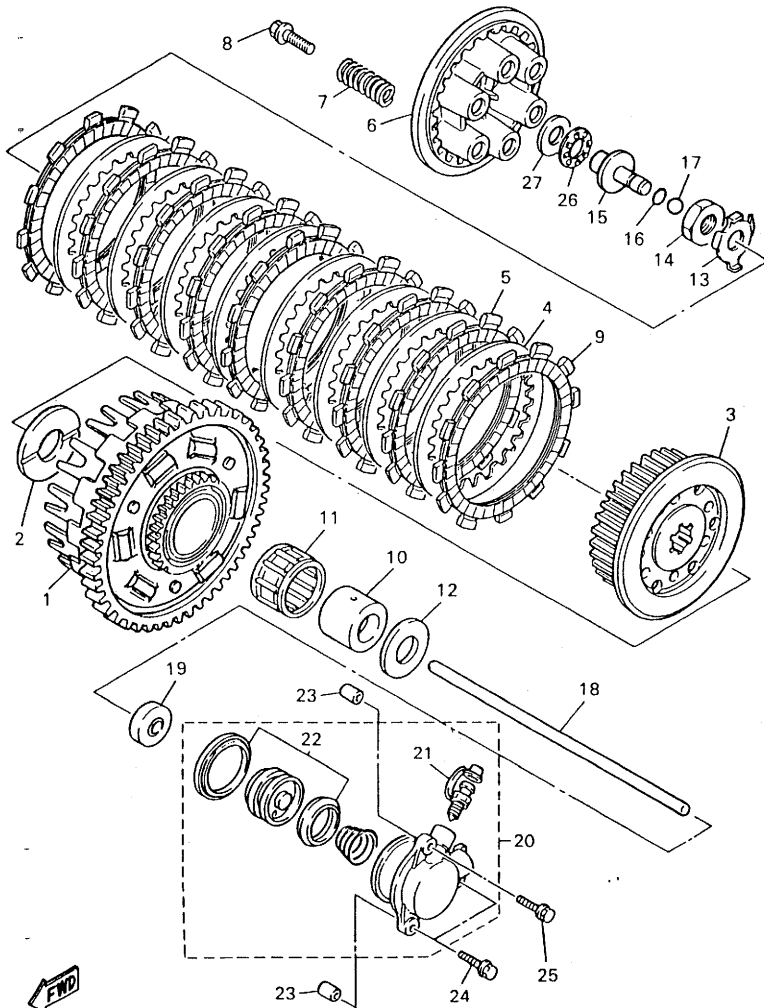
FIG. 15 STARTER



REF. NO.	PART NO.	DESCRIPTION	Q'TY	REMARKS
1	3GM-15512-01	GEAR, IDLER 1	1	
2	51Y-15521-00	SHAFT 1	1	
3	4BH-15517-00	GEAR, IDLER 2	1	
4	3GM-15580-00	STARTER CLUTCH OUTER ASSY	1	
5	93615-12088	.PIN, DOWEL	3	
6	1J7-15583-01	.CAP, STARTER CLUTCH SPRING	3	
7	90501-04623	.SPRING, COMPRESSION	3	
8	3GM-15524-00	WHEEL, STARTER	1	
9	90110-08177	BOLT, HEXAGON SOCKET HEAD	3	
10	4H7-16155-01	ABSORBER 1	4	
11	3GM-15689-00	RETAINER	1	
12	3GM-15519-00	SPROCKET, STARTER 2	1	
13	3GM-15522-00	SHAFT 2	1	
14	93306-20321	BEARING	1	
15	93306-20541	BEARING (B6205)	1	
16	1AE-15381-00	PLATE, BEARING COVER	1	
17	95027-06016	BOLT, FLANGE	3	
18	4SV-11474-00	GUIDE, UPPER	1	
19	95817-06014	BOLT, FLANGE	2	
20	4SV-11456-00	CHAIN, PRIMARY	1	

3KS351-9150

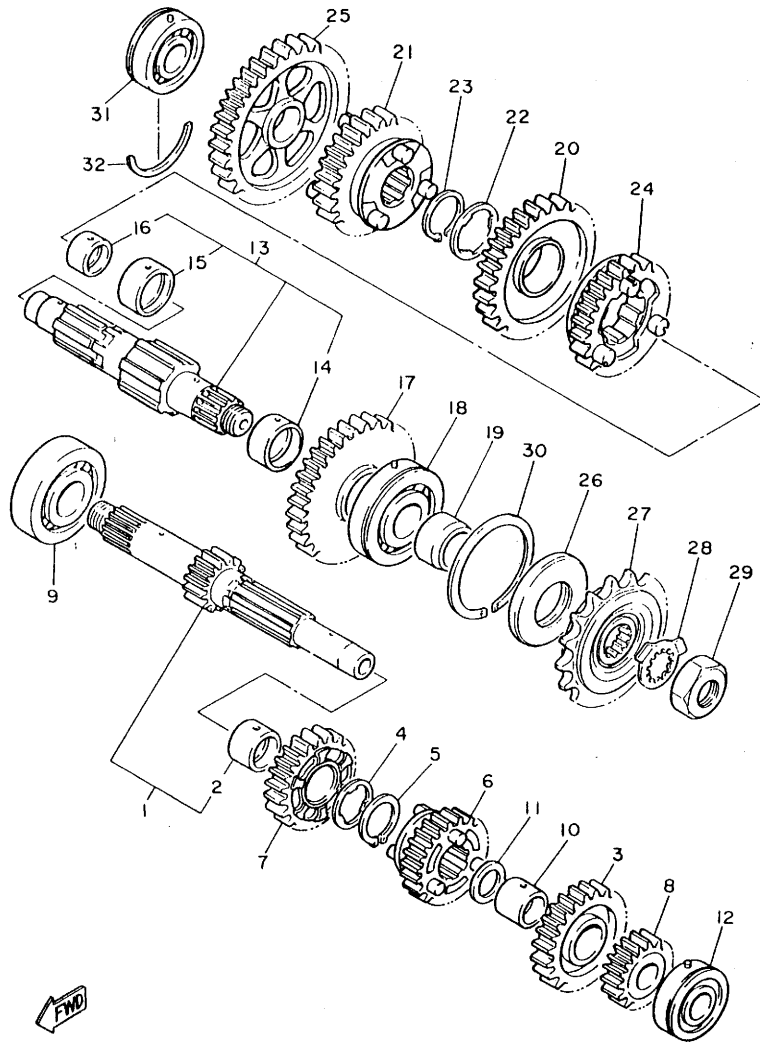
FIG. 16 CLUTCH



REF. NO.	PART NO.	DESCRIPTION	Q'TY	REMARKS
1	4SV-16150-01	PRIMARY DRIVEN GEAR COMP.	1	
2	1AE-16154-00	PLATE, THRUST 1	1	
3	4BH-16371-02	BOSS, CLUTCH	1	
4	31A-16325-00	PLATE, CLUTCH 2	8	
5	4H7-16321-02	PLATE, FRICTION	8	
6	3GM-16351-00	PLATE, PRESSURE 1	1	
7	90501-230E4	SPRING, COMPRESSION	6	
8	90159-06123	SCREW, WITH WASHER	6	
9	3GM-16321-00	PLATE, FRICTION	1	
10	90560-25270	SPACER	1	
11	93310-340N8	BEARING, CYLINDRICAL	1	
12	1AE-16164-00	PLATE, THRUST 2	1	
13	90215-20231	WASHER, LOCK	1	
14	90170-20327	NUT	1	
15	3GM-16356-00	ROD, PUSH 1	1	
16	93210-06632	O-RING	1	
17	93511-32027	BALL	1	
18	1AE-16357-00	ROD, PUSH 2	1	
19	93109-08061	OIL SEAL	1	
20	1TV-16381-11	PUSH LEVER COMP.	1	
21	36Y-W0048-00	.BLEED SCREW KIT	1	
22	26H-W0098-00	.PUSH LEVER SEAL KIT	1	
23	99530-08012	PIN, DOWEL	2	
24	95027-06030	BOLT, FLANGE	2	
25	95027-06090	BOLT, FLANGE	1	
26	93340-21505	BEARING, THRUST	1	
27	90201-150H2	WASHER, PLATE	1	

4SV300-6160

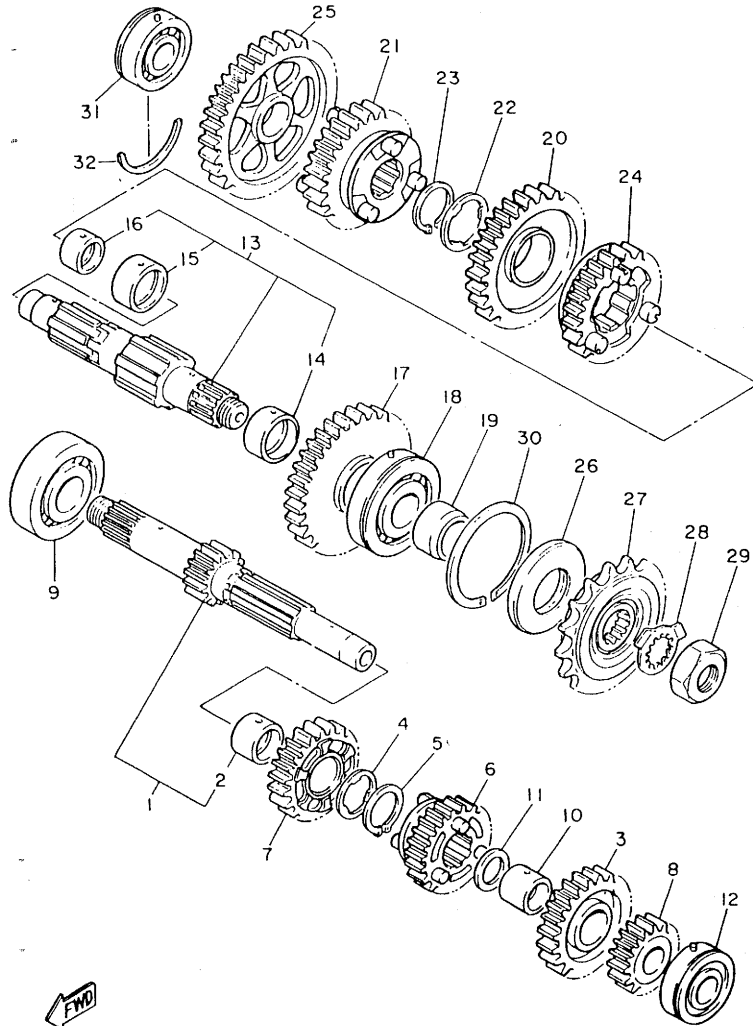
FIG. 17 TRANSMISSION



3LE332-9170

REF. NO.	PART NO.	DESCRIPTION	Q'TY	REMARKS
1	3LE-W1741-00	MAIN AXLE ASSY	1	
2	90387-253M6	.COLLAR	1	
3	2GH-17151-00	GEAR, 5TH PINION (27T)	1	
4	90209-22191	WASHER	1	
5	93440-25084	CIRCLIP	1	
6	2GH-17131-01	GEAR, 3RD PINION	1	
7	2GH-17141-00	GEAR, 4TH PINION (23T)	1	
8	2GH-17121-00	GEAR, 2ND PINION (18T)	1	
9	93306-30525	BEARING (B6305)	1	
10	90387-203M7	COLLAR	1	
11	90201-200K3	WASHER, PLATE	1	
12	93306-20455	BEARING	1	
13	4SV-W1742-00	DRIVE AXLE ASSY	1	
14	90387-2707Y	.COLLAR	1	
15	90387-281T8	.COLLAR	1	
16	90387-211T9	.COLLAR	1	
17	3GM-17221-00	GEAR, 2ND WHEEL (32T)	1	
18	93305-30501	BEARING	1	
19	90387-255V9	COLLAR	1	
20	3GM-17231-01	GEAR, 3RD WHEEL	1	
21	3GM-17241-00	GEAR, 4TH WHEEL (27T)	1	
22	90209-25196	WASHER	1	
23	93440-28062	CIRCLIP	1	
24	3GM-17251-00	GEAR, 5TH WHEEL (28T)	1	
25	2GH-17211-02	GEAR, 1ST WHEEL	1	
26	93102-35423	OIL SEAL	1	
27	2GH-17460-11	SPROCKET,DRIVE 17T(2GH1746170)	1	
28	90215-21290	WASHER, LOCK	1	

FIG. 17 TRANSMISSION

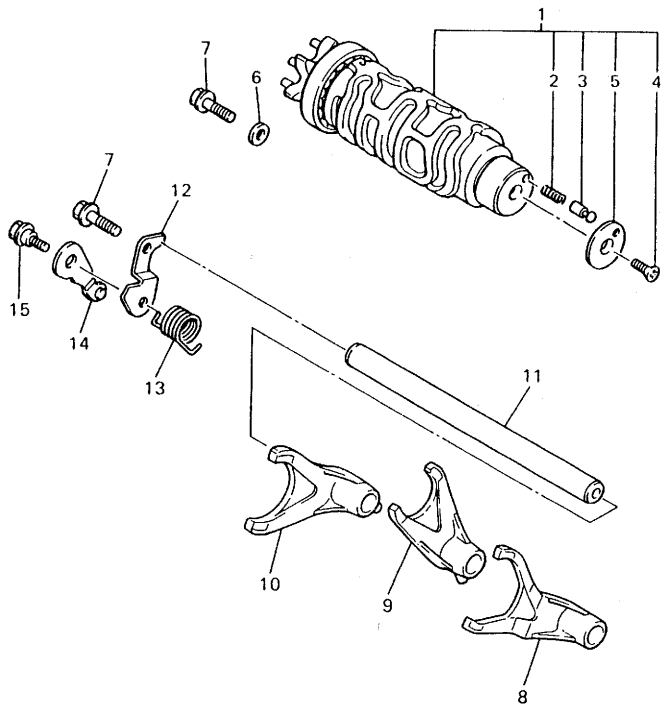


3LE332-9170

REF. NO.	PART NO.	DESCRIPTION	Q'TY	REMARKS
29	90179-18667	NUT	1	
30	278-17424-01	CIRCLIP 1	1	
31	93306-20455	BEARING	1	
32	93440-45144	CIRCLIP	1	

C12

FIG. 18 SHIFT CAM • FORK

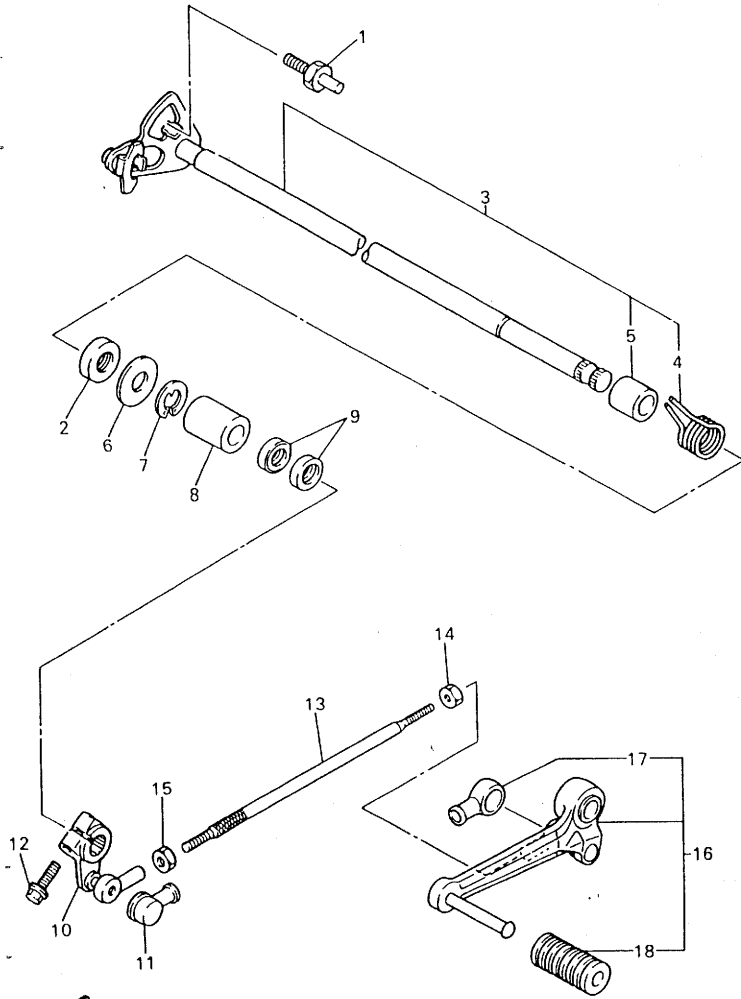


REF. NO.	PART NO.	DESCRIPTION	Q'TY	REMARKS
1	4BH-18540-00	SHIFT CAM ASSY	1	
2	90501-06022	•SPRING, COMPRESSION	1	
3	278-18542-00	•POINT, NEUTRAL	1	
4	98707-05012	•SCREW, FLAT HEAD	1	
5	278-18566-00	•PLATE, SIDE 2	1	
6	90201-06643	WASHER, PLATE	1	
7	95817-06016	BOLT, FLANGE	2	
8	3LE-18511-00	FORK, SHIFT 1	1	
9	3LE-18512-00	FORK, SHIFT 2	1	
10	3LE-18513-00	FORK, SHIFT 3	1	
11	4SV-18531-00	BAR, SHIFT FORK GUIDE 1	1	
12	1AE-18536-00	STOPPER, SHIFT BAR	1	
13	90508-26681	SPRING, TORSION	1	
14	36Y-18140-00	STOPPER LEVER ASSY	1	
15	90109-063F8	BOLT	1	



3LE332-4180

FIG. 19 SHIFT SHAFT

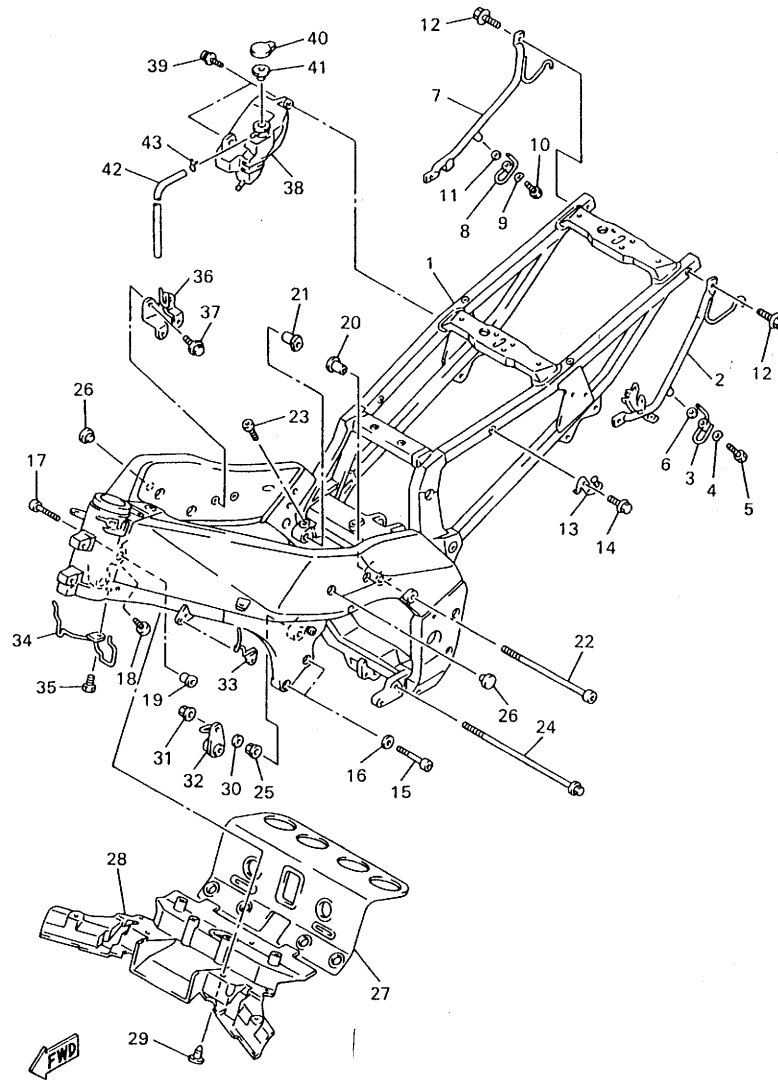


REF. NO.	PART NO.	DESCRIPTION	Q'TY	REMARKS
1	4G0-18127-00	STOPPER, SCREW	1	
2	93102-12106	OIL SEAL (SD 12-22-5 HS)	1	
3	1AE-18101-01	SHIFT SHAFT ASSY	1	
4	90508-32682	•SPRING, TORSION	1	
5	90387-114K8	•COLLAR	1	
6	90201-12575	WASHER, PLATE	1	
7	99006-10600	CIRCLIP	1	
8	90560-12191	SPACER	1	
9	93109-12053	OIL SEAL (SDO 12/18/4-1)	2	
10	2GH-18112-01	ARM, SHIFT	1	
11	2H9-18154-00	COVER, DUST	1	
12	95824-06020	BOLT, FLANGE	1	
13	1WG-18115-01	ROD, SHIFT	1	
14	90170-06228	NUT(COUNTER CLOCKWISE)	1	
15	95304-06700	NUT	1	
16	4FM-18110-01	SHIFT PEDAL ASSY	1	
17	2H9-18154-00	•COVER, DUST	1	
18	132-18113-01	•COVER, SHIFT PEDAL	1	



4HD300-3190

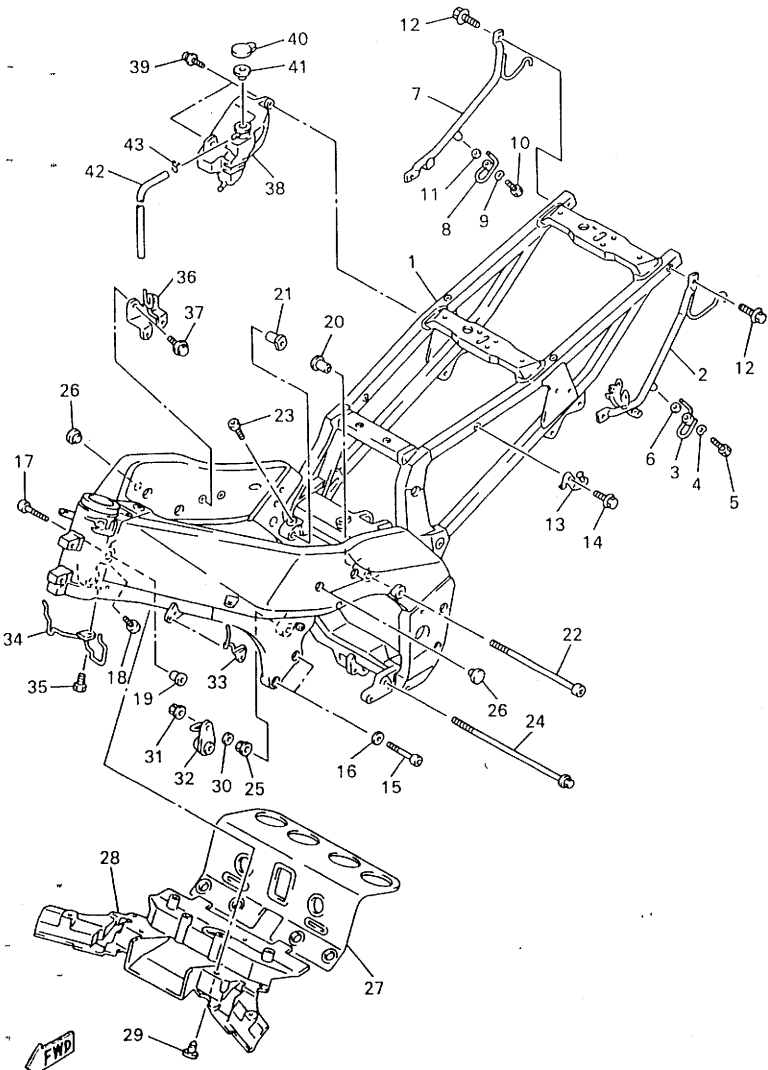
FIG. 20 FRAME



4SV300-6200

REF. NO.	PART NO.	DESCRIPTION	Q'TY	REMARKS
1	4SV-21110-00	FRAME COMP.	1	
2	4SV-2127A-00	HANDLE, STANDING	1	
3	4SV-21654-00	WIRE	1	
4	90206-08051	WASHER, WAVE	1	
5	90109-061F3	.BOLT	1	
6	92907-06200	WASHER	1	
7	4SV-2127A-10	HANDLE, STANDING	1	
8	4SV-21654-10	WIRE	1	
9	90206-08051	WASHER, WAVE	1	
10	90109-061F3	BOLT	1	
11	92907-06200	WASHER	1	
12	95817-06020	BOLT, FLANGE	2	
13	4SV-21398-00	HANGER, HELMET	1	
14	95817-06016	BOLT, FLANGE	1	
15	91314-10040	BOLT	2	
16	92990-10600	WASHER, PLATE	2	
17	91314-10045	BOLT	2	
18	91314-08030	BOLT	2	
19	90387-115V8	COLLAR	2	
20	90387-105V7	COLLAR	1	
21	90179-10682	NUT	1	
22	90110-10169	BOLT, HEXAGON SOCKET HEAD	1	
23	90110-08155	BOLT, HEXAGON SOCKET HEAD	2	
24	90105-10716	BOLT, WASHER BASED	1	
25	90179-10658	NUT	1	
26	90338-15202	PLUG	3	
27	4SV-2117F-00	COVER	1	
28	4SV-2137Y-00	GUIDE, AIR	1	

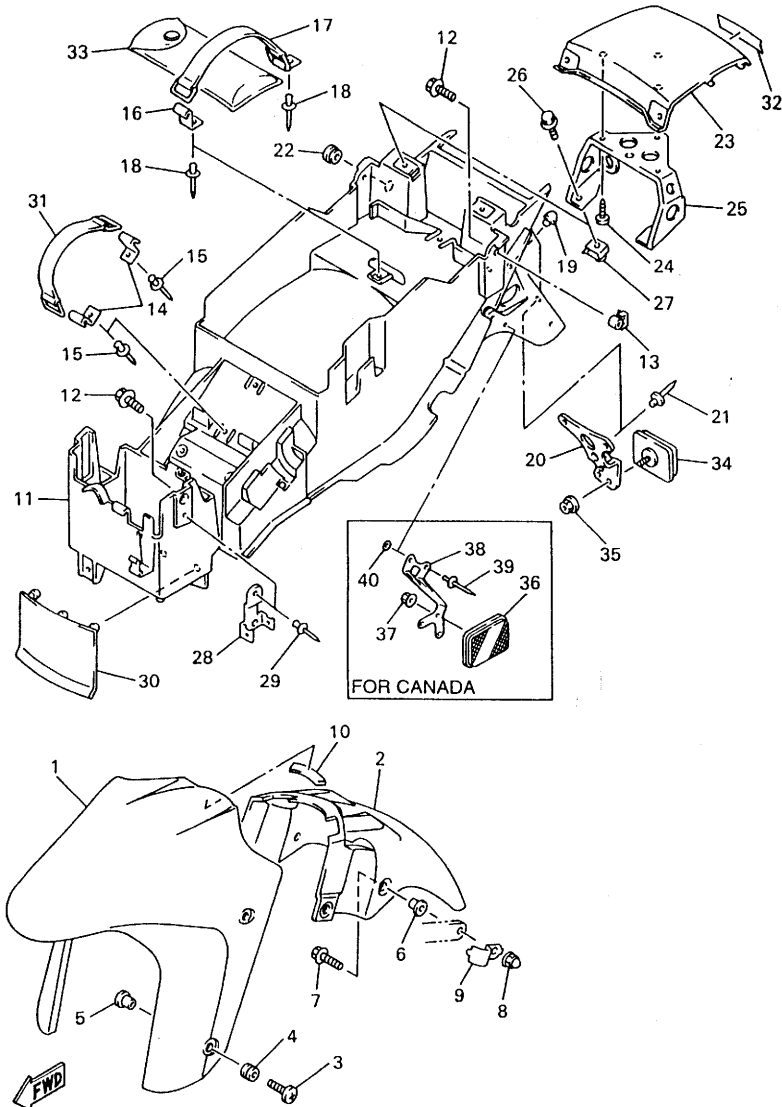
FIG. 20 FRAME



REF. NO.	PART NO.	DESCRIPTION	Q'TY	REMARKS
29	90269-08078	RIVET	4	
30	90201-101J1	WASHER, PLATE	1	
31	95707-10500	NUT, FLANGE	1	
32	4FM-21446-01	STAY, MUFFLER 2	1	
33	4FM-21161-02	HOLDER, CABLE	1	
34	4FM-21162-00	HOLDER, CLUTCH CABLE	1	
35	90101-06664	BOLT	1	
36	4FM-2116J-10	BRACKET 7	1	
37	95817-06016	BOLT, FLANGE	2	
38	4FM-21871-02	TANK, RECOVERY	1	
39	90159-06033	SCREW, WITH WASHER	2	
40	1AA-21815-00	CAP	1	
41	1AA-21874-00	GASKET	1	
42	90445-084G9	HOSE	1	
43	90467-08003	CLIP	1	

4SV300-6200

FIG. 21 FENDER

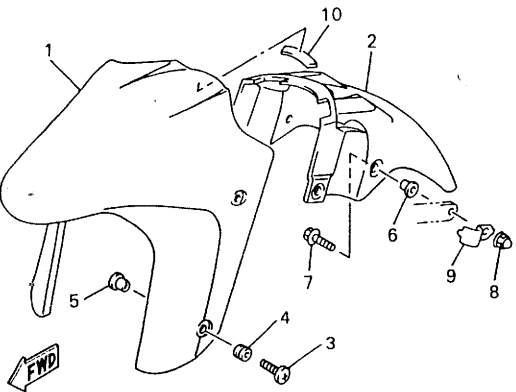
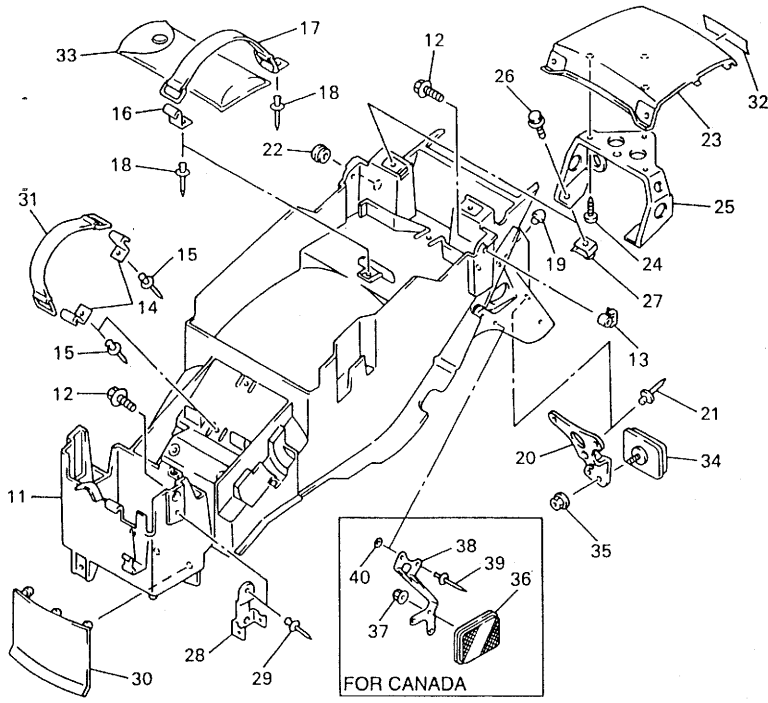


4WN171-6210

REF. NO.	PART NO.	DESCRIPTION	Q'TY	REMARKS
1	4SV-21511-00-4B	FENDER, FRONT	1	UR BLACK 2 FOR VRC1 UR STAR SILVER FOR BL2
	4SV-21511-00-6M	FENDER, FRONT	1	
2	4SV-21556-00	FENDER, FRONT 2	1	
3	90154-06061	SCREW, BINDING	4	
4	90480-12072	GROMMET	4	
5	90387-065J6	COLLAR	4	
6	90387-07717	COLLAR	4	
7	90119-06097	BOLT, WITH WASHER	4	
8	90176-06065	NUT, CROWN	2	
9	4SV-25876-00	HOLDER, BRAKE HOSE 2	2	
10	1LJ-2414J-00	DAMPER, PLATE 2	1	
11	4SV-21611-00	FENDER, REAR	1	
12	90119-06227	BOLT, WITH WASHER	4	
13	4SV-21635-00	NUT, REAR FENDER	2	
14	36F-28379-00	HOOK	2	
15	90267-40076	RIVET, BLIND	2	
16	36F-28379-00	HOOK	1	
17	4HM-21647-00	BAND	1	
18	90267-40076	RIVET, BLIND	2	
19	5A8-21639-00	DAMPER 2	1	
20	4FM-85132-00	BRACKET, REFLECTOR 1	1	
21	90267-40029	RIVET, BLIND	2	
22	90480-13398	GROMMET	2	
23	4SV-21651-00-P0	COVER, REAR FENDER	1	UR BLUIISH WHIT COCKTAIL 1 FOR VRC1 UR STAR SILVER FOR BL2
	4SV-21651-00-6M	COVER, REAR FENDER	1	
24	97707-50012	SCREW, TAPPING	3	
25	4SV-2117E-00	BRACKET, TAILLIGHT	1	
26	95817-06016	BOLT, FLANGE	2	

D3

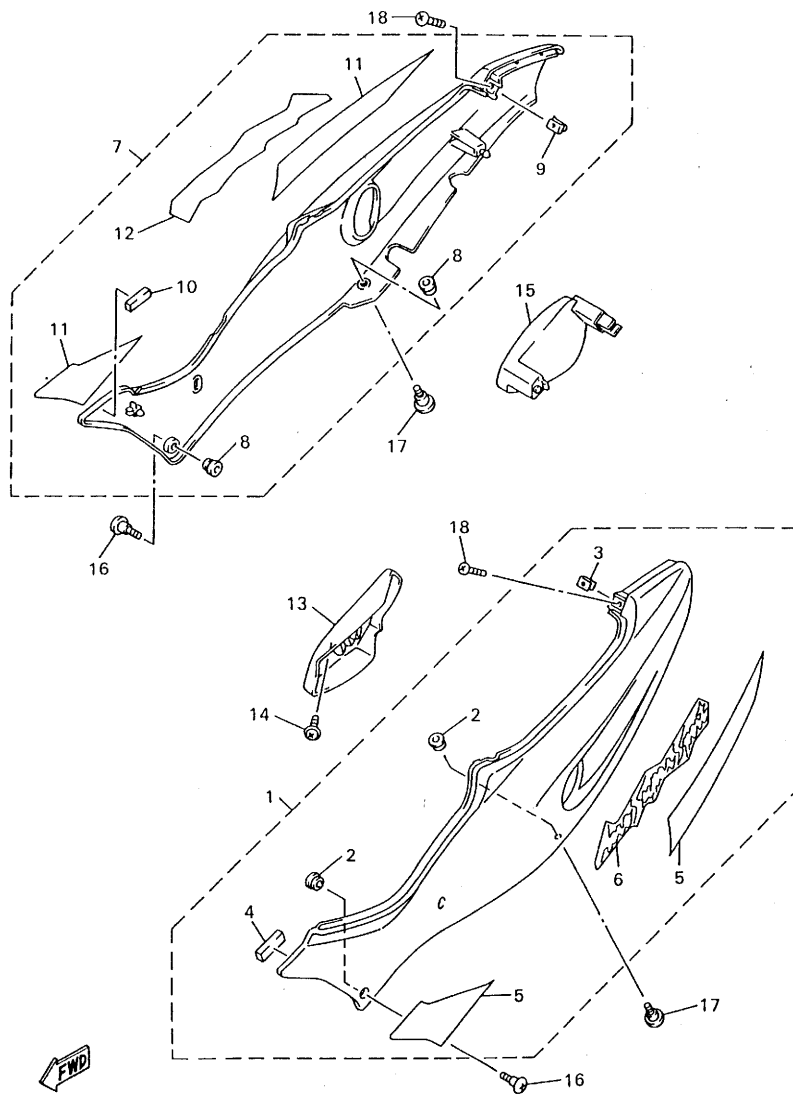
FIG. 21 FENDER



4WN171-6210

REF. NO.	PART NO.	DESCRIPTION	Q'TY	REMARKS
27	90183-06023	NUT, SPRING	2	
28	4SV-2164F-00	STAY 1	1	
29	90267-40076	RIVET, BLIND	1	
30	30X-21621-00	FLAP	1	
31	2T4-82131-00	BAND, BATTERY	1	
32	99234-00080	EMBLEM, YAMAHA	1	
33	4SV-28100-00	TOOL KIT	1	
34	3G1-85130-01	REAR REFLECTOR ASSY	1	UR FOR CANADA
	4CF-85130-00	REAR REFLECTOR ASSY	1	UR FOR OCEANIA
35	95707-05500	NUT, FLANGE	1	
36	3G1-85130-01	REAR REFLECTOR ASSY	2	FOR CANADA
37	95707-05500	NUT, FLANGE	2	FOR CANADA
38	4FM-21688-00	BRACKET, REAR STAY	2	FOR CANADA
39	90267-40029	RIVET, BLIND	4	FOR CANADA
40	90201-04018	WASHER, PLATE	4	FOR CANADA

FIG. 22 SIDE COVER

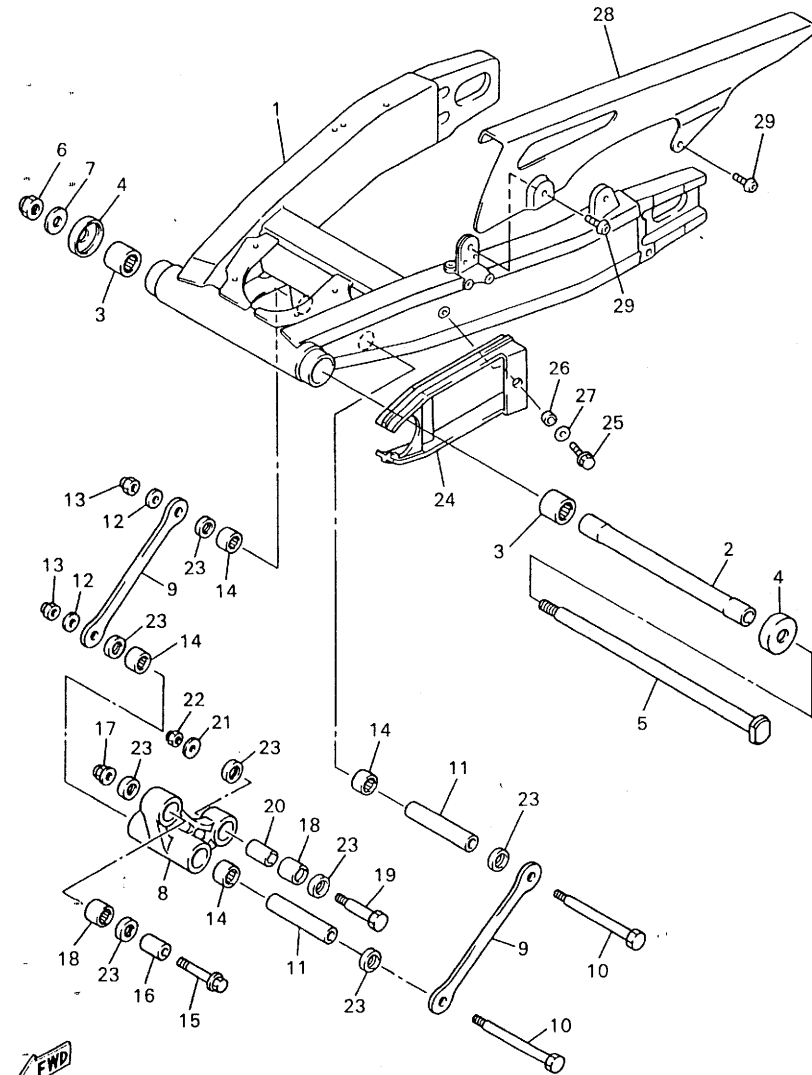


4SV300-6220

REF. NO.	PART NO.	DESCRIPTION	Q'TY	REMARKS
1	4SV-Y2171-00-P0	COVER, SIDE 1	1	UR BLUISH WHIT COCKTAIL 1 FOR VRC1 UR STAR SILVER- FOR BL2
	4SV-Y2171-20-6M	COVER, SIDE 1	1	
2	90480-13398	.GROMMET	2	
3	90183-05024	.NUT, SPRING	1	
4	89X-77167-00	.TRIM 3	1	
5	4SV-2173L-00	.GRAPHIC SET 1	1	UR FOR VRC1
	4SV-2173L-10	.GRAPHIC SET 1	1	UR FOR BL2
6	4SV-21781-00	.EMBLEM 1	1	
7	4SV-Y2172-00-P0	COVER, SIDE 2	1	UR BLUISH WHIT COCKTAIL 1 FOR VRC1 UR STAR SILVER FOR BL2
	4SV-Y2172-10-6M	COVER, SIDE 2	1	
8	90480-13398	.GROMMET	2	
9	90183-05024	.NUT, SPRING	1	
10	89X-77167-00	.TRIM 3	1	
11	4SV-2174L-00	.GRAPHIC SET 2	1	UR FOR VRC1
	4SV-2174L-10	.GRAPHIC SET 2	1	UR FOR BL2
12	4SV-21781-00	.EMBLEM 1	1	
13	4SV-21731-00	COVER, SIDE 3	1	
14	90159-06058	SCREW, WITH WASHER	1	
15	4SV-21741-00	COVER, SIDE 4	1	
16	90150-06036	SCREW, ROUND HEAD	2	
17	90150-06036	SCREW, ROUND HEAD	2	
18	90154-05059	SCREW, BINDING	2	

D5

FIG. 23 REAR ARM

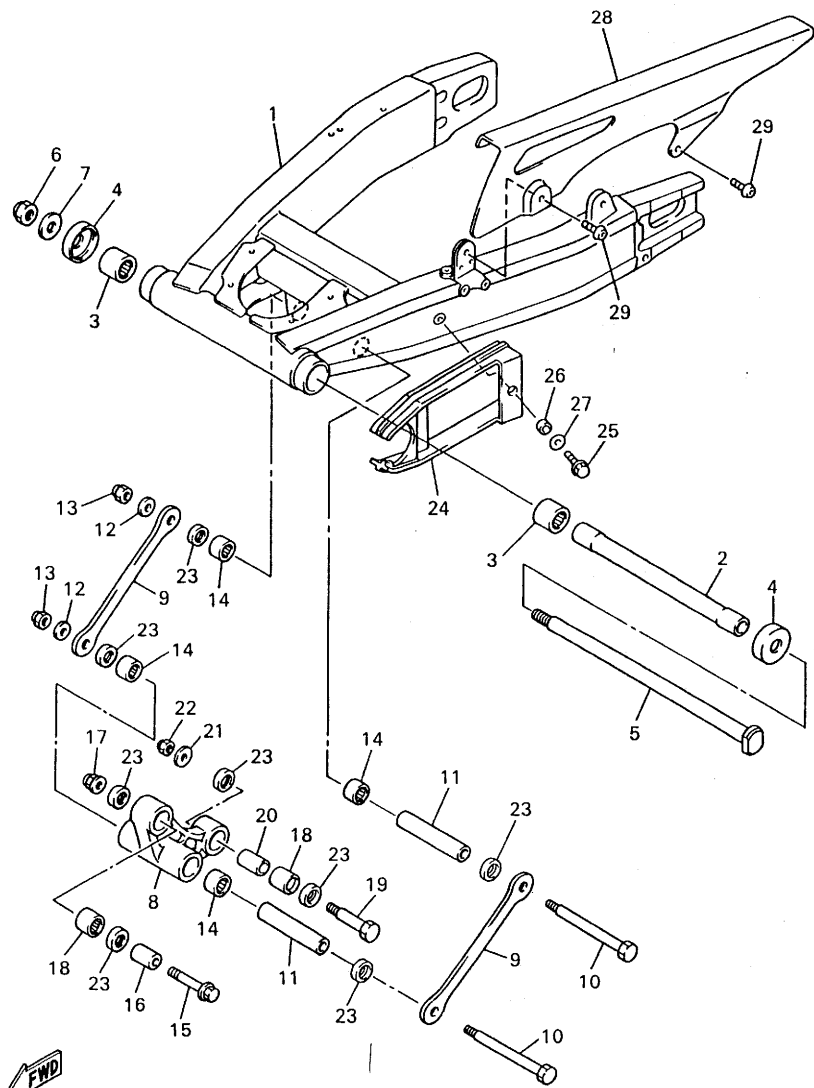


REF. NO.	PART NO.	DESCRIPTION	Q'TY	REMARKS
1	4SV-22110-00	REAR ARM COMP.	1	
2	3FV-22184-00	BUSH	1	
3	93315-42523	BEARING, CYLINDRICAL	2	
4	3FV-22128-00	COVER, THRUST 1.	2	
5	3GM-22141-01	SHAFT, PIVOT	1	
6	90185-18104	NUT, SELF-LOCKING	1	
7	90201-18264	WASHER, PLATE	1	
8	4FM-2217A-00	ARM, RELAY	1	
9	3GM-2217M-00	ARM 1	2	
10	90101-10658	BOLT	2	
11	90387-122R5	COLLAR	2	
12	90201-101J1	WASHER, PLATE	2	
13	95617-10100	NUT, U	2	
14	93317-21746	BEARING, CYLINDRICAL	4	
15	90105-10376	BOLT, WASHER BASED	1	
16	90387-102R4	COLLAR	1	
17	95617-10200	NUT, SELF-LOCKING	1	
18	93317-31771	BEARING, CYLINDRICAL	2	
19	90101-10659	BOLT	1	
20	90387-127W0	COLLAR	1	
21	90201-101J1.	WASHER, PLATE	1	
22	95617-10100	NUT, U	1	
23	93109-17048	OIL SEAL (SDO 17-24-4)	8	
24	4SV-22151-00	SEAL, GUARD	1	
25	95817-06025	BOLT, FLANGE	1	
26	90387-06022	COLLAR	1	
27	90201-064R0	WASHER, PLATE	1	
28	4SV-22311-00	CASE, CHAIN	1	

4SV300-6230

D6

FIG. 23 REAR ARM



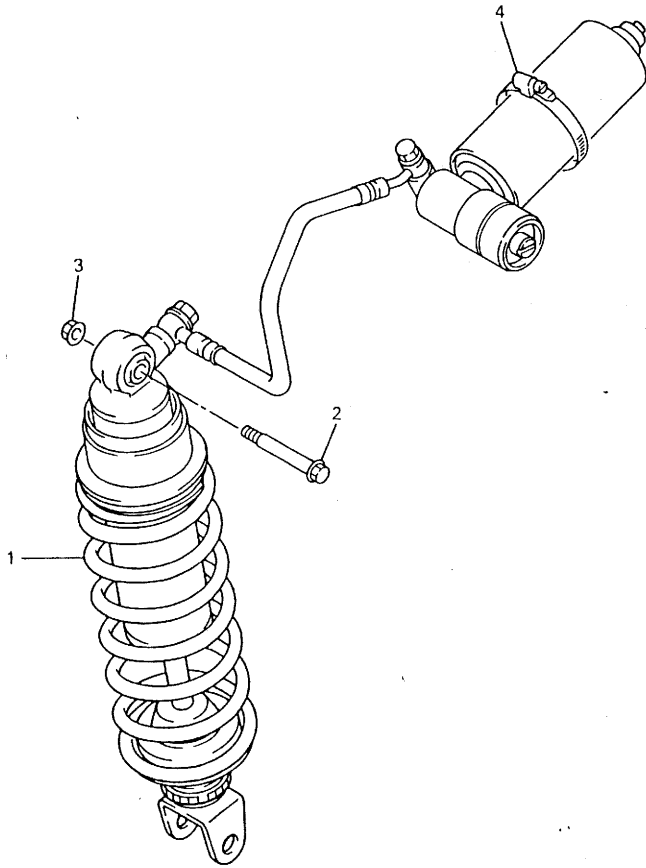
REF. NO.	PART NO.	DESCRIPTION	Q'TY	REMARKS
29	90149-06298	SCREW	2	

4SV300-6230

D7

FIG. 24 REAR SUSPENSION

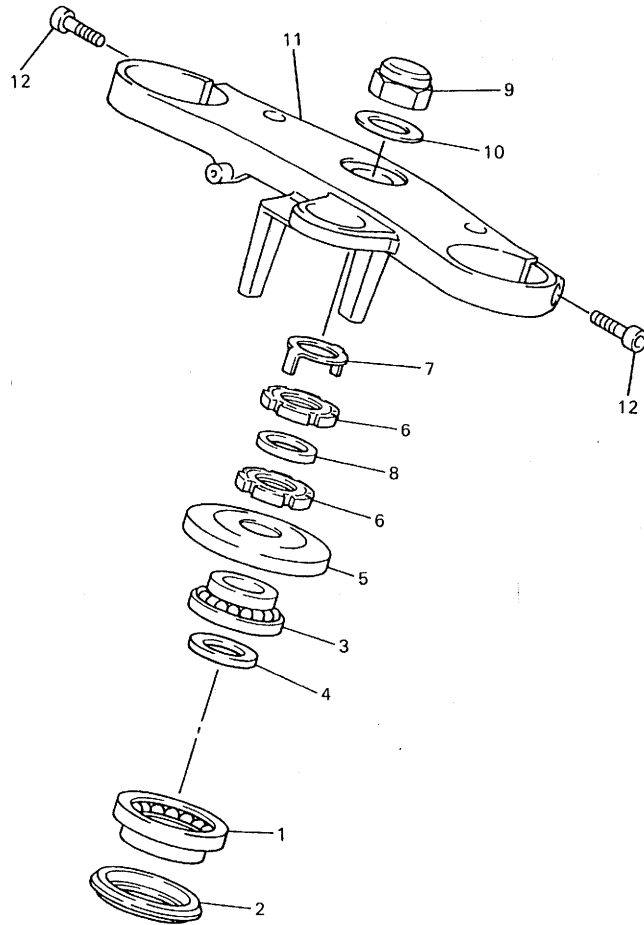
REF. NO.	PART NO.	DESCRIPTION	Q'TY	REMARKS
1	4SV-22210-20	SHOCK ABSORBER ASSY, REAR	1	UR FOR CANADA
	4SV-22210-00	SHOCK ABSORBER ASSY, REAR	1	UR FOR OCEANIA
2	90105-10323	BOLT, WASHER BASED	1	
3	95617-10200	NUT, SELF-LOCKING	1	
4	90460-50079	CLAMP, HOSE	1	



4SV300-6240

D8

FIG. 25 STEERING



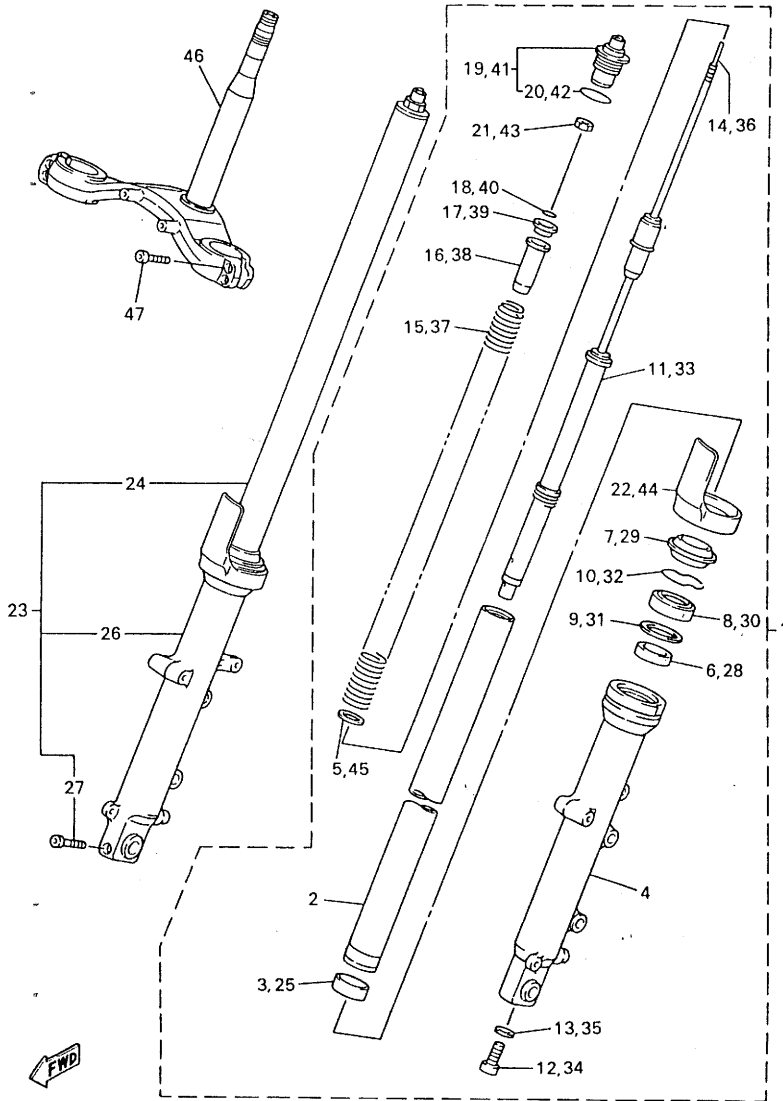
REF. NO.	PART NO.	DESCRIPTION	Q'TY	REMARKS
1	93399-99932	BEARING	1	
2	3FV-23462-00	SEAL, STEERING	1	
3	93399-99931	BEARING	1	
4	90202-24190	WASHER, PLATE	1	
5	3GM-23415-00	COVER, BALL RACE 1	1	
6	90179-25615	NUT	2	
7	3YF-23418-00	WASHER, SPECIAL	1	
8	90202-26142	WASHER, PLATE	1	
9	90176-22081	NUT, CROWN	1	
10	90201-220T0	WASHER, PLATE	1	
11	4SV-23435-00	CROWN, HANDLE	1	
12	91314-08030	BOLT	2	

FWD

4SV300-6250

D9

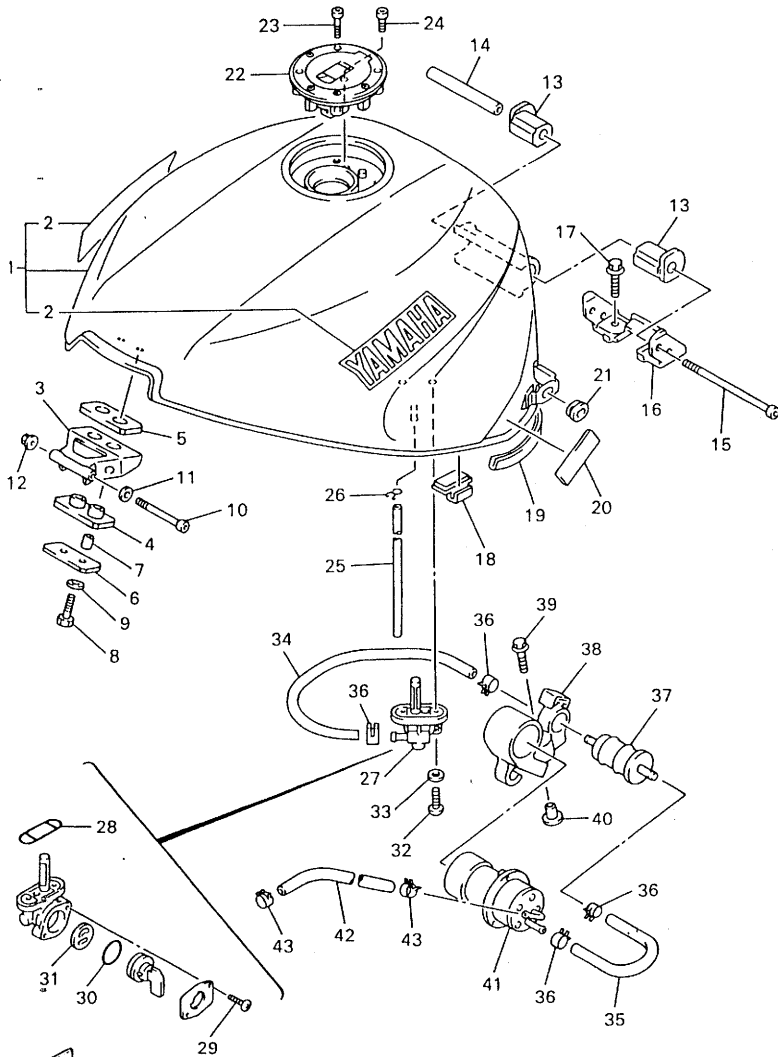
FIG. 26 FRONT FORK



4SV300-6260

REF. NO.	PART NO.	DESCRIPTION	Q'TY	REMARKS
1	4SV-23102-00	FRONT FORK ASSY (L.H)	1	
2	4SV-23110-00	.INNER TUBE COMP.1	1	
3	4SV-23135-00	.METAL, SLIDE 2	1	
4	4SV-23106-00	.OUTER TUBE COMP. (L.H)	1	
5	90201-231E1	.WASHER, PLATE	1	
6	4SV-23125-00	.METAL, SLIDE 1	1	
7	4SV-23144-00	.SEAL, DUST	1	
8	4SV-23145-00	.OIL SEAL	1	
9	4SV-23115-00	.GUIDE, COVER UPPER	1	
10	4SV-23156-00	.CLIP, OIL SEAL	1	
11	4SV-23170-00	.CYLINDER COMP., FRONT FORK	1	
12	91317-10025	.BOLT, SOCKET HEAD	1	
13	90430-10171	.GASKET	1	
14	4SV-2318Y-00	.PLUNGER	1	
15	4SV-23141-00	.SPRING, FRONT FORK	1	
16	3GM-23117-A0	.GUIDE, SPRING	1	
17	3GM-2331K-A0	.SEAT, SPRING	1	
18	3GM-23153-A0	.RING, SNAP	1	
19	4SV-23111-00	.BOLT, CAP	1	
20	93210-40N50	.O-RING	1	
21	95307-10600	.NUT	1	
22	4SV-2331G-00	.COVER	1	
23	4SV-23103-00	FRONT FORK ASSY (R.H)	1	
24	4SV-23110-00	.INNER TUBE COMP.1	1	
25	4SV-23135-00	.METAL, SLIDE 2	1	
26	4SV-23107-00	.OUTER TUBE COMP. (R.H)	1	
27	91317-08040	.BOLT, SOCKET HEAD	1	
28	4SV-23125-00	.METAL, SLIDE 1	1	

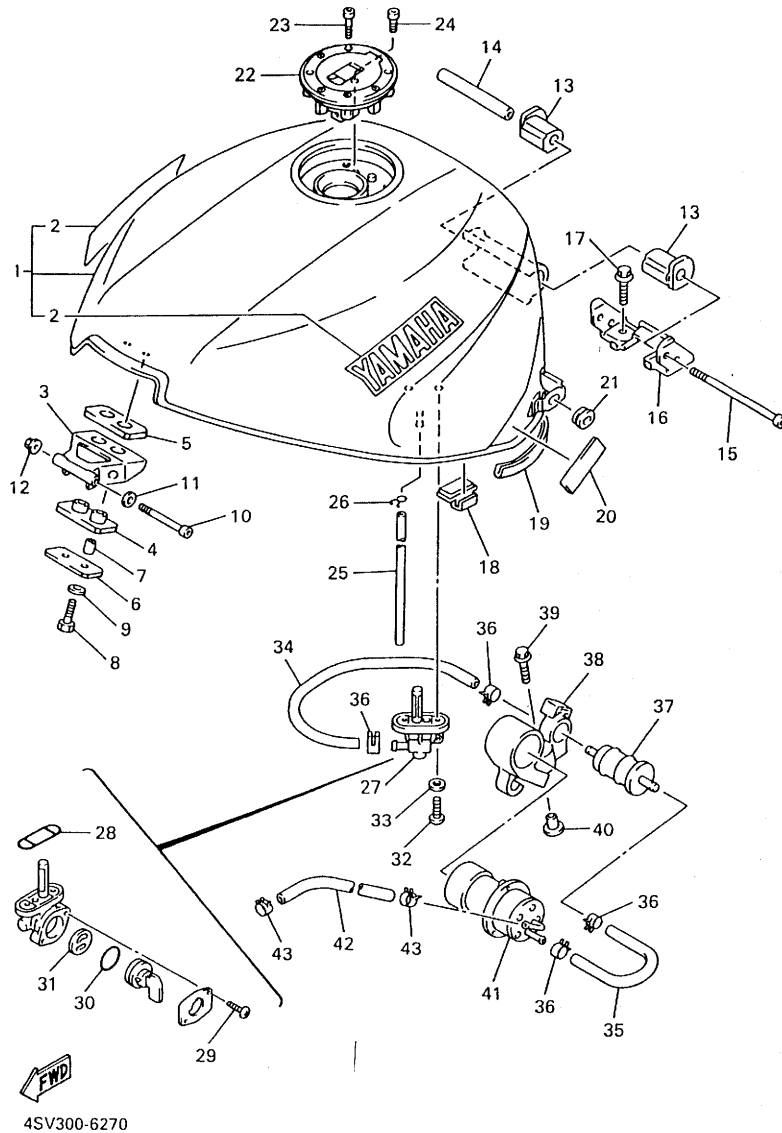
FIG. 27 FUEL TANK



4SV300-6270

REF. NO.	PART NO.	DESCRIPTION	Q'TY	REMARKS
1	4SV-24110-10-01	FUEL TANK COMP.	1	UR VIVID RED
	4SV-24110-10-02	FUEL TANK COMP.	1	COCKTAIL 1 UR BLACK 2
2	99226-00180	.EMBLEM, YAMAHA	2	UR FOR VRC1
	99227-00180	.EMBLEM, YAMAHA	2	UR FOR BL2
3	4SV-24191-00	BRACKET, FUEL TANK 1	1	
4	2GH-24181-00	DAMPER, LOCATING 1	1	
5	2GH-24183-00	DAMPER, LOCATING 3	1	
6	2GH-24186-00	WASHER, SPECIAL	1	
7	90387-06299	COLLAR	2	
8	97017-06025	BOLT	2	
9	92907-06600	WASHER, PLATE	2	
10	91317-06070	BOLT, SOCKET HEAD	1	
11	92907-06200	WASHER	1	
12	95607-06200	NUT, SELF U-FLANGE	1	
13	4SV-24181-00	DAMPER, LOCATING 1	2	
14	90387-061W9	COLLAR	1	
15	91317-06110	BOLT, SOCKET HEAD	1	
16	4SV-21348-00	BRACKT, TANK FITTING	1	
17	90119-06170	BOLT, WITH WASHER	2	
18	4JH-24183-00	DAMPER, LOCATING 3	2	
19	1HX-24188-01	MOLD, FUEL TANK	2	
20	3TU-28344-00	TAPE	2	
21	90480-01558	GROMMET	2	
22	4FM-24602-00	CAP ASSY	1	
23	90110-05112	BOLT, HEXAGON SOCKET HEAD	3	
24	91317-05010	BOLT, SOCKET HEAD	1	
25	90445-102G7	HOSE	1	
26	90467-09006	CLIP	1	

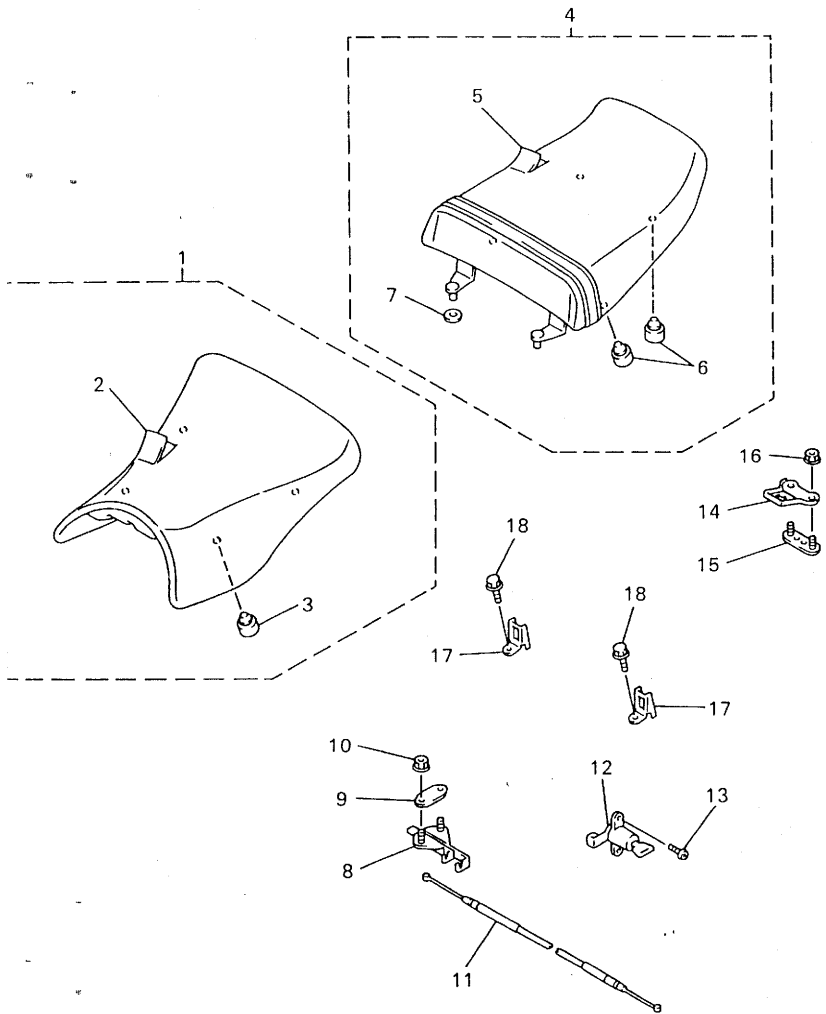
FIG. 27 FUEL TANK



4SV300-6270

REF. NO.	PART NO.	DESCRIPTION	Q'TY	REMARKS
27	4KM-24500-10	FUEL COCK ASSY 1	1	
28	4X8-24512-00	·O-RING	1	
29	98507-03008	·SCREW, PAN HEAD	2	
30	3AJ-24534-00	·SEAL, COCK	1	
31	3AJ-24523-00	·VALVE PACKING	1	
32	90149-06008	SCREW	2	
33	90202-05187	WASHER, PLATE	2	
34	4SV-24311-00	PIPE, FUEL 1	1	
35	4SV-24312-00	PIPE 2	1	
36	90467-12124	CLIP	4	
37	1FK-24560-00	FILTER ASSY	1	
38	4SV-24398-00	BAND 1	1	
39	90119-06097	BOLT, WITH WASHER	1	
40	90387-07391	COLLAR	1	
41	4SV-13907-00	FUEL PUMP COMP.	1	
42	90445-146F9	HOSE	1	
43	90467-13123	CLIP	2	

FIG. 28 SEAT



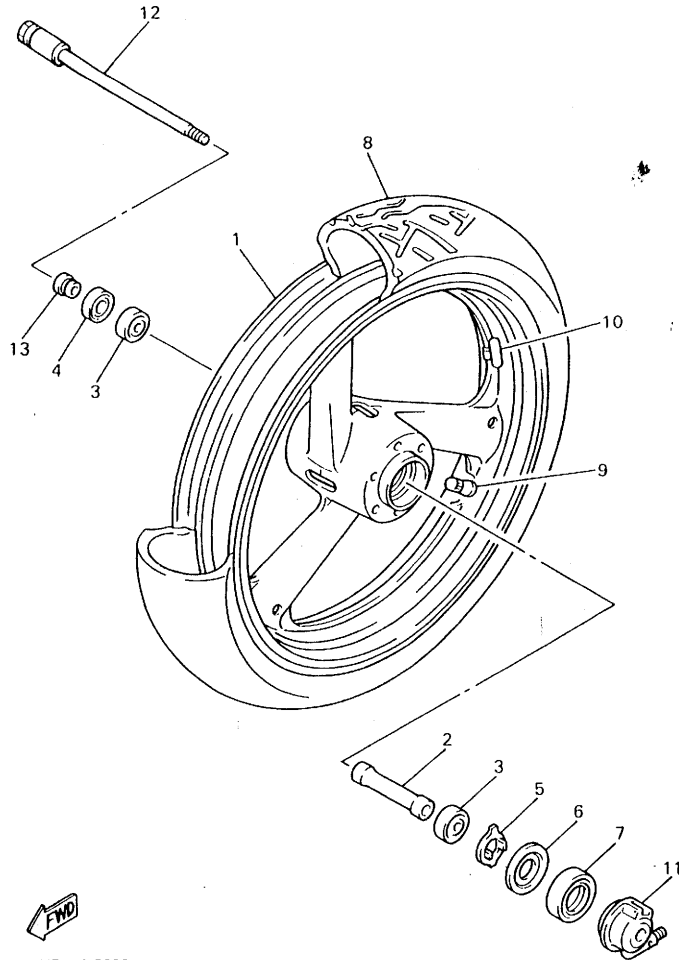
REF. NO.	PART NO.	DESCRIPTION	Q'TY	REMARKS
1	4SV-24710-00	SINGLE SEAT ASSY	1	
2	4SV-24711-00	.COVER, SINGLE SEAT	1	
3	278-27114-00	.STOPPER, MAIN STAND	4	
4	4SV-24750-00	TANDEM SEAT ASSY	1	
5	4SV-24751-00	.COVER, TANDEM SEAT	1	
6	278-27114-00	.STOPPER, MAIN STAND	4	
7	4FM-28372-00	.DAMPER	2	
8	4BP-24780-00	SEAT LOCK ASSY	1	
9	4BP-24792-00	PLATE	1	
10	95707-06500	NUT, FLANGE	2	
11	4BP-2478E-00	CABLE, SEAT LOCK	1	
12	3CK-W2470-00	SEAT LOCK ASSY	1	
13	98507-06010	SCREW, PAN HEAD	2	
14	4SV-21342-00	BRACKET, SEAT 2	1	
15	4SV-24718-00	BRACKET, SEAT	1	
16	95707-06500	NUT, FLANGE	2	
17	4SV-24755-00	HOOK, SEAT	2	
18	95817-06016	BOLT, FLANGE	2	



4SV300-6280

D14

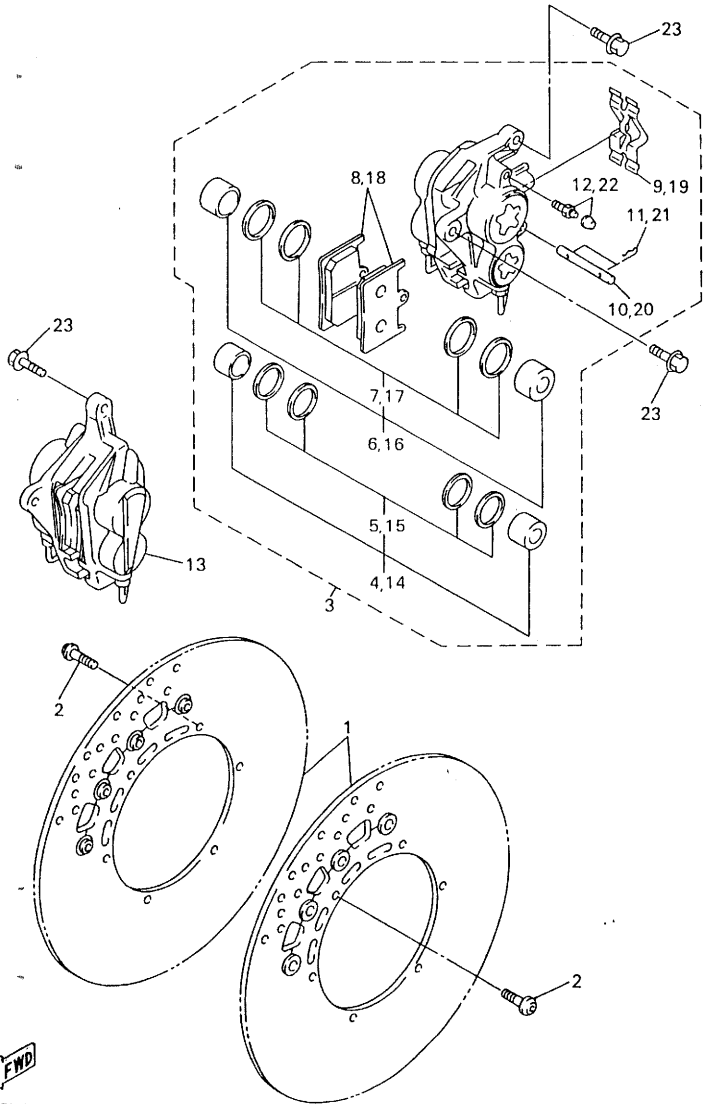
FIG. 29 FRONT WHEEL



4HD300-5290

REF. NO.	PART NO.	DESCRIPTION	Q'TY	REMARKS
1	4SV-25168-00-7B	CAST WHEEL, FRONT	1	BLUISH BLACK 2
2	90387-2200S	COLLAR	1	
3	93306-00420	BEARING (B6004)	2	
4	93102-28021	OIL SEAL	1	
5	4FM-25149-00	CLUTCH, METER	1	
6	341-25846-00	RETAINER, CLUTCH	1	
7	93105-45017	OIL SEAL	1	
8	94112-1708X	TIRE (120/70 ZR17 B50F)	1	UR BRIDGESTONE
	94112-1709J	TIRE (120/70 ZR17 D204F)	1	UR DUNLOP
9	93900-00030	VALVE, RIM	1	
10	29L-25398-00	BALANCER, WHEEL (10G)	1	UN
	29L-25398-10	BALANCER, WHEEL (20G)	1	UN
	29L-25398-20	BALANCER, WHEEL (30G)	1	UN
11	4FM-25190-00	GEAR UNIT ASSY	1	
12	4FM-25181-01	AXLE, WHEEL	1	
13	90387-2200T	COLLAR	1	

FIG. 30 FRONT BRAKE CALIPER

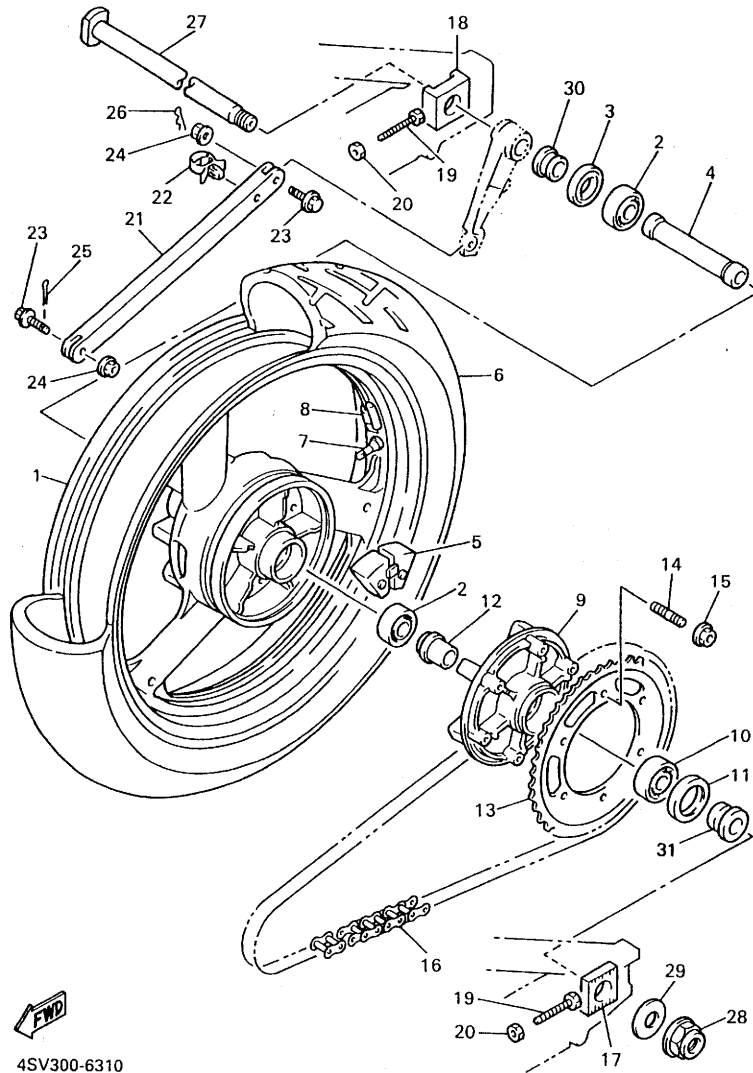


REF. NO.	PART NO.	DESCRIPTION	Q'TY	REMARKS
1	4SV-2581T-00	DISC BRAKE ASSY	2	
2	90109-083G4	BOLT	12	
3	4SV-2580T-00	CALIPER ASSY (LEFT)	1	
4	4SV-W0057-00	PISTON ASSY, CALIPER	1	
5	3MA-W0047-10	CALIPER SEAL KIT	1	
6	4SV-W0057-10	PISTON ASSY, CALIPER	1	
7	3GM-W0047-10	CALIPER SEAL KIT	1	
8	4SV-W0045-00	BRAKE PAD KIT	1	
9	4SV-25919-00	SUPPORT, PAD	1	
10	4SV-25924-00	PIN, PAD	1	
11	3GM-25925-00	CLIP	2	
12	1J3-W0048-00	BLEED SCREW KIT	1	
13	4SV-2580U-00	CALIPER ASSY (RIGHT)	1	
14	4SV-W0057-00	PISTON ASSY, CALIPER	1	
15	3MA-W0047-10	CALIPER SEAL KIT	1	
16	4SV-W0057-10	PISTON ASSY, CALIPER	1	
17	3GM-W0047-10	CALIPER SEAL KIT	1	
18	4SV-W0045-00	BRAKE PAD KIT	1	
19	4SV-25919-00	SUPPORT, PAD	1	
20	4SV-25924-00	PIN, PAD	1	
21	3GM-25925-00	CLIP	2	
22	1J3-W0048-00	BLEED SCREW KIT	1	
23	90105-10725	BOLT, WASHER BASED	4	

FWD

4SV300-6300

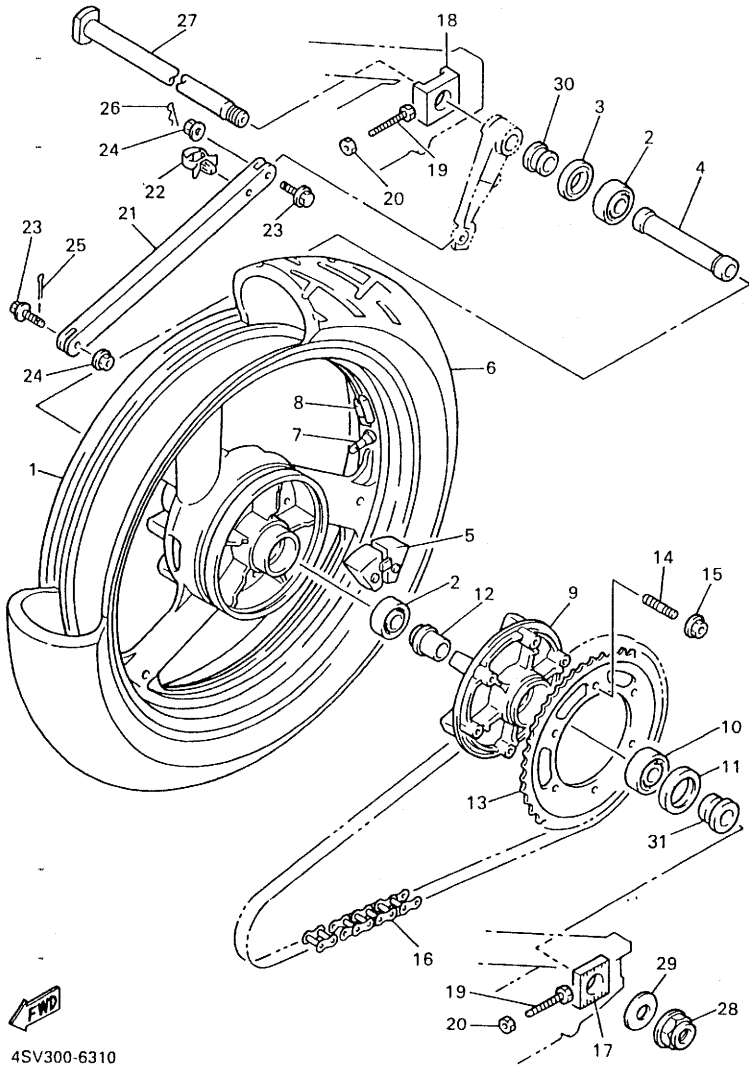
FIG. 31 REAR WHEEL



4SV300-6310

REF. NO.	PART NO.	DESCRIPTION	Q'TY	REMARKS
1	4FM-25338-01-7B	CAST WHEEL, REAR	1	BLUISH BLACK 2
2	93306-20567	BEARING	2	
3	93102-35412	OIL SEAL	1	
4	90560-28389	SPACER	1	
5	4FM-25364-00	DAMPER	6	
6	94118-1708Y	TIRE (180/55 ZR17 B50RBZ)	1	UR BRIDGESTONE
	94118-1709K	TIRE (180/55 ZR17 D204)	1	UR DUNLOP
7	93900-00030	VALVE, RIM	1	
8	29L-25398-00	BALANCER, WHEEL (10G)	1	UN
	29L-25398-10	BALANCER, WHEEL (20G)	1	UN
	29L-25398-20	BALANCER, WHEEL (30G)	1	UN
9	4FM-25366-00	CLUTCH, HUB	1	
10	93306-20644	BEARING	1	
11	93102-40211	OIL SEAL	1	
12	4FM-25377-00	COLLAR, WHEEL	1	
13	4SV-25446-00	SPROCKET, DRIVEN (46T)	1	
14	90116-10575	BOLT, STUD	6	
15	95617-10200	NUT, SELF-LOCKING	6	
16	94581-57110	CHAIN (DID532ZLVKA1-110L)	1	DAIDO
17	4FM-25388-01	PULLER, CHAIN 1	1	
18	4FM-25389-00	PULLER, CHAIN 2	1	
19	90101-08766	BOLT	2	
20	95337-08600	NUT	2	
21	4FM-25371-10	BAR, TENSION	1	
22	90464-23239	CLAMP	1	
23	90105-08321	BOLT, WASHER BASED	2	
24	95707-08500	NUT, FLANGE	2	
25	91401-20015	PIN, COTTER	1	

FIG. 31 REAR WHEEL

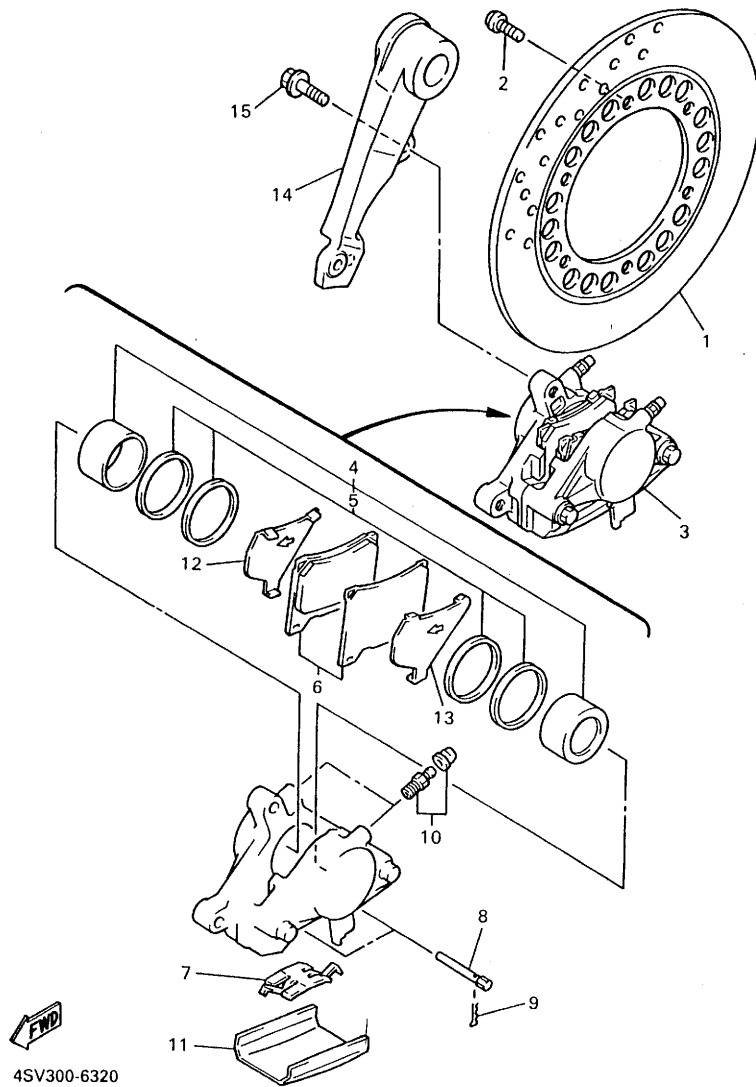


REF. NO.	PART NO.	DESCRIPTION	Q'TY	REMARKS
26	90468-16099	CLIP	1	
27	4FM-25381-10	AXLE, WHEEL	1	
28	90185-24165	NUT, SELF-LOCKING	1	
29	90201-257R5	WASHER, PLATE	1	
30	90387-2805W	COLLAR	1	
31	90387-2805X	COLLAR	1	

4SV300-6310

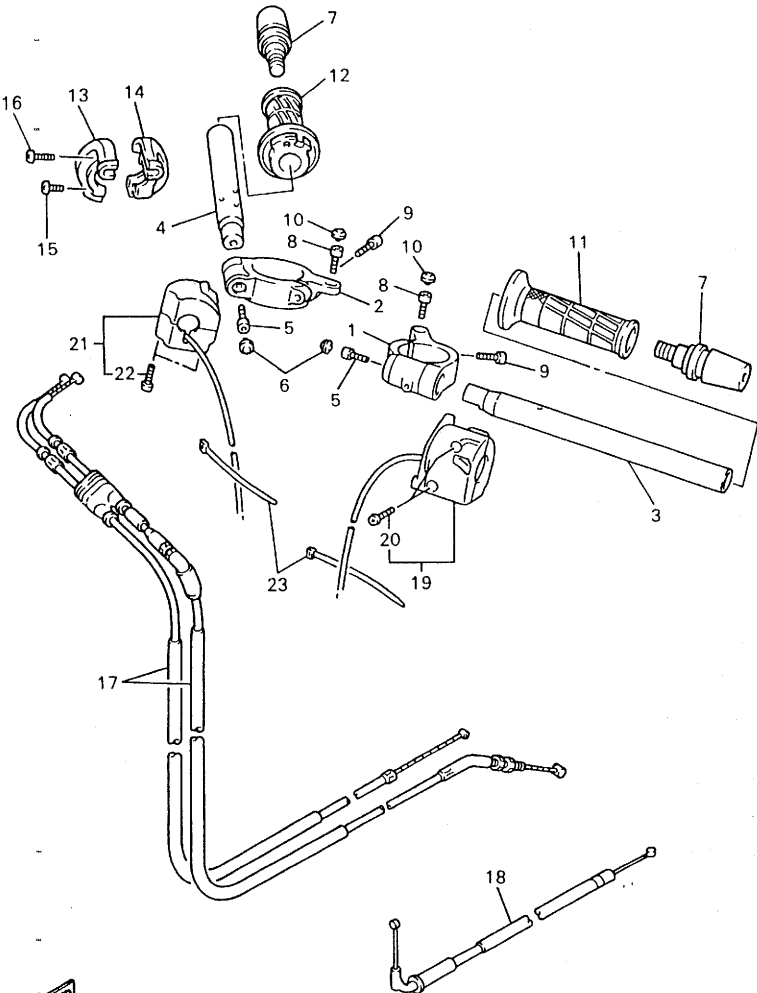
E4

FIG. 32 REAR BRAKE CALIPER



REF. NO.	PART NO.	DESCRIPTION	Q'TY	REMARKS
1	4SV-2582W-00	DISC, REAR BRAKE 2	1	
2	90109-083G4	BOLT	6	
3	4SV-2580W-00	CALIPER ASSY, REAR 2	1	
4	31A-W0057-00	PISTON ASSY, CALIPER	1	
5	31A-W0047-00	CALIPER SEAL KIT	1	
6	4SV-W0045-50	BRAKE PAD KIT	1	
7	29L-25919-A0	SUPPORT, PAD	1	
8	3HE-25924-00	PIN, PAD	2	
9	3GM-25925-00	CLIP	2	
10	1J3-W0048-00	BLEED SCREW KIT	1	
11	51J-25836-00	COVER, DUST	1	
12	1FK-25827-00	SHIM, CALIPER	1	
13	1FK-25828-00	SHIM, CALIPER	1	
14	4FM-25819-01	BRACKET, CALIPER	1	
15	90105-10725	BOLT, WASHER BASED	2	

FIG. 33 STEERING HANDLE • CABLE

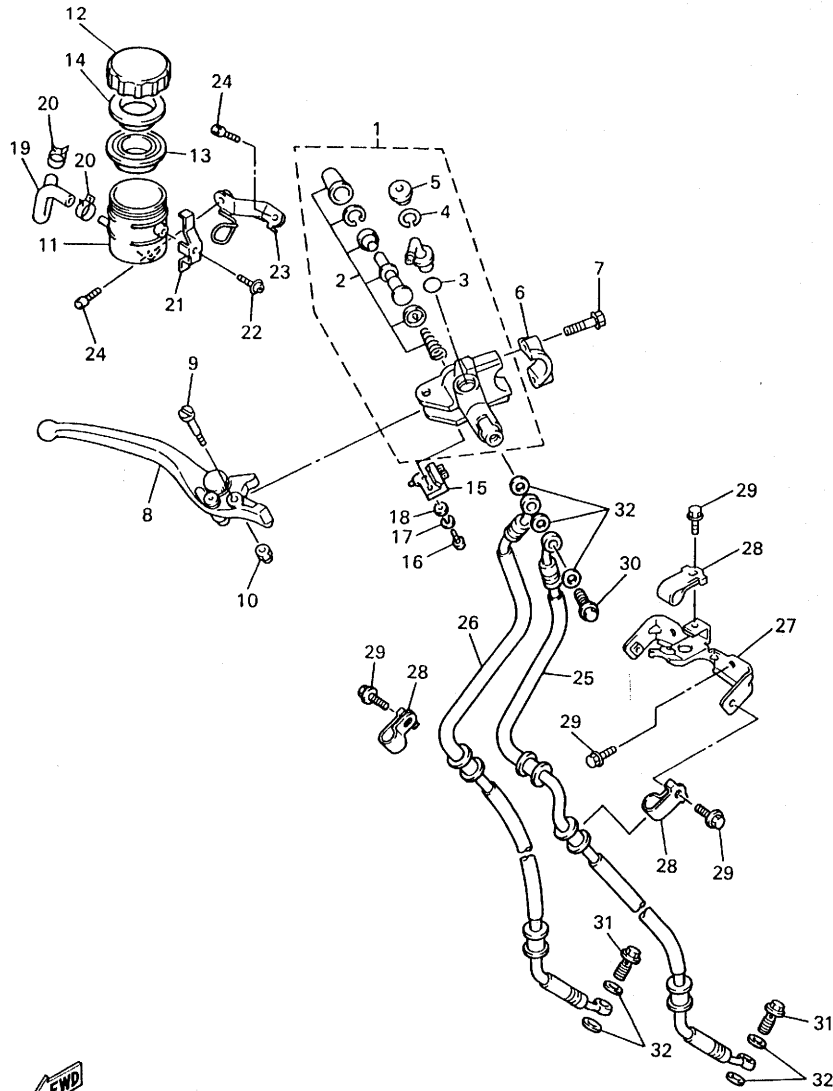


REF. NO.	PART NO.	DESCRIPTION	Q'TY	REMARKS
1	4SV-26121-00	HANDLEBAR (LEFT)	1	
2	4SV-26122-00	HANDLEBAR (RIGHT)	1	
3	4SV-26111-00	HANDLEBAR	1	
4	4SV-26112-00	BAR, HANDLE	1	
5	91317-08025	BOLT, SOCKET HEAD	2	
6	341-23469-00	CAP, BOLT	2	
7	4SV-26246-00	END, GRIP	2	
8	91317-06020	BOLT, SOCKET HEAD	2	
9	91317-08030	BOLT, SOCKET HEAD	2	
10	10L-23469-00	CAP, BOLT	2	
11	4FM-26241-00	GRIP (LEFT)	1	
12	4FM-26240-00	GRIP ASSY	1	
13	3LN-26281-01	CAP, GRIP UPPER	1	
14	3LN-26282-01	CAP, GRIP LOWER	1	
15	98507-05020	SCREW, PAN HEAD	1	
16	98507-05025	SCREW, PAN HEAD	1	
17	4SV-26302-00	THROTTLE CABLE ASSY	1	
18	4SV-26331-00	CABLE, STARTER 1	1	
19	4WN-83973-00	SWITCH, HANDLE 3	1	UR FOR CANADA
	4SV-83972-00	SWITCH, HANDLE 3	1	UR FOR OCEANIA
20	98507-05025	SCREW, PAN HEAD	2	
21	4WN-83975-00	SWITCH, HANDLE 2	1	
22	98507-05018	SCREW, PAN HEAD	2	
23	25G-83936-01	BAND, SWITCH CORD	2	



4SV300-6330

FIG. 34 FRONT MASTER CYLINDER

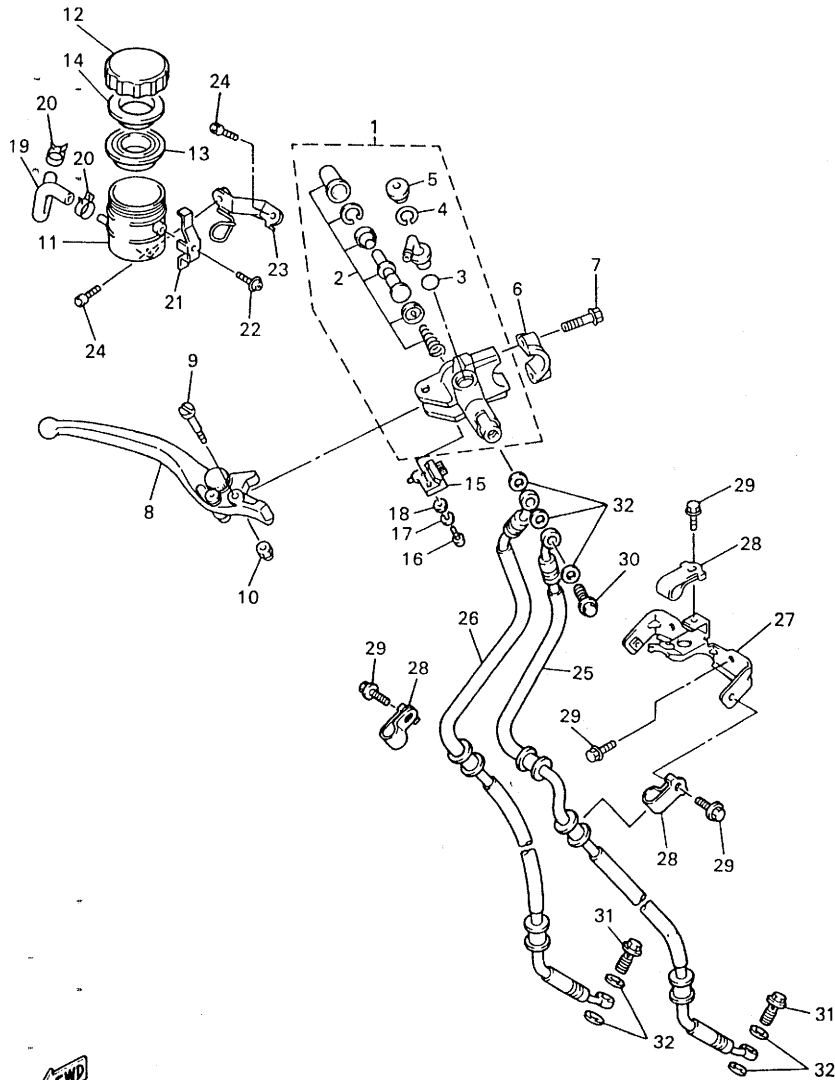


REF. NO.	PART NO.	DESCRIPTION	Q'TY	REMARKS
1	4SV-W2587-00	MASTER CYLINDER SUB ASSY	1	
2	4SV-W0041-00	-CYLINDER KIT, MASTER	1	
3	93210-15620	-O-RING	1	
4	2VN-25866-00	-CIRCLIP	1	
5	3FV-2589A-00	-COVER, DUST	1	
6	56A-25867-00	BRACKET, MASTER CYLINDER	1	
7	90105-060A0	BOLT, WASHER BASED	2	
8	4SV-83922-00	LEVER 2	1	
9	3FV-2589F-00	BOLT, LEVER	1	
10	95617-06100	NUT, U	1	
11	3FV-25894-00	TANK, RESERVOIR	1	
12	3GM-25852-50	CAP, RESERVOIR	1	
13	3FV-25854-00	DIAPHRAGM, RESERVOIR	1	
14	2J2-25855-50	BUSH,DIAPHRAGM	1	
15	3FV-83980-00	FRONT STOP SWITCH ASSY	1	
16	98517-04012	SCREW, PAN HEAD	1	
17	92990-04100	WASHER, SPRING	1	
18	92901-04600	WASHER, PLATE	1	
19	3GM-2585F-00	HOSE	1	
20	3PA-24356-00	CLIP, PIPE 1	2	
21	3FV-2589G-00	HOLDER	1	
22	3GM-2589H-00	SCREW	1	
23	4FM-26292-00	STAY	1	
24	91317-06012	BOLT, SOCKET HEAD	2	
25	4SV-25872-00	HOSE, BRAKE 1	1	
26	4SV-25873-00	HOSE, BRAKE 2	1	
27	4SV-23377-00	BRACKET, HORN	1	
28	90461-10132	CLAMP	3	



4SV300-6340

FIG. 34 FRONT MASTER CYLINDER

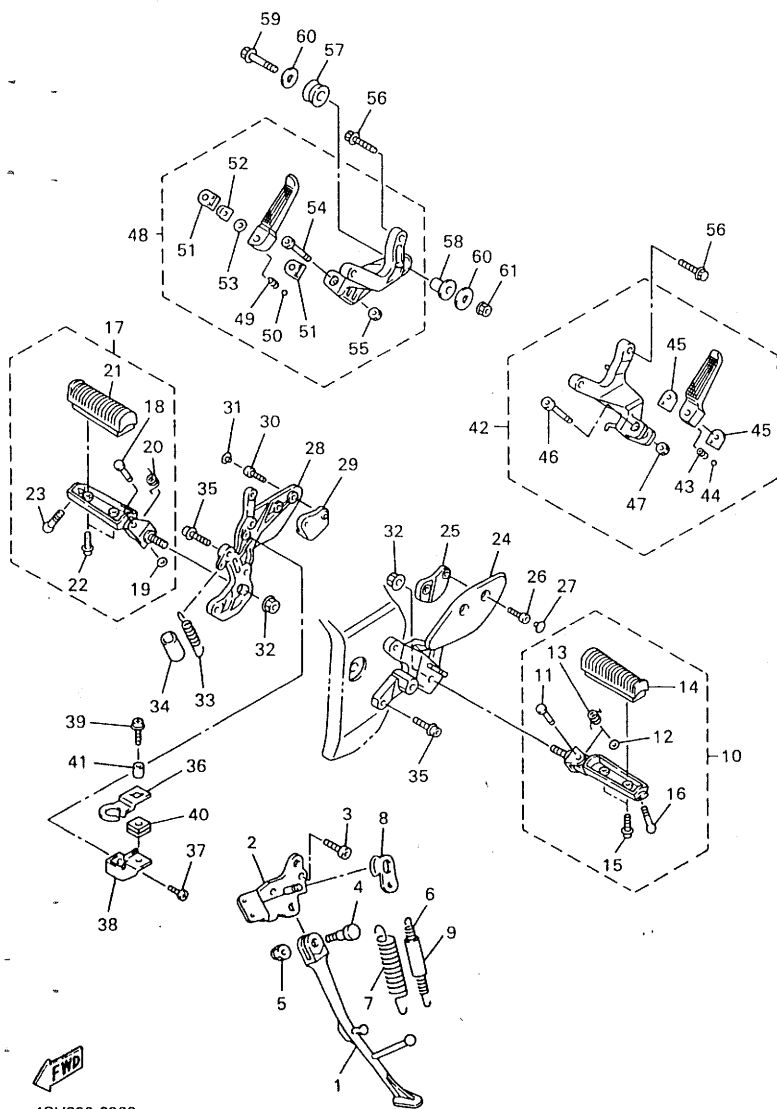


REF. NO.	PART NO.	DESCRIPTION	Q'TY	REMARKS
29	95817-06012	BOLT, FLANGE	5	
30	90401-10160	BOLT, UNION	1	
31	90401-10159	BOLT, UNION	2	
32	90201-10118	WASHER, PLATE	7	



4SV300-6340

FIG. 36 STAND • FOOTREST

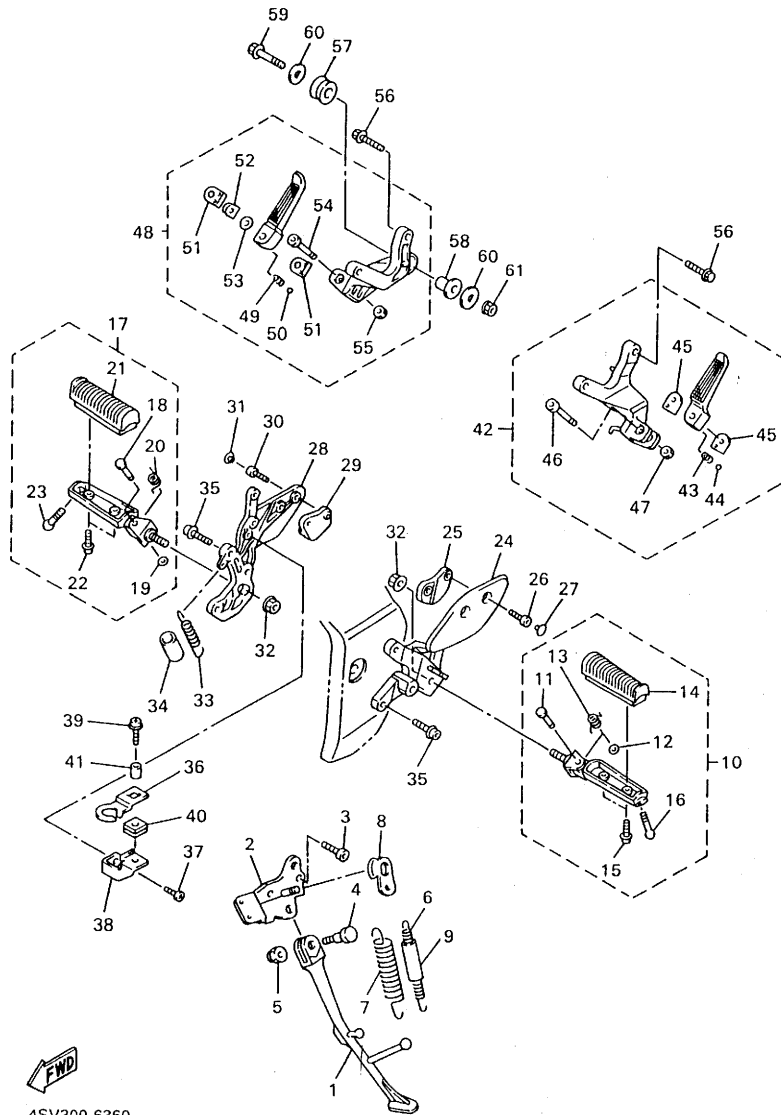


REF. NO.	PART NO.	DESCRIPTION	Q'TY	REMARKS
1	4FM-27311-00	STAND, SIDE	1	
2	4FM-27321-00	BRACKET, SIDE STAND	1	
3	90110-08155	BOLT, HEXAGON SOCKET HEAD	2	
4	90109-104E6	BOLT	1	
5	90185-10037	NUT, SELF-LOCKING	1	
6	90506-18224	SPRING, TENSION	1	
7	90506-26225	SPRING, TENSION	1	
8	4FM-27315-00	LINK, SIDE STAND	1	
9	1TX-27351-00	GUIDE, SIDE STAND	1	
10	4SV-27410-00	FRONT FOOTREST ASSY (LEFT)	1	
11	90243-08029	•PIN	1	
12	90201-06042	•WASHER, PLATE	1	
13	90508-20572	•SPRING, TORSION	1	
14	4BP-27413-00	•COVER, FOOTREST	1	
15	90157-05079	•SCREW, PAN HEAD	2	
16	90109-083E2	•BOLT	1	
17	4SV-27420-00	FRONT FOOTREST ASSY (RIGHT)	1	
18	90243-08029	•PIN	1	
19	90201-06042	•WASHER, PLATE	1	
20	90508-20572	•SPRING, TORSION	1	
21	4BP-27413-00	•COVER, FOOTREST	1	
22	90157-05079	•SCREW, PAN HEAD	2	
23	90109-083E2	•BOLT	1	
24	4SV-27442-00	BRACKET 2	1	
25	4SV-2622H-00	WEIGHT	1	
26	90110-06124	BOLT, HEXAGON SOCKET HEAD	2	
27	90338-06162	PLUG	2	
28	4SV-27443-00	BRACKET 3	1	



4SV300-6360

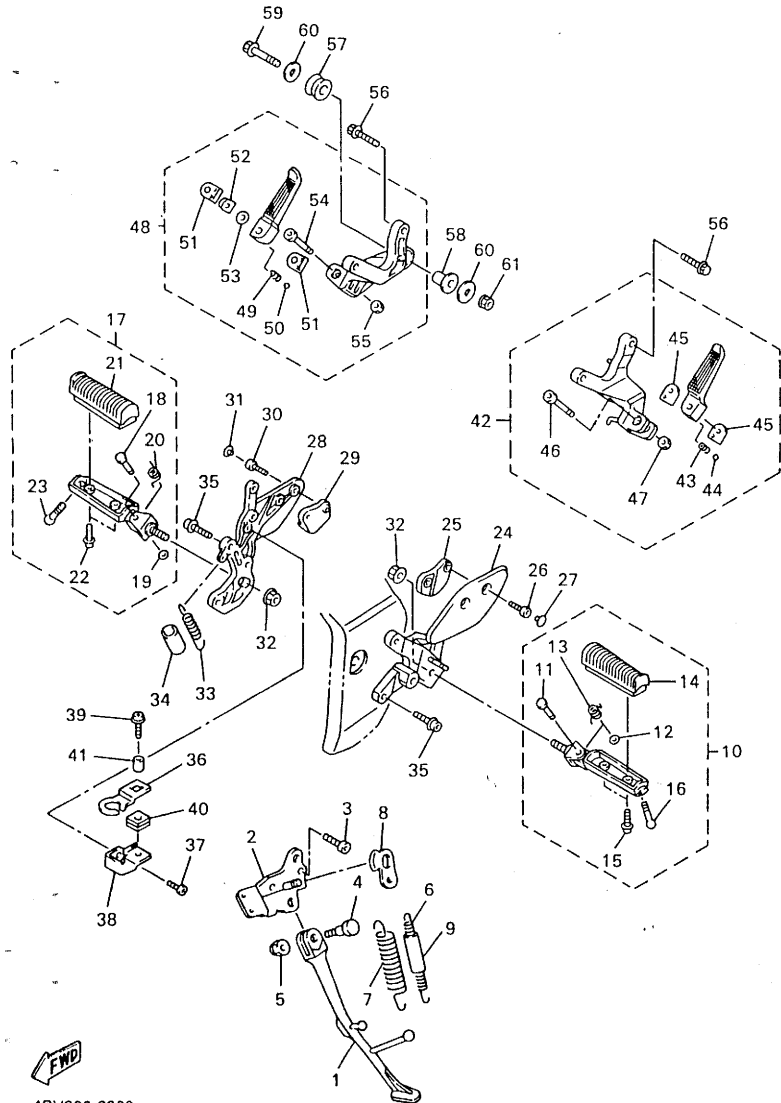
FIG. 36 STAND • FOOTREST



4SV300-6360

REF. NO.	PART NO.	DESCRIPTION	Q'TY	REMARKS
29	4SV-2622J-00	WEIGHT ASSY	1	
30	90110-06124	BOLT, HEXAGON SOCKET HEAD	2	
31	90338-06162	PLUG	2	
32	90179-10658	NUT	2	
33	90506-20377	SPRING, TENSION	1	
34	90446-17346	HOSE	1	
35	90110-08199	BOLT, HEXAGON SOCKET HEAD	4	
36	4SV-2144G-00	STAY, STOP SWITCH	1	
37	98507-06010	SCREW, PAN HEAD	1	
38	4SV-21441-00	BRACKET, STOP SWITCH	1	
39	90159-06150	SCREW, WITH WASHER	1	
40	90480-12607	GROMMET	1	
41	90387-06023	COLLAR	1	
42	4SV-27430-00	REAR FOOTREST ASSY 1	1	
43	90501-12743	SPRING, COMPRESSION	1	
44	93501-04011	BALL	1	
45	4BP-27437-00	WASHER, SPECIAL	2	
46	90110-08244	BOLT, HEXAGON SOCKET HEAD	1	
47	95680-08100	NUT, U	1	
48	4SV-27440-00	REAR FOOTREST ASSY 2	1	
49	90501-12743	SPRING, COMPRESSION	1	
50	93501-04011	BALL	1	
51	4SV-27437-00	WASHER, SPECIAL	2	
52	4SV-26247-00	STOPPER	1	
53	92907-08200	WASHER	1	
54	90110-08244	BOLT, HEXAGON SOCKET HEAD	1	
55	95680-08100	NUT, U	1	
56	95817-08030	BOLT, FLANGE	4	

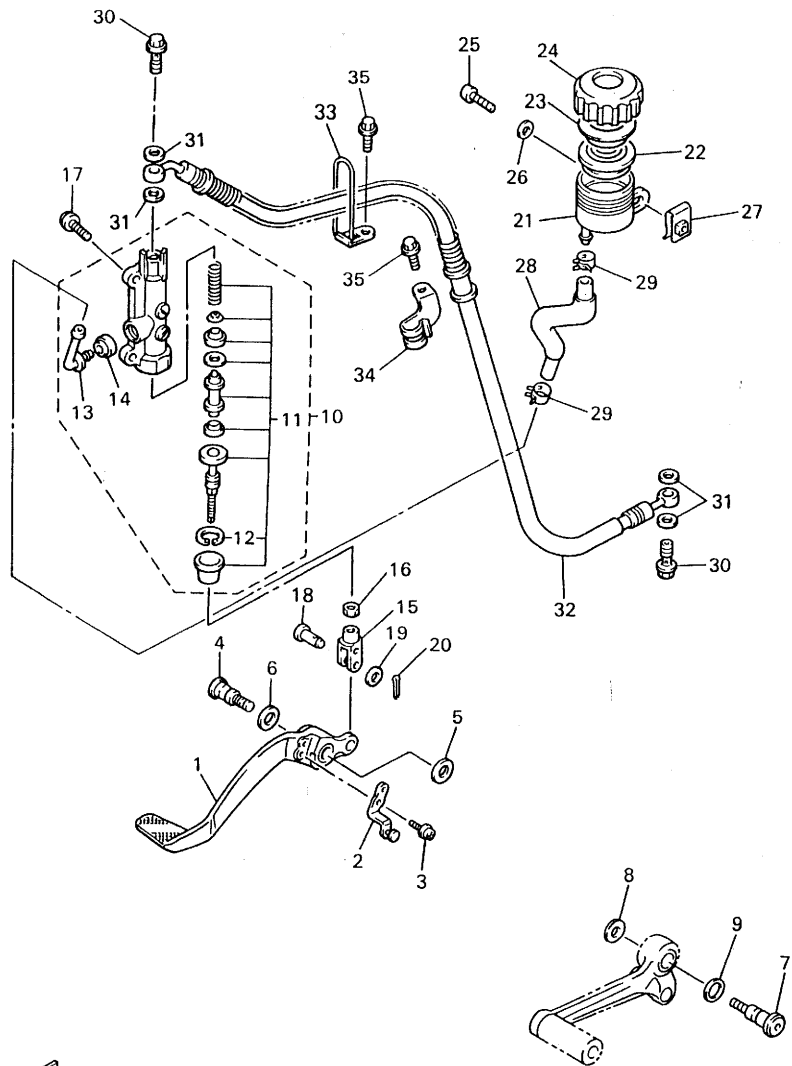
FIG. 36 STAND • FOOTREST



REF. NO.	PART NO.	DESCRIPTION	Q'TY	REMARKS
57	4SV-27414-00	DAMPER, FOOTREST	1	
58	90387-10636	COLLAR	1	
59	95024-10045	BOLT, FLANGE	1	
60	90201-10669	WASHER, PLATE	2	
61	95614-10200	NUT, SELF-LOCKING	1	

4SV300-6360

FIG. 37 REAR MASTER CYLINDER

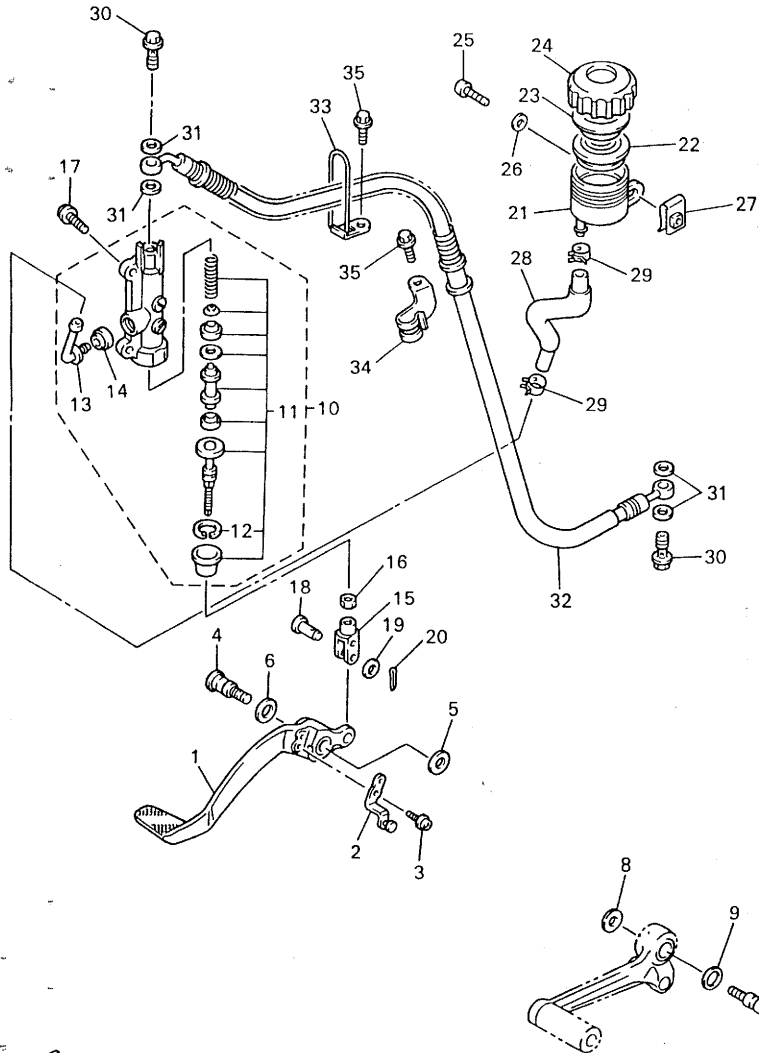


REF. NO.	PART NO.	DESCRIPTION	Q'TY	REMARKS
1	4FM-27211-21	PEDAL, BRAKE	1	
2	4FM-27254-00	HOOK	1	
3	90159-06045	SCREW, WITH WASHER	1	
4	4SV-27261-00	SHAFT	1	
5	90201-104R2	WASHER, PLATE	1	
6	90206-14086	WASHER, WAVE	1	
7	4BP-27434-01	BOLT	1	
8	90201-08326	WASHER, PLATE	1	
9	90201-127J6	WASHER, PLATE	1	
10	4BH-2583V-00	RR. MASTER CYLINDER ASSY.	1	
11	4BH-W0042-50	•CYLINDER KIT, MASTER	1	
12	3LN-2585G-00	••CIRCLIP	1	
13	4BP-2582A-00	•JOINT	1	
14	4BP-2585F-00	•BUSH	1	
15	4FM-27222-00	JOINT	1	
16	95317-08700	NUT	1	
17	92014-08020	BOLT, BUTTON HEAD	2	
18	90240-08124	PIN, CLEVIS	1	
19	90201-08083	WASHER, PLATE	1	
20	91401-20015	PIN, COTTER	1	
21	31A-25894-01	TANK, RESERVOIR	1	
22	360-25854-00	DIAPHRAGM, RESERVOIR	1	
23	2GU-25855-00	BUSH,DIAPHRAGM	1	
24	2KF-25852-50	CAP, RESERVOIR	1	
25	98517-06020	SCREW, PAN HEAD	1	
26	92907-06600	WASHER, PLATE	1	
27	90183-06023	NUT, SPRING	1	
28	4FM-25895-00	HOSE, RESERVOIR	1	



4SV300-6370

FIG. 37 REAR MASTER CYLINDER

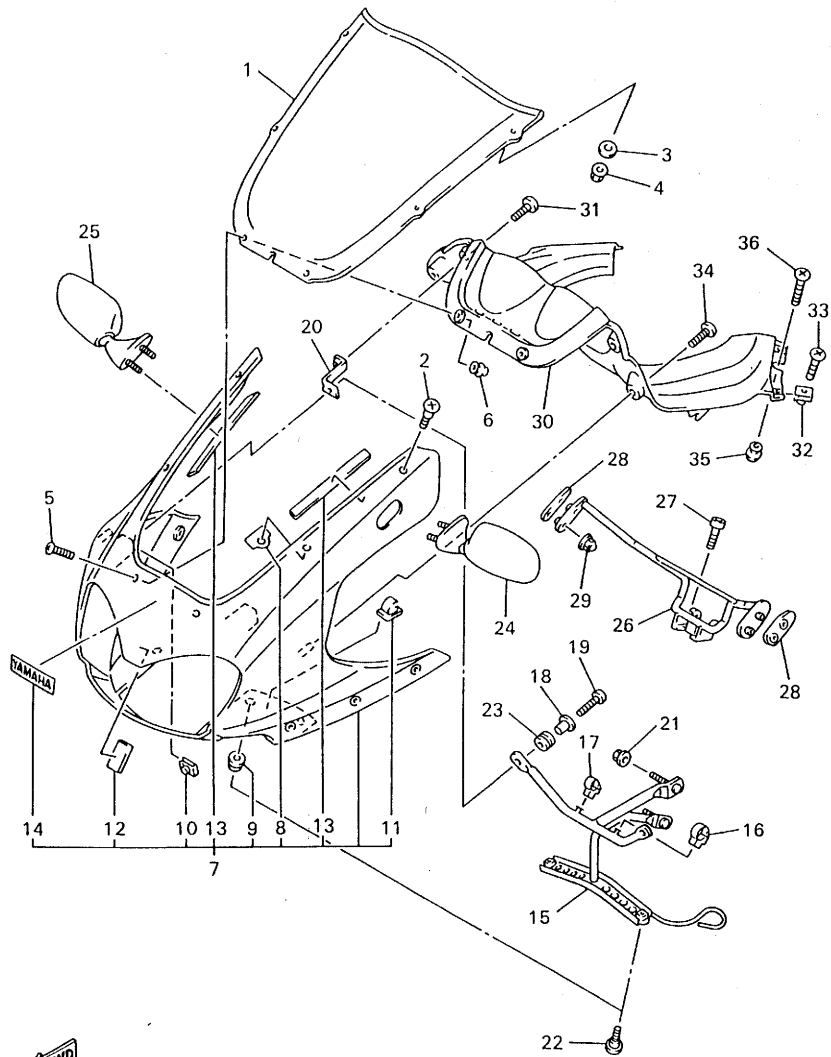


REF. NO.	PART NO.	DESCRIPTION	Q'TY	REMARKS
29	90467-14057	CLIP	2	
30	90401-10159	BOLT, UNION	2	
31	90201-10118	WASHER, PLATE	4	
32	4SV-25874-00	HOSE, BRAKE	1	
33	4BH-25886-00	HOLDER, BRAKE HOSE	1	
34	4FM-25876-00	HOLDER, BRAKE HOSE 2	1	
35	95027-06010	BOLT, FLANGE	2	



4SV300-6370

FIG. 38 COWLING 1

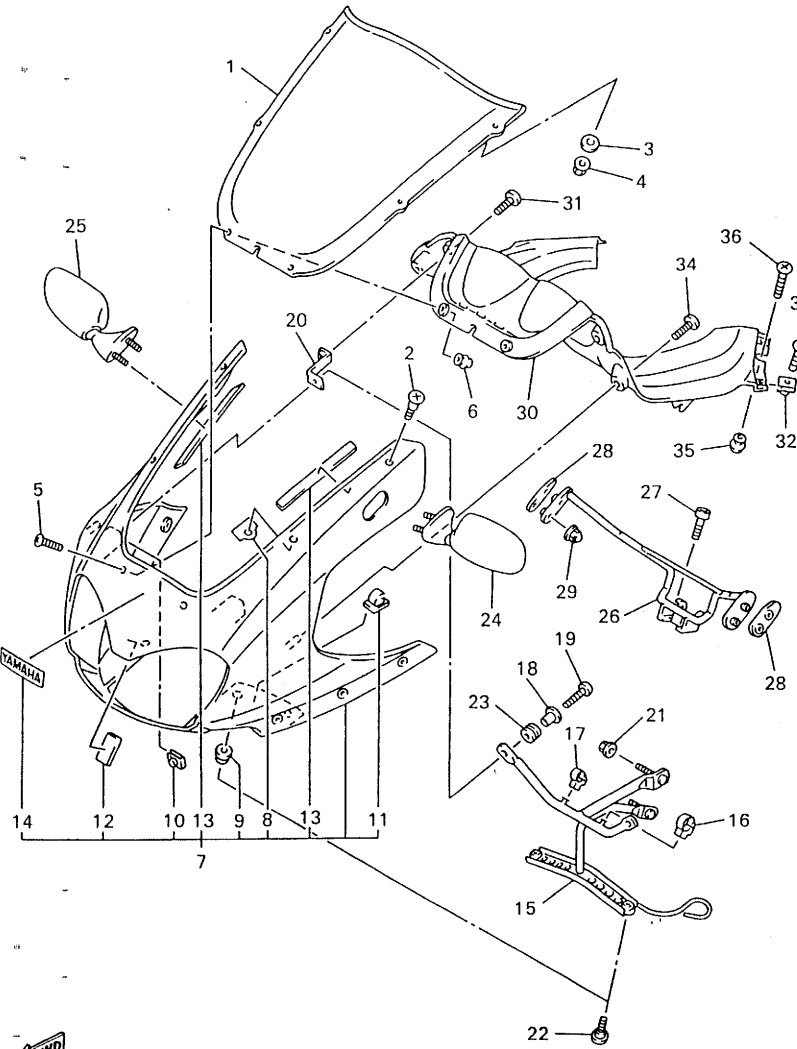


REF. NO.	PART NO.	DESCRIPTION	Q'TY	REMARKS
1	4SV-28381-00	WINDSHIELD	1	
2	90149-05273	SCREW	4	
3	4FM-28215-00	WASHER, SPECIAL	4	
4	95707-05500	NUT, FLANGE	4	
5	90150-05024	SCREW, ROUND HEAD	2	
6	90179-05523	NUT	2	
7	4SV-Y283G-00-0X	BODY, FRONT UPPER 1	1	UR VIVID RED
	4SV-Y283G-10-1X	BODY, FRONT UPPER 1	1	COCKTAIL 1/BLACK 2
8	4SV-2834V-00	PROTECTOR 1	4	UR BLACK 2/ STAR SILVER
9	90480-13398	GROMMET	2	
10	90183-06023	NUT, SPRING	2	
11	90464-25160	CLAMP	2	
12	22F-24181-00	DAMPER, LOCATING 1	1	
13	4SV-28415-00	DAMPER 1	2	
14	99236-00100	EMBLEM, YAMAHA	1	UR FOR VRC1
	99234-00100	EMBLEM, YAMAHA	1	UR FOR BL2
15	4SV-28356-00	STAY 1	1	
16	90464-20191	CLAMP	1	
17	90464-10190	CLAMP	1	
18	90387-067N5	COLLAR	2	
19	98517-06020	SCREW, PAN HEAD	2	
20	4SV-28357-00	STAY 2	2	
21	95617-08200	NUT, SELF-LOCKING	2	
22	90150-06036	SCREW, ROUND HEAD	2	
23	90480-13398	GROMMET	2	
24	4SV-26280-00	REAR VIEW MIRROR ASSY(LEFT)	1	
25	4SV-26290-00	REAR VIEW MIRROR ASSY(RIGHT)	1	
26	4SV-2831W-00	STAY, MIRROR 1	1	

4SV300-6380

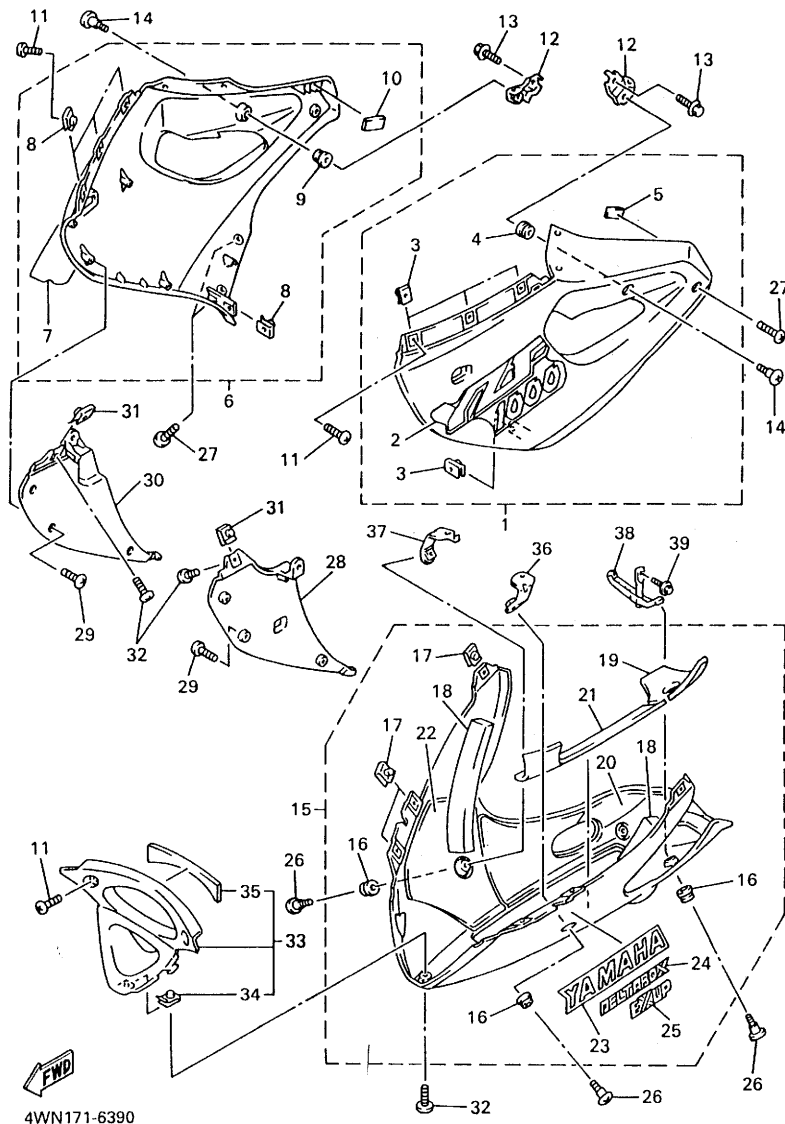
FIG. 38 COWLING 1

REF. NO.	PART NO.	DESCRIPTION	Q'TY	REMARKS
27	91317-06012	BOLT, SOCKET HEAD	2	
28	4SV-26298-00	PLATE, MIRROR FITTING 1	2	
29	90176-06055	NUT, CROWN	4	
30	4SV-2837L-00	PANEL, CONSOLE 1	1	
31	90154-05013	SCREW, BINDING	2	
32	90183-05024	NUT, SPRING	4	
33	90150-05039	SCREW, ROUND HEAD	4	
34	90167-05075	SCREW, TAPPING	2	
35	90179-05523	NUT	2	
36	98907-05016	SCREW, BIND	2	



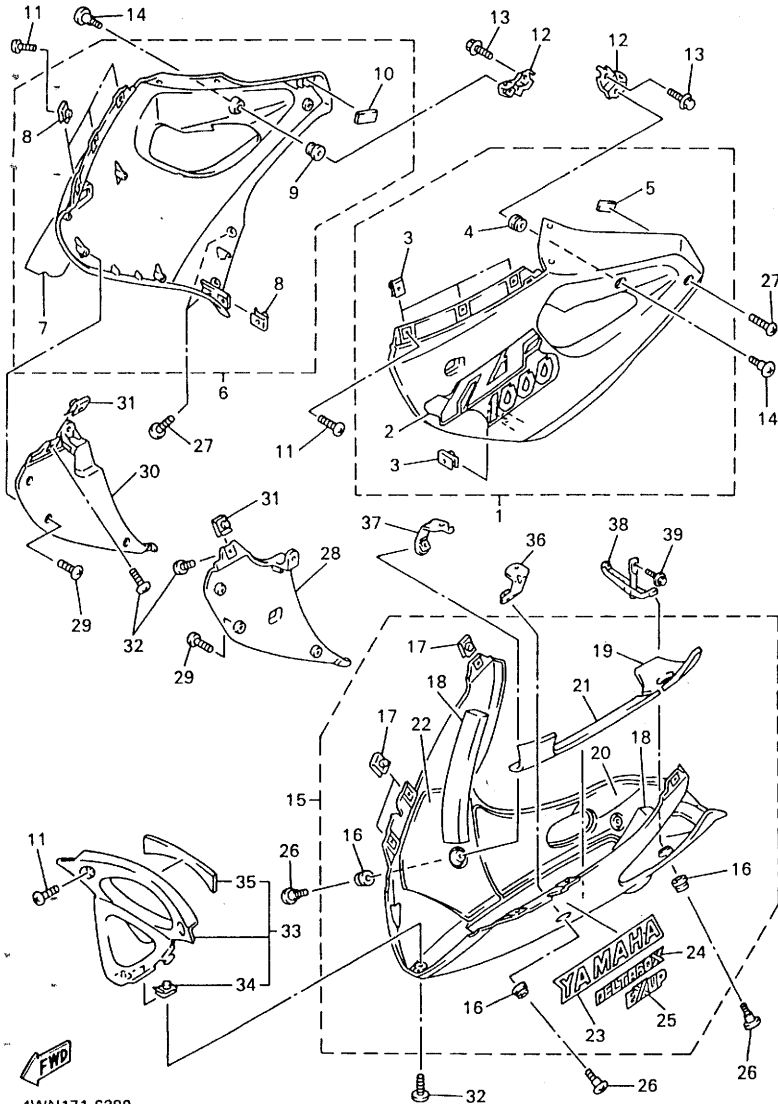
YAMAHA
4SV300-6380

FIG. 39 COWLING 2



REF. NO.	PART NO.	DESCRIPTION	Q'TY	REMARKS
1	4SV-Y283U-20-P0	PANEL ASSEMBLY 1	1	UR VIVID RED COCKTAIL 1
	4SV-Y283U-30-4B	PANEL ASSEMBLY 1	1	UR BLACK 2
2	4WN-28391-00	.GRAPHIC 1	1	UR FOR VRC1
	4WN-28391-10	.GRAPHIC 1	1	UR FOR BL2
3	90183-05024	.NUT, SPRING	4	
4	90480-13398	.GROMMET	1	
5	4SV-28372-00	.DAMPER	1	
6	4SV-Y283V-20-P0	PANEL ASSEMBLY 2	1	UR VIVID RED COCKTAIL 1
	4SV-Y283V-30-4B	PANEL ASSEMBLY 2	1	UR BLACK 2
7	4WN-28392-00	.GRAPHIC 2	1	UR FOR VRC1
	4WN-28392-10	.GRAPHIC 2	1	UR FOR BL2
8	90183-05024	.NUT, SPRING	4	
9	90480-13398	.GROMMET	1	
10	4SV-28372-00	.DAMPER	1	
11	90150-05039	SCREW, ROUND HEAD	8	
12	4SV-2836A-00	BRACKET 1	2	
13	95817-06012	BOLT, FLANGE	2	
14	90150-06036	SCREW, ROUND HEAD	2	
15	4SV-Y2808-00-P0	COVER ASSY, UNDER	1	UR BLUISH WHITE COCKTAIL 1
	4SV-Y2808-00-6M	COVER ASSY, UNDER	1	UR STAR SILVER
16	90480-13398	.GROMMET	4	
17	90183-05024	.NUT, SPRING	6	
18	4SV-28371-00	.DAMPER	2	
19	4SV-2848K-00	.SEAT 2	1	
20	4SV-2848L-00	.SEAT 3	1	
21	4SV-2848M-00	.SEAT 4	1	
22	4SV-2848N-00	.SEAT 5	1	
23	99234-00280	.EMBLEM, YAMAHA	2	

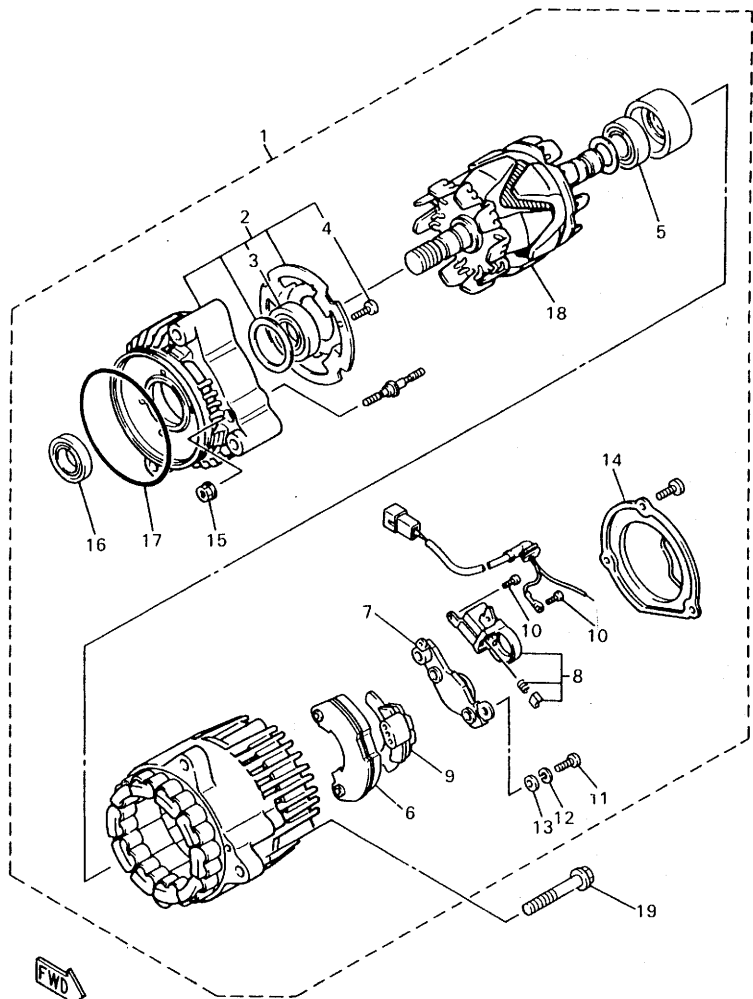
FIG. 39 COWLING 2



REF. NO.	PART NO.	DESCRIPTION	Q'TY	REMARKS
24	4SV-28328-00	•EMBLEM	2	
25	3LE-28338-20	•EMBLEM	2	
26	90150-06036	SCREW, ROUND HEAD	4	
27	90150-05039	SCREW, ROUND HEAD	6	
28	4SV-2836K-00-P0	PANEL, INNER 1	1	UR VIVID RED COCKTAIL 1
	4SV-2836K-00-4B	PANEL, INNER 1	1	UR BLACK 2
29	97704-40012	SCREW, TAPPING	8	
30	4SV-2836L-00-P0	PANEL, INNER 2	1	UR VIVID RED COCKTAIL 1
	4SV-2836L-00-4B	PANEL, INNER 2	1	UR BLACK 2
31	90183-05024	NUT, SPRING	2	
32	90150-05039	SCREW, ROUND HEAD	3	
33	4SV-Y283S-00-P0	PANEL, INNER 3	1	UR BLUISH WHIT COCKTAIL 1 FOR VRC1
	4SV-Y283S-00-6M	PANEL, INNER 3	1	UR STAR SILVER FOR BL2
34	90183-05024	•NUT, SPRING	1	
35	4SV-2848H-00	•SEAT	1	
36	4SV-2836F-00	BRACKET 3	1	
37	4SV-2836G-00	BRACKET 4	1	
38	4FM-2831T-00	STAY, SUPPORT 1	1	
39	90119-06018	BOLT, WITH WASHER	1	

4WN171-6390

FIG. 40 GENERATOR

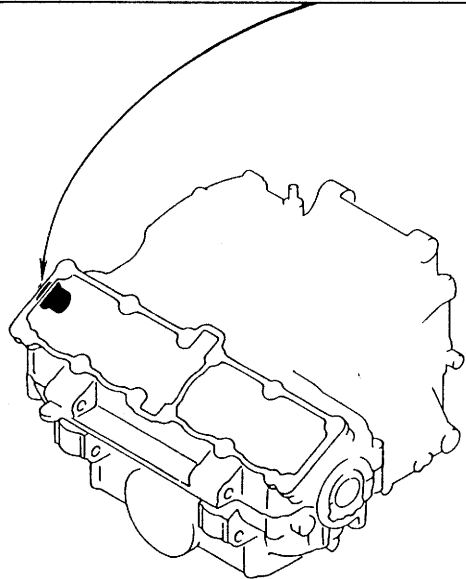
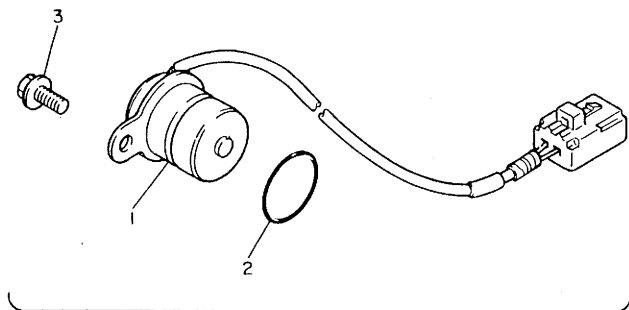


4BH332-3430

REF. NO.	PART NO.	DESCRIPTION	Q'TY	REMARKS
1	4SV-81600-00	A.C. GENERATOR ASSY	1	
2	4BH-81634-00	•STATOR ASSY	1	
3	4BH-81643-00	•BEARING	1	
4	4BH-81645-00	•SCREW	4	
5	4BH-81643-10	•BEARING	1	
6	4BH-81970-00	•RECTIFIER ASSY	1	
7	36Y-81910-50	•VOLTAGE REGULATOR ASSY	1	
8	3FV-81619-00	•BRUSH HOLDER ASSY	1	
9	4BH-81972-00	•COVER, RECTIFIER	1	
10	3FV-81645-00	•SCREW	2	
11	98507-05018	•SCREW, PAN HEAD	3	
12	92990-05100	•WASHER, SPRING	3	
13	92990-05600	•WASHER, PLATE	3	
14	4BH-81604-00	•COVER ASSY	1	
15	95707-05500	•NUT, FLANGE	2	
16	36Y-81638-50	•OIL SEAL	1	
17	2KT-81642-50	•O-RING	1	
18	4BH-81660-00	•ROTOR ASSY	1	
19	95817-08065	BOLT, FLANGE	3	

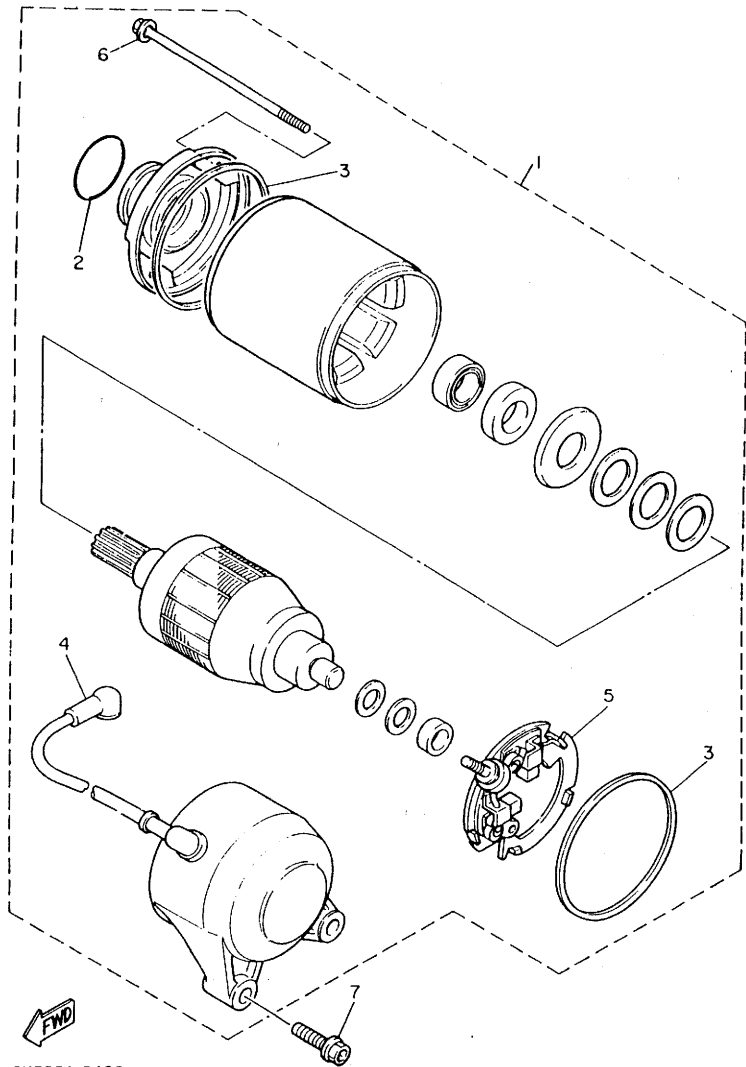
FIG. 41 PICK UP COIL • GOVERNOR

REF. NO.	PART NO.	DESCRIPTION	Q'TY	REMARKS
1	3GM-81670-00	PICK-UP ASSY	1	
2	93210-19216	O-RING	1	
3	95027-06012	BOLT, FLANGE	1	



2GH300-7400

FIG. 42 STARTING MOTOR

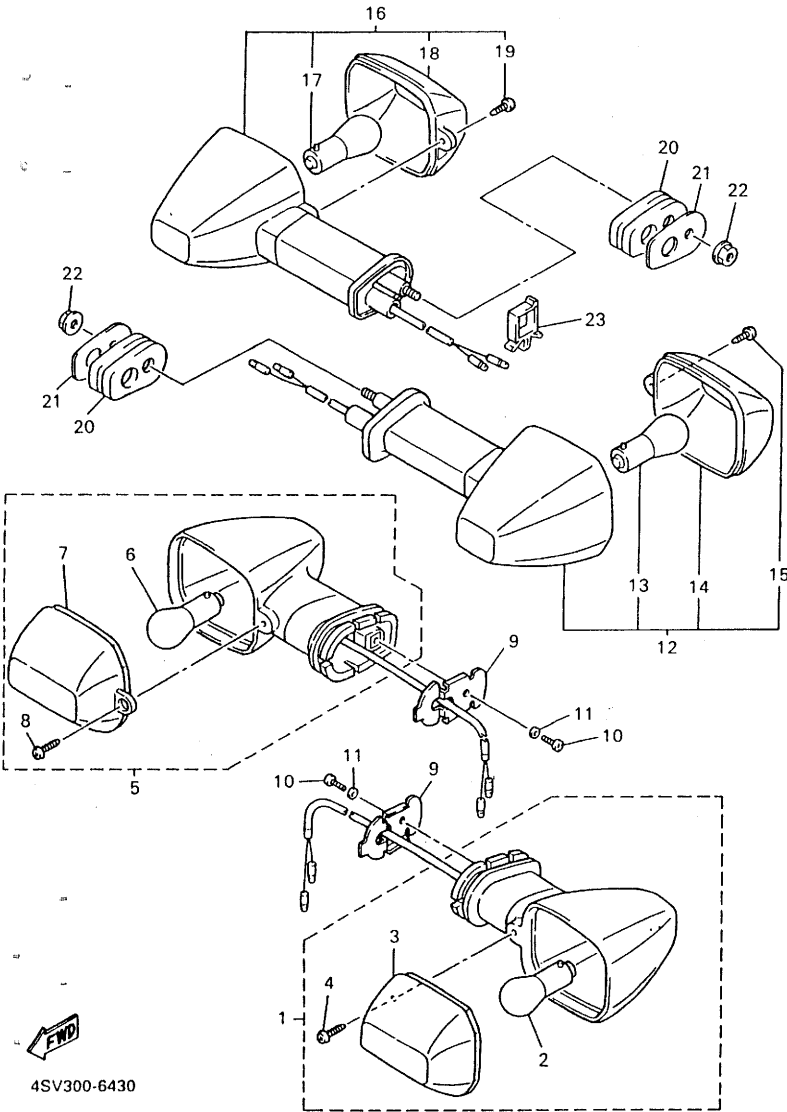


REF. NO.	PART NO.	DESCRIPTION	Q'TY	REMARKS
1	3XF-81800-00	STARTING MOTOR ASSY	1	
2	26H-81847-00	.O-RING	1	
3	11H-81844-00	.GASKET	2	
4	2KT-81815-00	.CORD, STARTER MOTOR	1	
5	3KS-81840-00	.BRUSH HOLDER ASSY	1	
6	3HE-81826-00	.BOLT	2	
7	95817-06025	BOLT, FLANGE	2	

3KS351-9420

F7

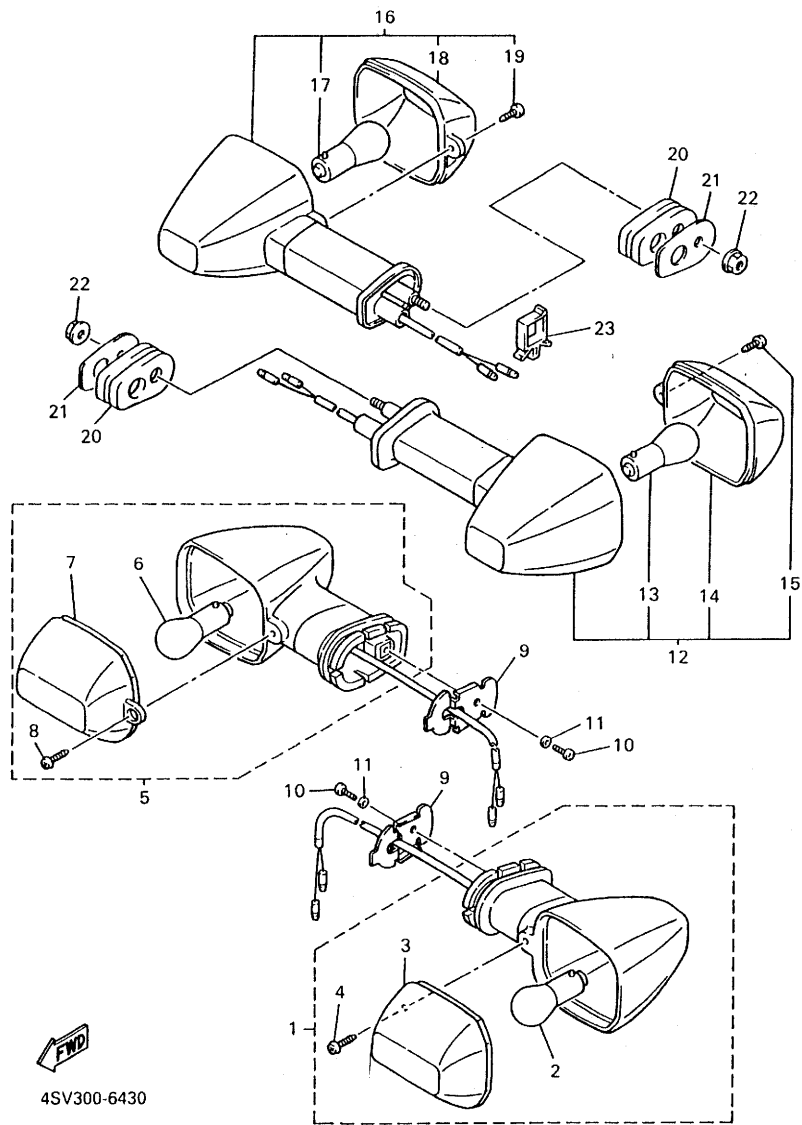
FIG. 43 FLASHER LIGHT



4SV300-6430

REF. NO.	PART NO.	DESCRIPTION	Q'TY	REMARKS
1	4JH-83310-11	FRONT FLASHER LIGHT ASSY 1	1	UR CANADA
	4JH-83310-01	FRONT FLASHER LIGHT ASSY 1	1	UR OCEANIA
2	256-84714-61	•BULB (12V-27/8W)	1	UR CANADA
	306-83311-40	•BULB (12V-21W)	1	UR OCEANIA
3	4JH-83332-10	•LENS, FLASHER	1	UR CANADA
	4JH-83332-00	•LENS, FLASHER	1	UR OCEANIA
4	97702-40610	•SCREW, TAPPING	1	
5	4JH-83320-11	FRONT FLASHER LIGHT ASSY 2	1	UR CANADA
	4JH-83320-01	FRONT FLASHER LIGHT ASSY 2	1	UR OCEANIA
6	256-84714-61	•BULB (12V-27/8W)	1	UR CANADA
	306-83311-40	•BULB (12V-21W)	1	UR OCEANIA
7	4JH-83342-10	•LENS, FLASHER 2	1	UR CANADA
	4JH-83342-00	•LENS, FLASHER 2	1	UR OCEANIA
8	97702-40610	•SCREW, TAPPING	1	
9	4JH-83318-10	STAY, FLASHER 1	2	
10	98507-04008	SCREW, PAN HEAD	2	
11	92907-04600	WASHER	2	
12	4JH-83330-20	REAR FLASHER LIGHT ASSY 1	1	UR CANADA
	4JH-83330-00	REAR FLASHER LIGHT ASSY 1	1	UR OCEANIA
13	256-83311-70	•BULB (12V-27W)	1	UR CANADA
	306-83311-40	•BULB (12V-21W)	1	UR OCEANIA
14	4JH-83332-10	•LENS, FLASHER	1	UR CANADA
	4JH-83332-00	•LENS, FLASHER	1	UR OCEANIA
15	97702-40610	•SCREW, TAPPING	1	
16	4JH-83340-20	FLASHER LIGHT ASSY 2	1	UR CANADA
	4JH-83340-00	FLASHER LIGHT ASSY 2	1	UR OCEANIA
17	256-83311-70	•BULB (12V-27W)	1	UR CANADA
	306-83311-40	•BULB (12V-21W)	1	UR OCEANIA

FIG. 43 FLASHER LIGHT

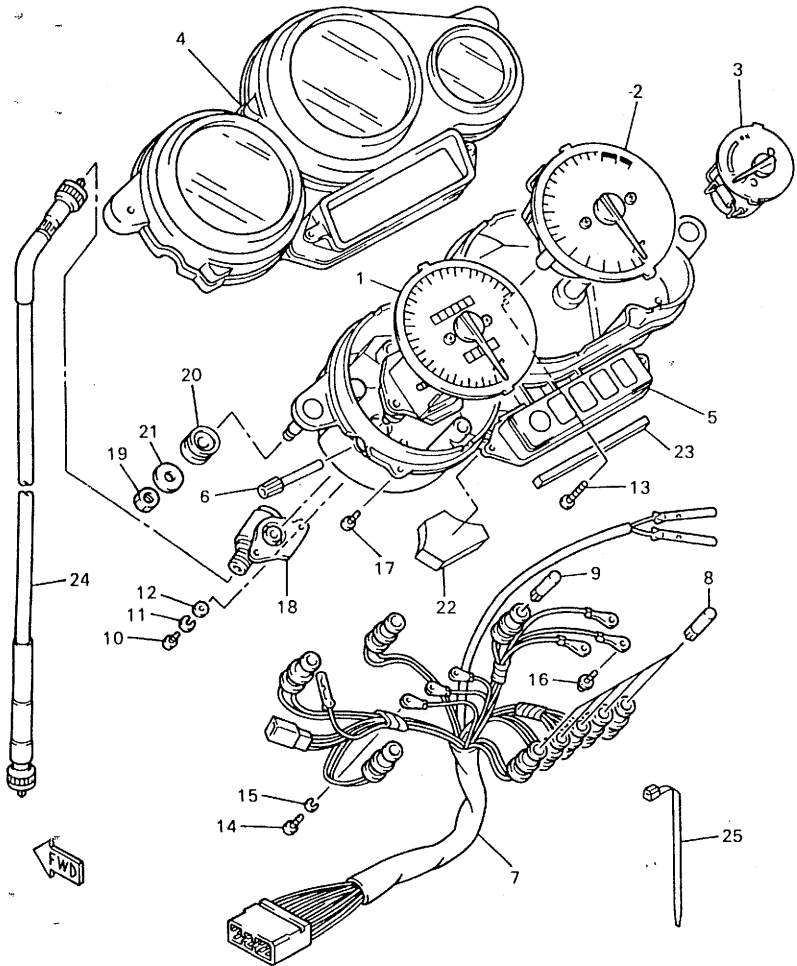


4SV300-6430

REF. NO.	PART NO.	DESCRIPTION	Q'TY	REMARKS
18	4JH-83342-10	•LENS, FLASHER 2	1	UR CANADA
	4JH-83342-00	•LENS, FLASHER 2	1	UR OCEANIA
19	97702-40610	•SCREW, TAPPING	1	
20	4FM-83345-00	PLUG, BLIND	2	
21	4FM-83369-00	•STAY, FLASHER 2	2	
22	95707-06500	NUT, FLANGE	2	
23	90464-16025	CLAMP	1	

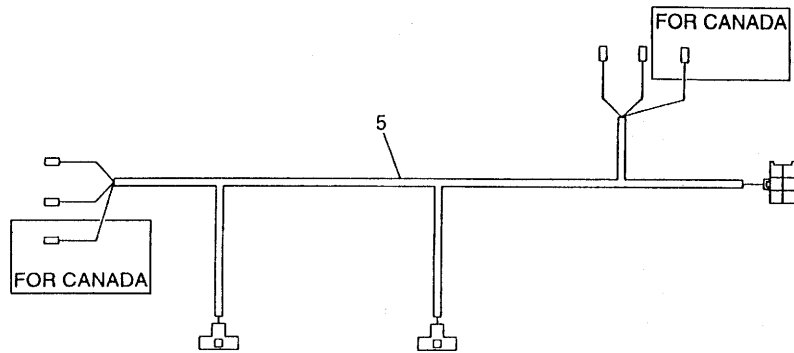
F9

FIG. 44 METER

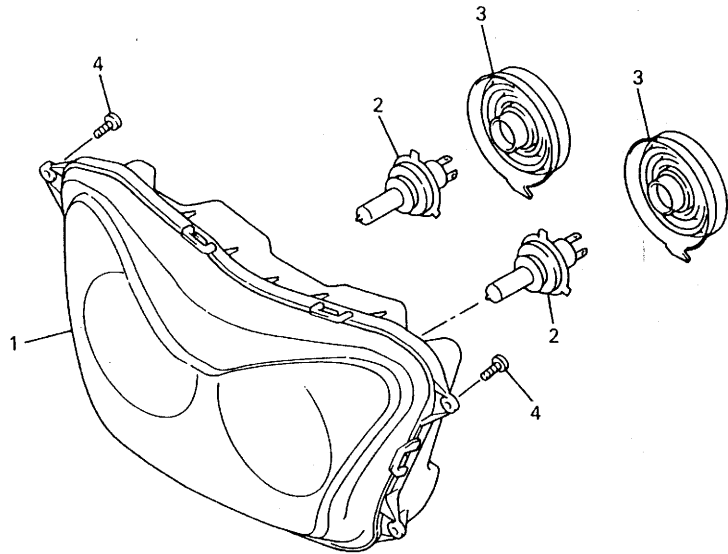


REF. NO.	PART NO.	DESCRIPTION	Q'TY	REMARKS
1	4SV-83570-00	SPEEDOMETER ASSY	1	
2	4SV-83540-00	TACHOMETER ASSY	1	
3	4SV-83590-00	WATER TEMPERATURE ASSY	1	
4	4FM-83559-00	COVER, METER	1	
5	4FM-8353H-40	CASE, UNDER	1	
6	4SV-83578-00	KNOB, TRIP METER	1	
7	4FM-83509-80	SOCKET CORD ASSY	1	
8	4G1-84744-00	BULB (12V-3.4W)	5	
9	3FV-83517-00	BULB (12V-1.7W)	4	
10	98507-04010	SCREW, PAN HEAD	4	
11	92907-04100	WASHER, SPRING	4	
12	92907-04600	WASHER	4	
13	4NX-83546-00	BOLT	2	
14	98507-03010	SCREW, PAN HEAD	3	
15	92990-03100	WASHER, SPRING	3	
16	90159-03102	SCREW, WITH WASHER	3	
17	90164-04006	SCREW, TAPPING	5	
18	4FM-83520-00	SOCKET CORD ASSY	1	
19	95317-06600	NUT	2	
20	4SV-83513-00	DAMPER	2	
21	90201-065F3	WASHER, PLATE	2	
22	4SV-83523-00	DAMPER	1	
23	4SV-83526-00	DAMPER 2	1	
24	4FM-83550-02	SPEEDOMETER CABLE ASSY	1	
25	90464-13073	CLAMP	1	

FIG. 45 HEADLIGHT

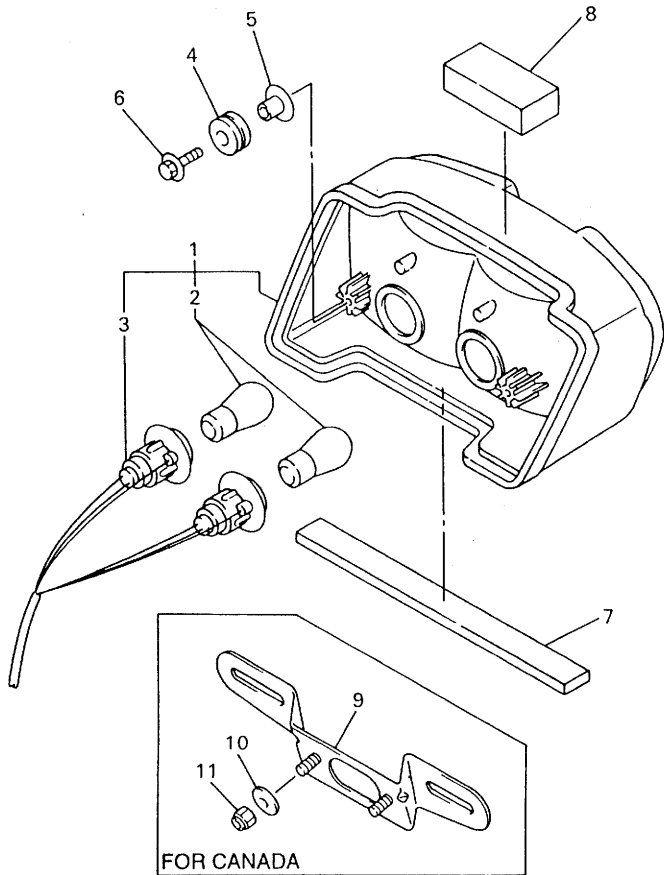


REF. NO.	PART NO.	DESCRIPTION	Q'TY	REMARKS
1	4SV-84310-20	HEADLIGHT UNIT ASSY	1	
2	4SV-84314-10	BULB, HEADLIGHT	2	
3	4SV-84397-00	COVER, SOCKET	2	
4	97707-60014	SCREW, TAPPING	4	
5	4WN-84359-00	CORD, HEADLIGHT	1	UR CANADA
	4XJ-84359-00	CORD, HEADLIGHT	1	UR OCEANIA



4WN171-6450

FIG. 46 TAILLIGHT

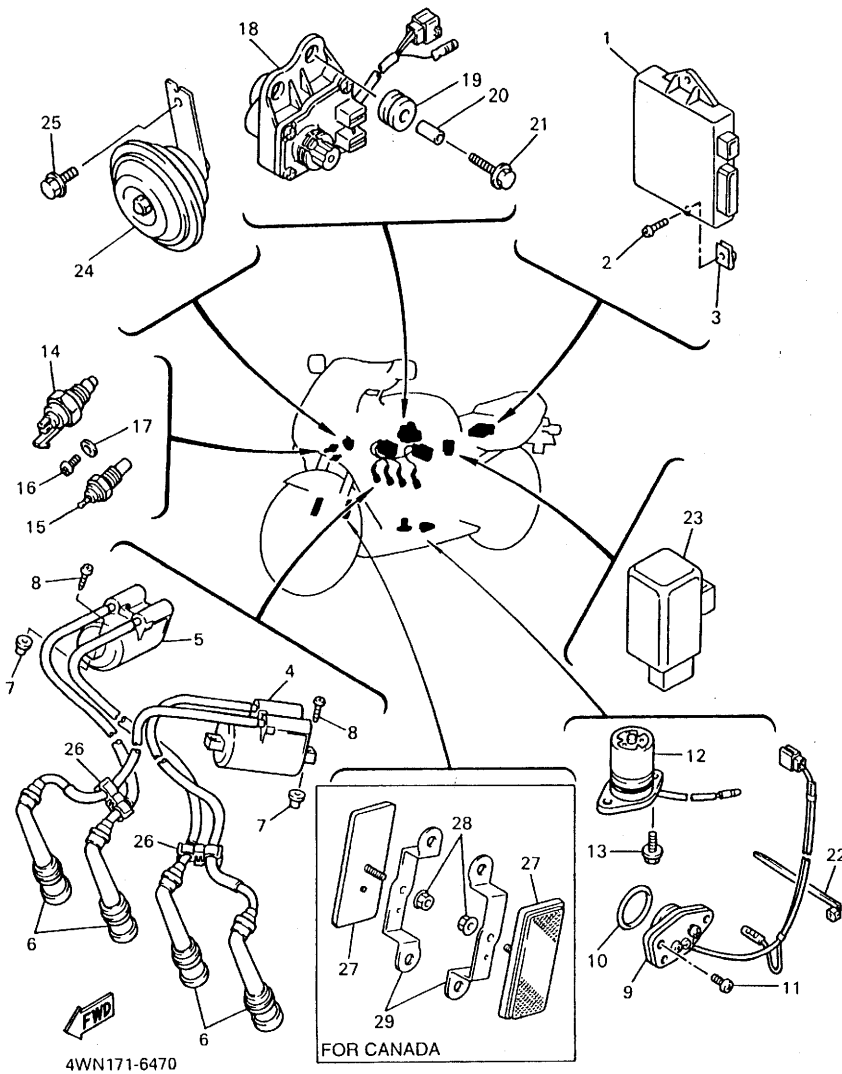


REF. NO.	PART NO.	DESCRIPTION	Q'TY	REMARKS
1	4SV-84710-10	TAILLIGHT UNIT ASSY	1	UR CANADA
	4SV-84710-00	TAILLIGHT UNIT ASSY	1	UR OCEANIA
2	1A2-84714-41	•BULB (12V-21/5W)	2	
3	4G0-84735-00	•CORD ASSY	1	
4	90480-18276	GROMMET	2	
5	90387-077M3	COLLAR	2	
6	90119-06118	BOLT, WITH WASHER	2	
7	1NL-28378-00	PAD	1	
8	56J-2472F-00	SUPPORT, TAIL COVER	1	
9	4WN-84751-00	BRACKET, LICENSE	1	FOR CANADA
10	90201-065F3	WASHER, PLATE	2	FOR CANADA
11	95617-06100	NUT, U	2	FOR CANADA



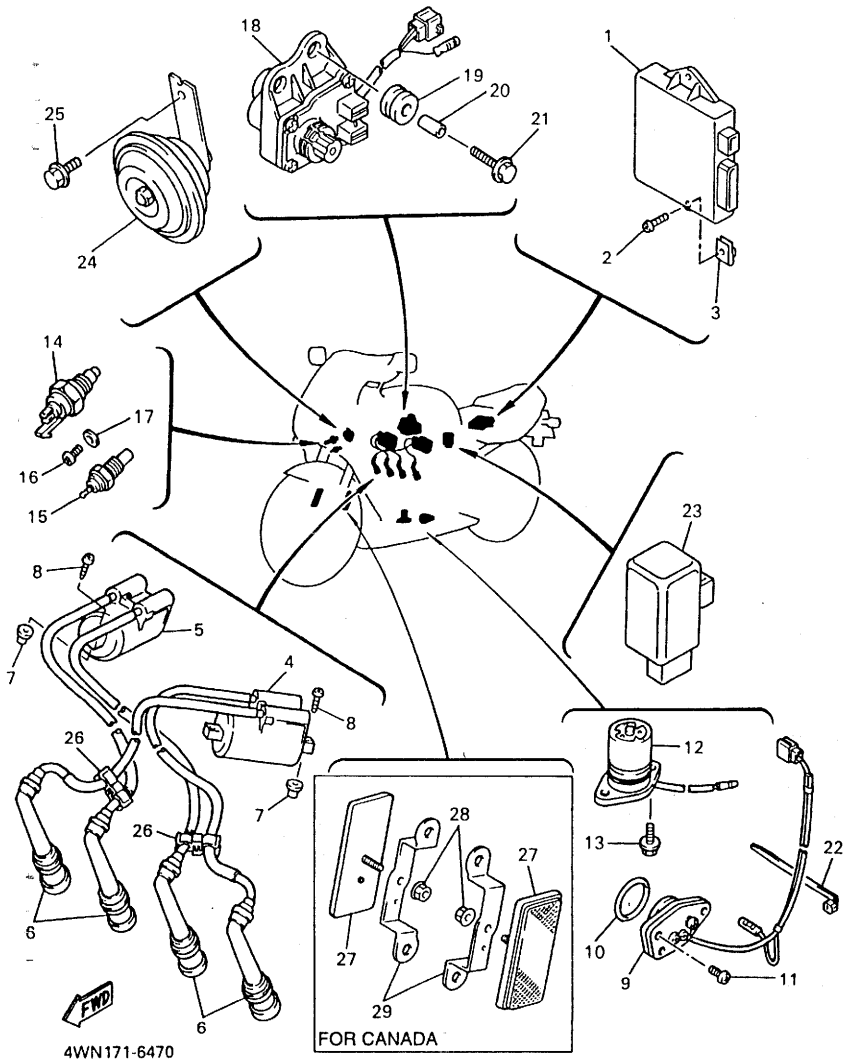
4WN171-6460

FIG. 47 ELECTRICAL 1



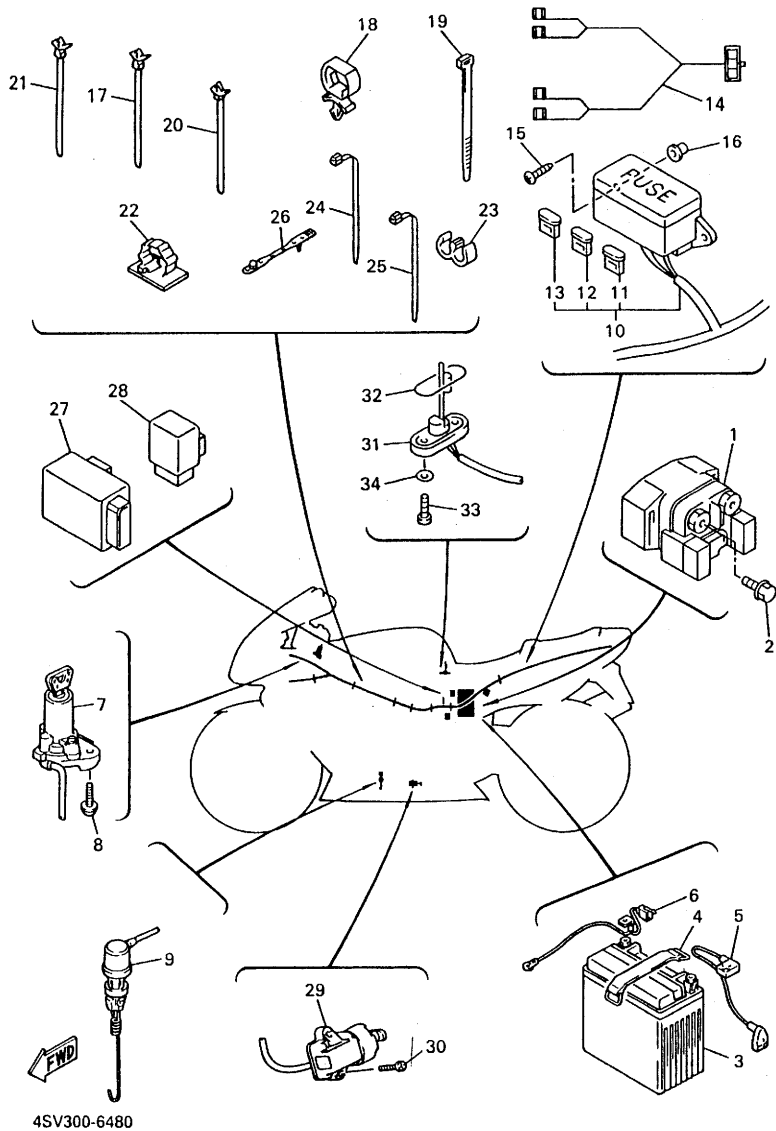
REF. NO.	PART NO.	DESCRIPTION	Q'TY	REMARKS
1	4SV-82305-00	IGNITOR UNIT ASSY	1	UR FOR CANADA
	4XJ-82305-00	IGNITOR UNIT ASSY	1	UR FOR OCEANIA
2	92017-06020	SCREW	1	
3	90183-06023	NUT, SPRING	1	
4	4FM-82310-00	IGNITION COIL ASSY	1	
5	4FM-82320-00	IGNITION COIL ASSY	1	
6	4SV-82370-00	PLUG CAP ASSY	4	
7	90338-08226	PLUG	4	
8	97707-60525	SCREW, TAPPING	4	
9	4FM-82540-00	NEUTRAL SWITCH ASSY	1	
10	93210-29196	O-RING	1	
11	98507-06016	SCREW, PAN HEAD	2	
12	3GM-85720-00	OIL LEVEL GAUGE ASSY	1	
13	95027-06014	BOLT, FLANGE	2	
14	3LN-82560-01	THERMO SWITCH ASSY	1	
15	11H-83591-00	THERMO UNIT	1	
16	98507-06010	SCREW, PAN HEAD	1	
17	92907-06600	WASHER, PLATE	1	
18	4FM-85820-00	SERVO MOTOR ASSY	1	
19	90480-14412	GROMMET	2	
20	90387-0609L	COLLAR	2	
21	95817-06030	BOLT, FLANGE	2	
22	90464-13073	CLAMP	1	
23	3GM-83350-01	FLASHER RELAY ASSY	1	
24	3TB-83371-01	HORN	1	
25	95817-06010	BOLT, FLANGE	1	
26	90464-10186	CLAMP	2	
27	11H-85110-01	REFLECTOR ASSY	2	FOR CANADA

FIG. 47 ELECTRICAL 1



REF. NO.	PART NO.	DESCRIPTION	Q'TY	REMARKS
28	95707-05500	NUT, FLANGE	2	FOR CANADA
29	4SV-85112-00	BRACKET, REFLECTOR 1	2	FOR CANADA

FIG. 48 ELECTRICAL 2

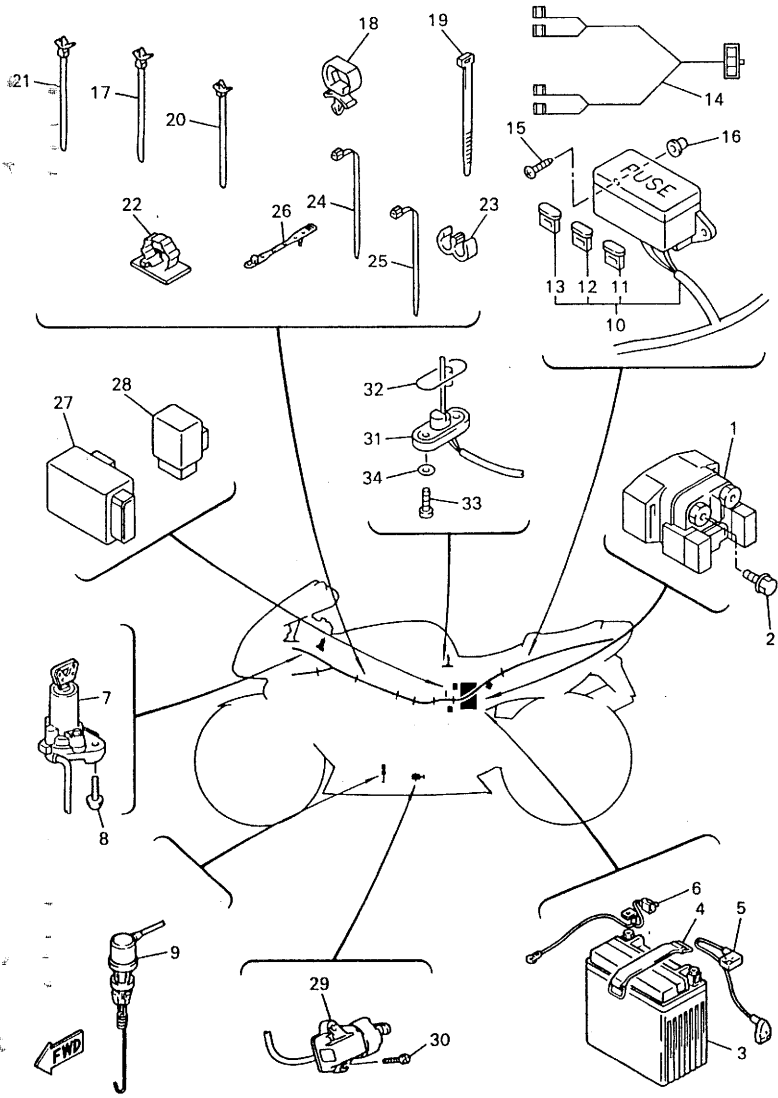


4SV300-6480

REF. NO.	PART NO.	DESCRIPTION	Q'TY	REMARKS
1	4SV-81940-00	STARTER RELAY ASSY	1	
2	95027-06008	BOLT, FLANGE	2	
3	3XW-82100-00	BATTERY ASSY (YTX14-BS)	1	
4	7H3-82131-00	BAND, BATTERY	1	
5	4NK-82115-00	WIRE, PLUS LEAD	1	
6	4JH-82116-00	WIRE, MINUS LEAD	1	
7	4NA-82501-01	MAIN SWITCH STEERING LOCK	1	
8	90109-080G5	BOLT	2	
9	1KT-82530-03	STOP SWITCH ASSY	1	
10	4WN-82590-00	WIRE HARNESS ASSY	1	UR CANADA
	4XJ-82590-00	WIRE HARNESS ASSY	1	UR OCEANIA
11	2GH-82151-00	.FUSE (20A-BL)	2	
12	2KW-82151-00	.FUSE (7.5A-BL)	3	
13	36Y-82151-00	.FUSE (15A-BL)	3	
14	4SV-82509-00	WIRE, SUB LEAD	1	
15	97707-60016	SCREW, TAPPING	2	
16	90338-08226	PLUG	2	
17	90464-10112	CLAMP	1	
18	90464-20237	CLAMP	2	
19	90464-13080	CLAMP	3	
20	90464-12089	CLAMP	1	
21	90464-10112	CLAMP	2	
22	90464-20136	CLAMP	2	
23	90464-60067	CLAMP	1	
24	90464-15195	CLAMP	1	
25	90464-15195	CLAMP	1	
26	90464-07121	CLAMP	1	
27	4SV-81950-00	RELAY ASSY	1	

F15

FIG. 48 ELECTRICAL 2



REF. NO.	PART NO.	DESCRIPTION	Q'TY	REMARKS
28	3GM-81950-00	RELAY ASSY	1	
29	3LD-82566-80	SWITCH, SIDE STAND	1	
30	90157-05079	SCREW, PAN HEAD	2	
31	3GM-85752-01	SENDER UNIT ASSY, FUEL METER	1	
32	42X-85753-00	GASKET, SENDER UNIT	1	
33	90149-06008	SCREW	2	
34	90202-05187	WASHER, PLATE	2	

4SV300-6480

