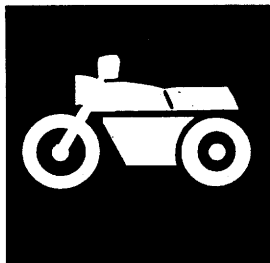


YAMAHA

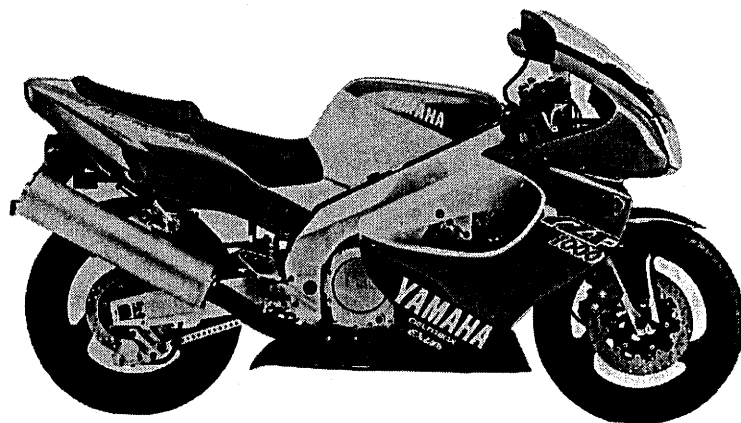


**PARTS
CATALOGUE**

YZF1000RJ (4WN2) CANADA

174WN-171E1

YAMAHA
GENUINE
Parts & Accessories



A3

FOREWORD

This Parts Catalogue is related to the parts for the model(s) in the below frame. When you are ordering replacement parts, please refer to this Parts Catalogue and quote both part numbers and part names correctly.

YZF1000RJ(4WN2)

1. Modifications or additions which have been made after issue of the Parts Catalogue will be announced in the Yamaha Parts News.
It is advisable that you make necessary corrections to the Parts Catalogue according to the Yamaha Parts News.

2. Abbreviations

The following abbreviations are used in this Parts Catalogue.

- "UR" Use specified parts number.
- "UN" Use as many as needed.
- "AP" Alternate Parts
- "LM" Local Made (Parts need to be ordered locally)
- "F#" Frame No. (Applicable machine No.)

3. Parts, which are to be supplied in an assembly, are listed with a dot (.) in front of the part name as shown below.

EXAMPLE

- CARBURETOR ASSY
- . JET, PILOT
- . NOZZLE, MAIN

4. Number of component for assembly

The numeral appearing to the right of each component part indicates the quantity of parts for each assembly unit.

EXAMPLE

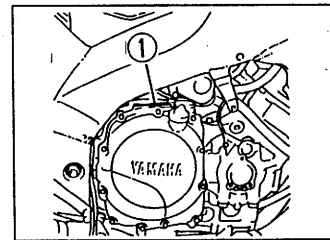
PART NO.	DESCRIPTION	Q'TY	REMARKS
2F5-83310-60	FRONT FLASHER LIGHT ASSY	2	
115-83311-60	. BULB (6V-18W)	1	

5. Applicable colors of graphics are represented in the "REMARKS" as shown below.

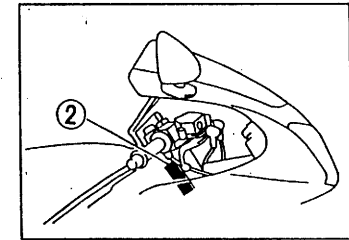
PART NO.	DESCRIPTION	Q'TY	REMARKS
2N4-24110-00-X5	FUEL TANK COMP.	1	MAXIM RED
3J1-24240-10	. GRAPHIC, FUEL TANK	1	for MXR

6. Applicable Serial No.

① Engine Serial No.



② Frame Serial No.



7. Note that the illustrations are for reference in finding parts numbers, not to be used for assembling. When assembling, please use the applicable service manual.

8. The asterisk (*) before a reference number indicates modification items after the first edition.

CONTENTS

ENGINE

Cylinder Head	B2
Cylinder	B3
Crankshaft · Piston	B4
Valve	B5 ~ B6
Camshaft · Chain	B7
Water Pump	B8
Radiator · Hose	B9 ~ B10
Oil Pump	B11 ~ B12
Oil Cleaner	B13
Intake	B14 ~ B15
Carburetor	C2 ~ C3
Exhaust	C4 ~ C5
Crankcase	C6 ~ C7
Crankcase Cover 1	C8 ~ C9
Starter	C10
Clutch	C11
Transmission	C12 ~ C13
Shift Cam · Fork	C14
Shift Shaft	C15

CHASSIS

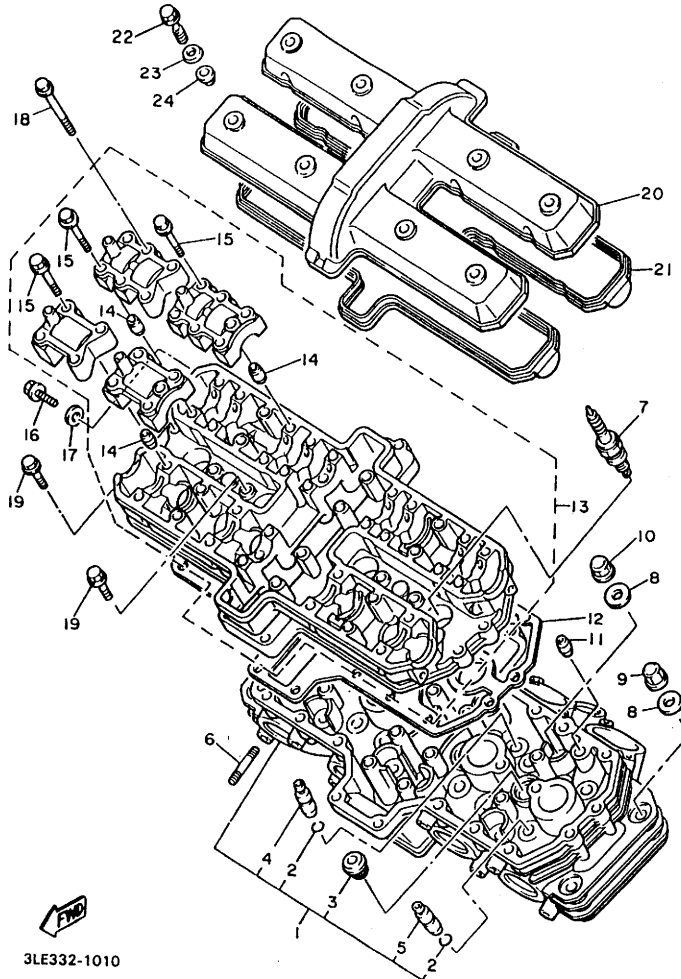
Frame	D2 ~ D3
Fender	D4 ~ D5
Side Cover	D6
Rear Arm	D7 ~ D8
Rear Suspension	D9
Steering	D10

Front Fork	D11 ~ D12
Fuel Tank	D13 ~ D14
Seat	D15
Front Wheel	E2
Front Brake Caliper	E3
Rear Wheel	E4 ~ E5
Rear Brake Caliper	E6
Steering Handle · Cable	E7
Front Master Cylinder	E8 ~ E9
Front Master Cylinder 2	E10
Stand · Footrest	E11 ~ E13
Rear Master Cylinder	E14 ~ E15
Cowling 1	F2 ~ F3
Cowling 2	F4 ~ F6
Generator	F7
Pick Up Coil · Governor	F8
Starting Motor	F9
Flasher Light	F10
Meter	F11
Headlight	F12
Taillight	F13
Electrical 1	F14 ~ F15
Electrical 2	G2 ~ G3

INDEX

NUMERICAL INDEX	L1 ~ L5
-----------------------	---------

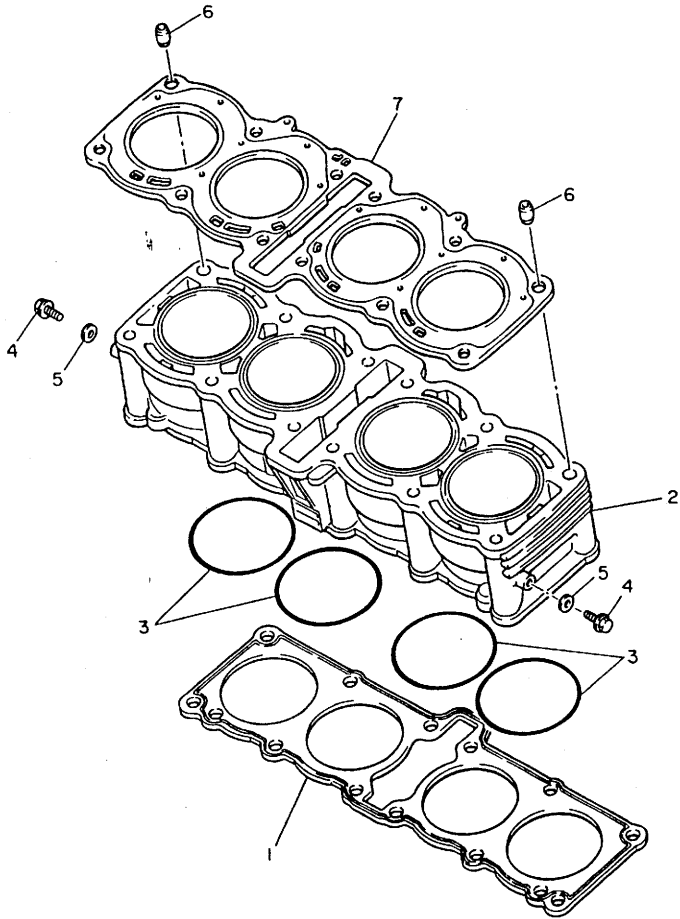
FIG. 1 CYLINDER HEAD



3LE332-1010

REF. NO.	PART NO.	DESCRIPTION	4WN2				REMARKS
1	4SV-11102-00	CYLINDER HEAD ASSY	1				
2	93440-10153	•CIRCLIP	20				
3	90340-18101	•PLUG, STRAIGHT SCREW	4				
4	3GM-11133-10	•GUIDE, INTAKE VALVE	12				
5	3GM-11134-10	•GUIDE, EXHAUST VALVE	8				
6	95617-08625	BOLT, STUD	8				
7	94701-00333	PLUG, SPARK (NGK DR8EA)	4				UR
	94701-00222	PLUG, SPARK (ND X24ESR-U)	4				UR
8	90201-103M4	WASHER, PLATE	12				
9	90176-10075	NUT, CROWN	4				
10	90179-10584	NUT	8				
11	99530-10114	PIN, DOWEL	2				
12	3FV-11182-00	GASKET, CYLINDER HEAD 2	1				
13	3GM-1115A-01	CAM CASE ASSY	1				
14	91808-16023	•PIN, DOWEL	16				
15	90105-06153	•BOLT, WASHER BASED	16				
16	95027-06012	BOLT, FLANGE	1				
17	90430-06014	GASKET	1				
18	90105-06541	BOLT, WASHER BASED	24				
19	95027-06025	BOLT, FLANGE	11				
20	3GM-11191-01	COVER, CYLINDER HEAD 1	1				
21	4SV-11193-00	GASKET, HEAD COVER 1	1				
22	90109-064F0	BOLT	8				
23	90209-11262	WASHER	8				
24	2GH-1111G-00	RUBBER, MOUNT 1	8				

FIG. 2 CYLINDER

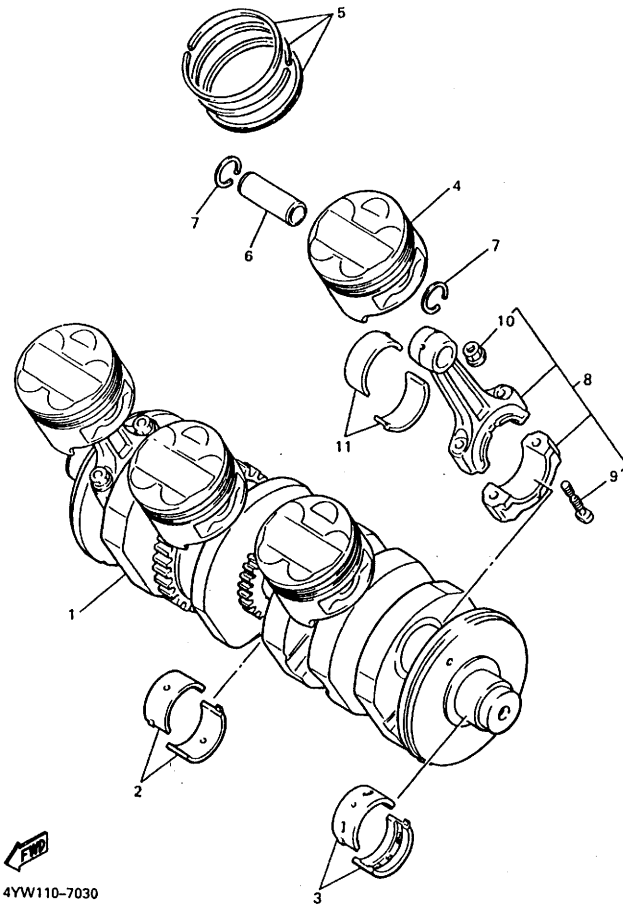


REF. NO.	PART NO.	DESCRIPTION	4WN2				REMARKS
1	4SV-11351-00	GASKET, CYLINDER	1				
2	3GM-11310-01	CYLINDER	1				
3	93210-77363	O-RING	4				
4	95024-06012	BOLT, FLANGE	2				
5	90430-06014	GASKET	2				
6	99530-14016	PIN, DOWEL	2				
7	4SV-11181-00	GASKET, CYLINDER HEAD 1	1				



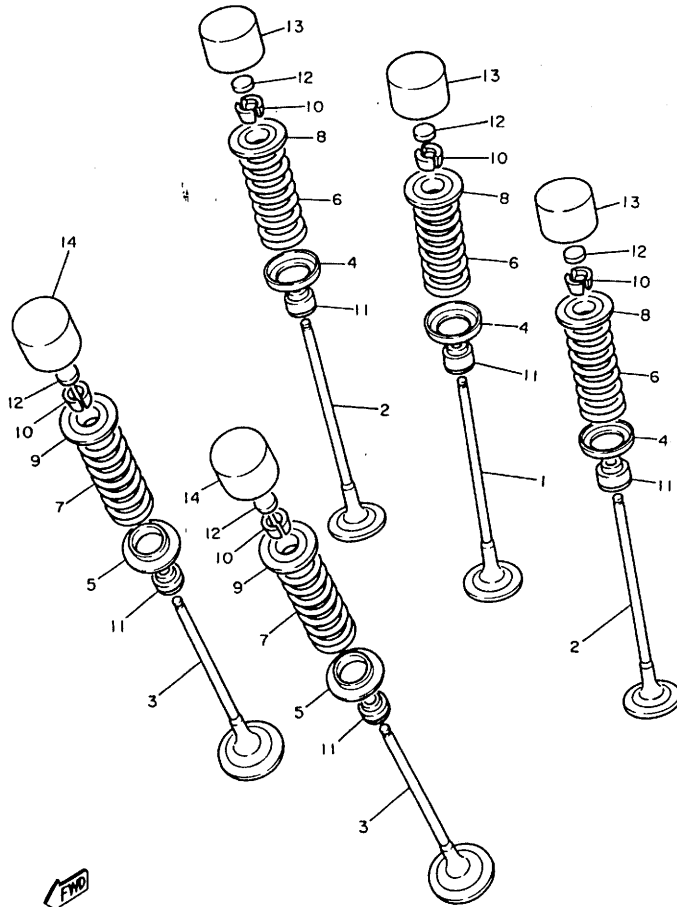
3LE332-9020

FIG. 3 CRANKSHAFT • PISTON



REF. NO.	PART NO.	DESCRIPTION	4WN2				REMARKS
1	4SV-11411-00	CRANKSHAFT	1				
2	4SV-11416-01	PLANE BEARING, CRANKSHAFT 1	2				UR BLUE
	4SV-11416-11	PLANE BEARING, CRANKSHAFT 1	2				UR BLACK
	4SV-11416-21	PLANE BEARING, CRANKSHAFT 1	2				UR BROWN
	4SV-11416-31	PLANE BEARING, CRANKSHAFT 1	2				UR GREEN
	4SV-11416-41	PLANE BEARING, CRANKSHAFT 1	2				UR YELLOW
3	3GM-11416-00	PLANE BEARING, CRANKSHAFT 1	8				UR BLUE
	3GM-11416-10	PLANE BEARING, CRANKSHAFT 1	8				UR BLACK
	3GM-11416-20	PLANE BEARING, CRANKSHAFT 1	8				UR BROWN
	3GM-11416-30	PLANE BEARING, CRANKSHAFT 1	8				UR GREEN
	3GM-11416-40	PLANE BEARING, CRANKSHAFT 1	8				UR YELLOW
4	4SV-11631-00	PISTON (STD)	4				
	4SV-11636-00	PISTON (0.50MM O/S)	4				AP
5	3GM-11610-00	PISTON RING SET (STD)	4				
	3GM-11610-20	PISTON RING SET (0.50MM O/S)	4				AP
6	4SV-11633-00	PIN, PISTON	4				
7	93450-19095	CIRCLIP	8				
8	3GM-11650-10	CONNECTING ROD ASSY	4				
9	12R-11654-00	•BOLT, CONNECTING ROD	2				
10	90179-08327	•NUT	2				
11	3GM-11656-00	PLANE BEARING, CONNECTING ROD	8				UR BLUE
	3GM-11656-10	PLANE BEARING, CONNECTING ROD	8				UR BLACK
	3GM-11656-20	PLANE BEARING, CONNECTING ROD	8				UR BROWN
	3GM-11656-30	PLANE BEARING, CONNECTING ROD	8				UR GREEN

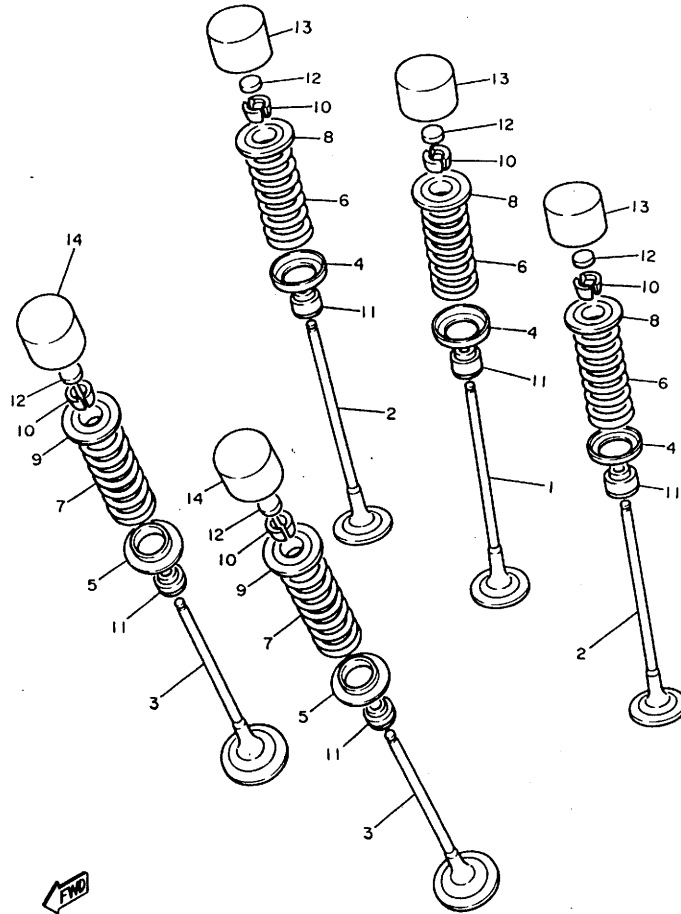
FIG. 4 VALVE



3LE332-9040

REF. NO.	PART NO.	DESCRIPTION	4WN2	REMARKS
1	3GM-12111-01	VALVE, INTAKE	4	
2	3GM-12112-01	VALVE, INTAKE 2	8	
3	4SV-12121-00	VALVE, EXHAUST	8	
4	3GM-12116-00	SEAT, VALVE SPRING	12	
5	3GM-12126-00	SEAT, VALVE SPRING 2	8	
6	3GM-12113-00	SPRING, VALVE INNER	12	
7	3GM-12114-00	SPRING, VALVE OUTER	8	
8	3GM-12117-00	RETAINER, VALVE SPRING	12	
9	1WG-12117-00	RETAINER, VALVE SPRING	8	
10	1WG-12118-00	COTTER, VALVE	40	
11	4SV-12119-00	SEAL, VALVE STEM	20	
12	1HX-12168-00	PAD, ADJUSTING 2 (1.20)	20	UR
	1HX-12168-20	PAD, ADJUSTING 2 (1.25)	20	UR
	1HX-12168-40	PAD, ADJUSTING 2 (1.30)	20	UR
	1HX-12168-60	PAD, ADJUSTING 2 (1.35)	20	UR
	1HX-12168-80	PAD, ADJUSTING 2 (1.40)	20	UR
	1HX-12168-A0	PAD, ADJUSTING 2 (1.45)	20	UR
	1HX-12168-F0	PAD, ADJUSTING 2 (1.50)	20	UR
	1HX-12168-H1	PAD, ADJUSTING 2 (1.55)	20	UR
	1HX-12168-K1	PAD, ADJUSTING 2 (1.60)	20	UR
	1HX-12168-M1	PAD, ADJUSTING 2 (1.65)	20	UR
	1HX-12168-R1	PAD, ADJUSTING 2 (1.70)	20	UR
	1HX-12168-U1	PAD, ADJUSTING 2 (1.75)	20	UR
	1HX-12168-W1	PAD, ADJUSTING 2 (1.80)	20	UR
	1HX-12168-Y1	PAD, ADJUSTING 2 (1.85)	20	UR
	1HX-12169-11	PAD, ADJUSTING 2 (1.90)	20	UR
	1HX-12169-31	PAD, ADJUSTING 2 (1.95)	20	UR

FIG. 4 VALVE

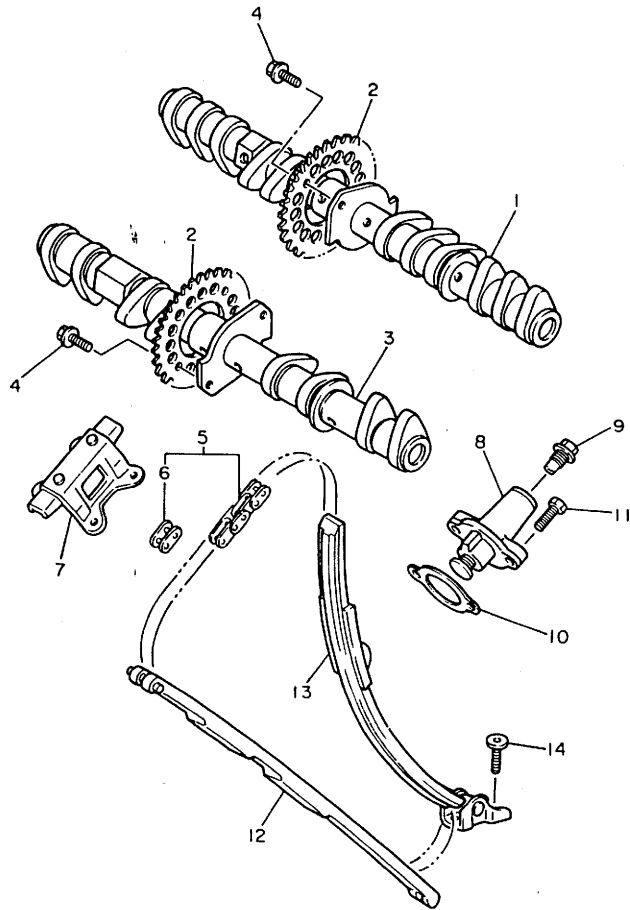


3LE332-9040

REF. NO.	PART NO.	DESCRIPTION	4WNZ				REMARKS
12	1HX-12169-50	PAD, ADJUSTING 2 (2.00)	20				UR
	1HX-12169-70	PAD, ADJUSTING 2 (2.05)	20				UR
	1HX-12169-90	PAD, ADJUSTING 2 (2.10)	20				UR
	1HX-12169-E0	PAD, ADJUSTING 2 (2.15)	20				UR
	1HX-12169-G0	PAD, ADJUSTING 2 (2.20)	20				UR
	1HX-12169-J0	PAD, ADJUSTING 2 (2.25)	20				UR
	1HX-12169-L0	PAD, ADJUSTING 2 (2.30)	20				UR
	1HX-12169-N0	PAD, ADJUSTING 2 (2.35)	20				UR
	1HX-12169-T0	PAD, ADJUSTING 2 (2.40)	20				UR
13	2NK-12153-02	LIFTER, VALVE	12				UR BLACK
	2NK-12153-09	LIFTER, VALVE (O/S)	12				UR WHITE
14	1WG-12153-21	LIFTER, VALVE	8				UR BLUE
	1WG-12153-09	LIFTER, VALVE (O/S)	8				UR WHITE

B6

FIG. 5 CAMSHAFT • CHAIN

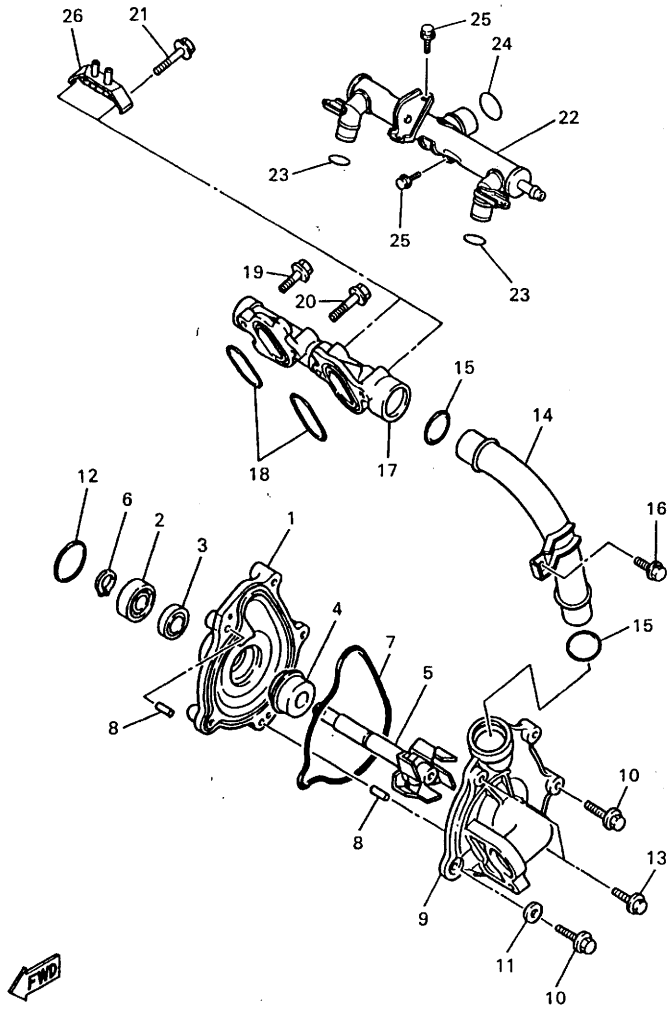


REF. NO.	PART NO.	DESCRIPTION	4WN2				REMARKS
1	4SV-12171-00	CAMSHAFT 1	1				
2	3GM-12176-00	SPROCKET, CAM CHAIN	2				
3	4SV-12181-00	CAMSHAFT 2	1				
4	90105-07342	BOLT, WASHER BASED	4				
5	9Y581-01107	CHAIN (DID219FS-108L)	1				
6	4SV-11498-00	•PIN, JOINT	1				
7	2GH-12241-00	GUIDE, STOPPER 2	1				
8	3GM-12210-00	TENSIONER ASSY, CAM CHAIN	1				
9	90109-112F1	BOLT	1				
10	4BE-12213-00	GASKET, TENSIONER CASE	1				
11	95027-06025	BOLT, FLANGE	2				
12	3GM-12251-00	DAMPER, CHAIN 1	1				
13	3GM-12252-01	DAMPER, CHAIN 2	1				
14	90109-065A8	BOLT	2				



3LE332-9050

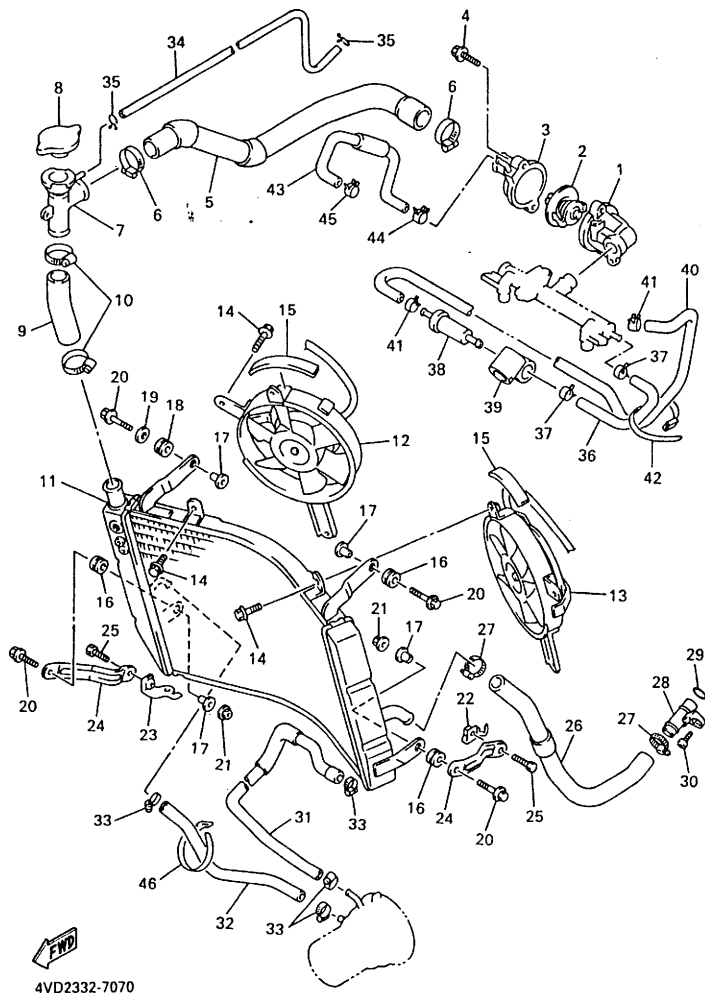
FIG. 6 WATER PUMP



4SV300-6060

REF. NO.	PART NO.	DESCRIPTION	4WN2					REMARKS
1	1UF-12421-01	HOUSING, WATER PUMP	1					
2	93306-00106	BEARING	1					
3	93101-12060	OIL SEAL	1					
4	11H-12438-00	SEAL, MECHANICAL	1					
5	1UF-12450-00	IMPELLER SHAFT ASSY	1					
6	99009-12400	CIRCLIP	1					
7	1AE-12439-00	O-RING	1					
8	93604-10011	PIN, DOWEL	2					
9	3GM-12422-00	COVER, HOUSING	1					
10	95027-06025	BOLT, FLANGE	3					
11	90430-06014	GASKET	1					
12	93210-33133	O-RING	1					
13	95027-06050	BOLT, FLANGE	2					
14	1AE-12481-01	PIPE 1	1					
15	93210-23787	O-RING	2					
16	95027-06012	BOLT, FLANGE	1					
17	3FV-12469-00	JOINT 1	1					
18	93210-30694	O-RING	2					
19	95027-06020	BOLT, FLANGE	1					
20	95027-06030	BOLT, FLANGE	1					
21	95027-06040	BOLT, FLANGE	2					
22	4SV-12482-00	PIPE 2	1					
23	93210-18417	O-RING	2					
24	93210-23787	O-RING	1					
25	95027-06010	BOLT, FLANGE	2					
26	2GH-14413-00	STAY	1					

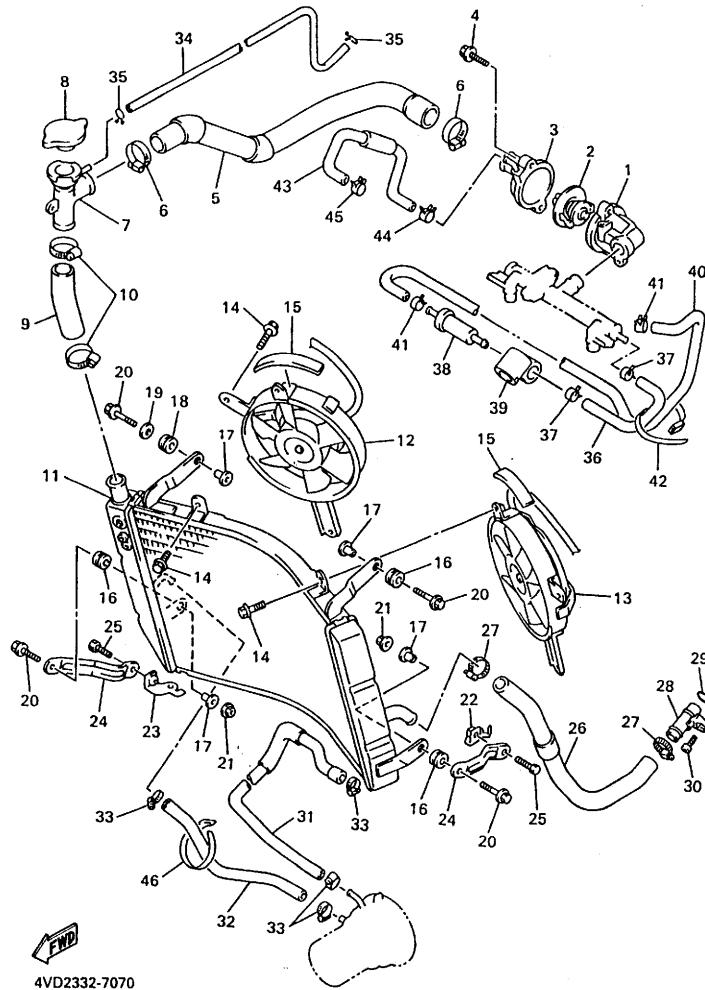
FIG. 7 RADIATOR • HOSE



4VD2332-7070

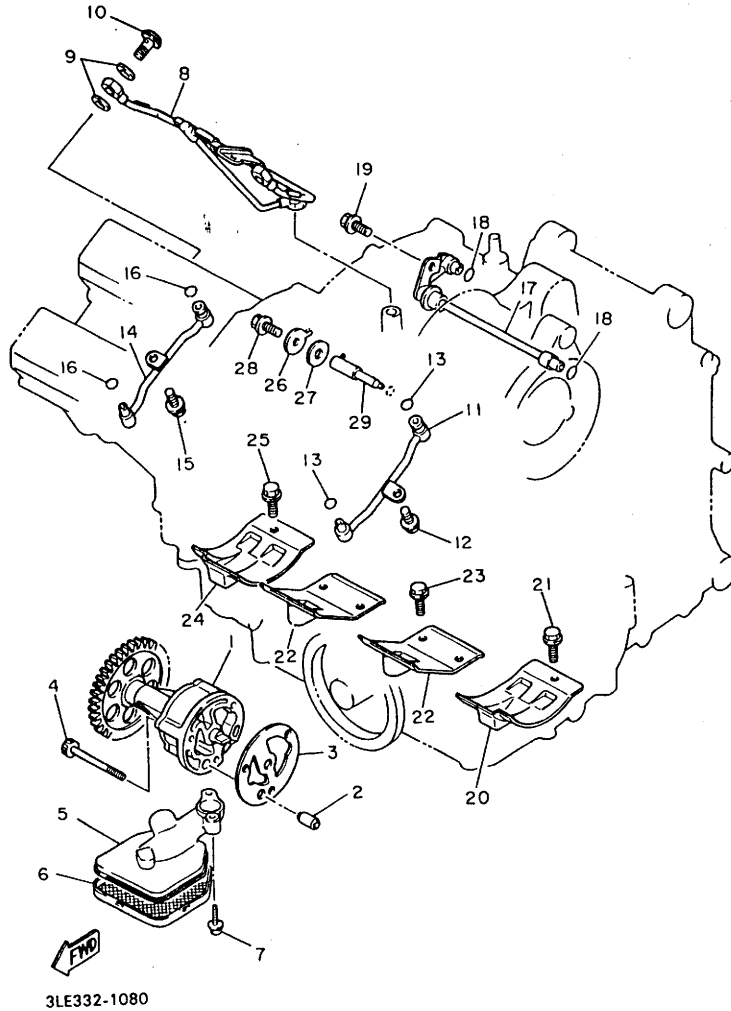
REF. NO.	PART NO.	DESCRIPTION	4WN2				REMARKS
1	3GM-12417-00	HOUSING, THERMOSTAT	1				
2	4FM-12410-00	THERMOSTAT ASSY	1				
3	3FV-1240G-00	THERMOSTAT COVER ASSY	1				
4	95027-06025	BOLT, FLANGE	2				
5	4SV-12576-00	HOSE 1	1				
6	90450-38040	HOSE CLAMP ASSY	2				
7	4SV-12591-00	SUPT, FILLER NECK	1				
8	4JH-12462-00	CAP, RADIATOR	1				
9	4SV-12577-00	HOSE 2	1				
10	90450-38040	HOSE CLAMP ASSY	2				
11	4SV-12461-01	RADIATOR ASSY	1				
12	4SV-12405-01	BLOWER ASSY	1				
13	4SV-12405-11	BLOWER ASSY	1				
14	95817-06010	BOLT, FLANGE	6				
15	2TV-21638-00	DAMPER 1	2				
16	90480-15363	GROMMET	3				
17	90387-07391	COLLAR	4				
18	90480-10542	GROMMET	1				
19	90201-06380	WASHER, PLATE	1				
20	95827-06025	BOLT, FLANGE	4				
21	95707-06500	NUT, FLANGE	2				
22	4SV-1244E-01	BRACKET 1	1				
23	4SV-1244F-00	BRACKET 1	1				
24	4SV-12464-00	STAY, RADIATOR	2				
25	97027-06012	BOLT	2				
26	4SV-12579-00	HOSE 4	1				
27	90450-38040	HOSE CLAMP ASSY	2				

FIG. 7 RADIATOR • HOSE



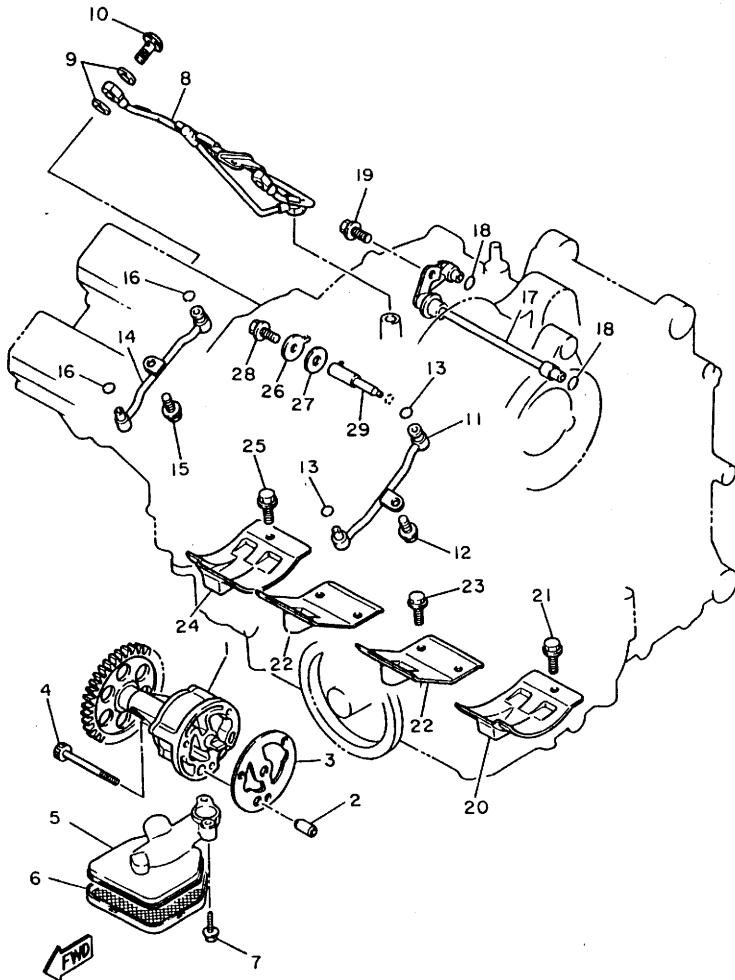
REF. NO.	PART NO.	DESCRIPTION	4WN2					REMARKS
28	2GH-12484-00	PIPE 4	1					
29	93210-23787	O-RING	1					
30	90110-06142	BOLT, HEXAGON SOCKET HEAD	1					
31	4SV-12588-00	HOSE 5	1					
32	4SV-12589-00	HOSE 6	1					
33	90450-22017	HOSE CLAMP ASSY	4					
34	90445-083J9	HOSE	1					
35	90467-08075	CLIP	2					
36	4SV-12551-00	HOSE 7	1					
37	90467-12053	CLIP	2					
38	4SV-1240G-00	THERMOSTAT ASSY	1					
39	4TV-12572-00	ADAPTER	1					
40	4SV-12552-00	HOSE 8	1					
41	90467-12053	CLIP	2					
42	90464-13077	CLAMP	1					
43	4SV-1243E-00	HOSE 2	1					
44	90467-10035	CLIP	1					
45	90467-09037	CLIP	1					
46	366-82591-00	BAND	1					

FIG. 8 OIL PUMP



REF. NO.	PART NO.	DESCRIPTION	4WN2				REMARKS
1	4SV-13300-00	OIL PUMP ASSY	1				
2	99530-08012	PIN, DOWEL	1				
3	2GH-13329-00	GASKET, PUMP COVER	1				
4	91317-06050	BOLT	3				
5	3GM-13412-50	HOUSING, STRAINER	1				
6	3GM-13411-00	STRAINER, OIL	1				
7	95027-06030	BOLT, FLANGE	2				
8	3GM-13171-00	PIPE, DELIVERY 2	1				
9	90430-10188	GASKET	6				
10	90401-10139	BOLT, UNION	3				
11	3GM-13181-00	PIPE, DELIVERY 3	1				
12	95027-06012	BOLT, FLANGE	1				
13	93210-06422	O-RING	2				
14	3GM-13191-00	PIPE, DELIVERY 4	1				
15	95027-06012	BOLT, FLANGE	1				
16	93210-06422	O-RING	2				
17	2GH-1316E-01	PIPE, DELEVERY 5	1				
18	93210-07135	O-RING	2				
19	95027-06012	BOLT, FLANGE	1				
20	2GH-15123-00	PLATE, BUFFLE 1	1				
21	95027-06012	BOLT, FLANGE	2				
22	1AE-15124-00	PLATE, BUFFLE 2	2				
23	95027-06012	BOLT, FLANGE	6				
24	2GH-15133-00	PLATE, BUFFLE 3	1				
25	95027-06012	BOLT, FLANGE	2				
26	90201-061M7	WASHER, PLATE	1				
27	4FM-13475-00	GASKET	1				

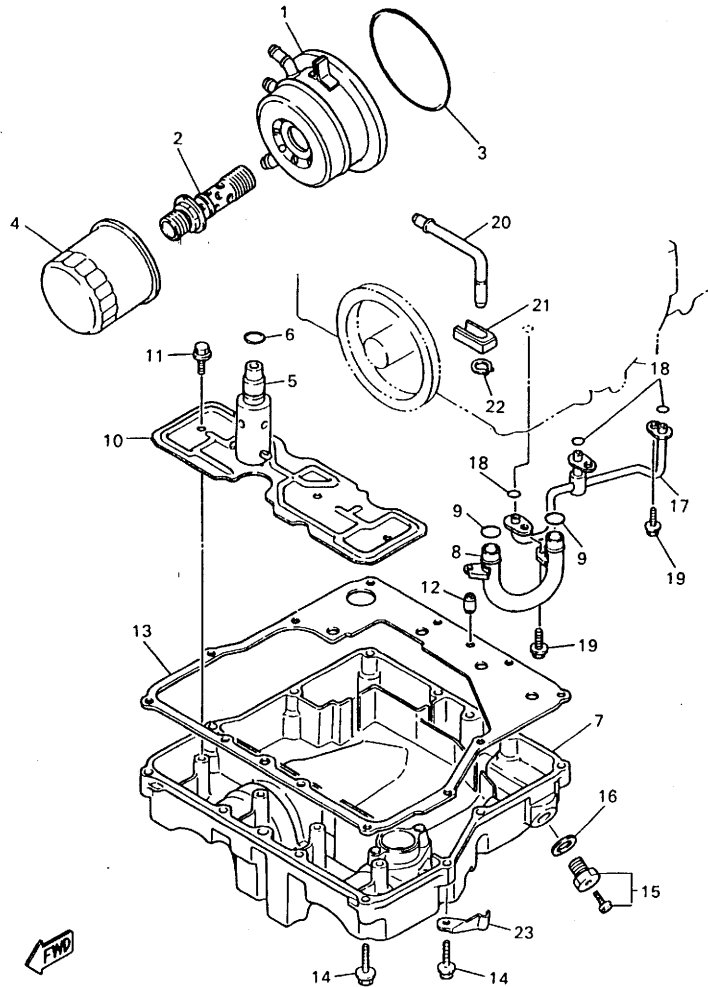
FIG. 8 OIL PUMP



3LE332-1080

REF. NO.	PART NO.	DESCRIPTION	4W1Z					REMARKS
28	95827-06016	BOLT, FLANGE	1					
29	3GM-13454-00	NOZZLE	1					

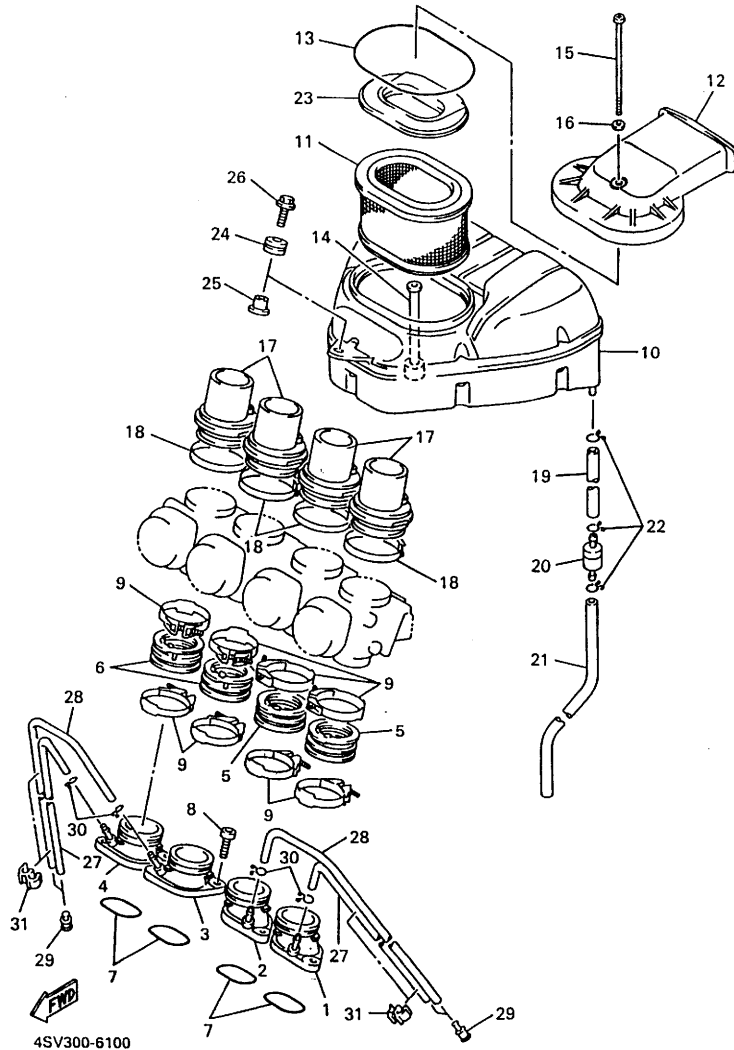
FIG. 9 OIL CLEANER



4LE110-4090

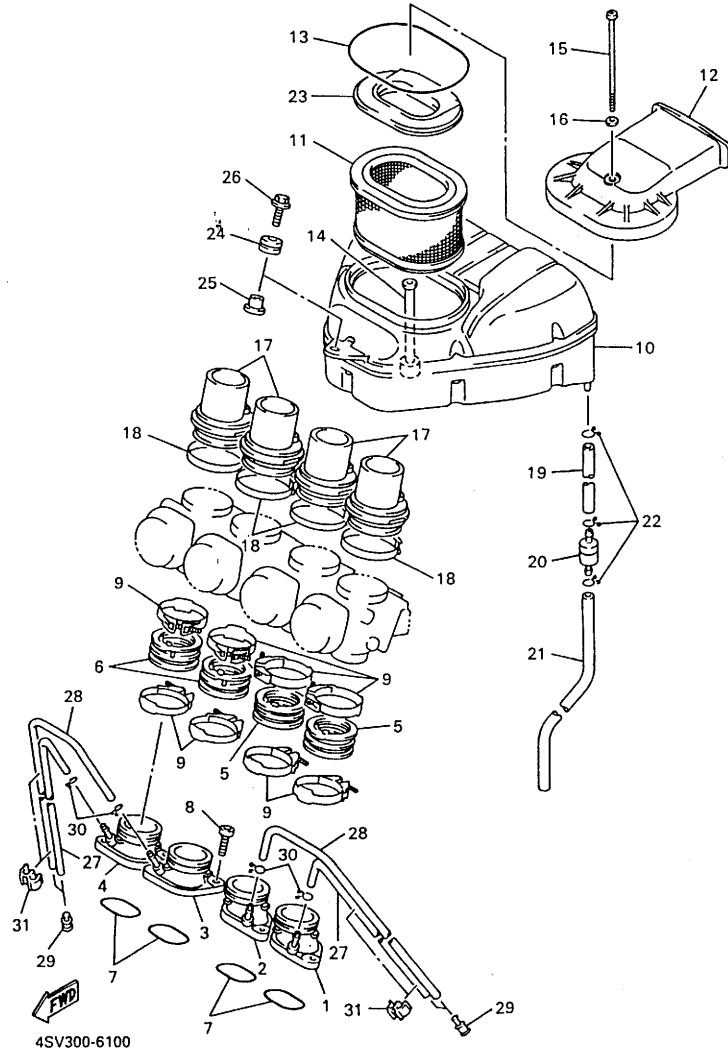
REF. NO.	PART NO.	DESCRIPTION	4WN2				REMARKS
1	4FM-13470-10	OIL COOLER ASSY	1				
2	90401-20161	BOLT, UNION	1				
3	93210-87723	O-RING	1				
4	3FV-13440-00	ELEMENT ASSY, OIL CLEANER	1				
5	3KS-13490-00	RELIEF VALVE ASSY	1				
6	93210-15566	O-RING	1				
7	4FM-13417-00	COVER, STRAINER	1				
8	3FV-13416-01	PIPE, OIL 1	1				
9	93210-14579	O-RING	2				
10	3GM-13337-00	PLATE, BAFFLE LOWER	1				
11	95027-06010	BOLT, FLANGE	4				
12	99530-08016	PIN, DOWEL	2				
13	4FM-13414-00	GASKET, STRAINER COVER	1				
14	95027-06030	BOLT, FLANGE	12				
15	90340-14132	PLUG, STRAIGHT SCREW	1				
16	214-11198-01	GASKET	1				
17	3GM-13161-01	PIPE, DELIVERY 1	1				
18	93210-06714	O-RING	3				
19	95027-06012	BOLT, FLANGE	3				
20	3GM-15373-00	PIPE, BREATHER	1				
21	3GM-13174-00	HOLDER, OIL PIPE	1				
22	99009-10400	CIRCLIP	1				
23	90465-08076	CLAMP	1				

FIG. 10 INTAKE



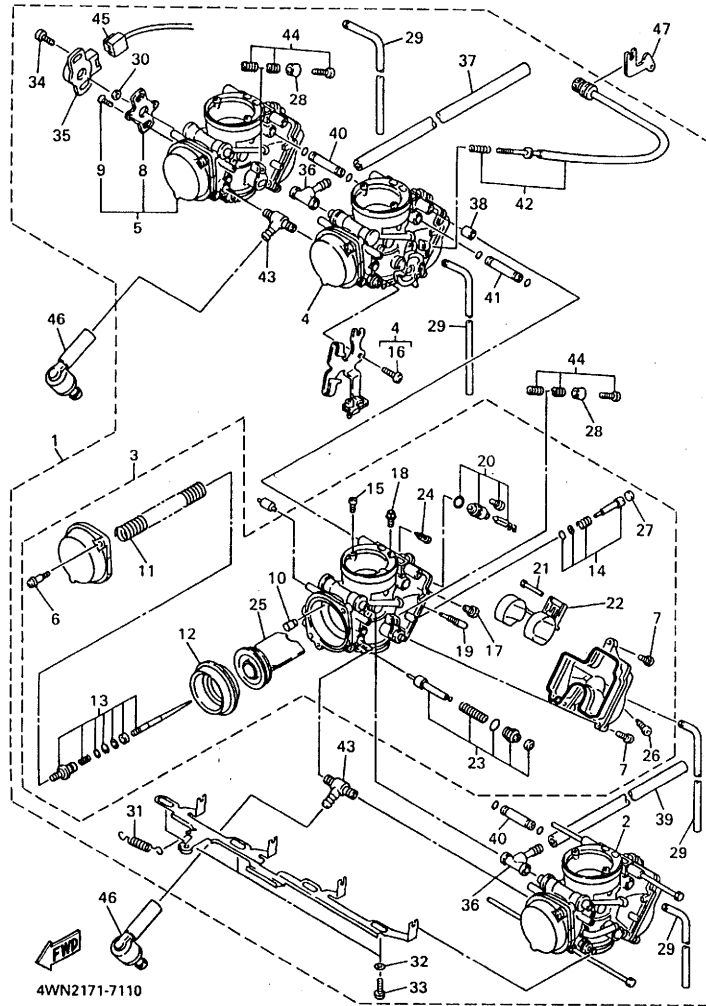
REF. NO.	PART NO.	DESCRIPTION	4VWZ				REMARKS
1	4SV-13586-00	JOINT, CARBURETOR 1	1				
2	4SV-13586-10	JOINT, CARBURETOR 1	1				
3	4SV-13596-10	JOINT, CARBURETOR 2	1				
4	4SV-13596-00	JOINT, CARBURETOR 2	1				
5	3GM-13597-00	JOINT, CARBURETOR 3	2				
6	3GM-13598-00	JOINT, CARBURETOR 4	2				
7	93210-44545	O-RING	4				
8	91317-06020	BOLT	8				
9	90450-57044	HOSE CLAMP ASSY	8				
10	4SV-14401-00	AIR CLEANER CASE ASSY	1				
11	3GM-14451-00	ELEMENT, AIR CLEANER	1				
12	4SV-14422-00	CAP, CLEANER CASE 2	1				
13	3GM-14452-00	SEAL	1				
14	3GM-14443-00	COLLAR	1				
15	98517-06140	SCREW, PAN HEAD	1				
16	92907-06600	WASHER, PLATE	1				
17	4SV-14453-00	JOINT, AIR CLEANER 1	4				
18	90450-75083	HOSE CLAMP ASSY	4				
19	90445-11452	HOSE	1				
20	4X7-2149Y-00	FILTER ASSY	1				
21	90445-114E2	HOSE	1				
22	90467-10041	CLIP	3				
23	3GM-14432-00	SILENCER, INNER	1				
24	90480-12314	GROMMET	1				
25	90387-065J6	COLLAR	1				
26	95817-06020	BOLT, FLANGE	1				
27	90445-09496	HOSE	2				

FIG. 10 INTAKE



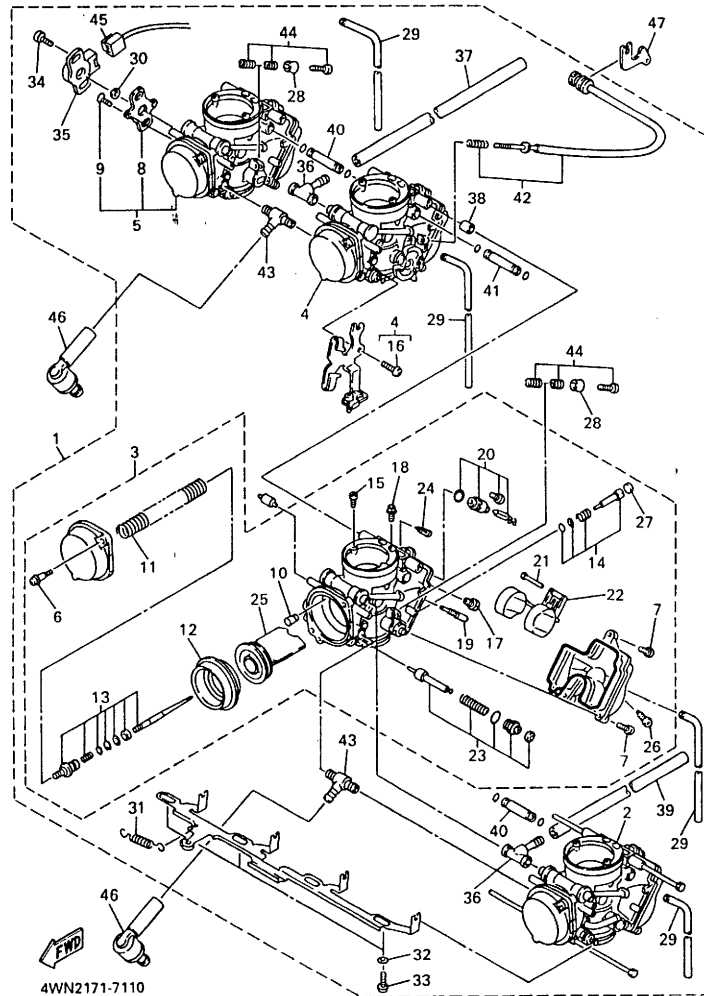
REF. NO.	PART NO.	DESCRIPTION	4WN2					REMARKS
28	90445-090E5	HOSE	2					
29	90338-05240	PLUG	4					
30	90467-08017	CLIP	4					
31	90468-15139	CLIP	4					

FIG. 11 CARBURETOR



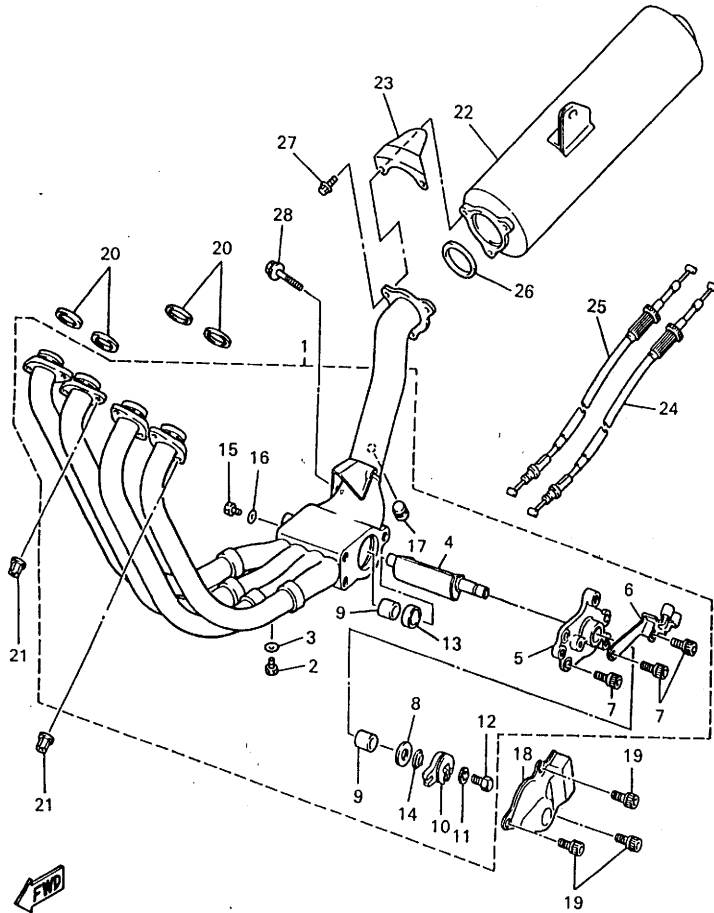
REF. NO.	PART NO.	DESCRIPTION	4WN2				REMARKS
1	4YW-14900-00	CARBURETOR ASSY	1				
2	4YW-14901-00	..CARBURETOR ASSY 1	1				
3	4YW-14902-00	..CARBURETOR ASSY 2	1				
4	4YW-14903-00	..CARBURETOR ASSY 3	1				
5	4YW-14904-00	..CARBURETOR ASSY 4	1				
6	4KM-14216-00	..SCREW	2				
7	98507-05012	..SCREW, PAN HEAD	3				
8	4KG-14995-00	..BRACKET	1				
9	98707-04008	..SCREW, FLAT HEAD	2				
10	4SV-14968-00	..CAP	1				
11	4SV-14933-00	..SPRING, DIAPHRAGM	1				
12	4SV-24411-00	..DIAPHRAGM	1				
13	4YW-1490J-00	..NEEDLE SET	1				
14	4SV-14105-00	..PILOT SCREW SET	1				
15	98507-04014	..SCREW, PAN HEAD	2				
16	98507-05010	..SCREW, PAN HEAD	1				
17	3G2-1423A-76	..JET, MAIN (#127.5)	1				UR #1,#4
	3G2-14231-25	..JET, MAIN (#125)	1				UR #2,#3
18	8CC-1423A-75	..JET, MAIN (#122.5)	1				
19	4KM-14142-17	..JET, PILOT (# 17.5)	1				
20	4SV-14107-15	..NEEDLE VALVE SET	1				
21	620-14186-00	..PIN, FLOAT	1				
22	4SV-14985-00	..FLOAT	1				
23	4SV-1410A-00	..STARTER SET	1				
24	1KT-14994-00	..NET, FILTER	1				
25	4SV-14112-00	..VALVE, THROTTLE 1	1				
26	4KP-14191-00	..PLUG, DRAIN	1				

FIG. 11 CARBURETOR



REF. NO.	PART NO.	DESCRIPTION	4WN2				REMARKS
27	3F9-14118-00	•CAP	1				
28	4SV-14261-00	•HOLDER	2				
29	3LK-14987-00	•HOSE	4				
30	4KG-14285-00	•WASHER	1				
31	4SV-14935-00	•SPRING	1				
32	4NK-14327-00	•PACKING	3				
33	4SV-24453-00	•SCREW	3				
34	4KM-24453-00	•SCREW	2				
35	4SV-85885-00	•THROTTLE SENSOR ASSY	1				
36	4SV-14987-00	•HOSE	2				
37	4SV-14987-20	•HOSE	1				
38	4SV-14996-30	•PIPE	1				
39	4SV-14987-30	•HOSE	1				
40	4SV-14996-40	•PIPE	2				
41	4SV-14996-50	•PIPE	1				
42	4SV-14103-00	•THROTTLE SCREW SET	1				
43	4SV-14987-10	•HOSE	2				
44	3EN-1490K-00	•STOP SCREW SET	3				
45	4HD-14188-00	•CONNECTOR	1				
46	4SV-14197-00	PIPE	2				
47	4FN-14413-00	STAY	1				

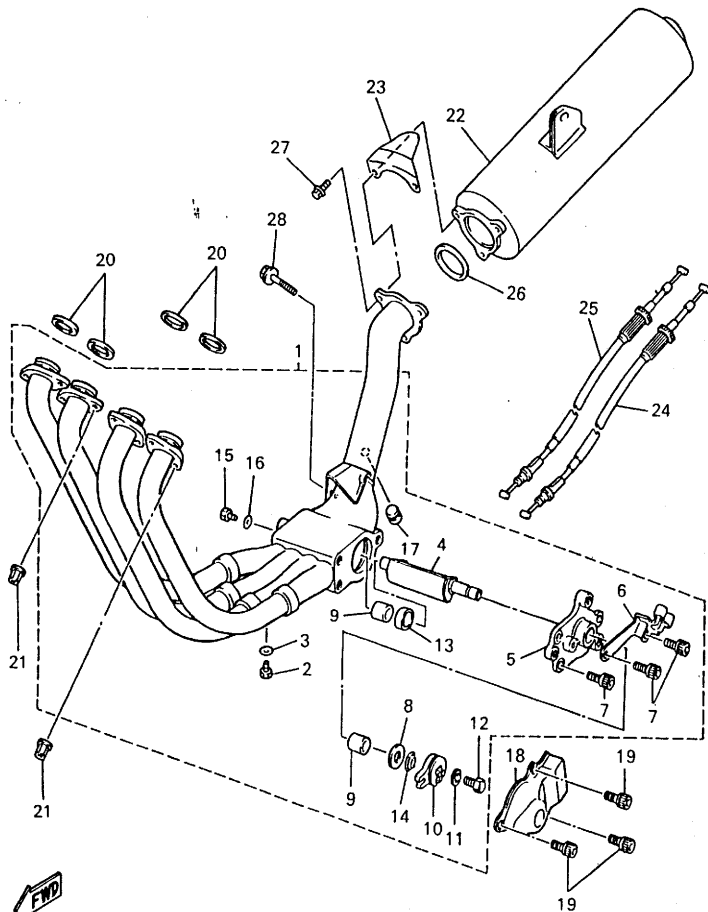
FIG. 12 EXHAUST



4VD2332-7120

REF. NO.	PART NO.	DESCRIPTION	4WN2					REMARKS
1	4SV-14610-00	EXHAUST PIPE ASSY 1	1					
2	97080-06008	•BOLT	4					
3	92990-06600	•WASHER, PLATE	4					
4	4SV-14821-00	•ARM, SHAFT (VALVE)	1					
5	3GM-14811-00	•HOUSING	1					
6	2TK-14867-01	•BRACKET	1					
7	90119-06115	•BOLT, WITH WASHER	3					
8	90201-106M5	•WASHER, PLATE	1					
9	4SV-14638-00	•COLLAR	2					
10	2TK-14865-01	•PULLEY	1					
11	90201-050T4	•WASHER, PLATE	1					
12	97080-05012	•BOLT	1					
13	90387-106U7	•COLLAR	1					
14	3GM-14683-00	•SPRING, HOOK	1					
15	91380-04006	•BOLT	2					
16	92990-04600	•WASHER, PLATE	2					
17	4FM-24181-00	•DAMPER, LOCATING 1	1					
18	4HD-14826-00	PROTECTOR, EXHAUST	1					
19	90119-06187	BOLT, WITH WASHER	3					
20	3YF-14613-01	GASKET, EXHAUST PIPE	4					
21	90179-08410	NUT	8					
22	4YW-14711-00	MUFFLER 1	1					
23	4SV-14718-00	PROTECTOR, MUFFLER 1	1					
24	4FM-1133E-00	CABLE, PULLEY 1	1					
25	4FM-1133F-00	CABLE, PULLEY 2	1					
26	4SV-14714-00	GASKET, MUFFLER	1					
27	95824-08020	BOLT, FLANGE	3					

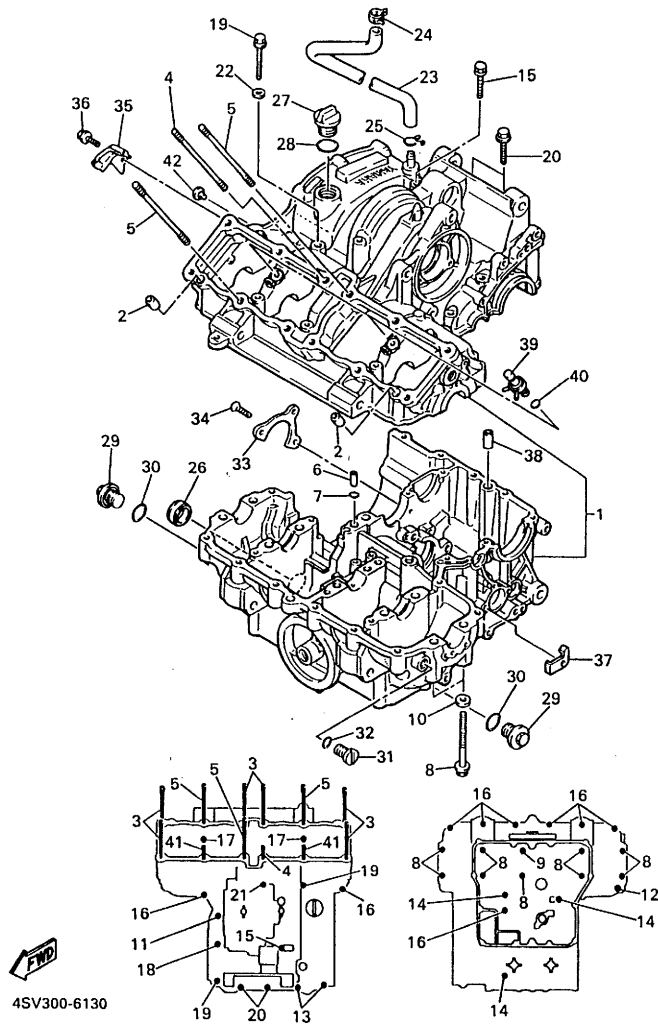
FIG. 12 EXHAUST



REF. NO.	PART NO.	DESCRIPTION	4WN2				REMARKS
28	95814-08035	BOLT, FLANGE	1				

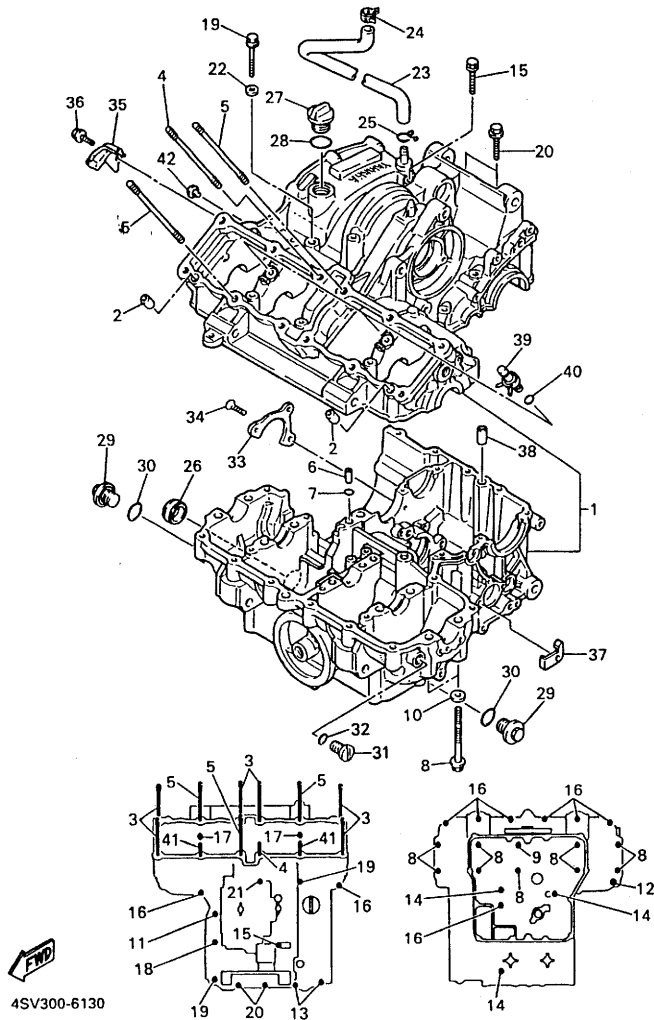
4VD2332-7120

FIG. 13 CRANKCASE



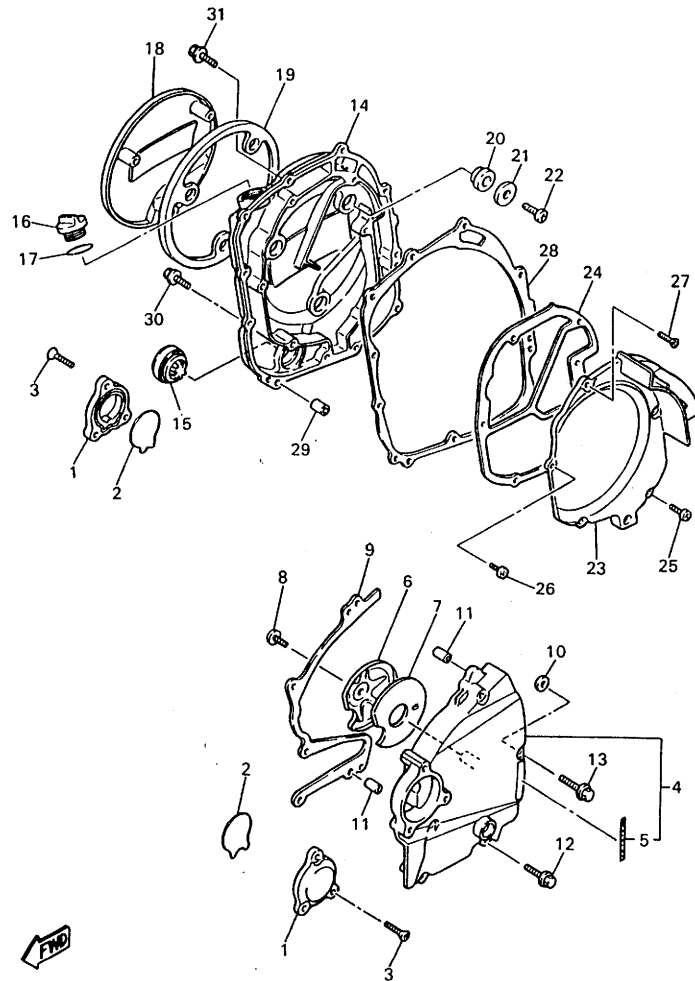
REF. NO.	PART NO.	DESCRIPTION	4WN2				REMARKS
1	4SV-15100-01	CRANKCASE ASSY	1				
2	99530-10114	PIN, DOWEL	2				
3	90116-10532	BOLT, STUD	6				
4	90116-10531	BOLT, STUD	1				
5	90116-10576	BOLT, STUD	3				
6	90387-05383	COLLAR	1				
7	93210-07135	O-RING	1				
8	90105-09373	BOLT, WASHER BASED	9				
9	90105-09580	BOLT, WASHER BASED	1				
10	90201-096J9	WASHER, PLATE	4				
11	95817-06035	BOLT, FLANGE	1				
12	95817-08045	BOLT, FLANGE	1				
13	95817-06060	BOLT, FLANGE	2				
14	95817-06080	BOLT, FLANGE	3				
15	95817-06140	BOLT, FLANGE	1				
16	95817-08045	BOLT, FLANGE	9				
17	95817-08055	BOLT, FLANGE	2				
18	95817-08065	BOLT, FLANGE	1				
19	95817-08090	BOLT, FLANGE	2				
20	95817-08060	BOLT, FLANGE	2				
21	90105-09555	BOLT, WASHER BASED	1				
22	90201-08087	WASHER, PLATE	1				
23	3FV-11166-00	PIPE, BREATHER 1	1				
24	90467-15054	CLIP	1				
25	90467-14015	CLIP	1				
26	90338-30096	PLUG	1				
27	3FV-15363-00	PLUG, OIL	1				

FIG. 13 CRANKCASE



REF. NO.	PART NO.	DESCRIPTION	4WN2				REMARKS
28	93210-27194	O-RING	1				
29	4H7-15189-00	PLUG	2				
30	93210-20573	O-RING	2				
31	90340-14068	PLUG, STRAIGHT SCREW	1				
32	93210-14369	O-RING	1				
33	1AE-15383-00	PLATE, BEARING COVER	1				
34	90151-06014	SCREW, COUNTERSUNK	3				
35	90462-08184	CLAMP	1				
36	95027-06012	BOLT, FLANGE	1				
37	90462-08158	CLAMP	1				
38	99530-12016	PIN, DOWEL	1				
39	2TK-15105-00	NOZZLE ASSY	2				
40	93210-06422	O-RING	2				
41	90116-10569	BOLT, STUD	2				
42	4SV-15385-00	PLUG, BLIND	1				

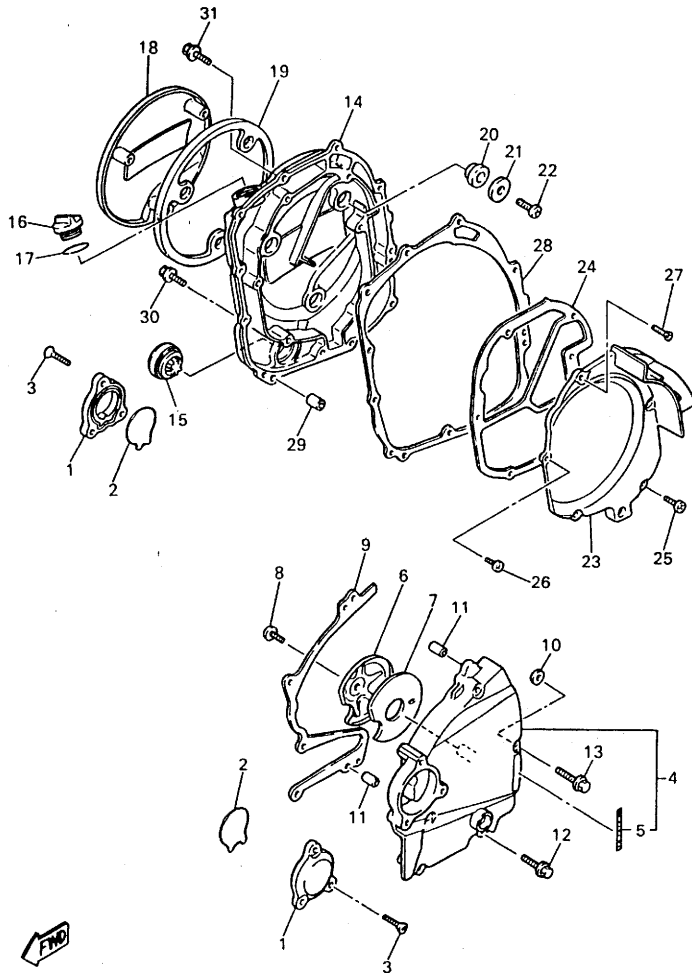
FIG. 14 CRANKCASE COVER 1



4HD300-3140

REF. NO.	PART NO.	DESCRIPTION	4WN2				REMARKS
1	3GM-15416-00	COVER, OIL PUMP	2				
2	1AE-15456-00	GASKET, OIL PUMP COVER 1	2				
3	90152-06014	SCREW, COUNTERSUNK	6				
4	3GM-15410-01	CRANKCASE COVER ASSY 1	1				
5	2GH-15435-00	-EMBLEM	1				
6	3GM-15427-00	COVER, CAP 2	1				
7	1AE-15316-00	DAMPER, ENGINE MOUNT 1	1				
8	92017-06010	BOLT, BUTTON HEAD	1				
9	4FM-15451-00	GASKET, CRANKCASE COVER 1	1				
10	4FM-15467-00	GASKET	1				
11	99530-08012	PIN, DOWEL	2				
12	95024-06040	BOLT, FLANGE	3				
13	95024-06050	BOLT, FLANGE	2				
14	4FM-15421-01	COVER, CRANKCASE 2	1				
15	3Y1-15361-00	GAUGE, LEVEL	1				
16	4FM-15362-00	PLUG, OIL LEVEL	1				
17	93210-27194	O-RING	1				
18	3GM-15417-00	COVER, CAP	1				
19	3GM-15449-00	RING, RUBBER	1				
20	4H7-15486-00	GROMMET	3				
21	90209-06096	WASHER	3				
22	98507-06010	SCREW, PAN HEAD	3				
23	4SV-15346-00	BREATHER 1	1				
24	4FM-15463-00	GASKET, CARBURETOR COVER 2	1				
25	98507-06020	SCREW, PAN HEAD	4				
26	90157-06104	SCREW, PAN HEAD	1				
27	90152-06024	SCREW, COUNTERSUNK	1				

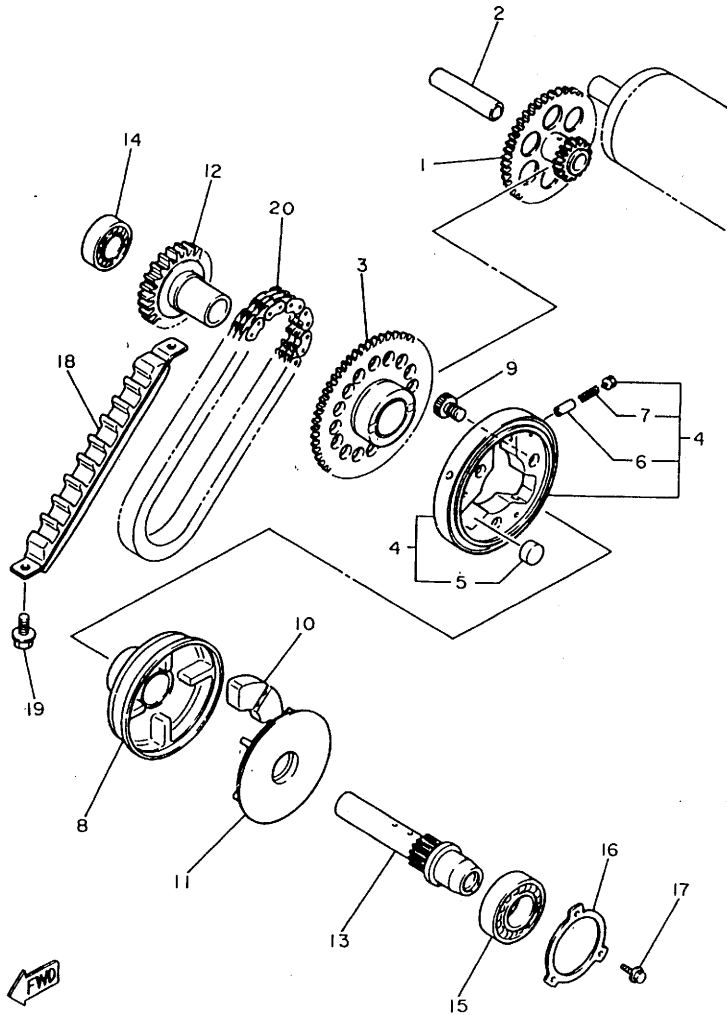
FIG. 14 CRANKCASE COVER 1



4HD300-3140

REF. NO.	PART NO.	DESCRIPTION	4WN2					REMARKS
28	4FM-15461-00	GASKET, CRANKCASE COVER 2	1					
29	99530-08012	PIN, DOWEL	2					
30	95024-06030	BOLT, FLANGE	2					
31	95024-06020	BOLT, FLANGE	9					

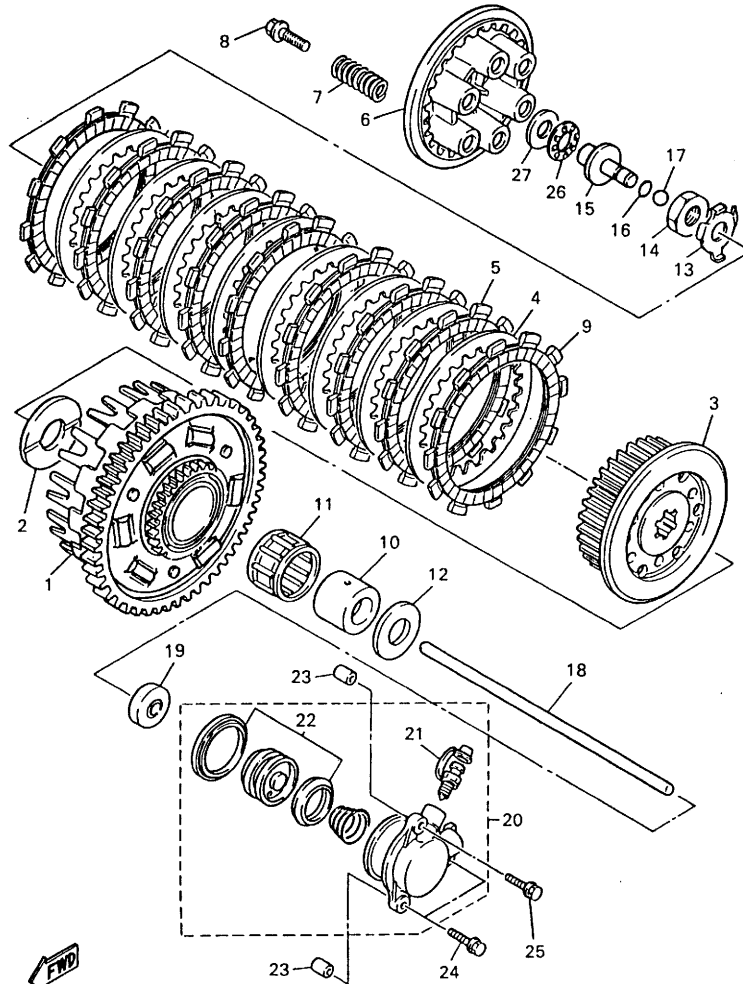
FIG. 15 STARTER



3KS351-9150

REF. NO.	PART NO.	DESCRIPTION	4WN2					REMARKS
1	3GM-15512-01	GEAR, IDLER 1	1					
2	51Y-15521-00	SHAFT 1	1					
3	4BH-15517-00	GEAR, IDLER 2	1					
4	3GM-15580-00	STARTER CLUTCH OUTER ASSY	1					
5	93615-12088	•PIN, DOWEL	3					
6	1J7-15583-01	•CAP, STARTER CLUTCH SPRING	3					
7	90501-04623	•SPRING, COMPRESSION	3					
8	3GM-15524-00	WHEEL, STARTER	1					
9	90110-08177	BOLT, HEXAGON SOCKET HEAD	3					
10	4H7-16155-01	ABSORBER 1	4					
11	3GM-15689-00	RETAINER	1					
12	3GM-15519-00	SPROCKET, STARTER 2	1					
13	3GM-15522-00	SHAFT 2	1					
14	93306-20321	BEARING	1					
15	93306-20501	BEARING (B6205)	1					
16	1AE-15381-00	PLATE, BEARING COVER	1					
17	95027-06016	BOLT, FLANGE	3					
18	4SV-11474-01	GUIDE, UPPER	1					
19	95817-06014	BOLT, FLANGE	2					
20	4SV-11456-00	CHAIN, PRIMARY	1					

FIG. 16 CLUTCH

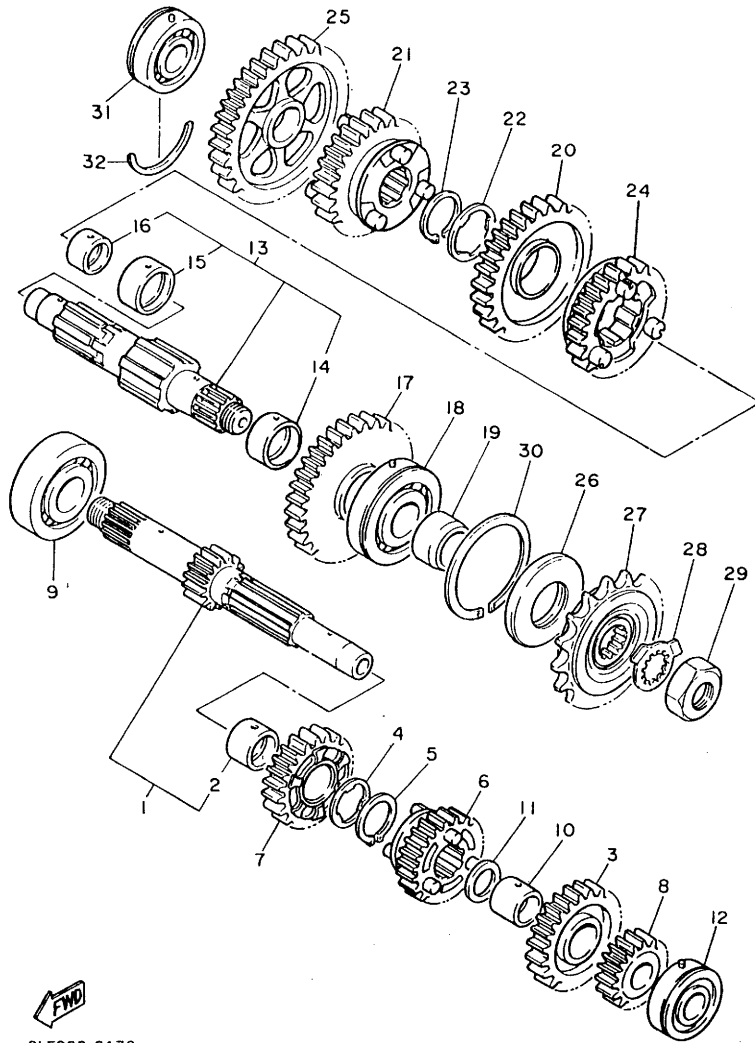


4SV300-6160



REF. NO.	PART NO.	DESCRIPTION	4WN2					REMARKS
1	4SV-16150-01	PRIMARY DRIVEN GEAR COMP.	1					
2	1AE-16154-00	PLATE, THRUST 1	1					
3	4SV-16371-00	BOSS, CLUTCH	1					
4	31A-16325-00	PLATE, CLUTCH 2	8					
5	4H7-16321-02	PLATE, FRICTION	8					
6	3GM-16351-00	PLATE, PRESSURE 1	1					
7	90501-230E4	SPRING, COMPRESSION	6					
8	90159-06123	SCREW, WITH WASHER	6					
9	3GM-16321-00	PLATE, FRICTION	1					
10	90560-25270	SPACER	1					
11	93310-340N8	BEARING	1					
12	1AE-16164-00	PLATE, THRUST 2	1					
13	90215-20170	WASHER, LOCK	1					
14	90170-20257	NUT	1					
15	3GM-16356-00	ROD, PUSH 1	1					
16	93210-06632	O-RING	1					
17	93511-32017	BALL	1					
18	1AE-16357-00	ROD, PUSH 2	1					
19	93109-08061	OIL SEAL	1					
20	1TV-16381-12	PUSH LEVER COMP.	1					
21	36Y-W0048-00	•BLEED SCREW KIT	1					
22	26H-W0098-00	•PUSH LEVER SEAL KIT	1					
23	99530-08012	PIN, DOWEL	2					
24	95027-06030	BOLT, FLANGE	2					
25	95027-06090	BOLT, FLANGE	1					
26	93340-21505	BEARING	1					
27	90201-150U6	WASHER, PLATE	1					

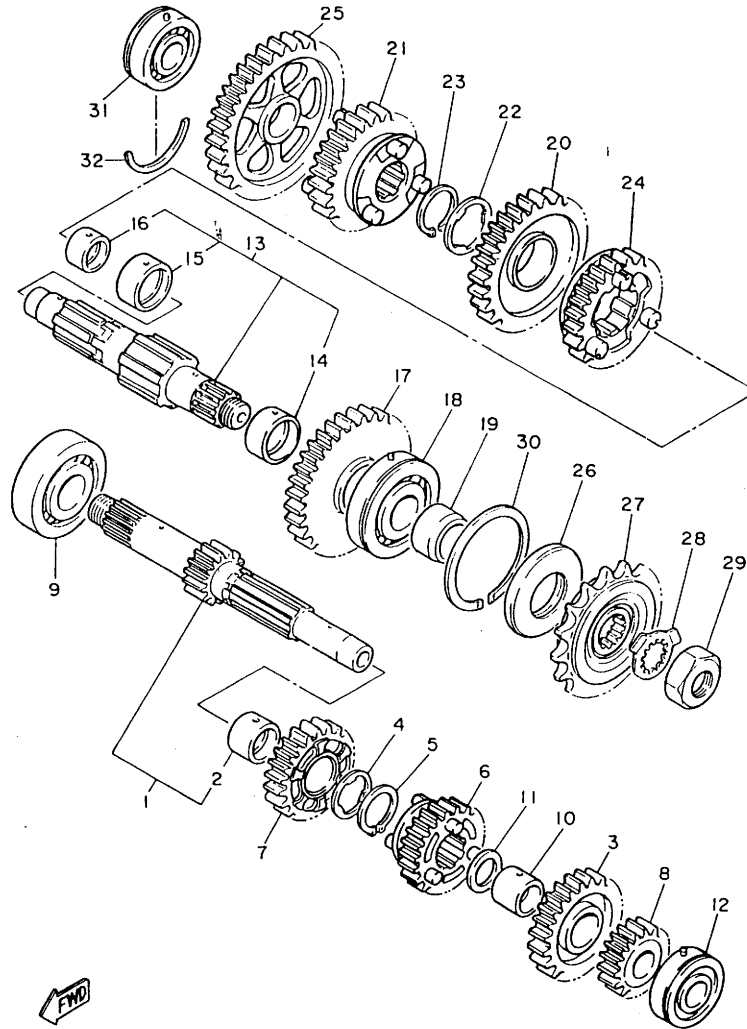
FIG. 17 TRANSMISSION



3LE332-9170

REF. NO.	PART NO.	DESCRIPTION	4WN2				REMARKS
1	3LE-W1741-00	MAIN AXLE ASSY	1				
2	90387-253M6	•COLLAR	1				
3	2GH-17151-00	GEAR, 5TH PINION (27T)	1				
4	90209-22191	WASHER	1				
5	93440-25084	CIRCLIP	1				
6	2GH-17131-02	GEAR, 3RD PINION	1				
7	2GH-17141-00	GEAR, 4TH PINION (23T)	1				
8	2GH-17121-00	GEAR, 2ND PINION (18T)	1				
9	93306-30525	BEARING (B6305)	1				
10	90387-203M7	COLLAR	1				
11	90201-200K3	WASHER, PLATE	1				
12	93306-20455	BEARING	1				
13	4SV-W1742-00	DRIVE AXLE ASSY	1				
14	90387-2707Y	•COLLAR	1				
15	90387-281T8	•COLLAR	1				
16	90387-211T9	•COLLAR	1				
17	3GM-17221-00	GEAR, 2ND WHEEL (32T)	1				
18	93305-30501	BEARING	1				
19	90387-255V9	COLLAR	1				
20	3GM-17231-01	GEAR, 3RD WHEEL	1				
21	3GM-17241-01	GEAR, 4TH WHEEL	1				
22	90209-25196	WASHER	1				
23	93440-28062	CIRCLIP	1				
24	3GM-17251-01	GEAR, 5TH WHEEL	1				
25	2GH-17211-02	GEAR, 1ST WHEEL	1				
26	93102-35423	OIL SEAL	1				
27	2GH-17460-11	SPROCKET,DRIVE 17T(2GH1746170)	1				

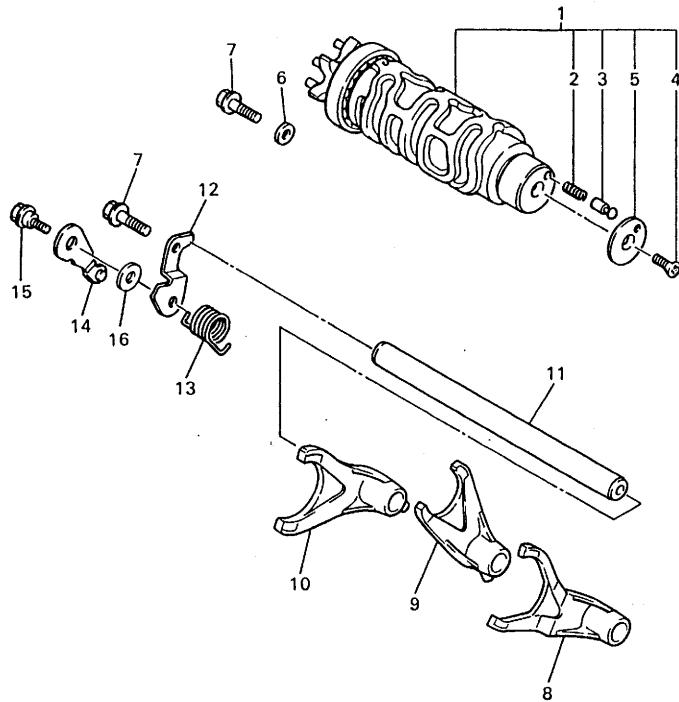
FIG. 17 TRANSMISSION



3LE332-9170

REF. NO.	PART NO.	DESCRIPTION	4WN2					REMARKS
28	90215-21290	WASHER, LOCK	1					
29	90179-18667	NUT	1					
30	278-17424-01	CIRCLIP 1	1					
31	93306-20455	BEARING	1					
32	93440-45144	CIRCLIP	1					

FIG. 18 SHIFT CAM • FORK

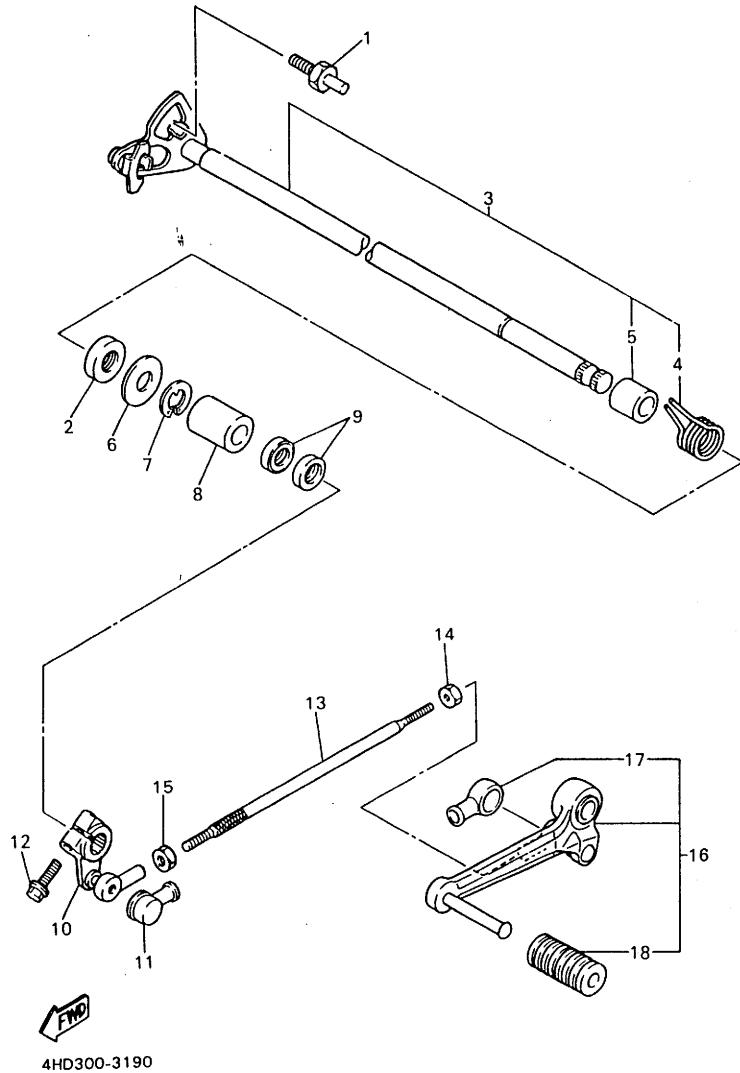


REF. NO.	PART NO.	DESCRIPTION	4WN2					REMARKS
1	4SV-18540-01	SHIFT CAM ASSY	1					
2	90501-06022	•SPRING, COMPRESSION	1					
3	278-18542-00	•POINT, NEUTRAL	1					
4	98707-05012	•SCREW, FLAT HEAD	1					
5	278-18566-00	•PLATE, SIDE 2	1					
6	90201-060K5	WASHER, PLATE	1					
7	95827-06016	BOLT, FLANGE	2					
8	3LE-18511-00	FORK, SHIFT 1	1					
9	3LE-18512-00	FORK, SHIFT 2	1					
10	3LE-18513-00	FORK, SHIFT 3	1					
11	4SV-18531-00	BAR, SHIFT FORK GUIDE 1	1					
12	1AE-18536-00	STOPPER, SHIFT BAR	1					
13	90508-232B1	SPRING, TORSION	1					
14	4SV-18140-00	STOPPER LEVER ASSY	1					
15	90105-06557	BOLT, WASHER BASED	1					
16	4NX-18175-00	SPACER	1					



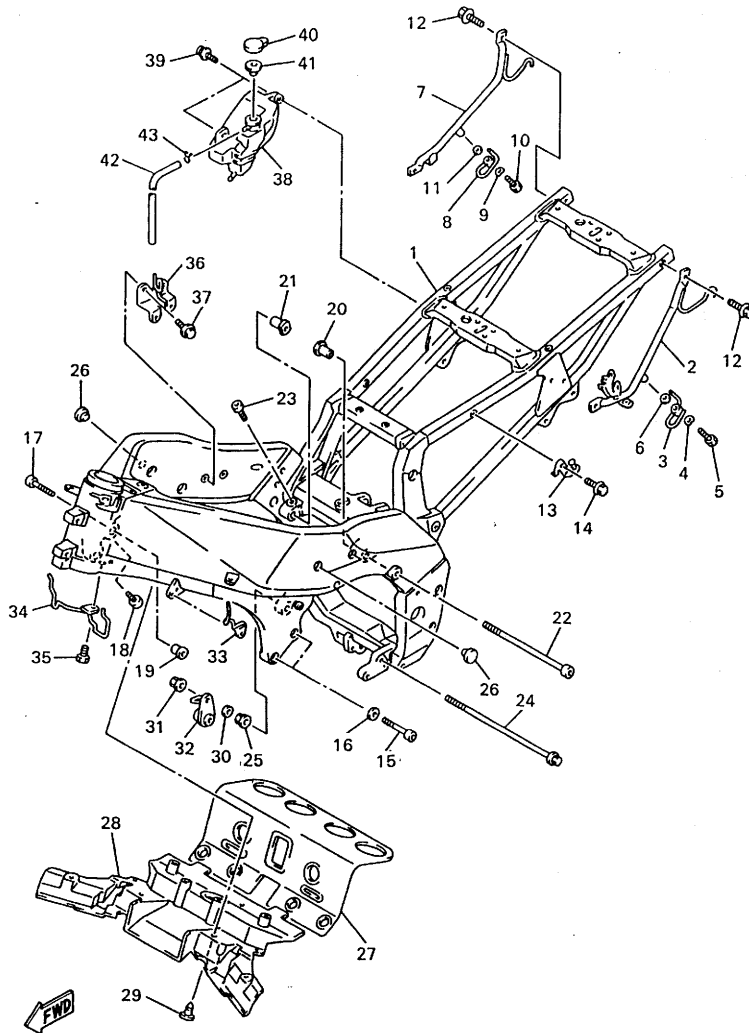
4VD2332-7180

FIG. 19 SHIFT SHAFT



REF. NO.	PART NO.	DESCRIPTION	4WN2					REMARKS
1	4G0-18127-00	STOPPER, SCREW	1					
2	93101-12004	OIL SEAL	1					
3	1AE-18101-01	SHIFT SHAFT ASSY	1					
4	90508-32682	•SPRING, TORSION	1					
5	90387-114K8	•COLLAR	1					
6	90201-12575	WASHER, PLATE	1					
7	99001-10600	CIRCLIP	1					
8	90560-12191	SPACER	1					
9	93109-12053	OIL SEAL (SDO 12/18/4-1)	2					
10	2GH-18112-01	ARM, SHIFT	1					
11	2H9-18154-00	COVER, DUST	1					
12	95824-06020	BOLT, FLANGE	1					
13	1WG-18115-01	ROD, SHIFT	1					
14	90170-06228	NUT(COUNTER CLOCKWISE)	1					
15	95304-06700	NUT	1					
16	4FM-18110-01	SHIFT PEDAL ASSY	1					
17	2H9-18154-00	•COVER, DUST	1					
18	132-18113-01	•COVER, SHIFT PEDAL	1					

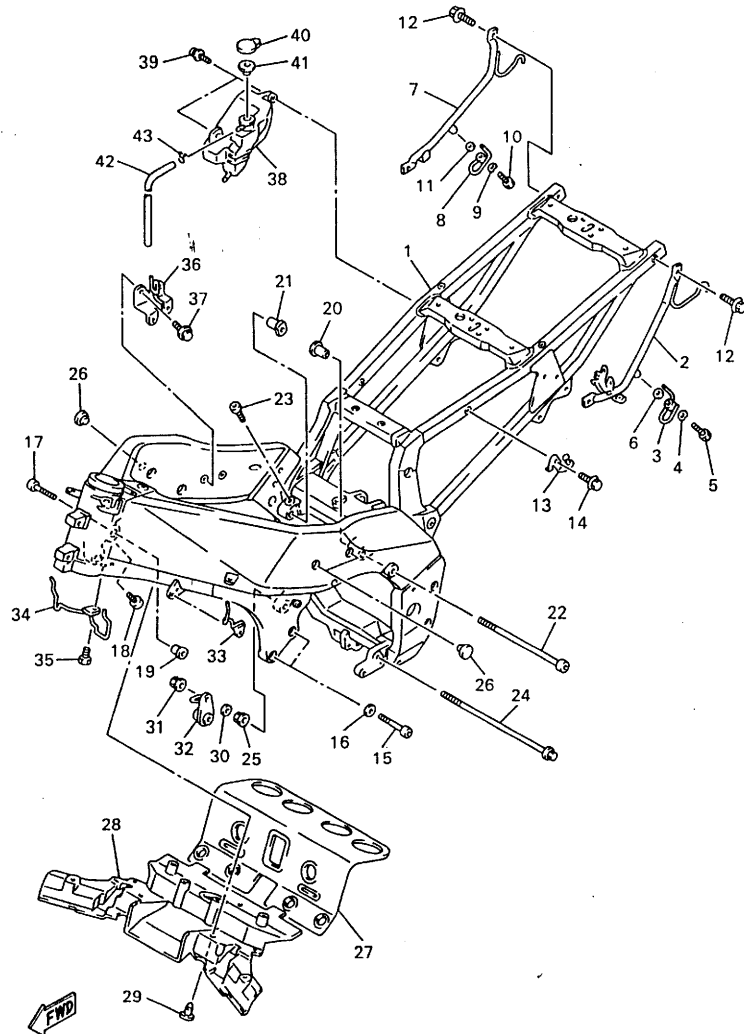
FIG. 20 FRAME



4SV300-6200

REF. NO.	PART NO.	DESCRIPTION	4WN2				REMARKS
1	4SV-21110-00	FRAME COMP.	1				
2	4SV-2127A-00	HANDLE, STANDING	1				
3	4SV-21654-00	WIRE	1				
4	90206-08051	WASHER, WAVE	1				
5	90109-061F3	BOLT	1				
6	92907-06200	WASHER	1				
7	4SV-2127A-10	HANDLE, STANDING	1				
8	4SV-21654-10	WIRE	1				
9	90206-08051	WASHER, WAVE	1				
10	90109-061F3	BOLT	1				
11	92907-06200	WASHER	1				
12	95807-06020	BOLT, FLANGE	2				
13	4SV-21398-00	HANGER, HELMET	1				
14	95807-06016	BOLT, FLANGE	1				
15	91314-10040	BOLT	2				
16	92903-10600	WASHER, PLATE	2				
17	91314-10045	BOLT	2				
18	91314-08030	BOLT	2				
19	90387-115V8	COLLAR	2				
20	90387-105V7	COLLAR	1				
21	90179-10682	NUT	1				
22	90110-10169	BOLT, HEXAGON SOCKET HEAD	1				
23	90110-08155	BOLT, HEXAGON SOCKET HEAD	2				
24	90105-10716	BOLT, WASHER BASED	1				
25	90179-10247	NUT	1				
26	90338-15202	PLUG	3				
27	4SV-2117F-00	COVER	1				

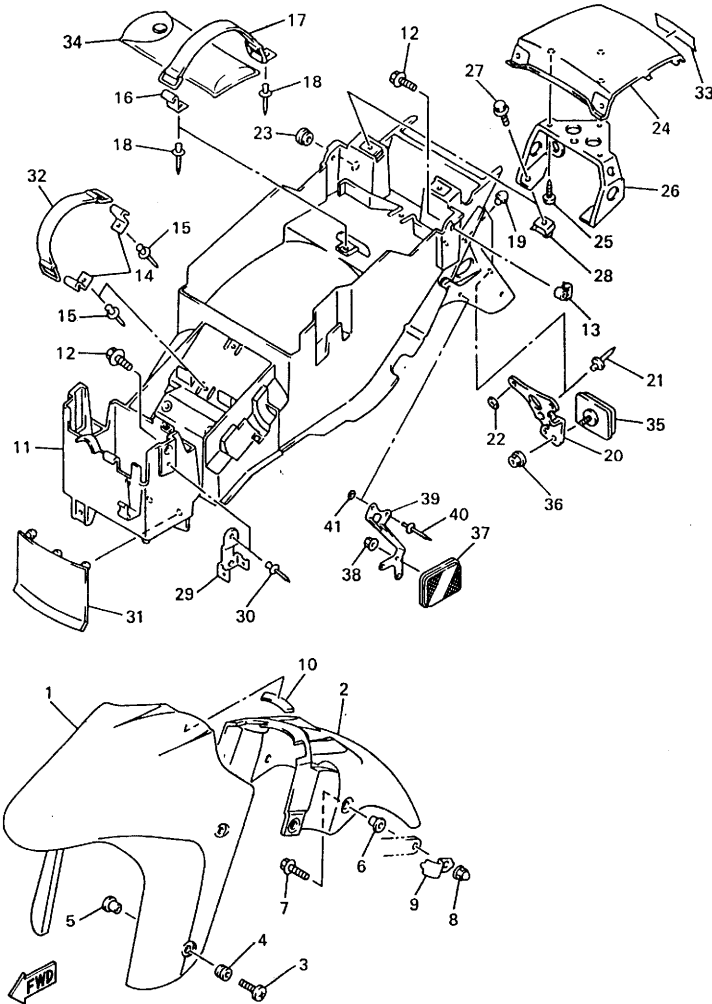
FIG. 20 FRAME



4SV300-6200

REF. NO.	PART NO.	DESCRIPTION	4WN2					REMARKS
28	4SV-2137Y-00	GUIDE, AIR	1					
29	90269-08078	RIVET	4					
30	90201-101J1	WASHER, PLATE	1					
31	95707-10500	NUT, FLANGE	1					
32	4FM-21446-01	STAY, MUFFLER 2	1					
33	4FM-21161-02	HOLDER, CABLE	1					
34	4FM-21162-00	HOLDER, CLUTCH CABLE	1					
35	90101-06664	BOLT	1					
36	4FM-2116J-10	BRACKET 7	1					
37	95807-06016	BOLT, FLANGE	2					
38	4FM-21871-02	TANK, RECOVERY	1					
39	90159-06033	SCREW, WITH WASHER	2					
40	4L0-21875-00	CAP	1					
41	1AA-21874-00	GASKET	1					
42	90445-084G9	HOSE	1					
43	90467-08003	CLIP	1					

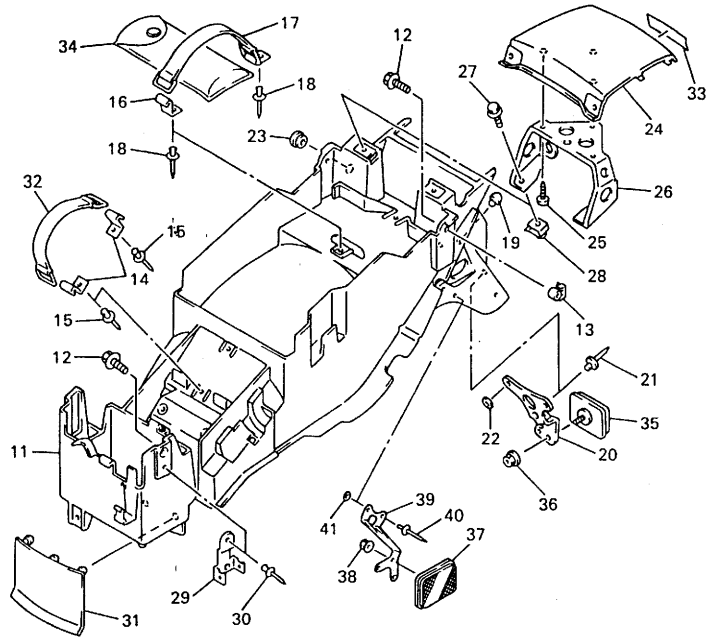
FIG. 21 FENDER



4WN2171-7210

REF. NO.	PART NO.	DESCRIPTION	4WN2				REMARKS
1	4SV-21511-00-4B	FENDER, FRONT	1				BL2
2	4SV-21556-00	FENDER, FRONT 2	1				
3	90154-06061	SCREW, BINDING	4				
4	90480-12072	GROMMET	4				
5	90387-065J6	COLLAR	4				
6	90387-07717	COLLAR	4				
7	90119-06097	BOLT, WITH WASHER	4				
8	90176-06065	NUT, CROWN	2				
9	4SV-25876-00	HOLDER, BRAKE HOSE 2	2				
10	1LJ-2414J-00	DAMPER, PLATE 2	1				
11	4SV-21611-00	FENDER, REAR	1				
12	90119-06227	BOLT, WITH WASHER	4				
13	4SV-21635-00	NUT, REAR FENDER	2				
14	36F-28379-00	HOOK	2				
15	90267-40076	RIVET, BLIND	2				
16	36F-28379-00	HOOK	2				
17	4HM-21647-00	BAND	1				
18	90267-40076	RIVET, BLIND	2				
19	5A8-21639-00	DAMPER 2	1				
20	4FM-85132-00	BRACKET, REFLECTOR 1	1				
21	90267-40035	RIVET, BLIND	2				
22	90201-04018	WASHER, PLATE	1				
23	90480-13398	GROMMET	2				
24	4SV-21651-00-P1	COVER, REAR FENDER	1				VRC1 FOR BWC1
	4SV-21651-00-P2	COVER, REAR FENDER	1				DPBMC FOR BL2
25	97707-50012	SCREW, TAPPING	3				
26	4SV-2117E-00	BRACKET, TAILLIGHT	1				

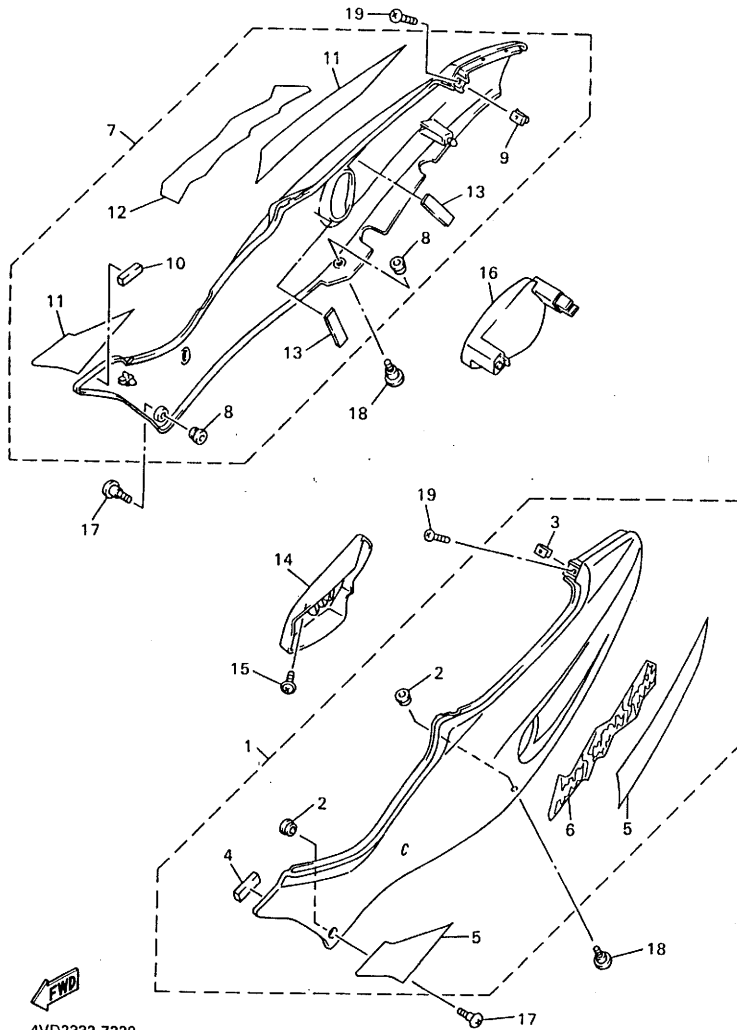
FIG. 21 FENDER



4WN2171-7210

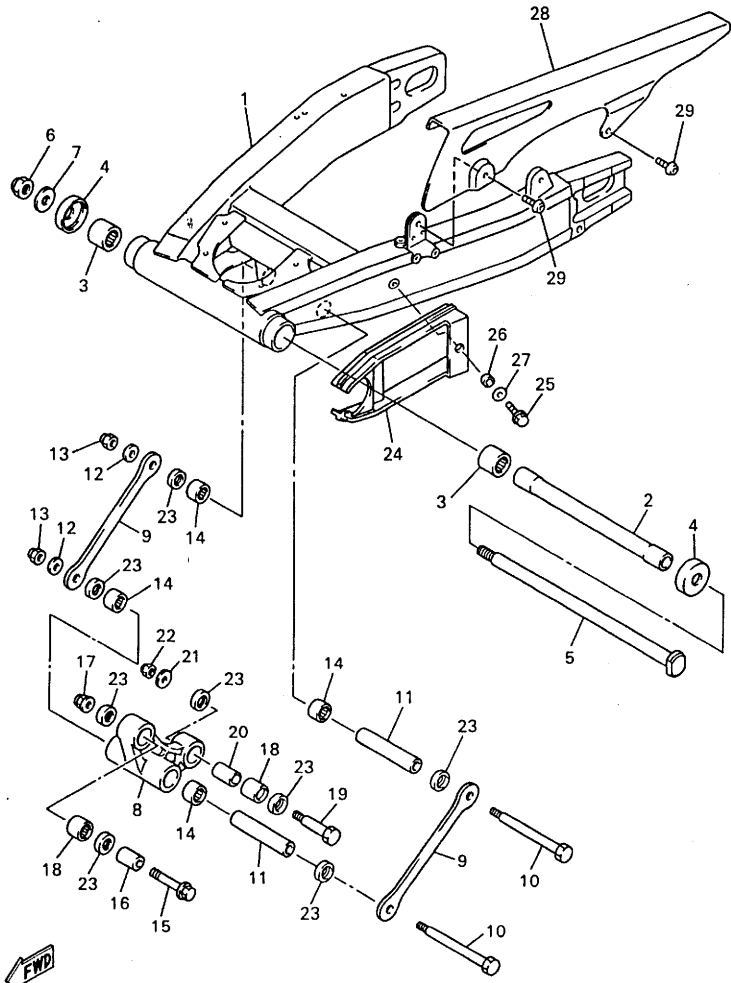
REF. NO.	PART NO.	DESCRIPTION	4WN2				REMARKS
27	95807-06016	BOLT, FLANGE	2				
28	90183-06023	NUT, SPRING	2				
29	4SV-2164F-00	STAY 1	1				
30	90267-40076	RIVET, BLIND	1				
31	30X-21621-00	FLAP	1				
32	2T4-82131-00	BAND, BATTERY	1				
33	99231-00080	EMBLEM, YAMAHA	1				UR FOR BWC1
	99236-00080	EMBLEM, YAMAHA	1				UR FOR BL2
34	4SV-28100-00	TOOL KIT	1				
35	4KM-85130-00	REAR REFLECTOR ASSY	1				
36	95707-05500	NUT, FLANGE	1				
37	4KM-85130-00	REAR REFLECTOR ASSY	2				
38	95707-05500	NUT, FLANGE	2				
39	4FM-21688-00	BRACKET, REAR STAY	2				
40	90267-40035	RIVET, BLIND	4				
41	90201-04018	WASHER, PLATE	4				

FIG. 22 SIDE COVER



REF. NO.	PART NO.	DESCRIPTION	4WN2				REMARKS
1	4SV-Y2171-A0-P1	COVER, SIDE 1	1				VRC1 FOR BWC1
	4SV-Y2171-70-P2	COVER, SIDE 1	1				DPBMC FOR BL2
2	90480-13398	•GROMMET	2				
3	90183-05024	•NUT, SPRING	1				
4	89X-77167-00	•TRIM 3	1				
5	4SV-2173L-20	•GRAPHIC SET 1	1				UR FOR BWC1
	4SV-2173L-30	•GRAPHIC SET 1	1				UR FOR BL2
6	4SV-21781-10	•EMBLEM 1	1				UR FOR BWC1
	4SV-21781-20	•EMBLEM 1	1				UR FOR BL2
7	4SV-Y2172-50-P1	COVER, SIDE 2	1				VRC1 FOR BWC1
	4SV-Y2172-40-P2	COVER, SIDE 2	1				DPBMC FOR BL2
8	90480-13398	•GROMMET	2				
9	90183-05024	•NUT, SPRING	1				
10	89X-77167-00	•TRIM 3	1				
11	4SV-2174L-20	•GRAPHIC SET 2	1				UR FOR BWC1
	4SV-2174L-30	•GRAPHIC SET 2	1				UR FOR BL2
12	4SV-21781-10	•EMBLEM 1	1				UR FOR BWC1
	4SV-21781-20	•EMBLEM 1	1				UR FOR BL2
13	1KT-21746-00	DAMPER	2				
14	4SV-21731-00	COVER, SIDE 3	1				
15	90159-06058	SCREW, WITH WASHER	1				
16	4SV-21741-00	COVER, SIDE 4	1				
17	90150-06036	SCREW, ROUND HEAD	2				
18	90150-06036	SCREW, ROUND HEAD	2				
19	90154-05059	SCREW, BINDING	2				

FIG. 23 REAR ARM

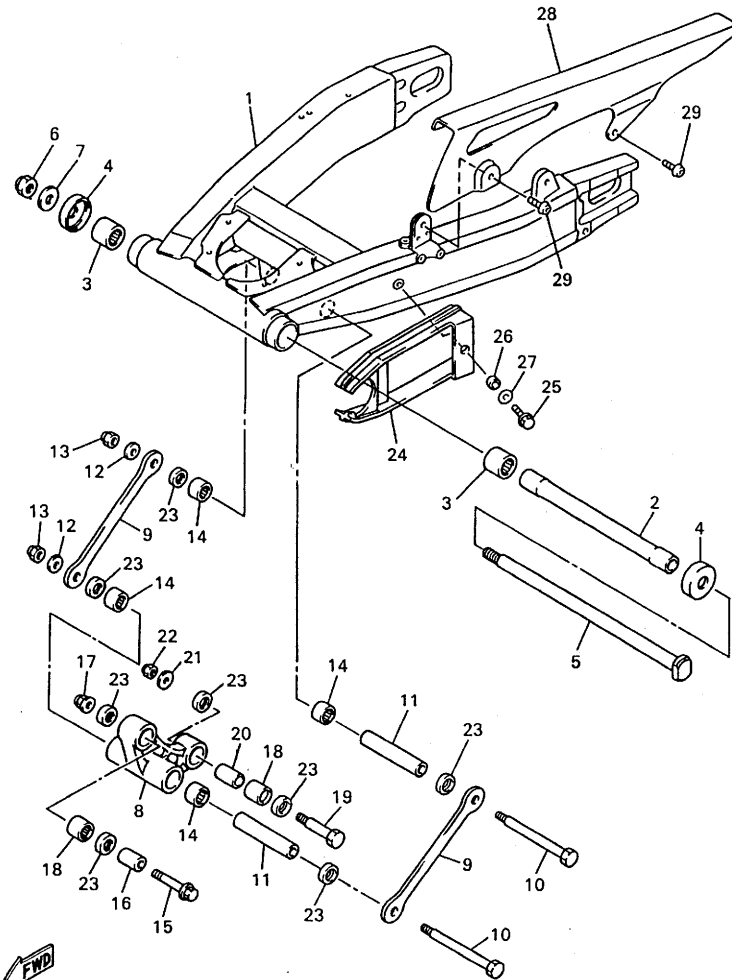


4SV300-6230

REF. NO.	PART NO.	DESCRIPTION	4WN2				REMARKS
1	4SV-22110-00	REAR ARM COMP.	1				
2	3FV-22184-00	BUSH	1				
3	93315-42523	BEARING	2				
4	3FV-22128-00	COVER, THRUST 1	2				
5	3GM-22141-01	SHAFT, PIVOT	1				
6	90185-18104	NUT, SELF-LOCKING	1				
7	90201-186M4	WASHER, PLATE	1				
8	4FM-2217A-00	ARM, RELAY	1				
9	3GM-2217M-00	ARM 1	2				
10	90101-10658	BOLT	2				
11	90387-122R5	COLLAR	2				
12	90201-101J1	WASHER, PLATE	2				
13	95617-10100	NUT, U	2				
14	93317-21746	BEARING	4				
15	90105-10376	BOLT, WASHER BASED	1				
16	90387-102R4	COLLAR	1				
17	95617-10200	NUT, SELF-LOCKING	1				
18	93317-31771	BEARING	2				
19	90101-10659	BOLT	1				
20	90387-127W0	COLLAR	1				
21	90201-101J1	WASHER, PLATE	1				
22	95617-10100	NUT, U	1				
23	93109-17048	OIL SEAL (SDO 17-24-4)	8				
24	4SV-22151-00	SEAL, GUARD	1				
25	95827-06025	BOLT, FLANGE	1				
26	90387-06022	COLLAR	1				
27	90201-064R0	WASHER, PLATE	1				

D7

FIG. 23 REAR ARM

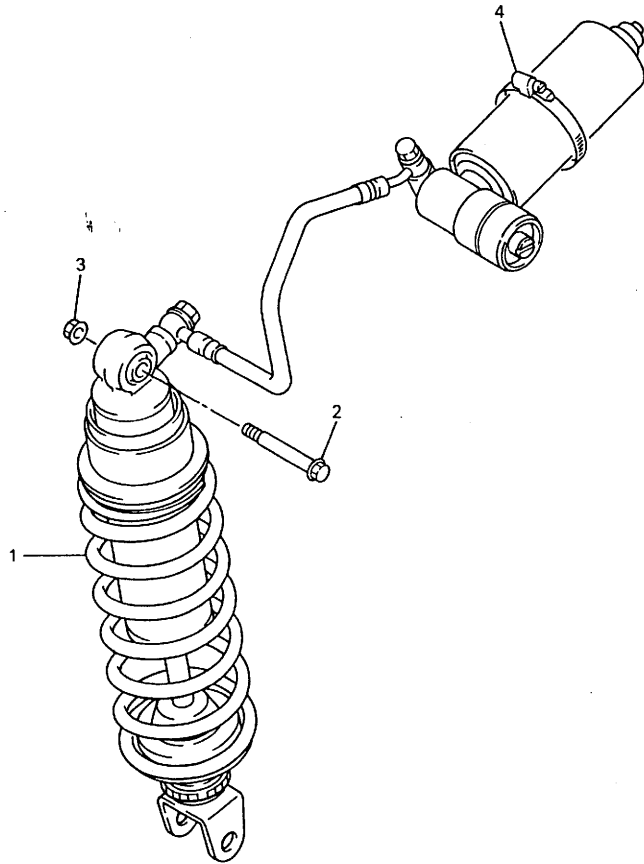


4SV300-6230

REF. NO.	PART NO.	DESCRIPTION	4VN2					REMARKS
28	4SV-22311-00	CASE, CHAIN	1					
29	90149-06298	SCREW	2					

D8

FIG. 24 REAR SUSPENSION



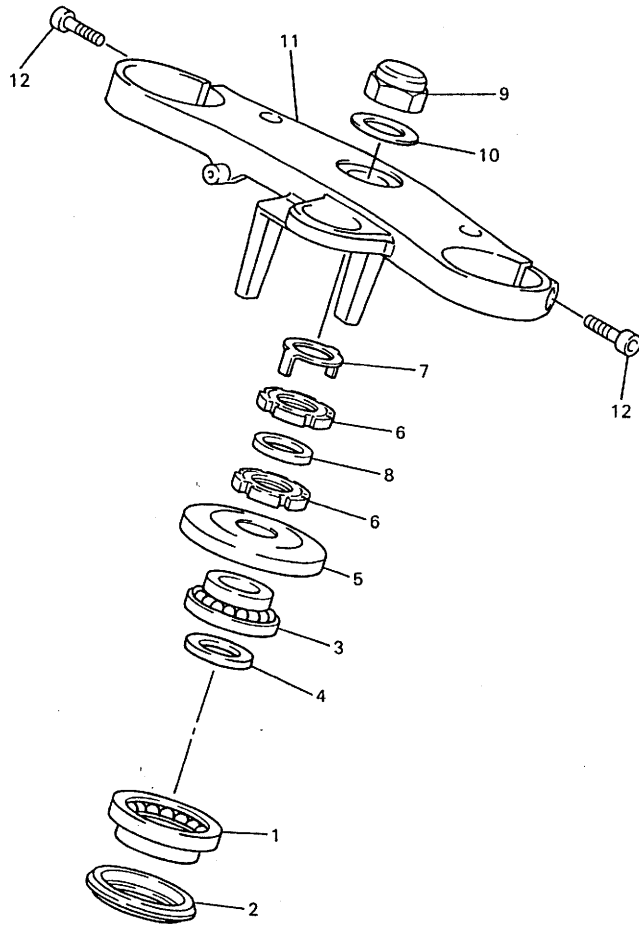
REF. NO.	PART NO.	DESCRIPTION	4WN2					REMARKS
1	4SV-22210-20	SHOCK ABSORBER ASSY, REAR	1					
2	90105-10323	BOLT, WASHER BASED	1					
3	95617-10200	NUT, SELF-LOCKING	1					
4	90460-50079	CLAMP, HOSE	1					



4SV300-6240

D9

FIG. 25 STEERING



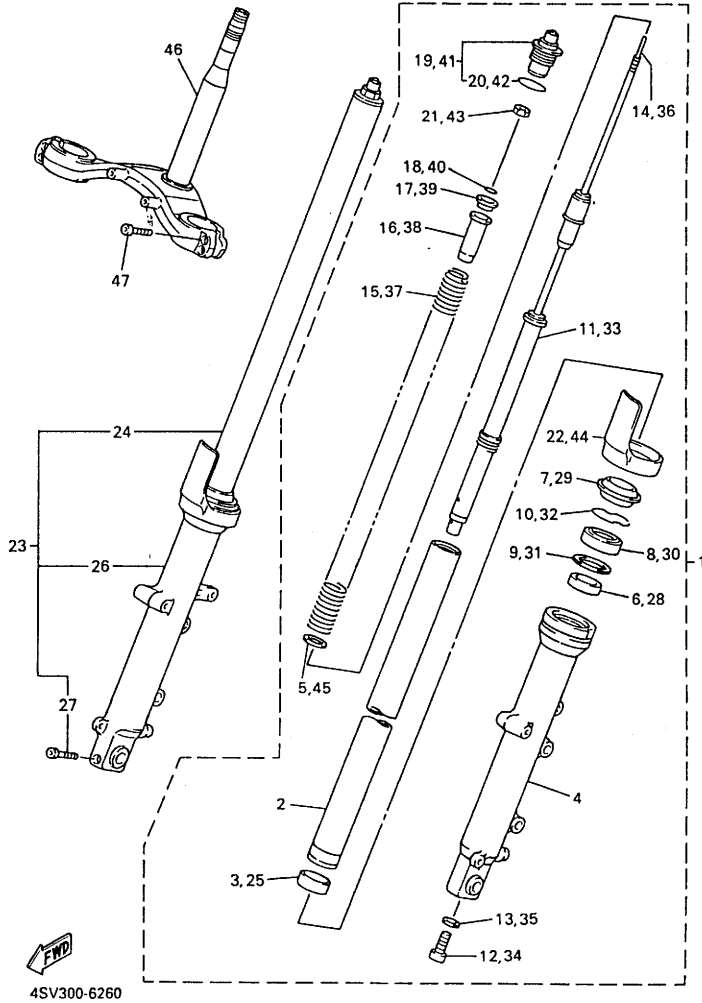
REF. NO.	PART NO.	DESCRIPTION	4WN2					REMARKS
1	93399-99932	BEARING	1					
2	3FV-23462-00	SEAL, STEERING	1					
3	93399-99931	BEARING	1					
4	90202-24190	WASHER, PLATE	1					
5	3GM-23415-00	COVER, BALL RACE 1	1					
6	90179-25615	NUT	2					
7	3YF-23418-00	WASHER, SPECIAL	1					
8	90202-26142	WASHER, PLATE	1					
9	90176-22081	NUT, CROWN	1					
10	90201-220T0	WASHER, PLATE	1					
11	4SV-23435-00	CROWN, HANDLE	1					
12	91314-08030	BOLT	2					



4SV300-6250

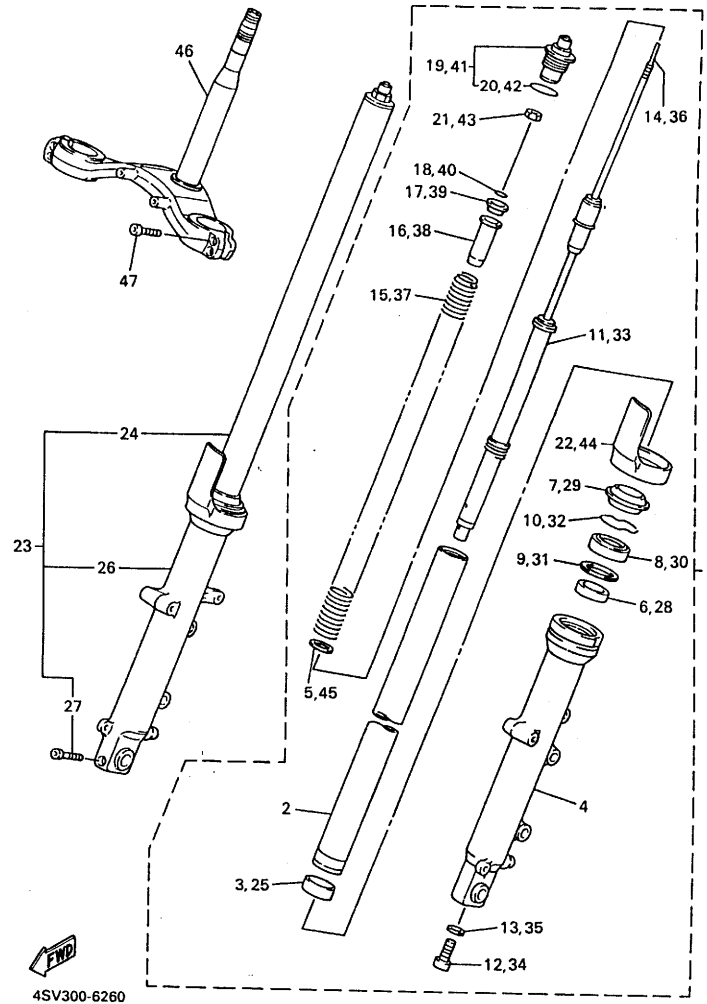
D10

FIG. 26 FRONT FORK



REF. NO.	PART NO.	DESCRIPTION	4WN2				REMARKS
1	4SV-23102-00	FRONT FORK ASSY (L.H)	1				
2	4SV-23110-00	•INNER TUBE COMP.1	1				
3	4SV-23135-00	•METAL, SLIDE 2	1				
4	4SV-23106-00	•OUTER TUBE COMP. (L.H)	1				
5	90201-231E1	•WASHER, PLATE	1				
6	4SV-23125-00	•METAL, SLIDE 1	1				
7	4SV-23144-00	•SEAL, DUST	1				
8	4SV-23145-00	•OIL SEAL	1				
9	4SV-23115-00	•GUIDE, COVER UPPER	1				
10	4SV-23156-00	•CLIP, OIL SEAL	1				
11	4SV-23170-00	•CYLINDER COMP., FRONT FORK	1				
12	91317-10025	•BOLT	1				
13	90430-10171	•GASKET	1				
14	4SV-2318Y-00	•PLUNGER	1				
15	4SV-23141-00	•SPRING, FRONT FORK	1				
16	3GM-23117-A0	•GUIDE, SPRING	1				
17	3GM-2331K-A0	•SEAT, SPRING	1				
18	3GM-23153-A0	•RING, SNAP	1				
19	4SV-23111-00	•BOLT, CAP	1				
20	93210-40N50	•O-RING	1				
21	95307-10600	•NUT	1				
22	4SV-2331G-00	•COVER	1				
23	4SV-23103-00	FRONT FORK ASSY (R.H)	1				
24	4SV-23110-00	•INNER TUBE COMP.1	1				
25	4SV-23135-00	•METAL, SLIDE 2	1				
26	4SV-23107-00	•OUTER TUBE COMP. (R.H)	1				
27	91317-08040	•BOLT	1				

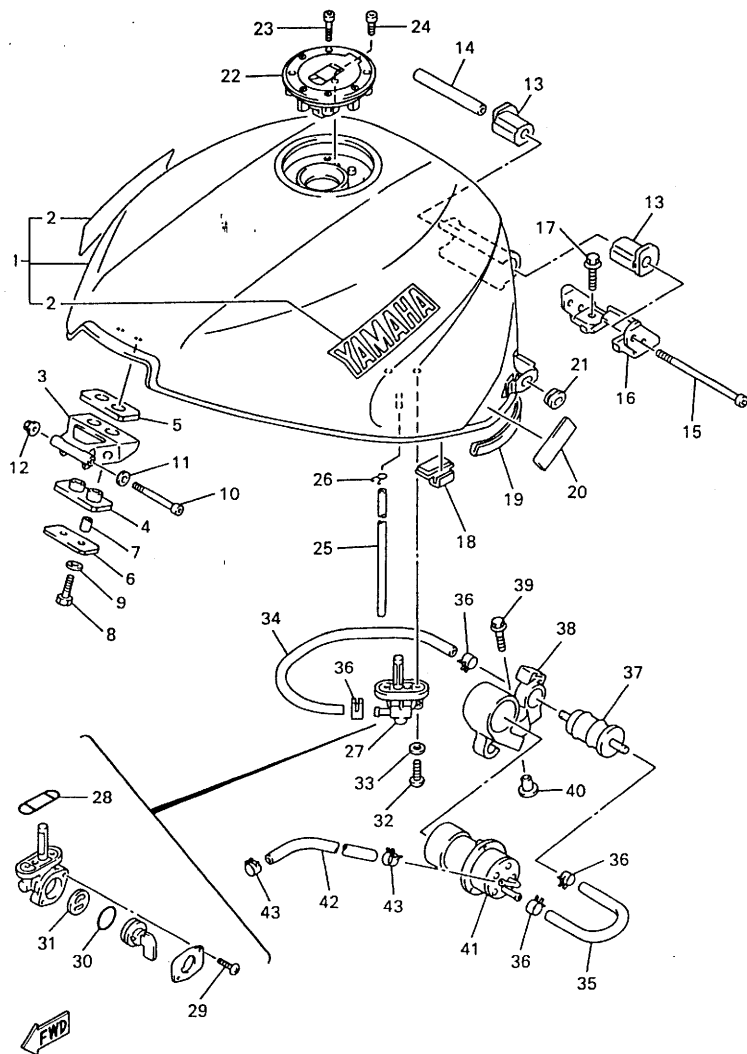
FIG. 26 FRONT FORK



4SV300-6260

REF. NO.	PART NO.	DESCRIPTION	4WN2					REMARKS
28	4SV-23125-00	•METAL, SLIDE 1	1					
29	4SV-23144-00	•SEAL, DUST	1					
30	4SV-23145-00	•OIL SEAL	1					
31	4SV-23115-00	•GUIDE, COVER UPPER	1					
32	4SV-23156-00	•CLIP, OIL SEAL	1					
33	4SV-23170-00	•CYLINDER COMP., FRONT FORK	1					
34	91317-10025	•BOLT	1					
35	90430-10171	•GASKET	1					
36	4SV-2318Y-00	•PLUNGER	1					
37	4SV-23141-00	•SPRING, FRONT FORK	1					
38	3GM-23117-A0	•GUIDE, SPRING	1					
39	3GM-2331K-A0	•SEAT, SPRING	1					
40	3GM-23153-A0	•RING, SNAP	1					
41	4SV-23111-00	•BOLT, CAP	1					
42	93210-40N50	•O-RING	1					
43	95307-10600	•NUT	1					
44	4SV-2331G-00	•COVER	1					
45	90201-231E1	•WASHER, PLATE	1					
46	4SV-23340-00	UNDER BRACKET COMP.	1					
47	91317-08030	BOLT	4					

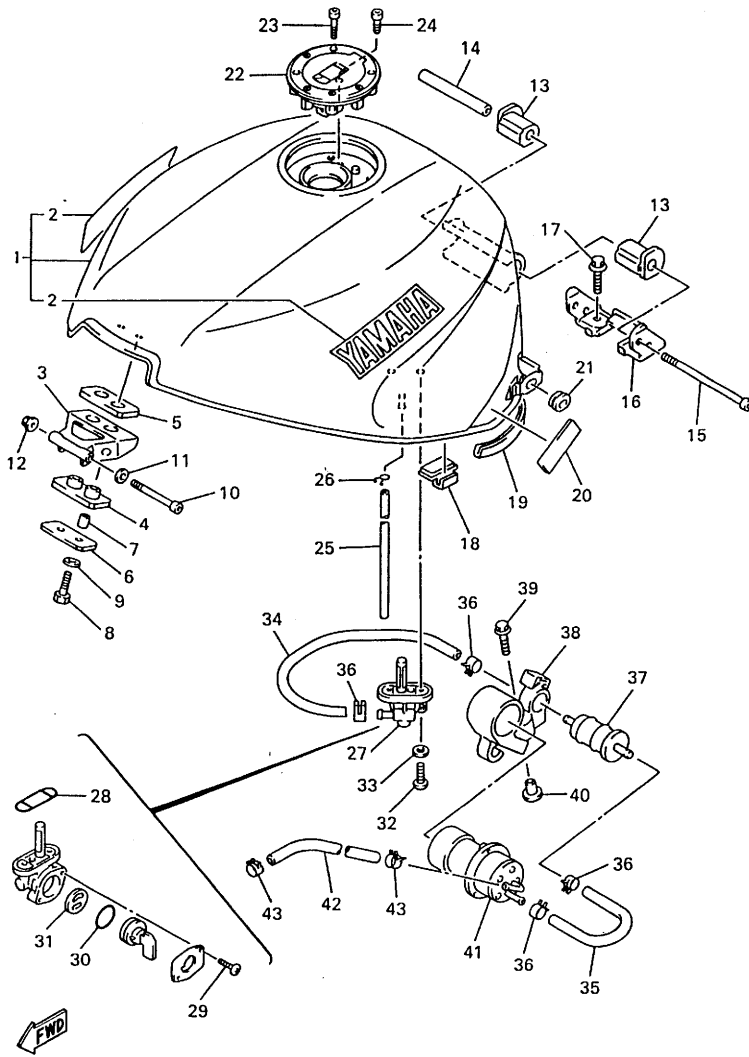
FIG. 27 FUEL TANK



4SV300-6270

REF. NO.	PART NO.	DESCRIPTION	4WN2				REMARKS
1	4SV-24110-10-04	FUEL TANK COMP.	1				BWC1/VRG1
	4SV-24110-10-03	FUEL TANK COMP.	1				BL2/DPBMC
2	4SV-2153A-00	•EMBLEM, YAMAHA	2				UR FOR BWC1
	4SV-2153A-20	•EMBLEM, YAMAHA	2				UR FOR BL2
3	4SV-24191-00	BRACKET, FUEL TANK 1	1				
4	2GH-24181-00	DAMPER, LOCATING 1	1				
5	2GH-24183-00	DAMPER, LOCATING 3	1				
6	2GH-24186-00	WASHER, SPECIAL	1				
7	90387-06299	COLLAR	2				
8	97007-06025	BOLT	2				
9	92907-06600	WASHER, PLATE	2				
10	91317-06070	BOLT	1				
11	92907-06200	WASHER	1				
12	95607-06200	NUT, SELF U-FLANGE	1				
13	4YR-24181-00	DAMPER, LOCATING 1	2				
14	90387-061W9	COLLAR	1				
15	91317-06110	BOLT	1				
16	4SV-21348-00	BRACKT, TANK FITTING	1				
17	90119-06170	BOLT, WITH WASHER	2				
18	4SV-24183-00	DAMPER, LOCATING 3	2				
19	1HX-24188-01	MOLD, FUEL TANK	2				
20	3TU-28344-00	TAPE	2				
21	90480-01558	GROMMET	2				
22	4FM-24602-00	CAP ASSY	1				
23	90110-05112	BOLT, HEXAGON SOCKET HEAD	3				
24	91317-05010	BOLT	1				
25	90445-102G7	HOSE	1				

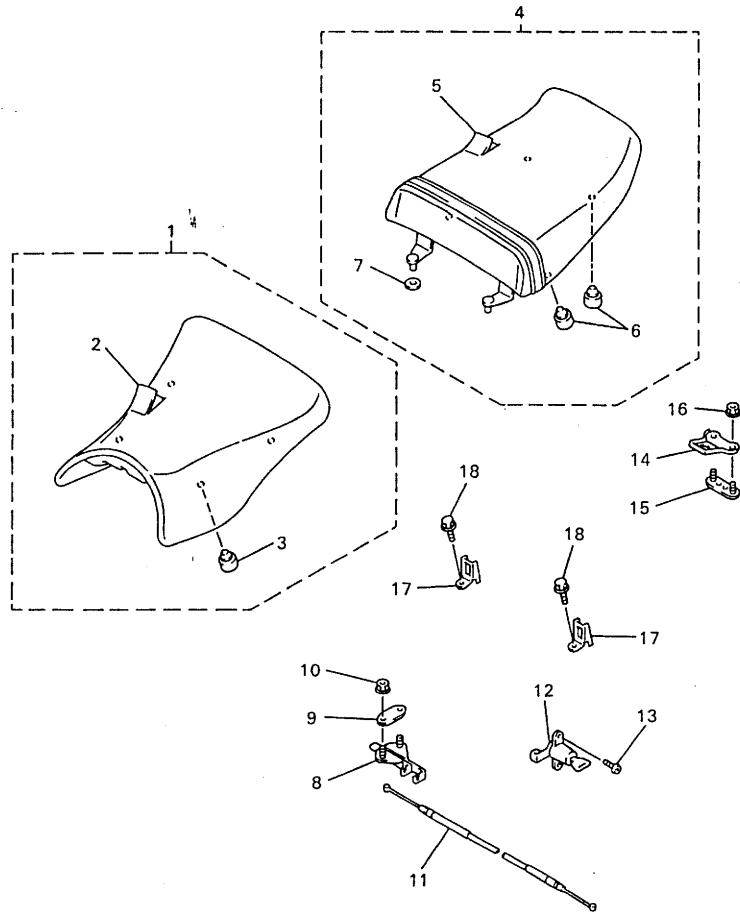
FIG. 27 FUEL TANK



4SV300-6270

REF. NO.	PART NO.	DESCRIPTION	4VN2				REMARKS
26	90467-09006	CLIP	1				
27	4KM-24500-10	FUEL COCK ASSY 1	1				
28	4X8-24512-00	•O-RING	1				
29	98507-03008	•SCREW, PAN HEAD	2				
30	3AJ-24534-00	•SEAL, COCK	1				
31	3AJ-24523-00	•VALVE PACKING	1				
32	90149-06008	SCREW	2				
33	90202-05193	WASHER, PLATE	2				
34	4SV-24311-00	PIPE, FUEL 1	1				
35	4SV-24312-00	PIPE 2	1				
36	90467-12053	CLIP	4				
37	1FK-24560-00	FILTER ASSY	1				
38	4SV-24398-00	BAND 1	1				
39	90119-06097	BOLT, WITH WASHER	1				
40	90387-07391	COLLAR	1				
41	4SV-13907-00	FUEL PUMP COMP.	1				
42	90445-147J4	HOSE	1				
43	90467-13123	CLIP	2				

FIG. 28 SEAT

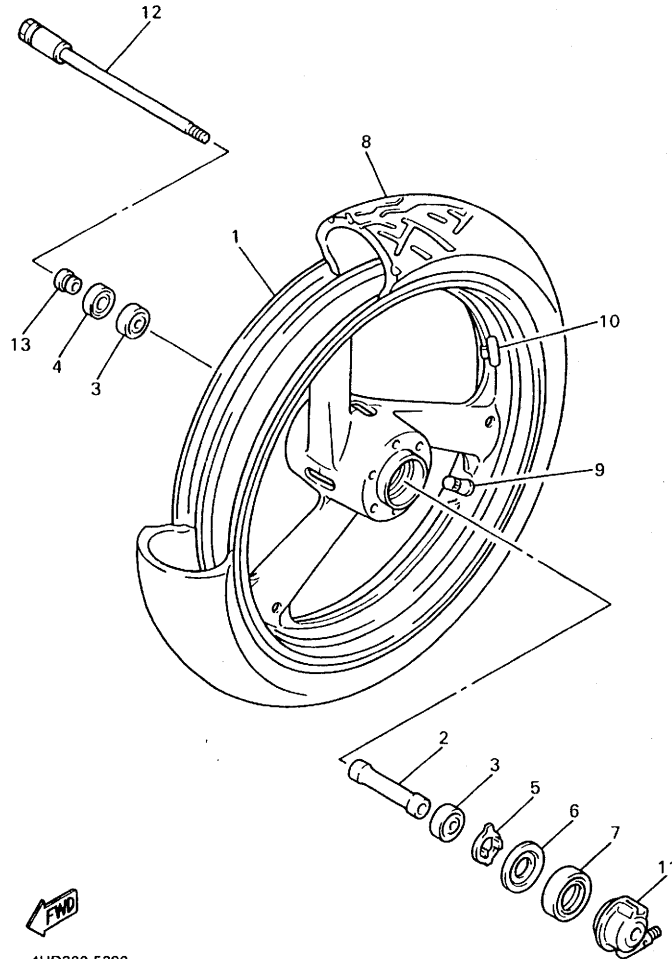


REF. NO.	PART NO.	DESCRIPTION	4WN2				REMARKS
1	4SV-24710-00	SINGLE SEAT ASSY	1				
2	4SV-24711-00	-COVER, SINGLE SEAT	1				
3	278-27114-00	-STOPPER, MAIN STAND	4				
4	4SV-24750-00	TANDEM SEAT ASSY	1				
5	4SV-24751-00	-COVER, TANDEM SEAT	1				
6	278-27114-00	-STOPPER, MAIN STAND	4				
7	4FM-28372-00	-DAMPER	2				
8	4BP-24780-00	SEAT LOCK ASSY	1				
9	4BP-24792-00	PLATE	1				
10	95707-06500	NUT, FLANGE	2				
11	4BP-2478E-00	CABLE, SEAT LOCK	1				
12	2TV-W2470-00	SEAT LOCK ASSY	1				
13	98507-06010	SCREW, PAN HEAD	2				
14	4SV-21342-00	BRACKET, SEAT 2	1				
15	4SV-24718-00	BRACKET, SEAT	1				
16	95707-06500	NUT, FLANGE	2				
17	4SV-24755-00	HOOK, SEAT	2				
18	95807-06016	BOLT, FLANGE	2				



4SV300-6280

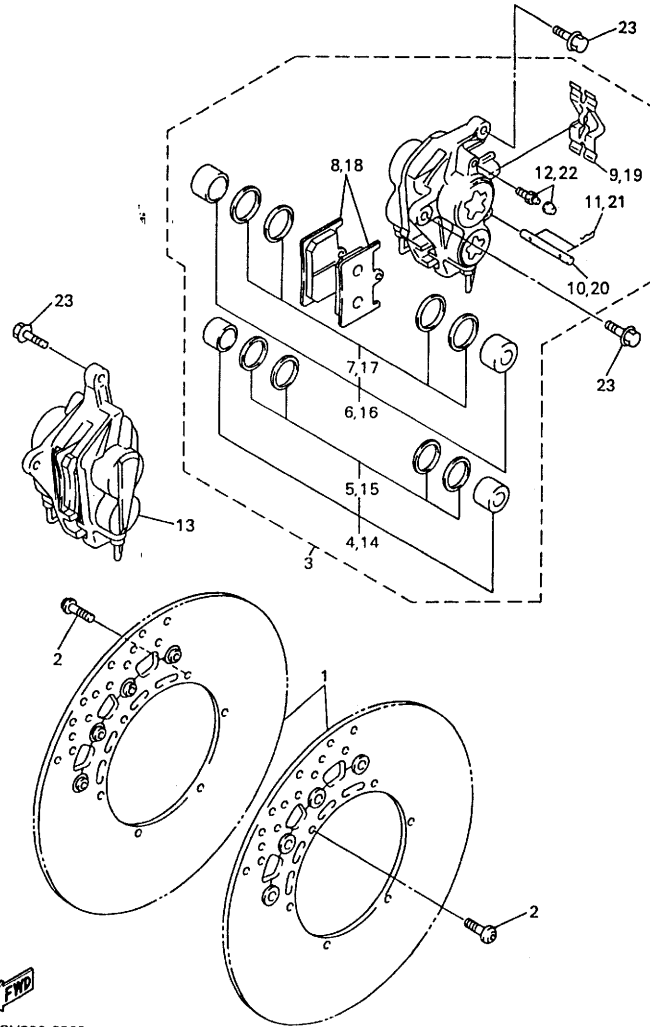
FIG. 29 FRONT WHEEL



4HD300-5290

REF. NO.	PART NO.	DESCRIPTION	4WN2					REMARKS
1	4SV-25168-00-7B	CAST WHEEL, FRONT	1					BIB2
2	90387-2200S	COLLAR	1					
3	93306-00420	BEARING (B6004)	2					
4	93102-28021	OIL SEAL	1					
5	4FM-25149-00	CLUTCH, METER	1					
6	341-25846-00	RETAINER, CLUTCH	1					
7	93105-45017	OIL SEAL	1					
8	94112-1708X	TIRE (120/70 ZR17 B50F)	1					UR BRIDGESTONE
	94112-1709J	TIRE (120/70 ZR17 D204F)	1					UR DUNLOP
9	93900-00030	VALVE, RIM	1					
10	29L-25398-00	BALANCER, WHEEL (10G)	1					UN
	29L-25398-10	BALANCER, WHEEL (20G)	1					UN
	29L-25398-20	BALANCER, WHEEL (30G)	1					UN
11	4FM-25190-00	GEAR UNIT ASSY	1					
12	4FM-25181-01	AXLE, WHEEL	1					
13	90387-2200T	COLLAR	1					

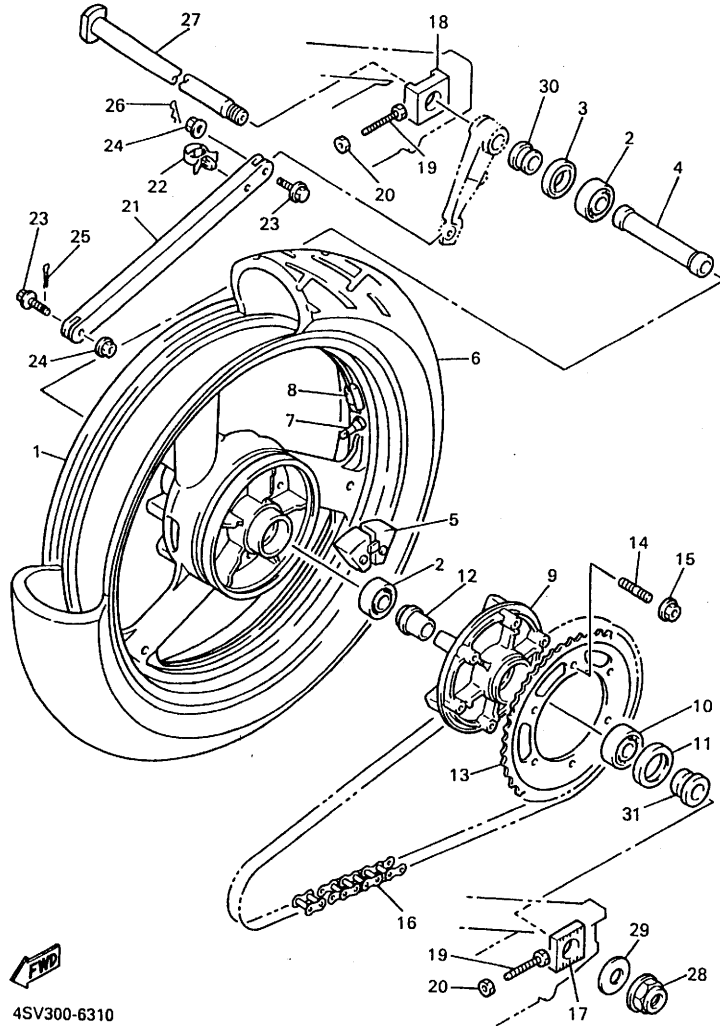
FIG. 30 FRONT BRAKE CALIPER



4SV300-6300

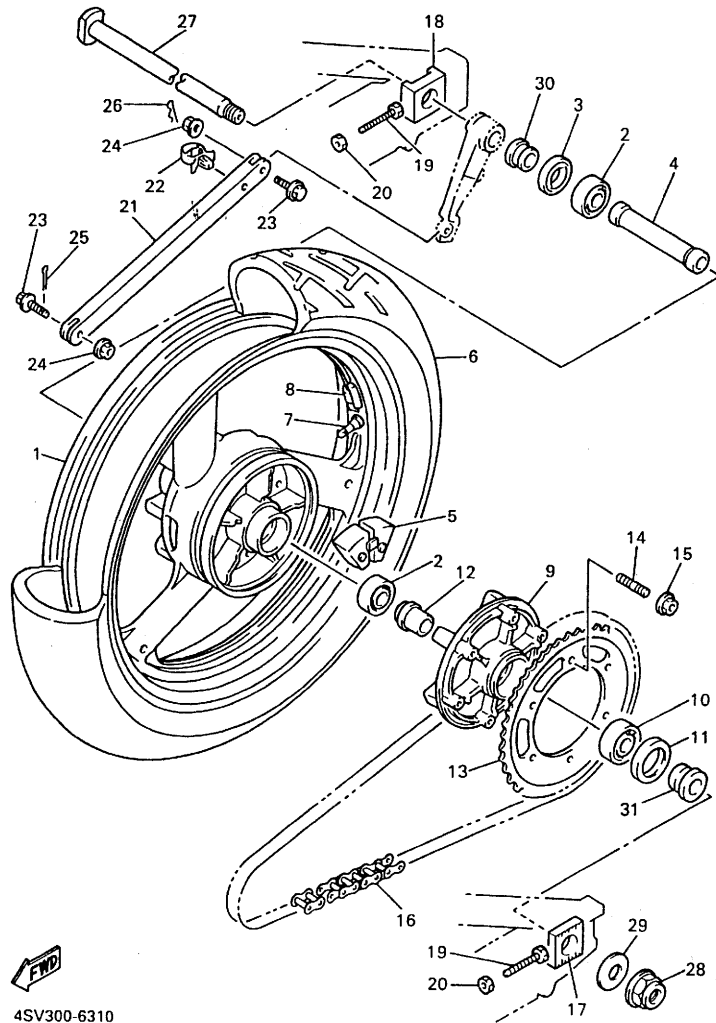
REF. NO.	PART NO.	DESCRIPTION	4WIN2				REMARKS
1	4SV-2581T-00	DISC BRAKE ASSY	2				
2	90109-083G4	BOLT	12				
3	4SV-2580T-00	CALIPER ASSY (LEFT)	1				
4	4SV-W0057-00	•PISTON ASSY, CALIPER	1				
5	3MA-W0047-10	••CALIPER SEAL KIT	1				
6	4SV-W0057-10	•PISTON ASSY, CALIPER	1				
7	3GM-W0047-10	••CALIPER SEAL KIT	1				
8	4SV-W0045-00	•BRAKE PAD KIT	1				
9	4SV-25919-00	•SUPPORT, PAD	1				
10	4SV-25924-00	•PIN, PAD	1				
11	3GM-25925-00	•CLIP	2				
12	1J3-W0048-00	•BLEED SCREW KIT	1				
13	4SV-2580U-00	CALIPER ASSY (RIGHT)	1				
14	4SV-W0057-00	•PISTON ASSY, CALIPER	1				
15	3MA-W0047-10	••CALIPER SEAL KIT	1				
16	4SV-W0057-10	•PISTON ASSY, CALIPER	1				
17	3GM-W0047-10	••CALIPER SEAL KIT	1				
18	4SV-W0045-00	•BRAKE PAD KIT	1				
19	4SV-25919-00	•SUPPORT, PAD	1				
20	4SV-25924-00	•PIN, PAD	1				
21	3GM-25925-00	•CLIP	2				
22	1J3-W0048-00	•BLEED SCREW KIT	1				
23	90105-10725	BOLT, WASHER BASED	4				

FIG. 31 REAR WHEEL



REF. NO.	PART NO.	DESCRIPTION	4WN2				REMARKS
1	4FM-25338-01-7B	CAST WHEEL, REAR	1				BIB2
2	93306-20567	BEARING	2				
3	93102-35412	OIL SEAL	1				
4	90560-28389	SPACER	1				
5	4FM-25364-00	DAMPER	6				
6	94118-1708Y	TIRE (180/55 ZR17 B50RBZ)	1				UR BRIDGESTONE
	94118-1709K	TIRE (180/55 ZR17 D204)	1				UR DUNLOP
7	93900-00030	VALVE, RIM	1				
8	29L-25398-00	BALANCER, WHEEL (10G)	1				UN
	29L-25398-10	BALANCER, WHEEL (20G)	1				UN
	29L-25398-20	BALANCER, WHEEL (30G)	1				UN
9	4FM-25366-00	CLUTCH, HUB	1				
10	93306-20644	BEARING	1				
11	93102-40211	OIL SEAL	1				
12	4FM-25377-00	COLLAR, WHEEL	1				
13	4SV-25446-00	SPROCKET, DRIVEN (46T)	1				
14	90116-10575	BOLT, STUD	6				
15	95607-10200	NUT, SELF-LOCKING	6				
16	94581-57110	CHAIN (DID532ZLVKA1-110L)	1				DAIDO
17	4FM-25388-01	PULLER, CHAIN 1	1				
18	4FM-25389-00	PULLER, CHAIN 2	1				
19	90101-08766	BOLT	2				
20	95307-08600	NUT	2				
21	4FM-25371-10	BAR, TENSION	1				
22	90464-23239	CLAMP	1				
23	90105-08321	BOLT, WASHER BASED	2				
24	95707-08500	NUT, FLANGE	2				

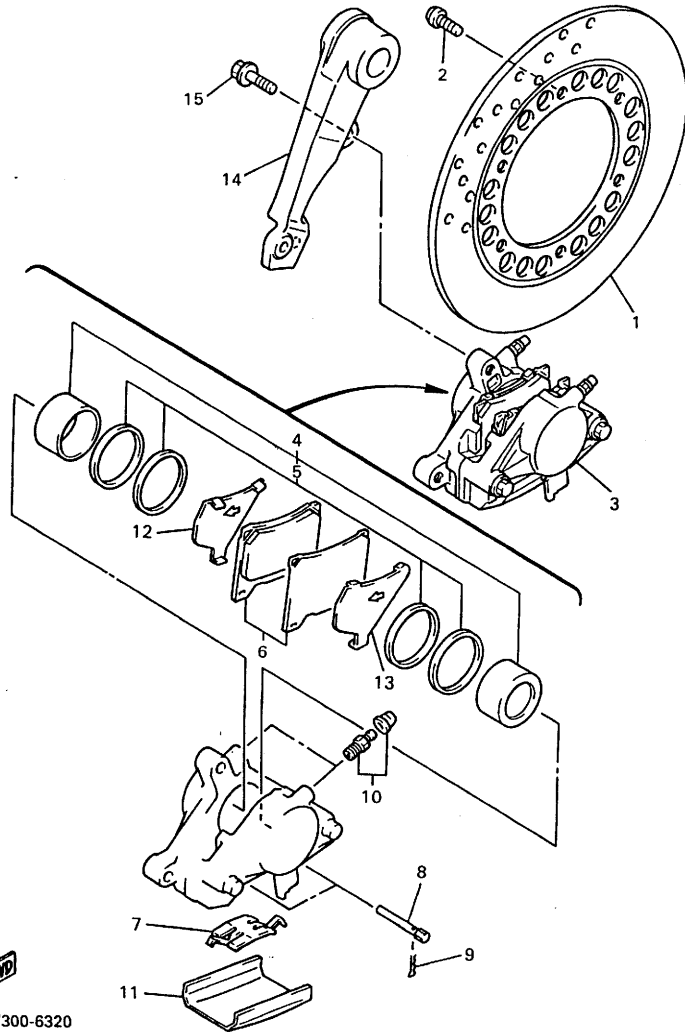
FIG. 31 REAR WHEEL



4SV300-6310

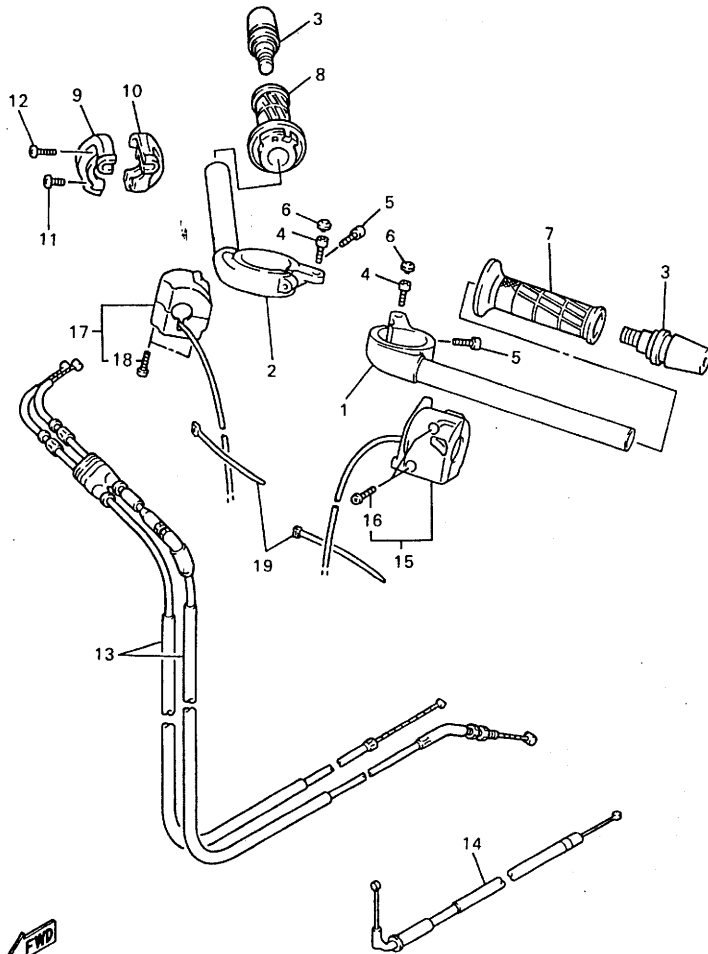
REF. NO.	PART NO.	DESCRIPTION	4WN2				REMARKS
25	91401-20015	PIN, COTTER	1				
26	90468-16099	CLIP	1				
27	4FM-25381-10	AXLE, WHEEL	1				
28	90185-24165	NUT, SELF-LOCKING	1				
29	90201-257R5	WASHER, PLATE	1				
30	90387-2805W	COLLAR	1				
31	90387-2805X	COLLAR	1				

FIG. 32 REAR BRAKE CALIPER



REF. NO.	PART NO.	DESCRIPTION	4AVN2					REMARKS
1	4SV-2582W-00	DISC, REAR BRAKE 2	1					
2	90109-083G4	BOLT	6					
3	4SV-2580W-00	CALIPER ASSY, REAR 2	1					
4	31A-W0057-00	•PISTON ASSY, CALIPER	1					
5	31A-W0047-00	••CALIPER SEAL KIT	1					
6	4SV-W0045-50	•BRAKE PAD KIT	1					
7	29L-25919-A0	•SUPPORT, PAD	1					
8	3HE-25924-00	•PIN, PAD	2					
9	3GM-25925-00	•CLIP	2					
10	1J3-W0048-00	•BLEED SCREW KIT	1					
11	42H-25836-00	•COVER, DUST	1					
12	1FK-25827-00	•SHIM, CALIPER	1					
13	1FK-25828-00	•SHIM, CALIPER	1					
14	4FM-25819-01	BRACKET, CALIPER	1					
15	90105-10725	BOLT, WASHER BASED	2					

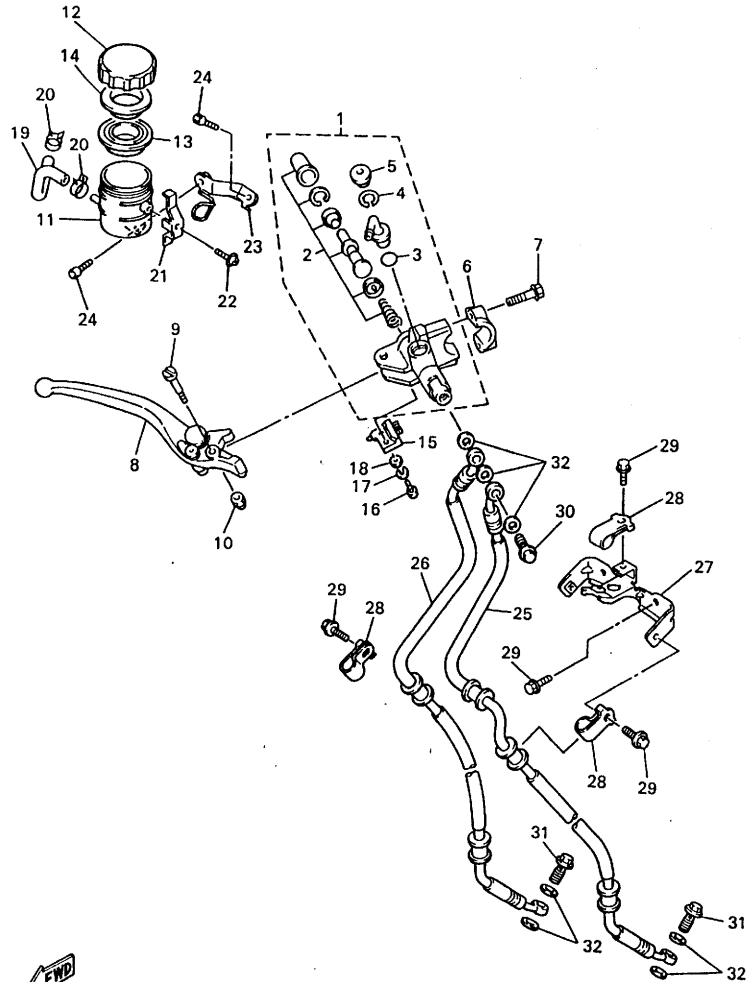
FIG. 33 STEERING HANDLE • CABLE



4VD2332-7330

REF. NO.	PART NO.	DESCRIPTION	4WN2				REMARKS
1	4SV-26121-10	HANDLEBAR (LEFT)	1				
2	4SV-26122-10	HANDLEBAR (RIGHT)	1				
3	4SV-26246-00	END, GRIP	2				
4	91317-06020	BOLT	2				
5	91314-08030	BOLT	2				
6	10L-23469-00	CAP, BOLT	2				
7	4FM-26241-01	GRIP (LEFT)	1				
8	4FM-26240-00	GRIP ASSY	1				
9	3LN-26281-01	CAP, GRIP UPPER	1				
10	3LN-26282-01	CAP, GRIP LOWER	1				
11	98507-05020	SCREW, PAN HEAD	1				
12	98507-05025	SCREW, PAN HEAD	1				
13	4SV-26302-00	THROTTLE CABLE ASSY	1				
14	4SV-26331-00	CABLE, STARTER 1	1				
15	4WN-83973-00	SWITCH, HANDLE 3	1				
16	98507-05025	•SCREW, PAN HEAD	2				
17	4WN-83975-00	SWITCH, HANDLE 2	1				
18	98507-05018	•SCREW, PAN HEAD	2				
19	25G-83936-01	BAND, SWITCH CORD	2				

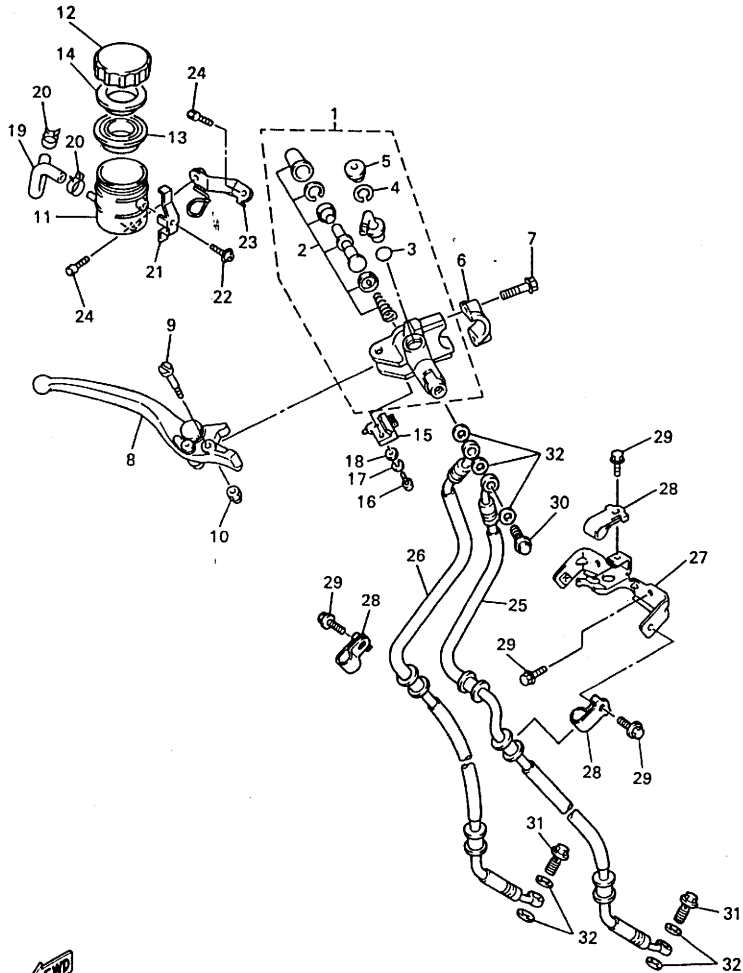
FIG. 34 FRONT MASTER CYLINDER



4SV300-6340

REF. NO.	PART NO.	DESCRIPTION	4WN2					REMARKS
1	4SV-W2587-00	MASTER CYLINDER SUB ASSY	1					
2	4SV-W0041-00	•CYLINDER KIT, MASTER	1					
3	93210-15620	•O-RING	1					
4	2VN-25866-00	•CIRCLIP	1					
5	3FV-2589A-00	•COVER, DUST	1					
6	56A-25867-00	BRACKET, MASTER CYLINDER	1					
7	95026-06025	BOLT, FLANGE	2					
8	4SV-83922-00	LEVER 2	1					
9	3FV-2589F-00	BOLT, LEVER	1					
10	95606-06100	NUT, U	1					
11	3FV-25894-00	TANK, RESERVOIR	1					
12	3GM-25852-50	CAP, RESERVOIR	1					
13	3FV-25854-00	DIAPHRAGM, RESERVOIR	1					
14	2J2-25855-50	BUSH,DIAPHRAGM	1					
15	3FV-83980-00	FRONT STOP SWITCH ASSY	1					
16	98502-04012	SCREW, PAN HEAD	1					
17	92902-04100	WASHER, SPRING	1					
18	92902-04600	WASHER, PLATE	1					
19	3GM-2582F-00	HOSE	1					
20	3PA-24356-00	CLIP, PIPE 1	2					
21	3FV-2589G-00	HOLDER	1					
22	3GM-2589H-00	SCREW	1					
23	4FM-26292-00	STAY	1					
24	91317-06012	BOLT	2					
25	4SV-25872-00	HOSE, BRAKE 1	1					
26	4SV-25873-00	HOSE, BRAKE 2	1					
27	4SV-23377-00	BRACKET, HORN	1					

FIG. 34 FRONT MASTER CYLINDER

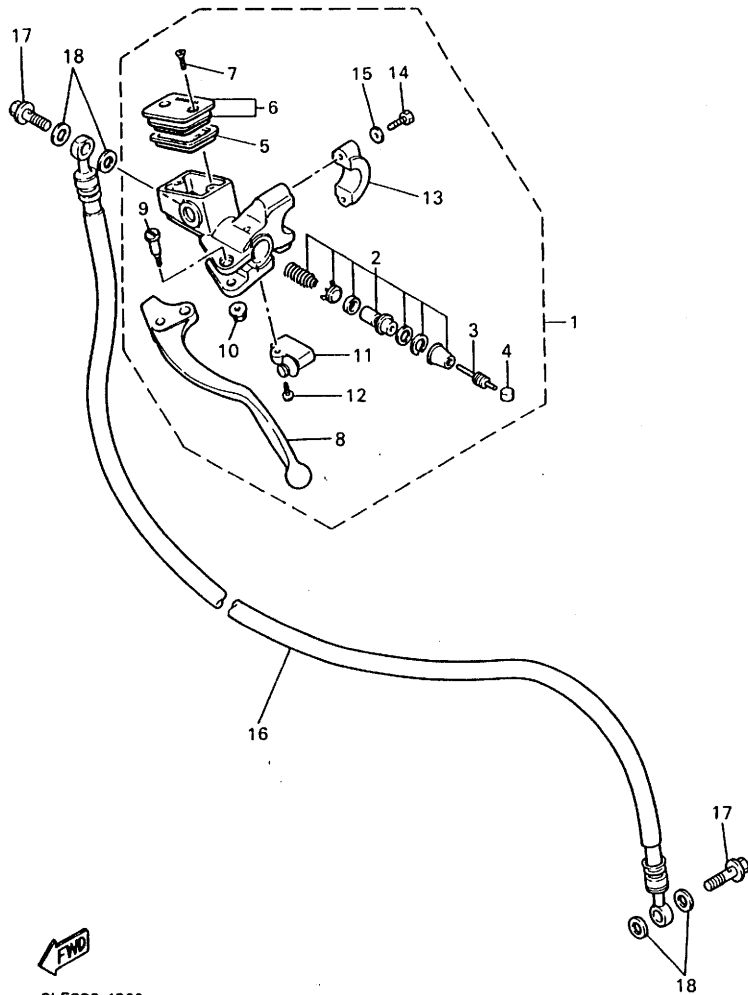


REF. NO.	PART NO.	DESCRIPTION	4WIN2					REMARKS
28	90461-10132	CLAMP	3					
29	95807-06012	BOLT, FLANGE	5					
30	90401-10160	BOLT, UNION	1					
31	90401-10159	BOLT, UNION	2					
32	90201-10118	WASHER, PLATE	7					



4SV300-6340

FIG. 35 FRONT MASTER CYLINDER 2



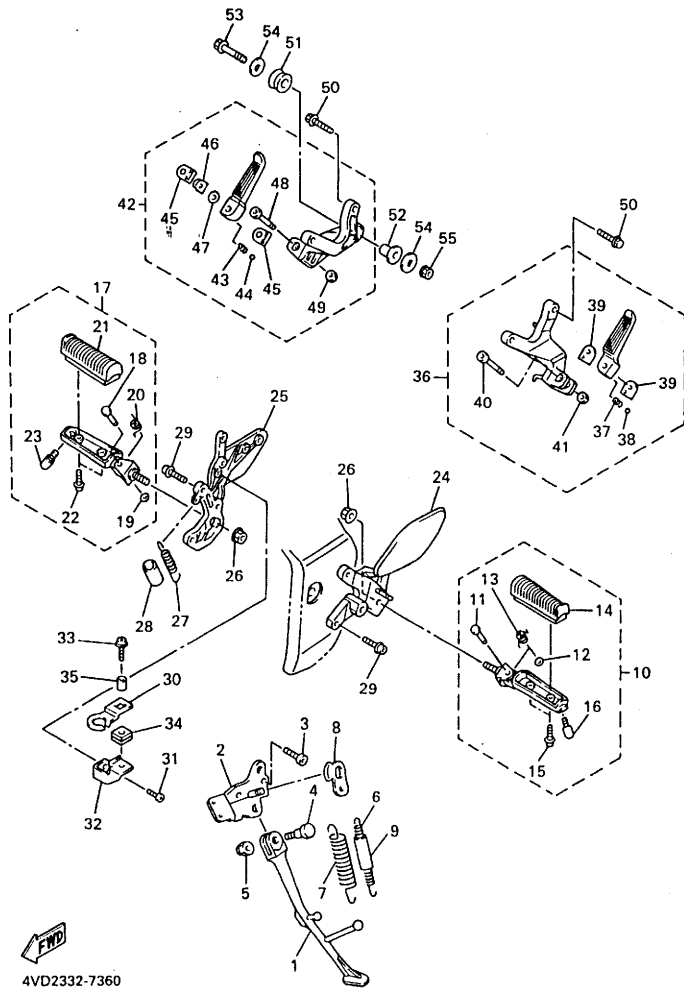
REF. NO.	PART NO.	DESCRIPTION	4WN2					REMARKS
1	3GM-26450-A1	MASTER CYLINDER ASSY (CLUTCH)	1					
2	3GM-W0099-00	•CYLINDER KIT, MASTER (CLUTCH)	1					
3	3GM-26464-00	•ROD, PUSH	1					
4	3GM-26455-00	•BUSH	1					
5	55U-25854-00	•DIAPHRAGM, RESERVOIR	1					
6	3GM-W2585-20	•RESERVOIR CAP SET	1					
7	98706-04012	•SCREW, FLAT HEAD	2					
8	3GM-83912-11	•LEVER 1	1					
9	90149-06287	•SCREW	1					
10	95706-06500	•NUT, FLANGE	1					
11	3GM-83980-00	•FRONT STOP SWITCH ASSY	1					
12	98706-04016	•SCREW, FLAT HEAD	1					
13	56A-25867-00	•BRACKET, MASTER CYLINDER	1					
14	97016-06025	•BOLT	2					
15	92906-06600	•WASHER, PLATE	2					
16	3GM-26470-A0	HOSE, CLUTCH	1					
17	90401-10159	BOLT, UNION	2					
18	90201-10118	WASHER, PLATE	4					



3LE332-4360

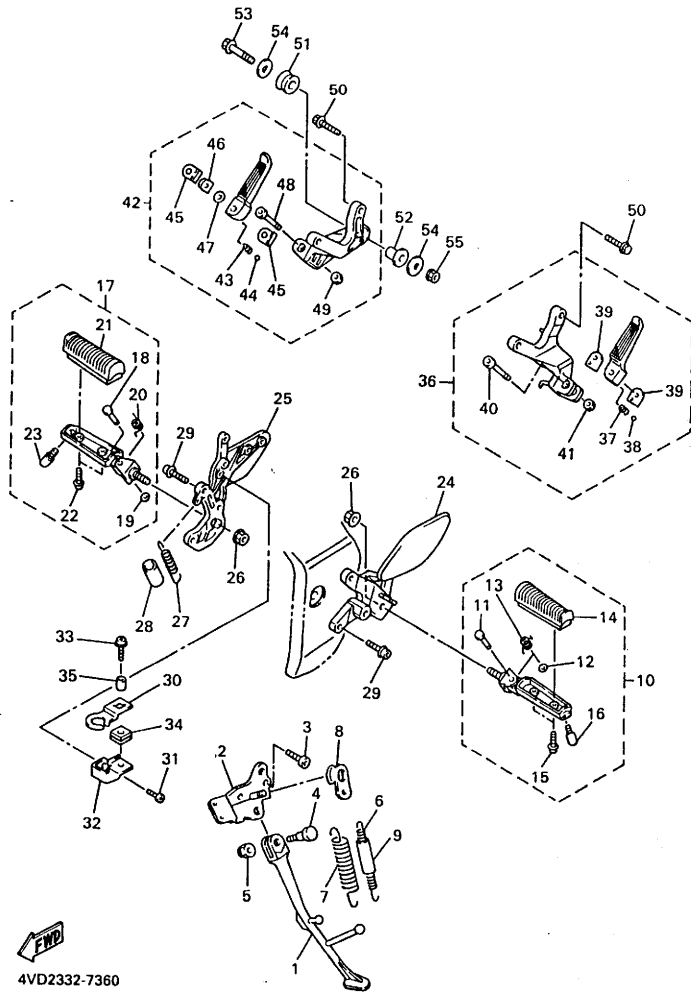
E10

FIG. 36 STAND • FOOTREST



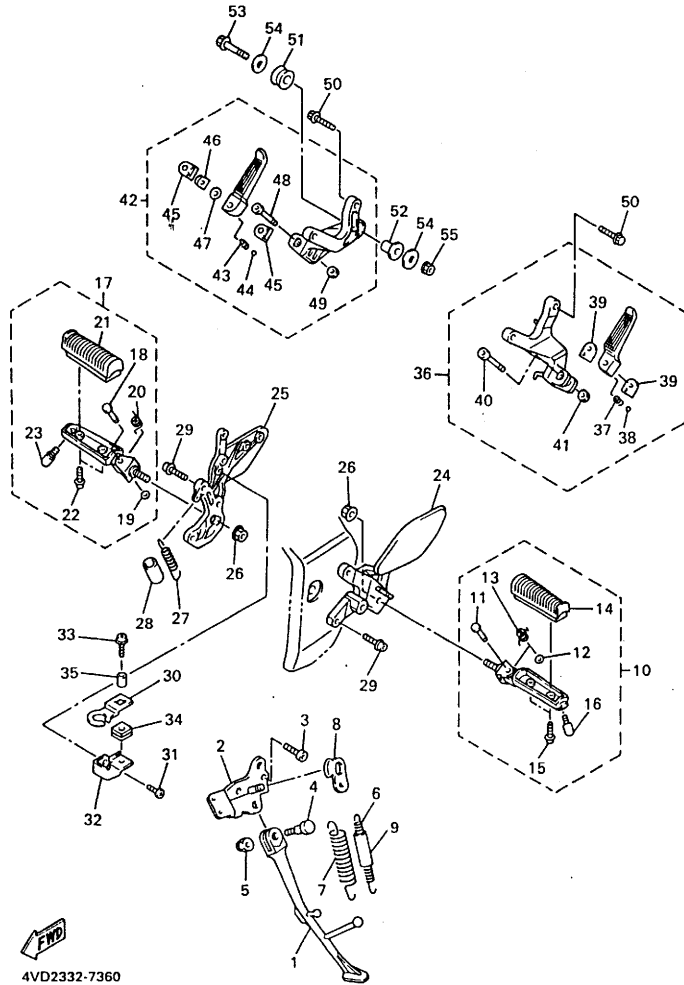
REF. NO.	PART NO.	DESCRIPTION	4WN2				REMARKS
1	4FM-27311-00	STAND, SIDE	1				
2	4FM-27321-00	BRACKET, SIDE STAND	1				
3	90110-08155	BOLT, HEXAGON SOCKET HEAD	2				
4	90109-104E6	BOLT	1				
5	90185-10037	NUT, SELF-LOCKING	1				
6	90506-18224	SPRING, TENSION	1				
7	90506-26225	SPRING, TENSION	1				
8	4FM-27315-00	LINK, SIDE STAND	1				
9	1TX-27351-00	GUIDE, SIDE STAND	1				
10	4SV-27410-10	FRONT FOOTREST ASSY (LEFT)	1				
11	90243-08029	•PIN	1				
12	90201-06042	•WASHER, PLATE	1				
13	90508-20572	•SPRING, TORSION	1				
14	4BP-27413-00	•COVER, FOOTREST	1				
15	90157-05079	•SCREW, PAN HEAD	2				
16	4SV-27435-00	•BOLT	1				
17	4SV-27420-10	FRONT FOOTREST ASSY (RIGHT)	1				
18	90243-08029	•PIN	1				
19	90201-06042	•WASHER, PLATE	1				
20	90508-20572	•SPRING, TORSION	1				
21	4BP-27413-00	•COVER, FOOTREST	1				
22	90157-05079	•SCREW, PAN HEAD	2				
23	4SV-27435-00	•BOLT	1				
24	4FM-27442-02	BRACKET 2	1				
25	4FM-27443-02	BRACKET 3	1				
26	90179-10247	NUT	2				
27	90506-20377	SPRING, TENSION	1				

FIG. 36 STAND • FOOTREST



REF. NO.	PART NO.	DESCRIPTION	4WN2					REMARKS
28	90446-17346	HOSE	1					
29	90110-08199	BOLT, HEXAGON SOCKET HEAD	4					
30	4SV-2144G-00	STAY, STOP SWITCH	1					
31	98507-06010	SCREW, PAN HEAD	1					
32	4SV-2144I-00	BRACKET, STOP SWITCH	1					
33	90159-06150	SCREW, WITH WASHER	1					
34	90480-12607	GROMMET	1					
35	90387-06023	COLLAR	1					
36	4SV-27430-00	REAR FOOTREST ASSY 1	1					
37	90501-12743	•SPRING, COMPRESSION	1					
38	93501-04011	•BALL	1					
39	4BP-27437-00	•WASHER, SPECIAL	2					
40	90110-08244	•BOLT, HEXAGON SOCKET HEAD	1					
41	95604-08100	•NUT, U	1					
42	4SV-27440-00	REAR FOOTREST ASSY 2	1					
43	90501-12743	•SPRING, COMPRESSION	1					
44	93501-04011	•BALL	1					
45	4SV-27437-00	•WASHER, SPECIAL	2					
46	4SV-26247-00	•STOPPER	1					
47	92907-08200	•WASHER	1					
48	90110-08244	•BOLT, HEXAGON SOCKET HEAD	1					
49	95604-08100	•NUT, U	1					
50	95817-08030	BOLT, FLANGE	4					
51	2H7-27414-00	DAMPER, FOOTREST	1					
52	90387-10636	COLLAR	1					
53	95024-10045	BOLT, FLANGE	1					
54	90201-10669	WASHER, PLATE	2					

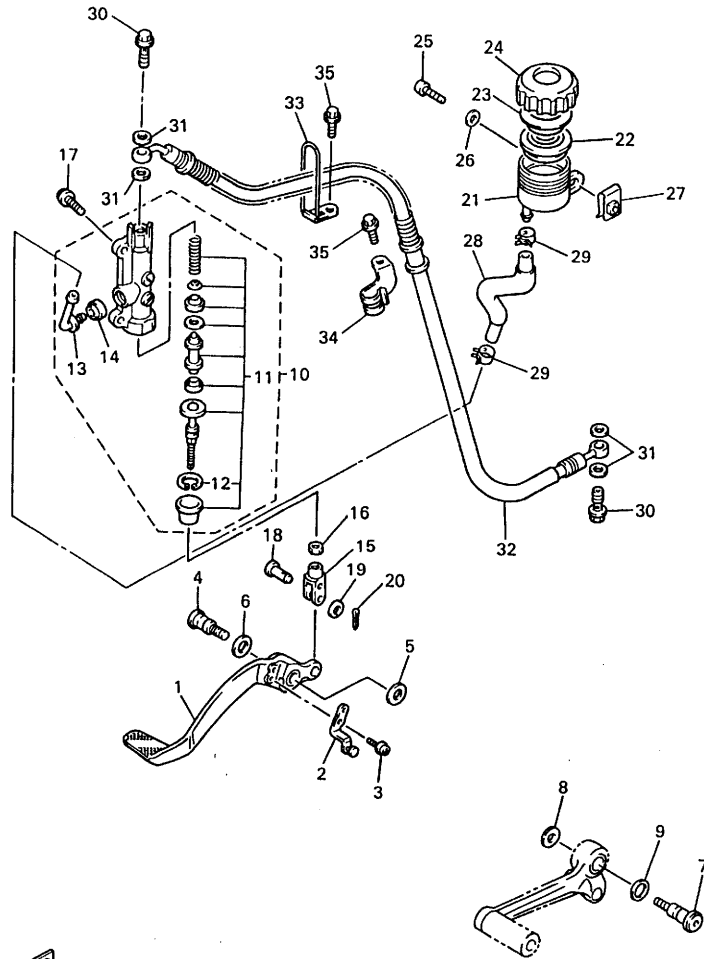
FIG. 36 STAND • FOOTREST



4VD2332-7360

REF. NO.	PART NO.	DESCRIPTION	4WINZ				REMARKS
55	95614-10200	NUT, SELF-LOCKING	1				

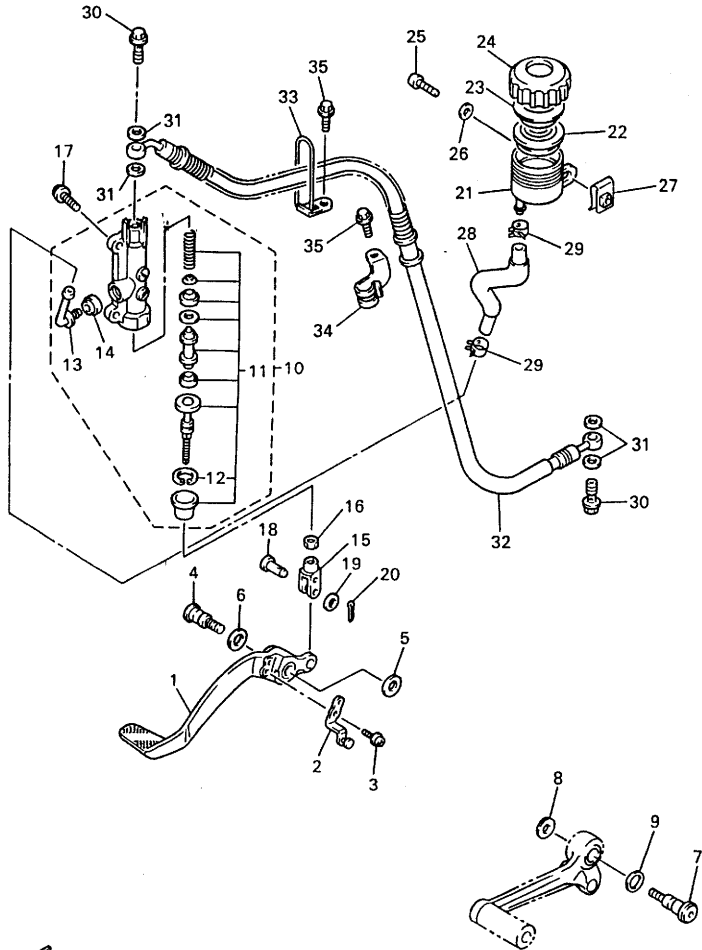
FIG. 37 REAR MASTER CYLINDER



4SV300-6370

REF. NO.	PART NO.	DESCRIPTION	4WN2					REMARKS
1	4FM-27211-21	PEDAL, BRAKE	1					
2	4FM-27254-00	HOOK	1					
3	90159-06045	SCREW, WITH WASHER	1					
4	4SV-27261-00	SHAFT	1					
5	90201-104R2	WASHER, PLATE	1					
6	90206-14086	WASHER, WAVE	1					
7	2YK-27434-01	BOLT	1					
8	90201-08326	WASHER, PLATE	1					
9	90206-12074	WASHER, WAVE	1					
10	4BH-2583V-00	RR. MASTER CYLINDER ASSY.	1					
11	4BH-W0042-50	•CYLINDER KIT, MASTER	1					
12	3LN-2585G-00	••CIRCLIP	1					
13	4BP-2582A-00	•JOINT	1					
14	4BP-2585F-00	•BUSH	1					
15	4FM-27222-00	JOINT	1					
16	95307-08700	NUT	1					
17	92014-08020	BOLT, BUTTON HEAD	2					
18	90240-08124	PIN, CLEVIS	1					
19	90201-08083	WASHER, PLATE	1					
20	91401-20012	PIN, COTTER	1					
21	31A-25894-01	TANK, RESERVOIR	1					
22	360-25854-00	DIAPHRAGM, RESERVOIR	1					
23	2GU-25855-00	BUSH,DIAPHRAGM	1					
24	2KF-25852-50	CAP, RESERVOIR	1					
25	98507-06020	SCREW, PAN HEAD	1					
26	92907-06600	WASHER, PLATE	1					
27	90183-06023	NUT, SPRING	1					

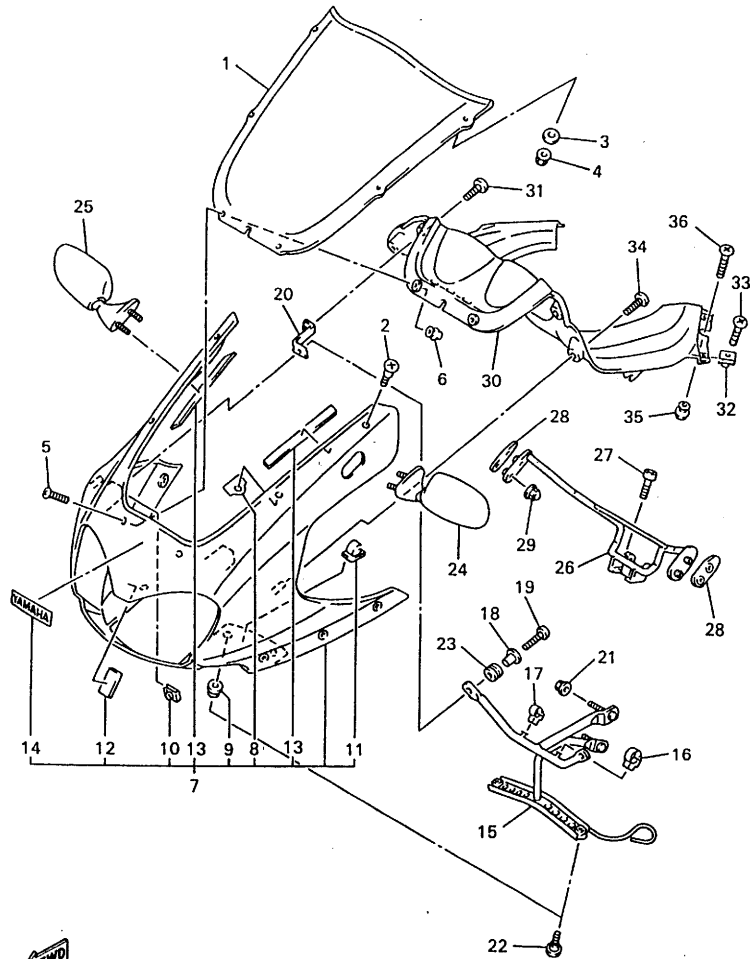
FIG. 37 REAR MASTER CYLINDER



REF. NO.	PART NO.	DESCRIPTION	4WIN2				REMARKS
28	4FM-25895-00	HOSE, RESERVOIR	1				
29	90467-14057	CLIP	2				
30	90401-10159	BOLT, UNION	2				
31	90201-10118	WASHER, PLATE	4				
32	4SV-25874-00	HOSE, BRAKE	1				
33	4BH-25886-00	HOLDER, BRAKE HOSE	1				
34	4SV-25887-00	HOLDER, BRAKE HOSE	1				
35	95027-06010	BOLT, FLANGE	2				


4SV300-6370

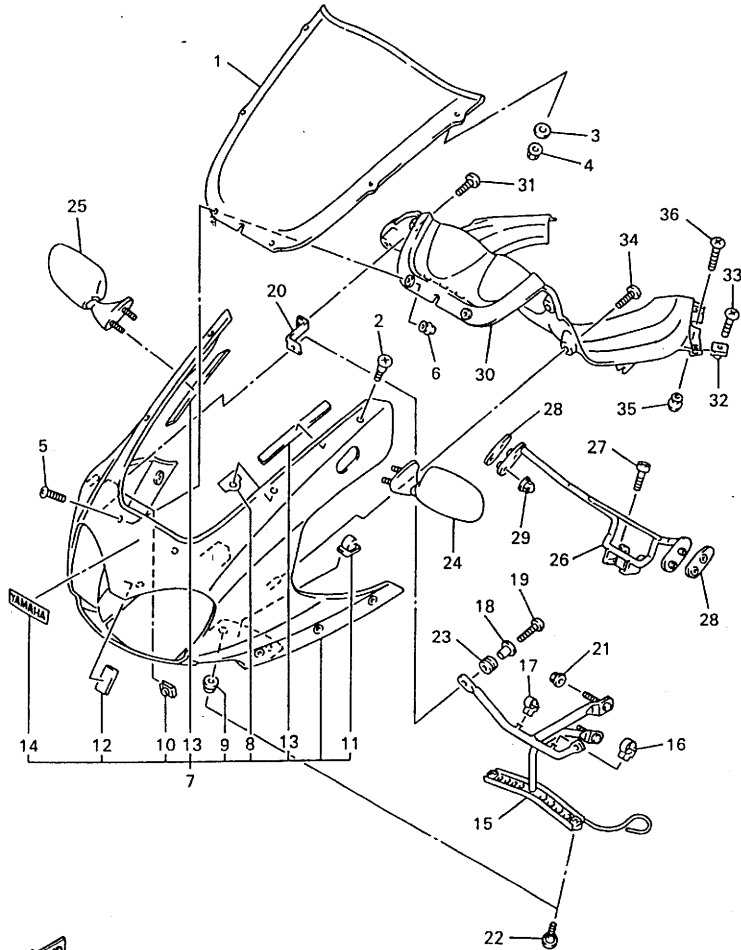
FIG. 38 COWLING 1



4SV300-6380

REF. NO.	PART NO.	DESCRIPTION	4WN2				REMARKS
1	4SV-28381-00	WINDSHIELD	1				
2	90149-05273	SCREW	4				
3	4FM-28215-00	WASHER, SPECIAL	4				
4	95707-05500	NUT, FLANGE	4				
5	90150-05024	SCREW, ROUND HEAD	2				
6	90179-05523	NUT	2				
7	4SV-Y283G-20-0X 4SV-Y283G-00-2X	BODY, FRONT UPPER 1	1 1				VRC1/BL2 FOR BWC1 BL2/DPBMC FOR BL2
8	4SV-2834V-00	•PROTECTOR 1	4				
9	90480-13398	•GROMMET	2				
10	90183-06023	•NUT, SPRING	2				
11	90464-25160	•CLAMP	2				
12	22F-24181-00	•DAMPER, LOCATING 1	1				
13	4SV-28415-00	•DAMPER 1	2				
14	99231-00100 99236-00100	•EMBLEM, YAMAHA	1 1				UR FOR BWC1 UR FOR BL2
15	4SV-28356-00	STAY 1	1				
16	90464-20191	CLAMP	1				
17	90464-10190	CLAMP	1				
18	90387-067N5	COLLAR	2				
19	98517-06020	SCREW, PAN HEAD	2				
20	4SV-28357-00	STAY 2	2				
21	95607-08200	NUT, SELF-LOCKING	2				
22	90150-06036	SCREW, ROUND HEAD	2				
23	90480-13398	GROMMET	2				
24	4SV-26280-00	REAR VIEW MIRROR ASSY(LEFT)	1				
25	4SV-26290-00	REAR VIEW MIRROR ASSY(RIGHT)	1				

FIG. 38 COWLING 1

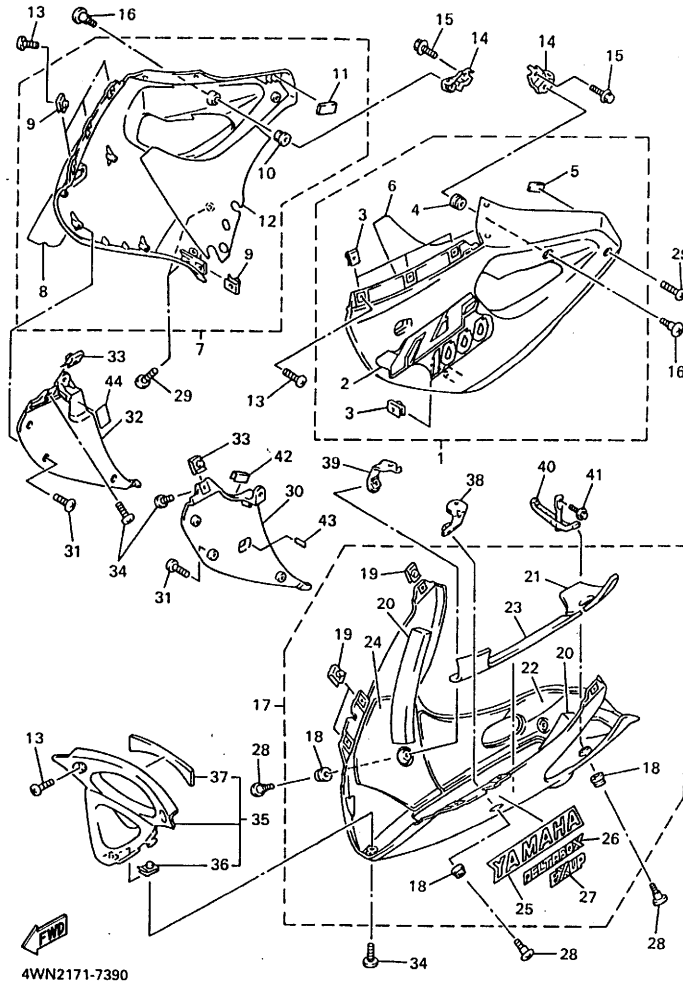


REF. NO.	PART NO.	DESCRIPTION	4WNZ				REMARKS
26	4SV-2831W-00	STAY, MIRROR 1	1				
27	91317-06012	BOLT	2				
28	4SV-26298-00	PLATE, MIRROR FITTING 1	2				
29	90176-06055	NUT, CROWN	4				
30	4SV-2837L-00	PANEL, CONSOLE 1	1				
31	90154-05013	SCREW, BINDING	2				
32	90183-05024	NUT, SPRING	4				
33	90150-05039	SCREW, ROUND HEAD	4				
34	90167-05075	SCREW, TAPPING	2				
35	90179-05523	NUT	2				
36	98907-05016	SCREW, BIND	2				



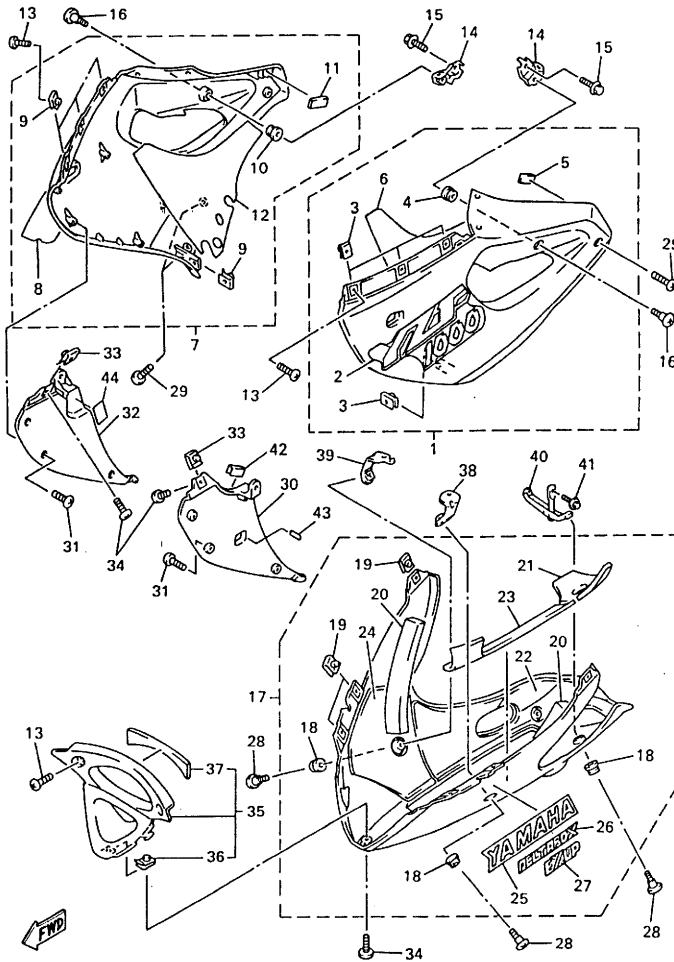
4SV300-6380

FIG. 39 COWLING 2



REF. NO.	PART NO.	DESCRIPTION	4VN2	REMARKS
1	4SV-Y283U-60-0X	PANEL ASSEMBLY 1	1	BWC1/VRC1
	4SV-Y283U-50-4B	PANEL ASSEMBLY 1	1	BL2
2	4WN-28391-20	•GRAPHIC 1	1	UR FOR BWC1
	4WN-28391-30	•GRAPHIC 1	1	UR FOR BL2
3	90183-05024	•NUT, SPRING	4	
4	90480-13398	•GROMMET	1	
5	4SV-28372-00	•DAMPER	1	
6	4SV-2848P-00	•SEAT 6	1	
7	4SV-Y283V-60-0X	PANEL ASSEMBLY 2	1	BWC1/VRC1
	4SV-Y283V-50-4B	PANEL ASSEMBLY 2	1	BL2
8	4WN-28392-20	•GRAPHIC 2	1	UR FOR BWC1
	4WN-28392-30	•GRAPHIC 2	1	UR FOR BL2
9	90183-05024	•NUT, SPRING	4	
10	90480-13398	•GROMMET	1	
11	4SV-28372-00	•DAMPER	1	
12	4SV-2848R-00	•SEAT 7	1	
13	90150-05039	SCREW, ROUND HEAD	8	
14	4SV-2836A-00	BRACKET 1	2	
15	95807-06012	BOLT, FLANGE	2	
16	90150-06036	SCREW, ROUND HEAD	2	
17	4SV-Y2808-30-4B	COVER ASSY, UNDER	1	BL2 FOR BWC1
	4SV-Y2808-20-P1	COVER ASSY, UNDER	1	DPBMC FOR BL2
18	90480-13398	•GROMMET	4	
19	90183-05024	•NUT, SPRING	6	
20	4SV-28371-00	•DAMPER	2	
21	4SV-2848K-00	•SEAT 2	1	
22	4SV-2848L-00	•SEAT 3	1	

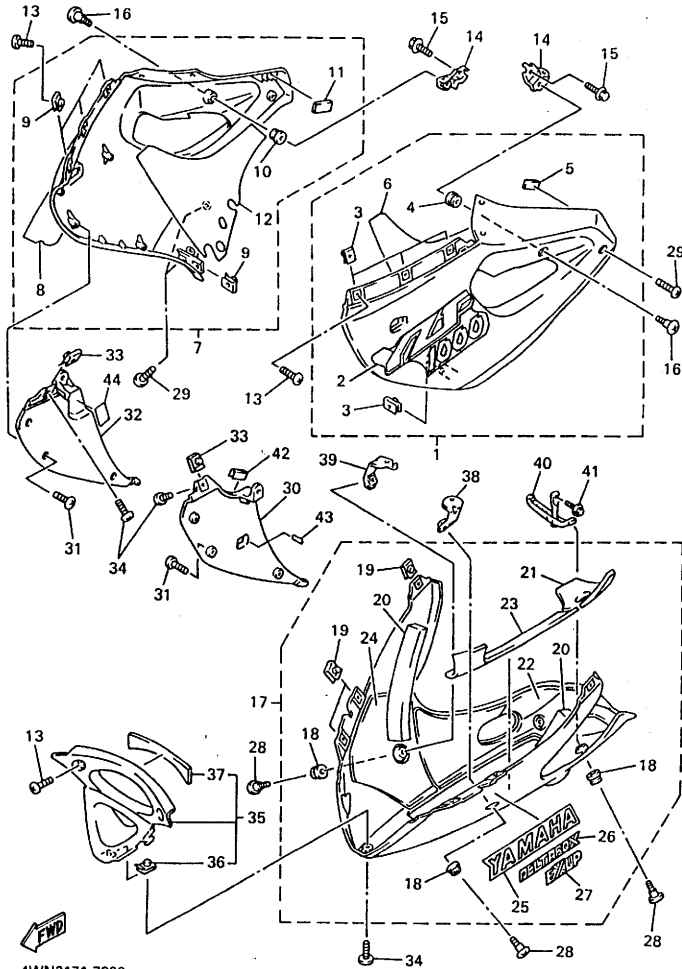
FIG. 39 COWLING 2



4WN2171-7390

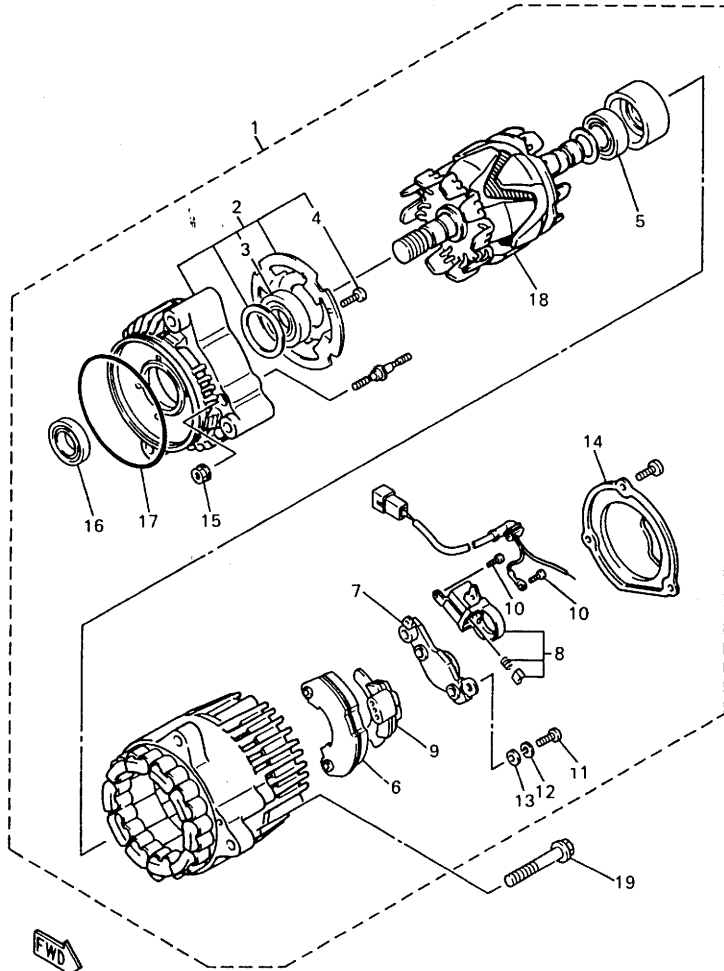
REF. NO.	PART NO.	DESCRIPTION	4WN2			REMARKS
23	4SV-2848M-00	•SEAT 4	1			
24	4SV-2848N-00	•SEAT 5	1			
25	99231-00320	•EMBLEM, YAMAHA	2			UR FOR BWC1
	99236-00320	•EMBLEM, YAMAHA	2			UR FOR BL2
26	4SV-28328-20	•EMBLEM	2			UR FOR BWC1
	4SV-28328-30	•EMBLEM	2			UR FOR BL2
27	4SV-28308-00	•EMBLEM, SET	1			UR FOR BWC1
	4SV-28308-10	•EMBLEM, SET	1			UR FOR BL2
28	90150-06036	SCREW, ROUND HEAD	4			
29	90150-05039	SCREW, ROUND HEAD	6			
30	4SV-2836K-00-P0	PANEL, INNER 1	1			VRC1 FOR BWC1
	4SV-2836K-00-4B	PANEL, INNER 1	1			BL2
31	97704-40012	SCREW, TAPPING	8			
32	4SV-2836L-00-P0	PANEL, INNER 2	1			VRC1 FOR BWC1
	4SV-2836L-00-4B	PANEL, INNER 2	1			BL2
33	90183-05024	NUT, SPRING	2			
34	90150-05039	SCREW, ROUND HEAD	3			
35	4SV-Y283S-00-4B	PANEL, INNER 3	1			BL2 FOR BWC1
	4SV-Y283S-00-P1	PANEL, INNER 3	1			DPBMC FOR BL2
36	90183-05024	•NUT, SPRING	1			
37	4SV-2848H-00	•SEAT	1			
38	4SV-2836F-00	BRACKET 3	1			
39	4SV-2836G-00	BRACKET 4	1			
40	4FM-2831T-00	STAY, SUPPORT 1	1			
41	90119-06018	BOLT, WITH WASHER	1			
42	1JK-21268-00	SEAL	1			
43	3TU-2178A-00	LABEL	1			

FIG. 39 COWLING 2



REF. NO.	PART NO.	DESCRIPTION	4WN2					REMARKS
44	4DN-21268-00	SEAL	1					

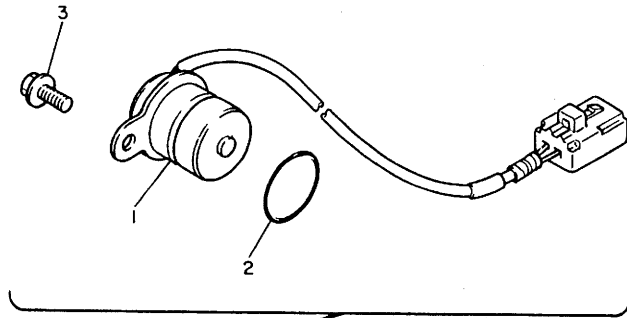
FIG. 40 GENERATOR



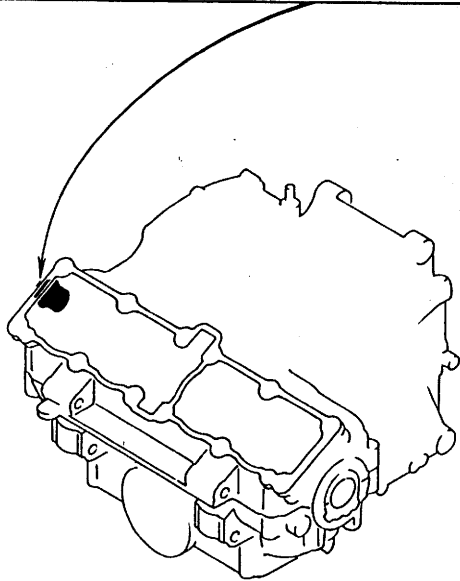
4BH332-3430

REF. NO.	PART NO.	DESCRIPTION	4WN2				REMARKS
1	4SV-81600-01	A.C. GENERATOR ASSY	1				
2	4BH-81634-00	•STATOR ASSY	1				
3	4BH-81643-00	••BEARING	1				
4	4BH-81645-00	••SCREW	4				
5	4BH-81643-10	•BEARING	1				
6	4BH-81970-00	•RECTIFIER ASSY	1				
7	36Y-81910-50	•VOLTAGE REGULATOR ASSY	1				
8	3FV-81619-00	•BRUSH HOLDER ASSY	1				
9	4BH-81972-00	•COVER, RECTIFIER	1				
10	3FV-81645-00	•SCREW	2				
11	98501-05018	•SCREW, PAN HEAD	3				
12	92901-05100	•WASHER, SPRING	3				
13	92901-05600	•WASHER, PLATE	3				
14	4BH-81604-00	•COVER ASSY	1				
15	95702-05500	•NUT, FLANGE	2				
16	36Y-81638-50	•OIL SEAL	1				
17	2KT-81642-50	•O-RING	1				
18	4BH-81660-00	•ROTOR ASSY	1				
19	95817-08065	BOLT, FLANGE	3				

FIG. 41 PICK UP COIL • GOVERNOR

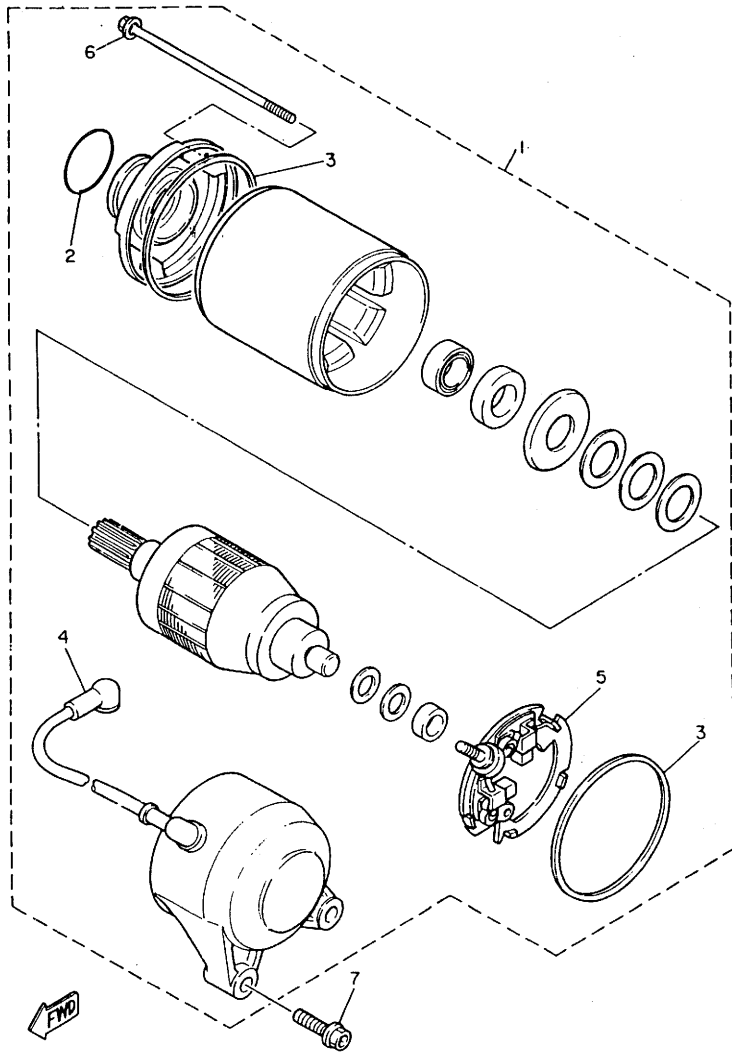


REF. NO.	PART NO.	DESCRIPTION	4VN2						REMARKS
1	3GM-81670-00	PICK-UP ASSY	1						
2	93210-19216	O-RING	1						
3	95027-06012	BOLT, FLANGE	1						



2GH300-7400

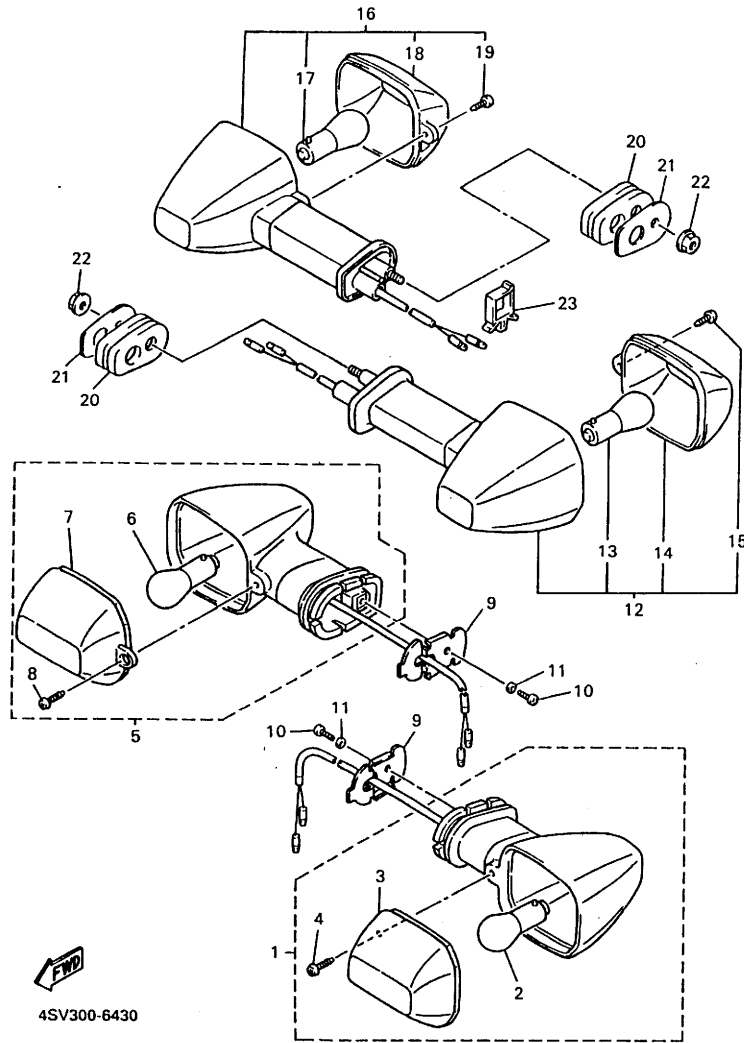
FIG. 42 STARTING MOTOR



FTD
3KS351-9420

REF. NO.	PART NO.	DESCRIPTION	4WIN2					REMARKS
1	3XF-81800-00	STARTING MOTOR ASSY	1					
2	1FK-81847-00	•O-RING	1					
3	11H-81844-00	•GASKET	2					
4	2KT-81815-00	•CORD, STARTER MOTOR	1					
5	3KS-81840-00	•BRUSH HOLDER ASSY	1					
6	3HE-81826-00	•BOLT	2					
7	95827-06025	BOLT, FLANGE	2					

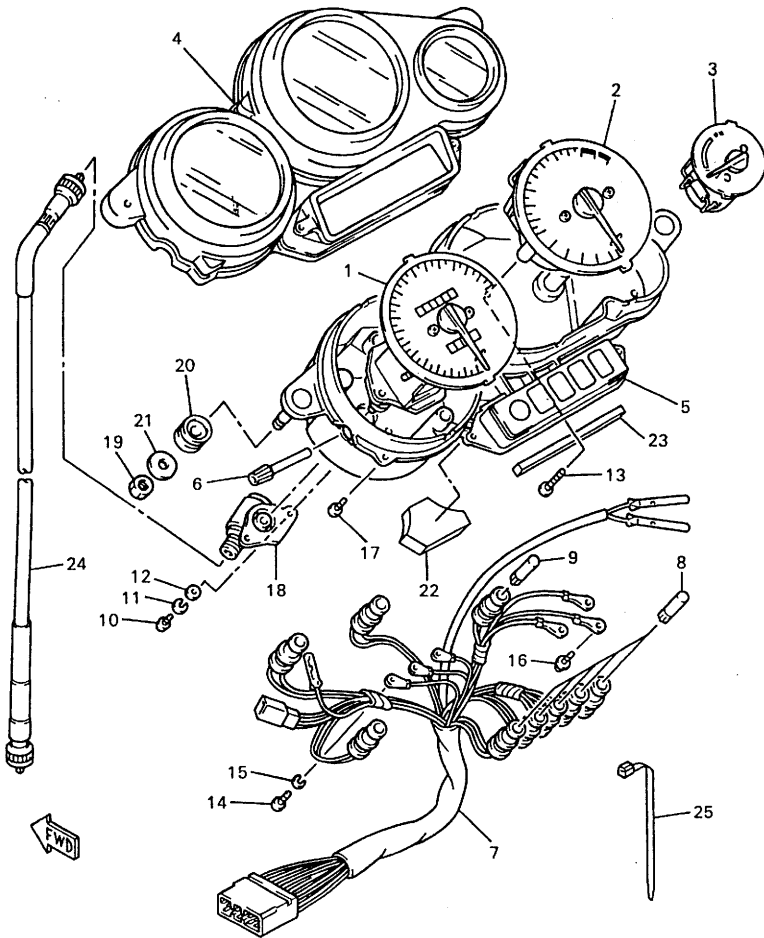
FIG. 43 FLASHER LIGHT



4SV300-6430

REF. NO.	PART NO.	DESCRIPTION	4WN2				REMARKS
1	4JH-83310-11	FRONT FLASHER LIGHT ASSY 1	1				
2	256-84714-61	•BULB (12V-27/8W)	1				
3	4JH-83332-10	•LENS, FLASHER	1				
4	97702-40610	•SCREW, TAPPING	1				
5	4JH-83320-11	FRONT FLASHER LIGHT ASSY 2	1				
6	256-84714-61	•BULB (12V-27/8W)	1				
7	4JH-83342-10	•LENS, FLASHER 2	1				
8	97702-40610	•SCREW, TAPPING	1				
9	4JH-83318-00	STAY, FLASHER 1	2				
10	98507-04008	SCREW, PAN HEAD	2				
11	92907-04600	WASHER	2				
12	4JH-83330-20	REAR FLASHER LIGHT ASSY 1	1				
13	256-83311-70	•BULB (12V-27W)	1				
14	4JH-83332-10	•LENS, FLASHER	1				
15	97702-40610	•SCREW, TAPPING	1				
16	4JH-83340-20	FLASHER LIGHT ASSY 2	1				
17	256-83311-70	•BULB (12V-27W)	1				
18	4JH-83342-10	•LENS, FLASHER 2	1				
19	97702-40610	•SCREW, TAPPING	1				
20	4FM-83345-00	PLUG, BLIND	2				
21	4FM-83369-00	STAY, FLASHER 2	2				
22	95707-06500	NUT, FLANGE	2				
23	90464-16025	CLAMP	1				

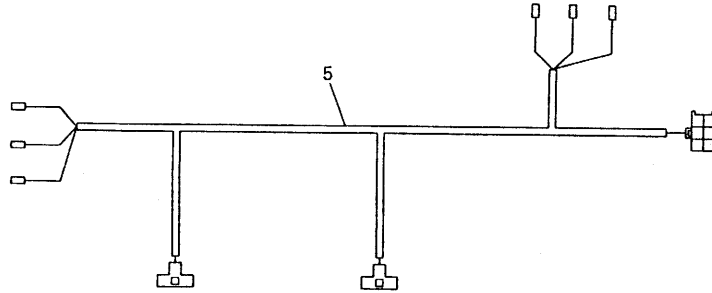
FIG. 44 METER



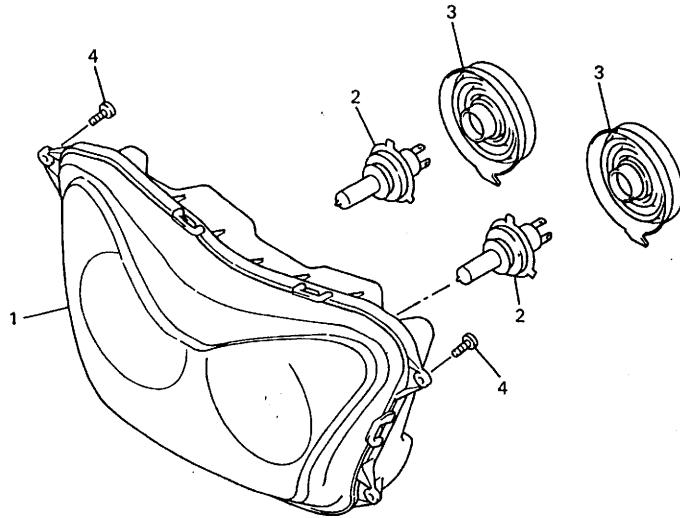
REF. NO.	PART NO.	DESCRIPTION	4WN2				REMARKS
1	4SV-83570-01	SPEEDOMETER ASSY	1				
2	4SV-83540-00	TACHOMETER ASSY	1				
3	4SV-83590-00	WATER TEMPERATURE ASSY	1				
4	4FM-83559-00	COVER, METER	1				
5	4FM-8353H-40	CASE, UNDER	1				
6	4SV-83578-00	KNOB, TRIP METER	1				
7	4FM-83509-80	SOCKET CORD ASSY	1				
8	4R0-83517-00	BULB (12V-3.4W T10)	5				
9	2GV-83517-00	BULB (12V-1.7W, T6.5)	4				
10	98507-04010	SCREW, PAN HEAD	4				
11	92907-04100	WASHER, SPRING	4				
12	92907-04600	WASHER	4				
13	4NX-83546-00	BOLT	2				
14	98507-03010	SCREW, PAN HEAD	3				
15	92907-03100	WASHER	3				
16	90159-03102	SCREW, WITH WASHER	3				
17	90164-04006	SCREW, TAPPING	5				
18	4FM-83520-00	SOCKET CORD ASSY	1				
19	95307-06600	NUT	2				
20	4SV-83513-00	DAMPER	2				
21	90201-06380	WASHER, PLATE	2				
22	4SV-83523-00	DAMPER	1				
23	4SV-83526-00	DAMPER 2	1				
24	4FM-83550-02	SPEEDOMETER CABLE ASSY	1				
25	90464-13077	CLAMP	1				

4SV300-6440

FIG. 45 HEADLIGHT

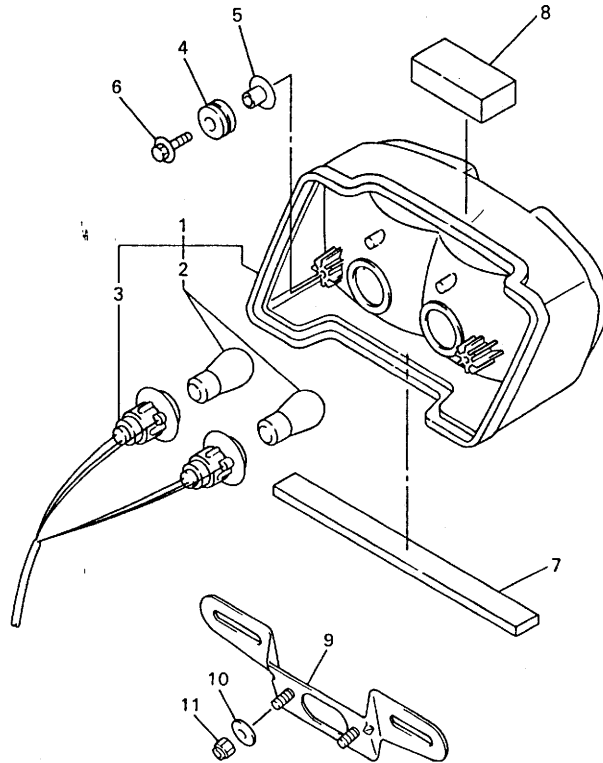


REF. NO.	PART NO.	DESCRIPTION	4WN2					REMARKS
1	4SV-84310-20	HEADLIGHT UNIT ASSY	1					
2	4SV-84314-10	BULB, HEADLIGHT	2					
3	4SV-84397-00	COVER, SOCKET	2					
4	97707-60014	SCREW, TAPPING	4					
5	4WN-84359-00	CORD, HEADLIGHT	1					



4WN2171-7450

FIG. 46 TAILLIGHT

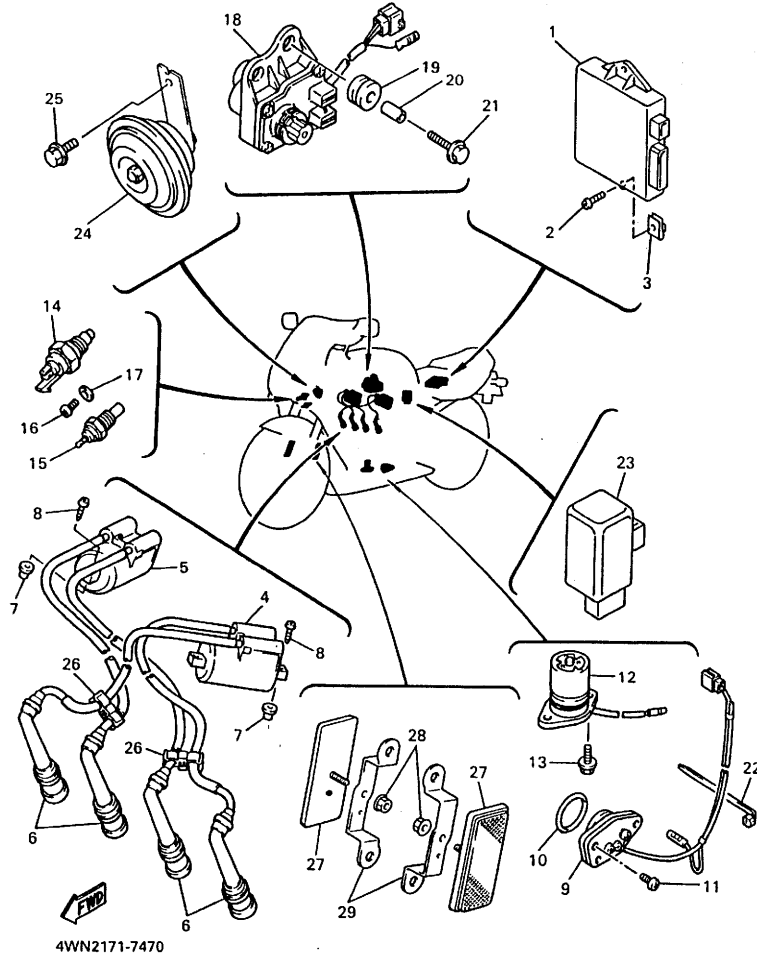


REF. NO.	PART NO.	DESCRIPTION	4WN2					REMARKS
1	4SV-84710-10	TAILLIGHT UNIT ASSY	1					
2	36Y-84714-40	•BULB, TAILLIGHT (12V-21/5W)	2					
3	4G0-84735-00	•CORD ASSY	1					
4	90480-18276	GROMMET	2					
5	90387-077M3	COLLAR	2					
6	90119-06118	BOLT, WITH WASHER	2					
7	1NL-28378-00	PAD	1					
8	56J-2472F-00	SUPPORT, TAIL COVER	1					
9	4WN-84751-00	BRACKET, LICENSE	1					
10	90201-06380	WASHER, PLATE	2					
11	95607-06100	NUT, U	2					



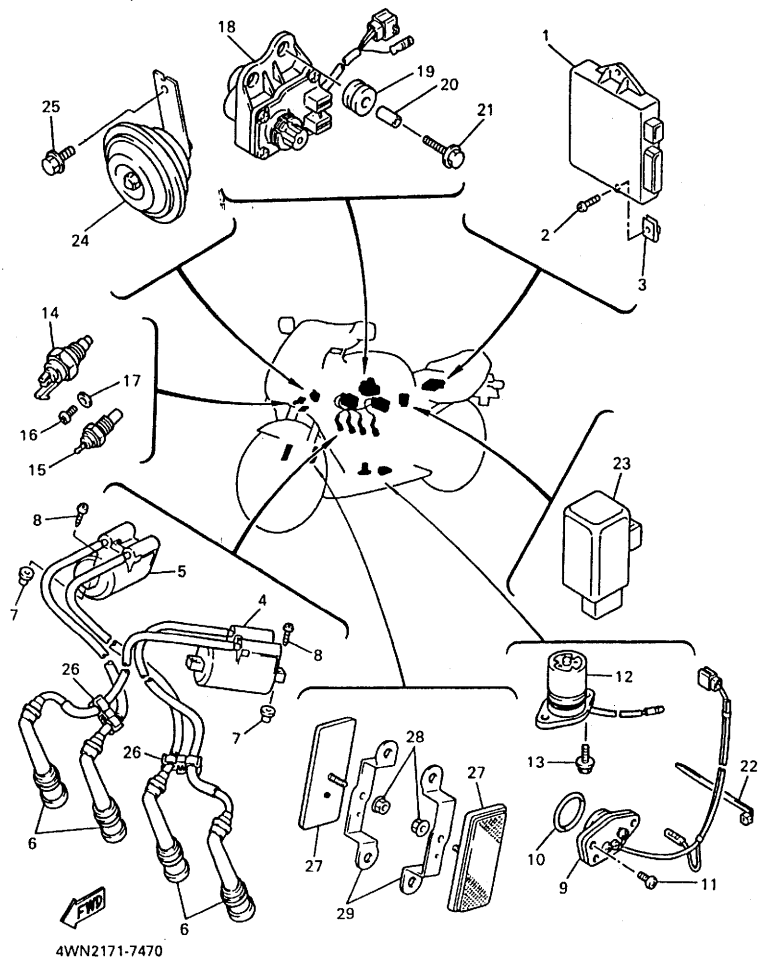
4WN2171-7460

FIG. 47 ELECTRICAL 1



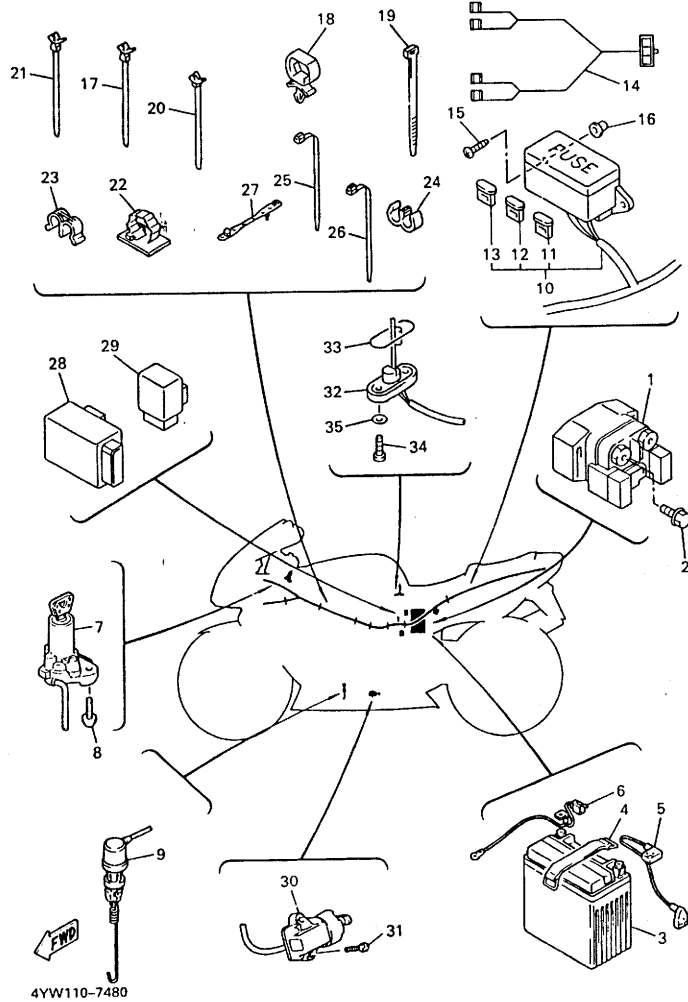
REF. NO.	PART NO.	DESCRIPTION	4WN2				REMARKS
1	4YW-82305-00	IGNITOR UNIT ASSY	1				
2	92017-06020	BOLT, BUTTON HEAD	1				
3	90183-06023	NUT, SPRING	1				
4	4FM-82310-01	IGNITION COIL ASSY	1				
5	4FM-82320-01	IGNITION COIL ASSY	1				
6	4SV-82370-10	PLUG CAP ASSY	4				
7	90338-08226	PLUG	4				
8	97707-60525	SCREW, TAPPING	4				
9	4FM-82540-01	NEUTRAL SWITCH ASSY	1				
10	93210-29196	O-RING	1				
11	98507-06016	SCREW, PAN HEAD	2				
12	3GM-85720-00	OIL LEVEL GAUGE ASSY	1				
13	95027-06016	BOLT, FLANGE	2				
14	3LN-82560-01	THERMO SWITCH ASSY	1				
15	11H-83591-00	THERMO UNIT	1				
16	98507-06010	SCREW, PAN HEAD	1				
17	92907-06600	WASHER, PLATE	1				
18	4FM-85820-00	SERVO MOTOR ASSY	1				
19	90480-14412	GROMMET	2				
20	90387-0609L	COLLAR	2				
21	95807-06030	BOLT, FLANGE	2				
22	90464-15195	CLAMP	1				
23	3GM-83350-01	FLASHER RELAY ASSY	1				
24	3TB-83371-01	HORN	1				
25	95807-06010	BOLT, FLANGE	1				
26	90464-10186	CLAMP	2				
27	11H-85110-01	REFLECTOR ASSY	2				

FIG. 47 ELECTRICAL 1



REF. NO.	PART NO.	DESCRIPTION	4WN2					REMARKS
28	95707-05500	NUT, FLANGE	2					
29	4SV-85112-00	BRACKET, REFLECTOR 1	2					

FIG. 48 ELECTRICAL 2



REF. NO.	PART NO.	DESCRIPTION	4WN2					REMARKS
28	4SV-81950-00	RELAY ASSY	1					
29	3GM-81950-00	RELAY ASSY	1					
30	3LD-82566-80	SWITCH, SIDE STAND	1					
31	90157-05079	SCREW, PAN HEAD	2					
32	3GM-85752-01	SENDER UNIT ASSY, FUEL METER	1					
33	42X-85753-00	GASKET, SENDER UNIT	1					
34	90149-06008	SCREW	2					
35	90202-05193	WASHER, PLATE	2					

G3

NUMERICAL INDEX

NUMERICAL INDEX

PART NO.	GRID NO.	PART NO.	GRID NO.	PART NO.	GRID NO.	PART NO.	GRID NO.	PART NO.	GRID NO.	PART NO.	GRID NO.
4SV-W0041-00	E - 8	4SV-11351-00	B - 3	1HX-12168-W1	B - 5	4SV-12552-00	B - 10	3G2-14231-25	C - 2	2GH-15123-00	B - 11
4BH-W0042-50	E - 14	4SV-11411-00	B - 4	1HX-12168-Y1	B - 5	4TV-12572-00	B - 10	4SV-14261-00	C - 3	1AE-15124-00	B - 11
4SV-W0045-00	E - 3	3GM-11416-00	B - 4	1HX-12168-00	B - 5	4SV-12576-00	B - 9	4KG-14285-00	C - 3	2GH-15133-00	B - 11
4SV-W0045-50	E - 6	3GM-11416-10	B - 4	1HX-12168-20	B - 5	4SV-12577-00	B - 9	4NK-14327-00	C - 3	4H7-15189-00	C - 7
3GM-W0047-10	E - 3	3GM-11416-20	B - 4	1HX-12168-40	B - 5	4SV-12579-00	B - 9	4SV-14401-00	B - 14	1AE-15316-00	C - 8
3MA-W0047-10	E - 3	3GM-11416-30	B - 4	1HX-12168-60	B - 5	4SV-12588-00	B - 10	2GH-14413-00	B - 8	4SV-15346-00	C - 8
31A-W0047-00	E - 6	3GM-11416-40	B - 4	1HX-12168-80	B - 5	4SV-12589-00	B - 10	4FN-14413-00	C - 3	3Y1-15361-00	C - 8
1J3-W0048-00	E - 3	4SV-11416-01	B - 4	1HX-12169-E0	B - 6	4SV-12591-00	B - 9	4SV-14422-00	B - 14	4FM-15362-00	C - 8
	E - 6	4SV-11416-11	B - 4	1HX-12169-G0	B - 6	2GH-1316E-01	B - 11	3GM-14432-00	B - 14	3FV-15363-00	C - 6
36Y-W0048-00	C-11	4SV-11416-21	B - 4	1HX-12169-J0	B - 6	3GM-13161-01	B - 13	3GM-14443-00	B - 14	3GM-15373-00	B - 13
31A-W0057-00	E - 6	4SV-11416-31	B - 4	1HX-12169-L0	B - 6	3GM-13171-00	B - 11	3GM-14451-00	B - 14	1AE-15381-00	C - 10
4SV-W0057-00	E - 3	4SV-11416-41	B - 4	1HX-12169-N0	B - 6	3GM-13174-00	B - 13	3GM-14452-00	B - 14	1AE-15383-00	C - 7
4SV-W0057-10	E - 3	4SV-11456-00	C-10	1HX-12169-T0	B - 6	3GM-13181-00	B - 11	4SV-14453-00	B - 14	4SV-15385-00	C - 7
26H-W0098-00	C-11	4SV-11474-01	C-10	1HX-12169-11	B - 5	3GM-13191-00	B - 11	4SV-14610-00	C - 4	3GM-15410-01	C - 8
3GM-W0099-00	E-10	4SV-11498-00	B - 7	1HX-12169-31	B - 5	4SV-13300-00	B - 11	3YF-14613-01	C - 4	3GM-15416-00	C - 8
3LE-W1741-00	C-12	3GM-11610-00	B - 4	1HX-12169-50	B - 6	2GH-13329-00	B - 11	4SV-14638-00	C - 4	3GM-15417-00	C - 8
4SV-W1742-00	C-12	3GM-11610-20	B - 4	1HX-12169-70	B - 6	3GM-13337-00	B - 13	3GM-14683-00	C - 4	4FM-15421-01	C - 8
2TV-W2470-00	D-15	4SV-11631-00	B - 4	1HX-12169-90	B - 6	3GM-13411-00	B - 11	4YW-14711-00	C - 4	3GM-15427-00	C - 8
3GM-W2585-20	E-10	4SV-11633-00	B - 4	4SV-12171-00	B - 7	3GM-13412-50	B - 11	4SV-14714-00	C - 4	2GH-15435-00	C - 8
4SV-W2587-00	E - 8	4SV-11636-00	B - 4	3GM-12176-00	B - 7	4FM-13414-00	B - 13	4SV-14718-00	C - 4	3GM-15449-00	C - 8
4SV-Y2171-A0-P1	D - 6	3GM-11650-10	B - 4	4SV-12181-00	B - 7	3FV-13416-01	B - 13	3GM-14811-00	C - 4	4FM-15451-00	C - 8
4SV-Y2171-70-P2	D - 6	12R-11654-00	B - 4	3GM-12210-00	B - 7	4FM-13417-00	B - 13	4SV-14821-00	C - 4	1AE-15456-00	C - 8
4SV-Y2172-40-P2	D - 6	3GM-11656-00	B - 4	4BE-12213-00	B - 7	3FV-13440-00	B - 13	4HD-14826-00	C - 4	4FM-15461-00	C - 9
4SV-Y2172-50-P1	D - 6	3GM-11656-10	B - 4	2GH-12241-00	B - 7	3GM-13454-00	B - 12	2TK-14865-01	C - 4	4FM-15463-00	C - 8
4SV-Y2808-20-P1	F - 4	3GM-11656-20	B - 4	3GM-12251-00	B - 7	4FM-13470-10	B - 13	2TK-14867-01	C - 4	4FM-15467-00	C - 8
4SV-Y2808-30-4B	F - 4	3GM-11656-30	B - 4	3GM-12252-01	B - 7	4FM-13475-00	B - 11	4YW-1490J-00	C - 2	4H7-15486-00	C - 8
4SV-Y283G-00-2X	F - 2	3GM-12111-01	B - 5	3FV-1240G-00	B - 9	3KS-13490-00	B - 13	3EN-1490K-00	C - 3	3GM-15512-01	C - 10
4SV-Y283G-20-0X	F - 2	3GM-12112-01	B - 5	4SV-1240G-00	B - 10	4SV-13586-00	B - 14	4YW-14900-00	C - 2	4BH-15517-00	C - 10
4SV-Y283S-00-P1	F - 5	3GM-12113-00	B - 5	4SV-12405-01	B - 9	4SV-13586-10	B - 14	4YW-14901-00	C - 2	3GM-15519-00	C - 10
4SV-Y283S-00-4B	F - 5	3GM-12114-00	B - 5	4SV-12405-11	B - 9	4SV-13596-00	B - 14	4YW-14902-00	C - 2	51Y-15521-00	C - 10
4SV-Y283U-50-4B	F - 4	3GM-12116-00	B - 5	4FM-12410-00	B - 9	4SV-13596-10	B - 14	4YW-14903-00	C - 2	3GM-15522-00	C - 10
4SV-Y283U-60-0X	F - 4	1WG-12117-00	B - 5	3GM-12417-00	B - 9	3GM-13597-00	B - 14	4YW-14904-00	C - 2	3GM-15524-00	C - 10
4SV-Y283V-50-4B	F - 4	3GM-12117-00	B - 5	1UF-12421-01	B - 8	3GM-13598-00	B - 14	4SV-14933-00	C - 2	3GM-15580-00	C - 10
4SV-Y283V-60-0X	F - 4	1WG-12118-00	B - 5	3GM-12422-00	B - 8	4SV-13907-00	D-14	4SV-14935-00	C - 3	1J7-15583-01	C - 10
4SV-11102-00	B - 2	4SV-12119-00	B - 5	4SV-1243E-00	B - 10	4SV-1410A-00	C - 2	4SV-14968-00	C - 2	3GM-15689-00	C - 10
2GH-1111G-00	B - 2	4SV-12121-00	B - 5	11H-12438-00	B - 8	4SV-14103-00	C - 3	4SV-14985-00	C - 2	4SV-16150-01	C - 11
3GM-11133-10	B - 2	3GM-12126-00	B - 5	1AE-12439-00	B - 8	4SV-14105-00	C - 2	3LK-14987-00	C - 3	1AE-16154-00	C - 11
3GM-11134-10	B - 2	1WG-12153-09	B - 6	4SV-1244E-01	B - 9	4SV-14107-15	C - 2	4SV-14987-00	C - 3	4H7-16155-01	C - 10
3GM-1115A-01	B - 2	1WG-12153-21	B - 6	4SV-1244F-00	B - 9	4SV-14112-00	C - 2	4SV-14987-10	C - 3	1AE-16164-00	C - 11
3FV-11166-00	C - 6	2NK-12153-02	B - 6	1UF-12450-00	B - 8	3F9-14118-00	C - 3	4SV-14987-20	C - 3	3GM-16321-00	C - 11
4SV-11181-00	B - 3	2NK-12153-09	B - 6	4SV-12461-01	B - 9	4KM-14142-17	C - 2	4SV-14987-30	C - 3	4H7-16321-02	C - 11
3FV-11182-00	B - 2	1HX-12168-A0	B - 5	4JH-12462-00	B - 9	620-14186-00	C - 2	1KT-14994-00	C - 2	31A-16325-00	C - 11
3GM-11191-01	B - 2	1HX-12168-F0	B - 5	4SV-12464-00	B - 9	4HD-14188-00	C - 3	4KG-14995-00	C - 2	3GM-16351-00	C - 11
4SV-11193-00	B - 2	1HX-12168-H1	B - 5	3FV-12469-00	B - 8	4KP-14191-00	C - 2	4SV-14996-30	C - 3	3GM-16356-00	C - 11
214-11198-01	B-13	1HX-12168-K1	B - 5	1AE-12481-01	B - 8	4SV-14197-00	C - 3	4SV-14996-40	C - 3	1AE-16357-00	C - 11
3GM-11310-01	B - 3	1HX-12168-M1	B - 5	4SV-12482-00	B - 8	4KM-14216-00	C - 2	4SV-14996-50	C - 3	4SV-16371-00	C - 11
4FM-1133E-00	C - 4	1HX-12168-R1	B - 5	2GH-12484-00	B - 10	3G2-1423A-76	C - 2	4SV-15100-01	C - 6	1TV-16381-12	C - 11
4FM-1133F-00	C - 4	1HX-12168-U1	B - 5	4SV-12551-00	B - 10	8CC-1423A-75	C - 2	2TK-15105-00	C - 7	2GH-17121-00	C - 12

NUMERICAL INDEX

PART NO.	GRID NO.	PART NO.	GRID NO.	PART NO.	GRID NO.
2GH-17131-02	C-12	4SV-21556-00	D-4	4SV-23135-00	D-11
2GH-17141-00	C-12	4SV-21611-00	D-4	4SV-23141-00	D-11
2GH-17151-00	C-12	30X-21621-00	D-5		D-12
2GH-17211-02	C-12	4SV-21635-00	D-4	4SV-23144-00	D-11
3GM-17221-00	C-12	2TV-21638-00	B-9		D-12
3GM-17231-01	C-12	5A8-21639-00	D-4	4SV-23145-00	D-11
3GM-17241-01	C-12	4SV-2164F-00	D-5		D-12
3GM-17251-01	C-12	4HM-21647-00	D-4	3GM-23153-A0	D-11
278-17424-01	C-13	4SV-21651-00-P1	D-4		D-12
2GH-17460-11	C-12	4SV-21651-00-P2	D-4	4SV-23156-00	D-11
1AE-18101-01	C-15	4SV-21654-00	D-2		D-12
4FM-18110-01	C-15	4SV-21654-10	D-2	4SV-23170-00	D-11
2GH-18112-01	C-15	4FM-21688-00	D-5		D-12
132-18113-01	C-15	4SV-2173L-20	D-6	4SV-2318Y-00	D-11
1WG-18115-01	C-15	4SV-2173L-30	D-6		D-12
4G0-18127-00	C-15	4SV-21731-00	D-6	4SV-2331G-00	D-11
4SV-18140-00	C-14	4SV-2174L-20	D-6		D-12
2H9-18154-00	C-15	4SV-2174L-30	D-6	3GM-2331K-A0	D-11
4NX-18175-00	C-14	4SV-21741-00	D-6		D-12
3LE-18511-00	C-14	1KT-21746-00	D-6	4SV-23340-00	D-12
3LE-18512-00	C-14	3TU-2178A-00	F-5	4SV-23377-00	E-8
3LE-18513-00	C-14	4SV-21781-10	D-6	3GM-23415-00	D-10
4SV-18531-00	C-14	4SV-21781-20	D-6	3YF-23418-00	D-10
1AE-18536-00	C-14	4FM-21871-02	D-3	4SV-23435-00	D-10
4SV-18540-01	C-14	1AA-21874-00	D-3	3FV-23462-00	D-10
278-18542-00	C-14	4L0-21875-00	D-3	10L-23469-00	E-7
278-18566-00	C-14	4SV-22110-00	D-7	4SV-24110-10-03	D-13
4SV-21110-00	D-2	3FV-22128-00	D-7	4SV-24110-10-04	D-13
4FM-2116J-10	D-3	3GM-22141-01	D-7	1LJ-2414J-00	D-4
4FM-21161-02	D-3	4SV-22151-00	D-7	2GH-24181-00	D-13
4FM-21162-00	D-3	4FM-2217A-00	D-7	22F-24181-00	F-2
4SV-2117E-00	D-4	3GM-2217M-00	D-7	4FM-24181-00	C-4
4SV-2117F-00	D-2	3FV-22184-00	D-7	4YR-24181-00	D-13
1JK-21268-00	F-5	4SV-22210-20	D-9	2GH-24183-00	D-13
4DN-21268-00	F-6	4SV-22311-00	D-8	4SV-24183-00	D-13
4SV-2127A-00	D-2	4SV-23102-00	D-11	2GH-24186-00	D-13
4SV-2127A-10	D-2	4SV-23103-00	D-11	1HX-24188-01	D-13
4SV-21342-00	D-15	4SV-23106-00	D-11	4SV-24191-00	D-13
4SV-21348-00	D-13	4SV-23107-00	D-11	4SV-24311-00	D-14
4SV-2137Y-00	D-3	4SV-23110-00	D-11	4SV-24312-00	D-14
4SV-21398-00	D-2	4SV-23111-00	D-11	3PA-24356-00	E-8
4SV-2144G-00	E-12			4SV-24398-00	D-12
4SV-21441-00	E-12	4SV-23115-00	D-11	4SV-24411-00	C-2
4FM-21446-01	D-3			4KM-24453-00	C-3
4X7-2149Y-00	B-14	3GM-23117-A0	D-11	4SV-24453-00	C-3
4SV-21511-00-4B	D-4			4KM-24500-10	D-12
4SV-2153A-00	D-13	4SV-23125-00	D-11	4X8-24512-00	D-14
4SV-2153A-20	D-13			3AJ-24523-00	D-14

NUMERICAL INDEX

PART NO.	GRID NO.	PART NO.	GRID NO.	PART NO.	GRID NO.
3AJ-24534-00	D-14	3GM-25852-50	E-8	4FM-27222-00	E-14
1FK-24560-00	D-14	3FV-25854-00	E-8	4FM-27254-00	E-14
4FM-24602-00	D-13	360-25854-00	E-14	4SV-27261-00	E-14
4SV-24710-00	D-15	55U-25854-00	E-10	4FM-27311-00	E-11
4SV-24711-00	D-15	2GU-25855-00	E-14	4FM-27315-00	E-11
4SV-24718-00	D-15	J2-25855-50	E-8	4FM-27321-00	E-11
56J-2472F-00	F-13	2VN-25866-00	E-8	1TX-27351-00	E-11
4SV-24750-00	D-15	56A-25867-00	E-8	4SV-27410-10	E-11
4SV-24751-00	D-15			4BP-27413-00	E-11
4SV-24755-00	D-15	4SV-25872-00	E-8	2H7-27414-00	E-12
4BP-2478E-00	D-15	4SV-25873-00	E-8	4SV-27420-10	E-11
4BP-24780-00	D-15	4SV-25874-00	E-15	4SV-27430-00	E-12
4BP-24792-00	D-15	4SV-25876-00	D-4	2YK-27434-01	E-14
4FM-25149-00	E-2	4BH-25886-00	E-15	4SV-27435-00	E-11
4SV-25168-00-7B	E-2	4SV-25887-00	E-15	4BP-27437-00	E-12
4FM-25181-01	E-2	3FV-2589A-00	E-8	4SV-27437-00	E-12
4FM-25190-00	E-2	3FV-2589F-00	E-8	4SV-27440-00	E-12
4FM-25338-01-7B	E-4	3FV-2589G-00	E-8	4FM-27442-02	E-11
4FM-25364-00	E-4	3GM-2589H-00	E-8	4FM-27443-02	E-11
4FM-25366-00	E-4	3FV-25894-00	E-8	4SV-28100-00	D-5
4FM-25371-10	E-4	31A-25894-01	E-14	4FM-28215-00	F-2
4FM-25377-00	E-4	4FM-25895-00	E-15	4SV-28308-00	F-5
4FM-25381-10	E-5	29L-25919-A0	E-6	4SV-28308-10	F-5
4FM-25388-01	E-4	4SV-25919-00	E-3	4FM-2831T-00	F-5
4FM-25389-00	E-4	3HE-25924-00	E-6	4SV-2831W-00	F-3
29L-25398-00	E-2	4SV-25924-00	E-3	4SV-28328-20	F-5
		3GM-25925-00	E-3	4SV-28328-30	F-5
				4SV-2834V-00	F-2
29L-25398-10	E-2	4SV-26121-10	E-7	3TU-28344-00	D-13
		4SV-26122-10	E-7	4SV-28356-00	F-2
		4FM-26240-00	E-7	4SV-28357-00	F-2
		4FM-26241-01	E-7	4SV-2836A-00	F-4
4SV-25446-00	E-4	4SV-26246-00	E-7	4SV-2836F-00	F-5
4SV-2580T-00	E-3	4SV-26247-00	E-12	4SV-2836G-00	F-5
4SV-2580U-00	E-3	4SV-26290-00	F-2	4SV-2836K-00-PO	F-5
4SV-2580W-00	E-6	3LN-26281-01	E-7	4SV-2836K-00-4B	F-5
4SV-2581T-00	E-3	4SV-26282-01	E-7	4SV-2836L-00-PO	F-5
4FM-25819-01	E-6	4SV-26290-00	F-2	4SV-2836L-00-4B	F-5
4BP-2582A-00	E-14	4FM-26292-00	E-8	4SV-2837L-00	F-3
3GM-2582F-00	E-8	4SV-26298-00	F-3	4SV-28371-00	F-4
4SV-2582W-00	E-6	4SV-26302-00	E-7	4FM-28372-00	D-15
1FK-25827-00	E-6	4SV-26331-00	E-7	4SV-28372-00	F-4
1FK-25828-00	E-6	3GM-26450-A1	E-10	1NL-28378-00	F-13
4BH-2583V-00	E-14	3GM-26455-00	E-10	36F-28379-00	D-4
42H-25836-00	E-6	3GM-26464-00	E-10	4SV-28381-00	F-2
341-25846-00	E-2	3GM-26470-A0	E-10	4WN-28391-20	F-4
4BP-2585F-00	E-14	278-27114-00	D-15	4WN-28391-30	F-4
3LN-2585G-00	E-14	4FM-27211-21	E-14	4WN-28392-20	F-4
2KF-25852-50	E-14				

NUMERICAL INDEX

PART NO.	GRID NO.	PART NO.	GRID NO.
4WN-28392-30	F - 4	1KT-82530-03	G - 2
4SV-28415-00	F - 2	4FM-82540-01	F -14
4SV-2848H-00	F - 5	3LN-82560-01	F -14
4SV-2848K-00	F - 4	3LD-82566-80	G - 3
4SV-2848L-00	F - 4	4WN-82590-00	G - 2
4SV-2848M-00	F - 5	366-82591-00	B -10
4SV-2848N-00	F - 5	4JH-83310-11	F -10
4SV-2848P-00	F - 4	256-83311-70	F -10
4SV-2848R-00	F - 4	4JH-83318-00	F -10
89X-77167-00	D - 6	4JH-83320-11	F -10
4SV-81600-01	F - 7	4JH-83330-20	F -10
4BH-81604-00	F - 7	4JH-83332-10	F -10
3FV-81619-00	F - 7	4JH-83340-20	F -10
4BH-81634-00	F - 7	4JH-83342-10	F -10
36Y-81638-50	F - 7	4FM-83345-00	F -10
2KT-81642-50	F - 7	3GM-83350-01	F -14
4BH-81643-00	F - 7	4FM-83369-00	F -10
4BH-81643-10	F - 7	3TB-83371-01	F -14
3FV-81645-00	F - 7	4FM-83509-80	F -11
4BH-81645-00	F - 7	4SV-83513-00	F -11
4BH-81660-00	F - 7	2GV-83517-00	F -11
3GM-81670-00	F - 8	4R0-83517-00	F -11
3XF-81800-00	F - 9	4FM-83520-00	F -11
2KT-81815-00	F - 9	4SV-83523-00	F -11
3HE-81826-00	F - 9	4SV-83526-00	F -11
3KS-81840-00	F - 9	4FM-8353H-40	F -11
11H-81844-00	F - 9	4SV-83540-00	F -11
1FK-81847-00	F - 9	4NX-83546-00	F -11
36Y-81910-50	F - 7	4FM-83550-02	F -11
4SV-81940-00	G - 2	4FM-83559-00	F -11
3GM-81950-00	G - 3	4SV-83570-01	F -11
4SV-81950-00	G - 3	4SV-83578-00	F -11
4BH-81970-00	F - 7	4SV-83590-00	F -11
4BH-81972-00	F - 7	11H-83591-00	F -14
3XW-82100-01	G - 2	3GM-83912-11	E -10
4NK-82115-00	G - 2	4SV-83922-00	E - 8
4JH-82116-00	G - 2	25G-83936-01	E - 7
120-82131-00	G - 2	4WN-83973-00	E - 7
2T4-82131-00	D - 5	4WN-83975-00	E - 7
2GH-82151-00	G - 2	3FV-83980-00	E - 8
2KW-82151-00	G - 2	3GM-83980-00	E -10
36Y-82151-00	G - 2	4SV-84310-20	F -12
4YW-82305-00	F -14	4SV-84314-10	F -12
4FM-82310-01	F -14	4WN-84359-00	F -12
4FM-82320-01	F -14	4SV-84397-00	F -12
4SV-82370-10	F -14	4SV-84710-10	F -13
4NA-82501-01	G - 2	256-84714-61	F -10
4SV-82509-00	G - 2	36Y-84714-40	F -13

PART NO.	GRID NO.	PART NO.	GRID NO.
4G0-84735-00	F -13	4G0-84735-00	F -13
4WN-84751-00	F -13	4WN-84751-00	F -13
11H-85110-01	F -14	11H-85110-01	F -14
4SV-85112-00	F -15	4SV-85112-00	F -15
4KM-85130-00	D - 5	4KM-85130-00	D - 5
4FM-85132-00	D - 4	4FM-85132-00	D - 4
3GM-85720-00	F -14	3GM-85720-00	F -14
3GM-85752-01	G - 3	3GM-85752-01	G - 3
42X-85753-00	G - 3	42X-85753-00	G - 3
4FM-85820-00	F -14	4FM-85820-00	F -14
4SV-85885-00	C - 3	4SV-85885-00	C - 3
9Y581-01107	B - 7	9Y581-01107	B - 7
90101-06664	D - 3	90101-06664	D - 3
90101-08766	E - 4	90101-08766	E - 4
90101-10658	D - 7	90101-10658	D - 7
90101-10659	D - 7	90101-10659	D - 7
90105-06153	B - 2	90105-06153	B - 2
90105-06541	B - 2	90105-06541	B - 2
90105-06557	C -14	90105-06557	C -14
90105-07342	B - 7	90105-07342	B - 7
90105-08321	E - 4	90105-08321	E - 4
90105-09373	C - 6	90105-09373	C - 6
90105-09555	C - 6	90105-09555	C - 6
90105-09580	C - 6	90105-09580	C - 6
90105-10323	D - 9	90105-10323	D - 9
90105-10376	D - 7	90105-10376	D - 7
90105-10716	D - 2	90105-10716	D - 2
90105-10725	E - 3	90105-10725	E - 3
90109-061F3	E - 6	90109-061F3	E - 6
90109-064F0	D - 2	90109-064F0	D - 2
90109-065A8	B - 2	90109-065A8	B - 2
90109-080G5	B - 7	90109-080G5	B - 7
90109-080G5	G - 2	90109-080G5	G - 2
90109-083G4	E - 3	90109-083G4	E - 3
90109-083G4	E - 6	90109-083G4	E - 6
90109-104E6	E -11	90109-104E6	E -11
90109-112F1	B - 7	90109-112F1	B - 7
90110-05112	D -13	90110-05112	D -13
90110-06142	B -10	90110-06142	B -10
90110-08155	D - 2	90110-08155	D - 2
90110-08177	E -11	90110-08177	E -11
90110-08199	C -10	90110-08199	C -10
90110-08244	E -12	90110-08244	E -12
90110-10169	E -12	90110-10169	E -12
90116-10531	D - 2	90116-10531	D - 2
90116-10532	C - 6	90116-10532	C - 6
90116-10569	C - 6	90116-10569	C - 6

NUMERICAL INDEX

PART NO.	GRID NO.	PART NO.	GRID NO.
90116-10575	E - 4	90116-10575	E - 4
90116-10576	C - 6	90116-10576	C - 6
90119-06018	F - 5	90119-06018	F - 5
90119-06097	D - 4	90119-06097	D - 4
90119-06115	D -14	90119-06115	D -14
90119-06118	C - 4	90119-06118	C - 4
90119-06170	F -13	90119-06170	F -13
90119-06187	D -13	90119-06187	D -13
90119-06227	C - 4	90119-06227	C - 4
90149-05273	D - 4	90149-05273	D - 4
90149-06008	F - 2	90149-06008	F - 2
90149-06287	D -14	90149-06287	D -14
90149-06298	G - 3	90149-06298	G - 3
90150-05024	E -10	90150-05024	E -10
90150-05039	D - 8	90150-05039	D - 8
90150-05039	F - 2	90150-05039	F - 2
90150-06036	F - 3	90150-06036	F - 3
90151-06014	F - 4	90151-06014	F - 4
90152-06014	F - 5	90152-06014	F - 5
90152-06024	C - 7	90152-06024	C - 7
90154-05013	C - 8	90154-05013	C - 8
90154-06059	C - 8	90154-06059	C - 8
90154-06061	D - 6	90154-06061	D - 6
90157-05079	F - 2	90157-05079	F - 2
90157-06104	F - 4	90157-06104	F - 4
90159-03102	F - 5	90159-03102	F - 5
90159-06033	C - 7	90159-06033	C - 7
90159-06045	C - 8	90159-06045	C - 8
90159-06058	F -11	90159-06058	F -11
90159-06123	E -14	90159-06123	E -14
90159-06150	D - 6	90159-06150	D - 6
90164-04006	C -11	90164-04006	C -11
90167-05075	E -12	90167-05075	E -12
90170-06228	F -11	90170-06228	F -11
90170-20257	F - 3	90170-20257	F - 3
90176-06055	C -15	90176-06055	C -15
90176-06065	C -11	90176-06065	C -11
90176-10075	F - 3	90176-10075	F - 3
90176-22081	D - 4	90176-22081	D - 4
90179-05523	D - 2	90179-05523	D - 2
90179-05523	D -10	90179-05523	D -10
90201-08327	F - 2	90201-08327	F - 2
90201-08410	B - 4	90201-08410	B - 4
90201-10247	C - 4	90201-10247	C - 4
90201-10584	D - 2	90201-10584	D - 2
90202-26142	E -11	90202-26142	E -11
90206-08051	B - 2	90206-08051	B - 2
90206-12074	D - 2	90206-12074	D - 2
90206-14086	C -13	90206-14086	C -13
90209-06096	D -10	90209-06096	D -10
90209-11262	D - 6	90209-11262	D - 6
90209-22191	F - 3	90209-22191	F - 3
90209-25196	F - 4	90209-25196	F - 4
90215-20170	D - 5	90215-20170	D - 5
90215-21290	D - 5	90215-21290	D - 5
90240-08124	E -11	90240-08124	E -11
90243-08029	F - 2	90243-08029	F - 2
90267-40035	D - 7	90267-40035	D - 7
90267-40076	E - 5	90267-40076	E - 5
90269-08078	D - 4	90269-08078	D - 4
90338-05240	D - 5	90338-05240	D - 5
90338-08226	C - 4	90338-08226	C - 4
90338-15202	C -14	90338-15202	C -14
90338-30096	E -11	90338-30096	E -11
90340-14068	B -11	90340-14068	B -11
90340-14132	B - 9	90340-14132	B - 9
90340-18101	F -11	90340-18101	F -11
90387-05383	F -13	90387-05383	F -13
90387-06022	D - 7	90387-06022	D - 7
90387-06023	C - 6	90387-06023	C - 6
90387-0609L	D - 3	90387-0609L	D - 3
90387-061V9	F -14	90387-061V9	F -14
90387-06299	D - 7	90387-06299	D - 7
90387-065J6	D -13	90387-065J6	D -13
90387-067N5	E - 9	90387-067N5	E - 9
90387-07391	E -10	90387-07391	E -10
90387-077M3	E -15	90387-077M3	E -15
90387-07717	B - 2	90387-07717	B - 2
90387-102R4	F - 2	90387-102R4	F - 2
90387-105V7	E -14	90387-105V7	E -14
90387-106U7	C - 4	90387-106U7	C - 4
90387-10636	D - 7	90387-10636	D - 7
90387-114K8	D -11	90387-114K8	D -11

NUMERICAL INDEX

PART NO.	GRID NO.	PART NO.	GRID NO.	PART NO.	GRID NO.
90387-115V8	D - 2	90464-13077	F -11	90508-232B1	C -14
90387-122R5	D - 7	90464-15195	F -14	90508-32682	C -15
90387-127VW0	D - 7		G - 2	90560-12191	C -15
90387-203M7	C -12	90464-16025	F -10	90560-25270	C -11
90387-211T9	C -12	90464-20136	G - 2	90560-28389	E - 4
90387-2200S	E - 2	90464-20191	F - 2	91314-08030	D - 2
90387-2200T	E - 2	90464-20237	G - 2		D -10
90387-253M6	C -12	90464-23239	E - 4		E - 7
90387-255V9	C -12	90464-25160	F - 2	91314-10040	D - 2
90387-2707Y	C -12	90464-60067	G - 2	91314-10045	D - 2
90387-2805W	E - 5	90465-08076	B -13	91317-05010	D -13
90387-2805X	E - 5	90465-13152	G - 2	91317-06012	E - 8
90387-281T8	C -12	90467-08003	D - 3		F - 3
90401-10139	B -11	90467-08017	B -15	91317-06020	B -14
90401-10159	E - 9	90467-08075	B -10		E - 7
	E -10	90467-09006	D -14	91317-06050	B -11
	E -15	90467-09037	B -10	91317-06070	D -13
90401-10160	E - 9	90467-10035	B -10	91317-06110	D -13
90401-20161	B -13	90467-10041	B -14	91317-08030	D -12
90430-06014	B - 2	90467-12053	B -10	91317-08040	D -11
	B - 3		D -14	91317-10025	D -11
	B - 8	90467-13123	D -14		D -12
90430-10171	D -11	90467-14015	C - 6	91380-04006	C - 4
	D -12	90467-14057	E -15	91401-20012	E -14
90430-10188	B -11	90467-15054	C - 6	91401-20015	E - 5
90445-083J9	B -10	90468-15139	B -15	91808-16023	B - 2
90445-084G9	D - 3		G - 2	92014-08020	E -14
90445-090E5	B -15	90468-16099	E - 5	92017-06010	C - 8
90445-09496	B -14	90480-01558	D -13	92017-06020	F -14
90445-102G7	D -13	90480-10542	B - 9	92901-05100	F - 7
90445-114E2	B -14	90480-12072	D - 4	92901-05600	F - 7
90445-114S2	B -14	90480-12314	B -14	92902-04100	E - 8
90445-147J4	D -14	90480-12607	E -12	92902-04600	E - 8
90446-17346	E -12	90480-13398	D - 4	92903-10600	D - 2
90450-22017	B -10		D - 6	92906-06600	E -10
90450-38040	B - 9		F - 2	92907-03100	F -11
90450-57044	B -14		F - 4	92907-04100	F -11
90450-75083	B -14	90480-14412	F -14	92907-04600	F -10
90460-50079	D - 9	90480-15363	B - 9		F -11
90461-10132	E - 9	90480-18276	F -13	92907-06200	D - 2
90462-08158	C - 7	90501-04623	C -10		D -13
90462-08184	C - 7	90501-06022	C -14	92907-06600	B -14
90464-07121	G - 2	90501-12743	E -12		D -13
90464-10112	G - 2	90501-230E4	C -11		E -14
90464-10186	F -14	90506-18224	E -11		F -14
90464-10190	F - 2	90506-20377	E -11	92907-08200	E -12
90464-12089	G - 2	90506-26225	E -11	92990-04600	C - 4
90464-13077	B -10	90508-20572	E -11	92990-06600	C - 4

NUMERICAL INDEX

PART NO.	GRID NO.	PART NO.	GRID NO.	PART NO.	GRID NO.
93101-12004	C -15	93101-12004	C -15	93101-12004	C -15
93101-12060	B - 8	93101-12060	B - 8	93101-12060	B - 8
93102-28021	E - 2	93102-28021	E - 2	93102-28021	E - 2
93102-35412	E - 4	93102-35412	E - 4	93102-35412	E - 4
93102-35423	C -12	93102-35423	C -12	93102-35423	C -12
93102-40211	E - 4	93102-40211	E - 4	93102-40211	E - 4
93105-45017	E - 2	93105-45017	E - 2	93105-45017	E - 2
93109-08061	C -11	93109-08061	C -11	93109-08061	C -11
93109-12053	C -15	93109-12053	C -15	93109-12053	C -15
93109-17048	D - 7	93109-17048	D - 7	93109-17048	D - 7
93210-06422	B -11	93210-06422	B -11	93210-06422	B -11
	C - 7		C - 7		C - 7
93210-06632	C -11	93210-06632	C -11	93210-06632	C -11
93210-06714	B -13	93210-06714	B -13	93210-06714	B -13
93210-07135	B -11	93210-07135	B -11	93210-07135	B -11
	C - 6		C - 6		C - 6
93210-14369	C - 7	93210-14369	C - 7	93210-14369	C - 7
93210-14579	B -13	93210-14579	B -13	93210-14579	B -13
93210-15566	B -13	93210-15566	B -13	93210-15566	B -13
93210-15620	E - 8	93210-15620	E - 8	93210-15620	E - 8
93210-18417	B - 8	93210-18417	B - 8	93210-18417	B - 8
93210-19216	F - 8	93210-19216	F - 8	93210-19216	F - 8
93210-20573	C - 7	93210-20573	C - 7	93210-20573	C - 7
93210-23787	B - 8	93210-23787	B - 8	93210-23787	B - 8
	B -10		B -10		B -10
	C - 7		C - 7		C - 7
	C - 8		C - 8		C - 8
93210-29196	F -14	93210-29196	F -14	93210-29196	F -14
93210-30694	B - 8	93210-30694	B - 8	93210-30694	B - 8
93210-33133	B - 8	93210-33133	B - 8	93210-33133	B - 8
93210-40N50	D -11	93210-40N50	D -11	93210-40N50	D -11
	D -12		D -12		D -12
93210-44545	B -14	93210-44545	B -14	93210-44545	B -14
93210-77363	B - 3	93210-77363	B - 3	93210-77363	B - 3
93210-87723	B -13	93210-87723	B -13	93210-87723	B -13
93305-30501	C -12	93305-30501	C -12	93305-30501	C -12
93306-00106	B - 8	93306-00106	B - 8	93306-00106	B - 8
93306-00420	E - 2	93306-00420	E - 2	93306-00420	E - 2
93306-20321	C -10	93306-20321	C -10	93306-20321	C -10
93306-20455	C -12	93306-20455	C -12	93306-20455	C -12
	C -13		C -13		C -13
93306-20501	C -10	93306-20501	C -10	93306-20501	C -10
93306-20567	E - 4	93306-20567	E - 4	93306-20567	E - 4
93306-20644	E - 4	93306-20644	E - 4	93306-20644	E - 4
93306-30525	C -12	93306-30525	C -12	93306-30525	C -12
93310-340N8	C -11	93310-340N8	C -11	93310-340N8	C -11
93315-42523	D - 7	93315-42523	D - 7	93315-42523	D - 7
93317-21746	D - 7	93317-21746	D - 7	93317-21746	D - 7
	B -11		B -11		B -11
95027-06030	D - 7	95027-06030	D - 7	95027-06030	D - 7
95027-06050	C -11	95027-06050	C -11	95027-06050	C -11
95027-06060	D -10	95027-06060	D -10	95027-06060	D -10
95027-06090	D -10	95027-06090	D -10	95027-06090	D -10
95027-06090	B - 2	95027-06090	B - 2	95027-06090	B - 2
95027-06090	C -12	95027-06090	C -12	95027-06090	C -12
95027-06090	C -12	95027-06090	C -12	95027-06090	C -12
95027-06090	C -13	95027-06090	C -13	95027-06090	C -13
95027-06090	B - 4	95027-06090	B - 4	95027-06090	B - 4
95027-06090	E -12	95027-06090	E -12	95027-06090	E -12
95027-06090	C -11	95027-06090	C -11	95027-06090	C -11
95027-06090	B - 8	95027-06090	B - 8	95027-06090	B - 8
95027-06090	C -10	95027-06090	C -10	95027-06090	C -10
95027-06090	E - 2	95027-06090	E - 2	95027-06090	E - 2
95027-06090	E - 4	95027-06090	E - 4	95027-06090	E - 4
95027-06090	D -13	95027-06090	D -13	95027-06090	D -13
95027-06090	F - 2	95027-06090	F - 2	95027-06090	F - 2
95027-06090	E - 4	95027-06090	E - 4	95027-06090	E - 4
95027-06090	E -13	95027-06090	E -13	95027-06090	E -13
95027-06090	B - 2	95027-06090	B - 2	95027-06090	B - 2
95027-06090	D - 7	95027-06090	D - 7	95027-06090	D - 7
95027-06090	D - 9	95027-06090	D - 9	95027-06090	D - 9
95027-06090	F - 7	95027-06090	F - 7	95027-06090	F - 7
95027-06090	E -10	95027-06090	E -10	95027-06090	E -10
95027-06090	D - 5	95027-06090	D - 5	95027-06090	D - 5
95027-06090	F - 2	95027-06090	F - 2	95027-06090	F - 2
95027-06090	F -15	95027-06090	F -15	95027-06090	F -15
95027-06090	B - 9	95027-06090	B - 9	95027-06090	B - 9
95027-06090	D -15	95027-06090	D -15	95027-06090	D -15
95027-06090	F -10	95027-06090	F -10	95027-06090	F -10
95027-06090	E - 4	95027-06090	E - 4	95027-06090	E - 4
95027-06090	D - 3	95027-06090	D - 3	95027-06090	D - 3
95027-06090	F -14	95027-06090	F -14	95027-06090	F -14
95027-06090	E - 9	95027-06090	E - 9	95027-06090	E - 9
95027-06090	F - 4	95027-06090	F - 4	95027-06090	F - 4
95027-06090	D - 2	95027-06090	D - 2	95027-06090	D - 2
95027-06090	D - 3	95027-06090	D - 3	95027-06090	D - 3
95027-06090	D - 5	95027-06090	D - 5	95027-06090	D - 5
95027-06090	D -15	95027-06090	D -15	95027-06090	D -15
95027-06090	D - 2	95027-06090	D - 2	95027-06090	D - 2
95027-06090	F -14	95027-06090	F -14	95027-06090	F -14
95027-06090	C - 5	95027-06090	C - 5	95027-06090	C - 5
95027-06090	B - 9	95027-06090	B - 9	95027-06090	B - 9
95027-06090	C -10	95027-06090	C -10	95027-06090	C -10
95027-06090	B -14	95027-06090	B -14	95027-06090	B -14
95027-06090	C - 6	95027-06090	C - 6	95027-06090	C - 6
95027-06090	C - 6	95027-06090	C - 6	95027-06090	C - 6
95027-06090	C - 6	95027-06090	C - 6	95027-06090	C - 6

