

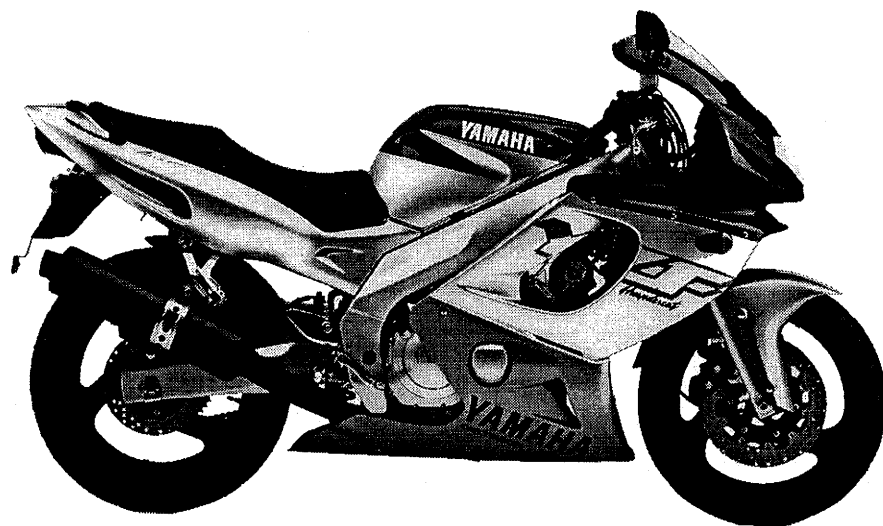
PARTS CATALOGUE

YZF600R (4TV9) EUROPE

YZF600R (4WE5) SWITZERLAND, AUSTRIA, SWEDEN

YAMAHA
GENUINE
Parts & Accessories

104TV-300E1



A3

FOREWORD

This Parts Catalogue is related to the parts for the model(s) in the below frame. When you are ordering replacement parts, please refer to this Parts Catalogue and quote both part numbers and part names correctly.

YZF600R(4TV9/4WE5)

1. Modifications or additions which have been made after issue of the Parts Catalogue will be announced in the Yamaha Parts News. It is advisable that you make necessary corrections to the Parts Catalogue according to the Yamaha Parts News.
2. Abbreviations
The Following abbreviations are used in this Parts Catalogue.
 "UR" Use specified parts number.
 "UN" Use as many as needed.
 "AP" Alternate Parts
 "LM" Local Made (Parts need to be ordered locally)
 "F#" Frame No. (Applicable machine No.)
3. Parts, which are to be supplied in an assembly, are listed with a dot(.) in front of the part name as shown below.

EXAMPLE

CARBURETOR ASSY
 .JET, PILOT
 .NOZZLE, MAIN

4. Number of component for assembly
The numeral appearing to the right of each component part indicates the quantity of parts for each assembly unit.

EXAMPLE

PART NO.	DESCRIPTION	Q'TY	REMARKS
2F5-83310-60	FRONT FLASHER LIGHT ASSY	2	
115-83311-60	.BULB (6V-18W)	1	
1M1-83309-60	.REFLECTOR	1	

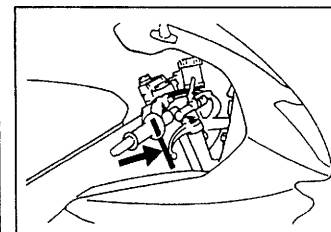
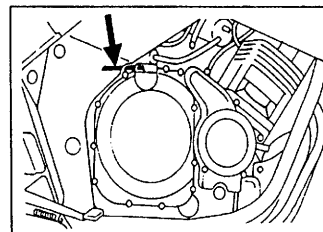
5. Applicable colors of graphics are represented in the "REMARKS" as shown below.

PART NO.	DESCRIPTION	Q'TY	REMARKS
2N4-24110-00-X5	.FUEL TANK COMP.	2	MXR
3J1-24240-10	.GRAPHIC, FUEL TANK	1	for MXR

6. Applicable Serial No.

Engine Serial No.

Frame Serial No.

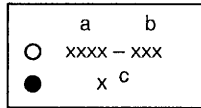


7. Note that the illustrations for reference in funding parts numbers, not to be used for assembling. When assembling, please use the applicable service manual.
8. The asterisk (*) before a reference number indicates modification items after the first edition.

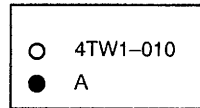
MODEL LABEL

(1) A label called "Model Label" is affixed in the location as indicated in (3) below.
When using this parts catalogue, please be sure to cross-refer the "model code - production code No." in the catalogue to the "model code - production code No." indicated on the Model Label affixed onto the product concerned.

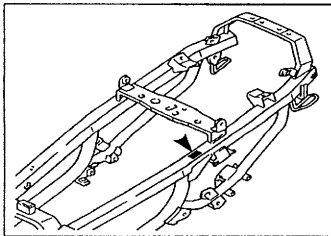
(2) "Model Label" Indication



a: Model Type Code
b: Production Code No.
c: Colouring Type



(3) Model Label Affixing Location



(4) Model Code - Production Code Number of Model Listed in This Parts Catalog

Model Code	Production Code No.	Country (destination)	Model Code	Production Code No.	Country (destination)
4TV9	020	BELGIUM			
	030	DENMARK			
	050	FINLAND			
	070	ENGLAND			
	080	GREECE			
	090	ITALY			
	100	HOLLAND			
	110	NORWAY			
4WE5	120	PORTUGAL			
	010	SWITZERLAND			
	020	AUSTRIA			
	030	SWEDEN			

(5) Colouring Information

Colouring type code	Colour code	Colour Name	Abbreviation
A	0580	VIVID RED COCKTAIL 7	VRC7
B	0660	SILVER METALLIC 1	SM1

CONTENTS

ENGINE

CYLINDER HEAD	B2
CYLINDER	B3
CRANKSHAFT. PISTON	B4
VALVE	B5
CAMSHAFT. CHAIN	B7
WATER PUMP	B8
RADIATOR. HOSE	B10
OIL PUMP	B12
OIL COOLER	B13
INTAKE	B14
AIR INDUCTION SYSTEM	C3
CARBURETOR	C5
EXHAUST	C8
CRANKCASE	C9
CRANKCASE COVER 1	C11
STARTER CLUTCH	C13
CLUTCH	C14
TRANSMISSION	D2
SHIFT CAM. FORK	D4
SHIFT SHAFT	D5

CHASSIS

FRAME	D6
FENDER	D7
SIDE COVER	D9
REAR ARM	D11
REAR SUSPENSION	D13
STEERING	D14
FRONT FORK	D15
FUEL TANK	E3
SEAT	E6
FRONT WHEEL	E7

FRONT BRAKE CALIPER	E8
REAR WHEEL	E9
REAR BRAKE CALIPER	E11
STEERING HANDLE. CABLE	E12
FRONT MASTER CYLINDER	E13
STAND. FOOTREST	E15
REAR MASTER CYLINDER	F3
COWLING 1	F5
COWLING 2	F8
GENERATOR	F11
STARTING MOTOR	F12
FLASHER LIGHT	F13
METER	F14
HEADLIGHT	F15
TAILLIGHT	G2
HANDLE SWITCH. LEVER	G3
ELECTRICAL 1	G4
ELECTRICAL 2	G5

INDEX

NUMERICAL INDEX	M1
-----------------------	----

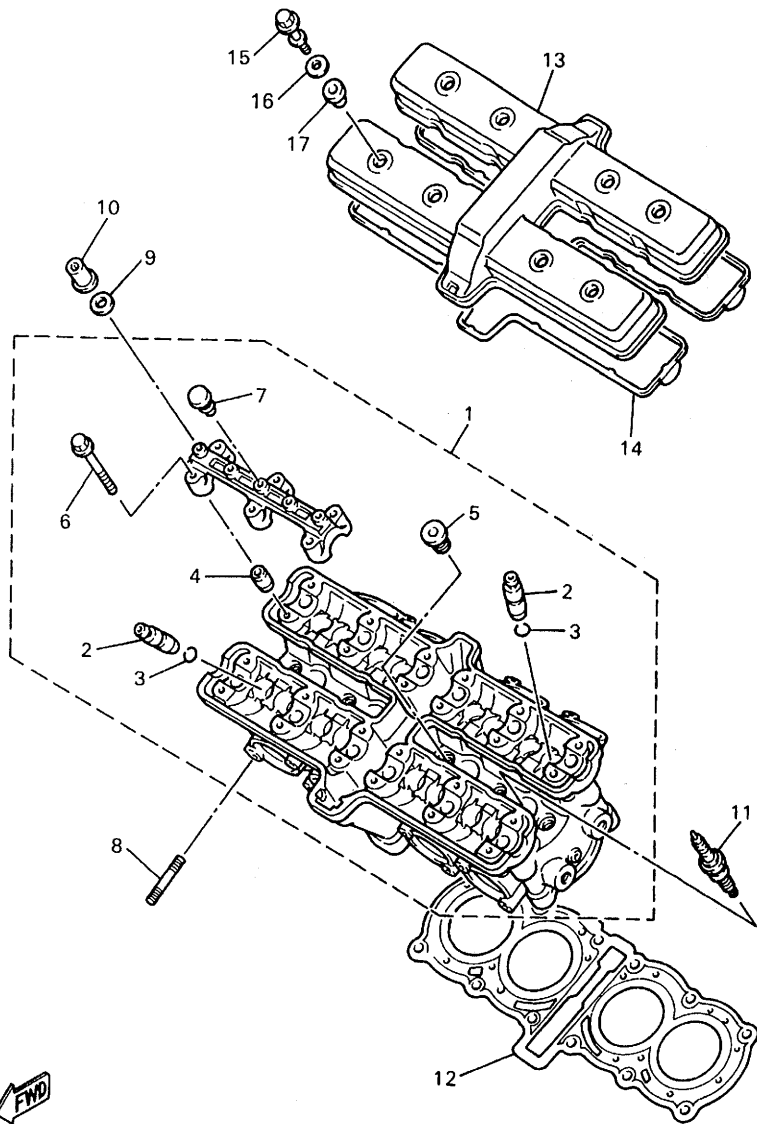
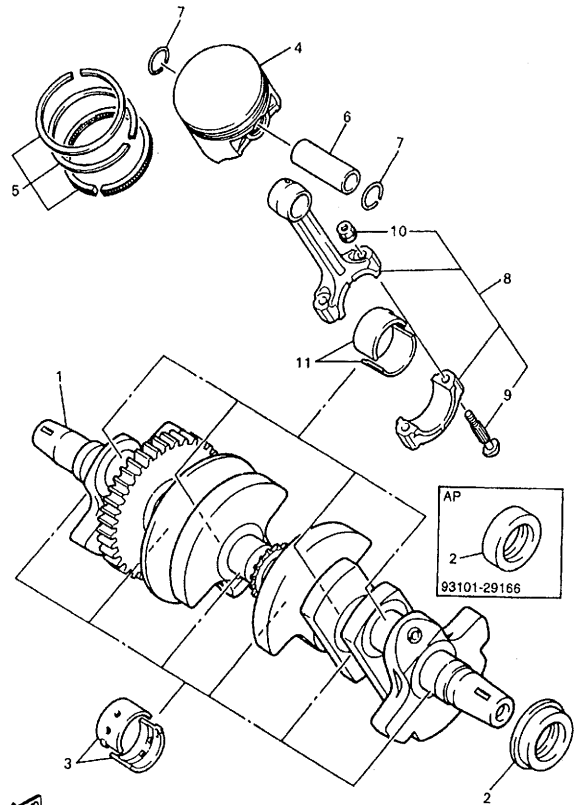


FIG. 1 CYLINDER HEAD

REF. NO.	PART NO.	DESCRIPTION	4TV9	4VES	REMARKS
1	4JH-11101-01	CYLINDER HEAD ASSY	1		
	4MM-11101-01	CYLINDER HEAD ASSY		1	
2	3TJ-11133-10	.GUIDE, INTAKE VALVE	16	16	
3	93440-07149	.CIRCLIP	16	16	
4	99510-08016	.PIN, DOWEL	12	12	
5	90340-12112	.PLUG, STRAIGHT SCREW	6	6	
6	90105-06384	.BOLT, WASHER BASED	24	24	
7	90338-08174	.PLUG	12	12	
8	95617-06630	BOLT, STUD	8	8	
9	90201-090P4	WASHER, PLATE	12	12	
10	90179-09612	NUT	12	12	
11	94701-00318	PLUG, SPARK (NGK R CR9E)	4	4	UR
	94701-00319	PLUG, SPARK (ND U27ESR-N)	4	4	UR
12	4JH-11181-00	GASKET, CYLINDER HEAD 1	1	1	
13	3TJ-11191-00	COVER, CYLINDER HEAD 1	1	1	
14	4TV-11193-00	GASKET, HEAD COVER 1	1	1	
15	90109-064F0	BOLT	8	8	
16	90209-11262	WASHER	8	8	
17	2GH-1111G-00	RUBBER, MOUNT 1	8	8	



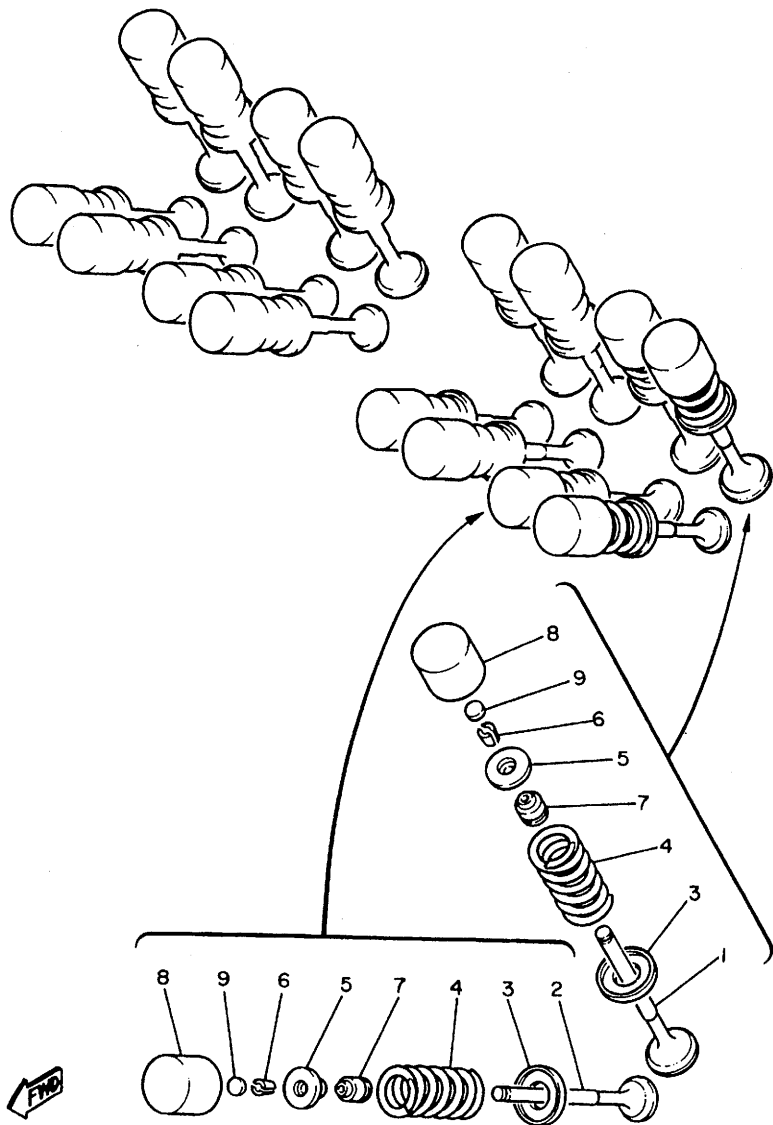
4JH351-4010



4JH351-5030

FIG. 3 CRANKSHAFT. PISTON

REF. NO.	PART NO.	DESCRIPTION	4TV9	4WES	REMARKS
1	4TV-11411-00	CRANKSHAFT	1	1	
2	93101-29165	OIL SEAL	1	1	UR
	93101-29166	OIL SEAL	1	1	AP
3	4TV-11416-00	PLANE BEARING, CRANKSHAFT 1	12	12	UR BLUE
	4TV-11416-10	PLANE BEARING, CRANKSHAFT 1	12	12	UR BLACK
	4TV-11416-20	PLANE BEARING, CRANKSHAFT 1	12	12	UR BROWN
	4TV-11416-30	PLANE BEARING, CRANKSHAFT 1	12	12	UR GREEN
	4TV-11416-40	PLANE BEARING, CRANKSHAFT 1	12	12	UR YELLOW
	4TV-11416-50	PLANE BEARING, CRANKSHAFT 1	12	12	UR PINK
4	4TV-11631-00	PISTON (STD)	4	4	
5	4JH-11603-00	PISTON RING SET (STD)	4	4	
6	4JH-11633-00	PIN, PISTON	4	4	
7	90468-12069	CLIP	8	8	
8	4JH-11650-00	CONNECTING ROD ASSY	4	4	
9	4JH-11654-00	.BOLT, CONNECTING ROD	2	2	
10	90179-07652	.NUT	2	2	
11	4TV-11656-00	PLANE BEARING, CONNECTING ROD	8	8	UR BLUE
	4TV-11656-10	PLANE BEARING, CONNECTING ROD	8	8	UR BLACK
	4TV-11656-20	PLANE BEARING, CONNECTING ROD	8	8	UR BROWN
	4TV-11656-30	PLANE BEARING, CONNECTING ROD	8	8	UR GREEN



1WG010-6040

FIG. 4 VALVE

REF. NO.	PART NO.	DESCRIPTION	4TV9	4WE5	REMARKS
1	4JH-12111-00	VALVE, INTAKE	8	8	
2	4TV-12121-01	VALVE, EXHAUST	8	8	
3	1WG-12116-00	SEAT, VALVE SPRING	16	16	
4	4TV-12113-00	SPRING, VALVE INNER	16	16	
5	3TJ-12117-00	RETAINER, VALVE SPRING	16	16	
6	1HX-12118-00	COTTER, VALVE	32	32	
7	4TV-12119-00	SEAL, VALVE STEM	16	16	
8	3FV-12153-10	LIFTER, VALVE	16	16	UR YELLOW
	3FV-12153-09	LIFTER, VALVE (O/S)	16	16	AP GREEN
9	1HX-12168-00	PAD, ADJUSTING 2 (1.20)	16	16	UR
	1HX-12168-20	PAD, ADJUSTING 2 (1.25)	16	16	UR
	1HX-12168-40	PAD, ADJUSTING 2 (1.30)	16	16	UR
	1HX-12168-60	PAD, ADJUSTING 2 (1.35)	16	16	UR
	1HX-12168-80	PAD, ADJUSTING 2 (1.40)	16	16	UR
	1HX-12168-A0	PAD, ADJUSTING 2 (1.45)	16	16	UR
	1HX-12168-F0	PAD, ADJUSTING 2 (1.50)	16	16	UR
	1HX-12168-H1	PAD, ADJUSTING 2 (1.55)	16	16	UR
	1HX-12168-K1	PAD, ADJUSTING 2 (1.60)	16	16	UR
	1HX-12168-M1	PAD, ADJUSTING 2 (1.65)	16	16	UR
	1HX-12168-R1	PAD, ADJUSTING 2 (1.70)	16	16	UR
	1HX-12168-U1	PAD, ADJUSTING 2 (1.75)	16	16	UR
	1HX-12168-W1	PAD, ADJUSTING 2 (1.80)	16	16	UR
	1HX-12168-Y1	PAD, ADJUSTING 2 (1.85)	16	16	UR
	1HX-12169-11	PAD, ADJUSTING 2 (1.90)	16	16	UR
	1HX-12169-31	PAD, ADJUSTING 2 (1.95)	16	16	UR
	1HX-12169-50	PAD, ADJUSTING 2 (2.00)	16	16	UR
	1HX-12169-70	PAD, ADJUSTING 2 (2.05)	16	16	UR

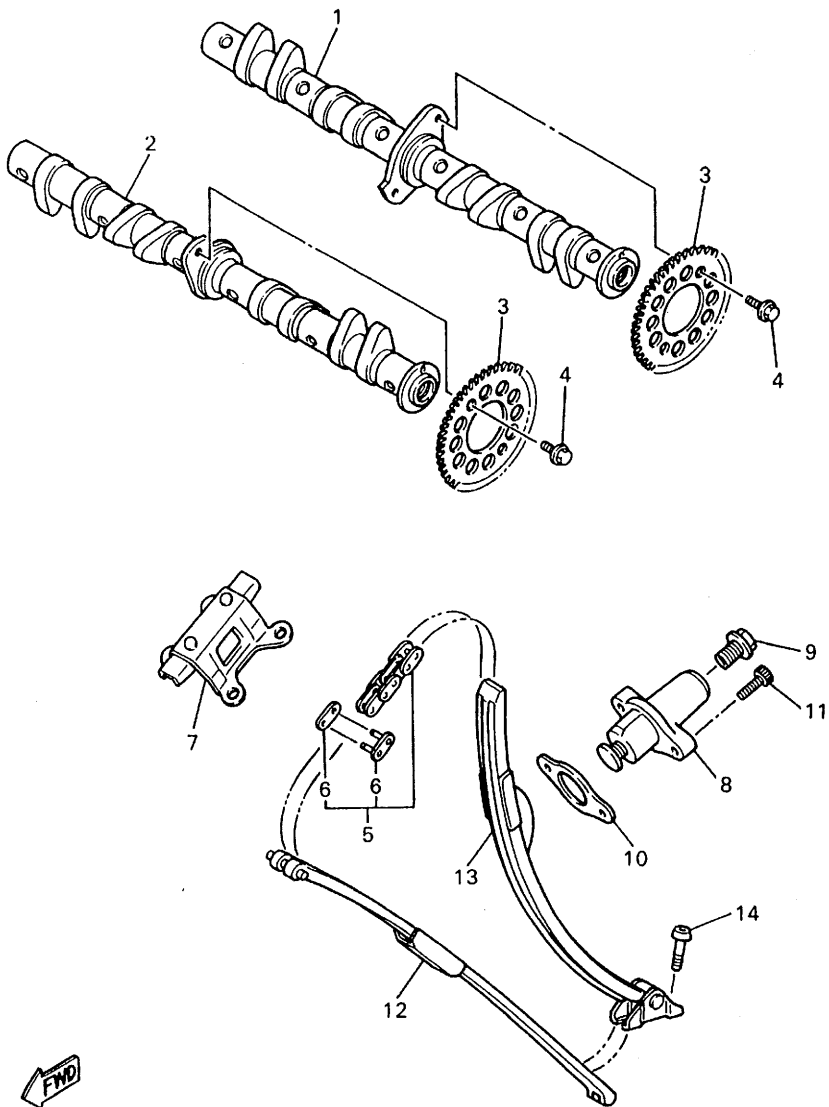
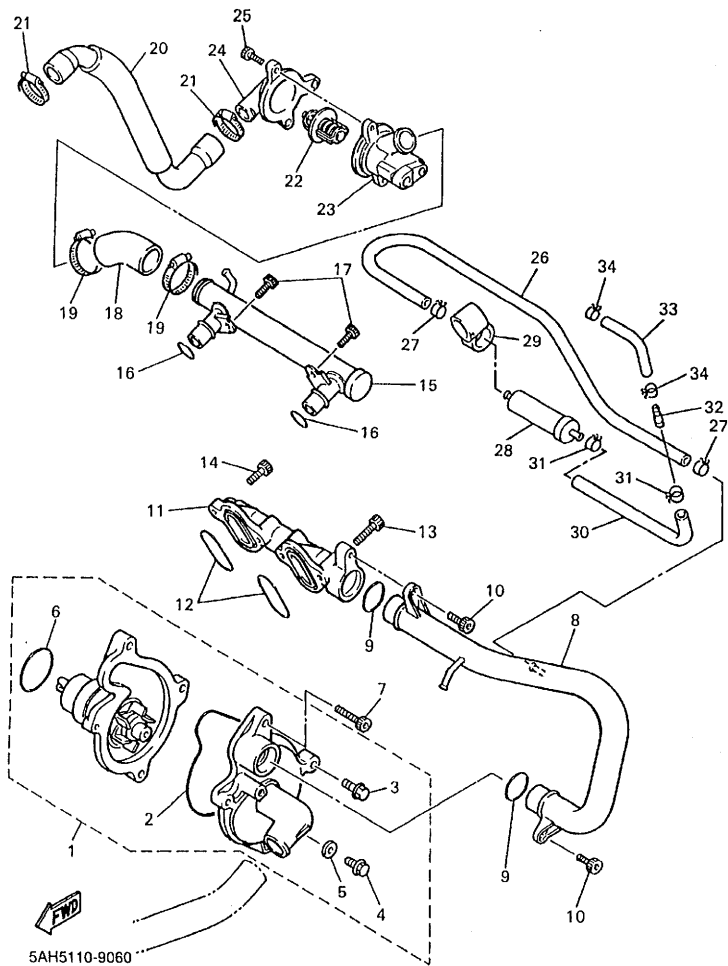


FIG. 5 CAMSHAFT. CHAIN

REF. NO.	PART NO.	DESCRIPTION	4TV9	4VE5	REMARKS
1	4JH-12171-01	CAMSHAFT 1	1	1	
2	4JH-12181-00	CAMSHAFT 2	1	1	
3	1WG-12176-00	SPROCKET, CAM CHAIN	2	2	
4	90105-07385	BOLT, WASHER BASED	4	4	
5	9Y581-32117	CHAIN (D.I.D. 215F DHA 118L)	1	1	
6	4TV-11498-00	PIN, JOINT	1	1	
7	3TJ-12241-00	GUIDE, STOPPER 2	1	1	
8	1WG-12210-02	TENSIONER ASSY, CAM CHAIN	1	1	
9	90109-112F1	BOLT	1	1	
10	4FM-12213-00	GASKET, TENSIONER CASE	1	1	
11	91317-06025	BOLT	2	2	
12	3HE-12251-00	DAMPER, CHAIN 1	1	1	
13	4JH-12252-00	DAMPER, CHAIN 2	1	1	
14	90109-065A8	BOLT	2	2	



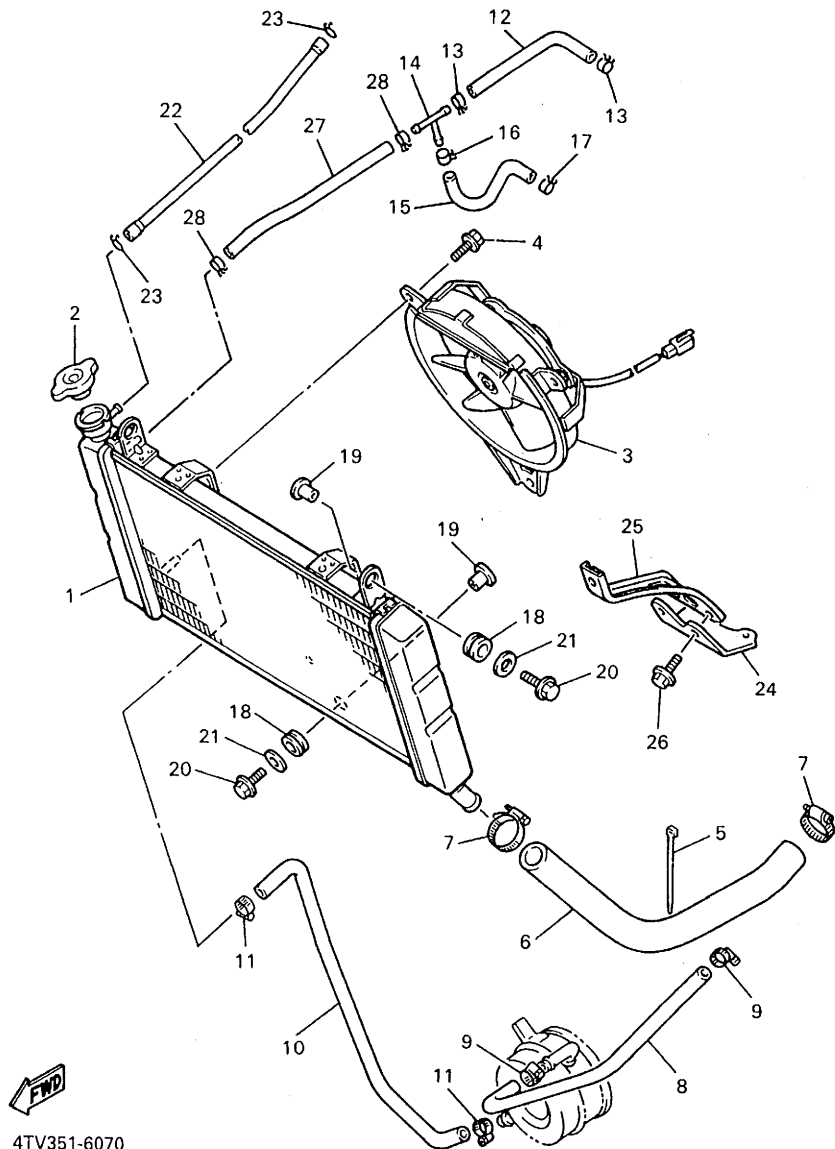
4JH351-4050



5AH5110-9060

FIG. 6 WATER PUMP

REF. NO.	PART NO.	DESCRIPTION	4TV9	4WES	REMARKS
1	3TJ-Y1242-00	WATER PUMP ASSY	1	1	
2	1WG-12439-00	.O-RING	1	1	
3	90105-066A5	.BOLT, WASHER BASED	2	2	
4	95027-06012	.BOLT, FLANGE	1	1	
5	90430-06014	.GASKET	1	1	
6	93210-33133	.O-RING	1	1	
7	91317-06035	BOLT	2	2	
8	4TV-12481-00	PIPE 1	1	1	
9	93210-21190	O-RING	2	2	
10	91317-06010	BOLT	2	2	
11	1WG-12446-01	JOINT	1	1	
12	93210-17746	O-RING	2	2	
13	91317-06040	BOLT	3	3	
14	91317-06025	BOLT	1	1	
15	4JH-12482-00	PIPE 2	1	1	
16	93210-15414	O-RING	2	2	
17	91317-06010	BOLT	2	2	
18	3TJ-12576-00	HOSE 1	1	1	
19	90450-32051	HOSE CLAMP ASSY	2	2	
20	4JH-12577-00	HOSE 2	1	1	
21	90450-32051	HOSE CLAMP ASSY	2	2	
22	4JH-12410-00	THERMOSTAT ASSY	1	1	
23	3TJ-12417-00	HOUSING, THERMOSTAT	1	1	
24	3TJ-12413-00	COVER, THERMOSTAT	1	1	
25	91317-06020	BOLT	2	2	
26	4TV-12589-00	HOSE 6	1	1	
27	90467-11044	CLIP	2	2	



4TV351-6070

FIG. 7 RADIATOR HOSE

REF. NO.	PART NO.	DESCRIPTION	4TV9	4WE5	REMARKS
1	4TV-12461-00	RADIATOR ASSY	1	1	
2	4JH-12462-00	CAP, RADIATOR	1	1	
3	4JH-12405-00	BLOWER ASSY	1	1	
4	95811-06010	BOLT, FLANGE	3	3	
5	90464-12045	CLAMP	1	1	
6	4TV-12578-00	HOSE 3	1	1	
7	90450-32051	HOSE CLAMP ASSY	2	2	
8	4TV-12579-00	HOSE 4	1	1	
9	90450-17036	HOSE CLAMP ASSY	2	2	
10	4JH-12588-00	HOSE 5	1	1	
11	90450-17036	HOSE CLAMP ASSY	2	2	
12	4TV-1243A-00	HOSE 1	1	1	
13	90467-11090	CLIP	2	2	
14	90413-08012	WAY 3	1	1	
15	4TV-1243F-00	HOSE,3	1	1	
16	90467-11090	CLIP	1	1	
17	90467-09037	CLIP	1	1	
18	90480-15363	GROMMET	3	3	
19	90387-07391	COLLAR	3	3	
20	95807-06025	BOLT, FLANGE	3	3	
21	90201-06071	WASHER, PLATE	3	3	
22	90445-083J9	HOSE	1	1	
23	90467-08075	CLIP	2	2	
24	4JH-1244F-00	BRACKET 1	1	1	
25	4JH-2142K-00	BRACKET, RADIATOR	1	1	
26	95807-06012	BOLT, FLANGE	2	2	
27	4TV-1244G-00	HOSE, 4	1	1	

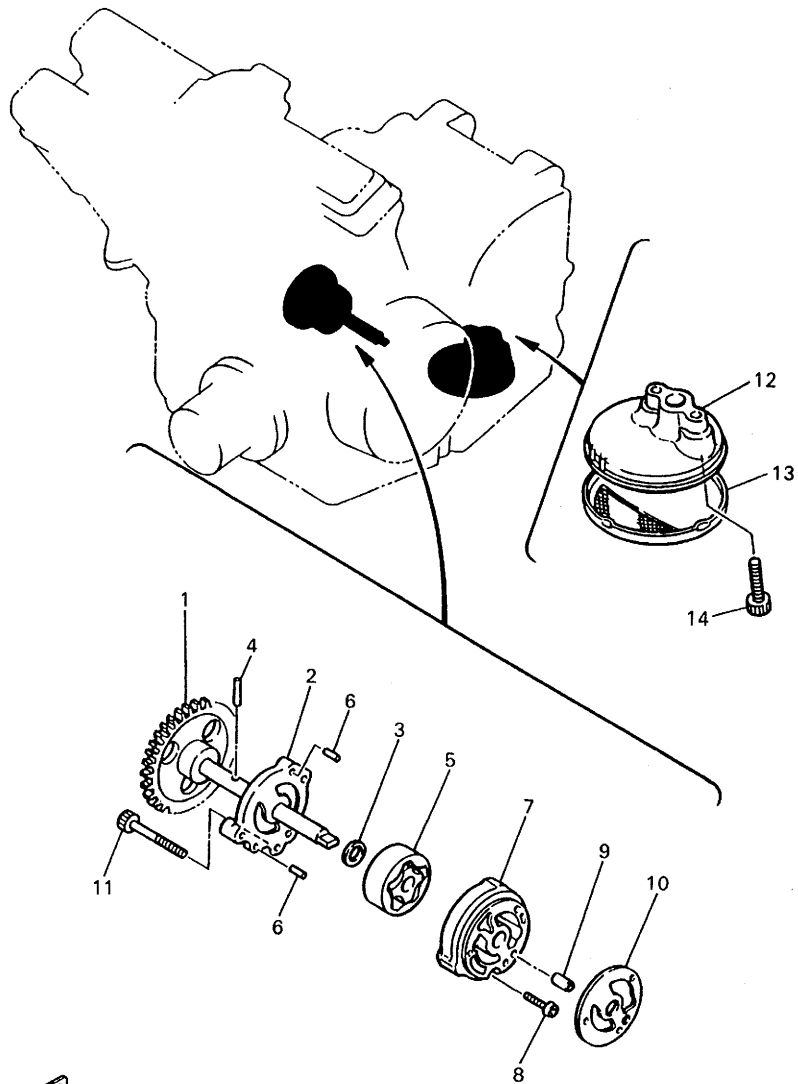


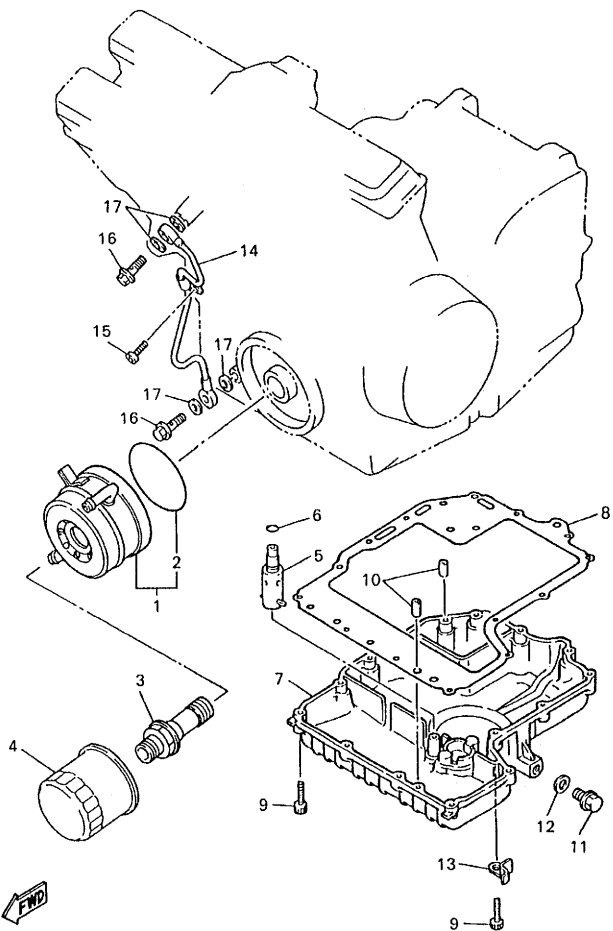
FIG. 8 OIL PUMP

REF. NO.	PART NO.	DESCRIPTION	4TV9	4WES	REMARKS
1	4JH-13330-00	PUMP SHAFT ASSY	1	1	
2	1WG-13316-00	COVER, PUMP	1	1	
3	90201-113K2	WASHER, PLATE	1	1	
4	93603-17070	PIN, DOWEL	1	1	
5	1WG-13310-00	ROTOR ASSY 1	1	1	
6	93603-09106	PIN, DOWEL	2	2	
7	1WG-13336-00	HOUSING, ROTOR	1	1	
8	98507-06020	SCREW, PAN HEAD	1	1	
9	99530-08012	PIN, DOWEL	1	1	
10	1WG-13329-00	GASKET, PUMP COVER	1	1	
11	90110-06130	BOLT, HEXAGON SOCKET HEAD	3	3	
12	3TJ-13412-00	HOUSING, STRAINER	1	1	
13	4H7-13411-02	STRAINER, OIL	1	1	
14	90110-06225	BOLT, HEXAGON SOCKET HEAD	2	2	



4JH351-4080

FIG. 9 OIL COOLER



4TV5351-8090

REF. NO.	PART NO.	DESCRIPTION	4TV9	4WE5			REMARKS
1	4TV-13470-10	OIL COOLER ASSY	1	1			
2	4JH-13473-00	O-RING	1	1			
3	90401-20171	BOLT, UNION	1	1			
4	3FV-13440-00	ELEMENT ASSY, OIL CLEANER	1	1			
5	4G0-13490-01	RELIEF VALVE ASSY	1	1			
6	93210-10096	O-RING	1	1			
7	4JH-13417-00	COVER, STRAINER	1	1			
8	4TV-13414-00	GASKET, STRAINER COVER	1	1			
9	91317-06025	BOLT	14	14			
10	99530-08016	PIN, DOWEL	2	2			
11	90340-14132	PLUG, STRAIGHT SCREW	1	1			
12	214-11198-01	GASKET	1	1			
13	90465-10306	CLAMP	1	1			
14	3HE-13161-00	PIPE, DELIVERY 1	1	1			
15	91317-06010	BOLT	1	1			
16	90401-10106	BOLT, UNION	2	2			
17	90430-10188	GASKET	4	4			

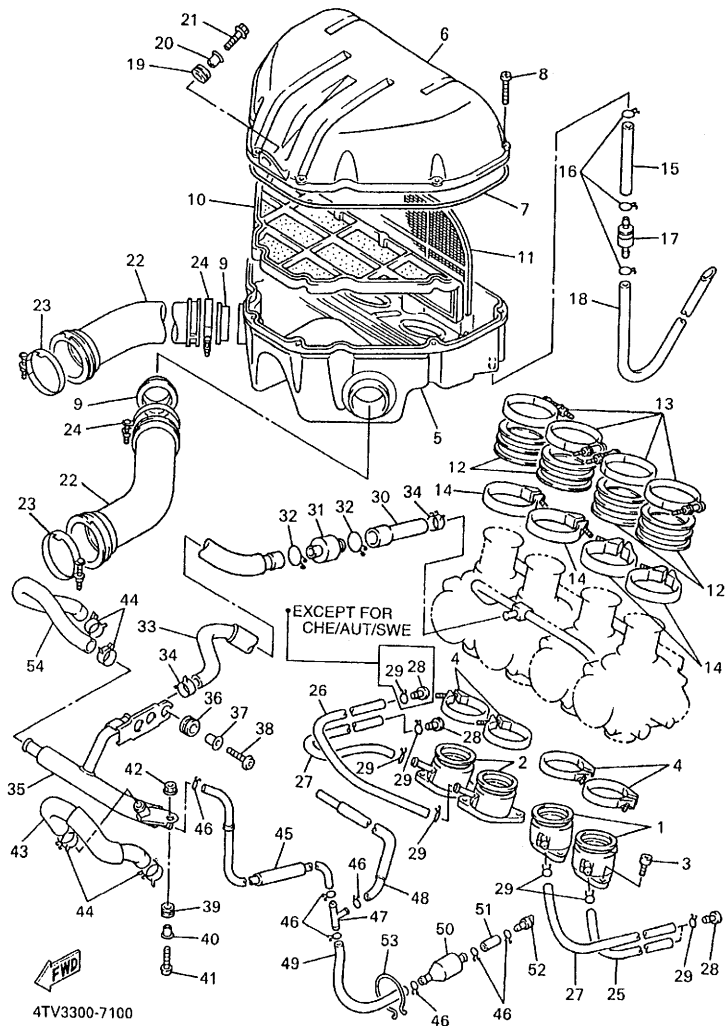


FIG. 10 INTAKE

REF. NO.	PART NO.	DESCRIPTION	4TV9	4WE5	REMARKS
1	4JH-13586-02	JOINT, CARBURETOR 1	2	2	
2	4JH-13596-02	JOINT, CARBURETOR 2	2	2	
3	91317-06020	BOLT	8	8	
4	90450-52074	HOSE CLAMP ASSY	4	4	
5	4TV-14411-00	CASE, AIR CLEANER 1	1		
4WE-14411-00	CASE, AIR CLEANER 1			1	
6	4TV-14421-00	CASE, AIR CLEANER 2	1	1	
7	4KM-14452-00	SEAL	1	1	
8	98507-05025	SCREW, PAN HEAD	8	8	
9	4TV-1441J-00	PIPE, SILENCER	2	2	
10	4TV-14468-00	PLATE,ELEMENT FITTING	1	1	
11	4TV-1444A-00	NET, FLAME ARRESTER1	1	1	
12	4TV-14453-00	JOINT, AIR CLEANER 1	4	4	
13	4TV-14455-00	BAND	4	4	
14	90450-60085	HOSE CLAMP ASSY	4	4	
15	90445-11452	HOSE	1	1	
16	90467-10041	CLIP	3	3	
17	4X7-2149Y-00	FILTER ASSY	1	1	
18	90445-075G7	HOSE	1	1	
19	90480-12314	GROMMET	1	1	
20	90387-065J6	COLLAR	1	1	
21	90119-06172	BOLT, WITH WASHER	1	1	
22	4TV-1446F-00	JOINT, SURGE TANK 1	2	2	
23	4TV-13575-00	BAND	2	2	
24	90460-59211	CLAMP, HOSE	2	2	
25	90445-09488	HOSE	1	1	
26	90445-09496	HOSE	1	1	

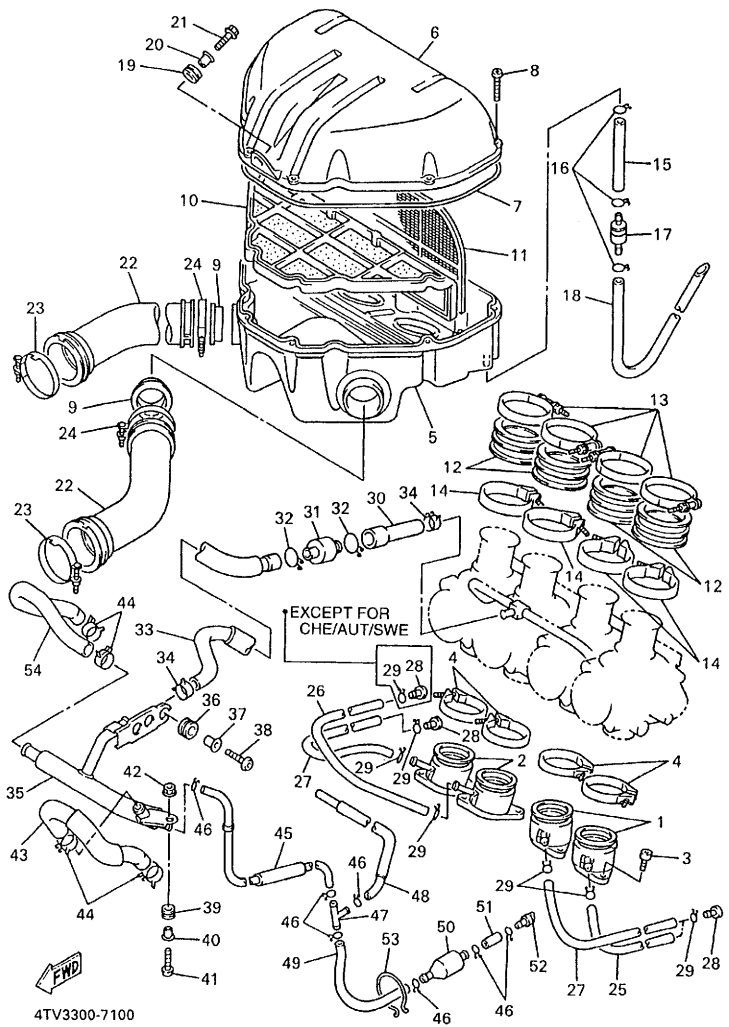
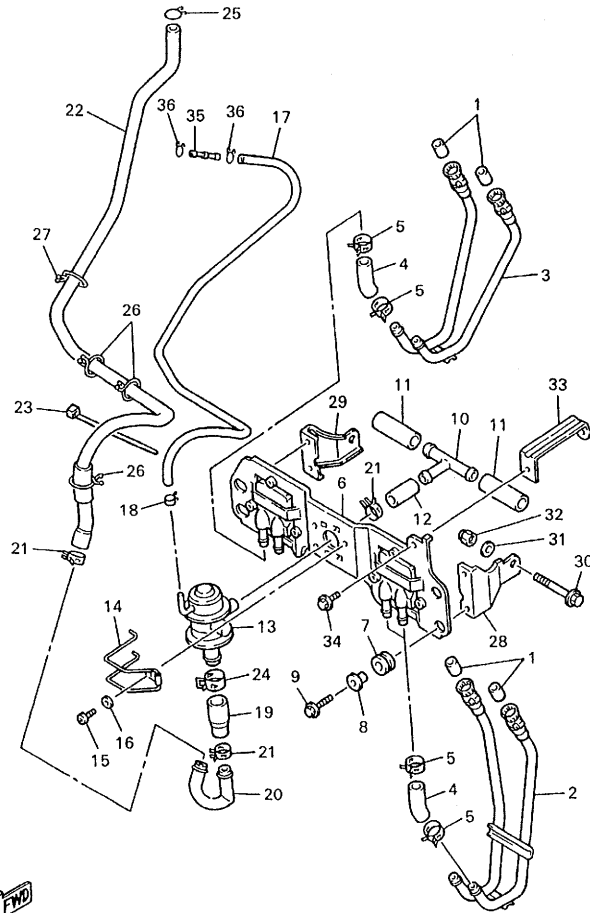


FIG. 10 INTAKE

REF. NO.	PART NO.	DESCRIPTION	4TV9	4WES	REMARKS
27	90445-09757	HOSE	2	2	
28	90338-05194	PLUG		3	
	90338-05194	PLUG	4		
29	90467-08017	CLIP		7	
	90467-08017	CLIP	8		
30	4TV-14485-01	PIPE, JOINT	1	1	
31	3GM-14467-00	SEAL	1	1	
32	90467-20030	CLIP	2	2	
33	4TV-14197-00	PIPE	1	1	
34	90467-19160	CLIP	2	2	
35	4TV-14466-00	PIPE	1	1	
36	90480-15363	GROMMET	1	1	
37	90387-07391	COLLAR	1	1	
38	90110-06087	BOLT, HEXAGON SOCKET HEAD	1	1	
39	90480-12237	GROMMET	1	1	
40	90387-087L0	COLLAR	1	1	
41	92017-06016	BOLT, BUTTON HEAD	1	1	
42	95707-06500	NUT, FLANGE	1	1	
43	4TV-14148-00	PIPE	1	1	
44	90467-20154	CLIP	4	4	
45	4TV-1443E-00	PIPE, DRAIN	1	1	
46	90467-11106	CLIP	7	7	
47	90413-08009	WAY 3	1	1	
48	90445-110H9	HOSE	1	1	
49	90445-114J7	HOSE	1	1	
50	4TV-14226-00	CUP, DRAIN	1	1	
51	90445-11262	HOSE	1	1	

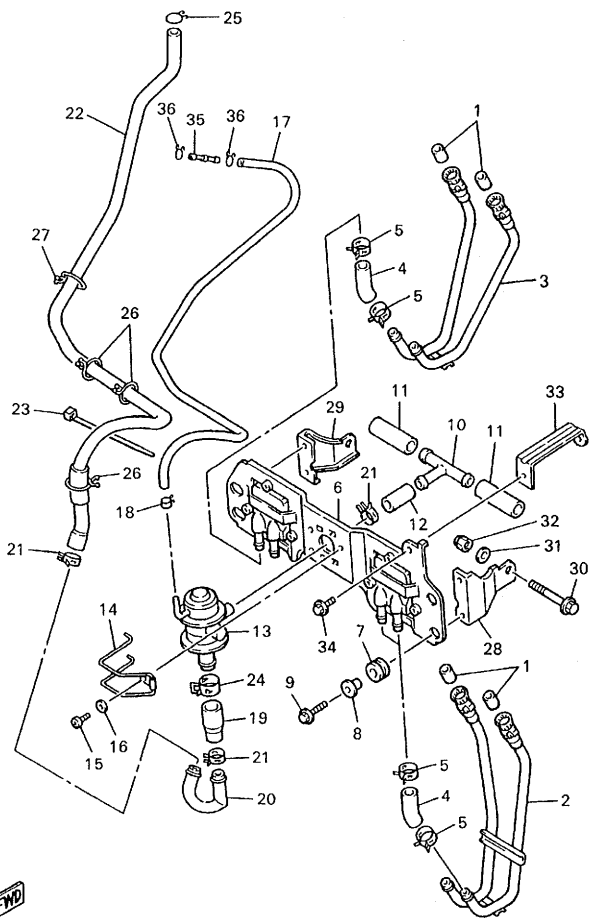
FIG. 11 AIR INDUCTION SYSTEM



4TV3300-7110

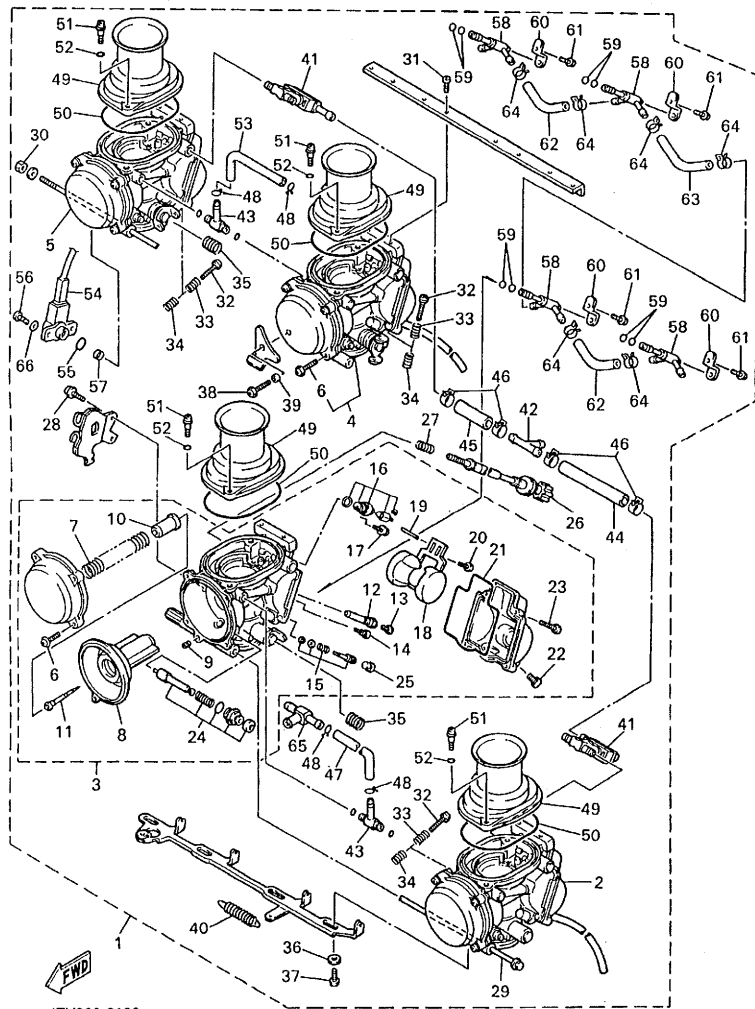
REF. NO.	PART NO.	DESCRIPTION	4TV9	4WE5	REMARKS
1	42H-14714-10	GASKET, MUFFLER		4	
2	4WE-14872-00	PIPE 2		1	
3	4MM-14873-00	PIPE 3		1	
4	2LJ-14883-00	HOSE, BEND 3		4	
5	90468-08104	CLIP		8	
6	4MM-14808-00	REED VALVE ASSY		1	
7	90480-15316	GROMMET		4	
8	90387-07391	COLLAR		4	
9	95027-06025	BOLT, FLANGE		4	
10	2LJ-14874-00	PIPE 4		1	
11	4MM-14881-00	HOSE, BEND 1		2	
12	2LJ-14882-00	HOSE, BEND 2		1	
13	4MM-14840-00	AIR CUT VALVE ASS'Y		1	
14	90462-20188	CLAMP		1	
15	98507-06016	SCREW, PAN HEAD		1	
16	92907-06600	WASHER, PLATE		1	
17	90445-091J2	HOSE		1	
18	90467-08092	CLIP		1	
19	4MM-14885-00	HOSE, BEND 5		1	
20	4MM-14875-00	PIPE 5		1	
21	90467-19051	CLIP		3	
22	4MM-14884-00	HOSE, BEND 4		1	
23	5Y9-12491-00	CLAMP 1		1	
24	90467-23067	CLIP		1	
25	90467-14015	CLIP		1	
26	90464-23041	CLAMP		3	
27	90464-30040	CLAMP		1	

FIG. 11 AIR INDUCTION SYSTEM



4TV3300-7110

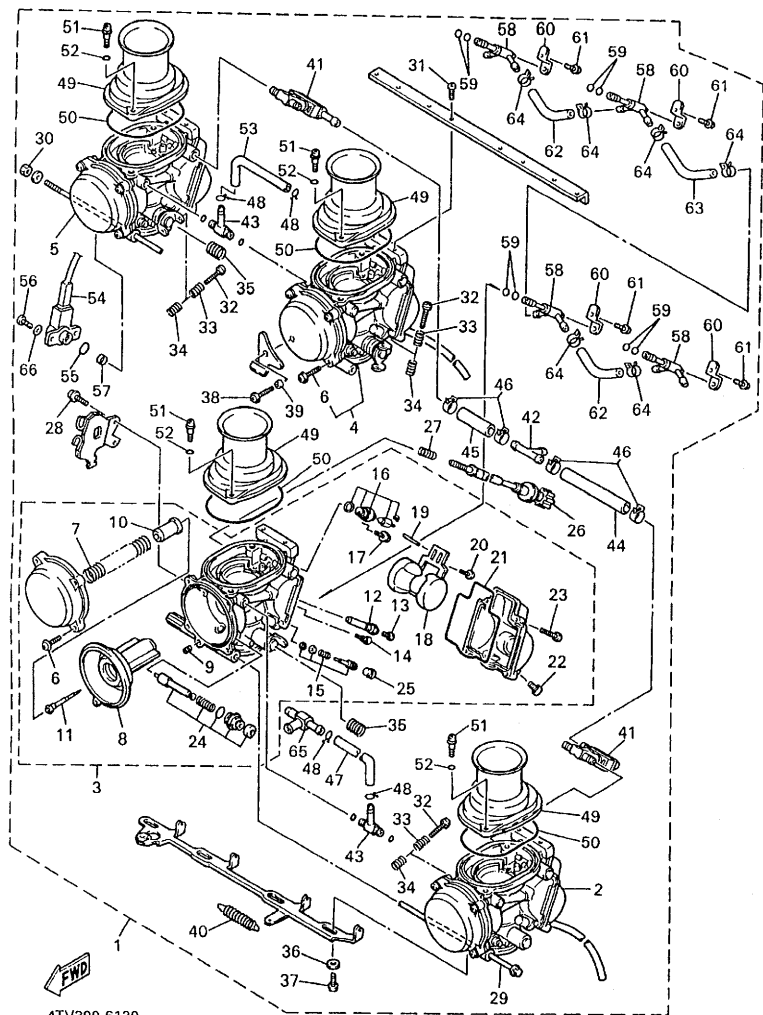
REF. NO.	PART NO.	DESCRIPTION	4TV9	4WES	REMARKS
28	4MM-14868-00	BRACKET 2		1	
29	4MM-14869-00	BRACKET 3		1	
30	90105-10169	BOLT, WASHER BASED		2	
31	92907-10600	WASHER, PLATE		2	
32	95617-10100	NUT, U		2	
33	4MM-14849-00	BRACKET		1	
34	95807-06010	BOLT, FLANGE		1	
35	4MM-13582-00	PIPE		1	
36	90467-08017	CLIP		2	



4TV300-6120

FIG. 12 CARBURETOR

REF. NO.	PART NO.	DESCRIPTION	4TV9	4WES	REMARKS
1	4TV-14900-01	CARBURETOR ASSY	1		
	4TV-14900-11	CARBURETOR ASSY		1	
2	4TV-14901-01	.CARBURETOR ASSY 1	1		
	4TV-14901-11	.CARBURETOR ASSY 1		1	
3	4TV-14902-01	.CARBURETOR ASSY 2	1		
	4TV-14902-11	.CARBURETOR ASSY 2		1	
4	4TV-14903-01	.CARBURETOR ASSY 3	1		
	4TV-14903-11	.CARBURETOR ASSY 3		1	
5	4TV-14904-01	.CARBURETOR ASSY 4	1		
	4TV-14904-11	.CARBURETOR ASSY 4		1	
6	4JH-14216-00	..SCREW	3	3	UR #3
	4JH-14216-00	..SCREW	4	4	UR #1,2,4
7	4TV-14933-00	..SPRING, DIAPHRAGM	1	1	
8	4TV-14940-00	..DIAPHRAGM ASSY	1	1	
9	4JH-14515-00	..JET	1	1	
10	4JH-14936-00	..SEAT, SPRING	1	1	
11	4TV-14916-00	..NEEDLE	1	1	UR #1,4
	4TV-14916-10	..NEEDLE	1	1	UR #2,3
12	4TV-1414G-00	..PIPE, MAIN BREED	1	1	
13	3TJ-14943-38	..JET, MAIN (#155)	1	1	
14	4JH-14948-02	..JET (#38)	1	1	
15	4JH-14105-00	..PILOT SCREW SET	1	1	
16	4JH-14107-00	..NEEDLE VALVE SET	1	1	
17	3TJ-14216-40	..SCREW	1	1	
18	4JH-14985-00	..FLOAT	1	1	
19	676-14548-00	..PIN, FLOAT ARM	1	1	
20	688-14592-00	..SCREW	1	1	



4TV300-6120

FIG. 12 CARBURETOR

REF. NO.	PART NO.	DESCRIPTION	4TVS	AVES	REMARKS
21	4JH-14984-00	..GASKET, FLOAT CHAMBER	1	1	
22	3TJ-14191-40	..PLUG, DRAIN	1	1	
23	98502-04014	..SCREW, PAN HEAD	4	4	
24	4TV-1410A-01	..STARTER SET	1	1	
25	4MM-14118-00	..CAP	1	1	
26	4JH-14922-00	..SCREW, THROTTLE	1	1	
27	4JH-14934-00	..SPRING, THROTTLE STOP	1	1	
28	4JH-14429-00	..SCREW	1	1	
29	4JH-14162-00	..BOLT, HOLDING	1	1	
30	4JH-14358-00	..NUT	1	1	
31	4JH-14325-00	..SCREW, PAN HEAD	8	8	
32	4JH-14121-00	..SCREW, THROTTLE STOP	3	3	
33	7A9-14555-00	..SPRING	3	3	
34	4JH-14133-00	..SPRING, THROTTLE STOP	3	3	
35	4JH-14487-00	..SPRING	2	2	
36	90202-06056	..WASHER, PLATE	6	6	
37	3TJ-14245-40	..SCREW, GUIDE	3	3	
38	4JH-14565-00	..SCREW	1	1	
39	4JH-14264-00	..COLLAR	1	1	
40	4JH-14935-00	..SPRING	1	1	
41	4JH-14350-00	..PIPE ADAPTOR ASSY	2	2	
42	4JH-13918-00	..PIPE T	1	1	
43	4JH-14197-00	..PIPE	2	2	
44	4JH-14294-00	..HOSE	1	1	
45	4JH-14298-00	..PIPE	1	1	
46	4JH-14137-00	..CLIP	4	4	
47	4TV-14349-00	..PIPE	1	1	

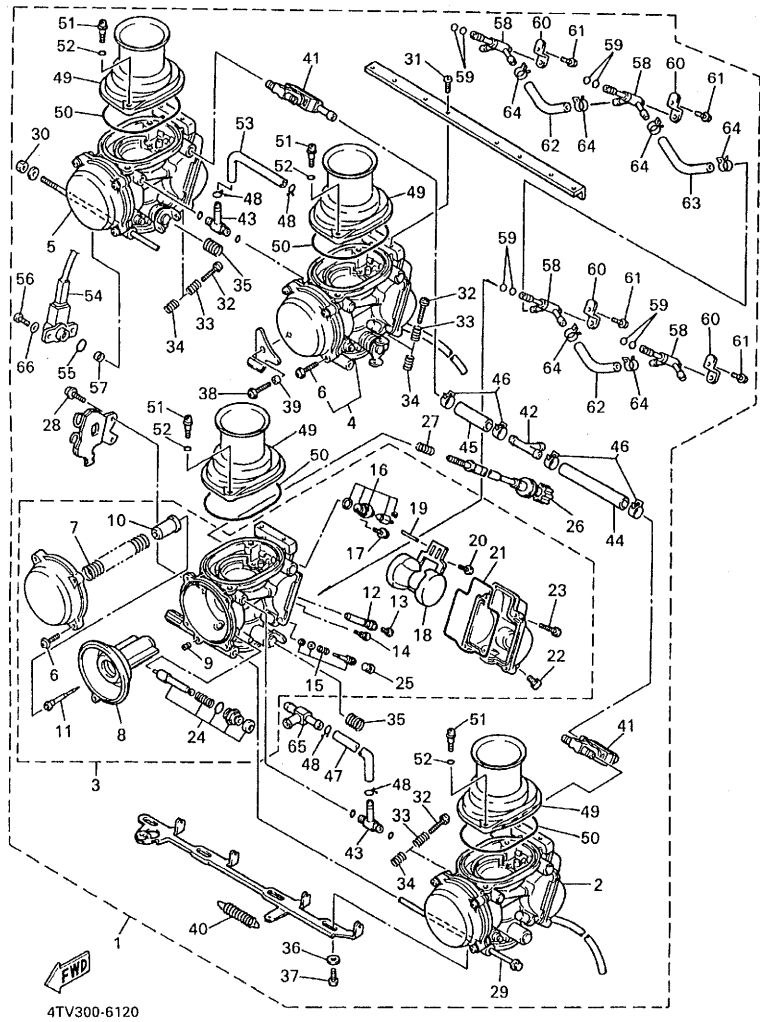
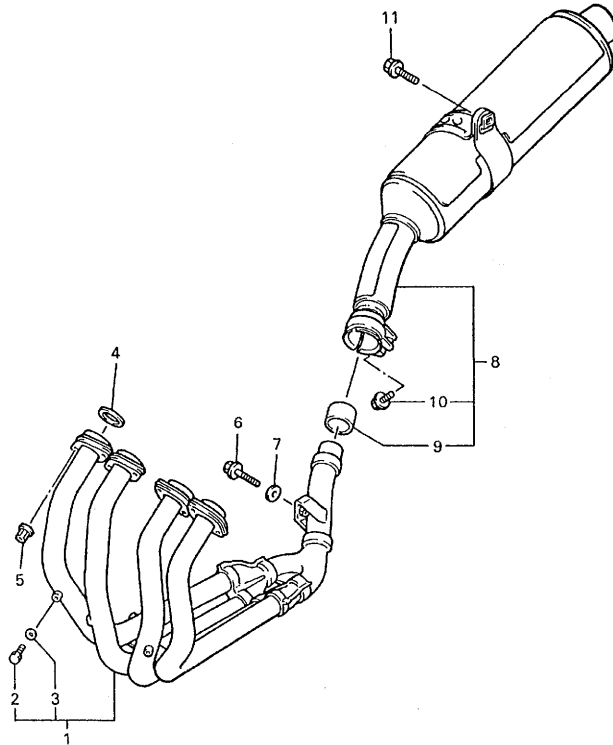


FIG. 12 CARBURETOR

REF. NO.	PART NO.	DESCRIPTION	4TV9	4WES	REMARKS
48	3TJ-14937-40	.CLIP	4	4	
49	4TV-1440F-00	.JOINT, AIR FILTER 1	4	4	
50	4JH-14561-00	.O-RING	4	4	
51	4JH-14245-00	.SCREW, GUIDE	8	8	
52	4TV-14561-00	.O-RING	8	8	
53	4TV-14348-00	.PIPE 1	1	1	
54	4TV-85885-00	.THROTTLE POSITION SENSOR ASSY	1	1	
55	4TV-14562-00	.O-RING	1	1	
56	4TV-14216-00	.SCREW	2	2	
57	4TV-14534-00	.COLLAR	1	1	
58	4TV-12446-00	.JOINT	4	4	
59	4TV-12439-00	.O-RING	8	8	
60	4TV-12573-00	.FLANGE, HOSE JT. 1	4	4	
61	4TV-14567-00	.SCREW	4	4	
62	4TV-12576-00	.HOSE 1	2	2	
63	4TV-12577-00	.HOSE 2	1	1	
64	4TV-12486-00	.CLIP	6	6	
65	4TV-14465-00	.PIPE	1	1	
66	4TV-14557-00	.WASHER	2	2	

FIG. 13 EXHAUST



4TV5351-8120

REF. NO.	PART NO.	DESCRIPTION	4TV9	4WE5	REMARKS
1	4TV-14602-00	EXHAUST PIPE COMP.	1	1	
2	97080-06008	.BOLT	4	4	
3	92990-06600	.WASHER, PLATE	4	4	
4	3YF-14613-01	GASKET, EXHAUST PIPE	4	4	
5	90179-06668	NUT	8	8	
6	95817-08030	BOLT, FLANGE	1	1	
7	90201-08730	WASHER, PLATE	1	1	
8	4TV-14710-10	MUFFLER ASSY 1	1	1	
9	3XW-14714-00	.GASKET, MUFFLER	1	1	
10	95814-08025	.BOLT, FLANGE	1	1	
11	95814-10025	BOLT, FLANGE	1	1	

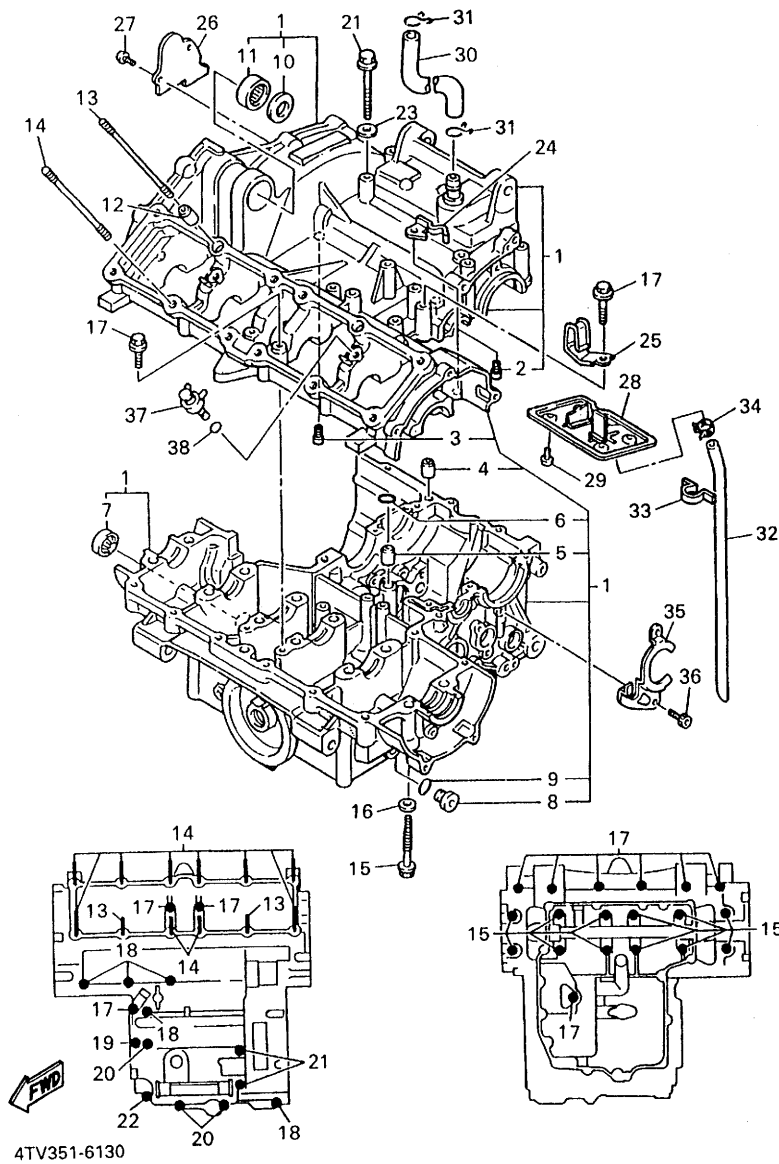
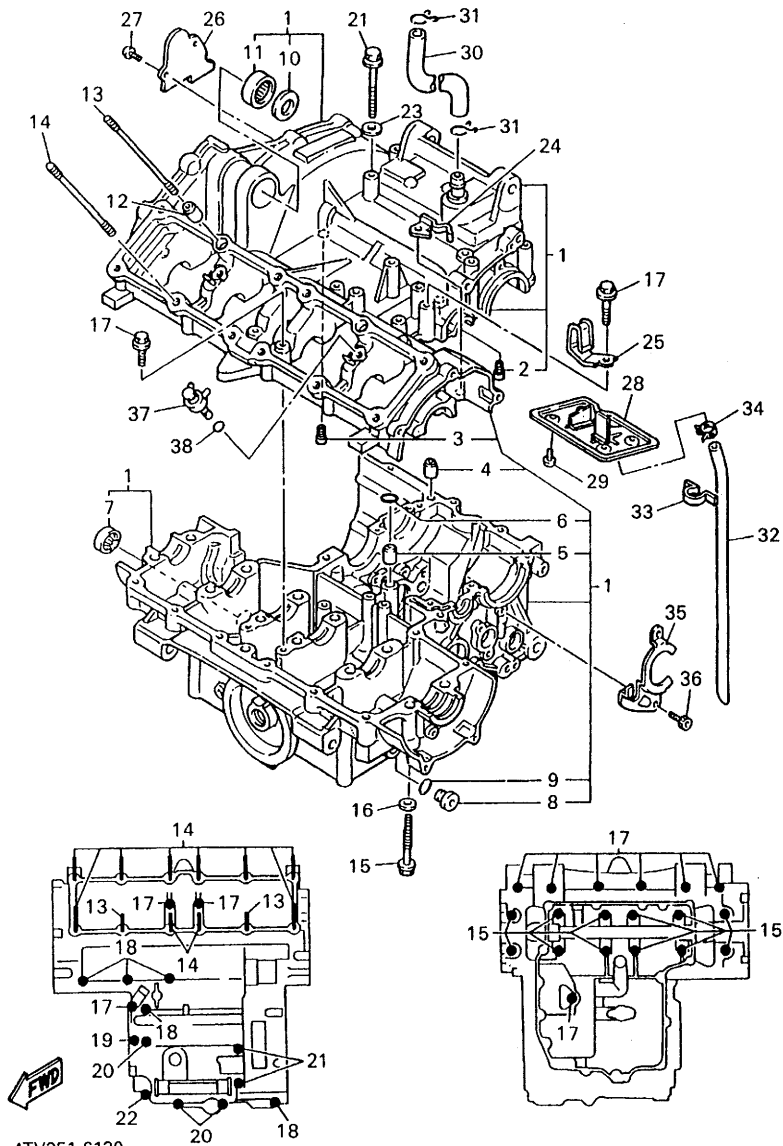


FIG. 14 CRANKCASE

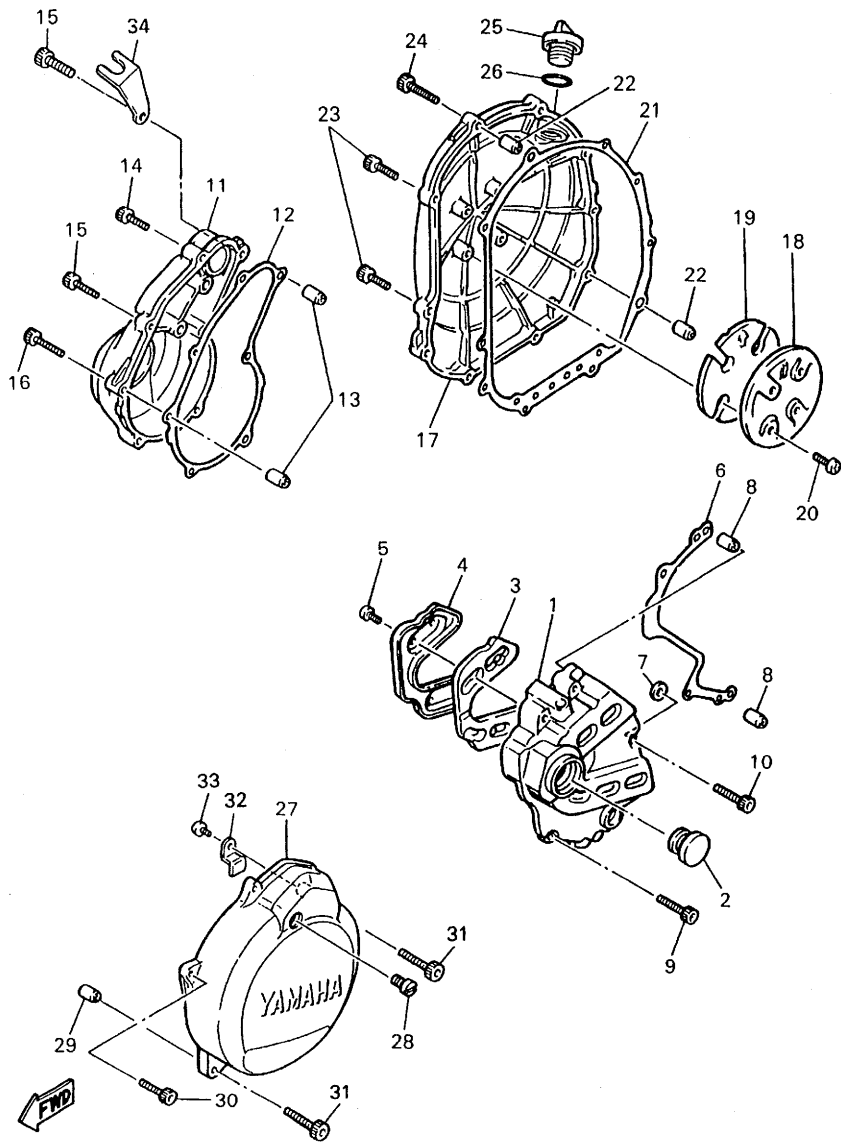
REF. NO.	PART NO.	DESCRIPTION	4TV9	4VES	REMARKS
1	4JH-15100-03	CRANKCASE ASSY	1	1	
2	11H-15138-00	.NOZZLE 1	1	1	
3	26H-15138-00	.NOZZLE 1	1	1	
4	99530-12016	.PIN, DOWEL	1	1	
5	4JH-15138-00	.NOZZLE 1	1	1	
6	93210-12152	.O-RING	1	1	
7	4H7-15361-00	.GAUGE, LEVEL	1	1	
8	36Y-15189-00	.PLUG	2	2	
9	93210-16325	.O-RING	2	2	
10	90201-237K5	.WASHER, PLATE	1	1	
11	93315-32516	.BEARING	1	1	
12	93612-16254	PIN, DOWEL	2	2	
13	90116-09583	BOLT, STUD	2	2	
14	90116-09584	BOLT, STUD	10	10	
15	90105-08630	BOLT, WASHER BASED	12	12	
16	90201-087K3	WASHER, PLATE	12	12	
17	95817-06040	BOLT, FLANGE	10	10	
18	95817-06050	BOLT, FLANGE	5	5	
19	95817-06070	BOLT, FLANGE	1	1	
20	95817-06080	BOLT, FLANGE	3	3	
21	95817-06090	BOLT, FLANGE	2	2	
22	95817-08070	BOLT, FLANGE	1	1	
23	90430-06166	GASKET	1	1	
24	90465-10307	CLAMP	1	1	
25	90465-10308	CLAMP	1	1	
26	4JH-11165-00	PLATE, BREATHER	1	1	
27	98507-06012	SCREW, PAN HEAD	2	2	



4TV351-6130

FIG. 14 CRANKCASE

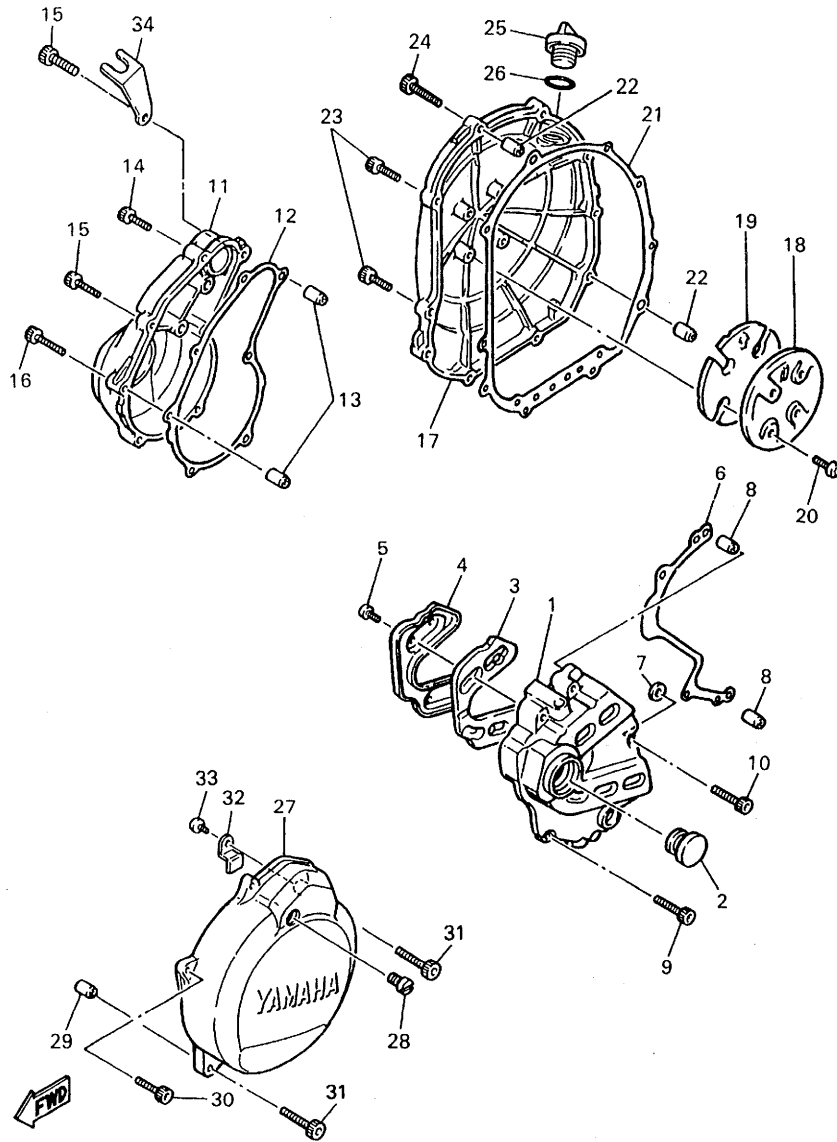
REF. NO.	PART NO.	DESCRIPTION	4TV9	4WE5	REMARKS
28	3HE-11145-00	PLATE, BREATHER 2	1	1	
29	98507-06012	SCREW, PAN HEAD	4	4	
30	1WG-11166-00	PIPE, BREATHER 1	1	1	
31	90467-14015	CLIP	2	2	
32	90445-116E9	HOSE	1	1	
33	90465-06289	CLAMP	1	1	
34	90467-10038	CLIP	1	1	
35	4JH-15381-00	PLATE, BEARING COVER	1	1	
36	91317-06012	BOLT	2	2	
37	3HE-15105-02	NOZZLE ASSY	2	2	
38	93210-06422	O-RING	2	2	



4TV351-6140

FIG. 15 CRANKCASE COVER 1

REF. NO.	PART NO.	DESCRIPTION	4TV9	4WES	REMARKS
1	4JH-15411-00	COVER, CRANKCASE 1	1	1	
2	1L9-15417-00	COVER, CAP	1	1	
3	1WG-15316-00	DAMPER, ENGINE MOUNT 1	1	1	
4	1WG-15427-00	COVER, CAP 2	1	1	
5	98907-05008	SCREW, BIND	4	4	
6	3HE-15451-10	GASKET, CRANKCASE COVER 1	1	1	
7	3HE-15467-10	GASKET	1	1	
8	99530-08016	PIN, DOWEL	2	2	
9	90110-06149	BOLT, HEXAGON SOCKET HEAD	4	4	
10	90110-06130	BOLT, HEXAGON SOCKET HEAD	1	1	
11	4JH-15421-00	COVER, CRANKCASE 2	1	1	
12	4TV-15461-00	GASKET, CRANKCASE COVER 2	1	1	
13	99530-08016	PIN, DOWEL	2	2	
14	91314-06025	BOLT	2	2	
15	91314-06035	BOLT	4	4	
16	91314-06045	BOLT	1	1	
17	4JH-15431-00	COVER, CRANKCASE 3	1	1	
18	1WG-15425-00	COVER, GENERATOR 2	1	1	
19	1WG-15326-00	DAMPER, ENGINE MOUNT 2	1	1	
20	98907-05008	SCREW, BIND	4	4	
21	4TV-15462-00	GASKET, CRANKCASE COVER 3	1	1	
22	99530-08016	PIN, DOWEL	2	2	
23	91314-06025	BOLT	8	8	
24	91314-06035	BOLT	2	2	
25	3F9-15362-00	PLUG, OIL LEVEL	1	1	
26	93210-27194	O-RING	1	1	
27	4TV-15415-00	COVER, GENERATOR	1	1	



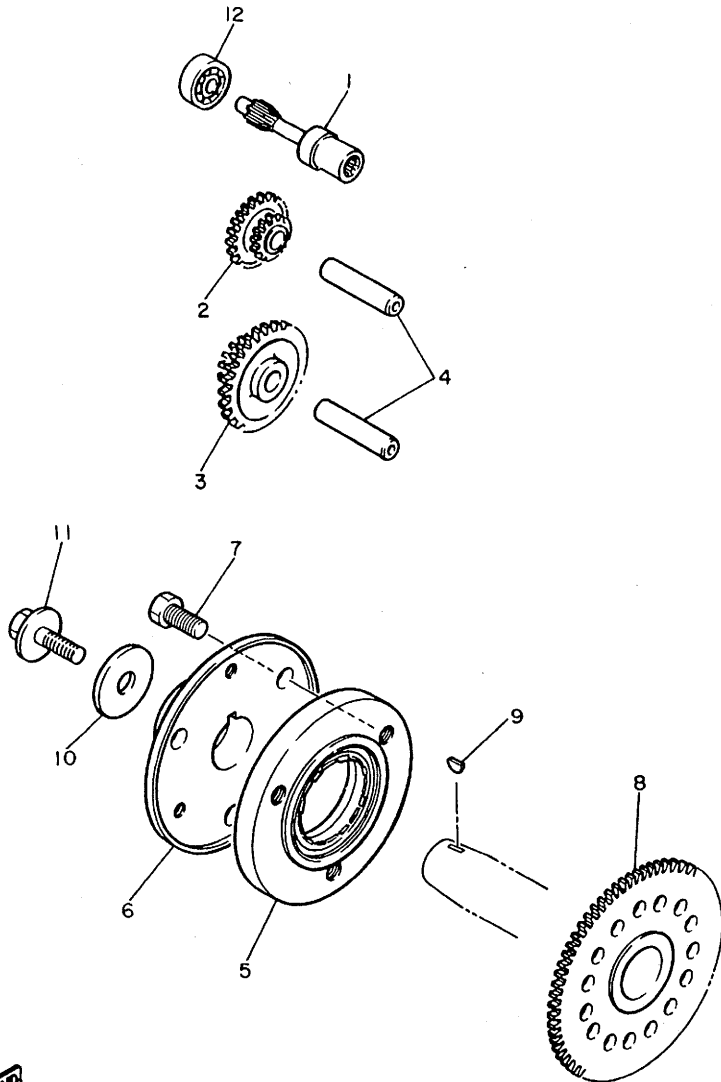
4TV351-6140

FIG. 15 CRANKCASE COVER 1

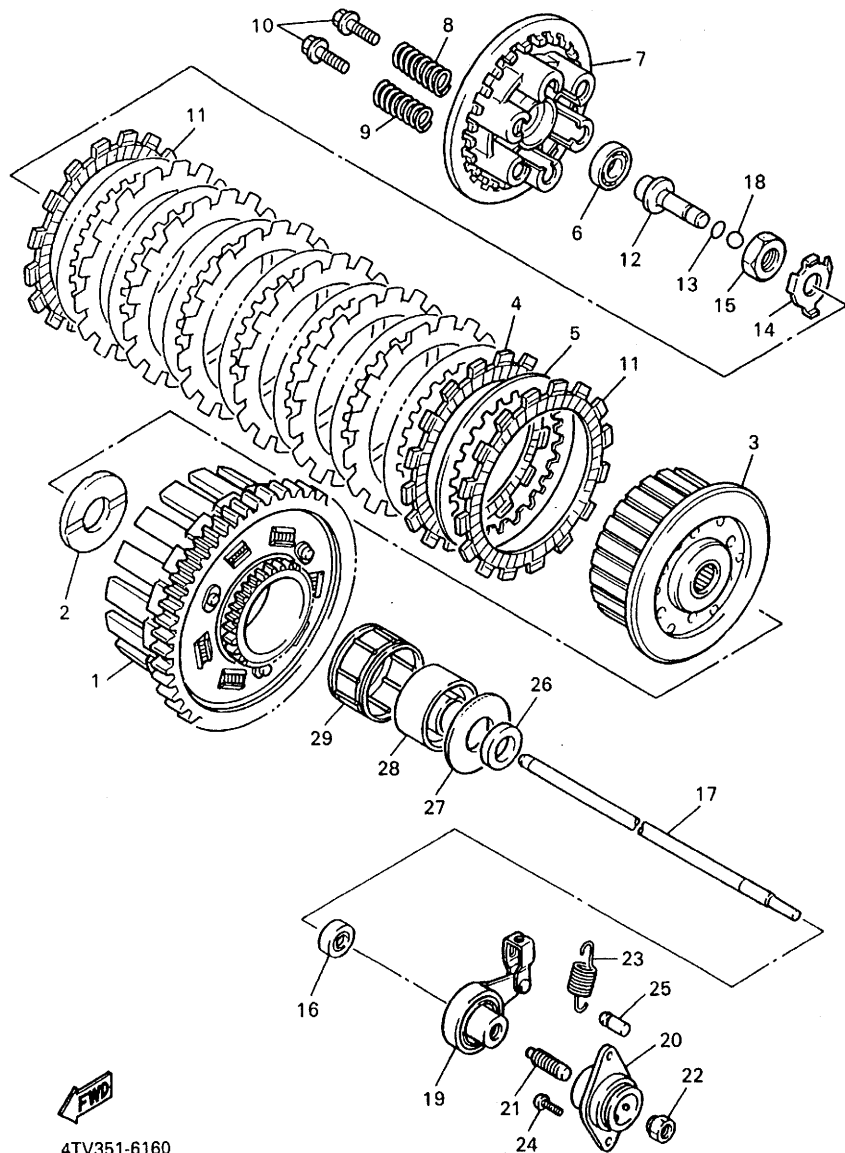
REF. NO.	PART NO.	DESCRIPTION	4TV9	4WE5	REMARKS
28	90340-08014	PLUG, STRAIGHT SCREW	1	1	
29	99530-08016	PIN, DOWEL	2	2	
30	91314-06025	BOLT	3	3	
31	91314-06035	BOLT	2	2	
32	90462-10182	CLAMP	1	1	
33	98507-06010	SCREW, PAN HEAD	1	1	
34	4JH-14413-00	STAY	1	1	

FIG. 16 STARTER CLUTCH

REF. NO.	PART NO.	DESCRIPTION	4TV9	4WES	REMARKS
1	3HE-15521-00	SHAFT 1	1	1	
2	3HE-15512-00	GEAR, IDLER 1	1	1	
3	3HE-15517-00	GEAR, IDLER 2	1	1	
4	3TJ-15521-00	SHAFT 1	2	2	
5	3HE-15590-02	STARTER ONE-WAY ASSY	1	1	
6	3HE-15524-00	WHEEL, STARTER	1	1	
7	91317-08020	BOLT	3	3	
8	4JH-15515-00	GEAR 3	1	1	
9	90280-05048	KEY, WOODRUFF	1	1	
10	90201-107K6	WASHER, PLATE	1	1	
11	90105-10445	BOLT, WASHER BASED	1	1	
12	93306-20006	BEARING (B6200)	1	1	NTN



3HE332-9160



4TV351-6160

FIG. 17 CLUTCH

REF. NO.	PART NO.	DESCRIPTION	4TV9	4WE5	REMARKS
1	4JH-16150-00	PRIMARY DRIVEN GEAR COMP.	1	1	
2	1WG-16154-00	PLATE, THRUST 1	1	1	
3	4JH-16371-01	BOSS, CLUTCH	1	1	
4	4JH-16321-00	PLATE, FRICTION	7	7	
5	1LX-16324-00	PLATE, CLUTCH 1	8	8	
6	93306-00105	BEARING (B6001)	1	1	
7	4JH-16351-00	PLATE, PRESSURE 1	1	1	
8	90501-23346	SPRING, COMPRESSION	3	3	
9	90501-224J9	SPRING, COMPRESSION	3	3	
10	90159-06092	SCREW, WITH WASHER	6	6	
11	3JD-16321-00	PLATE, FRICTION	2	2	
12	4JH-16356-00	ROD, PUSH 1	1	1	
13	93210-48364	O-RING	1	1	
14	90215-18225	WASHER, LOCK	1	1	
15	90170-18221	NUT	1	1	
16	93109-08058	OIL SEAL (SD07 8-21-5.5 HS)	1	1	
17	4JH-16357-00	ROD, PUSH 2	1	1	
18	93505-16006	BALL	1	1	
19	4JH-16340-00	PUSH LEVER ASSY	1	1	
20	1WG-16304-00	BALL SCREW HOUSING ASSY	1	1	
21	90113-08021	BOLT, SET	1	1	
22	90179-08179	NUT	1	1	
23	90506-11488	SPRING, TENSION	1	1	
24	90157-05065	SCREW, PAN HEAD	2	2	
25	132-16346-00	HOOK, SPRING	1	1	
26	90387-212R3	COLLAR	1	1	
27	1WG-16164-00	PLATE, THRUST 2	1	1	

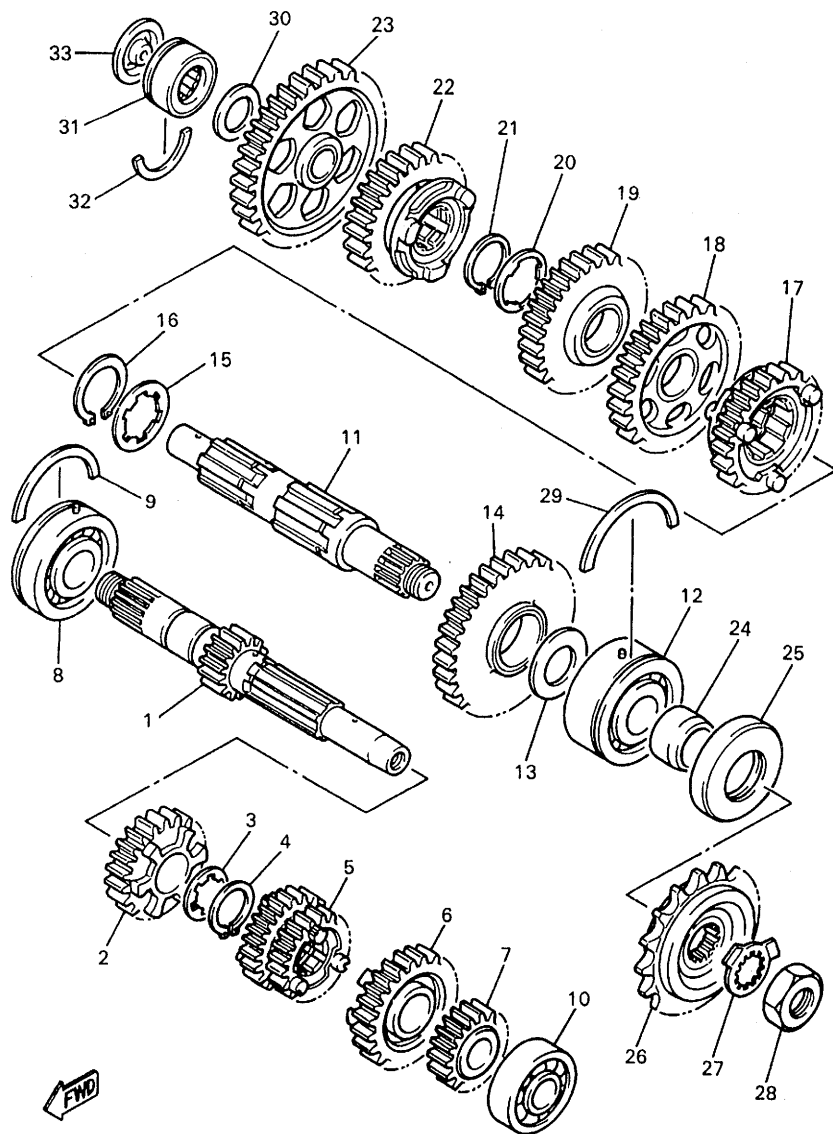


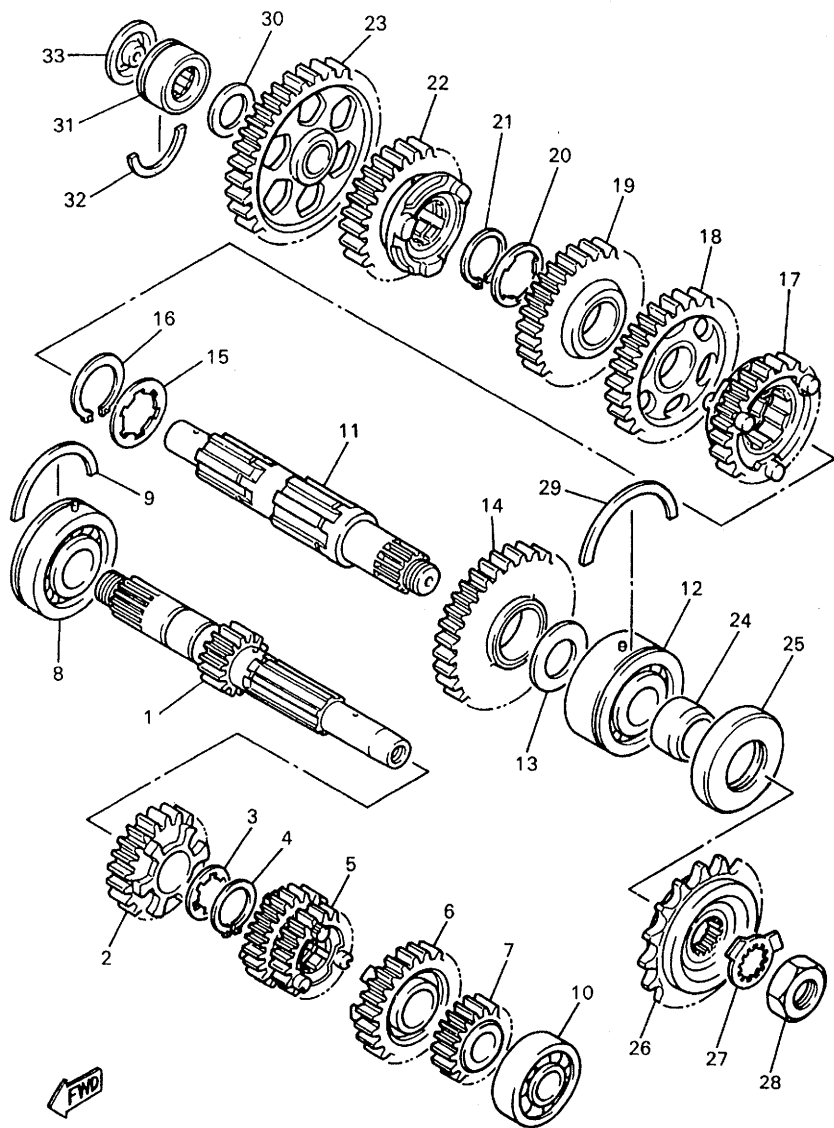
FIG. 18 TRANSMISSION

REF. NO.	PART NO.	DESCRIPTION	4TV8	4WE5	REMARKS
1	4JH-17411-00	AXLE, MAIN (13T)	1	1	
2	4TV-17151-00	GEAR, 5TH PINION (21T)	1	1	
3	90209-22191	WASHER	1	1	
4	93440-25084	CIRCLIP	1	1	
5	4JH-17131-00	GEAR, 3RD/4TH PINION (22T/21T)	1	1	
6	4TV-17161-00	GEAR, 6TH PINION (27T)	1	1	
7	4TV-17121-00	GEAR, 2ND PINION (19T)	1	1	
8	93306-37208	BEARING	1	1	
9	93440-54152	CIRCLIP	1	1	
10	93306-20464	BEARING	1	1	
11	4TV-17421-00	AXLE, DRIVE	1	1	
12	93305-20509	BEARING	1	1	
13	4TV-17417-00	SHIM 1	1	1	
14	4JH-17221-00	GEAR, 2ND WHEEL (37T)	1	1	
15	90209-27336	WASHER	1	1	
16	93440-30077	CIRCLIP	1	1	
17	4TV-17261-00	GEAR, 6TH WHEEL (29T)	1	1	
18	4JH-17231-00	GEAR, 3RD WHEEL (34T)	1	1	
19	4JH-17241-00	GEAR, 4TH WHEEL (28T)	1	1	
20	90209-22191	WASHER	1	1	
21	93440-25084	CIRCLIP	1	1	
22	4TV-17251-00	GEAR, 5TH WHEEL (25T)	1	1	
23	4JH-17211-00	GEAR, 1ST WHEEL (37T)	1	1	
24	90387-2504A	COLLAR	1	1	
25	93102-35368	OIL SEAL	1	1	
26	4TV-17460-00	SPRÖCKETĚ, ĎRÍVE (15T)	1	1	
27	90215-21022	WASHER, LOCK	1	1	

4JH351-4170

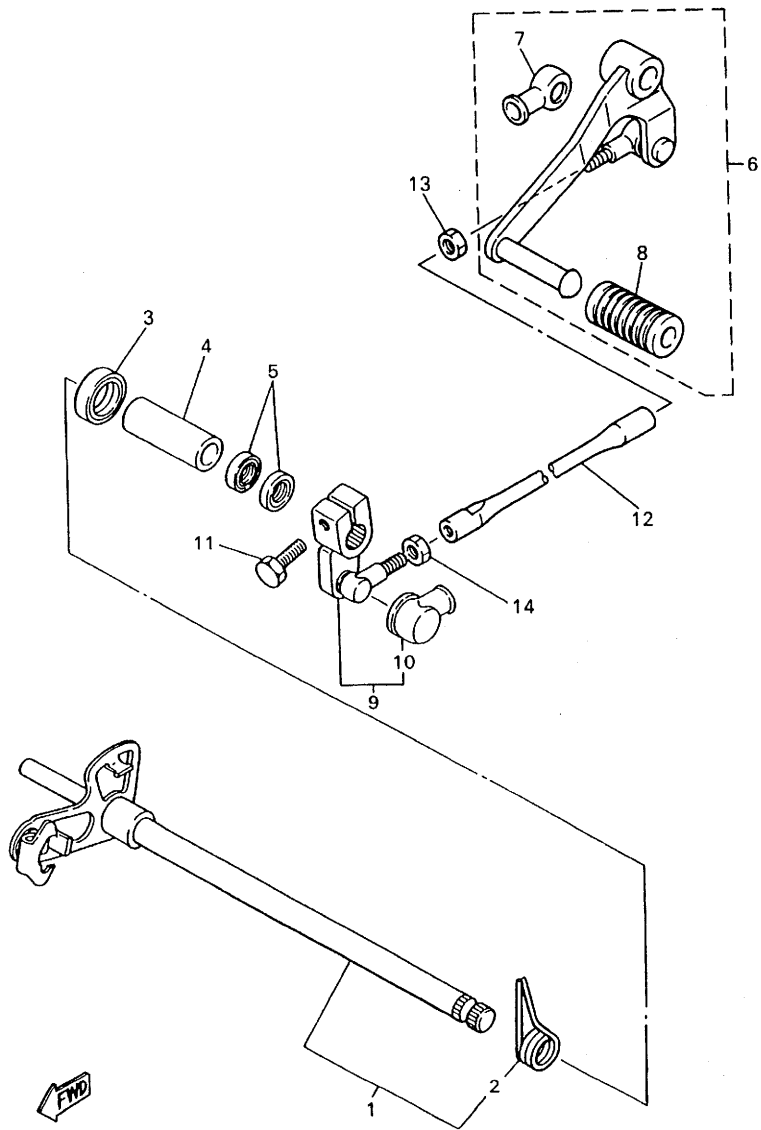
D2

FIG. 18 TRANSMISSION



4JH351-4170

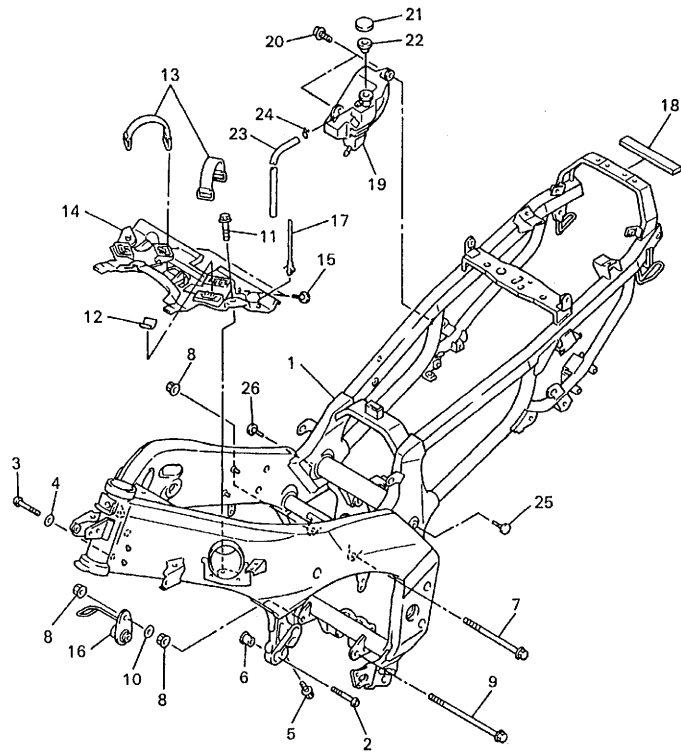
REF. NO.	PART NO.	DESCRIPTION	4TV9	4WE5			REMARKS
28	90179-18020	NUT	1	1			
29	93440-52014	CIRCLIP	1	1			
30	90201-20276	WASHER, PLATE (1.0T)	1	1			
31	93311-42045	BEARING (20NG3315NE)	1	1			
32	278-17425-00	CIRCLIP 2	1	1			
33	4G0-17433-01	NOZZLE	1	1			



4JH351-4190

FIG. 20 SHIFT SHAFT

REF. NO.	PART NO.	DESCRIPTION	4TV9	4WES	REMARKS
1	4JH-18101-00	SHIFT SHAFT ASSY	1	1	
2	90508-32682	.SPRING, TORSION	1	1	
3	93102-12106	OIL SEAL (SD 12-22-5 HS)	1	1	
4	90560-12211	SPACER	1	1	
5	93109-12075	OIL SEAL	2	2	
6	4JH-18110-01	SHIFT PEDAL ASSY	1	1	
7	2H9-18154-00	.COVER, DUST	1	1	
8	132-18113-01	.COVER, SHIFT PEDAL	1	1	
9	4JH-18130-00	SHIFT SHAFT ASSY	1	1	
10	2H9-18154-00	.COVER, DUST	1	1	
11	97027-06020	BOLT	1	1	
12	4JH-18115-01	ROD, SHIFT	1	1	
13	90170-08358	NUT	1	1	
14	95304-08700	NUT	1	1	



4TV5351-8200

FIG. 21 FRAME

REF. NO.	PART NO.	DESCRIPTION	4TV9	4WE5	REMARKS
1	4TV-21110-01-35	FRAME COMP.	1	1	SL
2	91314-10045	BOLT	2	2	
3	91314-10050	BOLT	2	2	
4	90201-11078	WASHER, PLATE	2	2	
5	95814-10025	BOLT, FLANGE	2	2	
6	90387-115V8	COLLAR	2	2	
7	90105-10731	BOLT, WASHER BASED	1	1	
8	95707-10500	NUT, FLANGE	3	3	
9	95827-10175	BOLT, FLANGE	1	1	
10	90201-10774	WASHER, PLATE	1	1	
11	90119-06044	BOLT, WITH WASHER	2	2	
12	31A-28217-00	DAMPER 1	2	2	
13	36X-2811G-00	BAND	2	2	
14	4TV-2117M-00	COVER 2	1	1	
15	36Y-21639-00	DAMPER 2	2	2	
16	4JH-21446-00	STAY, MUFFLER 2	1	1	
17	90464-12089	CLAMP	2	2	
18	4TV-21486-00	DAMPER 2	1	1	
19	4FM-21871-02	TANK, RECOVERY	1	1	
20	90159-06033	SCREW, WITH WASHER	2	2	
21	4L0-21875-00	CAP	1	1	
22	1AA-21874-00	GASKET	1	1	
23	90445-08786	HOSE	1	1	
24	90467-08003	CLIP	1	1	
25	36Y-21639-00	DAMPER 2	1	1	
26	36Y-21639-00	DAMPER 2	1	1	

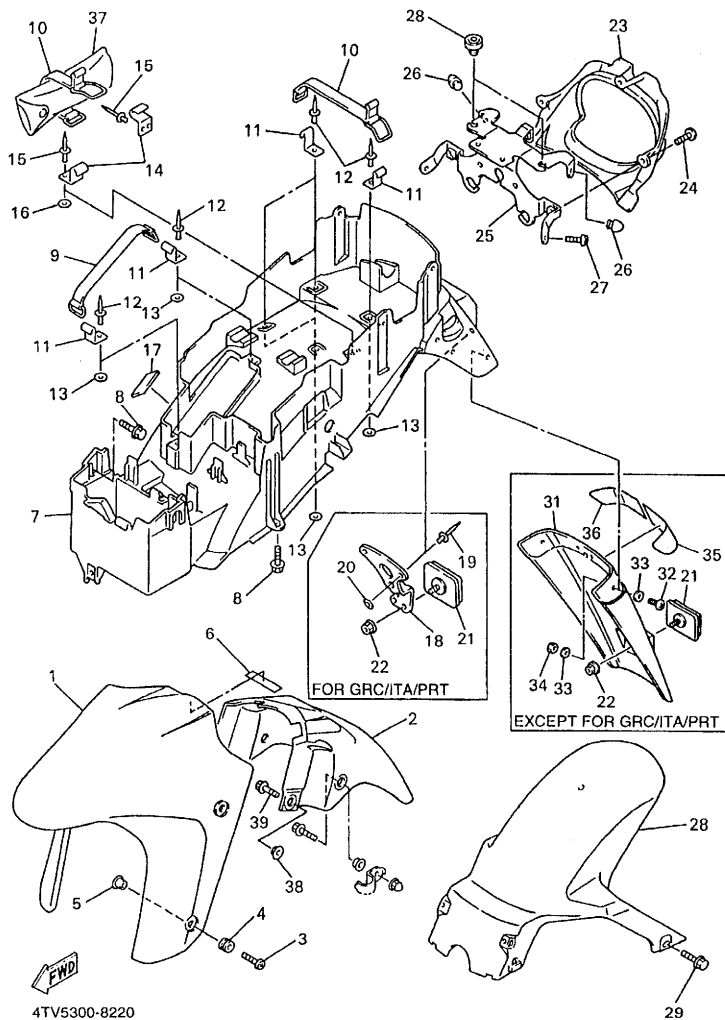


FIG. 22 FENDER

REF. NO.	PART NO.	DESCRIPTION	4TV9	4WES	REMARKS
1	4SV-21511-00-P6	FENDER, FRONT	1	1	UR VRC7
	4SV-21511-00-P9	FENDER, FRONT	1	1	UR DRYC1 FOR SM1
2	4SV-21556-00	FENDER, FRONT 2	1	1	
3	90154-06061	SCREW, BINDING	4	4	
4	90480-12072	GROMMET	4	4	
5	90387-065J6	COLLAR	4	4	
6	1LJ-2414J-00	DAMPER, PLATE 2	1	1	
7	4TV-21611-10	FENDER, REAR	1	1	
8	90119-06118	BOLT, WITH WASHER	6	6	
9	4J2-82131-01	BAND, BATTERY	1	1	
10	36X-2811G-00	BAND	3	3	
11	4HM-2162A-00	HOOK	6	6	
12	90267-40076	RIVET, BLIND	6	6	
13	90201-04018	WASHER, PLATE	6	6	
14	3VD-21366-00	HOOK, TOOL BAND	2	2	
15	90267-40076	RIVET, BLIND	4	4	
16	90201-04018	WASHER, PLATE	2	2	
17	3XV-21778-00	DAMPER, LOCATING 1	1	1	
18	4TV-85132-00	BRACKET, REFLECTOR 1	1		FOR GRC/ITA/PRT
19	90267-40076	RIVET, BLIND	2		FOR GRC/ITA/PRT
20	90201-04018	WASHER, PLATE	2		FOR GRC/ITA/PRT
21	4KM-85130-00	REAR REFLECTOR ASSY	1	1	
22	95707-05500	NUT, FLANGE	1	1	
23	4TV-2163E-00	COVER, REAR FENDER 2	1	1	
24	90154-05059	SCREW, BINDING	3	3	
25	4TV-2117E-01	BRACKET, TAILLIGHT	1	1	
26	42U-21639-00	DAMPER 2	2	2	

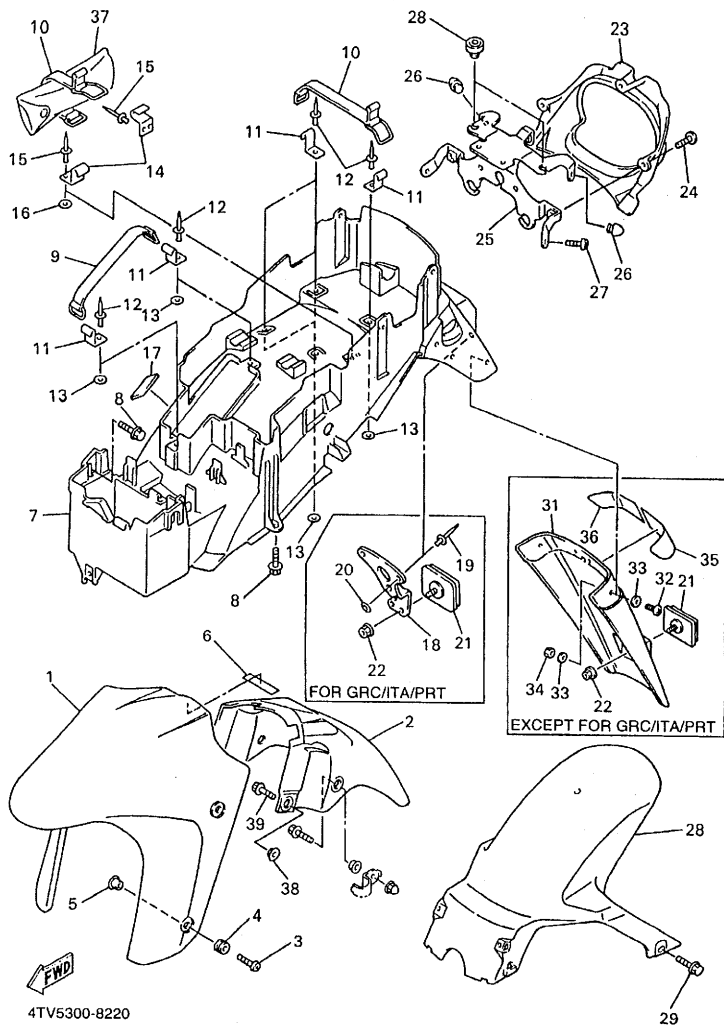
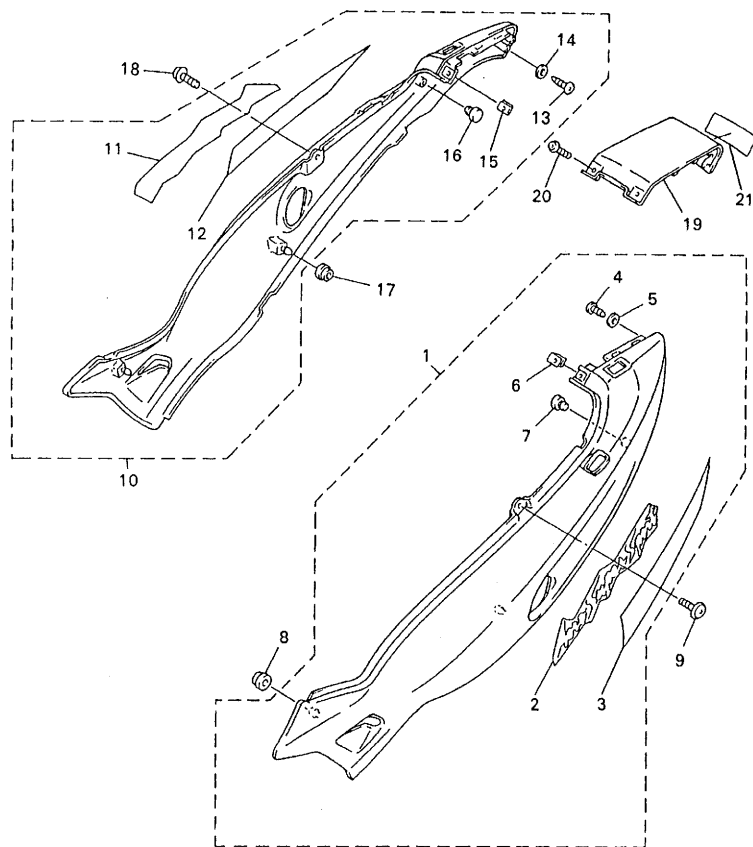


FIG. 22 FENDER

REF. NO.	PART NO.	DESCRIPTION	4TV9	4TV5	REMARKS
27	92017-06016	BOLT, BUTTON HEAD	4	4	
28	4G0-24723-00	DAMPER, SEAT	2	2	
29	4JH-21650-00	REAR FENDER COMP.	1	1	
30	90119-06194	BOLT, WITH WASHER	3	3	
31	3GM-21621-00	FLAP	1	1	EXCEPT FOR GRC/ITA/PRT
32	90149-04278	SCREW	4	4	EXCEPT FOR GRC/ITA/PRT
33	90201-04018	WASHER, PLATE	8	8	EXCEPT FOR GRC/ITA/PRT
34	95607-04100	NUT, U	4	4	EXCEPT FOR GRC/ITA/PRT
35	3GM-21649-00	DAMPER	1	1	EXCEPT FOR GRC/ITA/PRT
36	3GM-21649-10	DAMPER	1	1	EXCEPT FOR GRC/ITA/PRT
37	1WG-28100-01	TOOL KIT	1	1	
38	90387-07717	COLLAR	2	2	
39	90119-06097	BOLT, WITH WASHER	2	2	



4TV9351-0220

FIG. 23 SIDE COVER

REF. NO.	PART NO.	DESCRIPTION	4TV9	4WES	REMARKS
1	4TV-Y2171-V1-P3	COVER, SIDE 1	1	1	UR VRC7
	4TV-Y2171-0L-P5	COVER, SIDE 1	1	1	UR SM1
2	4TV-21781-50	.EMBLEM 1	1	1	UR FOR VRC7
	4TV-21781-20	.EMBLEM 1	1	1	UR FOR SM1
3	4TV-2173E-30	.GRAPHIC 1	1	1	UR FOR VRC7
	4TV-2173E-10	.GRAPHIC 1	1	1	UR FOR SM1
4	97707-40010	.SCREW, TAPPING	1	1	
5	90201-042E0	.WASHER, PLATE	1	1	
6	90183-05024	.NUT, SPRING	1	1	
7	90338-10132	.PLUG	1	1	
8	90480-13567	GROMMET	2	2	
9	90159-06033	SCREW, WITH WASHER	1	1	
10	4TV-Y2172-F1-P3	COVER, SIDE 2	1	1	UR VRC7
	4TV-Y2172-J1-P5	COVER, SIDE 2	1	1	UR SM1
11	4TV-21781-50	.EMBLEM 1	1	1	UR FOR VRC7
	4TV-21781-20	.EMBLEM 1	1	1	UR FOR SM1
12	4TV-2173F-30	.GRAPHIC 2	1	1	UR FOR VRC7
	4TV-2173F-10	.GRAPHIC 2	1	1	UR FOR SM1
13	97707-40010	.SCREW, TAPPING	1	1	
14	90201-042E0	.WASHER, PLATE	1	1	
15	90183-05024	.NUT, SPRING	1	1	
16	90338-10132	.PLUG	1	1	
17	90480-13567	GROMMET	2	2	
18	90159-06033	SCREW, WITH WASHER	1	1	
19	4TV-21651-00-P4	COVER, REAR FENDER	1	1	UR VRC7
	4TV-21651-00-P5	COVER, REAR FENDER	1	1	UR SM1
20	90154-05059	SCREW, BINDING	2	2	

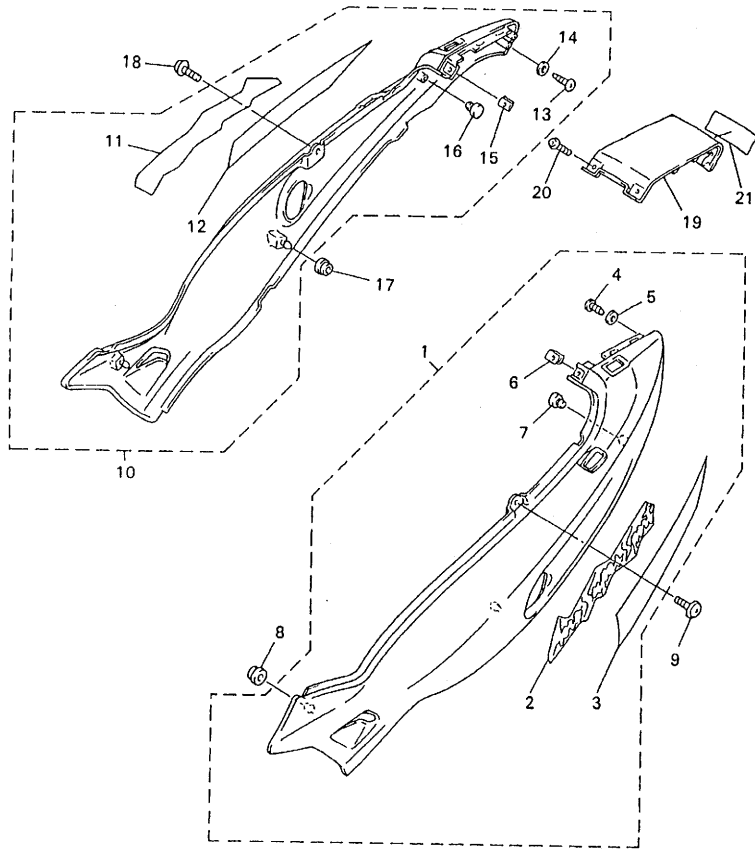


FIG. 23 SIDE COVER

REF. NO.	PART NO.	DESCRIPTION	4TV9	AWES	REMARKS
21	99246-00080	EMBLEM, YAMAHA	1	1	UR FOR VRC7
	99244-00080	EMBLEM, YAMAHA	1	1	UR FOR SM1



4TV9351-0220

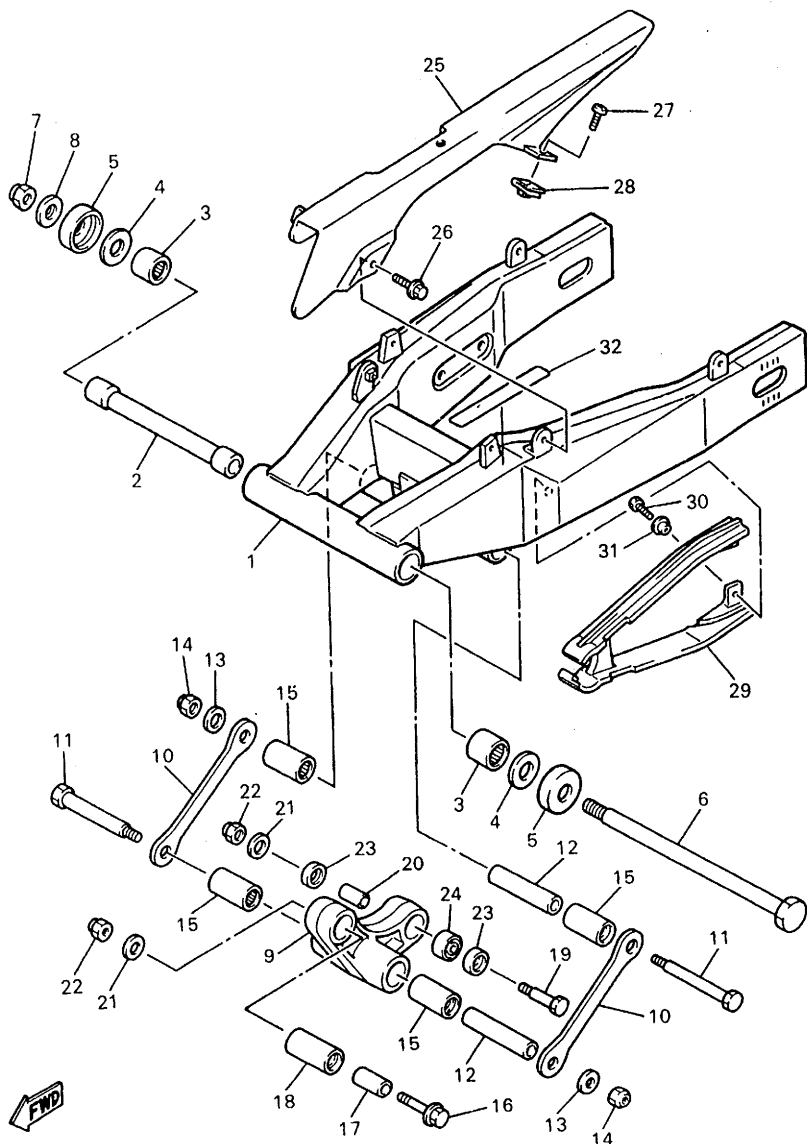
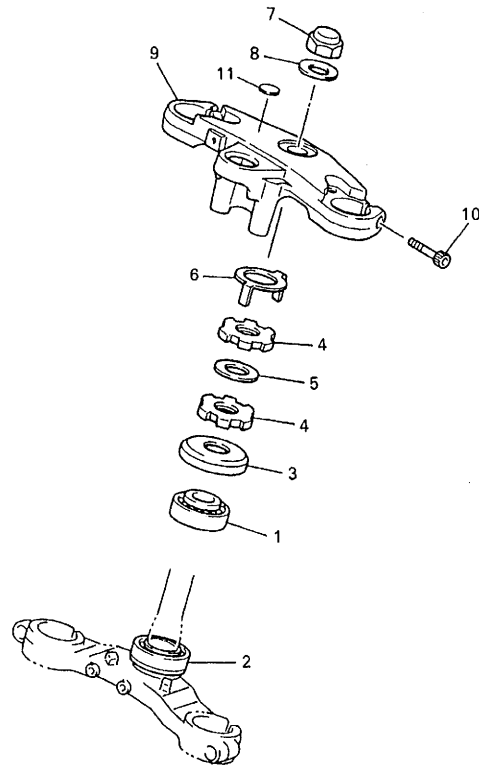


FIG. 24 REAR ARM

REF. NO.	PART NO.	DESCRIPTION	4TV9	4WE5		REMARKS
1	4JH-22110-00-35	REAR ARM COMP.	1	1		SL
2	47X-22184-00	BUSH	1	1		
3	93320-32403	BEARING	2	2		
4	90201-161J3	WASHER, PLATE	2	2		
5	4X7-22129-00	COVER, THRUST 2	2	2		
6	1UY-22141-01	SHAFT, PIVOT	1	1		
7	90185-16127	NUT, SELF-LOCKING	1	1		
8	90201-160F6	WASHER, PLATE	1	1		
9	4TV-2217A-00	ARM, RELAY	1	1		
10	3GM-2217M-00	ARM 1	2	2		
11	90101-12673	BOLT	2	2		
12	90387-126T1	COLLAR	2	2		
13	90201-126A7	WASHER, PLATE	2	2		
14	95617-12100	NUT, U	2	2		
15	93317-41761	BEARING	4	4		
16	90105-10727	BOLT, WASHER BASED	1	1		
17	90387-100T8	COLLAR	1	1		
18	93317-42060	BEARING	1	1		
19	90101-10659	BOLT	1	1		
20	90387-127W0	COLLAR	1	1		
21	90201-101J1	WASHER, PLATE	2	2		
22	95607-10100	NUT, U	2	2		
23	93109-17071	OIL SEAL	2	2		
24	93317-31771	BEARING	1	1		
25	4JH-22311-00	CASE, CHAIN	1	1		
26	90119-06194	BOLT, WITH WASHER	1	1		
27	90154-05013	SCREW, BINDING	2	2		

4TV351-6230

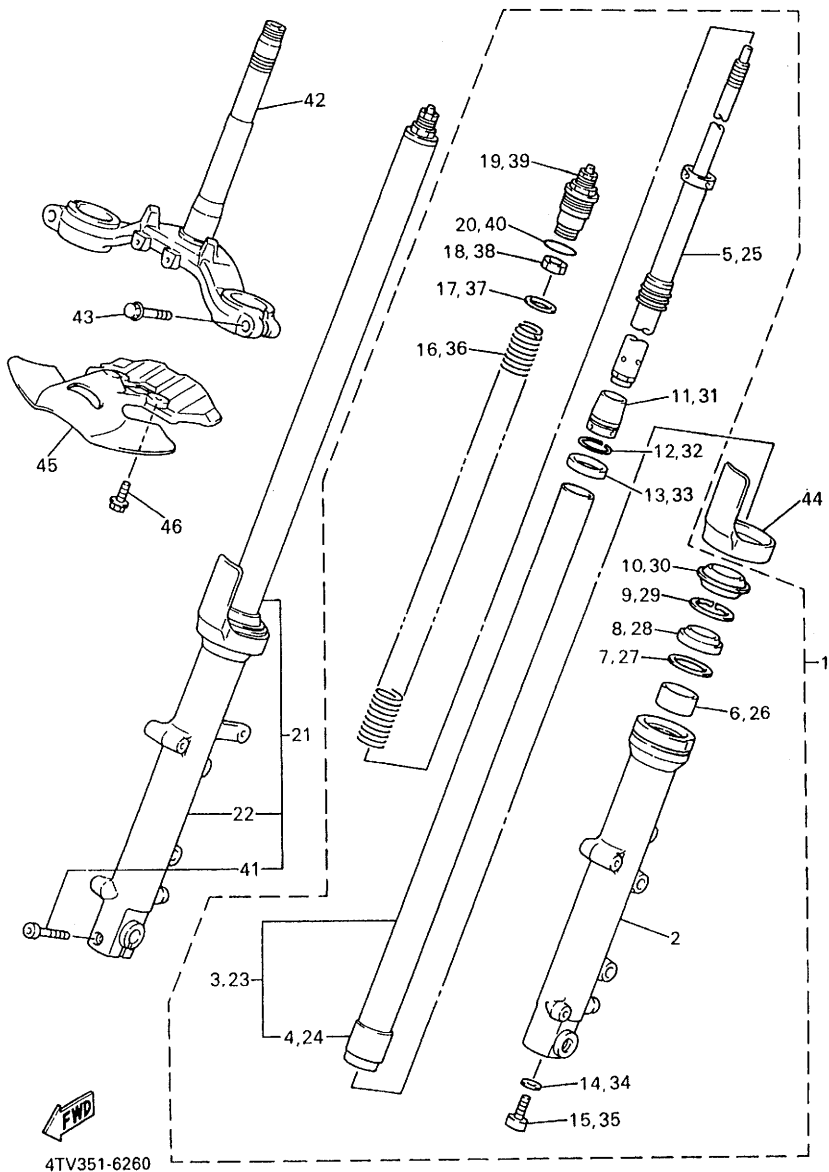
FIG. 26 STEERING



REF. NO.	PART NO.	DESCRIPTION	4TV9	4V65	REMARKS
1	93332-00001	BEARING	1	1	
2	93332-00008	BEARING	1	1	
3	1W1-23416-00	COVER, BALL RACE 2	1	1	
4	90179-25033	NUT	2	2	
5	90202-26142	WASHER, PLATE	1	1	
6	26H-23418-01	WASHER, SPECIAL	1	1	
7	90176-22081	NUT, CROWN	1	1	
8	90201-220T0	WASHER, PLATE	1	1	
9	4NX-23435-10	CROWN, HANDLE	1	1	
10	91314-08030	BOLT	2	2	
11	4XV-2341B-00	EMBLEM	1	1	



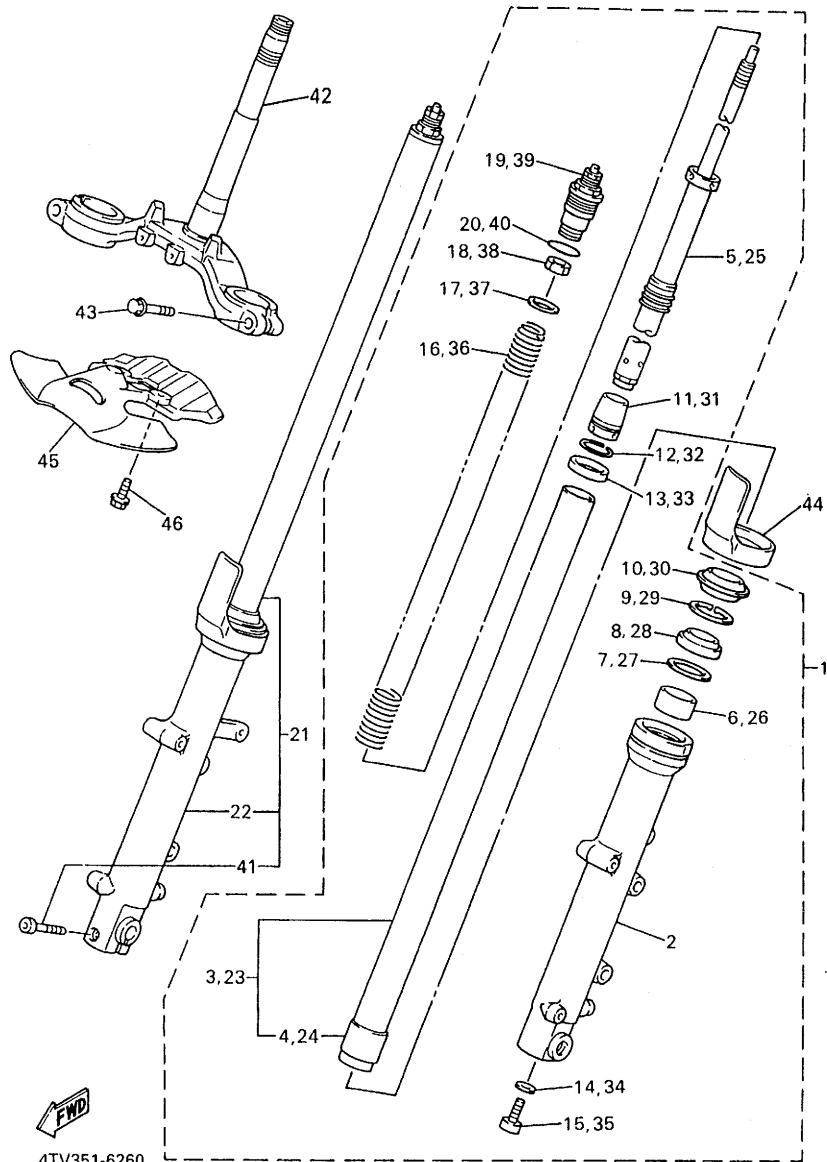
4TV9351-0250



4TV351-6260

FIG. 27 FRONT FORK

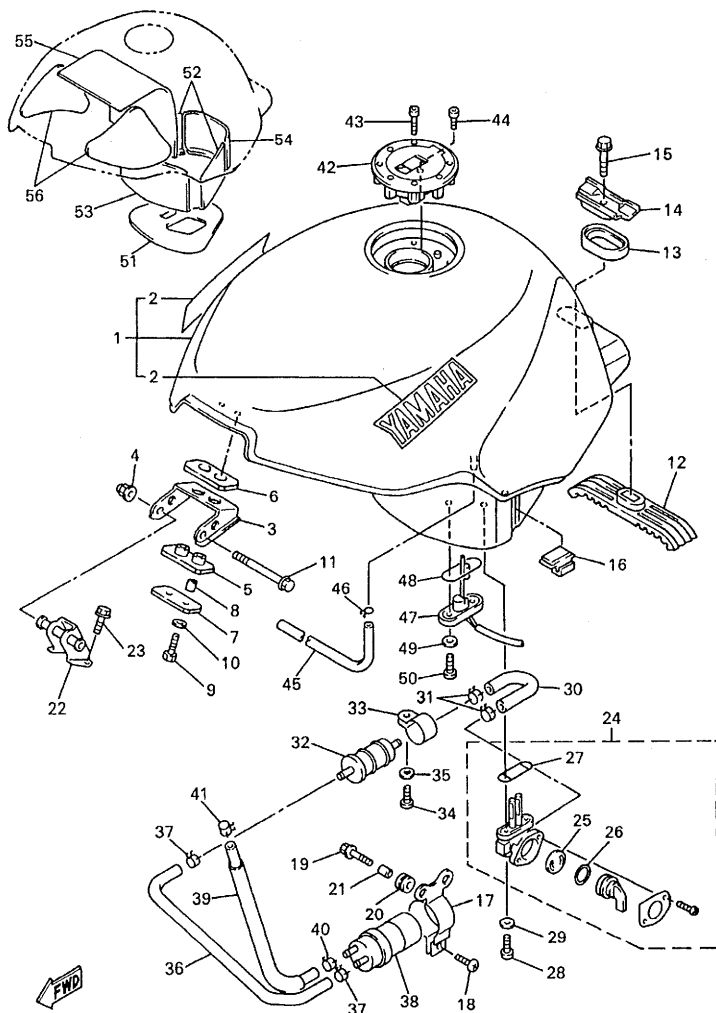
REF. NO.	PART NO.	DESCRIPTION	4TV9	4WES	REMARKS
1	4TV-23102-00	FRONT FORK ASSY (L.H)	1	1	
2	4TV-23126-00	.TUBE, OUTER (LEFT)	1	1	
3	4TV-23110-00	.INNER TUBE COMP.1	1	1	
4	4FM-23171-40	.METAL, SLIDE	1	1	
5	4TV-23170-00	.CYLINDER COMP., FRONT FORK	1	1	
6	4FM-23125-40	.METAL, SLIDE 1	1	1	
7	36Y-23146-10	.WASHER, OIL SEAL	1	1	
8	3SP-23145-L0	.OIL SEAL	1	1	
9	26H-23156-00	.CLIP, OIL SEAL	1	1	
10	3XV-23144-50	.SEAL, DUST	1	1	
11	4TV-23173-00	.SPINDLE, TAPER	1	1	
12	4TV-23153-00	.RING, SNAP	1	1	
13	4TV-23184-00	.CAP, AIR VALVE	1	1	
14	2K8-23158-L0	.GASKET	1	1	
15	3LC-23181-00	.BOLT, HEXAGON SOCKET HEAD	1	1	
16	4JH-23141-10	.SPRING, FRONT FORK	1	1	
17	3LC-23149-00	.WASHER, SPRING UPPER	1	1	
18	3LC-23357-00	.NUT	1	1	
19	4JH-23111-10	.BOLT, CAP	1	1	
20	43F-23188-10	.O-RING	1	1	
21	4TV-23103-00	FRONT FORK ASSY (R.H)	1	1	
22	4TV-23136-00	.TUBE, OUTER (RIGHT)	1	1	
23	4TV-23110-00	.INNER TUBE COMP.1	1	1	
24	4FM-23171-40	.METAL, SLIDE	1	1	
25	4TV-23170-00	.CYLINDER COMP., FRONT FORK	1	1	
26	4FM-23125-40	.METAL, SLIDE 1	1	1	
27	36Y-23146-10	.WASHER, OIL SEAL	1	1	



4TV351-6260

FIG. 27 FRONT FORK

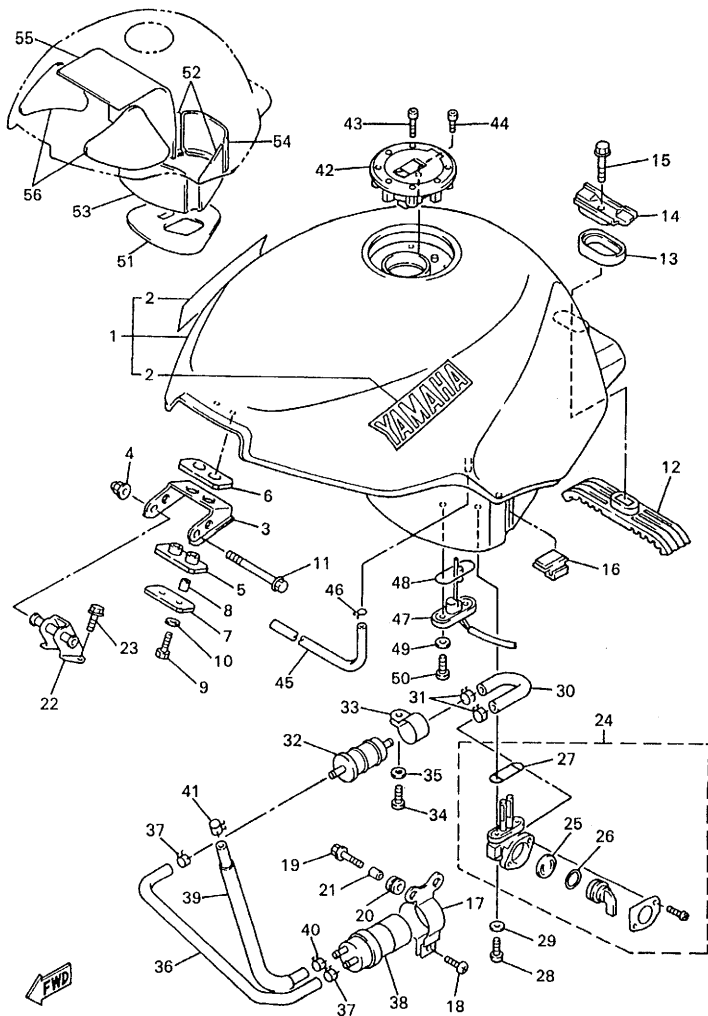
REF. NO.	PART NO.	DESCRIPTION	4TV9	4VE5	REMARKS
28	3SP-23145-L0	.OIL SEAL	1	1	
29	26H-23156-00	.CLIP, OIL SEAL	1	1	
30	3XV-23144-50	.SEAL, DUST	1	1	
31	4TV-23173-00	.SPINDLE, TAPER	1	1	
32	4TV-23153-00	.RING, SNAP	1	1	
33	4TV-23184-00	.CAP, AIR VALVE	1	1	
34	2K8-23158-L0	.GASKET	1	1	
35	3LC-23181-00	.BOLT, HEXAGON SOCKET HEAD	1	1	
36	4JH-23141-10	.SPRING, FRONT FORK	1	1	
37	3LC-23149-00	.WASHER, SPRING UPPER	1	1	
38	3LC-23357-00	.NUT	1	1	
39	4JH-23111-10	.BOLT, CAP	1	1	
40	43F-23188-10	.O-RING	1	1	
41	91314-08040	.BOLT	1	1	
42	4TV-23340-00	UNDER BRACKET COMP.	1	1	
43	4TV-23356-00	BOLT 2	2	2	
44	4PU-2331G-00	COVER	2	2	
45	4TV-23818-00	COVER, STEERING	1	1	
46	90119-06117	BOLT, WITH WASHER	2	2	



4TV351-6270

FIG. 28 FUEL TANK

REF. NO.	PART NO.	DESCRIPTION	4TV9	4WE5	REMARKS
1	4TV-Y2410-10-02	FUEL TANK COMP.	1	1	UR VRC7
	4TV-Y2410-10-05	FUEL TANK COMP.	1	1	UR SM1/BL2
2	4TV-2153A-20	EMBLEM, YAMAHA	2	2	
3	4FM-24191-00	BRACKET, FUEL TANK 1	1	1	
4	90176-06055	NUT, CROWN	1	1	
5	2GH-24181-00	DAMPER, LOCATING 1	1	1	
6	2GH-24183-00	DAMPER, LOCATING 3	1	1	
7	2GH-24186-00	WASHER, SPECIAL	1	1	
8	90387-06299	COLLAR	2	2	
9	97007-06025	BOLT	2	2	
10	92907-06600	WASHER, PLATE	2	2	
11	95817-06075	BOLT, FLANGE	1	1	
12	33M-24182-01	DAMPER, LOCATING 2	1	1	
13	3Y6-24183-00	DAMPER, LOCATING 3	1	1	
14	4FM-24187-00	WASHER, SPECIAL	1	1	
15	95807-08035	BOLT, FLANGE	1	1	
16	4TV-24183-10	DAMPER, LOCATING 3	2	2	
17	3CV-24491-10	BRACKET, FUEL PUMP	1	1	
18	98907-05010	SCREW, BIND	1	1	
19	90119-06096	BOLT, WITH WASHER	2	2	
20	90480-13163	GROMMET	2	2	
21	90387-060G7	COLLAR	2	2	
22	4TV-24115-00	STAY, FUEL TANK 1	1	1	
23	95027-06016	BOLT, FLANGE	2	2	
24	4TV-24500-00	FUEL COCK ASSY 1	1	1	
25	3XV-24523-00	VALVE	1	1	
26	3XV-24534-00	SEAL, COCK	1	1	



4TV351-6270

FIG. 28 FUEL TANK

REF. NO.	PART NO.	DESCRIPTION	4TV9	4WE5	REMARKS
27	4X8-24512-00	O-RING	1	1	
28	90149-06008	SCREW	2	2	
29	90202-05193	WASHER, PLATE	2	2	
30	4TV-24313-00	PIPE 3	1	1	
31	90467-14057	CLIP	2	2	
32	4TV-24560-00	FILTER ASSY	1	1	
33	1AE-24366-00	CLAMP, FUEL PIPE 1	1	1	
34	98507-06012	SCREW, PAN HEAD	1	1	
35	92907-06600	WASHER, PLATE	1	1	
36	4TV-24311-00	PIPE, FUEL 1	1	1	
37	90467-14057	CLIP	2	2	
38	4TV-13907-00	FUEL PUMP COMP.	1	1	
39	4TV-14294-00	HOSE	1	1	
40	90467-13123	CLIP	1	1	
41	90467-11032	CLIP	1	1	
42	4FM-24602-10	CAP ASSY	1	1	
43	90110-05112	BOLT, HEXAGON SOCKET HEAD	3	3	
44	91317-05010	BOLT	1	1	
45	90445-107H3	HOSE	1	1	
46	90467-09006	CLIP	1	1	
47	3GM-85752-01	SENDER UNIT ASSY, FUEL METER	1	1	
48	42X-85753-00	GASKET, SENDER UNIT	1	1	
49	90202-05193	WASHER, PLATE	2	2	
50	90149-06008	SCREW	2	2	
51	4TV-24145-00	DAMPER, SIDE COVER	1	1	
52	4TV-24145-10	DAMPER, SIDE COVER	2	2	
53	4TV-24145-20	DAMPER, SIDE COVER	1	1	

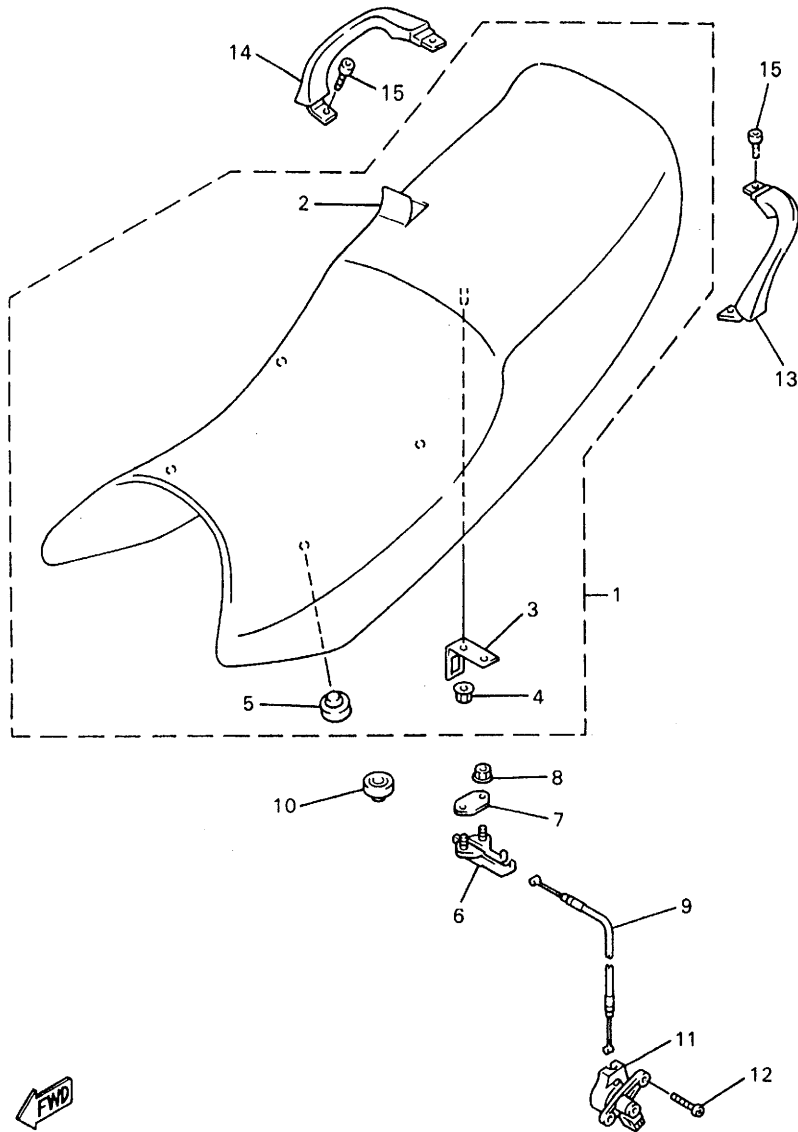


FIG. 29 SEAT

REF. NO.	PART NO.	DESCRIPTION	4TV9	4WE5	REMARKS
1	4TV-24730-00	DOUBLE SEAT ASSY	1	1	
2	4TV-24731-00	.COVER, SEAT	1	1	
3	4HM-24728-00	.BRACKET, SEAT	1	1	
4	90179-06635	.NUT	1	1	
5	22W-24741-00	.PAD, SEAT	4	4	
6	4BP-24780-00	SEAT LOCK ASSY	1	1	
7	4BP-24792-00	PLATE	1	1	
8	95707-06500	NUT, FLANGE	2	2	
9	4TV-2478E-01	CABLE, SEAT LOCK	1	1	
10	22W-24741-00	PAD, SEAT	2	2	
11	3YX-21308-00	HELMET HANGER ASSY	1	1	
12	90149-06313	SCREW	2	2	
13	4BP-21644-01	STAY, REAR	1	1	
14	4BP-21645-01	STAY, REAR	1	1	
15	90109-060E9	BOLT	4	4	



4TV351-6280

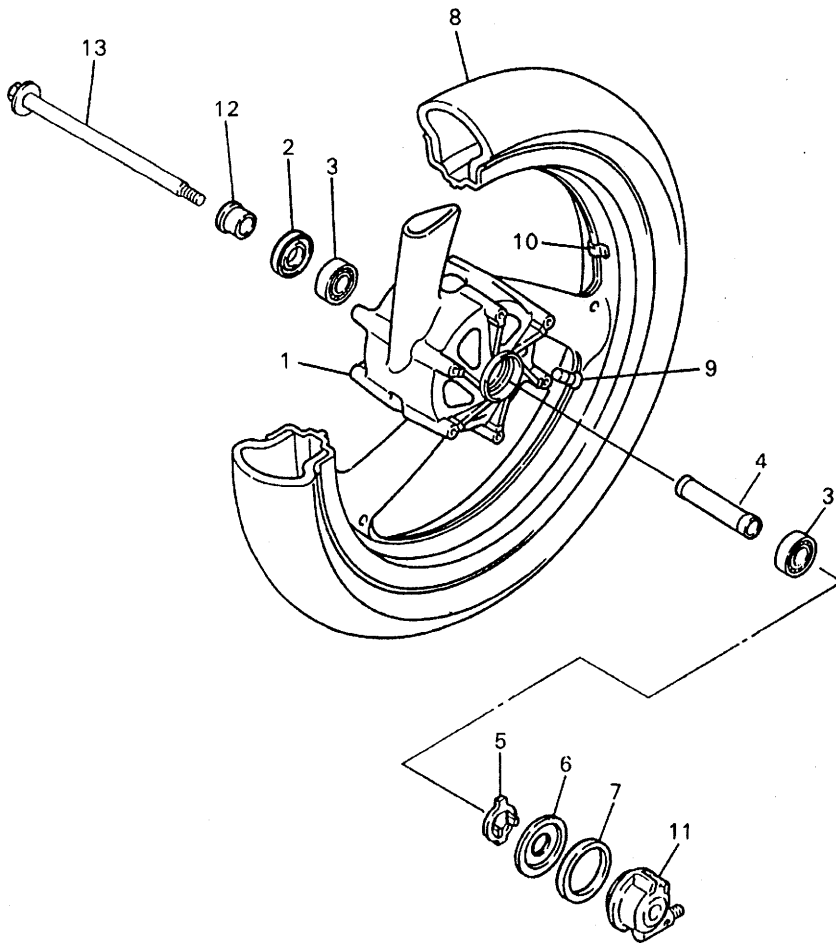


FIG. 30 FRONT WHEEL

REF. NO.	PART NO.	DESCRIPTION	4TV9	4WE5	REMARKS
1	4TV-25168-00-7B	CAST WHEEL, FRONT	1	1	BIB2
2	93102-23252	OIL SEAL	1	1	
3	93306-20314	BEARING (B6203)	2	2	
4	90560-17356	SPACER	1	1	
5	341-25149-00	CLUTCH, METER	1	1	
6	341-25846-00	RETAINER, CLUTCH	1	1	
7	93105-45017	OIL SEAL	1	1	
8	94112-1711W	TIRE (120/60ZR17 D204FG,DUNLOP)	1		UR FOR GBR,GRC, NLD,NOR,PRT
*		TIRE (120/60ZR17 ME Z1,METZELER)	1	1	UR LM FOR BEL, DNK,FIN,CHE
*		TIRE(120/60ZR17 MACADAM 90X,MICHELIN)	1	1	UR LM FOR ITA ,AUT, SWE
9	93900-00030	VALVE, RIM	1	1	
10	29L-25398-00	BALANCER, WHEEL (10G)	1	1	UR
	29L-25398-10	BALANCER, WHEEL (20G)	1	1	UR
	29L-25398-20	BALANCER, WHEEL (30G)	1	1	UR
11	4HM-25190-10	GEAR UNIT ASSY	1	1	
12	90387-177V5	COLLAR	1	1	
13	3GM-25181-03	AXLE, WHEEL	1	1	



4TV351-6290

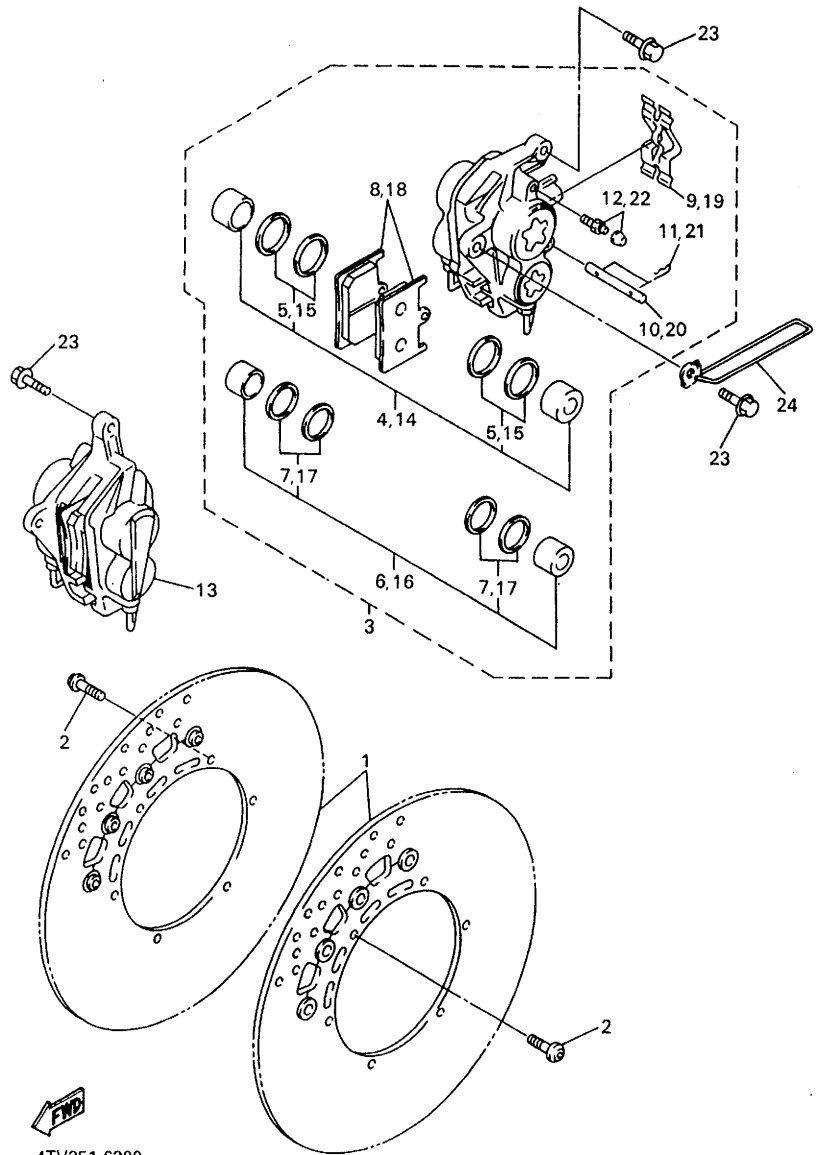
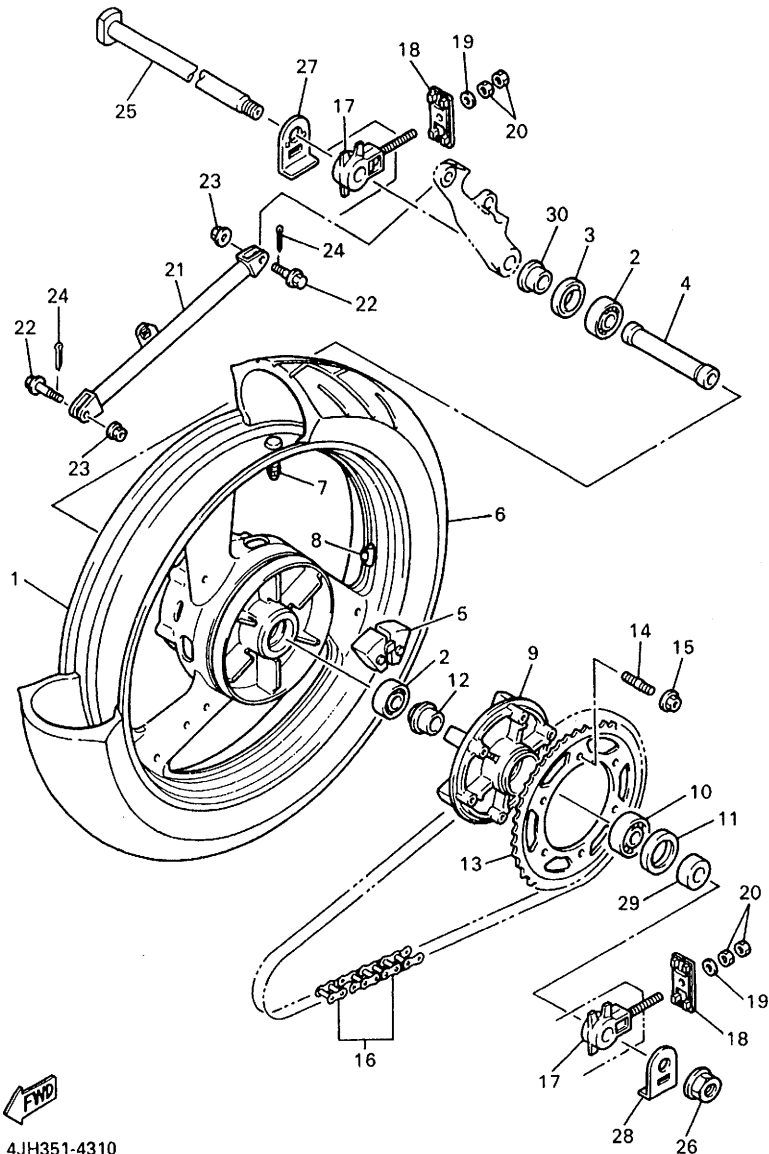


FIG. 31 FRONT BRAKE CALIPER

REF. NO.	PART NO.	DESCRIPTION	4TV9	4WE5	REMARKS
1	4SV-2581T-00	DISC BRAKE ASSY	2	2	
2	90109-083G4	BOLT	12	12	
3	4SV-2580T-00	CALIPER ASSY (LEFT)	1	1	
4	4SV-W0057-00	.PISTON ASSY, CALIPER	1	1	
5	3MA-W0047-10	..CALIPER SEAL KIT	1	1	
6	4SV-W0057-10	.PISTON ASSY, CALIPER	1	1	
7	3GM-W0047-10	..CALIPER SEAL KIT	1	1	
8	4SV-W0045-00	.BRAKE PAD KIT	1	1	
9	4SV-25919-00	.SUPPORT, PAD	1	1	
10	4SV-25924-00	.PIN, PAD	1	1	
11	3GM-25925-00	..CLIP	2	2	
12	1J3-W0048-00	.BLEED SCREW KIT	1	1	
13	4SV-2580U-00	CALIPER ASSY (RIGHT)	1	1	
14	4SV-W0057-00	.PISTON ASSY, CALIPER	1	1	
15	3MA-W0047-10	..CALIPER SEAL KIT	1	1	
16	4SV-W0057-10	.PISTON ASSY, CALIPER	1	1	
17	3GM-W0047-10	..CALIPER SEAL KIT	1	1	
18	4SV-W0045-00	.BRAKE PAD KIT	1	1	
19	4SV-25919-00	.SUPPORT, PAD	1	1	
20	4SV-25924-00	.PIN, PAD	1	1	
21	3GM-25925-00	..CLIP	2	2	
22	1J3-W0048-00	.BLEED SCREW KIT	1	1	
23	90105-10638	BOLT, WASHER BASED	4	4	
24	4TV-21596-00	HOLDER	1	1	

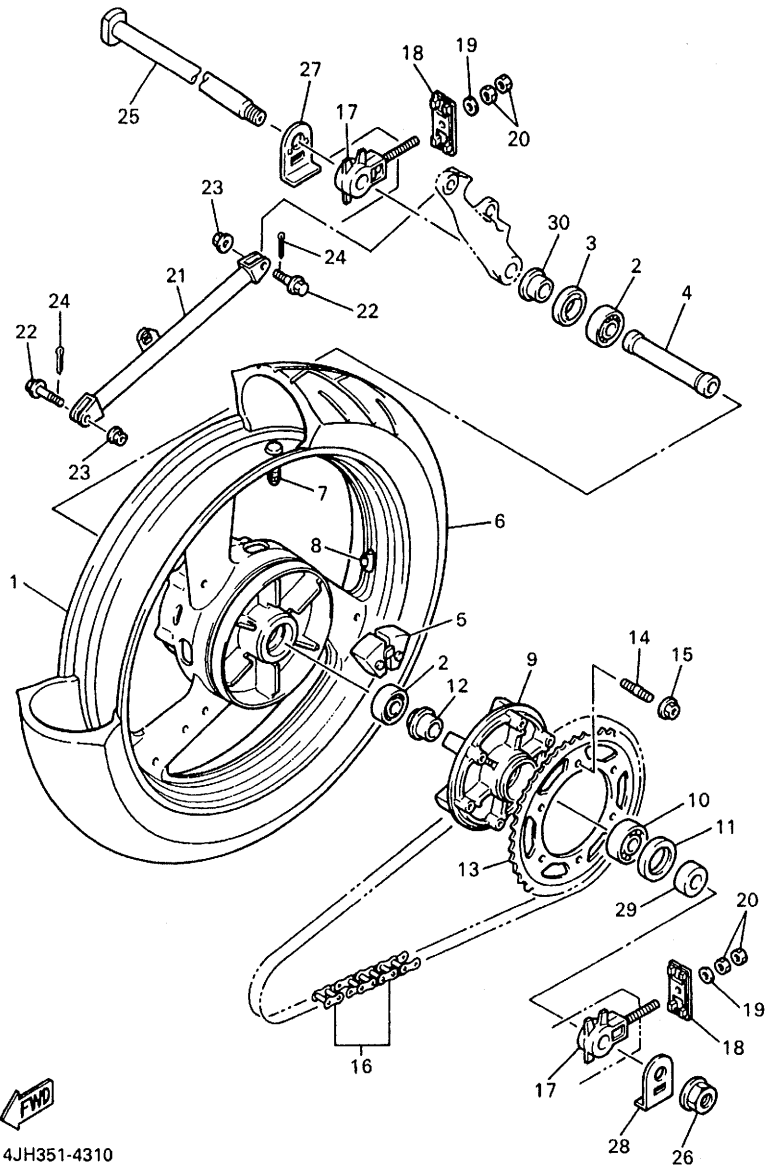
FRONT
4TV351-6300



4JH351-4310

FIG. 32 REAR WHEEL

REF. NO.	PART NO.	DESCRIPTION	4TV9	4WES	REMARKS
1	4JH-25338-00-7B	CAST WHEEL, REAR	1	1	BIB2
2	93306-20417	BEARING (B62042RS)	2	2	
3	93102-28022	OIL SEAL	1	1	
4	90387-2004F	COLLAR	1	1	
5	4FM-25364-00	DAMPER	6	6	
6	94116-1711X	TIRE (160/60ZR17 D204G,DUNLOP)	1		UR FOR GBR,GRC, NLD,NOR,PRT
*		TIRE (160/60ZR17 ME Z1,METZELER)	1	1	UR LM FOR BEL, DNK,FIN,CHE
*		TIRE(160/60ZR17 MACADAM 90X,MICHELIN)	1	1	UR LM FOR ITA , AUT,SWE
7	93900-00030	VALVE, RIM	1	1	
8	29L-25398-00	BALANCER, WHEEL (10G)	1	1	UR
	29L-25398-10	BALANCER, WHEEL (20G)	1	1	UR
	29L-25398-20	BALANCER, WHEEL (30G)	1	1	UR
9	4FM-25366-00	CLUTCH, HUB	1	1	
10	93306-20644	BEARING	1	1	
11	93106-40041	OIL SEAL	1	1	
12	90387-2004E	COLLAR	1	1	
13	4JH-25447-00	SPROCKET, DRIVEN (47T)	1	1	
14	90116-10575	BOLT, STUD	6	6	
15	95607-10200	NUT, SELF-LOCKING	6	6	
16	94581-59108	CHAIN (DID50VA7-108LE)	1	1	
17	3XW-25388-00	PULLER, CHAIN 1	2	2	
18	4JH-22174-00	END 1	2	2	
19	92907-08600	WASHER, PLATE	2	2	
20	95307-08600	NUT	4	4	
21	4JH-25371-01	BAR, TENSION	1	1	
22	90105-08321	BOLT, WASHER BASED	2	2	
23	95707-08500	NUT, FLANGE	2	2	



4JH351-4310

FIG. 32 REAR WHEEL

REF. NO.	PART NO.	DESCRIPTION	4TV9	4WES	REMARKS
24	91401-20012	PIN, COTTER	2	2	
25	3GM-25381-A0	AXLE, WHEEL	1	1	
26	95607-18200	NUT, SELF-LOCKING	1	1	
27	4JH-25384-03	WASHER, WHEEL	1	1	
28	4JH-25384-12	WASHER, WHEEL	1	1	
29	90387-2004C	COLLAR	1	1	
30	90387-2004D	COLLAR	1	1	

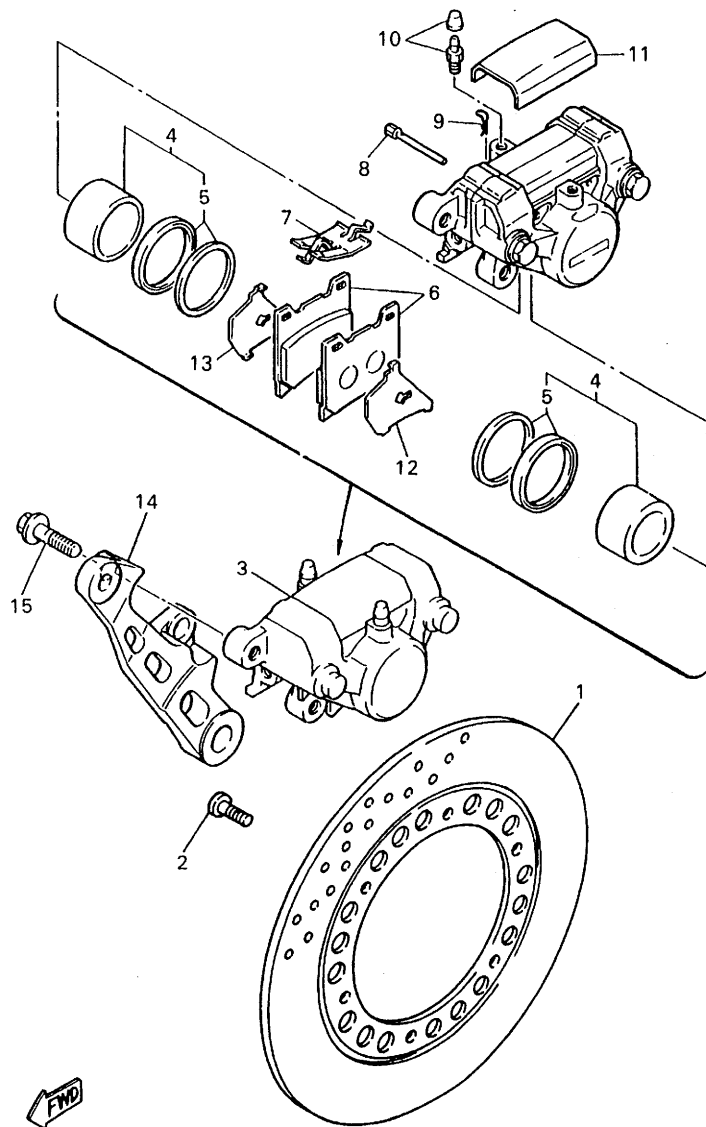
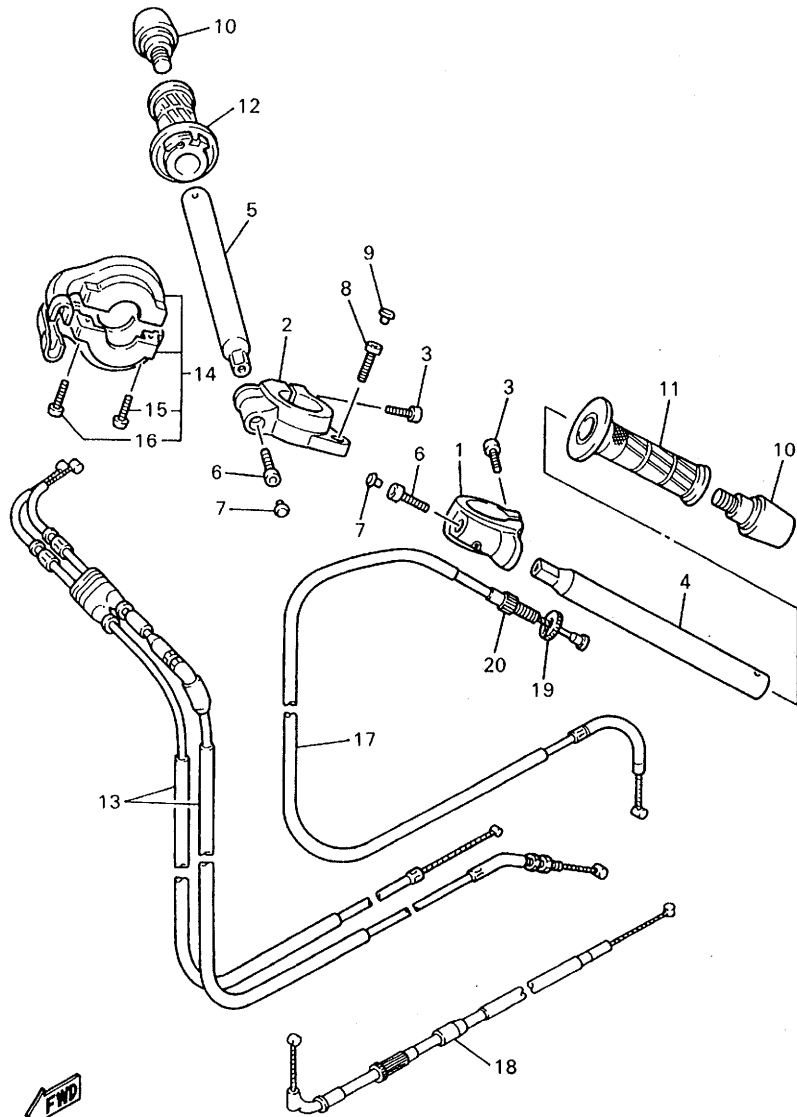


FIG. 33 REAR BRAKE CALIPER

REF. NO.	PART NO.	DESCRIPTION	4TV9	4WE5	REMARKS
1	4JH-2582W-00	DISC, REAR BRAKE 2	1	1	
2	90109-083G4	BOLT	6	6	
3	3GM-2580W-A0	CALIPER ASSY, REAR 2	1	1	
4	31A-W0057-00	.PISTON ASSY, CALIPER	1	1	
5	31A-W0047-00	..CALIPER SEAL KIT	1	1	
6	1FK-W0046-02	.BRAKE PAD KIT 2	1	1	
7	29L-25919-A0	.SUPPORT, PAD	1	1	
8	3HE-25924-00	.PIN, PAD	2	2	
9	3HE-25925-00	.CLIP	2	2	
10	1J3-W0048-00	.BLEED SCREW KIT	2	2	
11	51J-25836-00	.COVER, DUST	1	1	
12	1FK-25827-00	.SHIM, CALIPER	1	1	
13	1FK-25828-00	.SHIM, CALIPER	1	1	
14	4JH-25819-00	BRACKET, CALIPER	1	1	
15	90105-10638	BOLT, WASHER BASED	2	2	



4JH351-4320



4TV351-6330

FIG. 34 STEERING HANDLE. CABLE

REF. NO.	PART NO.	DESCRIPTION	4TV9	4WE5	REMARKS
1	4JH-26121-00	BOSS, HANDLEBAR (L.H)	1	1	
2	4JH-26122-00	BOSS, HANDLEBAR (R.H)	1	1	
3	91314-06020	BOLT	4	4	
4	4SV-26111-00	HANDLEBAR	1	1	
5	4SV-26112-00	BAR, HANDLE	1	1	
6	91317-08025	BOLT	2	2	
7	341-23469-00	CAP, BOLT	2	2	
8	91317-06025	BOLT	2	2	
9	10L-23469-00	CAP, BOLT	2	2	
10	36Y-26246-00	END, GRIP	2	2	
11	4FM-26241-01	GRIP (LEFT)	1	1	
12	4TV-26240-00	GRIP ASSY	1	1	
13	4TV-26302-00	THROTTLE CABLE ASSY	1	1	
14	3LN-26270-01	CABLE CONNECTOR CAP ASSY	1	1	
15	98507-05020	.SCREW, PAN HEAD	1	1	
16	98507-05025	.SCREW, PAN HEAD	1	1	
17	4JH-26335-10	CABLE, CLUTCH	1	1	
18	4TV-26331-00	CABLE, STARTER 1	1	1	
19	90179-08148	NUT	1	1	
20	90123-08046	BOLT	1	1	

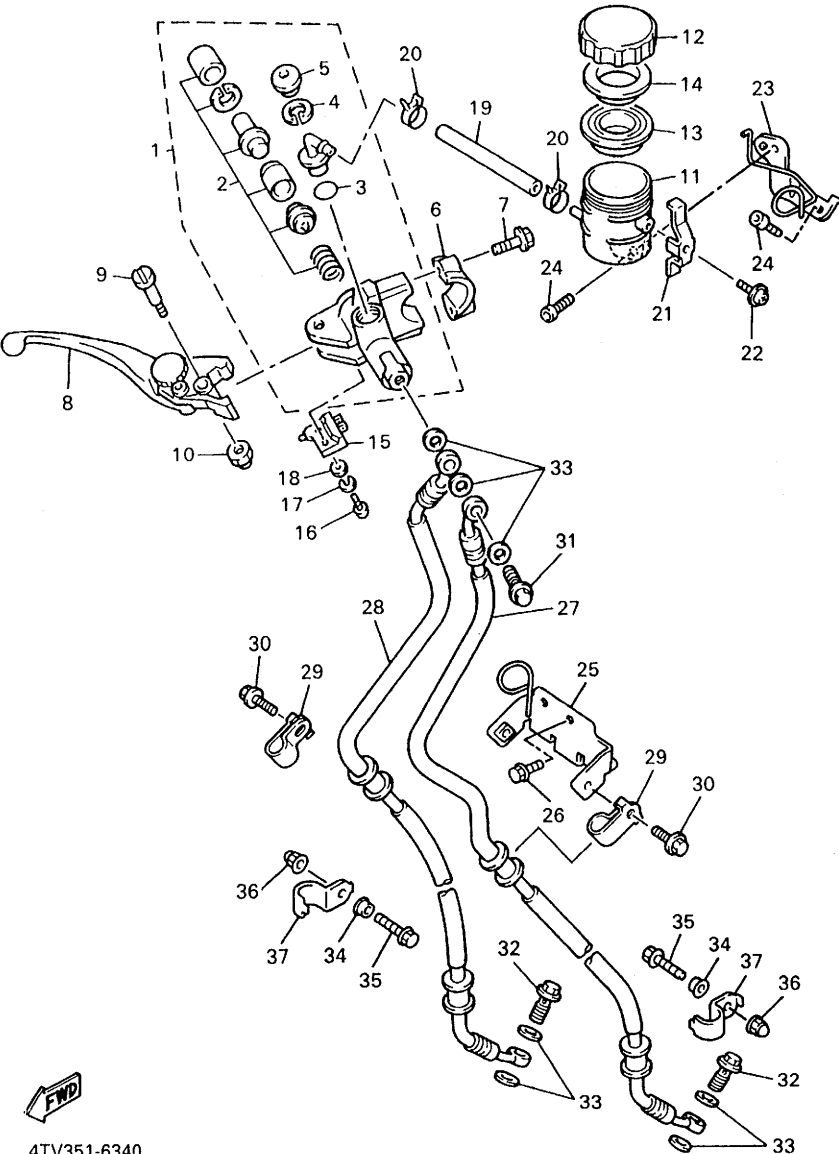


FIG. 35 FRONT MASTER CYLINDER

REF. NO.	PART NO.	DESCRIPTION			REMARKS
			4TV9	4WE5	
1	4SV-W2587-00	MASTER CYLINDER SUB ASSY	1	1	
2	4SV-W0041-00	.CYLINDER KIT, MASTER	1	1	
3	93210-15620	.O-RING	1	1	
4	2VN-25866-00	.CIRCLIP	1	1	
5	3FV-2589A-00	.COVER, DUST	1	1	
6	56A-25867-00	BRACKET, MASTER CYLINDER	1	1	
7	95026-06025	BOLT, FLANGE	2	2	
8	4SV-83922-00	LEVER 2	1	1	
9	3FV-2589F-00	BOLT, LEVER	1	1	
10	95606-06100	NUT, U	1	1	
11	3FV-25894-00	TANK, RESERVOIR	1	1	
12	3GM-25852-50	CAP, RESERVOIR	1	1	
13	3FV-25854-00	DIAPHRAGM, RESERVOIR	1	1	
14	2J2-25855-50	BUSH,DIAPHRAGM	1	1	
15	3FV-83980-00	FRONT STOP SWITCH ASSY	1	1	
16	98502-04012	SCREW, PAN HEAD	1	1	
17	92902-04100	WASHER, SPRING	1	1	
18	92902-04600	WASHER, PLATE	1	1	
19	3GM-2582F-00	HOSE	1	1	
20	3PA-24356-00	CLIP, PIPE 1	2	2	
21	3FV-2589G-00	HOLDER	1	1	
22	3GM-2589H-00	SCREW	1	1	
23	4TV-26292-00	STAY	1	1	
24	91317-06012	BOLT	2	2	
25	4TV-2134K-00	BRACKET, HORN	1	1	
26	95807-06012	BOLT, FLANGE	2	2	
27	4TV-25872-00	HOSE, BRAKE 1	1	1	



4TV351-6340

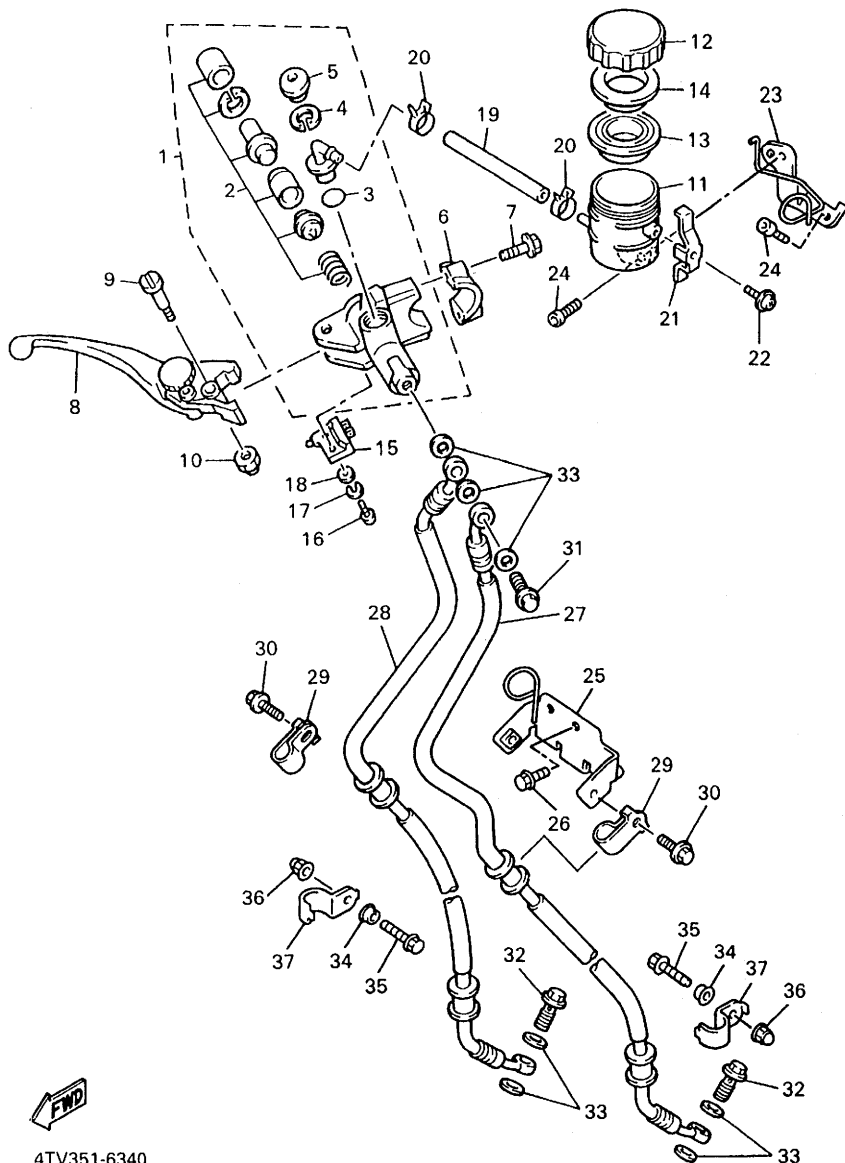
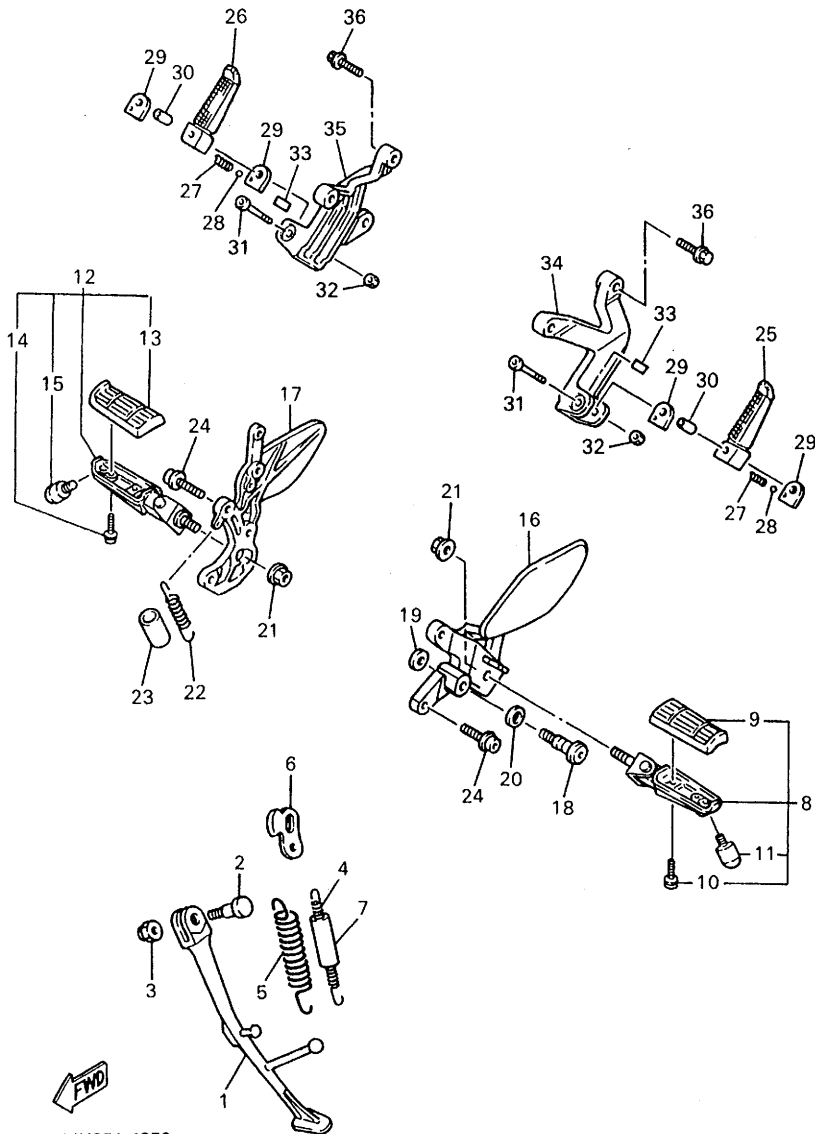


FIG. 35 FRONT MASTER CYLINDER

REF. NO.	PART NO.	DESCRIPTION	4TV9	4WE5	REMARKS
28	4TV-25873-00	HOSE, BRAKE 2	1	1	
29	90461-10132	CLAMP	2	2	
30	95807-06012	BOLT, FLANGE	2	2	
31	90401-10160	BOLT, UNION	1	1	
32	90401-10159	BOLT, UNION	2	2	
33	90201-10118	WASHER, PLATE	7	7	
34	90387-07717	COLLAR	2	2	
35	90119-06097	BOLT, WITH WASHER	2	2	
36	90176-06065	NUT, CROWN	2	2	
37	4SV-25876-00	HOLDER, BRAKE HOSE 2	2	2	



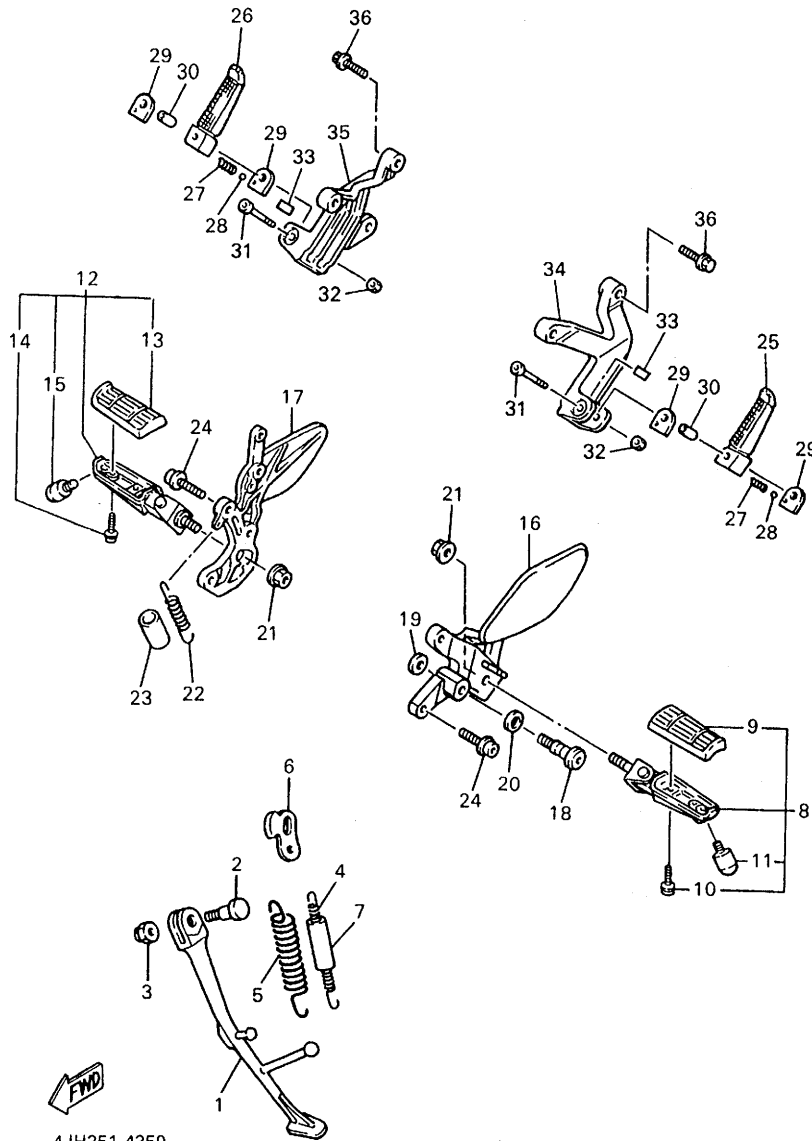
4TV351-6340



4JH351-4350

FIG. 36 STAND. FOOTREST

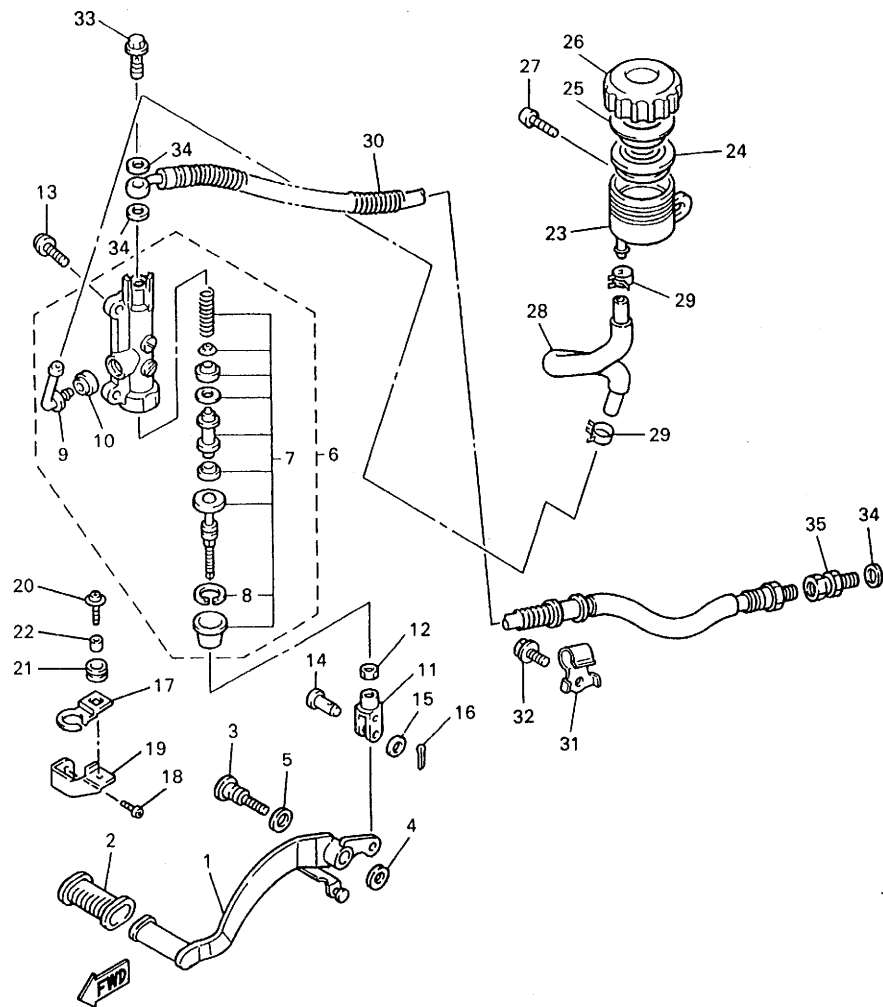
REF. NO.	PART NO.	DESCRIPTION	4TV9	4WE5	REMARKS
1	4FM-27311-00	STAND, SIDE	1	1	
2	90109-104E6	BOLT	1	1	
3	90185-10037	NUT, SELF-LOCKING	1	1	
4	90506-18224	SPRING, TENSION	1	1	
5	90506-26225	SPRING, TENSION	1	1	
6	4FM-27315-00	LINK, SIDE STAND	1	1	
7	1TX-27351-00	GUIDE, SIDE STAND	1	1	
8	4JH-27410-01	FRONT FOOTREST ASSY (LEFT)	1	1	
9	3YX-27413-00	.COVER, FOOTREST	1	1	
10	90157-05079	.SCREW, PAN HEAD	2	2	
11	3HE-27435-00	.BOLT	1	1	
12	4JH-27420-01	FRONT FOOTREST ASSY (RIGHT)	1	1	
13	3YX-27413-00	.COVER, FOOTREST	1	1	
14	90157-05079	.SCREW, PAN HEAD	2	2	
15	3HE-27435-00	.BOLT	1	1	
16	4FM-27442-02	BRACKET 2	1	1	
17	4FM-27443-02	BRACKET 3	1	1	
18	2YK-27434-01	BOLT	1	1	
19	90201-08326	WASHER, PLATE	1	1	
20	90206-12074	WASHER, WAVE	1	1	
21	90179-10247	NUT	2	2	
22	90506-20377	SPRING, TENSION	1	1	
23	90446-17346	HOSE	1	1	
24	91314-08025	BOLT	4	4	
25	3XV-27431-01	FOOTREST, REAR 1	1	1	
26	3XV-27441-11	FOOTREST, REAR 2	1	1	
27	90501-12743	SPRING, COMPRESSION	2	2	



4JH351-4350

FIG. 36 STAND. FOOTREST

REF. NO.	PART NO.	DESCRIPTION	4TV9	4WES	REMARKS
28	93501-04011	BALL	2	2	
29	1HX-27437-00	WASHER, SPECIAL	4	4	
30	90387-064H8	COLLAR	2	2	
31	95024-06045	BOLT, FLANGE	2	2	
32	95604-06200	NUT, U FLANGE	2	2	
33	1HX-27415-00	PLATE, FOOTREST	2	2	
34	4JH-2741L-03	BRACKET 4	1	1	
35	4JH-2742L-10	BRACKET 5	1	1	
36	95814-08035	BOLT, FLANGE	4	4	



4TV351-6360

FIG. 37 REAR MASTER CYLINDER

REF. NO.	PART NO.	DESCRIPTION	4TV9	4WES	REMARKS
1	4JH-27211-10	PEDAL, BRAKE	1	1	
2	22N-18113-00	COVER, SHIFT PEDAL	1	1	
3	4SV-27261-00	SHAFT	1	1	
4	90201-104R2	WASHER, PLATE	1	1	
5	90206-14086	WASHER, WAVE	1	1	
6	4BH-2583V-00	RR. MASTER CYLINDER ASSY.	1	1	
7	4BH-W0042-50	.CYLINDER KIT, MASTER	1	1	
8	3LN-2585G-00	..CIRCLIP	1	1	
9	4BP-2582A-00	.JOINT	1	1	
10	4BP-2585F-00	.BUSH	1	1	
11	47X-27222-00	JOINT	1	1	
12	95307-08700	NUT	1	1	
13	92014-08020	BOLT, BUTTON HEAD	2	2	
14	90240-08124	PIN, CLEVIS	1	1	
15	90201-08083	WASHER, PLATE	1	1	
16	91401-20012	PIN, COTTER	1	1	
17	4SV-2144G-00	STAY, STOP SWITCH	1	1	
18	98507-06008	SCREW, PAN HEAD	1	1	
19	4SV-2144I-00	BRACKET, STOP SWITCH	1	1	
20	90159-06150	SCREW, WITH WASHER	1	1	
21	90480-12807	GROMMET	1	1	
22	90387-06023	COLLAR	1	1	
23	31A-25894-01	TANK, RESERVOIR	1	1	
24	360-25854-01	DIAPHRAGM, RESERVOIR	1	1	
25	2GU-25855-00	BUSH,DIAPHRAGM	1	1	
26	2KF-25852-50	CAP, RESERVOIR	1	1	
27	90159-06085	SCREW, WITH WASHER	1	1	

FIG. 37 REAR MASTER CYLINDER

REF. NO.	PART NO.	DESCRIPTION	4TV9	4WES	REMARKS
28	4JH-25895-00	HOSE, RESERVOIR	1	1	
29	90467-14057	CLIP	2	2	
30	4JH-25874-01	HOSE, BRAKE	1	1	
31	90461-08031	CLAMP	1	1	
32	95807-06012	BOLT, FLANGE	1	1	
33	90401-10159	BOLT, UNION	1	1	
34	90201-10118	WASHER, PLATE	3	3	
35	3LC-25885-00	JOINT	1	1	

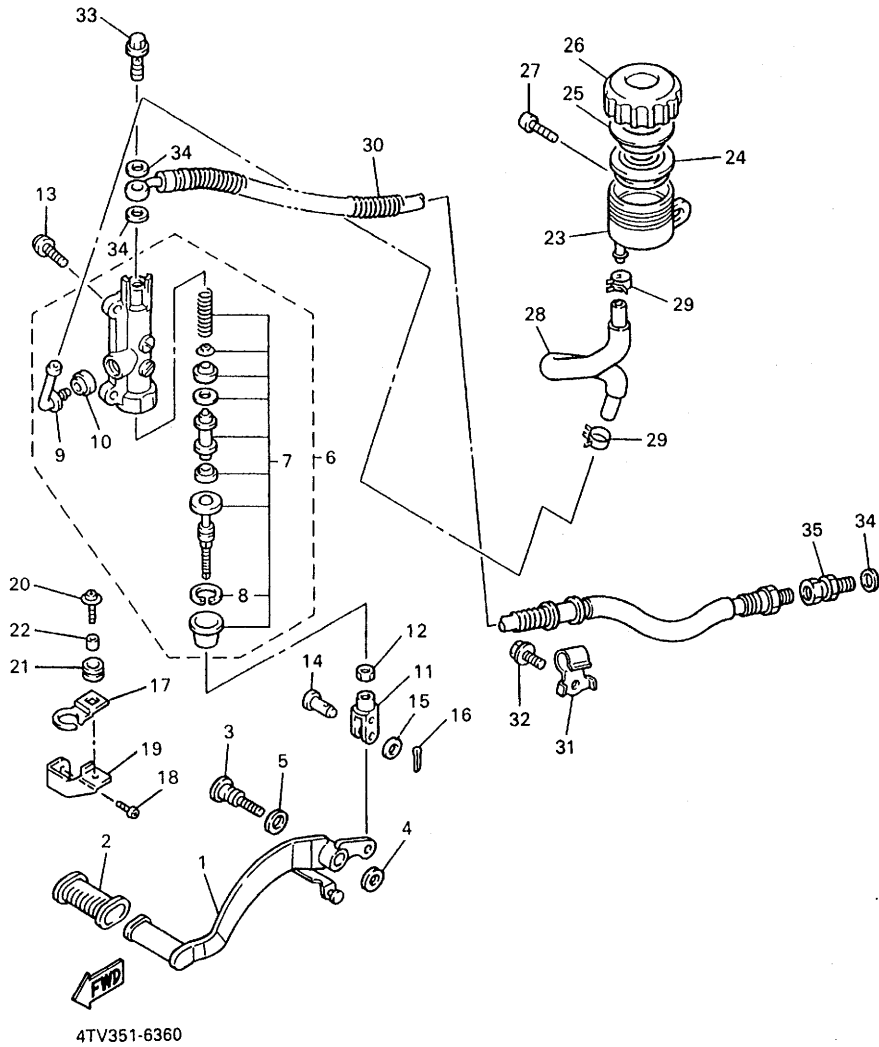
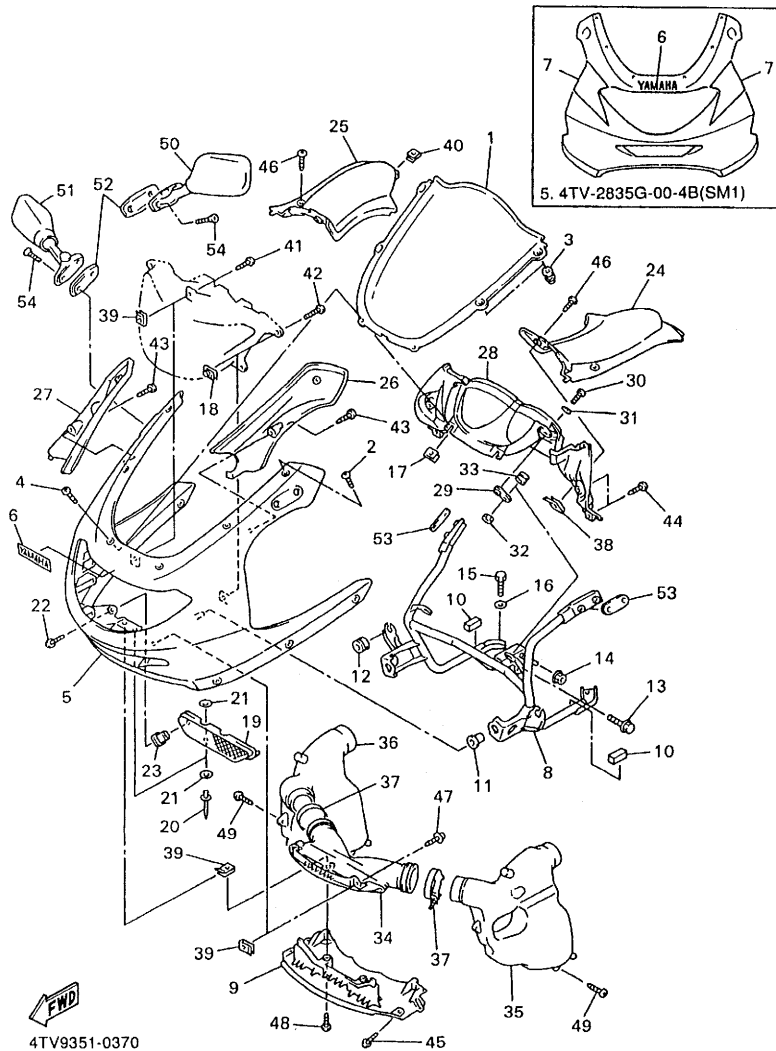
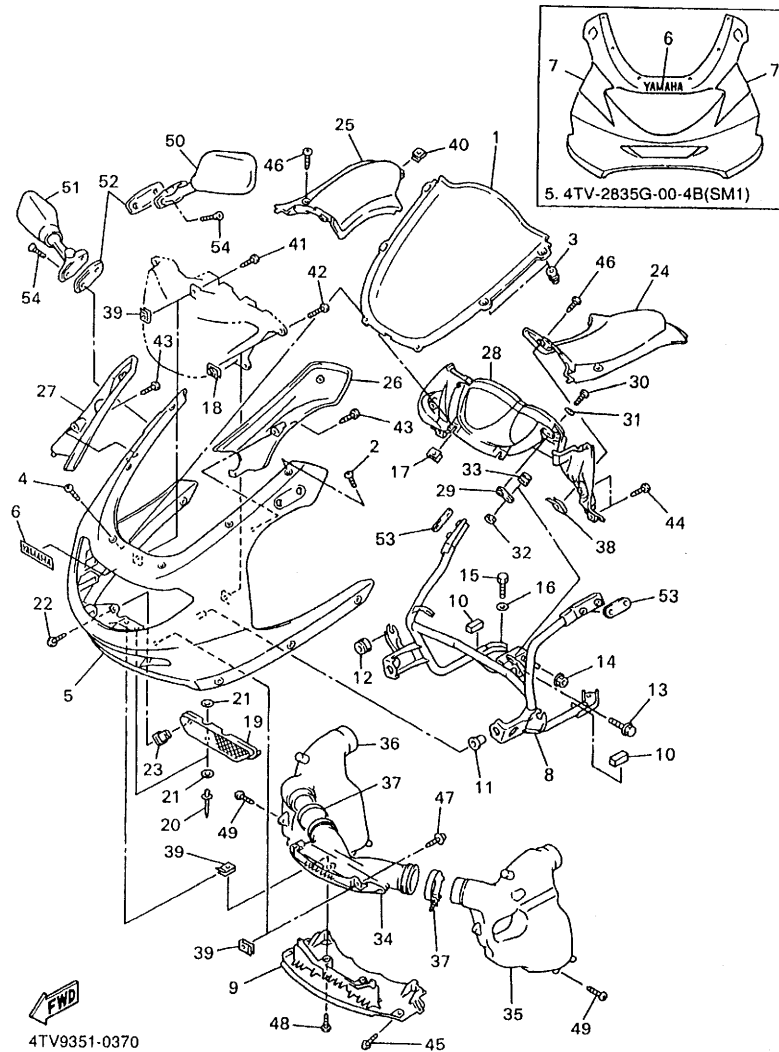


FIG. 38 COWLING 1



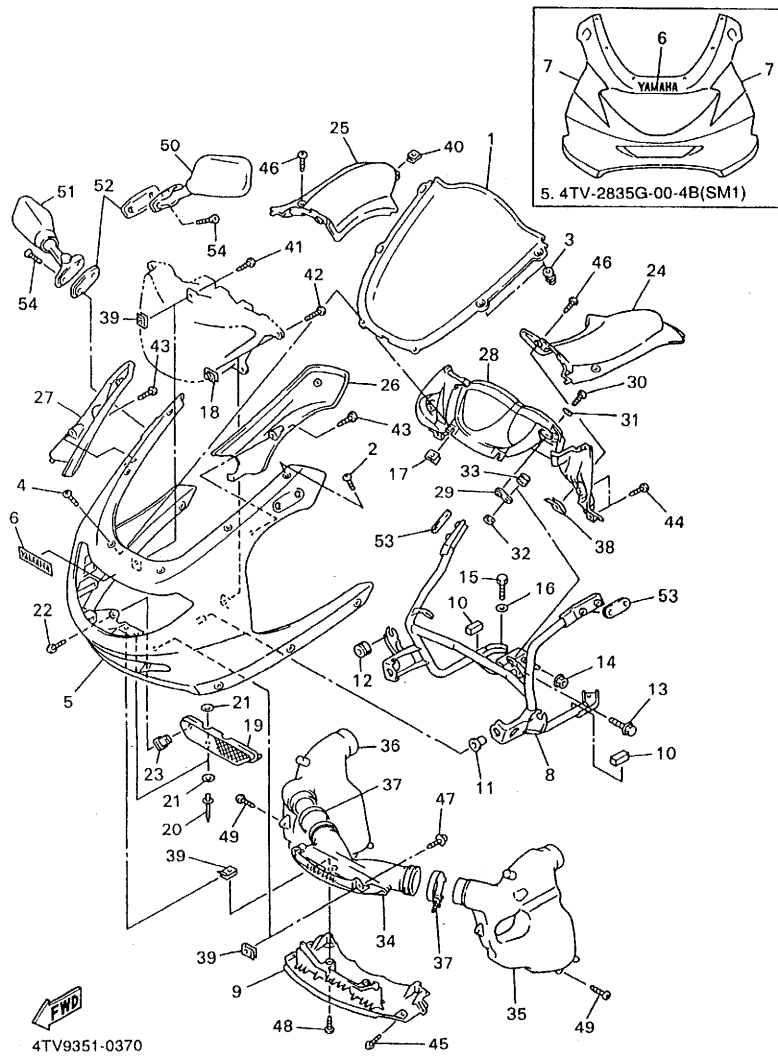
REF. NO.	PART NO.	DESCRIPTION	4TV9	4WES	REMARKS
1	4TV-28381-00	WINDSHIELD	1	1	
2	90150-05023	SCREW, ROUND HEAD	4	4	
3	90179-05523	NUT	4	4	
4	90150-05024	SCREW, ROUND HEAD	2	2	
5	4TV-2835G-00-P4	BODY, FRONT UPPER 1	1	1	UR VRC7
	4TV-2835G-00-4B	BODY, FRONT UPPER 1	1	1	UR BL2 FOR SM1
6	99246-00080	EMBLEM, YAMAHA	1	1	UR FOR VRC7
	99246-00100	EMBLEM, YAMAHA	1	1	UR FOR SM1
7	5AH-28390-10	GRAPHIC SET, COWLING	1	1	FOR SM1
8	4TV-28356-00	STAY 1	1	1	
9	4TV-2835H-00-P4	BODY, FRONT UPPER 2	1	1	UR VRC7
	4TV-2835H-00-4B	BODY, FRONT UPPER 2	1	1	UR BL2 FOR SM1
10	22F-21746-01	DAMPER	2	2	
11	90480-18277	GROMMET	2	2	
12	90480-18330	GROMMET	2	2	
13	90109-08789	BOLT	1	1	
14	95607-08200	NUT, SELF-LOCKING	1	1	
15	97027-08016	BOLT	2	2	
16	92907-08600	WASHER, PLATE	2	2	
17	90183-05074	NUT, SPRING	2	2	
18	90183-05074	NUT, SPRING	4	4	
19	4TV-2172A-00	PANEL 1	1	1	
20	90267-40191	RIVET, BLIND	2	2	
21	90201-04018	WASHER, PLATE	4	4	
22	97707-40012	SCREW, TAPPING	2	2	
23	90480-01605	GROMMET	2	2	
24	4TV-2836K-00	PANEL, INNER 1	1	1	

FIG. 38 COWLING 1

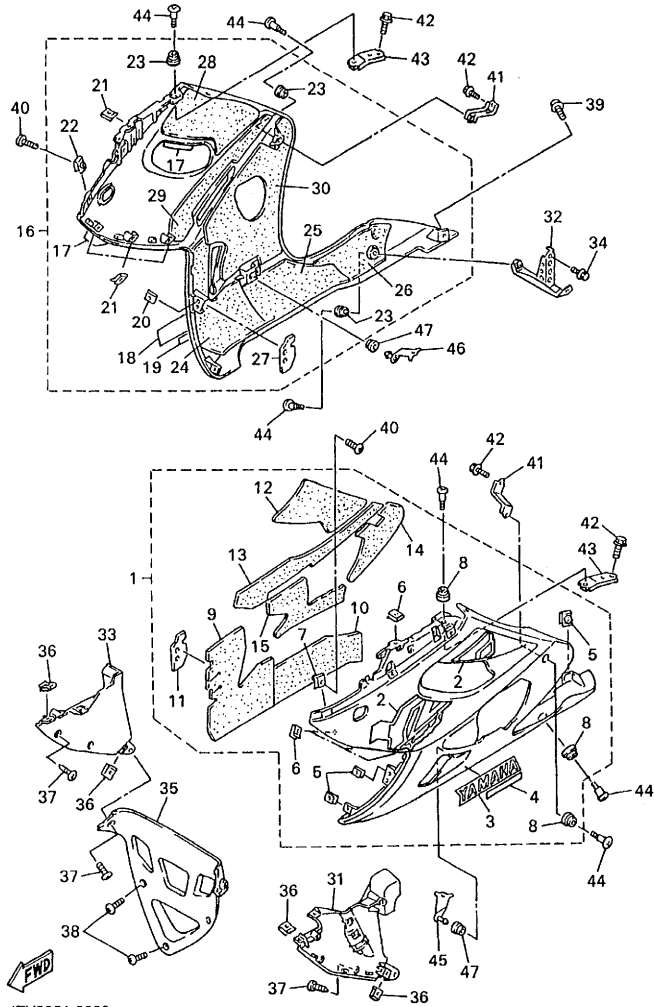


REF. NO.	PART NO.	DESCRIPTION	4TVS	4AVS	REMARKS
25	4TV-2836L-00	PANEL, INNER 2	1	1	
26	4TV-2836M-00	PANEL, INNER 3	1	1	
27	4TV-2836N-00	PANEL, INNER 4	1	1	
28	4TV-2836R-00	PANEL, INNER 5	1	1	
29	4TV-2833A-00	BRACET 7	2	2	
30	98507-05012	SCREW, PAN HEAD	2	2	
31	92907-05600	WASHER, PLATE	2	2	
32	95307-06600	NUT	2	2	
33	90480-14585	GROMMET	2	2	
34	4TV-2838N-00	DUCT 1	1	1	
35	4TV-2838R-00	DUCT 2	1	1	
36	4TV-2838T-00	DUCT 3	1	1	
37	4TV-13575-00	BAND	2	2	
38	90183-05042	NUT, SPRING	2	2	
39	90183-05042	NUT, SPRING	7	7	
40	90183-05042	NUT, SPRING	2	2	
41	97707-50016	SCREW, TAPPING	1	1	
42	90159-05065	SCREW, WITH WASHER	4	4	
43	90167-05077	SCREW, TAPPING	4	4	
44	90167-05078	SCREW, TAPPING	4	4	
45	97704-50016	SCREW, TAPPING	2	2	
46	90167-05077	SCREW, TAPPING	6	6	
47	90167-05015	SCREW, TAPPING	2	2	
48	90167-05077	SCREW, TAPPING	2	2	
49	97707-50016	SCREW, TAPPING	6	6	
50	4FM-26280-10	REAR VIEW MIRROR ASSY(LEFT)	1	1	BLACK
51	4FM-26290-10	REAR VIEW MIRROR ASSY(RIGHT)	1	1	BLACK

FIG. 38 COWLING 1



REF. NO.	PART NO.	DESCRIPTION	4TV9	4WES	REMARKS
52	4FM-26299-00	PLATE, MIRROR FITTING 2	2	2	
53	3XV-26298-00	PLATE, MIRROR FITTING 1	2	2	
54	90151-08061	SCREW, COUNTERSUNK	4	4	



4TV5351-8380

FIG. 39 COWLING 2

REF. NO.	PART NO.	DESCRIPTION			REMARKS
			4TV9	4WE5	
1	4TV-Y283U-1B-P4	PANEL ASSEMBLY 1	1	1	UR VRC7
	4TV-Y283U-1C-0Y	PANEL ASSEMBLY 1	1	1	UR SM1/DRYC1
2	4TV-28304-30	.GRAPHICSET, LOWER COVER 3	1	1	UR FOR VRC7
	4TV-28304-40	.GRAPHICSET, LOWER COVER 3	1	1	UR FOR SM1
3	99246-00320	.EMBLEM, YAMAHA	1	1	UR FOR VRC7
	99244-00320	.EMBLEM, YAMAHA	1	1	UR FOR SM1
4	4SV-28328-40	.EMBLEM	1	1	UR FOR VRC7
	4SV-28328-01	.EMBLEM	1	1	UR FOR SM1
5	90183-05074	.NUT, SPRING	3	3	
6	90183-05042	.NUT, SPRING	4	4	
7	90183-05073	.NUT, SPRING	3	3	
8	90480-13398	.GROMMET	3	3	
9	4TV-2848L-03	.SEAT 3	1	1	
10	4TV-2848N-02	.SEAT 5	1	1	
11	4TV-2848R-00	.SEAT 7	1	1	
12	4TV-28227-00	.DAMPER 2	1	1	
13	4TV-2834F-00	.DAMPER	1	1	
14	4TV-2837J-00	.DAMPER 5	1	1	
15	4TV-2837K-00	.DAMPER 6	1	1	
16	4TV-Y283V-1C-P4	PANEL ASSEMBLY 2	1	1	UR VRC7
	4TV-Y283V-1E-0Y	PANEL ASSEMBLY 2	1	1	UR SM1/DRYC1
17	4TV-28305-30	.UNDER COVER GRAPHIC SET,4	1	1	UR FOR VRC7
	4TV-28305-40	.UNDER COVER GRAPHIC SET,4	1	1	UR FOR SM1
18	99246-00320	.EMBLEM, YAMAHA	1	1	UR FOR VRC7
	99244-00320	.EMBLEM, YAMAHA	1	1	UR FOR SM1
19	4SV-28328-40	.EMBLEM	1	1	UR FOR VRC7
	4SV-28328-01	.EMBLEM	1	1	UR FOR SM1

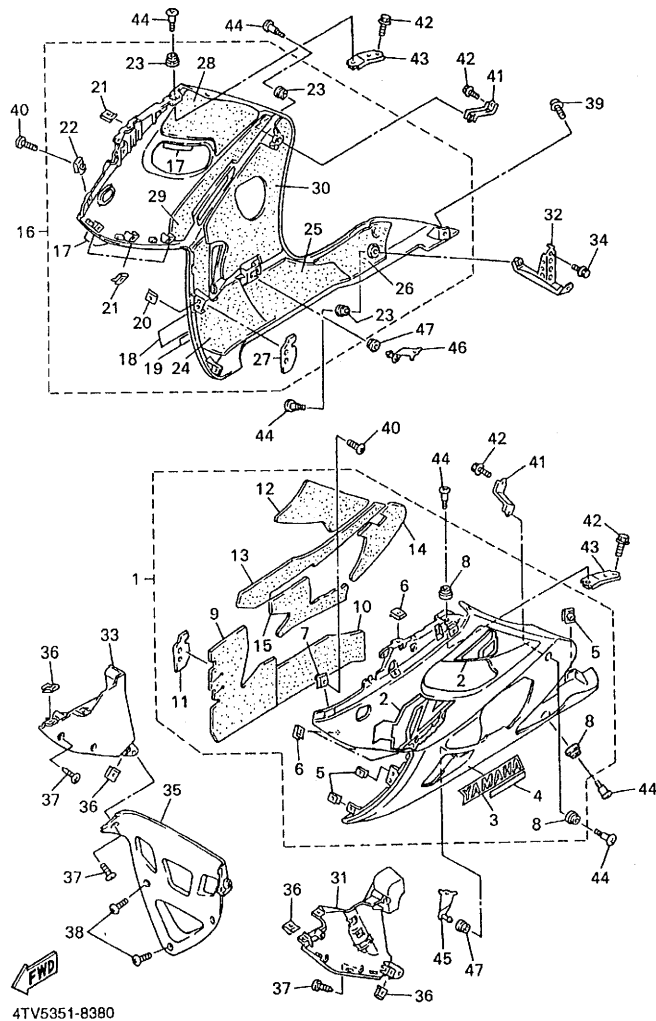
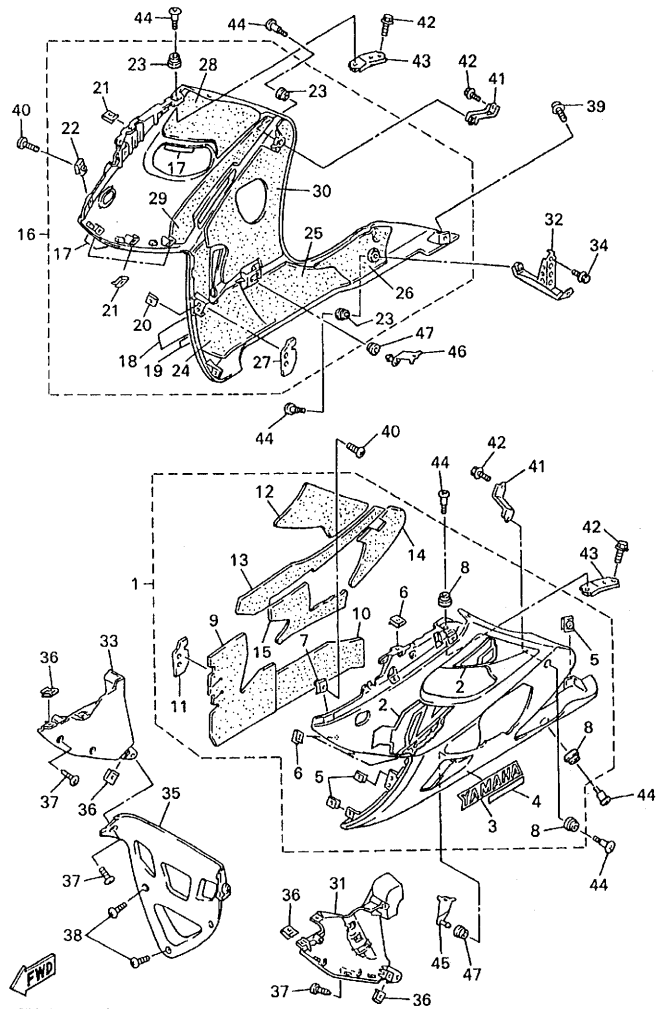


FIG. 39 COWLING 2

REF. NO.	PART NO.	DESCRIPTION	4TV9	AWES	REMARKS
20	90183-05074	.NUT, SPRING	1	1	
21	90183-05042	.NUT, SPRING	4	4	
22	90183-05073	.NUT, SPRING	3	3	
23	90480-13398	.GROMMET	3	3	
24	4TV-2848K-03	.SEAT 2	1	1	
25	4TV-2848M-02	.SEAT 4	1	1	
26	4TV-2848H-00	.SEAT	1	1	
27	4TV-2848P-00	.SEAT 6	1	1	
28	4TV-28217-00	.DAMPER 1	1	1	
29	4TV-2834E-00	.DAMPER	1	1	
30	4TV-28371-00	.DAMPER	1	1	
31	4TV-2835J-00-P4	BODY, FRONT LOWER 1	1	1	UR VRC7
	4TV-2835J-00-P6	BODY, FRONT LOWER 1	1	1	UR SM1
32	4JH-2831T-00	STAY, SUPPORT 1	1	1	
33	4TV-2835K-00-P4	BODY, FRONT LOWER 2	1	1	UR VRC7
	4TV-2835K-00-P6	BODY, FRONT LOWER 2	1	1	UR SM1
34	95807-06010	BOLT, FLANGE	1	1	
35	4TV-28385-00-P8	COVER, LOWER	1	1	UR VRC7
	4TV-28385-00-P9	COVER, LOWER	1	1	UR DRYC1 FOR SM1
36	90183-05042	NUT, SPRING	4	4	
37	97704-50016	SCREW, TAPPING	8	8	
38	90154-05059	SCREW, BINDING	3	3	
39	90159-05065	SCREW, WITH WASHER	1	1	
40	90154-05059	SCREW, BINDING	6	6	
41	4JH-2832U-00	STAY, SIDE 1	2	2	
42	95807-06010	BOLT, FLANGE	4	4	
43	4TV-2836H-00	BRACKET 5	2	2	

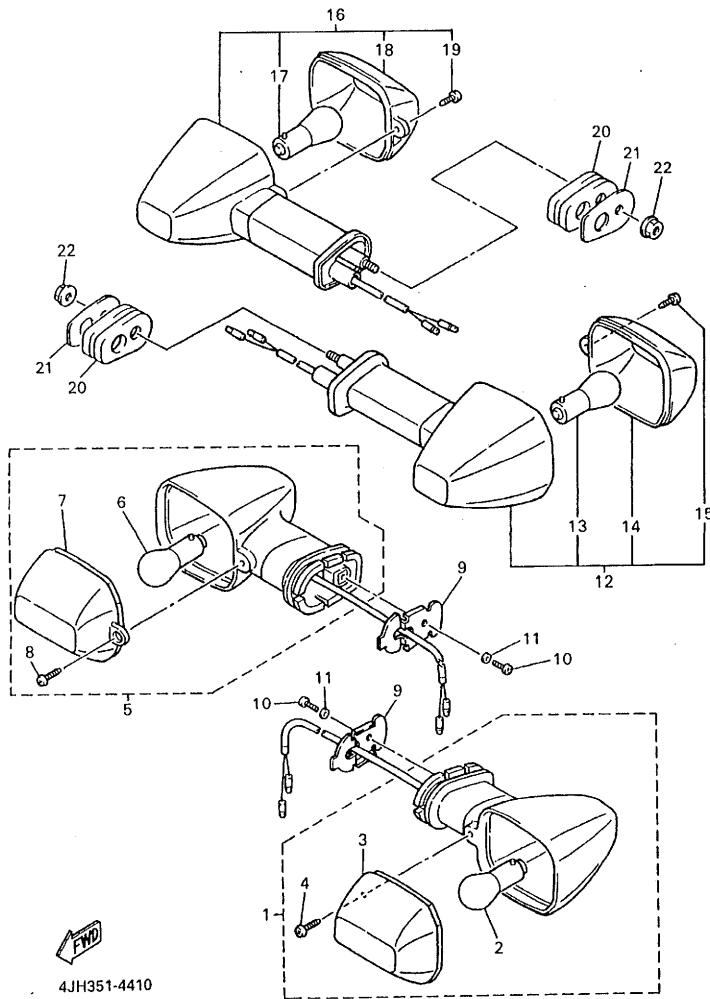


4TV5351-8380

FIG. 39 COWLING 2

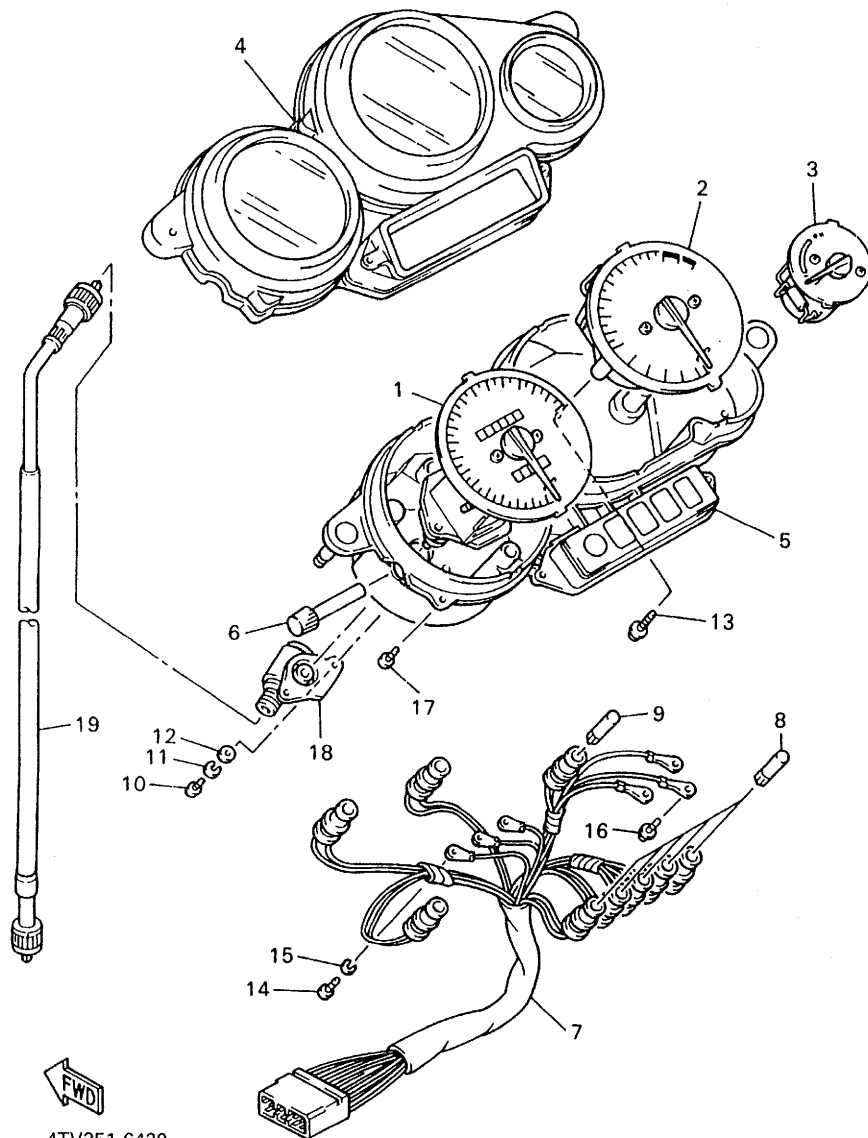
REF. NO.	PART NO.	DESCRIPTION			REMARKS
			4TV9	4WE5	
44	90150-06036	SCREW, ROUND HEAD	6	6	
45	4JH-2836F-00	BRACKET 3	1	1	
46	4JH-2836G-00	BRACKET 4	1	1	
47	90480-01531	GROMMET	2	2	

FIG. 42 FLASHER LIGHT



4JH351-4410

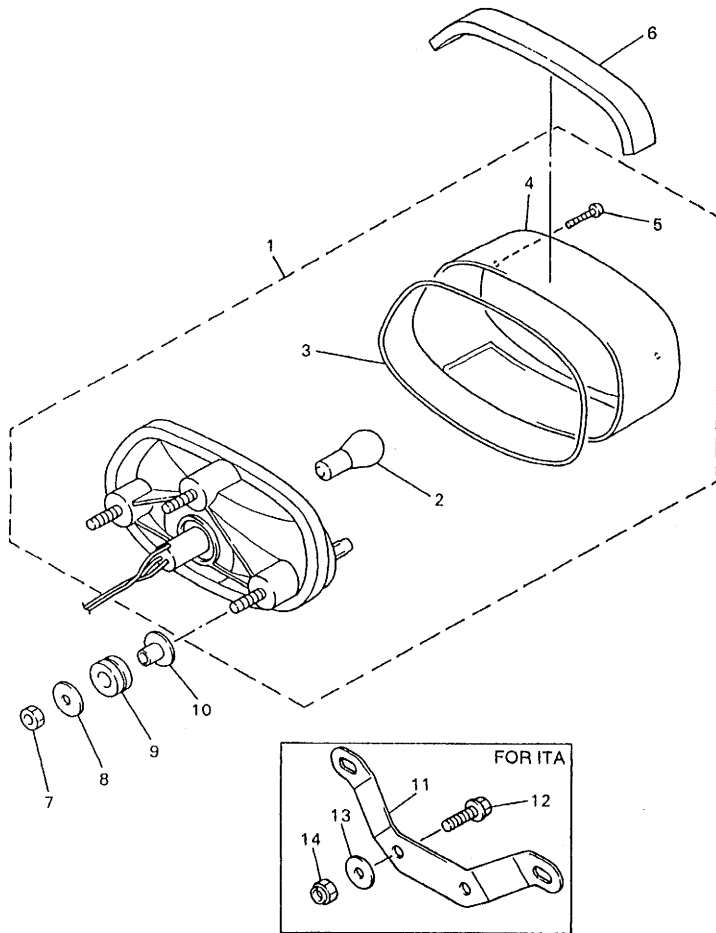
REF. NO.	PART NO.	DESCRIPTION	4TV9	4WES	REMARKS
1	4JH-83310-01	FRONT FLASHER LIGHT ASSY 1	1	1	
2	306-83311-40	.BULB, FLASHER (12V-21W)	1	1	
3	4JH-83332-00	.LENS, FLASHER	1	1	
4	97702-40610	.SCREW, TAPPING	1	1	
5	4JH-83320-01	FRONT FLASHER LIGHT ASSY 2	1	1	
6	306-83311-40	.BULB, FLASHER (12V-21W)	1	1	
7	4JH-83342-00	.LENS, FLASHER 2	1	1	
8	97702-40610	.SCREW, TAPPING	1	1	
9	4JH-83318-00	STAY, FLASHER 1	2	2	
10	98507-04008	SCREW, PAN HEAD	2	2	
11	92907-04600	WASHER	2	2	
12	4JH-83330-00	REAR FLASHER LIGHT ASSY 1	1	1	UR
	4JH-83330-10	REAR FLASHER LIGHT ASSY 1	1	1	UR FOR AUT
13	306-83311-40	.BULB, FLASHER (12V-21W)	1	1	
14	4JH-83332-00	.LENS, FLASHER	1	1	
15	97702-40610	.SCREW, TAPPING	1	1	
16	4JH-83340-00	FLASHER LIGHT ASSY 2	1	1	UR
	4JH-83340-10	FLASHER LIGHT ASSY 2	1	1	UR FOR AUT
17	306-83311-40	.BULB, FLASHER (12V-21W)	1	1	
18	4JH-83342-00	.LENS, FLASHER 2	1	1	
19	97702-40610	.SCREW, TAPPING	1	1	
20	4FM-83345-00	PLUG, BLIND	2	2	
21	4FM-83369-00	STAY, FLASHER 2	2	2	
22	95707-06500	NUT, FLANGE	2	2	



4TV351-6420

FIG. 43 METER

REF. NO.	PART NO.	DESCRIPTION	4TV9	4WES	REMARKS
1	4SV-83570-00	SPEEDOMETER ASSY	1	1	UR
	4SV-83570-10	SPEEDOMETER ASSY	1		UR FOR GBR
2	4TV-83540-00	TACHOMETER ASSY	1	1	
3	4SV-83590-00	WATER TEMPERATURE ASSY	1	1	
4	4FM-83559-00	COVER, METER	1	1	
5	4FM-8353H-40	CASE, UNDER	1	1	
6	4SV-83578-00	KNOB, TRIP METER	1	1	
7	4TV-83509-00	SOCKET CORD ASSY	1	1	
8	4R0-83517-00	BULB (12V-3.4W T10)	5	5	
9	3GM-83517-00	BULB (12V-1.7W)	4	4	
10	98507-04010	SCREW, PAN HEAD	4	4	
11	92907-04100	WASHER, SPRING	4	4	
12	92907-04600	WASHER	4	4	
13	4NX-83546-00	BOLT	2	2	
14	98507-03010	SCREW, PAN HEAD	3	3	
15	92907-03100	WASHER	3	3	
16	90159-03102	SCREW, WITH WASHER	3	3	
17	90164-04006	SCREW, TAPPING	5	5	
18	4FM-83520-00	SOCKET CORD ASSY	1	1	
19	4TV-83550-00	SPEEDOMETER CABLE ASSY	1	1	



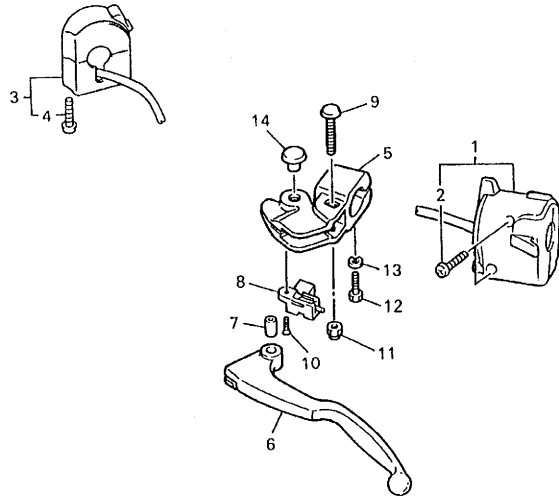

4TV9300-0450

FIG. 45 TAILLIGHT

REF. NO.	PART NO.	DESCRIPTION	4TV9	4VES			REMARKS
1	4TR-84700-00	TAILLIGHT ASSY	1	1			
2	31L-84714-00	.BULB, TAILLIGHT (12V-21/5W)	1	1			
3	4TR-84723-00	.GASKET, TAIL LENS	1	1			
4	4TR-84733-00	.LENS, TAILLIGHT	1	1			
5	97706-40620	.SCREW, TAPPING	2	2			
6	4TV-84753-00	DAMPER	1	1			
7	95307-06600	NUT	3	3			
8	90201-06071	WASHER, PLATE	3	3			
9	90480-18276	GROMMET	3	3			
10	90387-062W4	COLLAR	3	3			
11	4TV-84751-11	BRACKET, LICENSE	1				FOR ITA
12	95027-06016	BOLT, FLANGE	2				FOR ITA
13	90201-06380	WASHER, PLATE	2				FOR ITA
14	95607-06100	NUT, U	2				FOR ITA

FIG. 46 HANDLE SWITCH. LEVER

REF. NO.	PART NO.	DESCRIPTION	4TV9	4WES				REMARKS
1	4TV-83972-00	SWITCH, HANDLE 4	1	1				
2	98507-05025	.SCREW, PAN HEAD	2	2				
3	4PU-83963-00	SWITCH, HANDLE 3 (RIGHT)	1	1				
4	98507-05045	.SCREW, PAN HEAD	2	2				
5	29L-82911-01	HOLDER, LEVER 1	1	1				
6	3LN-83912-00	LEVER 1	1	1				
7	31A-83913-00	COLLAR, LEVER 1	1	1				
8	31A-82917-00	SWITCH	1	1				
9	31A-83945-00	BOLT, LEVER	1	1				
10	98707-03008	SCREW, FLAT HEAD	1	1				
11	95607-06100	NUT, U	1	1				
12	97007-06025	BOLT	1	1				
13	92907-06100	WASHER, SPRING	1	1				
14	90338-09012	PLUG	1	1				



4TV351-6450

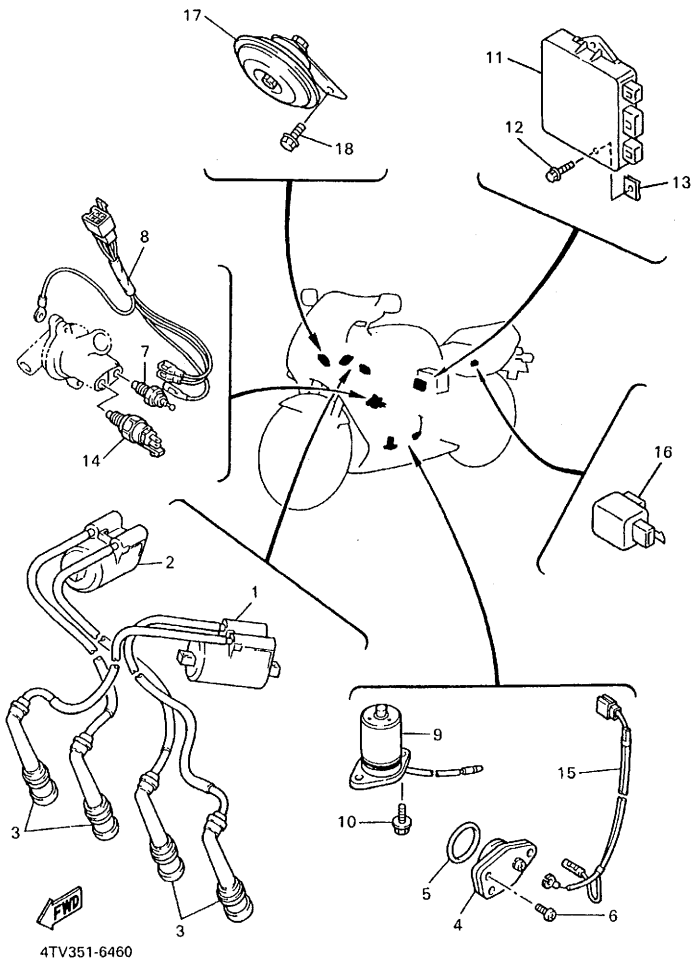


FIG. 47 ELECTRICAL 1

REF. NO.	PART NO.	DESCRIPTION	4TV9	4WE5	REMARKS
1	4TV-82310-01	IGNITION COIL ASSY	1	1	
2	4FM-82320-01	IGNITION COIL ASSY	1	1	
3	4TV-82370-00	PLUG CAP ASSY	4	4	
4	1AE-82540-00	NEUTRAL SWITCH ASSY	1	1	
5	93210-29196	O-RING	1	1	
6	98507-06016	SCREW, PAN HEAD	2	2	
7	11H-83591-00	THERMO UNIT	1	1	
8	3TJ-82583-00	WIRE, SUB LEAD	1	1	
9	4JH-85720-01	OIL LEVEL GAUGE ASSY	1	1	
10	95027-06016	BOLT, FLANGE	2	2	
11	4TV-82305-00	IGNITOR UNIT ASSY	1		
	4TV-82305-30	IGNITOR UNIT ASSY		1	
12	95027-06020	BOLT, FLANGE	1	1	
13	90183-06023	NUT, SPRING	1	1	
14	3LN-82560-01	THERMO SWITCH ASSY	1	1	
15	1WG-82541-00	WIRE, LEAD	1	1	
16	4MY-83350-01	FLASHER RELAY ASSY	1	1	
17	4TH-83371-00	HORN	1	1	
18	95807-06012	BOLT, FLANGE	1	1	

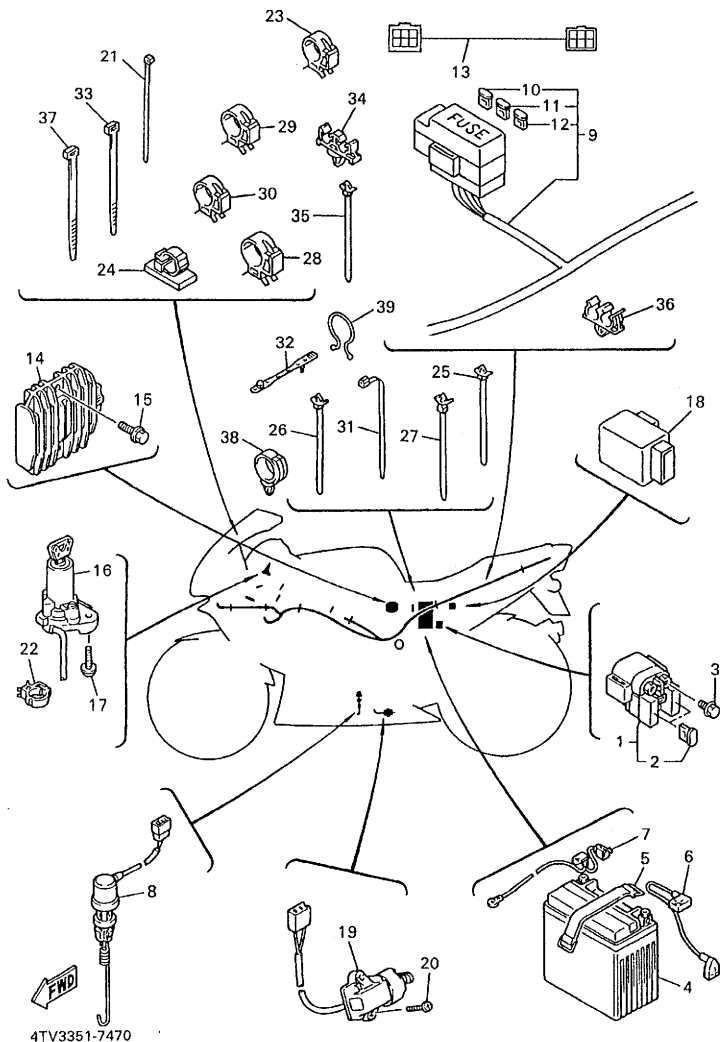


FIG. 48 ELECTRICAL 2

REF. NO.	PART NO.	DESCRIPTION	4TV9	4WES	REMARKS
1	4DN-81940-00	STARTER RELAY ASSY	1	1	
2	1AE-82151-00	.FUSE (30A-BL)	2	2	
3	95027-06008	BOLT, FLANGE	2	2	
4	3VD-82100-01	BATTERY ASSY (YTX12-BS)	1	1	
5	2T4-82131-00	BAND, BATTERY	1	1	
6	4JH-82115-00	WIRE, PLUS LEAD	1	1	
7	4JH-82116-00	WIRE, MINUS LEAD	1	1	
8	1KT-82530-03	STOP SWITCH ASSY	1	1	
9	4TV-82590-20	WIRE HARNESS ASSY	1	1	
10	2GH-82151-00	.FUSE (20A-BL)	2	2	
11	2KW-82151-00	.FUSE (7.5A-BL)	3	3	
12	36Y-82151-00	.FUSE (15A-BL)	1	1	
13	4TV-82509-00	WIRE, SUB LEAD	1	1	
14	4JH-81960-01	RECTIFIER & REGULATOR ASSY	1	1	
15	95807-06020	BOLT, FLANGE	2	2	
16	4JH-82501-03	MAIN SWITCH STEERING LOCK	1	1	
17	90109-080G5	BOLT	2	2	
18	4TV-81950-00	RELAY ASSY	1	1	
19	3LD-82566-50	SWITCH, SIDE STAND	1	1	
20	90157-05079	SCREW, PAN HEAD	2	2	
21	90464-13073	CLAMP	2	2	
22	90464-15192	CLAMP	1	1	
23	90464-10190	CLAMP	5	5	
24	90464-25160	CLAMP	1	1	
25	90464-12089	CLAMP	1	1	
26	90464-12089	CLAMP	2	2	
27	90464-10112	CLAMP	1	1	

NUMERICAL INDEX

PARTNO.	GRID NO.	PARTNO.	GRID NO.	PARTNO.	GRID NO.	PARTNO.	GRID NO.	PARTNO.	GRID NO.	PARTNO.	GRID NO.
4SV-W0041-00	E-13	4JH-11633-00	B-4	3HE-12251-00	B-7	4TV-13575-00	B-14	4TV-14455-00	B-14	4TV-14916-00	C-5
4BH-W0042-50	F-3	4JH-11650-00	B-4	4JH-12252-00	B-7		F-6	4TV-1446F-00	B-14	4TV-14916-10	C-5
4SV-W0045-00	E-8	4JH-11654-00	B-4	5AH-1240G-00	B-9	4MM-13582-00	C-4	4TV-14465-00	C-7	4JH-14922-00	C-6
1FK-W0046-02	E-11	4TV-11656-00	B-4	4JH-12405-00	B-10	4JH-13586-02	B-14	4TV-14466-00	B-15	4TV-14933-00	C-5
3GM-W0047-10	E-8	4TV-11656-10	B-4	4JH-12410-00	B-8	4JH-13596-02	B-14	3GM-14467-00	B-15	4JH-14934-00	C-6
3MA-W0047-10	E-8	4TV-11656-20	B-4	3TJ-12413-00	B-8	4TV-13907-00	E-4	4TV-14468-00	B-14	4JH-14935-00	C-6
31A-W0047-00	E-11	4TV-11656-30	B-4	3TJ-12417-00	B-8	4TV-13918-00	C-6	4TV-14485-01	B-15	4JH-14936-00	C-5
1J3-W0048-00	E-11	4JH-12111-00	B-5	4TV-1243A-00	B-10	4TV-1410A-01	C-6	4JH-14487-00	C-6	3TJ-14937-40	C-7
	E-8	4TV-12113-00	B-5	4TV-1243E-00	B-9	4TV-14105-00	C-5	4JH-14515-00	C-5	4TV-14940-00	C-5
	E-11	1WG-12116-00	B-5	4TV-1243F-00	B-10	4JH-14107-00	C-5	4TV-14534-00	C-7	3TJ-14943-38	C-5
31A-W0057-00	E-11	3TJ-12117-00	B-5	1WG-12439-00	B-8	4MM-14118-00	C-6	676-14548-00	C-5	4JH-14948-02	C-5
4SV-W0057-00	E-8	1HX-12118-00	B-5	4TV-12439-00	C-7	4JH-14121-00	C-6	7A9-14555-00	C-6	4JH-14984-00	C-6
4SV-W0057-10	E-8	4TV-12119-00	B-5	4JH-1244F-00	B-10	4JH-14133-00	C-6	4TV-14557-00	C-7	4JH-14985-00	C-5
4SV-W2587-00	E-13	4TV-12121-01	B-5	4TV-1244G-00	B-10	4JH-14137-00	C-6	4JH-14561-00	C-7	4JH-15100-03	C-9
3TJ-Y1242-00	B-8	3FV-12153-09	B-5	1WG-12446-01	B-8	4TV-1414G-00	C-5	4TV-14561-00	C-7	3HE-15105-02	C-10
4TV-Y2171-V1-P3	D-9	4TV-Y2171-0L-P5	D-9	4TV-12446-00	C-7	4TV-14148-00	B-15	4TV-14562-00	C-7	11H-15138-00	C-9
4TV-Y2172-F1-P3	D-9	1HX-12168-A0	B-5	4TV-12461-00	B-10	4TV-14149-00	C-2	4JH-14565-00	C-6	26H-15138-00	C-9
4TV-Y2172-J1-P5	D-9	1HX-12168-F0	B-5	4JH-12462-00	B-10	4JH-14162-00	C-6	4TV-14567-00	C-7	4JH-15138-00	C-9
4TV-Y2410-10-02	E-3	1HX-12168-H1	B-5	4TV-12481-00	B-8	3TJ-14191-40	C-6	688-14592-00	C-5	36Y-15189-00	C-9
4TV-Y2410-10-05	E-3	1HX-12168-K1	B-5	4JH-12482-00	B-8	4TV-14191-00	C-2	4TV-14602-00	C-8	1WG-15316-00	C-11
4TV-Y283U-1B-P4	F-8	1HX-12168-M1	B-5	4TV-12486-00	C-7	4JH-14197-00	C-6	3YF-14613-01	C-8	4JH-15326-00	C-11
4TV-Y283U-1C-0Y	F-8	1HX-12168-R1	B-5	5Y9-12491-00	C-3	4TV-14197-00	B-15	4TV-14710-10	C-8	4H7-15361-00	C-9
4TV-Y283V-1C-P4	F-8	1HX-12168-U1	B-5	4TV-12551-00	B-9	3TJ-14216-40	C-5	3XW-14714-00	C-8	3F9-15362-00	C-11
4TV-Y283V-1E-0Y	F-8	1HX-12168-W1	B-5	4TV-12572-00	B-9	4JH-14216-00	C-5	42H-14714-10	C-3	4JH-15381-00	C-10
4JH-11101-01	B-2	1HX-12168-Y1	B-5	4TV-12573-00	C-7	4TV-14216-00	C-7	4MM-14808-00	C-3	4JH-15411-00	C-11
4MM-11101-01	B-2	1HX-12168-00	B-5	3TJ-12576-00	B-8	4TV-14226-00	B-15	4MM-14840-00	C-3	4TV-15415-00	C-11
2GH-1111G-00	B-2	1HX-12168-20	B-5	4TV-12576-00	C-7	3TJ-14245-40	C-6	4MM-14849-00	C-4	1L9-15417-00	C-11
3TJ-11133-10	B-2	1HX-12168-40	B-5	4JH-12577-00	B-8	4JH-14245-00	C-7	4MM-14868-00	C-4	4JH-15421-00	C-11
3HE-11145-00	C-10	1HX-12168-60	B-5	4TV-12577-00	C-7	4JH-14264-00	C-6	4MM-14869-00	C-4	1WG-15425-00	C-11
4JH-11165-00	C-9	1HX-12168-80	B-5	4TV-12578-00	B-10	4JH-14294-00	C-6	4WE-14872-00	C-3	4WG-15427-00	C-11
1WG-11166-00	C-10	1HX-12169-E0	B-6	4TV-12579-00	B-10	4TV-14294-00	E-4	4MM-14873-00	C-3	4JH-15431-00	C-11
4JH-11181-00	B-2	1HX-12169-G0	B-6	4TV-12581-00	B-9	4JH-14298-00	C-6	2LJ-14874-00	C-3	3HE-15451-10	C-11
3TJ-11191-00	B-2	1HX-12169-J0	B-6	4JH-12588-00	B-10	4JH-14325-00	C-6	4MM-14875-00	C-3	4TV-15461-00	C-11
4TV-11193-00	B-2	1HX-12169-L0	B-6	4TV-12589-00	B-8	4TV-14348-00	C-7	4MM-14881-00	C-3	4TV-15462-00	C-11
214-11198-01	B-13	1HX-12169-N0	B-6	3HE-13161-00	B-13	4TV-14349-00	C-6	2LJ-14882-00	C-3	3HE-15467-10	C-11
4JH-11311-01	B-3	1HX-12169-T0	B-6	1WG-13310-00	B-12	4JH-14350-00	C-6	2LJ-14883-00	C-3	3HE-15512-00	C-13
4MM-11311-01	B-3	1HX-12169-11	B-5	1WG-13316-00	B-12	4JH-14358-00	C-6	4MM-14884-00	C-3	4JH-15515-00	C-13
3TJ-11351-00	B-3	1HX-12169-31	B-5	1WG-13329-00	B-12	4TV-1440F-00	C-7	4MM-14885-00	C-3	3HE-15517-00	C-13
4TV-11411-00	B-4	1HX-12169-50	B-5	4JH-13330-00	B-12	4TV-1441J-00	B-14	4TV-14900-01	C-5	3HE-15521-00	C-13
4TV-11416-00	B-4	1HX-12169-70	B-5	1WG-13336-00	B-12	4TV-14411-00	B-14	4TV-14900-11	C-5	3TJ-15521-00	C-13
4TV-11416-10	B-4	1HX-12169-90	B-6	4H7-13411-02	B-12	4WE-14411-00	B-14	4TV-14901-01	C-5	3HE-15524-00	C-13
4TV-11416-20	B-4	4JH-12171-01	B-7	3TJ-13412-00	B-12	4JH-14413-00	C-12	4TV-14901-11	C-5	3HE-15590-02	C-13
4TV-11416-30	B-4	1WG-12176-00	B-7	4TV-13414-00	B-13	4TV-14421-00	B-14	4TV-14902-01	C-5	4JH-16150-00	C-14
4TV-11416-40	B-4	4JH-12181-00	B-7	4JH-13417-00	B-13	4JH-14429-00	C-6	4TV-14902-11	C-5	1WG-16154-00	C-14
4TV-11416-50	B-4	1WG-12210-02	B-7	3FV-13440-00	B-13	4TV-1443E-00	B-15	4TV-14903-01	C-5	1WG-16164-00	C-14
4TV-11498-00	B-7	4FM-12213-00	B-7	4TV-13470-10	B-13	4TV-1444A-00	B-14	4TV-14903-11	C-5	4TV-16181-00	C-15
4JH-11603-00	B-4	3YL-12232-00	D-13	4JH-13473-00	B-13	4KM-14452-00	B-14	4TV-14904-01	C-5	1WG-16304-00	C-14
4TV-11631-00	B-4	3TJ-12241-00	B-7	4G0-13490-01	B-13	4TV-14453-00	B-14	4TV-14904-11	C-5	3JD-16321-00	C-14



NUMERICAL INDEX

PARTNO.	GRID NO.	PARTNO.	GRID NO.	PARTNO.	GRID NO.	PARTNO.	GRID NO.	PARTNO.	GRID NO.	PARTNO.	GRID NO.
4JH-16321-00	C-14	3VD-21366-00	D-7	4TV-23102-00	D-15	4TV-24145-10	E-4	29L-25398-20	E-7	4TV-26240-00	E-12
1LX-16324-00	C-14	4JH-2142K-00	B-10	4TV-23103-00	D-15	4TV-24145-20	E-4		E-9	4FM-26241-01	E-12
4JH-16340-00	C-14	4SV-2144G-00	F-3	4TV-23110-00	D-15	4TV-24145-30	E-5	4JH-25447-00	E-9	3GY-26246-00	E-12
132-16346-00	C-14	4SV-21441-00	F-3	4JH-23111-10	D-15	4TV-24145-40	E-5	4SV-2580T-00	E-8	3LN-26270-01	E-12
4JH-16351-00	C-14	4JH-21446-00	D-6		E-2	4TV-24145-50	E-5	4SV-2590U-00	E-8	4FM-26280-10	F-6
4JH-16356-00	C-14	4TV-21486-00	D-6	4FM-23125-40	D-15	2GH-24181-00	E-3	3GM-2580W-A0	E-11	4FM-26290-10	F-6
4JH-16357-00	C-14	4X7-2149Y-00	B-14	4TV-23126-00	D-15	33M-24182-01	E-3	4SV-2581T-00	E-8	4TV-26292-00	E-13
4JH-16371-01	C-14	4SV-21511-00-P6	D-7	4TV-23136-00	D-15	2GH-24183-00	E-3	4JH-25819-00	E-11	3XV-26298-00	F-7
4TV-17121-00	D-2	4SV-21511-00-P9	D-7	4JH-23141-10	D-15	3Y6-24183-00	E-3	4BP-2582A-00	F-3	4FM-26299-00	F-7
4JH-17131-00	D-2	4TV-2153A-20	E-3		E-2	4TV-24183-10	E-3	3GM-2582F-00	E-13	4TV-26302-00	E-12
4TV-17151-00	D-2	4SV-21556-00	D-7	3XV-23144-50	D-15	2GH-24186-00	E-3	4JH-2582W-00	E-11	4TV-26331-00	E-12
4TV-17161-00	D-2	4TV-21596-00	E-8		E-2	4FM-24187-00	E-3	1FK-25827-00	E-11	4JH-26335-10	E-12
4JH-17211-00	D-2	4TV-21611-10	D-7	3SP-23145-L0	D-15	4FM-24191-00	E-3	1FK-25828-00	E-11	4JH-27211-10	F-3
4JH-17221-00	D-2	4HM-2162A-00	D-7		E-2	4TV-24311-00	E-4	4BH-2583V-00	F-3	47X-27222-00	F-3
4JH-17231-00	D-2	3GM-21621-00	D-8	36Y-23146-10	D-15	4TV-24313-00	E-4	51J-25836-00	E-11	4SV-27261-00	F-3
4JH-17241-00	D-2	4TV-2163E-00	D-7	3LC-23149-00	D-15	3PA-24356-00	E-13	341-25846-00	E-7	4FM-27311-00	E-15
4TV-17251-00	D-2	36Y-21639-00	D-6		E-2	1AE-24366-00	E-4	4BP-2585F-00	F-3	4FM-27315-00	E-15
4TV-17261-00	D-2	42U-21639-00	D-7	4TV-23153-00	D-15	3CV-24491-10	E-3	3LN-2585G-00	F-3	1TX-27351-00	E-15
4JH-17411-00	D-2	4BP-21644-01	E-6		E-2	4TV-24500-00	E-3	2KF-25852-50	F-3	4JH-2741L-03	F-2
4JH-17417-00	D-2	4BP-21645-01	E-6	26H-23156-00	D-15	4X8-24512-00	E-4	3GM-25852-50	E-13	4JH-27410-01	E-15
4TV-17421-00	D-2	3GM-21649-00	D-8		E-2	3XV-24523-00	E-3	3FV-25854-00	E-13	3YX-27413-00	E-15
278-17425-00	D-3	3GM-21649-10	D-8	2K8-23158-L0	D-15	3XV-24534-00	E-3	360-25854-01	F-3	1HX-27415-00	F-2
4G0-17433-01	D-3	4JH-21650-00	D-8		E-2	4TV-24560-00	E-4	2GU-25855-00	F-3	4JH-2742L-10	F-2
4TV-17460-00	D-2	4TV-21651-00-P4	D-9	4TV-23170-00	D-15	4FM-24602-10	E-4	2J2-25855-50	E-13	4JH-27420-01	E-15
4JH-18101-00	D-5	4TV-21651-00-P5	D-9	4FM-23171-40	D-15	4G0-24723-00	D-8	2VN-25866-00	E-13	3XV-27431-01	E-15
4JH-18110-01	D-5	4TV-2172A-00	F-5	4TV-23173-00	D-15	4HM-24728-00	E-6	56A-25867-00	E-13	2YK-27434-01	E-15
132-18113-01	D-5	4TV-2173E-10	D-9		E-2	4TV-24730-00	E-6	4TV-25872-00	E-13	3HE-27435-00	E-15
22N-18113-00	F-3	4TV-2173E-30	D-9	3LC-23181-00	D-15	4TV-24731-00	E-6	4TV-25873-00	E-14	1HX-27437-00	F-2
4JH-18115-01	D-5	4TV-2173F-10	D-9		E-2	22W-24741-00	E-6	4JH-25874-01	F-4	3XV-27441-11	E-15
4JH-18127-00	D-4	4TV-2173F-30	D-9	4TV-23184-00	D-15	4TV-2478E-01	E-6	4SV-25876-00	E-14	4FM-27442-02	E-15
4JH-18130-00	D-5	22F-21746-01	F-5		E-2	4BP-24780-00	E-6	3LC-25885-00	F-4	4FM-27443-02	E-15
36Y-18140-00	D-4	3XV-21778-00	D-7	43F-23188-10	D-15	4BP-24792-00	E-6	3FV-2589A-00	E-13	1WG-28100-01	D-8
2H9-18154-00	D-5	4TV-21781-20	D-9		E-2	341-25149-00	E-7	3FV-2589F-00	E-13	36X-2811G-00	D-6
4JH-18511-00	D-4	4TV-21781-50	D-9	4PU-2331G-00	E-2	4TV-25168-00-7B	E-7	3FV-2589G-00	E-13		D-7
4JH-18512-00	D-4	4FM-21871-02	D-6	4TV-23340-00	E-2	3GM-25181-03	E-7	3GM-2589H-00	E-13	31A-28217-00	D-6
4JH-18513-00	D-4	1AA-21874-00	D-6	4TV-23356-00	E-2	4HM-25190-10	E-7	3FV-25894-00	E-13	4TV-28217-00	F-9
4JH-18531-01	D-4	4L0-21875-00	D-6	3LC-23357-00	D-15	4JH-25338-00-7B	E-9	31A-25894-01	F-3	4TV-28227-00	F-8
4JH-18535-00	D-4	4JH-22110-00-35	D-11		E-2	4FM-25364-00	E-9	4JH-25895-00	F-4	4TV-28304-30	F-8
1WG-18536-00	D-4	4X7-22129-00	D-11	4XV-2341B-00	D-14	4FM-25366-00	E-9	29L-25919-A0	E-11	4TV-28304-40	F-8
4JH-18540-02	D-4	1UY-22141-01	D-11	1W1-23416-00	D-14	4JH-25371-01	E-9	4SV-25919-00	E-8	4TV-28305-30	F-8
4UN-18542-00	D-4	4JH-22151-00	D-12	26H-23418-01	D-14	3GM-25381-A0	E-10	3HE-25924-00	E-11	4TV-28305-40	F-8
1WG-18562-00	D-4	4TV-2217A-00	D-11	4NX-23435-10	D-14	4JH-25384-03	E-10	4SV-25924-00	E-8	4JH-2831T-00	F-9
4UN-18566-00	D-4	3GM-2217M-00	D-11	10L-23469-00	E-12	4JH-25384-12	E-10	3GM-25925-00	E-8	4JH-2832U-00	F-9
4TV-21110-01-35	D-6	4JH-22174-00	E-9	341-23469-00	E-12	3XW-25388-00	E-9	3HE-25925-00	E-11	4SV-28328-01	F-8
4TV-2117E-01	D-7	47X-22184-00	D-11	4TV-23818-00	E-2	29L-25398-00	E-9	4SV-26111-00	E-12	4SV-28328-40	F-8
4TV-2117M-00	D-6	4TV-22210-30	D-13	4TV-24115-00	E-3		E-7	4SV-26112-00	E-12	4TV-2833A-00	F-6
3YX-21308-00	E-6	4TV-22261-00	D-13	1LJ-2414J-00	D-7	29L-25398-10	E-7	4JH-26121-00	E-12	4TV-2834E-00	F-9
4TV-2134K-00	E-13	4JH-22311-00	D-11	4TV-24145-00	E-4		E-9	4JH-26122-00	E-12	4TV-2834F-00	F-8

NUMERICAL INDEX

PARTNO.	GRID NO.	PARTNO.	GRID NO.	PARTNO.	GRID NO.	PARTNO.	GRID NO.	PARTNO.	GRID NO.	PARTNO.	GRID NO.
3TU-28344-00	D-12	4DN-81940-00	G-5	4TV-83540-00	F-14	90105-10731	D-6	90157-05079	G-5	90201-06380	G-2
4TV-2835G-00-P4	F-5	4TV-81950-00	G-5	4NX-83546-00	F-14	90105-12584	F-11	90159-03102	F-14	90201-08083	F-3
4TV-2835G-00-4B	F-5	4JH-81960-01	G-5	4TV-83550-00	F-14	90109-060E9	E-6	90159-05065	F-6	90201-08326	E-15
4TV-2835H-00-P4	F-5	3VD-82100-01	G-5	4FM-83559-00	F-14	90109-063F7	D-4		F-9	90201-087K3	C-9
4TV-2835H-00-4B	F-5	4JH-82115-00	G-5	4TV-83560-00	F-14	90109-064F0	B-2	90159-06033	D-6	90201-08730	C-8
4TV-2835J-00-P4	F-9	4JH-82116-00	G-5	4SV-83570-10	F-14	90109-065A8	B-7		D-9	90201-090P4	B-2
4TV-2835J-00-P6	F-9	2T4-82131-00	G-5	4SV-83578-00	F-14	90109-080G5	G-5	90159-06085	F-3	90201-101J1	D-11
4TV-2835K-00-P4	F-9	4J2-82131-01	D-7	4SV-83590-00	F-14	90109-083G4	E-11	90159-06092	C-14		D-13
4TV-2835K-00-P6	F-9	1AE-82151-00	G-5	11H-83591-00	G-4		E-8	90159-06150	F-3	90201-10118	E-14
4TV-28356-00	F-5	2GH-82151-00	G-5	3LN-83912-00	G-3	90109-08789	F-5	90164-04006	F-14		F-4
4JH-2836F-00	F-10	2KW-82151-00	G-5	31A-83913-00	G-3	90109-104E6	E-15	90167-05015	F-6	90201-104R2	F-3
4JH-2836G-00	F-10	36Y-82151-00	G-5	4SV-83922-00	E-13	90109-10554	D-13	90167-05077	F-6	90201-107K6	C-13
4TV-2836H-00	F-9	4TV-82305-00	G-4	25G-83936-01	G-6	90109-112F1	B-7	90167-05078	F-6	90201-10774	D-6
4TV-2836K-00	F-5	4TV-82305-30	G-4	31A-83945-00	G-3	90110-05112	E-4	90170-08358	D-5	90201-11078	D-6
4TV-2836L-00	F-6	4TV-82310-01	G-4	4PU-83963-00	G-3	90110-06087	B-15	90170-18221	C-14	90201-113K2	B-12
4TV-2836M-00	F-6	4FM-82320-01	G-4	4TV-83972-00	G-3	90110-06130	B-12	90176-06055	E-3	90201-121H0	F-11
4TV-2836N-00	F-6	4TV-82370-00	G-4	3FV-83980-00	E-13		C-11	90176-06065	E-14	90201-126A7	D-11
4TV-2836R-00	F-6	4JH-82501-03	G-5	4TV-84310-00	F-15	90110-06149	C-11	90176-22081	D-14	90201-160F6	D-11
4TV-2836R-00	F-6	4TV-82509-00	G-5	4TV-84310-10	F-15	90110-06225	B-12	90179-05523	F-5	90201-161J3	D-11
4TV-2837J-00	F-8	1KT-82530-03	G-5	4TV-84312-00	F-15	90113-08021	C-14	90179-06635	E-6	90201-20276	D-3
4TV-2837K-00	F-8	1AE-82540-00	G-4	4E2-84347-00	F-15	90116-09583	C-9	90179-06668	C-8	90201-22070	D-14
4TV-28371-00	F-9	1WG-82541-00	G-4	4TV-84359-00	F-15	90116-09584	C-9	90179-07652	B-4	90201-237K5	C-9
4TV-2838N-00	F-6	3LN-82560-01	G-4	4TV-84397-00	F-15	90116-10575	E-9	90179-08148	E-12	90202-05193	E-4
4TV-2838R-00	F-6	3LD-82566-50	G-5	4TR-84700-00	G-2	90119-06044	D-6	90179-08179	C-14	90202-06056	C-6
4TV-2838T-00	F-6	3TJ-82583-00	G-4	31L-84714-00	G-2	90119-06096	E-3	90179-09612	B-2	90202-26142	D-14
4TV-28381-00	F-5	4TV-82590-20	G-5	4TR-84723-00	G-2	90119-06097	D-8	90179-10247	E-15	90206-12074	E-15
4TV-28385-00-P8	F-9	1UA-82591-00	G-6	4TR-84733-00	G-2		E-14	90179-18020	D-3	90206-14086	F-3
4TV-28385-00-P9	F-9	29L-82911-01	G-3	4TV-84751-11	G-2	90119-06117	E-2	90179-25033	D-14	90209-11262	B-2
5AH-28390-10	F-5	31A-82917-00	G-3	4TV-84753-00	G-2	90119-06118	D-7	90183-05024	D-12	90209-22191	D-2
4TV-2848H-00	F-9	4JH-83310-01	F-13	4KM-85130-00	D-7	90119-06172	B-14		D-9	90209-27336	D-2
4TV-2848K-03	F-9	306-83311-40	F-13	4TV-85132-00	D-7	90119-06194	D-11	90183-05042	F-6	90215-18225	C-14
4TV-2848L-03	F-8	4JH-83318-00	F-13	4JH-85720-01	G-4		D-8		F-8	90215-21022	D-2
4TV-2848M-02	F-9	4JH-83320-01	F-13	3GM-85752-01	E-4	90123-08046	E-12		F-9	90240-08124	F-3
4TV-2848N-02	F-8	4JH-83330-00	F-13	42X-85753-00	E-4	90149-04278	D-8	90183-05073	F-8	90267-40076	D-7
4TV-2848P-00	F-9	4JH-83330-10	F-13	4TV-85885-00	C-7	90149-05321	D-4		F-9	90267-40191	F-5
4TV-2848R-00	F-8	4JH-83332-00	F-13	9Y581-32117	B-7	90149-06008	E-4	90183-05074	F-5	90280-03047	F-11
4TV-81410-00	F-11	4JH-83340-00	F-13	90101-10659	D-11	90149-06313	E-6		F-8	90280-05048	C-13
4TV-81450-00	F-11	4JH-83340-10	F-13	90101-12673	D-11	90150-05023	F-5	90183-06023	F-9	90338-05194	B-15
3AJ-81809-00	F-12	4JH-83342-00	F-13	90105-06384	B-2	90150-05024	F-5	90185-10037	G-4	90338-08174	B-2
1HX-81815-00	F-12	4FM-83345-00	F-13	90105-066A5	B-8	90150-06036	F-10	90185-16127	E-15	90338-09012	G-3
4XV-8182A-00	F-12	4MY-83350-01	G-4	90105-07385	B-7	90151-06061	F-7		D-11	90338-10132	D-9
3HE-81826-00	F-12	4FM-83369-00	F-13	90105-08321	E-9	90154-05013	D-11	90201-04018	D-7	90340-08014	C-12
3HE-81830-00	F-12	4TH-83371-00	G-4	90105-08630	C-9	90154-05059	D-7		D-8	90340-12112	B-2
3HE-81840-00	F-12	4TV-83509-00	F-14	90105-10189	C-4		D-9		F-5	90340-14132	B-13
11H-81844-00	F-12	3GM-83517-00	F-14	90105-10445	C-13		F-9	90201-042E0	D-9	90387-060G7	E-3
1FK-81847-00	F-12	4R0-83517-00	F-14	90105-10638	E-11	90154-06061	D-7	90201-05027	F-11	90387-06023	F-3
3HE-81850-00	F-12	4FM-83520-00	F-14		E-8	90157-05065	C-14	90201-06071	B-10	90387-062W4	G-2
4G0-81871-00	F-12	4FM-8353H-40	F-14	90105-10727	D-11	90157-05079	E-15		G-2	90387-06299	E-3
3HE-81890-00	F-12										

NUMERICAL INDEX

PARTNO.	GRID NO.	PARTNO.	GRID NO.	PARTNO.	GRID NO.	PARTNO.	GRID NO.	PARTNO.	GRID NO.	PARTNO.	GRID NO.
90387-064H8	F- 2	90450-32051	B- 10	90467-11090	B- 11	91314-06045	C- 11	93102-35368	D- 2	94112-1711W	E- 7
90387-065J6	B- 14		B- 8	90467-11106	B- 15	91314-08025	E- 15	93105-45017	E- 7	94116-1711X	E- 9
	D- 7	90450-52074	B- 14	90467-13123	E- 4	91314-08030	D- 14	93106-40041	E- 9	94581-59108	E- 9
90387-07391	B- 10	90450-60085	B- 14	90467-14015	C- 10	91314-08040	E- 2	93109-08058	C- 14	94701-00318	B- 2
	B- 15	90460-59211	B- 14		C- 3	91314-10045	D- 6	93109-12075	D- 5	94701-00319	B- 2
	C- 3	90461-08031	F- 4	90467-14057	E- 4	91314-10050	D- 6	93109-17071	D- 11	95024-06045	F- 2
90387-07717	D- 8	90461-10132	E- 14		F- 4	91317-05010	E- 4	93210-06422	C- 10	95026-06025	E- 13
	E- 14	90462-10182	C- 12	90467-19051	C- 3	91317-06010	B- 13	93210-10096	B- 13	95027-06008	G- 5
90387-081R2	D- 12	90462-20188	C- 3	90467-19160	B- 15		B- 8	93210-12152	C- 9	95027-06012	B- 8
90387-087L0	B- 15	90464-07121	G- 6	90467-20030	B- 15	91317-06012	C- 10	93210-15414	B- 8	95027-06016	E- 3
90387-100T8	D- 11	90464-08126	G- 6	90467-20154	B- 15		E- 13	93210-15620	E- 13		G- 2
90387-115V8	D- 6	90464-08211	G- 6	90467-23067	C- 3	91317-06020	B- 14	93210-16325	C- 9		G- 4
90387-126T1	D- 11	90464-10112	G- 5	90468-08104	C- 3		B- 8	93210-17746	B- 8	95027-06020	G- 4
90387-127W0	D- 11	90464-10190	G- 5	90468-12069	B- 4	91317-06025	B- 13	93210-21190	B- 8	95027-06025	C- 3
90387-177V5	E- 7		G- 6	90480-01531	F- 10		B- 7	93210-27194	C- 11		F- 12
90387-2004C	E- 10	90464-12045	B- 10	90480-01605	F- 5		B- 8	93210-29196	G- 4	95304-08700	D- 5
90387-2004D	E- 10	90464-12089	D- 6	90480-12072	D- 7		E- 12	93210-33133	B- 8	95307-06600	F- 6
90387-2004E	E- 9		G- 5	90480-12237	B- 15	91317-06035	B- 8	93210-48364	C- 14		G- 2
90387-2004F	E- 9		G- 6	90480-12314	B- 14	91317-06040	B- 8	93305-20509	D- 2	95307-08600	E- 9
90387-212R3	C- 14	90464-13073	G- 5	90480-12607	F- 3	91317-08020	C- 13	93306-00105	C- 14	95307-08700	F- 3
90387-2504A	D- 2	90464-15192	G- 5	90480-13163	E- 3	91317-08025	E- 12	93306-20006	C- 13	95604-06200	F- 2
90401-10106	B- 13		G- 6	90480-13398	F- 8	91401-20012	E- 10	93306-20314	E- 7	95606-06100	E- 13
90401-10159	E- 14	90464-15195	G- 6		F- 9		F- 3	93306-20417	E- 9	95607-04100	D- 8
	F- 4	90464-16039	G- 6	90480-13567	D- 9	92014-08020	F- 3	93306-20464	D- 2	95607-06100	G- 2
90401-10160	E- 14	90464-20181	G- 6	90480-14585	F- 6	92017-06016	B- 15	93306-20644	E- 9		G- 3
90401-20171	B- 13	90464-23041	C- 3	90480-15316	C- 3		D- 8	93306-37208	D- 2	95607-08200	F- 5
90413-08009	B- 15	90464-25160	G- 5	90480-15363	B- 10	92017-06030	F- 11	93310-345R8	C- 15	95607-10100	D- 11
90413-08012	B- 10	90464-25217	G- 6		B- 15	92902-04100	E- 13	93311-42045	D- 3		D- 13
90430-06014	B- 3	90464-30040	C- 3	90480-18276	G- 2	92902-04600	E- 13	93315-32516	C- 9	95607-10200	E- 9
	B- 8	90464-44109	C- 2	90480-18277	F- 5	92907-03100	F- 14	93317-31771	D- 11	95607-18200	E- 10
90430-06166	C- 9	90465-06289	C- 10	90480-18330	F- 5	92907-04100	F- 14	93317-41761	D- 11	95617-06630	B- 2
90430-10188	B- 13	90465-10306	B- 13	90501-06022	D- 4	92907-04600	F- 13	93317-42060	D- 11	95617-10100	C- 4
90445-075G7	B- 14	90465-10307	C- 9	90501-12743	E- 15		F- 14	93320-32403	D- 11	95617-12100	D- 11
90445-083J9	B- 10	90465-10308	C- 9	90501-224J9	C- 14	92907-05600	F- 11	93332-00001	D- 14	95707-05500	D- 7
90445-08786	D- 6	90467-08003	D- 6	90501-23346	C- 14		F- 6	93332-00008	D- 14	95707-06500	B- 15
90445-091J2	C- 3	90467-08017	B- 15	90506-11488	C- 14	92907-06100	G- 3	93440-07149	B- 2		E- 6
90445-09488	B- 14		C- 4	90506-18224	E- 15	92907-06600	C- 3	93440-25084	D- 2		F- 13
90445-09496	B- 14	90467-08075	B- 10	90506-20377	E- 15		E- 3	93440-30077	D- 2	95707-08500	E- 9
90445-09757	B- 15	90467-08092	C- 3	90506-26225	E- 15		E- 4	93440-52014	D- 3	95707-10500	D- 6
90445-107H3	E- 4	90467-09006	E- 4	90508-237A0	D- 4	92907-08600	E- 9	93440-54152	D- 2	95807-06010	C- 4
90445-110H9	B- 15	90467-09037	B- 10	90508-32682	D- 5		F- 5	93501-04011	F- 2		F- 9
90445-11262	B- 15		B- 9	90560-12211	D- 5	92907-10600	C- 4	93505-16006	C- 14	95807-06012	B- 10
90445-114J7	B- 15	90467-10038	C- 10	90560-17356	E- 7	92990-06600	C- 8	93603-09106	B- 12		E- 13
90445-11452	B- 14	90467-10041	B- 14	91314-06020	E- 12	93101-29165	B- 4	93603-17070	B- 12		E- 14
90445-116E9	C- 10	90467-11032	E- 4	91314-06025	C- 11	93101-29166	B- 4	93612-16254	B- 3		F- 4
90446-17346	E- 15	90467-11044	B- 8		C- 12	93102-12106	D- 5		C- 9		G- 4
90450-17036	B- 10		B- 9	91314-06035	C- 11	93102-23252	E- 7	93900-00030	E- 7	95807-06014	B- 3
90450-32008	D- 13	90467-11090	B- 10		C- 12	93102-28022	E- 9		E- 9	95807-06020	G- 5

NUMERICAL INDEX

PARTNO.	GRID NO.	PARTNO.	GRID NO.	PARTNO.	GRID NO.	PARTNO.	GRID NO.	PARTNO.	GRID NO.
95807-06025	B- 10	98507-06016	C- 3						
95807-08035	E- 3								
95811-06010	B- 10	98507-06020	B- 12						
95814-08025	C- 8	98707-03008	G- 3						
95814-08035	F- 2	98907-05008	C- 11						
95814-10025	C- 8	98907-05010	E- 3						
		99244-00080	D- 10						
95817-06040	C- 9	99244-00320	F- 8						
95817-06050	C- 9	99246-00080	D- 10						
95817-06070	C- 9		F- 5						
95817-06075	E- 3	99246-00100	F- 5						
95817-06080	C- 9	99246-00320	F- 8						
95817-06090	C- 9	99510-08016	B- 2						
95817-08030	C- 8	99530-08012	B- 12						
95817-08070	C- 9	99530-08016	B- 13						
95827-06010	B- 3		C- 11						
95827-06016	D- 4		C- 12						
95827-10175	D- 6	99530-12016	C- 9						
97007-06014	D- 12								
97007-06025	E- 3								
	G- 3								
97027-06020	D- 5								
97027-08016	F- 5								
97080-06008	C- 8								
97702-40610	F- 13								
97704-50016	F- 6								
	F- 9								
97706-40620	G- 2								
97707-40010	D- 9								
97707-40012	F- 5								
97707-50016	F- 6								
98502-04012	E- 13								
98502-04014	C- 6								
98507-03010	F- 14								
98507-04008	F- 13								
98507-04010	F- 14								
98507-05012	F- 6								
98507-05016	F- 11								
98507-05020	E- 12								
98507-05025	B- 14								
	E- 12								
	G- 3								
98507-05045	G- 3								
98507-06008	F- 3								
98507-06010	C- 12								
98507-06012	C- 10								
	C- 9								
	E- 4								

