

YAMAHA

PARTS CATALOGUE

YW100 (4VP5)

174VP-200EI

FOREWORD

The Parts Catalogue is related to the parts for the model(s) in the bellow frame. When you are ordering replacement parts please refer to this Parts Catalogue and quote both part numbers and part names correctly.

YW100(4VP5)

1. Modifications or additions which have been made after issue of the parts Catalogue will be announced in the Yamaha Parts News.

It is advisable that you make necessary corrections to the Parts Catalogue according to the Yamaha Parts News.

2. Abbreviations

The following abbreviations are used in this Parts Catalogue.

- "UR" Use specified parts number.
- "UN" Use as many as needed.
- "AP" Alternate Parts
- "LM" Local Made(Parts need to be ordered locally)
- "F#" Frame No.(Applicable machine No.)

3. Parts, which are to be supplied in an assembly, are listed with a dot(.) in front of the part name as shown below.

EXAMPLE CARBURETOR ASSY
 .JET, PILOT
 .NOZZLE, MAIN

4. Number of component for assembly

The numeral appearing to the right of each component part indicates the quantity of parts for each assembly unit.

EXAMPLE

| PART NO. | DESCRIPTION | Q'TY | REMARKS |
|--------------|--------------------------|------|---------|
| 4DH-H3310-00 | FRONT FLASHER LIGHT ASSY | 1 | |
| 3UH-H3331-10 | .BULB(6V-18W) | 1 | |
| 3UH-H3312-01 | .LENS, FLASHER | 1 | |

5. Applicable colors of graphics are represented in the "REMARKS" as shown bellow.

EXAMPLE

| PART NO. | DESCRIPTION | Q'TY | REMARKS |
|-----------------|---------------------|------|-----------|
| 2N4-24110-00-X5 | FUEL TANK COMP. | 1 | MAXIM RED |
| 3J1-24240-10 | .GRAPHIC, FUEL TANK | 1 | for MXR |

6. Applicable Serial No. and Code.

| Destination | Frame Serial No. | Engine Serial No. |
|------------------------------|---------------------------|-------------------|
| C.South America (CSA 200) | 4VP-450101 | 4VP-450101 |
| Greece (GRC 511) | *LPR4VP000* *00400101* | 4VP-400101 |

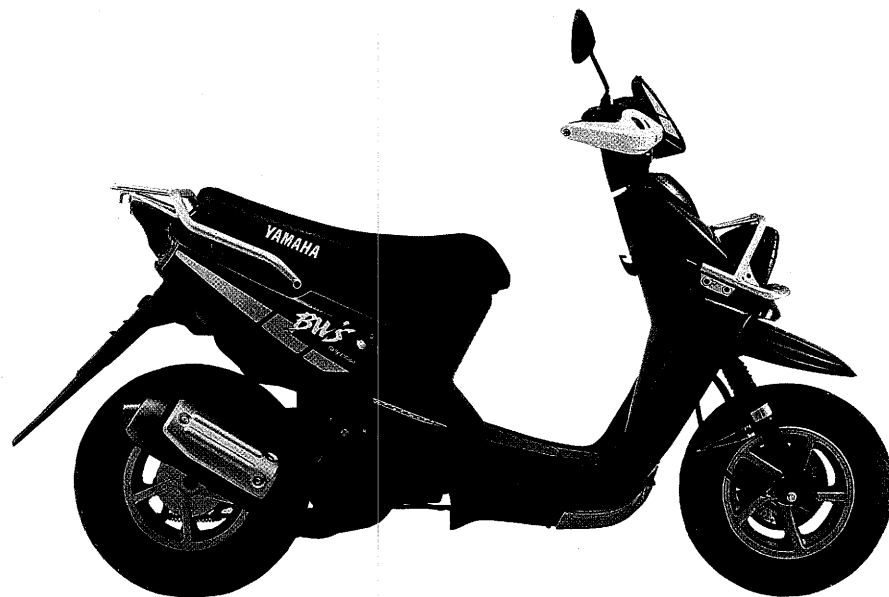
| Model | Color Code | Color Name | Abbreviation |
|-------|------------|------------|--------------|
| 4VP5 | 004B | BLACK 2 | BL 2 |
| | 00J5 | SPACE BLUE | SBE |

7. Note that the illustrations are for reference in finding parts numbers, not to be used for assembling. When assembling, Please use the applicable service manual.

8. The asterisk(*) before a reference number indicates modification items after the first edition.



Picture for reference only. please see the actual motorcycle.



A3

CONTENTS

ENGINE

| | | |
|-------|-------------------------|----|
| FIG1 | CYLINDER HEAD..... | 1 |
| FIG2 | CRANKSHAFT. PISTON..... | 2 |
| FIG3 | AIR SHROUD. FUN..... | 3 |
| FIG4 | OIL PUMP..... | 4 |
| FIG5 | INTAKE..... | 5 |
| FIG6 | CARBURETOR..... | 6 |
| FIG7 | EXHAUST..... | 7 |
| FIG8 | CRANKCASE..... | 8 |
| FIG9 | STARTER..... | 10 |
| FIG10 | CLUTCH..... | 11 |
| FIG11 | TRANSMISSION..... | 13 |

CHASSIS

| | | |
|-------|-----------------------------|----|
| FIG12 | FRAME..... | 14 |
| FIG13 | FRONT FENDER..... | 15 |
| FIG14 | SIDE COVER..... | 16 |
| FIG15 | OIL TANK..... | 17 |
| FIG16 | REAR SUSPENSION..... | 18 |
| FIG17 | FRONT FORK..... | 19 |
| FIG18 | FUEL TANK..... | 21 |
| FIG19 | SEAT..... | 22 |
| FIG20 | FRONT WHEEL..... | 23 |
| FIG21 | FRONT BRAKE CALIPER..... | 24 |
| FIG22 | REAR WHEEL..... | 25 |
| FIG23 | STEERING HANDLE. CABLE..... | 26 |

| | | |
|-------|----------------------------|----|
| FIG24 | FRONT MASTER CYLINDER..... | 27 |
| FIG25 | STAND..... | 28 |
| FIG26 | LEG SHIELD..... | 29 |
| FIG27 | COWLING 1..... | 30 |
| FIG28 | GENERATOR..... | 31 |
| FIG29 | STARTING MOTOR..... | 32 |
| FIG30 | FLASHER LIGHT..... | 33 |
| FIG31 | METER..... | 34 |
| FIG32 | HEADLIGHT..... | 35 |
| FIG33 | TAILLIGHT..... | 36 |
| FIG34 | HANDLE SWITCH. LEVER..... | 37 |
| FIG35 | ELECTRICAL 1..... | 38 |
| FIG36 | ELECTRICAL 2..... | 39 |

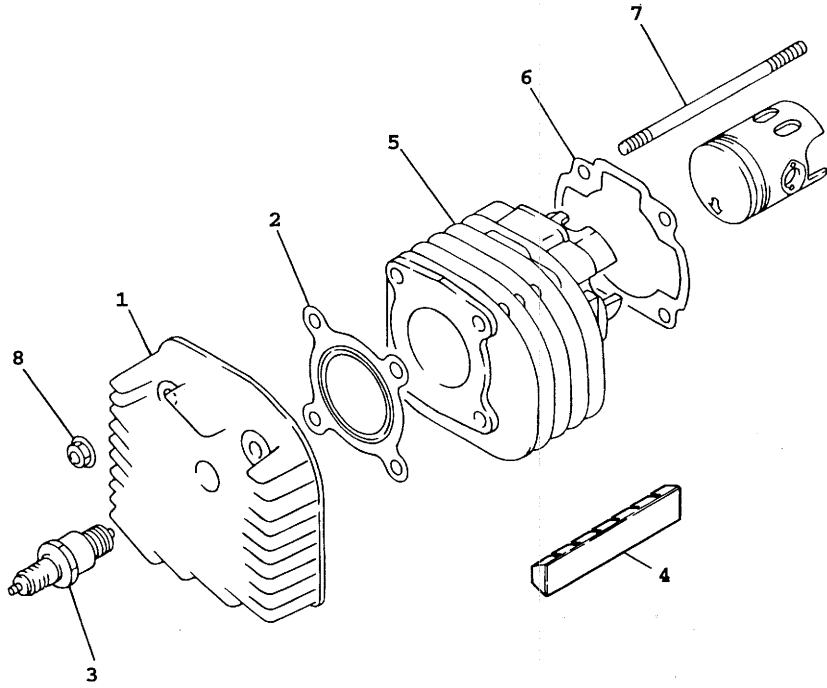
INDEX

| | |
|----------------------|----|
| NUMERICAL INDEX..... | 40 |
|----------------------|----|

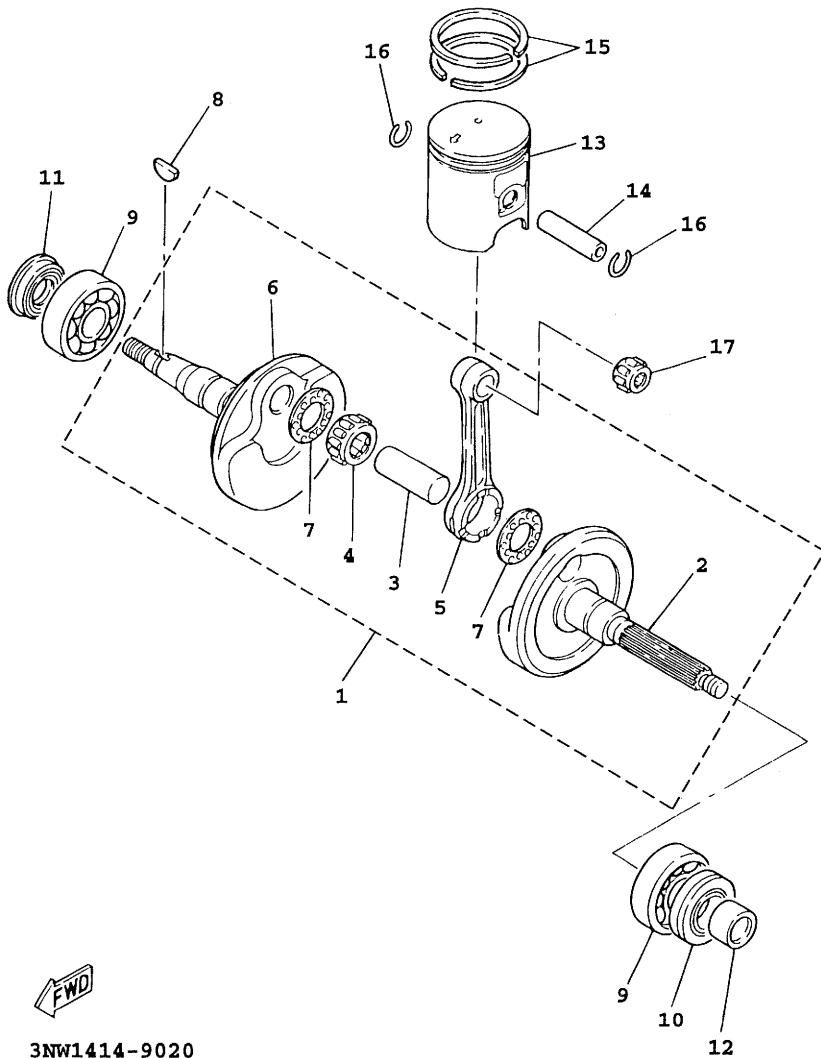
FIG. 1 CYLINDER

REF.

| NO. | PART NO. | DESCRIPTION | Q'TY | REMARKS |
|-----|--------------|-------------------------|------|---------|
| 1 | 4VP-E1111-00 | HEAD, CYLINDER 1 | 1 | |
| 2 | 4VP-E1181-00 | GASKET, CYLINDER HEAD 1 | 1 | |
| 3 | 94700-00825 | PLUG, SPARK | 1 | |
| 4 | 4VP-E1162-00 | ABSORBER 2 | 1 | |
| 5 | 4VP-E1311-00 | CYLINDER 1 | 1 | |
| 6 | 4VP-E1351-00 | GASKET, CYLINDER | 1 | |
| 7 | 90116-07834 | BOLT, STUD | 4 | |
| 8 | 90179-07381 | NUT | 4 | |



4VP5200-7010



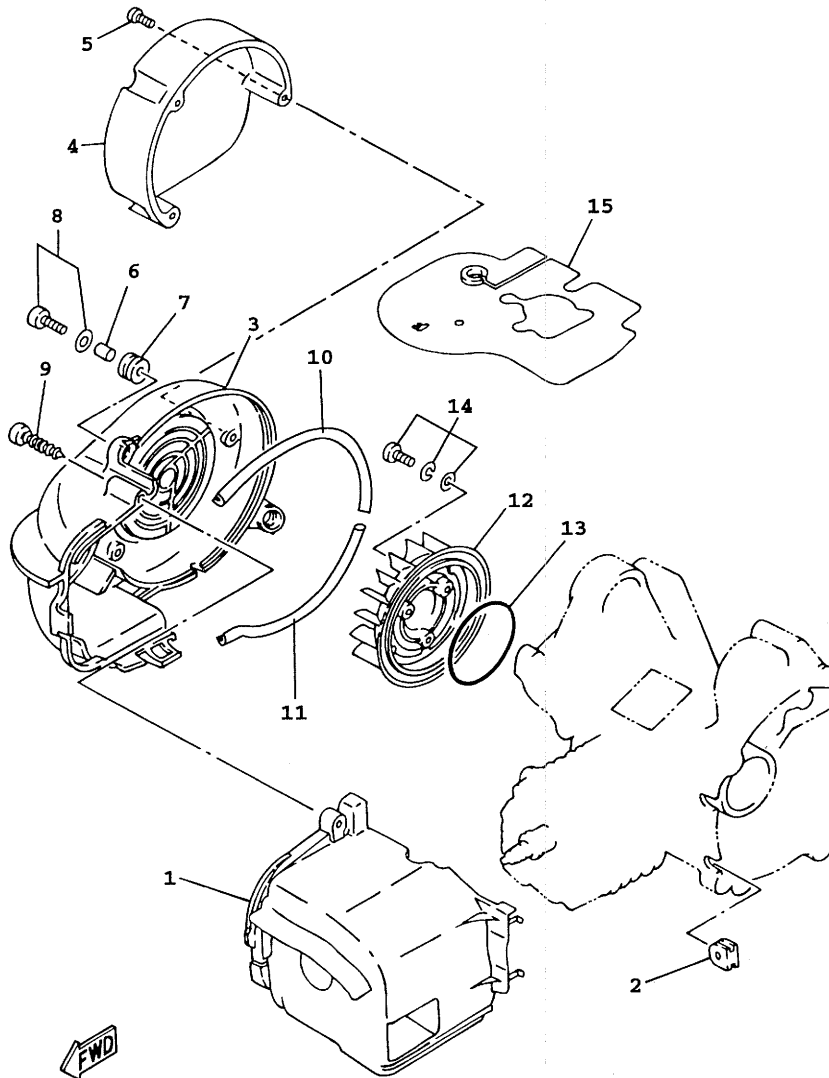
3NW1414-9020

FIG. 2 CRANKSHAFT. PISTON

REF.

| NO. | PART NO. | DESCRIPTION | Q'TY | REMARKS |
|-----|-----------------|-----------------------------|------|---------|
| 1 | 4VP-E1400-00 | CRANKSHAFT ASSY | 1 | |
| 2 | 4VP-E1412-00 | .CRANK 1 | 1 | |
| 3 | 4DM-E1681-00 | .PIN, CRANK 1 | 1 | |
| 4 | 93310-418T0 | .BRG. | 1 | |
| 5 | 4VP-E1651-00 | .ROD, CONNECTING | 1 | |
| 6 | 4VP-E1422-00 | .CRANK 2 | 1 | |
| 7 | 90209-18112 | .WASHER | 2 | |
| 8 | 90280-03017 | KEY, WOODRUFF | 1 | |
| 9 | 93306-205Y6 | BRG. | 2 | |
| 10 | 93102-22464 | SEAL, OIL | 1 | |
| 11 | 93101-20169 | SEAL, OIL | 1 | |
| 12 | 90387-178N6 | COLLAR | 1 | |
| 13 | 4VP-E1631-10-A0 | PISTON (STD) | 1 | |
| | 4VP-E1631-19 | PISTON (52.010mm) | 1 | |
| | 4VP-E1631-29 | PISTON (52.020mm) | 1 | |
| | 4VP-E1631-39 | PISTON (52.030mm) | 1 | |
| | 4VP-E1636-00 | PISTON (0.5mm O/S) | 1 | |
| 14 | 4VP-E1633-00 | PIN, PISTON | 1 | |
| 15 | 3YR-11603-00 | PISTON RING SET (STD) | 1 | |
| | 3YR-11605-00 | PISTON RING SET (0.5mm O/S) | 1 | |
| 16 | 93450-16115 | CIRCLIP | 2 | |
| 17 | 93310-21403 | BRG. | 1 | |

FIG. 3 AIR SHROUD. FAN

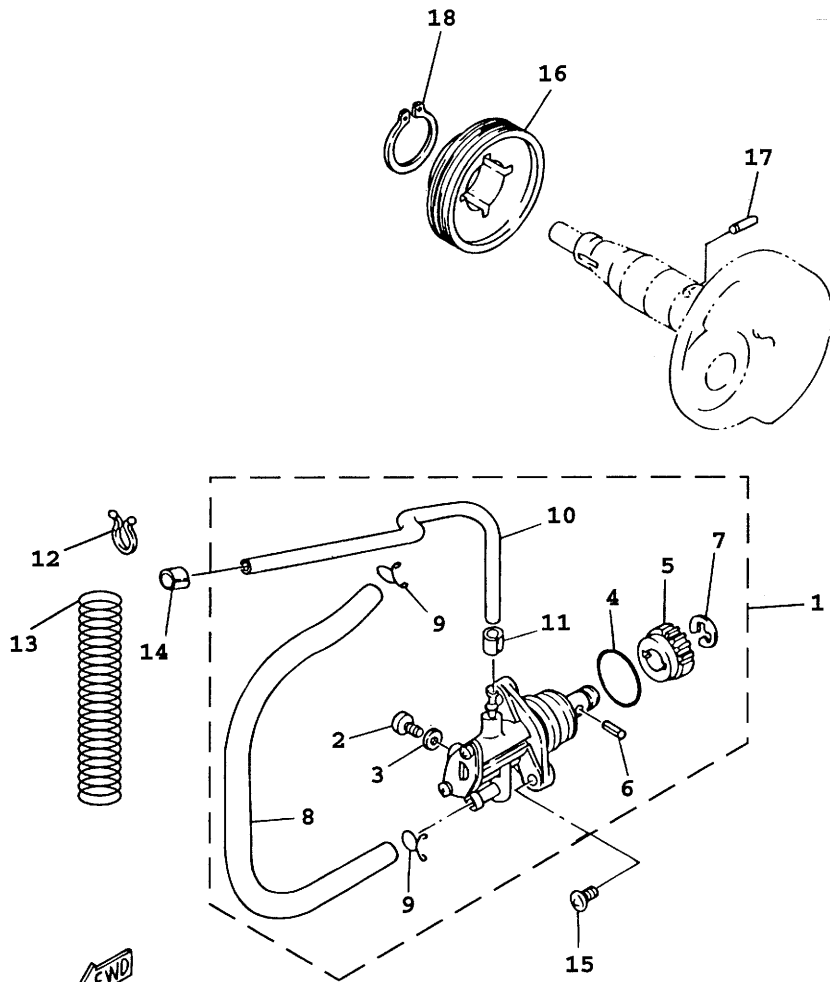


4VP1414-7030

REF.

| NO. | PART NO. | DESCRIPTION | QTY | REMARKS |
|-----|--------------|------------------------|-----|---------|
| 1 | 4VP-E2651-00 | AIR SHROUD, CYLINDER 1 | 1 | |
| 2 | 90480-11866 | GROMMET | 1 | |
| 3 | 4VP-E2653-00 | AIR SHROUD, CYLINDER 3 | 1 | |
| 4 | 4DY-E262H-00 | GUIDE, 1 | 1 | |
| 5 | 97707-40514 | SCREW, TAPPING | 3 | |
| 6 | 90387-068J5 | COLLAR | 3 | |
| 7 | 90480-12497 | GROMMET | 3 | |
| 8 | 97607-06220 | SCREW, W/WASHER | 3 | |
| 9 | 97707-60540 | SCREW, TAPPING | 1 | |
| 10 | 4VP-E2658-00 | DAMPER, AIR SHROUD 1 | 1 | |
| 11 | 4VP-E2659-00 | DAMPER, AIR SHROUD 2 | 1 | |
| 12 | 4VP-E2611-00 | FAN | 1 | |
| 13 | 93210-64893 | O-RING | 1 | |
| 14 | 97607-06216 | SCREW, W/WASHER | 3 | |
| 15 | 3XG-E2631-00 | DEFLECTOR 1 | 1 | |

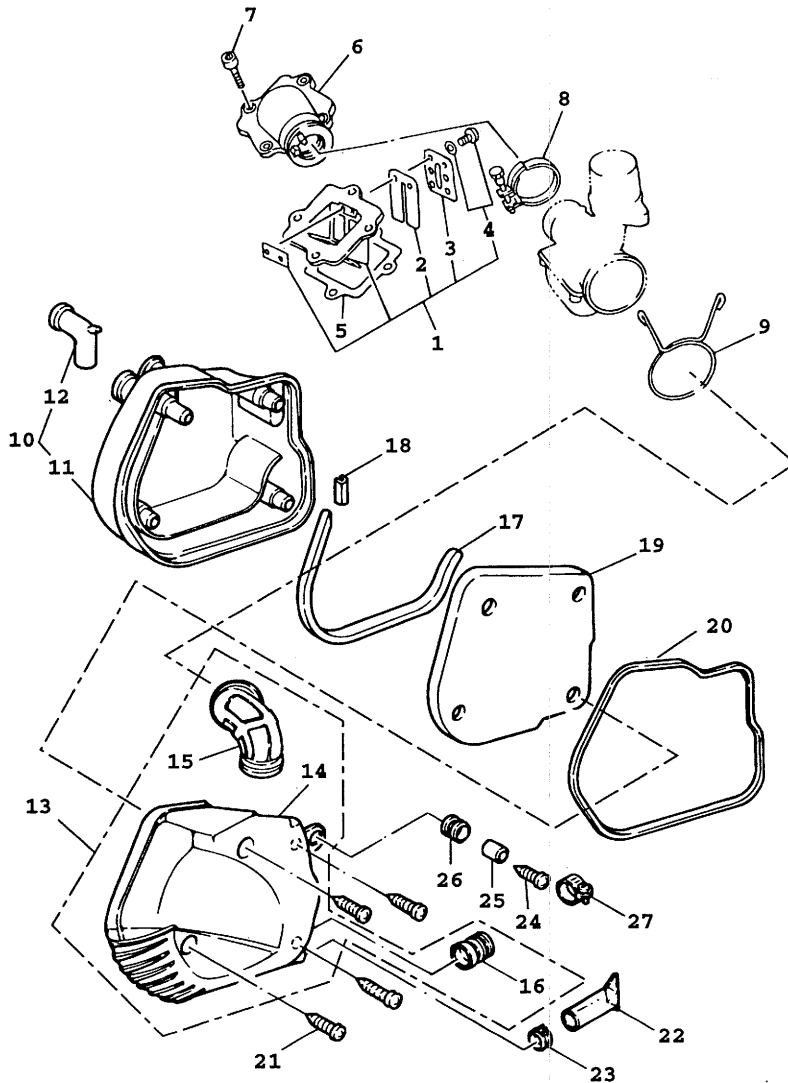
FIG. 4 OIL PUMP



4VP1414-7040

REF.

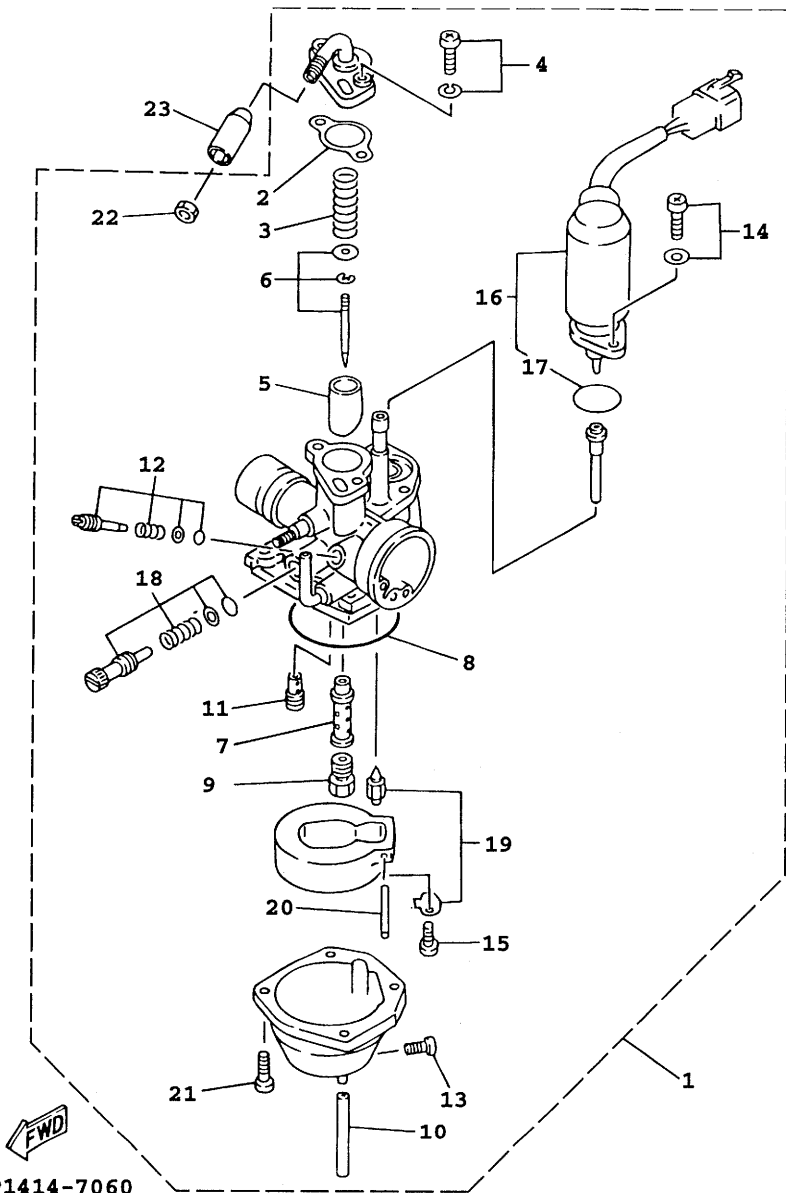
| NO. | PART NO. | DESCRIPTION | Q'TY | REMARKS |
|-----|--------------|------------------------|------|---------|
| 1 | 4VP-E3100-00 | OIL PUMP ASSY | 1 | |
| 2 | 3WF-13185-00 | .BOLT, BREATHER | 1 | |
| 3 | 1YU-13187-00 | .GASKET, BREATHER BOLT | 1 | |
| 4 | 1YU-13473-00 | .O-RING | 1 | |
| 5 | 3AA-13124-00 | .GEAR, WORM WHEEL | 1 | |
| 6 | 1YU-13516-00 | .PIN, DOWEL | 1 | |
| 7 | 1YU-13577-00 | .CLIP | 1 | |
| 8 | 90445-09124 | .HOSE | 1 | |
| 9 | 90467-08003 | .CLIP | 2 | |
| 10 | 90445-05431 | .HOSE | 1 | |
| 11 | 90468-02033 | .CLIP | 1 | |
| 12 | 90464-16801 | CLAMP | 1 | |
| 13 | 90501-08845 | SPRING, COMPRESSION | 1 | |
| 14 | 90468-02033 | CLIP | 1 | |
| 15 | 98507-05014 | SCREW, PAN HEAD | 2 | |
| 16 | 4VP-13178-00 | GEAR, PUMP DRIVE | 1 | |
| 17 | 93603-12827 | PIN DOWEL | 1 | |
| 18 | 99009-19400 | CIRCLIP | 1 | |



4VP5200-7050

FIG. 5 INTAKE

| NO. | PART NO. | DESCRIPTION | Q'TY | REMARKS |
|-----|--------------|------------------------|------|---------|
| 1 | 4VP-E3610-00 | REED VALVE ASSY | 1 | |
| 2 | 3XG-E3613-00 | .REED, VALVE | 2 | |
| 3 | 3XG-E3616-00 | .STOPPER, REED VALVE | 2 | |
| 4 | 97607-03206 | .SCREW,W/WASHER | 4 | |
| 5 | 3XG-E3621-00 | GASKET, VALVE SEAT | 1 | |
| 6 | 3XG-E3555-10 | MANIFOLD, INTAKE | 1 | |
| 7 | 91318-06020 | BOLT | 4 | |
| 8 | 3XG-E3575-01 | BAND | 1 | |
| 9 | 90467-24140 | CLIP | 1 | |
| 10 | 4VP-W1441-00 | AIR CLEANER CASE COMP. | 1 | |
| 11 | 4VP-E4411-00 | .CASE, AIR CLEANER 1 | 1 | |
| 12 | 4VP-E4437-00 | .DUCT | 1 | |
| 13 | 4VP-W1442-00 | AIR CLEANER CASE COMP | 1 | |
| 14 | 4VP-E4412-00 | .CAP, CLEANER CASE 1 | 1 | |
| 15 | 4VP-E4453-00 | .JOINT, AIR CLEANER 1 | 1 | |
| 16 | 4VP-E4463-00 | .JOINT, AIR CLEANER 2 | 1 | |
| 17 | 4VP-E4462-00 | SEAL | 1 | |
| 18 | 4VP-E4467-00 | SEAL | 1 | |
| 19 | 4VP-E4451-00 | ELEMENT, AIR CLEANER | 1 | |
| 20 | 4VP-E4452-00 | SEAL | 1 | |
| 21 | 97707-50125 | SCREW,TAPPING | 4 | |
| 22 | 4VP-E443E-00 | PIPE, DRAIN | 1 | |
| 23 | 90467-11823 | CLIP | 1 | |
| 24 | 97607-06220 | SCREW,W/WASHER | 1 | |
| 25 | 90387-068J5 | COLLAR | 1 | |
| 26 | 90480-12497 | GROMMET | 1 | |
| 27 | 90460-41191 | CLAMP, HOSE | 1 | |



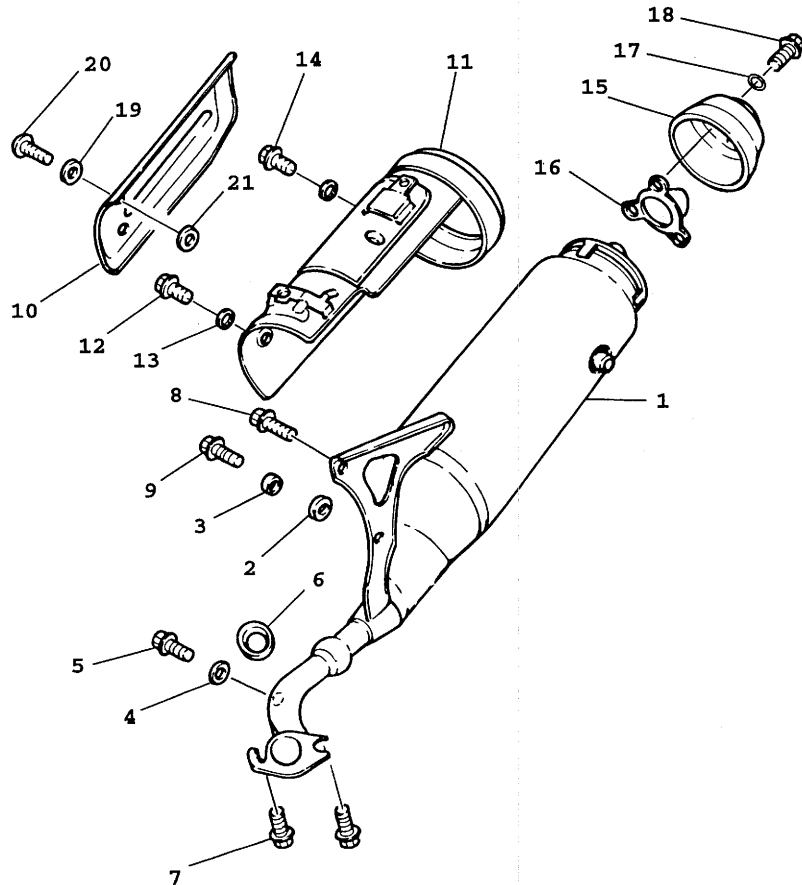
4VP1414-7060

FIG. 6 CARBURETOR

REF.

| NO. | PART NO. | DESCRIPTION | QTY | REMARKS |
|-----|--------------|-------------------------|-----|---------|
| 1 | 4VP-E4101-20 | CARBURETOR ASSY 1 | 1 | |
| 2 | 3XG-14198-00 | .GASKET | 1 | |
| 3 | 52W-14131-00 | .SPRING, THROTTLE VALVE | 1 | |
| 4 | 97607-04112 | .SCREW,W/WASHER | 2 | |
| 5 | 4VP-14112-35 | .VALVE, THROTTLE 1 | 1 | |
| 6 | 4VP-1490J-00 | .NEEDLE SET | 1 | |
| 7 | 4VP-14141-11 | .NOZZLE, MAIN | 1 | |
| 8 | 3XG-14997-00 | .SEAL | 1 | |
| 9 | 18A-1414A-65 | .JET, MAIN | 1 | |
| 10 | 3XG-14196-00 | .PIPE | 1 | |
| 11 | 193-14142-35 | .JET, PILOT | 1 | |
| 12 | 3MB-14104-00 | .AIR SCREW SET | 1 | |
| 13 | 12R-14191-00 | .PLUG, DRAIN | 1 | |
| 14 | 97607-04108 | .SCREW,W/WASHER | 2 | |
| 15 | 98507-03006 | .SCREW,PAN HEAD | 1 | |
| 16 | 4VP-14171-00 | .PLUNGER, STARTER | 1 | |
| 17 | 52W-14147-00 | .O-RING | 1 | |
| 18 | 3XG-14103-00 | .THROTTLE SCREW SET | 1 | |
| 19 | 3XG-14107-00 | .NEEDLE VALVE SET | 1 | |
| 20 | 53L-14186-00 | .PIN, FLOAT | 1 | |
| 21 | 98507-04012 | .SCREW,PAN HEAD | 4 | |
| 22 | 522-14161-00 | .NUT, CABLE ADJUSTING | 1 | |
| 23 | 1MH-F6329-00 | CAP, RUBBER | 1 | |

FIG. 7 EXHAUST

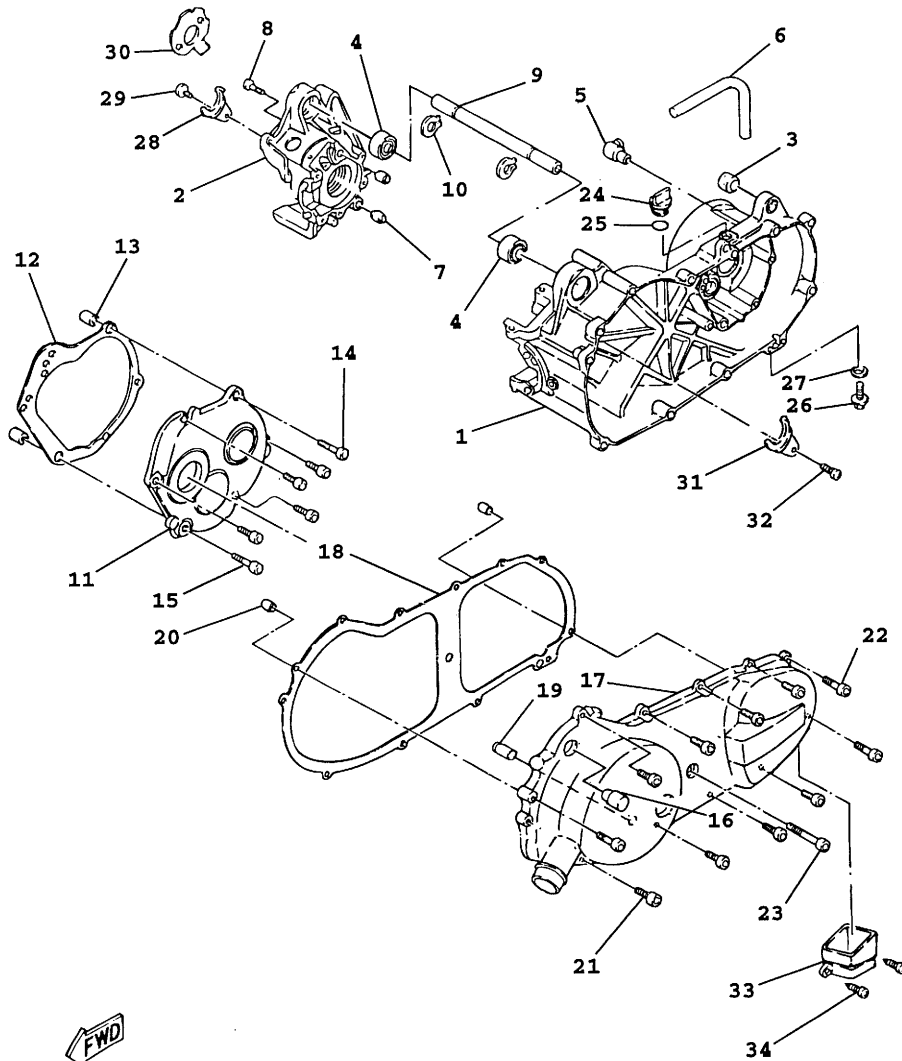


| NO. | PART NO. | DESCRIPTION | Q'TY | REMARKS |
|-----|-----------------|-------------------------|------|-----------------|
| 1 | 4VP-E4610-20-98 | EXHAUST PIPE ASSY 1 | 1 | LOW GLOSS BLACK |
| 2 | 4VP-E4445-00 | GROMMET | 1 | |
| 3 | 4VP-E4779-00 | COLLAR | 1 | |
| 4 | 92990-06600 | WASHER, PLATE | 1 | |
| 5 | 97380-06008 | BOLT | 1 | |
| 6 | 1NT-E4613-00 | GASKET, EXHAUST PIPE | 1 | |
| 7 | 90149-06810 | SCREW | 2 | |
| 8 | 95817-08020 | BOLT, FLG | 1 | |
| 9 | 95817-08030 | BOLT, FLG | 1 | |
| 10 | 4VP-E4708-00 | PROTECTOR ASSY | 1 | |
| 11 | 4VP-E4627-00 | EXHAUST COVER ASSY | 1 | |
| 12 | 97017-06010 | BOLT, HEX | 2 | |
| 13 | 4CW-E4766-00 | WASHER, PROTECTOR | 4 | |
| 14 | 97517-06510 | BOLT, W/WASHER | 3 | |
| 15 | 4VP-E4799-00 | CAP | 1 | |
| 16 | 4VP-E475M-00 | PIPE, 9 | 1 | |
| 17 | 92907-06200 | WASHER, PLATE | 3 | |
| 18 | 90176-06065 | NUT, CROWN | 3 | |
| 19 | 4CW-E4766-00 | WASHER, PROTECTOR | 3 | |
| 20 | 98980-06012 | SCREW, BINDING HEAD (+) | 3 | |
| 21 | 4UE-E4766-00 | WASHER, PROTECTOR | 3 | |



4VP5200-7070

FIG. 8 CRANKCASE



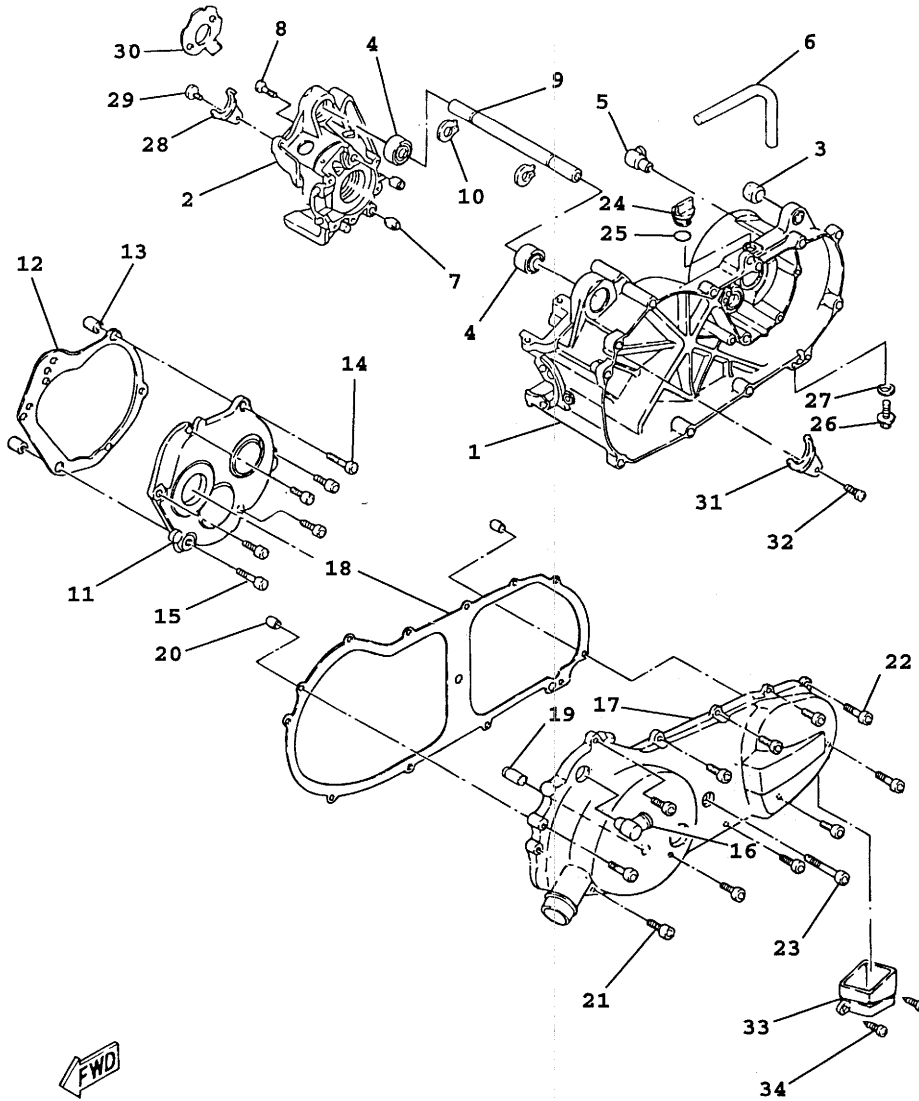
REF.

| NO. | PART NO. | DESCRIPTION | Q'TY | REMARKS |
|-----|-----------------|---------------------------|------|--------------|
| 1 | 4VP-E5111-00 | CRANKCASE 1 | 1 | |
| 2 | 4VP-E5121-00 | CRANKCASE 2 | 1 | |
| 3 | 4X6-F2216-00 | BUSH, REAR SHOCK ABSORBER | 1 | |
| 4 | 93306-003Y4 | BRG. | 2 | |
| 5 | 3XG-E5371-00 | BREATHER | 1 | |
| 6 | 4VP-E5373-00 | PIPE, BREATHER | 1 | |
| 7 | 99530-12016 | PIN, DOWEL | 2 | |
| 8 | 91318-06035 | BOLT | 6 | |
| 9 | 3XG-E5317-00 | SPACER, ENGINE MOUNT | 1 | |
| 10 | 99009-17400 | CIRCLIP | 2 | |
| 11 | 4VP-E5421-00 | COVER, CRANKCASE 2 | 1 | |
| 12 | 4VP-E5461-00 | GASKET, CRANKCASE COVER 2 | 1 | |
| 13 | 99530-10114 | PIN, DOWEL | 2 | |
| 14 | 91318-06035 | BOLT | 2 | |
| 15 | 91318-06020 | BOLT | 4 | |
| 16 | 4VP-E5439-00 | PLUG | 1 | |
| 17 | 4VP-E5411-00-33 | COVER, CRANKCASE 1 | 1 | YAMAHA BLACK |
| 18 | 4VP-E5451-00 | GASKET, CRANKCASE COVER 1 | 1 | |
| 19 | 4VP-E5659-00 | SHAFT | 1 | |
| 20 | 99530-10114 | PIN, DOWEL | 2 | |
| 21 | 91317-06025 | BOLT, HEX. SOCKET | 9 | |
| 22 | 91317-06035 | BOLT, HEX. SOCKET | 2 | |
| 23 | 91317-06045 | BOLT, HEX. SOCKET | 1 | |
| 24 | 4Y4-E5363-00 | PLUG, OIL | 1 | |
| 25 | 93210-14805 | O-RING | 1 | |
| 26 | 95807-08016 | BOLT, FLG | 1 | |
| 27 | 90430-08119 | GASKET | 1 | |
| 28 | 4VP-E5128-00 | HOLDER | 1 | |



4VP5200-7080

FIG. 8 CRANKCASE

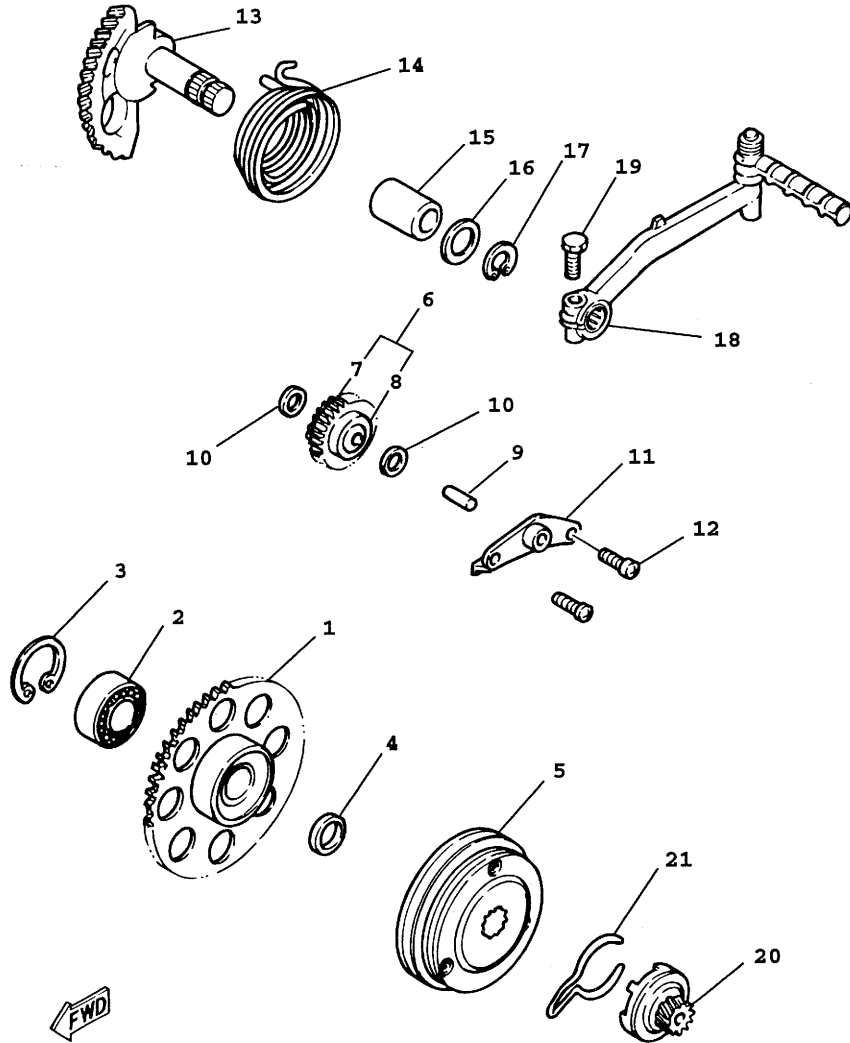


| NO. | PART NO. | DESCRIPTION | Q'TY | REMARKS |
|-----|--------------|---------------------------|------|---------|
| 29 | 98507-06012 | SCREW, PAN HEAD | 1 | |
| 30 | 3XG-E5462-00 | GASKET, CRANKCASE COVER 3 | 1 | |
| 31 | 4VP-E5118-00 | HOLDER | 1 | |
| 32 | 98507-06012 | SCREW, PAN HEAD | 1 | |
| 33 | 4VP-E5477-00 | DUCT, AIR | 1 | |
| 34 | 97607-06220 | SCREW, W/WASHER | 2 | |

4VP1414-7080

B10

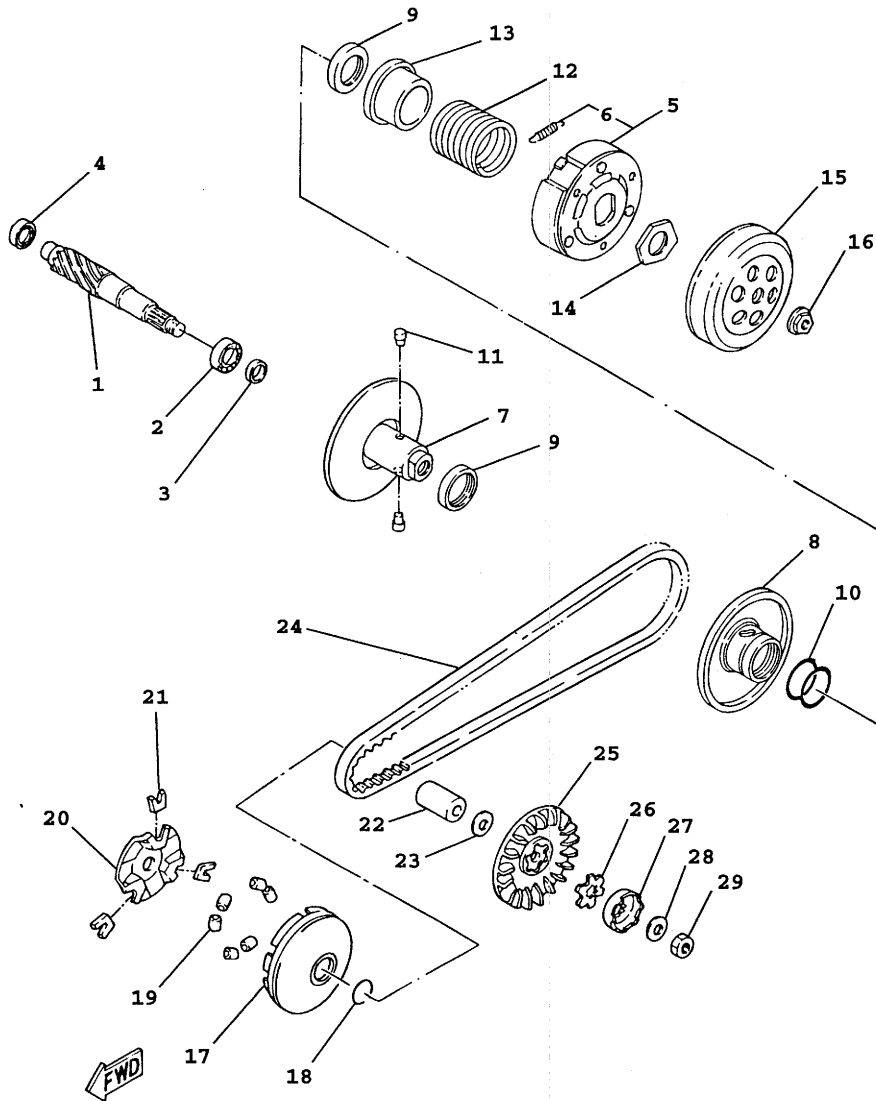
FIG. 9 STARTER



| NO. | PART NO. | DESCRIPTION | Q'TY | REMARKS |
|-----|--------------|---------------------|------|---------|
| 1 | 4VP-E5524-00 | WHEEL, STARTER | 1 | |
| 2 | 93306-003Y4 | BRG. | 1 | |
| 3 | 93450-35015 | CIRCLIP | 1 | |
| 4 | 90201-163G6 | WASHER, PLATE | 1 | |
| 5 | 4CW-E5570-00 | STARTER CLUTCH ASSY | 1 | |
| 6 | 4VP-E5650-00 | IDLE GEAR ASSY | 1 | |
| 7 | 4VP-E5512-00 | .GEAR, IDLER 1 | 1 | |
| 8 | 93315-108Y4 | .BRG. | 1 | |
| 9 | 3XG-E3342-00 | SHAFT, IDLE GEAR | 1 | |
| 10 | 90201-08088 | WASHER, PLATE | 2 | |
| 11 | 3XG-E5532-00 | PLATE, IDLE GEAR | 1 | |
| 12 | 98507-06012 | SCREW, PAN HEAD | 2 | |
| 13 | 4VP-E5601-00 | KICK SHAFT ASSY | 1 | |
| 14 | 90508-32768 | SPRING, TORSION | 1 | |
| 15 | 90380-15817 | BUSH, SOLID | 1 | |
| 16 | 90201-155G5 | WASHER, PLATE | 1 | |
| 17 | 99009-15400 | CIRCLIP | 1 | |
| 18 | 3XG-E5620-00 | KICK CRANK ASSY | 1 | |
| 19 | 97017-06025 | BOLT, HEX | 1 | |
| 20 | 4VP-E5630-00 | KICK PINION ASSY | 1 | |
| 21 | 4VP-E5673-00 | CLIP | 1 | |

FWD
4VP1414-7090

FIG. 10 CLUTCH

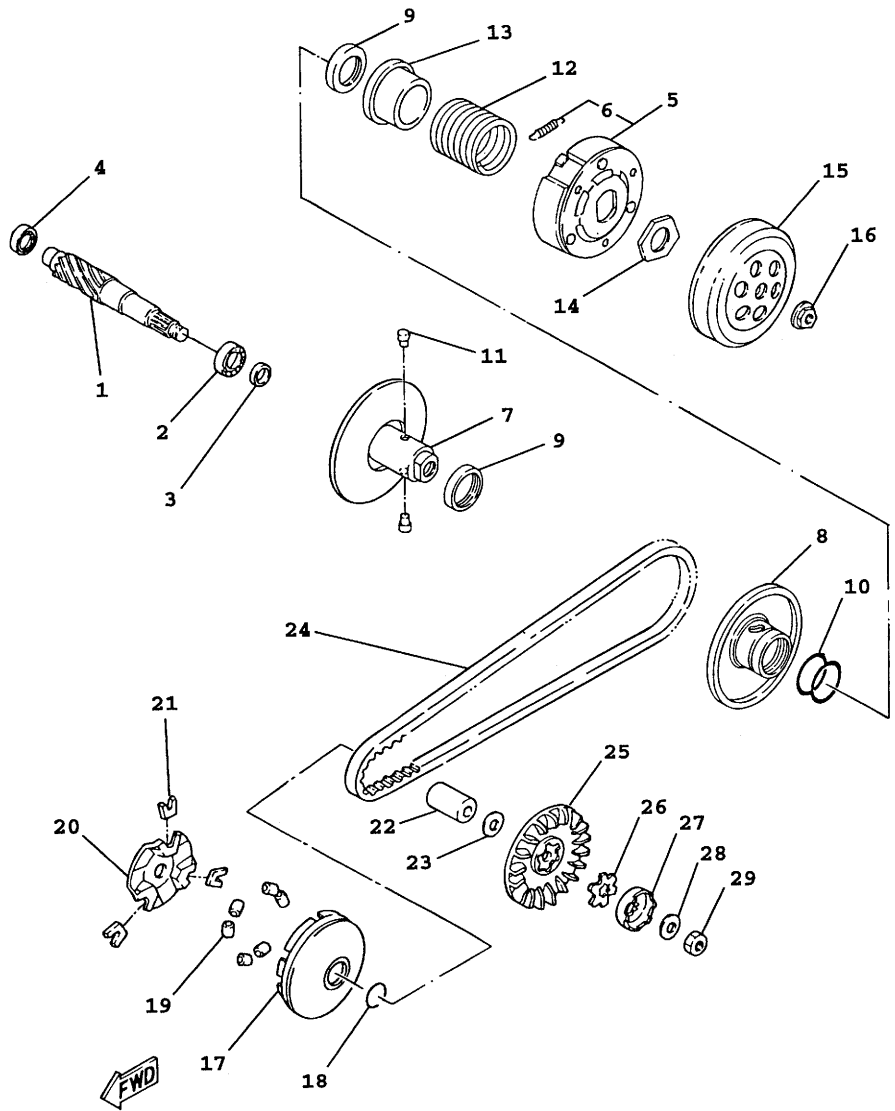


4VP5200-7100

| NO. | PART NO. | DESCRIPTION | QTY | REMARKS |
|-----|--------------|------------------------------|-----|---------|
| 1 | 4VP-16111-00 | GEAR, PRIMARY DRIVE | 1 | |
| 2 | 93306-20310 | BEARING (B6203) | 1 | |
| 3 | 93102-17467 | SEAL,OIL | 1 | |
| 4 | 93306-200Y1 | BRG. | 1 | |
| 5 | 4VP-16620-00 | CLUTCH CARRIER ASSY | 1 | |
| 6 | 17L-16626-00 | .SPRING, CLUTCH WEIGHT 1 | 3 | |
| 7 | 4VP-17660-00 | SECONDARY FIXED SHEAVE COMP. | 1 | |
| 8 | 3FC-17670-00 | SECONDARY SLIDING SHEAVE | 1 | |
| 9 | 93109-33052 | SEAL,OIL | 2 | |
| 10 | 93210-384A6 | O-RING | 2 | |
| 11 | 24G-17664-00 | PIN, GUIDE | 2 | |
| 12 | 90501-430K3 | SPRING, COMPRESSION | 1 | |
| 13 | 3XG-17684-00 | SEAT, SECONDARY SPRING | 1 | |
| 14 | 90179-28415 | NUT | 1 | |
| 15 | 4VP-E6611-00 | CLUTCH HOUSING COMP. | 1 | |
| 16 | 90179-10609 | NUT | 1 | |
| 17 | 4VP-E7620-00 | PRIMARY SLIDING SHEAVE COMP. | 1 | |
| 18 | 93101-21170 | SEAL,OIL | 2 | |
| 19 | 4VP-17632-00 | WEIGHT | 6 | |
| 20 | 4VP-E7623-00 | CAM | 1 | |
| 21 | 4CW-17653-10 | SLIDER | 3 | |
| 22 | 90387-168N7 | COLLAR | 1 | |
| 23 | 90201-166L3 | WASHER, PLATE | 1 | |
| 24 | 4VP-17641-00 | V-BELT | 1 | |
| 25 | 4VP-E7611-00 | SHEAVE, PRIMARY FIXED | 1 | |
| 26 | 90214-14054 | WASHER, CLAW | 1 | |
| 27 | 14T-15657-00 | CLUTCH, ONEWAY | 1 | |
| 28 | 90208-12050 | WASHER, CONICAL SPRING | 1 | |

B12

FIG. 10 CLUTCH

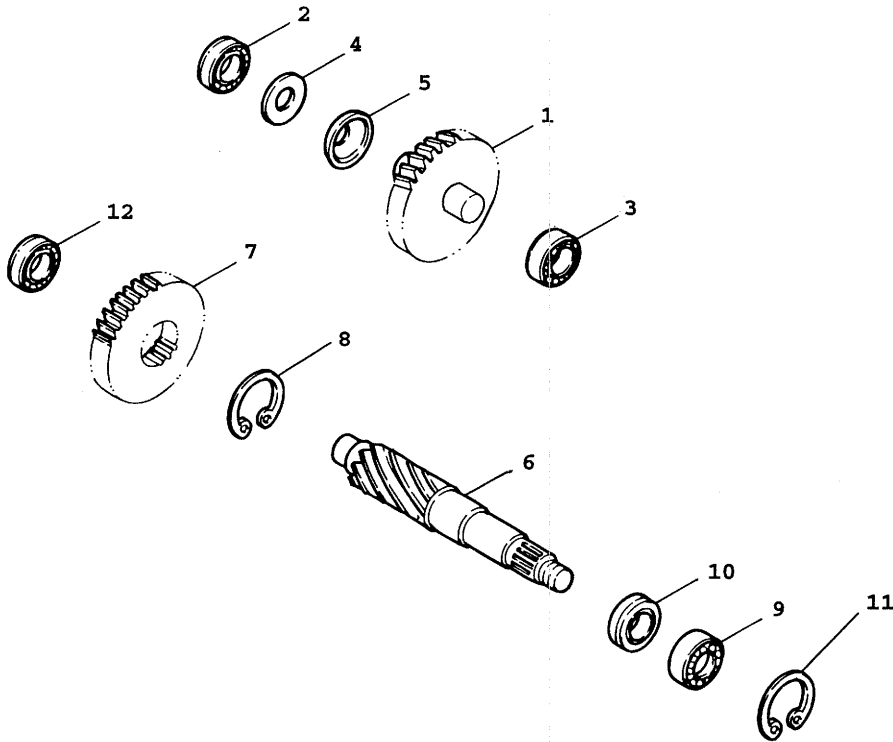


REF.

| NO. | PART NO. | DESCRIPTION | Q'TY | REMARKS |
|-----|-------------|--------------|------|---------|
| 29 | 95307-12700 | NUT, HEXAGON | 1 | |

4VP5200-7100

FIG. 11 TRANSMISSION



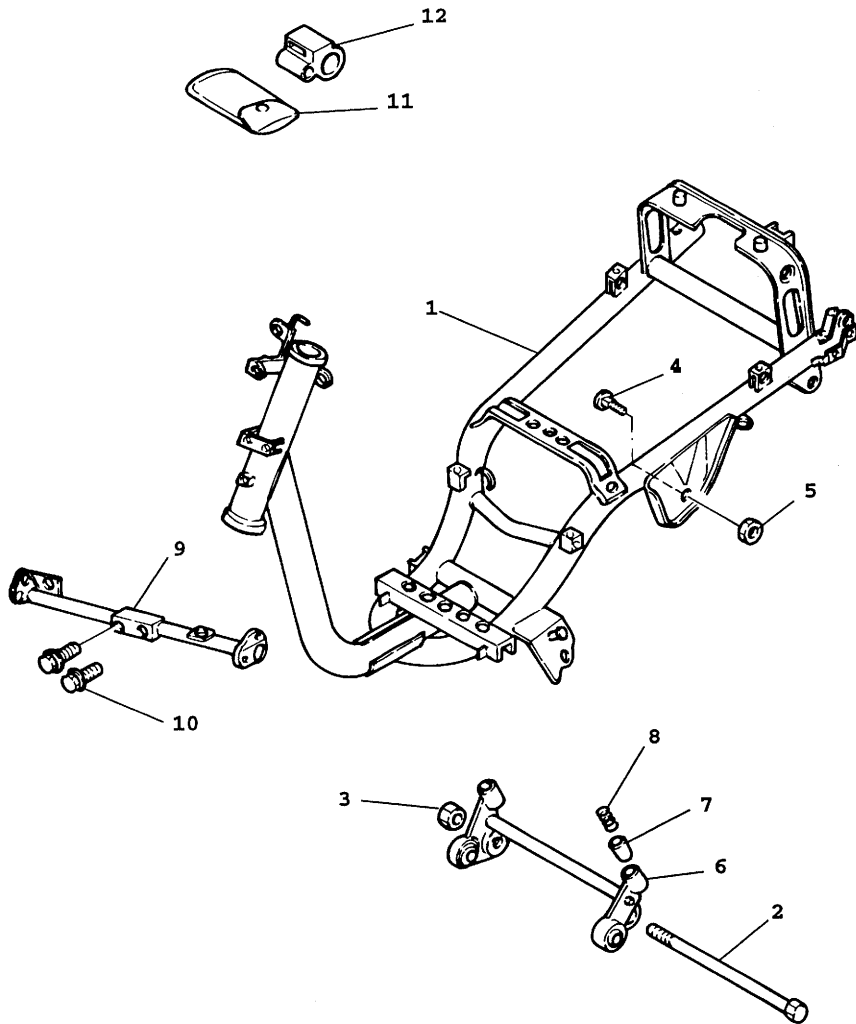
| REF. | | | | |
|------|--------------|------------------------|------|---------|
| NO. | PART NO. | DESCRIPTION | Q'TY | REMARKS |
| 1 | 4VP-E7410-00 | MAIN AXLE COMP. | 1 | |
| 2 | 93311-315Y2 | BRG. | 1 | |
| 3 | 93306-200Y1 | BRG. | 1 | |
| 4 | 90201-158K9 | WASHER, PLATE | 1 | |
| 5 | 90208-15807 | WASHER, CONICAL SPRING | 1 | |
| 6 | 4VP-E7421-00 | AXLE, DRIVE | 1 | |
| 7 | 4VP-E7211-00 | GEAR, 1ST WHEEL | 1 | |
| 8 | 93410-20823 | CIRCLIP | 1 | |
| 9 | 93306-004X7 | BRG. | 1 | |
| 10 | 93102-25270 | SEAL, OIL | 1 | |
| 11 | 99009-42500 | CIRCLIP | 1 | |
| 12 | 93306-20310 | BEARING (B6203) | 1 | |



4VP1414-7110

B14

FIG. 12 FRAME

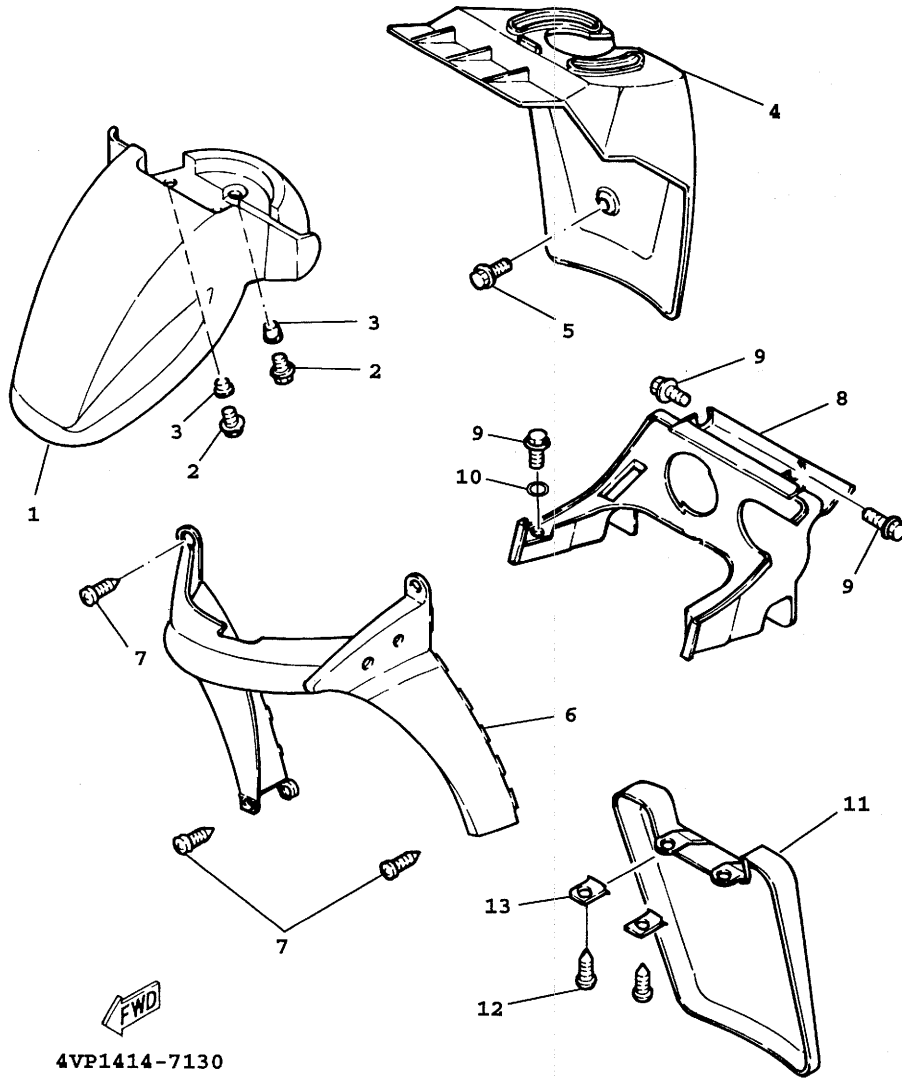


| NO. | PART NO. | DESCRIPTION | Q'TY | REMARKS |
|-----|-----------------|-------------------------|------|--------------|
| 1 | 4VP-F1110-10-33 | FRAME COMP. | 1 | YAMAHA BLACK |
| 2 | 3XG-F1481-00 | BOLT, ENGINE MOUNTING 1 | 1 | |
| 3 | 95607-12200 | NUT,U | 1 | |
| 4 | 4Y4-F1481-00 | BOLT, ENGINE MOUNTING 1 | 2 | |
| 5 | 95617-10200 | NUT,U | 2 | |
| 6 | 4VP-F1410-00 | ENGINE BRACKET COMP. | 1 | |
| 7 | 4Y4-F139X-01 | DAMPER | 1 | |
| 8 | 90501-29517 | SPRING, COMPRESSION | 1 | |
| 9 | 4VP-F1514-00 | STAY, FENDER 2 | 1 | |
| 10 | 95807-08035 | BOLT,FLG | 2 | |
| 11 | 45U-F8100-00 | TOOL KIT | 1 | |
| 12 | 23Y-F8175-00 | HOLDER, TOOL | 1 | |



4VP1414-7120

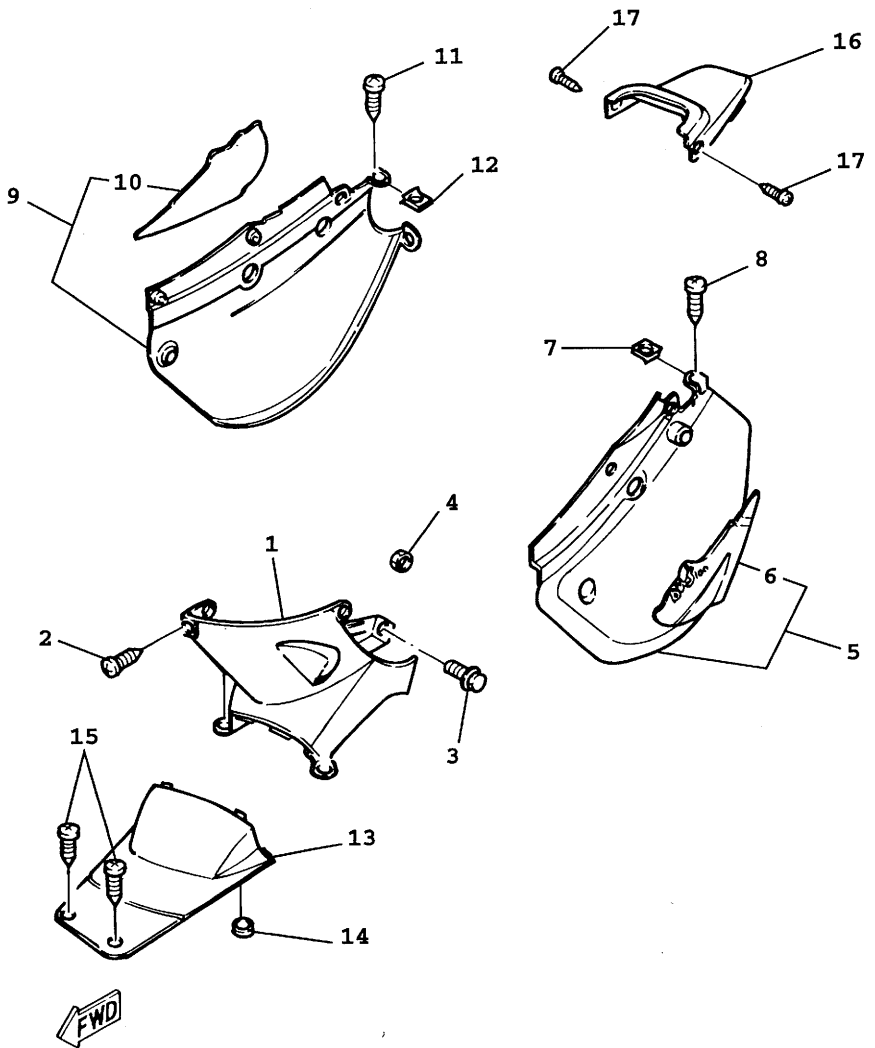
FIG. 13 FENDER



4VP1414-7130

REF.

| NO. | PART NO. | DESCRIPTION | Q'TY | REMARKS |
|-----|--------------|-------------------|------|----------|
| 1 | 4VP-F1511-00 | FENDER, FRONT | 1 | UR BLACK |
| | 4VP-F1511-20 | FENDER, FRONT | 1 | UR BLUE |
| 2 | 90119-06821 | BOLT, WITH WASHER | 3 | |
| 3 | 90387-068F8 | COLLAR | 3 | |
| 4 | 4VP-F1552-00 | FENDER, INNER | 1 | |
| 5 | 95807-06012 | BOLT, FLG | 2 | |
| 6 | 4VP-F1519-00 | MOLD, FENDER | 1 | UR BLACK |
| | 4VP-F1519-20 | MOLD, FENDER | 1 | UR BLUE |
| 7 | 97707-50016 | SCREW, TAPPING | 4 | |
| 8 | 4VP-F1629-00 | GUARD, MUD | 1 | |
| 9 | 95807-06012 | BOLT, FLG | 4 | |
| 10 | 90201-06380 | WASHER, PLATE | 2 | |
| 11 | 4VP-F1691-00 | FLAP | 1 | |
| 12 | 97707-50012 | SCREW, TAPPING | 2 | |
| 13 | 90183-05807 | NUT, SPRING | 2 | |



4VP1414-7150

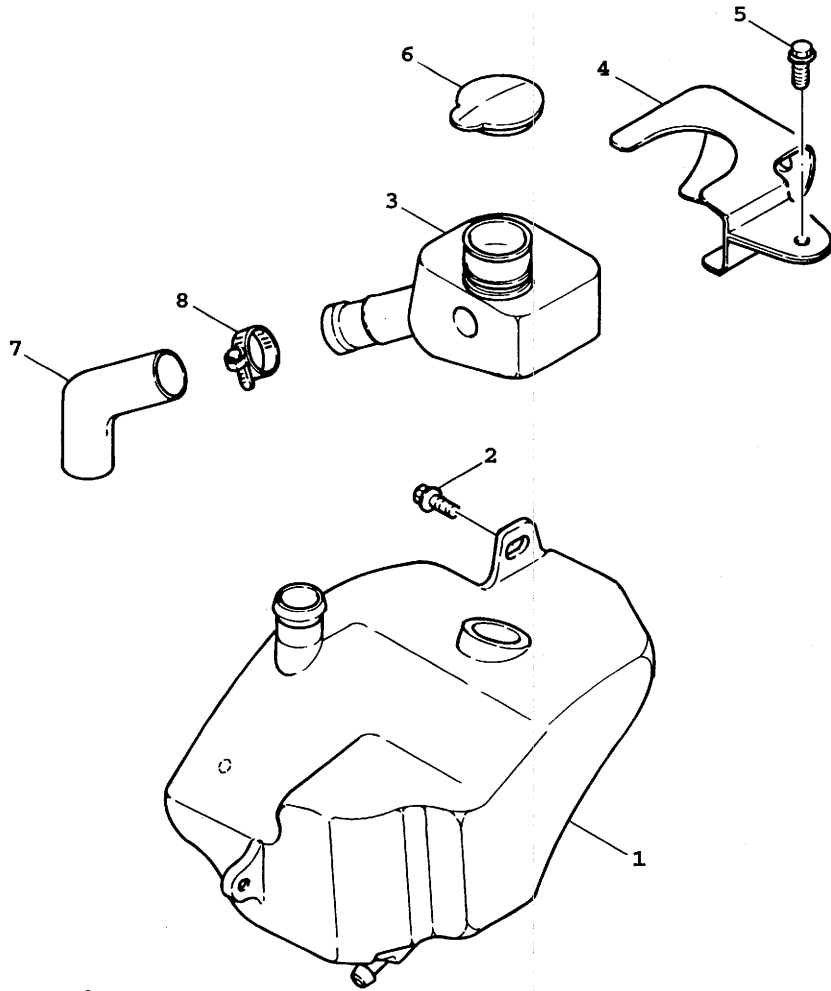
FIG. 14 SIDE COVER

| NO. | PART NO. | DESCRIPTION | Q'TY | REMARKS |
|-----|-----------------|--------------------|------|----------|
| 1 | 4VP-F1711-00 | COVER, SIDE 1 | 1 | UR BLUE |
| | 4VP-F1711-10 | COVER, SIDE 1 | 1 | UR BLACK |
| 2 | 97707-50012 | SCREW, TAPPING | 3 | |
| 3 | 90159-06822 | SCREW, WITH WASHER | 2 | |
| 4 | 2GF-F1535-00 | NUT 1 | 2 | |
| 5 | 4VP-X2172-00-4B | SIDE COVER 2 | 1 | UR BLACK |
| | 4VP-X2172-10-J5 | SIDE COVER 2 | 1 | UR BLUE |
| 6 | 4VP-F173E-00 | .GRAPHIC 1 | 1 | UR BLACK |
| | 4VP-F173E-40 | .GRAPHIC 1 | 1 | UR BLUE |
| 7 | 90183-05807 | NUT, SPRING | 1 | |
| 8 | 97707-50012 | SCREW, TAPPING | 3 | |
| 9 | 4VP-X2173-00-4B | SIDE COVER 3 | 1 | UR BLACK |
| | 4VP-X2173-10-J5 | SIDE COVER 3 | 1 | UR BLUE |
| 10 | 4VP-F173F-00 | .GRAPHIC 2 | 1 | UR BLACK |
| | 4VP-F173F-40 | .GRAPHIC 2 | 1 | UR BLUE |
| 11 | 97707-50012 | SCREW, TAPPING | 3 | |
| 12 | 90183-05807 | NUT, SPRING | 1 | |
| 13 | 4VP-F1741-00 | COVER, SIDE 4 | 1 | UR BLUE |
| | 4VP-F1741-10 | COVER, SIDE 4 | 1 | UR BLACK |
| 14 | 90480-16278 | GROMMET | 1 | |
| 15 | 97707-50012 | SCREW, TAPPING | 2 | |
| 16 | 4VP-F171E-00-4B | COVER, SIDE 5 | 1 | UR BLACK |
| | 4VP-F171E-00-J5 | COVER, SIDE 5 | 1 | UR BLUE |
| 17 | 97707-50012 | SCREW, TAPPING | 2 | |

FIG. 15 FRAME

REF.

| NO. | PART NO. | DESCRIPTION | Q'TY | REMARKS |
|-----|--------------|-------------------------|------|---------|
| 1 | 4VP-F1751-00 | TANK, OIL | 1 | |
| 2 | 90119-06802 | BOLT, WITH WASHER | 2 | |
| 3 | 4VP-F1733-00 | SUB TANK, OIL | 1 | |
| 4 | 4VP-F1734-00 | HOLDER, OIL SUB TANK | 1 | |
| 5 | 97507-05510 | BOLT,W/WASHER | 1 | |
| 6 | 4X6-F1771-01 | BODY, CAP | 1 | |
| 7 | 4VP-F1745-00 | PIPE, OIL TANK BREATHER | 1 | |
| 8 | 90460-27815 | CLAMP, HOSE | 2 | |

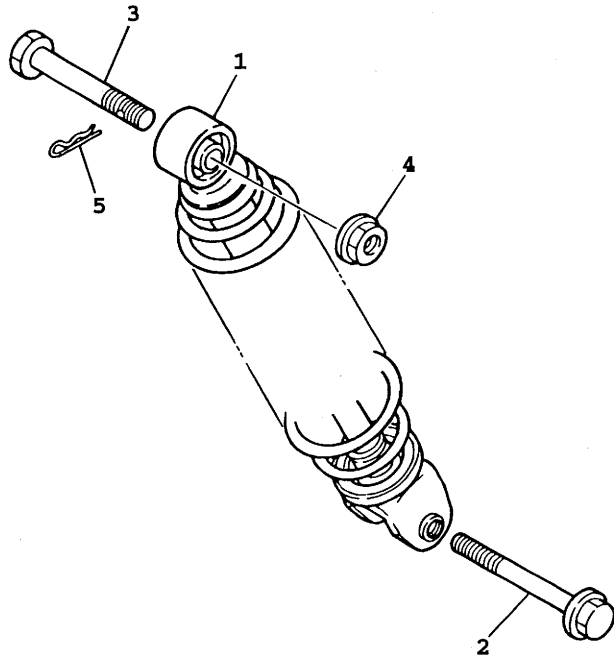


4VP1414-7170

FIG. 16 REAR SUSPENSION

REF.

| NO. | PART NO. | DESCRIPTION | Q'TY | REMARKS |
|-----|--------------|---------------------------|------|---------|
| 1 | 4WX-F2210-10 | SHOCK ABSORBER ASSY, REAR | 1 | |
| 2 | 90105-08121 | BOLT, WASHER BASED | 1 | |
| 3 | 90102-10031 | BOLT, WITH HOLE | 1 | |
| 4 | 95707-10500 | NUT, FLG | 1 | |
| 5 | 90468-12006 | CLIP | 1 | |



3XG4414-4160

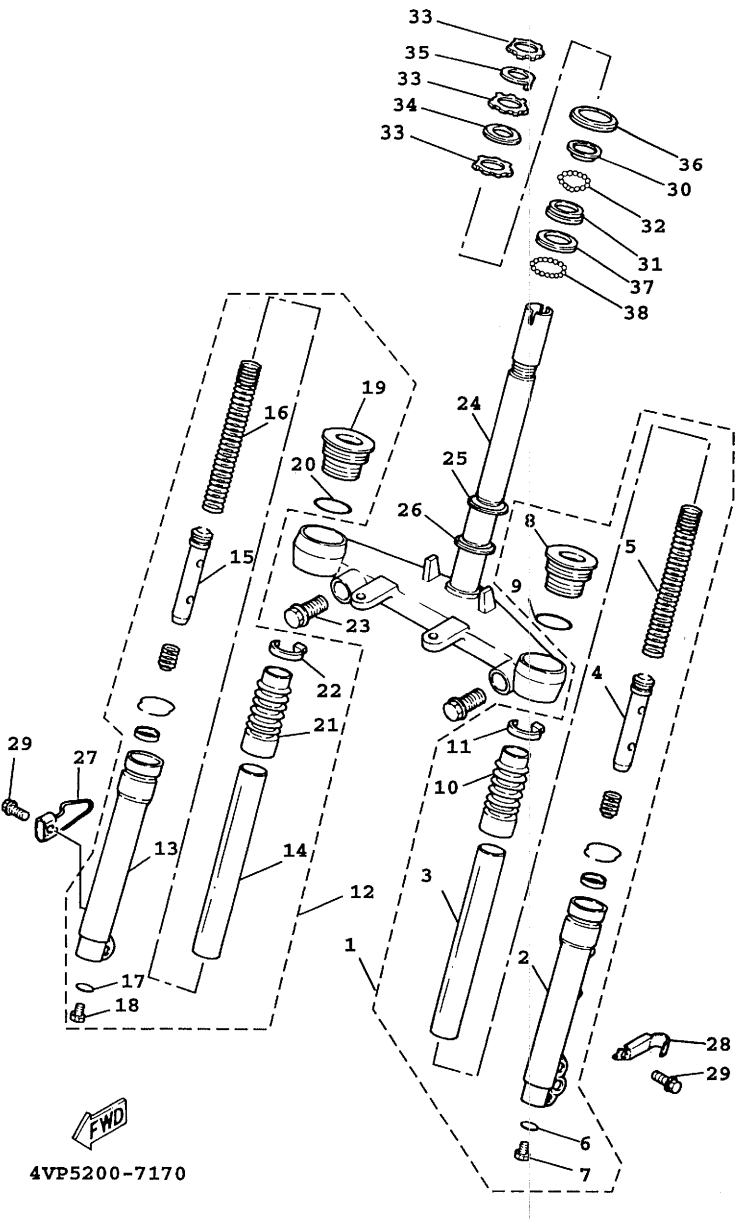


FIG. 17 FRONT FORK

REF.

| NO. | PART NO. | DESCRIPTION | Q'TY | REMARKS |
|-----|--------------|----------------------------|------|---------|
| 1 | 4WX-F3102-10 | FRONT FORK ASSY (L.H) | 1 | |
| 2 | 4JL-F3126-00 | .TUBE, OUTER 1 | 1 | |
| 3 | 4WX-F3110-00 | .INNER TUBE COMP.1 | 1 | |
| 4 | 4WX-F3170-00 | .CYLINDER COMP., | 1 | |
| 5 | 4WX-F3141-10 | .SPRING, FRONT FORK | 1 | |
| 6 | 3GF-F3158-00 | .GASKET | 1 | |
| 7 | 3GF-F3181-00 | .BOLT, HEXAGON SOCKET HEAD | 1 | |
| 8 | 4WX-F3154-00 | .PLUG, INNER TUBE | 1 | |
| 9 | 3GF-F3147-00 | .O-RING | 1 | |
| 10 | 4WX-F3191-10 | .BOOT | 1 | |
| 11 | 4TE-F3192-00 | .BAND | 1 | |
| 12 | 4WX-F3103-10 | FRONT FORK ASSY (R.H) | 1 | |
| 13 | 4JL-F3136-00 | .TUBE, OUTER 2 | 1 | |
| 14 | 4WX-F3110-00 | .INNER TUBE COMP.1 | 1 | |
| 15 | 4WX-F3170-00 | .CYLINDER COMP., | 1 | |
| 16 | 4WX-F3141-10 | .SPRING, FRONT FORK | 1 | |
| 17 | 3GF-F3158-00 | .GASKET | 1 | |
| 18 | 3GF-F3181-00 | .BOLT, HEXAGON SOCKET HEAD | 1 | |
| 19 | 4WX-F3154-00 | .PLUG, INNER TUBE | 1 | |
| 20 | 3GF-F3147-00 | .O-RING | 1 | |
| 21 | 4WX-F3191-10 | .BOOT | 1 | |
| 22 | 4TE-F3192-00 | .BAND | 1 | |
| 23 | 3GF-F3346-00 | BOLT 1 | 2 | |
| 24 | 4WX-F3340-00 | UNDER BRACKET COMP. | 1 | |
| 25 | 1MH-F3411-00 | RACE, BALL 1 | 1 | |
| 26 | 3KW-F3462-00 | SEAL, STEERING | 1 | |
| 27 | 3GF-F3317-00 | HOLDER, CABLE | 1 | |
| 28 | 3GF-F5875-10 | HOLDER, BRAKE HOSE 1 | 1 | |

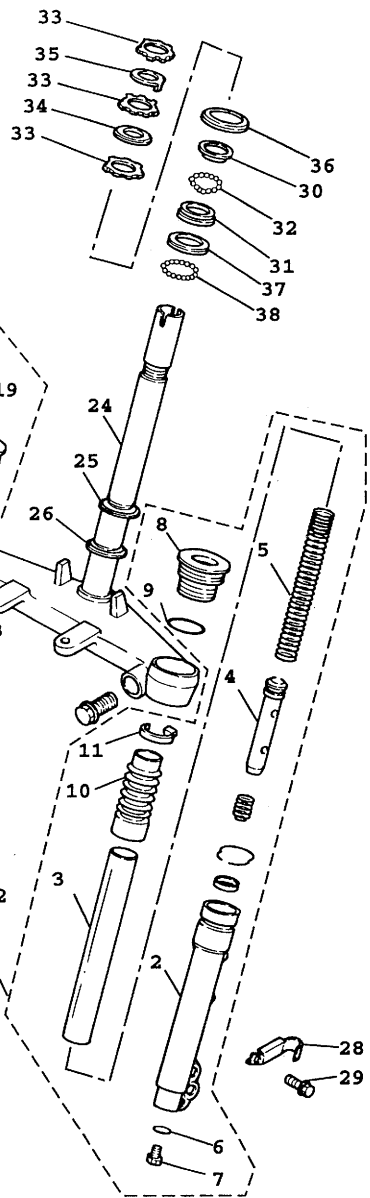


FIG. 17 FRONT FORK

REF.

| NO. | PART NO. | DESCRIPTION | Q'TY | REMARKS |
|-----|--------------|--------------------|------|---------|
| 29 | 95807-06010 | BOLT, FLG | 2 | |
| 30 | 22F-23411-01 | RACE, BALL 1 | 1 | |
| 31 | 22F-23412-01 | RACE, BALL 2 | 1 | |
| 32 | 93503-16003 | BALL | 22 | |
| 33 | 90179-25615 | NUT | 3 | |
| 34 | 90202-26142 | WASHER, PLATE | 1 | |
| 35 | 4VP-F3418-00 | WASHER, SPECIAL | 1 | |
| 36 | 4TE-F3416-00 | COVER, BALL RACE 2 | 1 | |
| 37 | 156-23412-00 | RACE, BALL 2 | 1 | |
| 38 | 93501-04011 | BALL | 19 | |
| 39 | 3UH-W2341-01 | RACE BALL KIT | 1 | |

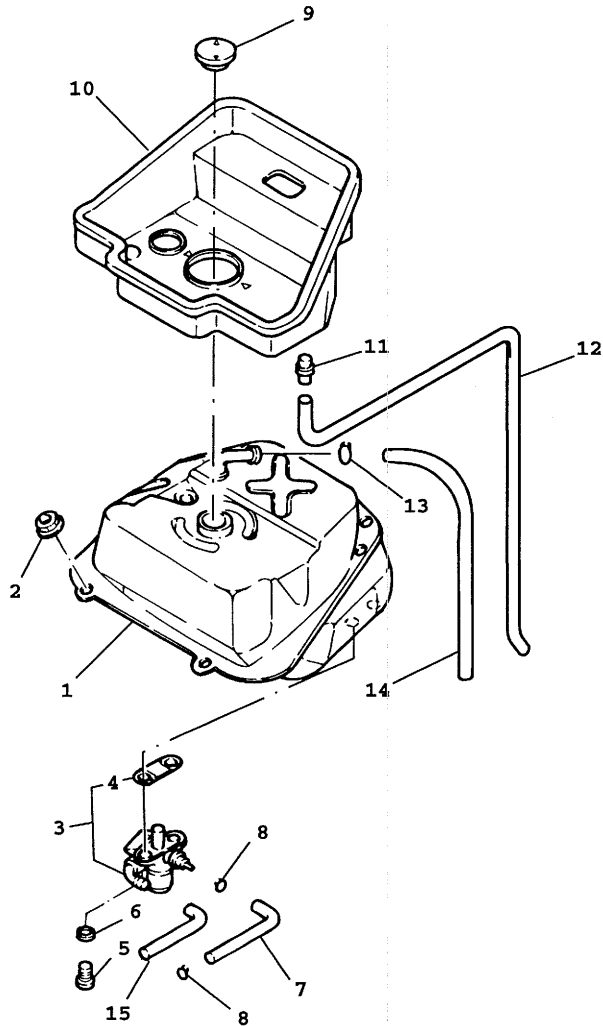


4VP5200-7170

FIG. 18 FUEL TANK

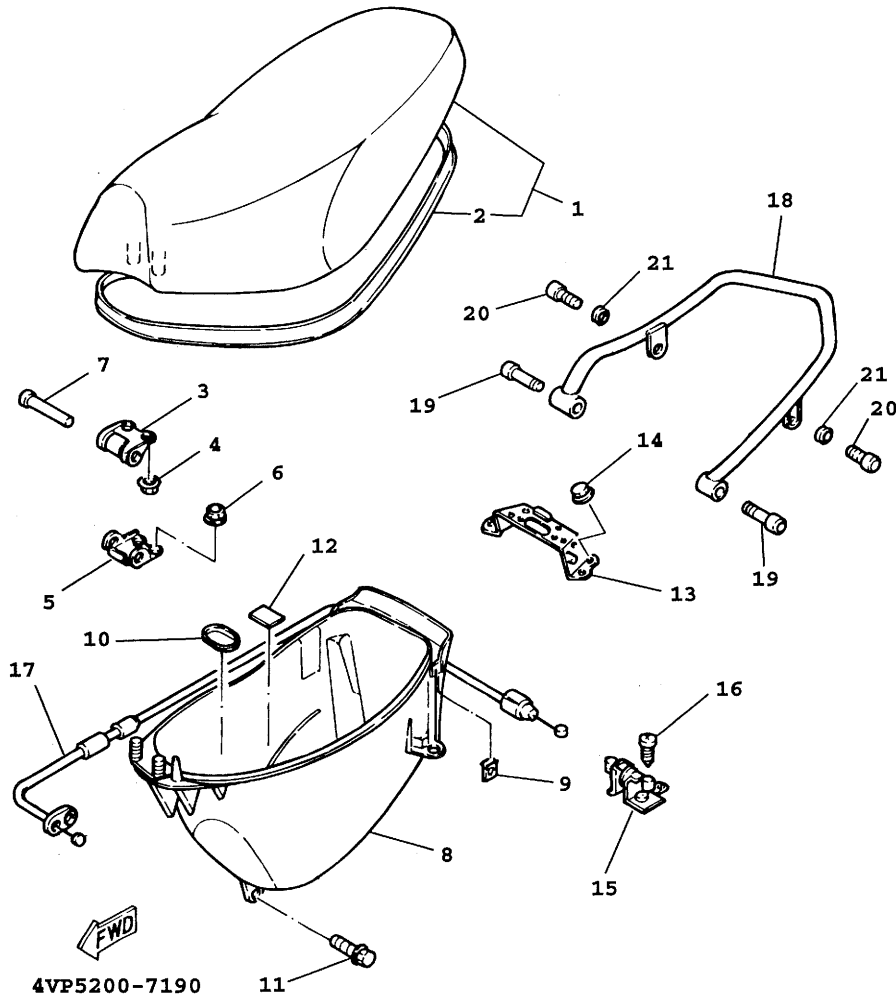
REF.

| NO. | PART NO. | DESCRIPTION | Q'TY | REMARKS |
|-----|-----------------|------------------|------|--------------|
| 1 | 4VP-F4110-10-33 | FUEL TANK COMP. | 1 | YAMAHA BLACK |
| 2 | 95707-06500 | NUT, FLG | 2 | |
| 3 | 4CW-F4500-00 | FUEL COCK ASSY 1 | 1 | |
| 4 | 4CW-F452K-00 | .O-RING | 1 | |
| 5 | 90149-06011 | SCREW | 2 | |
| 6 | 90202-05193 | WASHER, PLATE | 2 | |
| 7 | 4VP-F4311-00 | PIPE, FUEL 1 | 1 | |
| 8 | 90467-09006 | CLIP | 2 | |
| 9 | 4VP-F4610-00 | CAP ASSY | 1 | |
| 10 | 4VP-F414A-10 | COVER, FILLER | 1 | |
| 11 | 4TE-F1753-00 | BOSS, CONNECTOR | 1 | |
| 12 | 91A10-07056 | HOSE | 1 | |
| 13 | 90467-09006 | CLIP | 1 | |
| 14 | 90445-078A3 | HOSE | 1 | |
| 15 | 90445-105H0 | HOSE | 1 | |



4VP5200-7180

FIG. 19 SEAT

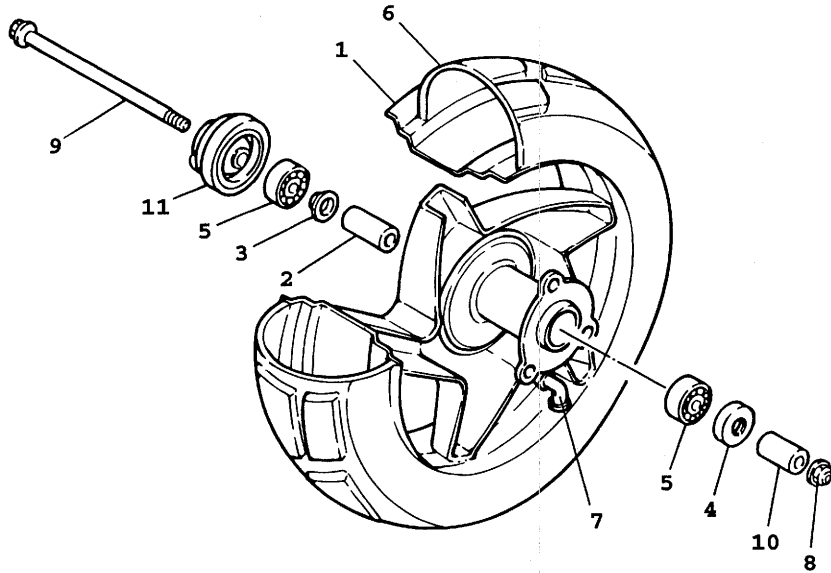


| NO. | PART NO. | DESCRIPTION | Q'TY | REMARKS |
|-----|-----------------|-------------------|------|----------|
| 1 | 4VP-F4730-00 | DOUBLE SEAT ASSY | 1 | |
| 2 | 4VP-F475M-00 | .SEAL | 1 | |
| 3 | 4CW-F4726-00 | HINGE, SEAT | 1 | |
| 4 | 95707-06500 | NUT, FLG | 2 | |
| 5 | 4VP-F4726-00 | HINGE, SEAT | 1 | |
| 6 | 95707-06500 | NUT, FLG | 2 | |
| 7 | 90241-10015 | PIN | 1 | |
| 8 | 4VP-F473R-00 | BOX 1 | 1 | |
| 9 | 90183-05807 | NUT, SPRING | 2 | |
| 10 | 4VP-F4742-00 | GROMMET | 1 | |
| 11 | 90109-063F1 | BOLT | 4 | |
| 12 | 3KW-F139X-00 | DAMPER | 1 | |
| 13 | 4VP-F4738-00 | BRACKET, SEAT | 1 | |
| 14 | 95707-06500 | NUT, FLG | 4 | |
| 15 | 4UE-F4780-01 | SEAT LOCK ASSY | 1 | |
| 16 | 97007-06016 | BOLT, HEX | 2 | |
| 17 | 4VP-F478E-00 | WIRE, SEAT HOOK | 1 | |
| 18 | 4VP-F4812-00-33 | HANDLE | 1 | UR BLACK |
| | 4VP-F4812-00-UJ | HANDLE | 1 | UR BLUE |
| 19 | 91317-06040 | BOLT, HEX. SOCKET | 2 | |
| 20 | 91317-06016 | BOLT, HEX. SOCKET | 2 | |
| 21 | 92907-06600 | WASHER, PLATE | 2 | |

FIG. 20 FRONT WHEEL

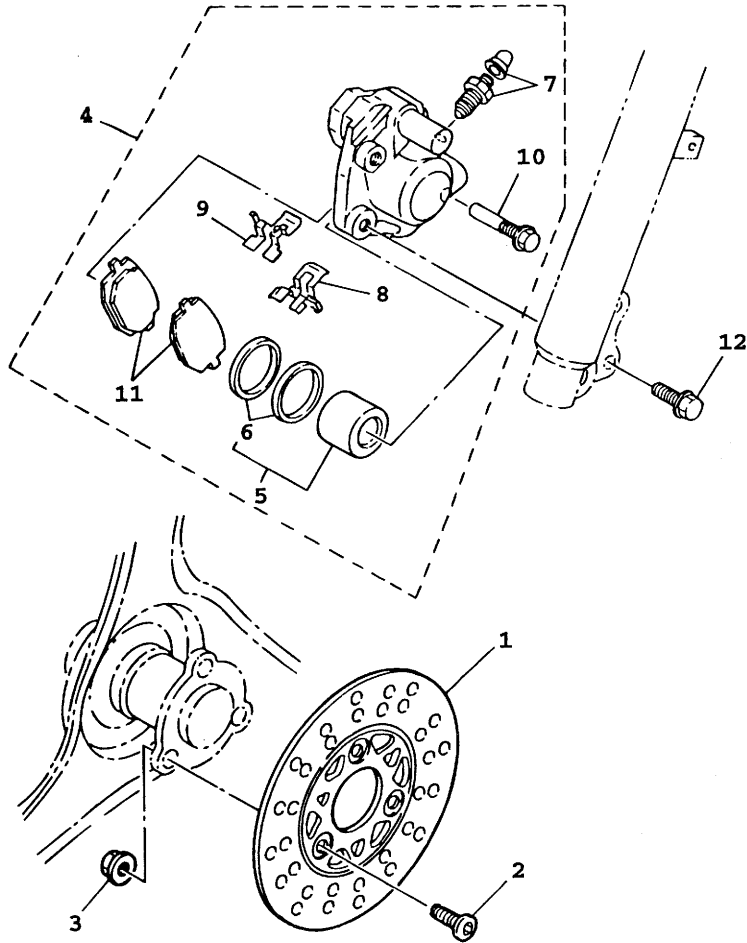
REF.

| NO. | PART NO. | DESCRIPTION | Q'TY | REMARKS |
|-----|-----------------|-----------------------|------|--------------|
| 1 | 4WX-F5180-00-33 | FRONT WHEEL COMP. | 1 | YAMAHA BLACK |
| 2 | 4WX-F5183-00 | COLLAR, WHEEL | 1 | |
| 3 | 20A-F5115-00 | FLANGE, SPACER 1 | 1 | |
| 4 | 93102-17838 | SEAL, OIL | 1 | |
| 5 | 93306-300Y4 | BRG. | 2 | |
| 6 | 94112-108S3 | TIRE <i>120/90x10</i> | 1 | |
| 7 | 93900-00802 | VALVE, RIM | 1 | |
| 8 | 95617-10200 | NUT, U | 1 | |
| 9 | 4WX-F5181-00 | AXLE, WHEEL | 1 | |
| 10 | 90387-104U5 | COLLAR | 1 | |
| 11 | 4VP-F5190-00 | GEAR UNIT ASSY | 1 | |



4WX1414-7200

FIG. 21 FRONT BRAKE CALIPER

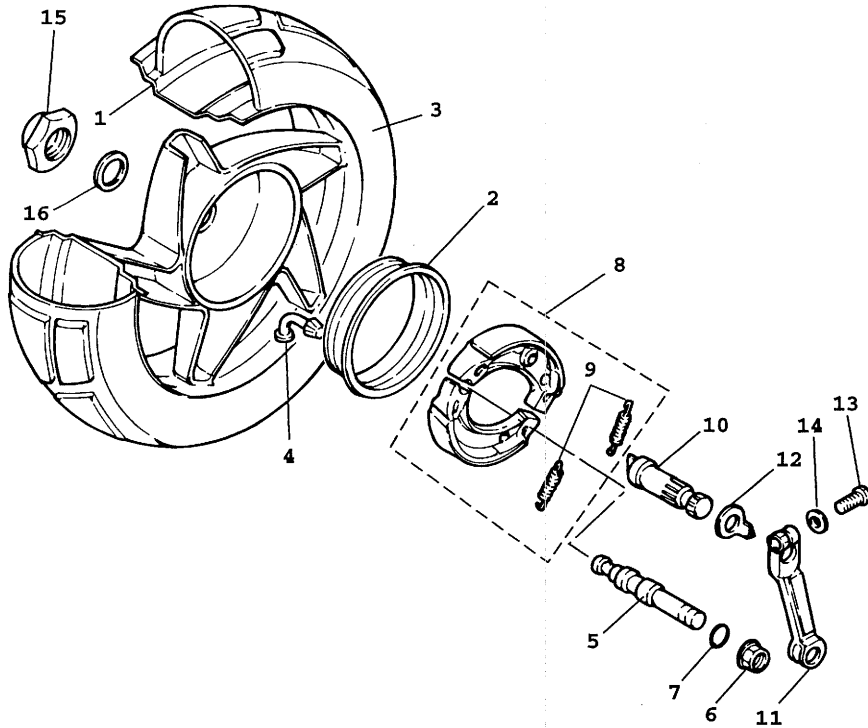


| NO. | PART NO. | DESCRIPTION | QTY | REMARKS |
|-----|--------------|---------------------------|-----|---------|
| 1 | 3XG-F582T-00 | DISC, BRAKE | 1 | |
| 2 | 90110-10811 | BOLT, HEXAGON SOCKET HEAD | 3 | |
| 3 | 9570L-10500 | NUT, FLG | 3 | |
| 4 | 3XG-F580T-01 | CALIPER ASSY (LEFT) | 1 | |
| 5 | 3XG-W0057-00 | .PISTON ASSY, CALIPER | 1 | |
| 6 | 3XG-W0047-00 | ..CALIPER SEAL KIT | 1 | |
| 7 | 3XG-W0048-00 | .BREED SCREW KIT | 1 | |
| 8 | 3XG-F5919-01 | .SUPPORT, PAD | 1 | |
| 9 | 3XG-F5919-11 | .SUPPORT, PAD | 1 | |
| 10 | 3XG-F5926-01 | .BOLT | 1 | |
| 11 | 3GF-W0045-00 | .BRAKE PAD KIT | 1 | |
| 12 | 95827-08030 | BOLT.FLG | 2 | |

FWD

3XG4414-4210

FIG. 22 REAR WHEEL



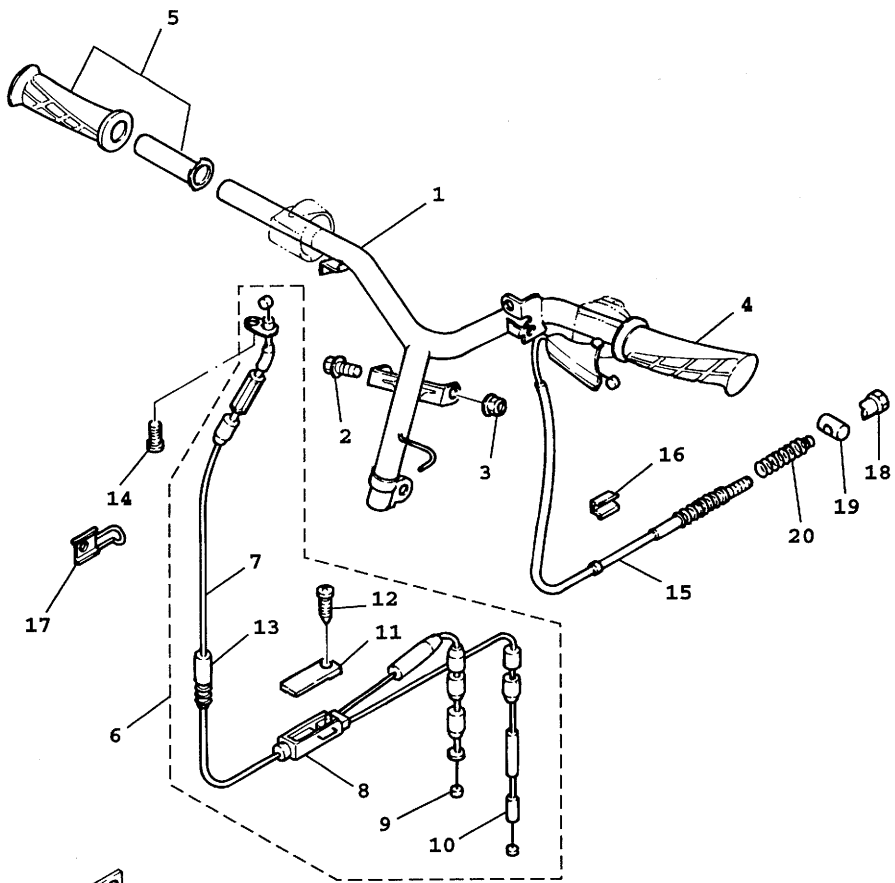
REF.

| NO. | PART NO. | DESCRIPTION | QTY | REMARKS |
|-----|-----------------|-------------------|-----|--------------|
| 1 | 4WX-F5390-00-33 | REAR WHEEL COMP. | 1 | YAMAHA BLACK |
| 2 | 4WX-F5336-00 | RING 2 | 1 | |
| 3 | 94113-108S4 | TIRE 130/90x10 | 1 | |
| 4 | 93900-00802 | VALVE, RIM | 1 | |
| 5 | 3UH-F5326-00 | PIN, PIVOT | 1 | |
| 6 | 95707-10500 | NUT, FLG | 1 | |
| 7 | 93210-07890 | O-RING | 1 | |
| 8 | 4WX-X2533-00 | BRAKE SHOE SET | 1 | |
| 9 | 90506-16447 | .SPRING, TENSION | 2 | |
| 10 | 3UH-F5351-00 | CAMSHAFT | 1 | |
| 11 | 4WX-F5355-00 | LEVER, CAMSHAFT | 1 | |
| 12 | 4VP-F533A-00 | PLATE, INDICATOR | 1 | |
| 13 | 90101-06878 | BOLT | 1 | |
| 14 | 90201-142M6 | WASHER, PLATE | 1 | |
| 15 | 90185-14124 | NUT, SELF-LOCKING | 1 | |
| 16 | 90201-203E7 | WASHER, PLATE | 1 | |



4WX1414-7220

FIG. 23 STEERING HANDLE. CABLE



REF.

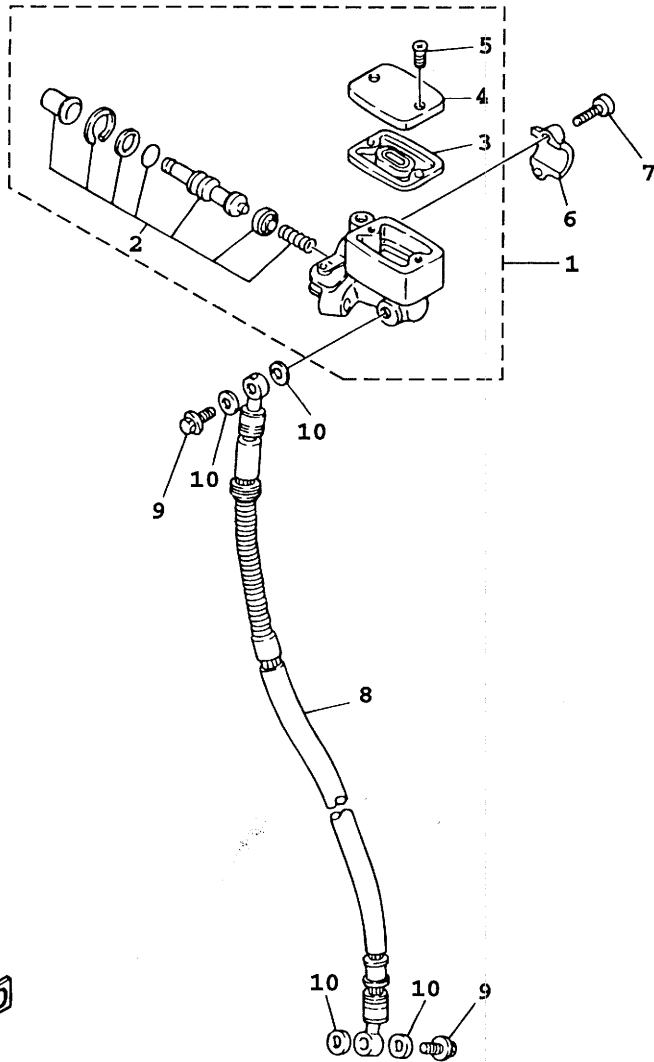
| NO. | PART NO. | DESCRIPTION | Q'TY | REMARKS |
|-----|--------------|--------------------------------|------|---------|
| 1 | 4VP-F6110-01 | HANDLE COMP. | 1 | |
| 2 | 90105-10036 | BOLT, WASHER BASED | 1 | |
| 3 | 95617-10200 | NUT,U | 1 | |
| 4 | 4VP-F6241-00 | GRIP (LEFT) | 1 | |
| 5 | 4VP-F6240-00 | GRIP ASSY | 1 | |
| 6 | 4VP-W2620-01 | CABLE ASSY | 1 | |
| 7 | 4VP-F6311-00 | .CABLE, THROTTLE 1 | 1 | |
| 8 | 4VP-F6260-01 | .CABLE ASSY, THROTTLE & PUMP 1 | 1 | |
| 9 | 4VP-F6321-01 | .CABLE, PUMP | 1 | |
| 10 | 4VP-F6312-00 | .CABLE, THROTTLE 2 | 1 | |
| 11 | 4VP-F6262-00 | .CAP, CABLE CONNECTOR | 1 | |
| 12 | 90167-03800 | .SCREW, TAPPING | 1 | |
| 13 | 4VP-F6266-00 | .BOOT, CYLINDER | 1 | |
| 14 | 98507-05010 | SCREW, PAN HEAD | 1 | |
| 15 | 4VP-F6351-00 | CABLE, BRAKE | 1 | |
| 16 | 4VP-F6393-00 | HOLDER | 1 | |
| 17 | 4VP-F637G-00 | HOLDER, WIRE | 1 | |
| 18 | 90179-06411 | NUT | 1 | |
| 19 | 90249-12008 | PIN | 1 | |
| 20 | 90501-165J7 | SPRING, COMPRESSION | 1 | |

4VP1414-7270

FIG. 24 FRONT MASTER CYLINDER

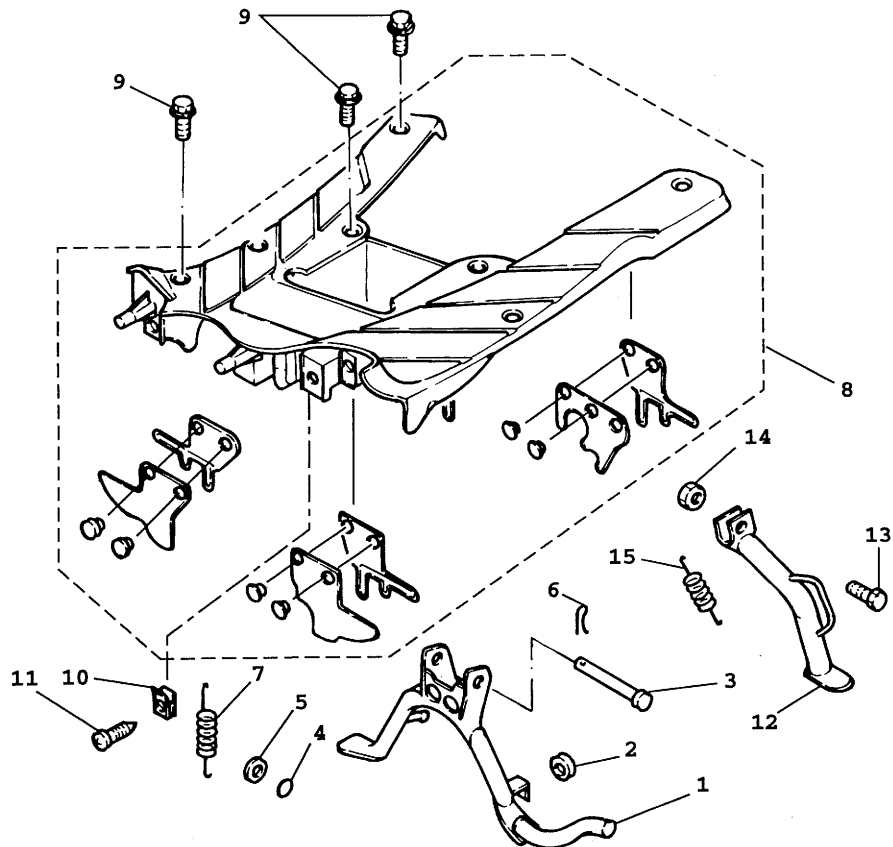
REF.

| NO. | PART NO. | DESCRIPTION | Q'TY | REMARKS |
|-----|--------------|--------------------------|------|---------|
| 1 | 4JL-F5870-00 | MASTER CYLINDER SUB ASSY | 1 | |
| 2 | 3GF-W0041-00 | .CYLINDER KIT, MASTER | 1 | |
| 3 | 3GF-F5854-00 | .DIAPHRAGM, RESERVOIR | 1 | |
| 4 | 3GF-F5852-00 | .CAP, RESERVOIR | 1 | |
| 5 | 98707-04012 | .SCREW, FLAT HEAD (+) | 2 | |
| 6 | 3GF-F5867-00 | BRACKET, MASTER CYLINDER | 1 | |
| 7 | 91317-06025 | BOLT, HEX. SOCKET | 2 | |
| 8 | 4WX-F5872-01 | HOSE, BRAKE 1 | 1 | |
| 9 | 90401-10805 | BOLT, UNION | 2 | |
| 10 | 90201-10118 | WASHER, PLATE | 4 | |



3XG4414-4240

FIG. 25 STAND

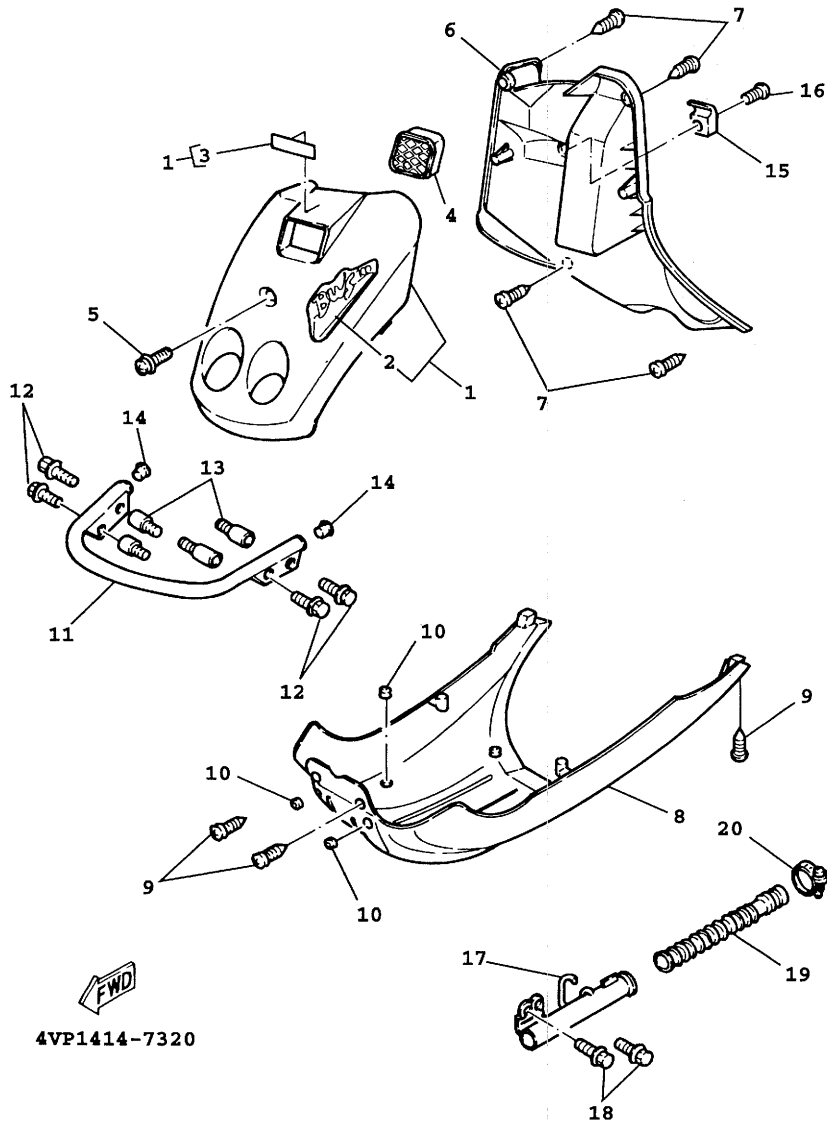


| NO. | PART NO. | DESCRIPTION | Q'TY | REMARKS |
|-----|--------------|----------------------|------|----------|
| 1 | 4VP-F7111-00 | STAND, MAIN | 1 | |
| 2 | 4CW-F7114-00 | STOPPER, MAIN STAND | 1 | |
| 3 | 90240-10137 | PIN, CLEVIS | 1 | |
| 4 | 93210-108B1 | O-RING | 1 | |
| 5 | 90202-10120 | WASHER, PLATE | 1 | |
| 6 | 90468-12006 | CLIP | 1 | |
| 7 | 90506-32857 | SPRING, TENSION | 1 | |
| 8 | 4VP-X2748-00 | BOARD ASSY, FOOTREST | 1 | UR BLUE |
| | 4VP-X2748-10 | BOARD ASSY, FOOTREST | 1 | UR BLACK |
| 9 | 90119-06821 | BOLT, WITH WASHER | 6 | |
| 10 | 90183-05807 | NUT, SPRING | 8 | |
| 11 | 97707-50016 | SCREW, TAPPING | 2 | |
| 12 | 4VP-F7311-00 | STAND, SIDE | 1 | |
| 13 | 90109-10473 | BOLT | 1 | |
| 14 | 90185-10037 | NUT, SELF-LOCKING | 1 | |
| 15 | 90506-20298 | SPRING, TENSION | 1 | |



4VP1414-7300

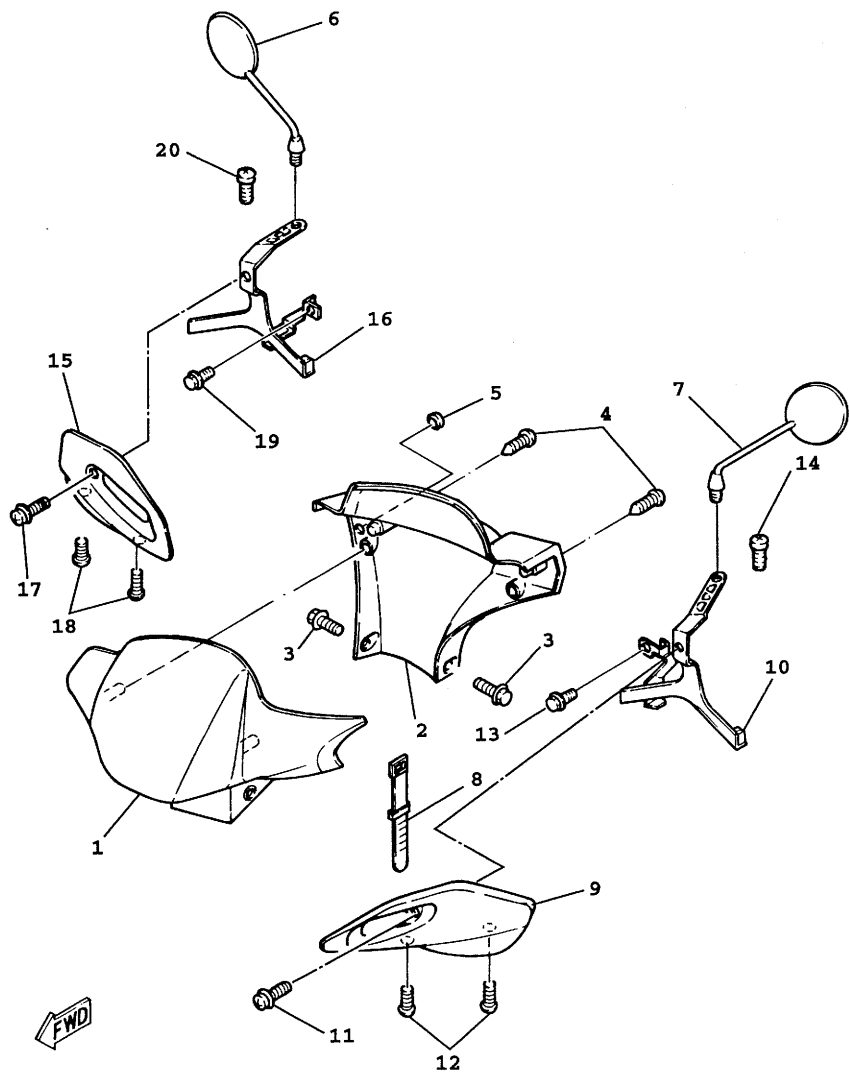
FIG. 26 LEG SHIELD



REF.

| NO. | PART NO. | DESCRIPTION | Q'TY | REMARKS |
|-----|-----------------|--------------------|------|------------|
| 1 | 4VP-X2831-00-4B | LEG SHIELD 1 | 1 | UR BLACK |
| | 4VP-X2831-10-J5 | LEG SHIELD 1 | 1 | UR OR BLUE |
| 2 | 4VP-F1569-00 | .GRAPHIC 1 | 1 | UR BLACK |
| | 4VP-F1569-40 | .GRAPHIC 1 | 1 | UR BLUE |
| 3 | 99236-00080 | .EMBLEM, YAMAHA | 1 | UR BLACK |
| | 99231-00080 | .EMBLEM, YAMAHA | 1 | UR BLUE |
| 4 | 4VP-F834V-00 | PROTECTOR 1 | 1 | |
| 5 | 90159-06812 | SCREW, WITH WASHER | 1 | |
| 6 | 4VP-F8300-00 | LEG SHIELD ASSY | 1 | UR BLUE |
| | 4VP-F8300-10 | LEG SHIELD ASSY | 1 | UR BLACK |
| 7 | 97707-50016 | SCREW, TAPPING | 4 | |
| 8 | 4VP-F8385-00 | COVER, LOWER | 1 | UR BLACK |
| | 4VP-F8385-10 | COVER, LOWER | 1 | UR BLUE |
| 9 | 97707-50016 | SCREW, TAPPING | 4 | |
| 10 | 3GF-F6199-00 | PLUG, BLIND | 4 | |
| 11 | 4VP-F840K-00-33 | GUARD COMP. | 1 | UR BLACK |
| | 4VP-F840K-00-UJ | GUARD COMP. | 1 | UR BLUE |
| 12 | 95027-06020 | BOLT, FLG | 4 | |
| 13 | 4VP-F1535-00 | NUT 1 | 4 | |
| 14 | 90338-16148 | PLUG | 2 | |
| 15 | 4VP-F8257-00 | HOOK 1 | 1 | |
| 16 | 92017-06016 | BOLT, BOTTON HEAD | 1 | |
| 17 | 4VP-F838K-00 | BOX 1 | 1 | |
| 18 | 95807-06014 | BOLT, FLG | 2 | |
| 19 | 4VP-F1851-00 | DUCT, COOLER | 1 | |
| 20 | 90460-35260 | CLAMP, HOSE | 2 | |

FIG. 27 COWLING 1



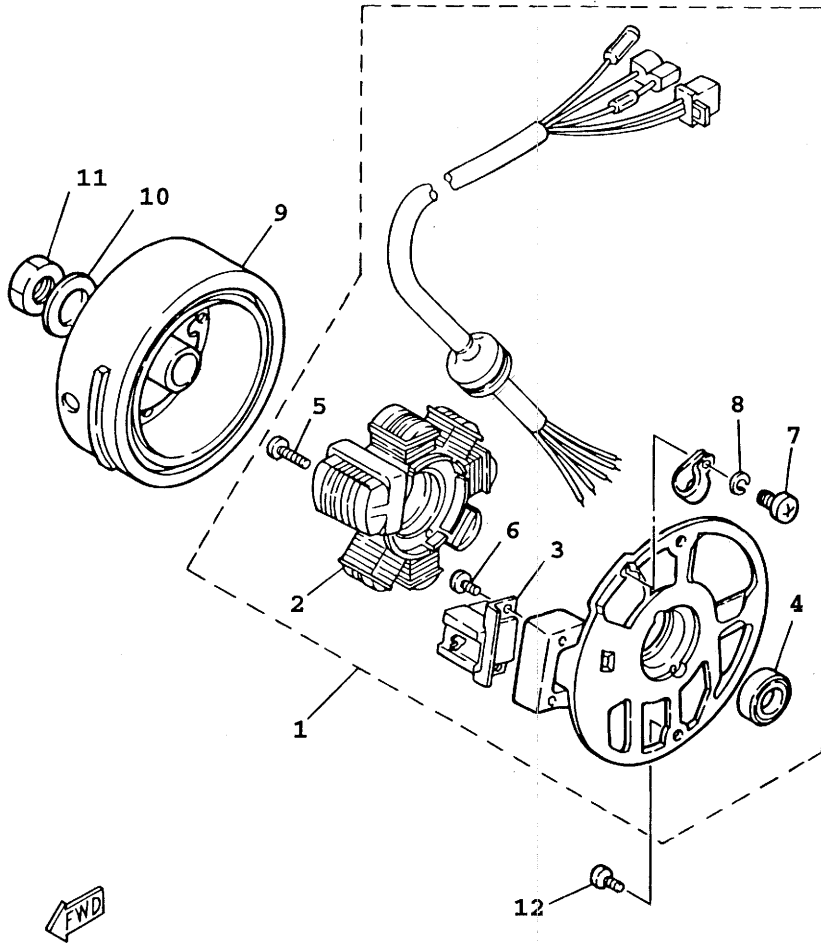
4VP5200-7270

| NO. | PART NO. | DESCRIPTION | QTY | REMARKS |
|-----|-----------------|--------------------------|-----|----------|
| 1 | 4VP-F6143-00-4B | COVER, HANDLEBAR UPPER 1 | 1 | UR BLACK |
| | 4VP-F6143-00-J5 | COVER, HANDLEBAR UPPER 1 | 1 | UR BLUE |
| 2 | 4VP-F6145-00 | COVER, HANDLEBAR UPPER 2 | 1 | UR BLUE |
| | 4VP-F6145-10 | COVER, HANDLEBAR UPPER 2 | 1 | UR BLACK |
| 3 | 90159-05831 | SCREW, WITH WASHER | 2 | |
| 4 | 90160-05803 | SCREW, ROUND TAPPING | 2 | |
| 5 | 3GF-F6199-00 | PLUG, BLIND | 1 | |
| 6 | 4VP-F6290-00 | REAR VIEW MIRROR ASSY | 1 | |
| 7 | 4VP-F6280-00 | REAR VIEW MIRROR ASSY | 1 | |
| 8 | 90465-13275 | CLAMP | 1 | |
| 9 | 4VP-F6141-00 | GUARD, BRUSH 1 | 1 | UR BLACK |
| | 4VP-F6141-10 | GUARD, BRUSH 1 | 1 | UR BLUE |
| 10 | 4VP-F612M-01 | BRKT. 4 | 1 | |
| 11 | 90159-05820 | SCREW, WITH WASHER | 1 | |
| 12 | 90149-05821 | SCREW | 2 | |
| 13 | 95807-06012 | BOLT, FLG | 1 | |
| 14 | 95807-08014 | BOLT, FLG | 1 | |
| 15 | 4VP-F6142-00 | GUARD, BRUSH 2 | 1 | UR BLACK |
| | 4VP-F6142-10 | GUARD, BRUSH 2 | 1 | UR BLUE |
| 16 | 4VP-F612N-01 | BRKT. 5 | 1 | |
| 17 | 90159-05820 | SCREW, WITH WASHER | 1 | |
| 18 | 90149-05821 | SCREW | 2 | |
| 19 | 95807-06012 | BOLT, FLG | 1 | |
| 20 | 4VP-F6225-00 | BOLT, HANDLE | 1 | |

FIG. 28 GENERATOR

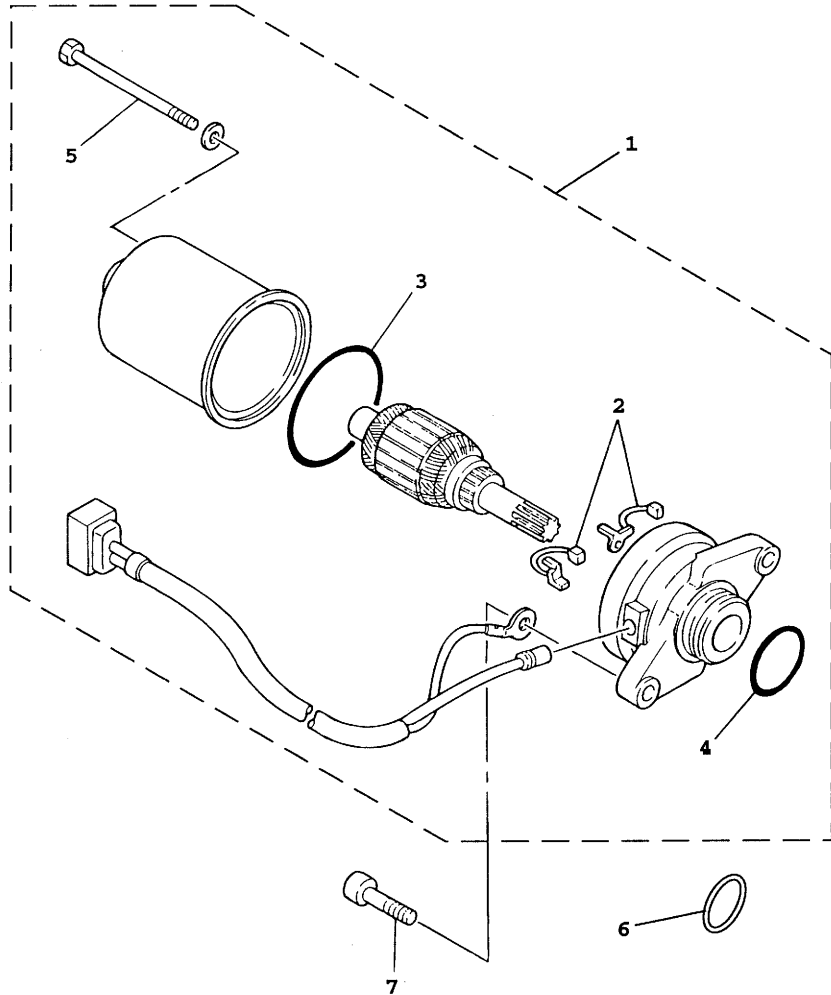
REF.

| NO. | PART NO. | DESCRIPTION | Q'TY | REMARKS |
|-----|--------------|----------------------|------|---------|
| 1 | 3XG-H5560-00 | BASE ASSY | 1 | |
| 2 | 3GF-H1403-V0 | .STATORCOMP. | 1 | |
| 3 | 3GF-H5580-V0 | .COIL, PULSER | 1 | |
| 4 | 93104-19097 | .SEAL, OIL | 1 | |
| 5 | 98501-05020 | .SCREW, PAN HEAD (+) | 2 | |
| 6 | 9850L-05010 | .SCREW, PAN HEAD(+) | 2 | |
| 7 | 98580-04008 | .SCREW, PAN HEAD (+) | 1 | |
| 8 | 92901-04100 | .WASHER, SPRING | 1 | |
| 9 | 4KX-H5550-00 | ROTOR ASSY | 1 | |
| 10 | 92907-12600 | WASHER, PLATE | 1 | |
| 11 | 95307-12600 | NUT, HEXAGON | 1 | |
| 12 | 98507-06016 | SCREW, PAN HEAD | 2 | |



3XG4414-4280

FIG. 29 STARTING MOTOR



REF.

| NO. | PART NO. | DESCRIPTION | Q'TY | REMARKS |
|-----|--------------|---------------------|------|---------|
| 1 | 4VP-H1800-00 | STARTING MOTOR ASSY | 1 | |
| 2 | 4DM-H1801-00 | .BRUSH SET | 1 | |
| 3 | 93210-44678 | .O-RING | 1 | |
| 4 | 93210-23614 | .O-RING | 1 | |
| 5 | 3NW-H1828-V0 | .BOLT 2 | 2 | |
| 6 | 90202-26166 | WASHER, PLATE | 1 | |
| 7 | 91318-06020 | BOLT | 2 | |

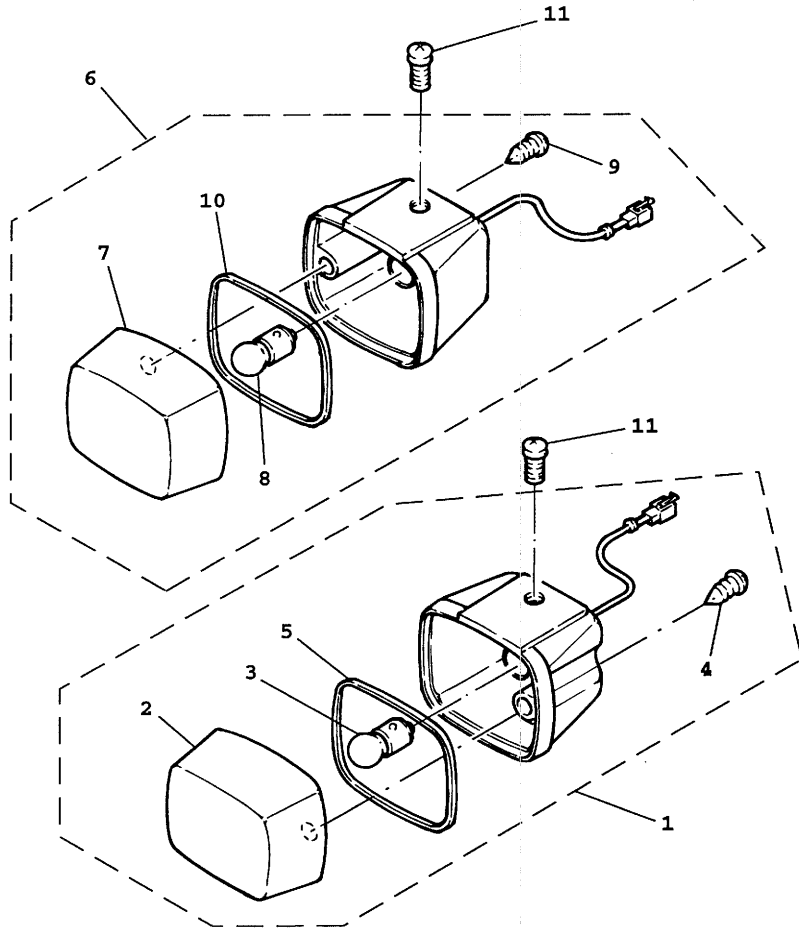


4VP1414-7371

FIG. 30 FLASHER LIGHT

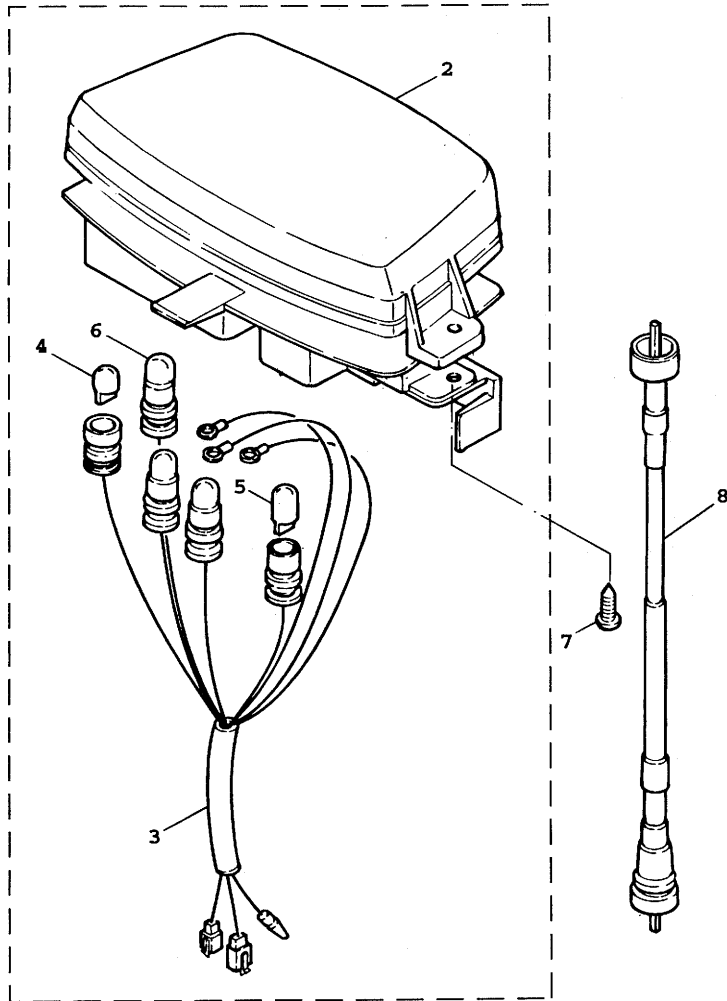
REF.

| NO. | PART NO. | DESCRIPTION | Q'TY | REMARKS |
|-----|--------------|----------------------------|------|---------|
| 1 | 4VP-H3310-00 | FRONT FLASHER LIGHT ASSY 1 | 1 | |
| 2 | 4VP-H3312-00 | .LENS, FLASHER | 1 | |
| 3 | 4VP-H3311-00 | .BULB, FLASHER | 1 | |
| 4 | 97707-40610 | .SCREW, TAPPING | 1 | |
| 5 | 4VP-H3313-00 | .GASKET, FLASHER LENS | 1 | |
| 6 | 4VP-H3320-00 | FRONT FLASHER LIGHT ASSY 2 | 1 | |
| 7 | 4VP-H3322-00 | .LENS, FLASHER 2 | 1 | |
| 8 | 4VP-H3311-00 | .BULB, FLASHER | 1 | |
| 9 | 97707-40610 | .SCREW, TAPPING | 1 | |
| 10 | 4VP-H3313-00 | .GASKET, FLASHER LENS | 1 | |
| 11 | 98507-05010 | SCREW, PAN HEAD | 2 | |



4VP1414-7380

FIG. 31 METER



| REF. | | | | |
|------|--------------|------------------------|------|---------|
| NO. | PART NO. | DESCRIPTION | Q'TY | REMARKS |
| 1 | 4VP-H3510-00 | SPEEDOMETER ASSY | 1 | |
| 2 | 4VP-H353K-00 | .GLASS PLATE | 1 | |
| 3 | 4VP-H3509-00 | .SOCKET CORD ASSY | 1 | |
| 4 | 3GF-H3517-00 | .BULB | 3 | |
| 5 | 4VP-H3517-00 | .BULB | 1 | |
| 6 | 4TE-H3518-00 | .BULB, METER | 1 | |
| 7 | 97707-50016 | SCREW, TAPPING | 3 | |
| 8 | 4VP-H3550-01 | SPEEDOMETER CABLE ASSY | 1 | |

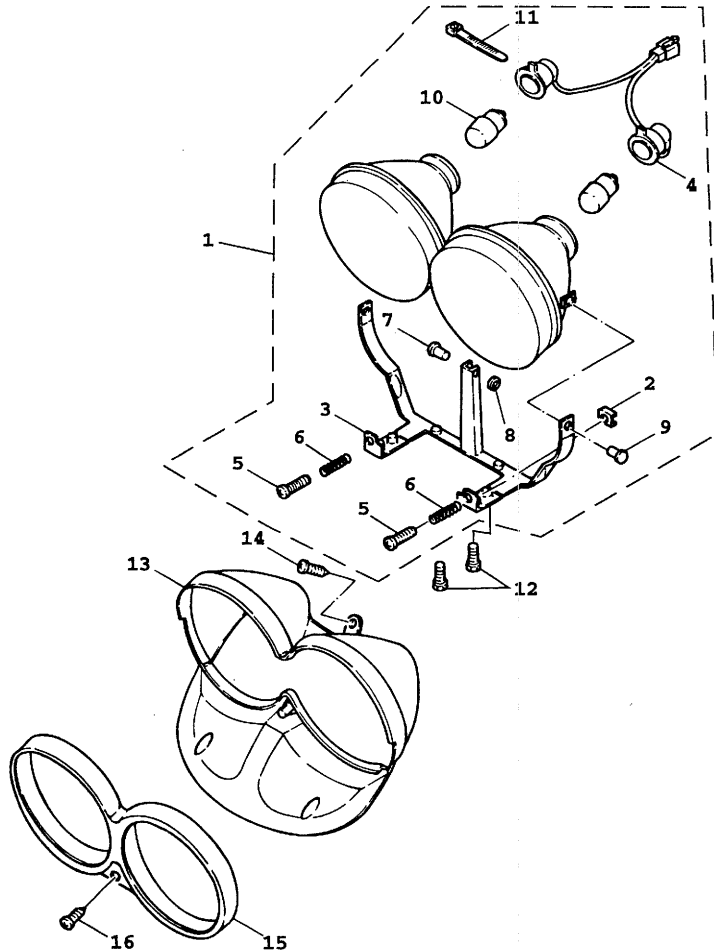
FWD

4VP1414-7391

FIG. 32 HEADLIGHT

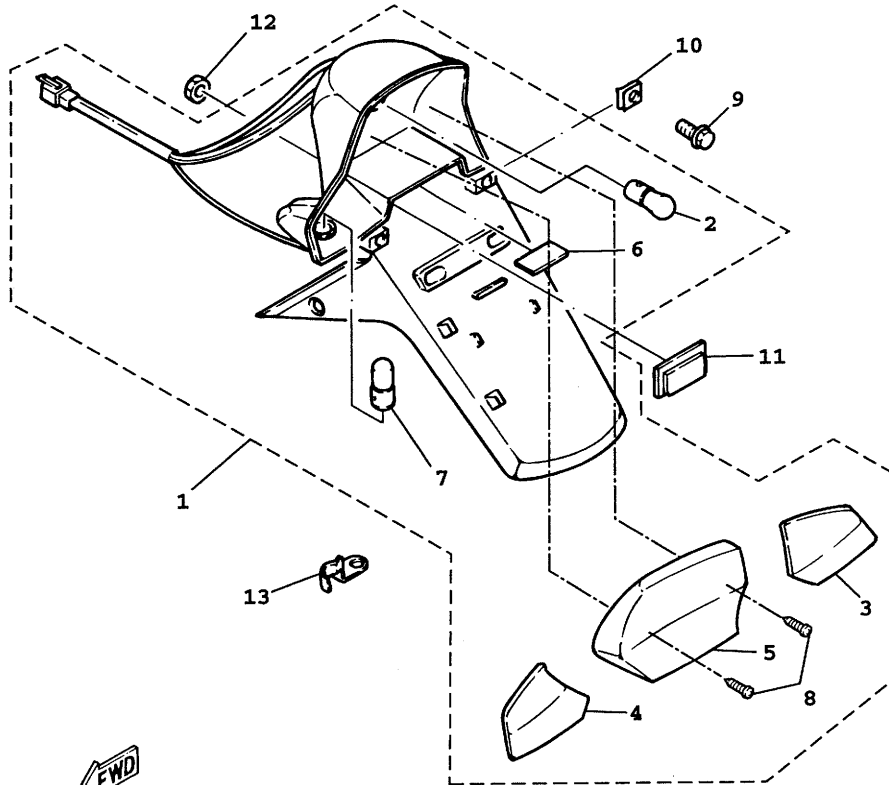
REF.

| NO. | PART NO. | DESCRIPTION | Q'TY | REMARKS |
|-----|--------------|-----------------------|------|---------|
| 1 | 4VP-H430A-00 | HEADLIGHT NUIT | 1 | |
| 2 | 4VP-H4317-00 | .NUT | 2 | |
| 3 | 4VP-H4318-00 | .STAY, HEADLIGHT 1 | 1 | |
| 4 | 4VP-H4359-00 | .CORD, HEADLIGHT | 1 | |
| 5 | 4VP-H4331-00 | .SCREW, RIM ADJUSTING | 2 | |
| 6 | 4VP-H4332-00 | .SPRING, SCREW | 2 | |
| 7 | 4VP-H431V-00 | .PIN | 1 | |
| 8 | 4VP-H4198-00 | .CLIP, COVER FITTING | 1 | |
| 9 | 4VP-H4337-00 | .BOLT, SPECIAL | 2 | |
| 10 | 3UH-H4314-10 | .BULB, HEADLIGHT | 2 | |
| 11 | 4VP-H4351-00 | .CLAMP, CORD | 1 | |
| 12 | 95807-06016 | BOLT, FLG | 4 | |
| 13 | 4VP-H4144-00 | COVER, HEADLIGHT | 1 | |
| 14 | 97707-50012 | SCREW, TAPPING | 1 | |
| 15 | 4VP-H4169-00 | GUARD, HEADLIGHT | 1 | |
| 16 | 90163-05800 | SCREW, TAPPING | 1 | |



4VP1414-7401

FIG. 33 TAILLIGHT

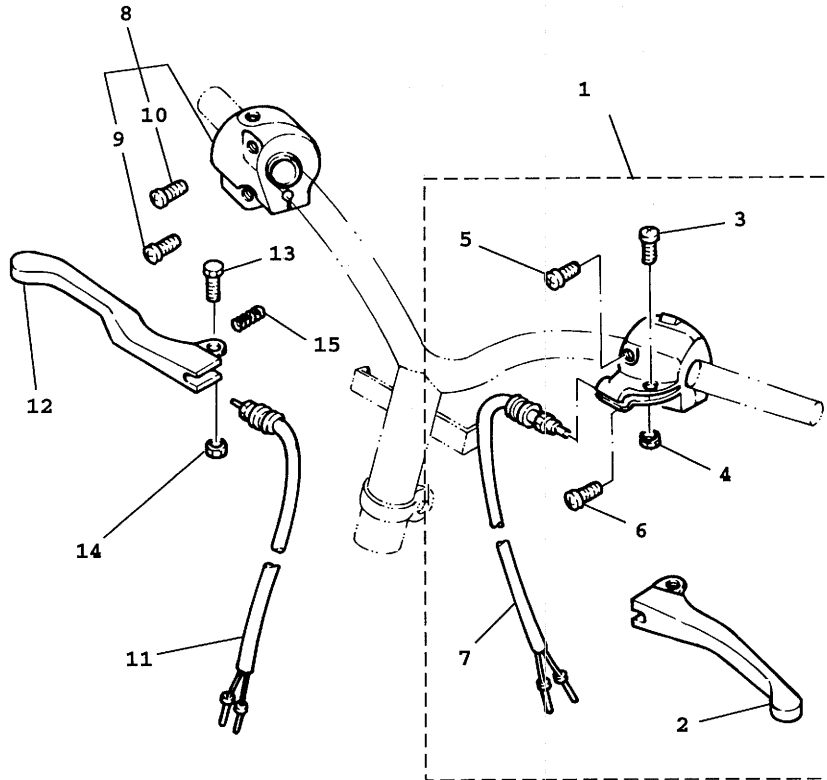


| REF. | | | | |
|------|--------------|----------------------|------|---------|
| NO. | PART NO. | DESCRIPTION | Q'TY | REMARKS |
| 1 | 4VP-H4700-00 | TAILLIGHT ASSY | 1 | |
| 2 | 4TE-H4714-00 | .BULB | 1 | |
| 3 | 4VP-H3342-00 | .LENS, FLASHER 2 | 1 | |
| 4 | 4VP-H3332-00 | .LENS, FLASHER | 1 | |
| 5 | 4VP-H4721-00 | .LENS, TAILLIGHT | 1 | |
| 6 | 4VP-H4743-00 | .LENS, LICENCE LIGHT | 1 | |
| 7 | 4VP-H3331-00 | .BULB, FLASHER | 2 | |
| 8 | 97707-40616 | .SCREW, TAPPING | 2 | |
| 9 | 90119-06079 | BOLT, WITH WASHER | 2 | |
| 10 | 90183-05807 | NUT, SPRING | 4 | |
| 11 | 3KW-H5130-00 | REAR REFLECTOR ASSY | 1 | |
| 12 | 95707-05300 | NUT, FLG | 1 | |
| 13 | 4VP-H4519-00 | BRACKET, TAILLIGHT | 1 | |



4VP5200-7330

FIG. 34 HANDLE SWITCH. LEVER

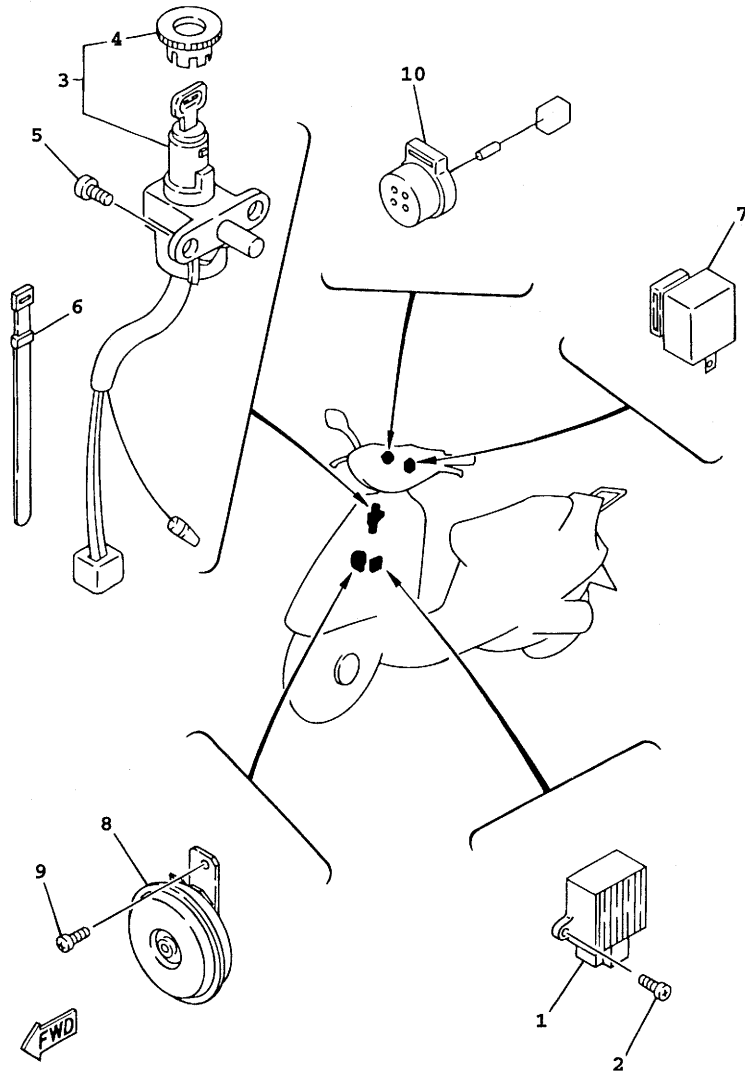


| REF. | | | | |
|------|--------------|--------------------------|------|---------|
| NO. | PART NO. | DESCRIPTION | Q'TY | REMARKS |
| 1 | 4VP-H2910-00 | LEVER HOLDER ASSY (LEFT) | 1 | |
| 2 | 4VP-H3912-00 | .LEVER 1 | 1 | |
| 3 | 3XG-H3915-00 | .SCREW, LEVER FITTING | 1 | |
| 4 | 95607-05100 | .NUT,U | 1 | |
| 5 | 98507-05020 | .SCREW,PAN HEAD | 1 | |
| 6 | 98507-05030 | .SCREW,PAN HEAD | 1 | |
| 7 | 3XG-H3980-10 | .FRONT STOP SWITCH ASSY | 1 | |
| 8 | 3XG-H3975-30 | SWITCH, HANDLE 2 | 1 | |
| 9 | 98506-05025 | .SCREW,PAN HEAD (+) | 1 | |
| 10 | 98506-05035 | .SCREW,PAN HEAD (+) | 1 | |
| 11 | 3GF-H3980-00 | FRONT STOP SWITCH ASSY | 1 | |
| 12 | 4VP-H3922-00 | LEVER 2 | 1 | |
| 13 | 90109-06577 | BOLT | 1 | |
| 14 | 95607-06100 | NUT,U | 1 | |
| 15 | 90501-10312 | SPRING, COMPRESSION | 1 | |



4VP1414-7420

FIG. 35 ELECTRICAL 1



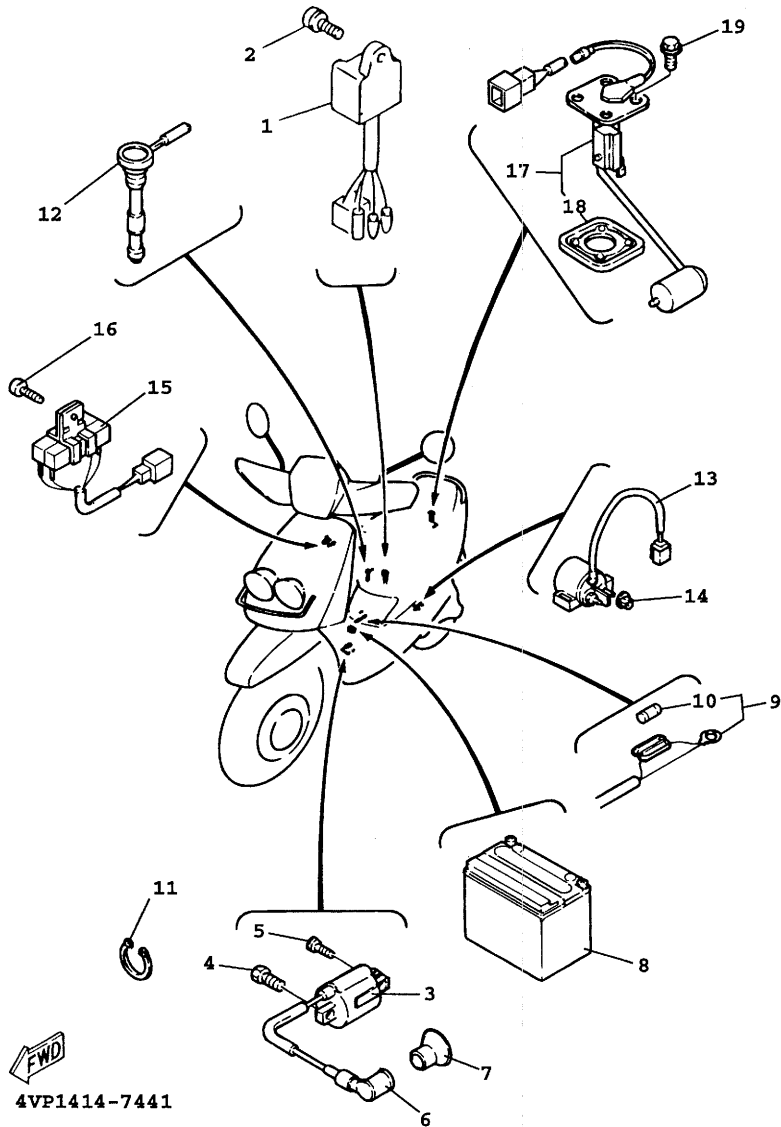
| NO. | PART NO. | DESCRIPTION | QTY | REMARKS |
|-----|--------------|----------------------------|-----|---------|
| 1 | 3GF-H1960-00 | RECTIFIER & REGULATOR ASSY | 1 | |
| 2 | 98507-05010 | SCREW, PAN HEAD | 2 | |
| 3 | 4VP-H2501-00 | MAIN SWITCH STEERING LOCK | 1 | |
| 4 | 4VP-H2552-00 | .CAP, SWITCH | 1 | |
| 5 | 9760L-06216 | SCREW, W/WASHER | 2 | |
| 6 | 23Y-H3936-00 | BAND, SWITCH CORD | 2 | |
| 7 | 1MH-H3350-V0 | FLASHER RELAY ASSY | 1 | |
| 8 | 4KP-H3371-01 | HORN | 1 | |
| 9 | 98507-06010 | SCREW, PAN HEAD | 1 | |
| 10 | 3XY-H3390-01 | AUDIO PILOT ASSY | 1 | |

3XG1414-1340

FIG. 36 ELECTRICAL 2

REF.

| NO. | PART NO. | DESCRIPTION | Q'TY | REMARKS |
|-----|--------------|----------------------|------|---------|
| 1 | 4DM-H5540-00 | C.D.I. UNIT ASSY | 1 | |
| 2 | 90159-06056 | SCREW, WITH WASHER | 1 | |
| 3 | 4VP-H2310-00 | IGNITION COIL ASSY | 1 | |
| 4 | 97007-06016 | BOLT, HEX | 1 | |
| 5 | 90153-06839 | SCREW, HEXAGON | 1 | |
| 6 | 4VP-H2370-00 | PLUG CAP ASSY | 1 | |
| 7 | 4VP-H2372-00 | SEAL, PLUG CAP | 1 | |
| 8 | 4EH-H2100-00 | BATTERY ASSY | 1 | |
| 9 | 4VP-H2590-10 | WIRE HARNESS ASSY | 1 | |
| 10 | 1NT-H2151-00 | .FUSE | 1 | |
| 11 | 90465-13275 | CLAMP | 2 | |
| 12 | 4VP-H5720-00 | OIL LEVEL GAUGE ASSY | 1 | |
| 13 | 3KW-H1940-01 | STARTER RELAY ASSY | 1 | |
| 14 | 95307-06600 | NUT, HEXAGON | 2 | |
| 15 | 3GF-H5370-01 | RESISTOR ASSY | 1 | |
| 16 | 98507-06020 | SCREW, PAN HEAD | 1 | |
| 17 | 4VP-X8575-00 | SENDER ASSY | 1 | |
| 18 | 53X-H5753-00 | .GASKET, SENDER UNIT | 1 | |
| 19 | 90119-05071 | BOLT, WITH WASHER | 4 | |



4VP1414-7441

NUMERICAL INDEX

| PART NO. | REF. NO. | PART NO. | REF. NO. | PART NO. | REF. NO. | PART NO. | REF. NO. | PART NO. | REF. NO. | PART NO. | REF. NO. |
|----------------|----------|-----------------|----------|-----------------|----------|-----------------|----------|-----------------|----------|-----------------|----------|
| VP-E1111-00 | 1- 1 | 4VP-E4708-00 | 7-10 | 4VP-F1511-00 | 13- 1 | 4WX-F3170-00 | 17- 4 | 3GF-F5852-00 | 24- 4 | 4VP-F834V-00 | 26- 4 |
| VP-E1162-00 | 1- 4 | 4VP-E475M-00 | 7-16 | 4VP-F1511-20 | 13- 1 | 4WX-F3170-00 | 17-15 | 3GF-F5854-00 | 24- 3 | 4VP-F838K-00 | 26-17 |
| VP-E1181-00 | 1- 2 | 4CW-E4766-00 | 7-13 | 4VP-F1514-00 | 12- 9 | 3GF-F3181-00 | 17- 7 | 3GF-F5867-00 | 24- 6 | 4VP-F8385-00 | 26- 8 |
| VP-E1311-00 | 1- 5 | 4CW-E4766-00 | 7-19 | 4VP-F1519-00 | 13- 6 | 3GF-F3181-00 | 17-18 | 4JL-F5870-00 | 24- 1 | 4VP-F8385-10 | 26- 8 |
| VP-E1351-00 | 1- 6 | 4UE-E4766-00 | 7-21 | 4VP-F1519-20 | 13- 6 | 4WX-F3191-10 | 17-10 | 4WX-F5872-01 | 24- 8 | 4VP-F840K-00-UJ | 26-11 |
| VP-E1400-00 | 2- 1 | 4VP-E4779-00 | 7- 3 | 2GF-F1535-00 | 14- 4 | 4WX-F3191-10 | 17-21 | 3GF-F5875-10 | 17-28 | 4VP-F840K-00-33 | 26-11 |
| VP-E1412-00 | 2- 2 | 4VP-E4799-00 | 7-15 | 4VP-F1535-00 | 26-13 | 4TE-F3192-00 | 17-11 | 3XG-F5919-01 | 21- 8 | 3GF-H1403-V0 | 28- 2 |
| VP-E1422-00 | 2- 6 | 4VP-E5111-00 | 8- 1 | 4VP-F1552-00 | 13- 4 | 4TE-F3192-00 | 17-22 | 3XG-F5919-11 | 21- 9 | 4VP-H1800-00 | 29- 1 |
| VP-E1631-10-AO | 2-13 | 4VP-E5118-00 | 8-31 | 4VP-F1569-00 | 26- 2 | 3GF-F3317-00 | 17-27 | 3XG-F5926-01 | 21-10 | 4DM-H1801-00 | 29- 2 |
| VP-E1631-19 | 2-13 | 4VP-E5121-00 | 8- 2 | 4VP-F1569-40 | 26- 2 | 4WX-F3340-00 | 17-24 | 4VP-F6110-01 | 23- 1 | 3NW-H1828-V0 | 29- 5 |
| VP-E1631-29 | 2-13 | 4VP-E5128-00 | 8-28 | 4VP-F1629-00 | 13- 8 | 3GF-F3346-00 | 17-23 | 4VP-F612M-01 | 27-10 | 3KW-H1940-01 | 36-13 |
| VP-E1631-39 | 2-13 | 4VP-E5138-10 | 8-16 | 4VP-F1691-00 | 13-11 | 1MH-F3411-00 | 17-25 | 4VP-F612N-01 | 27-16 | 3GF-H1960-00 | 35- 1 |
| VP-E1633-00 | 2-14 | 3XG-E5317-00 | 8- 9 | 4VP-F171E-00-J5 | 14-16 | 4TE-F3416-00 | 17-36 | 4VP-F6141-00 | 27- 9 | 4EH-H2100-00 | 36- 8 |
| VP-E1651-00 | 2- 5 | 4Y4-E5363-00 | 8-24 | 4VP-F171E-00-4B | 14-16 | 4VP-F3418-00 | 17-35 | 4VP-F6141-10 | 27- 9 | 1NT-H2151-00 | 36-10 |
| DM-E1681-00 | 2- 3 | 3XG-E5371-00 | 8- 5 | 4VP-F1711-00 | 14- 1 | 3KW-F3462-00 | 17-26 | 4VP-F6142-00 | 27-15 | 4VP-H2310-00 | 36- 3 |
| VP-E2611-00 | 3-12 | 4VP-E5373-00 | 8- 6 | 4VP-F1711-10 | 14- 1 | 4VP-F4110-10-33 | 18- 1 | 4VP-F6142-10 | 27-15 | 4VP-H2370-00 | 36- 6 |
| DY-E262H-00 | 3- 4 | 4VP-E5411-00-33 | 8-17 | 4VP-F173E-00 | 14- 6 | 4VP-F414A-10 | 18-10 | 4VP-F6143-00-J5 | 27- 1 | 4VP-H2372-00 | 36- 7 |
| XG-E2631-00 | 3-15 | 4VP-E5421-00 | 8-11 | 4VP-F173E-40 | 14- 6 | 4VP-F4311-00 | 18- 7 | 4VP-F6143-00-4B | 27- 1 | 4VP-H2501-00 | 35- 3 |
| VP-E2651-00 | 3- 1 | 4VP-E5451-00 | 8-18 | 4VP-F173F-00 | 14-10 | 4CW-F4500-00 | 18- 3 | 4VP-F6145-00 | 27- 2 | 4VP-H2552-00 | 35- 4 |
| VP-E2653-00 | 3- 3 | 4VP-E5461-00 | 8-12 | 4VP-F173F-40 | 14-10 | 4CW-F452K-00 | 18- 4 | 4VP-F6145-10 | 27- 2 | 4VP-H2590-10 | 36- 9 |
| VP-E2658-00 | 3-10 | 3XG-E5462-00 | 8-30 | 4VP-F1733-00 | 15- 3 | 4VP-F4610-00 | 18- 9 | 3GF-F6199-00 | 26-10 | 4VP-H2910-00 | 34- 1 |
| VP-E2659-00 | 3-11 | 4VP-E5477-00 | 8-33 | 4VP-F1734-00 | 15- 4 | 4CW-F4726-00 | 19- 3 | 3GF-F6199-00 | 27- 5 | 4VP-H3310-00 | 30- 1 |
| VP-E3100-00 | 4- 1 | 4VP-E5512-00 | 9- 7 | 4VP-F1741-00 | 14-13 | 4VP-F4726-00 | 19- 5 | 4VP-F6225-00 | 27-20 | 4VP-H3311-00 | 30- 3 |
| XG-E3342-00 | 9- 9 | 4VP-E5524-00 | 9- 1 | 4VP-F1741-10 | 14-13 | 4VP-F473R-00 | 19- 8 | 4VP-F6240-00 | 23- 5 | 4VP-H3311-00 | 30- 8 |
| XG-E3555-10 | 5- 6 | 3XG-E5532-00 | 9-11 | 4VP-F1745-00 | 15- 7 | 4VP-F4730-00 | 19- 1 | 4VP-F6241-00 | 23- 4 | 4VP-H3311-00 | 33- 7 |
| XG-E3575-01 | 5- 8 | 4CW-E5570-00 | 9- 5 | 4VP-F1751-00 | 15- 1 | 4VP-F4738-00 | 19-13 | 4VP-F6260-01 | 23- 8 | 4VP-H3312-00 | 30- 2 |
| VP-E3610-00 | 5- 1 | 4VP-E5601-00 | 9-13 | 4TE-F1753-00 | 18-11 | 4VP-F4742-00 | 19-10 | 4VP-F6262-00 | 23-11 | 4VP-H3313-00 | 30- 5 |
| XG-E3613-00 | 5- 2 | 3XG-E5620-00 | 9-18 | 4X6-F1771-01 | 15- 6 | 4VP-F475M-00 | 19- 2 | 4VP-F6266-00 | 23-13 | 4VP-H3313-00 | 30-10 |
| XG-E3616-00 | 5- 3 | 4VP-E5630-00 | 9-20 | 4VP-F1851-00 | 26-19 | 4VP-F478E-00 | 19-17 | 4VP-F6280-00 | 27- 7 | 4VP-H3320-00 | 30- 6 |
| XG-E3621-00 | 5- 5 | 4VP-E5650-00 | 9- 6 | 4WX-F2210-10 | 16- 1 | 4UE-F4780-01 | 19-15 | 4VP-F6290-00 | 27- 6 | 4VP-H3322-00 | 30- 7 |
| VP-E4101-20 | 6- 1 | 4VP-E5659-00 | 8-19 | 4X6-F2216-00 | 8- 3 | 4VP-F4812-00-UJ | 19-18 | 4VP-F6311-00 | 23- 7 | 4VP-H3332-00 | 33- 4 |
| VP-E4411-00 | 5-11 | 4VP-E5673-00 | 9-21 | 4WX-F3102-10 | 17- 1 | 4VP-F4812-00-33 | 19-18 | 4VP-F6312-00 | 23-10 | 4VP-H3342-00 | 33- 3 |
| VP-E4412-00 | 5-14 | 4VP-E6611-00 | 10-15 | 4WX-F3103-10 | 17-12 | 20A-F5115-00 | 20- 3 | 4VP-F6321-01 | 23- 9 | 1MH-H3350-V0 | 35- 7 |
| VP-E443E-00 | 5-22 | 4VP-E7211-00 | 11- 7 | 4WX-F3110-00 | 17- 3 | 4WX-F5180-00-33 | 20- 1 | 1MH-F6329-00 | 6-23 | 4KP-H3371-01 | 35- 8 |
| VP-E4437-00 | 5-12 | 4VP-E7410-00 | 11- 1 | 4WX-F3110-00 | 17-14 | 4WX-F5181-00 | 20- 9 | 4VP-F6351-00 | 23-15 | 3XY-H3390-01 | 35-10 |
| VP-E4445-00 | 7- 2 | 4VP-E7421-00 | 11- 6 | 4JL-F3126-00 | 17- 2 | 4WX-F5183-00 | 20- 2 | 4VP-F637G-00 | 23-17 | 4VP-H3509-00 | 31- 3 |
| VP-E4451-00 | 5-19 | 4VP-E7611-00 | 10-25 | 4JL-F3136-00 | 17-13 | 4VP-F5190-00 | 20-11 | 4VP-F6393-00 | 23-16 | 4VP-H3510-00 | 31- 1 |
| VP-E4452-00 | 5-20 | 4VP-E7620-00 | 10-17 | 4WX-F3141-10 | 17- 5 | 3UH-F5326-00 | 22- 5 | 4VP-F7111-00 | 25- 1 | 3GF-H3517-00 | 31- 4 |
| VP-E4453-00 | 5-15 | 4VP-E7623-00 | 10-20 | 4WX-F3141-10 | 17-16 | 4VP-F533A-00 | 22-12 | 4CW-F7114-00 | 25- 2 | 4VP-H3517-00 | 31- 5 |
| VP-E4462-00 | 5-17 | 4VP-F1110-10-33 | 12- 1 | 3GF-F3147-00 | 17- 9 | 4WX-F5336-00 | 22- 2 | 4VP-F7311-00 | 25-12 | 4TE-H3518-00 | 31- 6 |
| VP-E4463-00 | 5-16 | 3KW-F139X-00 | 19-12 | 3GF-F3147-00 | 17-20 | 3UH-F5351-00 | 22-10 | 45U-F8100-00 | 12-11 | 4VP-H353K-00 | 31- 2 |
| VP-E4467-00 | 5-18 | 4Y4-F139X-01 | 12- 7 | 4WX-F3154-00 | 17- 8 | 4WX-F5355-00 | 22-11 | 23Y-F8175-00 | 12-12 | 4VP-H3550-01 | 31- 8 |
| VP-E4610-20-98 | 7- 1 | 4VP-F1410-00 | 12- 6 | 4WX-F3154-00 | 17-19 | 4WX-F5390-00-33 | 22- 1 | 4VP-F8257-00 | 26-15 | 4VP-H3912-00 | 34- 2 |
| NT-E4613-00 | 7- 6 | 3XG-F1481-00 | 12- 2 | 3GF-F3158-00 | 17- 6 | 3XG-F580T-01 | 21- 4 | 4VP-F8300-00 | 26- 6 | 3XG-H3915-00 | 34- 3 |
| VP-E4627-00 | 7-11 | 4Y4-F1481-00 | 12- 4 | 3GF-F3158-00 | 17-17 | 3XG-F582T-00 | 21- 1 | 4VP-F8300-10 | 26- 6 | 4VP-H3922-00 | 34-12 |

NUMERICAL INDEX

| PART NO. | REF. NO. | PART NO. | REF. NO. | PART NO. | REF. NO. | PART NO. | REF. NO. | PART NO. | REF. NO. | PART NO. | REF. NO. |
|-----------------|----------|-----------------|----------|-------------|----------|-------------|----------|-------------|----------|-------------|----------|
| 23Y-H3936-00 | 35- 6 | 4VP-X2748-10 | 25- 8 | 90105-08121 | 16- 2 | 90201-158K9 | 11- 4 | 90480-11866 | 3- 2 | 93210-64893 | 3-13 |
| 3XG-H3975-30 | 34- 8 | 4VP-X2831-00-4B | 26- 1 | 90105-10036 | 23- 2 | 90201-163G6 | 9- 4 | 90480-12497 | 3- 7 | 93306-003Y4 | 8- 4 |
| 3GF-H3980-00 | 34-11 | 4VP-X2831-10-J5 | 26- 1 | 90109-063F1 | 19-11 | 90201-166L3 | 10-23 | 90480-12497 | 5-26 | 93306-003Y4 | 9- 2 |
| 3XG-H3980-10 | 34- 7 | 4VP-X8575-00 | 36-17 | 90109-06577 | 34-13 | 90201-203E7 | 22-16 | 90480-16278 | 14-14 | 93306-004X7 | 11- 9 |
| 4VP-H4144-00 | 32-13 | 3YR-11603-00 | 2-15 | 90109-10473 | 25-13 | 90202-05193 | 18- 6 | 90501-08845 | 4-13 | 93306-200Y1 | 10- 4 |
| 4VP-H4169-00 | 32-15 | 3AA-13124-00 | 4- 5 | 90110-10811 | 21- 2 | 90202-10120 | 25- 5 | 90501-10312 | 34-15 | 93306-200Y1 | 11- 3 |
| 4VP-H4198-00 | 32- 8 | 4VP-13178-00 | 4-16 | 90116-07834 | 1- 7 | 90202-26142 | 17-34 | 90501-165J7 | 23-20 | 93306-20310 | 10- 2 |
| 4VP-H430A-00 | 32- 1 | 3WF-13185-00 | 4- 2 | 90119-05071 | 36-19 | 90202-26166 | 29- 6 | 90501-29517 | 12- 8 | 93306-20310 | 11-12 |
| 4VP-H431V-00 | 32- 7 | 1YU-13187-00 | 4- 3 | 90119-06079 | 33- 9 | 90208-12050 | 10-28 | 90501-430K3 | 10-12 | 93306-205Y6 | 2- 9 |
| 3UH-H4314-10 | 32-10 | 1YU-13473-00 | 4- 4 | 90119-06802 | 15- 2 | 90208-15807 | 11- 5 | 90506-16447 | 22- 9 | 93306-300Y4 | 20- 5 |
| 4VP-H4317-00 | 32- 2 | 1YU-13516-00 | 4- 6 | 90119-06821 | 13- 2 | 90209-18112 | 2- 7 | 90506-20298 | 25-15 | 93310-21403 | 2-17 |
| 4VP-H4318-00 | 32- 3 | 1YU-13577-00 | 4- 7 | 90119-06821 | 25- 9 | 90214-14054 | 10-26 | 90506-32857 | 25- 7 | 93310-418T0 | 2- 4 |
| 4VP-H4331-00 | 32- 5 | 3XG-14103-00 | 6-18 | 90149-05821 | 27-12 | 90240-10137 | 25- 3 | 90508-32768 | 9-14 | 93311-315Y2 | 11- 2 |
| 4VP-H4332-00 | 32- 6 | 3MB-14104-00 | 6-12 | 90149-05821 | 27-18 | 90241-10015 | 19- 7 | 91A10-07056 | 18-12 | 93315-108Y4 | 9- 8 |
| 4VP-H4337-00 | 32- 9 | 3XG-14107-00 | 6-19 | 90149-06011 | 18- 5 | 90249-12008 | 23-19 | 91317-06016 | 19-20 | 93410-20823 | 11- 8 |
| 4VP-H4351-00 | 32-11 | 4VP-14112-35 | 6- 5 | 90149-06810 | 7- 7 | 90280-03017 | 2- 8 | 91317-06025 | 8-21 | 93450-16115 | 2-16 |
| 4VP-H4359-00 | 32- 4 | 52W-14131-00 | 6- 3 | 90153-06839 | 36- 5 | 90338-16148 | 26-14 | 91317-06025 | 24- 7 | 93450-35015 | 9- 3 |
| 4VP-H4519-00 | 33-13 | 18A-1414A-65 | 6- 9 | 90159-05820 | 27-11 | 90380-15817 | 9-15 | 91317-06035 | 8-22 | 93501-04011 | 17-38 |
| 4VP-H4700-00 | 33- 1 | 4VP-14141-11 | 6- 7 | 90159-05820 | 27-17 | 90387-068F8 | 13- 3 | 91317-06040 | 19-19 | 93503-16003 | 17-32 |
| 4TE-H4714-00 | 33- 2 | 193-14142-35 | 6-11 | 90159-05831 | 27- 3 | 90387-068J5 | 3- 6 | 91317-06045 | 8-23 | 93603-12827 | 4-17 |
| 4VP-H4721-00 | 33- 5 | 52W-14147-00 | 6-17 | 90159-06056 | 36- 2 | 90387-068J5 | 5-25 | 91318-06020 | 5- 7 | 93900-00802 | 20- 7 |
| 4VP-H4743-00 | 33- 6 | 522-14161-00 | 6-22 | 90159-06812 | 26- 5 | 90387-104U5 | 20-10 | 91318-06020 | 8-15 | 93900-00802 | 22- 4 |
| 3KW-H5130-00 | 33-11 | 4VP-14171-00 | 6-16 | 90159-06822 | 14- 3 | 90387-168N7 | 10-22 | 91318-06020 | 29- 7 | 94112-108S3 | 20- 6 |
| 3GF-H5370-01 | 36-15 | 53L-14186-00 | 6-20 | 90160-05803 | 27- 4 | 90387-178N6 | 2-12 | 91318-06035 | 8- 8 | 94113-108S4 | 22- 3 |
| 4DM-H5540-00 | 36- 1 | 12R-14191-00 | 6-13 | 90163-05800 | 32-16 | 90401-10805 | 24- 9 | 91318-06035 | 8-14 | 94700-00825 | 1- 3 |
| 4KX-H5550-00 | 28- 9 | 3XG-14196-00 | 6-10 | 90167-03800 | 23-12 | 90430-08119 | 8-27 | 92017-06016 | 26-16 | 95027-06020 | 26-12 |
| 3XG-H5560-Q0 | 28- 1 | 3XG-14198-00 | 6- 2 | 90176-06065 | 7-18 | 90445-05431 | 4-10 | 92901-04100 | 28- 8 | 95307-06600 | 36-14 |
| 3GF-H5580-V0 | 28- 3 | 4VP-1490J-00 | 6- 6 | 90179-06411 | 23-18 | 90445-078A3 | 18-14 | 92907-06200 | 7-17 | 95307-12600 | 28-11 |
| 4VP-H5720-00 | 36- 12 | 3XG-14997-00 | 6- 8 | 90179-07381 | 1- 8 | 90445-09124 | 4- 8 | 92907-06600 | 19-21 | 95307-12700 | 10-29 |
| 53X-H5753-00 | 36-18 | 14T-15657-00 | 10-27 | 90179-10609 | 10-16 | 90445-105H0 | 18-15 | 92907-12600 | 28-10 | 95607-05100 | 34- 4 |
| 3GF-W0041-00 | 24- 2 | 4VP-16111-00 | 10- 1 | 90179-25615 | 17-33 | 90460-27815 | 15- 8 | 92990-06600 | 7- 4 | 95607-06100 | 34-14 |
| 3GF-W0045-00 | 21-11 | 4VP-16620-00 | 10- 5 | 90179-28415 | 10-14 | 90460-35260 | 26-20 | 93101-20169 | 2-11 | 95607-12200 | 12- 3 |
| 3XG-W0047-00 | 21- 6 | 17L-16626-00 | 10- 6 | 90183-05807 | 13-13 | 90460-41191 | 5-27 | 93101-21170 | 10-18 | 95617-10200 | 12- 5 |
| 3XG-W0048-00 | 21- 7 | 4VP-17632-00 | 10-19 | 90183-05807 | 14- 7 | 90464-16801 | 4-12 | 93102-17467 | 10- 3 | 95617-10200 | 20- 8 |
| 3XG-W0057-00 | 21- 5 | 4VP-17641-00 | 10-24 | 90183-05807 | 14-12 | 90465-13275 | 27- 8 | 93102-17838 | 20- 4 | 95617-10200 | 23- 3 |
| 4VP-W1441-00 | 5-10 | 4CW-17653-10 | 10-21 | 90183-05807 | 19- 9 | 90465-13275 | 36-11 | 93102-22464 | 2-10 | 9570L-10500 | 21- 3 |
| 4VP-W1442-00 | 5-13 | 4VP-17660-00 | 10- 7 | 90183-05807 | 25-10 | 90467-08003 | 4- 9 | 93102-25270 | 11-10 | 95707-05300 | 33-12 |
| 3UH-W2341-01 | 17-39 | 24G-17664-00 | 10-11 | 90183-05807 | 33-10 | 90467-09006 | 18- 8 | 93104-19097 | 28- 4 | 95707-06500 | 18- 2 |
| 4VP-W2620-01 | 23- 6 | 3FC-17670-00 | 10- 8 | 90185-10037 | 25-14 | 90467-09006 | 18-13 | 93109-33052 | 10- 9 | 95707-06500 | 19- 4 |
| 4VP-X2172-00-4B | 14- 5 | 3XG-17684-00 | 10-13 | 90185-14124 | 22-15 | 90467-11823 | 5-23 | 93210-07890 | 22- 7 | 95707-06500 | 19- 6 |
| 4VP-X2172-10-J5 | 14- 5 | 22F-23411-01 | 17-30 | 90201-06380 | 13-10 | 90467-24140 | 5- 9 | 93210-108B1 | 25- 4 | 95707-06500 | 19-14 |
| 4VP-X2173-00-4B | 14- 9 | 156-23412-00 | 17-37 | 90201-08088 | 9-10 | 90468-02033 | 4-11 | 93210-14805 | 8-25 | 95707-10500 | 16- 4 |
| 4VP-X2173-10-J5 | 14- 9 | 22F-23412-01 | 17-31 | 90201-10118 | 24-10 | 90468-02033 | 4-14 | 93210-23614 | 29- 4 | 95707-10500 | 22- 6 |
| 4WX-X2533-00 | 22- 8 | 90101-06878 | 22-13 | 90201-142M6 | 22-14 | 90468-12006 | 16- 5 | 93210-384A6 | 10-10 | 95807-06010 | 17-29 |
| 4VP-X2748-00 | 25- 8 | 90102-10031 | 16- 3 | 90201-155G5 | 9-16 | 90468-12006 | 25- 6 | 93210-44678 | 29- 3 | 95807-06012 | 13- 5 |

NUMERICAL INDEX

| PART NO. | REF. NO. | PART NO. | REF. NO. | PART NO. | REF. NO. | PART NO. | REF. NO. | PART NO. | REF. NO. |
|-------------|----------|-------------|----------|----------|----------|----------|----------|----------|----------|
| 35807-06012 | 13- 9 | 98507-05020 | 34- 5 | | | | | | |
| 35807-06012 | 27-13 | 98506-05025 | 34- 9 | | | | | | |
| 35807-06012 | 27-19 | 98506-05035 | 34-10 | | | | | | |
| 35807-06014 | 26-18 | 98507-03006 | 6-15 | | | | | | |
| 35807-06016 | 32-12 | 98507-04012 | 6-21 | | | | | | |
| 35807-08014 | 27-14 | 98507-05010 | 23-14 | | | | | | |
| 35807-08016 | 8-26 | 98507-05010 | 30-11 | | | | | | |
| 35807-08035 | 12-10 | 98507-05010 | 35- 2 | | | | | | |
| 5817-08020 | 7- 8 | 98507-05014 | 4-15 | | | | | | |
| 35817-08030 | 7- 9 | 98507-05020 | 74- 1 | | | | | | |
| 35827-08030 | 21-12 | 98507-05030 | 34- 6 | | | | | | |
| 37007-06016 | 19-16 | 98507-06010 | 35- 9 | | | | | | |
| 37007-06016 | 36- 4 | 98507-06012 | 8-29 | | | | | | |
| 37017-06010 | 7-12 | 98507-06012 | 8-32 | | | | | | |
| 37017-06025 | 9-19 | 98507-06012 | 9-12 | | | | | | |
| 37380-06008 | 7- 5 | 98507-06016 | 28-12 | | | | | | |
| 37507-05510 | 15- 5 | 98507-06020 | 36-16 | | | | | | |
| 37517-06510 | 7-14 | 98580-04008 | 28- 7 | | | | | | |
| 3760L-06216 | 35- 5 | 98707-04012 | 24- 5 | | | | | | |
| 37607-03206 | 5- 4 | 98980-06012 | 7-20 | | | | | | |
| 37607-04108 | 6-14 | 99009-15400 | 9-17 | | | | | | |
| 37607-04112 | 6- 4 | 99009-17400 | 8-10 | | | | | | |
| 37607-06216 | 3-14 | 99009-19400 | 4-18 | | | | | | |
| 37607-06220 | 3- 8 | 99009-42500 | 11-11 | | | | | | |
| 37607-06220 | 5-24 | 99231-00080 | 26- 3 | | | | | | |
| 37607-06220 | 8-34 | 99236-00080 | 26- 3 | | | | | | |
| 97707-40514 | 3- 5 | 99530-10114 | 8-13 | | | | | | |
| 97707-40610 | 30- 4 | 99530-10114 | 8-20 | | | | | | |
| 97707-40610 | 30- 9 | 99530-12016 | 8- 7 | | | | | | |
| 97707-40616 | 33- 8 | | | | | | | | |
| 97707-50012 | 13-12 | | | | | | | | |
| 97707-50012 | 14- 2 | | | | | | | | |
| 97707-50012 | 14- 8 | | | | | | | | |
| 97707-50012 | 14-11 | | | | | | | | |
| 97707-50012 | 14-15 | | | | | | | | |
| 97707-50012 | 14-17 | | | | | | | | |
| 97707-50012 | 32-14 | | | | | | | | |
| 97707-50016 | 13- 7 | | | | | | | | |
| 97707-50016 | 25-11 | | | | | | | | |
| 97707-50016 | 26- 7 | | | | | | | | |
| 97707-50016 | 26- 9 | | | | | | | | |
| 97707-50016 | 31- 7 | | | | | | | | |
| 97707-50125 | 5-21 | | | | | | | | |
| 97707-60540 | 3- 9 | | | | | | | | |
| 9850L-05010 | 28- 6 | | | | | | | | |

