

MBK 

GENUINE
Parts & Accessories

YQ100'00 (5ME2)
EUROPE

105ME - M00E1
MARCH 2000

A2

FOREWORD

This Part Catalogue is related to the parts in use for the YQ100'00

When you are ordering replacements parts for the YQ100'00 refer to this Parts Catalogue and quote both part numbers and part names correctly.

1. Modifications or additions which have been made after issue of the Parts Catalogue will be announced in the Parts News.

It is advisable that according to the Parts News you make necessary corrections to the Parts Catalogue on hand to keep it up-to-date.

2. Abbreviations.

The following abbreviations are used in this Parts Catalogue.

- U.R. Use size (thickness) and/or number as required.
- U.N. Use as many as you need.
- A.P. Alternate Parts.
- L.M. Local Made.
- F.* Frame N° (Applicable machine N°)

3. The parts marked with (*) in the parts number column of this Catalogue are not supplied with by Yamaha, those have to be found locally.

4. Parts, which are to supplied in the form of assemblies, are listed with an indentation of one letter's space, and a dot (.) is put against the name of each part.

EXAMPLE CARBURETOR ASS'Y
 .JET,pilot
 .NOZZLE,main

5. Indication of N° of constituent parts for assembly.

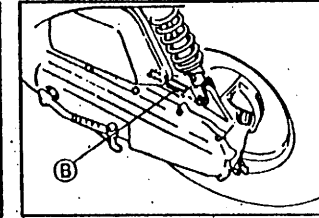
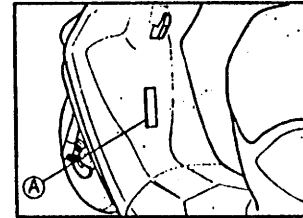
The numeral appearing to the right of each constituent part under the description indicates the quantity of such parts for each individual assembly unit.

EXAMPLE

Part N°	Description	Q'ty	Remarks
2F5-83310-60	FRONT FLASHER LIGHT ASS'Y	2	
115-83311-60	.BULB (6V-16W)	1	
1M1-83309-60	.REFLECTOR	1	

6. Initial Serial N° and Color Code.

Ⓐ Frame Serial N°	GBR:VG5SB052010000101 B :VG5SB052009000101 CH: VG5SB052005000101
Ⓑ Engine Serial N°	B108E 100101

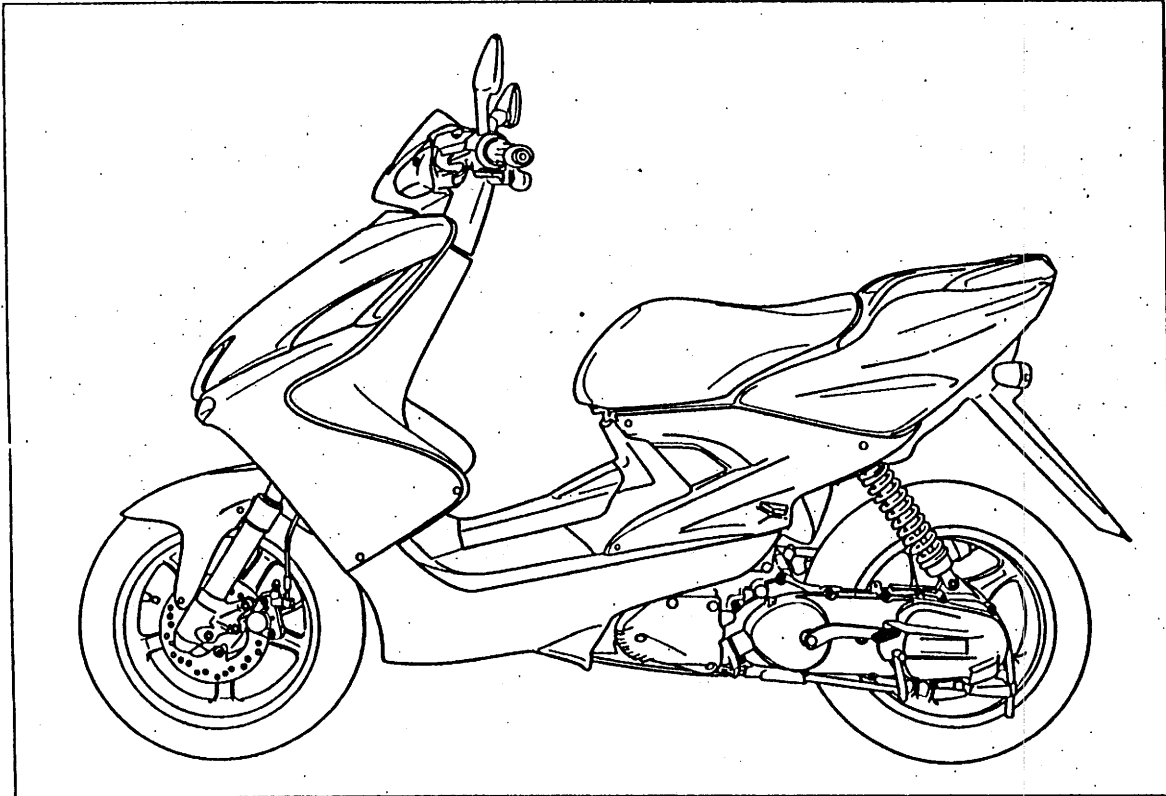


Color	Code Color	Name Abbrev
008B	DULL BLUE COCKTAIL 1	DBC1
0727	LIGHT GRAY METALLIC E	LNME

7. Applicable colors of graphics are represented in the "Remarks" column by the letter(s) appropriately picked out of the full word(s) showing such colors.

EXAMPLE

Part N°	Description	Q'ty	Remarks
2N4-24110-00-X5	FUEL TANK COMPL.	1	
3J1-24240-10	.GRAPHIC,fuel tank set	1	



A4

CONTENTS

ENGINE

CYLINDER	B2	FUEL TANK	C5
CRANKSHAFT-PISTON.....	B3	SEAT CARRIER.....	C6
AIR SHROUD-FAN.....	B4	FRONT WHEEL	C7
OIL PUMP	B5	FRONT BRAKE CALIPER	C8
INTAKE	B6	REAR WHEEL	C9
CARBURETOR	B7	STEERING-HANDLE-CABLE.....	C10
EXHAUST	B8	FRONT MASTER CYLINDER.....	C11
CRANKCASE	B9	STAND FOOTREST.....	C12
STARTER.....	B10	LEG SHIELD	C13
CLUTCH.....	B11	COWLING	C14
TRANSMISSION	B12	GENERATOR.....	C15
		FLASHER LIGHT	D2
		METER	D3
		HEADLIGHT	D4
		TAILLIGHT	D5
		HANDLE-SWITCH-LEVER	D6
		ELECTRICAL 1	D7
		ELECTRICAL 2.....	D8
		NUMERICAL INDEX	M1 - M2

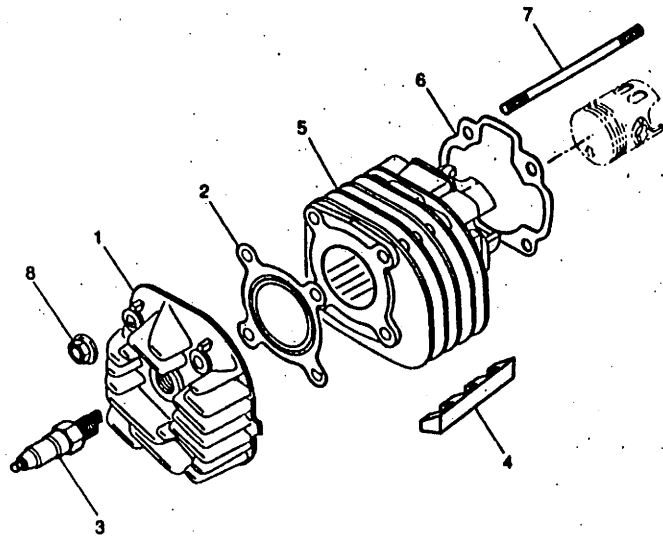


FIG 1 CYLINDER

REF	PART.N°	DESCRIPTION	QTY	REMARKS
1	4VP-E1111-00	HEAD, CYLINDER 1	1	
2	4VP-E1181-00	GASKET, CYLIND. HEAD 1	1	
3	94701-00195	PLUG, SPARK	1	NGK BR8HS
4	4VP-E1162-00	ABSORBER 2	1	
5	4VP-E1311-10	CYLINDER 1	1	
6	6FA-E1351-00	GASKET, CYLINDER	1	
7	90116-07834	BOLT, STUD	4	
8	90179-07521	NUT, POP	4	



5ME1300 - 0010

B2

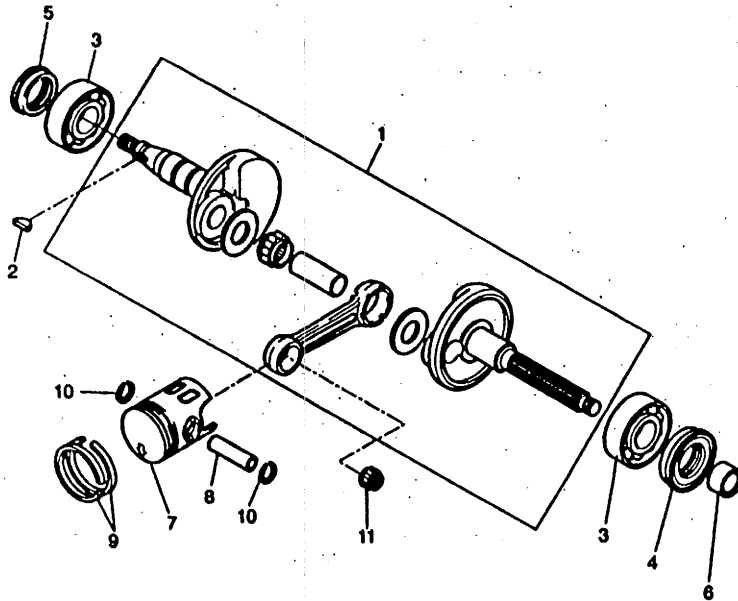


FIG 2 CRANKSHAFT. PISTON

REF	PART.N°	DESCRIPTION	QTY	REMARKS
1	4VP-E1400-00	CRANKSHAFT ASSY	1	
2	90280-03017	KEY, WOODRUFF	1	
3	93308-205Y6	BEARING	2	
4	93102-22464	OIL SEAL	1	
5	93101-20169	OIL SEAL	1	
6	90387-178N8	COLLAR	1	
7	4VP-E1631-10-A0	PISTON (STD)	1	UR
8	4VP-E1636-10	PISTON (0.50MM O/S)	1	UR
9	4VP-E1603-00	PIN, PISTON	1	
9	4VP-E1603-00	PISTON RING SET (STD)	1	UR
9	3YR-11605-00	PISTON RING SET (0.50MMO/S)	1	UR
10	93450-18115	CIRCLIP	2	
11	93310-21403	BEARING	1	



5ME1300 - 0020

B3

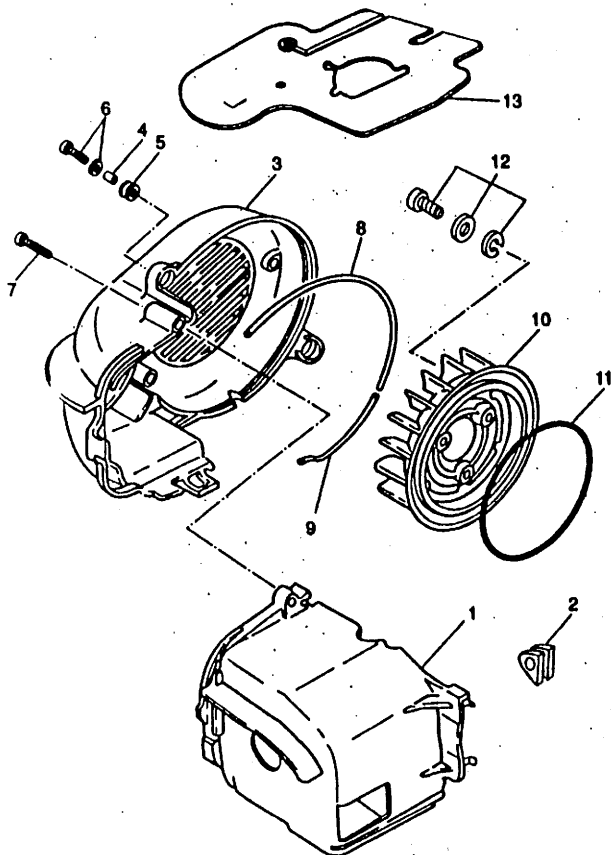


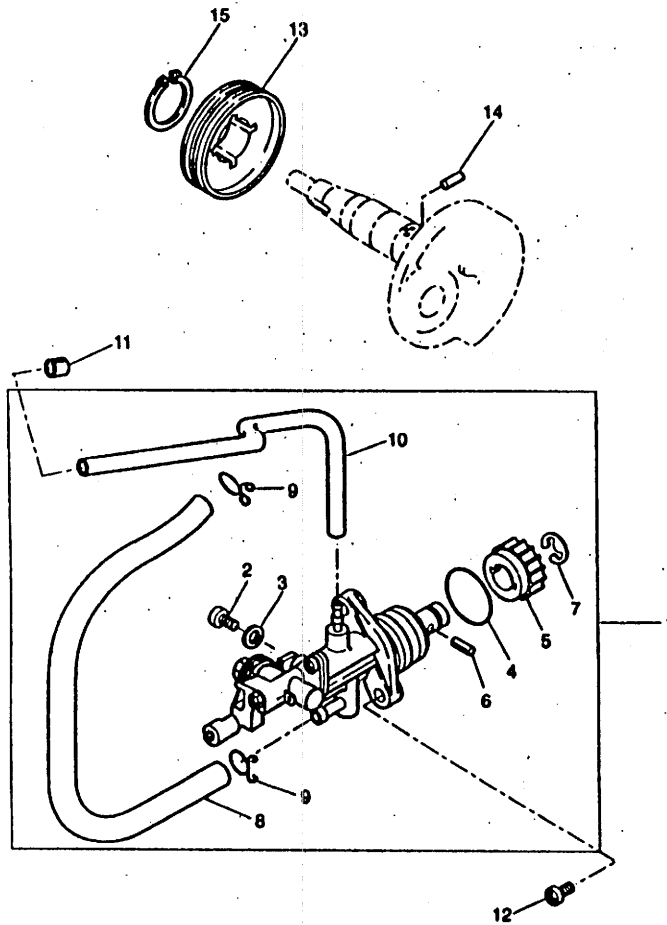
FIG 3 AIR SHROUD. FAN

REF	PART.N°	DESCRIPTION	QTY	REMARKS
1	4VP-E2651-00	AIR SHROUD, CYLINDER 1	1	
2	90480-11866	GROMMET	1	
3	5FA-E2653-00	AIR SHROUD, CYLINDER 3	1	
4	90387-068J5	COLLAR	3	
5	90480-12497	GROMMET	3	
6	97607-06220	SCREW, PAN HEAD WITH WASHER	3	
7	97707-80540	SCREW, TAPPING	1	
8	4VP-E2658-00	DAMPER, AIR SHROUD 1	1	
9	4VP-E2659-00	DAMPER, AIR SHROUD 2	1	
10	4VP-E2611-00	FAN	1	
11	93210-84893	O-RING	1	
12	97607-06216	SCREW, PAN HEAD WITH WASHER	3	
13	3XG-E263.-00	DEFLECTOR 1	1	



5ME1300-0030

B4



5ME1300 - 0040

FIG 4 OIL PUMP

REF	PART.N°	DESCRIPTION	QTY	REMARKS
1	5ME-E3100-00	OIL PUMP ASSY	1	
2	3WF-13185-00	BOLT, BREATHER	1	
3	1YU-13187-00	GASKET, BREATHER BOLT	1	
4	1YU-13473-00	O-RING	1	
5	3AA-13124-00	GEAR, WORM WHEEL	1	
6	1YU-13516-00	PIN, DOWEL	1	
7	1YU-13577-00	CLIP	1	
8	90445-09804	HOSE	1	
9	90447-08003	CLIP	2	
10	90445-055E5	HOSE	1	
11	90468-02033	CLIP	1	
12	98507-05014	SCREW	2	
13	4VP-13178-00	GEAR, PUMP DRIVE	1	
14	93603-12007	PIN, DOWEL	1	
15	99009-19400	CIRCLIP	1	

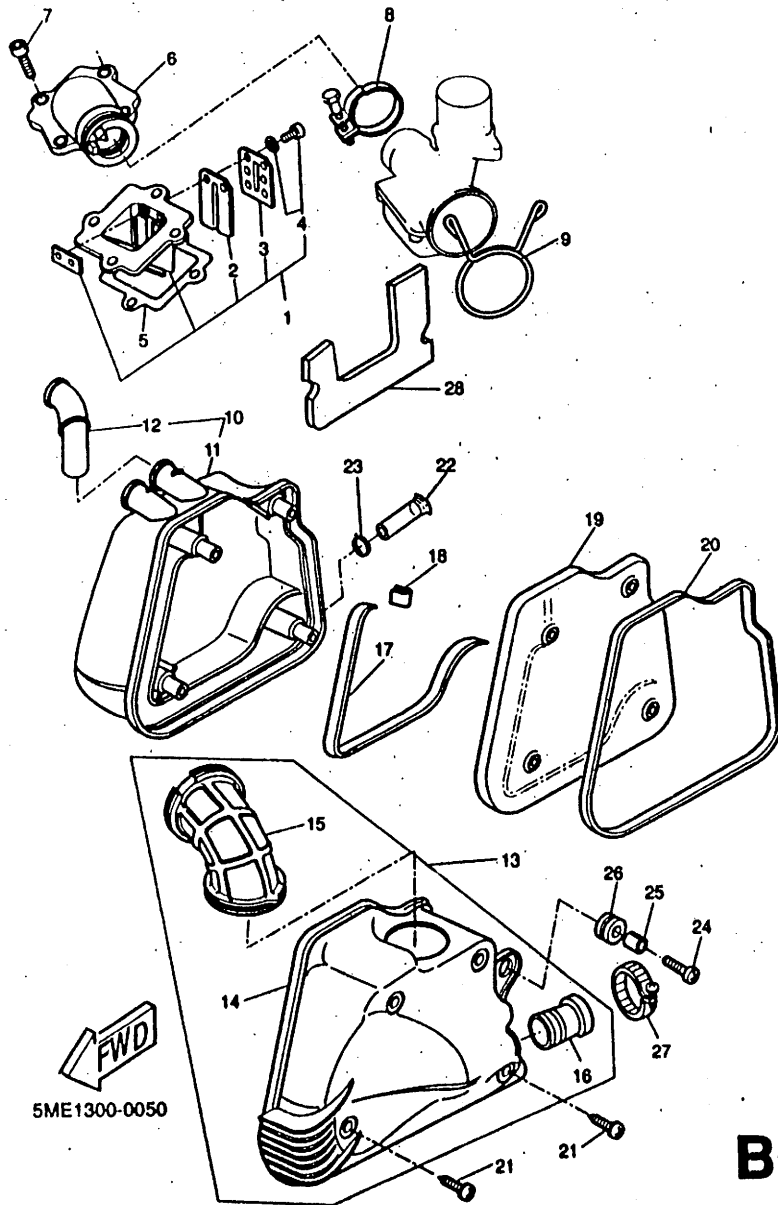


FIG 5 INTAKE

REF	PART.N°	DESCRIPTION	QTY	REMARKS
1	4VP-E3810-00	REED VALVE ASSY	1	
2	3XG-E3613-00	REED, VALVE	2	
3	3XG-E3618-00	STOPPER, REED VALVE	2	
4	97807-03208	SCREW, PAN HEAD WITH WASHER	4	
5	4SC-E3621-00	GASKET, VALVE SEAT	1	
6	4WX-E3555-10	MANIFOLD, INTAKE	1	
7	90109-06801	BOLT	4	
8	4VP-E3575-00	BAND	1	
9	90487-24140	CLIP	1	
10	4VP-W1441-00	AIR CLEANER CASE COMP.	1	
11	4VP-E4411-00	CASE, AIR CLEANER 1	1	
12	4VP-E4437-00	DUCT	1	
13	4VP-W1442-00	ELEMENT, AIR CLEANER	1	
14	4VP-E4412-00	CAP, CLEANER CASE 1	1	
15	4VP-E4453-00	JOINT, AIR CLEANER 1	1	
16	4VP-E4463-00	JOINT, AIR CLEANER 2	1	
17	4VP-E4462-00	SEAL	1	
18	4VP-E4487-00	SEAL	1	
19	4VP-E4451-00	ELEMENT, AIR CLEANER	1	
20	4VP-E4452-00	SEAL	1	
21	97707-60525	SCREW, TAPPING	4	
22	4VP-E443E-00	PIPE, DRAIN	1	
23	90487-11823	CLIP	1	
24	97807-06220	SCREW, PAN HEAD WITH WASHER	1	
25	90387-067V1	COLLAR	1	
26	90480-12497	GROMMET	1	
27	90460-41191	CLAMP, HOSE	1	
28	4SB-F174X-00	DAMPER	1	

B6

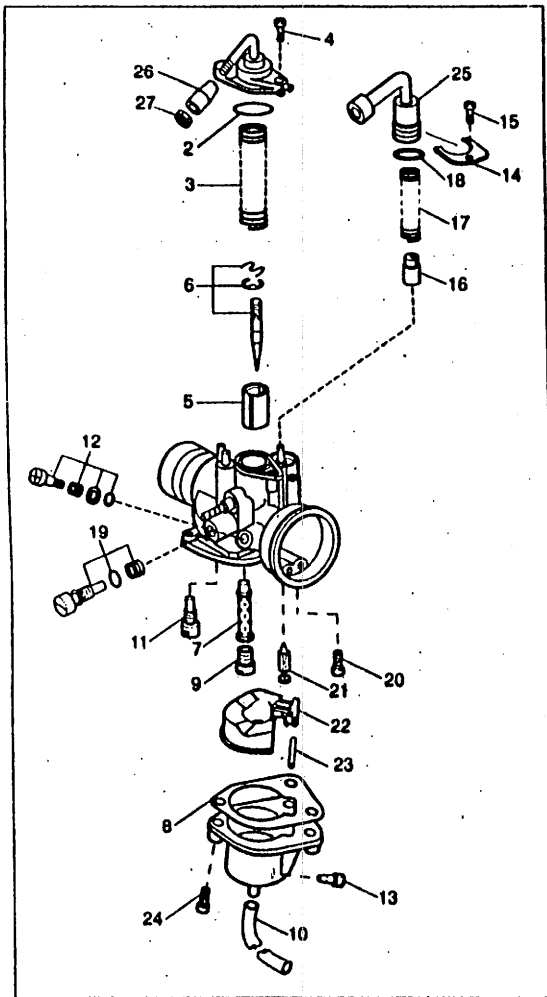


FIG 6 CARBURETOR

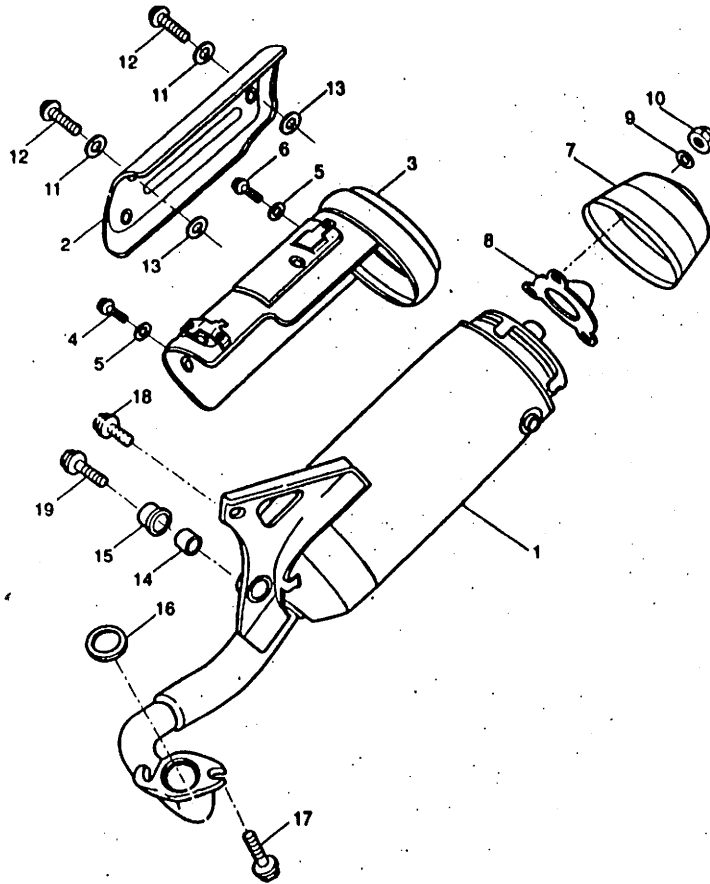
REF	PART.N°	DESCRIPTION	QTY	REMARKS
1	5KK-14301-00	CARBURETOR ASSY 1	1	
2	4JP-14561-00	O-RING	1	
3	4JP-14331-00	SPRING, THROTT. VALVE	1	
4	97801-05014	SCREW, PAN HEAD	1	
5	3VR-14313-30	VALVE, THROTTLE 2	1	
6	5JT-1490J-00	NEEDLE SET	1	
7	5JT-14341-10	NOZZLE, MAIN	1	
8	4JP-14384-01	GASKET, FLOAT CHAMBER	1	
9	14T-14343-38	JET, MAIN	1	
10	3KJ-14349-01	PIPE	1	
11	6BM-14353-22	JET, PILOT	1	
12	4JP-14104-00	AIR SCREW SET	1	
13	14T-14104-00	SCREW, AIR ADJUSTING	1	
14	4JP-14243-01	PLATE	1	
15	214-24535-00	SCREW, LEVER FITTING	1	
16	5KK-14371-00	PLUNGER, STARTER	1	
17	1YU-14335-00	SPRING, PLUNGER	1	
18	4KL-14397-00	O-RING	1	
19	3KJ-14103-60	THROTTLE SCREW SET	1	
20	98580-03008	SCREW, PAN HEAD	1	
21	2JA-14392-00	VALVE, NEEDLE	1	
22	1HV-14385-01	FLOAT	1	
23	367-14386-00	PIN, FLOAT	1	
24	97801-04016	SCREW, PAN HEAD	2	
25	5KK-14174-00	CAP, PLUNGER	1	
26	3KJ-26329-00	CAP, RUBBER	1	
27	85L-14161-00	NUT, CABLE ADJUSTING	1	



5ME1300-0060

B7

FIG 7 EXHAUST



5ME1300-0070

REF	PART.N°	DESCRIPTION	QTY	REMARKS
1	4VP-E4810-40-98	EXHAUST PIPE ASSY 1	1	YB
2	4VP-E4718-00	PROTECTOR, MUFFLER 1	1	
3	4VP-E4827-10	EXHAUST COVER ASSY	1	
4	97017-08010	BOLT	2	
5	4CW-E4768-00	WASHER, PROTECTOR	4	
6	97517-08510	BOLT, WITH WASHER	3	
7	4VP-E4799-20	COVER	1	
8	4VP-E475M-00	PIPE	1	
9	92907-08200	WASHER	3	
10	90176-08065	NUT, CROWN	3	
11	4CW-E4768-00	WASHER, PROTECTOR	3	
12	98980-08010	SCREW, BIND	3	
13	3XY-E4768-00	WASHER, PROTECTOR	3	
14	4MJ-E4445-00	GROMMET	1	
15	5EU-E4779-00	COLLAR	1	
16	3HK-14613-00	GASKET, EXHAUST PIPE	1	
17	90163-08081	SCREW, HEXAGON	2	
18	90149-08X00	SCREW	1	
19	95817-08030	BOLT, FLANGE	1	

B8

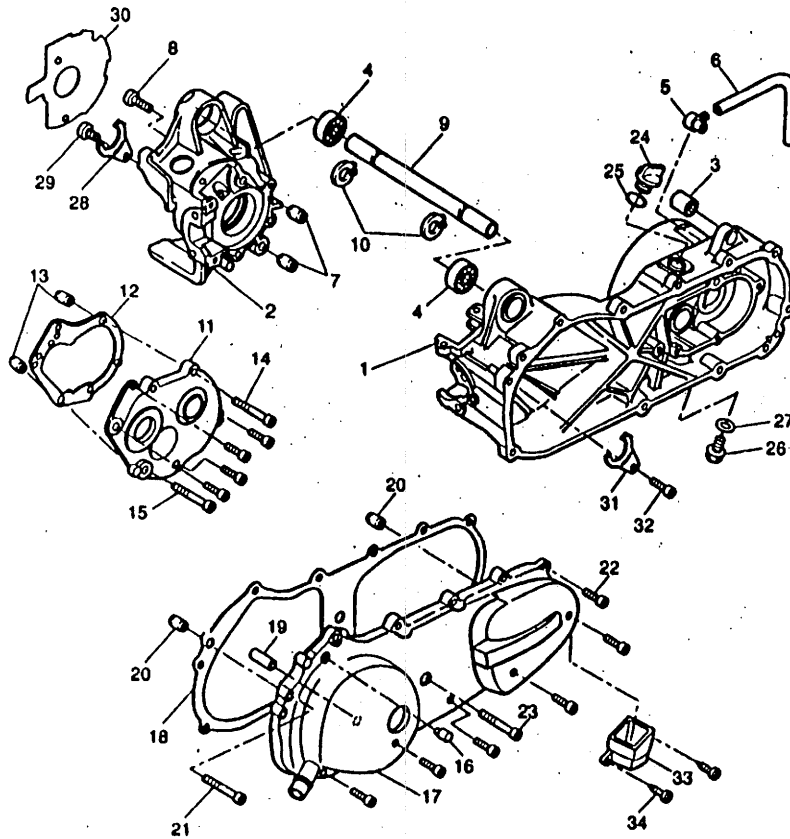


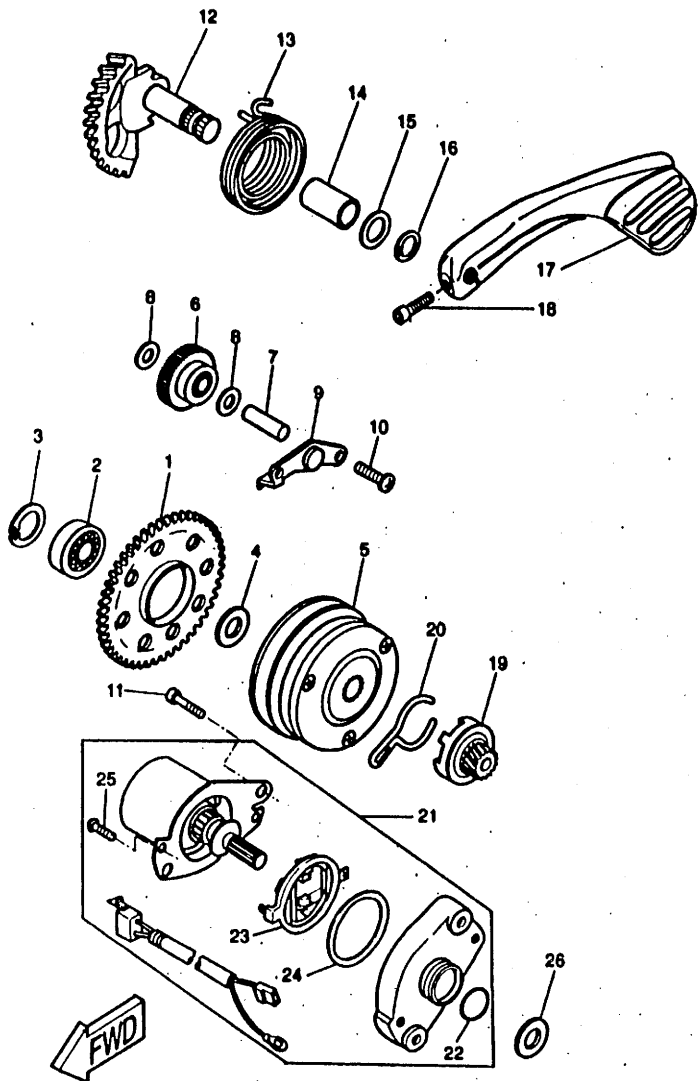
FIG 8 CRANKCASE

REF	PART.N°	DESCRIPTION	QTY	REMARKS
1	4VP-E5111-00	CRANKCASE 1	1	
2	4VP-E5121-00	CRANKCASE 2	1	
3	164-22218-00	BUSH, REAR SHOCK ABSORBER	1	
4	93308-003Y4	BEARING	2	
5	3XG-E5371-00	BREATHER	1	
6	4VP-E5373-00	PIPE, BREATHER	1	
7	99510-12018	PIN, DOWEL	2	
8	91317-06035	BOLT	8	
9	3XG-E5317-00	SPACER, ENGINE MOUNT	1	
10	99009-17400	CIRCLIP	2	
11	4VP-E5421-00	COVER, CRANKCASE 2	1	
12	5DA-E5461-00	GASKET, CRANK COVER 2	1	
13	99510-10114	PIN, DOWEL	2	
14	91317-06035	BOLT	2	
15	91317-06020	BOLT	4	
16	4VP-E5439-00	PLUG, BLIND	1	
17	5KK-E5411-00-35	COVER, CRANKCASE 1	1	SL SILVER
18	5DA-E5451-00	GASKET, CRANK COVER 1	1	
19	4VP-E5659-00	SHAFT	1	
20	99510-10114	PIN, DOWEL	2	
21	91317-06025	BOLT	9	
22	91317-06035	BOLT	2	
23	91317-06045	BOLT	1	
24	4J2-15363-00	PLUG, OIL	1	
25	93210-14104	O-RING	1	
26	95817-08018	BOLT, FLANGE	1	
27	90201-08087	GASKET	1	
28	4VP-E5128-00	HOLDER	1	
29	90110-06X21	BOLT, HEXAGON SOCKET HEAD	1	
30	4SC-E5482-00	GASKET, CRANK COVER 3	1	
31	4VP-E5118-00	HOLDER	1	
32	90110-06X21	BOLT, HEXAGON SOCKET HEAD	1	
33	4VP-E5477-00	DUCT, AIR	1	
34	97607-06220	SCREW, PAN HEAD WITH WASHER	2	



5ME1300-0080

B9

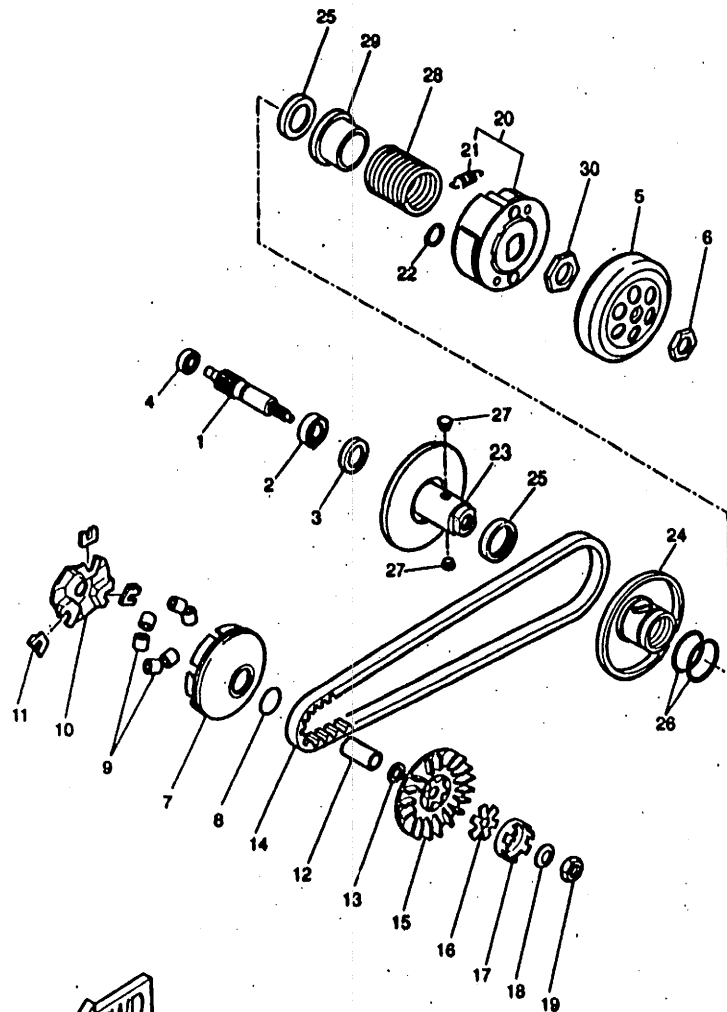


5ME1300-0090

FIG 9 STARTER

REF.	PART.N'	DESCRIPTION	QTY	REMARKS
1	4VP-E5624-00	WHEEL, STARTER	1	
2	93308-003Y4	BEARING	1	
3	93450-35016	CIRCLIP	1	
4	90201-163G6	WASHER, PLAIN	1	
5	4CW-E5670-00	STARTER CLUTCH ASSY	1	
6	4VP-E5660-00	IDLE GEAR ASSY	1	
7	3XG-E3342-00	SHAFT, IDLE GEAR	1	
8	90201-08088	WASHER, PLAIN	2	
9	3XG-E5532-00	PLATE, IDLE GEAR	1	
10	90110-06X21	BOLT, HEXAGON SOCKET HEAD	2	
11	91317-08020	BOLT	2	
12	4VP-E5601-00	KICK SHAFT ASSY	1	
13	90508-32609	SPRING, TORSION (K17)	1	
14	90380-16817	BUSH, SOLID	1	
15	90201-154E9	WASHER, PLAIN	1	
16	99009-15400	CIRCLIP	1	
17	5FX-E5620-01	KICK CRANK ASSY	1	
18	90110-06X16	BOLT, HEXAGON SOCKET HEAD	1	
19	4VP-E5630-00	KICK PINION ASSY	1	
20	4VP-E5673-00	CLIP	1	
21	5FA-H1800-00	STARTING MOTOR ASSY	1	
22	93210-44678	O-RING	1	
23	4DM-H1801-00	BRUSH SET	1	
24	93210-23614	O-RING	1	
25	3NW-H1828-V0	BOLT 2	2	
26	90202-26168	WASHER, PLATE	1	

B10



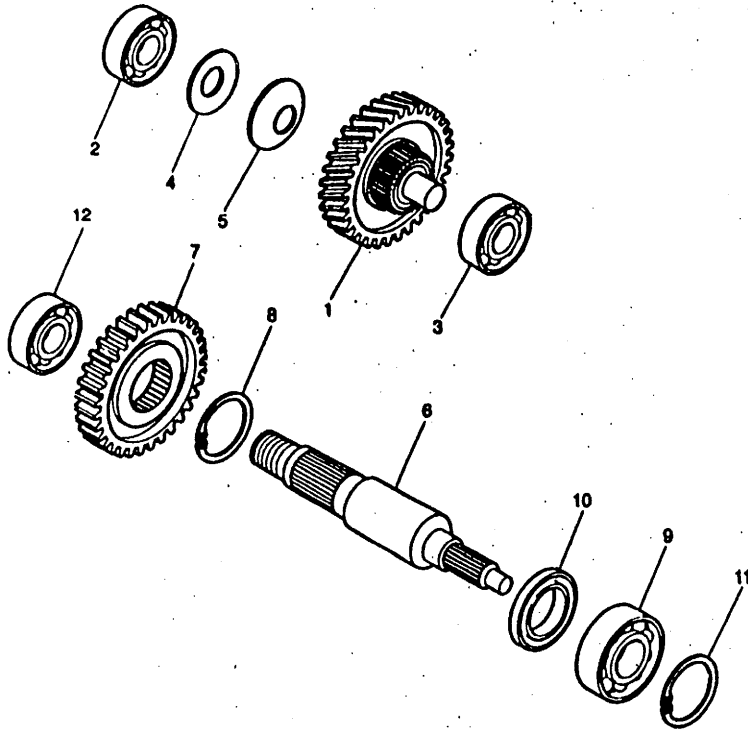
5ME1300-0100

FIG 10 CLUTCH

REF	PART.N°	DESCRIPTION	QTY	REMARKS
1	4VP-16111-00	GEAR, PRIMARY DRIVE	1	
2	93306-203YE	BEARING	1	
3	93102-17467	OIL SEAL	1	
4	93306-200Y1	BEARING	1	
5	4VP-E6611-00	CLUTCH HOUSING COMP.	1	
6	90179-10370	NUT	1	
7	4VP-E7620-00	PRIMARY SLIDING SHEAVE COMP.	1	
8	93101-21170	OIL SEAL	2	
9	2XX-17632-01	WEIGHT	6	
10	4VP-E7623-00	CAM	1	
11	4CW-17653-10	SLIDER	3	
12	90387-168N7	COLLAR	1	
13	90201-166L3	WASHER, PLAIN	1	
14	4VP-17641-00	V-BELT	1	
15	4VP-E7611-00	SHEAVE, PRIMARY FIXED	1	
16	90214-14054	WASHER, CLAW (0.5T)	1	
17	14T-16667-00	CLUTCH, ONEWAY	1	
18	90208-12050	WASHER, CONICAL SPRING	1	
19	95317-12700	NUT	1	
20	4VP-16620-00	CLUTCH CARRIER ASSY	1	
21	17L-16626-00	SPRING, CLUTCH WEIGHT 1	3	
22	99001-06600	CIRCLIP	3	
23	4VP-17660-00	SECOND. FIX. SHEAVE COMP.	1	
24	3FC-17670-00	SECONDARY SLIDING SHEAVE	1	
25	93104-33117	OIL SEAL	2	
26	93210-384A8	O-RING	2	
27	24G-17664-00	PIN, GUIDE	2	
28	90501-435L3	SPRING, COMPRESSION	1	
29	3XG-17684-00	SEAT, SECOND. SPRING	1	
30	90179-28415	NUT, POP	1	

B11

FIG 11 TRANSMISSION



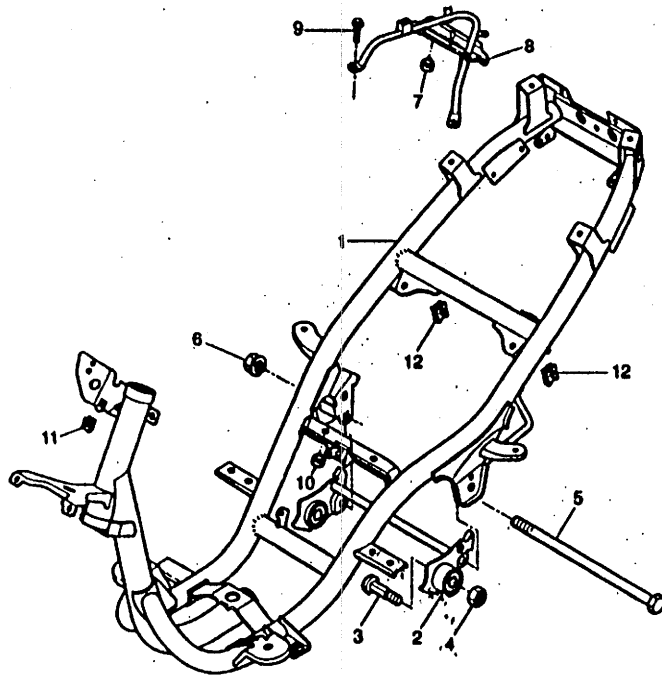
REF	PART.N°	DESCRIPTION	QTY	REMARKS
1	4VP-E7410-00	MAIN AXLE COMP.	1	
2	93311-316Y2	BEARING	1	
3	93306-200Y1	BEARING	1	
4	90201-158K9	WASHER, PLAIN	1	
6	90208-15807	WASHER, CONICAL SPRING	1	
6	4VP-E7421-00	AXLE, DRIVE	1	
7	4VP-E7211-00	GEAR, 1ST WHEEL	1	
8	93410-20823	CIRCLIP	1	
9	93306-004X7	BEARING	1	
10	93102-25270	OIL SEAL	1	
11	99009-42500	CIRCLIP	1	
12	93306-203YE	BEARING	1	



5ME1300-0110

B12

FIG 12 FRAME



REF	PART.N°	DESCRIPTION	QTY	REMARKS
1	5ME-F1110-00	FRAME COMP.	1	YB
2	5ME-F1410-00	ENGINE BRACKET COMP.	1	
3	6DS-F1481-00	BOLT, ENGINE MOUNTING 1	2	
4	90185-10154	NUT, SELF-LOCKING	2	
5	3KJ-21481-00	BOLT, ENGINE MOUNTING	1	
6	95607-12200	BOLT, STUD	1	
7	3VL-F4741-10	PAD, SEAT	4	
8	5HE-F1232-00	REINFORCEMENT, TAIL	1	
9	95817-08016	BOLT, FLANGE	4	
10	3VL-F4741-10	PAD, SEAT	2	
11	90183-06X00	NUT, SPRING	4	
12	90183-05X00	NUT, SPRING	4	



5ME1300-0120

B13

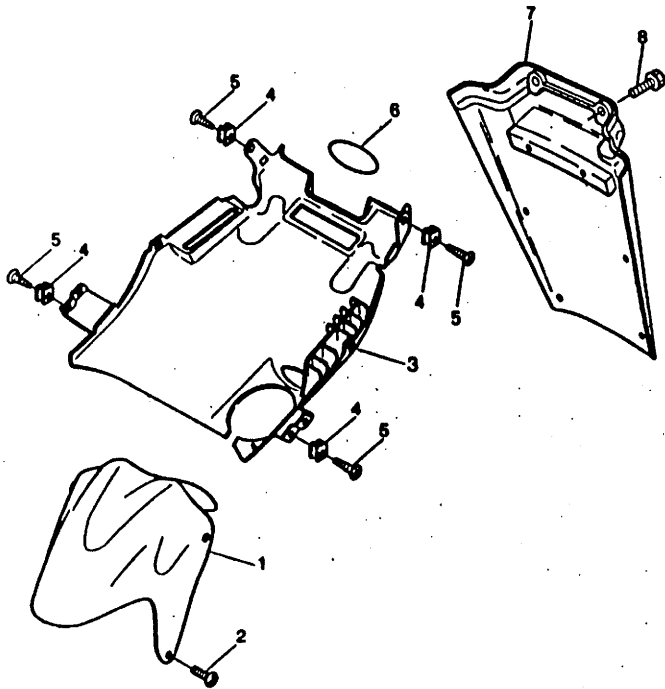
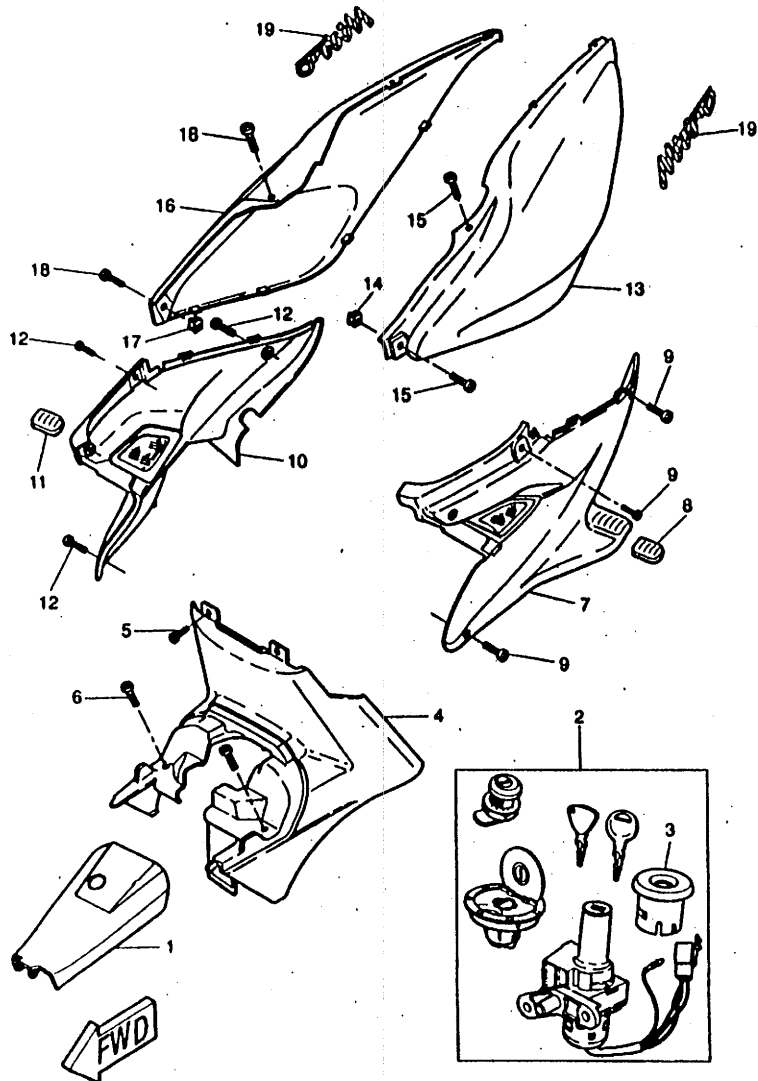


FIG 13 FENDER

REF	PART.N°	DESCRIPTION	QTY	REMARKS
1	5BR-F1558-00-8B	FENDER, FRONT 2	1	UR DBC1 FORDBC1
	5BR-F1558-00-P6	FENDER, FRONT 2	1	UR LNME FORLNME
2	90167-05X02	SCREW, PAN HEAD	4	
3	5BR-F1629-00	GUARD, MUD	1	
4	90183-05X00	NUT, SPRING	2	
5	90167-05X02	SCREW M5-12	4	
6	5BS-F8316-00	EMBLEM	1	
7	5BR-F1642-10	GUARD, FLAP	1	
8	90109-06X05	BOLT	2	



5ME1300-0130

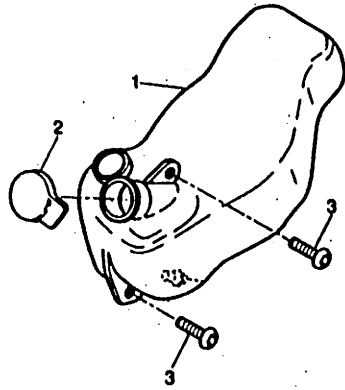


5ME2300-0140

FIG 14 SIDE COVER

REF	PART.N°	DESCRIPTION	QTY	REMARKS
1	5BR-F177E-00	LID	1	
2	5ME-H2021-00	KEY SET	1	
3	5AD-H2552-00	CAP. SWITCH	1	
4	5BR-F1718-00	LID, SIDE COVER	1	
5	90187-05X02	SCREW M5-12	4	
6	90187-05X01	SCREW M5-18	2	
7	5DN-F1711-00	COVER, SIDE	1	
8	5BR-F7433-00	COVER, REAR FOOTREST	1	
9	90187-05X02	SCREW M5-12	4	
10	5DN-F1721-00	COVER, SIDE 2	1	
11	5BR-F7444-00	COVER, REAR FOOTREST	1	
12	90187-05X02	SCREW M5-12	4	
13	5BR-F1731-02-8B	COVER, SIDE 3	1	UR DBC1 FORDBC1
	5BR-F1731-02-P9	COVER, SIDE 3	1	UR LNME FORLNME
14	90183-05X00	NUT, SPRING	1	
15	90187-05X02	SCREW M5-12	2	
16	5BR-F1741-02-8B	COVER, SIDE 4	1	UR DBC1 FORDBC1
	5BR-F1741-02-P9	COVER, SIDE 4	1	UR LNME FORLNME
17	90183-05X00	NUT, SPRING	1	
18	90187-05X02	SCREW M5-12	2	
19	5BS-F173E-00	GRAPHIC 1	2	

FIG 15 OIL TANK



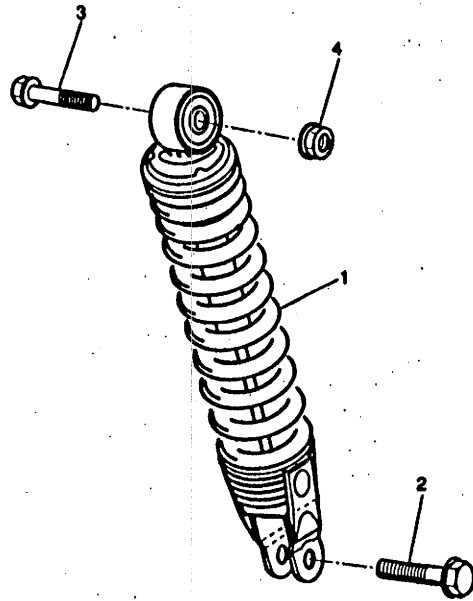
REF	PART.N°	DESCRIPTION	QTY	REMARKS
1	5BR-F1705-00	OIL TANK ASSY	1	
2	2N3-21771-01	BODY, CAP	1	
3	90154-08X01	SCREW, BINDING	2	



5ME1300-0150

C2

FIG 16 REAR SUSPENSION



REF	PART.N°	DESCRIPTION	QTY	REMARKS
1	5ME-F2210-00	SHOCK ABSORBER ASSY, REAR	1	
2	95817-08030	BOLT, WASHER BASED	1	
3	90101-10776	BOLT	1	
4	95807-10200	BOLT, STUD	1	



5ME1300-0160

C3

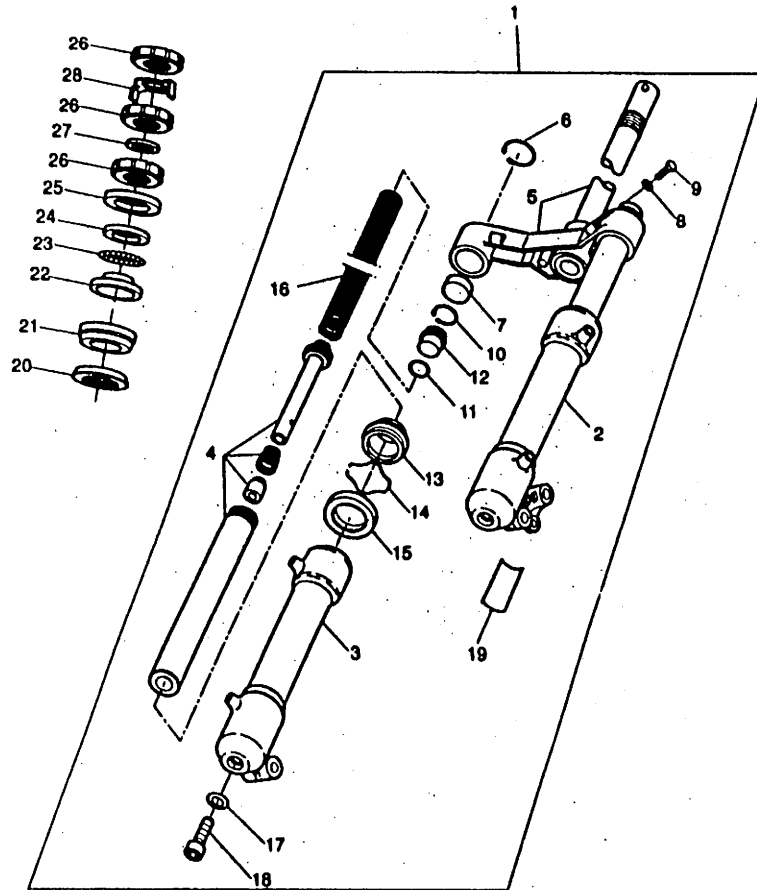


FIG 17 FRONT FORK

REF	PART.N°	DESCRIPTION	QTY	REMARKS
1	5ME-F3100-00	FRONT FORK ASSY	1	
2	5BR-F3128-00	TUBE, OUTER 1 LEFT	1	
3	5BR-F3138-00	TUBE, OUTER 2 RIGHT	1	
4	5BR-F3110-01	INNER TUBE COMP.1	1	
5	5ME-F3340-00	UNDER BRACKET COMP.	1	
6	4TD-F3153-00	RING, SNAP	2	
7	4TD-F3154-00	PLUG, INNER TUBE	2	
8	4TD-F3112-00	WASHER, CAP	2	
9	4TD-F3394-00	BOLT, SPECIAL	2	
10	4TD-F3183-00	CIRCLIP	2	
11	4TD-F3147-00	O-RING	2	
12	4TD-F3111-00	BOLT, CAP	2	
13	4TD-F3144-00	SEAL, DUST	2	
14	4TD-F3158-00	CLIP, OIL SEAL	2	
15	4TD-F3145-00	OIL SEAL	2	
16	4TD-F3141-00	SPRING, FRONT FORK	2	
17	4CU-F3165-00	WASHER PLAIN	2	
18	4TD-F3181-00	BOLT, HEXAGON SOCKET HEAD	2	
19	5BR-F3108-00	EMBLEM	2	
20	21L-F3482-00	SEAL, STEERING	1	
21	93399-99940	BEARING	1	
22	22F-23412-01	RACE, BALL 2	1	
23	93503-16826	BALL	2	
24	22F-23411-01	RACE, BALL 1	1	
25	3VP-23418-00	COVER, BALL RACE 2	1	
26	90179-25033	NUT, POP	3	
27	90202-26X00	WASHER, PLATE	1	
28	5DS-F3418-00	WASHER, SPECIAL	1	



5ME1300-0170

C4

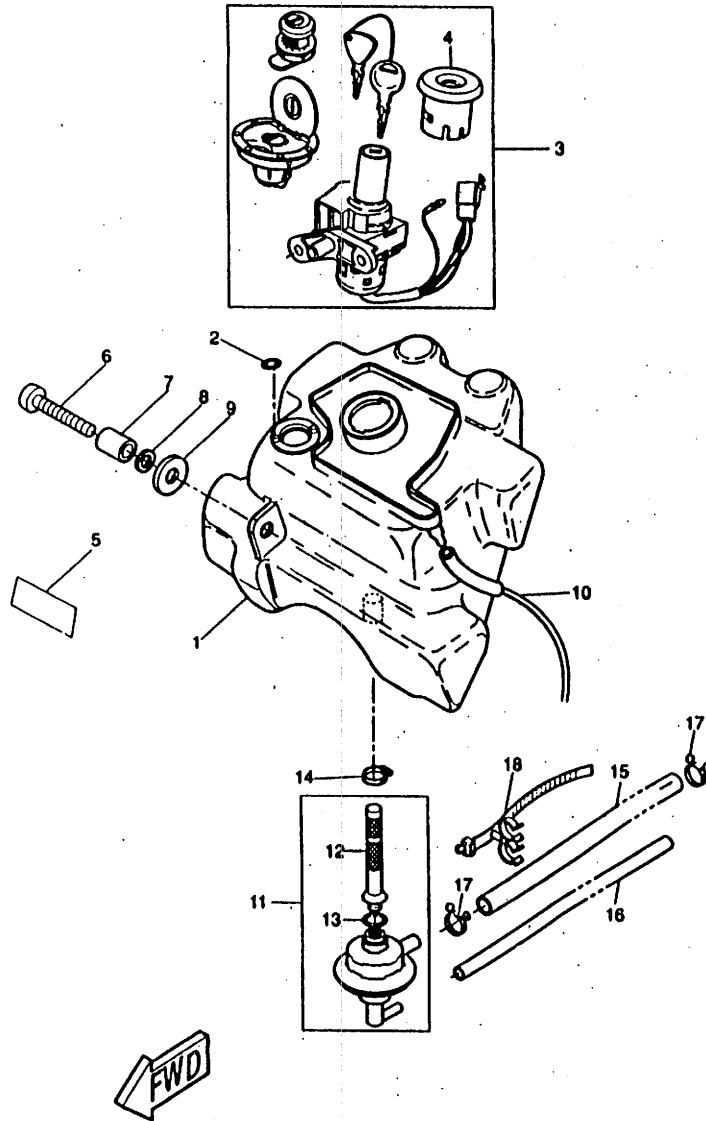
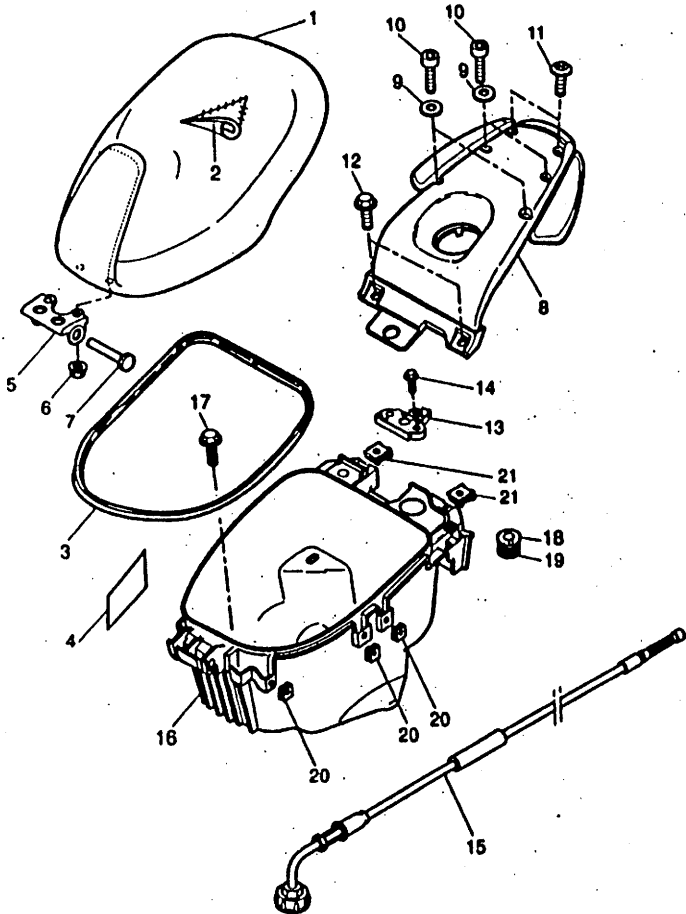


FIG 18 FUEL TANK

REF	PART N°	DESCRIPTION	QTY	REMARKS
1	5BR-F4110-00	FUEL TANK COMP.	1	
2	90183-04X00	NUT, SPRING	2	
3	5ME-H2021-00	KEY SET	1	
4	5AD-H2552-00	.CAP, SWITCH	1	
5	5DN-F416A-00	LABEL, CAUTION	1	
6	90105-06X02	BOLT, WASHER BASED	1	
7	90387-060G7	COLLAR	1	
8	90201-065F3	WASHER, PLAIN	1	
9	90480-13398	GROMMET	1	
10	4SB-F4318-11	PIPE, OVERFLOW	1	
11	5KK-F4500-00	FUEL COCK ASSY 1	1	
12	5EU-F4501-00	.FILTER, FUEL	1	
13	5EU-F4512-00	.GASKET	1	
14	90450-22X00	HOSE CLAMP ASSY	1	
15	4SB-F4312-51	PIPE 2	1	
16	4SB-F4335-11	PIPE, SUCTION 1	1	
17	90487-09006	CLIP	2	
18	5BR-F1335-00	CLAMP	2	

FWD
5ME1300-0180

C5



5ME1300-0190

FIG 19 SEAT. CARRIER

REF	PART.N°	DESCRIPTION	QTY	REMARKS
1	5HE-F4710-00	SINGLE SEAT ASSY	1	
2	5HE-F4731-00	.COVER, SEAT	1	
3	6BR-F475M-00	.SEAL	1	
4	5ME-F4875-00	LABEL 1	1	
5	4CU-F4728-00	HINGE, SEAT	1	
6	90179-06X00	NUT	2	
7	90241-10X00	PIN	1	
8	5ME-F4758-00	COVER, TAIL	1	
9	90201-08X01	WASHER, PLAIN	4	
10	90110-08X22	BOLT, HEXAGON SOCKET HEAD	4	
11	90105-08X02	BOLT, WASHER BASED	2	
12	90167-05X04	SCREW, TAPPING	2	
13	5AD-F4780-00	SEAT LOCK ASSY	1	
14	90105-08X02	BOLT, WASHER BASED	2	
15	5BR-F478E-01	WIRE, SEAT HOOK	1	
16	5BR-F473R-00	BOX 1	1	
17	90109-08X05	BOLT	4	
18	5AD-F4781-00	SUPPORT, SPRING 1	1	
19	90501-20X00	SPRING, COMPRESSION	1	
20	90183-06X00	NUT, SPRING	6	
21	90183-05X00	NUT, SPRING	1	

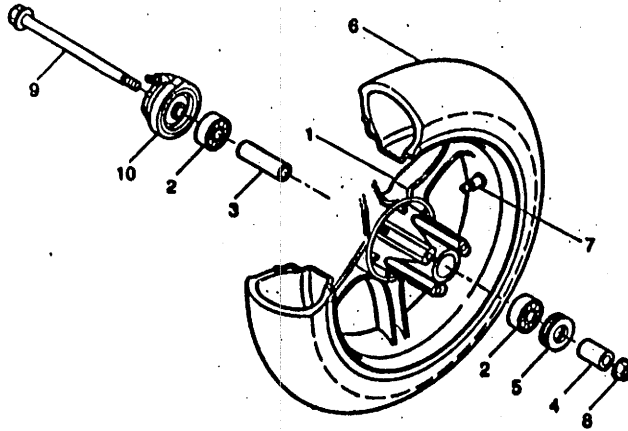


FIG 20 FRONT WHEEL

REF	PART.N°	DESCRIPTION	QTY	REMARKS
1	5BR-F5168-11	CAST WHEEL, FRONT	1	
2	93308-300Y8	BEARING	2	
3	4SB-F5117-00	SPACER, BEARING	1	
4	90387-10X00	COLLAR	1	
5	93108-20001	OIL SEAL	1	
6		FRONT TIRE SET (MICHELIN)	1	AP LM 130-60/13
7	5BR-F5170-00	AIR VALVE ASSY	1	
8	95607-10200	BOLT, STUD	1	
9	5BR-F2141-00	SHAFT, PIVOT	1	
10	5BR-F5190-00	GEAR UNIT ASSY	1	



SME1300-0200

C7

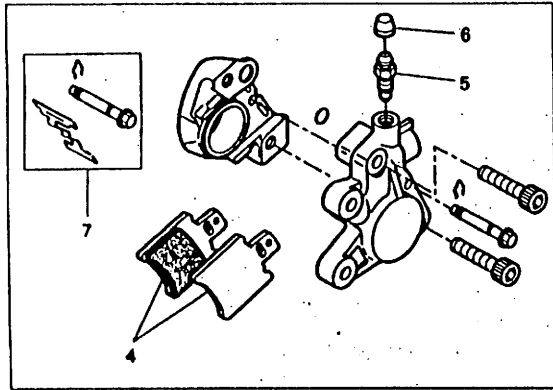
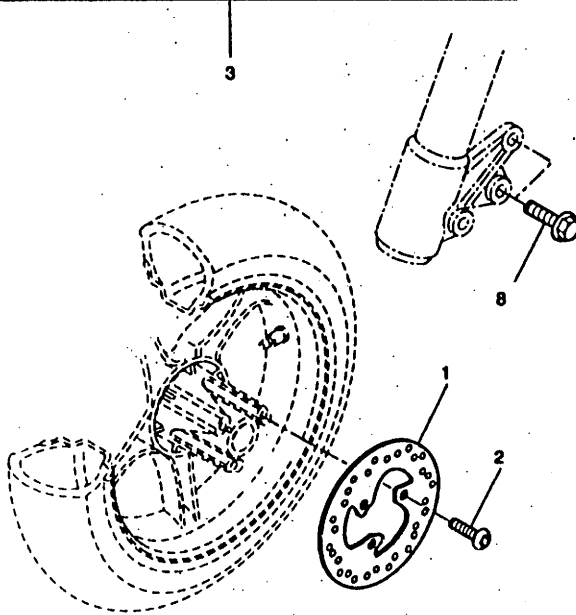


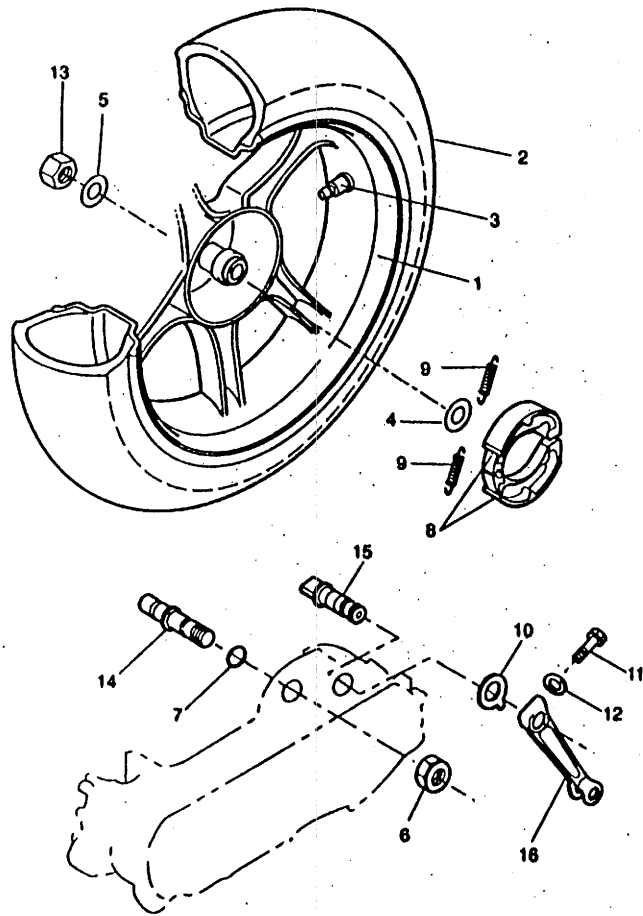
FIG 21 FRONT BRAKE CALIPER

REF	PART.N'	DESCRIPTION	QTY	REMARKS
1	5BR-F582V-00	BRAKE DISK (FRONT)	1	
2	90111-10X00	BOLT HEX, SOCKET BUTTON	3	
3	5ME-F580T-00	CALIPER ASSY (LEFT)	1	
4	5ME-F5811-00	PAD, CALIPER 2	1	
5	4CU-F5824-00	SCREW, BREED	1	
6	4CU-F5825-00	CAP	1	
7	5ME-F5919-00	SUPPORT, PAD ASSY	1	
8	90105-08X00	BOLT, WASHER BASED	2	



5ME1300-0210

C8

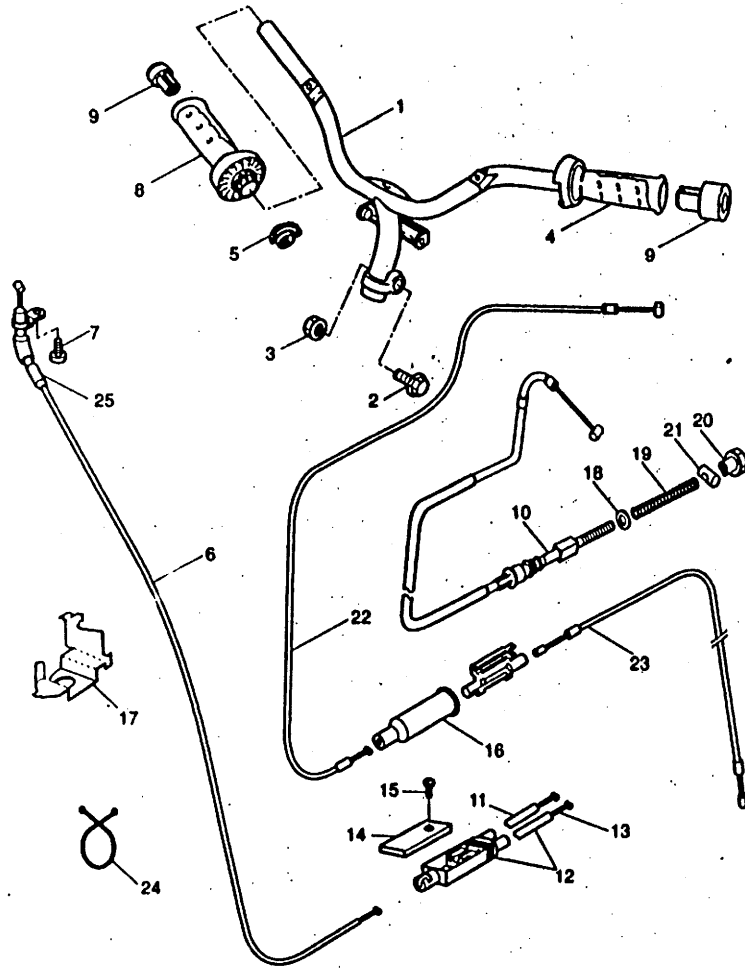


5ME1300-0220

FIG 22 REAR WHEEL

REF	PART.N°	DESCRIPTION	QTY	REMARKS
1	5ME-F5338-10	CAST WHEEL, REAR	1	
2		REAR TIRE SET (MICHELIN)	1	AP LM 140-60/13
3	5BR-F5170-00	AIR VALVE ASSY	1	
4	90201-20X01	WASHER, PLAIN	1	
5	90201-142M6	WASHER, PLATE	1	
6	90179-10394	NUT, FLANGE	1	
7	93210-07540	O-RING	1	
8	3LS-W2538-00	BRAKE SHOE SET	1	
9	90508-15260	SPRING	2	
10	5DS-F533A-10	PLATE, INDICATOR	1	
11	90101-06X05	BOLT	1	
12	90201-06X01	WASHER, PLAIN	1	
13	90185-14070	NUT, SELF-LOCKING	1	
14	3UH-F5328-00	PIN, PIVOT	1	
15	5DS-F5351-00	CAMSHAFT	1	
16	4VU-F5355-00	LEVER, CAMSHAFT	1	

FIG 23 STEERING HANDLE. CABLE



REF	PART.N°	DESCRIPTION	QTY	REMARKS
1	5BR-F8110-00	HANDLE COMP.	1	
2	90105-10036	BOLT, WASHER BASED	1	
3	90185-10154	NUT, SELF-LOCKING	1	
4	5BR-F8241-00	GRIP (LEFT)	1	
5	5BR-F8273-00	ROTOR	1	
6	5ME-F8311-00	CABLE, THROTTLE 1	1	
7	5BR-F832G-00	SCREW	1	
8	5BR-F8240-10	GRIP ASSY	1	
9	5BR-F8248-00	END, GRIP	2	
10	5ME-F8351-00	CABLE, BRAKE	1	
11	5ME-F8312-00	CABLE, THROTTLE 2	1	
12	4VP-F8280-02	CABLE ASSY, THROTTLE & PUMP	1	
13	4VP-F8321-02	CABLE, PUMP	1	
14	4VP-F8282-00	CAP, CABLE CONNECTOR	1	
15	90187-03X03	SCREW, TAPPING	1	
16	5KK-F8288-00	BOOT, CYLINDER	1	
17	4KH-F8393-00	HOLDER	1	
18	90202-08175	WASHER, PLATE	1	
19	90501-12X00	SPRING, COMPRESSION	1	
20	90179-08411	NUT	1	
21	90249-12008	PIN	1	
22	5BR-F8331-00	CABLE, STARTER 1	1	
23	5ME-F8334-00	CABLE, STARTER 2	1	
24	90468-15009	CLIP	1	
25	3WG-F8328-00	CAP, RUBBER	1	



5ME1300-0230

C10

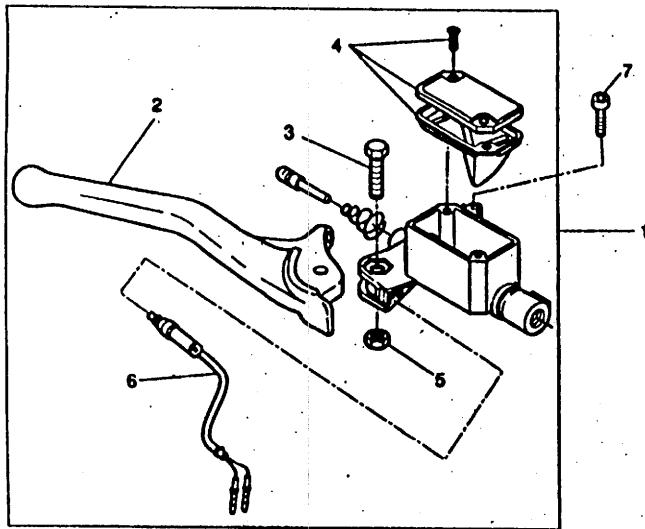
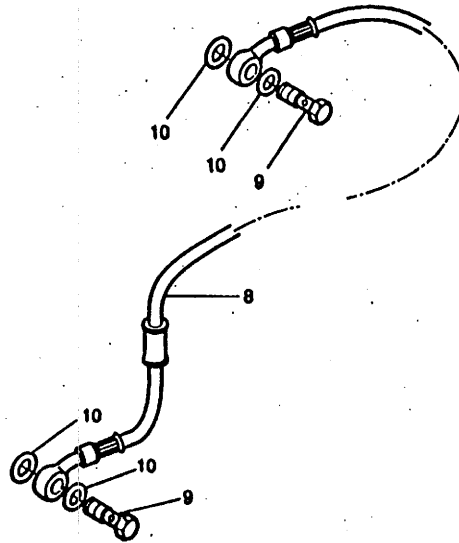


FIG 24 FRONT MASTER CYLINDER

REF	PART.N°	DESCRIPTION	QTY	REMARKS
1	5ME-F683T-00	MASTER CYLINDER ASSY	1	
2	5ME-H3922-00	.LEVER 2	1	
3	4SB-H3945-00	.BOLT, LEVER	1	
4	4SB-F6852-00	.CAP, RESERVOIR	1	
5	4SB-H3916-00	.NUT, LEVER FITTING	1	
6	5JH-H3980-00	.FRONT STOP SWITCH ASSY	1	
7	90111-06X01	BOLT HEX, SOCKET BUTTON	2	
8	5BR-F6872-00	HOSE, BRAKE 1	1	
9	90401-10X01	BOLT, UNION	2	
10	90201-10X03	WASHER, PLVN	4	




 5ME1300-0240

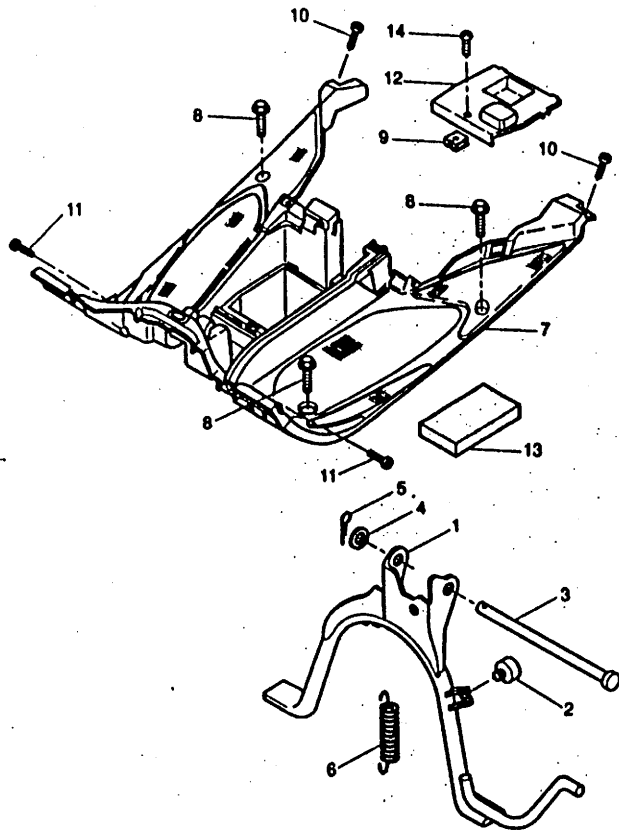


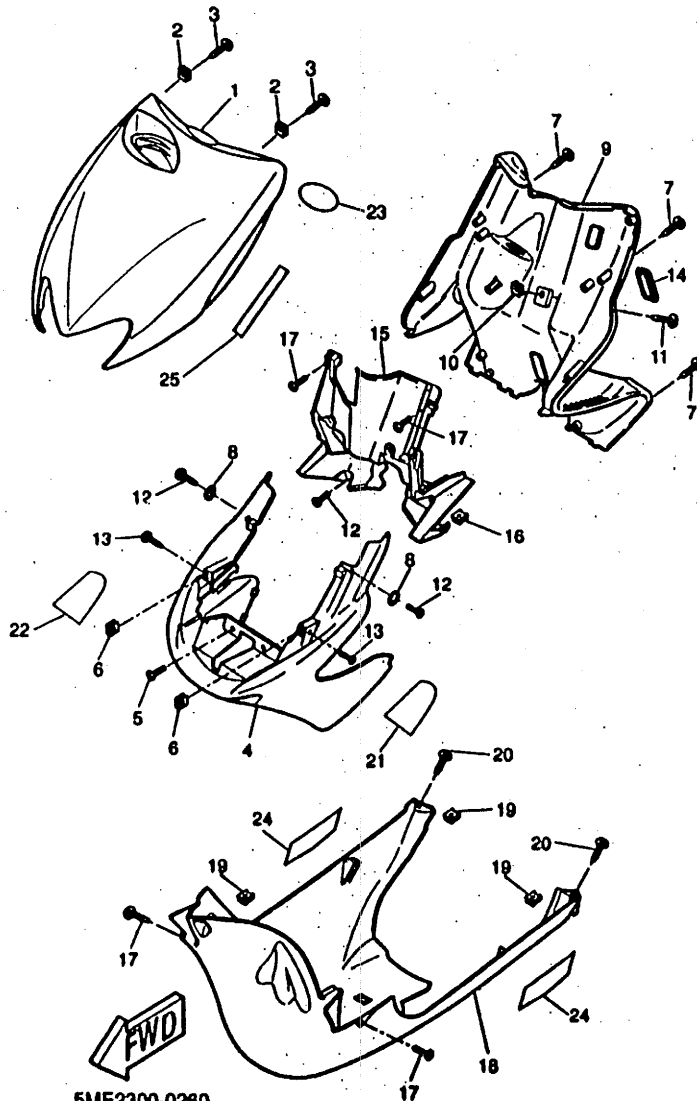
FIG 25 STAND, FOOTREST

REF	PART.N°	DESCRIPTION	QTY	REMARKS
1	5ME-F7111-00	STAND, MAIN	1	YB
2	2JW-F7114-10	STOPPER, MAIN STAND	1	
3	90240-10137	PIN, CLEVIS	1	
4	90202-10120	WASHER, PLATE	1	
5	90468-12006	CLIP	1	
6	90506-35X00	SPRING	1	
7	5BR-F7481-01	BOARD, FOOTREST	1	
8	90105-06X02	BOLT, WASHER BASED	4	
9	90183-05X00	NUT, SPRING	1	
10	90187-05X02	SCREW M5-12	4	
11	90187-05X01	SCREW M5-16	2	
12	5BR-H2129-00	COVER, BATTERY	1	
13	4SB-F174X-30	DAMPER	1	
14	90187-05X02	SCREW M5-12	1	



5ME1300-0250

C12

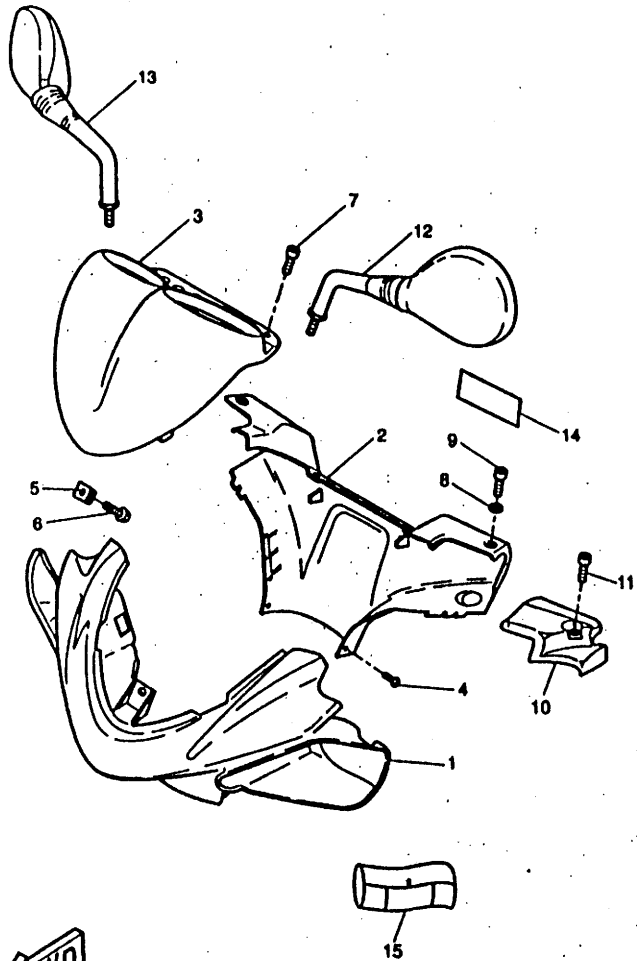


5ME2300-0260

FIG 26 LEG SHIELD

REF	PART.N°	DESCRIPTION	QTY	REMARKS
1	5ME-F835G-00-8B	BODY, FRONT UPPER 1	1	UR DBC1 FORDBC1
	5ME-F835G-00-P2	BODY, FRONT UPPER 1	1	UR LNME FORLNME
2	90183-05X00	NUT, SPRING	2	
3	90187-05X02	SCREW M5-12	2	
4	5BR-F835J-00-8B	BODY, FRONT LOWER 1	1	UR DBC1 FORDBC1
	5BR-F835J-00-P8	BODY, FRONT LOWER 1	1	UR LNME FORLNME
6	90111-08X01	BOLT HEX, SOCKET BUTTON	2	
6	90183-05X00	NUT, SPRING	2	
7	90187-05X01	SCREW M5-18	6	
8	90202-05X00	WASHER, PLATE	4	
9	5BR-F8311-00	LEG SHIELD 1	1	
10	90183-05X00	NUT, SPRING	2	
11	98507-08014	SCREW, WITH WASHER	1	
12	90187-05X02	SCREW M5-12	5	
13	90187-05X01	SCREW M5-18	2	
14	3VV-F8349-10	CAP	1	YB
16	5BR-F838K-01	PANEL, INNER 1	1	
18	90183-05X00	NUT, SPRING	2	
17	90187-05X01	SCREW M5-18	4	
18	5BR-F8385-21	COVER, LOWER	1	
19	90183-05X00	NUT, SPRING	6	
20	90187-05X02	SCREW M5-12	2	
21	5ME-F832B-01	GRAPHIC LEFT	1	UR FOR DBC1
	5ME-F832B-11	GRAPHIC LEFT	1	UR FOR LNME
22	5ME-F832C-01	GRAPHIC RIGHT	1	UR FOR DBC1
	5ME-F832C-11	GRAPHIC RIGHT	1	UR FOR LNME
23	6EU-F8338-00	EMBLEM	1	
24	6BS-F839H-00	EMBLEM 1	2	
26	5ME-F832P-00	GRAPHIC,18	1	UR FOR DBC1
	5ME-F832P-10	GRAPHIC,18	1	UR FOR LNME

C13



FWD
5ME1300-0270

FIG 27 COWLING 1

REF	PART.N°	DESCRIPTION	QTY	REMARKS
1	5BR-F8143-00-8B	COVER, HANDLEBAR UPPER 1	1	UR DBC1 FORDBC1
	5BR-F8143-00-P7	COVER, HANDLEBAR UPPER 1	1	UR LNME FORLNME
2	5BR-F8145-00	COVER, HANDLEBAR UPPER 2	1	
3	5BR-F8213-00-8B	COVER, UPPER	1	UR DBC1 FORDBC1
	5BR-F8213-00-P3	COVER, UPPER	1	UR LNME FORLNME
4	90159-05134	SCREW, WITH WASHER	2	
5	90183-05X00	NUT, SPRING	1	
6	90187-05X02	SCREW M5-12	1	
7	90110-05X01	BOLT, HEXAGON SOCKET HEAD	2	
8	90201-08X01	WASHER, PLAIN	3	
9	90110-05X01	BOLT, HEXAGON SOCKET HEAD	2	
10	5ME-F615F-00	COVER, REVERSE LEVER	1	
11	90110-05X01	BOLT, HEXAGON SOCKET HEAD	1	
12	5BR-F8280-10	MIRROR (LEFT)	1	
13	5BR-F8290-10	MIRROR (RIGHT)	1	
14	4CU-F1568-40	LABEL, WARNING	1	UR FOR I
	4CU-F1568-10	LABEL, WARNING	1	UR FOR F/B/CH
	4CU-F1568-30	LABEL, WARNING	1	UR FOR SP
	4CU-F1568-00	LABEL, WARNING	1	UR FOR GB
	4CU-F1568-20	LABEL, WARNING	1	UR FOR G/CH
15	4BX-F8100-00	TOOL KIT	1	FOR G

C14

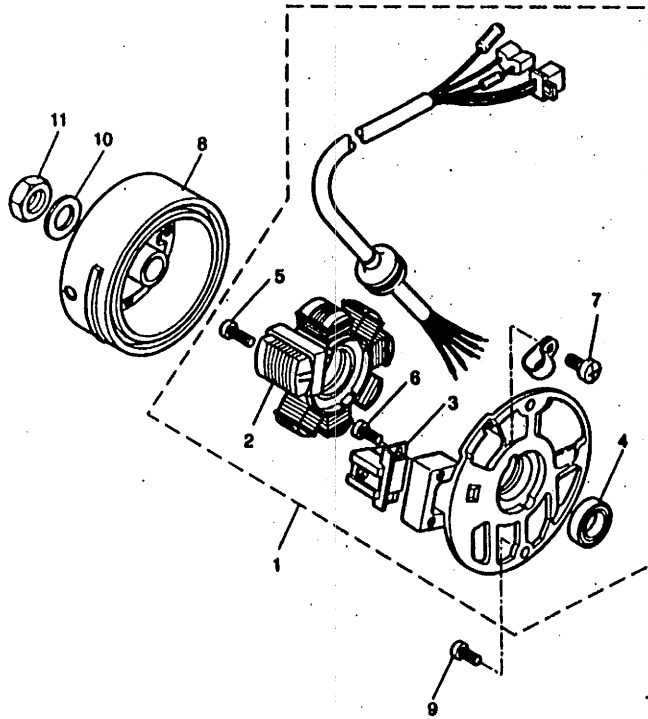


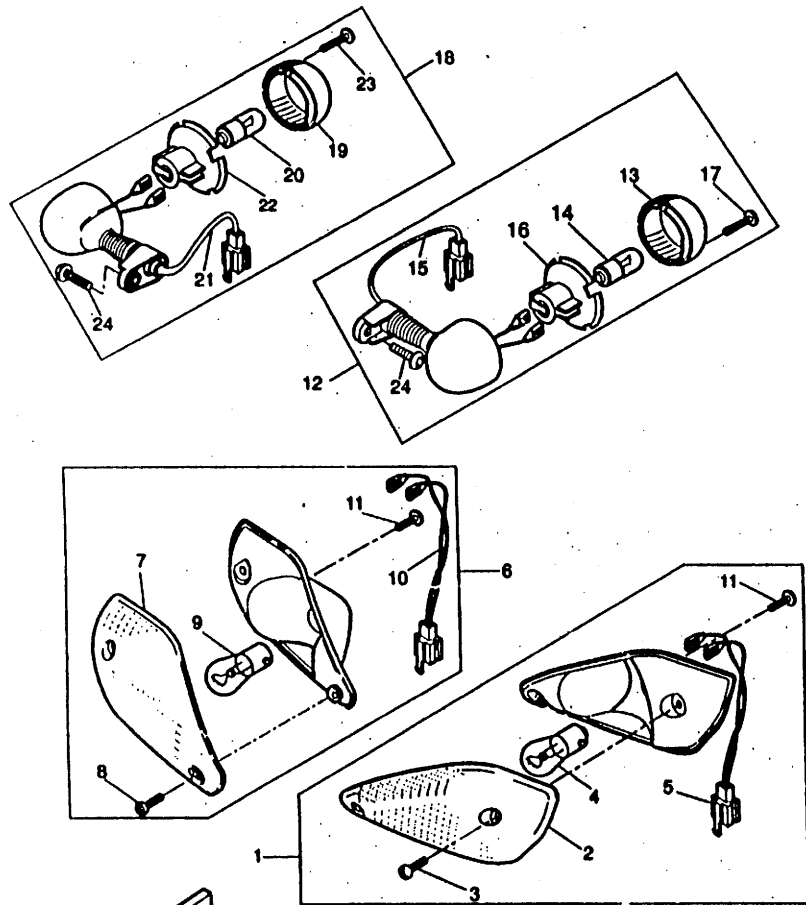
FIG 28 GENERATOR

REF	PART.N°	DESCRIPTION	QTY	REMARKS
1	4VP-H5560-00	BASE ASSY	1	
2	4VP-H1403-00	.STATORCOMP.	1	
3	4VP-H5595-00	.COIL, PULSER	1	
4	93104-19097	.OIL SEAL	1	
5	98507-05020	.SCREW, PAN HEAD	2	
6	98580-04010	.SCREW, PAN HEAD	2	
7	98580-04008	.SCREW, PAN HEAD WITH WASHER	1	
8	4VP-H5550-00	ROTOR ASSY	1	
9	98507-06016	SCREW	2	
10	92907-12600	WASHER	1	
11	95337-12600	NUT	1	



5ME1300-0280

C15



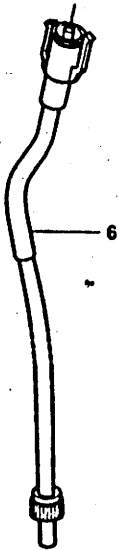
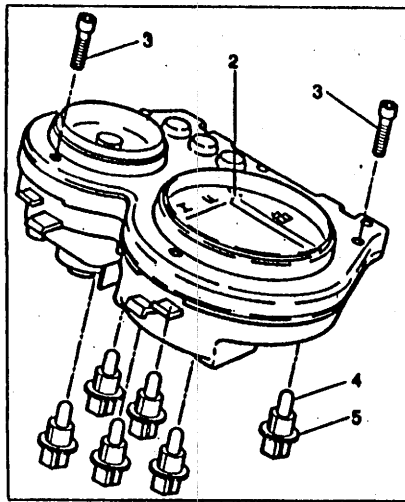
FWD

5ME1300-0290

FIG 29 FLASHER LIGHT

REF	PART.N°	DESCRIPTION	QTY	REMARKS
1	5BR-H3310-10	FRONT FLASHER LIGHT ASSY 1	1	
2	5BR-H3312-10	.LENS, FLASHER	1	
3	5BR-H3333-00	.SCREW, LENS FITTING	2	
4	NDH-H3311-00-01	.BULB	1	
5	5BR-H331N-00	.WIRE FLASHER 1	1	
6	5BR-H3320-10	FRONT FLASHER LIGHT ASSY 2	1	
7	5BR-H3322-10	.LENS, FLASHER 2	1	
8	5BR-H3333-00	.SCREW, LENS FITTING	1	
9	NDH-H3311-00-01	.BULB	1	
10	5BR-H332N-00	.WIRE FLASHER 2	1	
11	90187-05X01	.SCREW M5-16	2	
12	5HE-H3330-00	REAR FLASHER LIGHT ASSY1	1	
13	5HE-H3332-00	.LENS, FLASHER 1	1	
14	NDH-H3311-00-01	.BULB	1	
15	5HE-H3338-00	.CORD	1	
16	5HE-H333L-00	.LENS INNER,1	1	
17	5HE-H3333-00	.SCREW, LENS FITTING	1	
18	5HE-H3340-00	REAR FLASHER LIGHT ASSY2	1	
19	5HE-H3342-00	.LENS, FLASHER 2	1	
20	NDH-H3311-00-01	.BULB	1	
21	5HE-H3348-00	.CORD	1	
22	5HE-H333L-00	.LENS INNER,1	1	
23	5HE-H3333-00	.SCREW, LENS FITTING	1	
24	90105-06841	BOLT, WASHER BASED	2	

D2



5ME1300-0300

FIG 30 METER

REF	PART.N°	DESCRIPTION	QTY	REMARKS
1	5ME-H3510-00	SPEEDOMETER ASSY	1	UR
	5ME-H3510-10	SPEEDOMETER ASSY	1	UR FOR GB
2	5BR-H353K-00	GLASS PLATE	1	
3	5BR-H3548-00	SCREW	5	
4	NJD-H4744-00-01	BULB	6	
5	5BR-H3534-00	SOCKET	6	
6	5BR-H3550-01	SPEEDOMETER CABLE ASSY	1	

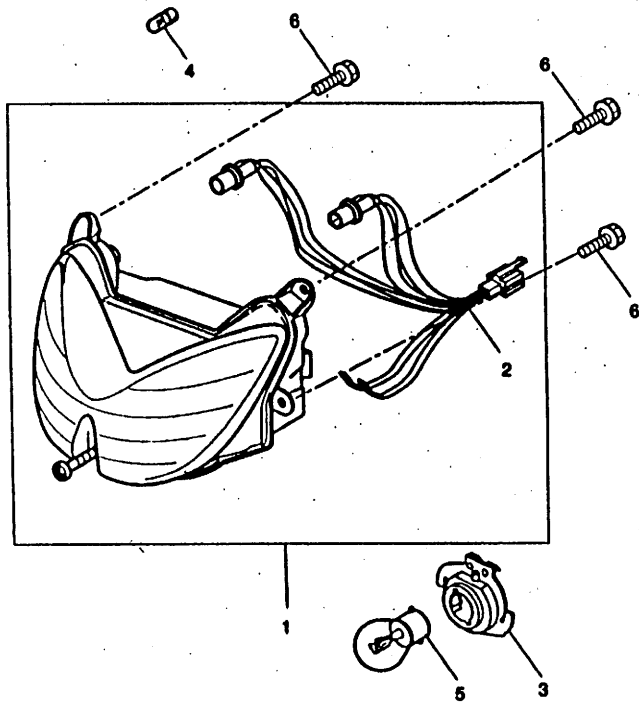


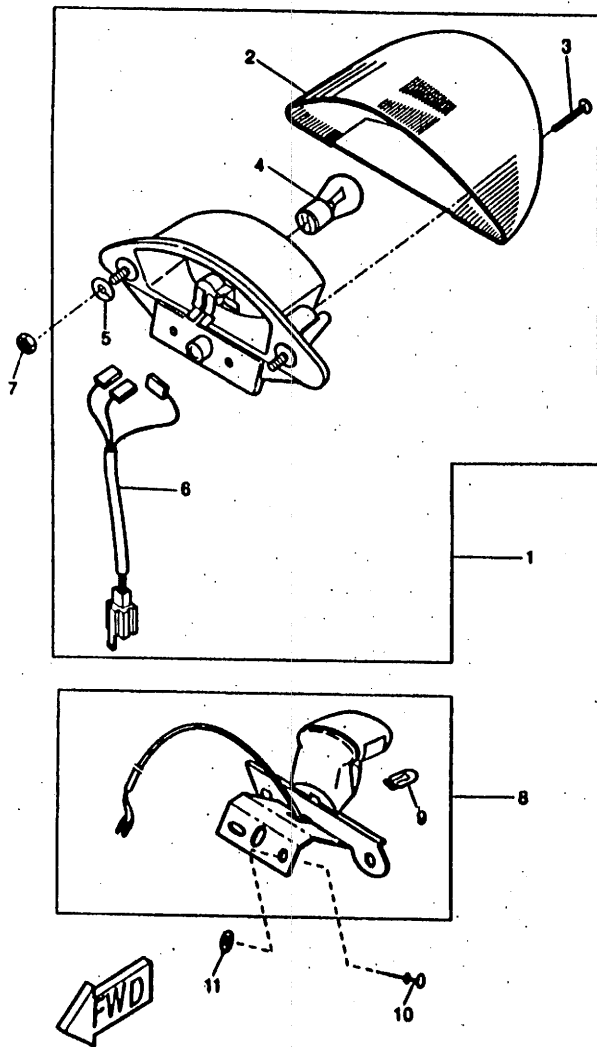
FIG 31 HEADLIGHT

REF	PART.N°	DESCRIPTION	QTY.	REMARKS
1	5BR-H4320-01	LENS ASSY	1	
2	5BR-H4312-01	SOCKET	1	
3	4JC-H4340-00	SOCKET CORD ASSY 1	1	
4	3WW-H4347-00	BULB LICENCE LIGHT	2	
5	4SB-H4314-00	BULB, HEADLIGHT 12V-35/36W BA20D	1	
6	90167-05X01	SCREW M5-16	4	



5BR1354-7342

D4



5ME1300-0320

FIG 32 TAILLIGHT

REF	PART.N°	DESCRIPTION	QTY	REMARKS
1	5BR-H4700-01	TAILLIGHT ASSY	1	
2	5BR-H472F-00	.TAIL LIGHT LENS	1	
3	5BR-H4726-00	.SCREW	2	
4	3HL-H4535-00	.BULB 12V-5/21W BAY15D	1	
5	4SB-H4374-00	.WASHER, SPECIAL	2	
6	5BR-H4735-00	.CORD ASSY	1	
7	90179-06X00	NUT	3	
8	5ME-H4740-00	LICENCE LIGHT ASSY	1	
9	5FV-H3517-00	.BULB 12V 5W	1	
10	90267-48X02	RIVET, BLIND	2	
11	90201-05X00	WASHER, PLAIN	2	

D5

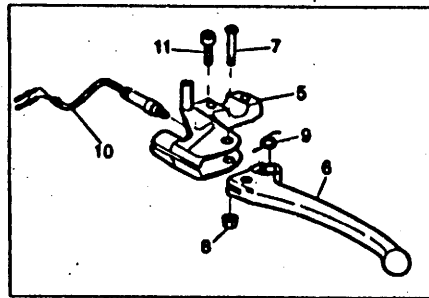
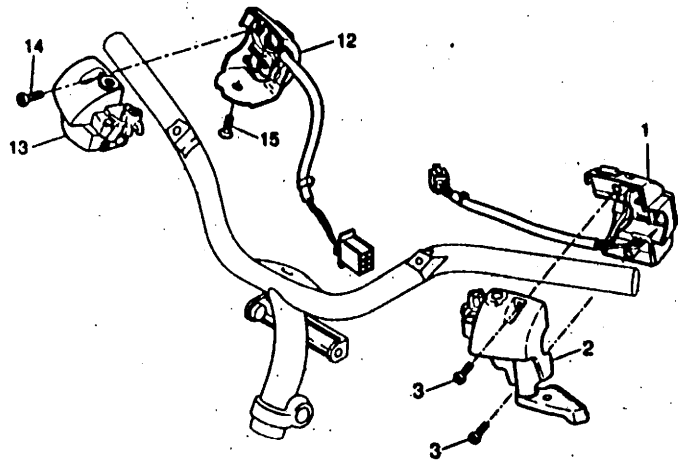


FIG 33 HANDLE SWITCH. LEVER

REF	PART.N°	DESCRIPTION	QTY	REMARKS
1	6BR-H3973-10	SWITCH, HANDLE 3	1	
2	6BR-H3940-00	STARTER ASSY	1	
3	6BR-H3992-00	SCREW, LEVER 2	2	
4	6ME-H2910-00	LEVER HOLDER ASSY (LEFT)	1	
6	6ME-H2911-00	HOLDER, LEVER 1	1	
6	6ME-H3912-00	LEVER 1	1	
7	6ME-H3915-00	SCREW, LEVER FITTING	1	
8	6ME-H3918-00	NUT, LEVER FITTING	1	
9	6ME-H3962-00	SPRING	2	
10	6JH-H3980-00	FRONT STOP SWITCH ASSY	1	
11	6ME-F5828-00	BOLT 3	2	
12	6BR-H3972-10	SWITCH, HANDLE 4	1	
13	6BR-H3987-01	CASE, SWITCH LOWER	1	
14	6BR-H3992-00	SCREW, LEVER 2	1	
15	6BR-H3928-00	SCREW, ADJUSTING	1	



5ME1300-0330

D6

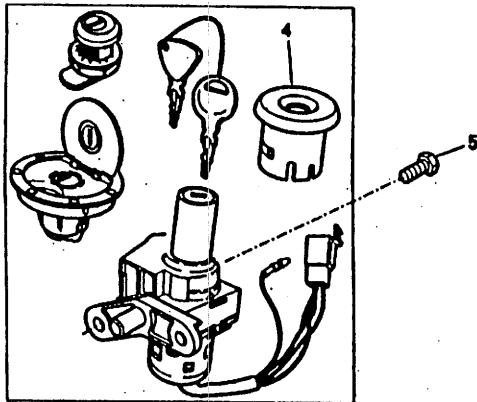
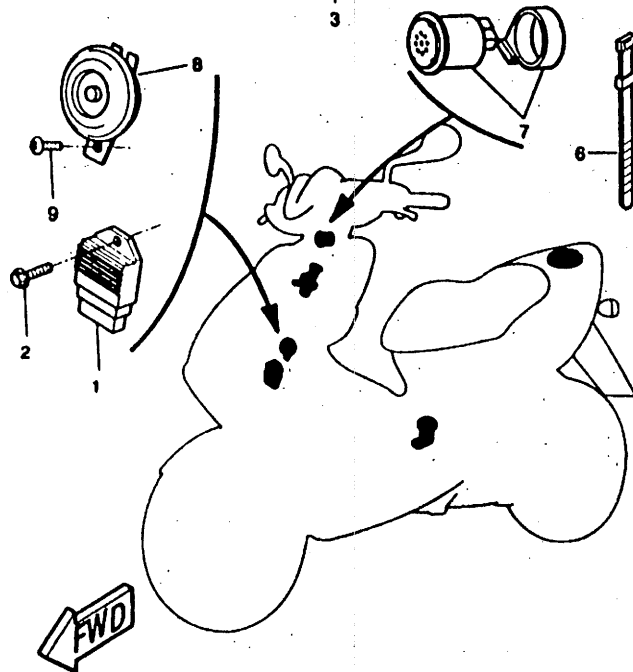


FIG 34 ELECTRICAL I

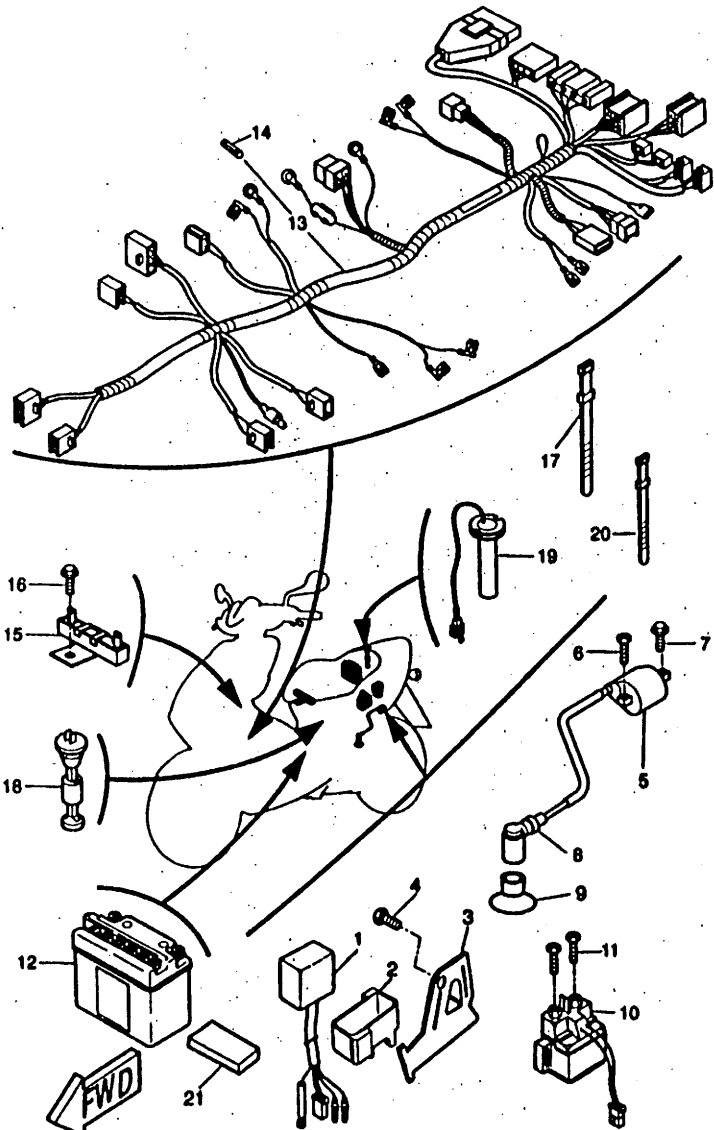
REF	PART.N°	DESCRIPTION	QTY	REMARKS
1	4VV-H1980-01	RECTIFIER & REGULATOR ASSY	1	
2	90105-06841	BOLT, WASHER BASED	1	
3	5ME-H2021-00	KEY SET	1	
4	5AD-H2552-00	.CAP; SWITCH	1	
5	90109-06851	BOLT	2	
6	4VU-H3936-01	BAND,SWTCH CORD (95.7X2.5)	1	
7	5BR-H3350-01	FLASHER RELAY ASSY	1	
8	35R-83371-30	HORN	1	
9	98507-06010	SCREW	1	



5ME1300-0340



D7



5ME1300-0350

FIG 35 ELECTRICAL2

REF	PART.N°	DESCRIPTION	QTY	REMARKS
1	4VP-H5540-00	C.D.I. UNIT ASSY	1	
2	5KK-H5548-00	BAND	1	
3	5ME-H553A-00	STAY UNIT	1	
4	90154-06X01	SCREW, BINDING	1	
5	4BE-82310-01	IGNITION COIL ASSY	1	
6	90153-06034	SCREW, HEXAGON	1	
7	90105-06841	BOLT, WASHER BASED	1	
8	4VP-H2370-00	PLUG CAP ASSY	1	
9	4VP-H2372-00	SEAL, PLUG CAP	1	
10	3MW-81940-00	STARTER RELAY ASSY	1	
11	90154-06X03	SCREW, BINDING	2	
12	9079R-24279	BATTERY ASSY	1	YT4L-BS 12V-3AH
13	5ME-H2590-00	WIRE HARNESS ASSY	1	
14	5BR-H2151-00	FUSE	1	
15	5BK-H5370-00	RESISTANCE ASSY	1	
16	90105-06841	BOLT, WASHER BASED	1	
17	4KH-H3936-01	BAND SWITCH CORD (249X4.8)	6	
18	3VL-H5720-10	OIL LEVEL GAUGE ASSY	1	
19	5ME-H5752-00	SENDER UNIT ASSY, FUEL METER	1	
20	5BR-F1335-00	CLAMP, WIRE HARNESS 1	1	
21	5BR-F174X-00	DAMPER	2	

D8

NUMERICAL INDEX

3YR- 11605-00	B3	35R- 83371-30	D7	4VP- E5421-00	B9	5BR- F3108-00	C4	4CU- F5825-00	C8	5BR- F8385-21	C13
3AA- 13124-00	B5	4VP- E1111-00	B2	4VP- E5439-00	B9	5BR- F3110-01	C4	5ME- F5828-00	D6	5BS- F839H-00	C13
4VP- 13178-00	B5	4VP- E1162-00	B2	5DA- E5451-00	B9	4TD- F3111-00	C4	5BR- F582V-00	C8	4VP- H1403-00	C15
3WF- 13185-00	B5	4VP- E1181-00	B2	5DA- E5461-00	B9	4TD- F3112-00	C4	5ME- F583T-00	C11	5FA- H1800-00	B10
1YU- 13187-00	B5	4VP- E1311-10	B2	4SC- E5482-00	B9	5BR- F3126-00	C4	4SB- F5852-00	C11	4DM- H1801-00	B10
1YU- 13473-00	B5	5FA- E1351-00	B2	4VP- E5477-00	B9	5BR- F3136-00	C4	5BR- F5872-00	C11	3NW- H1828-V0	B10
1YU- 13516-00	B5	4VP- E1400-00	B3	4VP- E5524-00	B10	4TD- F3141-00	C4	5ME- F5891-00	C8	4VV- H1960-01	D7
1YU- 13577-00	B5	4VP- E1603-00	B3	3XG- E5532-00	B10	4TD- F3144-00	C4	5BR- F6110-00	C10	5ME- H2021-00	B15
3KJ- 14103-60	B7	4VP- E1631-10-A0	B3	4CW- E5570-00	B10	4TD- F3145-00	C4	5BR- F6143-00-8B	C14	5ME- H2021-00	C5
14T- 14104-00	B7	4VP- E1633-00	B3	4VP- E5601-00	B10	4TD- F3147-00	C4	5BR- F6143-00-P7	C14	5ME- H2021-00	D7
4JP- 14104-00	B7	4VP- E1636-10	B3	5FX- E5620-01	B10	4TD- F3153-00	C4	5BR- F6145-00	C14	5BR- H2129-00	C12
85L- 14161-00	B7	4VP- E2611-00	B4	4VP- E5630-00	B10	4TD- F3154-00	C4	5ME- F615F-00	C14	5BR- H2151-00	D8
5KK- 14174-00	B7	3XG- E2631-00	B4	4VP- E5650-00	B10	4TD- F3156-00	C4	5BR- F6213-00-8B	C14	4VP- H2370-00	D8
4JP- 14243-01	B7	4VP- E2651-00	B4	4VP- E5659-00	B9	4CU- F3165-00	C4	5BR- F6213-00-P3	C14	4VP- H2372-00	D8
5KK- 14301-00	B7	5FA- E2653-00	B4	4VP- E5673-00	B10	4TD- F3181-00	C4	5BR- F6240-10	C10	5AD- H2552-00	B15
3VR- 14313-30	B7	4VP- E2658-00	B4	4VP- E6611-00	B11	4TD- F3183-00	C4	5BR- F6241-00	C10	5AD- H2552-00	C5
4JP- 14331-00	D7	4VP- E2659-00	B4	4VP- E7211-00	B12	5ME- F3340-00	C4	5BR- F6246-00	C10	5AD- H2552-00	D7
1YU- 14335-00	D7	5ME- E3100-00	B5	4VP- E7410-00	B12	4TD- F3394-00	C4	4VP- F6260-02	C10	5ME- H2590-00	D8
5JI- 14341-10	B7	3XG- E3342-00	B10	4VP- E7421-00	B12	5DS- F3418-00	C4	4VP- F6262-00	C10	5ME- H2910-00	D6
14I- 14343-38	B7	4WX- E3555-10	B6	4VP- E7611-00	B11	21L- F3482-00	C4	5KK- F6266-00	C10	5ME- H2911-00	D6
3KJ- 14349-01	B7	4VP- E3575-00	B6	4VP- E7620-00	B11	5BR- F4110-00	C5	5BR- F6273-00	C10	5BR- H3310-10	D2
5BM- 14353-22	B7	4VP- E3610-00	B6	4VP- E7623-00	B11	5DN- F415A-00	C5	5BR- F6280-10	C14	NDH- H3311-00-01	D2
5KK- 14371-00	B7	3XG- E3613-00	B6	5ME- F1110-00	B13	4SB- F4312-51	C5	5BR- F6290-10	C14	NDH- H3311-00-01	D2
4JP- 14384-01	B7	3XG- E3616-00	B6	5HE- F1232-00	B13	4SB- F4318-11	C5	5ME- F6311-00	C10	NDH- H3311-00-01	D2
11V- 14385-01	B7	4SC- E3621-00	B6	5BR- F1335-00	C5	4SB- F4335-11	C5	5ME- F6312-00	C10	NDH- H3311-00-01	D2
367- 14386-00	B7	4VP- E4411-00	B6	5BR- F1335-00	D8	5KK- F4500-00	C5	4VP- F6321-02	C10	5BR- H3312-10	D2
2JA- 14392-00	B7	4VP- E4412-00	B6	5ME- F1410-00	B13	5EU- F4501-00	C5	3WV- F6329-00	C10	5BR- H331N-00	D2
4KL- 14397-00	B7	4VP- E4437-00	B6	5DS- F1481-00	B13	5EU- F4512-00	C5	5BR- F632G-00	C10	5BR- H3320-10	D2
4JP- 14561-00	B7	4VP- E443E-00	B6	5BR- F1556-00-8B	B14	5HE- F4710-00	C6	5BR- F6331-00	C10	5BR- H3322-10	D2
3HK- 14613-00	D8	4MJ- E4445-00	B6	5BR- F1556-00-P6	B14	4CU- F4726-00	C6	5ME- F6334-00	C10	5BR- H332N-00	D2
5JT- 1490J-00	B7	4VP- E4451-00	B6	4CU- F1568-00	C14	5HE- F4731-00	C6	5ME- F6351-00	C10	5HE- H3330-00	D2
4J2- 15363-00	D9	4VP- E4452-00	B6	4CU- F1568-10	C14	5BR- F473R-00	C6	4KH- F6393-00	C10	5HE- H3332-00	D2
14T- 15657-00	B11	4VP- E4453-00	B6	4CU- F1568-20	C14	3VL- F4741-10	B13	5ME- F7111-00	C12	5BR- H3333-00	D2
4VP- 16111-00	B11	4VP- E4462-00	B6	4CU- F1568-30	C14	3VL- F4741-10	B13	2JW- F7114-10	C12	5BR- H3333-00	D2
4VP- 16620-00	B11	4VP- E4463-00	B6	4CU- F1568-40	C14	5ME- F4756-00	C6	5BR- F7433-00	B15	5HE- H3333-00	D2
17L- 16626-00	B11	4VP- E4467-00	B6	5BR- F1629-00	B14	5BR- F475M-00	C6	5BR- F7444-00	B15	5HE- H3333-00	D2
2XX- 17632-01	B11	4VP- E4610.40-98	B8	5BR- F1642-10	B14	5AD- F4780-00	C6	5BR- F7481-01	C12	5HE- H3336-00	D2
4VP- 17641-00	B11	4VP- E4627-10	B8	5BR- F1705-00	C2	5AD- F4781-00	C6	4BX- F8100-00	C14	5HE- H333L-00	D2
4CW- 17653-10	B11	4VP- E4718-00	B8	5DN- F1711-00	B15	5BR- F478E-01	C6	5BR- F8311-00	C13	5HE- H333L-00	D2
4VP- 17660-00	B11	4VP- E475M-00	B8	5BR- F1716-00	B15	5ME- F4875-00	C6	5BS- F8315-00	B14	5HE- H3340-00	D2
24G- 17664-00	B11	3XY- E4766-00	B8	5DN- F1721-00	B15	4SB- F5117-00	C7	5ME- F832B-00	C13	5HE- H3342-00	D2
3FC- 17670-00	B11	4CW- E4766-00	B8	5BR- F1731-02-8B	B15	5BR- F5168-11	C7	5ME- F832B-10	C13	5HE- H3346-00	D2
3XG- 17684-00	B11	4CW- E4766-00	B8	5BR- F1731-02-P9	B15	5BR- F5170-00	C7	5ME- F832C-00	C13	5BR- H3350-01	D7
3KJ- 21481-00	B13	5EU- E4779-00	B8	5BS- F173E-00	B15	5BR- F5170-00	C9	5ME- F832C-10	C13	5ME- H3510-00	D3
2N3- 21771-01	C2	4VP- E4799-20	B8	5BR- F1741-02-8B	B15	5BR- F5190-00	C7	5ME- F832P-00	C13	5ME- H3510-10	D3
164- 22216-00	B9	4VP- E5111-00	B9	5BR- F1741-02-P9	B15	3UH- F5326-00	C9	5ME- F832P-10	C13	5FV- H3517-00	D5
22F- 23411-01	C4	4VP- E5118-00	B9	4SB- F174X-00	B6	5ME- F5338-10	C9	5EU- F8338-00	C13	5BR- H3534-00	D3
22F- 23412-01	C4	4VP- E5121-00	B9	5BR- F174X-00	D8	5DS- F533A-00	C9	3WV- F8349-10	C13	5BR- H353K-00	D3
3VP- 23416-00	C4	4VP- E5128-00	B9	4SB- F174X-30	C12	5DS- F5351-00	C9	5ME- F835G-00-8D	C13	5BR- H3546-00	D3
214- 24535-00	B7	3XG- E5317-00	B9	5BR- F177E-00	B15	4VU- F5355-00	C9	5ME- F835G-00-P2	C13	5BR- H3550-01	D3
3KJ- 26329-00	B7	3XG- E5371-00	B9	5BR- F2141-00	C7	5ME- F580T-00	C8	5BR- F835J-00-8B	C13	5ME- H3912-00	D6
3MW- 81940-00	D8	4VP- E5373-00	B9	5ME- F2210-00	C3	5ME- F5811-00	C8	5BR- F835J-00-P8	C13	5ME- H3915-00	D6
4BE- 82310-01	D8	5KK- E5411-00-35	B9	5ME- F3100-00	C4	4CU- F5824-00	C8	5BR- F836K-01	C13	4SB- H3916-00	C11

NUMERICAL INDEX

5ME- H3916-00	D6	90101-06X05	C9	90187-05X02	C13	90240-10137	C12	93210-14104	B9	98009-15400	B10
5ME- H3922-00	C11	90101-10776	C3	90187-05X02	C13	90241-10X00	C6	93210-23614	B10	99009-17400	B9
5BR- H3928-00	D6	90105-06841	D2	90167-05X02	C14	90249-12008	C10	93210-384A6	B11	99009-19400	B5
4KH- H3936-01	D8	90105-06841	D7	90167-05X04	C6	90267-48X02	D5	93210-44678	B10	99009-42500	B12
4VU- H3936-01	D7	90105-06841	D8	90176-06065	B8	90280-03017	B3	93210-64893	B4	99510-10114	B9
5BR- H3940-00	D6	90105-06841	D8	90179-06411	C10	90380-15817	B10	93306-003Y4	B9	99510-10114	B9
4SB- H3945-00	C11	90105-06X02	C5	90179-06X00	C6	90387-080G7	C5	93306-003Y4	B10	99510-12016	B9
5ME- H3962-00	D6	90105-06X02	C6	90179-06X00	D5	90387-067V1	B8	93306-004X7	B12		
5BR- H3972-10	D6	90105-06X02	C6	90179-07521	B2	90387-068J5	B4	93306-200Y1	B11		
5BR- H3973-10	D6	90105-06X02	C12	90179-10370	B11	90387-10X00	C7	93306-200Y1	B12		
5JH- H3980-00	C11	90105-08X00	C8	90179-10394	C9	90387-168N7	B11	93306-203YE	B11		
5JH- H3980-00	D6	90105-10036	C10	90179-25033	C4	90387-178N6	B3	93306-203YE	B12		
5BR- H3987-01	D6	90109-06801	B6	90179-28415	B11	90401-10X01	C11	93306-205Y6	B3		
5BR- H3992-00	D6	90109-06851	D7	90183-04X00	C5	90445-055E5	B5	93306-300Y8	C7		
5BR- H3992-00	D6	90109-06X05	B14	90183-05X00	B13	90445-09804	B5	93310-21403	B3		
5BR- H4312-01	D4	90109-06X05	C6	90183-05X00	B14	90450-22X00	C5	93311-315Y2	B12		
4SB- H4314-00	D4	90110-05X01	C14	90183-05X00	B15	90460-41191	B8	93399-99940	C4		
5BR- H4320-01	D4	90110-05X01	C14	90183-05X00	B15	90467-08003	B5	93410-20823	B12		
4JC- H4340-00	D4	90110-05X01	C14	90183-05X00	C6	90467-09006	C5	93450-18115	B3		
3WW- H4347-00	D4	90110-06X16	B10	90183-05X00	C12	90467-11823	B6	93450-35015	B10		
4SB- H4374-00	D5	90110-06X21	B9	90183-05X00	C13	90467-24140	B8	93503-16825	C4		
3HL- H4535-00	D5	90110-06X21	B9	90183-05X00	C13	90468-02033	B5	93603-12007	B5		
5GR- H4700-01	D5	90110-06X21	B10	90183-05X00	C13	90468-12006	C12	94701-00195	D2		
5BR- H4726-00	D5	90110-06X22	C6	90183-05X00	C13	90468-15009	C10	95317-12700	B11		
5BR- H472F-00	D5	90111-06X01	C11	90183-05X00	C13	90480-11866	B4	95337-12600	C15		
5BR- H4735-00	D5	90111-06X01	C13	90183-05X00	C14	90480-12497	B4	95607-10200	C3		
5ME- H4740-00	D5	90111-10X00	C8	90183-06X00	B13	90480-12497	B6	95607-10200	C7		
NJ9- H4744 00-01	D3	90116-07834	B2	90183-06X00	C6	90480-13398	C5	95607-12200	B13		
5BK- H5370-00	D8	90149-08X00	B8	90185-10154	B13	90501-12X00	C10	95817-08016	B9		
5ME- H553A 00	D8	90153-06034	D8	90185-10154	C10	90501-20X00	C6	95817-08016	B13		
4VP- H5540-00	D8	90153-06061	B8	90185-14070	C9	90501-435L3	B11	95817-08030	B8		
5KK- H5546 00	D8	90154-06X01	C2	90201-05X00	D5	90506-15260	C9	95817-08030	C3		
4VP- H5550-00	C15	90154-06X01	D8	90201-065F3	C5	90506-35X00	C12	97017-06010	B8		
4VP- H5560-00	C15	90154-06X03	D8	90201-06X01	C6	90508-32609	B10	97517-06510	B8		
4VP- H5595-00	C15	90157-05X02	B14	90201-06X01	C9	9079R-24279	D8	97607-03206	B6		
3VL- H5720-10	D8	90159-05134	C14	90201-06X01	C14	91317-06020	B9	97607-06216	B4		
5ME- H5752-00	D8	90167-03X03	C10	90201-08087	B9	91317-06020	B10	97607-06220	B4		
4VP- W1441-00	B6	90167-05X01	B15	90201-08088	B10	91317-06025	B9	97607-06220	B6		
4VP- W1442-00	B6	90167-05X01	C12	90201-10X03	C11	91317-06035	B9	97607-06220	B9		
3LS- W2536-00	C9	90167-05X01	C13	90201-142M6	C9	91317-06035	B9	97707-50525	B6		
		90167-05X01	C13	90201-154E9	B10	91317-06035	B9	97707-80540	B4		
		90167-05X01	C13	90201-158K9	B12	91317-06045	B9	97801-04016	B7		
		90167-05X01	D2	90201-163G6	B10	92907-06200	B8	97801-05014	B7		
		90167-05X02	D4	90201-166L3	B11	92907-12600	C15	98507-05014	B5		
		90167-05X02	B14	90201-20X01	C9	93101-20169	B3	98507-05020	C15		
		90167-05X02	B15	90202-05X00	C13	93101-21170	B11	98507-06010	D7		
		90167-05X02	B15	90202-08175	C10	93102-17467	B11	98507-06014	C13		
		90167-05X02	B15	90202-10120	C12	93102-22464	B3	98507-06016	C15		
		90167-05X02	B15	90202-26166	B10	93102-25270	B12	98580-03006	B7		
		90167-05X02	B15	90202-26X00	C4	93104-19097	C15	98580-04008	C15		
		90167-05X02	C12	90208-12050	B11	93104-33117	B11	98580-04010	C15		
		90167-05X02	C12	90208-15807	B12	93106-20001	C7	98980-06010	B8		
		90167-05X02	C13	90214-14054	B11	93210-07540	C9	99001-06600	B11		