

YAMAHA

PARTS CATALOGUE

YB100 (486) '89

25486-522E1

FOREWORD

TYPE 486 - (AM4)

This Parts Catalogue is related to the parts in use for the Yamaha YB100(486).
When you are ordering replacement parts for the YB100(486), refer to this Parts Catalogue and quote both part numbers and part names correctly.

1. Modifications or additions which have been made after issue of the Parts Catalogue will be announced in the Yamaha Parts News.

It is advisable that according to the Yamaha Parts News you make necessary corrections to the Parts Catalogue on hand to keep it up-to-date.

2. Abbreviations

The following abbreviations are used in this Parts Catalogue.

- U.R. Use size (thickness) and/or number as required.
- U.N. Use as many as you need.
- A.P. Alternate Parts
- L.M. Local Made
- F# Frame No. (Applicable machine No.)

3. The parts marked with (*) in the parts number column of this Catalogue are not supplied with by Yamaha, those have to be found locally.

4. Parts, which are to be supplied in the form of assemblies, are listed with an indention of one letter's space, and a dot (.) is put against the name of each part.

EXAMPLE CARBURETOR ASS'Y
 . JET, pilot
 . NOZZLE, main

5. Indication of No. of constituent parts for assembly

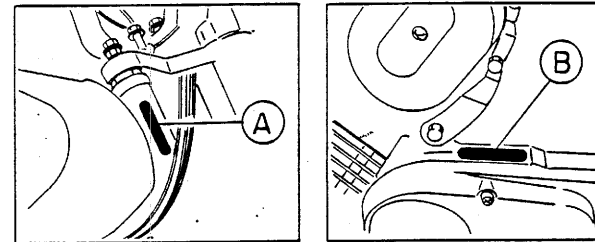
The numeral appearing to the right of each constituent part under the description indicates the quantity of such parts for each individual assembly unit.

EXAMPLE

Part No.	Description	Q'ty	Remarks
2F5-83310-60	FRONT FLASHER LIGHT ASS'Y	2	
115-83311-60	. BULB (6V-18W)	1	
1M1-83309-60	. REFLECTOR	1	

6. Initial Serial No. and Color Code

(A) Frame Serial No.	486-0756101 and following
(B) Engine Serial No.	486-0756101 and following



Color Code	Color Name	Abbreviate
33	YAMAHA BLACK	YB

7. Applicable colors of graphics are represented in the "Remarks" column by the letter(s) appropriately picked out of the full word(s) showing such colors.

EXAMPLE

Part No.	Description	Q'ty	Remarks
2N4-24110-00-X5	FUEL TANK COMP.	1	MAXIM RED
3J1-24240-10	. GRAPHIC, fuel tank set	1	for MXR

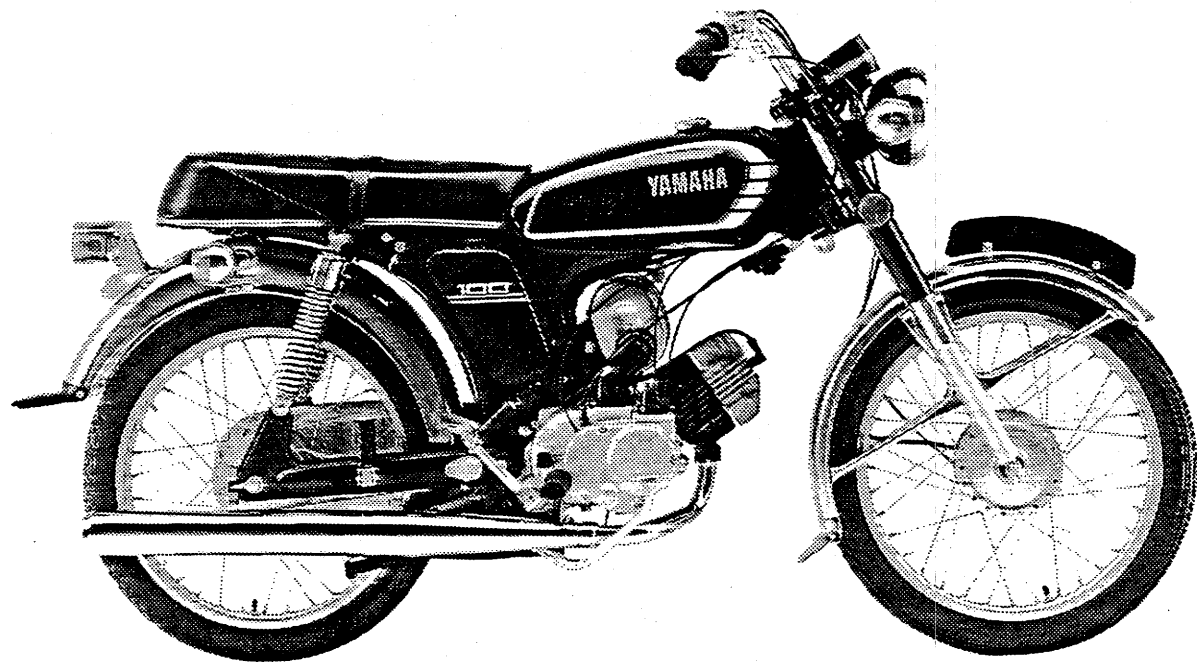
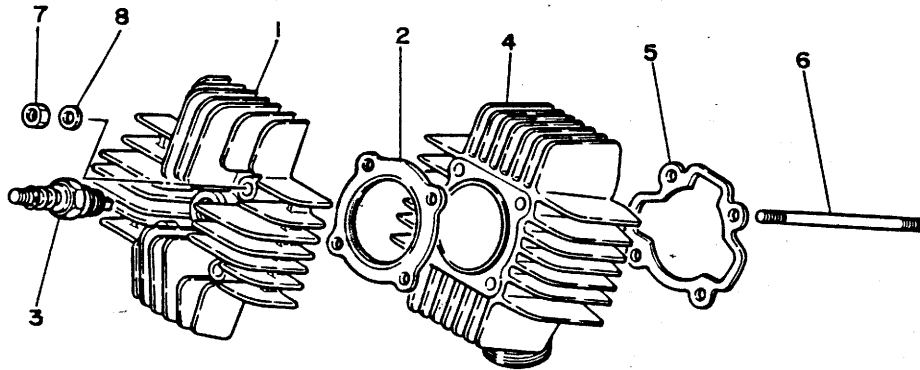


FIG. 1 CYLINDER HEAD

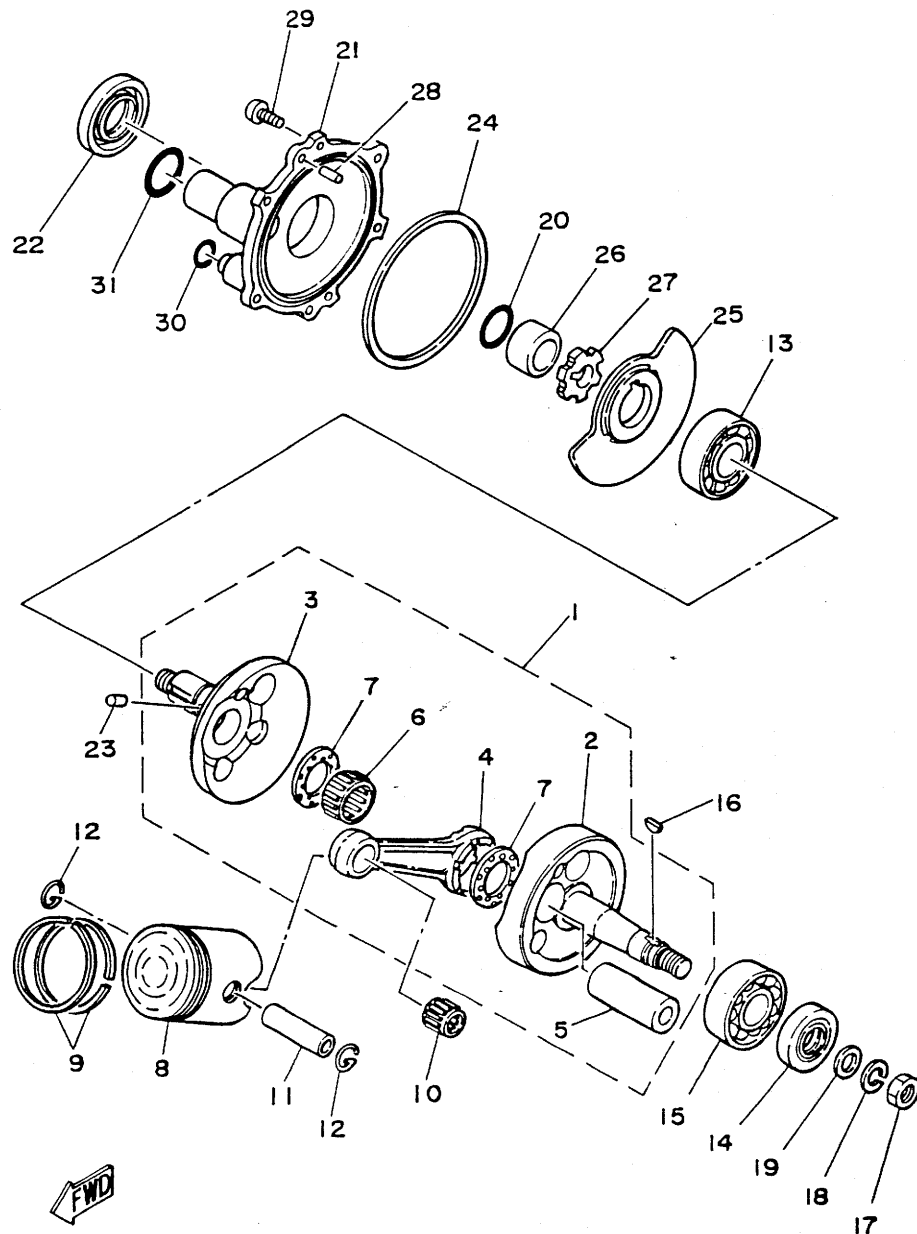
REF. NO.	PART NO.	DESCRIPTION	Q'TY	REMARKS
1	234-11111-01	HEAD, cylinder 1	1	
2	166-11181-01	GASKET, cylinder head 1	1	
3	94701-00041	PLUG, spark (NGK B8HS)	1	
4	212-11311-00	CYLINDER 1	1	
5	131-11351-00	GASKET, cylinder	1	
6	90116-07035	BOLT, stud	4	
7	90170-07019	NUT	4	
8	90201-07653	WASHER, plate	4	



370664-4010

B2

FIG. 2 CRANKSHAFT. PISTON

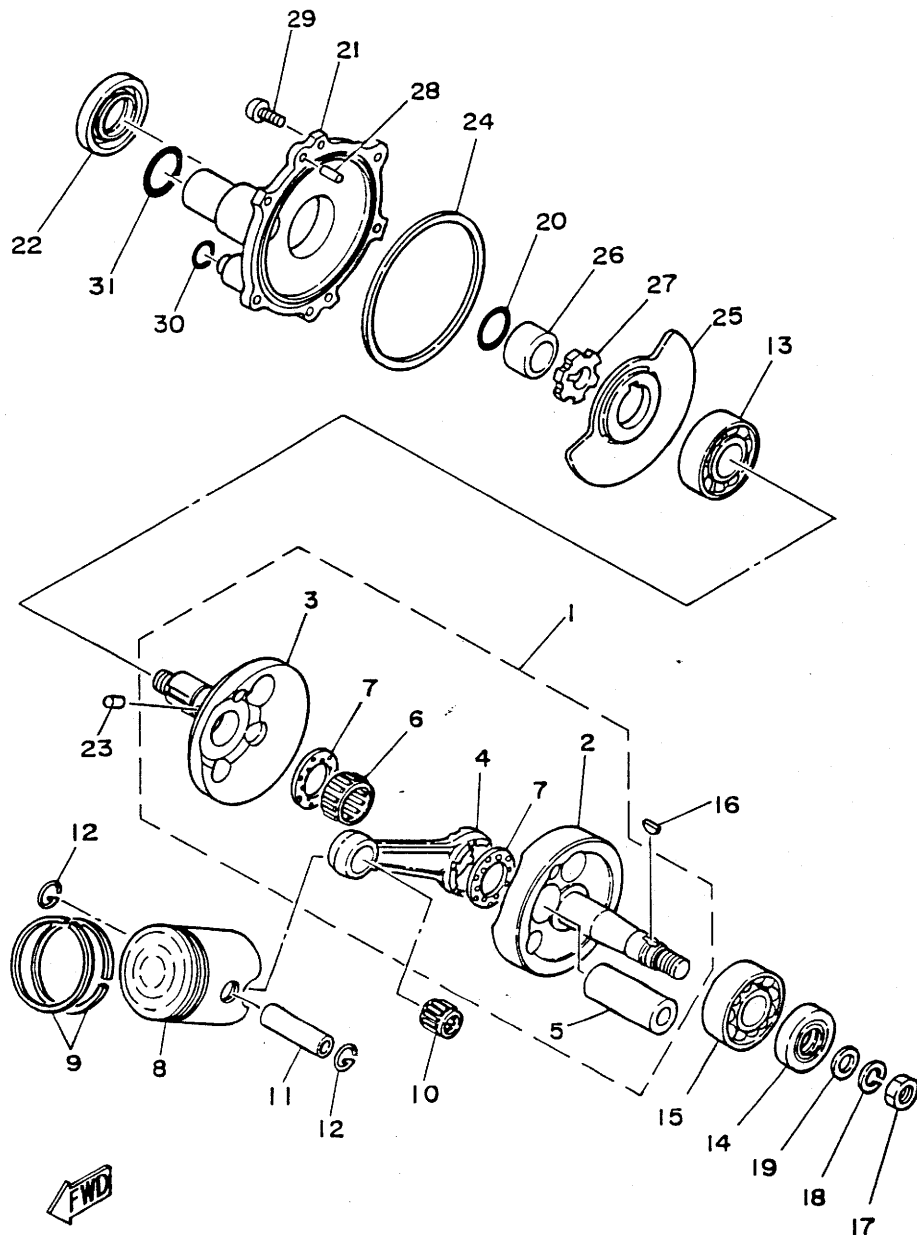


370664-4020

REF. NO.	PART NO.	DESCRIPTION	Q'TY	REMARKS
1	5E2-11400-00	CRANKSHAFT ASSY	1	
2	254-11412-00	.CRANK 1	1	
3	254-11422-01	.CRANK 2	1	
4	164-11651-00	.ROD, connecting	1	
5	5E2-11681-00	.PIN, crank 1	1	
6	93310-42237	.BEARING, cylindrical	1	
7	90209-22248	.WASHER	2	
8	359-11631-30-97	PISTON (STD)	1	
	359-11635-02	PISTON (0.25MM O/S)	1	AP
	359-11636-02	PISTON (0.50MM O/S)	1	AP
	359-11637-02	PISTON (0.75MM O/S)	1	AP
9	486-11601-00	PISTON RING SET (STD)	1	
	486-11601-10	PISTON RING SET (1ST O/S)	1	AP
	486-11601-20	PISTON RING SET (2ND O/S)	1	AP
	486-11601-30	PISTON RING SET (3RD O/S)	1	AP
10	93310-21403	BEARING, cylindrical	1	UR TOMSON
	93310-214F8	BEARING, cylindrical	1	UR KOYO
11	131-11633-00	PIN, piston	1	
12	93450-15023	CIRCLIP	2	
13	93306-30421	BEARING (B6304C3)	1	
14	93102-20231	OIL SEAL	1	
15	93306-30421	BEARING (B6304C3)	1	
16	90280-03017	KEY, woodruff	1	
17	90170-12175	NUT	1	
18	92901-12100	WASHER, spring	1	
19	90201-12535	WASHER, plate	1	
20	93210-18023	O-RING	1	
21	164-13551-01	COVER, valve	1	

B3

FIG. 2 CRANKSHAFT. PISTON

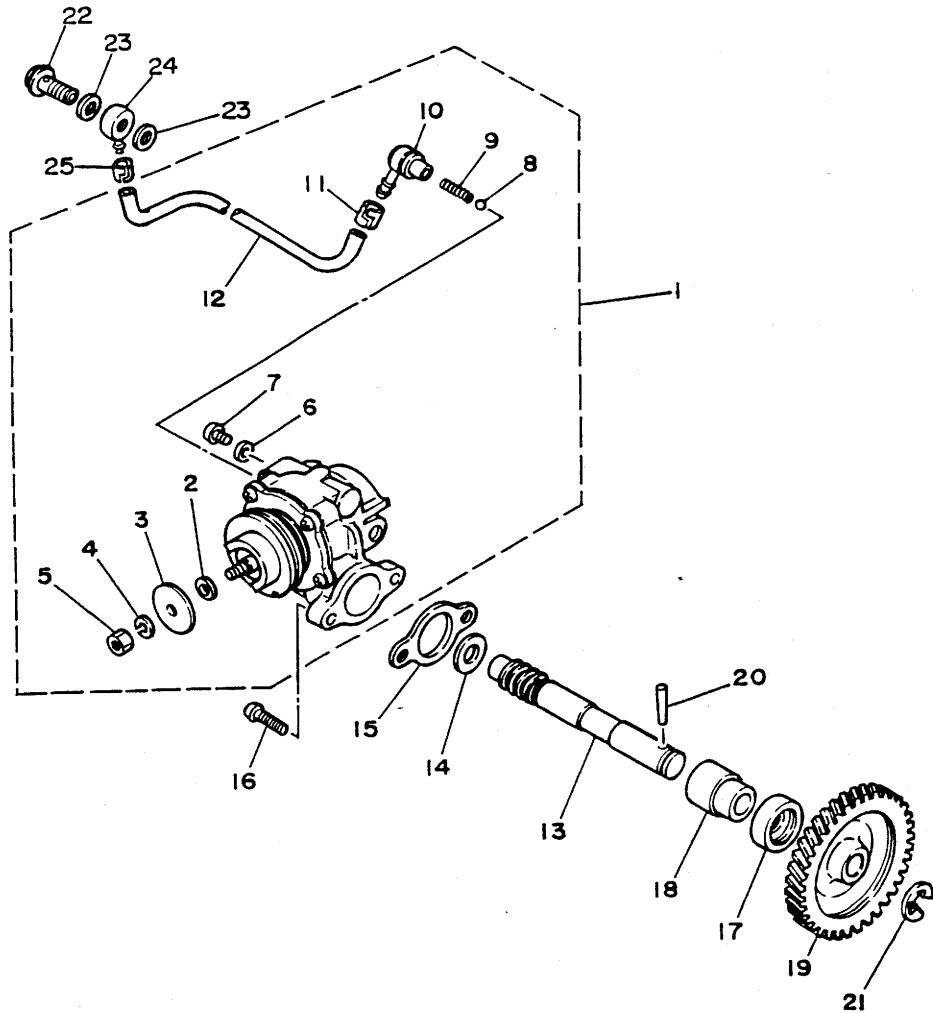


REF. NO.	PART NO.	DESCRIPTION	Q'TY	REMARKS
22	93103-28012	OIL SEAL	1	
23	93604-10011	PIN, dowel	1	
24	180-13554-00	RING, rubber	1	
25	4A6-13512-00	VALVE, rotary	1	
26	90387-204E7	COLLAR	1	
27	2N3-13515-00	COLLAR, valve	1	
28	93604-14012	PIN, dowel	2	
29	92501-06014	SCREW, pan head	6	
30	93210-12014	O-RING	1	
31	93210-23029	O-RING	1	

FWD
370664-4020

B4

FIG. 3 OIL PUMP



REF. NO.	PART NO.	DESCRIPTION	Q'TY	REMARKS
1	488-13101-03	OIL PUMP ASSY	1	
2	137-13137-00-10	.SHIM (1.0T)	1	
3	137-13138-01	.PLATE, adjusting	1	
4	92901-05100	.WASHER, spring	1	
5	95303-05600	.NUT	1	
6	90430-04004	.GASKET	1	
7	98901-04008	.SCREW, bind	1	
8	93505-32002	.BALL	1	
9	90501-02018	.SPRING, compression	1	
10	353-13552-01	.NOZZLE	1	
11	90468-02033	.CLIP	1	
12	90445-05024	.HOSE	1	
13	166-13175-01	SHAFT, worm	1	
14	90201-08624	WASHER, plate	1	
15	8Y0-13116-01	GASKET, pump case	1	
16	98501-05016	SCREW, pan head	2	
17	93101-10002	OIL SEAL	1	
18	1E7-13176-00	METAL, worm shaft outer	1	
19	126-13178-00	GEAR, pump drive (34T)	1	
20	93603-22028	PIN, dowel	1	
21	99001-08600	CIRCLIP	1	
22	90401-06001	BOLT, union	1	
23	90430-06011	GASKET	2	
24	214-13162-01	BANJO, delivery pipe	1	
25	90468-02033	CLIP	1	



370664-4030

B5

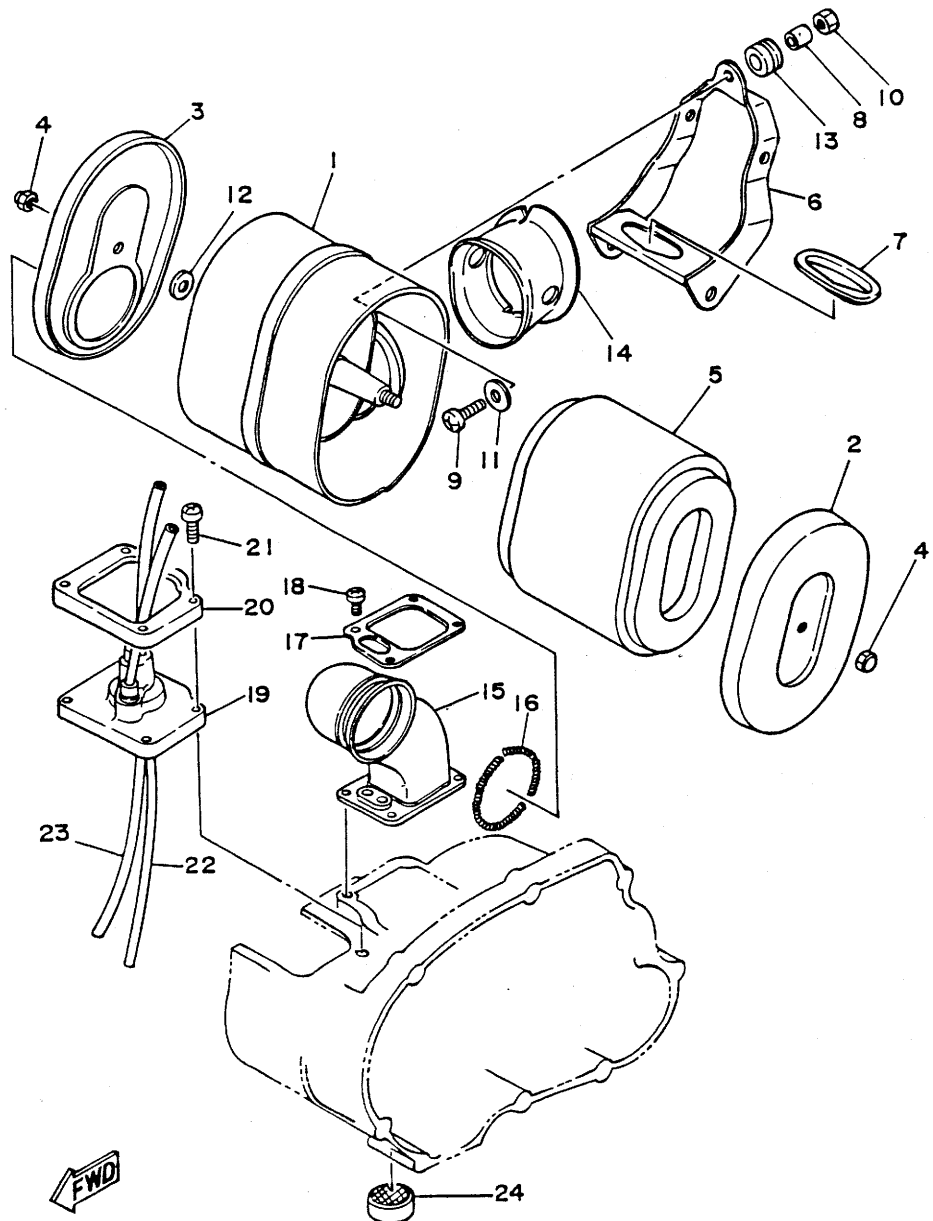


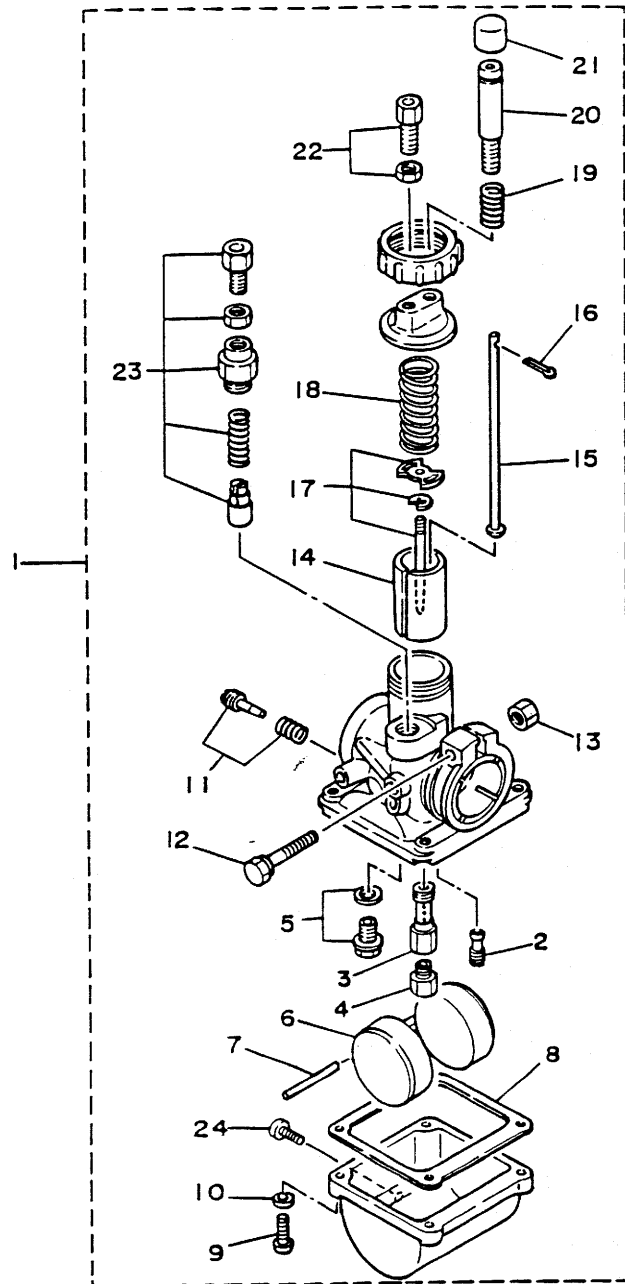
FIG. 4 INTAKE

REF. NO.	PART NO.	DESCRIPTION	Q'TY	REMARKS
1	355-14411-01	CASE, air cleaner 1	1	
2	355-14412-00	CAP, cleaner case 1	1	
3	355-14422-00	CAP, cleaner case 2	1	
4	95303-06800	NUT, crown	2	
5	355-14451-09	ELEMENT, air cleaner	1	
6	355-14498-00	STAY 1	1	
7	355-14425-00	DAMPER 1	1	
8	90387-07390	COLLAR	1	
9	92501-06020	SCREW, pan head	1	
10	95303-06600	NUT	1	
11	90201-06734	WASHER, plate	1	
12	90201-06735	WASHER, plate	1	
13	90480-14023	GROMMET	1	
14	355-14454-00	JOINT	1	
15	357-14453-00	JOINT, air cleaner 1	1	
16	90506-06106	SPRING, tension	1	
17	164-14417-00	COVER 1	1	
18	98501-04008	SCREW, pan head	4	
19	359-14481-00	CAP, carburetor	1	
20	357-14482-00	PLATE, carburetor cap	1	
21	98501-05020	SCREW, pan head	4	
22	90445-05013	HOSE	1	
23	90445-07583	HOSE	1	
24	117-15433-02	CLEANER, drain	1	

370664-4040

B6

FIG. 5 CARBURETOR



REF. NO.	PART NO.	DESCRIPTION	Q'TY	REMARKS
1	212-14101-01	CARBURETOR ASSY 1	1	
2	193-14142-25-A0	.JET, pilot (# 25)	1	
3	164-14141-30	.NOZZLE, main	1	
4	137-14143-19	.JET, main (# 95)	1	UR STD
	137-14143-18	.JET, main (# 90)	1	UR
	137-14143-20	.JET, main (#100)	1	UR
5	31J-14107-15	.NEEDLE VALVE SET	1	
6	164-14185-00	.FLOAT	1	
7	127-14186-00	.PIN, float	1	
8	164-14184-00	.GASKET, float chamber	1	
9	98503-04014	.SCREW, pan head	4	
10	92901-04100	.WASHER, spring	4	
11	127-W1412-00	.AIR SCREW SET	1	
12	127-14125-01	.SCREW	1	
13	95303-05600	.NUT	1	
14	166-14112-15	.VALVE, throttle I	1	
15	167-14114-00	.BAR, throttle	1	
16	91401-12010	.PIN, cotter	1	
17	212-1490J-00	.NEEDLE SET	1	
18	164-14131-00	.SPRING, throttle valve	1	
19	137-14133-00	.SPRING, throttle stop	1	
20	167-14121-00	.SCREW, throttle stop	1	
21	167-14119-00	.CAP	1	
22	35Y-14106-00	.CABLE ADJUST SCREW SET	1	
23	1YJ-1410A-00	.STARTER SET	1	
24	12R-14191-00	.PLUG, drain	1	


486522 - 5050

B7

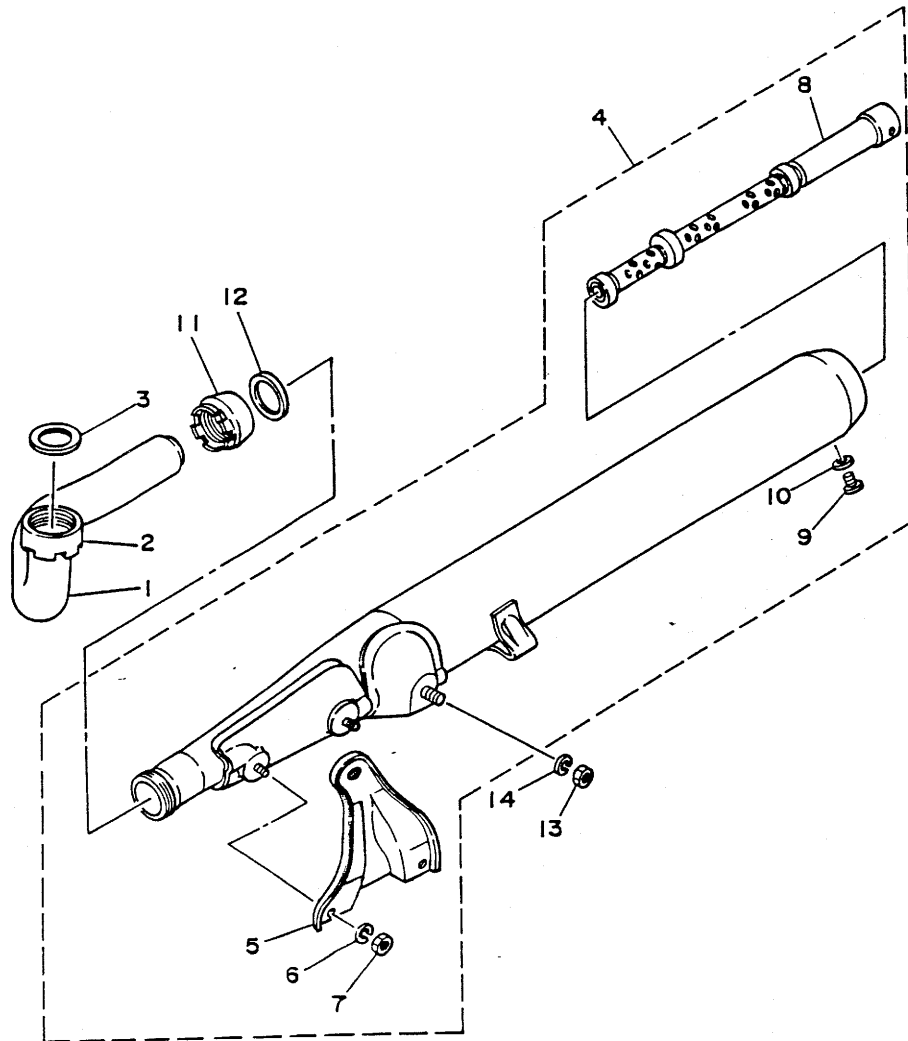


FIG. 6 EXHAUST

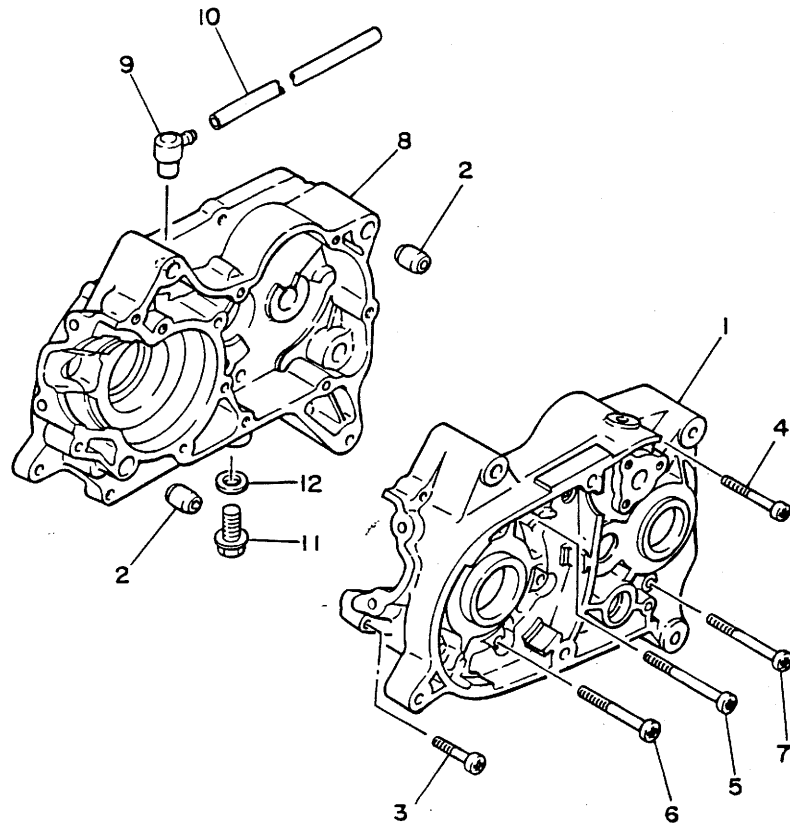
REF. NO.	PART NO.	DESCRIPTION	Q'TY	REMARKS
1	166-14611-00	PIPE, exhaust 1	1	
2	1L4-14612-00	NUT, ring	1	
3	132-14613-00	GASKET, exhaust pipe	1	
4	359-14710-00	MUFFLER ASSY 1	1	
5	357-14781-01-33	.STAY, muffler 2	1	YAMAHA BLACK
6	92990-06100	.WASHER, spring	2	
7	95303-06600	.NUT	2	
8	359-14753-00	.SILENCER, exhaust	1	
9	98501-05008	.SCREW, pan head	1	
10	92901-05100	.WASHER, spring	1	
11	132-14713-00	NUT, muffler joint	1	
12	3T5-14714-00	GASKET, muffler	1	
13	95303-08600	NUT	1	
14	92990-08100	WASHER, spring	1	



370664-4060

B8

FIG. 7 CRANKCASE



REF. NO.	PART NO.	DESCRIPTION	Q'TY	REMARKS
1	5E2-15111-00	CRANKCASE 1	1	
2	99510-12016	PIN, dowel	2	
3	92501-06030	SCREW, pan head	2	
4	92501-06040	SCREW, pan head	1	
5	92501-06065	SCREW, pan head	1	
6	92501-06050	SCREW, pan head	5	
7	92501-06060	SCREW, pan head	3	
8	5E2-15121-00	CRANKCASE 2	1	
9	583-15371-00	BREATHER	1	
10	90446-07009	HOSE	1	
11	90340-12005	PLUG, straight screw	1	
12	90430-12038	GASKET	1	



370664-4070

B9

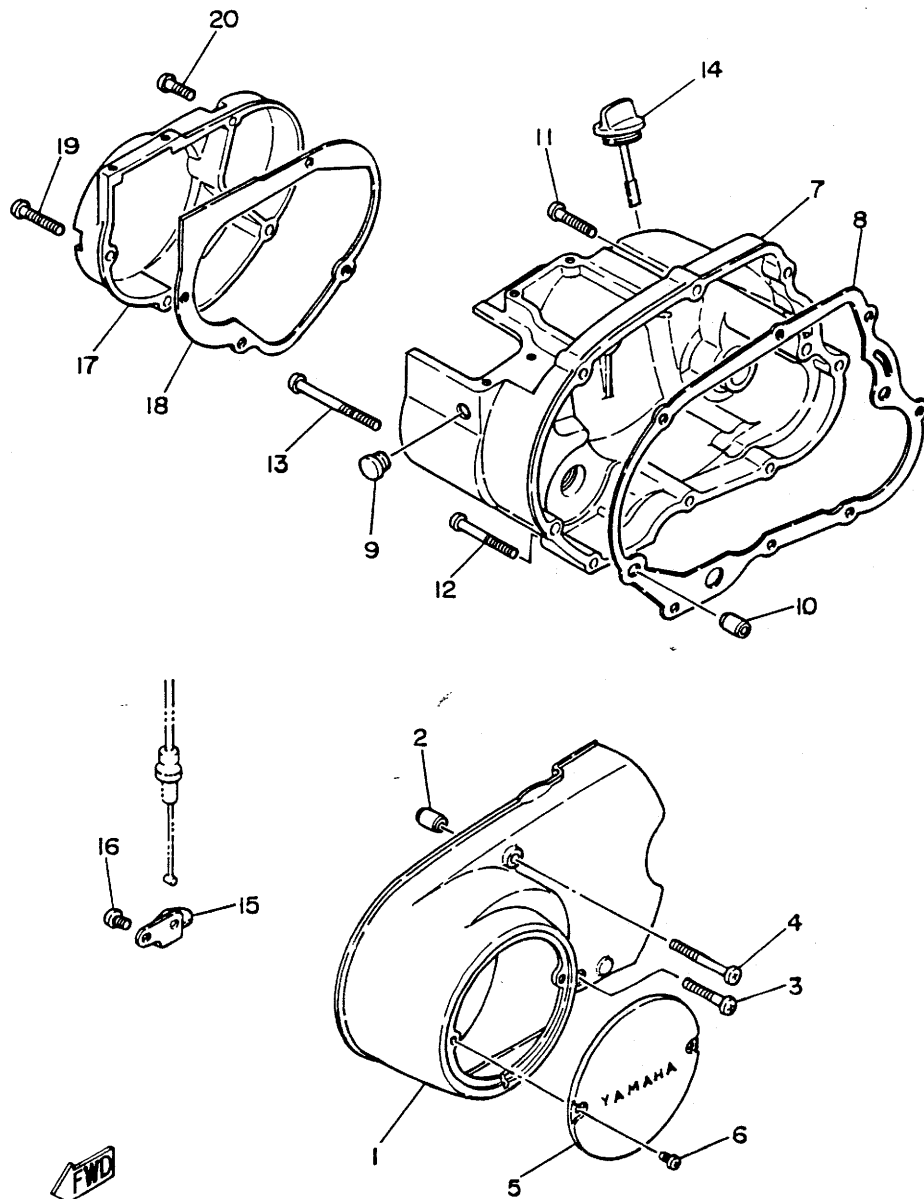
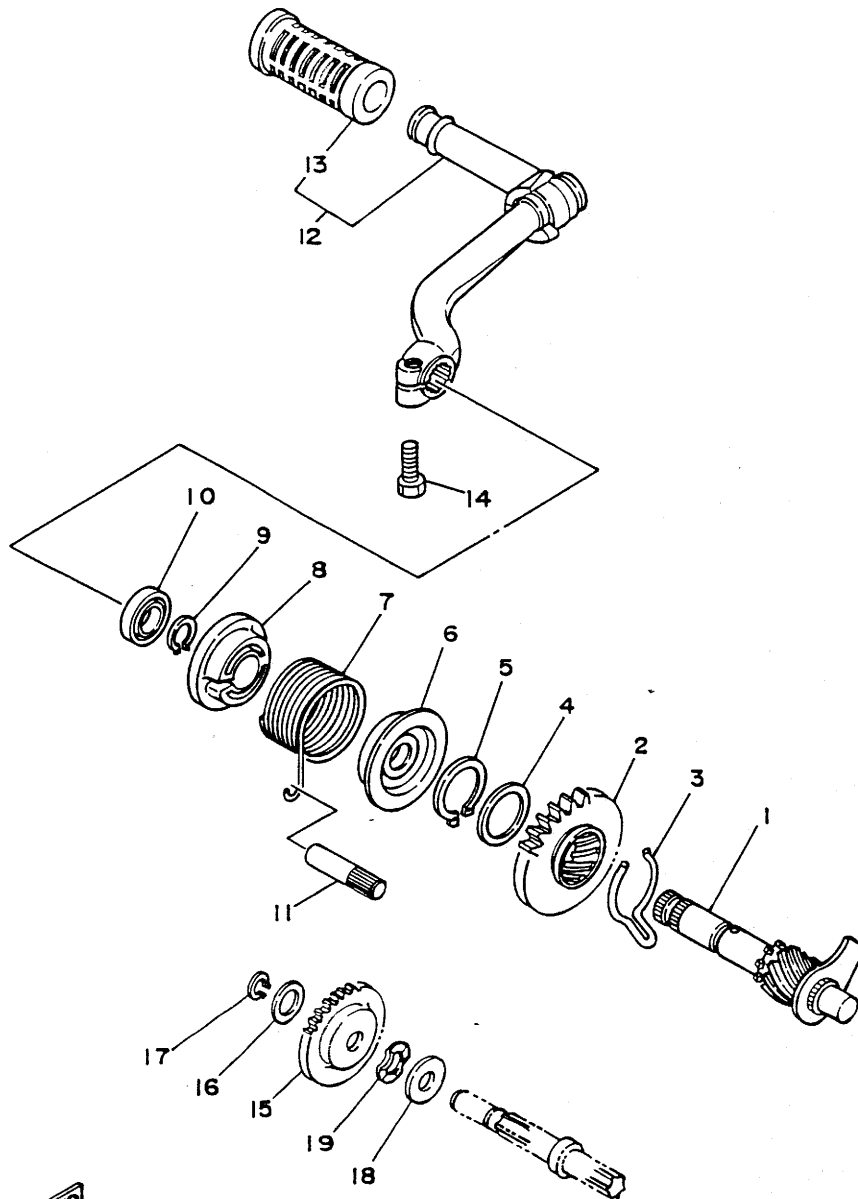


FIG. 8 CRANKCASE COVER 1

REF. NO.	PART NO.	DESCRIPTION	Q'TY	REMARKS
1	164-15411-03	COVER, crankcase 1	1	
2	99530-10014	PIN, dowel	2	
3	92501-06035	SCREW, pan head	1	
4	92501-06050	SCREW, pan head	2	
5	164-15415-00	COVER, generator	1	
6	98501-04006	SCREW, pan head	2	
7	370-15421-01	COVER, crankcase 2	1	
8	164-15451-00	GASKET, crankcase cover 1	1	
9	90480-12012	GROMMET	1	
10	99530-10014	PIN, dowel	2	
11	92501-06030	SCREW, pan head	6	
12	92501-06050	SCREW, pan head	1	
13	92501-06065	SCREW, pan head	1	
14	180-15362-00	PLUG, oil level	1	
15	164-26381-00	HOLDER, adjusting	1	
16	98501-05010	SCREW, pan head	2	
17	357-15413-00	COVER, carburetor	1	
18	357-15453-00	GASKET, carburetor cover	1	
19	92501-06030	SCREW, pan head	3	
20	92503-06018	SCREW PAN HEAD	1	

FWD
370664-4080

FIG. 9 STARTER



REF. NO.	PART NO.	DESCRIPTION	Q'TY	REMARKS
1	305-15660-04	KICK AXLE ASSY	1	
2	305-15641-00	GEAR, kick (26T)	1	
3	90468-26048	CLIP	1	
4	117-15644-00	SHIM	1	
5	93410-25017	CIRCLIP	1	
6	132-15664-01	GUIDE, spring	1	
7	90508-26136	SPRING, torsion	1	
8	132-15676-01	COVER, spring	1	
9	99009-15400	CIRCLIP	1	
10	93109-15001	OIL SEAL	1	
11	1M1-15668-01	STOPPER	1	
12	357-15620-10-91	KICK CRANK ASSY	1	
13	156-15618-01	.COVER, kick lever	1	
14	97013-08025	BOLT	1	
15	254-15651-00	GEAR, kick idle (26T)	1	
16	132-15653-00-10	WASHER	1	
17	99009-13400	CIRCLIP	1	
18	90201-13202	WASHER, plate	1	
19	90206-15021	WASHER, wave	1	


370664-4090

B11

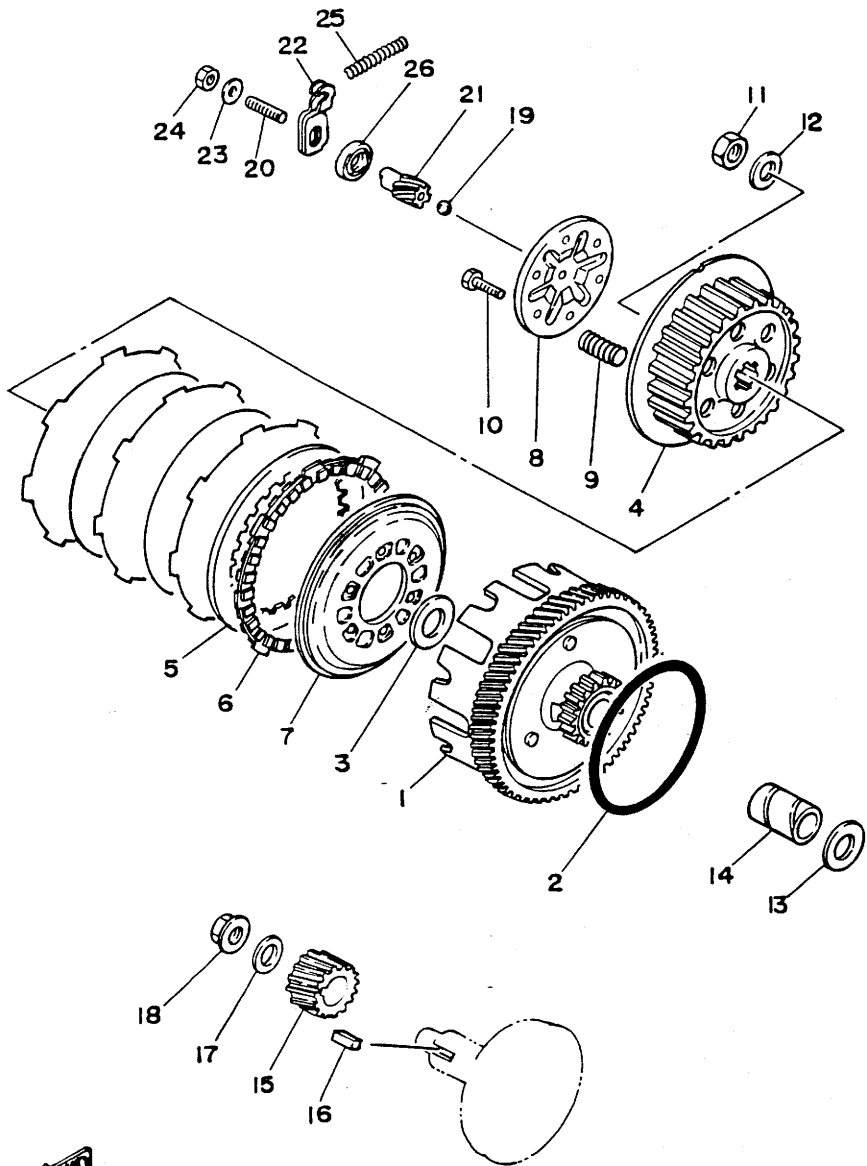


FIG. 10 CLUTCH

REF. NO.	PART NO.	DESCRIPTION	Q'TY	REMARKS
1	5E2-16150-01	PRIMARY DRIVEN GEAR COMP.	1	
2	93210-85075	O-RING	1	
3	90201-17558	WASHER, plate	1	
4	164-16371-02	BOSS, clutch	1	
5	131-16324-00	PLATE, clutch 1	3	
6	131-16321-00	PLATE, friction	4	
7	131-16352-01	PLATE, pressure 2	1	
8	122-16351-90	PLATE, pressure 1	1	
9	90501-20126	SPRING, compression	6	
10	90153-05024	SCREW, hexagon	6	
11	90170-12060	NUT	1	
12	90208-12015	WASHER, conical spring	1	
13	90201-17558	WASHER, plate	1	
14	90560-17147	SPACER	1	
15	5E2-16111-00	GEAR, primary drive	1	
16	90282-05005	KEY, straight	1	
17	90208-12015	WASHER, conical spring	1	
18	90179-12244	NUT	1	
19	93501-04011	BALL	1	
20	90113-06012	BOLT, set	1	
21	202-16341-60	SCREW, push	1	
22	164-16342-01	LEVER, push	1	
23	92901-06200	WASHER, plain	1	
24	95303-06700	NUT	1	
25	90501-08040	SPRING, compression	1	
26	93104-15009	OIL SEAL	1	



37R472-3100

B12

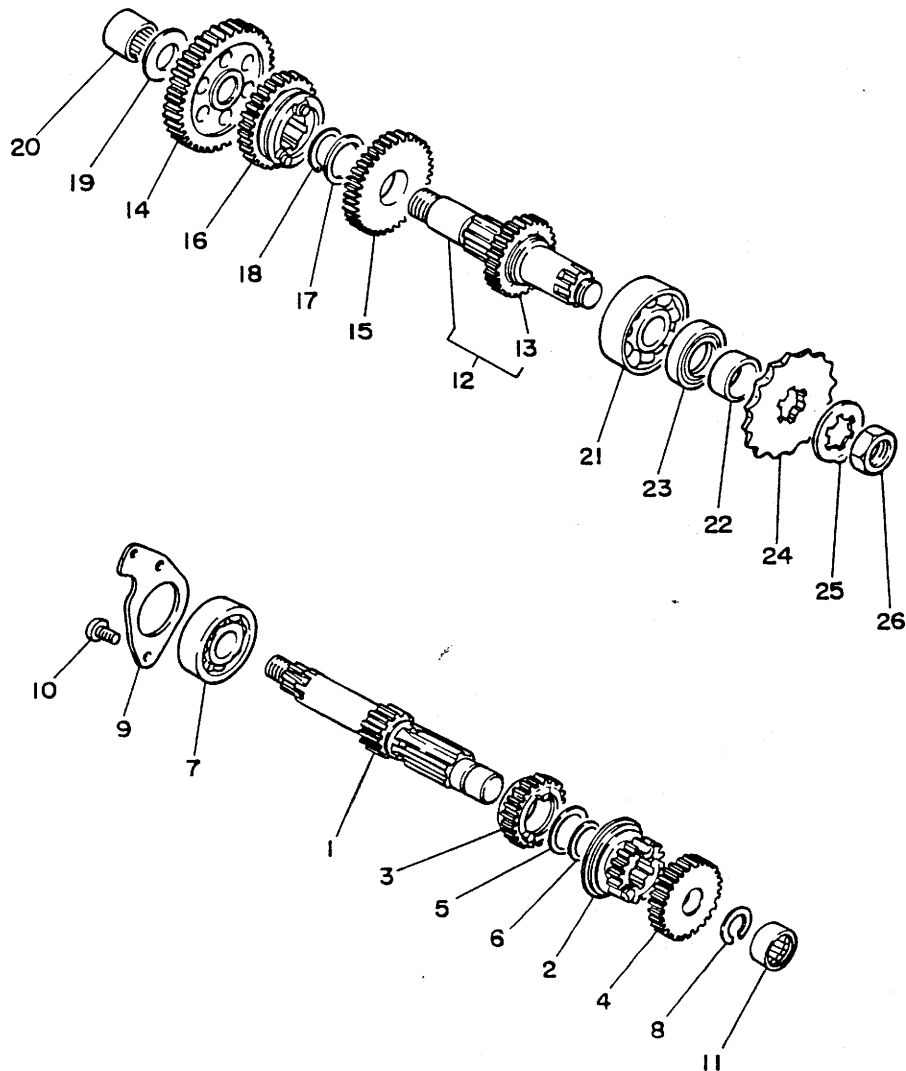


FIG. 11 TRANSMISSION

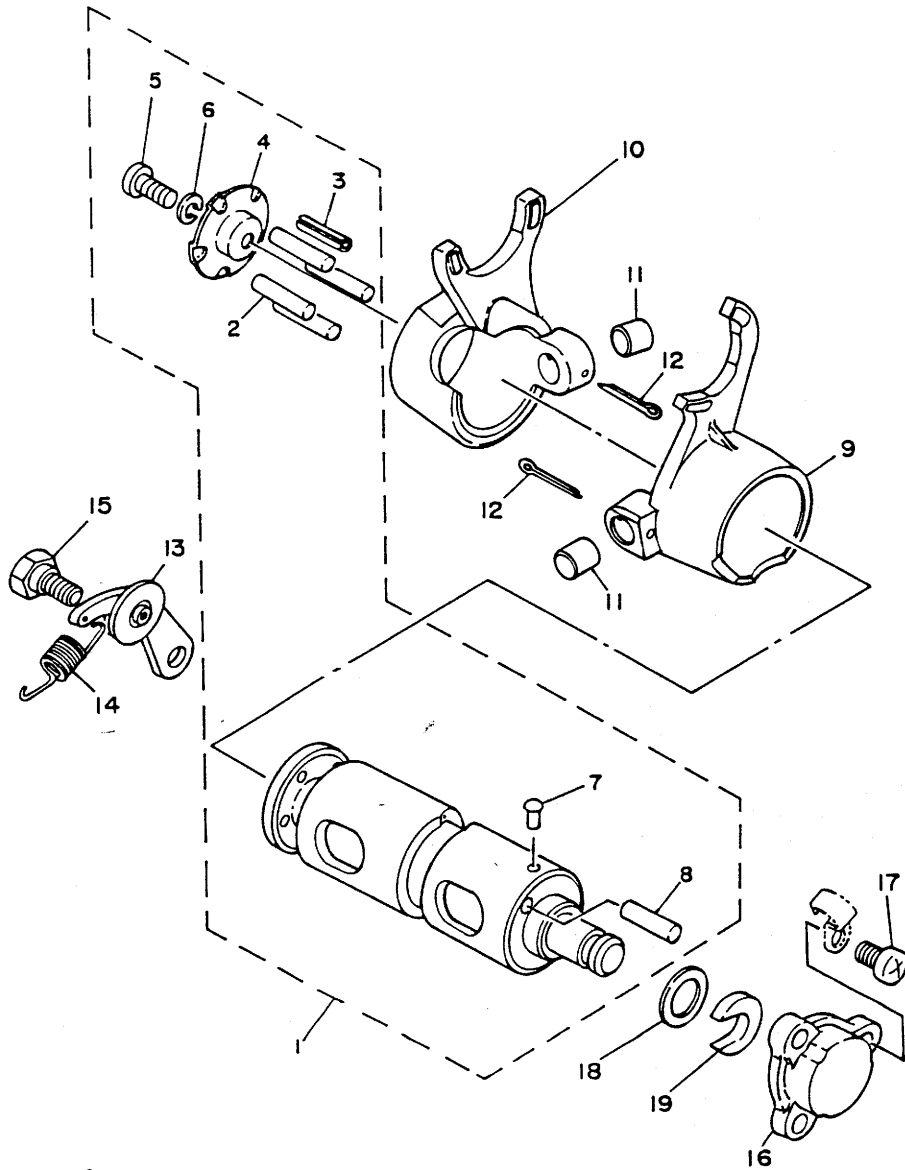
REF. NO.	PART NO.	DESCRIPTION	Q'TY	REMARKS
1	5E2-17411-00	AXLE, main (13T)	1	
2	164-17121-00	GEAR, 2nd pinion (18T)	1	
3	164-17131-01	GEAR, 3rd pinion (23T)	1	
4	254-17141-00	GEAR, 4th pinion (27T)	1	
5	90201-20266	WASHER, plate (1.0T)	1	
6	93410-20038	CIRCLIP	1	
7	93306-30301	BEARING (B6303)	1	
8	93440-15012	CIRCLIP	1	
9	257-17471-01	PLATE, cover	1	
10	92501-06012	SCREW, pan head	2	
11	93317-31528	BEARING, cylindrical	1	
12	5E2-17420-01	DRIVE AXLE ASSY	1	
13	164-17241-00	.GEAR, 4th wheel (26T)	1	
14	164-17211-01	GEAR, 1st wheel (40T)	1	
15	5E2-17221-00	GEAR, 2nd wheel (34T)	1	
16	164-17231-00	GEAR, 3rd wheel (30T)	1	
17	90201-20266	WASHER, plate (1.0T)	1	
18	93410-20038	CIRCLIP	1	
19	164-17427-00-10	SHIM 1 (1.0T)	1	
20	93315-31502	BEARING, cylindrical	1	
21	93306-30435	BEARING	1	
22	90387-20491	COLLAR	1	
23	93102-26042	OIL SEAL	1	
24	93812-15063	SPROCKET,drive 15t (5171746152)	1	UR STD
	93812-13022	SPROCKET,drive 13t (5171746131)	1	UR
	93812-14035	SPROCKET,drive 14t (5171746142)	1	UR
25	90215-16020	WASHER, lock	1	
26	90179-16018	NUT	1	



38N262-3110

B13

FIG. 12 SHIFT CAM. FORK



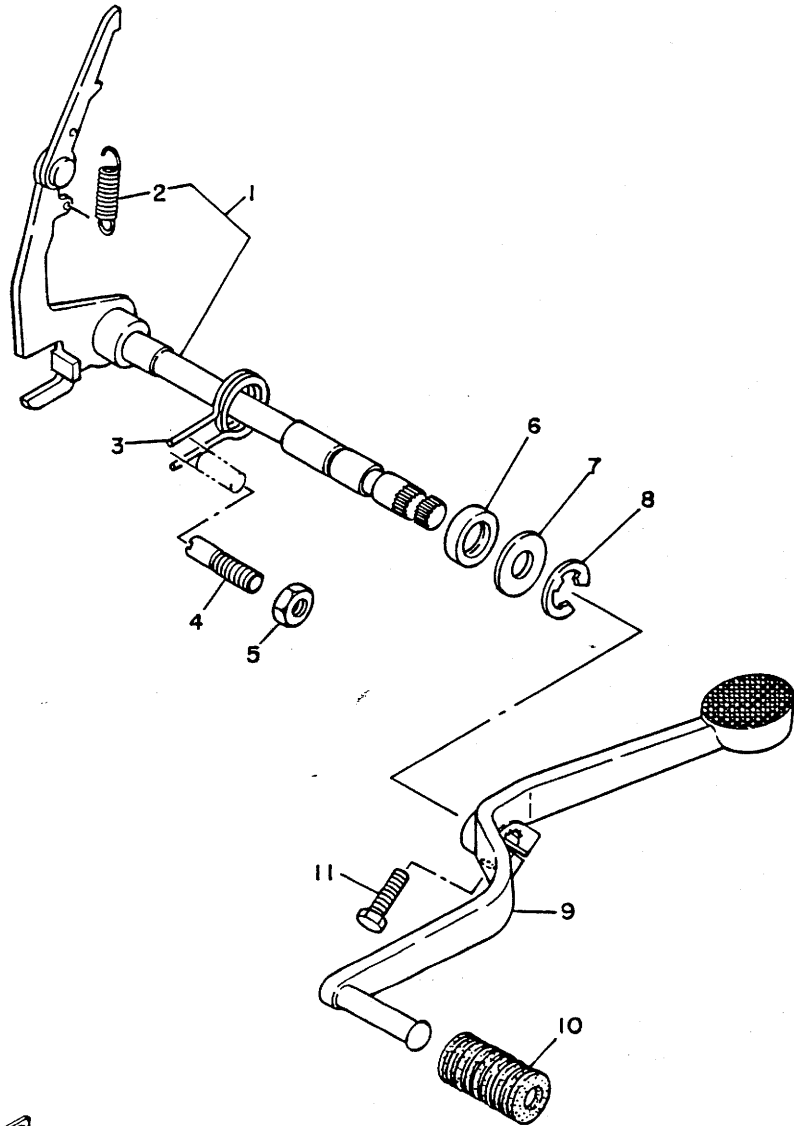
REF. NO.	PART NO.	DESCRIPTION	Q'TY	REMARKS
1	166-18540-00	SHIFT CAM ASSY	1	
2	93604-22050	.PIN, dowel	4	
3	91609-40016	.PIN, spring	1	
4	164-18561-00	.PLATE, side 1	1	
5	98501-05012	.SCREW, pan head	1	
6	92901-05100	.WASHER, spring	1	
7	136-18542-00	.POINT, neutral	1	
8	93605-20043	.PIN, dowel	1	
9	164-18511-00	FORK, shift 1	1	
10	164-18512-00	FORK, shift 2	1	
11	93610-10200	PIN, dowel	2	
12	91401-25020	PIN, cotter	2	
13	132-18140-01	STOPPER LEVER ASSY	1	
14	90506-08183	SPRING, tension	1	
15	90109-063F6	BOLT	1	
16	164-18589-00	PLUG, blind	1	
17	92501-06010	SCREW, pan head	3	
18	90201-12166	WASHER, plate	1	
19	164-18571-01	HOLDER, shift cam	1	



38N262-3120

B14

FIG. 13 SHIFT SHAFT



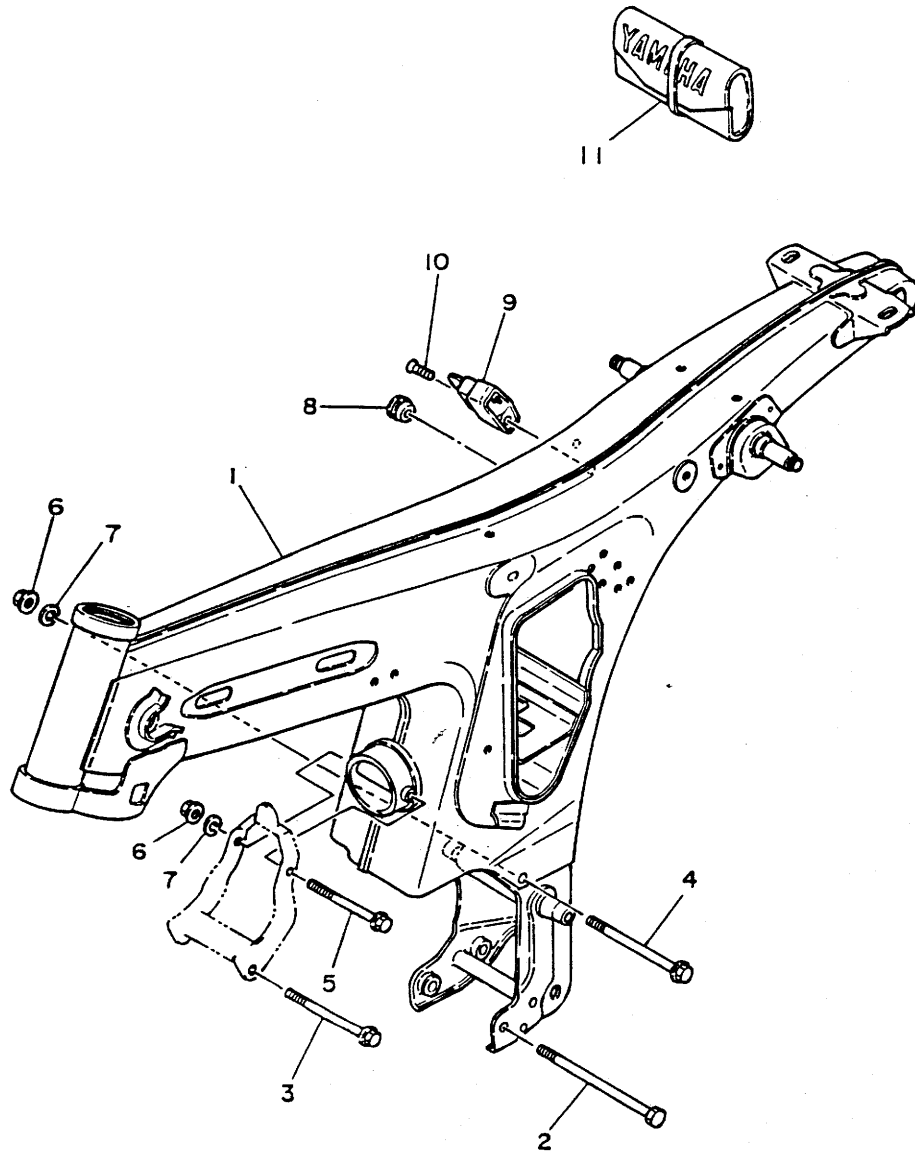
REF. NO.	PART NO.	DESCRIPTION	Q'TY	REMARKS
1	164-18101-02	SHIFT SHAFT ASSY	1	
2	90506-09009	.SPRING, tension	1	
3	90508-32054	SPRING, torsion	1	
4	90149-08094	SCREW	1	
5	95303-08600	NUT	1	
6	93102-12106	OIL SEAL (SD 12-22-5 HS)	1	
7	90201-12575	WASHER, plate	1	
8	99001-10600	CIRCLIP	1	
9	164-18111-01	PEDAL, shift	1	
10	132-18113-01	COVER, shift pedal	1	
11	97021-06020	BOLT	1	



38N262-3130

B15

FIG. 14 FRAME



REF. NO.	PART NO.	DESCRIPTION	Q'TY	REMARKS
1	357-21110-01-33	FRAME COMP.	1	YAMAHA BLACK
2	90101-08286	BOLT	1	
3	95821-08100	BOLT, flange	1	
4	95811-08120	BOLT, flange	1	
5	95811-08080	BOLT, flange	1	
6	95701-08500	NUT, flange	3	
7	92990-08100	WASHER, spring	3	
8	90480-13203	GROMMET	1	
9	26H-21308-00	HELMET HANGER ASSY	1	
10	92701-06030	SCREW, flat head	1	
11	3X2-28100-00	TOOL KIT	1	



486522-5140

C2

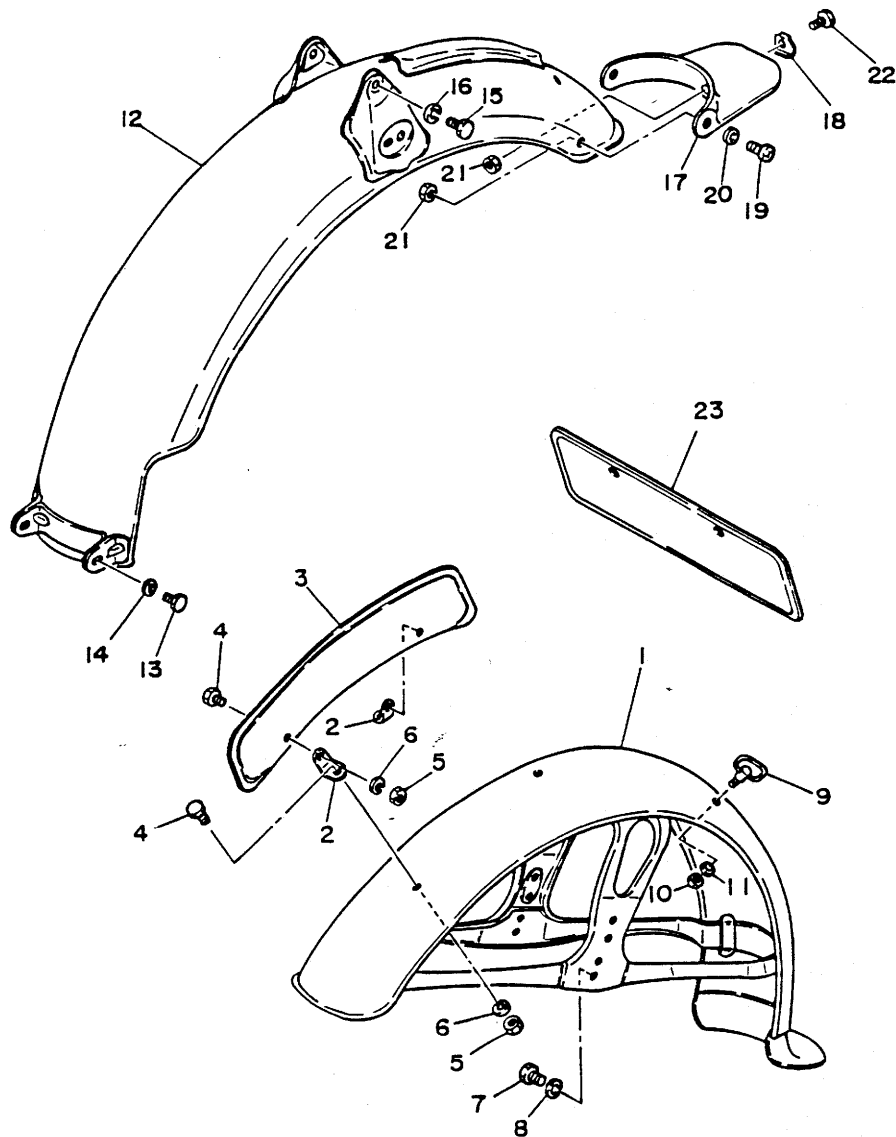


FIG. 15 FENDER

REF. NO.	PART NO.	DESCRIPTION	Q'TY	REMARKS
1	357-21510-80-93	FRONT FENDER COMP.	1	CHROME PLATED
2	173-21581-80	STAY, plate fitting 1	2	
3	122-21582-81	PLATE, license	1	
4	97003-06012	BOLT	4	
5	95303-06600	NUT	4	
6	92990-06100	WASHER, spring	4	
7	97313-08012	BOLT	4	
8	92990-08100	WASHER, spring	4	
9	174-21518-00	HOLDER, cable	1	
10	95303-06600	NUT	1	
11	92990-06100	WASHER, spring	1	
12	357-21610-00-93	REAR FENDER COMP.	1	CHROME PLATED
13	97313-06016	BOLT	2	
14	92901-06600	WASHER, plate	2	
15	97313-08016	BOLT	2	
16	92990-08100	WASHER, spring	2	
17	164-21621-00	FLAP	1	
18	164-21623-00	PLATE, flap fitting 1	1	
19	92501-06014	SCREW, pan head	2	
20	92901-06600	WASHER, plate	2	
21	95303-06600	NUT	3	
22	97313-06016	BOLT	1	
23	202-21681-00	PLATE, license	1	

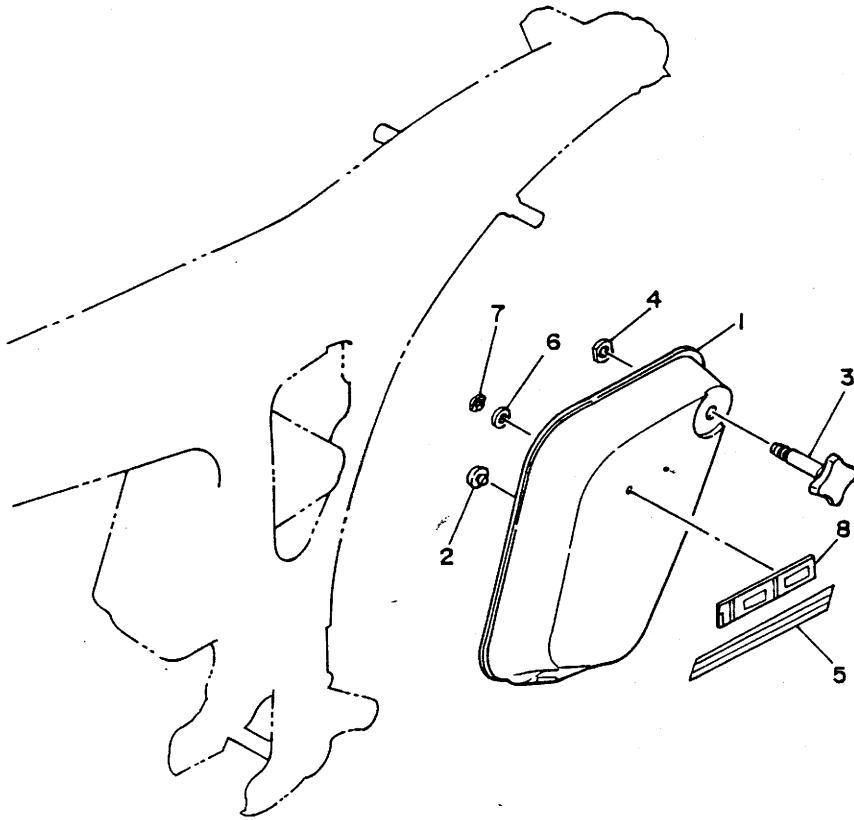


486522-5150

C3

FIG. 16 SIDE COVER

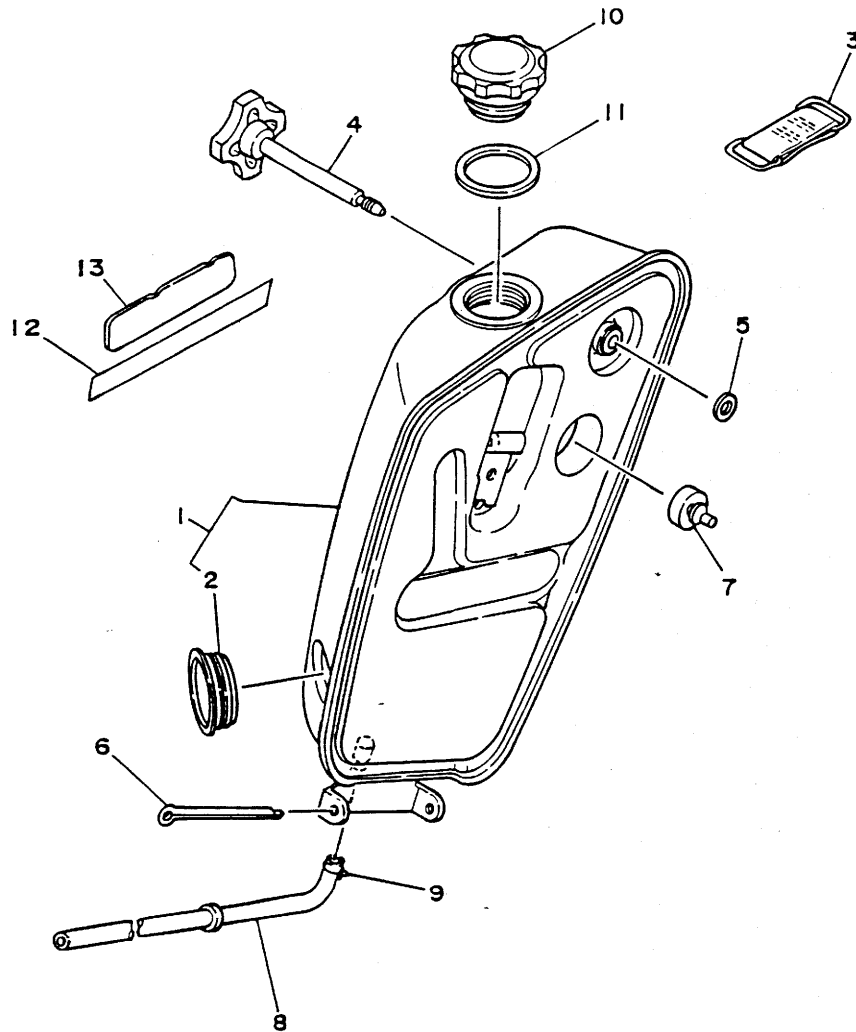
REF. NO.	PART NO.	DESCRIPTION	Q'TY	REMARKS
1	355-21711-01-33	COVER, side 1	1	YAMAHA BLACK
2	141-21717-00	DAMPER, side cover	3	
3	122-21724-00	KNOB, side cover 2	1	
4	90179-06034	NUT	1	
5	506-21784-00	EMBLEM 4	1	
6	90202-04003	WASHER, plate	2	
7	90183-04005	NUT, spring	2	
8	359-21786-00	EMBLEM 6	1	



370664-4160

C4

FIG. 17 OIL TANK



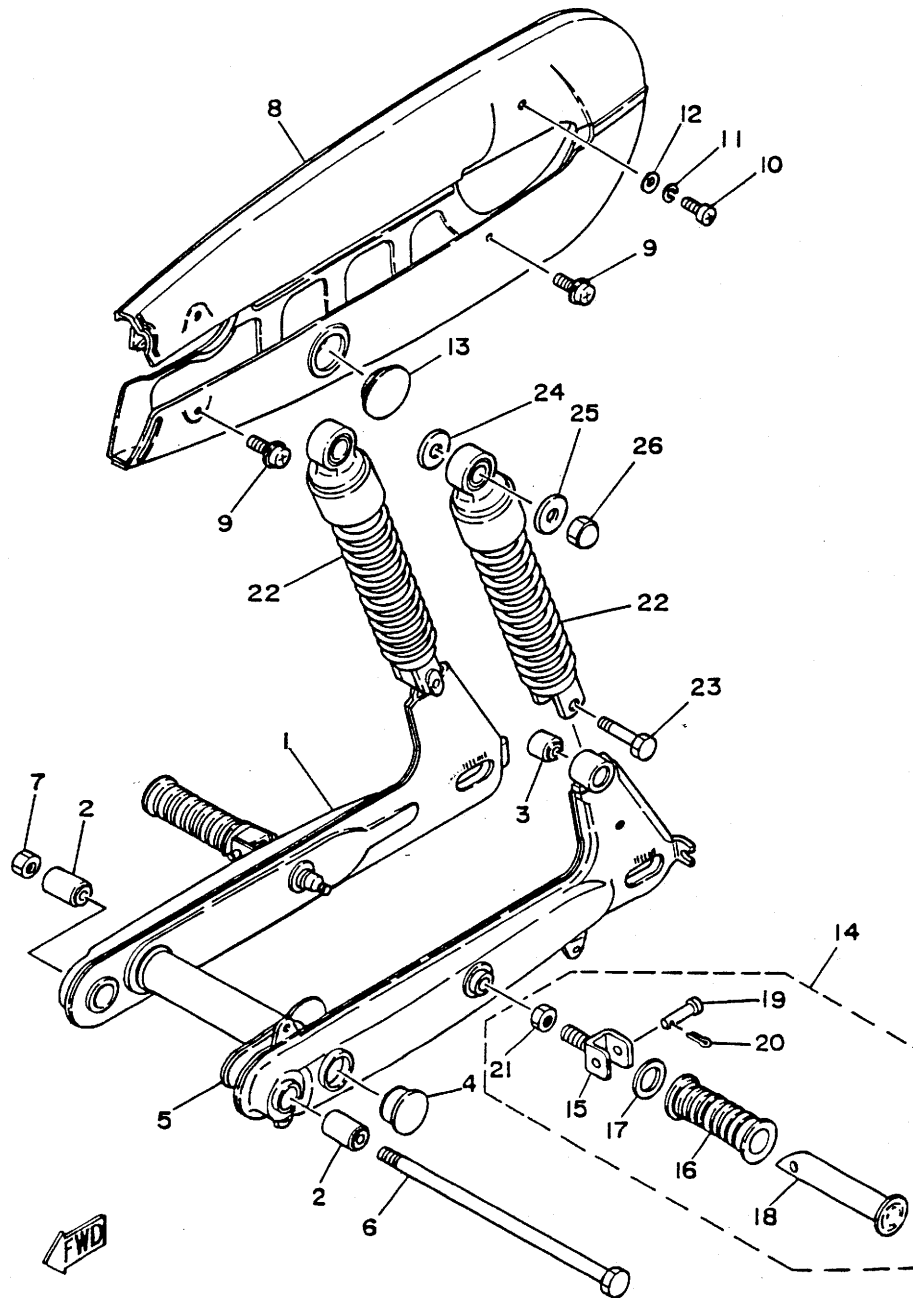
REF. NO.	PART NO.	DESCRIPTION	Q'TY	REMARKS
1	355-21705-00-33	OIL TANK ASSY	1	YAMAHA BLACK
2	214-21761-00	.GAUGE, level	1	
3	164-21776-00	BAND, tank fitting	1	
4	209-21724-00	KNOB, side cover 2	1	
5	90179-06034	NUT	1	
6	91401-50085	PIN, cotter	1	
7	164-21778-00	DAMPER, locating 1	2	
8	164-24319-00	PIPE, oil	1	
9	90467-08003	CLIP	2	
10	183-21770-12	OIL TANK CAP ASSY	1	
11	90430-29114	GASKET	1	
12	506-21785-00	EMBLEM 5	1	
13	359-21787-00	EMBLEM 7	1	



370664-4170

C5

FIG. 18 REAR ARM. SUSPENSION

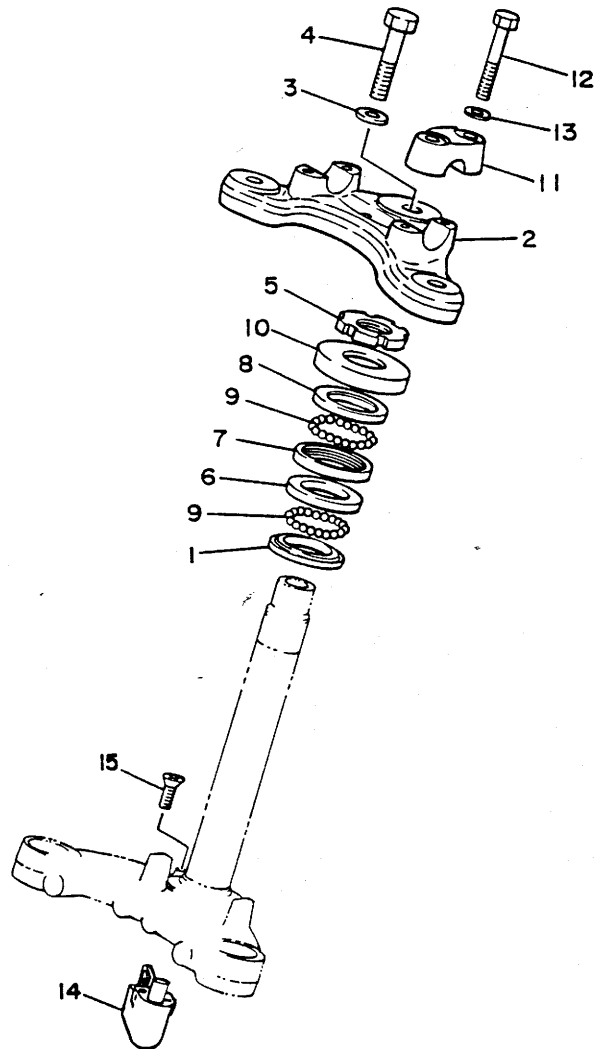


486522-5180

REF. NO.	PART NO.	DESCRIPTION	Q'TY	REMARKS
1	164-22110-04-33	REAR ARM COMP.	1	YAMAHA BLACK
2	102-22123-00	BUSH 1	2	
3	164-22216-00	BUSH, rear shock absorber	2	
4	180-22117-00	CAP	1	
5	296-22151-01	SEAL, guard	1	
6	40X-22141-00	SHAFT, pivot	1	
7	90185-10060	NUT, self-locking	1	
8	164-22310-02-35	CHAIN CASE ASSY	1	SILVER
9	90159-05131	SCREW, with washer	3	
10	98501-05016	SCREW, pan head	1	
11	92901-05100	WASHER, spring	1	
12	92901-05600	WASHER, plate	1	
13	148-22315-00	CAP	1	
14	120-27430-02	REAR FOOTREST ASSY 1	2	
15	120-27432-02	.BRACKET 1	1	
16	120-27433-00	.COVER, rear footrest	1	
17	90201-20279	.WASHER, plate	1	
18	120-27431-00	.FOOTREST, rear 1	1	
19	90240-06009	.PIN, clevis	1	
20	91401-16015	.PIN, cotter	1	
21	95301-12700	.NUT	1	
22	1LY-22210-00-93	SHOCK ABSORBER ASSY, rear	2	CHROME PLATED
23	90106-08027	BOLT	2	
24	90201-14218	WASHER, plate	2	
25	90201-106F2	WASHER, plate	2	
26	90176-10013	NUT, crown	2	

C6

FIG. 19 STEERING



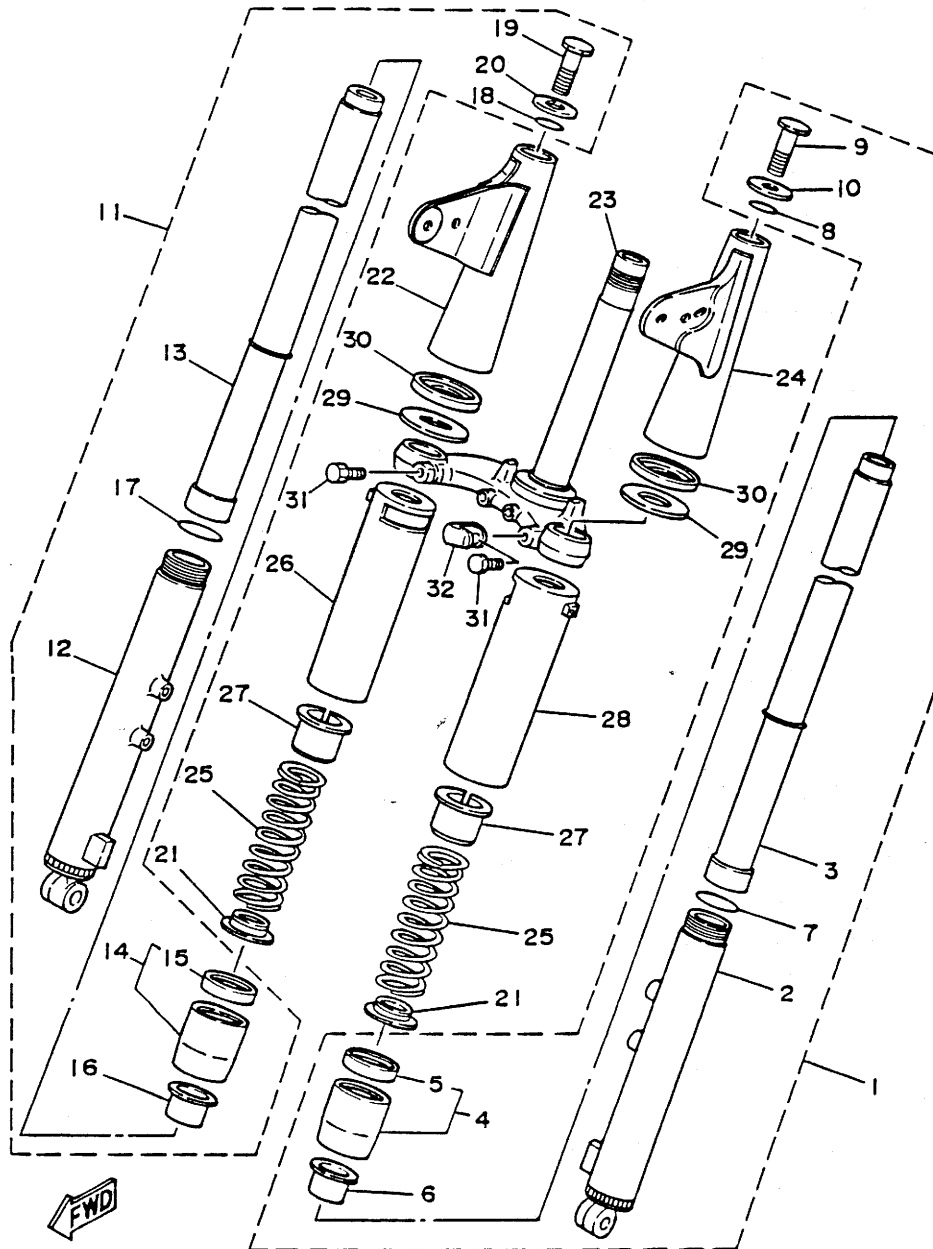
REF. NO.	PART NO.	DESCRIPTION	Q'TY	REMARKS
1	156-23411-00	RACE, ball 1	1	
2	2N3-23435-00-98	CROWN, handle	1	LOW GLOSS BLACK
3	90209-10224	WASHER	1	
4	90101-10417	BOLT	1	
5	90179-25033	NUT	1	
6	183-23411-00	RACE, ball 1	1	
7	183-23412-00	RACE, ball 2	1	
8	156-23412-00	RACE, ball 2	1	
9	93501-04011	BALL	38	
10	136-23415-00	COVER, ball race 1	1	
11	1E6-23441-00	HOLDER, handle upper	2	
12	97023-08040	BOLT	4	
13	92901-08600	WASHER, plate	4	
14	355-23408-10	STEERING LOCK ASSY	1	
15	90151-06016	SCREW, countersunk	2	



38N262-3190

C7

FIG. 20 FRONT FORK

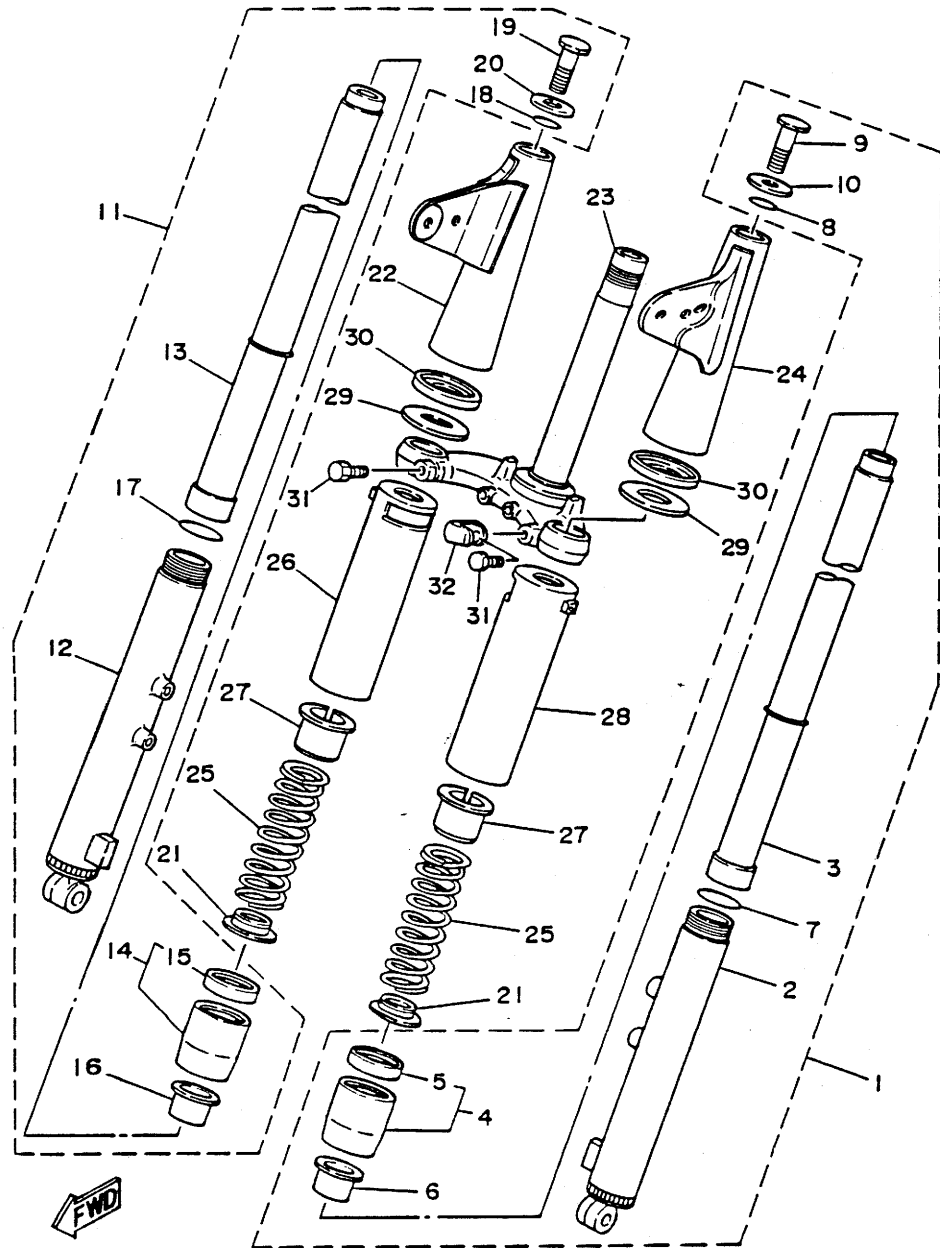


486522-5200

REF. NO.	PART NO.	DESCRIPTION	Q'TY	REMARKS
1	2N3-W2313-00	FRONT FORK ASSY (L.H)	1	
2	2N3-23126-00-35	.TUBE, outer 1	1	SILVER
3	2N3-23134-00	.TUBE, inner 2	1	
4	2N3-23150-00	.OUTER NUT COMP.	1	
5	276-23145-51	..OIL SEAL	1	
6	357-23125-90	.METAL, slide 1	1	
7	2N3-23147-00	.O-RING	1	
8	307-23114-00	.GASKET	1	
9	307-23111-00	.BOLT, cap	1	
10	276-23112-50	.WASHER, cap	1	
11	2N3-W2314-00	FRONT FORK ASSY (R.H)	1	
12	2N3-23136-00-35	.TUBE, outer 2	1	SILVER
13	2N3-23134-00	.TUBE, inner 2	1	
14	2N3-23150-00	.OUTER NUT COMP.	1	
15	276-23145-51	..OIL SEAL	1	
16	357-23125-90	.METAL, slide 1	1	
17	2N3-23147-00	.O-RING	1	
18	307-23114-00	.GASKET	1	
19	307-23111-00	.BOLT, cap	1	
20	276-23112-50	.WASHER, cap	1	
21	2N3-23143-00	SEAT, spring lower	2	
22	35Y-23131-00	COVER, upper 2	1	
23	35Y-23340-00-33	UNDER BRACKET COMP.	1	YAMAHA BLACK
24	35Y-23121-00	COVER, upper 1	1	
25	4A6-92090-10	SPRING, front fork	2	
26	2N3-23132-00-33	COVER, outer 2	1	YAMAHA BLACK
27	2N3-92190-00	SPRING, guide	2	
28	2N3-23122-00-33	COVER, outer 1	1	YAMAHA BLACK

C8

FIG. 20 FRONT FORK

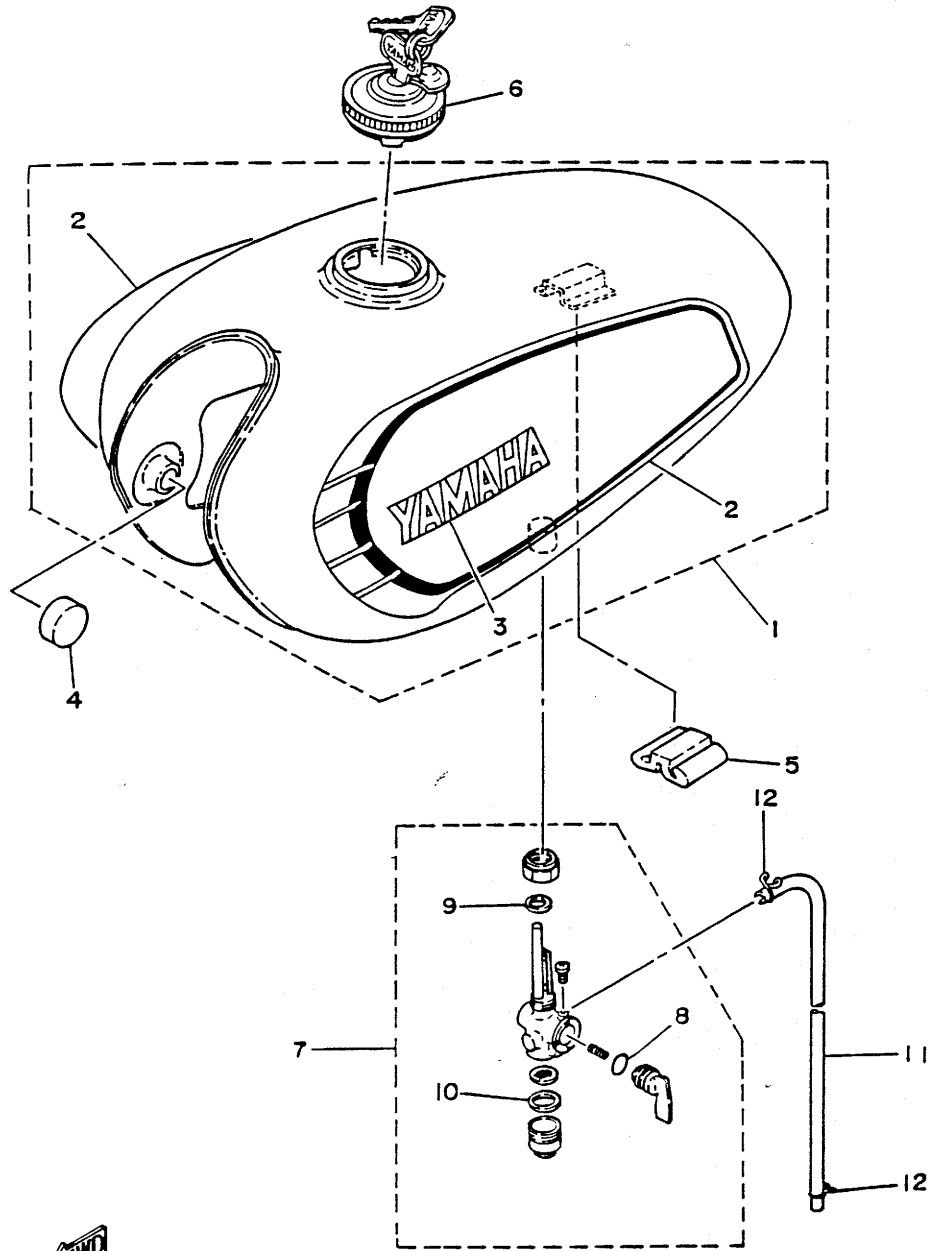


REF. NO.	PART NO.	DESCRIPTION	Q'TY	REMARKS
29	183-23163-00	GASKET	2	
30	201-23116-00	GUIDE, cover lower	2	
31	1M3-23346-00	BOLT 1	2	
32	260-23318-40	HOLDER, cable 1	1	

486522-5200

C9

FIG. 21 FUEL TANK



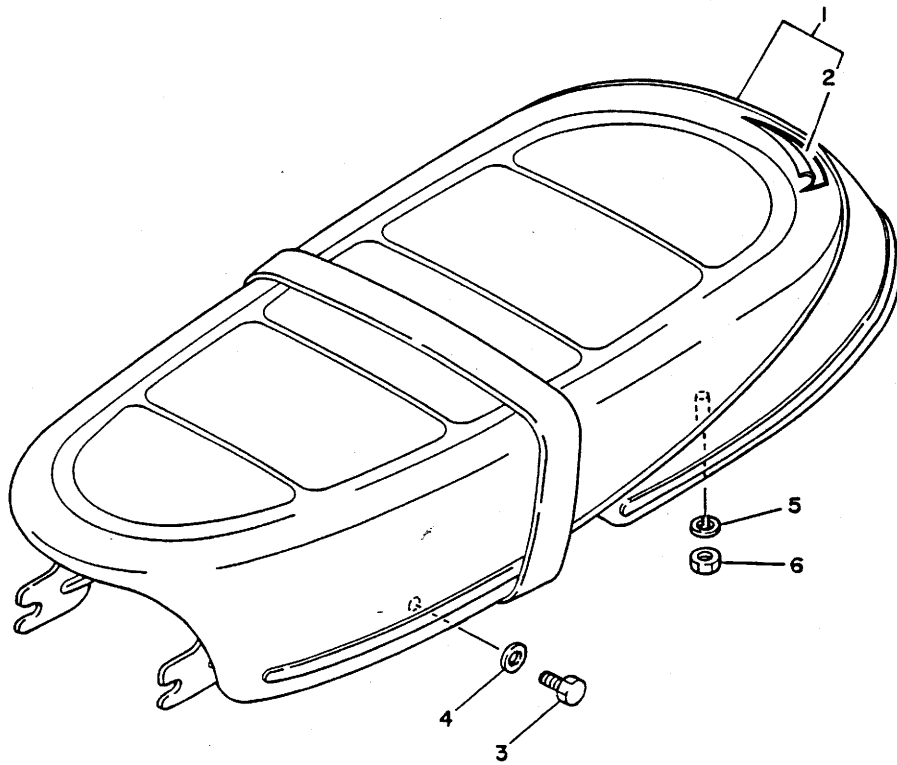
REF. NO.	PART NO.	DESCRIPTION	Q'TY	REMARKS
1	506-24110-01-X2	FUEL TANK COMP.	1	YAMAHA BLACK
2	4W8-24240-30	.GRAPHIC SET	1	
3	2F3-24161-20	.EMBLEM 1	2	
4	122-24181-00	DAMPER, locating 1	4	
5	129-24183-00	DAMPER, locating 3	1	
6	3FR-24602-00	CAP ASSY	1	
7	357-24500-11	FUEL COCK ASSY 1	1	
8	2N3-24528-00	.O-RING	1	
9	2N3-24532-00	.GASKET	1	
10	4X8-24565-00	.GASKET	1	
11	90445-09353	HOSE	1	
12	90467-08003	CLIP	2	

FWD
486522 - 5210

C10

FIG. 22 SEAT

REF. NO.	PART NO.	DESCRIPTION	Q'TY	REMARKS
1	506-24730-01	DOUBLE SEAT ASSY	1	
2	506-2477A-00	.SEAT COVER ASSY	1	
3	97313-08016	BOLT	2	
4	92901-08600	WASHER, plate	2	
5	92990-08100	WASHER, spring	2	
6	95303-08600	NUT	2	



37R472-3220

C11

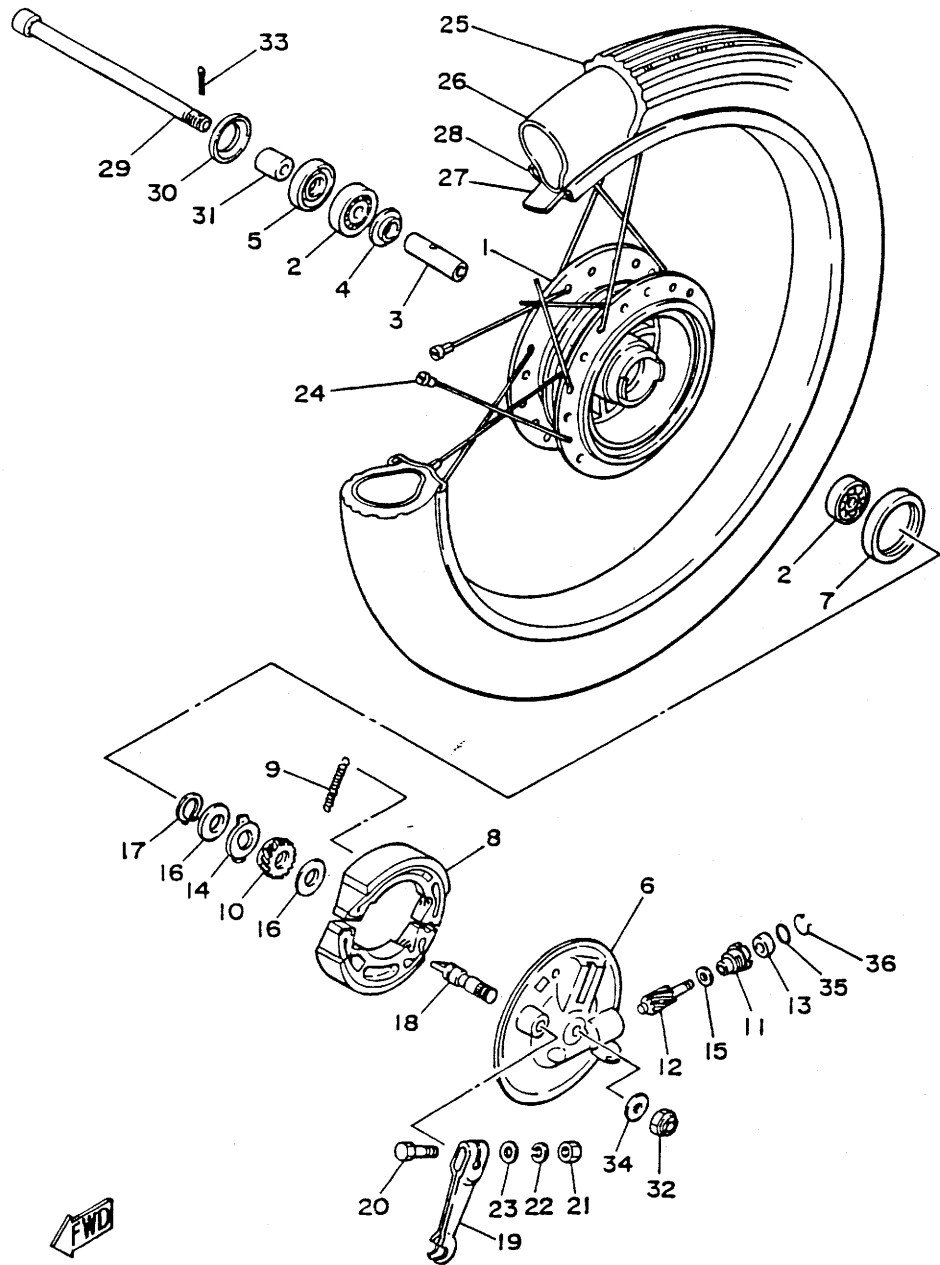


FIG. 23 FRONT WHEEL

REF. NO.	PART NO.	DESCRIPTION	Q'TY	REMARKS
1	248-25111-00-Y8	HUB, front	1	SILVER
2	93306-30109	BEARING	2	
3	90560-12138	SPACER	1	
4	109-25315-00	FLANGE, spacer	1	
5	93102-18008	OIL SEAL	1	
6	248-25121-00-35	PLATE, brake shoe	1	SILVER
7	93105-47007	OIL SEAL	1	
8	326-W2536-00	BRAKE SHOE SET	1	
9	90506-16150	SPRING, tension	2	
10	248-25135-00	GEAR, drive	1	
11	109-25136-00	BUSH	1	
12	214-25138-00	GEAR, meter	1	
13	93104-07003	OIL SEAL	1	
14	183-25149-00	CLUTCH, meter	1	
15	90201-07076	WASHER, plate	1	
16	90201-20269	WASHER, plate	2	
*17	99009-20400	CIRCLIP	1	
18	122-25351-02	CAMSHAFT	1	
19	137-25155-00	LEVER, camshaft	1	
20	90101-06278	BOLT	1	
21	95303-06600	NUT	1	
22	92990-06100	WASHER, spring	1	
23	92901-06600	WASHER, plate	1	
24	248-25104-00	SPOKE SET, front	1	
25	94125-18019	TIRE (2.50-18)	1	YOKOHAMA
26	94225-18194	TUBE (2.50-18)	1	DUNLOP
27	94325-18043	BAND, rim (2.50-18)	1	YOKOHAMA
28	94414-18007	RIM (1.40X18)	1	TAKASAGO



486522-5230

C12

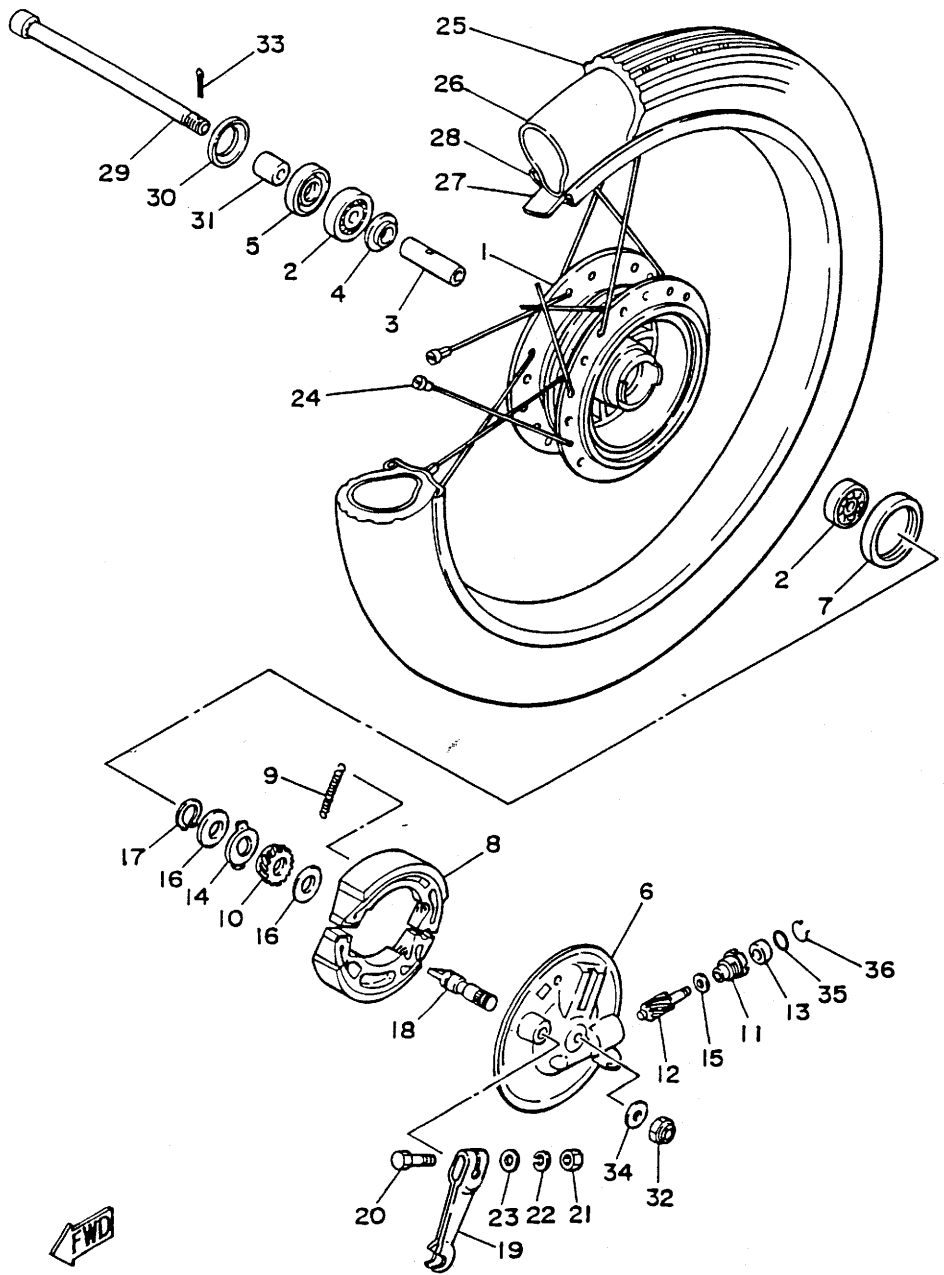


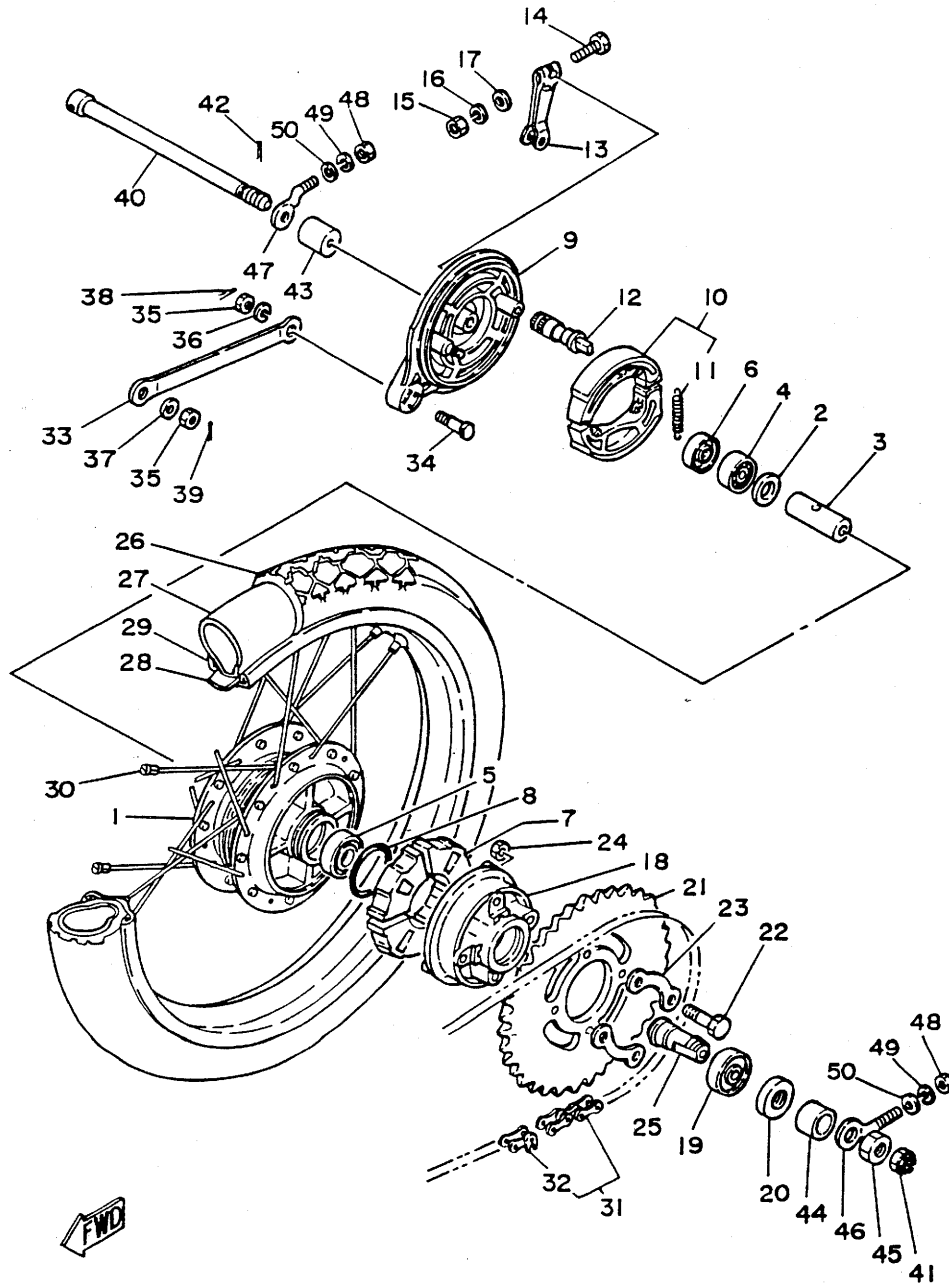
FIG. 23 FRONT WHEEL

REF. NO.	PART NO.	DESCRIPTION	Q'TY	REMARKS
29	382-25181-01	AXLE, wheel	1	
30	2K5-25118-00	COVER, hub dust	1	
31	90387-12283	COLLAR	1	
32	90171-12005	NUT, castle	1	
33	91401-30025	PIN, cotter	1	
34	90201-122A7	WASHER, plate	1	
35	93210-14104	O-RING	1	
36	102-25137-00	RING, stop	1	



486522-5230

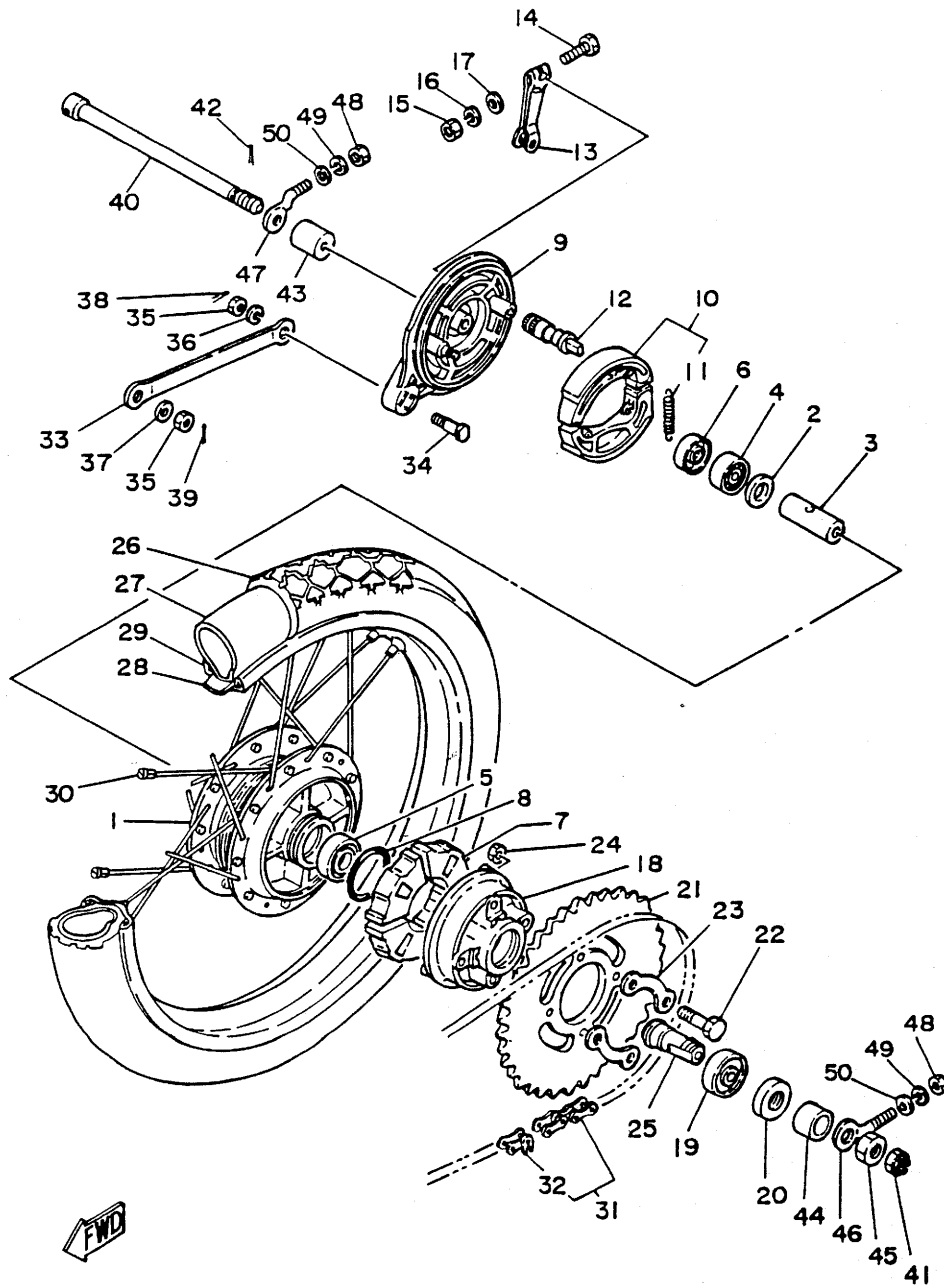
FIG. 24 REAR WHEEL



486522-5240

REF. NO.	PART NO.	DESCRIPTION	Q'TY	REMARKS
1	357-25311-00-38	HUB, rear	1	clear (WITH BUFF)
2	109-25315-00	FLANGE, spacer	1	
3	90560-12145	SPACER	1	
4	93306-30101	BEARING (B6301)	1	
5	93306-30109	BEARING	1	
6	93104-21016	OIL SEAL	1	
7	304-25364-01	DAMPER	4	
8	93210-41041	O-RING	1	
9	339-25026-10	BRAKE SHOE PLATE ASSY	1	
10	563-W2534-00	BRAKE SHOE KIT 2	1	
11	90506-15260	.SPRING, tension	2	
12	122-25351-02	CAMSHAFT	1	
13	122-25355-00	LEVER, camshaft	1	
14	90101-06278	BOLT	1	
15	95303-06600	NUT	1	
16	92990-06100	WASHER, spring	1	
17	92901-06600	WASHER, plate	1	
18	296-25366-01	CLUTCH, hub	1	
19	93306-00406	BEARING (B6004Z)	1	
20	93106-30004	OIL SEAL	1	
21	122-25437-10-33	SPROCKET, driven (37T)	1	YAMAHA BLACK
22	90101-08672	BOLT	4	
23	102-25412-00	WASHER	2	
24	90170-08366	NUT	4	
25	102-25387-03	AXLE, sprocket	1	
26	94125-18020	TIRE (2.50-18)	1	SUMITOMODUNLOP
27	94225-18194	TUBE (2.50-18)	1	DUNLOP
28	94325-18043	BAND, rim (2.50-18)	1	YOKOHAMA

C14



486522-5240

FIG. 24 REAR WHEEL

REF. NO.	PART NO.	DESCRIPTION	Q'TY	REMARKS
29	94414-18007	RIM (1.40X18)	1	TAKASAGO
30	164-25304-00	SPOKE SET, rear	1	
31	94580-52100	CHAIN (D.I.D. 420M 100L)	1	DAIDO
32	94680-52001	.JOINT, chain (D.I.D.-420M)	1	DAIDO
33	102-25371-00	BAR, tension	1	
34	90109-08183	BOLT	1	
35	95303-08700	NUT	2	
36	92990-08100	WASHER, spring	1	
37	92901-08200	WASHER, plain	1	
38	90468-10050	CLIP	1	
39	91401-20015	PIN, cotter	1	
40	401-25181-01	AXLE, wheel	1	
41	90171-12005	NUT, castle	1	
42	91401-30025	PIN, cotter	1	
43	90387-12412	COLLAR	1	
44	90387-18143	COLLAR	1	
45	90170-18165	NUT	1	
46	1NX-25388-00	PULLER, chain 1	1	
47	102-25389-00	PULLER, chain 2	1	
48	95303-06600	NUT	2	
49	92990-06100	WASHER, spring	2	
50	92901-06600	WASHER, plate	2	

C15

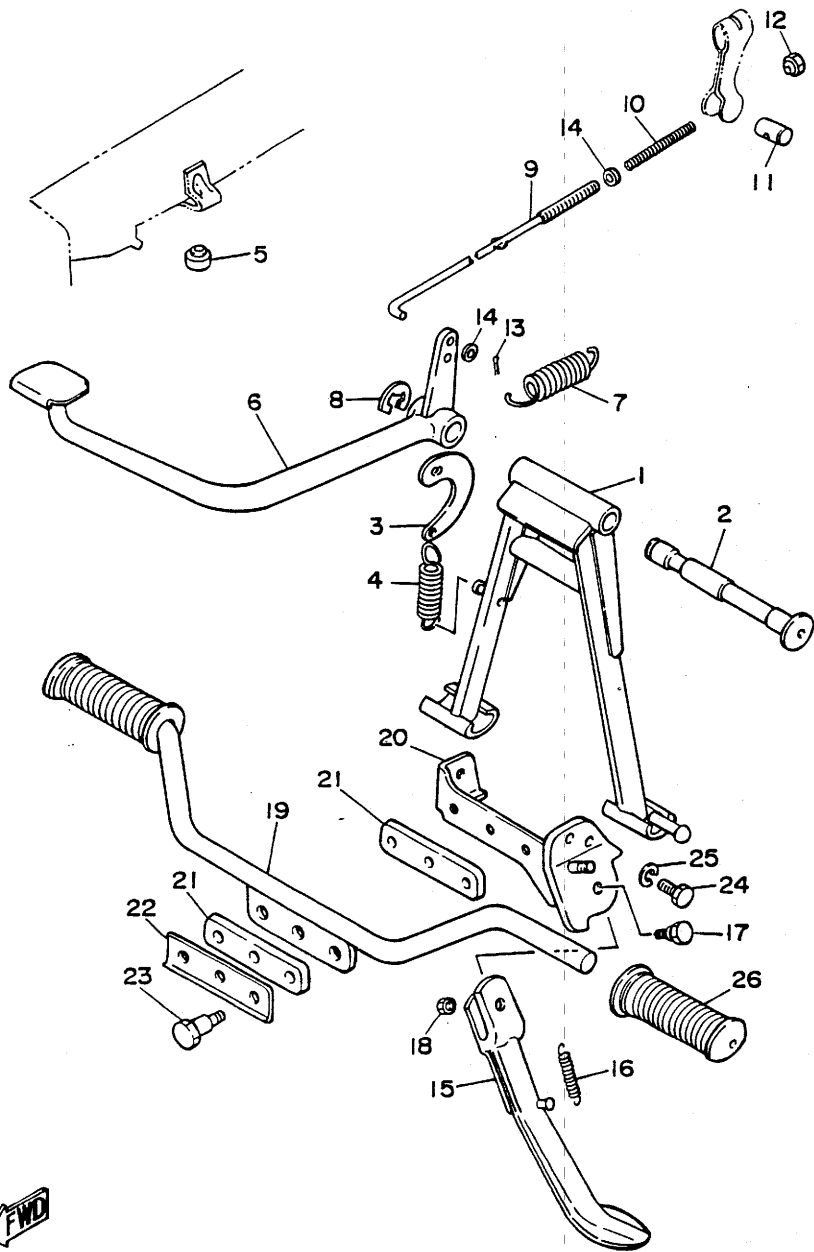


FIG. 26 STAND, FOOTREST

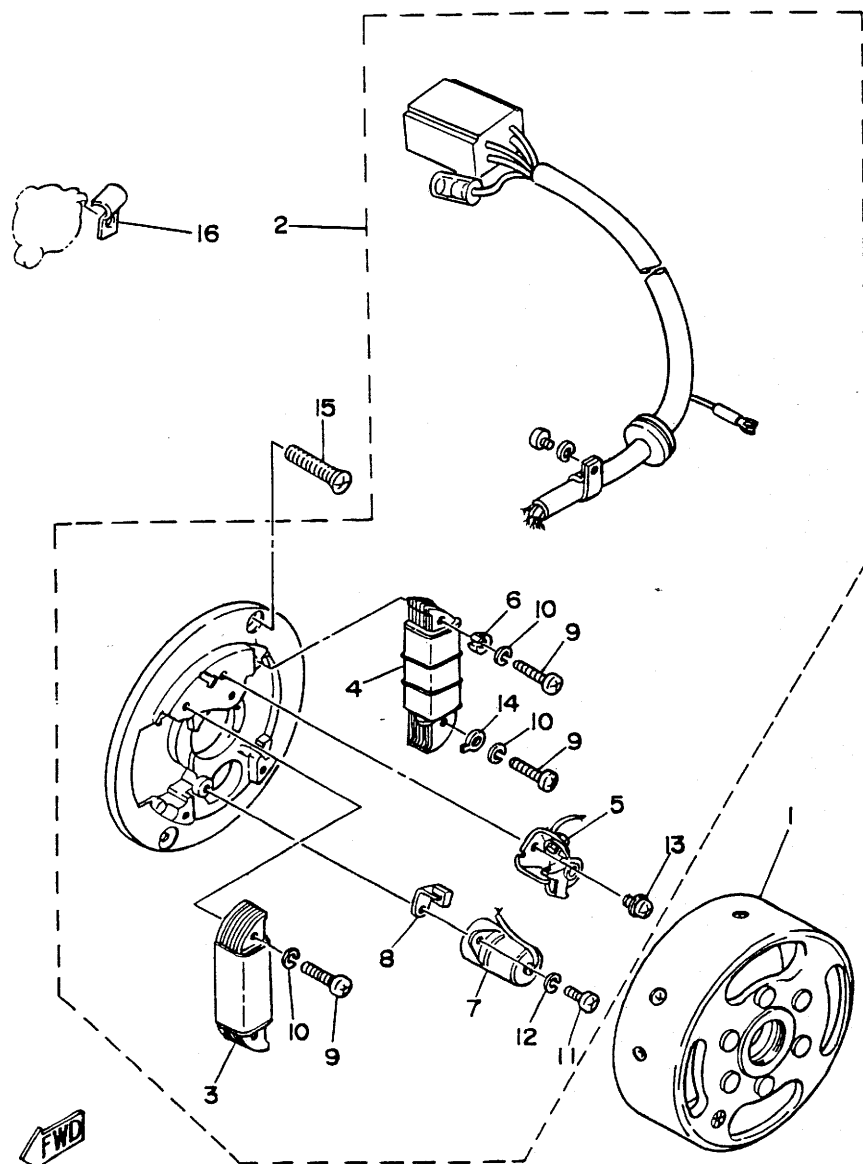
REF. NO.	PART NO.	DESCRIPTION	Q'TY	REMARKS
1	164-27111-02	STAND, main	1	
2	122-27112-00	SHAFT, main stand	1	
3	109-27115-00	LINK, main stand	1	
4	90506-29054	SPRING, tension	1	
5	116-27114-00	STOPPER, main stand	1	
6	2N3-27211-02-93	PEDAL, brake	1	CHROME PLATED
7	90506-20041	SPRING, tension	1	
8	93430-12008	CIRCLIP	1	
9	164-27231-02	ROD, brake	1	
10	90501-10245	SPRING, compression	1	
11	90249-12008	PIN	1	
12	90179-06176	NUT	1	
13	91401-20015	PIN, cotter	1	
14	92901-06600	WASHER, plate	1	
15	266-27311-00	STAND, side	1	
16	90506-25047	SPRING, tension	1	
17	90109-08034	BOLT	1	
18	95303-08700	NUT	1	
19	164-27411-01	FOOTREST 1	1	
20	254-27412-00	BRACKET, footrest 1	1	
21	18A-27414-00	DAMPER, footrest	2	
22	164-27417-00	WASHER, footrest	1	
23	90109-08193	BOLT	3	
24	90101-08287	BOLT	1	
25	92990-08100	WASHER, spring	1	
26	122-27413-00	COVER, footrest	2	



37R472-3260

D3

FIG. 27 GENERATOR

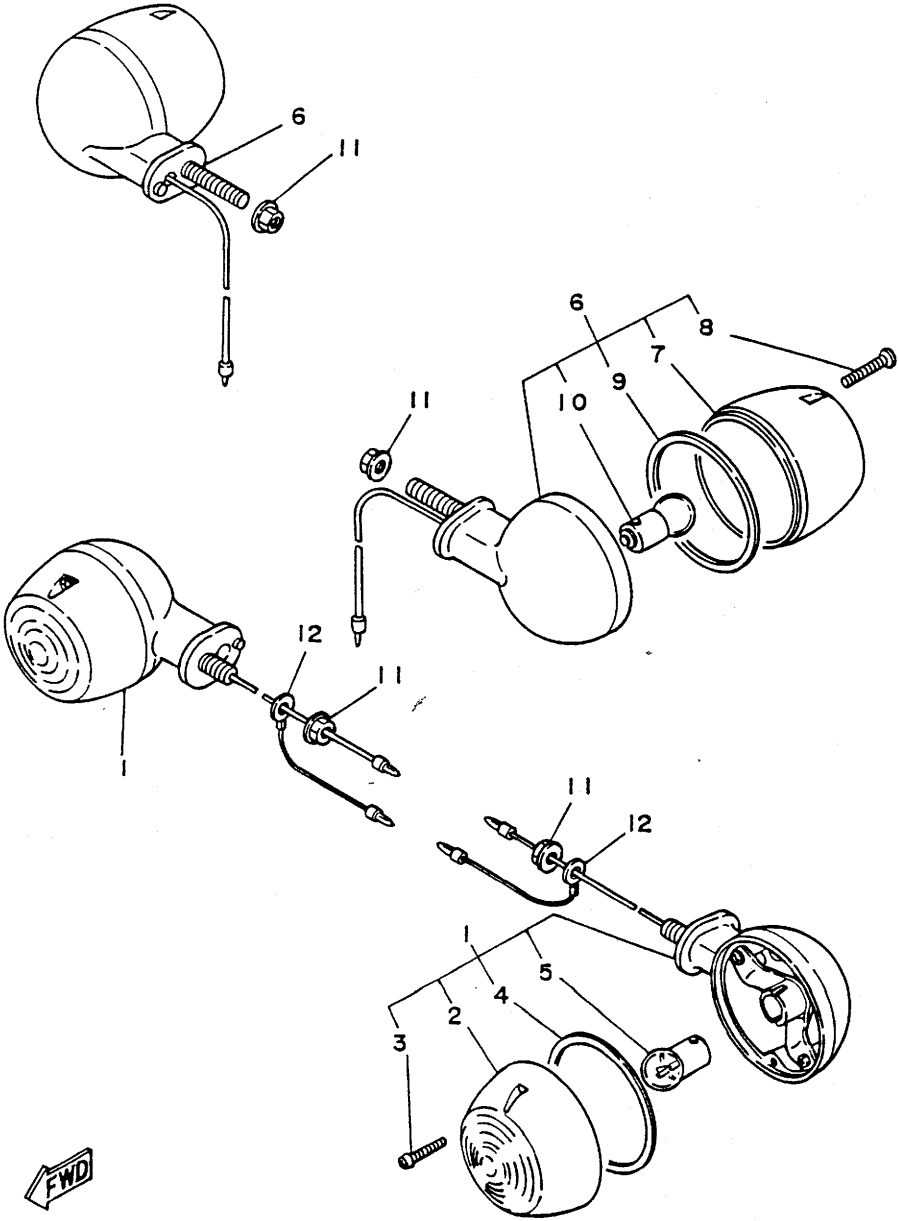


REF. NO.	PART NO.	DESCRIPTION	QTY	REMARKS
1	359-81350-M0	ROTOR ASSY	1	
2	46U-81310-M0	BASE ASSY	1	
3	359-81312-M0	.COIL, source	1	
4	4R6-81313-M0	.COIL, lighting 1	1	
5	1V1-81321-90	.CONTACT BREAKER ASSY	1	
6	481-81332-M0	.PLATE, timing	1	
7	481-81325-M0	.CONDENSER 1	1	
8	481-81331-M0	.LUBRICATOR	1	
9	98511-04025	.SCREW, pan head	4	
10	92901-04100	.WASHER, spring	4	
11	98580-04010	.SCREW, pan head	1	
12	92901-04100	.WASHER, spring	1	
13	90159-04027	.SCREW, with washer	1	
14	2T4-85569-M1	.TERMINAL, earth 2	2	
15	98701-05035	SCREW, flat head	2	
16	90462-05012	CLAMP	1	

3X2415-5270

D4

FIG. 28 FLASHER LIGHT

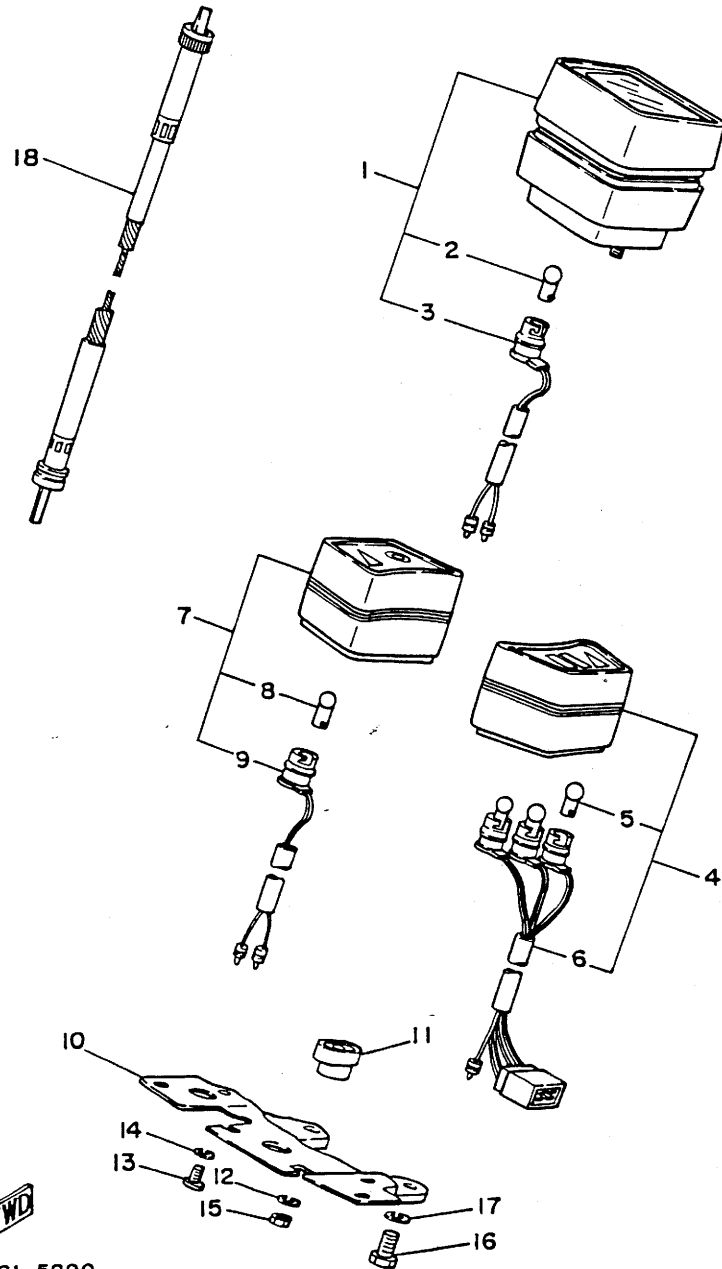


REF. NO.	PART NO.	DESCRIPTION	Q'TY	REMARKS
1	353-83310-36-93	FRONT FLASHER LIGHT ASSY 1	2	CHROME PLATED
2	183-83332-21	.LENS, flasher	1	
3	183-83333-21	.SCREW, lens fitting	2	
4	183-83313-70	.GASKET, flasher lens	1	
5	185-83311-10	.BULB (6V-8W)	1	
6	355-83330-10	REAR FLASHER LIGHT ASSY 1	2	
7	183-83332-21	.LENS, flasher	1	
8	183-83333-21	.SCREW, lens fitting	2	
9	183-83313-70	.GASKET, flasher lens	1	
10	185-83311-10	.BULB (6V-8W)	1	
11	95701-08500	NUT, flange	4	
12	1H2-83346-00	CORD	2	

486522-5280

D5

FIG. 29 METER



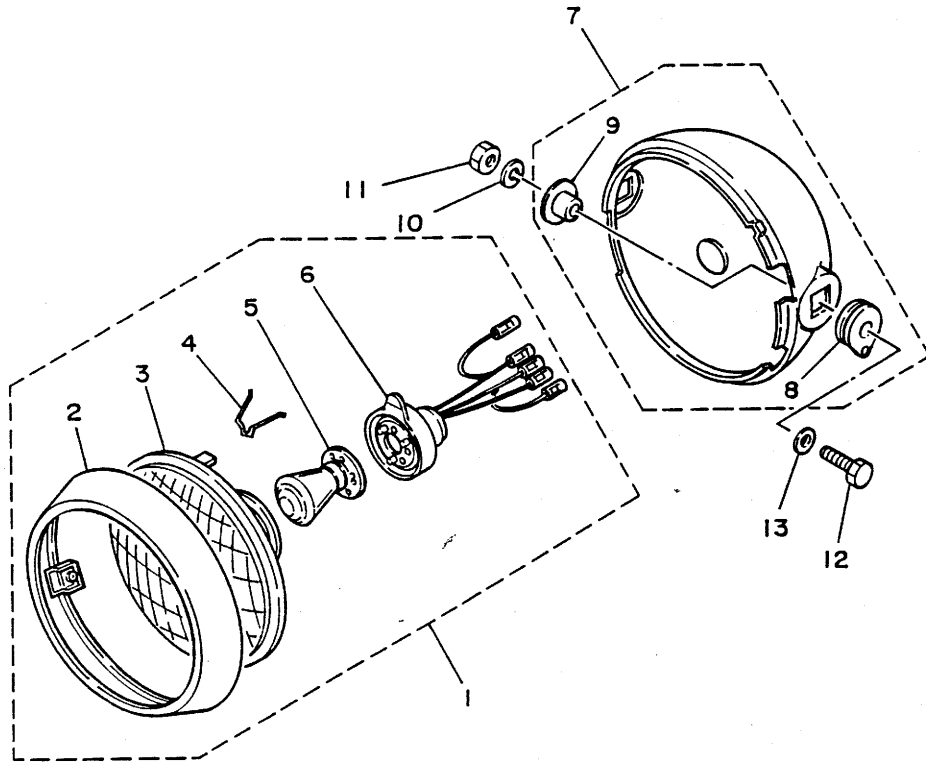
1LY481-5290

REF. NO.	PART NO.	DESCRIPTION	Q'TY	REMARKS
1	46U-83510-F0	SPEEDOMETER ASSY	1	
2	122-83516-10	.BULB (6V-3W)	1	
3	5E2-83509-00	.SOCKET CORD ASSY	1	
4	5E2-83530-00	PILOT LIGHT ASSY	1	
5	122-83516-10	.BULB (6V-3W)	3	
6	5E2-83509-10	.SOCKET CORD ASSY	1	
7	5E2-83530-10	PILOT LIGHT ASSY	1	
8	122-83516-10	.BULB (6V-3W)	1	
9	5E2-83509-20	.SOCKET CORD ASSY	1	
10	5E2-83519-00	BRACKET, meter	1	
11	4X8-83523-00	DAMPER	2	
12	4X8-83524-00	WASHER, special	2	
13	98506-04010	SCREW, pan head	4	
14	92906-04100	WASHER, spring	4	
15	95306-05600	NUT	2	
16	97313-08016	BOLT	2	
17	92990-08100	WASHER, spring	2	
18	241-83550-01	SPEEDOMETER CABLE ASSY	1	

D6

FIG. 30 HEADLIGHT

REF. NO.	PART NO.	DESCRIPTION	Q'TY	REMARKS
1	359-84110-00	HEADLIGHT UNIT ASSY	1	
2	237-84315-00	.RIM, headlight	1	
3	237-84320-00	.LENS ASSY	1	
4	195-84324-00	.SPRING, reflector	3	
5	359-84114-00	.BULB (6V-25/25W)	1	
6	214-84112-61	.SOCKET	1	
7	1E2-84330-00-33	BODY ASSY	1	YAMAHA BLACK
8	214-84143-60	.DAMPER, headlight stay	2	
9	214-84145-60	.COLLAR, body fitting	2	
10	92990-08100	WASHER, spring	2	
11	95303-08600	NUT	2	
12	97004-08025	BOLT	2	
13	92990-08200	WASHER, plain	2	



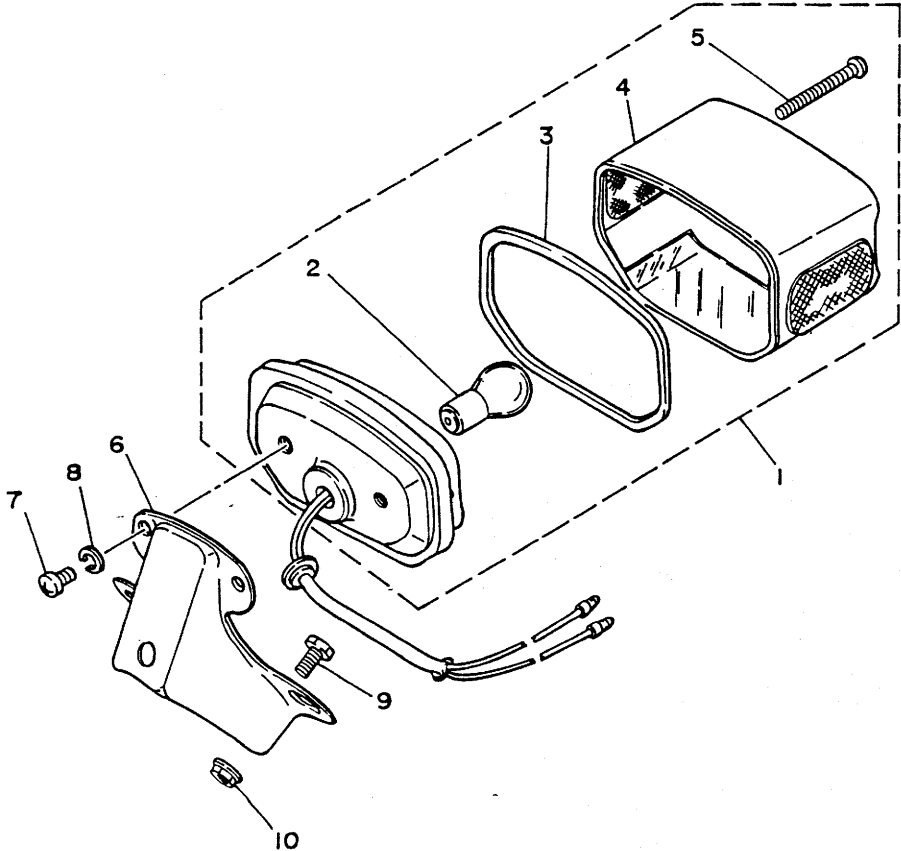
486522-5300

CYCLE CRAFT.
 ENG.#: 486-760929 - BAYONET TYPE YELLOW BULB.

D7

FIG. 31 TAILLIGHT

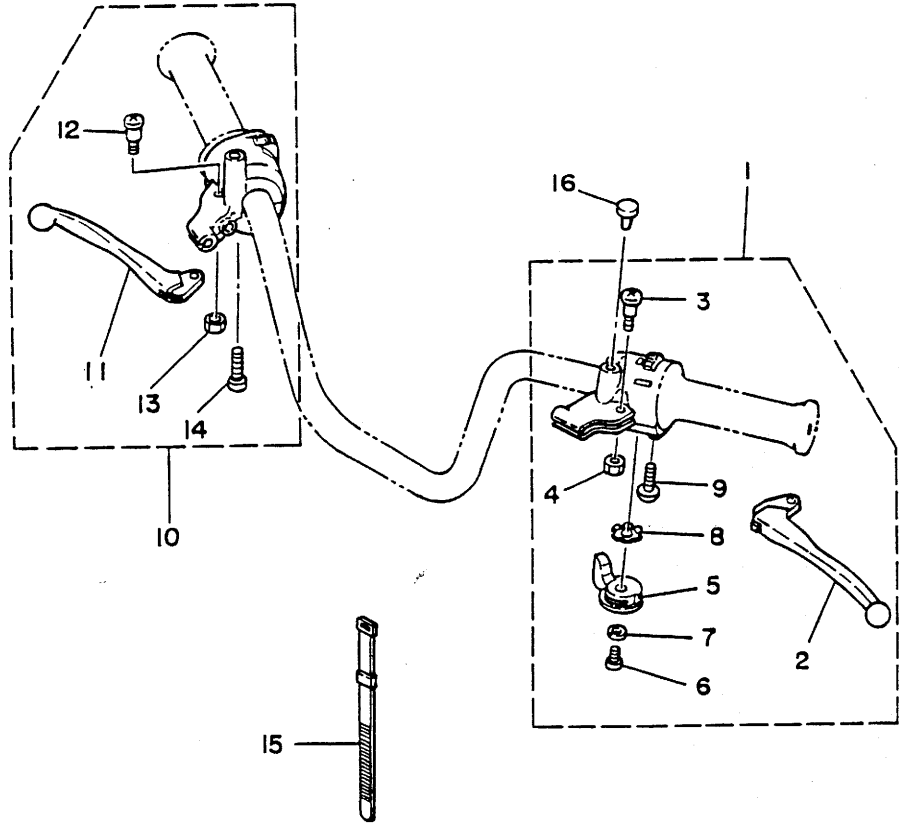
REF. NO.	PART NO.	DESCRIPTION	Q'TY	REMARKS
1	296-84510-00	TAILLIGHT UNIT ASSY	1	
2	122-84514-00	.BULB (6V-10/3W)	1	
3	296-84523-00	.GASKET, lens	1	
4	296-84521-00	.LENS, taillight	1	
5	127-84524-30	.SCREW, lens fitting	2	
6	254-84751-00-35	BRACKET, license	1	SILVER
7	92501-06012	SCREW, pan head	2	
8	92990-06100	WASHER, spring	2	
9	97001-06012	BOLT	3	
10	95701-06500	NUT, flange	3	



486522-5310

D8

FIG. 32 HANDLE SWITCH. LEVER



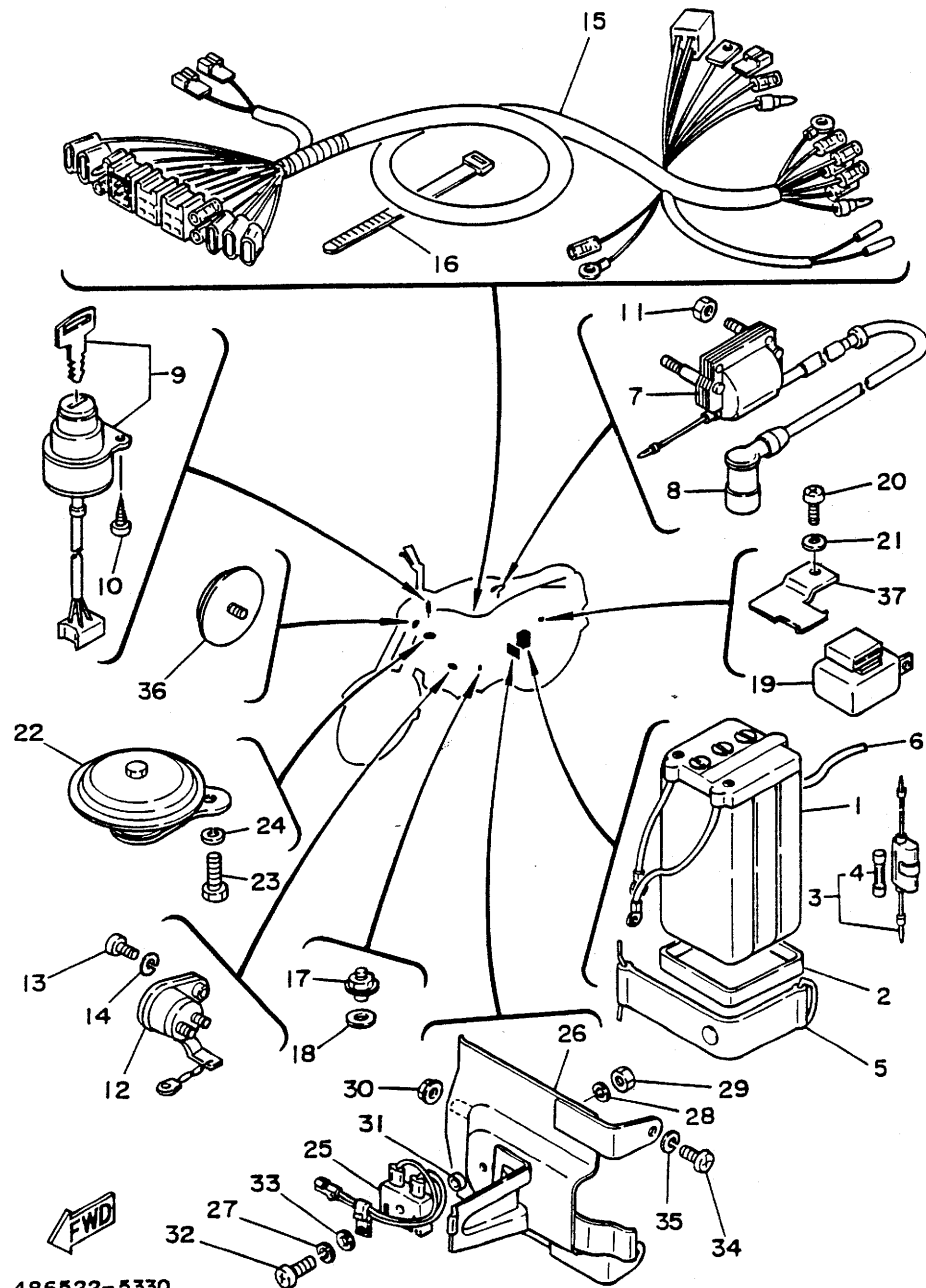
REF. NO.	PART NO.	DESCRIPTION	Q'TY	REMARKS
1	35Y-82910-00	LEVER HOLDER ASSY (LEFT)	1	
2	137-83912-02-38	.LEVER 1	1	CLEAR (WITH BUFF)
3	90149-05120	.SCREW	1	
4	95601-05100	.NUT, u	1	
5	439-83941-02	.LEVER, starter	1	
6	92501-06008	.SCREW, pan head	1	
7	92901-06200	.WASHER, plain	1	
8	90209-10131	.WASHER	1	
9	90157-05027	.SCREW, pan head	3	
10	4W8-82920-30	LEVER HOLDER ASSY (RIGHT)	1	
11	2N3-83922-00	.LEVER 2	1	
12	90149-05120	.SCREW	1	
13	95601-05100	.NUT, u	1	
14	98503-05025	.SCREW, pan head	2	
15	168-83936-02	BAND, switch cord	2	
16	90338-07011	PLUG	1	



486522-5320

D9

FIG. 33 ELECTRICAL 1

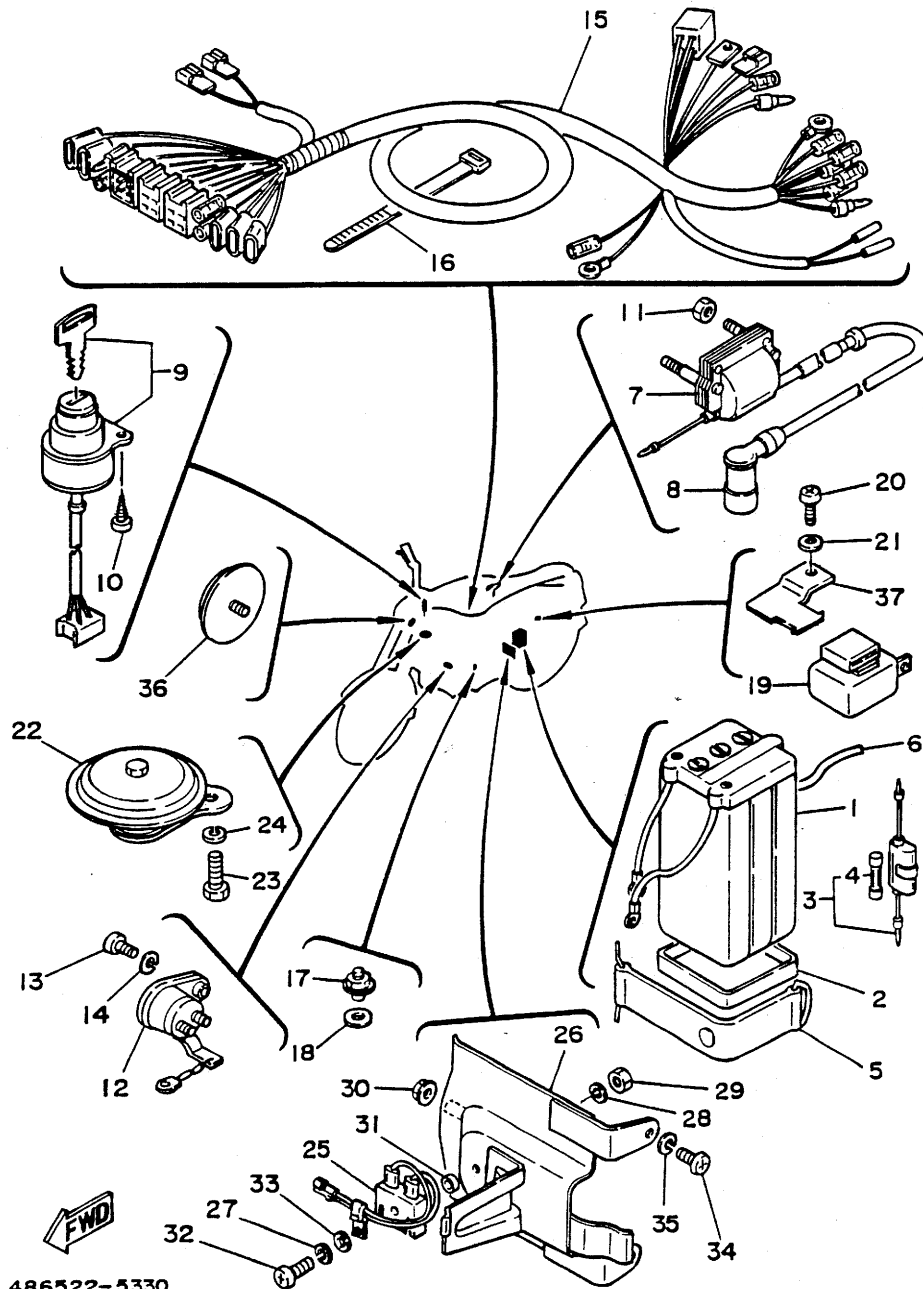


486522-5330

REF. NO.	PART NO.	DESCRIPTION	Q'TY	REMARKS
1	104-82110-29	BATTERY ASSY (6N4A-4D)	1	FURUKAWA
2	104-82122-00	SEAT, battery	1	
3	353-82150-00	FUSE HOLDER ASSY	1	
4	116-82151-00	.FUSE (10A)	1	
5	164-82131-00	BAND, battery	1	
6	90445-08171	HOSE	1	
7	355-82310-40	IGNITION COIL ASSY	1	
8	166-82370-20	PLUG CAP ASSY	1	
9	2R4-82508-50	MAIN SWITCH ASSY	1	
10	97701-40510	SCREW, panhead tapping	2	
11	95303-06600	NUT	2	
12	122-82530-01	STOP SWITCH ASSY	1	
13	98501-05010	SCREW, pan head	1	
14	92901-05100	WASHER, spring	1	
15	486-82590-90	WIRE HARNESS ASSY	1	
16	90464-20031	CLAMP	1	
17	37R-82540-00	NEUTRAL SWITCH ASSY	1	
18	90430-11034	GASKET	1	
19	38A-83350-10	FLASHER RELAY ASSY	1	
20	92501-06012	SCREW, pan head	1	
21	92990-06100	WASHER, spring	1	
22	1M8-83371-40	HORN	1	
23	97001-06012	BOLT	2	
24	92990-06100	WASHER, spring	2	
25	353-81970-63	RECTIFIER ASSY	1	STANLEY
26	220-81975-00	PLATE, rectifier fitting	1	
27	92901-05100	WASHER, spring	1	
28	92901-05100	WASHER, spring	1	

D10

FIG. 33 ELECTRICAL 1



REF. NO.	PART NO.	DESCRIPTION	QTY	REMARKS
29	95303-05600	NUT	1	
30	95701-06500	NUT, flange	1	
31	90387-066M3	COLLAR	1	
32	98503-05025	SCREW, pan head	1	
33	92990-05200	WASHER, plain	1	
34	92501-06010	SCREW, pan head	2	
35	92990-06100	WASHER, spring	2	
36	355-85111-01	REFLECTOR, front 1	2	
37	359-81975-00	PLATE, rectifier fitting	1	

486522-5330



D11

NUMERICAL INDEX

PART NO.	REF. NO.	PART NO.	REF. NO.	PART NO.	REF. NO.	PART NO.	REF. NO.	PART NO.	REF. NO.	PART NO.	REF. NO.
127-W1412-00	5-11	193-14142-25-A0	5- 2	132-15676-01	9- 8	183-21770-12	17-10	183-23412-00	19- 7	1V1-26243-00	25- 3
2N3-W2313-00	20- 1	137-14143-18	5- 4	5E2-16111-00	10-15	164-21776-00	17- 3	136-23415-00	19-10	137-26261-01	25- 5
2N3-W2314-00	20-11	137-14143-19	5- 4	5E2-16150-01	10- 1	164-21778-00	17- 7	2N3-23435-00-98	19- 2	266-26290-10	25-20
5G3-W2534-00	24-10	137-14143-20	5- 4	131-16321-00	10- 6	506-21784-00	16- 5	1E6-23441-00	19-11	395-26290-00	25-19
326-W2536-00	23- 8	164-14184-00	5- 8	131-16324-00	10- 5	506-21785-00	17-12	506-24110-01-X2	21- 1	212-26311-00	25- 6
234-11111-01	1- 1	164-14185-00	5- 6	202-16341-60	10-21	359-21786-00	16- 8	2F3-24161-20	21- 3	137-26312-00	25- 7
166-11181-01	1- 2	127-14186-00	5- 7	164-16342-01	10-22	359-21787-00	17-13	122-24181-00	21- 4	4W8-26320-00	25- 8
212-11311-00	1- 4	12R-14191-00	5-24	122-16351-90	10- 8	164-22110-04-33	18- 1	129-24183-00	21- 5	357-26331-10	25-16
131-11351-00	1- 5	355-14411-01	4- 1	131-16352-01	10- 7	180-22117-00	18- 4	4W8-24240-30	21- 2	124-26335-10	25-13
5E2-11400-00	2- 1	355-14412-00	4- 2	164-16371-02	10- 4	102-22123-00	18- 2	164-24319-00	17- 8	357-26341-10	25-15
254-11412-00	2- 2	164-14417-00	4-17	164-17121-00	11- 2	40X-22141-00	18- 6	357-24500-11	21- 7	164-26363-00	25-14
254-11422-01	2- 3	355-14422-00	4- 3	164-17131-01	11- 3	296-22151-01	18- 5	2N3-24528-00	21- 8	164-26381-00	8-15
486-11601-00	2- 9	355-14425-00	4- 7	254-17141-00	11- 4	1LY-22210-00-93	18-22	2N3-24532-00	21- 9	164-27111-02	26- 1
486-11601-10	2- 9	355-14451-09	4- 5	164-17211-01	11-14	164-22216-00	18- 3	4X8-24565-00	21-10	122-27112-00	26- 2
486-11601-20	2- 9	357-14453-00	4-15	5E2-17221-00	11-15	164-22310-02-35	18- 8	3FR-24602-00	21- 6	116-27114-00	26- 5
486-11601-30	2- 9	355-14454-00	4-14	164-17231-00	11-16	148-22315-00	18-13	506-24730-01	22- 1	109-27115-00	26- 3
359-11631-30-97	2- 8	359-14481-00	4-19	164-17241-00	11-13	307-23111-00	20- 9	506-2477A-00	22- 2	2N3-27211-02-93	26- 6
131-11633-00	2-11	357-14482-00	4-20	5E2-17411-00	11- 1		20-19	339-25026-10	24- 9	164-27231-02	26- 9
359-11635-02	2- 8	355-14498-00	4- 6	5E2-17420-01	11-12	276-23112-50	20-10	248-25104-00	23-24	266-27311-00	26-15
359-11636-02	2- 8	166-14611-00	6- 1	164-17427-00-10	11-19		20-20	248-25111-00-Y8	23- 1	164-27411-01	26-19
359-11637-02	2- 8	1L4-14612-00	6- 2	257-17471-01	11- 9	307-23114-00	20- 8	2K5-25118-00	23-30	254-27412-00	26-20
164-11651-00	2- 4	132-14613-00	6- 3	164-18101-02	13- 1		20-18	248-25121-00-35	23- 6	122-27413-00	26-26
5E2-11681-00	2- 5	359-14710-00	6- 4	164-18111-01	13- 9	201-23116-00	20-30	248-25135-00	23-10	18A-27414-00	26-21
488-13101-03	3- 1	132-14713-00	6-11	132-18113-01	13-10	35Y-23121-00	20-24	109-25136-00	23-11	164-27417-00	26-22
8Y0-13116-01	3-15	3T5-14714-00	6-12	132-18140-01	12-13	2N3-23122-00-33	20-28	102-25137-00	23-36	120-27430-02	18-14
137-13137-00-10	3- 2	359-14753-00	6- 8	164-18511-00	12- 9	357-23125-90	20- 6	214-25138-00	23-12	120-27431-00	18-18
137-13138-01	3- 3	357-14781-01-33	6- 5	164-18512-00	12-10		20-16	183-25149-00	23-14	120-27432-02	18-15
214-13162-01	3-24	212-1490J-00	5-17	166-18540-00	12- 1	2N3-23126-00-35	20- 2	137-25155-00	23-19	120-27433-00	18-16
166-13175-01	3-13	5E2-15111-00	7- 1	136-18542-00	12- 7	35Y-23131-00	20-22	382-25181-01	23-29	3X2-28100-00	14-11
1E7-13176-00	3-18	5E2-15121-00	7- 8	164-18561-00	12- 4	2N3-23132-00-33	20-26	401-25181-01	24-40	46U-81310-M0	27- 2
126-13178-00	3-19	180-15362-00	8-14	164-18571-01	12-19	2N3-23134-00	20- 3	164-25304-00	24-30	359-81312-M0	27- 3
4A6-13512-00	2-25	583-15371-00	7- 9	164-18589-00	12-16		20-13	357-25311-00-38	24- 1	4R6-81313-M0	27- 4
2N3-13515-00	2-27	164-15411-03	8- 1	357-21110-01-33	14- 1	2N3-23136-00-35	20-12	109-25315-00	23- 4	1V1-81321-90	27- 5
164-13551-01	2-21	357-15413-00	8-17	26H-21308-00	14- 9	2N3-23143-00	20-21		24- 2	481-81325-M0	27- 7
353-13552-01	3-10	164-15415-00	8- 5	357-21510-80-93	15- 1	276-23145-51	20- 5	122-25351-02	23-18	481-81331-M0	27- 8
180-13554-00	2-24	370-15421-01	8- 7	174-21518-00	15- 9		20-15		24-12	481-81332-M0	27- 6
1YJ-1410A-00	5-23	117-15433-02	4-24	173-21581-80	15- 2	2N3-23147-00	20- 7	122-25355-00	24-13	359-81350-M0	27- 1
212-14101-01	5- 1	164-15451-00	8- 8	122-21582-81	15- 3		20-17	304-25364-01	24- 7	353-81970-63	33-25
35Y-14106-00	5-22	357-15453-00	8-18	357-21610-00-93	15-12	2N3-23150-00	20- 4	296-25366-01	24-18	220-81975-00	33-26
31J-14107-15	5- 5	156-15618-01	9-13	164-21621-00	15-17		20-14	102-25371-00	24-33	359-81975-00	33-37
166-14112-15	5-14	357-15620-10-91	9-12	164-21623-00	15-18	183-23163-00	20-29	102-25387-03	24-25	104-82110-29	33- 1
167-14114-00	5-15	305-15641-00	9- 2	202-21681-00	15-23	260-23318-40	20-32	1NX-25388-00	24-46	104-82122-00	33- 2
167-14119-00	5-21	117-15644-00	9- 4	355-21705-00-33	17- 1	35Y-23340-00-33	20-23	102-25389-00	24-47	164-82131-00	33- 5
167-14121-00	5-20	254-15651-00	9-15	355-21711-01-33	16- 1	1M3-23346-00	20-31	102-25412-00	24-23	353-82150-00	33- 3
127-14125-01	5-12	132-15653-00-10	9-16	141-21717-00	16- 2	355-23408-10	19-14	122-25437-10-33	24-21	116-82151-00	33- 4
164-14131-00	5-18	305-15660-04	9- 1	122-21724-00	16- 3	156-23411-00	19- 1	2U0-26111-00	25- 1	355-82310-40	33- 7
137-14133-00	5-19	132-15664-01	9- 6	209-21724-00	17- 4	183-23411-00	19- 6	353-26241-00	25- 4	166-82370-20	33- 8
164-14141-30	5- 3	1M1-15668-01	9-11	214-21761-00	17- 2	156-23412-00	19- 8	353-26242-00	25- 2	2R4-82508-50	33- 9

NUMERICAL INDEX

PART NO.	REF. NO.	PART NO.	REF. NO.	PART NO.	REF. NO.	PART NO.	REF. NO.	PART NO.	REF. NO.	PART NO.	REF. NO.
122-82530-01	33-12	127-84524-30	31- 5	90201-07076	23-15	90446-07009	7-10	92501-06030	7- 3	92990-06100	33-24
37R-82540-00	33-17	254-84751-00-35	31- 6	90201-07653	1- 8	90462-05012	27-16		8-11		33-35
486-82590-90	33-15	355-85111-01	33-36	90201-08624	3-14	90464-20031	33-16	92990-08100	8-19		6-14
35Y-82910-00	32- 1	2T4-85569-M1	27-14	90201-106F2	18-25	90467-08003	17- 9	92501-06035	8- 3		14- 7
4W8-82920-30	32-10	4A6-92090-10	20-25	90201-12166	12-18		21-12	92501-06040	7- 4		15- 8
353-83310-36-93	28- 1	2N3-92190-00	20-27	90201-122A7	23-34	90468-02033	3-11	92501-06050	7- 6		15-16
185-83311-10	28- 5	90101-06278	23-20	90201-12535	2-19		3-25		8- 4		22- 5
	28-10		24-14	90201-12575	13- 7	90468-10050	24-38		8-12		24-36
183-83313-70	28- 4	90101-08286	14- 2	90201-13202	9-18	90468-26048	9- 3	92501-06060	7- 7		26-25
	28- 9	90101-08287	26-24	90201-14218	18-24	90480-12012	8- 9	92501-06065	7- 5		29-17
355-83330-10	28- 6	90101-08672	24-22	90201-17558	10- 3	90480-13203	14- 8		8-13		30-10
183-83332-21	28- 2	90101-10417	19- 4		10-13	90480-14023	4-13	92503-06018	8-20	92990-08200	30-13
	28- 7	90106-08027	18-23	90201-20266	11- 5	90501-02018	3- 9	92701-06030	14-10	93101-10002	3-17
183-83333-21	28- 3	90109-063F6	12-15		11-17	90501-08040	10-25	92901-04100	5-10	93102-12106	13- 6
	28- 8	90109-08034	26-17	90201-20269	23-16	90501-10245	26-10		27-10	93102-18008	23- 5
1H2-83346-00	28-12	90109-08183	24-34	90201-20279	18-17	90501-20126	10- 9		27-12	93102-20231	2-14
38A-83350-10	33-19	90109-08193	26-23	90202-04003	16- 6	90506-06106	4-16	92901-05100	3- 4	93102-26042	11-23
1M8-83371-40	33-22	90113-06012	10-20	90206-15021	9-19	90506-08183	12-14		6-10	93103-28012	2-22
5E2-83509-00	29- 3	90116-07035	1- 6	90208-12015	10-12	90506-09009	13- 2		12- 6	93104-07003	23-13
5E2-83509-10	29- 6	90123-06011	25-17		10-17	90506-15260	24-11		18-11	93104-15009	10-26
5E2-83509-20	29- 9	90149-05120	32- 3	90209-10131	32- 8	90506-16150	23- 9		33-14	93104-21016	24- 6
46U-83510-F0	29- 1		32-12	90209-10224	19- 3	90506-20041	26- 7		33-27	93105-47007	23- 7
122-83516-10	29- 2	90149-08094	13- 4	90209-22248	2- 7	90506-25047	26-16		33-28	93106-30004	24-20
	29- 5	90151-06016	19-15	90215-16020	11-25	90506-29054	26- 4	92901-05600	18-12	93109-15001	9-10
	29- 8	90153-05024	10-10	90240-06009	18-19	90508-26136	9- 7	92901-06200	10-23	93210-12014	2-30
5E2-83519-00	29-10	90157-05027	32- 9	90249-12008	26-11	90508-32054	13- 3		32- 7	93210-14104	23-35
4X8-83523-00	29-11	90159-04027	27-13	90280-03017	2-16	90560-12138	23- 3	92901-06600	15-14	93210-18023	2-20
4X8-83524-00	29-12	90159-05131	18- 9	90282-05005	10-16	90560-12145	24- 3		15-20	93210-23029	2-31
5E2-83530-00	29- 4	90170-07019	1- 7	90338-07011	32-16	90560-17147	10-14		23-23	93210-41041	24- 8
5E2-83530-10	29- 7	90170-08366	24-24	90340-12005	7-11	91401-12010	5-16		24-17	93210-85075	10- 2
241-83550-01	29-18	90170-10038	25- 9	90387-066M3	33-31	91401-16015	18-20		24-50	93306-00406	24-19
137-83912-02-38	32- 2	90170-12060	10-11	90387-07390	4- 8	91401-20015	24-39		25-12	93306-30101	24- 4
2N3-83922-00	32-11	90170-12175	2-17	90387-12283	23-31		26-13		26-14	93306-30109	23- 2
168-83936-02	32-15	90170-18165	24-45	90387-12412	24-43	91401-25020	12-12	92901-08200	24-37		24- 5
439-83941-02	32- 5	90171-12005	23-32	90387-18143	24-44	91401-30025	23-33	92901-08600	19-13	93306-30301	11- 7
359-84110-00	30- 1		24-41	90387-204E7	2-26		24-42		22- 4	93306-30421	2-13
214-84112-61	30- 6	90176-10013	18-26	90387-20491	11-22	91401-50085	17- 6	92901-12100	2-18		2-15
359-84114-00	30- 5	90179-06034	16- 4	90401-06001	3-22	91609-40016	12- 3	92906-04100	29-14	93306-30435	11-21
214-84143-60	30- 8		17- 5	90430-04004	3- 6	92501-06008	32- 6	92990-05200	33-33	93310-214F8	2-10
214-84145-60	30- 9	90179-06143	25-18	90430-06011	3-23	92501-06010	12-17	92990-06100	6- 6	93310-21403	2-10
237-84315-00	30- 2	90179-06176	26-12	90430-11034	33-18		33-34		15- 6	93310-42237	2- 6
237-84320-00	30- 3	90179-12244	10-18	90430-12038	7-12	92501-06012	11-10		15-11	93315-31502	11-20
195-84324-00	30- 4	90179-16018	11-26	90430-29114	17-11		25-10		23-22	93317-31528	11-11
1E2-84330-00-33	30- 7	90179-25033	19- 5	90445-05013	4-22		31- 7		24-16	93410-20038	11- 6
296-84510-00	31- 1	90183-04005	16- 7	90445-05024	3-12		33-20		24-49		11-18
122-84514-00	31- 2	90185-10060	18- 7	90445-07583	4-23	92501-06014	2-29		25-11	93410-25017	9- 5
296-84521-00	31- 4	90201-06734	4-11	90445-08171	33- 6		15-19		31- 8	93430-12008	26- 8
296-84523-00	31- 3	90201-06735	4-12	90445-09353	21-11	92501-06020	4- 9		33-21	93440-15012	11- 8

NUMERICAL INDEX

PART NO.	REF. NO.	PART NO.	REF. NO.	PART NO.	REF. NO.	PART NO.	REF. NO.	PART NO.	REF. NO.
93450-15023	2-12	95701-06500	31-10						
93501-04011	10-19		33-30						
	19- 9	95701-08500	14- 6						
93505-32002	3- 8		28-11						
93603-22028	3-20	95811-08080	14- 5						
93604-10011	2-23	95811-08120	14- 4						
93604-14012	2-28	95821-08100	14- 3						
93604-22050	12- 2	97001-06012	31- 9						
93605-20043	12- 8		33-23						
93610-10200	12-11	97003-06012	15- 4						
93812-13022	11-24	97004-08025	30-12						
93812-14035	11-24	97013-08025	9-14						
93812-15063	11-24	97021-06020	13-11						
94125-18019	23-25	97023-08040	19-12						
94125-18020	24-26	97313-06016	15-13						
94225-18194	23-26		15-22						
	24-27	97313-08012	15- 7						
94325-18043	23-27	97313-08016	15-15						
	24-28		22- 3						
94414-18007	23-28		29-16						
	24-29	97701-40510	33-10						
94580-52100	24-31	98501-04006	8- 6						
94680-52001	24-32	98501-04008	4-18						
94701-00041	1- 3	98501-05008	6- 9						
95301-12700	18-21	98501-05010	8-16						
95303-05600	3- 5		33-13						
	5-13	98501-05012	12- 5						
	33-29	98501-05016	3-16						
95303-06600	4-10		18-10						
	6- 7	98501-05020	4-21						
	15- 5	98503-04014	5- 9						
	15-10	98503-05025	32-14						
	15-21		33-32						
	23-21	98506-04010	29-13						
	24-15	98511-04025	27- 9						
	24-48	98580-04010	27-11						
	33-11	98701-05035	27-15						
95303-06700	10-24	98901-04008	3- 7						
95303-06800	4- 4	99001-08600	3-21						
95303-08600	6-13	99001-10600	13- 8						
	13- 5	99009-13400	9-17						
	22- 6	99009-15400	9- 9						
	30-11	99009-20400	23-17						
95303-08700	24-35	99510-12016	7- 2						
	26-18	99530-10014	8- 2						
95306-05600	29-15		8-10						
95601-05100	32- 4								
	32-13								