

YAMAHA

PARTS CATALOGUE

YB100 (4AF1)

AFRICA

114AF-600E1



FOREWORD

This Parts Catalogue is related to the parts in use for the Yamaha YB100(4AF1).
When you are ordering replacement parts for the YB100(4AF1), refer to this Parts Catalogue and quote both part numbers and part names correctly.

1. Modifications or additions which have been made after issue of the Parts Catalogue will be announced in the Yamaha Parts News.
It is advisable that according to the Yamaha Parts News you make necessary corrections to the Parts Catalogue on hand to keep it up-to-date.

2. Abbreviations

The following abbreviations are used in this Parts Catalogue.

- U.R. Use size (thickness) and/or number as required.
- U.N. Use as many as you need.
- A.P. Alternate Parts
- L.M. Local Made
- F# Frame No. (Applicable machine No.)

3. The parts marked with (*) in the parts number column of this Catalogue are not supplied with by Yamaha, those have to be found locally.
4. Parts, which are to be supplied in the form of assemblies, are listed with an indentation of one letter's space, and a dot (.) is put against the name of each part.

EXAMPLE CARBURETOR ASS'Y
 . JET, pilot
 . NOZZLE, main

5. Indication of No. of constituent parts for assembly

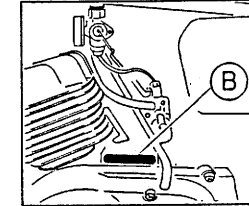
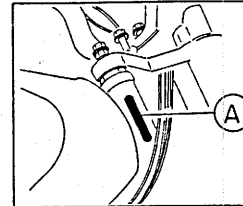
The numeral appearing to the right of each constituent part under the description indicates the quantity of such parts for each individual assembly unit.

EXAMPLE

Part No.	Description	Q'ty	Remarks
2F5-83310-60	FRONT FLASHER LIGHT ASS'Y	2	
115-83311-60	. BULB (6V-18W)	1	
1M1-83309-60	. REFLECTOR	1	

6. Initial Serial No. and Color Code

(A) Frame Serial No.	3XN-004101 and following
(B) Engine Serial No.	3XN-004101 and following



Color Code	Color Name	Abbreviate
63	BRILLIANT RED	BR
75	MARINE BLUE	MRB

7. Applicable colors of graphics are represented in the "Remarks" column by the letter(s) appropriately picked out of the full word(s) showing such colors.

EXAMPLE

Part No.	Description	Q'ty	Remarks
2N4-24110-00-X5	FUEL TANK COMP.	1	MAXIM RED
3J1-24240-10	. GRAPHIC, fuel tank set	1	for MXR

CONTENTS

ENGINE

Fig. 1	Cylinder	1
Fig. 2	Crankshaft. Piston	2
Fig. 3	Oil Pump	4
Fig. 4	Intake	5
Fig. 5	Carburetor	6
Fig. 6	Exhaust	8
Fig. 7	Crankcase	9
Fig. 8	Crankcase Cover 1	10
Fig. 9	Starter	11
Fig. 10	Clutch	12
Fig. 11	Transmission	13
Fig. 12	Shift Cam. Fork	14
Fig. 13	Shift Shaft	15

CHASSIS

Fig. 14	Frame	16
Fig. 15	Fender	17
Fig. 16	Side Cover	18
Fig. 17	Oil Tank	19
Fig. 18	Rear Arm. Suspension	20
Fig. 19	Steering	22
Fig. 20	Front Fork	23
Fig. 21	Fuel Tank	25
Fig. 22	Seat	26
Fig. 23	Front Wheel	27
Fig. 24	Rear Wheel	29
Fig. 25	Steering Handle. Cable	31
Fig. 26	Stand. Footrest	32
Fig. 27	Generator	33
Fig. 28	Flasher Light	34

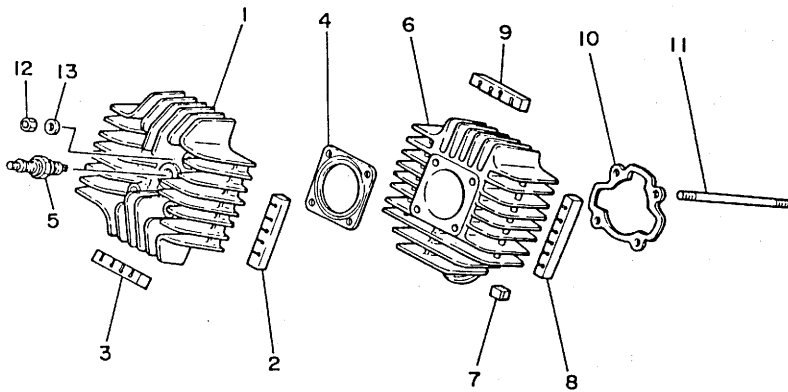
Fig. 29	Meter	35
Fig. 30	Headlight	36
Fig. 31	Taillight	37
Fig. 32	Handle Switch. Lever	38
Fig. 33	Electrical 1	39

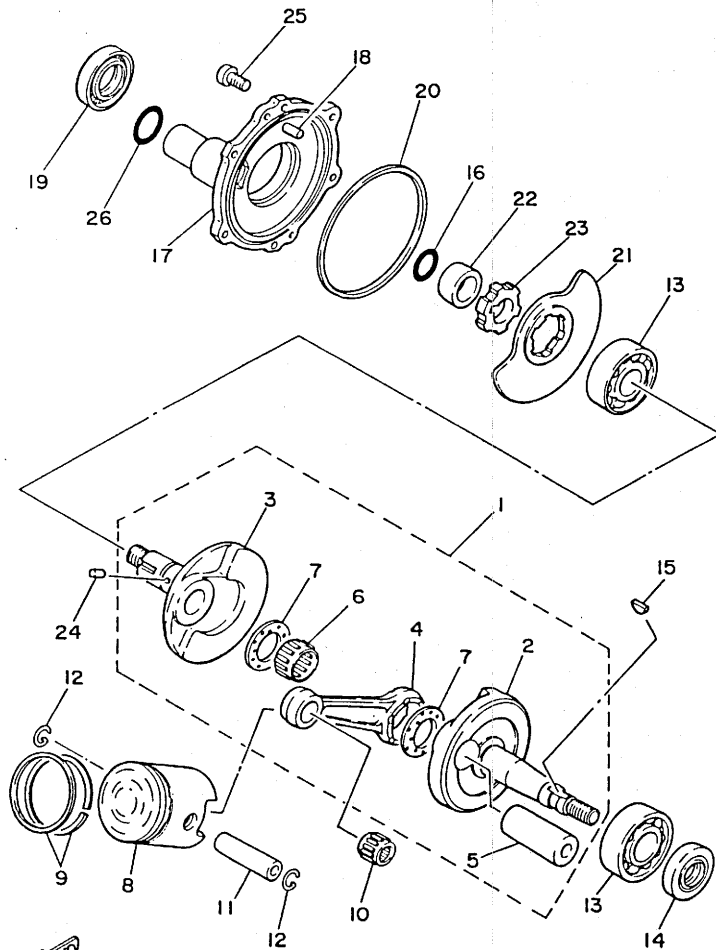
INDEX

Numerical Index

FIG. 1 CYLINDER

REF. NO.	PART NO.	DESCRIPTION	Q'TY	REMARKS
1	2N3-11111-00	HEAD, cylinder 1	1	
2	2N3-11127-00	ABSORBER 3	2	
3	2N3-11162-00	ABSORBER 2	2	
4	5E2-11181-00	GASKET, cylinder head 1	1	
5	94701-00108	PLUG, spark (NGK BP6HS)	1	
6	5E2-11311-00	CYLINDER 1	1	
7	1T9-11161-00	ABSORBER 1	4	
8	2N3-11161-00	ABSORBER 1	2	
9	2N3-11162-00	ABSORBER 2	1	
10	5E2-11351-00	GASKET, cylinder	1	
11	90116-07035	BOLT, stud	4	
12	90170-07019	NUT	4	
13	90201-07653	WASHER, plate	4	





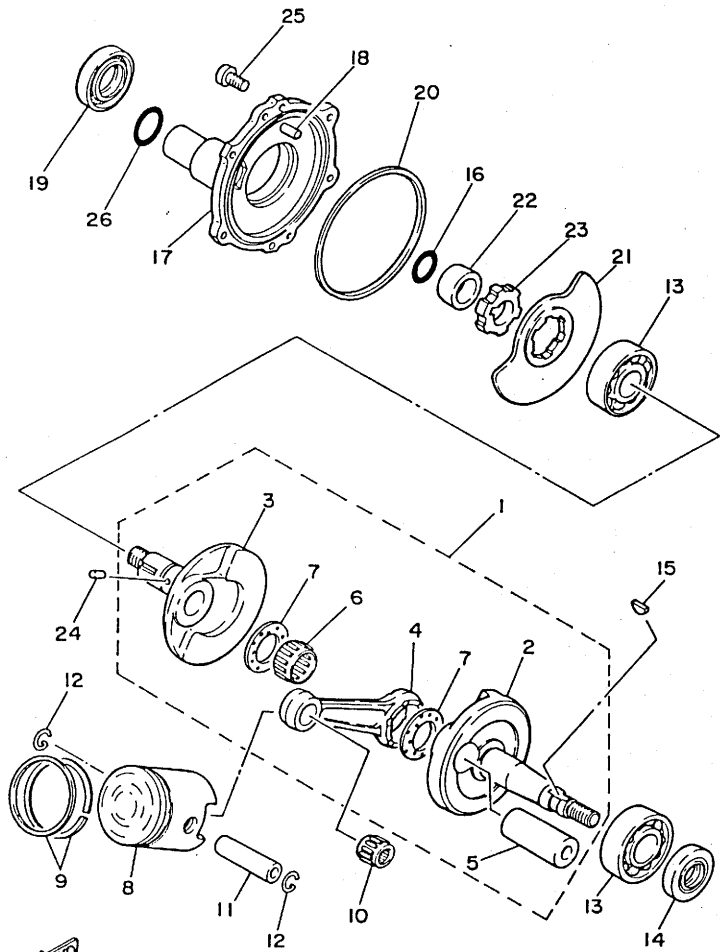
46U472-4021

FIG. 2 CRANKSHAFT. PISTON

REF. NO.	PART NO.	DESCRIPTION	Q'TY	REMARKS
1	5E2-11400-00	CRANKSHAFT ASSY	1	
2	2N3-11412-00	.CRANK 1	1	
3	2N3-11422-00	.CRANK 2	1	
4	1M7-11651-00	.ROD, connecting	1	
5	5E2-11681-00	.PIN, crank 1	1	
6	93310-422E7	.BEARING, cylindrical	1	
7	90209-22248	.WASHER	2	
8	5E2-11631-00-97	PISTON (STD)	1	
	5E2-11635-00	PISTON (0.25MM O/S)	1	AP
	5E2-11636-00	PISTON (0.50MM O/S)	1	AP
	5E2-11637-00	PISTON (0.75MM O/S)	1	AP
	5E2-11638-00	PISTON (1.00MM O/S)	1	AP
9	2N3-11601-00	PISTON RING SET (STD)	1	
	2N3-11601-10	PISTON RING SET (0.25MM O/S)	1	AP
	2N3-11601-20	PISTON RING SET (0.50MM O/S)	1	AP
	2N3-11601-30	PISTON RING SET (0.75MM O/S)	1	AP
	2N3-11601-40	PISTON RING SET (1.00MM O/S)	1	AP
10	93310-21403	BEARING, cylindrical	1	UR TOMSON
	93310-214F8	BEARING, cylindrical	1	UR KOYO
11	131-11633-00	PIN, piston	1	
12	93450-15023	CIRCLIP	2	
13	93306-30421	BEARING (B6304C3)	2	
14	93102-20231	OIL SEAL	1	
15	90280-03017	KEY, woodruff	1	
16	93210-18023	O-RING	1	
17	2N3-13551-00	COVER, valve	1	
18	93604-14012	PIN, dowel	2	
19	93103-28012	OIL SEAL	1	

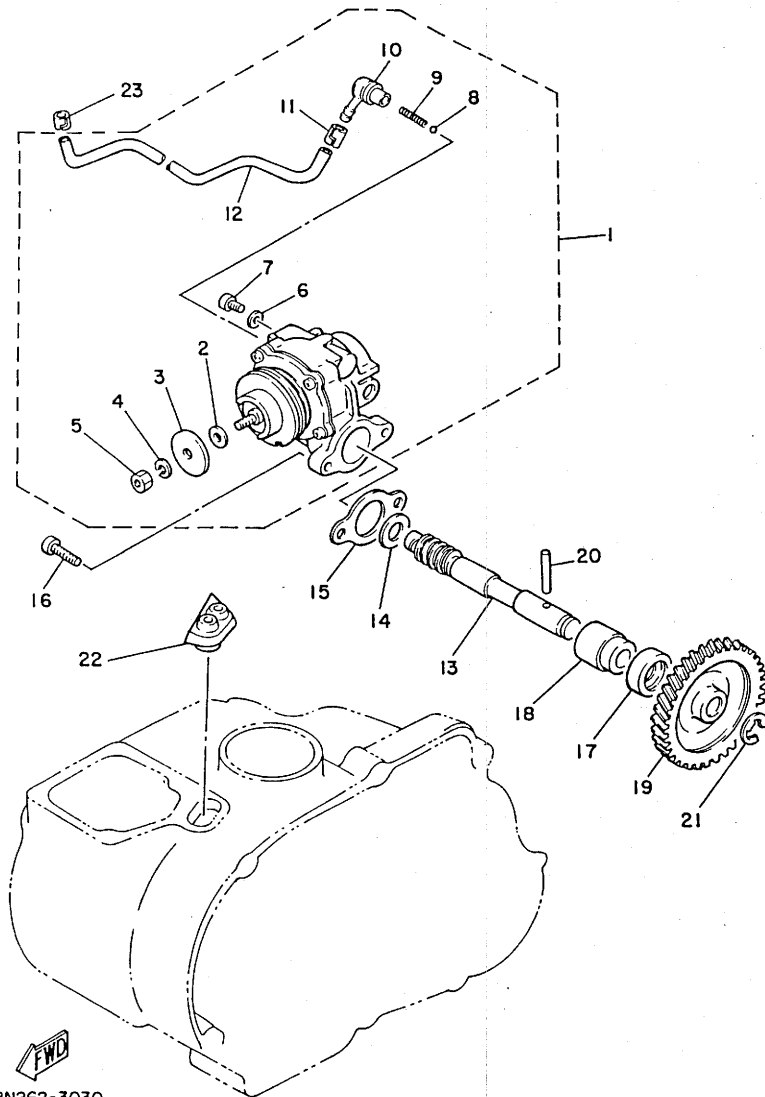
FIG. 2 CRANKSHAFT. PISTON

REF. NO.	PART NO.	DESCRIPTION	Q'TY	REMARKS
20	180-13554-00	RING, rubber	1	
21	2N3-13512-01	VALVE, rotary	1	
22	90387-204E7	COLLAR	1	
23	2N3-13515-00	COLLAR, valve	1	
24	93604-10011	PIN, dowel	1	
25	98501-06014	SCREW, pan head	6	
26	93210-26033	O-RING	1	



46U472-4021

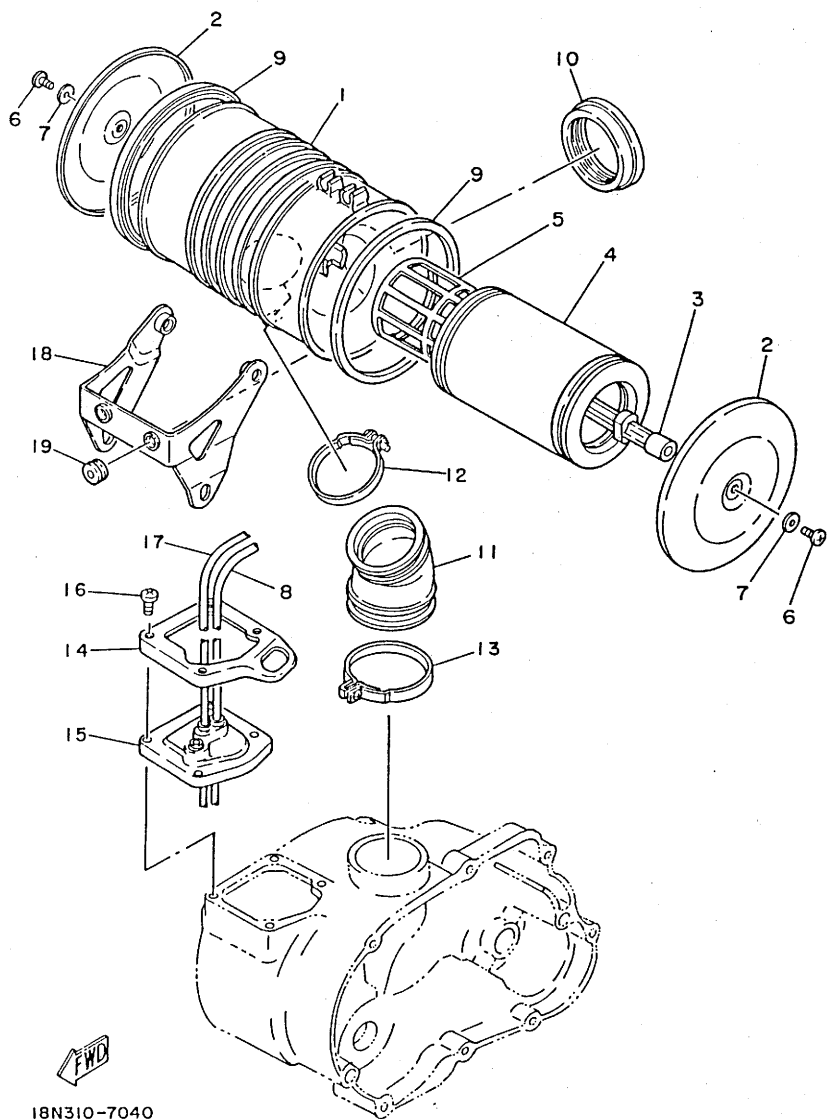
FIG. 3 OIL PUMP



REF. NO.	PART NO.	DESCRIPTION	Q'TY	REMARKS
1	5E2-13101-00	OIL PUMP ASSY	1	
2	137-13137-00-03	.SHIM (0.3T)	1	UR
	137-13137-00-05	.SHIM (0.5T)	1	UR
	137-13137-00-10	.SHIM (1.0T)	1	UR
3	137-13138-01	.PLATE, adjusting	1	
4	92901-05100	.WASHER, spring	1	
5	95303-05600	.NUT	1	
6	90430-04004	.GASKET	1	
7	98901-04008	.SCREW, bind	1	
8	93505-32002	.BALL	1	
9	90501-02018	.SPRING, compression	1	
10	353-13552-01	.NOZZLE	1	
11	90468-02033	.CLIP	1	
12	90445-05024	.HOSE	1	
13	166-13175-01	SHAFT, worm	1	
14	90201-08624	WASHER, plate	1	
15	8Y0-13116-01	GASKET, pump case	1	
16	98501-05016	SCREW, pan head	2	
17	93101-10002	OIL SEAL	1	
18	1E7-13176-00	METAL, worm shaft outer	1	
19	126-13178-00	GEAR, pump drive (34T)	1	
20	93603-22028	PIN, dowel	1	
21	99001-08600	CIRCLIP	1	
22	2N3-13174-00	HOLDER, oil pipe	1	
23	90468-02033	CLIP	1	

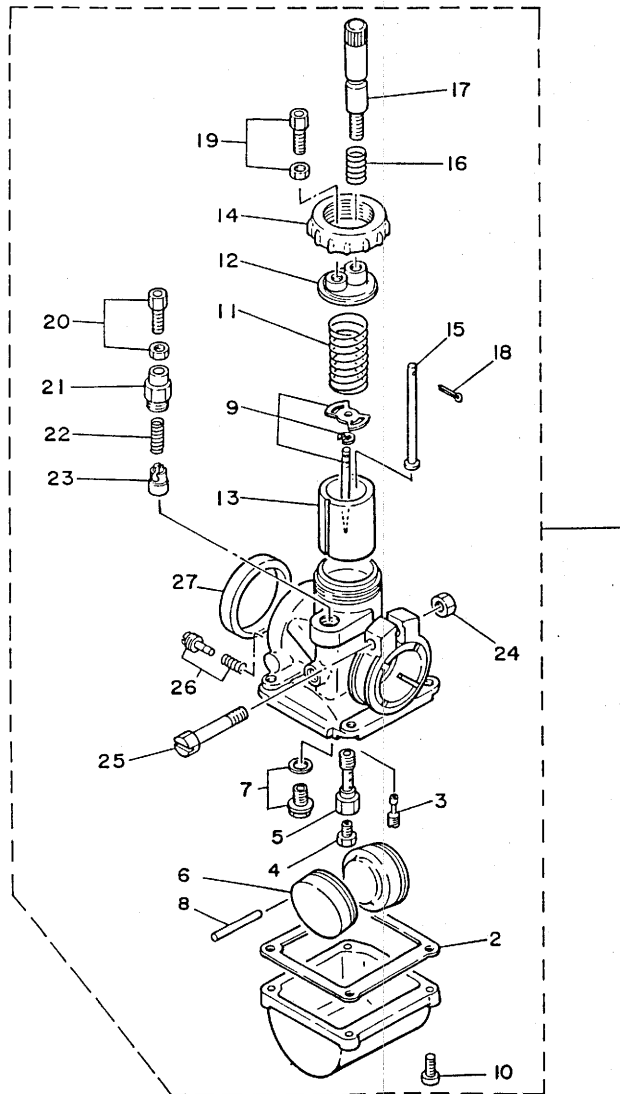
FIG. 4 INTAKE

REF. NO.	PART NO.	DESCRIPTION	Q'TY	REMARKS
1	2N3-14411-00	CASE, air cleaner 1	1	
2	2N3-14412-00	CAP, cleaner case 1	2	
3	2N3-14493-00	STAY 1	1	
4	2U0-14451-00	ELEMENT, air cleaner	1	
5	2U0-14458-00	GUIDE	1	
6	98903-06010	SCREW, bind	2	
7	90430-06017	GASKET	2	
8	90445-07382	HOSE	1	
9	2N3-14476-01	SEAL	2	
10	2N3-14454-00	JOINT	1	
11	2N3-14453-00	JOINT, air cleaner 1	1	
12	90460-53140	CLAMP, hose	1	
13	90460-58141	CLAMP, hose	1	
14	2N3-14482-00	PLATE, carburetor cap	1	
15	2N3-14481-00	CAP, carburetor	1	
16	98501-05018	SCREW, pan head	4	
17	90445-05381	HOSE	1	
18	2N3-14498-00	STAY 1	1	
19	90480-10091	GROMMET	2	



18N310-7040

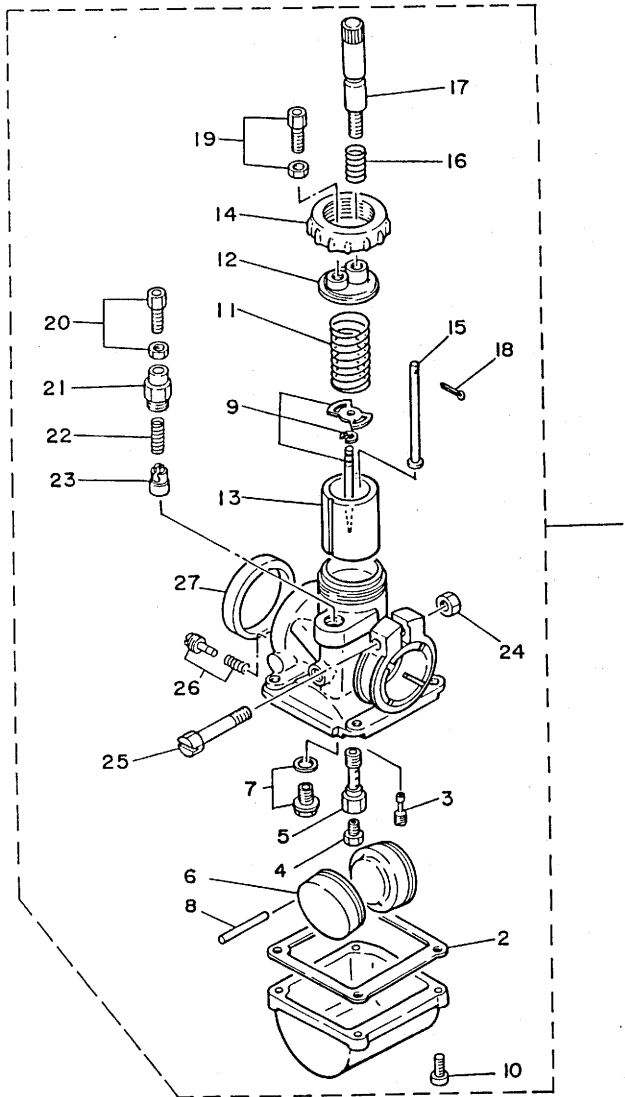
FIG. 5 CARBURETOR



REF. NO.	PART NO.	DESCRIPTION	Q'TY	REMARKS
1	35Y-14101-00	CARBURETOR ASSY 1	1	
2	164-14184-00	.GASKET, float chamber	1	
3	193-14142-20	.JET, pilot (#20)	1	
4	137-14143-30	.JET, main (#150)	1	UR STD
	137-14143-29-A0	.JET, main (#145)	1	UR
	137-14143-31	.JET, main (#155)	1	UR
5	2N3-14141-36	.NOZZLE, main	1	
6	205-14185-00	.FLOAT	1	
7	31J-14107-00	.NEEDLE VALVE SET	1	
8	127-14186-00	.PIN, float	1	
9	35Y-1490J-00	.NEEDLE SET	1	
10	98511-04012	.SCREW, pan head	4	
11	3X3-14131-00	.SPRING, throttle valve	1	
12	137-14158-00	.TOP, mixing chamber	1	
13	205-14112-30	.VALVE, throttle 1	1	
14	227-14168-00	.CAP, mixing chamber	1	
15	283-14114-00	.BAR, throttle	1	
16	127-14133-00	.SPRING, throttle stop	1	
17	5E2-14121-00	.SCREW, throttle stop	1	
18	91401-12010	.PIN, cotter	1	
19	35Y-14106-00	.CABLE ADJUST SCREW SET	1	
20	35Y-1410A-00	.STARTER SET	1	
21	127-14174-00	.CAP, plunger	1	
22	127-14135-00	.SPRING, plunger	1	
23	58E-14171-00	.PLUNGER, starter	1	
24	95303-06600	.NUT	1	
25	137-14125-00	.SCREW	1	
26	35Y-14104-00	.AIR SCREW SET	1	



FIG. 5 CARBURETOR



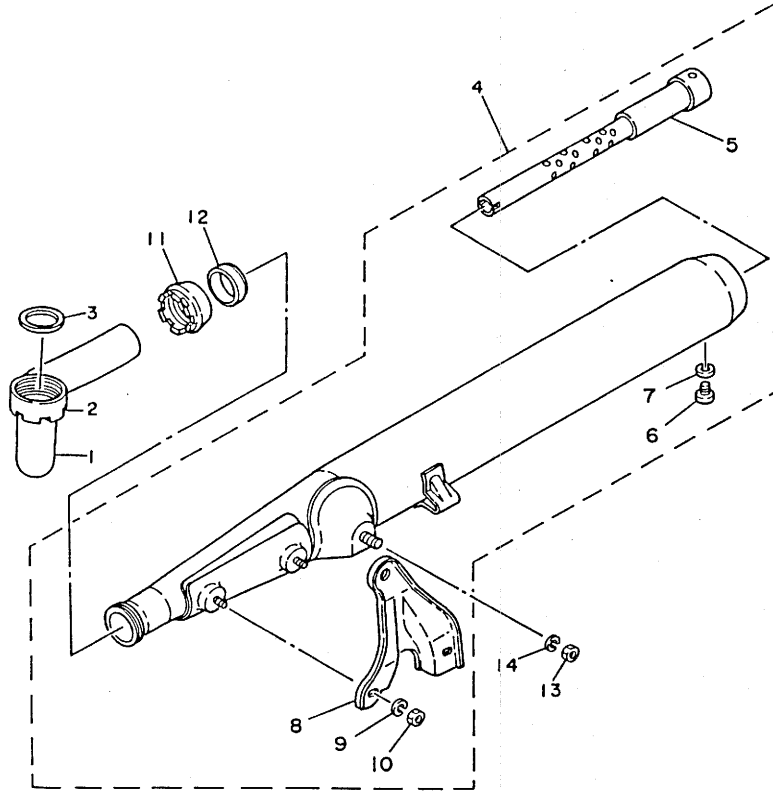
REF. NO.	PART NO.	DESCRIPTION	Q'TY	REMARKS
27	2N3-14239-00	.SEAL	1	



37R472-3050

FIG. 6 EXHAUST

REF. NO.	PART NO.	DESCRIPTION	Q'TY	REMARKS
1	2N3-14611-00	PIPE, exhaust 1	1	
2	1L4-14612-00	NUT, ring	1	
3	132-14613-00	GASKET, exhaust pipe	1	
4	3XN-14710-00	MUFFLER ASSY 1	1	
5	2N3-14753-00	.SILENCER, exhaust	1	
6	98501-05008	.SCREW, pan head	1	
7	92901-05100	.WASHER, spring	1	
8	3FU-14781-00	.STAY, muffler 2	1	
9	92990-06100	.WASHER, spring	2	
10	95303-06600	.NUT	2	
11	1J2-14713-00	NUT, muffler joint	1	
12	46U-14714-00	GASKET, muffler	1	
13	95303-08600	NUT	1	
14	92990-08100	WASHER, spring	1	



3FU471-8060

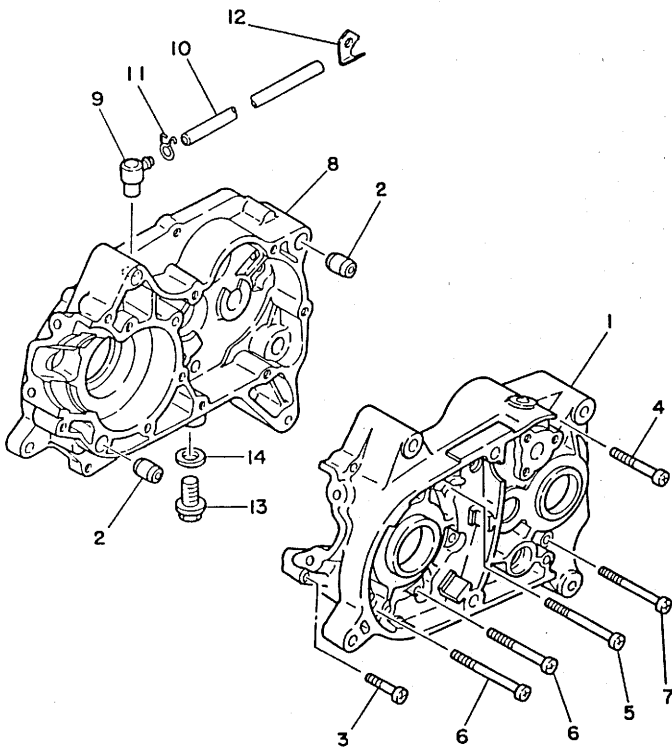


FIG. 7 CRANKCASE

REF. NO.	PART NO.	DESCRIPTION	Q'TY	REMARKS
1	5E2-15111-00	CRANKCASE 1	1	
2	99510-12016	PIN, dowel	2	
3	98501-06030	SCREW, pan head	2	
4	98501-06040	SCREW, pan head	1	
5	98501-06065	SCREW, pan head	1	
6	98501-06050	SCREW, pan head	5	
7	98501-06060	SCREW, pan head	3	
8	5E2-15121-00	CRANKCASE 2	1	
9	583-15371-00	BREATHER	1	
10	90446-07228	HOSE	1	
11	90467-06016	CLIP	1	
12	90465-06278	CLAMP	1	
13	90340-12005	PLUG, straight screw	1	
14	90430-12038	GASKET	1	



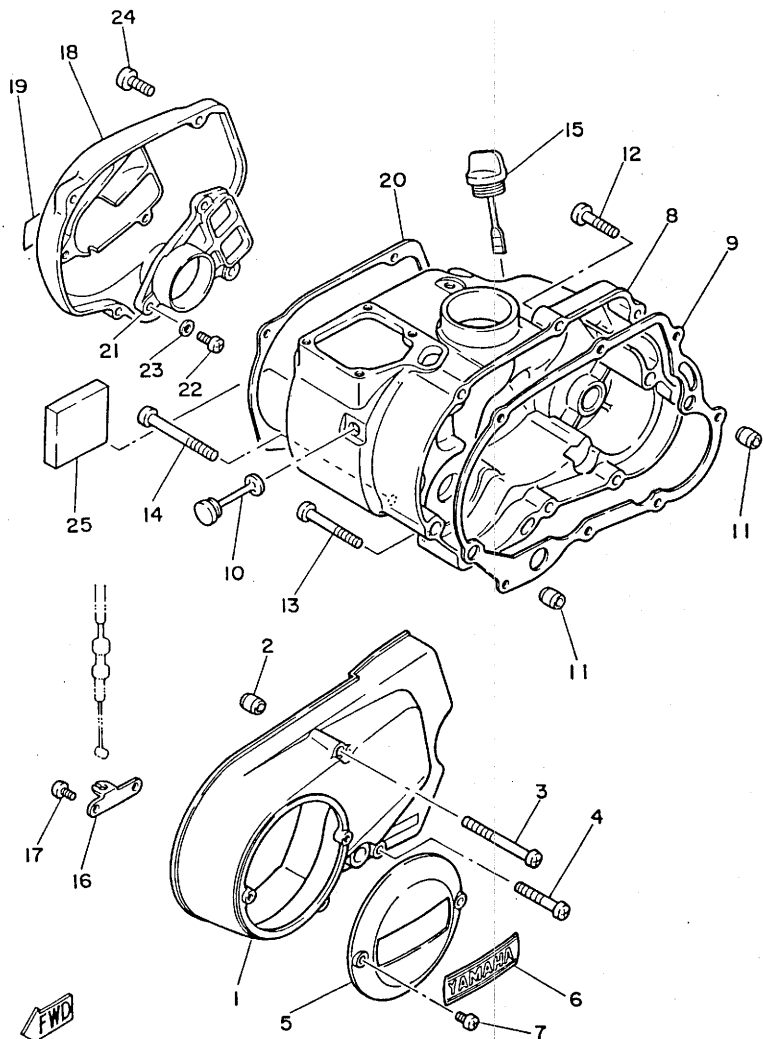
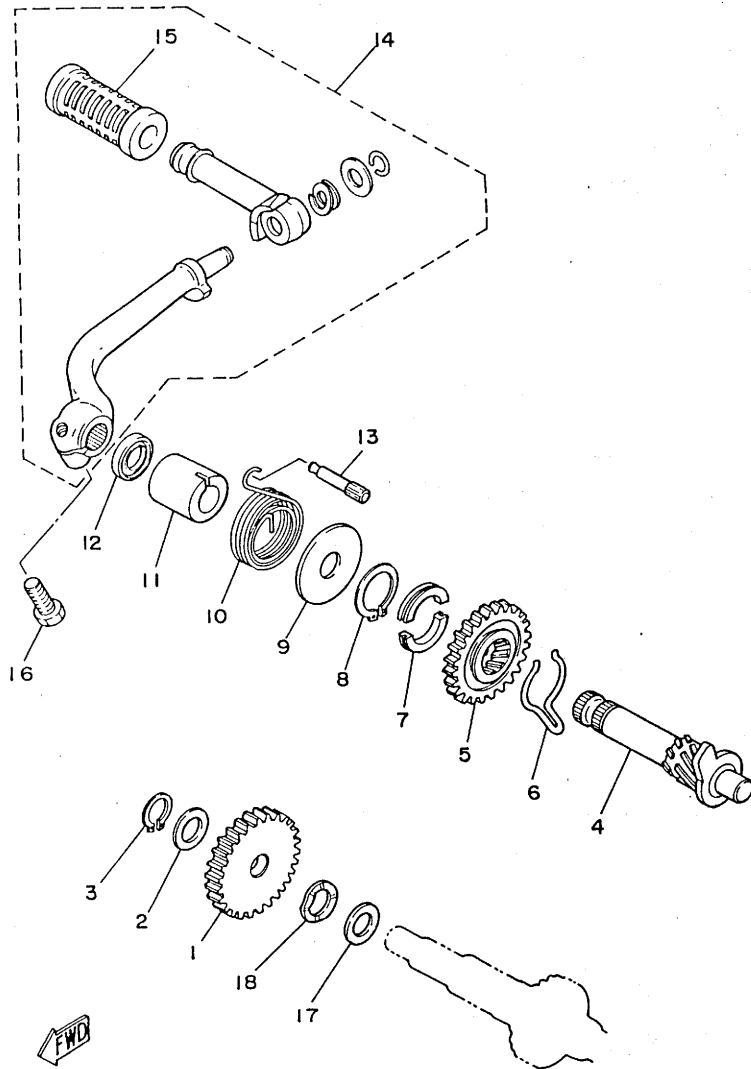


FIG. 8 CRANKCASE COVER 1

REF. NO.	PART NO.	DESCRIPTION	Q'TY	REMARKS
1	2N3-15411-00	COVER, crankcase 1	1	
2	99530-10014	PIN, dowel	2	
3	98501-06065	SCREW, pan head	1	
4	98501-06040	SCREW, pan head	1	
5	2N3-15415-01	COVER, generator	1	
6	2N3-15435-00	EMBLEM	1	
7	98501-05006	SCREW, pan head	2	
8	2N3-15421-00	COVER, crankcase 2	1	
9	164-15451-00	GASKET, crankcase cover 1	1	
10	2N3-15486-00	GROMMET	1	
11	99530-10014	PIN, dowel	2	
12	98501-06030	SCREW, pan head	6	
13	98501-06050	SCREW, pan head	1	
14	98501-06065	SCREW, pan head	1	
15	180-15362-00	PLUG, oil level	1	
16	2N3-26381-00	HOLDER, adjusting	1	
17	98501-05010	SCREW, pan head	2	
18	2N3-15413-01	COVER, carburetor	1	
19	2N3-15435-00	EMBLEM	1	
20	2N3-15453-00	GASKET, carburetor cover	1	
21	2N3-14479-00	FUNNEL	1	
22	98501-05012	SCREW, pan head	3	
23	92901-05600	WASHER, plate	3	
24	98501-06020	SCREW, pan head	1	
25	2N3-15433-00	CLEANER, drain	1	

FIG. 9 STARTER

REF. NO.	PART NO.	DESCRIPTION	Q'TY	REMARKS
1	254-15651-00	GEAR, kick idle (26T)	1	
2	132-15653-00-10	WASHER	1	
3	99009-13400	CIRCLIP	1	
4	2N3-15660-00	KICK AXLE ASSY	1	
5	305-15641-00	GEAR, kick (26T)	1	
6	90468-26048	CLIP	1	
7	248-15654-00	HOLDER, kick gear	2	
8	99009-30400	CIRCLIP	1	
9	401-15676-00	COVER, spring	1	
10	90508-26041	SPRING, torsion	1	
11	2N3-15666-00	SPACER	1	
12	93101-17062	OIL SEAL	1	
13	1M1-15668-01	STOPPER	1	
14	10R-15620-00	KICK CRANK ASSY	1	
15	156-15618-01	.COVER, kick lever	1	
16	98011-08025	BOLT	1	
17	90201-13202	WASHER, plate	1	
18	90206-15021	WASHER, wave	1	



37R472-3092

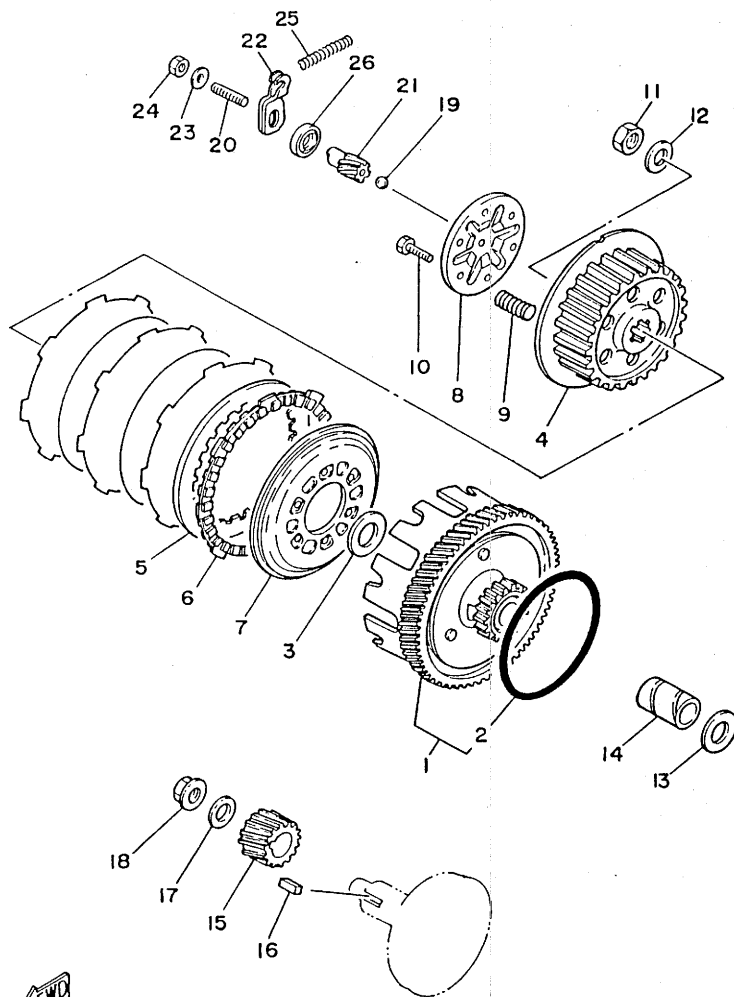


FIG. 10 CLUTCH

REF. NO.	PART NO.	DESCRIPTION	Q'TY	REMARKS
1	5E2-16150-01	PRIMARY DRIVEN GEAR COMP.	1	
2	93210-85075	.O-RING	1	
3	90201-17558	WASHER, plate	1	
4	164-16371-02	BOSS, clutch	1	
5	131-16324-00	PLATE, clutch 1	3	
6	131-16321-00	PLATE, friction	4	
7	131-16352-01	PLATE, pressure 2	1	
8	122-16351-90	PLATE, pressure 1	1	
9	90501-20126	SPRING, compression	6	
10	90153-05024	SCREW, hexagon	6	
11	90170-12060	NUT	1	
12	90208-12015	WASHER, conical spring	1	
13	90201-17558	WASHER, plate	1	
14	90560-17147	SPACER	1	
15	5E2-16111-00	GEAR, primary drive	1	
16	90282-05005	KEY, straight	1	
17	90208-12015	WASHER, conical spring	1	
18	90179-12244	NUT	1	
19	93501-04011	BALL	1	
20	90113-06012	BOLT, set	1	
21	2N3-16341-00	SCREW, push	1	
22	2N3-16342-00	LEVER, push	1	
23	92901-06200	WASHER, plain	1	
24	95303-06700	NUT	1	
25	90501-08511	SPRING, compression	1	
26	93104-10085	OIL SEAL	1	

FIG. 11 TRANSMISSION

REF. NO.	PART NO.	DESCRIPTION	Q'TY	REMARKS
1	5E2-17411-00	AXLE, main (13T)	1	
2	164-17121-00	GEAR, 2nd pinion (18T)	1	
3	164-17131-01	GEAR, 3rd pinion (23T)	1	
4	254-17141-00	GEAR, 4th pinion (27T)	1	
5	90201-20266	WASHER, plate (1.0T)	1	
6	93410-20038	CIRCLIP	1	
7	93306-30301	BEARING (B6303)	1	
8	93440-15012	CIRCLIP	1	
9	257-17471-01	PLATE, cover	1	
10	98501-06012	SCREW, pan head	2	
11	93317-31528	BEARING, cylindrical	1	
12	5E2-17420-01	DRIVE AXLE ASSY	1	
13	164-17241-00	.GEAR, 4th wheel (26T)	1	
14	164-17211-01	GEAR, 1st wheel (40T)	1	
15	5E2-17221-00	GEAR, 2nd wheel (34T)	1	
16	164-17231-00	GEAR, 3rd wheel (30T)	1	
17	90201-20266	WASHER, plate (1.0T)	1	
18	93410-20038	CIRCLIP	1	
19	164-17427-00-10	SHIM 1 (1.0T)	1	
20	93315-31502	BEARING, cylindrical	1	
21	93306-30435	BEARING (6304-9)	1	
22	90387-20491	COLLAR	1	
23	93102-26042	OIL SEAL	1	
24	93812-15063	SPROCKET,drive 15t (5171746152)	1	
25	90215-16020	WASHER, lock	1	
26	90179-16018	NUT	1	

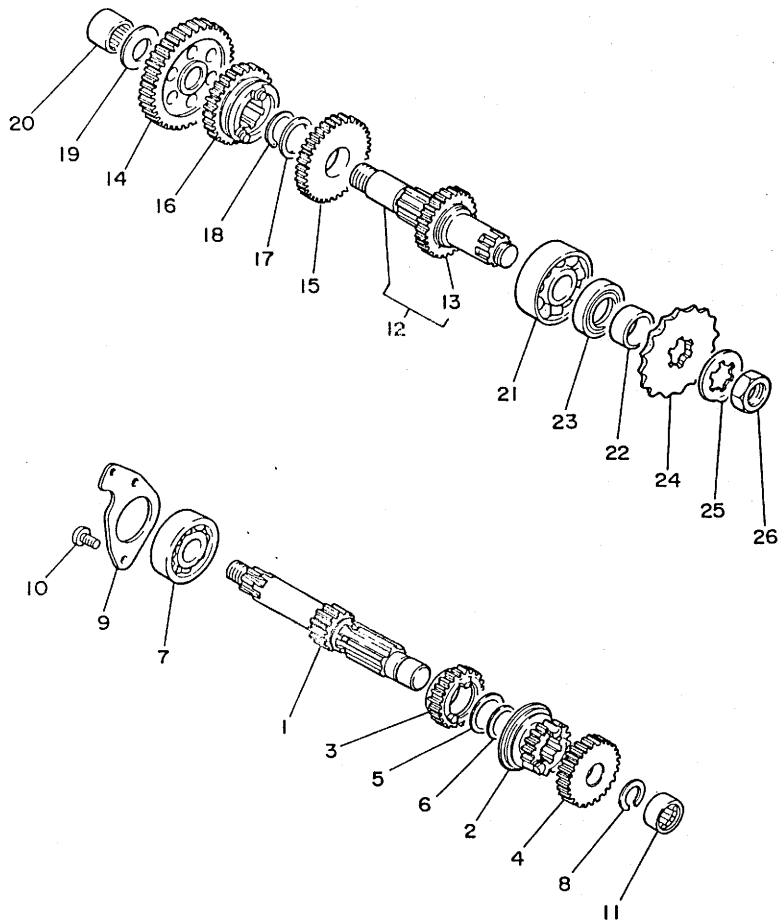
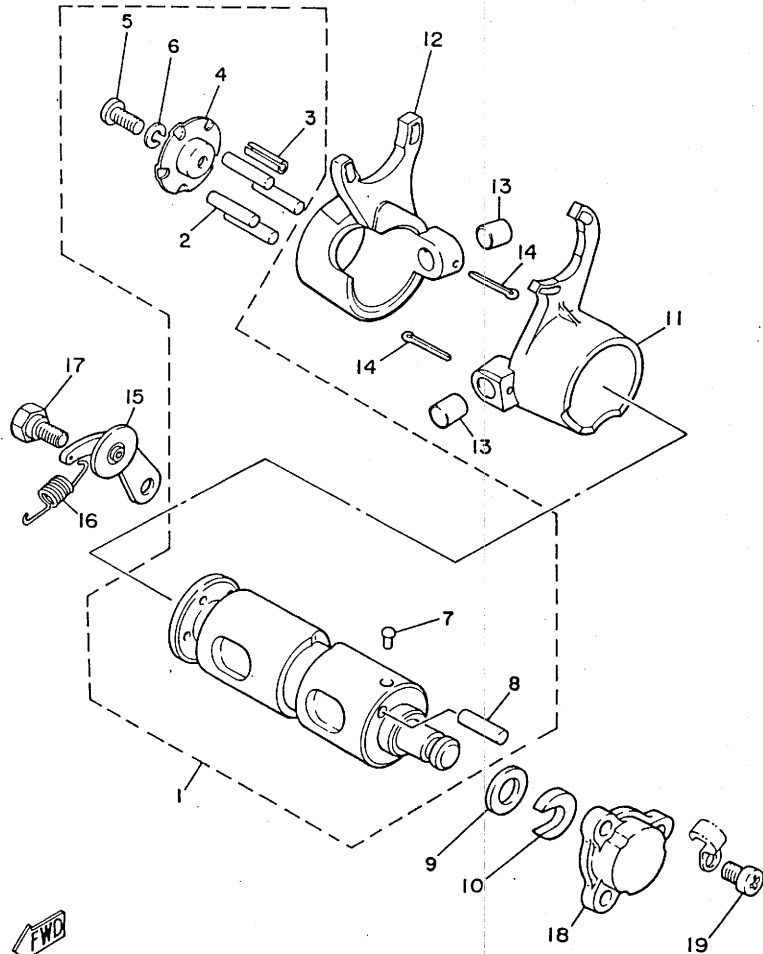
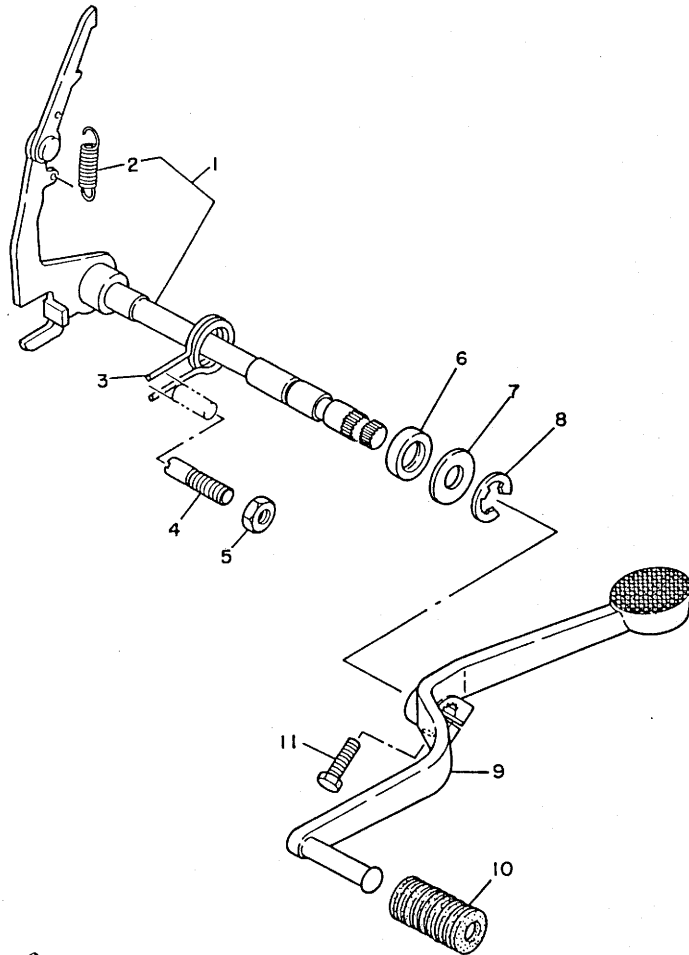


FIG. 12 SHIFT CAM. FORK



REF. NO.	PART NO.	DESCRIPTION	Q'TY	REMARKS
1	5E2-18540-00	SHIFT CAM ASSY	1	
2	93604-22050	.PIN, dowel	4	
3	91609-40016	.PIN, spring	1	
4	164-18561-00	.PLATE, side 1	1	
5	98501-05012	.SCREW, pan head	1	
6	92901-05100	.WASHER, spring	1	
7	136-18542-00	.POINT, neutral	1	
8	93605-20043	.PIN, dowel	1	
9	90201-12166	WASHER, plate	1	
10	164-18571-01	HOLDER, shift cam	1	
11	5E2-18511-00	FORK, shift 1	1	
12	5E2-18512-00	FORK, shift 2	1	
13	90250-06013	PIN, straight	2	
14	91401-25020	PIN, cotter	2	
15	132-18140-01	STOPPER LEVER ASSY	1	
16	90506-08183	SPRING, tension	1	
17	90109-063F6	BOLT	1	
18	164-18589-00	PLUG, blind	1	
19	98501-06010	SCREW, pan head	3	

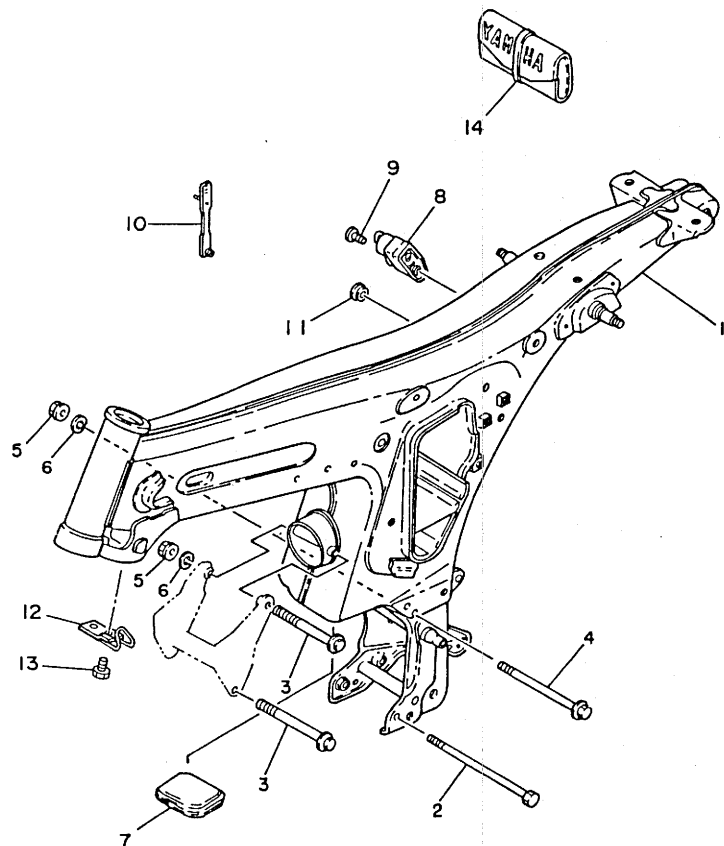
FIG. 13 SHIFT SHAFT



REF. NO.	PART NO.	DESCRIPTION	Q'TY	REMARKS
1	164-18101-03	SHIFT SHAFT ASSY	1	
2	90506-09009	.SPRING, tension	1	
3	90508-32054	SPRING, torsion	1	WHITE
4	90149-08094	SCREW	1	
5	95303-08600	NUT	1	
6	93102-12106	OIL SEAL (SD 12-22-5 HS)	1	
7	90201-12575	WASHER, plate	1	
8	99006-10600	CIRCLIP	1	
9	164-18111-01	PEDAL, shift	1	
10	132-18113-01	COVER, shift pedal	1	
11	98021-06020	BOLT	1	



FIG. 14 FRAME

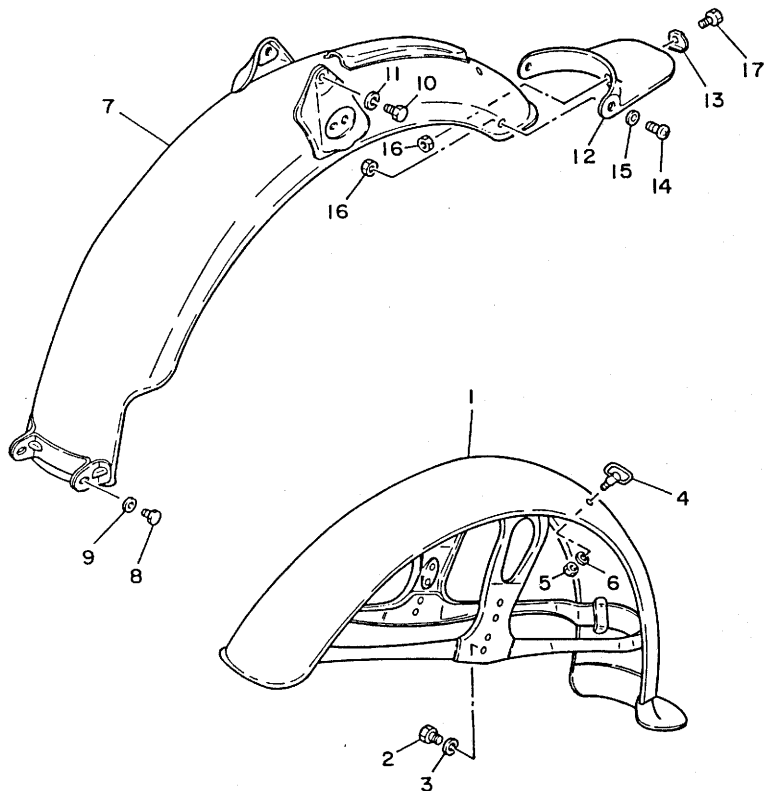


REF. NO.	PART NO.	DESCRIPTION	Q'TY	REMARKS
1	58V-21110-00-63	FRAME COMP.	1	UR BRILLIANT RED
	58V-21110-00-75	FRAME COMP.	1	UR MARINE BLUE
2	90101-08286	BOLT	1	
3	95821-08100	BOLT, flange	2	
4	95811-08120	BOLT, flange	1	
5	95701-08500	NUT, flange	3	
6	92990-08100	WASHER, spring	3	
7	2N3-21268-00	SEAL	1	
8	26H-21308-00	HELMET HANGER ASSY	1	
9	98701-06030	SCREW, flat head	1	
10	41G-21362-00	HOLDER, high tension cord	1	
11	90480-13017	GROMMET	1	
12	3VK-21164-00	HOLDER, cable	1	
13	97026-08012	BOLT	2	
14	3X2-28100-00	TOOL KIT	1	



FIG. 15 FENDER

REF. NO.	PART NO.	DESCRIPTION	Q'TY	REMARKS
1	357-21510-00-93	FRONT FENDER COMP.	1	CHROME PLATED
2	97313-08012	BOLT	4	
3	92990-08100	WASHER, spring	4	
4	174-21518-00	HOLDER, cable	1	
5	95303-06600	NUT	1	
6	92990-06100	WASHER, spring	1	
7	4W8-21610-00-93	REAR FENDER COMP.	1	CHROME PLATED
8	97313-06016	BOLT	2	
9	92901-06600	WASHER, plate	2	
10	97313-08016	BOLT	2	
11	92990-08100	WASHER, spring	2	
12	164-21621-00	FLAP	1	
13	164-21623-00	PLATE, flap fitting 1	1	
14	92501-06014	SCREW, pan head	2	
15	92901-06600	WASHER, plate	2	
16	95303-06600	NUT	3	
17	97313-06016	BOLT	1	



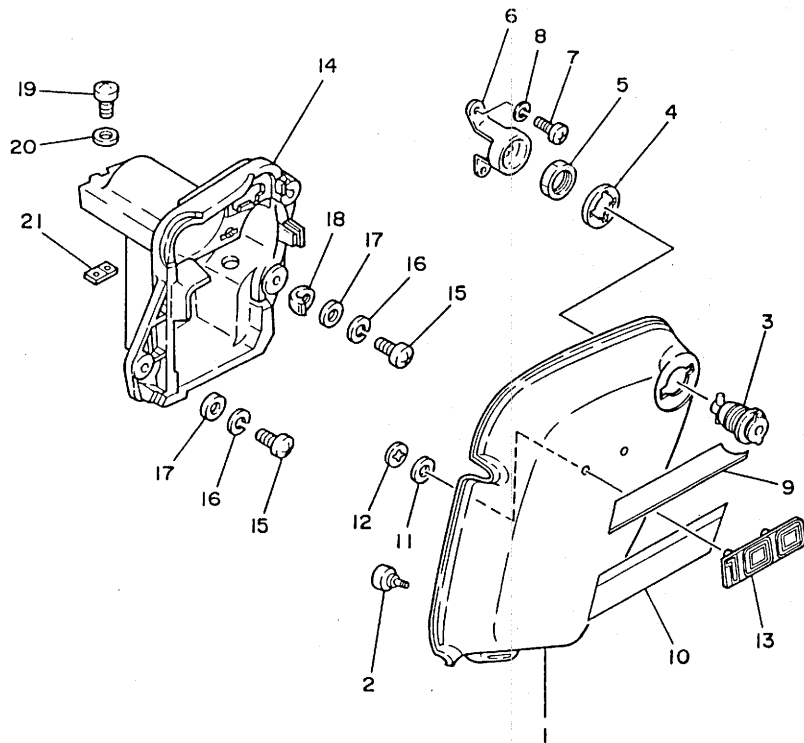


FIG. 16 SIDE COVER

REF. NO.	PART NO.	DESCRIPTION	Q'TY	REMARKS
1	10R-21711-10-63	COVER, side 1	1	UR BRILLIANT RED
	10R-21711-10-75	COVER, side 1	1	UR MARINE BLUE
2	141-21717-00	DAMPER, side cover	2	
3	46U-21708-00	SIDE COVER LOCK ASSY	1	
4	32M-21749-00	COLLAR	1	
5	90170-22187	NUT	1	
6	46U-2175H-00	STAY, lock	1	
7	98501-06010	SCREW, pan head	2	
8	92990-06100	WASHER, spring	2	
9	3VK-2173E-00	GRAPHIC 1	1	UR FOR RED
	3VK-2173E-20	GRAPHIC 1	1	UR FOR BLUE
10	3VK-2174G-00	GRAPHIC 3	1	UR FOR RED
	3VK-2174G-20	GRAPHIC 3	1	UR FOR BLUE
11	90202-04003	WASHER, plate	2	
12	90183-04005	NUT, spring	2	
13	359-21786-00	EMBLEM 6	1	
14	4W8-21171-00	BOX, tool	1	
15	98501-06025	SCREW, pan head	3	
16	92990-06100	WASHER, spring	3	
17	90201-065F3	WASHER, plate	2	
18	2N3-21365-00	HOOK, battery band	1	
19	98503-05025	SCREW, pan head	1	
20	92990-05200	WASHER, plain	1	
21	90183-05017	NUT, spring	1	



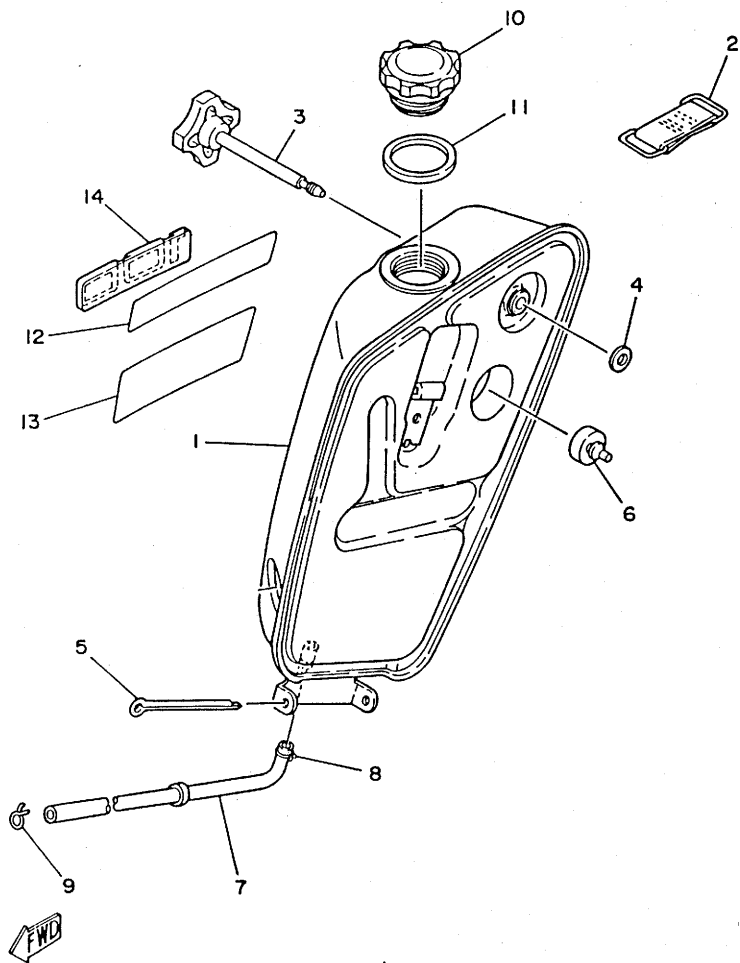
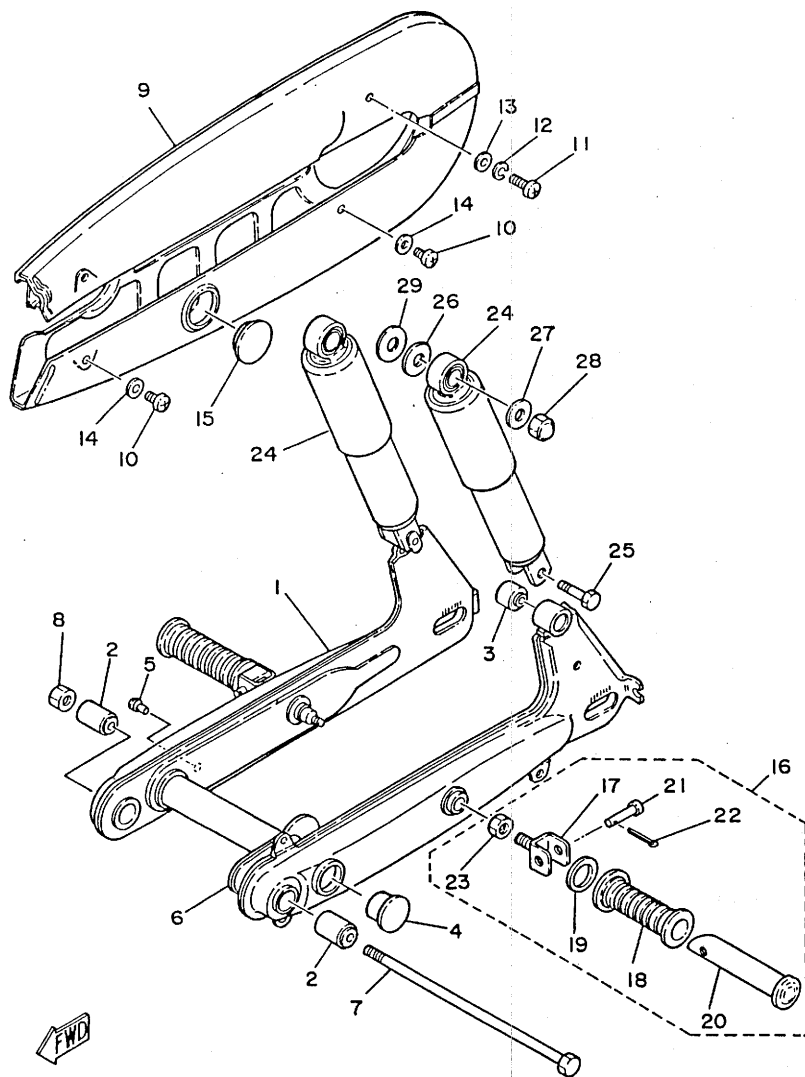


FIG. 17 OIL TANK

REF. NO.	PART NO.	DESCRIPTION	Q'TY	REMARKS
1	355-21751-10-63	TANK, oil	1	UR BRILLIANT RED
	355-21751-10-75	TANK, oil	1	UR MARINE BLUE
2	164-21776-00	BAND, tank fitting	1	
3	209-21724-00	KNOB, side cover 2	1	
4	90179-06034	NUT	1	
5	91401-50085	PIN, cotter	1	
6	164-21778-00	DAMPER, locating 1	2	
7	132-24319-01	PIPE, oil	1	
8	90467-08003	CLIP	1	
9	90467-08003	CLIP	1	
10	183-21770-12	OIL TANK CAP ASSY	1	
11	90430-29114	GASKET	1	
12	3VK-2173F-00	GRAPHIC 2	1	UR FOR RED
	3VK-2173F-20	GRAPHIC 2	1	UR FOR BLUE
13	3VK-2174H-00	GRAPHIC 4	1	UR FOR RED
	3VK-2174H-20	GRAPHIC 4	1	UR FOR BLUE
14	359-21787-00	EMBLEM 7	1	

3VK1656-0170



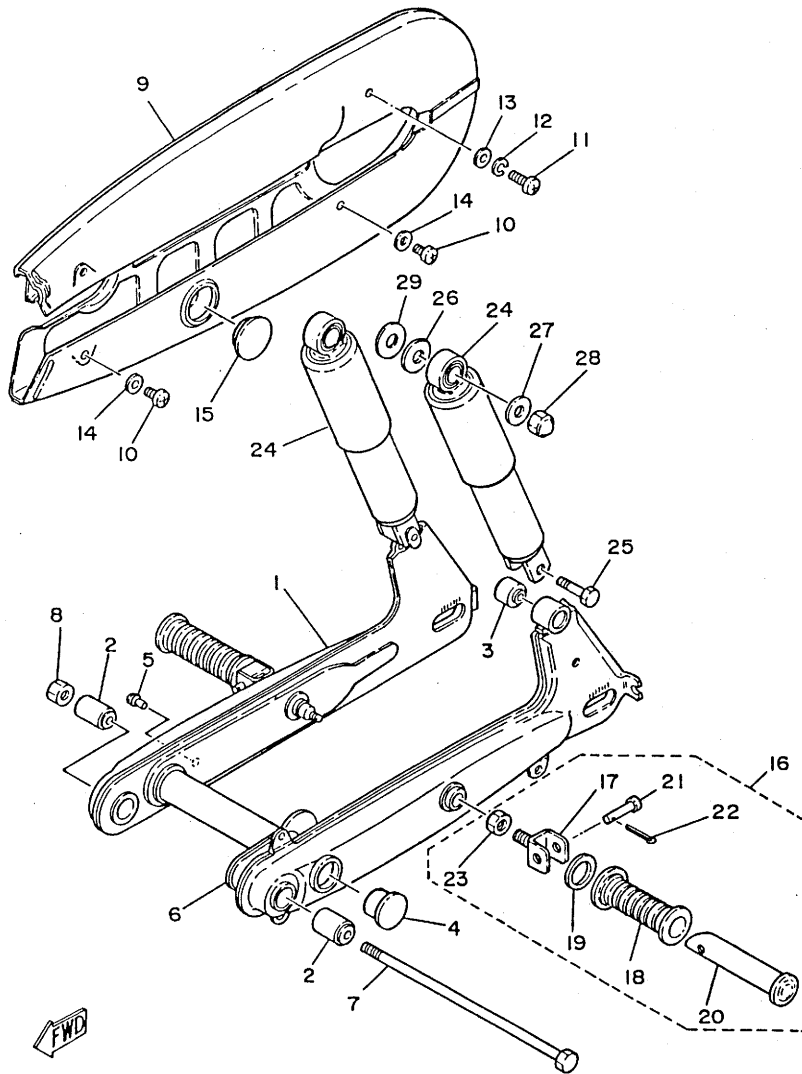
1KU521-5180

FIG. 18 REAR ARM. SUSPENSION

REF. NO.	PART NO.	DESCRIPTION	Q'TY	REMARKS
1	164-22110-04-63	REAR ARM COMP.	1	UR BRILLIANT RED
	164-22110-04-75	REAR ARM COMP.	1	UR MARINE BLUE
2	102-22123-00	BUSH 1	2	
3	164-22216-00	BUSH, rear shock absorber	2	
4	180-22117-00	CAP	2	
5	90338-04010	PLUG	1	
6	296-22151-01	SEAL, guard	1	
7	486-22141-00	SHAFT, pivot	1	
8	90185-10060	NUT, self-locking	1	
9	164-22310-02-35	CHAIN CASE ASSY	1	SILVER
10	90157-05003	SCREW, pan head	3	
11	98501-05016	SCREW, pan head	1	
12	92901-05100	WASHER, spring	1	
13	92901-05600	WASHER, plate	1	
14	92990-05200	WASHER, plain	3	
15	148-22315-00	CAP	1	
16	120-27430-02	REAR FOOTREST ASSY 1	2	
17	120-27432-02	.BRACKET 1	1	
18	120-27433-00	.COVER, rear footrest	1	
19	90201-20279	.WASHER, plate	1	
20	120-27431-00	.FOOTREST, rear 1	1	
21	90240-06052	.PIN, clevis	1	
22	91401-16015	.PIN, cotter	1	
23	95311-12700	.NUT	1	
24	37R-22210-00-63	SHOCK ABSORBER ASSY, rear	2	UR BRILLIANT RED
	37R-22210-00-75	SHOCK ABSORBER ASSY, rear	2	UR MARINE BLUE
25	90106-08027	BOLT	2	
26	90201-14218	WASHER, plate	2	

FIG. 18 REAR ARM. SUSPENSION

REF. NO.	PART NO.	DESCRIPTION	Q'TY	REMARKS
27	90201-106F2	WASHER, plate	4	
28	90176-10013	NUT, crown	2	
29	90201-10131	WASHER, plate	2	



IKU521-5180

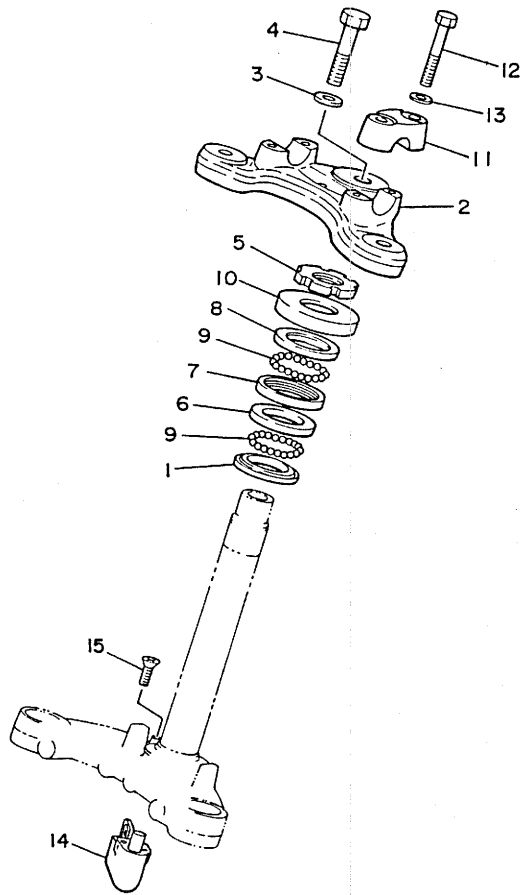


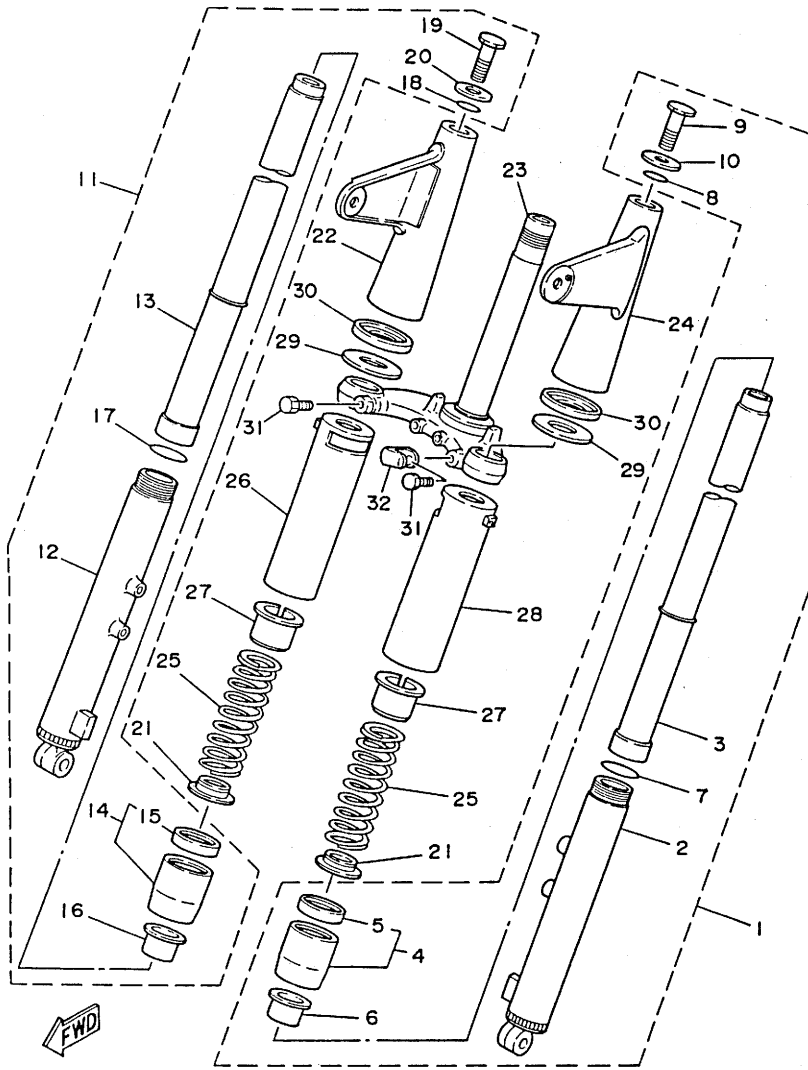
FIG. 19 STEERING

REF. NO.	PART NO.	DESCRIPTION	Q'TY	REMARKS
1	156-23411-00	RACE, ball 1	1	
2	2N3-23435-00-98	CROWN, handle	1	LOW GLOSS BLACK
3	90209-10224	WASHER	1	
4	90101-10417	BOLT	1	
5	90179-25033	NUT	1	
6	183-23411-00	RACE, ball 1	1	
7	183-23412-00	RACE, ball 2	1	
8	156-23412-00	RACE, ball 2	1	
9	93501-04011	BALL	38	
10	136-23415-00	COVER, ball race 1	1	
11	1E6-23441-00	HOLDER, handle upper	2	
12	97023-08040	BOLT	4	
13	92901-08600	WASHER, plate	4	
14	355-23408-10	STEERING LOCK ASSY	1	
15	90151-06016	SCREW, countersunk	2	



FIG. 20 FRONT FORK

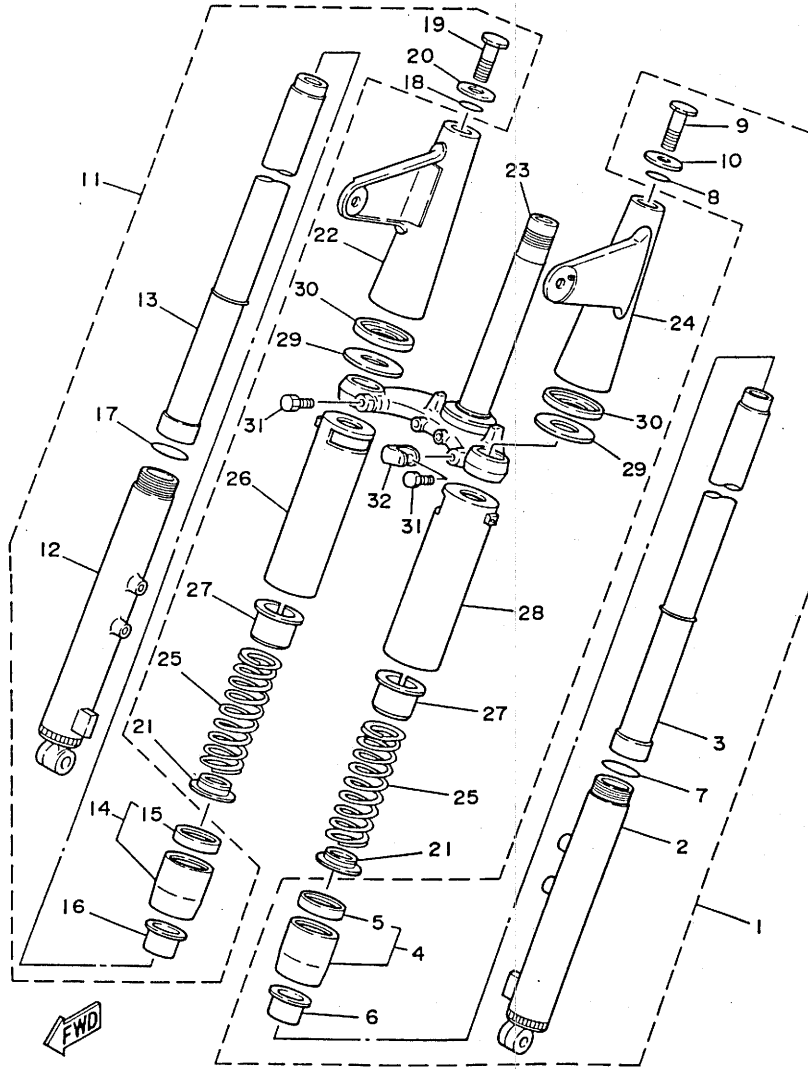
REF. NO.	PART NO.	DESCRIPTION	Q'TY	REMARKS
1	37R-23102-00	FRONT FORK ASSY (L.H)	1	
2	2N3-23126-00-35	.TUBE, outer 1	1	SILVER
3	37R-23134-00	.TUBE, inner 2	1	
4	2N3-23150-00	.OUTER NUT COMP.	1	
5	276-23145-51	..OIL SEAL	1	
6	37R-23125-00	.METAL, slide 1	1	
7	2N3-23147-00	.O-RING	1	
8	307-23114-00	.GASKET	1	
9	307-23111-00	.BOLT, cap	1	
10	276-23112-50	.WASHER, cap	1	
11	37R-23103-00	FRONT FORK ASSY (R.H)	1	
12	2N3-23136-00-35	.TUBE, outer 2	1	SILVER
13	37R-23134-00	.TUBE, inner 2	1	
14	2N3-23150-00	.OUTER NUT COMP.	1	
15	276-23145-51	..OIL SEAL	1	
16	37R-23125-00	.METAL, slide 1	1	
17	2N3-23147-00	.O-RING	1	
18	307-23114-00	.GASKET	1	
19	307-23111-00	.BOLT, cap	1	
20	276-23112-50	.WASHER, cap	1	
21	2N3-23143-00	SEAT, spring lower	2	
22	37R-23131-00-63	COVER, upper 2	1	UR BRILLIANT RED
	37R-23131-00-75	COVER, upper 2	1	UR MARINE BLUE
23	35Y-23340-00-33	UNDER BRACKET COMP.	1	YAMAHA BLACK
24	37R-23121-00-63	COVER, upper 1	1	UR BRILLIANT RED
	37R-23121-00-75	COVER, upper 1	1	UR MARINE BLUE
25	4A6-92090-10	SPRING, front fork	2	
26	2N3-23132-00-63	COVER, outer 2	1	UR BRILLIANT RED



3FU471-8200

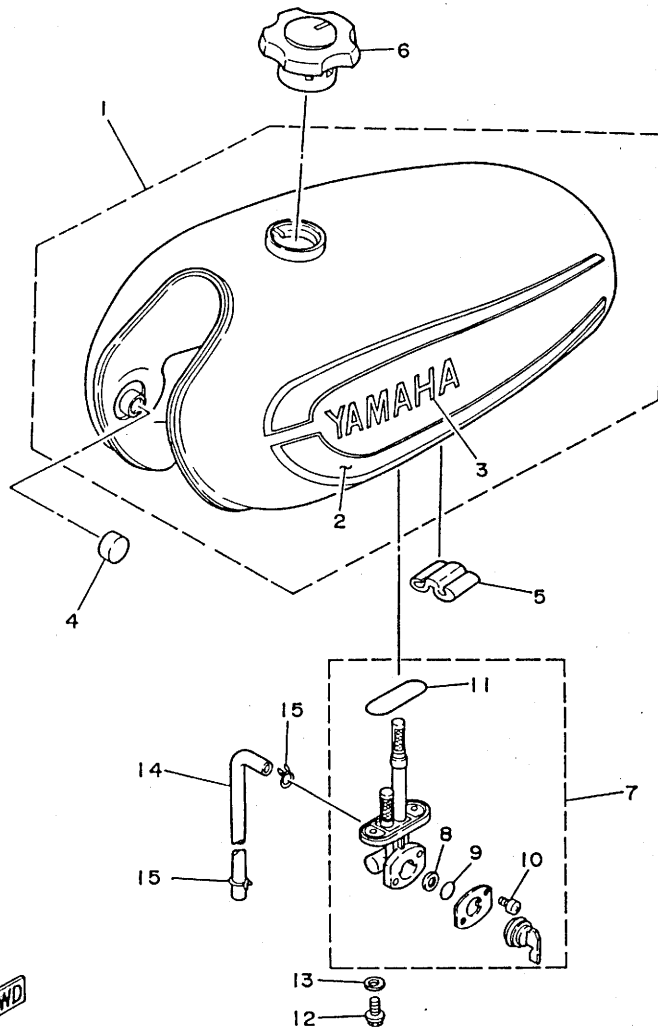
FIG. 20 FRONT FORK

REF. NO.	PART NO.	DESCRIPTION	Q'TY	REMARKS
26	2N3-23132-00-75	COVER, outer 2	1	UR MARINE BLUE
27	2N3-92190-00	SPRING, guide	2	
28	2N3-23122-00-63	COVER, outer 1	1	UR BRILLIANT RED
	2N3-23122-00-75	COVER, outer 1	1	UR MARINE BLUE
29	183-23163-00	GASKET	2	
30	201-23116-00	GUIDE, cover lower	2	
31	1M3-23346-00	BOLT 1	2	
32	260-23318-40	HOLDER, cable 1	1	



3FU471-8200

FIG. 21 FUEL TANK



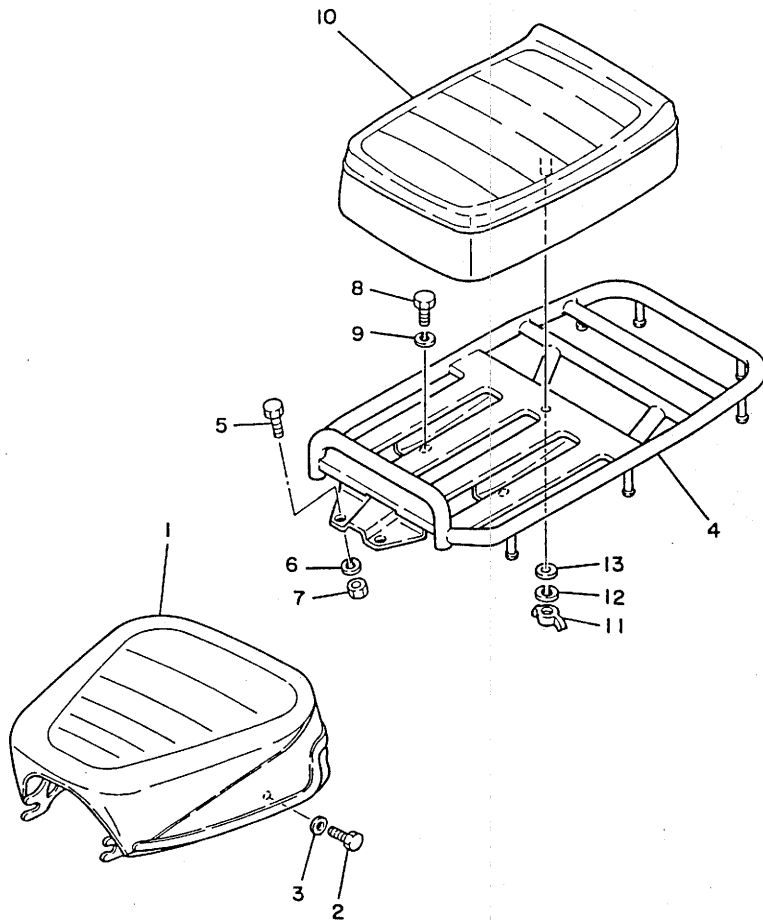
REF. NO.	PART NO.	DESCRIPTION	Q'TY	REMARKS
1	4W8-24110-00-X3	FUEL TANK COMP.	1	UR LM BRILLIANT RED
	4W8-24110-00-X4	FUEL TANK COMP.	1	UR LM MARINE BLUE
2	3VK-24240-01	.GRAPHIC SET	1	UR FOR RED
	3VK-24240-21	.GRAPHIC SET	1	UR FOR BLUE
3	99221-00030	.EMBLEM, yamaha	2	
4	122-24181-00	DAMPER, locating 1	4	
5	129-24183-00	DAMPER, locating 3	1	
6	3FU-24602-00	CAP ASSY	1	
7	3FU-24500-00	FUEL COCK ASSY 1	1	
8	3AJ-24523-00	.VALVE	1	
9	3AJ-24534-00	.SEAL, cock	1	
10	98503-03008	.SCREW, pan head	2	
11	4X8-24512-00	.O-RING	1	
12	90149-06011	SCREW	2	
13	90202-06010	WASHER, plate	2	
14	90445-09353	HOSE	1	
15	90467-08003	CLIP	2	



4AF1600-1210

FIG. 22 SEAT

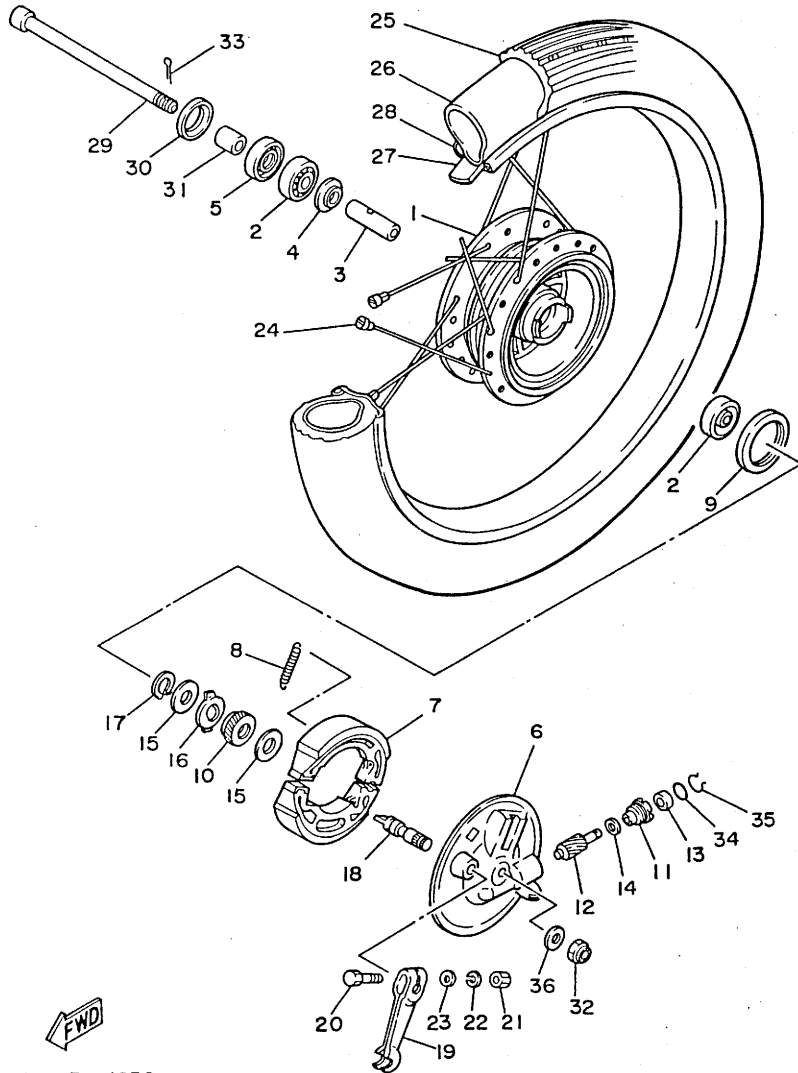
REF. NO.	PART NO.	DESCRIPTION	Q'TY	REMARKS
1	370-24710-00	SINGLE SEAT ASSY	1	
2	97313-08016	BOLT	2	
3	92901-08600	WASHER, plate	2	
4	35Y-24810-00	CARRIER ASSY	1	
5	97001-08014	BOLT	2	
6	92990-08100	WASHER, spring	2	
7	95303-08600	NUT	2	
8	97313-08016	BOLT	2	
9	92990-08100	WASHER, spring	2	
10	35Y-24750-00	TANDEM SEAT ASSY	1	
11	90175-06008	NUT, wing	1	
12	92990-06100	WASHER, spring	1	
13	92901-06600	WASHER, plate	1	



35Y646-3220

FIG. 23 FRONT WHEEL

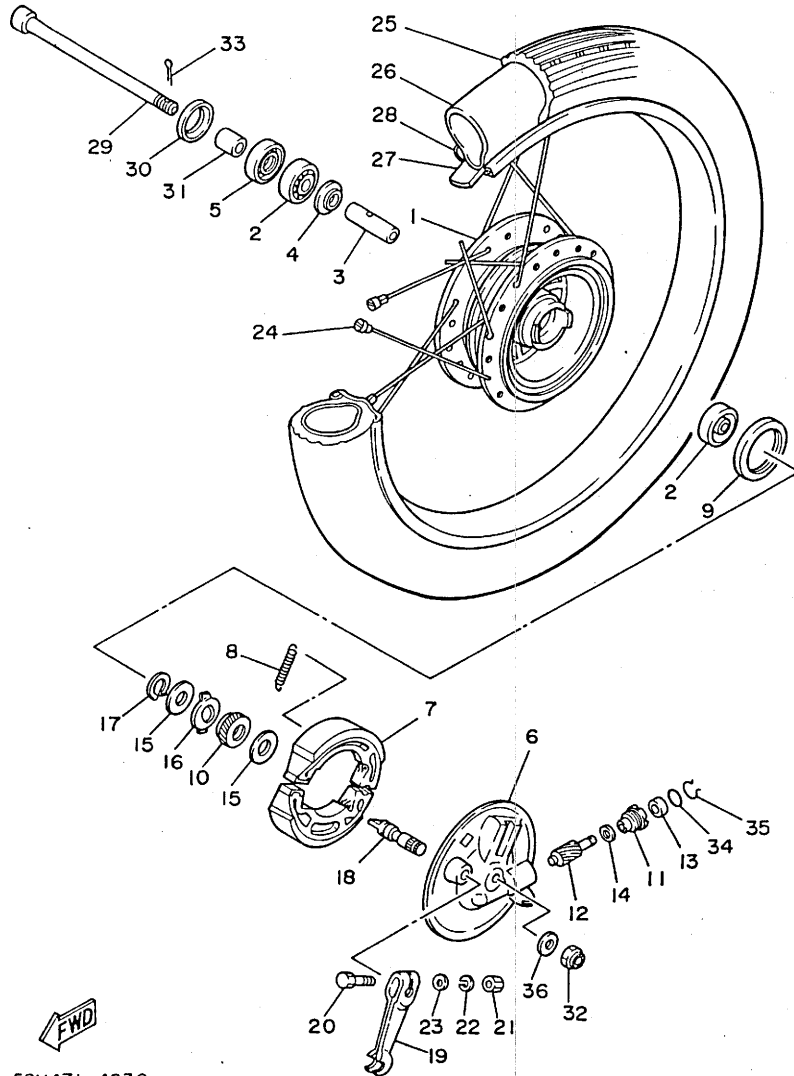
REF. NO.	PART NO.	DESCRIPTION	Q'TY	REMARKS
1	248-25111-00-Y8	HUB, front	1	SILVER
2	93306-30109	BEARING	2	
3	90560-12138	SPACER	1	
4	109-25315-00	FLANGE, spacer	1	
5	93102-18008	OIL SEAL	1	
6	248-25121-00-35	PLATE, brake shoe	1	SILVER
7	5G3-W2535-00	BRAKE SHOE SET	1	
8	90506-15260	SPRING, tension	2	
9	93105-47007	OIL SEAL	1	
10	248-25135-00	GEAR, drive	1	
11	109-25136-00	BUSH	1	
12	214-25138-00	GEAR, meter	1	
13	93104-07003	OIL SEAL	1	
14	90201-07076	WASHER, plate	1	
15	90201-20269	WASHER, plate	2	
16	183-25149-00	CLUTCH, meter	1	
17	99009-20400	CIRCLIP	1	
18	122-25351-02	CAMSHAFT	1	
19	137-25155-00	LEVER, camshaft 1	1	
20	90101-06278	BOLT	1	
21	95303-06600	NUT	1	
22	92990-06100	WASHER, spring	1	
23	92901-06600	WASHER, plate	1	
24	248-25104-00	SPOKE SET, front	1	
25	94125-18019	TIRE (2.50-18)	1	YOKOHAMA
26	94225-18194	TUBE (2.50-18)	1	DUNLOP
27	94325-18043	BAND, rim (2.50-18)	1	YOKOHAMA
28	94414-18007	RIM (1.40X18)	1	TAKASAGO



58V471-4230

FIG. 23 FRONT WHEEL

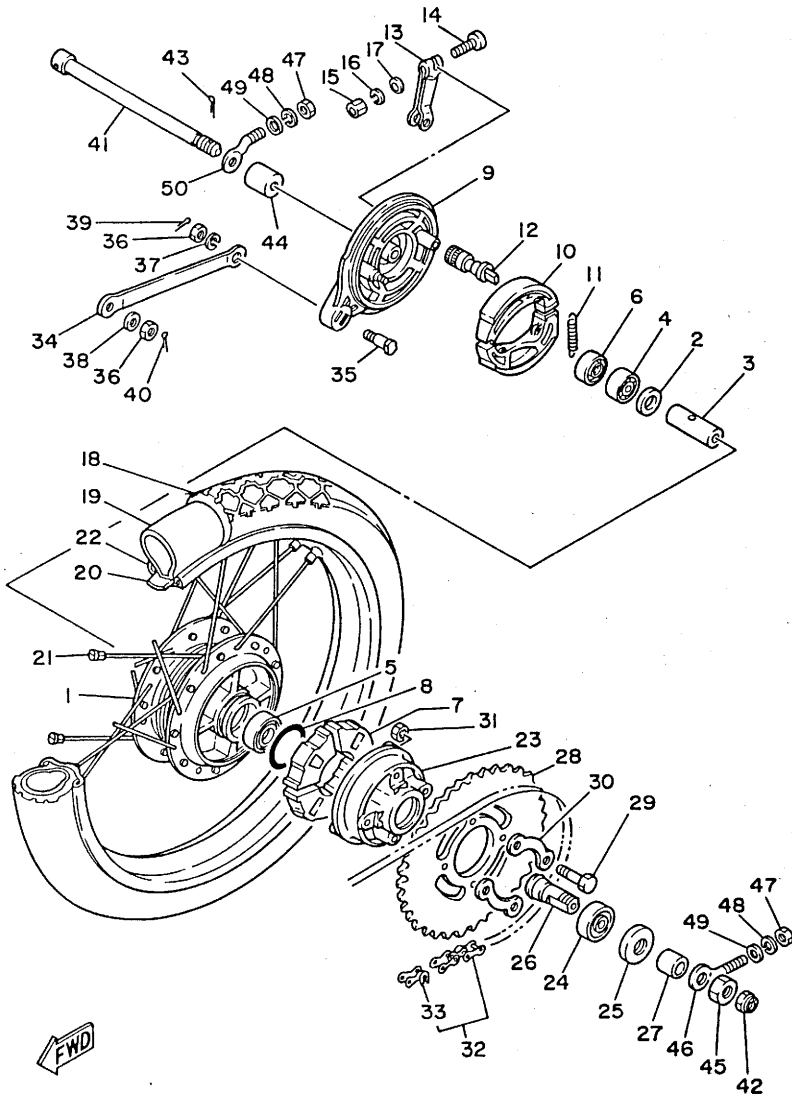
REF. NO.	PART NO.	DESCRIPTION	Q'TY	REMARKS
29	382-25181-01	AXLE, wheel	1	
30	2K5-25118-00	COVER, hub dust	1	
31	90387-12283	COLLAR	1	
32	90171-12005	NUT, castle	1	
33	91401-30030	PIN, cotter	1	
34	93210-14104	O-RING	1	
35	102-25137-00	RING, stop	1	
36	90201-122A7	WASHER, plate	1	



58V471-4230

FIG. 24 REAR WHEEL

REF. NO.	PART NO.	DESCRIPTION	Q'TY	REMARKS
1	357-25311-00-38	HUB, rear	1	CLEAR (WITH BUFF)
2	109-25315-00	FLANGE, spacer	1	
3	90560-12145	SPACER	1	
4	93306-30101	BEARING (B6301)	1	
5	93306-30109	BEARING	1	
6	93104-21016	OIL SEAL	1	
7	304-25364-01	DAMPER	4	
8	93210-41041	O-RING	1	
9	339-25026-10	BRAKE SHOE PLATE ASSY	1	
10	563-W2535-00	BRAKE SHOE SET	2	
11	90506-15260	SPRING, tension	2	
12	122-25351-02	CAMSHAFT	1	
13	122-25355-00	LEVER, camshaft	1	
14	90101-06278	BOLT	1	
15	95303-06600	NUT	1	
16	92990-06100	WASHER, spring	1	
17	92901-06600	WASHER, plate	1	
18	94125-18020	TIRE (2.50-18)	1	SUMITOMO DUNLOP
19	94225-18194	TUBE (2.50-18)	1	DUNLOP
20	94325-18043	BAND, rim (2.50-18)	1	YOKOHAMA
21	164-25304-00	SPOKE SET, rear	1	
22	94414-18007	RIM (1.40X18)	1	TAKASAGO
23	296-25366-01-35	CLUTCH, hub	1	SILVER
24	93306-00406	BEARING (B6004Z)	1	
25	93106-30004	OIL SEAL	1	
26	102-25387-03	AXLE, sprocket	1	
27	90387-18143	COLLAR	1	
28	122-25437-10	SPROCKET, driven (37T)	1	



58V471-4240

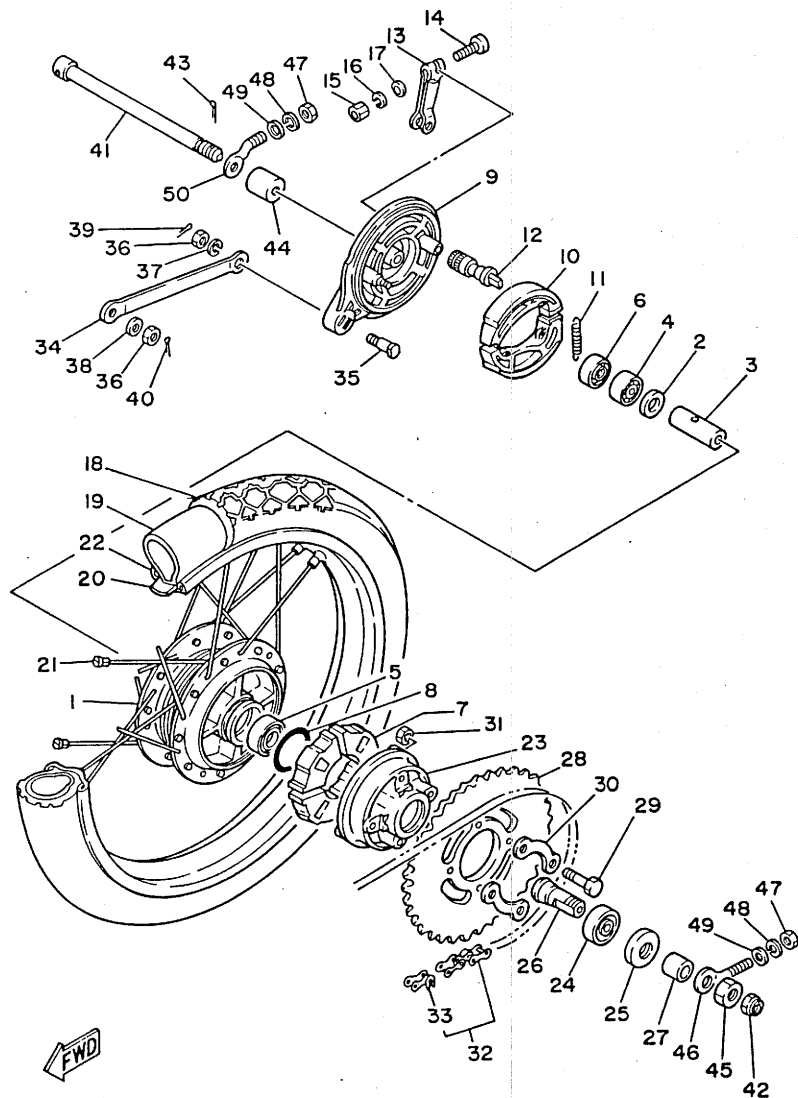


FIG. 24 REAR WHEEL

REF. NO.	PART NO.	DESCRIPTION	Q'TY	REMARKS
29	90101-08672	BOLT	4	
30	102-25412-00	WASHER	2	
31	90170-08366	NUT	4	
32	94580-52100	CHAIN (D.I.D. 420M 100L)	1	DAIDO
33	94680-52001	.JOINT, chain (D.I.D.-420M)	1	DAIDO
34	102-25371-00	BAR, tension	1	
35	90109-08183	BOLT	1	
36	95303-08700	NUT	2	
37	92990-08100	WASHER, spring	1	
38	92901-08200	WASHER, plain	1	
39	90468-10050	CLIP	1	
40	91401-20015	PIN, cotter	1	
41	401-25181-01	AXLE, wheel	1	
42	90171-12005	NUT, castle	1	
43	91401-30030	PIN, cotter	1	
44	90387-12412	COLLAR	1	
45	90170-18165	NUT	1	
46	127-25388-01	PULLER, chain 1	1	
47	95303-06600	NUT	2	
48	92990-06100	WASHER, spring	2	
49	92901-06600	WASHER, plate	2	
50	102-25389-00	PULLER, chain 2	1	

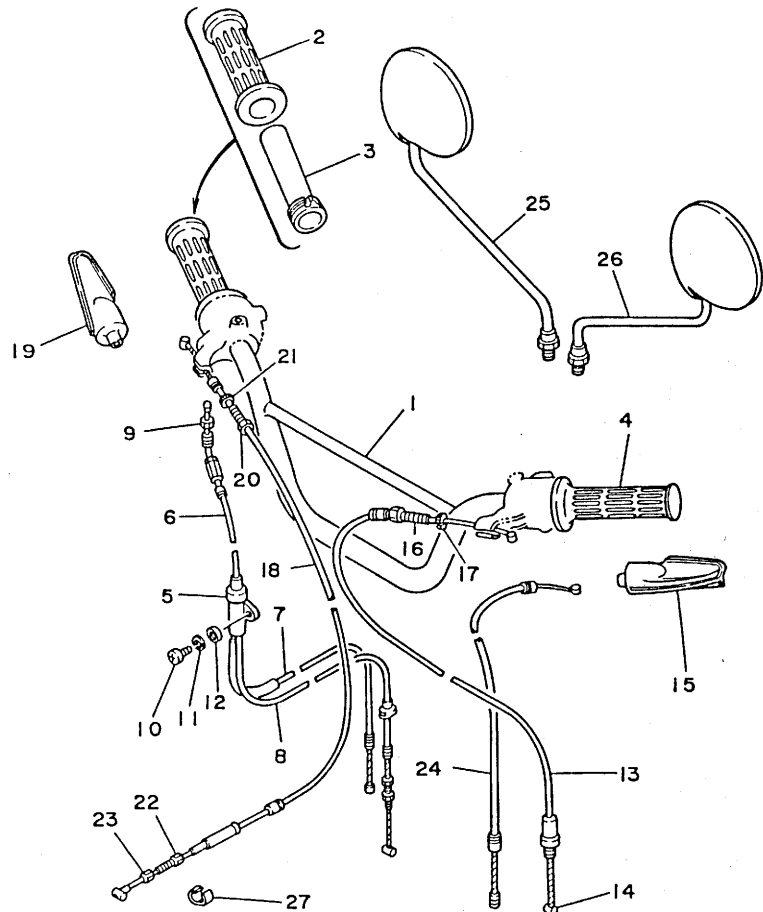


FIG. 25 STEERING HANDLE. CABLE

REF. NO.	PART NO.	DESCRIPTION	Q'TY	REMARKS
1	212-26111-00	HANDLEBAR	1	
2	353-26242-00	GRIP (RIGHT)	1	
3	1V1-26243-00	TUBE, throttle guide	1	
4	353-26241-00	GRIP (LEFT)	1	
5	137-26261-01	CONNECTOR, cable	1	
6	212-26311-00	CABLE, throttle 1	1	
7	10R-26312-00	CABLE, throttle 2	1	
8	4W8-26320-00	PUMP CABLE ASSY	1	
9	90170-10038	NUT	1	
10	92501-06014	SCREW, pan head	1	
11	92990-06100	WASHER, spring	1	
12	92901-06600	WASHER, plate	1	
13	46U-26335-00	CABLE, clutch	1	
14	164-26363-00	END, cable	1	
15	382-26372-01	COVER, handle lever 1	1	
16	90123-08013	BOLT	1	
17	90179-08148	NUT	1	
18	46U-26341-00	CABLE, brake	1	
19	498-26372-00	COVER, handle lever 1	1	
20	90123-08013	BOLT	1	
21	90179-08148	NUT	1	
22	90123-06010	BOLT	1	
23	90179-06143	NUT	1	
24	357-26331-10	CABLE, starter 1	1	
25	1Y0-26290-00	BACK MIRROR ASSY (R.H)	1	
26	1Y0-26290-10	BACK MIRROR ASSY (L.H)	1	
27	90468-15009	CLIP	2	



3FU471-8250

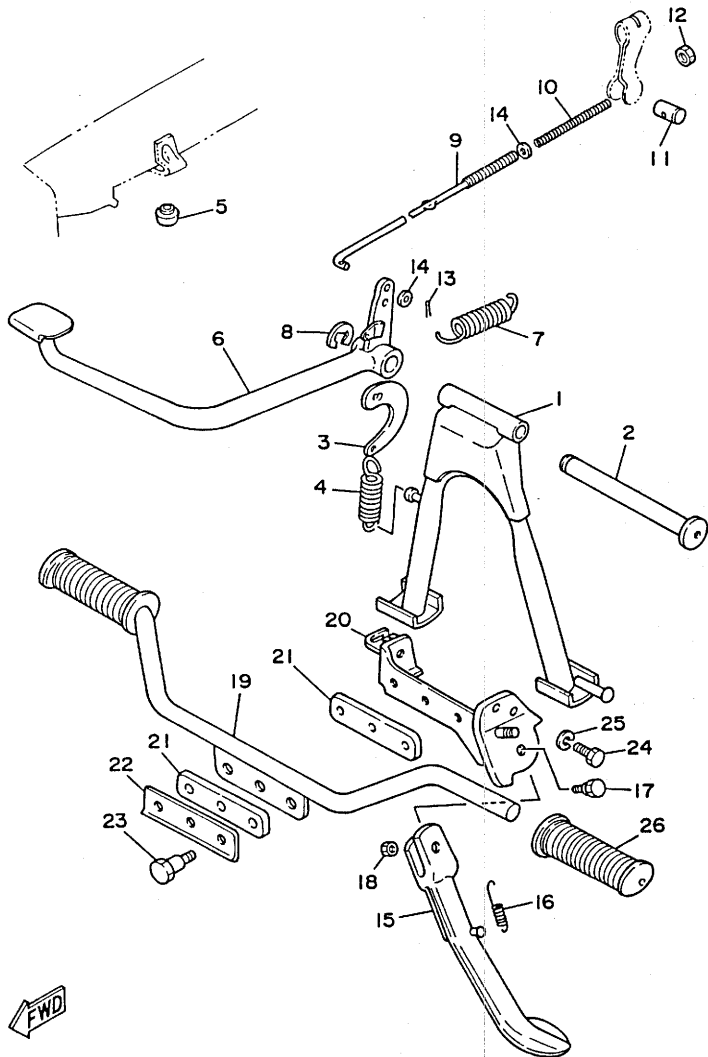
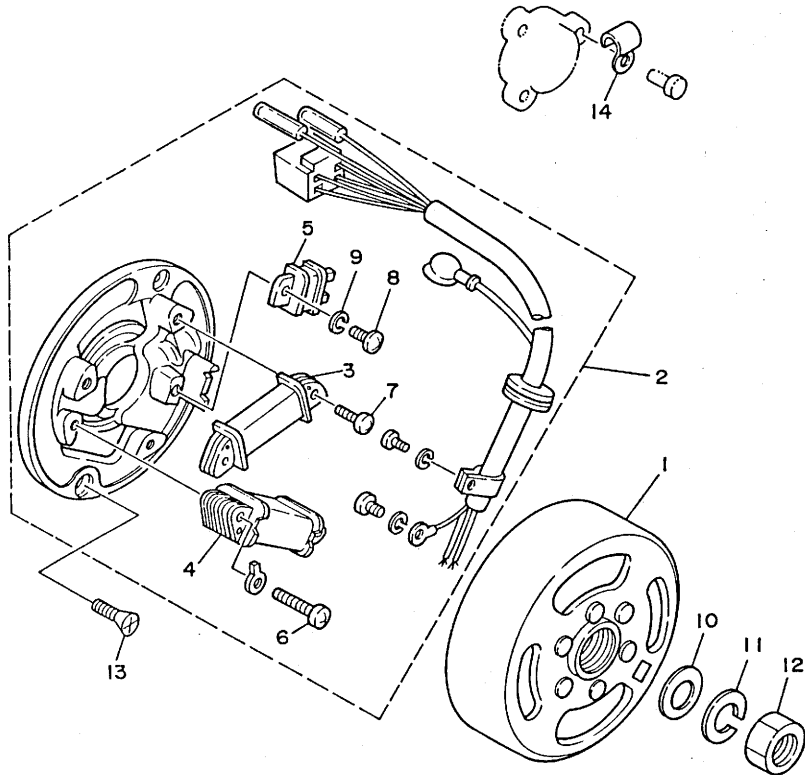


FIG. 26 STAND. FOOTREST

REF. NO.	PART NO.	DESCRIPTION	Q'TY	REMARKS
1	164-27111-02	STAND, main	1	
2	122-27112-00	SHAFT, main stand	1	
3	109-27115-00	LINK, main stand	1	
4	90506-29054	SPRING, tension	1	
5	1M3-27114-00	STOPPER, main stand	1	
6	46U-27211-01	PEDAL, brake	1	
7	90506-20041	SPRING, tension	1	
8	93430-12008	CIRCLIP	1	
9	164-27231-02	ROD, brake	1	
10	90501-10245	SPRING, compression	1	
11	90249-12008	PIN	1	
12	90179-06176	NUT	1	
13	91401-20015	PIN, cotter	1	
14	92901-06600	WASHER, plate	2	
15	266-27311-00	STAND, side	1	
16	90506-25047	SPRING, tension	1	
17	90109-08034	BOLT	1	
18	95303-08700	NUT	1	
19	164-27411-01	FOOTREST 1	1	
20	2N3-27412-00	BRACKET, footrest 1	1	
21	18A-27414-00	DAMPER, footrest	2	
22	164-27417-00	WASHER, footrest	1	
23	90109-08193	BOLT	3	
24	90101-08287	BOLT	1	
25	92990-08100	WASHER, spring	1	
26	441-27413-01	COVER, footrest	2	

FIG. 27 GENERATOR

REF. NO.	PART NO.	DESCRIPTION	Q'TY	REMARKS
1	3AH-85550-00	ROTOR ASSY	1	
2	3AH-85560-00	BASE ASSY	1	
3	3T5-85520-M1	.COIL, charge	1	
4	4A5-81313-M5	.COIL, lighting 1	1	
5	2AL-85580-M0	.COIL, pulser	1	
6	98511-04025	.SCREW, pan head	2	
7	98511-04012	.SCREW, pan head	2	
8	98580-04010	.SCREW, pan head	1	
9	92901-04100	.WASHER, spring	1	
10	90201-12535	WASHER, plate	1	
11	92901-12100	WASHER, spring	1	
12	90170-12175	NUT	1	
13	98701-05035	SCREW, flat head	2	
14	90462-05012	CLAMP	1	



3FU471-8270

FIG. 28 FLASHER LIGHT

REF. NO.	PART NO.	DESCRIPTION	Q'TY	REMARKS
1	1V1-83310-10	FRONT FLASHER LIGHT ASSY 1	2	
2	152-83311-10	.BULB (6V-10W)	1	
3	1V1-83313-00	.GASKET, flasher lens	1	
4	1V1-83312-00	.LENS, flasher	1	
5	97702-30620	.SCREW, tapping	2	
6	1V1-83354-00	WIRE, earth lead 1	2	
7	1V1-83330-10	REAR FLASHER LIGHT ASSY 1	2	
8	152-83311-10	.BULB (6V-10W)	1	
9	1V1-83313-00	.GASKET, flasher lens	1	
10	1V1-83312-00	.LENS, flasher	1	
11	97702-30620	.SCREW, tapping	2	
12	92901-10100	WASHER, spring	4	
13	95303-10600	NUT	4	

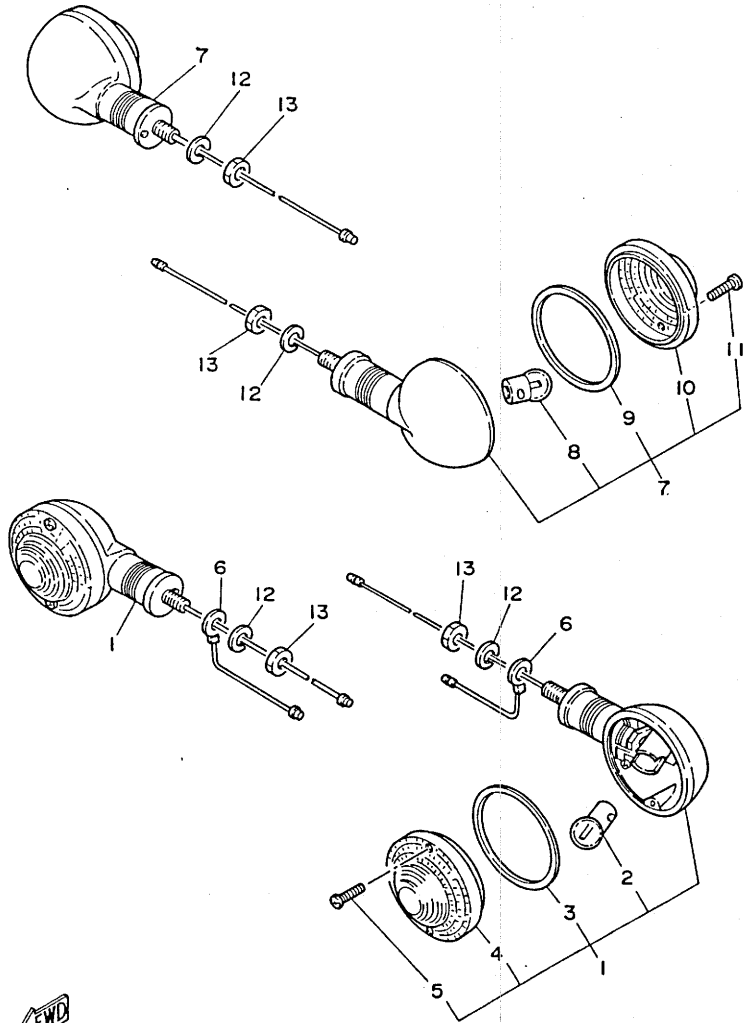
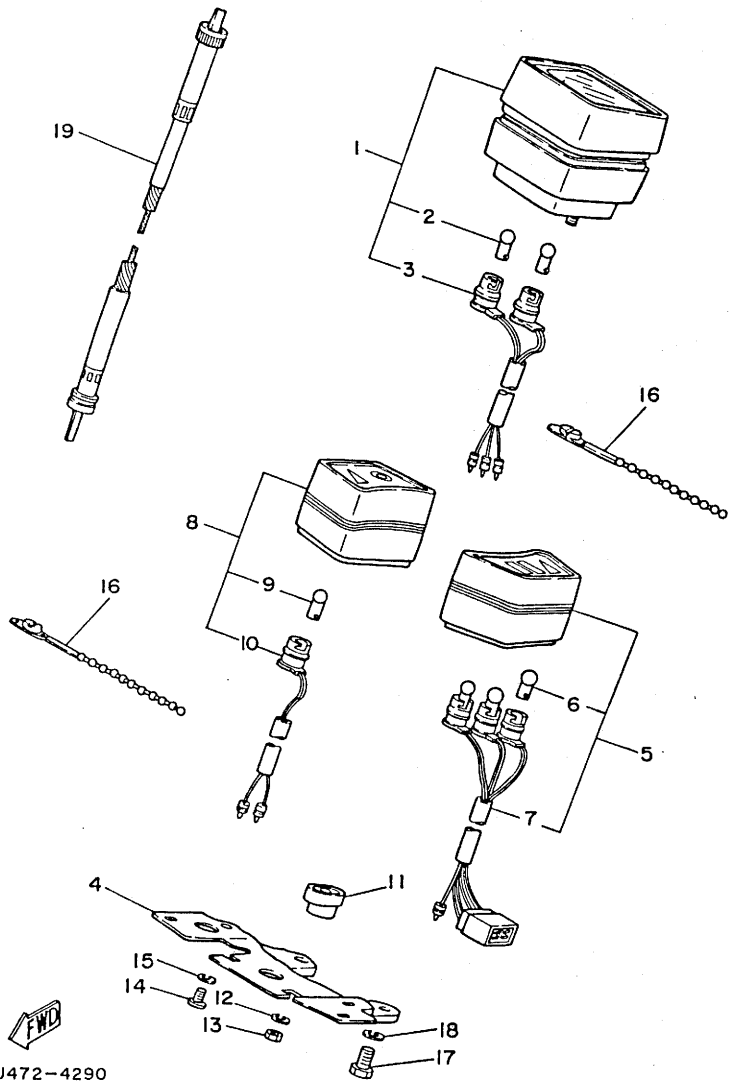


FIG. 29 METER

REF. NO.	PART NO.	DESCRIPTION	Q'TY	REMARKS
1	46U-83510-F0	SPEEDOMETER ASSY	1	
2	122-83516-10	.BULB (6V-3W)	2	
3	46U-83509-00	.SOCKET CORD ASSY	1	
4	5E2-83519-00	BRACKET, meter	1	
5	5E2-83530-00	PILOT LIGHT ASSY	1	
6	122-83516-10	.BULB (6V-3W)	3	
7	5E2-83509-10	.SOCKET CORD ASSY	1	
8	5E2-83530-10	PILOT LIGHT ASSY	1	
9	122-83516-10	.BULB (6V-3W)	1	
10	5E2-83509-20	.SOCKET CORD ASSY	1	
11	4X8-83523-00	DAMPER	2	
12	4X8-83524-00	WASHER, special	2	
13	95306-05600	NUT	2	
14	98506-04010	SCREW, pan head	4	
15	92906-04100	WASHER, spring	4	
16	90464-20031	CLAMP	2	
17	97313-08016	BOLT	2	
18	92990-08100	WASHER, spring	2	
19	5E2-83550-00	SPEEDOMETER CABLE ASSY	1	



FWD
46U472-4290

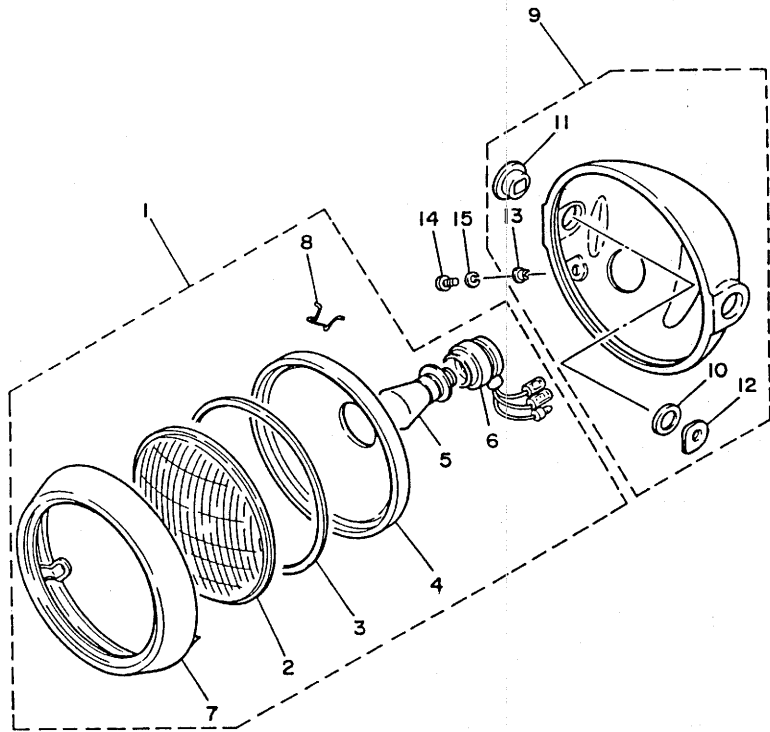


FIG. 30 HEADLIGHT

REF. NO.	PART NO.	DESCRIPTION	Q'TY	REMARKS
1	3VK-84110-00	HEADLIGHT UNIT ASSY	1	UR YELLOW BULB
	3M5-84110-00	HEADLIGHT UNIT ASSY	1	UR
2	3M5-84121-00	.LENS, headlight	1	
3	3M5-84122-00	.GASKET, lens	1	
4	3M5-8412A-00	.REFLECTOR ASSY	1	
5	3VK-84114-00	.BULB, headlight	1	UR YELLOW BULB
	359-84114-00	.BULB, headlight	1	UR
6	3M5-84140-00	.SOCKET CORD ASSY	1	
7	3M5-84115-00	.RIM, headlight	1	
8	3M5-84124-00	.SPRING, set	1	
9	3M5-84130-00	BODY ASSY, headlight	1	
10	3M5-84163-00	.DAMPER	2	
11	3M5-84164-00	.DAMPER	2	
12	3M5-84145-00	.COLLAR, body fitting	2	
13	3M5-84127-00	.WASHER, special	2	
14	98501-05012	SCREW, pan head	2	
15	92901-05100	WASHER, spring	2	



FIG. 31 TAILLIGHT

REF. NO.	PART NO.	DESCRIPTION	Q'TY	REMARKS
1	4A5-84510-00	TAILLIGHT UNIT ASSY	1	
2	122-84514-30	.BULB (6V-17/5.3W)	1	
3	4A5-84523-00	.GASKET, lens	1	
4	4A5-84521-00	.LENS, taillight	1	
5	97706-40530	.SCREW, tapping	2	
6	355-84551-00-35	BRACKET, licence	1	SILVER
7	92990-06100	WASHER, spring	2	
8	95303-06600	NUT	2	
9	97003-06012	BOLT	3	
10	95303-06600	NUT	3	
11	92990-06100	WASHER, spring	3	

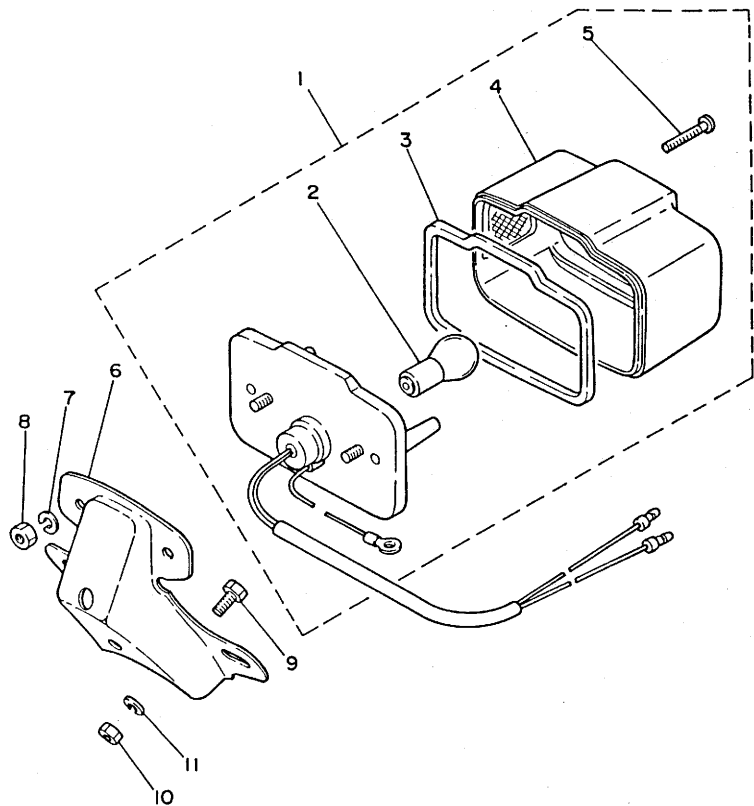
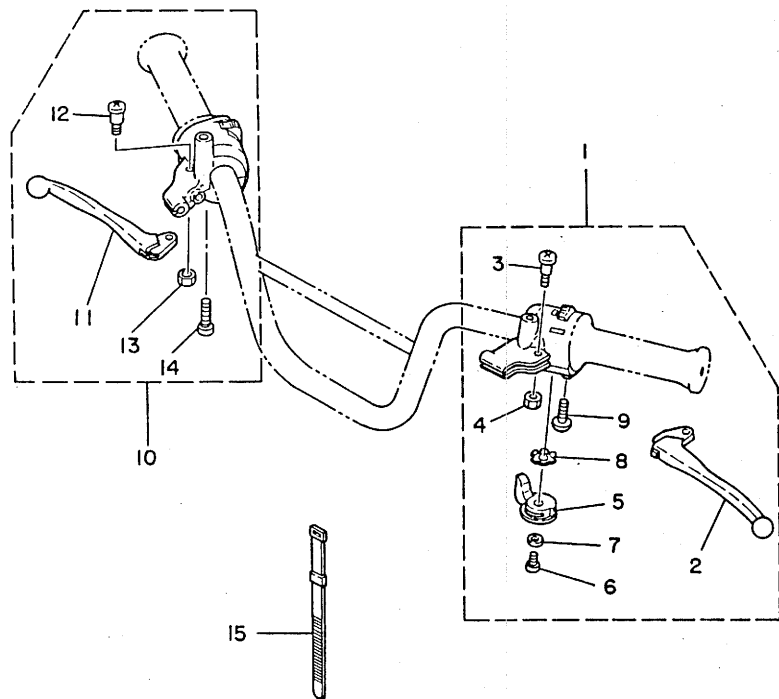


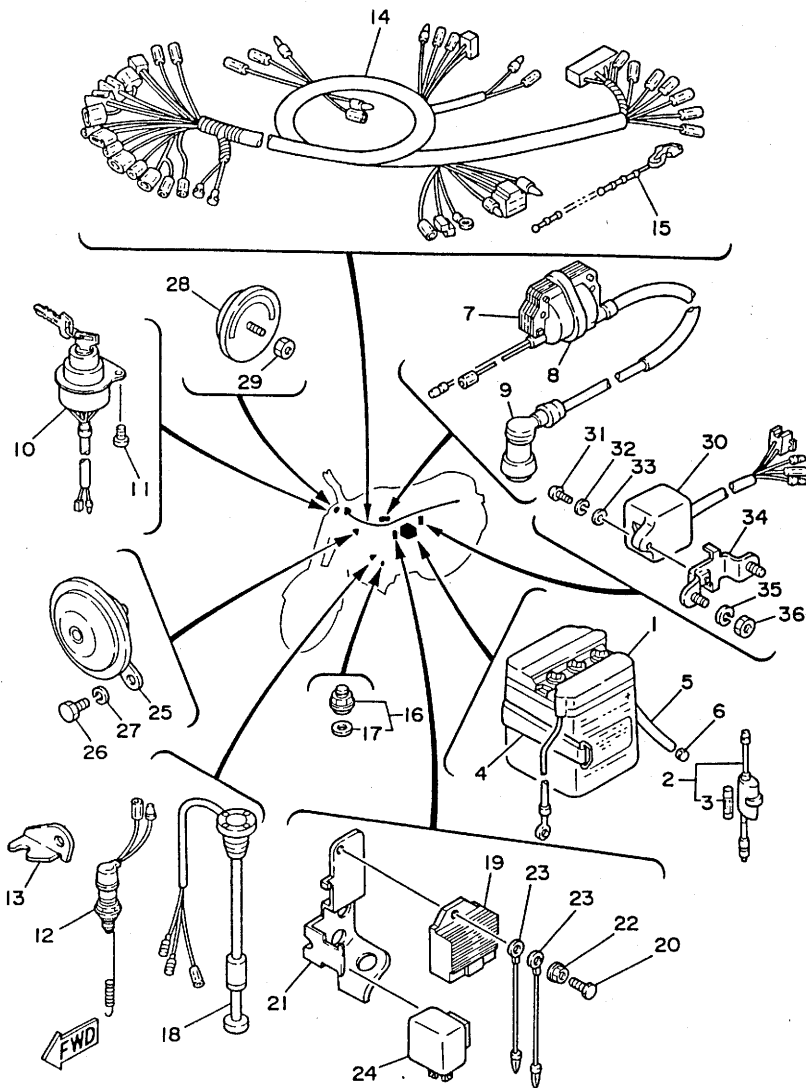
FIG. 32 HANDLE SWITCH. LEVER



REF. NO.	PART NO.	DESCRIPTION	Q'TY	REMARKS
1	46U-82910-50	LEVER HOLDER ASSY (LEFT)	1	
2	137-83912-02-38	.LEVER 1	1	CLEAR (WITH BUFF)
3	90149-05120	.SCREW	1	
4	95303-05600	.NUT	1	
5	439-83941-02	.LEVER, starter	1	
6	92501-06008	.SCREW, pan head	1	
7	92901-06200	.WASHER, plain	1	
8	90209-10131	.WASHER	1	
9	90157-05027	.SCREW, pan head	1	
10	3FU-82920-00	LEVER HOLDER ASSY (RIGHT)	1	
11	2N3-83922-00	.LEVER 2	1	
12	90149-05120	.SCREW	1	
13	95601-05100	.NUT, u	1	
14	98503-05025	.SCREW, pan head	2	
15	437-83936-00	BAND, switch cord	2	

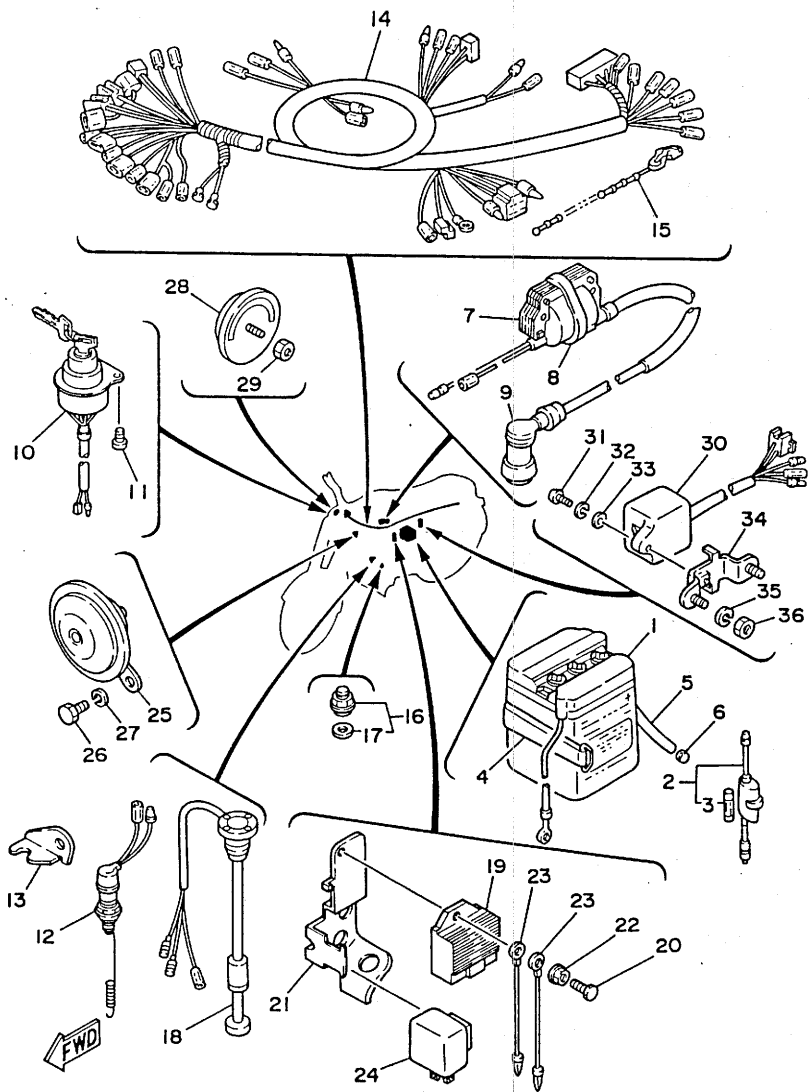


FIG. 33 ELECTRICAL 1



3VK1656-0330

REF. NO.	PART NO.	DESCRIPTION	Q'TY	REMARKS
1	120-82110-29	BATTERY ASSY (6N4-2A-2)	1	
2	55K-82150-00	FUSE HOLDER ASSY	1	
3	116-82151-00	.FUSE (10A)	2	
4	2N3-82131-00	BAND, battery	1	
5	90445-08338	HOSE	1	
6	10R-82142-00	RING, battery	1	
7	3AH-82310-00	IGNITION COIL ASSY	1	
8	4W8-82311-00	BAND, coil fitting	1	
9	56J-82370-00	PLUG CAP ASSY	1	
10	46U-82510-10	MAIN SWITCH ASSY	1	
11	97701-40510	SCREW, panhead tapping	2	
12	205-82530-02	STOP SWITCH ASSY	1	
13	46U-82539-00	STAY, stop switch	1	
14	3VK-82590-00	WIRE HARNESS ASSY	1	
15	90464-20031	CLAMP	1	
16	37R-82540-00	NEUTRAL SWITCH ASSY	1	
17	37R-82543-00	.GASKET	1	
18	355-85720-01	OIL LEVEL GAUGE ASSY	1	
19	3AH-81960-00	RECTIFIER & REGULATOR ASSY	1	
20	95023-06016	BOLT	1	
21	3VK-81915-00	PLATE, regulator fitting	1	
22	95701-06500	NUT, flange	1	
23	3FU-83364-00	WIRE, earth lead 2	2	
24	29M-83350-10	FLASHER RELAY ASSY	1	
25	2A7-83371-10	HORN	1	
26	97003-06014	BOLT	2	
27	92990-06100	WASHER, spring	2	
28	355-85111-01	REFLECTOR, front 1	2	



3VK1656-0330

FIG. 33 ELECTRICAL 1

REF. NO.	PART NO.	DESCRIPTION	Q'TY	REMARKS
29	95303-05600	NUT	2	
30	3AH-85540-00	C.D.I. UNIT ASSY	1	
31	92501-06020	SCREW, pan head	1	
32	92990-06100	WASHER, spring	1	
33	92990-06600	WASHER, plate	1	
34	41G-85542-00	BRACKET	1	
35	92990-06100	WASHER, spring	2	
36	95303-06600	NUT	2	

NUMERICAL INDEX

PART NO.	REF. NO.	PART NO.	REF. NO.	PART NO.	REF. NO.	PART NO.	REF. NO.	PART NO.	REF. NO.	PART NO.	REF. NO.
5G3-W2535-00	23- 7	283-14114-00	5-15	2N3-15433-00	8-25	58V-21110-00-75	14- 1	307-23111-00	20-19	3AJ-24523-00	21- 8
	24-10	5E2-14121-00	5-17	2N3-15435-00	8- 6	3VK-21164-00	14-12	276-23112-50	20-10	3AU-24534-00	21- 9
2N3-11111-00	1- 1	137-14125-00	5-25		8-19	4W8-21171-00	16-14		20-20	3FU-24602-00	21- 6
2N3-11127-00	1- 2	3X3-14131-00	5-11	164-15451-00	8- 9	2N3-21268-00	14- 7	307-23114-00	20- 8	370-24710-00	22- 1
1T9-11161-00	1- 7	127-14133-00	5-16	2N3-15453-00	8-20	26H-21308-00	14- 8		20-18	35Y-24750-00	22-10
2N3-11161-00	1- 8	127-14135-00	5-22	2N3-15486-00	8-10	41G-21362-00	14-10	201-23116-00	20-30	35Y-24810-00	22- 4
2N3-11162-00	1- 3	2N3-14141-36	5- 5	156-15618-01	9-15	2N3-21365-00	16-18	37R-23121-00-63	20-24	339-25026-10	24- 9
	1- 9	193-14142-20	5- 3	10R-15620-00	9-14	357-21510-00-93	15- 1	37R-23121-00-75	20-24	248-25104-00	23-24
5E2-11181-00	1- 4	137-14143-29-A0	5- 4	305-15641-00	9- 5	174-21518-00	15- 4	2N3-23122-00-63	20-28	248-25111-00-Y8	23- 1
5E2-11311-00	1- 6	137-14143-30	5- 4	254-15651-00	9- 1	4W8-21610-00-93	15- 7	2N3-23122-00-75	20-28	2K5-25118-00	23-30
5E2-11351-00	1-10	137-14143-31	5- 4	132-15653-00-10	9- 2	164-21621-00	15-12	37R-23125-00	20- 6	248-25121-00-35	23- 6
5E2-11400-00	2- 1	137-14158-00	5-12	248-15654-00	9- 7	164-21623-00	15-13		20-16	248-25135-00	23-10
2N3-11412-00	2- 2	227-14168-00	5-14	2N3-15660-00	9- 4	46U-21708-00	16- 3	2N3-23126-00-35	20- 2	109-25136-00	23-11
2N3-11422-00	2- 3	58E-14171-00	5-23	2N3-15666-00	9-11	10R-21711-10-63	16- 1	37R-23131-00-63	20-22	102-25137-00	23-35
2N3-11601-00	2- 9	127-14174-00	5-21	1M1-15668-01	9-13	10R-21711-10-75	16- 1	37R-23131-00-75	20-22	114-25138-00	23-12
2N3-11601-10	2- 9	164-14184-00	5- 2	401-15676-00	9- 9	141-21717-00	16- 2	2N3-23132-00-63	20-26	183-25149-00	23-16
2N3-11601-20	2- 9	205-14185-00	5- 6	5E2-16111-00	10-15	209-21724-00	17- 3	2N3-23132-00-75	20-26	137-25155-00	23-19
2N3-11601-30	2- 9	127-14186-00	5- 8	5E2-16150-01	10- 1	3VK-2173E-00	16- 9	37R-23134-00	20- 3	382-25181-01	23-29
2N3-11601-40	2- 9	2N3-14239-00	5-27	131-16321-00	10- 6	3VK-2173E-20	16- 9		20-13	401-25181-01	24-41
5E2-11631-00-97	2- 8	2N3-14411-00	4- 1	131-16324-00	10- 5	3VK-2173F-00	17-12	2N3-23136-00-35	20-12	164-25304-00	24-21
131-11633-00	2-11	2N3-14412-00	4- 2	2N3-16341-00	10-21	3VK-2173F-20	17-12	2N3-23143-00	20-21	357-25311-00-38	24- 1
5E2-11635-00	2- 8	2U0-14451-00	4- 4	2N3-16342-00	10-22	3VK-2174G-00	16-10	276-23145-51	20- 5	109-25315-00	23- 4
5E2-11636-00	2- 8	2N3-14453-00	4-11	122-16351-90	10- 8	3VK-2174G-20	16-10		20-15		24- 2
5E2-11637-00	2- 8	2N3-14454-00	4-10	131-16352-01	10- 7	3VK-2174H-00	17-13	2N3-23147-00	20- 7	122-25351-02	23-18
5E2-11638-00	2- 8	2U0-14458-00	4- 5	164-16371-02	10- 4	3VK-2174H-20	17-13		20-17		24-12
1M7-11651-00	2- 4	2N3-14476-01	4- 9	164-17121-00	11- 2	32M-21749-00	16- 4	2N3-23150-00	20- 4	122-25355-00	24-13
5E2-11681-00	2- 5	2N3-14479-00	8-21	164-17131-01	11- 3	46U-2175H-00	16- 6		20-14	304-25364-01	24- 7
5E2-13101-00	3- 1	2N3-14481-00	4-15	254-17141-00	11- 4	355-21751-10-63	17- 1	183-23163-00	20-29	296-25366-01-35	24-23
8Y0-13116-01	3-15	2N3-14482-00	4-14	164-17211-01	11-14	355-21751-10-75	17- 1	260-23318-40	20-32	102-25371-00	24-34
137-13137-00-03	3- 2	2N3-14493-00	4- 3	5E2-17221-00	11-15	183-21770-12	17-10	35Y-23340-00-33	20-23	102-25387-03	24-26
137-13137-00-05	3- 2	2N3-14498-00	4-18	164-17231-00	11-16	164-21776-00	17- 2	1M3-23346-00	20-31	127-25388-01	24-46
137-13137-00-10	3- 2	2N3-14611-00	6- 1	164-17241-00	11-13	164-21778-00	17- 6	355-23408-10	19-14	102-25389-00	24-50
137-13138-01	3- 3	1L4-14612-00	6- 2	5E2-17411-00	11- 1	359-21786-00	16-13	156-23411-00	19- 1	102-25412-00	24-30
2N3-13174-00	3-22	132-14613-00	6- 3	5E2-17420-01	11-12	359-21787-00	17-14	183-23411-00	19- 6	122-25437-10	24-28
166-13175-01	3-13	3XN-14710-00	6- 4	164-17427-00-10	11-19	164-22110-04-63	18- 1	156-23412-00	19- 8	122-26111-00	25- 1
1E7-13176-00	3-18	1J2-14713-00	6-11	257-17471-01	11- 9	164-22110-04-75	18- 1	183-23412-00	19- 7	353-26241-00	25- 4
126-13178-00	3-19	46U-14714-00	6-12	164-18101-03	13- 1	180-22117-00	18- 4	136-23415-00	19-10	353-26242-00	25- 2
2N3-13512-01	2-21	2N3-14753-00	6- 5	164-18111-01	13- 9	102-22123-00	18- 2	2N3-23435-00-98	19- 2	1V1-26243-00	25- 3
2N3-13515-00	2-23	3FU-14781-00	6- 8	132-18113-01	13-10	486-22141-00	18- 7	1E6-23441-00	19-11	137-26261-01	25- 5
2N3-13551-00	2-17	35Y-1490J-00	5- 9	132-18140-01	12-15	296-22151-01	18- 6	4W8-24110-00-X3	21- 1	1Y0-26290-10	25-25
353-13552-01	3-10	5E2-15111-00	7- 1	5E2-18511-00	12-11	37R-22210-00-63	18-24	4W8-24110-00-X4	21- 1	1Y0-26290-10	25-26
180-13554-00	2-20	5E2-15121-00	7- 8	5E2-18512-00	12-12	37R-22210-00-75	18-24	122-24181-00	21- 4	112-26311-00	25- 6
35Y-1410A-00	5-20	180-15362-00	8-15	5E2-18540-00	12- 1	164-22216-00	18- 3	129-24183-00	21- 5	20R-26312-00	25- 7
35Y-14101-00	5- 1	583-15371-00	7- 9	136-18542-00	12- 7	164-22310-02-35	18- 9	3VK-24240-01	21- 2	4W8-26320-00	25- 8
35Y-14104-00	5-26	2N3-15411-00	8- 1	164-18561-00	12- 4	148-22315-00	18-15	3VK-24240-21	21- 2	357-26331-10	25-24
35Y-14106-00	5-19	2N3-15413-01	8-18	164-18571-01	12-10	37R-23102-00	20- 1	132-24319-01	17- 7	46U-26335-00	25-13
31J-14107-00	5- 7	2N3-15415-01	8- 5	164-18589-00	12-18	37R-23103-00	20-11	3FU-24500-00	21- 7	46U-26341-00	25-18
205-14112-30	5-13	2N3-15421-00	8- 8	58V-21110-00-63	14- 1	307-23111-00	20- 9	4X8-24512-00	21-11	164-26363-00	25-14

NUMERICAL INDEX

PART NO.	REF. NO.	PART NO.	REF. NO.	PART NO.	REF. NO.	PART NO.	REF. NO.	PART NO.	REF. NO.	PART NO.	REF. NO.
382-26372-01	25-15	1V1-83354-00	28- 6	4A6-92090-10	20-25	90201-065F3	16-17	90446-07228	7-10	92901-05100	3- 4
498-26372-00	25-19	3FU-83364-00	33-23	2N3-92190-00	20-27	90201-07076	23-14	90460-53140	4-12		6- 7
2N3-26381-00	8-16	2A7-83371-10	33-25	90101-06278	23-20	90201-07653	1-13	90460-58141	4-13		12- 6
164-27111-02	26- 1	46U-83509-00	29- 3		24-14	90201-08624	3-14	90462-05012	27-14		18-12
122-27112-00	26- 2	5E2-83509-10	29- 7	90101-08286	14- 2	90201-10131	18-29	90464-20031	29-16		30-15
1M3-27114-00	26- 5	5E2-83509-20	29-10	90101-08287	26-24	90201-106F2	18-27		33-15	92901-05600	8-23
109-27115-00	26- 3	46U-83510-F0	29- 1	90101-08672	24-29	90201-12166	12- 9	90465-06278	7-12		18-13
46U-27211-01	26- 6	122-83516-10	29- 2	90101-10417	19- 4	90201-122A7	23-36	90467-06016	7-11	92901-06200	10-23
164-27231-02	26- 9		29- 6	90106-08027	18-25	90201-12535	27-10	90467-08003	17- 8		32- 7
266-27311-00	26-15		29- 9	90109-063F6	12-17	90201-12575	13- 7		17- 9	92901-06600	15- 9
164-27411-01	26-19	5E2-83519-00	29- 4	90109-08034	26-17	90201-13202	9-17		21-15		15-15
2N3-27412-00	26-20	4X8-83523-00	29-11	90109-08183	24-35	90201-14218	18-26	90468-02033	3-11		22-13
441-27413-01	26-26	4X8-83524-00	29-12	90109-08193	26-23	90201-17558	10- 3		3-23		23-23
18A-27414-00	26-21	5E2-83530-00	29- 5	90113-06012	10-20		10-13	90468-10050	24-39		24-17
164-27417-00	26-22	5E2-83530-10	29- 8	90116-07035	1-11	90201-20266	11- 5	90468-15009	25-27		24-49
120-27430-02	18-16	5E2-83550-00	29-19	90123-06010	25-22		11-17	90468-26048	9- 6		25-12
120-27431-00	18-20	137-83912-02-38	32- 2	90123-08013	25-16	90201-20269	23-15	90480-10091	4-19		26-14
120-27432-02	18-17	2N3-83922-00	32-11		25-20	90201-20279	18-19	90480-13017	14-11	92901-08200	24-38
120-27433-00	18-18	437-83936-00	32-15	90149-05120	32- 3	90202-04003	16-11	90501-02018	3- 9	92901-08600	19-13
3X2-28100-00	14-14	439-83941-02	32- 5		32-12	90202-06010	21-13	90501-08511	10-25		22- 3
4A5-81313-M5	27- 4	3M5-84110-00	30- 1	90149-06011	21-12	90206-15021	9-18	90501-10245	26-10	92901-10100	28-12
3VK-81915-00	33-21	3VK-84110-00	30- 1	90149-08094	13- 4	90208-12015	10-12	90501-20126	10- 9	92901-12100	27-11
3AH-81960-00	33-19	3VK-84114-00	30- 5	90151-06016	19-15		10-17	90506-08183	12-16	92906-04100	29-15
120-82110-29	33- 1	359-84114-00	30- 5	90153-05024	10-10	90209-10131	32- 8	90506-09009	13- 2	92990-05200	16-20
2N3-82131-00	33- 4	3M5-84115-00	30- 7	90157-05003	18-10	90209-10224	19- 3	90506-15260	23- 8		18-14
10R-82142-00	33- 6	3M5-8412A-00	30- 4	90157-05027	32- 9	90209-22248	2- 7		24-11	92990-06100	6- 9
55K-82150-00	33- 2	3M5-84121-00	30- 2	90170-07019	1-12	90215-16020	11-25	90506-20041	26- 7		15- 6
116-82151-00	33- 3	3M5-84122-00	30- 3	90170-08366	24-31	90240-06052	18-21	90506-25047	26-16		16- 8
3AH-82310-00	33- 7	3M5-84124-00	30- 8	90170-10038	25- 9	90249-12008	26-11	90506-29054	26- 4		16-16
4W8-82311-00	33- 8	3M5-84127-00	30-13	90170-12060	10-11	90250-06013	12-13	90508-26041	9-10		22-12
56J-82370-00	33- 9	3M5-84130-00	30- 9	90170-12175	27-12	90280-03017	2-15	90508-32054	13- 3		23-22
46U-82510-10	33-10	3M5-84140-00	30- 6	90170-18165	24-45	90282-05005	10-16	90560-12138	23- 3		24-16
205-82530-02	33-12	3M5-84145-00	30-12	90170-22187	16- 5	90338-04010	18- 5	90560-12145	24- 3		24-48
46U-82539-00	33-13	3M5-84163-00	30-10	90171-12005	23-32	90340-12005	7-13	90560-17147	10-14		25-11
37R-82540-00	33-16	3M5-84164-00	30-11		24-42	90387-12283	23-31	91401-12010	5-18		31- 7
37R-82543-00	33-17	4A5-84510-00	31- 1	90175-06008	22-11	90387-12412	24-44	91401-16015	18-22		31-11
3VK-82590-00	33-14	122-84514-30	31- 2	90176-10013	18-28	90387-18143	24-27	91401-20015	24-40		33-27
46U-82910-50	32- 1	4A5-84521-00	31- 4	90179-06034	17- 4	90387-204E7	2-22		26-13		33-32
3FU-82920-00	32-10	4A5-84523-00	31- 3	90179-06143	25-23	90387-20491	11-22	91401-25020	12-14		33-35
1V1-83310-10	28- 1	355-84551-00-35	31- 6	90179-06176	26-12	90430-04004	3- 6	91401-30030	23-33	92990-06600	33-33
152-83311-10	28- 2	355-85111-01	33-28	90179-08148	25-17	90430-06017	4- 7		24-43	92990-08100	6-14
	28- 8	3T5-85520-M1	27- 3		25-21	90430-12038	7-14	91401-50085	17- 5		14- 6
1V1-83312-00	28- 4	3AH-85540-00	33-30	90179-12244	10-18	90430-29114	17-11	91609-40016	12- 3		15- 3
	28-10	41G-85542-00	33-34	90179-16018	11-26	90445-05024	3-12	92501-06008	32- 6		15-11
	28- 3	3AH-85550-00	27- 1	90179-25033	19- 5	90445-05381	4-17	92501-06014	15-14		22- 6
	28- 9	3AH-85560-00	27- 2	90183-04005	16-12	90445-07382	4- 8		25-10		22- 9
	28- 7	2AL-85580-M0	27- 5	90183-05017	16-21	90445-08338	33- 5	92501-06020	33-31		24-37
29M-83350-10	33-24	355-85720-01	33-18	90185-10060	18- 8	90445-09353	21-14	92901-04100	27- 9		26-25

NUMERICAL INDEX

PART NO.	REF. NO.	PART NO.	REF. NO.	PART NO.	REF. NO.	PART NO.	REF. NO.	PART NO.	REF. NO.	PART NO.	REF. NO.
92990-08100	29-18	94325-18043	23-27	97702-30620	28- 5	99510-12016	7- 2				
93101-10002	3-17		24-20		28-11	99530-10014	8- 2				
93101-17062	9-12	94414-18007	23-28	97706-40530	31- 5		8-11				
93102-12106	13- 6		24-22	98011-08025	9-16						
93102-18008	23- 5	94580-52100	24-32	98021-06020	13-11						
93102-20231	2-14	94680-52001	24-33	98501-05006	8- 7						
93102-26042	11-23	94701-00108	1- 5	98501-05008	6- 6						
93103-28012	2-19	95023-06016	33-20	98501-05010	8-17						
93104-07003	23-13	95303-05600	3- 5	98501-05012	8-22						
93104-10085	10-26		32- 4		12- 5						
93104-21016	24- 6		33-29		30-14						
93105-47007	23- 9	95303-06600	5-24	98501-05016	3-16						
93106-30004	24-25		6-10		18-11						
93210-14104	23-34		15- 5	98501-05018	4-16						
93210-18023	2-16		15-16	98501-06010	12-19						
93210-26033	2-26		23-21		16- 7						
93210-41041	24- 8		24-15	98501-06012	11-10						
93210-85075	10- 2		24-47	98501-06014	2-25						
93306-00406	24-24		31- 8	98501-06020	8-24						
93306-30101	24- 4		31-10	98501-06025	16-15						
93306-30109	23- 2		33-36	98501-06030	7- 3						
	24- 5	95303-06700	10-24		8-12						
93306-30301	11- 7	95303-08600	6-13	98501-06040	7- 4						
93306-30421	2-13		13- 5		8- 4						
93306-30435	11-21		22- 7	98501-06050	7- 6						
93310-214F8	2-10	95303-08700	24-36		8-13						
93310-21403	2-10		26-18	98501-06060	7- 7						
93310-422E7	2- 6	95303-10600	28-13	98501-06065	7- 5						
93315-31502	11-20	95306-05600	29-13		8- 3						
93317-31528	11-11	95311-12700	18-23		8-14						
93410-20038	11- 6	95601-05100	32-13	98503-03008	21-10						
	11-18	95701-06500	33-22	98503-05025	16-19						
93430-12008	26- 8	95701-08500	14- 5		32-14						
93440-15012	11- 8	95811-08120	14- 4	98506-04010	29-14						
93450-15023	2-12	95821-08100	14- 3	98511-04012	5-10						
93501-04011	10-19	97001-08014	22- 5		27- 7						
	19- 9	97003-06012	31- 9	98511-04025	27- 6						
93505-32002	3- 8	97003-06014	33-26	98580-04010	27- 8						
93603-22028	3-20	97023-08040	19-12	98701-05035	27-13						
93604-10011	2-24	97026-08012	14-13	98701-06030	14- 9						
93604-14012	2-18	97313-06016	15- 8	98901-04008	3- 7						
93604-22050	12- 2		15-17	98903-06010	4- 6						
93605-20043	12- 8	97313-08012	15- 2	99001-08600	3-21						
93812-15063	11-24	97313-08016	15-10	99006-10600	13- 8						
94125-18019	23-25		22- 2	99009-13400	9- 3						
94125-18020	24-18		22- 8	99009-20400	23-17						
94225-18194	23-26		29-17	99009-30400	9- 8						
	24-19	97701-40510	33-11	99221-00030	21- 3						

