

YAMAHA

PARTS CATALOGUE

YA90Z(4SG1)

154SG-415EI

FOREWORD

This Parts Catalogue is related to the parts in use for the Yamaha YA90Z(4SG1))
When you are ordering replacement parts for the YA90Z(4SG1)) refer to this Parts Catalogue and quote both part numbers and part names correctly.

1. Modifications or additions which have been made after issue of the Parts Catalogue will be announced in the Yamaha Parts News.
It is advisable that according to the Yamaha Parts News you make necessary corrections to the Parts Catalogue on hand to keep it up-to-date.

2. Abbreviations

The following abbreviations are used in this Parts Catalogue.

- U.R. Use size (thickness) and/or number as required.
- U.N. Use as many as you need.
- A.P. Alternate Parts
- L.M. Local Made
- F# Frame No. (Applicable machine No.)

3. The parts marked with (+) in the parts number column of this Catalogue are not supplied with by Yamaha, those have to be found locally.
4. Parts, which are to be supplied in the form of assemblies, are listed with an indentation of one letter's space, and a dot (.) is put against the name of each part.

EXAMPLE
 CARBURETOR ASS'Y
 . JET, pilot
 . NOZZLE, main

5. Indication of No. of constituent parts for assembly

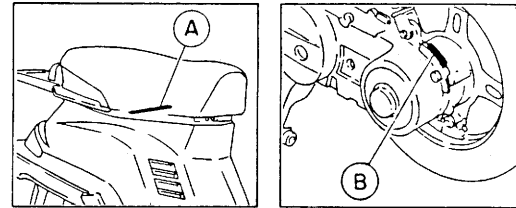
The numeral appearing to the right of each constituent part under the description indicates the quantity of such parts for each individual assembly unit.

EXAMPLE

Part No.	Description	Q'ty	Remarks
2F5-83310-60	FRONT FLASHER LIGHT ASS'Y	2	
115-83311-60	. BULB (6V-18W)	1	
1M1-83309-60	. REFLECTOR	1	

6. Initial Serial No. and Color Code

(A) Frame Serial No.	4SG-000101 ~ *and following
(B) Engine Serial No.	4SG-000101 ~ *and following



7. Applicable colors of graphics are represented in the "Remarks" column by the letter(s) appropriately picked out of the full word(s) showing such colors.

EXAMPLE

Part No.	Description	Q'ty	Remarks
2N4-24110-00-X5	FUEL TANK COMP.	1	MAXIM RED
3J1-24240-10	. GRAPHIC, fuel tank set	1	for MXR

Picture for reference only. Please
to see the actual motorcycle



WHITE



BLUE



CONTENTS

ENGINE

Fig. 1 Cylinder	1
Fig. 2 Crankshaft Piston.....	2
Fig. 3 Air Shroud. Fan	3
Fig. 4 Oil Pump.....	4
Fig. 5 Intake	5
Fig. 6 Carburetor	6
Fig. 7 Exhaust.....	7
Fig. 8 Crankcase	8
Fig. 9 Starter	10
Fig.10 Clutch.....	11
Fig.11 Transmission.....	13

CHASSIS

Fig.12 Frame	14
Fig.13 Fender	15
Fig.14 Side Cover	16
Fig.15 Oil Tank.....	17
Fig.16 Rear Suspension	18
Fig.17 Front Fork.....	19
Fig.18 Fuel Tank.....	21
Fig.19 Seat	22
Fig.20 Front Wheel.....	23

Fig.21 Front Brake Caliper	24
Fig.22 Rear Wheel.....	25
Fig.23 Steering Handle Cable.....	26
Fig.24 Front Master Cylinder.....	27
Fig.25 Stand. Footrest.....	28
Fig.26 Leg Shield	29
Fig.27 Cowling 1	30
Fig.28 Generator.....	31
Fig.29 Starting Motor.....	32
Fig.30 Flasher Light.....	33
Fig.31 Meter.....	34
Fig.32 Headlight.....	35
Fig.33 Taillight	36
Fig.34 Handle Switch. Lever	37
Fig.35 Electrical 1	38
Fig.36 Electrical 2	39

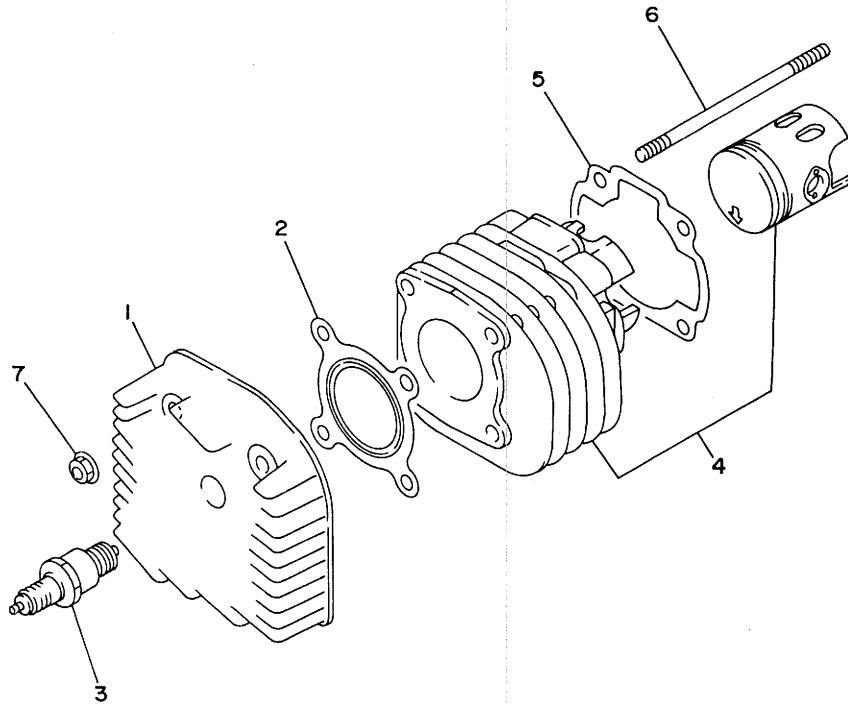
INDEX

Numerical Index	40
-----------------------	----

FIG. 1 CYLINDER

REF

NO.	PARTS NO.	DESCRIPTION	Q'TY	REMARKS
1	4DM-E1111-00	HEAD, CYLINDER 1	1	
2	4DM-E1181-00	GASKET, CYLINDER HEAD 1	1	
3	94700-00264	PLUG, SPARK	1	
4	4DM-Y1310-00	CYLINDER PISTON SET	1	
5	4DM-E1351-00	GASKET, CYLINDER	1	
6	90116-07832	BOLT, STUD	4	
7	90179-07381	NUT	4	



3XG1414-1010

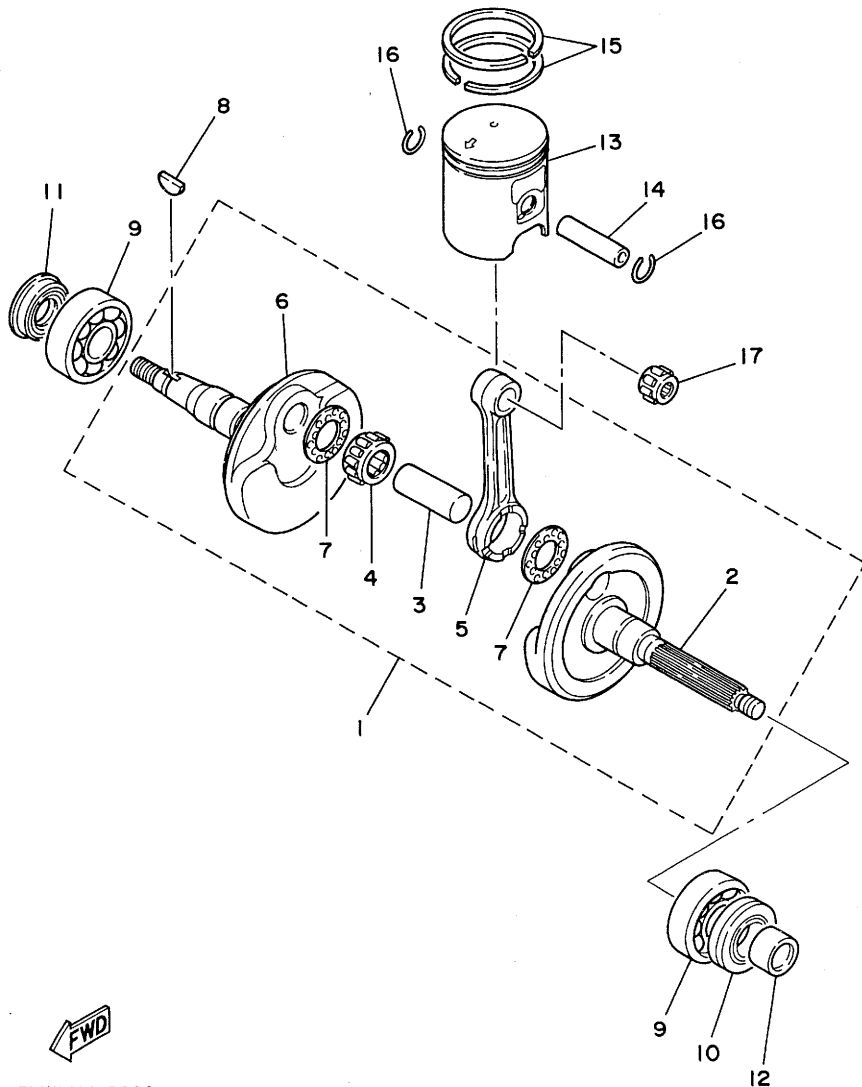


FIG. 2 CRANKSHAFT. PISTON

REF				
NO.	PARTS NO.	DESCRIPTION	Q'TY	REMARKS
1	4DM-E1400-00	CRANKSHAFT ASSY	1	
2	4DM-E1412-00	.CRANK 1	1	
3	2GM-11681-01	.PIN, CRANK 1	1	
4	93310-418T0	.BRG.	1	
5	48N-E1651-00	.ROD, CONNECTING	1	
6	4DM-E1422-00	.CRANK 2	1	
7	90209-18112	.WASHER	2	
8	90280-03017	KEY, WOODRUFF	1	
9	93306-20468	BRG.	2	
10	93102-20425	SEAL,OIL	1	
11	93101-20138	SEAL,OIL	1	
12	90387-166L6	COLLAR	1	
13	4DM-E1631-19	PISTON (STD)	1	
	4DM-E1631-29	PISTON (STD)	1	
	4DM-E1631-39	PISTON (STD)	1	
14	3NW-E1633-00	PIN, PISTON	1	
15	4DM-11603-00	PISTON RING SET (STD)	1	
16	93450-13811	CIRCLIP	2	
17	93310-11268	BRG.	1	

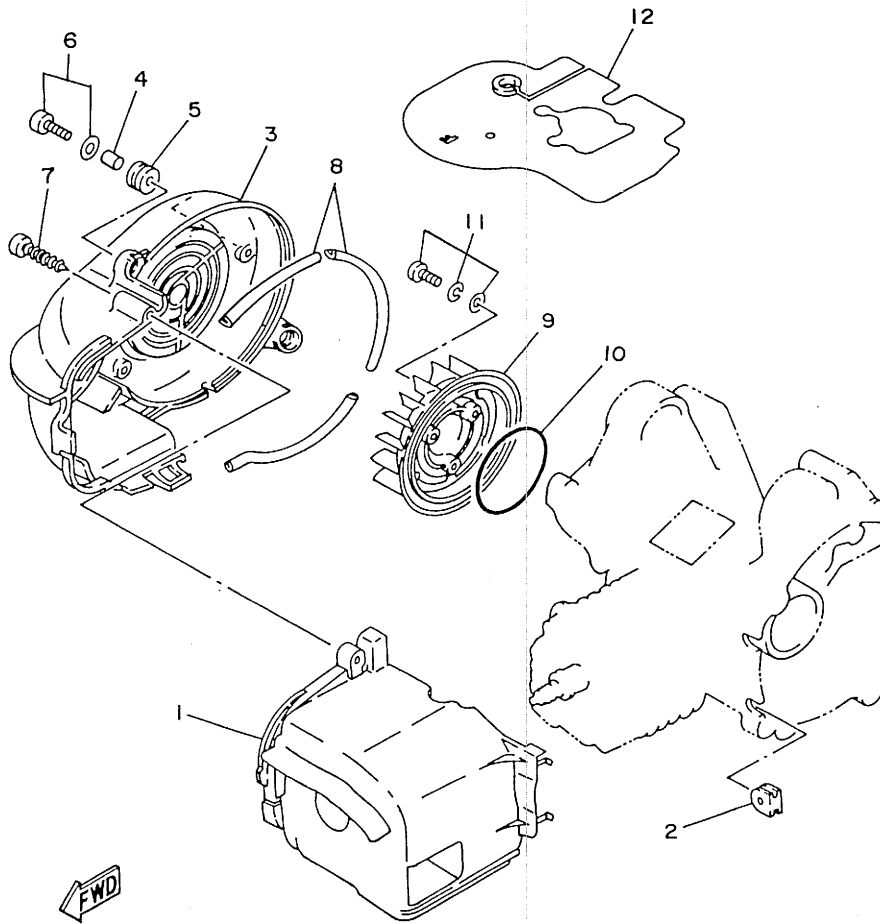


3NW1414-9020

FIG. 3 AIR SHROUD. FAN

REF

N0.	PARTS NO.	DESCRIPTION	Q'TY	REMARKS
1	4DM-E2651-00	AIR SHROUD, CYLINDER 1	1	
2	90480-10468	GROMMET	2	
3	4DM-E2653-01	AIR SHROUD, CYLINDER 3	1	
4	90387-068J5	COLLAR	2	
5	90480-12497	GROMMET	2	
6	97607-06220	SCREW, W/WASHER	2	
7	97707-60540	SCREW, TAPPING	1	
8	3XG-E2658-00	DAMPER, AIR SHROUD 1	3	
9	4DM-E2611-00	FAN	1	
10	93210-64893	O-RING	1	
11	97607-06316	SCREW, W/WASHER	3	
12	3XG-E2631-00	DEFLECTOR 1	1	

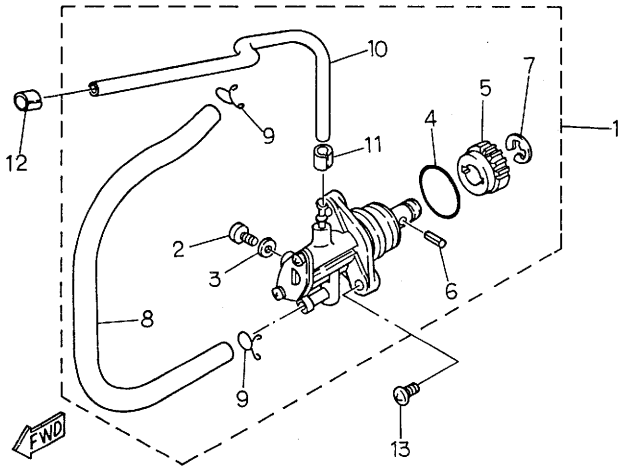
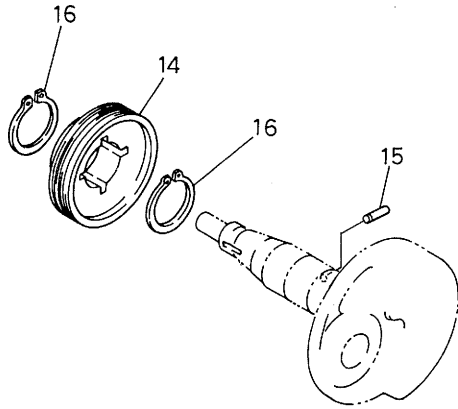


4KX2414-5030

FIG. 4 OIL PUMP

REF

NO.	PARTS NO.	DESCRIPTION	Q'TY	REMARKS
1	4KX-E3100-00	OIL PUMP ASSY	1	
2	1YU-13185-00	.BOLT, BREATHER	1	
3	1YU-13187-00	.GASKET, BREATHER BOLT	1	
4	1YU-13473-00	.O-RING	1	
5	3AA-13124-00	.GEAR, WORM WHEEL	1	
6	1YU-13516-00	.PIN, DOWEL	1	
7	1YU-13577-00	.CLIP	1	
8	90445-09621	.HOSE	1	
9	90467-08003	.CLIP	2	
10	90445-052G4	.HOSE	1	
11	90468-02033	.CLIP	1	
12	90468-02033	CLIP	1	
13	98507-05014	SCREW, PAN HEAD	2	
14	2GM-13178-00	GEAR, PUMP DRIVE	1	
15	93603-12827	PIN DOWEL	1	
16	99009-19400	CIRCLIP	2	

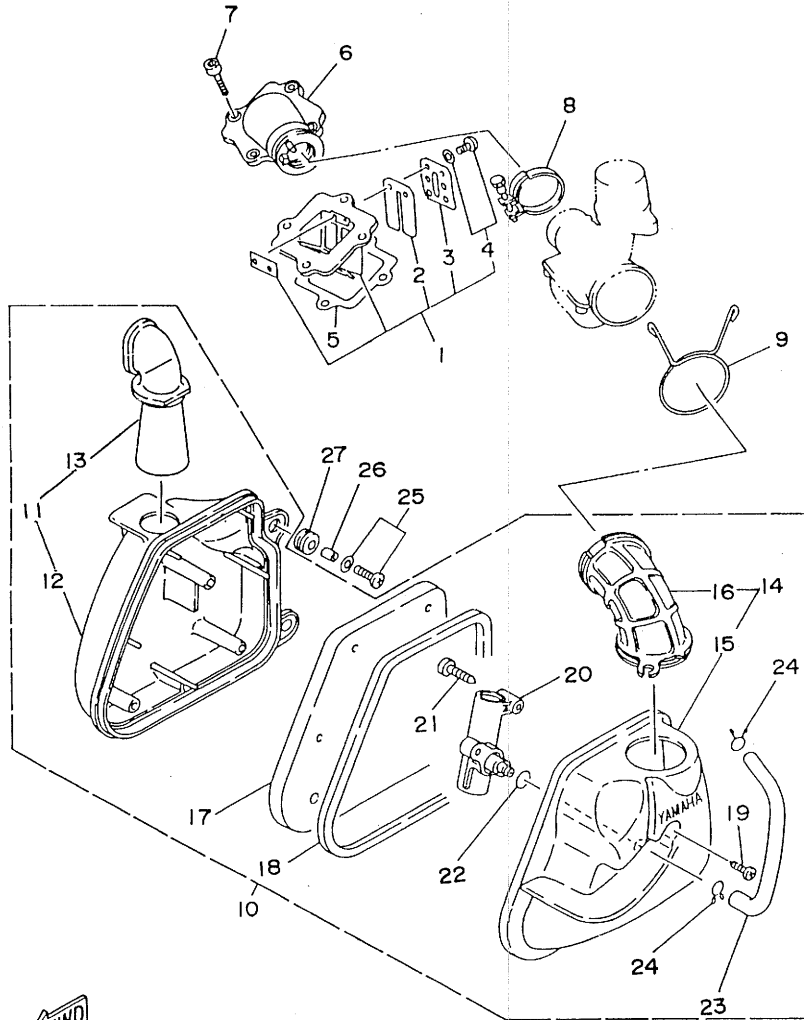


3XG4414-4040

FIG. 5 INTAKE

REF

NO.	PARTS NO.	DESCRIPTION	Q'TY	REMARKS
1	3VR-13610-00	REED VALVE ASSY	1	
2	3VR-13613-00	.REED, VALVE	2	
3	3VR-13616-00	.STOPPER, REED VALVE	2	
4	97607-03208	.SCREW,W/WASHER	4	
5	3XG-E3621-00	GASKET, VALVE SEAT	1	
6	3XG-E3555-01	MANIFOLD, INTAKE	1	
7	91318-06020	BOLT	4	
8	3XG-E3575-01	BAND	1	
9	90467-24140	CLIP	1	
10	3XY-E4410-00	AIR CLEANER ASSY.	1	
11	3XG-W1441-10	.AIR CLEANER CASE COMP.	1	
12	3XG-E4411-00	..CASE, AIR CLEANER 1	1	
13	3XY-E4437-00	..DUCT	1	
14	3XG-W1442-00	.AIR CLEANER CASE COMP	1	
15	3XG-E4412-00	..CAP, CLEANER CASE 1	1	
16	3XG-E4453-00	..JOINT, AIR CLEANER 1	1	
17	3XG-E4451-00	.ELEMENT, AIR CLEANER	1	
18	3XG-E4452-00	.SEAL	1	
19	97707-50125	.SCREW,TAPPING	3	
20	3XG-E4303-00	.CARBURETOR ASSY 3	1	
21	97707-50135	.SCREW,TAPPING	3	
22	93210-108A6	.O-RING	1	
23	3XG-E4348-00	.PIPE 1	1	
24	90467-07029	.CLIP	2	
25	97607-06220	SCREW,W/WASHER	2	
26	90387-068J5	COLLAR	2	
27	90480-12497	GROMMET	2	

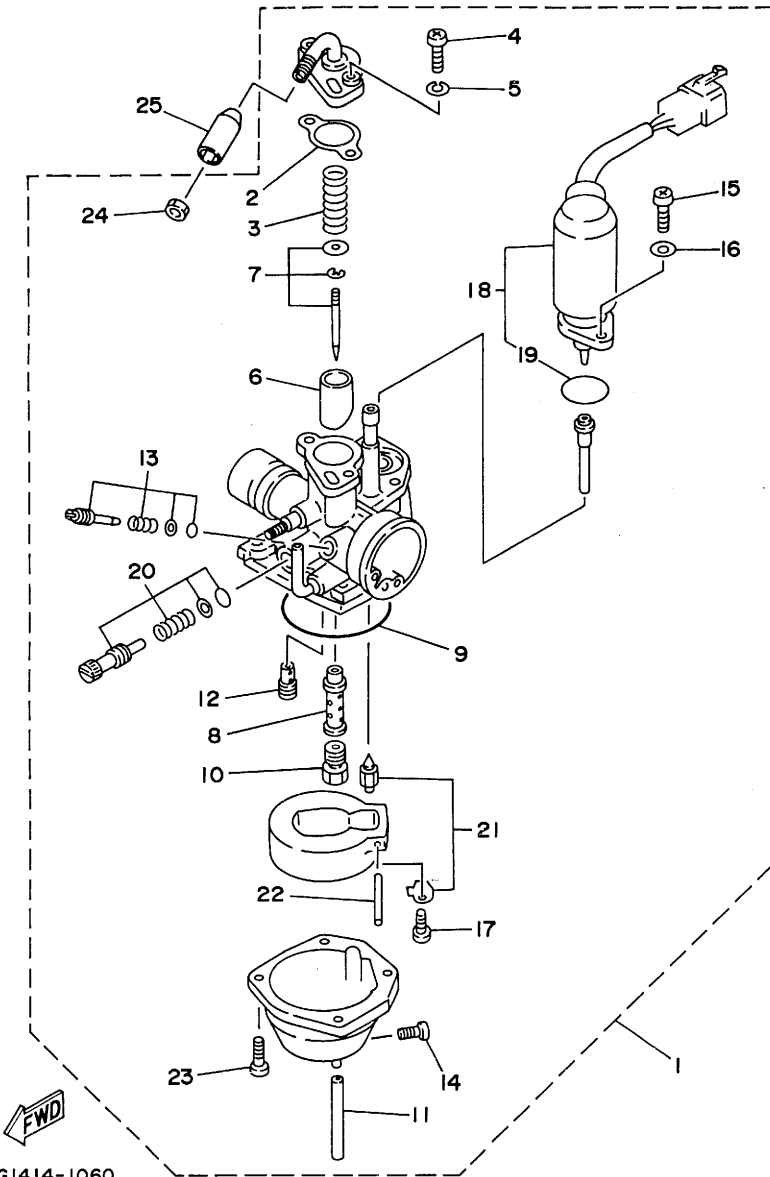


4KX2414-5050

FIG. 6 CARBURETOR

REF

NO.	PARTS NO.	DESCRIPTION	Q'TY	REMARKS
1	4DM-E4101-10	CARBURETOR ASSY 1	1	
2	3XG-14198-00	.GASKET	1	
3	52W-14131-00	.SPRING, THROTTLE VALVE	1	
4	98502-04012	.SCREW,PAN HEAD (+)	1	
5	92902-04100	.WASHER, SPRING	1	
6	3XY-14112-30	.VALVE, THROTTLE 1	1	
7	4DM-1490J-00	.NEEDLE SET	1	
8	3XY-14141-13	.NOZZLE, MAIN	1	
9	3XG-14997-00	.SEAL	1	
10	18A-1414A-67	.JET, MAIN	1	
11	3XG-14196-00	.PIPE	1	
12	1NT-14142-17	.JET, PILOT	1	
13	3MB-14104-00	.AIR SCREW SET	1	
14	12R-14191-00	.PLUG, DRAIN	1	
15	98502-04008	.SCREW,PAN HEAD (+)	2	
16	92902-04100	.WASHER, SPRING	2	
17	98502-03006	.SCREW,PAN HEAD (+)	1	
18	3XG-14171-10	.PLUNGER, STARTER	1	
19	52W-14147-00	.O-RING	1	
20	3XG-14103-00	.THROTTLE SCREW SET	1	
21	3XG-14107-00	.NEEDLE VALVE SET	1	
22	53L-14186-00	.PIN, FLOAT	1	
23	98502-04012	.SCREW,PAN HEAD (+)	4	
24	522-14161-00	.NUT, CABLE ADJUSTING	1	
25	1MH-F6329-00	CAP, RUBBER	1	

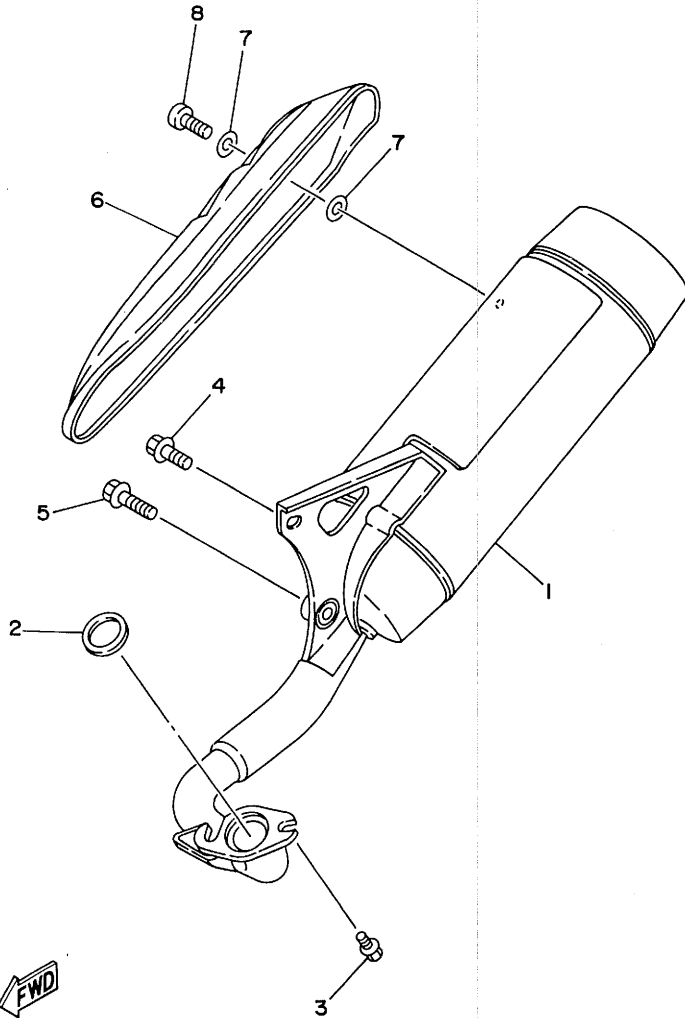


3XG1414-1060

FIG. 7 EXHAUST

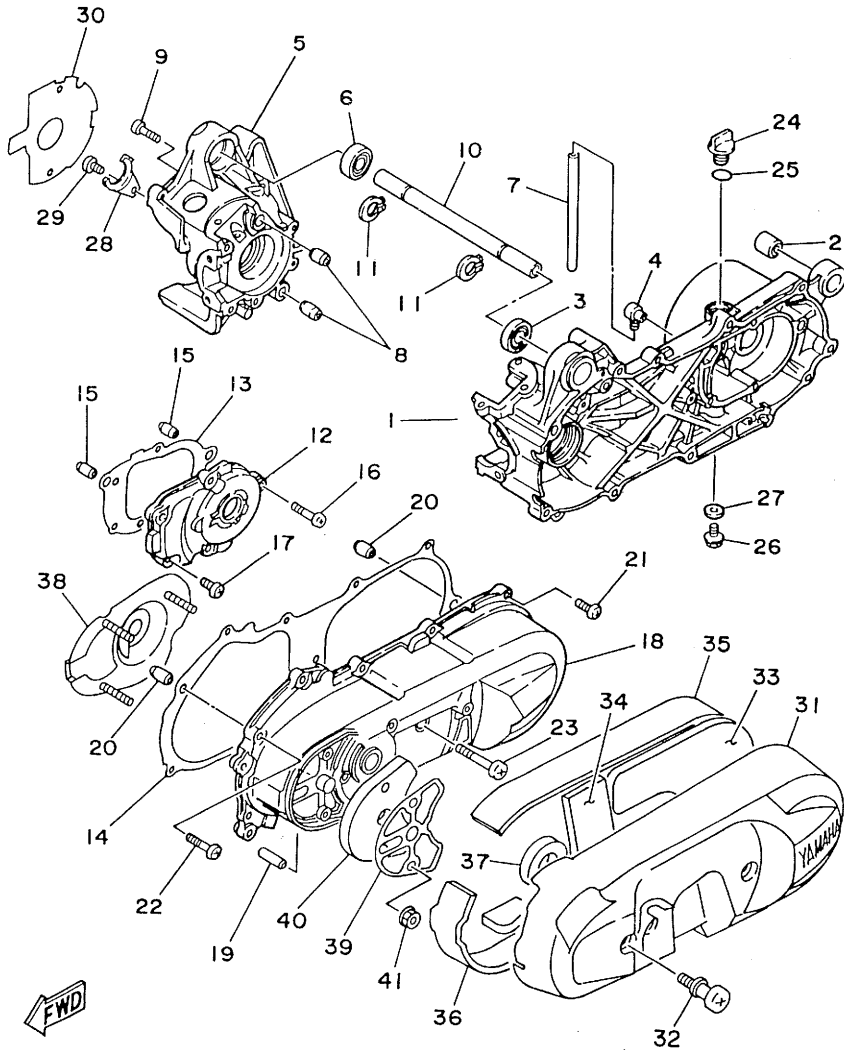
REF

NO.	PARTS NO.	DESCRIPTION	Q'TY	REMARKS
1	3XG-E4610-00	EXHAUST PIPE ASSY 1	1	
2	1NT-E4613-00	GASKET, EXHAUST PIPE	1	
3	90149-06810	SCREW	2	
4	95817-08020	BOLT, FLG	1	
5	95817-08030	BOLT, FLG	1	
6	3XG-E4718-00	PROTECTOR, MUFFLER 1	1	
7	90202-06010	WASHER, PLATE	4	
8	98980-06008	SCREW, BINDING HEAD (+)	2	



3XG1414-1070

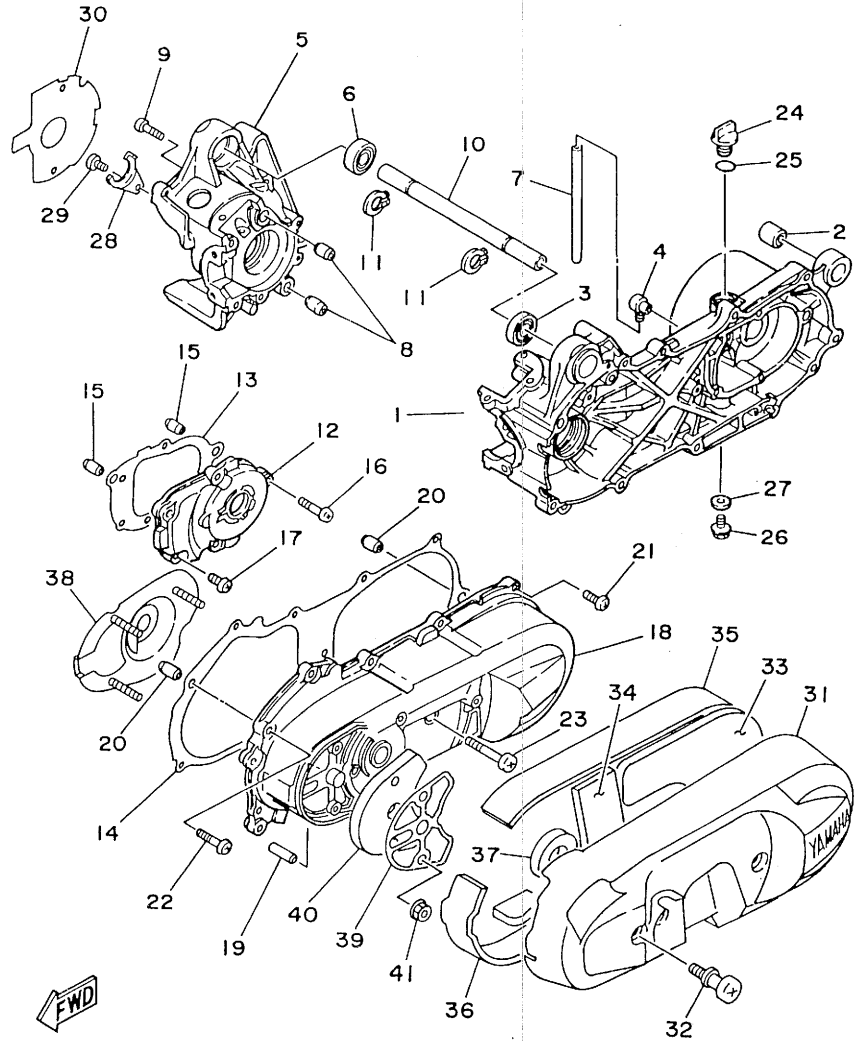
FIG. 8 CRANKCASE



REF	N.O.	PARTS NO.	DESCRIPTION	Q'TY	REMARKS
	1	4DM-E5111-01	CRANKCASE 1	1	
	2	4X6-F2216-00	BUSH, REAR SHOCK ABSORBER	1	
	3	93306-003Y4	BRG.	1	
	4	3XG-E5371-00	BREATHER	1	
	5	4DM-E5121-10	CRANKCASE 2	1	
	6	93306-003Y4	BRG.	1	
	7	90446-11347	HOSE	1	
	8	99530-12016	PIN,DOWEL	2	
	9	9850L-06035	SCREW,PAN HEAD(+)	6	
	10	3XG-E5317-00	SPACER, ENGINE MOUNT	1	
	11	99009-17400	CIRCLIP	2	
	12	3XG-E5421-00	COVER, CRANKCASE 2	1	
	13	3XG-E5461-00	GASKET, CRANKCASE COVER 2	1	
	14	4DM-E5451-00	GASKET, CRANKCASE COVER 1	1	
	15	99530-10114	PIN,DOWEL	2	
	16	9850L-06035	SCREW,PAN HEAD(+)	2	
	17	9850L-06020	SCREW,PAN HEAD(+)	3	
	18	4DM-E5411-00	COVER, CRANKCASE 1	1	LOW GLOSS BLACK
	19	3XG-E5659-00	SHAFT	1	
	20	99530-10114	PIN,DOWEL	2	
	21	9850L-06025	SCREW,PAN HEAD(+)	8	
	22	9850L-06035	SCREW,PAN HEAD(+)	2	
	23	9850L-06065	SCREW,PAN HEAD(+)	1	
	24	4Y4-E5363-00	PLUG, OIL	1	
	25	93210-14805	O-RING	1	
	26	95807-08016	BOLT, FLG	1	
	27	90430-08119	GASKET	1	
	28	1NT-E5128-00	HOLDER	1	

4KX2414-5080

FIG. 8 CRANKCASE

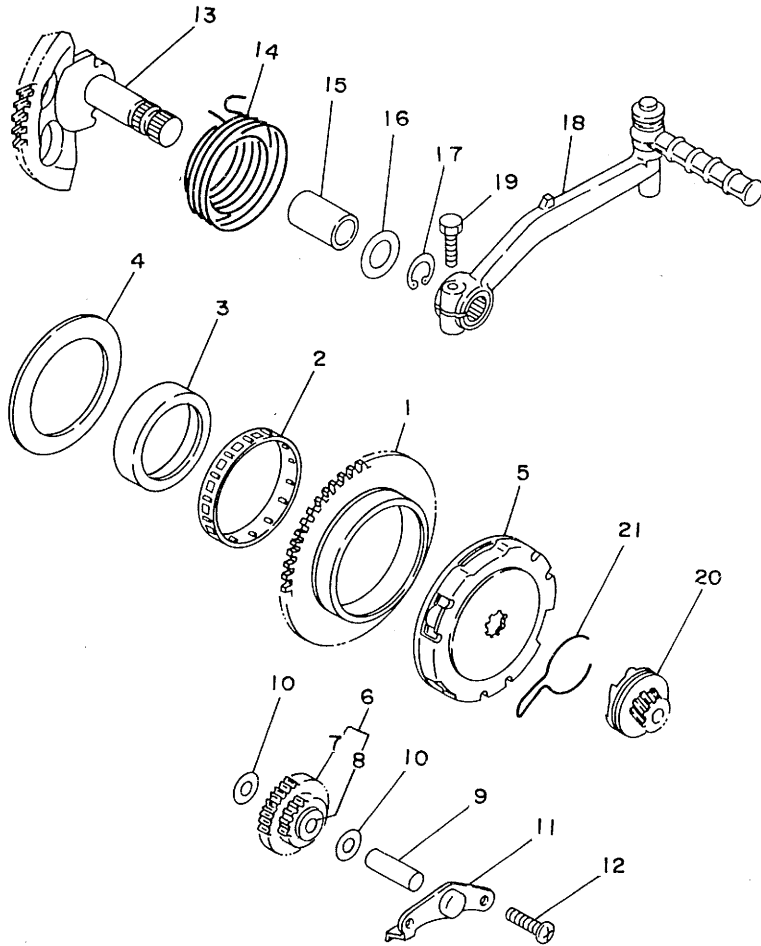


NO.	PARTS NO.	DESCRIPTION	Q'TY	REMARKS
29	98507-06012	SCREW, PAN HEAD	1	
30	3XG-E5462-00	GASKET, CRANKCASE COVER 3	1	
31	4DM-E5431-00	COVER, CRANKCASE 3	1	
32	4DM-E5481-00	BOLT 1	2	
33	4DM-E5316-00	DAMPER, ENGINE MOUNT 1	1	
34	4DM-E5326-00	DAMPER, ENGINE MOUNT 2	1	
35	4DM-E5335-00	DAMPER 3	1	
36	4DM-E5337-00	DAMPER 4	1	
37	4DM-E5338-00	DAMPER, ENGINE MOUNT 5	1	
38	4DM-E5191-00	PLATE	1	
39	4DM-E5407-00	ELEMENT 1	1	
40	4DM-E5404-00	GUIDE, ELEMENT	1	
41	9570L-06500	NUT, FLG	3	

4KX2414-5080

FIG. 9 STARTER

REF				
	NO.	PARTS NO.	DESCRIPTION	Q'TY
	1	4KX-E5524-00	WHEEL, STARTER	1
	2	93310-255B7	BRG.	1
	3	3WF-15538-00	BOSS, GEAR 2	1
	4	90201-55890	WASHER, PLATE	1
	5	3WF-15570-01	STARTER CLUTCH ASSY	1
	6	4DM-E5650-00	IDLE GEAR ASSY	1
	7	4DM-E5512-00	.GEAR, IDLER 1	1
	8	93315-108Y4	.BRG.	1
	9	3XG-E3342-00	SHAFT, IDLE GEAR	1
	10	90201-08088	WASHER, PLATE	2
	11	3XG-E5532-00	PLATE, IDLE GEAR	1
	12	98507-06012	SCREW, PAN HEAD	2
	13	3XG-E5601-00	KICK SHAFT ASSY	1
	14	90508-32609	SPRING, TORSION	1
	15	90380-15083	BUSH, SOLID	1
	16	90201-155G5	WASHER, PLATE	1
	17	99009-15400	CIRCLIP	1
	18	3XG-E5620-00	KICK CRANK ASSY	1
	19	97017-06025	BOLT, HEX	1
	20	3XG-E5630-00	KICK PINION ASSY	1
	21	23Y-E5673-02	CLIP	1

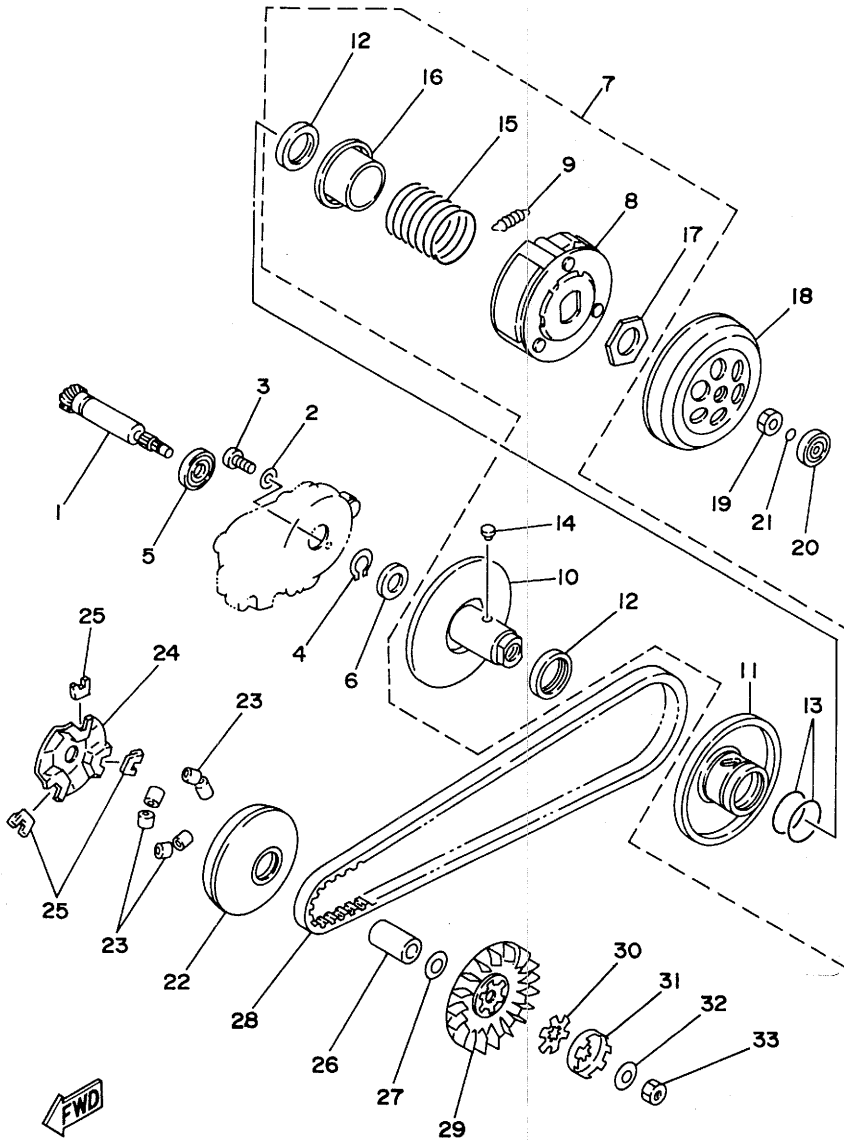


3XG2414-4090

FIG. 10 CLUTCH

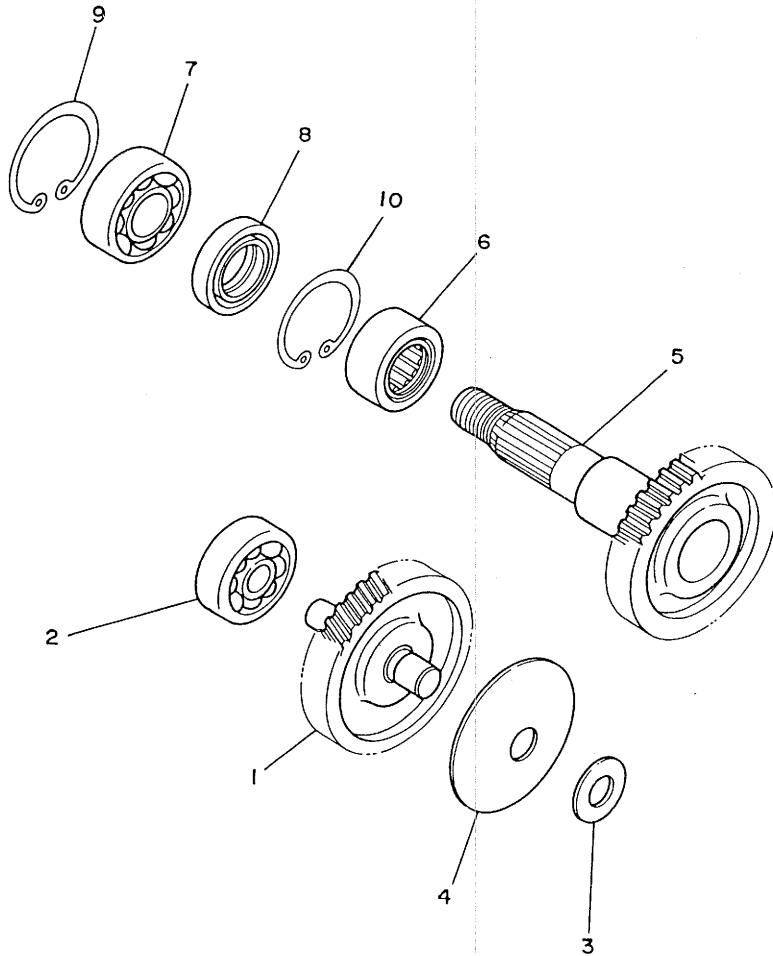
REF

NO.	PARTS NO.	DESCRIPTION	Q'TY	REMARKS
1	3WF-16111-00	GEAR, PRIMARY DRIVE	1	
2	90201-06412	WASHER, PLATE	1	
3	98507-06010	SCREW, PAN HEAD	1	
4	99009-17400	CIRCLIP	1	
5	93306-003Y1	BRG.	1	
6	93102-17841	SEAL, OIL	1	
7	4DM-17602-00	SECONDARY SHEAVE ASSY	1	
8	4CX-16620-00	.CLUTCH CARRIER ASSY	1	
9	17L-16626-00	.SPRING, CLUTCH WEIGHT 1	3	
10	3GF-17660-02	.SECONDARY FIXED SHEAVE COMP.	1	
11	3GF-17670-01	.SECONDARY SLIDING SHEAVE	1	
12	93109-33052	.SEAL, OIL	2	
13	93210-36549	.O-RING	2	
14	24G-17664-00	.PIN, GUIDE	2	
15	90501-402G0	.SPRING, COMPRESSION	1	
16	3XG-17684-00	.SEAT, SECONDARY SPRING	1	
17	90179-28415	.NUT	1	
18	3YJ-16611-00	CLUTCH HOUSING COMP.	1	
19	90179-10609	NUT	1	
20	93300-63813	BRG.	1	
21	93210-06852	O-RING	1	
22	3WF-17620-02	PRIMARY SLIDING SHEAVE COMP.	1	
23	4DM-17632-10	WEIGHT	6	
24	3NW-17623-01	CAM	1	
25	1NT-17653-00	SLIDER	3	
26	90387-165X0	COLLAR	1	
27	90201-163J6	WASHER, PLATE	1	
28	3WF-17641-00	V-BELT	1	



3XG1414-1100

FIG. 11 TRANSMISSION

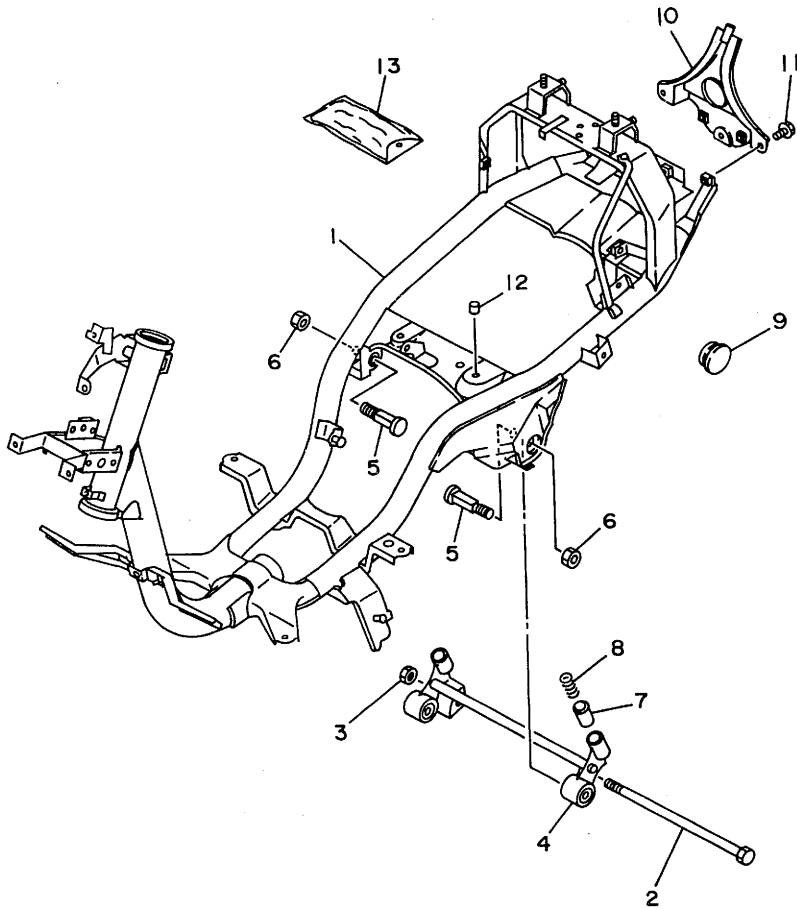


REF				
NO.	PARTS NO.	DESCRIPTION	Q'TY	REMARKS
1	4DM-E7410-00	MAIN AXLE COMP.	1	
2	93306-20119	BRG.	1	
3	90201-127E1	WASHER, PLATE	1	
4	90208-12042	WASHER, CONICAL SPRING	1	
5	4DM-E7420-00	DRIVE AXLE ASSY	1	
6	93315-42536	BRG.	1	
7	93306-004X7	BRG.	1	
8	93102-25270	SEAL, OIL	1	
9	99009-42500	CIRCLIP	1	
10	93450-28814	CIRCLIP	1	



4KX2414-5110

FIG. 12 FRAME

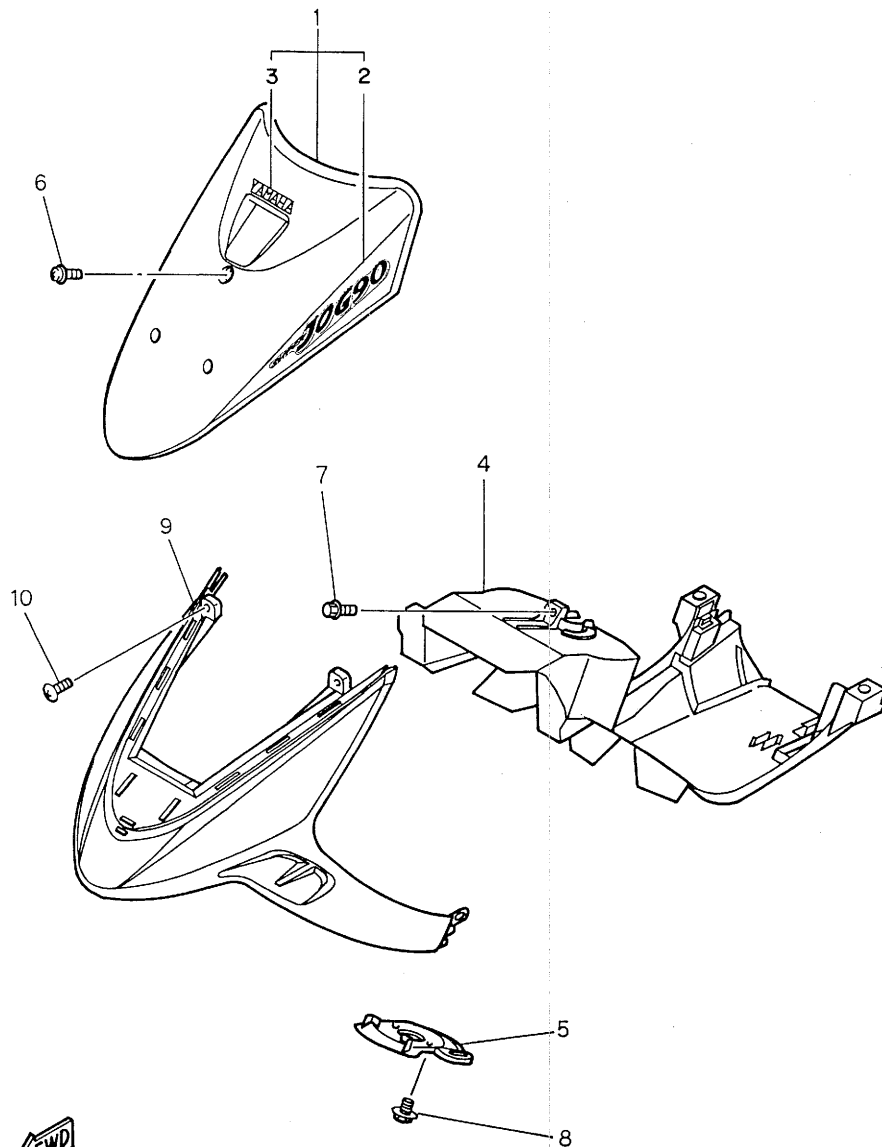


REF

NO.	PARTS NO.	DESCRIPTION	Q'TY	REMARKS
1	4SG-F1110-00-33	FRAME COMP.	1	YAMAHA BLACK
2	3XG-F1481-00	BOLT, ENGINE MOUNTING 1	1	
3	9560L-12200	NUT, SEAL-LOCKING	1	
4	4KX-F1410-00	ENGINE BRACKET COMP.	1	
5	20A-F1481-00	BOLT, ENGINE MOUNTING 1	2	
6	9561L-10100	NUT, U	2	
7	4Y4-F139X-01	DAMPER	2	
8	90501-29517	SPRING, COMPRESSION	2	
9	4DY-F1399-00	CAP, TOOL BOX	2	
10	4DY-F1232-00	REINFORCEMENT, TAIL	1	
11	95807-06012	BOLT, FLG	3	
12	90387-058G3	COLLAR	2	
13	4DY-F8100-00	TOOL KIT	1	



4JL1414-3120



4SG1415-5130

FIG. 13 FRONT FENDER

NO.	PARTS NO.	DESCRIPTION	Q'TY	REMARKS
1	4JL-X2151-10-P2	FRONT FENDER →	1	UR BLUE
	4JL-X2151-60-P0	FRONT FENDER	1	UR WHITE
2	4SG-F1569-00	.GRAPHIC 1	1	UR BLUE
	4SG-F1569-10	.GRAPHIC 1	1	UR WHITE
3	4DY-F1737-10	.EMBLEM	1	UR BLUE
	4DY-F1737-20	.EMBLEM	1	UR WHITE
4	4JL-F1552-00	FENDER, INNER	1	
5	3GF-F1553-00	FENDER, INNER 2	1	
6	90159-06812	SCREW, WITH WASHER	1	
7	95807-06012	BOLT, FLG	2	
8	90119-06821	BOLT, WITH WASHER	2	
9	4JL-F1519-00	MOLD, FENDER	1	UR BLUE
	4JL-F1519-10	MOLD, FENDER	1	UR WHITE
10	97707-50016	SCREW, TAPPING	2	

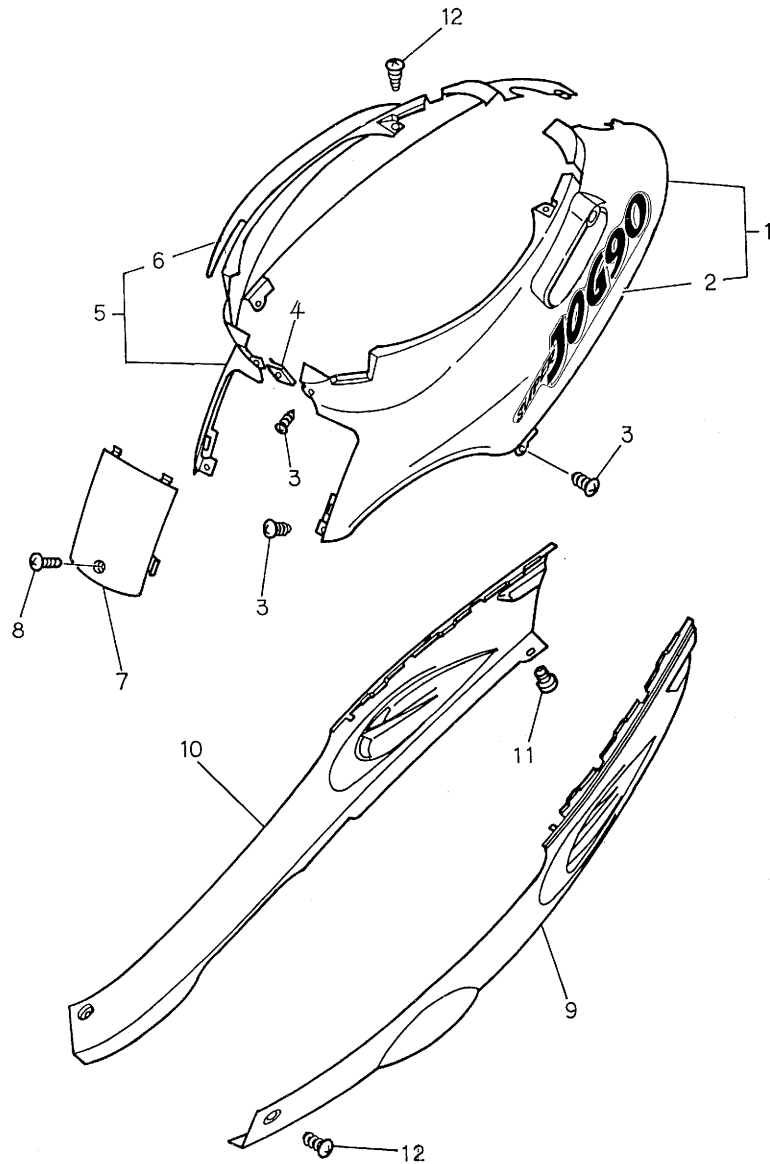


FIG. 14 SIDE COVER

NO.	PARTS NO.	DESCRIPTION	Q'TY	REMARKS
1	4DY-X2171-10-P6	SIDE COVER 1	1	UR BLUE
	4DY-X2171-90-P1	SIDE COVER 1	1	UR WHITE
2	4SG-F173E-00	.GRAPHIC 1	1	UR BLUE
	4SG-F173E-10	.GRAPHIC 1	1	UR WHITE
3	97707-50012	SCREW, TAPPING	5	
4	90183-05807	NUT, SPRING	1	
5	4DY-X2172-10-P6	SIDE COVER 2	1	UR BLUE
	4DY-X2172-90-P1	SIDE COVER 2	1	UR WHITE
6	4SG-F173E-00	.GRAPHIC 1	1	UR BLUE
	4SG-F173E-10	.GRAPHIC 1	1	UR WHITE
7	4DY-F1731-00-P6	COVER, SIDE 3	1	UR BLUE
	4DY-F1731-00-P1	COVER, SIDE 3	1	UR WHITE
8	90167-05055	SCREW TAPPING	1	
9	4JL-F171L-00	MOLE, SIDE COVER 1	1	UR BLUE
	4JL-F171L-10	MOLE, SIDE COVER 1	1	UR WHITE
10	4JL-F171M-00	MOLE, SIDE COVER 2	1	UR BLUE
	4JL-F171M-10	MOLE, SIDE COVER 2	1	UR WHITE
11	97707-50012	SCREW, TAPPING	2	
12	97707-50016	SCREW, TAPPING	2	

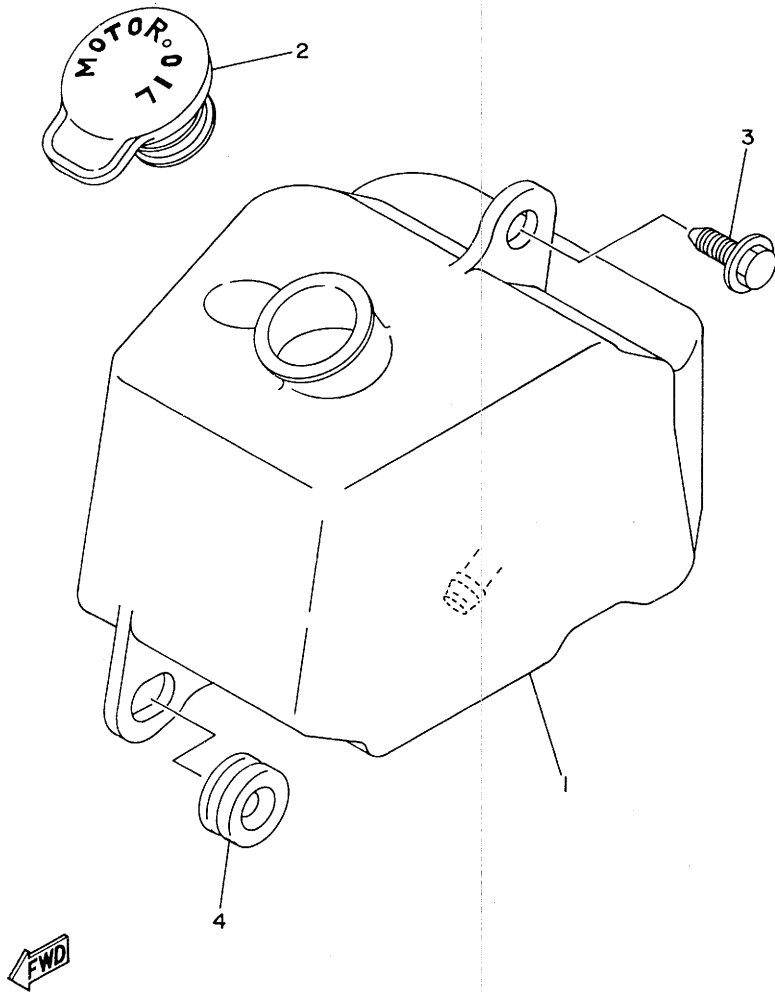
FWD

4SG1415-5140

FIG. 15 OIL TANK

REF

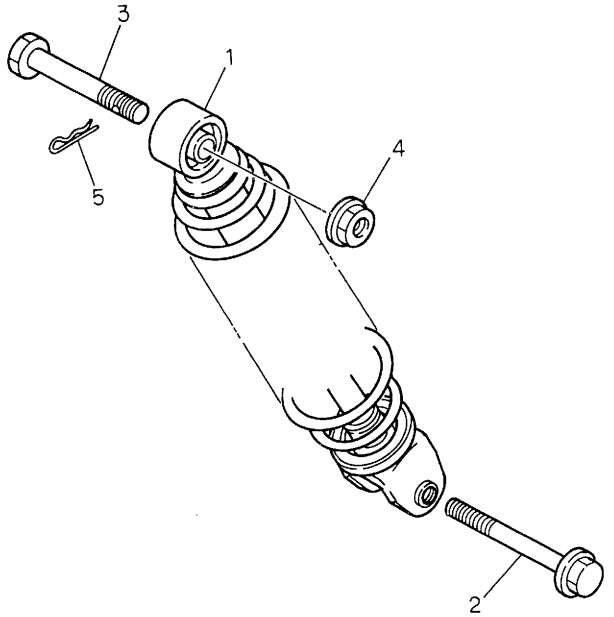
NO.	PARTS NO.	DESCRIPTION	Q'TY	REMARKS
1	4DY-F1751-01	TANK, OIL	1	
2	4X6-F1771-01	BODY, CAP	1	
3	90119-06802	BOLT, WITH WASHER	1	
4	90480-12053	GROMMET	1	



4DY1414-3150

FIG. 16 REAR ARM. SUSPENSION

REF				
NO.	PARTS NO.	DESCRIPTION	Q'TY	REMARKS
1	4KX-F2210-00	SHOCK ABSORBER ASSY, REAR	1	
2	90105-08121	BOLT, WASHER BASED	1	
3	90102-10031	BOLT, WITH HOLE	1	
4	9570L-10500	NUT, FLG	1	
5	90468-12006	CLIP	1	



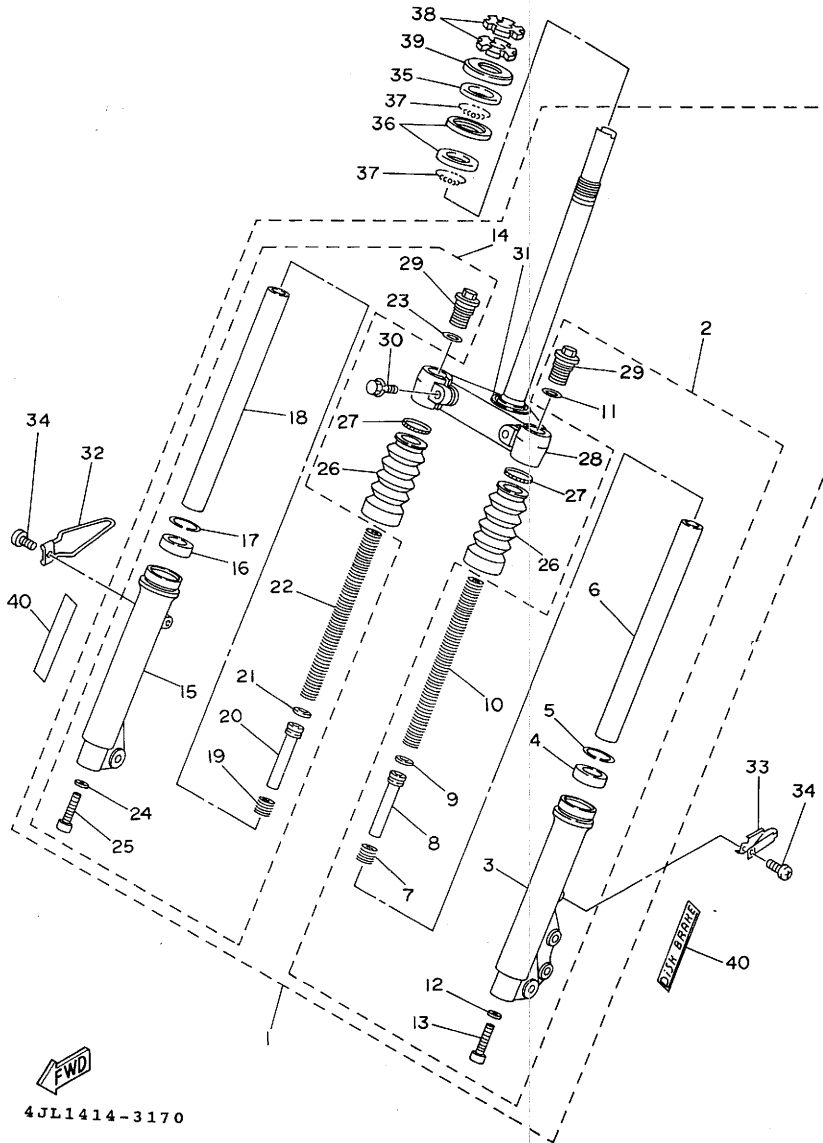
FWD

3XG4414-4160

FIG. 17 FRONT FORK

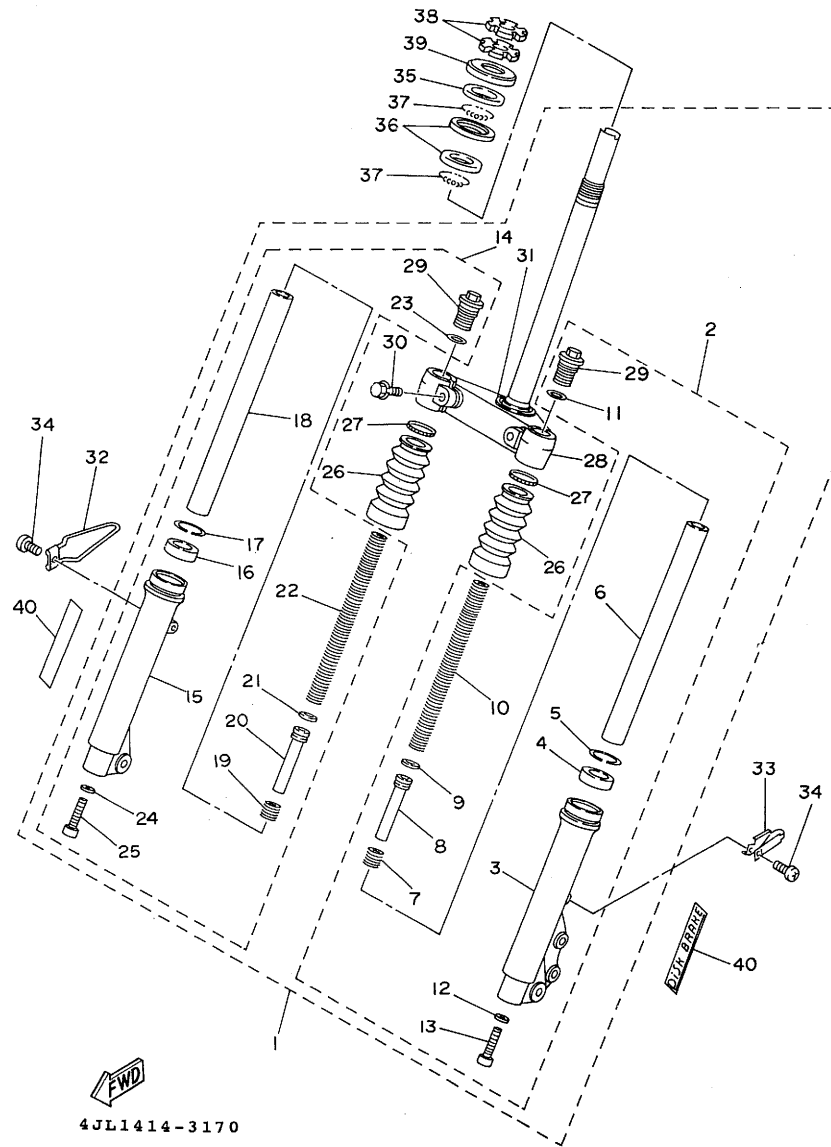
REF

NO.	PARTS NO.	DESCRIPTION	Q'TY	REMARKS
1	4JL-F3100-00	FRONT FORK ASSY	1	
2	4JL-F3102-00-33	.FRONT FORK ASSY (L.H)	1	
3	3NW-F3126-00-33	..TUBE, OUTER 1	1	
4	4JL-F3145-00	..OIL SEAL	1	
5	3NW-F3156-00	..CLIP, OIL SEAL	1	
6	4JL-F3110-00	..INNER TUBE COMP.1	1	
7	3GF-F3151-00	..SPRING, REBOUND	1	
8	4JL-F3170-00	..CYLINDER COMP.,	1	
9	3GF-F3157-00	..RING, PISTON	1	
10	4JL-F3141-00	..SPRING, FRONT FORK	1	
11	3GF-F3147-00	..O-RING	1	
12	4JL-F3158-00	..GASKET	1	
13	3GF-F3181-50	..BOLT, HEXAGON SOCKET HEAD	1	
14	4JL-F3103-00-33	.FRONT FORK ASSY (R.H)	1	
15	3NW-F3136-00-33	..TUBE, OUTER 2	1	
16	4JL-F3145-00	..OIL SEAL	1	
17	3NW-F3156-00	..CLIP, OIL SEAL	1	
18	4JL-F3110-00	..INNER TUBE COMP.1	1	
19	3GF-F3151-00	..SPRING, REBOUND	1	
20	4JL-F3170-00	..CYLINDER COMP.,	1	
21	3GF-F3157-00	..RING, PISTON	1	
22	4JL-F3141-00	..SPRING, FRONT FORK	1	
23	3GF-F3147-00	..O-RING	1	
24	4JL-F3158-00	..GASKET	1	
25	3GF-F3181-50	..BOLT, HEXAGON SOCKET HEAD	1	
26	4JL-F3191-00	.BOOT	2	
27	4JL-F3192-00	.BAND	2	
28	4JL-F3340-00	.UNDER BRACKET COMP.	1	



4JL1414-3170

FIG. 17 FRONT FORK



REF

NO.	PARTS NO.	DESCRIPTION	Q'TY	REMARKS
29	4JL-F3356-00	.BOLT 2	2	
30	3GF-F3346-00	.BOLT 1	2	
31	22F-23414-01	.RACE, BALL 4	1	
32	3XG-F3317-00	HOLDER, CABLE	1	
33	3XG-F5875-00	HOLDER, BRAKE HOSE 1	1	
34	9580L-06010	BOLT, FLG	2	
35	22F-23411-01	RACE, BALL 1	1	
36	22F-23412-01	RACE, BALL 2	2	
37	93503-16003	BALL	44	
38	90179-25033	NUT	2	
39	3XG-F3416-00	COVER, BALL RACE 2	1	
40	4KX-F3108-00	EMBLEM	2	

FWD

4JL1414-3170

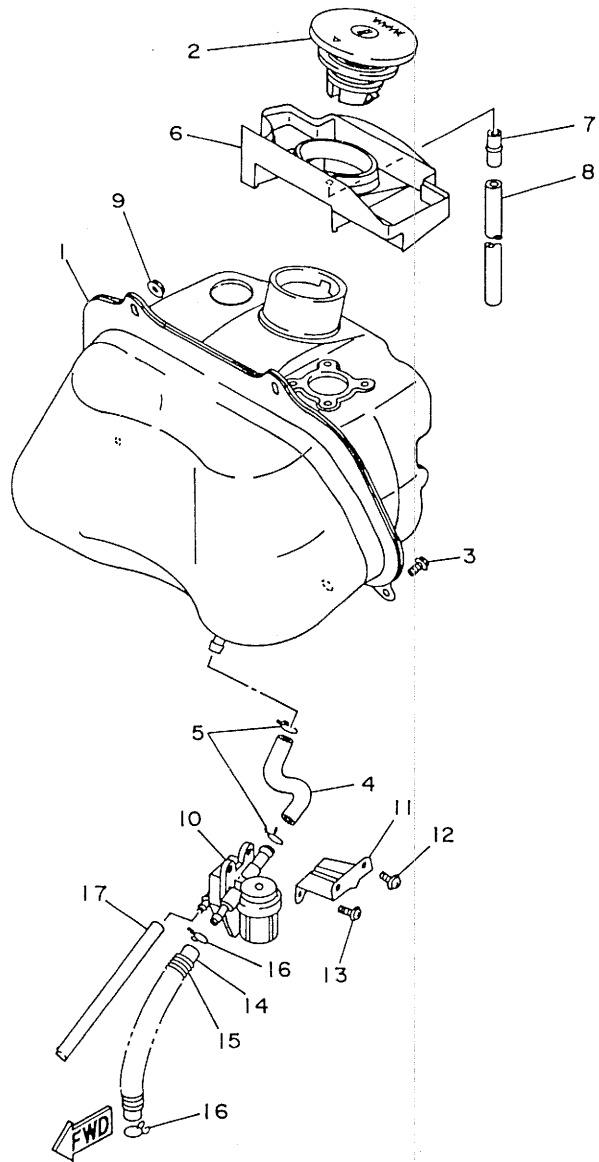
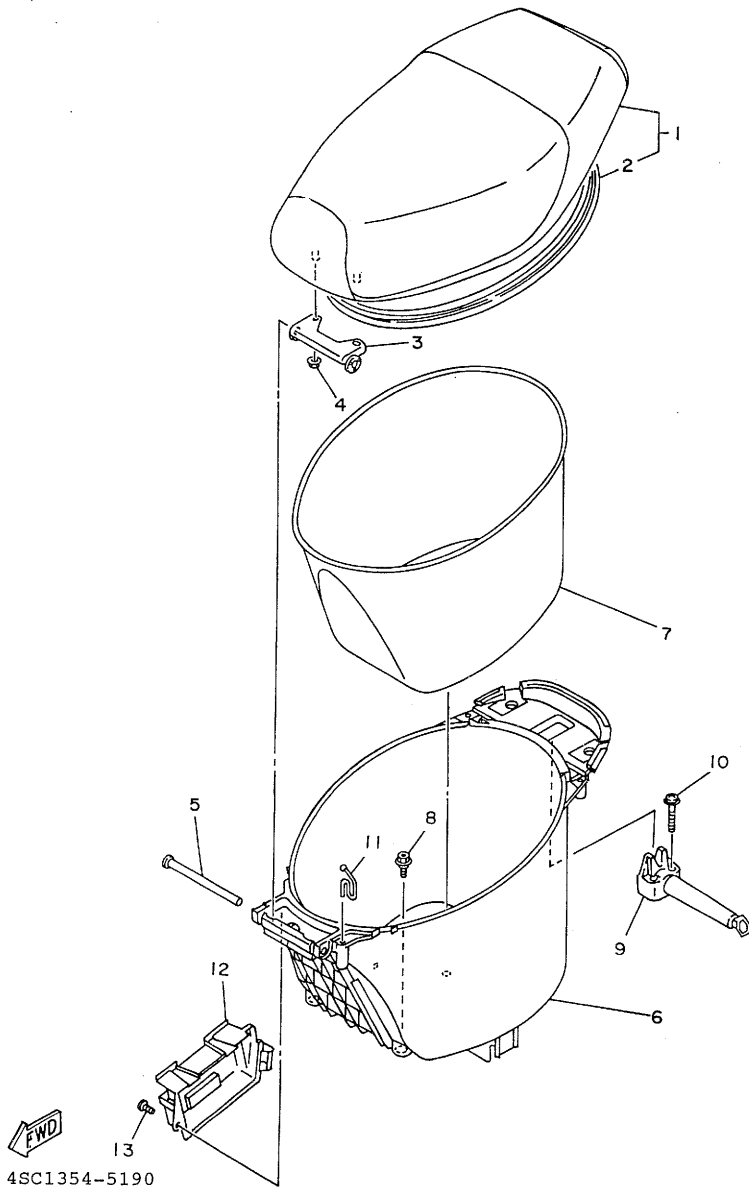


FIG. 18 FUEL TANK

REF

NO.	PARTS NO.	DESCRIPTION	Q'TY	REMARKS
1	4SG-F4110-00-33	FUEL TANK COMP.	1	YAMAHA BLACK
2	4SG-F4602-00	CAP ASSY	1	
3	95827-06012	BOLT, FLG	1	
4	4DY-F4313-00	PIPE 3	1	
5	90467-10008	CLIP	2	
6	4DY-F414A-00	COVER, FILLER	1	
7	90560-06366	SPACER	1	
8	91A11-07039	HOSE	1	
9	95707-06500	NUT, FLG	2	
10	4DY-F4500-00	FUEL COCK ASSY 1	1	
11	4DY-F4544-00	BRACKET, FUEL COCK	1	
12	97607-06112	SCREW, W/WASHER	2	
13	97607-06112	SCREW, W/WASHER	2	
14	4DY-F4311-00	PIPE, FUEL 1	1	
15	90501-08845	SPRING, COMPRESSION	1	
16	90467-09006	CLIP	2	
17	90445-07867	HOSE	1	

4SC1354-5180



4SC1354-5190

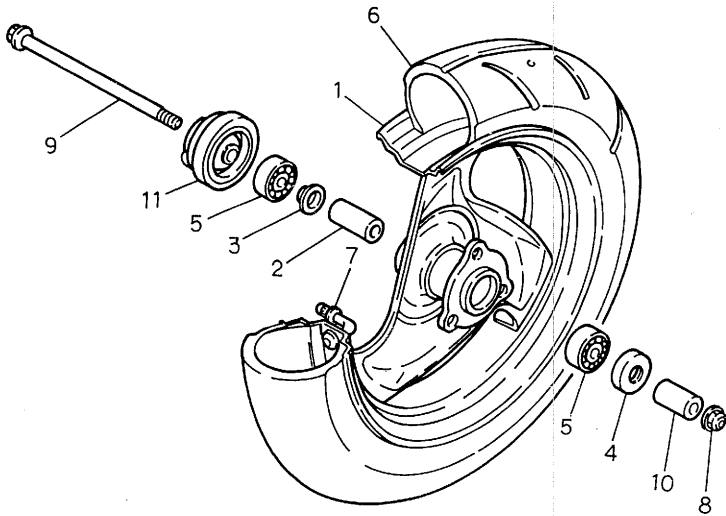
FIG. 19 SEAT

REF				
NO.	PARTS NO.	DESCRIPTION	Q'TY	REMARKS
1	4JL-F4730-00	DOUBLE SEAT ASSY	1	UR BLUE
	4JL-F4730-20	DOUBLE SEAT ASSY	1	UR WHITE
2	4DY-F475M-00	.SEAL	1	
3	3XG-F4726-00	HINGE, SEAT	1	
4	95707-06500	NUT, FLG	2	
5	90241-10015	PIN	1	
6	4DY-F473R-00	BOX 1	1	
7	4JL-F4747-00	DAMPER, SEAT	1	
8	90109-063F1	BOLT	2	
9	4DY-F4705-00	SEAT LOCK ASSY	1	
10	90159-06064	SCREW, WITH WASHER	2	
11	3XG-F1398-00	HANGER, HELMET	1	
12	3XG-H2129-00	COVER, BATTERY	1	
13	90167-05025	SCREW TAPPING	1	

FIG. 20 FRONT WHEEL

REF

N0.	PARTS NO.	DESCRIPTION	Q'TY	REMARKS
1	3XG-F5180-00-MA	FRONT WHEEL COMP.	1	UR BLUE
	3XG-F5180-00-UJ	FRONT WHEEL COMP.	1	UR WHITE
2	90387-102X1	COLLAR	1	
3	20A-F5115-00	FLANGE, SPACER 1	1	
4	93102-17838	SEAL,OIL	1	
5	93306-300Y4	BRG.	2	
6	94109-108L2	TIRE	1	
7	93900-00805	VALVE,RIM	1	
8	95617-10200	NUT,U	1	
9	3XG-F5181-00	AXLE, WHEEL	1	
10	90387-104U5	COLLAR	1	
11	3XG-F5190-00	GEAR UNIT ASSY	1	

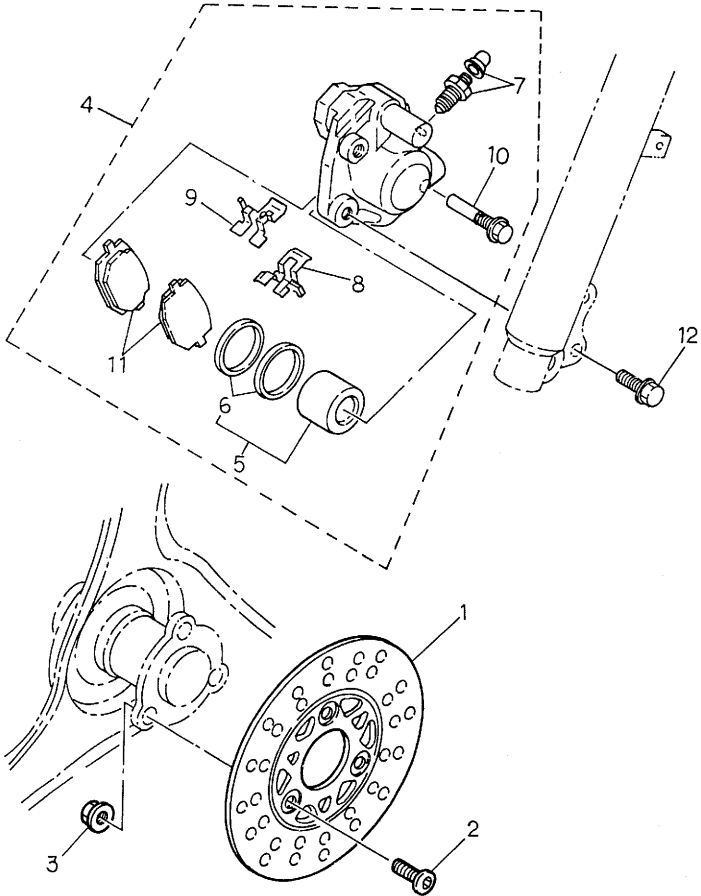


3XG4414-4200

FIG. 21 FRONT BRAKE CALIPER

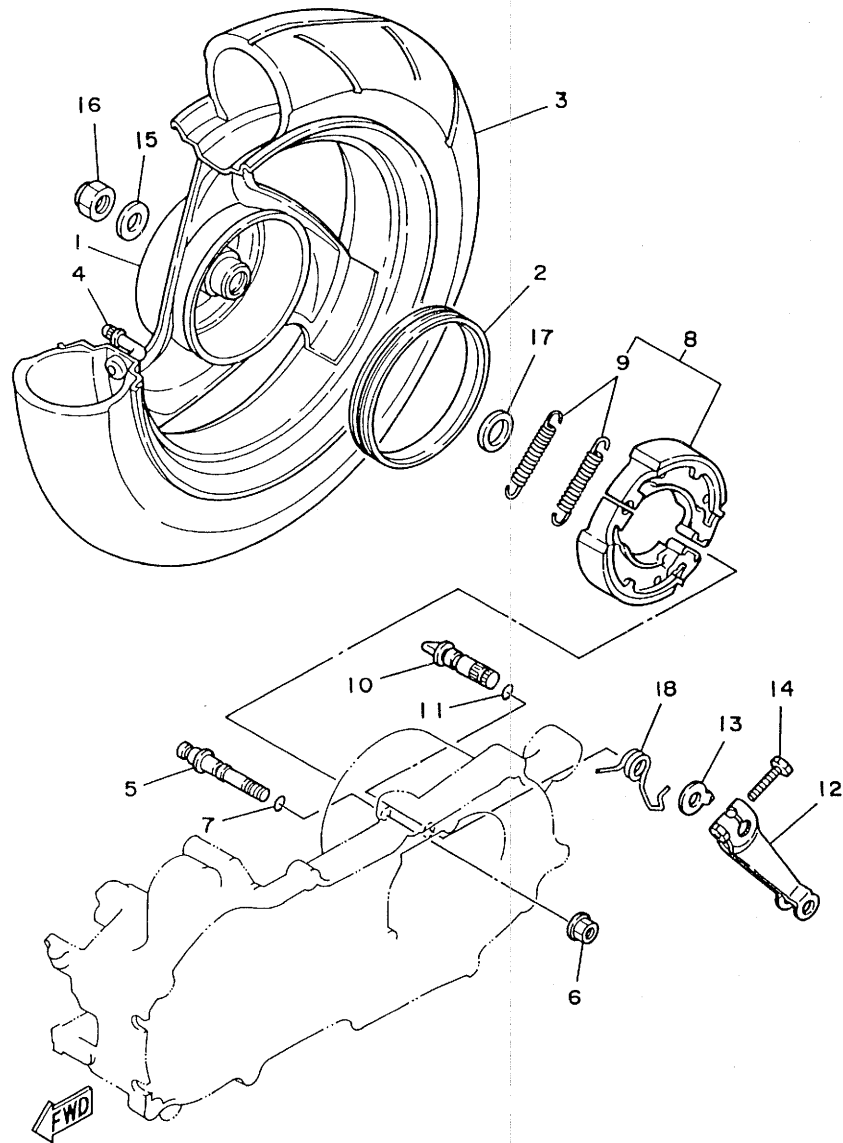
REF

NO.	PARTS NO.	DESCRIPTION	Q'TY	REMARKS
1	3XG-F582T-00	DISC, BRAKE	1	
2	90110-10811	BOLT, HEXAGON SOCKET HEAD	3	
3	9570L-10500	NUT, FLG	3	
4	3XG-F580T-00	CALIPER ASSY (LEFT)	1	
5	3XG-W0057-00	.PISTON ASSY, CALIPER	1	
6	3XG-W0047-00	..CALIPER SEAL KIT	1	
7	3YB-W0048-00	.BREED SCREW KIT	1	
8	56A-F5919-00	.SUPPORT, PAD	1	
9	56A-F5919-10	.SUPPORT, PAD	1	
10	56A-F5926-00	.BOLT	1	
11	3GF-W0045-00	.BRAKE PAD KIT	1	
12	95827-08030	BOLT.FLG	2	



3XG4414-4210

FIG. 22 REAR WHEEL



REF

NO.	PARTS NO.	DESCRIPTION	Q'TY	REMARKS
1	4DM-F5390-10-MA	REAR WHEEL COMP.	1	UR BLUE
	4DM-F5390-10-UJ	REAR WHEEL COMP.	1	UR WHITE
2	3XG-F5336-00	RING 2	1	
3	94109-108L2	TIRE	1	
4	93900-00805	VALVE,RIM	1	
5	3XG-F5326-00	PIN, PIVOT	1	
6	9570L-08500	NUT,FLG	1	
7	93210-07890	O-RING	1	
8	20A-W2534-00	BRAKE SHOE KIT 2	1	
9	90506-15822	.SPRING, TENSION	2	
10	4DM-F5351-00	CAMSHAFT	1	
11	93210-09859	O-RING	2	
12	3XG-F5355-00	LEVER, CAMSHAFT	1	
13	3XG-F513A-00	PLATE, INDICATOR	1	
14	90101-06278	BOLT	1	
15	90201-14740	WASHER, PLATE	1	
16	90185-14814	NUT, SELF-LOCKING	1	
17	90201-203E7	WASHER, PLATE	1	
18	3XG-F5357-00	SPRING, LEVER RETURN	1	

3XG1414-1210

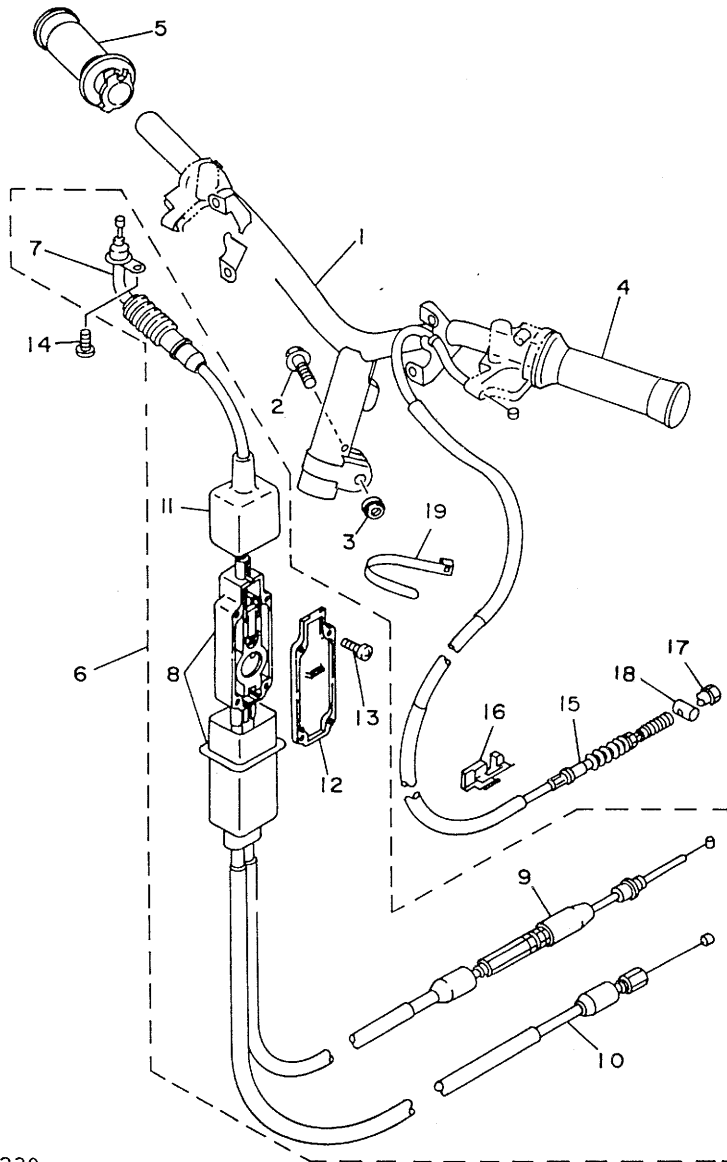
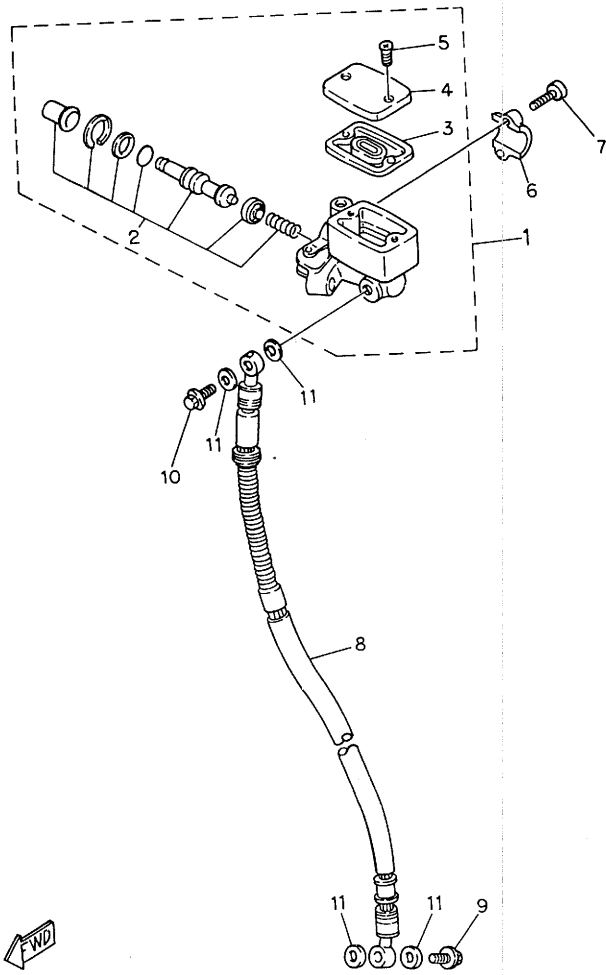


FIG. 23 STEERING HANDLE. CABLE

REF				
NO.	PARTS NO.	DESCRIPTION	Q'TY	REMARKS
1	4JL-F6110-00	HANDLE COMP.	1	
2	90105-10036	BOLT, WASHER BASED	1	
3	95617-10200	NUT, U	1	
4	4JL-F6241-00	GRIP (LEFT)	1	
5	4JL-F6240-00	GRIP ASSY	1	
6	4JL-W2620-00	CABLE ASSY	1	
7	4JL-F6311-00	.CABLE, THROTTLE 1	1	
8	4DY-F6260-00	.CABLE ASSY, THROTTLE & PUMP	1	
9	4DY-F6321-00	.CABLE, PUMP	1	
10	4DY-F6312-01	.CABLE, THROTTLE 2	1	
11	3XY-F6316-00	.BOOT, THROTTLE CABLE	1	
12	3XY-F6262-00	.CAP, CABLE CONNECTOR	1	
13	90167-03800	.SCREW, TAPPING	4	
14	98507-05010	SCREW, PAN HEAD	1	
15	4JL-F6351-00	CABLE, BRAKE	1	
16	3XG-F6393-00	HOLDER	1	
17	90179-06843	NUT	1	
18	90249-12008	PIN	1	
19	90465-13152	CLAMP	1	

FIG. 24 FRONT MASTER CYLINDER

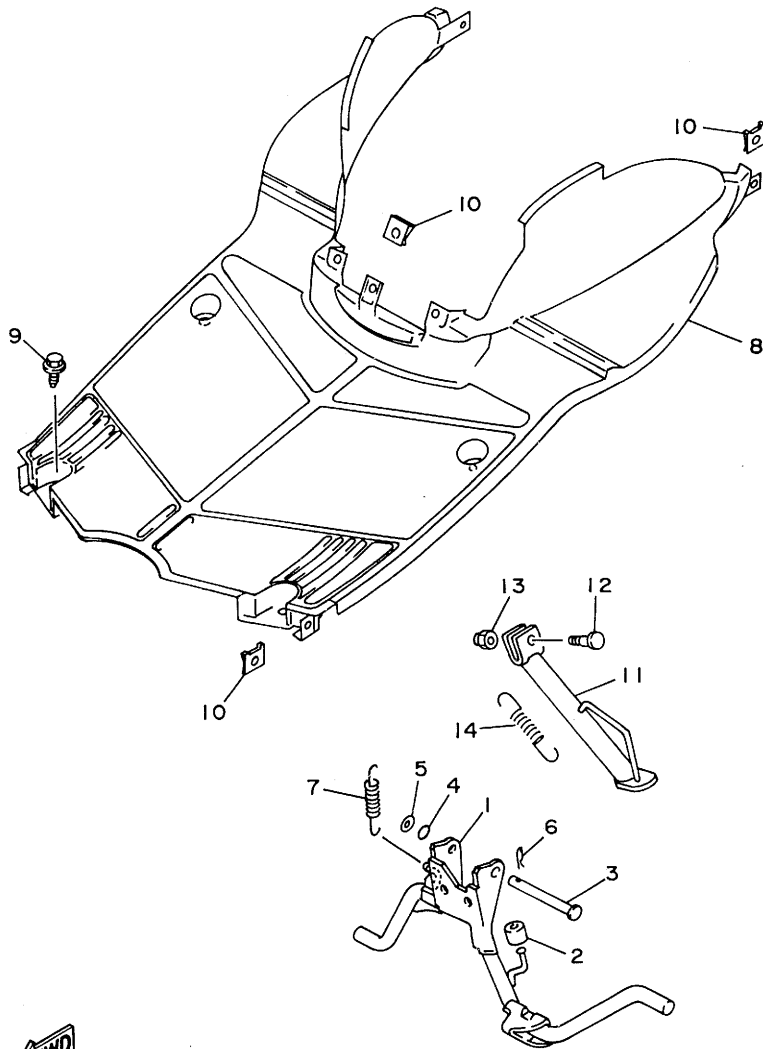


REF

NO.	PARTS NO.	DESCRIPTION	Q'TY	REMARKS
1	4JL-F5870-00	MASTER CYLINDER SUB ASSY	1	
2	3GF-W0041-00	.CYLINDER KIT, MASTER	1	
3	3GF-F5854-00	.DIAPHRAGM, RESERVOIR	1	
4	3GF-F5852-00	.CAP, RESERVOIR	1	
5	98706-04012	.SCREW, FLAT HEAD (+)	2	
6	3GF-F5867-00	BRACKET, MASTER CYLINDER	1	
7	91317-06025	BOLT, HEX. SOCKET	2	
8	99999-02436	HOSE BRAKE KIT	1	
9	90401-10805	BOLT, UNION	1	
10	90401-10805	BOLT, UNION	1	
11	90201-10118	WASHER, PLATE	4	

3XG4414-4240

FIG. 25 STAND. FOOTREST



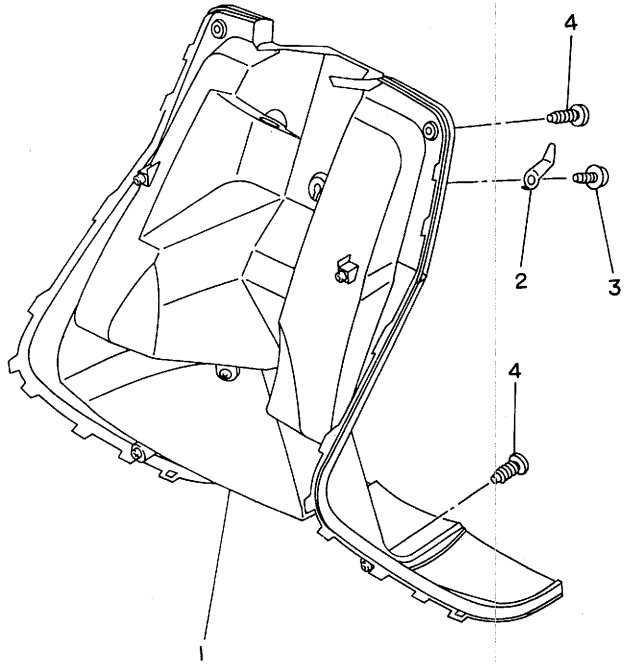
NO.	PARTS NO.	DESCRIPTION	Q'TY	REMARKS
1	3XG-X2711-00	MAIN STAND	1	
2	90387-065X4	COLLAR	1	
3	90240-10132	PIN, CLEVIS	1	
4	93210-108B1	O-RING	1	
5	90202-10120	WASHER, PLATE	1	
6	90468-12006	CLIP	1	
7	90506-32464	SPRING, TENSION	1	
8	4DY-F7481-30	BOARD, FOOTREST	1	UR BLUE
	4DY-F7481-40	BOARD, FOOTREST	1	UR WHITE
9	90119-06814	BOLT, WITH WASHER	4	
10	90183-05807	NUT, SPRING	7	
11	3XG-F7311-00	STAND, SIDE	1	
12	90109-08032	BOLT	1	
13	90185-08818	NUT, SELF-LOCKING	1	
14	90506-20839	SPRING, TENSION	1	

4DY1414-3230

FIG. 26 LEG SHIELD

REF

NO.	PARTS NO.	DESCRIPTION	Q'TY	REMARKS
1	4JL-F8300-30	LEG SHIELD ASSY	1	UR BLUE
	4JL-F8300-40	LEG SHIELD ASSY	1	UR WHITE
2	4JL-F4843-00	CARRIER, 3	1	
3	90159-06812	SCREW, WITH WASHER	1	
4	97707-50016	SCREW, TAPPING	4	

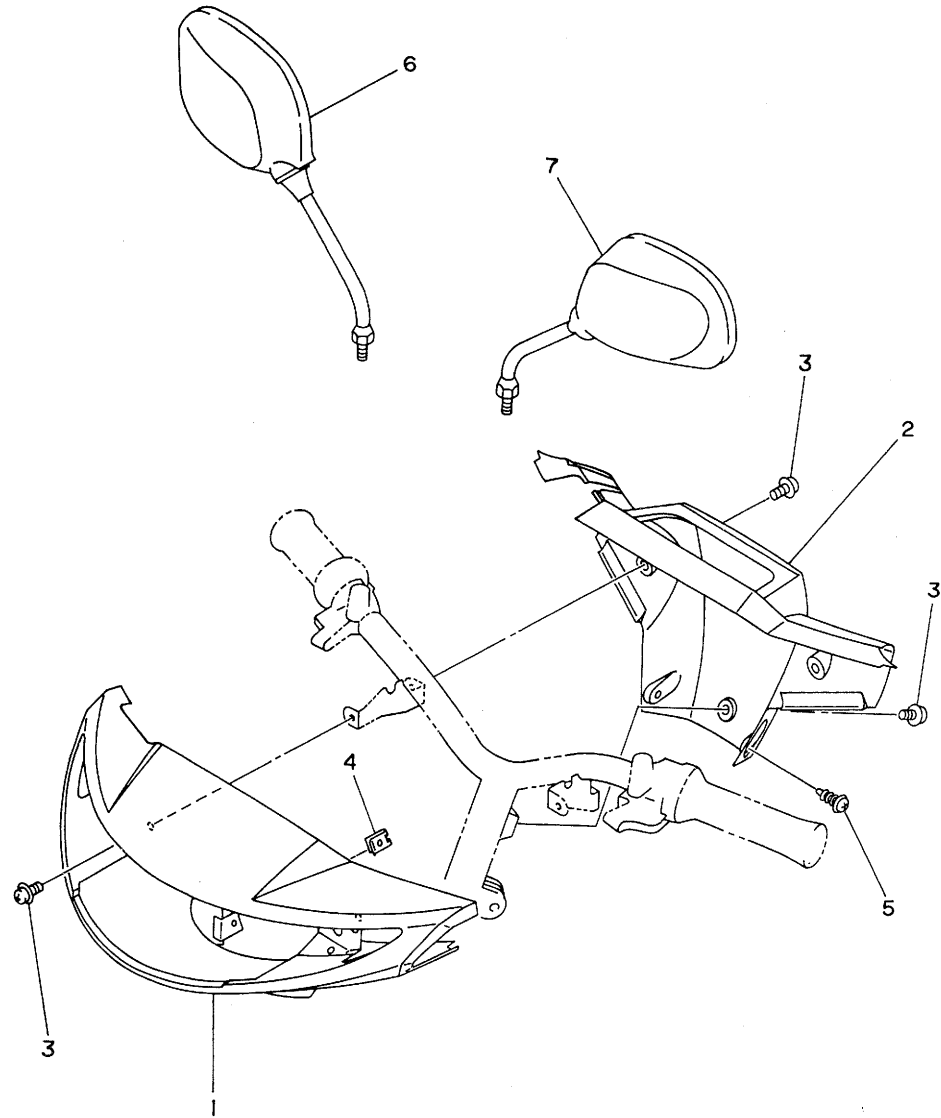


4JL1414-3260

FIG. 27 COWLING 1

REF

NO.	PARTS NO.	DESCRIPTION	Q'TY	REMARKS
1	4JL-F6143-00-P2	COVER, HANDLEBAR UPPER 1	1	UR BLUE
	4JL-F6143-00-P0	COVER, HANDLEBAR UPPER 1	1	UR WHITE
2	4JL-F6145-10	COVER, HANDLEBAR UPPER 2	1	UR BLUE
	4JL-F6145-20	COVER, HANDLEBAR UPPER 2	1	UR WHITE
3	90159-05028	SCREW, WITH WASHER	5	
4	90183-05807	NUT, SPRING	2	
5	97707-50012	SCREW, TAPPING	2	
6	3NW-F6290-00	REAR VIEW MIRROR ASSY (RIGHT)	1	
7	3NW-F6280-00	REAR VIEW MIRROR ASSY (LEFT)	1	

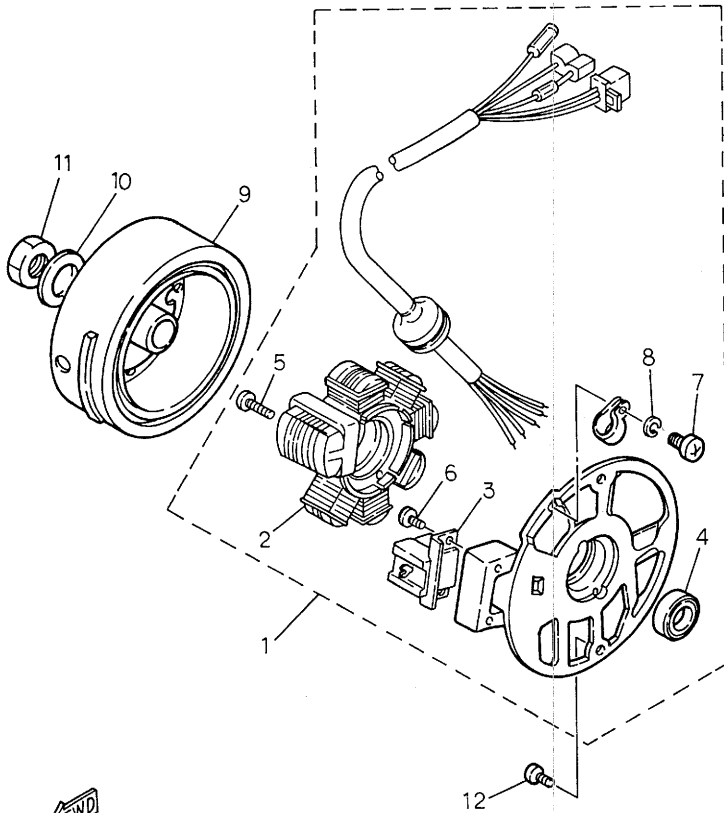


4JL1414-3270

FIG. 28 GENERATOR

REF

NO.	PARTS NO.	DESCRIPTION	Q'TY	REMARKS
1	3XG-H5560-00	BASE ASSY	1	
2	3GF-H1403-V0	.STATORCOMP.	1	
3	3GF-H5580-V0	.COIL, PULSER	1	
4	93104-19097	.SEAL,OIL	1	
5	98501-05020	.SCREW,PAN HEAD (+)	2	
6	9850L-05010	.SCREW,PAN HEAD(+)	2	
7	98580-04008	.SCREW,PAN HEAD (+)	1	
8	92901-04100	.WASHER, SPRING	1	
9	4KX-H5550-00	ROTOR ASSY	1	
10	92907-12600	WASHER, PLATE	1	
11	95307-12600	NUT, HEXAGON	1	
12	98507-06016	SCREW,PAN HEAD	2	



3XG4414-4280

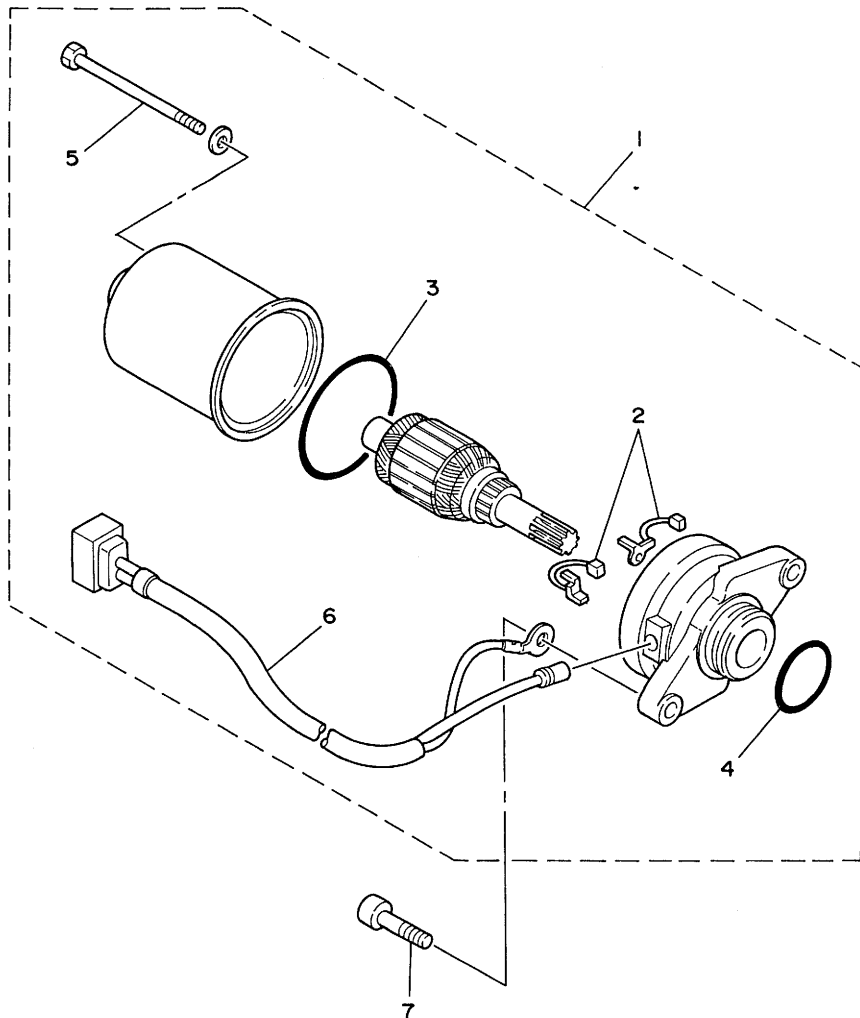


FIG. 29 STARTING MOTOR

REF				
NO.	PARTS NO.	DESCRIPTION	Q'TY	REMARKS
1	4DM-H1800-00	STARTING MOTOR ASSY	1	
2	4DM-H1801-00	.BRUSH SET	1	
3	93210-44678	.O-RING	1	
4	93210-23614	.O-RING	1	
5	3NW-H1828-V0	.BOLT 2	2	
6	4DM-H183G-00	.CORD COMP.	1	
7	91318-06020	BOLT	2	

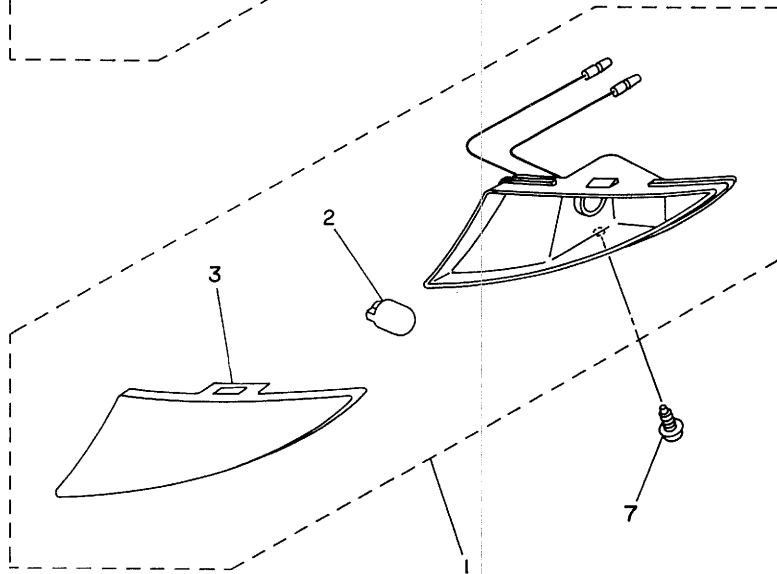
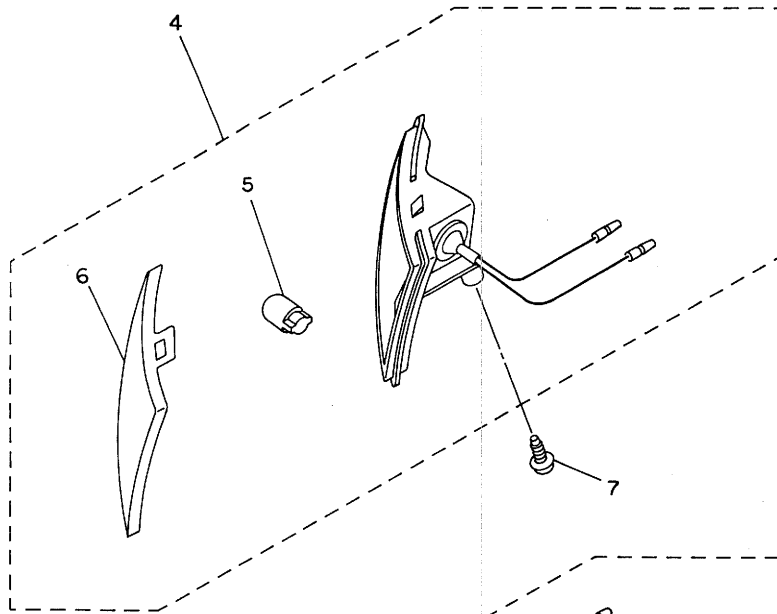


3NW1414-9290

FIG. 30 FLASHER LIGHT

REF

NO.	PARTS NO.	DESCRIPTION	Q'TY	REMARKS
1	4JL-H3310-00	FRONT FLASHER LIGHT ASSY 1	1	
2	4JL-H3331-V0	.BULB, FLASHER	1	
3	4JL-H3312-00	.LENS, FLASHER	1	
4	4JL-H3320-00	FRONT FLASHER LIGHT ASSY 2	1	
5	4JL-H3331-V0	.BULB, FLASHER	1	
6	4JL-H3322-00	.LENS, FLASHER 2	1	
7	97707-50012	SCREW, TAPPING	2	

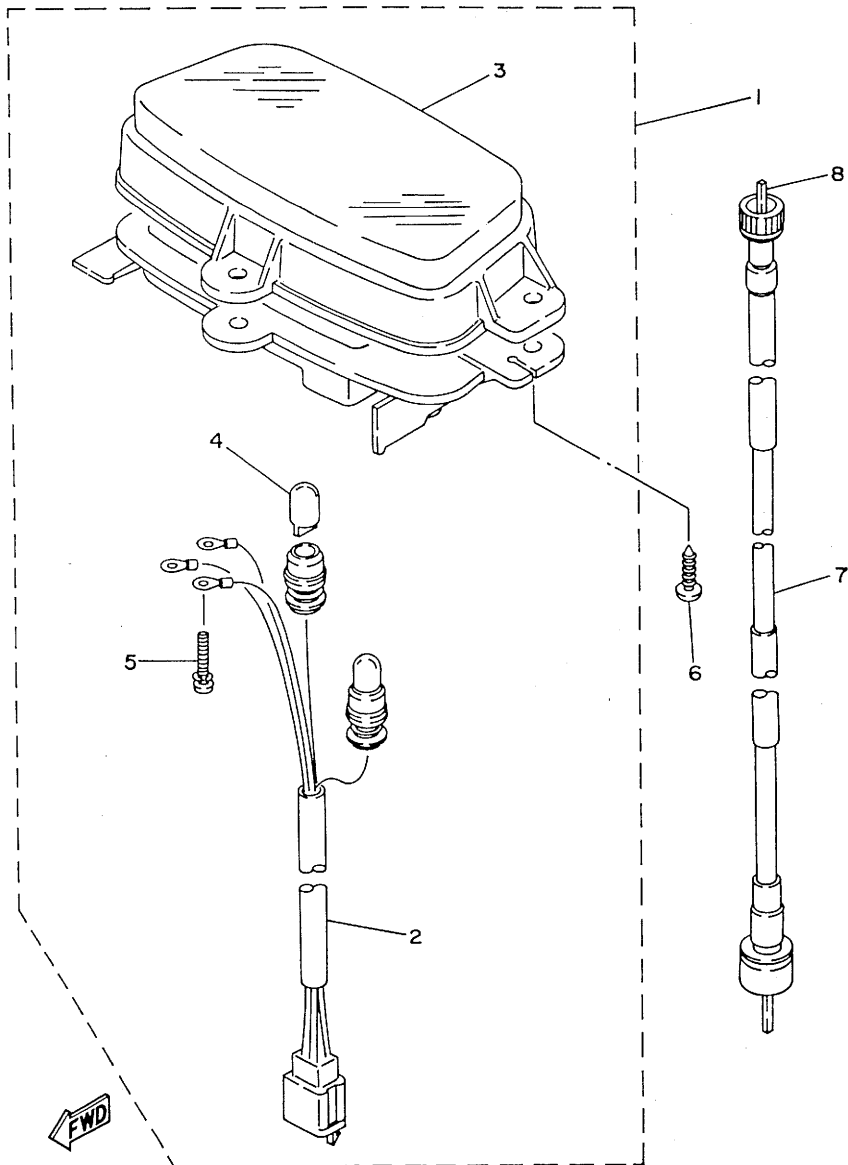


4JL1414-3300

FIG. 31 METER

REF

NO.	PARTS NO.	DESCRIPTION	Q'TY	REMARKS
1	4KX-H3510-00	SPEEDOMETER ASSY	1	
2	4JL-H3509-00	.SOCKET CORD ASSY	1	
3	4DY-H353K-00	.GLASS PLATE	1	
4	1MH-H3517-V0	.BULB	3	
5	90159-03102	.SCREW, WITH WASHER	3	
6	97707-50016	SCREW, TAPPING	3	
7	4JL-H3550-00	SPEEDOMETER CABLE ASSY	1	
8	4JL-H3551-00	.WIRE, SPEEDOMETER CABLE	1	

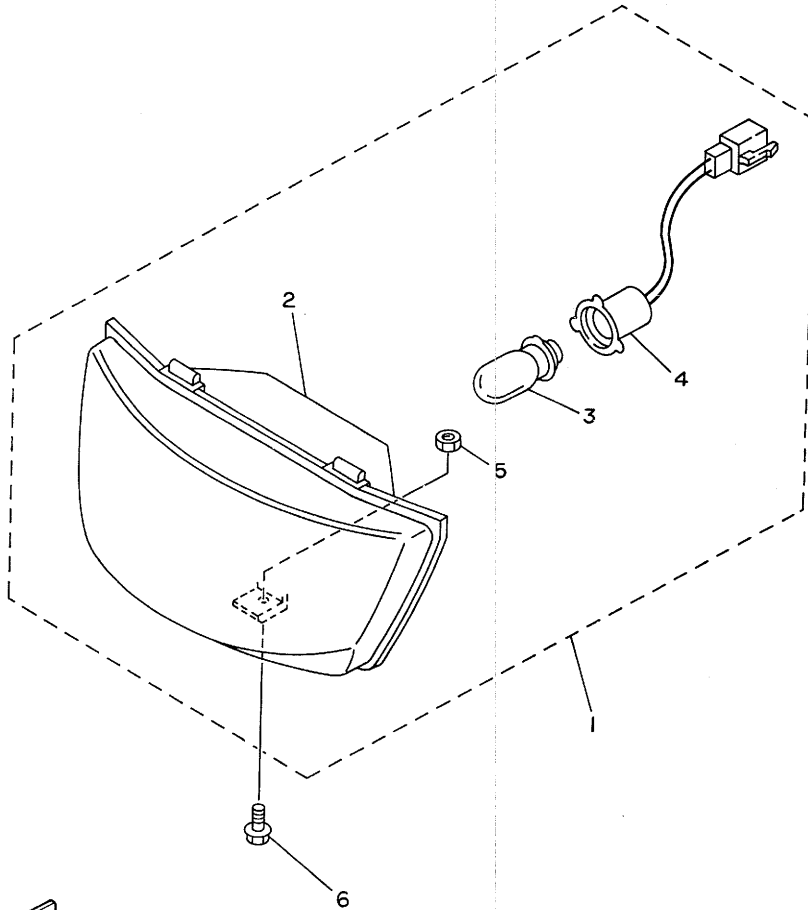


4KX2414-5310

FIG. 32 HEADLIGHT

REF

NO.	PARTS NO.	DESCRIPTION	Q'TY	REMARKS
1	4JL-H4310-00	HEADLIGHT UNIT ASSY	1	
2	4DY-H4120-00	.LENS ASSY	1	
3	4DY-H4314-00	.BULB, HEADLIGHT	1	
4	4JL-H4340-00	.SOCKET CORD ASSY 1	1	
5	95900-05076	.BOLT, STUD	1	
6	90149-05203	SCREW	1	



4JL1414-3320

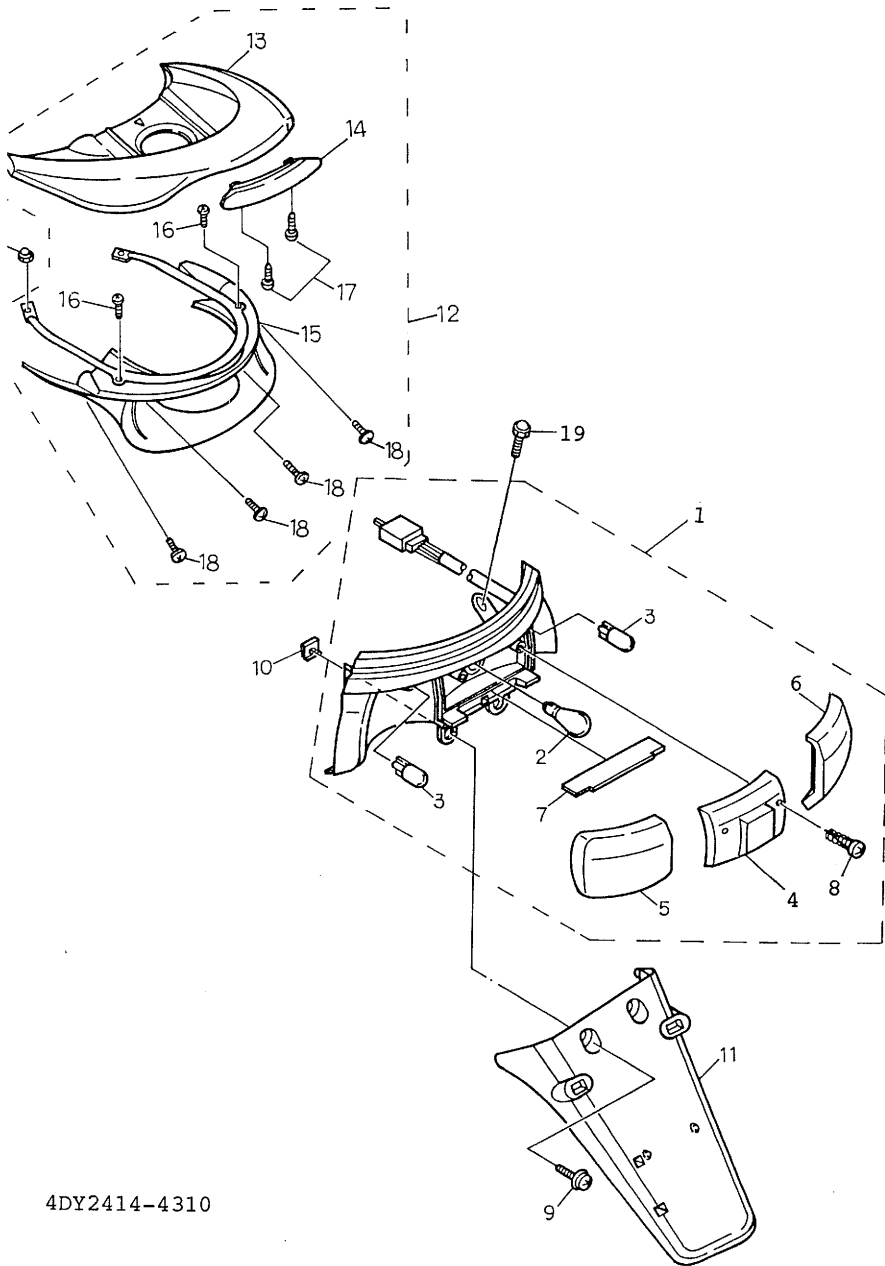
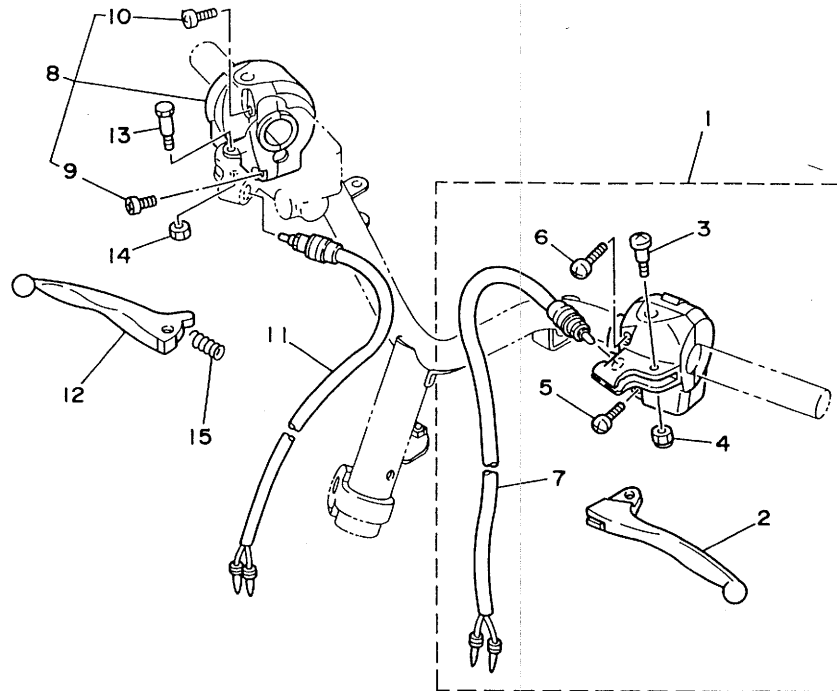


FIG. 33 TAILLIGHT

REF	NO.	PARTS NO.	DESCRIPTION	Q'TY	REMARKS
	1	4DY-H4700-10	TAILLIGHT ASSY	1	UR BLUE
		4DY-H4700-20	TAILLIGHT ASSY	1	UR WHITE
	2	1NT-H4714-V0	.BULB	1	
	3	3XG-H3311-00	.BULB, FLASHER	2	
	4	4DY-H4721-00	.LENS, TAILLIGHT	1	
	5	4DY-H3332-00	.LENS, FLASHER	1	
	6	4DY-H3342-00	.LENS, FLASHER 2	1	
	7	4DY-H4743-00	.LENS, LICENCE LIGHT	1	
	8	97707-40620	.SCREW,TAPPING	2	
	9	97607-06220	SCREW,W/WASHER	2	
	10	90183-05807	NUT, SPRING	2	
	11	4DY-H4751-00	BRACKET, LICENSE	1	
	12	4SG-H4790-00-P1	HIGH MOUNT STOP LAMP ASSY	1	UR BLUE
		4SG-H4790-00-P0	HIGH MOUNT STOP LAMP ASSY	1	UR WHITE
	13	4JL-H4396-00-P2	.COVER	1	UR BLUE
		4JL-H4396-00-P0	.COVER	1	UR WHITE
	14	4JL-H3720-00	.LED ASS'Y	1	
	15	4JL-H4544-00	.COVER	1	
	16	90167-05025	.SCREW TAPPING	4	
	17	97707-40512	.SCREW,TAPPING	2	
	18	97707-50016	.SCREW,TAPPING	4	
	19	90111-08802	BOLT	1	
	20	90176-06065	NUT, CROWN	2	

4DY2414-4310

FIG. 34 HANDLE SWITCH. LEVER



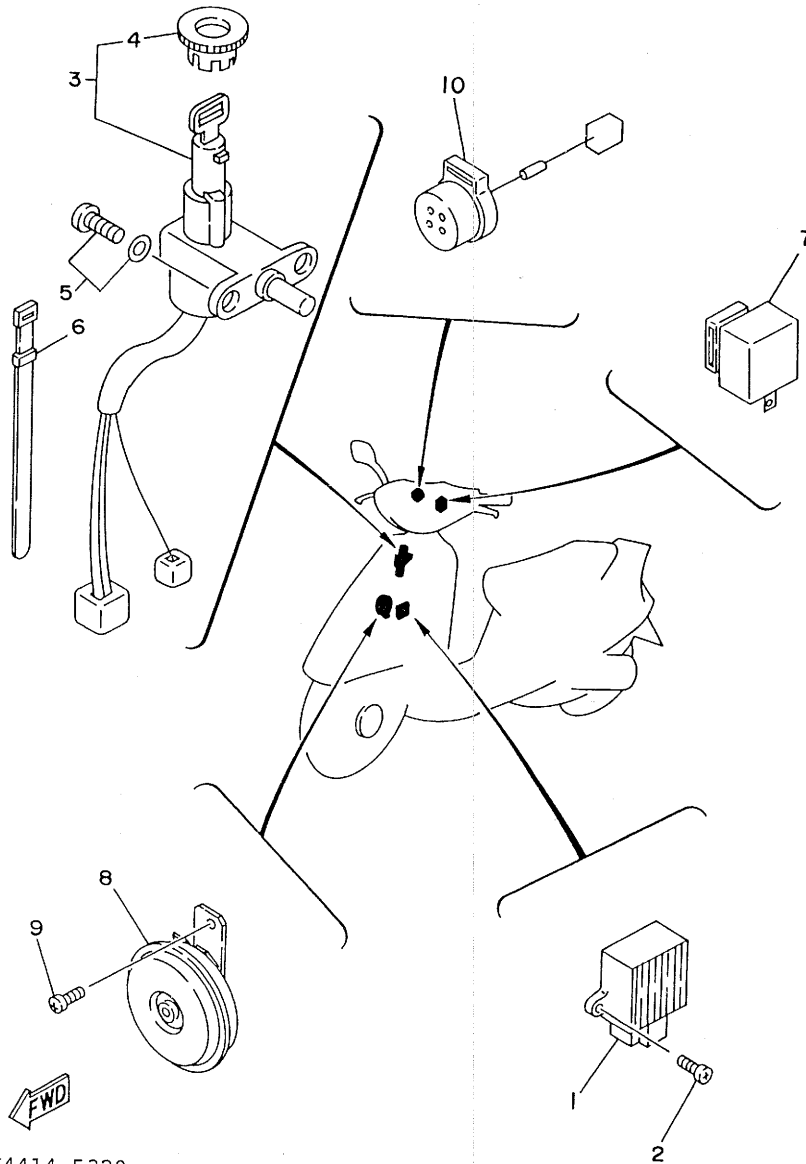
REF

NO.	PARTS NO.	DESCRIPTION	Q'TY	REMARKS
1	3XG-H2910-30	LEVER HOLDER ASSY (LEFT)	1	
2	3XG-H3912-10	.LEVER 1	1	
3	90149-06175	.SCREW	1	
4	95606-05100	.NUT, U	1	
5	98506-05025	.SCREW,PAN HEAD (+)	1	
6	98506-05035	.SCREW,PAN HEAD (+)	1	
7	3XG-H3980-10	.FRONT STOP SWITCH ASSY	1	
8	3XG-H3975-30	SWITCH, HANDLE 2	1	
9	98506-05025	.SCREW,PAN HEAD (+)	1	
10	98506-05035	.SCREW,PAN HEAD (+)	1	
11	3GF-H3980-00	FRONT STOP SWITCH ASSY	1	
12	3GF-H3922-00	LEVER 2	1	
13	90109-06577	BOLT	1	
14	95607-06100	BOLT, STUD	1	
15	90501-10312	SPRING, COMPRESSION	1	



3XG1414-1330

FIG. 36 ELECTRICAL 2



REF

N0.	PARTS NO.	DESCRIPTION	Q'TY	REMARKS
1	3GF-H1960-00	RECTIFIER & REGULATOR ASSY	1	
2	98507-05012	SCREW,PAN HEAD	2	
3	4KX-H2501-00	MAIN SWITCH STEERING LOCK	1	
4	4DY-H2552-00	.CAP, SWITCH	1	
5	9760L-06212	SCREW,W/WASHER	2	
6	23Y-H3936-00	BAND, SWITCH CORD	1	
7	1MH-H3350-V0	FLASHER RELAY ASSY	1	
8	3WN-H3371-00	HORN	1	
9	98507-06010	SCREW,PAN HEAD	1	
10	3XY-H3390-00	AUDIO PILOT ASSY	1	
11	4SG-82021-00	KEY SET	1	

3XY4414-5320

NUMERICAL INDEX

PARTS NO.	REF NO.	PARTS NO.	REF NO.	PARTS NO.	REF NO.	PARTS NO.	REF NO.	PARTS NO.	REF NO.	PARTS NO.	REF NO.	PARTS NO.	REF NO.
4DM-E1111-00	1- 1	1NT-E5128-00	8-28	20A-F1481-00	2- 5	3GF-F3147-00	17-11	20A-F5115-00	10- 3	3XY-F6316-00	12-11		
4DM-E1181-00	1- 2	4DM-E5191-00	8-38	3XG-F1481-00	2- 2	3GF-F3147-00	17-23	3XG-F513A-00	11-14	4DY-F6321-00	12- 9		
4DM-E1351-00	1- 5	4DM-E5316-00	8-33	4JL-F1519-00	13- 9	3GF-F3151-00	17- 7	3XG-F5180-00-MA	20- 1	1MH-F6329-00	6-25		
4DM-E1400-00	2- 1	3XG-E5317-00	8-10	4JL-F1519-10	13- 9	3GF-F3151-00	17-19	3XG-F5180-00-UJ	20- 1	4JL-F6351-00	23-15		
4DM-E1412-00	2- 2	4DM-E5326-00	8-34	4JL-F1552-00	13- 4	3NW-F3156-00	17- 5	3XG-F5181-00	20- 9	3XG-F6393-00	12-19		
4DM-E1422-00	2- 6	4DM-E5335-00	8-35	3GF-F1553-00	13- 5	3NW-F3156-00	17-17	3XG-F5190-00	20-11	3XG-F7311-00	13-11		
4DM-E1631-19	2-13	4DM-E5337-00	8-36	4SG-F1569-00	13- 2	3GF-F3157-00	17- 9	3XG-F5326-00	11- 7	4DY-F7481-30	25- 8		
4DM-E1631-29	2-13	4DM-E5338-00	8-37	4SG-F1569-10	13- 2	3GF-F3157-00	17-21	3XG-F5336-00	10-25	4DY-F7481-40	25- 8		
4DM-E1631-39	2-13	4Y4-E5363-00	8-24	4JL-F171L-00	14- 9	4JL-F3158-00	17-12	4DM-F5351-00	22-10	4DY-F8100-00	2-13		
3NW-E1633-00	2-14	3XG-E5371-00	8- 4	4JL-F171L-10	14- 9	4JL-F3158-00	17-24	3XG-F5355-00	11-13	4JL-F8300-30	26- 1		
48N-E1651-00	2- 5	4DM-E5404-00	8-40	4JL-F171M-00	14-10	4JL-F3170-00	17- 8	3XG-F5357-00	11-19	4JL-F8300-40	26- 1		
4DM-E2611-00	3- 9	4DM-E5407-00	8-39	4JL-F171M-10	14-10	4JL-F3170-00	17-20	4DM-F5390-10-MA	22- 1	3GF-H1403-V0	16- 2		
3XG-E2631-00	3-12	4DM-E5411-00-98	16- 2	4SG-F173E-00	14- 2	3GF-F3181-50	17-13	4DM-F5390-10-UJ	22- 1	4DM-H1800-00	29- 1		
4DM-E2651-00	3- 1	3XG-E5421-00	8-12	4SG-F173E-00	14- 6	3GF-F3181-50	17-25	3XG-F580T-00	21- 4	4DM-H1801-00	29- 2		
4DM-E2653-01	3- 3	4DM-E5431-00	8-31	4SG-F173E-10	14- 2	4JL-F3191-00	17-26	3XG-F582T-00	21- 1	3NW-H1828-V0	29- 5		
3XG-E2658-00	3- 8	4DM-E5451-00	8-14	4SG-F173E-10	14- 6	4JL-F3192-00	17-27	3GF-F5852-00	24- 4	4DM-H183G-00	29- 6		
4KX-E3100-00	4- 1	3XG-E5461-00	8-13	4DY-F1731-00-P1	4- 7	3XG-F3317-00	17-32	3GF-F5854-00	24- 3	1NT-H1940-00	23-11		
3XG-E3342-00	9- 9	3XG-E5462-00	8-30	4DY-F1731-00-P6	14- 7	4JL-F3340-00	17-28	3GF-F5867-00	24- 6	3GF-H1960-00	24- 1		
3XG-E3555-01	5- 6	4DM-E5481-00	8-32	4DY-F1737-10	13- 3	3GF-F3346-00	17-30	4JL-F5870-00	24- 1	3XG-H2100-40	23- 8		
3XG-E3575-01	5- 8	4DM-E5512-00	9- 7	4DY-F1737-20	13- 3	4JL-F3356-00	17-29	3XG-F5875-00	17-33	3XG-H2129-00	9-14		
3XG-E3621-00	5- 5	4KX-E5524-00	9- 1	4DY-F1751-01	5- 1	3XG-F3416-00	7-15	56A-F5919-00	21- 8	1NT-H2151-00	23-10		
4DM-E4101-10	6- 1	3XG-E5532-00	9-11	4X6-F1771-01	5- 2	4SG-F4110-00-33	18- 1	56A-F5919-10	21- 9	4KX-H2310-01	35- 3		
3XG-E4303-00	5-20	3XG-E5601-00	9-13	4KX-F2210-00	16- 1	4DY-F414A-00	8- 6	56A-F5926-00	21-10	3GF-H2370-00	23- 6		
3XG-E4348-00	5-23	3XG-E5620-00	9-18	4X6-F2216-00	8- 2	4DY-F4311-00	8-14	4JL-F6110-00	23- 1	3GF-H2372-00	23- 7		
3XY-E4410-00	5-10	3XG-E5630-00	9-20	4JL-F3100-00	17- 1	4DY-F4313-00	8- 4	4JL-F6143-00-P0	27- 1	4KX-H2501-00	36- 3		
3XG-E4411-00	5-12	4DM-E5650-00	9- 6	4JL-F3102-00-33	17- 2	4DY-F4500-00	8-10	4JL-F6143-00-P2	27- 1	4DY-H2552-00	24- 4		
3XG-E4412-00	5-15	3XG-E5659-00	8-19	4JL-F3103-00-33	17-14	4DY-F4544-00	8-11	4JL-F6145-10	27- 2	4KX-H2590-00	35- 9		
3XY-E4437-00	5-13	23Y-E5673-02	9-21	4KX-F3108-00	17-40	4SG-F4602-00	18- 2	4JL-F6145-20	27- 2	3XG-H2910-30	34- 1		
3XG-E4451-00	5-17	4DM-E7410-00	11- 1	4JL-F3110-00	17- 6	4DY-F4705-00	9-11	4JL-F6240-00	23- 5	4JL-H3310-00	30- 1		
3XG-E4452-00	5-18	4DM-E7420-00	11- 5	4JL-F3110-00	17-18	3XG-F4726-00	9- 3	4JL-F6241-00	23- 4	3XG-H3311-00	21- 3		
3XG-E4453-00	5-16	4SG-F1110-00-33	12- 1	3NW-F3126-00-33	17- 3	4DY-F473R-00	9- 6	4DY-F6260-00	12- 8	4JL-H3312-00	30- 3		
3XG-E4610-00	7- 1	4DY-F1232-00	2-10	3NW-F3136-00-33	17-15	4JL-F4730-00	19- 1	3XY-F6262-00	12-12	4JL-H3320-00	30- 4		
1NT-E4613-00	1- 2	4Y4-F139X-01	2- 7	4JL-F3141-00	17-10	4JL-F4730-20	19- 1	3NW-F6280-00	15- 6	4JL-H3322-00	30- 6		
3XG-E4718-00	7- 6	3XG-F1398-00	9-13	4JL-F3141-00	17-22	4JL-F4747-00	19- 7	3NW-F6290-00	15- 5	4JL-H3331-V0	30- 2		
4DM-E5111-01	8- 1	4DY-F1399-00	2- 9	4JL-F3145-00	17- 4	4DY-F475M-00	9- 2	4JL-F6311-00	23- 7	4JL-H3331-V0	30- 5		
4DM-E5121-10	8- 5	4KX-F1410-00	12- 4	4JL-F3145-00	17-16	4JL-F4843-00	26- 2	4DY-F6312-01	12-10	4DY-H3332-00	21- 5		

NUMERICAL INDEX

<u>PARTS NO.</u>	<u>REF NO.</u>	<u>PARTS NO.</u>	<u>REF NO.</u>	<u>PARTS NO.</u>	<u>REF NO.</u>	<u>PARTS NO.</u>	<u>REF NO.</u>	<u>PARTS NO.</u>	<u>REF NO.</u>	<u>PARTS NO.</u>	<u>REF NO.</u>
4DY-H3342-00	21- 6	3XG-H5560-00	16- 1	3XG-14107-00	6-21	4SG-82021-00	36-11	90183-05807	4- 4	90430-08119	8-27
1MH-H3350-V0	24- 7	3GF-H5580-V0	16- 3	3XY-14112-30	6- 6	90101-06278	11-15	90183-05807	13-10	90445-052G4	4-10
3WN-H3371-00	36- 8	4JL-H5720-00	23-14	52W-14131-00	6- 3	90102-10031	6- 3	90183-05807	21-10	90445-07867	8-17
3XY-H3390-00	24-10	53X-H5753-00	23-19	18A-1414A-67	6-10	90105-08121	6- 2	90183-05807	14- 4	90445-09621	4- 8
4JL-H3509-00	31- 2	3GF-W0041-00	24- 2	3XY-14141-13	6- 8	90105-10036	12- 2	90185-08818	13-13	91A20-07014	16- 3
4KX-H3510-00	31- 1	3GF-W0045-00	21-11	1NT-14142-17	6-12	90109-063F1	9-10	90185-14814	11-17	90465-13152	12-22
1MH-H3517-V0	19- 4	3XG-W0047-00	21- 6	52W-14147-00	6-19	90109-06577	34-13	90201-06412	10- 2	90465-13152	23-19
4DY-H353K-00	19- 3	3YB-W0048-00	21- 7	522-14161-00	6-24	90109-08032	13-12	90201-08088	9-10	90465-13275	23-13
4JL-H3550-00	31- 7	3XG-W0057-00	21- 5	3XG-14171-10	6-18	90110-10811	21- 2	90201-10118	24-11	90465-18147	23-17
4JL-H3551-00	31- 8	3XG-W1441-10	5-11	53L-14186-00	6-22	90111-08802	21-19	90201-127E1	11- 3	90467-07029	5-24
4JL-H3720-00	33-15	3XG-W1442-00	5-14	12R-14191-00	6-14	90116-07832	1- 6	90201-14740	11-16	90467-08003	8-36
3XG-H3912-10	34- 2	20A-W2534-00	10- 9	3XG-14196-00	6-11	90119-05071	23-20	90201-155G5	9-16	90467-09006	8-16
3GF-H3922-00	34-12	4JL-W2620-00	23- 6	3XG-14198-00	6- 2	90119-06802	5- 3	90201-163J6	10-27	90467-10008	8- 5
23Y-H3936-00	24- 6	4JL-X2151-10-P2	13- 1	4DM-1490J-00	6- 7	90119-06814	13- 9	90201-203E7	22-17	90467-24140	5- 9
31U-H3936-10	23-12	4JL-X2151-60-P0	13- 1	3XG-14997-00	6- 9	90119-06821	3- 3	90201-55890	9- 4	90468-02033	4-11
3XG-H3975-30	34- 8	4DY-X2171-10-P6	14- 1	3WF-15538-00	9- 3	90149-05203	20- 6	90202-06010	7- 7	90468-02033	4-12
3GF-H3980-00	34-11	4DY-X2171-90-P1	14- 1	3WF-15570-01	9- 5	90149-06175	34- 3	90202-10120	13- 5	90468-12006	6- 5
3XG-H3980-10	34- 7	4DY-X2172-10-P6	14- 5	14T-15657-00	10-31	90149-06810	1- 3	90208-10012	10-32	90468-12006	13- 6
4DY-H4120-00	20- 2	4DY-X2172-90-P1	14- 5	3WF-16111-00	10- 1	90153-06839	23- 5	90208-12042	11- 4	90480-10468	3- 2
4JL-H4310-00	32- 1	3XG-X2711-00	13- 1	3YJ-16611-00	10-18	90159-03102	31- 5	90209-18112	2- 7	90480-12053	5- 4
4DY-H4314-00	20- 4	4DY-X8575-00	23-18	4CX-16620-00	10- 8	90159-05028	15- 7	90214-14054	10-30	90480-12497	3- 5
4JL-H4340-00	32- 4	4DM-Y1310-00	1- 4	17L-16626-00	10- 9	90159-06056	23- 2	90240-10132	13- 3	90480-12497	5-27
4JL-H4396-00-P0	21-13	4DM-11603-00	2-15	4DM-17602-00	10- 7	90159-06064	9-12	90241-10015	9- 5	90501-08845	8-15
4JL-H4396-00-P2	33-13	2GM-11681-01	2- 3	2XX-17611-00	10-29	90159-06812	14- 2	90249-12008	12-17	90501-10312	34-15
4JL-H4544-00	21-15	3AA-13124-00	4- 5	3WF-17620-02	10-22	90159-06812	14- 6	90280-03017	2- 8	90501-29517	2- 8
4DY-H4700-10	21- 1	2GM-13178-00	4-14	3NW-17623-01	10-24	90167-03800	12-13	90380-15083	9-15	90501-402G0	10-15
4DY-H4700-20	21- 1	1YU-13185-00	4- 2	4DM-17632-10	10-23	90167-05025	9-16	90387-058G3	2-12	90506-15822	10-10
1NT-H4714-V0	21- 2	1YU-13187-00	4- 3	3WF-17641-00	10-28	90167-05025	21-16	90387-065X4	13- 2	90506-20839	13-14
4DY-H4721-00	21- 4	1YU-13473-00	4- 4	1NT-17653-00	10-25	90167-05055	4- 8	90387-068J5	3- 4	90506-32464	13- 7
4DY-H4743-00	21- 7	1YU-13516-00	4- 6	3GF-17660-02	10-10	90170-10219	16-11	90387-068J5	5-26	90508-32609	9-14
4DY-H4751-00	21-11	1YU-13577-00	4- 7	24G-17664-00	10-14	90176-06065	21-20	90387-102X1	20- 2	90560-06366	8- 7
4SG-H4790-00-P0	33-12	3VR-13610-00	5- 1	3GF-17670-01	10-11	90179-06843	12-16	90387-104U5	20-10	91A11-07039	8- 8
4SG-H4790-00-P1	33-12	3VR-13613-00	5- 2	3XG-17684-00	10-16	90179-07381	1- 7	90387-165X0	10-26	91317-06025	24- 7
3GF-H5370-00	23-15	3VR-13616-00	5- 3	22F-23411-01	7-11	90179-10609	10-19	90387-166L6	2-12	91318-06020	17- 7
4DM-H5540-00	35- 1	3XG-14103-00	6-20	22F-23412-01	7-12	90179-25033	7-14	90401-10805	24- 9	91318-06020	5- 7
4KX-H5550-00	28- 9	3MB-14104-00	6-13	22F-23414-01	7- 8	90179-28415	10-17	90401-10805	24-10	92901-04100	16- 8

NUMERICAL INDEX

<u>PARTS NO.</u>	<u>REF NO.</u>	<u>PARTS NO.</u>	<u>REF NO.</u>	<u>PARTS NO.</u>	<u>REF NO.</u>	<u>PARTS NO.</u>	<u>REF NO.</u>
92902-04100	6- 5	93603-12827	4-15	97607-06220	5-25	98507-06010	10- 3
92902-04100	6-16	93900-00805	10-27	97607-06316	3-11	98507-06012	23-16
92907-12600	28-10	93900-00805	11- 6	97707-40512	21-17	98507-06012	8-29
93101-20138	2-11	94109-108L2	20- 6	97707-40620	21- 8	98507-06012	9-12
93102-17838	20- 4	94109-108L2	22- 3	97707-50012	4- 3	98507-06016	16-12
93102-17841	10- 6	94700-00264	1- 3	97707-50012	4-11	98580-04008	16- 7
93102-20425	2-10	95307-12600	28-11	97707-50012	14- 3	98706-04012	24- 5
93102-25270	11- 8	9560L-12200	2- 3	97707-50012	14-11	98980-06008	7- 8
93104-19097	16- 4	95607-05100	74- 4	97707-50016	4-12	99009-15400	9-17
93109-33052	10-12	95607-06100	34-14	97707-50016	14- 3	99009-17400	8-11
93210-06852	10-21	9561L-10100	2- 6	97707-50016	15- 4	99009-17400	10- 4
93210-07890	11- 9	95617-10200	12- 3	97707-50016	19- 6	99009-19400	4-16
93210-09859	22-11	95617-10200	20- 8	97707-50016	21-18	99009-42500	11- 9
93210-108A6	5-22	9570L-06500	8-41	97707-50125	5-19	99530-10114	8-15
93210-108B1	13- 4	9570L-08500	11- 8	97707-50135	5-21	99530-10114	8-20
93210-14805	19- 9	9570L-10500	6- 4	97707-60540	3- 7	99530-12016	8- 8
93210-23614	17- 4	9570L-10500	16- 4	9850L-05010	16- 6	99999-02436	24- 8
93210-36549	10-13	95707-06500	8- 9	9850L-06020	8-17		
93210-44678	29- 3	95707-06500	9- 4	9850L-06025	8-21		
93210-64893	3-10	9580L-06010	17-34	9850L-06035	8- 9		
93300-63813	10-20	95807-06012	2-11	9850L-06035	8-16		
93306-003Y1	10- 5	95807-06012	3- 4	9850L-06035	8-22		
93306-003Y4	8- 3	95807-08016	8-26	9850L-06065	8-23		
93306-003Y4	8- 6	95817-08020	1- 4	98507-05020	62- 5		
93306-004X7	11- 7	95817-08030	1- 5	98502-03006	6-17		
93306-20119	11- 2	95827-06012	8- 3	98502-04008	6-15		
93306-20468	2- 9	95827-08030	21-12	98502-04012	6- 4		
93306-300Y4	10- 4	95900-05076	20- 3	98502-04012	6-23		
93310-11268	2-17	97007-06016	23- 4	98506-05025	34- 5		
93310-255B7	9- 2	97017-06025	9-19	98506-05025	34- 9		
93310-418T0	2- 4	9760L-06212	24- 5	98506-05035	34- 6		
93315-108Y4	9- 8	97607-03208	5- 4	98506-05035	34-10		
93315-42536	11- 6	97607-06112	8-12	98507-05010	12-14		
93450-13811	2-16	97607-06112	8-13	98507-05012	24- 2		
93450-28814	11-10	97607-06220	21- 9	98507-05014	4-13		
93503-16003	7-13	97607-06220	3- 6	98507-06010	24- 9		

