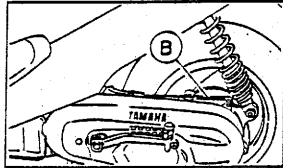


# YAMAHA

Initial Serial No. and Colour Code

Ⓐ Frame Serial No.	3VP - 2855101 -
Ⓑ Engine Serial No.	3KJ

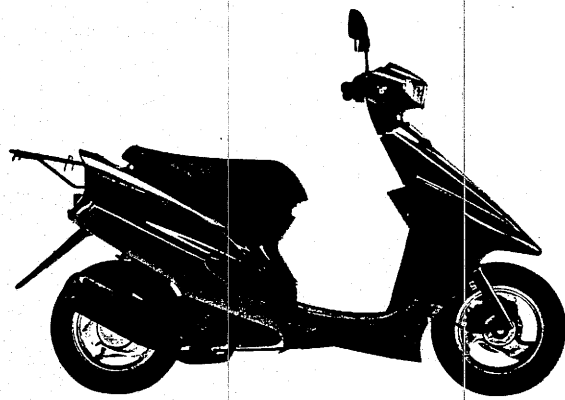
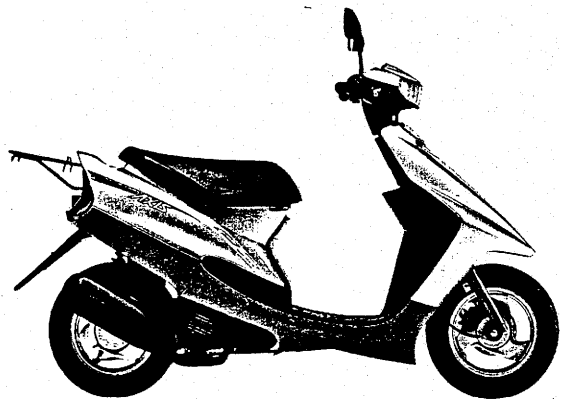


Code	Colour Name	Abbreviate
T9	Competition Silver	COMS
P1	Black Metallic 2	BM2

**YA50** (3VP3)  
(3VP-2855101~)

'92

113VP-010J1

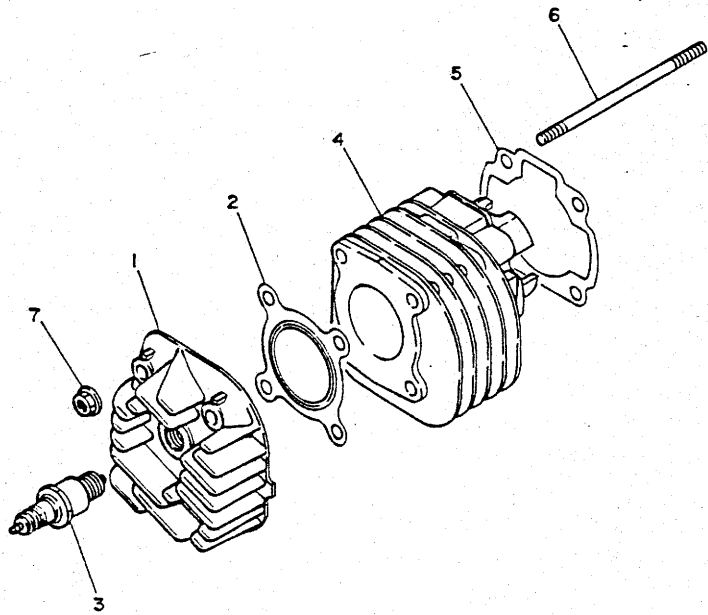


CONTENTS

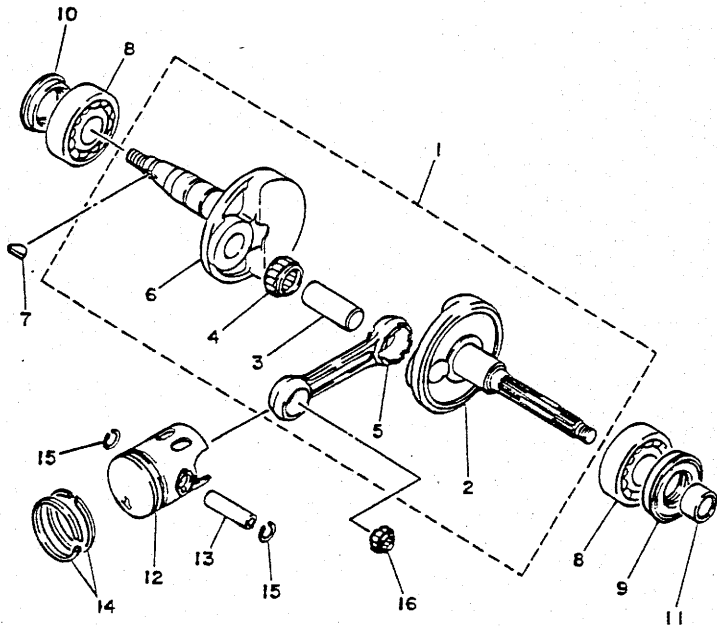
CYLINDER .....	A-5
CRANKSHAFT & PISTON .....	A-6
AIR SHROUD & FAN .....	A-7
OIL PUMP .....	A-8
INTAKE .....	A-9
CARBURETTOR .....	A-10
EXHAUST .....	A-11
CRANKCASE .....	A-12, B-1
STARTER .....	B-2
CLUTCH .....	B-3, 4
TRANSMISSION .....	B-5
FRAME .....	B-6
FENDER .....	B-7
SIDE COVER .....	B-8
OIL TANK .....	B-9
REAR SUSPENSION .....	B-10
FRONT FORK .....	B-11, 12
FUEL TANK .....	C-1
SEAT .....	C-2
FRONT WHEEL .....	C-3
FRONT BRAKE CALIPER .....	C-4
REAR WHEEL .....	C-5
HANDLE & CABLE .....	C-6
MASTER CYLINDER .....	C-7
STAND & FOOTREST .....	C-8
LEG SHIELD .....	C-9
COWLING .....	C-10
GENERATOR .....	C-11
METER .....	C-12
HEAD LIGHT .....	D-1
TAIL LIGHT .....	D-2
HANDLE SWITCH & LEVER .....	D-3
ELECTRICAL 1 .....	D-4
ELECTRICAL 2 .....	D-5

-----

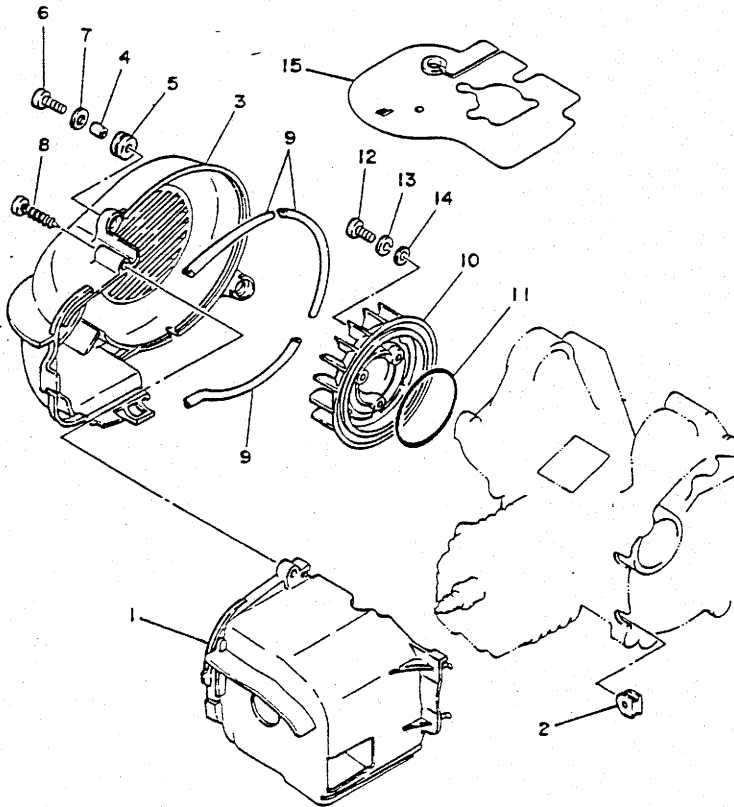
REF NO	PART NO	PART NAME	QTY	REMARKS
1- 1	3JK-11111-10	HEAD, cylinder 1	1	
2	3JK-11181-00	GASKET, cylinder head 1	1	
3	BPR6HS	PLUG, spark	1	UR
4	3KJ-11311-10	CYLINDER 1	1	
5	3KJ-11351-00	GASKET, cylinder	1	
6	90116-07353	BOLT, stud	4	
7	90179-07381	NUT	4	



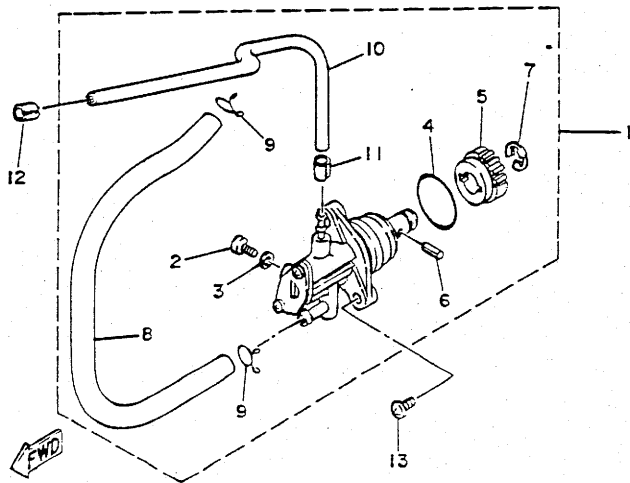
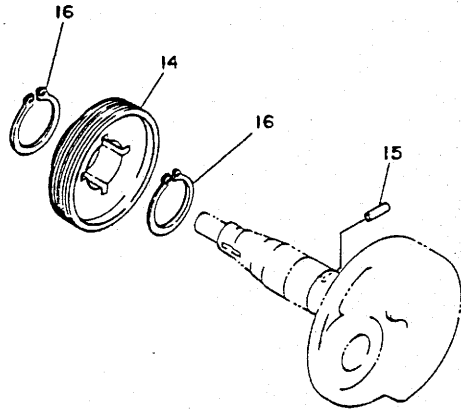
REF NO	PART NO	PART NAME	QTY	REMARKS
2- 1	3KJ-11400-00	CRANKSHAFT ASSY	1	
2	3KJ-11412-00	. CRANK 1	1	
3	1YU-11681-00	. PIN, crank 1	1	
4	93310-416F7	. BEARING, cylindrical	1	
5	2E9-11651-00	. ROD, connecting	1	
6	3KJ-11422-00	. CRANK 2	1	
7	90280-03017	KEY, woodruff	1	
8	93306-20458	BEARING	2	
9	93102-20425	OIL SEAL	1	
10	93101-20138	OIL SEAL	1	
11	90387-156U0	COLLAR	1	
12	3CP-11631-00-96	PISTON (STD)	1	UR
	3CP-11636-00	PISTON (2nd O.S)	1	UR
13	27V-11633-00	PIN, piston	1	
14	260-11601-02	PISTON RING SET (STD)	1	UR
	260-11601-22	PISTON RING SET (0.50mm O.S)	1	UR
15	93450-11120	CIRCLIP	2	
16	93310-210M0	BEARING, cylindrical	1	



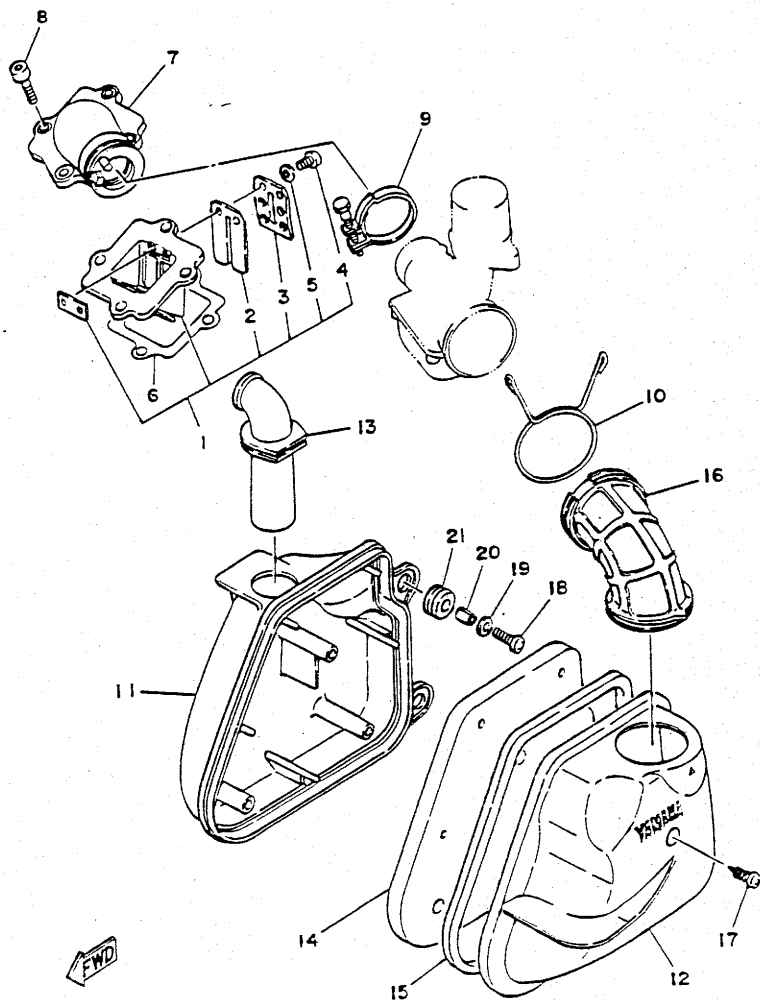
REF NO	PART NO	PART NAME	QTY	REMARKS
3- 1	3KJ-12651-11	AIR SHROUD, cylinder 1	1	
2	90480-10468	GROMMET	2	
3	3KJ-12653-01	AIR SHROUD, cylinder 3	1	
4	90387-067V1	COLLAR	2	
5	90480-12497	GROMMET	2	
6	98516-06020	SCREW, panhead	2	
7	92906-06600	WASHER, plate	2	
8	97702-60540	SCREW, tapping	1	
9	3KJ-12658-01	DAMPER, air shroud 1	3	
10	3KJ-12611-00	FAN	1	
11	93210-64488	O-RING	1	
12	98501-06014	SCREW, panhead	3	
13	92990-06100	WASHER, spring	3	
14	92901-06600	WASHER, plate	3	
15	3YJ-12631-00	PLATE	1	



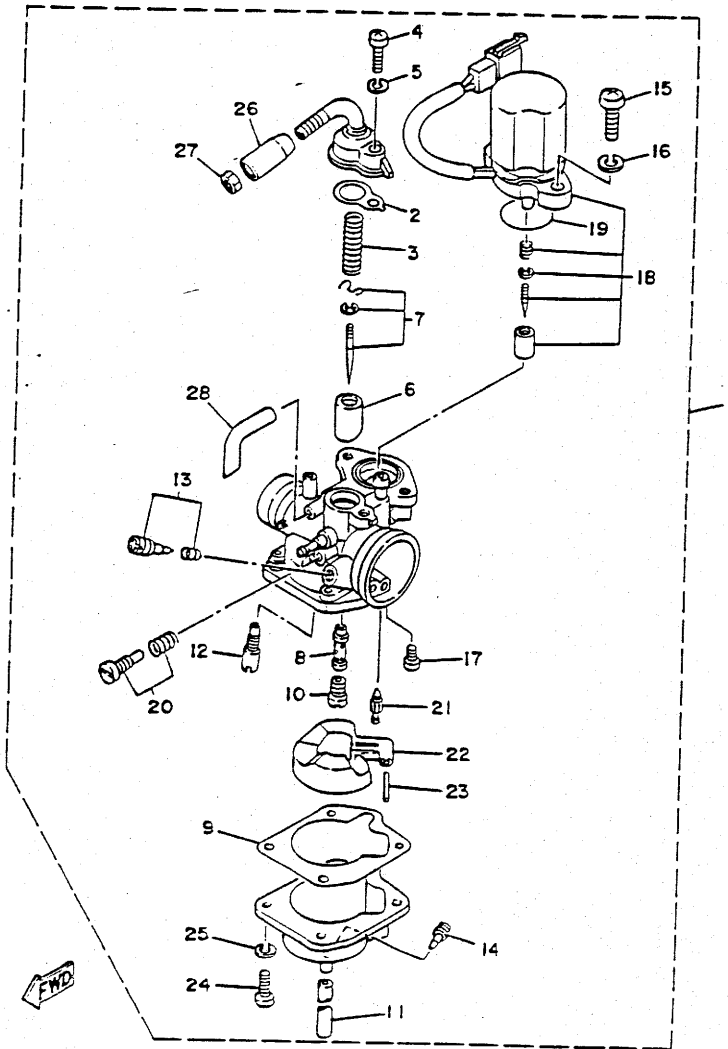
REF NO	PART NO	PART NAME	QTY	REMARKS
4- 1	3VP-13100-00	OIL PUMP ASSY	1	
2	1YU-13185-00	. BOLT, breather	1	
3	1YU-13187-00	. GASKET, breather bolt	1	
4	1YU-13473-00	. O-RING	1	
5	3AA-13124-00	. GEAR, worm wheel	1	
6	1YU-13516-00	. PIN, dowel	1	
7	1YU-13577-00	. CLIP	1	
8	90445-09252	. HOSE	1	
9	90467-08003	. CLIP	2	
10	90445-05264	. HOSE	1	
11	90468-02033	. CLIP	1	
12	90468-02033	CLIP	1	
13	98580-05014	SCREW, panhead	2	
14	2GM-13178-00	GEAR, pump drive	1	
15	93603-12007	PIN, dowel	1	
16	99009-19400	CIRCLIP	2	



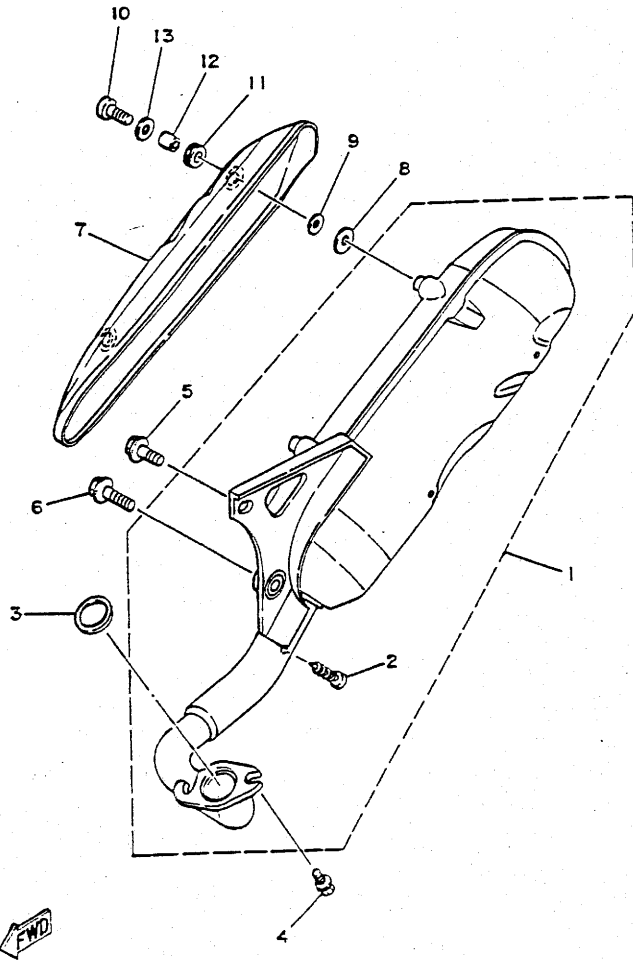
REF NO	PART NO	PART NAME	QTY	REMARKS
5- 1	3KJ-13610-00	REED VALVE ASSY	1	
2	3KJ-13613-00	. REED, valve	2	
3	3KJ-13616-00	. STOPPER, reed valve	2	
4	98580-03008	. SCREW, panhead	4	
5	92902-03600	. WASHER, plate	4	
6	3KJ-13621-00	GASKET, valve seat	1	
7	3KJ-13555-00	MANIFOLD, intake	1	
8	91316-06020	BOLT	4	
9	90460-32242	CLAMP, hose	1	
10	90468-20127	CLIP	1	
11	3KJ-14411-11	CASE, air cleaner 1	1	
12	3KJ-14412-00	CAP, cleaner case 1	1	
13	3KJ-14437-00	DUCT	1	
14	3KJ-14451-00	ELEMENT, air cleaner	1	
15	3KJ-14452-00	SEAT	1	
16	3KJ-14453-00	JOINT, air cleaner 1	1	
17	97780-50125	SCREW, tapping	3	
18	98516-06020	SCREW, panhead	2	
19	92906-06600	WASHER, plate	2	
20	90387-067V1	COLLAR	2	
21	90480-12497	GROMMET	2	



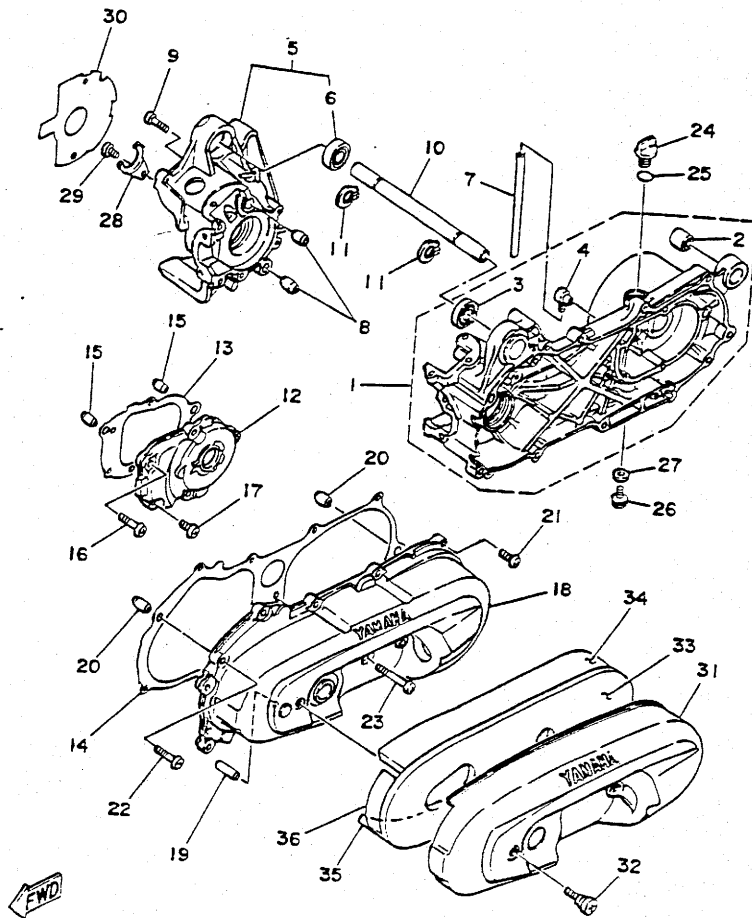
REF NO	PART NO	PART NAME	QTY	REMARKS
6- 1	3VP-14301-00	CARBURETTOR ASSY 1	1	
2	3WF-14126-01	. GASKET	1	
3	3VP-14331-00	. SPRING, throttle valve	1	
4	98580-05016	. SCREW, panhead	1	
5	92901-05100	. WASHER, spring	1	
6	3WF-14312-30	. VALVE, throttle 1	1	
7	3VP-1490J-00	. NEEDLE SET	1	
8	3VP-14341-00	. NOZZLE, main	1	
9	14T-14384-00	. GASKET, float chamber	1	
10	14T-14343-36	. JET, main (76)	1	
11	3KJ-14349-00	. PIPE	1	
12	3KJ-14353-23	. JET, pilot (42)	1	
13	14T-14104-00	. AIR SCREW SET	1	
14	14T-14328-00	. SCREW, air adjusting	1	
15	98580-06016	. SCREW, panhead	2	
16	92990-06100	. WASHER, spring	2	
17	98501-03006	. SCREW, panhead	1	
18	3VP-1410A-00	. STARTER SET	1	
19	1HV-14147-00	. O-RING	1	
20	2JA-14103-00	. THROTTLE SCREW SET	1	
21	2JA-14392-00	. VALVE, needle	1	
22	1HV-14385-01	. FLOAT	1	
23	367-14386-00	. PIN, float	1	
24	98580-04016	. SCREW, panhead	4	
25	92901-04100	. WASHER, spring	4	
26	2JA-26329-00	. CAP, rubber	1	
27	288-14161-00	. NUT, cable adjusting	1	
28	2JA-14397-00	. PIPE	1	



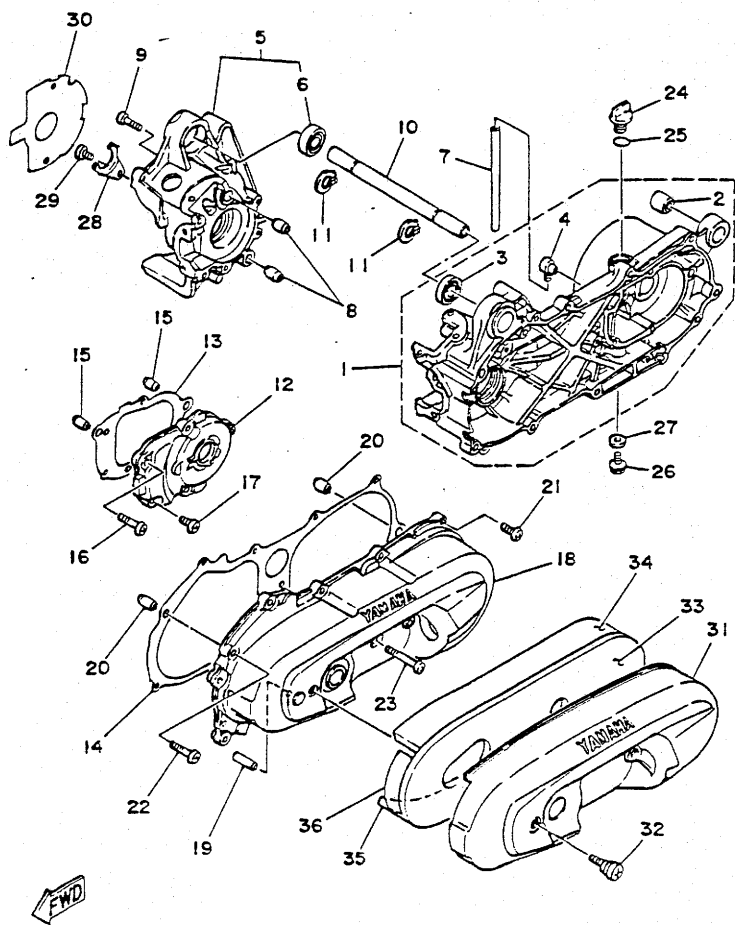
REF NO	PART NO	PART NAME	QTY	REMARKS
7-	1	3WF-14610-00	1	EXHAUST PIPE ASSY
2	97706-30605	. SCREW, tapping	1	
3	24G-14613-00	GASKET, exhaust pipe	1	
4	90153-06061	SCREW, hexagon	2	
5	95816-08020	BOLT, flange	1	
6	95816-08030	BOLT, flange	1	
7	2JA-14718-00	PROTECTOR	1	
8	52W-14766-00	WASHER, protector	2	
9	92990-06200	WASHER, plain	2	
10	98906-06016	SCREW, bind	2	
11	90480-12237	GROMMET	2	
12	90387-060G7	COLLAR	2	
13	2JA-14766-00	WASHER, protector	2	



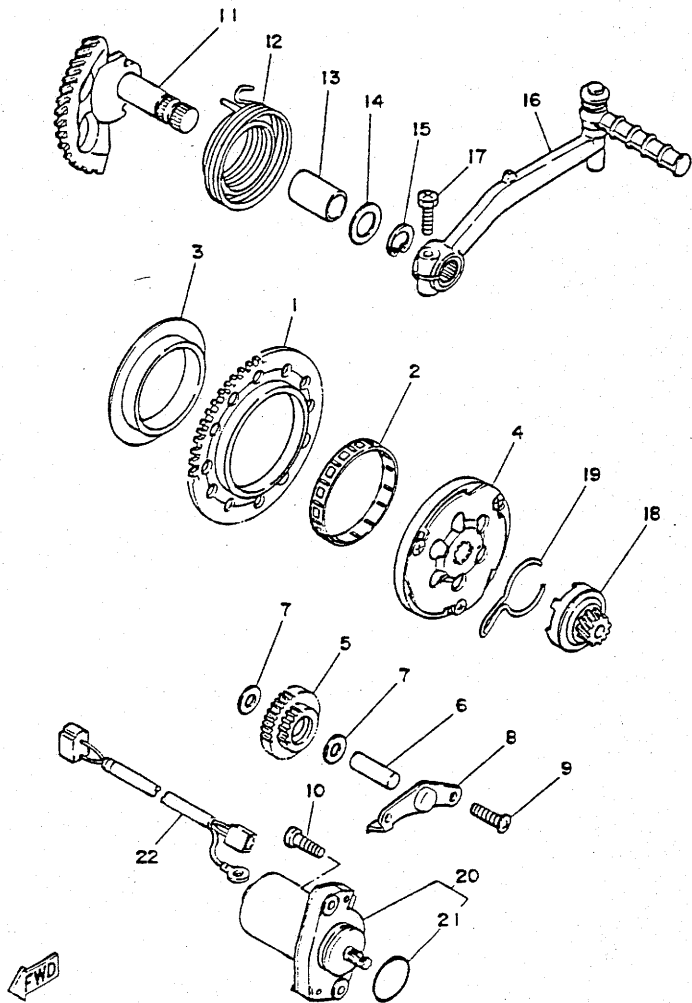
REF NO	PART NO	PART NAME	QTY	REMARKS
8- 1	3KJ-15111-01	CRANKCASE ASSY 1	1	
2	164-22216-00	BUSH, rear shock absorber	1	
3	93306-00314	BEARING	1	
4	3YJ-15371-00	BREATHER	1	
5	3KJ-15120-00	CRANKCASE ASSY 2	1	
6	93306-00314	BEARING	1	
7	90446-11347	HOSE	1	
8	99510-12016	PIN, dowel	2	
9	98501-06035	SCREW, panhead	6	
10	3KJ-15317-00	SPACER, engine mount	1	
11	99009-17400	CIRCLIP	2	
12	3KJ-15421-00	COVER, crankcase 2	1	
13	3KJ-15461-00	GASKET, crankcase cover 2	1	
14	3KJ-15451-00	GASKET, crankcase cover 1	1	
15	99530-10014	PIN, dowel	2	
16	98501-06035	SCREW, panhead	2	
17	98501-06020	SCREW, panhead	3	
18	3KJ-15411-00	COVER, crankcase 1	1	
19	3KJ-15659-00	SHAFT	1	
20	99530-10014	PIN, dowel	2	
21	98501-06025	SCREW, panhead	8	
22	98501-06035	SCREW, panhead	2	
23	98501-06065	SCREW, panhead	1	
24	4J2-15363-00	PLUG, oil	1	
25	93210-14104	O-RING	1	
26	95801-08016	BOLT, flange	1	
27	90201-08087	WASHER, plate	1	
28	1HV-15128-00	HOLDER	1	
29	98501-06012	SCREW, panhead	1	
30	3KJ-15462-00	GASKET, crankcase cover 3	1	



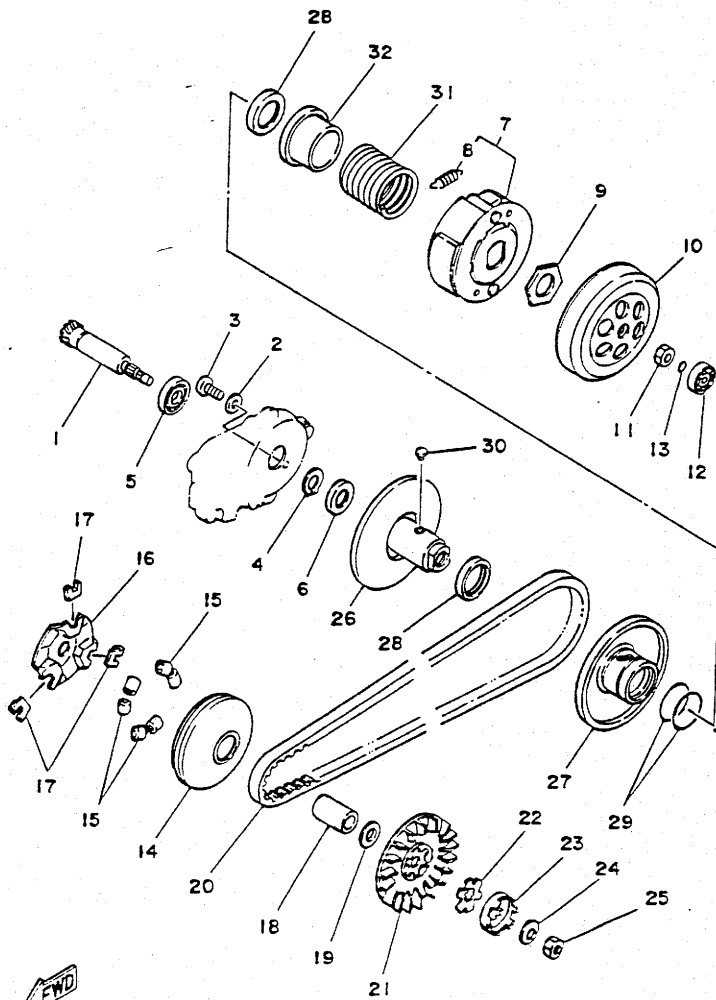
REF NO	PART NO	PART NAME	QTY	REMARKS
8-31	3KJ-15431-00	COVER, crankcase 3	1	
32	3KJ-15481-00	BOLT 1	2	
33	3KJ-15316-00	DAMPER, engine mount 1	1	
34	3KJ-15326-00	DAMPER, engine mount 2	1	
35	3KJ-15335-00	DAMPER 3	1	
36	3KJ-15337-00	DAMPER 4	1	



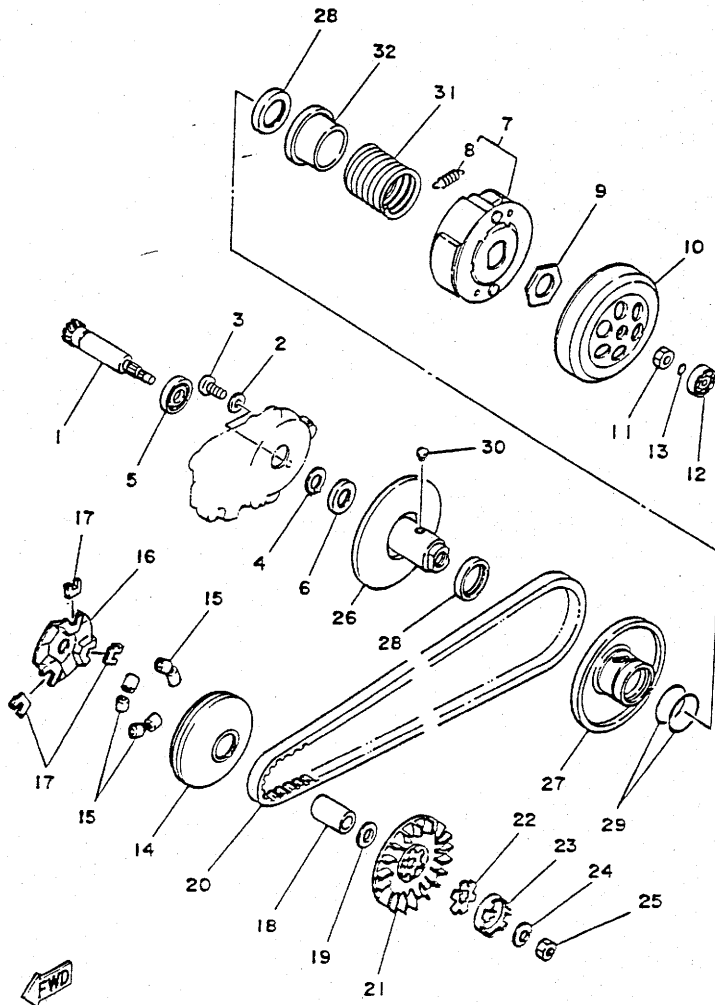
REF NO	PART NO	PART NAME	QTY	REMARKS
9- 1	3AA-15513-00	GEAR 1	1	
2	93310-257R1	BEARING, cylindrical	1	
3	3KJ-15528-00	BOSS, gear	1	
4	3KJ-15570-00	STARTER CLUTCH ASSY	1	
5	3AA-15650-00	IDLE GEAR ASSY	1	
6	50M-13342-00	SHAFT, idle gear	1	
7	90201-084M4	WASHER, plate	2	
8	3KJ-15532-00	PLATE, idle gear	1	
9	98501-06012	SCREW, panhead	2	
10	91316-06020	BOLT	2	
11	3KJ-15601-00	KICK SHAFT ASSY	1	
12	90508-32609	SPRING, torsion	1	
13	90380-15083	BUSH, solid	1	
14	90201-154E9	WASHER, plate	1	
15	99009-15400	CIRCLIP	1	
16	3KJ-15620-01	KICK CRANK ASSY	1	
17	90153-06038	SCREW, hexagon	1	
18	3AA-15613-00	GEAR, kick pinion	1	5/16 INT-15630-01
19	32N-15673-00	CLIP	1	
20	3KJ-81800-01	STARTING MOTOR ASSY	1	
21	93210-23614	O-RING	1	
22	93210-23614	WIRE, lead	1	



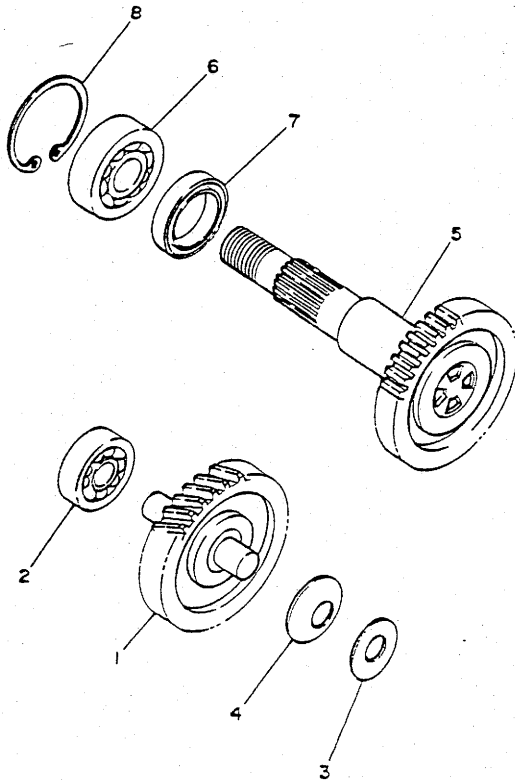
REF NO	PART NO	PART NAME	QTY	REMARKS
10- 1	3KJ-16111-00	GEAR, primary drive	1	
2	90201-06412	WASHER, plate	1	
3	98501-06010	SCREW, panhead	1	
4	99009-17400	CIRCLIP	1	
5	93306-00315	BEARING (6003SH2C4)	1	
6	93102-17342	OIL SEAL	1	
7	3VP-16620-00	CLUTCH CARRIER ASSY	1	
8	24G-16626-00	SPRING, clutch weight 1	2	
9	90179-28415	NUT	1	
10	24G-16611-03	CLUTCH HOUSING COMP.	1	
11	90170-10317	NUT	1	
12	93300-63808	BEARING	1	
13	93210-06550	O-RING	1	
14	3XG-17620-00	PRIMARY SLIDING SHEAVE COMP.	1	
15	1NT-17632-01	WEIGHT	6	
16	3AA-17623-00	CAM	1	
17	1NT-17653-00	SLIDER	3	
18	90387-133X8	COLLAR	1	
19	90201-133M8	WASHER, plate	1	
20	3VP-17641-00	V-BELT	1	
21	3AA-17611-00	SHEAVE, primary fixed	1	
22	90214-13058	WASHER, claw	1	
23	3KJ-15657-00	CLUTCH, oneway	1	
24	90208-10012	WASHER, conical spring	1	
25	90170-10219	NUT	1	
26	3AA-17660-01	SECONDARY FIXED SHEAVE COMP.	1	
27	3WG-17608-00	SECONDARY SLIDING SHEAVE	1	
28	93109-33049	OIL SEAL	2	
29	93210-38687	O-RING	2	
30	24G-17664-00	PIN, guide	2	



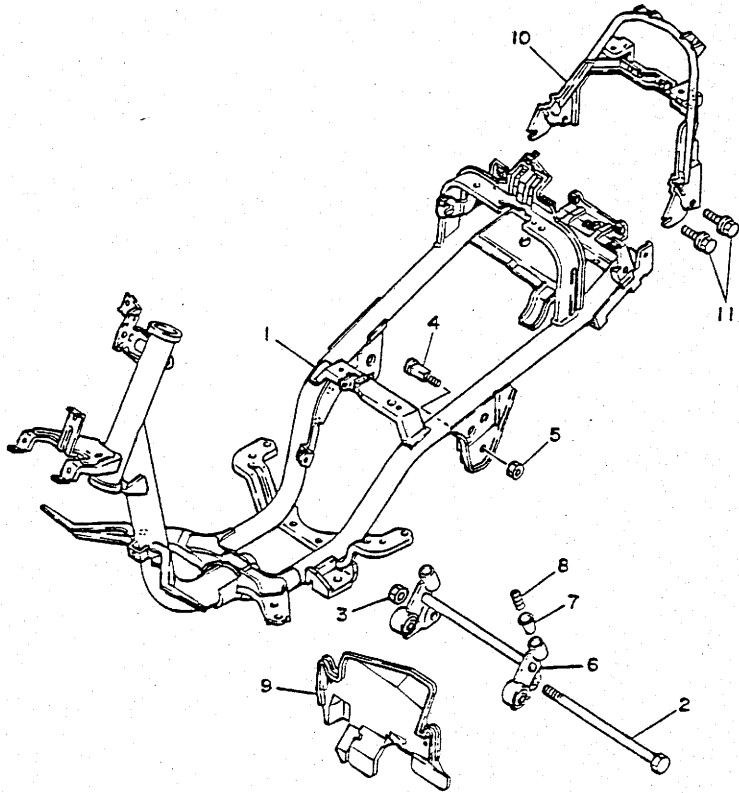
REF NO	PART NO	PART NAME	QTY	REMARKS
10-31	90501-357F3	SPRING, compression	1	
32	3KJ-17684-00	SEAT, secondary spring	1	



REF NO	PART NO	PART NAME	QTY	REMARKS
11- 1	3RY-17410-10	MAIN AXLE	1	
2	93306-20006	BEARING (B6200)	1	UR
	93306-20010	BEARING (6200)	1	UR
3	90201-123K4	WASHER, Plate	1	
4	90208-12049	WASHER, conical spring	1	
5	3RY-17420-10	DRIVE AXLE ASSY	1	
6	93306-20310	BEARING (B6203DU)	1	
7	93102-22314	OIL SEAL	1	
8	93420-40064	CIRCLIP	1	

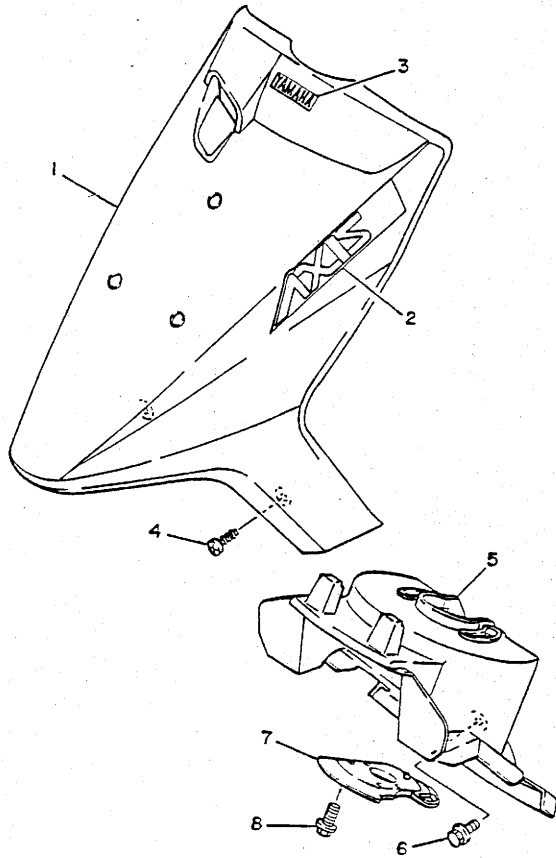


REF NO	PART NO	PART NAME	QTY	REMARKS
12- 1	3VP-21110-20	FRAME	1	UR
2	3KJ-21481-00	BOLT, engine mounting 1	1	
3	95601-12200	NUT, self-locking	1	
4	2T4-21481-01	BOLT, engine mounting 1	2	
5	90185-10154	NUT, self-locking	2	
6	3VP-21411-00	ENGINE BRACKET	1	
7	2T4-2139X-01	DAMPER	2	
8	90501-29517	SPRING, compression	2	
9	3VP-21642-00	COVER	1	
10	3VP-21232-00	REINFORCEMENT, tail	1	
11	95811-06012	BOLT, flange	4	



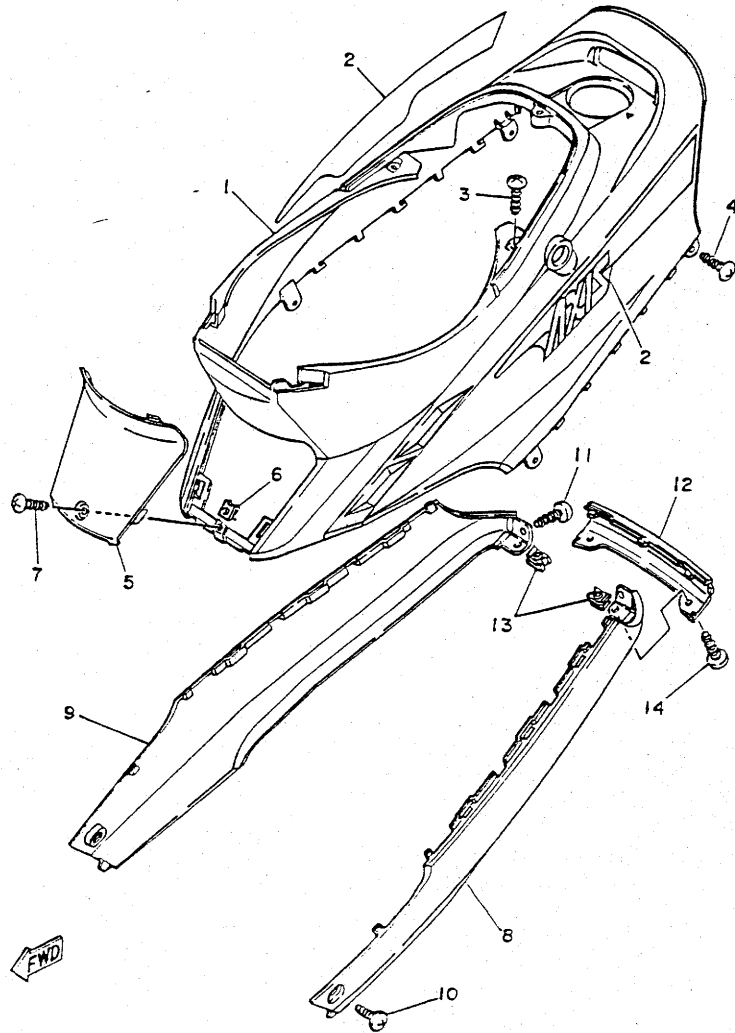
FWD

REF NO	PART NO	PART NAME	QTY	REMARKS
13- 1	3VP-21511-00-P1	FENDER, front	1	UR BLACK METARIC 2
	3VP-21511-00-T9	FENDER, front	1	UR COMPETITION SILVER
2	3VP-21578-40	EMBLEM	1	UR FOR COMS
	3VP-21578-70	EMBLEM	1	UR FOR BM2
3	99231-00020	EMBLEM	1	UR FOR COMS
	99236-00020	EMBLEM	1	UR FOR BM2
4	90163-05004	SCREW	2	
5	3VP-21552-00	FENDER, inner 1	1	
6	95816-06012	BOLT, flange	1	
7	27V-21553-03	FENDER, inner 2	1	
8	90119-06085	BOLT	2	

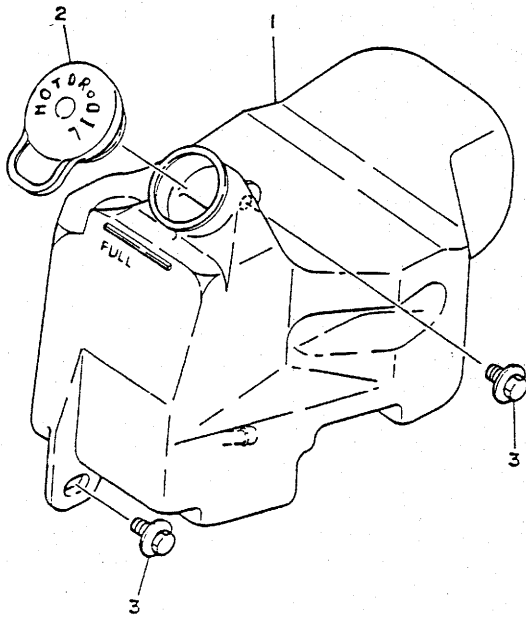


FWD

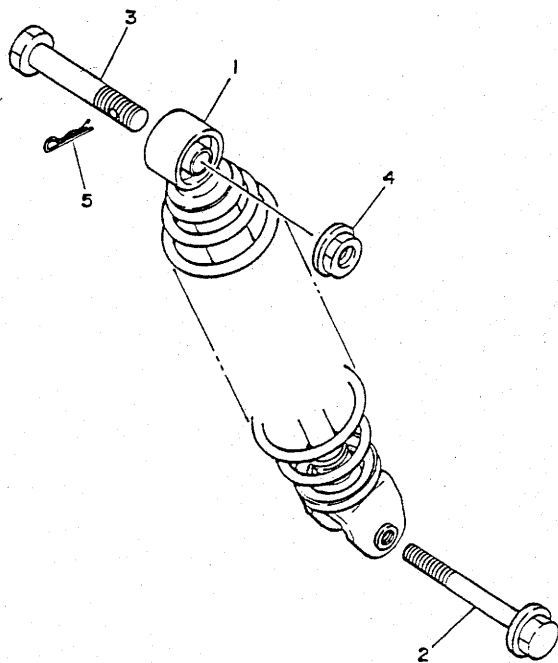
REF NO	PART NO	PART NAME	QTY	REMARKS
14- 1	3VP-21711-00-P1	COVER, side 1	1	UR BLACK METARIC 2
	3VP-21711-00-T9	COVER, side 1	1	UR COMPETITION SILVER
2	3VP-2173G-40	EMBLEM	1	UR FOR COMPS
	3VP-2173G-70	EMBLEM		UR FOR BM2
3	97706-50016	SCREW	3	
4	90167-05041	SCREW	4	
5	3VP-21721-00-P1	COVER, side 2	1	UR BM2
	3VP-21721-00-T9	COVER, side 2	1	UR COMS
6	90183-05042	NUT, spring	1	
7	90167-05055	SCREW, tapping	1	
8	3VP-2171L-40	MOLE, side cover 1	1	UR
9	3VP-2171M-40	MOLE, side cover 2	1	UR
10	90149-06184	SCREW	2	
11	97706-50016	SCREW	2	
12	3VP-2171N-40	MOLE, rear	1	UR
13	90183-05042	NUT, spring	2	
14	90167-05041	SCREW	2	



REF NO	PART NO	PART NAME	QTY	REMARKS
15- 1	3VP-21751-00	TANK, oil	1	
2	2N3-21771-01	BODY, cap	1	
3	90119-06018	BOLT, with washer	2	

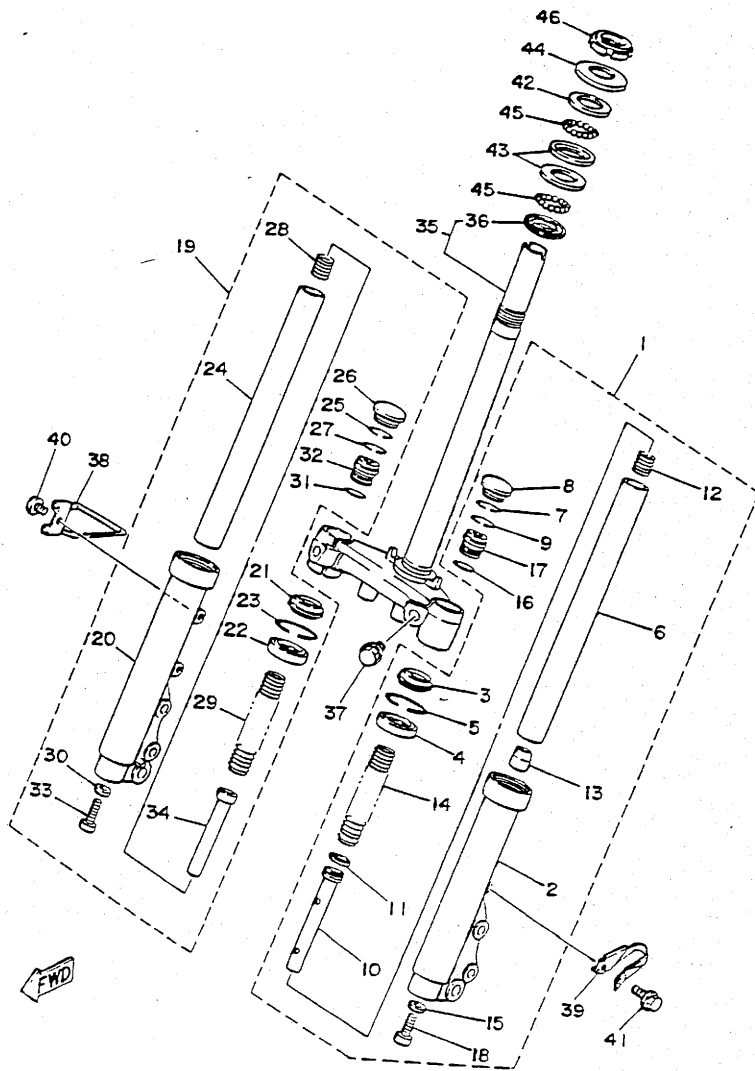


REF NO	PART NO	PART NAME	QTY	REMARKS
16- 1	3VP-22210-10	SHOCK ABSORBER ASSY	1	
2	90105-08121	BOLT, washer based	1	
3	90102-10059	BOLT, with hole	1	
4	95701-10500	NUT, flange	1	
5	90468-12006	CLIP	1	

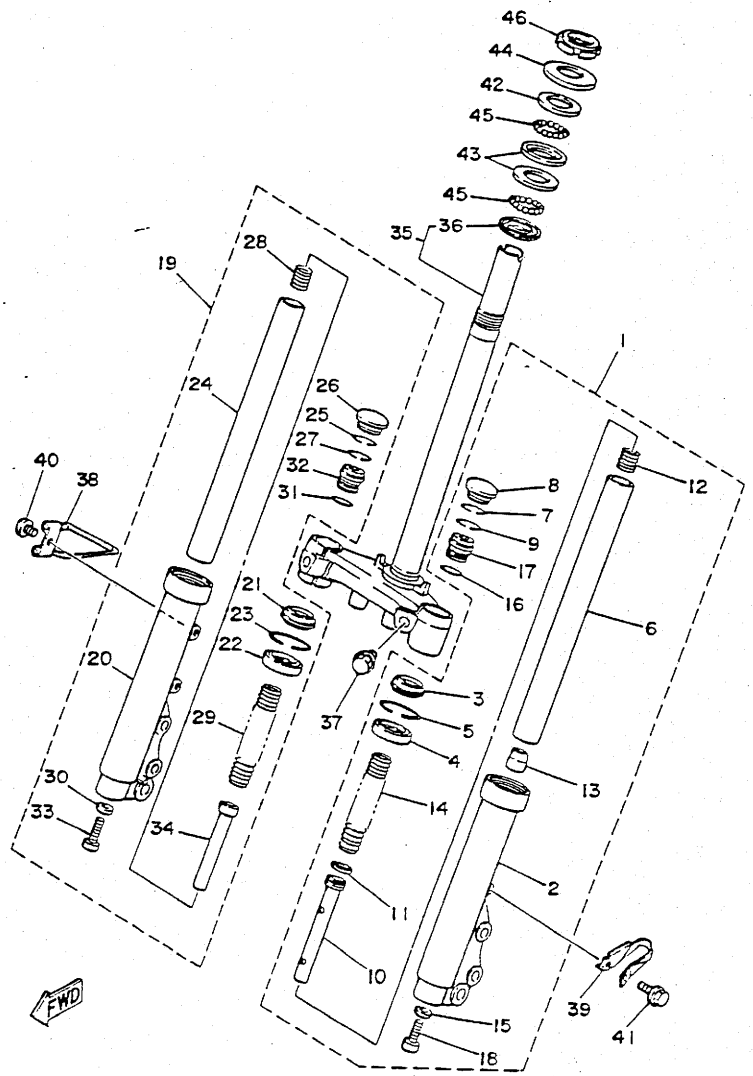


← FWD

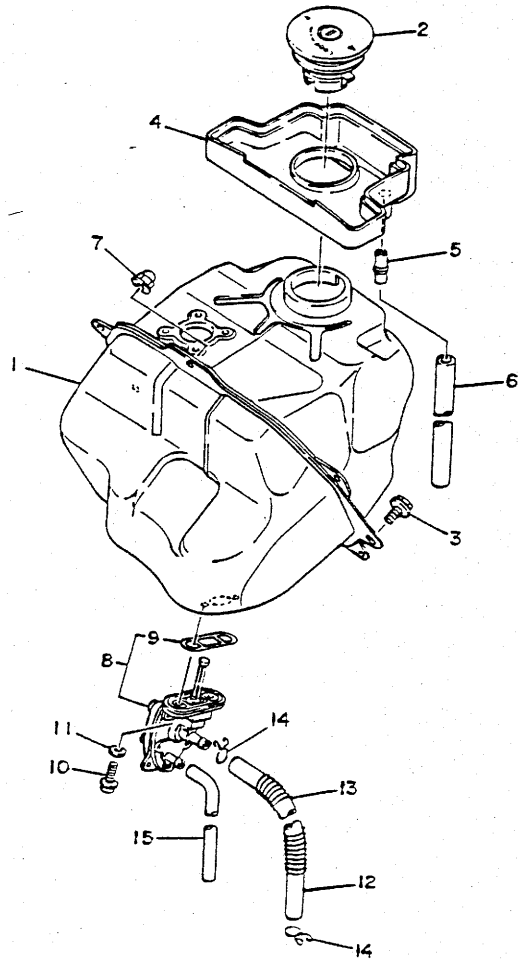
REF NO	PART NO	PART NAME	QTY	REMARKS
17- 1	3VP-23102-00	FRONT SHOCK (L.H)	1	
2	3VP-23126-00	. OUTER TUBE (L.H)	1	
3	3VP-23144-00	. SEAL, dust	1	
4	93102-26436	. SEAL, oil	1	
5	3VP-23156-00	. RING, snap	1	
6	3VP-23110-00	. INNER TUBE	1	
7	3VP-23153-00	. RING, lock	1	
8	3VP-23154-00	. COVER	1	
9	3VP-23183-00	. RING, lock	1	
10	3VP-23171-00	. CYLINDER, inner	1	
11	5R2-23157-00	. SEAT, spring upper	1	
12	5R2-23151-00	. SPRING	1	
13	3VP-23173-00	. SPINDLE, taper	1	
14	3VP-23141-00	. SPRING	1	
15	90430-08155	. GASKET	1	
16	93210-16500	. O-RING	1	
17	3VP-23111-00	. BOLT, cap	1	
18	91311-08025	. BOLT	1	
19	3VP-23103-00	FRONT SHOCK (R.H)	1	
20	3VP-23136-00	. OUTER TUBE (R.H)	1	
21	3VP-23144-00	. SEAL, dust	1	
22	93102-26436	. SEAL, oil	1	
23	3VP-23156-00	. RING, snap	1	
24	3VP-23120-00	. INNER TUBE	1	
25	3VP-23153-00	. RING, lock	1	
26	3VP-23154-00	. CAP	1	
27	3VP-23183-00	. RING, lock	1	
28	5R2-23151-00	. SPRING	1	
29	3VP-23351-00	. SPRING	1	
30	90430-08155	. GASKET	1	



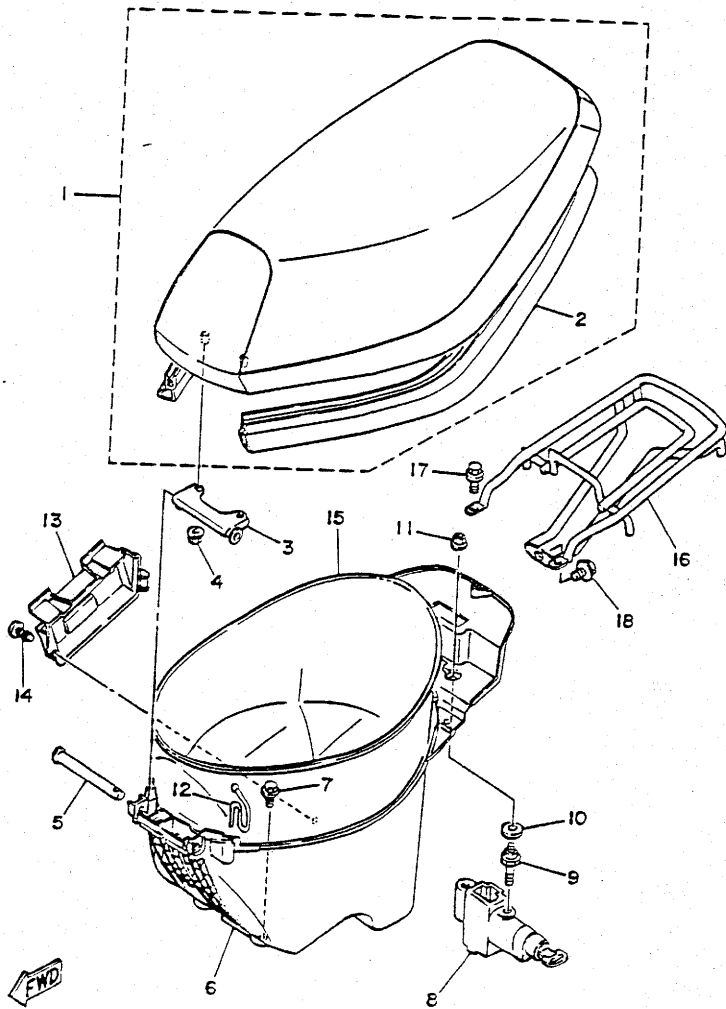
REF NO	PART NO	PART NAME	QTY	REMARKS
17-31	93210-16500	. O-RING	1	
32	3VP-23111-00	. BOLT, cap	1	
33	91311-08025	. BOLT	1	
34	3VP-23143-00	. CYLINDER, inner	1	
35	3VP-23340-10	UNDER BRACKET	1	
36	296-23414-00	RACE, ball	1	
37	95811-10030	BOLT	2	
38	3VP-23317-00	HOLDER, cable	1	
39	3VP-25875-00	HOLDER, cable	1	
40	98903-06010	SCREW	1	
41	95811-06016	BOLT	1	
42	122-23411-00	RACE, top	1	
43	122-23412-00	RACE, ball	2	
44	3VP-23416-00	COVER, race	1	
45	3/16 inch	BALL	44	
46	90179-25558	NUT	1	



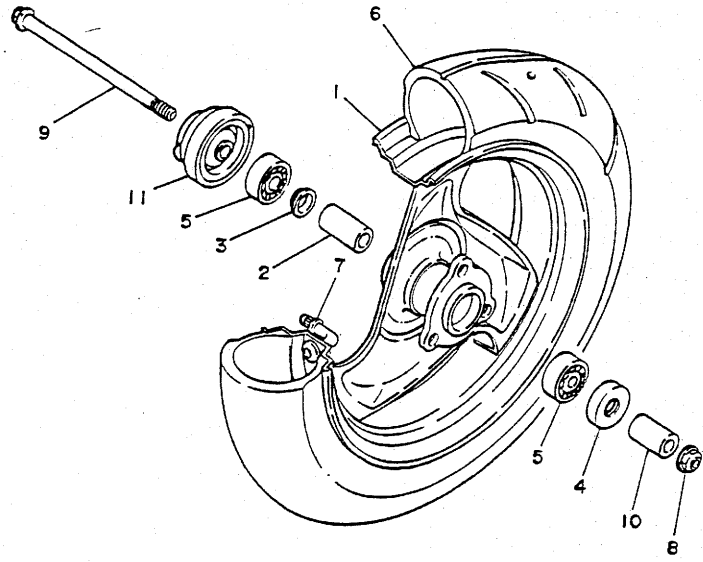
REF NO	PART NO	PART NAME	QTY	REMARKS
18- 1	3VP-24110-10	FUEL TANK	1	
	2	CAP	1	
	3	BOLT, flange	2	
	4	COVER, filler	1	
	5	SPACER	1	
	6	HOSE	1	
	7	NUT, crown	1	
	8	FUEL TAP ASSY	1	
	9	GASKET	1	
	10	BOLT	2	
	11	WASHER	2	
	12	HOSE	1	
	13	SPRING, protector	1	
	14	CLIP	2	
	15	HOSE	1	



REF NO	PART NO	PART NAME	QTY	REMARKS
19- 1	3VP-24710-40	SEAT ASSY	1	UR
2	3VP-2475M-00	SEAL	1	
3	3VP-24726-00	HINGE	1	
4	95701-06500	NUT	2	
5	90241-10015	PIN, with hole	1	
6	3VP-2473R-00	BOX	1	
7	90109-063F1	BOLT	2	
8	3FC-24705-03	SEAT LOCK ASSY	1	WITH KEYS
9	3VP-24717-00	BOLT, seat fitting	2	
10	90201-08110	WASHER, plate	2	
11	90179-06403	NUT	2	
12	3KJ-21398-00	HANGER, helmet	1	
13	3VP-82129-00	COVER, battery	1	
14	90167-05041	SCREW	1	
15	3VP-24747-00	DAMPER, seat	1	
16	3VP-24842-00	CARRIER, rear	1	
17	95811-06012	BOLT	2	
18	95816-08012	BOLT	1	



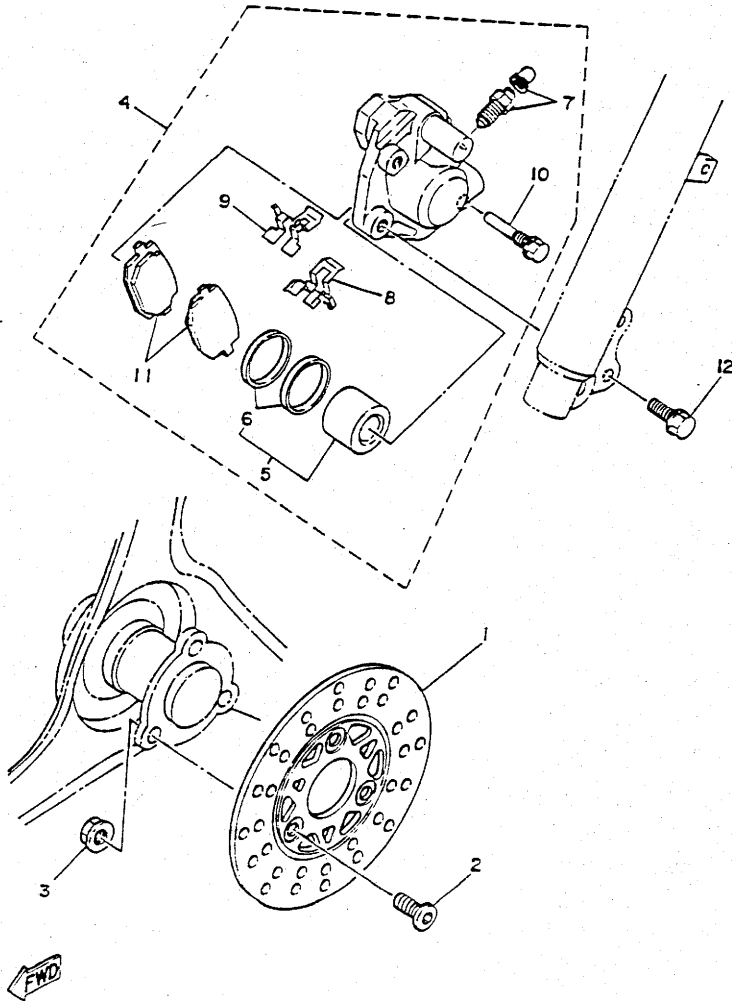
REF NO	PART NO	PART NAME	QTY	REMARKS
20- 1	3YK-25180-00-35	FRONT WHEEL	1	
2	90387-102X1	SPACER	1	
3	2E9-25116-00	FLANGE	1	
4	93106-20001	OIL SEAL	1	
5	93306-30003	BEARING	2	
6	9X109-100X0	TYRE	1	
7	93900-00027	VALVE, rim	1	
8	90185-10154	NUT	1	
9	3VP-25181-00	AXLE	1	
10	90387-10079	SPACER	1	
11	3VP-25190-00	METER GEAR ASSY	1	



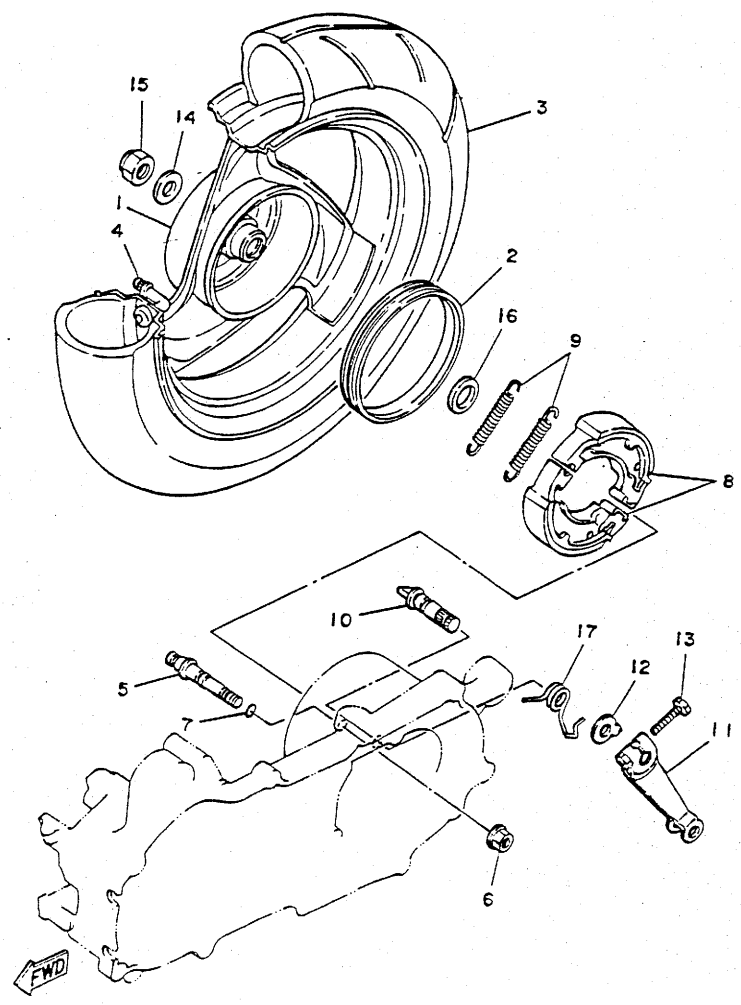
FWD

YA-50 FRONT BRAKE CALIPER

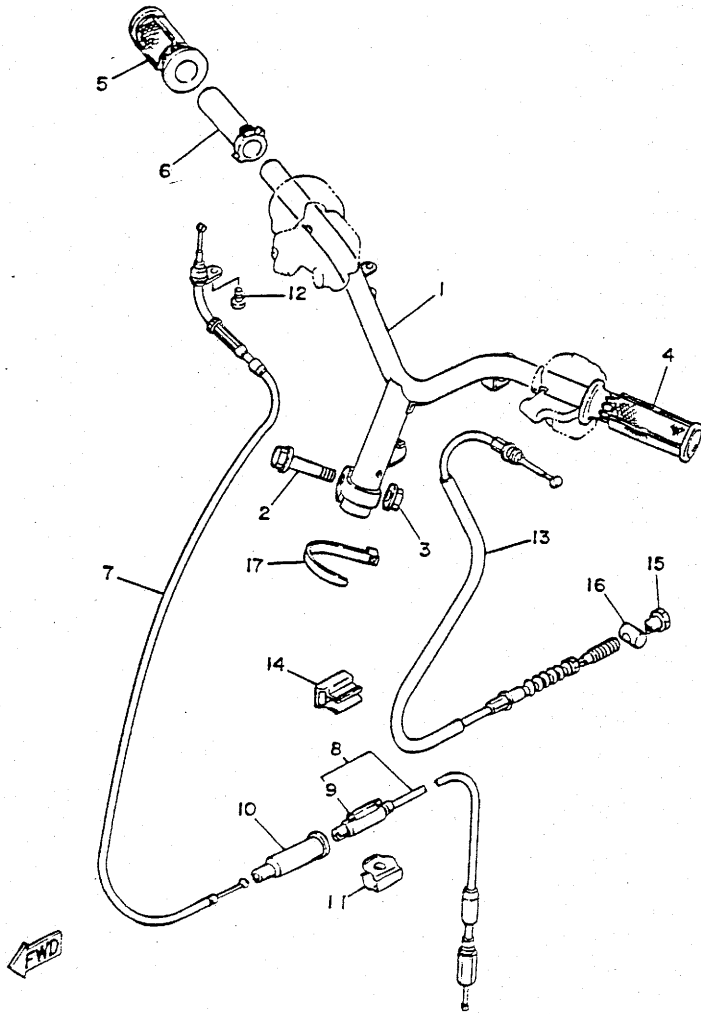
REF NO	PART NO	PART NAME	QTY	REMARKS
21- 1	2NA-25831-00	DISC, brake	1	
	2	90110-10156	3	BOLT
	3	95701-10500	3	NUT
	4	2NA-2580T-00	1	CALIPER ASSY
	5	2NA-W0057-00	1	PISTON ASSY
	6	2NA-W0047-00	1	CALIPER SEAL KIT
	7	51L-W0048-00	1	BLEED SCREW KIT
	8	56A-25919-00	1	SPRING, pad
	9	56A-25919-10	1	SPRING, pad
	10	56A-25926-00	1	PIN, pad
	11	2NA-W0045-01	1	BRAKE PAD KIT
	12	95811-08030	2	BOLT



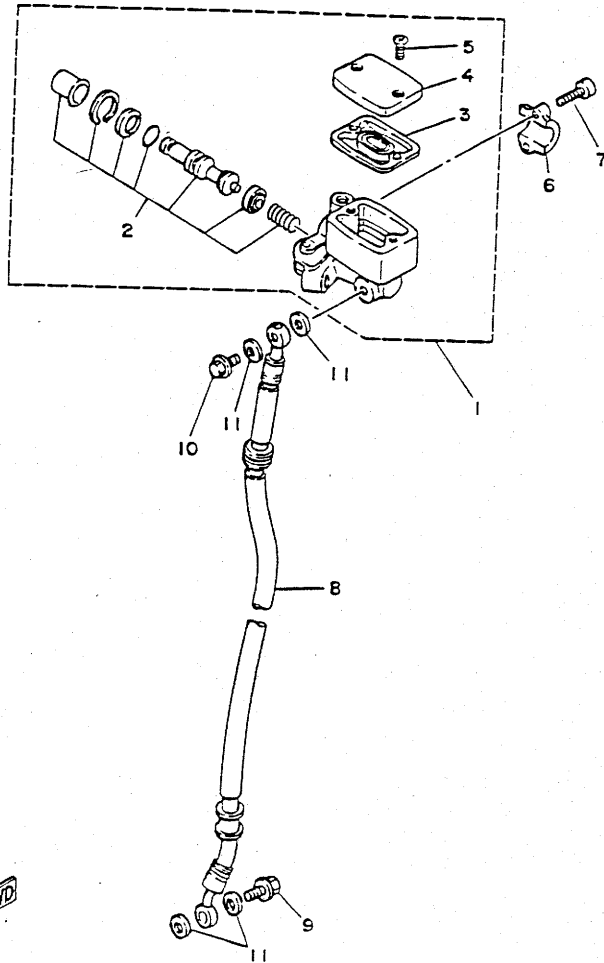
REF NO	PART NO	PART NAME	QTY	REMARKS
22- 1	3YJ-25390-00-35	REAR WHEEL	1	
2	3KJ-25336-00	RING 2	1	
3	9X109-100X0	TYRE (80/90 x 10 34J)	1	
4	93900-00027	VALVE, rim	1	
5	3KJ-25326-00	PIN, pivot	1	
6	95706-08500	NUT, flange	1	
7	93210-07540	O-RING	1	
8	36R-W2536-00	BRAKE SHOE SET	1	
9	90506-18288	SPRING, tension	2	
10	3KJ-25351-00	CAMSHAFT	1	
11	3KJ-25355-00	LEVER, camshaft	1	
12	52H-2513A-00	PLATE, indicator	1	
13	90101-06278	BOLT	1	
14	90201-142M6	WASHER, plate	1	
15	90185-14150	NUT, self-locking	1	
16	90201-17255	WASHER, plate	1	
17	3KJ-25357-00	SPRING, lever return	1	



REF NO	PART NO	PART NAME	QTY	REMARKS
23- 1	3VP-26110-00	HANDLE	1	
2	90105-10036	BOLT	1	
3	90185-10154	NUT	1	
4	3RY-26241-00	GRIP (L.H)	1	
5	3RY-26242-00	GRIP (R.H)	1	
6	2GH-26243-00	TUBE, throttle guide	1	
7	3VP-26311-01	CABLE, throttle 1	1	
8	3VP-26312-00	CABLE, throttle 2	1	
9	3VP-26261-00	CONNECTOR	1	
10	1YU-26329-00	CAP, rubber	1	
11	3VP-26278-00	CLAMP	1	
12	98506-05010	SCREW, panhead	1	
13	3VP-26351-10	CABLE, brake	1	
14	3KJ-26393-00	HOLDER	1	
15	90179-06176	NUT	1	
16	90249-12008	PIN	1	
17	90465-13169	BAND	1	

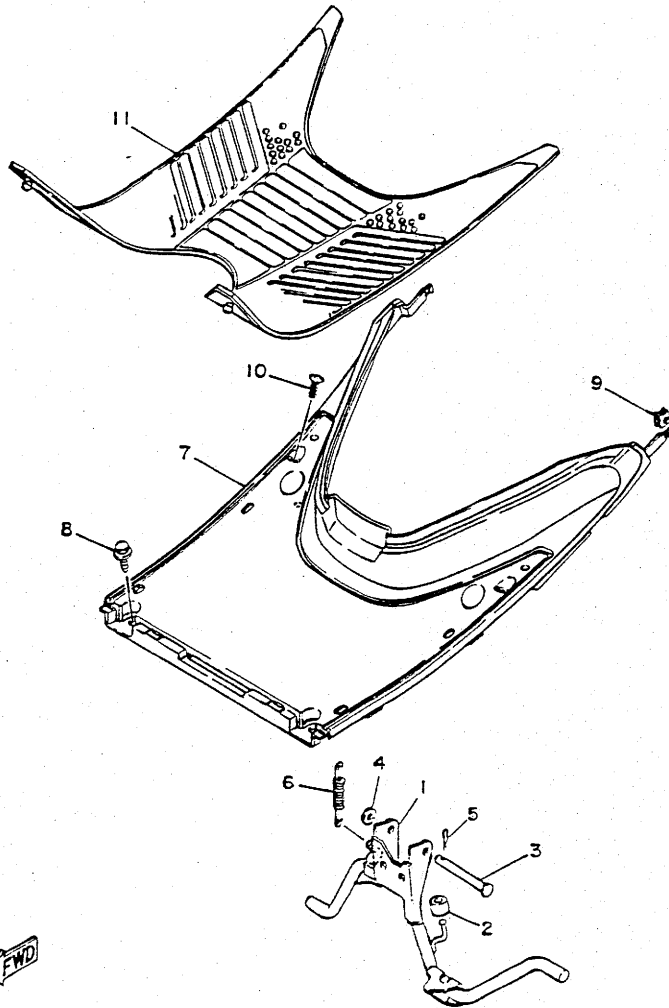


REF NO	PART NO	PART NAME	QTY	REMARKS
24- 1	3RY-25870-00	MASTER CYLINDER ASSY	1	
	2	. CYLINDER KIT	1	
	3	. DIAPHRAGM, reservoir	1	
	4	. CAP, reservoir	1	
	5	. SCREW	2	
	6	3RW-25867-00	1	BRACKET
	7	91316-06025	2	SCREW
	8	3VP-25872-01	1	HOSE, brake l
	9	90401-10034	1	BOLT, union
	10	90401-10034	1	BOLT, union
	11	90201-10118	4	WASHER

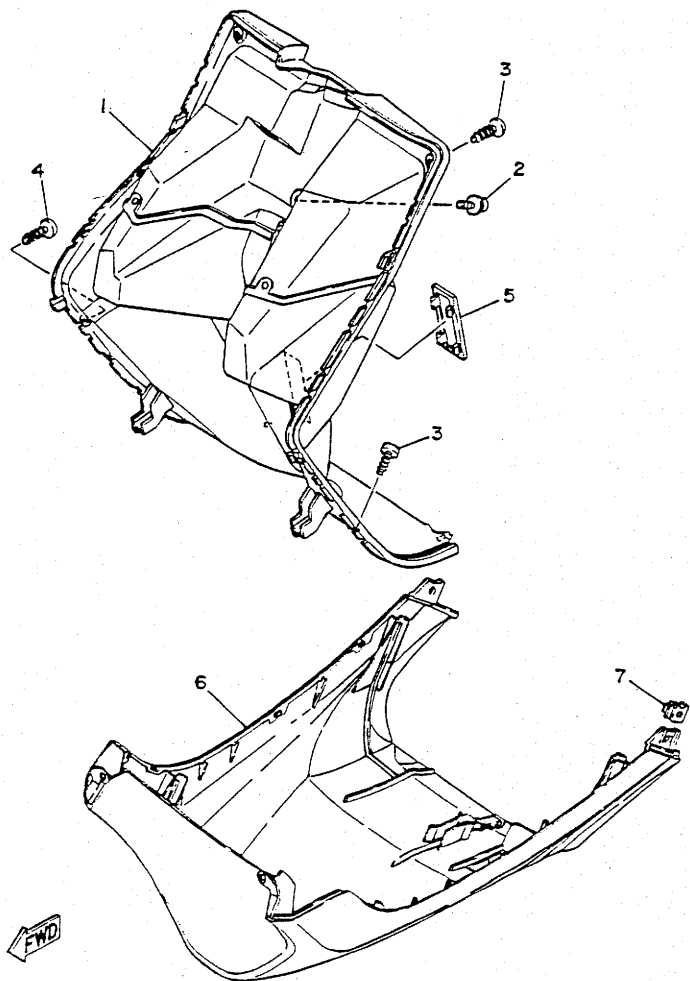


STAND & FOOTREST

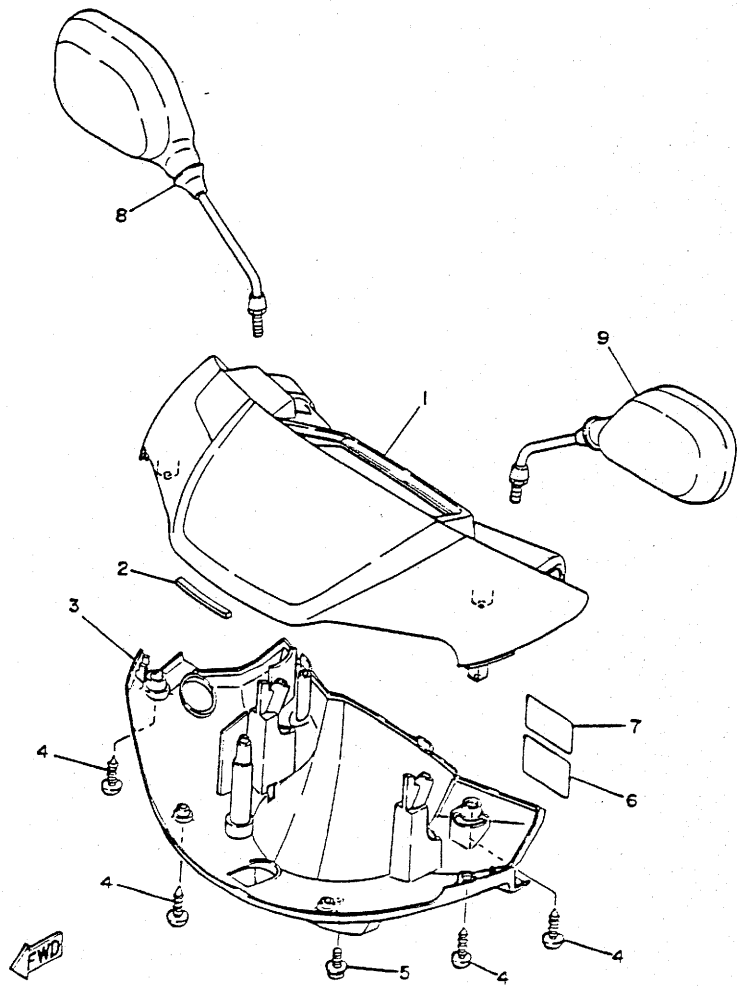
REF NO	PART NO	PART NAME	QTY	REMARKS
25- 1	3VP-27111-00	STAND, main	1	
2	90387-065X4	COLLAR	1	
3	90240-10132	PIN, clevis	1	
4	90202-10120	WASHER, plate	1	
5	90468-12006	CLIP	1	
6	90506-32464	SPRING, main stand	1	
7	3VP-27481-00	BOARD, footrest	1	UR
	3VP-27481-20	BOARD, footrest	1	UR
8	90119-06060	BOLT, with washer	4	
9	90183-05042	NUT 1	2	
10	97706-50016	SCREW	2	
11	3VP-27483-00	MAT	1	UR
	3VP-27483-20	MAT	1	UR



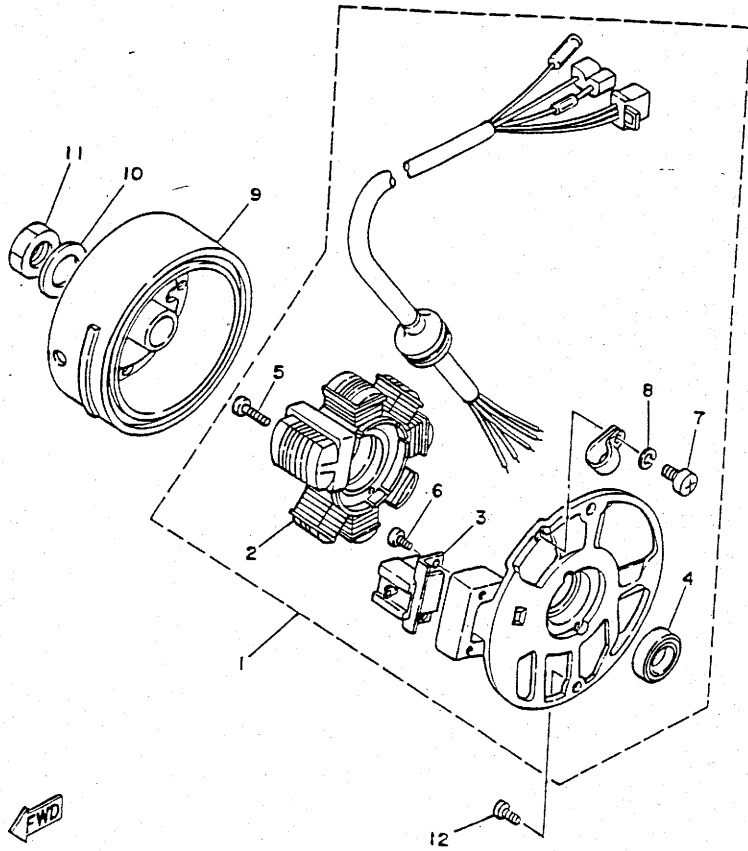
REF NO	PART NO	PART NAME	QTY	REMARKS
26- 1	3VP-28300-00	LEG SHIELD ASSY	1	UR
	3VP-28300-20	LEG SHIELD ASSY	1	UR
2	90159-06182	SCREW, with washer	1	
3	97706-50016	SCREW, tapping	4	
4	97706-50016	SCREW, tapping	2	
5	14T-28349-40	CAP	1	UR
	14T-28349-30	CAP	1	UR
6	3VP-28385-40	BODY, lower	1	
7	3VP-21535-00	NUT, spring	2	



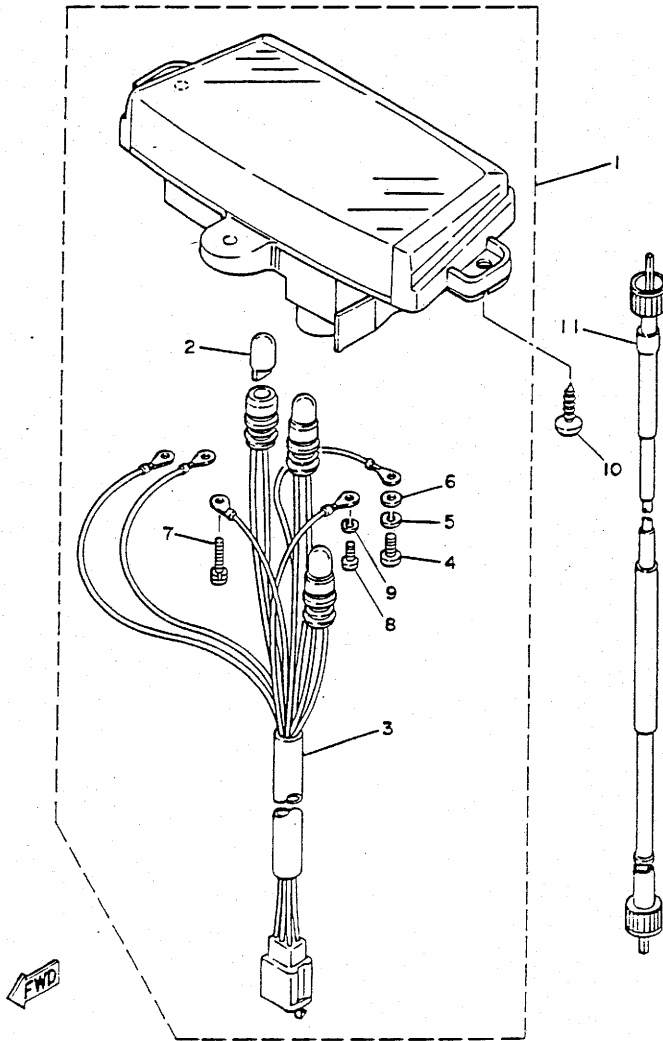
REF NO	PART NO	PART NAME	QTY	REMARKS
27- 1	3VP-26213-10-P0	COVER, handle upper	1	UR BM2
	3VP-26213-10-T9	COVER, handle upper	1	UR COMS
2	3CV-28378-00	DAMPER	1	
3	3VP-26215-01	COVER, handle under	1	UR
	3VP-26215-40	COVER, handle under	1	UR
4	97701-50016	SCREW, tapping	4	
5	90159-05121	BOLT	1	
6	3MA-2415A-01	DECAL	1	
7	54V-2415E-10	DECAL	1	
8	3AA-26290-00	MIRROR (R.H)	1	
9	3AA-26280-00	MIRROR (L.H)	1	



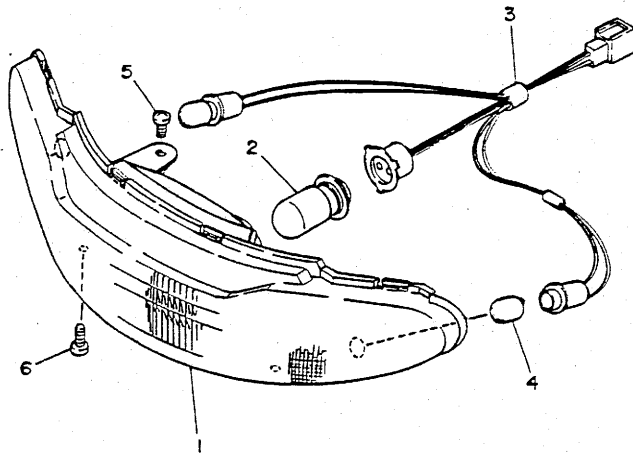
REF NO	PART NO	PART NAME	QTY	REMARKS
28- 1	3VP-85560-00	BASE ASSY	1	
2	3VP-81403-00	STATOR	1	
3	3VP-85580-00	COIL, pulser	1	
4	93104-19097	OIL SEAL	1	
5	98501-05020	SCREW, panhead	2	
6	98501-05010	SCREW, panhead	2	
7	98580-04008	SCREW, panhead	1	
8	92901-04100	WASHER, spring	1	
9	2JA-85550-M0	ROTOR ASSY	1	
10	92990-10600	WASHER, plate	1	
11	90170-10219	NUT	1	
12	98501-06016	SCREW, panhead	2	



REF NO	PART NO	PART NAME	QTY	REMARKS
29- 1	3VP-83510-10	SPEEDOMETER ASSY	1	
	2	. BULB (12V-3,4W)	3	
	3	. SOCKET CORD ASSY	1	
	4	. SCREW, panhead	2	
	5	. WASHER, spring	2	
	.6	. WASHER, plate	2	
	7	. SCREW, with washer	3	
	8	. SCREW	1	
	9	. WASHER	1	
	10	SCREW, tapping	2	
	11	3VP-83550-00	1	SPEEDO CABLE ASSY

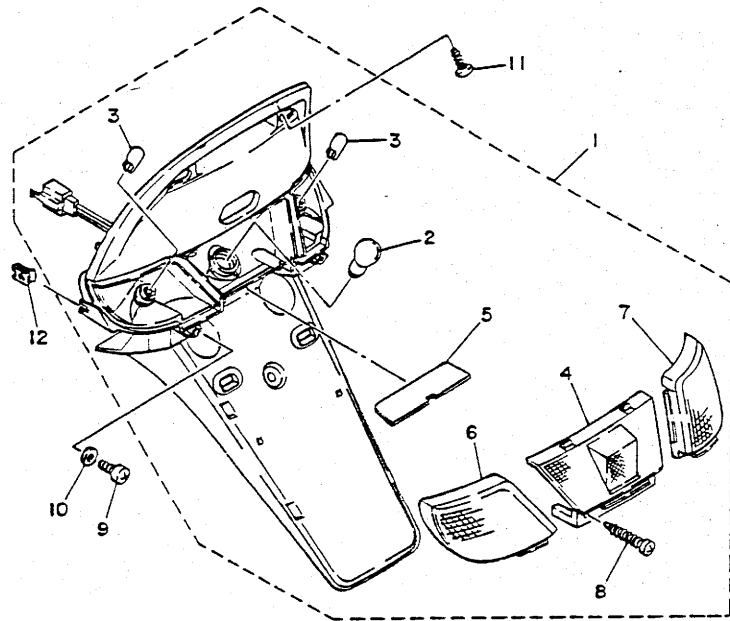


REF NO	PART NO	PART NAME	QTY	REMARKS
30-1	3VP-84320-00	LENS ASSY	1	
	2	3NS-84314-00	1	BULB (12V-30/30W)
	3	3VP-84340-00	2	SOCKET
	4	1YT-83311-00	1	BULB
	5	97701-50016	1	SCREW
	6	90167-05037	2	SCREW



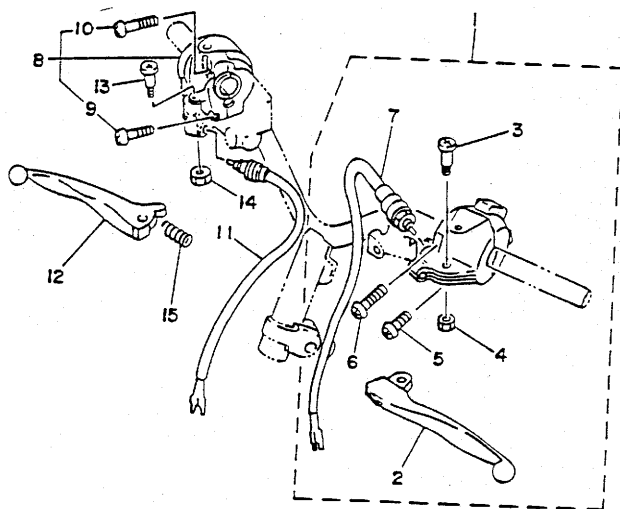
FWD

REF NO	PART NO	PART NAME	QTY	REMARKS
31- 1	3VP-84700-00	TAIL LIGHT ASSY	1	
2	31L-84714-00	. BULB, tail light (12V-21/5W)	1	
3	1YI-83311-00	. BULB, flasher (12V-10W)	2	
4	3VP-84721-00	. LENS, tail light	1	
5	3VP-84743-00	. LENS, licence light	1	
6	3VP-83332-00	. LENS, flasher	1	
7	3VP-83342-00	. LENS, flasher 2	1	
8	97780-40120	. SCREW, tapping	2	
9	98501-06014	SCREW, panhead	2	
10	92901-06600	WASHER, plate	2	
11	97706-50016	SCREW	2	
12	90183-05042	NUT, spring	2	

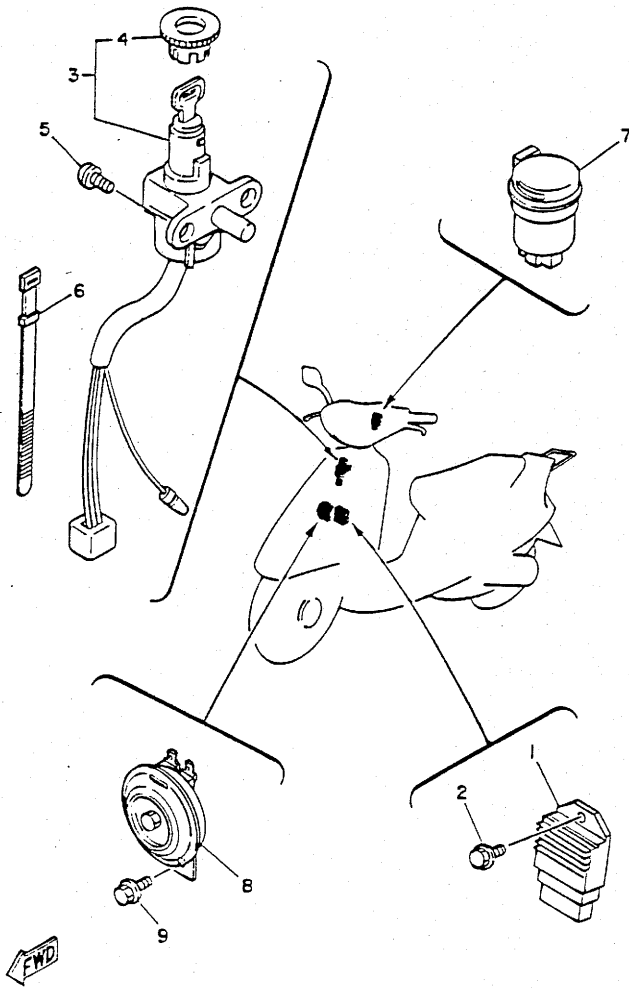


FWD

REF NO	PART NO	PART NAME	QTY	REMARKS
32- 1	3VP-82910-01	LEVER HOLDER ASSY (L.H)	1	
2	2T4-83912-02	. LEVER 1	1	
3	90149-06175	. SCREW	1	
4	90185-05155	. NUT	1	
5	98506-05025	. SCREW	1	
6	98506-05035	. SCREW	1	
7	3E1-83980-02	. FRONT STOP SWITCH ASSY	1	
8	3YK-83975-00	LEVER HOLDER ASSY (R.H)	1	
9	98506-05025	SCREW	1	
10	98506-05035	SCREW	1	
11	2NA-83980-00	FRONT STOP SWITH ASSY	1	
12	3RY-83922-01	LEVER (2)	1	
13	90109-06577	SCREW	1	
14	95616-06100	NUT	1	
15	90501-10312	SPRING	1	



REF NO	PART NO	PART NAME	QTY	REMARKS
33- 1	3KJ-81960-00	RECTIFIER & REGULATOR ASSY	1	UR
	3AA-81960-00	RECTIFIER & REGULATOR ASSY	1	UR
2	95023-06016	BOLT	1	
3	3VP-82501-10	MAIN SWITCH STEERING LOCK	1	
	3VP-82024-10	MAIN SWITCH STEERING LOCK	1	UR
4	2EX-82552-20	. CAP	1	
5	90149-06250	SCREW	2	
6	25G-83936-01	BAND	2	
7	3VP-83350-00	FLASHER RELAY ASSY	1	UR
	3VP-83350-10	FLASHER RELAY ASSY	1	UR
8	3AA-83371-00	HORN	1	
9	95816-06012	BOLT	1	



REF NO	PART NO	PART NAME	QTY	REMARKS
34- 1	3VP-85540-10	CDI UNIT ASSY	1	
2	90159-05132	SCREW	1	
3	3RW-82310-00	IGNITION COIL	1	
4	97313-06016	BOLT	1	
5	90153-06034	SCREW	1	
6	56J-82370-00	PLUG CAP ASSY	1	
7	3KJ-82372-00	PLUG CAP SEAL	1	
8	90793-25005	BATTERY ASSY	1	
9	3VP-82590-10	WIRE HARNESS ASSY	1	
10	27V-82151-00	FUSE	1	
11	27V-81940-02	STARTER SWITCH	1	UR
	27V-81940-90	STARTER SWITCH	1	UR
12	437-83936-11	BAND	1	
13	90464-15154	BAND	1	
14	3KJ-85720-00	OIL LEVEL GAUGE	1	
15	90465-18147	CLAMP	1	
16	3VP-85752-00	FUEL SENDER ASSY	1	
17	5G3-85753-00	GASKET, fuel sender	1	
18	90119-05071	BOLT	4	

