



YAMAHA

PARTS CATALOGUE

V90POST(3T5)

153T5-700E1

A2

FOREWORD

This Parts Catalogue is related to the parts in use for the Yamaha V90 POST (3T5).
When you are ordering replacement parts for the V90 POST (3T5), refer to this Parts Catalogue and quote both part numbers and part names correctly.

1. Modifications or additions which have been made after issue of the Parts Catalogue will be announced in the Yamaha Parts News.

It is advisable that according to the Yamaha Parts News you make necessary corrections to the Parts Catalogue on hand to keep it up-to-date.

2. Abbreviations

The following abbreviations are used in this Parts Catalogue.

- U.R. Use size (thickness) and/or number as required.
- U.N. Use as many as you need.
- A.P. Alternate Parts
- L.M. Local Made
- F# Frame No. (Applicable machine No.)

3. The parts marked with (+) in the parts number column of this Catalogue are not supplied with by Yamaha, those have to be found locally.

4. Parts, which are to be supplied in the form of assemblies, are listed with an indentation of one letter's space, and a dot (.) is put against the name of each part.

EXAMPLE CARBURETOR ASS'Y
 . JET, pilot
 . NOZZLE, main

5. Indication of No. of constituent parts for assembly

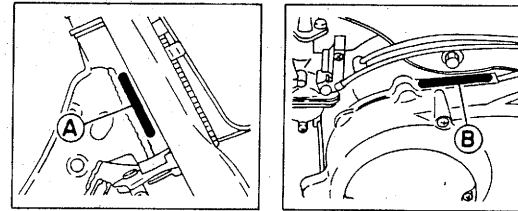
The numeral appearing to the right of each constituent part under the description indicates the quantity of such parts for each individual assembly unit.

EXAMPLE

Part No.	Description	Q'ty	Remarks
2F5-83310-60	FRONT FLASHER LIGHT ASS'Y	2	
115-83311-60	. BULB (6V-18W)	1	
1M1-83309-60	. REFLECTOR	1	

6. Initial Serial No. and Color Code

(A) Frame Serial No.	V90T-156102 and following
(B) Engine Serial No.	V90T-156102 and following



Color Code	Color Name	Abbreviate
87	Yuseisho Red	YUR

7. Applicable colors of graphics are represented in the "Remarks" column by the letter(s) appropriately picked out of the full word(s) showing such colors.

EXAMPLE

Part No.	Description	Q'ty	Remarks
2N4-24110-00-X5	FUEL TANK COMP.	1	MAXIM RED
3J1-24240-10	. GRAPHIC, fuel tank set	1	for MXR

CONTENTS

ENGINE

Cylinder	B2
Crankshaft. Piston	B3
Oil Pump	B4
Intake	B5
Carburetor	B6
Exhaust	B7
Crankcase	B8
Crankcase Cover	B9
Starter	B10
Clutch	B11
Transmission	B12
Shift Cam. Fork	B13 ~ B14
Shift Shaft	B15

CHASSIS

Frame	C2
Fender	C3
Side Cover	C4
Oil Tank	C5
Rear Arm. Suspension	C6
Steering	C7
Front Fork	C8 ~ C9
Fuel Tank	C10
Seat. Carrier	C11
Front Wheel	C12 ~ C13
Rear Wheel	C14 ~ C15
Steering Handlebar. Cable	D2
Stand. Footrest	D3 ~ D4

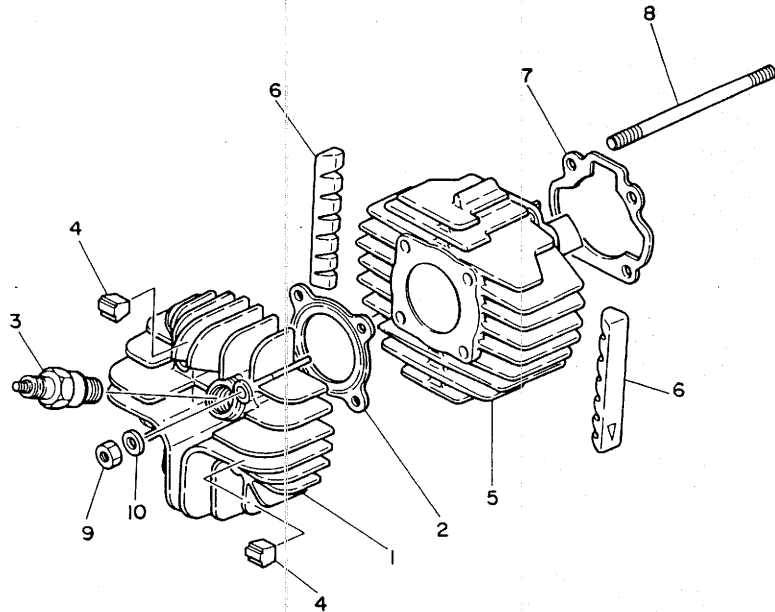
Leg Shield	D5
Generator	D6
Flasher Light	D7
Meter	D8
Headlight	D9
Taillight	D10
Handle Switch. Lever	D11
Electrical 1	D12
Electrical 2	D13

INDEX

Numerical Index	M1 ~ M3
-----------------------	---------

FIG. 1 CYLINDER

REF. NO.	PART NO.	DESCRIPTION	Q'TY	REMARKS
1	531-11111-00-94	HEAD, cylinder 1	1	
2	531-11181-00	GASKET, cylinder head 1	1	
3	94701-00039	PLUG, spark (NGK B6HS)	1	
4	1T9-11161-00	ABSORBER 1	4	
5	531-11311-02	CYLINDER 1	1	
6	531-11162-00	ABSORBER 2	2	
7	300-11351-01	GASKET, cylinder	1	
8	90116-07035	BOLT, stud	4	
9	90170-07237	NUT	4	
10	90201-07653	WASHER, plate	4	



3T5700-5010

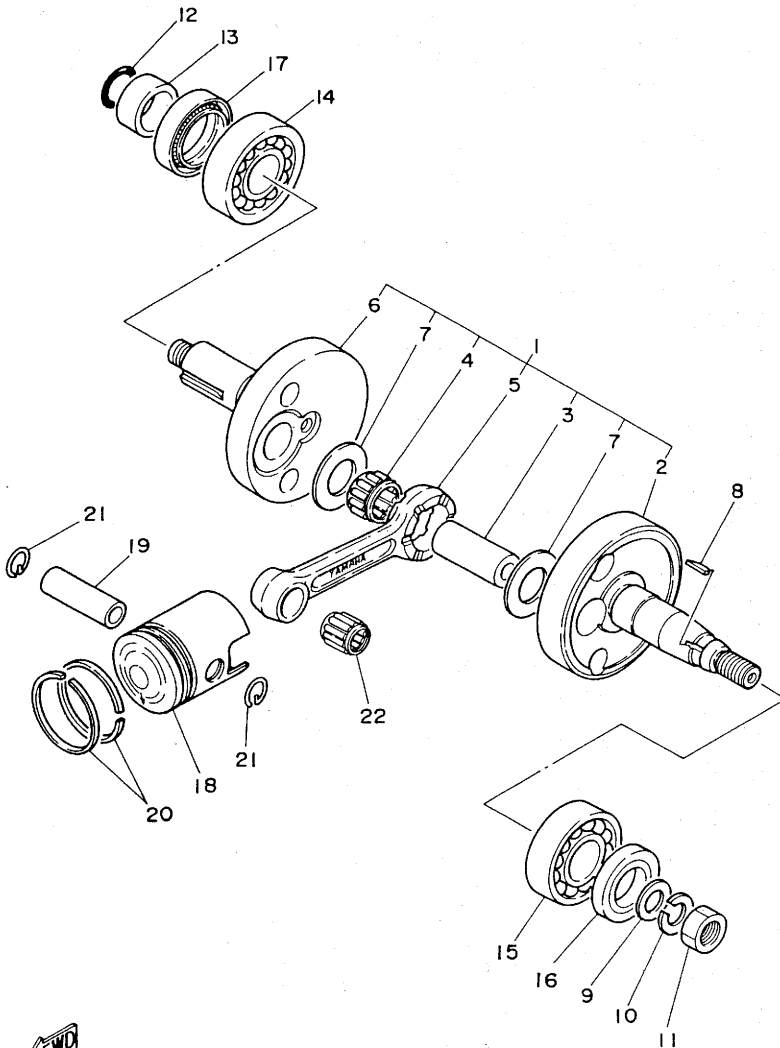


FIG. 2 CRANKSHAFT. PISTON

REF. NO.	PART NO.	DESCRIPTION	Q'TY	REMARKS
1	566-11400-01	CRANKSHAFT ASSY	1	
2	566-11412-01	.CRANK 1	1	
3	2Y1-11681-00	.PIN, crank 1	1	
4	93310-42012	.BEARING, cylindrical	1	
5	626-11651-91	.ROD, connecting	1	
6	531-11422-00	.CRANK 2	1	
7	90209-20159	.WASHER	2	
8	90280-03017	KEY, woodruff	1	
9	90201-12535	WASHER, plate	1	
10	92901-12100	WASHER, spring	1	
11	90170-12175	NUT	1	
12	93210-18023	O-RING	1	
13	90387-20603	COLLAR	1	
14	93306-20529	BEARING (B6205C4)	1	
15	93306-20523	BEARING (B6205)	1	
16	93103-25098	OIL SEAL	1	
17	93103-32099	OIL SEAL	1	
18	3T5-11631-00-97	PISTON (STD)	1	
	3T5-11635-00	PISTON (0.25MM O/S)	1	AP
	3T5-11636-00	PISTON (0.50MM O/S)	1	AP
19	131-11633-00	PIN, piston	1	
20	164-11601-02	PISTON RING SET (STD)	1	
	164-11601-12	PISTON RING SET (1ST O/S)	1	AP
	164-11601-22	PISTON RING SET (2ND O/S)	1	AP
21	93450-15023	CIRCLIP	2	
22	93310-21403	BEARING, cylindrical	1	UR
	93310-214F8	BEARING, cylindrical	1	UR



3T5700-5020

B3

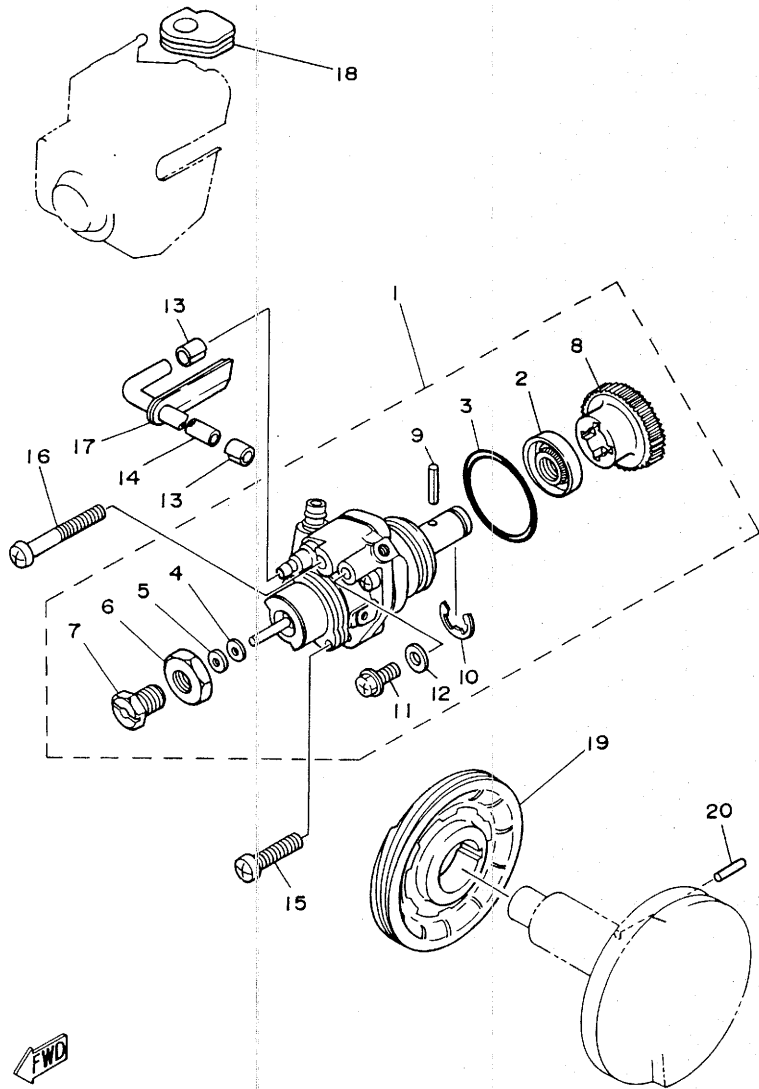


FIG. 3 OIL PUMP

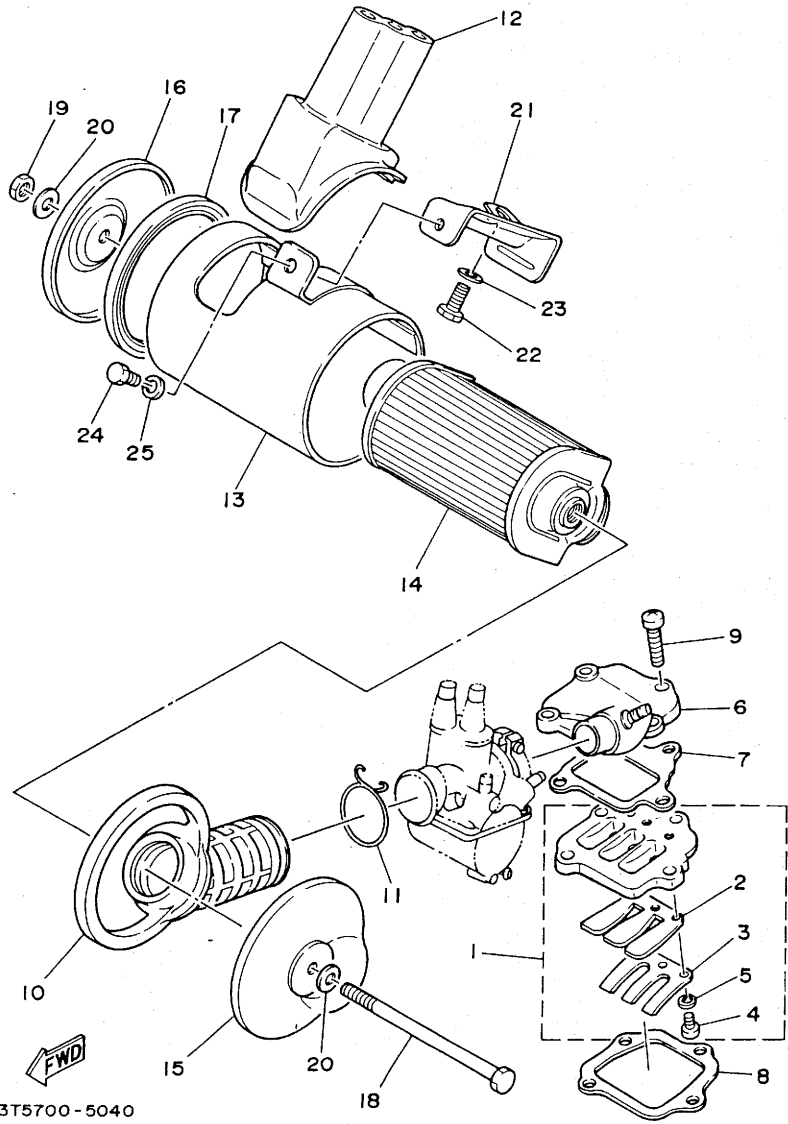
REF. NO.	PART NO.	DESCRIPTION	Q'TY	REMARKS
1	3T5-13101-01	OIL PUMP ASSY	1	
2	93101-10090	.OIL SEAL	1	
3	93210-26240	.O-RING	1	
4	296-13147-00	.SHIM	1	
5	384-13138-00	.PLATE, adjusting	1	
6	90170-10105	.NUT	1	
7	90401-10029	.BOLT, union	1	
8	2T5-13124-00	.GEAR, worm wheel (71T)	1	
9	91609-30014	.PIN, spring	1	
10	99001-07600	.CIRCLIP	1	
11	90149-04135	.SCREW	1	
12	90430-04004	.GASKET	1	
13	90468-02033	CLIP	2	
14	384-13161-02	PIPE, delivery 1	1	
15	98501-05020	SCREW, pan head	1	
16	98501-05035	SCREW, pan head	1	
17	90480-10005	GROMMET	1	
18	384-13174-00	HOLDER, oil pipe	1	
19	2W9-13178-00	GEAR, pump drive	1	
20	93603-08072	PIN, dowel	1	

FWD
3T5700-5030

B4

FIG. 4 INTAKE

REF. NO.	PART NO.	DESCRIPTION	Q'TY	REMARKS
1	300-13610-02	REED VALVE ASSY	1	
2	300-13613-03	.REED, valve	1	
3	300-13616-00	.STOPPER, reed valve	1	
4	98501-03008	.SCREW, pan head	3	
5	92990-03100	.WASHER, spring	3	
6	300-13505-03	JOINT, pump	1	
7	300-13622-02	GASKET, valve seat	1	
8	300-13621-01	GASKET, valve seat	1	
9	92501-06030	SCREW, pan head	4	
10	3T5-14453-00	JOINT, air cleaner 1	1	
11	90467-20023	CLIP	1	
12	296-14454-00	JOINT	1	
13	296-14411-00	CASE, air cleaner 1	1	
14	296-14451-00	ELEMENT, air cleaner	1	
15	3T5-14422-00	CAP, cleaner case 2	1	
16	3T5-14412-00	CAP, cleaner case 1	1	
17	3T5-14416-01	GASKET, air cleaner	1	
18	97301-06140	BOLT	1	
19	95301-06600	NUT	1	
20	90201-065F3	WASHER, plate	2	
21	296-14413-00	STAY	1	
22	97301-06016	BOLT	2	
23	92990-06100	WASHER, spring	2	
24	97301-06012	BOLT	1	
25	92990-06100	WASHER, spring	1	

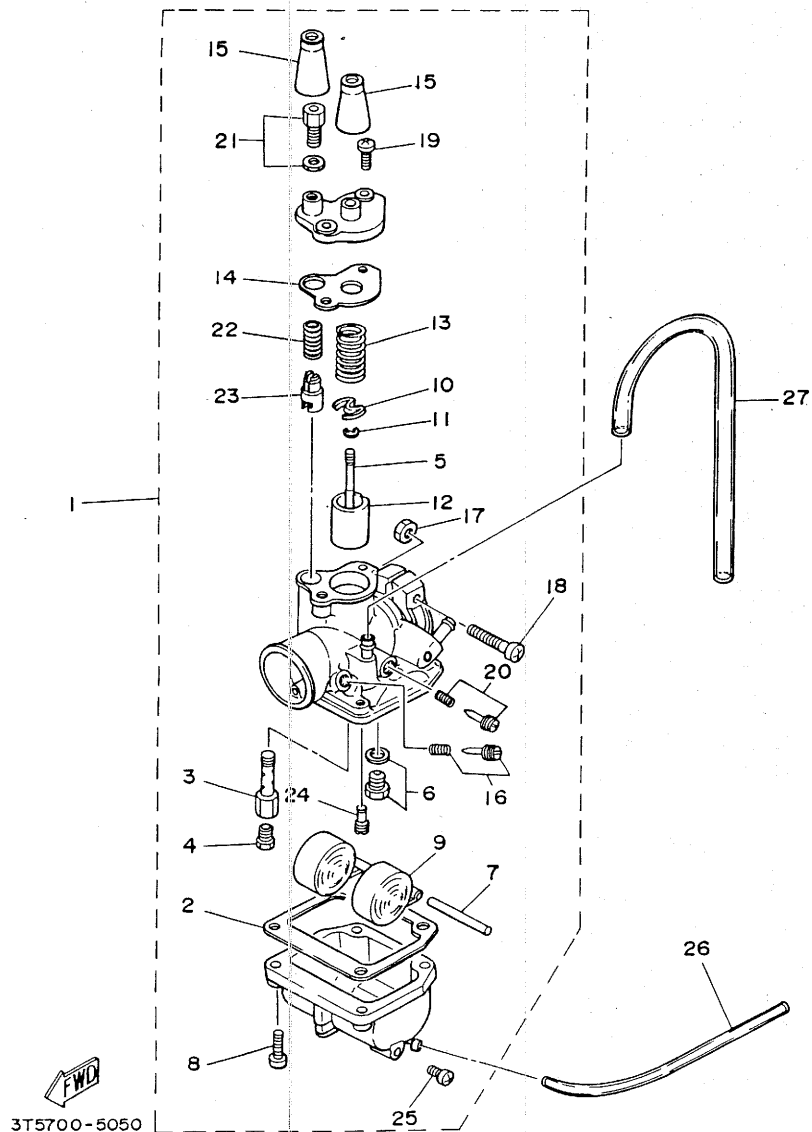


3T5700-5040

B5

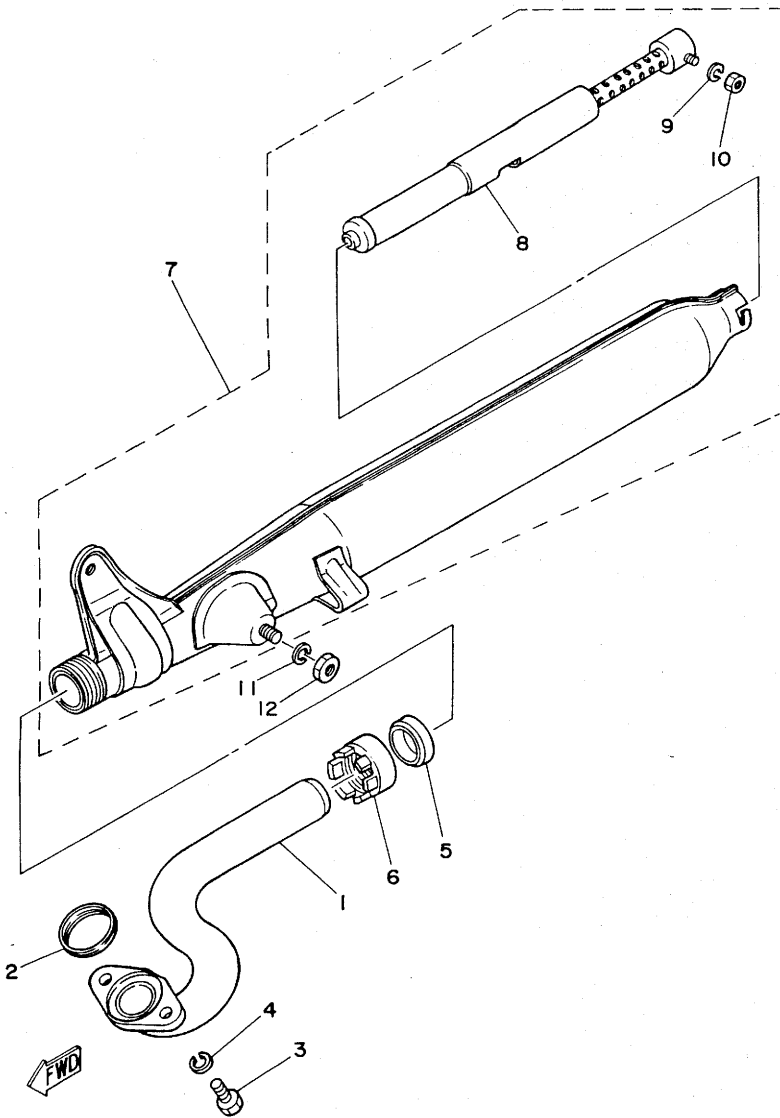
FIG. 5 CARBURETOR

REF. NO.	PART NO.	DESCRIPTION	Q'TY	REMARKS
1	3T5-14101-00	CARBURETOR ASSY 1	1	
2	296-14184-01	.GASKET, float chamber	1	
3	127-14141-18	.NOZZLE, main	1	
4	127-14143-23	.JET, main (#115)	1	
5	531-14116-04	.NEEDLE	1	
6	21W-14107-12	.NEEDLE VALVE SET	1	
7	127-14186-00	.PIN, float	1	
8	98511-04016	.SCREW, pan head	4	
9	2E9-14185-00	.FLOAT	1	
10	296-14136-00	.SEAT, spring	1	
11	127-14137-00	.CLIP	1	
12	566-14112-25	.VALVE, throttle 1	1	
13	517-14131-10	.SPRING, throttle valve	1	
14	296-14198-01	.GASKET	1	
15	307-14169-10	.CAP	2	
16	127-W1412-00	.AIR SCREW SET	1	
17	566-14164-00	.NUT, holding	1	
18	98501-05025	.SCREW, pan head	1	
19	98503-04010	.SCREW, pan head	2	
20	126-14103-00	.THROTTLE SCREW SET	1	
21	126-14106-00	.CABLE ADJUST SCREW SET	1	
22	127-14135-00	.SPRING, plunger	1	
23	127-14171-00	.PLUNGER, starter	1	
24	193-14142-22	.JET, pilot (# 22.5)	1	
25	12R-14191-00	.PLUG, drain	1	
26	90445-05390	HOSE	1	
27	90445-07036	HOSE	1	



B6

FIG. 6 EXHAUST



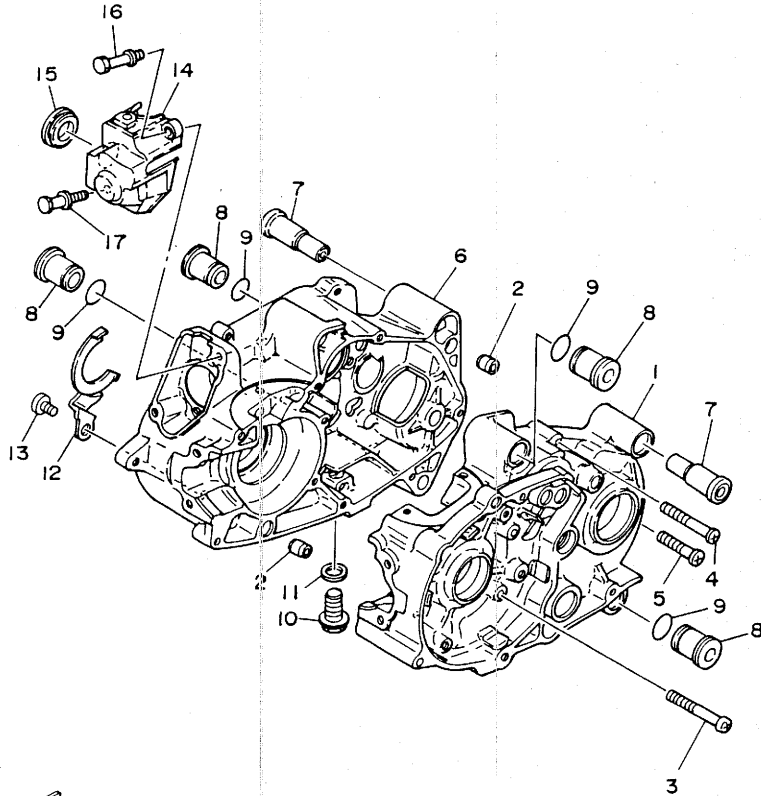
3T5700-5060

REF. NO.	PART NO.	DESCRIPTION	QTY	REMARKS
1	298-14611-00	PIPE, exhaust 1	1	
2	132-14613-00	GASKET, exhaust pipe	1	
3	97301-08020	BOLT	2	
4	92990-08100	WASHER, spring	2	
5	3T5-14714-00	GASKET, muffler	1	
6	132-14713-00	NUT, muffler joint	1	
7	3T5-14710-00	MUFFLER ASSY 1	1	
8	3T5-14753-00	.SILENCER, exhaust	1	
9	92901-05100	.WASHER, spring	1	
10	95301-05600	.NUT	1	
11	92990-08100	WASHER, spring	1	
12	90170-08201	NUT	1	

B7

FIG. 7 CRANKCASE

REF. NO.	PART NO.	DESCRIPTION	Q'TY	REMARKS
1	1W7-15111-03	CRANKCASE 1	1	
2	99530-12016	PIN, dowel	2	
3	92501-06050	SCREW, pan head	6	
4	92501-06045	SCREW, pan head	3	
5	92501-06035	SCREW, pan head	1	
6	1W7-15121-03	CRANKCASE 2	1	
7	296-15316-00	DAMPER, engine mount 1	2	
8	530-15317-00	SPACER, engine mount	4	
9	93210-12327	O-RING	4	
10	90340-12005	PLUG, straight screw	1	
11	90430-12038	GASKET	1	
12	300-15128-00	HOLDER	1	
13	92501-08010	SCREW, pan head	1	
14	517-15416-01	COVER, oil pump	1	
15	90480-21038	GROMMET	1	
16	90149-06157	SCREW	1	
17	90101-06394	BOLT	1	



3T5700-5070

B8

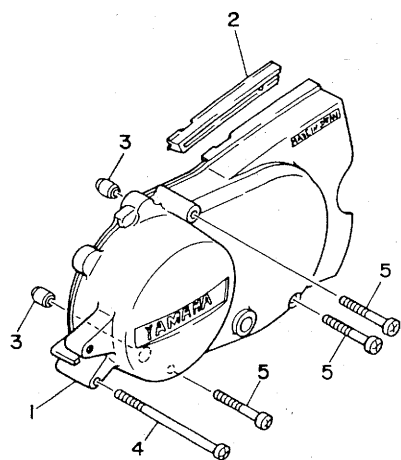
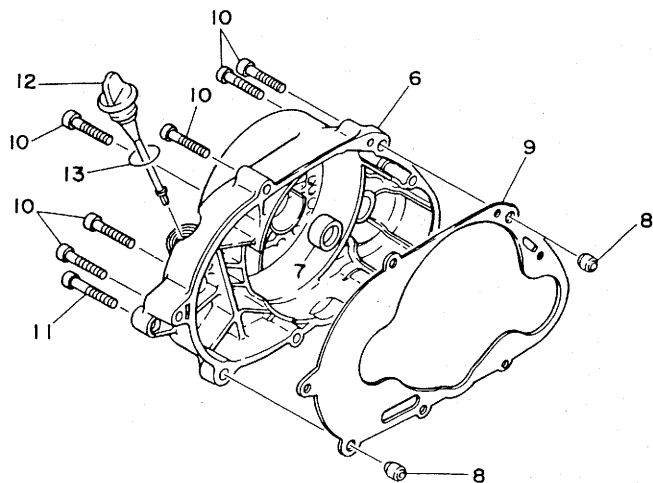


FIG. 8 CRANKCASE COVER 1

REF. NO.	PART NO.	DESCRIPTION	Q'TY	REMARKS
1	2N8-15411-00	COVER, crankcase 1	1	
2	1W7-15492-00	COVER	1	
3	99530-10014	PIN, dowel	2	
4	92501-06100	SCREW, pan head	1	
5	92501-06045	SCREW, pan head	3	
6	517-15421-01	COVER, crankcase 2	1	
7	93104-11053	OIL SEAL	1	
8	99530-10014	PIN, dowel	2	
9	517-15451-01	GASKET, crankcase cover 1	1	
10	92501-06035	SCREW, pan head	6	
11	92501-06040	SCREW, pan head	1	
12	517-15362-01	PLUG, oil level	1	
13	93210-21190	O-RING	1	



3T5700-5080

B9

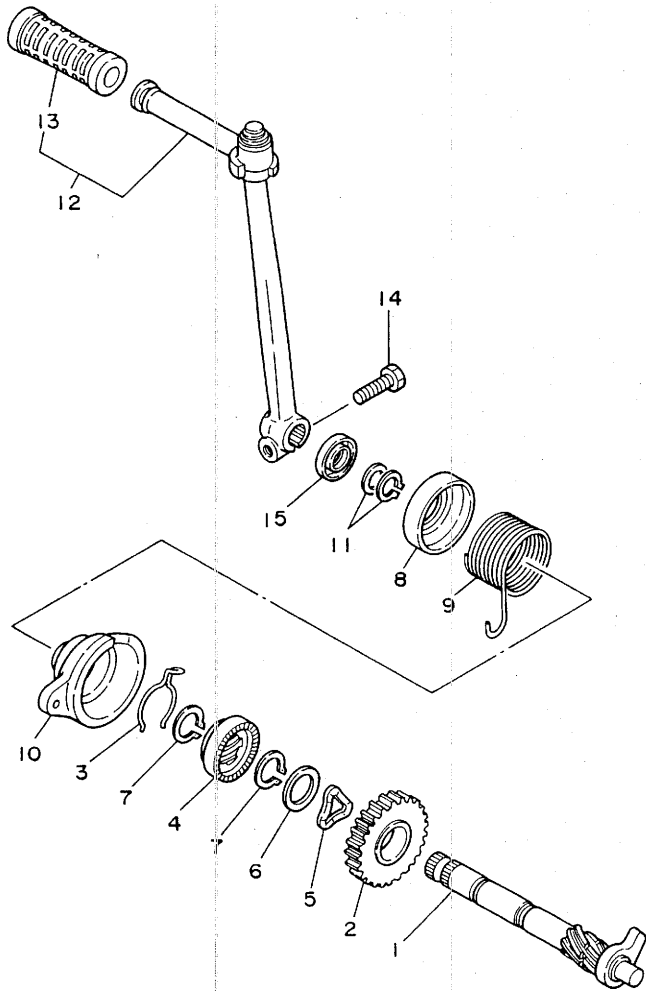


FIG. 9 STARTER

REF. NO.	PART NO.	DESCRIPTION	Q'TY	REMARKS
1	517-15660-01	KICK AXLE ASSY	1	
2	3K7-15641-00	GEAR, kick (21T)	1	
3	90468-26046	CLIP	1	
4	296-15671-00	WHEEL, ratchet	1	
5	90206-19027	WASHER, wave	1	
6	296-15644-00	SHIM	1	
7	99009-19400	CIRCLIP	2	
8	1W7-15676-00	COVER, spring	1	
9	90508-26136	SPRING, torsion	1	
10	1W7-15664-00	GUIDE, spring	1	
11	99009-15400	CIRCLIP	2	
12	5T9-15620-00	KICK CRANK ASSY	1	
13	156-15618-01	.COVER, kick lever	1	
14	97311-06025	BOLT	1	
15	93109-15001	OIL SEAL	1	



59L261-5090

B10

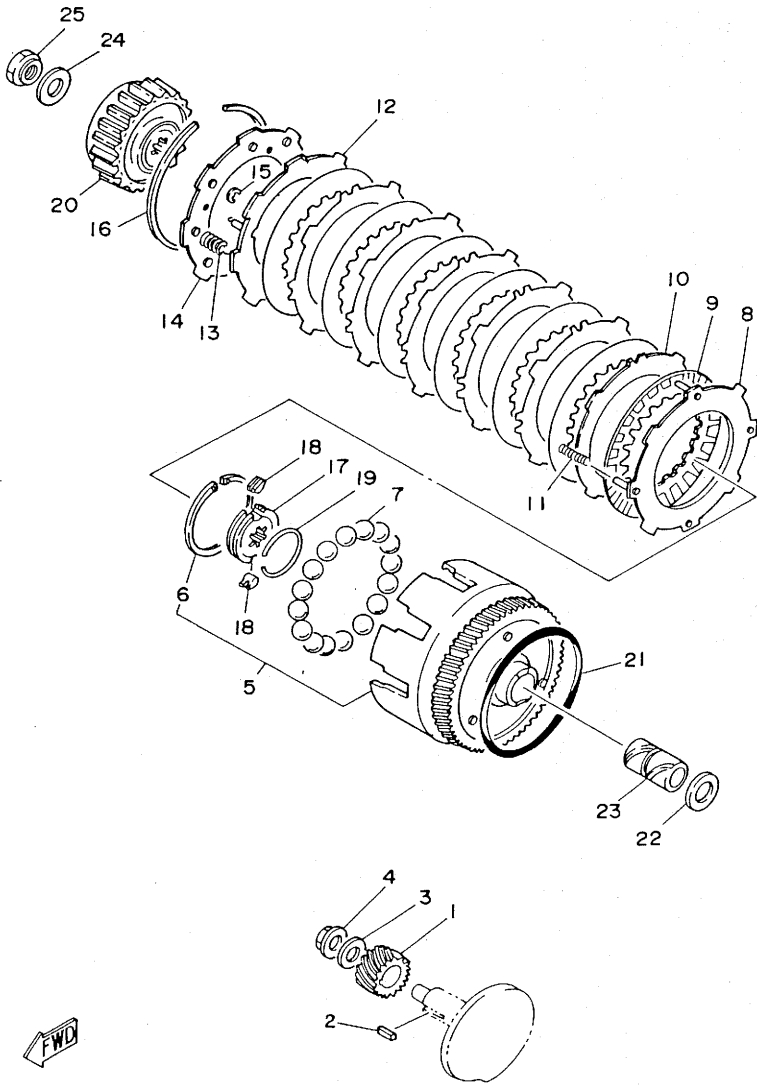


FIG. 10 CLUTCH

REF. NO.	PART NO.	DESCRIPTION	Q'TY	REMARKS
1	527-16111-01-30	GEAR, primary drive	1	
2	90282-05005	KEY, straight	1	
3	90208-12015	WASHER, conical spring	1	
4	90179-12457	NUT	1	
5	3E5-16150-01-30	PRIMARY DRIVEN GEAR COMP.	1	
6	90468-16090	.CLIP	1	
7	93505-08030	BALL	16	
8	527-16520-10	PLATE, thrust weight	1	
9	531-16521-00	PLATE, friction	7	
10	517-16524-10	PLATE, clutch 1 (1.2T)	6	UR
	517-16524-20	PLATE, clutch 1 (1.4T)	6	UR
	517-16524-30	PLATE, clutch 1 (1.6T)	6	UR
11	90501-10449	SPRING, compression	4	
12	517-16550-00	PRESSURE PLATE ASSY	1	
13	90501-13203	SPRING, compression	8	
14	517-16561-01	PLATE, pressure 2	1	
15	93430-03013	CIRCLIP	4	
16	93451-11037	CIRCLIP	1	
17	517-16180-00	ONE WAY BOSS COMP.	1	
18	384-15635-00	PAWL, kick	2	
19	2T4-15637-00	SPRING, pawl	1	
20	527-16571-00	BOSS, clutch	1	
21	93210-98202	O-RING	1	
22	122-16164-00	PLATE, thrust 2	1	
23	90560-17146	SPACER	1	
24	90208-16019	WASHER, conical spring	1	
25	90179-16190	NUT	1	

B11



1AJ010-5110

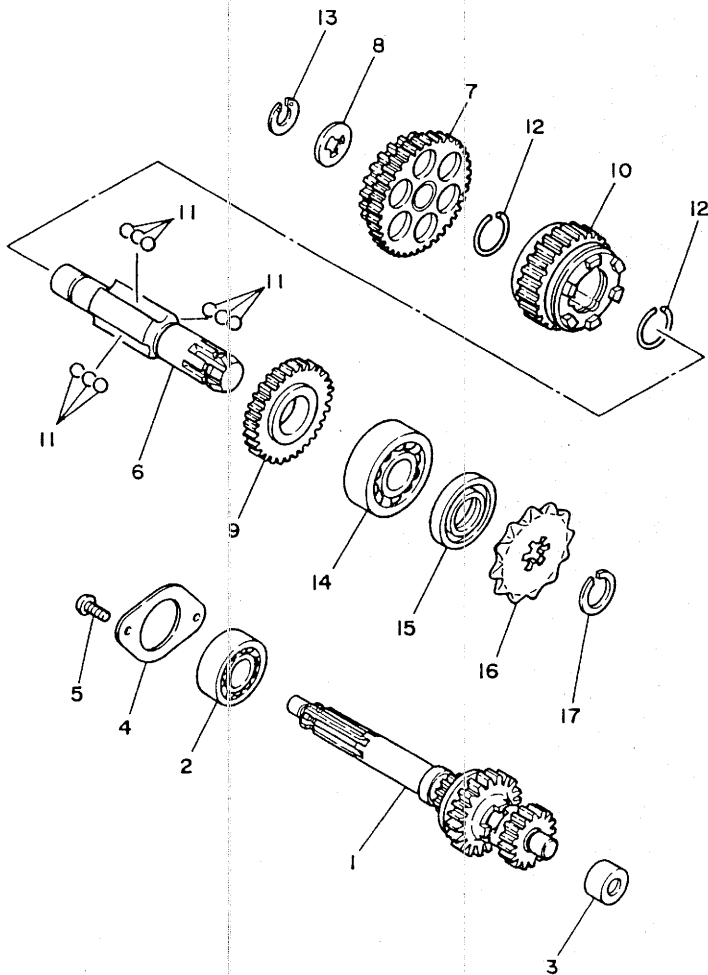


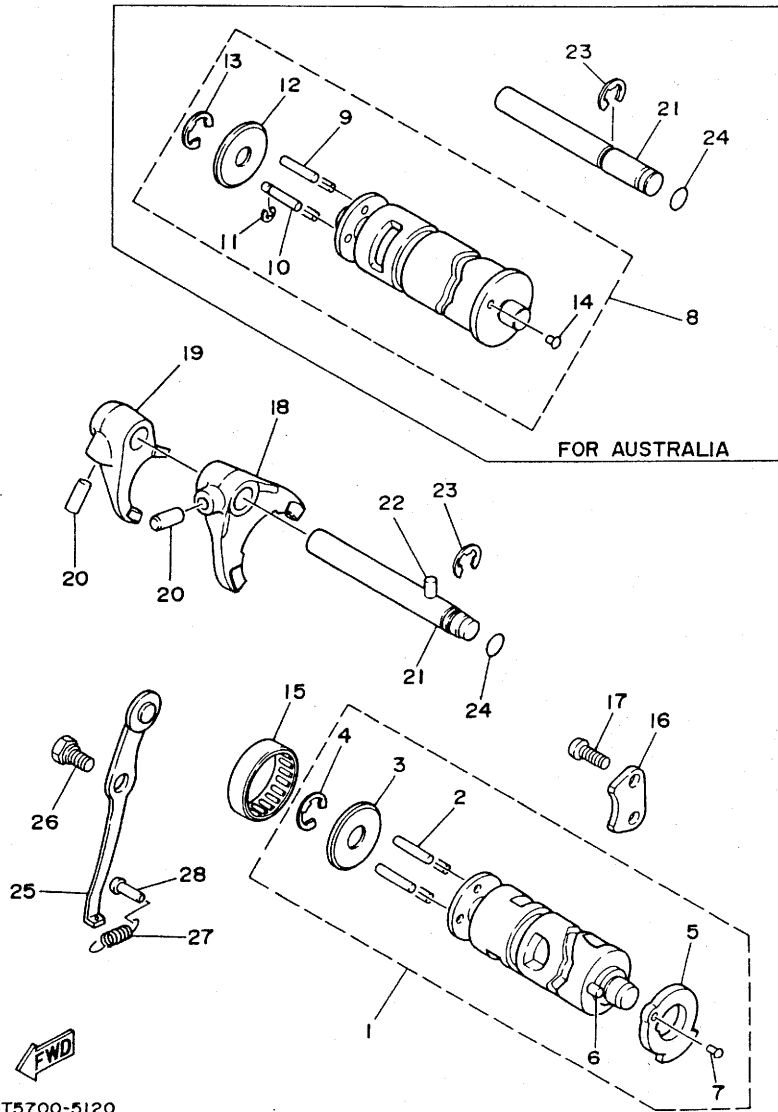
FIG. 11 TRANSMISSION

REF. NO.	PART NO.	DESCRIPTION	Q'TY	REMARKS
1	1W7-17410-00	MAIN AXLE COMP. (12/16/20T)	1	
2	93306-20316	BEARING (B6203)	1	
3	93320-41202	BEARING (BK1212V1)	1	
4	296-17471-00	PLATE, cover	1	
5	92501-06012	SCREW, pan head	2	
6	1W7-17421-10	AXLE, drive	1	
7	1W7-17211-12	GEAR, 1st wheel (39T/26T)	1	
8	90209-15178	WASHER (0.6T)	1	UR
	90209-15179	WASHER (0.8T)	1	UR
	90209-15180	WASHER (1.0T)	1	UR
9	1W7-17221-20	GEAR, 2nd wheel (29T)	1	
10	1W7-17231-23	GEAR, 3rd wheel	1	
11	93509-32012	BALL	9	
12	93450-28049	CIRCLIP	2	
13	93440-15012	CIRCLIP	1	
14	93306-20401	BEARING (B6204)	1	
15	93102-20143	OIL SEAL	1	
16	517-17461-42	SPROCKET, drive (14T)	1	
17	93410-20038	CIRCLIP	1	

B12

FIG. 12 SHIFT CAM. FORK

REF. NO.	PART NO.	DESCRIPTION	Q'TY	REMARKS
1	3E1-18540-00	SHIFT CAM ASSY	1	for s-africa
2	93604-22050	.PIN, dowel	4	
3	296-18561-00	.PLATE, side 1	1	
4	93430-09019	.CIRCLIP	1	
5	296-18566-00	.PLATE, side 2	1	
6	90256-05001	.PIN, grooved straight	1	
7	136-18542-00	.POINT, neutral	1	
8	2N8-18540-00	SHIFT CAM ASSY	1	for australia
9	93604-22050	.PIN, dowel	3	
10	90249-04039	.PIN	1	
11	93430-03014	.CIRCLIP	1	
12	296-18561-00	.PLATE, side 1	1	
13	99002-09600	.CIRCLIP	1	
14	136-18542-00	.POINT, neutral	1	
15	93315-23208	BEARING, cylindrical	1	
16	296-18562-01	PLATE, stopper 2	1	
17	92501-06014	SCREW, pan head	2	
18	1W7-18511-01	FORK, shift 1	1	
19	1W7-18512-02	FORK, shift 2	1	
20	93606-14081	PIN, dowel	2	
21	3E1-18531-00	BAR, shift fork guide 1	1	UR for s-africa
	2N8-18531-00	BAR, shift fork guide 1	1	UR for australia
22	93605-18078	PIN, dowel	1	for s-africa
23	99001-10600	CIRCLIP	1	UR for australia
	93430-08007	CIRCLIP	1	UR for s-africa
24	93210-08006	O-RING	1	
25	296-18140-02	STOPPER LEVER ASSY	1	
26	90109-06001	BOLT	1	

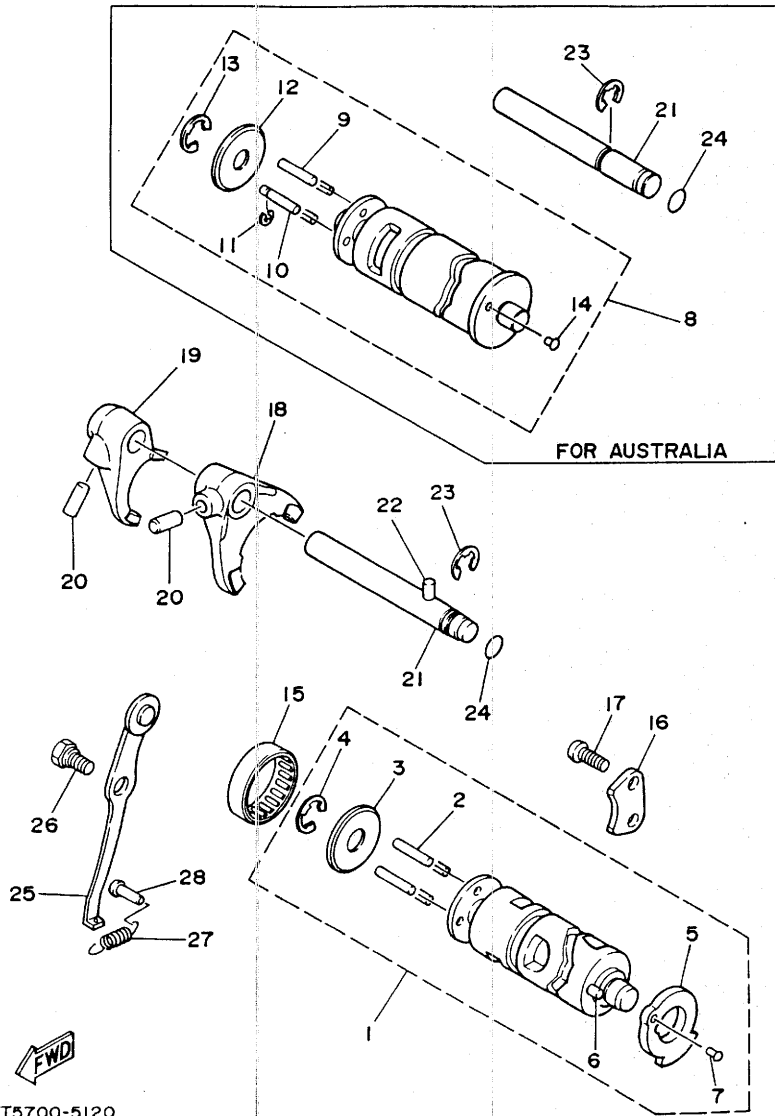


3T5700-5120

B13

FIG. 12 SHIFT CAM. FORK

REF. NO.	PART NO.	DESCRIPTION	Q'TY	REMARKS
27	90506-10184	SPRING, tension	1	
28	132-16346-00	HOOK, spring	1	

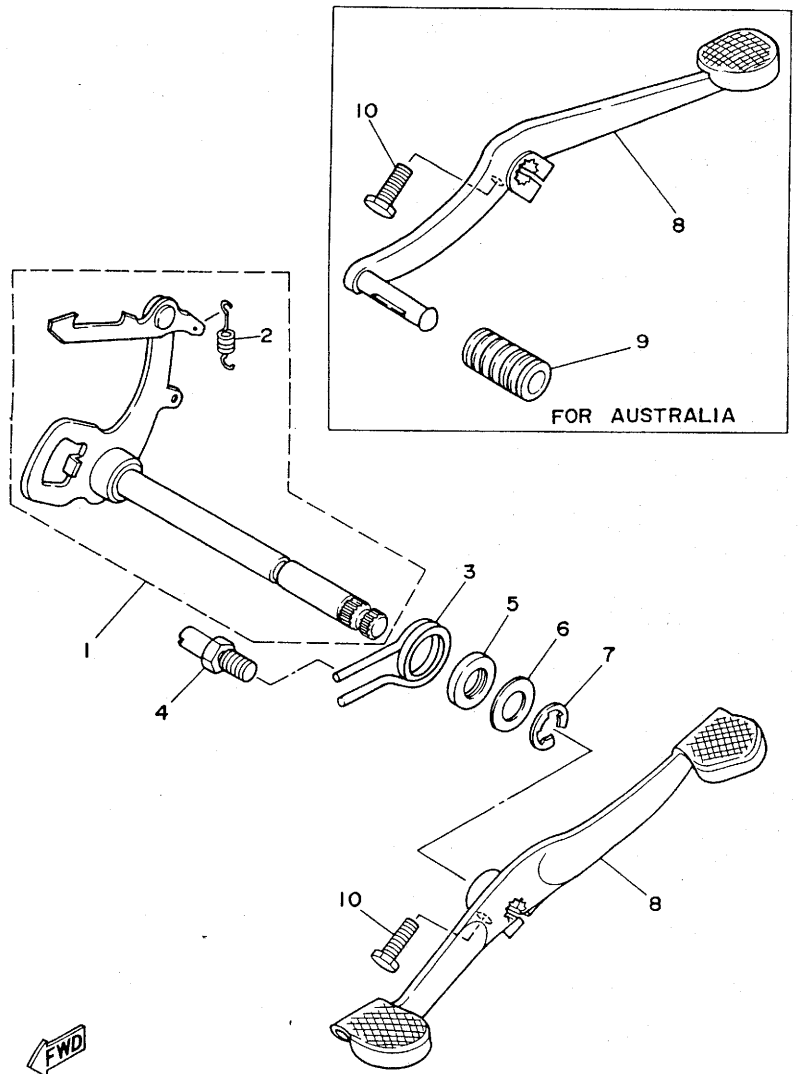


3T5700-5120

B14

FIG. 13 SHIFT SHAFT

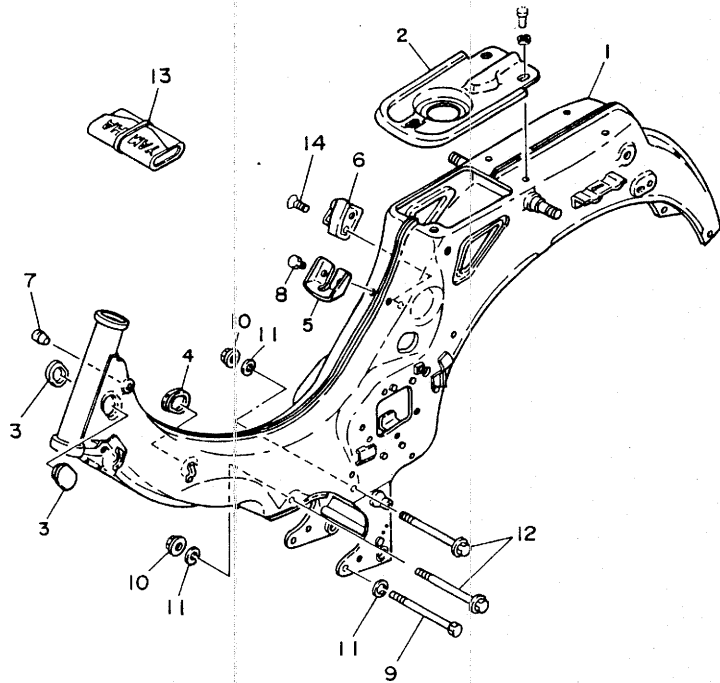
REF. NO.	PART NO.	DESCRIPTION	Q'TY	REMARKS
1	58H-18101-00	SHIFT SHAFT ASSY	1	
2	90506-08122	.SPRING, tension	1	
3	90508-32263	SPRING, torsion	1	
4	278-18127-00	STOPPER, screw	1	
5	93102-12106	OIL SEAL	1	
6	90201-12575	WASHER, plate	1	
7	99001-10600	CIRCLIP	1	
8	3E1-18111-00	PEDAL, shift	1	UR for s-africa
	257-18111-00-91	PEDAL, shift	1	UR for australia
9	132-18113-01	COVER, shift pedal	1	for australia
10	97311-06020	BOLT	1	



3T5700-5130

B15

FIG. 14 FRAME



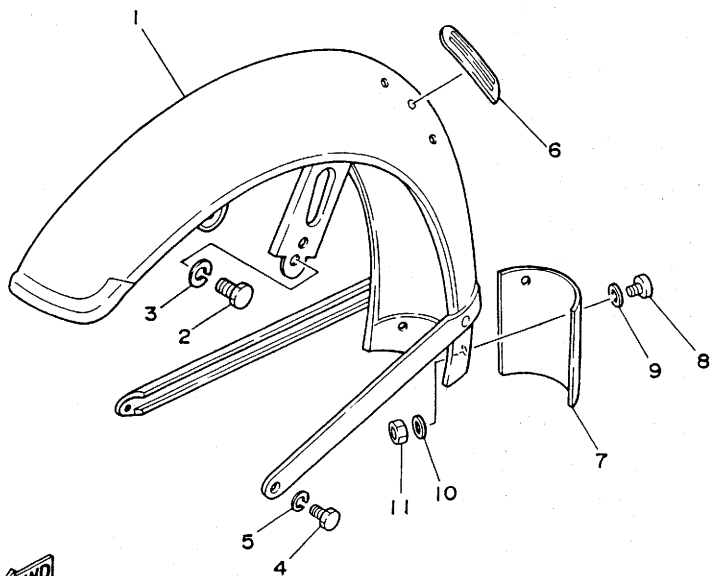
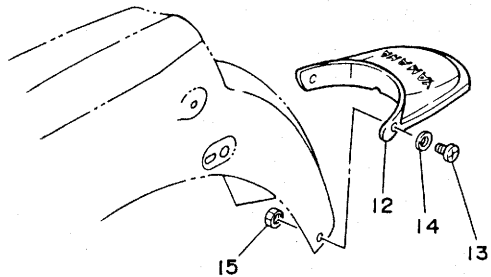
REF. NO.	PART NO.	DESCRIPTION	Q'TY	REMARKS
1	3T5-21110-10-87	FRAME COMP.	1	yuseisho red
2	517-21243-00-33	PLATE, bridge	1	yamaha black
3	296-21279-00	PLUG, blind	2	
4	296-26288-01	GROMMET, cable	1	
5	296-21345-00	BRACKET, fuel tank	1	
6	3E1-21308-00	HELMET HANGER ASSY	1	
7	90338-07043	PLUG	2	
8	97301-06010	BOLT	2	
9	90101-08538	BOLT	1	
10	95701-08100	NUT, flange	2	
11	92990-08100	WASHER, spring	3	
12	95821-08125	BOLT, flange	2	
13	3X2-28100-00	TOOL KIT	1	
14	92701-06030	SCREW, flat head	1	



3T5700-5140

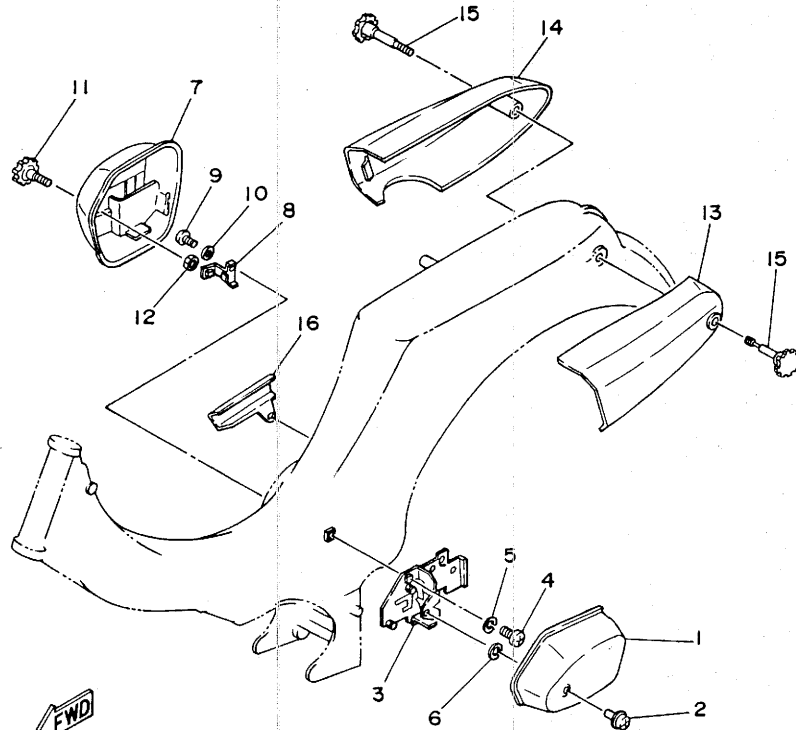
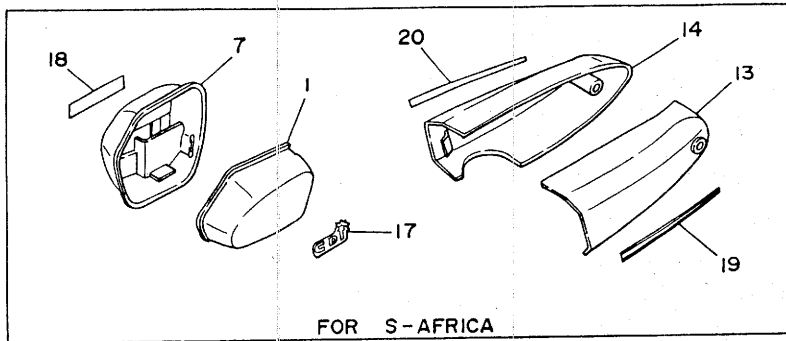
FIG. 15 FENDER

REF. NO.	PART NO.	DESCRIPTION	Q'TY	REMARKS
1	3T8-21510-00-87	FRONT FENDER COMP.	1	yuseisho red
2	97301-08012	BOLT	2	
3	92990-08100	WASHER, spring	2	
4	97301-06012	BOLT	2	
5	92990-06100	WASHER, spring	2	
6	122-21517-00	PAD, cable	1	
7	290-21521-01	FLAP, front fender	1	
8	98501-05012	SCREW, pan head	2	
9	92901-05600	WASHER, plate	2	
10	90201-05034	WASHER, plate	2	
11	95301-05600	NUT	2	
12	116-21621-00	FLAP	1	
13	92501-06014	SCREW, pan head	2	
14	92901-06600	WASHER, plate	2	
15	95301-06600	NUT	2	



3T5700-5150

C3



FWD

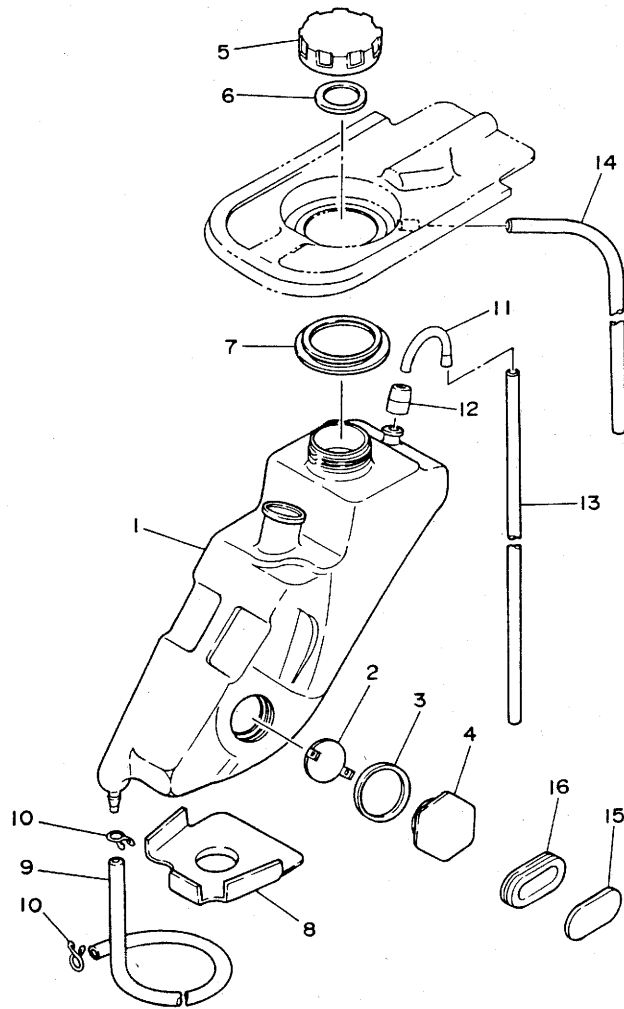
3T5700-5160

FIG. 16 SIDE COVER

REF. NO.	PART NO.	DESCRIPTION	Q'TY	REMARKS
1	297-21711-01-87	COVER, side 1	1	yuseisho red
2	90159-06014	SCREW, with washer	1	
3	3T5-2172K-01	BRACKET 1	1	
4	92501-06012	SCREW, pan head	3	
5	92990-06100	WASHER, spring	3	
6	90204-05001	WASHER, spring	1	
7	517-92300-11-87	COVER, side 2	1	yuseisho red
8	297-21322-00	STAY, side cover 2	1	
9	92501-06012	SCREW, pan head	1	
10	92901-06600	WASHER, plate	1	
11	517-92170-11	KNOB, side cover	1	
12	95301-06700	NUT	1	
13	296-21731-21-87	COVER, side 3	1	yuseisho red
14	296-21741-21-87	COVER, side 4	1	yuseisho red
15	296-21714-00	KNOB, side cover 1	2	
16	3T5-21162-00-87	HOLDER, clutch cable	1	yuseisho red
17	3E1-21781-00	EMBLEM 1	1	for s-africa
18	3E3-21781-00	EMBLEM 1	1	for s-africa
19	3E2-21783-00	EMBLEM 3	1	for s-africa
20	3E2-21784-00	EMBLEM 4	1	for s-africa

C4

FIG. 17 OIL TANK

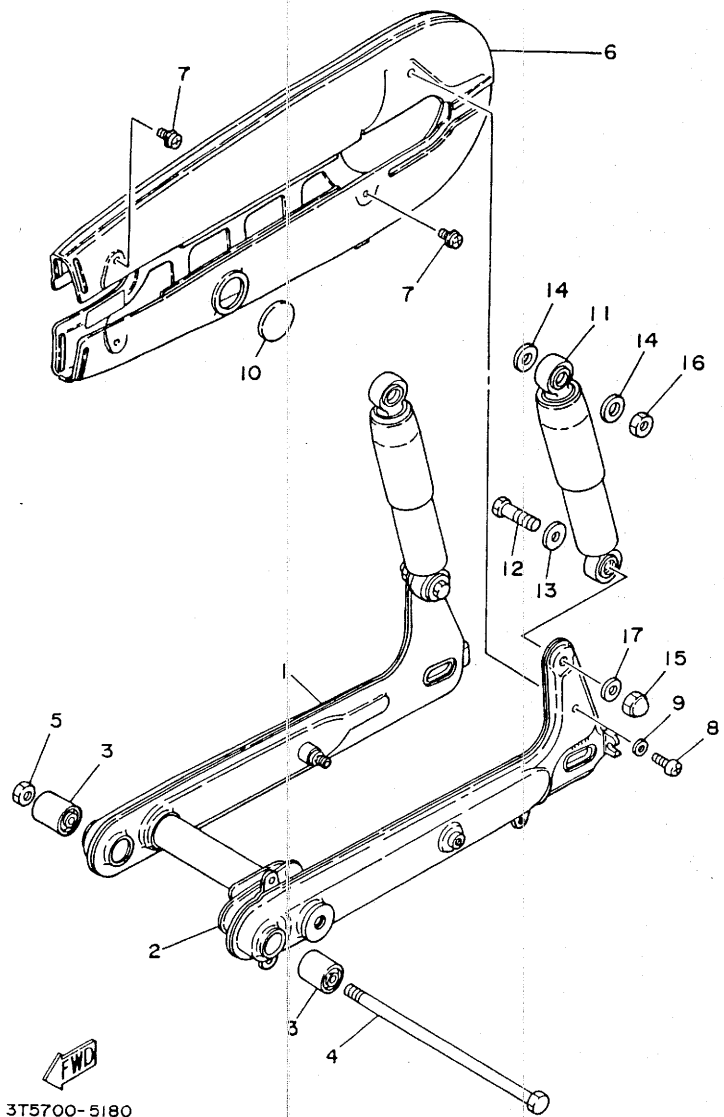


REF. NO.	PART NO.	DESCRIPTION	Q'TY	REMARKS
1	1W7-21751-11	TANK, oil	1	
2	1W7-21761-00	GAUGE, level	1	
3	1W7-21763-00	GASKET, level gauge	1	
4	1W7-21764-00	LENS, level gauge	1	
5	2N8-21771-00	BODY, cap	1	
6	90430-31149	GASKET	1	
7	384-21773-00	GROMMET	1	
8	384-21798-00	BRACKET, damper	1	
9	2W9-24319-00	PIPE, oil	1	
10	90467-08003	CLIP	2	
11	439-24119-00	TUBE, connecting	1	
12	439-21759-01	GROMMET, gauge	1	
13	90445-09282	HOSE	1	
14	90445-12297	HOSE	1	
15	120-21764-00	LENS, level gauge	1	
16	90480-34046	GROMMET	1	



3T5700-5170

C5



3T5700-5180

FIG. 18 REAR ARM. SUSPENSION

REF. NO.	PART NO.	DESCRIPTION	Q'TY	REMARKS
1	3T5-22110-00-87	REAR ARM COMP.	1	yuseisho red
2	296-22151-01	SEAL, guard	1	
3	102-22123-00	BUSH 1	2	
4	40X-22141-00	SHAFT, pivot	1	
5	90185-10035	NUT, self-locking	1	
6	296-22310-02-87	CHAIN CASE ASSY	1	yuseisho red
7	90159-05131	SCREW, with washer	3	
8	98501-05016	SCREW, pan head	1	
9	92901-05600	WASHER, plate	1	
10	148-22315-00	CAP	1	
11	296-22210-42-87	SHOCK ABSORBER ASSY, rear	2	UR yuseisho red (for s-africa)
	527-22210-70-87	SHOCK ABSORBER ASSY, rear	2	UR yuseisho red (for australia)
12	90101-10255	BOLT	2	
13	90201-10140	WASHER, plate	2	
14	90201-12190	WASHER, plate	4	
15	90176-10013	NUT, crown	2	
16	95301-12700	NUT	2	
17	92901-10200	WASHER, plain	2	

C6

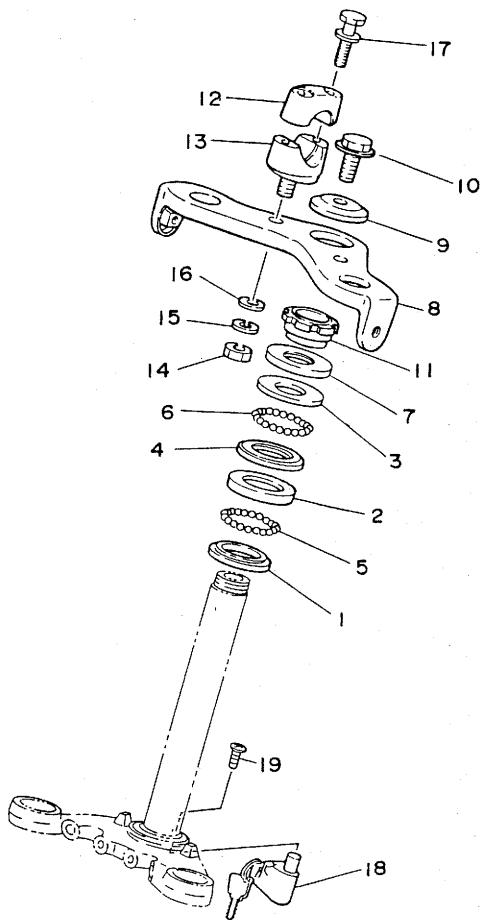


FIG. 19 STEERING

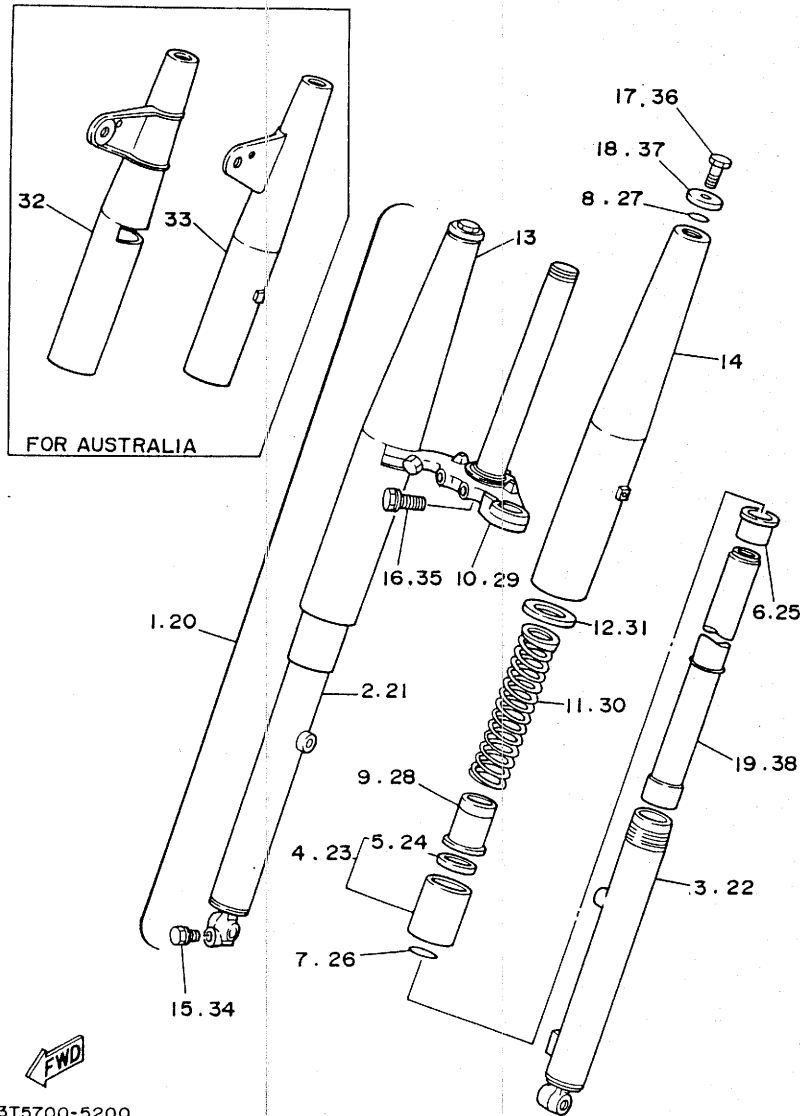
REF. NO.	PART NO.	DESCRIPTION	Q'TY	REMARKS
1	156-23411-00	RACE, ball 1	1	
2	156-23412-00	RACE, ball 2	1	
3	122-23411-00	RACE, ball 1	1	
4	122-23412-00	RACE, ball 2	1	
5	93501-04011	BALL	19	
6	93503-16010	BALL	22	
7	122-23416-00	COVER, ball race 2	1	
8	224-92210-10-87	CROWN, handle	1	UR yuseisho red (for s-africa)
	375-23435-00-87	CROWN, handle	1	UR yuseisho red (for australia)
9	90209-10021	WASHER	1	
10	90105-10006	BOLT, washer based	1	
11	90179-25051	NUT	1	
12	122-23441-00	HOLDER, handle upper	2	
13	122-23442-02	HOLDER, handle lower	2	
14	95301-10600	NUT	2	
15	92901-10100	WASHER, spring	2	
16	92990-10600	WASHER, plate	2	
17	90119-06017	BOLT, with washer	4	
18	2N3-23408-00	STEERING LOCK ASSY	1	
19	90152-05009	SCREW, countersunk	2	

FWD

3T5700-5190

C7

FIG. 20 FRONT FORK



REF. NO.	PART NO.	DESCRIPTION	Q'TY	REMARKS
1	566-23100-01-87	FRONT FORK ASSY	1	yuseisho red (for s-africa)
2	342-92160-10-87	.TUBE, outer right	1	yuseisho red
3	342-92150-10-87	.TUBE, outer left	1	yuseisho red
4	128-23150-01	.OUTER NUT COMP.	2	
5	276-23145-51	..OIL SEAL	1	
6	357-23125-90	.METAL, slide 1	2	
7	122-23147-00	.O-RING	2	
8	307-23114-00	.GASKET	2	
9	122-23143-00	.SEAT, spring lower	2	
10	4X0-23340-00-33	.UNDER BRACKET COMP.	1	yamaha black
11	129-23141-80	.SPRING, front fork	2	
12	342-92190-10	.GUIDE, spring	2	
13	342-92460-10-87	.COVER, upper 2	1	yuseisho red
14	342-92450-10-87	.COVER, upper 1	1	yuseisho red
15	90119-08010	.BOLT, with washer	1	
16	122-23346-01	.BOLT 1	2	
17	205-23111-40	.BOLT, cap	2	
18	207-23112-00	.WASHER, cap	2	
19	342-92170-10	.TUBE, inner	2	
20	566-23100-10-87	FRONT FORK ASSY	1	yuseisho red (for australia)
21	342-92160-10-87	.TUBE, outer right	1	yuseisho red
22	342-92150-10-87	.TUBE, outer left	1	yuseisho red
23	128-23150-01	.OUTER NUT COMP.	2	
24	276-23145-51	..OIL SEAL	1	
25	357-23125-90	.METAL, slide 1	2	
26	122-23147-00	.O-RING	2	
27	307-23114-00	.GASKET	2	
28	122-23143-00	.SEAT, spring lower	2	

C8

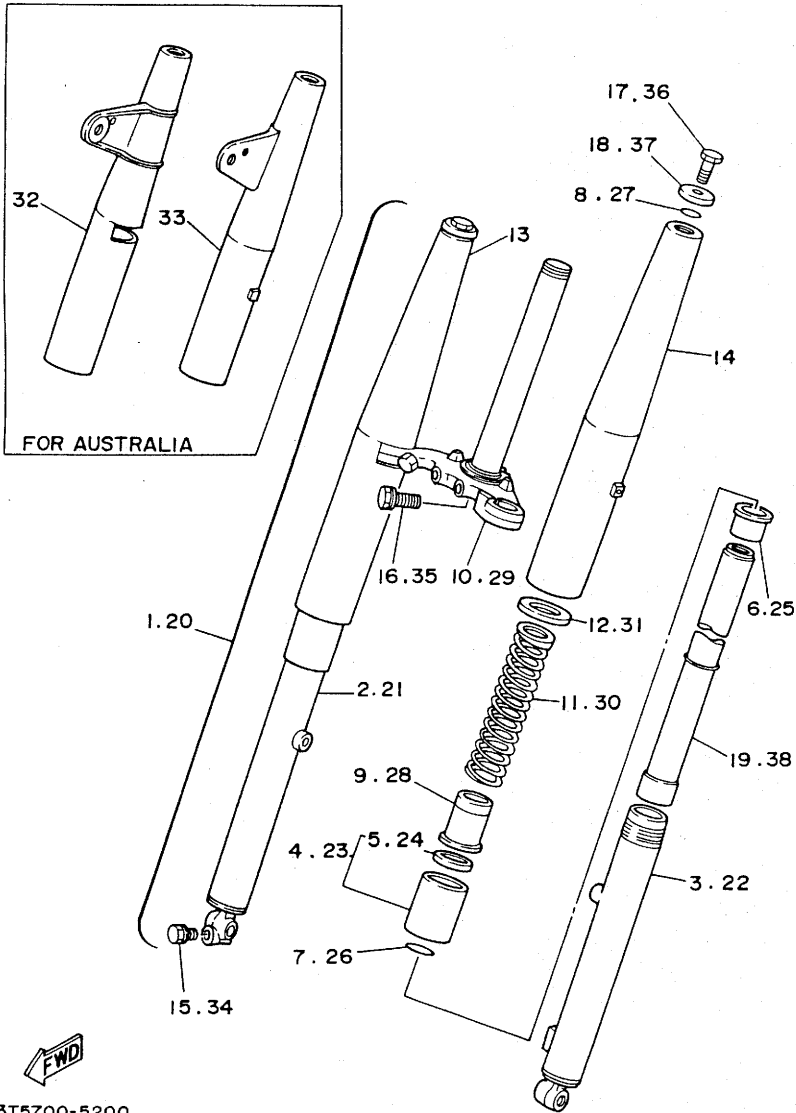


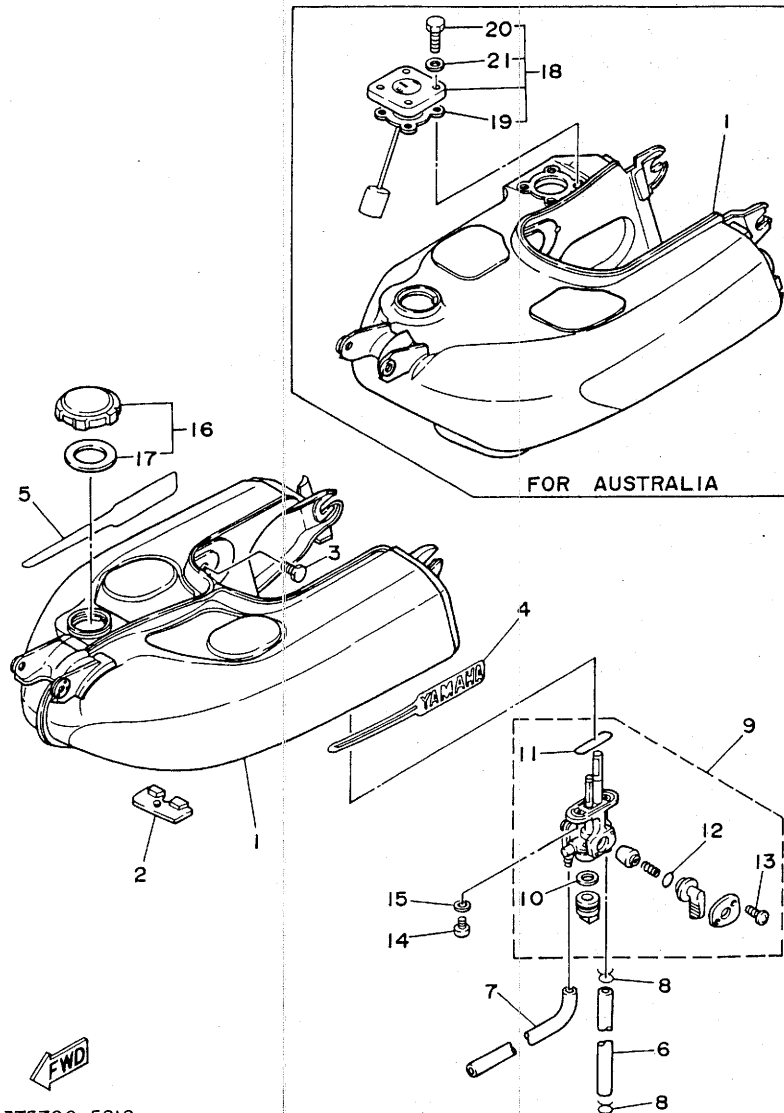
FIG. 20 FRONT FORK

REF. NO.	PART NO.	DESCRIPTION	Q'TY	REMARKS
29	342-92180-10-33	.UNDER BRACKET COMP.	1	yamaha black
30	129-23141-80	.SPRING, front fork	2	
31	342-92190-10	.GUIDE, spring	2	
32	566-92460-10-87	.COVER, upper 2	1	yuseisho red
33	566-92450-10-87	.COVER, upper 1	1	yuseisho red
34	90119-08010	.BOLT, with washer	1	
35	122-23346-01	.BOLT 1	2	
36	205-23111-40	.BOLT, cap	2	
37	207-23112-00	.WASHER, cap	2	
38	342-92170-10	.TUBE, inner	2	



3T5700-5200

FIG. 21 FUEL TANK

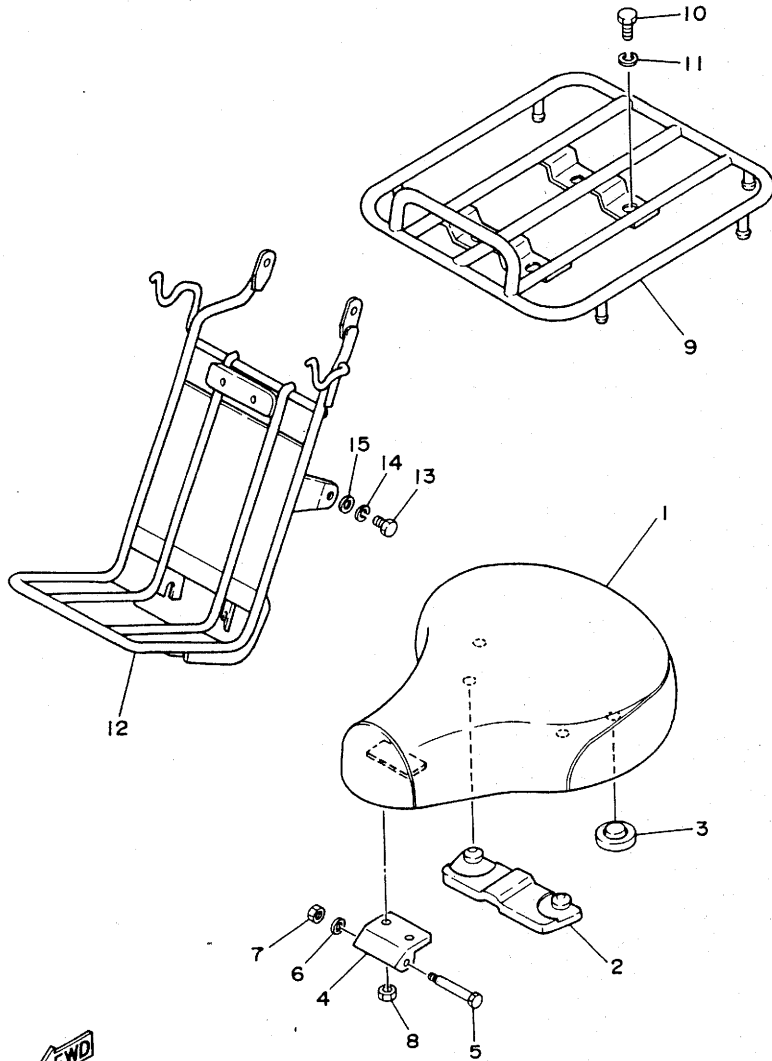


REF. NO.	PART NO.	DESCRIPTION	Q'TY	REMARKS
1	1W7-24110-10-87	FUEL TANK COMP.	1	UR yuseisho red (for s-africa)
	18A-24110-00-87	FUEL TANK COMP.	1	UR yuseisho red (for australia)
2	296-24181-00	DAMPER, locating 1	1	
3	97301-08016	BOLT	2	
4	2Y3-24161-00	EMBLEM 1	1	for s-africa
5	2Y3-24162-00	EMBLEM 2	1	for s-africa
6	90445-09115	HOSE	1	
7	19G-24317-00	PIPE 7	1	UR for s-africa
	18A-24317-00	PIPE 7	1	UR for australia
8	90467-08003	CLIP	2	
9	15K-24500-00	FUEL COCK ASSY 1	1	
10	4X8-24565-00	.GASKET	1	
11	4X8-24512-00	.GASKET	1	
12	4X8-24534-00	.SEAL, cock	1	
13	4X8-24535-00	.SCREW, lever fitting	2	
14	90149-06011	SCREW	2	
15	90202-06010	WASHER, plate	2	
16	3T5-24610-01	CAP ASSY	1	
17	3T5-24612-02	.GASKET, cap	1	
18	15K-24260-02	FUEL METER ASSY	1	for australia
19	3L5-24268-00	.GASKET, fuel meter	1	
20	97301-05016	.BOLT	4	
21	92990-05200	.WASHER, plain	4	

3T5700-5210

C10

FIG. 22 SEAT. CARRIER



REF. NO.	PART NO.	DESCRIPTION	Q'TY	REMARKS
1	296-24710-06	SINGLE SEAT ASSY	1	UR for s-africa
	3T5-24710-10	SINGLE SEAT ASSY	1	UR for australia
2	3E1-24741-00	PAD, seat	1	
3	3E1-24723-00	DAMPER, seat	2	
4	296-24726-00	HINGE, seat	1	
5	90109-06024	BOLT	1	
6	90201-08105	WASHER, plate	1	
7	95301-06600	NUT	1	
8	95301-06600	NUT	2	
9	296-92040-11-87	REAR CARRIER ASSY	1	yuseisho red
10	97301-08020	BOLT	4	
11	92990-08100	WASHER, spring	4	
12	342-92020-11-87	FRONT, carrier	1	yuseisho red (for s-africa)
13	97301-08018	BOLT	2	for s-africa
14	92990-08100	WASHER, spring	2	for s-africa
15	92901-08600	WASHER, plate	2	for s-africa

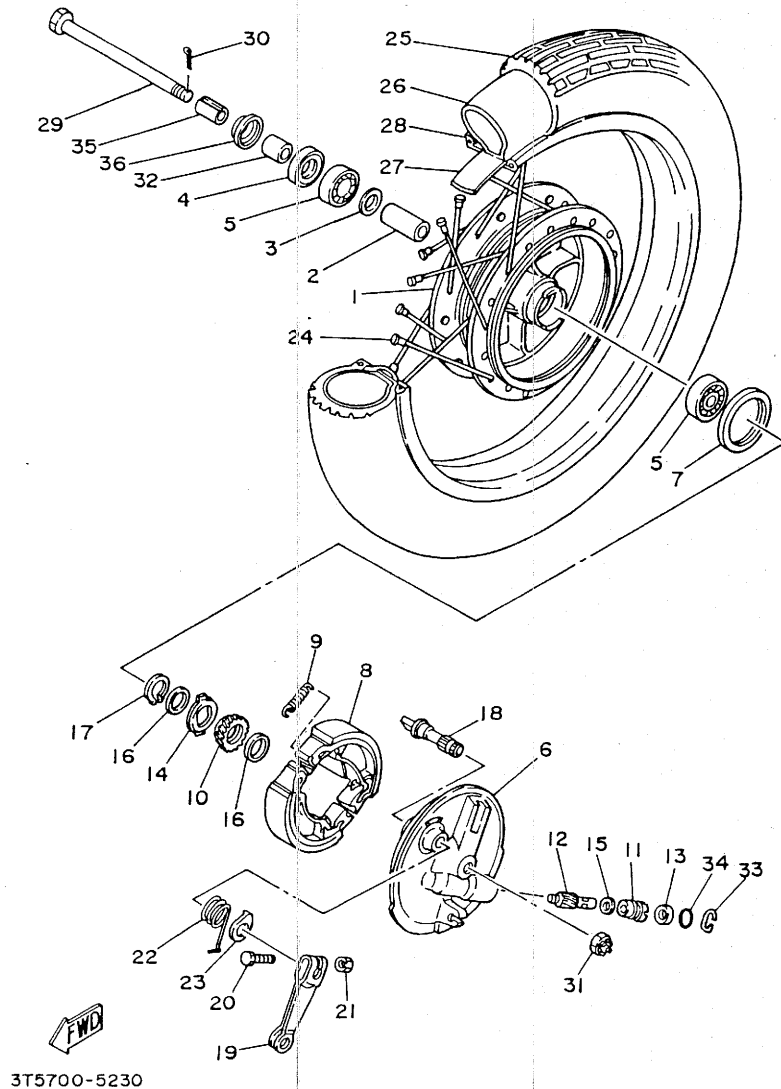
FWD

3T5700-5220

C11

FIG. 23 FRONT WHEEL

REF. NO.	PART NO.	DESCRIPTION	Q'TY	REMARKS
1	517-25111-00-35	HUB, front	1	silver
2	195-25117-00	SPACER, bearing	1	
3	195-25115-00	FLANGE, spacer 1	1	
4	93106-20001	OIL SEAL	1	
5	93306-30003	BEARING (B6300Z)	2	
6	3T5-25121-00-35	PLATE, brake shoe	1	silver
7	93105-47007	OIL SEAL	1	
8	5G3-25130-02	BRAKE SHOE COMP.	2	
9	90506-15260	SPRING, tension	2	
10	296-25135-00	GEAR, drive	1	
11	109-25136-00	BUSH	1	
12	296-25138-00	GEAR, meter	1	
13	93104-07003	OIL SEAL	1	
14	183-25149-00	CLUTCH, meter	1	
15	90201-07076	WASHER, plate	1	
16	90201-20269	WASHER, plate	2	
17	99009-20400	CIRCLIP	1	
18	3Y6-25351-00	CAMSHAFT	1	
19	3E1-25155-00	LEVER, camshaft 1	1	
20	90101-06278	BOLT	1	
21	95301-06600	NUT	1	
22	90508-26393	SPRING, torsion	1	
23	3E1-2513A-00	PLATE, indicator	1	
24	109-25104-10	SPOKE SET, front	1	
25	94125-17141	TIRE (2.50-17)	1	UR yokohama (s-africa)
	94125-17259	TIRE (2.50-17)	1	UR yokohama (australia)
	94125-17011	TIRE (2.50-17)	1	UR inoue (s-africa)
26	94225-17082	TUBE (2.50-17)	1	yokohama



3T5700-5230

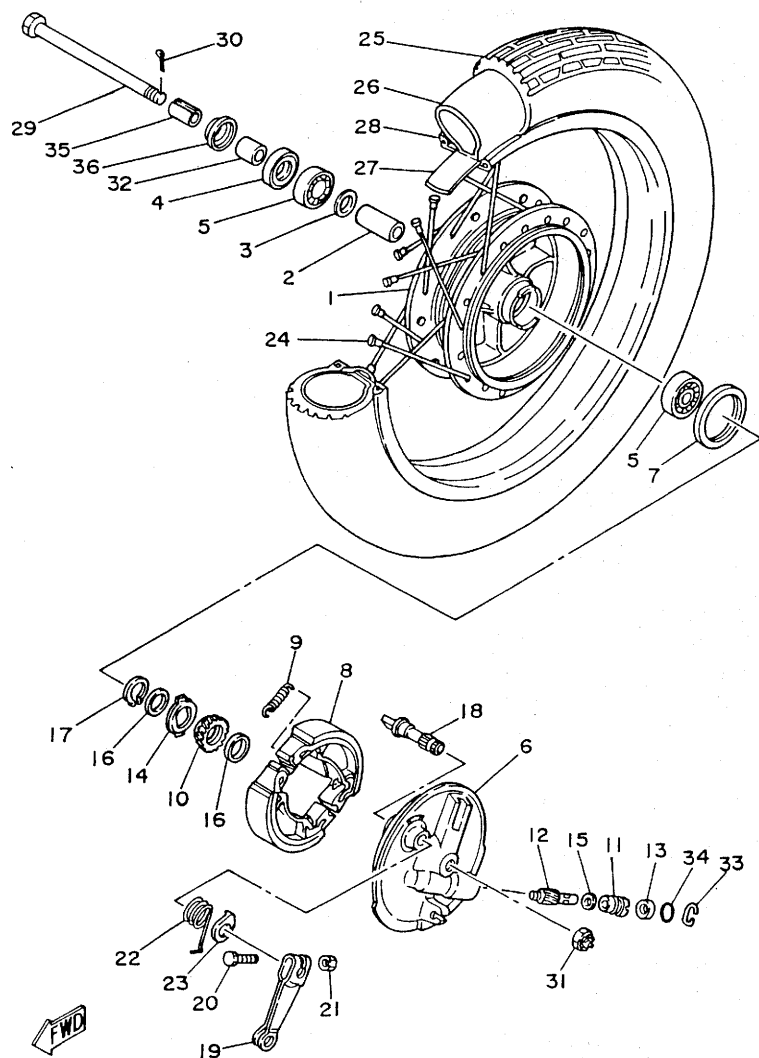


FIG. 23 FRONT WHEEL

REF. NO.	PART NO.	DESCRIPTION	Q'TY	REMARKS
27	94327-17079	BAND, rim (2.75-17)	1	inoue
28	94414-17003	RIM (1.40-17)	1	
29	353-25181-03	AXLE, wheel	1	
30	91401-20020	PIN, cotter	1	
31	90171-10004	NUT, castle	1	
32	90387-10277	COLLAR	1	
33	102-25137-00	RING, stop	1	
34	93210-14104	O-RING	1	
35	90387-10264	COLLAR	1	
36	322-25118-00	COVER, hub dust	1	

3T5700-5230

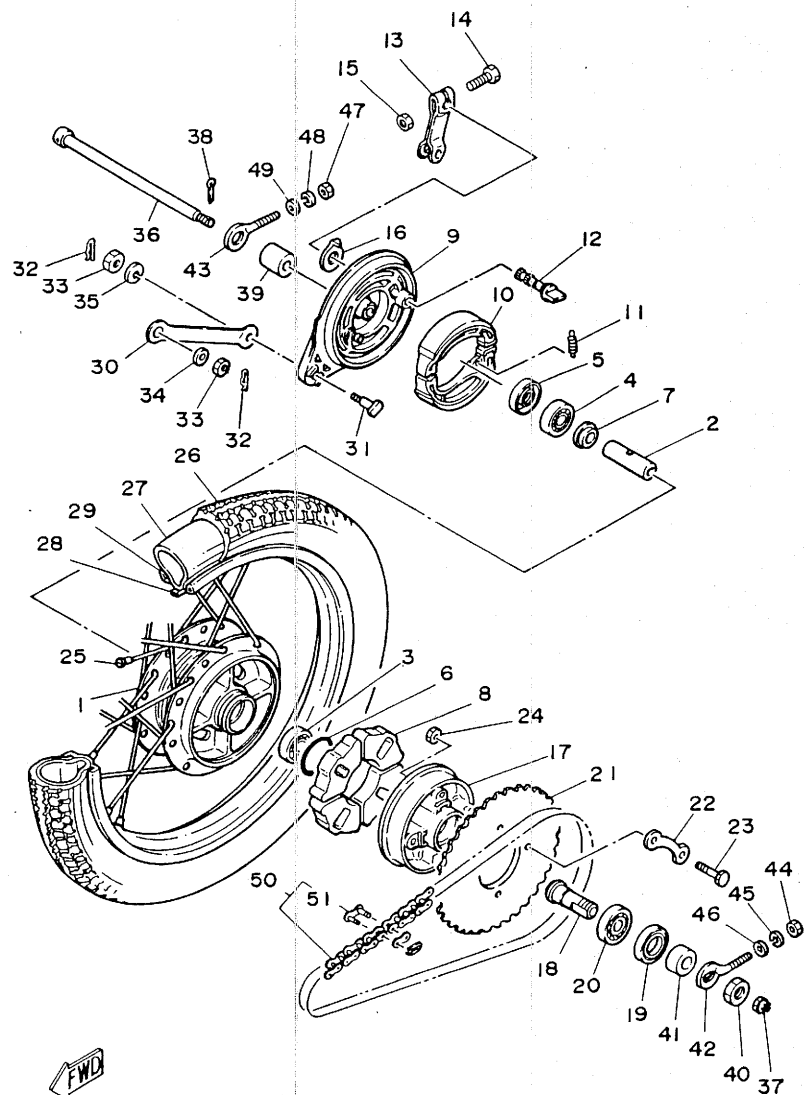


FIG. 24 REAR WHEEL

REF. NO.	PART NO.	DESCRIPTION	Q'TY	REMARKS
1	296-25311-01-35	HUB, rear	1	silver
2	90560-12145	SPACER	1	
3	93306-30103	BEARING (B6301Z)	1	
4	93306-30101	BEARING (B6301)	1	
5	93104-21016	OIL SEAL	1	
6	93210-41041	O-RING	1	
7	102-25315-00	FLANGE, spacer	1	
8	304-25364-01	DAMPER	4	
9	3E1-25321-00-35	PLATE, brake shoe	1	silver
10	5G3-25130-02	BRAKE SHOE COMP.	2	
11	90506-15260	SPRING, tension	2	
12	3E1-25351-00	CAMSHAFT	1	
13	538-25355-00	LEVER, camshaft	1	
14	90101-06278	BOLT	1	
15	95301-06600	NUT	1	
16	3E1-2513A-00	PLATE, indicator	1	
17	296-25366-01	CLUTCH, hub	1	
18	102-25387-02	AXLE, sprocket	1	
19	93106-30004	OIL SEAL	1	
20	93306-00406	BEARING (B6004Z)	1	
21	122-25437-00-33	SPROCKET, driven (37T)	1	yamaha black
22	482-25412-00	WASHER	2	
23	90109-08361	BOLT	4	
24	90179-08168	NUT	4	
25	296-25304-10	SPOKE SET, rear	1	
26	94125-171E2	TIRE (2.50-17)	1	UR yokohama
	94125-17259	TIRE (2.50-17)	1	UR yokohama
27	94225-17082	TUBE (2.50-17)	1	yokohama

FWD
3T5700-5240

C14

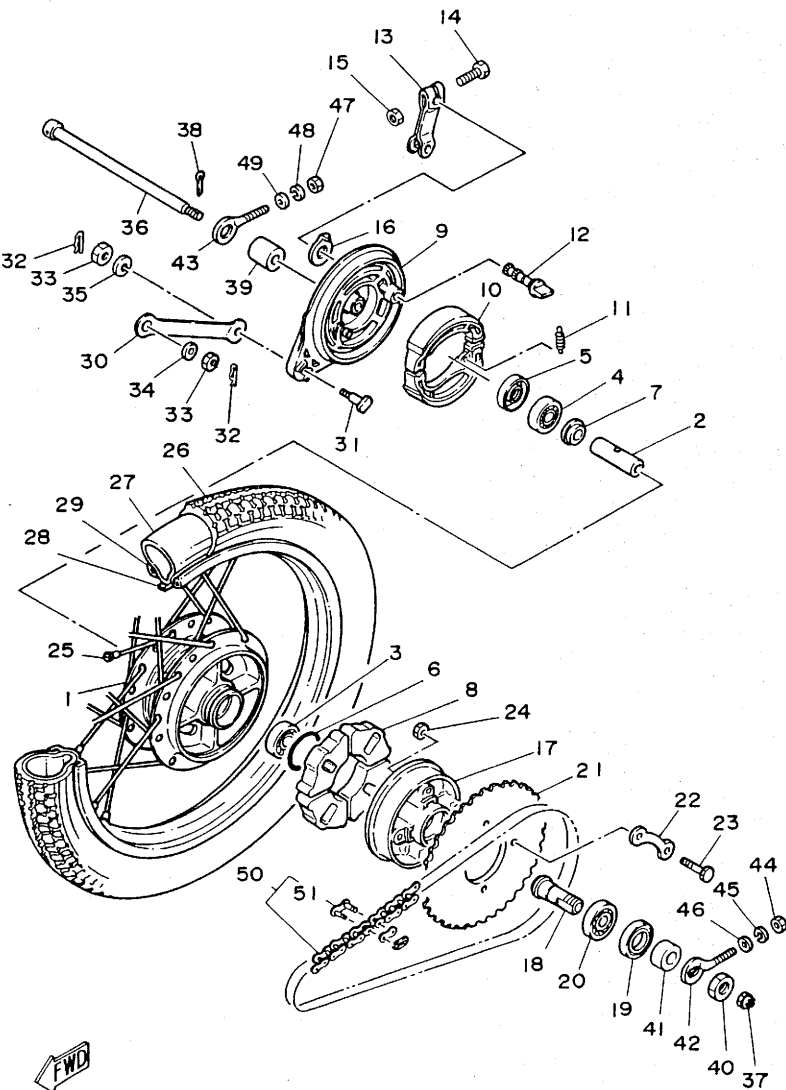
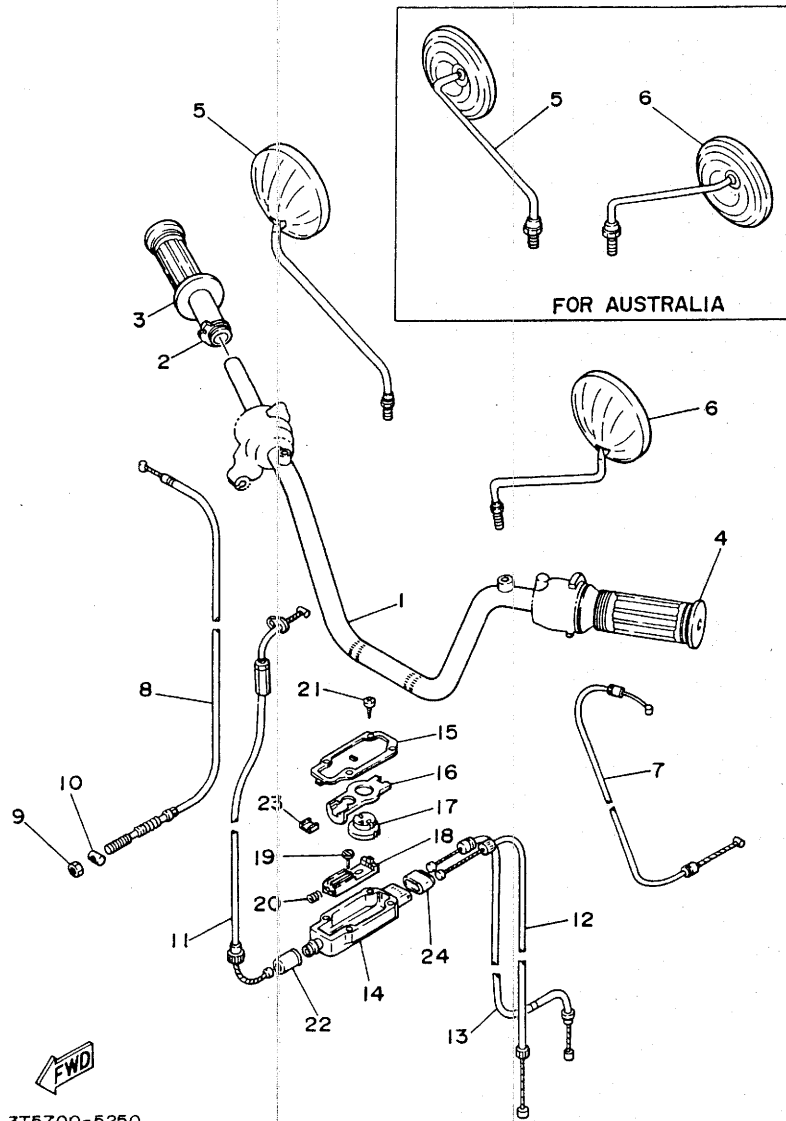


FIG. 24 REAR WHEEL

3T5700-5240

REF. NO.	PART NO.	DESCRIPTION	Q'TY	REMARKS
28	94327-17079	BAND, rim (2.75-17)	1	inoue
29	94414-17003	RIM (1.40-17)	1	
30	102-25371-00	BAR, tension	1	UR for s-africa
	2N9-25371-00	BAR, tension	1	UR for australia
31	90109-08183	BOLT	1	
32	437-83525-00	CLIP	2	
33	95301-08700	NUT	2	
34	92901-08200	WASHER, plain	1	
35	92990-08100	WASHER, spring	1	
36	401-25181-01	AXLE, wheel	1	
37	90171-12005	NUT, castle	1	
38	91401-30025	PIN, cotter	1	
39	90387-12412	COLLAR	1	
40	90170-18165	NUT	1	
41	90387-18143	COLLAR	1	
42	127-25388-01	PULLER, chain 1	1	
43	102-25389-00	PULLER, chain 2	1	
44	95301-06600	NUT	1	
45	92990-06100	WASHER, spring	1	
46	92901-06600	WASHER, plate	1	
47	95301-06600	NUT	1	
48	92990-06100	WASHER, spring	1	
49	92901-06600	WASHER, plate	1	
50	94580-52100	CHAIN (D.I.D. 420M 100L)	1	daido
51	94680-52001	.JOINT, chain (D.I.D.-420M)	1	daido

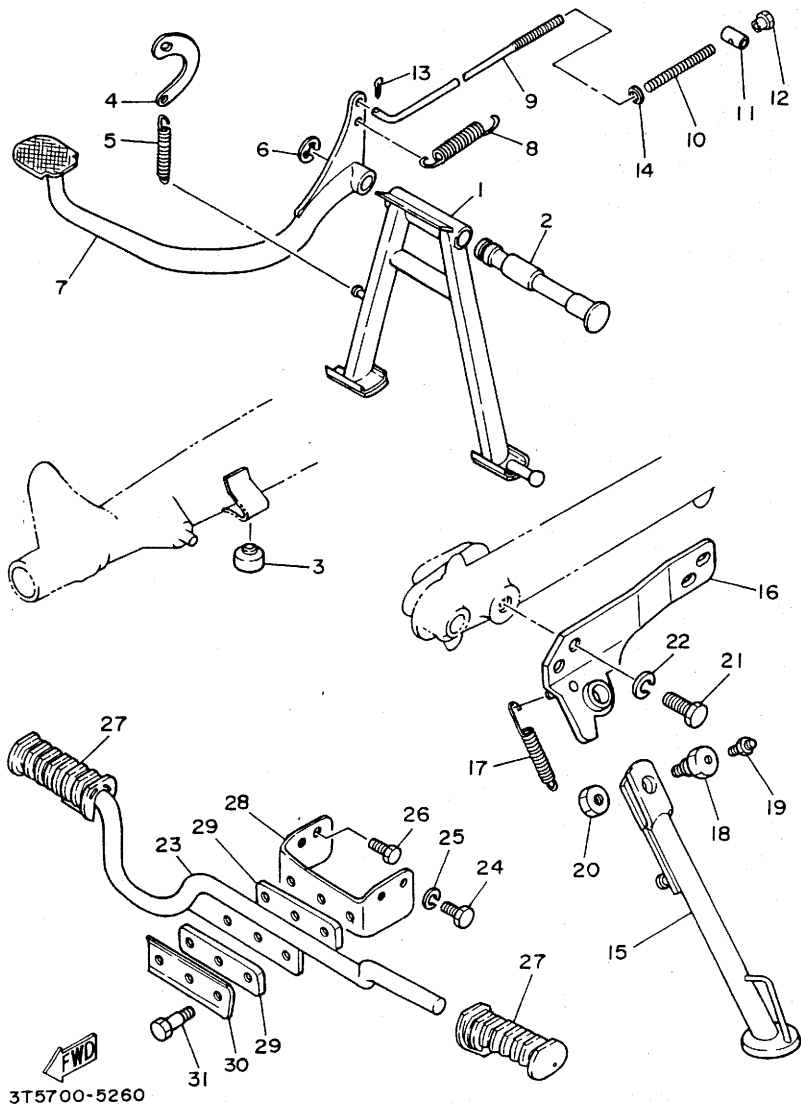
FIG. 25 STEERING HANDLE. CABLE



REF. NO.	PART NO.	DESCRIPTION	Q'TY	REMARKS
1	566-26111-02	HANDLEBAR	1	UR for s-africa
	566-26111-10	HANDLEBAR	1	UR for australia
2	3T5-26243-00	TUBE, throttle guide	1	
3	2N3-26242-00	GRIP (R.H)	1	
4	2N3-26241-00	GRIP (L.H)	1	
5	1Y0-26290-00	BACK MIRROR ASSY (R.H)	1	UR for s-africa
	395-26290-40	BACK MIRROR ASSY (R.H)	1	UR for australia
6	1Y0-26290-10	BACK MIRROR ASSY (L.H)	1	UR for s-africa
	227-26290-30	BACK MIRROR ASSY (L.H)	1	UR for australia
7	566-26331-00	CABLE, starter 1	1	
8	3T5-26341-00	CABLE, brake	1	
9	90179-06176	NUT	1	
10	90249-12008	PIN	1	
11	3T5-26311-03	CABLE, throttle 1	1	
12	3E1-26312-02	CABLE, throttle 2	1	
13	3E1-26321-02	CABLE, pump	1	
14	3J0-26261-00	CONNECTOR, cable	1	
15	3J0-26262-00	CAP, cable connector	1	
16	3E1-26274-00	GUIDE, rotor	1	
17	2T5-26273-00	ROTOR	1	
18	3E1-26244-00	SLIDER, throttle	1	
19	2T5-26267-00	PIN	1	
20	90501-06611	SPRING, compression	1	
21	90167-03004	SCREW, tapping	4	
22	360-26266-00	BOOT, cylinder	1	
23	3E1-26245-00	STOPPER, cable	1	
24	3J0-26272-00	CAP	1	

3T5700-5250

D2



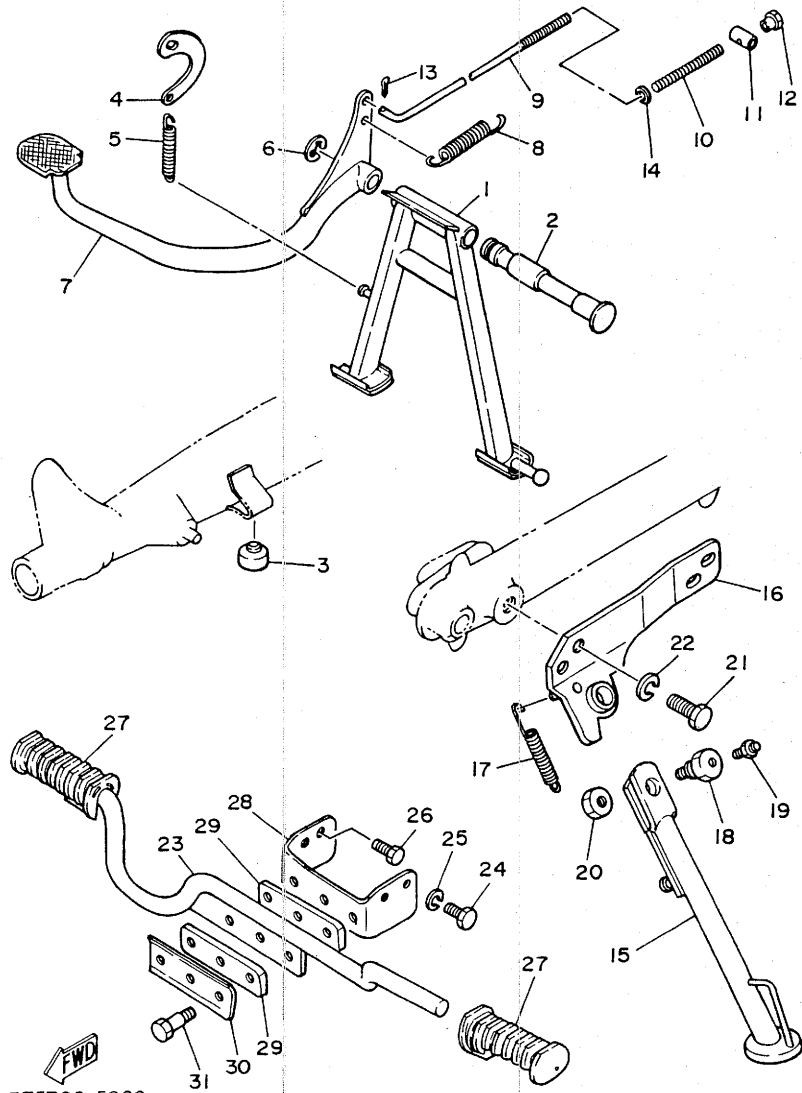
3T5700-5260

FIG. 26 STAND. FOOTREST

REF. NO.	PART NO.	DESCRIPTION	Q'TY	REMARKS
1	342-92510-10-33	STAND, main	1	yamaha black
2	517-27112-01	SHAFT, main stand	1	
3	116-27114-00	STOPPER, main stand	1	
4	109-27115-00	LINK, main stand	1	
5	90506-29054	SPRING, tension	1	
6	93430-12008	CIRCLIP	1	
7	40X-27211-20	PEDAL, brake	1	
8	90506-20041	SPRING, tension	1	
9	164-27231-02	ROD, brake	1	
10	90501-10245	SPRING, compression	1	
11	90249-12008	PIN	1	
12	90179-06176	NUT	1	
13	91401-20015	PIN, cotter	1	
14	92901-06600	WASHER, plate	1	
15	3T5-27311-00-87	STAND, side	1	yuseisho red
16	3T5-27321-00-87	BRACKET, side stand	1	yuseisho red
17	90506-25047	SPRING, tension	1	
18	3T5-27317-00	BOLT	1	
19	93700-06004	NIPPLE, grease	1	
20	95301-12700	NUT	1	
21	97321-12030	BOLT	2	
22	92901-12100	WASHER, spring	2	
23	527-27411-00	FOOTREST 1	1	
24	97321-10020	BOLT	1	
25	92901-10100	WASHER, spring	1	
26	90101-08246	BOLT	1	
27	517-92080-10	COVER, footrest	2	UR for s-africa
	122-27413-00	COVER, footrest	2	UR for australia

D3

FIG. 26 STAND. FOOTREST

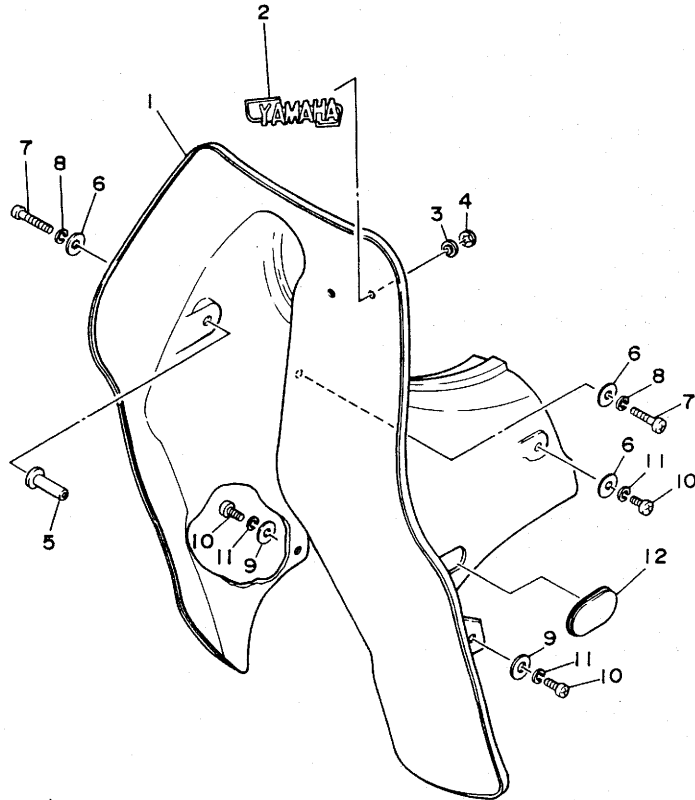


REF. NO.	PART NO.	DESCRIPTION	Q'TY	REMARKS
28	566-27412-00	BRACKET, footrest 1	1	
29	18A-27414-00	DAMPER, footrest	2	
30	164-27417-00	WASHER, footrest	1	
31	90109-08193	BOLT	3	

3T5700-5260

D4

FIG. 27 LEG SHIELD



REF. NO.	PART NO.	DESCRIPTION	Q'TY	REMARKS
1	342-92080-12	LEG SHIELD	1	
2	517-28315-60	EMBLEM	1	
3	116-28316-01	DAMPER, emblem	2	
4	116-28317-00	NUT, emblem	2	
5	342-92240-10	SPECER, leg shield	2	
6	90201-06067	WASHER, plate	4	
7	92501-06050	SCREW, pan head	2	
8	92990-06100	WASHER, spring	2	
9	90201-07081	WASHER, plate	2	
10	92501-06014	SCREW, pan head	4	
11	92990-06100	WASHER, spring	4	
12	296-28349-01	CAP	1	

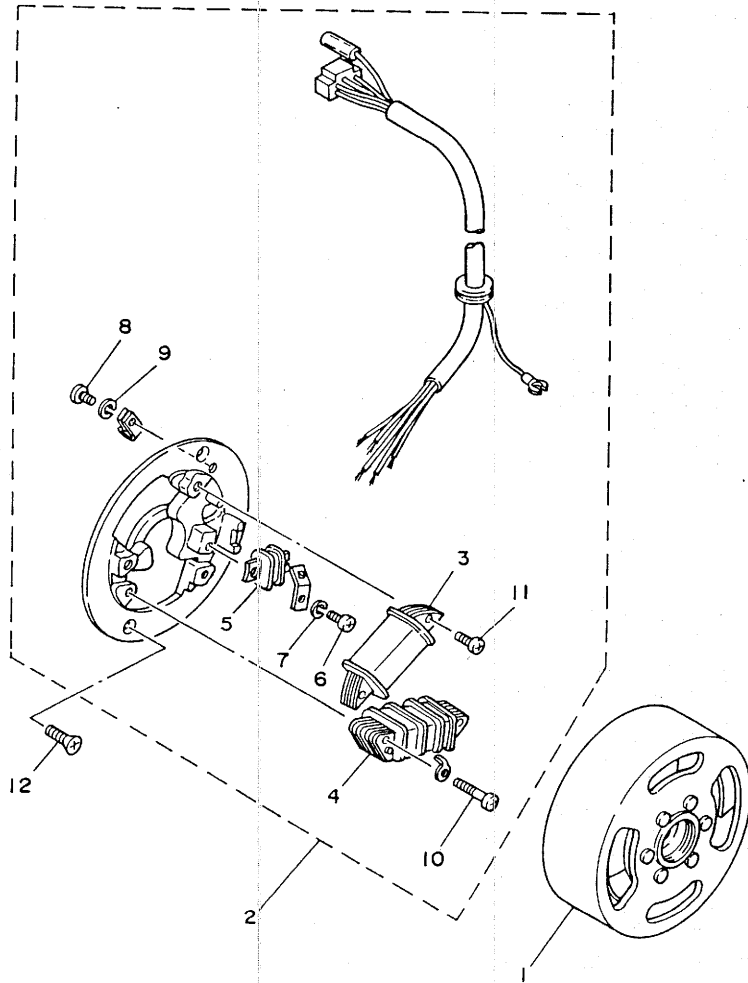


3T5700-5270

D5

FIG. 28 GENERATOR

REF. NO.	PART NO.	DESCRIPTION	Q'TY	REMARKS
1	3T5-85550-M0	ROTOR ASSY	1	
2	4X2-85560-M1	BASE ASSY	1	
3	3T5-85520-M1	.COIL, charge	1	
4	4X2-81313-M1	.COIL, lighting 1	1	
5	4U5-85580-M0	.COIL, pulser	1	
6	98503-04010	.SCREW, pan head	1	
7	92901-04100	.WASHER, spring	1	
8	98501-04006	.SCREW, pan head	1	
9	92901-04100	.WASHER, spring	1	
10	98511-04025	.SCREW, pan head	2	
11	98511-04012	.SCREW, pan head	2	
12	98701-05016	SCREW, flat head	2	



3T5700-5280

D6

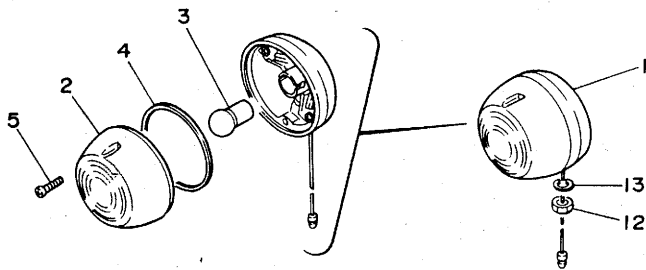
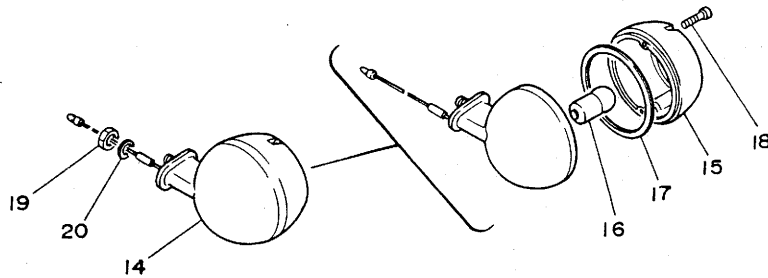
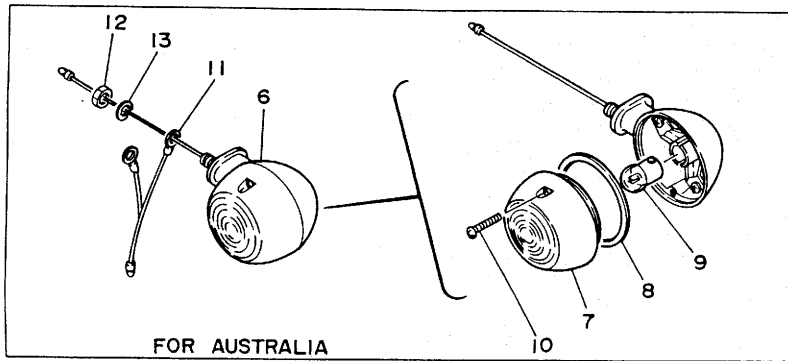


FIG. 29 FLASHER LIGHT

REF. NO.	PART NO.	DESCRIPTION	QTY	REMARKS
1	3T5-83310-10	FRONT FLASHER LIGHT ASSY 1	2	for s-africa
2	183-83332-21	.LENS, flasher	1	
3	152-83311-10	.BULB (6V-10W)	1	
4	183-83313-70	.GASKET, flasher lens	1	
5	98501-03025	.SCREW, pan head	2	
6	1M3-83310-10	FRONT FLASHER LIGHT ASSY 1	2	for australia
7	183-83332-21	.LENS, flasher	1	
8	183-83313-70	.GASKET, flasher lens	1	
9	152-83311-10	.BULB (6V-10W)	1	
10	183-83333-21	.SCREW, lens fitting	2	
11	3L5-83354-00	WIRE, earth lead 1	1	for australia
12	95301-08600	NUT	2	
13	92990-08100	WASHER, spring	2	
14	3T5-83330-10	REAR FLASHER LIGHT ASSY 1	2	
15	183-83332-21	.LENS, flasher	1	
16	152-83311-10	.BULB (6V-10W)	1	
17	183-83313-70	.GASKET, flasher lens	1	
18	98501-03025	.SCREW, pan head	2	
19	95301-08600	NUT	2	
20	92990-08100	WASHER, spring	2	

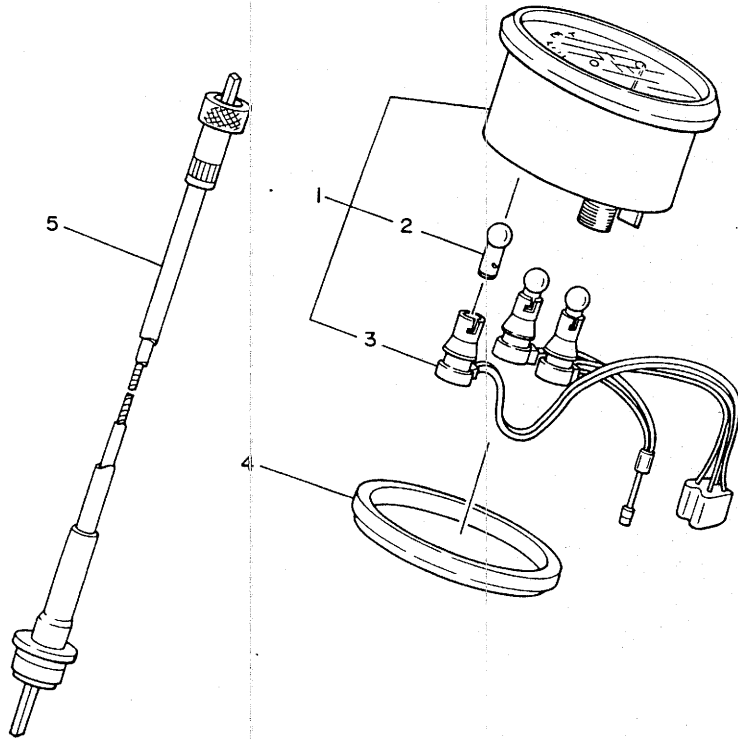


3T5700-5290

D7

FIG. 30 METER

REF. NO.	PART NO.	DESCRIPTION	Q'TY	REMARKS
1	3T5-83510-10	SPEEDOMETER ASSY	1	
2	122-83516-10	.BULB (6V-3W)	3	
3	3T5-83520-00	.SOCKET CORD ASSY	1	
4	207-83513-00	DAMPER	1	
5	3T5-83550-00	SPEEDOMETER CABLE ASSY	1	UR for s-africa
	3T5-83550-80	SPEEDOMETER CABLE ASSY	1	UR for australia

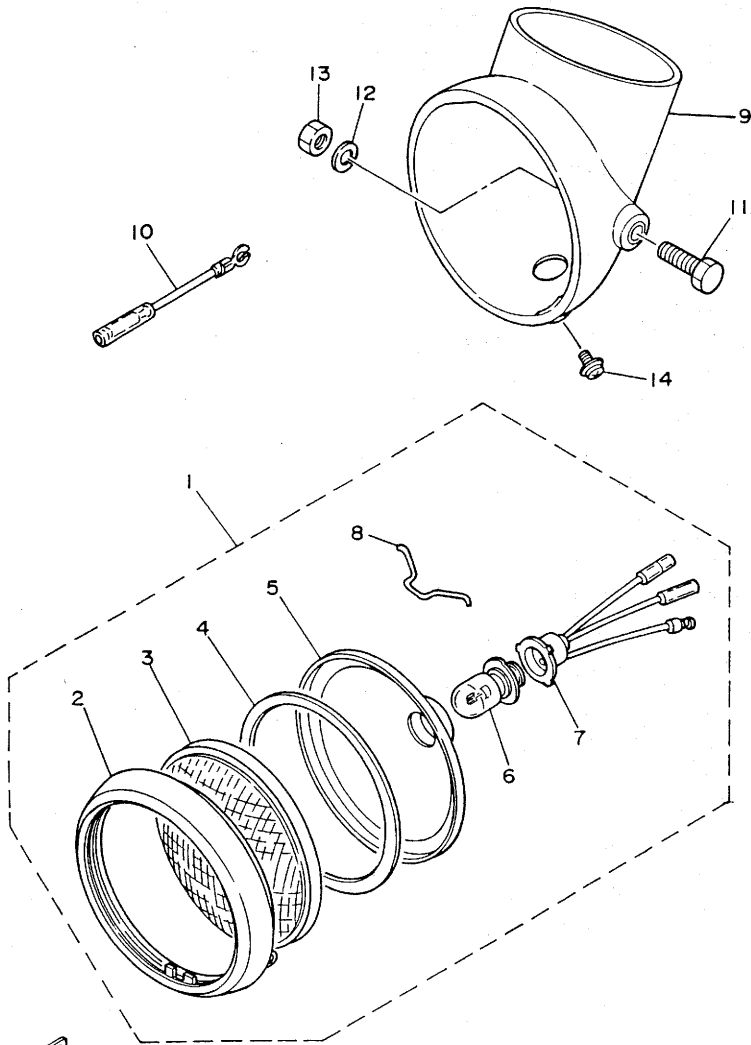


3T5700-5300

D8

FIG. 31 HEADLIGHT

REF. NO.	PART NO.	DESCRIPTION	Q'TY	REMARKS
1	566-84110-00	HEADLIGHT UNIT ASSY	1	
2	207-84115-01	.RIM, headlight	1	
3	207-84121-00	.LENS, headlight	1	
4	207-84122-00	.GASKET, lens	1	
5	566-84123-00	.REFLECTOR	1	
6	206-84114-60	.BULB (6V-25/25W)	1	
7	207-84112-00	.SOCKET	1	
8	164-84324-00	.SPRING, reflector	4	
9	207-84111-00-87	BODY, headlight	1	yuseisho red
	375-84111-00-87	" "	1	" "
10	207-84155-00	WIRE, earth	2	156442 ~
11	97301-08025	BOLT	2	for s-africa
12	92990-08100	WASHER, spring	2	for s-africa
13	95301-08600	NUT	2	for s-africa
14	90159-05028	SCREW, with washer	1	



sub

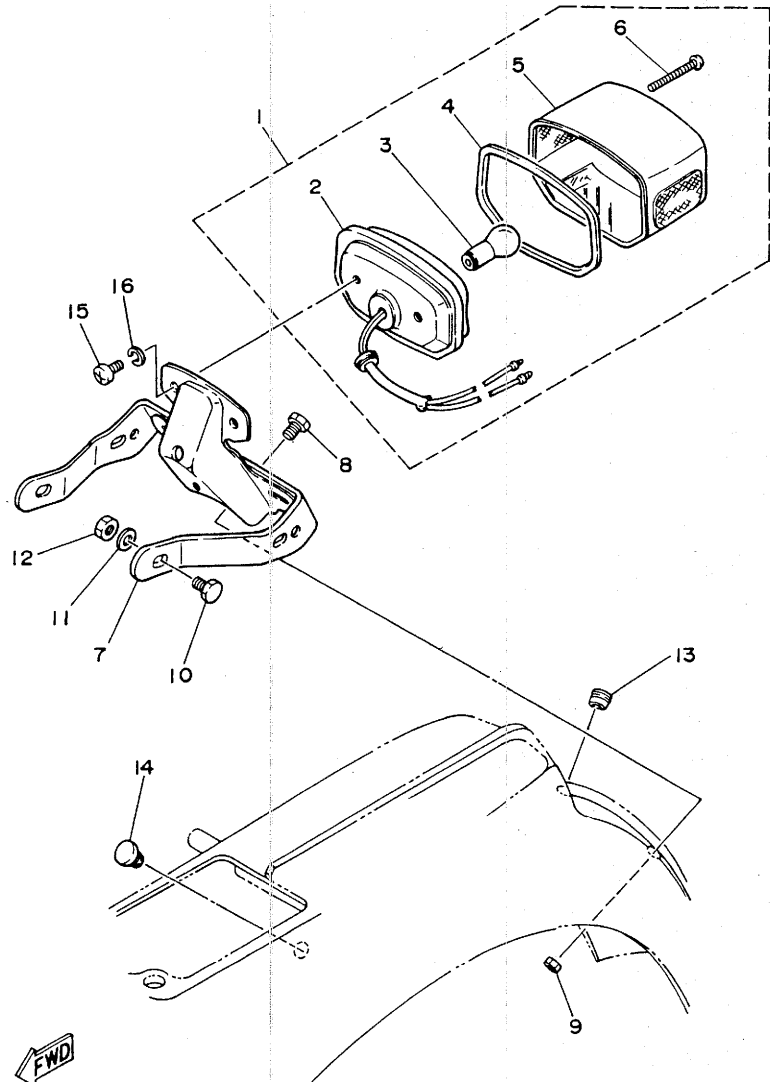
156442 ~



3T5700-5310

D9

FIG. 32 TAILLIGHT



REF. NO.	PART NO.	DESCRIPTION	Q'TY	REMARKS
1	18A-84510-00	TAILLIGHT UNIT ASSY	1	
2	296-84511-00	.BASE, taillight	1	
3	122-84514-30	.BULB (6V-17/5.3W)	1	
4	296-84523-00	.GASKET, lens	1	
5	296-84521-00	.LENS, taillight	1	
6	127-84524-30	.SCREW, lens fitting	2	
7	342-98030-10-87	BRACKET, licence	1	yuseisho red
8	97301-06012	BOLT	2	
9	95301-06600	NUT	2	
10	97301-08016	BOLT	2	
11	92901-08600	WASHER, plate	2	
12	95301-08600	NUT	2	
13	90480-12013	GROMMET	1	
14	90480-16112	GROMMET	1	
15	92501-06012	SCREW, pan head	2	
16	92990-06100	WASHER, spring	2	

3T5700-5320

D10

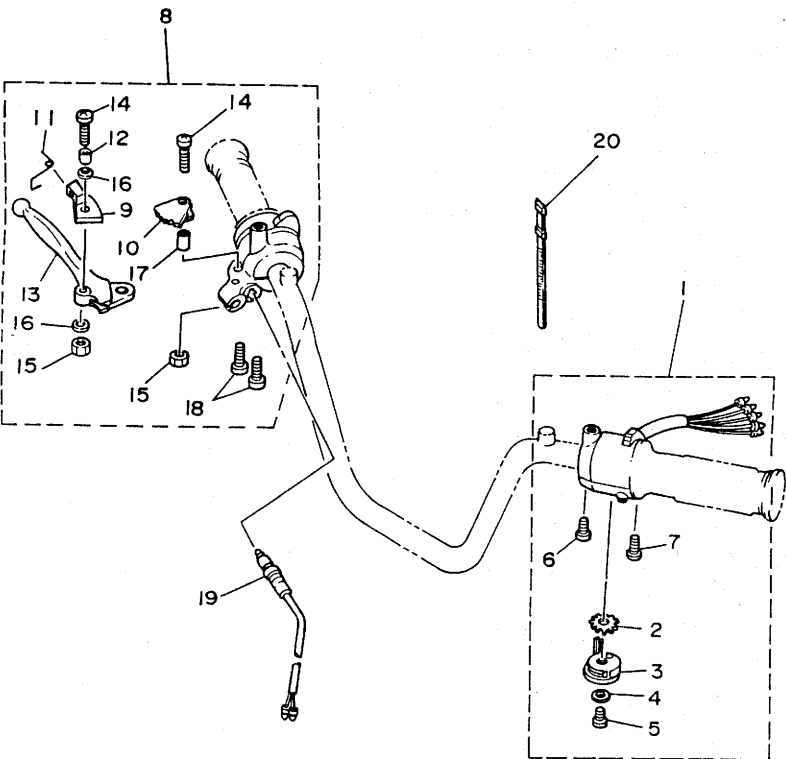


FIG. 33 HANDLE SWITCH. LEVER

REF. NO.	PART NO.	DESCRIPTION	Q'TY	REMARKS
1	3T5-83975-00	SWITCH, handle 2	1	
2	90209-10131	.WASHER	1	
3	439-83941-02	.LEVER, starter	1	
4	92901-06200	.WASHER, plain	1	
5	92501-06008	.SCREW, pan head	1	
6	98501-05018	.SCREW, pan head	1	
7	98501-05030	.SCREW, pan head	1	
8	3T5-W8292-50	LEVER HOLDER ASSY (RIGHT)	1	
9	296-98790-10	.LEVER, lock	1	
10	566-82729-00	.BRACKET, lock	1	
11	296-98820-10	.SPRING, return	1	
12	296-98290-10	.COLLAR, lever lock	1	
13	566-83922-00	.LEVER 2	1	
14	98501-05030	.SCREW, pan head	2	
15	95301-05600	.NUT	2	
16	92990-05200	.WASHER, plain	2	
17	566-83923-00	.COLLAR, lever 2	1	
18	98501-05035	.SCREW, pan head	2	
19	17J-83980-00	FRONT STOP SWITCH ASSY	1	
20	437-83936-00	BAND, switch cord	2	



3T5700-5330

D11

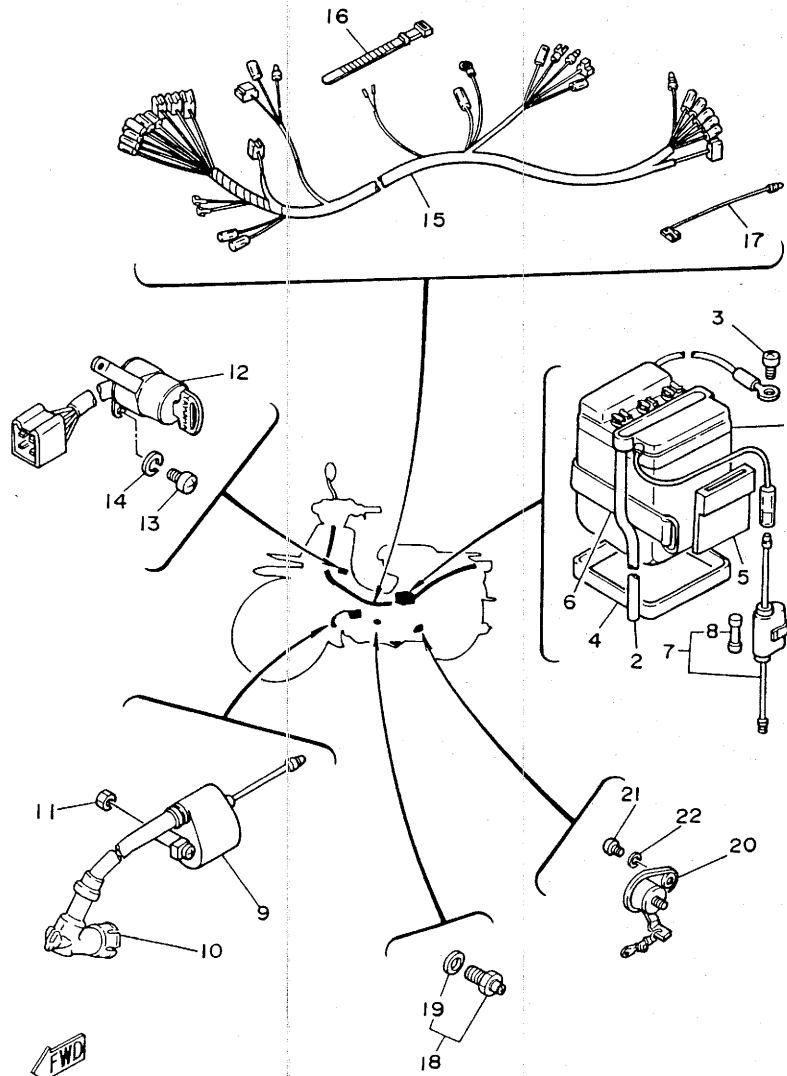


FIG. 34 ELECTRICAL 1

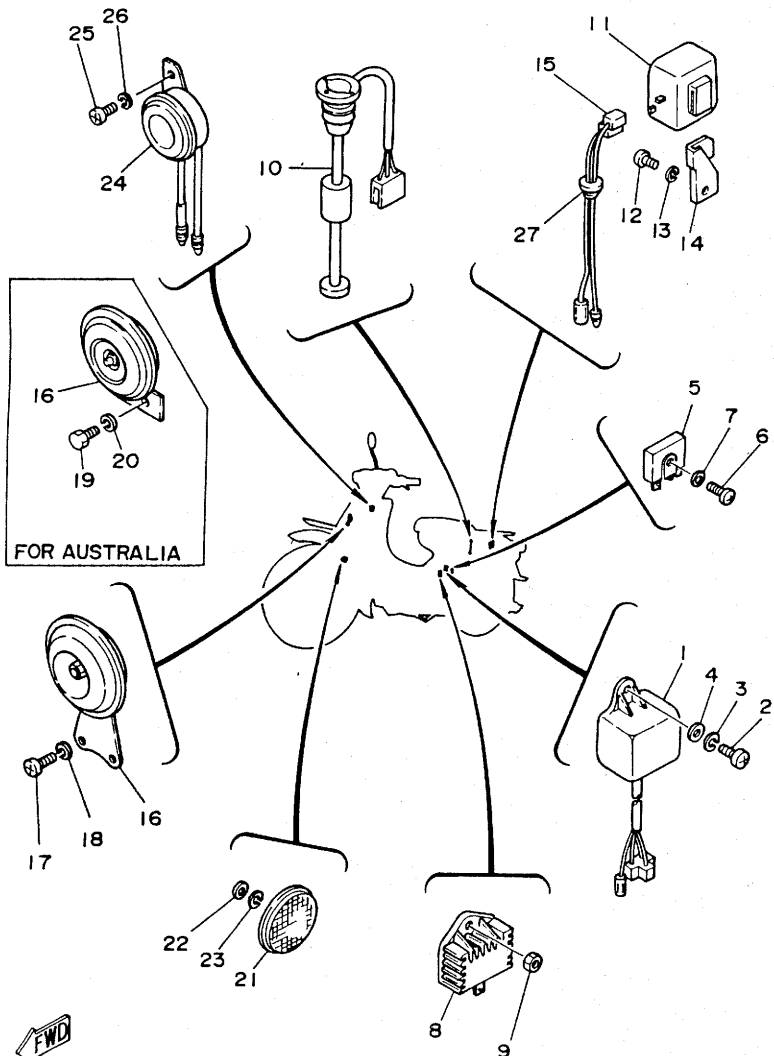
REF. NO.	PART NO.	DESCRIPTION	Q'TY	REMARKS
1	120-82110-29	BATTERY ASSY (6N4-2A-2)	1	
2	90445-08170	HOSE	1	
3	92501-06010	SCREW, pan head	1	
4	268-82122-00	SEAT, battery	1	
5	517-82121-00	PAD, battery	1	
6	120-82131-00	BAND, battery	1	
7	353-82150-00	FUSE HOLDER ASSY	1	
8	116-82151-00	.FUSE (6V-10A)	1	
9	3E1-82310-M1	IGNITION COIL ASSY	1	
10	117-82370-20	PLUG CAP ASSY	1	UR for australia
	512-82370-10	PLUG CAP ASSY	1	UR with noise suppresser (for s-africa)
11	95301-06600	NUT	2	
12	3T5-82510-20	MAIN SWITCH ASSY	1	
13	92501-06012	SCREW, pan head	2	
14	92990-06100	WASHER, spring	2	
15	3T5-82590-00	WIRE HARNESS ASSY	1	UR for s-africa
	3T5-82590-81	WIRE HARNESS ASSY	1	UR for australia
16	437-83936-00	BAND, switch cord	1	
17	4X0-82509-00	WIRE, sub lead	1	
18	341-82540-01	NEUTRAL SWITCH ASSY	1	
19	341-82543-00	.GASKET	1	
20	122-82530-01	STOP SWITCH ASSY	1	
21	98501-05010	SCREW, pan head	1	
22	92901-05100	WASHER, spring	1	

3T5700-5340

D12

FIG. 35 ELECTRICAL 2

REF. NO.	PART NO.	DESCRIPTION	Q'TY	REMARKS
1	3T5-85540-M1	C.D.I. UNIT ASSY	1	
2	92501-06020	SCREW, pan head	1	
3	92990-06100	WASHER, spring	1	
4	92901-06600	WASHER, plate	1	
5	353-81970-63	RECTIFIER ASSY	1	stanley
6	98501-05016	SCREW, pan head	1	
7	92901-05600	WASHER, plate	1	
8	4F4-81910-60	VOLTAGE REGULATOR ASSY	1	stanley
9	95302-06600	NUT	1	
10	520-85720-03	OIL LEVEL GAUGE ASSY	1	
11	517-83350-11	FLASHER RELAY ASSY.	1	
12	92501-06014	SCREW, pan head	1	
13	92990-06100	WASHER, spring	1	
14	517-83352-00	BRACKET, flasher relay 1	1	
15	1W7-83355-00	CORD, flasher relay	1	
16	3T5-83371-10	HORN	1	UR for s-africa
	5J1-83371-10	HORN	1	UR for australia
17	92501-06012	SCREW, pan head	2	for s-africa
18	92990-06100	WASHER, spring	2	for s-africa
19	97301-06012	BOLT	1	for australia
20	92990-06100	WASHER, spring	1	for australia
21	517-85111-02	REFLECTOR, front 1	2	
22	92990-05200	WASHER, plain	2	
23	92901-05100	WASHER, spring	2	
24	566-83390-10	AUDIO PILOT ASSY	1	
25	92501-06012	SCREW, pan head	1	
26	92990-06100	WASHER, spring	1	
27	90480-13175	GROMMET	1	



3T5700-5350

D13

NUMERICAL INDEX

PART NO.	GRID NO.	PART NO.	GRID NO.	PART NO.	GRID NO.	PART NO.	GRID NO.	PART NO.	GRID NO.	PART NO.	GRID NO.
127-W1412-00	B- 6	127-14171-00	B- 6	517-16524-10	B-11	439-21759-01	C- 5	122-23416-00	C- 7	3E1-25321-00-35	C-14
3T5-W8292-50	D-11	296-14184-01	B- 6	517-16524-20	B-11	1W7-21761-00	C- 5	3T5-23435-00-87	C- 7	3E1-25351-00	C-14
531-11111-00-94	B- 2	2E9-14185-00	B- 6	517-16524-30	B-11	1W7-21763-00	C- 5	122-23441-00	C- 7	3Y6-25351-00	C-12
179-11161-00	B- 2	127-14186-00	B- 6	517-16550-00	B-11	1W7-21764-00	C- 5	122-23442-02	C- 7	538-25355-00	C-14
531-11162-00	B- 2	12R-14191-00	B- 6	517-16561-01	B-11	120-21764-00	C- 5	1W7-24110-10-87	C-10	304-25364-01	C-14
531-11181-00	B- 2	296-14198-01	B- 6	527-16571-00	B-11	2N8-21771-00	C- 5	18A-24110-00-87	C-10	296-25366-01	C-14
531-11311-02	B- 2	296-14411-00	B- 5	1W7-17211-12	B-12	384-21773-00	C- 5	439-24119-00	C- 5	102-25371-00	C-15
300-11351-01	B- 2	3T5-14412-00	B- 5	1W7-17221-20	B-12	3E1-21781-00	C- 4	2Y3-24161-00	C-10	2N9-25371-00	C-15
566-11400-01	B- 3	296-14413-00	B- 5	1W7-17231-23	B-12	3E3-21781-00	C- 4	2Y3-24162-00	C-10	102-25387-02	C-14
566-11412-01	B- 3	3T5-14416-01	B- 5	1W7-17410-00	B-12	3E2-21783-00	C- 4	296-24181-00	C-10	127-25388-01	C-15
531-11422-00	B- 3	3T5-14422-00	B- 5	1W7-17421-10	B-12	3E2-21784-00	C- 4	15K-24260-02	C-10	102-25389-00	C-15
164-11601-02	B- 3	296-14451-00	B- 5	517-17461-42	B-12	384-21798-00	C- 5	3L5-24268-00	C-10	482-25412-00	C-14
164-11601-12	B- 3	3T5-14453-00	B- 5	296-17471-00	B-12	3T5-22110-00-87	C- 6	18A-24317-00	C-10	122-25437-00-33	C-14
164-11601-22	B- 3	296-14454-00	B- 5	58H-18101-00	B-15	102-22123-00	C- 6	19G-24317-00	C-10	566-26111-02	D- 2
3T5-11631-00-97	B- 3	298-14611-00	B- 7	257-18111-00-91	B-15	40X-22141-00	C- 6	2W9-24319-00	C- 5	566-26111-10	D- 2
131-11633-00	B- 3	132-14613-00	B- 7	3E1-18111-00	B-15	296-22151-01	C- 6	15K-24500-00	C-10	2N3-26241-00	D- 2
3T5-11635-00	B- 3	3T5-14710-00	B- 7	132-18113-01	B-15	296-22210-42-87	C- 6	4X8-24512-00	C-10	2N3-26242-00	D- 2
3T5-11636-00	B- 3	132-14713-00	B- 7	278-18127-00	B-15	527-22210-70-87	C- 6	4X8-24534-00	C-10	3T5-26243-00	D- 2
626-11651-91	B- 3	3T5-14714-00	B- 7	296-18140-02	B-13	296-22310-02-87	C- 6	4X8-24535-00	C-10	3E1-26244-00	D- 2
2Y1-11681-00	B- 3	3T5-14753-00	B- 7	1W7-18511-01	B-13	148-22315-00	C- 6	4X8-24565-00	C-10	3E1-26245-00	D- 2
3T5-13101-01	B- 4	1W7-15111-03	B- 8	1W7-18512-02	B-13	566-23100-01-87	C- 8	3T5-24610-01	C-10	3J0-26261-00	D- 2
2T5-13124-00	B- 4	1W7-15121-03	B- 8	2N8-18531-00	B-13	566-23100-10-87	C- 8	3T5-24612-02	C-10	3J0-26262-00	D- 2
384-13138-00	B- 4	300-15128-00	B- 8	3E1-18531-00	B-13	205-23111-40	C- 8	296-24710-06	C-11	360-26266-00	D- 2
296-13147-00	B- 4	296-15316-00	B- 8	2N8-18540-00	B-13		C- 9	3T5-24710-10	C-11	2T5-26267-00	D- 2
384-13161-02	B- 4	530-15317-00	B- 8	3E1-18540-00	B-13	207-23112-00	C- 8	3E1-24723-00	C-11	3J0-26272-00	D- 2
384-13174-00	B- 4	517-15362-01	B- 9	136-18542-00	B-13		C- 9	296-24726-00	C-11	2T5-26273-00	D- 2
2W9-13178-00	B- 4	2N8-15411-00	B- 9		B-13	307-23114-00	C- 8	3E1-24741-00	C-11	3E1-26274-00	D- 2
300-13505-03	B- 5	517-15416-01	B- 8	296-18561-00	B-13		C- 8	109-25104-10	C-12	296-26288-01	C- 2
300-13610-02	B- 5	517-15421-01	B- 9		B-13	357-23125-90	C- 8	517-25111-00-35	C-12	1Y0-26290-00	D- 2
300-13613-03	B- 5	517-15451-01	B- 9	296-18562-01	B-13		C- 8	195-25115-00	C-12	1Y0-26290-10	D- 2
300-13616-00	B- 5	1W7-15492-00	B- 9	296-18566-00	B-13	129-23141-80	C- 8	195-25117-00	C-12	227-26290-30	D- 2
300-13621-01	B- 5	156-15618-01	B-10	3T5-21110-10-87	C- 2		C- 9	322-25118-00	C-13	395-26290-40	D- 2
300-13622-02	B- 5	5T9-15620-00	B-10	3T5-21162-00-87	C- 4	122-23143-00	C- 8	3T5-25121-00-35	C-12	3T5-26311-03	D- 2
3T5-14101-00	B- 6	384-15635-00	B-11	517-21243-00-33	C- 2		C- 8	3E1-2513A-00	C-12	3E1-26312-02	D- 2
12G-14103-00	B- 6	2T4-15637-00	B-11	296-21279-00	C- 2	276-23145-51	C- 8		C-14	3E1-26321-02	D- 2
12G-14106-00	B- 6	3K7-15641-00	B-10	3E1-21308-00	C- 2		C- 8	5G3-25130-02	C-12	566-26331-00	D- 2
21W-14107-12	B- 6	296-15644-00	B-10	297-21322-00	C- 4	122-23147-00	C- 8		C-14	3T5-26341-00	D- 2
566-14112-25	B- 6	517-15660-01	B-10	296-21345-00	C- 2		C- 8	296-25135-00	C-12	517-27112-01	D- 3
531-14116-04	B- 6	1W7-15664-00	B-10	3T8-21510-00-87	C- 3	128-23150-01	C- 8	109-25136-00	C-12	116-27114-00	D- 3
517-14131-10	B- 6	296-15671-00	B-10	122-21517-00	C- 3		C- 8	102-25137-00	C-13	109-27115-00	D- 3
127-14135-00	B- 6	1W7-15676-00	B-10	290-21521-01	C- 3	4X0-23340-00-33	C- 8	296-25138-00	C-12	40X-27211-20	D- 3
296-14136-00	B- 6	527-16111-01-30	B-11	116-21621-00	C- 3	122-23346-01	C- 8	183-25149-00	C-12	164-27231-02	D- 3
127-14137-00	B- 6	3E5-16150-01-30	B-11	297-21711-01-87	C- 4		C- 9	3E1-25155-00	C-12	3T5-27311-00-87	D- 3
127-14141-18	B- 6	122-16164-00	B-11	296-21714-00	C- 4	2N3-23408-00	C- 7	353-25181-03	C-13	3T5-27317-00	D- 3
193-14142-22	B- 6	517-16180-00	B-11	3T5-2172K-01	C- 4	122-23411-00	C- 7	401-25181-01	C-15	3T5-27321-00-87	D- 3
127-14143-23	B- 6	132-16346-00	B-14	296-21731-21-87	C- 4	156-23411-00	C- 7	296-25304-10	C-14	527-27411-00	D- 3
566-14164-00	B- 6	527-16520-10	B-11	296-21741-21-87	C- 4	122-23412-00	C- 7	296-25311-01-35	C-14	566-27412-00	D- 4
307-14169-10	B- 6	531-16521-00	B-11	1W7-21751-11	C- 5	156-23412-00	C- 7	102-25315-00	C-14	122-27413-00	D- 3

NUMERICAL INDEX

PART NO.	GRID NO.	PART NO.	GRID NO.	PART NO.	GRID NO.	PART NO.	GRID NO.	PART NO.	GRID NO.	PART NO.	GRID NO.
18A-27414-00	D- 4	207-83513-00	D- 8	342-92190-10	C- 8	90179-08168	C-14	90445-09115	C-10	92501-06020	D-13
164-27417-00	D- 4	122-83516-10	D- 8		C- 9	90179-12457	B-11	90445-09282	C- 5	92501-06030	B- 5
3X2-28100-00	C- 2	375-83520-00	D- 8	224-92210-10-87	C- 7	90179-16190	B-11	90445-12297	C- 5	92501-06035	B- 8
517-28315-60	D- 5	437-83525-00	C-15	342-92240-10	D- 5	90179-25051	C- 7	90467-08003	C- 5		B- 9
116-28316-01	D- 5	375-83550-00	D- 8	517-92300-11-87	C- 4	90185-10035	C- 6		C-10	92501-06040	B- 9
116-28317-00	D- 5	375-83550-80	D- 8	342-92450-10-87	C- 8	90201-05034	C- 3	90467-20023	B- 5	92501-06045	B- 8
296-28349-01	D- 5	566-83922-00	D-11	566-92450-10-87	C- 9	90201-06067	D- 5	90468-02033	B- 4		B- 9
4X2-81313-M1	D- 6	566-83923-00	D-11	342-92460-10-87	C- 8	90201-065F3	B- 5	90468-16090	B-11	92501-06050	B- 8
4F4-81910-60	D-13	437-83936-00	D-11	566-92460-10-87	C- 9	90201-07076	C-12	90468-26046	B-10		D- 5
353-81970-63	D-13		D-12	342-92510-10-33	D-13	90201-07081	D- 5	90480-10005	B- 4	92501-06100	B- 9
120-82110-29	D-12	439-83941-02	D-11	342-98030-10-87	D-10	90201-07653	B- 2	90480-12013	D-10	92501-08010	B- 8
517-82121-00	D-12	375-83975-00	D-11	296-98290-10	D-11	90201-08105	C-11	90480-13175	D-13	92701-06030	C- 2
268-82122-00	D-12	17J-83980-00	D-11	296-98790-10	D-11	90201-10140	C- 6	90480-16112	D-10	92901-04100	D- 6
120-82131-00	D-12	566-84110-00	D- 9	296-98820-10	D-11	90201-12190	C- 6	90480-21038	B- 8		D- 6
353-82150-00	D-12	207-84111-00-87	D- 9	90101-06278	C-12	90201-12535	B- 3	90480-34046	C- 5	92901-05100	B- 7
116-82151-00	D-12	207-84112-00	D- 9		C-14	90201-12575	B-15	90501-06611	D- 2		D-12
3E1-82310-M1	D-12	206-84114-60	D- 9	90101-06394	B- 8	90201-20269	C-12	90501-10245	D- 3		D-13
117-82370-20	D-12	207-84115-01	D- 9	90101-08246	D- 3	90202-06010	C-10	90501-10449	B-11	92901-05600	C- 3
512-82370-10	D-12	207-84121-00	D- 9	90101-08538	C- 2	90204-05001	C- 4	90501-13203	B-11		C- 6
4X0-82509-00	D-12	207-84122-00	D- 9	90101-10255	C- 6	90206-19027	B-10	90506-08122	B-15		D-13
375-82510-20	D-12	566-84123-00	D- 9	90105-10006	C- 7	90208-12015	B-11	90506-10184	B-14	92901-06200	D-11
122-82530-01	D-12	207-84155-00	D- 9	90109-06001	B-13	90208-16019	B-11	90506-15260	C-12	92901-06600	C- 3
341-82540-01	D-12	164-84324-00	D- 9	90109-06024	C-11	90209-10021	C- 7		C-14		C- 4
341-82543-00	D-12	18A-84510-00	D-10	90109-08183	C-15	90209-10131	D-11	90506-20041	D- 3		C-15
375-82590-00	D-12	296-84511-00	D-10	90109-08193	D- 4	90209-15178	B-12	90506-25047	D- 3		C-15
375-82590-81	D-12	122-84514-30	D-10	90109-08361	C-14	90209-15179	B-12	90506-29054	D- 3		D- 3
566-82729-00	D-11	296-84521-00	D-10	90116-07035	B- 2	90209-15180	B-12	90508-26136	B-10		D-13
1M3-83310-10	D- 7	296-84523-00	D-10	90119-06017	C- 7	90209-20159	B- 3	90508-26393	C-12	92901-08200	C-15
375-83310-10	D- 7	127-84524-30	D-10	90119-08010	C- 8	90249-04039	B-13	90508-32263	B-15	92901-08600	C-11
152-83311-10	D- 7	517-85111-02	D-13		C- 9	90249-12008	D- 2	90560-12145	C-14		D-10
	D- 7	375-85520-M1	D- 6	90149-04135	B- 4		D- 3	90560-17146	B-11	92901-10100	C- 7
	D- 7	375-85540-M1	D-13	90149-06011	C-10	90256-05001	B-13	91401-20015	D- 3		D- 3
183-83313-70	D- 7	375-85550-M0	D- 6	90149-06157	B- 8	90280-03017	B- 3	91401-20020	C-13	92901-10200	C- 6
	D- 7	4X2-85560-M1	D- 6	90152-05009	C- 7	90282-05005	B-11	91401-30025	C-15	92901-12100	B- 3
	D- 7	4U5-85580-M0	D- 6	90159-05028	D- 9	90338-07043	C- 2	91609-30014	B- 4		D- 3
375-83330-10	D- 7	520-85720-03	D-13	90159-05131	C- 6	90340-12005	B- 8	92501-06008	D-11	92990-03100	B- 5
183-83332-21	D- 7	342-92020-11-87	C-11	90159-06014	C- 4	90387-10264	C-13	92501-06010	D-12	92990-05200	C-10
	D- 7	296-92040-11-87	C-11	90167-03004	D- 2	90387-10277	C-13	92501-06012	B-12		D-11
	D- 7	342-92080-12	D- 5	90170-07237	B- 2	90387-12412	C-15		C- 4		D-13
183-83333-21	D- 7	517-92080-10	D- 3	90170-08201	B- 7	90387-18143	C-15		C- 4	92990-06100	B- 5
517-83350-11	D-13	342-92150-10-87	C- 8	90170-10105	B- 4	90387-20603	B- 3		D-10		B- 5
517-83352-00	D-13		C- 8	90170-12175	B- 3	90401-10029	B- 4		D-12		C- 3
3L5-83354-00	D- 7	342-92160-10-87	C- 8	90170-18165	C-15	90430-04004	B- 4		D-13		C- 4
1W7-83355-00	D-13		C- 8	90171-10004	C-13	90430-12038	B- 8		D-13		C-15
375-83371-10	D-13	342-92170-10	C- 8	90171-12005	C-15	90430-31149	C- 5	92501-06014	B-13		C-15
5J1-83371-10	D-13		C- 9	90176-10013	C- 6	90445-05390	B- 6		C- 3		D- 5
566-83390-10	D-13	517-92170-11	C- 4	90179-06176	D- 2	90445-07036	B- 6		D- 5		D- 5
375-83510-10	D- 8	342-92180-10-33	C- 9		D- 3	90445-08170	D-12		D-13		D-10

NUMERICAL INDEX

PART NO.	GRID NO.	PART NO.	GRID NO.	PART NO.	GRID NO.	PART NO.	GRID NO.	PART NO.	GRID NO.	PART NO.	GRID NO.
92990-06100	D-12	93315-23208	B-13	95301-06600	D-12	98503-04010	D- 6				
	D-13	93320-41202	B-12	95301-06700	C- 4	98511-04012	D- 6				
	D-13	93410-20038	B-12	95301-08600	D- 7	98511-04016	B- 6				
	D-13	93430-03013	B-11		D- 7	98511-04025	D- 6				
	D-13	93430-03014	B-13		D- 9	98701-05016	D- 6				
	D-13	93430-08007	B-13		D-10	99001-07600	B- 4				
92990-08100	B- 7	93430-09019	B-13	95301-08700	C-15	99001-10600	B-13				
	B- 7	93430-12008	D- 3	95301-10600	C- 7		B-15				
	C- 2	93440-15012	B-12	95301-12700	C- 6	99002-09600	B-13				
	C- 3	93450-15023	B- 3		D- 3	99009-15400	B-10				
	C-11	93450-28049	B-12	95302-06600	D-13	99009-19400	B-10				
	C-11	93451-11037	B-11	95701-08100	C- 2	99009-20400	C-12				
	C-15	93501-04011	C- 7	95821-08125	C- 2	99530-10014	B- 9				
	D- 7	93503-16010	C- 7	97301-05016	C-10		B- 9				
	D- 7	93505-08030	B-11	97301-06010	C- 2	99530-12016	B- 8				
	D- 9	93509-32012	B-12	97301-06012	B- 5						
92990-10600	C- 7	93603-08072	B- 4		C- 3						
93101-10090	B- 4	93604-22050	B-13		D-10						
93102-12106	B-15		B-13		D-13						
93102-20143	B-12	93605-18078	B-13	97301-06016	B- 5						
93103-25098	B- 3	93606-14081	B-13	97301-06140	B- 5						
93103-32099	B- 3	93700-06004	D- 3	97301-08012	C- 3						
93104-07003	C-12	94125-17011	C-12	97301-08016	C-10						
93104-11053	B- 9	94125-171E2	C-14		D-10						
93104-21016	C-14	94125-17141	C-12	97301-08018	C-11						
93105-47007	C-12	94125-17259	C-12	97301-08020	B- 7						
93106-20001	C-12		C-14		C-11						
93106-30004	C-14	94225-17082	C-12	97301-08025	D- 9						
93109-15001	B-10		C-14	97311-06020	B-15						
93210-08006	B-13	94327-17079	C-13	97311-06025	B-10						
93210-12327	B- 8		C-15	97321-10020	D- 3						
93210-14104	C-13	94414-17003	C-13	97321-12030	D- 3						
93210-18023	B- 3		C-15	98501-03008	B- 5						
93210-21190	B- 9	94580-52100	C-15	98501-03025	D- 7						
93210-26240	B- 4	94680-52001	C-15		D- 7						
93210-41041	C-14	94701-00039	B- 2	98501-04006	D- 6						
93210-98202	B-11	95301-05600	B- 7	98501-05010	D-12						
93306-00406	C-14		C- 3	98501-05012	C- 3						
93306-20316	B-12		D-11	98501-05016	C- 6						
93306-20401	B-12	95301-06600	B- 5		D-13						
93306-20523	B- 3		C- 3	98501-05018	D-11						
93306-20529	B- 3		C-11	98501-05020	B- 4						
93306-30003	C-12		C-11	98501-05025	B- 6						
93306-30101	C-14		C-12	98501-05030	D-11						
93306-30103	C-14		C-14		D-11						
93310-214F8	B- 3		C-15	98501-05035	B- 4						
93310-21403	B- 3		C-15		D-11						
93310-42012	B- 3		D-10	98503-04010	B- 6						

10

10

10

