

# YAMAHA

## PARTS LIST

MODEL V80

(MODEL CODE 3E5)

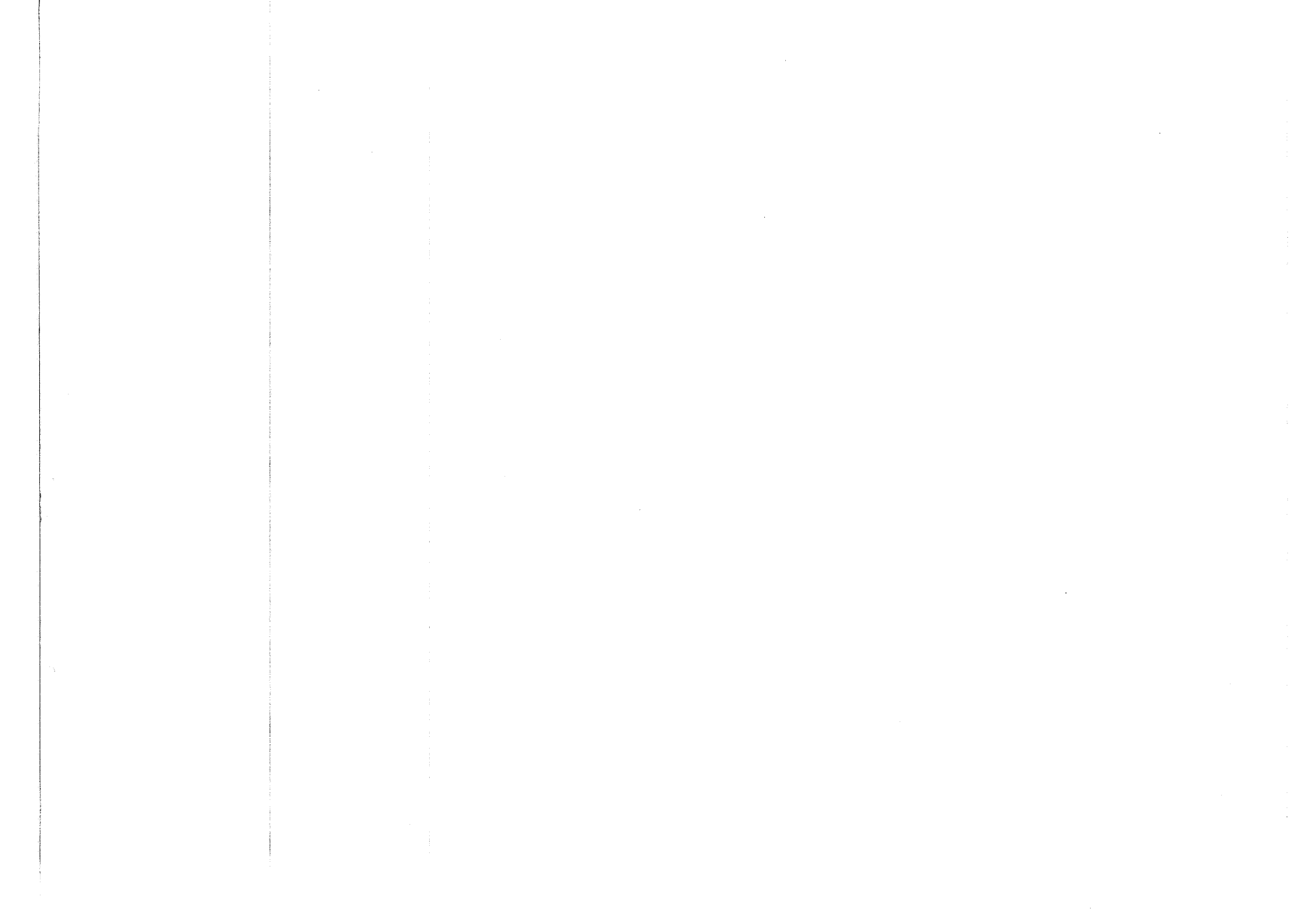
MODEL V80E

(MODEL CODE 3E7)

COPY RIGHT: ALL RIGHTS RESERVED

NO PART OF THIS PUBLICATION MAY BE REPRODUCED WITHOUT PERMISSION.

3E5-28198-05



# FOREWORD

STREET MOO

This Parts List is related to the parts in use for the Yamaha V80/V80E. When you are ordering replacement parts for the V80/V80E, refer to this Parts List and quote both part numbers and part names correctly.

1. Modifications or additions which have been made after issue of the Parts List will be announced in the Yamaha Parts News.

It is advisable that according to the Yamaha Parts News you make necessary corrections to the Parts List on hand to keep it up-to-date.

2. Abbreviations

The following abbreviations are used in this Parts List.

U.R. Use size (thickness) and/or number as required.

U.N. Use as many as you need.

F# Frame No. (Applicable machine No.)

3. Parts, which are to be supplied in the form of assemblies, are listed with an indentation of one letter's space, and a dot (.) is put against the name of each part.

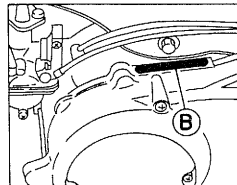
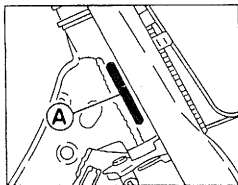
EXAMPLE CARBURETOR ASS'Y

. JET, pilot

. NOZZLE, main

4. Initial Serial No. and Color Code

	V80	V80E
(A) Frame Serial No.	3E5-1100101~	3E7-3000101~
(B) Engine Serial No.	3E5-1100101~	3E7-3000101~



Color Code	Color Name	Color Code	Color Name
33	Yamaha Black	98	Low Gloss Black
35	Silver	V9	New High Sparkle Green
38	Clear Buffing	1H	New High Sparkle Blue
91	Uni-Chrome Plated	71	Mandarin Orange
93	Chrome Plated		

# CONTENTS

## ENGINE

Fig. 1	Cylinder	1
Fig. 2	Crankcase	2
Fig. 3	Crankcase Cover	3
Fig. 4	Crank . Piston	4
Fig. 5	Clutch	6
Fig. 6	Transmission	8
Fig. 7	Shifter 1	9
Fig. 8	Shifter 2	10
Fig. 9	Kick Starter	11
Fig. 10	Intake	12
Fig. 11	Carburetor	13
Fig. 12	Exhaust	15
Fig. 13	Oil Pump	16
Fig. 14	C. D. I. Magneto (V80)	17
Fig. 15	Starter Generator (V80E)	18

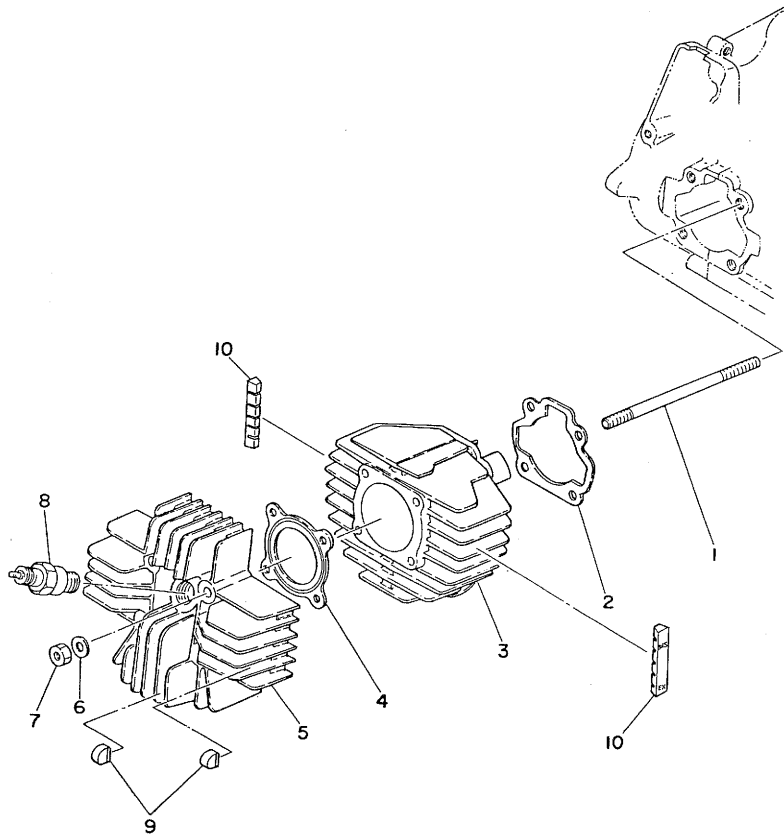
## CHASSIS

Fig. 16	Frame	19
Fig. 17	Side Cover	20
Fig. 18	Front Fender . Rear Fender	22
Fig. 19	Seat 1	23
Fig. 20	Seat 2	24
Fig. 21	Rear Arm . Rear Cushion . Chain Case	25
Fig. 22	Stand . Footrest . Brake Pedal	26
Fig. 23	Front Fork	27
Fig. 24	Front Panel . Steering	28
Fig. 25	Handle . Wire	29
Fig. 26	Lever Holder	30

Fig. 27	Fuel Tank	31
Fig. 28	Oil Tank	32
Fig. 29	Front Wheel	33
Fig. 30	Rear Wheel	35
Fig. 31	Leg Shield	37
Fig. 32	Head Lamp	38
Fig. 33	Speedometer	39
Fig. 34	Flasher Lamp	40
Fig. 35	Tail Lamp	42
Fig. 36	Electrical 1 (V80)	43
Fig. 37	Electrical 2 (V80E)	45

## NUMERICAL INDEX

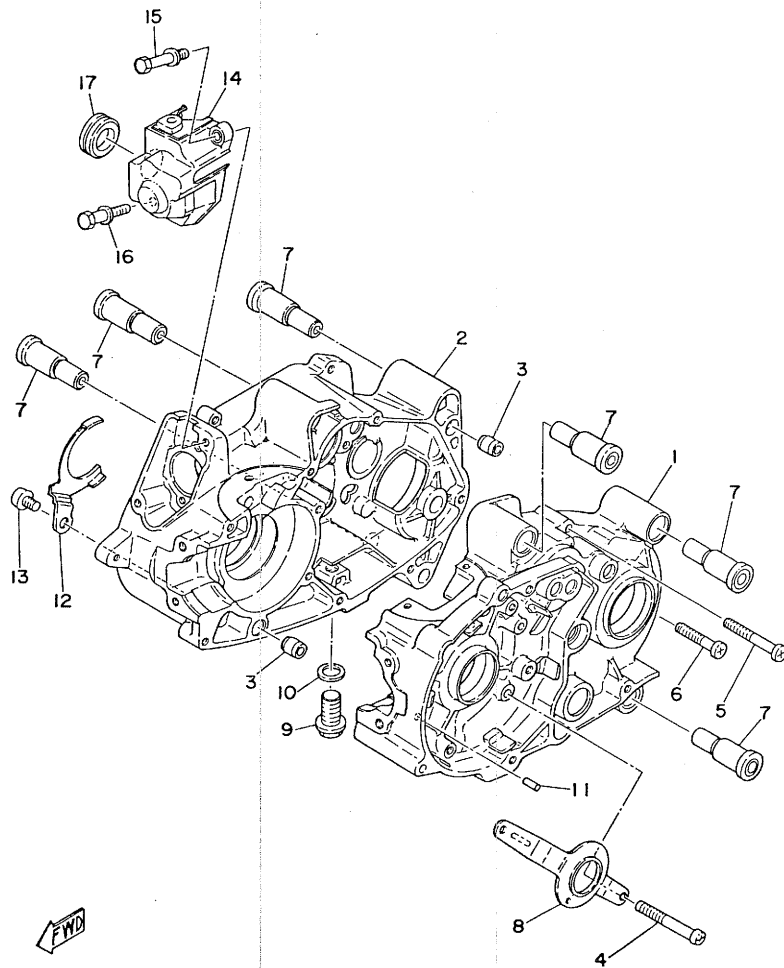
1730 6  
 Fig. 1 CYLINDER



Ref. No.	Part No.	Description	Q'ty	Applicable Machine No.	Remarks
1- 1	✓ 90116-07035	BOLT, stud	4		
2	✓ 300-11351-01	GASKET, cylinder	1		
3	✓ 3E5-11311-00	CYLINDER	1		
4	✓ 1W7-11181-00	GASKET, cylinder head	1		
5	✓ 1W7-11111-00-94	HEAD, cylinder	1		
6	✓ 90201-07653	WASHER, plate	4		
7	✓ 90170-07019	NUT, hexagon	4		
8	✓ <b>BP-6HS</b>	PLUG, spark	1		
9	✓ 463-11161-01	ABSORBER	6		
10	✓ 3E5-11162-00	ABSORBER	2		

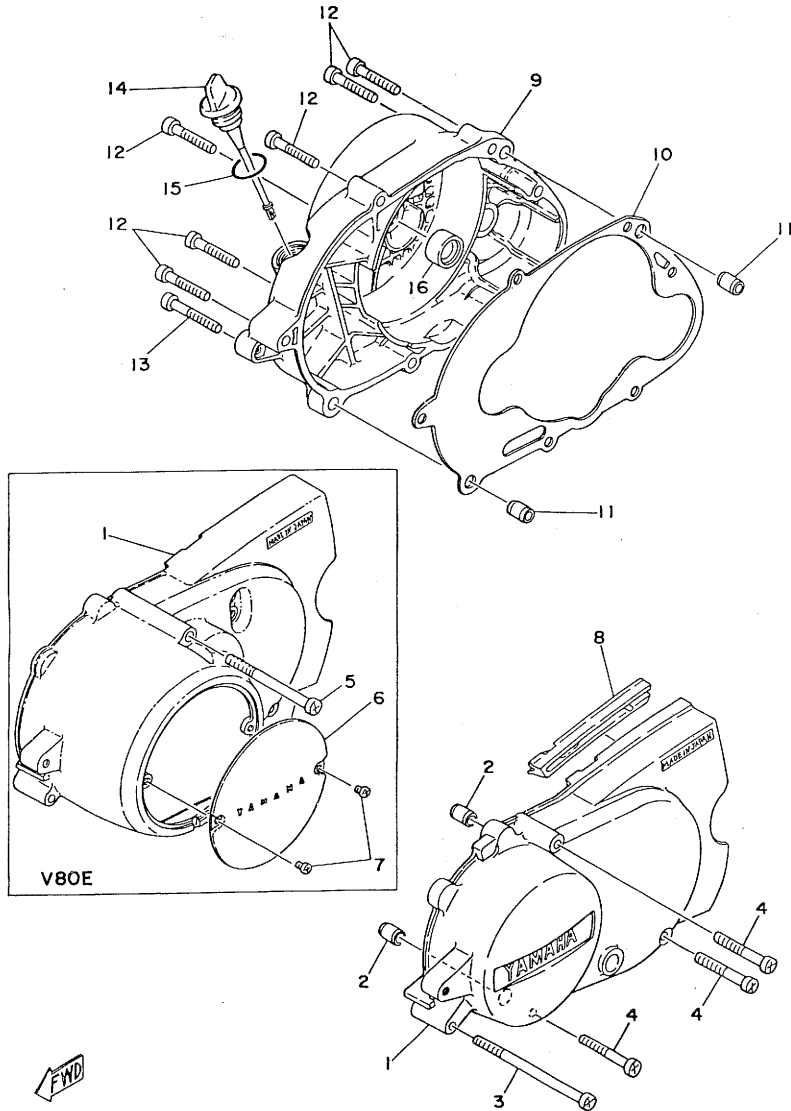
FWD

Fig. 2 CRANKCASE



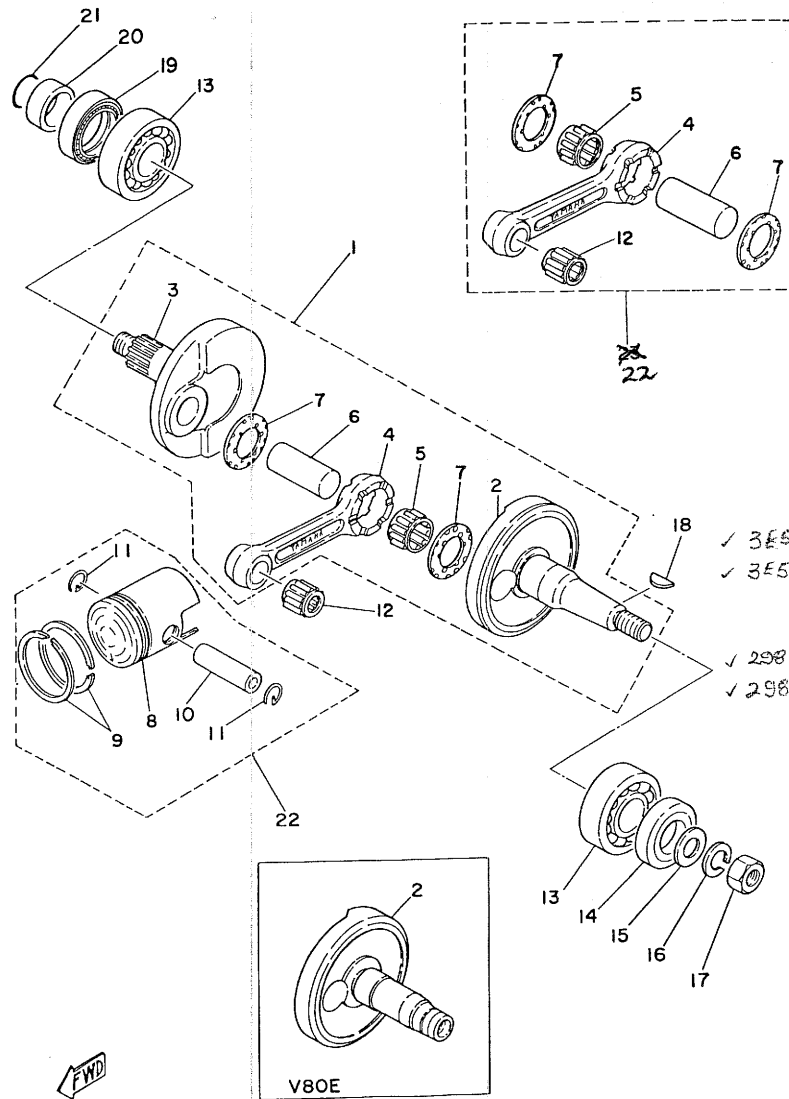
Ref. No.	Part No.	Description	Q'ty	Applicable Machine No.	Remarks
2	✓ 1W7-15111-01	CASE, crank left	1	V80 <del>15111</del>	✓
	✓ 1W7-15121-01	CASE, crank right	1		✓
3	✓ 91830-22016	PIN, dowel	2		✓
4	✓ 92501-06050	SCREW, panhead	6		✓
5	✓ 92501-06045	SCREW, panhead	3		✓
6	✓ 92501-06035	SCREW, panhead	1		✓
7	✓ 296-15316-00	DAMPER, engine mount	6		✓
8	NOT APPLICABLE	HOLDER, left			
9	✓ 90340-12005	PLUG	1		✓
10	✓ 90430-12038	GASKET	1		✓
11	NOT APPLICABLE	PIN, dowel			
12	✓ 300-15128-00	HOLDER, right	1		✓
13	✓ 92501-08010	SCREW, panhead	1		✓
14	✓ 517-15416-00	COVER, oil pump	1		✓
15	✓ 90101-06393	BOLT, hexagon	1		✓
16	✓ 90101-06394	BOLT, hexagon	1		✓
17	✓ 90480-21038	GROMMET	1		✓

Fig. 3 CRANKCASE COVER



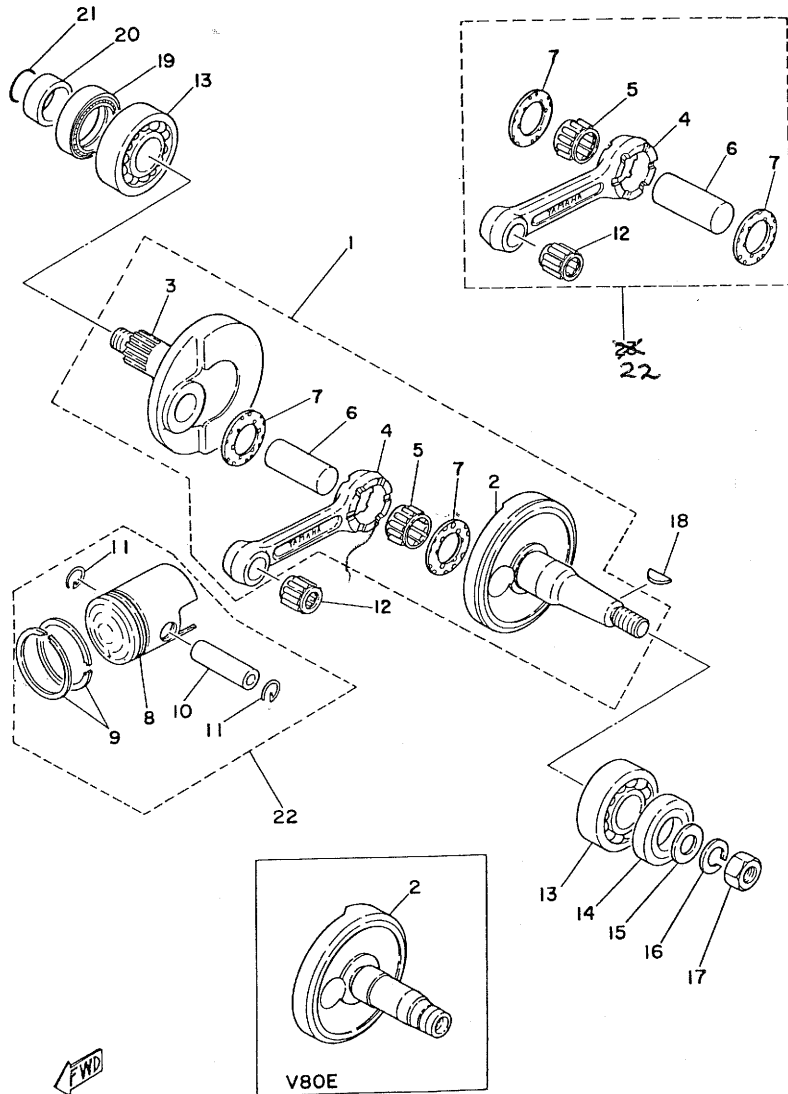
Ref. No.	Part No.	Description	Q'ty	Applicable Machine No.	Remarks
9-	1	✓ 2N8-15411-00	COVER, crankcase left	1	
2	✓ 91830-21014	PIN, dowel	2	#	
3	✓ 92501-06100	SCREW, panhead	1	#	
4	✓ 92501-06045	SCREW, panhead	3	#	
5	NOT APPLICABLE	SCREW, panhead			
6	NOT APPLICABLE	COVER, generator			
7	NOT APPLICABLE	SCREW, panhead			
8	✓ 1W7-15492-00	COVER	1	#	
9	✓ 517-15421-01	COVER, crankcase right	1	#	
10	✓ 517-15451-01	GASKET, crankcase cover	1	#	
11	✓ 91830-21014	PIN, dowel	2	#	
12	✓ 92501-06035	SCREW, panhead	6	#	
13	✓ 92501-06040	SCREW, panhead	1	#	
14	✓ 517-15362-01	PLUG, oil level	1	#	
15	✓ 93210-21190	O-RING	1	#	
16	✓ 93104-11053	OIL SEAL (SO-10.4-20-9)	1	#	

Fig. 4 CRANK PISTON



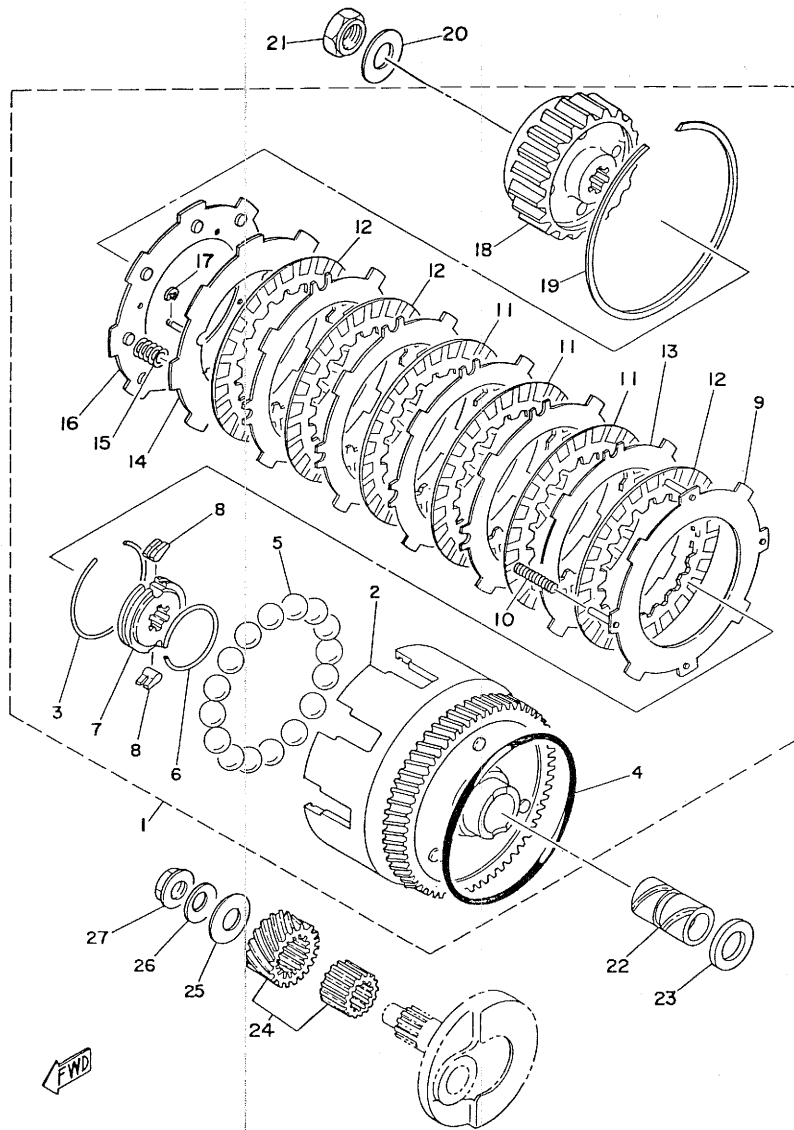
Ref. No.	Part No.	Description	Q'ty	Applicable Machine No.	Remarks
4-1	✓ 1W7-11400-01	CRANK ASS'Y	1		
2	✓ 1W7-11412-01	. CRANK, left	1		
3	✓ 1W7-11422-01	. CRANK, right	1		
4	✓ 1W7-11651-00	. ROD, connecting	1		
5	✓ 93310-420F2	. BEARING, con-rod big end	1		
6	✓ 174-11681-00	. PIN, crank	1		
7	✓ 90209-20159	. WASHER	2		
8	✓ 3E5-11631-00-98	PISTON STD	1		
	✓ 3E5-11635-00	PISTON (1ST O.S.)	1		
	✓ 3E5-11637-00	PISTON (2ND O.S.)	1		← ADD IN 3RD & 4TH O.S.
	✓ 3E5-11638-00		1		
9	✓ 298-11610-00	PISTON RING SET (STD)	1		
	✓ 298-11610-10	PISTON RING SET (1st O.S.)	1		
	✓ 298-11610-30	PISTON RING SET (2nd O.S.)	1		← ADD IN 3RD & 4TH O.S.
10	✓ 298-11610-40		1		
10	✓ 527-11633-00	PIN, piston	1		
11	✓ 93450-13022	CIRCLIP	2		
12	✓ 93310-11268	BEARING, con-rod small end	1		
13	✓ 93306-20517	BEARING (B6205)	2		
14	✓ 93103-25098	OIL SEAL (SW-25-40-8)	1		
15	✓ 92901-12600	WASHER, plate	1		
16	✓ 92901-12100	WASHER, spring	1		
17	✓ 90170-12215	NUT, hexagon	1		
18	✓ 90280-03017	KEY, woodruff	1		
19	✓ 93103-32099	OIL SEAL (SW-32-44-8)	1		
20	✓ 90387-20603	COLLAR	1		
21	✓ 93210-18023	O-RING	1		
22	✓ 1W7-11650-00	CON ROD ASSY	1		

Fig. 4 CRANK · PISTON



Ref. No.	Part No.	Description	Q'ty	Applicable Machine No.	Remarks
<b>ALTERNATE PARTS</b>					
4-22	3E5-11630-00	PISTON ASS'Y (STD)	1	1	Ref. No. 8, 9, 10, 11
	3E5-11630-10	PISTON ASS'Y (1st O.S)	1	1	
	3E5-11630-20	PISTON ASS'Y (2nd O.S)	1	1	
V-23	1W7-11650-00	CONNECTING ROD ASS'Y	1	1	Ref. No. 4, 5, 6, 7, 12

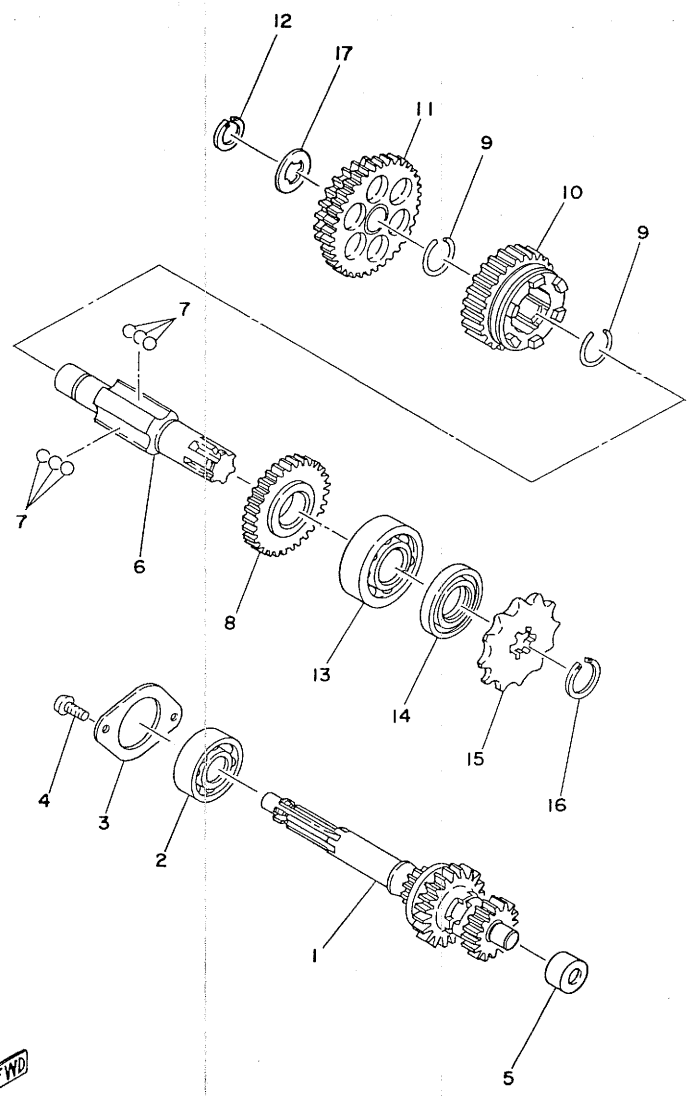
Fig. 5 CLUTCH S



Ref. No.	Part No.	Description	Q'ty V80 V80P	Applicable Machine No.	Remarks
5- 1	✓ 3E5-16300-00	CLUTCH ASS'Y	1	#	
2	✓ 3E5-16150-00-20	. PRIMARY DRIVEN GEAR COMP. (66T)B	1	#	
	✓ 3E5-16150-00-30	. PRIMARY DRIVEN GEAR COMP. (66T)C	1	#	
	✓ 3E5-16150-00-40	. PRIMARY DRIVEN GEAR COMP. (66T)D	1	#	
3	✓ 90468-16090	. . CIRCLIP	1	#	
4	✓ 93210-98202	. O-RING	1	#	
5	✓ 5/8 INCH	. BALL	16	#	
6	✓ 2T4-15637-00	. SPRING, pawl	1	#	
7	✓ 517-16180-00	. BOSS, one way	1	#	
8	✓ 384-15635-00	. PAWL, one way	2	#	
9	✓ 527-16520-10	. PLATE, thrust weight	1	#	
10	✓ 90501-10449	. SPRING, compression	4	#	
11	✓ 3E5-16521-00	. PLATE, friction	3	#	
12	✓ 116-16521-00	. PLATE, friction	3	#	
13	✓ 517-16524-10	. PLATE, clutch 1 (1.2t)	5	u.r.	
	✓ 517-16524-20	. PLATE, clutch 2 (1.4t)	5	u.r.	
	✓ 517-16524-30	. PLATE, clutch 3 (1.6t)	5	u.r.	
14	✓ 517-16551-91	. PLATE, pressure 1	1	#	
15	✓ 90501-12088	. SPRING	8	#	
16	✓ 517-16561-01	. PLATE, pressure 2	1	#	
17	✓ 93430-03013	. CIRCLIP	4	#	
18	✓ 527-16571-00	. BOSS, clutch	1	#	
19	✓ 93451-11037	. CIRCLIP	1	#	
20	✓ 90208-16019	WASHER	1	#	
21	✓ 90179-16190	NUT, hexagon	1	#	
22	✓ 90560-17124	SPACER	1	#	
23	✓ 122-16164-00	PLATE, thrust	1	#	



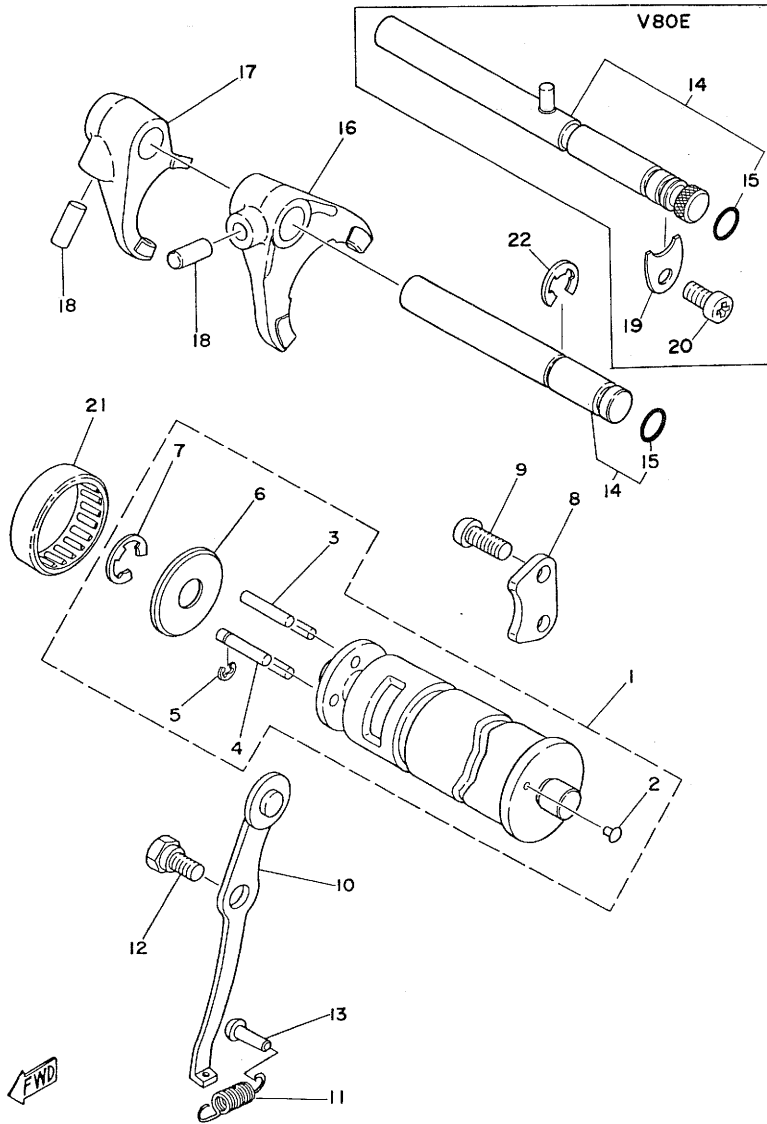
Fig. 6 TRANSMISSION 8



FWD

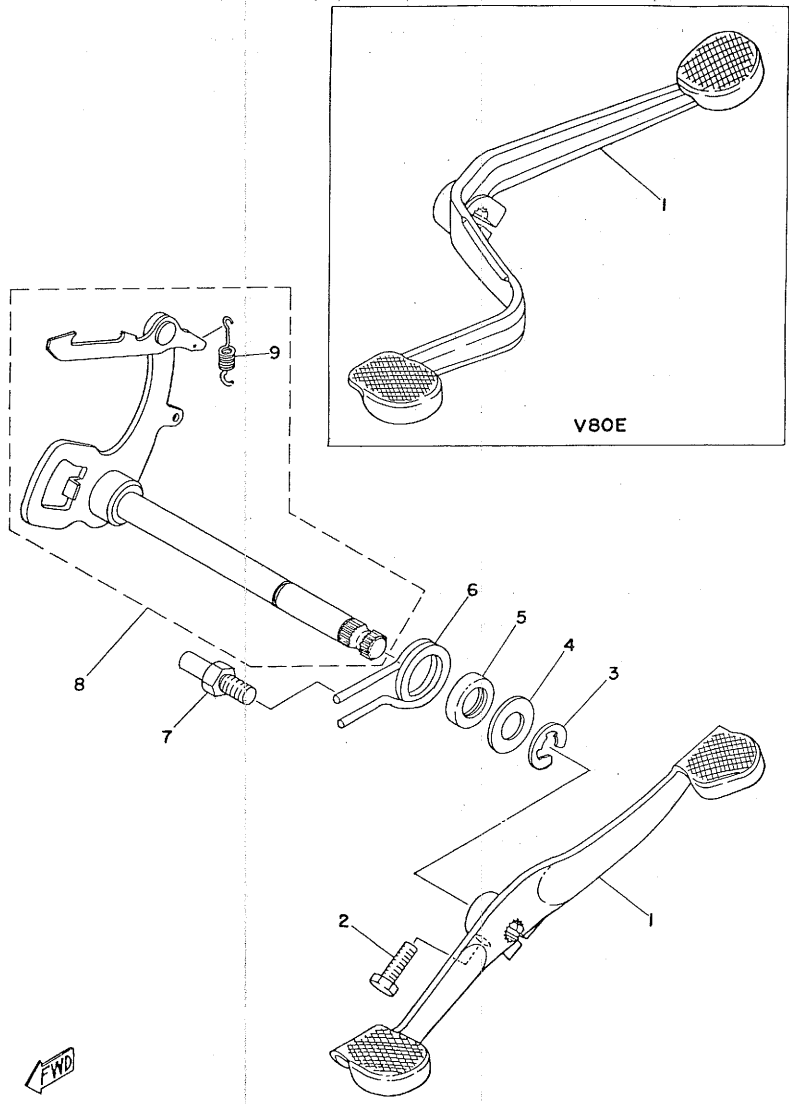
Ref. No.	Part No.	Description	Q'ty	Applicable Machine No.	Remarks
6-1	✓ 1W7-17410-00	MAIN AXLE COMP.	1		
2	✓ 93306-20316	BEARING	1		
3	✓ 296-17471-00	PLATE, bearing cover	1		
4	✓ 92501-06012	SCREW, panhead	2		
5	✓ 93320-41202	BEARING	1		
6	✓ 1W7-17421-10	AXLE, drive	1		
7	✓ 9/32 INCH	BALL	9		
8	✓ 1W7-17221-20	GEAR, 2nd wheel (29T)	1		
9	✓ 93450-28049	CIRCLIP	2		
10	✓ 1W7-17231-21	GEAR, 3rd wheel (24T)	1		
11	✓ 1W7-17211-12	GEAR, 1st wheel (39T/26T)	1		
12	✓ 93440-15012	CIRCLIP	1		
13	✓ 93306-20401	BEARING (B6204)	1		
14	✓ 93102-20143	OIL SEAL (SD-20-38-5)	1		
15	✓ 517-17461-21	SPROCKET, drive (12T)	1		
	✓ 517-17461-31	SPROCKET, drive (13T)	1		STD
	✓ 517-17461-41	SPROCKET, drive (14T)	1		
16	✓ 93410-20038	CIRCLIP	1		
17	✓ 90209-15178	WASHER, plate (0.6t)	1		
	✓ 90209-15179	WASHER, plate (0.8t)	1		STD
	✓ 90209-15180	WASHER, plate (1.0t)	1		

Fig. 7 SHIFTER 1



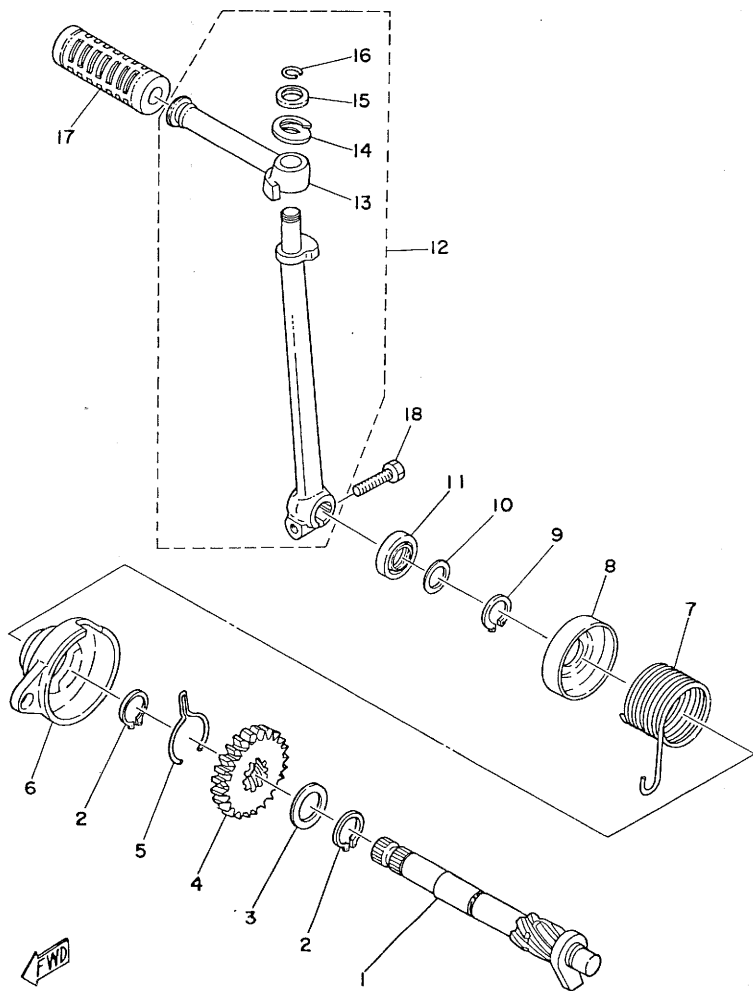
Ref. No.	Part No.	Description	Q'ty	Applicable Machine No.	Remarks
7- 1	✓ 2N8-18540-00	SHIFT CAM ASS'Y	1		
2	✓ 136-18542-00	. POINT, neutral	1		
3	✓ 93604-22050	. PIN, dowel	3		
4	✓ 90249-04039	. PIN	1		
5	✓ 93430-03014	. CIRCLIP	1		
6	✓ 296-18561-00	. PLATE, side	1		
7	✓ 93430-09019	. CIRCLIP	1		
8	✓ 296-18562-01	PLATE, stopper	1		
9	✓ 92501-06015	SCREW, panhead	2		
10	✓ 296-18140-02	STOPPER LEVER ASS'Y	1		
11	✓ 90506-10184	SPRING, tension	1		
12	✓ 90109-06001	BOLT	1		
13	✓ 132-16346-00	HOOK, spring	1		
14	✓ 2N8-18531-00	BAR, shift fork guide	1		
15	✓ 93210-08006	. O-RING	1		
16	✓ 1W7-18511-01	FORK, shift 1	1		
17	✓ 1W7-18512-02	FORK, shift 2	1		
18	✓ 93606-14081	PIN, dowel	2		
19	NOT APPLICABLE	STOPPER			
20	NOT APPLICABLE	SCREW, panhead			
21	✓ 93315-23208	BEARING	1		
22	✓ 93430-10016	CIRCLIP	1		

Fig. 8 SHIFTER 2 7



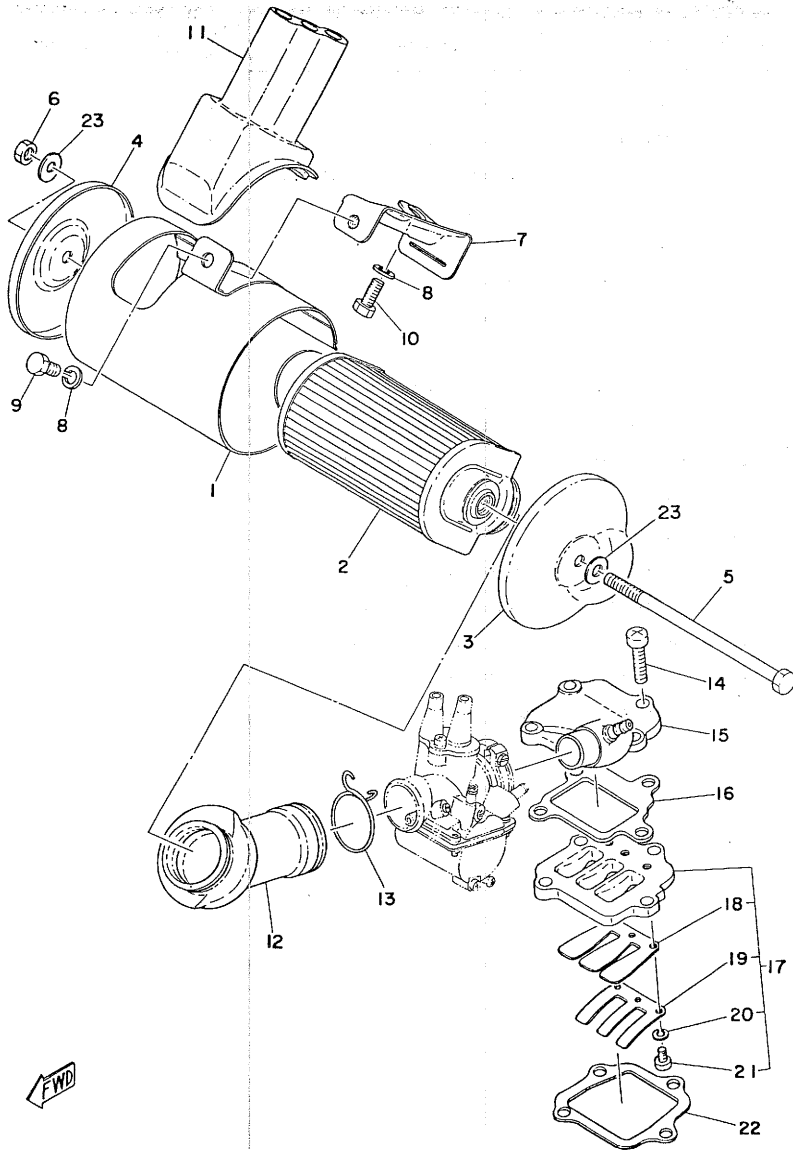
Ref. No.	Part No.	Description	Q'ty V80 V85	Applicable Machine No.	Remarks
8- 1	✓ 3E1-18111-00	PEDAL, change	1		
2	✓ 97321-06020	BOLT, hexagon	1		
3	✓ 93430-10016	CIRCLIP	1		
4	✓ 90201-12575	WASHER, plate	1		
5	✓ 93101-12004	OIL SEAL (S-12-2Z-5)	1		
6	✓ 90508-32263	SPRING, torsion	1		
7	✓ 278-18127-00	STOPPER, screw	1		
8	✓ 3E1-18101-00	CHANGE SHAFT ASS'Y	1		
9	✓ 90506-08122	SPRING, tension	1		

Fig. 9 KICK STARTER



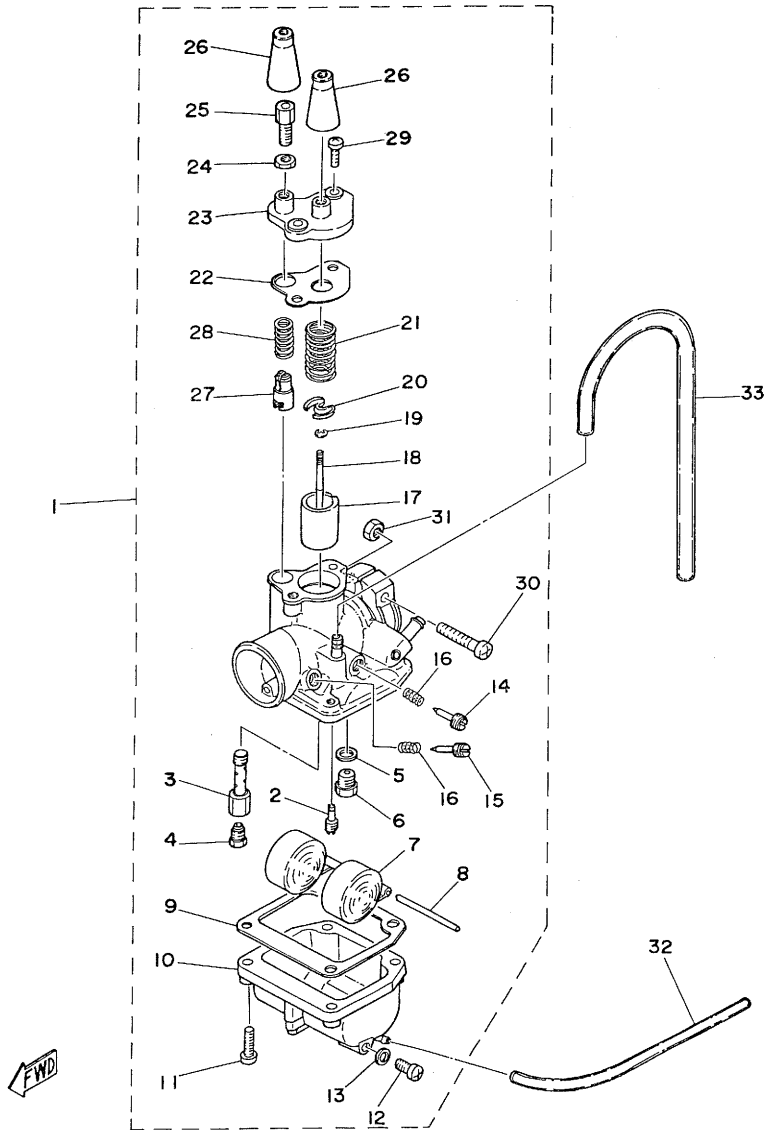
Ref. No.	Part No.	Description	Q'ty	Applicable Machine No.	Remarks
9- 1	✓ 3E5-15660-00	KICK AXLE ASS'Y	1		
2	✓ 93410-20009	CIRCLIP	2		
3	✓ 90201-20266	WASHER, plate	1		
4	✓ 3E5-15641-00	GEAR, kick	1		
5	✓ 90468-23093	CLIP	1		
6	✓ 3E5-15664-00	GUIDE, kick spring	1		
7	✓ 90508-26136	SPRING, torsion	1		
8	✓ 3E5-15676-00	COVER, kick spring	1		
9	✓ 93410-17008	CIRCLIP	1		
10	✓ 90201-15701	WASHER, plate	1		
11	✓ 93109-15001	OIL SEAL (SDO-15-26-6)	1		
12	✓ 517-15610-01	KICK CRANK ASS'Y	1		
13	NOT FOR SALE	. LEVER, kick	1		
14	✓ 90504-18005	. SPRING	1		
15	✓ 90209-10108	. WASHER	1		
16	✓ 93440-10028	. CIRCLIP	1		
17	✓ 156-15618-01	COVER, kick lever	1		
18	✓ 97311-06025	BOLT, hexagon	1		

Fig. 10 INTAKE



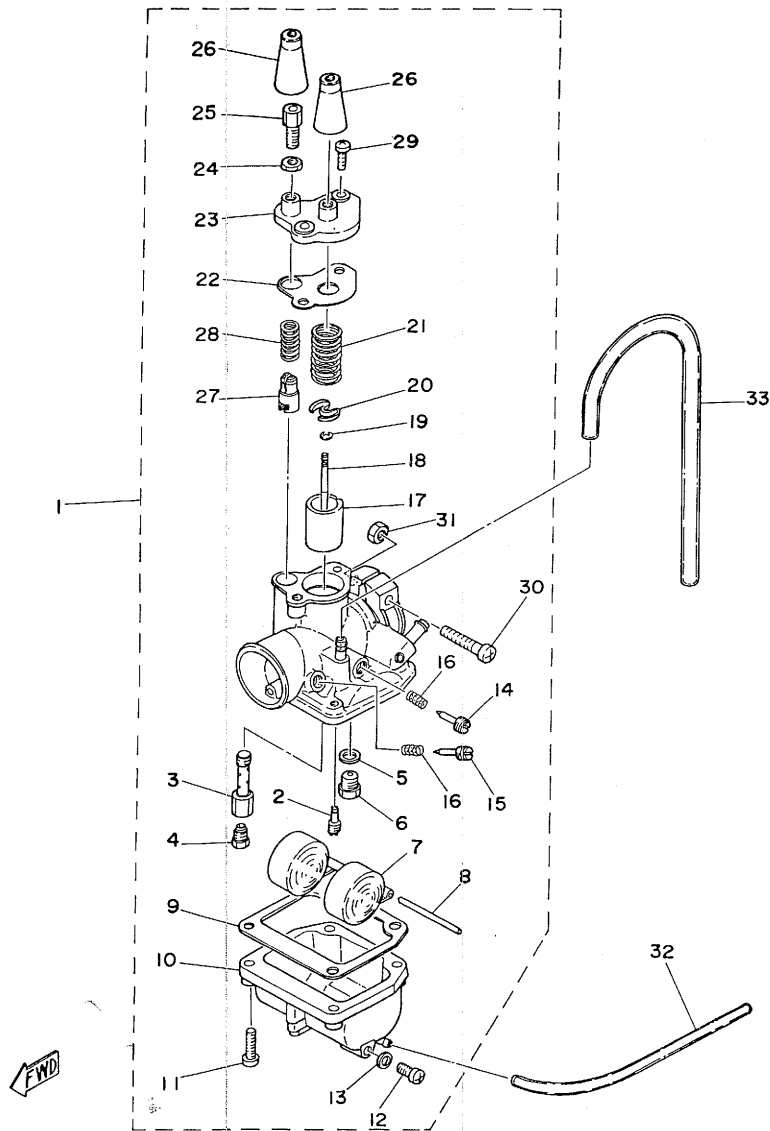
Ref. No.	Part No.	Description	Q'ty	Applicable Machine No.	Remarks
10- 1	✓ 296-14411-00	CASE, air cleaner	1		
2	✓ 296-14451-00	ELEMENT, air cleaner	1		
3	✓ 296-14422-00	CAP, cleaner case 2	1		
4	✓ 296-14412-01	CAP, cleaner case 1	1		
5	✓ 97301-06140	BOLT, hexagon	1		
6	✓ 95301-06600	NUT, hexagon	1		
7	✓ 296-14413-00	STAY, air cleaner	1		
8	✓ 92901-06100	WASHER, spring	3		
9	✓ 97301-06012	BOLT, hexagon	1		
10	✓ 97301-06016	BOLT, hexagon	2		
11	✓ 296-14454-00	JOINT, suction pipe	1		
12	✓ 298-14453-01	JOINT, air cleaner	1		
13	✓ 90467-20023	CLIP	1		
14	✓ 92501-06030	SCREW, panhead	4		
15	✓ 300-13555-03	JOINT	1		
16	✓ 300-13622-02	GASKET, upper	1		
17	✓ 300-13610-00	REED VALVE ASS'Y	1		
18	✓ 300-13613-01	. VALVE, reed	1		
19	✓ 300-13616-00	. STOPPER, reed valve	1		
20	✓ 92901-03100	. WASHER, spring	3		
21	✓ 98512-03008	. SCREW, panhead	3		
22	✓ 300-13621-01	GASKET, lower	1		
23	✓ 90201-06557	WASHER, plate	2		

Fig. 11 CARBURETOR 7



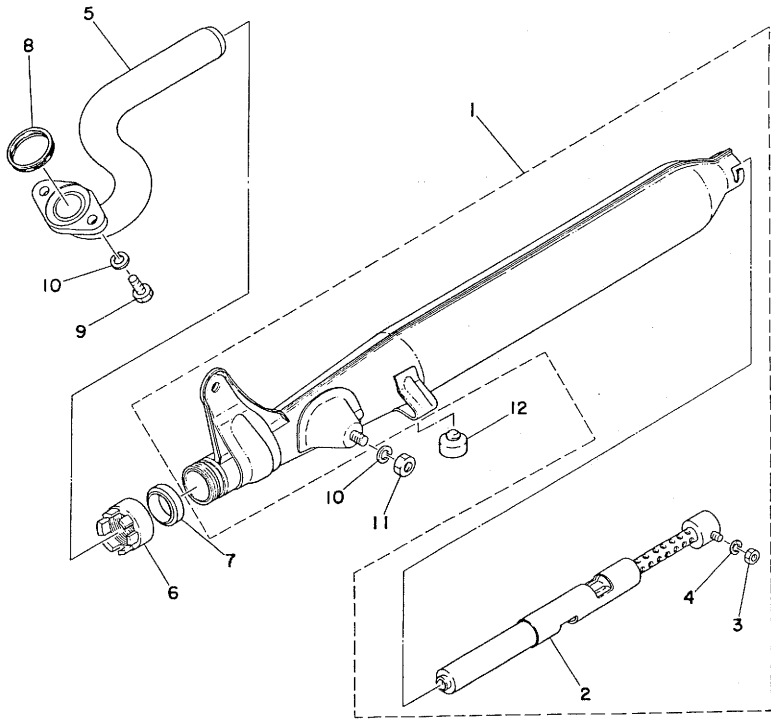
Ref. No.	Part No.	Description	Q'ty	Applicable Machine No.	Remarks
11- 1	✓ 3E5-14101-00	CARBURETOR ASS'Y	1		
2	✓ 193-14142-15	. JET, pilot (#15)	1		
3	✓ 127-14141-14	. NOZZLE, main (E-4)	1		
4	✓ 127-14143-19	. JET, main (#95)	1	u. r.	
	✓ 127-14143-20	. JET, main (#100)	1	u. r.	STD: High Land
	✓ 127-14143-21	. JET, main (#105)	1	u. r.	
	✓ 127-14143-22	. JET, main (#110)	1	u. r.	STD
	✓ 127-14143-23	. JET, main (#115)	1	u. r.	
5	✓ 127-14195-00	. WASHER, valve seat	1		
6	✓ 517-14190-12	. VALVE SEAT ASS'Y (#1.2)	1		
7	✓ 2E9-14185-00	. FLOAT	1		
8	✓ 127-14186-00	. PIN, float	1		
9	✓ 296-14184-01	. GASKET, float chamber	1		
10	✓ 296-14181-06	. BODY, float chamber (#30)	1		
11	✓ 98501-04016	. SCREW, panhead	4		
12	✓ 98501-05008	. SCREW, panhead	1		
13	✓ 296-14117-00	. WASHER, plug screw	1		
14	✓ 102-14122-00	. SCREW, throttle	1		
15	✓ 353-14123-00	. SCREW, air adjusting	1		
16	✓ 127-14134-00	. SPRING, air adjusting	2		
17	✓ 296-14112-25	. VALVE, throttle (C.A 2.5)	1		
18	✓ 2V9-14116-03	. NEEDLE (3E3-3)	1		
19	✓ 127-14137-00	. CLIP	1		
20	✓ 296-14136-00	. SEAT, spring	1		
21	✓ 296-14131-00	. SPRING, throttle valve	1		
22	✓ 296-14198-01	. GASKET, mixing chamber	1		
23	✓ 3E1-14158-00	. TOP, mixing chamber	1		
24	✓ 802-14161-00	. NUT, wire adjusting	1		

Fig. 11 CARBURETOR



Ref. No.	Part No.	Description	Q'ty	Applicable Machine No.	Remarks
11-25	✓ 127-14124-23	. SCREW, wire adjusting	1	✓	
26	✓ 307-14169-10	. CAP	2	✓	
27	✓ 127-14171-00	. PLUNGER, starter	1	✓	
28	✓ 127-14135-00	. SPRING, plunger	1	✓	
29	✓ 98503-04010	. SCREW, panhead	2	✓	
30	✓ 98501-05025	. SCREW, body fitting	1	✓	
31	✓ 95301-05600	. NUT, holding	1	✓	
32	PURCHASE LOCALLY	HOSE	1	✓	
33	PURCHASE LOCALLY	HOSE	1	✓	

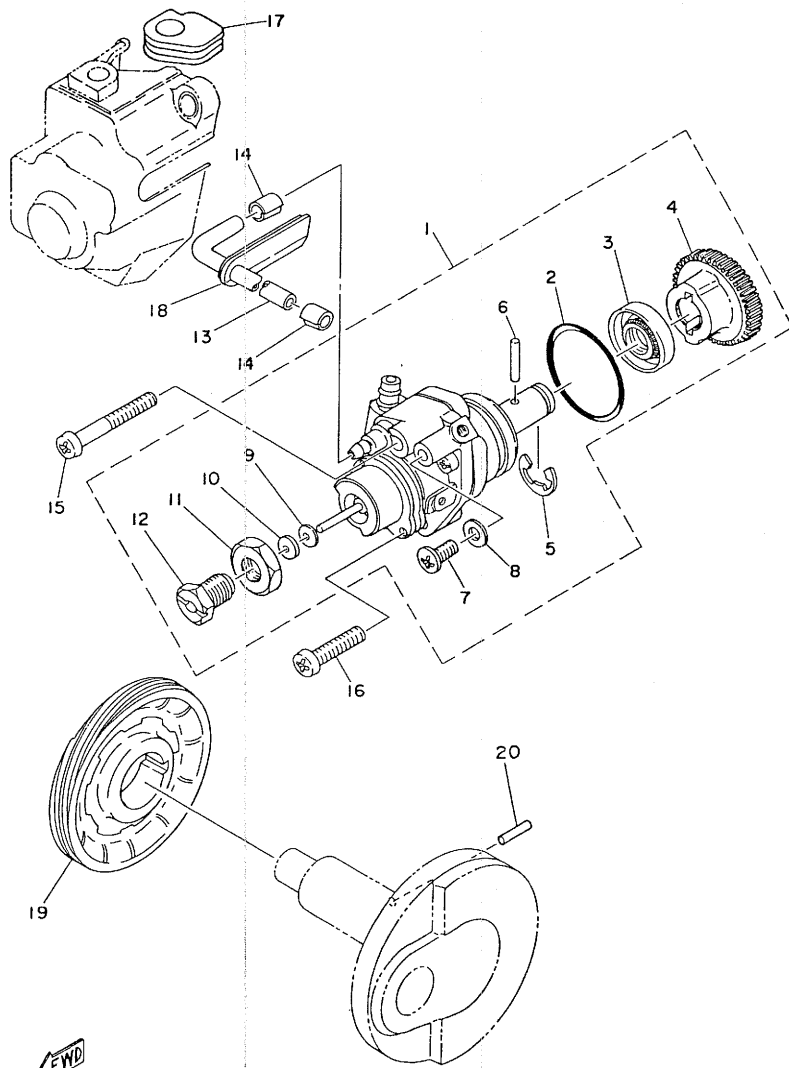
Fig. 12 EXHAUST/ 6



Ref. No.	Part No.	Description	Q'ty	Applicable Machine No.	Remarks
12- 1	✓ 3E1-14710-00	MUFFLER ASS'Y	1		
2	✓ 2W9-14753-00	. SILENCER	1		
3	✓ 95301-05600	. NUT, hexagon	1		
4	✓ 92901-05100	. WASHER, spring	1		
5	✓ 1W7-14611-01	PIPE, exhaust	1		
6	✓ 109-14713-00	NUT, muffler joint	1		
7	✓ 3E1-14714-00	GASKET, muffler joint	1		
8	✓ 132-14613-00	GASKET, exhaust	1		
9	✓ 97301-08020	BOLT, hexagon	2		
10	✓ 92901-08100	WASHER, spring	3		
11	✓ 90170-08201	NUT, hexagon	1		
12	✓ 116-27114-00	STOPPER, main stand	1		

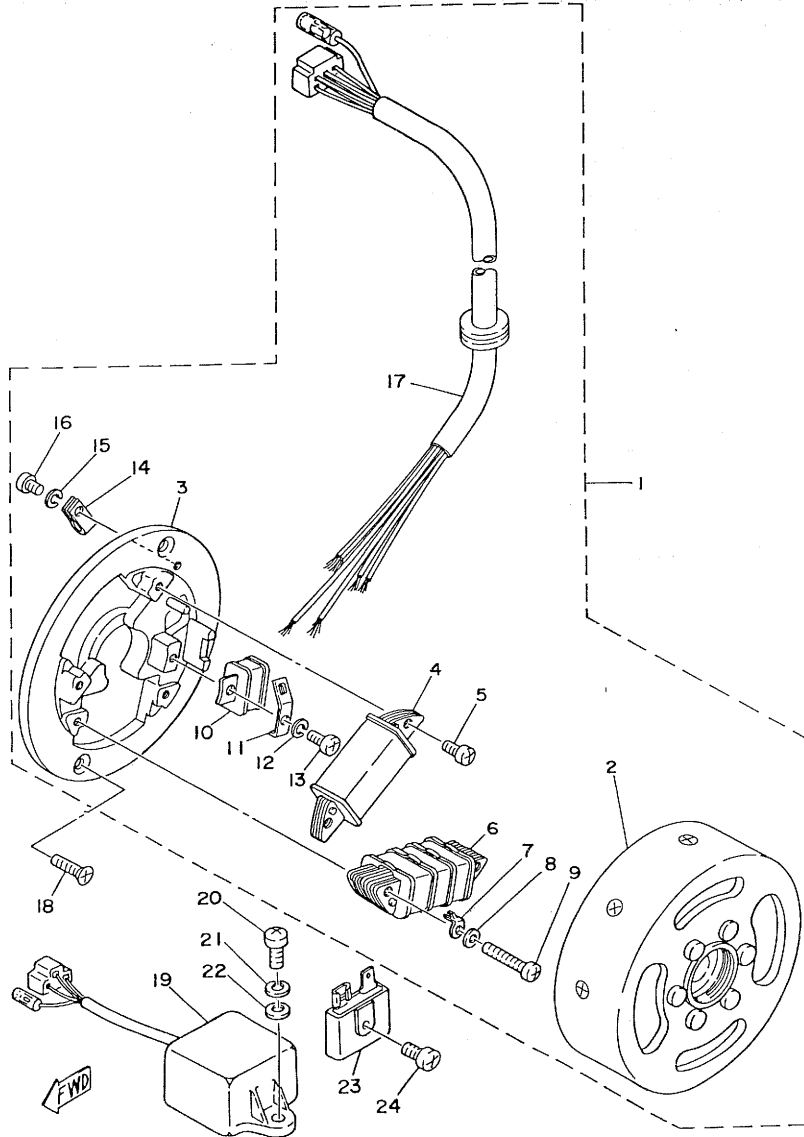
FWD

Fig. 13 OIL PUMP



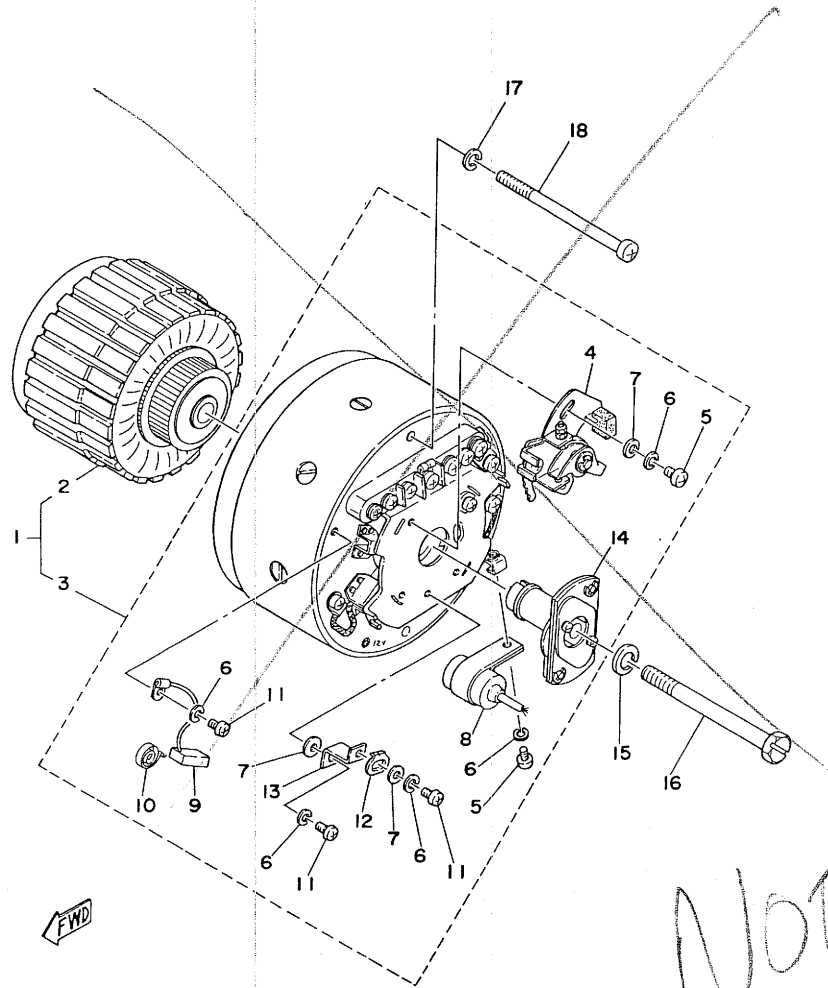
Ref. No.	Part No.	Description	Q'ty	Applicable Machine No.	Remarks
13-	1	✓ 3E5-13101-00	1		油
	2	✓ 93210-26240	1		垫
	3	✓ 93101-10001	1		垫
	4	✓ 2T5-13124-00	1		轴
	5	✓ 93430-07012	1		垫
	6	✓ 93603-14026	1		垫
	7	✓ 98901-04008	1		垫
	8	✓ 90430-04004	1		垫
	9	✓ 296-13147-00	1		垫
	10	✓ 384-13138-00	1		垫
	11	✓ 90170-10105	1		F
	12	✓ 90401-10029	1		垫
	13	✓ 384-13161-02	1		垫
	14	✓ 90468-02033	2		垫
	15	✓ 98501-05035	1		垫
	16	✓ 98501-05020	1		垫
	17	✓ 384-13174-00	1		垫
	18	✓ 90480-10005	1		垫
	19	✓ 2W9-13178-00	1		垫
	20	✓ 93603-08072	1		垫

Fig. 14 C. D. I. MAGNETO



Ref. No.	Part No.	Description	Q'ty	Applicable Machine No.	Remarks
14	1	✓ 3E5-85500-M0	1		C.D.I. MAGNETO ASS'Y
2	✓ 3E5-85550-M0	. ROTOR ASS'Y	1		
3	✓ 3E5-85561-M0	. BASE, magneto	1		
4	✓ 2T4-85520-M1	. COIL, source	1		
5	✓ 98501-04012	. SCREW, panhead	2		
6	✓ 3E1-81313-M0	. COIL, lighting	1		
7	✓ 2T4-85569-M1	. TERMINAL, earth 2	1		
8	✓ 92901-04600	. WASHER, plate	2		
9	✓ 98501-04025	. SCREW, panhead	2		
10	✓ 3E1-85580-M0	. COIL, pulser	1		
11	✓ 2T4-85568-M1	. TERMINAL, earth 1	1		
12	✓ 92901-04100	. WASHER, spring	1		
13	✓ 98503-04010	. SCREW, panhead	1		
14	✓ 90461-05036	. CLAMP	1		
15	✓ 92901-04100	. WASHER, spring	1		
16	✓ 98501-04006	. SCREW, panhead	1		
17	✓ 3E1-8131X-M1	. LEAD WIRE ASS'Y	1		
18	✓ 98701-05015	SCREW, flathead	2		
19	✓ 2E9-85540-M0	C.D.I. UNIT ASS'Y	1		
20	✓ 92501-06020	SCREW, panhead	1		
21	✓ 92901-06100	WASHER, spring	1		
22	✓ 92901-06600	WASHER, plate	1		
23	✓ 296-81970-62	RECTIFIER ASS'Y	1		
24	✓ 92501-06010	SCREW, panhead	1		

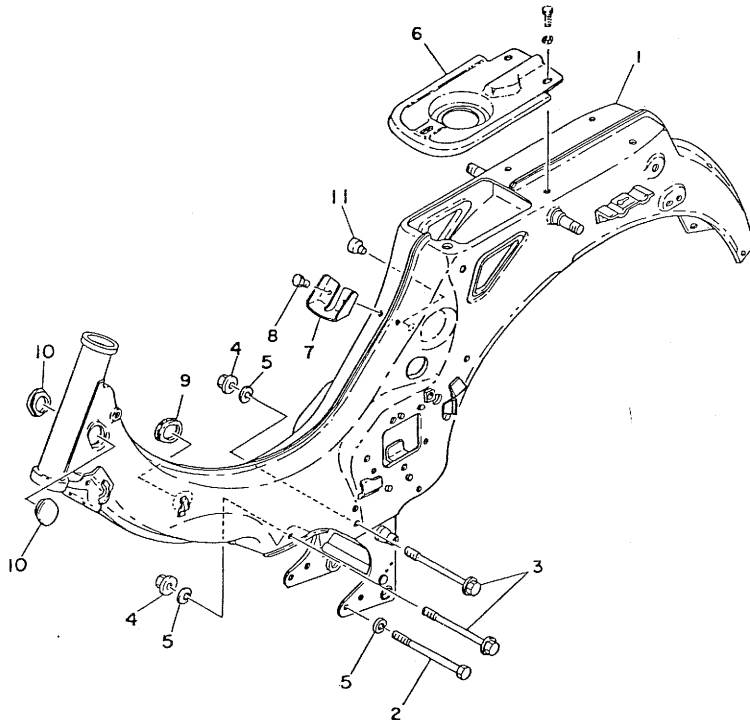
Fig. 15 STARTER GENERATOR (V80E)



Ref. No.	Part No.	Description	Q'ty		Applicable Machine No.	Remarks
			V80	V80E		
15-1	320-81100-11	STARTER GENERATOR ASS'Y	1			
2	320-81150-10	. ARMATURE	1			
3	320-81110-10	. STARTOR ASS'Y	1			
4	183-81421-10	. . CONTACT BREAKER ASS'Y	1			
5	98501-04008	. . SCREW, panhead	4			
6	92901-04100	. . WASHER, spring	8			
7	92901-04200	. . WASHER, plain	5			
8	148-81126-10	. . CONDENSER	1			
9	101-81111-10	. . BRUSH	2			
10	141-81113-10	. . SPRING, brush	2			
11	98501-04006	. . SCREW, panhead	4			
12	132-81232-10	. . PLATE, timing	1			
13	299-81133-10	. . FIXTURE, timing plate	1			
14	299-81153-11	. . GOVERNER ASS'Y	1			
15	92901-05100	WASHER, spring	1			
16	90143-07021	SCREW	1			
17	92901-05100	WASHER, spring	2			
18	98501-05085	SCREW, panhead	2			

NOT FOR S.A.  
NIE SA NIE

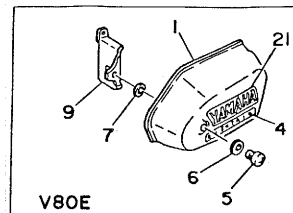
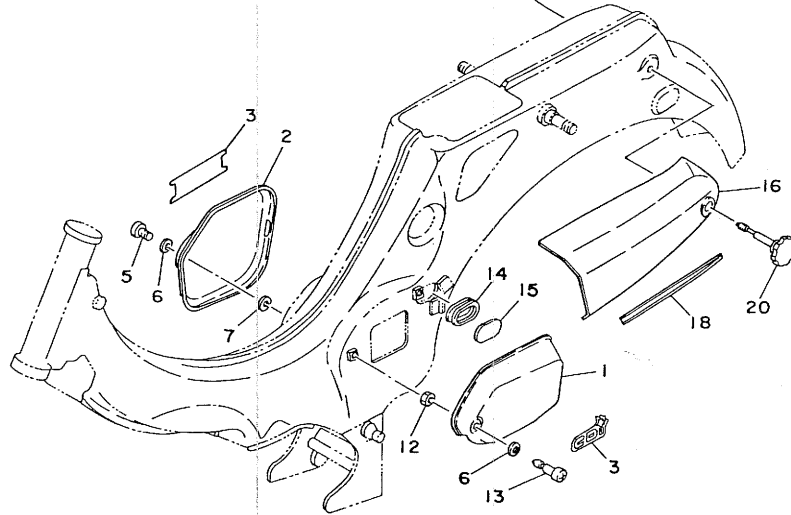
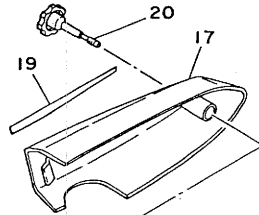
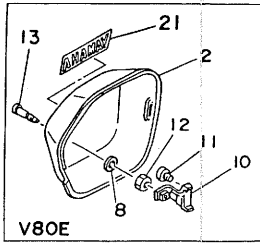
Fig. 16 FRAME



Ref. No.	Part No.	Description	Q'ty	Applicable Machine No.	Remarks
16- 1	✓ 1W7-21110- <del>00</del> <sup>03</sup> -V9	FRAME COMP.	1		New High Sparkle Green
	✓ 1W7-21110- <del>00</del> <sup>03</sup> -1H	FRAME COMP.	1		New High Sparkle Blue
	✓ 1W7-21110- <del>00</del> <sup>03</sup> -71	FRAME COMP.	1		Mandarin Orange
2	✓ 90101-08285	BOLT, hexagon	1		
3	✓ 95821-08120	BOLT, flange	2		
4	✓ 95701-08100	NUT, flange	2		
5	✓ 92901-08100	WASHER, spring	3		
6	✓ 517-21243-00-33	PLATE, <del>bridge</del> <sup>bridge</sup>	1		
7	✓ 296-21345-00	BRACKET, fuel tank	1		
8	✓ 97301-06010	BOLT, hexagon	2		
9	✓ 296-26288-01	GROMMET, wire	1		
10	✓ 296-21279-00	PLUG, blind	2		
11	✓ 90338-05056	PLUG	1		

FWD

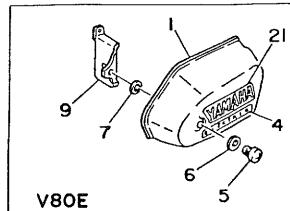
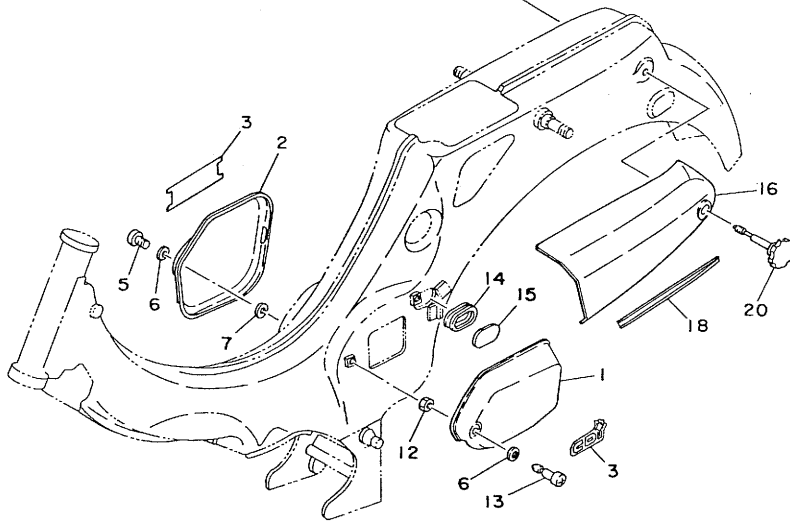
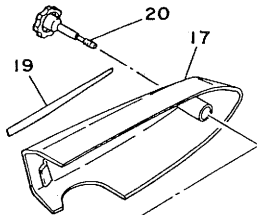
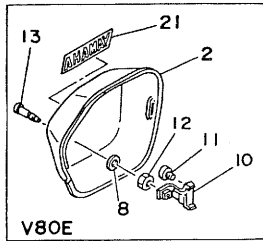
Fig. 17 SIDE COVER



Ref. No.	Part No.	Description	Q'ty	Applicable Machine No.	Remarks
17- 1	✓ 2N9-21711-00-V9	COVER, side 1	1		New High Sparkle Green
	✓ 2N9-21711-00-1H	COVER, side 1	1		New High Sparkle Blue
	✓ 2N9-21711-00-71	COVER, side 1	1		Mandarin Orange
2	✓ 296-21721-02-V9	COVER, side 2	1		New High Sparkle Green
	✓ 296-21721-02-1H	COVER, side 2	1		New High Sparkle Blue
	✓ 296-21721-02-71	COVER, side 2	1		Mandarin Orange
3	✓ 3E1-21781-00	EMBLEM (C.D.I.)	2		
4	NOT APPLICABLE	EMBLEM (ELECTRIC)			
5	✓ 92501-06015	SCREW, panhead	1		
6	✓ 92901-06600	WASHER, plate	2		
7	✓ 90204-05001	WASHER, spring	1		
8	NOT APPLICABLE	WASHER, plate			
9	NOT APPLICABLE	STAY, side cover 1			
10	NOT APPLICABLE	STAY, side cover 2			
11	NOT APPLICABLE	SCREW, panhead			
12	✓ 95301-06700	NUT, hexagon	1		
13	✓ 266-21712-00	BOLT, side cover 1	1		
14	✓ 90480-34046	GROMMET	1		
15	✓ 120-21764-00	LENS, level gauge	1		
16	✓ 296-21731-21-V9	COVER, side 3	1		New High Sparkle Green
	✓ 296-21731-21-1H	COVER, side 3	1		New High Sparkle Blue
	✓ 296-21731-21-71	COVER, side 3	1		Mandarin Orange

FYD

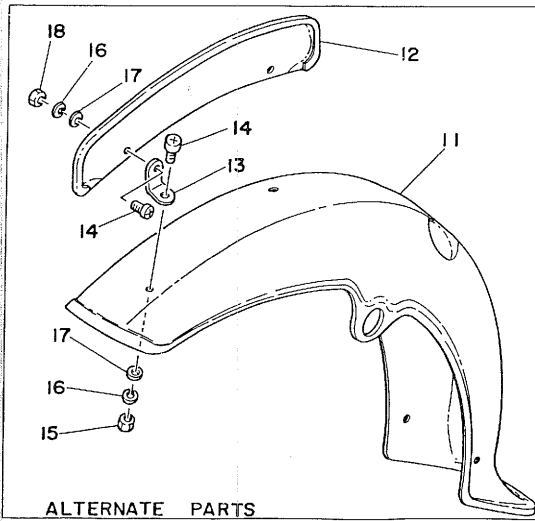
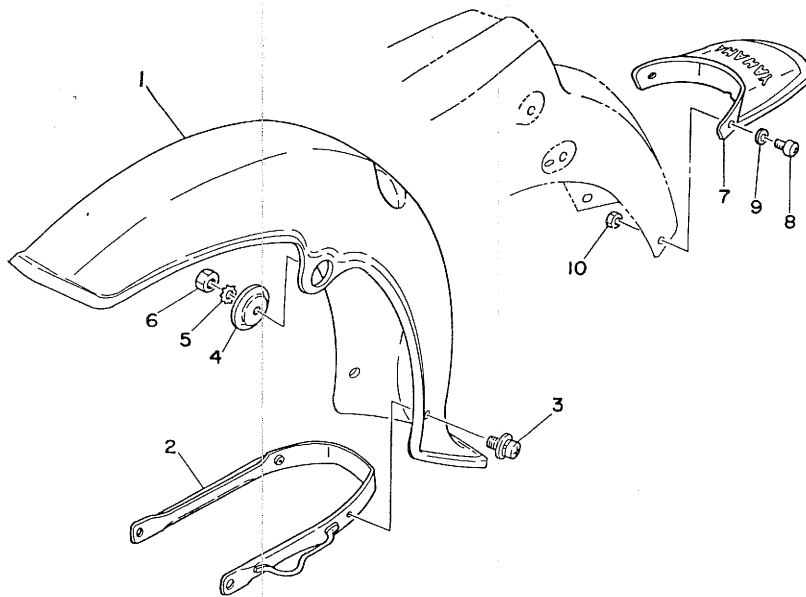
Fig. 17 SIDE COVER



FWD

Ref. No.	Part No.	Description	Q'ty	Applicable Machine No.	Remarks
17-17	✓ 296-21741-21-V9	COVER, side 4	1	✻	New High Sparkle Green
	✓ 296-21741-21-1H	COVER, side 4	1	✻	New High Sparkle Blue
	✓ 296-21741-21-71	COVER, side 4	1	✻	Mandarin Orange
18	✓ 3E1-21784-00	EMBLEM, side cover left	1	✻	
19	✓ 3E1-21783-00	EMBLEM, side cover right	1	✻	
20	✓ 296-21714-00	KNOB, side cover	2	✻	
-21	NOT APPLICABLE	EMBLEM (YAMAHA)			

Fig. 18 FRONT FENDER REAR FENDER



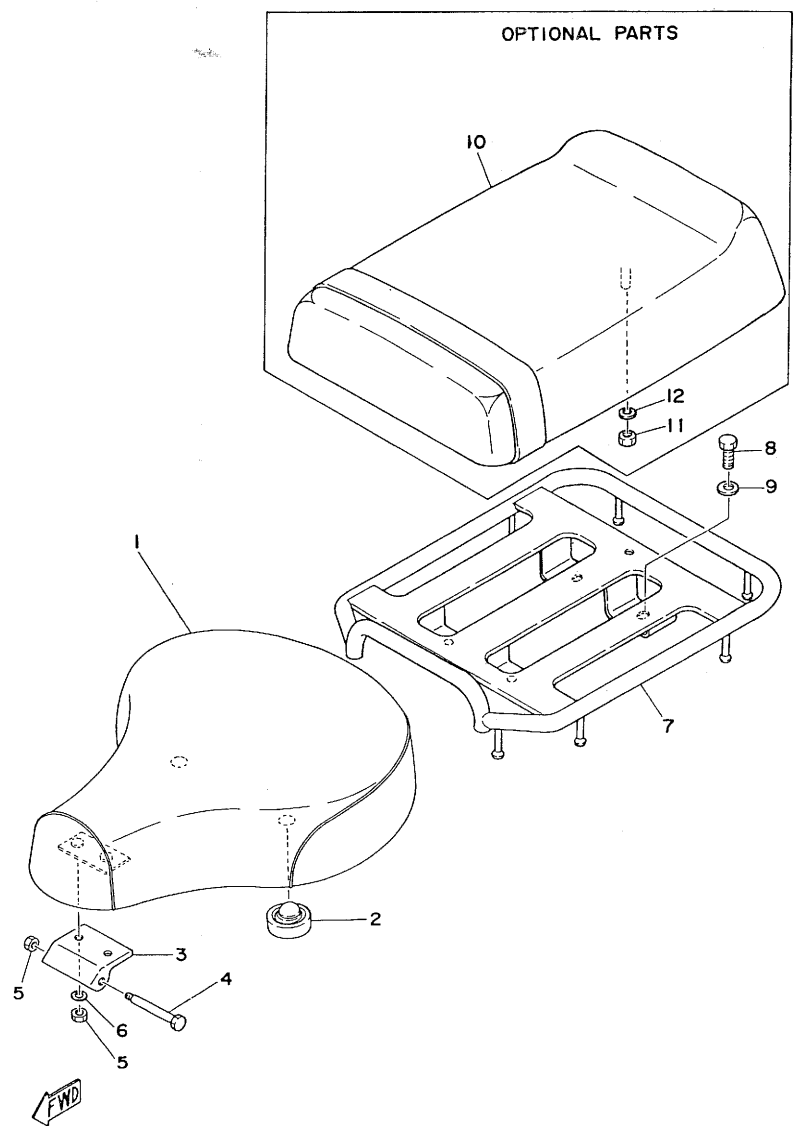
ALTERNATE PARTS

Ref. No.	Part No.	Description	Q'ty	Applicable Machine No.	Remarks
18- 1	✓ 296-21511-22-V9	FENDER, front	1	♣	New High Sparkle Green
	✓ 296-21511-22-1H	FENDER, front	1	♣	New High Sparkle Blue
	✓ 296-21511-22-71	FENDER, front	1	♣	Mandarin Orange
2	✓ 296-21513-01	STAY, fender 1	1	♣	
3	✓ 90159-05026	SCREW, panhead with washer	2	♣	
4	✓ 90209-08018	WASHER	2	♣	
5	✓ 92901-08400	WASHER, external tooth	2	♣	
6	✓ 95301-08700	NUT, hexagon	2	♣	
7	✓ 116-21621-00	FLAP, rear	1	♣	
8	✓ 92501-06015	SCREW, panhead	2	♣	
9	✓ 92901-06600	WASHER, plate	2	♣	
10	✓ 95301-06600	NUT, hexagon	2	♣	

ALTERNATE PARTS					
11	296-21511-82-V9	FENDER, front	1	1	New High Sparkle Green
	296-21511-82-1H	FENDER, front	1	1	New High Sparkle Blue
	296-21511-82-71	FENDER, front	1	1	Mandarin Orange
12	122-21582-81-33	PLATE, licence	1	1	
13	296-21581-80	PLATE, fitting	2	2	
14	92503-06012	SCREW, panhead	4	4	
15	95301-06600	NUT, hexagon	2	2	
16	92901-06100	WASHER, spring	4	4	
17	92901-06200	WASHER, plate	4	4	
18	95301-06600	NUT, hexagon	2	2	



Fig. 19 SEAT 1



Ref. No.	Part No.	Description	Q'ty	Applicable Machine No.	Remarks
----------	----------	-------------	------	------------------------	---------

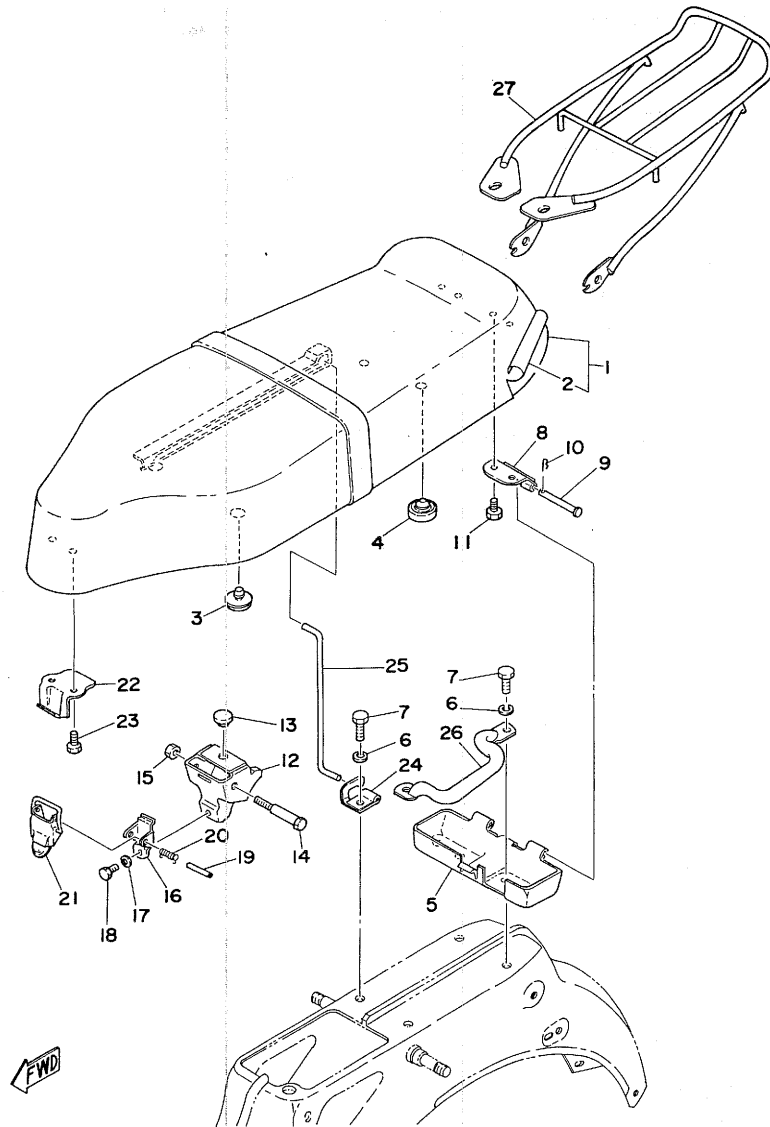
19- 1	✓ 296-24710-05	SINGLE SEAT ASS'Y	1		
2	✓ 296-24723-00	DAMPER	2		
3	✓ 296-24726-00	HINGE, seat	1		
4	✓ 90109-06024	BOLT	1		
5	✓ 95301-06600	NUT, hexagon	3		
6	✓ 92901-06100	WASHER, spring	2		
7	✓ 296-24810-01	CARRIER ASS'Y	1		
8	✓ 97301-08016	BOLT, hexagon	4		
9	✓ 92901-08600	WASHER, plate	4		

OPTIONAL PARTS

10	✓ 298-24750-00	TANDEM SEAT ASS'Y	1		
11	✓ 95301-06600	NUT, hexagon	1		
12	✓ 92901-06100	WASHER, spring	1		

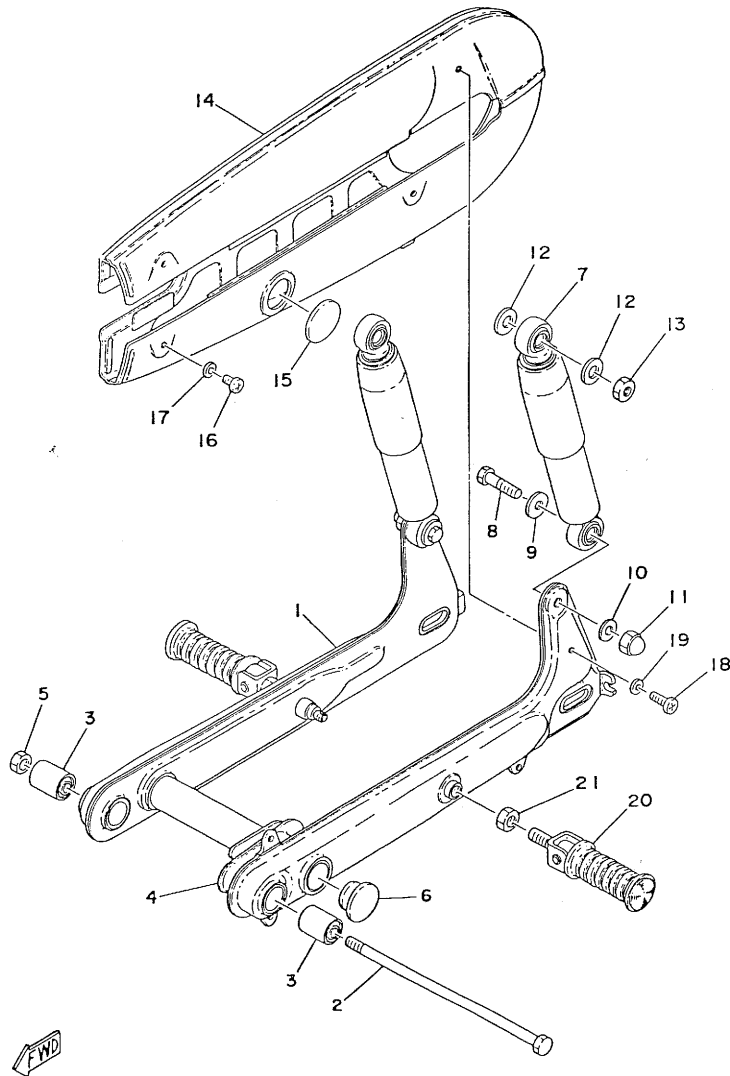
Fig. 20 SEAT 2

5



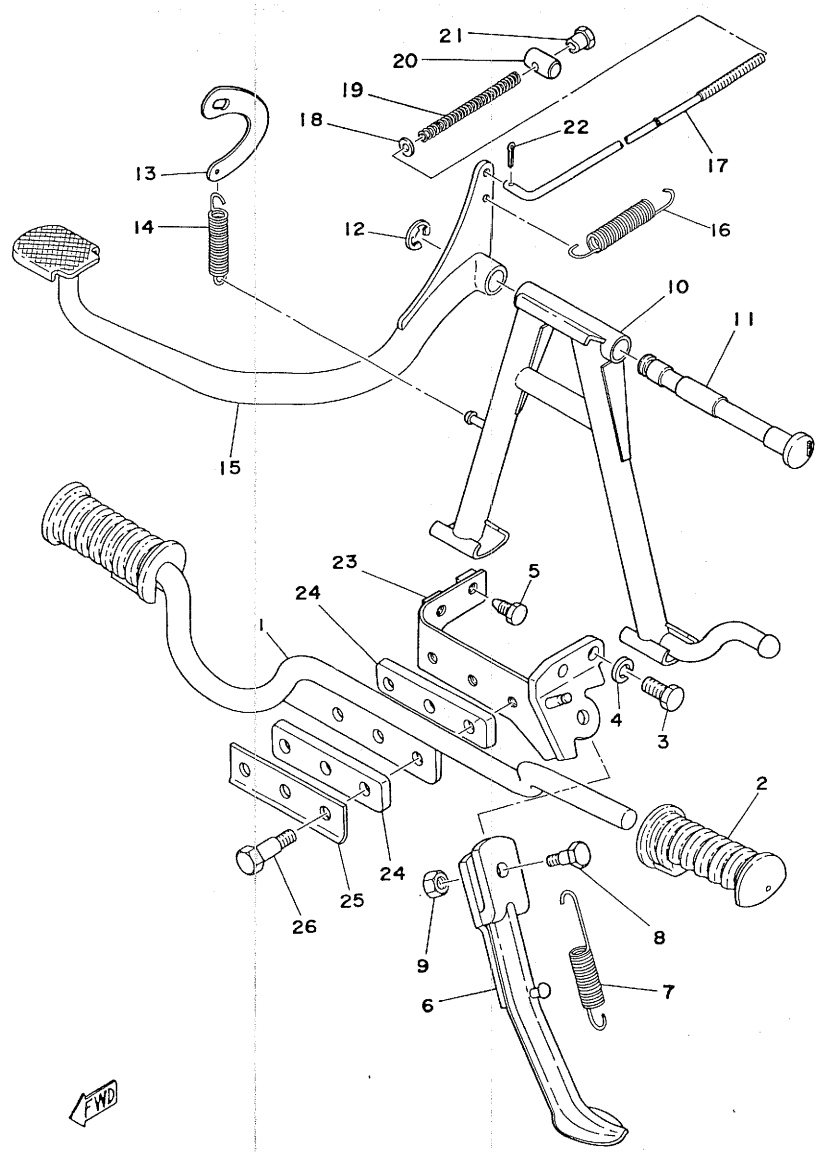
Ref. No.	Part No.	Description	Q'ty V80 3000	Applicable Machine No.	Remarks
20- 1	✓ 298-24730-02	DOUBLE SEAT ASS'Y	1		
2	✓ 298-24731-00	. COVER, double seat	1		
3	✓ 174-24741-00	PAD, seat	2		
4	✓ 116-24741-00	PAD, seat	2		
5	✓ 298-24738-00-33	BRACKET, under	1		
6	✓ 92901-08100	WASHER, spring	4		
7	✓ 97301-08020	BOLT, hexagon	4		
8	✓ 214-24726-00	HINGE, seat	2		
9	✓ 91701-05055	PIN, clevis	2		
10	✓ 90468-10050	CLIP	2		
11	✓ 90101-06304	BOLT, hexagon	4		
12	✓ 1W7-24718-00	BRACKET, seat	1		
13	✓ 128-27114-00	STOPPER, main stand	1		
14	✓ 90109-06024	BOLT, hexagon	1		
15	✓ 95301-06600	NUT, hexagon	1		
16	✓ 214-24718-00	BRACKET, seat under	1		
17	✓ 92901-06600	WASHER, plate	1		
18	✓ 97301-06012	BOLT, hexagon	1		
19	✓ 214-24727-00	PIN	1		
20	✓ 90508-10012	SPRING	1		
21	✓ 214-24776-00-33	LEVER, seat	1		
22	✓ 298-24728-00	BRACKET, seat	1		
23	✓ 90101-06304	BOLT, hexagon	2		
24	✓ 298-24748-00	BRACKET, seat stopper	1		
25	✓ 298-24768-00	STOPPER, seat	1		
26	✓ 527-21165-01	HANDLE, standing	1		
27	✓ 296-24830-00	SUB CARRIER ASS'Y	1		

Fig. 21 REAR ARM · REAR CUSHION · CHAIN CASE <sup>20</sup>



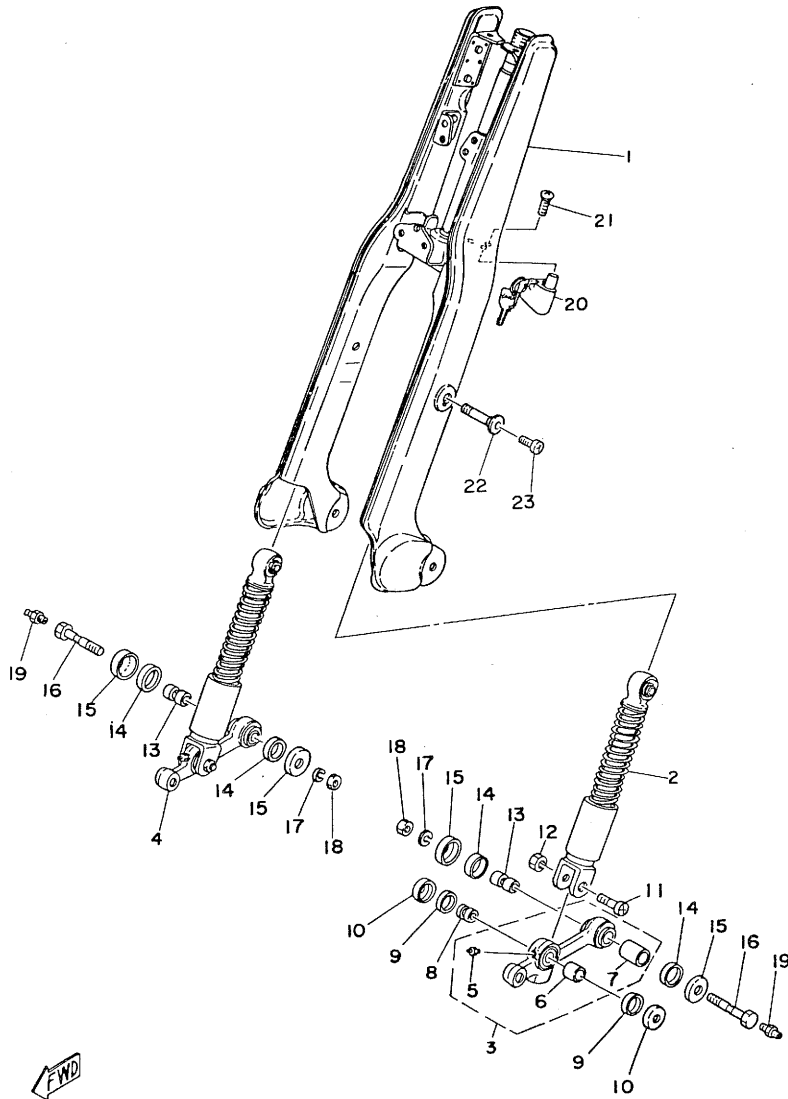
Ref. No.	Part No.	Description	Q'ty	Applicable Machine No.	Remarks
21-1	✓ 527-22110-00-V9	REAR ARM COMP.	1		New High Sparkle Green
	✓ 527-22110-00-1H	REAR ARM COMP.	1		New High Sparkle Blue
	✓ 527-22110-00-71	REAR ARM COMP.	1		Mandarin Orange
2	✓ 109-22141-00	SHAFT, pivot	1		
3	✓ 102-22123-00	BUSHING, rear arm	2		
4	✓ 296-22151-01	SEAL, guard	1		
5	✓ 90185-10035	NUT, U	1		
6	✓ 180-22117-00	CAP, rear arm	1		
7	✓ 527-22210-30-V9	REAR CUSHION ASS'Y	2		New High Sparkle Green
	✓ 527-22210-30-1H	REAR CUSHION ASS'Y	2		New High Sparkle Blue
	✓ 527-22210-30-71	REAR CUSHION ASS'Y	2		Mandarin Orange
8	✓ 90101-10255	BOLT, hexagon	2		
9	✓ 90201-10140	WASHER, plate	2		
10	✓ 92901-10200	WASHER, plain	2		
11	✓ 90176-10013	NUT, cap	2		
12	✓ 90201-12190	WASHER, plate	4		
13	✓ 95301-12700	NUT, hexagon	2		
14	✓ 296-22310-01-V9	CHAIN CASE ASS'Y	1		New High Sparkle Green
	✓ 296-22310-01-1H	CHAIN CASE ASS'Y	1		New High Sparkle Blue
	✓ 296-22310-01-71	CHAIN CASE ASS'Y	1		Mandarin Orange
15	✓ 148-22315-00	CAP, chain case	1		
16	✓ 90157-05003	SCREW	3		
17	✓ 92901-05600	WASHER, plate	3		
18	✓ 98501-05016	SCREW, panhead	1		
19	✓ 92901-05600	WASHER, plate	1		
20	✓ 120-27430-02	REAR FOOTREST ASS'Y	2		
21	✓ 95301-12700	NUT, hexagon	2		

Fig. 22 STAND / FOOTREST · BRAKE PEDAL



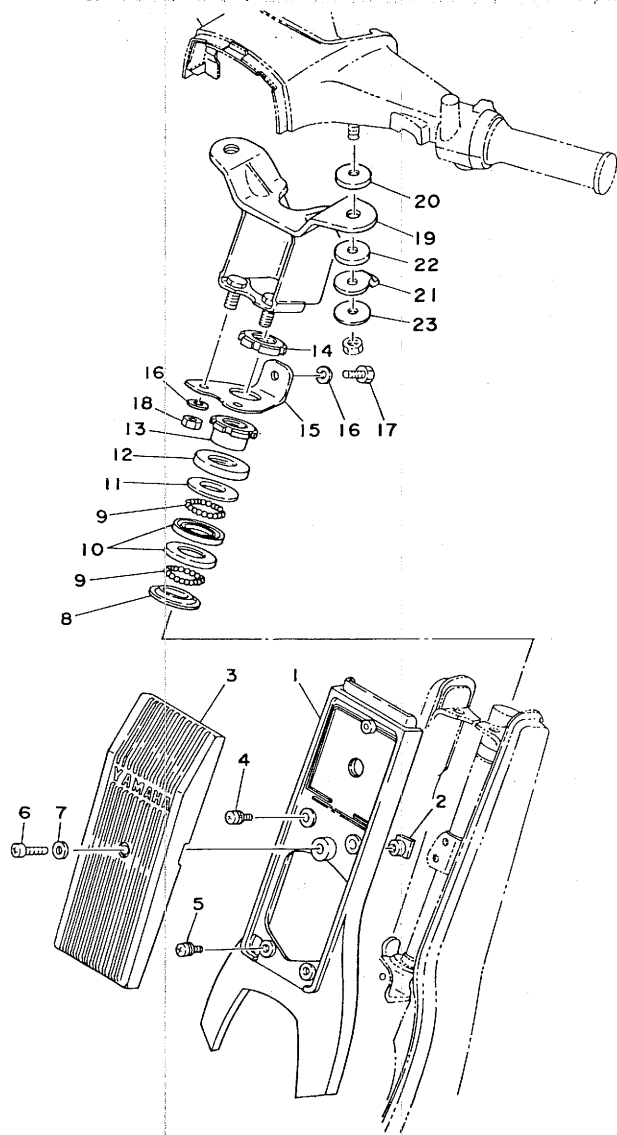
Ref. No.	Part No.	Description	Q'ty		Remarks
			V80	V80B	
22- 1	✓ 527-27411-00	FOOTREST	1	1	
2	✓ 441-27413-01	COVER, footrest	2	2	
3	✓ 97321-10020	BOLT, hexagon	1	1	
4	✓ 92901-10100	WASHER, spring	1	1	
5	✓ 90101-08246	BOLT, hexagon	1	1	
6	✓ 3E1-27311-00	STAND, side	1	1	
7	✓ 90506-25047	SPRING, tension	1	1	
8	✓ 90109-08034	BOLT	1	1	
9	✓ 95301-08700	NUT, hexagon	1	1	
10	✓ 266-27111-01	STAND, main	1	1	
11	✓ 517-27112-01	SHAFT, main stand	1	1	
12	✓ 93430-12008	CIRCLIP	1	1	
13	✓ 109-27115-00	LINK, main stand	1	1	
14	✓ 90506-29054	SPRING	1	1	
15	✓ 517-27211-01	PEDAL, brake	1	1	
16	✓ 90506-20041	SPRING	1	1	
17	✓ 164-27231-02	ROD, brake	1	1	
18	✓ 92901-06600	WASHER, plate	1	1	
19	✓ 90501-10245	SPRING	1	1	
20	✓ 90249-12008	PIN	1	1	
21	✓ 90179-06176	NUT, hexagon	1	1	
22	✓ 91401-20020	PIN, cotter	1	1	
23	✓ 3E5-27412-00	BRACKET, footrest	1	1	
24	✓ 164-27414-00	DAMPER, footrest	2	2	
25	✓ 164-27417-00	WASHER, footrest	1	1	
26	✓ 90109-08193	BOLT	3	3	

Fig. 23 FRONT FORK



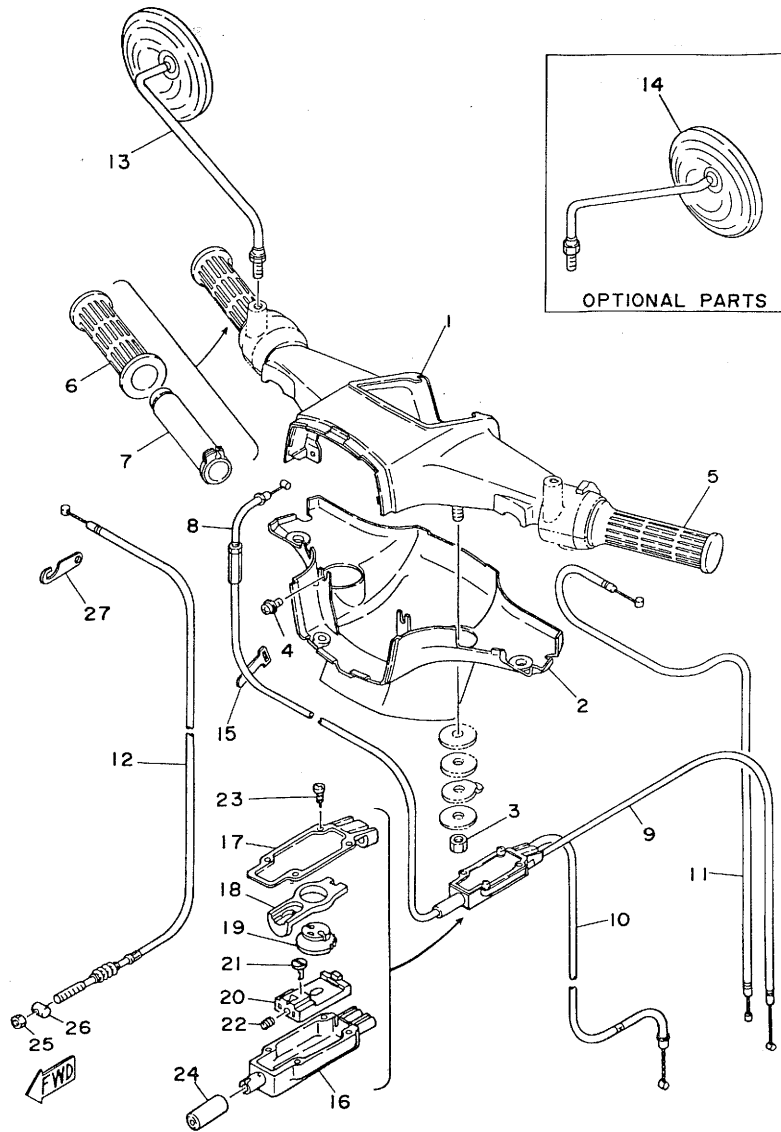
Ref. No.	Part No.	Description	Q'ty	Applicable Machine No.	Remarks
23- 1	✓ 517-23310-02-V9	FORK COVER COMP.	1		New High Sparkle Green
	✓ 517-23310-02-1H	FORK COVER COMP.	1		New High Sparkle Blue
	✓ 517-23310-02-71	FORK COVER COMP.	1		Mandarin Orange
2	✓ 296-23350-01	FRONT CUSHION ASS'Y	2		
	✓ 296-23350-11	FRONT CUSHION ASS'Y	2		for heavy-load usage
3	✓ 296-23361-02	ARM, front left	1		
4	✓ 296-23371-02	ARM, front right	1		
5	✓ 93700-04002	. NIPPLE, grease	2		
6	✓ 296-23362-09	. BUSHING	2		
7	✓ 296-23372-09	. BUSHING	2		
8	✓ 296-23363-01	COLLAR, front arm 1	2		
9	✓ 296-23381-01	SEAL, dust 1	4		
10	✓ 116-23383-00	COVER, dust seal 1	4		
11	✓ 90155-08002	SCREW	2		
12	✓ 95301-08700	NUT, hexagon	2		
13	✓ 296-23364-01	COLLAR, front arm 2	2		
14	✓ 296-23382-01	SEAL, dust 2	4		
15	✓ 116-23384-00	COVER, dust seal 2	4		
16	✓ 90401-10035	BOLT, union	2		
17	✓ 92901-10100	WASHER, spring	2		
18	✓ 95301-10700	NUT, hexagon	2		
19	✓ 93700-06004	NIPPLE, grease	2		
20	✓ 3E1-23408-00	STEERING LOCK ASS'Y	1		
21	✓ 98602-05010	SCREW, ovalhead	2		
22	✓ 90109-08492	BOLT	2		
23	✓ 90157-05003	SCREW	2		

Fig. 24 FRONT PANEL - STEERING <sup>13</sup>



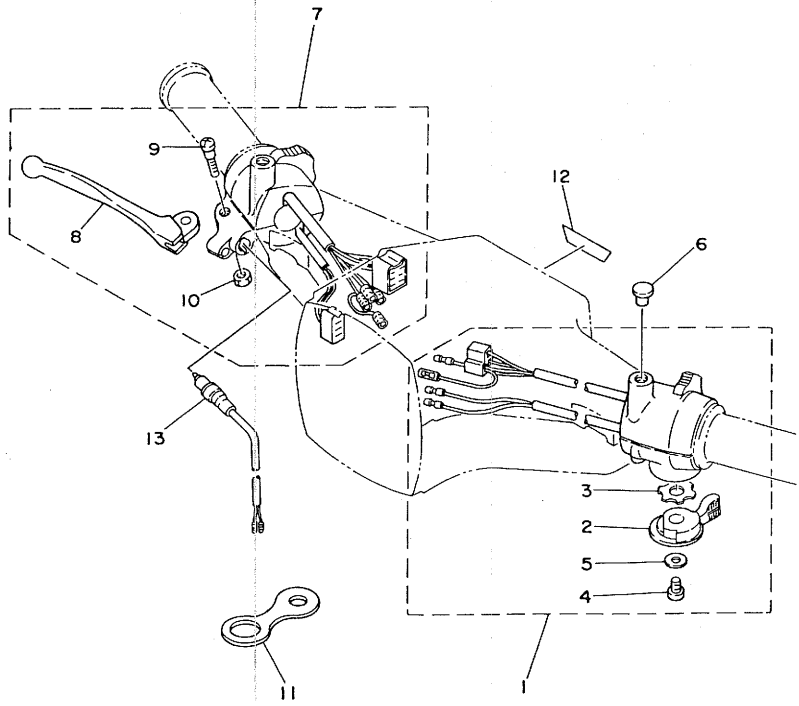
Ref. No.	Part No.	Description	Qty	Applicable Machine No.	Remarks
24- 1	✓ 3E1-23391-00-V9	PANEL, front 1	1		New High Sparkle Green
	✓ 3E1-23391-00-1H	PANEL, front 1	1		New High Sparkle Blue
	✓ 3E1-23391-00-71	PANEL, front 1	1		Mandarin Orange
2	✓ 90173-06004	NUT, square	1		
3	✓ 3E1-23397-00	PANEL, front 2	1		
4	✓ 90159-06014	SCREW, panhead with washer	2		
5	✓ 90159-06013	SCREW, panhead with washer	2		
6	✓ 92501-06025	SCREW, panhead	1		
7	✓ 92901-06600	WASHER, plate	1		
8	✓ 296-23414-00	RACE, ball 4	1		
9	✓ 3/16 INCH	BALL	44		
10	✓ 122-23412-00	RACE, ball 2	2		
11	✓ 122-23411-00	RACE, ball 1	1		
12	✓ 122-23416-00	COVER, ball race 2	1		
13	✓ 90179-25050	NUT	1		
14	✓ 90179-25033	NUT	1		
15	✓ 296-23463-01	PLATE, handle bracket	1		
16	✓ 92901-08100	WASHER, spring	3		
17	✓ 97301-08014	BOLT, hexagon	1		
18	✓ 95301-08600	NUT, hexagon	2		
19	✓ 3E1-23461-00	BRACKET, handle	1		
20	✓ 296-23445-00	DAMPER, upper	2		
21	✓ 90215-11012	WASHER, lock	2		
22	✓ 296-23455-00	DAMPER, under	2		
23	✓ 90201-08310	WASHER, plate	2		

Fig. 25 HANDLE · WIRE



Ref. No.	Part No.	Description	Q'ty	Applicable Machine No.	Remarks
25-	✓ 3E1-26210-10-98	HANDLE COMP.	1	V80 V80P	
2	✓ 3E1-26215-00-98	COVER, handle under	1		
3	✓ 95301-08700	NUT, hexagon	2		
4	✓ 90159-05022	SCREW, panhead with washer	2		
5	✓ 116-26241-00	GRIP, left	1		
6	✓ 116-26242-00	GRIP, right	1		
7	✓ 3E1-26243-01	TUBE, guide	1		
8	✓ 3E1-26311-00	WIRE, throttle 1	1		
9	✓ 3E1-26312-00	WIRE, throttle 2	1		
10	✓ 3E1-26321-00	WIRE, pump	1		
11	✓ 3E1-26331-00	WIRE, starter	1		
12	✓ 3E1-26341-00	WIRE, brake	1		
13	✓ 1Y0-26290-00	BACK MIRROR ASS'Y, right	1		
14	✓ 1Y0-26290-10	BACK MIRROR ASS'Y, left	1		
15	✓ 296-82593-00	BAND	1		
16	✓ 2T5-26261-00	CYLINDER, wire	1		
17	✓ 2T5-26262-00	CAP, wire cylinder	1		
18	✓ 2T5-26274-00	GUIDE, rotor	1		
19	✓ 2T5-26273-00	ROTOR	1		
20	✓ 2T5-26244-00	SLIDER	1		
21	✓ 2T5-26267-00	PIN	1		
22	✓ 90501-05512	SPRING, compression	1		
23	✓ 90167-03004	SCREW, panhead tapping	2		
24	✓ 156-26329-00	CAP, rubber	1		
25	✓ 90179-06176	NUT	1		
26	✓ 90249-12008	PIN	1		
27	✓ 3E1-26393-00	HOLDER	1		

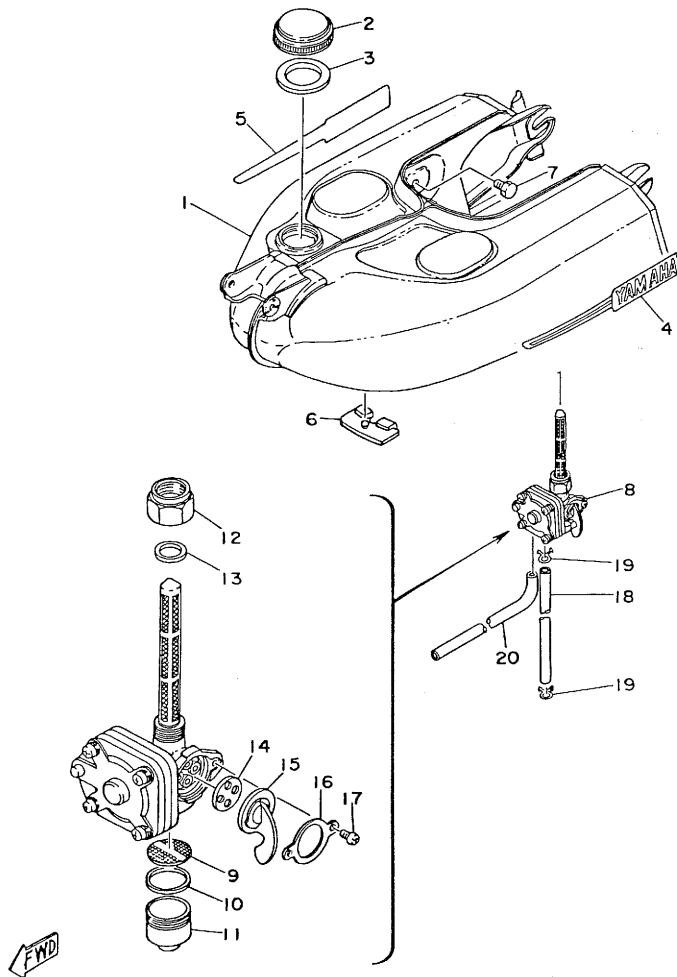
Fig. 26 LEVER HOLDER



Ref. No.	Part No.	Description	Q'ty	Applicable Machine No.	Remarks
26- 1	✓ 3E1-83975-00	LEVER HOLDER ASS'Y, left	1		
2	✓ 439-83941-02	. LEVER, starter	1		
3	✓ 90209-10131	. WASHER, starter lever	1		
4	✓ 92501-06008	. SCREW, panhead	1		
5	✓ 92901-06600	. WASHER, plate	1		
6	✓ 90338-07011	PLUG	1		
7	✓ 3E1-82720-20	LEVER HOLDER ASS'Y, right	1		
8	✓ 122-83922-02-38	. LEVER, right	1		
9	✓ 90149-05119	. SCREW, panhead	1		
10	✓ 95601-05100	. NUT, U	1		
11	✓ 296-82518-00	PLATE, earth	1		
12	✓ 3E1-82505-30	EMBLEM, main switch	1		
13	✓ 3E1-83980-00	FRONT STOP SWITCH	1		

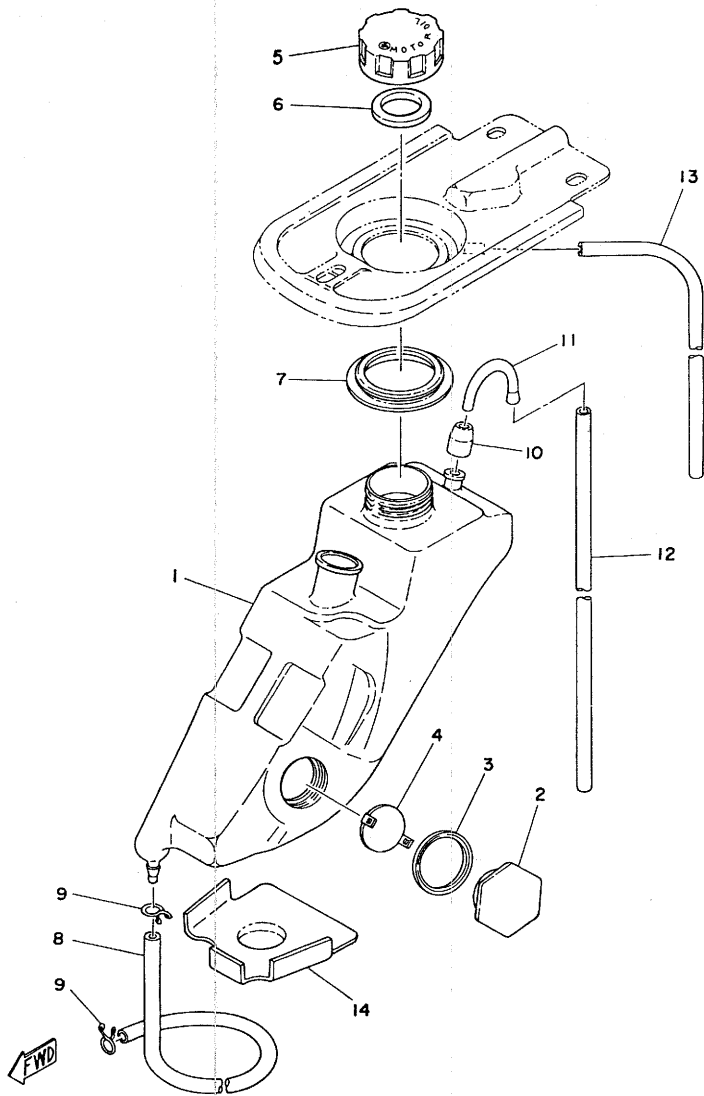
← FWD

Fig. 27 FUEL TANK



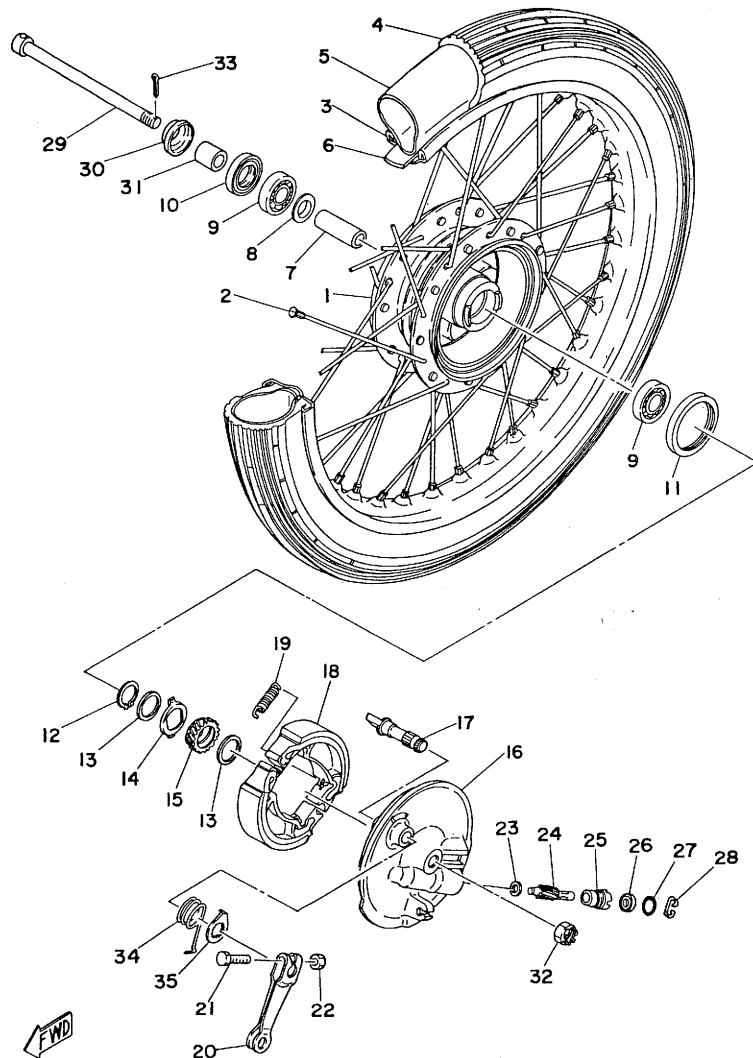
Ref. No.	Part No.	Description	Q'ty	Applicable Machine No.	Remarks
27- 1	✓ 1W7-24110-00-V9	FUEL TANK COMP.	1	✘	New High Sparkle Green
	✓ 1W7-24110-00-1H	FUEL TANK COMP.	1	✘	New High Sparkle Blue
	✓ 1W7-24110-00-71	FUEL TANK COMP.	1	✘	Mandarin Orange
2	✓ 296-24610-00	CAP ASS'Y	1	✘	
3	✓ 296-24612-00	PACKING, cap	1	✘	
4	✓ 2Y3-24161-00	EMBLEM, fuel tank left	1	✘	
5	✓ 2Y3-24162-00	EMBLEM, fuel tank right	1	✘	
6	✓ 296-24181-00	DAMPER	1	✘	
7	✓ 97301-08016	BOLT, hexagon	2	✘	
8	✓ 296-24500-00	FUEL COCK ASS'Y	1	✘	
9	✓ 266-24514-01	. NET, filter	1	✘	
10	✓ 266-24522-00	. GASKET	1	✘	
11	✓ 266-24521-01	. CUP, filter	1	✘	
12	✓ 266-24531-00	. NUT	1	✘	
13	✓ 266-24532-00	. GASKET, nut	1	✘	
14	✓ 266-24523-00	. VALVE	1	✘	
15	✓ 266-24524-00	. LEVER, cock	1	✘	
16	✓ 296-24518-00	. SPRING, plate	1	✘	
17	✓ 193-81145-20	. SCREW, panhead	2	✘	
18	✓ 90445-09113	HOSE	1	✘	
19	✓ 90467-08003	CLIP	2	✘	
20	✓ 439-24317-00	PIPE 7	1	✘	

Fig. 28 OIL TANK



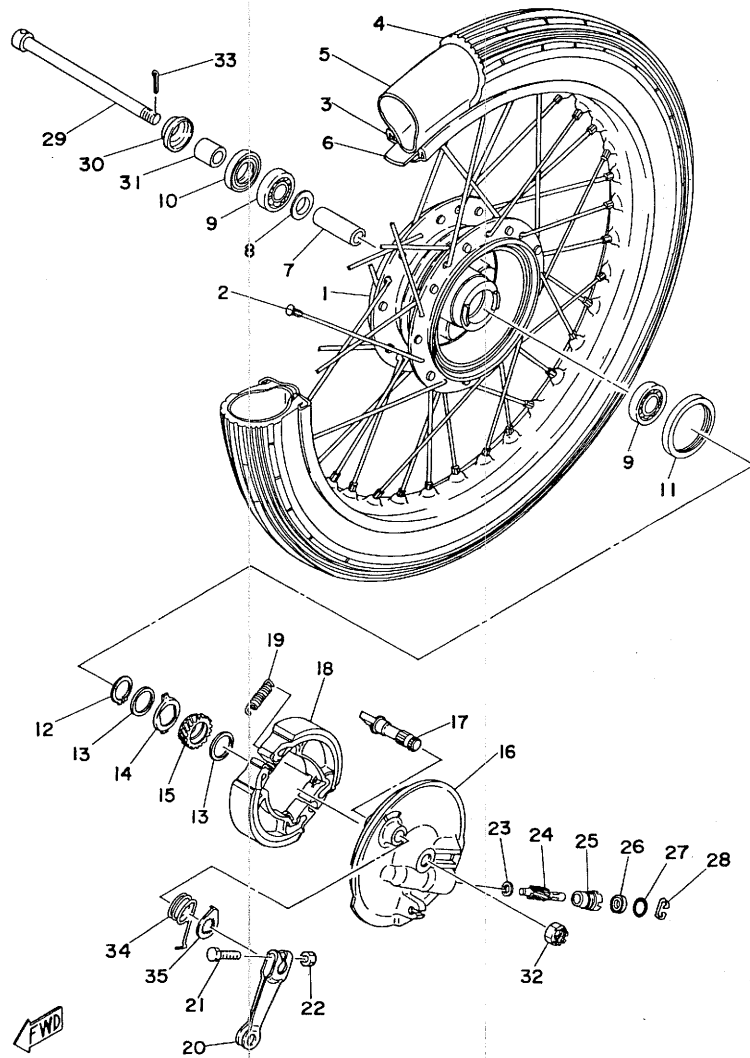
Ref. No.	Part No.	Description	Q'ty	Applicable Machine No.	Remarks
28- 1	✓ 1W7-21751-11	TANK, oil	1	Y80 4805	
2	✓ 1W7-21764-00	LENS, level gauge	1		
3	✓ 1W7-21763-00	GASKET, level gauge	1		
4	✓ 1W7-21761-00	LEVEL, gauge	1		
5	✓ 2N8-21771-00	BODY, oil tank cap	1		
6	✓ 90430-31149	GASKET	1		
7	✓ 384-21773-00	GROMMET	1		
8	✓ 164-24319-00	PIPE, oil	1		
9	✓ 90467-08003	CLIP	2		
10	✓ 439-21759-01	GROMMET	1		
11	✓ 439-24119-00	TUBE, connecting	1		
12	✓ 90445-09282	HOSE	1		
13	✓ 90445-12297	HOSE	1		
14	✓ 384-21798-00	BRACKET, damper	1		

Fig. 29 FRONT WHEEL ?



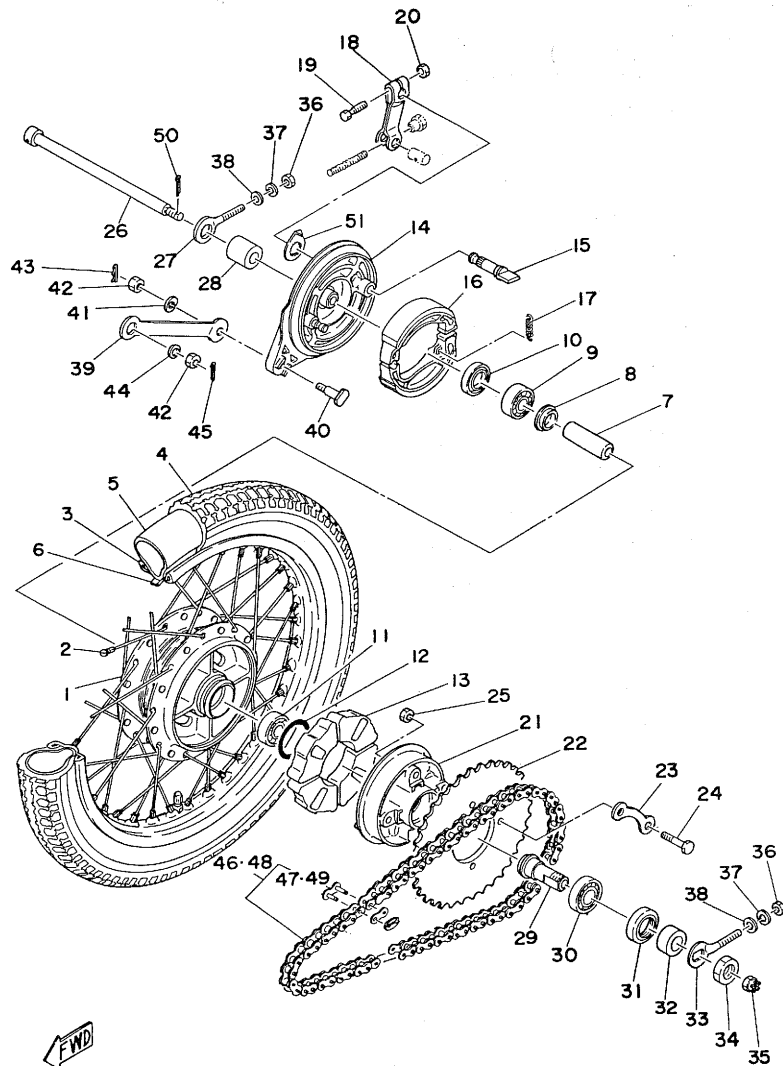
Ref. No.	Part No.	Description	Q'ty	Applicable Machine No.	Remarks
29- 1	✓ 517-25111-00-35	HUB, front	1	♣	
2	✓ 109-25104-00	SPOKE SET	1	♣	
3	✓ 94412-17002	RIM, front	1	♣	
4	✓ 225-17	TYRE, front	1	♣	
5	✓ 225-17	TUBE, front	1	♣	
6	✓ 94330-17023	BAND, rim	1	♣	
7	✓ 195-25117-00	SPACER, bearing	1	♣	
8	✓ 195-25115-00	FLANGE, spacer	1	♣	
9	✓ 93306-30003	BEARING	2	♣	
10	✓ 93106-20001	OIL SEAL (DD-20-35-7)	1	♣	
11	✓ 93105-47007	OIL SEAL (SDD-47-58-7)	1	♣	
12	✓ 93410-20009	CIRCLIP	1	♣	
13	✓ 90201-20269	WASHER, plate	2	♣	
14	✓ 183-25149-00	CLUTCH, meter	1	♣	
15	✓ 296-25135-00	GEAR, drive (27T)	1	♣	
16	✓ 3E1-25121-00-35	PLATE, brake shoe	1	♣	
17	✓ 538-25351-01	CAMSHAFT	1	♣	
18	✓ 296-25330-00	BRAKE SHOE COMP.	2	♣	
19	✓ 90506-16034	SPRING, tension	2	♣	
20	✓ 3E1-25155-00	LEVER, camshaft	1	♣	
21	✓ 90101-06278	BOLT, hexagon	1	♣	
22	✓ 95301-06600	NUT, hexagon	1	♣	
23	✓ 90201-07076	WASHER, plate	1	♣	
24	✓ 296-25138-00	GEAR, meter (11T)	1	♣	
25	✓ 109-25136-00	BUSHING	1	♣	
26	✓ 93104-07003	OIL SEAL (SO-7-14-4)	1	♣	
27	✓ 93210-14104	O-RING	1	♣	
28	✓ 102-25137-00	RING, stop	1	♣	
29	✓ 296-25181-02	SHAFT, wheel	1	♣	

Fig. 29 FRONT WHEEL



Ref. No.	Part No.	Description	Q'ty	Applicable Machine No.	Remarks
29-30	✓ 322-25118-00	COVER, hub dust	1	✓	
31	✓ 90387-10277	COLLAR	1	✓	
32	✓ 90171-10004	NUT, castle	1	✓	
33	✓ 91401-20020	PIN, cotter	1	✓	
34	✓ 90508-26393	SPRING, torsion	1	✓	
35	✓ 3E1-2513A-00	PLATE, indicator	1	✓	

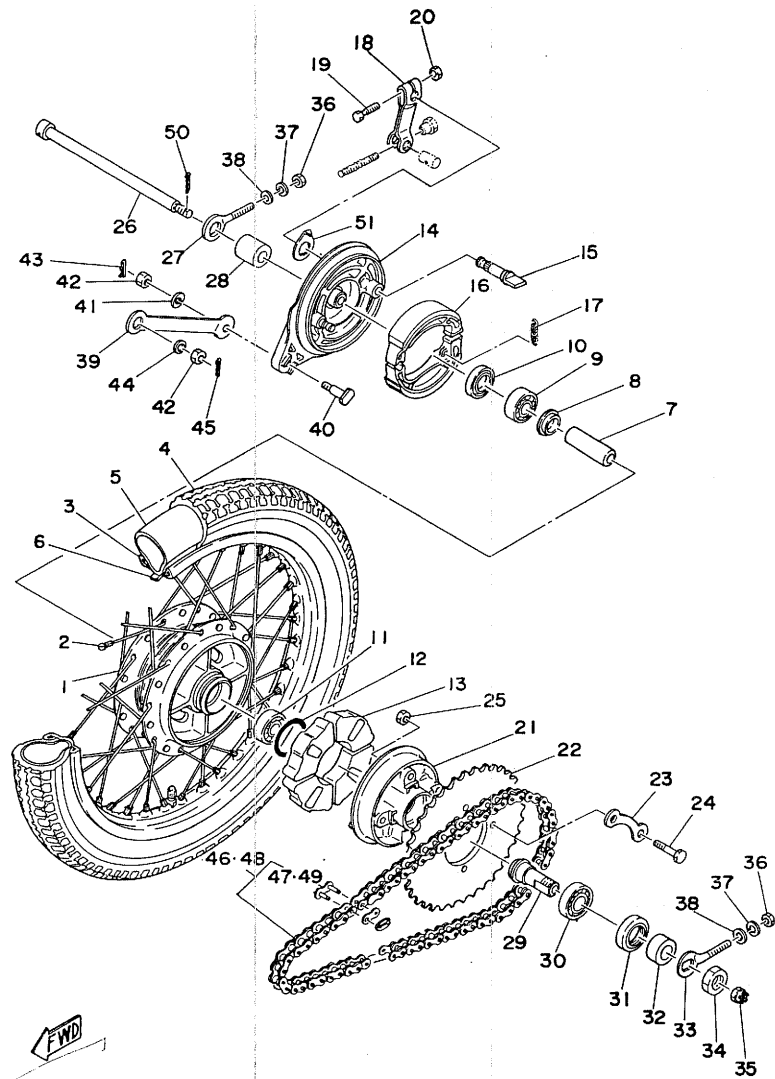
Fig. 30 REAR WHEEL



Ref. No.	Part No.	Description	Qty	Applicable Machine No.	Remarks
30-1	✓ 296-25311-01-35	HUB, rear	1		
2	✓ 296-25304-00	SPOKE SET	1		
3	✓ 94414-17003	RIM, rear	1		
4	✓ 250-17	TIRE, rear	1		
5	✓ 250-17	TUBE, rear	1		
6	✓ 94330-17023	BAND, rim	1		
7	✓ 90560-12145	SPACER	1		
8	✓ 102-25315-00	FLANGE, spacer	1		
9	✓ 63012	BEARING	1		
10	✓ 93104-21016	OIL SEAL (SO-21-35-7)	1		
11	✓ 63012	BEARING	1		
12	✓ 93210-41041	O-RING	1		
13	✓ 304-25364-00	DAMPER, clutch	4		
14	✓ 3E1-25321-00-35	PLATE, brake shoe	1		
15	✓ 538-25351-01	CAMSHAFT 1	1		
16	✓ 296-25330-00	BRAKE SHOE COMP.	2		
17	✓ 90506-16034	SPRING, tension	2		
18	✓ 538-25355-00	LEVER, camshaft 1	1		
19	✓ 90101-06278	BOLT, hexagon	1		
20	✓ 95301-06600	NUT, hexagon	1		
21	✓ 296-25366-01	CLUTCH, hub	1		
22	✓ 122-25438-10-33	SPROCKET, rear wheel (38T)	1		
23	✓ 102-25412-00	WASHER, lock	2		
24	✓ 90109-08057	BOLT	4		
25	✓ 90170-08157	NUT, hexagon	4		
26	✓ 401-25181-01	SHAFT, wheel	1		
27	✓ 102-25389-00	PULLER, chain right	1		
28	✓ 90387-12412	COLLAR	1		
29	✓ 102-25387-02	SHAFT, sprocket	1		

Fig. 30 REAR WHEEL

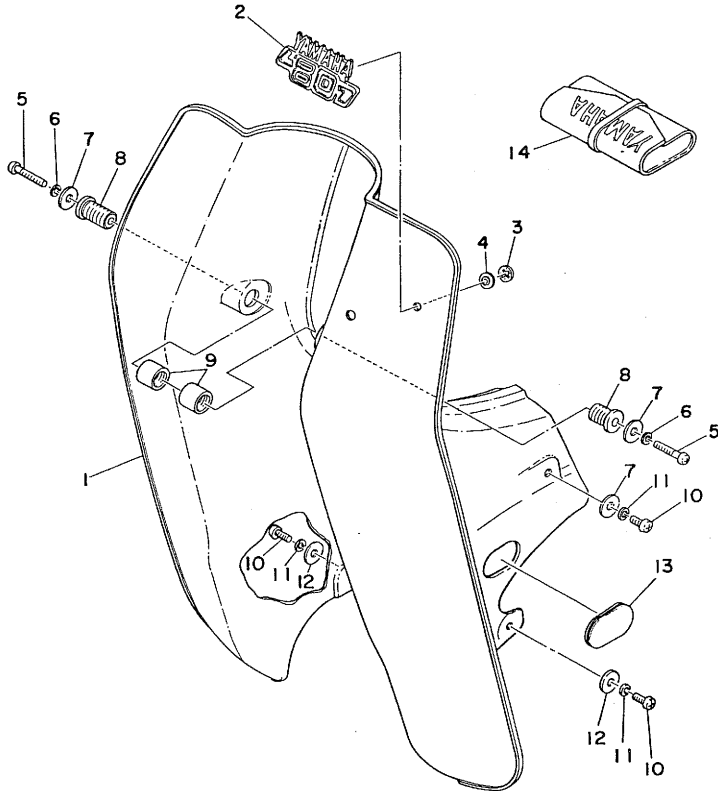
7



Ref. No.	Part No.	Description	Q'ty	Applicable Machine No.	Remarks
30-30	6004Z	BEARING	1		
31	✓ 93106-30004	OIL SEAL (DD-30-42-8)	1		
32	✓ 90387-18143	COLLAR	1		
33	✓ 127-25388-00	PULLER, chain left	1		
34	✓ 90170-18165	NUT, hexagon	1		
35	✓ 90171-12005	NUT, castle	1		
36	✓ 95301-06600	NUT, hexagon	2		
37	✓ 92901-06100	WASHER, spring	2		
38	✓ 92901-06600	WASHER, plate	2		
39	✓ 102-25371-00	BAR, tension	1		
40	✓ 90109-08183	BOLT	1		
41	✓ 92901-08100	WASHER, spring	1		
42	✓ 95301-08700	NUT, hexagon	2		
43	✓ 90468-12007	CLIP	1		
44	✓ 92901-08600	WASHER, plate	1		
45	✓ 91401-20020	PIN, cotter	1		
46	NOT APPLICABLE	CHAIN			
47	NOT APPLICABLE	. JOINT, chain			
48	✓ 420-100	CHAIN (1/2 x 1/4 x 100L)	1		
49	✓ 420	. JOINT, chain	1		
50	✓ 91401-30030	PIN, cotter	1		
51	✓ 3E1-2513A-00	PLATE, indicator	1		

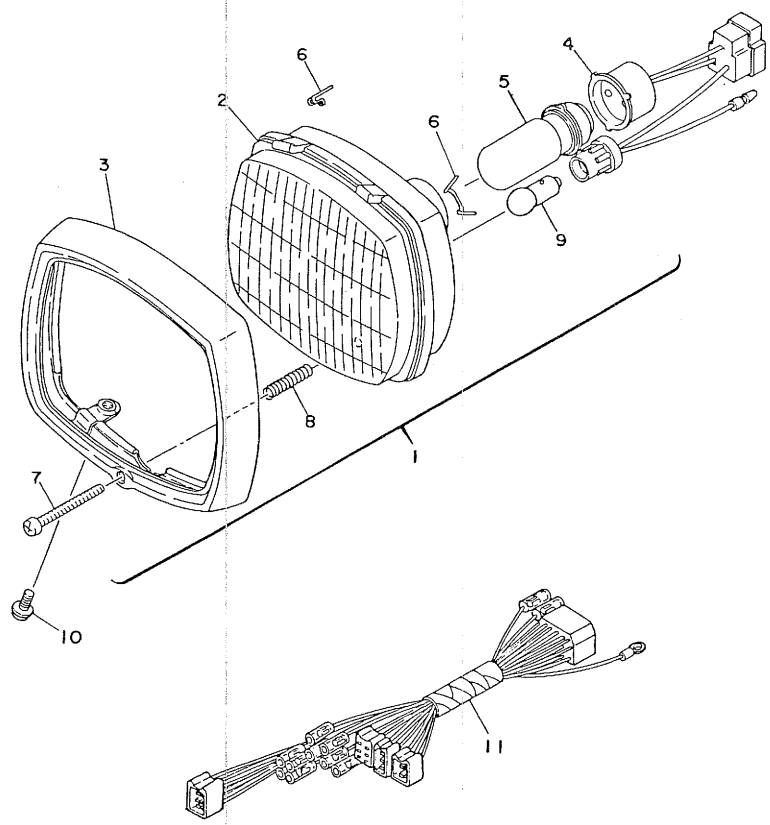
✓

Fig. 31 LEG SHIELD



Ref. No.	Part No.	Description	Q'ty	Applicable Machine No.	Remarks
31- 1	✓ 296-28311-01	LEG SHIELD	1	V80	✚
2	✓ 3E5-28315-00	EMBLEM, Yamaha	1		✚
3	✓ 90183-04005	NUT, spring	2		✚
4	✓ 116-28316-01	DAMPER, emblem	2		✚
5	✓ 92501-06040	SCREW, panhead	2		✚
6	✓ 92901-06100	WASHER, spring	2		✚
7	✓ 90201-06067	WASHER, plate	4		✚
8	✓ 296-28329-00	SPACER	2		✚
9	✓ 296-28373-00	COLLAR	2		✚
10	✓ 92501-06015	SCREW, panhead	4		✚
11	✓ 92901-06100	WASHER, spring	4		✚
12	✓ 90201-07081	WASHER, plate	2		✚
13	✓ 296-28349-01	CAP	2		✚
14	✓ 296-28100-11	TOOL ASS'Y	1		✚

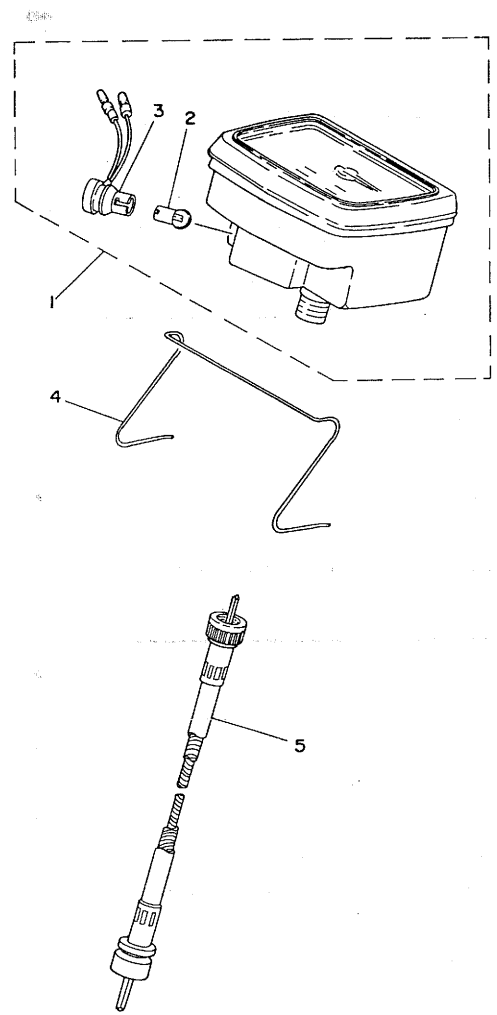
Fig. 32 HEAD LAMP 7



Ref. No.	Part No.	Description	Q'ty	Applicable Machine No.	Remarks
32- 1	✓ 3E1-84110-10	HEAD LAMP UNIT ASS'Y	1	V80 <del>V80</del>	
2	✓ 3E1-84120-10	. LENS ASS'Y	1		
3	✓ 3E1-84115-10	. RIM, head lamp	1		
4	✓ 3E1-84112-10	. SOCKET ASS'Y	1		
5	✓ <del>206-84114-60</del>	. BULB, head lamp (6V-25/25W)	1		
6	✓ 3E1-84124-10	. SPRING, reflector set	2		
7	✓ 2E9-84131-00	. SCREW, rim fitting	1		
8	✓ 2E9-84132-00	. SPRING, adjust screw	1		
9	✓ <del>122-83516-10</del>	. BULB, pilot (6V-3W)	1		
10	✓ 90159-05028	SCREW, panhead with washer	1		
11	✓ 3E1-84159-00	CORD, head lamp	1		

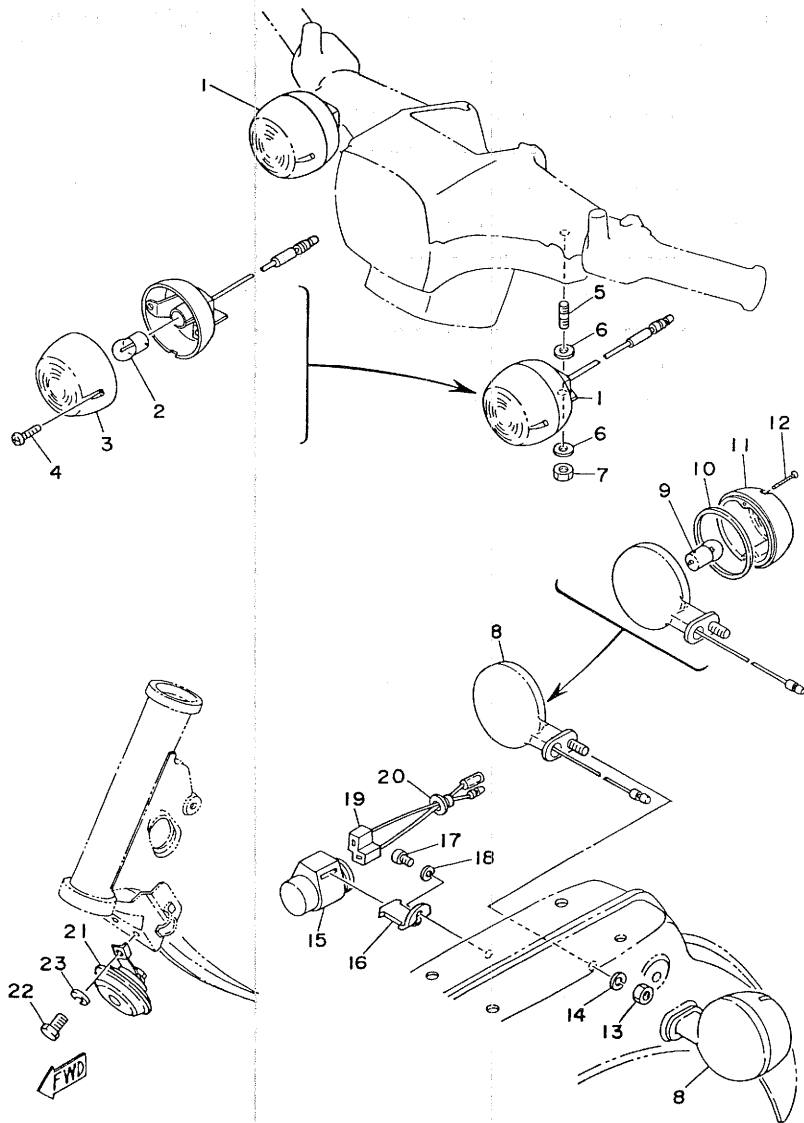
FWD

Fig. 33 SPEEDOMETER 8



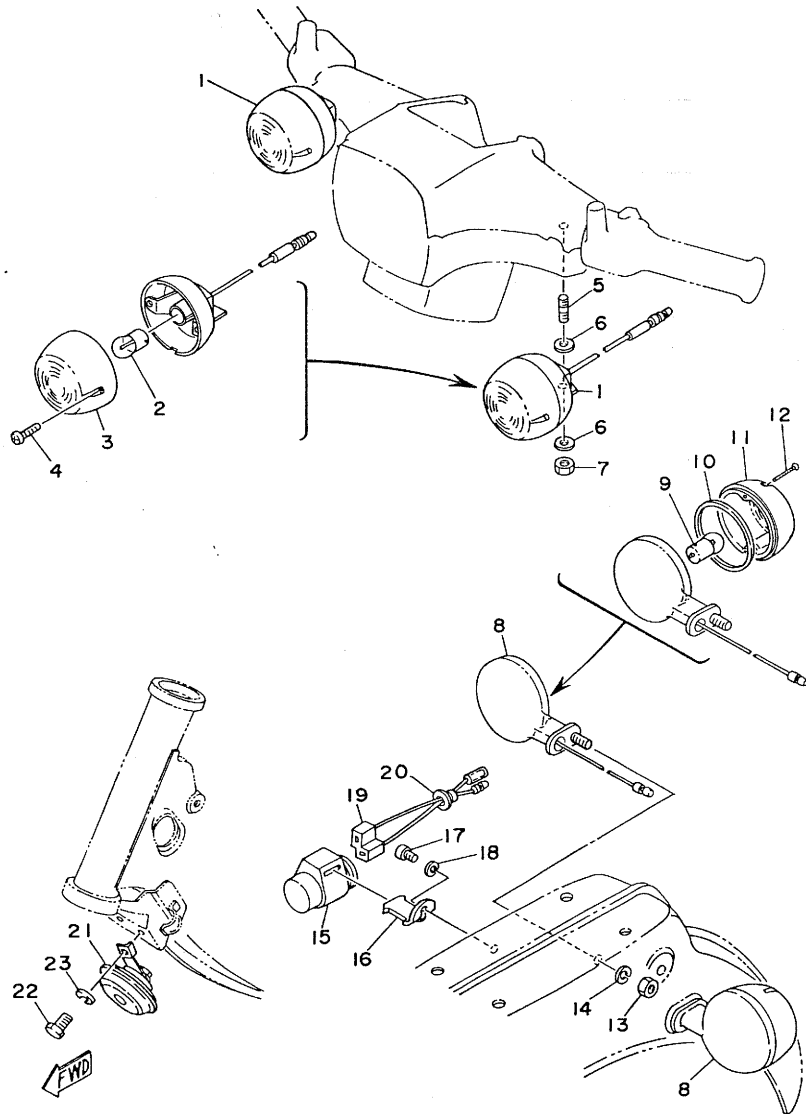
Ref. No.	Part No.	Description	Q'ty	Applicable Machine No.	Remarks
33- 1	✓ 3E1-83510-10	SPEEDOMETER ASS'Y	1	V80 <del>122</del>	Km/h
2	✓ 122-83516-10	BULB, speedometer (6V-3W)	1		
3	✓ 3E1-83520-50	SOCKET, meter	1		
4	✓ 3E1-83515-00	SPRING, meter	1		
5	✓ 3E1-83550-00	SPEEDOMETER CABLE ASS'Y	1		

Fig. 34 FLASHER LAMP



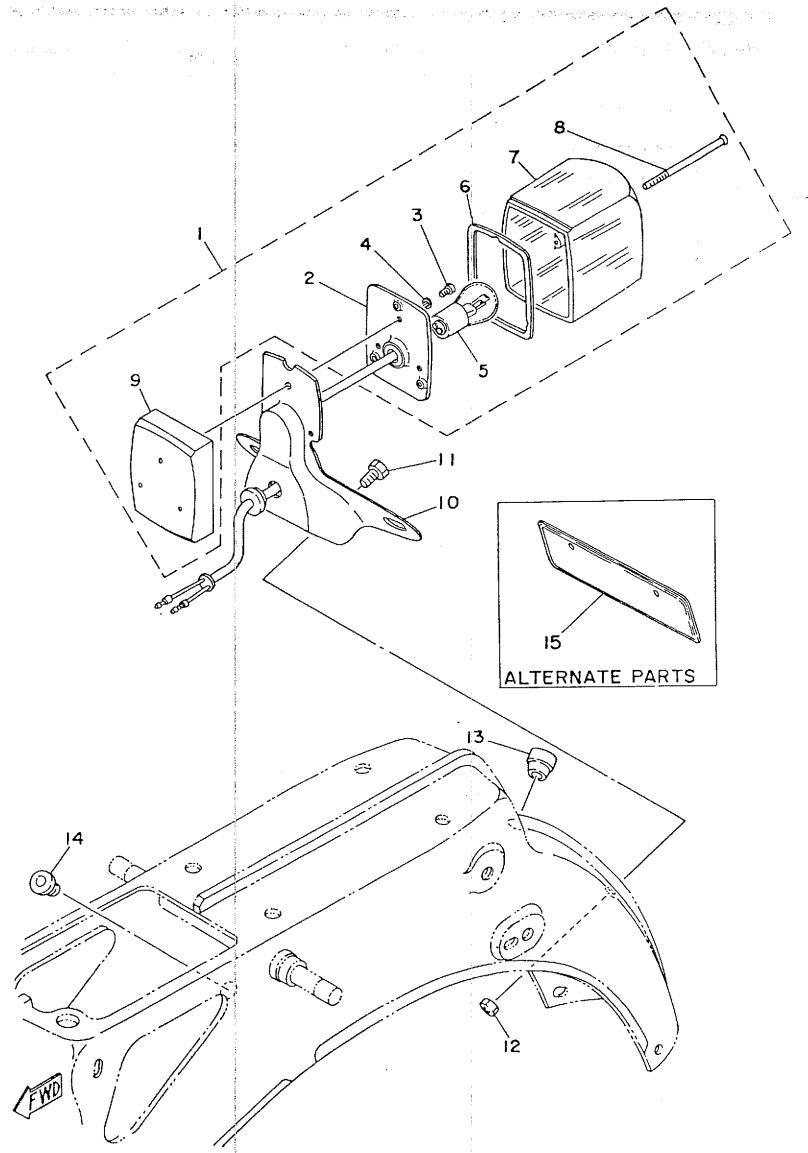
Ref. No.	Part No.	Description	Q'ty	Applicable Machine No.	Remarks
34- 1	✓ 3E2-83310-10-93	FRONT FLASHER LAMP ASS'Y, left	1	V80	
	✓ 3E2-83320-10-93	FRONT FLASHER LAMP ASS'Y, right	1		
2	✓ 152-83311-10	. BULB, flasher (6V-10W)	2		
3	✓ 183-83332-21	. LENS, flasher	2		
4	✓ 98501-03032	. SCREW, lens fitting	4		
5	✓ 90116-06282	BOLT, stud	2		
6	✓ 92901-06200	WASHER, plain	4		
7	✓ 95301-06700	NUT, hexagon	2		
8	✓ 3E2-83340-10-93	REAR FLASHER LAMP ASS'Y	2		
9	✓ 152-83311-10	. BULB, flasher (6V-10W)	2		
10	✓ 183-83313-70	. GASKET, flasher lens	2		
11	✓ 183-83332-21	. LENS, flasher	2		
12	✓ 98501-03032	. SCREW, lens fitting	4		
13	✓ 95301-08600	NUT, hexagon	2		
14	✓ 92901-08100	WASHER, spring	2		
15	✓ 3E1-83350-10	FLASHER RELAY ASS'Y	1		
16	✓ 474-83352-00	BRACKET, flasher relay	1		
17	✓ 92501-06012	SCREW, panhead	1		
18	✓ 92901-06100	WASHER, spring	1		
19	✓ 1W7-83355-00	CORD, flasher relay	1		
20	✓ 90480-12013	GROMMET	1		

Fig. 34 FLASHER LAMP



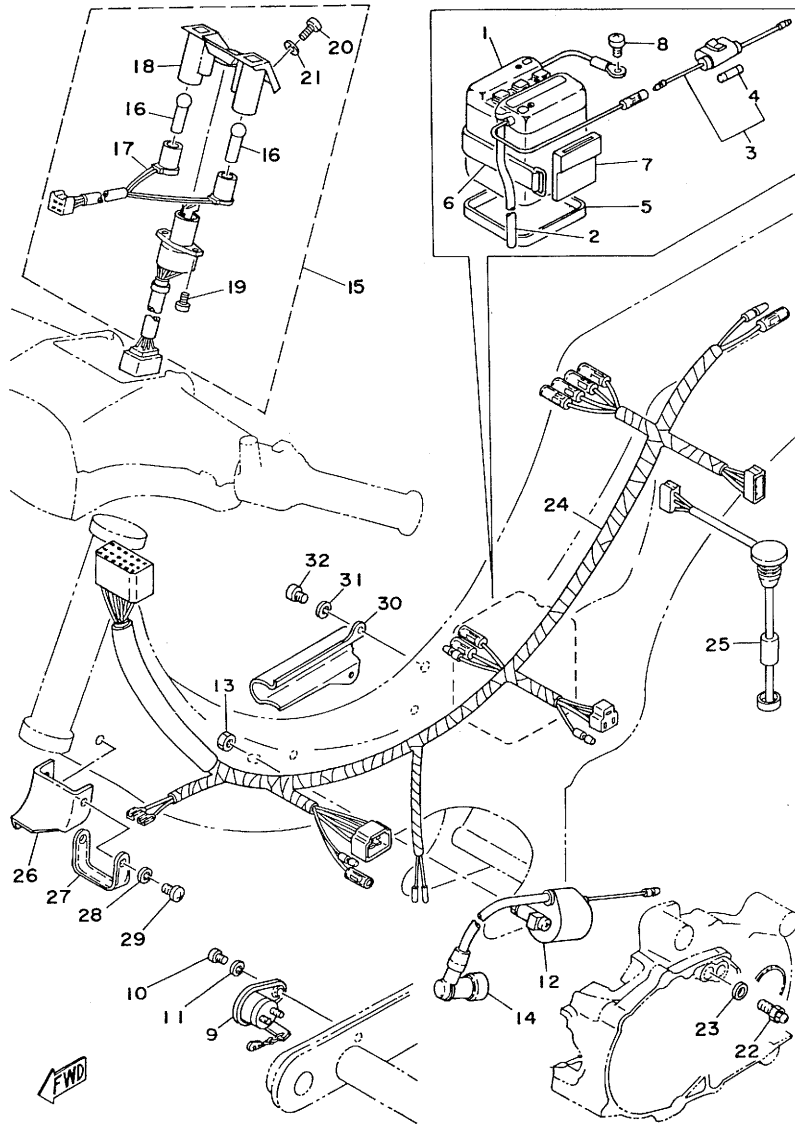
Ref. No.	Part No.	Description	Q'ty	Applicable Machine No.	Remarks
34-21	✓ 1W7-83371-10	HORN	1		
22	✓ 97301-06012	BOLT, hexagon	1		⚙
23	✓ 92901-06100	WASHER, spring	1		⚙

Fig. 35 TAIL LAMP 7



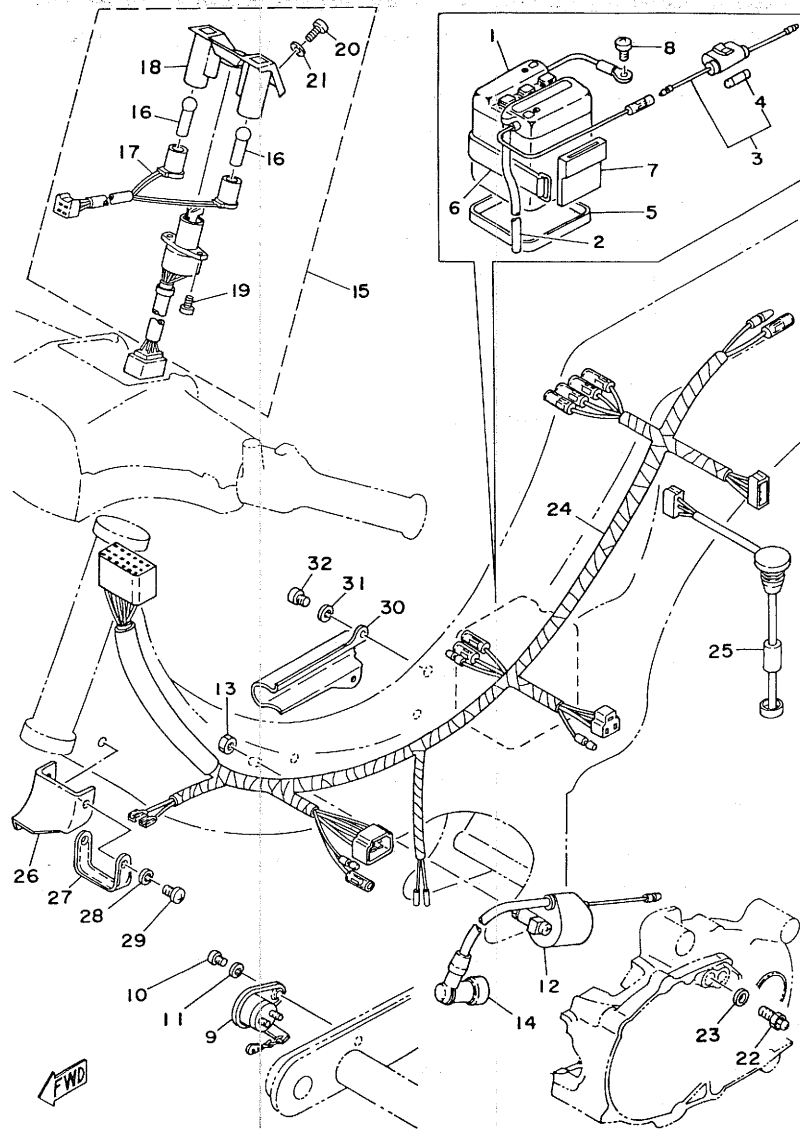
Ref. No.	Part No.	Description	Q'ty	Applicable Machine No.	Remarks
35-	1	✓ 3E2-84510-00	TAIL LAMP UNIT ASS'Y	1	
2	✓ 517-84511-00	. BASE, tail lamp	1		
3	✓ 98503-04010	. SCREW, panhead	3		
4	✓ 92901-04100	. WASHER, spring	3		
5	✓ 122-84514-30	. BULB, tail lamp (6V-21/3CP)	1		
6	✓ 164-84723-00	. GASKET, tail lens	1		
7	✓ 164-84721-00	. LENS, tail lamp	1		
8	✓ 201-84724-00	. SCREW, lens fitting	3		
9	✓ 201-84716-00	. COVER, tail lamp	1		
10	✓ 330-84551-00-35	BRACKET, licence	1		
11	✓ 97301-06012	BOLT, hexagon	2		
12	✓ 95301-06600	NUT, hexagon	2		
13	✓ 90480-12013	GROMMET	1		
14	✓ 90480-13175	GROMMET	1		
15	NOT APPLICABLE	PLATE, licence rear	1		

Fig. 36 ELECTRICAL



Ref. No.	Part No.	Description	Q'ty	Applicable Machine No.	Remarks
36- 1	✓ 6N4-2A-2	BATTERY ASS'Y	1	V80	
2	Purchase Locally	HOSE	1		
3	✓ 116-82150-00	FUSE HOLDER ASS'Y	1		
4	✓ 116-82151-00	. FUSE (6V-10A)	1		
5	✓ 268-82122-00	SEAT, battery	1		
6	✓ 120-82131-00	BAND, battery	1		
7	✓ 517-82121-00	PAD, battery	1		
8	✓ 92501-06010	SCREW, panhead	1		
9	✓ 122-82530-00	STOP SWITCH ASS'Y	1		
10	✓ 98501-05010	SCREW, panhead	1		
11	✓ 92901-05100	WASHER, spring	1		
12	✓ 3E1-82310-M0	IGNITION COIL ASS'Y	1		
13	✓ 95301-06600	NUT, hexagon	2		
14	✓ 117-82370-20	PLUG CAP ASS'Y	1		u.R.
	✓ 512-82370-10	PLUG CAP ASS'Y	1		u.R.
15	✓ 3K8-82508-00	MAIN SWITCH ASS'Y	1		
16	✓ 122-83516-10	. BULB (6V-3W)	2		
17	✓ 3E1-83520-00	. SOCKET, cord	1		
18	✓ 3K8-8251H-00	. PANEL, indicator	1		
19	✓ 98901-03010	. SCREW, tapping	2		
20	✓ 98506-04010	. SCREW, ovalhead	2		
21	✓ 92906-04600	. WASHER, plate	2		
22	✓ 341-82540-01	NEUTRAL SWITCH ASS'Y	1		
23	✓ 116-82543-00	GASKET	1		
24	✓ 3E1-82590-20	WIRE HARNESS ASS'Y	1		
25	✓ 3E1-85720-00	OIL LEVEL GAUGE ASS'Y	1		
26	✓ 296-82581-00	GUIDE, wire harness	1		
27	✓ 90465-06068	CLAMP, wire harness	1		
28	✓ 92901-06100	WASHER, spring	2		

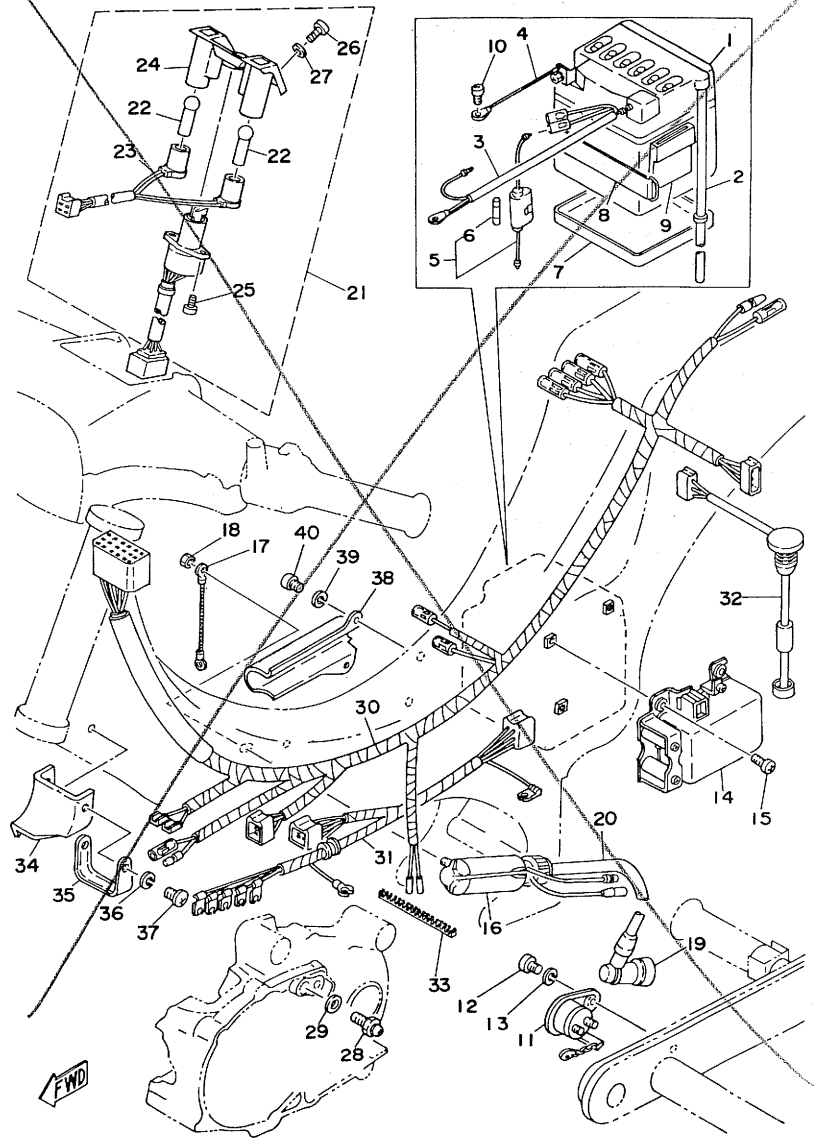
Fig. 36 ELECTRICAL



Ref. No.	Part No.	Description	Q'ty	Applicable Machine No.	Remarks
36-29	✓ 92501-06012	SCREW, panhead	2	V80	
30	✓ 296-82582-01-V9	COVER, wire harness	1		New High Sparkle Green
	✓ 296-82582-01-1H	COVER, wire harness	1		New High Sparkle Blue
	✓ 296-82582-01-71	COVER, wire harness	1		Mandarin Orange
31	✓ 92901-06100	WASHER, spring	2		
32	✓ 92501-06012	SCREW, panhead	2		

Fig. 37 ELECTRICAL 2 (V80E)

NOT FOR SA

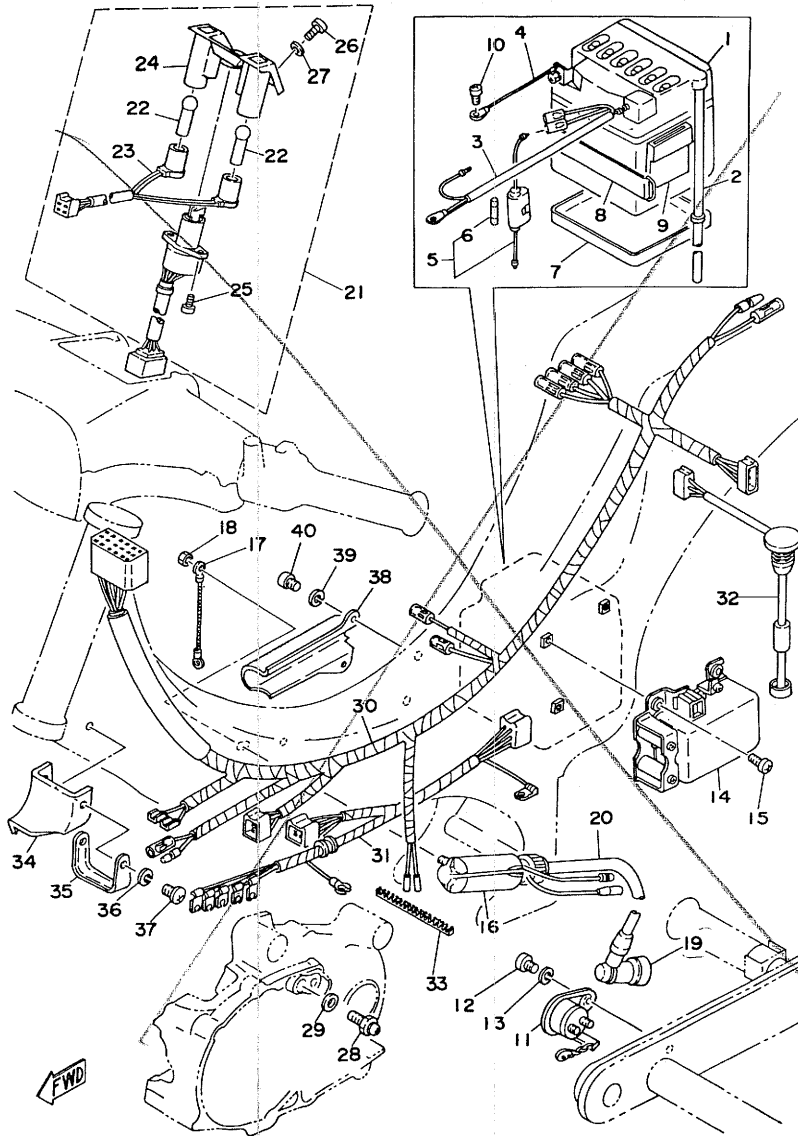


Ref. No.	Part No.	Description	Q'ty		Remarks
			V80	V30E Machine No.	
37-1	121-82110-60	BATTERY ASS'Y (12N-7C-3P)	1		GS
2	90445-08044	HOSE (118-82112-00)	1		
3	118-82115-00	WIRE, plus lead	1		
4	118-82116-00	WIRE, minus lead	1		
5	164-82150-00	FUSE HOLDER ASS'Y	1		
6	148-82151-00	. FUSE (12V-20A)	1		
7	121-82122-00	SEAT, battery	1		
8	121-82131-00	BAND, battery	1		
9	517-82121-00	PAD, battery	1		
10	92501-06010	SCREW, panhead	1		
11	122-82530-00	STOP SWITCH ASS'Y	1		
12	98501-05010	SCREW, panhead	1		
13	92901-05100	WASHER, spring	1		
14	118-81910-11	VOLTAGE REGULATOR ASS'Y	1		
15	92501-06015	SCREW, panhead	3		
16	254-82310-60	IGNITION COIL ASS'Y	1		
17	517-82519-00	WIRE, earth lead	1		
18	95301-06600	NUT, hexagon	2		
19	166-82370-20	PLUG CAP ASS'Y	1		
	512-82370-10	PLUG CAP ASS'Y	1		Alternate Parts
20	132-82341-00	CORD, high tension	1		
21	3K9-82508-00	MAIN SWITCH ASS'Y	1		
22	123-83516-21	. BULB	2		
23	3E1-83520-00	. SOCKET, cord	1		
24	3K8-8251H-00	. PANEL, indicator	1		
25	98901-03010	. SCREW, tapping	2		
26	98506-04010	. SCREW, ovalhead	2		
27	92906-04600	. WASHER, plate	2		
28	341-82540-01	NEUTRAL SWITCH ASS'Y	1		

NIE SA NIE

Fig. 37 ELECTRICAL 2 (V80E)

NOT FOR S.A.



Ref. No.	Part No.	Description	Q'ty		Applicable Machine No.	Remarks
			V80	V80E		
37-29	116-82543-00	GASKET		1		
30	3E3-82590-10	WIRE HARNESS ASS'Y		1		
31	297-82580-11	WIRE HARNESS ASS'Y		1		
32	3E1-85720-00	OIL LEVEL GAUGE ASS'Y		1		
33	518-82598-00	GROMMET		1		
34	296-82581-00	GUIDE, wire harness		1		
35	90465-06068	CLAMP, wire harness		1		
36	92901-06100	WASHER, spring		2		
37	92501-06012	SCREW, panhead		2		
38	296-82582-01-V9	COVER, wire harness		1		New High Sparkle Green
	296-82582-01-1H	COVER, wire harness		1		New High Sparkle Blue
	296-82582-01-71	COVER, wire harness		1		Mandarin Orange
39	92901-06100	WASHER, spring		2		
40	92501-06012	SCREW, panhead		2		

NIE SA NIE

# NUMERICAL INDEX

## NUMERICAL INDEX

Part No.	Ref.No.	Part No.	Ref.No.	Part No.	Ref.No.	Part No.	Ref.No.	Part No.	Ref.No.	Part No.	Ref.No.
1M3-83311-10	34- 2	1W7-83355-00	34-19	116-28316-01	31- 4	127-14135-00	11-28	166-82370-20	37-19	2V9-14116-03	11-18
	34- 9	1W7-83371-10	34-21	116-82150-00	36- 3	127-14137-00	11-19	174-11681-00	4- 6	2W9-13178-00	13-19
1W7-W6111-00-20	5-24	1W8-11400-01	4- 1	116-82151-00	36- 4	127-14141-14	11- 3	174-24741-00	20- 3	2W9-14753-00	12- 2
1W7-W6111-00-30	5-24	1W8-11412-00	4- 2	116-82543-00	36-23	127-14143-19	11- 4	180-22117-00	21- 6	2Y3-24161-00	27- 4
1W7-W6111-00-40	5-24	1W8-83311-10	34- 2			127-14143-20	11- 4	183-25149-00	29-14	2Y3-24162-00	27- 5
1W7-11111-00-94	1- 5	1W8-83311-20	34- 9	117-82370-20	36-14	127-14143-21	11- 4	183-81421-10	15- 4	201-84716-00	35- 9
1W7-11181-00	1- 4	1W8-83350-00	34-15	118-81910-11	37-14	127-14143-22	11- 4	183-83313-70	34-10	201-84724-00	35- 8
1W7-11400-01	4- 1	1W8-83371-20	34-21	118-82115-00	37- 3	127-14143-23	11- 4	183-83332-21	34- 3	202-21681-00-33	35-15
1W7-11412-01	4- 2	1Y0-26290-00	25-13	118-82116-00	37- 4	127-14171-00	11-27		34-11	214-24718-00	20-16
1W7-11422-01	4- 3	1Y0-26290-10	25-14	120-21764-00	17-15	127-14186-00	11- 8	193-14142-15	11- 2	214-24726-00	20- 8
1W7-11650-00	4-23	1Y0-26290-30	25-14	120-27430-02	21-20	127-14195-00	11- 5	195-25115-00	29- 8	214-24776-00-33	20-21
1W7-11651-00	4- 4	1Y0-26290-40	25-13	120-82110-21	36- 1	127-25388-00	30-33	195-25117-00	29- 7	248-84114-00	32- 5
1W7-14611-01	12- 5	101-81111-10	15- 9	120-82110-31	36- 1	128-27114-00	20-13	2E9-14185-00	11- 7	254-82310-60	37-16
1W7-15111-00	2- 1	102-14122-00	11-14	120-82131-00	36- 6	132-14613-00	12- 8	2E9-84131-00	32- 7	266-21712-00	17-13
1W7-15121-01	2- 2	102-22123-00	21- 3	121-82110-60	37- 1	132-16346-00	7-13	2E9-84132-00	32- 8	266-24514-01	27- 9
1W7-15492-00	3- 8	102-25137-00	29-28	121-82122-00	37- 7	132-81232-10	15-12	2E9-85540-M0	14-19	266-24521-01	27-11
1W7-17211-12	6-11	102-25315-00	30- 8	121-82131-00	37- 8	132-82341-00	37-20	2N8-15411-00	3- 1	266-24522-00	27-10
1W7-17221-20	6- 8	102-25371-00	30-39	122-15612-02	9-13	132-84314-60	32- 5	2N8-18531-00	7-14	266-24523-00	27-14
1W7-17231-21	6-10	102-25387-02	30-29	122-16164-00	5-23	136-18542-00	7- 2	2N8-18540-00	7- 1	266-24524-00	27-15
1W7-17410-00	6- 1	102-25389-00	30-27	122-21582-81-33	18-12	136-84714-01	35- 5	2N8-21771-00	28- 5	266-24531-00	27-12
1W7-17421-10	6- 6	102-25412-00	30-23	122-23411-00	24-11	141-81113-10	15-10	2N9-21711-00-V9	17- 1	266-24532-00	27-13
1W7-18511-01	7-16	109-14713-00	12- 6	122-23412-00	24-10	148-22315-00	21-15	2N9-21711-00-1H	17- 1	266-27111-01	22-10
1W7-18512-02	7-17	109-22141-00	21- 2	122-23416-00	24-12	148-81126-10	15- 8	2N9-21711-00-71	17- 1	268-82122-00	36- 5
1W7-21110-03-V9	16- 1	109-25104-00	29- 2	122-25438-10-33	30-22	148-82151-00	37- 6	2T4-15637-00	5- 6	278-18127-00	8- 7
1W7-21110-03-1H	16- 1	109-25136-00	29-25	122-82530-00	36- 9	156-15618-01	9-17	2T4-85520-M1	14- 4	296-13147-00	13- 9
1W7-21110-03-71	16- 1	109-27115-00	22-13			156-26329-00	25-24	2T4-85568-M1	14-11	296-14112-25	11-17
1W7-21751-11	28- 1	116-16521-00	5-12	122-83516-10	33- 2	164-15415-00	3- 6	2T4-85569-M1	14- 7	296-14117-00	11-13
1W7-21761-00	28- 4	116-21621-00	18- 7			164-24319-00	28- 8	2T5-13124-00	13- 4	296-14131-00	11-21
1W7-21763-00	28- 3	116-23383-00	23-10	122-83922-01-38	26- 8	164-27231-02	22-17	2T5-26244-00	25-20	296-14136-00	11-20
1W7-21764-00	28- 2	116-23384-00	23-15	122-84514-30	35- 5	164-27414-00	22-24	2T5-26261-00	25-16	296-14181-06	11-10
1W7-24110-00-V9	27- 1	116-24741-00	20- 4	123-83516-21	33- 2	164-27417-00	22-25	2T5-26262-00	25-17	296-14184-01	11- 9
1W7-24110-00-1H	27- 1	116-26241-00	25- 5			164-82150-00	37- 5	2T5-26267-00	25-21	296-14198-01	11-22
1W7-24110-00-71	27- 1	116-26242-00	25- 6	127-14124-23	11-25	164-84721-00	35- 7	2T5-26273-00	25-19	296-14411-00	10- 1
1W7-24718-00	20-12	116-27114-00	12-12	127-14134-00	11-16	164-84723-00	35- 6	2T5-26274-00	25-18	296-14412-01	10- 4

## NUMERICAL INDEX

Part No.	Ref.No.	Part No.	Ref.No.	Part No.	Ref.No.	Part No.	Ref.No.	Part No.	Ref.No.	Part No.	Ref.No.
296-14413-00	10- 7	296-22210-41-71	21- 7	296-25330-00	30-16	298-24731-00	20- 2	3E1-26331-00	25-11	3E2-84510-00	35- 1
296-14422-00	10- 3	296-22310-01-V9	21-14	296-25366-01	30-21	298-24738-00-33	20- 5	3E1-26341-00	25-12	3E3-21781-00	17-21
296-14451-00	10- 2	296-22310-01-1H	21-14	296-26288-01	16- 9	298-24748-00	20-24	3E1-26393-00	25-27	3E3-82590-10	37-30
296-14454-00	10-11	296-22310-01-71	21-14	296-28100-11	31-14	298-24750-00	19-10	3E1-27311-00	22- 6	3E3-82720-20	26- 7
296-15316-00	2- 7	296-23350-01	23- 2	296-28311-01	31- 1	298-24768-00	20-25	3E1-8131X-M1	14-17	3E3-83310-40-93	34- 1
296-17471-00	6- 3	296-23350-11	23- 2	296-28329-00	31- 8	299-81133-10	15-13	3E1-81313-M0	14- 6	3E3-83320-40-93	34- 1
296-18140-02	7-10	296-23361-02	23- 3	296-28349-01	31-13	299-81153-11	15-14	3E1-82310-M0	36-12	3E3-83340-40-93	34- 8
296-18531-00	7-14	296-23362-09	23- 6	296-28373-00	31- 9	3E1-14158-00	11-23	3E1-82505-30	26-12	3E3-83510-20	33- 1
296-18549-00	7-19	296-23363-01	23- 8	296-81970-62	14-23	3E1-14710-00	12- 1	3E1-82590-20	36-24	3E3-83510-40	33- 1
296-18561-00	7- 6	296-23364-01	23-13	296-82518-00	26-11	3E1-14714-00	12- 7	3E1-82720-20	26- 7	3E3-83520-50	33- 3
296-18562-01	7- 8	296-23371-02	23- 4	296-82581-00	36-26	3E1-18101-00	8- 8	3E1-83350-10	34-15	3E3-84310-10	32- 1
296-21279-00	16-10	296-23372-09	23- 7	296-82581-00	37-34	3E1-18111-00	8- 1	3E1-83510-10	33- 1	3E3-84310-50	32- 1
296-21345-00	16- 7	296-23381-01	23- 9	296-82582-01-V9	36-30	3E1-21781-00	17- 3	3E1-83510-30	33- 1	3E3-84312-10	32- 4
296-21511-22-V9	18- 1	296-23382-01	23-14		37-38	3E1-21782-00	17- 3	3E1-83515-00	33- 4	3E3-84314-30	32- 5
296-21511-22-1H	18- 1	296-23414-00	24- 8	296-82582-01-1H	36-30	3E1-21783-00	17-19	3E1-83520-00	36-17	3E3-84359-00	32-11
296-21511-22-71	18- 1	296-23445-00	24-20		37-38	3E1-21784-00	17-18	3E1-83520-00	37-23	3E5-11162-00	1-10
296-21511-82-V9	18-11	296-23455-00	24-22	296-82582-01-71	36-30	3E1-23391-00-V9	24- 1	3E1-83520-50	33- 3	3E5-11311-00	1- 3
296-21511-82-1H	18-11	296-23463-01	24-15		37-38	3E1-23391-00-1H	24- 1	3E1-83550-00	33- 5	3E5-11630-00	4-22
296-21511-82-71	18-11	296-24181-00	27- 6	296-82593-00	25-15			3E1-83975-00	26- 1	3E5-11630-10	4-22
296-21513-01	18- 2	296-24500-00	27- 8	297-21321-00	17- 9	3E1-23391-00-71	24- 1	3E1-83980-00	26-13	3E5-11630-20	4-22
296-21581-80	18-13	296-24518-00	27-16	297-21322-00	17-10	3E1-23397-00	24- 3	3E1-84110-10	32- 1	3E5-11631-00-97	4- 8
296-21714-00	17-20	296-24610-00	27- 2	297-21711-01-V9	17- 1	3E1-23408-00	23-20	3E1-84110-50	32- 1	3E5-11631-00-98	4- 8
296-21721-02-V9	17- 2	296-24612-00	27- 3	297-21711-01-1H	17- 1	3E1-23461-00	24-19	3E1-84112-10	32- 4	3E5-11631-00-99	4- 8
296-21721-02-1H	17- 2	296-24710-05	19- 1	297-21711-01-71	17- 1	3E1-25121-00-35	29-16	3E1-84114-30	32- 5	3E5-11635-00	4- 8
296-21721-02-71	17- 2	296-24723-00	19- 2	297-21721-02-V9	17- 2	3E1-2513A-00	29-35	3E1-84115-10	32- 3	3E5-11636-00	4- 8
296-21731-21-V9	17-16	296-24726-00	19- 3	297-21721-02-1H	17- 2	3E1-2513A-00	30-51	3E1-84120-10	32- 2	3E5-13101-00	13- 1
296-21731-21-1H	17-16	296-24810-01	19- 7	297-21721-02-71	17- 2	3E1-25155-00	29-20	3E1-84124-10	32- 6	3E5-14101-00	11- 1
296-21731-21-71	17-16	296-24830-00	20-27	297-82580-11	37-31	3E1-25321-00-35	30-14	3E1-84159-00	32-11	3E5-14101-50	11- 1
296-21741-21-V9	17-17	296-25135-00	29-15	298-11610-00	4- 9	3E1-26210-10-98	25- 1	3E1-85580-M0	14-10	3E5-15641-00	9- 4
296-21741-21-1H	17-17	296-25138-00	29-24	298-11610-10	4- 9	3E1-26215-00-98	25- 2	3E1-85720-00	36-25	3E5-15660-00	9- 1
296-21741-21-71	17-17	296-25181-02	29-29	298-11610-20	4- 9	3E1-26243-01	25- 7		37-32	3E5-15664-00	9- 6
296-22151-01	21- 4	296-25304-00	30- 2	298-14453-01	10-12	3E1-26311-00	25- 8	3E2-83310-10-93	34- 1	3E5-15676-00	9- 8
296-22210-41-V9	21- 7	296-25311-01-35	30- 1	298-24728-00	20-22	3E1-26312-00	25- 9	3E2-83320-10-93	34- 1	3E5-16150-00-20	5- 2
296-22210-41-1H	21- 7	296-25330-00	29-18	298-24730-02	20- 1	3E1-26321-00	25-10	3E2-83340-10-93	34- 8	3E5-16150-00-30	5- 2

## NUMERICAL INDEX

Part No.	Ref.No.	Part No.	Ref.No.	Part No.	Ref.No.	Part No.	Ref.No.	Part No.	Ref.No.	Part No.	Ref.No.
3E5-16150-00-40	5- 2	384-13161-02	13-13	517-25111-00-35	29- 1	90101-06394	2-16	90176-10013	21-11	90249-04068	20-19
3E5-16300-00	5- 1	384-13174-00	13-17	517-27112-01	22-11	90101-08246	22- 5	90179-06176	22-21	90249-12008	22-20
3E5-16521-00	5-11	384-15635-00	5- 8	517-27211-01	22-15	90101-08285	16- 2		25-25		25-26
3E5-27412-00	22-23	384-21773-00	28- 7	517-82121-00	36- 7	90101-10255	21- 8	90179-12244	5-27	90280-03017	4-18
3E5-28315-00	31- 2	384-21798-00	28-14	517-82121-00	37- 9	90109-06001	7-12	90179-16190	5-21	90338-05056	16-11
3E5-85500-M0	14- 1	401-25181-01	30-26	517-82519-00	37-17	90109-06024	19- 4	90179-25033	24-14	90338-07011	26- 6
3E5-85550-M0	14- 2	439-21759-01	28-10	517-84511-00	35- 2		20-14	90179-25050	24-13	90340-12005	2- 9
3E5-85561-M0	14- 3	439-24119-00	28-11	518-24317-00	27-20	90109-08034	22- 8	90183-04005	31- 3	90387-10277	29-31
3K8-82508-00	36-15	439-24317-00	27-20	518-82598-00	37-33	90109-08057	30-24	90185-10035	21- 5	90387-12412	30-28
3K8-8251H-00	36-18	439-83941-02	26- 2	518-84710-00	35- 1	90109-08183	30-40	90201-06067	31- 7	90387-18143	30-32
	37-24	441-27413-01	22- 2	518-84711-00	35- 2	90109-08193	22-26	90201-06557	10-23	90387-20603	4-20
3K9-82508-00	37-21	463-11161-01	1- 9	527-11633-00	4-10	90109-08492	23-22	90201-07076	29-23	90401-10029	13-12
300-11351-01	1- 2	474-83352-00	34-16	527-16520-10	5- 9	90116-06282	34- 5	90201-07081	31-12	90401-10035	23-16
300-13555-03	10-15	512-82370-10	36-14	527-16571-00	5-18	90116-07035	1- 1	90201-07653	1- 6	90430-04004	13- 8
300-13610-00	10-17		37-19	527-21165-01	20-26	90143-07021	15-16	90201-08310	24-23	90430-12038	2-10
300-13613-01	10-18	517-14190-12	11- 6	527-22110-00-V9	21- 1	90149-05119	26- 9	90201-10140	21- 9	90430-31149	28- 6
300-13616-00	10-19	517-15362-01	3-14	527-22110-00-1H	21- 1	90155-08002	23-11	90201-12190	21-12	90445-05390	11-32
300-13621-01	10-22	517-15416-00	2-14	527-22110-00-71	21- 1	90157-05003	21-16	90201-12317	5-25	90445-07036	11-33
300-13622-02	10-16	517-15421-01	3- 9	527-22210-30-V9	21- 7		23-23	90201-12575	8- 4	90445-08044	37- 2
300-15128-00	2-12	517-15451-01	3-10	527-22210-30-1H	21- 7	90159-05022	25- 4	90201-15701	9-10	90445-08170	36- 2
304-25364-00	30-13	517-15610-01	9-12	527-22210-30-71	21- 7	90159-05026	18- 3	90201-20266	9- 3	90445-09113	27-18
306-84347-30	32- 9	517-16180-00	5- 7	527-27411-00	22- 1	90159-05028	32-10	90201-20269	29-13	90445-09115	27-18
307-14169-10	11-26	517-16524-10	5-13	528-18111-00-91	8- 1	90159-06013	24- 5	90204-05001	17- 7	90445-09282	28-12
317-84147-30	32- 9	517-16524-20	5-13	532-15118-00	2- 8	90159-06014	24- 4	90208-12015	5-26	90445-12297	28-13
320-21787-00	17- 4	517-16524-30	5-13	532-15411-00	3- 1	90167-03004	25-23	90208-16019	5-20	90461-05036	14-14
320-81100-11	15- 1	517-16551-91	5-14	538-25351-01	29-17	90170-07019	1- 7	90209-08018	18- 4	90465-06068	36-27
320-81110-10	15- 3	517-16561-01	5-16		30-15	90170-08157	30-25	90209-10108	9-15		37-35
320-81150-10	15- 2	517-17461-21	6-15	538-25355-00	30-18	90170-08201	12-11	90209-10131	26- 3	90467-08003	27-19
322-25118-00	29-30	517-17461-31	6-15	802-14161-00	11-24	90170-10105	13-11	90209-15178	6-17		28- 9
330-84551-00-35	35-10	517-17461-41	6-15	90101-06278	29-21	90170-12215	4-17	90209-15179	6-17	90467-20023	10-13
341-82540-01	36-22	517-21243-00-33	16- 6		30-19	90170-18165	30-34	90209-15180	6-17	90468-02033	13-14
	37-28	517-23310-02-V9	23- 1	90101-06304	20-11	90171-10004	29-32	90209-20159	4- 7	90468-10050	20-10
353-14123-00	11-15	517-23310-02-1H	23- 1		20-23	90171-12005	30-35	90215-11012	24-21	90468-12007	30-43
384-13138-00	13-10	517-23310-02-71	23- 1	90101-06393	2-15	90173-06004	24- 2	90249-04039	7- 4	90468-16090	5- 3

## NUMERICAL INDEX

Part No.	Ref.No.	Part No.	Ref.No.	Part No.	Ref.No.	Part No.	Ref.No.	Part No.	Ref.No.	Part No.	Ref.No.
90468-23093	9- 5	92501-06010	7-20	92901-04100	35- 4	92901-08100	12-10	93210-26240	13- 2	93603-14026	2-11
90480-10005	13-18		14-24	92901-04200	15- 7		15-15	93210-41041	30-12		13- 6
90480-12013	34-20		36- 8	92901-04600	14- 8		16- 5	93210-98202	5- 4	93604-22050	7- 3
	35-13		37-10	92901-05100	12- 4		20- 6	93306-00406	30-30	93606-14081	7-18
90480-13175	35-14	92501-06012	6- 4		15-17		24-16	93306-20309	6- 2	93700-04002	23- 5
90480-21038	2-17		17-11		36-11		30-41	93306-20401	6-13	93700-06004	23-19
90480-34046	17-14		34-17		37-13		34-14	93306-20517	4-13	94122-17008	29- 4
90501-05512	25-22		36-29	92901-05600	21-17	92901-08400	18- 5	93306-30003	29- 9	94125-17012	30- 4
90501-10245	22-19		36-32		21-19	92901-08600	19- 9	93306-30101	30-11	94222-17104	29- 5
90501-10449	5-10		37-37	92901-06100	10- 8		30-44	93306-30103	30- 9	94225-17005	30- 5
90501-12088	5-15		37-40		14-21	92901-10100	22- 4	93310-11268	4-12	94320-17019	29- 6
90504-18005	9-14		7- 9		18-16		23-17	93310-420F2	4- 5		30- 6
90506-08122	8- 9		17- 5		19- 6	92901-10200	21-10	93315-23208	7-21	94412-17002	29- 3
90506-10184	7-11		18- 8		19-12	92901-12100	4-16	93320-41202	6- 5	94414-17003	30- 3
90506-16034	29-19		31-10		30-37	92901-12600	4-15	93410-17008	9- 9	94570-16100	30-46
	30-17		37-15		31- 6	92902-03100	10-20	93410-20009	9- 2	94580-13100	30-48
90506-20041	22-16	92501-06020	14-20		31-11	92906-04600	36-21		29-12	94604-20001	30-49
90506-25047	22- 7		17- 5		34-18		37-27	93410-20038	6-16	94670-16001	30-47
90506-29054	22-14	92501-06025	24- 6		34-23	93101-10001	13- 3	93430-03013	5-17	94701-00108	1- 8
90508-10012	20-20	92501-06030	10-14		36-28	93101-12004	8- 5	93430-03014	7- 5	95301-05600	11-31
90508-26136	9- 7	92501-06035	2- 6		36-31	92102-20143	6-14	93430-07012	13- 5		12- 3
90508-26393	29-34		3-12		37-36	93103-25098	4-14	93430-09019	7- 7	95301-06600	10- 6
90508-32263	8- 6	92501-06040	3-13		37-39	93103-32099	4-19	93430-10016	7-22		18-10
90560-12145	30- 7		31- 5	92901-06200	18-17	93104-07003	29-26		8- 3		18-15
90560-17146	5-22	92501-06045	2- 5		34- 6	93104-11053	3-16	93430-12008	22-12		18-18
91401-20012	22-22		3- 4	92901-06600	14-22	93104-21016	30-10	93440-10028	9-16		19- 5
	30-45	92501-06050	2- 4		17- 6	93105-47007	29-11	93440-15012	6-12		19-11
91401-20020	29-33	92501-06085	3- 5		17- 8	93106-20001	29-10	93450-13022	4-11		20-15
91401-30022	30-50	92501-06100	3- 3		18- 9	93106-30004	30-31	93450-28049	6- 9		29-22
91701-05055	20- 9	92501-08010	2-13		20-17	93109-15001	9-11	93451-11037	5-19		30-20
91830-21014	3- 2	92503-06012	18-14		22-18	93210-08006	7-15	93503-16010	24- 9		30-36
	3-11	92901-04100	14-12		24- 7	93210-14104	29-27	93505-08030	5- 5		35-12
91830-22016	2- 3		14-15		26- 5	93210-18023	4-21	93509-32012	6- 7		36-13
92501-06008	26- 4		15- 6		30-38	93210-21190	3-15	93603-08072	13-20		37-18

# NUMERICAL INDEX

No.	Ref.No.	Part No.	Ref.No.	Part No.	Ref.No.	Part No.	Ref.No.	Part No.	Ref.No.	Part No.	Ref.No.
1-06700	17-12	98501-04006	14-16								
	34- 7		15-11								
95301-08600	24-18	98501-04008	15- 5								
	34-13	98501-04010	14-13								
95301-08700	18- 6		35- 3								
	22- 9	98501-04012	14- 5								
	23-12	98501-04016	11-11								
	25- 3	98501-04025	14- 9								
	30-42	98501-05008	11-12								
95301-10700	23-18	98501-05010	36-10								
95301-12700	21-13		37-12								
	21-21	98501-05016	21-18								
95601-05100	26-10	98501-05020	13-16								
95701-08100	16- 4	98501-05035	13-15								
95821-08120	16- 3	98501-05085	15-18								
97301-06010	16- 8	98502-05025	11-30								
97301-06012	10- 9	98503-04010	11-29								
	20-18	98506-04010	36-20								
	34-22		37-26								
	35-11	98512-03008	10-21								
97301-06016	10-10	98602-05010	23-21								
97301-06140	10- 5	98701-05015	14-18								
97301-08014	24-17	98901-03010	36-19								
97301-08016	19- 8		37-25								
	27- 7	98901-04008	13- 7								
97301-08020	12- 9										
	20- 7										
97311-06025	9-18										
97321-06020	8- 2										
97321-10020	22- 3										
98501-03006	27-17										
98501-03035	34- 4										
	34-12										
98501-04006	3- 7										