



**YAMAHA**

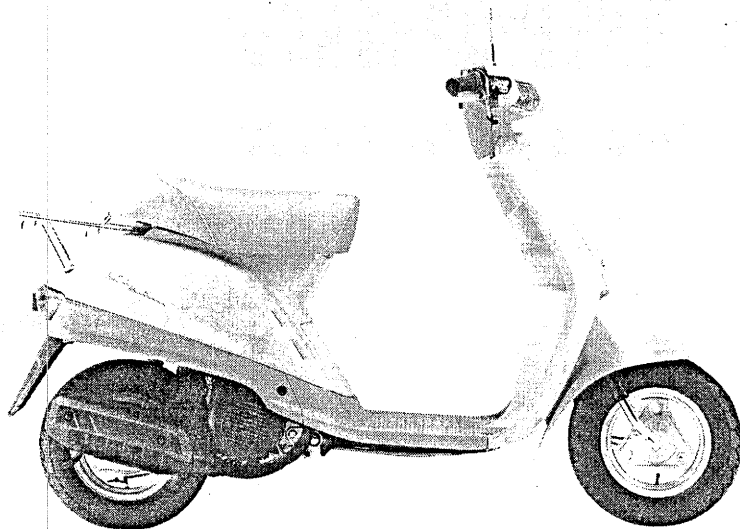
**PARTS CATALOGUE**

**SH50E (3UM1)**

**S. AFRICA**

193UM-664E1

**A2**



A3

# FOREWORD

141-1954531

This Parts Catalogue is related to the parts in use for the Yamaha SH50E(3UM1).  
When you are ordering replacement parts for the SH50E(3UM1), refer to this Parts Catalogue and quote both part numbers and part names correctly.

1. Modifications or additions which have been made after issue of the Parts Catalogue will be announced in the Yamaha Parts News.  
It is advisable that according to the Yamaha Parts News you make necessary corrections to the Parts Catalogue on hand to keep it up-to-date.

2. Abbreviations

The following abbreviations are used in this Parts Catalogue.

- U.R. Use size (thickness) and/or number as required.
- U.N. Use as many as you need.
- A.P. Alternate Parts
- L.M. Local Made
- F# Frame No. (Applicable machine No.)

3. The parts marked with (\*) in the parts number column of this Catalogue are not supplied with by Yamaha, those have to be found locally.
4. Parts, which are to be supplied in the form of assemblies, are listed with an indentation of one letter's space, and a dot ( . ) is put against the name of each part.

**EXAMPLE** CARBURETOR ASS'Y  
     . JET, pilot  
     . NOZZLE, main

5. Indication of No. of constituent parts for assembly

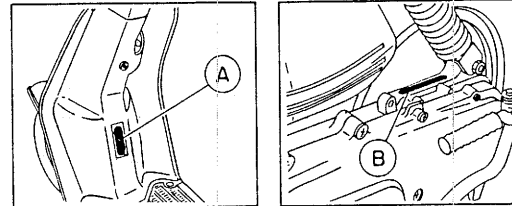
The numeral appearing to the right of each constituent part under the description indicates the quantity of such parts for each individual assembly unit.

**EXAMPLE**

Part No.	Description	Q'ty	Remarks
2F5-83310-60	FRONT FLASHER LIGHT ASS'Y	2	
115-83311-60	. BULB (6V-18W)	1	
1M1-83309-60	. REFLECTOR	1	

6. Initial Serial No. and Color Code

(A) Frame Serial No.	1YU-1833101 and following
(B) Engine Serial No.	1YU-1833101 and following



Color Code	Color Name	Abbreviate
GE	SILKY WHITE	SW ✓
RA	SWEET GREEN	SWG ✗
RE	CORAL PINK	COP ✓

7. Applicable colors of graphics are represented in the "Remarks" column by the letter(s) appropriately picked out of the full word(s) showing such colors.

**EXAMPLE**

Part No.	Description	Q'ty	Remarks
2N4-24110-00-X5	FUEL TANK COMP.	1	MAXIM RED
3J1-24240-10	. GRAPHIC, fuel tank set	1	for MXR

# CONTENTS

## ENGINE

Cylinder .....	B2
Crankshaft, Piston .....	B3
Air Shroud, Fan .....	B4
Oil Pump .....	B5
Intake .....	B6
Carburetor .....	B7
Exhaust .....	B8
Crankcase .....	B9
Starter .....	B10
Clutch .....	B11
Transmission .....	B12

## CHASSIS

Frame .....	B13
Fender .....	B14
Side Cover .....	B15
Oil Tank .....	C2
Rear Suspension .....	C3
Front Fork .....	C4
Fuel Tank .....	C5
Seat, Carrier .....	C6
Front Wheel .....	C7
Rear Wheel .....	C9
Steering Handle, Cable .....	C10 ~ C11
Stand, Footrest .....	C12
Leg Shield .....	C13
Cowling 1 .....	C14
Generator .....	C15
Flasher Light .....	D2

Meter .....	D3
Headlight .....	D4
Taillight .....	D5
Handle Switch, Lever .....	D6
Electrical 1 .....	D7

## INDEX

Numerical Index .....	M1 ~ M2
-----------------------	---------

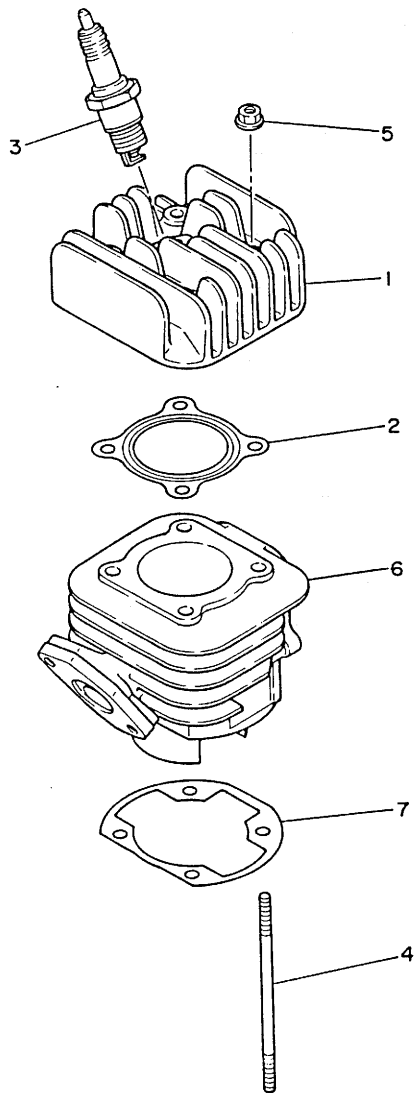


FIG. 1 CYLINDER

REF. NO.	PART NO.	DESCRIPTION	Q'TY	REMARKS
1	1YU-11111-00	HEAD, cylinder 1	1	
2	517-11181-00	GASKET, cylinder head 1	1	
3	94701-00292	SPARK PLUG (NGK BPR6HS10)	1	
4	90116-06418	BOLT, stud	4	
5	95701-06500	NUT, flange	4	
6	1YU-11311-00	CYLINDER 1	1	
7	1YU-11351-00	GASKET, cylinder	1	

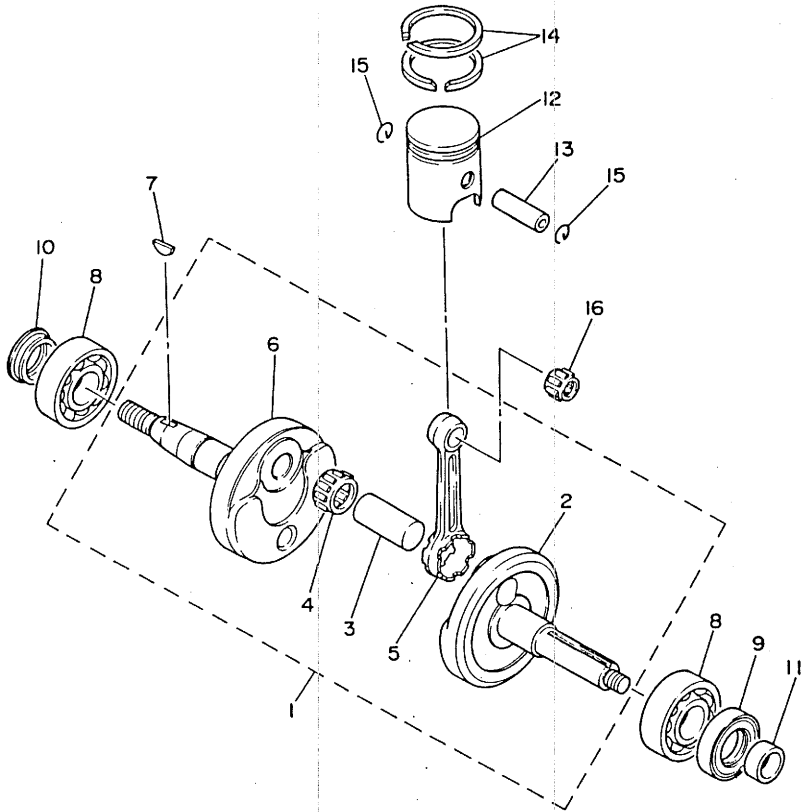


1YU010-6010

B2

FIG. 2 CRANKSHAFT. PISTON

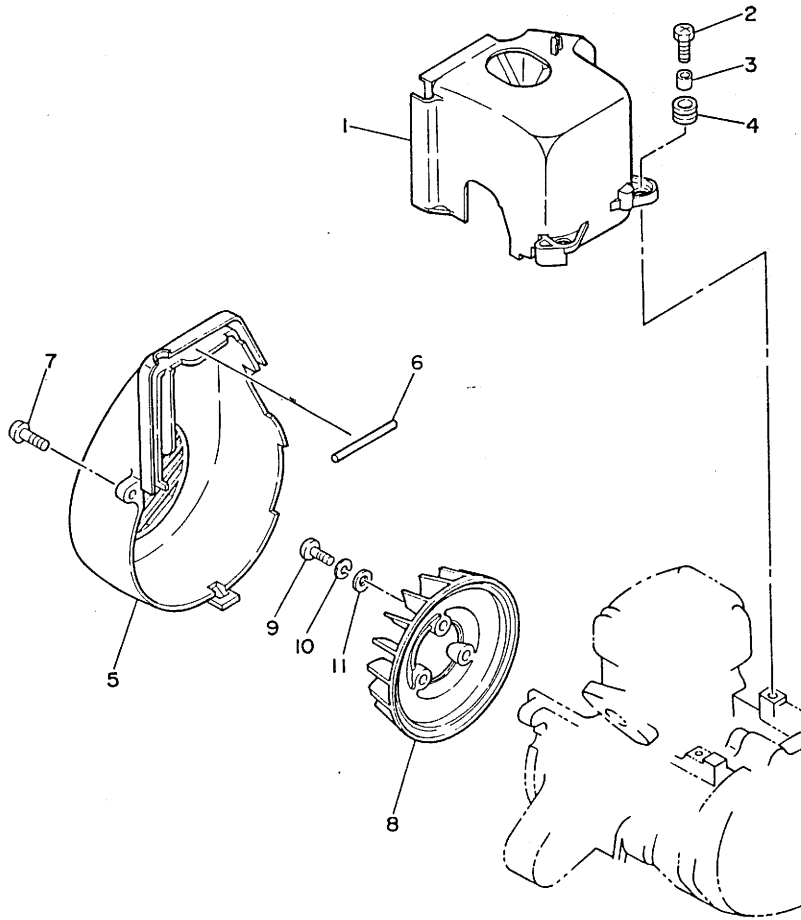
REF. NO.	PART NO.	DESCRIPTION	Q'TY	REMARKS
1	1YU-11400-00	CRANKSHAFT ASSY	1	
2	1YU-11412-00	.CRANK 1	1	
3	1YU-11681-00	.PIN, crank 1	1	
4	93310-416F7	.BEARING, cylindrical	1	
5	2E9-11651-00	.ROD, connecting	1	
6	1YU-11422-00	.CRANK 2	1	
7	90280-03017	KEY, woodruff	1	
8	93306-20458	BEARING	2	
9	93102-20371	OIL SEAL	1	
10	93101-20138	OIL SEAL	1	
11	90387-160R6	COLLAR	1	
12	1YU-11631-00-96	PISTON (STD)	1	
	1YU-11636-00	PISTON (0.50MM O/S)	1	AP
13	2E9-11633-00	PIN, piston	1	
14	260-11601-02	PISTON RING SET (STD)	1	
	260-11601-22	PISTON RING SET (0.50MM O/S)	1	AP
15	93450-11021	CIRCLIP	2	
16	93310-210M0	BEARING, cylindrical	1	



1YU010-6020

B3

FIG. 3 AIR SHROUD. FAN



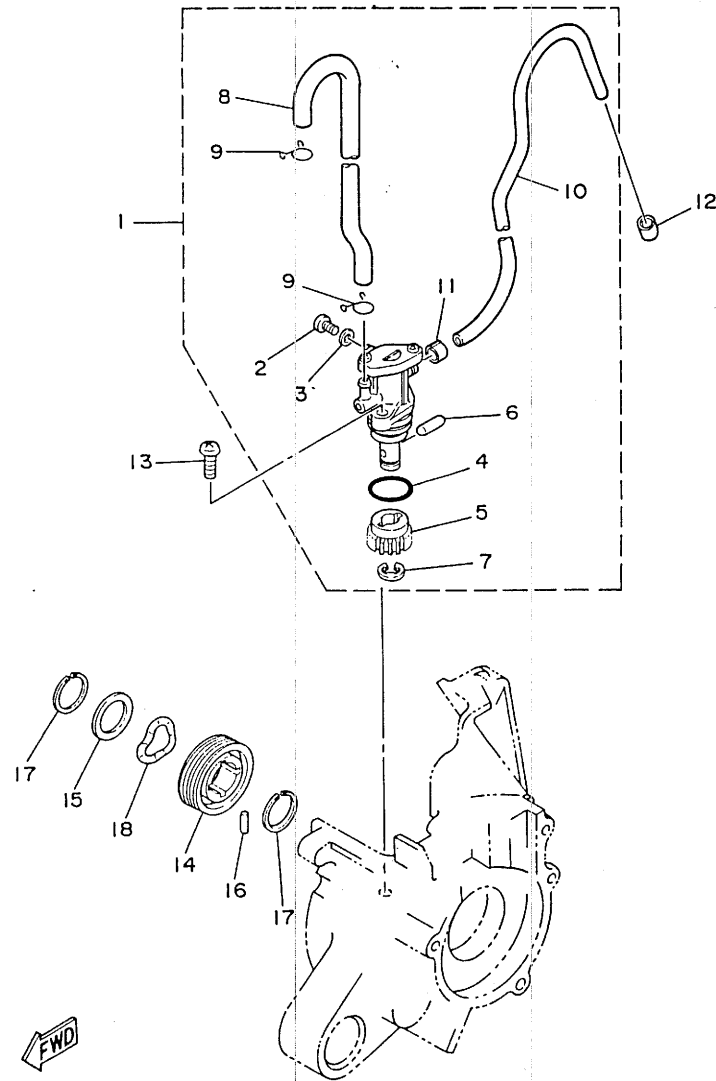
REF. NO.	PART NO.	DESCRIPTION	Q'TY	REMARKS
1	1YU-12651-00	AIR SHROUD, cylinder 1	1	
2	90153-06022	SCREW, hexagon	2	
3	90387-067T6	COLLAR	2	
4	90480-12237	GROMMET	2	
5	1YU-12653-00	AIR SHROUD, cylinder 3	1	
6	53L-14462-00	SEAL	1	
7	92501-06020	SCREW, pan head	2	
8	1YU-12611-01	FAN	1	
9	92501-06014	SCREW, pan head	3	
10	92990-06100	WASHER, spring	3	
11	92901-06600	WASHER, plate	3	



1YU010-6031

B4

FIG. 4 OIL PUMP



REF. NO.	PART NO.	DESCRIPTION	Q'TY	REMARKS
1	1YU-13100-00	OIL PUMP ASSY	1	
2	1YU-13185-00	.BOLT, breather	1	
3	1YU-13187-00	.GASKET, breather bolt	1	
4	1YU-13473-00	.O-RING	1	
5	3AA-13124-00	.GEAR, worm wheel	1	
6	1YU-13516-00	.PIN, dowel	1	
7	1YU-13577-00	.CLIP	1	
8	1YU-13416-00	.PIPE, oil l	1	
9	90467-08003	.CLIP	2	
10	90445-056E4	.HOSE	1	
11	90468-02033	.CLIP	1	
12	90468-02033	CLIP	1	
13	98501-05020	SCREW, pan head	2	
14	1YU-13178-00	GEAR, pump drive	1	
15	296-15644-00	SHIM	1	
16	93603-12007	PIN, dowel	1	
17	99009-19400	CIRCLIP	2	
18	90206-19027	WASHER, wave	1	

FWD  
1YU010-6040

B5

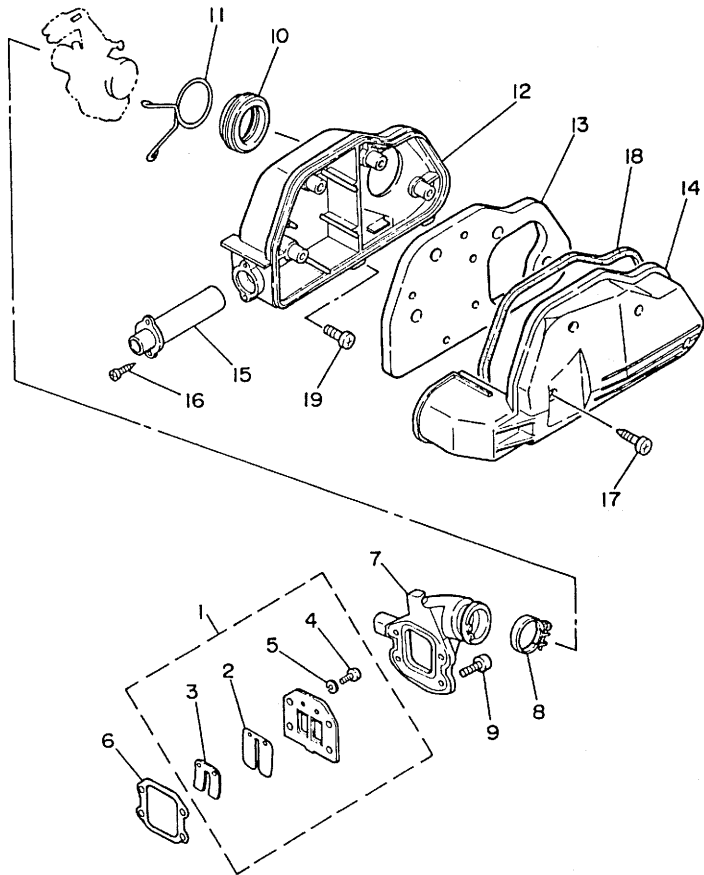


FIG. 5 INTAKE

REF. NO.	PART NO.	DESCRIPTION	Q'TY	REMARKS
1	27V-13610-00	REED VALVE ASSY	1	
2	24G-13613-00	.REED, valve	1	
3	27V-13616-00	.STOPPER, reed valve	1	
4	98501-03008	.SCREW, pan head	2	
5	92990-03100	.WASHER, spring	2	
6	3L5-13621-00	GASKET, valve seat	1	
7	24G-13555-00	MANIFOLD, intake	1	
8	90460-32242	CLAMP, hose	1	
9	91316-06020	BOLT	4	
10	27V-14453-00	JOINT, air cleaner 1	1	
11	90468-20127	CLIP	1	
12	1YU-14411-00	CASE, air cleaner 1	1	
13	1YU-14451-00	ELEMENT, air cleaner	1	
14	1YU-14412-00	CAP, cleaner case 1	1	
15	1YU-14437-00	DUCT	1	
16	97780-40116	SCREW, tapping	2	
17	97780-50125	SCREW, tapping	4	
18	1YU-14452-00	SEAL	1	
19	92501-06020	SCREW, pan head	2	

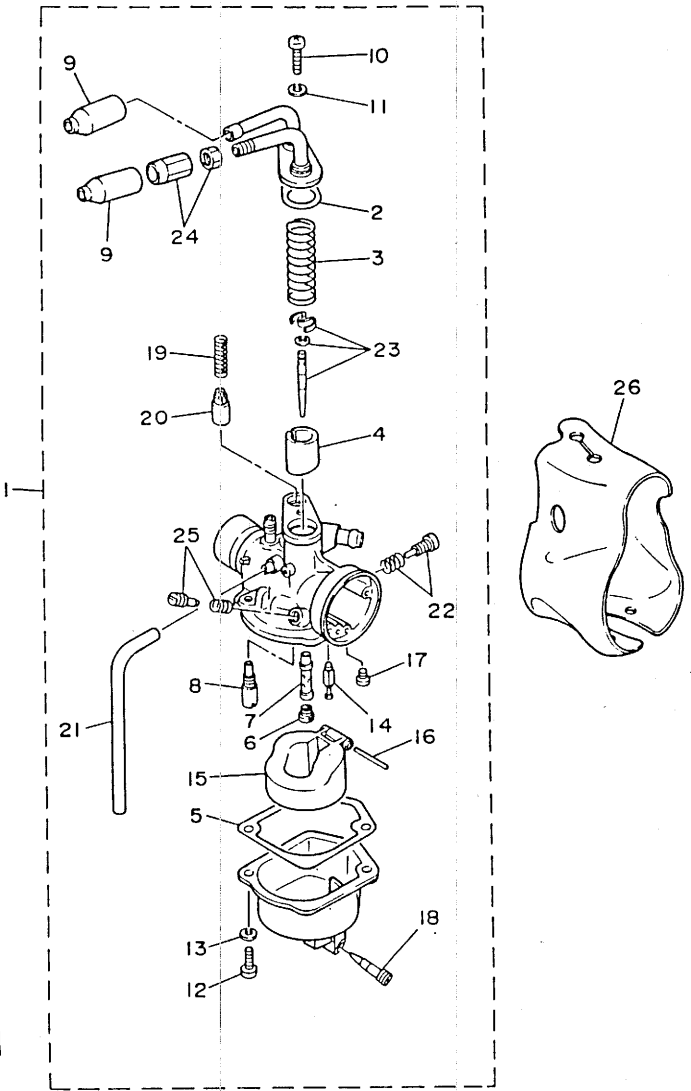


1YU010-6050

B6

FIG. 6 CARBURETOR

REF. NO.	PART NO.	DESCRIPTION	Q'TY	REMARKS
1	1YU-14301-00	CARBURETOR ASSY 1	1	
2	1YU-14126-00	.GASKET	1	
3	1YU-14331-00	.SPRING, throttle valve	1	
4	1YU-14312-25	.VALVE, throttle 1	1	
5	1YU-14384-00	.GASKET, float chamber	1	
6	14T-14343-42	.JET, main (# 84)	1	
7	1YU-14341-00	.NOZZLE, main	1	
8	1YU-14353-00	.JET, pilot (#44)	1	
9	14T-14169-00	.CAP	2	
10	98580-05012	.SCREW, pan head	1	
11	92901-05100	.WASHER, spring	1	
12	98580-04016	.SCREW, pan head	2	
13	92901-04100	.WASHER, spring	2	
14	14T-14392-01	.VALVE, needle	1	
15	1YU-14385-00	.FLOAT	1	
16	14T-14386-00	.PIN, float	1	
17	98501-03006	.SCREW, pan head	1	
18	14T-14323-00	.SCREW, air adjusting	1	
19	1YU-14335-00	.SPRING, plunger	1	
20	1YU-14371-00	.PLUNGER, starter	1	
21	1YU-14197-00	.PIPE	1	
22	1YU-14103-00	.THROTTLE SCREW SET	1	
23	1YU-1490J-00	.NEEDLE SET	1	
24	1YU-14106-00	.CABLE ADJUST SCREW SET	1	
25	14T-14104-00	.AIR SCREW SET	1	
26	1YU-14283-00	COVER, carburetor 1	1	

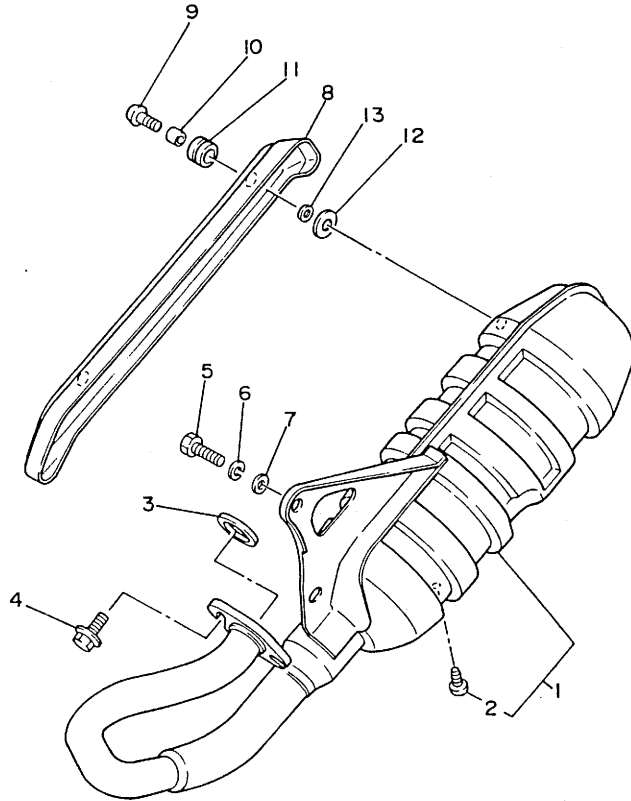


FWD

3HK010-8060

B7

FIG. 7 EXHAUST



REF. NO.	PART NO.	DESCRIPTION	Q'TY	REMARKS
1	1YU-14610-00	EXHAUST PIPE ASSY 1	1	
2	97706-30506	.SCREW, tapping	1	
3	24G-14613-00	GASKET, exhaust pipe	1	
4	90153-06061	SCREW, hexagon	2	
5	97016-08025	BOLT	2	
6	92906-08100	WASHER, spring	2	
7	90201-081A6	WASHER, plate	2	
8	1YU-14718-00	PROTECTOR, muffler 1	1	
9	98906-06016	SCREW, bind	2	
10	90387-060G7	COLLAR	2	
11	90480-12237	GROMMET	2	
12	52W-14766-00	WASHER, protector	2	
13	92990-06200	WASHER, plain	2	

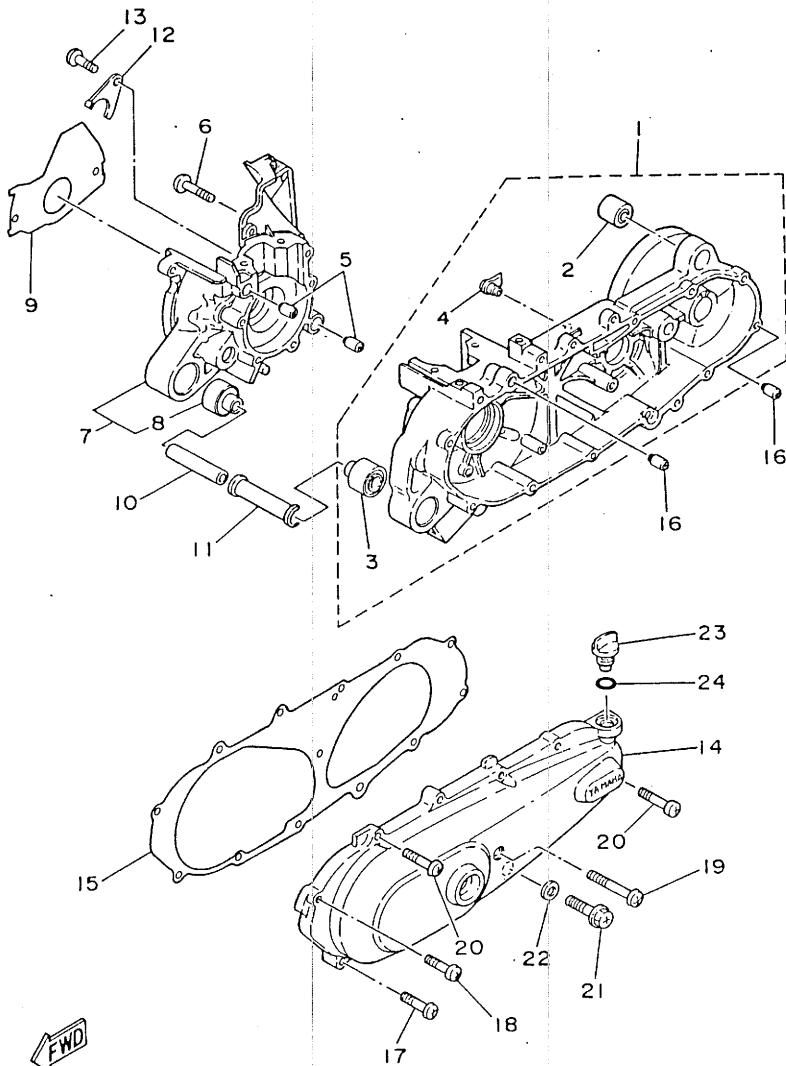


IYU010-6070

B8

FIG. 8 CRANKCASE

REF. NO.	PART NO.	DESCRIPTION	Q'TY	REMARKS
1	1YU-15110-00	CRANKCASE ASSY 1	1	
2	164-22216-00	.BUSH, rear shock absorber	1	
3	1YU-15316-00	.DAMPER, engine mount 1	1	
4	1YU-15371-00	.BREATHER	1	
5	99510-12016	PIN, dowel	2	
6	92501-06035	SCREW, pan head	6	
7	1YU-15120-00	CRANKCASE ASSY 2	1	
8	1YU-15316-00	.DAMPER, engine mount 1	1	
9	1YU-15462-00	GASKET, crankcase cover 3	1	
10	90560-10288	SPACER	1	
11	1YU-15376-00	HOLDER, guide	1	
12	1YU-15128-00	HOLDER	1	
13	92501-06012	SCREW, pan head	1	
14	1YU-15411-00	COVER, crankcase 1	1	
15	1YU-15451-00	GASKET, crankcase cover 1	1	
16	99530-10014	PIN, dowel	2	
17	92506-06025	SCREW, pan head	8	
18	92501-06025	SCREW, pan head	1	
19	92506-06050	SCREW, pan head	1	
20	92506-06035	SCREW, pan head	2	
21	95811-08035	BOLT, flange	1	
22	90201-08087	WASHER, plate	1	
23	4J2-15363-00	PLUG, oil	1	
24	93210-14104	O-RING	1	



2MV664-7080

B9

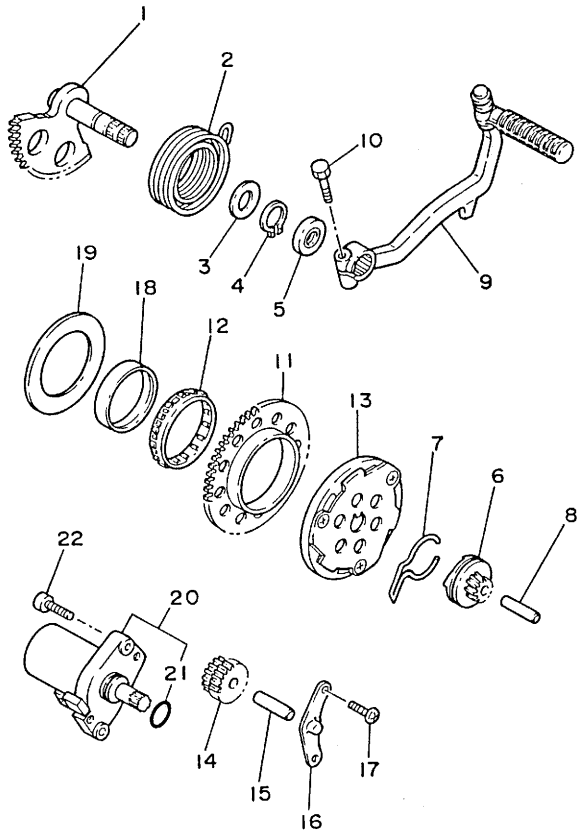


FIG. 9 STARTER

REF. NO.	PART NO.	DESCRIPTION	Q'TY	REMARKS
1	1YU-15601-00	KICK SHAFT ASSY	1	
2	90508-32609	SPRING, torsion	1	
3	90201-15701	WASHER, plate (1.0T)	1	
4	99009-15400	CIRCLIP	1	
5	93102-15212	OIL SEAL	1	
6	3AA-15631-00	GEAR, kick pinion	1	
7	2E9-15673-00	CLIP	1	
8	33A-15659-00	SHAFT	1	
9	1YU-15620-00	KICK CRANK ASSY	1	
10	97016-06025	BOLT	1	
11	3AA-15513-00	GEAR 1	1	
12	93310-257R1	BEARING, cylindrical	1	
13	1YU-15570-01	STARTER CLUTCH ASSY	1	
14	1YU-15512-00	GEAR, idler 1 (48T-15T)	1	
15	50M-13342-00	SHAFT, idle gear	1	
16	1YU-15532-00	PLATE, idle gear	1	
17	92501-06012	SCREW, pan head	2	
18	53L-15528-00	BOSS, gear	1	
19	90201-573J7	WASHER, plate	1	
20	1YU-81800-M0	STARTING MOTOR ASSY	1	
21	93210-19501	O-RING	1	
22	91316-06020	BOLT	2	

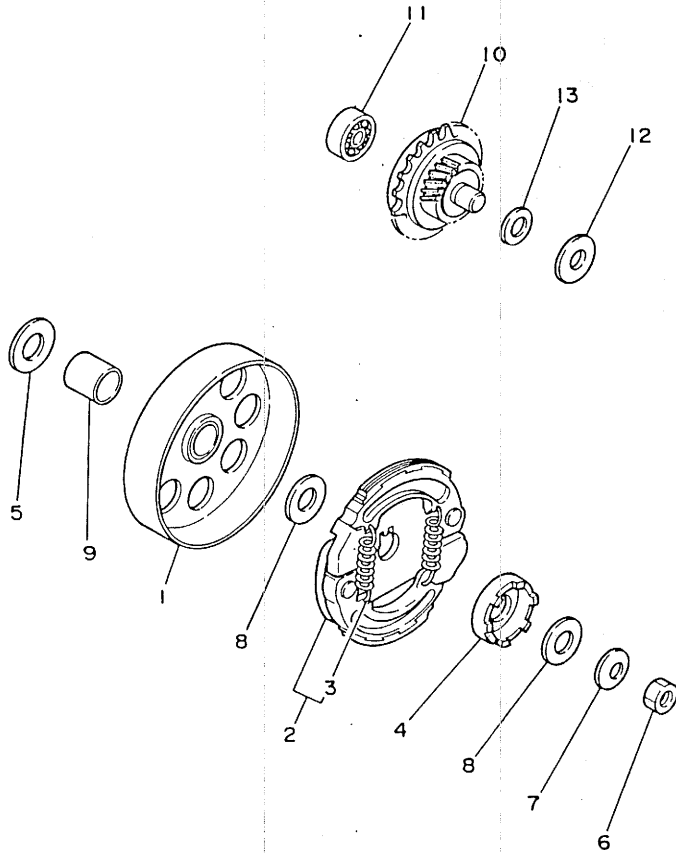


1YU010-6090

B10

FIG. 10 CLUTCH

REF. NO.	PART NO.	DESCRIPTION	Q'TY	REMARKS
1	2E9-16611-01	CLUTCH HOUSING COMP.	1	
2	1YU-16620-00	CLUTCH CARRIER ASSY	1	
3	1YU-16626-00	.SPRING, clutch weight 1	2	
4	1YU-15657-00	CLUTCH, oneway	1	
5	90201-166K2	WASHER, plate	1	
6	90170-10219	NUT	1	
7	90208-10012	WASHER, conical spring	1	
8	90201-166K3	WASHER, plate	2	
9	90387-16680	COLLAR	1	
10	1YU-16110-01	PRIMARY DRIVE GEAR ASSY	1	
11	93306-20116	BEARING	1	
12	90201-123K4	WASHER, plate	1	
13	90208-12027	WASHER, conical spring	1	



1YU010-6110

B11

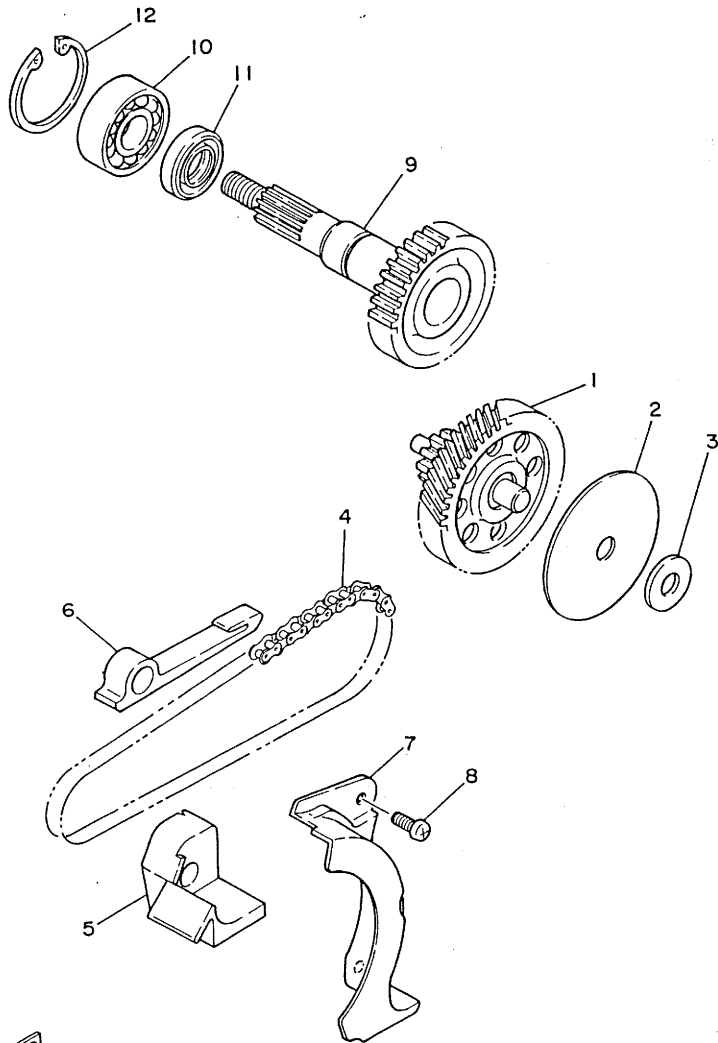


FIG. 11 TRANSMISSION

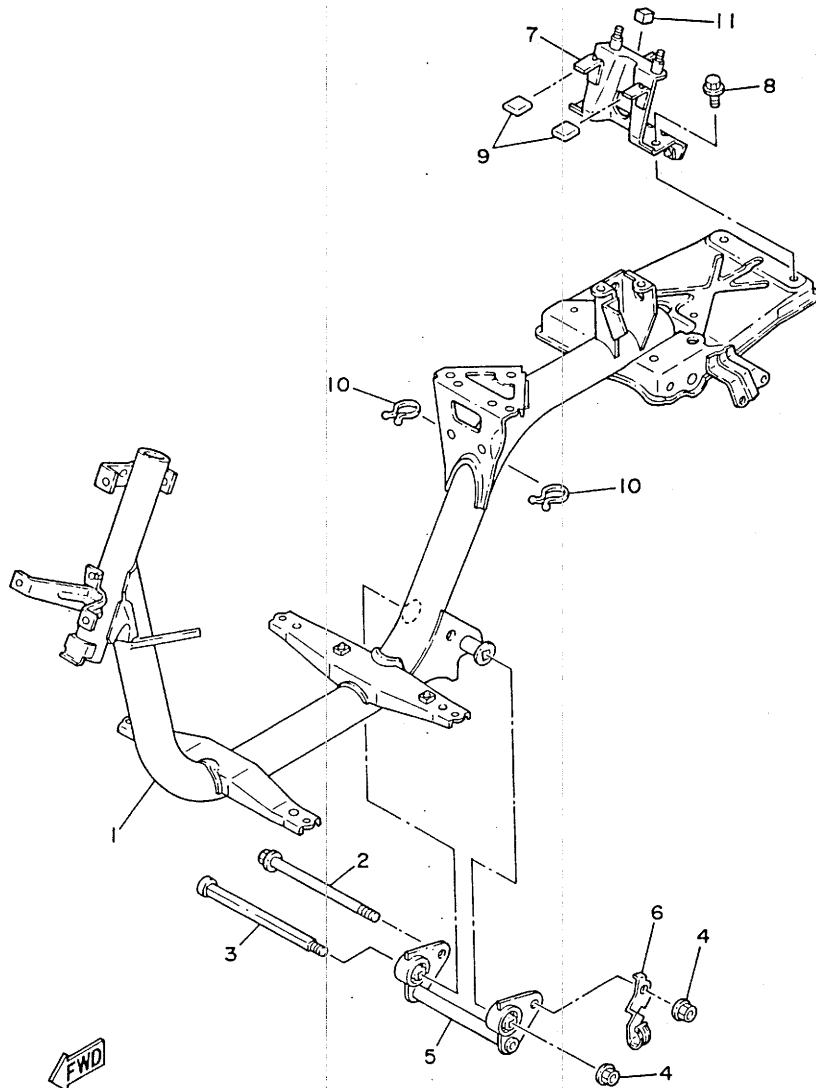
REF. NO.	PART NO.	DESCRIPTION	Q'TY	REMARKS
1	1YU-17410-00	MAIN AXLE ASSY 1 (57T-12T)	1	
2	90208-12044	WASHER, conical spring	1	
3	90201-123K4	WASHER, plate	1	
4	94580-12058	CHAIN (D.I.D. 270H 58LE)	1	
5	1YU-17468-00	GUIDE, chain 1	1	
6	1YU-17467-00	GUIDE, chain 1	1	
7	1YU-17471-00	PLATE, cover	1	
8	92501-06012	SCREW, pan head	2	
9	1YU-17420-00	DRIVE AXLE ASSY	1	
10	93306-20310	BEARING (B6203DU)	1	
11	93102-22314	OIL SEAL	1	
12	93420-40064	CIRCLIP	1	



1YU010-6120

**B12**

FIG. 12 FRAME



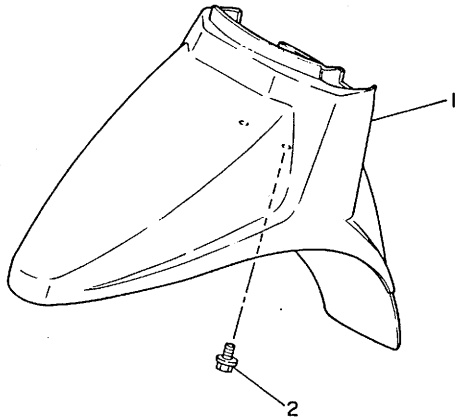
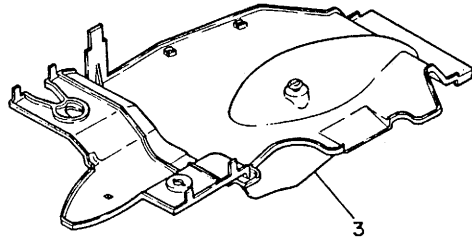
REF. NO.	PART NO.	DESCRIPTION	Q'TY	REMARKS
1	1YU-21110-00-33	FRAME COMP.	1	YAMAHA BLACK
2	90105-10117	BOLT, washer based	1	
3	1YU-21481-00	BOLT, engine mounting 1	1	
4	95701-10500	NUT, flange	2	
5	1YU-21410-00	ENGINE BRACKET COMP.	1	
6	90465-12302	CLAMP	1	
7	1YU-24816-00	BRACKET, carrier	1	
8	95801-08016	BOLT, flange	2	
9	2E9-24182-00	DAMPER, locating 2	2	
10	90464-30040	CLAMP	3	
11	34M-2139X-00	DAMPER	1	

FWD  
1YU010-6131

B13

FIG. 13 FENDER

REF. NO.	PART NO.	DESCRIPTION	Q'TY	REMARKS
1	1YU-21511-00-GE	FENDER, front	1	UR SILKY WHITE
	1YU-21511-00-RA	FENDER, front	1	UR SWEET GREEN
	1YU-21511-00-RE	FENDER, front	1	UR CORAL PINK
2	90119-06085	BOLT, with washer	2	
3	1YU-21629-00	GUARD, mud	1	

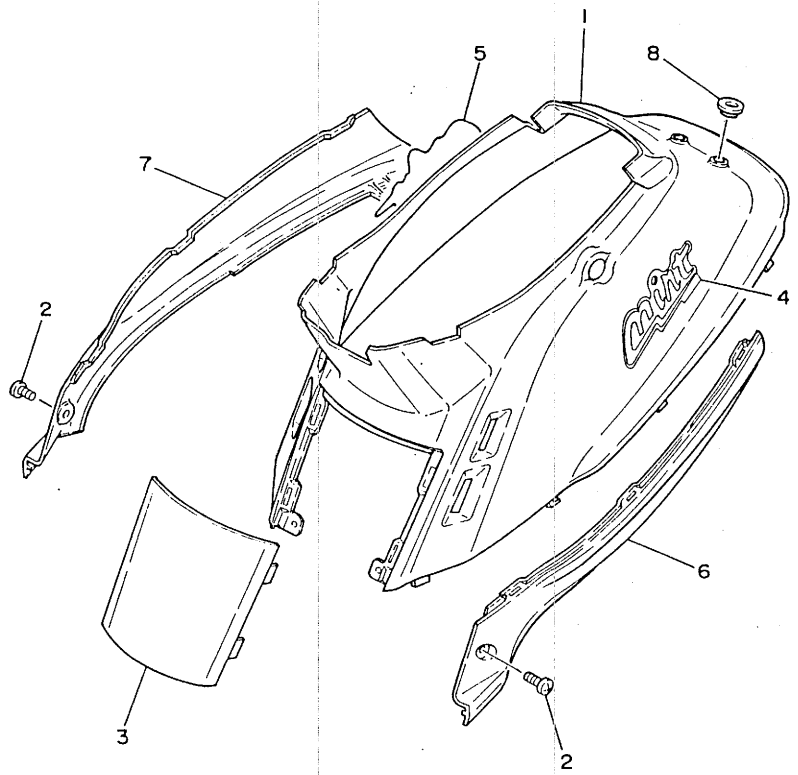


1YU010-6140

B14

FIG. 14 SIDE COVER

REF. NO.	PART NO.	DESCRIPTION	Q'TY	REMARKS	
1	1YU-21711-00-GE	COVER, side 1	1	UR SILKY WHITE	
	1YU-21711-00-RA	COVER, side 1	1	UR SWEET GREEN	
	1YU-21711-00-RE	COVER, side 1	1	UR CORAL PINK	
2	90149-06184	SCREW	2		
	3	1YU-21721-00-GE	COVER, side 2	1	UR SILKY WHITE
		1YU-21721-00-RA	COVER, side 2	1	UR SWEET GREEN
1YU-21721-00-RE		COVER, side 2	1	UR CORAL PINK	
4	1YU-21781-00	EMBLEM 1	1	UR FOR GREEN	
	1YU-21781-10	EMBLEM 1	1	UR FOR WHITE,PINK	
5	1YU-21782-00	EMBLEM 2	1	UR FOR GREEN	
	1YU-21782-10	EMBLEM 2	1	UR FOR WHITE,PINK	
6	1YU-2171L-10	MOLE, side cover 1	1	GRAY	
7	1YU-2171M-10	MOLE, side cover 2	1	GRAY	
8	14T-21719-01	GROMMET	2		

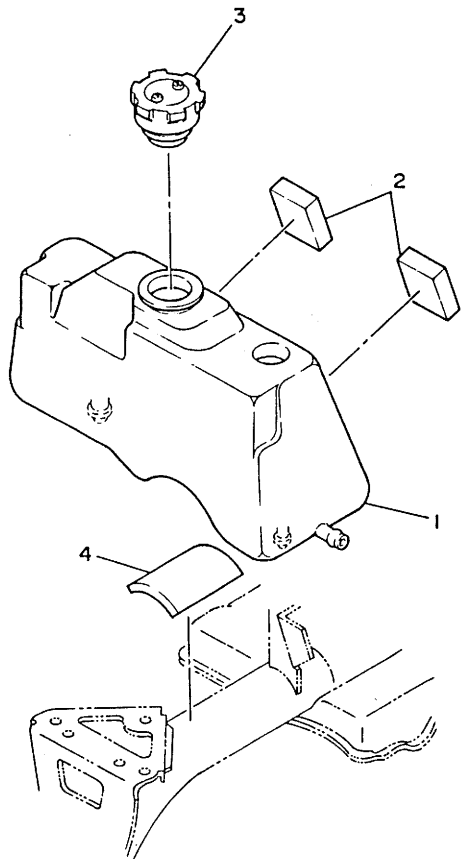


1YU010-6170

B15

FIG. 15 OIL TANK

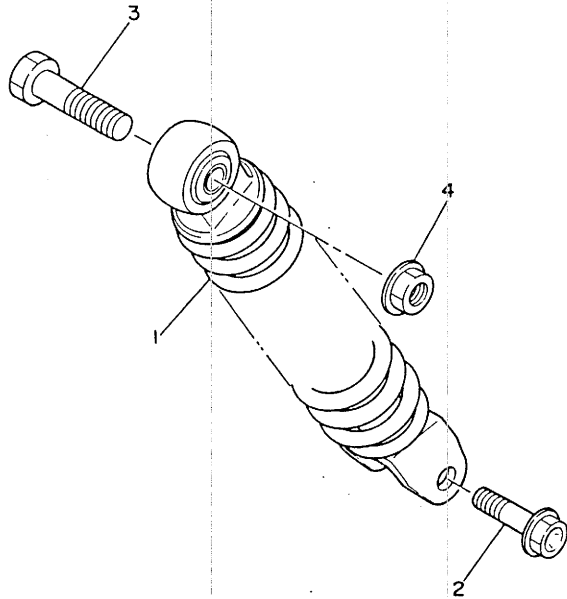
REF. NO.	PART NO.	DESCRIPTION	Q'TY	REMARKS
1	1YU-21751-00	TANK, oil	1	
2	4U1-21778-00	DAMPER, locating 1	2	
3	52W-21770-00	OIL TANK CAP ASSY	1	
4	4N0-24181-00	DAMPER, locating 1	1	



IYU010-6200

FIG. 16 REAR SUSPENSION

REF. NO.	PART NO.	DESCRIPTION	Q'TY	REMARKS
1	1YU-22210-00	SHOCK ABSORBER ASSY, rear	1	
2	90105-08256	BOLT, washer based	1	
3	90101-10255	BOLT	1	
4	95701-10500	NUT, flange	1	



IYU010-6210

C3

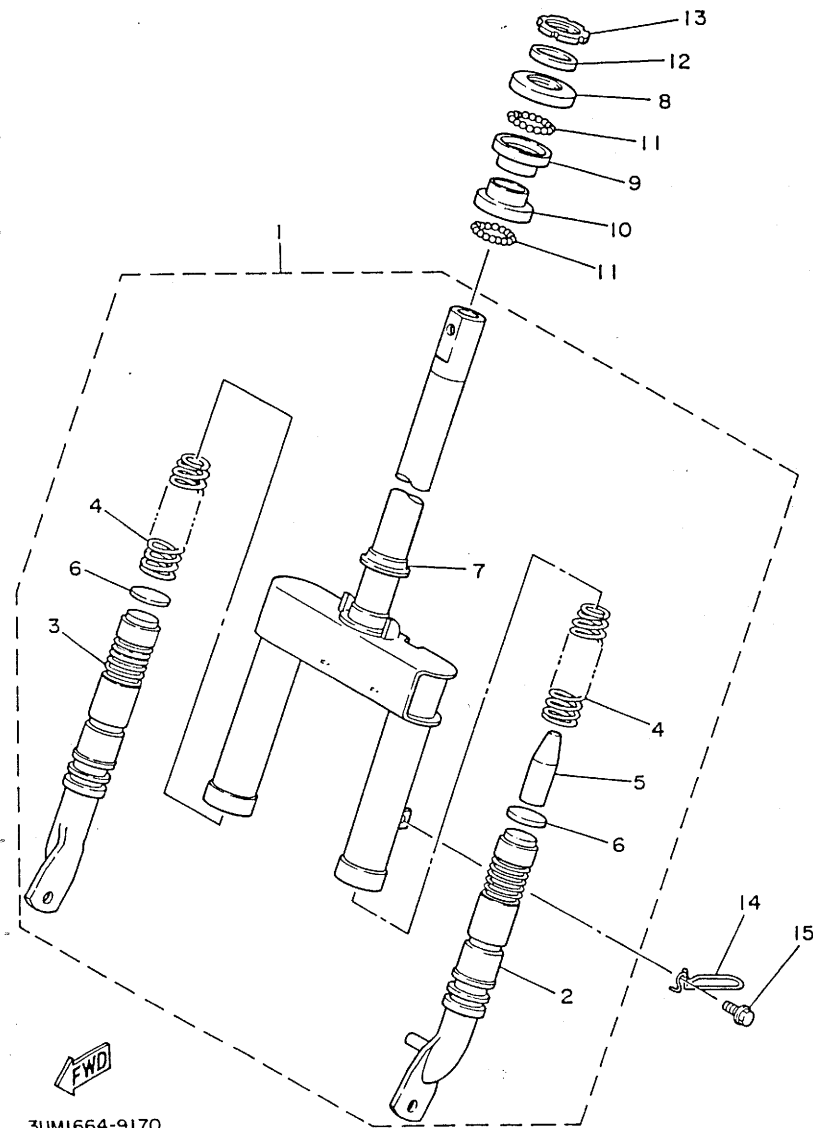


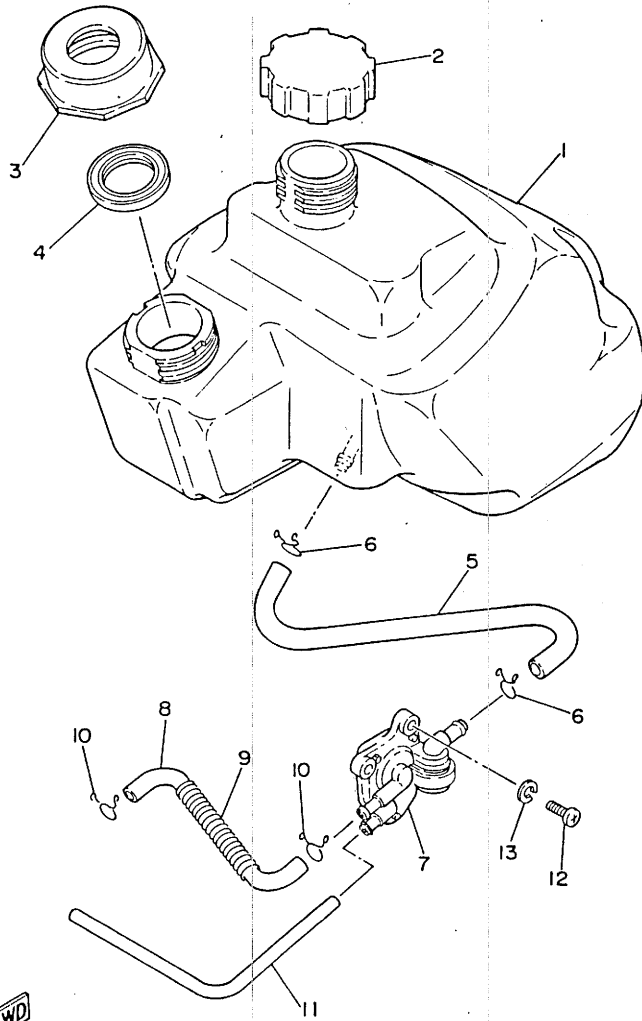
FIG. 17 FRONT FORK

REF. NO.	PART NO.	DESCRIPTION	Q'TY	REMARKS
1	1YU-23100-01	FRONT FORK ASSY	1	
2	1YU-23110-00	.INNER TUBE COMP.1	1	
3	1YU-23120-00	.INNER TUBE COMP.2	1	
4	2E9-23141-01	.SPRING, front fork	2	
5	52W-23195-00	.RUBBER	1	
6	25K-23143-00	.SEAT, spring lower	2	
7	2E9-23414-01	.RACE, ball 4	1	
8	2E9-23411-01	RACE, ball 1	1	
9	2E9-23412-00	RACE, ball 2	1	
10	2E9-23413-01	RACE, ball 3	1	
11	93505-32002	BALL	52	
12	2T4-23418-01	WASHER, special	1	
13	2E9-23454-00	NUT, fitting 2	1	
14	53L-23389-00	GUIDE, cable	1	
15	95801-06010	BOLT, flange	1	

3UM1664-9170

C4

FIG. 18 FUEL TANK



REF. NO.	PART NO.	DESCRIPTION	Q'TY	REMARKS
1	1YU-24110-00	FUEL TANK COMP.	1	
2	1L4-24610-00	CAP ASSY	1	
3	53L-24261-00	HOUSING, fuel meter	1	
4	53L-85753-00	GASKET, sender unit	1	
5	1YU-24312-00	PIPE 2	1	
6	90467-10008	CLIP	2	
7	1YU-24500-00	FUEL COCK ASSY 1	1	
8	1YU-24311-00	PIPE, fuel 1	1	
9	90501-061E8	SPRING, compression	1	
10	90467-09006	CLIP	2	
11	90445-07176	HOSE	1	
12	92501-06012	SCREW, pan head	2	
13	92990-06100	WASHER, spring	2	

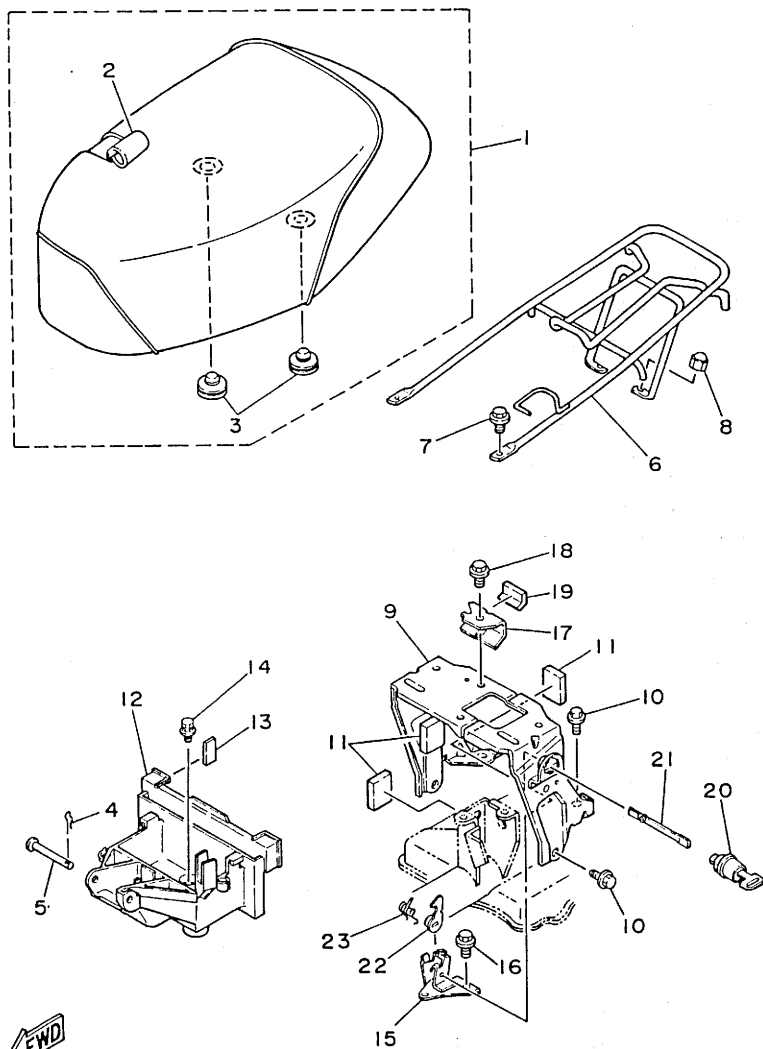


IYU010-6230

C5

FIG. 19 SEAT. CARRIER

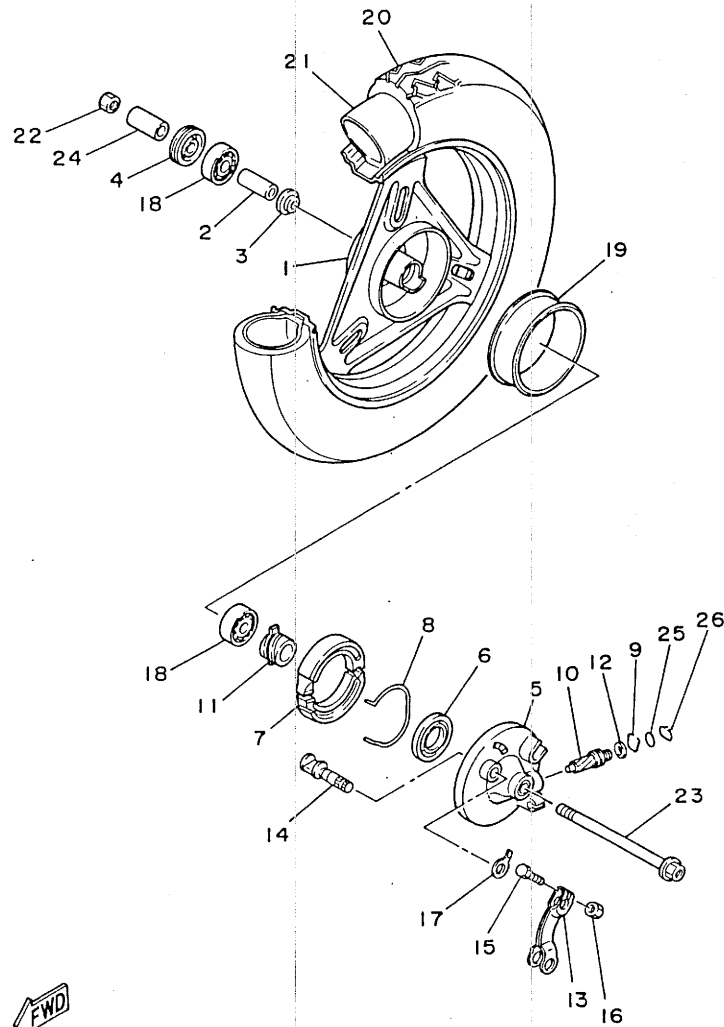
REF. NO.	PART NO.	DESCRIPTION	Q'TY	REMARKS
1	1YU-24710-11	SINGLE SEAT ASSY	1	PALE GRAY
2	1YU-24711-10	.COVER, single seat	1	PALE GRAY
3	1L9-24741-00	.PAD, seat	2	
4	90468-12006	CLIP	1	
5	91701-06055	PIN, clevis	1	
6	1YU-24842-00	CARRIER, rear	1	
7	95811-06012	BOLT, flange	2	
8	90176-06041	NUT, crown	2	
9	1YU-21243-00	PLATE, bridge	1	
10	90105-08352	BOLT, washer based	4	
11	4U1-21778-00	DAMPER, locating 1	3	
12	1YU-21171-00	BOX, tool	1	
13	27V-24183-00	DAMPER, locating 3	1	
14	90119-06018	BOLT, with washer	3	
15	1YU-2474F-00	STAY, front 1	1	
16	95801-06010	BOLT, flange	2	
17	1YU-24847-00	HOLDER 1	1	
18	95801-06010	BOLT, flange	1	
19	50W-82121-00	PAD, battery	1	
20	1YU-W2470-00	SEAT LOCK ASSY	1	
21	1YU-2474E-00	ARM	1	
22	53L-24754-00	HOOK, seat	1	
23	90508-09673	SPRING, torsion	1	



1YU010-6240

C6

FIG. 20 FRONT WHEEL



REF. NO.	PART NO.	DESCRIPTION	Q'TY	REMARKS
1	54V-25180-00-35	FRONT WHEEL COMP.	1	SILVER
2	90560-10236	SPACER	1	
3	25K-25116-00	FLANGE, spacer 2	1	
4	93106-17015	OIL SEAL	1	
5	1YU-25121-00-35	PLATE, brake shoe	1	SILVER
6	93109-34057	OIL SEAL	1	
7	27V-W2535-00	BRAKE SHOE SET	1	
8	2E9-25133-00	SPRING, return	1	
9	2T4-25137-00	RING, stop	1	
10	54V-25138-00	GEAR, meter	1	
11	54V-25135-00	GEAR, drive	1	
12	90201-064L6	WASHER, plate	1	
13	2T4-25155-00	LEVER, camshaft 1	1	
14	25K-25151-00	CAMSHAFT	1	
15	97021-05020	BOLT	1	
16	95303-05600	NUT	1	
17	3L8-2513A-00	PLATE, indicator	1	
18	93306-20005	BEARING (B6200)	2	UR KOYO
	93306-20006	BEARING (B6200)	2	UR NTN
19	54V-25185-00	RING 1	1	
20	94130-085F9	TIRE (3.00-8-4PR)	1	UR YOKOHAMA
	94130-081K3	TIRE (3.00-8-4PR)	1	UR INOUE
21	94230-08233	TUBE (3.00-8, 3.25-8)	1	UR YOKOHAMA
	94230-08234	TUBE (3.00-8)	1	UR INOUE
22	95601-10200	NUT, self-locking	1	
23	54V-25181-00	AXLE, wheel	1	
24	90387-10620	COLLAR	1	
25	93210-10096	O-RING	1	

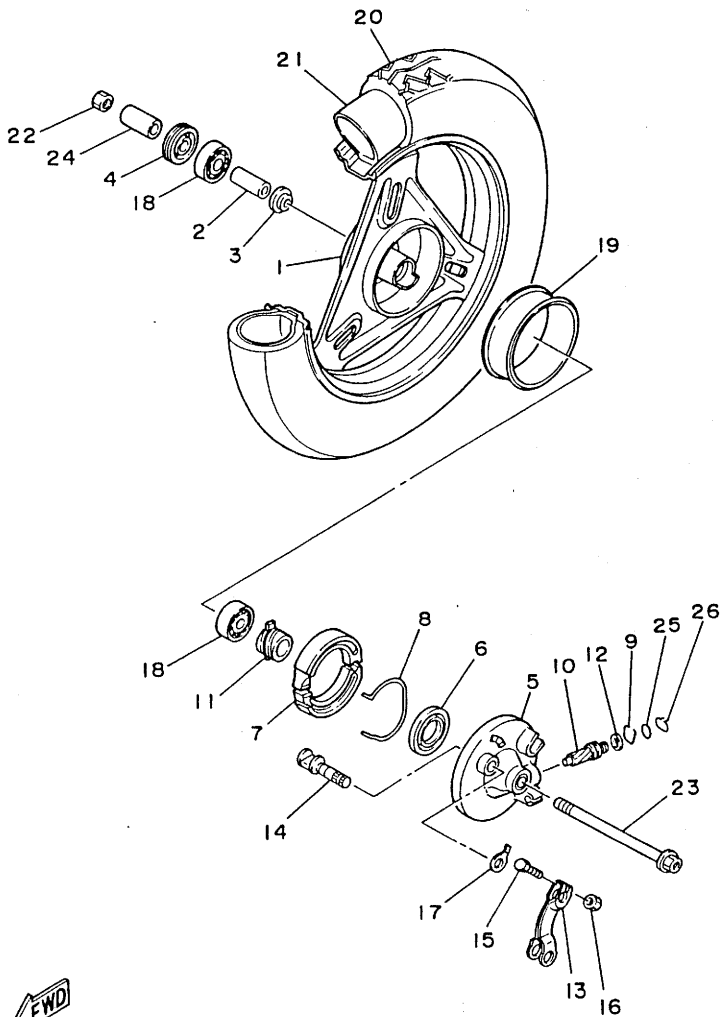


IYU010-6250

C7

FIG. 20 FRONT WHEEL

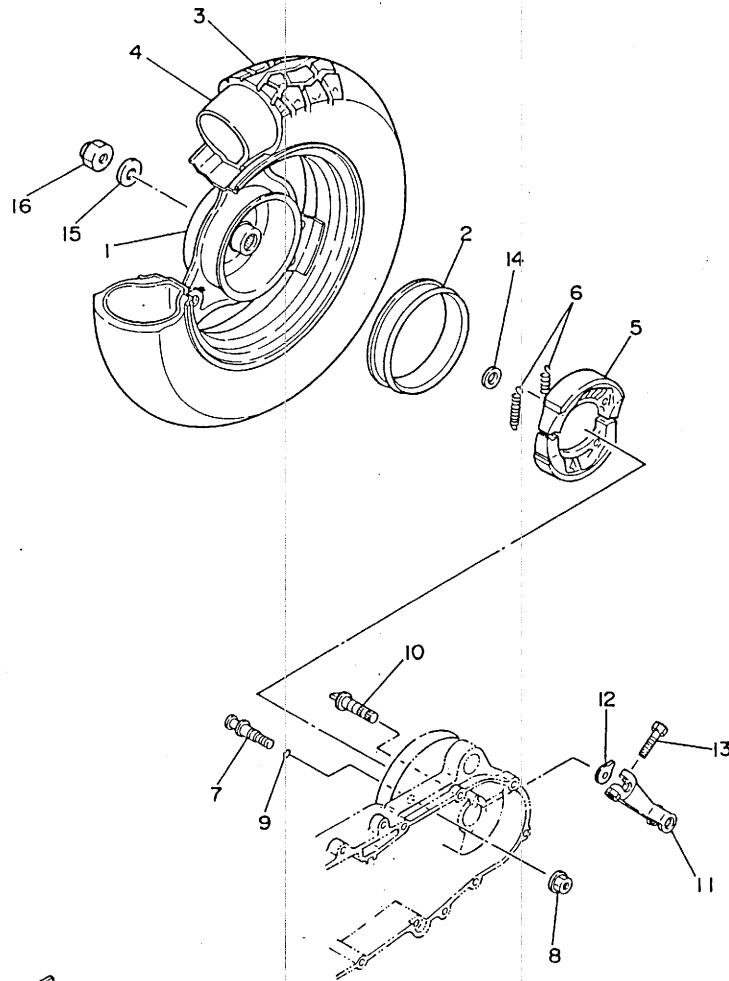
REF. NO.	PART NO.	DESCRIPTION	Q'TY	REMARKS
26	2E9-25137-01	RING, stop	1	



IYU010-6250

C8

FIG. 21 REAR WHEEL



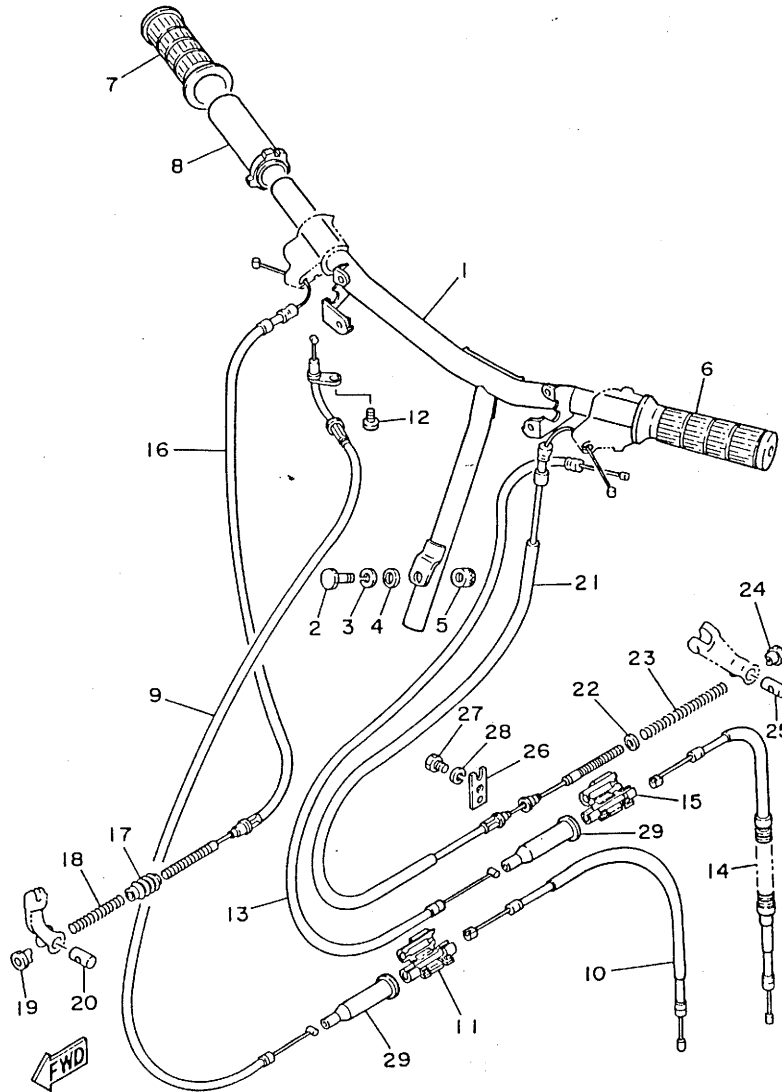
REF. NO.	PART NO.	DESCRIPTION	Q'TY	REMARKS
1	1YU-25390-00-35	REAR WHEEL COMP.	1	SILVER
2	52W-25336-00	RING 2	1	
3	94130-085J8	TIRE (3.00-8-4PR)	1	UR YOKOHAMA
	94130-081K3	TIRE (3.00-8-4PR)	1	UR INOUE
4	94230-08233	TUBE (3.00-8, 3.25-8)	1	UR YOKOHAMA
	94230-08234	TUBE (3.00-8)	1	UR INOUE
5	27V-W2536-00	BRAKE SHOE SET	1	
6	90506-14081	SPRING, tension	2	
7	25L-25326-00	PIN, pivot	1	
8	95701-08500	NUT, flange	1	
9	93210-06632	O-RING	1	
10	1YU-25351-00	CAMSHAFT	1	
11	53L-25355-00	LEVER, camshaft	1	
12	3L8-2513A-00	PLATE, indicator	1	
13	97001-06025	BOLT	1	
14	90201-17255	WASHER, plate	1	
15	90201-14740	WASHER, plate	1	
16	90185-14081	NUT, self-locking	1	



IYU010-6260

C9

FIG. 22 STEERING HANDLE. CABLE



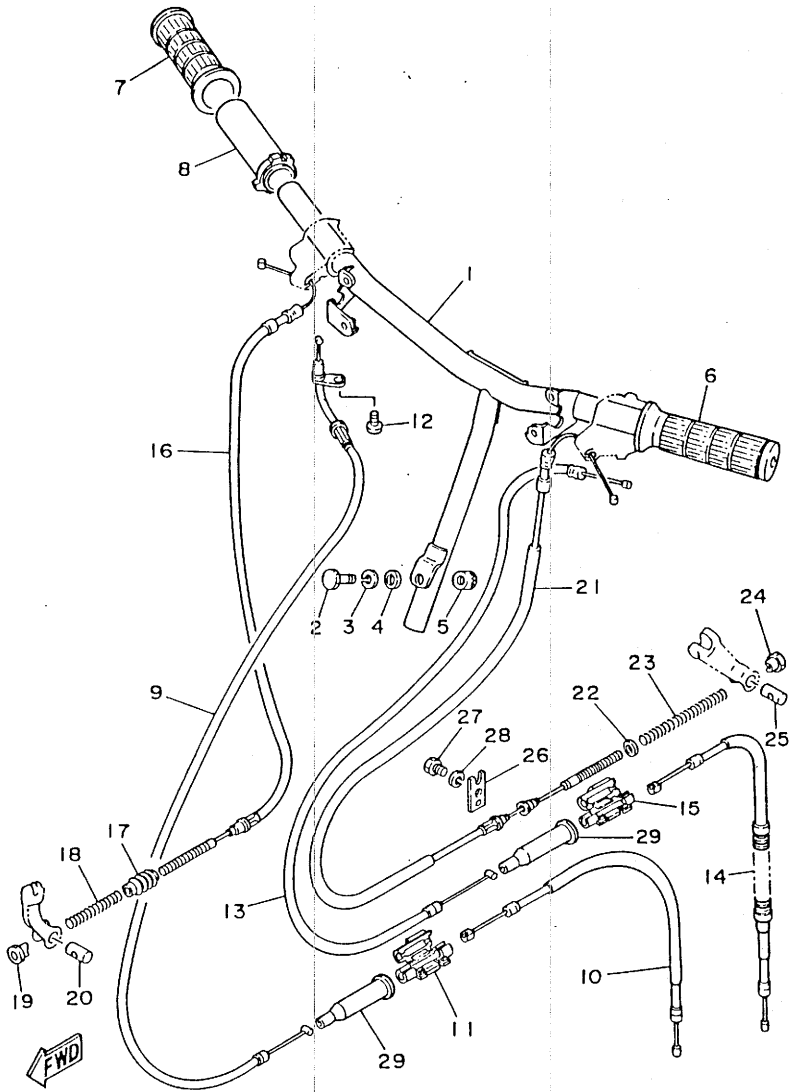
3HK010-8220

REF. NO.	PART NO.	DESCRIPTION	Q'TY	REMARKS
1	1YU-26110-00	HANDLE COMP.	1	
2	90109-08507	BOLT	1	
3	92990-08100	WASHER, spring	1	
4	2E9-26129-00	WASHER	1	
5	90179-08354	NUT	1	
6	5G3-26241-00	GRIP (LEFT)	1	BLACK
7	5G3-26242-00	GRIP (R.H)	1	BLACK
8	2GN-26243-00	TUBE, throttle guide	1	
9	1YU-26311-00	CABLE, throttle 1	1	
10	1YU-26312-01	CABLE, throttle 2	1	
11	53L-26261-01	CONNECTOR, cable	1	
12	98501-05012	SCREW, pan head	1	
13	53L-26331-00	CABLE, starter 1	1	
14	1YU-26334-01	CABLE, starter 2	1	
15	53L-26261-01	CONNECTOR, cable	1	
16	1YU-26341-00	CABLE, brake	1	
17	14T-26342-00	BOOT, cable	1	
18	90501-10513	SPRING, compression	1	
19	90179-06176	NUT	1	
20	90249-12008	PIN	1	
21	1YU-26351-00	CABLE, brake	1	
22	90202-08175	WASHER, plate	1	
23	90501-122E1	SPRING, compression	1	
24	90179-06176	NUT	1	
25	90249-12008	PIN	1	
26	1YU-26393-00	HOLDER	1	
27	97021-06016	BOLT	1	
28	92990-06100	WASHER, spring	1	

C10

FIG. 22 STEERING HANDLE. CABLE

REF. NO.	PART NO.	DESCRIPTION	Q'TY	REMARKS
29	1YU-26329-00	CAP, rubber	2	

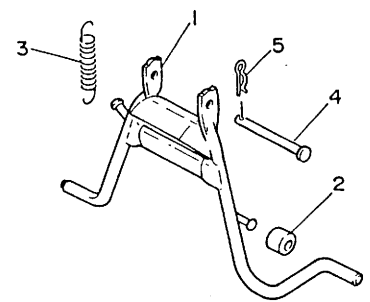
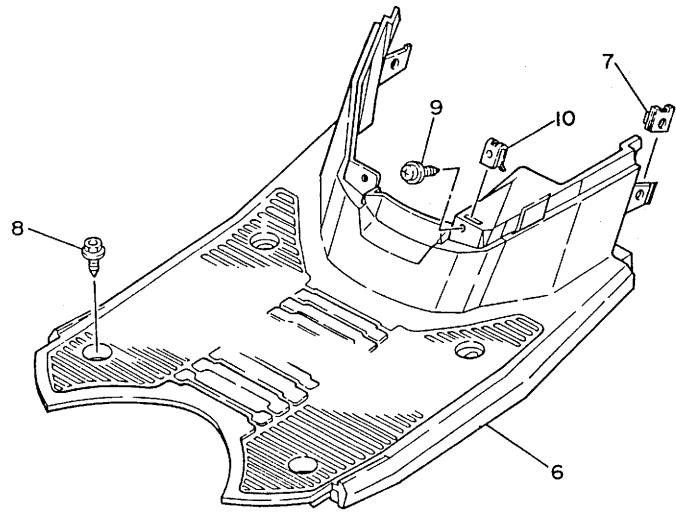


3HK010-8220

C11

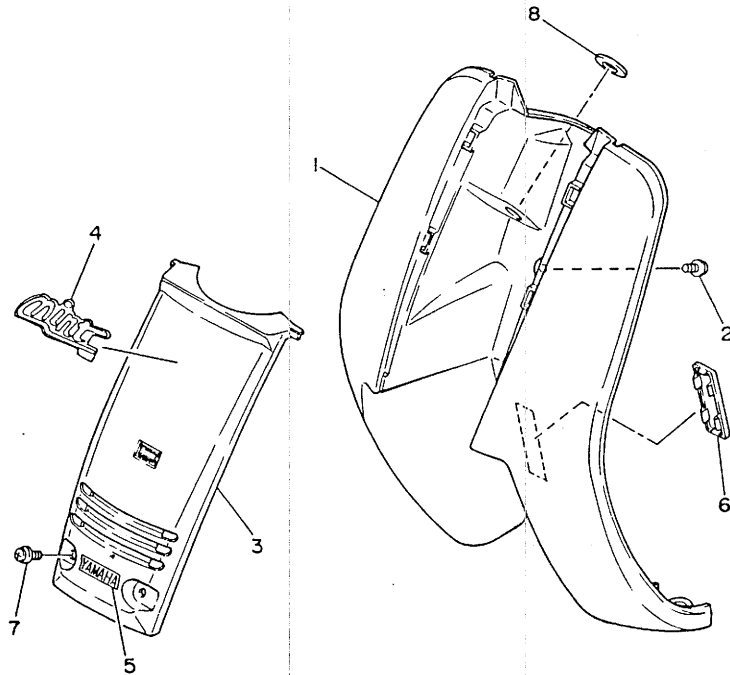
FIG. 23 STAND. FOOTREST

REF. NO.	PART NO.	DESCRIPTION	Q'TY	REMARKS
1	1YU-27111-00	STAND, main	1	
2	90387-064A4	COLLAR	1	
3	2E9-27116-01	SPRING, main stand	1	
4	90240-08121	PIN, clevis	1	
5	90468-12006	CLIP	1	
6	1YU-27481-10	BOARD, footrest	1	GRAY
7	25G-21535-00	NUT 1	2	
8	90119-06060	BOLT, with washer	4	
9	90159-05089	SCREW, with washer	2	
10	90183-05013	NUT, spring	2	



1YU010-6280

FIG. 24 LEG SHIELD



REF. NO.	PART NO.	DESCRIPTION	Q'TY	REMARKS	
1	1YU-28311-00-GE	LEG SHIELD 1	1	UR SILKY WHITE	
	1YU-28311-00-RA	LEG SHIELD 1	1	UR SWEET GREEN	
	1YU-28311-00-RE	LEG SHIELD 1	1	UR CORAL PINK	
2	90159-06079	SCREW, with washer	1		
	3	1YU-23391-00-GE	PANEL, front	1	UR SILKY WHITE
		1YU-23391-00-RA	PANEL, front	1	UR SWEET GREEN
1YU-23391-00-RE		PANEL, front	1	UR CORAL PINK	
4	1YU-28315-00	EMBLEM	1	UR FOR GREEN	
	1YU-28315-10	EMBLEM	1	UR FOR WHITE,PINK	
5	3AA-21578-00	EMBLEM	1		
6	14T-28349-11	CAP	1	UR SOLID SILKY WHITE	
	14T-28349-N0	CAP	1	UR SWEET GREEN	
	14T-28349-R0	CAP	1	UR CORAL PINK	
7	90159-06124	SCREW, with washer	2		
	8	1YU-82505-00	EMBLEM, main switch	1	

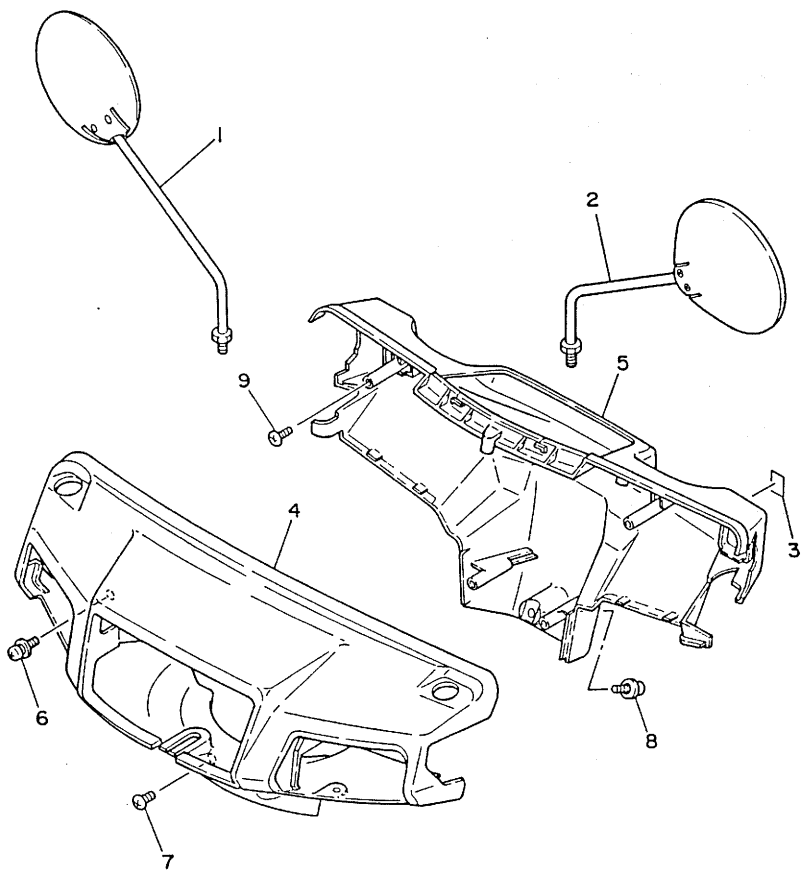


3UM1664-9240

C13

FIG. 25 COWLING 1

REF. NO.	PART NO.	DESCRIPTION	Q'TY	REMARKS
1	3L6-26290-00	BACK MIRROR ASSY (R.H)	1	
2	3L6-26290-10	BACK MIRROR ASSY (L.H)	1	
3	3L8-26139-00	LABEL, choke	1	
4	1YU-26143-00-GE	COVER, handlebar upper 1	1	UR SILKY WHITE
	1YU-26143-00-RA	COVER, handlebar upper 1	1	UR SWEET GREEN
	1YU-26143-00-RE	COVER, handlebar upper 1	1	UR CORAL PINK
5	1YU-26145-10	COVER, handlebar upper 2	1	PALE GRAY
6	90159-05028	SCREW, with washer	2	
7	90167-05025	SCREW, tapping	2	
8	90159-05028	SCREW, with washer	1	
9	90167-05025	SCREW, tapping	2	

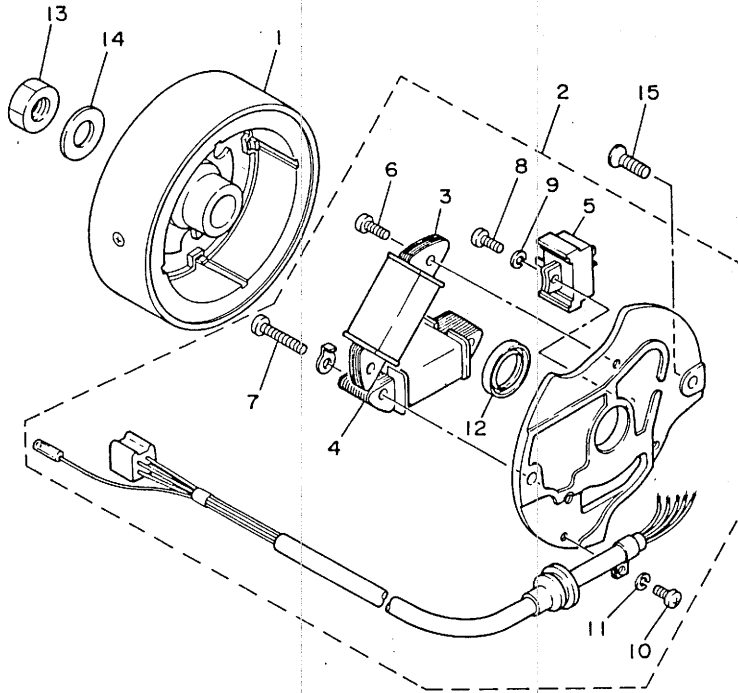


3UM1664-9250

C14

FIG. 26 GENERATOR

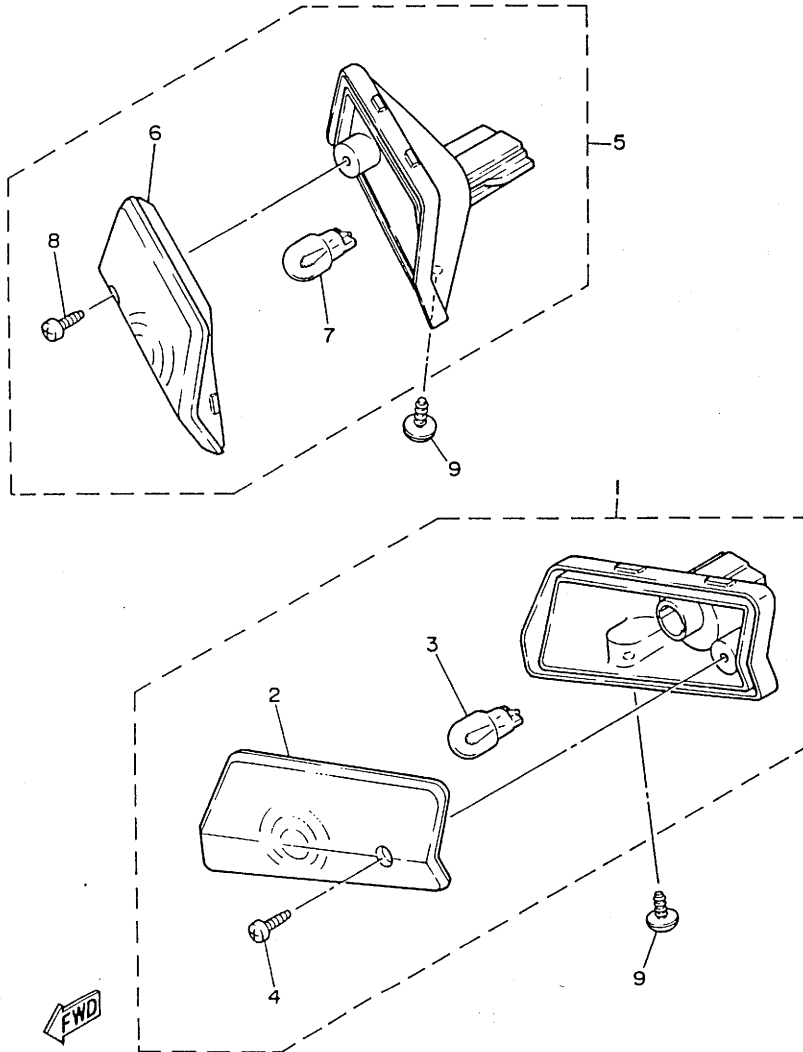
REF. NO.	PART NO.	DESCRIPTION	Q'TY	REMARKS
1	1YU-85550-M0	ROTOR ASSY	1	
2	1YU-85560-M0	BASE ASSY	1	
3	5G3-85520-M1	.COIL, charge	1	
4	1YU-81313-M0	.COIL, lighting 1	1	
5	1HH-85580-M0	.COIL, pulser	1	
6	98511-04012	.SCREW, pan head	2	
7	98511-04025	.SCREW, pan head	2	
8	98580-04010	.SCREW, pan head	1	
9	92901-04100	.WASHER, spring	1	
10	98501-04006	.SCREW, pan head	1	
11	92901-04100	.WASHER, spring	1	
12	93104-19097	.OIL SEAL	1	
13	95303-12600	NUT	1	
14	92990-12600	WASHER, plate	1	
15	92701-06015	SCREW, flat head	2	



IYU010-6350

C15

FIG. 27 FLASHER LIGHT



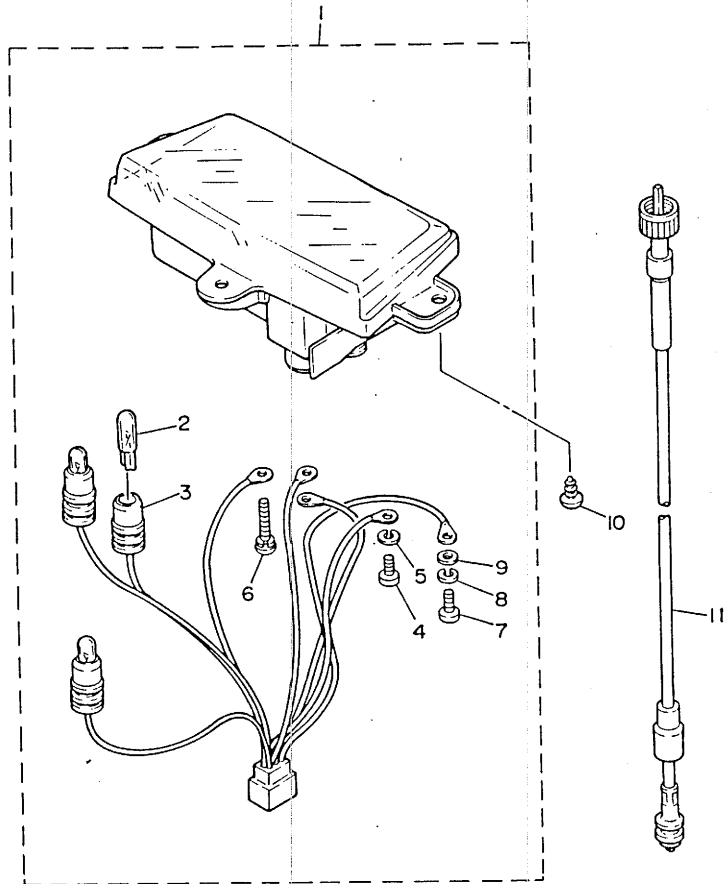
REF. NO.	PART NO.	DESCRIPTION	Q'TY	REMARKS
1	1YU-83310-00	FRONT FLASHER LIGHT ASSY 1	1	UR MADE IN JAPAN
	1YU-83310-T0	FRONT FLASHER LIGHT ASSY 1	1	UR MADE IN TAIWAN
2	1YU-83312-00	.LENS, flasher	1	
3	1YU-83331-00	.BULB, flasher (12V-8W)	1	
4	97780-40116	.SCREW, tapping	1	
5	1YU-83320-00	FRONT FLASHER LIGHT ASSY 2	1	UR MADE IN JAPAN
	1YU-83320-T0	FRONT FLASHER LIGHT ASSY 2	1	UR MADE IN TAIWAN
6	1YU-83322-00	.LENS, flasher 2	1	
7	1YU-83331-00	.BULB, flasher (12V-8W)	1	
8	97780-40116	.SCREW, tapping	1	
9	90167-05025	SCREW, tapping	2	

IYU010-6360

D2

FIG. 28 METER

REF. NO.	PART NO.	DESCRIPTION	Q'TY	REMARKS
1	1YU-83510-50	SPEEDOMETER ASSY	1	
2	461-84744-00	.BULB (12V-3.4W)	3	
3	54V-83509-00	.SOCKET CORD ASSY	1	
4	98501-03010	.SCREW, pan head	1	
5	92990-03100	.WASHER, spring	1	
6	90159-03102	.SCREW, with washer	3	
7	98580-04010	.SCREW, pan head	2	
8	92901-04100	.WASHER, spring	2	
9	92901-04600	.WASHER, plate	2	
10	90167-05030	SCREW, tapping	3	
11	27V-83550-01	SPEEDOMETER CABLE ASSY	1	



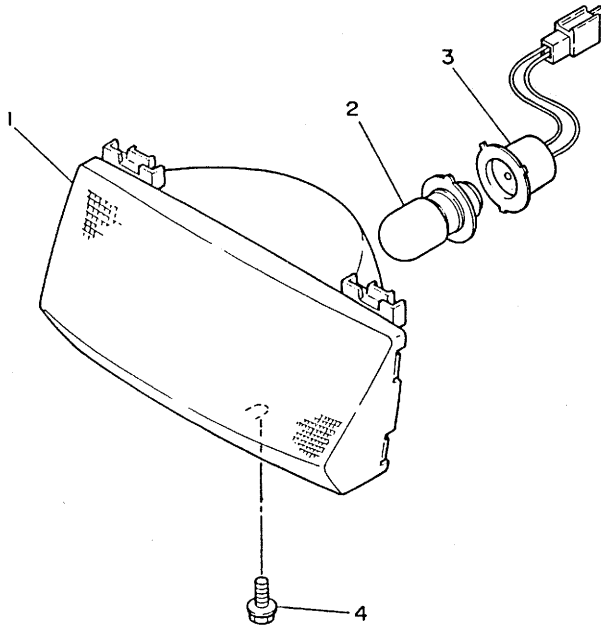
FWD

1YU010-6370

D3

FIG. 29 HEADLIGHT

REF. NO.	PART NO.	DESCRIPTION	Q'TY	REMARKS
1	52W-84320-01	LENS ASSY	1	
2	1YU-84314-00	BULB, headlight (12V-18W)	1	
3	52W-84340-00	SOCKET CORD ASSY 1	1	
4	90149-05203	SCREW	1	

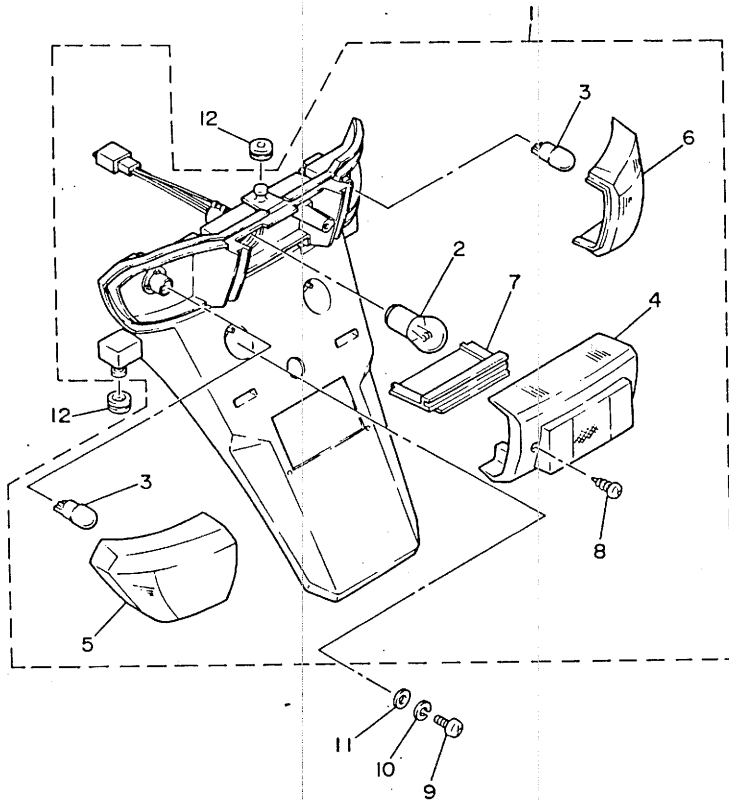


IYU010-6380

D4

FIG. 30 TAILLIGHT

REF. NO.	PART NO.	DESCRIPTION	Q'TY	REMARKS
1	1YU-84700-00	TAILLIGHT ASSY	1	
2	31L-84714-00	.BULB, taillight (12V-21/5W)	1	
3	1YU-83331-00	.BULB, flasher (12V-8W)	2	
4	1YU-84721-00	.LENS, taillight	1	
5	1YU-83332-00	.LENS, flasher	1	
6	1YU-83342-00	.LENS, flasher 2	1	
7	1YU-84743-00	.LENS, licence light	1	
8	97780-40120	.SCREW, tapping	2	
9	92501-06014	SCREW, pan head	2	
10	92990-06100	WASHER, spring	2	
11	92901-06600	WASHER, plate	2	
12	90480-10334	GROMMET	3	



FWD

1YU010-6390

D5

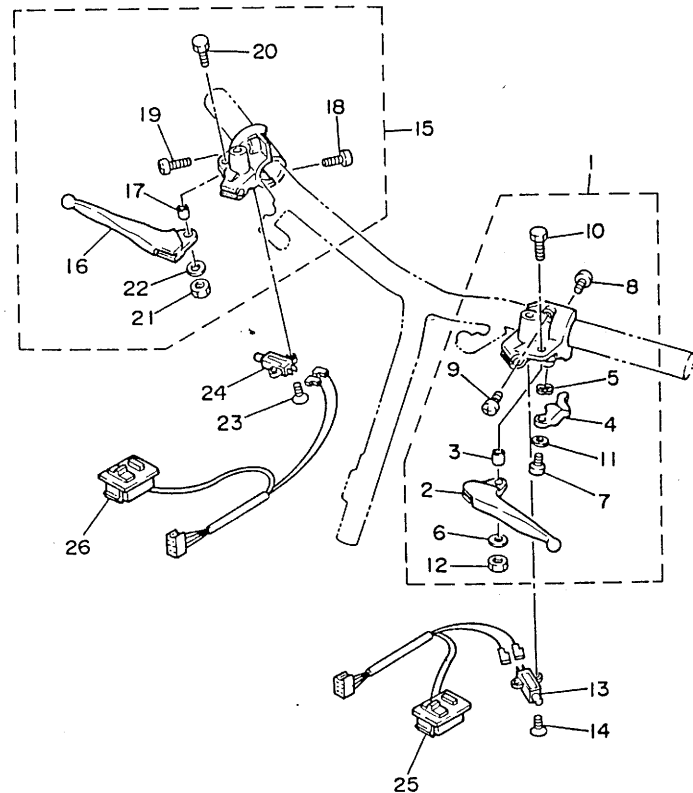


FIG. 31 HANDLE SWITCH. LEVER

REF. NO.	PART NO.	DESCRIPTION	Q'TY	REMARKS
1	53L-W8291-30	LEVER HOLDER ASSY (LEFT)	1	
2	53L-83912-00	.LEVER 1	1	
3	53L-83913-00	.COLLAR, lever 1	1	
4	4K3-83941-00	.LEVER, starter	1	
5	90206-08051	.WASHER, wave	1	
6	53L-83909-00	.WASHER, special	1	
7	98501-05008	.SCREW, pan head	1	
8	98501-05012	.SCREW, pan head	1	
9	98501-05020	.SCREW, pan head	1	
10	97021-05020	.BOLT	1	
11	92990-05200	.WASHER, plain	1	
12	95601-05100	.NUT, u	1	
13	53L-83980-00	FRONT STOP SWITCH ASSY	1	
14	98702-03008	SCREW, flat head	1	
15	53L-W8292-30	LEVER HOLDER ASSY (RIGHT)	1	
16	53L-83922-00	.LEVER 2	1	
17	53L-83913-00	.COLLAR, lever 1	1	
18	98501-05012	.SCREW, pan head	1	
19	98501-05020	.SCREW, pan head	1	
20	97021-05020	.BOLT	1	
21	95601-05100	.NUT, u	1	
22	53L-83909-00	.WASHER, special	1	
23	98701-03010	SCREW, flat head	1	
24	53L-83980-00	FRONT STOP SWITCH ASSY	1	
25	53L-83975-31	SWITCH, handle 2	1	
26	2MV-83975-00	SWITCH, handle 2	1	

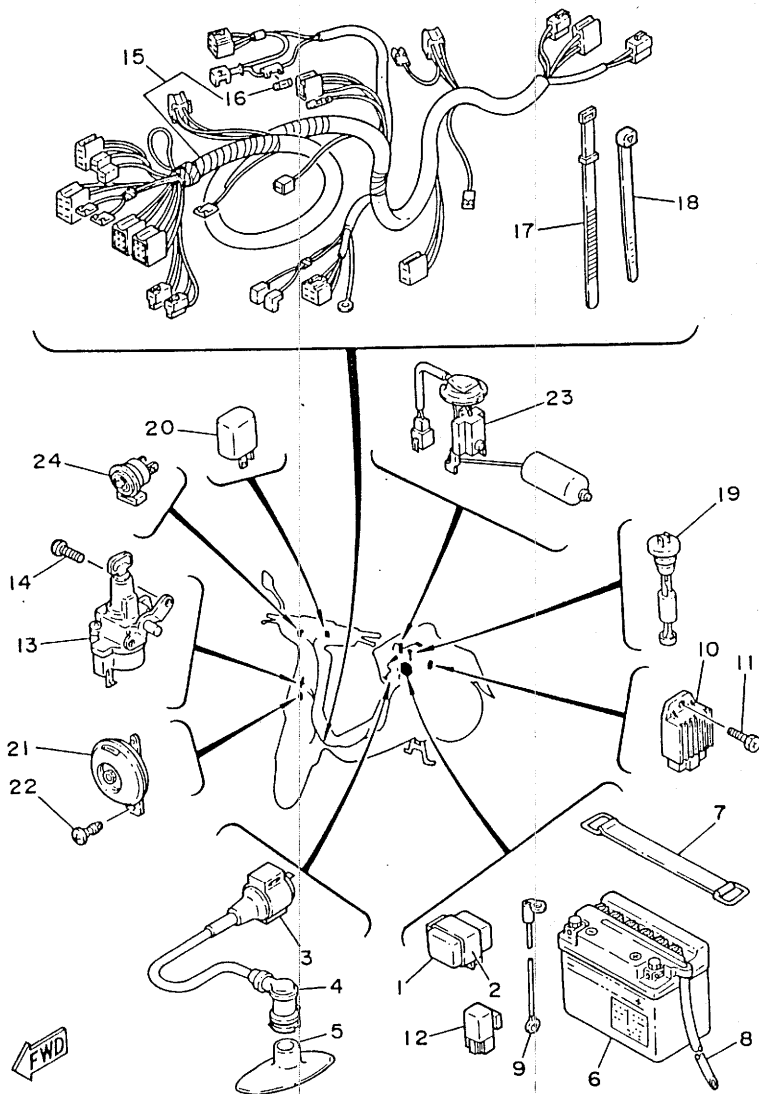


IYU010-6400

D6

FIG. 32 ELECTRICAL 1

REF. NO.	PART NO.	DESCRIPTION	Q'TY	REMARKS
1	25L-85540-M0	C.D.I. UNIT ASSY	1	
2	25K-85546-00	BAND	1	
3	2EX-82310-M0	IGNITION COIL ASSY	1	
4	166-82370-20	PLUG CAP ASSY	1	
5	27V-82372-01	SEAL, plug cap	1	
6	38E-82110-79	BATTERY ASSY (FB4L-B)(12V-4AH)	1	YAMAHA
7	133-82131-00	BAND, battery	1	
8	90445-084A7	HOSE	1	
9	3KL-82116-00	WIRE, minus lead	1	
10	1YU-81960-A0	RECTIFIER & REGULATOR ASSY	1	
11	90153-06034	SCREW, hexagon	1	
12	53L-81940-01	STARTER RELAY ASSY	1	
13	2EK-82501-00	MAIN SWITCH STEERING LOCK	1	
14	90149-06250	SCREW	2	
15	1YU-82590-T0	WIRE HARNESS ASSY	1	UR MADE IN TAIWAN
	1YU-82590-00	WIRE HARNESS ASSY	1	UR MADE IN JAPAN
16	27V-82151-00	.FUSE (7A)	1	
17	25G-83936-00	BAND, switch cord	3	
18	90465-13169	CLAMP	1	
19	53L-85720-00	OIL LEVEL GAUGE ASSY	1	
20	34M-83350-20	FLASHER RELAY ASSY	1	
21	53L-83371-20	HORN	1	
22	90157-06080	SCREW, pan head	1	
23	1YU-85752-00	SENDER UNIT ASSY, fuel meter	1	
24	53L-83390-20	AUDIO PILOT ASSY	1	



3HK010-8320

D7

NUMERICAL INDEX

PART NO.	GRID NO.	PART NO.	GRID NO.	PART NO.	GRID NO.	PART NO.	GRID NO.	PART NO.	GRID NO.	PART NO.	GRID NO.
1YU-W2470-00	C- 6	1YU-14335-00	B- 7	1YU-17410-00	B-12	2E9-23413-01	C- 4	5G3-26241-00	C-10	1YU-83322-00	D- 2
27V-W2535-00	C- 7	1YU-14341-00	B- 7	1YU-17420-00	B-12	2E9-23414-01	C- 4	5G3-26242-00	C-10	1YU-83331-00	D- 2
27V-W2536-00	C- 9	14T-14343-42	B- 7	1YU-17467-00	B-12	2T4-23418-01	C- 4	2GN-26243-00	C-10		D- 2
53L-W8291-30	D- 6	1YU-14353-00	B- 7	1YU-17468-00	B-12	2E9-23454-00	C- 4	53L-26261-01	C-10		D- 5
53L-W8292-30	D- 6	1YU-14371-00	B- 7	1YU-17471-00	B-12	1YU-24110-00	C- 5		C-10	1YU-83332-00	D- 5
1YU-11111-00	B- 2	1YU-14384-00	B- 7	1YU-21110-00-33	B-13	4N0-24181-00	C- 2	3L6-26290-00	C-14	1YU-83342-00	D- 5
517-11181-00	B- 2	1YU-14385-00	B- 7	1YU-21171-00	C- 6	2E9-24182-00	B-13	3L6-26290-10	C-14	34M-83350-20	D- 7
1YU-11311-00	B- 2	14T-14386-00	B- 7	1YU-21243-00	C- 6	27V-24183-00	C- 6	1YU-26311-00	C-10	53L-83371-20	D- 7
1YU-11351-00	B- 2	14T-14392-01	B- 7	34M-2139X-00	B-13	53L-24261-00	C- 5	1YU-26312-01	C-10	53L-83390-20	D- 7
1YU-11400-00	B- 3	1YU-14411-00	B- 6	1YU-21410-00	B-13	1YU-24311-00	C- 5	1YU-26329-00	C-11	54V-83509-00	D- 3
1YU-11412-00	B- 3	1YU-14412-00	B- 6	1YU-21481-00	B-13	1YU-24312-00	C- 5	53L-26331-00	C-10	1YU-83510-50	D- 3
1YU-11422-00	B- 3	1YU-14437-00	B- 6	1YU-21511-00-GE	B-14	1YU-24500-00	C- 5	1YU-26334-01	C-10	27V-83550-01	D- 3
260-11601-02	B- 3	1YU-14451-00	B- 6	1YU-21511-00-RA	B-14	1L4-24610-00	C- 5	1YU-26341-00	C-10	53L-83909-00	D- 6
260-11601-22	B- 3	1YU-14452-00	B- 6	1YU-21511-00-RE	B-14	1YU-24710-11	C- 6	14T-26342-00	C-10		D- 6
1YU-11631-00-96	B- 3	27V-14453-00	B- 6	25G-21535-00	C-12	1YU-24711-10	C- 6	1YU-26351-00	C-10	53L-83912-00	D- 6
2E9-11633-00	B- 3	53L-14462-00	B- 4	3AA-21578-00	C-13	1YU-2474E-00	C- 6	1YU-26393-00	C-10	53L-83913-00	D- 6
1YU-11636-00	B- 3	1YU-14610-00	B- 8	1YU-21629-00	B-14	1YU-2474F-00	C- 6	1YU-27111-00	C-12		D- 6
2E9-11651-00	B- 3	24G-14613-00	B- 8	1YU-2171L-10	B-15	1L9-24741-00	C- 6	2E9-27116-01	C-12	53L-83922-00	D- 6
1YU-11681-00	B- 3	1YU-14718-00	B- 8	1YU-2171M-10	B-15	53L-24754-00	C- 6	1YU-27481-10	C-12	25G-83936-00	D- 7
1YU-12611-01	B- 4	52W-14766-00	B- 8	1YU-21711-00-GE	B-15	1YU-24816-00	B-13	1YU-28311-00-GE	C-13	4K3-83941-00	D- 6
1YU-12651-00	B- 4	1YU-1490J-00	B- 7	1YU-21711-00-RA	B-15	1YU-24842-00	C- 6	1YU-28311-00-RA	C-13	2M9-83975-00	D- 6
1YU-12653-00	B- 4	1YU-15110-00	B- 9	1YU-21711-00-RE	B-15	1YU-24847-00	C- 6	1YU-28311-00-RE	C-13	53L-83975-31	D- 6
1YU-13100-00	B- 5	1YU-15120-00	B- 9	14T-21719-01	B-15	25K-25116-00	C- 7	1YU-28315-00	C-13	53L-83980-00	D- 6
3AA-13124-00	B- 5	1YU-15128-00	B- 9	1YU-21721-00-GE	B-15	1YU-25121-00-35	C- 7	1YU-28315-10	C-13	1YU-84314-00	D- 4
1YU-13178-00	B- 5	1YU-15316-00	B- 9	1YU-21721-00-RA	B-15	3L8-2513A-00	C- 7	14T-28349-N0	C-13	52W-84320-01	D- 4
1YU-13185-00	B- 5		B- 9	1YU-21721-00-RE	B-15		C- 9	14T-28349-R0	C-13	52W-84340-00	D- 4
1YU-13187-00	B- 5	4J2-15363-00	B- 9	1YU-21751-00	C- 2	2E9-25133-00	C- 7	14T-28349-11	C-13	1YU-84700-00	D- 5
50M-13342-00	B-10	1YU-15371-00	B- 9	52W-21770-00	C- 2	54V-25135-00	C- 7	1YU-81313-M0	C-15	31L-84714-00	D- 5
1YU-13416-00	B- 5	1YU-15376-00	B- 9	4U1-21778-00	C- 2	2E9-25137-01	C- 8	1YU-81800-M0	B-10	1YU-84721-00	D- 5
1YU-13473-00	B- 5	1YU-15411-00	B- 9		C- 6	2T4-25137-00	C- 7	53L-81940-01	D- 7	1YU-84743-00	D- 5
1YU-13516-00	B- 5	1YU-15451-00	B- 9	1YU-21781-00	B-15	54V-25138-00	C- 7	1YU-81960-A0	D- 7	4G1-84744-00	D- 3
24G-13555-00	B- 6	1YU-15462-00	B- 9	1YU-21781-10	B-15	25K-25151-00	C- 7	38E-82110-79	D- 7	5G3-85520-M1	C-15
1YU-13577-00	B- 5	1YU-15512-00	B-10	1YU-21782-00	B-15	2T4-25155-00	C- 7	3KL-82116-00	D- 7	25L-85540-M0	D- 7
27V-13610-00	B- 6	3AA-15513-00	B-10	1YU-21782-10	B-15	54V-25180-00-35	C- 7	50W-82121-00	C- 6	25K-85546-00	D- 7
24G-13613-00	B- 6	53L-15528-00	B-10	1YU-22210-00	C- 3	54V-25181-00	C- 7	133-82131-00	D- 7	1YU-85550-M0	C-15
27V-13616-00	B- 6	1YU-15532-00	B-10	164-22216-00	B- 9	54V-25185-00	C- 7	27V-82151-00	D- 7	1YU-85560-M0	C-15
3L5-13621-00	B- 6	1YU-15570-01	B-10	1YU-23100-01	C- 4	25L-25326-00	C- 9	2EX-82310-M0	D- 7	1H8-85580-M0	C-15
1YU-14103-00	B- 7	1YU-15601-00	B-10	1YU-23110-00	C- 4	52W-25336-00	C- 9	166-82370-20	D- 7	53L-85720-00	D- 7
14T-14104-00	B- 7	1YU-15620-00	B-10	1YU-23120-00	C- 4	1YU-25351-00	C- 9	27V-82372-01	D- 7	1YU-85752-00	D- 7
1YU-14106-00	B- 7	3AA-15631-00	B-10	2E9-23141-01	C- 4	53L-25355-00	C- 9	1YU-82505-00	C-13	53L-85753-00	C- 5
1YU-14126-00	B- 7	29G-15644-00	B- 5	25K-23143-00	C- 4	1YU-25390-00-35	C- 9	2EK-82501-00	D- 7	90101-10255	C- 3
14T-14169-00	B- 7	1YU-15657-00	B-11	52W-23195-00	C- 4	1YU-26110-00	C-10	1YU-82590-T0	D- 7	90105-08256	C- 3
1YU-14197-00	B- 7	33A-15659-00	B-10	53L-23389-00	C- 4	2E9-26110-00	C-10	1YU-82590-00	D- 7	90105-08352	C- 6
1YU-14283-00	B- 7	2E9-15673-00	B-10	1YU-23391-00-GE	C-13	3L8-26129-00	C-14	1YU-83310-T0	D- 2	90105-10117	B-13
1YU-14301-00	B- 7	1YU-16110-01	B-11	1YU-23391-00-RA	C-13	1YU-26139-00	C-14	1YU-83310-00	D- 2	90109-08507	C-10
1YU-14312-25	B- 7	2E9-16611-01	B-11	1YU-23391-00-RE	C-13	1YU-26143-00-GE	C-14	1YU-83312-00	D- 2	90116-06418	B- 2
14T-14323-00	B- 7	1YU-16620-00	B-11	2E9-23411-01	C- 4	1YU-26143-00-RA	C-14	1YU-83320-T0	D- 2	90119-06018	C- 6
1YU-14331-00	B- 7	1YU-16626-00	B-11	2E9-23412-00	C- 4	1YU-26145-10	C-14	1YU-83320-00	D- 2		

NUMERICAL INDEX

PART NO.	GRID NO.	PART NO.	GRID NO.	PART NO.	GRID NO.	PART NO.	GRID NO.	PART NO.	GRID NO.	PART NO.	GRID NO.
90119-06060	C-12	90387-064A4	C-12	92901-04100	B- 7	94230-08234	C- 7	98580-05012	B- 7		
90119-06085	B-14	90387-067T6	B- 4		C-15		C- 9	98701-03010	D- 6		
90149-05203	D- 4	90387-10620	C- 7		C-15	94580-12058	B-12	98702-03008	D- 6		
90149-06184	B-15	90387-160R6	B- 3		D- 3	94701-00292	B- 2	98906-06016	B- 8		
90149-06250	D- 7	90387-16680	B-11	92901-04600	D- 3	95303-05600	C- 7	99009-15400	B-10		
90153-06022	B- 4	90445-056E4	B- 5	92901-05100	B- 7	95303-12600	C-15	99009-19400	B- 5		
90153-06034	D- 7	90445-07176	C- 5	92901-06600	B- 4	95601-05100	D- 6	99510-12016	B- 9		
90153-06061	B- 8	90445-084A7	D- 7		D- 5		D- 6	99530-10014	B- 9		
90157-06080	D- 7	90460-32242	B- 6	92906-08100	B- 8	95601-10200	C- 7				
90159-03102	D- 3	90464-30040	B-13	92990-03100	B- 6	95701-06500	B- 2				
90159-05028	C-14	90465-12302	B-13		D- 3	95701-08500	C- 9				
	C-14	90465-13169	D- 7	92990-05200	D- 6	95701-10500	B-13				
90159-05089	C-12	90467-08003	B- 5	92990-06100	B- 4		C- 3				
90159-06079	C-13	90467-09006	C- 5		C- 5	95801-06010	C- 4				
90159-06124	C-13	90467-10008	C- 5		C-10		C- 6				
90167-05025	C-14	90468-02033	B- 5		D- 5		C- 6				
	C-14		B- 5	92990-06200	B- 8	95801-08016	B-13				
	D- 2	90468-12006	C- 6	92990-08100	C-10	95811-06012	C- 6				
90167-05030	D- 3		C-12	92990-12600	C-15	95811-08035	B- 9				
90170-10219	B-11	90468-20127	B- 6	93101-20138	B- 3	97001-06025	C- 9				
90176-06041	C- 6	90480-10334	D- 5	93102-15212	B-10	97016-06025	B-10				
90179-06176	C-10	90480-12237	B- 4	93102-20371	B- 3	97016-08025	B- 8				
	C-10		B- 8	93102-22314	B-12	97021-05020	C- 7				
90179-08354	C-10	90501-061E8	C- 5	93104-19097	C-15		D- 6				
90183-05013	C-12	90501-10513	C-10	93106-17015	C- 7		D- 6				
90185-14081	C- 9	90501-122E1	C-10	93109-34057	C- 7	97021-06016	C-10				
90201-064L6	C- 7	90506-14081	C- 9	93210-06632	C- 9	97706-30506	B- 8				
90201-08087	B- 9	90508-09673	C- 6	93210-10096	C- 7	97780-40116	B- 6				
90201-081A6	B- 8	90508-32609	B-10	93210-14104	B- 9		D- 2				
90201-123K4	B-11	90560-10236	C- 7	93210-19501	B-10		D- 2				
	B-12	90560-10288	B- 9	93306-20005	C- 7	97780-40120	D- 5				
90201-14740	C- 9	91316-06020	B- 6	93306-20006	C- 7	97780-50125	B- 6				
90201-15701	B-10		B-10	93306-20116	B-11	98501-03006	B- 7				
90201-166K2	B-11	91701-06055	C- 6	93306-20310	B-12	98501-03008	B- 6				
90201-166K3	B-11	92501-06012	B- 9	93306-20458	B- 3	98501-03010	D- 3				
90201-17255	C- 9		B-10	93310-210M0	B- 3	98501-04006	C-15				
90201-573J7	B-10		B-12	93310-257R1	B-10	98501-05008	D- 6				
90202-08175	C-10		C- 5	93310-416F7	B- 3	98501-05012	C-10				
90206-08051	D- 6	92501-06014	B- 4	93420-40064	B-12		D- 6				
90206-19027	B- 5		D- 5	93450-11021	B- 3		D- 6				
90208-10012	B-11	92501-06020	B- 4	93505-32002	C- 4	98501-05020	B- 5				
90208-12027	B-11		B- 6	93603-12007	B- 5		D- 6				
90208-12044	B-12	92501-06025	B- 9	94130-081K3	C- 7		D- 6				
90240-08121	C-12	92501-06035	B- 9		C- 9	98511-04012	C-15				
90249-12008	C-10	92506-06025	B- 9	94130-085F9	C- 7	98511-04025	C-15				
	C-10	92506-06035	B- 9	94130-085J8	C- 9	98580-04010	C-15				
90280-03017	B- 3	92506-06050	B- 9	94230-08233	C- 7		D- 3				
90387-06067	B- 8	92701-06015	C-15		C- 9	98580-04016	B- 7				



