

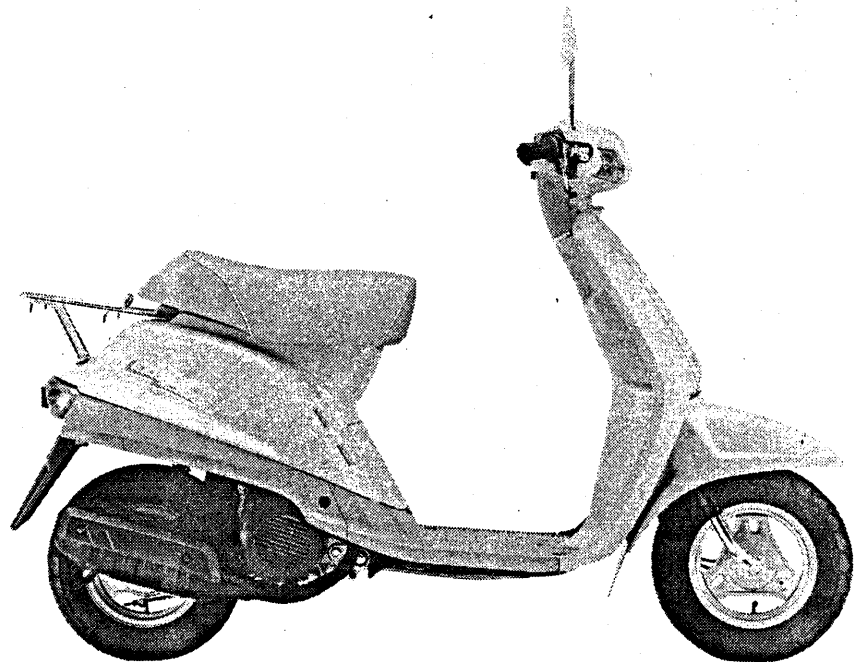
YAMAHA

PARTS CATALOGUE

SH50E (2MV)

172MV-664E1

A2



A3

FOREWORD

This Parts Catalogue is related to the parts in use for the Yamaha SH50E (2MV).
When you are ordering replacement parts for the SH50E (2MV), refer to this Parts Catalogue and quote both part numbers and part names correctly.

1. Modifications or additions which have been made after issue of the Parts Catalogue will be announced in the Yamaha Parts News.
It is advisable that according to the Yamaha Parts News you make necessary corrections to the Parts Catalogue on hand to keep it up-to-date.

2. Abbreviations

The following abbreviations are used in this Parts Catalogue.

- U.R. Use size (thickness) and/or number as required.
- U.N. Use as many as you need.
- A.P. Alternate Parts
- L.M. Local Made
- F# Frame No. (Applicable machine No.)

3. The parts marked with (*) in the parts number column of this Catalogue are not supplied with by Yamaha, those have to be found locally.
4. Parts, which are to be supplied in the form of assemblies, are listed with an indentation of one letter's space, and a dot (.) is put against the name of each part.

EXAMPLE CARBURETOR ASS'Y
 . JET, pilot
 . NOZZLE, main

5. Indication of No. of constituent parts for assembly

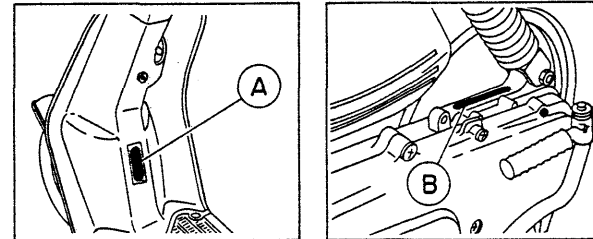
The numeral appearing to the right of each constituent part under the description indicates the quantity of such parts for each individual assembly unit.

EXAMPLE

Part No.	Description	Q'ty	Remarks
2F5-83310-60	FRONT FLASHER LIGHT ASS'Y	2	
115-83311-60	. BULB (6V-18W)	1	
1M1-83309-60	. REFLECTOR	1	

6. Initial Serial No. and Color Code

(A) Frame Serial No.	1YU-1500101 and following
(B) Engine Serial No.	1YU-1500101 and following



Color Code	Color Name	Abbreviate
EH	CREAMY WHITE	CMW
NX	CORAL BLUE	COB
NY	SWEET YELLOW	SWY
RE	CORAL PINK	COP

7. Applicable colors of graphics are represented in the "Remarks" column by the letter(s) appropriately picked out of the full word(s) showing such colors.

EXAMPLE

Part No.	Description	Q'ty	Remarks
2N4-24110-00-X5	FUEL TANK COMP.	1	MAXIM RED
3J1-24240-10	. GRAPHIC, fuel tank set	1	for MXR

CONTENTS

ENGINE

Cylinder	B2
Crankshaft. Piston	B3
Air Shroud. Fan	B4
Oil Pump	B5
Intake	B6
Carburetor	B7
Exhaust	B8
Crankcase	B9
Starter	B10
Clutch	B11
Transmission	B12

CHASSIS

Frame	B13
Fender	B14
Side Cover	B15
Oil Tank	C2
Rear Suspension	C3
Front Fork	C4
Fuel Tank	C5
Seat. Carrier	C6
Front Wheel	C7~C8
Rear Wheel	C9
Steering Handle. Cable	C10~C11
Stand. Footrest	C12
Leg Shield	C13
Cowling 1	C14
Generator	C15
Flasher Light	D2

Meter	D3
Headlight	D4
Taillight	D5
Handle Switch. Lever	D6
Electrical 1	D7

INDEX

Numerical Index	M1 ~ M2
-----------------------	---------

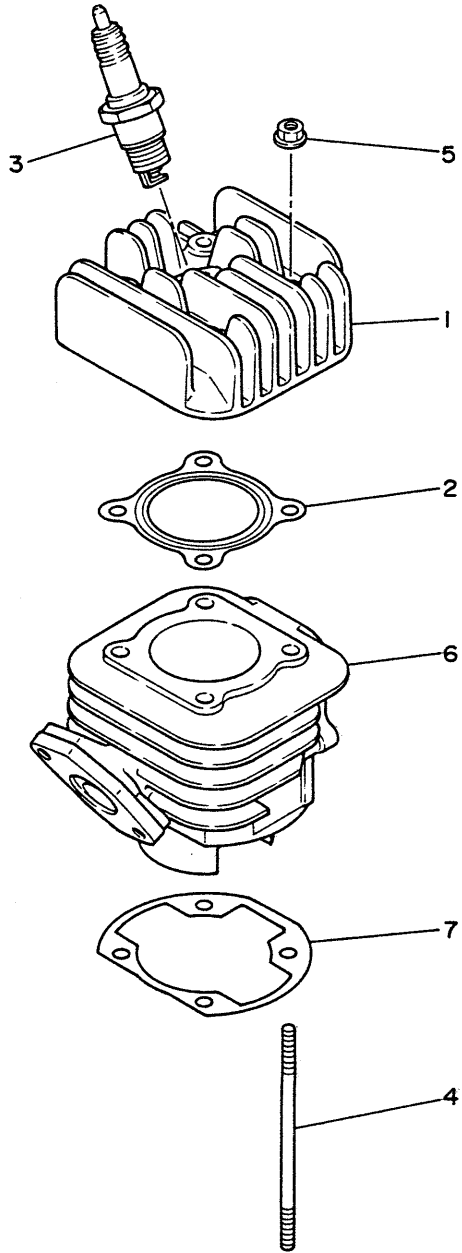


FIG. 1 CYLINDER

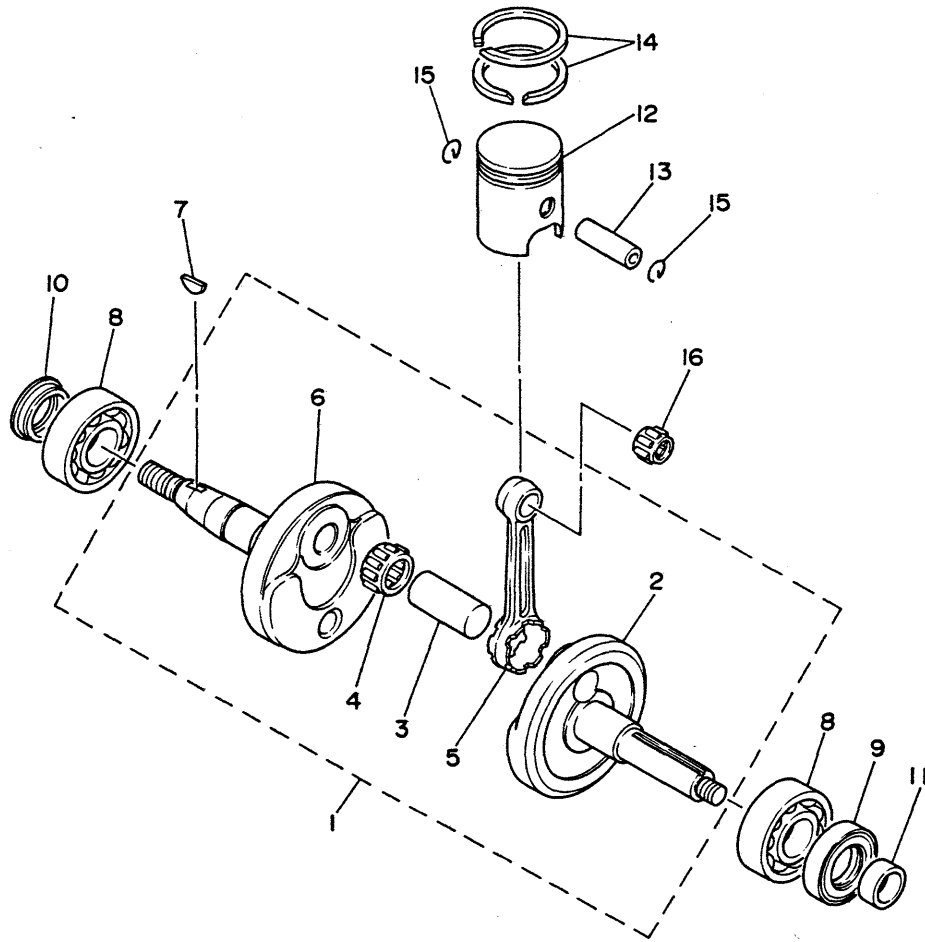
REF. NO.	PART NO.	DESCRIPTION	Q'TY	REMARKS
1	1YU-11111-00	HEAD, cylinder 1	1	
2	517-11181-00	GASKET, cylinder head 1	1	
3	94701-00292	SPARK PLUG (NGK BPR6HS10)	1	
4	90116-06418	BOLT, stud	4	
5	95701-06500	NUT, flange	4	
6	1YU-11311-00	CYLINDER 1	1	
7	1YU-11351-00	GASKET, cylinder	1	



IYU010-6010

FIG. 2 CRANKSHAFT. PISTON

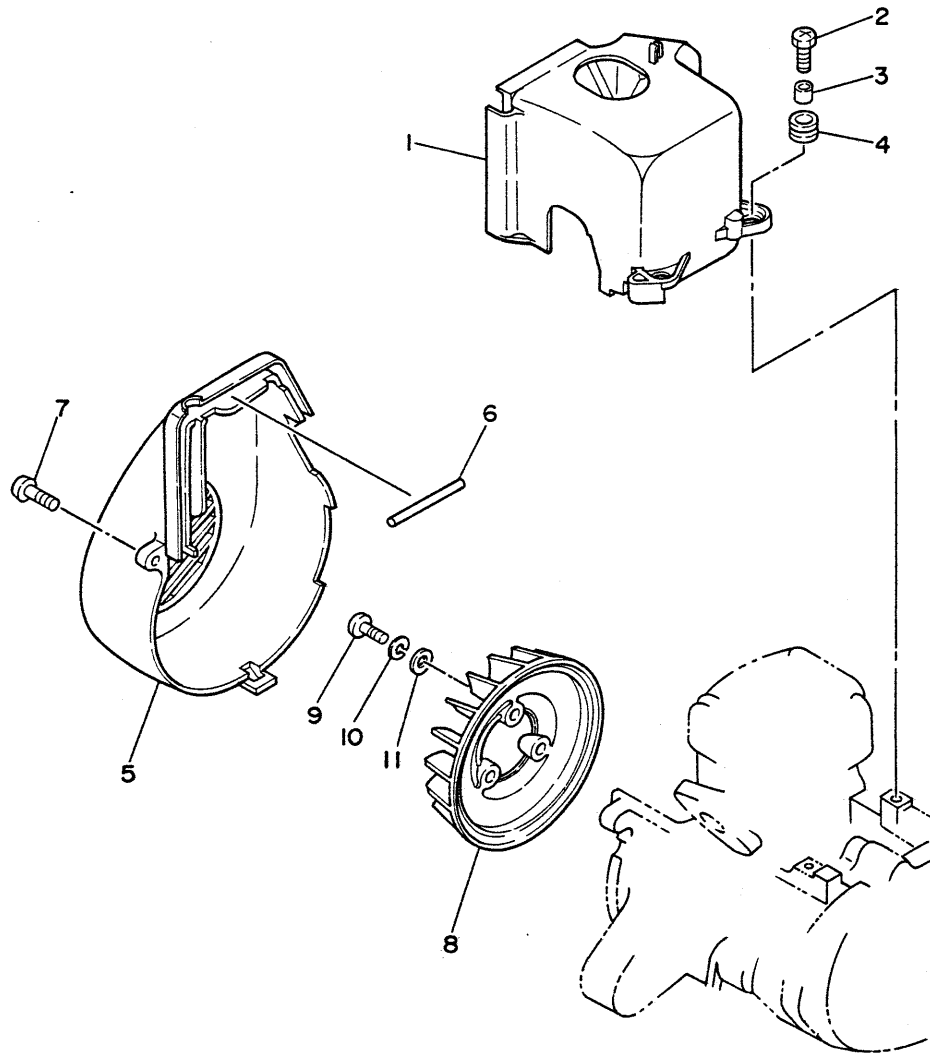
REF. NO.	PART NO.	DESCRIPTION	Q'TY	REMARKS
1	1YU-11400-00	CRANKSHAFT ASSY	1	
2	1YU-11412-00	.CRANK 1	1	
3	1YU-11681-00	.PIN, crank 1	1	
4	93310-416F7	.BEARING, cylindrical	1	
5	2E9-11651-00	.ROD, connecting	1	
6	1YU-11422-00	.CRANK 2	1	
7	90280-03017	KEY, woodruff	1	
8	93306-20458	BEARING	2	
9	93102-20371	OIL SEAL	1	
10	93101-20138	OIL SEAL	1	
11	90387-160R6	COLLAR	1	
12	1YU-11631-00-96	PISTON (STD)	1	
	1YU-11636-00	PISTON (0.50MM O/S)	1	AP
13	2E9-11633-00	PIN, piston	1	
14	260-11601-02	PISTON RING SET (STD)	1	
	260-11601-22	PISTON RING SET (2ND O/S)	1	AP
15	93450-11021	CIRCLIP	2	
16	93310-210M0	BEARING, cylindrical	1	



1YU010-6020

B3

FIG. 3 AIR SHROUD. FAN



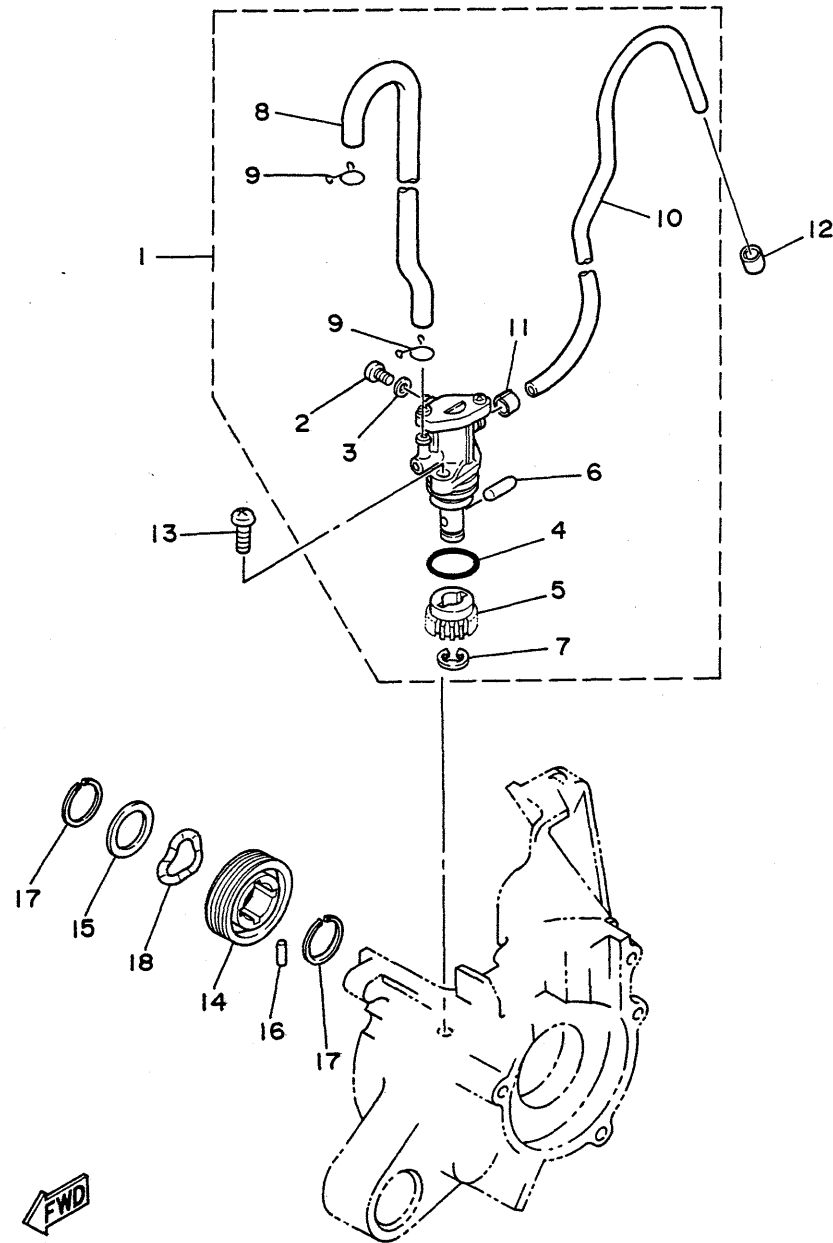
REF. NO.	PART NO.	DESCRIPTION	Q'TY	REMARKS
1	1YU-12651-00	AIR SHROUD, cylinder 1	1	
2	90153-06022	SCREW, hexagon	2	
3	90387-06023	COLLAR	2	
4	90480-12237	GROMMET	2	
5	1YU-12653-00	AIR SHROUD, cylinder 3	1	
6	53L-14462-00	SEAL	1	
7	92501-06020	SCREW, pan head	2	
8	1YU-12611-00	FAN	1	
9	92501-06014	SCREW, pan head	3	
10	92990-06100	WASHER, spring	3	
11	92901-06600	WASHER, plate	3	



1YU010-6031

B4

FIG. 4 OIL PUMP

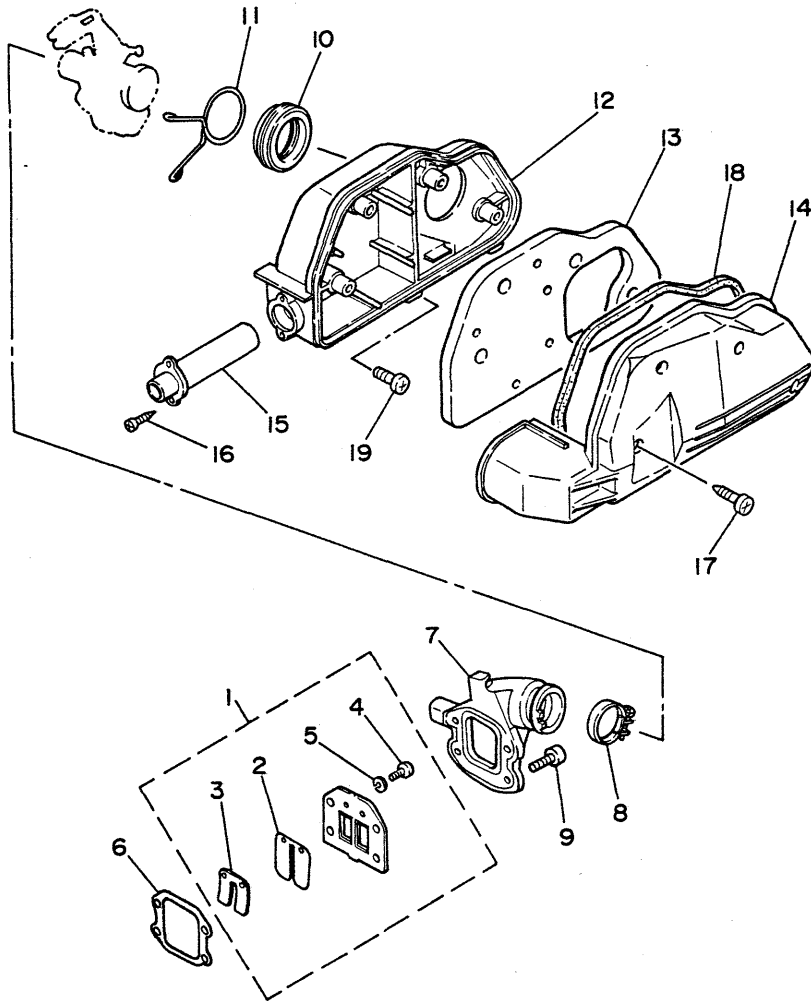


REF. NO.	PART NO.	DESCRIPTION	Q'TY	REMARKS
1	1YU-13100-00	OIL PUMP ASSY	1	
2	1YU-13185-00	.BOLT, breather	1	
3	1YU-13187-00	.GASKET, breather bolt	1	
4	1YU-13473-00	.O-RING	1	
5	1YU-13124-00	.GEAR, worm wheel	1	
6	1YU-13516-00	.PIN, dowel	1	
7	1YU-13577-00	.CLIP	1	
8	1YU-13416-00	.PIPE, oil 1	1	
9	90467-08003	.CLIP	2	
10	90445-056E4	.HOSE	1	
11	90468-02033	.CLIP	1	
12	90468-02033	CLIP	1	
13	98501-05020	SCREW, pan head	2	
14	1YU-13178-00	GEAR, pump drive	1	
15	296-15644-00	SHIM	1	
16	93603-12007	PIN, dowel	1	
17	99009-19400	CIRCLIP	2	
18	90206-19027	WASHER, wave	1	

1YU010-6040

FIG. 5 INTAKE

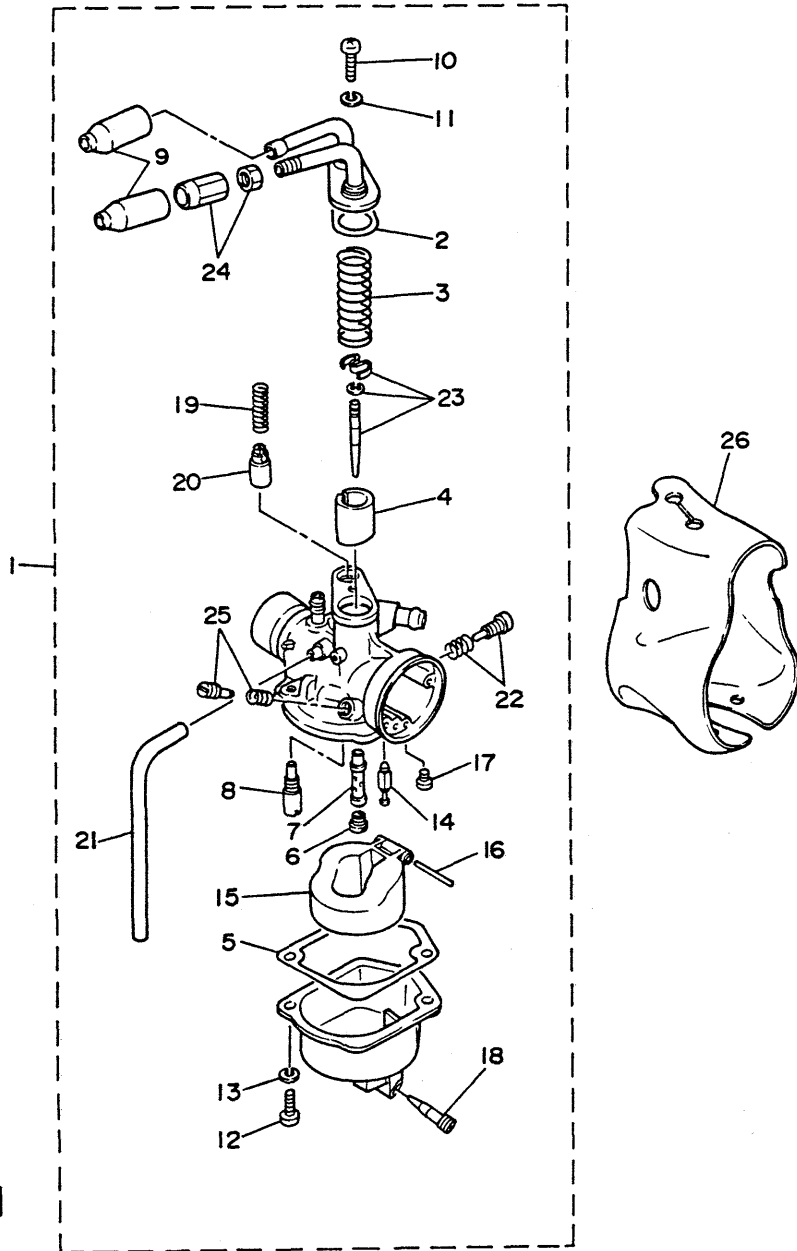
REF. NO.	PART NO.	DESCRIPTION	Q'TY	REMARKS
1	27V-13610-00	REED VALVE ASSY	1	
2	24G-13613-00	.REED, valve	1	
3	27V-13616-00	.STOPPER, reed valve	1	
4	98501-03008	.SCREW, pan head	2	
5	92990-03100	.WASHER, spring	2	
6	3L5-13621-00	GASKET, valve seat	1	
7	24G-13555-00	MANIFOLD, intake	1	
8	90460-32242	CLAMP, hose	1	
9	91316-06020	BOLT	4	
10	27V-14453-00	JOINT, air cleaner 1	1	
11	90468-20127	CLIP	1	
12	1YU-14411-00	CASE, air cleaner 1	1	
13	1YU-14451-00	ELEMENT, air cleaner	1	
14	1YU-14412-00	CAP, cleaner case 1	1	
15	1YU-14437-00	DUCT	1	
16	97701-40116	SCREW, tapping	2	
17	97780-50125	SCREW, tapping	4	
18	1YU-14452-00	SEAL	1	
19	92501-06020	SCREW, pan head	2	



1YU010-6050

B6

FIG. 6 CARBURETOR



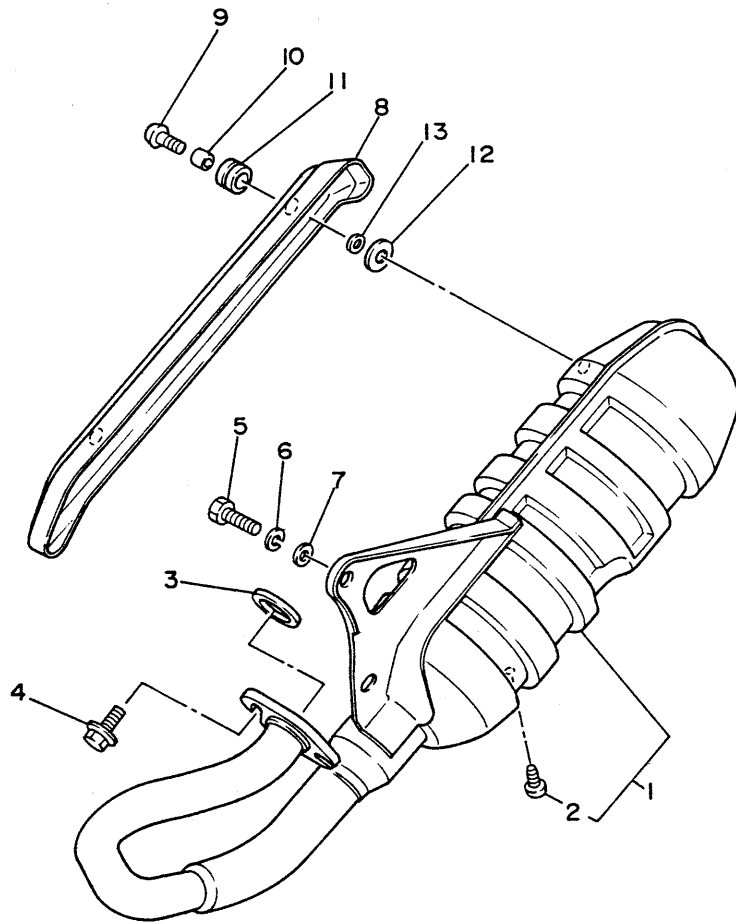
REF. NO.	PART NO.	DESCRIPTION	Q'TY	REMARKS
1	1YU-14301-00	CARBURETOR ASSY 1	1	
2	1YU-14126-00	.GASKET	1	
3	1YU-14331-00	.SPRING, throttle valve	1	
4	1YU-14312-25	.VALVE, throttle 1	1	
5	1YU-14384-00	.GASKET, float chamber	1	
6	14T-14343-42	.JET, main (# 84)	1	
7	1YU-14341-00	.NOZZLE, main	1	
8	1YU-14353-00	.JET, pilot (#44)	1	
9	14T-14169-00	.CAP	2	
10	98580-05012	.SCREW, pan head	1	
11	92901-05100	.WASHER, spring	1	
12	98580-04016	.SCREW, pan head	2	
13	92901-04100	.WASHER, spring	2	
14	14T-14392-01	.VALVE, needle	1	
15	1YU-14385-00	.FLOAT	1	
16	1YU-14386-00	.PIN, float	1	
17	98501-03006	.SCREW, pan head	1	
18	14T-14323-00	.SCREW, air adjusting	1	
19	1YU-14335-00	.SPRING, plunger	1	
20	1YU-14371-00	.PLUNGER, starter	1	
21	1YU-14197-00	.PIPE	1	
22	1YU-14103-00	.THROTTLE SCREW SET	1	
23	1YU-1490J-00	.NEEDLE SET	1	
24	1YU-14106-00	.CABLE ADJUST SCREW SET	1	
25	14T-14104-00	.AIR SCREW SET	1	
26	1YU-14283-00	COVER, carburetor 1	1	



2MV664-7060

B7

FIG. 7 EXHAUST

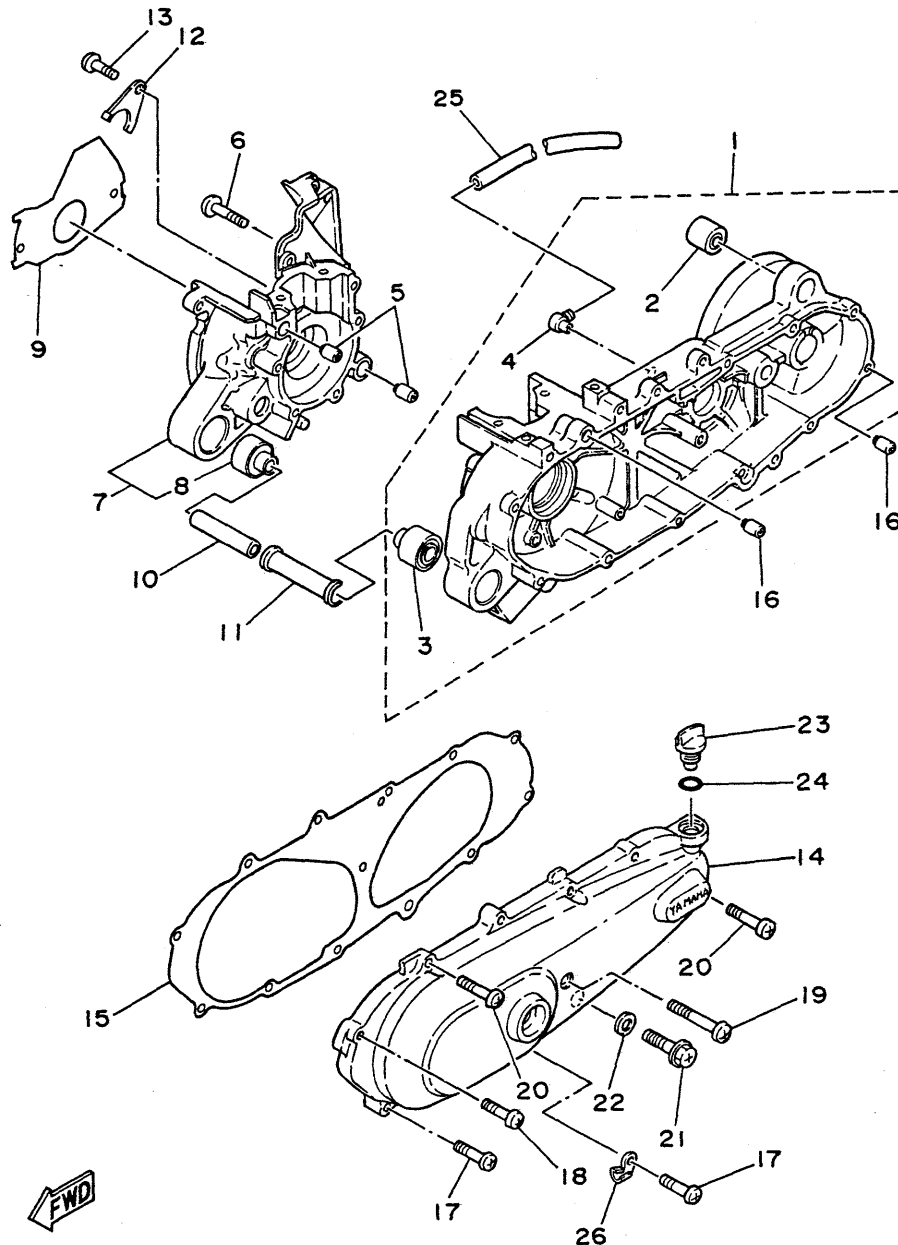


REF. NO.	PART NO.	DESCRIPTION	Q'TY	REMARKS
1	1YU-14610-00	EXHAUST PIPE ASSY 1	1	
2	97706-30506	.SCREW, tapping	1	
3	24G-14613-00	GASKET, exhaust pipe	1	
4	90153-06061	SCREW, hexagon	2	
5	97316-08025	BOLT	2	
6	92906-08100	WASHER, spring	2	
7	90201-081A6	WASHER, plate	2	
8	1YU-14718-00	PROTECTOR, muffler 1	1	
9	98906-06016	SCREW, bind	2	
10	90387-060G7	COLLAR	2	
11	90480-12237	GROMMET	2	
12	52W-14766-00	WASHER, protector	2	
13	92990-06200	WASHER, plain	2	



1YU010-6070

FIG. 8 CRANKCASE



REF. NO.	PART NO.	DESCRIPTION	Q'TY	REMARKS
1	1YU-15110-00	CRANKCASE ASSY 1	1	
2	164-22216-00	.BUSH, rear shock absorber	1	
3	1YU-15316-00	.DAMPER, engine mount 1	1	
4	1YU-15371-00	.BREATHER	1	
5	99530-12016	PIN, dowel	2	
6	92501-06035	SCREW, pan head	6	
7	1YU-15120-00	CRANKCASE ASSY 2	1	
8	1YU-15316-00	.DAMPER, engine mount 1	1	
9	1YU-15462-00	GASKET, crankcase cover 3	1	
10	90560-10288	SPACER	1	
11	1YU-15376-00	HOLDER, guide	1	
12	1YU-15128-00	HOLDER	1	
13	92501-06012	SCREW, pan head	1	
14	1YU-15411-00	COVER, crankcase 1	1	
15	1YU-15451-00	GASKET, crankcase cover 1	1	
16	99530-10014	PIN, dowel	2	
17	92506-06025	SCREW, pan head	8	
18	92501-06025	SCREW, pan head	1	
19	92506-06050	SCREW, pan head	1	
20	92506-06035	SCREW, pan head	2	
21	95821-08035	BOLT, flange	1	
22	90430-08119	GASKET	1	
23	2T4-15363-00	PLUG, oil	1	
24	93210-14104	O-RING	1	

FWD
1YU010-6080

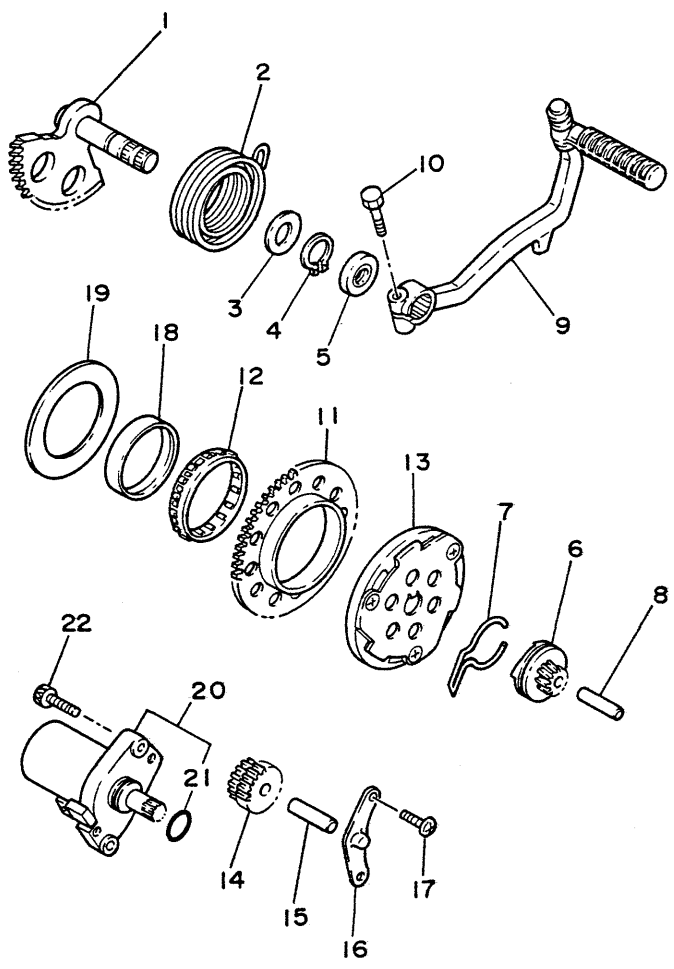


FIG. 9 STARTER

REF. NO.	PART NO.	DESCRIPTION	Q'TY	REMARKS
1	1YU-15601-00	KICK SHAFT ASSY	1	
2	90508-32609	SPRING, torsion	1	
3	90201-15701	WASHER, plate (1.0T)	1	
4	99009-15400	CIRCLIP	1	
5	93102-15212	OIL SEAL	1	
6	33A-15630-00	KICK PINION ASSY (10T)	1	
7	2E9-15673-00	CLIP	1	
8	33A-15659-00	SHAFT	1	
9	1YU-15620-00	KICK CRANK ASSY	1	
10	97316-06025	BOLT	1	
11	53L-15513-00	GEAR 1 (71T)	1	
12	93310-257R1	BEARING, cylindrical	1	
13	1YU-15570-00	STARTER CLUTCH ASSY	1	
14	1YU-15512-00	GEAR, idler 1 (48T-15T)	1	
15	50M-13342-00	SHAFT, idle gear	1	
16	1YU-15532-00	PLATE, idle gear	1	
17	92501-06012	SCREW, pan head	2	
18	53L-15528-00	BOSS, gear	1	
19	90201-573J7	WASHER, plate	1	
20	1YU-81800-50	STARTING MOTOR ASSY	1	UR NIHON DENSO
	1YU-81800-M0	STARTING MOTOR ASSY	1	UR YAMAHA
21	1YU-81847-50	.O-RING	1	UR NIHON DENSO
	93210-19730	.O-RING	1	UR YAMAHA
22	91316-06020	BOLT	2	

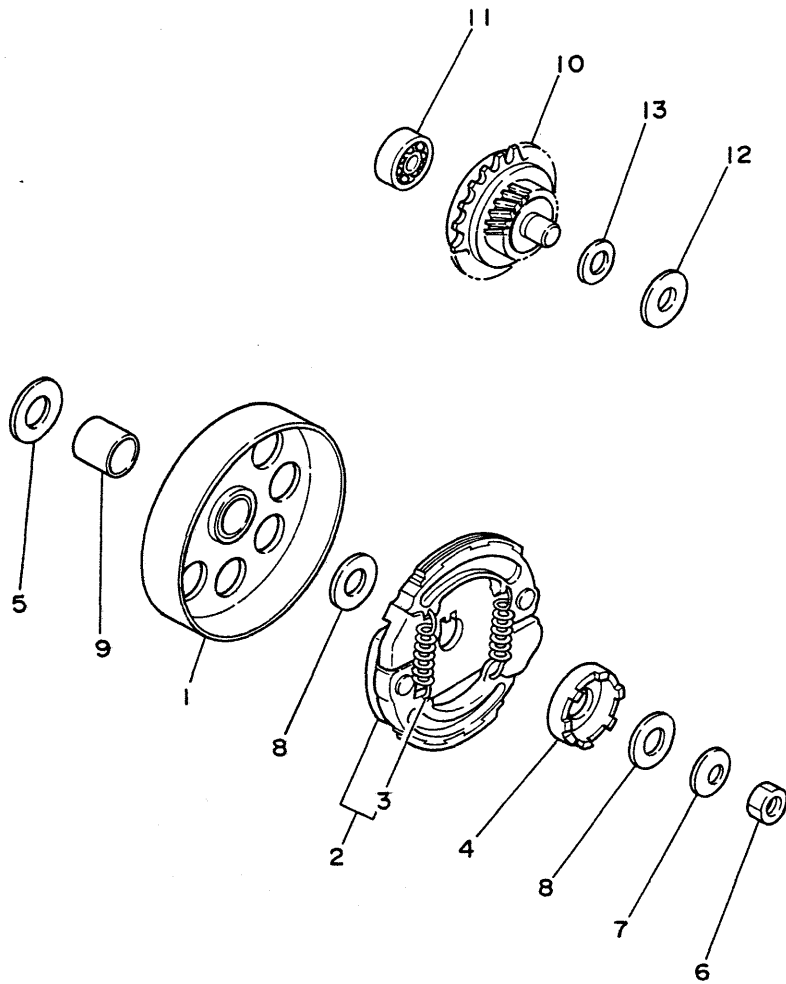


1YU010-6090

B10

FIG. 10 CLUTCH

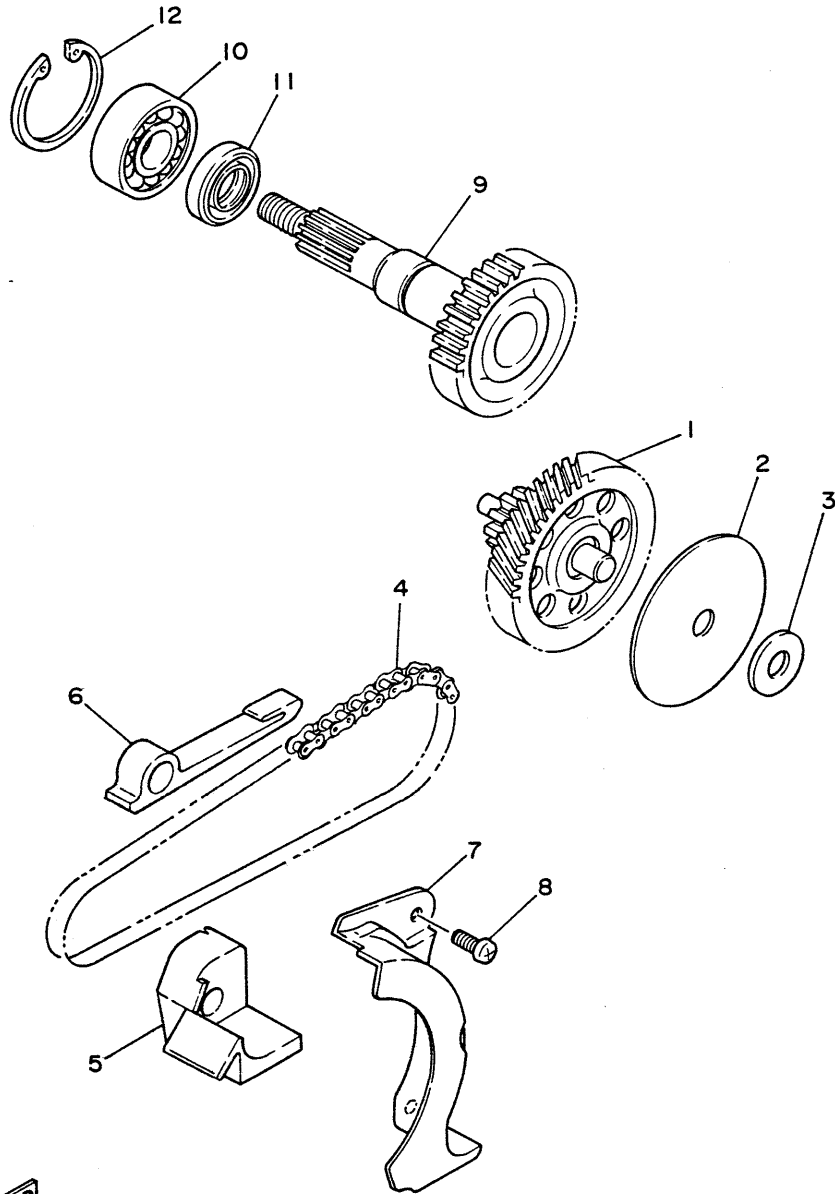
REF. NO.	PART NO.	DESCRIPTION	Q'TY	REMARKS
1	2E9-16611-01	CLUTCH HOUSING COMP.	1	
2	1YU-16620-00	CLUTCH CARRIER ASSY	1	
3	1YU-16626-00	.SPRING, clutch weight 1	2	
4	1YU-15657-00	CLUTCH, oneway	1	
5	90201-166K2	WASHER, plate	1	
6	90170-10219	NUT	1	
7	90208-10012	WASHER, conical spring	1	
8	90201-166K3	WASHER, plate	2	
9	90387-16680	COLLAR	1	
10	1YU-16110-01	PRIMARY DRIVE GEAR ASSY	1	
11	93306-20116	BEARING	1	
12	90201-123K4	WASHER, plate	1	
13	90208-12027	WASHER, conical spring	1	



1YU010-6110

B11

FIG. 11 TRANSMISSION



REF. NO.	PART NO.	DESCRIPTION	Q'TY	REMARKS
1	1YU-17410-00	MAIN AXLE COMP.	1	
2	90208-12044	WASHER, conical spring	1	
3	90201-123K4	WASHER, plate	1	
4	94580-12058	CHAIN (D.I.D. 270H 58LE)	1	
5	1YU-17468-00	GUIDE, chain 1	1	
6	1YU-17467-00	GUIDE, chain 1	1	
7	1YU-17471-00	PLATE, cover	1	
8	92501-06012	SCREW, pan head	2	
9	1YU-17420-00	DRIVE AXLE ASSY	1	
10	93306-20310	BEARING (B6203DU)	1	
11	93102-22314	OIL SEAL	1	
12	93420-40064	CIRCLIP	1	

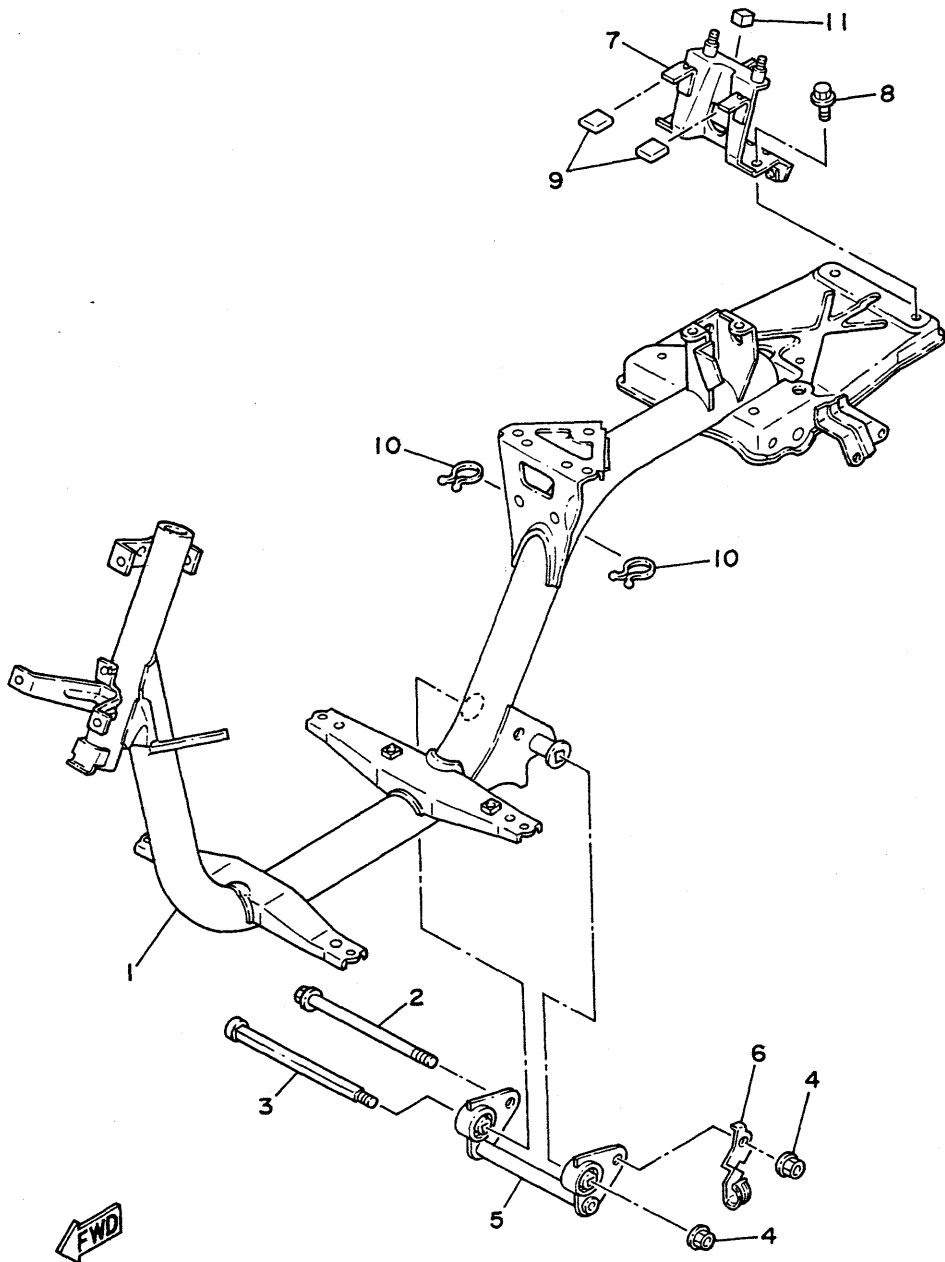


1YU010-6120

B12

FIG. 12 FRAME

REF. NO.	PART NO.	DESCRIPTION	Q'TY	REMARKS
1	1YU-21110-00-33	FRAME COMP.	1	YAMAHA BLACK
2	90105-10117	BOLT, washer based	1	
3	1YU-21481-00	BOLT, engine mounting 1	1	
4	95701-10500	NUT, flange	2	
5	1YU-21410-00	ENGINE BRACKET COMP.	1	
6	90465-12302	CLAMP	1	
7	1YU-24816-00	BRACKET, carrier	1	
8	95801-08016	BOLT, flange	2	
9	2E9-24182-00	DAMPER, locating 2	2	
10	90464-30040	CLAMP	3	
11	34M-2139X-00	DAMPER	1	

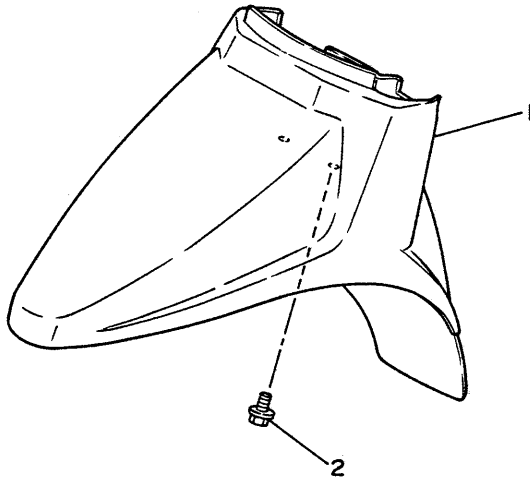
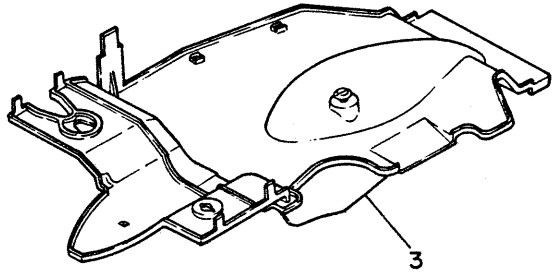


1YU010-6131

B13

FIG. 13 FENDER

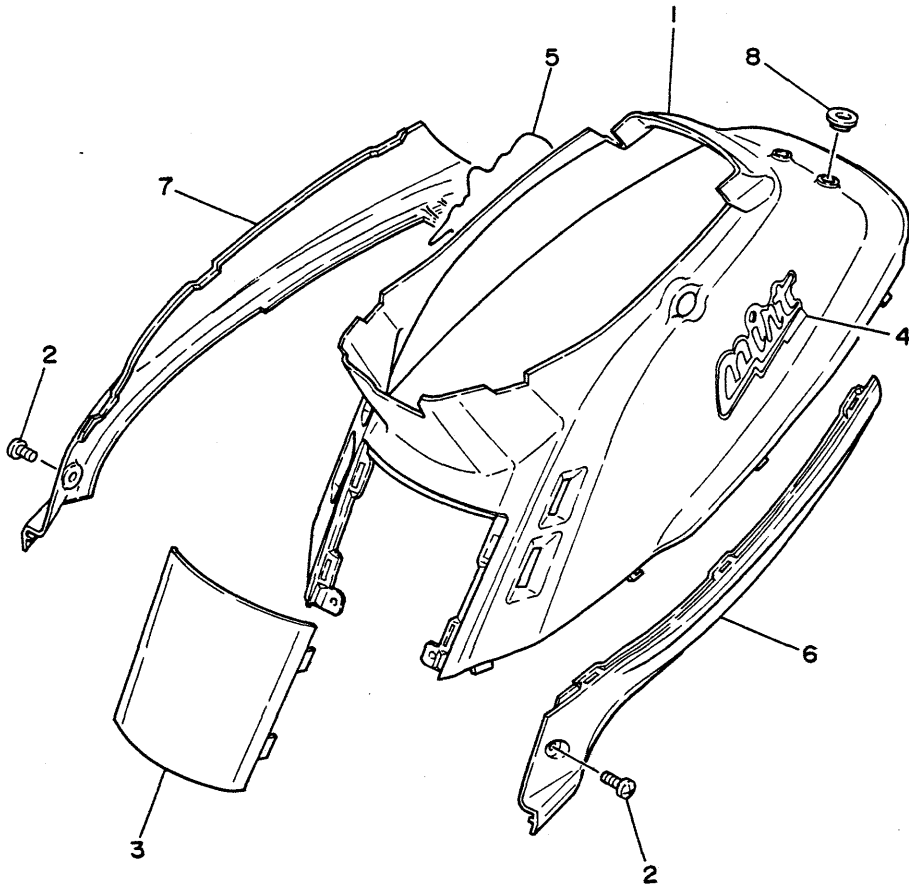
REF. NO.	PART NO.	DESCRIPTION	Q'TY	REMARKS
1	1YU-21511-00-EH	FENDER, front	1	UR CREAMY WHITE
	1YU-21511-00-NX	FENDER, front	1	UR CORAL BLUE
	1YU-21511-00-NY	FENDER, front	1	UR SWEET YELLOW
	1YU-21511-00-RE	FENDER, front	1	UR CORAL PINK
2	90119-06085	BOLT, with washer	2	
3	1YU-21629-00	GUARD, mud	1	



IYU010-6140

FIG. 14 SIDE COVER

REF. NO.	PART NO.	DESCRIPTION	Q'TY	REMARKS
1	1YU-21711-00-EH	COVER, side 1	1	UR CREAMY WHITE
	1YU-21711-00-NX	COVER, side 1	1	UR CORAL BLUE
	1YU-21711-00-NY	COVER, side 1	1	UR SWEET YELLOW
	1YU-21711-00-RE	COVER, side 1	1	UR CORAL PINK
2	90149-06184	SCREW	2	
3	1YU-21721-00-EH	COVER, side 2	1	UR CREAMY WHITE
	1YU-21721-00-NX	COVER, side 2	1	UR CORAL BLUE
	1YU-21721-00-NY	COVER, side 2	1	UR SWEET YELLOW
	1YU-21721-00-RE	COVER, side 2	1	UR CORAL PINK
4	1YU-21781-00	EMBLEM 1	1	UR
	1YU-21781-10	EMBLEM 1	1	UR
5	1YU-21782-00	EMBLEM 2	1	UR
	1YU-21782-10	EMBLEM 2	1	UR
6	1YU-2171L-10	MOLE, side cover 1	1	GRAY
7	1YU-2171M-10	MOLE, side cover 2	1	GRAY
8	14T-21719-01	GROMMET	2	



BASIC COLOR	EMBLEM 1 ④	EMBLEM 2 ⑤
CREAMY WHITE	1YU-21781-10	1YU-21782-10
CORAL BLUE	1YU-21781-00	1YU-21782-00
SWEET YELLOW	1YU-21781-10	1YU-21782-10
CORAL PINK	1YU-21781-10	1YU-21782-10

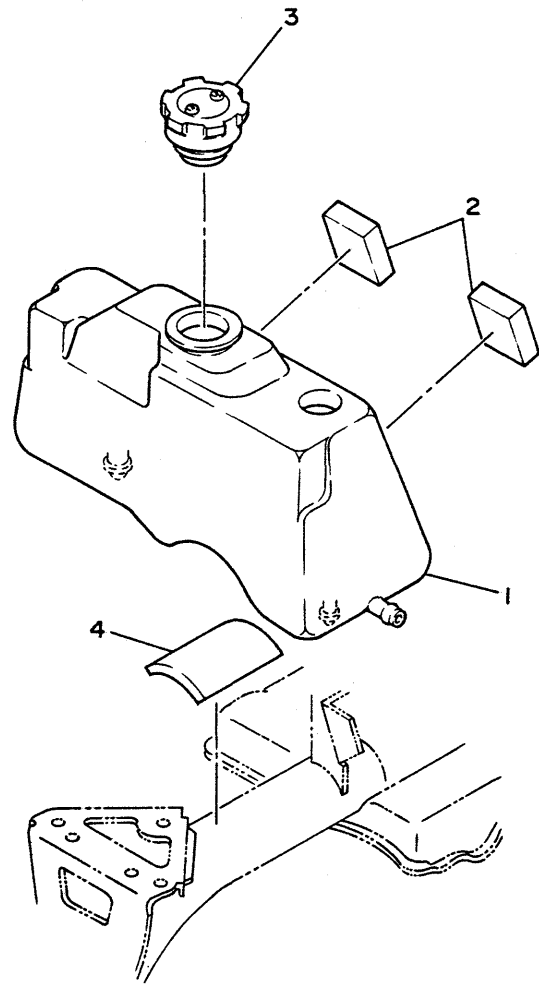


1YU010-6170

B15

FIG. 15 OIL TANK

REF. NO.	PART NO.	DESCRIPTION	Q'TY	REMARKS
1	1YU-21751-00	TANK, oil	1	
2	27V-24181-00	DAMPER, locating 1	2	
3	52W-21770-00	OIL TANK CAP ASSY	1	
4	4N0-24181-00	DAMPER, locating 1	1	

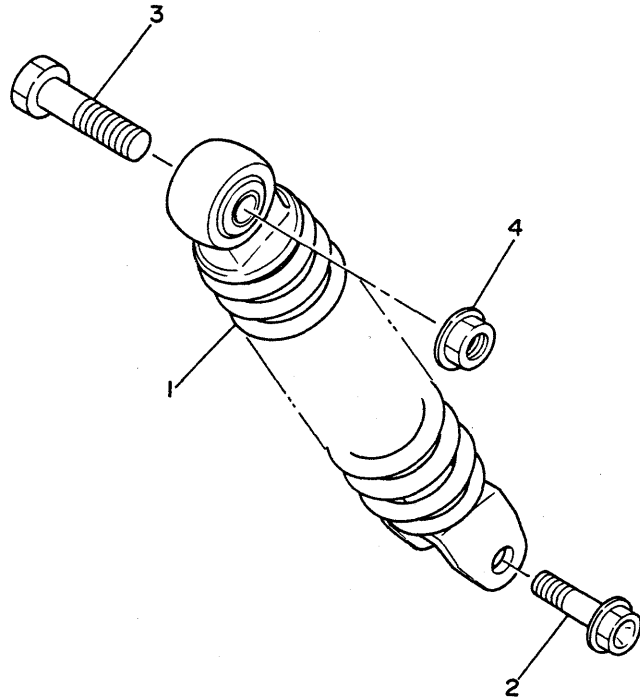


IYU010-6200

C2

FIG. 16 REAR SUSPENSION

REF. NO.	PART NO.	DESCRIPTION	Q'TY	REMARKS
1	1YU-22210-00	SHOCK ABSORBER ASSY, rear	1	
2	90105-08256	BOLT, washer based	1	
3	90101-10255	BOLT	1	
4	95701-10500	NUT, flange	1	

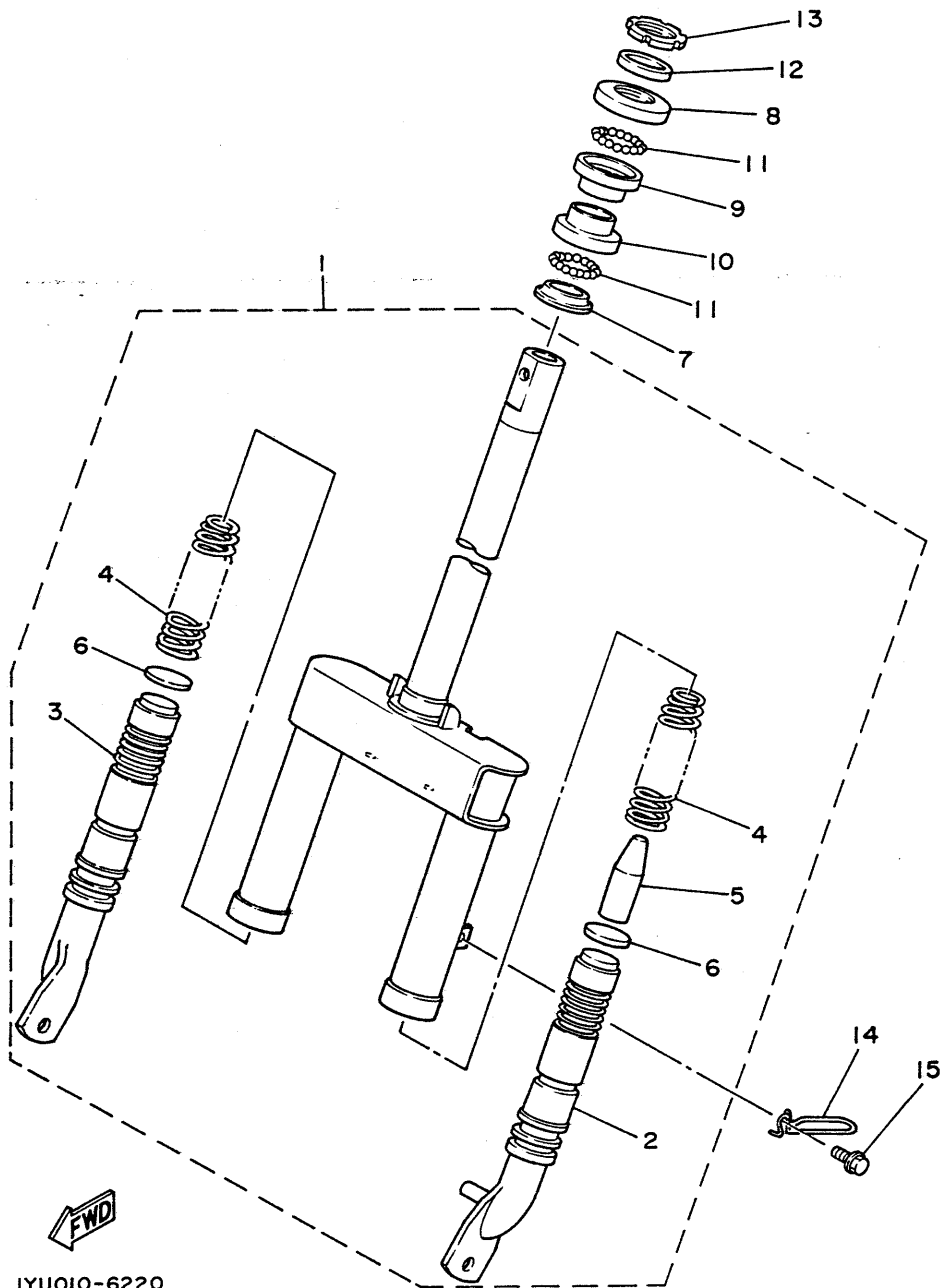


1YU010-6210

C3

FIG. 17 FRONT FORK

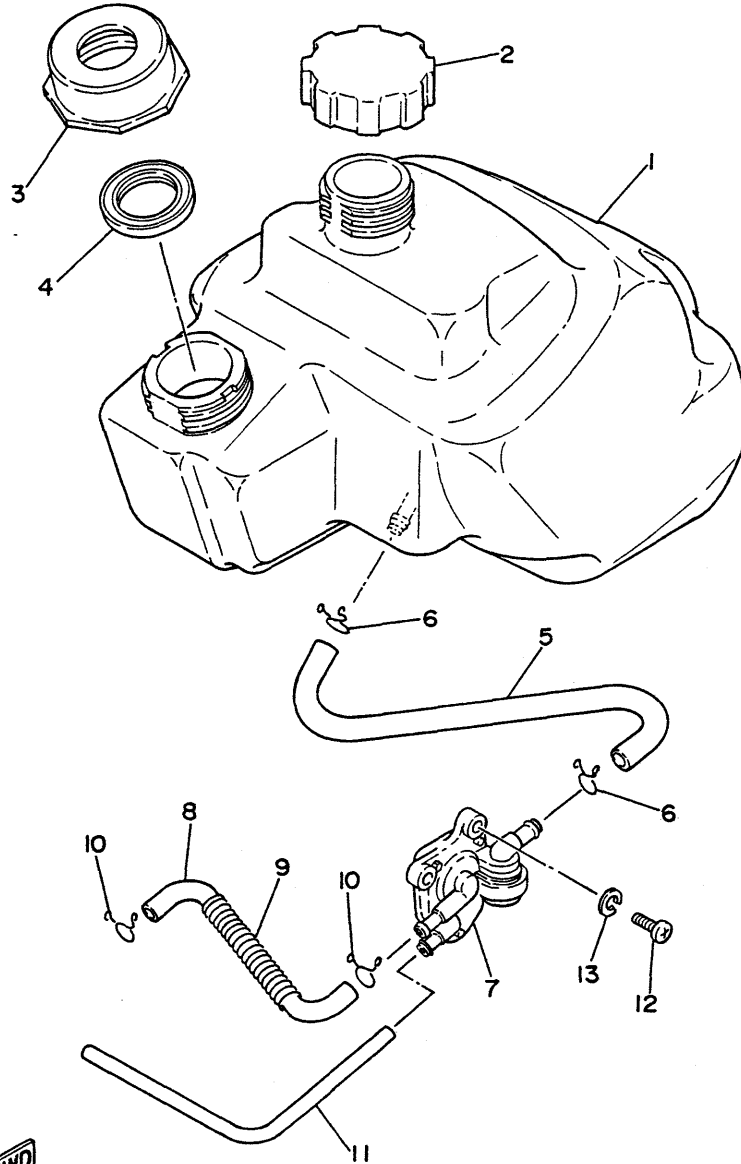
REF. NO.	PART NO.	DESCRIPTION	Q'TY	REMARKS
1	1YU-23100-00	FRONT FORK ASSY	1	
2	1YU-23110-00	.INNER TUBE COMP.1	1	
3	1YU-23120-00	.INNER TUBE COMP.2	1	
4	2E9-23141-01	.SPRING, front fork	2	
5	52W-23195-00	.RUBBER	1	
6	25K-23143-00	.SEAT, spring lower	2	
7	2E9-23414-01	RACE, ball 4	1	
8	2E9-23411-01	RACE, ball 1	1	
9	2E9-23412-00	RACE, ball 2	1	
10	2E9-23413-01	RACE, ball 3	1	
11	93505-32002	BALL	52	
12	2T4-23418-01	WASHER, special	1	
13	2E9-23454-00	NUT, fitting 2	1	
14	53L-23389-00	GUIDE, cable	1	
15	95801-06008	BOLT, flange	1	



IYU010-6220

C4

FIG. 18 FUEL TANK



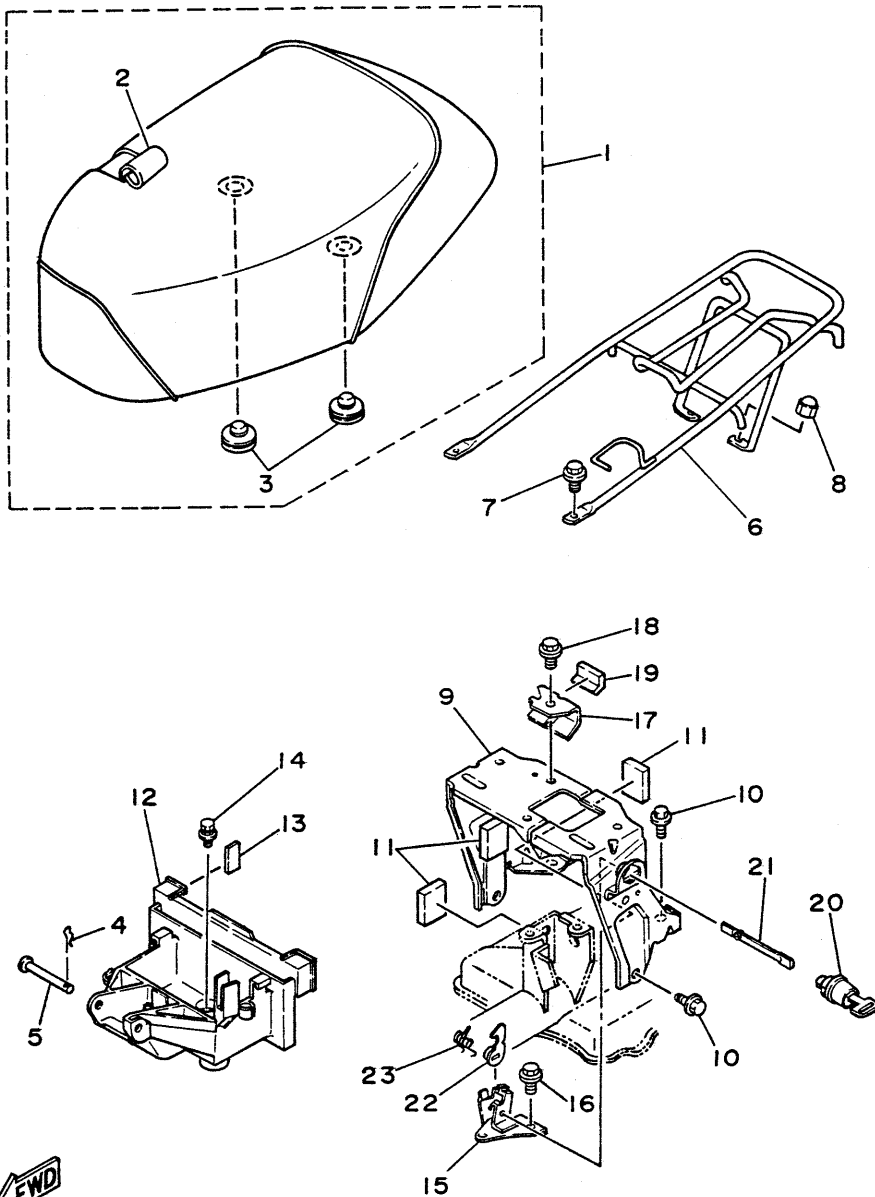
REF. NO.	PART NO.	DESCRIPTION	Q'TY	REMARKS
1	1YU-24110-00	FUEL TANK COMP.	1	
2	1L4-24610-00	CAP ASSY	1	
3	53L-24261-00	HOUSING, fuel meter	1	
4	53L-85753-00	GASKET, sender unit	1	
5	1YU-24312-00	PIPE 2	1	
6	90467-10008	CLIP	2	
7	1YU-24500-00	FUEL COCK ASSY 1	1	
8	1YU-24311-00	PIPE, fuel 1	1	
9	90501-061E8	SPRING, compression	1	
10	90467-09006	CLIP	2	
11	90445-07176	HOSE	1	
12	92501-06012	SCREW, pan head	2	
13	92990-06100	WASHER, spring	2	



IYU010-6230

C5

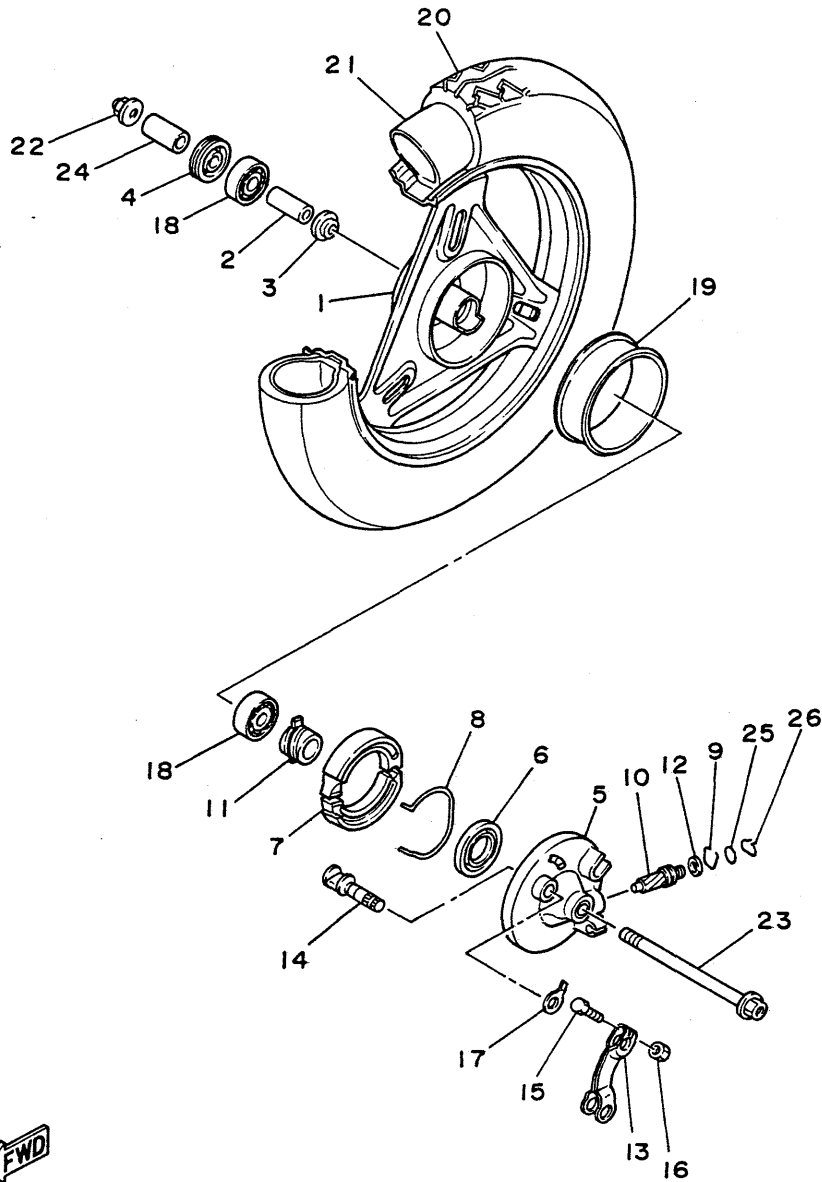
FIG. 19 SEAT. CARRIER



REF. NO.	PART NO.	DESCRIPTION	Q'TY	REMARKS
1	1YU-24710-10	SINGLE SEAT ASSY	1	PEAL GRAY
2	1YU-24711-10	.COVER, single seat	1	PEAL GRAY
3	1L9-24741-00	.PAD, seat	2	
4	90468-12006	CLIP	1	
5	91701-06055	PIN, clevis	1	
6	1YU-24842-00	CARRIER, rear	1	
7	95811-06012	BOLT, flange	2	
8	90176-06041	NUT, crown	2	
9	1YU-21243-00	PLATE, bridge	1	
10	90105-08352	BOLT, washer based	4	
11	27V-24181-00	DAMPER, locating 1	3	
12	1YU-21171-00	BOX, tool	1	
13	27V-24183-00	DAMPER, locating 3	1	
14	90119-06018	BOLT, with washer	3	
15	1YU-2474F-00	STAY, front 1	1	
16	95801-06010	BOLT, flange	2	
17	1YU-24847-00	HOLDER 1	1	
18	95801-06010	BOLT, flange	1	
19	4J2-24181-00	DAMPER, locating 1	1	
20	1YU-W2470-00	SEAT LOCK ASSY	1	
21	1YU-2474E-00	ARM	1	
22	53L-24754-00	HOOK, seat	1	
23	90508-09673	SPRING, torsion	1	

1YU010-6240

FIG. 20 FRONT WHEEL



REF. NO.	PART NO.	DESCRIPTION	Q'TY	REMARKS
1	54V-25180-00-35	FRONT WHEEL COMP.	1	SILVER
2	90560-10236	SPACER	1	
3	25K-25116-00	FLANGE, spacer 2	1	
4	93106-17015	OIL SEAL	1	
5	1YU-25121-00-35	PLATE, brake shoe	1	SILVER
6	2E9-25129-00	SEAL, plate dust	1	
7	27V-W2535-00	BRAKE SHOE SET	1	
8	2E9-25133-00	SPRING, return	1	
9	2T4-25137-00	RING, stop	1	
10	54V-25138-00	GEAR, meter	1	
11	54V-25135-00	GEAR, drive	1	
12	90201-06656	WASHER, plate	1	
13	2T4-25155-00	LEVER, camshaft 1	1	
14	25K-25151-00	CAMSHAFT	1	
15	97001-05020	BOLT	1	
16	95301-05600	NUT	1	
17	3L8-2513A-00	PLATE, indicator	1	
18	93306-20005	BEARING (B6200)	2	UR
	93306-20006	BEARING (B6200)	2	UR
19	54V-25185-00	RING 1	1	
20	94130-085F9	TIRE (3.00- 8)	1	UR YOKOHAMA
	94130-085J9	TIRE (3.00- 8)	1	UR INOUE
21	94230-08233	TUBE (3.00/3.25-8)	1	UR YOKOHAMA
	94230-08234	TUBE (3.00-8)	1	UR INOUE
22	90179-10280	NUT	1	
23	54V-25181-00	AXLE, wheel	1	
24	90387-10620	COLLAR	1	
25	93210-10096	O-RING	1	

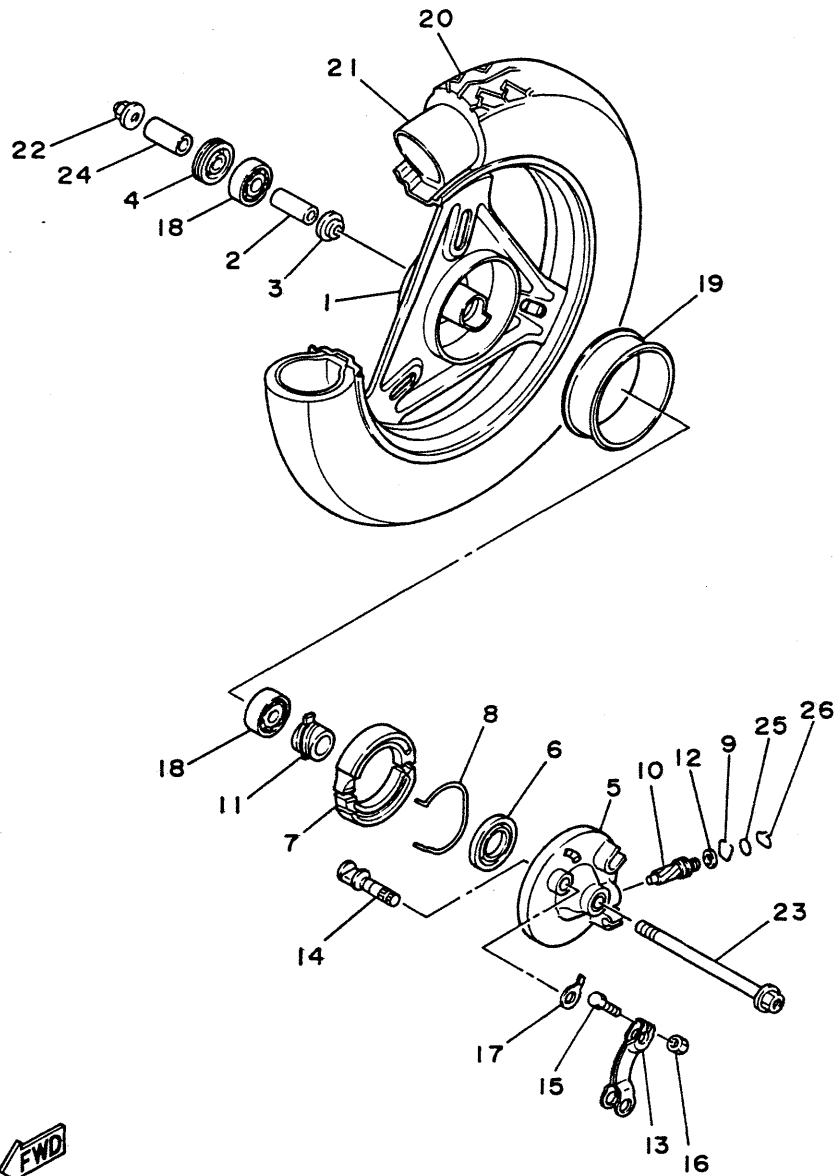


IYU010-6250

C7

FIG. 20 FRONT WHEEL

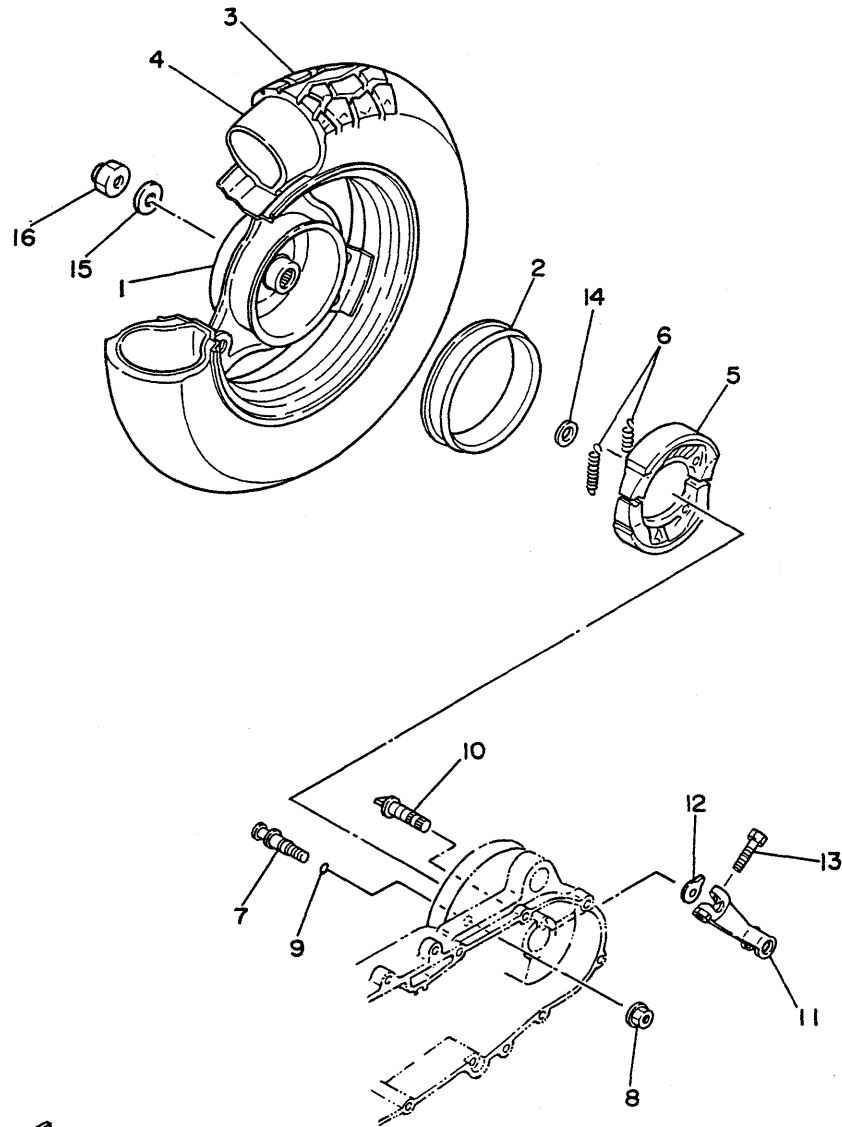
REF. NO.	PART NO.	DESCRIPTION	Q'TY	REMARKS
26	2E9-25137-01	RING, stop	1	



IYU010-6250

C8

FIG. 21 REAR WHEEL



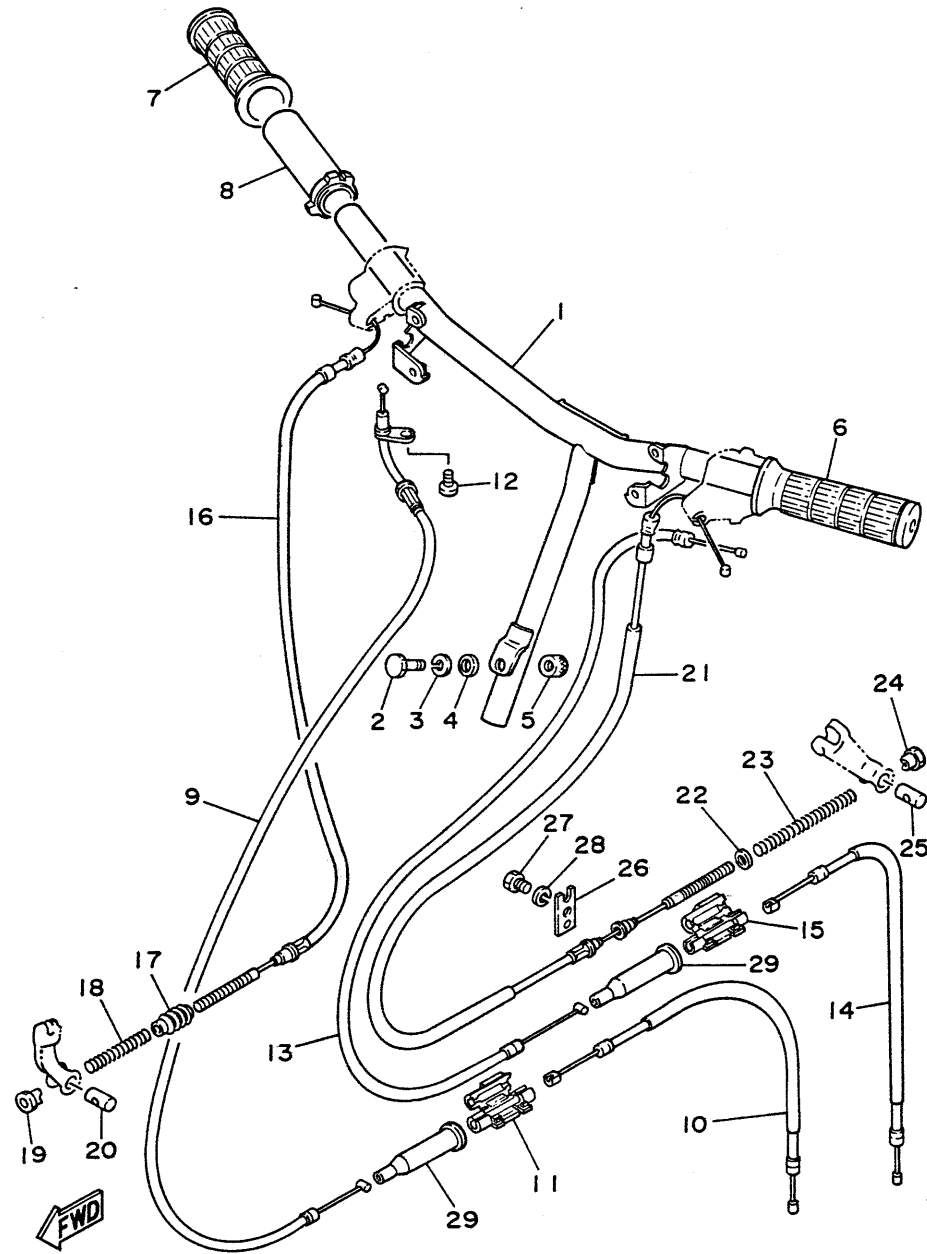
REF. NO.	PART NO.	DESCRIPTION	Q'TY	REMARKS
1	1YU-25390-00-35	REAR WHEEL COMP.	1	SILVER
2	52W-25336-00	RING 2	1	
3	94130-085J8	TIRE (3.00- 8)	1	UR YOKOHAMA
	94130-087J9	TIRE (3.00- 8)	1	UR INOUE
4	94230-08233	TUBE (3.00/3.25-8)	1	UR YOKOHAMA
	94230-08234	TUBE (3.00-8)	1	UR INOUE
5	27V-W2536-00	BRAKE SHOE SET	1	
6	90506-14081	SPRING, tension	2	
7	25L-25326-00	PIN, pivot	1	
8	95701-08500	NUT, flange	1	
9	93210-06632	O-RING	1	
10	1YU-25351-00	CAMSHAFT	1	
11	53L-25355-00	LEVER, camshaft	1	
12	3L8-2513A-00	PLATE, indicator	1	
13	97001-06025	BOLT	1	
14	90201-17255	WASHER, plate	1	
15	90201-14740	WASHER, plate	1	
16	90185-14081	NUT, self-locking	1	



IYU010-6260

C9

FIG. 22 STEERING HANDLE. CABLE



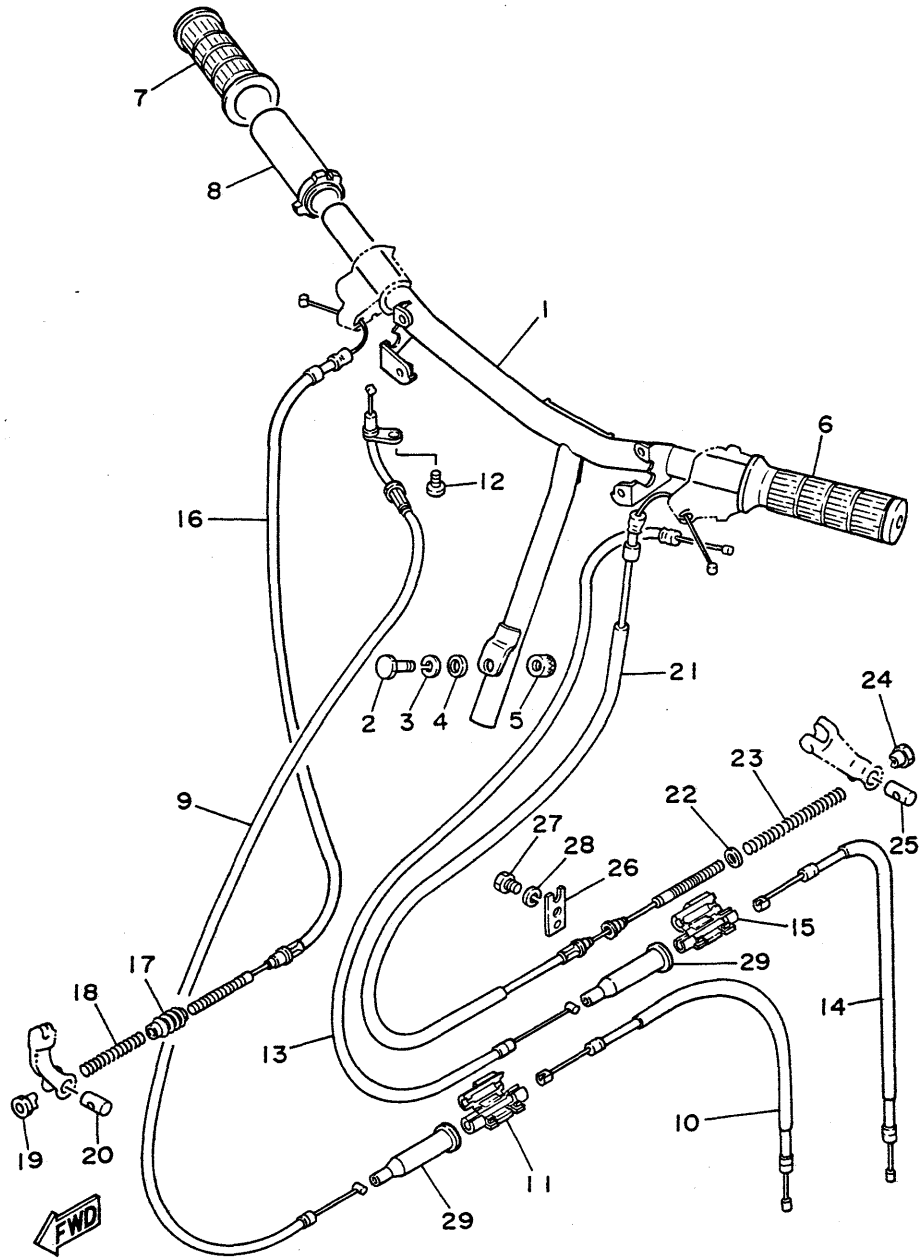
REF. NO.	PART NO.	DESCRIPTION	Q'TY	REMARKS
1	1YU-26110-00	HANDLE COMP.	1	
2	90109-08507	BOLT	1	
3	92990-08100	WASHER, spring	1	
4	2E9-26129-00	WASHER	1	
5	90179-08354	NUT	1	
6	5G3-26241-00	GRIP (L.H)	1	
7	5G3-26242-00	GRIP (R.H)	1	
8	5G3-26243-00	TUBE, throttle guide	1	
9	1YU-26311-00	CABLE, throttle 1	1	
10	1YU-26312-01	CABLE, throttle 2	1	
11	53L-26261-01	CONNECTOR, cable	1	
12	98501-05012	SCREW, pan head	1	
13	53L-26331-00	CABLE, starter 1	1	
14	1YU-26334-01	CABLE, starter 2	1	
15	53L-26261-01	CONNECTOR, cable	1	
16	1YU-26341-00	CABLE, brake	1	
17	14T-26342-00	BOOT, cable	1	
18	90501-10513	SPRING, compression	1	
19	90179-06176	NUT	1	
20	90249-12008	PIN	1	
21	1YU-26351-00	CABLE, brake	1	
22	90202-08175	WASHER, plate	1	
23	90501-122E1	SPRING, compression	1	
24	90179-06176	NUT	1	
25	90249-12008	PIN	1	
26	1YU-26393-00	HOLDER	1	
27	97313-06016	BOLT	1	
28	92990-06100	WASHER, spring	1	

1YU010-6270

C10

FIG. 22 STEERING HANDLE. CABLE

REF. NO.	PART NO.	DESCRIPTION	Q'TY	REMARKS
29	1YU-26329-00	CAP, rubber	2	

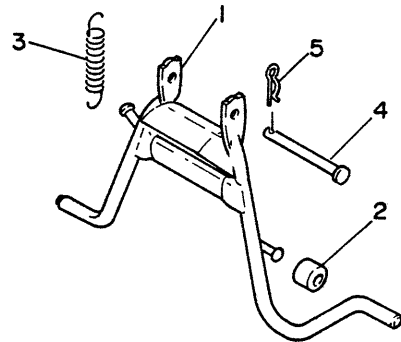
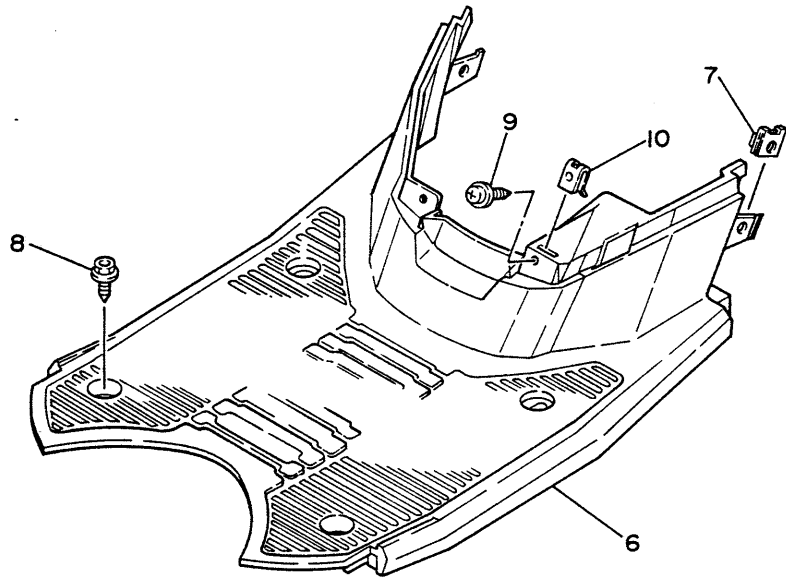


1YU010-6270

C11

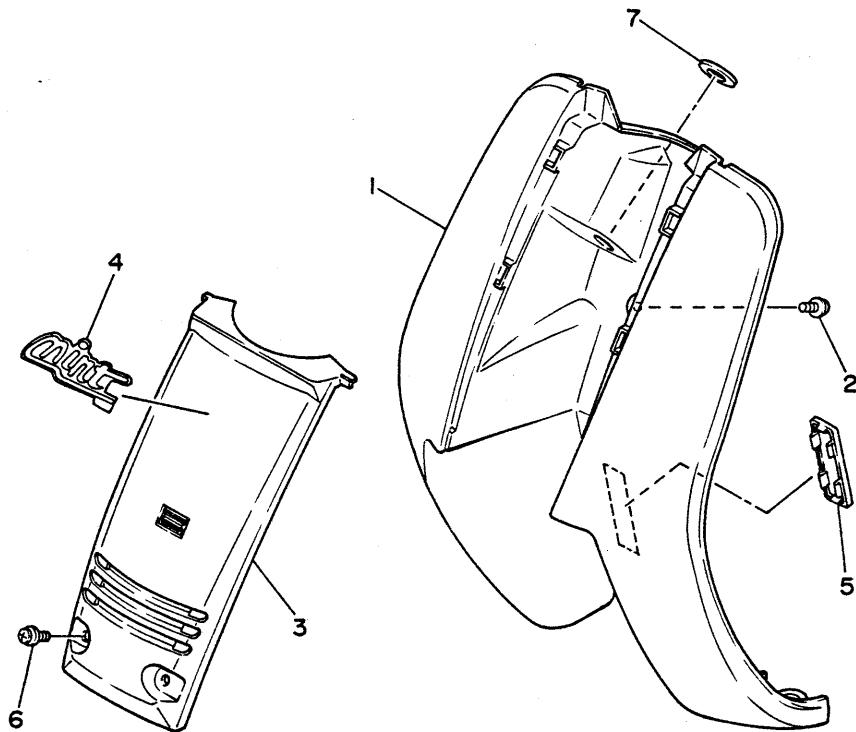
FIG. 23 STAND, FOOTREST

REF. NO.	PART NO.	DESCRIPTION	Q'TY	REMARKS
1	1YU-27111-00	STAND, main	1	
2	90387-064A4	COLLAR	1	
3	2E9-27116-01	SPRING, main stand	1	
4	91701-08078	PIN, clevis	1	
5	90468-12006	CLIP	1	
6	1YU-27481-10	BOARD, footrest	1	GRAY
7	25G-21535-00	NUT 1	2	
8	90119-06060	BOLT, with washer	4	
9	90159-05089	SCREW, with washer	2	
10	90183-05013	NUT, spring	2	



1YU010-6280

FIG. 24 LEG SHIELD



REF. NO.	PART NO.	DESCRIPTION	Q'TY	REMARKS
1	1YU-28311-00-EH	LEG SHIELD 1	1	UR CREAMY WHITE
	1YU-28311-00-NX	LEG SHIELD 1	1	UR CORAL BLUE
	1YU-28311-00-NY	LEG SHIELD 1	1	UR SWEET YELLOW
	1YU-28311-00-RE	LEG SHIELD 1	1	UR CORAL PINK
2	90159-06079	SCREW, with washer	1	
3	1YU-23391-00-EH	PANEL, front	1	UR CREAMY WHITE
	1YU-23391-00-NX	PANEL, front	1	UR CORAL BLUE
	1YU-23391-00-NY	PANEL, front	1	UR SWEET YELLOW
	1YU-23391-00-RE	PANEL, front	1	UR CORAL PINK
4	1YU-28315-00	EMBLEM	1	UR
	1YU-28315-10	EMBLEM	1	UR
5	14T-28349-10	CAP	1	UR CLEAN WHITE
	14T-28349-U0	CAP	1	UR SWEET YELLOW
	14T-28349-R0	CAP	1	UR CORAL PINK
	14T-28349-T0	CAP	1	UR CORAL BLUE
6	90159-06124	SCREW, with washer	2	
7	1YU-82505-00	EMBLEM, main switch	1	

BASIC COLOR	EMBLEM ④	CAP ⑤
CREAMY WHITE	1YU-28315-10	14T-28349-10
CORAL BLUE	1YU-28315-00	14T-28349-T0
SWEET YELLOW	1YU-28315-10	14T-28349-U0
CORAL PINK	1YU-28315-10	14T-28349-R0

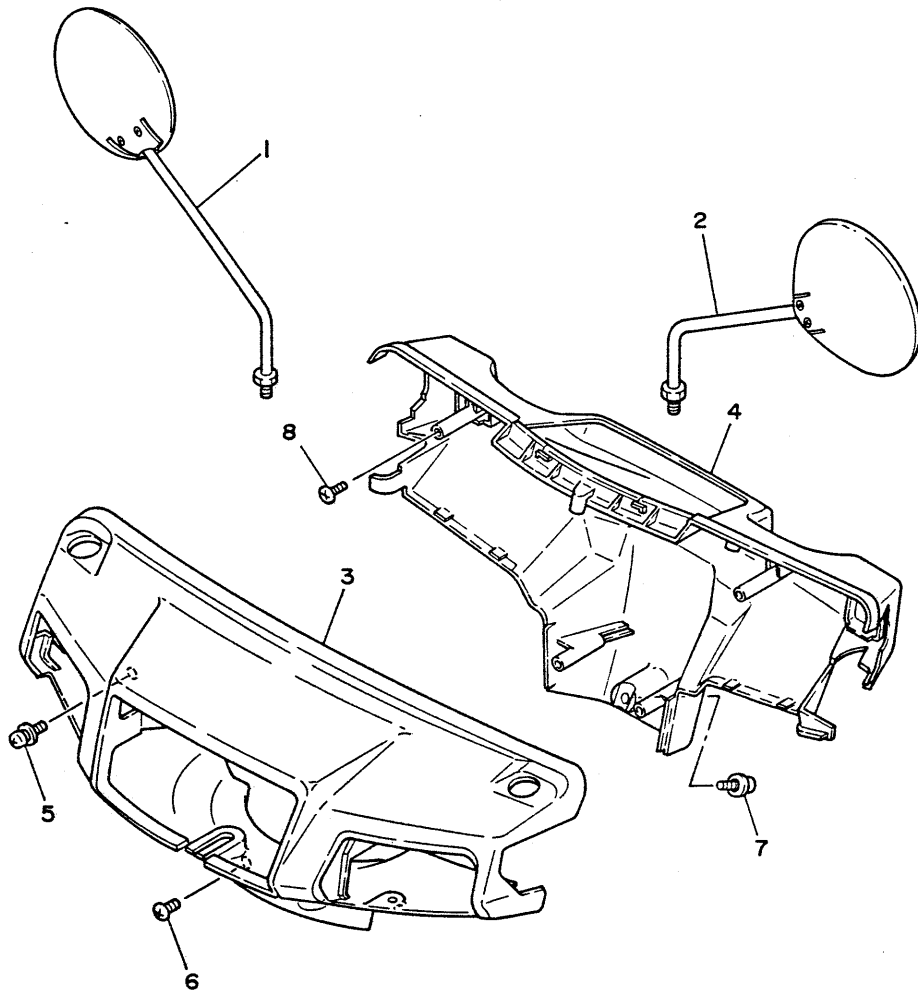


IYU010-6290

C13

FIG. 25 COWLING 1

REF. NO.	PART NO.	DESCRIPTION	Q'TY	REMARKS
1	3L6-26290-00	BACK MIRROR ASSY (R.H)	1	
2	3L6-26290-10	BACK MIRROR ASSY (L.H)	1	
3	1YU-26143-00-EH	COVER, handlebar upper 1	1	UR CREAMY WHITE
	1YU-26143-00-NX	COVER, handlebar upper 1	1	UR CORAL BLUE
	1YU-26143-00-NY	COVER, handlebar upper 1	1	UR SWEET YELLOW
	1YU-26143-00-RE	COVER, handlebar upper 1	1	UR CORAL PINK
4	1YU-26145-10	COVER, handlebar upper 2	1	PEAL GRAY
5	90159-05028	SCREW, with washer	2	
6	90167-05025	SCREW, tapping	2	
7	90159-05028	SCREW, with washer	1	
8	90167-05025	SCREW, tapping	2	

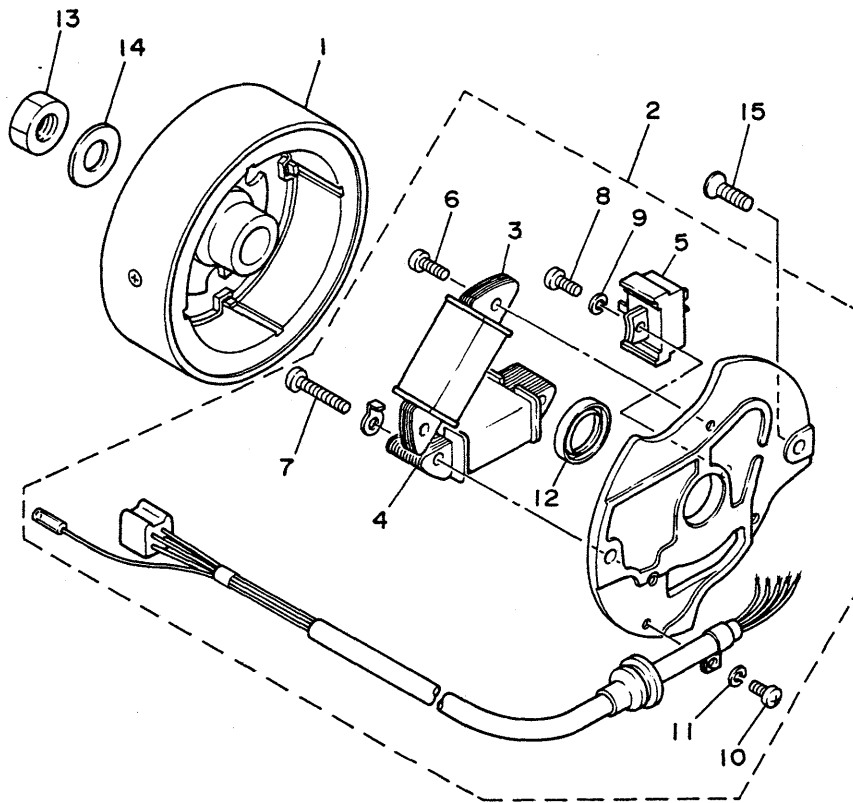


2MV664-7250

C14

FIG. 26 GENERATOR

REF. NO.	PART NO.	DESCRIPTION	Q'TY	REMARKS
1	1YU-85550-M0	ROTOR ASSY	1	
2	1YU-85560-M0	BASE ASSY	1	
3	5G3-85520-M1	.COIL, charge	1	
4	1YU-81313-M0	.COIL, lighting 1	1	
5	1HH-85580-M0	.COIL, pulser	1	
6	98511-04012	.SCREW, pan head	2	
7	98511-04025	.SCREW, pan head	2	
8	98580-04010	.SCREW, pan head	1	
9	92901-04100	.WASHER, spring	1	
10	98501-04006	.SCREW, pan head	1	
11	92901-04100	.WASHER, spring	1	
12	93104-19097	.OIL SEAL	1	
13	95301-12600	NUT	1	
14	92990-12600	WASHER, plate	1	
15	92701-06015	SCREW, flat head	2	

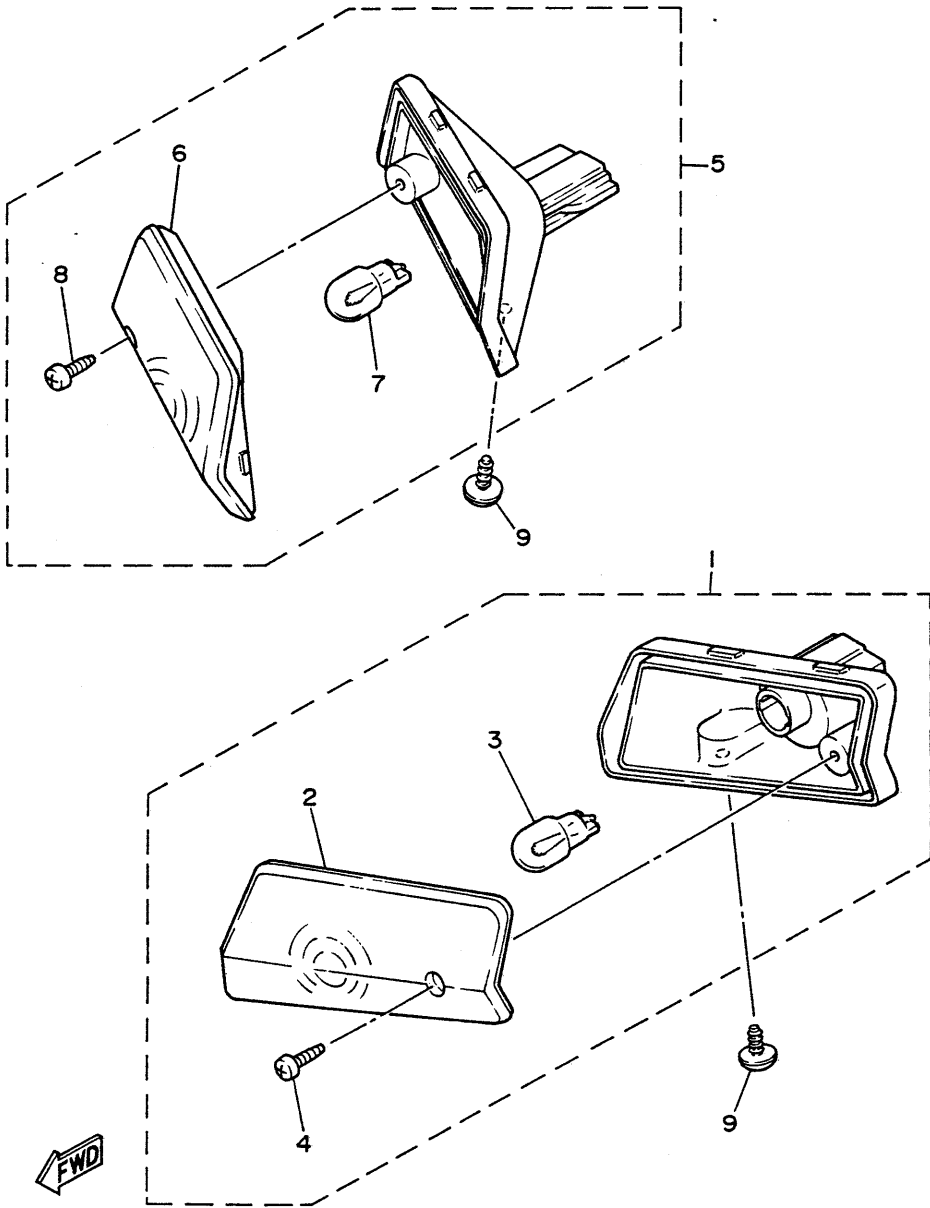


1YU010-6350

C15

FIG. 27 FLASHER LIGHT

REF. NO.	PART NO.	DESCRIPTION	Q'TY	REMARKS
1	1YU-83310-00	FRONT FLASHER LIGHT ASSY 1	1	
2	1YU-83312-00	.LENS, flasher	1	
3	1YU-83331-00	.BULB, flasher (12V-8W)	1	
4	97780-40114	.SCREW, tapping	1	
5	1YU-83320-00	FRONT FLASHER LIGHT ASSY 2	1	
6	1YU-83322-00	.LENS, flasher 2	1	
7	1YU-83331-00	.BULB, flasher (12V-8W)	1	
8	97780-40114	.SCREW, tapping	1	
9	90167-05025	SCREW, tapping	2	

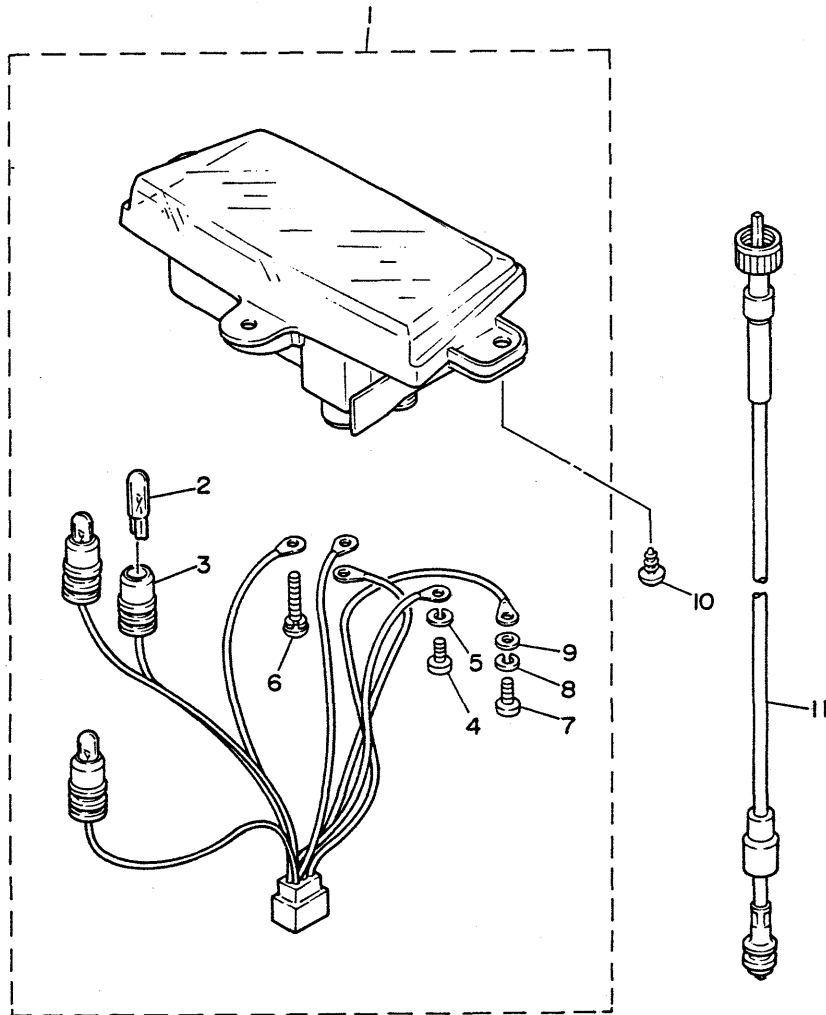


IYU010-6360

D2

FIG. 28 METER

REF. NO.	PART NO.	DESCRIPTION	Q'TY	REMARKS
1	1YU-83510-50	SPEEDOMETER ASSY	1	
2	4G1-84744-00	.BULB (12V-3.4W)	3	
3	54V-83509-00	.SOCKET CORD ASSY	1	
4	98501-03010	.SCREW, pan head	1	
5	92990-03100	.WASHER, spring	1	
6	90159-03102	.SCREW, with washer	3	
7	98580-04010	.SCREW, pan head	2	
8	92901-04100	.WASHER, spring	2	
9	92901-04600	.WASHER, plate	2	
10	90167-05030	SCREW, tapping	3	
11	27V-83550-01	SPEEDOMETER CABLE ASSY	1	

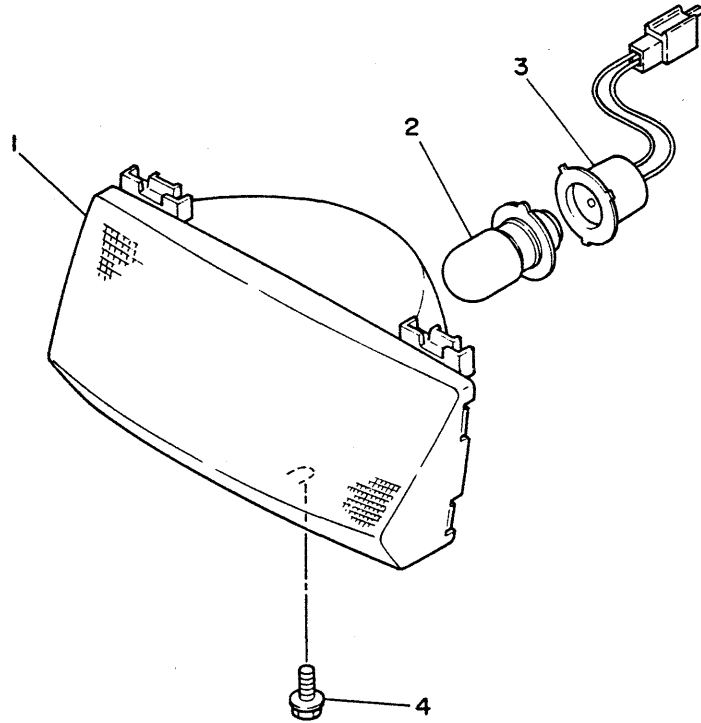


IYU010-6370

D3

FIG. 29 HEADLIGHT

REF. NO.	PART NO.	DESCRIPTION	Q'TY	REMARKS
1	52W-84320-01	LENS ASSY	1	
2	1YU-84314-00	BULB, headlight (12V18W)	1	
3	52W-84340-00	SOCKET CORD ASSY 1	1	
4	90149-05203	SCREW	1	

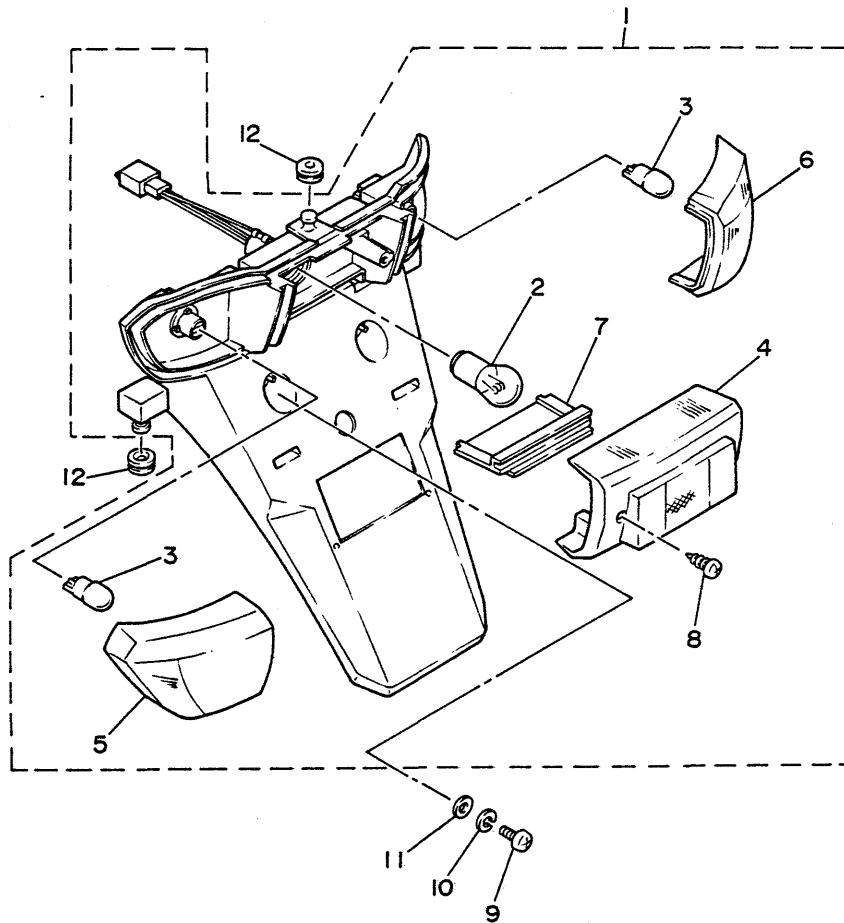


IYU010-6380

D4

FIG. 30 TAILLIGHT

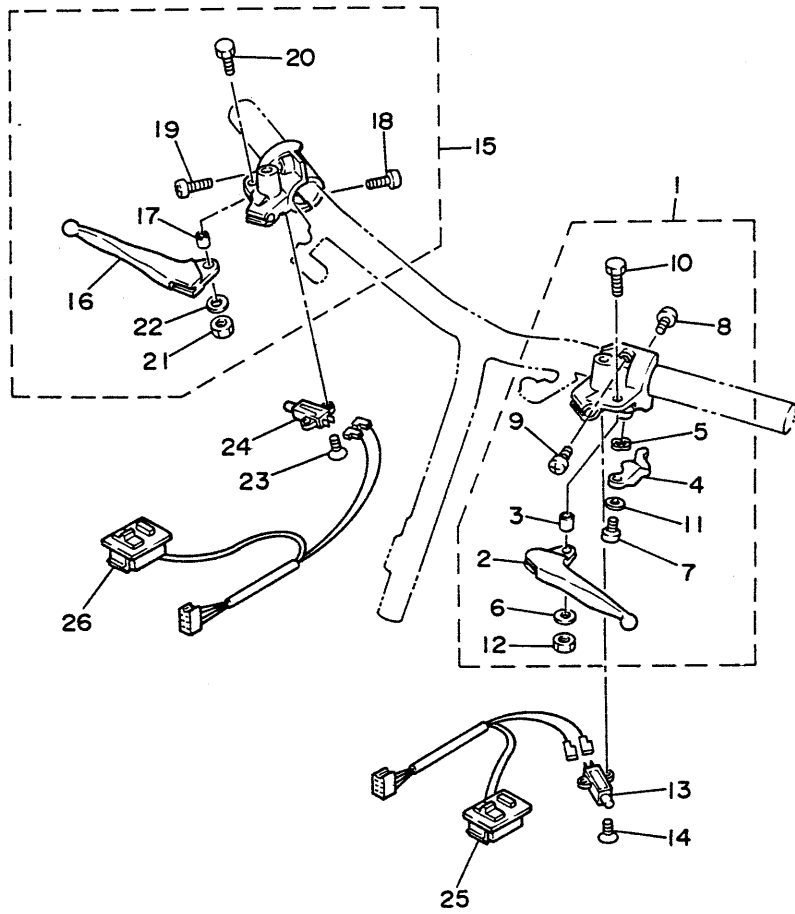
REF. NO.	PART NO.	DESCRIPTION	Q'TY	REMARKS
1	1YU-84700-00	TAILLIGHT ASSY	1	
2	31L-84714-00	.BULB, taillight (12V-21/5W)	1	
3	1YU-83331-00	.BULB, flasher (12V-8W)	2	
4	1YU-84721-00	.LENS, taillight	1	
5	1YU-83332-00	.LENS, flasher 1	1	
6	1YU-83342-00	.LENS, flasher 2	1	
7	1YU-84743-00	.LENS, licence light	1	
8	97780-40120	.SCREW, tapping	2	
9	92501-06014	SCREW, pan head	2	
10	92990-06100	WASHER, spring	2	
11	92901-06600	WASHER, plate	2	
12	90480-10334	GROMMET	3	



IYU010-6390

D5

FIG. 31 HANDLE SWITCH. LEVER



REF. NO.	PART NO.	DESCRIPTION	Q'TY	REMARKS
1	53L-W8291-30	LEVER HOLDER ASSY (LEFT)	1	
2	53L-83912-00	.LEVER 1	1	
3	53L-83913-00	.COLLAR, lever 1	1	
4	4K3-83941-00	.LEVER, starter	1	
5	90206-08051	.WASHER, wave	1	
6	53L-83909-00	.WASHER, special	1	
7	98501-05008	.SCREW, pan head	1	
8	98501-05012	.SCREW, pan head	1	
9	98501-05020	.SCREW, pan head	1	
10	97001-05020	.BOLT	1	
11	92990-05200	.WASHER, plain	1	
12	95601-05100	.NUT, u	1	
13	53L-83980-00	FRONT STOP SWITCH ASSY	1	
14	98702-03008	SCREW, flat head	1	
15	53L-W8292-30	LEVER HOLDER ASSY (RIGHT)	1	
16	53L-83922-00	.LEVER 2	1	
17	53L-83913-00	.COLLAR, lever 1	1	
18	98501-05012	.SCREW, pan head	1	
19	98501-05020	.SCREW, pan head	1	
20	97001-05020	.BOLT	1	
21	95601-05100	.NUT, u	1	
22	53L-83909-00	.WASHER, special	1	
23	98701-03010	SCREW, flat head	1	
24	53L-83980-00	FRONT STOP SWITCH ASSY	1	
25	53L-83975-31	SWITCH, handle 2	1	
26	2MV-83975-00	SWITCH, handle 2	1	



IYU010-6400

D6

NUMERICAL INDEX

PART NO.	GRID NO.	PART NO.	GRID NO.	PART NO.	GRID NO.	PART NO.	GRID NO.	PART NO.	GRID NO.	PART NO.	GRID NO.
1YU-W2470-00	C- 6	1YU-14335-00	B- 7	1YU-17410-00	B-12	2E9-23412-00	C- 4	1YU-26143-00-EH	C-14	27V-82372-01	D- 7
27V-W2535-00	C- 7	1YU-14341-00	B- 7	1YU-17420-00	B-12	2E9-23413-01	C- 4	1YU-26143-00-NX	C-14	55E-82501-20	D- 7
27V-W2536-00	C- 9	14T-14343-42	B- 7	1YU-17467-00	B-12	2E9-23414-01	C- 4	1YU-26143-00-NY	C-14	1YU-82505-00	C-13
53L-W8291-30	D- 6	1YU-14353-00	B- 7	1YU-17468-00	B-12	2T4-23418-01	C- 4	1YU-26143-00-RE	C-14	1YU-82590-00	D- 7
53L-W8292-30	D- 6	1YU-14371-00	B- 7	1YU-17471-00	B-12	2E9-23454-00	C- 4	1YU-26145-10	C-14	1YU-83310-00	D- 2
1YU-11111-00	B- 2	1YU-14384-00	B- 7	1YU-21110-00-33	B-13	1YU-24110-00	C- 5	5G3-26241-00	C-10	1YU-83312-00	D- 2
517-11181-00	B- 2	1YU-14385-00	B- 7	1YU-21171-00	C- 6	27V-24181-00	C- 2	5G3-26242-00	C-10	1YU-83320-00	D- 2
1YU-11311-00	B- 2	1YU-14386-00	B- 7	1YU-21243-00	C- 6		C- 6	5G3-26243-00	C-10	1YU-83322-00	D- 2
1YU-11351-00	B- 2	14T-14392-01	B- 7	34M-2139X-00	B-13	4J2-24181-00	C- 6	53L-26261-01	C-10	1YU-83331-00	D- 2
1YU-11400-00	B- 3	1YU-14411-00	B- 6	1YU-21410-00	B-13	4N0-24181-00	C- 2		C-10		D- 2
1YU-11412-00	B- 3	1YU-14412-00	B- 6	1YU-21481-00	B-13	2E9-24182-00	B-13	3L6-26290-00	C-14		D- 5
1YU-11422-00	B- 3	1YU-14437-00	B- 6	1YU-21511-00-EH	B-14	27V-24183-00	C- 6	3L6-26290-10	C-14	1YU-83332-00	D- 5
260-11601-02	B- 3	1YU-14451-00	B- 6	1YU-21511-00-NX	B-14	53L-24261-00	C- 5	1YU-26311-00	C-10	1YU-83342-00	D- 5
260-11601-22	B- 3	1YU-14452-00	B- 6	1YU-21511-00-NY	B-14	1YU-24311-00	C- 5	1YU-26312-01	C-10	34M-83350-20	D- 7
1YU-11631-00-96	B- 3	27V-14453-00	B- 6	1YU-21511-00-RE	B-14	1YU-24312-00	C- 5	1YU-26329-00	C-11	53L-83371-20	D- 7
2E9-11633-00	B- 3	53L-14462-00	B- 4	25G-21535-00	C-12	1YU-24500-00	C- 5	53L-26331-00	C-10	53L-83390-20	D- 7
1YU-11636-00	B- 3	1YU-14610-00	B- 8	1YU-21629-00	B-14	1L4-24610-00	C- 5	1YU-26334-01	C-10	54V-83509-00	D- 3
2E9-11651-00	B- 3	24G-14613-00	B- 8	1YU-2171L-10	B-15	1YU-24710-10	C- 6	1YU-26341-00	C-10	1YU-83510-50	D- 3
1YU-11681-00	B- 3	1YU-14718-00	B- 8	1YU-2171M-10	B-15	1YU-24711-10	C- 6	14T-26342-00	C-10	27V-83550-01	D- 3
1YU-12611-00	B- 4	52W-14766-00	B- 8	1YU-21711-00-EH	B-15	1YU-2474E-00	C- 6	1YU-26351-00	C-10	53L-83909-00	D- 6
1YU-12651-00	B- 4	1YU-1490J-00	B- 7	1YU-21711-00-NX	B-15	1YU-2474F-00	C- 6	1YU-26393-00	C-10		D- 6
1YU-12653-00	B- 4	1YU-15110-00	B- 9	1YU-21711-00-NY	B-15	1L9-24741-00	C- 6	1YU-27111-00	C-12	53L-83912-00	D- 6
1YU-13100-00	B- 5	1YU-15120-00	B- 9	1YU-21711-00-RE	B-15	53L-24754-00	C- 6	2E9-27116-01	C-12	53L-83913-00	D- 6
1YU-13124-00	B- 5	1YU-15128-00	B- 9	14T-21719-01	B-15	1YU-24816-00	B-13	1YU-27481-10	C-12		D- 6
1YU-13178-00	B- 5	1YU-15316-00	B- 9	1YU-21721-00-EH	B-15	1YU-24842-00	C- 6	1YU-28311-00-EH	C-13	53L-83922-00	D- 6
1YU-13185-00	B- 5		B- 9	1YU-21721-00-NX	B-15	1YU-24847-00	C- 6	1YU-28311-00-NX	C-13	25G-83936-00	D- 7
1YU-13187-00	B- 5	2T4-15363-00	B- 9	1YU-21721-00-NY	B-15	25K-25116-00	C- 7	1YU-28311-00-NY	C-13	4K3-83941-00	D- 6
50M-13342-00	B-10	1YU-15371-00	B- 9	1YU-21721-00-RE	B-15	1YU-25121-00-35	C- 7	1YU-28311-00-RE	C-13	2MV-83975-00	D- 6
1YU-13416-00	B- 5	1YU-15376-00	B- 9	1YU-21751-00	C- 2	2E9-25129-00	C- 7	1YU-28315-00	C-13	53L-83975-31	D- 6
1YU-13473-00	B- 5	1YU-15411-00	B- 9	52W-21770-00	C- 2	3L8-2513A-00	C- 7	1YU-28315-10	C-13	53L-83980-00	D- 6
1YU-13516-00	B- 5	1YU-15451-00	B- 9	1YU-21781-00	B-15		C- 9	14T-28349-R0	C-13		D- 6
24G-13555-00	B- 6	1YU-15462-00	B- 9	1YU-21781-10	B-15	2E9-25133-00	C- 7	14T-28349-T0	C-13	1YU-84314-00	D- 4
1YU-13577-00	B- 5	1YU-15512-00	B-10	1YU-21782-00	B-15	54V-25135-00	C- 7	14T-28349-U0	C-13	52W-84320-01	D- 4
27V-13610-00	B- 6	53L-15513-00	B-10	1YU-21782-10	B-15	2E9-25137-01	C- 8	14T-28349-10	C-13	52W-84340-00	D- 4
24G-13613-00	B- 6	53L-15528-00	B-10	1YU-22210-00	C- 3	2T4-25137-00	C- 7	1YU-81313-M0	C-15	1YU-84700-00	D- 5
27V-13616-00	B- 6	1YU-15532-00	B-10	164-22216-00	B- 9	54V-25138-00	C- 7	1YU-81800-M0	B-10	31L-84714-00	D- 5
3L5-13621-00	B- 6	1YU-15570-00	B-10	1YU-23100-00	C- 4	25K-25151-00	C- 7	1YU-81800-50	B-10	1YU-84721-00	D- 5
1YU-14103-00	B- 7	1YU-15601-00	B-10	1YU-23110-00	C- 4	2T4-25155-00	C- 7	1YU-81847-50	B-10	1YU-84743-00	D- 5
14T-14104-00	B- 7	1YU-15620-00	B-10	1YU-23120-00	C- 4	54V-25180-00-35	C- 7	53L-81940-01	D- 7	4G1-84744-00	D- 3
1YU-14106-00	B- 7	33A-15630-00	B-10	2E9-23141-01	C- 4	54V-25181-00	C- 7	1YU-81960-A0	D- 7	5G3-85520-M1	C-15
1YU-14126-00	B- 7	296-15644-00	B- 5	25K-23143-00	C- 4	54V-25185-00	C- 7	38E-82110-60	D- 7	25L-85540-M0	D- 7
14T-14169-00	B- 7	1YU-15657-00	B-11	52W-23195-00	C- 4	25L-25326-00	C- 9	38E-82110-70	D- 7	25K-85546-00	D- 7
1YU-14197-00	B- 7	33A-15659-00	B-10	53L-23389-00	C- 4	52W-25336-00	C- 9	38E-82110-80	D- 7	1YU-85550-M0	C-15
1YU-14283-00	B- 7	2E9-15673-00	B-10	1YU-23391-00-EH	C-13	1YU-25351-00	C- 9	1YU-82116-00	D- 7	1YU-85560-M0	C-15
1YU-14301-00	B- 7	1YU-16110-01	B-11	1YU-23391-00-NX	C-13	53L-25355-00	C- 9	133-82131-00	D- 7	1HH-85580-M0	C-15
1YU-14312-25	B- 7	2E9-16611-01	B-11	1YU-23391-00-NY	C-13	1YU-25390-00-35	C- 9	27V-82151-00	D- 7	53L-85720-00	D- 7
14T-14323-00	B- 7	1YU-16620-00	B-11	1YU-23391-00-RE	C-13	1YU-26110-00	C-10	1YU-82310-M0	D- 7	1YU-85752-00	D- 7
1YU-14331-00	B- 7	1YU-16626-00	B-11	2E9-23411-01	C- 4	2E9-26129-00	C-10	117-82370-20	D- 7	53L-85753-00	C- 5

NUMERICAL INDEX

PART NO.	GRID NO.	PART NO.	GRID NO.	PART NO.	GRID NO.	PART NO.	GRID NO.	PART NO.	GRID NO.	PART NO.	GRID NO.
7H9-87188-00	D- 7	90208-10012	B-11	92501-06020	B- 4	93603-12007	B- 5	98501-05020	D- 6		
90101-10255	C- 3	90208-12027	B-11		B- 6	94130-085F9	C- 7	98511-04012	C-15		
90105-08256	C- 3	90208-12044	B-12	92501-06025	B- 9	94130-085J8	C- 9	98511-04025	C-15		
90105-08352	C- 6	90249-12008	C-10	92501-06035	B- 9	94130-085J9	C- 7	98580-04010	C-15		
90105-10117	B-13		C-10	92506-06025	B- 9	94130-087J9	C- 9		D- 3		
90109-08507	C-10	90280-03017	B- 3	92506-06035	B- 9	94230-08233	C- 7	98580-04016	B- 7		
90116-06418	B- 2	90387-060G7	B- 8	92506-06050	B- 9		C- 9	98580-05012	B- 7		
90119-06018	C- 6	90387-06023	B- 4	92701-06015	C-15	94230-08234	C- 7	98701-03010	D- 6		
90119-06060	C-12	90387-064A4	C-12	92901-04100	B- 7		C- 9	98702-03008	D- 6		
90119-06085	B-14	90387-10620	C- 7		C-15	94580-12058	B-12	98906-06016	B- 8		
90149-05203	D- 4	90387-160R6	B- 3		C-15	94701-00292	B- 2	99009-15400	B-10		
90149-06184	B-15	90387-16680	B-11		D- 3	95301-05600	C- 7	99009-19400	B- 5		
90149-06235	D- 7	90430-08119	B- 9	92901-04600	D- 3	95301-12600	C-15	99530-10014	B- 9		
90153-06022	B- 4	90445-056E4	B- 5	92901-05100	B- 7	95601-05100	D- 6	99530-12016	B- 9		
90153-06034	D- 7	90445-07176	C- 5	92901-06600	B- 4		D- 6				
90153-06061	B- 8	90445-084A7	D- 7		D- 5	95701-06500	B- 2				
90157-06080	D- 7	90460-32242	B- 6	92906-08100	B- 8	95701-08500	C- 9				
90159-03102	D- 3	90464-30040	B-13	92990-03100	B- 6	95701-10500	B-13				
90159-05028	C-14	90465-12302	B-13		D- 3		C- 3				
	C-14	90467-08003	B- 5	92990-05200	D- 6	95801-06008	C- 4				
90159-05089	C-12	90467-09006	C- 5	92990-06100	B- 4	95801-06010	C- 6				
90159-06079	C-13	90467-10008	C- 5		C- 5		C- 6				
90159-06124	C-13	90468-02033	B- 5		C-10	95801-08016	B-13				
90167-05025	C-14		B- 5		D- 5	95811-06012	C- 6				
	C-14	90468-12006	C- 6	92990-06200	B- 8	95821-08035	B- 9				
	D- 2		C-12	92990-08100	C-10	97001-05020	C- 7				
90167-05030	D- 3	90468-20127	B- 6	92990-12600	C-15		D- 6				
90170-10219	B-11	90480-10334	D- 5	93101-20138	B- 3		D- 6				
90176-06041	C- 6	90480-12237	B- 4	93102-15212	B-10	97001-06025	C- 9				
90179-06176	C-10		B- 8	93102-20371	B- 3	97313-06016	C-10				
	C-10	90501-061E8	C- 5	93102-22314	B-12	97316-06025	B-10				
90179-08354	C-10	90501-10513	C-10	93104-19097	C-15	97316-08025	B- 8				
90179-10280	C- 7	90501-122E1	C-10	93106-17015	C- 7	97701-40116	B- 6				
90183-05013	C-12	90506-14081	C- 9	93210-06632	C- 9	97706-30506	B- 8				
90185-14081	C- 9	90508-09673	C- 6	93210-10096	C- 7	97780-40114	D- 2				
90201-06656	C- 7	90508-32609	B-10	93210-14104	B- 9		D- 2				
90201-081A6	B- 8	90560-10236	C- 7	93210-19730	B-10	97780-40120	D- 5				
90201-123K4	B-11	90560-10288	B- 9	93306-20005	C- 7	97780-50125	B- 6				
	B-12	91316-06020	B- 6	93306-20006	C- 7	98501-03006	B- 7				
	C- 9		B-10	93306-20116	B-11	98501-03008	B- 6				
90201-14740	B-10	91701-06055	C- 6	93306-20310	B-12	98501-03010	D- 3				
90201-15701	B-11	91701-08078	C-12	93306-20458	B- 3	98501-04006	C-15				
90201-166K2	B-11	92501-06012	B- 9	93310-210M0	B- 3	98501-05008	D- 6				
90201-166K3	C- 9		B-10	93310-257R1	B-10	98501-05012	C-10				
90201-17255	B-10		B-12	93310-416F7	B- 3		D- 6				
90201-573J7	C-10		C- 5	93420-40064	B-12		D- 6				
90202-08175	D- 6	92501-06014	D- 4	93450-11021	B- 3	98501-05020	B- 5				
90206-08051	B- 5		D- 5	93505-32002	C- 4		D- 6				
90206-19027											