



# YAMAHA

## PARTS CATALOGUE

**CY50A (3UC1)**

**NEWZEALAND**

**CY50 (3UC1)**

**S.AFRICA**

| 03UC-750E1



A3

# FOREWORD

This Parts Catalogue is related to the parts in use for the Yamaha CY50A(3UC1)/CY50(3UC1). When you are ordering replacement parts for the CY50A(3UC1)/CY50(3UC1), refer to this Parts Catalogue and quote both part numbers and part names correctly.

1. Modifications or additions which have been made after issue of the Parts Catalogue will be announced in the Yamaha Parts News.

It is advisable that according to the Yamaha Parts News you make necessary corrections to the Parts Catalogue on hand to keep it up-to-date.

2. Abbreviations

The following abbreviations are used in this Parts Catalogue.

- U.R. Use size (thickness) and/or number as required.
- U.N. Use as many as you need.
- A.P. Alternate Parts
- L.M. Local Made
- F# Frame No. (Applicable machine No.)

3. The parts marked with (\*) in the parts number column of this Catalogue are not supplied with by Yamaha, those have to be found locally.

4. Parts, which are to be supplied in the form of assemblies, are listed with an indention of one letter's space, and a dot ( . ) is put against the name of each part.

**EXAMPLE** CARBURETOR ASS'Y  
 . JET, pilot  
 . NOZZLE, main

5. Indication of No. of constituent parts for assembly

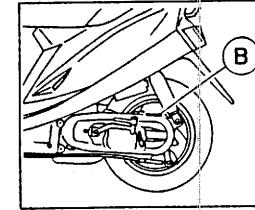
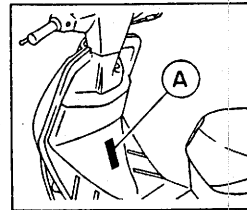
The numeral appearing to the right of each constituent part under the description indicates the quantity of such parts for each individual assembly unit.

**EXAMPLE**

Part No.	Description	Q'ty	Remarks
2F5-83310-60	FRONT FLASHER LIGHT ASS'Y	2	
115-83311-60	. BULB (6V-18W)	1	
1M1-83309-60	. REFLECTOR	1	

6. Initial Serial No. and Color Code

(A) Frame Serial No.	3UC-000101 and following
(B) Engine Serial No.	3UC-000101 and following



Color Code	Color Name	Abbreviate
122	VERY DARK BLUE COCKTAIL 2	VDBC2
121	VIVID RED COCKTAIL 1	VRC1

7. Applicable colors of graphics are represented in the "Remarks" column by the letter(s) appropriately picked out of the full word(s) showing such colors.

**EXAMPLE**

Part No.	Description	Q'ty	Remarks
2N4-24110-00-X5	FUEL TANK COMP.	1	MAXIM RED
3J1-24240-10	. GRAPHIC, fuel tank set	1	for MXR

# CONTENTS

## ENGINE

Cylinder .....	B2
Crankshaft, Piston .....	B3
Air Shroud, Fan .....	B4
Oil Pump .....	B5
Intake .....	B6
Carburetor .....	B7
Exhaust .....	B8
Crankcase .....	B9 ~ B10
Starter .....	B11
Clutch .....	B12 ~ B13
Transmission .....	B14

## CHASSIS

Frame .....	B15
Fender .....	C2
Side Cover .....	C3
Oil Tank .....	C4
Rear Suspension .....	C5
Front Fork .....	C6
Fuel Tank .....	C7
Seat, Carrier .....	C8
Front Wheel .....	C9 ~ C10
Rear Wheel .....	C11
Steering Handle, Cable .....	C12
Stand, Footrest .....	C13
Leg Shield .....	C14
Cowling 1 .....	C15
Generator .....	D2
Flasher Light .....	D3

Meter .....	D4
Headlight .....	D5
Taillight .....	D6
Handle Switch, Lever .....	D7
Electrical 1 .....	D8
Electrical 2 .....	D9

## INDEX

Numerical Index .....	M1 ~ M2
-----------------------	---------

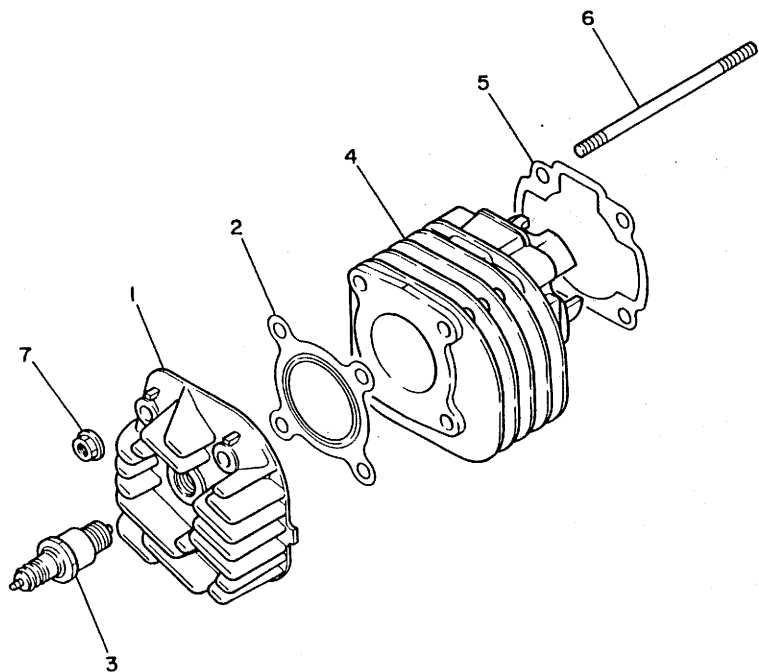


FIG. 1 CYLINDER

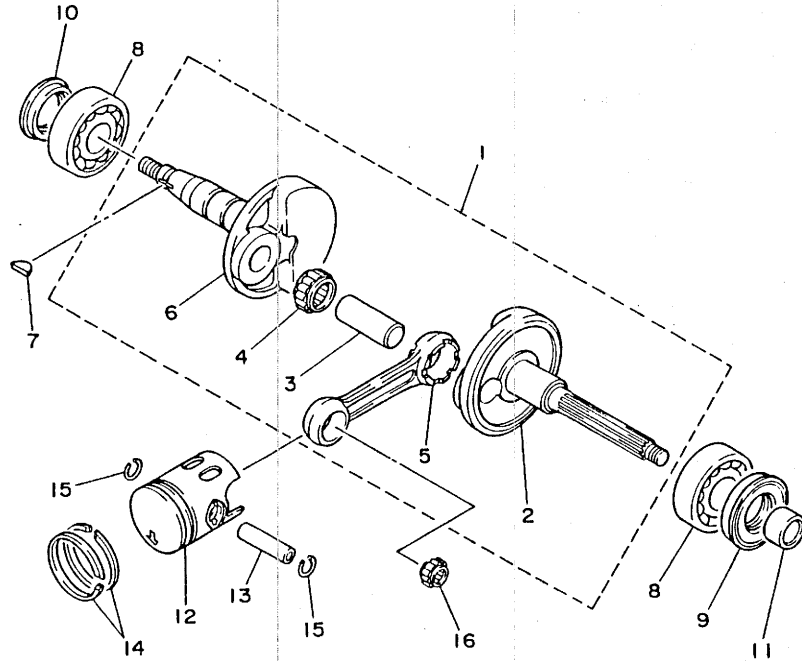
REF. NO.	PART NO.	DESCRIPTION	Q'TY	REMARKS
1	3KJ-11111-00	HEAD, cylinder 1	1	
2	3KJ-11181-00	GASKET, cylinder head 1	1	
3	94701-00198	PLUG, spark (NGK BPR6HS)	1	UR
	94701-00235	PLUG, spark (ND W20FPR-U)	1	UR
4	3KJ-11311-00	CYLINDER 1	1	
5	3KJ-11351-00	GASKET, cylinder	1	
6	90116-07353	BOLT, stud	4	
7	90179-07381	NUT	4	



3KJ1010-9010

B2

FIG. 2 CRANKSHAFT. PISTON



REF. NO.	PART NO.	DESCRIPTION	Q'TY	REMARKS
1	3KJ-11400-00	CRANKSHAFT ASSY	1	
2	3KJ-11412-00	.CRANK 1	1	
3	1YU-11681-00	.PIN, crank 1	1	
4	93310-416F7	.BEARING, cylindrical	1	
5	2E9-11651-00	.ROD, connecting	1	
6	3KJ-11422-00	.CRANK 2	1	
7	90280-03017	KEY, woodruff	1	
8	93306-20458	BEARING	2	
9	93102-20425	OIL SEAL	1	
10	93101-20138	OIL SEAL	1	
11	90387-156U0	COLLAR	1	
12	3CP-11631-00-96	PISTON (STD)	1	
	3CP-11636-00	PISTON (0.50MM O/S)	1	AP
13	27V-11633-00	PIN, piston	1	
14	260-11601-02	PISTON RING SET (STD)	1	
	260-11601-22	PISTON RING SET (0.50MM O/S)	1	AP
15	93450-11120	CIRCLIP	2	
16	93310-210M0	BEARING, cylindrical	1	

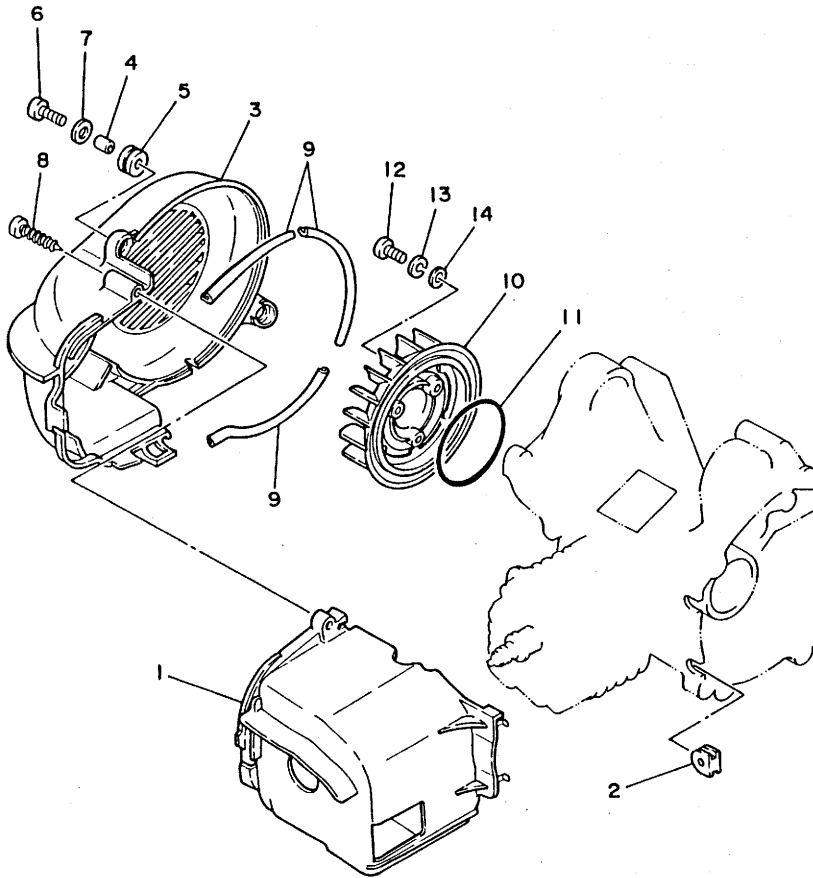


3KJ1010-9020

B3

FIG. 3 AIR SHROUD. FAN

REF. NO.	PART NO.	DESCRIPTION	Q'TY	REMARKS
1	3KJ-12651-00	AIR SHROUD, cylinder 1	1	
2	90480-10468	GROMMET	2	
3	3KJ-12653-01	AIR SHROUD, cylinder 3	1	
4	90387-067V1	COLLAR	2	
5	90480-12497	GROMMET	2	
6	92506-06020	SCREW, pan head	2	
7	92906-06600	WASHER, plate	2	
8	97702-60540	SCREW, tapping	1	
9	3KJ-12658-00	DAMPER, air shroud 1	3	
10	3KJ-12611-00	FAN	1	
11	93210-64488	O-RING	1	
12	92501-06014	SCREW, pan head	3	
13	92990-06100	WASHER, spring	3	
14	92901-06600	WASHER, plate	3	

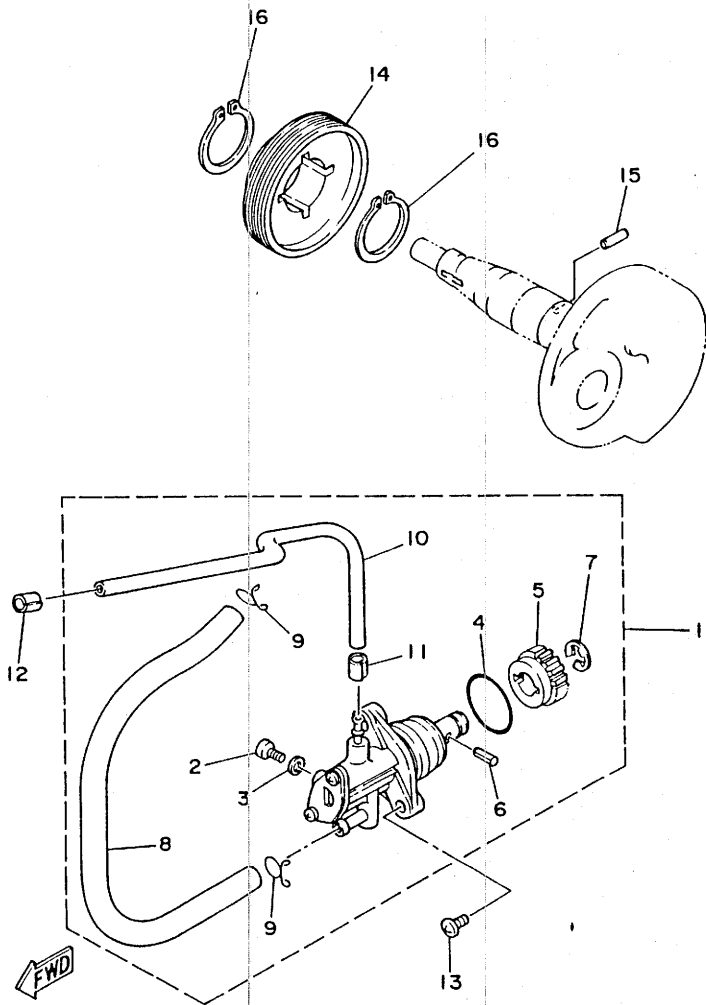


3KJ1010-9030

B4

FIG. 4 OIL PUMP

REF. NO.	PART NO.	DESCRIPTION	Q'TY	REMARKS
1	3KJ-13100-00	OIL PUMP ASSY	1	
2	1YU-13185-00	.BOLT, breather	1	
3	1YU-13187-00	.GASKET, breather bolt	1	
4	1YU-13473-00	.O-RING	1	
5	3AA-13124-00	.GEAR, worm wheel	1	
6	1YU-13516-00	.PIN, dowel	1	
7	1YU-13577-00	.CLIP	1	
8	90445-09304	.HOSE	1	
9	90467-08003	.CLIP	2	
10	90445-05160	.HOSE	1	
11	90468-02033	.CLIP	1	
12	90468-02033	CLIP	1	
13	98501-05016	SCREW, pan head	2	
14	2GM-13178-00	GEAR, pump drive	1	
15	93603-12007	PIN, dowel	1	
16	99009-19400	CIRCLIP	2	

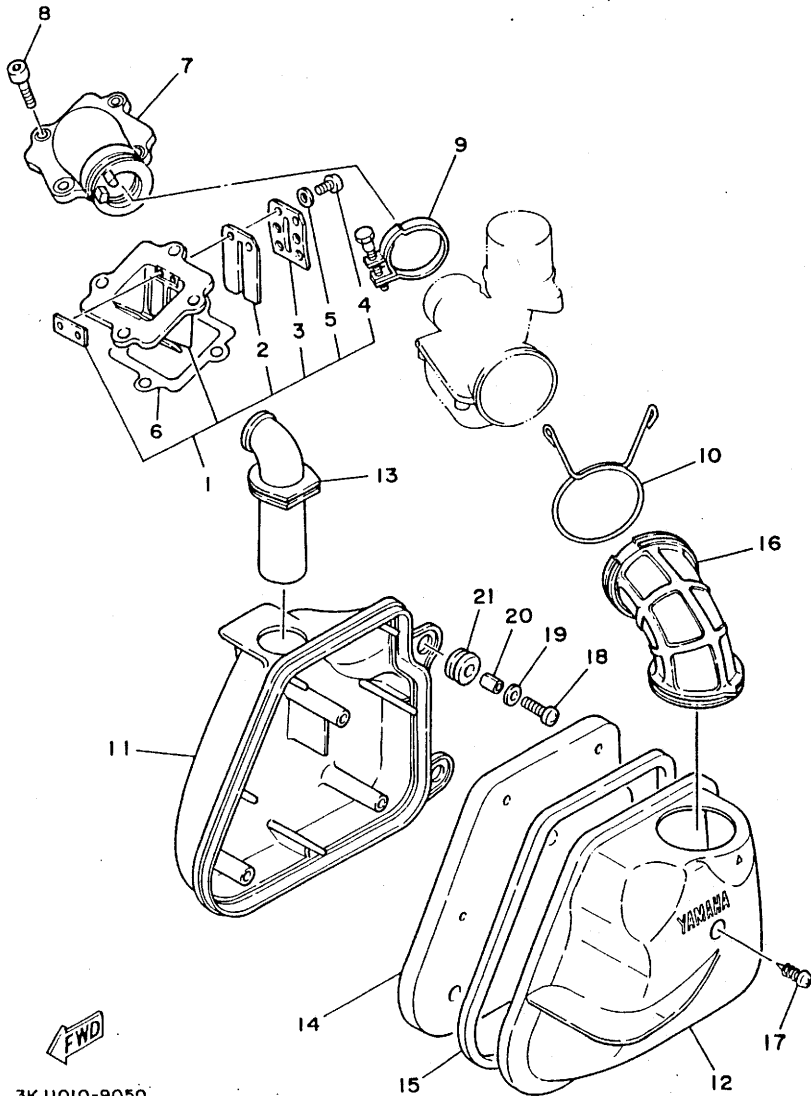


3KJ1010-9040

B5

FIG. 5 INTAKE

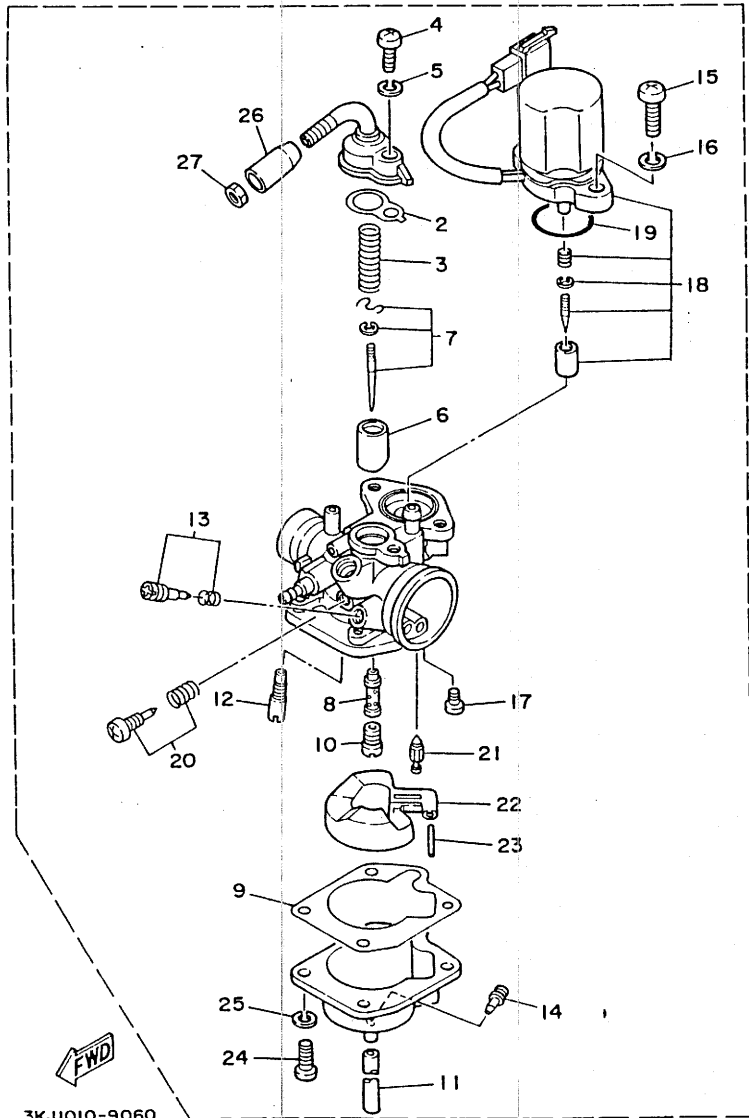
REF. NO.	PART NO.	DESCRIPTION	Q'TY	REMARKS
1	3KJ-13610-00	REED VALVE ASSY	1	
2	3KJ-13613-00	.REED, valve	2	
3	3KJ-13616-00	.STOPPER, reed valve	2	
4	98501-03008	.SCREW, pan head	4	
5	92902-03600	.WASHER, plate	4	
6	3KJ-13621-00	GASKET, valve seat	1	
7	3KJ-13555-00	MANIFOLD, intake	1	
8	91316-06020	BOLT	4	
9	90460-32242	CLAMP, hose	1	
10	90468-20127	CLIP	1	
11	3KJ-14411-00	CASE, air cleaner 1	1	
12	3KJ-14412-00	CAP, cleaner case 1	1	
13	3KJ-14437-00	DUCT	1	
14	3KJ-14451-00	ELEMENT, air cleaner	1	
15	3KJ-14452-00	SEAL	1	
16	3KJ-14453-00	JOINT, air cleaner 1	1	
17	97780-50125	SCREW, tapping	3	
18	92506-06020	SCREW, pan head	2	
19	92906-06600	WASHER, plate	2	
20	90387-067V1	COLLAR	2	
21	90480-12497	GROMMET	2	



3KJ1010-9050

B6

FIG. 6 CARBURETOR

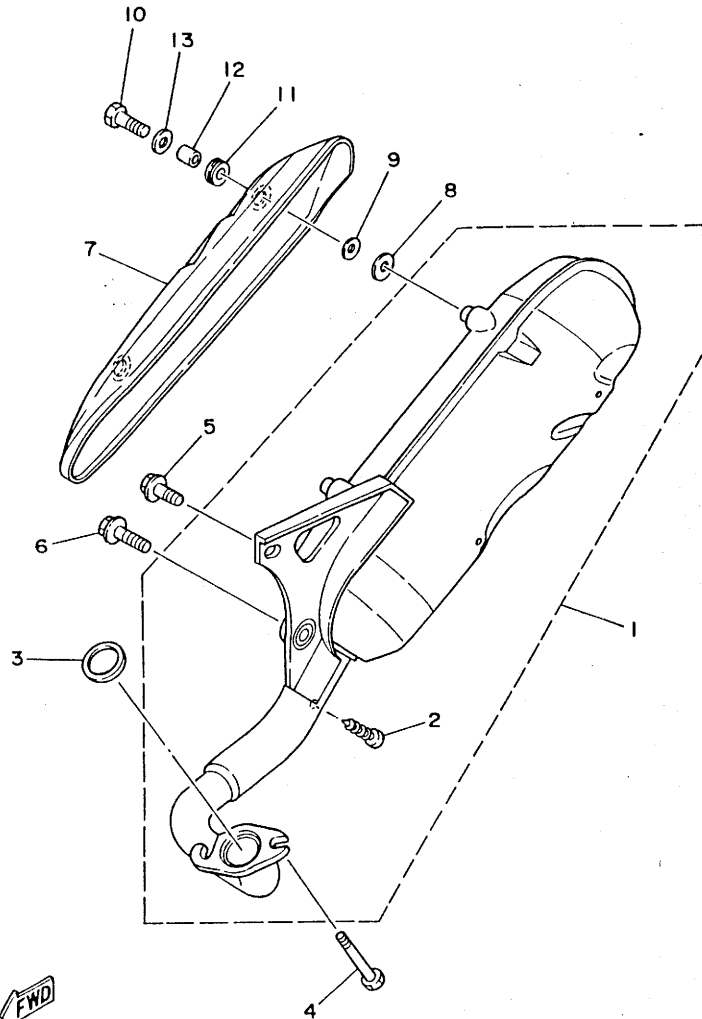


3KJ1010-9060

REF. NO.	PART NO.	DESCRIPTION	Q'TY	REMARKS
1	3KJ-14301-00	CARBURETOR ASSY 1	1	
2	2T4-14126-01	.GASKET	1	
3	1YU-14331-00	.SPRING, throttle valve	1	
4	98580-05016	.SCREW, pan head	1	
5	92901-05100	.WASHER, spring	1	
6	14T-14312-25	.VALVE, throttle 1	1	
7	3KJ-1490J-00	.NEEDLE SET	1	
8	33A-14341-00	.NOZZLE, main	1	
9	14T-14384-00	.GASKET, float chamber	1	
10	14T-14343-38	.JET, main (# 76)	1	
11	3KJ-14349-00	.PIPE	1	
12	17J-14353-21	.JET, pilot (# 42)	1	
13	14T-14104-00	.AIR SCREW SET	1	
14	14T-14323-00	.SCREW, air adjusting	1	
15	98580-06016	.SCREW, pan head	2	
16	92990-06100	.WASHER, spring	2	
17	98501-03006	.SCREW, pan head	1	
18	3KJ-1410A-00	.STARTER SET	1	
19	1HV-14147-00	.O-RING	1	
20	2JA-14103-00	.THROTTLE SCREW SET	1	
21	2JA-14392-00	.VALVE, needle	1	
22	1HV-14385-01	.FLOAT	1	
23	367-14386-00	.PIN, float	1	
24	98580-04016	.SCREW, pan head	4	
25	92901-04100	.WASHER, spring	4	
26	2JA-26329-00	.CAP, rubber	1	
27	288-14161-00	.NUT, cable adjusting	1	

B7

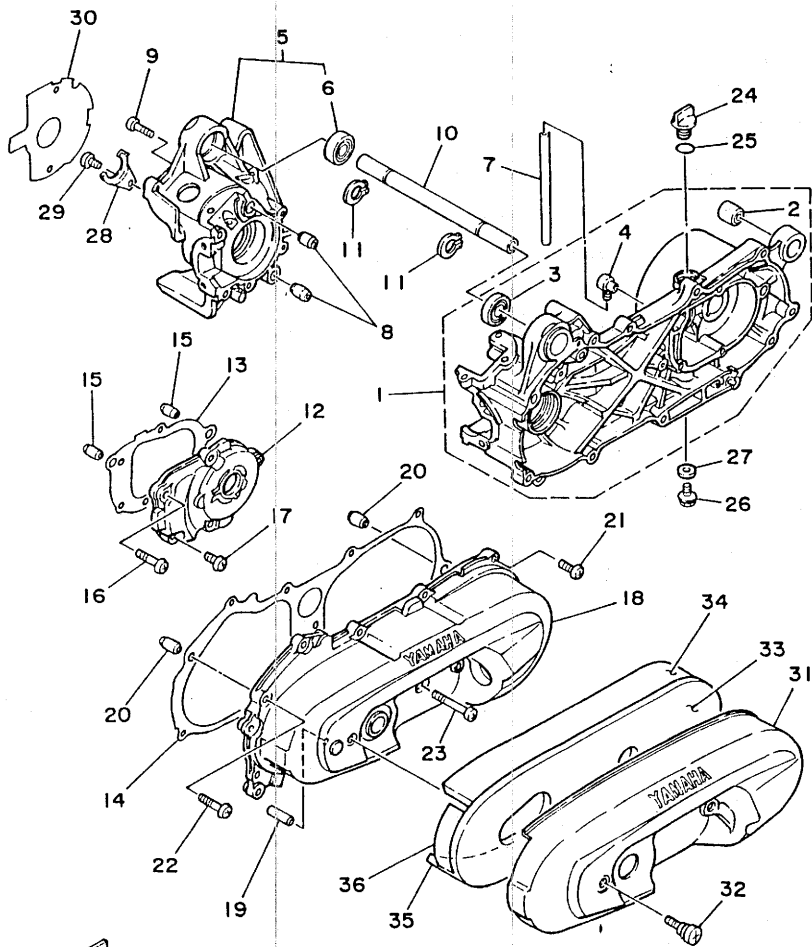
FIG. 7 EXHAUST



REF. NO.	PART NO.	DESCRIPTION	Q'TY	REMARKS
1	3KJ-14610-00	EXHAUST PIPE ASSY 1	1	
2	97706-30505	SCREW, tapping	1	
3	24G-14613-00	GASKET, exhaust pipe	1	
4	90153-06061	SCREW, hexagon	2	
5	95816-08020	BOLT, flange	1	
6	95816-08030	BOLT, flange	1	
7	2JA-14718-00	PROTECTOR, muffler 1	1	
8	52W-14766-00	WASHER, protector	2	
9	92990-06200	WASHER, plain	2	
10	98906-06016	SCREW, bind	2	
11	90480-12237	GROMMET	2	
12	90387-06067	COLLAR	2	
13	2JA-14766-00	WASHER, protector	2	

3KJ1010-9070

**B3**



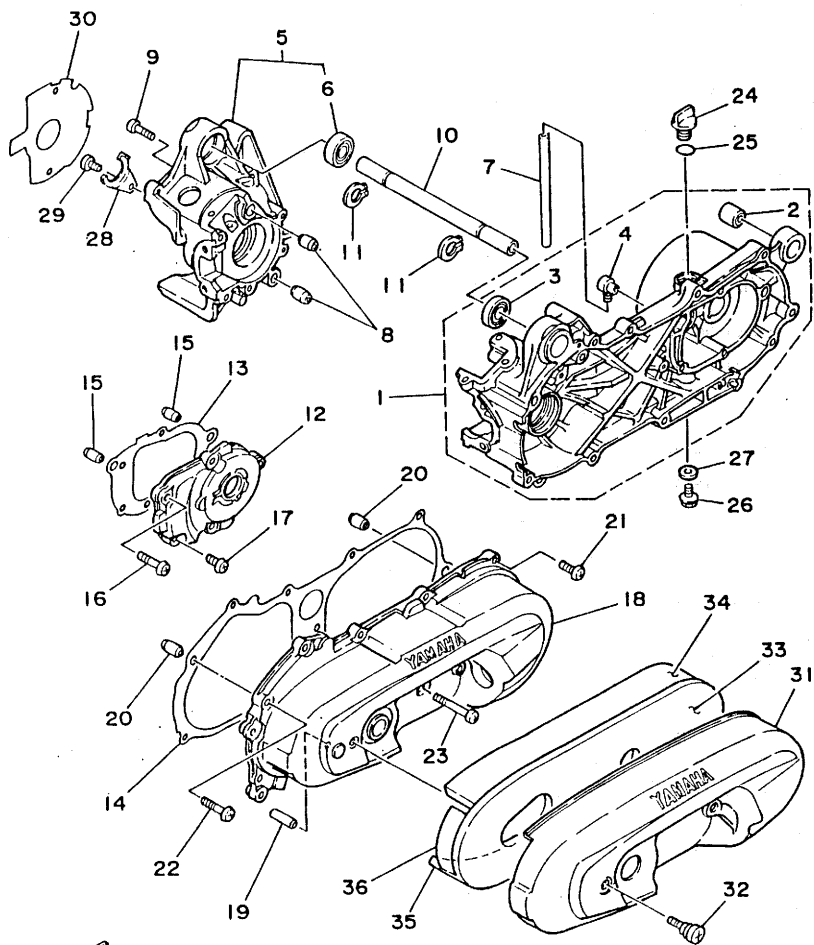
3KJ1010-9080

FIG. 8 CRANKCASE

REF. NO.	PART NO.	DESCRIPTION	Q'TY	REMARKS
1	3KJ-15110-00	CRANKCASE ASSY 1	1	
2	164-22216-00	.BUSH, rear shock absorber	1	
3	93306-00314	.BEARING	1	
4	583-15371-00	.BREATHER	1	
5	3KJ-15120-00	CRANKCASE ASSY 2	1	
6	93306-00314	.BEARING	1	
7	90446-07317	HOSE	1	
8	99510-12016	PIN, dowel	2	
9	92501-06035	SCREW, pan head	6	
10	3KJ-15317-00	SPACER, engine mount	1	
11	99009-17400	CIRCLIP	2	
12	3KJ-15421-00	COVER, crankcase 2	1	
13	3KJ-15461-00	GASKET, crankcase cover 2	1	
14	3KJ-15451-00	GASKET, crankcase cover 1	1	
15	99530-10014	PIN, dowel	2	
16	92501-06035	SCREW, pan head	2	
17	92501-06020	SCREW, pan head	3	
18	3KJ-15411-00	COVER, crankcase 1	1	
19	3KJ-15659-00	SHAFT	1	
20	99530-10014	PIN, dowel	2	
21	92501-06025	SCREW, pan head	8	
22	92501-06035	SCREW, pan head	2	
23	92501-06065	SCREW, pan head	1	
24	4J2-15363-00	PLUG, oil	1	
25	93210-14104	O-RING	1	
26	95801-08016	BOLT, flange	1	
27	90201-08087	WASHER, plate	1	
28	1HV-15128-00	HOLDER	1	

FIG. 8 CRANKCASE

REF. NO.	PART NO.	DESCRIPTION	Q'TY	REMARKS
29	92501-06012	SCREW, pan head	1	
30	3KJ-15462-00	GASKET, crankcase cover 3	1	
31	3KJ-15431-00	COVER, crankcase 3	1	
32	3KJ-15481-00	BOLT 1	2	
33	3KJ-15316-00	DAMPER, engine mount 1	1	
34	3KJ-15326-00	DAMPER, engine mount 2	1	
35	3KJ-15335-00	DAMPER 3	1	
36	3KJ-15337-00	DAMPER 4	1	



3KJ1010-9080

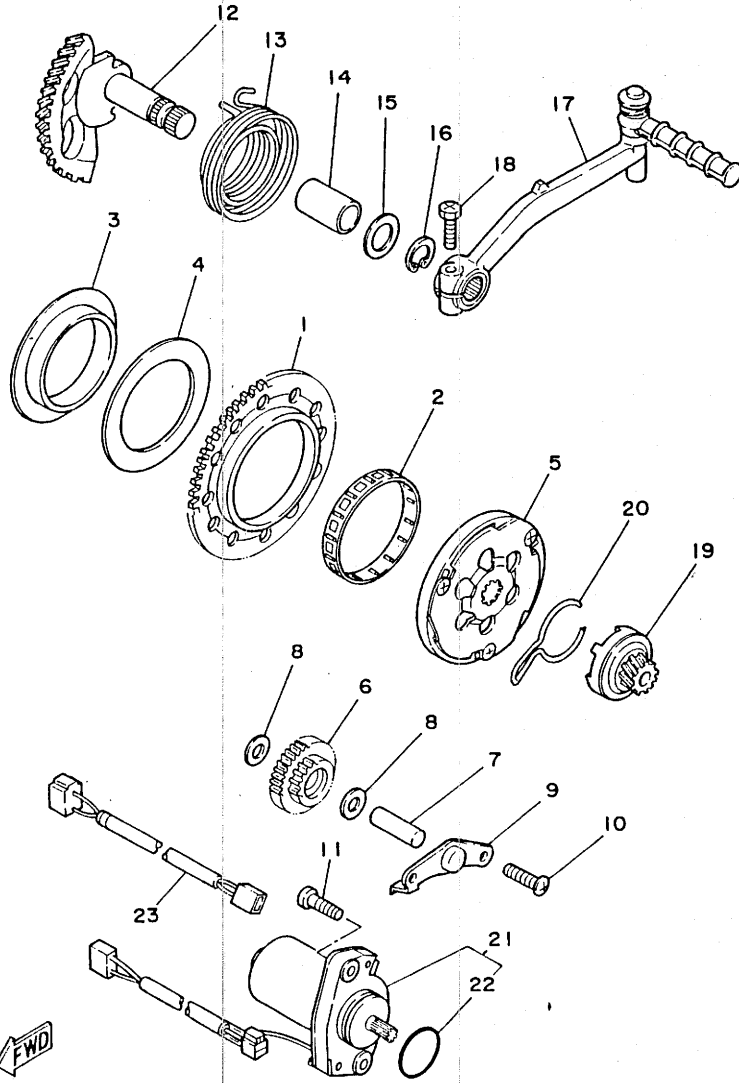


FIG. 9 STARTER

REF. NO.	PART NO.	DESCRIPTION	Q'TY	REMARKS
1	3AA-15513-00	GEAR 1	1	
2	93310-257R1	BEARING, cylindrical	1	
3	3KJ-15528-00	BOSS, gear	1	
4	90201-573J7	WASHER, plate	1	
5	3KJ-15570-00	STARTER CLUTCH ASSY	1	
6	3AA-15650-00	IDLE GEAR ASSY	1	
7	50M-13342-00	SHAFT, idle gear	1	
8	90201-084M4	WASHER, plate	2	
9	3KJ-15532-00	PLATE, idle gear	1	
10	92501-06012	SCREW, pan head	2	
11	91316-06020	BOLT	2	
12	3KJ-15601-00	KICK SHAFT ASSY	1	
13	90508-32609	SPRING, torsion	1	
14	90380-15083	BUSH, solid	1	
15	90201-154E9	WASHER, plate	1	
16	99009-15400	CIRCLIP	1	
17	3KJ-15620-01	KICK CRANK ASSY	1	
18	90153-06038	SCREW, hexagon	1	
19	3AA-15631-00	GEAR, kick pinion	1	
20	32N-15673-00	CLIP	1	
21	3KJ-81800-00	STARTING MOTOR ASSY	1	
22	93210-23614	.O-RING	1	
23	3KJ-82541-00	WIRE, lead	1	

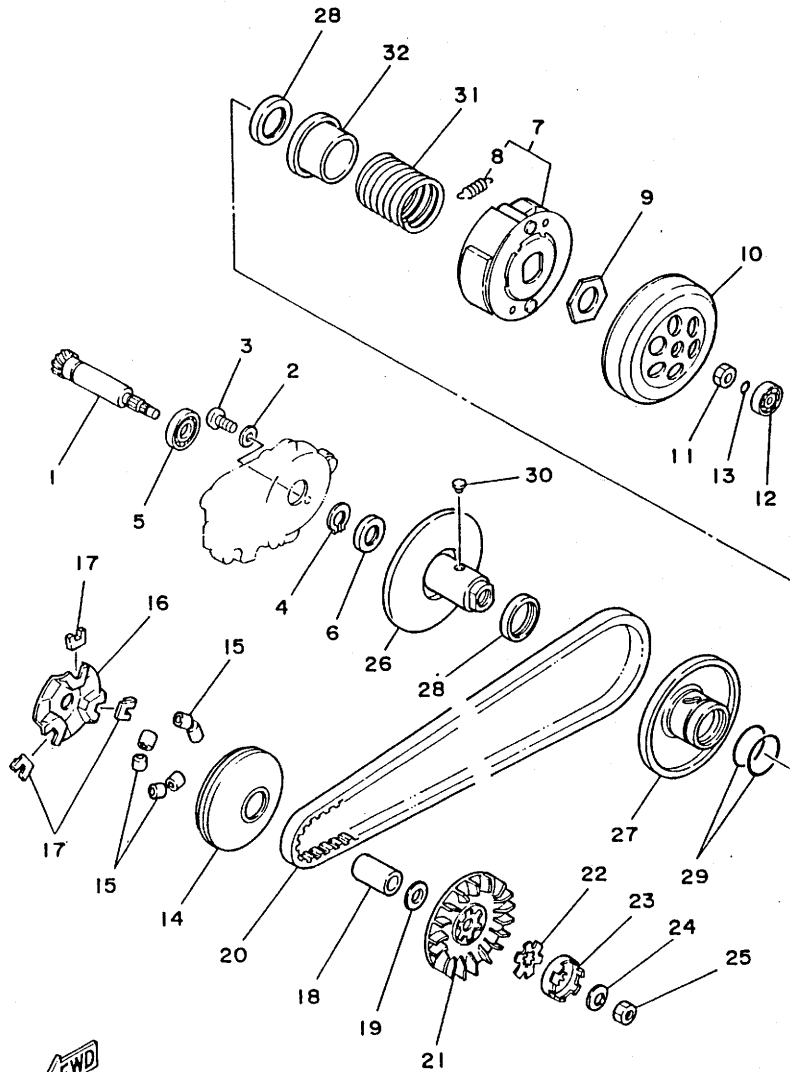
FWD

3KJ1010-9090

B11

FIG. 10 CLUTCH

REF. NO.	PART NO.	DESCRIPTION	QTY	REMARKS
1	3KJ-16111-00	GEAR, primary drive	1	
2	90201-06412	WASHER, plate	1	
3	92501-06010	SCREW, pan head	1	
4	99009-17400	CIRCLIP	1	
5	93306-00315	BEARING (6003SH2C4)	1	
6	93102-17342	OIL SEAL	1	
7	2JA-16620-00	CLUTCH CARRIER ASSY	1	
8	24G-16626-00	.SPRING, clutch weight 1	2	
9	90179-28415	NUT	1	
10	24G-16611-03	CLUTCH HOUSING COMP.	1	
11	90170-10317	NUT	1	
12	93300-63808	BEARING	1	
13	93210-06550	O-RING	1	
14	2EX-17620-00	PRIMARY SLIDING SHEAVE COMP.	1	
15	52W-17632-00	WEIGHT	6	
16	3AA-17623-00	CAM	1	
17	1NT-17653-00	SLIDER	3	
18	90387-132W6	COLLAR	1	
19	90201-131M4	WASHER, plate	1	
20	3KJ-17641-00	V-BELT	1	
21	3KJ-17611-00	SHEAVE, primary fixed	1	
22	90214-13055	WASHER, claw	1	
23	3KJ-15657-00	CLUTCH, oneway	1	
24	90208-10012	WASHER, conical spring	1	
25	90170-10219	NUT	1	
26	3AA-17660-01	SECONDARY FIXED SHEAVE COMP.	1	
27	3AA-17670-00	SECONDARY SLIDING SHEAVE	1	
28	93109-33049	OIL SEAL	2	

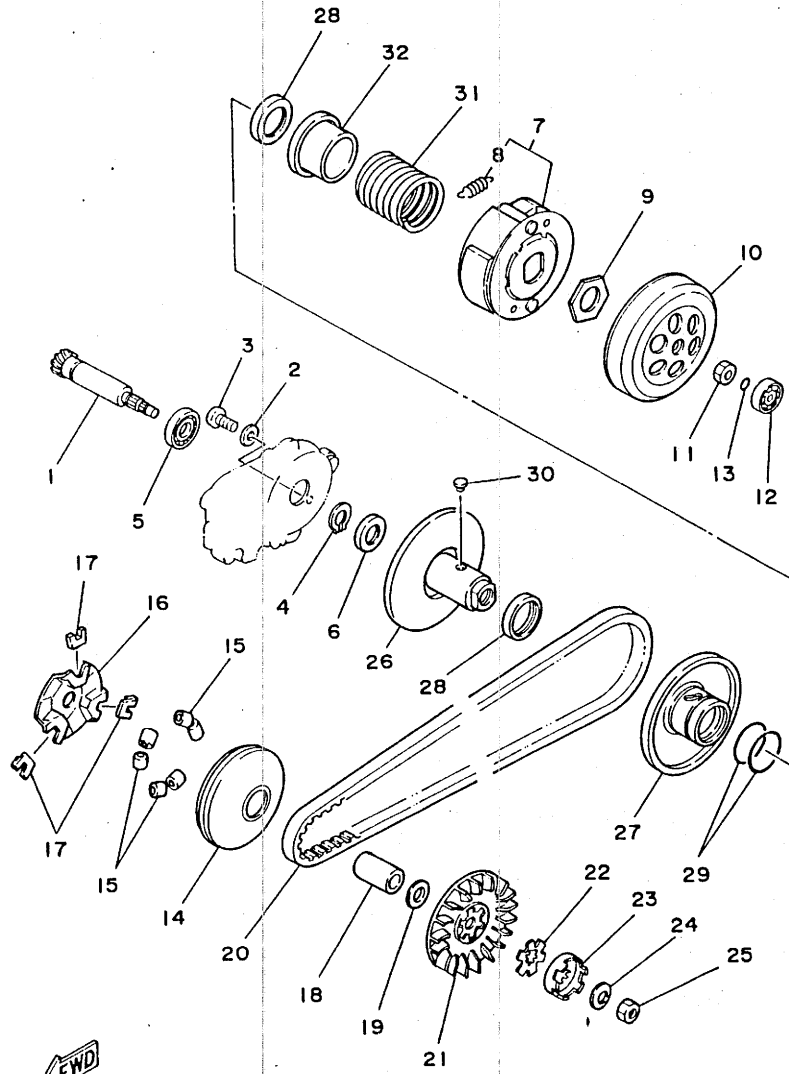


3KJ1010-9100

B12

FIG. 10 CLUTCH

REF. NO.	PART NO.	DESCRIPTION	Q'TY	REMARKS
29	93210-38687	O-RING	2	
30	24G-17664-00	PIN, guide	2	
31	90501-357F3	SPRING, compression	1	
32	3KJ-17684-00	SEAT, secondary spring	1	

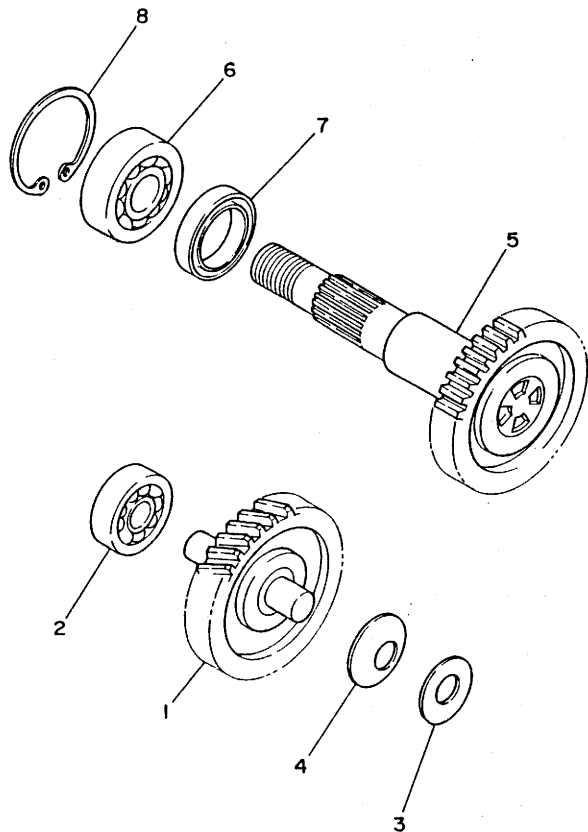


3KJ1010-9100

B13

FIG. 11 TRANSMISSION

REF. NO.	PART NO.	DESCRIPTION	Q'TY	REMARKS
1	3KJ-17410-00	MAIN AXLE COMP.		
2	93306-20006	BEARING (B6200)	1	UR NTN
	93306-20010	BEARING (6200)	1	UR NMB
3	90201-123K4	WASHER, plate	1	
4	90208-12049	WASHER, conical spring	1	
5	3KJ-17420-00	DRIVE AXLE ASSY	1	
6	93306-20310	BEARING (B6203DU)	1	
7	93102-22314	OIL SEAL	1	
8	93420-40064	CIRCLIP	1	

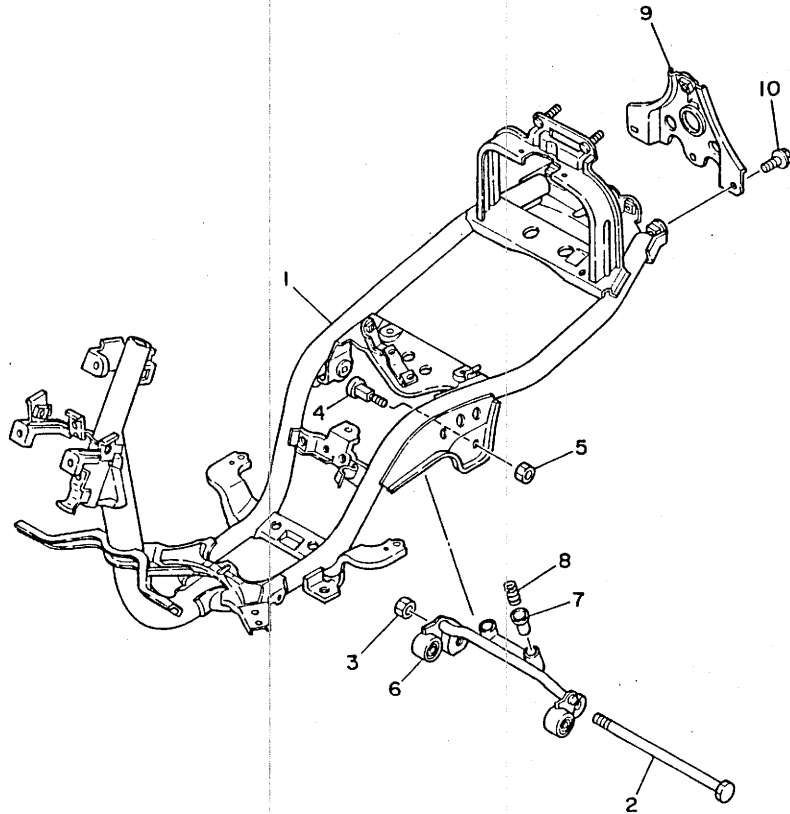


3KJ1010-9110

B14

FIG. 12 FRAME

REF. NO.	PART NO.	DESCRIPTION	Q'TY	REMARKS
1	3KJ-21110-01	FRAME COMP.	1	
2	3KJ-21481-00	BOLT, engine mounting 1	1	
3	95601-12200	NUT, self-locking	1	
4	2T4-21481-01	BOLT, engine mounting 1	2	
5	90185-10154	NUT, self-locking	2	
6	3KJ-21410-00	ENGINE BRACKET COMP.	1	
7	2T4-2139X-01	DAMPER	2	
8	90501-29517	SPRING, compression	2	
9	3KJ-21232-00	REINFORCEMENT, tail	1	
10	95816-06012	BOLT, flange	3	

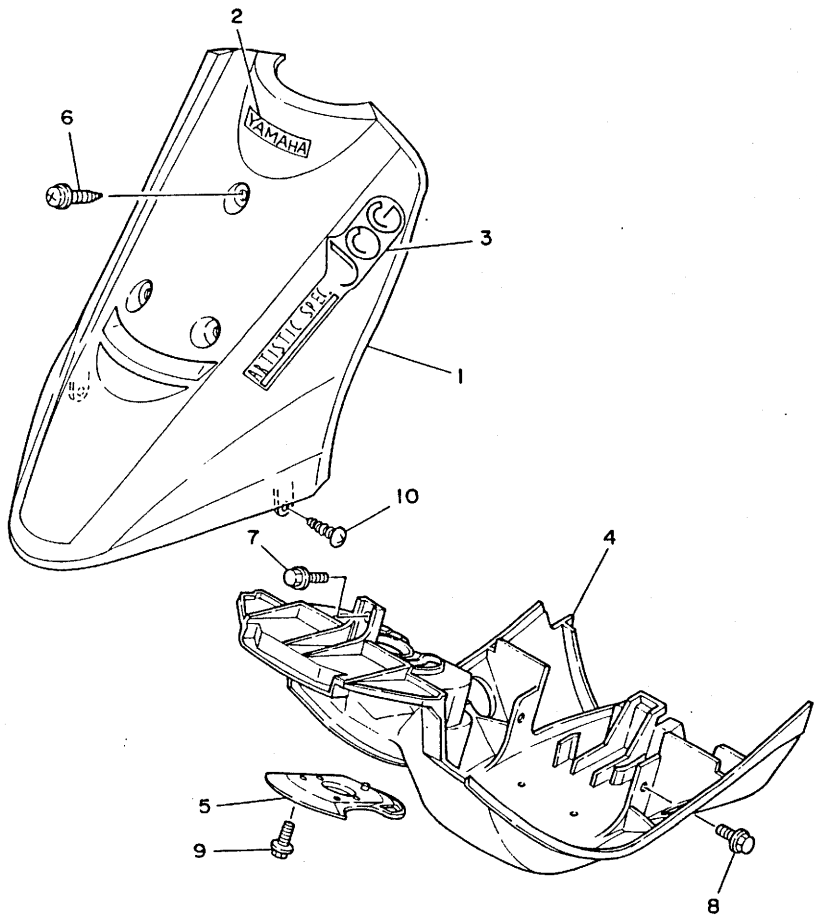


3KJ1010-9121

B15

FIG. 13 FENDER

REF. NO.	PART NO.	DESCRIPTION	Q'TY	REMARKS
1	3KJ-21511-00-P0	FENDER, front	1	UR VERY DARK BLUE COCKTAIL 2
	3KJ-21511-00-P1	FENDER, front	1	UR VIVID RED COCKTAIL 1
2	3KJ-21781-10	EMBLEM 1	1	UR FOR VDBC 2
	3KJ-21781-20	EMBLEM 1	1	UR FOR VRC 1
3	3KJ-21578-02	EMBLEM	1	
4	3KJ-21552-00	FENDER, inner	1	
5	27V-21553-03	FENDER, inner 2	1	
6	90159-06124	SCREW, with washer	3	
7	95816-06012	BOLT, flange	1	
8	95816-06012	BOLT, flange	2	
9	90119-06085	BOLT, with washer	2	
10	90167-05041	SCREW, tapping	2	

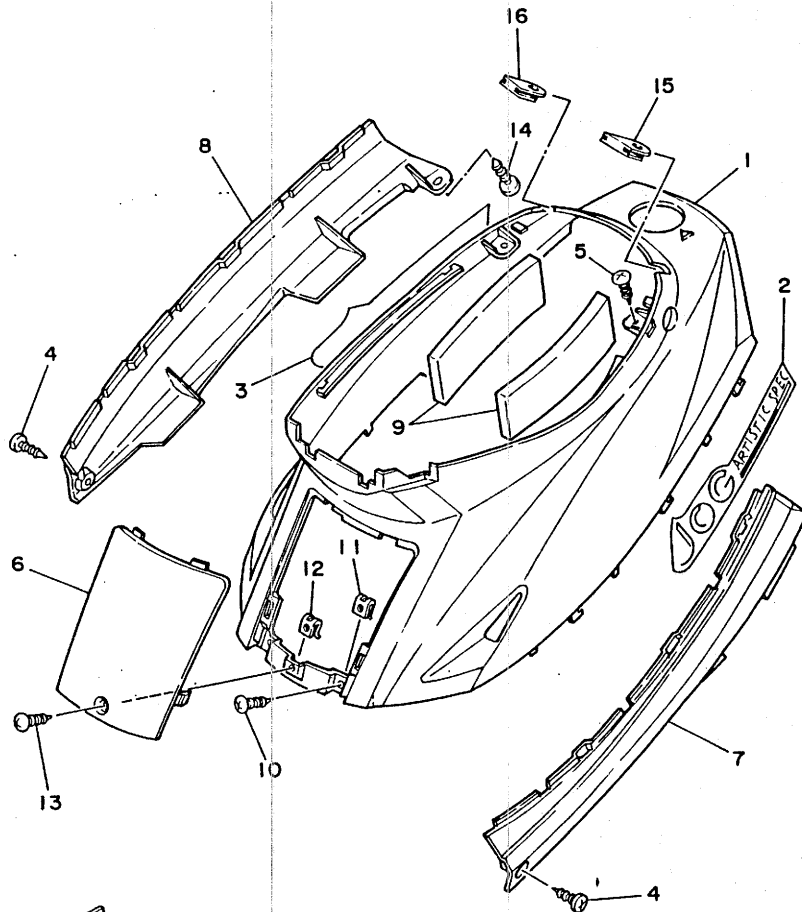


3KJ1010-9130

C2

FIG. 14 SIDE COVER

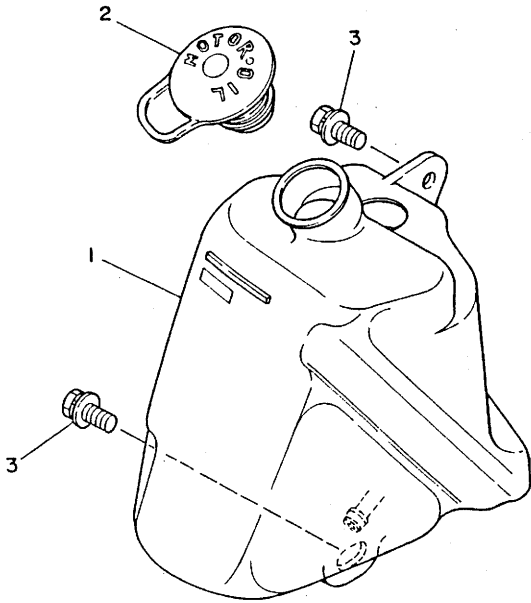
REF. NO.	PART NO.	DESCRIPTION	Q'TY	REMARKS
1	3KJ-21711-00-PO	COVER, side 1	1	UR VERY DARK BLUE COCKTAIL 2
	3KJ-21711-00-P1	COVER, side 1	1	UR VIVID RED COCKTAIL 1
2	3KJ-21782-02	EMBLEM 2	1	
3	3KJ-21783-02	EMBLEM 3	1	
4	90149-06184	SCREW	2	
5	90167-05041	SCREW, tapping	2	
6	3KJ-21721-00-PO	COVER, side 2	1	UR VERY DARK BLUE COCKTAIL 2
	3KJ-21721-00-P1	COVER, side 2	1	UR VIVID RED COCKTAIL 1
7	3KJ-2171L-00	MOLE, side cover 1	1	SOLID FINE SILVER
8	3KJ-2171M-00	MOLE, side cover 2	1	SOLID FINE SILVER
9	3KJ-21778-00	DAMPER, locating 1	2	
10	90167-05041	SCREW, tapping	2	
11	90183-05042	NUT, spring	2	
12	90183-05042	NUT, spring	1	
13	90167-05055	SCREW, tapping	1	
14	90167-05041	SCREW, tapping	2	
15	3KJ-24845-00	COVER 1	1	
16	3KJ-24846-00	COVER 2	1	



FWD  
3KJ1010-9140

FIG. 15 OIL TANK

REF. NO.	PART NO.	DESCRIPTION	Q'TY	REMARKS
1	3KJ-21751-00	TANK, oil	1	
2	2N3-21771-01	BODY, cap	1	
3	90119-06042	BOLT, with washer	2	

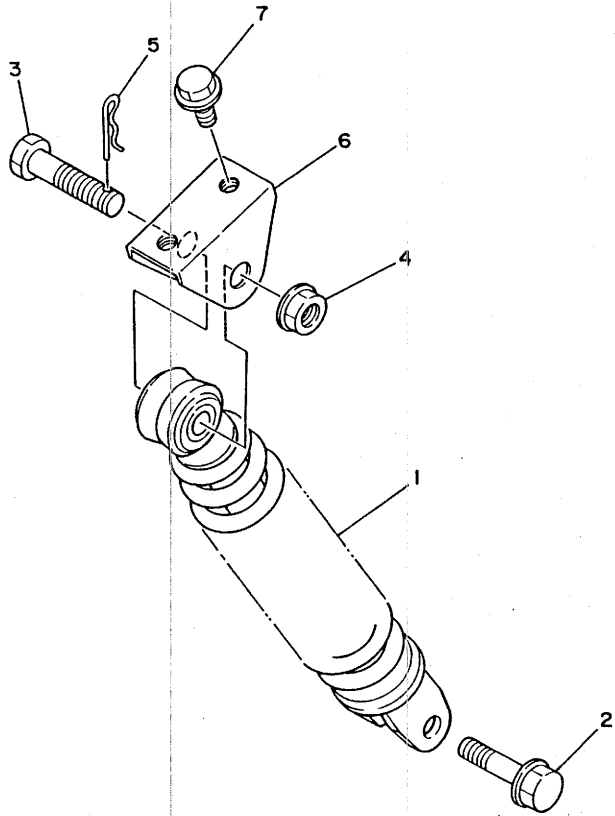


3KJ1010-9150

C4

FIG. 16 REAR SUSPENSION

REF. NO.	PART NO.	DESCRIPTION	Q'TY	REMARKS
1	3KJ-22210-00	SHOCK ABSORBER ASSY, rear	1	
2	90105-08121	BOLT, washer based	1	
3	90102-10059	BOLT, with hole	1	
4	95701-10500	NUT, flange	1	
5	90468-12182	CLIP	1	
6	3KJ-21381-00	BRACKET, rear shock absorber	1	
7	95811-08012	BOLT, flange	2	

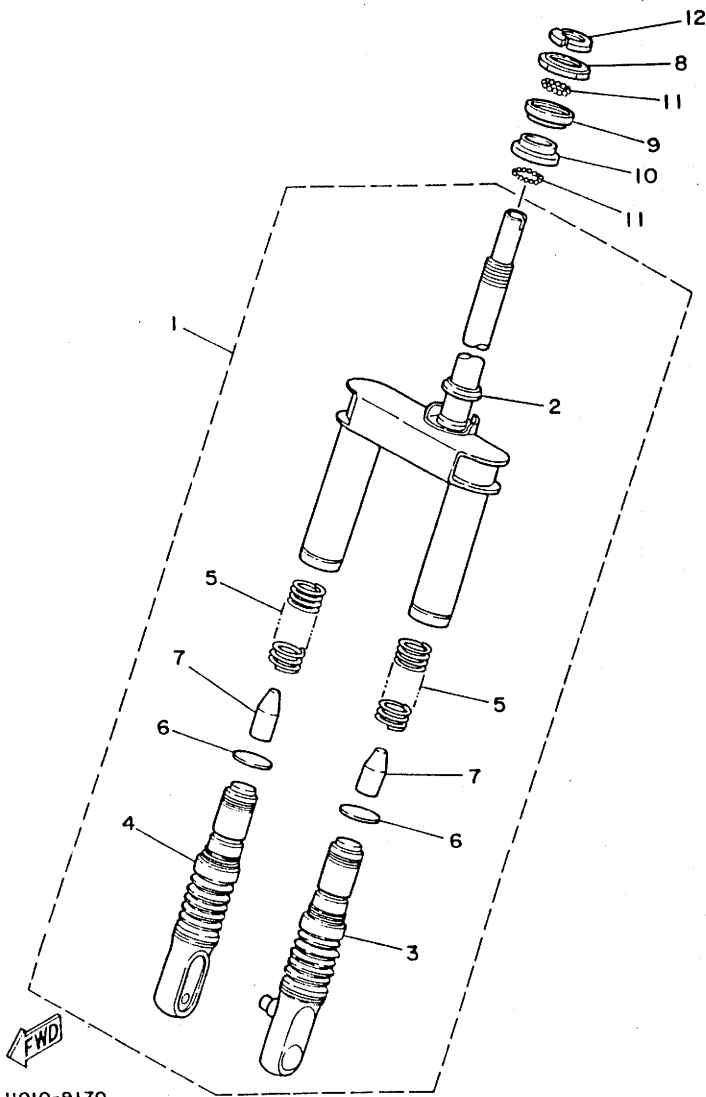


3KJ1010-9160

C5

FIG. 17 FRONT FORK

REF. NO.	PART NO.	DESCRIPTION	Q'TY	REMARKS
1	3KJ-23100-00	FRONT FORK ASSY	1	
2	2E9-23414-01	.RACE, ball 4	1	
3	3KJ-23110-00	.INNER TUBE COMP.1	1	
4	3KJ-23120-00	.INNER TUBE COMP.2	1	
5	3KJ-23141-00	.SPRING, front fork	2	
6	2E9-23143-00	.SEAT, spring lower	2	
7	1RN-23195-00	.RUBBER	2	
8	3KJ-23411-01	RACE, ball 1	1	
9	2E9-23412-00	RACE, ball 2	1	
10	2E9-23413-01	RACE, ball 3	1	
11	93505-32002	BALL	52	
12	2E9-23454-00	NUT, fitting 2	1	

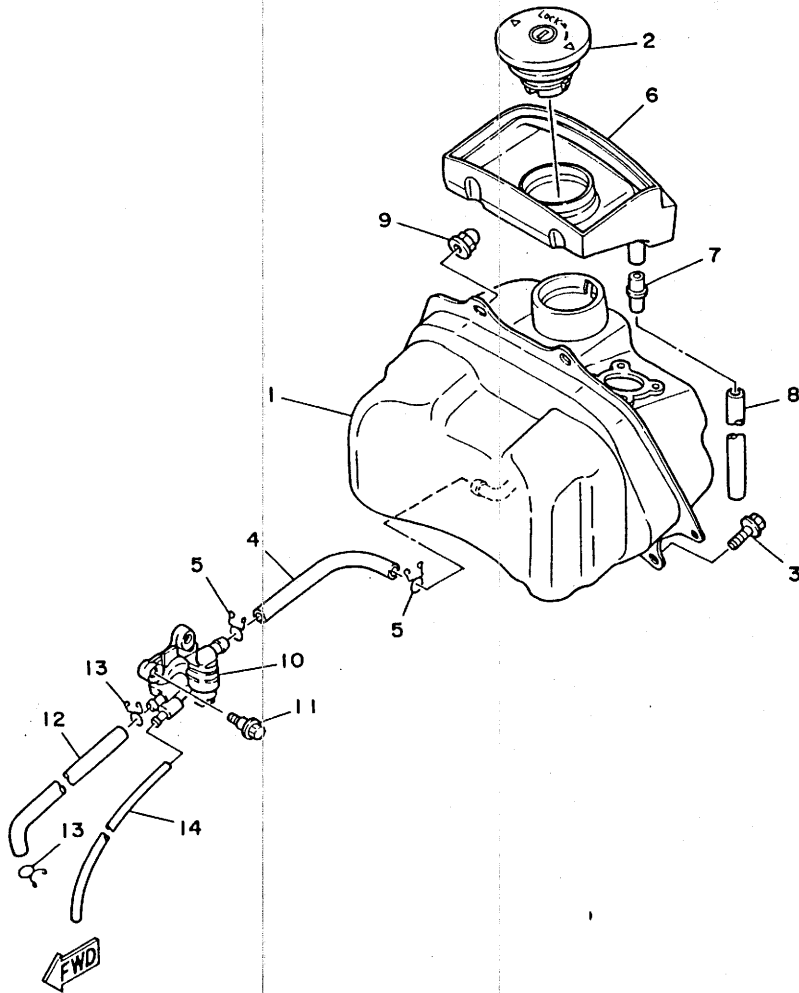


3KJ1010-9170

C6

FIG. 18 FUEL TANK

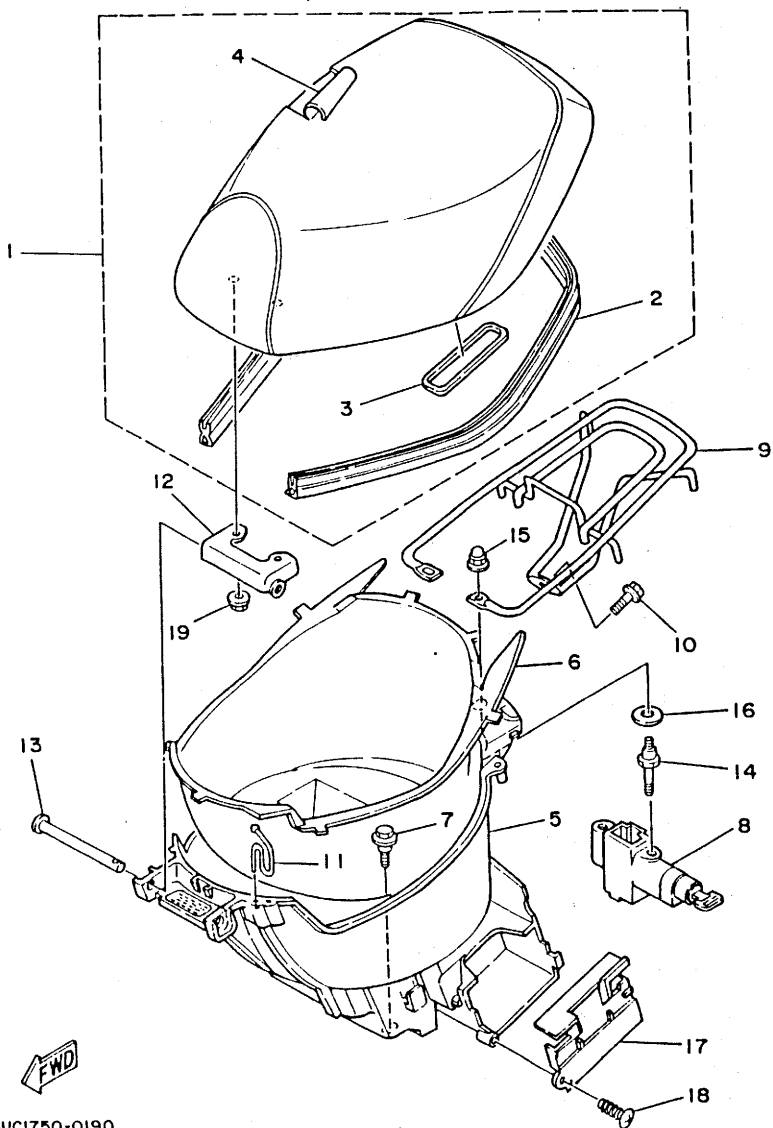
REF. NO.	PART NO.	DESCRIPTION	Q'TY	REMARKS
1	3KJ-24110-00	FUEL TANK COMP.	1	
2	3KJ-24602-00	CAP ASSY	1	
3	95816-06012	BOLT, flange	1	
4	90445-111G1	HOSE	1	
5	90467-111102	CLIP	2	
6	3KJ-2414A-01	COVER, filler	1	
7	90560-06366	SPACER	1	
8	90445-11702	HOSE	1	
9	90176-06065	NUT, crown	2	
10	3KJ-24500-00	FUEL COCK ASSY 1	1	
11	90109-063F5	BOLT	2	
12	3KJ-24311-00	PIPE, fuel 1	1	
13	90467-09006	CLIP	2	
14	90445-071G6	HOSE	1	



3KJ1010-9181

FIG. 19 SEAT. CARRIER

REF. NO.	PART NO.	DESCRIPTION	Q'TY	REMARKS
1	3KJ-24710-00	SINGLE SEAT ASSY	1	SOLID FINE SILVEER
2	3KJ-2475M-00	.SEAL	1	
3	3FC-2483H-00	.BAND	1	
4	3KJ-2470F-00	.COVER, seat	1	
5	3KJ-2473R-00	BOX 1	1	
6	3KJ-24747-00	DAMPER, seat	1	
7	90109-063F1	BOLT	2	
8	3FC-24705-02	SEAT LOCK ASSY	1	
9	3KJ-24842-00	CARRIER, rear	1	
10	95816-08012	BOLT, flange	1	
11	3KJ-21398-00	HANGER, helmet	1	
12	3KJ-24726-00	HINGE, seat	1	
13	90255-10007	PIN, with hole	1	
14	3KJ-24717-00	BOLT, seat fitting	2	
15	90176-06065	NUT, crown	2	
16	90201-12175	WASHER, plate	2	
17	3KJ-82129-00	COVER, battery	1	
18	90167-05041	SCREW, tapping	1	
19	95701-06500	NUT, flange	2	



3UC1750-0190

C3

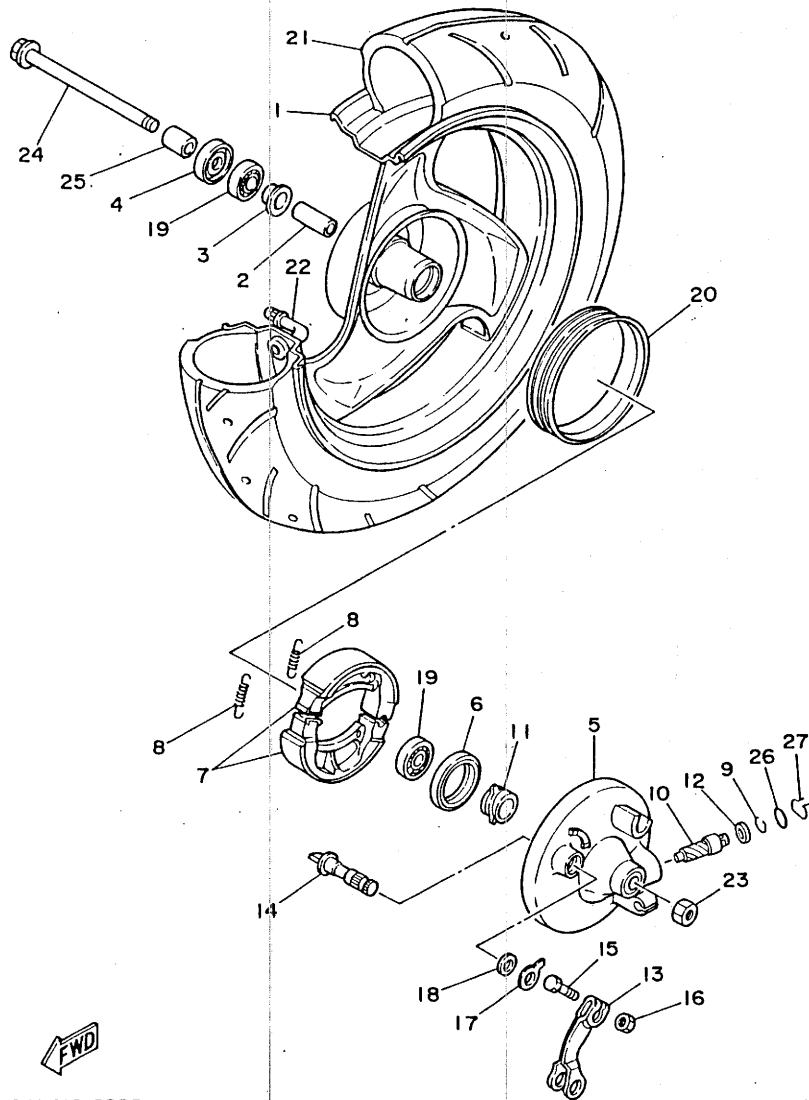


FIG. 20 FRONT WHEEL

REF. NO.	PART NO.	DESCRIPTION	Q'TY	REMARKS
1	3KJ-25180-00-P0	FRONT WHEEL COMP.	1	UR LIGHT GRAY METALLIC 2
	3KJ-25180-00-UJ	FRONT WHEEL COMP.	1	UR RADICAL WHITE
2	90560-10289	SPACER	1	
3	25K-25116-00	FLANGE, spacer 2	1	
4	93106-17015	OIL SEAL	1	
5	2GM-25121-00-P0	PLATE, brake shoe	1	UR LIGHT GRAY METALLIC 2
	2GM-25121-00-UJ	PLATE, brake shoe	1	UR RADICAL WHITE
6	93109-34057	OIL SEAL	1	
7	27V-W2536-00	BRAKE SHOE SET	1	
8	90506-14081	SPRING, tension	2	
9	2T4-25137-00	RING, stop	1	
10	2E9-25138-00	GEAR, meter	1	
11	2E9-25135-00	GEAR, drive (14T)	1	
12	90201-064L6	WASHER, plate	1	
13	2T4-25155-00	LEVER, camshaft 1	1	
14	3KJ-25151-00	CAMSHAFT	1	
15	97021-05020	BOLT	1	
16	95303-05600	NUT	1	
17	3L8-2513A-00	PLATE, indicator	1	
18	25K-25159-00	SEAL, camshaft	1	
19	93306-20005	BEARING (B6200)	2	UR KOYO
	93306-20006	BEARING (B6200)	2	UR NTN
20	3KJ-25185-00	RING 1	1	
21	94108-107U3	TIRE (80/90-10 34J)	1	INOUE
22	93900-00027	VALVE, rim	1	INOUE
23	90185-10154	NUT, self-locking	1	
24	54V-25181-00	AXLE, wheel	1	
25	90560-10360	SPACER	1	



3KJ1010-9200

C9

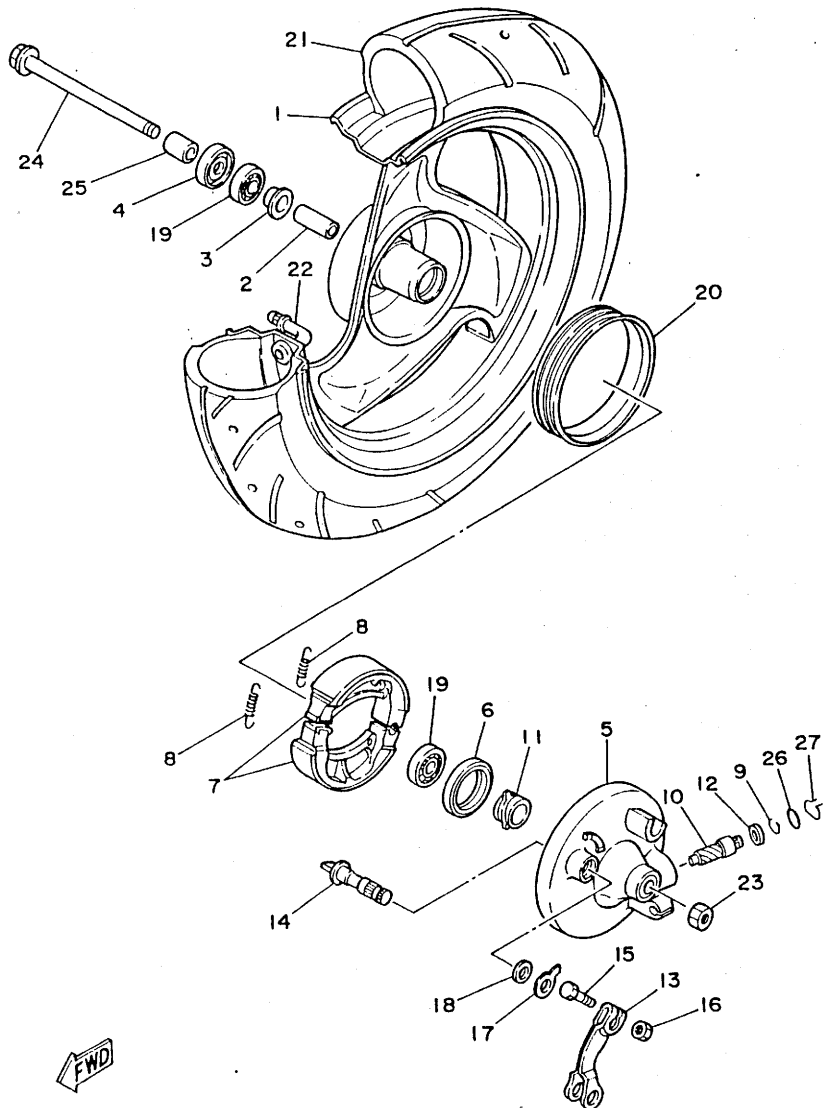


FIG. 20 FRONT WHEEL

REF. NO.	PART NO.	DESCRIPTION	Q'TY	REMARKS
----------	----------	-------------	------	---------

26	93210-10096	O-RING	1	
----	-------------	--------	---	--

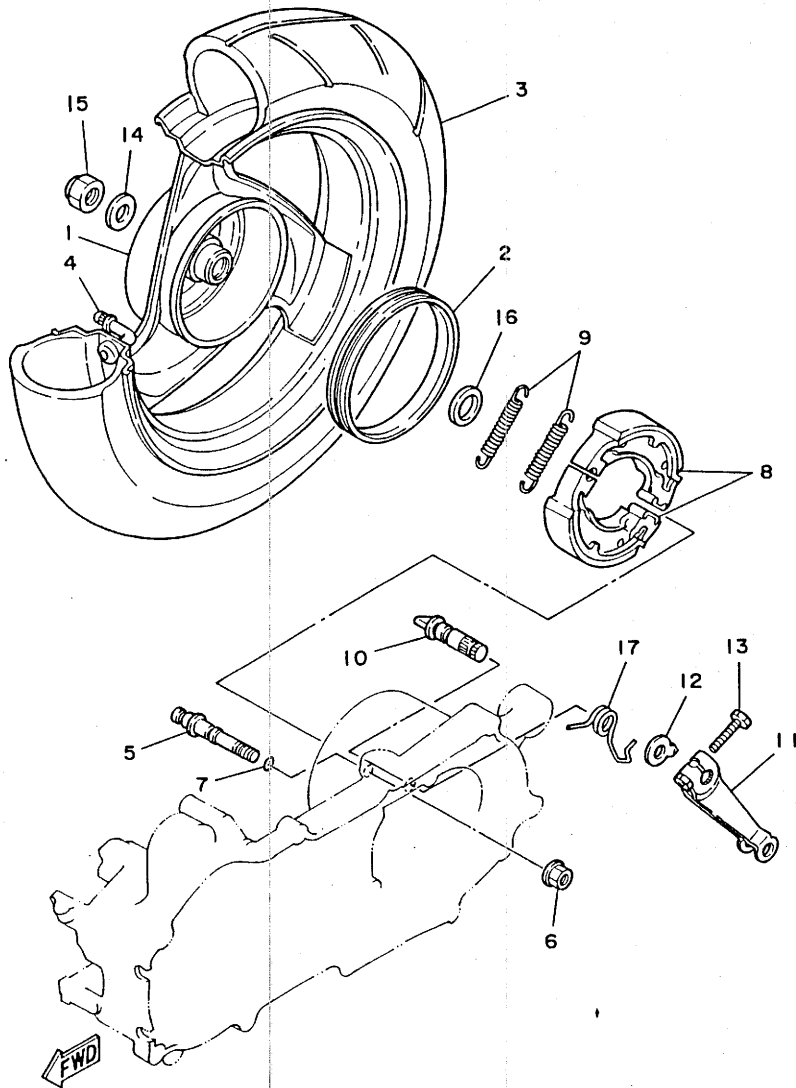
27	2E9-25137-01	RING, stop	1	
----	--------------	------------	---	--

3KJ1010-9200

C10

FIG. 21 REAR WHEEL

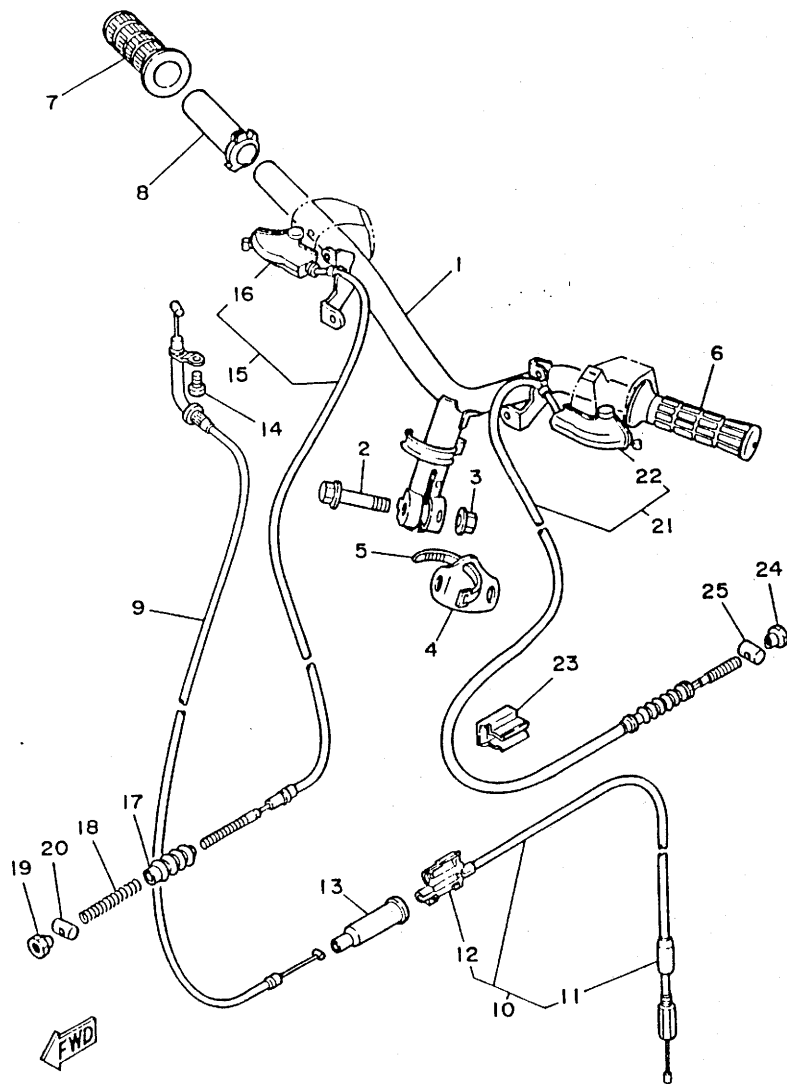
REF. NO.	PART NO.	DESCRIPTION	Q'TY	REMARKS
1	3KJ-25390-00-P0	REAR WHEEL COMP.	1	UR LIGHT GRAY METALLIC 2
	3KJ-25390-00-UJ	REAR WHEEL COMP.	1	UR RADICAL WHITE
2	3KJ-25336-00	RING 2	1	
3	94108-107U3	TIRE (80/90-10 34J)	1	INOUE
4	93900-00027	VALVE, rim	1	INOUE
5	3KJ-25326-00	PIN, pivot	1	
6	95701-08500	NUT, flange	1	
7	93210-07540	O-RING	1	
8	36R-W2536-00	BRAKE SHOE SET	1	
9	90506-18288	SPRING, tension	2	
10	3KJ-25351-00	CAMSHAFT	1	
11	3KJ-25355-00	LEVER, camshaft	1	
12	52H-2513A-00	PLATE, indicator	1	
13	90101-06278	BOLT	1	
14	90201-142M6	WASHER, plate	1	
15	90185-14150	NUT, self-locking	1	
16	90201-17255	WASHER, plate	1	
17	3KJ-25357-00	SPRING, lever return	1	



3KJ1010-9210

C11

FIG. 22 STEERING HANDLE. CABLE

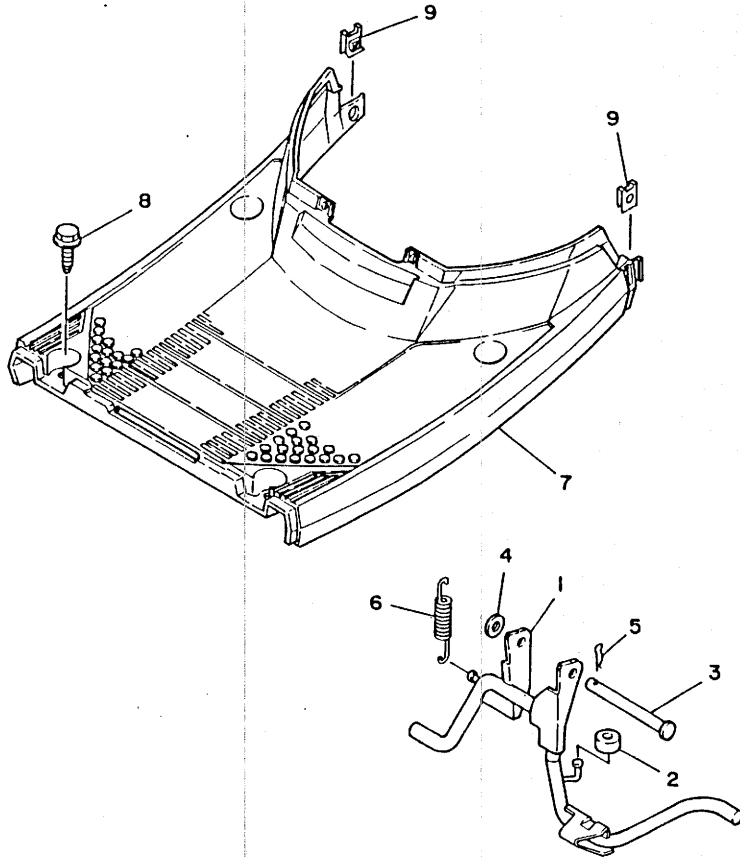


3UC1750-0220

REF. NO.	PART NO.	DESCRIPTION	Q'TY	REMARKS
1	3KJ-26110-00	HANDLE COMP.	1	
2	90105-10036	BOLT, washer based	1	
3	90185-10154	NUT, self-locking	1	
4	2EK-26293-00	BAND	1	
5	437-83936-01	BAND, switch cord	1	
6	5G3-26241-00	GRIP (LEFT)	1	BLACK
7	5G3-26242-00	GRIP (RIGHT)	1	BLACK
8	2GN-26243-00	TUBE, throttle guide	1	
9	3KJ-26311-00	CABLE, throttle 1	1	
10	3KJ-26312-00	CABLE, throttle 2	1	
11	304-26329-00	.CAP, rubber	1	
12	53L-26261-01	.CONNECTOR, cable	1	
13	1YU-26329-00	CAP, rubber	1	
14	98506-05010	SCREW, pan head	1	
15	3KJ-26341-00	CABLE, brake	1	
16	17J-2637A-00	.COVER, handle lever 2	1	
17	3KJ-26342-00	BOOT, cable	1	
18	90501-10513	SPRING, compression	1	
19	90179-06176	NUT	1	
20	90249-12008	PIN	1	
21	3KJ-26351-00	CABLE, brake	1	
22	17J-26372-00	.COVER, handle lever 1	1	
23	3KJ-26393-00	HOLDER	1	
24	90179-06176	NUT	1	
25	90249-12008	PIN	1	

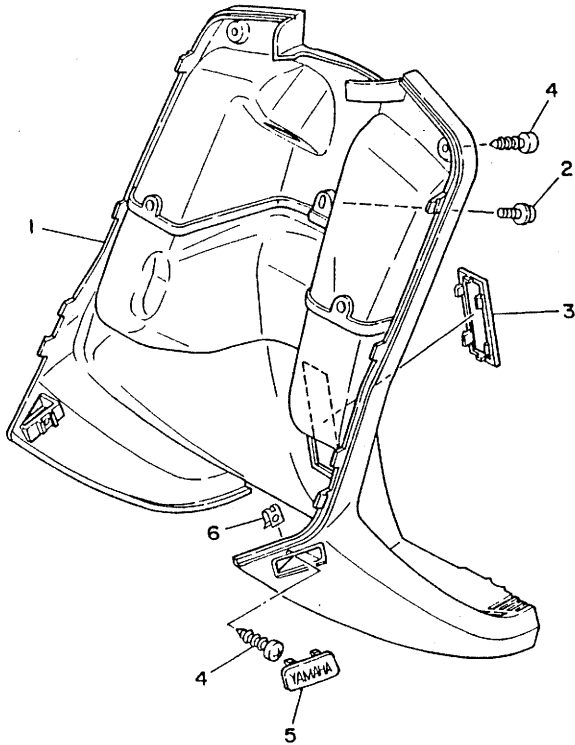
FIG. 23 STAND. FOOTREST

REF. NO.	PART NO.	DESCRIPTION	Q'TY	REMARKS
1	3KJ-27111-01	STAND, main	1	
2	90387-064A4	COLLAR	1	
3	90240-10132	PIN, clevis	1	
4	90202-10120	WASHER, plate	1	
5	90468-12006	CLIP	1	
6	2E9-27116-01	SPRING, main stand	1	
7	3KJ-27481-00	BOARD, footrest	1	SOLID FINE SILVER
8	90119-06060	BOLT, with washer	4	
9	25G-21535-00	NUT 1	2	



3UC1750-0230

FIG. 24 LEG SHIELD



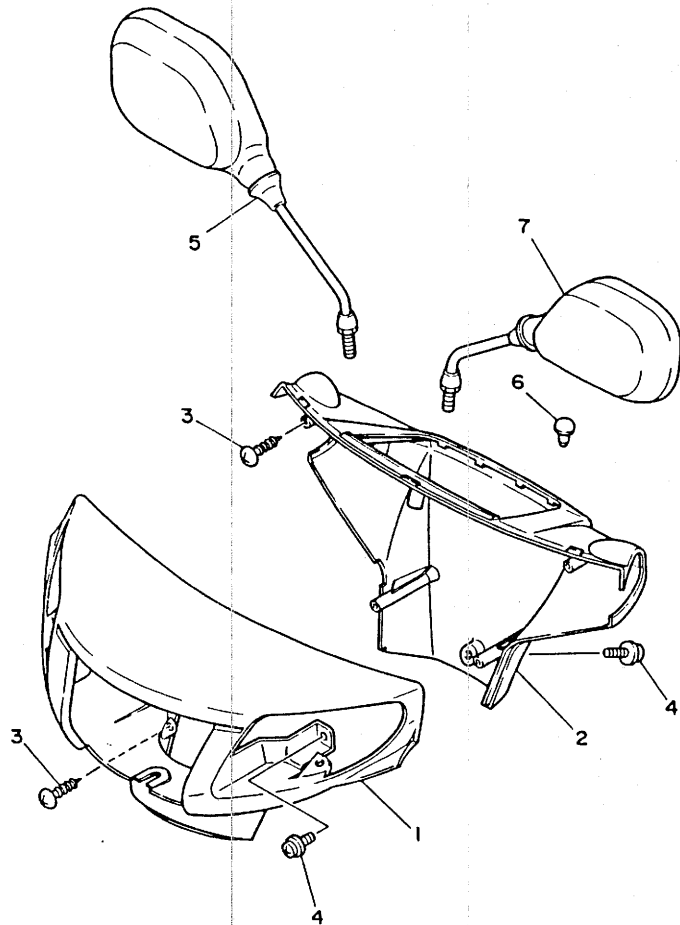
REF. NO.	PART NO.	DESCRIPTION	Q'TY	REMARKS
1	3KJ-28300-00	LEG SHIELD ASSY	1	SOLID FINE SILVER
2	90159-06079	SCREW, with washer	1	
3	20H-28349-01	CAP	1	
4	90167-05041	SCREW, tapping	4	
5	3FC-27475-20	CAP 1	2	SOLID FINE SILVER
6	90183-05042	NUT, spring	2	



3KJ1010-9240

FIG. 25 COWLING 1

REF. NO.	PART NO.	DESCRIPTION	Q'TY	REMARKS
1	3KJ-26143-00-P0	COVER, handlebar upper 1	1	UR VERY DARK BLUE COCKTAIL 2
	3KJ-26143-00-P1	COVER, handlebar upper 1	1	UR VIVID RED COCKTAIL 1
2	3KJ-26145-00	COVER, handlebar upper 2	1	SOLID FINE SILVER
3	97706-50014	SCREW, tapping	4	
4	90159-05028	SCREW, with washer	3	
5	3AA-26290-00	REAR VIEW MIRROR ASSY (RIGHT)	1	
6	90338-07124	PLUG	1	
7	3AA-26280-00	REAR VIEW MIRROR ASSY (LEFT)	1	AP

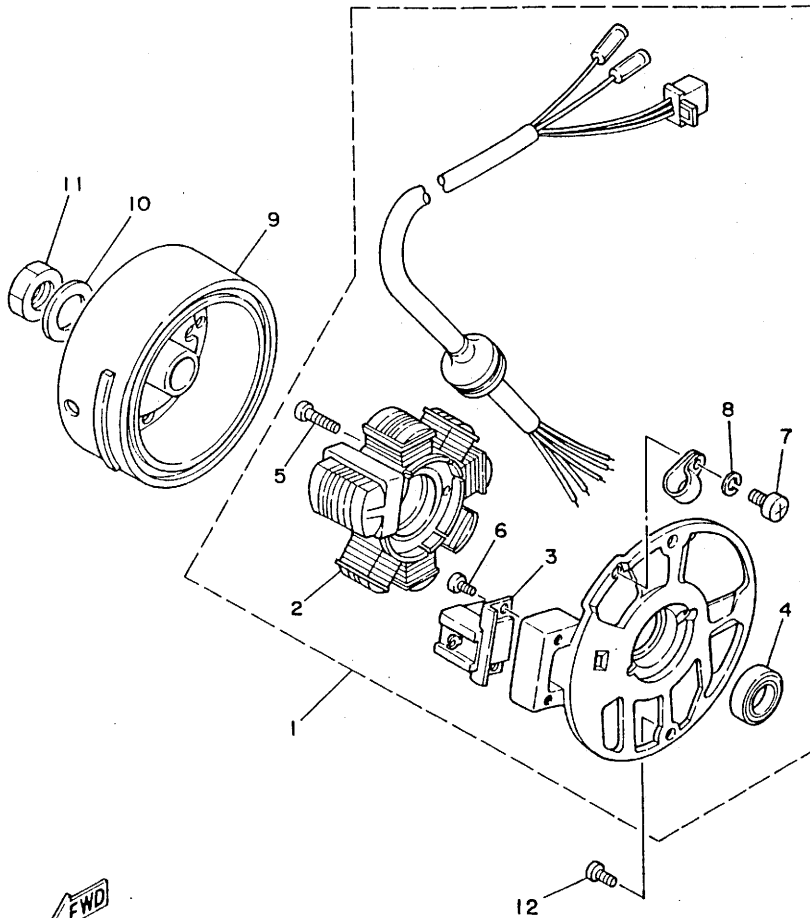


3UC1750-0250

C15

FIG. 26 GENERATOR

REF. NO.	PART NO.	DESCRIPTION	Q'TY	REMARKS
1	3KJ-85560-00	BASE ASSY	1	
2	2JA-81403-M0	.STATORCOMP.	1	
3	2JA-85580-M0	.COIL, pulser	1	
4	93104-19097	.OIL SEAL	1	
5	98501-05020	.SCREW, pan head	2	
6	98501-05010	.SCREW, pan head	2	
7	98501-04006	.SCREW, pan head	1	
8	92901-04100	.WASHER, spring	1	
9	2JA-85550-M0	ROTOR ASSY	1	
10	92990-10600	WASHER, plate	1	
11	90170-10219	NUT	1	
12	92501-06014	SCREW, pan head	2	

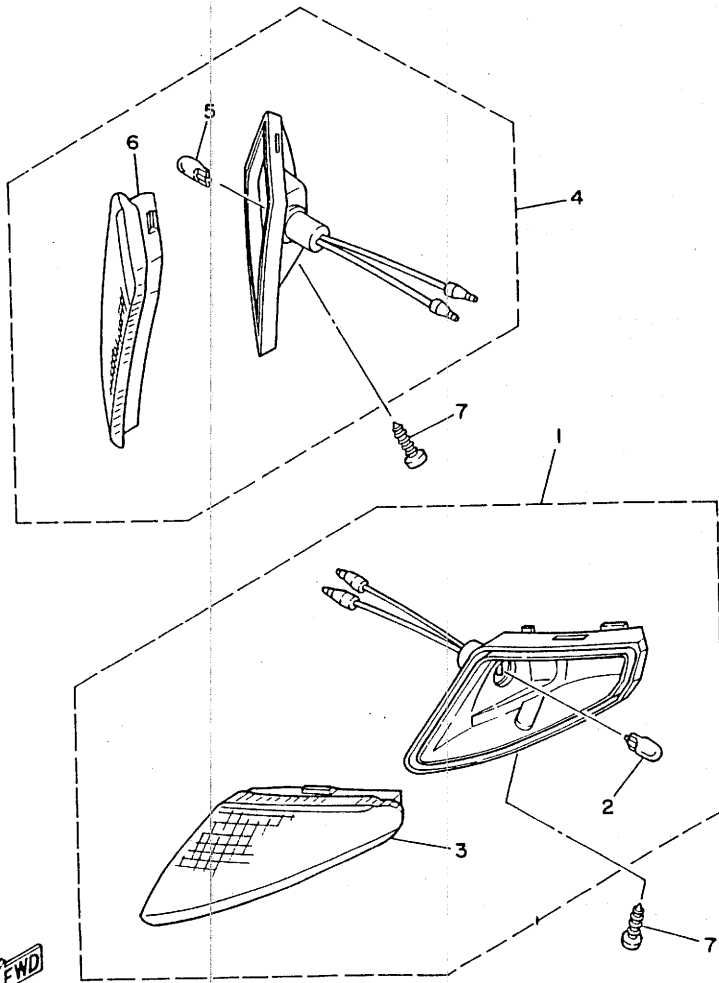


3KJ1010-9260

D2

FIG. 27 FLASHER LIGHT

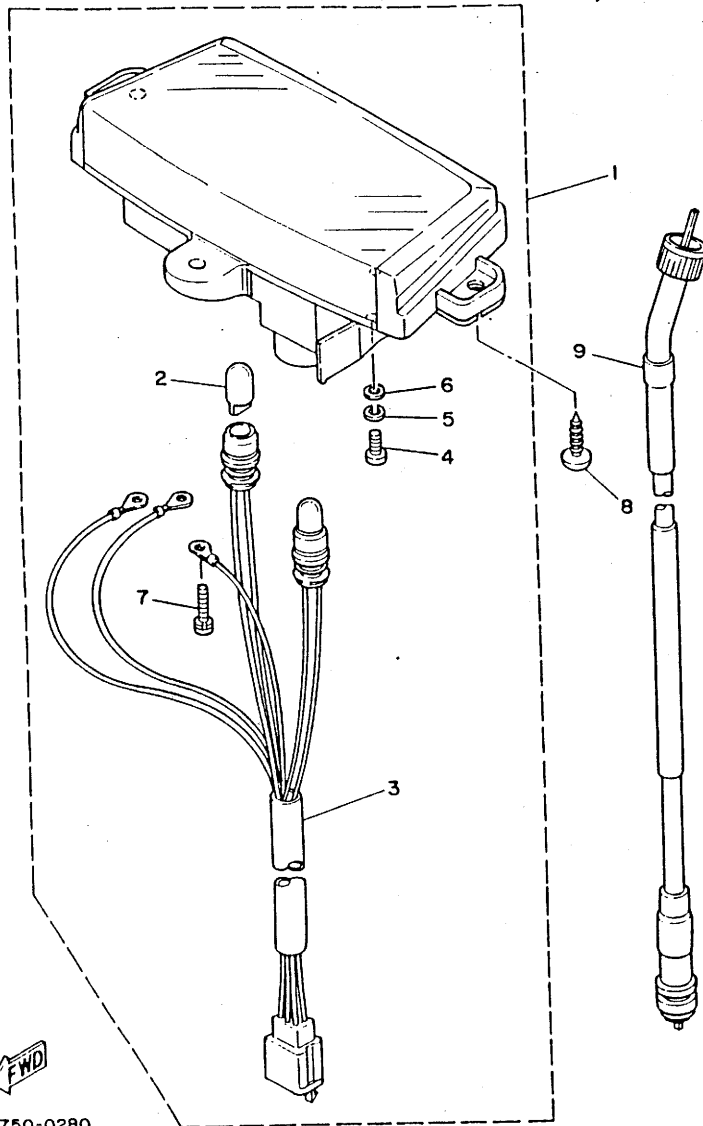
REF. NO.	PART NO.	DESCRIPTION	Q'TY	REMARKS
1	3KJ-83310-00	FRONT FLASHER LIGHT ASSY 1	1	
2	54V-83311-00	.BULB, flasher (12V-8W)	1	
3	3KJ-83312-00	.LENS, flasher	1	
4	3KJ-83320-00	FRONT FLASHER LIGHT ASSY 2	1	
5	54V-83311-00	.BULB, flasher (12V-8W)	1	
6	3KJ-83322-00	.LENS, flasher 2	1	
7	90167-05026	SCREW, tapping	2	



3KJ1010-9270

D3

FIG. 28 METER



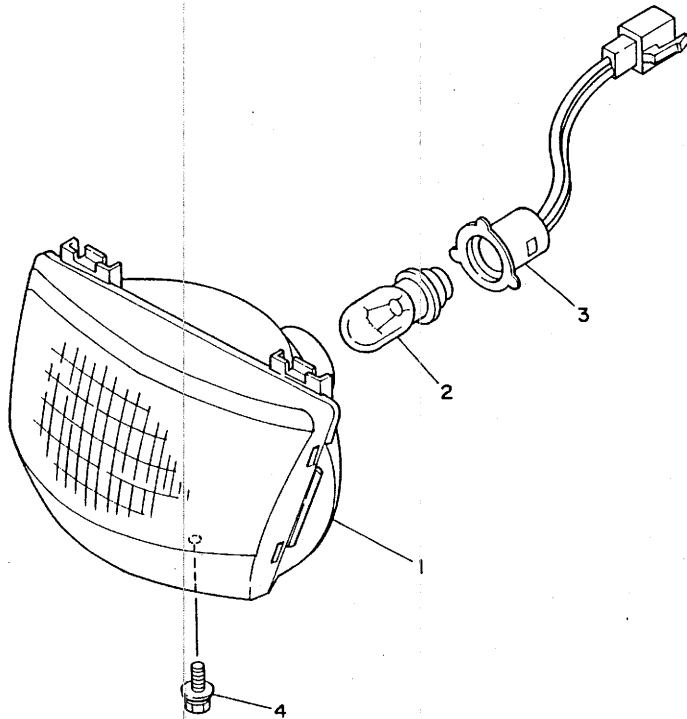
REF. NO.	PART NO.	DESCRIPTION	Q'TY	REMARKS
1	3UC-83510-00	SPEEDOMETER ASSY	1	
2	4G1-84744-00	BULB (12V-3.4W)	2	
3	3UC-83509-00	SOCKET CORD ASSY	1	
4	98580-04010	SCREW, pan head	2	
5	92901-04100	WASHER, spring	2	
6	92901-04600	WASHER, plate	2	
7	90159-03102	SCREW, with washer	3	
8	97701-50016	SCREW, tapping	3	
9	3KJ-83550-00	SPEEDOMETER CABLE ASSY	1	

3UC1750-0280

D4

FIG. 29 HEADLIGHT

REF. NO.	PART NO.	DESCRIPTION	Q'TY	REMARKS
1	3KJ-84320-00	LENS ASSY	1	
2	1YT-84314-00	BULB (12V25/25W)	1	
3	3KJ-84312-00	SOCKET	1	
4	90159-05155	SCREW, with washer	1	

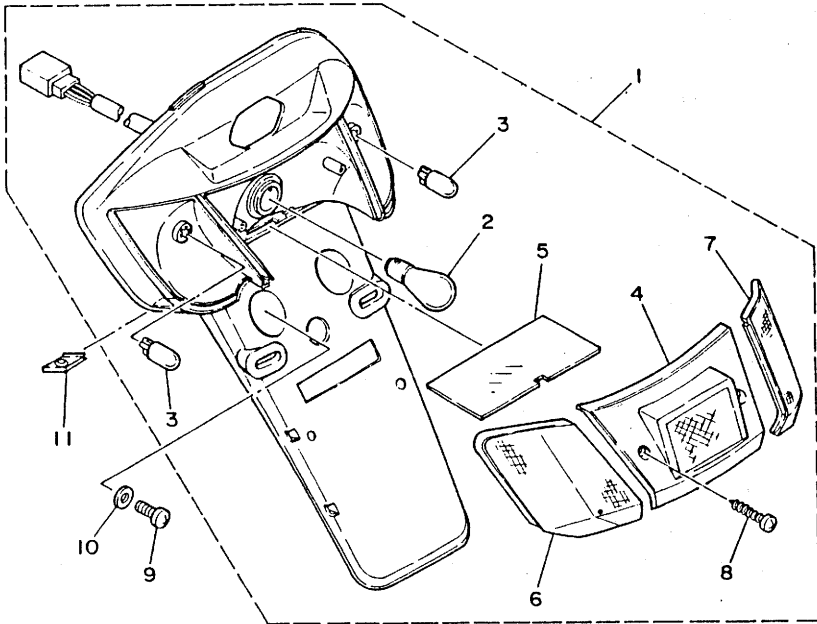


3KJ1010-9290

D5

FIG. 30 TAILLIGHT

REF. NO.	PART NO.	DESCRIPTION	Q'TY	REMARKS
1	3KJ-84700-00	TAILLIGHT ASSY	1	
2	31L-84714-00	.BULB, taillight (12V-21/5W)	1	
3	54V-83311-00	.BULB, flasher (12V-8W)	2	
4	3KJ-84721-00	.LENS, taillight	1	
5	3KJ-84743-00	.LENS, licence light	1	
6	3KJ-83332-00	.LENS, flasher	1	
7	3KJ-83342-00	.LENS, flasher 2	1	
8	97701-40525	.SCREW, tapping	2	
9	92501-06014	SCREW, pan head	2	
10	92901-06600	WASHER, plate	2	
11	90183-05042	NUT, spring	2	

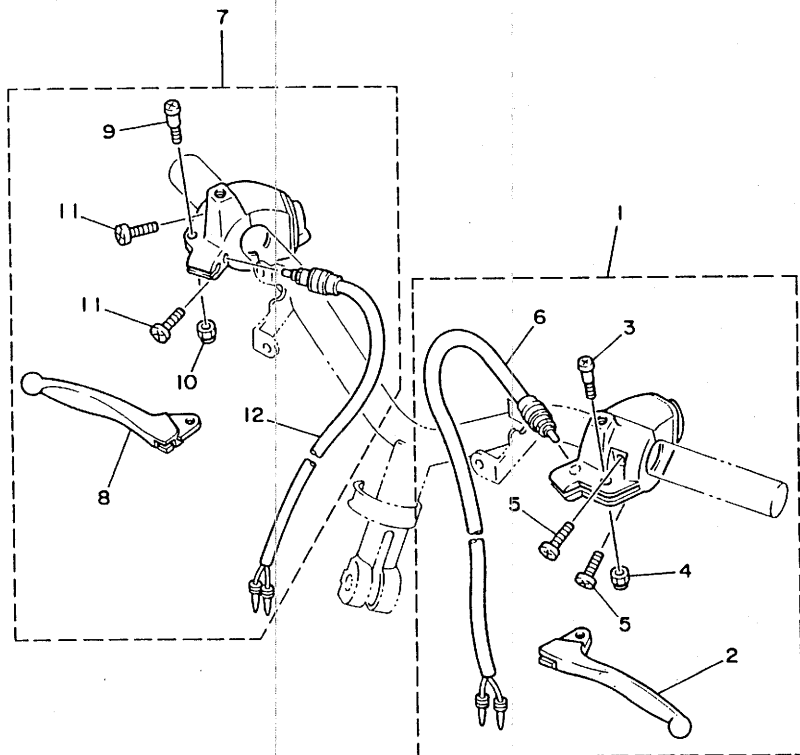


3KJ1010-9300

D6

FIG. 31 HANDLE SWITCH. LEVER

REF. NO.	PART NO.	DESCRIPTION	Q'TY	REMARKS
1	3KJ-82910-00	LEVER HOLDER ASSY (LEFT)	1	
2	2T4-83912-01	.LEVER 1	1	
3	90149-06175	.SCREW	1	
4	90185-05155	.NUT, self-locking	1	
5	98506-05016	.SCREW, pan head	2	
6	3E1-83980-00	.FRONT STOP SWITCH ASSY	1	
7	3KJ-82920-00	LEVER HOLDER ASSY (RIGHT)	1	
8	2T4-83922-01	.LEVER 2	1	
9	90149-06175	.SCREW	1	
10	90185-05155	.NUT, self-locking	1	
11	98506-05016	.SCREW, pan head	2	
12	3E1-83980-00	.FRONT STOP SWITCH ASSY	1	

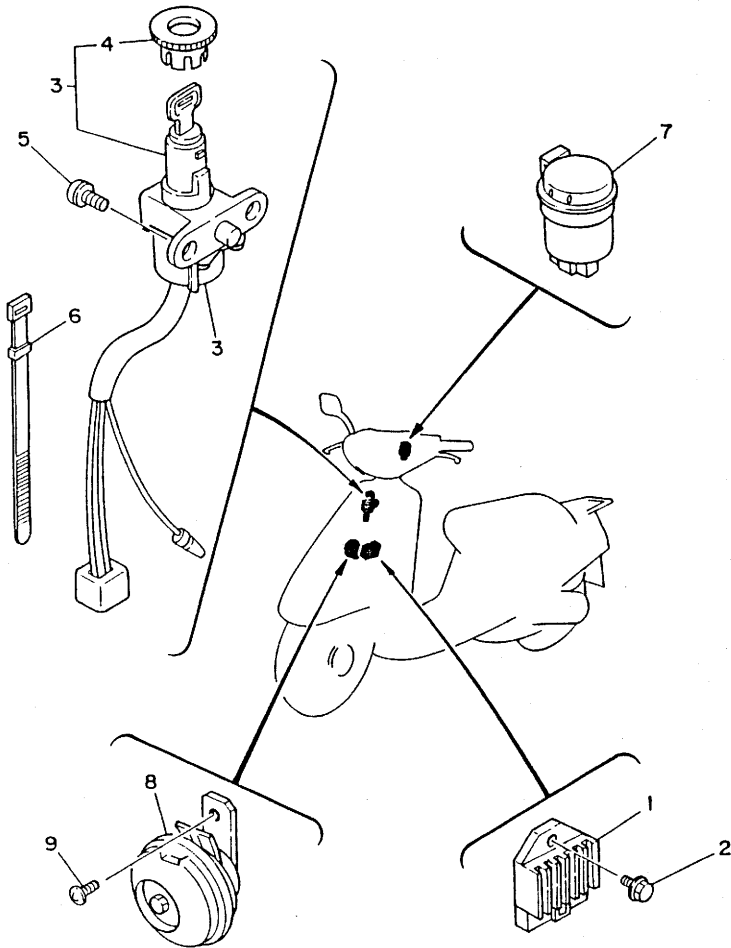


3KJ1010-9310

D7

FIG. 32 ELECTRICAL 1

REF. NO.	PART NO.	DESCRIPTION	Q'TY	REMARKS
1	3AA-81960-00	RECTIFIER & REGULATOR ASSY	1	MATSUSHITA
2	95023-06016	BOLT	1	
3	3KJ-82501-00	MAIN SWITCH STEERING LOCK	1	
4	2EX-82552-20	.CAP, switch	1	
5	90149-06250	SCREW	2	
6	25G-83936-00	BAND, switch cord	1	
7	3CP-83350-00	FLASHER RELAY ASSY	1	
8	27V-83371-20	HORN	1	
9	92501-06010	SCREW, pan head	1	



3KJ1010-9320

D8

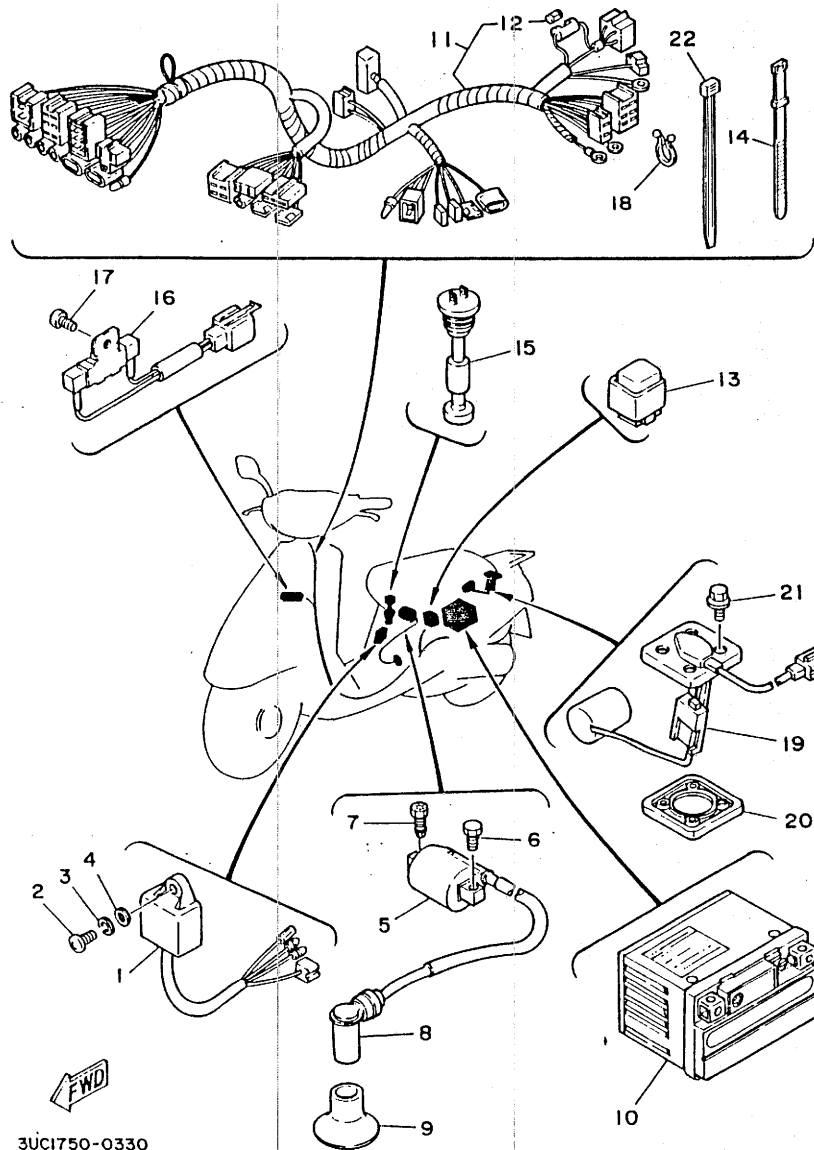


FIG. 33 ELECTRICAL 2

REF. NO.	PART NO.	DESCRIPTION	Q'TY	REMARKS
1	3KJ-85540-00	C.D.I. UNIT ASSY	1	
2	92501-06020	SCREW, pan head	1	
3	92990-06100	WASHER, spring	1	
4	92901-06600	WASHER, plate	1	
5	3KJ-82310-00	IGNITION COIL ASSY	1	
6	97313-06016	BOLT	1	
7	90153-06034	SCREW, hexagon	1	
8	56J-82370-00	PLUG CAP ASSY	1	
9	2JA-82372-00	SEAL, plug cap	1	
10	3UC-82100-10	BATTERY ASSY	1	
11	3KJ-82590-00	WIRE HARNESS ASSY	1	
12	27V-82151-00	.FUSE (7A)	1	
13	27V-81940-02	STARTER RELAY ASSY	1	
14	437-83936-11	BAND, switch cord	3	
15	53L-85720-00	OIL LEVEL GAUGE ASSY	1	
16	2JA-85370-00	RESISTOR ASSY	1	
17	92501-06010	SCREW, pan head	1	
18	90465-18147	CLAMP	1	
19	3KJ-85752-00	SENDER UNIT ASSY, fuel meter	1	
20	5G3-85753-00	GASKET, sender unit	1	
21	90119-05071	BOLT, with washer	4	
22	90465-13169	CLAMP	1	

3UC1750-0330

NUMERICAL INDEX

PART NO.	GRID NO.	PART NO.	GRID NO.	PART NO.	GRID NO.	PART NO.	GRID NO.	PART NO.	GRID NO.	PART NO.	GRID NO.
27V-W2536-00	C- 9	14T-14384-00	B- 7	3KJ-17410-00	B-14	2E9-23412-00	C- 6	5G3-26241-00	C-12	3KJ-83342-00	D- 6
36R-W2536-00	C-11	1HV-14385-01	B- 7	3KJ-17420-00	B-14	2E9-23413-01	C- 6	5G3-26242-00	C-12	3CP-83350-00	D- 8
3KJ-11111-00	B- 2	367-14386-00	B- 7	3KJ-17611-00	B-12	2E9-23414-01	C- 6	2GN-26243-00	C-12	27V-83371-20	D- 8
3KJ-11181-00	B- 2	2JA-14392-00	B- 7	2EX-17620-00	B-12	2E9-23454-00	C- 6	53L-26261-01	C-12	3UC-83509-00	D- 4
3KJ-11311-00	B- 2	3KJ-14411-00	B- 6	3AA-17623-00	B-12	3KJ-24110-00	C- 7	3AA-26280-00	C-15	3UC-83510-00	D- 4
3KJ-11351-00	B- 2	3KJ-14412-00	B- 6	52W-17632-00	B-12	3KJ-2411A-01	C- 7	3AA-26290-00	C-15	3KJ-83550-00	D- 4
3KJ-11400-00	B- 3	3KJ-14437-00	B- 6	3KJ-17641-00	B-12	3KJ-24311-00	C- 7	2EK-26293-00	C-12	2T4-83912-01	D- 7
3KJ-11412-00	B- 3	3KJ-14451-00	B- 6	1NT-17653-00	B-12	3KJ-24500-00	C- 7	3KJ-26311-00	C-12	2T4-83922-01	D- 7
3KJ-11422-00	B- 3	3KJ-14452-00	B- 6	3AA-17660-01	B-12	3KJ-24602-00	C- 7	3KJ-26312-00	C-12	25G-83936-00	D- 8
260-11601-02	B- 3	3KJ-14453-00	B- 6	24G-17664-00	B-13	3KJ-2470F-00	C- 8	1YU-26329-00	C-12	437-83936-01	C-12
260-11601-22	B- 3	3KJ-14610-00	B- 8	3AA-17670-00	B-12	3FC-24705-02	C- 8	2JA-26329-00	B- 7	437-83936-11	D- 9
3CP-11631-00-96	B- 3	24G-14613-00	B- 8	3KJ-17684-00	B-13	3KJ-24710-00	C- 8	304-26329-00	C-12	3E1-83980-00	D- 7
27V-11633-00	B- 3	2JA-14718-00	B- 8	3KJ-21110-01	B-15	3KJ-24717-00	C- 8	3KJ-26341-00	C-12		D- 7
3CP-11636-00	B- 3	2JA-14766-00	B- 8	3KJ-21232-00	B-15	3KJ-24726-00	C- 8	3KJ-26342-00	C-12	3KJ-84312-00	D- 5
2E9-11651-00	B- 3	52W-14766-00	B- 8	3KJ-21381-00	C- 5	3KJ-2473R-00	C- 8	3KJ-26351-00	C-12	1YT-84314-00	D- 5
1YU-11681-00	B- 3	3KJ-1490J-00	B- 7	2T4-2139X-01	B-15	3KJ-24747-00	C- 8	17J-2637A-00	C-12	3KJ-84320-00	D- 5
3KJ-12611-00	B- 4	3KJ-15110-00	B- 9	3KJ-21398-00	C- 8	3KJ-2475M-00	C- 8	17J-26372-00	C-12	3KJ-84700-00	D- 6
3KJ-12651-00	B- 4	3KJ-15120-00	B- 9	3KJ-21410-00	B-15	3FC-2483H-00	C- 8	3KJ-26393-00	C-12	31L-84714-00	D- 6
3KJ-12653-01	B- 4	1HV-15128-00	B- 9	2T4-21481-01	B-15	3KJ-24842-00	C- 8	3KJ-27111-01	C-13	3KJ-84721-00	D- 6
3KJ-12658-00	B- 4	3KJ-15316-00	B-10	3KJ-21481-00	B-15	3KJ-24845-00	C- 3	2E9-27116-01	C-13	3KJ-84743-00	D- 6
3KJ-13100-00	B- 5	3KJ-15317-00	B- 9	3KJ-21511-00-P0	C- 2	3KJ-24846-00	C- 3	3FC-27475-20	C-14	4G1-84744-00	D- 4
3AA-13124-00	B- 5	3KJ-15326-00	B-10	3KJ-21511-00-P1	C- 2	25K-25116-00	C- 9	3KJ-27481-00	C-13	3KJ-85540-00	D- 9
2GM-13178-00	B- 5	3KJ-15335-00	B-10	25G-21535-00	C-13	2GM-25121-00-P0	C- 9	3KJ-28300-00	C-14	3KJ-85550-M0	D- 2
1YU-13185-00	B- 5	3KJ-15337-00	B-10	3KJ-21552-00	C- 2	2GM-25121-00-UJ	C- 9	20H-28349-01	C-14	2JA-85560-00	D- 2
1YU-13187-00	B- 5	4J2-15363-00	B- 9	27V-21553-03	C- 2	3L8-2513A-00	C- 9	2JA-81403-M0	D- 2	3KJ-85560-00	D- 2
50M-13342-00	B-11	583-15371-00	B- 9	3KJ-21578-02	C- 2	52H-2513A-00	C-11	3KJ-81800-00	B-11	2JA-85580-M0	D- 2
1YU-13473-00	B- 5	3KJ-15411-00	B- 9	3KJ-2171L-00	C- 3	2E9-25135-00	C- 9	27V-81940-02	D- 9	53L-85720-00	D- 9
1YU-13516-00	B- 5	3KJ-15421-00	B- 9	3KJ-2171M-00	C- 3	2E9-25137-01	C-10	3AA-81960-00	D- 8	3KJ-85752-00	D- 9
3KJ-13555-00	B- 6	3KJ-15431-00	B-10	3KJ-2171M-00	C- 3	2T4-25137-00	C- 9	3UC-82100-10	D- 9	5G3-85753-00	D- 9
1YU-13577-00	B- 5	3KJ-15451-00	B- 9	3KJ-21711-00-P0	C- 3	2E9-25138-00	C- 9	3KJ-82129-00	C- 8	90101-06278	C-11
3KJ-13610-00	B- 6	3KJ-15461-00	B- 9	3KJ-21721-00-P0	C- 3	3KJ-25151-00	C- 9	27V-82151-00	D- 9	90102-10059	C- 5
3KJ-13613-00	B- 6	3KJ-15462-00	B-10	3KJ-21721-00-P1	C- 3	2T4-25155-00	C- 9	3KJ-82310-00	D- 9	90105-08121	C- 5
3KJ-13616-00	B- 6	3KJ-15481-00	B-10	3KJ-21751-00	C- 4	25K-25159-00	C- 9	56J-82370-00	D- 9	90105-10036	C-12
3KJ-13621-00	B- 6	3AA-15513-00	B-11	2N3-21771-01	C- 4	3KJ-25180-00-P0	C- 9	2JA-82372-00	D- 9	90109-063F1	C- 8
3KJ-1410A-00	B- 7	3KJ-15528-00	B-11	3KJ-21778-00	C- 3	3KJ-25180-00-UJ	C- 9	3KJ-82501-00	D- 8	90109-063F5	C- 7
2JA-14103-00	B- 7	3KJ-15532-00	B-11	3KJ-21781-10	C- 2	54V-25181-00	C- 9	3KJ-82541-00	B-11	90116-07353	B- 2
14T-14104-00	B- 7	3KJ-15570-00	B-11	3KJ-21781-20	C- 2	3KJ-25185-00	C- 9	2EX-82552-20	D- 8	90119-05071	D- 9
2T4-14126-01	B- 7	3KJ-15601-00	B-11	3KJ-21782-02	C- 3	3KJ-25185-00	C- 9	3KJ-82590-00	D- 9	90119-06042	C- 4
1HV-14147-00	B- 7	3KJ-15620-01	B-11	3KJ-21783-02	C- 3	3KJ-25326-00	C-11	3KJ-82910-00	D- 7	90119-06050	C-13
288-14161-00	B- 7	3AA-15631-00	B-11	3KJ-22210-00	C- 5	3KJ-25336-00	C-11	3KJ-82920-00	D- 7	90119-06085	C- 2
3KJ-14301-00	B- 7	3AA-15650-00	B-11	164-22216-00	B- 9	3KJ-25351-00	C-11	3KJ-83310-00	D- 3	90149-06175	D- 7
14T-14312-25	B- 7	3KJ-15657-00	B-12	3KJ-23100-00	C- 6	3KJ-25357-00	C-11	54V-83311-00	D- 3		D- 7
14T-14323-00	B- 7	3KJ-15659-00	B- 9	3KJ-23110-00	C- 6	3KJ-25390-00-P0	C-11		D- 3	90149-06184	C- 3
1YU-14331-00	B- 7	32N-15673-00	B-11	3KJ-23120-00	C- 6	3KJ-25390-00-UJ	C-11		D- 6	90149-06250	D- 8
33A-14341-00	B- 7	3KJ-16111-00	B-12	3KJ-23141-00	C- 6	3KJ-26110-00	C-12	3KJ-83312-00	D- 3	90153-06034	D- 9
14T-14343-38	B- 7	24G-16611-03	B-12	2E9-23143-00	C- 6	3KJ-26143-00-P0	C-15	3KJ-83320-00	D- 3	90153-06038	B-11
3KJ-14349-00	B- 7	2JA-16620-00	B-12	1RN-23195-00	C- 6	3KJ-26143-00-P1	C-15	3KJ-83322-00	D- 3	90153-06061	B- 8
17J-14353-21	B- 7	24G-16626-00	B-12	3KJ-23411-01	C- 6	3KJ-26145-00	C-15	3KJ-83332-00	D- 6	90159-03102	D- 4

NUMERICAL INDEX

PART NO.	GRID NO.	PART NO.	GRID NO.	PART NO.	GRID NO.	PART NO.	GRID NO.	PART NO.	GRID NO.	PART NO.	GRID NO.
90159-05028	C-15	90249-12008	C-12	92501-06014	B- 4	93306-20006	B-14	98506-05016	D- 7		
90159-05155	D- 5	90255-10007	C- 8		D- 2		C- 9		D- 7		
90159-06079	C-14	90280-03017	B- 3		D- 6	93306-20010	B-14	98580-04010	D- 4		
90159-06124	C- 2	90338-07124	C-15	92501-06020	B- 9	93306-20310	B-14	98580-04016	B- 7		
90167-05026	D- 3	90380-15083	B-11		D- 9	93306-20458	B- 3	98580-05016	B- 7		
90167-05041	C- 2	90387-06067	B- 8	92501-06025	B- 9	93310-210M0	B- 3	98580-06016	B- 7		
	C- 3	90387-064A4	C-13	92501-06035	B- 9	93310-257R1	B-11	98906-06016	B- 8		
	C- 3	90387-067V1	B- 4		B- 9	93310-416F7	B- 3	99009-15400	B-11		
	C- 3		B- 6		B- 9	93420-40064	B-14	99009-17400	B- 9		
	C- 8	90387-132W6	B-12	92501-06065	B- 9	93450-11120	B- 3		B-12		
	C-14	90387-156U0	B- 3	92506-06020	B- 4	93505-32002	C- 6	99009-19400	B- 5		
90167-05055	C- 3	90445-05160	B- 5		B- 6	93603-12007	B- 5	99510-12016	B- 9		
90170-10219	B-12	90445-07166	C- 7	92901-04100	B- 7	93900-00027	C- 9	99530-10014	B- 9		
	D- 2	90445-09304	B- 5		D- 2		C-11		B- 9		
90170-10317	B-12	90445-11161	C- 7		D- 4	94108-107U3	C- 9				
90176-06065	C- 7	90445-11702	C- 7	92901-04600	D- 4		C-11				
	C- 8	90446-07317	B- 9	92901-05100	B- 7	94701-00198	B- 2				
90179-06176	C-12	90460-32242	B- 6	92901-06600	B- 4	94701-00235	B- 2				
	C-12	90465-13169	D- 9		D- 6	95023-06016	D- 8				
90179-07381	B- 2	90465-18147	D- 9		D- 9	95303-05600	C- 9				
90179-28415	B-12	90467-08003	B- 5	92902-03600	B- 6	95601-12200	B-15				
90183-05042	C- 3	90467-09006	C- 7	92906-06600	B- 4	95701-06500	C- 8				
	C- 3	90467-11102	C- 7		B- 6	95701-08500	C-11				
	C-14	90468-02033	B- 5	92990-06100	B- 4	95701-10500	C- 5				
	D- 6		B- 5		B- 7	95801-08016	B- 9				
90185-05155	D- 7	90468-12006	C-13		D- 9	95811-08012	C- 5				
	D- 7	90468-12182	C- 5	92990-06200	B- 8	95816-06012	B-15				
90185-10154	B-15	90468-20127	B- 6	92990-10600	D- 2		C- 2				
	C- 9	90480-10468	B- 4	93101-20138	B- 3		C- 2				
	C-12	90480-12237	B- 8	93102-17342	B-12		C- 7				
	C-11	90480-12497	B- 4	93102-20425	B- 3	95816-08012	C- 8				
90185-14150	C- 9		B- 6	93102-22314	B-14	95816-08020	B- 8				
90201-064L6	B-12	90501-10513	C-12	93104-19097	D- 2	95816-08030	B- 8				
90201-064T2	B- 9	90501-29517	B-15	93106-17015	C- 9	97021-05020	C- 9				
90201-08087	B-11	90501-357F3	B-13	93109-33049	B-12	97313-06016	D- 9				
90201-084M4	C- 8	90506-14081	C- 9	93109-34057	C- 9	97701-40525	D- 6				
90201-12175	B-14	90506-18288	C-11	93210-06550	B-12	97701-50016	D- 4				
90201-123K4	B-12	90508-32609	B-11	93210-07540	C-11	97702-60540	B- 4				
90201-131H4	C-11	90560-06366	C- 7	93210-10096	C-10	97706-30505	B- 8				
90201-142M6	B-11	90560-10289	C- 9	93210-14104	B- 9	97706-50014	C-15				
90201-154E9	C-11	90560-10360	C- 9	93210-23614	B-11	97780-50125	B- 6				
90201-17255	B-11	91316-06020	B- 6	93210-38687	B-13	98501-03006	B- 7				
90201-573J7	C-13		B-11	93210-64488	B- 4	98501-03008	B- 6				
90202-10120	B-12	92501-06010	B-12	93300-63808	B-12	98501-04006	D- 2				
90208-10012	B-14		D- 8	93306-00314	B- 9	98501-05010	D- 2				
90208-12049	B-12		D- 9		B- 9	98501-05016	B- 5				
90214-13055	C-13	92501-06012	B-10	93306-00315	B-12	98501-05020	D- 2				
90240-10132	C-12		B-11	93306-20005	C- 9	98506-05010	C-12				
90249-12008											