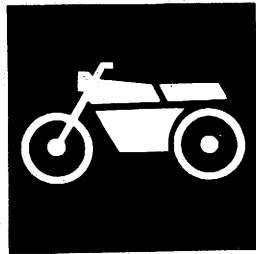


M/FICHE MASTER



YAMAHA

PARTS CATALOGUE

CE50E (46V)

VENEZUELA
R. DOMINICANA
S. AFRICA

1346V-262E1

7802

FOREWORD

This Parts Catalogue is related to the parts in use for the Yamaha CE 50E (46V).
When you are ordering replacement parts for the CE 50E (46V), refer to this Parts Catalogue and quote both part numbers and part names correctly.

1. Modifications or additions which have been made after issue of the Parts Catalogue will be announced in the Yamaha Parts News.

It is advisable that according to the Yamaha Parts News you make necessary corrections to the Parts Catalogue on hand to keep it up-to-date.

2. Abbreviations

The following abbreviations are used in this Parts Catalogue.

- U.R. Use size (thickness) and/or number as required.
- U.N. Use as many as you need.
- A.P. Alternate Parts
- L.M. Local Made
- F# Frame No. (Applicable machine No.)

3. The parts marked with (*) in the parts number column of this Catalogue are not supplied with by Yamaha, those have to be found locally.

4. Parts, which are to be supplied in the form of assemblies, are listed with an indentation of one letter's space, and a dot (.) is put against the name of each part.

EXAMPLE CARBURETOR ASS'Y
 . JET, pilot
 . NOZZLE, main

5. Indication of No. of constituent parts for assembly

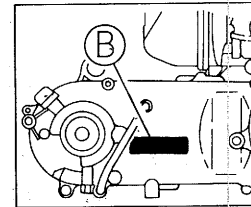
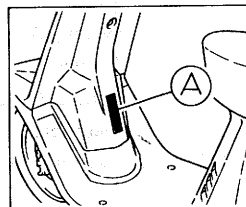
The numeral appearing to the right of each constituent part under the description indicates the quantity of such parts for each individual assembly unit.

EXAMPLE

Part No.	Description	Q'ty	Remarks
2F5-83310-60	FRONT FLASHER LIGHT ASS'Y	2	
115-83311-60	. BULB (6V-18W)	1	
1M1-83309-60	. REFLECTOR	1	

6. Initial Serial No. and Color Code

(A) Frame Serial No.	14T-2207101 and following	→	<i>OR 46V</i>
(B) Engine Serial No.	46V-2207101 and following	→	<i>OR 14T</i>



Color Code	Color Name	Abbreviate
20	Crystal Silver	CSL
EH	Creamy White	CMW
AJ	Stormy Red	SMR
AK	Mild Blue	MIB

7. Applicable colors of graphics are represented in the "Remarks" column by the letter(s) appropriately picked out of the full word(s) showing such colors.

EXAMPLE

Part No.	Description	Q'ty	Remarks
2N4-24110-00-X5	FUEL TANK COMP.	1	MAXIM RED
3J1-24240-10	. GRAPHIC, fuel tank set	1	for MXR

CONTENTS

GENERAL SPEC.

ENGINE

Cylinder	B2
Crankshaft · Piston	B3
Air Shroud · Fan	B4
Oil Pump	B5
Intake	B6
Carburetor	B7
Exhaust	B8
Crankcase	B9 ~ B10
Starter	B11
Clutch	B12
Transmission	B13

CHASSIS

Frame	B14 ~ B15
Fender	C2
Side Cover	C3
Oil Tank	C4
Rear Suspension	C5
Front Fork	C6
Fuel Tank	C7
Seat	C8
Front Wheel	C9 ~ C10
Rear Wheel	C11
Steering Handle · Cable	C12 ~ C13
Stand · Footrest	C14
Leg Shield	C15
Cowling 1	D2
Generator	D3

INDIVIDUAL SPEC.

FOR S. AFRICA

Cylinder	D13
Fender	D14
Side Cover	D15
Meter	E2
Handle Switch · Lever	E3
Electrical 1	E4
Electrical 2	E5

INDEX (INDIVIDUAL SPEC.)

Numerical Index	L2
-----------------------	----

INDEX (GENERAL SPEC.)

Numerical Index	K2 ~ K4
Parts Name Index	M1 ~ M4



GENERAL SPEC.

0342 JAN 1933

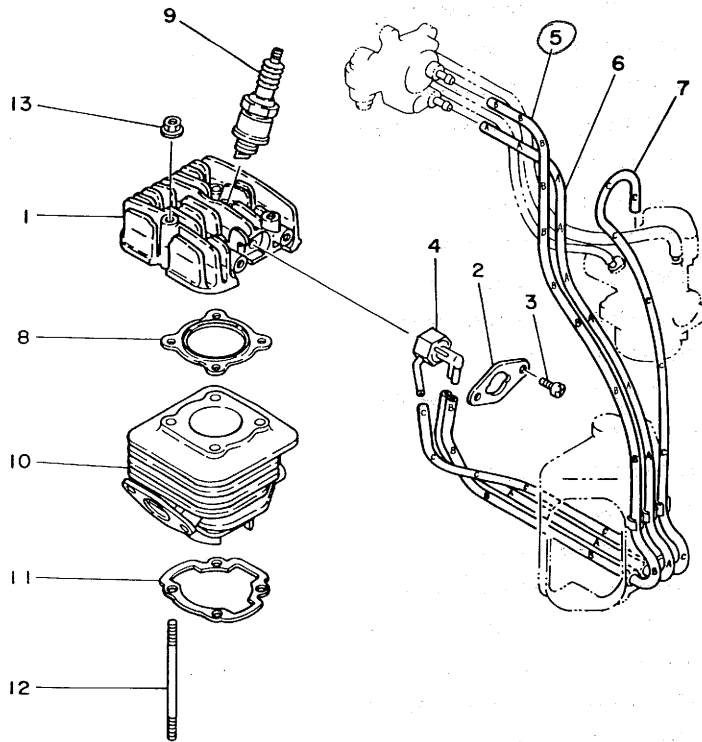


FIG. 1 CYLINDER

REF. NO.	PART NO.	DESCRIPTION	Q'TY	REMARKS
1	27V-11111-00	HEAD, cylinder 1	1	
2	2T4-1111F-00	PLATE	1	
3	92501-06012	SCREW, pan head	2	
4	27V-14399-00 54V-14399-00	VALVE, bimetal	1	~2208585
		" "	1	2208586~
5	90445-08775 27V-14309-00	HOSE JET	1	~2207300
		"	1	2207301~
6	90445-08774 90445-085A2	HOSE	1	~2208585
		"	1	2208586~
7	90445-08779 90445-08630	HOSE	1	~2208585
		"	1	2208586~
8	517-11181-00	GASKET, cylinder head 1	1	
9	94701-00232	PLUG, spark (NGK BP6HS)	1	
10	27V-11311-00	CYLINDER 1	1	
11	24G-11351-00	GASKET, cylinder	1	
12	90116-06418	BOLT, stud	4	
13	90179-06337	NUT	4	

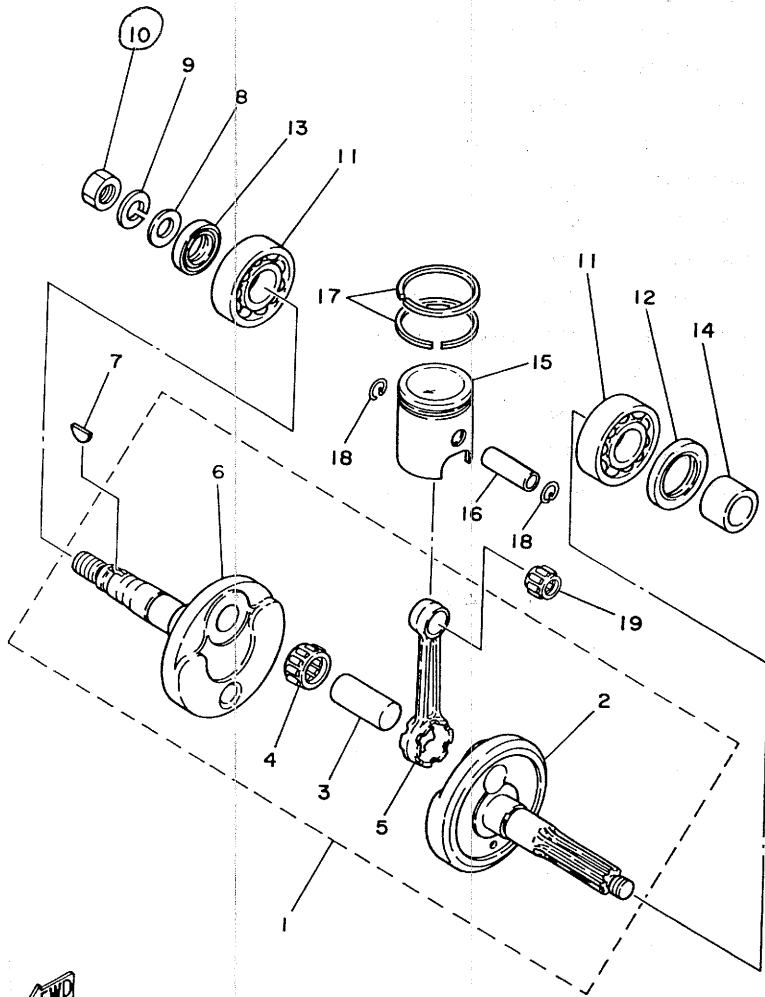


27V010-3010

P/NEWS M/C 84038
" " 83040

B2

FIG. 2 CRANKSHAFT. PISTON



REF. NO.	PART NO.	DESCRIPTION	Q'TY	REMARKS
1	27V-11400-00	CRANKSHAFT ASSY	1	
2	27V-11412-00	.CRANK 1	1	
3	2E9-11681-00	.PIN, crank 1	1	
4	93310-416F7	.BEARING, cylindrical	1	
5	2E9-11651-00	.ROD, connecting	1	
6	14T-11422-00	.CRANK 2	1	
7	90280-03017	KEY, woodruff	1	
8	92901-12600	WASHER, plate	1	
9	92901-12100	WASHER, spring	1	
10	95301-12600	NUT	1	
11	93306-20418 20453	BEARING (20404CS)	2	
12	93102-20315	OIL SEAL	1	
13	93101-20107	OIL SEAL	1	
14	90387-167J0	COLLAR	1	
15	27V-11631-00-96	PISTON (STD)	1	
	27V-11635-00	PISTON (0.25MM O/S)	1	AP
	27V-11636-00	PISTON (0.50MM O/S)	1	AP
16	27V-11633-00	PIN, piston	1	
17	24G-11610-00	PISTON RING SET (STD)	1	
	24G-11610-10	PISTON RING SET (1ST O/S)	1	AP
	24G-11610-20	PISTON RING SET (2ND O/S)	1	AP
18	93450-11021	CIRCLIP	2	
19	93310-210M0	BEARING, cylindrical	1	



27V010-3020

B3

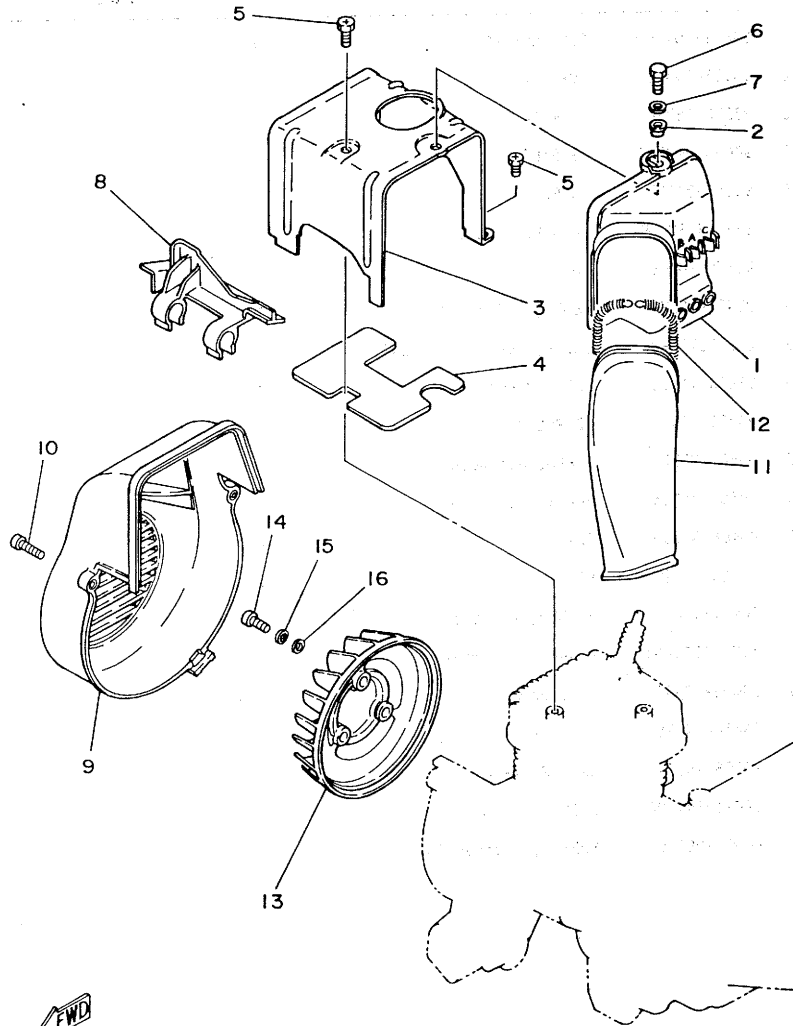
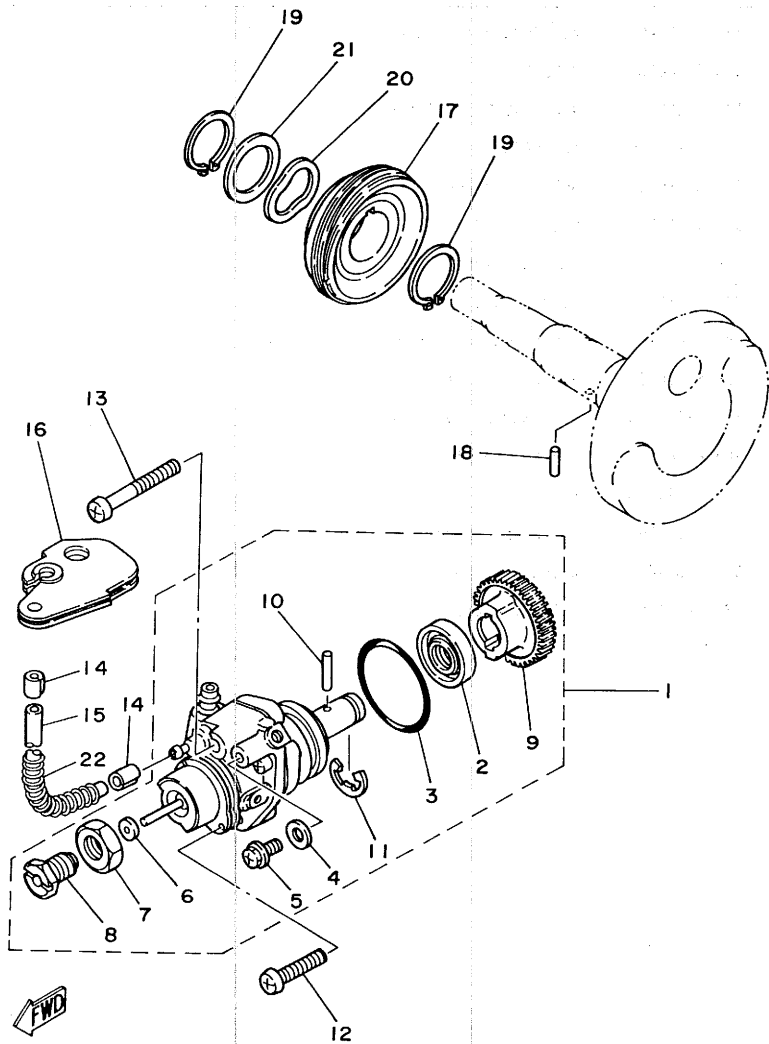


FIG. 3 AIR SHROUD. FAN

REF. NO.	PART NO.	DESCRIPTION	Q'TY	REMARKS
1	14T-12651-00	AIR SHROUD, cylinder 1	1	
2	90387-06020	COLLAR	1	
3	14T-12652-00	AIR SHROUD, cylinder 2	1	
4	14T-11161-00	ABSORBER 1	1	
5	90153-06020	SCREW, hexagon	2	
6	97301-06014	BOLT	1	
7	92901-06600	WASHER, plate	1	
8	24G-12655-00	STAY, clamp 1	1	
9	14T-12653-00	AIR SHROUD, cylinder 3	1	
10	92506-06020	SCREW, pan head	2	
11	14T-12654-00	AIR SHROUD, cylinder 4	1	
12	90506-06279	SPRING, tension	1	
13	25K-12611-00	FAN	1	
14	92501-06014	SCREW, pan head	3	
15	92901-06100	WASHER, spring	3	
16	92901-06600	WASHER, plate	3	

27V010-3040

FIG. 4 OIL PUMP

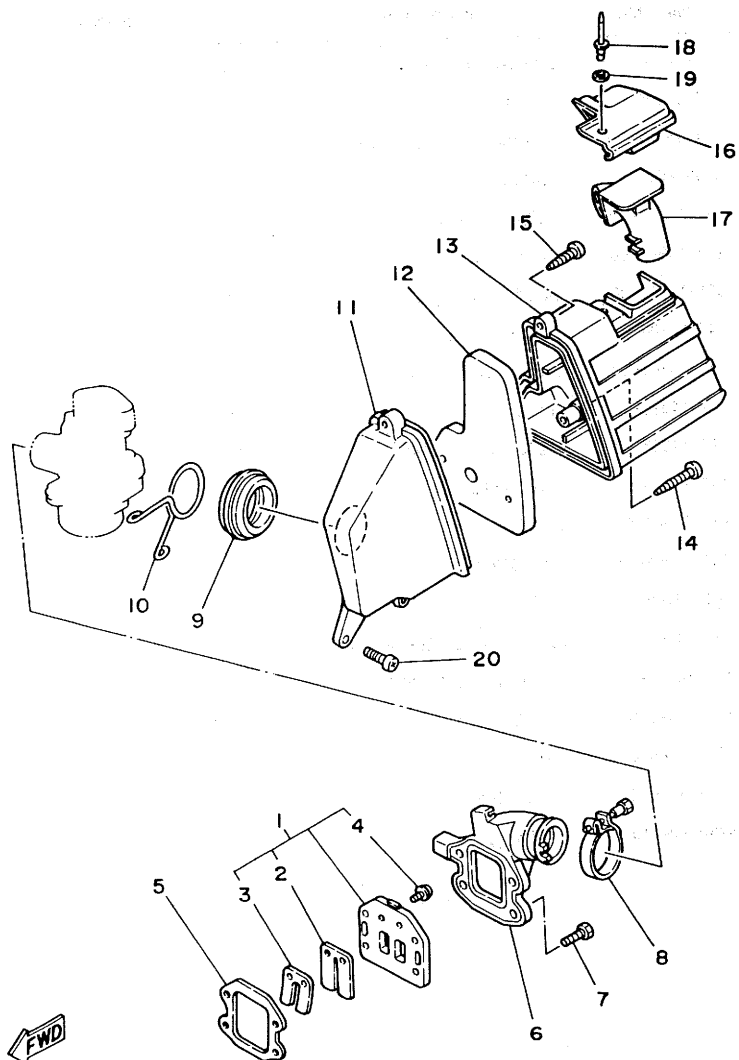


REF. NO.	PART NO.	DESCRIPTION	Q'TY	REMARKS
1	566-13101-00	OIL PUMP ASSY	1	
2	93101-10001	.OIL SEAL	1	
3	93210-26240	.O-RING	1	
4	90430-04004	.GASKET	1	
5	90149-04135	.SCREW	1	
6	384-13138-00	.PLATE, adjusting	1	
7	90170-10105	.NUT	1	
8	90401-10029	.BOLT, union	1	
9	296-13124-00	.GEAR, worm wheel (56T)	1	
10	93603-14026	.PIN, dowel	1	
11	93430-07012	.CIRCLIP	1	
12	98501-05020	SCREW, pan head	1	
13	98501-05035	SCREW, pan head	1	
14	90468-02033	CLIP	2	
15	90445-05629	HOSE	1	
16	2E9-13174-00	HOLDER, oil pipe	1	
17	14T-13178-00	GEAR, pump drive	1	
18	93603-12007	PIN, dowel	1	
19	93410-19015	CIRCLIP	2	
20	90206-19027	WASHER, wave	1	
21	296-15644-00	SHIM	1	
22	90501-06715	SPRING, compression	1	

FWD
14T010-2051

B5

FIG. 5 INTAKE

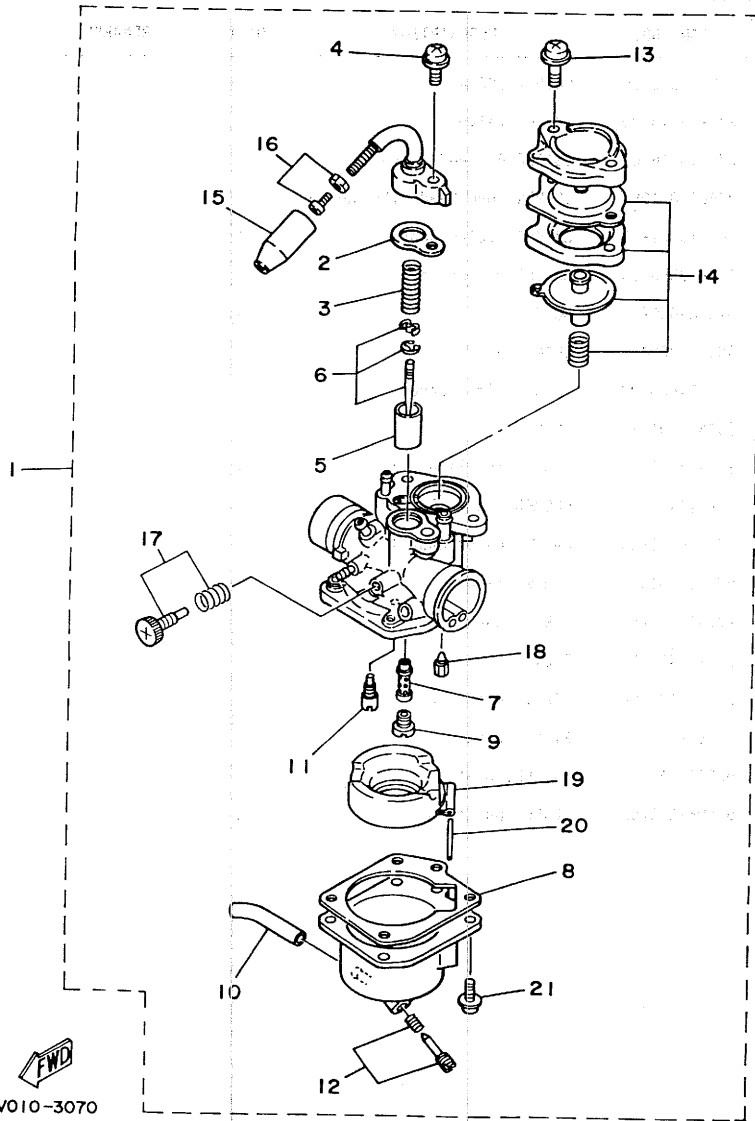


REF. NO.	PART NO.	DESCRIPTION	Q'TY	REMARKS
1	27V-13610-00	REED VALVE ASSY	1	
2	24G-13613-00	.REED, valve	1	
3	27V-13616-00	.STOPPER, reed valve	1	
4	97602-03108	.SCREW, pan head with washer	2	
5	3L5-13621-00	GASKET, valve seat	1	
6	27V-13555-00	MANIFOLD, intake	1	
7	91316-06020	BOLT	4	
8	90460-32242	CLAMP, hose	1	
9	27V-14453-00	JOINT, air cleaner 1	1	
10	90468-20127	CLIP	1	
11	27V-14411-00	CASE, air cleaner 1	1	
12	27V-14451-00	ELEMENT, air cleaner	1	
13	27V-14412-00	CAP, cleaner case 1	1	
14	97701-50130	SCREW, tapping	1	
15	97701-50125	SCREW, tapping	1	
16	27V-14437-00	DUCT	1	
17	27V-14433-00	PIPE, suction 2	1	
18	90267-40073	RIVET, blind	1	
19	92901-04200	WASHER, plain	1	
20	92506-06020	SCREW, pan head	2	

27V010-3061

B6

FIG. 6 CARBURETOR

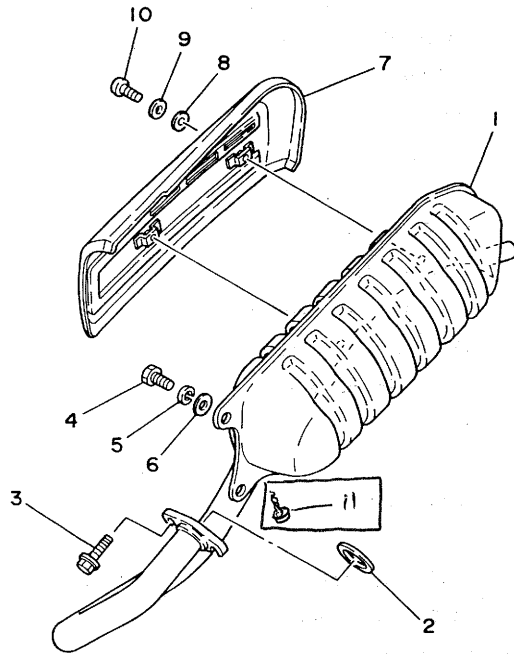


27V010-3070

REF. NO.	PART NO.	DESCRIPTION	Q'TY	REMARKS
1	27V-14301-00	CARBURETOR ASSY 1	1	
2	2T4-14126-01	.GASKET	1	
3	2T4-14331-00	.SPRING, throttle valve	1	
4	97901-05116	.SCREW	1	
5	14T-14312-30	.VALVE, throttle 1	1	
6	27V-1490J-00	.NEEDLE SET	1	
7	33A-14341-00	.NOZZLE, main	1	
8	14T-14384-00	.GASKET, float chamber	1	
9	14T-14343-42	.JET, main (# 84)	1	
10	14T-14396-00	.PIPE	1	
11	14T-14353-23	.JET, pilot (# 46)	1	
12	14T-14104-00	.AIR SCREW SET	1	
13	97901-06120	.SCREW	2	
14	33A-1490N-01	.PLUNGER SET	1	
15	14T-14169-00	.CAP	1	
16	14T-14106-00	.CABLE ADJUST SCREW SET	1	
17	14T-14103-01	.THROTTLE SCREW SET	1	
18	14T-14392-01	.VALVE, needle	1	
19	14T-14385-01	.FLOAT	1	
20	14T-14386-00	.PIN, float	1	
21	97901-04116	.SCREW	4	

B7

FIG. 7 EXHAUST



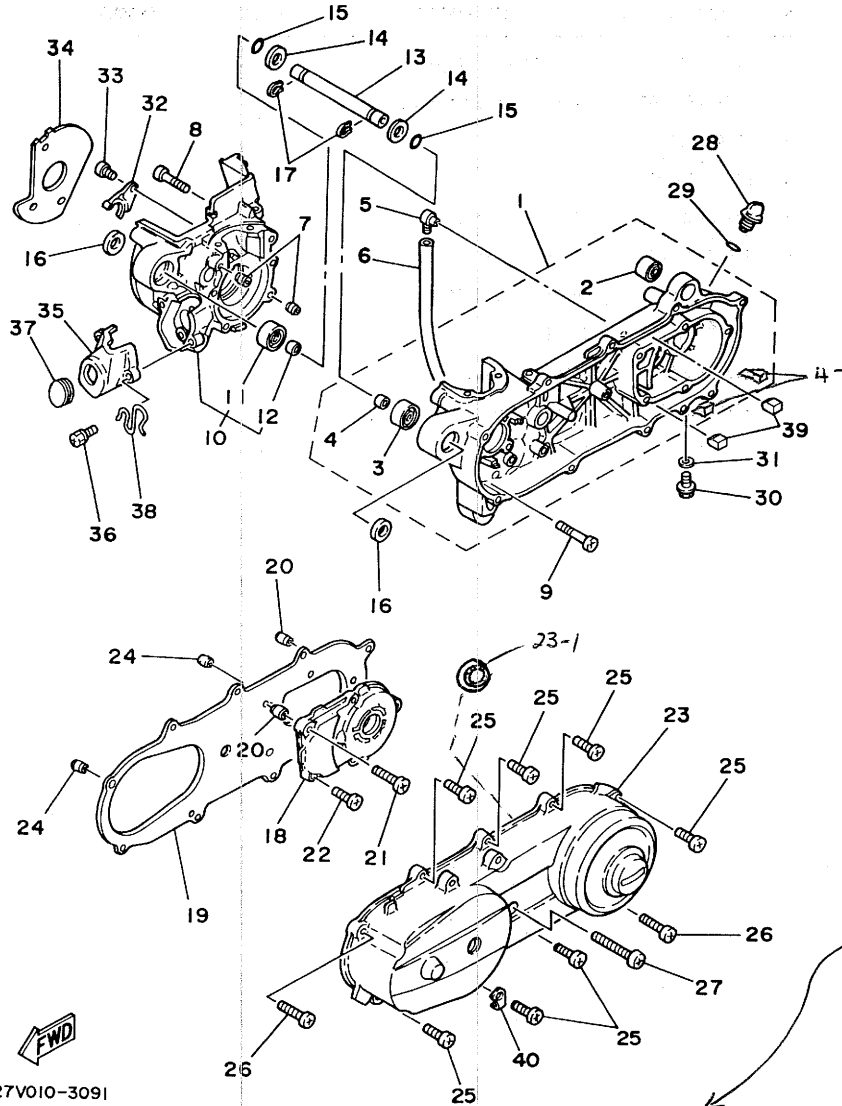
REF. NO.	PART NO.	DESCRIPTION	Q'TY	REMARKS
1	27V-14610-00	EXHAUST PIPE ASSY 1	1	
2	24G-14613-00	GASKET, exhaust pipe	1	
3	90149-06113	SCREW	2	
4	97306-08020 ⁹⁷³²⁶⁻⁰⁸⁰²⁵	BOLT	2	XXXXXXXXXX
5	92906-08100	WASHER, spring	2	
6	92906-08200 ^{90201-081A63}	WASHER, plain	2	XXXXXXXXXX
7	27V-14718-00	PROTECTOR, muffler 1	1	
8	90430-06012	GASKET	2	
9	90202-06010	WASHER, plate	2	
10	98903-06010	SCREW, bind	2	
11	97706-30506	SCREW TAPPING	1	



27V101-3081

B8

FIG. 8 CRANKCASE



27V010-3091

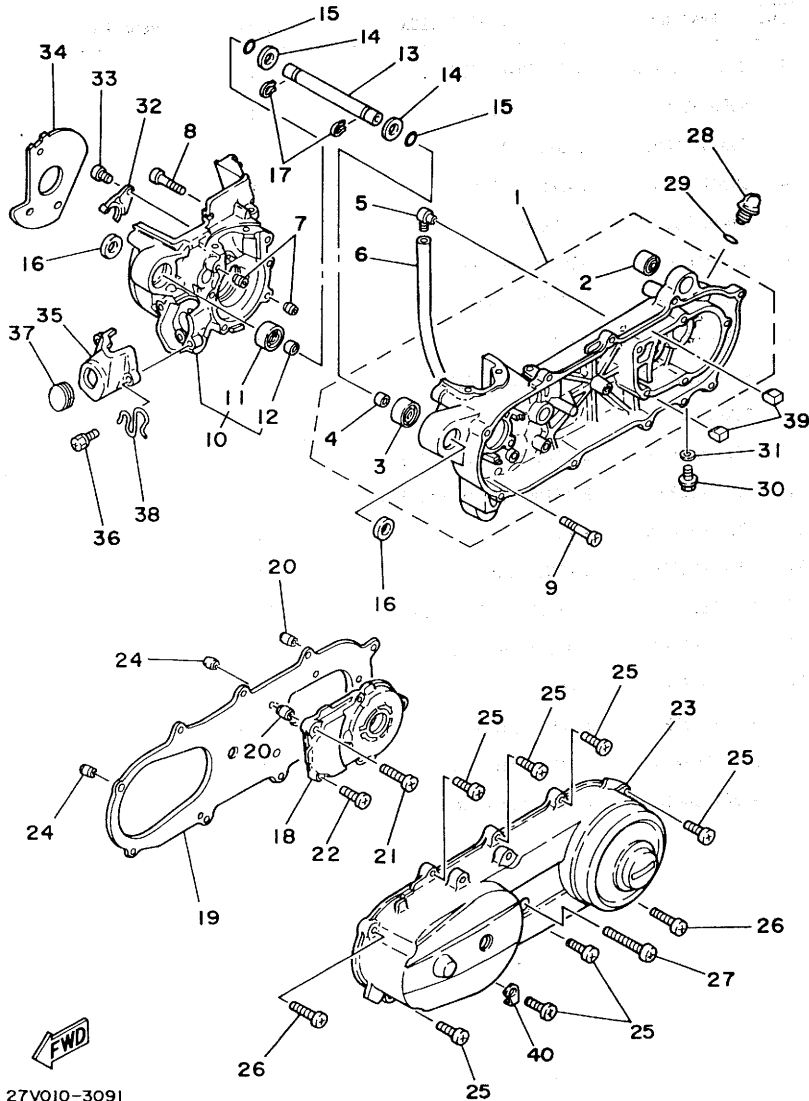
REF. NO.	PART NO.	DESCRIPTION	Q'TY	REMARKS
1	24G-15110-01	CRANKCASE ASSY 1	1	~2208842
	24G-15110-03	" " "	1	2208843 ~
2	164-22216-00	.BUSH, rear shock absorber	1	
3	14T-15326-00	.DAMPER, engine mount 2	1	
4	90384-15167	.BUSH, bimetal formed	1	
4-1	27V-15338-01	.DAMPER ENG MOUNT 5	2	2208843 ~
5	498-15371-00	BREATHER	1	
6	90446-07008	HOSE	1	
7	91830-22016	PIN, dowel	2	
8	92501-06035	SCREW, pan head	5	
9	92501-06045	SCREW, pan head	1	
10	24G-15120-01	CRANKCASE ASSY 2	1	
11	14T-15326-00	.DAMPER, engine mount 2	1	
12	90384-15167	.BUSH, bimetal formed	1	
13	14T-15317-00	SPACER, engine mount	1	
14	90201-155F0	WASHER, plate	2	
15	93210-13016	O-RING	2	
16	14T-15379-00	SEAL, crankcase	2	
17	93440-15012	CIRCLIP	2	
18	24G-15421-01	COVER, crankcase 2	1	
19	27V-15451-00	GASKET, crankcase cover	1	
20	91830-21014	PIN, dowel	2	
21	92501-06035	SCREW, pan head	2	
22	92501-06020	SCREW, pan head	3	
23	27V-W1541-00-4W	CRANKCASE COVER ASSY 1	1	~2208796
	54V-W1541-01	" " "	1	2208797 ~
24	91830-21014	PIN, dowel	2	
25	92501-06025	SCREW, pan head	7	
26	92501-06035	SCREW, pan head	2	
27	92506-06060	SCREW, pan head	1	
28	2T4-15363-00	PLUG, oil	1	

FIG 8 - 23-1 93300-63813 BENG - 1

B9

FIG. 8 CRANKCASE

REF. NO.	PART NO.	DESCRIPTION	Q'TY	REMARKS
29	93210-14104	O-RING	1	
30	95801-08016	BOLT, flange	1	
31	90430-08119	GASKET	1	
32	14T-15128-00	HOLDER	1	
33	92501-06012	SCREW, pan head	1	
34	14T-15462-00	GASKET, crankcase cover 3	1	
35	24G-15416-00	COVER, oil pump	1	
36	90159-06075	SCREW, with washer	2	
37	90480-01300	GROMMET	1	
38	90465-20205	CLAMP	1	
39	27V-15338-00	DAMPER, engine mount 5	2	~ 2208842
40	90465-06240	CLAMP	1	

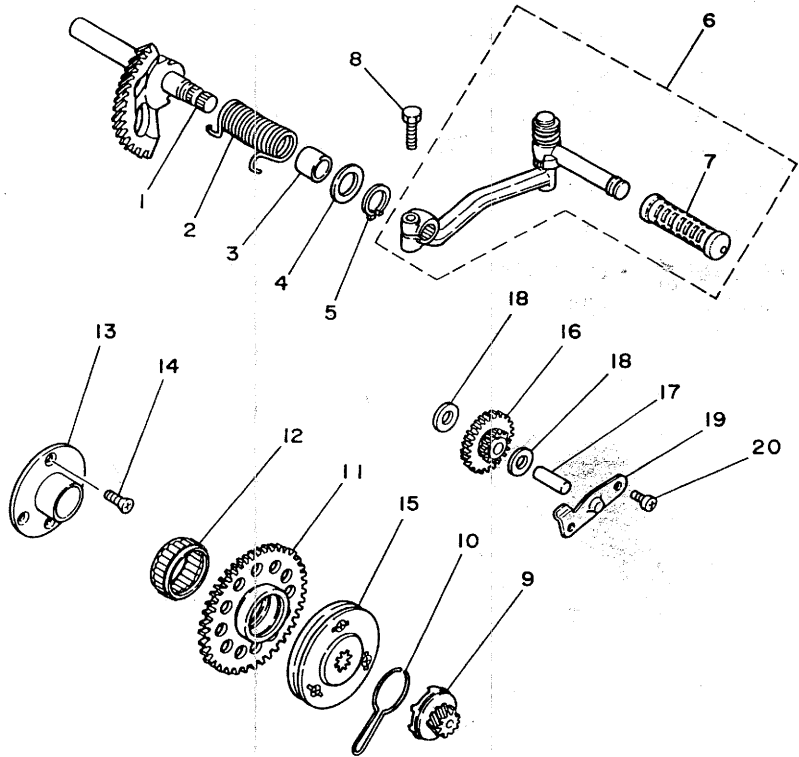


27V010-3091

B10

FIG. 9 STARTER

REF. NO.	PART NO.	DESCRIPTION	Q'TY	REMARKS
1	33A-15601-00	KICK SHAFT ASSY	1	
2	90508-29643	SPRING, torsion	1	
3	90380-15099	BUSH, solid	1	
4	90201-155G5	WASHER, plate	1	
5	93410-15005	CIRCLIP	1	
6	27V-15620-00	KICK CRANK ASSY	1	
7	2T4-15618-00	.COVER, kick lever	1	
8	97316-06025	BOLT	1	
9	33A-15630-00	KICK PINION ASSY	1	
10	32N-15673-00	CLIP	1	
11	27V-15524-00	WHEEL, starter (61T)	1	
12	93310-232J8	BEARING, cylindrical	1	
13	27V-15544-00	STAY 1	1	
14	92701-06015	SCREW, flat head	3	
15	24G-15570-00	STARTER CLUTCH ASSY	1	
16	14T-15512-00	GEAR, idler 1 (41T-14T)	1	
17	14T-15521-00	SHAFT 1	1	
18	90201-08092	WASHER, plate	2	
19	27V-15532-00	PLATE, idle gear	1	
20	92501-06012	SCREW, pan head	2	

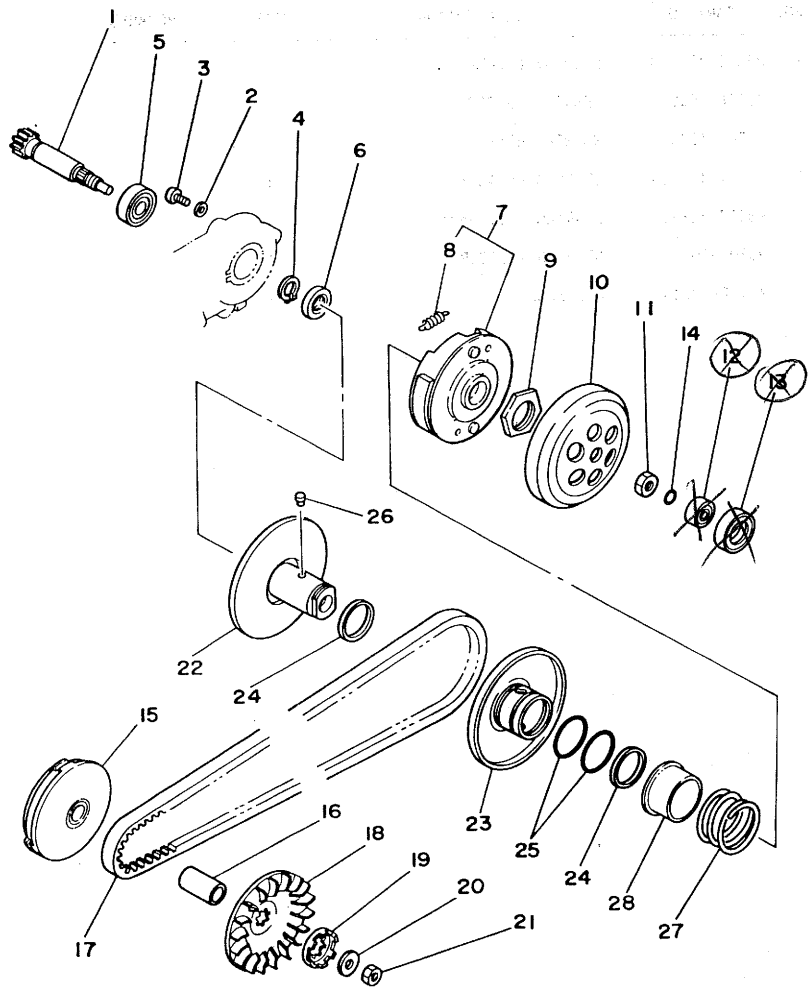


27V010-3101

BIT

FIG. 10 CLUTCH

REF. NO.	PART NO.	DESCRIPTION	Q'TY	REMARKS
1	24G-16111-00	GEAR, primary drive	1	
2	90201-06412	WASHER, plate	1	
3	92501-06010	SCREW, pan head	1	
4	93410-17008	CIRCLIP	1	
5	93306-00301	BEARING	1	
6	93102-17264	OIL SEAL	1	
7	24G-16620-00	CLUTCH CARRIER ASSY	1	
8	24G-16626-00	SPRING, clutch weight 1	2	
9	90179-28415	NUT	1	
10	24G-16611-01	CLUTCH HOUSING COMP.	1	
11	90170-10317	NUT	1	
12	93300-03808	BEARING	1	
13	14T-15316-00	DAMPER, engine mount 1	1	
14	93210-06550	O-RING	1	
15	27V-17601-00	PRIMARY SHEAVE ASSY	1	
16	90387-165E7	COLLAR	1	
17	24G-17641-00	V-BELT	1	
18	24G-17611-00	SHEAVE, primary fixed	1	
19	14T-15657-00	CLUTCH, one	1	
20	90208-10012	WASHER, conical spring	1	
21	90170-10219	NUT	1	
22	24G-17660-00	SECONDARY FIXED SHEAVE COMP.	1	
23	27V-17670-00	SECONDARY SLIDING SHEAVE	1	
24	93109-33040	OIL SEAL	2	
25	93210-38146	O-RING	2	
26	24G-17664-00	PIN, guide	2	
27	90501-35752	SPRING, compression	1	
28	24G-17684-00	SEAT, secondary spring	1	

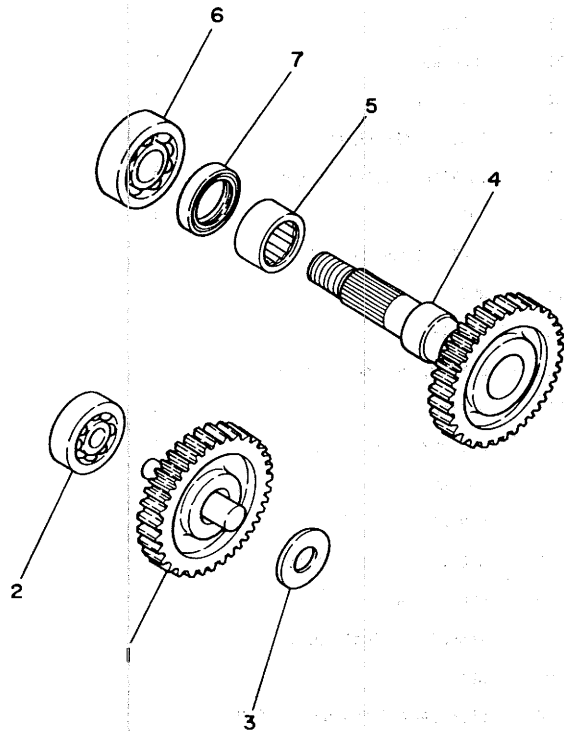


27V010-3121

B12

FIG. 11 TRANSMISSION

REF. NO.	PART NO.	DESCRIPTION	Q'TY	REMARKS
1	24G-17410-00	MAIN AXLE COMP.	1	
2	93306-30003	BEARING (B6300Z)	1	
3	90201-12704	WASHER, plate	1	
4	24G-17420-00	DRIVE AXLE ASSY	1	
5	93317-32241	BEARING, cylindrical	1	
6	93306-20310	BEARING (B6203RS)	1	
7	93102-22314	OIL SEAL	1	

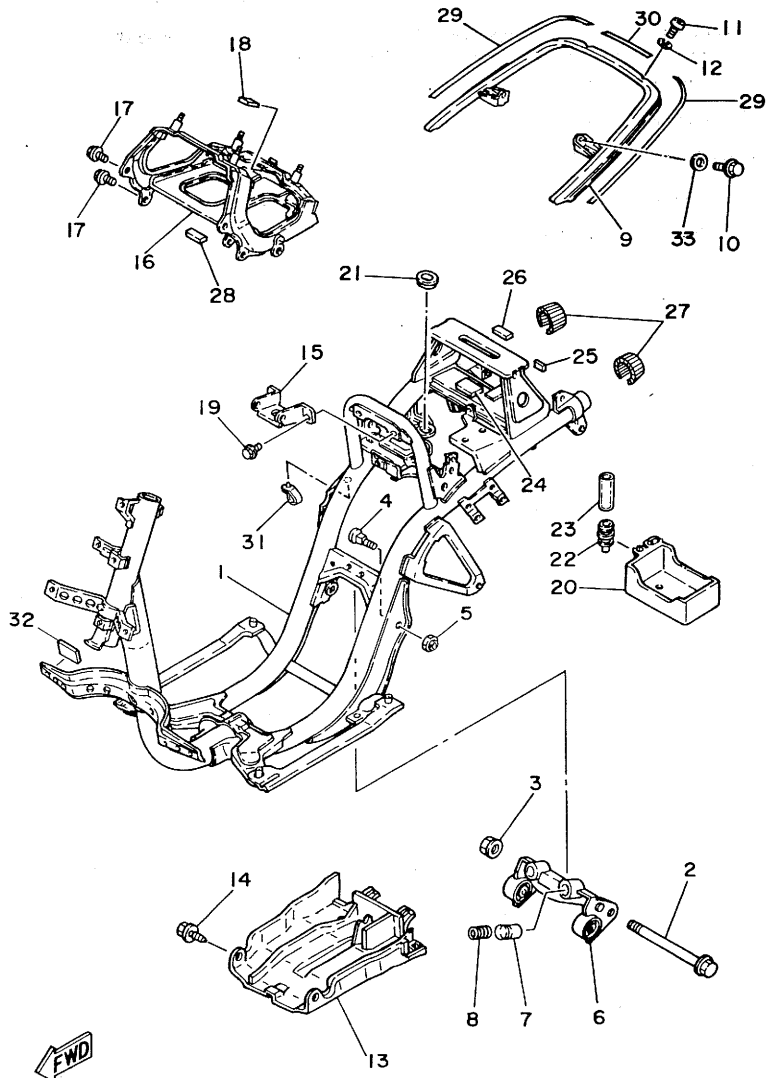


27V010-3130

B13

FIG. 12 FRAME

REF. NO.	PART NO.	DESCRIPTION	Q'TY	REMARKS
1	27V-21110-00-33	FRAME COMP.	1	~ 2208420
2	27V-21110-01-33 90105-10117	BOLT, washer based	1	2208421 ~
3	95701-10100	NUT, flange	1	
4	2T4-21481-01	BOLT, engine mounting 1	2	
5	95611-10100	NUT, u	2	
6	27V-21410-00	ENGINE BRACKET COMP.	1	
7	2T4-2139X-00	DAMPER	2	
8	90501-29517	SPRING, compression	2	
9	27V-21165-00	HANDLE, standing	1*	} REFER FIG 12-29 + 30
10	27V-21165-10 95021-06010	BOLT, flang "	1* 2	
11	92506-06010	SCREW, pan head	2	
12	92906-06100	WASHER, spring	2	
13	14T-21471-00	PROTECTOR, engine	1	
14	90119-06079	BOLT, with washer	2	
15	27V-2412F-00	BRACKET, seat	1	
16	27V-2116F-00	STAY, rear	1	
17	90105-06138	BOLT, washer based	4	
18	2E9-24182-00	DAMPER, locating 2	2	
19	95801-06012	BOLT, flange	2	
20	27V-82122-00	SEAT, battery	1	
21	90480-01141	GROMMET	1	
22	25K-2135J-00	NIPPLE	1	
23	90446-15193	HOSE	1	
24	27V-24181-00	DAMPER, locating 1	1	~ 2208420
25	14T-21717-00 27V-24182-00	DAMPER, locating 2	1	2208421 ~ ~ 2208420
26	27V-24183-00	DAMPER, locating 3	1	
27	27V-2419A-00	HOLDER	2	
28	27V-24183-00	DAMPER, locating 3	1	



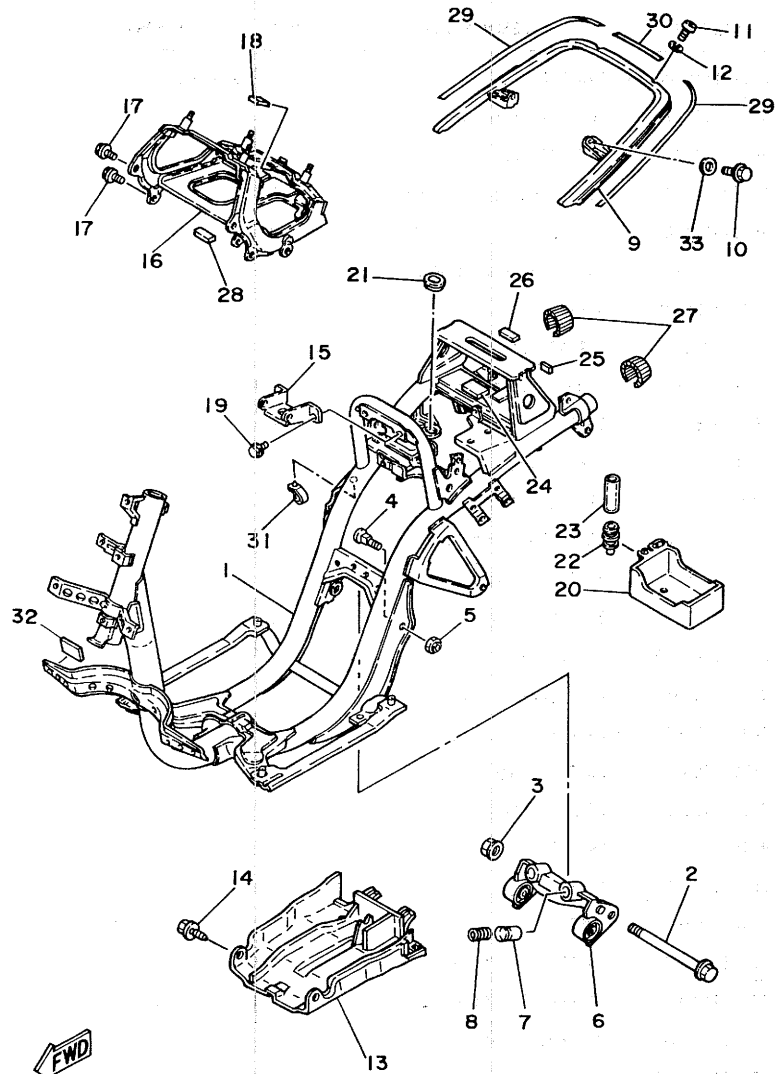
27V010-3141

B14

* INTERCHANGEABLE

MC 83040 - 1/3

FIG. 12 FRAME



REF. NO.	PART NO.	DESCRIPTION	Q'TY	REMARKS
29	27V-21268-00	SEAL	2 Δ	}
30	27V-21268-10	SEAL	1 Δ	
31	90464-12027	CLAMP	1	
32	20H-21638-00	DAMPER 1	2	
33	92901-06200	WASHER, plain	2	

Δ NOT USED WITH NEW TYPE REF 12-9

27V010-3141

B15

N.B. → See Fig 36 for S.A Market Mc 83040 1/3

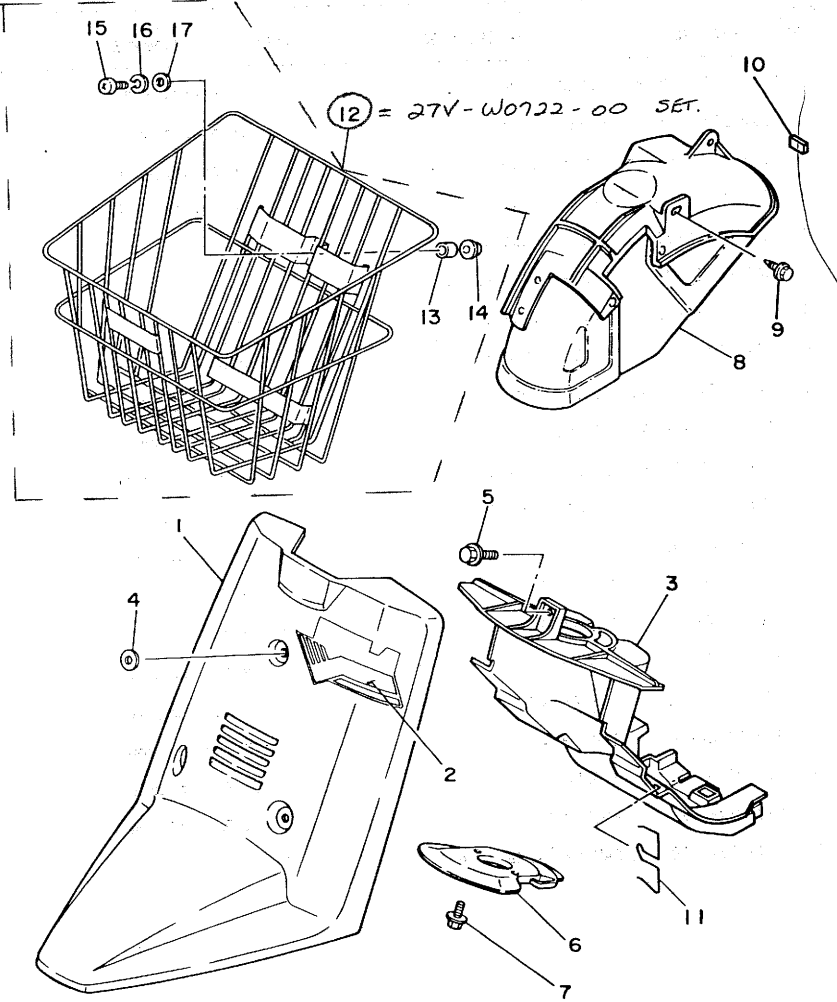


FIG. 13 FENDER

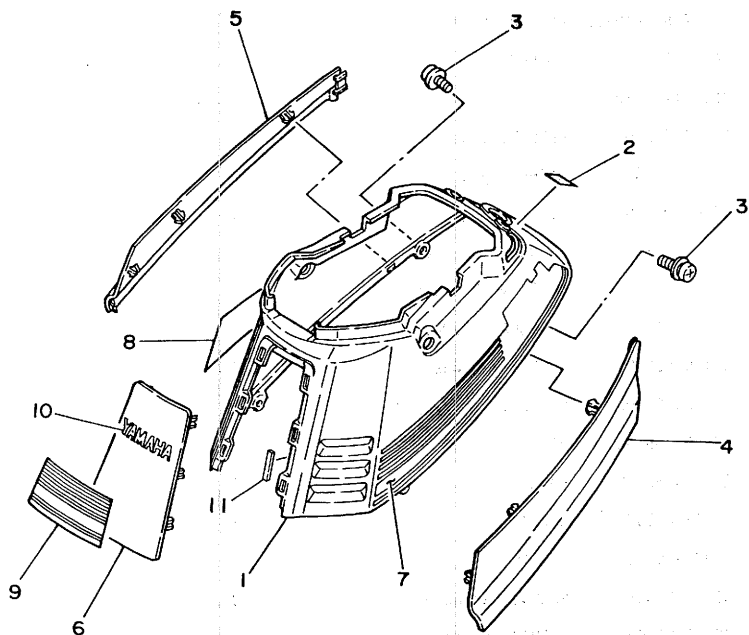
REF. NO.	PART NO.	DESCRIPTION	Q'TY	REMARKS
1	27V-21511-00-AJ	FENDER, front	1	UR stormy red
	27V-21511-00-AK	FENDER, front	1	UR mild blue
	27V-21511-00-EH	FENDER, front	1	UR creamy white
	27V-21511-10-20	FENDER, front	1	UR crystal silver
2	46V-21781-00	EMBLEM 1	1	UR for smr,mib
	46V-21781-20	EMBLEM 1	1	UR for cs1,cmw
3	27V-21552-00	FENDER, inner	1	
4	90201-06058	WASHER, plate	3	
5	95801-06010	BOLT, flange	1	
6	27V-21553-00	FENDER, inner 2	1	
7	90119-06085	BOLT, with washer	2	
8	27V-Y2162-00	MUD GUARD COMP.	1	
9	90119-06079	BOLT, with washer	2	
10	27V-24184-00	DAMPER, locating 4	1	
11	27V-21596-00	HOLDER	2	
12	27V-24865-50	BASKET, front	1	
13	90387-08557	COLLAR	3	
14	90387-06020	COLLAR	3	
15	92506-06035	SCREW, pan head	3	
16	92906-06100	WASHER, spring	3	
17	92906-06600	WASHER, plate	3	



46V262-3130

See Fig 37 for R.S.A Market.

FIG. 14 SIDE COVER



REF. NO.	PART NO.	DESCRIPTION	Q'TY	REMARKS
1	27V-21711-00-AJ	COVER, side 1	1	UR stormy red
	27V-21711-00-AK	COVER, side 1	1	UR mild blue
	27V-21711-00-EH	COVER, side 1	1	UR creamy white
	27V-21711-10-20	COVER, side 1	1	UR crystal silver
2	2T4-2415E-30	LABEL, caution	1	
3	90159-06059	SCREW, with washer	4	
4	27V-21721-00	COVER, side 2	1	gray
5	27V-21731-00	COVER, side 3	1	gray
6	27V-21741-00-AJ	COVER, side 4	1	UR stormy red
	27V-21741-00-AK	COVER, side 4	1	UR mild blue
	27V-21741-00-EH	COVER, side 4	1	UR creamy white
	27V-21741-10-20	COVER, side 4	1	UR crystal silver
7	46V-21782-00	EMBLEM 2	1	UR for smr,mib
	46V-21782-20	EMBLEM 2	1	UR for cs1,cmw
8	46V-21783-00	EMBLEM 3	1	UR for smr,mib
	46V-21783-20	EMBLEM 3	1	UR for cs1,cmw
9	27V-21784-00	EMBLEM 4	1	UR for smr,mib
	27V-21784-20	EMBLEM 4	1	UR for cs1,cmw
10	27V-21785-00	EMBLEM 5	1	UR for smr,mib
	27V-21785-20	EMBLEM 5	1	UR for cs1,cmw
11	2T4-21717-00	DAMPER, side cover	6	



46V262-3140

C3

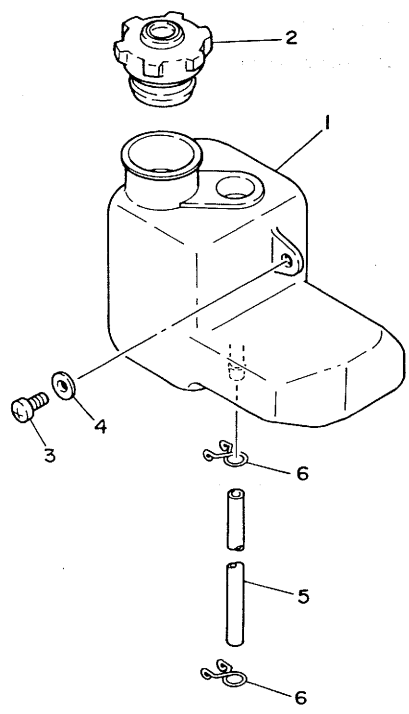


FIG. 15 OIL TANK

REF. NO.	PART NO.	DESCRIPTION	Q'TY	REMARKS
1	27V-21751-00	TANK, oil	1	
2	14T-21770-00	OIL TANK CAP ASSY	1	
3	92501-06012	SCREW, pan head	1	OLD TYPE
	90159-06033	" " WITH WASHER	1	NEW TYPE
4	92901-06600	WASHER, plate	1	NOT USED WITH 15-3 NEW TYPE
5	90445-09M25	HOSE	1	
6	90467-08003	CLIP	2	



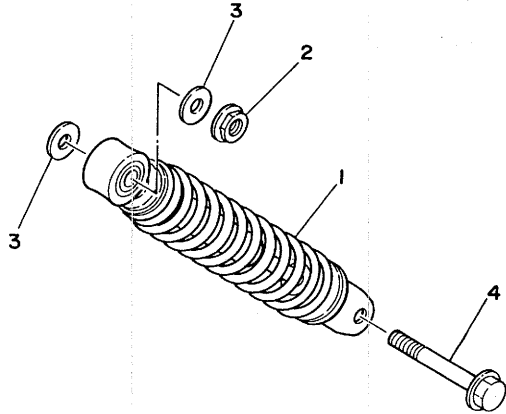
27V010-3170

C4

FIG. 16 REAR SUSPENSION

REF. NO.	PART NO.	DESCRIPTION	Q'TY	REMARKS
----------	----------	-------------	------	---------

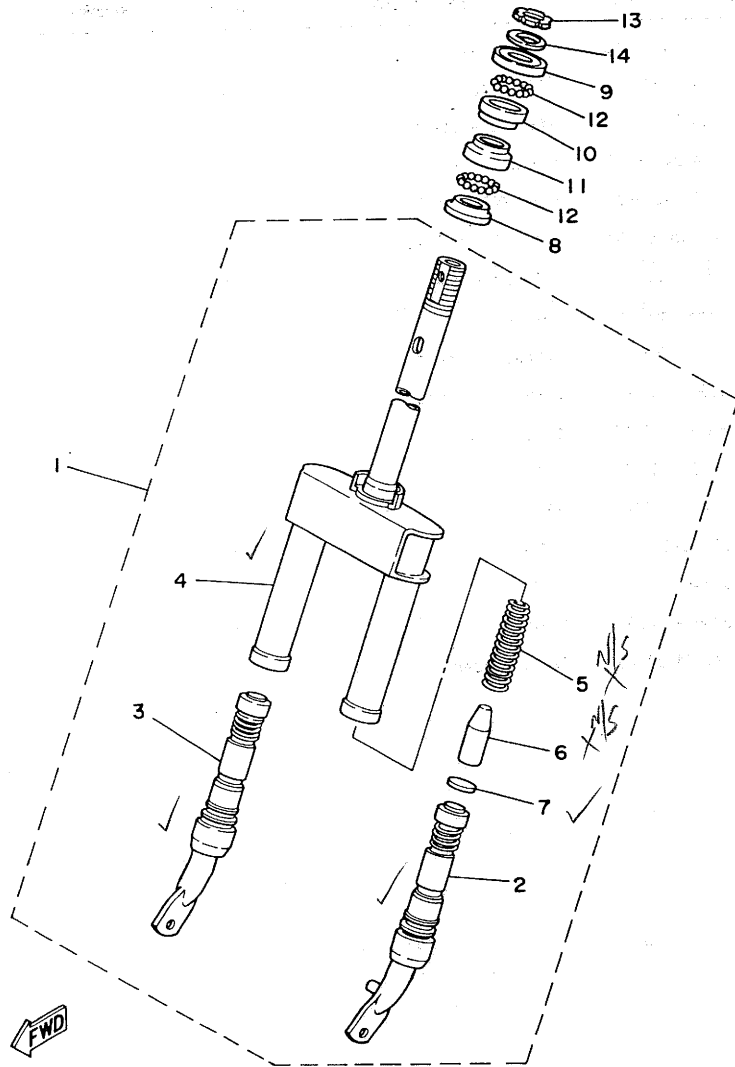
1	27V-22210-00	SHOCK ABSORBER ASSY, rear	1	UR
	27V-22210-10	SHOCK ABSORBER ASSY, rear	1	UR
2	90179-10292	NUT	1	
3	90201-10140	WASHER, plate	2	
4	90105-08121	BOLT, washer based	1	



27V010-3181

C5

FIG. 17 FRONT FORK

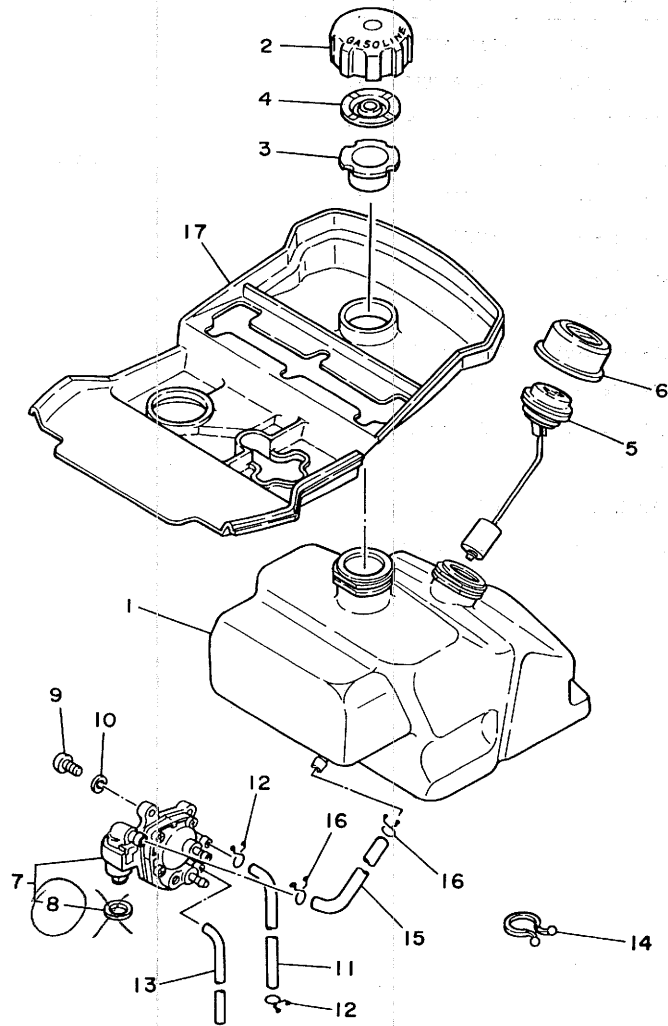


REF. NO.	PART NO.	DESCRIPTION	Q'TY	REMARKS
1	27V-23100-00	FRONT FORK ASSY	1	
2	27V-23110-00	.INNER TUBE COMP.1	3 ✓	} ASSY yamaha black
3	27V-23120-00	.INNER TUBE COMP.2	✓	
4	27V-23340-00-33	.UNDER BRACKET COMP.	✓	
5	2T4-23141-02	.SPRING, front fork	X	
6	2T4-23195-00	.RUBBER	X	
7	2E9-23143-00	.SEAT, spring lower	✓	
8	2E9-23414-01	RACE, ball 4	1	
9	2E9-23411-01	RACE, ball 1	1	
10	2E9-23412-00	RACE, ball 2	1	
11	2E9-23413-01	RACE, ball 3	1	
12	93505-32002	BALL	52	
13	2E9-23454-00	NUT, fitting 2	1	
14	2T4-23418-01	WASHER, special	1	

27V010-3190

C6

FIG. 18 FUEL TANK



REF. NO.	PART NO.	DESCRIPTION	Q'TY	REMARKS
1	27V-24111-00	TANK, fuel	1	
2	1L4-24611-00	BODY, cap	1	
3	1L4-24615-00	GASKET, plate 1	1	
4	1L4-24616-00	GASKET, plate 2	1	
5	27V-24260-01	FUEL METER ASSY	1	
6	4J2-24261-00	HOUSING, fuel meter	1	
7	27V-24500-01	FUEL COCK ASSY	1	2207301 ~ SEE FIG 1
7	1L4-24500-00	FUEL COCK ASSY 1	1	~ 2207300 " " "
8	2E9-24522-10	GASKET	1	~ 2207300
9	92501-06012	SCREW, pan head	2	
10	92901-06100	WASHER, spring	2	
11	5G3-24311-00	PIPE, fuel 1	1	
12	90467-08003	CLIP	2	
13	90445-07176	HOSE	1	
14	90464-23041	CLAMP	1	
15	90445-11288	HOSE	1	
16	90467-10008	CLIP	2	
17	27V-24198-00	SEAT, rubber	1	

~~drawn 18 gasket~~
 (27V tap me with 27V hose)
 1L4 " " " 90445-08775 hose

* 46V 2207301 ~

FWD
 27V010-3201

C7

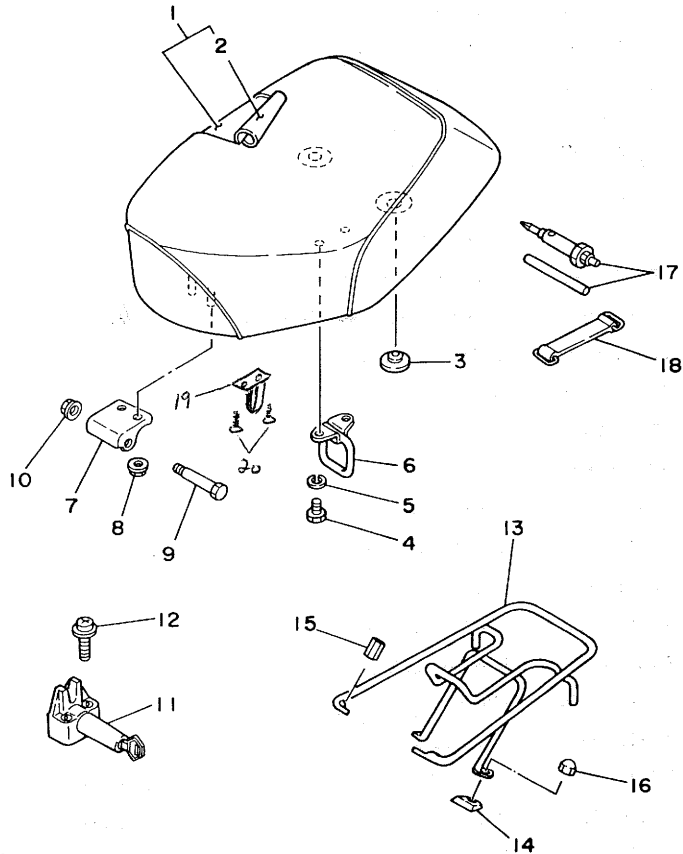
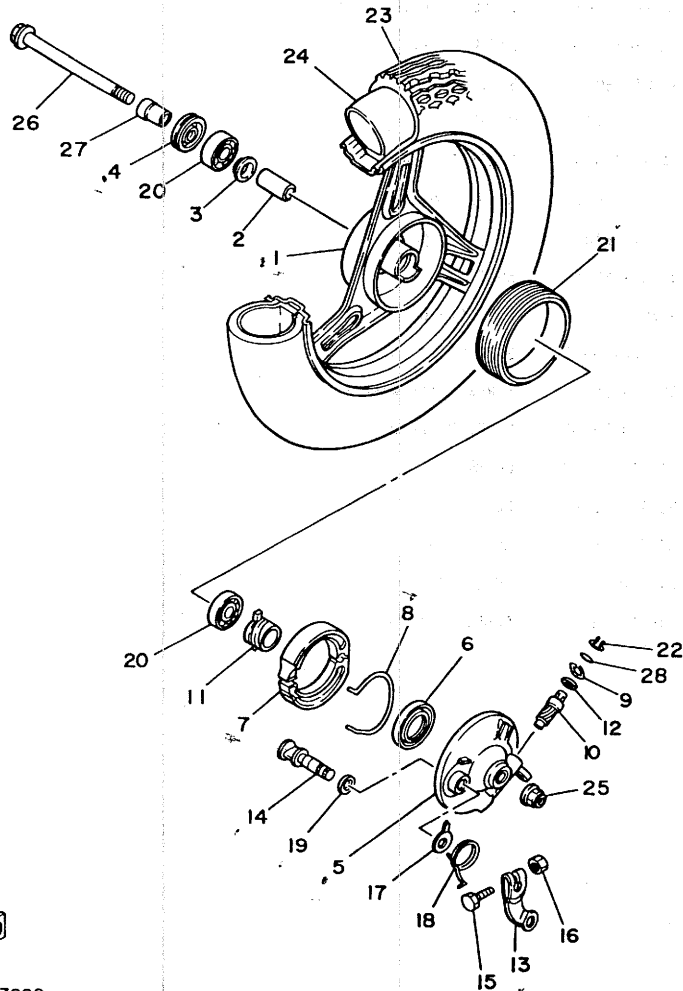


FIG. 19 SEAT

REF. NO.	PART NO.	DESCRIPTION	Q'TY	REMARKS
1	27V-W2471-00	SINGLE SEAT ASSY	1	
2	27V-24711-00	.COVER, single seat	1	
3	17L-24723-00	DAMPER, seat	2	
4	97301-06012	BOLT	2	
5	92901-06100	WASHER, spring	2	
6	14T-24728-00	BRACKET, seat	1	
7	2T4-24726-10	HINGE, seat	1	
8	95701-06100	NUT, flange	2	
9	90109-06504	BOLT	1	
10	95701-06100	NUT, flange	1	
11	14T-24705-00	SEAT LOCK ASSY	1	
12	90159-06064	SCREW, with washer	2	
13	27V-24842-00	CARRIER, rear	1	
14	27V-21719-00	GROMMET	2	
15	90170-06254	NUT	2	
16	90176-06041	NUT, crown	2	
17	2T4-28100-01	TOOL KIT	1	
18	116-82131-00	BAND, battery	1	
19	27V-21398-00	HANGER, HELMET	1	
20	97701-40510	SCREW, TAPPING	2	



27V010-3210



27V010-3220

FIG. 20 FRONT WHEEL

REF. NO.	PART NO.	DESCRIPTION	Q'TY	REMARKS
1	25K-25180-00-35	FRONT WHEEL COMP.	1	silver
2	90560-10236	SPACER	1	
3	25K-25116-00	FLANGE, spacer 2	1	
4	93106-17015	OIL SEAL	1	
5	25K-25121-00-35	PLATE, brake shoe	1	silver
6	93109-34046	OIL SEAL	1	
7	27V-25130-00	BRAKE SHOE COMP.	2	
8	2E9-25133-00	SPRING, return	1	
9	2T4-25137-00	RING, stop	1	
10	2E9-25138-00	GEAR, meter	1	
11	2E9-25135-00	GEAR, drive (14T)	1	
12	90201-06656	WASHER, plate → 06446	1	M/R 87034
13	25K-25155-00	LEVER, camshaft 1	1	
14	25K-25151-00	CAMSHAFT	1	
15	97301-05020	BOLT	1	
16	95301-05600	NUT	1	
17	25K-2513A-00	PLATE, indicator	1	
18	90508-26393	SPRING, torsion	1	
19	25K-25159-00	SEAL, camshaft	1	
20	93306-20005	BEARING (B6200)	2	UR
	93306-20006	BEARING (B6200)	2	UR
21	2T4-25185-00	RING 1	1	
22	2E9-25137-01	RING, stop	1	
23	94127-105E1	TIRE (2.75-10)	1	UR inoue
	94127-105E2	TIRE (2.75-10)	1	UR yokohama
24	94225-10112	TUBE (2.50-10)	1	UR inoue
	94227-10219	TUBE (2.75-10)	1	UR yokohama
25	90179-10280	NUT	1	

C9

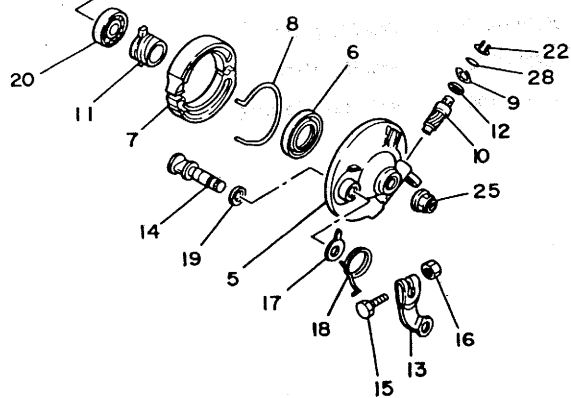
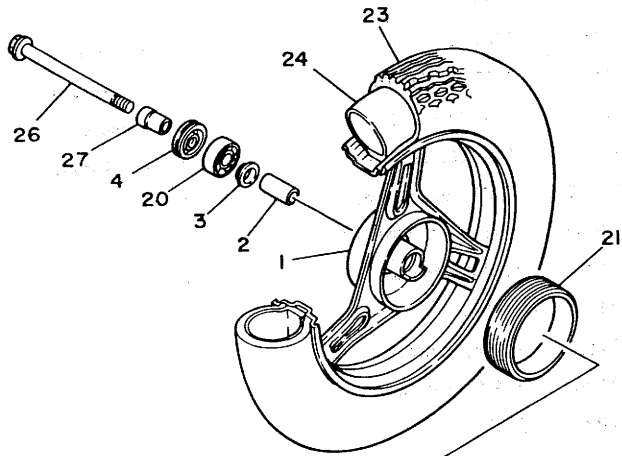


FIG. 20 FRONT WHEEL

REF. NO.	PART NO.	DESCRIPTION	Q'TY	REMARKS
26	25K-25181-00	AXLE, wheel	1	
27	90387-104H9	COLLAR	1	
28	93210-10096	O-RING	1	



27V010-3220

C10

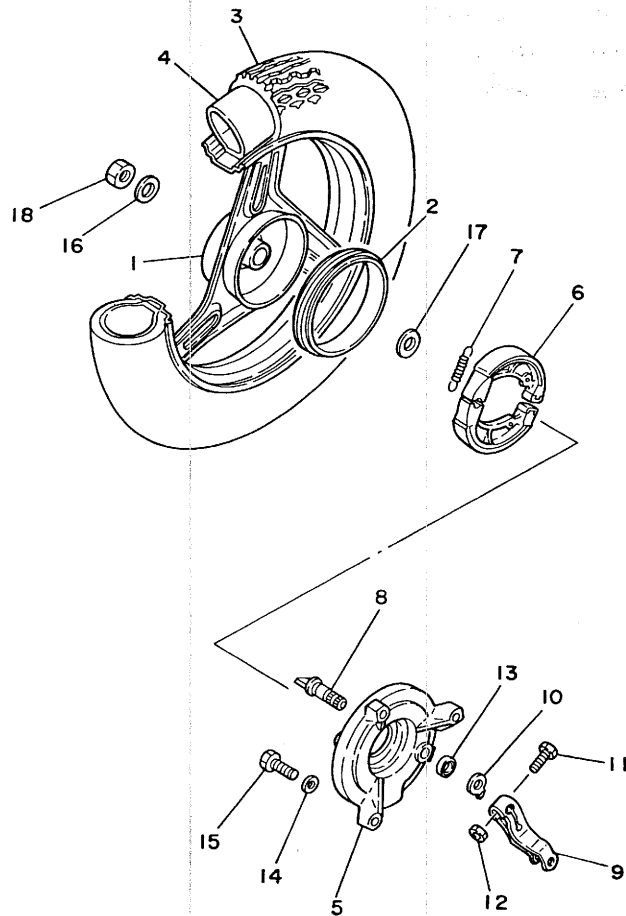


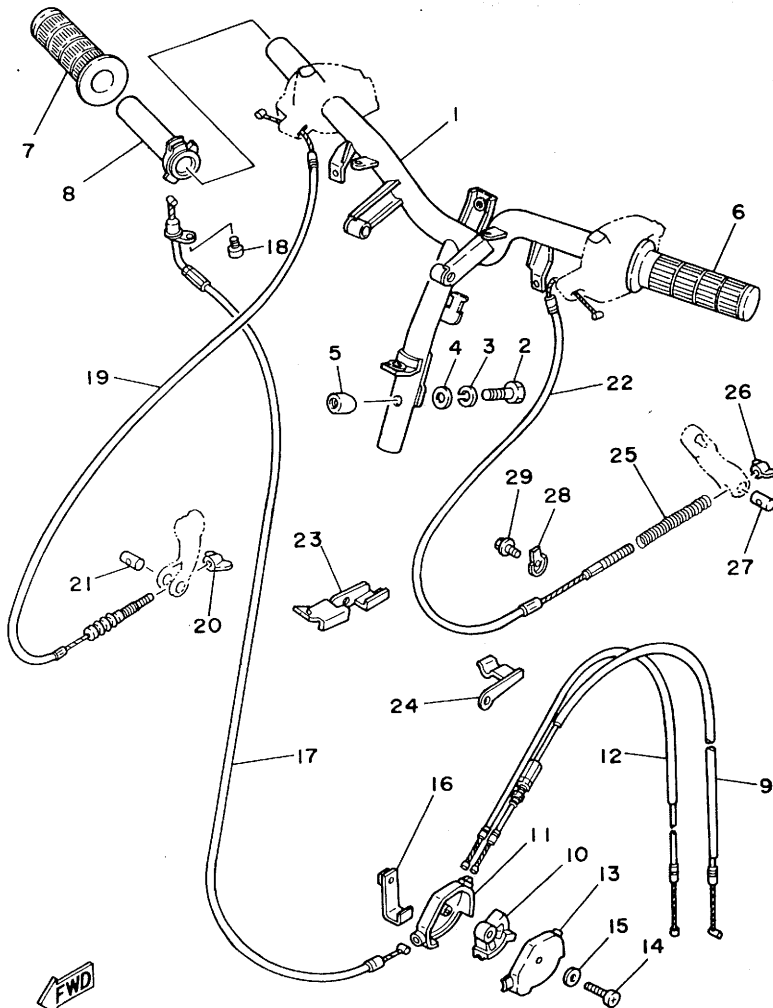
FIG. 21 REAR WHEEL

REF. NO.	PART NO.	DESCRIPTION	Q'TY	REMARKS
1	27V-25390-00-35	REAR WHEEL COMP.	1	silver
2	27V-25336-00	RING 2	1	
3	94127-105E1	TIRE (2.75-10)	1	UR inoue
	94127-105E2	TIRE (2.75-10)	1	UR yokohama
4	94225-10112	TUBE (2.50-10)	1	UR inoue
	94227-10219	TUBE (2.75-10)	1	UR yokohama
5	27V-25321-00	PLATE, brake shoe	1	
6	27V-25330-00	BRAKE SHOE COMP.	2	
7	90506-14081	SPRING, tension	2	
8	14T-25351-00	CAMSHAFT	1	
9	27V-25355-00	LEVER, camshaft	1	
10	14T-2533A-00	PLATE, indicator	1	
11	90101-05488	BOLT	1	
12	95301-05600	NUT	1	
13	25K-25159-00	SEAL, camshaft	1	
14	92901-08600	WASHER, plate	3	
15	90101-08528	BOLT	3	
16	90201-14740	WASHER, plate	1	
17	90201-17255	WASHER, plate	1	
18	90185-14081	NUT, self-locking	1	



27V010-3230

C11



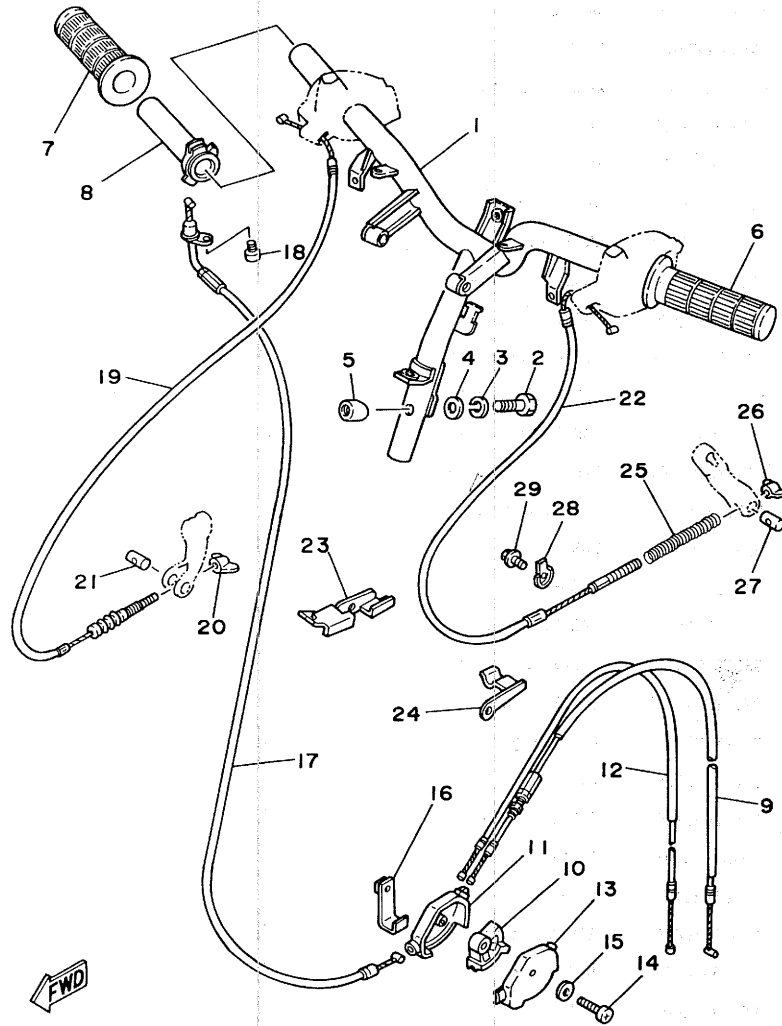
27V010-3240

FIG. 22 STEERING HANDLE. CABLE

REF. NO.	PART NO.	DESCRIPTION	Q'TY	REMARKS
1	27V-26110-00	HANDLE COMP.	1	
2	90109-08507	BOLT	1	
3	92901-08100	WASHER, spring	1	
4	2E9-26129-00	WASHER	1	
5	90179-08354	NUT	1	
6	5G3-26241-00	GRIP (L.H)	1	
7	5G3-26242-00	GRIP (R.H)	1	
8	5G3-26243-00	TUBE, throttle guide	1	
9	27V-26321-00	CABLE, pump	1	
10	5G3-26263-02	PIECE, connecting	1	
11	5G3-26261-02	CONNECTOR, cable	1	
12	27V-26312-00	CABLE, throttle 2	1	
13	2T4-26262-01	CAP, cable connector	1	
14	98501-05025	SCREW, pan head	1	
15	92901-05600	WASHER, plate	1	
16	14T-26398-00	WASHER	1	
17	27V-26311-00	CABLE, throttle 1	1	
18	98506-05010	SCREW, pan head	1	
19	27V-26341-00	CABLE, brake	1	
20	90175-06013	NUT, wing	1	
21	90249-12008	PIN	1	
22	27V-26351-00	CABLE, brake	1	
23	90465-30195	CLAMP	1	
24	90465-30196	CLAMP	1	
25	90501-10695	SPRING, compression	1	
26	90175-06013	NUT, wing	1	
27	90249-12008	PIN	1	
28	5M0-26393-00	HOLDER	1	

FIG. 22 STEERING HANDLE. CABLE

REF. NO.	PART NO.	DESCRIPTION	Q'TY	REMARKS
29	90105-06138	BOLT, washer based	1	



27V010-3240

C13

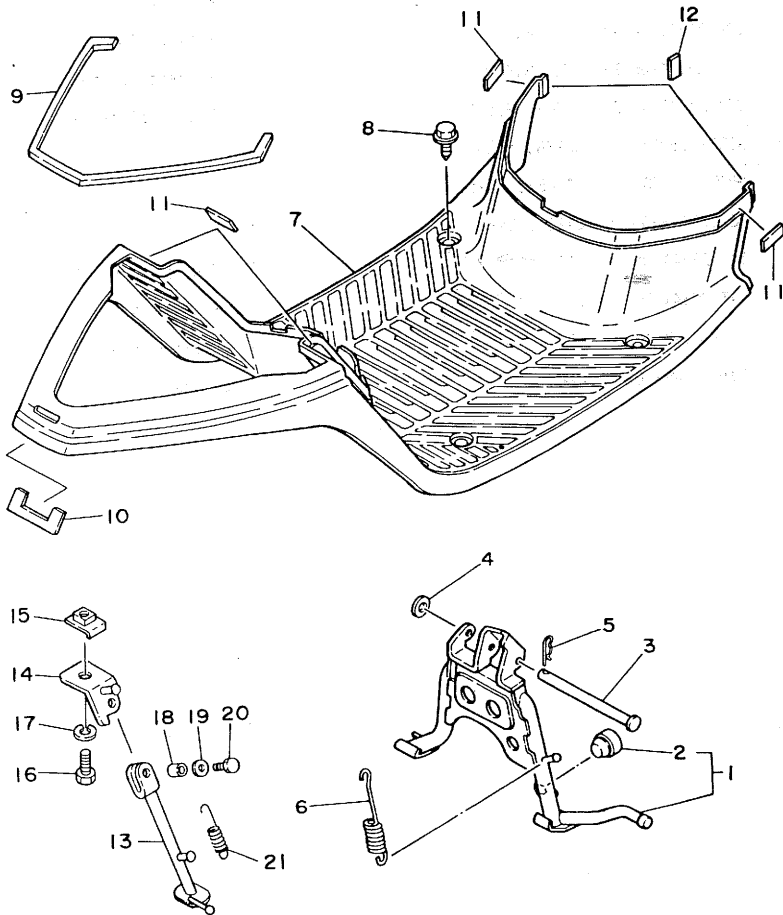


FIG. 23 STAND. FOOTREST

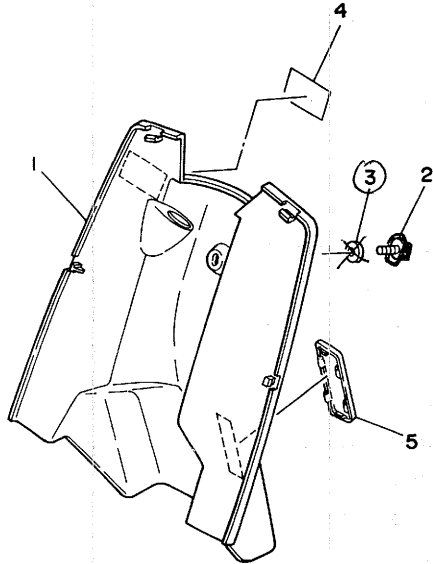
REF. NO.	PART NO.	DESCRIPTION	Q'TY	REMARKS
1	33A-27111-00	STAND, main	1	
2	5G3-27114-00	.STOPPER, main stand	1	
3	91701-08138	PIN, clevis	1	
4	90202-08125	WASHER, plate	1	
5	90468-12006	CLIP	1	
6	90506-29280	SPRING, tension	1	
7	27V-27481-00	BOARD, footrest	1	gray
8	90119-06079	BOLT, with washer	4	
9	27V-27482-00	MOLD, footrest	1	
10	27V-27492-00	MOLD, footrest 2	1	
11	2T4-21717-00	DAMPER, side cover	4	
12	27V-24184-00	DAMPER, locating 4	2	
13	14T-27311-00	STAND, side	1	
14	14T-27321-50	BRACKET, side stand	1	
15	14T-27318-50	NUT	1	
16	97321-12035	BOLT	1	
17	92901-12100	WASHER, spring	1	
18	90387-061G2	COLLAR	1	
19	92906-06600	WASHER, plate	1	
20	97326-06020	BOLT	1	
21	90506-20298	SPRING, tension	1	



46V262-3230

C14

FIG. 24 LEG SHIELD



REF. NO.	PART NO.	DESCRIPTION	Q'TY	REMARKS
1	27V-28311-00- AD ⁻³⁰	LEG SHIELD 1	1	UR stormy red
	27V-28311-00- AK ⁻⁴⁰	LEG SHIELD 1	1	UR mild blue
	27V-28311-00- EH ⁻²⁰	LEG SHIELD 1	1	UR creamy white
	27V-28311-10-20	LEG SHIELD 1	1	UR crystal silver
2	98903-06012 ⁹⁰¹⁵⁹⁻⁰⁶¹¹²	SCREW, blind WITH WASHER	1	
3	90201-06058	WASHER, plate	1	
4	46V-21668-00	LABEL, tire	1	
5	14T-28349-00 ^{AO}	CAP → AO	1	UR chappy red ✓
	14T-28349-10	CAP → 11	1	UR white ✓
	14T-28349-90	CAP → E0	1	UR urban blue ✓
	20H-28349-00	CAP	1	UR gray



27V010-3270

C15

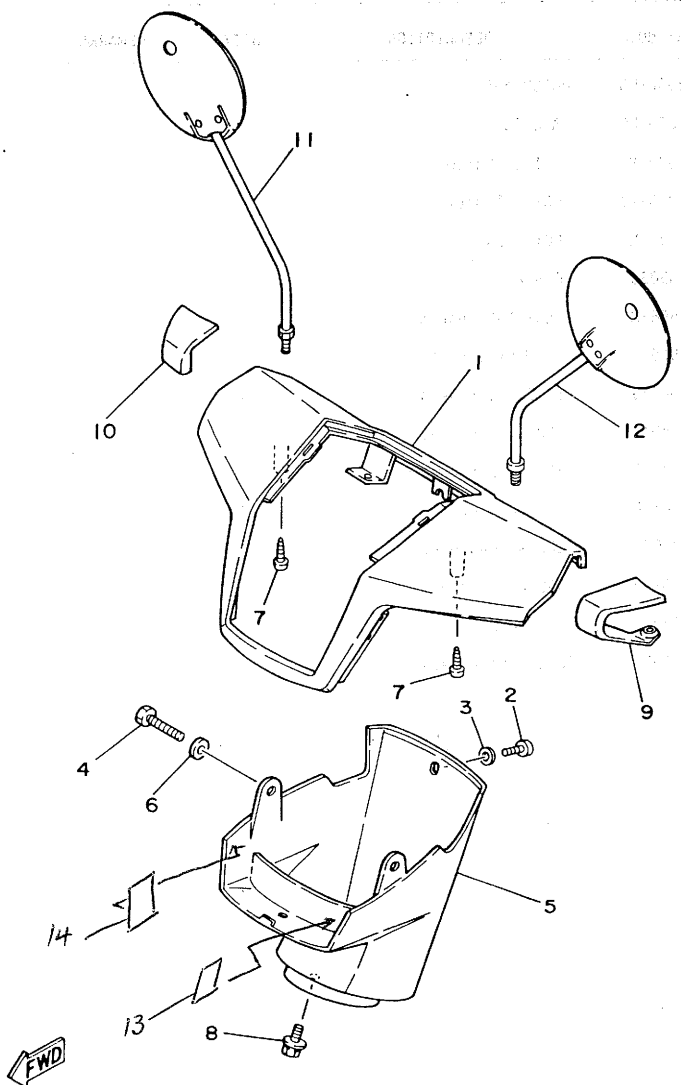


FIG. 25 COWLING 1

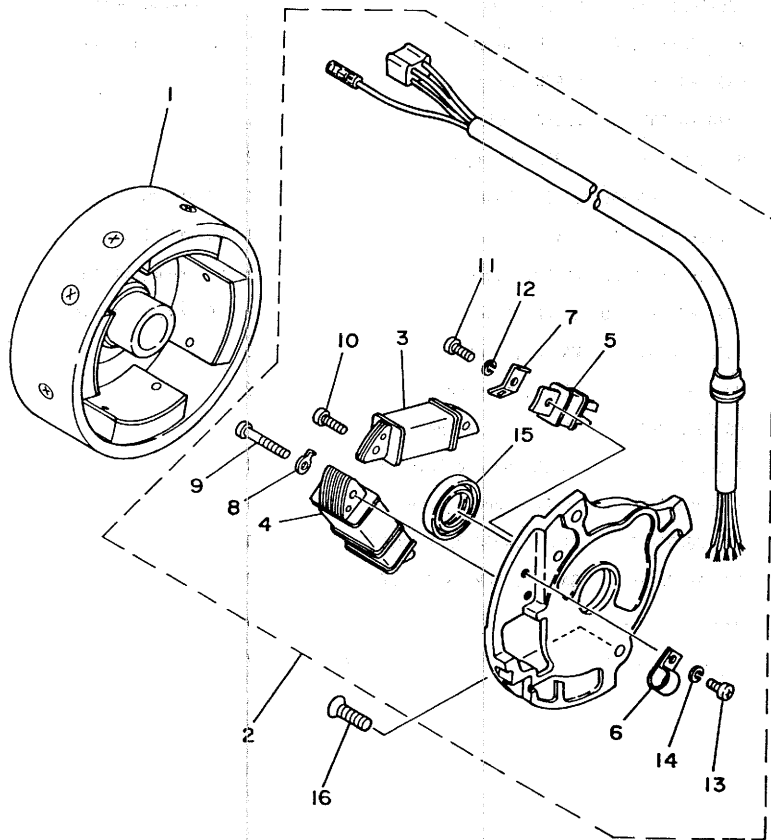
REF. NO.	PART NO.	DESCRIPTION	Q'TY	REMARKS
1	27V-26213-00-AJ	COVER, upper	1	UR stormy red
	27V-26213-00-AK	COVER, upper	1	UR mild blue
	27V-26213-00-EH	COVER, upper	1	UR creamy white
	27V-26213-10-20	COVER, upper	1	UR crystal silver
2	98903-05012	SCREW, bind	1	
3	92903-05200	WASHER, plain	1	
4	90153-06052	SCREW, hexagon	2	
5	27V-26215-00-AJ	COVER, lower	1	UR stormy red
	27V-26215-00-AK	COVER, lower	1	UR mild blue
	27V-26215-00-EH	COVER, lower	1	UR creamy white
	27V-26215-10-20	COVER, lower	1	UR crystal silver
6	90201-06059	WASHER, plate	2	
7	90167-05026	SCREW, tapping	2	
8	90119-06084	BOLT, with washer	1	
9	27V-26372-00	COVER, handle lever 1	1	
10	27V-2637A-00	COVER, handle lever 2	1	
11	17J-26290-00	BACK MIRROR ASSY (RIGHT)	1	
12	17J-26290-10	BACK MIRROR ASSY (LEFT)	1	
13	48F-2622K-00	PROTECTOR 1	1	(FOR STORMY RED.)
14	48F-2622L-00	" (2)	1	(" " ")

46V262-3250

D2

FIG. 26 GENERATOR

REF. NO.	PART NO.	DESCRIPTION	Q'TY	REMARKS
1	27V-85550-M0	ROTOR ASSY	1	
2	27V-85560-M0	BASE ASSY	1	
3	27V-85520-M0	.COIL, charge	1	
4	27V-81313-M0	.COIL, lighting 1	1	
5	5G3-85580-M0	.COIL, pulser	1	
6	90461-05036	.CLAMP	1	
7	2T4-85568-M1	.TERMINAL, earth 1	1	
8	2T4-85569-M1	.TERMINAL, earth 2	1	
9	98511-04025	.SCREW, pan head	2	
10	98511-04012	.SCREW, pan head	2	
11	98503-04010	.SCREW, pan head	1	
12	92901-04100	.WASHER, spring	1	
13	98501-04006	.SCREW, pan head	1	
14	92901-04100	.WASHER, spring	1	
15	93104-19082	.OIL SEAL	1	
16	92701-06015	SCREW, flat head	2	

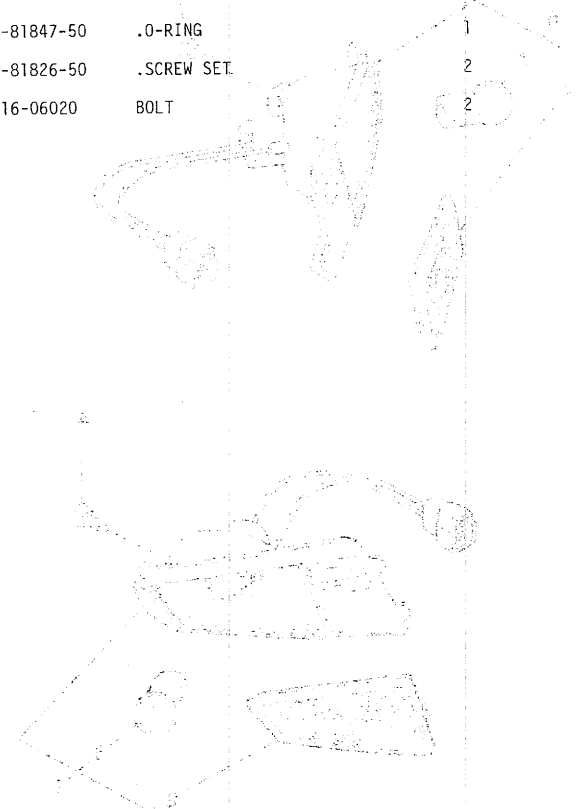
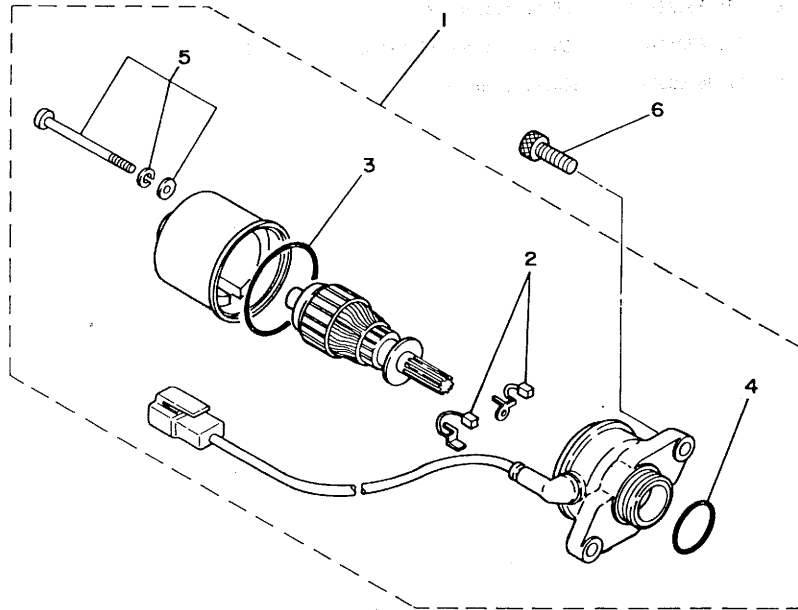


27V010-3030

D3

FIG. 27 STARTING MOTOR

REF. NO.	PART NO.	DESCRIPTION	Q'TY	REMARKS
1	27V-81800-50	STARTING MOTOR ASSY	1	
2	22J-81801-50	.BRUSH SET	1	
3	5J3-81847-50	.O-RING	1	
4	14T-81847-50	.O-RING	1	
5	5J3-81826-50	.SCREW SET	2	
6	91316-06020	BOLT	2	



27V010-3111

D4

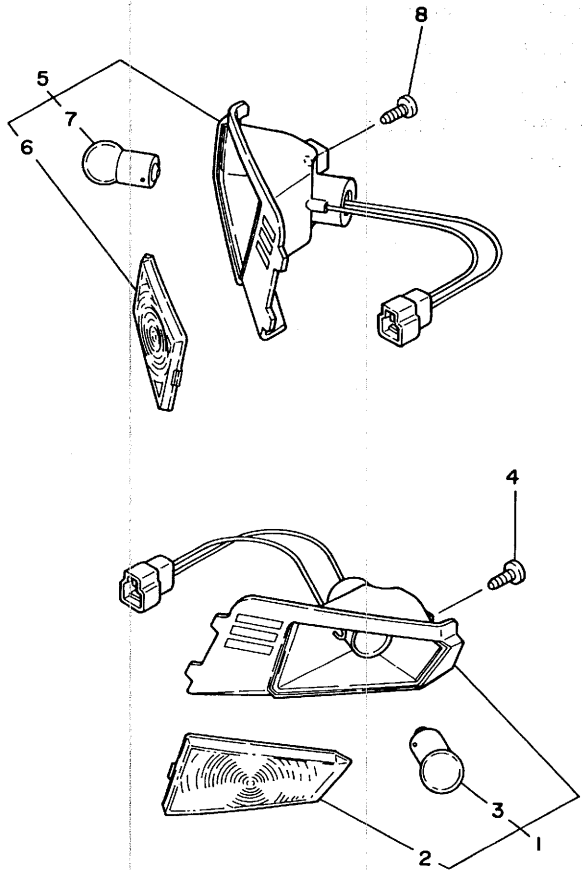


FIG. 28 FLASHER LIGHT

REF. NO.	PART NO.	DESCRIPTION	Q'TY	REMARKS
1	27V-83310-00	FRONT FLASHER LIGHT ASSY 1	1	
2	27V-83312-00	.LENS, flasher	1	
3	27V-83311-00	.BULB, flasher (12V-10W)	1	
4	97706-60512	SCREW, tapping	1	
5	27V-83320-00	FRONT FLASHER LIGHT ASSY	1	
6	27V-83322-00	.LENS, flasher 2	1	
7	27V-83311-00	.BULB, flasher (12V-10W)	1	
8	97706-60512	SCREW, tapping	1	



27V010-3280

D5

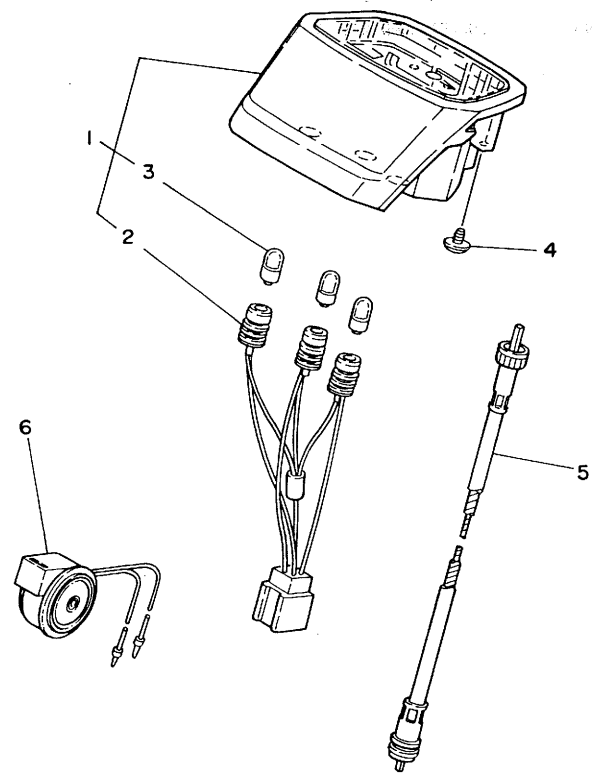


FIG. 29 METER

REF. NO.	PART NO.	DESCRIPTION	Q'TY	REMARKS
1	46V-83510-F0	SPEEDOMETER ASSY	1	
2	46V-83509-F0	.SOCKET CORD ASSY	1	
3	46I-84744-00	.BULB (12V 3.4W)	3	
4	90167-05011	SCREW, tapping	2	
5	27V-83550-00	SPEEDOMETER CABLE ASSY	1	
6	27V-83390-20	AUDIO PILOT ASSY	1	



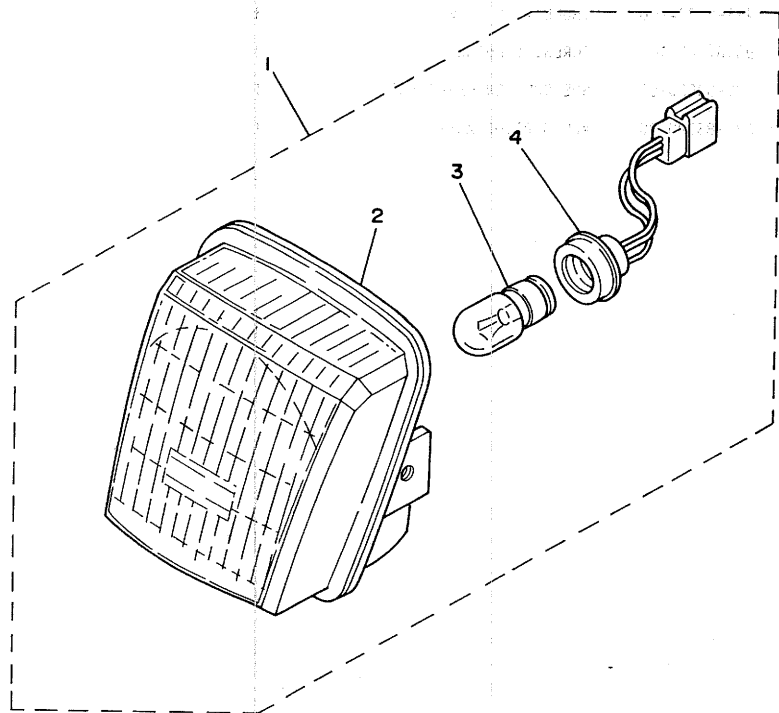
27V010-3290

D6

FIG. 30 HEADLIGHT

REF. NO.	PART NO.	DESCRIPTION	Q'TY	REMARKS
----------	----------	-------------	------	---------

1	27V-84310-00	HEADLIGHT UNIT ASSY	1	
2	27V-84120-00	.LENS ASSY	1	
3	196-84314-00	.BULB, headlight (12V-25/25W)	1	
4	27V-84340-00	.SOCKET CORD ASSY	1	



27V010-3300

D7

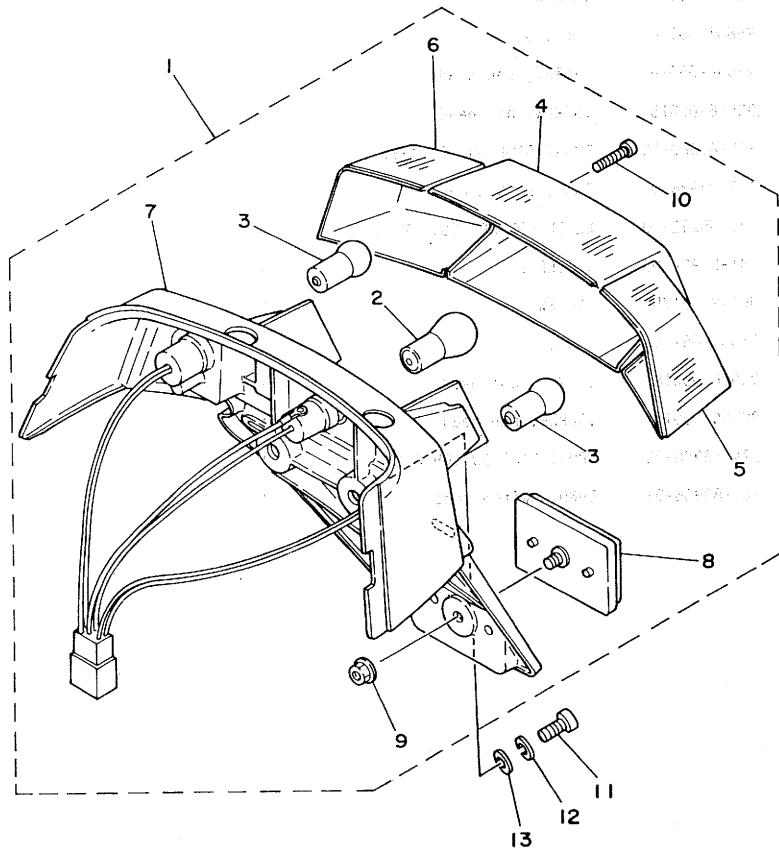


FIG. 31 TAILLIGHT

REF. NO.	PART NO.	DESCRIPTION	QTY	REMARKS
1	27V-84700-00	TAILLIGHT ASSY	1	
2	27V-84714-00	.BULB (12V-18/5W)	1	
3	851-84744-00	.BULB (12V-10W)	2	
4	27V-84721-00	.LENS, taillight	1	
5	27V-83332-00	.LENS, flasher	1	
6	27V-83342-00	.LENS, flasher 2	1	
7	27V-84720-00	.BASE ASSY	1	
8	361-85130-00	.REAR REFLECTOR ASSY	1	
9	95702-05100	.NUT, flange	1	
10	97706-40520	.SCREW, tapping	2	
11	92501-06014	SCREW, pan head	2	
12	92901-06100	WASHER, spring	2	
13	92901-06600	WASHER, plate	2	


27V010-3310

D8

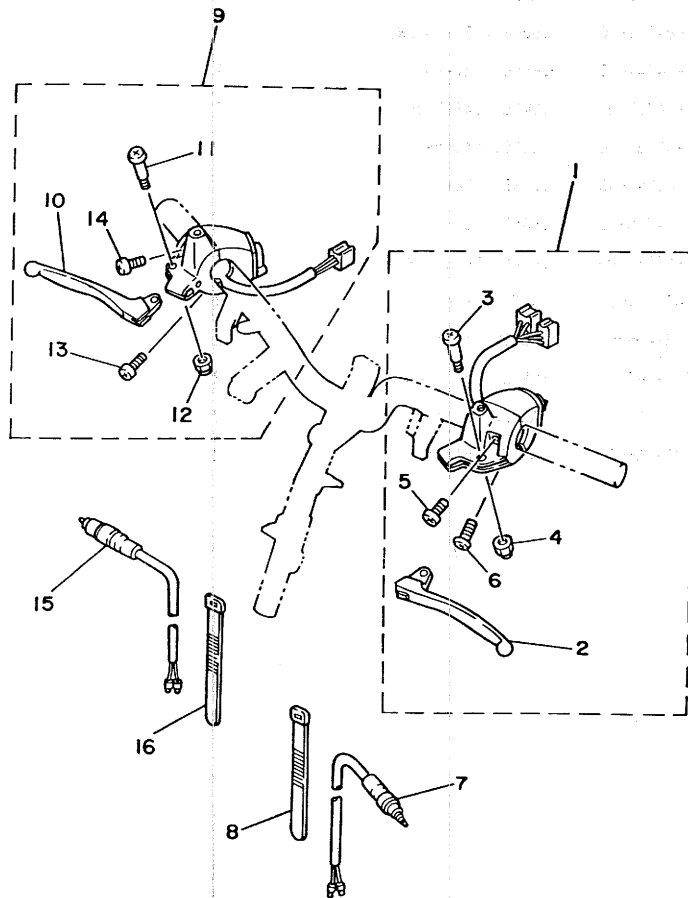


FIG. 32 HANDLE SWITCH. LEVER

REF. NO.	PART NO.	DESCRIPTION	Q'TY	REMARKS
1	46V-W8291-30	LEVER HOLDER ASSY (L.H)	1	
2	14T-83912-00	.LEVER 1	1	
3	90149-06175	.SCREW	1	
4	95601-05100	.NUT, u	1	
5	98506-05016	.SCREW, pan head	1	
6	98506-05018	.SCREW, pan head	1	
7	27V-83980-30	FRONT STOP SWITCH ASSY	1	
8	168-83936-01	BAND, switch cord	1	
9	27V-W8292-30	LEVER HOLDER ASSY (R.H)	1	
10	14T-83922-00	.LEVER 2	1	
11	90149-06175	.SCREW	1	
12	95601-05100	.NUT, u	1	
13	98506-05018	.SCREW, pan head	1	
14	98506-05016	.SCREW, pan head	1	
15	27V-83980-30	FRONT STOP SWITCH ASSY	1	
16	168-83936-01	BAND, switch cord	1	



46V262-3320

D9

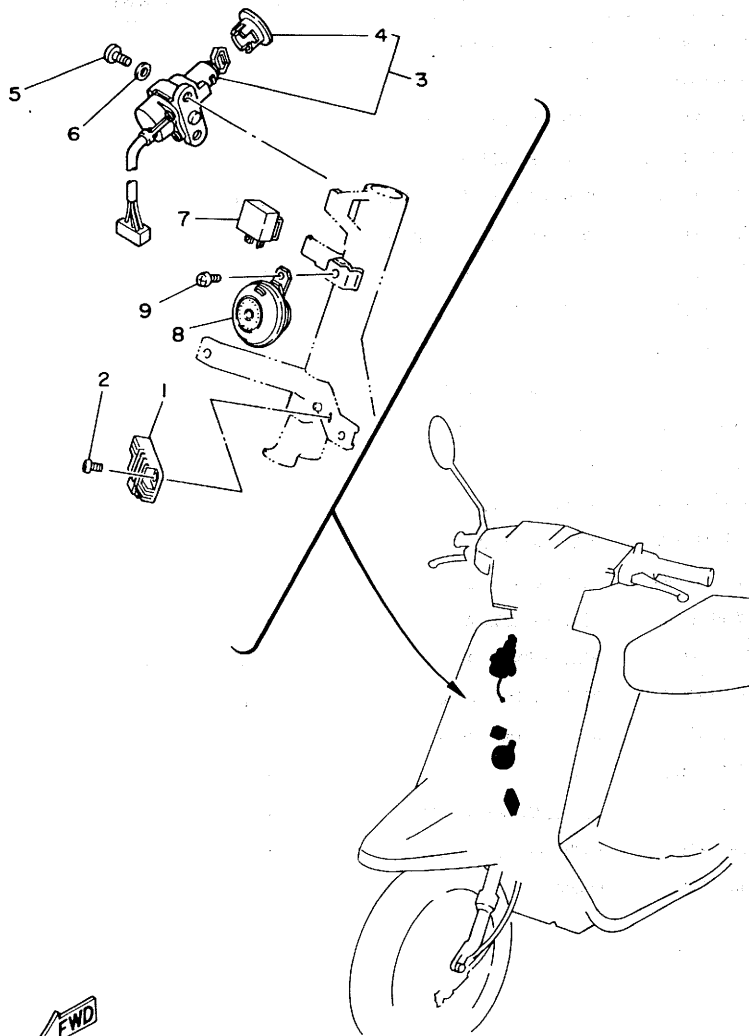


FIG. 33 ELECTRICAL 1 SEE FIG 40

REF. NO.	PART NO.	DESCRIPTION	Q'TY	REMARKS
1	22J-81960-60	RECTIFIER & REGULATOR ASSY	1	UR
	22J-81960-90	RECTIFIER & REGULATOR ASSY	1	UR
2	98501-05012	SCREW, pan head	1	
3	30A-82501-20	MAIN SWITCH STEERING LOCK	1	
4	21H-82552-20	.CAP, switch	1	
5	92501-06014	SCREW, pan head	2	
6	92901-06600	WASHER, plate	2	
7	29G-83350-20	FLASHER RELAY ASSY	1	
8	27V-83371-20	HORN	1	
9	92501- 06010 ⁰⁶⁰⁰⁸	SCREW, pan head	1	



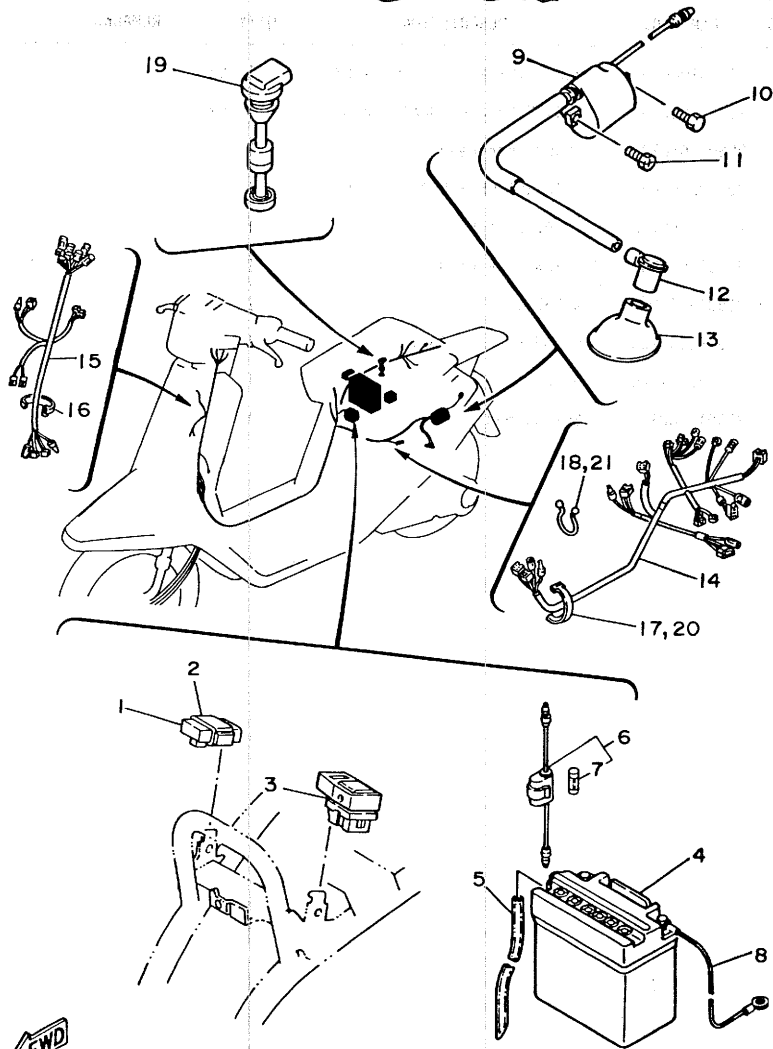
27V010-3320

D10

SEE FIG 41

Mc 83040 1/3

FIG. 34 ELECTRICAL 2



REF. NO.	PART NO.	DESCRIPTION	Q'TY	REMARKS
1	25L-85540-M0	C.D.I. UNIT ASSY	1	
2	25K-85546-00	BAND	1	
3	27V-81940-00	STARTER SWITCH ASSY	1 UR	
	27V-81940-00	STARTER SWITCH ASSY	1 UR	
4	38E-82110-60	BATTERY ASSY (GS GM4-3B)	1 UR	
	38E-82110-70	BATTERY ASSY (FB FB4L-B)	1 UR	
5	27V-82112-00	PIPE, breather	1	
6	27V-82150-00	FUSE HOLDER ASSY	1	
7	27V-82151-00	.FUSE (7A)	1	
8	27V-82116-00	WIRE, minus lead	1	
9	4K3-82310-M0	IGNITION COIL ASSY	1	
10	97301-06018	BOLT	1	
11	90153-06034	SCREW, hexagon	1	
12	2E9-82370-00	PLUG CAP ASSY	1	
13	27V-82372-00	SEAL, plug cap	1	
14	46V-82590-20	WIRE HARNESS ASSY	1	~ 2208586
	46V-82590-21	"	1	~ 2208587 ~
15	46V-82580-20	WIRE HARNESS ASSY 2	1	~ 2208586
	46V-82580-21	"	1	~ 2208587 ~
16	256-83936-00	BAND, switch cord	2	2-1
17	437-83936-10	BAND, switch cord	2	
18	90465-18147	CLAMP	1	
19	25K-85720-00	OIL LEVEL GAUGE ASSY	1	
20	437-83936-10	BAND, switch cord	1	
21	90465-18147	CLAMP	1	

46V 262-3340

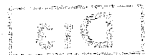
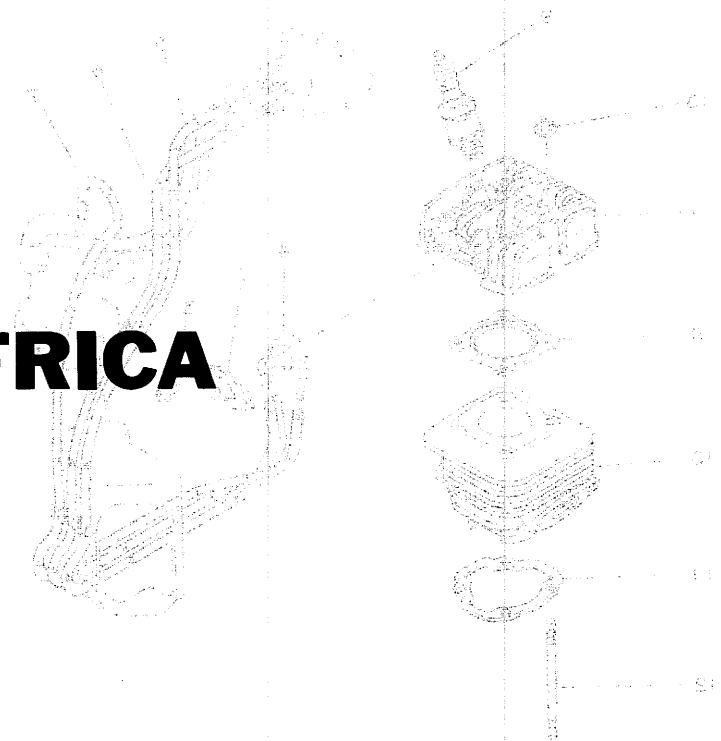


D11

INDIVIDUAL SPEC.

INDIVIDUAL SPEC.

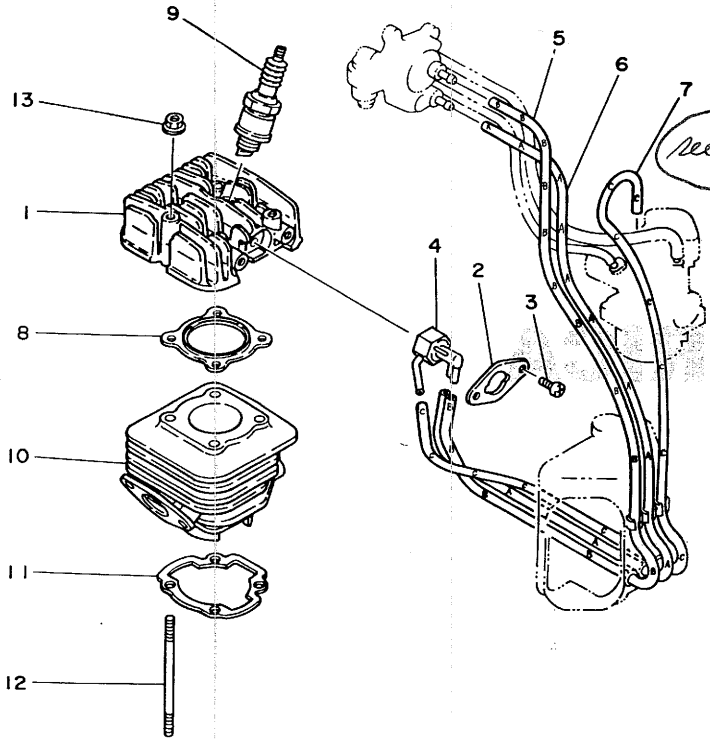
FOR S.AFRICA



010E-010VTS

FIG. 35 CYLINDER

SEE FIG 1



REF. NO.	PART NO.	DESCRIPTION	Q'TY	REMARKS
1	27V-11111-00	HEAD, cylinder 1	1	
2	2T4-1111F-00	PLATE	1	
3	92501-06012	SCREW, pan head	2	
4	27V-14399-00	VALVE, bimetal	1	
5	90445-08775	HOSE	1	
6	90445-08774	HOSE	1	
7	90445-08779	HOSE	1	
8	517-11181-00	GASKET, cylinder head 1	1	
9	94701-00198	PLUG, spark (NGK BPR6HS)	1	
10	27V-11311-00	CYLINDER 1	1	
11	24G-11351-00	GASKET, cylinder	1	
12	90116-06418	BOLT, stud	4	
13	90179-06337	NUT	4	

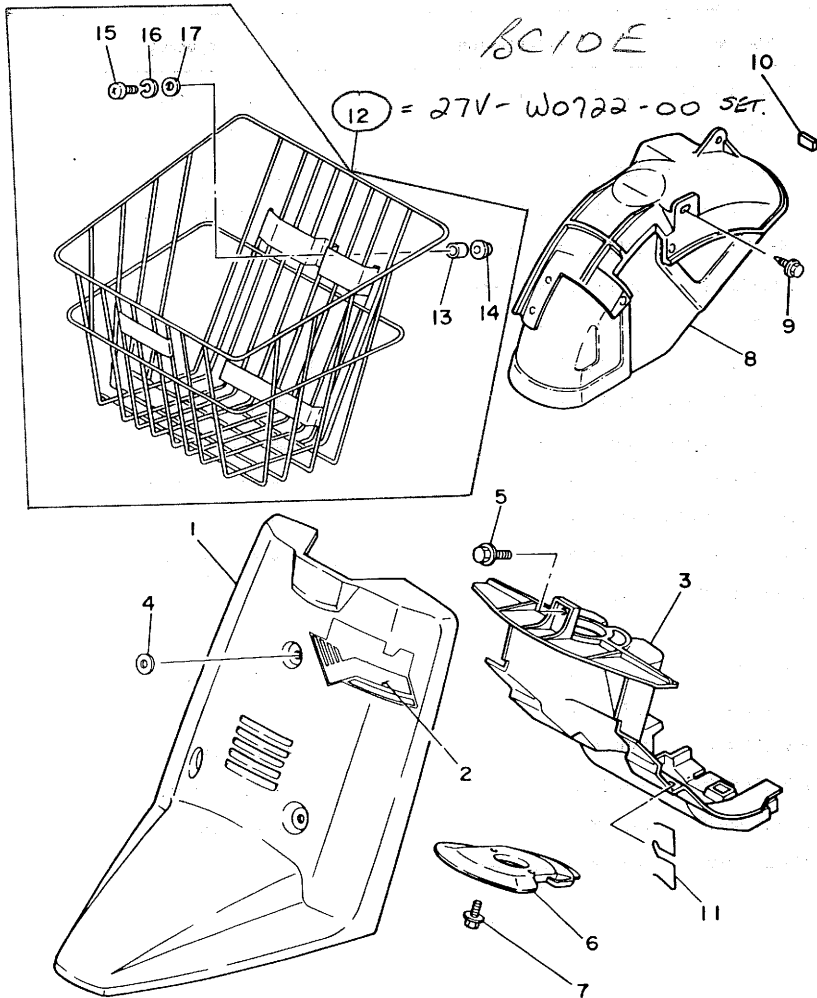


27V010-3010

D13

FIG. 36 FENDER

Mc 83040



REF. NO.	PART NO.	DESCRIPTION	Q'TY	REMARKS
1	27V-21511-00-AJ	FENDER, front	1	UR stormy red
	27V-21511-00-AK	FENDER, front	1	UR mild blue
	27V-21511-00-EH	FENDER, front	1	UR creamy white
	27V-21511-10-20	FENDER, front	1	UR crystal silver
2	27V-21781-00	EMBLEM 1	1	UR for smr,mib
	27V-21781-20	EMBLEM 1	1	UR for csl,cmw
3	27V-21552-00	FENDER, inner	1	
4	90201-06058	WASHER, plate	3	
5	95801-06010	BOLT, flange	1	
6	27V-21553-00	FENDER, inner 2	1	
7	90119-06085	BOLT, with washer	2	
8	27V-Y2162-00	MUD GUARD COMP.	1	
9	90119-06079	BOLT, with washer	2	
10	27V-24184-00	DAMPER, locating 4	1	
11	27V-21596-00	HOLDER	2	
12	27V-W0722-00 SET	BASKET, front	1	SUB TO
	27V-24865-50	BASKET, front	1	
13	90387-08557	• COLLAR	3	
14	90387-06020	• COLLAR	3	
15	92506-06035	• SCREW, pan head	3	
16	92906-06100	• WASHER, spring	3	
17	92906-06600	• WASHER, plate	3	

46V262-3130

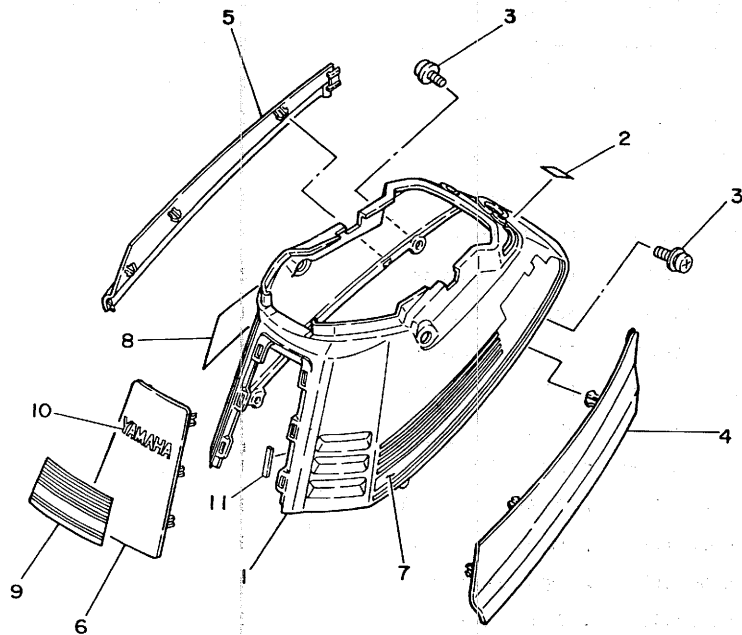


FIG. 37 SIDE COVER

REF. NO.	PART NO.	DESCRIPTION	Q'TY	REMARKS
1	27V-21711-00-AJ	COVER, side 1	1	UR stormy red
	27V-21711-00-AK	COVER, side 1	1	UR mild blue
	27V-21711-00-EH	COVER, side 1	1	UR creamy white
	27V-21711-10-20	COVER, side 1	1	UR crystal silver
2	2T4-2415E-30	LABEL, caution	1	
3	90159-06059	SCREW, with washer	4	
4	27V-21721-00	COVER, side 2	1	gray
5	27V-21731-00	COVER, side 3	1	gray
6	27V-21741-00-AJ	COVER, side 4	1	UR stormy red
	27V-21741-00-AK	COVER, side 4	1	UR mild blue
	27V-21741-00-EH	COVER, side 4	1	UR creamy white
	27V-21741-10-20	COVER, side 4	1	UR crystal silver
7	27V-21782-00	EMBLEM 2	1	UR for smr,mib
	27V-21782-20	EMBLEM 2	1	UR for cmw,cs1
8	27V-21783-00	EMBLEM 3	1	UR for smr,mib
	27V-21783-20	EMBLEM 3	1	UR for cmw,cs1
9	27V-21784-00	EMBLEM 4	1	UR for smr,mib
	27V-21784-20	EMBLEM 4	1	UR for cmw,cs1
10	27V-21785-00	EMBLEM 5	1	UR for smr,mib
	27V-21785-20	EMBLEM 5	1	UR for cmw,cs1
11	2T4-21717-00	DAMPER, side cover	6	



46V262-3140

D15

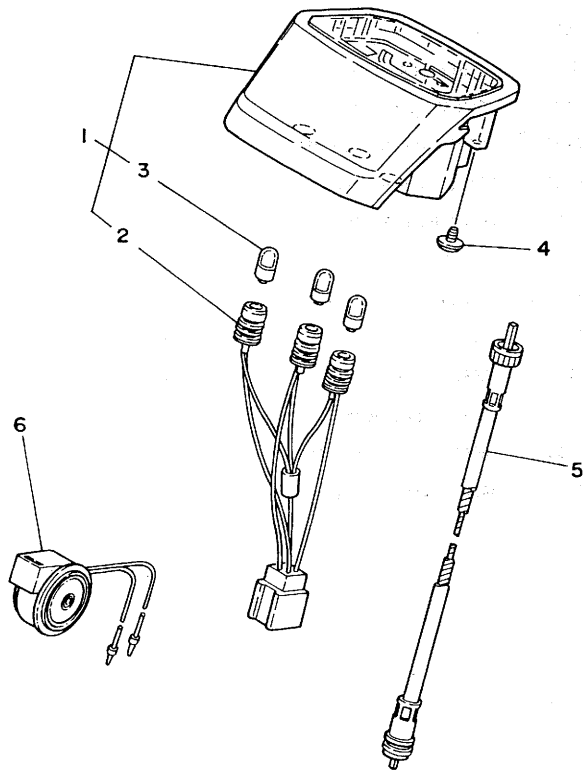


FIG. 38 METER

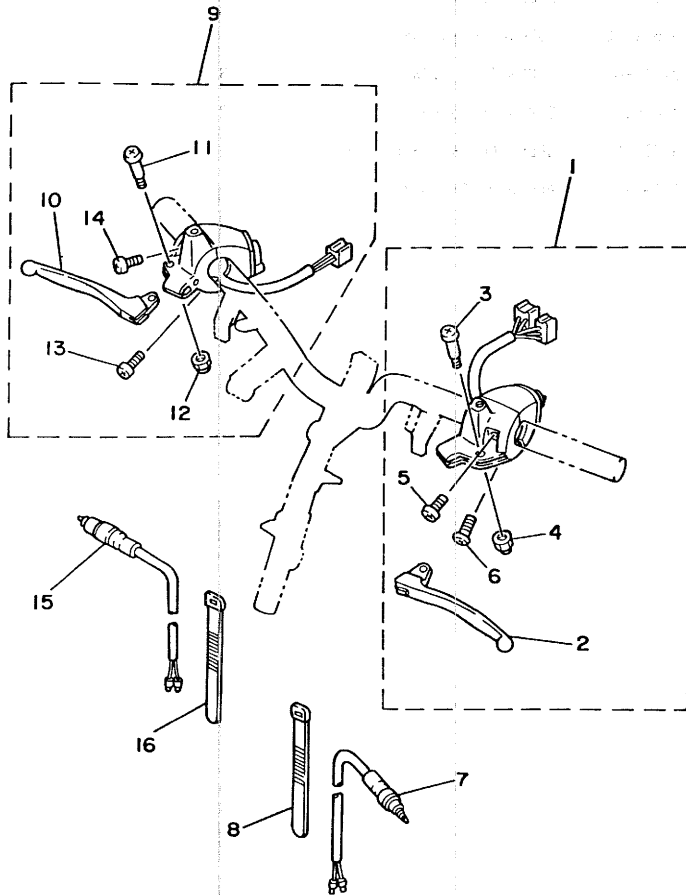
REF. NO.	PART NO.	DESCRIPTION	Q'TY	REMARKS
1	46V-83510-20	SPEEDOMETER ASSY	1	
2	27V-83509-00	.SOCKET CORD ASSY	1	
3	4G1-84744-00	.BULB (12V 3.4W)	3	
4	90167-05011	SCREW, tapping	2	
5	27V-83550-00	SPEEDOMETER CABLE ASSY	1	
6	27V-83390-20	AUDIO PILOT ASSY	1	



27V010-3290

E2

FIG. 39 HANDLE SWITCH. LEVER



REF. NO.	PART NO.	DESCRIPTION	Q'TY	REMARKS
1	27V-W8291-30	LEVER HOLDER ASSY (L.H)	1	
2	14T-83912-00	.LEVER 1	1	
3	90149-06175	.SCREW	1	
4	95601-05100	.NUT, u	1	
5	98506-05016	.SCREW, pan head	1	
6	98506-05018	.SCREW, pan head	1	
7	27V-83980-30	FRONT STOP SWITCH ASSY	1	
8	168-83936-01	BAND, switch cord	1	
9	27V-W8292-30	LEVER HOLDER ASSY (R.H)	1	
10	14T-83922-00	.LEVER 2	1	
11	90149-06175	.SCREW	1	
12	95601-05100	.NUT, u	1	
13	98506-05018	.SCREW, pan head	1	
14	98506-05016	.SCREW, pan head	1	
15	27V-83980-30	FRONT STOP SWITCH ASSY	1	
16	168-83936-01	BAND, switch cord	1	

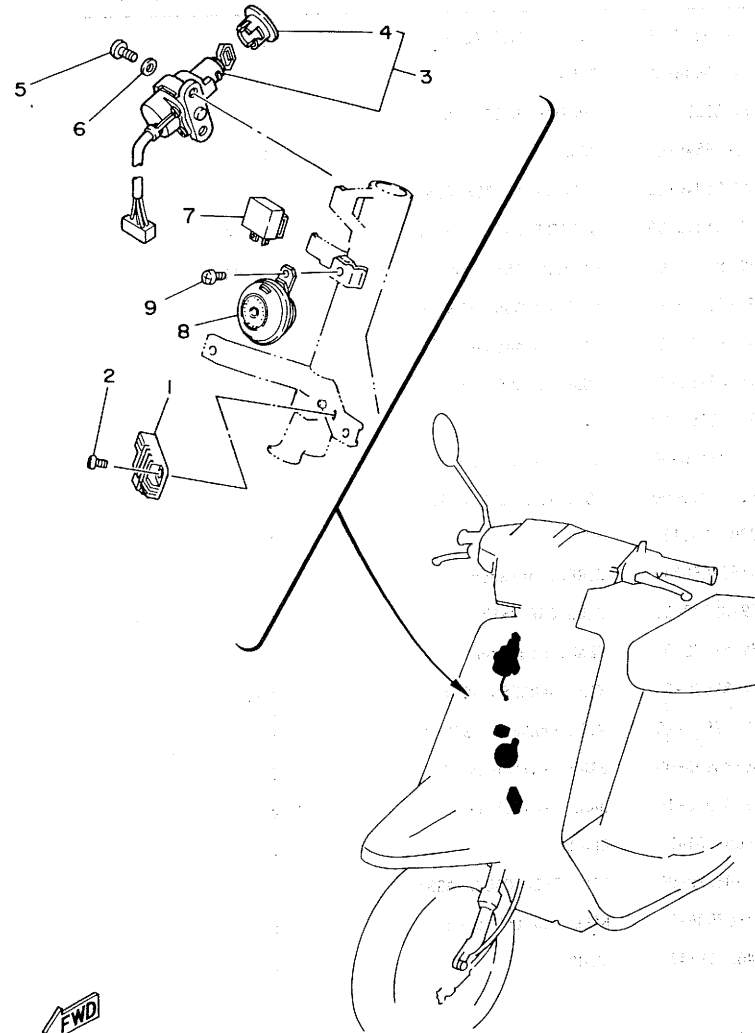


46V262-3320

E3

MC 83040

FIG. 40 ELECTRICAL 1



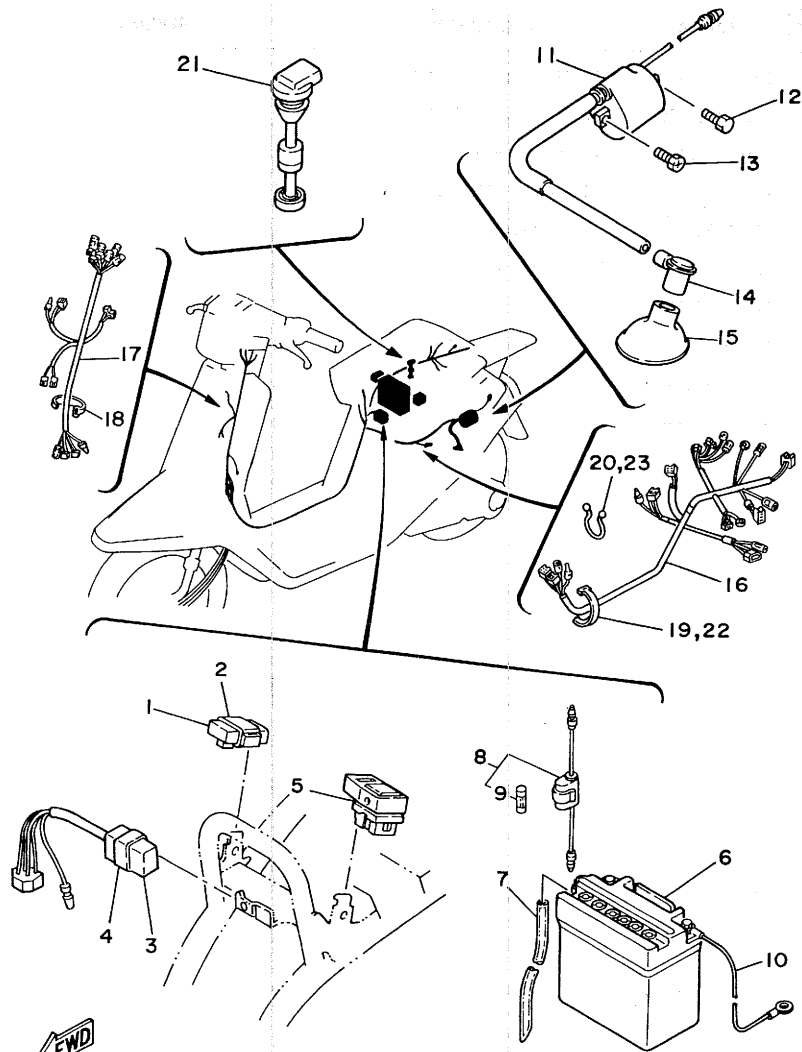
REF. NO.	PART NO.	DESCRIPTION	Q'TY	REMARKS
1	22J-81960-60	RECTIFIER & REGULATOR ASSY	1	UR
	22J-81960-90	RECTIFIER & REGULATOR ASSY	1	UR
2	98501-05012	SCREW, pan head	1	
3	46V-82501-20	MAIN SWITCH STEERING LOCK	1	
4	20G-82552- 00 ²⁰	.CAP, switch	1	
5	92501-06014	SCREW, pan head	2	
6	92901-06600	WASHER, plate	2	
7	29G-83350-20	FLASHER RELAY ASSY	1	
8	27V-83371-20	HORN	1	
9	92501- 06014 ⁰⁶⁰⁰⁸	SCREW, pan head	1	



27V010-3320

E4

FIG. 41 ELECTRICAL 2



REF. NO.	PART NO.	DESCRIPTION	Q'TY	REMARKS
1	25L-85540-M0	C.D.I. UNIT ASSY	1	
2	25K-85546-00	BAND	1	
3	27V-85590-M0	CONTROL UNIT ASSY	1	
4	4J2-85546-00	BAND	1	
5	27V-81940-00	STARTER SWITCH ASSY	1	UR
	27V-81940-00	STARTER SWITCH ASSY	1	UR
6	38E-82110- 60 ⁷⁹	BATTERY ASSY (GS-GM4-3B)	1	UR
	38E-82110- 70 ⁷⁹	BATTERY ASSY (FB-FB4L-B)	1	UR
7	27V-82112-00	PIPE, breather	1	
8	27V-82150-00	FUSE HOLDER ASSY	1	
9	27V-82151-00	.FUSE (7A)	1	
10	27V-82116-00	WIRE, minus lead	1	
11	4K3-82310-M0	IGNITION COIL ASSY	1	
12	97301-06018	BOLT	1	
13	90153-06034	SCREW, hexagon	1	
14	2E9-82370-00	PLUG CAP ASSY	1	
15	27V-82372-00	SEAL, plug_cap	1	
16	27V-82590-20	WIRE HARNESS ASSY	1	~2208586
	27V-82590-21	" " "	1	~2208587 ~
17	27V-82580-20	WIRE HARNESS ASSY 2	1	~2208586
	27V-82580-21	" " "	1	~2208587 ~
18	256-83936-00	BAND, switch cord	2	1
19	437-83936-10	BAND, switch cord	2	
20	90465-18147	CLAMP	1	
21	25K-85720-00	OIL LEVEL GAUGE ASSY	1	
22	437-83936-10	BAND, switch cord	1	
23	90465-18147	CLAMP	1	

27V010-3331

E5

INDEX

(GENERAL SPEC.)

NUMERICAL INDEX

PART NO.	GRID NO.	PART NO.	GRID NO.	PART NO.	GRID NO.	PART NO.	GRID NO.	PART NO.	GRID NO.	PART NO.	GRID NO.
27V-W1541-00-4W	B- 9	14T-14343-42	B- 7	24G-16611-01	B-12	46V-21782-00	C- 3	14T-24728-00	C- 8	27V-26351-00	C-12
27V-W2471-00	C- 8	14T-14353-23	B- 7	24G-16620-00	B-12	46V-21782-20	C- 3	27V-24842-00	C- 8	27V-26374-00	D- 2
46V-W8291-30	D- 9	14T-14384-00	B- 7	24G-16626-00	B-12	46V-21783-00	C- 3	27V-24865-50	C- 2	27V-26372-00	D- 2
27V-W8292-30	D- 9	14T-14385-01	B- 7	24G-17410-00	B-13	46V-21783-20	C- 3	25K-25116-00	C- 9	5M0-26393-00	C-12
27V-Y2162-00	C- 2	14T-14386-00	B- 7	24G-17420-00	B-13	27V-21784-00	C- 3	25K-25121-00-35	C- 9	14T-26398-00	C-12
2T4-1111F-00	B- 2	14T-14392-01	B- 7	27V-17601-00	B-12	27V-21784-20	C- 3	25K-2513A-00	C- 9	33A-27111-00	C-14
27V-11111-00	B- 2	14T-14396-00	B- 7	24G-17611-00	B-12	27V-21785-00	C- 3	27V-25130-00	C- 9	5G3-27114-00	C-14
14T-11161-00	B- 4	27V-14399-00	B- 2	24G-17641-00	B-12	27V-21785-20	C- 3	2E9-25133-00	C- 9	14T-27311-00	C-14
517-11181-00	B- 2	27V-14411-00	B- 6	24G-17660-00	B-12	27V-22210-00	C- 5	2E9-25135-00	C- 9	14T-27318-50	C-14
27V-11311-00	B- 2	27V-14412-00	B- 6	24G-17664-00	B-12	27V-22210-10	C- 5	2E9-25137-01	C- 9	14T-27321-50	C-14
24G-11351-00	B- 2	27V-14433-00	B- 6	27V-17670-00	B-12	164-22216-00	B- 9	2T4-25137-00	C- 9	27V-27481-00	C-14
27V-11400-00	B- 3	27V-14437-00	B- 6	24G-17684-00	B-12	27V-23100-00	C- 6	2E9-25138-00	C- 9	27V-27482-00	C-14
27V-11412-00	B- 3	27V-14451-00	B- 6	27V-21110-00-33	B-14	27V-23110-00	C- 6	25K-25151-00	C- 9	27V-27492-00	C-14
14T-11422-00	B- 3	27V-14453-00	B- 6	27V-2116F-00	B-14	27V-23120-00	C- 6	25K-25155-00	C- 9	274-28100-01	C- 8
24G-11610-00	B- 3	27V-14610-00	B- 8	27V-21165-00	B-14	2T4-23141-02	C- 6	25K-25159-00	C- 9	27V-28311-00-AJ	C-15
24G-11610-10	B- 3	24G-14613-00	B- 8	27V-21268-00	B-15	2E9-23143-00	C- 6		C-11	27V-28311-00-AK	C-15
24G-11610-20	B- 3	27V-14718-00	B- 8	27V-21268-10	B-15	2T4-23195-00	C- 6	25K-25180-00-35	C- 9	27V-28311-00-EH	C-15
27V-11631-00-96	B- 3	27V-1490J-00	B- 7	25K-2135J-00	B-14	27V-23340-00-33	C- 6	25K-25181-00	C-10	27V-28311-10-20	C-15
27V-11633-00	B- 3	33A-1490N-01	B- 7	2T4-2139X-00	B-14	2E9-23411-01	C- 6	2T4-25185-00	C- 9	14T-28349-00	C-15
27V-11635-00	B- 3	24G-15110-01	B- 9	27V-21410-00	B-14	2E9-23412-00	C- 6	27V-25321-00	C-11	14T-28349-10	C-15
27V-11636-00	B- 3	24G-15120-01	B- 9	14T-21471-00	B-14	2E9-23413-01	C- 6	14T-2533A-00	C-11	14T-28349-90	C-15
2E9-11651-00	B- 3	14T-15128-00	B-10	2T4-21481-01	B-14	2E9-23414-01	C- 6	27V-25330-00	C-11	20H-28349-00	C-15
2E9-11681-00	B- 3	14T-15316-00	B-12	27V-21511-00-AJ	C- 2	2T4-23418-01	C- 6	27V-25336-00	C-11	27V-81313-MO	D- 3
25K-12611-00	B- 4	14T-15317-00	B- 9	27V-21511-00-AK	C- 2	2E9-23454-00	C- 6	14T-25351-00	C-11	27V-81800-50	D- 4
14T-12651-00	B- 4	14T-15326-00	B- 9	27V-21511-00-EH	C- 2	27V-24111-00	C- 7	27V-25355-00	C-11	22J-81801-50	D- 4
14T-12652-00	B- 4		B- 9	27V-21511-10-20	C- 2	27V-2412F-00	B-14	27V-25390-00-35	C-11	5J3-81826-50	D- 4
14T-12653-00	B- 4	27V-15338-00	B-10	27V-21552-00	C- 2	2T4-2415E-30	C- 3	27V-26110-00	C-12	14T-81847-50	D- 4
14T-12654-00	B- 4	2T4-15363-00	B- 9	27V-21553-00	C- 2	27V-24181-00	B-14	2E9-26129-00	C-12	5J3-81847-50	D- 4
24G-12655-00	B- 4	498-15371-00	B- 9	27V-21596-00	C- 2	2E9-24182-00	B-14	27V-26213-00-AJ	D- 2	27V-81940-00	D-11
5G6-13101-00	B- 5	14T-15379-00	B- 9	20H-21638-00	B-15	27V-24182-00	B-14	27V-26213-00-AK	D- 2		D-11
296-13124-00	B- 5	24G-15416-00	B-10	46V-21668-00	C-15	27V-24183-00	B-14	27V-26213-00-EH	D- 2	22J-81960-60	D-10
384-13138-00	B- 5	24G-15421-01	B- 9	27V-21711-00-AJ	C- 3		B-14	27V-26213-10-20	D- 2	22J-81960-90	D-10
2E9-13174-00	B- 5	27V-15451-00	B- 9	27V-21711-00-AK	C- 3	27V-24184-00	C- 2	27V-26215-00-AJ	D- 2	38E-82110-60	D-11
14T-13178-00	B- 5	14T-15462-00	B-10	27V-21711-00-EH	C- 3		C-14	27V-26215-00-AK	D- 2	38E-82110-70	D-11
27V-13555-00	B- 6	14T-15512-00	B-11	27V-21711-10-20	C- 3	27V-2419A-00	B-14	27V-26215-00-EH	D- 2	27V-82112-00	D-11
27V-13610-00	B- 6	14T-15521-00	B-11	2T4-21717-00	C- 3	27V-24198-00	C- 7	27V-26215-10-20	D- 2	27V-82116-00	D-11
24G-13613-00	B- 6	27V-15524-00	B-11		C-14	27V-24260-01	C- 7	5G3-26241-00	C-12	27V-82122-00	B-14
27V-13616-00	B- 6	27V-15532-00	B-11	27V-21719-00	C- 8	4J2-24261-00	C- 7	5G3-26242-00	C-12	116-82131-00	C- 8
3L5-13621-00	B- 6	27V-15544-00	B-11	27V-21721-00	C- 3	5G3-24311-00	C- 7	5G3-26243-00	C-12	27V-82150-00	D-11
14T-14103-01	B- 7	24G-15570-00	B-11	27V-21731-00	C- 3	17L-24500-00	C- 7	5G3-26261-02	C-12	27V-82151-00	D-11
14T-14104-00	B- 7	33A-15601-00	B-11	27V-21741-00-AJ	C- 3	2E9-24522-10	C- 7	2T4-26262-01	C-12	4K3-82310-MO	D-11
14T-14106-00	B- 7	2T4-15618-00	B-11	27V-21741-00-AK	C- 3	1L4-24611-00	C- 7	5G3-26263-02	C-12	2E9-82370-00	D-11
2T4-14126-01	B- 7	27V-15620-00	B-11	27V-21741-00-EH	C- 3	1L4-24615-00	C- 7	17J-26290-00	D- 2	27V-82372-00	D-11
14T-14169-00	B- 7	33A-15630-00	B-11	27V-21741-10-20	C- 3	1L4-24616-00	C- 7	17J-26290-10	D- 2	30A-82501-20	D-10
27V-14301-00	B- 7	296-15644-00	B- 5	27V-21751-00	C- 4	14T-24705-00	C- 8	27V-26311-00	C-12	21H-82552-20	D-10
14T-14312-30	B- 7	14T-15657-00	B-12	14T-21770-00	C- 4	27V-24711-00	C- 8	27V-26312-00	C-12	46K-82580-20	D-11
2T4-14331-00	B- 7	32N-15673-00	B-11	46V-21781-00	C- 2	17L-24723-00	C- 8	27V-26321-00	C-12	46V-82590-20	D-11
33A-14341-00	B- 7	24G-16111-00	B-12	46V-21781-20	C- 2	2T4-24726-10	C- 8	27V-26341-00	C-12	27V-83310-00	D- 5

NUMERICAL INDEX

PART NO.	GRID NO.	PART NO.	GRID NO.	PART NO.	GRID NO.	PART NO.	GRID NO.	PART NO.	GRID NO.	PART NO.	GRID NO.
27V-83311-00	D- 5	90109-06504	C- 8	90208-10012	B-12	90501-29517	B-14	92901-06600	B- 4	93505-32002	C- 6
	D- 5	90109-08507	C-12	90249-12008	C-12	90501-35752	B-12		C- 4	93603-12007	B- 5
27V-83312-00	D- 5	90116-06418	B- 2		C-12	90506-06279	B- 4		D- 8	93603-14026	B- 5
27V-83320-00	D- 5	90119-06079	B-14	90267-40073	B- 6	90506-14081	C-11		D-10	94127-105E1	C- 9
27V-83322-00	D- 5		C- 2	90280-03017	B- 3	90506-20298	C-14	92901-08100	C-12		C-11
27V-83332-00	D- 8		C-14	90380-15099	B-11	90506-29280	C-14	92901-08600	C-11	94127-105E2	C- 9
27V-83342-00	D- 8	90119-06084	D- 2	90384-15167	B- 9	90508-26393	C- 9	92901-12100	B- 3		C-11
29G-83350-20	D-10	90119-06085	C- 2		B- 9	90508-29643	B-11		C-14	94225-10112	C- 9
27V-83371-20	D-10	90149-04135	B- 5	90387-06020	B- 4	90560-10236	C- 9	92901-12600	B- 3		C-11
27V-83390-20	D- 6	90149-06113	B- 8		C- 2	91316-06020	C- 2	92903-05200	D- 2	94227-10219	C- 9
46V-83509-F0	D- 6	90149-06175	D- 9	90387-06162	C-14		D- 4	92906-06100	B-14		C-11
46V-83510-F0	D- 6		D- 9	90387-08557	C- 2	91701-08138	C-14		C- 2	94701-00232	B- 2
27V-83550-00	D- 6	90153-06020	B- 4	90387-104H9	C-10	91830-21014	B- 9	92906-06600	C- 2	95021-06010	B-14
14T-83912-00	D- 9	90153-06034	D-11	90387-165E7	B-12		B- 9		C-14	95301-05600	C- 9
14T-83922-00	D- 9	90153-06052	D- 2	90387-167J0	B- 3	91830-22016	B- 9	92906-08100	B- 8		C-11
168-83936-01	D- 9	90159-06059	C- 3	90401-10029	B- 5	92501-06010	B-12	92906-08200	B- 8	95301-12600	B- 3
	D- 9	90159-06064	C- 8	90430-04004	B- 5		D-10	93101-10001	B- 5	95601-05100	D- 9
256-83936-00	D-11	90159-06075	B-10	90430-06012	B- 8	92501-06012	B- 2	93101-20107	B- 3		D- 9
437-83936-10	D-11	90167-05011	D- 6	90430-08119	B-10		B-10	93102-17264	B-12	95611-10100	B-14
	D-11	90167-05026	D- 2	90445-05629	B- 5		B-11	93102-20315	B- 3	95701-06100	C- 8
27V-83980-30	D- 9	90170-06254	C- 8	90445-07176	C- 7		C- 4	93102-22314	B-13		C- 8
	D- 9	90170-10105	B- 5	90445-08774	B- 2		C- 7	93104-19082	D- 3	95701-10100	B-14
27V-84120-00	D- 7	90170-10219	B-12	90445-08775	B- 2	92501-06014	B- 4	93106-17015	C- 9	95702-05100	D- 8
27V-84310-00	D- 7	90170-10317	B-12	90445-08779	B- 2		D- 8	93109-33040	B-12	95801-06010	C- 2
19G-84314-00	D- 7	90175-06013	C-12	90445-09M25	C- 4		D-10	93109-34046	C- 9	95801-06012	B-14
27V-84340-00	D- 7		C-12	90445-11288	C- 7	92501-06020	B- 9	93210-06550	B-12	95801-08016	B-10
27V-84700-00	D- 8	90176-06041	C- 8	90446-07008	B- 9	92501-06025	B- 9	93210-10096	C-10	97301-05020	C- 9
27V-84714-00	D- 8	90179-06337	B- 2	90446-15193	B-14	92501-06035	B- 9	93210-13016	B- 9	97301-06012	C- 8
27V-84720-00	D- 8	90179-08354	C-12	90460-32242	B- 6		B- 9	93210-14104	B-10	97301-06014	B- 4
27V-84721-00	D- 8	90179-10280	C- 9	90461-05036	D- 3		B- 9	93210-26240	B- 5	97301-06018	D-11
4G1-84744-00	D- 6	90179-10292	C- 5	90464-12027	B-15	92501-06045	B- 9	93210-38146	B-12	97306-08020	B- 8
851-84744-00	D- 8	90179-28415	B-12	90464-23041	C- 7	92506-06010	B-14	93300-63808	B-12	97316-06025	B-11
3G1-85130-00	D- 8	90185-14081	C-11	90465-06240	B-10	92506-06020	B- 4	93306-00301	B-12	97321-12035	C-14
27V-85520-M0	D- 3	90201-06058	C- 2	90465-18147	D-11		B- 6	93306-20005	C- 9	97326-06020	C-14
25L-85540-M0	D-11		C-15		D-11	92506-06035	C- 2	93306-20006	C- 9	97602-03108	B- 6
25K-85546-00	D-11	90201-06059	D- 2	90465-20205	B-10	92506-06060	B- 9	93306-20310	B-13	97701-50125	B- 6
27V-85550-M0	D- 3	90201-06412	B-12	90465-30195	C-12	92701-06015	B-11	93306-20418	B- 3	97701-50130	B- 6
27V-85560-M0	D- 3	90201-06656	C- 9	90465-30196	C-12		D- 3	93306-30003	B-13	97706-40520	D- 8
27V-85568-M1	D- 3	90201-08092	B-11	90467-08003	C- 4	92901-04100	D- 3	93310-210M0	B- 3	97706-60512	D- 5
27V-85569-M1	D- 3	90201-10140	C- 5		C- 7		D- 3	93310-232J8	B-11		D- 5
5G3-85580-M0	D- 3	90201-12704	B-13	90467-10008	C- 7	92901-04200	B- 6	93310-416F7	B- 3	97901-04116	B- 7
25K-85720-00	D-11	90201-14740	C-11	90468-02033	B- 5	92901-05600	C-12	93317-32241	B-13	97901-05116	B- 7
90101-05488	C-11	90201-155F0	B- 9	90468-12006	C-14	92901-06100	B- 4	93410-15005	B-11	97901-06120	B- 7
90101-08528	C-11	90201-155G5	B-11	90468-20127	B- 6		C- 7	93410-17008	B-12	98501-04006	D- 3
90105-06138	B-14	90201-17255	C-11	90480-01141	B-14		C- 8	93410-19015	B- 5	98501-05012	D-10
	C-13	90202-06010	B- 8	90480-01300	B-10		D- 8	93430-07012	B- 5	98501-05020	B- 5
90105-08121	C- 5	90202-08125	C-14	90501-06715	B- 5	92901-06200	B-15	93440-15012	B- 9	98501-05025	C-12
90105-10117	B-14	90206-19027	B- 5	90501-10695	C-12	92901-06600	B- 4	93450-11021	B- 3	98501-05035	B- 5

NUMERICAL INDEX

PART NO.	GRID NO.	PART NO.	GRID NO.	PART NO.	GRID NO.	PART NO.	GRID NO.	PART NO.	GRID NO.
98503-04010	D- 3								
98506-05010	C-12								
98506-05016	D- 9								
	D- 9								
98506-05018	D- 9								
	D- 9								
98511-04012	D- 3								
98511-04025	D- 3								
98903-05012	D- 2								
98903-06010	B- 8								
98903-06012	C-15								

PARTS NAME INDEX

DESCRIPTION	GRID NO.	DESCRIPTION	GRID NO.	DESCRIPTION	GRID NO.
ABSORBER 1	B- 4	BOLT, washer based	B-14	CLAMP	D-11
AIR SCREW SET	B- 7	*	C- 5	CLAMP, hose	B- 6
AIR SHROUD, cylinder 1	B- 4	*	C-13	CLIP	B- 5
AIR SHROUD, cylinder 2	B- 4	BOLT, with washer	B-14	*	B- 6
AIR SHROUD, cylinder 3	B- 4	*	C- 2	*	B-11
AIR SHROUD, cylinder 4	B- 4	*	C-14	*	C- 4
AUDIO PILOT ASSY	D- 6	*	D- 2	*	C- 7
AXLE, wheel	C-10	BRACKET, seat	B-14	*	C-14
BACK MIRROR ASSY (LEFT)	D- 2	*	C- 8	CLUTCH CARRIER ASSY	B-12
BACK MIRROR ASSY (RIGHT)	D- 2	BRACKET, side stand	C-14	CLUTCH HOUSING COMP.	B-12
BALL	C- 6	BRAKE SHOE COMP.	C- 9	CLUTCH, one	B-12
BAND	D-11	*	C-11	COIL, charge	D- 3
BAND, battery	C- 8	BREATHER	B- 9	COIL, lighting 1	D- 3
BAND, switch cord	D- 9	BRUSH SET	D- 4	COIL, pulser	D- 3
*	D-11	BULB (12V 3.4W)	D- 6	COLLAR	B- 3
BASE ASSY	D- 3	BULB (12V-10W)	D- 8	*	B- 4
*	D- 8	BULB (12V-18/5W)	D- 8	*	B-12
BASKET, front	C- 2	BULB, flasher (12V-10W)	D- 5	*	C- 2
BATTERY ASSY (FB FB4L-B)	D-11	BULB, headlight (12V-25/25W)	D- 7	*	C-10
BATTERY ASSY (GS GM4-3B)	D-11	BUSH, bimetal formed	B- 9	*	C-14
BEARING	B-12	BUSH, rear shock absorber	B- 9	CONNECTOR, cable	C-12
BEARING (B6200)	C- 9	BUSH, solid	B-11	COVER, crankcase 2	B- 9
BEARING (B6203RS)	B-13	C.D.I. UNIT ASSY	D-11	COVER, handle lever 1	D- 2
BEARING (B6204CS)	B- 3	CABLE ADJUST SCREW SET	B- 7	COVER, handle lever 2	D- 2
BEARING (B6300Z)	B-13	CABLE, brake	C-12	COVER, kick lever	B-11
BEARING, cylindrical	B- 3	CABLE, pump	C-12	COVER, lower	D- 2
*	B-11	CABLE, throttle 1	C-12	COVER, oil pump	B-10
*	B-13	CABLE, throttle 2	C-12	COVER, side 1	C- 3
BOARD, footrest	C-14	CAMSHAFT	C- 9	COVER, side 2	C- 3
BODY, cap	C- 7	*	C-11	COVER, side 3	C- 3
BOLT	B- 4	CAP	B- 7	COVER, side 4	C- 3
*	B- 6	*	C-15	COVER, single seat	C- 8
*	B- 8	CAP, cable connector	C-12	COVER, upper	D- 2
*	B-11	CAP, cleaner case 1	B- 6	CRANK 1	B- 3
*	C- 8	CAP, switch	D-10	CRANK 2	B- 3
*	C- 9	CARBURETOR ASSY 1	B- 7	CRANKCASE ASSY 1	B- 9
*	C-11	CARRIER, rear	C- 8	CRANKCASE ASSY 2	B- 9
*	C-12	CASE, air cleaner 1	B- 6	CRANKCASE COVER ASSY 1	B- 9
*	C-14	CIRCLIP	B- 3	CRANKSHAFT ASSY	B- 3
*	D- 4	*	B- 5	CYLINDER 1	B- 2
*	D-11	*	B- 9	DAMPER	B-14
BOLT, engine mounting 1	B-14	*	B-11	DAMPER 1	B-15
BOLT, flang	B-14	*	B-12	DAMPER, engine mount 1	B-12
BOLT, flange	B-10	CLAMP	B-10	DAMPER, engine mount 2	B- 9
*	B-14	*	B-15	DAMPER, engine mount 5	B-10
*	C- 2	*	C- 7	DAMPER, locating 1	B-14
BOLT, stud	B- 2	*	C-12	DAMPER, locating 2	B-14
BOLT, union	B- 5	*	D- 3	DAMPER, locating 3	B-14

PARTS NAME INDEX

DESCRIPTION	GRID NO.	DESCRIPTION	GRID NO.	DESCRIPTION	GRID NO.
COVER, lower	D- 2	FRONT FORK ASSY	C- 6	HOSE	C- 7
COVER, oil pump	B-10	FRONT STOP SWITCH ASSY	D- 9	HOUSING, fuel meter	C- 7
COVER, side 1	C- 3	FRONT WHEEL COMP.	C- 9	IGNITION COIL ASSY	D-11
COVER, side 2	C- 3	FUEL COCK ASSY 1	C- 7	INNER TUBE COMP.1	C- 6
COVER, side 3	C- 3	FUEL METER ASSY	C- 7	INNER TUBE COMP.2	C- 6
COVER, side 4	C- 3	FUSE (7A)	D-11	JET, main (# 84)	B- 7
COVER, single seat	C- 8	FUSE HOLDER ASSY	D-11	JET, pilot (# 46)	B- 7
COVER, upper	D- 2	GASKET	B- 5	JOINT, air cleaner 1	B- 6
CRANK 1	B- 3	*	B- 7	KEY, woodruff	B- 3
CRANK 2	B- 3	*	B- 8	KICK CRANK ASSY	B-11
CRANKCASE ASSY 1	B- 9	*	B-10	KICK PINION ASSY	B-11
CRANKCASE ASSY 2	B- 9	*	C- 7	KICK SHAFT ASSY	B-11
CRANKCASE COVER ASSY 1	B- 9	GASKET, crankcase cover	B- 9	LABEL, caution	C- 3
CRANKSHAFT ASSY	B- 3	GASKET, crankcase cover 3	B-10	LABEL, tire	C-15
CYLINDER 1	B- 2	GASKET, cylinder	B- 2	LEG SHIELD 1	C-15
DAMPER	B-14	GASKET, cylinder head 1	B- 2	LENS ASSY	D- 7
DAMPER 1	B-15	GASKET, exhaust pipe	B- 8	LENS, flasher	D- 5
DAMPER, engine mount 1	B-12	GASKET, float chamber	B- 7	*	D- 8
DAMPER, engine mount 2	B- 9	GASKET, plate 1	C- 7	LENS, flasher 2	D- 5
DAMPER, engine mount 5	B-10	GASKET, plate 2	C- 7	*	D- 8
DAMPER, locating 1	B-14	GASKET, valve seat	B- 6	LENS, taillight	D- 8
DAMPER, locating 2	B-14	GEAR, drive (14T)	C- 9	LEVER 1	D- 9
DAMPER, locating 3	B-14	GEAR, idler 1 (41T-14T)	B-11	LEVER 2	D- 9
DAMPER, locating 4	C- 2	GEAR, meter	C- 9	LEVER HOLDER ASSY (L.H.)	D- 9
*	C-14	GEAR, primary drive	B-12	LEVER HOLDER ASSY (R.H.)	D- 9
DAMPER, seat	C- 8	GEAR, pump drive	B- 5	LEVER, camshaft	C-11
DAMPER, side cover	C- 3	GEAR, worm wheel (56T)	B- 5	LEVER, camshaft 1	C- 9
*	C-14	GRIP (L.H.)	C-12	MAIN AXLE COMP.	B-13
DRIVE AXLE ASSY	B-13	GRIP (R.H.)	C-12	MAIN SWITCH STEERING LOCK	D-10
DUCT	B- 6	GROMMET	B-10	MANIFOLD, intake	B- 6
ELEMENT, air cleaner	B- 6	*	B-14	MOLD, footrest	C-14
EMBLEM 1	C- 2	*	C- 8	MOLD, footrest 2	C-14
EMBLEM 2	C- 3	HANDLE COMP.	C-12	MUD GUARD COMP.	C- 2
EMBLEM 3	C- 3	HANDLE, standing	B-14	NEEDLE SET	B- 7
EMBLEM 4	C- 3	HEAD, cylinder 1	B- 2	NIPPLE	B-14
EMBLEM 5	C- 3	HEADLIGHT UNIT ASSY	D- 7	NOZZLE, main	B- 7
ENGINE BRACKET COMP.	B-14	HINGE, seat	C- 8	NUT	B- 2
EXHAUST PIPE ASSY 1	B- 8	HOLDER	B-10	*	B- 3
FAN	B- 4	*	B-14	*	B- 5
FENDER, front	C- 2	*	C- 2	*	B-12
FENDER, inner	C- 2	*	C-12	*	C- 5
FENDER, inner 2	C- 2	HOLDER, oil pipe	B- 5	*	C- 8
FLANGE, spacer 2	C- 9	HORN	D-10	*	C- 9
FLASHER RELAY ASSY	D-10	HOSE	B- 2	*	C-11
FLOAT	B- 7	*	B- 5	*	C-12
FRAME COMP.	B-14	*	B- 9	*	C-14
FRONT FLASHER LIGHT ASSY	D- 5	*	B-14	NUT, crown	C- 8
FRONT FLASHER LIGHT ASSY 1	D- 5	*	C- 4	NUT, fitting 2	C- 6

PARTS NAME INDEX

DESCRIPTION	GRID NO.	DESCRIPTION	GRID NO.	DESCRIPTION	GRID NO.
NUT, flange	B-14	PLUG CAP ASSY	D-11	SCREW, pan head	C-12
*	C- 8	PLUG, oil	B- 9	*	D- 3
*	D- 8	PLUG, spark (NGK BP6HS)	B- 2	*	D- 8
NUT, self-locking	C-11	PLUNGER SET	B- 7	*	D- 9
NUT, u	B-14	PRIMARY SHEAVE ASSY	B-12	*	D-10
*	D- 9	PROTECTOR, engine	B-14	SCREW, pan head with washer	B- 6
NUT, wing	C-12	PROTECTOR, muffler 1	B- 8	SCREW, tapping	B- 6
O-RING	B- 5	RACE, ball 1	C- 6	*	D- 2
*	B- 9	RACE, ball 2	C- 6	*	D- 5
*	B-10	RACE, ball 3	C- 6	*	D- 6
*	B-12	RACE, ball 4	C- 6	*	D- 8
*	C-10	REAR REFLECTOR ASSY	D- 8	SCREW, with washer	B-10
*	D- 4	REAR WHEEL COMP.	C-11	*	C- 3
OIL LEVEL GAUGE ASSY	D-11	RECTIFIER & REGULATOR ASSY	D-10	*	C- 8
OIL PUMP ASSY	B- 5	REED VALVE ASSY	B- 6	SEAL	B-15
OIL SEAL	B- 3	REED, valve	B- 6	SEAL, camshaft	C- 9
*	B- 5	RING 1	C- 9	*	C-11
*	B-12	RING 2	C-11	SEAL, crankcase	B- 9
*	B-13	RING, stop	C- 9	SEAL, plug cap	D-11
*	C- 9	RIVET, blind	B- 6	SEAT LOCK ASSY	C- 8
*	D- 3	ROD, connecting	B- 3	SEAT, battery	B-14
OIL TANK CAP ASSY	C- 4	ROTOR ASSY	D- 3	SEAT, rubber	C- 7
PIECE, connecting	C-12	RUBBER	C- 6	SEAT, secondary spring	B-12
PIN	C-12	SCREW	B- 5	SEAT, spring lower	C- 6
PIN, clevis	C-14	*	B- 7	SECONDARY FIXED SHEAVE COMP.	B-12
PIN, crank 1	B- 3	*	B- 8	SECONDARY SLIDING SHEAVE	B-12
PIN, dowel	B- 5	*	D- 9	SHAFT 1	B-11
*	B- 9	SCREW SET	D- 4	SHEAVE, primary fixed	B-12
PIN, float	B- 7	SCREW, bind	B- 8	SHIM	B- 5
PIN, guide	B-12	*	C-15	SHOCK ABSORBER ASSY, rear	C- 5
PIN, piston	B- 3	*	D- 2	SINGLE SEAT ASSY	C- 8
PIPE	B- 7	SCREW, flat head	B-11	SOCKET CORD ASSY	D- 6
PIPE, breather	D-11	*	D- 3	SOCKET CORD ASSY 1	D- 7
PIPE, fuel 1	C- 7	SCREW, hexagon	B- 4	SPACER	C- 9
PIPE, suction 2	B- 6	*	D- 2	SPACER, engine mount	B- 9
PISTON (0.25MM O/S)	B- 3	*	D-11	SPEEDOMETER ASSY	D- 6
PISTON (0.50MM O/S)	B- 3	SCREW, pan head	B- 2	SPEEDOMETER CABLE ASSY	D- 6
PISTON (STD)	B- 3	*	B- 4	SPRING, clutch weight 1	B-12
PISTON RING SET (1ST O/S)	B- 3	*	B- 5	SPRING, compression	B- 5
PISTON RING SET (2ND O/S)	B- 3	*	B- 6	*	B-12
PISTON RING SET (STD)	B- 3	*	B- 9	*	B-14
PLATE	B- 2	*	B-10	*	C-12
PLATE, adjusting	B- 5	*	B-11	SPRING, front fork	C- 6
PLATE, brake shoe	C- 9	*	B-12	SPRING, return	C- 9
*	C-11	*	B-14	SPRING, tension	B- 4
PLATE, idle gear	B-11	*	C- 2	*	C-11
PLATE, indicator	C- 9	*	C- 4	*	C-14
*	C-11	*	C- 7	SPRING, throttle valve	B- 7

PARTS NAME INDEX

DESCRIPTION	GRID NO.	DESCRIPTION	GRID NO.	DESCRIPTION	GRID NO.
SPRING, torsion	B-11	WASHER, plate	C-11		
*	C-9	*	C-12		
STAND, main	C-14	*	C-14		
STAND, side	C-14	*	C-15		
STARTER CLUTCH ASSY	B-11	*	D-2		
STARTER SWITCH ASSY	D-11	*	D-8		
STARTING MOTOR ASSY	D-4	*	D-10		
STAY 1	B-11	WASHER, special	C-6		
STAY, clamp 1	B-4	WASHER, spring	B-3		
STAY, rear	B-14	*	B-4		
STOPPER, main stand	C-14	*	B-8		
STOPPER, reed valve	B-6	*	B-14		
TAILLIGHT ASSY	D-8	*	C-2		
TANK, fuel	C-7	*	C-7		
TANK, oil	C-4	*	C-8		
TERMINAL, earth 1	D-3	*	C-12		
TERMINAL, earth 2	D-3	*	C-14		
THROTTLE SCREW SET	B-7	*	D-3		
TIRE (2.75-10)	C-9	*	D-8		
*	C-11	WASHER, wave	B-5		
TOOL KIT	C-8	WHEEL, starter (61T)	B-11		
TUBE (2.50-10)	C-9	WIRE HARNESS ASSY	D-11		
*	C-11	WIRE HARNESS ASSY 2	D-11		
TUBE (2.75-10)	C-9	WIRE, minus lead	D-11		
*	C-11				
TUBE, throttle guide	C-12				
UNDER BRACKET COMP.	C-6				
V-BELT	B-12				
VALVE, bimetal	B-2				
VALVE, needle	B-7				
VALVE, throttle 1	B-7				
WASHER	C-12				
WASHER, conical spring	B-12				
WASHER, plain	B-6				
*	B-8				
*	B-15				
*	D-2				
WASHER, plate	B-3				
*	B-4				
*	B-8				
*	B-9				
*	B-11				
*	B-12				
*	B-13				
*	C-2				
*	C-4				
*	C-5				
*	C-9				

INDEX

(INDIVIDUAL SPEC.)



NUMERICAL INDEX

PART NO.	GRID NO.	PART NO.	GRID NO.	PART NO.	GRID NO.	PART NO.	GRID NO.	PART NO.	GRID NO.	PART NO.	GRID NO.
27V-W8291-30	E- 3	27V-82150-00	E- 5	92501-06012	D-13						
27V-W8292-30	E- 3	27V-82151-00	E- 5	92501-06014	E- 4						
27V-Y2162-00	D-14	4K3-82310-MO	E- 5	92506-06035	D-14						
2T4-1111F-00	D-13	2E9-82370-00	E- 5	92901-06600	E- 4						
27V-11111-00	D-13	27V-82372-00	E- 5	92906-06100	D-14						
517-11181-00	D-13	46V-82501-20	E- 4	92906-06600	D-14						
27V-11311-00	D-13	20G-82552-00	E- 4	94701-00198	D-13						
24G-11351-00	D-13	27V-82580-20	E- 5	95601-05100	E- 3						
27V-14399-00	D-13	27V-82590-20	E- 5		E- 3						
27V-21511-00-AJ	D-14	29G-83350-20	E- 4	95801-06010	D-14						
27V-21511-00-AK	D-14	27V-83371-20	E- 4	97301-06018	E- 5						
27V-21511-00-EH	D-14	27V-83390-20	E- 2	98501-05012	E- 4						
27V-21511-10-20	D-14	27V-83509-00	E- 2	98506-05016	E- 3						
27V-21552-00	D-14	46V-83510-20	E- 2		E- 3						
27V-21553-00	D-14	27V-83550-00	E- 2	98506-05018	E- 3						
27V-21596-00	D-14	14T-83912-00	E- 3		E- 3						
27V-21711-00-AJ	D-15	14T-83922-00	E- 3		E- 3						
27V-21711-00-AK	D-15	168-83936-01	E- 3		E- 3						
27V-21711-00-EH	D-15		E- 3		E- 3						
27V-21711-10-20	D-15	256-83936-00	E- 5		E- 5						
2T4-21717-00	D-15	437-83936-10	E- 5		E- 5						
27V-21721-00	D-15		E- 5		E- 5						
27V-21731-00	D-15	27V-83980-30	E- 3		E- 3						
27V-21741-00-AJ	D-15		E- 3		E- 3						
27V-21741-00-AK	D-15	4G1-84744-00	E- 2		E- 2						
27V-21741-00-EH	D-15	25L-85540-MO	E- 5		E- 5						
27V-21741-10-20	D-15	25K-85546-00	E- 5		E- 5						
27V-21781-00	D-14	4J2-85546-00	E- 5		E- 5						
27V-21781-20	D-14	27V-85590-MO	E- 5		E- 5						
27V-21782-00	D-15	25K-85720-00	E- 5		E- 5						
27V-21782-20	D-15	90116-06418-	D-13		D-13						
27V-21783-00	D-15	90119-06079	D-14		D-14						
27V-21783-20	D-15	90119-06085	D-14		D-14						
27V-21784-00	D-15	90149-06175	E- 3		E- 3						
27V-21784-20	D-15		E- 3		E- 3						
27V-21785-00	D-15	90153-06034	E- 5		E- 5						
27V-21785-20	D-15	90159-06059	D-15		D-15						
2T4-2415E-30	D-15	90167-05011	E- 2		E- 2						
27V-24184-00	D-14	90179-06337	D-13		D-13						
27V-24865-50	D-14	90201-06058	D-14		D-14						
27V-81940-00	E- 5	90387-06020	D-14		D-14						
	E- 5	90387-08557	D-14		D-14						
22J-81960-60	E- 4	90445-08774	D-13		D-13						
22J-81960-90	E- 4	90445-08775	D-13		D-13						
38E-82110-60	E- 5	90445-08779	D-13		D-13						
38E-82110-70	E- 5	90465-18147	E- 5		E- 5						
27V-82112-00	E- 5		E- 5		E- 5						
27V-82116-00	E- 5	92501-06010	E- 4		E- 4						