



# PARTS CATALOGUE

## YZF-R1'09 (14B1) EUROPE, SOUTH AFRICA

---



1H14B-300E1

( )

YZF-R1  
PARTS CATALOGUE  
©2008 by Yamaha Motor Co., Ltd.  
1st edition, December 2008  
All rights reserved.  
Any reprinting or unauthorized use  
without the written permission of  
Yamaha Motor Co., Ltd.  
is expressly prohibited.  
Printed in Japan.

# FOREWORD

This Parts Catalogue is related to the parts for the model(s) on the cover page. When you are ordering replacement parts, please refer to this Parts Catalogue and quote both part numbers and part names correctly.

1. Modifications or additions which have been made after the issue of the Parts Catalogue will be announced in the Parts News.

It is advisable that you make the necessary corrections to the Parts Catalogue according to the Parts News.

2. Abbreviations

The following abbreviations are used in this Parts Catalogue.

“UR” Use specified parts number.

“UN” Use as many as needed.

“AP” Alternate Parts

“LM” Locally Made (Parts need to be ordered locally)

“F#” Frame No. (Applicable machine No.)

“O/S” Over Size

3. The number of components for assembly

- Parts, which are to be supplied in an assembly, are listed with a dot (.) in front of the part name as shown below.
- The numeral appearing to the right of each component part indicates the quantity of parts for each assembly unit.

PART NO.	DESCRIPTION	Q'TY	REMARKS
2F5-83310-60	FRONT FLASHER LIGHT ASSY	2	
115-83311-60	.BULB (6V-18W)	1	

4. Applicable colours of graphics are represented in the “REMARKS” as shown below.

PART NO.	DESCRIPTION	Q'TY	REMARKS
2N4-24110-00-X5	FUEL TANK COMP.	2	MXR
3J1-24240-10	.GRAPHIC, FUEL TANK	1	FOR MXR

5. Note that the illustrations for reference in finding parts numbers are not to be used for assembling. When assembling, please use the applicable service manual.

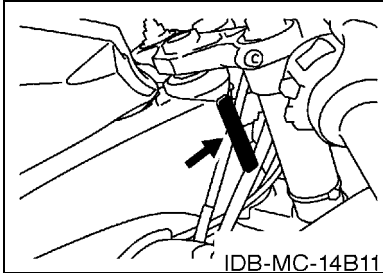
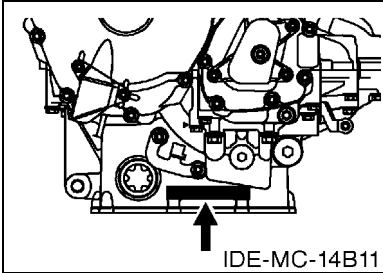
6. The asterisk (\*) before a reference number indicates modified items after the first edition.

# FOREWORD

7. Applicable Serial No.

Engine Serial No.

Frame Serial No.



8. Applicable Colour Code (The (\*) mark shows Model colour.)

Abbreviation	Colour Name	Colour Code
BWC1(*)	BLUISH WHITE COCKTAIL 1	0390
DPBMC(*)	DEEP PURPLISH BLUE METALLIC C	0564
LGB	LOW GLOSS BLACK	0098
MBL2	MAT BLACK 2	0582
MDNM1	MAT DARK GRAY METALLIC 1	1113
MRM1	MAT RED METALLIC 1	1084
MS1	MAT SILVER 1	1160
NG	NEBURA GOLD	008L
S8	SILVER 8	0895
SMX(*)	BLACK METALLIC X	0903



# CONTENTS

## ENGINE

CYLINDER HEAD .....	1
CYLINDER .....	3
CRANKSHAFT & PISTON .....	4
VALVE .....	5
CAMSHAFT & CHAIN .....	7
WATER PUMP .....	8
RADIATOR & HOSE .....	10
OIL PUMP .....	13
OIL CLEANER .....	14
INTAKE .....	15
INTAKE 2 .....	17
AIR INDUCTION SYSTEM .....	19
EXHAUST .....	20
CRANKCASE .....	23
CRANKCASE COVER 1 .....	24
STARTER .....	26
CLUTCH .....	27
TRANSMISSION .....	29
SHIFT CAM & FORK .....	31
SHIFT SHAFT .....	32

## CHASSIS

FRAME .....	34
FENDER .....	37
SIDE COVER .....	39
REAR ARM .....	40
REAR SUSPENSION .....	42
STEERING .....	43
FRONT FORK .....	45
FUEL TANK .....	47
SEAT .....	50
FRONT WHEEL .....	51
FRONT BRAKE CALIPER .....	52
REAR WHEEL .....	53
REAR BRAKE CALIPER .....	55
STEERING HANDLE & CABLE .....	56
FRONT MASTER CYLINDER .....	57
STAND & FOOTREST .....	59
REAR MASTER CYLINDER .....	62
COWLING 1 .....	64
COWLING 2 .....	68

GENERATOR .....	71
STARTING MOTOR .....	72
FLASHER LIGHT .....	73
METER .....	74
HEADLIGHT .....	75
TAILLIGHT .....	76
HANDLE SWITCH & LEVER .....	77
ELECTRICAL 1 .....	78
ELECTRICAL 2 .....	80

## INDEX

NUMERICAL INDEX .....	83
-----------------------	----



14B1300-H010

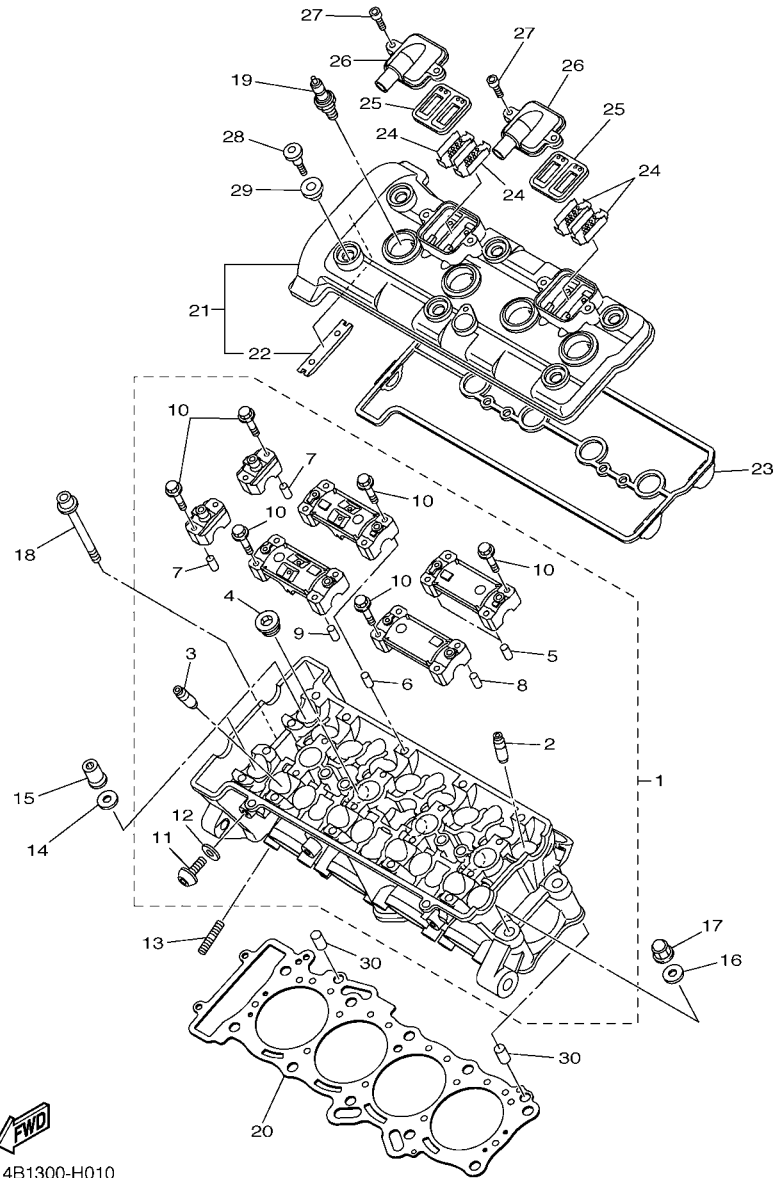
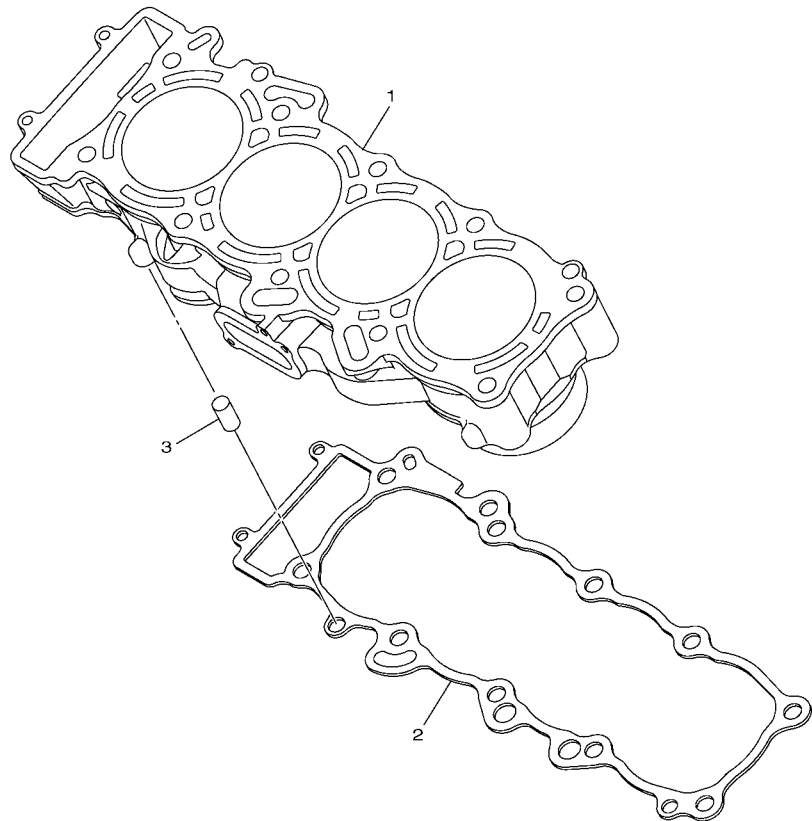


FIG. 1 CYLINDER HEAD

REF. NO.	PART NO.	DESCRIPTION	14B1				REMARKS
1	14B-11101-00	CYLINDER HEAD ASSY	1				
2	14B-11133-10	.GUIDE, VALVE 1	8				
3	4C8-11134-10	.GUIDE, VALVE 2	8				
4	90340-18002	.PLUG, STRAIGHT SCREW	3				
5	91808-16023	.PIN, DOWEL	2				
6	91808-16023	.PIN, DOWEL	2				
7	91808-16023	.PIN, DOWEL	4				
8	91808-16023	.PIN, DOWEL	2				
9	91808-16023	.PIN, DOWEL	2				
10	90105-06027	.BOLT, FLANGE	20				
11	90149-06070	.SCREW	1				
12	90430-06014	.GASKET	1				
13	95612-08625	BOLT, STUD	8				
14	90201-10050	WASHER, PLATE	8				
15	90179-10029	NUT	8				
16	90201-10050	WASHER, PLATE	2				
17	90176-10075	NUT, CROWN	2				
18	90110-06315	BOLT, HEXAGON SOCKET HEAD	2				
19	94701-00424	PLUG, SPARK	4				
20	14B-11181-00	GASKET, CYLINDER HEAD 1	1				
21	14B-11191-00	COVER, CYLINDER HEAD 1	1				
22	5BE-12241-00	.GUIDE, STOPPER 2	1				
23	14B-11193-00	GASKET, HEAD COVER 1	1				
24	5VY-1482K-00	PLATE	4				
25	5SL-14890-10	REED VALVE ASSY	2				
26	14B-14899-00	CAP, CASE	2				
27	90110-06175	BOLT, HEXAGON SOCKET HEAD	4				



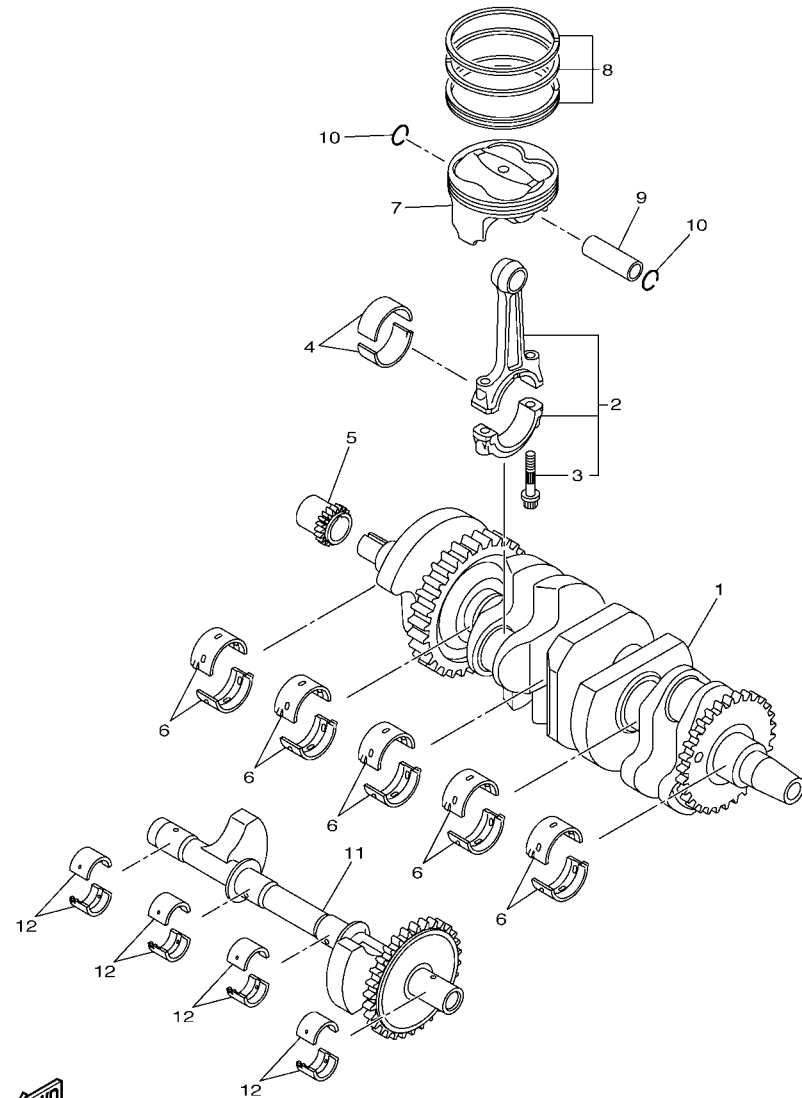
**FIG. 2 CYLINDER**



REF. NO.	PART NO.	DESCRIPTION	14B1				REMARKS
1	14B-11311-00	CYLINDER 1	1				
2	14B-11351-00	GASKET, CYLINDER	1				
3	99530-10114	PIN, DOWEL	2				
-----							
-----							
-----							
-----							
-----							
-----							
-----							
-----							
-----							



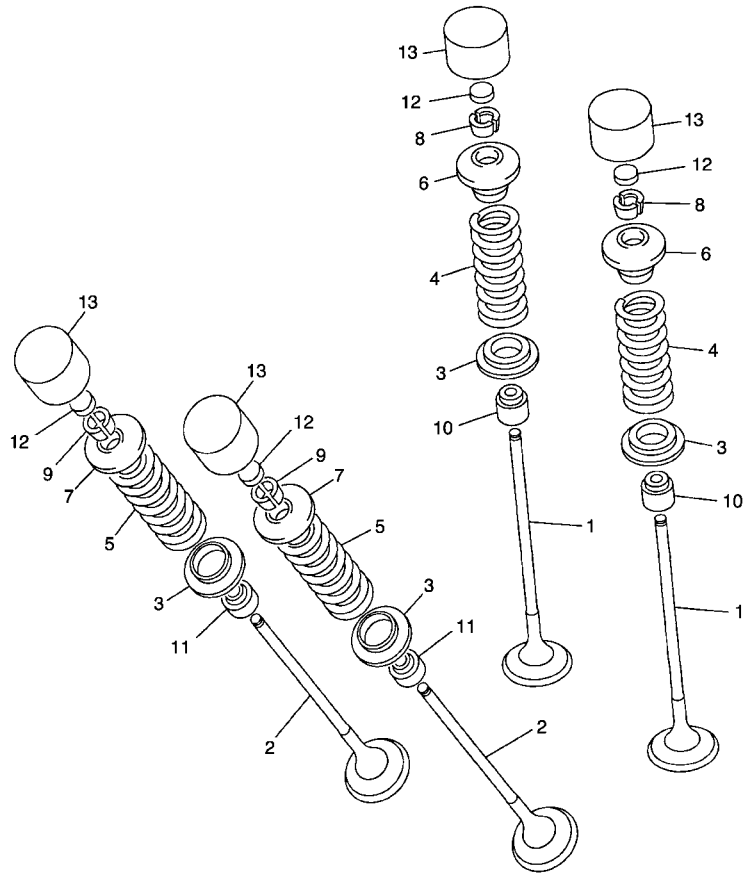
14B1300-H020



14B1300-H030

FIG. 3 CRANKSHAFT & PISTON

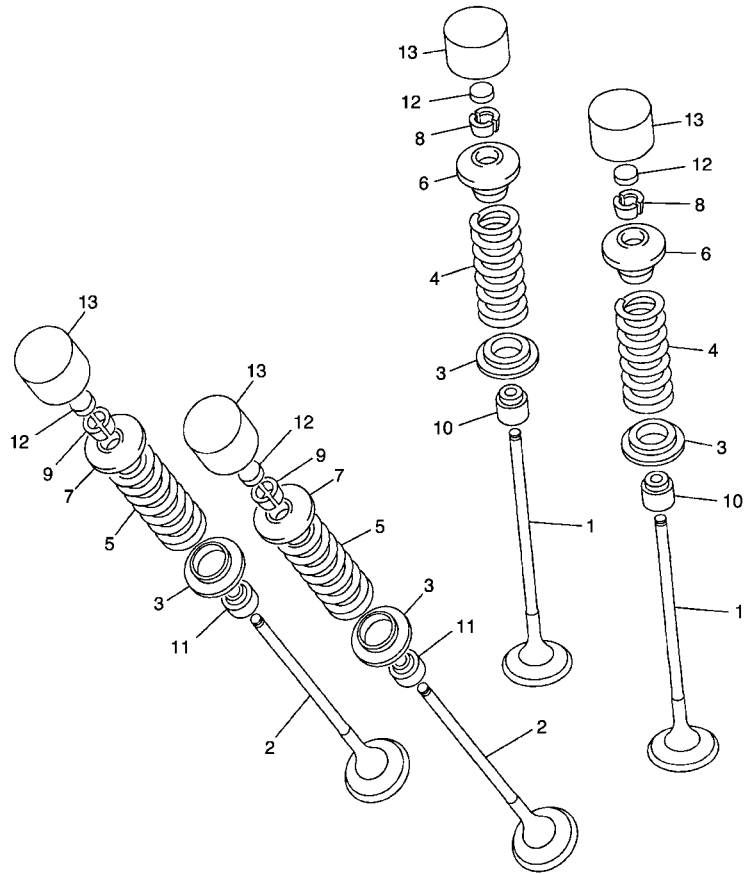
REF. NO.	PART NO.	DESCRIPTION	14B1			REMARKS
1	14B-11400-00	CRANKSHAFT ASSY	1			
2	14B-11650-00	CONNECTING ROD ASSY	4			
3	5VY-11654-01	.BOLT, CONNECTING ROD	2			
4	14B-11656-00	PLANE BEARING, CONNECTING ROD	8			UR PINK-BLUE
	14B-11656-10	PLANE BEARING, CONNECTING ROD	8			UR PINK-BLACK
	14B-11656-20	PLANE BEARING, CONNECTING ROD	8			UR PINK-BROWN
	14B-11656-30	PLANE BEARING, CONNECTING ROD	8			UR PINK-GREEN
5	14B-11549-00	SPROCKET, CAM CHAIN	1			
6	14B-11416-00	PLANE BEARING, CRANKSHAFT 1	10			UR BLUE
	14B-11416-10	PLANE BEARING, CRANKSHAFT 1	10			UR BLACK
	14B-11416-20	PLANE BEARING, CRANKSHAFT 1	10			UR BROWN
	14B-11416-30	PLANE BEARING, CRANKSHAFT 1	10			UR GREEN
	14B-11416-40	PLANE BEARING, CRANKSHAFT 1	10			UR YELLOW
7	14B-11631-00	PISTON (STD)	4			
8	14B-11603-00	PISTON RING SET (STD)	4			
9	4C8-11633-00	PIN, PISTON	4			
10	93450-18157	CIRCLIP	8			
11	14B-11500-00	BALANCER ASSY	1			
12	14B-11413-00	PLANE BEARING, BALANCE WEIGHT	8			UR BLUE
	14B-11413-10	PLANE BEARING, BALANCE WEIGHT	8			UR BLACK
	14B-11413-20	PLANE BEARING, BALANCE WEIGHT	8			UR BROWN
	14B-11413-30	PLANE BEARING, BALANCE WEIGHT	8			UR GREEN
	14B-11413-40	PLANE BEARING, BALANCE WEIGHT	8			UR YELLOW
	14B-11413-50	PLANE BEARING, BALANCE WEIGHT	8			UR PINK
	14B-11413-A0	PLANE BEARING, BALANCE WEIGHT	8			UR WHITE



4C81300-F040

FIG. 4 VALVE

REF. NO.	PART NO.	DESCRIPTION	14B1			REMARKS
1	14B-12111-00	VALVE, INTAKE	8			
2	14B-12121-00	VALVE, EXHAUST	8			
3	4C8-12116-00	SEAT, VALVE SPRING	16			
4	14B-12113-00	SPRING, VALVE INNER	8			
5	14B-12114-00	SPRING, VALVE OUTER	8			
6	4C8-12117-00	RETAINER, VALVE SPRING	8			
7	4C8-12127-00	RETAINER, VALVE SPRING	8			
8	1AA-12118-00	COTTER, VALVE	16			
9	1WG-12118-00	COTTER, VALVE	16			
10	3P6-12129-00	SEAL, VALVE STEM	8			
11	4TE-12119-00	SEAL, VALVE STEM	8			
12	3LD-12168-K1	PAD, ADJUSTING (1.60)	16			UR
	3LD-12168-M1	PAD, ADJUSTING (1.65)	16			UR
	3LD-12168-R1	PAD, ADJUSTING (1.70)	16			UR
	3LD-12168-U1	PAD, ADJUSTING (1.75)	16			UR
	3LD-12168-W1	PAD, ADJUSTING (1.80)	16			UR
	3LD-12168-Y1	PAD, ADJUSTING (1.85)	16			UR
	3LD-12169-11	PAD, ADJUSTING (1.90)	16			UR
	3LD-12169-31	PAD, ADJUSTING (1.95)	16			UR
	3LD-12169-50	PAD, ADJUSTING (2.00)	16			UR
	3LD-12169-70	PAD, ADJUSTING (2.05)	16			UR
	3LD-12169-90	PAD, ADJUSTING (2.10)	16			UR
	3LD-12169-E0	PAD, ADJUSTING (2.15)	16			UR
	3LD-12169-G0	PAD, ADJUSTING (2.20)	16			UR
	3LD-12169-J0	PAD, ADJUSTING (2.25)	16			UR
	3LD-12169-L0	PAD, ADJUSTING (2.30)	16			UR
	3LD-12169-N0	PAD, ADJUSTING (2.35)	16			UR

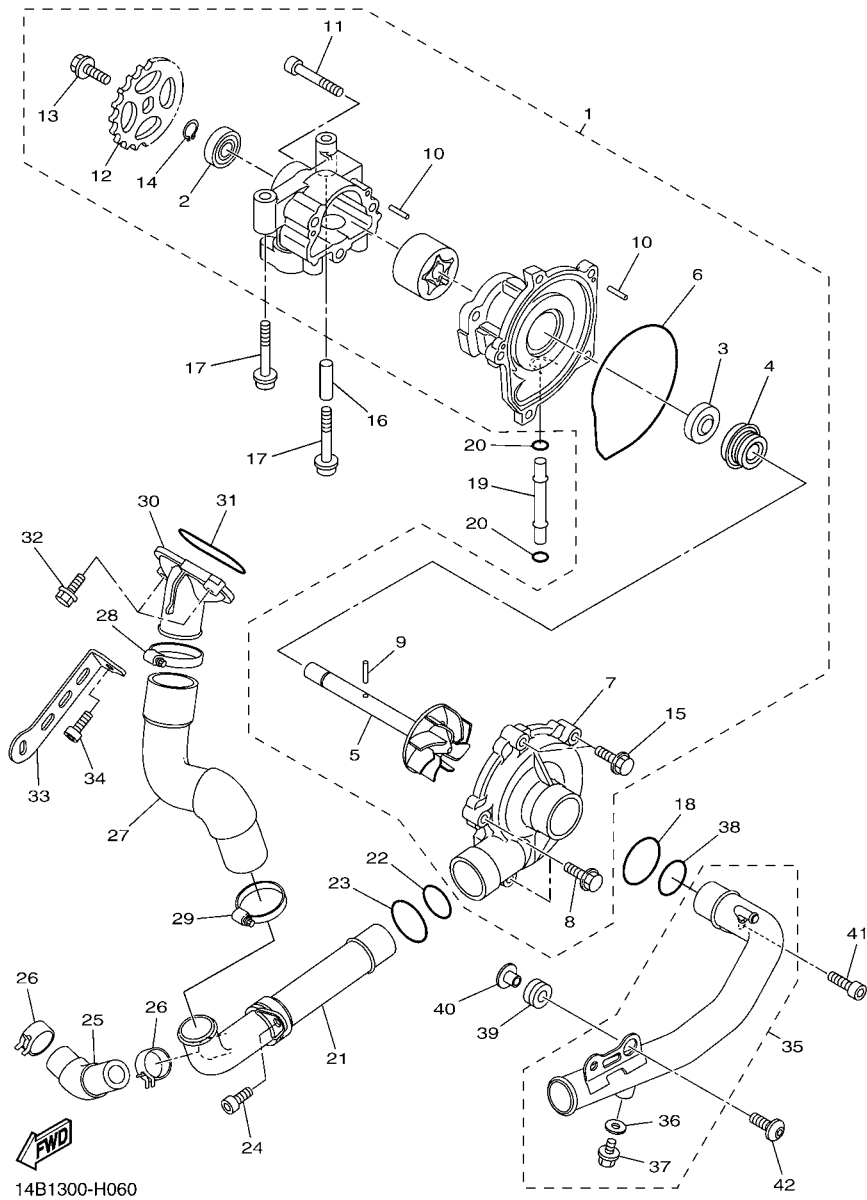


4C81300-F040

FIG. 4 VALVE

REF. NO.	PART NO.	DESCRIPTION	14B1				REMARKS
12	3LD-12169-T0	PAD, ADJUSTING (2.40)	16				UR
13	4C8-12153-20	LIFTER, VALVE	16				UR BLUE
	4C8-12153-30	LIFTER, VALVE	16				UR RED
	4C8-12153-09	LIFTER, VALVE (O/S)	16				AP GREEN
-----							
-----							
-----							
-----							
-----							
-----							
-----							
-----							
-----							
-----							

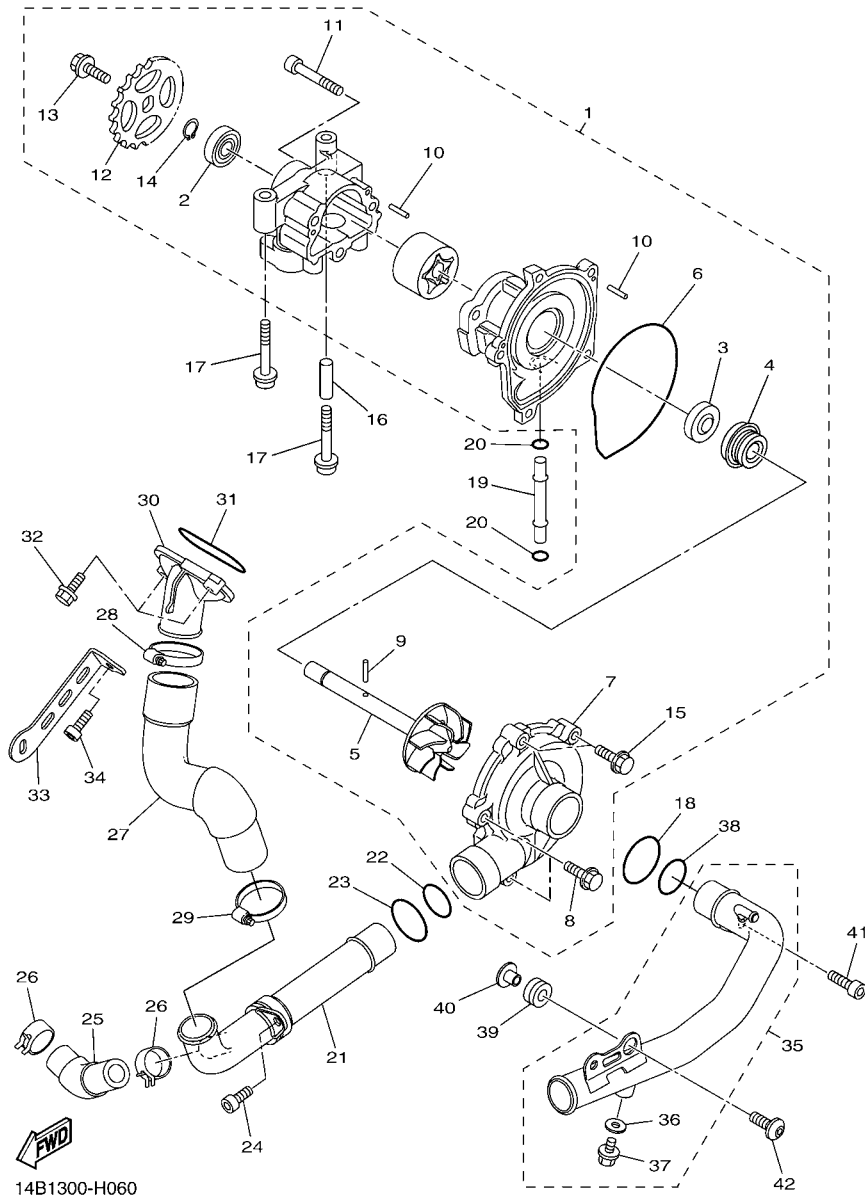




14B1300-H060

FIG. 6 WATER PUMP

REF. NO.	PART NO.	DESCRIPTION	14B1				REMARKS
1	14B-12420-00	WATER PUMP ASSY	1				
2	93306-00106	.BEARING	1				
3	14B-13338-00	.SEAL	1				
4	4C8-12438-00	.SEAL, MECHANICAL	1				
5	14B-12450-00	.IMPELLER SHAFT ASSY	1				
6	4XV-12439-00	.O-RING	1				
7	14B-12422-00	.COVER, HOUSING	1				
8	95022-06025	.BOLT, FLANGE	3				
9	93603-17070	.PIN, DOWEL	1				
10	93603-12007	.PIN, DOWEL	4				
11	91312-06045	.BOLT	3				
12	14B-13355-00	.SPROCKET, DRIVEN	1				
13	90105-06066	.BOLT, FLANGE	1				
14	99009-12400	.CIRCLIP	1				
15	95022-06020	.BOLT, FLANGE	2				
16	91808-30031	PIN, DOWEL	1				
17	90110-06167	BOLT, HEXAGON SOCKET HEAD	2				
18	93210-357A2	O-RING	1				
19	4XV-12485-00	PIPE 5	1				
20	93210-06667	O-RING	2				
21	14B-12481-00	PIPE 1	1				
22	93210-235A1	O-RING	1				
23	93210-27370	O-RING	1				
24	90110-06182	BOLT, HEXAGON SOCKET HEAD	1				
25	14B-12588-00	HOSE 5	1				
26	90467-200A0	CLIP	2				
27	14B-12576-00	HOSE 1	1				



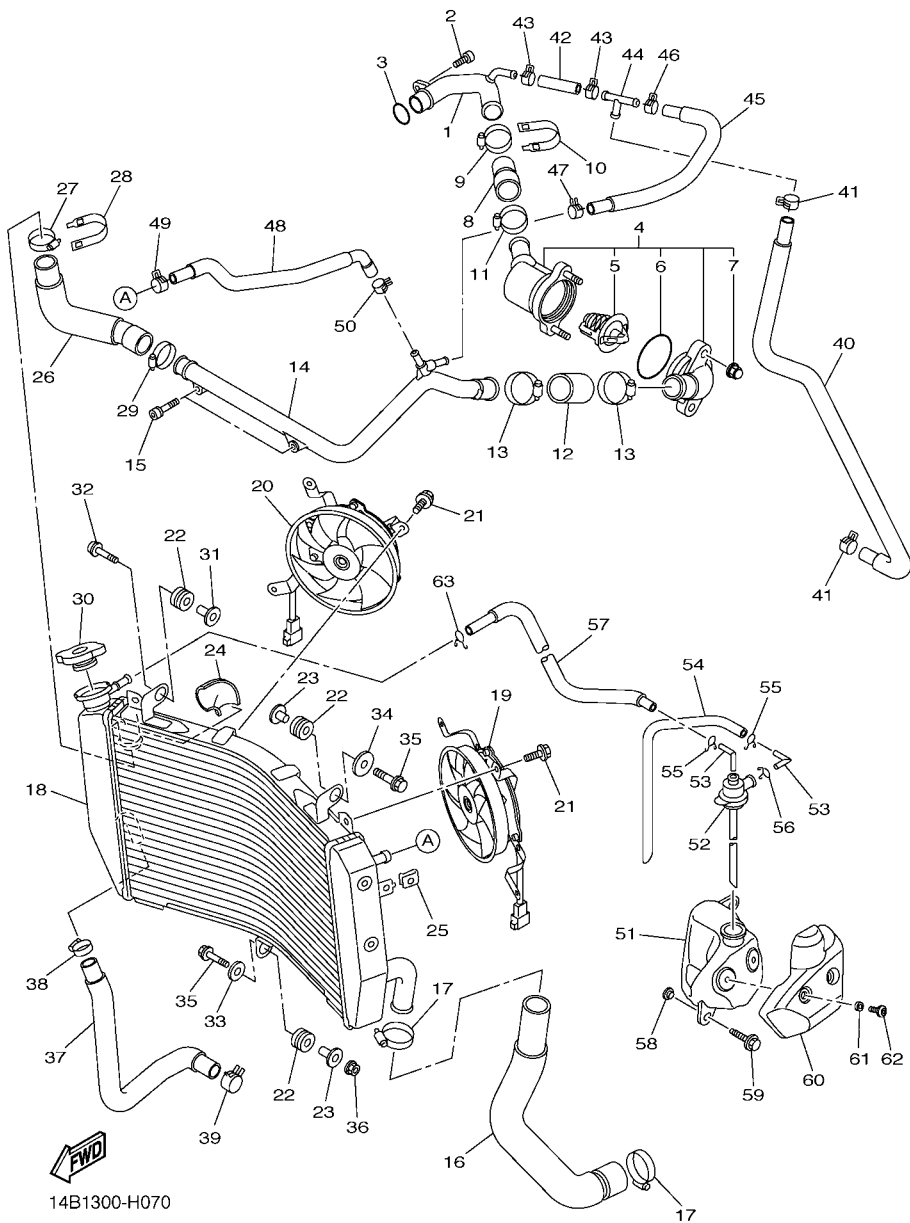
14B1300-H060

FIG. 6 WATER PUMP

REF. NO.	PART NO.	DESCRIPTION	14B1				REMARKS
28	90450-38040	HOSE CLAMP ASSY	1				
29	90450-35001	HOSE CLAMP ASSY	1				
30	14B-12469-00	JOINT 1	1				
31	93210-46044	O-RING	1				
32	95024-06025	BOLT, FLANGE	2				
33	14B-12637-00	STAY 1	1				
34	91314-06012	BOLT, HEXAGON SOCKET HEAD	1				
35	14B-12484-00	PIPE 4	1				
36	90430-06014	.GASKET	1				
37	90153-06002	.SCREW, HEXAGON	1				
38	93210-235A1	O-RING	1				
39	90480-12010	GROMMET	1				
40	90387-06112	COLLAR	1				
41	90110-06182	BOLT, HEXAGON SOCKET HEAD	1				
42	90149-06022	SCREW	1				

FIG. 7 RADIATOR & HOSE

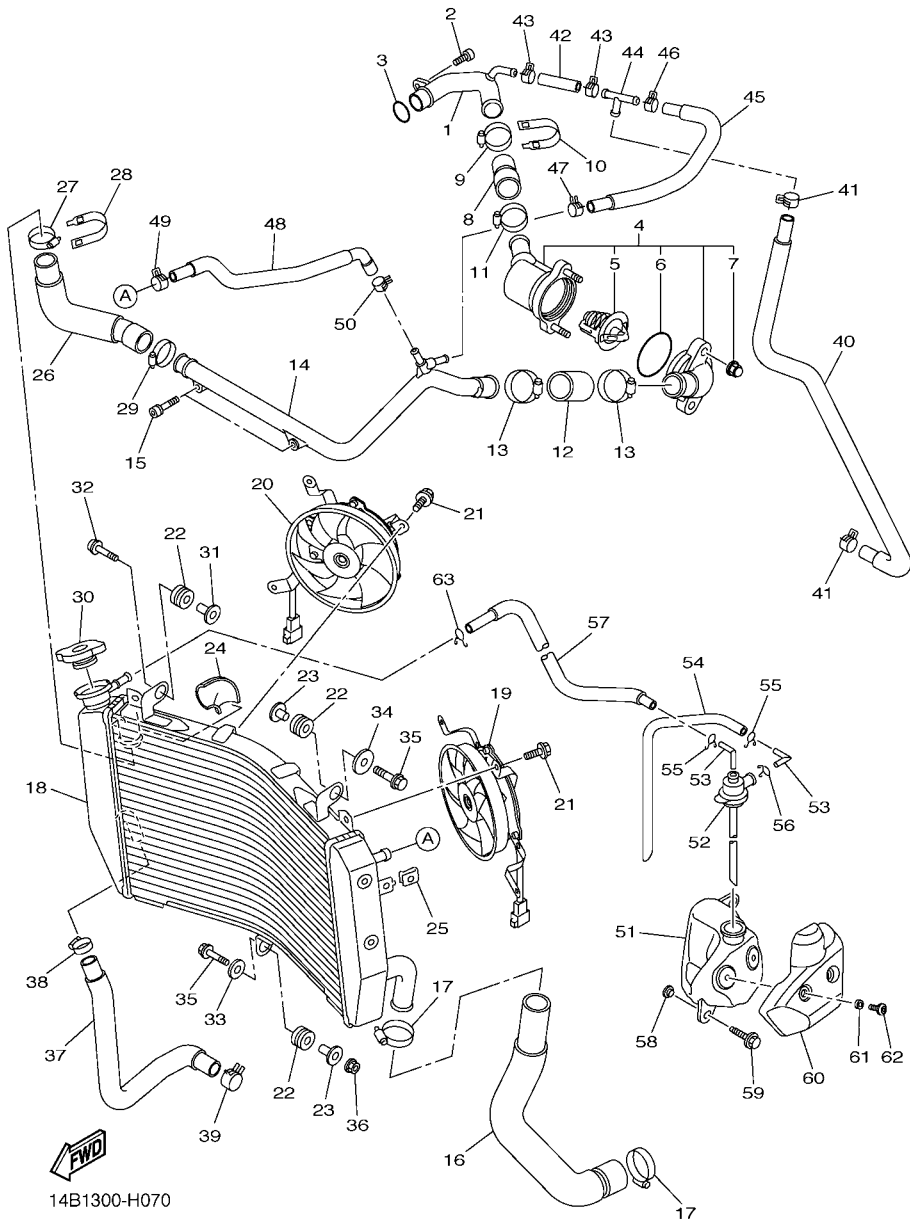
REF. NO.	PART NO.	DESCRIPTION	14B1				REMARKS
1	14B-12485-00	PIPE 5	1				
2	90110-06182	BOLT, HEXAGON SOCKET HEAD	1				
3	93210-235A1	O-RING	1				
4	14B-12410-00	THERMOSTAT ASSY	1				
5	5LP-12411-00	THERMOSTAT	1				
6	93210-49046	O-RING	1				
7	90176-06014	NUT, CROWN	2				
8	4C8-12579-00	HOSE 4	1				
9	90450-35001	HOSE CLAMP ASSY	1				
10	5GV-1246E-00	COVER 2	1				
11	90450-38040	HOSE CLAMP ASSY	1				
12	14B-12579-00	HOSE 4	1				
13	90450-38040	HOSE CLAMP ASSY	2				
14	14B-12482-00	PIPE 2	1				
15	90110-06256	BOLT, HEXAGON SOCKET HEAD	2				
16	14B-12578-00	HOSE 3	1				
17	90450-35001	HOSE CLAMP ASSY	2				
18	14B-12461-00	RADIATOR ASSY	1				
19	14B-12405-00	BLOWER ASSY	1				
20	14B-12405-10	BLOWER ASSY	1				
21	5GJ-12675-00	BOLT, BLOWER HOLDING	6				
22	90480-15363	GROMMET	3				
23	90387-0614M	COLLAR	2				
24	14B-12465-00	DAMPER, RADIATOR	1				
25	5SL-12671-00	NUT 1	1				
26	14B-12551-00	HOSE 7	1				
27	90450-35001	HOSE CLAMP ASSY	1				



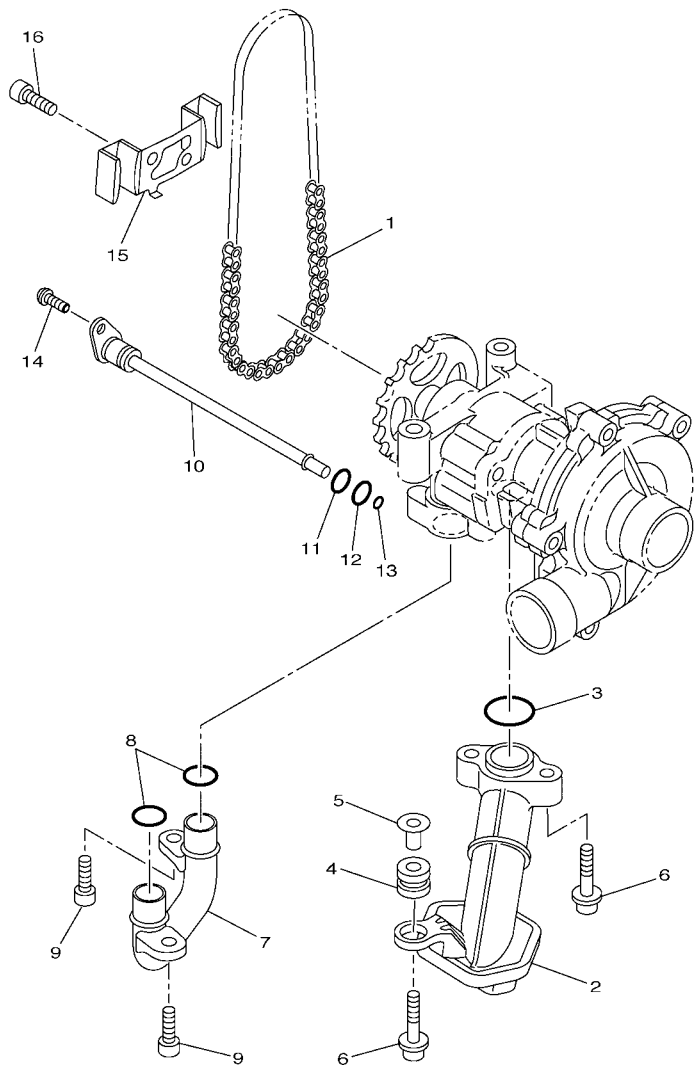
14B1300-H070

**FIG. 7 RADIATOR & HOSE**

REF. NO.	PART NO.	DESCRIPTION	14B1				REMARKS
28	5GV-1246E-00	COVER 2	1				
29	90450-38040	HOSE CLAMP ASSY	1				
30	5SL-12462-00	CAP, RADIATOR	1				
31	90387-0614M	COLLAR	1				
32	91317-06030	BOLT	1				
33	90201-06071	WASHER, PLATE	1				
34	90201-06074	WASHER, PLATE	1				
35	95827-06030	BOLT, FLANGE	2				
36	95607-06200	NUT, SELF U-FLANGE	1				
37	14B-12589-00	HOSE 6	1				
38	90450-22017	HOSE CLAMP ASSY	1				
39	90467-200A0	CLIP	1				
40	14B-1243A-00	HOSE 1	1				
41	90467-11090	CLIP	2				
42	14B-1243E-00	HOSE 2	1				
43	90467-11090	CLIP	2				
44	90413-07023	WAY 3	1				
45	14B-1244G-00	HOSE, 4	1				
46	90467-11090	CLIP	1				
47	90467-11044	CLIP	1				
48	14B-12552-00	HOSE 8	1				
49	90467-11090	CLIP	1				
50	90467-11044	CLIP	1				
51	14B-21871-00	TANK, RECOVERY	1				
52	14B-21875-00	CAP	1				
53	26H-21828-00	ELBOW	2				
54	90445-08036	HOSE	1				



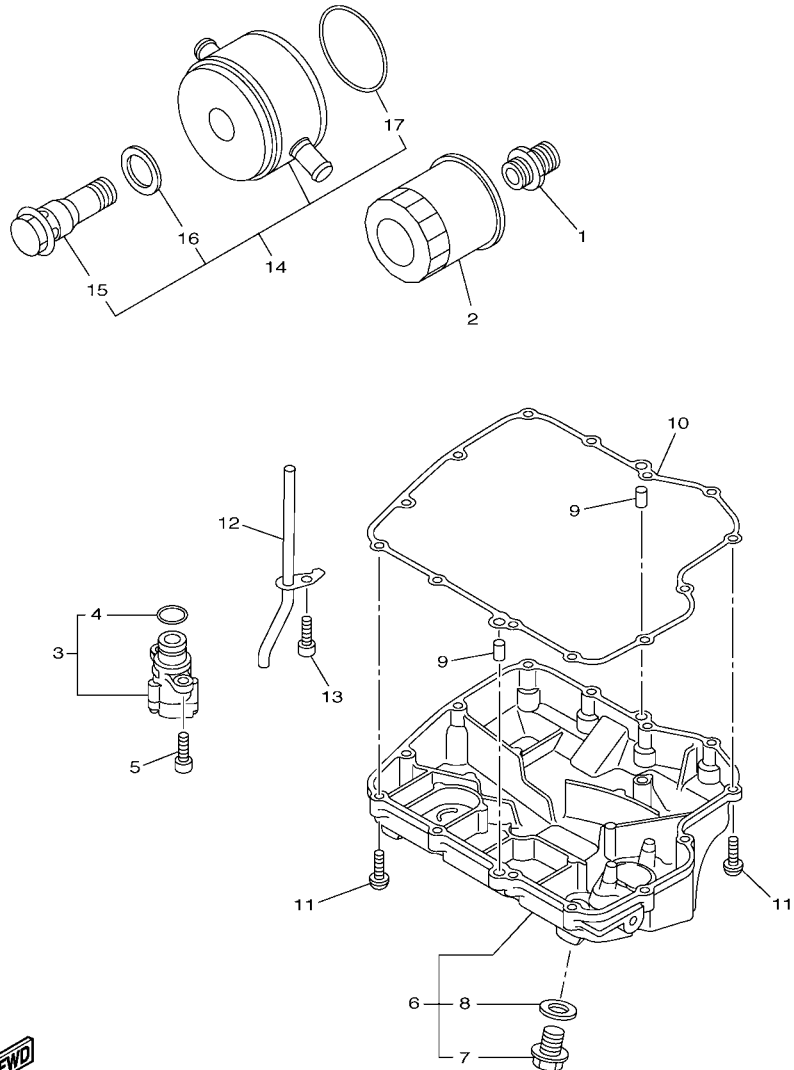




14B1300-H080

FIG. 8 OIL PUMP

REF. NO.	PART NO.	DESCRIPTION	14B1				REMARKS
1	94580-31082	CHAIN	1				
2	14B-13410-00	STRAINER HOUSING ASSY	1				
3	93210-22M93	O-RING	1				
4	90480-13010	GROMMET	1				
5	5VY-13117-10	COLLAR, DISTANCE	1				
6	90110-06173	BOLT, HEXAGON SOCKET HEAD	3				
7	14B-13416-00	PIPE, OIL 1	1				
8	93210-14003	O-RING	2				
9	90110-06182	BOLT, HEXAGON SOCKET HEAD	2				
10	14B-1316E-00	PIPE, DELIVERY 5	1				
11	93210-12010	O-RING	1				
12	93210-09525	O-RING	1				
13	93210-06667	O-RING	1				
14	90149-06071	SCREW	1				
15	14B-13898-00	HOLDER	1				
16	90110-06182	BOLT, HEXAGON SOCKET HEAD	2				



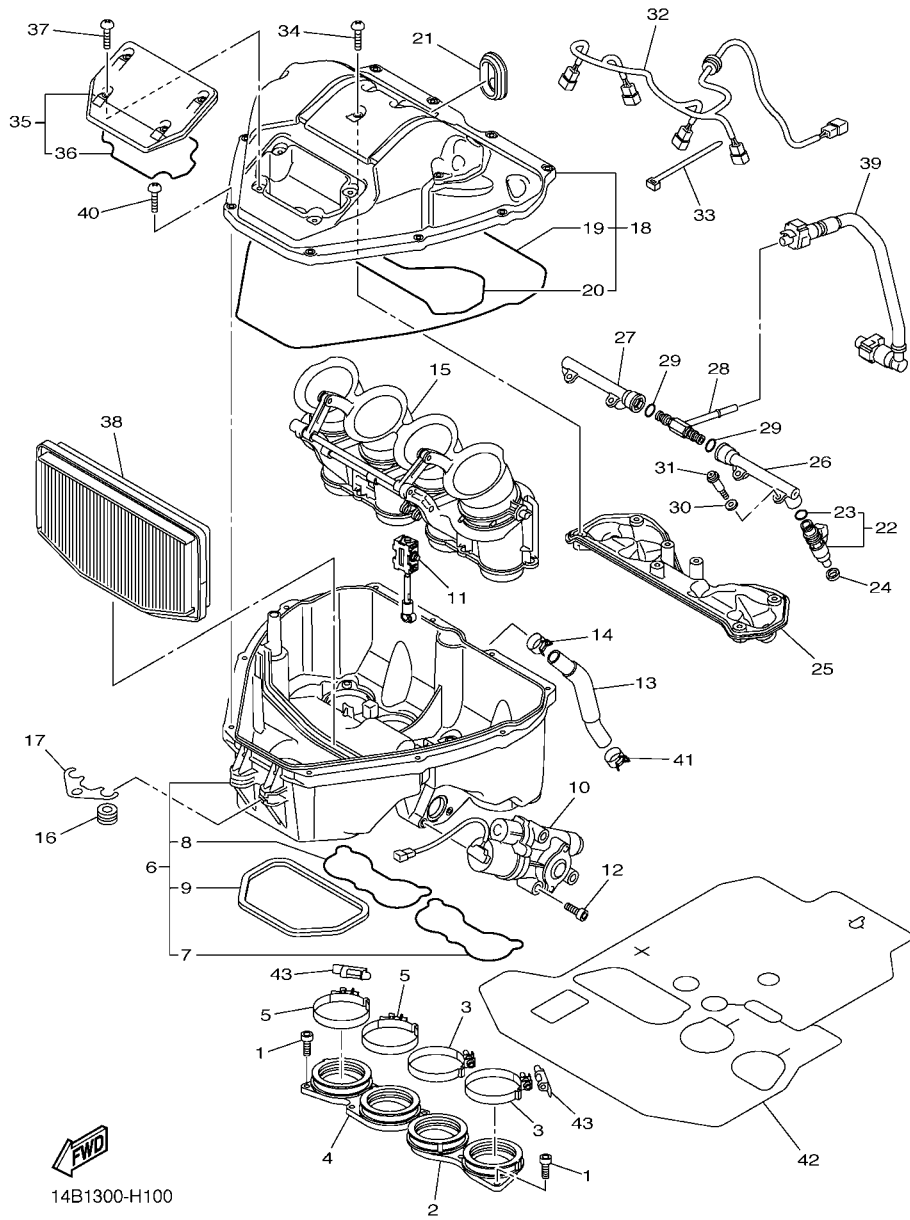
14B1300-H090

FIG. 9 OIL CLEANER

REF. NO.	PART NO.	DESCRIPTION	14B1				REMARKS
1	90401-20145	BOLT, UNION	1				
2	5GH-13440-20	ELEMENT ASSY, OIL CLEANER	1				
3	14B-13490-00	RELIEF VALVE ASSY	1				
4	93210-15566	.O-RING	1				
5	90110-06169	BOLT, HEXAGON SOCKET HEAD	2				
6	14B-13417-00	COVER, STRAINER	1				
7	90340-14132	.PLUG, STRAIGHT SCREW	1				
8	214-11198-01	.GASKET	1				
9	99530-08012	PIN, DOWEL	2				
10	14B-13414-00	GASKET, STRAINER COVER	1				
11	90149-06079	SCREW	13				
12	14B-13161-00	PIPE, DELIVERY 1	1				
13	90110-06182	BOLT, HEXAGON SOCKET HEAD	1				
14	14B-13470-00	OIL COOLER ASSY	1				
15	5FL-12822-00	.BOLT, UNION	1				
16	5EB-13475-00	.GASKET	1				
17	14B-13473-00	.O-RING	1				

**FIG. 10 INTAKE**

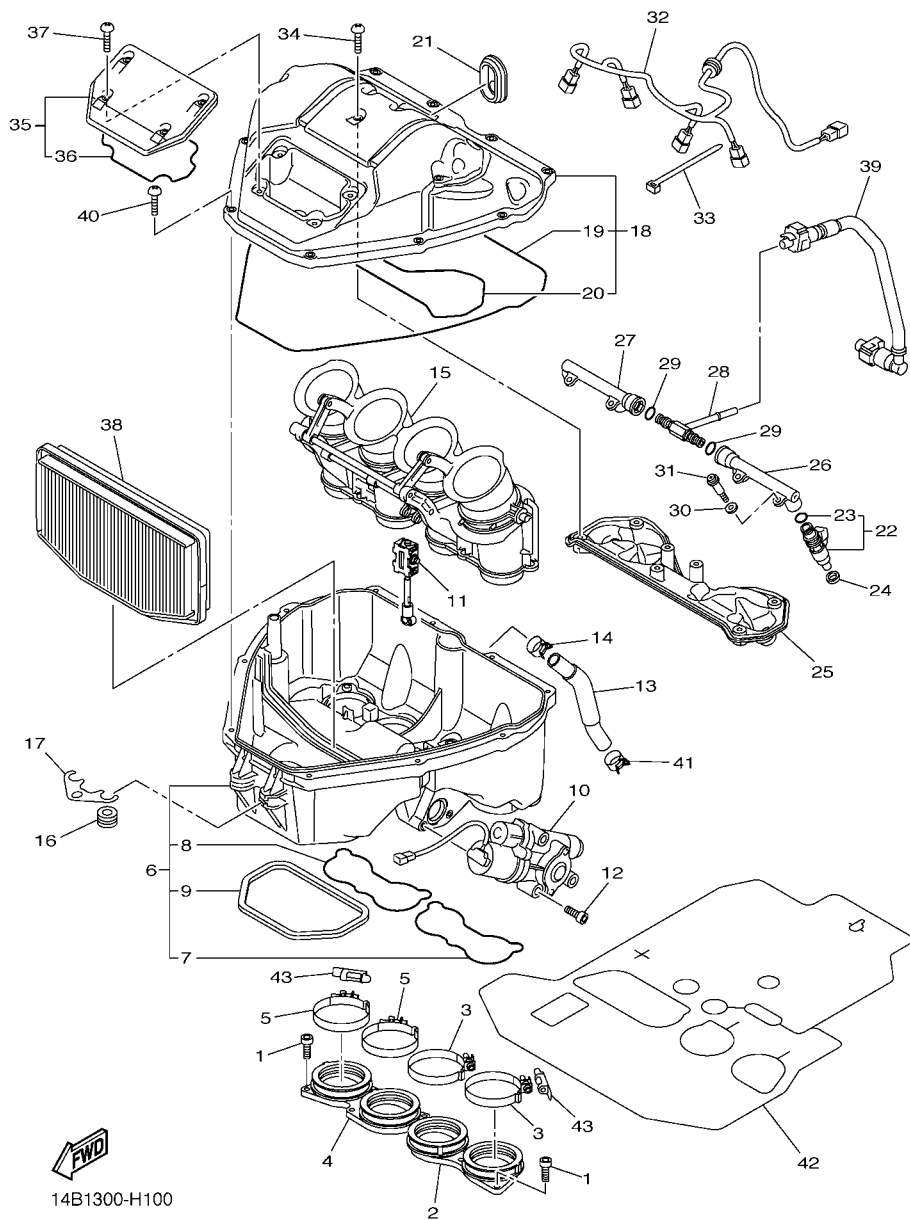
REF. NO.	PART NO.	DESCRIPTION	14B1				REMARKS
1	90110-06193	BOLT, HEXAGON SOCKET HEAD	7				
2	14B-13595-00	JOINT	1				
3	90450-60004	HOSE CLAMP ASSY	2				
4	14B-13596-00	JOINT, CARBURETOR 2	1				
5	90450-60004	HOSE CLAMP ASSY	2				
6	14B-14411-00	CASE, AIR CLEANER 1	1				
7	14B-14457-00	.SEAL	1				
8	14B-14462-00	.SEAL	1				
9	14B-14425-00	.DAMPER 1	1				
10	14B-85870-00	GEARED MOTOR COMP. 2	1				
11	14B-14490-00	SHAFT ASSY	1				
12	90110-05047	BOLT, HEXAGON SOCKET HEAD	3				
13	14B-15393-00	PIPE, BREATHER 2	1				
14	90467-160A2	CLIP	1				
15	14B-1440B-00	JOINT ASSY	1				
16	14B-14445-00	GROMMET	2				
17	14B-14498-00	STAY 1	1				
18	14B-14421-00	CASE, AIR CLEANER 2	1				
19	14B-14452-00	.SEAL	1				
20	14B-1446R-00	.SEAL	1				
21	13S-14445-00	GROMMET	1				
22	14B-13761-10	INJECTOR	4				
23	5PS-14147-00	.O-RING	1				
24	8FP-13556-00	GASKET, MANIFOLD	4				
25	14B-13767-00	CAP, INJECTOR	1				
26	14B-1393D-00	PIPE, INL.	1				
27	14B-1393E-00	PIPE, INL. 2	1				



14B1300-H100

**FIG. 10 INTAKE**

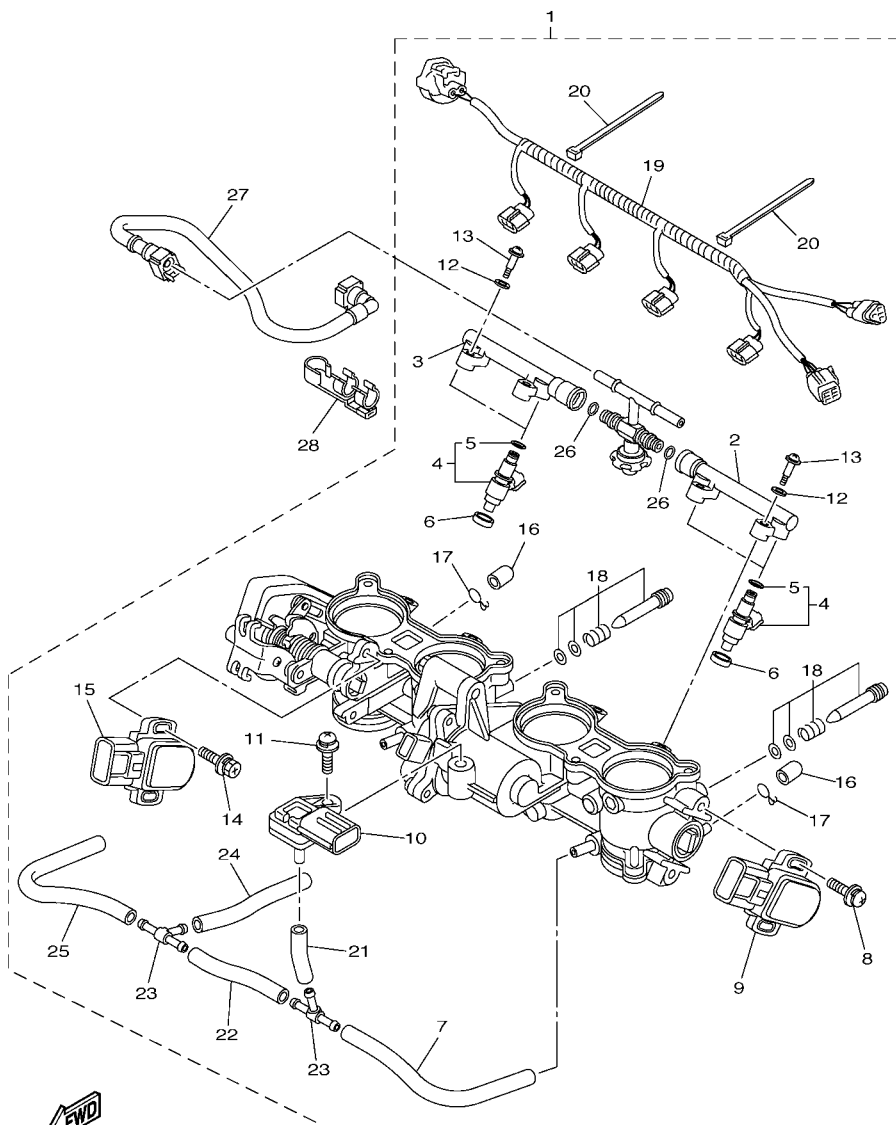
REF. NO.	PART NO.	DESCRIPTION	14B1				REMARKS
28	14B-1393F-00	NIPPLE ASSY	1				
29	2S3-13769-00	O-RING	2				
30	14B-13571-00	WASHER	4				
31	14B-13573-00	BOLT 1	4				
32	14B-82318-00	WIRE, SUB-LEAD	1				
33	90464-16061	CLAMP	1				
34	92012-05014	BOLT, BUTTON HEAD	7				
35	14B-14412-00	CAP, CLEANER CASE 1	1				
36	14B-14467-00	.SEAL	1				
37	98902-05014	SCREW, BIND	4				
38	14B-14451-00	ELEMENT, AIR CLEANER	1				
39	14B-13972-00	PIPE, FUEL 2	1				
40	98902-05020	SCREW, BIND	10				
41	90467-160A2	CLIP	1				
42	14B-12682-00	PROTECTOR, HEAT	1				
43	2C0-13881-00	COVER 1	2				



14B1300-H100

FIG. 11 INTAKE 2

REF. NO.	PART NO.	DESCRIPTION	14B1				REMARKS
1	14B-13750-00	THROTTLE BODY ASSY	1				
2	14B-1393A-00	.PIPE, INL.	1				
3	14B-1393B-00	.PIPE, INL. 2	1				
4	14B-13761-00	.INJECTOR	4				
5	5PS-14147-00	..O-RING	1				
6	8FP-13556-00	.GASKET, MANIFOLD	4				
7	5PW-14396-00	.PIPE	1				
8	8CC-14216-10	.SCREW	2				
9	13S-85885-00	.THROTTLE SENSOR ASSY	1				
10	2C0-82380-00	.SENSOR, PRESSURE	1				
11	2C0-14216-00	.SCREW	1				
12	14B-13571-00	.WASHER	4				
13	14B-13573-00	.BOLT 1	4				
14	5FL-14216-00	.SCREW	2				
15	13S-85884-00	.ACCELERATOR SENSOR ASSY	1				
16	895-14169-00	.CAP	4				
17	8A7-14139-00	.CLIP, PIPE	4				
18	2C0-14105-00	.PILOT SCREW SET	4				
19	14B-82386-00	.EXTENSION, WIRE HARNESS	1				
20	4KM-14137-00	.CLIP	2				
21	5FL-14348-10	.PIPE 1	1				
22	5JW-24311-00	.PIPE, FUEL 1	1				
23	68V-24376-00	.PIPE, JOINT 1	2				
24	5JW-14348-00	.PIPE 1	1				
25	5PW-14349-00	.PIPE	1				
26	2S3-13769-00	.O-RING	2				
27	14B-13971-00	PIPE, FUEL 1	1				



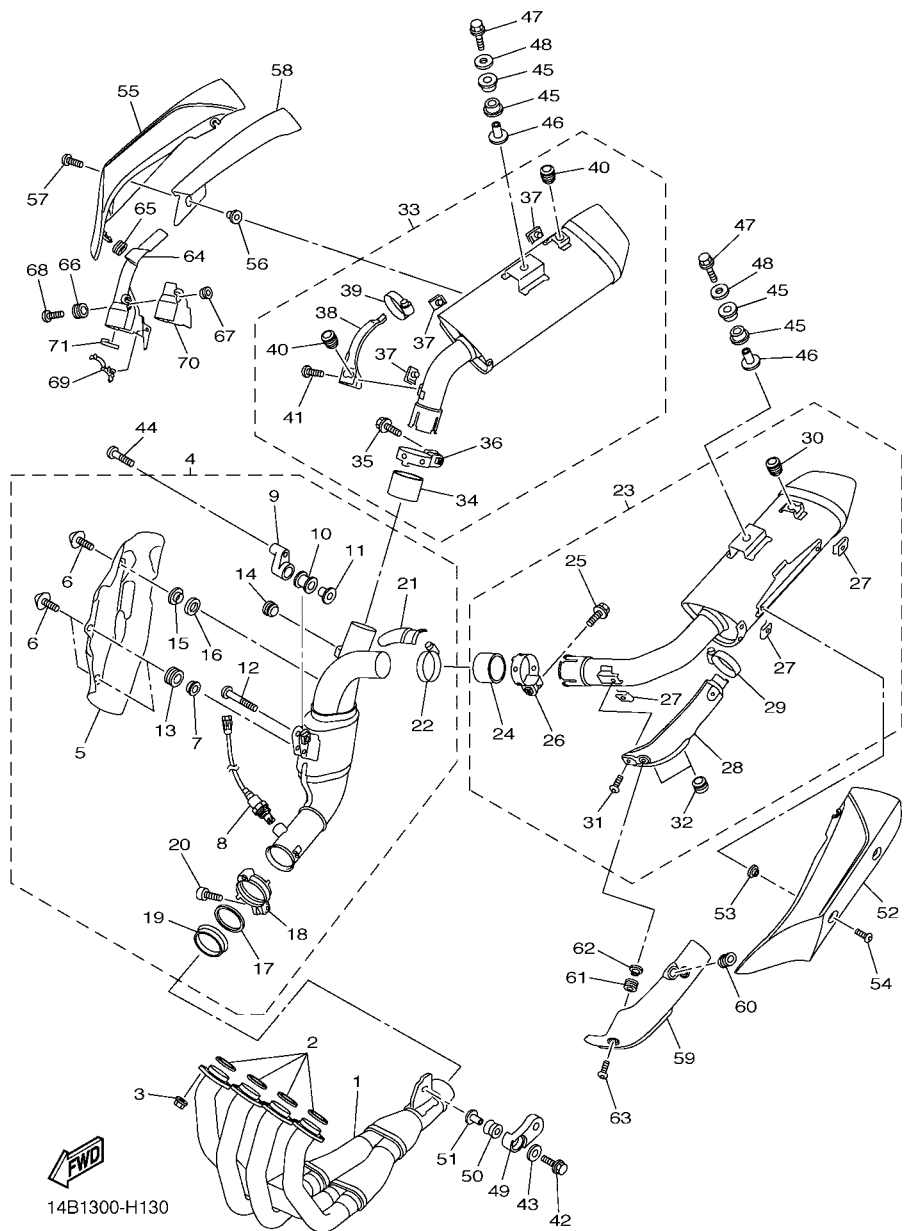
14B1300-H110





FIG. 13 EXHAUST

REF. NO.	PART NO.	DESCRIPTION	14B1				REMARKS
1	14B-14602-00	EXHAUST PIPE COMP.	1				
2	4FM-14613-00	GASKET, EXHAUST PIPE	4				
3	90179-08410	NUT	8				
4	14B-14740-00	CATALYST ASSY.	1				
5	14B-14738-00	.PROTECTOR, MUFFLER 3	1				
6	90110-06200	.BOLT, HEXAGON SOCKET HEAD	3				
7	90387-06112	.COLLAR	2				
8	14B-8592A-00	.SENSOR, OXYGEN	1				
9	14B-21445-00	.STAY, MUFFLER 1	1				
10	4XV-27424-00	.DAMPER, MUFFLER	1				
11	90387-08005	.COLLAR	1				
12	92014-08035	.BOLT, BUTTON HEAD	1				
13	90480-12579	.GROMMET	2				
14	2D1-14737-00	.DAMPER, MUFFLER	1				
15	90387-06217	.COLLAR	1				
16	90201-08080	.WASHER, PLATE	1				
17	14B-14623-00	.GASKET, EXHAUST PIPE	1				
18	14B-14725-00	.BAND, MUFFLER	1				
19	14B-14618-00	.RING, STOPPER	1				
20	90110-06343	.BOLT, HEXAGON SOCKET HEAD	1				
21	14B-1465U-00	.PLATE, PROTECTOR 3	1				
22	90450-45001	.HOSE CLAMP ASSY	1				
23	14B-14710-00	MUFFLER ASSY 1	1				
24	5VY-14714-00	.GASKET, MUFFLER	1				
25	90105-08063	.BOLT, FLANGE	1				
26	3D8-14715-00	.BAND, MUFFLER	1				
27	90183-060A2	.NUT, SPRING	3				



**FIG. 13 EXHAUST**

REF. NO.	PART NO.	DESCRIPTION	14B1				REMARKS
28	14B-1465R-00	.PLATE, PROTECTOR	1				
29	90450-45001	.HOSE CLAMP ASSY	1				
30	3D7-14737-00	.DAMPER, MUFFLER	1				
31	92012-06010	.BOLT, BUTTON HEAD	1				
32	4FM-24181-00	.DAMPER, LOCATING 1	2				
33	14B-14720-00	MUFFLER ASSY 2	1				
34	5VY-14714-00	.GASKET, MUFFLER	1				
35	90105-08063	.BOLT, FLANGE	1				
36	3D8-14715-00	.BAND, MUFFLER	1				
37	90183-060A2	.NUT, SPRING	3				
38	14B-1465T-00	.PLATE, PROTECTOR	1				
39	90450-45001	.HOSE CLAMP ASSY	1				
40	3D7-14737-00	.DAMPER, MUFFLER	2				
41	92012-06010	.BOLT, BUTTON HEAD	1				
42	95812-08040	BOLT, FLANGE	1				
43	90201-087G2	WASHER, PLATE	1				
44	90111-08071	BOLT,HEX. SOCKET BUTTON	1				
45	14B-27424-00	DAMPER, FOOTREST 2	4				
46	90387-08020	COLLAR	2				
47	95814-08045	BOLT, FLANGE	2				
48	90201-08034	WASHER, PLATE	2				
49	14B-21446-00	STAY, MUFFLER 2	1				
50	5VY-14747-00	DAMPER, MUFFLER	1				
51	90387-08021	COLLAR	1				
52	14B-14718-00	PROTECTOR, MUFFLER 1	1				
53	90387-06170	COLLAR	2				
54	90111-06127	BOLT,HEX. SOCKET BUTTON	2				

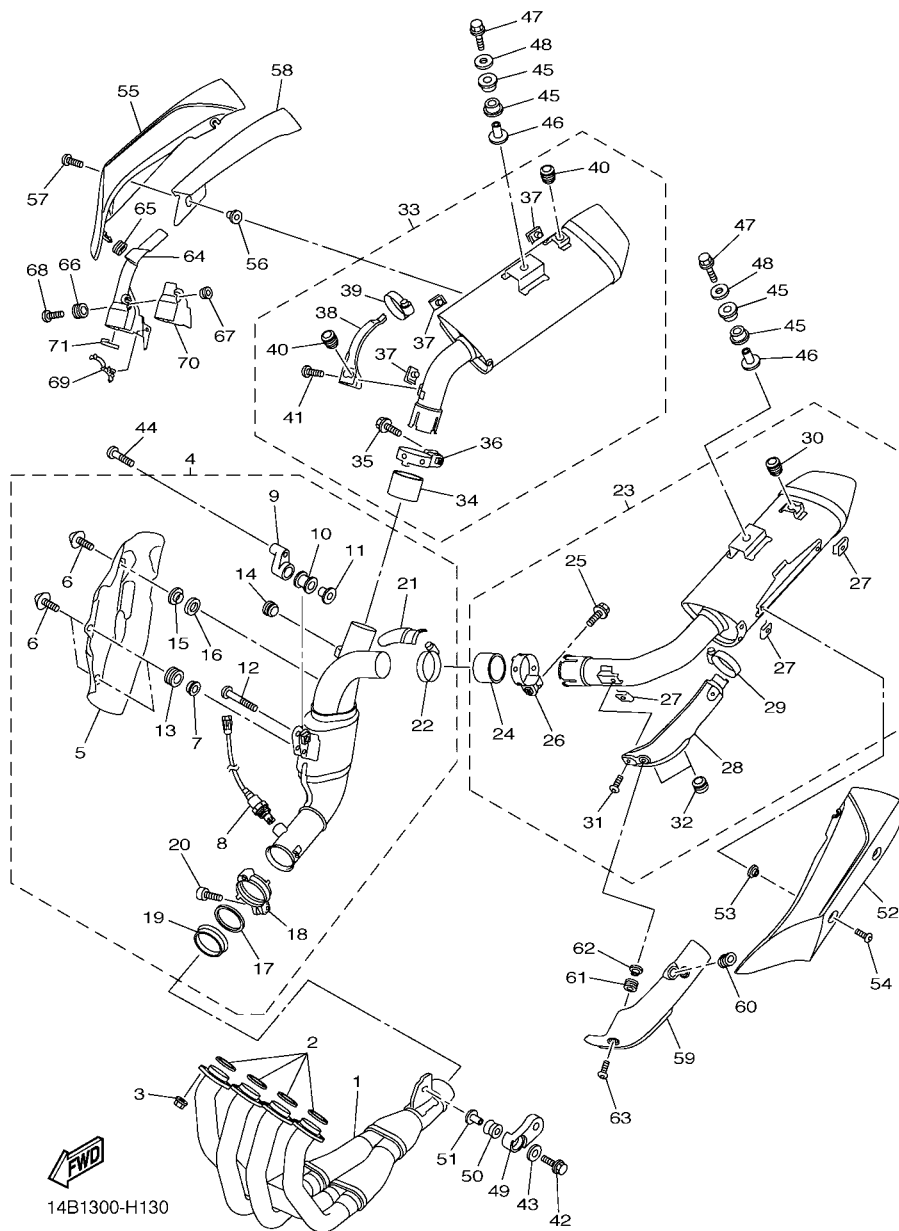
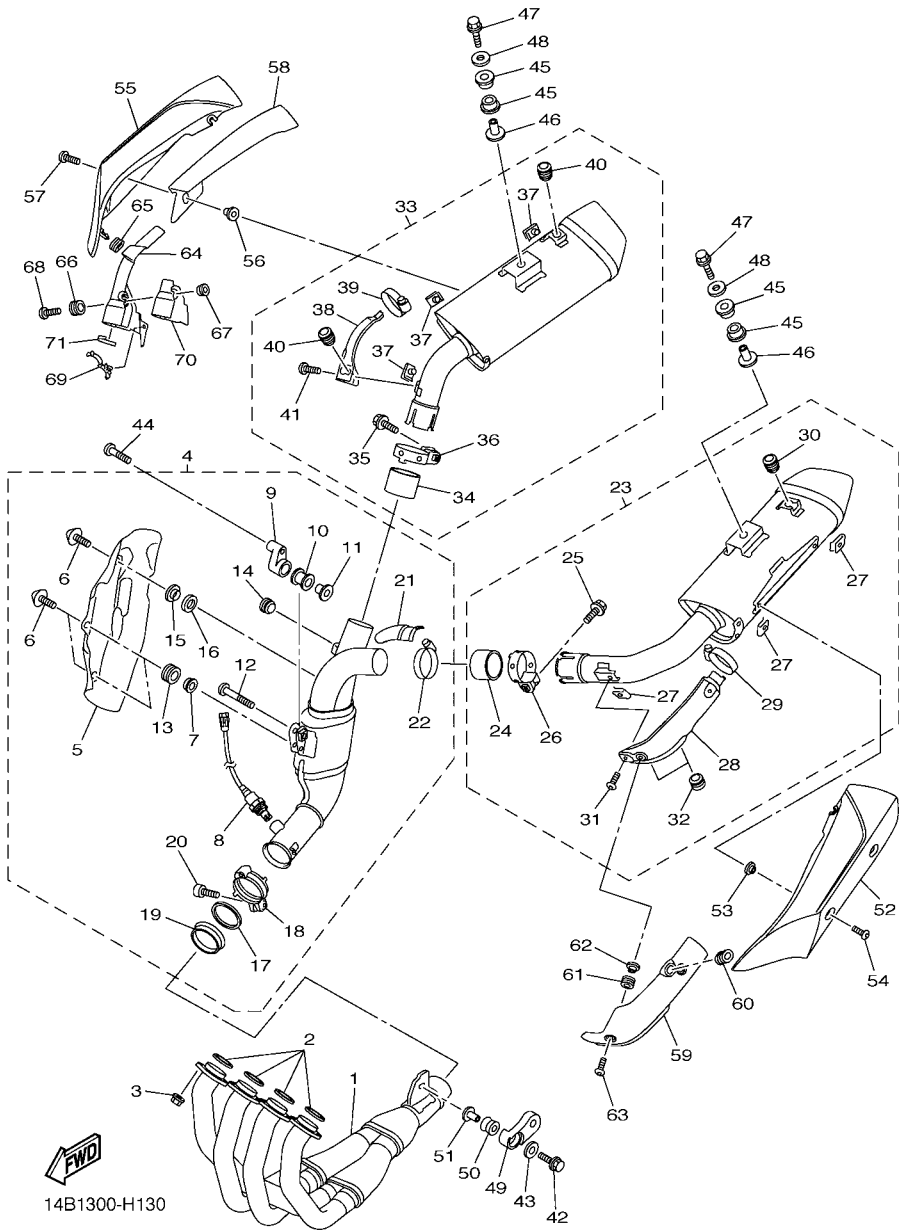


FIG. 13 EXHAUST

REF. NO.	PART NO.	DESCRIPTION	14B1				REMARKS
55	14B-14728-00	PROTECTOR, MUFFLER 2	1				
56	90387-06170	COLLAR	2				
57	90111-06127	BOLT,HEX. SOCKET BUTTON	2				
58	14B-1476P-00	SEAT	1				
59	14B-2163E-00	COVER, REAR FENDER 2	1				
60	90480-01558	GROMMET	1				
61	90480-12581	GROMMET	2				
62	90387-087L0	COLLAR	2				
63	90111-06095	BOLT,HEX. SOCKET BUTTON	2				
64	14B-2163F-00	COVER, REAR FENDER 3	1				
65	90480-01558	GROMMET	1				
66	90480-12581	GROMMET	2				
67	90387-087L0	COLLAR	2				
68	90111-06095	BOLT,HEX. SOCKET BUTTON	2				
69	90464-16006	CLAMP	1				
70	14B-1478P-00	SEAT	1				
71	14B-1479P-00	SEAT 5	1				



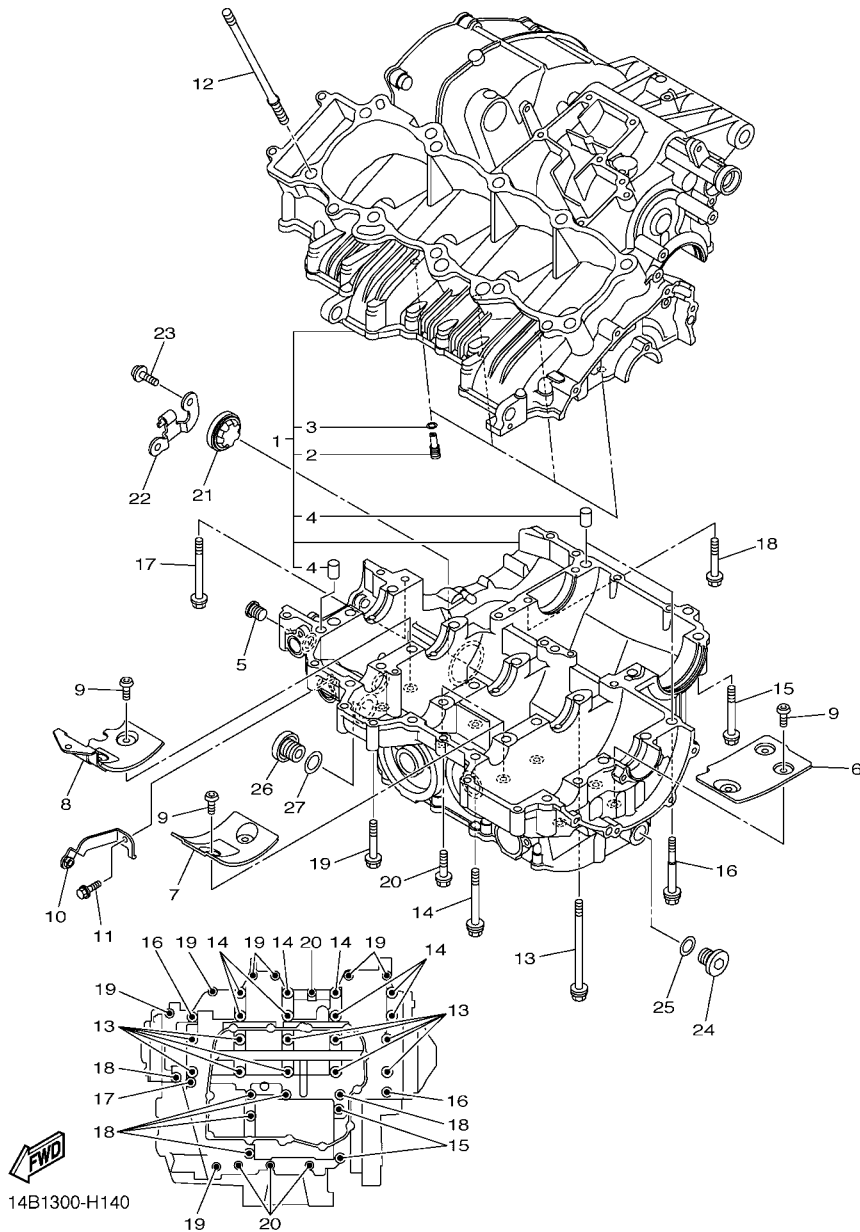
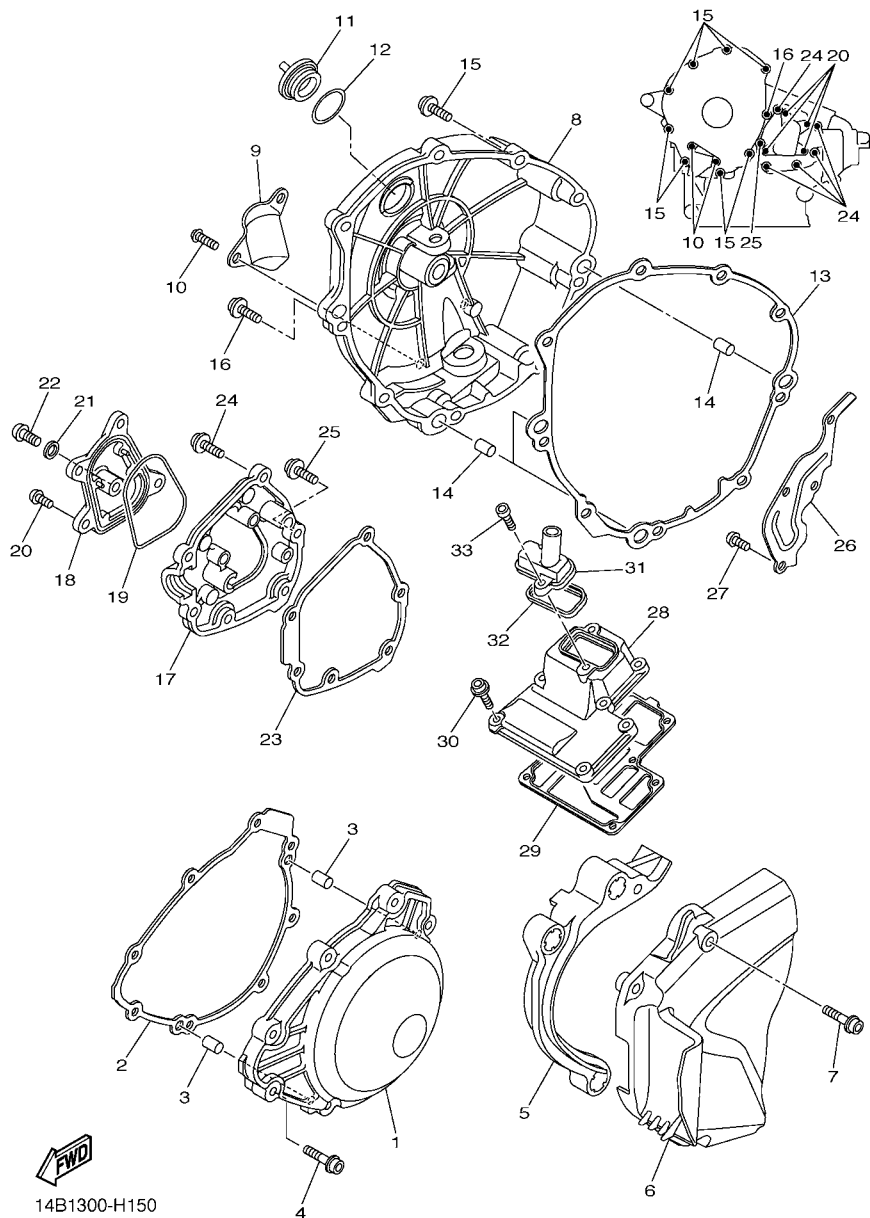


FIG. 14 CRANKCASE

REF. NO.	PART NO.	DESCRIPTION	14B1				REMARKS
1	14B-15100-00	CRANKCASE ASSY	1				
2	5EB-15155-00	.NOZZLE 3	4				
3	93210-04092	.O-RING	4				
4	99530-10014	.PIN, DOWEL	3				
5	90340-12003	PLUG, STRAIGHT SCREW	1				
6	14B-15123-00	PLATE, BAFFLE 1	1				
7	14B-15124-00	PLATE, BAFFLE 2	2				
8	14B-15133-00	PLATE, BAFFLE 3	1				
9	90149-06082	SCREW	10				
10	14B-28322-00	STAY 2	1				
11	90105-06181	BOLT, FLANGE	1				
12	90116-10051	BOLT, STUD	10				
13	90119-09010	BOLT, WITH WASHER	10				
14	90119-08130	BOLT, WITH WASHER	8				
15	95812-08060	BOLT, FLANGE	2				
16	90109-06100	BOLT	2				
17	90105-06165	BOLT, FLANGE	1				
18	95812-06060	BOLT, FLANGE	6				
19	95812-06050	BOLT, FLANGE	7				
20	95812-06040	BOLT, FLANGE	4				
21	5PW-15361-00	GAUGE, LEVEL	1				
22	14B-15441-01	HOLDER, CLUTCH CABLE	1				
23	90110-06340	BOLT, HEXAGON SOCKET HEAD	2				
24	36Y-15189-00	PLUG	2				
25	93210-16325	O-RING	2				
26	4H7-15189-00	PLUG	1				
27	93210-22001	O-RING	1				

**FIG. 15 CRANKCASE COVER 1**

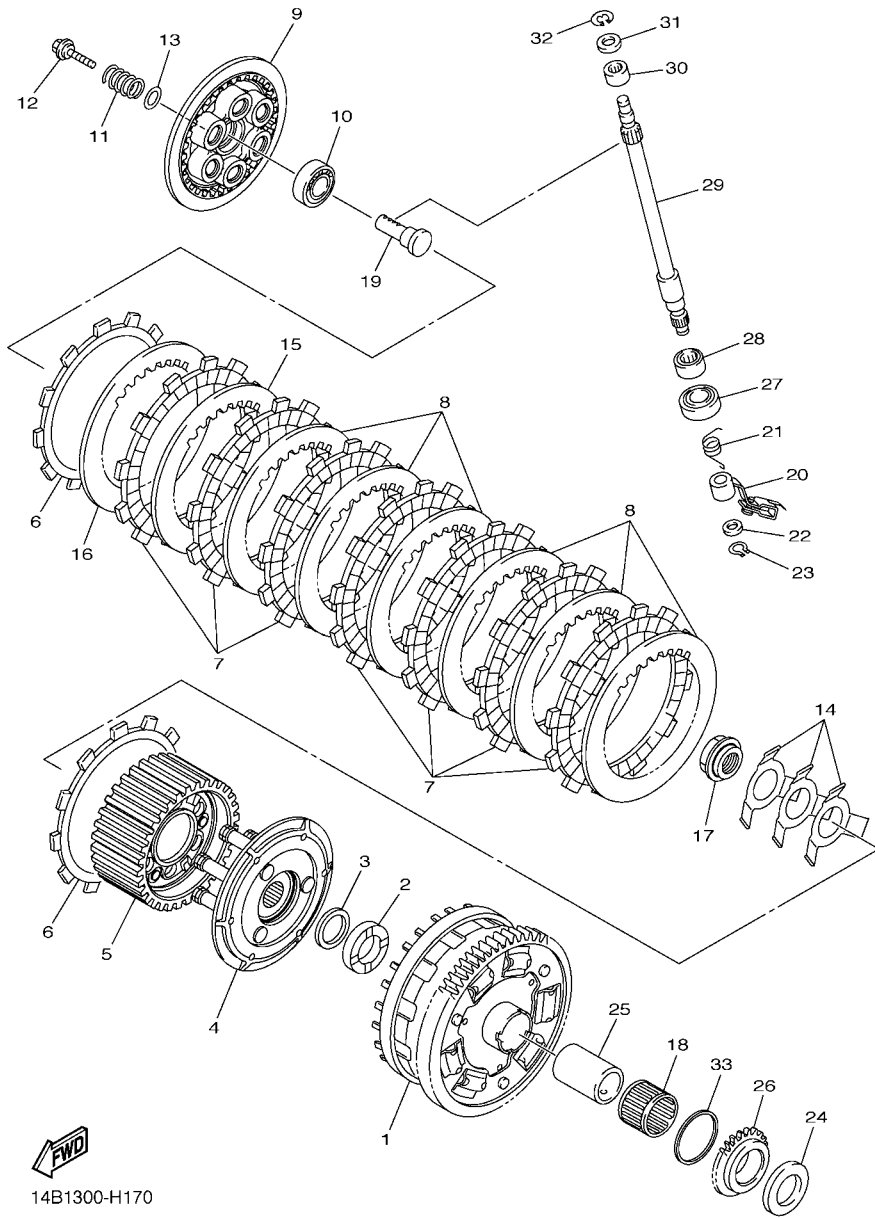
REF. NO.	PART NO.	DESCRIPTION	14B1				REMARKS
1	14B-15411-00	COVER, CRANKCASE 1	1				
2	14B-15451-00	GASKET, CRANKCASE COVER 1	1				
3	99530-08012	PIN, DOWEL	2				
4	90110-06326	BOLT, HEXAGON SOCKET HEAD	8				
5	14B-15377-00	GUIDE, INLET	1				
6	14B-15418-00	COVER, CHAIN CASE	1				
7	90110-06338	BOLT, HEXAGON SOCKET HEAD	3				
8	14B-15421-00	COVER, CRANKCASE 2	1				
9	5VY-15499-00	PROTECTOR, COVER	1				
10	90149-06152	SCREW	2				
11	3F9-15362-00	PLUG, OIL LEVEL	1				
12	93210-27778	O-RING	1				
13	14B-15461-00	GASKET, CRANKCASE COVER 2	1				
14	93610-20189	PIN, DOWEL	3				
15	90110-06323	BOLT, HEXAGON SOCKET HEAD	8				
16	90110-06324	BOLT, HEXAGON SOCKET HEAD	1				
17	14B-15416-00	COVER, OIL PUMP	1				
18	14B-15431-00	COVER, CRANKCASE 3	1				
19	93210-68001	O-RING	1				
20	90149-06152	SCREW	4				
21	90430-08143	GASKET	1				
22	92014-08016	BOLT, BUTTON HEAD	1				
23	14B-15456-00	GASKET, OIL PUMP COVER 1	1				
24	90110-06331	BOLT, HEXAGON SOCKET HEAD	5				
25	90110-06323	BOLT, HEXAGON SOCKET HEAD	1				
26	14B-11165-00	PLATE, BREATHER	1				
27	90149-06071	SCREW	4				



14B1300-H150



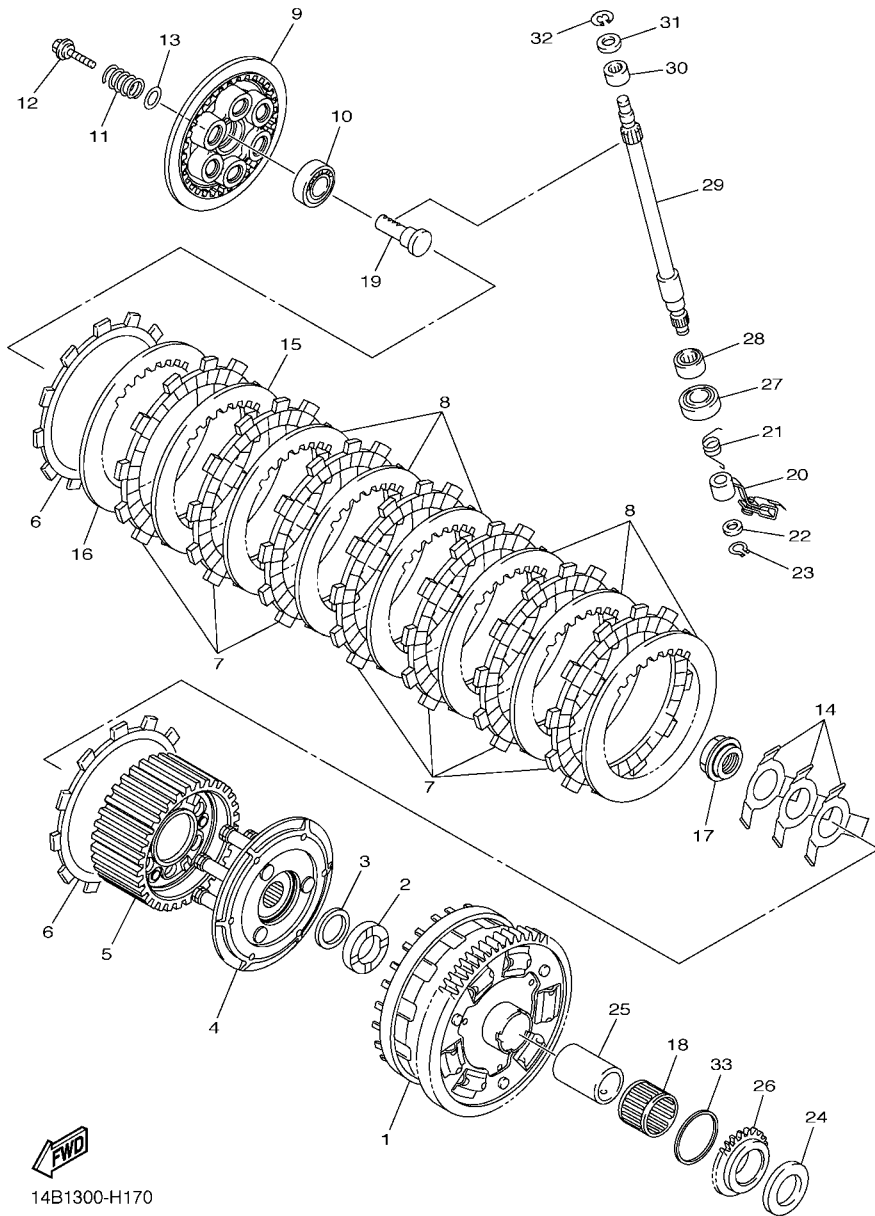




14B1300-H170

FIG. 17 CLUTCH

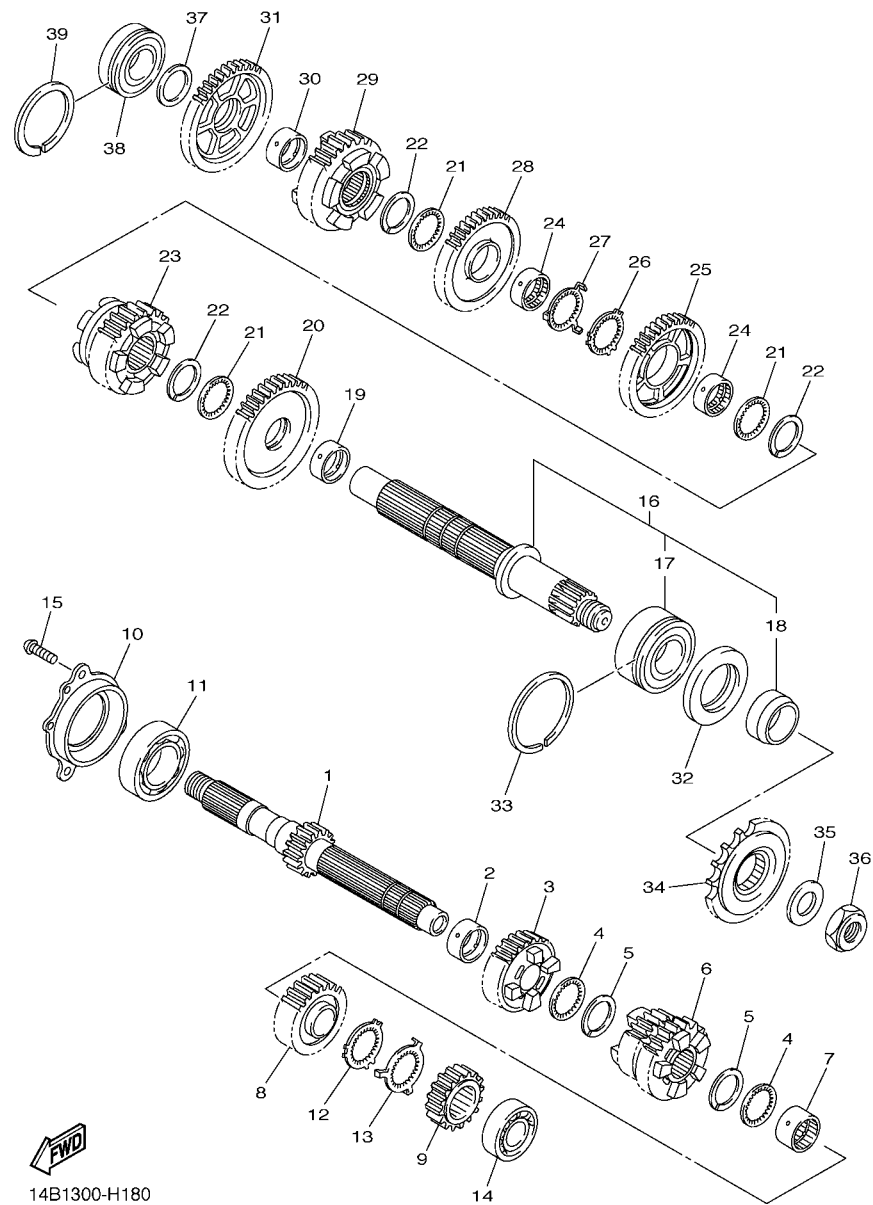
REF. NO.	PART NO.	DESCRIPTION	14B1				REMARKS
1	14B-16150-00	PRIMARY DRIVEN GEAR COMP.	1				
2	4C8-16154-00	PLATE, THRUST 1	1				
3	90208-25002	WASHER, CONICAL SPRING	1				
4	14B-16360-00	PRESSURE PLATE ASSY 2	1				
5	14B-16370-00	CLUTCH BOSS ASSY	1				
6	14B-16330-00	PLATE, FRICTION 2	2				
7	5VY-16321-00	PLATE, FRICTION	7				
8	5VY-16325-00	PLATE, CLUTCH 2	6				
9	14B-16351-00	PLATE, PRESSURE 1	1				
10	93306-00304	BEARING	1				
11	90501-240A0	SPRING, COMPRESSION	6				
12	90159-06026	SCREW, WITH WASHER	6				
13	14B-16384-00	PLATE, SEAT	6				
14	2S3-16539-00	SPRING	3				
15	5VY-16325-00	PLATE, CLUTCH 2	1				UR (T2.0)
16	5VY-16325-00	PLATE, CLUTCH 2	1				UR (T2.0)
17	4B1-16324-00	PLATE, CLUTCH 1	1				UR (T1.6)
18	4B1-16325-00	PLATE, CLUTCH 2	1				UR (T2.3)
19	4XV-16356-01	ROD, PUSH 1	1				
20	14B-16340-00	PUSH LEVER ASSY	1				
21	90508-16041	SPRING, TORSION	1				
22	90201-10029	WASHER, PLATE	1				
23	99009-10400	CIRCLIP	1				
24	363-16154-00	PLATE, THRUST 1	1				



14B1300-H170

FIG. 17 CLUTCH

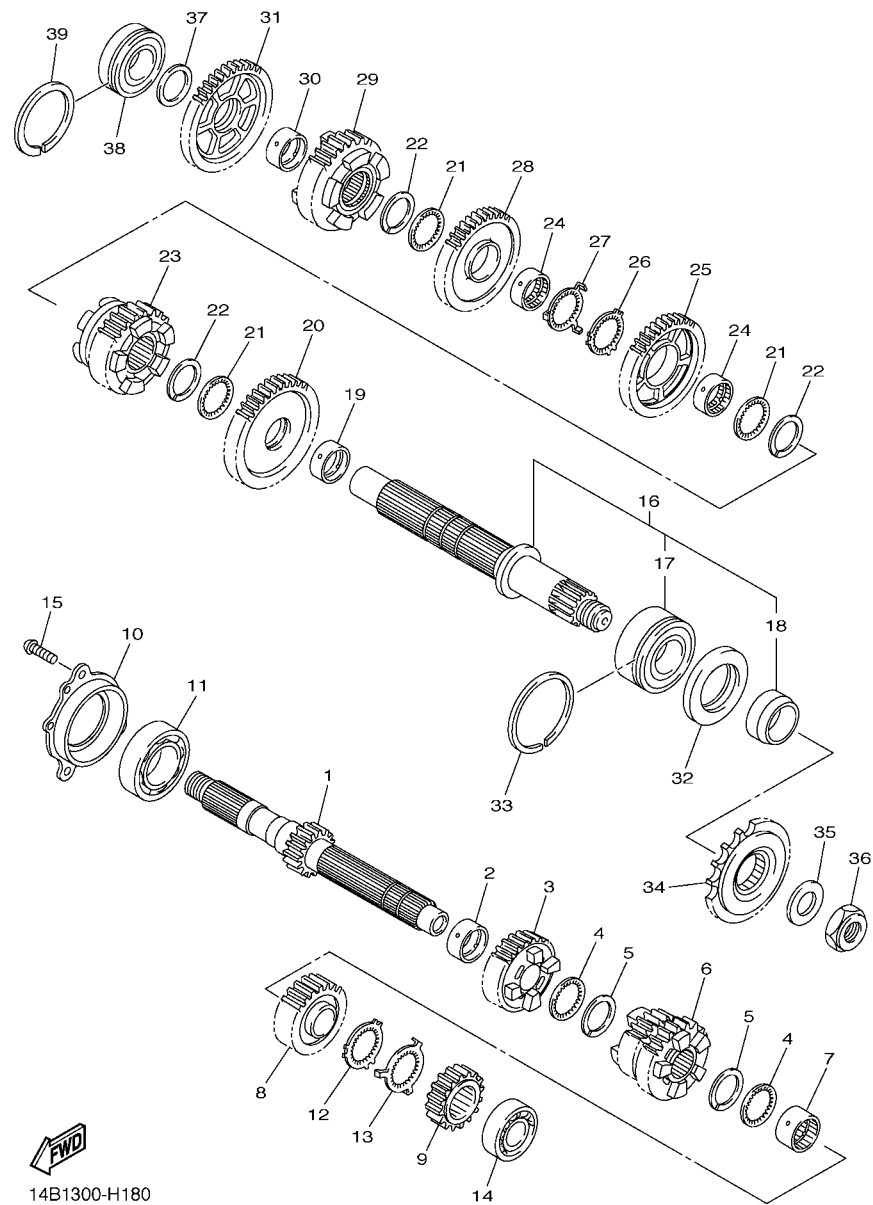
REF. NO.	PART NO.	DESCRIPTION	14B1				REMARKS
25	14B-16181-00	SPACER 1	1				
26	14B-13354-00	SPROCKET, DRIVE	1				
27	93102-15212	OIL SEAL	1				
28	93315-21570	BEARING	1				
29	5VY-16382-10	AXLE, PUSH LEVER	1				
30	93317-11096	BEARING	1				
31	92907-08600	WASHER, PLATE	1				
32	99001-07600	CIRCLIP	1				
33	90201-44008	WASHER, PLATE	1				



14B1300-H180

FIG. 18 TRANSMISSION

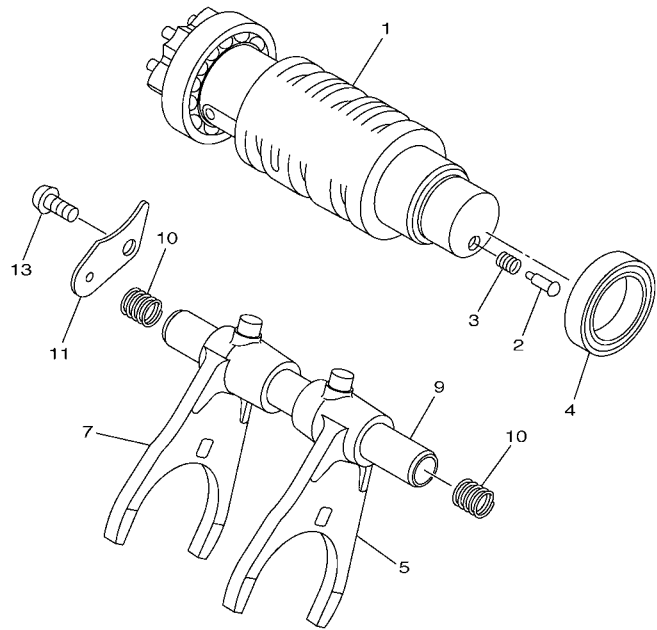
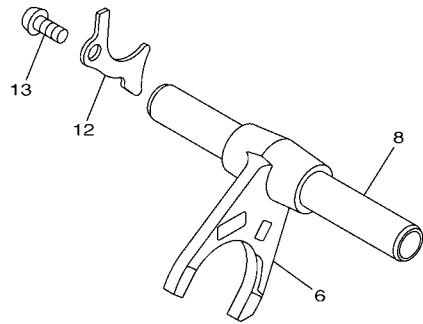
REF. NO.	PART NO.	DESCRIPTION	14B1				REMARKS
1	14B-17411-00	AXLE, MAIN (15T)	1				
2	90387-28003	COLLAR	1				
3	4C8-17151-00	GEAR, 5TH PINION (22T)	1				
4	90209-25011	WASHER	2				
5	93440-28184	CIRCLIP	2				
6	14B-17131-00	GEAR, 3RD PINION (21/23T)	1				
7	90387-25023	COLLAR	1				
8	14B-17161-00	GEAR, 6TH PINION (26T)	1				
9	2D1-17121-10	GEAR, 2ND PINION (16T)	1				
10	14B-15163-00	HOUSING, BEARING 1	1				
11	93306-20652	BEARING	1				
12	90214-25004	WASHER, CLAW	1				
13	90214-25003	WASHER, CLAW	1				
14	93306-27208	BEARING	1				
15	90149-06082	SCREW	3				
16	14B-17402-00	DRIVE AXLE ASSY	1				
17	93305-20605	.BEARING	1				
18	90387-30012	.COLLAR	1				
19	90387-31003	COLLAR	1				
20	14B-17221-00	GEAR, 2ND WHEEL (33T)	1				
21	90209-28008	WASHER	3				
22	93440-31187	CIRCLIP	3				
23	14B-17261-00	GEAR, 6TH WHEEL (33T)	1				
24	90387-28004	COLLAR	2				
25	14B-17241-00	GEAR, 4TH WHEEL (35T)	1				
26	90214-29002	WASHER, CLAW	1				
27	90214-28002	WASHER, CLAW	1				



14B1300-H180

FIG. 18 TRANSMISSION

REF. NO.	PART NO.	DESCRIPTION	14B1				REMARKS
28	14B-17231-00	GEAR, 3RD WHEEL (37T)	1				
29	14B-17251-00	GEAR, 5TH WHEEL (30T)	1				
30	90387-25008	COLLAR	1				
31	5VY-17211-00	GEAR, 1ST WHEEL (38T)	1				
32	93102-40330	OIL SEAL	1				
33	93440-62032	CIRCLIP	1				
34	4C8-17460-00	SPROCKET, DRIVE (17T)	1				
35	90201-22015	WASHER, PLATE	1				
36	90179-22019	NUT	1				
37	90201-257H0	WASHER, PLATE	1				
38	93306-205A2	BEARING	1				
39	93440-52009	CIRCLIP	1				



**FIG. 19 SHIFT CAM & FORK**

REF. NO.	PART NO.	DESCRIPTION	14B1				REMARKS
1	14B-18540-00	SHIFT CAM ASSY	1				
2	3D7-18542-00	POINT, NEUTRAL	1				
3	90501-06022	SPRING, COMPRESSION	1				
4	93306-80501	BEARING	1				
5	14B-18511-00	FORK, SHIFT 1	1				
6	14B-18512-00	FORK, SHIFT 2	1				
7	14B-18513-00	FORK, SHIFT 3	1				
8	14B-18531-00	BAR, SHIFT FORK GUIDE 1	1				
9	2C0-18535-00	BAR, SHIFT FORK GUIDE 2	1				
10	90501-080A2	SPRING, COMPRESSION	2				
11	14B-18536-00	STOPPER, SHIFT BAR	1				
12	14B-18562-00	PLATE, STOPPER 2	1				
13	90149-06071	SCREW	2				



14B1300-H190

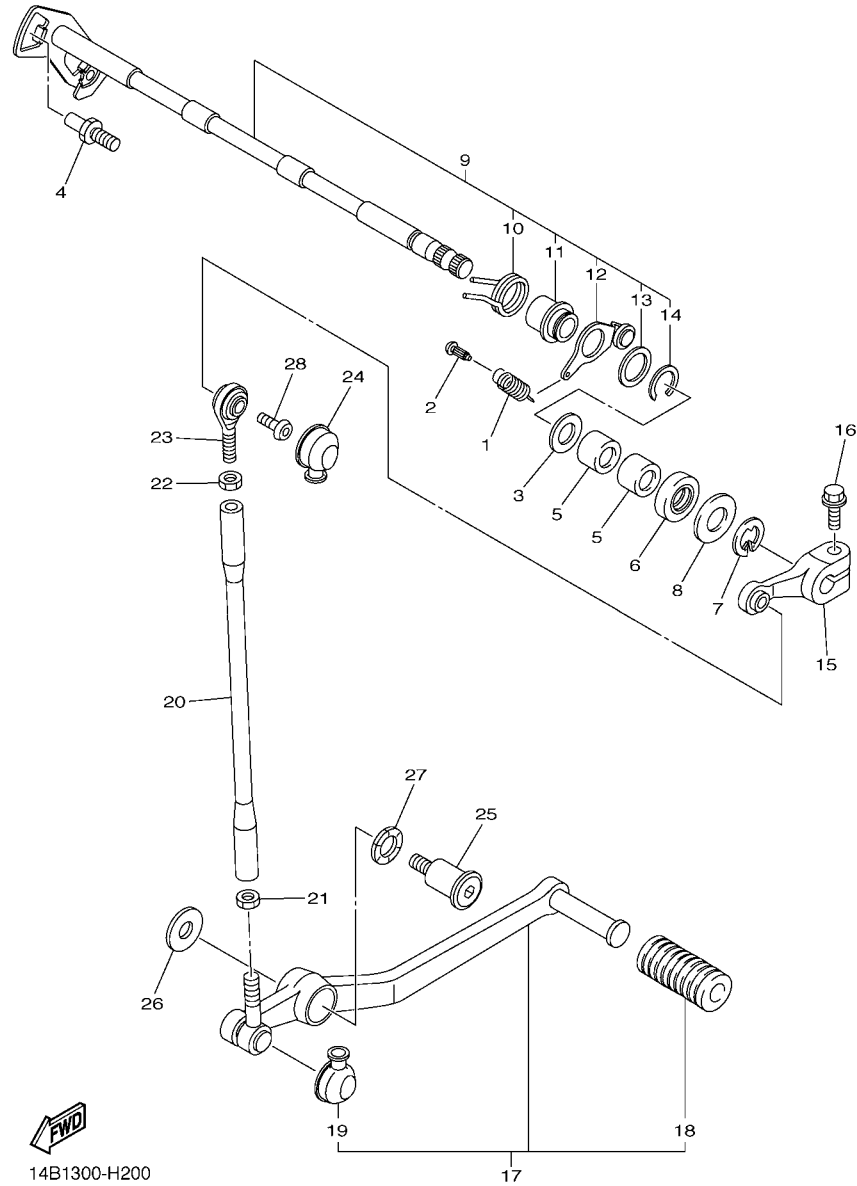
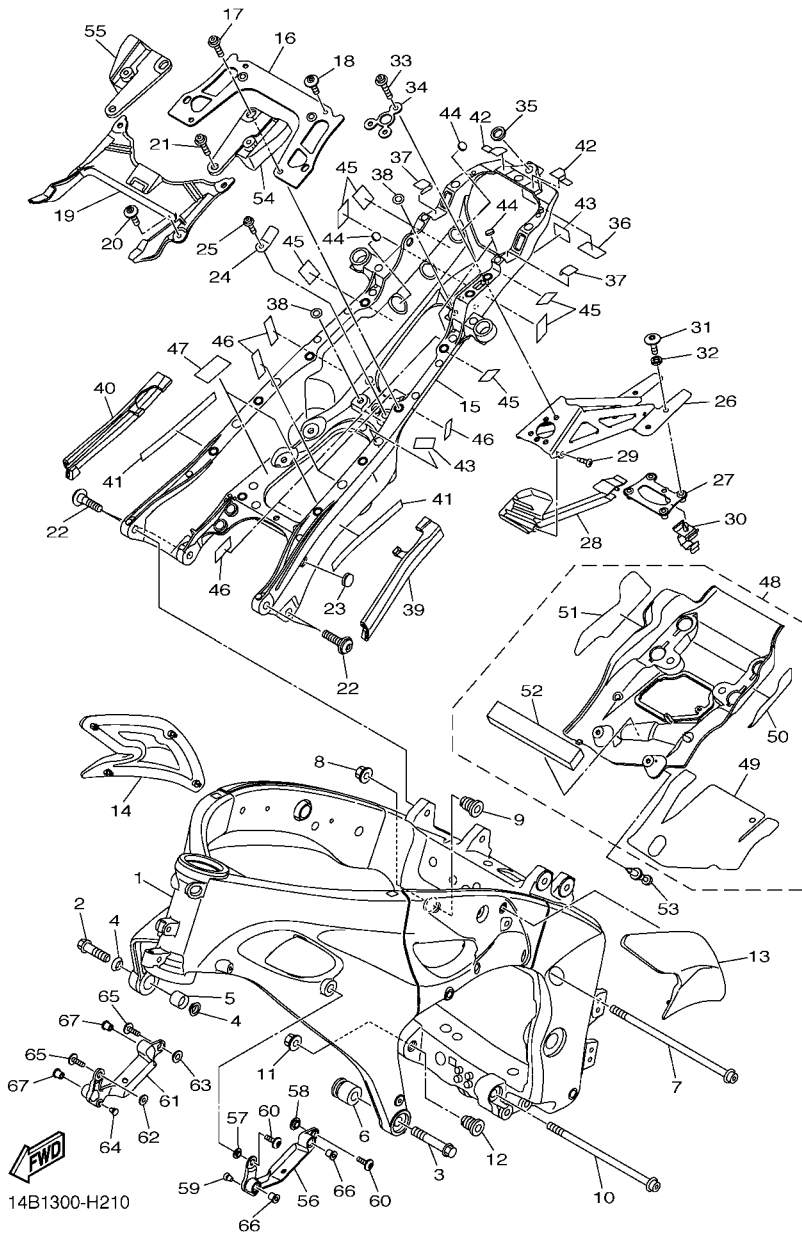


FIG. 20 SHIFT SHAFT

REF. NO.	PART NO.	DESCRIPTION	14B1				REMARKS
1	90506-18021	SPRING, TENSION	1				
2	132-16346-00	HOOK, SPRING	1				
3	90201-127E1	WASHER, PLATE	1				
4	1D7-18127-00	STOPPER, SCREW	1				
5	93317-11295	BEARING	2				
6	93102-12106	OIL SEAL (SD 12-22-5 HS)	1				
7	99002-10600	CLIP	1				
8	90201-12575	WASHER, PLATE	1				
9	14B-18101-00	SHIFT SHAFT ASSY	1				
10	90508-32020	.SPRING, TORSION	1				
11	2C0-18175-00	.SPACER	1				
12	14B-18140-00	.STOPPER LEVER ASSY	1				
13	90201-177G4	.WASHER, PLATE	1				
14	99009-17400	.CIRCLIP	1				
15	5JJ-18112-00	ARM, SHIFT	1				
16	95022-06020	BOLT, FLANGE	1				
17	14B-18110-00	SHIFT PEDAL ASSY	1				
18	5EB-18113-00	.COVER, SHIFT PEDAL	1				
19	4XV-18154-00	.COVER, DUST	1				
20	5LV-18115-00	ROD, SHIFT	1				
21	90170-06228	NUT(COUNTER CLOCKWISE)	1				
22	95304-06700	NUT	1				
23	5LV-18116-00	JOINT, ROD 1	1				
24	4XV-18154-00	COVER, DUST	1				
25	4C8-27434-00	BOLT	1				
26	90201-08103	WASHER, PLATE	1				
27	90206-14086	WASHER, WAVE	1				

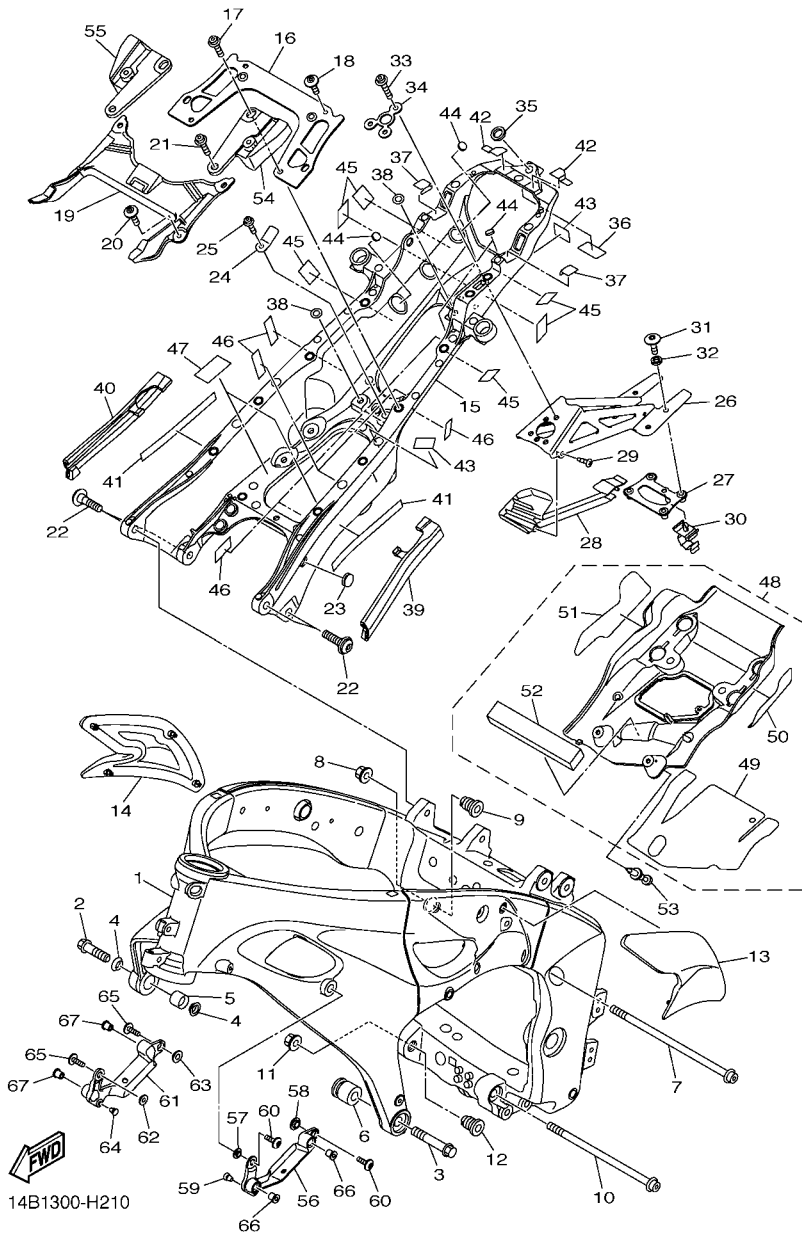




14B1300-H210

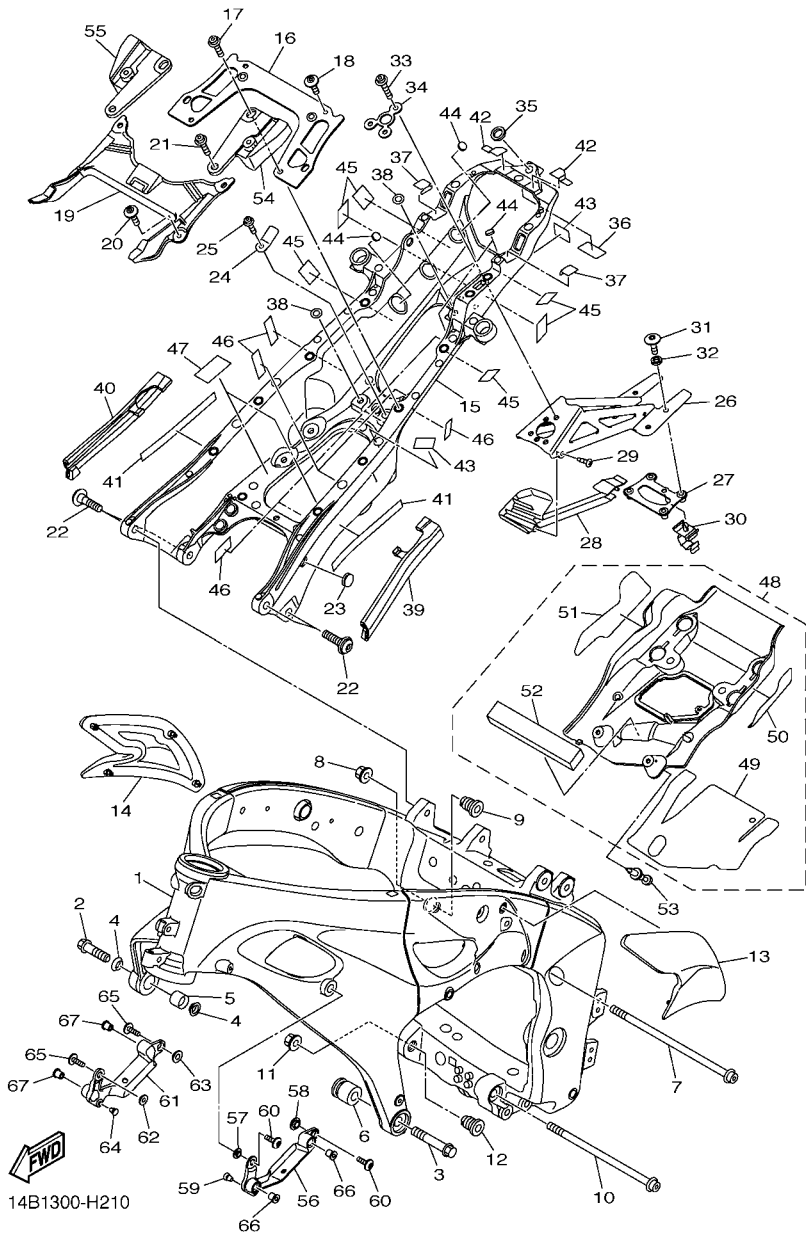
FIG. 21 FRAME

REF. NO.	PART NO.	DESCRIPTION	14B1				REMARKS
1	14B-21110-00	FRAME COMP.	1				UR FOR SMX,DPBMC
	14B-21110-10	FRAME COMP.	1				UR FOR BWC1
2	90105-12062	BOLT, FLANGE	1				
3	95817-12080	BOLT, FLANGE	1				
4	14B-21414-00	BOSS, ENGINE MOUNT	2				
5	14B-21424-00	BOSS, ENGINE MOUNT	1				
6	14B-2141R-00	BOSS	1				
7	90110-10005	BOLT, HEXAGON SOCKET HEAD	1				
8	90179-10028	NUT	1				
9	14B-21495-00	BOLT, ENGINE ADJUSTING	1				
10	90110-10023	BOLT, HEXAGON SOCKET HEAD	1				
11	90179-10028	NUT	1				
12	14B-21495-00	BOLT, ENGINE ADJUSTING	1				
13	14B-24121-00	SEAT, KNEE GRIP 1	1				
14	14B-24122-00	SEAT, KNEE GRIP 2	1				
15	14B-21190-00	REAR FRAME COMP.	1				
16	14B-21131-00	BRACKET	1				
17	90109-06015	BOLT	2				
18	90111-06051	BOLT,HEX. SOCKET BUTTON	2				
19	14B-21214-00	REINF., FRAME RR.	1				
20	90111-06051	BOLT,HEX. SOCKET BUTTON	2				
21	90109-06015	BOLT	2				
22	14B-2585H-09	SCREW,SET	4				
23	90338-15004	PLUG	1				
24	14B-2116B-00	BRKT.	1				
25	90109-06014	BOLT	1				
26	14B-21640-00	REAR STAY COMP.	1				



**FIG. 21 FRAME**

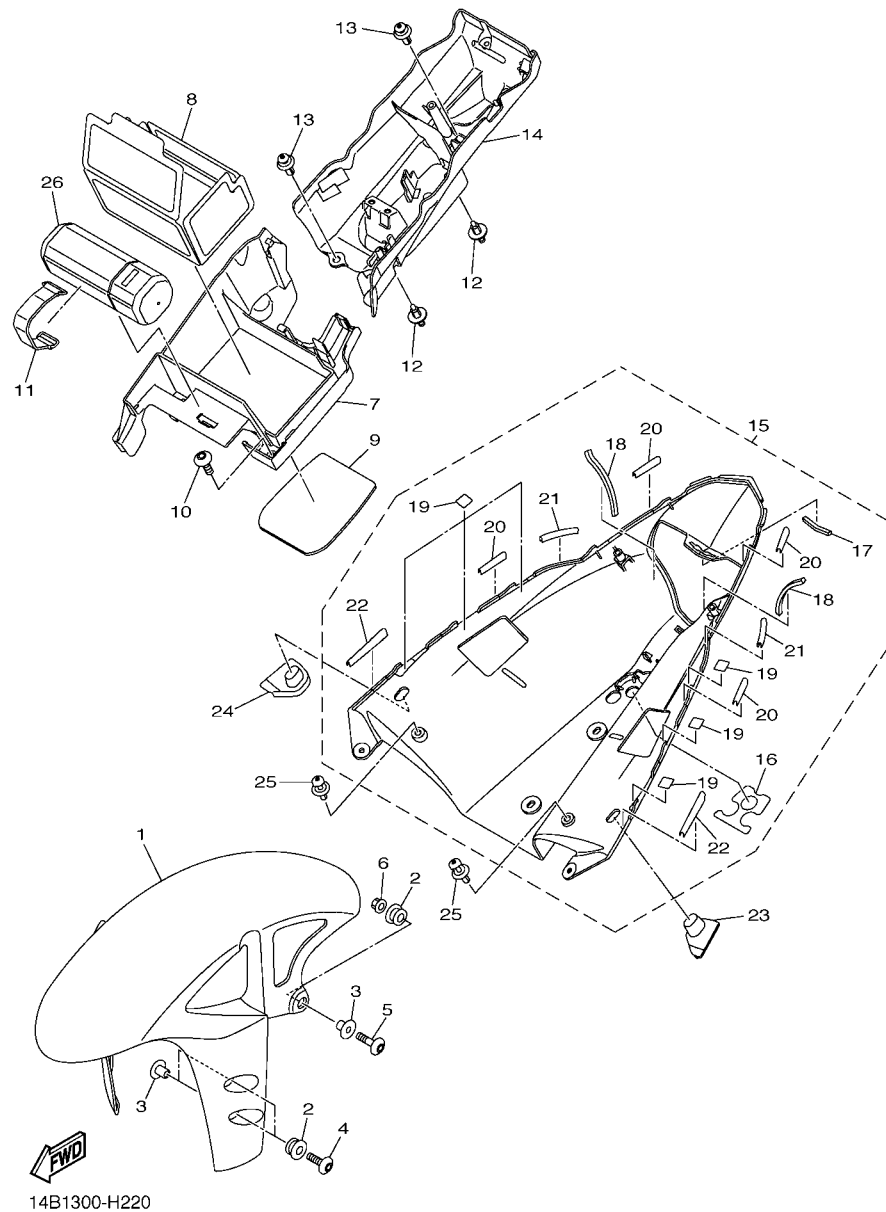
REF. NO.	PART NO.	DESCRIPTION	14B1				REMARKS
27	14B-21682-00	STAY, PLATE	1				
28	14B-2163A-00	COVER, REAR FENDER 1	1				
29	97702-50016	SCREW, TAPPING	1				
30	90464-14228	CLAMP	1				
31	90111-06129	BOLT,HEX. SOCKET BUTTON	4				
32	90387-061Y1	COLLAR	4				
33	90110-06156	BOLT, HEXAGON SOCKET HEAD	3				
34	14B-21615-00	WASHER, SPECIAL 1	1				
35	13S-21746-00	DAMPER	1				
36	14B-22873-00	SEAL 1	1				
37	14B-22874-00	SEAL 2	2				
38	13S-2173M-00	SEAL 3	2				
39	14B-22876-00	SEAL 4	1				
40	14B-22877-00	SEAL, 5	1				
41	13S-21567-00	TAPE, 2	2				
42	14B-22879-00	SEAL, 7	2				
43	14B-28425-00	DAMPER 3	2				
44	14B-28217-00	DAMPER 1	4				
45	14B-28227-00	DAMPER 2	6				
46	14B-28237-00	DAMPER 3	7				
47	14B-28435-00	DAMPÉR 4	2				
48	14B-2110N-00	COVER ASSY 2	1				
49	14B-2112B-00	.SEAT 1	1				
50	14B-2113C-00	.SHEET,2	1				
51	14B-2113D-00	.SHEET, 3	1				
52	90520-15001	.DAMPER, PLATE	1				
53	90269-06016	RIVET	2				



14B1300-H210

FIG. 21 FRAME

REF. NO.	PART NO.	DESCRIPTION	14B1				REMARKS
54	14B-2172E-00	STAY, SIDE COVER 1	1				
55	14B-2174E-00	STAY, SIDE COVER 2	1				
56	14B-2836F-00	BRACKET 3	1				
57	90387-06217	COLLAR	1				
58	90560-08251	SPACER	1				
59	90338-06018	PLUG	1				
60	90111-06051	BOLT,HEX. SOCKET BUTTON	2				
61	14B-2836G-00	BRACKET 4	1				
62	90387-06217	COLLAR	1				
63	90560-08251	SPACER	1				
64	90338-06018	PLUG	1				
65	90111-06051	BOLT,HEX. SOCKET BUTTON	2				
66	90179-05523	NUT	2				
67	90179-05523	NUT	2				

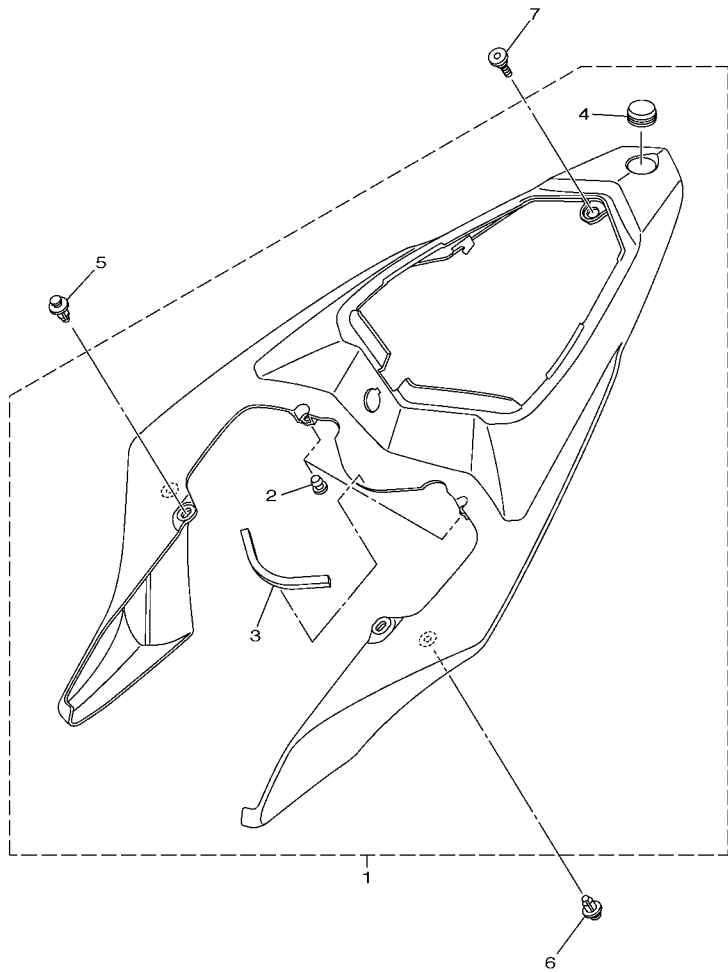


14B1300-H220

FIG. 22 FENDER

REF. NO.	PART NO.	DESCRIPTION	14B1			REMARKS
1	14B-21511-00-P0	FENDER, FRONT	1			UR FOR SMX
	14B-21511-00-P1	FENDER, FRONT	1			UR FOR BWC1
	14B-21511-00-P2	FENDER, FRONT	1			UR FOR DPBMC
2	90480-12072	GROMMET	6			
3	90387-065J6	COLLAR	6			
4	90111-06043	BOLT,HEX. SOCKET BUTTON	4			
5	90111-06030	BOLT,HEX. SOCKET BUTTON	2			
6	95702-06500	NUT, FLANGE	2			
7	14B-8212B-00	BOX, BATTERY 1	1			
8	14B-82122-00	SEAT, BATTERY	1			
9	14B-82176-00	DAMPER	1			
10	90149-06302	SCREW	2			
11	5JJ-82131-00	BAND, BATTERY	1			
12	90269-07077	RIVET	2			
13	90269-07012	RIVET	2			
14	14B-8212C-00	BOX, BATTERY 2	1			
15	14B-21600-00-P0	REAR FENDER ASSY.	1			UR FOR SMX
	14B-21600-00-P1	REAR FENDER ASSY.	1			UR FOR BWC1
	14B-21600-00-P2	REAR FENDER ASSY.	1			UR FOR DPBMC
16	14B-21669-00	.SEAL	1			
17	4GY-2174X-00	.DAMPER	1			
18	3CV-28372-00	.DAMPER	2			
19	4C8-21735-00	.SEAL 2	6			
20	5VY-21732-00	.SEAL 1	4			
21	5PW-21732-00	.SEAL 1	2			
22	14B-21732-00	.SEAL 1	2			
23	14B-21639-00	DAMPER 2	1			





**FIG. 23 SIDE COVER**

REF. NO.	PART NO.	DESCRIPTION	14B1				REMARKS
1	14B-21710-00-P0	SIDE COVER ASSY 1	1				UR FOR SMX
	14B-21710-00-P1	SIDE COVER ASSY 1	1				UR FOR BWC1
	14B-21710-00-P2	SIDE COVER ASSY 1	1				UR FOR DPBMC
2	90338-06018	.PLUG	2				
3	4C8-21747-00	.DAMPER	1				
4	4KN-2836B-00	.TUNING FORK MARK	1				
5	90269-06081	RIVET	2				
6	90269-06001	RIVET	2				
7	90109-06248	BOLT	1				



14B1300-H230

**FIG. 24 REAR ARM**

REF. NO.	PART NO.	DESCRIPTION	14B1				REMARKS
1	14B-22110-00-P0	REAR ARM COMP.	1				UR FOR SMX,DPBMC
	14B-22110-00-P1	REAR ARM COMP.	1				UR FOR BWC1
2	90101-08013	BOLT	2				
3	95302-08600	NUT	2				
4	90201-08057	WASHER, PLATE	2				
5	14B-22184-00	BUSH	1				
6	5VY-22128-00	COVER, THRUST 1	1				
7	93317-52897	BEARING	1				
8	93317-428U8	BEARING	1				
9	93306-97202	BEARING	1				
10	99009-42500	CIRCLIP	1				
11	93106-28004	OIL SEAL	1				
12	90387-22023	COLLAR	1				
13	14B-22151-00	SEAL, GUARD	1				
14	92012-06016	BOLT, BUTTON HEAD	2				
15	90387-062X0	COLLAR	1				
16	90387-06066	COLLAR	1				
17	90387-06066	COLLAR	1				
18	92012-06016	BOLT, BUTTON HEAD	1				
19	14B-22311-00	CASE, CHAIN	1				
20	90183-05076	NUT, SPRING	1				
21	90149-06298	SCREW	1				
22	90387-07717	COLLAR	1				
23	14B-2217A-00	ARM, RELAY	1				
24	93315-31758	BEARING	2				
25	93109-17071	OIL SEAL	2				
26	14B-2217M-00	ARM 1	1				

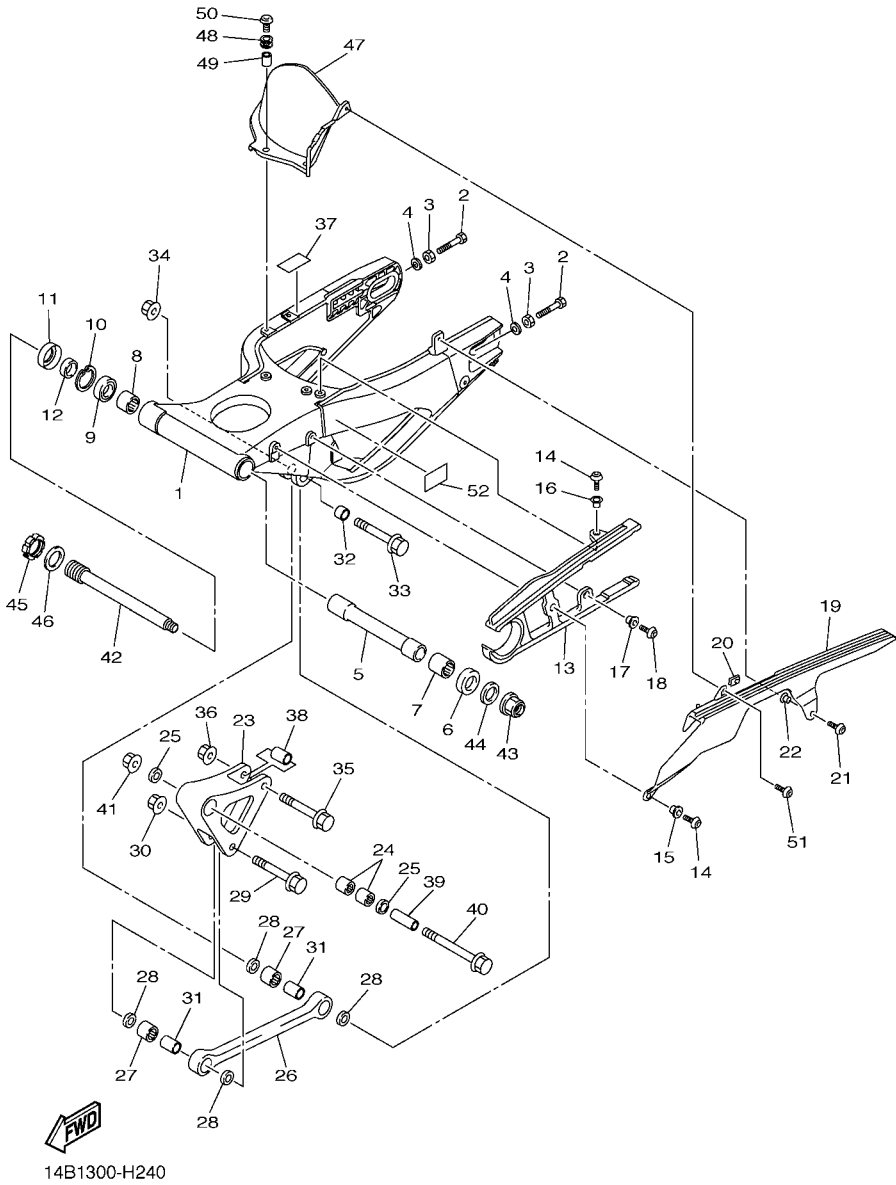
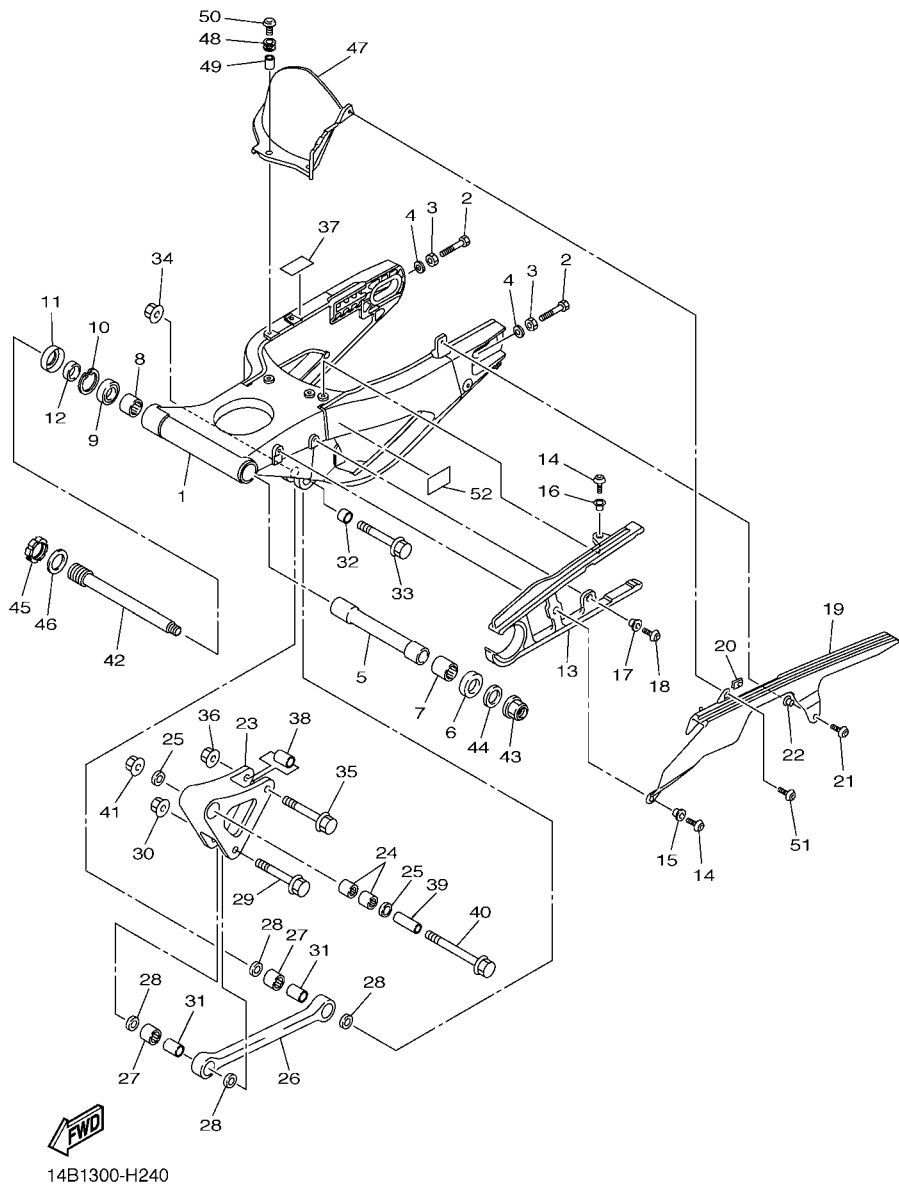
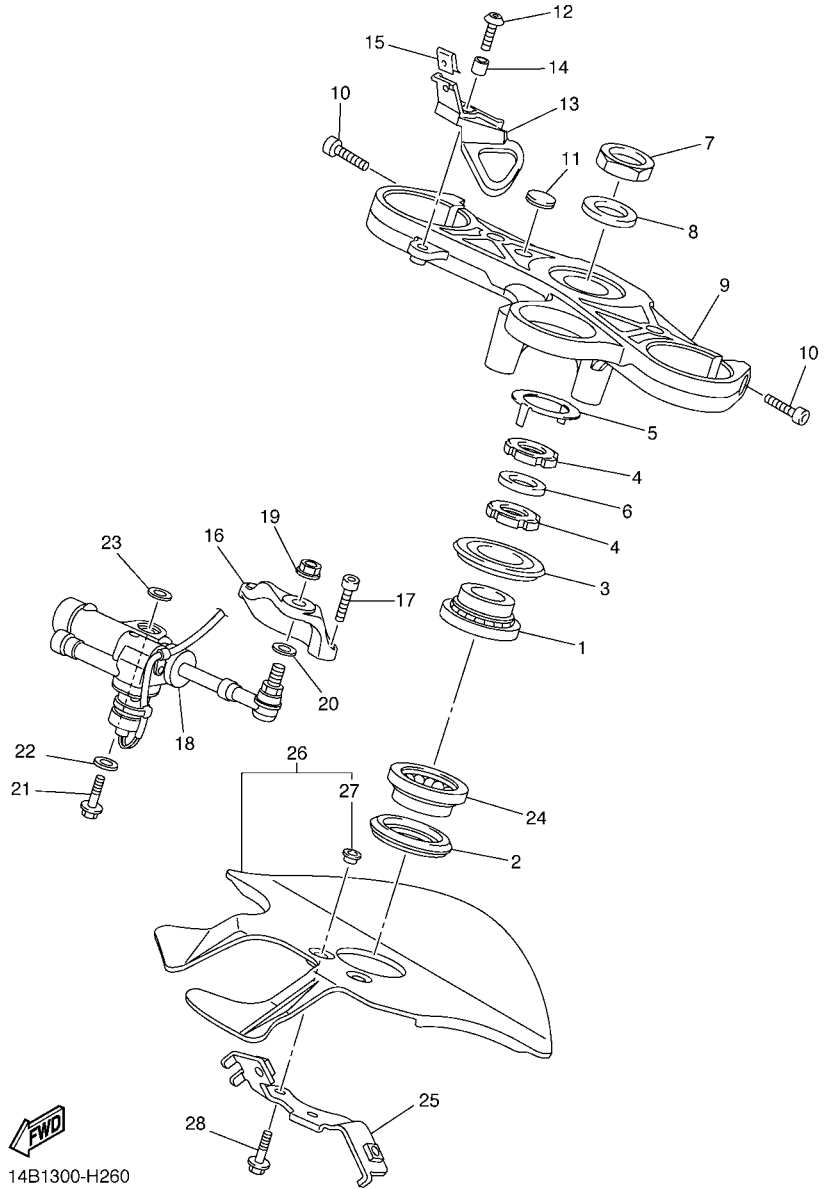


FIG. 24 REAR ARM

REF. NO.	PART NO.	DESCRIPTION	14B1				REMARKS
27	93315-31758	BEARING	2				
28	93109-17071	OIL SEAL	4				
29	90105-10017	BOLT, FLANGE	1				
30	95602-10200	NUT, U FLANGE	1				
31	90387-1012A	COLLAR	2				
32	90387-1013U	COLLAR	1				
33	90105-10018	BOLT, FLANGE	1				
34	95602-10200	NUT, U FLANGE	1				
35	90105-10017	BOLT, FLANGE	1				
36	95602-10200	NUT, U FLANGE	1				
37	2C0-21566-00	TAPE, 1	1				
38	90387-1012A	COLLAR	1				
39	90387-10034	COLLAR	1				
40	90105-10150	BOLT, FLANGE	1				
41	95602-10200	NUT, U FLANGE	1				
42	14B-22141-00	SHAFT, PIVOT	1				
43	90185-20008	NUT, SELF-LOCKING	1				
44	90201-20026	WASHER, PLATE	1				
45	4C8-22252-00	NUT	1				
46	90201-30016	WASHER, PLATE	1				
47	14B-21650-00	REAR FENDER COMP.	1				
48	90480-12005	GROMMET	3				
49	90387-06057	COLLAR	3				
50	90149-06302	SCREW	3				
51	90111-05002	BOLT, HEX. SOCKET BUTTON	1				
52	5VY-21668-00	LABEL, TIRE	1				







14B1300-H260

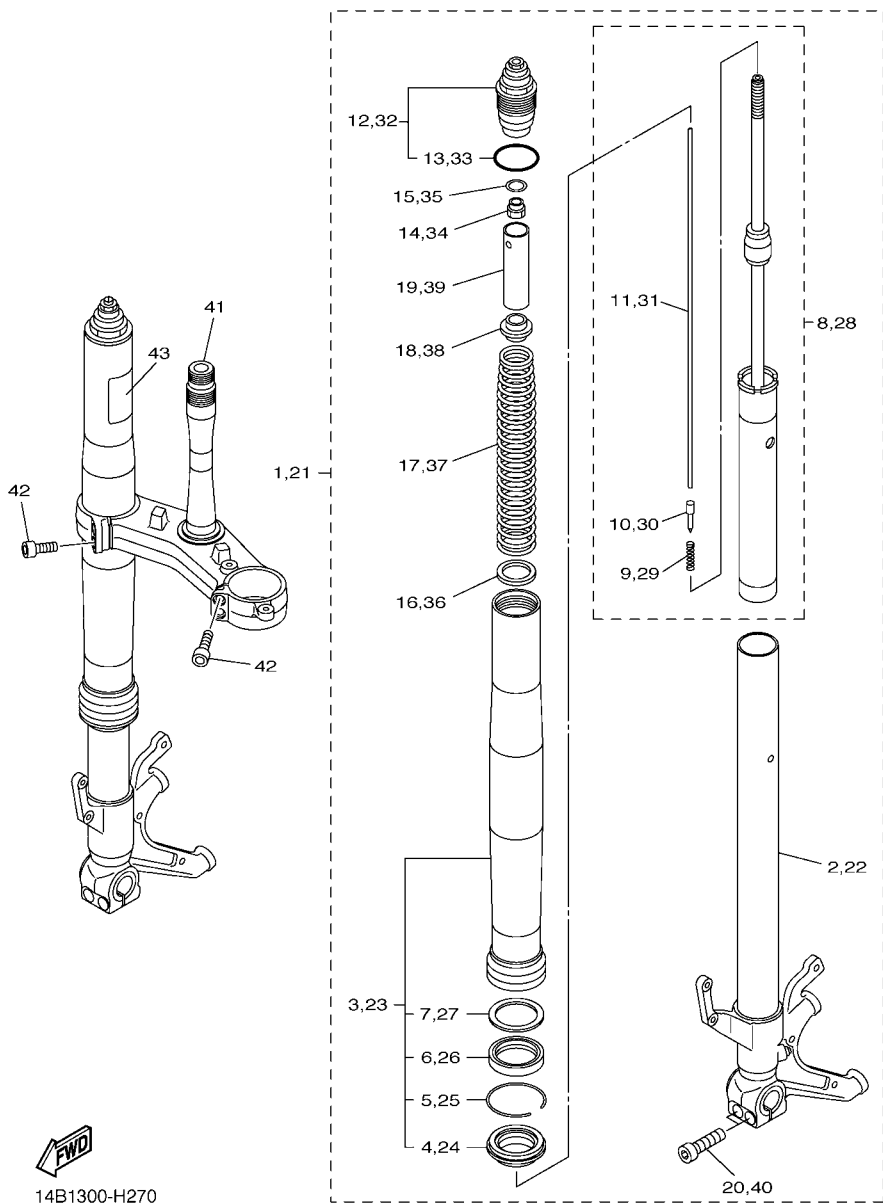
FIG. 26 STEERING

REF. NO.	PART NO.	DESCRIPTION	14B1				REMARKS
1	93399-99932	BEARING	1				
2	3FV-23462-00	SEAL, STEERING	1				
3	4XV-23415-01	COVER, BALL RACE 1	1				
4	90179-30691	NUT	2				
5	4XV-23418-00	WASHER, SPECIAL	1				
6	90202-30235	WASHER, PLATE	1				
7	90170-28419	NUT	1				
8	90201-281U8	WASHER, PLATE	1				
9	14B-23435-00	CROWN, HANDLE	1				
10	91314-08030	BOLT, HEXAGON SOCKET HEAD	2				
11	14B-2836B-00	TUNING FORK MARK	1				
12	90111-06041	BOLT,HEX. SOCKET BUTTON	1				
13	5VY-26292-11	STAY	1				
14	90387-06057	COLLAR	1				
15	90183-050A0	NUT, SPRING	1				
16	14B-23495-00	STAY, DAMPER	1				
17	90110-06175	BOLT, HEXAGON SOCKET HEAD	2				
18	14B-23490-00	HANDLEBAR SHIMMY DAMPER ASSY	1				
19	95602-08200	NUT, SELF-LOCKING	1				
20	90201-08M09	WASHER, PLATE	1				
21	90105-08108	BOLT, FLANGE	1				
22	90201-08676	WASHER, PLATE	1				
23	5VY-26398-00	WASHER	1				
24	93399-99957	BEARING	1				
25	14B-23377-00	BRACKET, HORN	1				
26	14B-23808-00	STRG, COVER. ASSY	1				
27	90560-06244	.SPACER	2				



FIG. 27 FRONT FORK

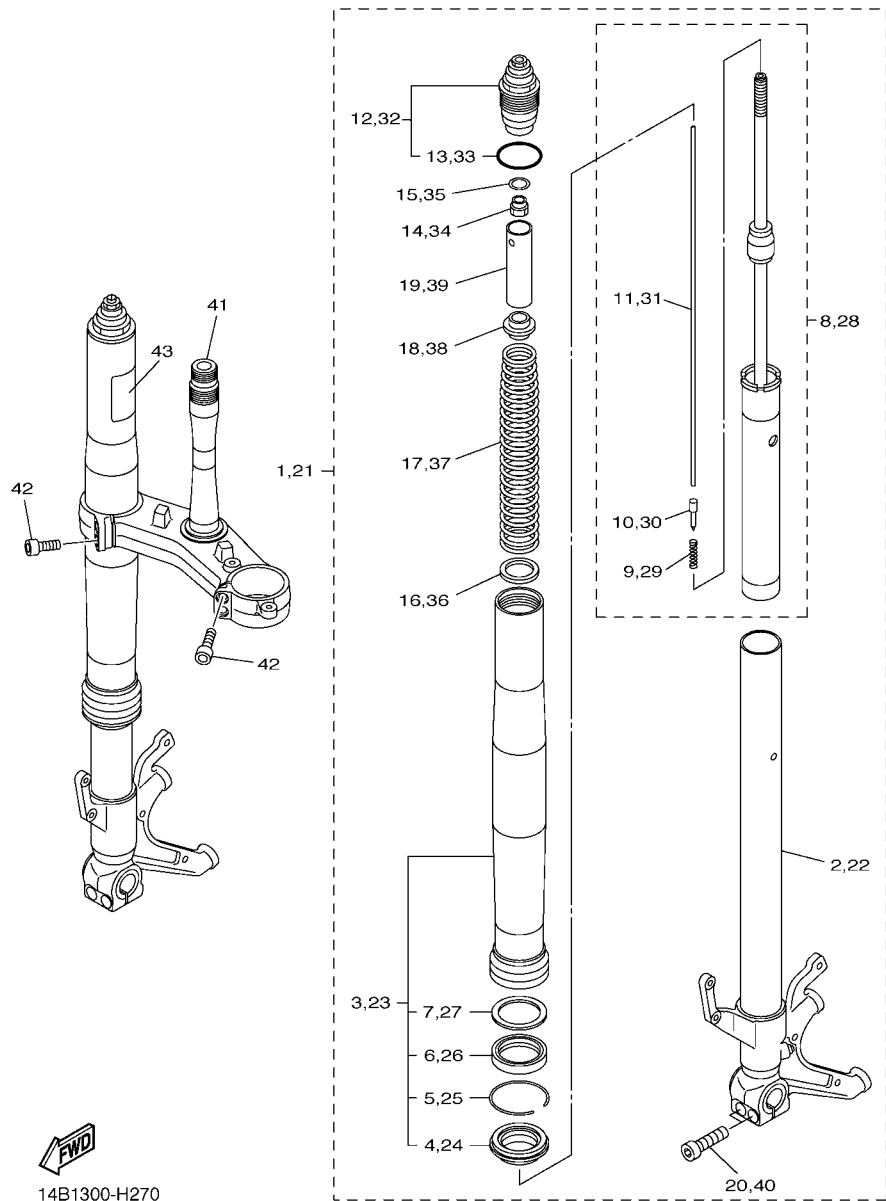
REF. NO.	PART NO.	DESCRIPTION	14B1		REMARKS
1	14B-23102-00	FRONT FORK ASSY (L.H)	1		UR FOR SMX
	14B-23102-10	FRONT FORK ASSY (L.H)	1		UR FOR BWC1,DPBMC
2	14B-23110-00	.INNER TUBE COMP.1	1		
3	14B-23106-00	.OUTER TUBE COMP. (L.H)	1		UR FOR SMX
	14B-23106-10	.OUTER TUBE COMP. (L.H)	1		UR FOR BWC1,DPBMC
4	4TX-23144-00	..SEAL, DUST	1		
5	4TX-23156-00	..RING, SNAP	1		
6	5VX-23145-00	..OIL SEAL	1		
7	4TX-23115-00	..GUIDE, COVER UPPER	1		
8	14B-2315K-00	.CYL. COMP.,2	1		
9	14B-2319M-00	..SPRING, VALVE	1		
10	14B-23109-00	..VALVE	1		
11	14B-2318Y-00	..PLUNGER	1		
12	14B-23111-00	.BOLT, CAP	1		
13	93210-41N50	..O-RING	1		
14	13S-23393-00	..NUT, SPECIAL	1		
15	13S-2332N-00	.PLATE, VALVE 2	1		
16	5YU-23143-00	.SEAT, SPRING LOWER	1		
17	14B-23141-00	.SPRING, FRONT FORK	1		
18	13S-23142-00	.SEAT, SPRING UPPER	1		
19	14B-23118-00	.SPACER	1		
20	91314-08035	.BOLT, HEXAGON SOCKET HEAD	2		
21	14B-23103-00	FRONT FORK ASSY (R.H)	1		UR FOR SMX
	14B-23103-10	FRONT FORK ASSY (R.H)	1		UR FOR BWC1,DPBMC
22	14B-23120-00	.INNER TUBE COMP.2	1		
23	14B-23106-00	.OUTER TUBE COMP. (L.H)	1		UR FOR SMX
	14B-23106-10	.OUTER TUBE COMP. (L.H)	1		UR FOR BWC1,DPBMC



14B1300-H270

FIG. 27 FRONT FORK

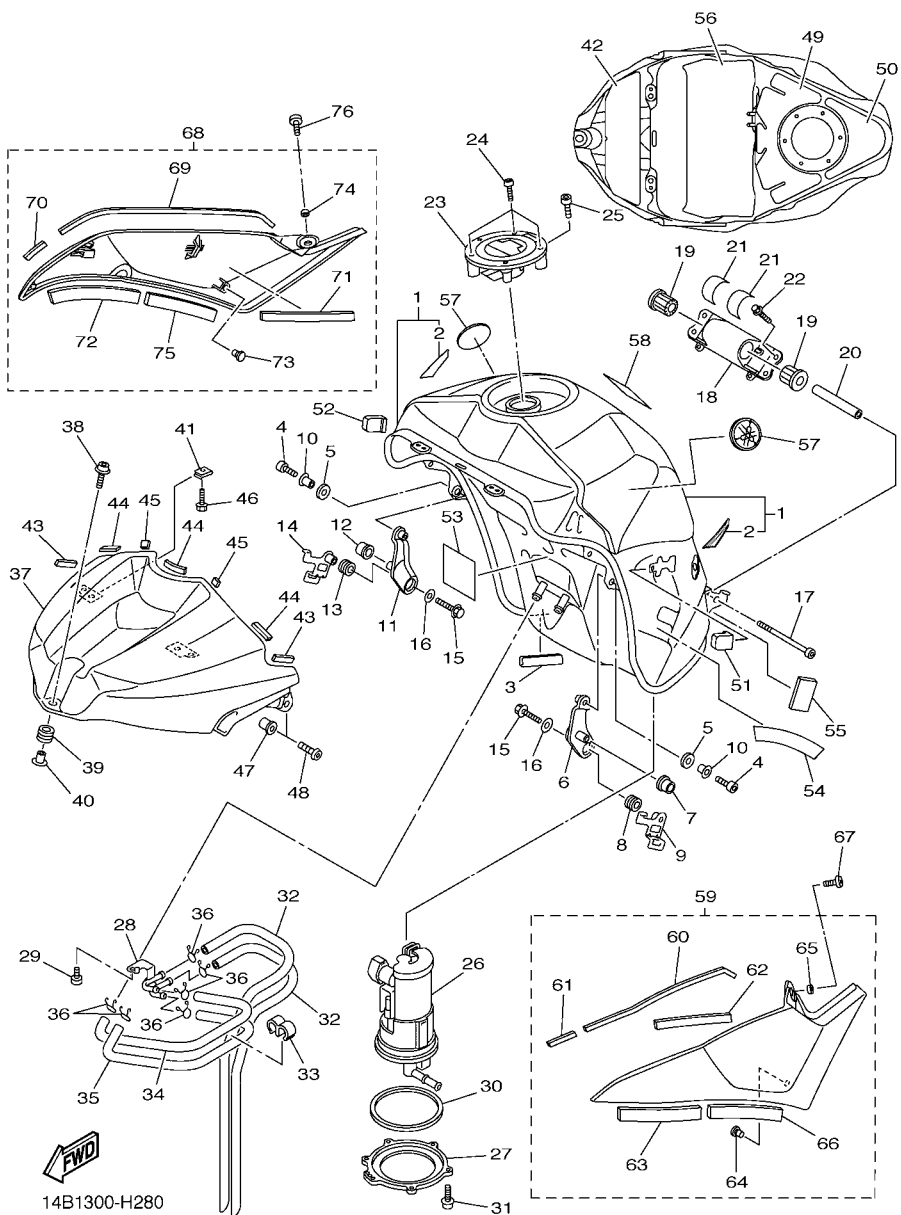
REF. NO.	PART NO.	DESCRIPTION	14B1				REMARKS
24	4TX-23144-00	..SEAL, DUST	1				
25	4TX-23156-00	..RING, SNAP	1				
26	5VX-23145-00	..OIL SEAL	1				
27	4TX-23115-00	..GUIDE, COVER UPPER	1				
28	14B-2315L-00	.CYL. COMP.,3	1				
29	14B-2319M-00	..SPRING, VALVE	1				
30	14B-23109-00	..VALVE	1				
31	14B-2318Y-00	..PLUNGER	1				
32	14B-2311J-00	.BOLT, CAP 2	1				
33	93210-41N50	..O-RING	1				
34	13S-23393-00	.NUT, SPECIAL	1				
35	13S-2332N-00	.PLATE, VALVE 2	1				
36	5YU-23143-00	.SEAT, SPRING LOWER	1				
37	14B-23141-00	.SPRING, FRONT FORK	1				
38	13S-23142-00	.SEAT, SPRING UPPER	1				
39	14B-23118-00	..SPACER	1				
40	91314-08035	.BOLT, HEXAGON SOCKET HEAD	2				
41	14B-23340-00	UNDER BRACKET COMP.	1				
42	91314-08030	BOLT, HEXAGON SOCKET HEAD	4				
43	5PW-23472-00	PROTECTOR	1				



14B1300-H270

**FIG. 28 FUEL TANK**

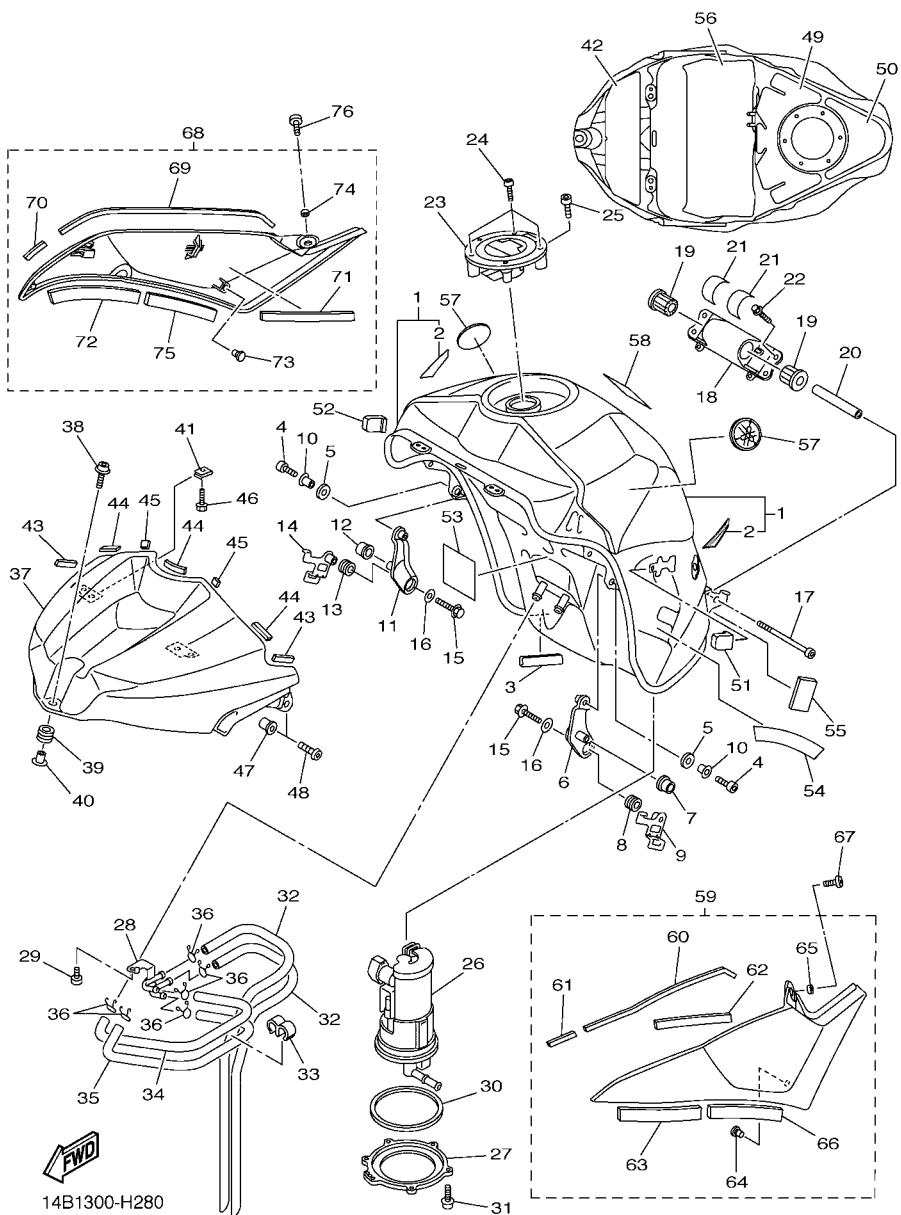
REF. NO.	PART NO.	DESCRIPTION	14B1			REMARKS
1	14B-YK241-00-P0	FUEL TANK COMP.	1			UR FOR SMX
	14B-YK241-00-P1	FUEL TANK COMP.	1			UR FOR BWC1
	14B-Y2410-00-02	FUEL TANK COMP.	1			UR FOR DPBMC
2	14B-24240-20	.GRAPHIC SET	1			FOR DPBMC
3	4BP-24188-00	MOLD, FUEL TANK	1			
4	91312-06016	BOLT	2			
5	5VY-24183-00	DAMPER, LOCATING 3	2			
6	14B-24191-00	BRACKET, FUEL TANK 1	1			
7	5VY-24181-00	DAMPER, LOCATING 1	1			
8	90480-10542	GROMMET	1			
9	14B-21161-00	HOLDER, CABLE	1			
10	90387-06143	COLLAR	2			
11	14B-24192-00	BRACKET, FUEL TANK 2	1			
12	5VY-24181-00	DAMPER, LOCATING 1	1			
13	90480-10542	GROMMET	1			
14	14B-21162-00	HOLDER, CLUTCH CABLE	1			
15	95022-06030	BOLT, FLANGE	2			
16	90201-06095	WASHER, PLATE	2			
17	90110-06296	BOLT, HEXAGON SOCKET HEAD	1			
18	14B-2413Y-00	BRACKET, TANK FITTING	1			
19	5SL-24183-00	DAMPNER, LOCATING 3	2			
20	90387-06055	COLLAR	1			
21	14B-2414E-00	SEAL 2	2			
22	90110-06163	BOLT, HEXAGON SOCKET HEAD	4			
23	5JJ-24602-00	CAP ASSY	1			
24	90110-05112	BOLT, HEXAGON SOCKET HEAD	3			
25	91312-05010	BOLT	1			



14B1300-H280

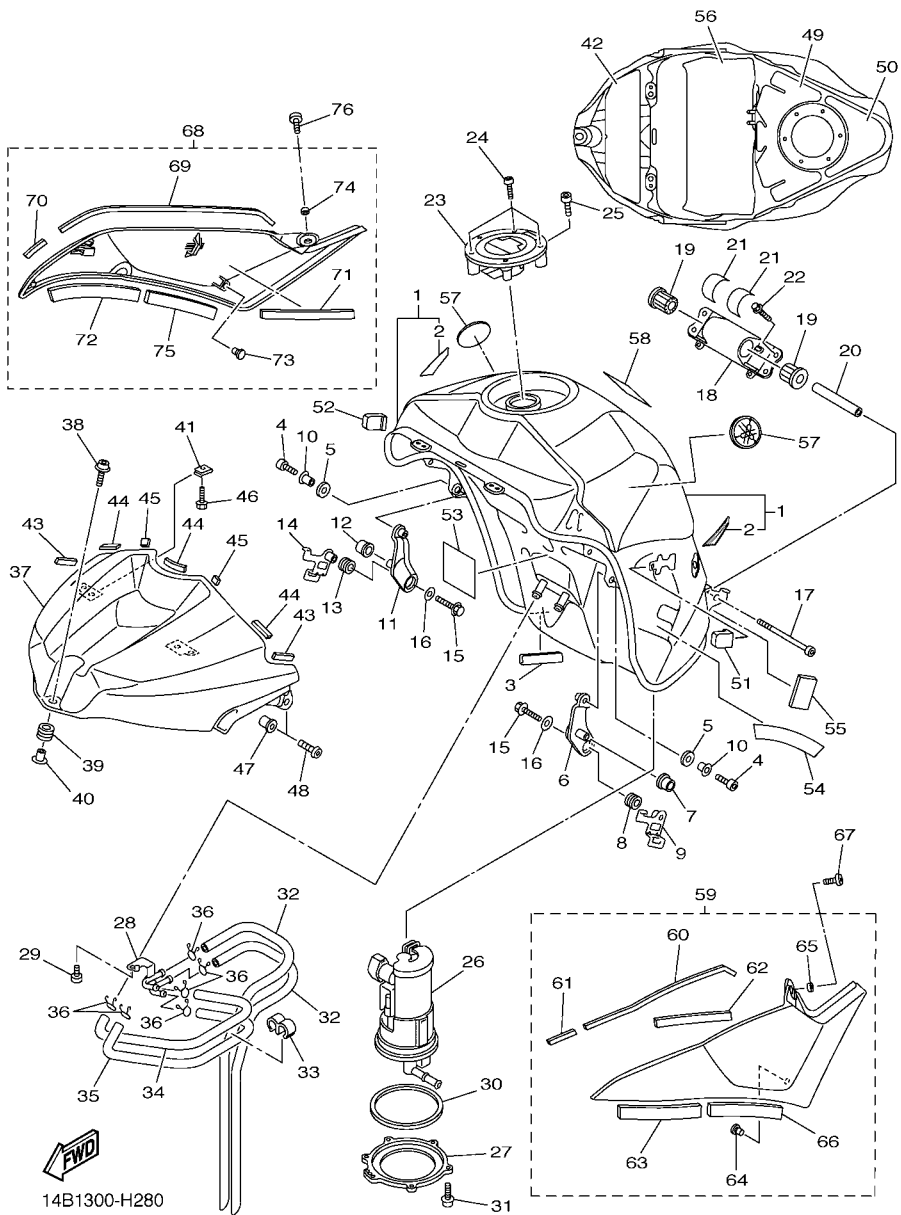
**FIG. 28 FUEL TANK**

REF. NO.	PART NO.	DESCRIPTION	14B1				REMARKS
26	14B-13907-00	FUEL PUMP COMP.	1				
27	13S-24491-00	BRACKET, FUEL PUMP	1				
28	14B-24135-00	CLAMP 1	1				
29	90110-05030	BOLT, HEXAGON SOCKET HEAD	1				
30	5JW-24486-00	O-RING	1				
31	90110-05028	BOLT, HEXAGON SOCKET HEAD	6				
32	14B-24312-00	PIPE 2	2				
33	90464-09M31	CLAMP	1				
34	14B-24313-00	PIPE 3	1				
35	14B-24314-00	PIPE 4	1				
36	90467-09006	CLIP	6				
37	14B-2171A-00-P0	COVER, TOP	1				UR MBL2 FOR SMX
	14B-2171A-00-P1	COVER, TOP	1				UR MS1 FOR BWC1
	14B-2171A-00-P2	COVER, TOP	1				UR FOR DPBMC
38	90110-06233	BOLT, HEXAGON SOCKET HEAD	1				
39	90480-12023	GROMMET	1				
40	90387-06203	COLLAR	1				
41	90183-05074	NUT, SPRING	2				
42	14B-2414H-00	DAMPER, PLATE 1	1				
43	4C8-24182-00	DAMPER, LOCATING 2	2				
44	3XV-21778-00	DAMPER, LOCATING 1	3				
45	14B-24181-00	DAMPER, LOCATING 1	2				
46	90119-05015	BOLT, WITH WASHER	2				
47	90179-05523	NUT	2				
48	98902-05014	SCREW, BIND	2				
49	14B-2414N-00	DAMPER, PLATE 4	1				
50	14B-2414P-00	DAMPER, PLATE 5	1				



**FIG. 28 FUEL TANK**

REF. NO.	PART NO.	DESCRIPTION	14B1				REMARKS
51	5PW-2411J-01	DAMPER, SIDE COVER	1				
52	5PW-2411J-01	DAMPER, SIDE COVER	1				
53	5VU-21747-00	DAMPER	1				
54	14B-2414K-00	DAMPER, PLATE 3	2				
55	14B-2414G-00	SEAL	2				
56	90520-05002	DAMPER, PLATE	1				
57	5SL-2413B-00	EMBLEM	2				
58	4C8-21568-01	LABEL, WARNING	1				
59	14B-24106-00	TANK SIDE COVER ASSY 1	1				
60	2C0-2414H-00	.DAMPER, PLATE 1	1				
61	14B-2414J-00	.DAMPER, PLATE 2	1				
62	4C8-2414J-00	.DAMPER, PLATE 2	1				
63	2C0-2414J-00	.DAMPER, PLATE 2	1				
64	90338-06018	.PLUG	1				
65	90560-05N33	.SPACER	1				
66	90520-10005	.DAMPER, PLATE	1				
67	98902-05008	SCREW, BIND	1				
68	14B-24108-00	TANK SIDE COVER ASSY 2	1				
69	2C0-2414H-00	.DAMPER, PLATE 1	1				
70	14B-2414J-00	.DAMPER, PLATE 2	1				
71	4C8-2414J-00	.DAMPER, PLATE 2	1				
72	2C0-2414J-00	.DAMPER, PLATE 2	1				
73	90338-06018	.PLUG	1				
74	90560-05N33	.SPACER	1				
75	90520-10005	.DAMPER, PLATE	1				
76	98902-05008	SCREW, BIND	1				



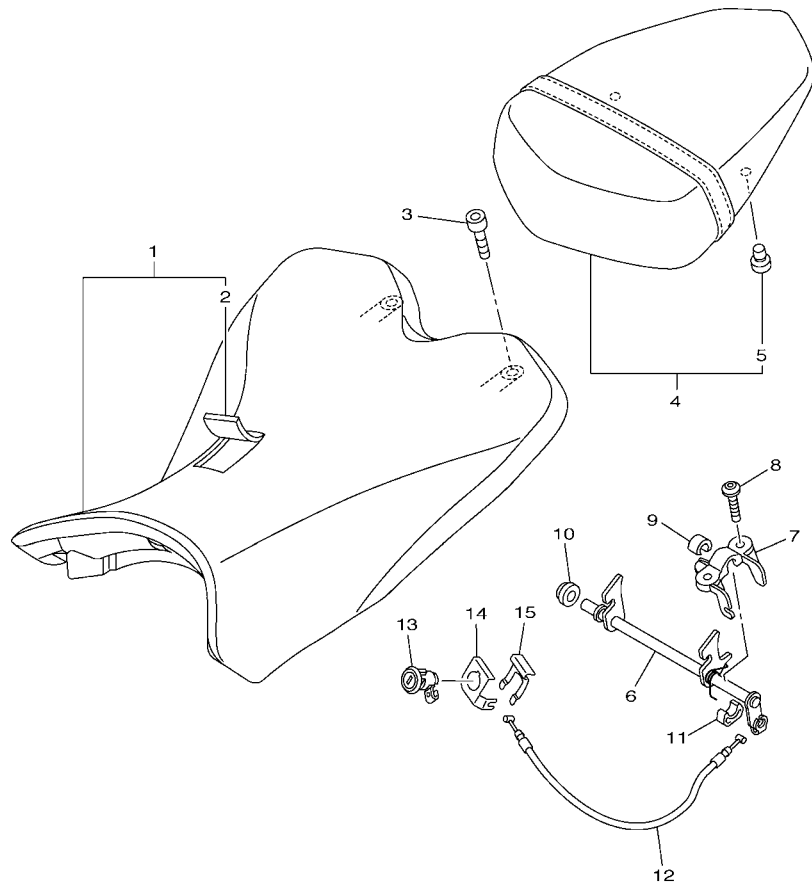
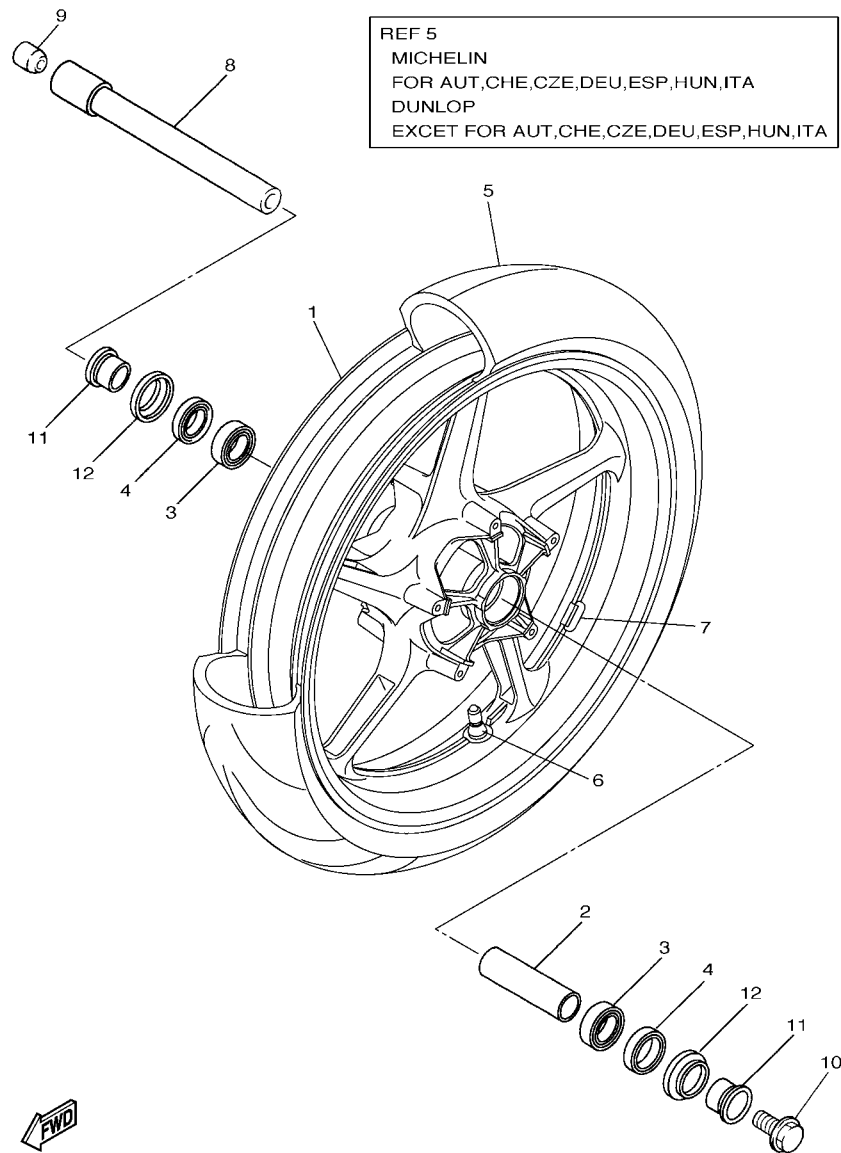


FIG. 29 SEAT

REF. NO.	PART NO.	DESCRIPTION	14B1				REMARKS
1	14B-24710-00	SINGLE SEAT ASSY	1				
2	14B-24711-00	.COVER, SINGLE SEAT	1				
3	90110-06258	BOLT, HEXAGON SOCKET HEAD	2				
4	14B-24750-00	TANDEM SEAT ASSY	1				
5	5SL-24723-00	.DAMPER, SEAT	2				
6	14B-24780-00	SEAT LOCK ASSY	1				
7	2C0-24792-00	PLATE	1				
8	90111-06051	BOLT,HEX. SOCKET BUTTON	2				
9	14B-24725-00	SPACER 1	1				
10	13S-24725-00	SPACER 1	1				
11	13S-24847-00	HOLDER 1	1				
12	14B-2478E-00	CABLE, SEAT LOCK	1				
13	5VY-W2470-00	ROTOR SET	1				
14	5VY-2117K-01	STAY, LOCK	1				
15	5VY-2176V-00	SPRING, LOCK 2	1				



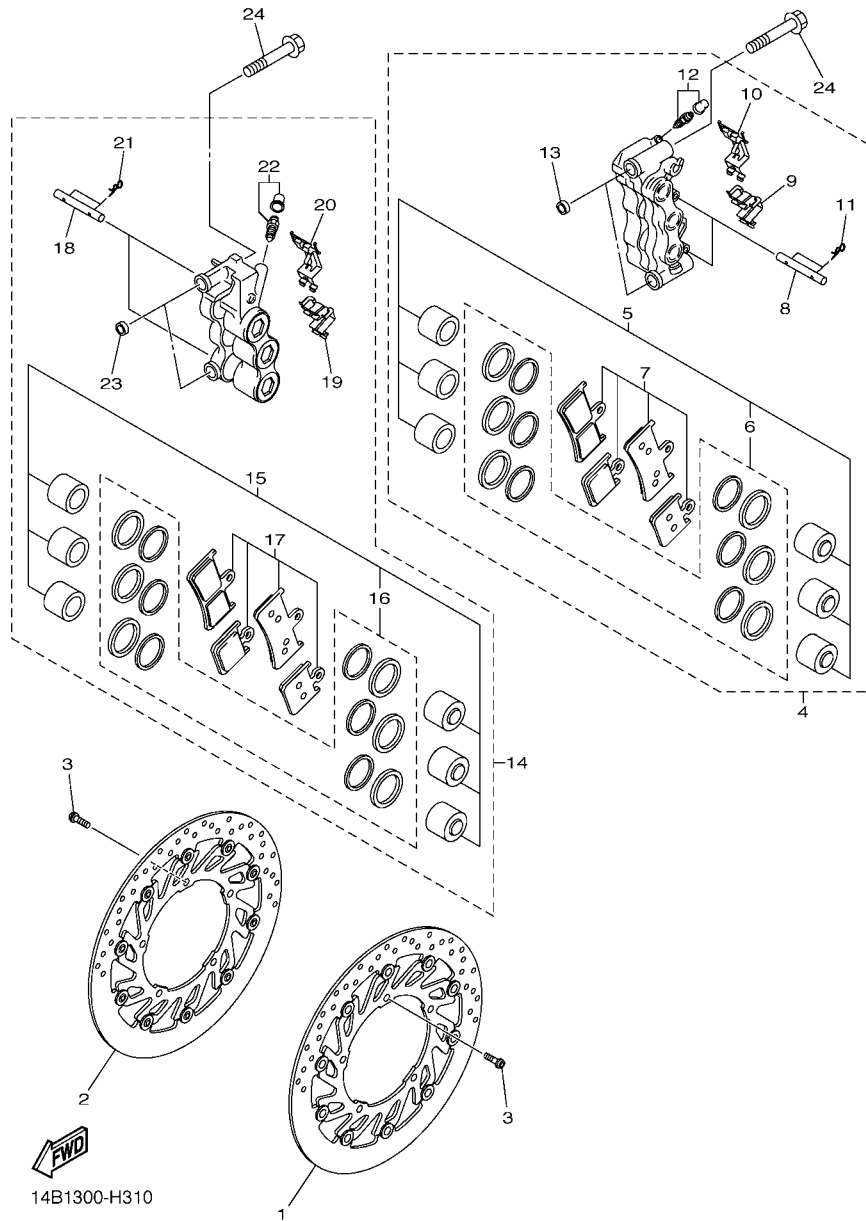
14B1300-H290



14B1300-H300

FIG. 30 FRONT WHEEL

REF. NO.	PART NO.	DESCRIPTION	14B1			REMARKS
1	5VY-25168-00-8L	CAST WHEEL, FRONT	1			UR NG FOR SMX
	5VY-25168-00-98	CAST WHEEL, FRONT	1			UR LGB FOR BWC1
	5VY-25168-00-P3	CAST WHEEL, FRONT	1			UR S8 FOR DPBMC
2	4XV-25117-00	SPACER, BEARING	1			
3	93306-07208	BEARING	2			
4	93106-28043	OIL SEAL	2			
5	*	TIRE(120/70 ZR17M/C 58W PILOT)	1			
6	93900-00030	VALVE, RIM (TR412)	1			TAIHEIYO
7	5MT-25398-00	BALANCER, WHEEL (10G)	1			UN
	5MT-25398-10	BALANCER, WHEEL (20G)	1			UN
	5MT-25398-20	BALANCER, WHEEL (30G)	1			UN
8	2C0-25181-00	AXLE, WHEEL	1			
9	5PW-25188-00	CAP	1			
10	90105-14002	BOLT, FLANGE	1			
11	4XV-25186-00	COLLAR, WHEEL	2			
12	4XV-25118-00	COVER, HUB DUST	2			



**FIG. 31 FRONT BRAKE CALIPER**

REF. NO.	PART NO.	DESCRIPTION	14B1				REMARKS
1	14B-2581T-00	DISK BRAKE ASSY	1				
2	14B-2581U-00	DISK BRAKE ASSY (RIGHT)	1				
3	90149-06043	SCREW	10				
4	4C8-2580T-10	CALIPER ASSY (LEFT)	1				
5	4C8-W0057-00	.PISTON ASSY, CALIPER	1				
6	4C8-W0047-00	..CALIPER SEAL KIT	1				
7	4C8-W0045-00	.BRAKE PAD KIT	1				
8	4SV-25924-00	.PIN, PAD	2				
9	4C8-25919-00	.SUPPORT, PAD	1				
10	2S3-25919-10	.SUPPORT, PAD	1				
11	3GM-25925-00	.CLIP	4				
12	1J3-W0048-00	.BLEED SCREW KIT	1				
13	5VY-2583B-00	.PIN, KNOCK	2				
14	4C8-2580U-10	CALIPER ASSY (RIGHT)	1				
15	4C8-W0057-00	.PISTON ASSY, CALIPER	1				
16	4C8-W0047-00	..CALIPER SEAL KIT	1				
17	4C8-W0045-00	.BRAKE PAD KIT	1				
18	4SV-25924-00	.PIN, PAD	2				
19	4C8-25919-00	.SUPPORT, PAD	1				
20	2S3-25919-10	.SUPPORT, PAD	1				
21	3GM-25925-00	.CLIP	4				
22	1J3-W0048-00	.BLEED SCREW KIT	1				
23	5VY-2583B-00	.PIN, KNOCK	2				
24	90401-10012	BOLT, UNION	4				

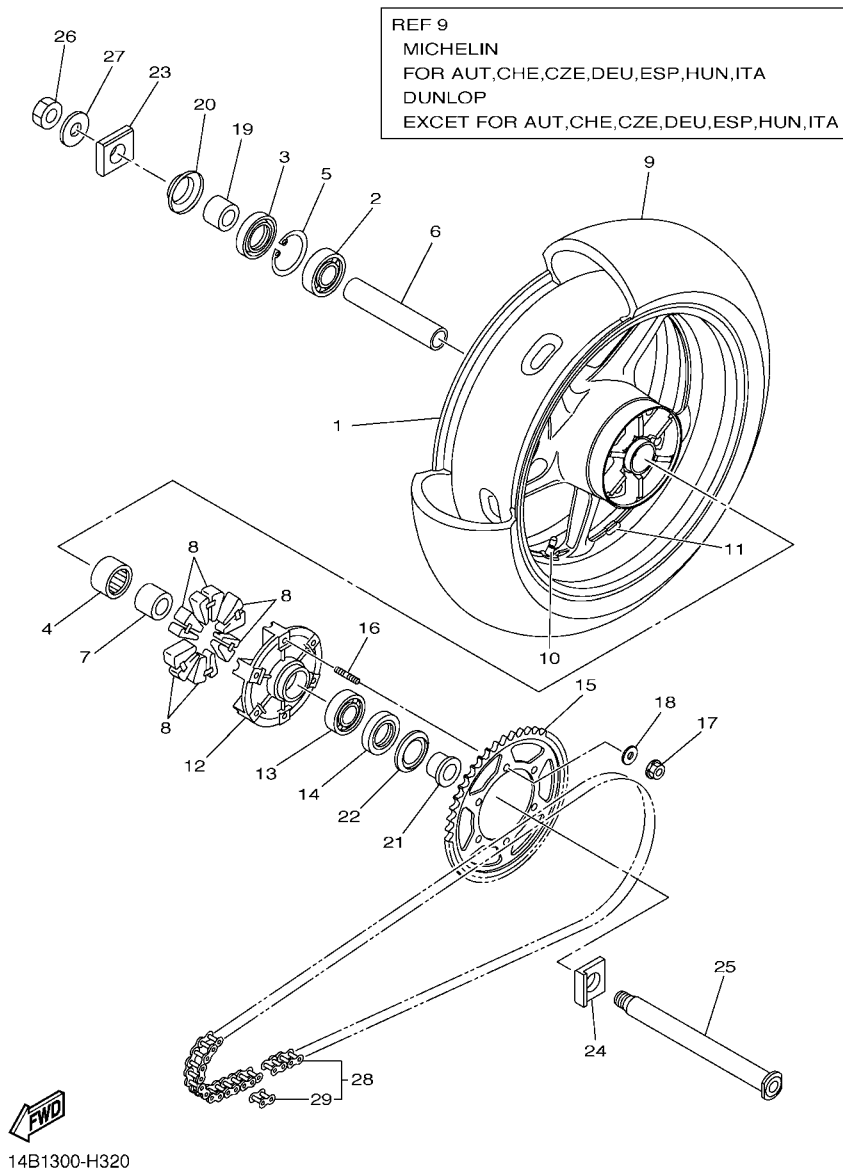


FIG. 32 REAR WHEEL

REF. NO.	PART NO.	DESCRIPTION	14B1			REMARKS
1	5VY-25338-00-8L	CAST WHEEL, REAR	1			UR NG FOR SMX
	5VY-25338-00-98	CAST WHEEL, REAR	1			UR LGB FOR BWC1
	5VY-25338-00-P3	CAST WHEEL, REAR	1			UR S8 FOR DPBMC
2	93306-20531	BEARING	1			
3	93106-40013	OIL SEAL	1			
4	93317-43580	BEARING	1			
5	93420-61M07	CIRCLIP	1			
6	5PW-25317-00	SPACER, BEARING	1			
7	4XV-25383-00	COLLAR, WHEEL	1			
8	2C0-25364-00	DAMPER	6			
9	*	TIRE(190/55 ZR17 M/C 75W )	1			
10	93900-00030	VALVE, RIM (TR412)	1			TAIHEIYO
11	5MT-25398-00	BALANCER, WHEEL (10G)	1			UN
	5MT-25398-10	BALANCER, WHEEL (20G)	1			UN
	5MT-25398-20	BALANCER, WHEEL (30G)	1			UN
12	5SL-25366-00	CLUTCH, HUB	1			
13	93306-20531	BEARING	1			
14	93106-40013	OIL SEAL	1			
15	14B-25447-20	SPROCKET, DRIVEN (47T)	1			
16	90116-10048	BOLT, STUD	6			
17	90185-10009	NUT, SELF-LOCKING	6			
18	90201-10021	WASHER, PLATE	6			
19	5PW-25377-00	COLLAR, WHEEL	1			
20	5PW-25367-00	COVER, HUB DUST	1			
21	5SL-25376-00	COLLAR, WHEEL	1			
22	5SL-25367-00	COVER, HUB DUST	1			

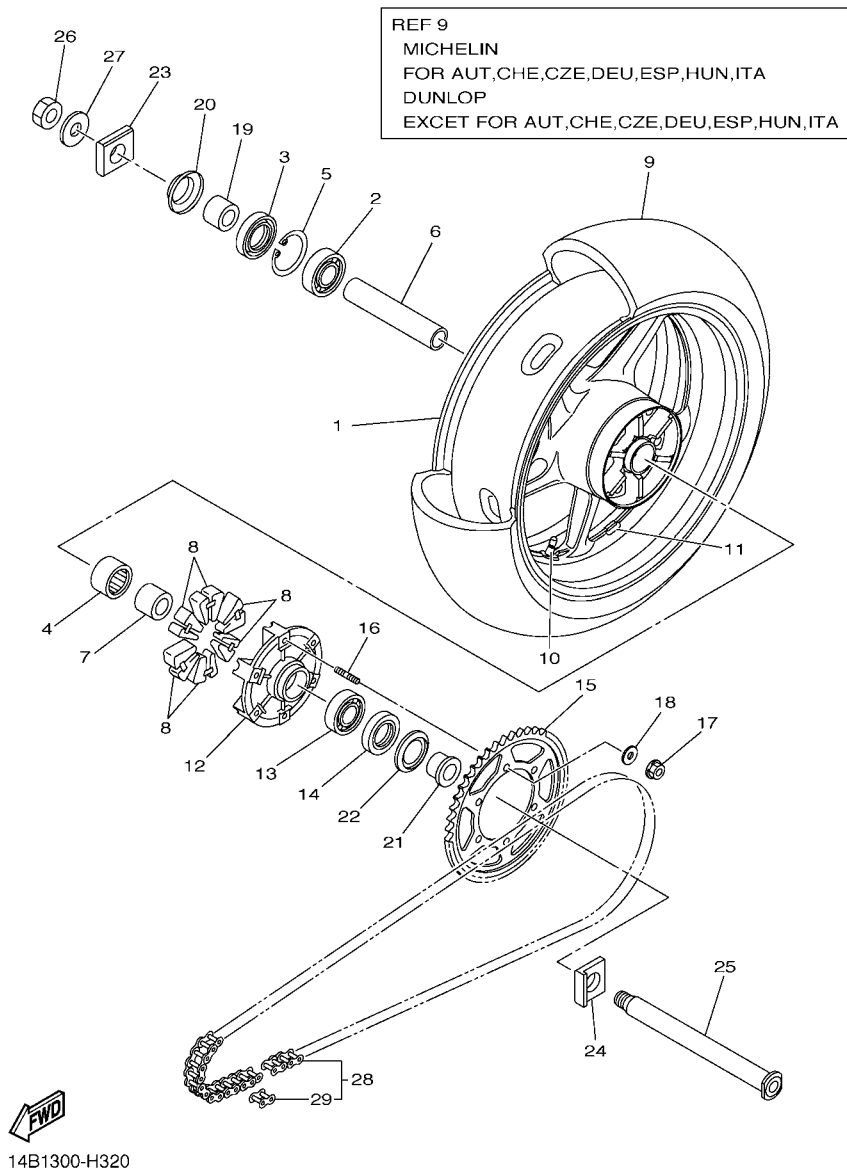
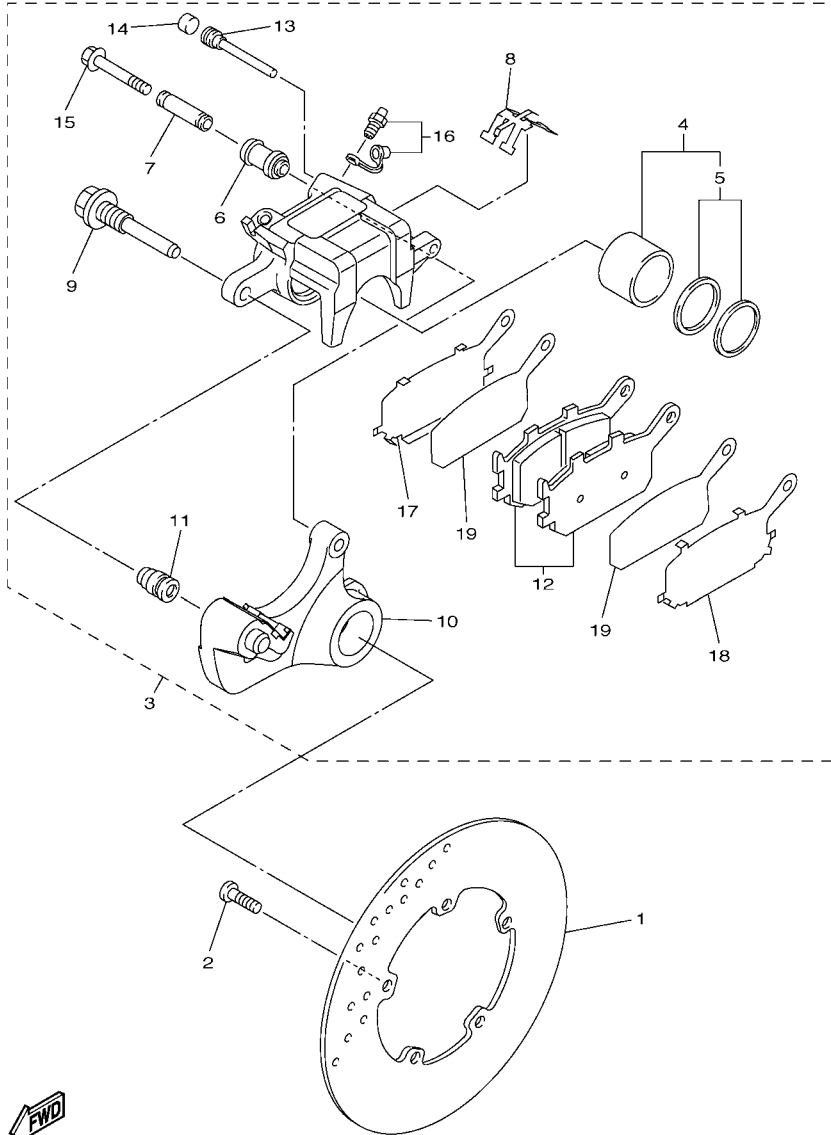


FIG. 32 REAR WHEEL

REF. NO.	PART NO.	DESCRIPTION	14B1				REMARKS
23	5VY-25388-00	PULLER, CHAIN 1	1				
24	5VY-25389-01	PULLER, CHAIN 2	1				
25	4C8-25381-00	AXLE, WHEEL	1				
26	90185-24007	NUT, SELF-LOCKING	1				
27	90201-25020	WASHER, PLATE	1				
28	94582-30120	CHAIN	1				
29	94682-30031	.JOINT, CHAIN	1				



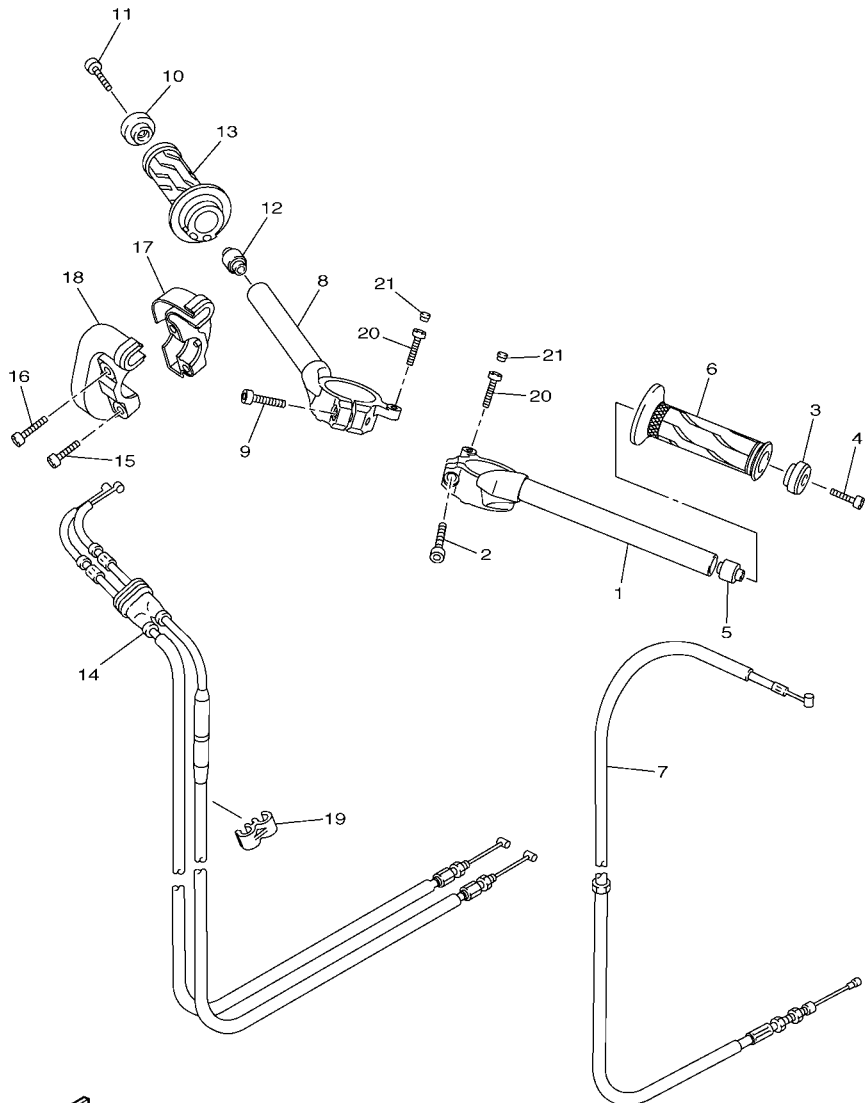
14B1300-H330

FIG. 33 REAR BRAKE CALIPER

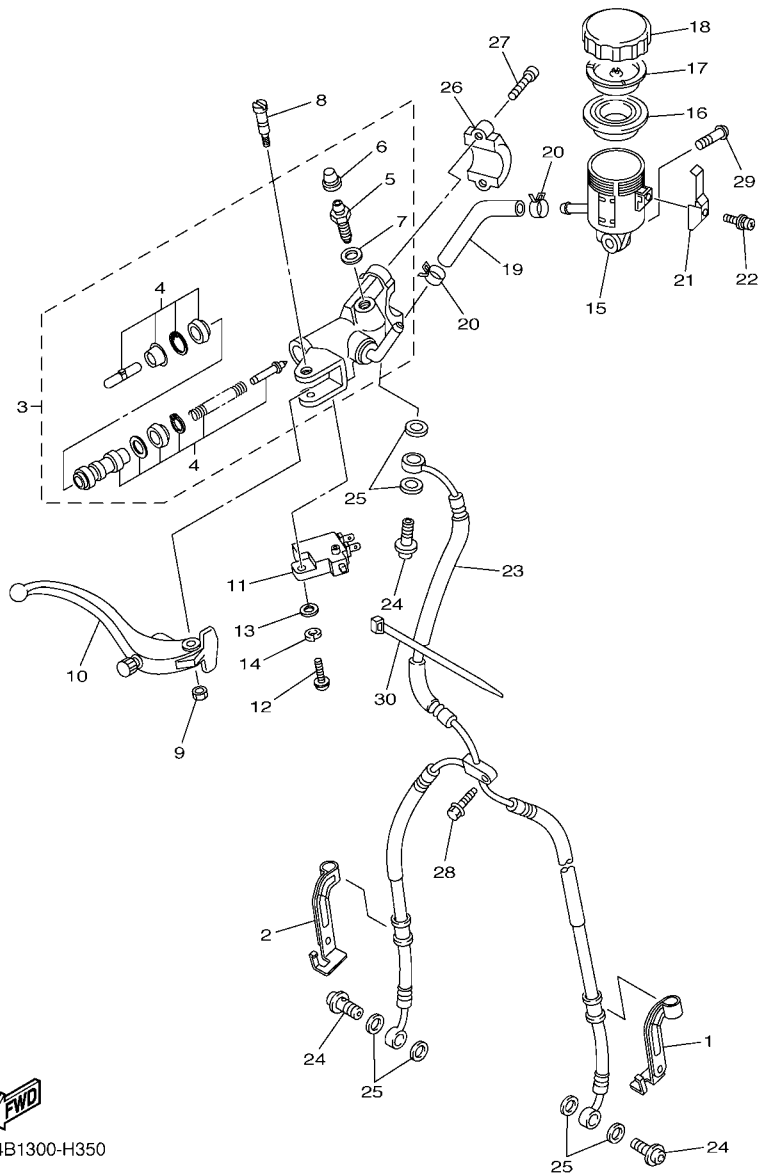
REF. NO.	PART NO.	DESCRIPTION	14B1				REMARKS
1	5SL-2582W-00	DISK, REAR BRAKE 2	1				
2	90149-08009	SCREW	5				
3	5VY-2580W-12	CALIPER ASSY, REAR 2	1				
4	5VY-W0057-00	.PISTON ASSY, CALIPER	1				
5	5SL-W0047-00	..CALIPER SEAL KIT	1				
6	5SL-25917-00	.BOOT, CALIPER	1				
7	5SL-25838-00	.SLEEVE, CALIPER	1				
8	5SL-25919-00	.SUPPORT, PAD	1				
9	5SL-25914-00	.PIN, SLIDE	1				
10	5VY-25921-01	.BRACKET, SUPPORT	1				
11	3JD-25917-00	.BOOT, CALIPER	1				
12	5VX-W0046-00	.BRAKE PAD KIT 2	1				
13	8CR-25924-00	.PIN, PAD	1				
14	5DH-25916-00	.PLUG	1				
15	5SL-25926-00	.BOLT	1				
16	1UY-W0048-00	.BLEED SCREW KIT	1				
17	5SL-25827-00	.SHIM, CALIPER	1				
18	5SL-25827-10	.SHIM, CALIPER	1				
19	5SL-25828-01	.SHIM, CALIPER	2				

**FIG. 34 STEERING HANDLE & CABLE**

REF. NO.	PART NO.	DESCRIPTION	14B1				REMARKS
1	14B-26121-00	HANDLEBAR (LEFT)	1				
2	91314-08030	BOLT, HEXAGON SOCKET HEAD	1				
3	5PW-26246-00	END, GRIP	1				
4	91317-06025	BOLT	1				
5	4XV-23434-00	HOLDER, DAMPER	1				
6	2C0-26241-00	GRIP	1				
7	14B-26335-00	CABLE, CLUTCH	1				
8	14B-26122-00	HANDLEBAR (RIGHT)	1				
9	91314-08030	BOLT, HEXAGON SOCKET HEAD	1				
10	5PW-26246-00	END, GRIP	1				
11	91317-06025	BOLT	1				
12	4XV-23434-00	HOLDER, DAMPER	1				
13	4C8-26240-00	GRIP ASSY	1				
14	14B-26302-00	THROTTLE CABLE ASSY	1				
15	91317-05020	BOLT	1				
16	91317-05025	BOLT	1				
17	3LN-26281-01	CAP, GRIP UPPER	1				
18	3LN-26282-01	CAP, GRIP UNDER	1				
19	90464-06214	CLAMP	1				
20	91312-06025	BOLT	2				
21	2H9-23469-00	CAP, BOLT	2				



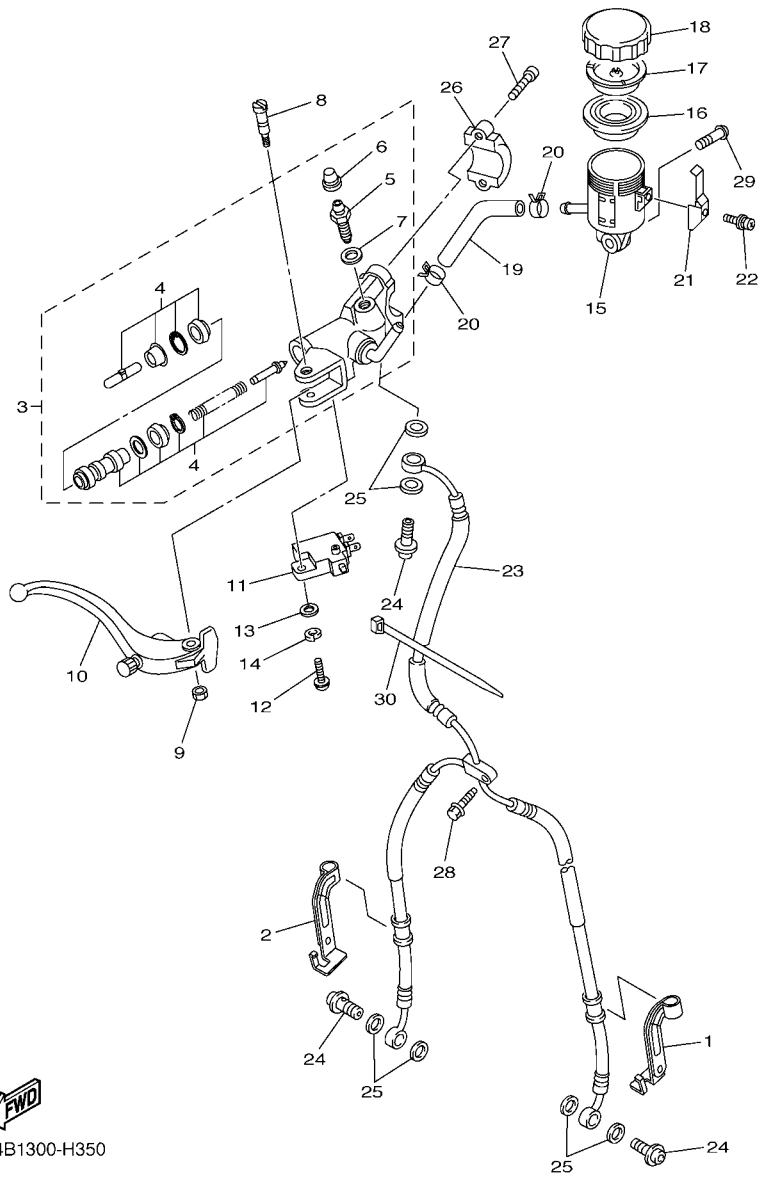
14B1300-H340



14B1300-H350

FIG. 35 FRONT MASTER CYLINDER

REF. NO.	PART NO.	DESCRIPTION	14B1				REMARKS
1	14B-25875-00	HOLDER, BRAKE HOSE 1	1				
2	14B-25876-00	HOLDER, BRAKE HOSE 2	1				
3	14B-W2587-00	MASTER CYLINDER SUB ASSY	1				
4	2S3-W0041-00	.CYLINDER KIT, MASTER	1				
5	3YK-25824-00	.SCREW, BLEED	1				
6	3YK-25825-00	.CAP	1				
7	5VY-25975-00	.SEAL 1	1				
8	5VY-2589F-01	BOLT, LEVER	1				
9	95617-06100	NUT, U	1				
10	14B-83922-00	LEVER 2	1				
11	4HM-83980-00	FRONT STOP SWITCH ASSY	1				
12	98502-04012	SCREW, PAN HEAD	1				
13	92902-04100	WASHER, SPRING	1				
14	92902-04600	WASHER, PLATE	1				
15	5SL-25894-20	TANK, RESERVOIR	1				
16	5VY-25854-00	GASKET, DIAPHRAGM	1				
17	5VY-25855-00	BUSH, DIAPHRAGM	1				
18	5VY-25852-00	CAP, RESERVOIR	1				
19	5VY-25895-10	HOSE, RESERVOIR	1				
20	90467-120A3	CLIP	2				
21	5VY-2589G-00	HOLDER	1				
22	5VY-2589H-00	SCREW	1				
23	14B-25872-00	HOSE, BRAKE 1	1				
24	90401-10172	BOLT, UNION	3				
25	90430-10005	GASKET	6				
26	5VS-25867-00	BRACKET, MASTER CYLINDER	1				
27	5VS-26332-00	BOLT	2				



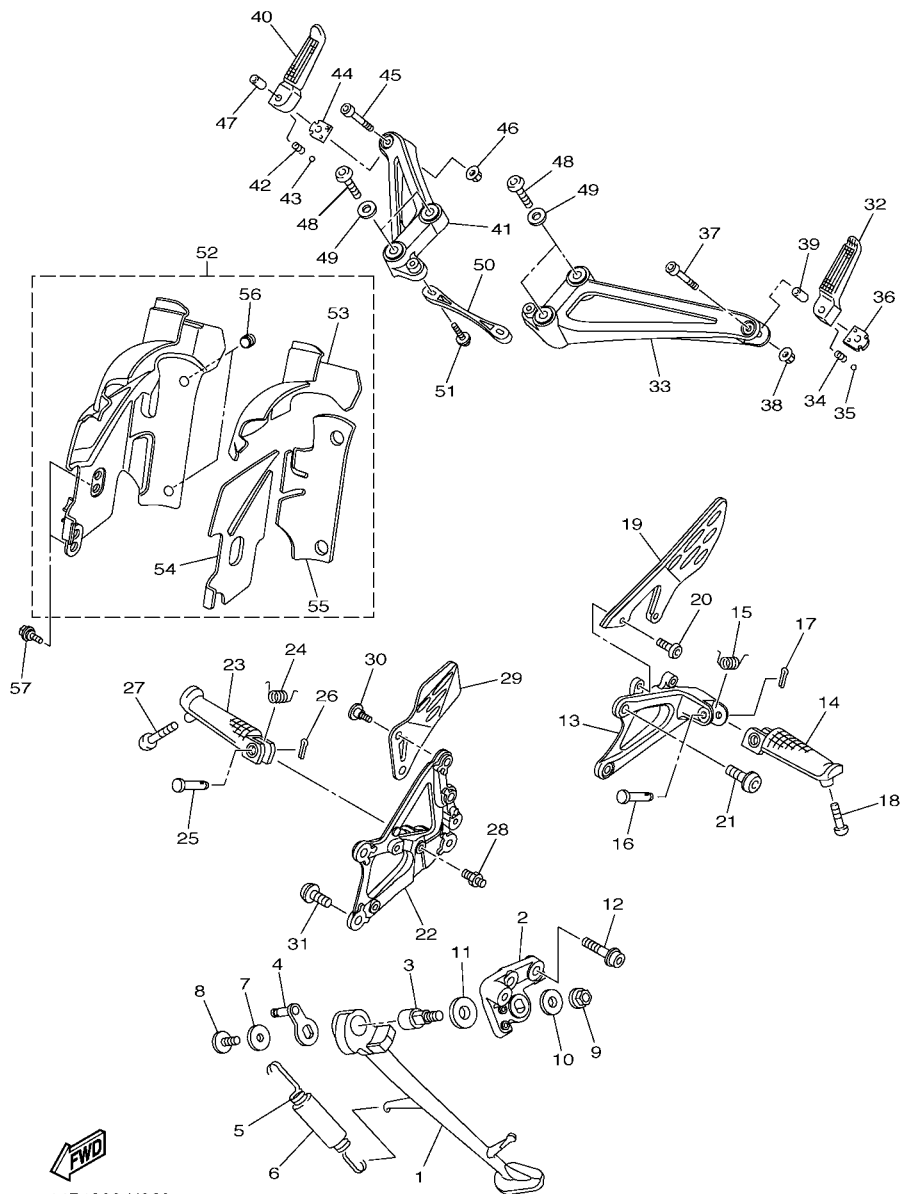
14B1300-H350

FIG. 35 FRONT MASTER CYLINDER

REF. NO.	PART NO.	DESCRIPTION	14B1				REMARKS
28	90105-06041	BOLT, FLANGE	1				
29	90111-05026	BOLT, HEX. SOCKET BUTTON	1				
30	3MA-82591-00	BAND	1				

FIG. 36 STAND & FOOTREST

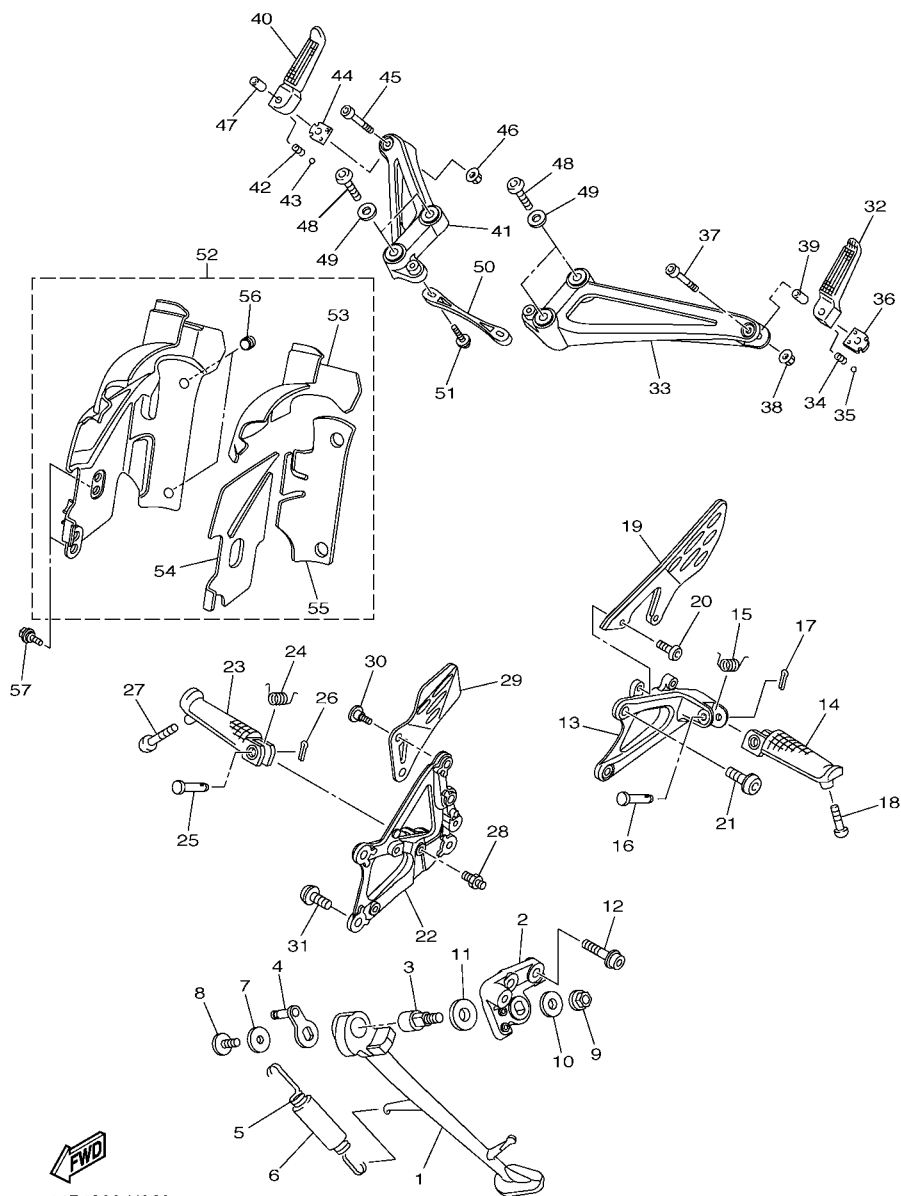
REF. NO.	PART NO.	DESCRIPTION	14B1				REMARKS
1	14B-27311-00	STAND, SIDE	1				
2	14B-27321-00	BRACKET, SIDE STAND	1				
3	14B-27351-00	GUIDE, SIDE STAND	1				
4	14B-27352-00	HOOK, SIDE STAND	1				
5	90506-18008	SPRING, TENSION	1				
6	90445-19002	HOSE (L60)	1				
7	90201-081R9	WASHER, PLATE	1				
8	90111-08073	BOLT,HEX. SOCKET BUTTON	1				
9	95607-10200	NUT, U FLANGE	1				
10	90201-101J1	WASHER, PLATE	1				
11	90201-146F9	WASHER, PLATE	1				
12	90109-10002	BOLT	2				
13	14B-27442-00	BRACKET 2	1				
14	5JJ-27451-00	FOOTREST	1				
15	90508-18134	SPRING, TORSION	1				
16	90240-08084	PIN, CLEVIS	1				
17	91401-25015	PIN, COTTER	1				
18	90109-08174	BOLT	1				
19	14B-27445-00	PLATE 1	1				
20	90111-06003	BOLT,HEX. SOCKET BUTTON	2				
21	90109-085G6	BOLT	2				
22	14B-27443-00	BRACKET 3	1				
23	5JJ-27461-00	FOOTREST	1				
24	90508-18135	SPRING, TORSION	1				
25	90240-08084	PIN, CLEVIS	1				
26	91401-25015	PIN, COTTER	1				
27	90109-08174	BOLT	1				



14B1300-H360

FIG. 36 STAND & FOOTREST

REF. NO.	PART NO.	DESCRIPTION	14B1				REMARKS
28	4C8-27813-00	PIN, PEDAL CRANK	1				
29	14B-27446-00	PLATE 2	1				
30	90109-066F0	BOLT	2				
31	90109-085G6	BOLT	2				
32	5JJ-27431-00	FOOTREST, REAR 1	1				
33	14B-2741L-00	BRACKET 4	1				
34	90501-12743	SPRING, COMPRESSION	1				
35	93501-04011	BALL	1				
36	5JJ-27437-01	WASHER, SPECIAL	1				
37	91314-06035	BOLT, HEXAGON SOCKET HEAD	1				
38	95604-06200	NUT, U FLANGE	1				
39	90387-06697	COLLAR	1				
40	5JJ-27441-00	FOOTREST, REAR 2	1				
41	14B-2742L-00	BRACKET 5	1				
42	90501-12743	SPRING, COMPRESSION	1				
43	93501-04011	BALL	1				
44	5JJ-27437-01	WASHER, SPECIAL	1				
45	91314-06035	BOLT, HEXAGON SOCKET HEAD	1				
46	95604-06200	NUT, U FLANGE	1				
47	90387-06697	COLLAR	1				
48	90111-08066	BOLT,HEX. SOCKET BUTTON	4				
49	13S-27417-00	WASHER, FOOTREST	4				
50	14B-27469-00	REINFORCEMENT 1	1				
51	90111-06030	BOLT,HEX. SOCKET BUTTON	2				
52	14B-27490-00	PROTECTOR ASSY	1				
53	14B-2749A-00	.SEAT 3	1				
54	14B-2749B-00	.SEAT 4	1				

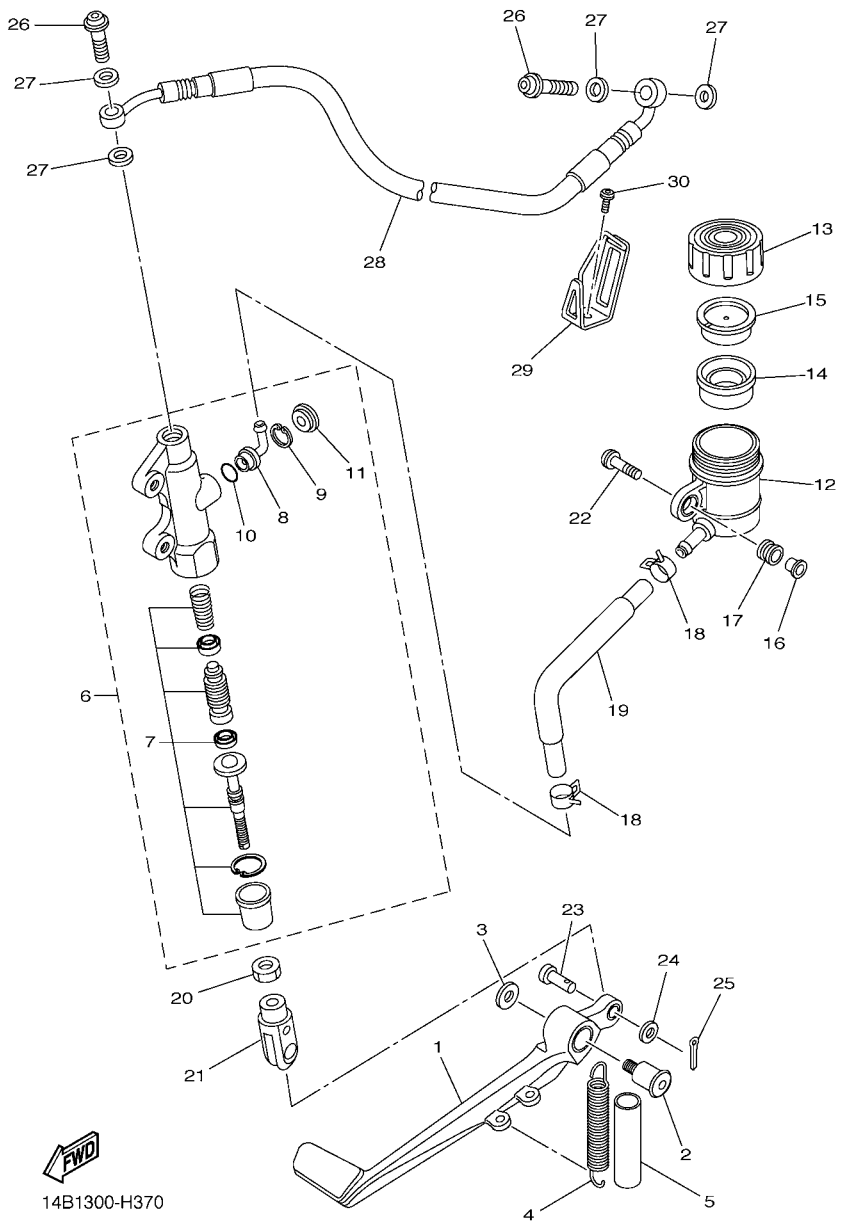


14B1300-H360



**FIG. 37 REAR MASTER CYLINDER**

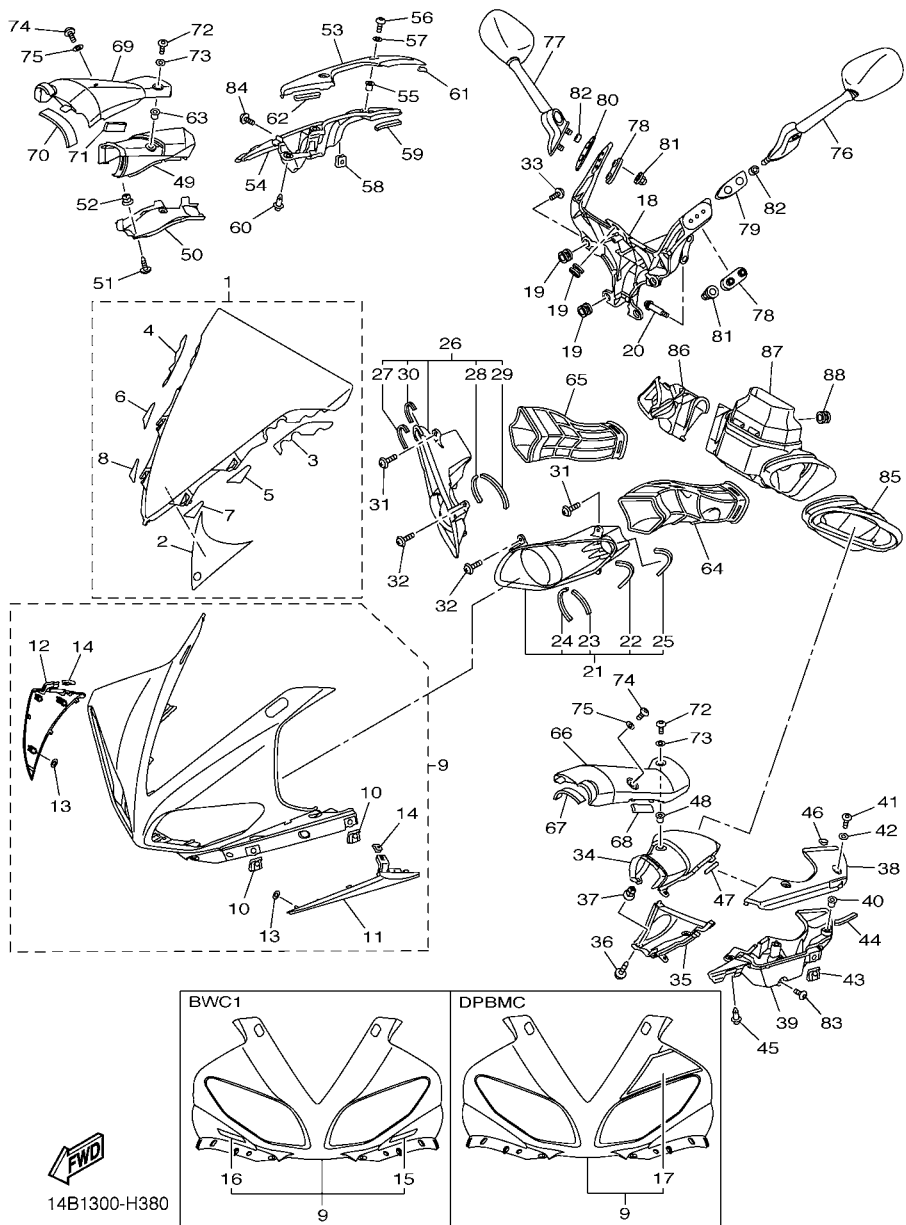
REF. NO.	PART NO.	DESCRIPTION	14B1				REMARKS
1	14B-27211-00	PEDAL, BRAKE	1				
2	4C8-27434-00	BOLT	1				
3	90201-08103	WASHER, PLATE	1				
4	90506-18022	SPRING, TENSION	1				
5	90446-15386	HOSE	1				
6	14B-2583V-00	RR. MASTER CYLINDER ASSY.	1				
7	14B-W0042-00	.CYLINDER KIT, MASTER	1				
8	4ML-2582A-50	.JOINT	1				
9	2VN-25866-00	.CIRCLIP	1				
10	93210-15620	.O-RING	1				
11	3FV-2589A-00	.COVER, DUST	1				
12	14B-25894-00	TANK, RESERVOIR	1				
13	2C0-25852-00	CAP, RESERVOIR	1				
14	2VN-25854-00	GASKET, DIAPHRAGM	1				
15	2VN-25855-00	BUSH, DIAPHRAGM	1				
16	90387-05028	COLLAR	1				
17	2C0-26326-00	GROMMET	1				
18	90467-12085	CLIP	2				
19	14B-25895-00	HOSE, RESERVOIR	1				
20	95307-08700	NUT	1				
21	4XV-27222-01	JOINT	1				
22	90111-05026	BOLT, HEX. SOCKET BUTTON	1				
23	91702-06018	PIN, CLEVIS	1				
24	92902-06200	WASHER	1				
25	91402-16012	PIN, COTTER	1				
26	90401-10172	BOLT, UNION	2				
27	90430-10005	GASKET	4				



14B1300-H370

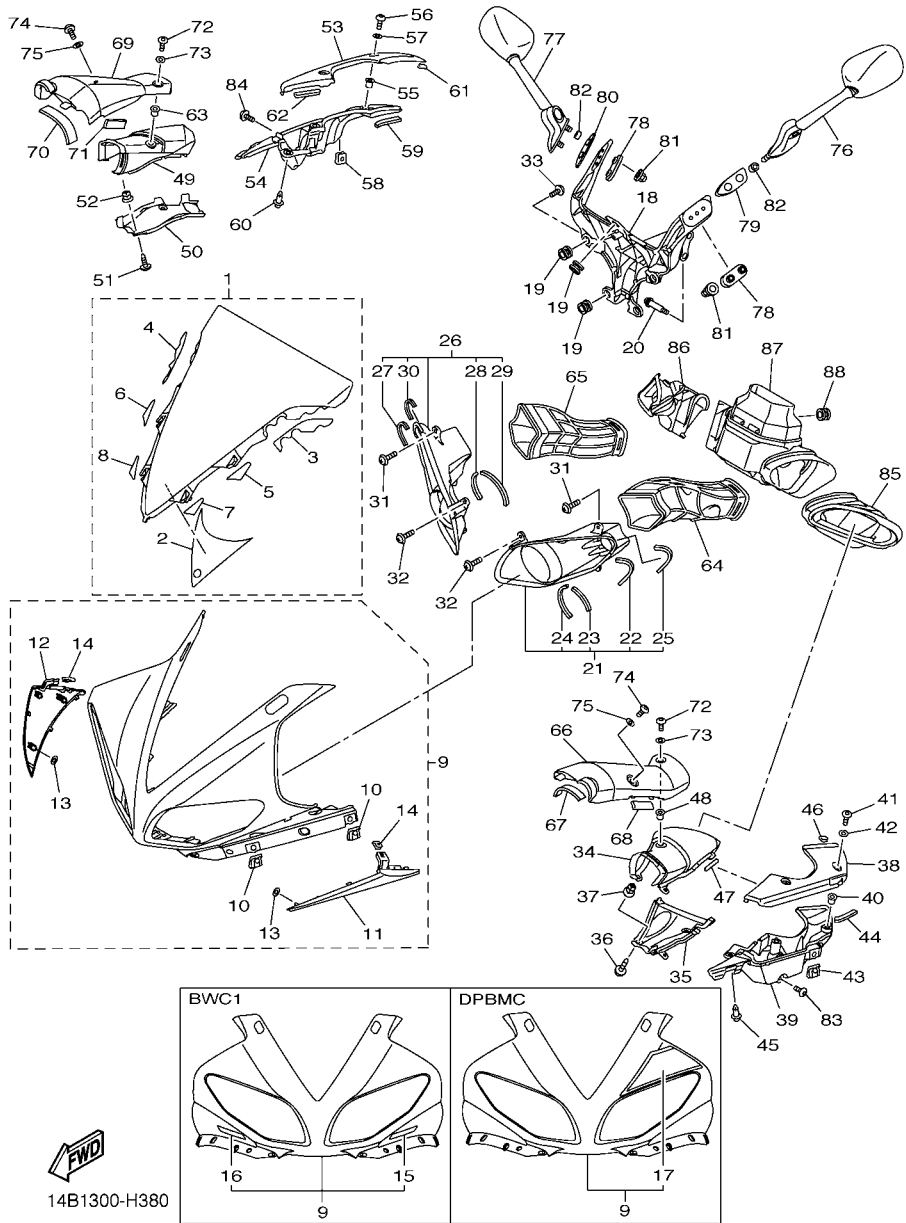


FIG. 38 COWLING 1



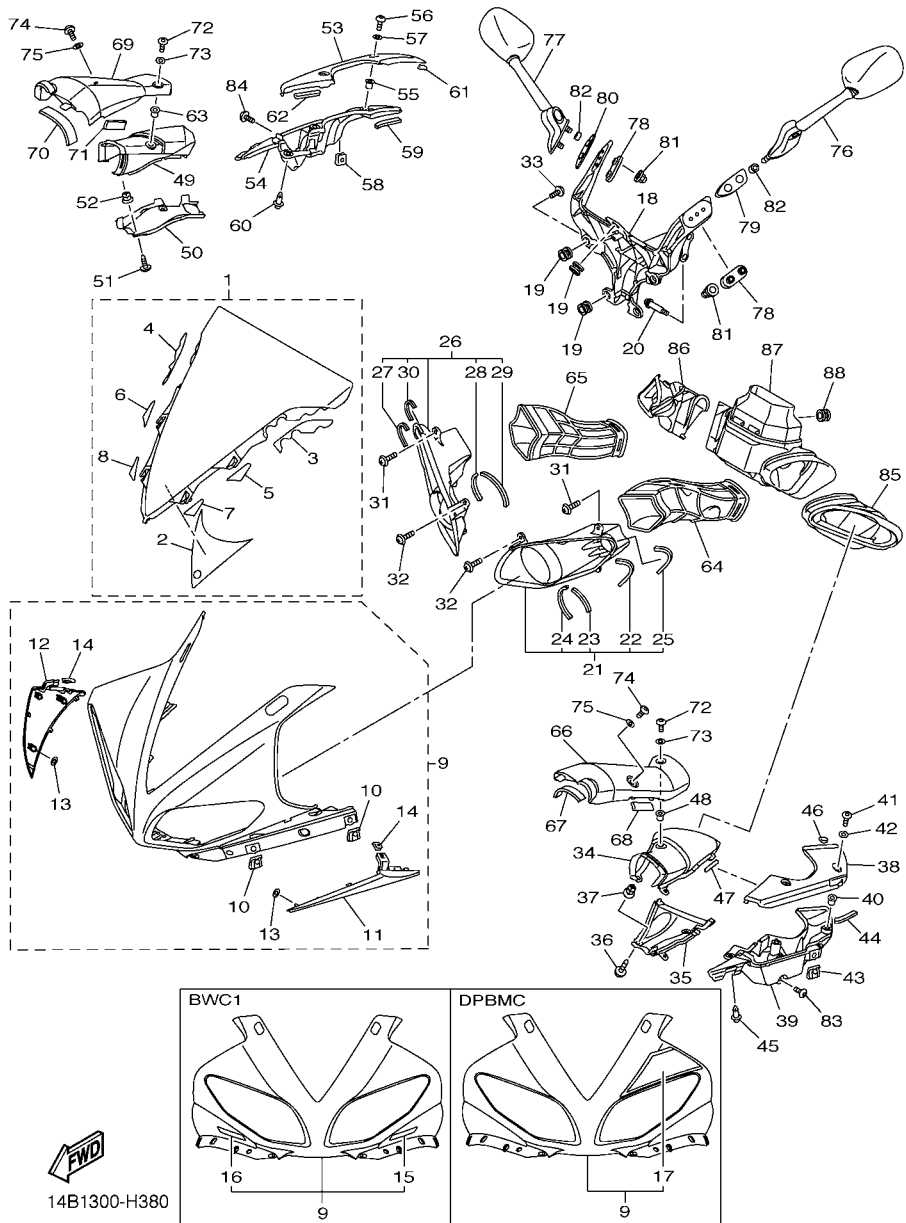
REF. NO.	PART NO.	DESCRIPTION	14B1				REMARKS
1	14B-Y283P-00	SCREEN	1				
2	14B-2832P-00	.GRAPHIC 18	1				
3	14B-28428-00	.SEAL 1	1				
4	14B-28429-00	.SEAL 2	1				
5	14B-2844E-00	.SEAL 3	1				
6	14B-2846F-00	.SEAL 4	1				
7	14B-2847F-00	.SEAL 5	1				
8	14B-2848F-00	.SEAL 6	1				
9	14B-Y283G-00-P0	BODY, FRONT UPPER 1	1				UR MBL2 FOR SMX
	14B-Y283G-10-P1	BODY, FRONT UPPER 1	1				UR FOR BWC1
	14B-Y283G-20-P2	BODY, FRONT UPPER 1	1				UR FOR DPBMC
10	5PW-2177L-00	.PLATE, SPRING	4				
11	14B-28219-00-P0	.COVER 1	1				UR FOR SMX
	14B-28219-00-P1	.COVER 1	1				UR FOR BWC1,DPBMC
12	14B-28229-00-P0	.COVER 2	1				UR FOR SMX
	14B-28229-00-P1	.COVER 2	1				UR FOR BWC1,DPBMC
13	90183-05M02	.NUT, SPRING	6				
14	90183-05076	.NUT, SPRING	2				
15	14B-2839H-10	.EMBLEM 1	1				FOR BWC1
16	14B-2839H-10	.EMBLEM 1	1				FOR BWC1
17	14B-2832L-20	.GRAPHIC, 13	1				FOR DPBMC
18	14B-28356-00	STAY 1	1				
19	4XV-83513-00	DAMPER	7				
20	90105-08052	BOLT, FLANGE	2				
21	14B-2838B-00	GRILL ASSY	1				
22	14B-28372-00	.DAMPER	1				
23	J44-78248-00	.SEAL 4	1				

FIG. 38 COWLING 1



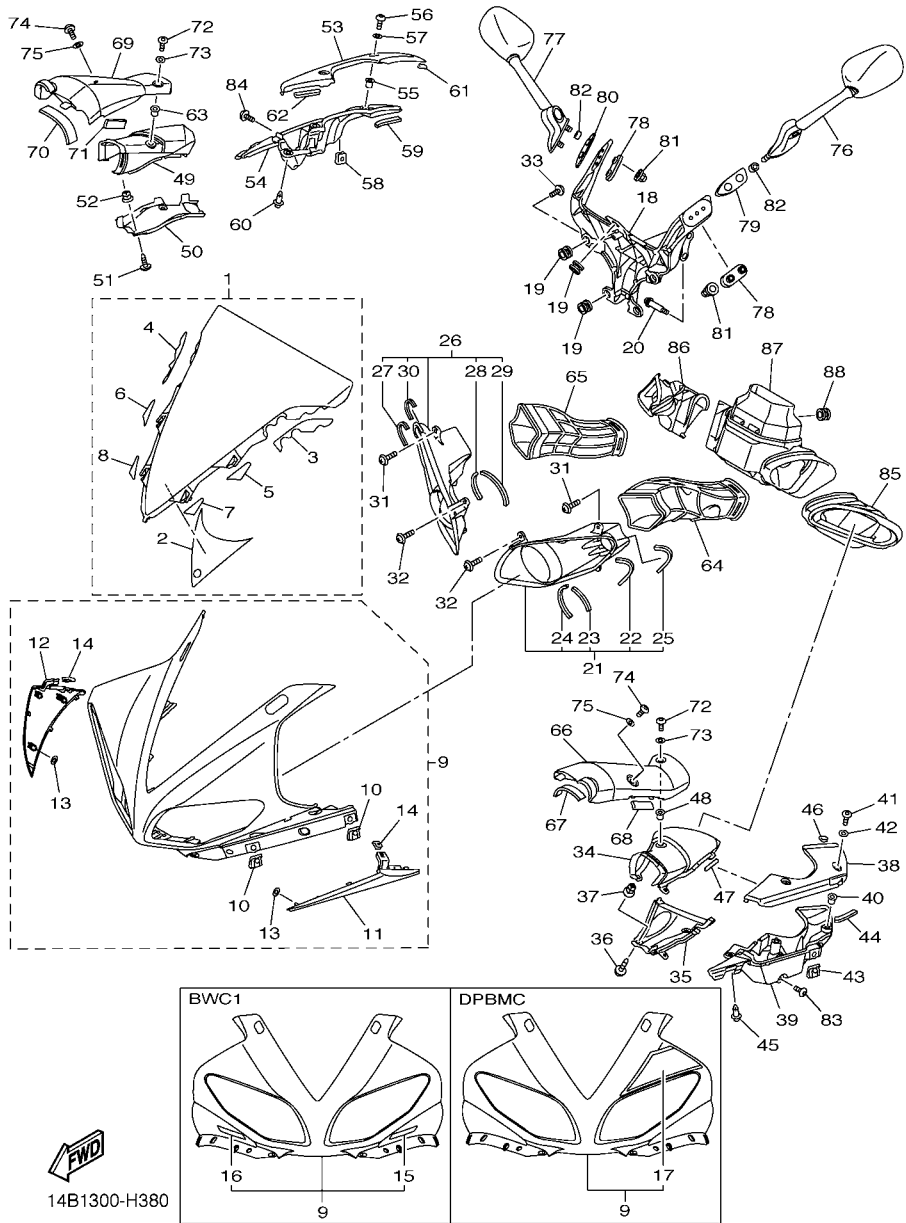
REF. NO.	PART NO.	DESCRIPTION	14B1				REMARKS
24	90520-03001	.DAMPER, PLATE	1				
25	1TX-28267-00	.DAMPER 5	1				
26	14B-2838B-10	GRILL ASSY	1				
27	14B-28372-00	.DAMPER	1				
28	J44-78248-00	.SEAL 4	1				
29	90520-03001	.DAMPER, PLATE	1				
30	1TX-28267-00	.DAMPER 5	1				
31	90160-05007	SCREW, ROUND TAPPING	4				
32	97707-50012	SCREW, TRUSS HEAD TAPPING	2				
33	90160-05006	SCREW, ROUND TAPPING	4				
34	14B-2838N-00-P0	DUCT 1	1				UR FOR SMX
	14B-2838N-00-P1	DUCT 1	1				UR FOR BWC1,DPBMC
35	14B-2838T-00	DUCT 3	1				
36	97702-50012	SCREW, TAPPING	2				
37	90480-08005	GROMMET	2				
38	14B-2839K-00-P0	LID 1	1				UR FOR SMX
	14B-2839K-00-P1	LID 1	1				UR FOR BWC1,DPBMC
39	14B-2838V-00	BOX 3	1				
40	90179-05523	NUT	2				
41	90111-05034	BOLT,HEX. SOCKET BUTTON	2				
42	90202-05180	WASHER, PLATE	2				
43	5PW-2177L-00	PLATE, SPRING	1				
44	J44-78248-00	SEAL 4	1				
45	90269-07077	RIVET	1				
46	90520-01001	DAMPER, PLATE	1				
47	90520-03005	DAMPER, PLATE	1				
48	90179-05523	NUT	1				

FIG. 38 COWLING 1



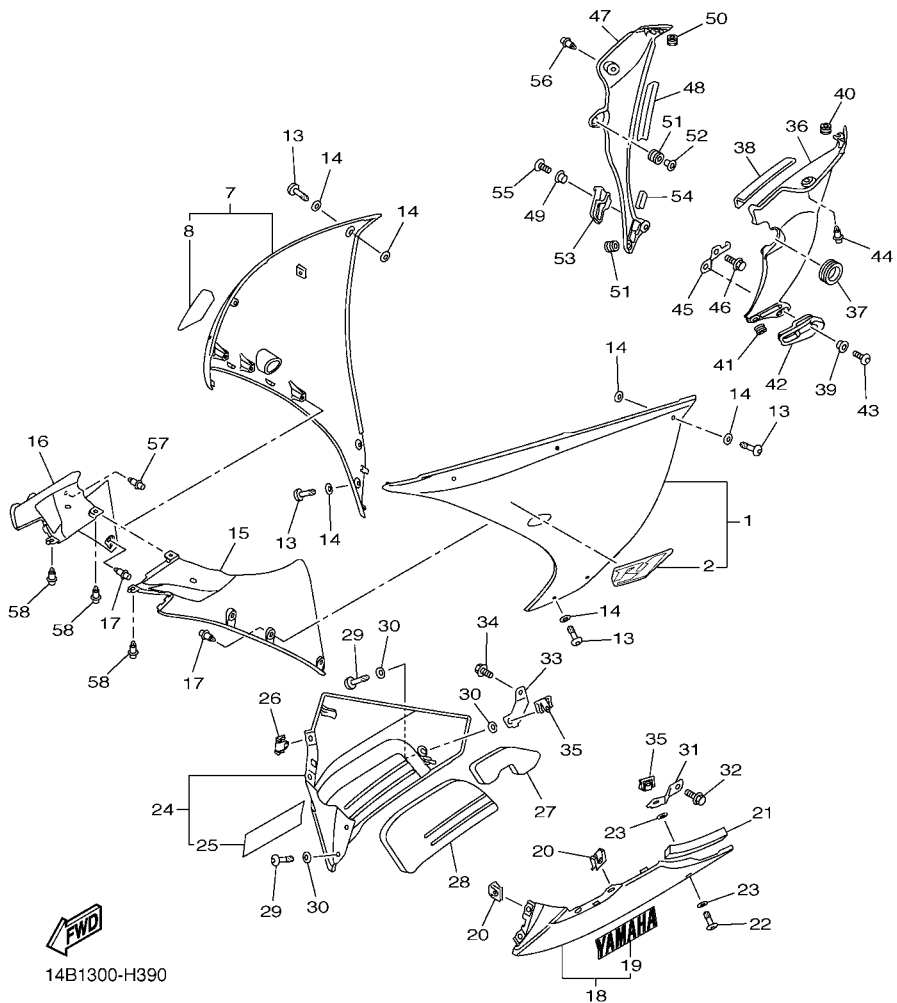
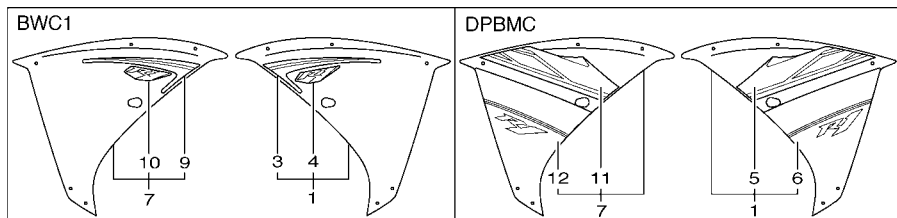
REF. NO.	PART NO.	DESCRIPTION	14B1	REMARKS
49	14B-2838R-00-P0	DUCT 2	1	UR FOR SMX
	14B-2838R-00-P1	DUCT 2	1	UR FOR BWC1,DPBMC
50	14B-2838U-00	DUCT 4	1	
51	97702-50012	SCREW, TAPPING	2	
52	90480-08005	GROMMET	2	
53	14B-2839L-00-P0	LID 2	1	UR FOR SMX
	14B-2839L-00-P1	LID 2	1	UR FOR BWC1,DPBMC
54	14B-2838W-00	BOX 4	1	
55	90179-05523	NUT	2	
56	90111-05034	BOLT,HEX. SOCKET BUTTON	2	
57	90202-05180	WASHER, PLATE	2	
58	5PW-2177L-00	PLATE, SPRING	1	
59	J44-78248-00	SEAL 4	1	
60	90269-07077	RIVET	1	
61	90520-01001	DAMPER, PLATE	1	
62	90520-03005	DAMPER, PLATE	1	
63	90179-05523	NUT	1	
64	14B-2838J-00	DUCT 5	1	
65	14B-2838P-00	DUCT 6	1	
66	14B-2837L-00-P0	PANEL, CONSOLE 1	1	UR FOR SMX
	14B-2837L-00-P1	PANEL, CONSOLE 1	1	UR FOR BWC1,DPBMC
67	4C8-2112D-00	DAMPER, 3	1	
68	2S3-2111D-00	SEAL 1	1	
69	14B-2837M-00-P0	PANEL, CONSOLE 2	1	UR FOR SMX
	14B-2837M-00-P1	PANEL, CONSOLE 2	1	UR FOR BWC1,DPBMC
70	4C8-2112D-00	DAMPER, 3	1	
71	2S3-2111D-00	SEAL 1	1	

FIG. 38 COWLING 1



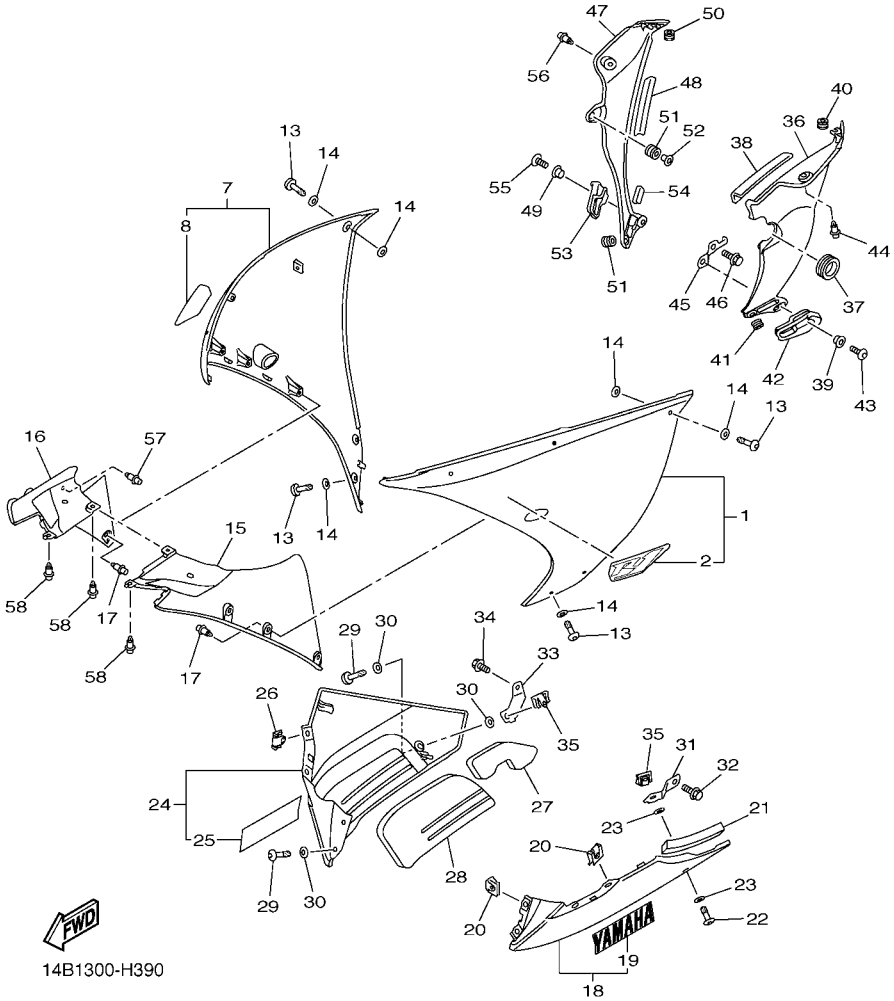
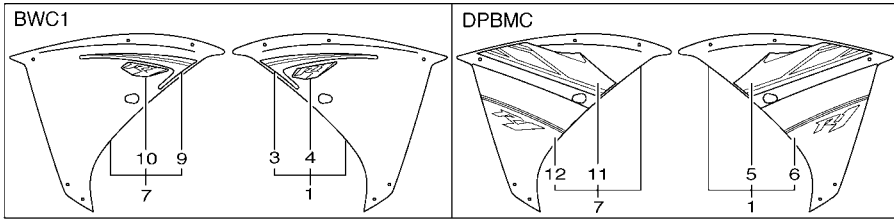
REF. NO.	PART NO.	DESCRIPTION	14B1				REMARKS
72	90111-05034	BOLT,HEX. SOCKET BUTTON	2				
73	90202-05180	WASHER, PLATE	2				
74	90111-05034	BOLT,HEX. SOCKET BUTTON	2				
75	90202-05180	WASHER, PLATE	2				
76	14B-26280-00	REAR VIEW MIRROR ASSY (LEFT)	1				
77	14B-26290-00	REAR VIEW MIRROR ASSY (RIGHT)	1				
78	4C8-26298-00	PLATE, MIRROR FITTING 1	2				
79	14B-2628N-00	BASE, MIRROR (LEFT)	1				
80	14B-2628R-00	BASE, MIRROR (RIGHT)	1				
81	90176-06055	NUT, CROWN	4				
82	90387-064T3	COLLAR	4				
83	90111-05034	BOLT,HEX. SOCKET BUTTON	2				
84	90111-05034	BOLT,HEX. SOCKET BUTTON	2				
85	14B-2846C-00	BOX, SIDE 1	1				
86	14B-2846D-00	BOX, SIDE 2	1				
87	14B-2845D-00	BOX, FRONT	1				
88	90480-13567	GROMMET	1				

FIG. 39 COWLING 2



REF. NO.	PART NO.	DESCRIPTION	14B1		REMARKS
1	14B-W283U-00-P0	PANEL ASSY 1	1		UR MBL2 FOR SMX
	14B-W283U-10-P1	PANEL ASSY 1	1		UR MS1 FOR BWC1
	14B-W283U-20-P2	PANEL ASSY 1	1		UR FOR DPBMC
2	14B-28368-00	.EMBLEM	1		FOR SMX
3	14B-28391-10	.GRAPHIC, 1	1		FOR BWC1
4	14B-28368-10	.EMBLEM	1		FOR BWC1
5	14B-28391-20	.GRAPHIC, 1	1		FOR DPBMC
6	14B-28393-20	.GRAPHIC, 3	1		FOR DPBMC
7	14B-W283V-00-P0	PANEL ASSY 2	1		UR MBL2 FOR SMX
	14B-W283V-10-P1	PANEL ASSY 2	1		UR MS1 FOR BWC1
	14B-W283V-20-P2	PANEL ASSY 2	1		UR FOR DPBMC
8	14B-28368-00	.EMBLEM	1		FOR SMX
9	14B-28392-10	.GRAPHIC, 2	1		FOR BWC1
10	14B-28368-10	.EMBLEM	1		FOR BWC1
11	14B-28392-20	.GRAPHIC, 2	1		FOR DPBMC
12	14B-28394-20	.GRAPHIC, 4	1		FOR DPBMC
13	14B-28386-00	HEAD	10		
14	2TK-21757-00	WASHER, SPECIAL 1	16		
15	14B-2836K-00	PANEL, INNER 1	1		
16	14B-2836L-00	PANEL, INNER 2	1		
17	90269-06008	RIVET	6		
18	14B-W2838-00-P0	UNDER COVER COMP. 1	1		UR FOR SMX
	14B-W2838-00-P1	UNDER COVER COMP. 1	1		UR FOR BWC1
	14B-W2838-00-P2	UNDER COVER COMP. 1	1		UR MBL2 FOR DPBMC
19	14B-2153E-00	.EMBLEM, YAMAHA	1		UR FOR SMX
	14B-2153E-10	.EMBLEM, YAMAHA	1		UR FOR BWC1
	14B-2153E-20	.EMBLEM, YAMAHA	1		UR FOR DPBMC

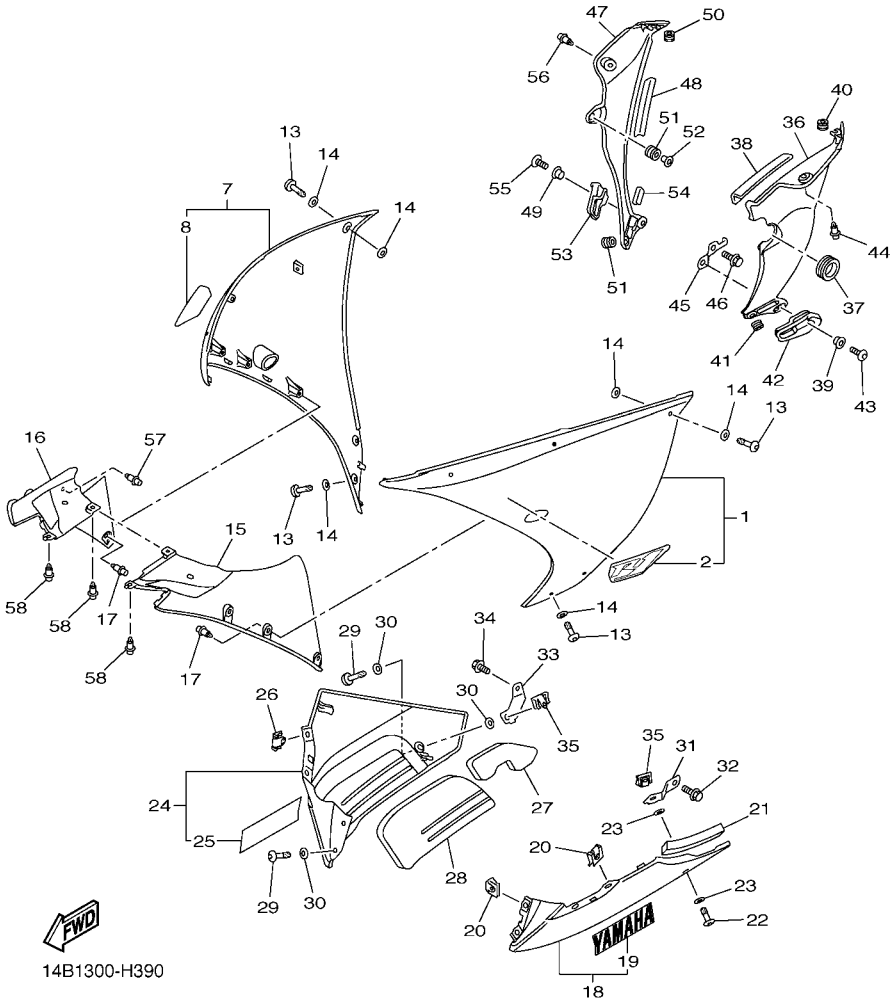
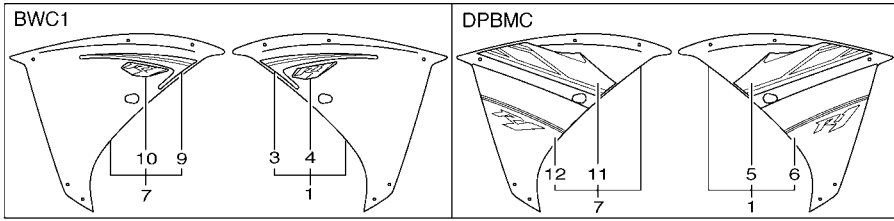
FIG. 39 COWLING 2



14B1300-H390

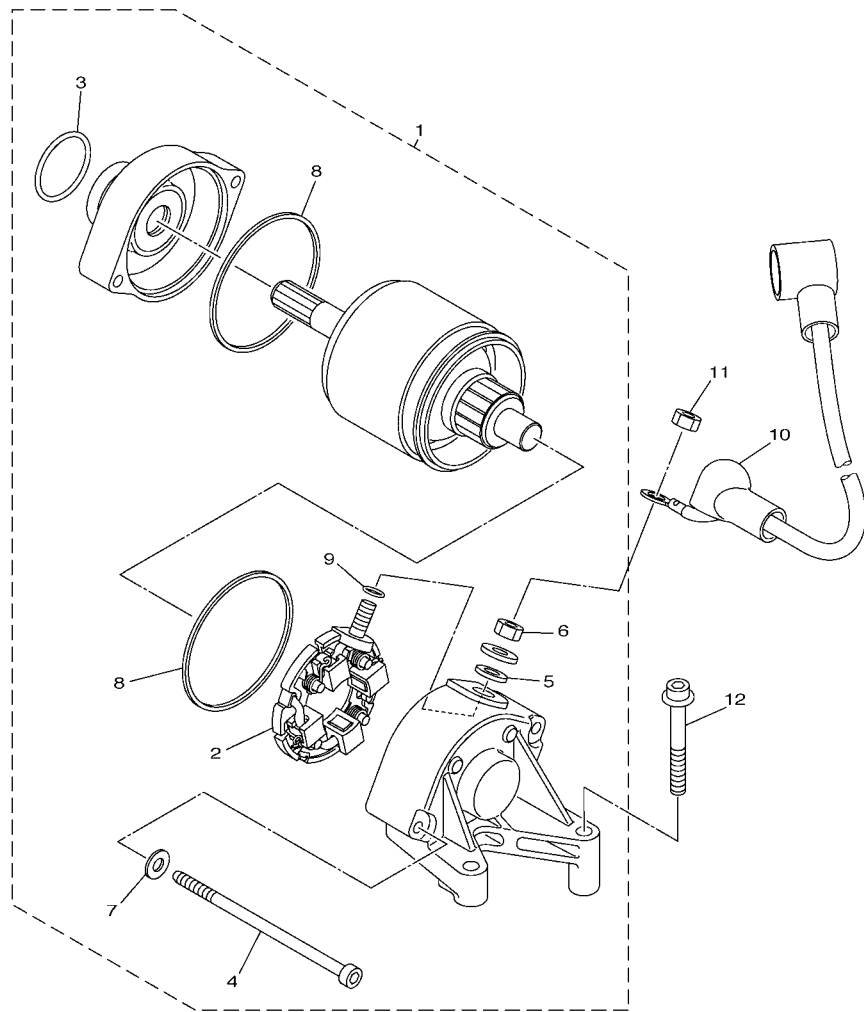
REF. NO.	PART NO.	DESCRIPTION	14B1		REMARKS
20	5PW-2177L-00	PLATE, SPRING	4		
21	14B-2834E-00	DAMPER 3	1		
22	14B-28386-00	HEAD	1		
23	2TK-21757-00	WASHER, SPECIAL 1	2		
24	14B-W2839-00-P0	UNDER COVER COMP. 2	1		UR FOR SMX
	14B-W2839-00-P1	UNDER COVER COMP. 2	1		UR FOR BWC1
	14B-W2839-00-P2	UNDER COVER COMP. 2	1		UR MBL2 FOR DPBMC
25	14B-2153E-00	.EMBLEM, YAMAHA	1		UR FOR SMX
	14B-2153E-10	.EMBLEM, YAMAHA	1		UR FOR BWC1
	14B-2153E-20	.EMBLEM, YAMAHA	1		UR FOR DPBMC
26	5PW-2177L-00	PLATE, SPRING	2		
27	14B-28371-00	DAMPER	1		
28	14B-2848M-00	SEAT 4	1		
29	14B-28386-00	HEAD	3		
30	2TK-21757-00	WASHER, SPECIAL 1	4		
31	14B-2836A-00	BRACKET 1	1		
32	95802-06016	BOLT, FLANGE	1		
33	14B-2836E-00	BRACKET 2	1		
34	90105-06174	BOLT, FLANGE	1		
35	5PW-2177L-00	PLATE, SPRING	2		
36	14B-2836M-00-P0	PANEL, INNER 3	1		UR FOR SMX
	14B-2836M-00-P1	PANEL, INNER 3	1		UR FOR BWC1,DPBMC
37	14B-2836T-00	DAMPER, LOCATING 1	1		
38	90520-05011	DAMPER, PLATE	1		
39	90560-08251	SPACER	1		
40	90480-08006	GROMMET	1		
41	90480-12596	GROMMET	1		

FIG. 39 COWLING 2



REF. NO.	PART NO.	DESCRIPTION	14B1			REMARKS
42	14B-283C1-00	STOPPER, RUBBER 1	1			
43	90111-06051	BOLT,HEX. SOCKET BUTTON	1			
44	90269-07077	RIVET	1			
45	14B-28321-00	STAY 1	1			
46	95802-06012	BOLT, FLANGE	1			
47	14B-2836N-00-P0	PANEL, INNER 4	1			UR FOR SMX
	14B-2836N-00-P1	PANEL, INNER 4	1			UR FOR BWC1,DPBMC
48	3NU-21732-00	SEAL 1	1			
49	90560-08251	SPACER	1			
50	90480-08006	GROMMET	1			
51	90480-12596	GROMMET	2			
52	90387-065J6	COLLAR	1			
53	14B-283C2-00	STOPPER, RUBBER 2	1			
54	4B5-2847F-00	SEAL 5	1			
55	90111-06051	BOLT,HEX. SOCKET BUTTON	2			
56	90269-07077	RIVET	1			
57	90269-06008	RIVET	1			
58	90269-06008	RIVET	3			

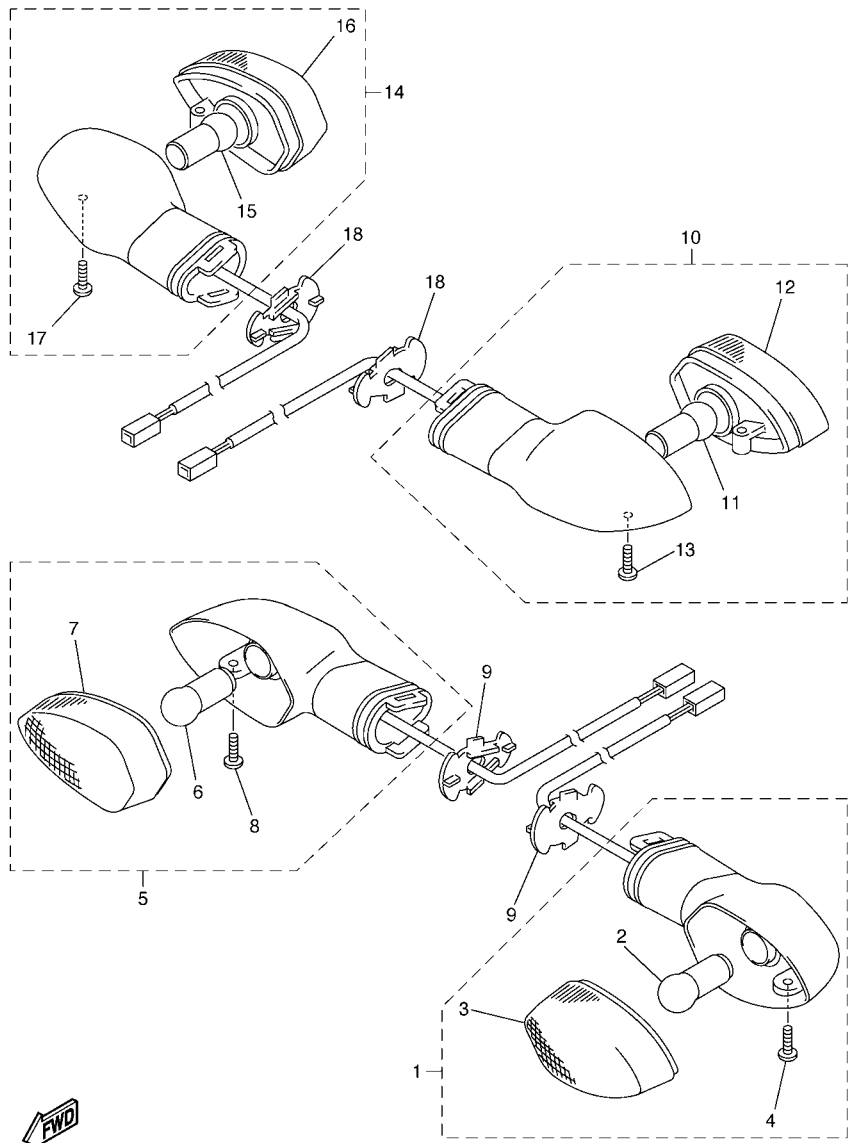




14B1300-H410

FIG. 41 STARTING MOTOR

REF. NO.	PART NO.	DESCRIPTION	14B1				REMARKS
1	14B-81890-00	MOTOR ASSY	1				
2	4C8-81801-01	.BRUSH SET	1				
3	93210-25711	.O-RING	1				
4	4C8-81846-00	.SCREW	2				
5	8FA-8181L-00	.WASHER, PLAIN	1				
6	95302-06700	.NUT	1				
7	90201-05021	.WASHER, PLATE	2				
8	4C8-81861-00	.GASKET	2				
9	93210-06001	.O-RING	1				
10	14B-8183G-00	CORD COMP.	1				
11	95302-06700	NUT	1				
12	90109-06016	BOLT	2				

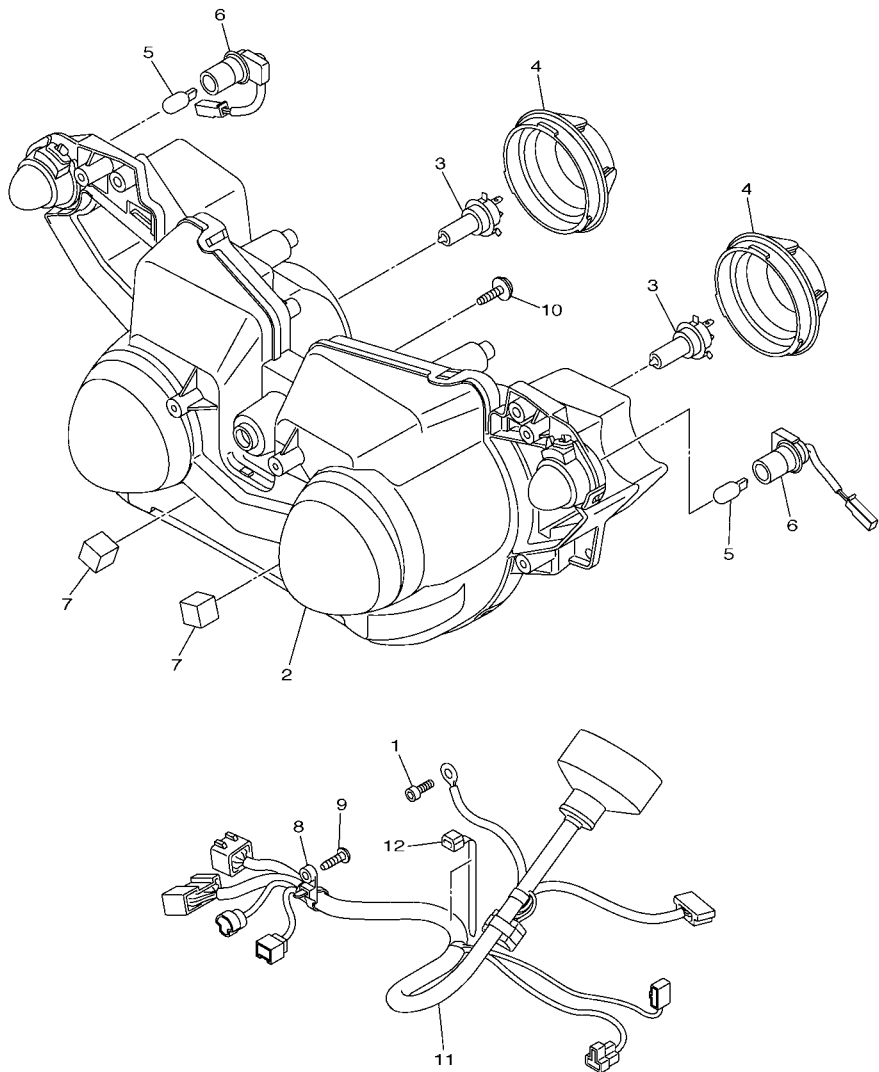


2C01300-E410

FIG. 42 FLASHER LIGHT

REF. NO.	PART NO.	DESCRIPTION	14B1				REMARKS
1	2C0-83310-00	FRONT FLASHER LIGHT ASSY 1	1				
2	2C0-83311-00	.BULB, FLASHER (12V-10W)	1				
3	2C0-8333A-00	.LENS COMP	1				
4	97702-40010	.SCREW, TAPPING	1				
5	2C0-83320-00	FRONT FLASHER LIGHT ASSY 2	1				
6	2C0-83311-00	.BULB, FLASHER (12V-10W)	1				
7	2C0-8334A-00	.LENS COMP	1				
8	97702-40010	.SCREW, TAPPING	1				
9	2C0-83318-00	STAY, FLASHER 1	2				
10	14B-83330-00	REAR FLASHER LIGHT ASSY 1	1				
11	3TX-83311-00	.BULB, FLASHER (12V-10W)	1				
12	2C0-8334A-00	.LENS COMP	1				
13	2C0-83358-00	.SCREW, SPECIAL	1				
14	14B-83340-00	REAR FLASHER LIGHT ASSY 2	1				
15	3TX-83311-00	.BULB, FLASHER (12V-10W)	1				
16	2C0-8333A-00	.LENS COMP	1				
17	2C0-83358-00	.SCREW, SPECIAL	1				
18	2C0-83318-00	STAY, FLASHER 1	2				

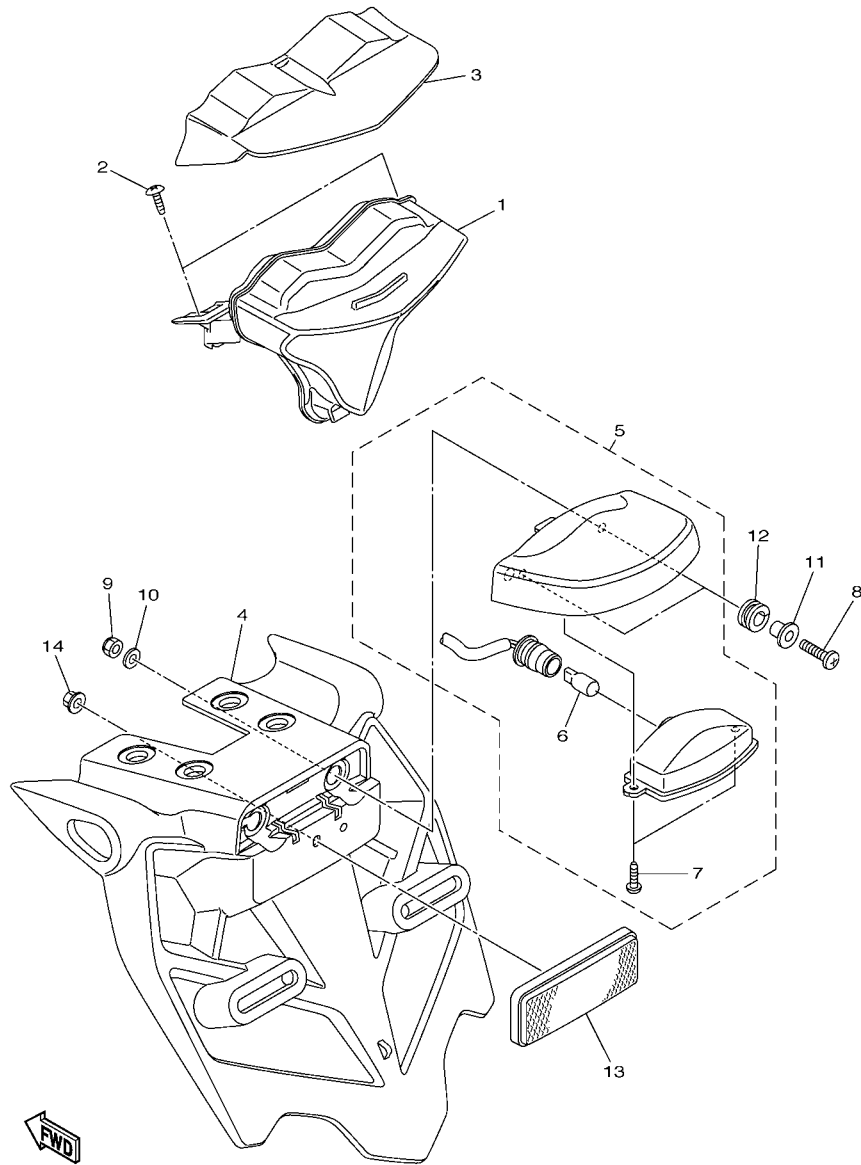




14B1300-H440

FIG. 44 HEADLIGHT

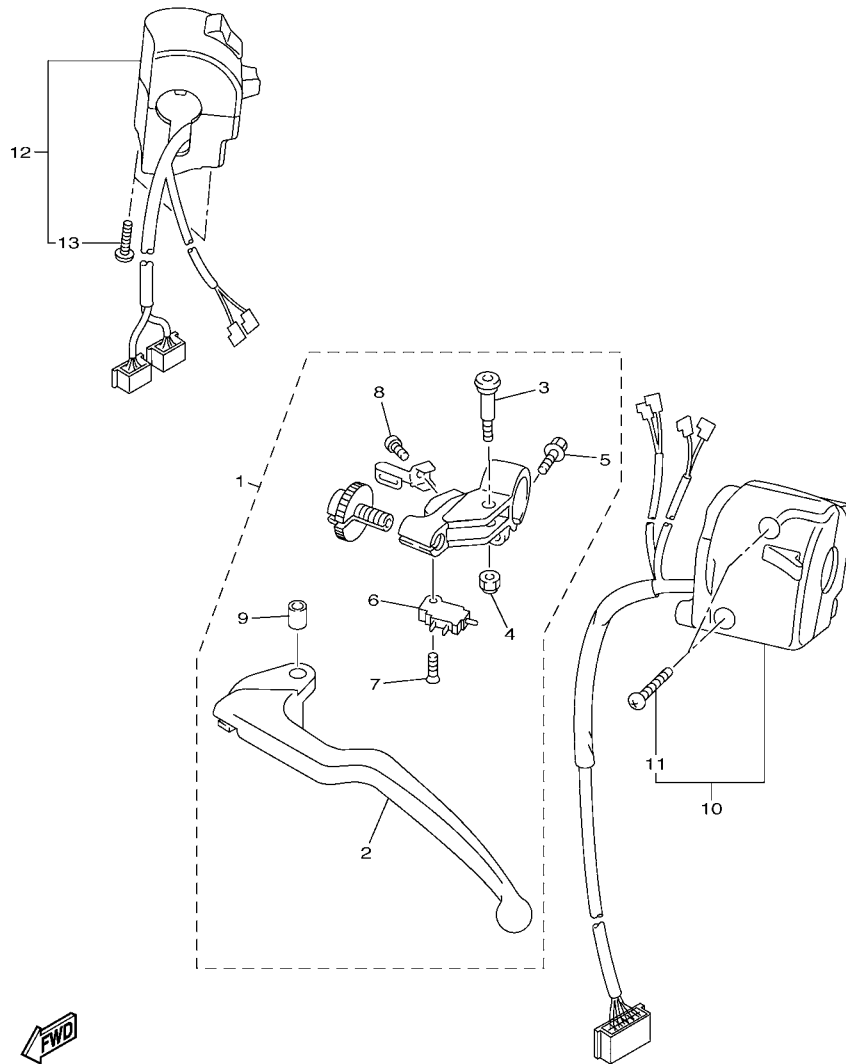
REF. NO.	PART NO.	DESCRIPTION	14B1				REMARKS
1	91317-05012	BOLT	1				
2	14B-84303-00	HEADLIGHT UNIT ASSY	1				
3	5PS-84314-00	BULB (12V-55W H7)	2				HALOGEN
4	14B-84396-00	COVER	2				
5	5DM-84347-00	BULB (12V-5W)	2				
6	14B-84312-00	CORD ASSY	2				
7	14B-2836U-00	DAMPER, LOCATING 2	2				
8	90464-47002	CLAMP	1				
9	97702-50016	SCREW, TAPPING	1				
10	90160-05007	SCREW, ROUND TAPPING	5				
11	14B-84359-00	CORD, HEADLIGHT	1				
12	90464-15195	CLAMP	1				



14B1300-H450

FIG. 45 TAILLIGHT

REF. NO.	PART NO.	DESCRIPTION	14B1				REMARKS
1	14B-84710-00	TAILLIGHT UNIT ASSY	1				
2	97702-50014	SCREW, TAPPING	2				
3	14B-84516-00	COVER, TAILLIGHT	1				
4	14B-21629-00	GUARD, MUD	1				
5	5VX-84745-01	LICENCE LIGHT UNIT ASSY	1				
6	4HC-84744-00	.BULB (12V-5W)	1				
7	97706-04012	.SCREW, TAPPING	2				
8	98902-05020	SCREW, BIND	2				
9	95602-05100	NUT, U	2				
10	92907-05200	WASHER	2				
11	90387-05003	COLLAR	2				
12	90480-11009	GROMMET	2				
13	3Y6-85130-02	REAR REFLECTOR ASSY	1				
14	95607-05200	NUT, U FLANGE	1				

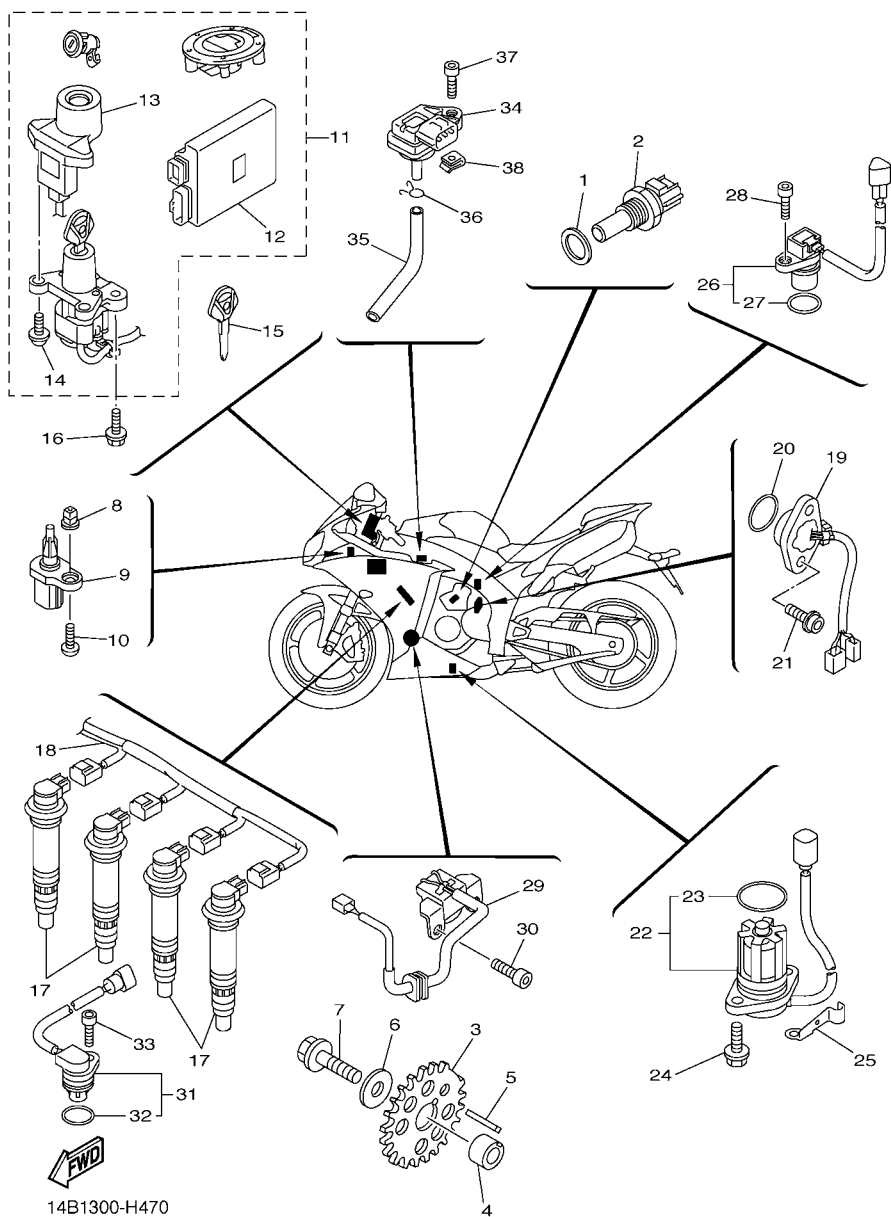


14B1300-H460

FIG. 46 HANDLE SWITCH & LEVER

REF. NO.	PART NO.	DESCRIPTION	14B1				REMARKS
1	2C0-82910-01	LEVER HOLDER ASSY (LEFT)	1				
2	5EB-83912-03	.LEVER 1	1				
3	2C0-83945-00	.BOLT, LEVER	1				
4	95607-06200	.NUT, SELF U-FLANGE	1				
5	95027-06020	.BOLT, FLANGE	1				
6	4XV-82917-01	.SWITCH	1				
7	98707-03016	.SCREW, FLAT HEAD	1				
8	98507-04010	.SCREW, PAN HEAD	1				
9	5JJ-83913-00	.COLLAR, LEVER 1	1				
10	14B-83969-00	SWITCH, HANDLE 5	1				
11	98507-05025	.SCREW, PAN HEAD	2				
12	14B-83963-00	SWITCH, HANDLE 3 (RIGHT)	1				
13	98507-05045	.SCREW, PAN HEAD	2				

FIG. 47 ELECTRICAL 1

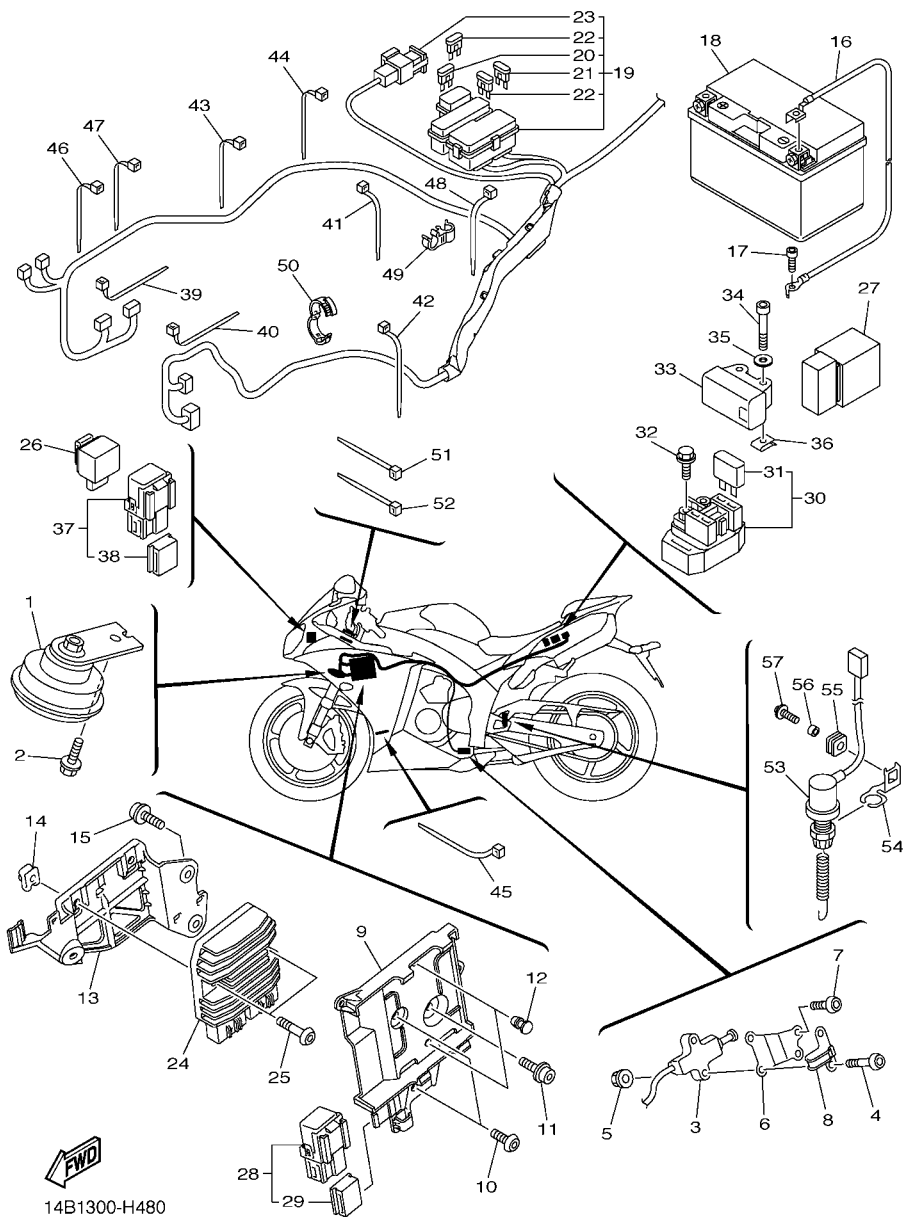


REF. NO.	PART NO.	DESCRIPTION	14B1				REMARKS
1	90201-12790	WASHER, PLATE	1				
2	8CC-85790-01	THERMOSENSOR ASSY	1				
3	14B-81673-00	ROTOR	1				
4	90387-11006	COLLAR	1				
5	90282-03005	KEY, STRAIGHT	1				
6	90201-10034	WASHER, PLATE	1				
7	90105-10290	BOLT, FLANGE	1				
8	90480-08005	GROMMET	1				
9	8FP-85886-00	SENSOR, AIR TEMPERATURE	1				
10	97702-50016	SCREW, TAPPING	1				
11	14B-W8250-00	MAIN SW. IMMOBILIZER KIT	1				
12	14B-8591A-00	.ENGINE CONTROL UNIT ASSY	1				
13	14B-8255P-00	.IMMOBILIZER. UNIT COMP.	1				
14	5SL-82113-01	.SCREW	2				
15	5SL-82511-08	BLANK KEY	1				AP
16	90109-080G5	BOLT	2				
17	14B-82310-00	IGNITION COIL ASSY	4				
18	14B-82309-00	WIRE, SUB LEAD	1				
19	14B-82540-00	NEUTRAL SWITCH ASSY	1				
20	93210-21001	O-RING	1				
21	90110-05063	BOLT, HEXAGON SOCKET HEAD	2				
22	14B-85720-00	OIL LEVEL GAUGE ASSY	1				
23	5VY-8A8E0-00	.O-RING	1				
24	95022-06016	BOLT, FLANGE	2				
25	90465-08053	CLAMP	1				
26	14B-83755-00	SENSOR, SPEED	1				
27	4D9-81168-00	.O-RING	1				



FIG. 48 ELECTRICAL 2

REF. NO.	PART NO.	DESCRIPTION	14B1				REMARKS
1	14B-83371-00	HORN	1				
2	95807-06012	BOLT, FLANGE	1				
3	13S-82566-50	SWITCH, SIDE STAND	1				
4	92017-05025	BOLT, BUTTON HEAD	2				
5	95607-05200	NUT, U FLANGE	2				
6	14B-27961-00	BRACKET, SENSOR 1	1				
7	92017-05016	BOLT, BUTTON HEAD	2				
8	14B-27911-00	HOLDER	1				
9	14B-2836H-00	BRACKET 5	1				
10	90111-06119	BOLT,HEX. SOCKET BUTTON	2				
11	90110-06245	BOLT, HEXAGON SOCKET HEAD	1				
12	90338-06018	PLUG	2				
13	14B-2836J-00	BRACKET 6	1				
14	90183-06069	NUT, SPRING	2				
15	90110-06245	BOLT, HEXAGON SOCKET HEAD	2				
16	14B-82116-00	WIRE, MINUS LEAD	1				
17	91312-06012	BOLT	1				
18	5VY-82100-00	BATTERY ASSY (YUASA YTZ10S)	1				
19	14B-82590-00	WIRE HARNESS ASSY	1				
20	5JJ-82151-20	.FUSE (20A-BL)	2				
21	5JJ-82151-10	.FUSE (15A-BL)	4				
22	5JJ-82151-00	.FUSE (7.5A-BL)	6				
23	5JW-82151-10	.FUSE (50A)	1				
24	1D7-81960-00	RECTIFIER & REGULATOR ASSY	1				
25	92017-06025	BOLT, BUTTON HEAD	2				
26	4GY-83350-00	FLASHER RELAY ASSY	1				
27	5VK-81950-40	RELAY ASSY	1				



14B1300-H480





NUMERICAL INDEX

PART NO.	REF. NO.	PART NO.	REF. NO.	PART NO.	REF. NO.	PART NO.	REF. NO.	PART NO.	REF. NO.	PART NO.	REF. NO.	PART NO.	REF. NO.
14B-11101-00	1 - 1	4C8-12153-30	4 - 13	14B-12485-00	7 - 1	14B-1393B-00	11 - 3	14B-14725-00	13 - 18	14B-15521-00	16 - 4		
5VY-1111G-00	1 - 29	3LD-12168-K1	4 - 12	4XV-12485-00	6 - 19	14B-1393D-00	10 - 26	14B-14728-00	13 - 55	14B-15570-00	16 - 7		
14B-11133-10	1 - 2	3LD-12168-M1	4 - 12	14B-12551-00	7 - 26	14B-1393E-00	10 - 27	2D1-14737-00	13 - 14	14B-16150-00	17 - 1		
4C8-11134-10	1 - 3	3LD-12168-R1	4 - 12	14B-12552-00	7 - 48	14B-1393F-00	10 - 28		36 - 56	363-16154-00	17 - 24		
14B-11165-00	15 - 26	3LD-12168-U1	4 - 12	14B-12576-00	6 - 27	14B-13971-00	11 - 27	3D7-14737-00	13 - 30	4C8-16154-00	17 - 2		
14B-11181-00	1 - 20	3LD-12168-W1	4 - 12	14B-12578-00	7 - 16	14B-13972-00	10 - 39		13 - 40	14B-16181-00	17 - 25		
14B-11191-00	1 - 21	3LD-12168-Y1	4 - 12	14B-12579-00	7 - 12	2C0-14105-00	11 - 18	14B-14738-00	13 - 5	5VY-16321-00	17 - 7		
14B-11193-00	1 - 23	3LD-12169-11	4 - 12	4C8-12579-00	7 - 8	4KM-14137-00	11 - 20	14B-14740-00	13 - 4	4B1-16324-00	17 - 16		
214-11198-01	9 - 8	3LD-12169-31	4 - 12	14B-12588-00	6 - 25	8A7-14139-00	11 - 17	5VY-14747-00	13 - 50	4B1-16325-00	17 - 15		
14B-11311-00	2 - 1	3LD-12169-50	4 - 12	14B-12589-00	7 - 37	5PS-14147-00	10 - 23	14B-1476P-00	13 - 58		17 - 16		
14B-11351-00	2 - 2	3LD-12169-70	4 - 12	14B-12637-00	6 - 33		11 - 5	14B-1478P-00	13 - 70	5VY-16325-00	17 - 8		
14B-11400-00	3 - 1	3LD-12169-90	4 - 12	5SL-12671-00	7 - 25	895-14169-00	11 - 16	14B-1479P-00	13 - 71		17 - 15		
14B-11413-00	3 - 12	3LD-12169-E0	4 - 12	5GJ-12675-00	7 - 21	2C0-14216-00	11 - 11	5VY-1482K-00	1 - 24		17 - 16		
14B-11413-10	3 - 12	3LD-12169-G0	4 - 12	14B-12682-00	10 - 42	5FL-14216-00	11 - 14	2D1-14840-00	12 - 1	14B-16330-00	17 - 6		
14B-11413-20	3 - 12	3LD-12169-J0	4 - 12	5FL-12822-00	9 - 15	8CC-14216-10	11 - 8	4C8-14881-01	12 - 2	14B-16340-00	17 - 20		
14B-11413-30	3 - 12	3LD-12169-L0	4 - 12	5VY-13117-10	8 - 5	5JW-14348-00	11 - 24	4C8-14882-01	12 - 3	132-16346-00	20 - 2		
14B-11413-40	3 - 12	3LD-12169-N0	4 - 12	14B-13161-00	9 - 12	5FL-14348-10	11 - 21	14B-14883-00	12 - 5	14B-16351-00	17 - 9		
14B-11413-50	3 - 12	3LD-12169-T0	4 - 12	14B-1316E-00	8 - 10	5PW-14349-00	11 - 25	5SL-14890-10	1 - 25	4XV-16356-01	17 - 19		
14B-11413-A0	3 - 12	14B-12170-00	5 - 1	14B-13338-00	6 - 3	5PW-14396-00	11 - 7	14B-14899-00	1 - 26	14B-16360-00	17 - 4		
14B-11416-00	3 - 6	14B-12176-00	5 - 3	14B-13354-00	17 - 26	14B-1440B-00	10 - 15	14B-15100-00	14 - 1	14B-16370-00	17 - 5		
14B-11416-10	3 - 6	14B-12180-00	5 - 2	14B-13355-00	6 - 12	14B-14411-00	10 - 6	14B-15123-00	14 - 6	4C8-16377-00	17 - 17		
14B-11416-20	3 - 6	14B-12210-00	5 - 6	14B-13410-00	8 - 2	14B-14412-00	10 - 35	14B-15124-00	14 - 7	5VY-16382-10	17 - 29		
14B-11416-30	3 - 6	14B-12213-00	5 - 7	14B-13414-00	9 - 10	14B-14421-00	10 - 18	14B-15133-00	14 - 8	14B-16384-00	17 - 13		
14B-11416-40	3 - 6	5BE-12241-00	1 - 22	14B-13416-00	8 - 7	14B-14425-00	10 - 9	5EB-15155-00	14 - 2	2S3-16539-00	17 - 14		
14B-11500-00	3 - 11	14B-12251-00	5 - 9	14B-13417-00	9 - 6	13S-14445-00	10 - 21	14B-15163-00	18 - 10	2D1-17121-10	18 - 9		
14B-11549-00	3 - 5	14B-12252-00	5 - 10	5GH-13440-20	9 - 2	14B-14445-00	10 - 16	36Y-15189-00	14 - 24	14B-17131-00	18 - 6		
14B-11603-00	3 - 8	14B-12405-00	7 - 19	14B-13470-00	9 - 14	14B-14451-00	10 - 38	4H7-15189-00	14 - 26	4C8-17151-00	18 - 3		
14B-11631-00	3 - 7	14B-12405-10	7 - 20	14B-13473-00	9 - 17	14B-14452-00	10 - 19	5PW-15361-00	14 - 21	14B-17161-00	18 - 8		
4C8-11633-00	3 - 9	14B-12410-00	7 - 4	5EB-13475-00	9 - 16	14B-14457-00	10 - 7	3F9-15362-00	15 - 11	5VY-17211-00	18 - 31		
14B-11650-00	3 - 2	5LP-12411-00	7 - 5	14B-13490-00	9 - 3	14B-14462-00	10 - 8	14B-15377-00	15 - 5	14B-17221-00	18 - 20		
5VY-11654-01	3 - 3	14B-12420-00	6 - 1	8FP-13556-00	10 - 24	14B-14467-00	10 - 36	14B-15379-00	15 - 32	14B-17231-00	18 - 28		
14B-11656-00	3 - 4	14B-12422-00	6 - 7		11 - 6	14B-1446R-00	10 - 20	14B-15393-00	10 - 13	14B-17241-00	18 - 25		
14B-11656-10	3 - 4	4C8-12438-00	6 - 4	14B-13571-00	10 - 30	14B-14490-00	10 - 11	14B-15411-00	15 - 1	14B-17251-00	18 - 29		
14B-11656-20	3 - 4	4XV-12439-00	6 - 6		11 - 12	14B-14498-00	10 - 17	14B-15413-00	15 - 28	14B-17261-00	18 - 23		
14B-11656-30	3 - 4	14B-1243A-00	7 - 40	14B-13573-00	10 - 31	14B-14602-00	13 - 1	14B-15416-00	15 - 17	14B-17402-00	18 - 16		
14B-12111-00	4 - 1	14B-1243E-00	7 - 42		11 - 13	4FM-14613-00	13 - 2	14B-15418-00	15 - 6	14B-17411-00	18 - 1		
14B-12113-00	4 - 4	14B-1243F-00	7 - 57	14B-13595-00	10 - 2	14B-14618-00	13 - 19	14B-15421-00	15 - 8	4C8-17460-00	18 - 34		
14B-12114-00	4 - 5	14B-1244G-00	7 - 45	14B-13596-00	10 - 4	14B-14623-00	13 - 17	14B-15423-00	15 - 31	14B-18101-00	20 - 9		
4C8-12116-00	4 - 3	14B-12450-00	6 - 5	14B-13750-00	11 - 1	14B-1465R-00	13 - 28	14B-15431-00	15 - 18	14B-18110-00	20 - 17		
4C8-12117-00	4 - 6	14B-12461-00	7 - 18	14B-13761-00	11 - 4	14B-1465T-00	13 - 38	14B-15441-01	14 - 22	5JJ-18112-00	20 - 15		
1AA-12118-00	4 - 8	5SL-12462-00	7 - 30	14B-13761-10	10 - 22	14B-1465U-00	13 - 21	14B-15451-00	15 - 2	5EB-18113-00	20 - 18		
1WG-12118-00	4 - 9	14B-12465-00	7 - 24	14B-13767-00	10 - 25	14B-14710-00	13 - 23	14B-15456-00	15 - 23	5LV-18115-00	20 - 20		
4TE-12119-00	4 - 11	14B-12469-00	6 - 30	2S3-13769-00	10 - 29	5VY-14714-00	13 - 24	14B-15461-00	15 - 13	5LV-18116-00	20 - 23		
14B-12121-00	4 - 2	5GV-1246E-00	7 - 10		11 - 26		13 - 34	14B-15462-00	15 - 29	1D7-18127-00	20 - 4		
4C8-12127-00	4 - 7		7 - 28	2C0-13881-00	10 - 43	3D8-14715-00	13 - 26	14B-15484-00	40 - 6	14B-18140-00	20 - 12		
3P6-12129-00	4 - 10	14B-12481-00	6 - 21	14B-13898-00	8 - 15		13 - 36	5VY-15499-00	15 - 9	4XV-18154-00	20 - 19		
4C8-12153-09	4 - 13	14B-12482-00	7 - 14	14B-13907-00	28 - 26	14B-14718-00	13 - 52	14B-15515-00	16 - 1		20 - 24		
4C8-12153-20	4 - 13	14B-12484-00	6 - 35	14B-1393A-00	11 - 2	14B-14720-00	13 - 33	14B-15517-00	16 - 3	2C0-18175-00	20 - 11		

NUMERICAL INDEX

PART NO.	REF. NO.	PART NO.	REF. NO.	PART NO.	REF. NO.	PART NO.	REF. NO.	PART NO.	REF. NO.	PART NO.	REF. NO.
14B-18511-00	19 - 5	14B-21600-00-P2	22 - 15	5VY-22128-00	24 - 6	14B-2318Y-00	27 - 11	4C8-24182-00	28 - 43	5MT-25398-00	32 - 11
14B-18512-00	19 - 6	14B-21615-00	21 - 34	14B-22141-00	24 - 42		27 - 31	5SL-24183-00	28 - 19	5MT-25398-10	30 - 7
14B-18513-00	19 - 7	14B-21629-00	45 - 4	14B-22151-00	24 - 13	14B-2319M-00	27 - 9	5VY-24183-00	28 - 5		32 - 11
14B-18531-00	19 - 8	14B-21639-00	22 - 23	14B-2217A-00	24 - 23		27 - 29	4BP-24188-00	28 - 3	5MT-25398-20	30 - 7
2C0-18535-00	19 - 9	14B-2163A-00	21 - 28	14B-2217M-00	24 - 26	13S-2332N-00	27 - 15	14B-24191-00	28 - 6		32 - 11
14B-18536-00	19 - 11	14B-2163E-00	13 - 59	14B-22184-00	24 - 5		27 - 35	14B-24192-00	28 - 11	14B-25447-20	32 - 15
14B-18540-00	19 - 1	14B-2163F-00	13 - 64	14B-22210-00	25 - 1	14B-23340-00	27 - 41	14B-24240-20	28 - 2	4C8-2580T-10	31 - 4
3D7-18542-00	19 - 2	14B-21640-00	21 - 26	14B-22219-00	25 - 10	14B-23377-00	26 - 25	5JW-24311-00	11 - 22	4C8-2580U-10	31 - 14
14B-18562-00	19 - 12	14B-21649-00	22 - 24	4C8-22252-00	24 - 45	13S-23393-00	27 - 14	14B-24312-00	28 - 32	5VY-2580W-12	33 - 3
14B-2110N-00	21 - 48	14B-21650-00	24 - 47	14B-22253-00	25 - 6		27 - 34	14B-24313-00	28 - 34	14B-2581T-00	31 - 1
14B-21110-00	21 - 1	5VY-21668-00	24 - 52	14B-22311-00	24 - 19	4XV-23415-01	26 - 3	14B-24314-00	28 - 35	14B-2581U-00	31 - 2
14B-21110-10	21 - 1	14B-21669-00	22 - 16	14B-22873-00	21 - 36	4XV-23418-00	26 - 5	68V-24376-00	11 - 23	3YK-25824-00	35 - 5
2S3-2111D-00	38 - 68	14B-21682-00	21 - 27	14B-22874-00	21 - 37	4XV-23434-00	34 - 5	5JW-24486-00	28 - 30	3YK-25825-00	35 - 6
	38 - 71	14B-21710-00-P0	23 - 1	14B-22876-00	21 - 39		34 - 12	13S-24491-00	28 - 27	5SL-25827-00	33 - 17
14B-2112B-00	21 - 49	14B-21710-00-P1	23 - 1	14B-22877-00	21 - 40	14B-23435-00	26 - 9	5JJ-24602-00	28 - 23	5SL-25827-10	33 - 18
4C8-2112D-00	38 - 67	14B-21710-00-P2	23 - 1	14B-22879-00	21 - 42	3FV-23462-00	26 - 2	14B-24710-00	29 - 1	5SL-25828-01	33 - 19
	38 - 70	14B-2171A-00-P0	28 - 37	14B-23102-00	27 - 1	2H9-23469-00	34 - 21	14B-24711-00	29 - 2	4ML-2582A-50	37 - 8
14B-21131-00	21 - 16	14B-2171A-00-P1	28 - 37	14B-23102-10	27 - 1	5PW-23472-00	27 - 43	5SL-24723-00	29 - 5	5SL-2582W-00	33 - 1
14B-2113C-00	21 - 50	14B-2171A-00-P2	28 - 37	14B-23103-00	27 - 21	14B-23490-00	26 - 18	13S-24725-00	29 - 10	5SL-25838-00	33 - 7
14B-2113D-00	21 - 51	14B-2172E-00	21 - 54	14B-23103-10	27 - 21	14B-23495-00	26 - 16	14B-24725-00	29 - 9	5VY-2583B-00	31 - 13
14B-21161-00	28 - 9	14B-2172W-00	7 - 60	14B-23106-00	27 - 3	14B-23808-00	26 - 26	14B-24750-00	29 - 4		31 - 23
14B-21162-00	28 - 14	14B-21732-00	22 - 22		27 - 23	14B-24106-00	28 - 59	14B-24780-00	29 - 6	14B-2583V-00	37 - 6
14B-2116B-00	21 - 24	3NU-21732-00	39 - 48	14B-23106-10	27 - 3	14B-24108-00	28 - 68	14B-2478E-00	29 - 12	2C0-25852-00	37 - 13
5VY-2117K-01	29 - 14	5PW-21732-00	22 - 21		27 - 23	5PW-2411J-01	28 - 51	2C0-24792-00	29 - 7	5VY-25852-00	35 - 18
14B-21190-00	21 - 15	5VY-21732-00	22 - 20	14B-23109-00	27 - 10		28 - 52	13S-24847-00	29 - 11	2VN-25854-00	37 - 14
14B-21214-00	21 - 19	4C8-21735-00	22 - 19		27 - 30	14B-24121-00	21 - 13	4XV-25117-00	30 - 2	5VY-25854-00	35 - 16
14B-21414-00	21 - 4	13S-2173M-00	21 - 38	14B-23110-00	27 - 2	14B-24122-00	21 - 14	4XV-25118-00	30 - 12	2VN-25855-00	37 - 15
14B-2141R-00	21 - 6	13S-21746-00	21 - 35	14B-23111-00	27 - 12	14B-24135-00	28 - 28	5VY-25168-00-8L	30 - 1	5VY-25855-00	35 - 17
14B-21424-00	21 - 5	4C8-21747-00	23 - 3	4TX-23115-00	27 - 7	5SL-2413B-00	28 - 57	5VY-25168-00-98	30 - 1	14B-2585H-09	21 - 22
14B-21445-00	13 - 9	5VU-21747-00	28 - 53		27 - 27	14B-2413Y-00	28 - 18	5VY-25168-00-P3	30 - 1	2VN-25866-00	37 - 9
14B-21446-00	13 - 49	14B-2174E-00	21 - 55	14B-23118-00	27 - 19	14B-2414E-00	28 - 21	2C0-25181-00	30 - 8	5VS-25867-00	35 - 26
14B-2144G-00	48 - 54	4GY-2174X-00	22 - 17		27 - 39	14B-2414G-00	28 - 55	4XV-25186-00	30 - 11	14B-25872-00	35 - 23
14B-21495-00	21 - 9	2TK-21757-00	39 - 14	14B-2311J-00	27 - 32	14B-2414H-00	28 - 42	5PW-25188-00	30 - 9	14B-25874-00	37 - 28
	21 - 12		39 - 23	14B-23120-00	27 - 22	2C0-2414H-00	28 - 60	5PW-25317-00	32 - 6	14B-25875-00	35 - 1
14B-21511-00-P0	22 - 1		39 - 30	14B-23141-00	27 - 17		28 - 69	5VY-25338-00-8L	32 - 1	14B-25876-00	35 - 2
14B-21511-00-P1	22 - 1	5VY-2176V-00	29 - 15		27 - 37	14B-2414J-00	28 - 61	5VY-25338-00-98	32 - 1	14B-2588F-00	37 - 29
14B-21511-00-P2	22 - 1	3XV-21778-00	28 - 44	13S-23142-00	27 - 18		28 - 70	5VY-25338-00-P3	32 - 1	14B-25894-00	37 - 12
14B-2153E-00	39 - 19	5PW-2177L-00	38 - 10		27 - 38	2C0-2414J-00	28 - 63	2C0-25364-00	32 - 8	5SL-25894-20	35 - 15
	39 - 25		38 - 43	5YU-23143-00	27 - 16		28 - 72	5SL-25366-00	32 - 12	14B-25895-00	37 - 19
14B-2153E-10	39 - 19		38 - 58		27 - 36	4C8-2414J-00	28 - 62	5PW-25367-00	32 - 20	5VY-25895-10	35 - 19
	39 - 25		39 - 20	4TX-23144-00	27 - 4		28 - 71	5SL-25367-00	32 - 22	3FV-2589A-00	37 - 11
14B-2153E-20	39 - 19		39 - 26		27 - 24	14B-2414K-00	28 - 54	5VY-25376-00	32 - 21	5VY-2589F-01	35 - 8
	39 - 25		39 - 35	5VX-23145-00	27 - 6	14B-2414N-00	28 - 49	5PW-25377-00	32 - 19	5VY-2589G-00	35 - 21
2C0-21566-00	24 - 37	26H-21828-00	7 - 53		27 - 26	14B-2414P-00	28 - 50	4C8-25381-00	32 - 25	5VY-2589H-00	35 - 22
13S-21567-00	21 - 41	14B-21871-00	7 - 51	4TX-23156-00	27 - 5	14B-24181-00	28 - 45	4XV-25383-00	32 - 7	5SL-25914-00	33 - 9
4C8-21568-01	28 - 58	14B-21875-00	7 - 52		27 - 25	4FM-24181-00	13 - 32	5VY-25388-00	32 - 23	5DH-25916-00	33 - 14
14B-21600-00-P0	22 - 15	14B-22110-00-P0	24 - 1	14B-2315K-00	27 - 8	5VY-24181-00	28 - 7	5VY-25389-01	32 - 24	3JD-25917-00	33 - 11
14B-21600-00-P1	22 - 15	14B-22110-00-P1	24 - 1	14B-2315L-00	27 - 28		28 - 12	5MT-25398-00	30 - 7	5SL-25917-00	33 - 6

NUMERICAL INDEX

PART NO.	REF. NO.	PART NO.	REF. NO.	PART NO.	REF. NO.	PART NO.	REF. NO.	PART NO.	REF. NO.	PART NO.	REF. NO.
4C8-25919-00	31 - 9	5JJ-27441-00	36 - 40	14B-2836N-00-P1	39 - 47	14B-2846F-00	38 - 6	14B-82530-00	48 - 53	14B-84710-00	45 - 1
	31 - 19	14B-27442-00	36 - 13	14B-2836T-00	39 - 37	14B-2847F-00	38 - 7	14B-82540-00	47 - 19	4HC-84744-00	45 - 6
5SL-25919-00	33 - 8	14B-27443-00	36 - 22	14B-2836U-00	44 - 7	4B5-2847F-00	39 - 54	14B-8255P-00	47 - 13	5VX-84745-01	45 - 5
2S3-25919-10	31 - 10	14B-27445-00	36 - 19	14B-28371-00	39 - 27	14B-2848F-00	38 - 8	13S-82566-50	48 - 3	3Y6-85130-02	45 - 13
	31 - 20	14B-27446-00	36 - 29	14B-28372-00	38 - 22	14B-2848M-00	39 - 28	5VU-82576-01	48 - 33	14B-85720-00	47 - 22
5VY-25921-01	33 - 10	5JJ-27451-00	36 - 14		38 - 27	J44-78248-00	38 - 23	14B-82590-00	48 - 19	8CC-85790-01	47 - 2
4SV-25924-00	31 - 8	5JJ-27461-00	36 - 23	3CV-28372-00	22 - 18		38 - 28	3MA-82591-00	35 - 30	14B-85870-00	10 - 10
	31 - 18	14B-27469-00	36 - 50	14B-2837L-00-P0	38 - 66		38 - 44	13S-85884-00	46 - 1	13S-85884-00	11 - 15
8CR-25924-00	33 - 13	14B-27490-00	36 - 52	14B-2837L-00-P1	38 - 66		38 - 59	4XV-82917-01	46 - 6	13S-85885-00	11 - 9
3GM-25925-00	31 - 11	14B-2749A-00	36 - 53	14B-2837M-00-P0	38 - 69	4D9-81168-00	47 - 27	2C0-83310-00	42 - 1	8FP-85886-00	47 - 9
	31 - 21	14B-2749B-00	36 - 54	14B-2837M-00-P1	38 - 69		47 - 32	2C0-83311-00	42 - 2	5VY-85896-00	47 - 31
5SL-25926-00	33 - 15	14B-2749D-00	36 - 55	14B-28386-00	39 - 13	14B-81410-00	40 - 2		42 - 6	14B-8591A-00	47 - 12
5VY-25975-00	35 - 7	4C8-27813-00	36 - 28		39 - 22	14B-81450-00	40 - 1	3TX-83311-00	42 - 11	14B-8592A-00	13 - 8
14B-26121-00	34 - 1	14B-27911-00	48 - 8		39 - 29	14B-81670-00	47 - 29		42 - 15	5VY-8A8E0-00	47 - 23
14B-26122-00	34 - 8	14B-27961-00	48 - 6	14B-2838B-00	38 - 21	14B-81673-00	47 - 3	2C0-83318-00	42 - 9	2S3-W0041-00	35 - 4
4C8-26240-00	34 - 13	14B-28100-00	22 - 26	14B-2838B-10	38 - 26	4C8-81801-01	41 - 2		42 - 18	14B-W0042-00	37 - 7
2C0-26241-00	34 - 6	14B-28217-00	21 - 44	14B-2838J-00	38 - 64	8FA-8181L-00	41 - 5	2C0-83320-00	42 - 5	4C8-W0045-00	31 - 7
5PW-26246-00	34 - 3	14B-28219-00-P0	38 - 11	14B-2838N-00-P0	38 - 34	14B-8183G-00	41 - 10	14B-83330-00	42 - 10		31 - 17
	34 - 10	14B-28219-00-P1	38 - 11	14B-2838N-00-P1	38 - 34	4C8-81846-00	41 - 4	2C0-8333A-00	42 - 3	5VX-W0046-00	33 - 12
14B-26280-00	38 - 76	14B-28227-00	21 - 45	14B-2838P-00	38 - 65	4C8-81861-00	41 - 8		42 - 16	4C8-W0047-00	31 - 6
3LN-26281-01	34 - 17	14B-28229-00-P0	38 - 12	14B-2838R-00-P0	38 - 49	14B-81890-00	41 - 1	14B-83340-00	42 - 14		31 - 16
3LN-26282-01	34 - 18	14B-28229-00-P1	38 - 12	14B-2838R-00-P1	38 - 49	5JW-81940-02	48 - 30	2C0-8334A-00	42 - 7	5SL-W0047-00	33 - 5
14B-2628N-00	38 - 79	14B-28237-00	21 - 46	14B-2838T-00	38 - 35	5JJ-81950-20	48 - 28		42 - 12	1J3-W0048-00	31 - 12
14B-2628R-00	38 - 80	1TX-28267-00	38 - 25	14B-2838U-00	38 - 50		48 - 37	4GY-83350-00	48 - 26		31 - 22
14B-26290-00	38 - 77		38 - 30	14B-2838V-00	38 - 39	5VK-81950-40	48 - 27	2C0-83358-00	42 - 13	1UY-W0048-00	33 - 16
5VY-26292-11	26 - 13	14B-28321-00	39 - 45	14B-2838W-00	38 - 54	5JJ-81952-00	48 - 29		42 - 17	4C8-W0057-00	31 - 5
4C8-26298-00	38 - 78	14B-28322-00	14 - 10	14B-28391-10	39 - 3		48 - 38	14B-83371-00	48 - 1		31 - 15
14B-26302-00	34 - 14	14B-2832L-20	38 - 17	14B-28391-20	39 - 5	1D7-81960-00	48 - 24	14B-83500-00	43 - 1	5VY-W0057-00	33 - 4
2C0-26326-00	37 - 17	14B-2832P-00	38 - 2	14B-28392-10	39 - 9	5VY-82100-00	48 - 18	14B-83500-10	43 - 1	5VY-W2470-00	29 - 13
5VS-26332-00	35 - 27	14B-2834E-00	39 - 21	14B-28392-20	39 - 11	5SL-82113-01	47 - 14	4XV-83513-00	38 - 19	14B-W2587-00	35 - 3
14B-26335-00	34 - 7	14B-28356-00	38 - 18	14B-28393-20	39 - 6	14B-82116-00	48 - 16	5PW-8352S-00	43 - 4	14B-W2838-00-P0	39 - 18
5VY-26398-00	26 - 23	14B-28368-00	39 - 2	14B-28394-20	39 - 12	14B-82122-00	22 - 8	14B-8353E-00	43 - 2	14B-W2838-00-P1	39 - 18
14B-27211-00	37 - 1		39 - 8	14B-2839H-10	38 - 15	14B-8212B-00	22 - 7	14B-83572-00	43 - 3	14B-W2838-00-P2	39 - 18
4XV-27222-01	37 - 21	14B-28368-10	39 - 4		38 - 16	14B-8212C-00	22 - 14	14B-83755-00	47 - 26	14B-W2839-00-P0	39 - 24
14B-27311-00	36 - 1		39 - 10	14B-2839K-00-P0	38 - 38	5JJ-82131-00	22 - 11	5EB-83912-03	46 - 2	14B-W2839-00-P1	39 - 24
14B-27321-00	36 - 2	14B-2836A-00	39 - 31	14B-2839K-00-P1	38 - 38	36Y-82151-00	48 - 31	5JJ-83913-00	46 - 9	14B-W2839-00-P2	39 - 24
14B-27351-00	36 - 3	14B-2836B-00	26 - 11	14B-2839L-00-P0	38 - 53	5JJ-82151-00	48 - 22	14B-83922-00	35 - 10	14B-W283U-00-P0	39 - 1
14B-27352-00	36 - 4	4KN-2836B-00	23 - 4	14B-2839L-00-P1	38 - 53	5JJ-82151-10	48 - 21	2C0-83945-00	46 - 3	14B-W283U-10-P1	39 - 1
13S-27417-00	36 - 49	14B-2836E-00	39 - 33	14B-283C1-00	39 - 42	5JW-82151-10	48 - 23	14B-83963-00	46 - 12	14B-W283U-20-P2	39 - 1
14B-2741L-00	36 - 33	14B-2836F-00	21 - 56	14B-283C2-00	39 - 53	5JJ-82151-20	48 - 20	14B-83969-00	46 - 10	14B-W283V-00-P0	39 - 7
14B-27424-00	13 - 45	14B-2836G-00	21 - 61	14B-28425-00	21 - 43	14B-82176-00	22 - 9	4HM-83980-00	35 - 11	14B-W283V-10-P1	39 - 7
4XV-27424-00	13 - 10	14B-2836H-00	48 - 9	14B-28428-00	38 - 3	14B-82309-00	47 - 18	14B-84303-00	44 - 2	14B-W283V-20-P2	39 - 7
14B-2742L-00	36 - 41	14B-2836J-00	48 - 13	14B-28429-00	38 - 4	14B-82310-00	47 - 17	14B-84312-00	44 - 6	14B-W8250-00	47 - 11
5JJ-27431-00	36 - 32	14B-2836K-00	39 - 15	14B-28435-00	21 - 47	14B-82318-00	10 - 32	5PS-84314-00	44 - 3	14B-Y2410-00-02	28 - 1
4C8-27434-00	20 - 25	14B-2836L-00	39 - 16	14B-2844E-00	38 - 5	2C0-82380-00	11 - 10	5DM-84347-00	44 - 5	14B-Y283G-00-P0	38 - 9
	37 - 2	14B-2836M-00-P0	39 - 36	14B-2845D-00	38 - 87		47 - 34	14B-84359-00	44 - 11	14B-Y283G-10-P1	38 - 9
5JJ-27437-01	36 - 36	14B-2836M-00-P1	39 - 36	14B-2846C-00	38 - 85	14B-82386-00	11 - 19	14B-84396-00	44 - 4	14B-Y283G-20-P2	38 - 9
	36 - 44	14B-2836N-00-P0	39 - 47	14B-2846D-00	38 - 86	5SL-82511-08	47 - 15	14B-84516-00	45 - 3	14B-Y283P-00	38 - 1

NUMERICAL INDEX

PART NO.	REF. NO.	PART NO.	REF. NO.	PART NO.	REF. NO.	PART NO.	REF. NO.	PART NO.	REF. NO.	PART NO.	REF. NO.
14B-YK241-00-P0	28 - 1	90110-06168	47 - 30	90111-06038	37 - 30	90160-05007	38 - 31	90201-10021	32 - 18	90338-06018	21 - 59
14B-YK241-00-P1	28 - 1	90110-06169	9 - 5	90111-06041	26 - 12		44 - 10	90201-10029	17 - 22		21 - 64
90101-08013	24 - 2	90110-06173	8 - 6	90111-06043	22 - 4	90170-06228	20 - 21	90201-10034	47 - 6		23 - 2
90105-06027	1 - 10	90110-06175	1 - 27	90111-06051	21 - 18	90170-28419	26 - 7	90201-10050	1 - 14		28 - 64
90105-06041	35 - 28		26 - 17		21 - 20	90176-06014	7 - 7		1 - 16		28 - 73
90105-06066	6 - 13		47 - 33		21 - 60	90176-06055	38 - 81	90201-101J1	36 - 10		48 - 12
90105-06165	14 - 17	90110-06178	15 - 33		21 - 65	90176-10075	1 - 17	90201-12008	40 - 4	90338-15004	21 - 23
90105-06174	39 - 34	90110-06182	6 - 24		29 - 8	90179-05523	21 - 66	90201-12575	20 - 8	90340-12003	14 - 5
90105-06181	14 - 11		6 - 41		39 - 43		21 - 67	90201-12790	47 - 1	90340-14132	9 - 7
90105-06557	26 - 28		7 - 2		39 - 55		28 - 47	90201-127E1	20 - 3	90340-18002	1 - 4
90105-07006	5 - 4		8 - 9	90111-06095	13 - 63		38 - 40	90201-146F9	36 - 11	90387-05003	45 - 11
90105-08052	38 - 20		8 - 16		13 - 68		38 - 48	90201-177G4	20 - 13	90387-05028	37 - 16
90105-08063	13 - 25		9 - 13	90111-06119	7 - 62		38 - 55	90201-20026	24 - 44	90387-06055	28 - 20
	13 - 35		40 - 7		48 - 10		38 - 63	90201-22015	18 - 35	90387-06057	24 - 49
90105-08108	26 - 21	90110-06193	10 - 1	90111-06127	13 - 54	90179-08410	13 - 3	90201-25020	32 - 27		26 - 14
90105-10017	24 - 29	90110-06200	13 - 6		13 - 57	90179-10028	21 - 8	90201-257H0	18 - 37	90387-06066	24 - 16
	24 - 35	90110-06223	16 - 6	90111-06129	21 - 31		21 - 11	90201-281U8	26 - 8		24 - 17
90105-10018	24 - 33	90110-06233	28 - 38	90111-08066	36 - 48	90179-10029	1 - 15	90201-30016	24 - 46	90387-06112	6 - 40
90105-10020	25 - 8	90110-06245	48 - 11	90111-08071	13 - 44	90179-22019	18 - 36	90201-44008	17 - 33		13 - 7
90105-10150	24 - 40		48 - 15	90111-08073	36 - 8	90179-30691	26 - 4	90202-05180	38 - 42	90387-06143	28 - 10
90105-10290	47 - 7	90110-06256	7 - 15	90116-10048	32 - 16	90183-04039	48 - 36		38 - 57	90387-0614M	7 - 23
90105-12062	21 - 2	90110-06258	29 - 3	90116-10051	14 - 12	90183-05074	28 - 41		38 - 73		7 - 31
90105-126A8	40 - 3	90110-06296	28 - 17	90119-05015	28 - 46	90183-05076	24 - 20		38 - 75	90387-06170	13 - 53
90105-14002	30 - 10	90110-06315	1 - 18	90119-06177	7 - 59		38 - 14	90202-30235	26 - 6		13 - 56
90109-06014	21 - 25	90110-06323	15 - 15	90119-08130	14 - 14	90183-050A0	47 - 38	90206-14086	20 - 27	90387-061Y1	21 - 32
90109-06015	21 - 17		15 - 25	90119-09010	14 - 13		26 - 15	90208-25002	17 - 3	90387-06203	28 - 40
	21 - 21	90110-06324	15 - 16	90149-06022	6 - 42	90183-05M02	38 - 13	90209-25011	18 - 4	90387-06217	13 - 15
90109-06016	41 - 12	90110-06326	15 - 4	90149-06043	31 - 3	90183-06069	48 - 14	90209-28008	18 - 21		21 - 57
90109-06100	14 - 16		15 - 30	90149-06070	1 - 11	90183-060A2	13 - 27	90214-25003	18 - 13		21 - 62
90109-06248	23 - 7	90110-06331	15 - 24	90149-06071	8 - 14		13 - 37	90214-25004	18 - 12	90387-062X0	24 - 15
90109-06264	36 - 57	90110-06338	15 - 7		15 - 27	90185-10009	32 - 17	90214-28002	18 - 27	90387-06372	7 - 61
90109-066F0	1 - 28	90110-06340	14 - 23		19 - 13	90185-20008	24 - 43	90214-29002	18 - 26	90387-064T3	38 - 82
	36 - 30	90110-06343	13 - 20	90149-06079	9 - 11	90185-24007	32 - 26	90240-08084	36 - 16	90387-065J6	22 - 3
90109-080G5	47 - 16	90110-10005	21 - 7	90149-06082	14 - 9	90201-047A2	48 - 35		36 - 25		39 - 52
90109-08174	36 - 18	90110-10023	21 - 10		18 - 15	90201-05021	41 - 7	90269-06001	23 - 6	90387-06681	7 - 58
	36 - 27	90111-05002	24 - 51	90149-06128	40 - 5	90201-06071	7 - 33	90269-06008	39 - 17	90387-06697	36 - 39
90109-085G6	36 - 21	90111-05026	35 - 29	90149-06152	15 - 10	90201-06074	7 - 34		39 - 57		36 - 47
	36 - 31		37 - 22		15 - 20	90201-06095	28 - 16		39 - 58	90387-06M16	48 - 56
90109-10002	36 - 12	90111-05034	38 - 41	90149-06158	16 - 8	90201-06589	16 - 5	90269-06016	21 - 53	90387-07717	24 - 22
90110-05028	28 - 31		38 - 56	90149-06298	24 - 21	90201-08034	13 - 48	90269-06081	23 - 5	90387-08005	13 - 11
90110-05030	28 - 29		38 - 72	90149-06302	22 - 10	90201-08057	24 - 4	90269-07012	22 - 13	90387-08020	13 - 46
90110-05047	10 - 12		38 - 74		24 - 50	90201-08080	13 - 16	90269-07076	22 - 25	90387-08021	13 - 51
90110-05063	47 - 21		38 - 83	90149-08009	33 - 2	90201-08103	20 - 26	90269-07077	22 - 12	90387-087L0	13 - 62
90110-05112	28 - 24		38 - 84	90153-06002	6 - 37		37 - 3		38 - 45		13 - 67
90110-06156	21 - 33	90111-06003	36 - 20	90159-06026	17 - 12	90201-081R9	36 - 7		38 - 60	90387-10034	24 - 39
90110-06161	47 - 28	90111-06019	20 - 28	90159-06150	48 - 57	90201-08676	26 - 22		39 - 44	90387-1012A	24 - 31
90110-06163	28 - 22	90111-06030	22 - 5	90160-05006	38 - 33	90201-087G2	13 - 43		39 - 56		24 - 38
90110-06167	6 - 17		36 - 51		43 - 5	90201-08M09	26 - 20	90282-03005	47 - 5	90387-1013U	24 - 32

NUMERICAL INDEX

PART NO.	REF. NO.	PART NO.	REF. NO.	PART NO.	REF. NO.	PART NO.	REF. NO.	PART NO.	REF. NO.	PART NO.	REF. NO.
90387-11006	47 - 4	90464-16001	48 - 50	90480-12581	13 - 61	91314-06035	36 - 45	93109-17071	25 - 3	93399-99932	26 - 1
90387-22023	24 - 12	90464-16005	11 - 28		13 - 66	91314-08030	26 - 10	93210-04092	14 - 3	93399-99957	26 - 24
90387-25008	18 - 30	90464-16006	13 - 69	90480-12596	39 - 41		27 - 42	93210-06001	41 - 9	93399-999T4	25 - 4
90387-25023	18 - 7	90464-16061	10 - 33		39 - 51		34 - 2	93210-06667	6 - 20	93420-61M07	32 - 5
90387-28003	18 - 2		48 - 42	90480-12607	48 - 55		34 - 9		8 - 13	93440-28184	18 - 5
90387-28004	18 - 24		48 - 43	90480-13010	8 - 4	91314-08035	27 - 20	93210-09525	8 - 12	93440-30113	25 - 7
90387-30012	18 - 18		48 - 51	90480-13567	38 - 88		27 - 40	93210-12010	8 - 11	93440-31187	18 - 22
90387-31003	18 - 19		48 - 52	90480-15363	7 - 22	91317-05012	44 - 1	93210-14003	8 - 8	93440-52009	18 - 39
90401-10012	31 - 24	90464-28003	12 - 9	90501-06022	19 - 3	91317-05020	34 - 15	93210-15566	9 - 4	93440-62032	18 - 33
90401-10172	35 - 24	90464-47002	44 - 8	90501-080A2	19 - 10	91317-05025	34 - 16	93210-15620	37 - 10	93450-18157	3 - 10
	37 - 26	90465-08053	47 - 25	90501-12743	36 - 34	91317-06025	34 - 4	93210-16325	14 - 25	93501-04011	36 - 35
90401-20145	9 - 1	90465-13M11	48 - 41		36 - 42		34 - 11	93210-21001	47 - 20		36 - 43
90413-07023	7 - 44	90467-08003	7 - 55	90501-240A0	17 - 11	91317-06030	7 - 32	93210-22001	14 - 27	93603-12007	6 - 10
90430-06014	1 - 12	90467-08021	47 - 36	90506-18008	36 - 5	91401-25015	36 - 17	93210-22M93	8 - 3	93603-17070	6 - 9
	6 - 36	90467-08075	7 - 63	90506-18021	20 - 1		36 - 26	93210-235A1	6 - 22	93607-44002	5 - 11
90430-08143	15 - 21	90467-09006	28 - 36	90506-18022	37 - 4	91402-16012	37 - 25		6 - 38	93610-20189	15 - 14
90430-10005	35 - 25	90467-10M04	7 - 56	90508-16041	17 - 21	91702-06018	37 - 23		7 - 3	93900-00030	30 - 6
	37 - 27	90467-11044	7 - 47	90508-18134	36 - 15	91808-16023	1 - 5	93210-25711	41 - 3		32 - 10
90445-08028	47 - 35		7 - 50	90508-18135	36 - 24		1 - 6	93210-27370	6 - 23	94112-17104	30 - 5
90445-08036	7 - 54	90467-11090	7 - 41	90508-32020	20 - 10		1 - 7	93210-27778	15 - 12	94119-17067	32 - 9
90445-19002	36 - 6		7 - 43	90520-01001	38 - 46		1 - 8	93210-357A2	6 - 18	94580-31082	8 - 1
90446-15386	37 - 5		7 - 46		38 - 61		1 - 9	93210-41N50	27 - 13	94582-30120	32 - 28
90450-22017	7 - 38		7 - 49	90520-03001	38 - 24	91808-30031	6 - 16		27 - 33	94591-60126	5 - 5
90450-35001	6 - 29	90467-12085	37 - 18		38 - 29	92012-05014	10 - 34	93210-46044	6 - 31	94682-30031	32 - 29
	7 - 9	90467-120A3	35 - 20	90520-03005	38 - 47	92012-06010	13 - 31	93210-49046	7 - 6	94701-00424	1 - 19
	7 - 17	90467-160A2	10 - 14		38 - 62		13 - 41	93210-68001	15 - 19	95022-06008	48 - 32
	7 - 27		10 - 41	90520-05002	28 - 56	92012-06016	24 - 14	93305-20605	18 - 17	95022-06016	47 - 24
90450-38040	6 - 28	90467-17003	12 - 8	90520-05011	39 - 38		24 - 18	93306-00106	6 - 2	95022-06020	6 - 15
	7 - 11	90467-180A0	12 - 7	90520-10005	28 - 66	92014-08016	15 - 22	93306-00304	17 - 10		20 - 16
	7 - 13	90467-18172	12 - 4		28 - 75	92014-08035	13 - 12	93306-07208	30 - 3	95022-06025	6 - 8
	7 - 29		12 - 6	90520-15001	21 - 52	92017-05016	48 - 7	93306-20531	32 - 2	95022-06030	28 - 15
90450-45001	13 - 22	90467-200A0	6 - 26	90560-05N33	28 - 65	92017-05025	48 - 4		32 - 13	95024-06025	6 - 32
	13 - 29		7 - 39		28 - 74	92017-06025	48 - 25	93306-205A2	18 - 38	95027-06020	46 - 5
	13 - 39	90480-01558	13 - 60	90560-06244	26 - 27	92902-04100	35 - 13	93306-20652	18 - 11	95302-06700	41 - 6
90450-60004	10 - 3		13 - 65	90560-08251	21 - 58	92902-04600	35 - 14	93306-27208	18 - 14		41 - 11
	10 - 5	90480-08005	38 - 37		21 - 63	92902-06200	37 - 24	93306-80501	19 - 4	95302-08600	24 - 3
90464-06214	34 - 19		38 - 52		39 - 39	92907-05200	45 - 10	93306-97202	24 - 9	95304-06700	20 - 22
90464-09M31	28 - 33		47 - 8		39 - 49	92907-08600	17 - 31	93310-23168	17 - 18	95307-08700	37 - 20
90464-12009	48 - 49	90480-08006	39 - 40	91312-04025	48 - 34	93101-18061	25 - 5	93310-24160	16 - 2	95602-05100	45 - 9
90464-13073	48 - 39		39 - 50	91312-05010	28 - 25	93102-12106	20 - 6	93315-21570	17 - 28	95602-08200	26 - 19
	48 - 40	90480-10542	28 - 8	91312-05020	47 - 37	93102-15212	17 - 27	93315-31758	24 - 24	95602-10200	24 - 30
	48 - 45		28 - 13	91312-06012	48 - 17	93102-40330	18 - 32		24 - 27		24 - 34
	48 - 46	90480-11009	45 - 12	91312-06016	28 - 4	93106-28004	24 - 11		25 - 2		24 - 36
90464-13077	48 - 44	90480-12005	24 - 48	91312-06025	5 - 8	93106-28043	30 - 4	93317-11096	17 - 30		24 - 41
	48 - 47	90480-12010	6 - 39		34 - 20	93106-40013	32 - 3	93317-11295	20 - 5		25 - 9
	48 - 48	90480-12023	28 - 39	91312-06045	6 - 11		32 - 14	93317-428U8	24 - 8	95602-16200	25 - 11
90464-14228	21 - 30	90480-12072	22 - 2	91314-06012	6 - 34	93109-17071	24 - 25	93317-43580	32 - 4	95604-06200	36 - 38
90464-15195	44 - 12	90480-12579	13 - 13	91314-06035	36 - 37		24 - 28	93317-52897	24 - 7		36 - 46

NUMERICAL INDEX

PART NO.	REF. NO.	PART NO.	REF. NO.	PART NO.	REF. NO.	PART NO.	REF. NO.	PART NO.	REF. NO.
95607-05200	45 - 14	99530-10014	14 - 4						
	48 - 5	99530-10114	1 - 30						
95607-06200	7 - 36		2 - 3						
	46 - 4								
95607-10200	36 - 9								
95612-08625	1 - 13								
95617-06100	35 - 9								
95702-06500	22 - 6								
95802-06012	39 - 46								
95802-06016	39 - 32								
95807-06012	48 - 2								
95812-06040	14 - 20								
95812-06050	14 - 19								
95812-06060	14 - 18								
95812-08040	13 - 42								
95812-08060	14 - 15								
95814-08045	13 - 47								
95817-12080	21 - 3								
95827-06030	7 - 35								
97702-40010	42 - 4								
	42 - 8								
97702-50012	38 - 36								
	38 - 51								
97702-50014	45 - 2								
97702-50016	21 - 29								
	44 - 9								
	47 - 10								
97706-04012	45 - 7								
97707-50012	38 - 32								
98502-04012	35 - 12								
98507-04010	46 - 8								
98507-05025	46 - 11								
98507-05045	46 - 13								
98707-03016	46 - 7								
98902-05008	28 - 67								
	28 - 76								
98902-05014	10 - 37								
	28 - 48								
98902-05020	10 - 40								
	45 - 8								
99001-07600	17 - 32								
99002-10600	20 - 7								
99009-10400	17 - 23								
99009-12400	6 - 14								
99009-17400	20 - 14								
99009-42500	24 - 10								
99530-08012	9 - 9								
	15 - 3								