





Spare parts catalogue **620 U.S.A.**

***DUCATI*** *MONSTER*



<b>DUCATI</b> MOTOR HOLDING 	<b>MONSTER 620</b>	M.Y. '06	<b>U.S.A.</b>
Spare Parts Department	P.N. 91511462E	Ottobre - October '06	Edizione - Edition 01
<b>DUCATI</b> MOTOR HOLDING 	<b>MONSTER 620</b>	M.Y. '06	<b>U.S.A.</b>
Spare Parts Department	P.N. 91511462E	Ottobre - October '06	Edizione - Edition 01
<b>DUCATI</b> MOTOR HOLDING 	<b>MONSTER 620</b>	M.Y. '06	<b>U.S.A.</b>
Spare Parts Department	P.N. 91511462E	Ottobre - October '06	Edizione - Edition 01
<b>DUCATI</b> MOTOR HOLDING 	<b>MONSTER 620</b>	M.Y. '06	<b>U.S.A.</b>
Spare Parts Department	P.N. 91511462E	Ottobre - October '06	Edizione - Edition 01



## GENERAL INFORMATION

The present spare parts order exactly the right spare parts

When ordering specify:

1) the part's code number followed by its description; quantity needed;

2) the motorcycle's serial number, stamped on the steering head.

Reference to right and left apply to the vehicle in terms of its direction of movement.

Spare parts drawings are general and do not represent the part.

The contents of this catalogue are general and can undergo changes without prior notice.

## VALIDITY

f.m. Until V.I.N.  
d.m. From V.I.N.  
f.m.m. Up to engine number  
d.m.m. From engine number

## LIST

CAL California  
CND Canada

*Ducati Motor Holding S.p.A.  
Commercial and Administration Office:  
Via A. Cavalieri Ducati n. 3  
40132 Bologna, Italy  
Telefono 051 6413111  
Fax 051 406580  
Internet [www.ducati.com](http://www.ducati.com)*

CATALOGUE No: 915.1.146.2E  
ISSUED: 10 - 06

CATALOGUE No: 915.1.146.2E  
ISSUED: 10 - 06

## PAINTS

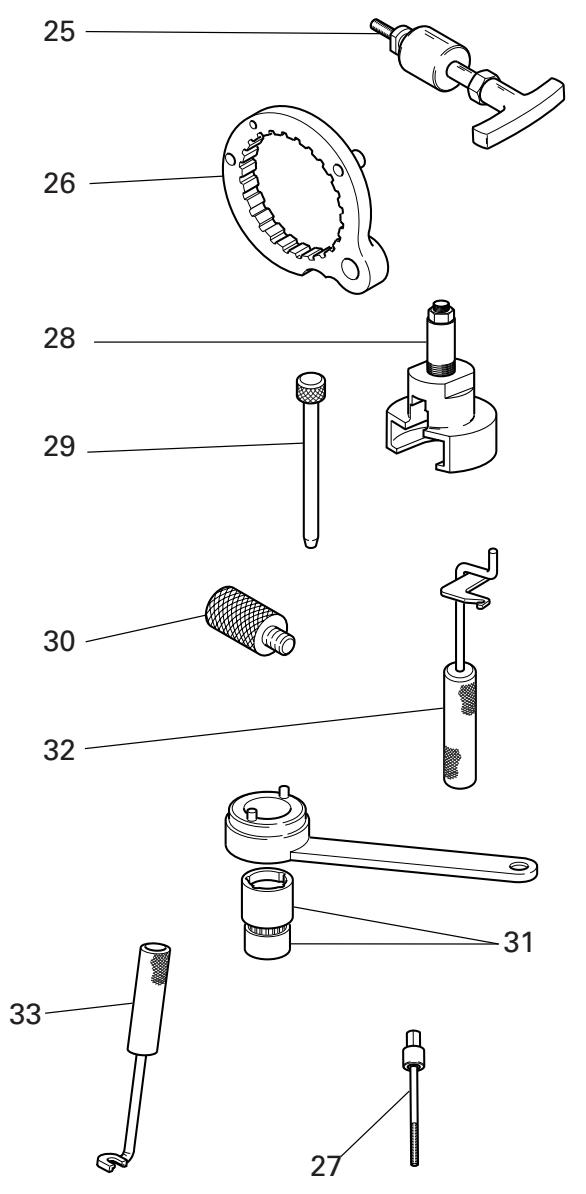
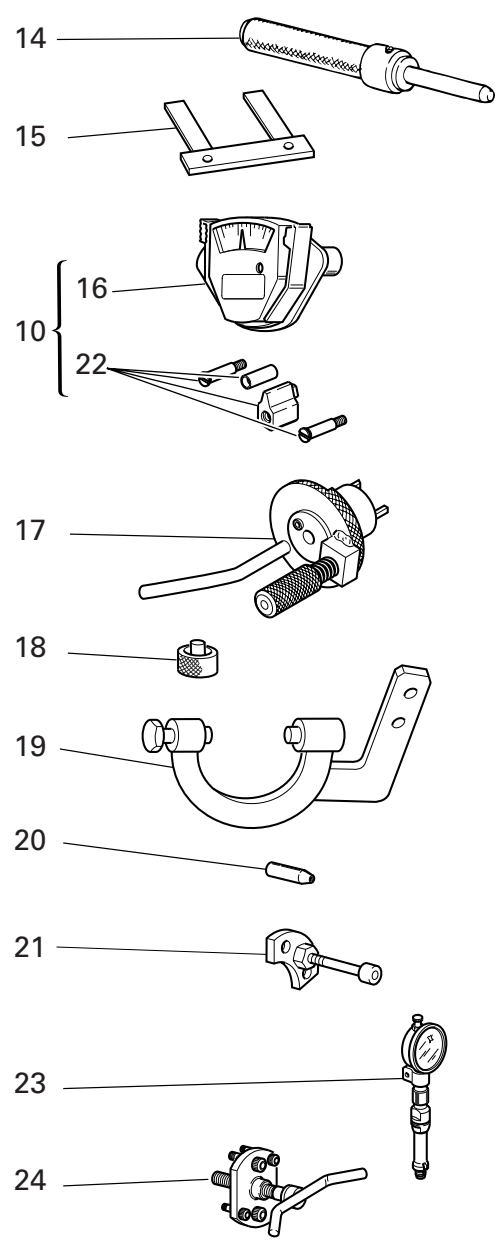
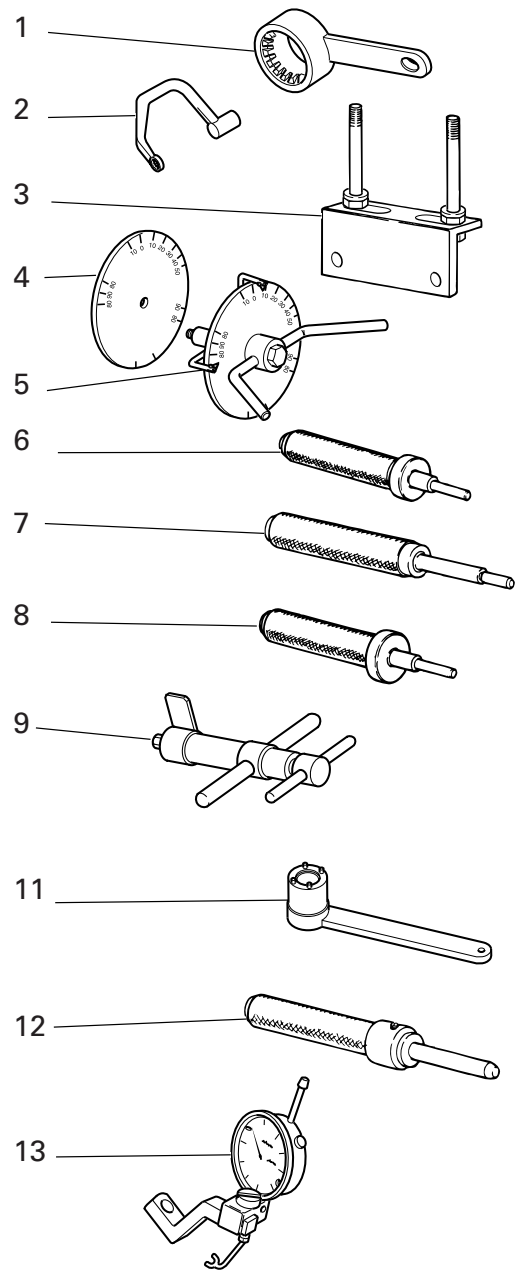


Paint	Code
"Rosso Anniversary DUCATI"	(PPG) F_473.101
"Nero Lucido DUCATI" (for no derated version)	(PPG) 248.514
"Trasparente"	(PPG) 228.880

page	CONTENTS
4	001 WORKSHOP SPECIAL TOOLS
8	001a WORKSHOP SPECIAL TOOLS
10	001b DIAGNOSIS TESTER DDS
12	001c WORKSHOP SPECIAL TOOLS
14	002 GEARCHANGE
18	003 GEAR-BOX
22	004 CLUTCH
24	005 CLUTCH COVER
26	006 CRANKSHAFT
30	007 CYLINDERS - PISTONS
32	008 TIMING
34	009 FILTERS AND OIL PUMP
38	010 HALF CRANKCASES
42	011 ALTERNATOR COVER
46	012 ELECTRIC STARTER AND IGNITION
48	013 HEAD : TIMING
50	014 VERTICAL HEAD
54	015 HORIZONTAL HEAD
58	016 INLET DICT
60	017 STANDS
62	018 ELECTRIC SYSTEM
66	019 BATTERY BOX MOUNT
68	020 EXHAUST SYSTEM
72	021 INSTRUMENT PANEL
74	022 FRONT HEAD-LIGHT
76	023 PLATE HOLDER - REAR LIGHT
78	024 FRONT FORK
80	025 FRONT AND REAR WHEELS
82	026 HANDLEBAR AND CONTROLS
86	027 CLUTCH CONTROL
88	028 FRONT BRAKE
90	029 REAR BRAKE
94	030 FRAME
98	031 GEARCHANGE LEVER - FOOT REST
102	032 SWINGARM AND CHAIN
104	033 REAR SUSPENSION
106	034 AIR INDUCTIO AND OIL VENT
108	035 FUEL TANK
110	036 FUEL SYSTEM
112	037 SEAT
114	038 HEADLIGHT FAIRING
116	039 FUEL INFEED
118	040 MARKING PLATES

DRAWING 001


WORKSHOP SPECIAL TOOLS



DRAWING 001

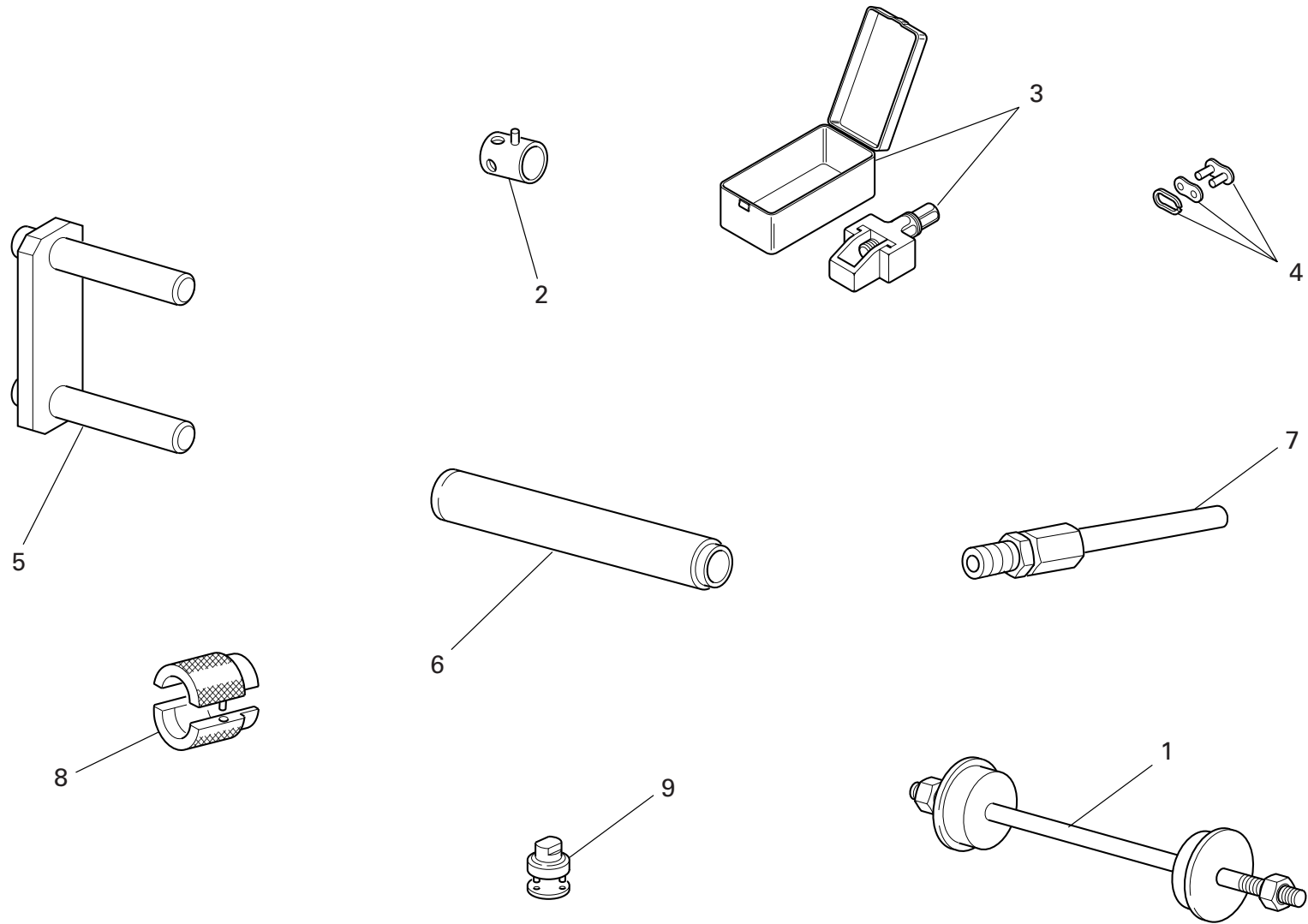
WORKSHOP SPECIAL TOOLS

NOTES NO.	CODE NO.	DESCRIPTION	VALIDITY	Q.TY 
1	88713.2107	Wrench for holding timing belt rollers ring nuts		1
2	88713.2676	Head nuts holder wrench		1
3	88713.2103	Head mounting base		1
4	98112.0002	Degree wheel		1
5	88713.0123	Degree wheel holder tool for ignition advance check		1
6	88713.0874	Exhaust valve guide punch tool		1
7	88713.0879	Punch tool to extract valve guide		1
8	88713.0875	Intake valve guide punch tool		1
9	88713.1215	Torque wrench for timing belt		1
10	051.2.001.1A	Torque wrench for timing belt		1
11	88713.0137	Crankshaft gear holder wrench for tightening nut		1
12	88713.1078	Punch tool for driving exhaust valve seat		1
13	88765.1058	Valve lift gauge		1
14	88713.1079	Punch tool for driving intake valve seat		1
15	88765.1000	Fork feeler gauge 0.1 mm		1
15	88765.1005	Fork feeler gauge 0,2 mm		1
15	88765.1006	Fork feeler gauge 0.3 mm		1
16	88765.0999	Timing belt control gauge		1
17	88713.2011	Tool to hold crankshaft in TDC position		1
18	88765.1322	Spacer for checking lower valve shim		1
19	88713.2036	Flywheel Wrench		1
20	88700.5749	Crankcases assembling cap		1
21	88713.1091	Plate for positioning gear engagement fork		1
22	88765.1086	Conversion kit for 2V belts tensioning tool		1


NOTES NO.	CODE NO.	DESCRIPTION	VALIDITY	Q.TY 
23	88765.1297	T.D.C. control gauge		1
24	88713.1749	Drive roller puller		1
25	88713.1994	Rocker shaft extractor		1
26	88713.2556	Wrench to hold clutch housing drum steady		1
27	88713.2591	Clutch screw		3
28	88713.2092	Extractor for primary drive gear		1
29	88713.0262	Pin for assembling rocker arms		1
30	88713.2009	Belt roller timing of two-valva head		1
31	88700.5644	Wrench for camshaft pulley ring nut adjustment		1
32	88713.2362	Tool for assembling closing rocker and spring		1
33	88713.0844	Half-rings mounting punch tool		1

DRAWING 001a

WORKSHOP SPECIAL TOOLS

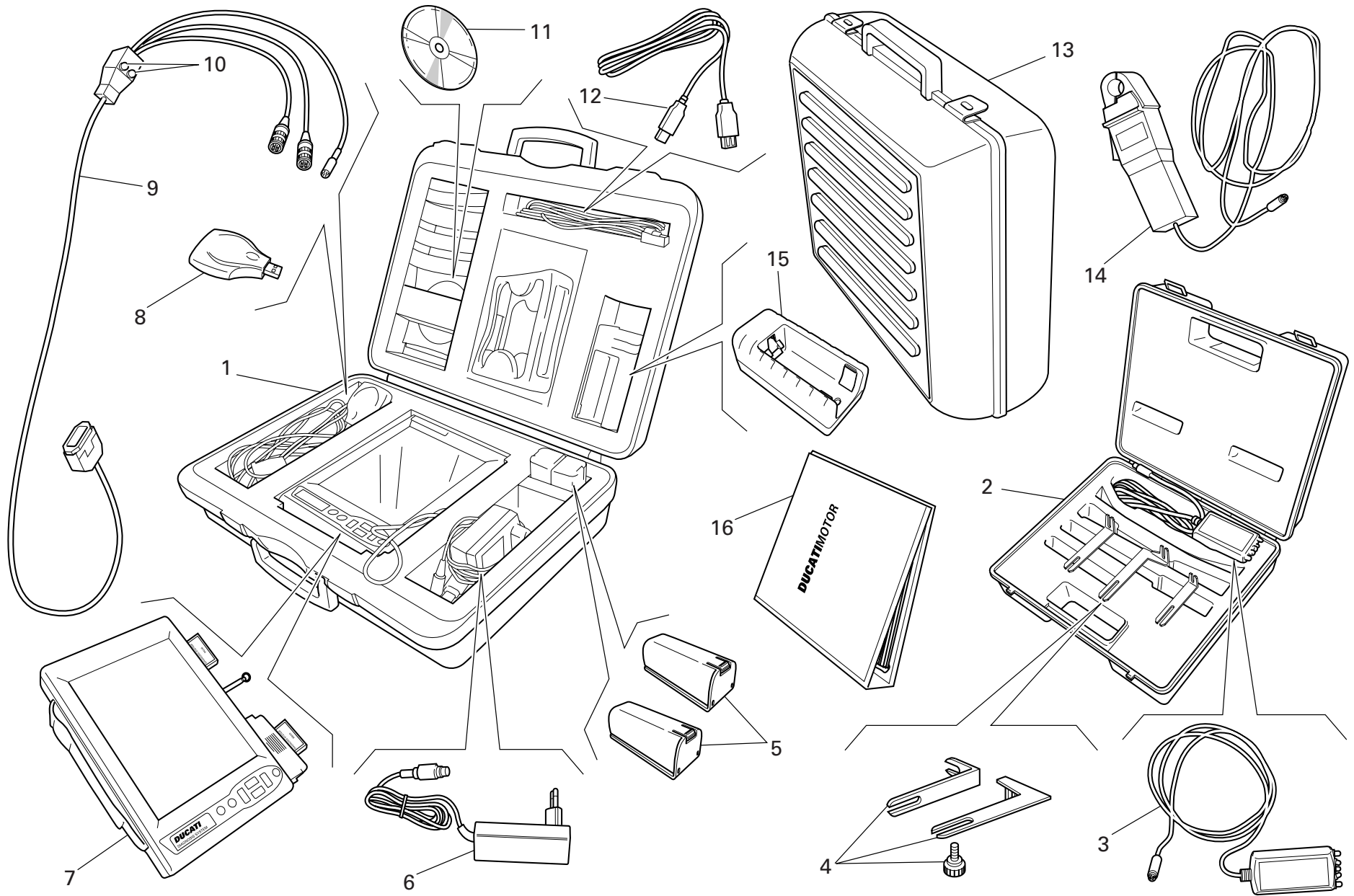


DRAWING 001a WORKSHOP SPECIAL TOOLS


NOTES NO.	CODE NO.	DESCRIPTION	VALIDITY	Q.TY 
1	88713.1062	Tool for assembling the steering head bearings		1
2	8000.70139	Wrench for front wheel spindle		1
3	88713.1344	Tool for assembling chain		1
4	677.4.003.1A	Coupling		1
5	88713.1515	Frame/engine mount		1
6	88713.1072	Stopper for driving the half bearing of the steering head base		1
7	88713.1010	Union for exhaust gas suction		1
8	88713.1096	Tool for overhauling SHOWA forks - assembling seal ring		1
9	88713.1058	Wrench for assembling the steering head cap		1

NOTES NO.	CODE NO.	DESCRIPTION	VALIDITY	Q.TY 
-----------	----------	-------------	----------	--

DRAWING 001b DIAGNOSIS TESTER DDS

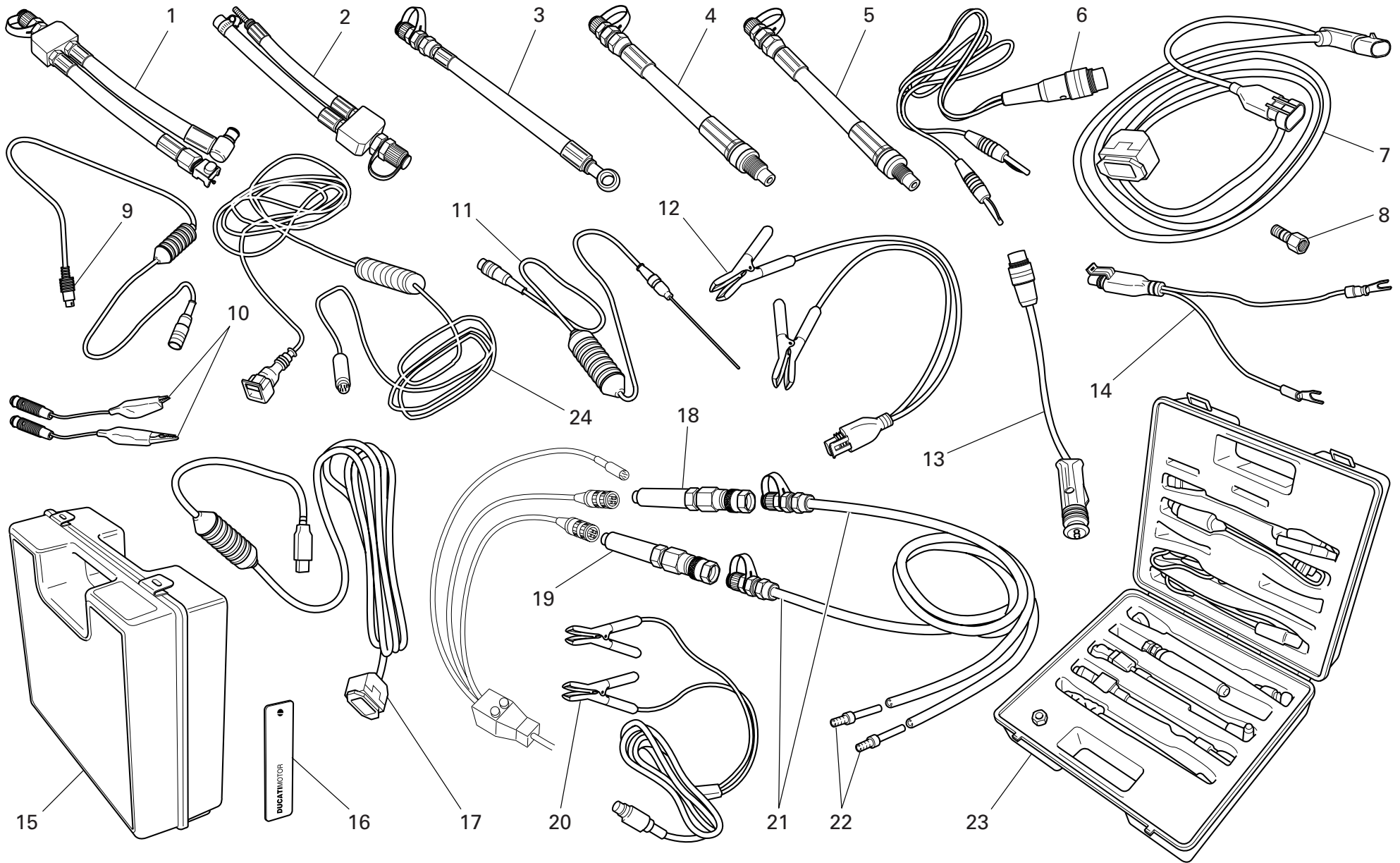


DRAWING 001b DIAGNOSIS TESTER DDS


NOTES NO.	CODE NO.	DESCRIPTION	VALIDITY	Q.TY 
1	97900.0215	DDS (Ducati Diagnosis System) + manifold vacuum meter. kit		1
2	97900.0002	Belt tensioning kit		1
3	88765.1371	Sensor		1
4	88765.1374	Bracket		1
5	97900.0216	Battery		2
6	97900.0224	Feeder		1
7	97900.0211	Bare DDS		1
8	97900.0225	(USB) Memory card reader		1
9	97900.0222	Main cable 1060838		1
10	97900.0219	Fuse		2
11	97900.0223	Software DDS CD		1
12	97900.0226	(USB) Cable extension		1
13	97900.0229	Black case with sponge rubber		1
14	88765.1126V	Amperometer plier		1
15	97900.0217	Battery charger		1
16	97900.0232	DDS manual		1

NOTES NO.	CODE NO.	DESCRIPTION	VALIDITY	Q.TY 
-----------	----------	-------------	----------	--

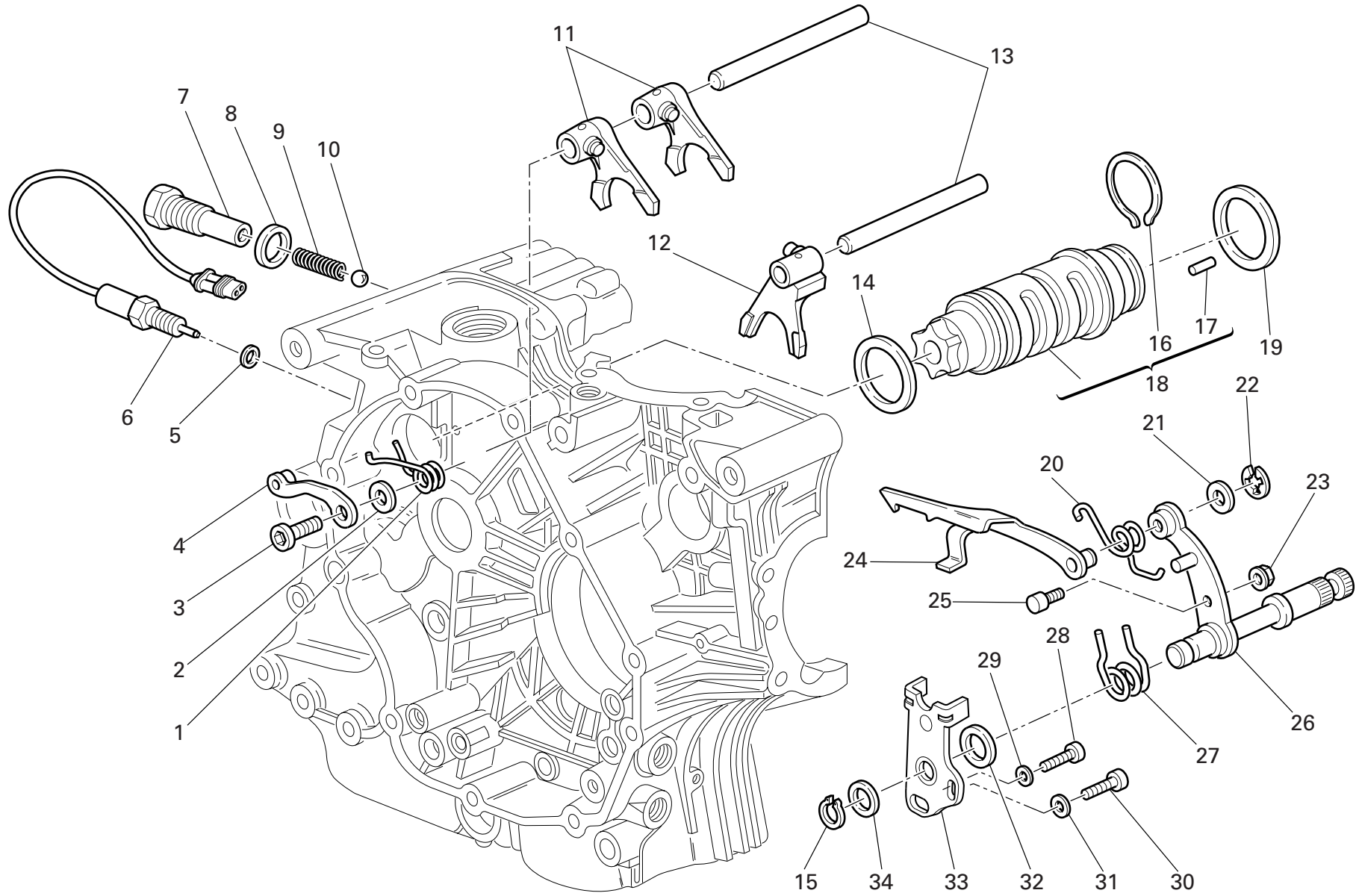
DRAWING 001c WORKSHOP SPECIAL TOOLS



DRAWING 001c WORKSHOP SPECIAL TOOLS


NOTES NO.	CODE NO.	DESCRIPTION	VALIDITY	Q.TY 
1	590.1.189.1A	Fuel pressure line HS.		1
2	590.1.190.1A	Fuel pressure line ST/SS/M.		1
3	875.1.065.1A	Oil pressure line		1
4	552.1.037.1A	Fitting - cylinder compression M12		1
5	552.1.038.1A	Fitting - cylinder compression M10		1
6	514.1.037.1A	Cable Volt PF DUC 21		1
7	97900.0227	Main cable D607		1
8	814.1.114.1A	Oil pressure fitting		1
9	514.1.032.1A	Cable for supplementary tests		1
10	514.1.035.1A	Red clamp cable		1
10	514.1.036.1A	Black clamp cable		1
11	552.1.040.1A	Temperature probe		1
12	97900.0228	Battery connection adapter		1
13	514.1.033.1A	Electric lighter connection adapter (ST)		1
14	514.1.038.1A	Battery connection adapter		1
15	698.1.033.1A	Red case with sponge rubber		1
16	88765.1126T	DUCATI sticker RH/LH side		2
17	97900.0231	(USB) Adaptor		1
18	97900.0218	Depressure sensor		1
19	552.1.039.1A	Pressure sensor		1
20	97900.0230	Feeder		1
21	97900.0220	Depressure/pressure line		2
22	97900.0221	Union		4
23	97900.0003	Pressure kit		1
24	88765.1126C	Cable for potentiometer adjustment		1

NOTES NO.	CODE NO.	DESCRIPTION	VALIDITY	Q.TY 
-----------	----------	-------------	----------	--



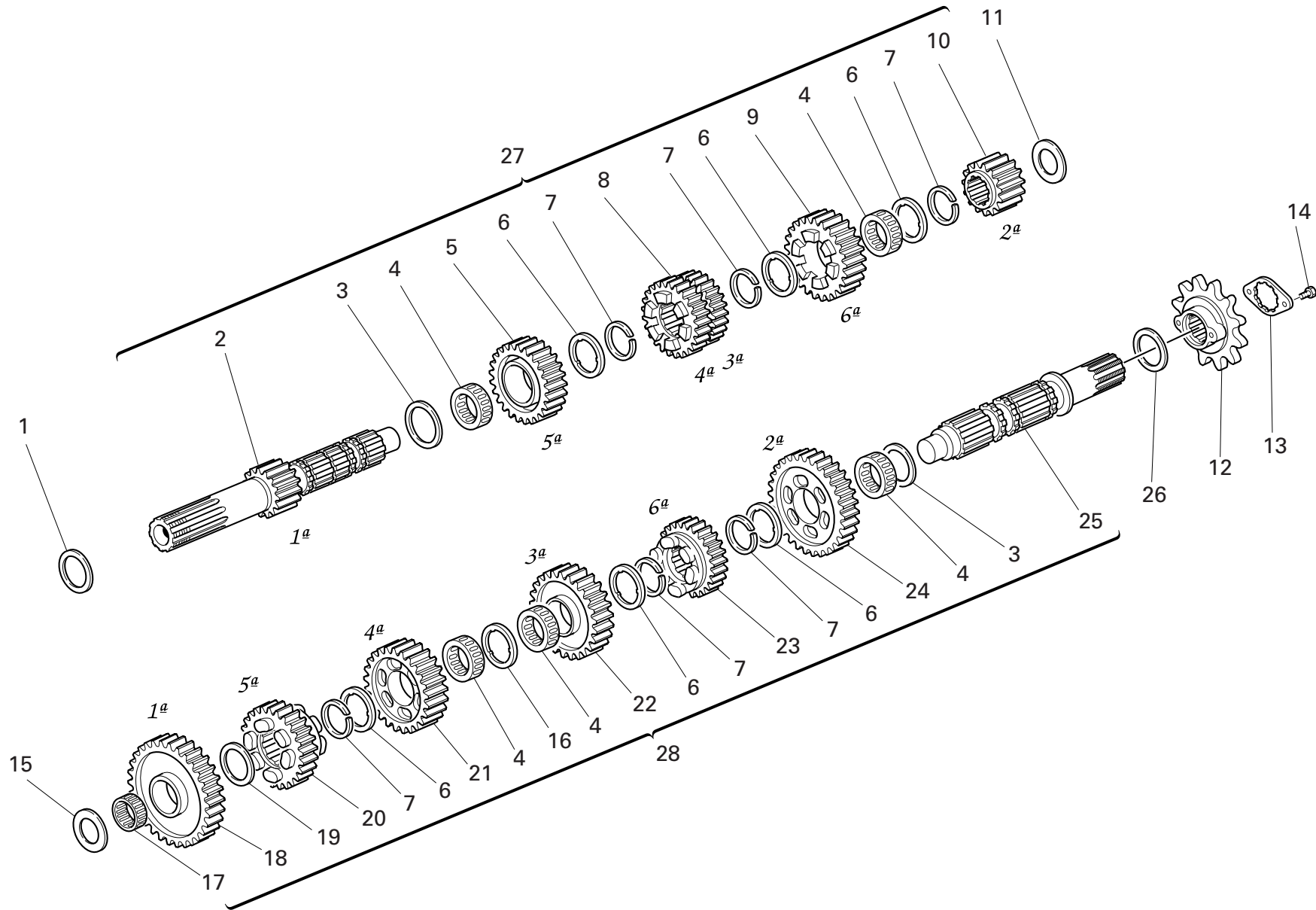
DRAWING 002 GEARCHANGE

NOTES NO.	CODE NO.	DESCRIPTION	VALIDITY	Q.TY 
1	799.1.049.1A	Return spring		1
2	852.1.053.2A	Washer		1
3	779.1.039.1A	Special screw		1
4	455.2.003.1A	Gear stopper assembly		1
5	852.5.024.1A	Gasket th.1		1
6	539.1.021.1A	Switch		1
7	779.1.203.2A	Push rod holder		1
8	0272.91.090	Gasket		1
9	0660.13.143	Gear selector spring		1
10	76835.1134	Ball		1
11	0340.13.075	1st,4th-2nd,3rd gear selector fork		2
12	0340.13.080	5th,6th gear selector fork		1
13	0660.13.070	Fork pin		2
14	852.1.005.1A	Shim th. 1		1
14	852.1.093.1A	Shim th. 0.9		1
15	73500.1542	Circlip		1
16	882.1.006.1A	Needle retaining ring (square cross-section)		1
17	821.1.070.1A	Pin		6
18	182.2.018.1A	Complete gearbox drum		1
19	0660.13.060	Shim th. 1		1
19	852.1.094.1A	Shim th. 0.9		1
20	799.1.025.1A	Fork return spring		1
21	0400.09.050	Shim th. 0.5		1
21	0765.92.205	Shim th. 0.2		2
22	884.5.034.1A	Ring		1
23	748.1.040.1A	Nut		1

NOTES NO.	CODE NO.	DESCRIPTION	VALIDITY	Q.TY 
24	180.1.008.1A	Gearbox drum control fork		1
25	0660.13.165	Gearchange lever pin		1
26	821.1.001.1A	Pin with gearchange lever		1
27	0799.13.110	Gearchange lever return spring		1
28	771.5.067.8B	Screw		1
29	852.1.172.1A	Washer		1
30	771.5.123.8B	Screw		1
31	852.1.174.1A	Washer		1
32	881.1.012.1A	Centering ring		1
33	826.1.009.1A	Stopper plate		1
34	0400.29.125	Shim th. 0.2		2
34	0400.29.126	Shim th. 0.5		1

DRAWING 003


GEAR-BOX



DRAWING 003

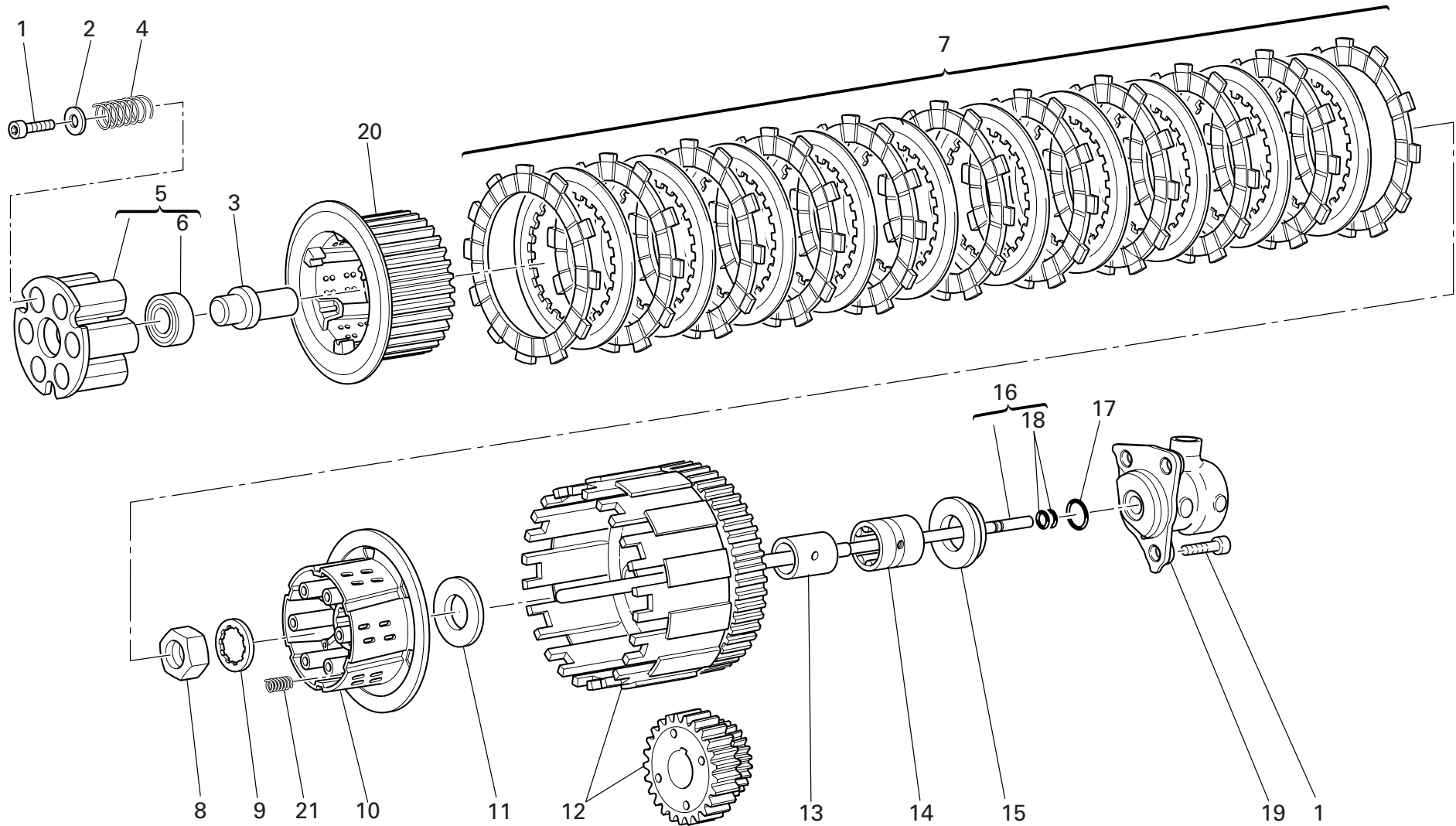
GEAR-BOX

NOTES NO.	CODE NO.	DESCRIPTION	VALIDITY	Q.TY 
1	0251.47.054	Shim th. 1.2		1
2	149.1.033.1A	Gearbox main shaft		1
3	0670.16.150	Shim th. 0.5		2
4	701.4.005.1A	Needle bearing		5
5	172.1.110.1A	Driving gear 5th sp.		1
6	856.1.001.1A	Grooved washer th. 0.5		6
7	0670.16.145	Snap ring		6
8	172.1.109.1A	Driving gear 3rd/4th sp.		1
9	172.1.111.1A	Driving gear 6th sp.		1
10	172.1.108.1A	Driving gear 2nd sp.		1
11	713.1.266.1A	Spacer th. 3,15		1
12	449.A.043.3A	Chain sprocket Z=15		1
13	826.1.011.1A	Sprocket keep plate		1
14	772.1.055.1A	Screw		2
15	713.1.014.1E	Shim th. 1.6		1
16	856.1.031.1A	Grooved washer th. 0.5		1
17	76402.0002	Needle bearing		1
18	172.1.112.1A	Driven gear 1st sp.		1
19	0670.16.155	Shim th. 1		1
20	172.1.116.1A	Driven gear 5th sp.		1
21	172.1.115.1A	Driven gear 4th sp.		1
22	172.1.114.1A	Driven gear 3rd sp.		1
23	172.1.117.1A	Driven gear 6th sp.		1
24	172.1.113.1A	Driven gear 2nd sp.		1
25	149.1.034.1A	Gearbox lay shaft		1
26	0670.16.170	Shim th. 0.8		1

NOTES NO.	CODE NO.	DESCRIPTION	VALIDITY	Q.TY 
27	150.2.061.1A	Complete main shaft		1
28	150.2.062.1A	Gearbox lay shaft		1

DRAWING 004

CLUTCH



DRAWING 004

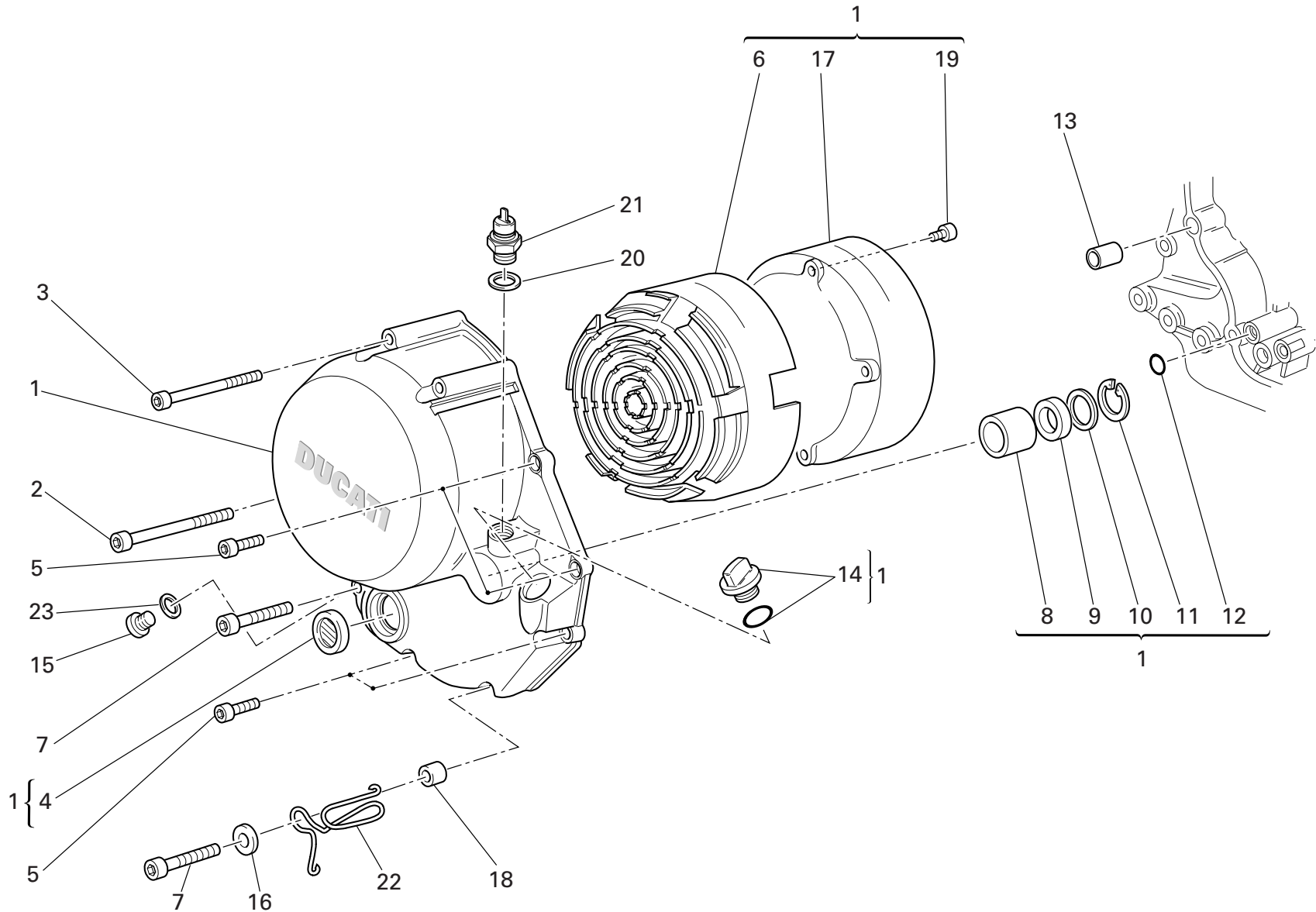
CLUTCH

NOTES NO.	CODE NO.	DESCRIPTION	VALIDITY	Q.TY 
1	771.5.065.8B	Screw		9
2	852.1.177.1A	Washer		6
3	818.1.015.1A	Clutch control pin		1
4	797.1.022.1A	Clutch spring		6
5	194.2.020.1A	Pressure plate		1
6	702.5.038.1A	Bearing		1
7	190.2.016.1A	Clutch plates set		1
8	750.1.007.1A	Nut		1
9	851.1.020.1A	Lock washer		1
10	196.1.024.1A	Clutch drum		1
11	856.1.014.1A	Shim		1
12	198.1.033.1A	Primary drive gears pair		1
13	881.1.026.1A	Inner ring		1
14	702.5.015.1A	Bearing		1
15	713.1.119.1A	Spacer		1
16	117.2.007.1A	Clutch control rod		1
17	886.4.043.1A	O-ring		1
18	93823.2018	O-ring		2
19	195.4.003.1A	Piston assembly		1
20	196.1.025.1A	Hub		1
21	797.1.017.1A	Spring		3


NOTES NO.	CODE NO.	DESCRIPTION	VALIDITY	Q.TY 
-----------	----------	-------------	----------	--

DRAWING 005

CLUTCH COVER




DRAWING 005 CLUTCH COVER


NOTES NO.	CODE NO.	DESCRIPTION	VALIDITY	Q.TY 
1	243.2.028.5AC	Cover clutch side		1
2	771.5.083.8B	Screw		1
3	771.5.081.8B	Screw		3
4	254.4.001.2A	Oil level sight glass		1
5	771.5.069.8B	Screw		4
6	486.1.051.1A	Panel (BLACK)		1
7	771.5.072.8B	Screw		2
8	0665.49.680	Bush		1
9	930.4.091.1A	Seal ring		1
10	852.1.008.1A	Shim th. 0.5		1
11	884.5.035.1A	Circlip		1
12	93827.0114	O-ring		1
13	0400.49.240	Locating bush		1
14	893.2.013.1A	Complete cap		1
15	780.5.001.1A	Cap		1
16	852.1.176.1A	Washer		1
17	243.1.029.1A	Cover		1
18	713.1.241.1A	Spacer		1
19	773.1.001.1A	Screw		6
20	852.1.195.1A	Gasket th.2		1
21	539.4.030.1A	Switch		1
22	881.1.051.1A	Holder		1
23	852.5.024.1A	Gasket th.1		1

NOTES NO.	CODE NO.	DESCRIPTION	VALIDITY	Q.TY 
-----------	----------	-------------	----------	--



DRAWING 006 CRANKSHAFT

NOTES NO.	CODE NO.	DESCRIPTION	VALIDITY	Q.TY 
1	146.2.089.1A	Crankshaft		1
2	779.1.109.1A	Special screw		1
3	780.1.016.1A	Cap		1
4	72121.2106	Threaded dowel		2
5	158.2.018.1A	Connecting rods pair		1
6	0660.47.290	Standard bush		2
7	74224.0570	Pin		4
8	0660.47.230	Standard half-bearing		4
9	779.1.007.2A	Special screw		4
10	74172.1008	Woodruff key		1
11	852.1.104.1A	Shim th. 1.9		2
11	852.1.104.1B	Shim th. 1.95		2
11	852.1.104.1H	Shim th. 2.25		2
11	852.1.104.1K	Shim th. 2,4		2
11	852.1.104.1L	Shim th. 2,45		2
11	852.1.104.1M	Shim th. 2.5		2
11	852.1.104.1N	Shim th. 2.55		2
11	852.1.104.2C	Shim th. 2		2
11	852.1.104.2D	Shim th. 2,05		2
11	852.1.104.2E	Shim th. 2,1		2
11	852.1.104.2F	Shim th. 2,15		2
11	852.1.104.2G	Shim th. 2.2		2
11	852.1.104.2I	Shim th. 2.3		2
11	852.1.104.2J	Shim th. 2.35		2
12	851.1.019.1A	Lock washer		1
13	0660.47.040	Nut		1

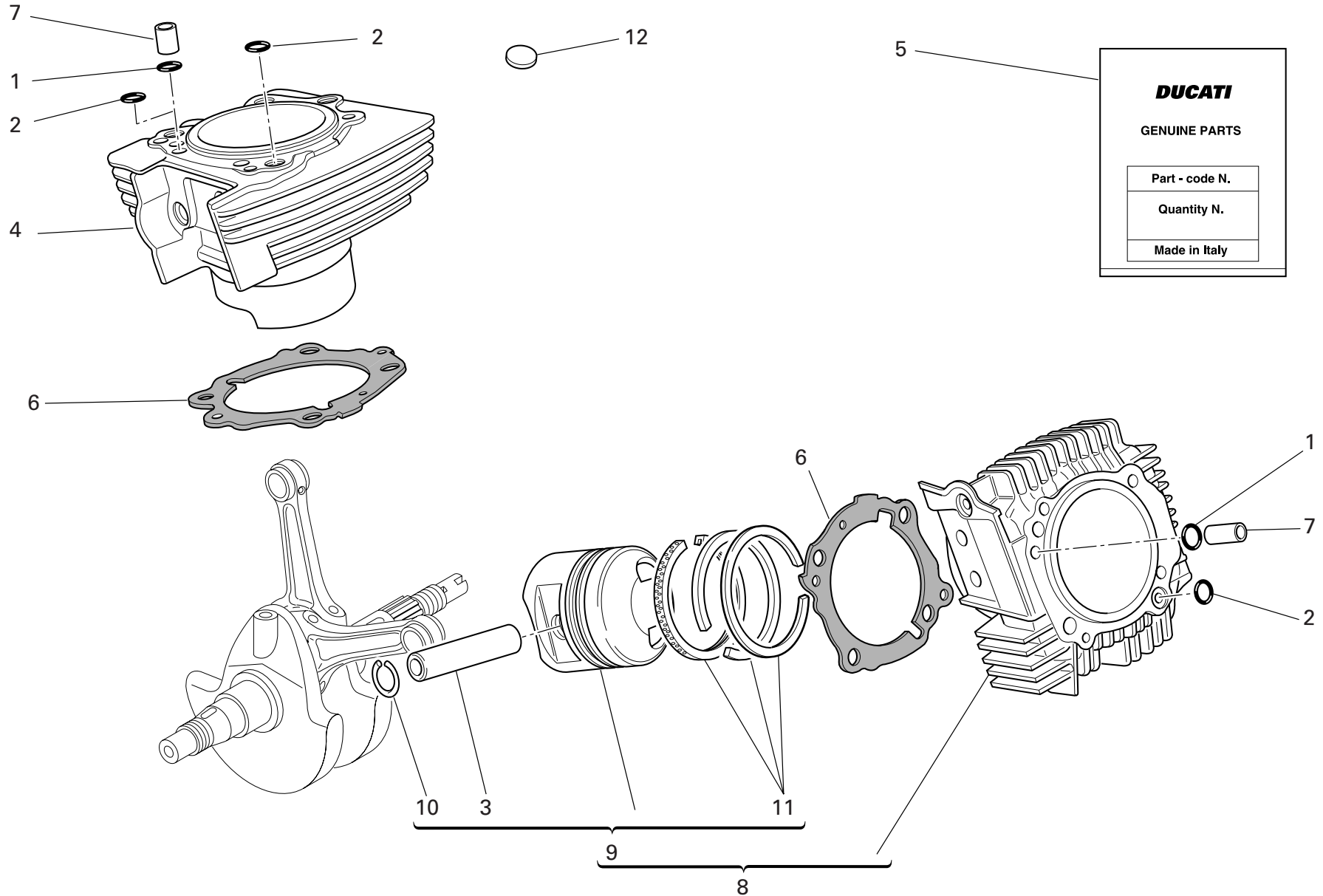
NOTES NO.	CODE NO.	DESCRIPTION	VALIDITY	Q.TY 
14	0755.29.025	Woodruff key		1
15	799.1.051.2A	Spring washer		1
16	750.1.012.2A	Nut		1

CATALOGUE No: 915.1.146.2E  
ISSUED: 10 - 06


CATALOGUE No: 915.1.146.2E  
ISSUED: 10 - 06

DRAWING 007

CYLINDERS - PISTONS



DRAWING 007 CYLINDERS - PISTONS

NOTES NO.	CODE NO.	DESCRIPTION	VALIDITY	Q.TY 
1	0400.17.030	O-ring		2
2	886.4.121.1A	O-ring		3
3	121.1.027.1A	Piston pin		2
4	120.2.076.2A	Vertical cylinder-piston fit		1
5	791.2.034.1A	Head-cylinder gaskets set		1
6	786.1.095.1A	Cylinder-crankcase gasket th. 0.4		2
7	0805.17.125	Bush		2
8	120.2.075.2A	Horizontal cylinder-piston fit		1
9	122.2.073.2A	Complete piston		2
10	884.4.017.1A	Piston pin circlip		4
11	121.2.023.1B	Piston rings set		2
12	700.1.027.1A	Vibration damper pad		47

NOTES NO.	CODE NO.	DESCRIPTION	VALIDITY	Q.TY 
-----------	----------	-------------	----------	--



DRAWING 008

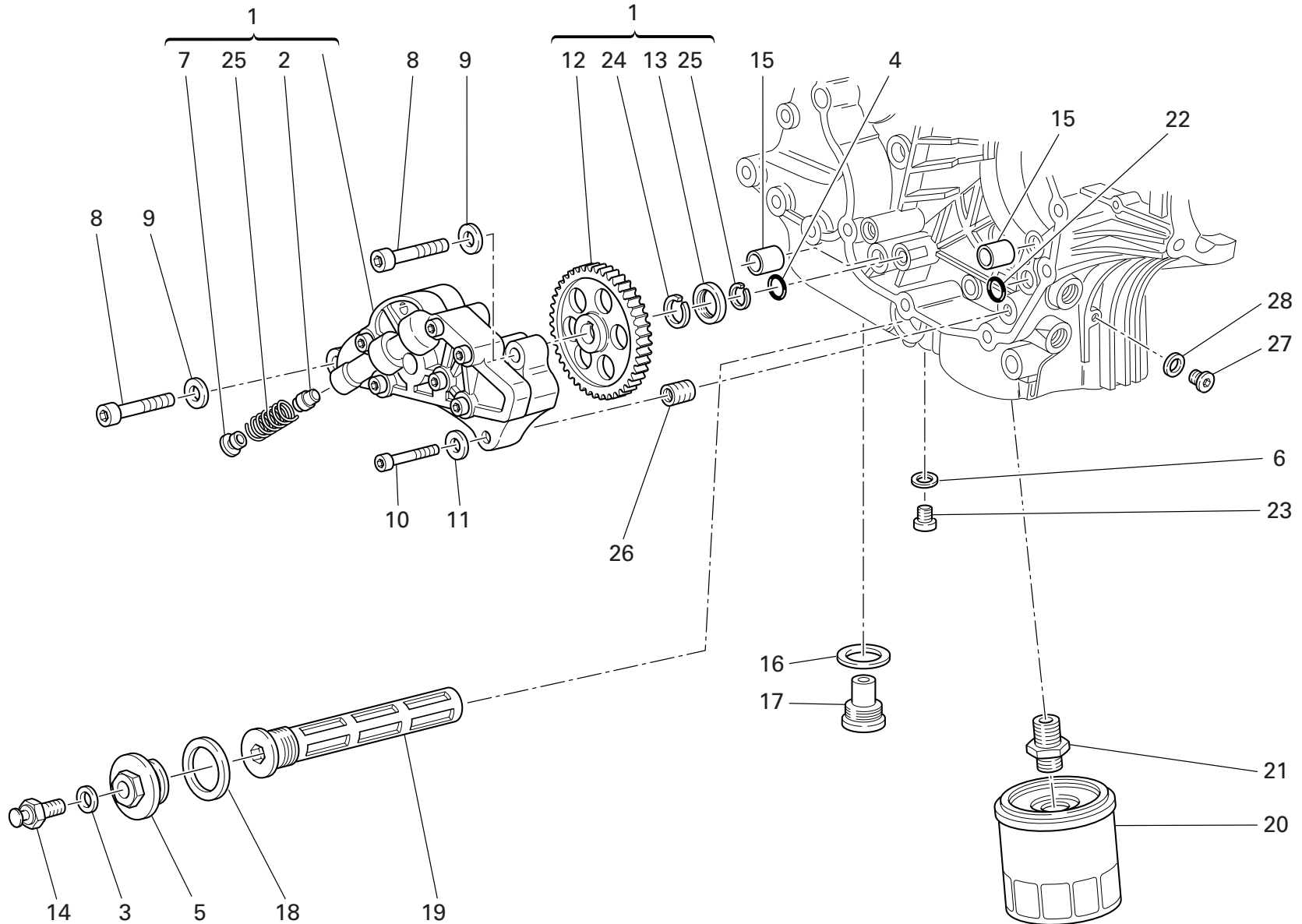
TIMING

NOTES NO.	CODE NO.	DESCRIPTION	VALIDITY	Q.TY 
1	771.5.067.8B	Screw		1
2	245.1.047.1A	Horizontal timing belt cover		1
3	74172.1008	Woodruff key		2
4	147.1.015.1A	Lay shaft		1
5	771.5.069.8B	Screw		2
6	851.1.013.1A	Lock washer		1
7	0124.40.060	Hexagon nut		1
8	245.1.048.1A	Vertical timing belt cover		1
9	772.1.010.3A	Screw		4
10	171.2.020.2B	Timing gears pair		1
11	703.5.006.2A	Elastic-stop ring nut		1
12	852.1.173.1A	Washer		1
13	255.1.001.1B	Timing belt roller		2
14	737.4.007.2A	Timing drive toothed belt		2
15	856.1.002.2A	Belt roller separating washer sp. 2		1
16	451.1.025.1A	Fixed tensioner assembly		2
17	451.2.017.1A	Complete vertical cylinder tensioner roller		2
18	884.5.034.1A	Ring		2
19	702.4.069.1A	Bearing		4
20	0755.29.025	Woodruff key		1
21	771.5.064.8B	Screw		4
22	882.1.003.1A	Snap ring		1

NOTES NO.	CODE NO.	DESCRIPTION	VALIDITY	Q.TY 
-----------	----------	-------------	----------	--

DRAWING 009


FILTERS AND OIL PUMP



DRAWING 009

FILTERS AND OIL PUMP

NOTES NO.	CODE NO.	DESCRIPTION	VALIDITY	Q.TY 
1	174.2.025.6A	Complete oil pump		1
2	799.1.055.1A	Bypass spring		1
3	852.5.024.1A	Gasket th.1		1
4	886.4.037.1A	O-ring		1
5	873.1.039.1A	Cap		1
6	852.1.120.1A	Aluminium gasket		1
7	780.1.018.1A	Bypass cap		1
8	771.5.129.8B	Screw		2
9	853.1.002.1A	Spring washer		2
10	771.5.069.8B	Screw		1
11	853.1.004.1A	Spring washer		1
12	174.1.025.2A	Pump drive gear		1
13	710.1.001.1A	Bush		1
14	552.1.045.2A	Thermistor		1
15	0759.49.280	Locating bush		2
16	220.3.208.3A	Gasket		1
17	780.2.047.1A	Oil drain plug with magnet		1
18	852.5.005.1A	Gasket th.1,5		1
19	894.2.009.1A	Oil filter		1
20	444.4.003.4A	Oil filter cartridge		1
21	815.1.028.1A	Nipple		1
22	93827.0114	O-ring		1
23	779.1.198.2A	Cap		1
24	884.4.042.1A	Snap ring		1
25	884.5.036.1A	Circlip		1
26	0670.49.310	Reduction bush		1

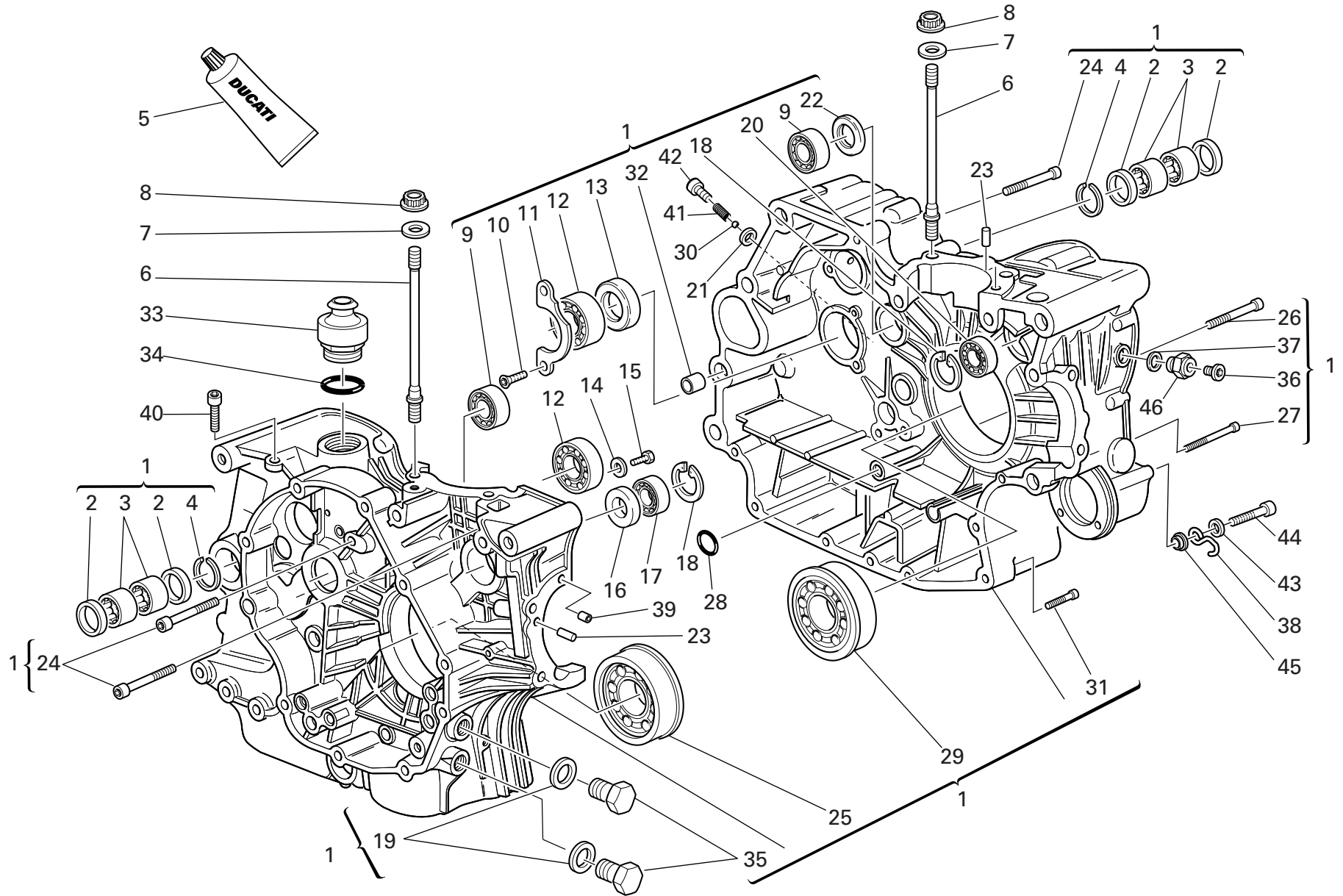
NOTES NO.	CODE NO.	DESCRIPTION	VALIDITY	Q.TY 
27	779.1.162.2A	Cap		1
28	852.1.195.1A	Gasket th.2		1
29	593.1.018.1A	Bypass valve		1

CATALOGUE No: 915.1.146.2E  
ISSUED: 10 - 06

CATALOGUE No: 915.1.146.2E  
ISSUED: 10 - 06


DRAWING 010

HALF CRANKCASES



DRAWING 010 HALF CRANKCASES

NOTES NO.	CODE NO.	DESCRIPTION	VALIDITY	Q.TY 
1	225.2.153.1A	Complete half-crankcases pair		1
2	0755.49.265	Seal ring		4
3	76400.0004	Needle bearing		4
4	76266.2668	Snap ring		2
5	94247.0014	Fluid sealant		1
6	766.1.058.1A	Stud bolt for fastening head cylinder		8
7	856.1.064.2A	Special washer		8
8	748.1.050.1A	Nut		8
9	702.4.040.1A	Bearing		2
10	72094.1616	Screw		2
11	0367.49.275	Keep plate		1
12	75120.2567	Bearing		2
13	0660.49.268	Seal ring		1
14	713.1.140.1A	Spacer		2
15	770.5.250.8B	Screw		2
16	93785.1830	Seal ring		1
17	75794.1542	Bearing		1
18	73503.3380	Circlip		2
19	787.1.011.1A	Aluminium gasket th.2		2
20	702.5.008.1A	Bearing		1
21	852.5.023.1A	Gasket		1
22	463.4.001.1A	Seal ring		1
23	860.1.004.1A	Locating dowel		2
24	771.5.136.8B	Screw		6
25	702.4.015.1A	Bearing		1
26	779.1.029.2A	Special screw		1

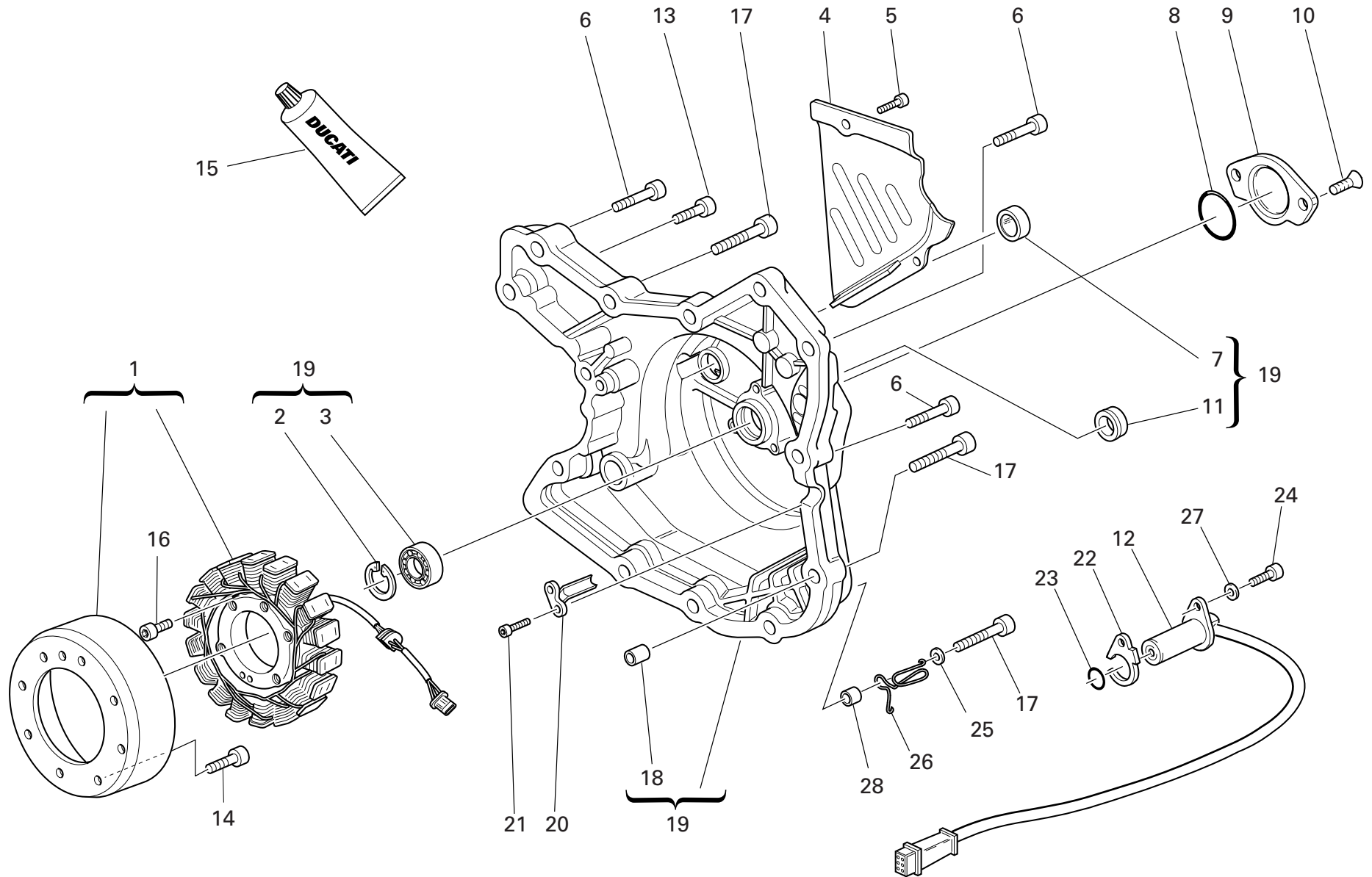
NOTES NO.	CODE NO.	DESCRIPTION	VALIDITY	Q.TY 
27	771.5.080.8B	Screw		1
28	93827.0114	O-ring		1
29	702.4.016.1A	Bearing		1
30	847.4.006.1A	Ball		1
31	771.5.072.8B	Screw		5
32	711.1.095.1A	Bush		2
33	593.1.003.1B	Breather valve		1
34	93823.3156	O-ring		1
35	780.1.037.1A	Cap		2
36	779.1.026.2A	Screw		1
37	852.5.026.1A	Aluminium gasket th.1,5		1
38	829.1.134.1A	Ring		1
39	711.1.128.1A	Bush		2
40	779.1.182.2A	Special screw		1
41	799.1.211.1A	Spring		1
42	771.1.037.1A	Special screw		1
43	852.5.028.1A	Washer		1
44	771.5.071.8B	Screw		1
45	713.1.365.1A	Spacer		1
46	779.1.434.1A	Special screw		1

CATALOGUE No: 915.1.146.2E  
ISSUED: 10 - 06

CATALOGUE No: 915.1.146.2E  
ISSUED: 10 - 06


DRAWING 011

ALTERNATOR COVER



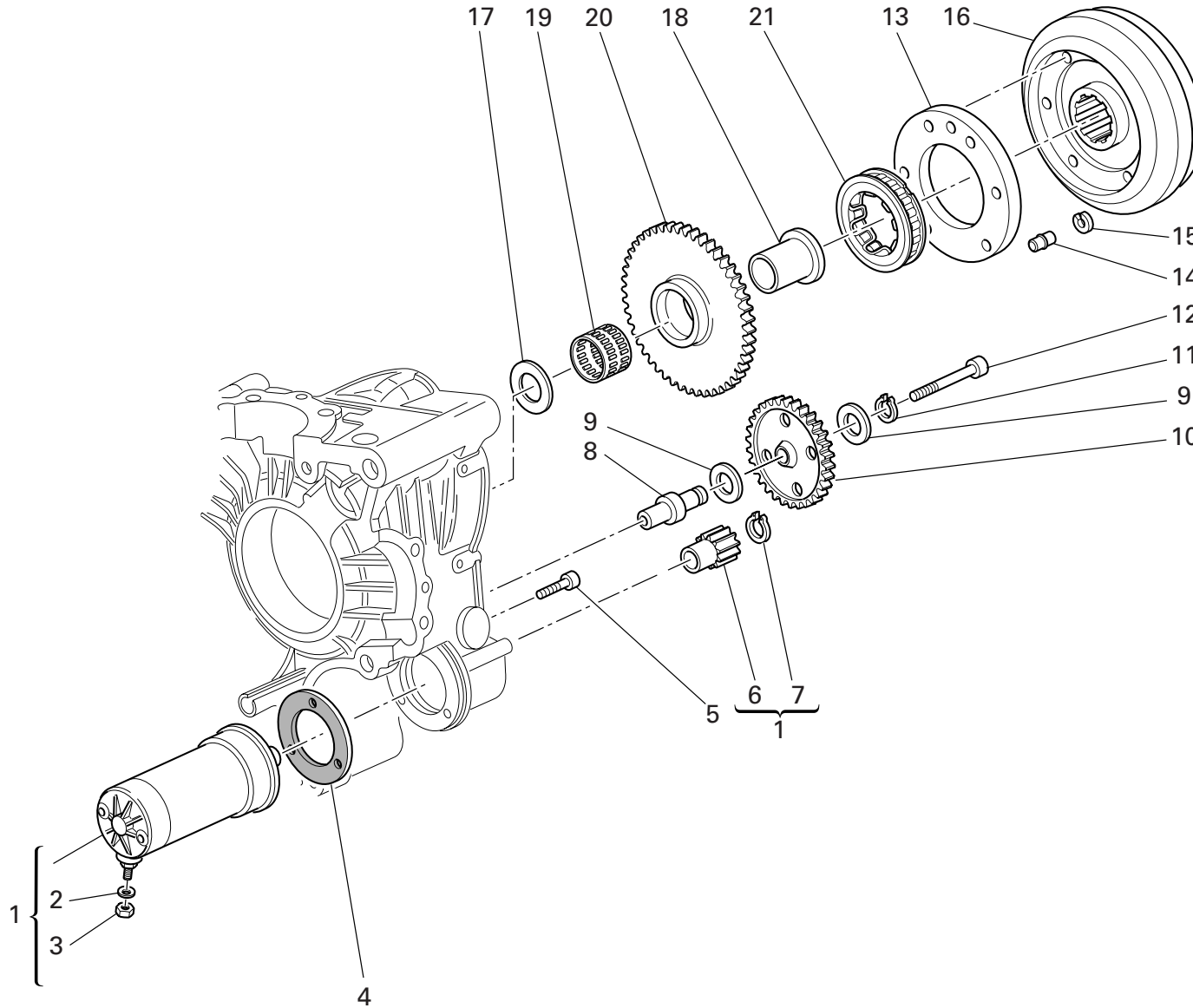
DRAWING **011** ALTERNATOR COVER

NOTES NO.	CODE NO.	DESCRIPTION	VALIDITY	Q.TY 
1	264.4.014.3B	Generator "DENSO"		1
2	73503.3380	Circlip		1
3	702.5.008.1A	Bearing		1
4	247.1.083.1AE	Chain cover		1
5	771.5.064.8B	Screw		2
6	771.5.069.8B	Screw		9
7	254.1.001.1A	Oil level sight glass		1
8	886.4.035.1A	O-ring		1
9	247.1.002.1BC	Cover		1
10	777.5.049.8B	Screw		2
11	93783.1524	Seal ring		1
12	552.4.020.1A	Sensor		1
13	771.5.067.8B	Screw		2
14	779.4.075.1A	Screw		8
15	94247.0014	Fluid sealant		1
16	771.5.073.8B	Screw		3
17	771.5.071.8B	Screw		3
18	0400.49.240	Locating bush		2
19	242.2.045.2A	Generator cover		1
20	830.1.144.1A	Bracket		1
21	771.5.040.8B	Screw		2
22	788.1.076.1A	Gasket th.0,6		1
22	788.1.076.1AA	Gasket th.0,8		1
22	788.1.076.1AB	Gasket th.1,0		1
23	886.4.033.1A	O-ring		1
24	771.5.066.8B	Screw		1

NOTES NO.	CODE NO.	DESCRIPTION	VALIDITY	Q.TY 
25	852.5.028.1A	Washer		1
26	881.1.051.1A	Holder		1
27	853.1.003.1A	Spring washer		1
28	713.1.365.1A	Spacer		1

DRAWING 012

ELECTRIC STARTER AND IGNITION



DRAWING 012

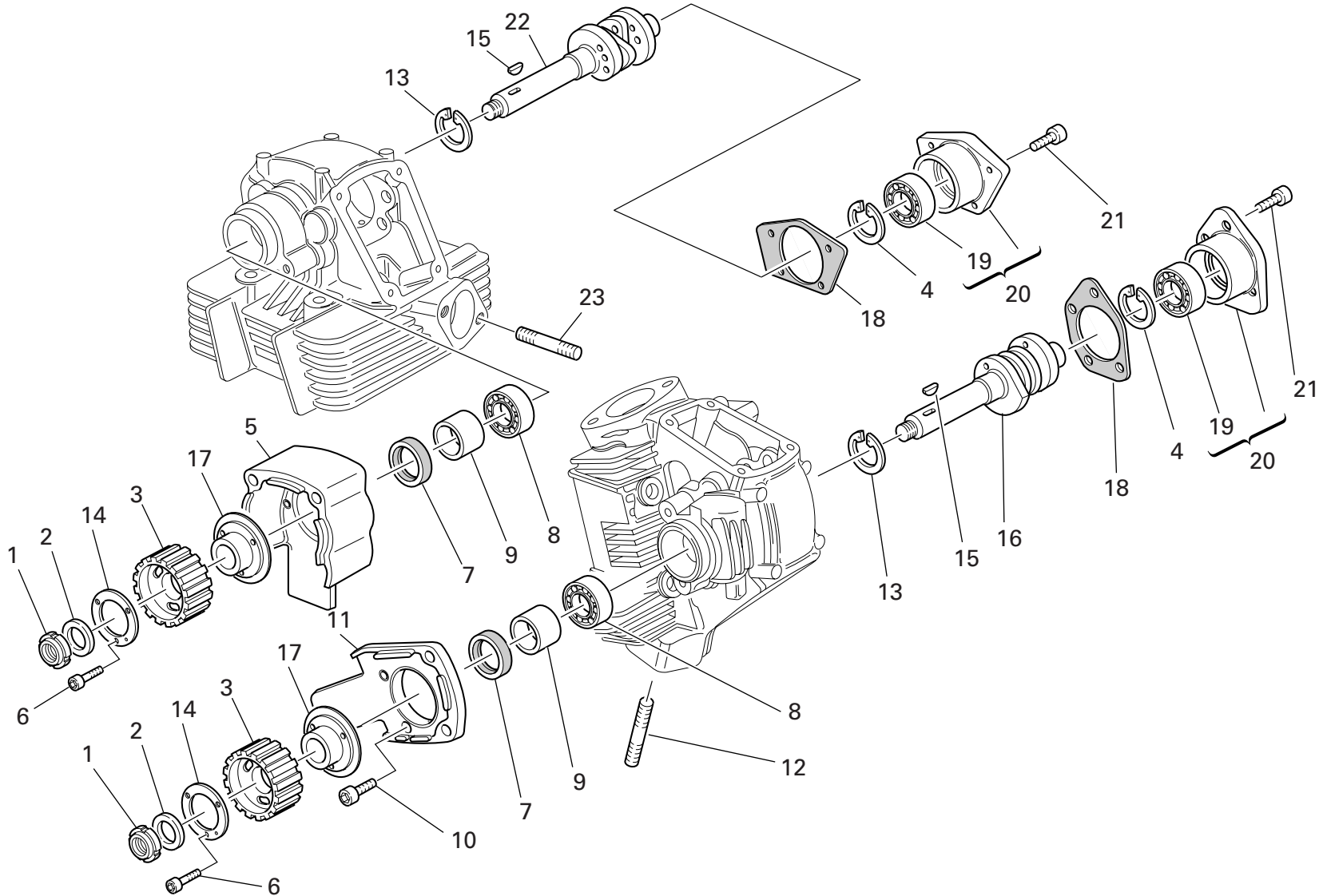
ELECTRIC STARTER AND IGNITION

NOTES NO.	CODE NO.	DESCRIPTION	VALIDITY	Q.TY 
1	270.4.001.1A	Complete starter motor (8-9 included)		1
2	853.5.009.1A	Spring washer		1
3	750.1.121.1A	Nut		1
4	788.1.054.2A	Starter motor gasket		1
5	771.5.069.8B	Screw		2
6	176.1.001.1A	Starter motor sprocket		1
7	884.5.036.1A	Circlip		1
8	0660.50.020	Intermediate gear pin		1
9	856.1.071.1A	Washer		2
10	176.1.009.1A	Intermediate gear assembly		1
11	73500.1440	Circlip		1
12	771.5.078.8B	Screw		1
13	160.1.057.1A	Flange		1
14	863.1.002.1A	Locating pin		1
15	882.1.012.1A	Check ring		1
16	276.1.025.1B	Ignition flywheel		1
17	0619.50.065	Washer		1
18	881.1.010.1C	Inner ring		1
19	701.4.003.1A	Needle bearing		1
20	173.1.012.3A	Electric starter driven gear		1
21	701.4.007.1A	Starter clutch		1

NOTES NO.	CODE NO.	DESCRIPTION	VALIDITY	Q.TY 
-----------	----------	-------------	----------	--


DRAWING 013

HEAD : TIMING



DRAWING 013

HEAD : TIMING

NOTES NO.	CODE NO.	DESCRIPTION	VALIDITY	Q.TY 
1	703.5.006.2A	Elastic-stop ring nut		2
2	852.1.173.1A	Washer		2
3	255.1.014.1A	Timing belt roller		2
4	73503.3380	Circlip		2
5	235.1.027.1A	Vertical rubber cap		1
6	771.5.040.8B	Screw		6
7	0204.70.105	Seal ring		2
8	75120.1747	Bearing		2
9	713.1.007.1A	Belt roller spacer		2
10	771.5.065.8B	Screw		4
11	235.1.026.1A	Horizontal rubber cap		1
12	766.4.017.2A	Stud bolt		4
13	73503.3683	Circlip		2
14	852.1.124.2A	Special washer		2
15	74172.1008	Woodruff key		2
16	148.1.123.1A	Horizontal head camshaft		1
17	160.1.076.1A	Flange		2
18	0660.92.310	Cap gasket		2
19	75173.1542	Bearing		2
20	235.2.031.1A	Cap with bearing		2
21	771.5.066.8B	Screw		7
22	148.1.122.1A	Vertical head camshaft		1
23	766.4.018.1A	Stud bolt		4

NOTES NO.	CODE NO.	DESCRIPTION	VALIDITY	Q.TY 
-----------	----------	-------------	----------	--

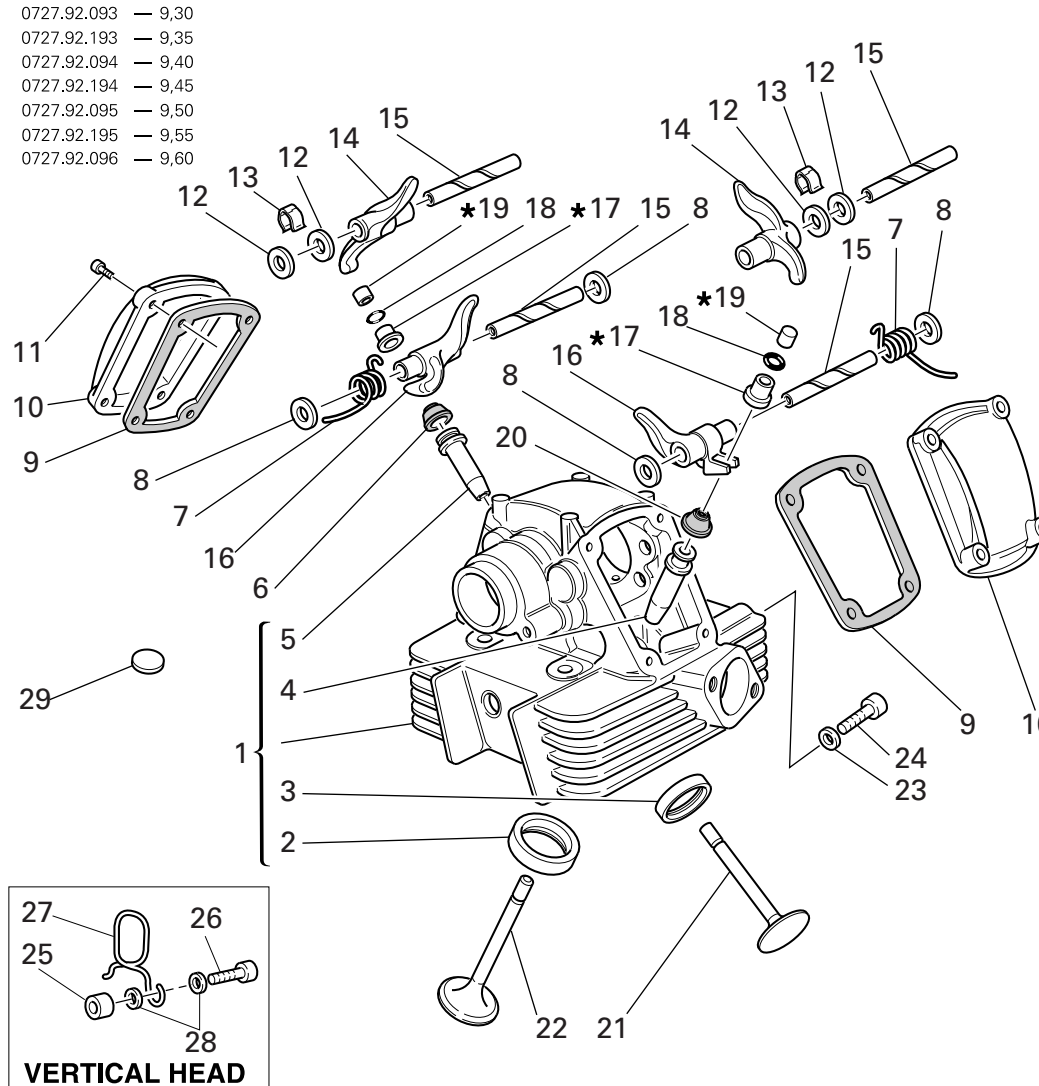
DRAWING 014

VERTICAL HEAD

**17★** Scodellino ritorno  
Return cap  
Coupelle retour  
Einstellhülse


**19★** Registro bilanciere  
Adjustment  
Réglage  
Ventilkäppchen

0727.92.050	— 5	0727.92.171	— 7,15	0727.92.093	— 9,30
0727.92.150	— 5,05	0727.92.072	— 7,20	0727.92.193	— 9,35
0727.92.051	— 5,10	0727.92.172	— 7,25	0727.92.094	— 9,40
0727.92.151	— 5,15	0727.92.073	— 7,30	0727.92.194	— 9,45
0727.92.052	— 5,20	0727.92.173	— 7,35	0727.92.095	— 9,50
0727.92.152	— 5,25	0727.92.074	— 7,40	0727.92.195	— 9,55
0727.92.053	— 5,30	0727.92.174	— 7,45	0727.92.096	— 9,60
0727.92.153	— 5,35	0727.92.075	— 7,50		
0727.92.054	— 5,40	0727.92.175	— 7,55		
0727.92.154	— 5,45	0727.92.076	— 7,60		
0727.92.055	— 5,50	0727.92.176	— 7,65		
0727.92.155	— 5,55	0727.92.077	— 7,70		
0727.92.056	— 5,60	0727.92.177	— 7,75		
0727.92.156	— 5,65	0727.92.078	— 7,80		
0727.92.057	— 5,70	0727.92.178	— 7,85		
0727.92.157	— 5,75	0727.92.079	— 7,90		
0727.92.058	— 5,80	0727.92.179	— 7,95		
0727.92.158	— 5,85	0727.92.080	— 8		
0727.92.059	— 5,90	0727.92.180	— 8,05		
0727.92.159	— 5,95	0727.92.081	— 8,10		
0727.92.060	— 6	0727.92.181	— 8,15		
0727.92.160	— 6,05	0727.92.082	— 8,20		
0727.92.061	— 6,10	0727.92.182	— 8,25		
0727.92.161	— 6,15	0727.92.083	— 8,30		
0727.92.062	— 6,20	0727.92.183	— 8,35		
0727.92.162	— 6,25	0727.92.084	— 8,40		
0727.92.063	— 6,30	0727.92.184	— 8,45		
0727.92.163	— 6,35	0727.92.085	— 8,50		
0727.92.064	— 6,40	0727.92.185	— 8,55		
0727.92.164	— 6,45	0727.92.086	— 8,60		
0727.92.065	— 6,50	0727.92.186	— 8,65		
0727.92.165	— 6,55	0727.92.087	— 8,70		
0727.92.066	— 6,60	0727.92.187	— 8,75		
0727.92.166	— 6,65	0727.92.088	— 8,80		
0727.92.067	— 6,70	0727.92.188	— 8,85		
0727.92.167	— 6,75	0727.92.089	— 8,90		
0727.92.068	— 6,80	0727.92.189	— 8,95		
0727.92.168	— 6,85	0727.92.090	— 9		
0727.92.069	— 6,90	0727.92.190	— 9,05		
0727.92.169	— 6,95	0727.92.091	— 9,10		
0727.92.070	— 7	0727.92.191	— 9,15		
0727.92.170	— 7,05	0727.92.092	— 9,20		
0727.92.071	— 7,10	0727.92.192	— 9,25		



0723.92.500	— 2	0723.92.515	— 3,50
0723.92.535	— 2,05	0723.92.695	— 3,55
0723.92.501	— 2,10	0723.92.516	— 3,60
0723.92.545	— 2,15	0723.92.705	— 3,65
0723.92.502	— 2,20	0723.92.517	— 3,70
0723.92.555	— 2,25	0723.92.715	— 3,75
0723.92.503	— 2,30	0723.92.518	— 3,80
0723.92.565	— 2,35	0723.92.725	— 3,85
0723.92.504	— 2,40	0723.92.519	— 3,90
0723.92.575	— 2,45	0723.92.735	— 3,95
0723.92.505	— 2,50	0723.92.520	— 4
0723.92.585	— 2,55	0723.92.745	— 4,05
0723.92.506	— 2,60	0723.92.521	— 4,10
0723.92.595	— 2,65	0723.92.531	— 4,15
0723.92.507	— 2,70	0723.92.522	— 4,20
0723.92.605	— 2,75	0723.92.533	— 4,25
0723.92.508	— 2,80	0723.92.523	— 4,30
0723.92.615	— 2,85	0723.92.534	— 4,35
0723.92.509	— 2,90	0723.92.524	— 4,40
0723.92.625	— 2,95	0723.92.537	— 4,45
0723.92.510	— 3	0723.92.525	— 4,50
0723.92.635	— 3,05	0723.92.538	— 4,55
0723.92.511	— 3,10	0723.92.526	— 4,60
0723.92.645	— 3,15	0723.92.539	— 4,65
0723.92.512	— 3,20	0723.92.527	— 4,70
0723.92.655	— 3,25	0723.92.540	— 4,75
0723.92.513	— 3,30	0723.92.528	— 4,80
0723.92.675	— 3,35	0723.92.541	— 4,85
0723.92.514	— 3,40	0723.92.529	— 4,90
0723.92.685	— 3,45	0723.92.542	— 4,95
		0723.92.530	— 5
		0723.92.543	— 5,05
		0723.92.544	— 5,10
		0723.92.546	— 5,15
		0723.92.547	— 5,20
		0723.92.548	— 5,25
		0723.92.549	— 5,30
		0723.92.550	— 5,35
		0723.92.551	— 5,40
		0723.92.552	— 5,45
		0723.92.553	— 5,50
		0723.92.554	— 5,55
		0723.92.556	— 5,60

DRAWING 014 VERTICAL HEAD

NOTES NO.	CODE NO.	DESCRIPTION	VALIDITY	Q.TY 
1	301.2.105.1AA	Complete vertical head		1
2	304.1.021.1A	Intake valve seat		1
2	304.1.021.1AB	Oversize intake valve seat 0.03		1
2	304.1.021.1AC	Oversize intake valve seat 0.06		1
3	304.1.022.1A	Exhaust valve seat		1
3	304.1.022.1AB	Oversize exhaust valve seat 0.03		1
3	304.1.022.1AC	Oversize exhaust valve seat 0.06		1
4	303.1.003.1A	Intake valve cast iron guide		1
4	303.1.003.1AB	Oversize valve guide 0.03		1
4	303.1.003.1AC	Oversize valve guide 0.06		1
4	303.1.003.1AD	Oversize valve guide 0.09		1
5	303.1.004.1C	Exhaust valve bronze guide		1
5	303.1.004.1CB	Oversize valve guide 0.03		1
5	303.1.004.1CC	Oversize valve guide 0.06		1
5	303.1.004.1CD	Oversize valve guide 0.09		1
6	764.1.013.1A	Valve seal		1
7	799.1.061.3A	Closing rocker spring		2
8	0619.92.180	Shim th. 0.3		6
8	0670.92.190	Shim th. 2		4
8	0765.92.185	Shim th. 1		2
8	0765.92.190	Shim th. 0.5		4
8	0765.92.205	Shim th. 0.2		8
9	788.1.032.2A	Valve cover gasket		2
10	240.1.010.1AB	Valve cover		2
11	771.5.067.8B	Screw		8
12	0647.70.010	Shim		4

NOTES NO.	CODE NO.	DESCRIPTION	VALIDITY	Q.TY 
13	0375.92.210	Spring		2
14	208.1.012.4A	Opening rocker		2
15	821.1.115.1A	Rocker shaft		4
16	209.1.012.4A	Closing rocker		2
17	0727.92.239	See table		2
18	669.1.003.1A	Split rings		4
19	0723.92.239	See table		2
20	764.1.009.1A	Valve seal		1
21	211.1.015.1A	Exhaust valve		1
22	210.1.015.1A	Intake valve		1
23	852.5.023.1A	Gasket		1
24	779.1.133.1A	Screw		1
25	713.1.241.1A	Spacer		1
26	771.5.069.8B	Screw		1
27	829.1.358.1A	Holder		1
28	852.1.176.1A	Washer		2
29	700.1.027.1A	Vibration damper pad		24

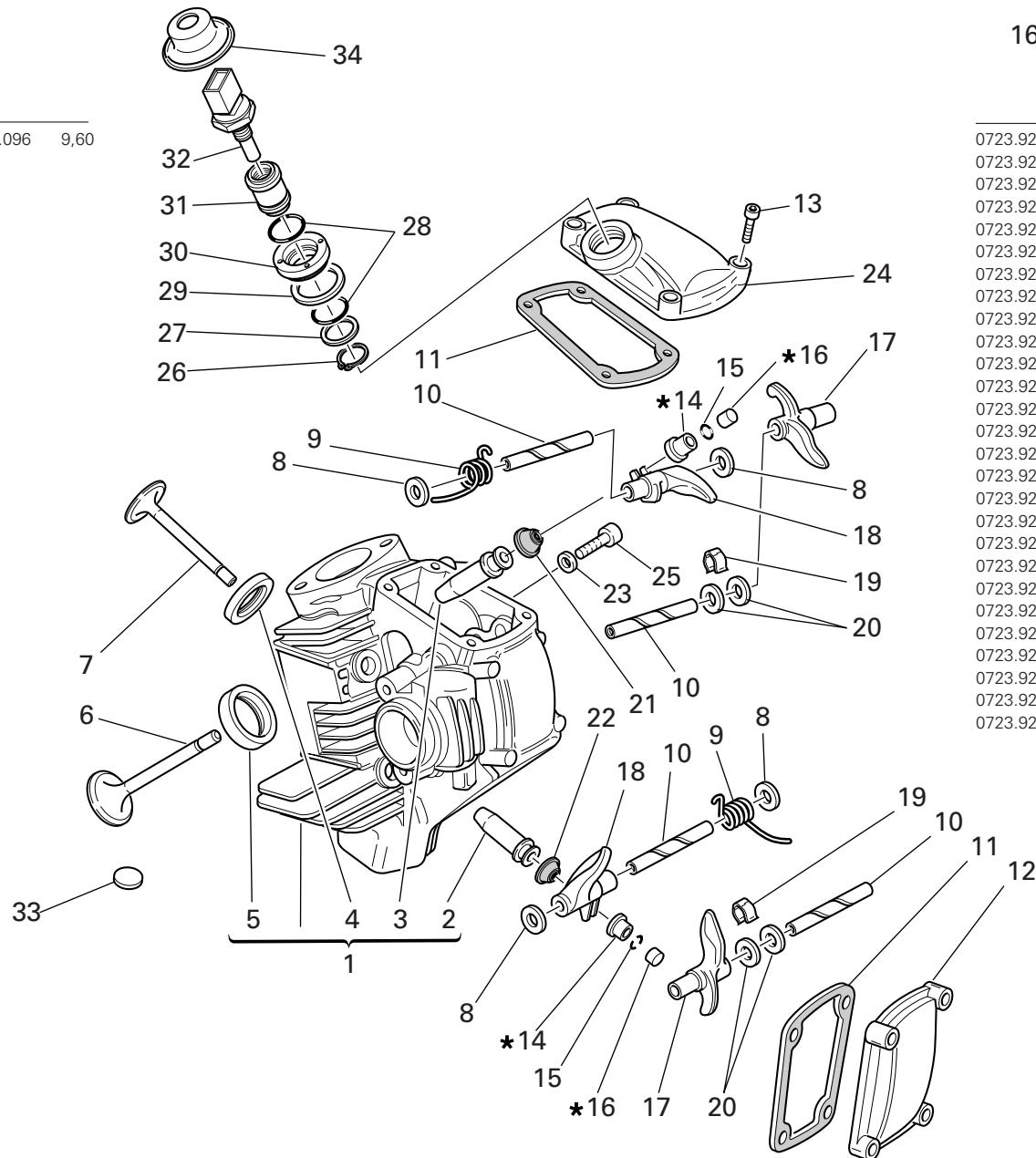
DRAWING 015

HORIZONTAL HEAD

14★

Scodellino ritorno  
Return cap  
Coupelle retour  
Einstellhülse

0727.92.050	5	0727.92.073	7,30	0727.92.096	9,60
0727.92.150	5,05	0727.92.173	7,35		
0727.92.051	5,10	0727.92.074	7,40		
0727.92.151	5,15	0727.92.174	7,45		
0727.92.052	5,20	0727.92.075	7,50		
0727.92.152	5,25	0727.92.175	7,55		
0727.92.053	5,30	0727.92.076	7,60		
0727.92.153	5,35	0727.92.176	7,65		
0727.92.054	5,40	0727.92.077	7,70		
0727.92.154	5,45	0727.92.177	7,75		
0727.92.055	5,50	0727.92.078	7,80		
0727.92.155	5,55	0727.92.178	7,85		
0727.92.056	5,60	0727.92.079	7,90		
0727.92.156	5,65	0727.92.179	7,95		
0727.92.057	5,70	0727.92.080	8		
0727.92.157	5,75	0727.92.180	8,05		
0727.92.058	5,80	0727.92.081	8,10		
0727.92.158	5,85	0727.92.181	8,15		
0727.92.059	5,90	0727.92.082	8,20		
0727.92.159	5,95	0727.92.182	8,25		
0727.92.060	6	0727.92.083	8,30		
0727.92.160	6,05	0727.92.183	8,35		
0727.92.061	6,10	0727.92.084	8,40		
0727.92.161	6,15	0727.92.184	8,45		
0727.92.062	6,20	0727.92.085	8,50		
0727.92.162	6,25	0727.92.185	8,55		
0727.92.063	6,30	0727.92.086	8,60		
0727.92.163	6,35	0727.92.186	8,65		
0727.92.064	6,40	0727.92.087	8,70		
0727.92.164	6,45	0727.92.187	8,75		
0727.92.065	6,50	0727.92.088	8,80		
0727.92.165	6,55	0727.92.188	8,85		
0727.92.066	6,60	0727.92.089	8,90		
0727.92.166	6,65	0727.92.189	8,95		
0727.92.067	6,70	0727.92.090	9		
0727.92.167	6,75	0727.92.190	9,05		
0727.92.068	6,80	0727.92.091	9,10		
0727.92.168	6,85	0727.92.191	9,15		
0727.92.069	6,90	0727.92.092	9,20		
0727.92.169	6,95	0727.92.192	9,25		
0727.92.070	7	0727.92.192	9,25		
0727.92.170	7,05	0727.92.093	9,30		
0727.92.071	7,10	0727.92.193	9,35		
0727.92.171	7,15	0727.92.194	9,45		
0727.92.072	7,20	0727.92.095	9,50		
0727.92.172	7,25	0727.92.195	9,55		





16★

Registro bilanciere  
Adjustment  
Ventilkäppchen

0723.92.500	2	0723.92.675	3,35
0723.92.535	2,05	0723.92.514	3,40
0723.92.501	2,10	0723.92.685	3,45
0723.92.545	2,15	0723.92.515	3,50
0723.92.502	2,20	0723.92.695	3,55
0723.92.555	2,25	0723.92.516	3,60
0723.92.503	2,30	0723.92.705	3,65
0723.92.565	2,35	0723.92.517	3,70
0723.92.504	2,40	0723.92.715	3,75
0723.92.575	2,45	0723.92.518	3,80
0723.92.505	2,50	0723.92.725	3,85
0723.92.585	2,55	0723.92.519	3,90
0723.92.506	2,60	0723.92.735	3,95
0723.92.595	2,65	0723.92.520	4
0723.92.507	2,70	0723.92.745	4,05
0723.92.605	2,75	0723.92.521	4,10
0723.92.508	2,80	0723.92.531	4,15
0723.92.615	2,85	0723.92.522	4,20
0723.92.509	2,90	0723.92.533	4,25
0723.92.625	2,95	0723.92.523	4,30
0723.92.510	3	0723.92.534	4,35
0723.92.635	3,05	0723.92.524	4,40
0723.92.511	3,10	0723.92.537	4,45
0723.92.645	3,15	0723.92.525	4,50
0723.92.512	3,20	0723.92.538	4,55
0723.92.655	3,25	0723.92.526	4,60
0723.92.513	3,30	0723.92.539	4,65
		0723.92.527	4,70
		0723.92.540	4,75
		0723.92.528	4,80
		0723.92.541	4,85
		0723.92.529	4,90
		0723.92.542	4,95
		0723.92.530	5
		0723.92.543	5,05
		0723.92.544	5,10
		0723.92.546	5,15
		0723.92.547	5,20
		0723.92.548	5,25
		0723.92.549	5,30
		0723.92.550	5,35
		0723.92.551	5,40
		0723.92.552	5,45
		0723.92.553	5,50
		0723.92.554	5,55
		0723.92.556	5,60

DRAWING 015 HORIZONTAL HEAD

NOTES NO.	CODE NO.	DESCRIPTION	VALIDITY	Q.TY 
1	301.2.104.1AA	Complete horizontal head		1
2	303.1.004.1C	Exhaust valve bronze guide		1
2	303.1.004.1CB	Oversize valve guide 0.03		1
2	303.1.004.1CC	Oversize valve guide 0.06		1
2	303.1.004.1CD	Oversize valve guide 0.09		1
3	303.1.003.1A	Intake valve cast iron guide		1
3	303.1.003.1AB	Oversize valve guide 0.03		1
3	303.1.003.1AC	Oversize valve guide 0.06		1
3	303.1.003.1AD	Oversize valve guide 0.09		1
4	304.1.022.1A	Exhaust valve seat		1
4	304.1.022.1AB	Oversize exhaust valve seat 0.03		1
4	304.1.022.1AC	Oversize exhaust valve seat 0.06		1
5	304.1.021.1A	Intake valve seat		1
5	304.1.021.1AB	Oversize intake valve seat 0.03		1
5	304.1.021.1AC	Oversize intake valve seat 0.06		1
6	210.1.015.1A	Intake valve		1
7	211.1.015.1A	Exhaust valve		1
8	0619.92.180	Shim th. 0.3		6
8	0670.92.190	Shim th. 2		4
8	0765.92.185	Shim th. 1		2
8	0765.92.190	Shim th. 0.5		4
9	799.1.061.3A	Closing rocker spring		2
10	821.1.115.1A	Rocker shaft		4
11	788.1.032.2A	Valve cover gasket		2
12	240.1.010.1AB	Valve cover		1
13	771.5.067.8B	Screw		8

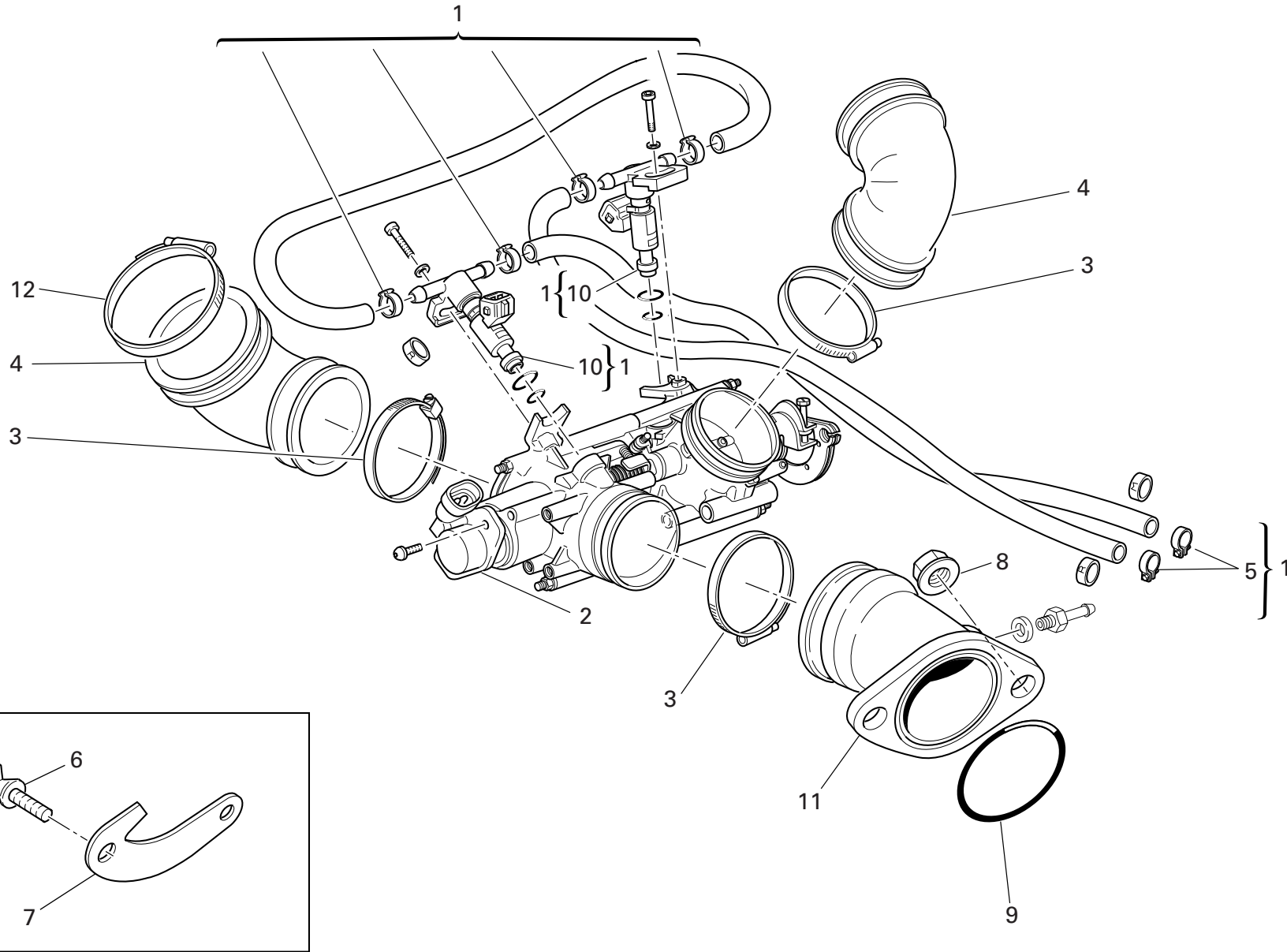
NOTES NO.	CODE NO.	DESCRIPTION	VALIDITY	Q.TY 
14	0727.92.239	See table		2
15	669.1.003.1A	Split rings		4
16	0723.92.239	See table		2
17	208.1.012.4A	Opening rocker		2
18	209.1.012.4A	Closing rocker		2
19	0375.92.210	Spring		2
20	0647.70.010	Shim		4
21	764.1.009.1A	Valve seal		1
22	764.1.013.1A	Valve seal		1
23	852.5.023.1A	Gasket		1
24	240.1.028.1A	Intake valve cover		1
25	779.1.133.1A	Screw		1
26	73500.1747	Snap ring		1
27	713.1.137.1A	Spacer		1
28	886.4.028.1A	O-Ring		2
29	787.1.008.1A	Aluminium gasket		1
30	703.1.019.1A	Ring nut		1
31	829.1.235.1A	Holder sensor		1
32	552.4.013.1A	Sensor		1
33	700.1.027.1A	Vibration damper pad		24
34	672.1.034.1A	Rubber cap		1

CATALOGUE No: 915.1.146.2E  
ISSUED: 10 - 06

CATALOGUE No: 915.1.146.2E  
ISSUED: 10 - 06


DRAWING 016

INLET DICT



DRAWING 016

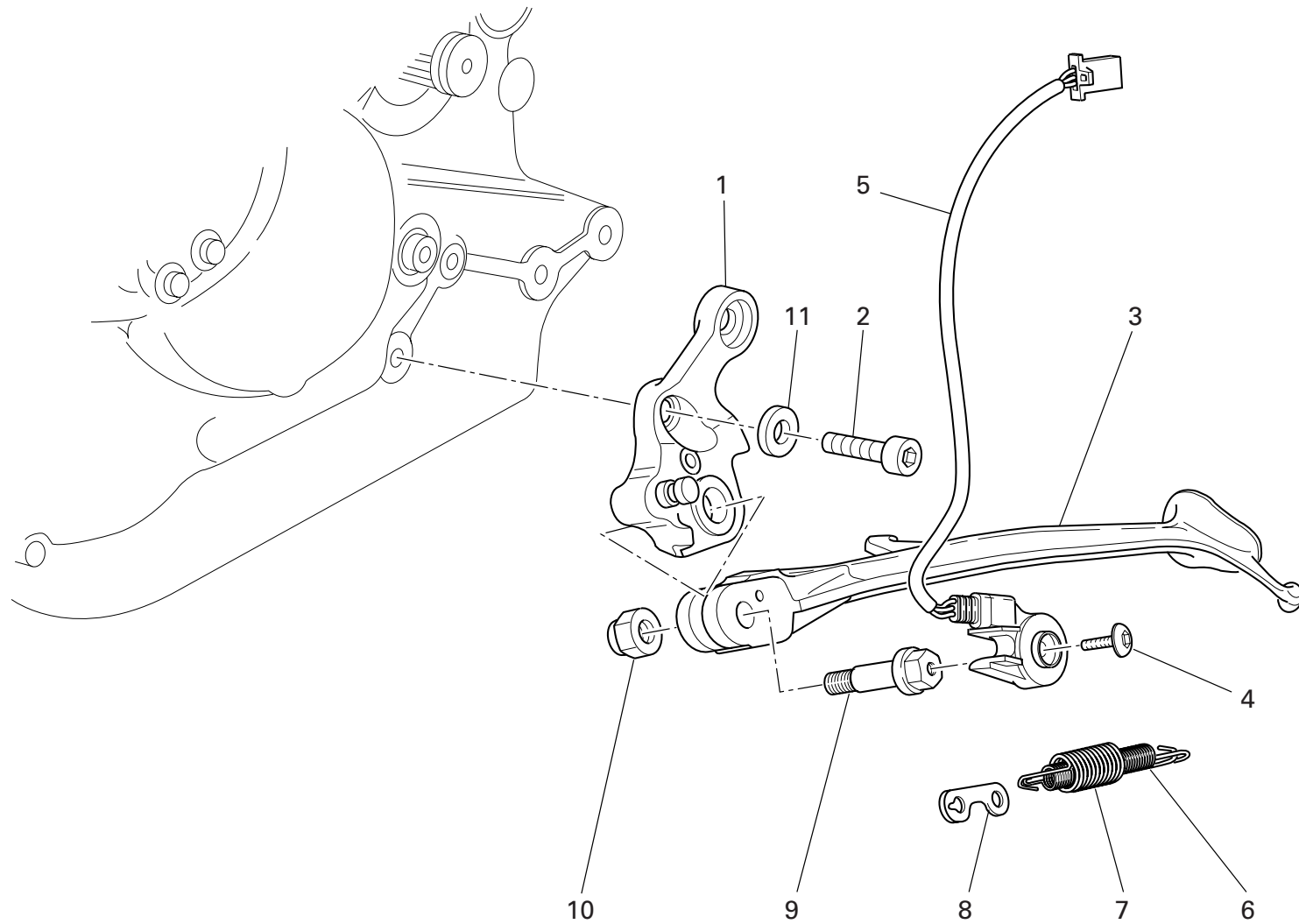
INLET DICT

NOTES NO.	CODE NO.	DESCRIPTION	VALIDITY	Q.TY 
1	282.4.041.2B	Feed unit assembly		1
2	284.4.002.1A	Potentiometer		1
3	741.4.042.1A	Hose guide		4
4	801.1.027.1A	Hose		2
5	741.4.013.1B	Hose guide		2
6	779.1.259.1B	Special screw		2
7	827.1.323.1A	Plate		1
8	748.1.039.1A	Nut		4
9	463.2.022.2A	O-Ring		2
10	280.4.007.1A	Injector		2
11	140.2.046.1A	Intake duct		2
12	741.4.067.1A	Hose guide		2


NOTES NO.	CODE NO.	DESCRIPTION	VALIDITY	Q.TY 
-----------	----------	-------------	----------	--

DRAWING 017

STANDS

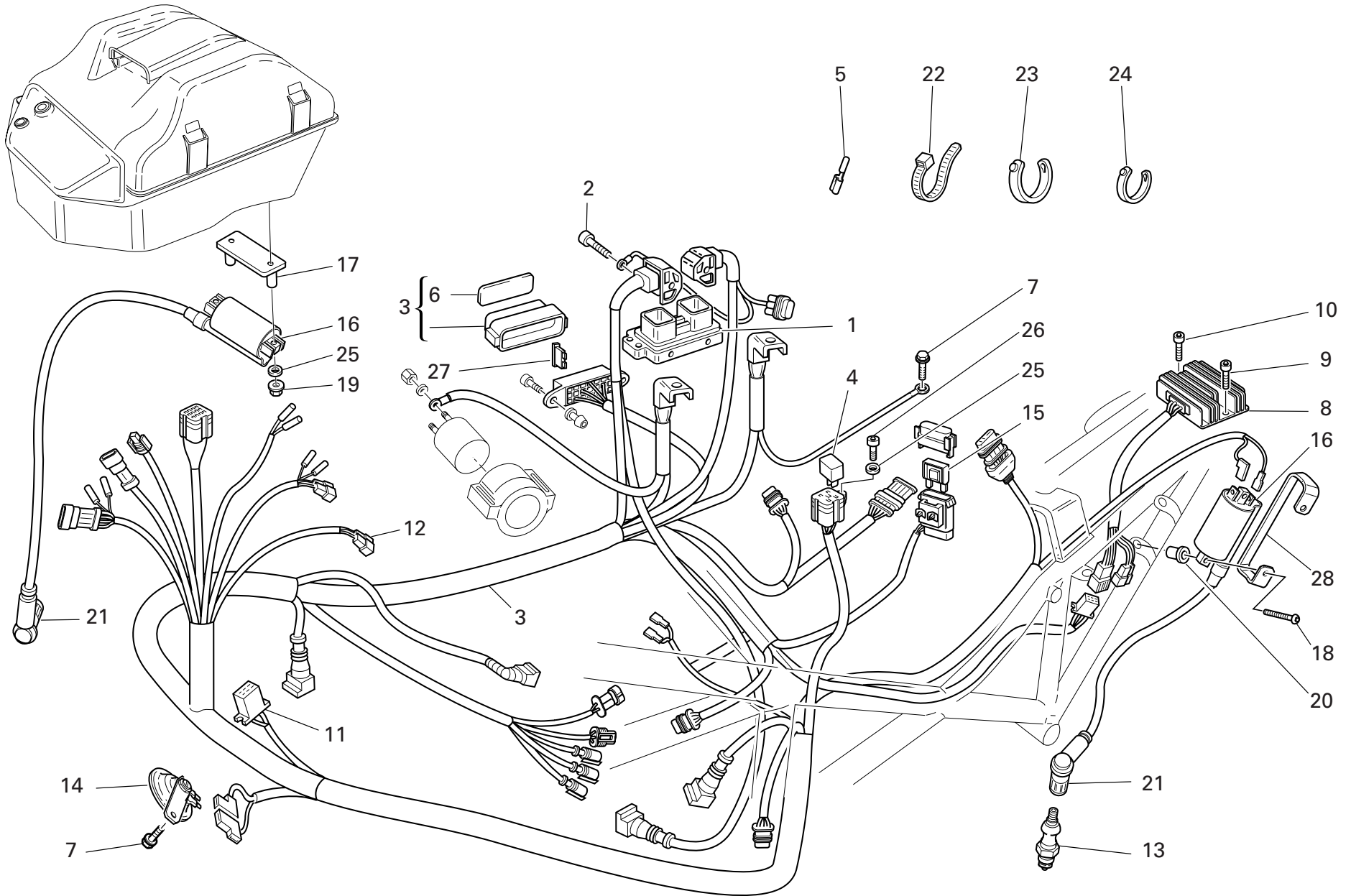


DRAWING 017 STANDS

NOTES NO.	CODE NO.	DESCRIPTION	VALIDITY	Q.TY 
1	556.2.027.1C	Plate		1
2	771.1.048.1A	Screw		1
3	556.1.024.1A	Side stand		1
4	779.4.005.2A	Screw		1
5	539.1.023.2A	Switch		1
6	799.1.089.1B	Inner spring		1
7	799.1.088.1B	Outer spring		1
8	827.1.139.2B	Plate		1
9	556.1.018.1D	Pivot		1
10	748.4.024.1AB	Nut		1
11	852.1.214.1A	Shim th. 1.8		1


NOTES NO.	CODE NO.	DESCRIPTION	VALIDITY	Q.TY 
-----------	----------	-------------	----------	--

DRAWING 018 ELECTRIC SYSTEM



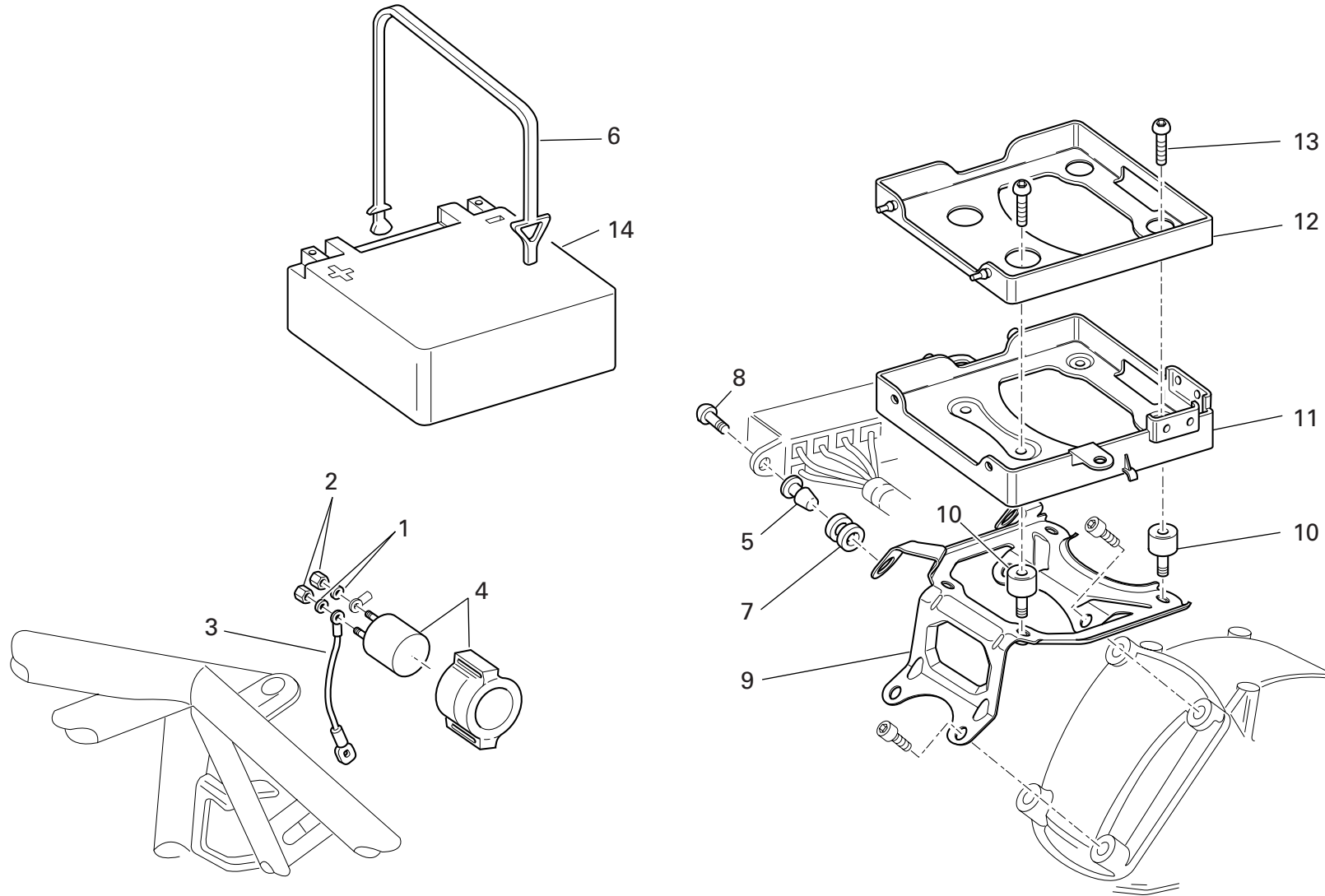
DRAWING 018 ELECTRIC SYSTEM

NOTES NO.	CODE NO.	DESCRIPTION	VALIDITY	Q.TY 
1	286.4.071.1B	Injection control unit		1
2	771.5.072.1B	Screw		2
3	510.1.179.5A	Electric wiring		1
4	541.4.007.1A	Relay		2
5	0000.66527	End section		4
6	433.1.252.1D	Sticker schema fusibili		1
7	772.1.039.1A	Screw		2
8	540.4.010.1A	Voltage rectifier		1
9	771.5.067.8B	Screw		1
10	771.5.073.8B	Screw		1
11	0000.56803	Connector		1
12	8000.66526	Connector		1
13	670.4.035.1B	Spark plug		2
14	516.4.003.1B	Horn (BLACK)		1
15	389.4.014.1A	Fuse 40A		1
16	380.4.004.1B	Coil		2
17	827.1.236.1B	Plate		1
18	779.5.026.1A	Screw		2
19	748.4.100.1AB	Nut		2
20	850.4.082.1A	Insert		2
21	672.1.013.1A	Spare cap		2
22	741.1.012.1A	Hose guide		1
23	0691.91.030	Hose guide		37
24	741.4.038.1A	Hose guide		7
25	852.5.030.1A	Washer		3
26	771.5.038.8B	Screw		1


NOTES NO.	CODE NO.	DESCRIPTION	VALIDITY	Q.TY 
27	389.4.006.1A	Fuse 3A		2
27	389.4.007.1A	Fuse 7.5A		1
27	389.4.008.1A	Fuse 15A		1
27	389.4.010.1A	Fuse 30A		1
27	389.4.013.1A	Fuse 20A		1
27	389.4.016.1A	Fuse		2
28	827.1.382.1A	Plate		1

DRAWING 019

BATTERY BOX MOUNT



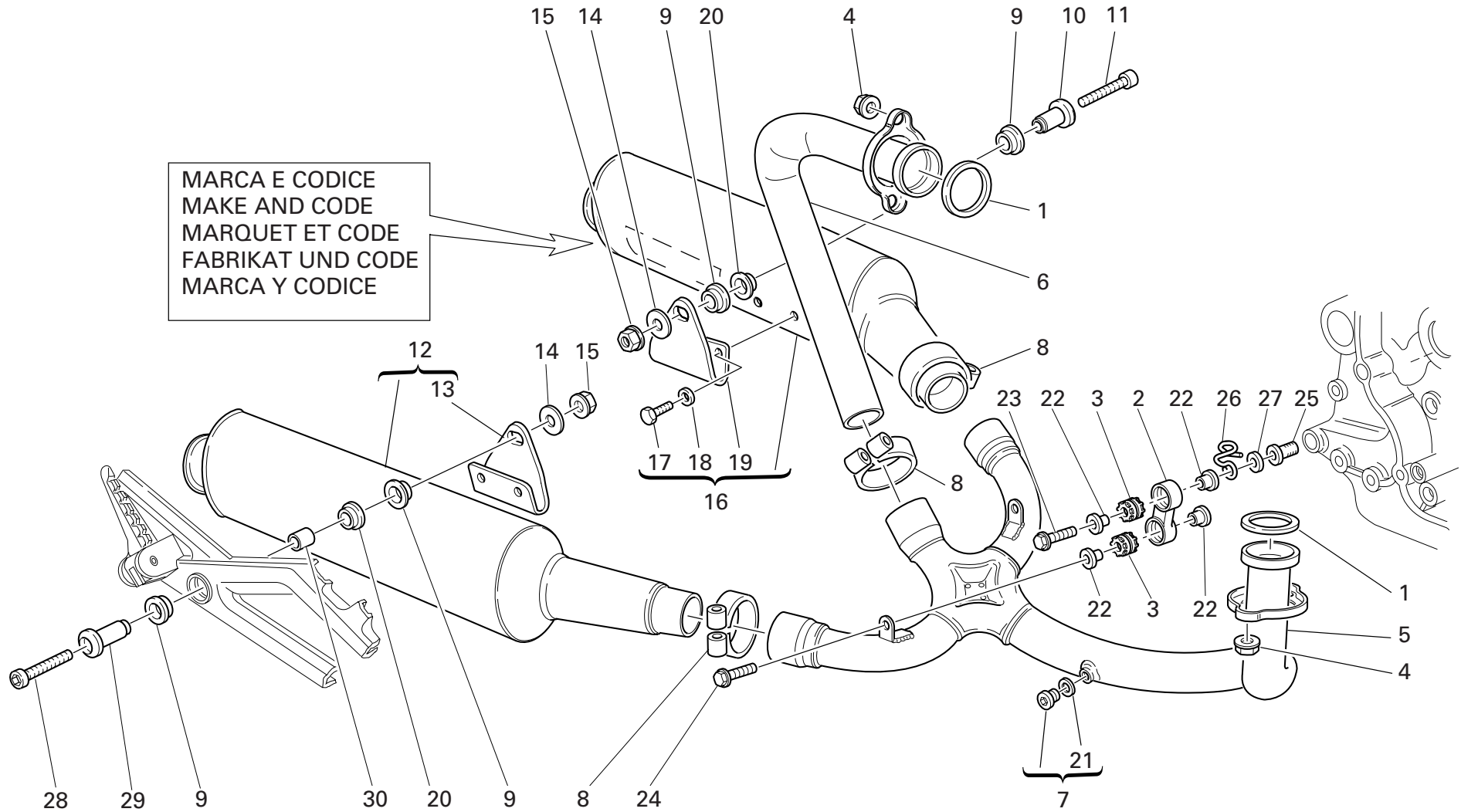
DRAWING 019 BATTERY BOX MOUNT

NOTES NO.	CODE NO.	DESCRIPTION	VALIDITY	Q.TY 
1	853.5.010.1A	Spring washer		2
2	750.5.005.1A	Nut		2
3	514.1.043.1A	Solenoid starter-starter motor cable		1
4	397.2.001.2A	Remote switch		1
5	821.1.054.1A	Pin		2
6	759.1.006.1A	Spring hook		1
7	764.1.029.1A	Rubber pad		2
8	779.1.088.1A	Screw		2
9	830.1.228.2A	Bracket		1
10	700.1.031.1A	Vibration damper		4
11	829.1.283.1B	Battery box mount		1
12	829.1.285.1A	Battery carpet		1
13	779.1.445.1A	Screw		4
14	395.4.013.1C	Battery		1


NOTES NO.	CODE NO.	DESCRIPTION	VALIDITY	Q.TY 
-----------	----------	-------------	----------	--


DRAWING 020

EXHAUST SYSTEM



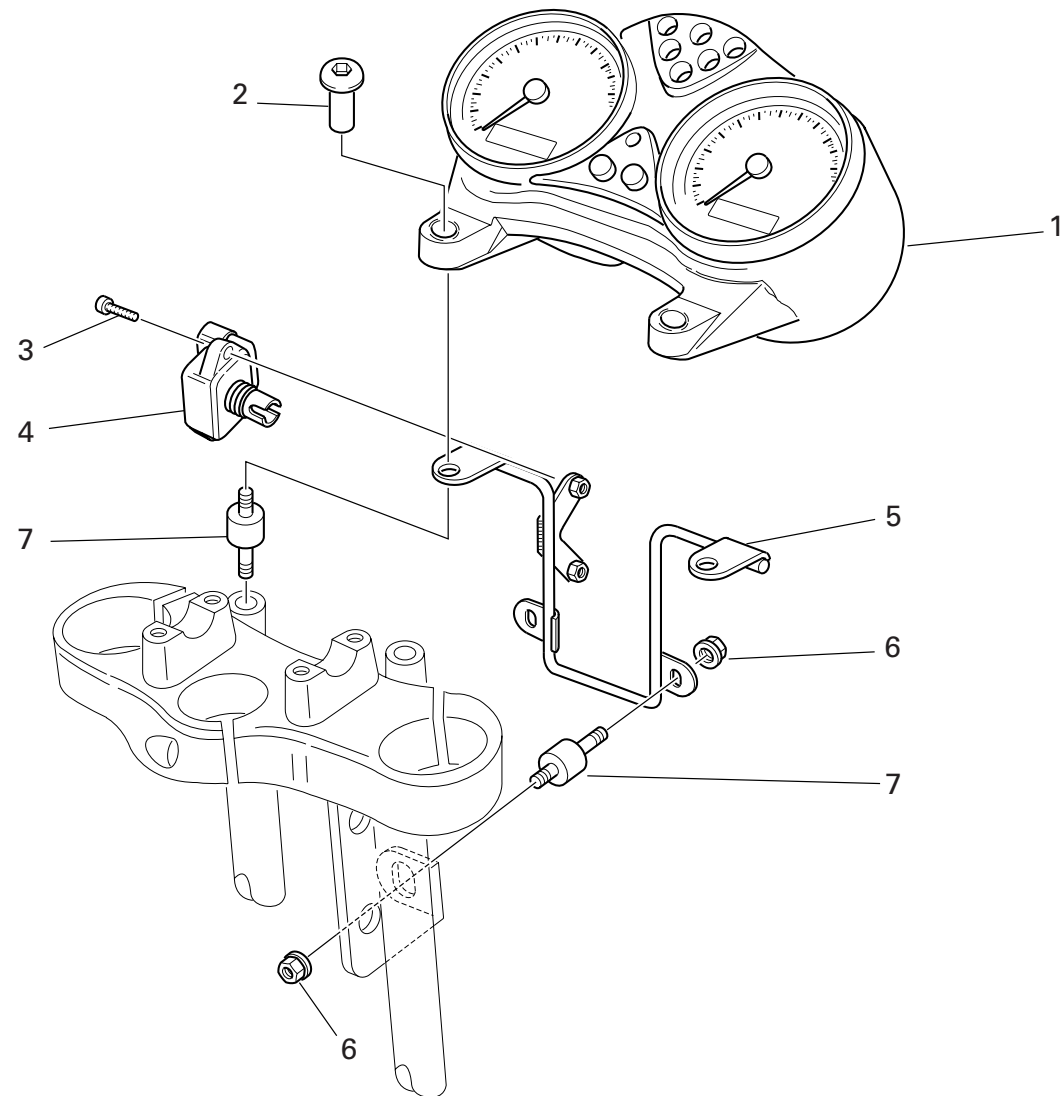
DRAWING 020 EXHAUST SYSTEM

NOTES NO.	CODE NO.	DESCRIPTION	VALIDITY	Q.TY 
1	0370.84.005	Exhaust gasket		2
2	80A0.62649	Holder		2
3	764.1.024.1A	Vibration damper pad		4
4	748.4.033.1A	Nut		4
5	570.1.065.2A	Horizontal head exhaust pipe		1
6	571.1.065.2A	Vertical head exhaust pipe		1
7	780.1.007.1A	Cap		2
8	741.1.028.1A	Hose guide		3
9	764.1.001.1A	Rubber pad		4
10	716.1.055.1B	Spacer		1
11	779.5.003.1B	Screw		1
12	573.1.050.2D	R.H. silencer		1
13	576.1.039.1A	R.H. bracket		1
14	852.1.196.1B	Washer		2
15	749.4.031.1A	Nut		2
16	574.1.050.2D	L.H. silencer		1
17	770.5.121.9E	Screw		4
18	852.5.004.1C	Washer		4
19	576.1.038.1A	L.H. bracket		1
20	711.1.090.1A	Bush		1
21	852.5.024.1A	Gasket th.1		2
22	713.1.082.1A	Spacer		8
23	772.5.033.1A	Screw		2
24	772.5.038.1A	Screw		2
25	779.1.247.1B	Screw		2
26	829.1.275.1A	Ring		1

NOTES NO.	CODE NO.	DESCRIPTION	VALIDITY	Q.TY 
27	852.1.176.1A	Washer		1
28	779.5.018.1B	Screw		1
29	711.1.090.1B	Bush		1
30	852.1.118.1A	Washer		1


DRAWING 021

INSTRUMENT PANEL



DRAWING 021

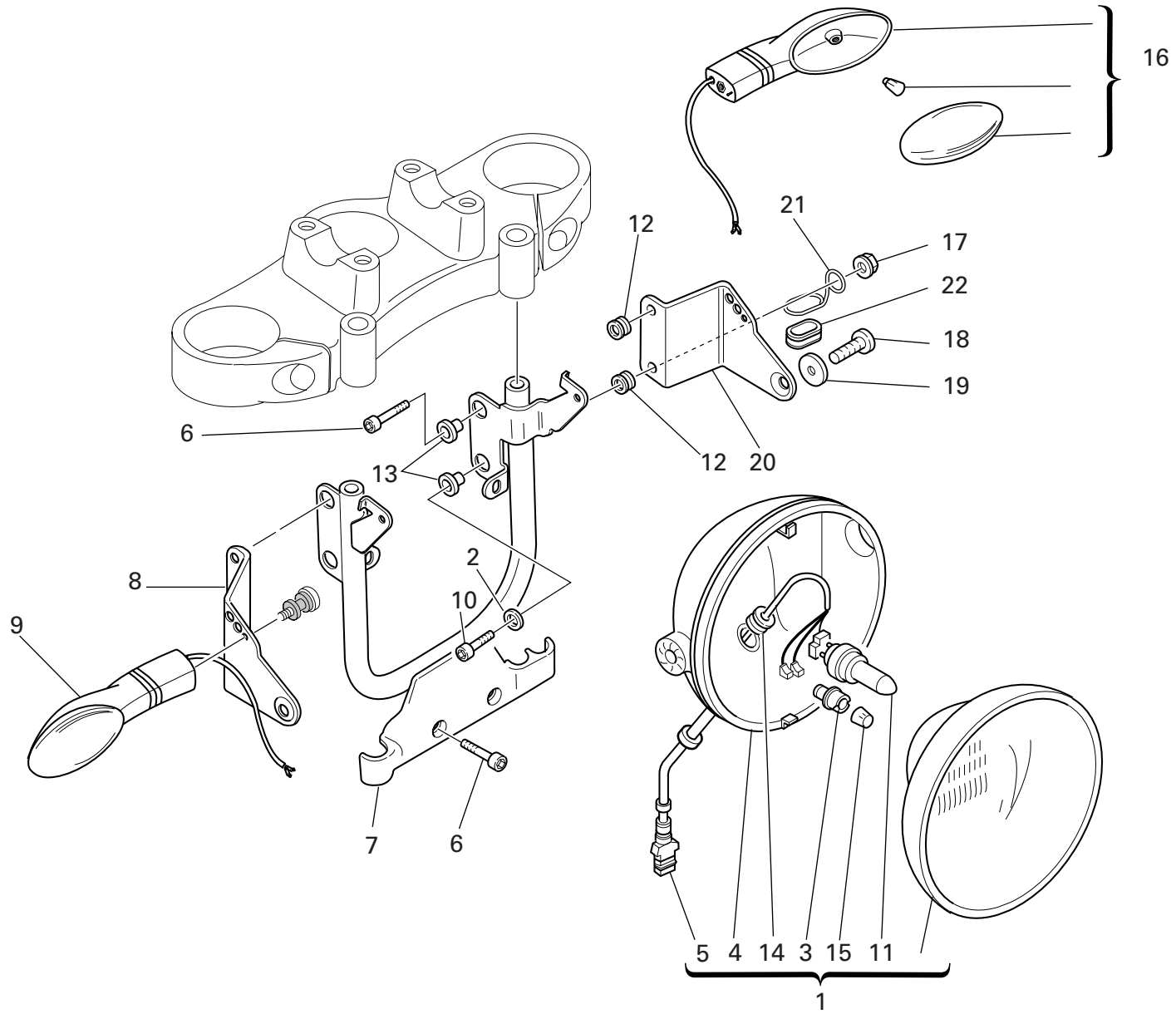
INSTRUMENT PANEL

NOTES NO.	CODE NO.	DESCRIPTION	VALIDITY	Q.TY 
1	406.1.033.5C	Complete instrument panel (speedometer - miles)		1
2	779.1.214.1C	Special screw		2
3	775.1.003.1A	Screw		2
4	552.4.031.1A	Sensor		1
5	470.1.062.1A	Frame (METALLIC DARK GREY)		1
6	748.4.038.1A	Nut		4
7	700.1.038.1C	Vibration damper pad		4


NOTES NO.	CODE NO.	DESCRIPTION	VALIDITY	Q.TY 
-----------	----------	-------------	----------	--

DRAWING 022

FRONT HEAD-LIGHT



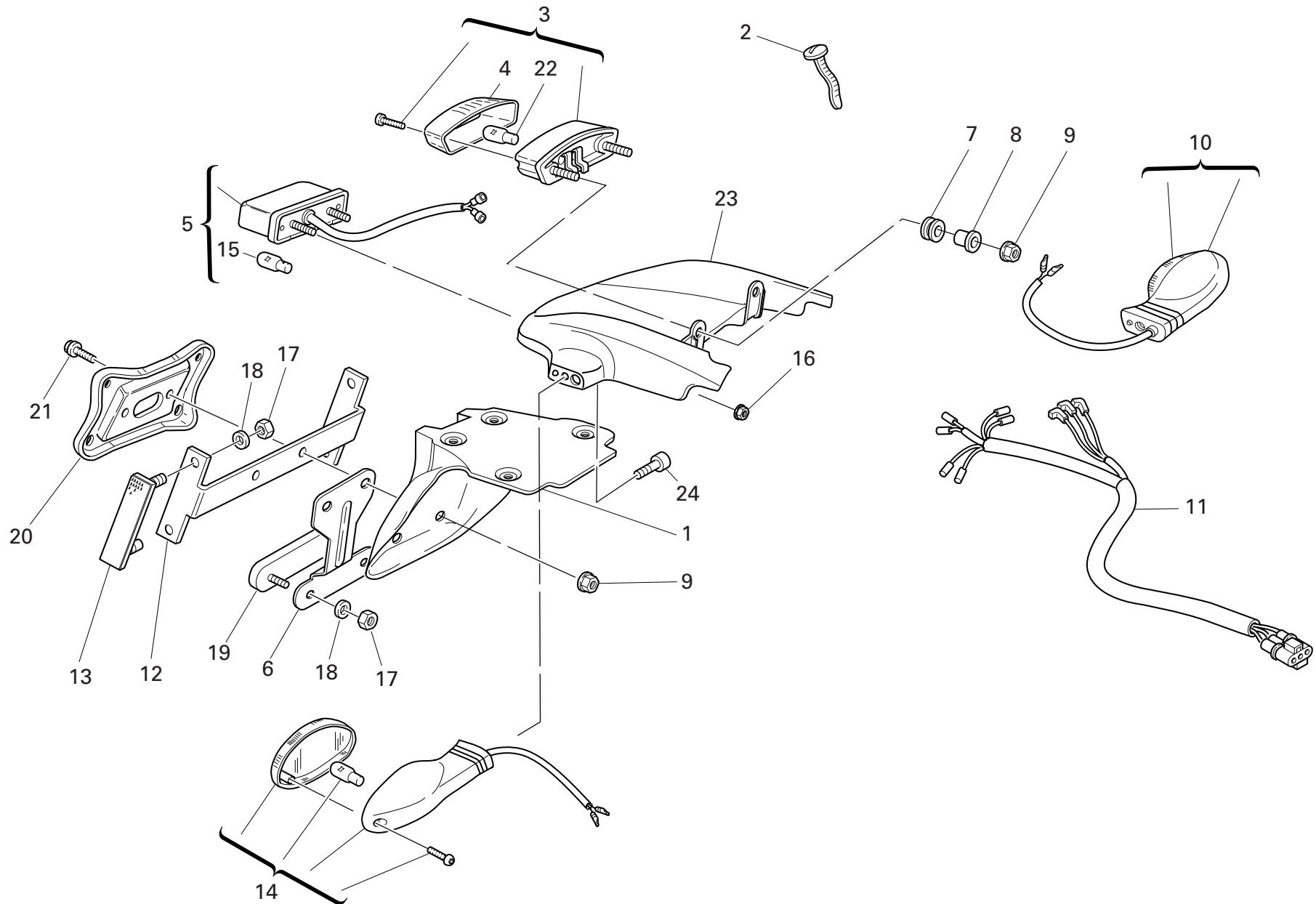
DRAWING 022 FRONT HEAD-LIGHT

NOTES NO.	CODE NO.	DESCRIPTION	VALIDITY	Q.TY 
1	520.1.005.1A	Complete headlight		1
2	852.5.028.1A	Washer		1
3	521.4.005.1A	Lamp holder		1
4	723.1.003.1A	Cap		1
5	510.1.075.1A	Electric wiring		1
6	771.5.667.8B	Screw		5
7	829.1.099.1D	Headlight holder		1
8	830.1.194.1A	R.H. bracket		1
9	530.4.007.3A	Turn indicator		1
10	771.5.069.8B	Screw		1
11	0796.38.305	Bulb 55/60W		1
12	764.1.090.1A	Rubber pad		4
13	716.1.022.1B	Spacer		4
14	758.1.014.1A	Fairlead		1
15	0659.38.226	Bulb 4W		1
16	530.4.008.3A	Turn indicator		1
17	750.5.001.1B	Nut		4
18	779.5.056.1A	Screw		2
19	841.1.017.1A	Retainer		2
20	830.1.195.1A	L.H. bracket		1
21	881.1.035.1A	Ring		1
22	0797.41.090	Fairlead rubber ring		1

NOTES NO.	CODE NO.	DESCRIPTION	VALIDITY	Q.TY 
-----------	----------	-------------	----------	--


DRAWING 023

PLATE HOLDER - REAR LIGHT



DRAWING 023

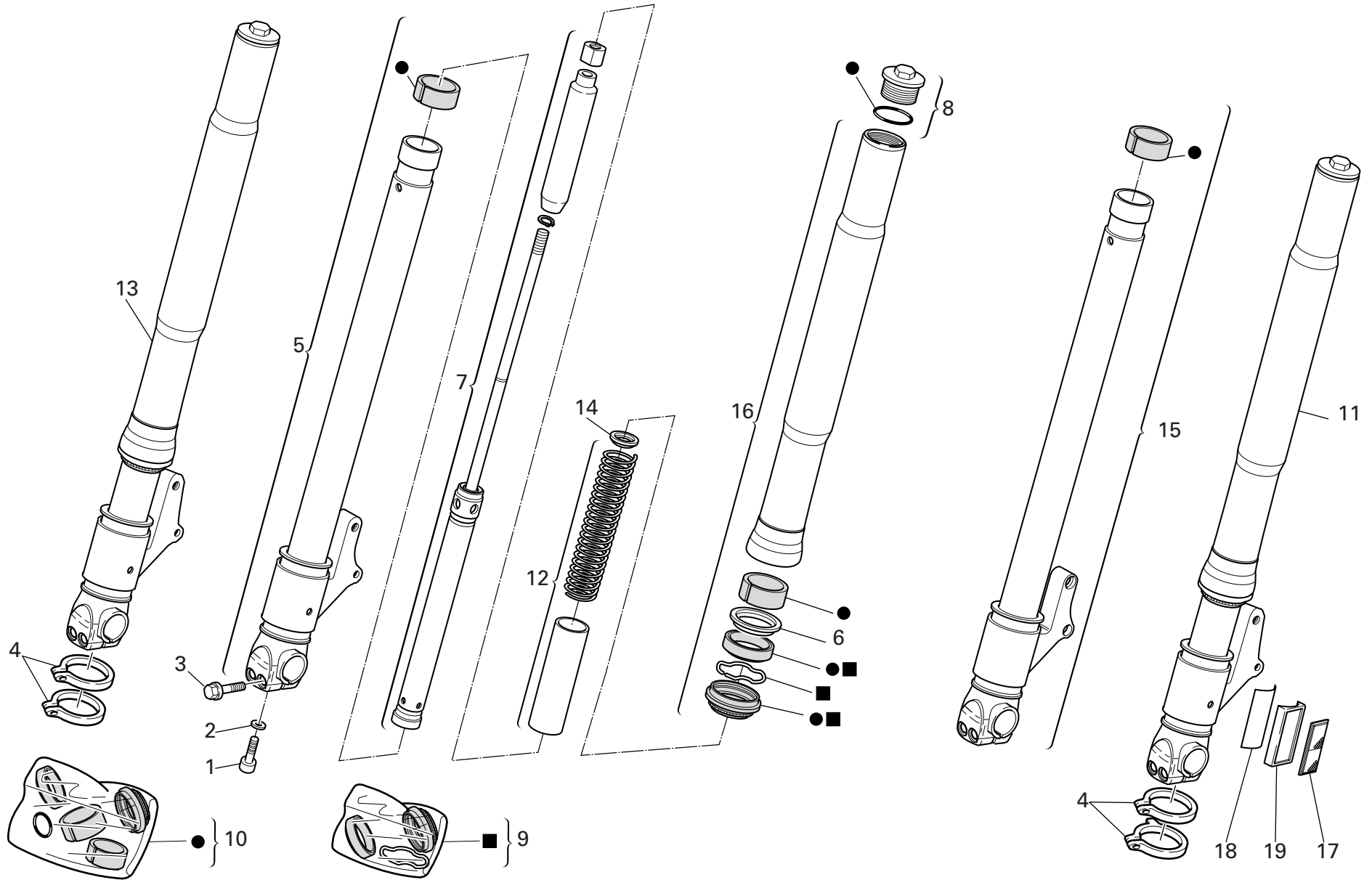
PLATE HOLDER - REAR LIGHT

NOTES NO.	CODE NO.	DESCRIPTION	VALIDITY	Q.TY 
1	561.1.018.1A	Number plate holder		1
2	0691.91.030	Hose guide		1
3	525.4.007.3A	Tail lamp		1
4	526.4.003.1A	Cup		1
5	525.1.004.3A	Tail lamp		1
6	827.1.191.4A	Plate		1
7	764.1.084.1A	Vibration damper pad		2
8	713.1.332.1A	Spacer		2
9	749.4.031.1A	Nut		4
10	530.4.010.3A	Turn indicator		1
11	510.1.076.1B	Electric wiring		1
12	829.1.136.1A	Holder		1
13	529.1.006.1A	Reflector		2
14	530.4.009.3A	Turn indicator		1
15	0000.36230	Bulb		1
16	748.4.100.1AB	Nut		2
17	749.5.001.1B	Nut		6
18	852.5.001.1C	Washer		6
19	529.1.009.1A	Reflector		1
20	561.1.019.1A	Plate		1
21	772.5.033.1A	Screw		2
22	390.4.003.1A	Two-light bulb 12V 5/21W		1
23	565.1.026.2A	Protection		1
24	771.5.065.8B	Screw		2


NOTES NO.	CODE NO.	DESCRIPTION	VALIDITY	Q.TY 
-----------	----------	-------------	----------	--

DRAWING 024

FRONT FORK



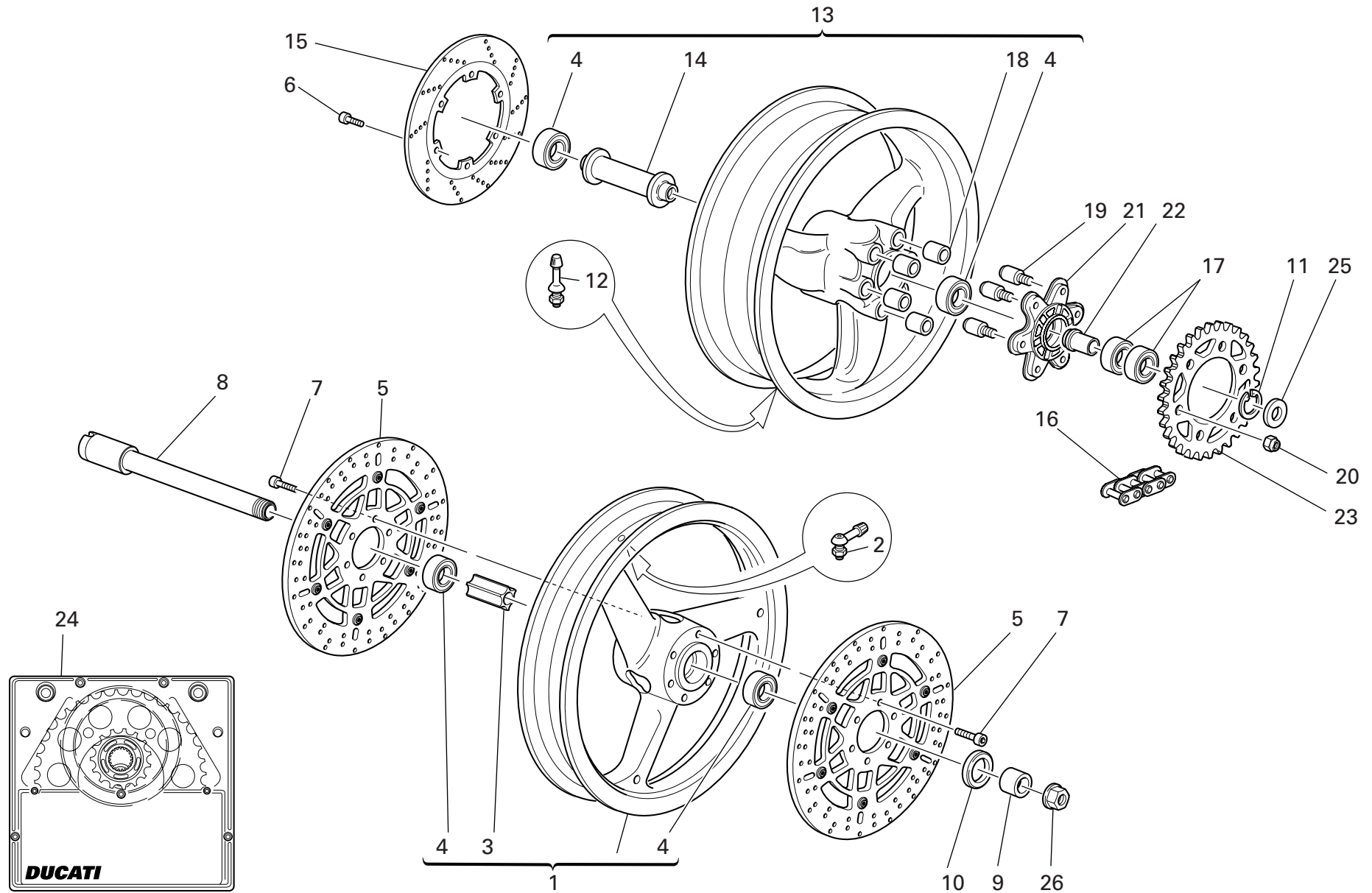
DRAWING 024 FRONT FORK

NOTES NO.	CODE NO.	DESCRIPTION	VALIDITY	Q.TY 
1	71502.2594	Screw		2
2	349.1.143.1A	Washer		2
3	771.5.727.8B	Screw		4
4	8000.70127	Hose guide		4
5	350.1.015.1A	Complete R.H. slider		1
6	349.1.152.1A	Retainer		2
7	348.2.012.1A	Complete pumping element		2
8	349.2.019.1A	Complete cap		2
9	349.2.026.1A	Seat kit		2
10	349.2.025.1A	Overhaul kit		2
11	345.2.010.2A	L.H. fork leg assembly		1
12	347.2.004.1A	Spring kit		2
13	344.2.010.2A	R.H. fork leg assembly		1
14	349.1.149.1A	Check ring		2
15	350.1.014.1A	Complete L.H. slider		1
16	349.1.157.1A	Stanchion tube		2
17	529.1.001.1A	Reflector		2
18	926.1.001.1A	Biadhesive strip		2
19	0374.37.190	Holder		2

NOTES NO.	CODE NO.	DESCRIPTION	VALIDITY	Q.TY 
-----------	----------	-------------	----------	--

DRAWING 025

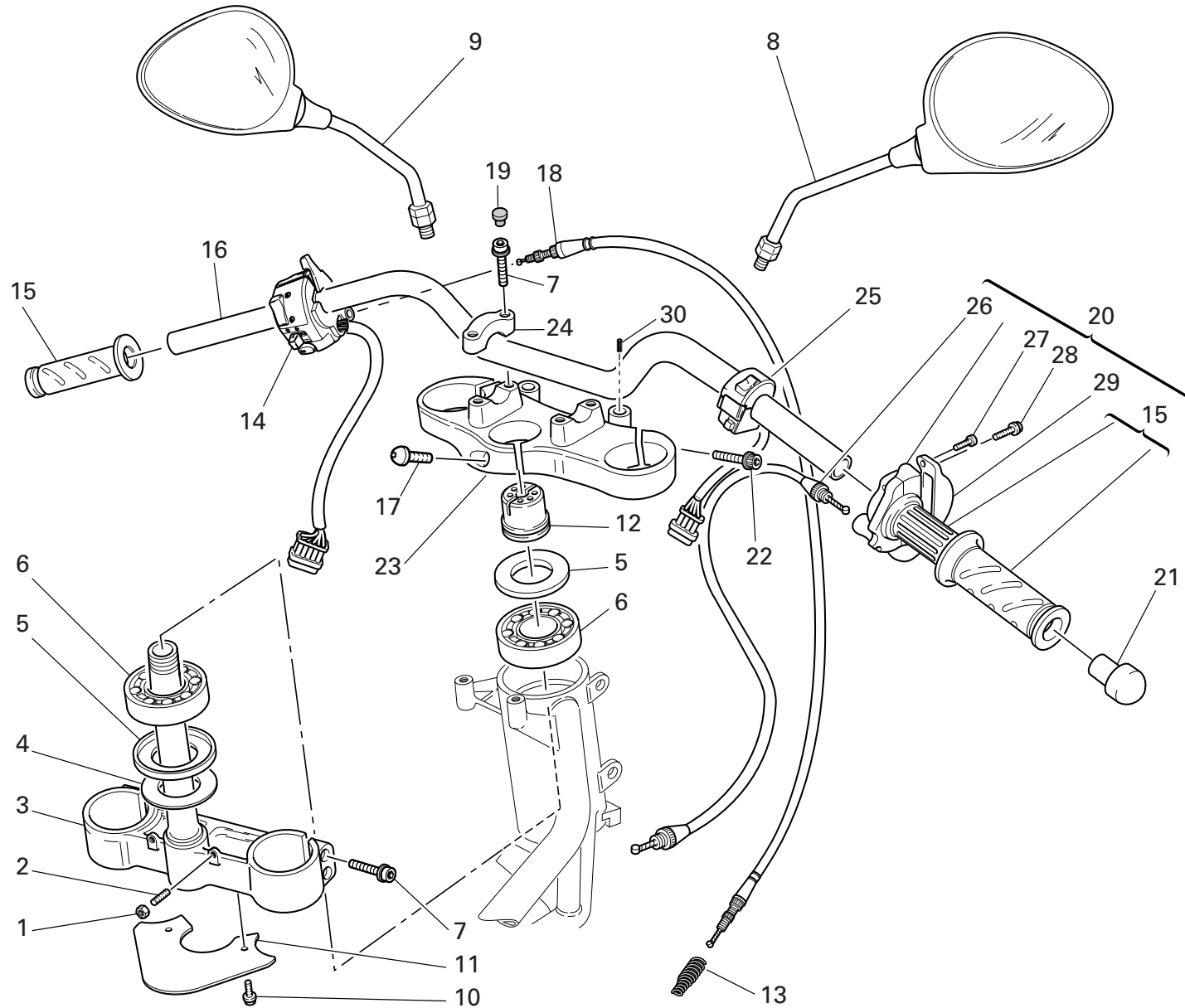
FRONT AND REAR WHEELS



DRAWING **025** FRONT AND REAR WHEELS

NOTES NO.	CODE NO.	DESCRIPTION	VALIDITY	Q.TY 
1	501.2.080.1AB	Front wheel rim (BLACK)		1
2	497.2.001.2A	Valve		1
3	714.1.028.1A	Inner spacer		1
4	702.5.045.1A	Bearing		4
5	492.4.082.1A	Brake disc		2
6	779.1.311.1A	Screw		6
7	779.1.399.1A	Screw		12
8	819.1.017.1B	Front wheel spindle		1
9	714.1.073.1A	Spacer		1
10	0000.64471	Seal ring		1
11	884.5.008.1A	Circlip		1
12	497.2.003.1A	Valve		1
13	502.2.110.1AB	Rear wheel rim (BLACK)		1
14	714.1.046.1A	Inner spacer		1
15	492.4.003.2A	Brake disc		1
16	676.4.032.2A	Chain (106 Links)		1
17	702.5.050.1A	Bearing		2
18	700.1.005.1A	Vibration damper		6
19	821.1.039.1B	Pin		6
20	748.4.024.1AB	Nut		6
21	160.1.049.1B	Rear sprocket flange		1
22	710.1.041.1C	Bush		1
23	494.1.101.1A	Ring gear z=48		1
24	676.2.057.1A	Final drive kit		1
25	713.1.097.2C	Spacer		1
26	748.1.014.1C	Fork nut		1


NOTES NO.	CODE NO.	DESCRIPTION	VALIDITY	Q.TY 
-----------	----------	-------------	----------	--



DRAWING 026

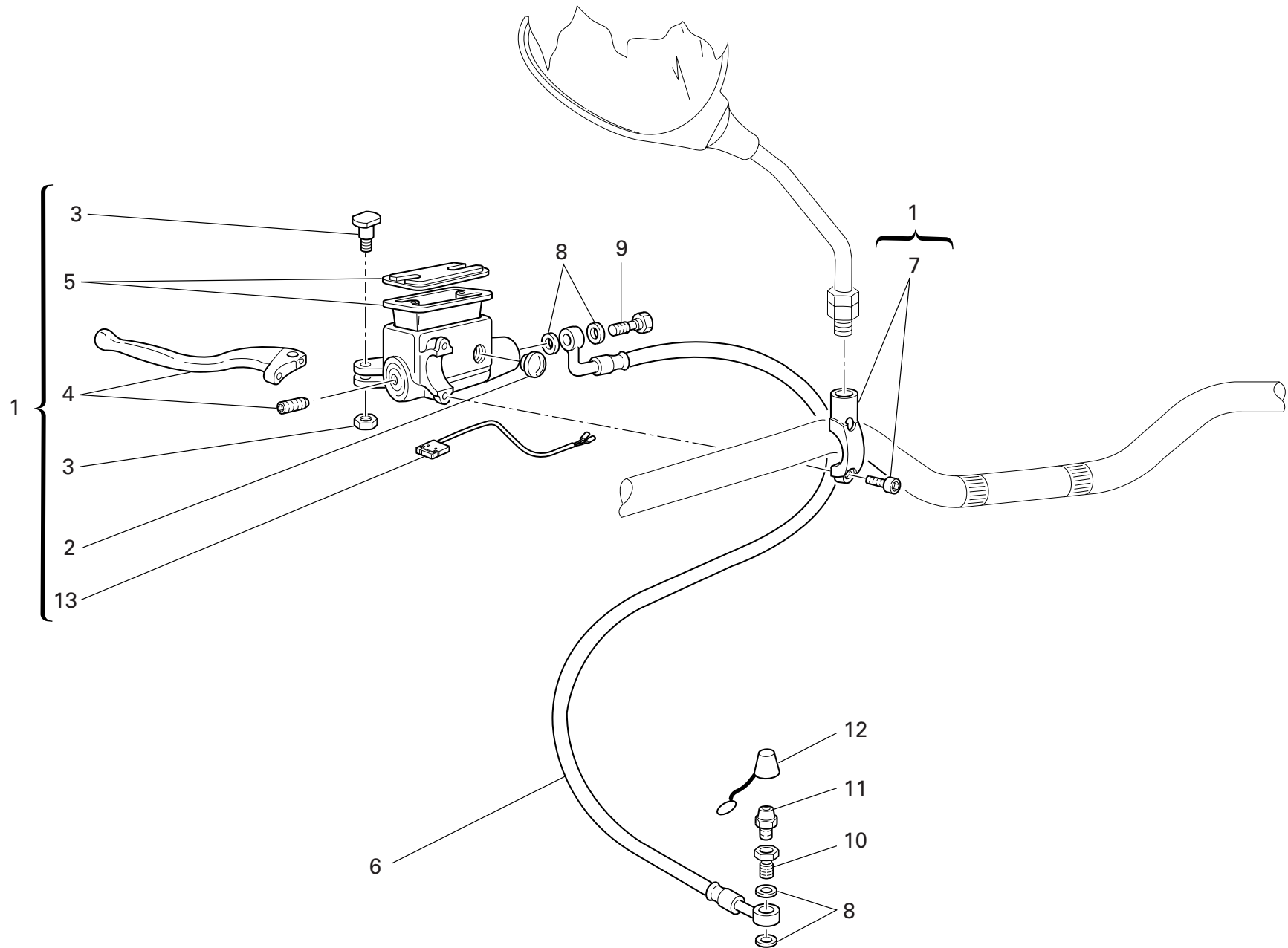
HANDLEBAR AND CONTROLS

NOTES NO.	CODE NO.	DESCRIPTION	VALIDITY	Q.TY 
1	747.5.007.1A	Nut		2
2	779.1.099.1B	Special screw		2
3	342.2.015.1C	Steering head base		1
4	852.1.103.1A	Washer		1
5	930.1.004.1A	Seal ring		2
6	702.4.004.1A	Bearing		2
7	771.5.727.8B	Screw		8
8	523.4.014.1A	R.H. rear-view mirror		1
9	523.4.015.1A	L.H. rear-view mirror		1
10	772.1.047.1B	Screw		2
11	460.1.076.2A	Mudflap		1
12	703.1.013.1A	Ring nut		1
13	799.1.058.1A	Starter control transmission return spring		1
14	651.4.011.1A	L.H. switch		1
15	8000.78345	Grips pair		1
16	360.1.035.1A	Handlebar		1
17	779.5.056.1A	Screw		1
18	657.1.015.1A	Flexible cable		1
19	0659.37.040	Cap		4
20	654.2.003.1A	Throttle control		1
21	872.1.028.1A	Cap		2
22	771.5.725.8B	Screw		2
23	341.1.030.1C	Steering head		1
24	360.1.033.1B	Bracket		2
25	650.4.008.1B	R.H. switch		1
26	656.1.036.2A	Throttle control transmission		1


NOTES NO.	CODE NO.	DESCRIPTION	VALIDITY	Q.TY 
27	8000.66774	Screw		2
28	772.5.031.1B	Screw		2
29	658.4.002.1B	Cover		1
30	861.5.003.1A	Spring pin		2

DRAWING 027

CLUTCH CONTROL



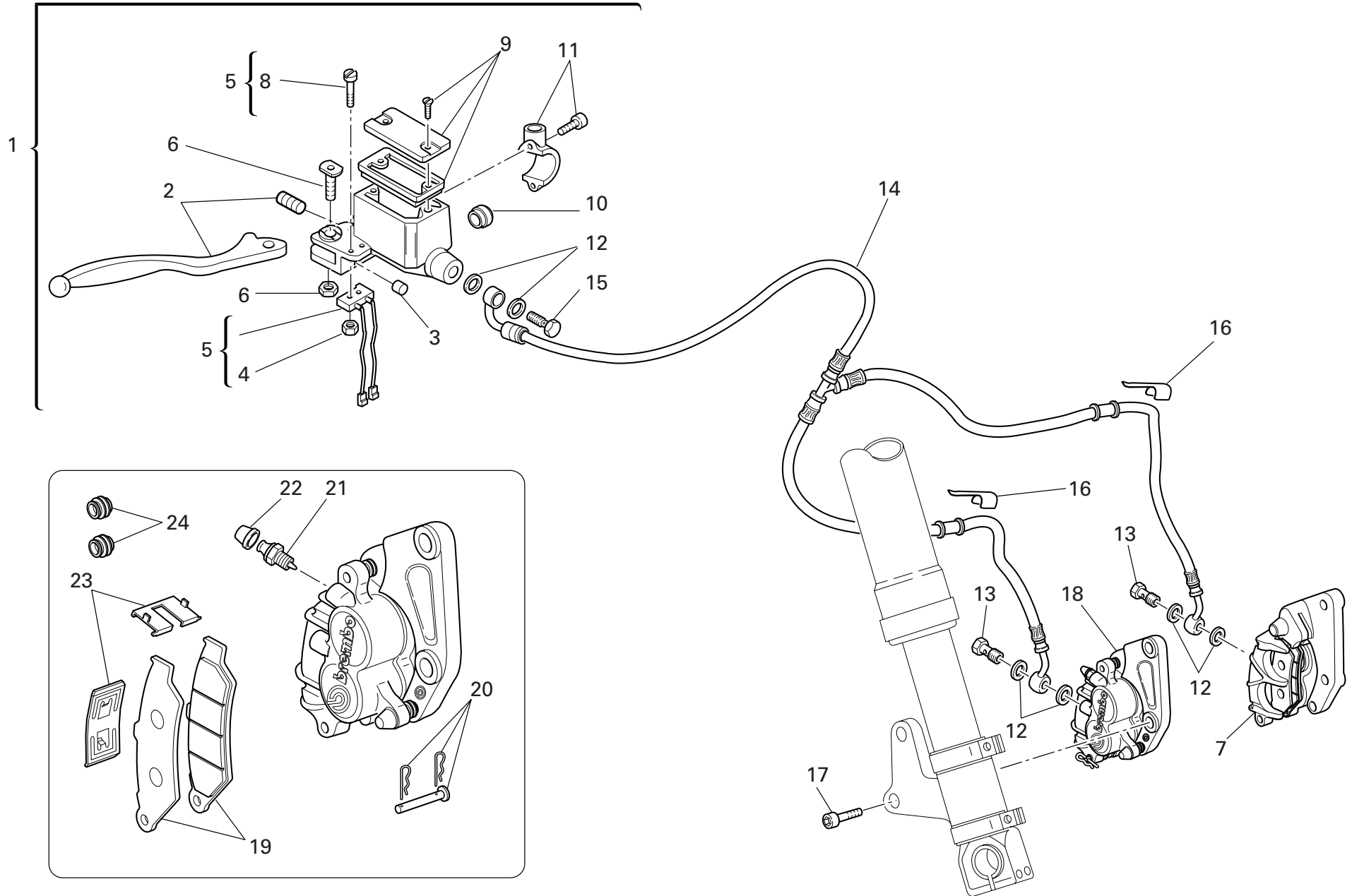
DRAWING 027 CLUTCH CONTROL

NOTES NO.	CODE NO.	DESCRIPTION	VALIDITY	Q.TY 
1	630.4.025.1A	Clutch drive pump		1
2	0000.49654	Spare inspection window		1
3	0000.46664	Spare lever pin		1
4	626.1.003.1D	Lever with dowel		1
5	0000.46665	Spare cap		1
6	632.1.031.1A	Clutch control pipe (METAL PLAITED)		1
7	626.4.029.1A	Spare bracket		1
8	852.5.024.1A	Gasket th.1		4
9	779.1.366.1AB	Special screw		1
10	779.1.397.1A	Special screw		1
11	187.1.002.1A	Bleed		1
12	612.4.005.1A	Dust seal		1
13	539.4.034.1A	Microswitch		1

NOTES NO.	CODE NO.	DESCRIPTION	VALIDITY	Q.TY 
-----------	----------	-------------	----------	--

DRAWING 028

FRONT BRAKE



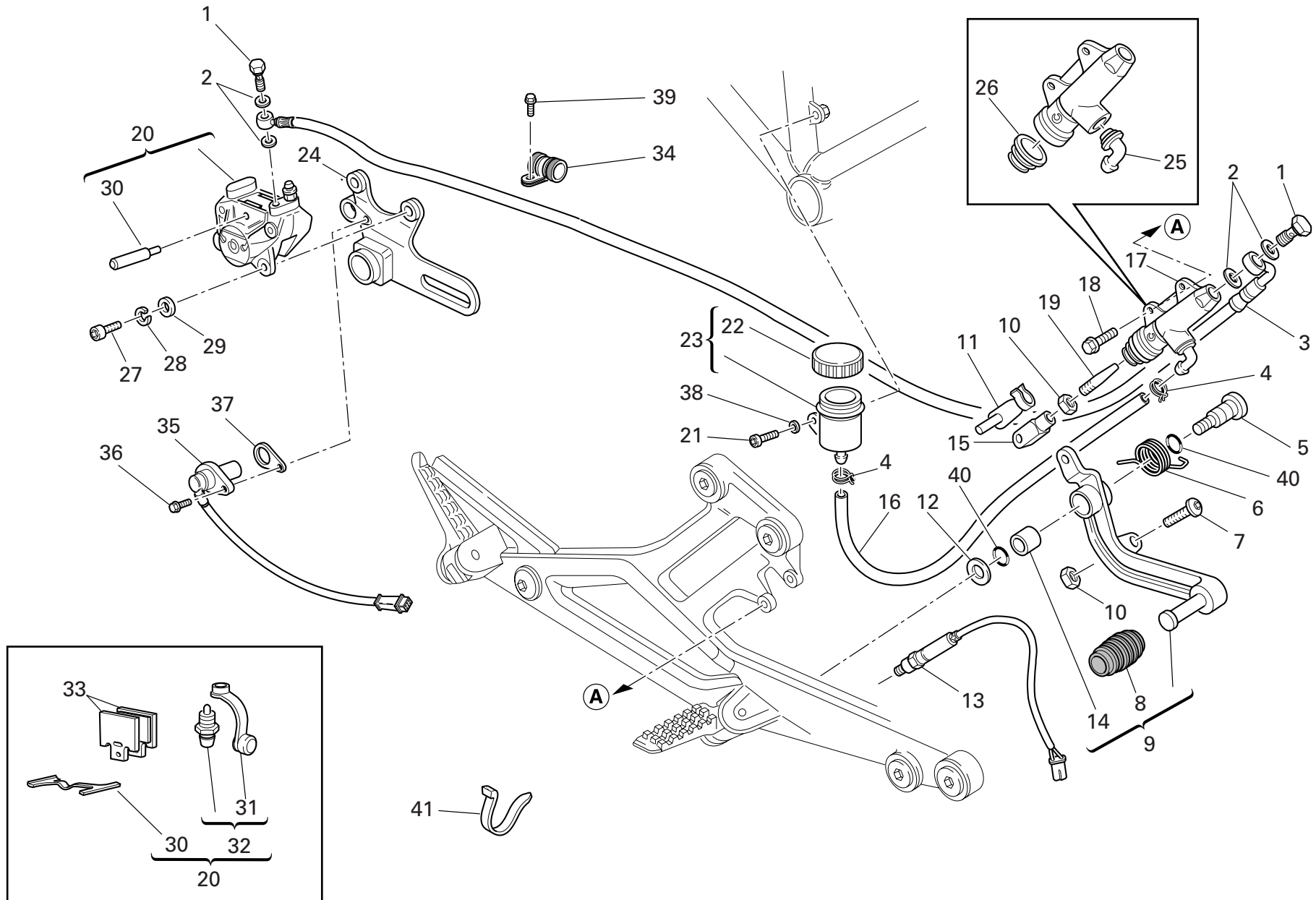
DRAWING **028** FRONT BRAKE

NOTES NO.	CODE NO.	DESCRIPTION	VALIDITY	Q.TY 
1	624.4.035.1A	Front brake pump		1
2	626.1.002.1A	Lever with dowel		1
3	195.4.002.1A	Rubber pad		1
4	72465.0214	Nut		2
5	539.4.042.1A	Microswitch		1
6	0000.46664	Spare lever pin		1
7	610.4.075.1A	L.H. brake caliper		1
8	776.5.307.2A	Screw		2
9	893.4.009.1A	Spare cap		1
10	626.4.003.1A	Spare inspection window		1
11	626.4.023.1A	Spare bracket		1
12	852.5.024.1A	Gasket th.1		6
13	779.1.366.1AB	Special screw		2
14	618.4.063.1A	Caliper pump pipe (METAL PLAITED)		1
15	779.1.415.1A	Special screw		1
16	829.1.141.1C	Fairlead		2
17	771.5.431.8B	Screw		4
18	610.4.076.1A	R.H. brake caliper		1
19	613.4.072.1A	Pads pair		2
20	612.4.031.1A	Spare pins and spring		2
21	631.4.026.1A	Spare bleed union		2
22	612.4.008.1A	Dust seal		2
23	612.4.029.1A	Plate		2
24	612.4.030.1A	Dust cover		4


NOTES NO.	CODE NO.	DESCRIPTION	VALIDITY	Q.TY 
-----------	----------	-------------	----------	--


DRAWING 029

REAR BRAKE



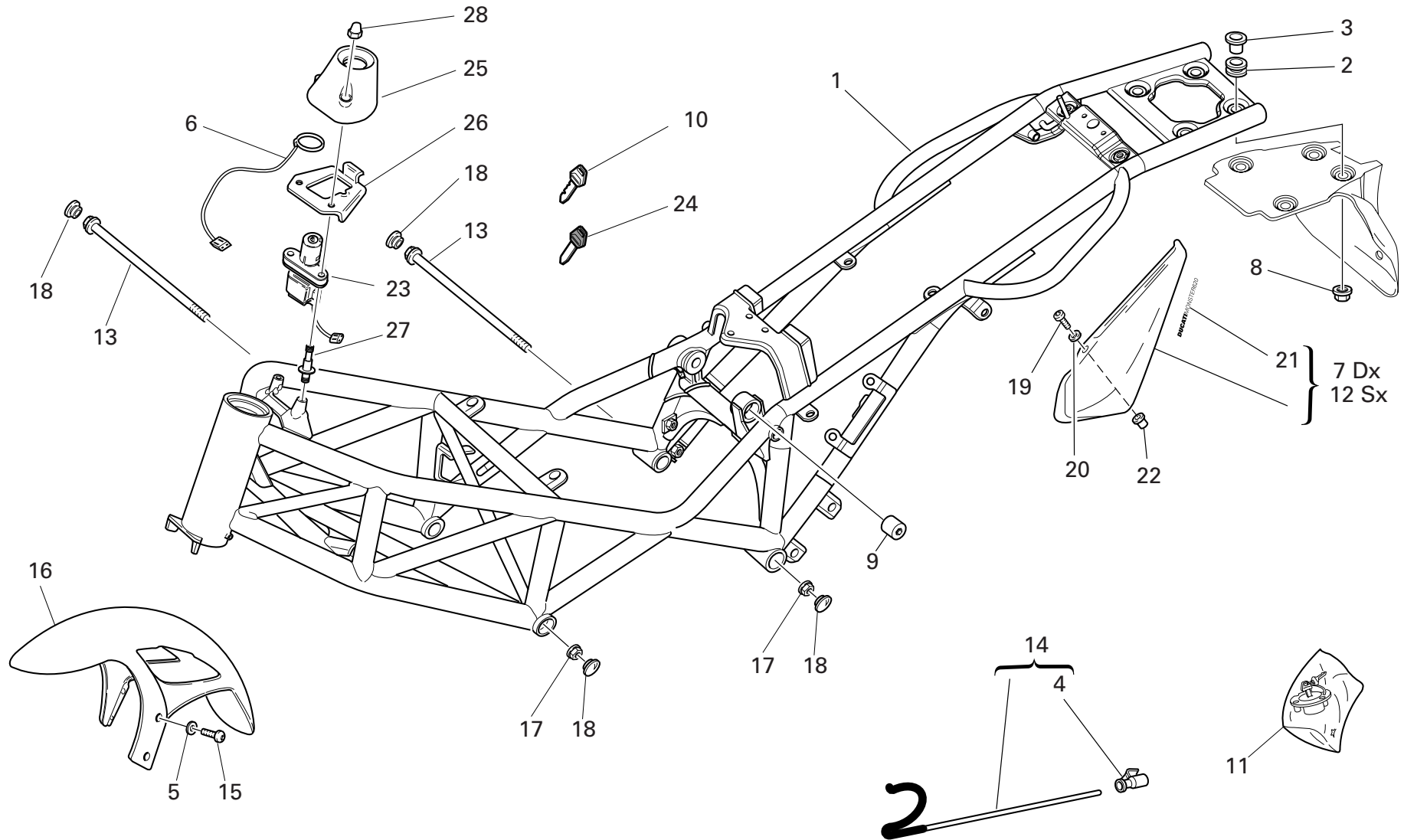
DRAWING 029 REAR BRAKE

NOTES NO.	CODE NO.	DESCRIPTION	VALIDITY	Q.TY 
1	779.1.366.1AB	Special screw		2
2	852.5.024.1A	Gasket th.1		4
3	619.4.030.1A	Rear brake line		1
4	741.4.043.1A	Hose guide		2
5	821.1.170.1A	Pin		1
6	799.1.044.1A	Spring		1
7	779.1.054.1B	Special screw		1
8	765.1.001.1A	Rubber pad		1
9	457.2.007.1A	Brake control lever		1
10	747.5.005.1B	Nut		2
11	850.1.005.1A	Spring		1
12	852.4.016.1A	Washer		1
13	539.4.003.1B	Switch		1
14	712.1.034.1A	Bush		1
15	184.1.005.1A	Fork		1
16	877.1.039.1A	Tube		1
17	625.4.015.1A	Rear brake pump		1
18	772.5.031.1B	Screw		2
19	8000.62586	Adjuster rod		1
20	611.4.025.1A	Rear brake caliper		1
21	779.5.004.1B	Screw		1
22	893.4.005.1A	Cap		1
23	585.4.001.1A	Complete oil tank		1
24	825.1.030.1A	Caliper holder plate		1
25	631.4.008.1A	Spare union		1
26	626.4.013.1A	Dust cover		1

NOTES NO.	CODE NO.	DESCRIPTION	VALIDITY	Q.TY 
27	771.5.125.8C	Screw		2
28	853.5.006.1A	Spring washer		2
29	852.1.203.1A	Washer		2
30	612.4.013.1B	Spare pins and spring		1
31	612.4.008.1A	Dust seal		1
32	0000.39727	Spare bleed union		1
33	613.4.073.1A	Pads pair		1
34	741.4.062.1A	Clip		1
35	552.4.037.1A	Sensor		1
36	771.5.665.8B	Screw		1
37	713.1.192.1A	Spacer		1
38	852.5.027.1A	Washer		1
39	772.1.055.1A	Screw		1
40	0000.01199	O-ring		2
41	0691.91.030	Hose guide		1


DRAWING 030

FRAME



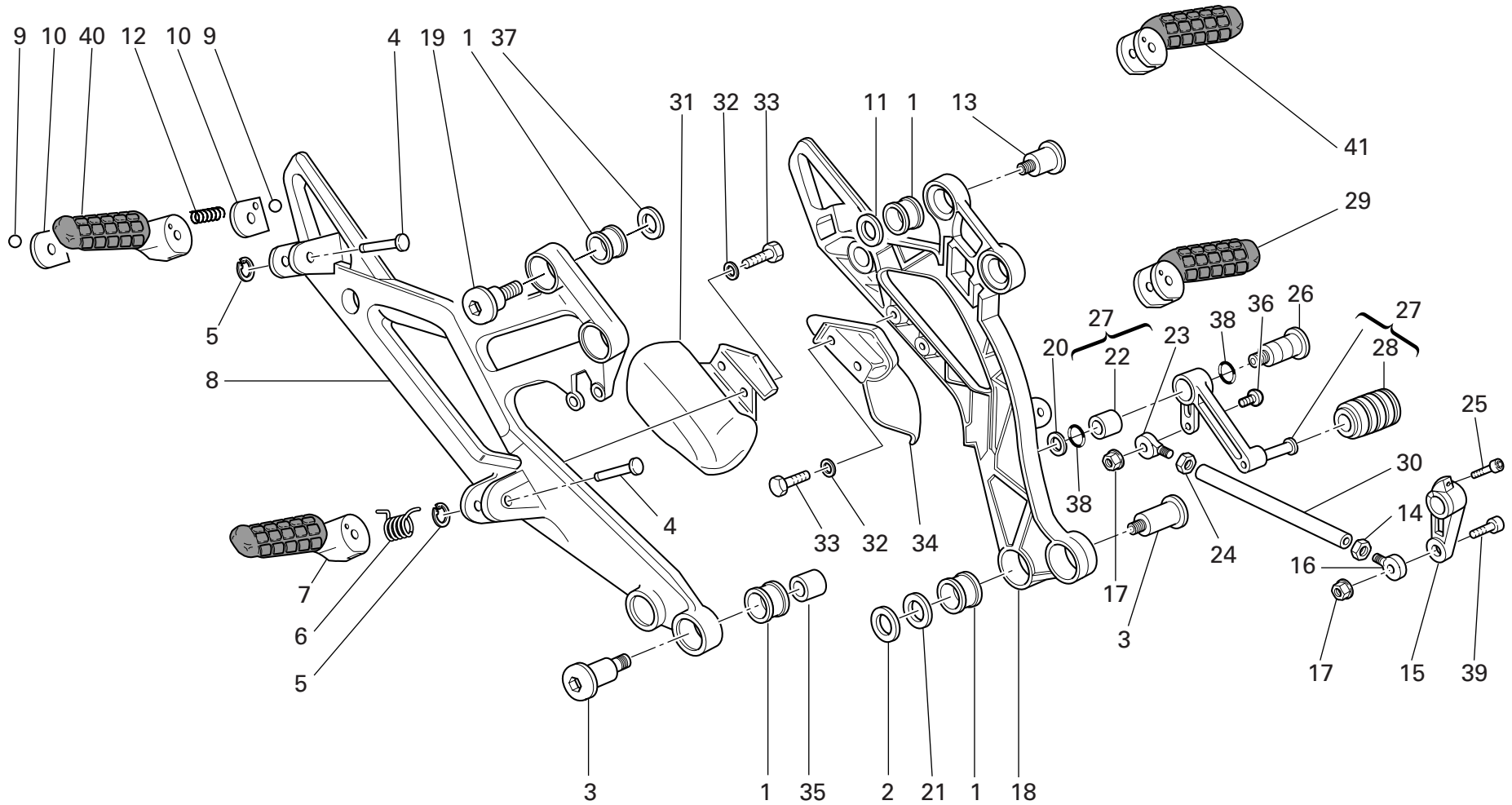
DRAWING **030** FRAME

NOTES NO.	CODE NO.	DESCRIPTION	VALIDITY	Q.TY 
1	470.1.056.3AB	Frame (BLACK)		1
1	470.1.056.3AF	Frame (RED)		1
2	764.1.029.1A	Rubber pad		4
3	713.1.332.1A	Spacer		4
4	764.1.015.1B	Rubber pad		1
5	856.1.042.1A	Nylon washer		4
6	518.4.004.2B	Antenna		1
7	482.1.060.1BA	R.H. body panel		1
8	749.4.031.1A	Nut		4
9	750.1.060.1B	Nut		1
10	598.4.018.1A	Wrench without Transponder		2
11	598.2.030.1A	Locks kit		1
12	482.1.043.1BA	L.H. body panel		1
13	779.1.213.1A	Screw		2
14	117.2.049.1A	Rod		1
15	772.1.063.1A	Screw		4
16	564.1.029.2BA	Front mudguard (RED)		1
16	564.1.029.2BT	Front mudguard (BLACK)		1
17	748.4.002.1A	Nut		2
18	872.1.026.1A	Cap		4
19	775.1.002.1A	Screw		4
20	0000.63161	Washer		4
21	436.1.114.1B	Sticker "DUCATI MONSTER 620"		2
22	850.4.082.1A	Insert		4
23	652.4.006.1A	Key-operated switch		1
24	598.4.016.1A	Wrench with Transponder		1

NOTES NO.	CODE NO.	DESCRIPTION	VALIDITY	Q.TY 
25	246.1.060.2A	Cover		1
26	827.1.211.1A	Plate		1
27	779.1.221.1B	Special screw		2
28	749.4.002.1A	Nut		2

DRAWING 031


GEARCHANGE LEVER - FOOT REST



DRAWING 031

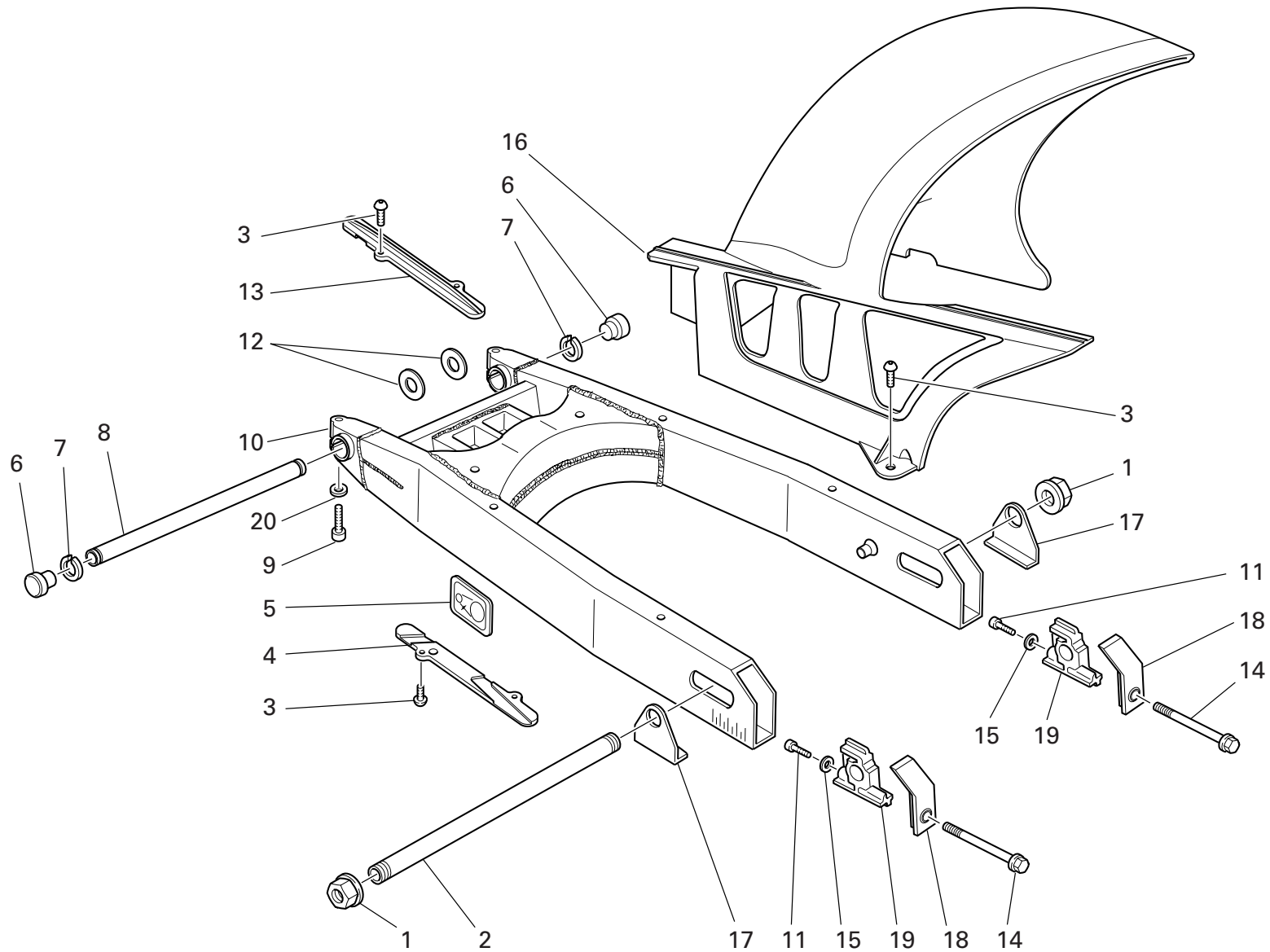
GEARCHANGE LEVER - FOOT REST

NOTES NO.	CODE NO.	DESCRIPTION	VALIDITY	Q.TY 
1	700.1.049.1A	Vibration damper		8
2	852.1.065.1B	Washer		2
3	779.1.206.1AB	Special screw		4
4	821.1.090.1B	Pin		4
5	0170.91.730	Ring		4
6	8000.60700	Spring		2
7	464.1.047.1A	Front R.H. foot peg		1
8	824.1.024.1AB	R.H. foot peg holder plate		1
9	847.4.002.1A	Ball		4
10	827.1.161.1B	Plate		4
11	852.1.099.1A	Washer		2
12	799.1.024.1A	Spring		2
13	779.1.204.1B	Screw		2
14	747.5.010.1A	Nut		1
15	456.1.046.1B	Gearchange control lever		1
16	848.5.002.1A	Ball joint		1
17	749.5.006.1A	Nut		2
18	824.1.023.1AB	L.H. foot peg holder plate		1
19	779.1.212.1B	Screw		2
20	852.4.016.1A	Washer		1
21	716.1.056.1A	Spacer		1
22	712.1.034.1A	Bush		1
23	848.5.001.1A	Ball joint		1
24	747.5.001.1AB	Nut		1
25	779.5.011.1B	Screw		1
26	821.1.170.1A	Pin		1


NOTES NO.	CODE NO.	DESCRIPTION	VALIDITY	Q.TY 
27	456.2.009.1A	Gearchange lever		1
28	765.1.001.1A	Rubber pad		1
29	464.1.048.1A	Front L.H. foot peg		1
30	117.1.028.1A	Gearbox transmission rod		1
31	460.1.038.2B	R.H. protection		1
32	852.5.029.1A	Washer		4
33	770.5.063.8B	Screw		4
34	460.1.039.2B	L.H. protection		1
35	852.1.117.1A	Washer		2
36	779.5.001.1A	Screw		1
37	852.1.116.1A	Washer		2
38	0000.01199	O-ring		2
39	771.5.667.8B	Screw		1
40	465.1.062.1A	Rear R.H. foot peg		1
41	465.1.063.1A	Rear L.H. foot peg		1

DRAWING 032

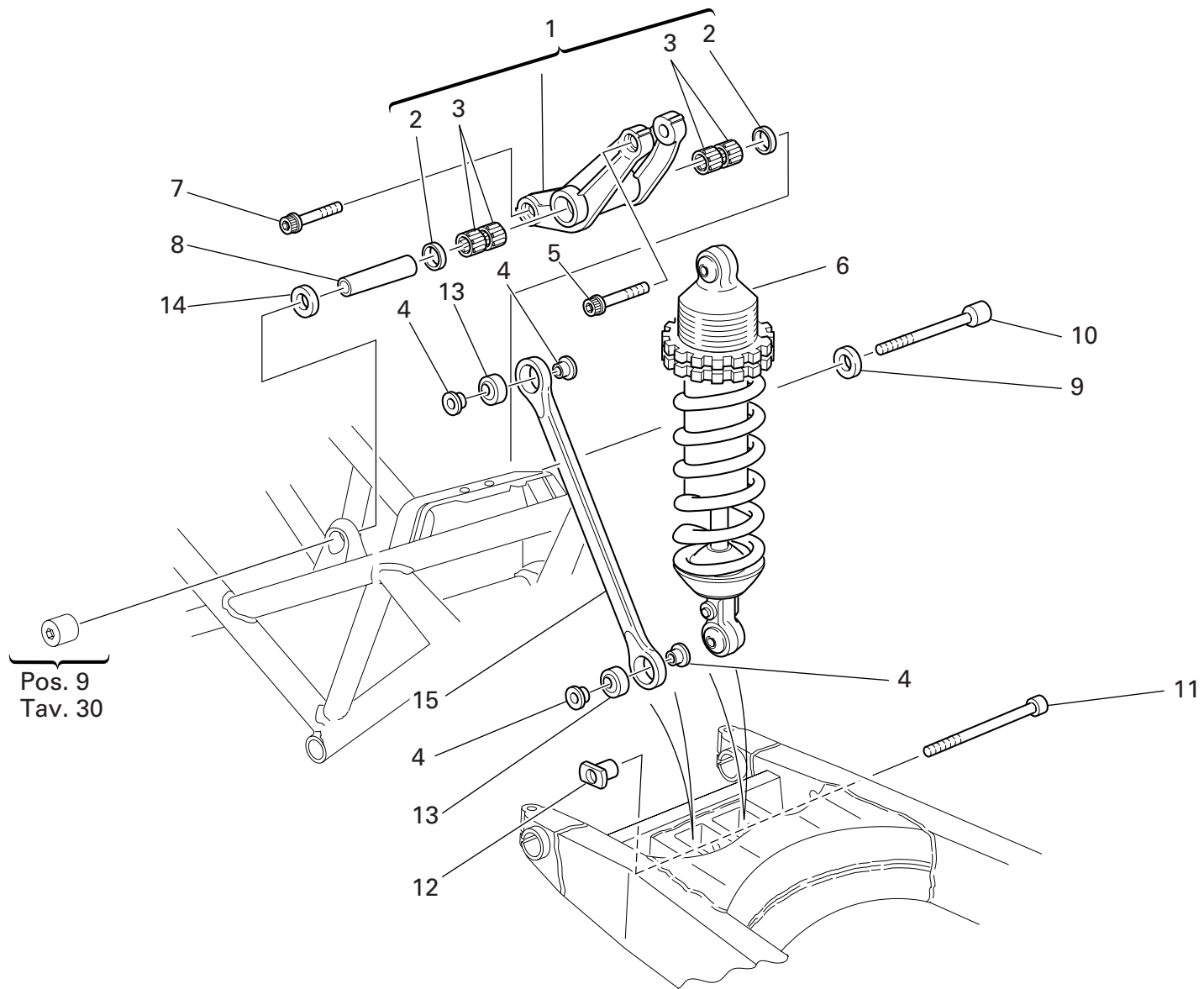
SWINGARM AND CHAIN



DRAWING 032 SWINGARM AND CHAIN


NOTES NO.	CODE NO.	DESCRIPTION	VALIDITY	Q.TY 
1	748.1.023.1B	Nut		2
2	819.1.030.1A	Rear wheel spindle		1
3	779.1.119.1B	Special screw		8
4	447.1.038.1A	Lower chain sliding shoe		1
5	433.1.290.1A	Chain adjustment sticker		1
6	872.1.019.1A	Cap		2
7	884.4.007.1A	Snap ring		2
8	369.1.004.1A	Swingarm pivot		1
9	771.5.156.8B	Screw		2
10	370.1.021.2C	Swingarm		1
11	771.5.004.8B	Screw		2
12	852.1.001.1B	Shim th. 1.8		2
12	852.1.002.1B	Shim th. 0.2		2
12	852.1.003.1B	Shim th. 0.1		1
13	447.1.037.1A	Upper chain sliding shoer		1
14	779.1.037.1B	Screw		2
15	852.1.079.1B	Washer		2
16	565.1.030.1A	Rear mudguard		1
17	373.1.029.1C	Plate		2
18	373.1.023.1B	Cover		2
19	373.1.028.1B	Sliding shoe		2
20	0670.92.190	Shim th. 2		2

NOTES NO.	CODE NO.	DESCRIPTION	VALIDITY	Q.TY 
-----------	----------	-------------	----------	--



DRAWING 033

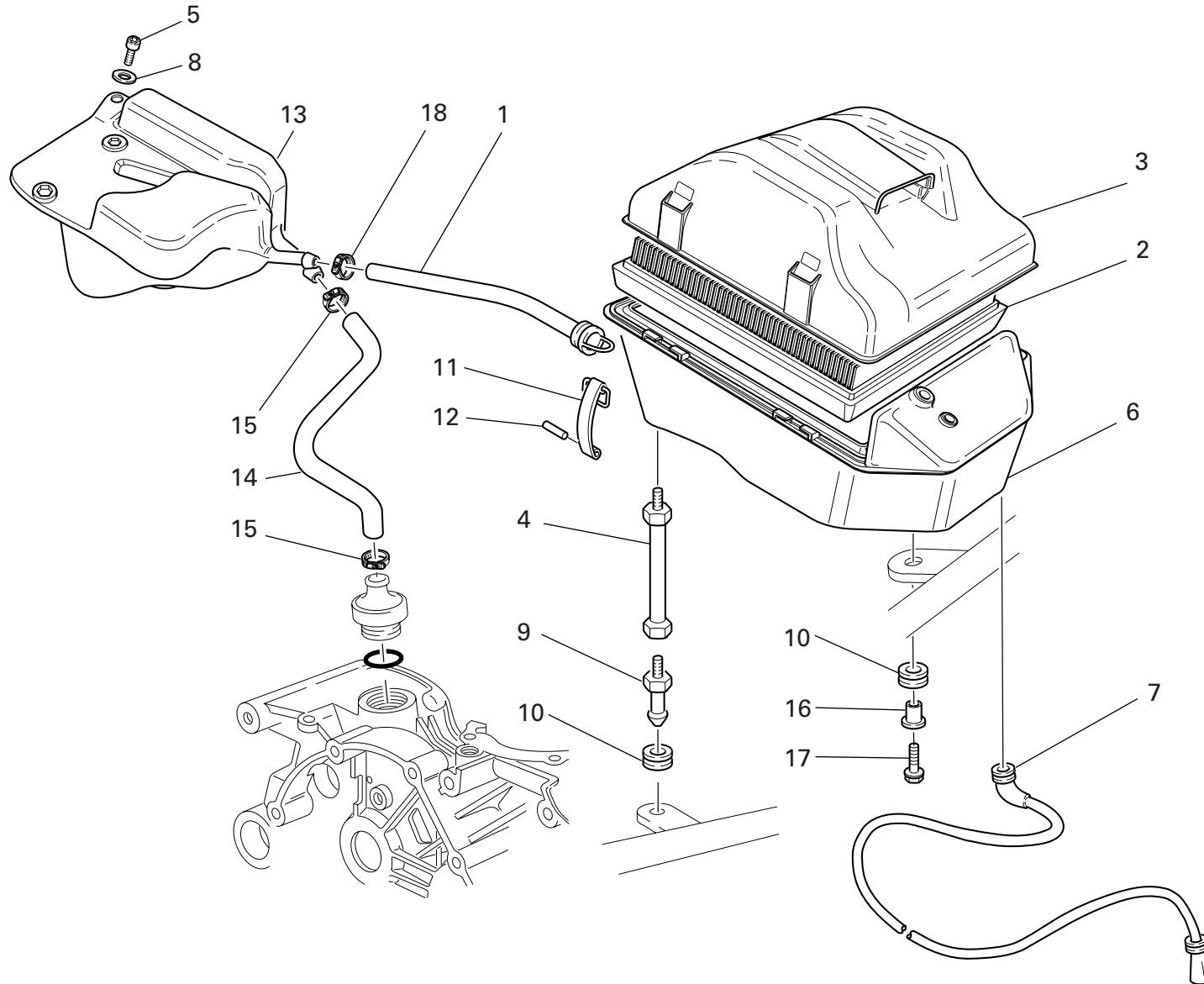
REAR SUSPENSION

NOTES NO.	CODE NO.	DESCRIPTION	VALIDITY	Q.TY 
1	372.2.008.3A	Rocker assembly		1
2	93781.1824	Seal ring		2
3	701.4.006.1A	Needle bearing		4
4	710.1.025.1A	Bush		4
5	771.5.938.8B	Screw		1
6	365.2.045.1A	Shock absorber		1
7	771.5.937.8B	Screw		1
8	715.1.004.1A	Spacer		1
9	710.1.085.1A	Spacer		1
10	771.1.015.1A	Screw		1
11	771.1.016.1A	Screw		1
12	710.1.046.1B	Bush		1
13	848.4.011.1A	Ball joint		2
14	710.1.088.1A	Spacer		1
15	875.1.063.1A	Tie rod		1


NOTES NO.	CODE NO.	DESCRIPTION	VALIDITY	Q.TY 
-----------	----------	-------------	----------	--

DRAWING 034

AIR INDUCTIO AND OIL VENT



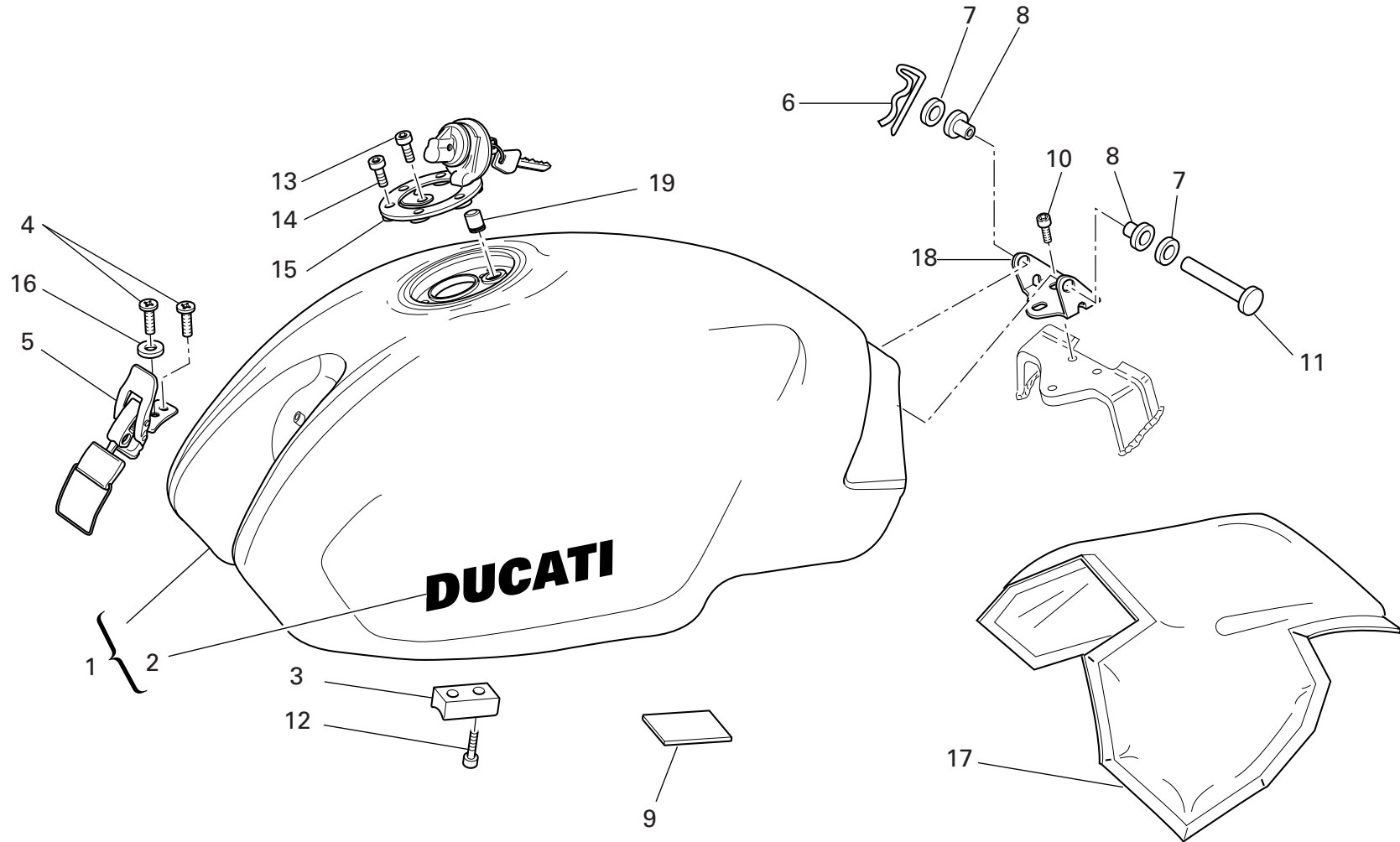
DRAWING **034** AIR INDUCTIO AND OIL VENT

NOTES NO.	CODE NO.	DESCRIPTION	VALIDITY	Q.TY 
1	876.1.082.1A	Filter/fuel tank outlet pipe		1
2	426.1.010.1A	Filter element		1
3	246.2.011.1B	Filter case cover		1
4	684.1.026.1B	Stud bolt		2
5	771.5.069.8B	Screw		1
6	442.2.068.1B	Air filter box		1
7	877.2.002.1A	Tube		1
8	852.5.029.1A	Washer		1
9	821.1.075.1A	Pin		2
10	764.1.090.1A	Rubber pad		3
11	760.1.003.1B	Hook		4
12	74223.1045	Spring pin		4
13	585.1.031.1A	Oil breather tank		1
14	876.1.066.1A	Breather pipe		1
15	741.4.002.1A	Hose guide		2
16	716.1.022.1B	Spacer		1
17	772.1.063.1A	Screw		1
18	741.4.024.1A	Hose guide		1


NOTES NO.	CODE NO.	DESCRIPTION	VALIDITY	Q.TY 
-----------	----------	-------------	----------	--

DRAWING 035

FUEL TANK



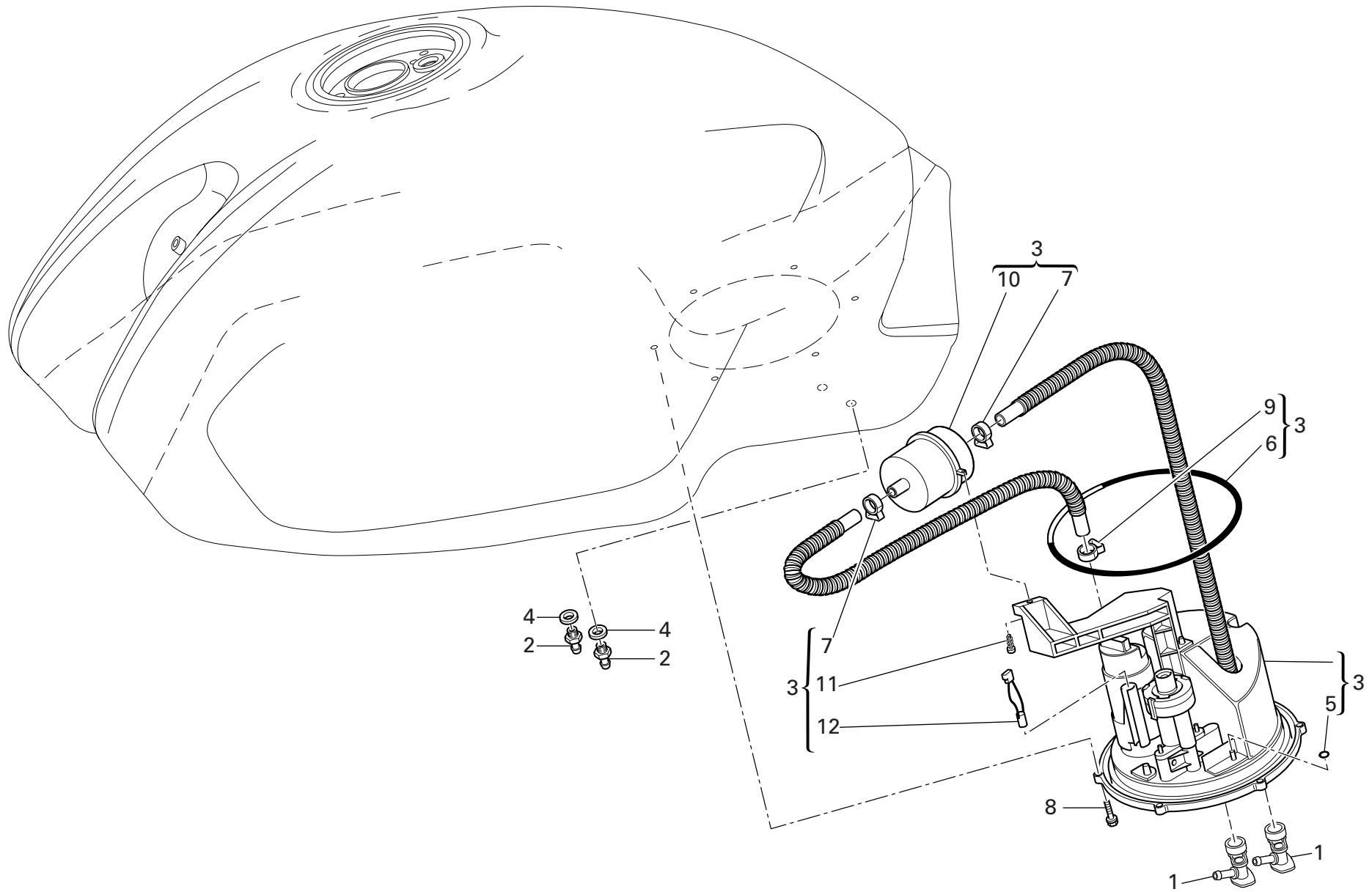
DRAWING **035** FUEL TANK

NOTES NO.	CODE NO.	DESCRIPTION	VALIDITY	Q.TY 
1	586.1.044.1CA	Fuel tank (RED)		1
1	586.1.044.1CT	Fuel tank (BLACK)		1
2	435.1.097.1AA	Sticker "DUCATI" (for RED, BLACK)		2
3	866.1.040.1A	Pad		2
4	777.5.019.7E	Screw		2
5	760.4.006.1B	Hook		1
6	685.1.006.1A	Split pin		1
7	80C0.05893	Shim		2
8	712.1.013.2A	Bush		2
9	433.1.279.1A	Plate		1
10	771.5.062.8B	Screw		3
11	821.1.028.1D	Pin		1
12	779.5.004.1A	Screw		4
13	771.5.040.8B	Screw		1
14	771.5.045.7E	Screw		3
15	895.4.001.2A	Tank cap		1
16	852.5.019.1A	Washer		1
17	486.1.056.2A	Panel (BLACK)		1
18	830.1.207.1B	Bracket		1
19	791.1.039.1A	Gasket		1


NOTES NO.	CODE NO.	DESCRIPTION	VALIDITY	Q.TY 
-----------	----------	-------------	----------	--

DRAWING 036

FUEL SYSTEM



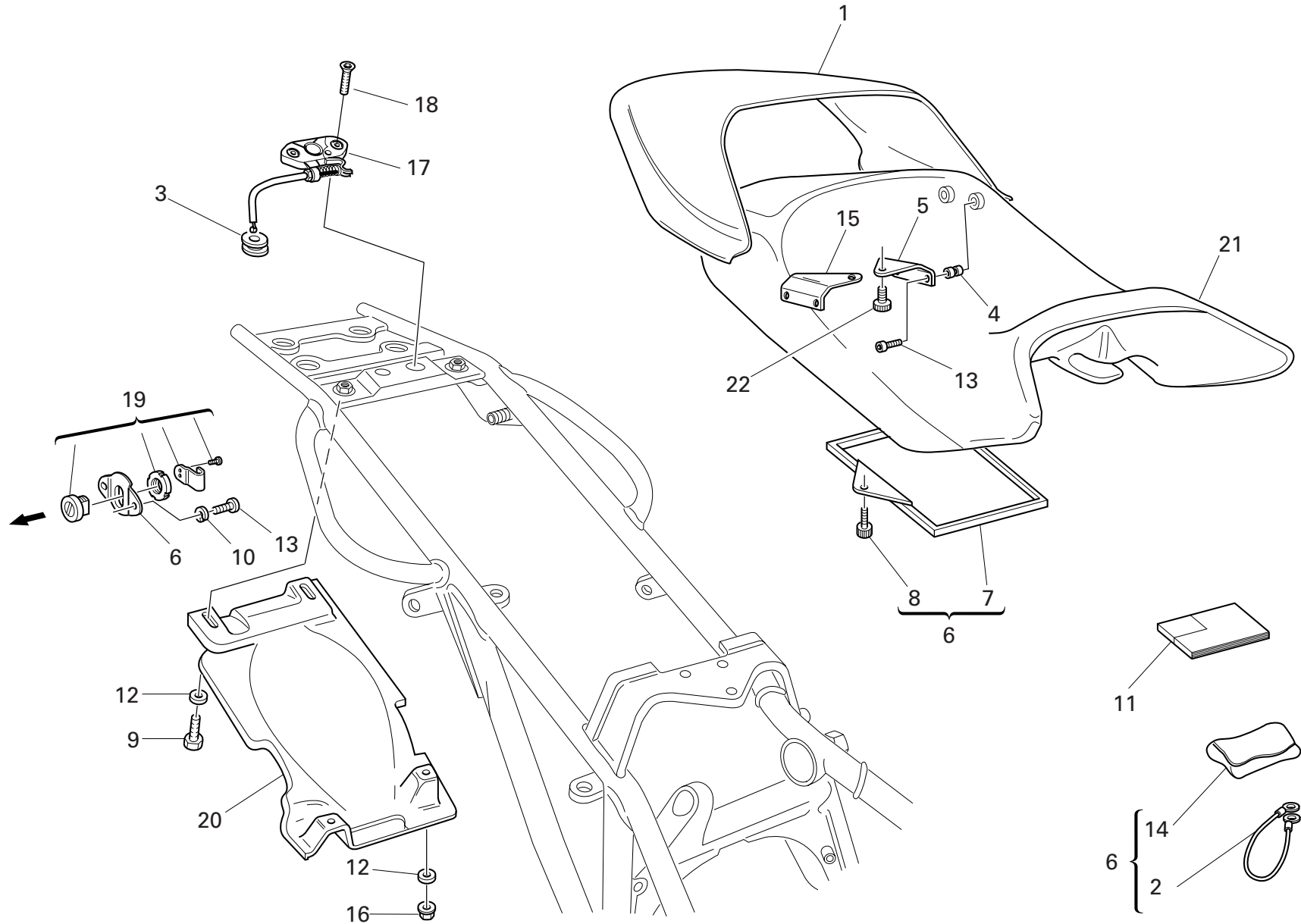
DRAWING **036** FUEL SYSTEM

NOTES NO.	CODE NO.	DESCRIPTION	VALIDITY	Q.TY 
1	814.4.010.1A	Quick-coupling union		2
2	814.1.179.1A	Union		2
3	160.2.135.1A	Flange		1
4	886.1.013.1A	Gasket		2
5	886.4.042.1A	O-ring		4
6	886.4.049.1A	O-ring		1
7	741.4.093.1A	collar		2
8	775.1.020.1A	Screw		6
9	741.4.092.1A	collar		2
10	425.4.010.1A	Filter		1
11	774.5.006.1A	Self-tapping screw		1
12	552.4.133.1A	Thermistor		1


NOTES NO.	CODE NO.	DESCRIPTION	VALIDITY	Q.TY 
-----------	----------	-------------	----------	--

DRAWING 037

SEAT



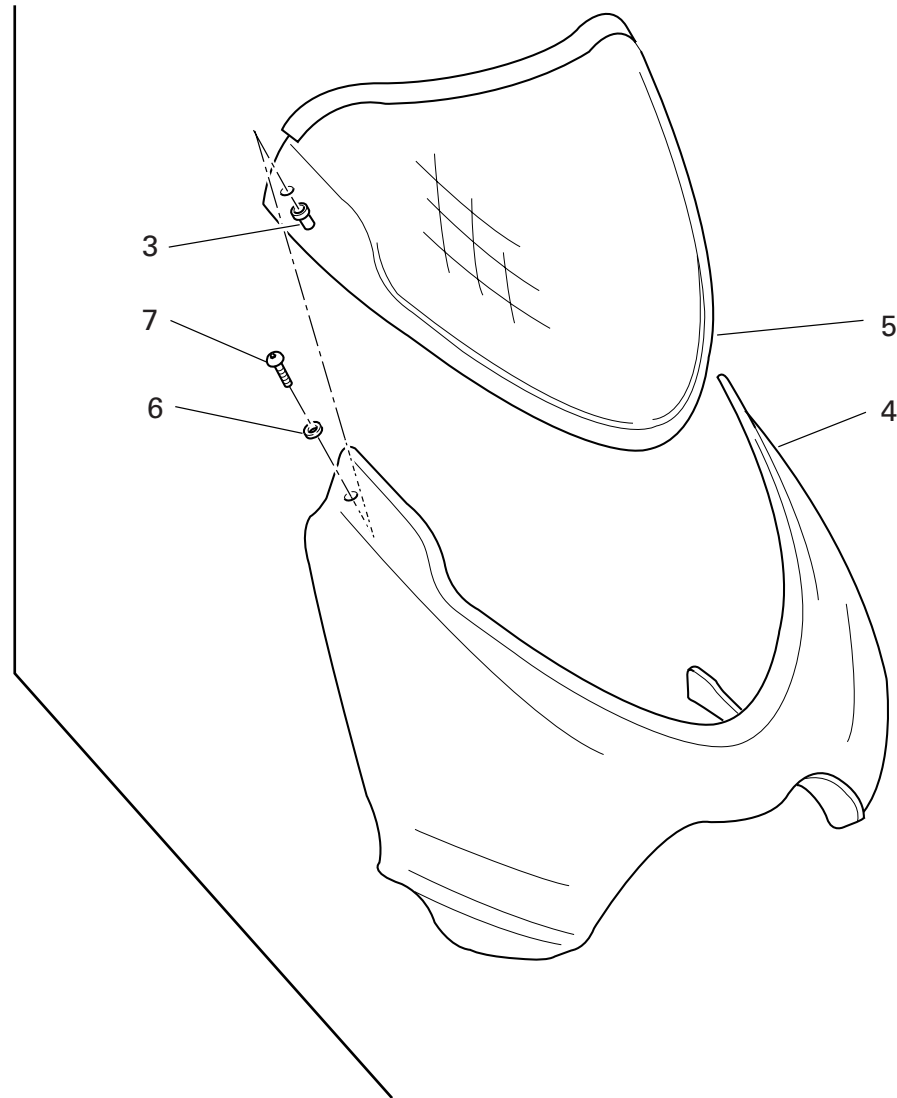
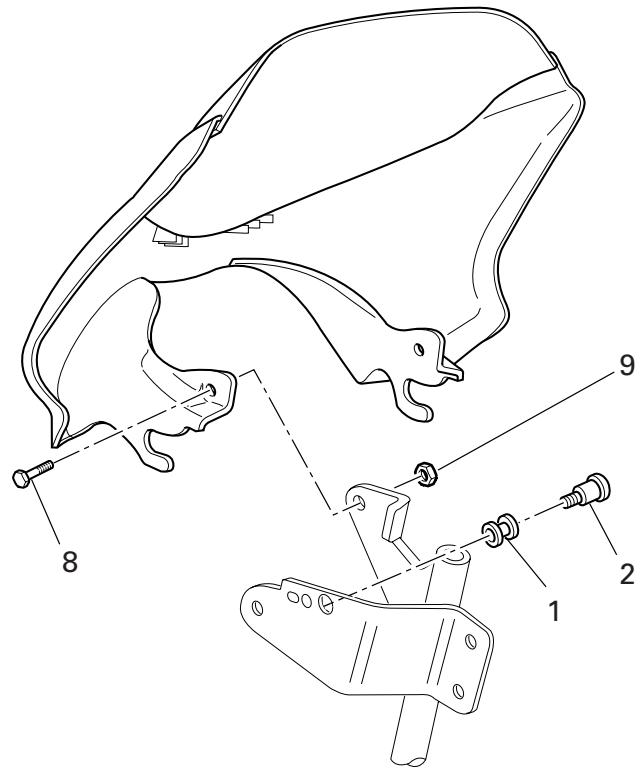
DRAWING 037 SEAT

NOTES NO.	CODE NO.	DESCRIPTION	VALIDITY	Q.TY 
1	595.1.025.3BA	Cover (RED)		1
1	595.1.025.3BT	Cover (BLACK)		1
2	732.1.007.1A	Helmet anti-theft wire		1
3	764.1.029.1A	Rubber pad		1
4	850.4.016.1A	Threaded insert		4
5	827.1.097.1B	L.H. plate		1
6	829.1.236.1B	Plate		1
7	247.1.086.1A	Cover		1
8	779.1.104.1A	Special screw		1
9	770.5.063.8B	Screw		2
10	853.5.008.1A	Spring washer		2
11	913.7.082.1L	Owner's manual		1
12	852.5.029.1A	Washer		4
13	771.5.038.8B	Screw		6
14	697.2.006.2B	Tool bag		1
15	827.1.096.1B	R.H. plate		1
16	749.4.031.1A	Nut		2
17	732.2.010.3A	Flexible cable		1
18	777.5.036.8B	Screw		2
19	598.2.019.1A	Seat lock		1
20	565.1.017.2A	Mudflap		1
21	595.2.020.1D	Seat		1
22	779.1.104.1B	Special screw		2

NOTES NO.	CODE NO.	DESCRIPTION	VALIDITY	Q.TY 
-----------	----------	-------------	----------	--

DRAWING 038

HEADLIGHT FAIRING



DRAWING 038

HEADLIGHT FAIRING

NOTES NO.	CODE NO.	DESCRIPTION	VALIDITY	Q.TY 
1	0370.72.020	Vibration damper pad		2
2	779.1.475.1A	Screw		2
3	850.4.082.1A	Insert		2
4	481.1.023.2AA	Headlight fairing (RED)		1
4	481.1.023.2AT	Headlight fairing (BLACK)		1
5	487.1.023.3A	Windshield		1
6	0000.63161	Washer		2
7	779.1.088.1A	Screw		2
8	772.5.024.1A	Screw		2
9	0000.44240	Nut		2

NOTES NO.	CODE NO.	DESCRIPTION	VALIDITY	Q.TY 
-----------	----------	-------------	----------	--



DRAWING 039 FUEL INFEED

NOTES NO.	CODE NO.	DESCRIPTION	VALIDITY	Q.TY 
1	775.5.013.1A	Screw		2
2	764.1.029.1A	Rubber pad		2
3	866.1.058.1A	Vibration damper pad		1
4	827.1.186.1A	Bracket		1
5	590.1.141.1A	Tube		1
6	827.1.157.1A	Plate		1
7	716.1.043.1B	Spacer		2
8	749.4.031.1A	Nut		2
9	426.1.007.1B	CANISTER filter		1
10	741.4.058.1A	Hose guide		1
11	741.4.063.1A	Hose guide		2
12	590.1.170.1A	Filter/fuel tank outlet pipe		1
13	741.4.057.1A	Hose guide		1
14	590.1.191.1A	Tube		1
15	741.4.059.1A	Hose guide		1
16	590.1.111.1B	Tube		1
17	799.1.105.1A	Spring		1
18	741.4.013.1B	Hose guide		2
19	814.1.091.1B	Union		2
20	0250.70.223	Aluminium gasket		2
21	590.1.139.1A	Tube		1
22	799.1.118.1B	Spring		1
23	0361.98.850	Shunt valve		1
24	0691.91.030	Hose guide		2
25	741.4.043.1A	Hose guide		3

NOTES NO.	CODE NO.	DESCRIPTION	VALIDITY	Q.TY 
-----------	----------	-------------	----------	--

OBJECTS IN MIRROR ARE  
CLOSER THAN THEY APPEAR  
Cod.43311661A

2

**CAUTION**  
NEVER FILL TANK SO FUEL LEVEL RISES INTO FILLER  
NECK. IF TANK IS OVERFILLED, HEAT MAY CAUSE  
FUEL TO EXPAND AND FLOW INTO EVAPORATIVE  
EMISSION CONTROL SYSTEM RESULTING IN HARD  
STARTING AND ENGINE HESITATION.  
Cod.43311661A

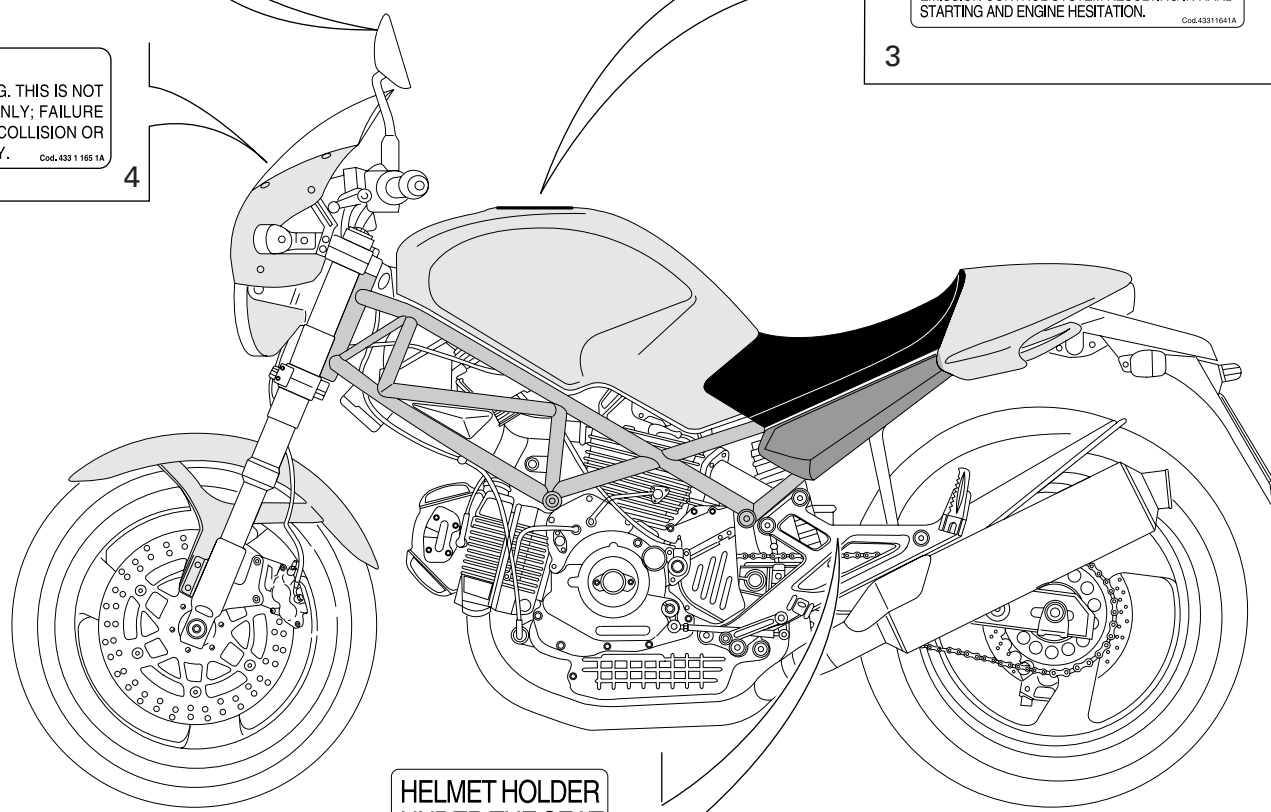
3

**WARNING**  
DO NOT ATTEMPT TO LOOK THROUGH THIS FAIRING. THIS IS NOT  
A WINDSHIELD, BUT AN AERODYNAMIC FAIRING ONLY; FAILURE  
TO OBSERVE THIS WARNING COULD RESULT IN A COLLISION OR  
UPSET AND CONSEQUENT SERIOUS BODILY INJURY.  
Cod. 433 1 165 1A


4

HELMET HOLDER  
UNDER THE SEAT

1



DRAWING 040 MARKING PLATES

NOTES NO.	CODE NO.	DESCRIPTION	VALIDITY	Q.TY 
1	433.1.170.1A	Sticker		1
2	433.1.166.1A	Label		2
3	433.1.164.1A	Sticker		1
4	433.1.165.1A	Sticker		1

NOTES NO.	CODE NO.	DESCRIPTION	VALIDITY	Q.TY 
-----------	----------	-------------	----------	--

INDEX

CODE No.	Drwg.	POS. N.	CODE No.	Drwg.	POS. N.	CODE No.	Drwg.	POS. N.	CODE No.	Drwg.	POS. N.	CODE No.	Drwg.	POS. N.
0000.01199	029	40	0375.92.210	014	13	0670.16.145	003	7	0723.92.506	015	16	0723.92.520	014	19
0000.01199	031	38	0375.92.210	015	19	0670.16.150	003	3	0723.92.507	014	19	0723.92.520	015	16
0000.36230	023	15	0400.09.050	002	21	0670.16.155	003	19	0723.92.507	015	16	0723.92.521	014	19
0000.39727	029	32	0400.17.030	007	1	0670.16.170	003	26	0723.92.508	014	19	0723.92.521	015	16
0000.44240	038	9	0400.29.125	002	34	0670.49.310	009	26	0723.92.508	015	16	0723.92.522	014	19
0000.46664	027	3	0400.29.126	002	34	0670.92.190	014	8	0723.92.509	014	19	0723.92.522	015	16
0000.46664	028	6	0400.49.240	005	13	0670.92.190	015	8	0723.92.509	015	16	0723.92.523	014	19
0000.46665	027	5	0400.49.240	011	18	0670.92.190	032	20	0723.92.510	014	19	0723.92.523	015	16
0000.49654	027	2	051.2.001.1A	001	10	0691.91.030	018	23	0723.92.510	015	16	0723.92.524	014	19
0000.56803	018	11	0619.50.065	012	17	0691.91.030	023	2	0723.92.511	014	19	0723.92.524	015	16
0000.63161	030	20	0619.92.180	014	8	0691.91.030	029	41	0723.92.511	015	16	0723.92.525	014	19
0000.63161	038	6	0619.92.180	015	8	0691.91.030	039	24	0723.92.512	014	19	0723.92.525	015	16
0000.64471	025	10	0647.70.010	014	12	0723.92.239	014	19	0723.92.512	015	16	0723.92.526	014	19
0000.66527	018	5	0647.70.010	015	20	0723.92.239	015	16	0723.92.513	014	19	0723.92.526	015	16
0124.40.060	008	7	0659.37.040	026	19	0723.92.500	014	19	0723.92.513	015	16	0723.92.527	014	19
0170.91.730	031	5	0659.38.226	022	15	0723.92.500	015	16	0723.92.514	014	19	0723.92.527	015	16
0204.70.105	013	7	0660.13.060	002	19	0723.92.501	014	19	0723.92.514	015	16	0723.92.528	014	19
0250.70.223	039	20	0660.13.070	002	13	0723.92.501	015	16	0723.92.515	014	19	0723.92.528	015	16
0251.47.054	003	1	0660.13.143	002	9	0723.92.502	014	19	0723.92.515	015	16	0723.92.529	014	19
0272.91.090	002	8	0660.13.165	002	25	0723.92.502	015	16	0723.92.516	014	19	0723.92.529	015	16
0340.13.075	002	11	0660.47.040	006	13	0723.92.503	014	19	0723.92.516	015	16	0723.92.530	014	19
0340.13.080	002	12	0660.47.230	006	8	0723.92.503	015	16	0723.92.517	014	19	0723.92.530	015	16
0361.98.850	039	23	0660.47.290	006	6	0723.92.504	014	19	0723.92.517	015	16	0723.92.531	014	19
0367.49.275	010	11	0660.49.268	010	13	0723.92.504	015	16	0723.92.518	014	19	0723.92.531	015	16
0370.72.020	038	1	0660.50.020	012	8	0723.92.505	014	19	0723.92.518	015	16	0723.92.533	014	19
0370.84.005	020	1	0660.92.310	013	18	0723.92.505	015	16	0723.92.519	014	19	0723.92.533	015	16
0374.37.190	024	19	0665.49.680	005	8	0723.92.506	014	19	0723.92.519	015	16	0723.92.534	014	19

INDEX

CODE No.	Drwg.	POS. N.	CODE No.	Drwg.	POS. N.	CODE No.	Drwg.	POS. N.	CODE No.	Drwg.	POS. N.	CODE No.	Drwg.	POS. N.
0723.92.534	015	16	0723.92.549	014	19	0723.92.615	015	16	0727.92.051	014	17	0727.92.064	015	14
0723.92.535	014	19	0723.92.549	015	16	0723.92.625	014	19	0727.92.051	015	14	0727.92.065	014	17
0723.92.535	015	16	0723.92.550	014	19	0723.92.625	015	16	0727.92.052	014	17	0727.92.065	015	14
0723.92.537	014	19	0723.92.550	015	16	0723.92.635	014	19	0727.92.052	015	14	0727.92.066	014	17
0723.92.537	015	16	0723.92.551	014	19	0723.92.635	015	16	0727.92.053	014	17	0727.92.066	015	14
0723.92.538	014	19	0723.92.551	015	16	0723.92.645	014	19	0727.92.053	015	14	0727.92.067	014	17
0723.92.538	015	16	0723.92.552	014	19	0723.92.645	015	16	0727.92.054	014	17	0727.92.067	015	14
0723.92.539	014	19	0723.92.552	015	16	0723.92.655	014	19	0727.92.054	015	14	0727.92.068	014	17
0723.92.539	015	16	0723.92.553	014	19	0723.92.655	015	16	0727.92.055	014	17	0727.92.068	015	14
0723.92.540	014	19	0723.92.553	015	16	0723.92.675	014	19	0727.92.055	015	14	0727.92.069	014	17
0723.92.540	015	16	0723.92.554	014	19	0723.92.675	015	16	0727.92.056	014	17	0727.92.069	015	14
0723.92.541	014	19	0723.92.554	015	16	0723.92.685	014	19	0727.92.056	015	14	0727.92.070	014	17
0723.92.541	015	16	0723.92.555	014	19	0723.92.685	015	16	0727.92.057	014	17	0727.92.070	015	14
0723.92.542	014	19	0723.92.555	015	16	0723.92.695	014	19	0727.92.057	015	14	0727.92.071	014	17
0723.92.542	015	16	0723.92.556	014	19	0723.92.695	015	16	0727.92.058	014	17	0727.92.071	015	14
0723.92.543	014	19	0723.92.556	015	16	0723.92.705	014	19	0727.92.058	015	14	0727.92.072	014	17
0723.92.543	015	16	0723.92.565	014	19	0723.92.705	015	16	0727.92.059	014	17	0727.92.072	015	14
0723.92.544	014	19	0723.92.565	015	16	0723.92.715	014	19	0727.92.059	015	14	0727.92.073	014	17
0723.92.544	015	16	0723.92.575	014	19	0723.92.715	015	16	0727.92.060	014	17	0727.92.073	015	14
0723.92.545	014	19	0723.92.575	015	16	0723.92.725	014	19	0727.92.060	015	14	0727.92.074	014	17
0723.92.545	015	16	0723.92.585	014	19	0723.92.725	015	16	0727.92.061	014	17	0727.92.074	015	14
0723.92.546	014	19	0723.92.585	015	16	0723.92.735	014	19	0727.92.061	015	14	0727.92.075	014	17
0723.92.546	015	16	0723.92.595	014	19	0723.92.735	015	16	0727.92.062	014	17	0727.92.075	015	14
0723.92.547	014	19	0723.92.595	015	16	0723.92.745	014	19	0727.92.062	015	14	0727.92.076	014	17
0723.92.547	015	16	0723.92.605	014	19	0723.92.745	015	16	0727.92.063	014	17	0727.92.076	015	14
0723.92.548	014	19	0723.92.605	015	16	0727.92.050	014	17	0727.92.063	015	14	0727.92.077	014	17
0723.92.548	015	16	0723.92.615	014	19	0727.92.050	015	14	0727.92.064	014	17	0727.92.077	015	14

INDEX

CODE No.	Drwg.	POS. N.	CODE No.	Drwg.	POS. N.	CODE No.	Drwg.	POS. N.	CODE No.	Drwg.	POS. N.	CODE No.	Drwg.	POS. N.
0727.92.078	014	17	0727.92.091	015	14	0727.92.158	014	17	0727.92.171	015	14	0727.92.185	014	17
0727.92.078	015	14	0727.92.092	014	17	0727.92.158	015	14	0727.92.172	014	17	0727.92.185	015	14
0727.92.079	014	17	0727.92.092	015	14	0727.92.159	014	17	0727.92.172	015	14	0727.92.186	014	17
0727.92.079	015	14	0727.92.093	014	17	0727.92.159	015	14	0727.92.173	014	17	0727.92.186	015	14
0727.92.080	014	17	0727.92.093	015	14	0727.92.160	014	17	0727.92.173	015	14	0727.92.187	014	17
0727.92.080	015	14	0727.92.094	014	17	0727.92.160	015	14	0727.92.174	014	17	0727.92.187	015	14
0727.92.081	014	17	0727.92.094	015	14	0727.92.161	014	17	0727.92.174	015	14	0727.92.188	014	17
0727.92.081	015	14	0727.92.095	014	17	0727.92.161	015	14	0727.92.175	014	17	0727.92.188	015	14
0727.92.082	014	17	0727.92.095	015	14	0727.92.162	014	17	0727.92.175	015	14	0727.92.189	014	17
0727.92.082	015	14	0727.92.096	014	17	0727.92.162	015	14	0727.92.176	014	17	0727.92.189	015	14
0727.92.083	014	17	0727.92.096	015	14	0727.92.163	014	17	0727.92.176	015	14	0727.92.190	014	17
0727.92.083	015	14	0727.92.150	014	17	0727.92.163	015	14	0727.92.177	014	17	0727.92.190	015	14
0727.92.084	014	17	0727.92.150	015	14	0727.92.164	014	17	0727.92.177	015	14	0727.92.191	014	17
0727.92.084	015	14	0727.92.151	014	17	0727.92.164	015	14	0727.92.178	014	17	0727.92.191	015	14
0727.92.085	014	17	0727.92.151	015	14	0727.92.165	014	17	0727.92.178	015	14	0727.92.192	014	17
0727.92.085	015	14	0727.92.152	014	17	0727.92.165	015	14	0727.92.179	014	17	0727.92.192	015	14
0727.92.086	014	17	0727.92.152	015	14	0727.92.166	014	17	0727.92.179	015	14	0727.92.193	014	17
0727.92.086	015	14	0727.92.153	014	17	0727.92.166	015	14	0727.92.180	014	17	0727.92.193	015	14
0727.92.087	014	17	0727.92.153	015	14	0727.92.167	014	17	0727.92.180	015	14	0727.92.194	014	17
0727.92.087	015	14	0727.92.154	014	17	0727.92.167	015	14	0727.92.181	014	17	0727.92.194	015	14
0727.92.088	014	17	0727.92.154	015	14	0727.92.168	014	17	0727.92.181	015	14	0727.92.195	014	17
0727.92.088	015	14	0727.92.155	014	17	0727.92.168	015	14	0727.92.182	014	17	0727.92.195	015	14
0727.92.089	014	17	0727.92.155	015	14	0727.92.169	014	17	0727.92.182	015	14	0727.92.239	014	17
0727.92.089	015	14	0727.92.156	014	17	0727.92.169	015	14	0727.92.183	014	17	0727.92.239	015	14
0727.92.090	014	17	0727.92.156	015	14	0727.92.170	014	17	0727.92.183	015	14	0755.29.025	006	14
0727.92.090	015	14	0727.92.157	014	17	0727.92.170	015	14	0727.92.184	014	17	0755.29.025	008	20
0727.92.091	014	17	0727.92.157	015	14	0727.92.171	014	17	0727.92.184	015	14	0755.49.265	010	2

INDEX

CODE No.	Drwg.	POS. N.	CODE No.	Drwg.	POS. N.	CODE No.	Drwg.	POS. N.	CODE No.	Drwg.	POS. N.	CODE No.	Drwg.	POS. N.
0759.49.280	009	15	150.2.062.1A	003	28	194.2.020.1A	004	5	246.1.060.2A	030	25	303.1.004.1C	015	2
0765.92.185	014	8	158.2.018.1A	006	5	195.4.002.1A	028	3	246.2.011.1B	034	3	303.1.004.1CB	014	5
0765.92.185	015	8	160.1.049.1B	025	21	195.4.003.1A	004	19	247.1.002.1BC	011	9	303.1.004.1CB	015	2
0765.92.190	014	8	160.1.057.1A	012	13	196.1.024.1A	004	10	247.1.083.1AE	011	4	303.1.004.1CC	014	5
0765.92.190	015	8	160.1.076.1A	013	17	196.1.025.1A	004	20	247.1.086.1A	037	7	303.1.004.1CC	015	2
0765.92.205	002	21	160.2.135.1A	036	3	198.1.033.1A	004	12	254.1.001.1A	011	7	303.1.004.1CD	014	5
0765.92.205	014	8	171.2.020.2B	008	10	208.1.012.4A	014	14	254.4.001.2A	005	4	303.1.004.1CD	015	2
0796.38.305	022	11	172.1.108.1A	003	10	208.1.012.4A	015	17	255.1.001.1B	008	13	304.1.021.1A	014	2
0797.41.090	022	22	172.1.109.1A	003	8	209.1.012.4A	014	16	255.1.014.1A	013	3	304.1.021.1A	015	5
0799.13.110	002	27	172.1.110.1A	003	5	209.1.012.4A	015	18	264.4.014.3B	011	1	304.1.021.1AB	014	2
0805.17.125	007	7	172.1.111.1A	003	9	210.1.015.1A	014	22	270.4.001.1A	012	1	304.1.021.1AB	015	5
117.1.028.1A	031	30	172.1.112.1A	003	18	210.1.015.1A	015	6	276.1.025.1B	012	16	304.1.021.1AC	014	2
117.2.007.1A	004	16	172.1.113.1A	003	24	211.1.015.1A	014	21	280.4.007.1A	016	10	304.1.021.1AC	015	5
117.2.049.1A	030	14	172.1.114.1A	003	22	211.1.015.1A	015	7	282.4.041.2B	016	1	304.1.022.1A	014	3
120.2.075.2A	007	8	172.1.115.1A	003	21	220.3.208.3A	009	16	284.4.002.1A	016	2	304.1.022.1A	015	4
120.2.076.2A	007	4	172.1.116.1A	003	20	225.2.153.1A	010	1	286.4.071.1B	018	1	304.1.022.1AB	014	3
121.1.027.1A	007	3	172.1.117.1A	003	23	235.1.026.1A	013	11	301.2.104.1AA	015	1	304.1.022.1AB	015	4
121.2.023.1B	007	11	173.1.012.3A	012	20	235.1.027.1A	013	5	301.2.105.1AA	014	1	304.1.022.1AC	014	3
122.2.073.2A	007	9	174.1.025.2A	009	12	235.2.031.1A	013	20	303.1.003.1A	014	4	304.1.022.1AC	015	4
140.2.046.1A	016	11	174.2.025.6A	009	1	240.1.010.1AB	014	10	303.1.003.1A	015	3	341.1.030.1C	026	23
146.2.089.1A	006	1	176.1.001.1A	012	6	240.1.010.1AB	015	12	303.1.003.1AB	014	4	342.2.015.1C	026	3
147.1.015.1A	008	4	176.1.009.1A	012	10	240.1.028.1A	015	24	303.1.003.1AB	015	3	344.2.010.2A	024	13
148.1.122.1A	013	22	180.1.008.1A	002	24	242.2.045.2A	011	19	303.1.003.1AC	014	4	345.2.010.2A	024	11
148.1.123.1A	013	16	182.2.018.1A	002	18	243.1.029.1A	005	17	303.1.003.1AC	015	3	347.2.004.1A	024	12
149.1.033.1A	003	2	184.1.005.1A	029	15	243.2.028.5AC	005	1	303.1.003.1AD	014	4	348.2.012.1A	024	7
149.1.034.1A	003	25	187.1.002.1A	027	11	245.1.047.1A	008	2	303.1.003.1AD	015	3	349.1.143.1A	024	2
150.2.061.1A	003	27	190.2.016.1A	004	7	245.1.048.1A	008	8	303.1.004.1C	014	5	349.1.149.1A	024	14

INDEX

CODE No.	Drwg.	POS. N.	CODE No.	Drwg.	POS. N.	CODE No.	Drwg.	POS. N.	CODE No.	Drwg.	POS. N.	CODE No.	Drwg.	POS. N.
349.1.152.1A	024	6	406.1.033.5C	021	1	463.2.022.2A	016	9	514.1.033.1A	001c	13	539.4.042.1A	028	5
349.1.157.1A	024	16	425.4.010.1A	036	10	463.4.001.1A	010	22	514.1.035.1A	001c	10	540.4.010.1A	018	8
349.2.019.1A	024	8	426.1.007.1B	039	9	464.1.047.1A	031	7	514.1.036.1A	001c	10	541.4.007.1A	018	4
349.2.025.1A	024	10	426.1.010.1A	034	2	464.1.048.1A	031	29	514.1.037.1A	001c	6	552.1.037.1A	001c	4
349.2.026.1A	024	9	433.1.164.1A	040	3	465.1.062.1A	031	40	514.1.038.1A	001c	14	552.1.038.1A	001c	5
350.1.014.1A	024	15	433.1.165.1A	040	4	465.1.063.1A	031	41	514.1.043.1A	019	3	552.1.039.1A	001c	19
350.1.015.1A	024	5	433.1.166.1A	040	2	470.1.056.3AB	030	1	516.4.003.1B	018	14	552.1.040.1A	001c	11
360.1.033.1B	026	24	433.1.170.1A	040	1	470.1.056.3AF	030	1	518.4.004.2B	030	6	552.1.045.2A	009	14
360.1.035.1A	026	16	433.1.252.1D	018	6	470.1.062.1A	021	5	520.1.005.1A	022	1	552.4.013.1A	015	32
365.2.045.1A	033	6	433.1.279.1A	035	9	481.1.023.2AA	038	4	521.4.005.1A	022	3	552.4.020.1A	011	12
369.1.004.1A	032	8	433.1.290.1A	032	5	481.1.023.2AT	038	4	523.4.014.1A	026	8	552.4.031.1A	021	4
370.1.021.2C	032	10	435.1.097.1AA	035	2	482.1.043.1BA	030	12	523.4.015.1A	026	9	552.4.037.1A	029	35
372.2.008.3A	033	1	436.1.114.1B	030	21	482.1.060.1BA	030	7	525.1.004.3A	023	5	552.4.133.1A	036	12
373.1.023.1B	032	18	442.2.068.1B	034	6	486.1.051.1A	005	6	525.4.007.3A	023	3	556.1.018.1D	017	9
373.1.028.1B	032	19	444.4.003.4A	009	20	486.1.056.2A	035	17	526.4.003.1A	023	4	556.1.024.1A	017	3
373.1.029.1C	032	17	447.1.037.1A	032	13	487.1.023.3A	038	5	529.1.001.1A	024	17	556.2.027.1C	017	1
380.4.004.1B	018	16	447.1.038.1A	032	4	492.4.003.2A	025	15	529.1.006.1A	023	13	561.1.018.1A	023	1
389.4.006.1A	018	27	449.A.043.3A	003	12	492.4.082.1A	025	5	529.1.009.1A	023	19	561.1.019.1A	023	20
389.4.007.1A	018	27	451.1.025.1A	008	16	494.1.101.1A	025	23	530.4.007.3A	022	9	564.1.029.2BA	030	16
389.4.008.1A	018	27	451.2.017.1A	008	17	497.2.001.2A	025	2	530.4.008.3A	022	16	564.1.029.2BT	030	16
389.4.010.1A	018	27	455.2.003.1A	002	4	497.2.003.1A	025	12	530.4.009.3A	023	14	565.1.017.2A	037	20
389.4.013.1A	018	27	456.1.046.1B	031	15	501.2.080.1AB	025	1	530.4.010.3A	023	10	565.1.026.2A	023	23
389.4.014.1A	018	15	456.2.009.1A	031	27	502.2.110.1AB	025	13	539.1.021.1A	002	6	565.1.030.1A	032	16
389.4.016.1A	018	27	457.2.007.1A	029	9	510.1.075.1A	022	5	539.1.023.2A	017	5	570.1.065.2A	020	5
390.4.003.1A	023	22	460.1.038.2B	031	31	510.1.076.1B	023	11	539.4.003.1B	029	13	571.1.065.2A	020	6
395.4.013.1C	019	14	460.1.039.2B	031	34	510.1.179.5A	018	3	539.4.030.1A	005	21	573.1.050.2D	020	12
397.2.001.2A	019	4	460.1.076.2A	026	11	514.1.032.1A	001c	9	539.4.034.1A	027	13	574.1.050.2D	020	16

INDEX

CODE No.	Drwg.	POS. N.	CODE No.	Drwg.	POS. N.	CODE No.	Drwg.	POS. N.	CODE No.	Drwg.	POS. N.	CODE No.	Drwg.	POS. N.
576.1.038.1A	020	19	612.4.008.1A	029	31	658.4.002.1B	026	29	702.4.040.1A	010	9	713.1.082.1A	020	22
576.1.039.1A	020	13	612.4.013.1B	029	30	669.1.003.1A	014	18	702.4.069.1A	008	19	713.1.097.2C	025	25
585.1.031.1A	034	13	612.4.029.1A	028	23	669.1.003.1A	015	15	702.5.008.1A	010	20	713.1.119.1A	004	15
585.4.001.1A	029	23	612.4.030.1A	028	24	670.4.035.1B	018	13	702.5.008.1A	011	3	713.1.137.1A	015	27
586.1.044.1CA	035	1	612.4.031.1A	028	20	672.1.013.1A	018	21	702.5.015.1A	004	14	713.1.140.1A	010	14
586.1.044.1CT	035	1	613.4.072.1A	028	19	672.1.034.1A	015	34	702.5.038.1A	004	6	713.1.192.1A	029	37
590.1.111.1B	039	16	613.4.073.1A	029	33	676.2.057.1A	025	24	702.5.045.1A	025	4	713.1.241.1A	005	18
590.1.139.1A	039	21	618.4.063.1A	028	14	676.4.032.2A	025	16	702.5.050.1A	025	17	713.1.241.1A	014	25
590.1.141.1A	039	5	619.4.030.1A	029	3	677.4.003.1A	001a	4	703.1.013.1A	026	12	713.1.266.1A	003	11
590.1.170.1A	039	12	624.4.035.1A	028	1	684.1.026.1B	034	4	703.1.019.1A	015	30	713.1.332.1A	023	8
590.1.189.1A	001c	1	625.4.015.1A	029	17	685.1.006.1A	035	6	703.5.006.2A	008	11	713.1.332.1A	030	3
590.1.190.1A	001c	2	626.1.002.1A	028	2	697.2.006.2B	037	14	703.5.006.2A	013	1	713.1.365.1A	010	45
590.1.191.1A	039	14	626.1.003.1D	027	4	698.1.033.1A	001c	15	710.1.001.1A	009	13	713.1.365.1A	011	28
593.1.003.1B	010	33	626.4.003.1A	028	10	700.1.005.1A	025	18	710.1.025.1A	033	4	714.1.028.1A	025	3
593.1.018.1A	009	29	626.4.013.1A	029	26	700.1.027.1A	007	12	710.1.041.1C	025	22	714.1.046.1A	025	14
595.1.025.3BA	037	1	626.4.023.1A	028	11	700.1.027.1A	014	29	710.1.046.1B	033	12	714.1.073.1A	025	9
595.1.025.3BT	037	1	626.4.029.1A	027	7	700.1.027.1A	015	33	710.1.085.1A	033	9	715.1.004.1A	033	8
595.2.020.1D	037	21	630.4.025.1A	027	1	700.1.031.1A	019	10	710.1.088.1A	033	14	71502.2594	024	1
598.2.019.1A	037	19	631.4.008.1A	029	25	700.1.038.1C	021	7	711.1.090.1A	020	20	716.1.022.1B	022	13
598.2.030.1A	030	11	631.4.026.1A	028	21	700.1.049.1A	031	1	711.1.090.1B	020	29	716.1.022.1B	034	16
598.4.016.1A	030	24	632.1.031.1A	027	6	701.4.003.1A	012	19	711.1.095.1A	010	32	716.1.043.1B	039	7
598.4.018.1A	030	10	650.4.008.1B	026	25	701.4.005.1A	003	4	711.1.128.1A	010	39	716.1.055.1B	020	10
610.4.075.1A	028	7	651.4.011.1A	026	14	701.4.006.1A	033	3	712.1.013.2A	035	8	716.1.056.1A	031	21
610.4.076.1A	028	18	652.4.006.1A	030	23	701.4.007.1A	012	21	712.1.034.1A	029	14	72094.1616	010	10
611.4.025.1A	029	20	654.2.003.1A	026	20	702.4.004.1A	026	6	712.1.034.1A	031	22	72121.2106	006	4
612.4.005.1A	027	12	656.1.036.2A	026	26	702.4.015.1A	010	25	713.1.007.1A	013	9	723.1.003.1A	022	4
612.4.008.1A	028	22	657.1.015.1A	026	18	702.4.016.1A	010	29	713.1.014.1E	003	15	72465.0214	028	4

INDEX

CODE No.	Drwg.	POS. N.	CODE No.	Drwg.	POS. N.	CODE No.	Drwg.	POS. N.	CODE No.	Drwg.	POS. N.	CODE No.	Drwg.	POS. N.
732.1.007.1A	037	2	741.4.093.1A	036	7	749.4.031.1A	039	8	764.1.029.1A	037	3	771.5.045.7E	035	14
732.2.010.3A	037	17	74172.1008	006	10	749.5.001.1B	023	17	764.1.029.1A	039	2	771.5.062.8B	035	10
73500.1440	012	11	74172.1008	008	3	749.5.006.1A	031	17	764.1.084.1A	023	7	771.5.064.8B	008	21
73500.1542	002	15	74172.1008	013	15	750.1.007.1A	004	8	764.1.090.1A	022	12	771.5.064.8B	011	5
73500.1747	015	26	74223.1045	034	12	750.1.012.2A	006	16	764.1.090.1A	034	10	771.5.065.8B	004	1
73503.3380	010	18	74224.0570	006	7	750.1.060.1B	030	9	76400.0004	010	3	771.5.065.8B	013	10
73503.3380	011	2	747.5.001.1AB	031	24	750.1.121.1A	012	3	76402.0002	003	17	771.5.065.8B	023	24
73503.3380	013	4	747.5.005.1B	029	10	750.5.001.1B	022	17	765.1.001.1A	029	8	771.5.066.8B	011	24
73503.3683	013	13	747.5.007.1A	026	1	750.5.005.1A	019	2	765.1.001.1A	031	28	771.5.066.8B	013	21
737.4.007.2A	008	14	747.5.010.1A	031	14	75120.1747	013	8	766.1.058.1A	010	6	771.5.067.8B	002	28
741.1.012.1A	018	22	748.1.014.1C	025	26	75120.2567	010	12	766.4.017.2A	013	12	771.5.067.8B	008	1
741.1.028.1A	020	8	748.1.023.1B	032	1	75173.1542	013	19	766.4.018.1A	013	23	771.5.067.8B	011	13
741.4.002.1A	034	15	748.1.039.1A	016	8	75794.1542	010	17	76835.1134	002	10	771.5.067.8B	014	11
741.4.013.1B	016	5	748.1.040.1A	002	23	758.1.014.1A	022	14	770.5.063.8B	031	33	771.5.067.8B	015	13
741.4.013.1B	039	18	748.1.050.1A	010	8	759.1.006.1A	019	6	770.5.063.8B	037	9	771.5.067.8B	018	9
741.4.024.1A	034	18	748.4.002.1A	030	17	760.1.003.1B	034	11	770.5.121.9E	020	17	771.5.069.8B	005	5
741.4.038.1A	018	24	748.4.024.1AB	017	10	760.4.006.1B	035	5	770.5.250.8B	010	15	771.5.069.8B	008	5
741.4.042.1A	016	3	748.4.024.1AB	025	20	76266.2668	010	4	771.1.015.1A	033	10	771.5.069.8B	009	10
741.4.043.1A	029	4	748.4.033.1A	020	4	764.1.001.1A	020	9	771.1.016.1A	033	11	771.5.069.8B	011	6
741.4.043.1A	039	25	748.4.038.1A	021	6	764.1.009.1A	014	20	771.1.037.1A	010	42	771.5.069.8B	012	5
741.4.057.1A	039	13	748.4.100.1AB	018	19	764.1.009.1A	015	21	771.1.048.1A	017	2	771.5.069.8B	014	26
741.4.058.1A	039	10	748.4.100.1AB	023	16	764.1.013.1A	014	6	771.5.004.8B	032	11	771.5.069.8B	022	10
741.4.059.1A	039	15	749.4.002.1A	030	28	764.1.013.1A	015	22	771.5.038.8B	018	26	771.5.069.8B	034	5
741.4.062.1A	029	34	749.4.031.1A	020	15	764.1.015.1B	030	4	771.5.038.8B	037	13	771.5.071.8B	010	44
741.4.063.1A	039	11	749.4.031.1A	023	9	764.1.024.1A	020	3	771.5.040.8B	011	21	771.5.071.8B	011	17
741.4.067.1A	016	12	749.4.031.1A	030	8	764.1.029.1A	019	7	771.5.040.8B	013	6	771.5.072.1B	018	2
741.4.092.1A	036	9	749.4.031.1A	037	16	764.1.029.1A	030	2	771.5.040.8B	035	13	771.5.072.8B	005	7

INDEX

CODE No.	Drwg.	POS. N.	CODE No.	Drwg.	POS. N.	CODE No.	Drwg.	POS. N.	CODE No.	Drwg.	POS. N.	CODE No.	Drwg.	POS. N.
771.5.072.8B	010	31	772.1.063.1A	034	17	779.1.104.1B	037	22	779.4.005.2A	017	4	791.2.034.1A	007	5
771.5.073.8B	011	16	772.5.024.1A	038	8	779.1.109.1A	006	2	779.4.075.1A	011	14	797.1.017.1A	004	21
771.5.073.8B	018	10	772.5.031.1B	026	28	779.1.119.1B	032	3	779.5.001.1A	031	36	797.1.022.1A	004	4
771.5.078.8B	012	12	772.5.031.1B	029	18	779.1.133.1A	014	24	779.5.003.1B	020	11	799.1.024.1A	031	12
771.5.080.8B	010	27	772.5.033.1A	020	23	779.1.133.1A	015	25	779.5.004.1A	035	12	799.1.025.1A	002	20
771.5.081.8B	005	3	772.5.033.1A	023	21	779.1.162.2A	009	27	779.5.004.1B	029	21	799.1.044.1A	029	6
771.5.083.8B	005	2	772.5.038.1A	020	24	779.1.182.2A	010	40	779.5.011.1B	031	25	799.1.049.1A	002	1
771.5.123.8B	002	30	773.1.001.1A	005	19	779.1.198.2A	009	23	779.5.018.1B	020	28	799.1.051.2A	006	15
771.5.125.8C	029	27	774.5.006.1A	036	11	779.1.203.2A	002	7	779.5.026.1A	018	18	799.1.055.1A	009	2
771.5.129.8B	009	8	775.1.002.1A	030	19	779.1.204.1B	031	13	779.5.056.1A	022	18	799.1.058.1A	026	13
771.5.136.8B	010	24	775.1.003.1A	021	3	779.1.206.1AB	031	3	779.5.056.1A	026	17	799.1.061.3A	014	7
771.5.156.8B	032	9	775.1.020.1A	036	8	779.1.212.1B	031	19	780.1.007.1A	020	7	799.1.061.3A	015	9
771.5.431.8B	028	17	775.5.013.1A	039	1	779.1.213.1A	030	13	780.1.016.1A	006	3	799.1.088.1B	017	7
771.5.665.8B	029	36	776.5.307.2A	028	8	779.1.214.1C	021	2	780.1.018.1A	009	7	799.1.089.1B	017	6
771.5.667.8B	022	6	777.5.019.7E	035	4	779.1.221.1B	030	27	780.1.037.1A	010	35	799.1.105.1A	039	17
771.5.667.8B	031	39	777.5.036.8B	037	18	779.1.247.1B	020	25	780.2.047.1A	009	17	799.1.118.1B	039	22
771.5.725.8B	026	22	777.5.049.8B	011	10	779.1.259.1B	016	6	780.5.001.1A	005	15	799.1.211.1A	010	41
771.5.727.8B	024	3	779.1.007.2A	006	9	779.1.311.1A	025	6	786.1.095.1A	007	6	8000.60700	031	6
771.5.727.8B	026	7	779.1.026.2A	010	36	779.1.366.1AB	027	9	787.1.008.1A	015	29	8000.62586	029	19
771.5.937.8B	033	7	779.1.029.2A	010	26	779.1.366.1AB	028	13	787.1.011.1A	010	19	8000.66526	018	12
771.5.938.8B	033	5	779.1.037.1B	032	14	779.1.366.1AB	029	1	788.1.032.2A	014	9	8000.66774	026	27
772.1.010.3A	008	9	779.1.039.1A	002	3	779.1.397.1A	027	10	788.1.032.2A	015	11	8000.70127	024	4
772.1.039.1A	018	7	779.1.054.1B	029	7	779.1.399.1A	025	7	788.1.054.2A	012	4	8000.70139	001a	2
772.1.047.1B	026	10	779.1.088.1A	019	8	779.1.415.1A	028	15	788.1.076.1A	011	22	8000.78345	026	15
772.1.055.1A	003	14	779.1.088.1A	038	7	779.1.434.1A	010	46	788.1.076.1AA	011	22	801.1.027.1A	016	4
772.1.055.1A	029	39	779.1.099.1B	026	2	779.1.445.1A	019	13	788.1.076.1AB	011	22	80A0.62649	020	2
772.1.063.1A	030	15	779.1.104.1A	037	8	779.1.475.1A	038	2	791.1.039.1A	035	19	80C0.05893	035	7

INDEX

CODE No.	Drwg.	POS. N.	CODE No.	Drwg.	POS. N.	CODE No.	Drwg.	POS. N.	CODE No.	Drwg.	POS. N.	CODE No.	Drwg.	POS. N.
814.1.091.1B	039	19	827.1.157.1A	039	6	848.5.001.1A	031	23	852.1.104.1M	006	11	852.4.016.1A	029	12
814.1.114.1A	001c	8	827.1.161.1B	031	10	848.5.002.1A	031	16	852.1.104.1N	006	11	852.4.016.1A	031	20
814.1.179.1A	036	2	827.1.186.1A	039	4	850.1.005.1A	029	11	852.1.104.2C	006	11	852.5.001.1C	023	18
814.4.010.1A	036	1	827.1.191.4A	023	6	850.4.016.1A	037	4	852.1.104.2D	006	11	852.5.004.1C	020	18
815.1.028.1A	009	21	827.1.211.1A	030	26	850.4.082.1A	018	20	852.1.104.2E	006	11	852.5.005.1A	009	18
818.1.015.1A	004	3	827.1.236.1B	018	17	850.4.082.1A	030	22	852.1.104.2F	006	11	852.5.019.1A	035	16
819.1.017.1B	025	8	827.1.323.1A	016	7	850.4.082.1A	038	3	852.1.104.2G	006	11	852.5.023.1A	010	21
819.1.030.1A	032	2	827.1.382.1A	018	28	851.1.013.1A	008	6	852.1.104.2I	006	11	852.5.023.1A	014	23
821.1.001.1A	002	26	829.1.099.1D	022	7	851.1.019.1A	006	12	852.1.104.2J	006	11	852.5.023.1A	015	23
821.1.028.1D	035	11	829.1.134.1A	010	38	851.1.020.1A	004	9	852.1.116.1A	031	37	852.5.024.1A	002	5
821.1.039.1B	025	19	829.1.136.1A	023	12	852.1.001.1B	032	12	852.1.117.1A	031	35	852.5.024.1A	005	23
821.1.054.1A	019	5	829.1.141.1C	028	16	852.1.002.1B	032	12	852.1.118.1A	020	30	852.5.024.1A	009	3
821.1.070.1A	002	17	829.1.235.1A	015	31	852.1.003.1B	032	12	852.1.120.1A	009	6	852.5.024.1A	020	21
821.1.075.1A	034	9	829.1.236.1B	037	6	852.1.005.1A	002	14	852.1.124.2A	013	14	852.5.024.1A	027	8
821.1.090.1B	031	4	829.1.275.1A	020	26	852.1.008.1A	005	10	852.1.172.1A	002	29	852.5.024.1A	028	12
821.1.115.1A	014	15	829.1.283.1B	019	11	852.1.053.2A	002	2	852.1.173.1A	008	12	852.5.024.1A	029	2
821.1.115.1A	015	10	829.1.285.1A	019	12	852.1.065.1B	031	2	852.1.173.1A	013	2	852.5.026.1A	010	37
821.1.170.1A	029	5	829.1.358.1A	014	27	852.1.079.1B	032	15	852.1.174.1A	002	31	852.5.027.1A	029	38
821.1.170.1A	031	26	830.1.144.1A	011	20	852.1.093.1A	002	14	852.1.176.1A	005	16	852.5.028.1A	010	43
824.1.023.1AB	031	18	830.1.194.1A	022	8	852.1.094.1A	002	19	852.1.176.1A	014	28	852.5.028.1A	011	25
824.1.024.1AB	031	8	830.1.195.1A	022	20	852.1.099.1A	031	11	852.1.176.1A	020	27	852.5.028.1A	022	2
825.1.030.1A	029	24	830.1.207.1B	035	18	852.1.103.1A	026	4	852.1.177.1A	004	2	852.5.029.1A	031	32
826.1.009.1A	002	33	830.1.228.2A	019	9	852.1.104.1A	006	11	852.1.195.1A	005	20	852.5.029.1A	034	8
826.1.011.1A	003	13	841.1.017.1A	022	19	852.1.104.1B	006	11	852.1.195.1A	009	28	852.5.029.1A	037	12
827.1.096.1B	037	15	847.4.002.1A	031	9	852.1.104.1H	006	11	852.1.196.1B	020	14	852.5.030.1A	018	25
827.1.097.1B	037	5	847.4.006.1A	010	30	852.1.104.1K	006	11	852.1.203.1A	029	29	853.1.002.1A	009	9
827.1.139.2B	017	8	848.4.011.1A	033	13	852.1.104.1L	006	11	852.1.214.1A	017	11	853.1.003.1A	011	27

INDEX

CODE No.	Drwg.	POS. N.	CODE No.	Drwg.	POS. N.	CODE No.	Drwg.	POS. N.	CODE No.	Drwg.	POS. N.	CODE No.	Drwg.	POS. N.
853.1.004.1A	009	11	881.1.010.1C	012	18	88700.5644	001	31	88713.2107	001	1	93781.1824	033	2
853.5.006.1A	029	28	881.1.012.1A	002	32	88700.5749	001	20	88713.2362	001	32	93783.1524	011	11
853.5.008.1A	037	10	881.1.026.1A	004	13	88713.0123	001	5	88713.2556	001	26	93785.1830	010	16
853.5.009.1A	012	2	881.1.035.1A	022	21	88713.0137	001	11	88713.2591	001	27	93823.2018	004	18
853.5.010.1A	019	1	881.1.051.1A	005	22	88713.0262	001	29	88713.2676	001	2	93823.3156	010	34
856.1.001.1A	003	6	881.1.051.1A	011	26	88713.0844	001	33	88765.0999	001	16	93827.0114	005	12
856.1.002.2A	008	15	882.1.003.1A	008	22	88713.0874	001	6	88765.1000	001	15	93827.0114	009	22
856.1.014.1A	004	11	882.1.006.1A	002	16	88713.0875	001	8	88765.1005	001	15	93827.0114	010	28
856.1.031.1A	003	16	882.1.012.1A	012	15	88713.0879	001	7	88765.1006	001	15	94247.0014	010	5
856.1.042.1A	030	5	884.4.007.1A	032	7	88713.1010	001a	7	88765.1058	001	13	94247.0014	011	15
856.1.064.2A	010	7	884.4.017.1A	007	10	88713.1058	001a	9	88765.1086	001	22	97900.0002	001b	2
856.1.071.1A	012	9	884.4.042.1A	009	24	88713.1062	001a	1	88765.1126C	001c	24	97900.0003	001c	23
860.1.004.1A	010	23	884.5.008.1A	025	11	88713.1072	001a	6	88765.1126T	001c	16	97900.0211	001b	7
861.5.003.1A	026	30	884.5.034.1A	002	22	88713.1078	001	12	88765.1126V	001b	14	97900.0215	001b	1
863.1.002.1A	012	14	884.5.034.1A	008	18	88713.1079	001	14	88765.1297	001	23	97900.0216	001b	5
866.1.040.1A	035	3	884.5.035.1A	005	11	88713.1091	001	21	88765.1322	001	18	97900.0217	001b	15
866.1.058.1A	039	3	884.5.036.1A	009	25	88713.1096	001a	8	88765.1371	001b	3	97900.0218	001c	18
872.1.019.1A	032	6	884.5.036.1A	012	7	88713.1215	001	9	88765.1374	001b	4	97900.0219	001b	10
872.1.026.1A	030	18	886.1.013.1A	036	4	88713.1344	001a	3	893.2.013.1A	005	14	97900.0220	001c	21
872.1.028.1A	026	21	886.4.028.1A	015	28	88713.1515	001a	5	893.4.005.1A	029	22	97900.0221	001c	22
873.1.039.1A	009	5	886.4.033.1A	011	23	88713.1749	001	24	893.4.009.1A	028	9	97900.0222	001b	9
875.1.063.1A	033	15	886.4.035.1A	011	8	88713.1994	001	25	894.2.009.1A	009	19	97900.0223	001b	11
875.1.065.1A	001c	3	886.4.037.1A	009	4	88713.2009	001	30	895.4.001.2A	035	15	97900.0224	001b	6
876.1.066.1A	034	14	886.4.042.1A	036	5	88713.2011	001	17	913.7.082.1L	037	11	97900.0225	001b	8
876.1.082.1A	034	1	886.4.043.1A	004	17	88713.2036	001	19	926.1.001.1A	024	18	97900.0226	001b	12
877.1.039.1A	029	16	886.4.049.1A	036	6	88713.2092	001	28	930.1.004.1A	026	5	97900.0227	001c	7
877.2.002.1A	034	7	886.4.121.1A	007	2	88713.2103	001	3	930.4.091.1A	005	9	97900.0228	001c	12

INDEX

CODE No.	Drwg.	POS. N.	CODE No.	Drwg.	POS. N.	CODE No.	Drwg.	POS. N.	CODE No.	Drwg.	POS. N.	CODE No.	Drwg.	POS. N.
97900.0229	001b	13												
97900.0230	001c	20												
97900.0231	001c	17												
97900.0232	001b	16												
98112.0002	001	4												