

GENERAL INFORMATION

The present spare parts order exactly the right spare parts

When ordering specify:

1) the part's code number followed by its description; quantity needed;

2) the motorcycle's serial number, stamped on the steering head.

Reference to right and left apply to the vehicle in terms of its direction of movement.

Spare parts drawings are general and do not represent the part.

The contents of this catalogue are general and can undergo changes without prior notice.

VALIDITY

f.m. Until V.I.N.
d.m. From V.I.N.
f.m.m. Up to engine number
d.m.m. From engine number

Ducati Motor Holding S.p.A.
Commercial and Administration Office:
Via A. Cavalieri Ducati n. 3
40132 Bologna, Italy
Telefono 051 6413111
Fax 051 406580
Internet www.ducati.com

CATALOGUE No: 915.1.166.1B
ISSUED: 07 - 03

CATALOGUE No: 915.1.166.1B
ISSUED: 07 - 03

PAINTS



Colore Paint Vernis Slacken Lacas	Codice Code Code Code Codice	Codice Code Code Code Codice	PPG	Codice Code Code Code Codice	SALCHI
---	--	--	-----	--	--------

"Rosso Anniversary DUCATI"

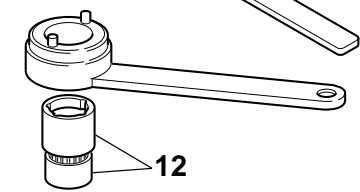
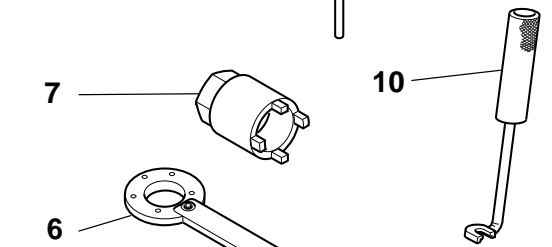
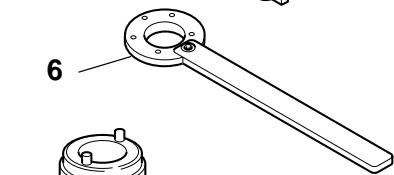
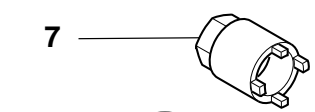
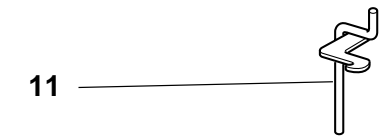
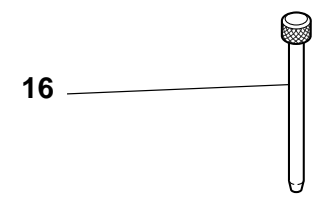
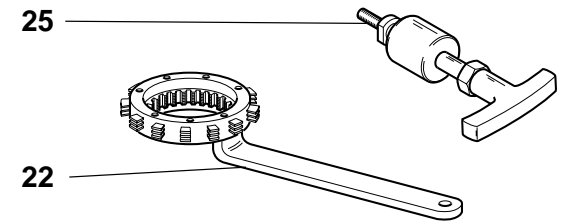
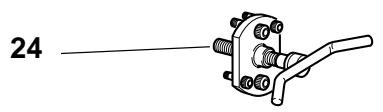
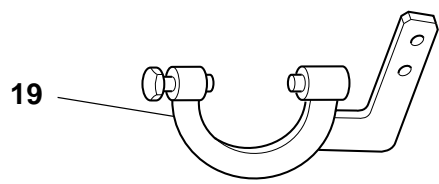
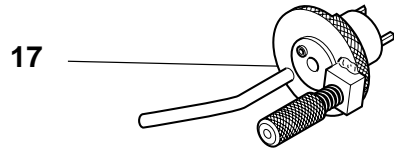
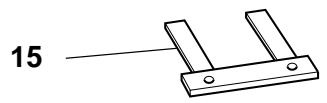
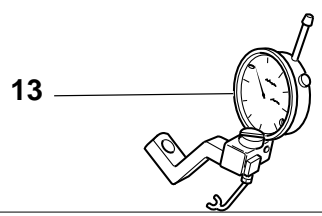
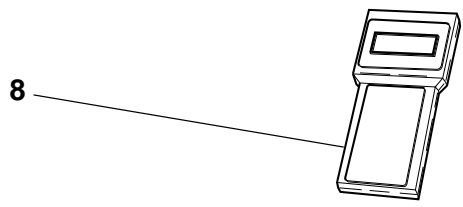
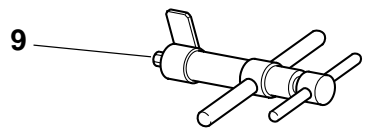
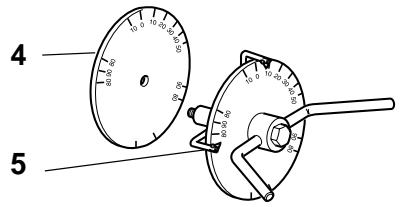
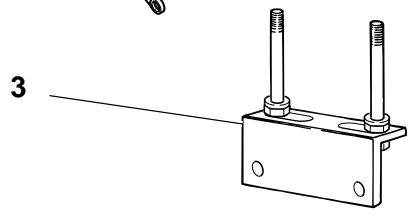
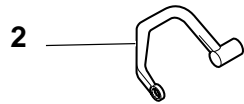
473.101

"Giallo DUCATI"

473.201

page	CONTENTS
4 001	WORKSHOP SPECIAL TOOLS
6 001a	WORKSHOP SPECIAL TOOLS
8 001b	DIAGNOSIS TESTER MATHESIS
10 001c	WORKSHOP SPECIAL TOOLS
12 002	GEARCHANGE
14 003	GEAR-BOX
16 004	CLUTCH
18 005	CLUTCH COVER
20 006	CRANKSHAFT
22 007	CYLINDERS - PISTONS
24 008	TIMING
26 009	FILTERS AND OIL PUMP
28 010	HALF CRANKCASES
30 011	ALTERNATOR COVER
32 012	ELECTRIC STARTER AND IGNITION
34 013	HEAD : TIMING
36 014	VERTICAL HEAD
38 015	HORIZONTAL HEAD
40 016	THROTTLE BODY
42 017	EXHAUST SYSTEM
44 018	STANDS
46 019	FRAME
48 020	L.H. FOOT RESTS
50 021	R.H. FOOT RESTS
52 022	HEAD-LIGHT AND ELECTRIC WIRING
54 023	INSTRUMENT PANEL
56 024	HANDLEBAR AND CONTROLS
58 025	FRONT FORK
60 026	CLUTCH CONTROL
62 027	FRONT BRAKE
64 028	OIL COOLER
66 029	ELECTRIC SYSTEM
68 030	BATTERY BOX MOUNT
70 031	AIR INDUCTION AND OIL VENT
72 032	SWINGARM AND CHAIN
74 033	REAR HYDRAULIC BRAKE
76 034	WHEELS
78 035	NUMBER PLATE HOLDER
80 036	SEAT
82 037	FUEL SYSTEM
84 038	FUEL TANK
86 039	HEADLIGHT FAIRING
88 040	FAIRING
92 041	FUEL INFEED
94 042	MARKING PLATES


DRAWING **001** **WORKSHOP SPECIAL TOOLS**



DRAWING **001** **WORKSHOP SPECIAL TOOLS**

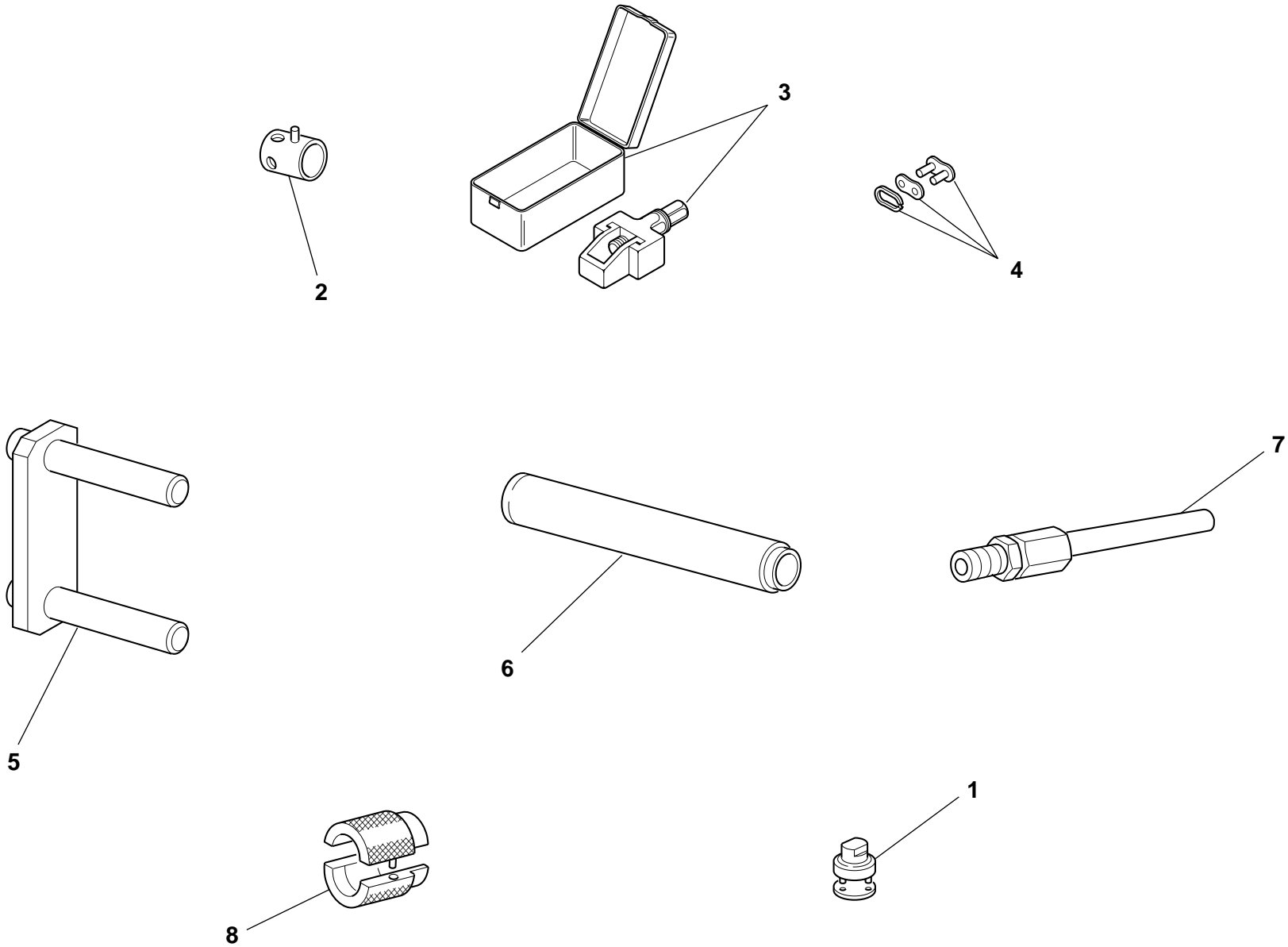
NOTES	NO.	CODE NO.	DESCRIPTION	VALIDITY	Q.TY	
	1	88713.2107	Wrench for holding timing belt rollers ring nuts		1	
	2	88713.2096	Head nuts holder wrench		1	
	3	88713.2103	Head mounting base		1	
	4	98112.0002	Degree wheel		1	
	5	88713.0123	Degree wheel holder tool for ignition advance check		1	
	6	88713.2423	Torque wrench		1	
	7	88713.2422	Wrench for tightening primary transmission ring nut		1	
	8	88765.1363A	Check intrument		1	
GB	8	88765.1363B	Check intrument		1	
D	8	88765.1363C	Check intrument		1	
F	8	88765.1363D	Check intrument		1	
E	8	88765.1363E	Check intrument		1	
	9	88713.1215	Torque wrench for timing belt		1	
	10	88713.0844	Half-rings mounting punch tool		1	
	11	88713.2362	Tool for assembling closing rocker and spring		1	
	12	88700.5644	Wrench for camshaft pulley ring nut adjustment		1	
	13	88765.1058	Valve lift gauge		1	
	14	88713.2009	Belt roller timing of two-valva head		1	
	15	88765.1000	Fork feeler gauge 0.1 mm		1	
	15	88765.1005	Fork feeler gauge 0.2 mm		1	
	15	88765.1006	Fork feeler gauge 0.3 mm		1	
	16	88713.0262	Pin for assembling rocker arms		1	
	17	88713.2011	Tool to hold crankshaft in TDC position		1	
	18	88765.1298	Spacer for checking lower valve shim		1	
	19	88713.2036	Flywheel Wrench		1	
	20	88700.5749	Crankcases assembling cap		1	
	21	88713.1091	Plate for positioning gear engagement fork		1	

CATALOGUE No: **915.1.166.1B**
ISSUED: **07 - 03**


NOTES	NO.	CODE NO.	DESCRIPTION	VALIDITY	Q.TY	
	22	88713.2133	Wrench to hold clutch housing drum steady		1	
	23	88765.1297	T.D.C. control gauge		1	
	24	88713.1749	Drive roller puller		1	
	25	88713.1994	Rocker shaft extractor		1	

CATALOGUE No: **915.1.166.1B**
ISSUED: **07 - 03**

DRAWING **001a** WORKSHOP SPECIAL TOOLS

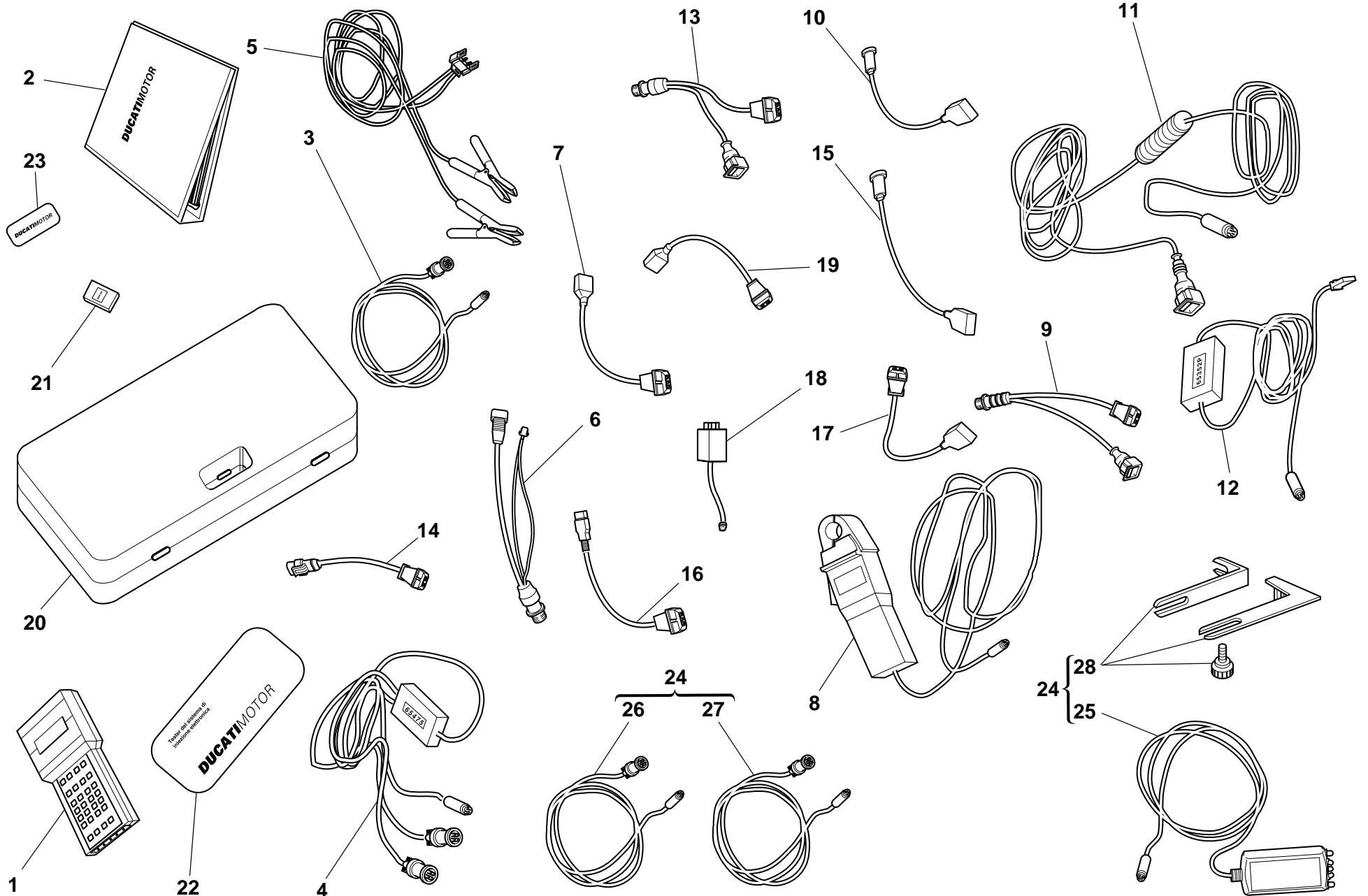


DRAWING **001a** WORKSHOP SPECIAL TOOLS


NOTES	NO.	CODE NO.	DESCRIPTION	VALIDITY	Q.TY	
	1	88713.1058	Wrench for assembling the steering head cap		1	
	2	8000.70139	Wrench for front wheel spindle		1	
	3	88713.1344	Tool for assembling chain		1	
	4	677.4.003.1A	Coupling		1	
	5	88713.1515	Frame/engine mount		1	
	6	88713.1072	Stopper for driving the half bearing of the steering head base		1	
	7	88713.1010	Union for exhaust gas suction		1	
	8	88713.1096	Tool for overhauling SHOWA forks - assembling seal ring		1	

NOTES	NO.	CODE NO.	DESCRIPTION	VALIDITY	Q.TY	
-------	-----	----------	-------------	----------	------	---


DRAWING **001b** DIAGNOSIS TESTER MATHESIS



DRAWING **001b** **DIAGNOSIS TESTER MATHESIS**

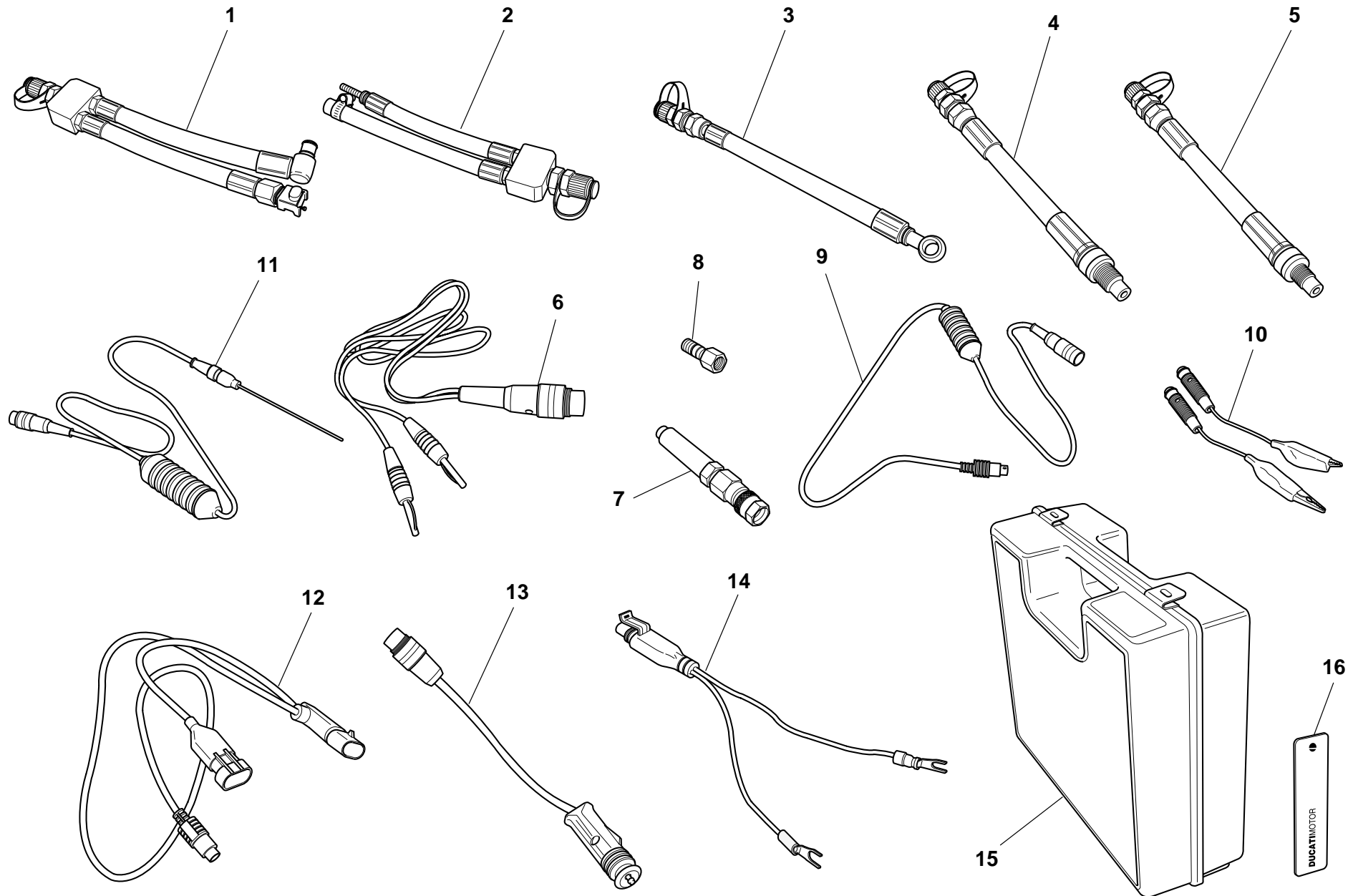
NOTES	NO.	CODE NO.	DESCRIPTION	VALIDITY	Q.TY	
	1	88765.1126Z	Bare Mathesis		1	
	2	914.7.023.1A	Italian manual		1	
	2	914.7.023.1B	English manual		1	
	2	914.7.023.1C	German manual		1	
	2	914.7.023.1D	Franch manual		1	
	2	914.7.023.1E	Spanish manual		1	
	3	88765.1126R	Main cable Mathesis		1	
	4	88765.1126A	Pickup Control cable		1	
	5	88765.1126Q	Battery mains cable		1	
	6	88765.1126	Mains cable adapter for self diagnosis		1	
	7	88765.1126N	Sensor for absolute pressure sampling		1	
	8	88765.1126V	Amperometer plier		1	
	9	88765.1126E	Adapter for 3 wires Pickup test cable		1	
	10	88765.1126P	Sensor for air temperature sampling		1	
	11	88765.1126C	Cable for potentiometer adjustment		1	
	12	88765.1126B	Test cable and speed indicator adjustment		1	
	13	88765.1126F	Adapter for 2 wires Pickup test cable		1	
	14	88765.1126D	Adapter for potentiometer adjustment		1	
	15	552.4.028.1A	Sensor for small throttle potentiometer sampling		1	
	16	88765.1126H	Sensor for throttle potentiomer sampling		1	
	17	88765.1126G	Sensor for air/water temperature sampling		1	
	18	88765.1126M	Sfety remote switch		1	
	19	88765.1126L	2 Wires sampling Pickup sensor		1	
	20	88765.1126U	Case with sponge		1	
	21	88765.1073	Italian memory card		1	
	21	88765.1074	English memory card		1	
	21	88765.1075	German memory card		1	

CATALOGUE No: **915.1.166.1B**
ISSUED: **07 - 03**


NOTES	NO.	CODE NO.	DESCRIPTION	VALIDITY	Q.TY	
	21	88765.1076	French memory card		1	
	21	88765.1077	Spanish memory card		1	
	22	88765.1126S	DUCATI sticker for case		1	
	23	88765.1126T	DUCATI sticker RH/LH side		1	
	24	88765.1369A	Belt tensioning kit		1	
GB	24	88765.1369B	Belt tensioning kit		1	
D	24	88765.1369C	Belt tensioning kit		1	
F	24	88765.1369D	Belt tensioning kit		1	
E	24	88765.1369E	Belt tensioning kit		1	
	25	88765.1371	Sensor		1	
	26	88765.1372	Main cable		1	
	27	88765.1373	Cable extension		1	
	28	88765.1374	Bracket		1	

CATALOGUE No: **915.1.166.1B**
ISSUED: **07 - 03**

DRAWING **001c** WORKSHOP SPECIAL TOOLS

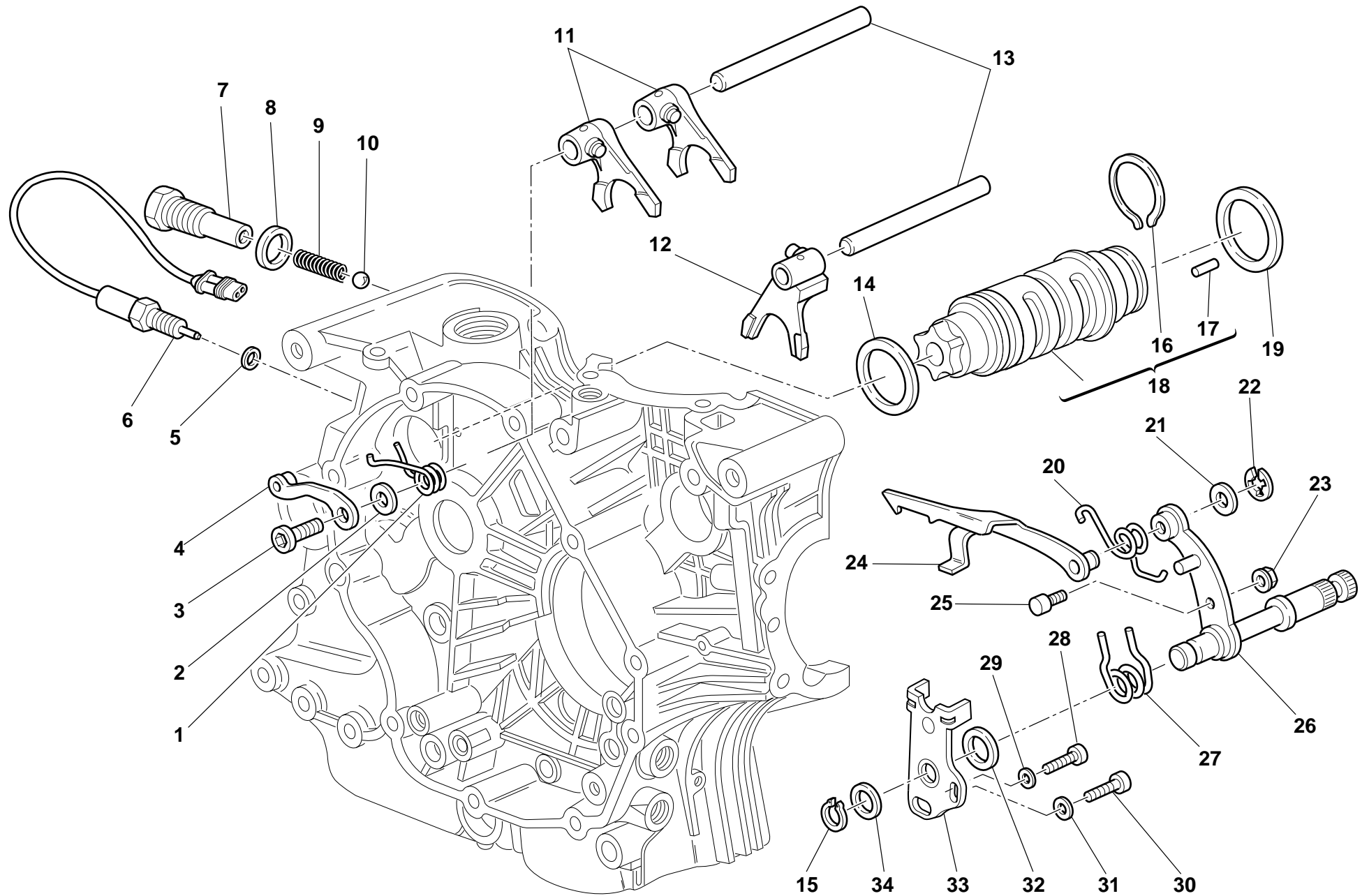


DRAWING **001c** **WORKSHOP SPECIAL TOOLS**

NOTES	NO.	CODE NO.	DESCRIPTION	VALIDITY	Q.TY	
	-	88765.1241	Check intrument		1	
GB	-	88765.1242	Check intrument		1	
D	-	88765.1243	Check intrument		1	
F	-	88765.1244	Check intrument		1	
E	-	88765.1245	Check intrument		1	
	1	590.1.189.1A	Fuel pressure line HS.		1	
	2	590.1.190.1A	Fuel pressure line ST/SS/M.		1	
	3	875.1.065.1A	Oil pressure line		1	
	4	552.1.037.1A	Fitting - cylinder compression M12		1	
	5	552.1.038.1A	Fitting - cylinder compression M10		1	
	6	514.1.037.1A	Cable Volt PF DUC 21		1	
	7	552.1.039.1A	Pressure sensor		1	
	8	814.1.114.1A	Oil pressure fitting		1	
	9	514.1.032.1A	Cable for supplementary tests		1	
	10	514.1.035.1A	Red clamp cable		1	
	10	514.1.036.1A	Black clamp cable		1	
	11	552.1.040.1A	Temperature probe		1	
	12	514.1.034.1A	Main cable PF A621		1	
	13	514.1.033.1A	Electric lighter connection adapter (ST)		1	
	14	514.1.038.1A	Battery connection adapter		1	
	15	698.1.033.1A	Red case with sponge rubber		1	
	16	88765.1126T	DUCATI sticker RH/LH side		2	

NOTES	NO.	CODE NO.	DESCRIPTION	VALIDITY	Q.TY	
-------	-----	----------	-------------	----------	------	---


DRAWING **002** GEARCHANGE



DRAWING **002** **GEARCHANGE**

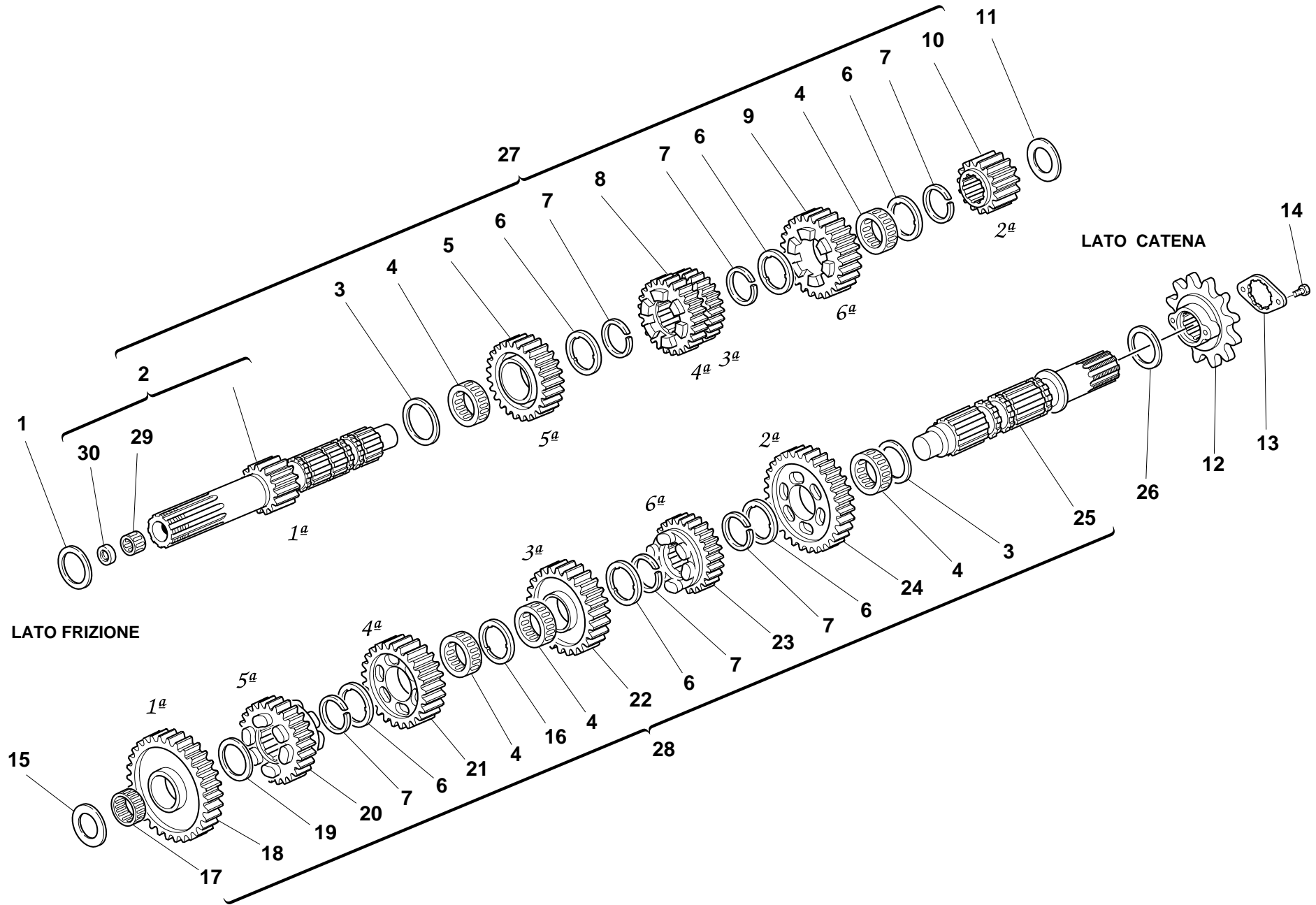
NOTES	NO.	CODE NO.	DESCRIPTION	VALIDITY	Q.TY	
	1	799.1.049.1A	Return spring		1	
	2	852.1.053.2A	Washer		1	
	3	779.1.039.1A	Special screw		1	
	4	455.2.003.1A	Gear stopper assembly		1	
	5	420.2.001.0A	Gasket th.1		1	
	6	539.1.021.1A	Switch		1	
	7	779.1.203.2A	Push rod holder		1	
	8	0272.91.090	Gasket		1	
	9	0660.13.143	Gear selector spring		1	
	10	76835.1134	Ball		1	
	11	0340.13.075	1st,4th-2nd,3rd gear selector fork		2	
	12	0340.13.080	5th,6th gear selector fork		1	
	13	0660.13.070	Fork pin		2	
	14	852.1.005.1A	Shim th. 1		1	
	14	852.1.093.1A	Shim th. 0.9		1	
	15	73500.1542	Circlip		1	
	16	882.1.006.1A	Needle retaining ring (square cross-section)		1	
	17	821.1.070.1A	Special roller (square cross-section)		6	
	18	182.2.018.1A	Complete gearbox drum		1	
	19	0660.13.060	Shim th. 1		1	
	19	852.1.094.1A	Shim th. 0.9		1	
	20	799.1.025.1A	Fork return spring		1	
	21	0400.09.050	Shim th. 0.5		1	
	21	0765.92.205	Shim th. 0.2		2	
	22	0214.07.350	Ring		1	
	23	748.1.040.1A	Nut		1	
	24	180.1.008.1A	Gearbox drum control fork		1	

CATALOGUE No: **915.1.166.1B**
ISSUED: **07 - 03**


NOTES	NO.	CODE NO.	DESCRIPTION	VALIDITY	Q.TY	
	25	0660.13.165	Gearchange lever pin		1	
	26	821.1.001.1A	Pin with gearchange lever		1	
	27	0799.13.110	Gearchange lever return spring		1	
	28	771.5.067.8B	Screw		1	
	29	852.1.172.1A	Washer		1	
	30	771.5.123.8B	Screw		1	
	31	852.1.174.1A	Washer		1	
	32	881.1.012.1A	Centering ring		1	
	33	826.1.009.1A	Stopper plate		1	
	34	0400.29.125	Shim th. 0.2		2	
	34	0400.29.126	Shim th. 0.5		1	

CATALOGUE No: **915.1.166.1B**
ISSUED: **07 - 03**


DRAWING 003 GEAR-BOX



DRAWING **003** GEAR-BOX

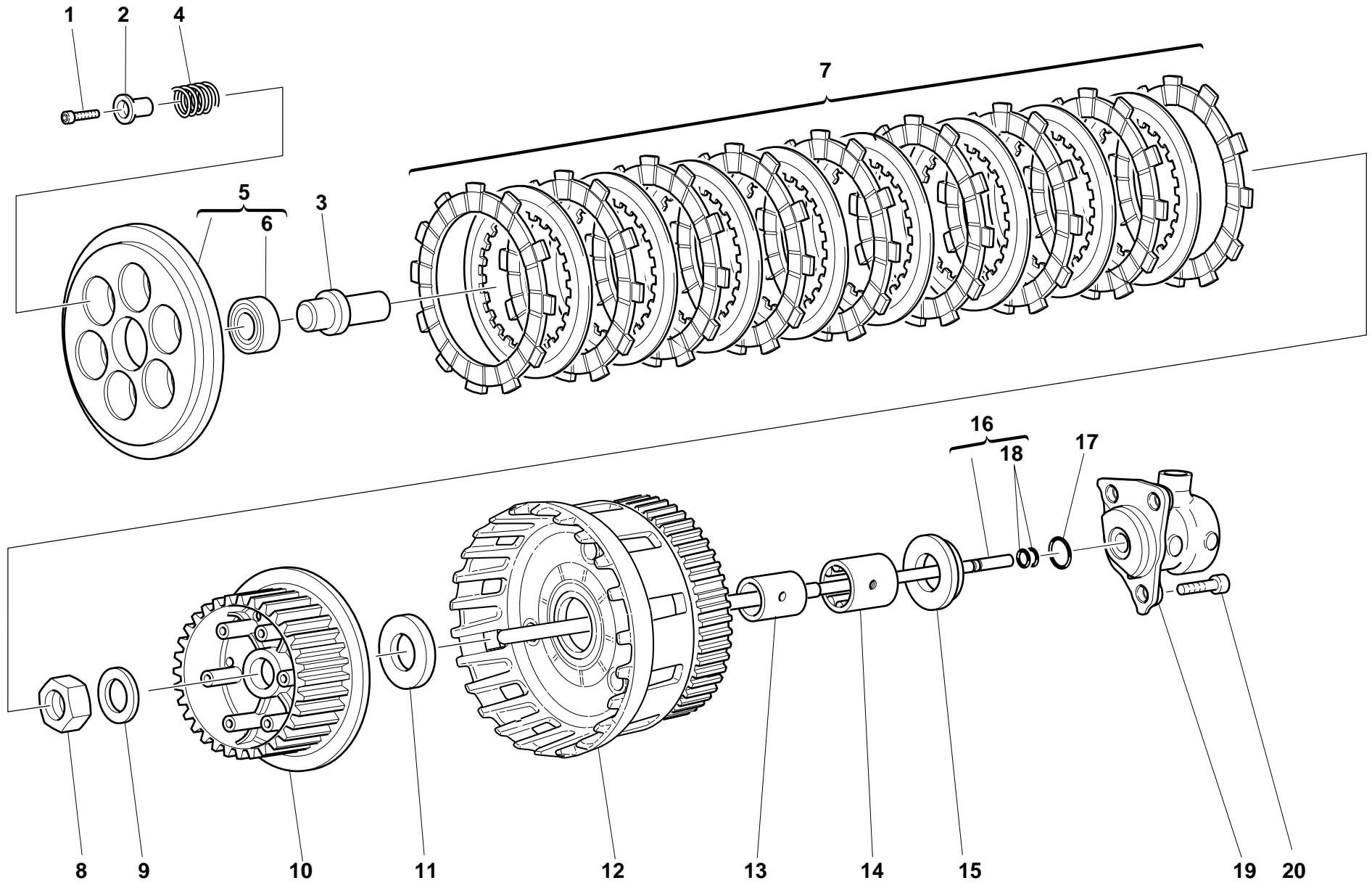
NOTES	NO.	CODE NO.	DESCRIPTION	VALIDITY	Q.TY	
	1	0251.47.050	Shim th. 1		1	
	1	0251.47.054	Shim th. 1.2		1	
	1	852.1.108.1AH	Shim th. 0.9		1	
	1	852.1.108.1AL	Shim th. 1,1		1	
	1	852.1.108.1AN	Shim th. 1,3		1	
	2	149.1.033.1A	Gearbox main shaft		1	
	3	0670.16.150	Shim th. 0.5		2	
	4	701.4.005.1A	Needle bearing		5	
	5	172.1.110.1A	Driving gear 5th sp.		1	
	6	856.1.001.1A	Grooved washer th. 0.5		6	
	7	0670.16.145	Snap ring		6	
	8	172.1.109.1A	Driving gear 3rd/4th sp.		1	
	9	172.1.111.1A	Driving gear 6th sp.		1	
	10	172.1.108.1A	Driving gear 2nd sp.		1	
	11	0670.16.163	Shim th. 1.8		1	
	11	0670.16.184	Shim th. 1		1	
	11	713.1.014.1A	Shim th. 1.5		1	
	11	713.1.014.1B	Shim th. 1.7		1	
	11	713.1.014.1E	Shim th. 1.6		1	
	11	713.1.014.1F	Shim th. 1.9		1	
	12	449.1.049.1A	Chain sprocket Z=15		1	
	13	826.1.011.1A	Sprocket keep plate		1	
	14	8A00.67997	Screw		2	
	15	0670.16.164	Shim th. 2		1	
	15	0670.16.165	Shim th. 2.2		1	
	15	0670.16.184	Shim th. 1		1	
	15	0670.16.185	Shim th. 1.2		1	

CATALOGUE No: 915.1.166.1B
ISSUED: 07 - 03


NOTES	NO.	CODE NO.	DESCRIPTION	VALIDITY	Q.TY	
	15	713.1.011.1A	Shim th. 2.3		1	
	15	713.1.014.1A	Shim th. 1.5		1	
	15	713.1.014.1E	Shim th. 1.6		1	
	16	856.1.031.1A	Grooved washer th. 0.5		1	
	17	76402.0002	Needle bearing		1	
	18	172.1.112.1A	Driven gear 1st sp.		1	
	19	0670.16.155	Shim th. 1		1	
	20	172.1.116.1A	Driven gear 5th sp.		1	
	21	172.1.115.1A	Driven gear 4th sp.		1	
	22	172.1.114.1A	Driven gear 3rd sp.		1	
	23	172.1.117.1A	Driven gear 6th sp.		1	
	24	172.1.113.1A	Driven gear 2nd sp.		1	
	25	149.1.034.1A	Gearbox lay shaft		1	
	26	0670.16.170	Shim th. 0.8		1	
	26	0670.16.171	Shim th. 1		1	
	26	852.1.105.1AB	Shim th. 0.9		1	
	26	852.1.105.1AD	Shim th. 1,1		1	
	26	852.1.105.1AG	Shim th. 0.7		1	
	27	150.2.061.1A	Complete main shaft		1	
	28	150.2.062.1A	Gearbox lay shaft		1	
	29	76270.0827	Needle bearing		1	
	30	93783.0812	Seal ring		1	

CATALOGUE No: 915.1.166.1B
ISSUED: 07 - 03

DRAWING **004** CLUTCH

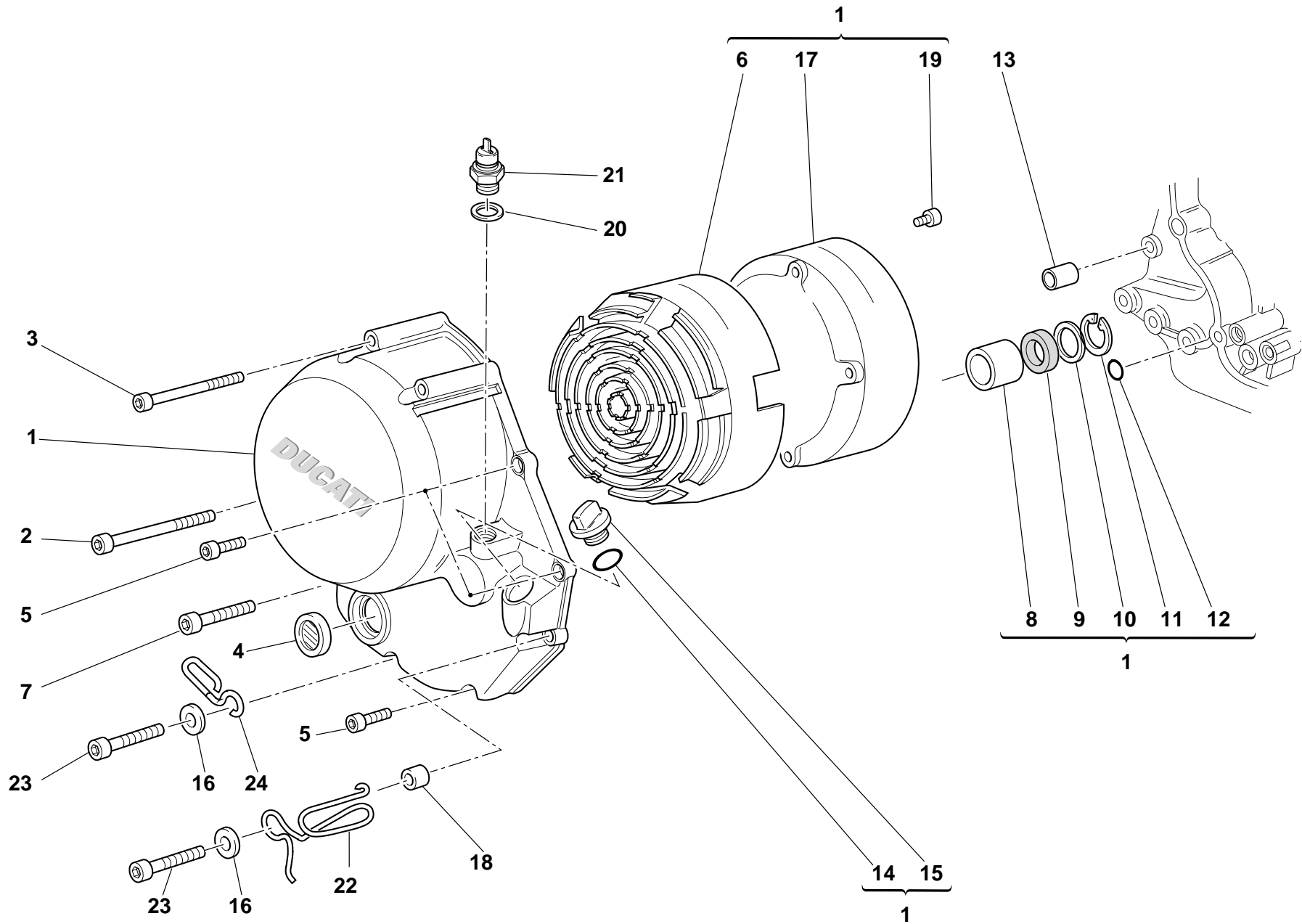


DRAWING **004** **CLUTCH**


NOTES	NO.	CODE NO.	DESCRIPTION	VALIDITY	Q.TY	
	1	771.5.043.8B	Screw		6	
	2	841.1.039.1A	Retainer		6	
	3	818.1.010.1B	Clutch control pin		1	
	4	0659.16.558	Clutch spring		6	
	5	194.2.016.1A	Pressure plate		1	
	6	702.5.008.1A	Bearing		1	
	7	190.2.009.2B	Clutch plates set		1	
	8	750.1.007.1A	Nut		1	
	9	851.1.004.1A	Lock washer		1	
	10	196.1.016.3A	Clutch drum		1	
	11	856.1.014.1A	Shim		1	
	12	170.2.072.1A	Primary drive gears pair		1	
	13	881.1.026.1A	Inner ring		1	
	14	702.5.015.1A	Bearing		1	
	15	713.1.119.1A	Spacer		1	
	16	117.2.007.1A	Clutch control rod		1	
	17	886.4.043.1A	O-ring		1	
	18	93823.2018	O-ring		2	
	19	195.4.003.1A	Piston assembly		1	
	20	60N107335	Screw		3	

NOTES	NO.	CODE NO.	DESCRIPTION	VALIDITY	Q.TY	
-------	-----	----------	-------------	----------	------	---

DRAWING **005** CLUTCH COVER



DRAWING **005** **CLUTCH COVER**

NOTES	NO.	CODE NO.	DESCRIPTION	VALIDITY	Q.TY	
	1	243.2.028.2AC	Cover clutch side		1	
	2	771.5.083.8B	Screw		1	
	3	771.5.081.8B	Screw		3	
	4	254.4.001.1A	Oil level sight glass		1	
	5	771.5.069.8B	Screw		3	
	6	486.1.051.1A	Panel (BLACK)		1	
	7	771.5.072.8B	Screw		1	
	8	0665.49.680	Bush		1	
	9	93784.2030	Seal ring		1	
	10	852.1.008.1A	Shim th. 0.5		1	
	11	73503.3075	Circlip		1	
	12	93827.0114	O-ring		1	
	13	0400.49.240	Locating bush		1	
	14	93823.2082	O-ring		1	
	15	893.1.005.1A	Cap		1	
	16	852.1.176.1A	Washer		2	
	17	243.1.029.1A	Cover		1	
	18	713.1.241.1A	Spacer		1	
	19	773.1.001.1A	Screw		6	
	20	0150.70.120	Gasket th.2		1	
	21	539.4.030.1A	Switch		1	
	22	881.1.030.1A	Holder		1	
	23	771.5.071.8B	Screw		2	
	24	829.1.073.3A	Holder		1	

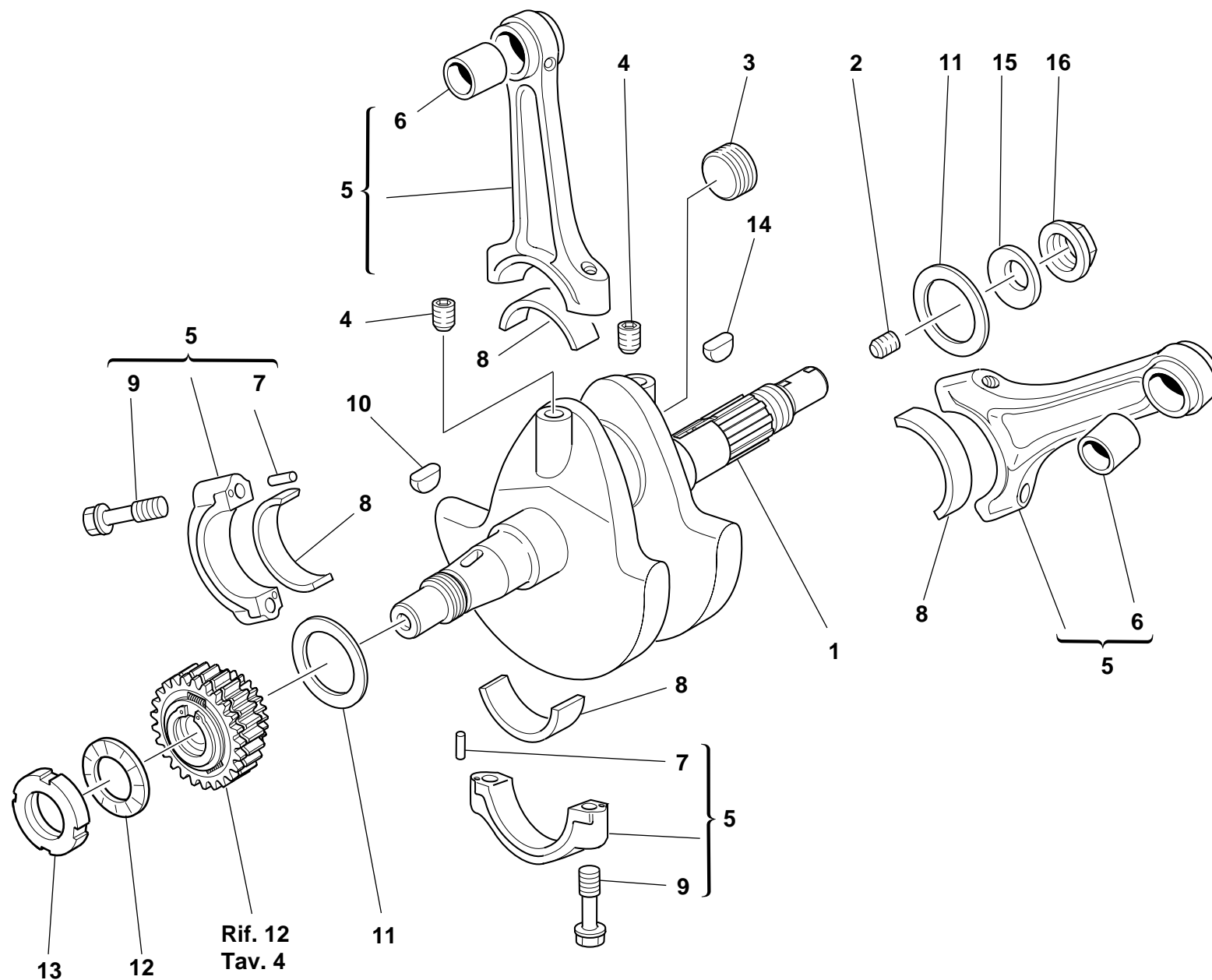
NOTES	NO.	CODE NO.	DESCRIPTION	VALIDITY	Q.TY	
-------	-----	----------	-------------	----------	------	---

CATALOGUE No: **915.1.166.1B**
ISSUED: **07 - 03**


CATALOGUE No: **915.1.166.1B**
ISSUED: **07 - 03**

DRAWING **006**


CRANKSHAFT



DRAWING **006** **CRANKSHAFT**

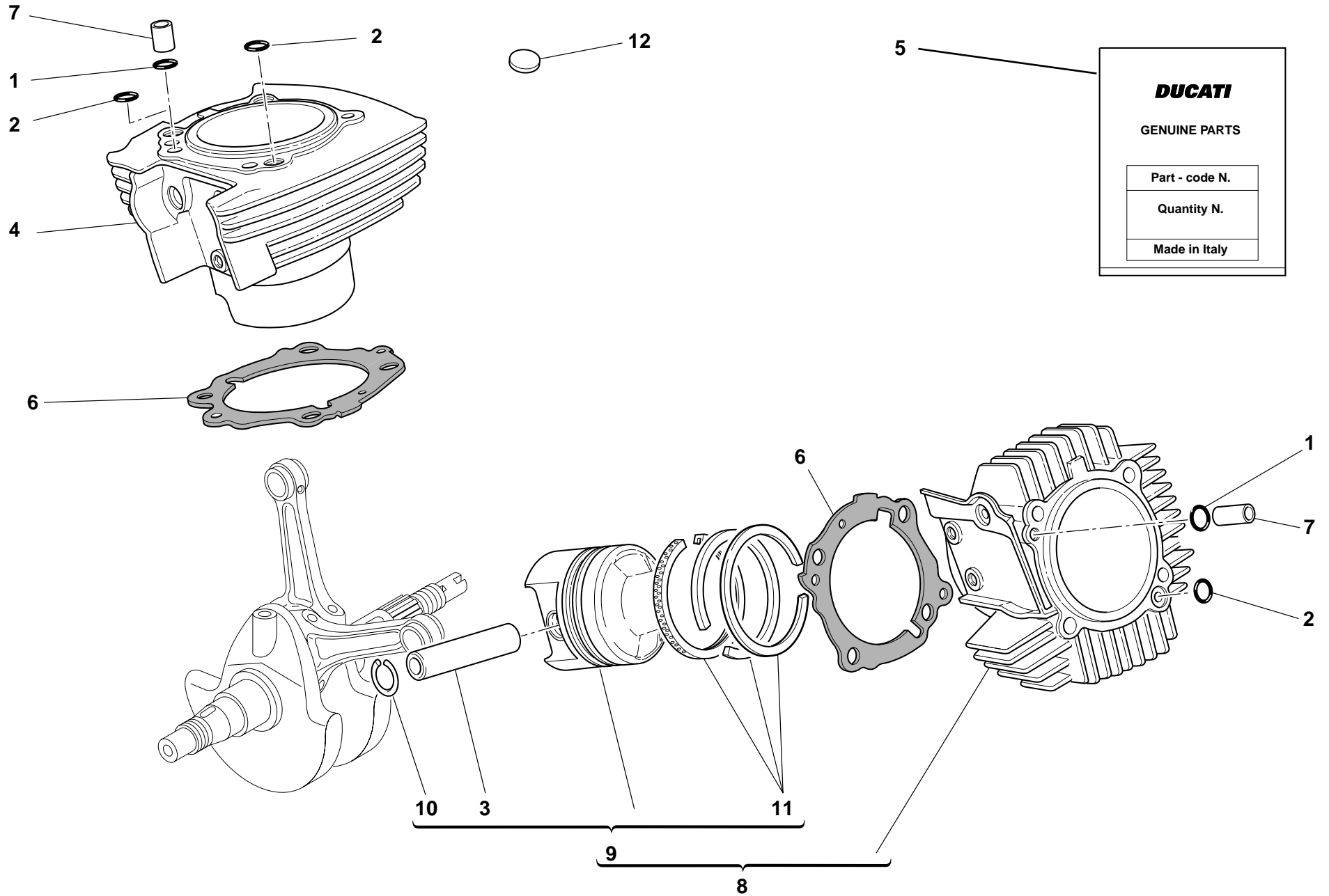
NOTES	NO.	CODE NO.	DESCRIPTION	VALIDITY	Q.TY	
	1	146.2.103.1A	Crankshaft		1	
	2	779.1.109.1A	Special screw		1	
	3	780.1.016.1A	Cap		1	
	4	72121.2106	Threaded dowel		2	
	5	158.2.018.1A	Connecting rods pair		1	
	6	0660.47.290	Standard bush		2	
	7	74224.0570	Pin		4	
	8	0660.47.230	Standard half-bearing		4	
	9	779.1.007.2A	Special screw		4	
	10	74172.1008	Woodruff key		1	
	11	852.1.104.1A	Shim th. 1.9		2	
	11	852.1.104.1B	Shim th. 1.95		2	
	11	852.1.104.1C	Shim th. 2		2	
	11	852.1.104.1D	Shim th. 2,05		2	
	11	852.1.104.1E	Shim th. 2,1		2	
	11	852.1.104.1F	Shim th. 2,15		2	
	11	852.1.104.1G	Shim th. 2.2		2	
	11	852.1.104.1H	Shim th. 2.25		2	
	11	852.1.104.1I	Shim th. 2.3		2	
	11	852.1.104.1J	Shim th. 2.35		2	
	11	852.1.104.1K	Shim th. 2,4		2	
	11	852.1.104.1L	Shim th. 2,45		2	
	11	852.1.104.1M	Shim th. 2.5		2	
	11	852.1.104.1N	Shim th. 2.55		2	
	12	851.4.003.1A	Lock washer		1	
	13	750.1.113.1A	Ring nut		1	
	14	0755.29.025	Woodruff key		1	

CATALOGUE No: **915.1.166.1B**
ISSUED: **07 - 03**


NOTES	NO.	CODE NO.	DESCRIPTION	VALIDITY	Q.TY	
	15	799.1.051.2A	Spring washer		1	
	16	750.1.012.2A	Nut		1	

CATALOGUE No: **915.1.166.1B**
ISSUED: **07 - 03**

DRAWING **007** CYLINDERS - PISTONS

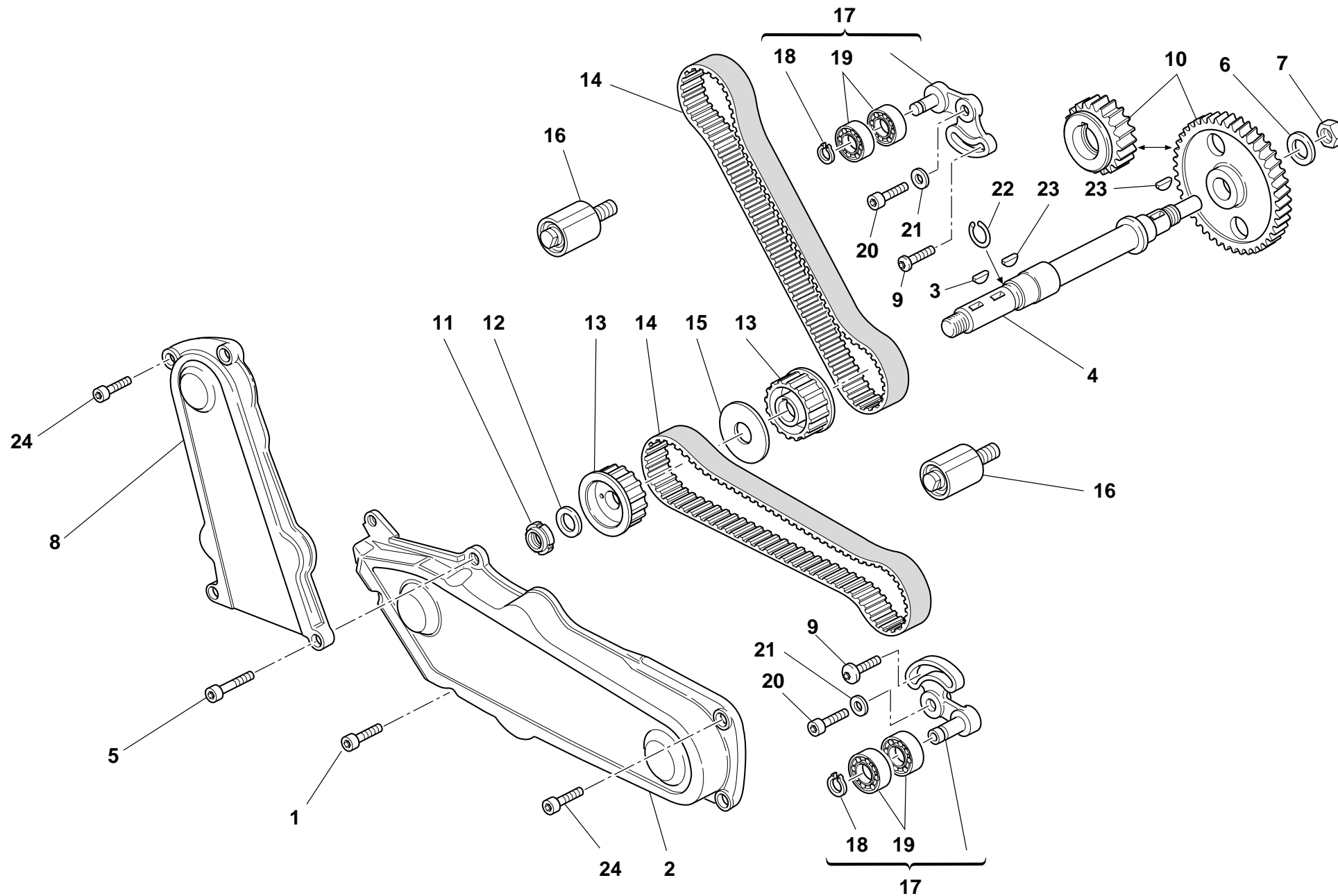


DRAWING **007** **CYLINDERS - PISTONS**

NOTES	NO.	CODE NO.	DESCRIPTION	VALIDITY	Q.TY	
	1	0400.17.030	O-ring		2	
	2	463.2.019.6A	O-ring		3	
	3	121.1.129.1A	Piston pin		2	
	4	120.2.086.1A	Vertical cylinder-piston fit		1	
	5	791.2.034.1A	Head-cylinder gaskets set		1	
	6	786.1.069.2A	Cylinder-crankcase gasket th. 0.4		2	
	7	0755.17.125	Bush		2	
	8	120.2.085.1A	Horizontal cylinder-piston fit		1	
	9	122.2.105.1A	Complete piston		2	
	10	884.4.017.1A	Piston pin circlip		4	
	11	121.2.035.1A	Piston rings set		2	
	12	700.1.027.1A	Vibration damper pad		47	

NOTES	NO.	CODE NO.	DESCRIPTION	VALIDITY	Q.TY	
-------	-----	----------	-------------	----------	------	---

DRAWING **008** TIMING

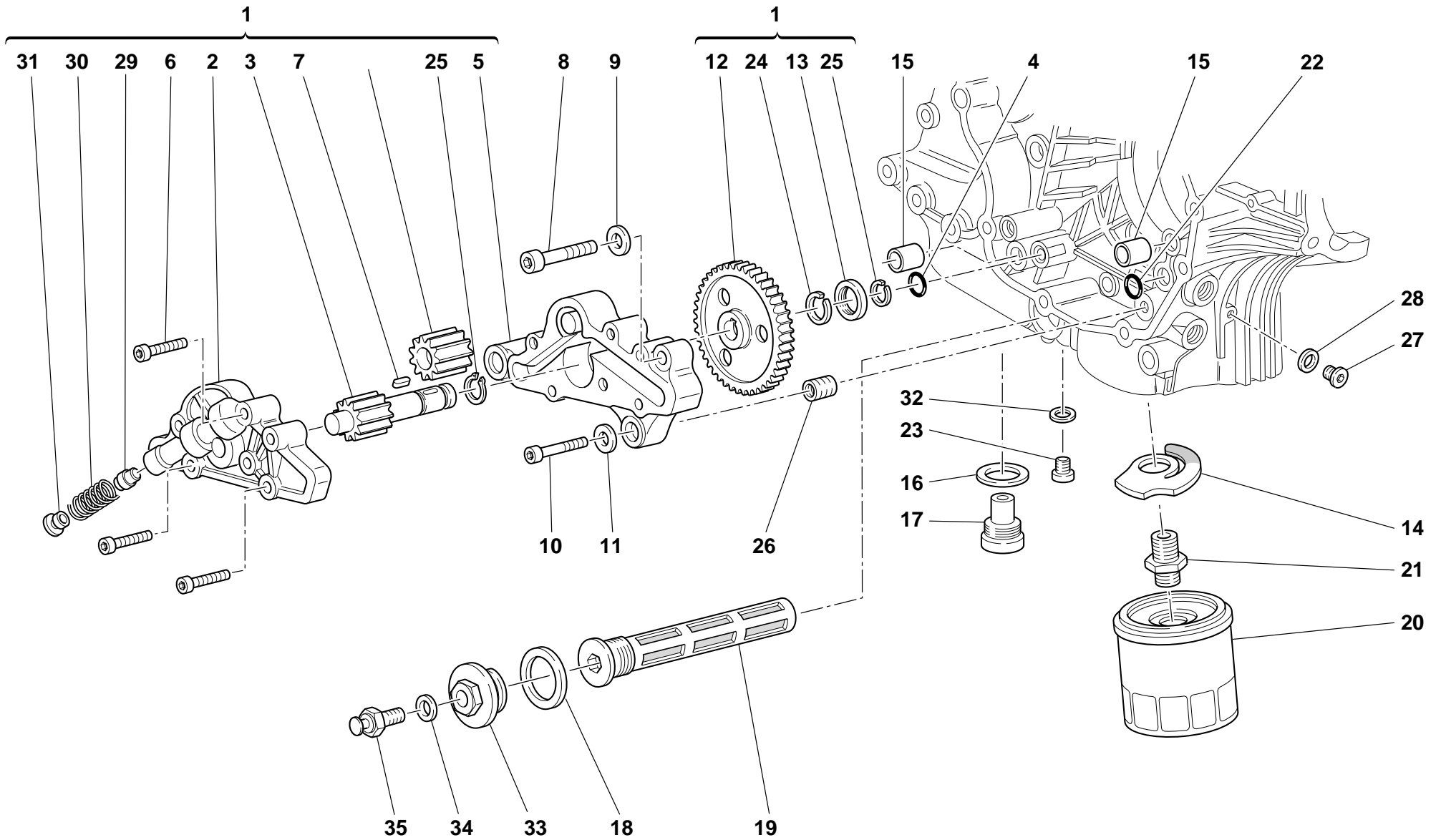


DRAWING **008** **TIMING**


NOTES	NO.	CODE NO.	DESCRIPTION	VALIDITY	Q.TY	
	1	771.5.067.8B	Screw		1	
	2	245.1.047.1A	Horizontal timing belt cover		1	
	3	74172.1008	Woodruff key		1	
	4	147.1.015.1A	Lay shaft		1	
	5	771.5.069.8B	Screw		2	
	6	851.1.013.1A	Lock washer		1	
	7	0124.40.060	Hexagon nut		1	
	8	245.1.048.1A	Vertical timing belt cover		1	
	9	772.1.010.3A	Screw		2	
	10	171.2.020.2B	Timing gears pair		1	
	11	72944.1542	Elastic-stop ring nut		1	
	12	852.1.173.1A	Washer		1	
	13	255.1.001.1B	Timing belt roller		2	
	14	737.4.007.2A	Timing drive toothed belt		2	
	15	856.1.002.2A	Belt roller separating washer sp. 2		1	
	16	451.1.025.1A	Fixed tensioner assembly		2	
	17	451.2.006.1A	Complete vertical cylinder tensioner roller		2	
	18	0214.07.350	Ring		2	
	19	75166.1238	Bearing		4	
	20	771.5.123.8B	Screw		2	
	21	852.1.174.1A	Washer		2	
	22	882.1.003.1A	Snap ring		1	
	23	0755.29.025	Woodruff key		2	
	24	771.5.064.8B	Screw		4	

NOTES	NO.	CODE NO.	DESCRIPTION	VALIDITY	Q.TY	
-------	-----	----------	-------------	----------	------	---


DRAWING **009** FILTERS AND OIL PUMP



DRAWING **009** **FILTERS AND OIL PUMP**

NOTES	NO.	CODE NO.	DESCRIPTION	VALIDITY	Q.TY	
	1	174.2.025.5A	Complete oil pump		1	
	2	247.1.174.1A	Pump cover		1	
	3	174.1.002.1A	Pump driving gear		1	
	4	886.4.037.1A	O-ring		1	
	5	250.1.038.1A	Pump body		1	
	6	773.5.069.8B	Screw		6	
	7	680.1.001.1B	Woodruff key		1	
	8	771.5.129.8B	Screw		2	
	9	853.1.002.1A	Spring washer		2	
	10	771.5.069.8B	Screw		1	
	11	853.1.004.1A	Spring washer		1	
	12	174.1.025.1A	Pump drive gear		1	
	13	710.1.001.1A	Bush		1	
	14	799.2.077.2A	Bypass spring		1	
	15	0759.49.280	Locating bush		2	
	16	220.3.208.3A	Gasket		1	
	17	0660.49.053	Oil drain plug with magnet		1	
	18	852.5.005.1A	Gasket th.1,5		1	
	19	894.2.009.1A	Oil filter		1	
	20	444.4.003.4A	Oil filter cartridge		1	
	21	0670.49.910	Nipple		1	
	22	93827.0114	O-ring		1	
	23	779.1.198.2A	Cap		1	
	24	76267.0012	Snap ring		1	
	25	73500.1237	Circlip		2	
	26	0670.49.310	Reduction bush		1	
	27	779.1.162.2A	Cap		1	

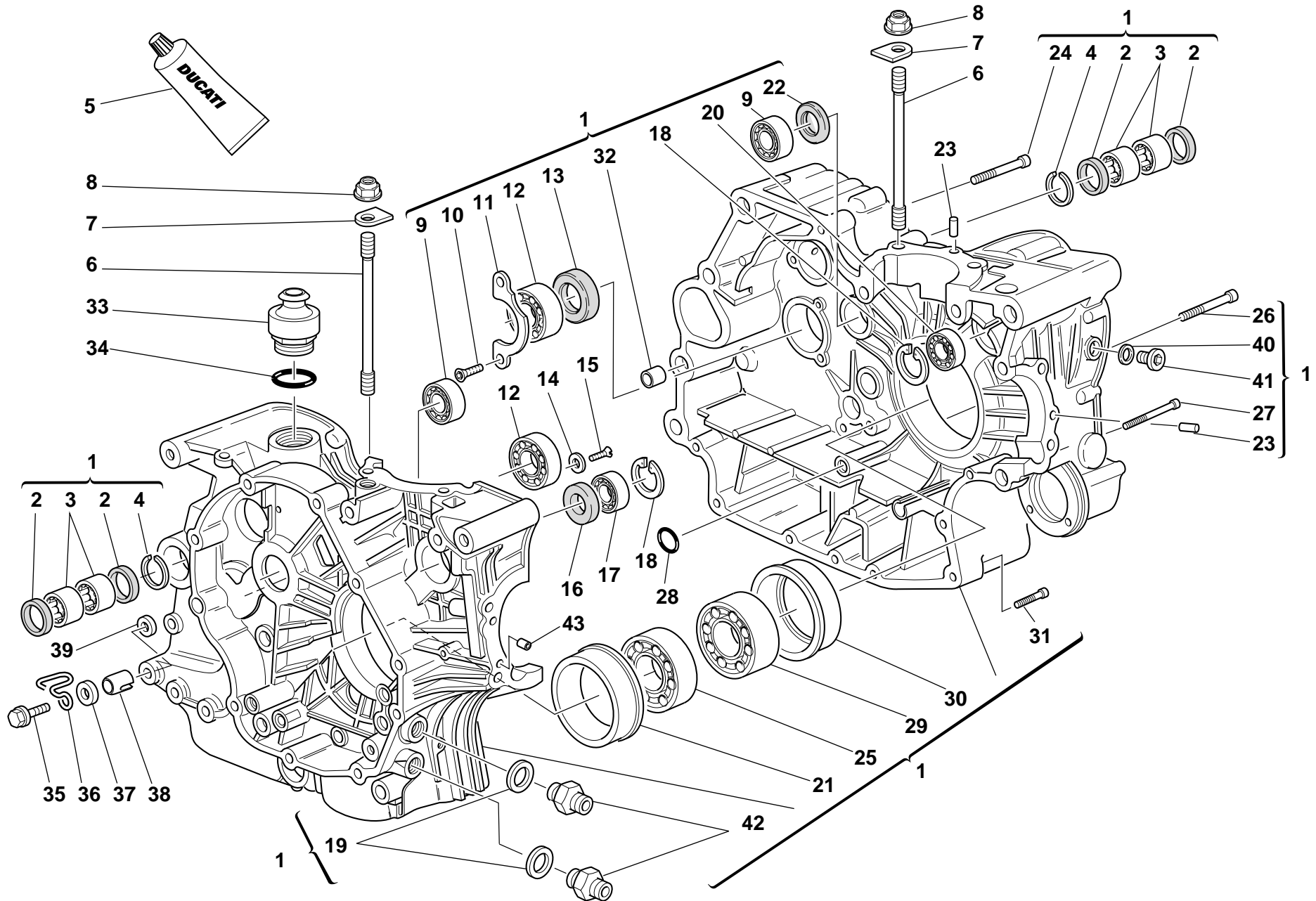
CATALOGUE No: **915.1.166.1B**
ISSUED: **07 - 03**

NOTES	NO.	CODE NO.	DESCRIPTION	VALIDITY	Q.TY	
	28	0150.70.120	Gasket th.2		1	
	29	593.1.018.1A	Bypass valve		1	
	30	799.1.055.1A	Bypass spring		1	
	31	780.1.018.1A	Bypass cap		1	
	32	852.1.120.1A	Aluminium gasket		1	
	33	873.1.039.1A	Cap		1	
	34	420.2.001.0A	Gasket th.1		1	
	35	552.1.045.1A	Thermistor		1	


CATALOGUE No: **915.1.166.1B**
ISSUED: **07 - 03**

DRAWING 010


HALF CRANKCASES



DRAWING **010** HALF CRANKCASES

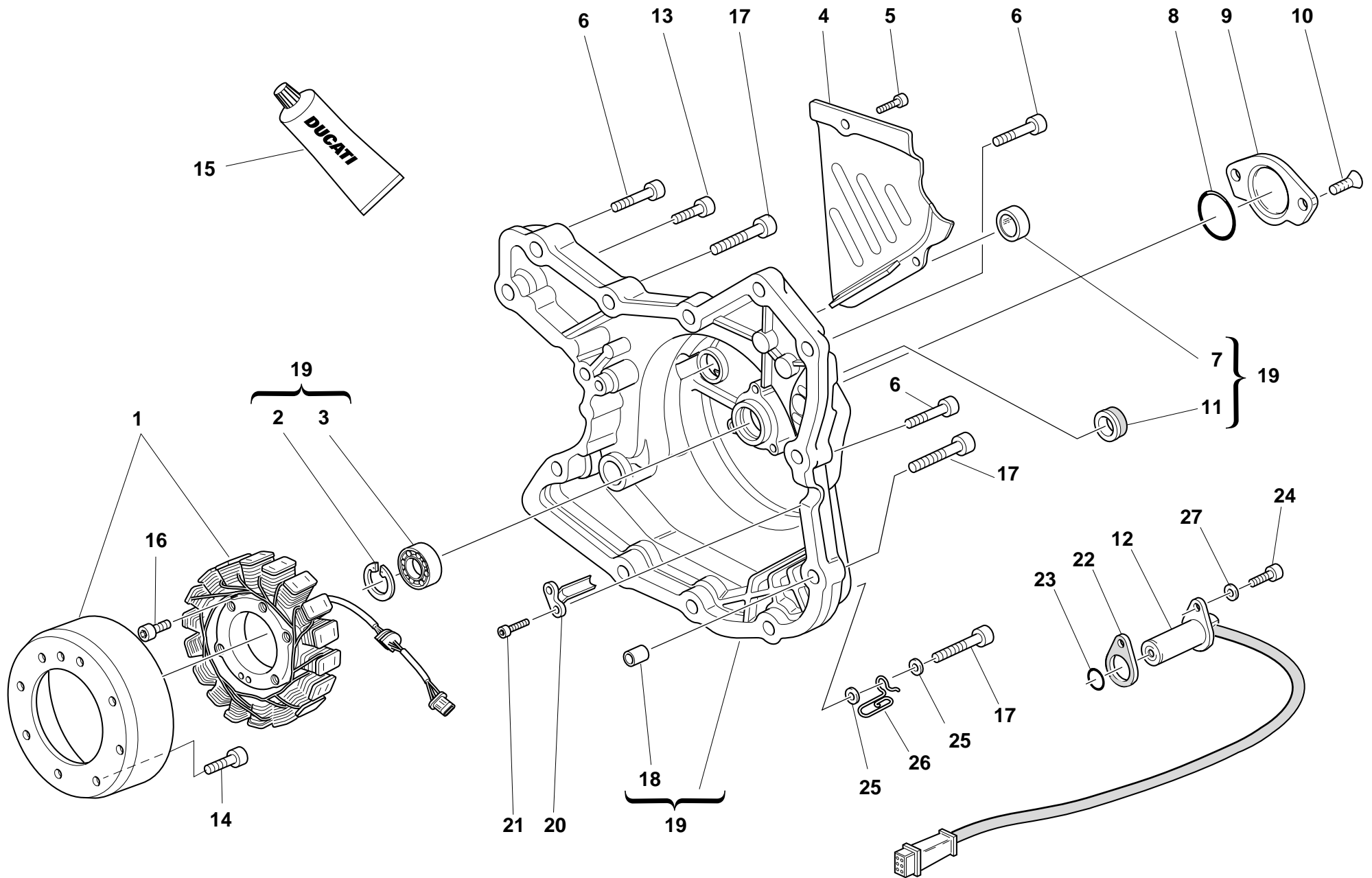
NOTES	NO.	CODE NO.	DESCRIPTION	VALIDITY	Q.TY	
	1	225.2.076.2A	Complete half-crankcases pair		1	
	2	0755.49.265	Seal ring		4	
	3	76400.0004	Needle bearing		4	
	4	76266.2668	Snap ring		2	
	5	94247.0014	Fluid sealant		1	
	6	0377.49.270	Stud bolt for fastening head cylinder		8	
	7	856.1.025.2A	Special washer		8	
	8	748.1.038.1A	Nut		8	
	9	702.4.040.1A	Bearing		2	
	10	72094.1616	Screw		2	
	11	0367.49.275	Keep plate		1	
	12	75120.2567	Bearing		2	
	13	0660.49.268	Seal ring		1	
	14	713.1.140.1A	Spacer		2	
	15	770.5.250.8B	Screw		2	
	16	93785.1830	Seal ring		1	
	17	75794.1542	Bearing		1	
	18	73503.3380	Circlip		2	
	19	420.2.006.4A	Aluminium gasket		2	
	20	702.5.008.1A	Bearing		1	
	21	710.1.069.1A	Bearing holder bush		1	
	22	463.4.001.1A	Seal ring		1	
	23	0011.52.010	Locating dowel		2	
	24	771.5.136.8B	Screw		6	
	25	702.4.020.1A	Bearing		1	
	26	779.1.029.2A	Special screw		1	
	27	771.5.080.8B	Screw		1	

CATALOGUE No: 915.1.166.1B
ISSUED: 07 - 03


NOTES	NO.	CODE NO.	DESCRIPTION	VALIDITY	Q.TY	
	28	93827.0114	O-ring		1	
	29	75191.3380	Bearing		1	
	30	710.1.070.1A	Bearing holder bush		1	
	31	771.5.072.8B	Screw		5	
	32	711.1.095.1A	Bush		2	
	33	593.1.003.1B	Breather valve		1	
	34	93823.3156	O-ring		1	
	35	0000.62729	Screw		1	
	36	829.1.275.1A	Ring		1	
	37	734306N01	Washer		1	
	38	710.1.032.1A	Bush		1	
	39	711.1.072.1A	Bush		1	
	40	420.2.006.2A	Aluminium gasket		1	
	41	779.1.182.2A	Special screw		1	
	42	815.1.022.1A	Nipple		2	
	43	711.1.128.1A	Bush		2	


CATALOGUE No: 915.1.166.1B
ISSUED: 07 - 03

DRAWING **011** ALTERNATOR COVER



DRAWING **011** ALTERNATOR COVER

NOTES	NO.	CODE NO.	DESCRIPTION	VALIDITY	Q.TY	
	1	264.4.022.1A	Generator		1	
	2	73503.3380	Circlip		1	
	3	702.5.008.1A	Bearing		1	
	4	247.1.083.1AE	Chain cover		1	
	5	771.5.064.2B	Screw		2	
	6	771.5.069.8B	Screw		9	
	7	254.1.001.2A	Oil level sight glass		1	
	8	886.4.035.1A	O-ring		1	
	9	247.1.002.1BC	Cover		1	
	10	777.5.049.8B	Screw		2	
	11	93783.1524	Seal ring		1	
	12	552.4.020.1A	Sensor		1	
	13	771.5.067.8B	Screw		2	
	14	779.4.075.1A	Screw		8	
	15	94247.0014	Fluid sealant		1	
	16	771.5.073.8B	Screw		3	
	17	771.5.071.8B	Screw		3	
	18	0400.49.240	Locating bush		2	
	19	242.2.045.1A	Generator cover		1	
	20	830.1.144.1A	Bracket		1	
	21	771.5.040.8B	Screw		2	
	22	788.1.066.1AA	Gasket th.0,6		1	
	22	788.1.066.1AB	Gasket th.0,8		1	
	22	788.1.066.1AC	Gasket th.1,0		1	
	23	886.4.003.1A	O-ring		1	
	24	771.5.066.8B	Screw		1	
	25	734306N01	Washer		2	

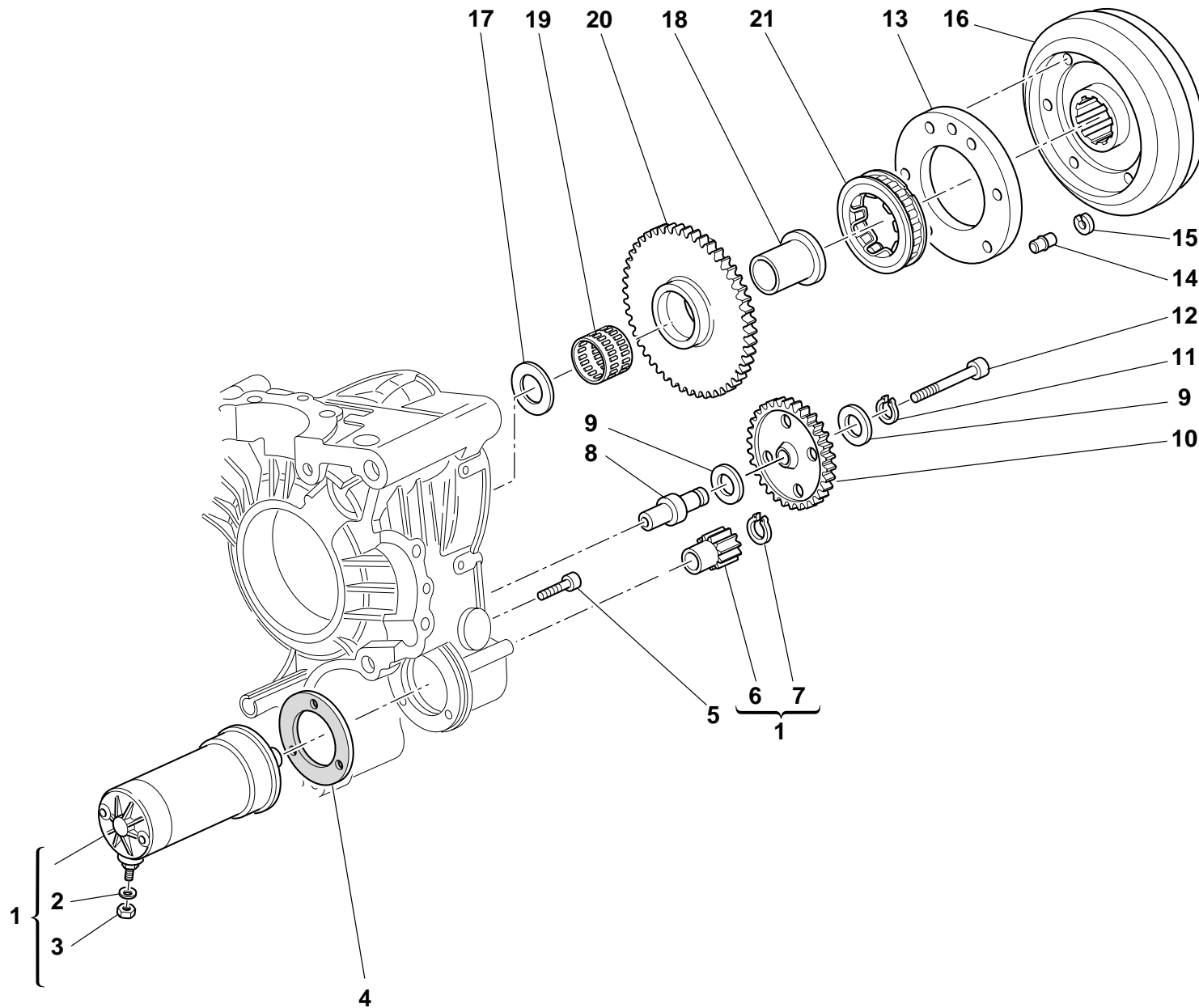
NOTES	NO.	CODE NO.	DESCRIPTION	VALIDITY	Q.TY	
	26	881.1.030.1A	Holder		1	
	27	853.1.003.1A	Spring washer		1	

CATALOGUE No: 915.1.166.1B
ISSUED: 07 - 03


CATALOGUE No: 915.1.166.1B
ISSUED: 07 - 03

DRAWING **012**

ELECTRIC STARTER AND IGNITION



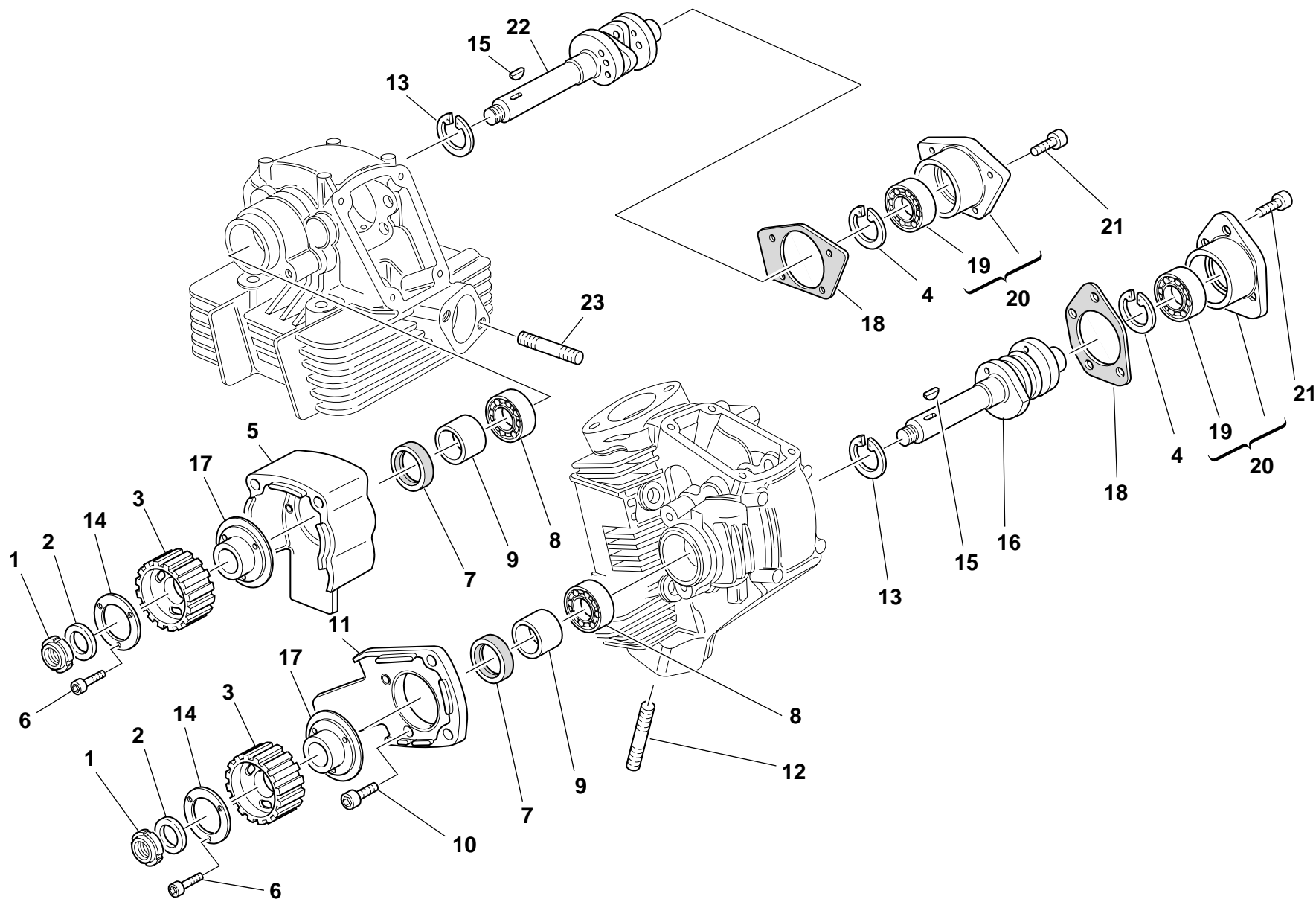
DRAWING **012** ELECTRIC STARTER AND IGNITION

NOTES	NO.	CODE NO.	DESCRIPTION	VALIDITY	Q.TY	
	1	270.4.001.1A	Complete starter motor (8-9 included)		1	
	2	853.1.003.1A	Spring washer		1	
	3	750.1.121.1A	Nut		1	
	4	788.1.054.1A	Starter motor gasket		1	
	5	771.5.069.8B	Screw		3	
	6	176.1.001.1A	Starter motor sprocket		1	
	7	73500.1237	Circlip		1	
	8	0660.50.020	Intermediate gear pin		1	
	9	856.1.071.1A	Washer		2	
	10	176.1.009.1A	Intermediate gear assembly		1	
	11	73500.1440	Circlip		1	
	12	771.5.078.8B	Screw		1	
	13	160.1.057.1A	Flange		1	
	14	863.1.002.1A	Locating pin		1	
	15	0647.29.040	Check ring		1	
	16	276.1.025.1B	Ignition flywheel		1	
	17	852.1.175.1A	Washer		1	
	18	881.1.010.1C	Inner ring		1	
	19	701.4.003.1A	Needle bearing		1	
	20	173.1.012.3A	Electric starter driven gear		1	
	21	701.4.007.1A	Starter clutch		1	


NOTES	NO.	CODE NO.	DESCRIPTION	VALIDITY	Q.TY	
-------	-----	----------	-------------	----------	------	---

DRAWING **013**

HEAD : TIMING



DRAWING **013** HEAD : TIMING

NOTES	NO.	CODE NO.	DESCRIPTION	VALIDITY	Q.TY	
	1	72944.1542	Elastic-stop ring nut		2	
	2	852.1.173.1A	Washer		2	
	3	255.1.014.1A	Timing belt roller		2	
	4	73503.3380	Circlip		2	
	5	235.1.027.1A	Vertical rubber cap		1	
	6	771.5.040.8B	Screw		6	
	7	0204.70.105	Seal ring		2	
	8	75120.1747	Bearing		2	
	9	713.1.007.1A	Belt roller spacer		2	
	10	771.5.065.8B	Screw		4	
	11	235.1.026.1A	Horizontal rubber cap		1	
	12	766.4.017.2A	Stud bolt		4	
	13	73503.3683	Circlip		2	
	14	852.1.124.2A	Special washer		2	
	15	74172.1008	Woodruff key		2	
	16	148.1.147.1A	Horizontal head camshaft		1	
	17	160.1.076.1A	Flange		2	
	18	0660.92.310	Cap gasket		2	
	19	75173.1542	Bearing		2	
	20	235.2.031.1A	Cap with bearing		2	
	21	771.5.066.8B	Screw		7	
	22	148.1.146.1A	Vertical head camshaft		1	
	23	766.4.018.1A	Stud bolt		4	

NOTES	NO.	CODE NO.	DESCRIPTION	VALIDITY	Q.TY	
-------	-----	----------	-------------	----------	------	---

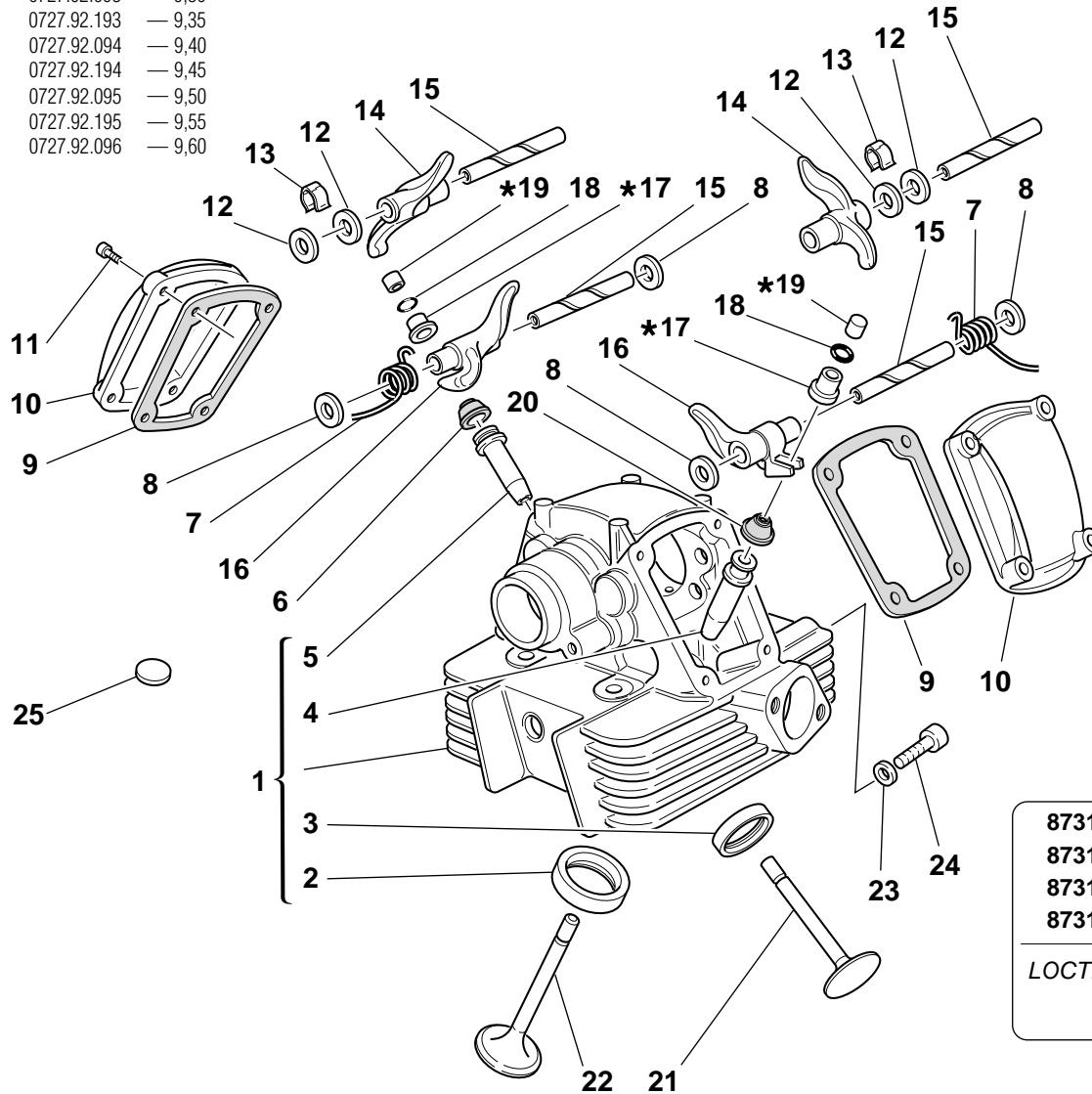
DRAWING **014** VERTICAL HEAD


17 * Scodellino ritorno
Return cap
Coupelle retour
Einstellhülse

0727.92.050	— 5	0727.92.171	— 7,15	0727.92.093	— 9,30
0727.92.150	— 5,05	0727.92.072	— 7,20	0727.92.193	— 9,35
0727.92.051	— 5,10	0727.92.172	— 7,25	0727.92.094	— 9,40
0727.92.151	— 5,15	0727.92.073	— 7,30	0727.92.194	— 9,45
0727.92.052	— 5,20	0727.92.173	— 7,35	0727.92.095	— 9,50
0727.92.152	— 5,25	0727.92.074	— 7,40	0727.92.195	— 9,55
0727.92.053	— 5,30	0727.92.174	— 7,45	0727.92.096	— 9,60
0727.92.153	— 5,35	0727.92.075	— 7,50		
0727.92.054	— 5,40	0727.92.175	— 7,55		
0727.92.154	— 5,45	0727.92.076	— 7,60		
0727.92.055	— 5,50	0727.92.176	— 7,65		
0727.92.155	— 5,55	0727.92.077	— 7,70		
0727.92.056	— 5,60	0727.92.177	— 7,75		
0727.92.156	— 5,65	0727.92.078	— 7,80		
0727.92.057	— 5,70	0727.92.178	— 7,85		
0727.92.157	— 5,75	0727.92.079	— 7,90		
0727.92.058	— 5,80	0727.92.179	— 7,95		
0727.92.158	— 5,85	0727.92.080	— 8		
0727.92.059	— 5,90	0727.92.180	— 8,05		
0727.92.159	— 5,95	0727.92.081	— 8,10		
0727.92.060	— 6	0727.92.181	— 8,15		
0727.92.160	— 6,05	0727.92.082	— 8,20		
0727.92.061	— 6,10	0727.92.182	— 8,25		
0727.92.161	— 6,15	0727.92.083	— 8,30		
0727.92.062	— 6,20	0727.92.183	— 8,35		
0727.92.162	— 6,25	0727.92.084	— 8,40		
0727.92.063	— 6,30	0727.92.184	— 8,45		
0727.92.163	— 6,35	0727.92.085	— 8,50		
0727.92.064	— 6,40	0727.92.185	— 8,55		
0727.92.164	— 6,45	0727.92.086	— 8,60		
0727.92.065	— 6,50	0727.92.186	— 8,65		
0727.92.165	— 6,55	0727.92.087	— 8,70		
0727.92.066	— 6,60	0727.92.187	— 8,75		
0727.92.166	— 6,65	0727.92.088	— 8,80		
0727.92.067	— 6,70	0727.92.188	— 8,85		
0727.92.167	— 6,75	0727.92.089	— 8,90		
0727.92.068	— 6,80	0727.92.189	— 8,95		
0727.92.168	— 6,85	0727.92.090	— 9		
0727.92.069	— 6,90	0727.92.190	— 9,05		
0727.92.169	— 6,95	0727.92.091	— 9,10		
0727.92.070	— 7	0727.92.191	— 9,15		
0727.92.170	— 7,05	0727.92.092	— 9,20		
0727.92.071	— 7,10	0727.92.192	— 9,25		


19 * Registro bilanciere
Adjustment
Réglage
Ventilkäppchen

0723.92.500	— 2	0723.92.515	— 3,50
0723.92.535	— 2,05	0723.92.695	— 3,55
0723.92.501	— 2,10	0723.92.516	— 3,60
0723.92.545	— 2,15	0723.92.705	— 3,65
0723.92.502	— 2,20	0723.92.517	— 3,70
0723.92.555	— 2,25	0723.92.715	— 3,75
0723.92.503	— 2,30	0723.92.518	— 3,80
0723.92.565	— 2,35	0723.92.725	— 3,85
0723.92.504	— 2,40	0723.92.519	— 3,90
0723.92.575	— 2,45	0723.92.735	— 3,95
0723.92.505	— 2,50	0723.92.520	— 4
0723.92.585	— 2,55	0723.92.745	— 4,05
0723.92.506	— 2,60	0723.92.521	— 4,10
0723.92.595	— 2,65	0723.92.531	— 4,15
0723.92.507	— 2,70	0723.92.522	— 4,20
0723.92.605	— 2,75	0723.92.533	— 4,25
0723.92.508	— 2,80	0723.92.523	— 4,30
0723.92.615	— 2,85	0723.92.534	— 4,35
0723.92.509	— 2,90	0723.92.524	— 4,40
0723.92.625	— 2,95	0723.92.537	— 4,45
0723.92.510	— 3	0723.92.525	— 4,50
0723.92.635	— 3,05	0723.92.538	— 4,55
0723.92.511	— 3,10	0723.92.526	— 4,60
0723.92.645	— 3,15	0723.92.539	— 4,65
0723.92.512	— 3,20	0723.92.527	— 4,70
0723.92.655	— 3,25	0723.92.540	— 4,75
0723.92.513	— 3,30	0723.92.528	— 4,80
0723.92.675	— 3,35	0723.92.541	— 4,85
0723.92.514	— 3,40	0723.92.529	— 4,90
0723.92.685	— 3,45	0723.92.542	— 4,95
		0723.92.530	— 5
		0723.92.543	— 5,05
		0723.92.544	— 5,10
		0723.92.546	— 5,15
		0723.92.547	— 5,20
		0723.92.548	— 5,25
		0723.92.549	— 5,30
		0723.92.550	— 5,35
		0723.92.551	— 5,40
		0723.92.552	— 5,45
		0723.92.553	— 5,50
		0723.92.554	— 5,55
		0723.92.556	— 5,60




87310201A	— 20
87310051A	— 18
87310011A	— 16
87310021A	— 10
LOCTITE 510 	

DRAWING **014** VERTICAL HEAD

NOTES	NO.	CODE NO.	DESCRIPTION	VALIDITY	Q.TY	
	1	301.2.125.1A	Complete vertical head		1	
	2	304.1.005.2A	Intake valve seat		1	
	2	304.1.005.2AB	Oversize intake valve seat 0.03		1	
	2	304.1.005.2AC	Oversize intake valve seat 0.06		1	
	3	304.1.006.2A	Exhaust valve seat		1	
	3	304.1.006.2AB	Oversize exhaust valve seat 0.03		1	
	3	304.1.006.2AC	Oversize exhaust valve seat 0.06		1	
	4	303.1.003.1A	Intake valve cast iron guide		1	
	4	303.1.003.1AB	Oversize valve guide 0.03		1	
	4	303.1.003.1AC	Oversize valve guide 0.06		1	
	4	303.1.003.1AD	Oversize valve guide 0.09		1	
	5	303.1.004.1C	Exhaust valve bronze guide		1	
	5	303.1.004.1CB	Oversize valve guide 0.03		1	
	5	303.1.004.1CC	Oversize valve guide 0.06		1	
	5	303.1.004.1CD	Oversize valve guide 0.09		1	
	6	764.1.013.1A	Valve seal		1	
	7	799.1.061.1A	Closing rocker spring		2	
	8	0619.92.180	Shim th. 0.3		6	
	8	0670.92.190	Shim th. 2		4	
	8	0765.92.185	Shim th. 1		2	
	8	0765.92.190	Shim th. 0.5		4	
	8	0765.92.195	Shim th. 0.1		1	
	8	0765.92.205	Shim th. 0.2		8	
	9	788.1.032.2A	Valve cover gasket		2	
	10	240.1.010.1AB	Valve cover		2	
	11	771.5.067.8B	Screw		8	
	12	0647.70.010	Shim		4	

CATALOGUE No: 915.1.166.1B
ISSUED: 07 - 03

NOTES	NO.	CODE NO.	DESCRIPTION	VALIDITY	Q.TY	
	13	0375.92.210	Spring		2	
	14	208.1.012.4A	Opening rocker		2	
	15	821.1.115.1A	Rocker shaft		4	
	16	209.1.012.4A	Closing rocker		2	
	17	0727.92.239	See table		2	
	18	669.1.003.1A	Split rings		4	
	19	0723.92.239	See table		2	
	20	764.1.009.1A	Valve seal		1	
	21	211.1.003.4A	Exhaust valve		1	
	22	210.1.003.5A	Intake valve		1	
	23	420.2.000.7A	Gasket		1	
	24	779.1.133.1A	Screw		1	
	25	700.1.027.1A	Vibration damper pad		20	

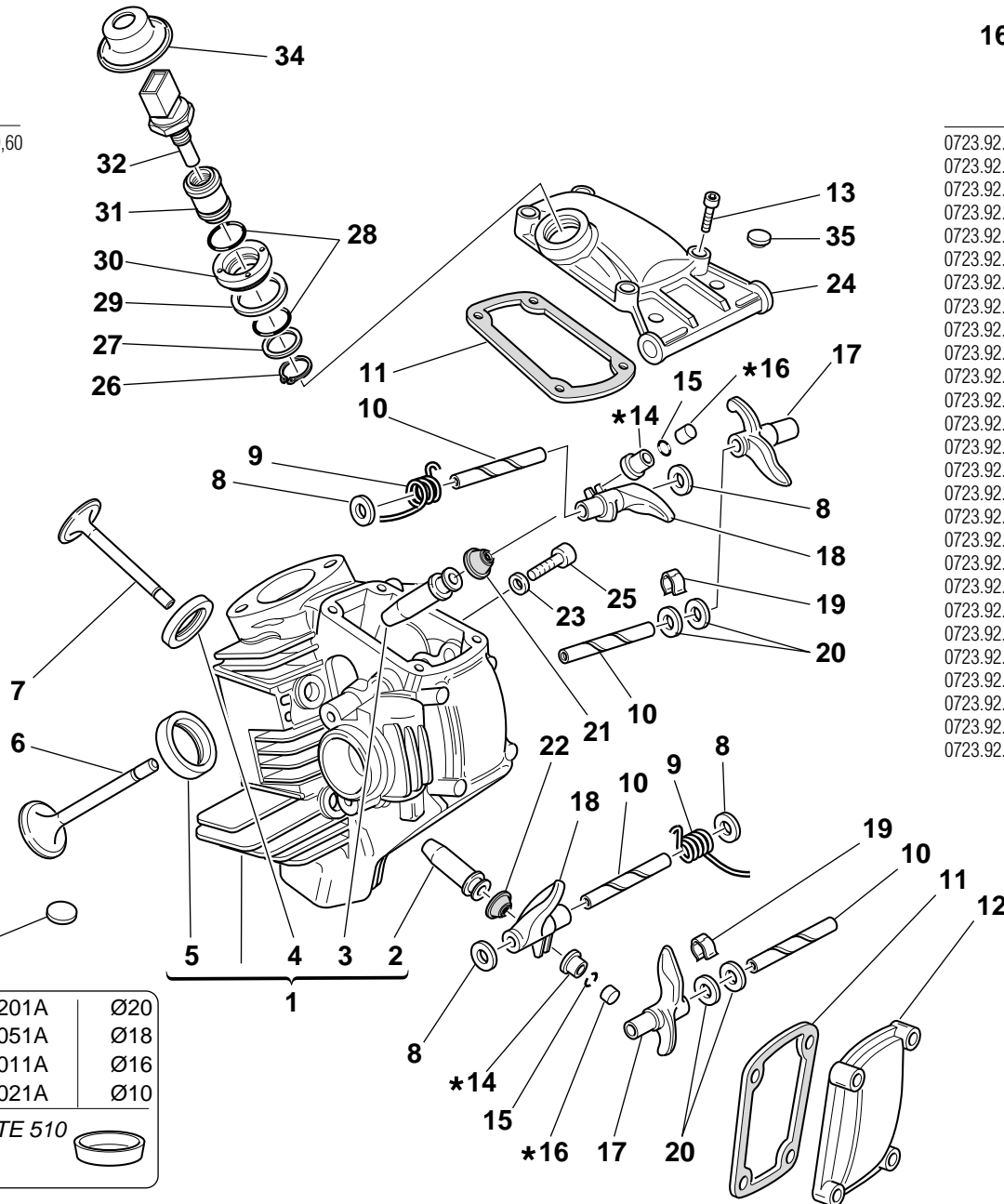
CATALOGUE No: 915.1.166.1B
ISSUED: 07 - 03

DRAWING **015** HORIZONTAL HEAD

14 Scodellino ritorno
Return cap
Coupelle retour
Einstellhülse

0727.92.050	5	0727.92.073	7,30	0727.92.096	9,60
0727.92.150	5,05	0727.92.173	7,35		
0727.92.051	5,10	0727.92.074	7,40		
0727.92.151	5,15	0727.92.174	7,45		
0727.92.052	5,20	0727.92.075	7,50		
0727.92.152	5,25	0727.92.175	7,55		
0727.92.053	5,30	0727.92.076	7,60		
0727.92.153	5,35	0727.92.176	7,65		
0727.92.054	5,40	0727.92.077	7,70		
0727.92.154	5,45	0727.92.177	7,75		
0727.92.055	5,50	0727.92.078	7,80		
0727.92.155	5,55	0727.92.178	7,85		
0727.92.056	5,60	0727.92.079	7,90		
0727.92.156	5,65	0727.92.179	7,95		
0727.92.057	5,70	0727.92.080	8		
0727.92.157	5,75	0727.92.180	8,05		
0727.92.058	5,80	0727.92.081	8,10		
0727.92.158	5,85	0727.92.181	8,15		
0727.92.059	5,90	0727.92.082	8,20		
0727.92.159	5,95	0727.92.182	8,25		
0727.92.060	6	0727.92.083	8,30		
0727.92.160	6,05	0727.92.183	8,35		
0727.92.061	6,10	0727.92.084	8,40		
0727.92.161	6,15	0727.92.184	8,45		
0727.92.062	6,20	0727.92.085	8,50		
0727.92.162	6,25	0727.92.185	8,55		
0727.92.063	6,30	0727.92.086	8,60		
0727.92.163	6,35	0727.92.186	8,65		
0727.92.064	6,40	0727.92.087	8,70		
0727.92.164	6,45	0727.92.187	8,75		
0727.92.065	6,50	0727.92.088	8,80		
0727.92.165	6,55	0727.92.188	8,85		
0727.92.066	6,60	0727.92.089	8,90		
0727.92.166	6,65	0727.92.189	8,95		
0727.92.067	6,70	0727.92.090	9		
0727.92.167	6,75	0727.92.190	9,05		
0727.92.068	6,80	0727.92.091	9,10		
0727.92.168	6,85	0727.92.191	9,15		
0727.92.069	6,90	0727.92.092	9,20		
0727.92.169	6,95	0727.92.192	9,25		
0727.92.070	7	0727.92.192	9,25		
0727.92.170	7,05	0727.92.093	9,30		
0727.92.071	7,10	0727.92.193	9,35		
0727.92.171	7,15	0727.92.194	9,45		
0727.92.072	7,20	0727.92.095	9,50		
0727.92.172	7,25	0727.92.195	9,55		


87310201A	Ø20
87310051A	Ø18
87310011A	Ø16
87310021A	Ø10
LOCTITE 510	




16 Registro bilanciere
Adjustment
Ventilköppchen

0723.92.500	2	0723.92.675	3,35
0723.92.535	2,05	0723.92.514	3,40
0723.92.501	2,10	0723.92.685	3,45
0723.92.545	2,15	0723.92.515	3,50
0723.92.502	2,20	0723.92.695	3,55
0723.92.555	2,25	0723.92.516	3,60
0723.92.503	2,30	0723.92.705	3,65
0723.92.565	2,35	0723.92.517	3,70
0723.92.504	2,40	0723.92.715	3,75
0723.92.575	2,45	0723.92.518	3,80
0723.92.505	2,50	0723.92.725	3,85
0723.92.585	2,55	0723.92.519	3,90
0723.92.506	2,60	0723.92.735	3,95
0723.92.595	2,65	0723.92.520	4
0723.92.507	2,70	0723.92.745	4,05
0723.92.605	2,75	0723.92.521	4,10
0723.92.508	2,80	0723.92.531	4,15
0723.92.615	2,85	0723.92.522	4,20
0723.92.509	2,90	0723.92.533	4,25
0723.92.625	2,95	0723.92.523	4,30
0723.92.510	3	0723.92.534	4,35
0723.92.635	3,05	0723.92.524	4,40
0723.92.511	3,10	0723.92.537	4,45
0723.92.645	3,15	0723.92.525	4,50
0723.92.512	3,20	0723.92.538	4,55
0723.92.655	3,25	0723.92.526	4,60
0723.92.513	3,30	0723.92.539	4,65
		0723.92.527	4,70
		0723.92.540	4,75
		0723.92.528	4,80
		0723.92.541	4,85
		0723.92.529	4,90
		0723.92.542	4,95
		0723.92.530	5
		0723.92.543	5,05
		0723.92.544	5,10
		0723.92.546	5,15
		0723.92.547	5,20
		0723.92.548	5,25
		0723.92.549	5,30
		0723.92.550	5,35
		0723.92.551	5,40
		0723.92.552	5,45
		0723.92.553	5,50
		0723.92.554	5,55
		0723.92.556	5,60

DRAWING **015** **HORIZONTAL HEAD**

NOTES	NO.	CODE NO.	DESCRIPTION	VALIDITY	Q.TY	
	1	301.2.124.1A	Complete horizontal head		1	
	2	303.1.004.1C	Exhaust valve bronze guide		1	
	2	303.1.004.1CB	Oversize valve guide 0.03		1	
	2	303.1.004.1CC	Oversize valve guide 0.06		1	
	2	303.1.004.1CD	Oversize valve guide 0.09		1	
	3	303.1.003.1A	Intake valve cast iron guide		1	
	3	303.1.003.1AB	Oversize valve guide 0.03		1	
	3	303.1.003.1AC	Oversize valve guide 0.06		1	
	3	303.1.003.1AD	Oversize valve guide 0.09		1	
	4	304.1.006.2A	Exhaust valve seat		1	
	4	304.1.006.2AB	Oversize exhaust valve seat 0.03		1	
	4	304.1.006.2AC	Oversize exhaust valve seat 0.06		1	
	5	304.1.005.2A	Intake valve seat		1	
	5	304.1.005.2AB	Oversize intake valve seat 0.03		1	
	5	304.1.005.2AC	Oversize intake valve seat 0.06		1	
	6	210.1.003.5A	Intake valve		1	
	7	211.1.003.4A	Exhaust valve		1	
	8	0619.92.180	Shim th. 0.3		6	
	8	0670.92.190	Shim th. 2		4	
	8	0765.92.185	Shim th. 1		2	
	8	0765.92.190	Shim th. 0.5		4	
	8	0765.92.195	Shim th. 0.1		1	
	8	0765.92.205	Shim th. 0.2		8	
	9	799.1.061.1A	Closing rocker spring		2	
	10	821.1.115.1A	Rocker shaft		4	
	11	788.1.032.2A	Valve cover gasket		2	
	12	240.1.010.1AB	Valve cover		1	

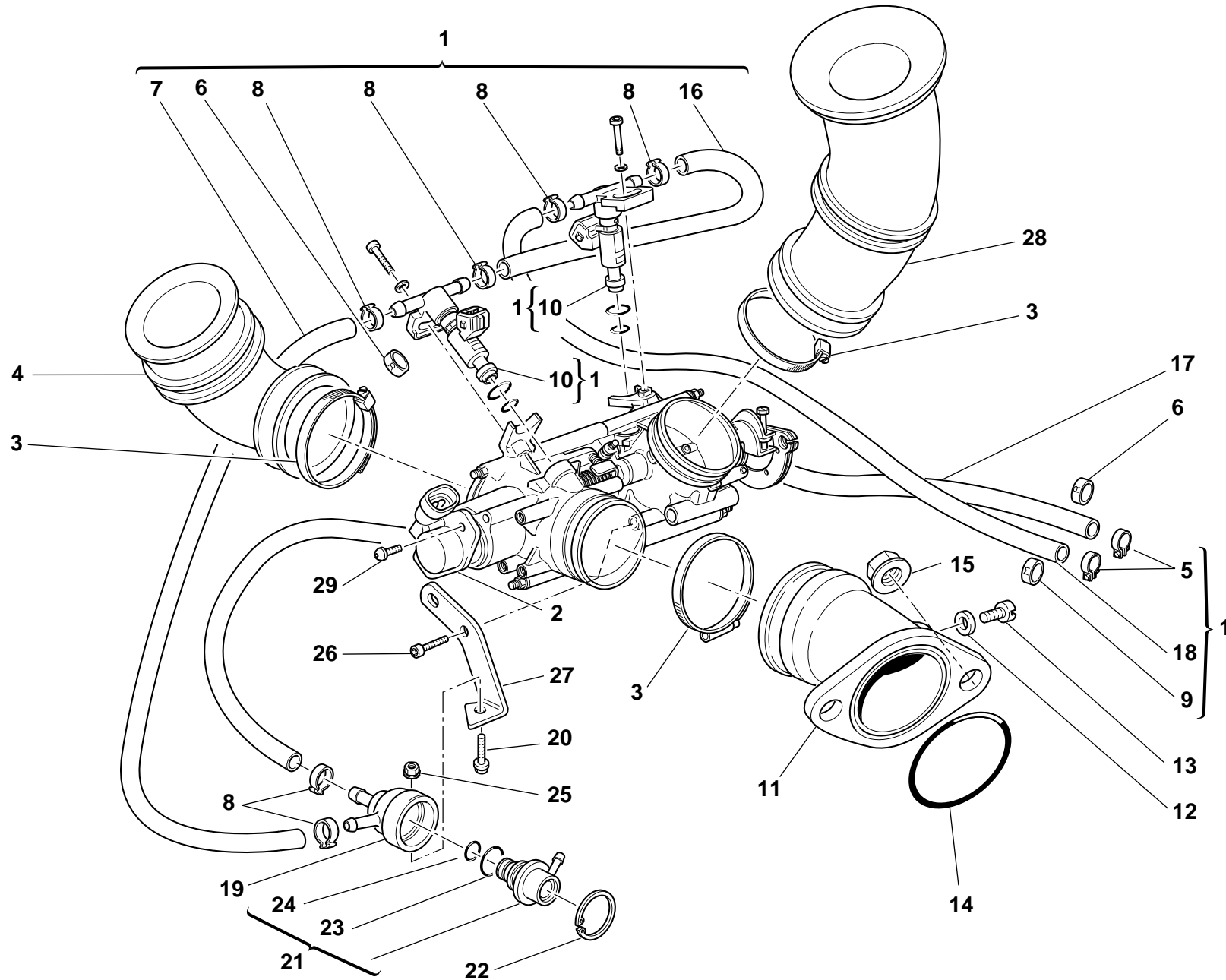
CATALOGUE No: **915.1.166.1B**
ISSUED: **07 - 03**

NOTES	NO.	CODE NO.	DESCRIPTION	VALIDITY	Q.TY	
	13	771.5.067.8B	Screw		8	
	14	0727.92.239	See table		2	
	15	669.1.003.1A	Split rings		4	
	16	0723.92.239	See table		2	
	17	208.1.012.4A	Opening rocker		2	
	18	209.1.012.4A	Closing rocker		2	
	19	0375.92.210	Spring		2	
	20	0647.70.010	Shim		4	
	21	764.1.009.1A	Valve seal		1	
	22	764.1.013.1A	Valve seal		1	
	23	420.2.000.7A	Gasket		1	
	24	240.1.012.1BB	Intake valve cover		1	
	25	779.1.133.1A	Screw		1	
	26	73500.1747	Snap ring		1	
	27	713.1.137.1A	Spacer		1	
	28	886.4.028.1A	O-Ring		2	
	29	787.1.008.1A	Aluminium gasket		1	
	30	703.1.019.1A	Ring nut		1	
	31	829.1.235.1A	Holder sensor		1	
	32	552.4.013.1A	Sensor		1	
	33	700.1.027.1A	Vibration damper pad		22	
	34	672.1.034.1A	Rubber cap		1	
	35	300160	Rubber cap		2	


CATALOGUE No: **915.1.166.1B**
ISSUED: **07 - 03**


DRAWING 016

THROTTLE BODY



DRAWING **016** **THROTTLE BODY**

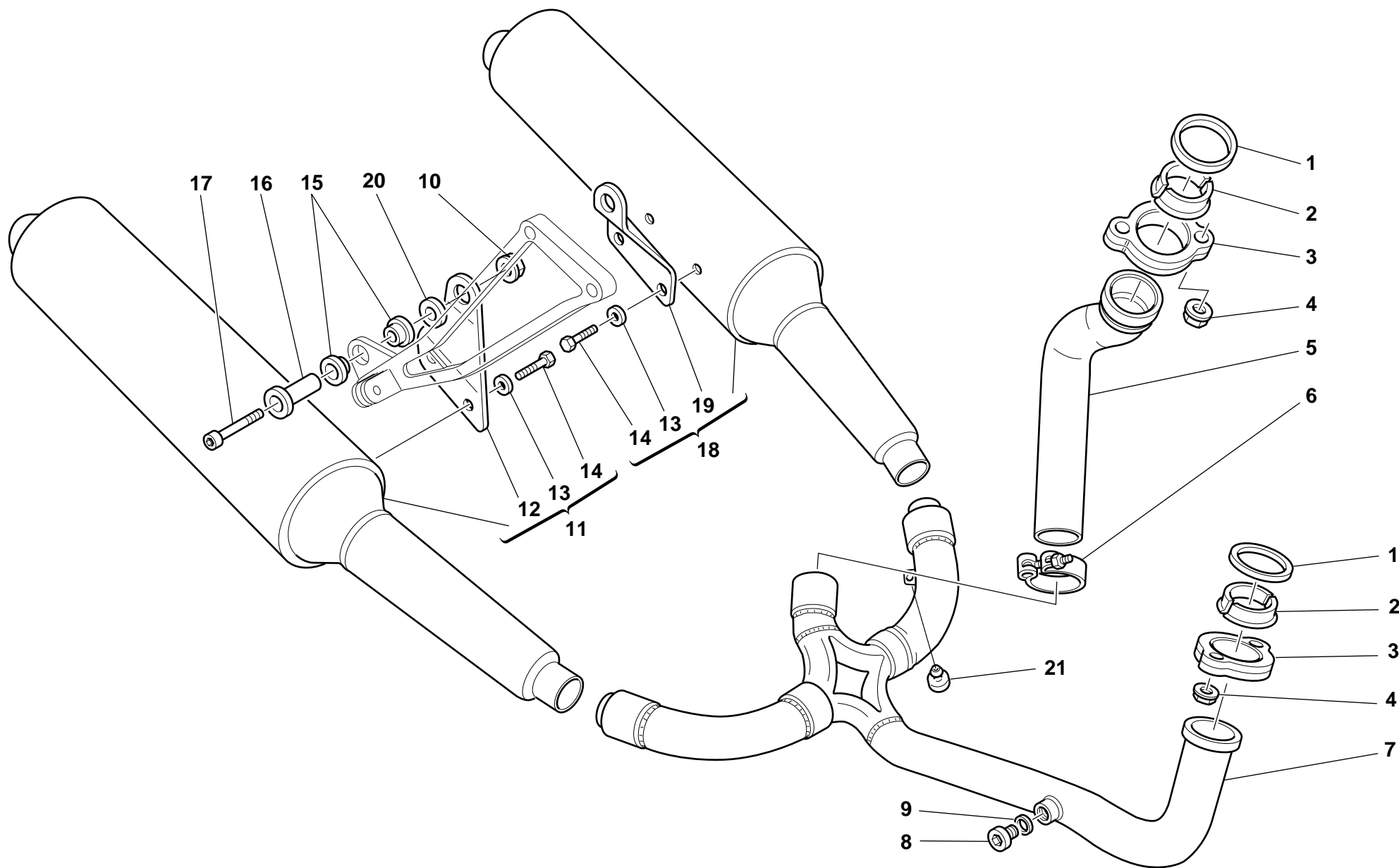
NOTES	NO.	CODE NO.	DESCRIPTION	VALIDITY	Q.TY	
	1	282.4.047.1A	Feed unit assembly		1	
	2	284.4.008.1A	Potentiometer		1	
	3	741.4.042.1A	Hose guide		4	
	4	801.1.024.2A	Hose		1	
	5	741.4.004.1A	Hose guide		2	
	6	741.4.041.1A	Clamp "R"		1	
	7	590.1.154.1A	Tube		1	
	8	287.4.024.1B	Hose guide		6	
	9	741.4.040.1A	Clamp "M"		1	
	10	280.4.007.1A	Injector		2	
	11	140.2.014.2A	Intake duct		2	
	12	0250.70.223	Aluminium gasket		2	
	13	776.5.032.8A	Screw		2	
	14	463.2.022.2A	O-Ring		2	
	15	748.1.039.1A	Nut		4	
	16	590.1.104.1A	Tube		1	
	17	590.1.162.1A	Tube		1	
	18	590.1.084.1A	Tube		1	
	19	830.1.091.2A	Holder		1	
	20	8000.62729	Screw		1	
	21	283.4.003.1A	Pressure regulator		1	
	22	73503.3449	Circlip		1	
	23	886.4.022.1A	O-ring		1	
	24	886.4.021.1A	O-ring		1	
	25	0335.03.465	El-stop nut		1	
	26	70620.5212	Screw		2	
	27	827.1.241.1A	Regulator bracket		1	

NOTES	NO.	CODE NO.	DESCRIPTION	VALIDITY	Q.TY	
	28	801.1.023.2A	Hose		1	
	29	771.5.019.2B	Screw		2	


CATALOGUE No: **915.1.166.1B**
ISSUED: **07 - 03**

CATALOGUE No: **915.1.166.1B**
ISSUED: **07 - 03**

DRAWING **017** EXHAUST SYSTEM



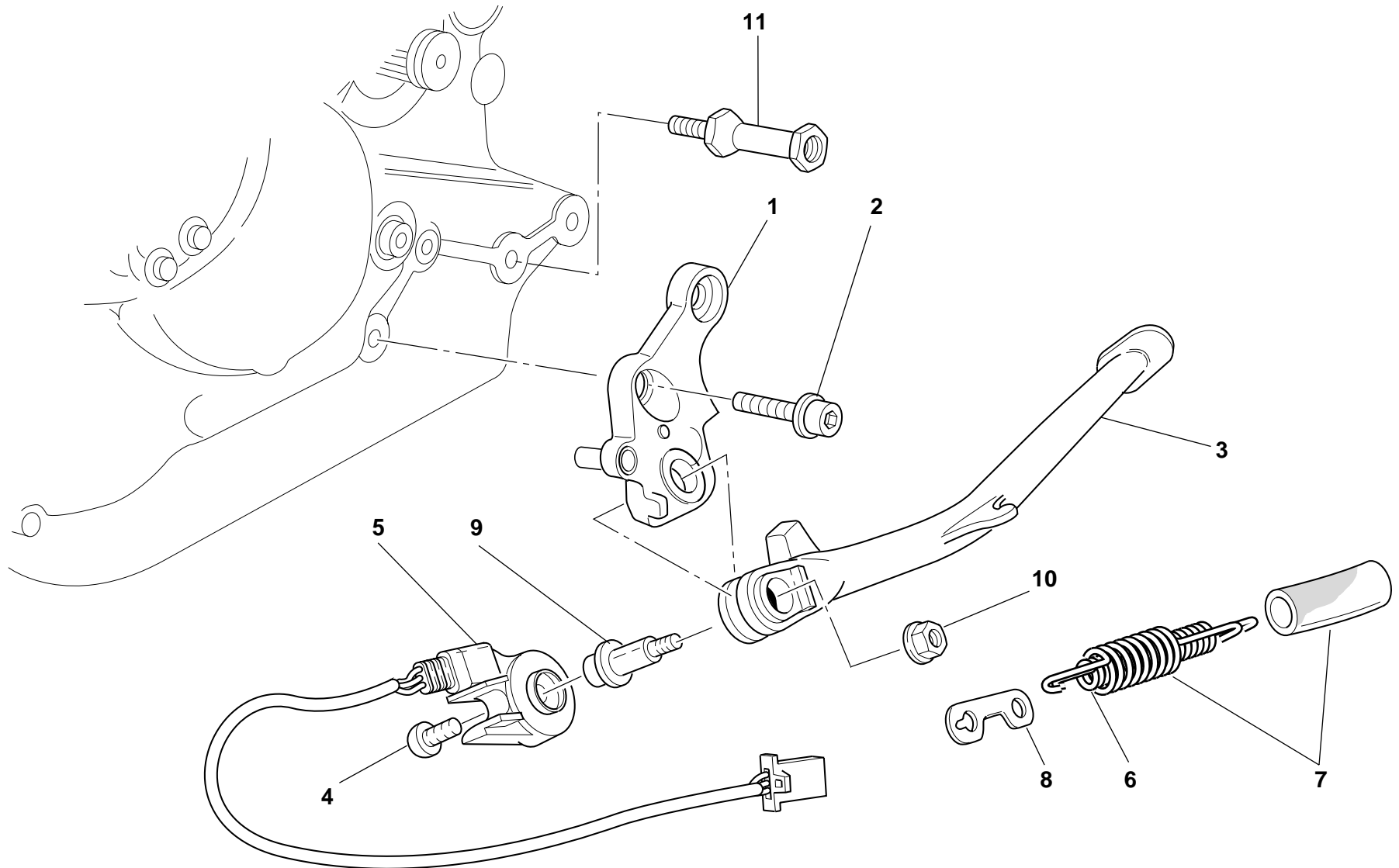
DRAWING **017** EXHAUST SYSTEM

NOTES	NO.	CODE NO.	DESCRIPTION	VALIDITY	Q.TY	
	1	0370.84.005	Exhaust gasket		2	
	2	0619.84.015	Half bushes		4	
	3	575.1.001.1AB	Exhaust ring nut (GREY)		2	
	4	748.4.033.1A	Nut		4	
	5	571.1.083.1A	Vertical head exhaust pipe		1	
	6	741.1.003.1A	Hose guide		1	
	7	570.1.082.1A	Horizontal head exhaust pipe		1	
	8	780.1.007.1A	Cap		2	
	9	420.2.001.0A	Gasket th.1		2	
	10	729908FN1	Nut		2	
	11	573.1.047.3A	R.H. silencer		1	
	12	576.1.031.1A	R.H. bracket		1	
	13	73270.8001	Washer		4	
	14	70914.2121	Screw		4	
	15	764.1.001.1A	Rubber pad		4	
	16	684.1.044.1A	Stud bolt		2	
	17	779.5.016.1A	Screw		2	
	18	574.1.047.3A	L.H. silencer		1	
	19	576.1.032.1A	L.H. bracket		1	
	20	852.1.099.1A	Washer		2	
	21	764.1.063.1A	Rubber pad		2	


NOTES	NO.	CODE NO.	DESCRIPTION	VALIDITY	Q.TY	
-------	-----	----------	-------------	----------	------	---

DRAWING **018**

STANDS

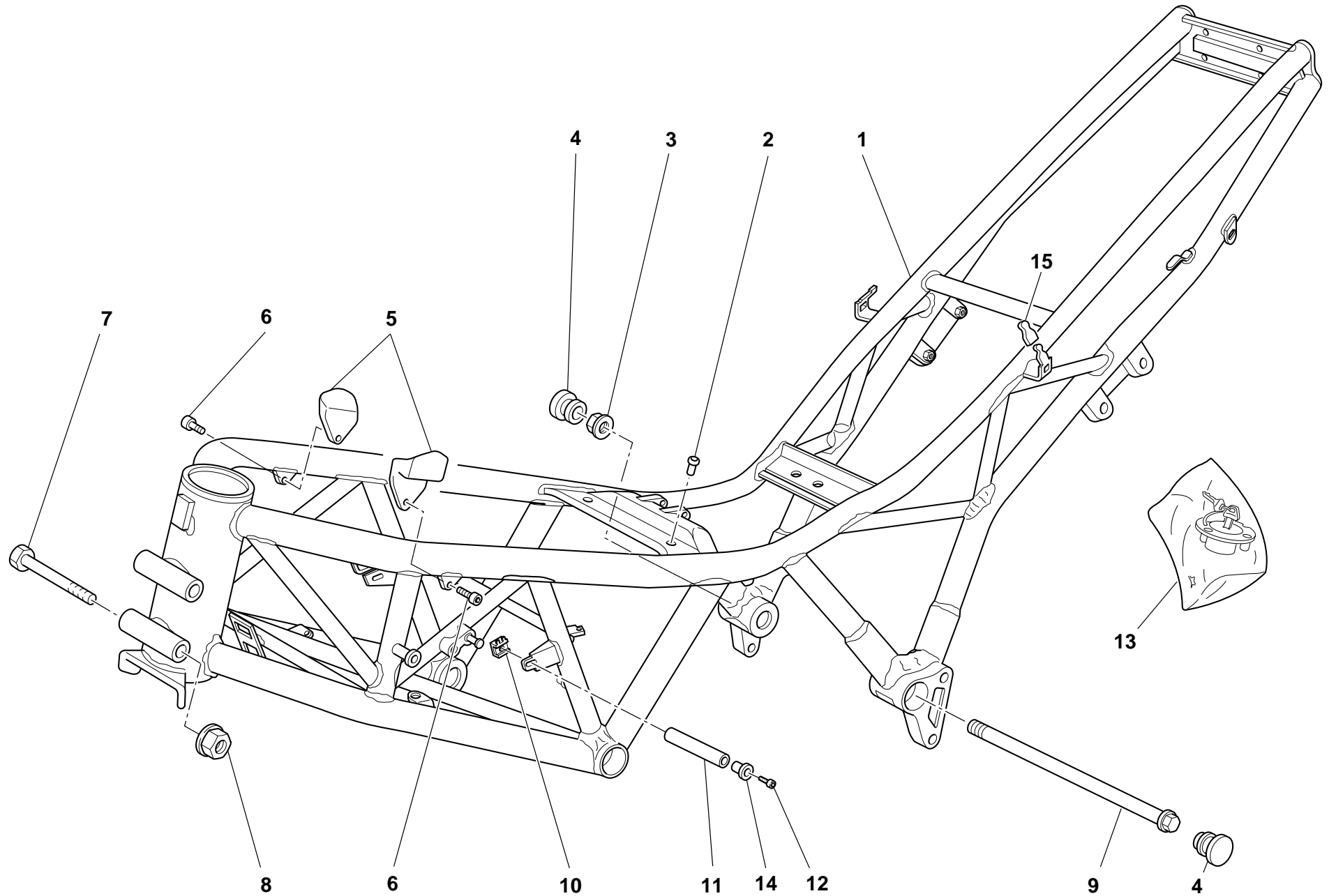


DRAWING **018** STANDS


NOTES	NO.	CODE NO.	DESCRIPTION	VALIDITY	Q.TY	
	1	556.2.021.1A	Plate		1	
	2	771.5.754.2B	Screw		2	
	3	556.1.023.1A	Side stand		1	
	4	779.4.005.1A	Screw		1	
	5	539.1.023.1A	Switch		1	
	6	799.1.089.1A	Spring		1	
	7	799.1.088.1A	Outer spring		1	
	8	827.1.139.2B	Plate		1	
	9	556.1.018.1C	Pivot		1	
	10	749.4.045.2G	Nut		1	
	11	684.1.046.1A	Stud bolt		1	

NOTES	NO.	CODE NO.	DESCRIPTION	VALIDITY	Q.TY	
-------	-----	----------	-------------	----------	------	---

DRAWING **019** FRAME



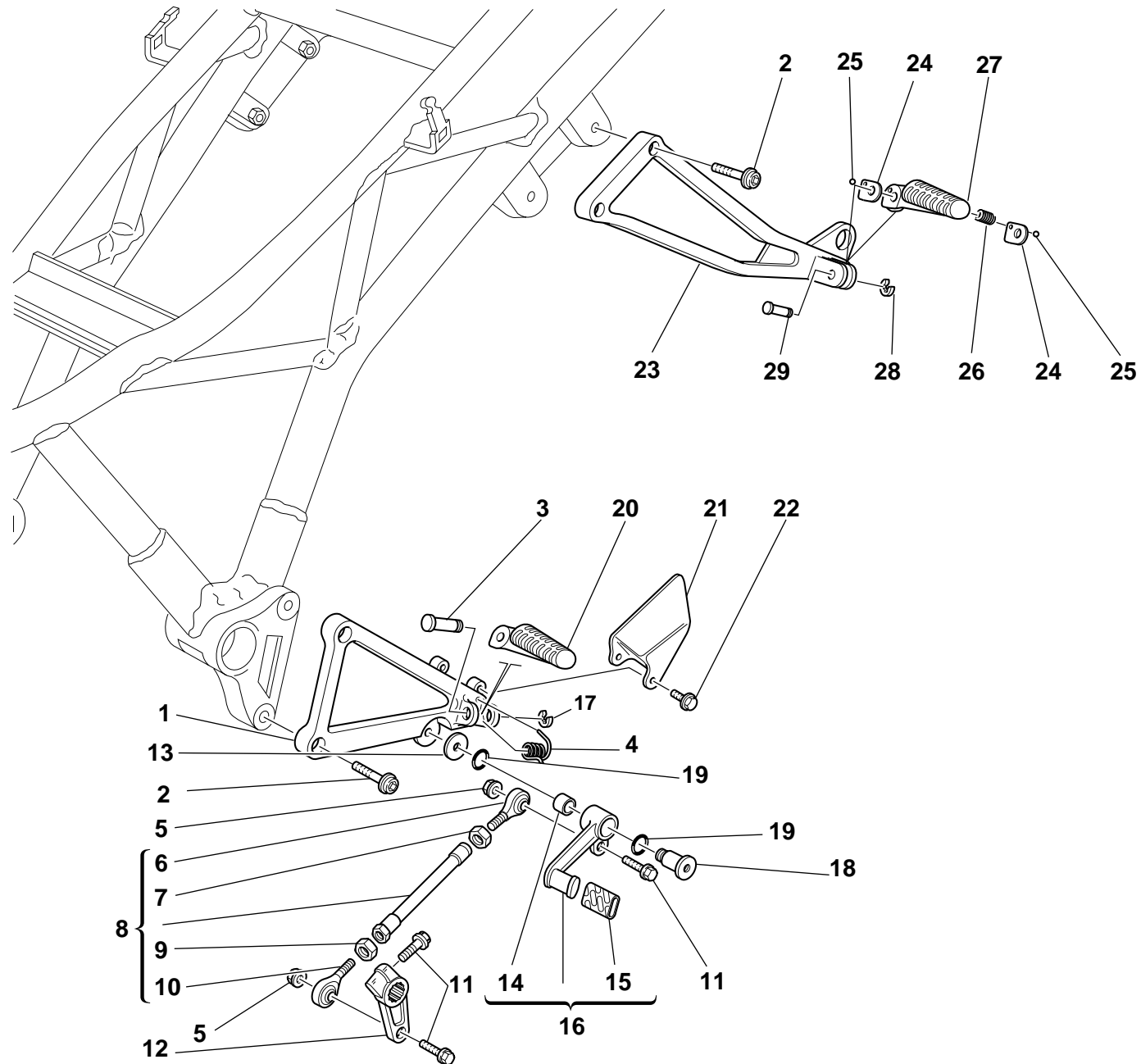
DRAWING **019** FRAME

NOTES	NO.	CODE NO.	DESCRIPTION	VALIDITY	Q.TY	
	1	470.1.042.1DA	Frame		1	
	2	764.4.004.1A	Fairlead		1	
	3	748.4.002.1A	Nut		2	
	4	872.1.026.1A	Cap		4	
	5	866.1.035.1A	Rubber pad		2	
	6	771.5.663.2B	Screw		2	
	7	772.5.022.1A	Screw		2	
	8	729908FN1	Nut		2	
	9	779.1.213.1A	Screw		2	
	10	0960.91.130	Nut		2	
	11	684.1.027.3A	Stud bolt		2	
	12	60N102511	Screw		2	
	13	598.2.031.1B	Locks kit		1	
	14	0364.99.020	Threaded insert		2	
	15	866.1.038.1A	Protection		2	


NOTES	NO.	CODE NO.	DESCRIPTION	VALIDITY	Q.TY	
-------	-----	----------	-------------	----------	------	---

DRAWING **020**


L.H. FOOT RESTS



DRAWING **020** L.H. FOOT RESTS

NOTES	NO.	CODE NO.	DESCRIPTION	VALIDITY	Q.TY	
	1	824.1.044.1A	L.H. foot peg holder plate		1	
	2	771.5.725.2B	Screw		4	
	3	821.1.051.1A	Pin		1	
	4	799.1.045.1A	Spring		1	
	5	763106N01	El-stop nut		2	
	6	76401.0002	Ball joint		1	
	7	60N115062	Nut		1	
	8	117.2.030.1A	Gearbox transmission rod assembly		1	
	9	747.5.001.1A	L.H. nut		1	
	10	76401.0003	Ball joint		1	
	11	771.5.667.2B	Screw		3	
	12	0370.69.020	Gearchange control lever		1	
	13	852.1.053.1A	Washer		1	
	14	0000.59056	Bush		1	
	15	764.1.011.1A	Rubber pad		1	
	16	456.2.007.1A	Gearchange lever		1	
	17	884.5.003.1A	Ring		1	
	18	80A0.53548	Pin		1	
	19	230213	O-ring		2	
	20	464.1.005.1A	Front L.H. foot peg		1	
	21	247.1.073.1A	Protection		1	
	22	772.5.025.1A	Screw		2	
	23	824.1.046.1A	Rear L.H. foot peg holder plate		1	
	24	827.1.115.1A	Plate		2	
	25	847.4.002.1A	Ball		1	
	26	8000.62655	Spring		1	
	27	465.1.008.1A	Rear L.H. foot peg		1	

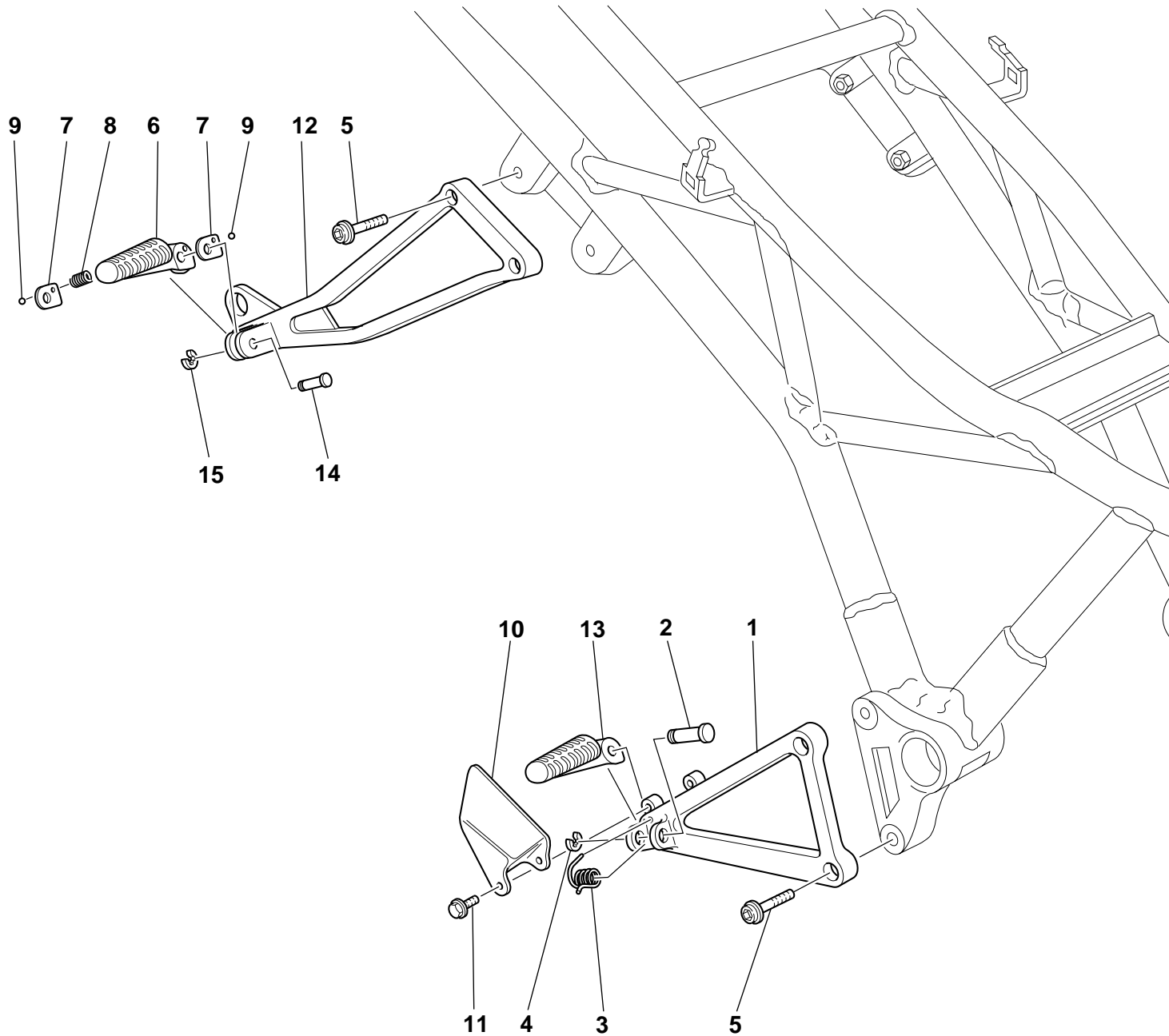
CATALOGUE No: 915.1.166.1B
ISSUED: 07 - 03

NOTES	NO.	CODE NO.	DESCRIPTION	VALIDITY	Q.TY	
	28	0170.91.730	Ring		1	
	29	821.1.068.1A	Pin		1	


CATALOGUE No: 915.1.166.1B
ISSUED: 07 - 03

DRAWING **021**

R.H. FOOT RESTS

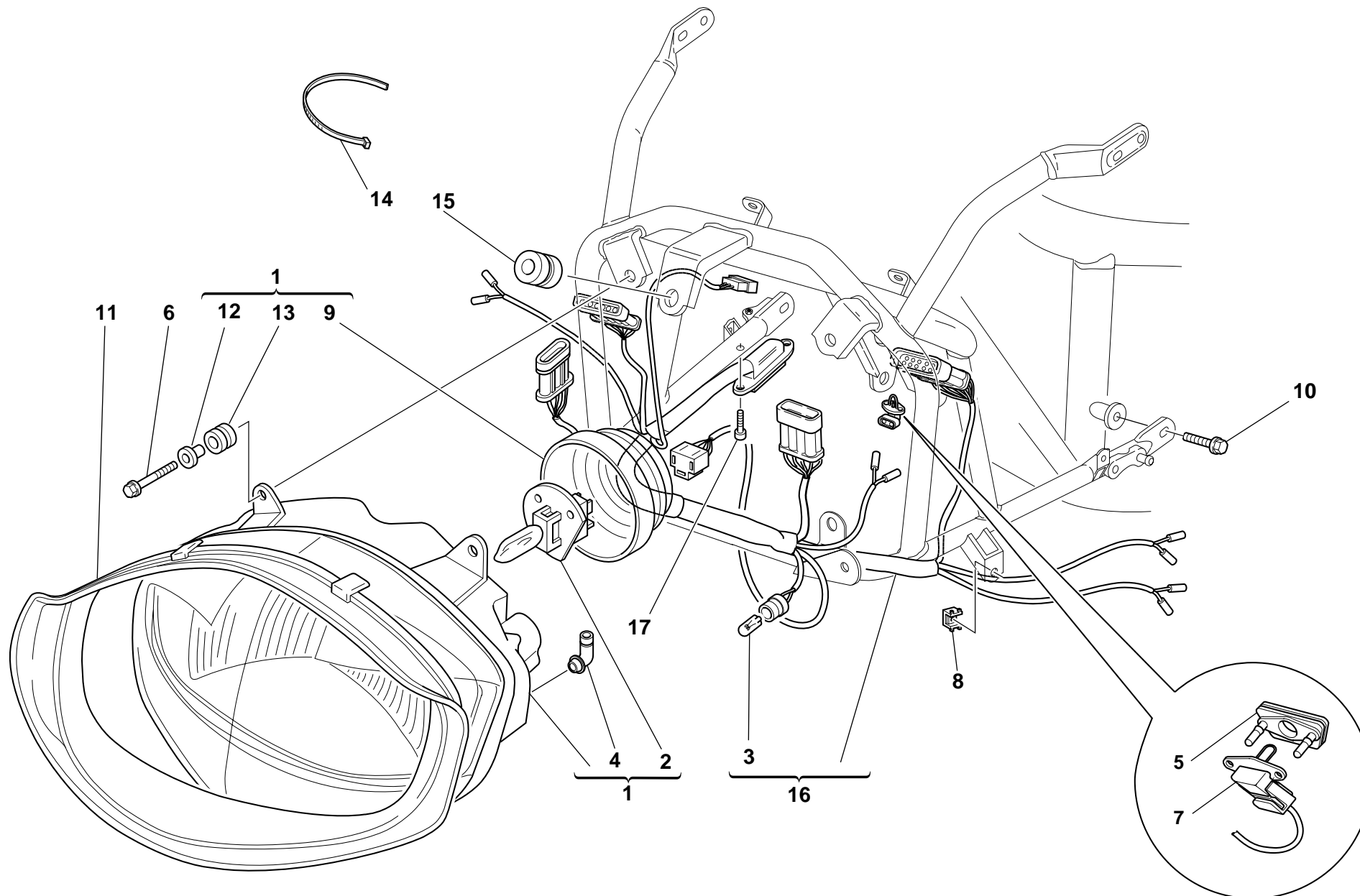


DRAWING **021** R.H. FOOT RESTS


NOTES	NO.	CODE NO.	DESCRIPTION	VALIDITY	Q.TY	
	1	824.1.043.1A	R.H. foot peg holder plate		1	
	2	821.1.051.1A	Pin		1	
	3	799.1.045.1A	Spring		1	
	4	884.5.003.1A	Ring		1	
	5	771.5.725.2B	Screw		4	
	6	465.1.010.1A	Rear R.H. foot peg		1	
	7	827.1.115.1A	Plate		2	
	8	8000.62655	Spring		1	
	9	847.4.002.1A	Ball		1	
	10	247.1.115.1A	Protection		1	
	11	772.5.025.1A	Screw		2	
	12	824.1.045.1A	Rear R.H. foot peg holder plate		1	
	13	464.1.006.1A	Front R.H. foot peg		1	
	14	821.1.068.1A	Pin		1	
	15	0170.91.730	Ring		1	

NOTES	NO.	CODE NO.	DESCRIPTION	VALIDITY	Q.TY	
-------	-----	----------	-------------	----------	------	---

DRAWING **022** HEAD-LIGHT AND ELECTRIC WIRING

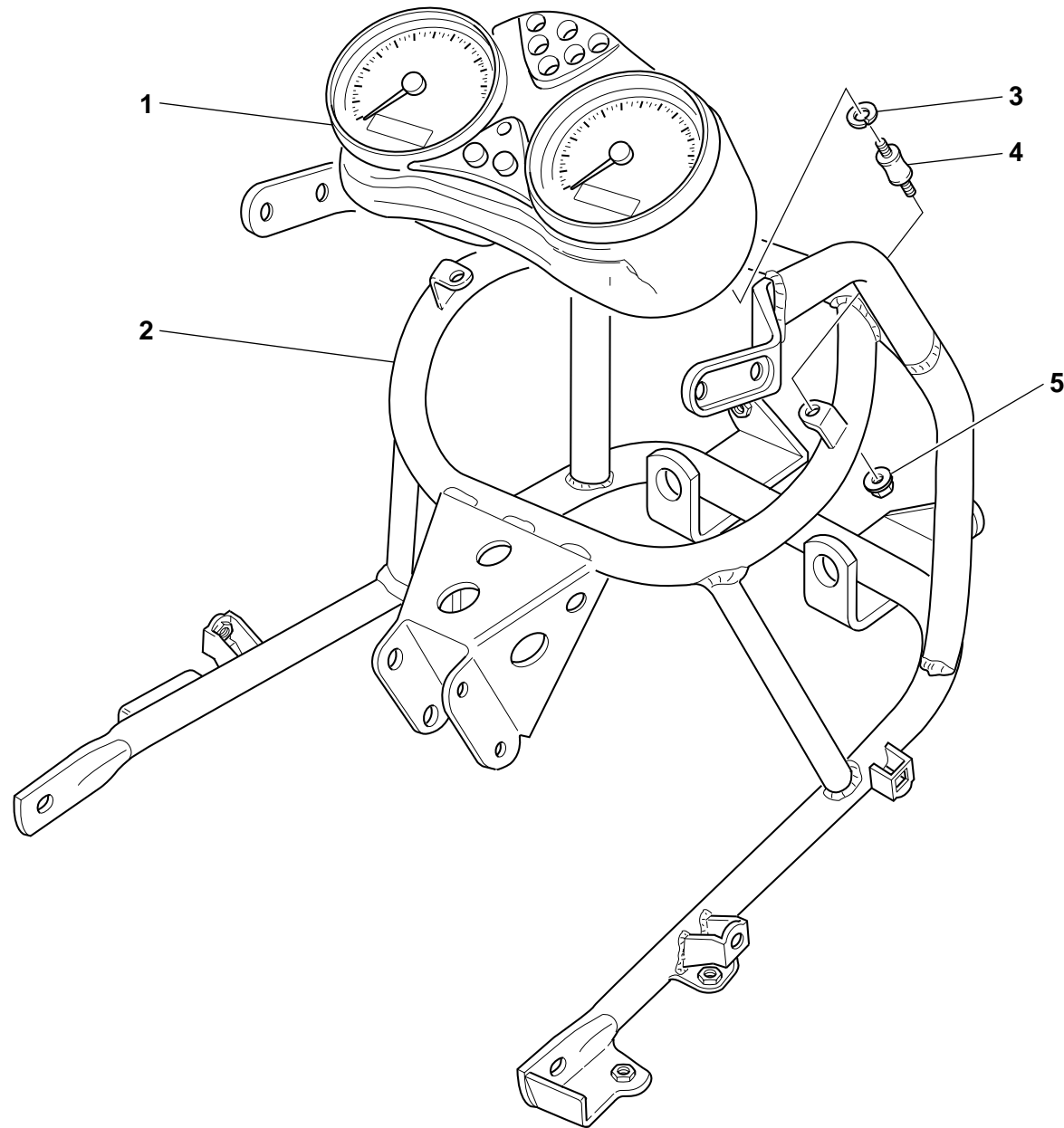


DRAWING **022** HEAD-LIGHT AND ELECTRIC WIRING


NOTES	NO.	CODE NO.	DESCRIPTION	VALIDITY	Q.TY	
	1	520.4.029.1C	Complete headlight		1	
	2	0796.38.305	Bulb 55/60W		1	
	3	8000.36230	Bulb		1	
	4	672.4.005.1A	Rubber cap		2	
	5	829.1.373.1A	Holder sensor		1	
	6	772.5.023.1A	Screw		4	
	7	552.4.031.1A	Sensor		1	
	8	0960.91.130	Nut		2	
	9	672.4.004.1A	Headlight cover		1	
	10	772.5.025.1A	Screw		2	
	11	791.1.059.1A	Headlight gasket		1	
	12	716.4.001.1A	Spacer		4	
	13	764.4.007.1A	Vibration damper pad		4	
	14	0691.91.030	Hose guide		4	
	15	764.1.005.1A	Vibration damper pad		1	
	16	510.1.210.1A	Front wiring		1	
	17	8000.59572	Screw		2	

NOTES	NO.	CODE NO.	DESCRIPTION	VALIDITY	Q.TY	
-------	-----	----------	-------------	----------	------	---

DRAWING **023** INSTRUMENT PANEL

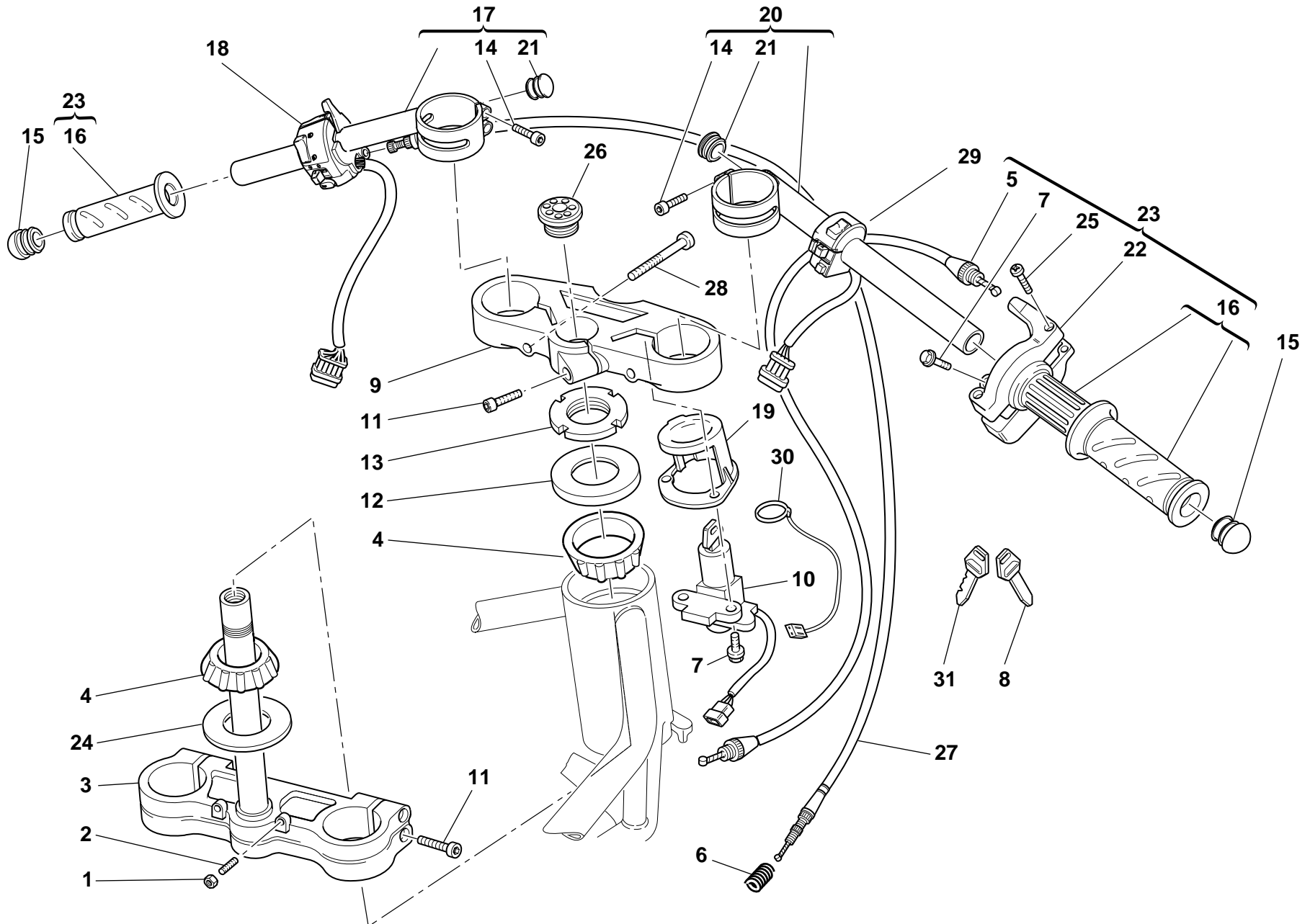


DRAWING **023** INSTRUMENT PANEL


NOTES	NO.	CODE NO.	DESCRIPTION	VALIDITY	Q.TY	
	1	406.1.023.1B	Complete instrument panel (speedometer - miles)		1	
	2	829.1.368.1A	Headlight holder		1	
	3	462.4.046.1A	Spring washer		3	
	4	700.1.042.1A	Rubber pad		3	
	5	748.1.035.1A	Nut		3	

NOTES	NO.	CODE NO.	DESCRIPTION	VALIDITY	Q.TY	
-------	-----	----------	-------------	----------	------	---


DRAWING **024** HANDLEBAR AND CONTROLS



DRAWING **024** HANDLEBAR AND CONTROLS

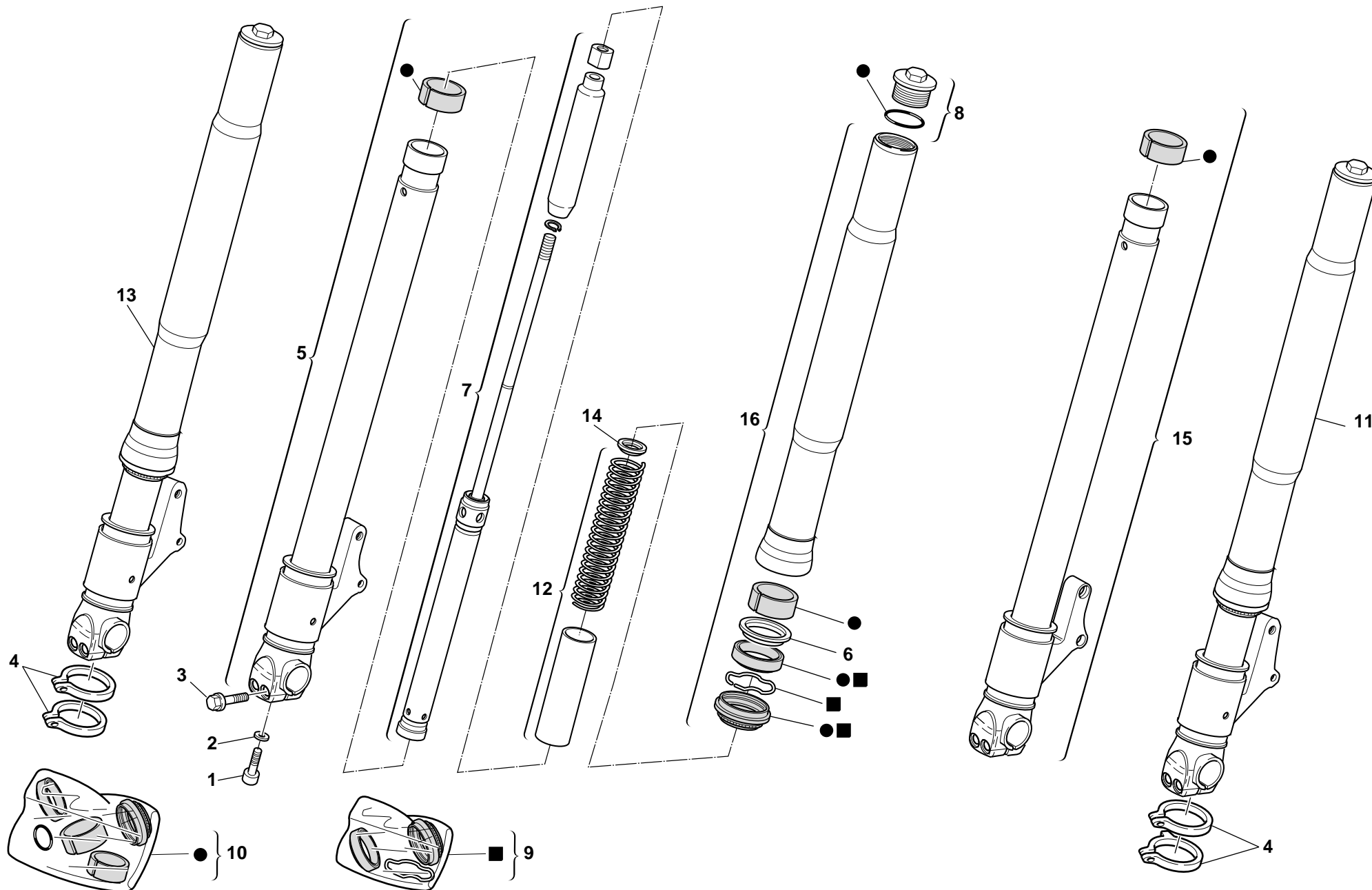
NOTES	NO.	CODE NO.	DESCRIPTION	VALIDITY	Q.TY	
	1	417.9.030.8A	Nut		2	
	2	779.1.099.1A	Special screw		2	
	3	342.2.007.1A	Steering head base assembly		1	
	4	0691.91.010	Bearing		2	
	5	656.1.018.3A	Throttle control transmission		1	
	6	799.1.058.1A	Starter control transmission return spring		1	
	7	772.5.023.1A	Screw		4	
	8	598.4.016.1A	Wrench with Transponder		1	
	9	341.1.039.1A	Steering head		1	
	10	652.4.006.1B	Key-operated switch		1	
	11	60N102557	Screw		5	
	12	0691.37.020	Special washer		1	
	13	0795.37.120	Ring nut		1	
	14	60N102509	Screw		4	
	15	872.4.028.1A	Cap		2	
	16	8000.78345	Grips pair		1	
	17	360.1.038.1A	L.H. handlebar		1	
	18	651.4.011.1A	L.H. switch		1	
	19	246.1.070.1A	Cover		1	
	20	360.1.037.1A	R.H. handlebar		1	
	21	872.4.029.1A	Cap		2	
	22	658.4.002.1B	Cover		1	
	23	654.2.003.1A	Throttle control		1	
	24	852.1.096.1A	Washer		1	
	25	8000.66774	Screw		2	
	26	873.1.035.1A	Cap		1	
	27	657.1.017.1A	Starter control transmission		1	

CATALOGUE No: 915.1.166.1B
ISSUED: 07 - 03


NOTES	NO.	CODE NO.	DESCRIPTION	VALIDITY	Q.TY	
	28	60N102590	Screw		2	
	29	650.4.009.1B	R.H. switch		1	
	30	518.4.004.1B	Antenna		1	
	31	598.4.018.1A	Wrench without Transponder		1	

CATALOGUE No: 915.1.166.1B
ISSUED: 07 - 03

DRAWING **025** FRONT FORK



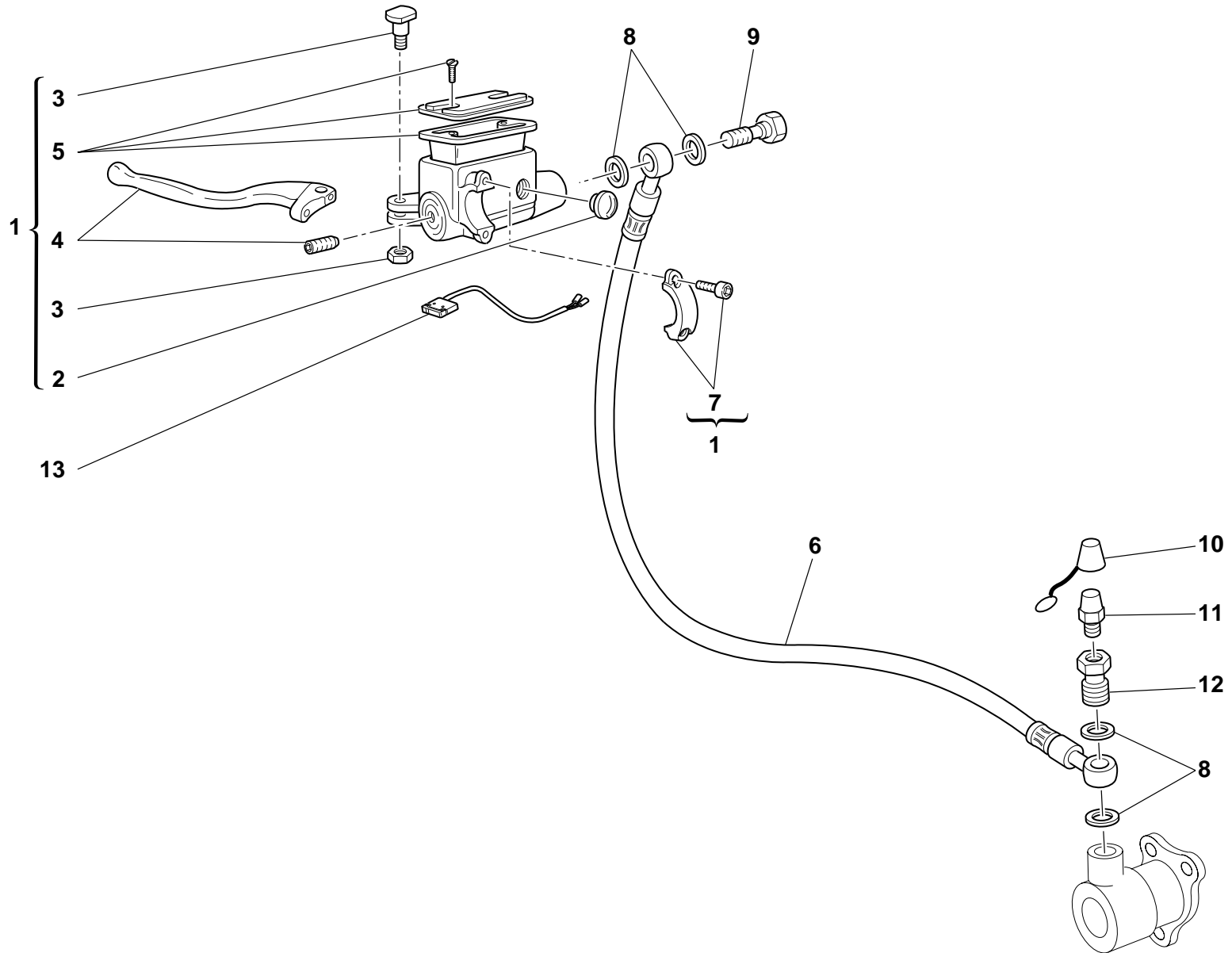
DRAWING **025** FRONT FORK

NOTES	NO.	CODE NO.	DESCRIPTION	VALIDITY	Q.TY	
	1	7150.22.594	Screw		4	
	2	349.1.143.1A	Washer		4	
	3	8A00.69056	Screw		4	
	4	8000.70127	Hose guide		4	
	5	350.1.009.1B	Complete R.H. slider		1	
	6	349.1.152.1A	Retainer		2	
	7	348.2.010.1A	Complete pumping element		2	
	8	349.2.019.1A	Complete cap		2	
	9	349.2.021.1A	Seat kit		1	
	10	349.2.020.1A	Overhaul kit		1	
	11	340.2.137.1A	L.H. fork leg assembly		1	
	12	347.2.001.1A	Spring kit		2	
	13	340.2.139.1A	R.H. fork leg assembly		1	
	14	349.1.149.1A	Check ring		2	
	15	350.1.008.1B	Complete L.H. slider		1	
	16	349.1.155.1A	Stanchion tube		2	


NOTES	NO.	CODE NO.	DESCRIPTION	VALIDITY	Q.TY	
-------	-----	----------	-------------	----------	------	---


DRAWING **026**

CLUTCH CONTROL




DRAWING **026** **CLUTCH CONTROL**

NOTES	NO.	CODE NO.	DESCRIPTION	VALIDITY	Q.TY	
	1	630.4.021.1A	Clutch drive pump		1	
	2	0000.49654	Spare inspection window		1	
	3	626.4.025.1A	Spare lever pin		1	
	4	626.4.037.1A	Lever with dowel		1	
	5	0000.46665	Spare cap		1	
	6	632.1.016.2B	Clutch control pipe (METAL PLAITED)		1	
	7	626.4.001.1A	Spare bracket		1	
	8	420.2.001.0A	Gasket th.1		4	
	9	779.1.366.1AB	Special screw		1	
	10	612.4.005.1A	Dust seal		1	
	11	0000.33552	Bleed		1	
	12	779.1.082.2A	Filler		1	
	13	539.4.034.1A	Microswitch		1	

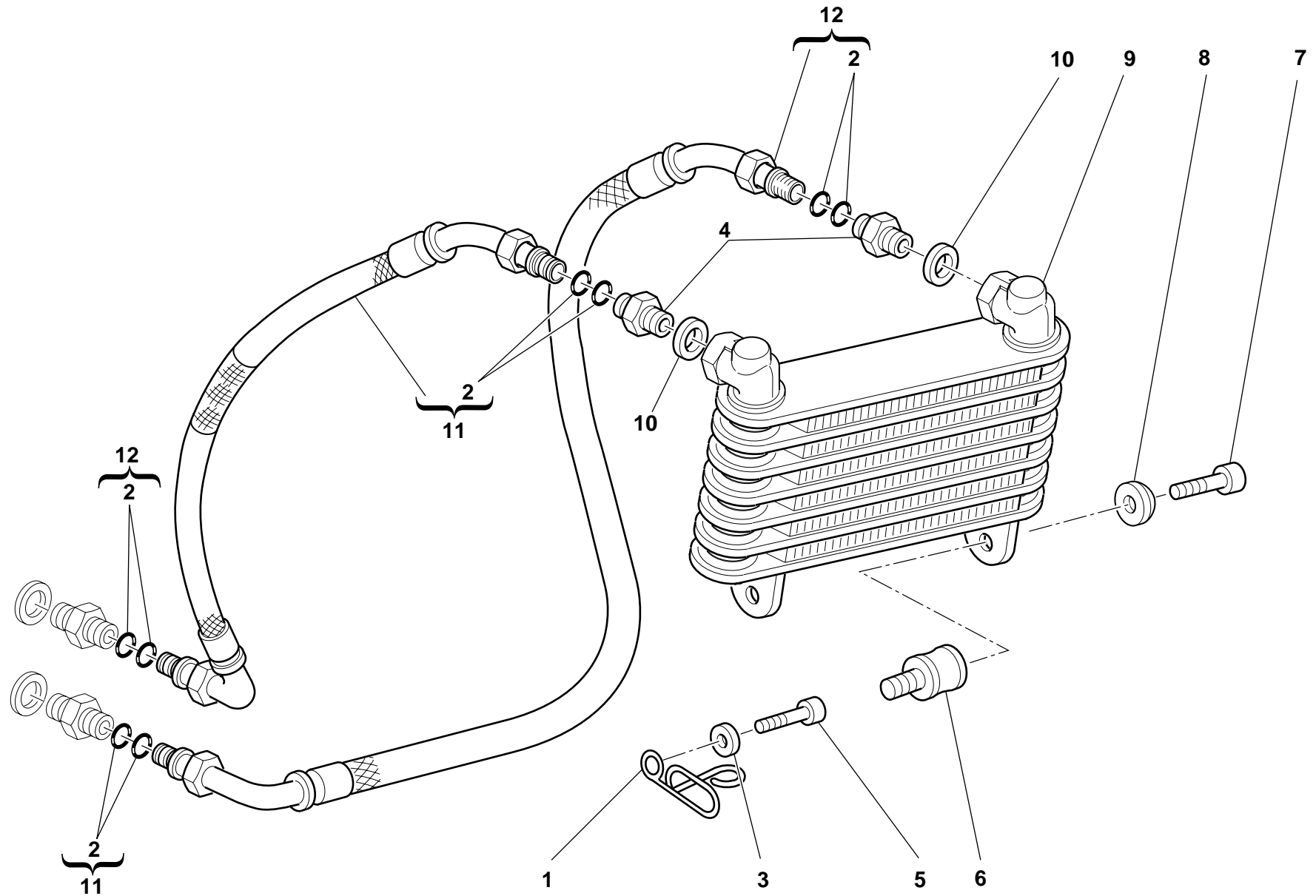
NOTES	NO.	CODE NO.	DESCRIPTION	VALIDITY	Q.TY	
-------	-----	----------	-------------	----------	------	---

DRAWING **027** FRONT BRAKE


NOTES	NO.	CODE NO.	DESCRIPTION	VALIDITY	Q.TY	
	1	624.4.029.1A	Front brake pump		1	
	2	626.1.003.1A	Lever with dowel		1	
	3	195.4.002.1A	Rubber pad		1	
	4	72465.0214	Nut		2	
	5	539.4.004.1B	Microswitch		1	
	6	0000.46664	Spare lever pin		1	
	7	612.4.008.1A	Dust seal		2	
	8	776.5.307.2A	Screw		2	
	9	0000.46665	Spare cap		1	
	10	0000.49654	Spare inspection window		1	
	11	626.4.001.1A	Spare bracket		1	
	12	420.2.001.0A	Gasket th.1		6	
	13	779.1.366.1AB	Special screw		3	
	14	618.4.035.2B	Caliper pump pipe (METAL PLAITED)		1	
	15	612.4.017.1A	Spring		2	
	16	612.4.014.1A	Spare pins and spring		2	
	17	613.4.041.1A	Pads pair		2	
	18	610.4.039.1A	R.H. brake caliper		1	
	19	631.4.004.1A	Spare bleed union		2	
	20	771.5.431.2B	Screw		4	
	21	612.4.018.1A	Spring		2	
	22	610.4.040.1A	L.H. brake caliper		1	

NOTES	NO.	CODE NO.	DESCRIPTION	VALIDITY	Q.TY	
-------	-----	----------	-------------	----------	------	---

DRAWING **028** OIL COOLER



DRAWING **028** OIL COOLER

NOTES	NO.	CODE NO.	DESCRIPTION	VALIDITY	Q.TY	
	1	829.1.109.1B	Ring		1	
	2	886.5.015.1A	O-Ring		8	
	3	734306N01	Washer		1	
	4	815.1.022.1A	Nipple		2	
	5	60N102511	Screw		1	
	6	700.1.011.1A	Vibration damper		2	
	7	70700.6N02	Screw		2	
	8	841.1.028.1A	Retainer		2	
	9	548.4.030.1A	Oil cooler		1	
	10	420.2.006.4A	Aluminium gasket		2	
	11	875.1.052.1A	Oil delivery pipe		1	
	12	875.1.053.1A	Oil return pipe		1	

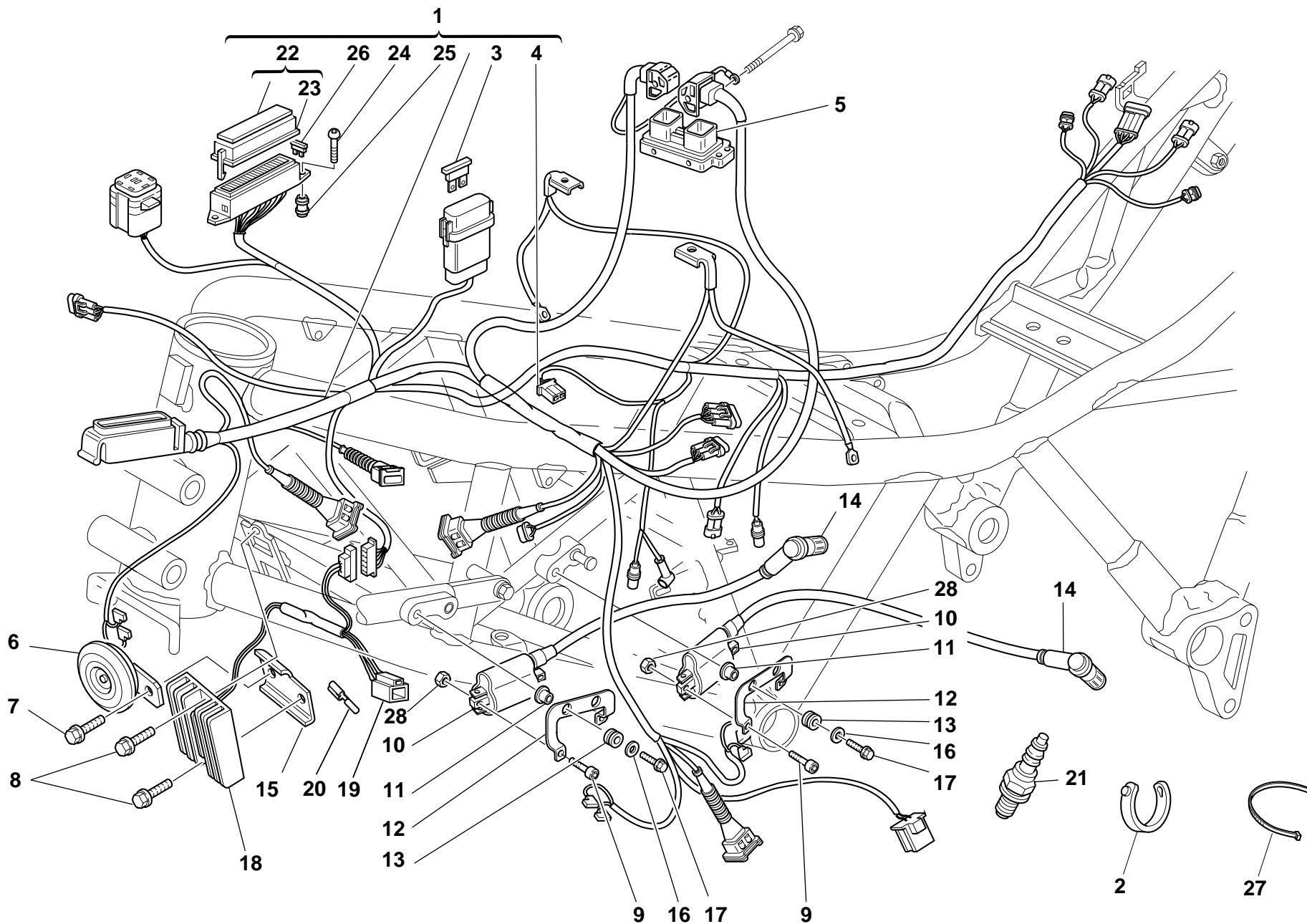
NOTES	NO.	CODE NO.	DESCRIPTION	VALIDITY	Q.TY	
-------	-----	----------	-------------	----------	------	---

CATALOGUE No: **915.1.166.1B**
ISSUED: **07 - 03**


CATALOGUE No: **915.1.166.1B**
ISSUED: **07 - 03**

DRAWING **029**


ELECTRIC SYSTEM



DRAWING **029** ELECTRIC SYSTEM

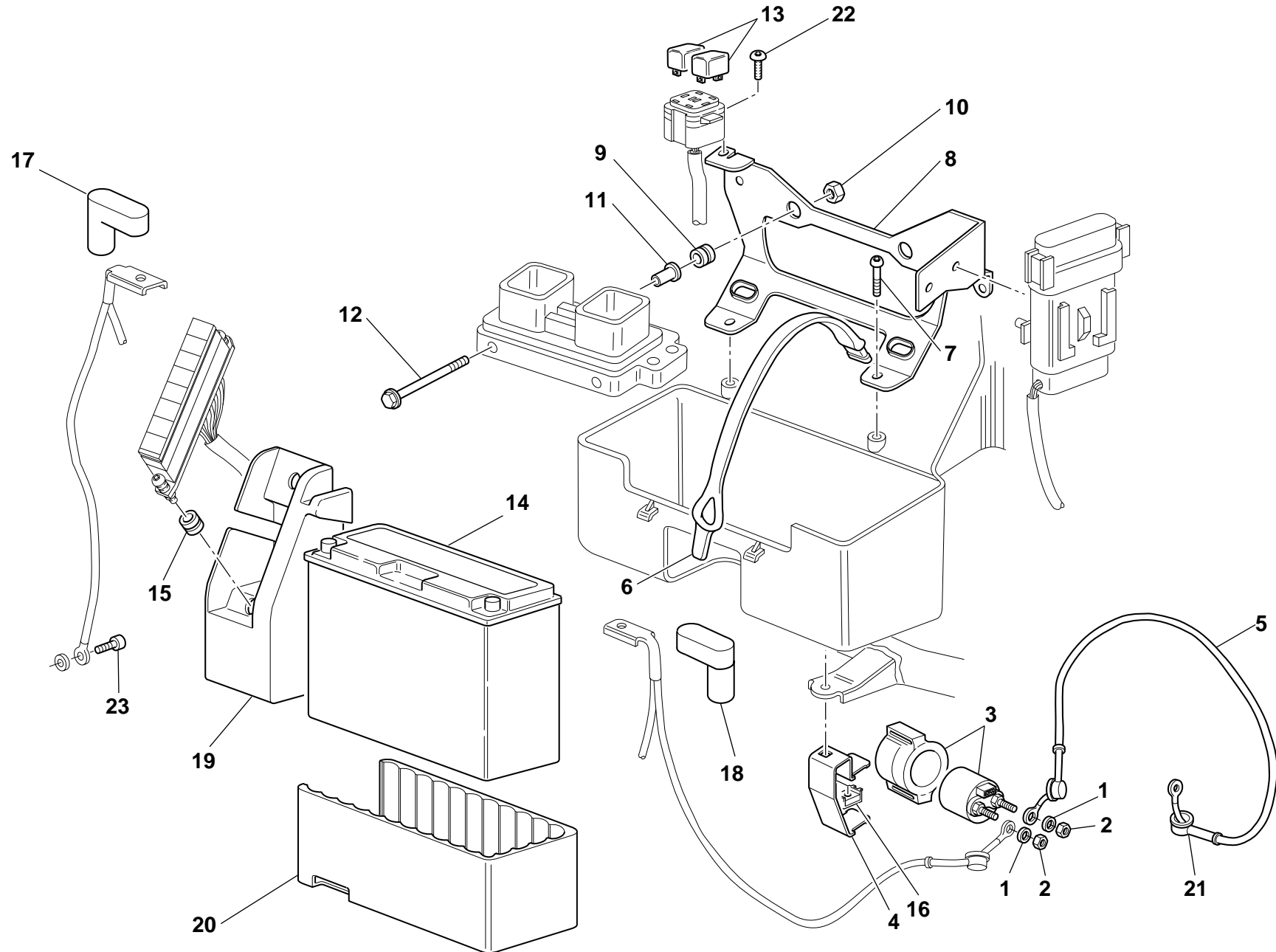
NOTES	NO.	CODE NO.	DESCRIPTION	VALIDITY	Q.TY	
	1	510.1.211.2A	Main wiring		1	
	2	741.4.038.1A	Hose guide		8	
	3	389.4.014.1A	Fuse 40A		1	
	4	0000.56803	Connector		1	
	5	286.4.067.1A	Injection control unit		1	
	6	516.4.001.1AB	Horn (BLACK)		1	
	7	771.5.721.2B	Screw		1	
	8	772.5.023.1A	Screw		2	
	9	771.5.043.2B	Screw		4	
	10	380.4.004.1B	Coil		2	
	11	0000.44099	Spacer		4	
	12	829.1.380.1A	Holder		2	
	13	0797.72.068	Vibration damper pad		4	
	14	672.1.013.1A	Spare cap		2	
	15	827.1.178.1A	Plate		1	
	16	8000.56359	Washer		4	
	17	772.5.024.1A	Screw		4	
	18	540.4.010.1A	Voltage rectifier		1	
	19	8000.66526	Connector		1	
	20	0000.66527	End section		4	
	21	670.4.007.1A	Spark plug		2	
	22	246.1.057.1D	Case cover		1	
	23	433.1.300.1B	Sticker schema fusibili		1	
	24	779.1.088.1A	Screw		2	
	25	821.1.054.1A	Pin		2	
	26	389.4.006.1A	Fuse 3A		3	
	26	389.4.008.1A	Fuse 15A		2	

CATALOGUE No: 915.1.166.1B
ISSUED: 07 - 03


NOTES	NO.	CODE NO.	DESCRIPTION	VALIDITY	Q.TY	
	26	389.4.010.1A	Fuse 30A		1	
	26	389.4.013.1A	Fuse 20A		1	
	27	0691.91.030	Hose guide		36	
	28	749.5.002.1A	El-stop nut		4	

CATALOGUE No: 915.1.166.1B
ISSUED: 07 - 03

DRAWING **030** BATTERY BOX MOUNT



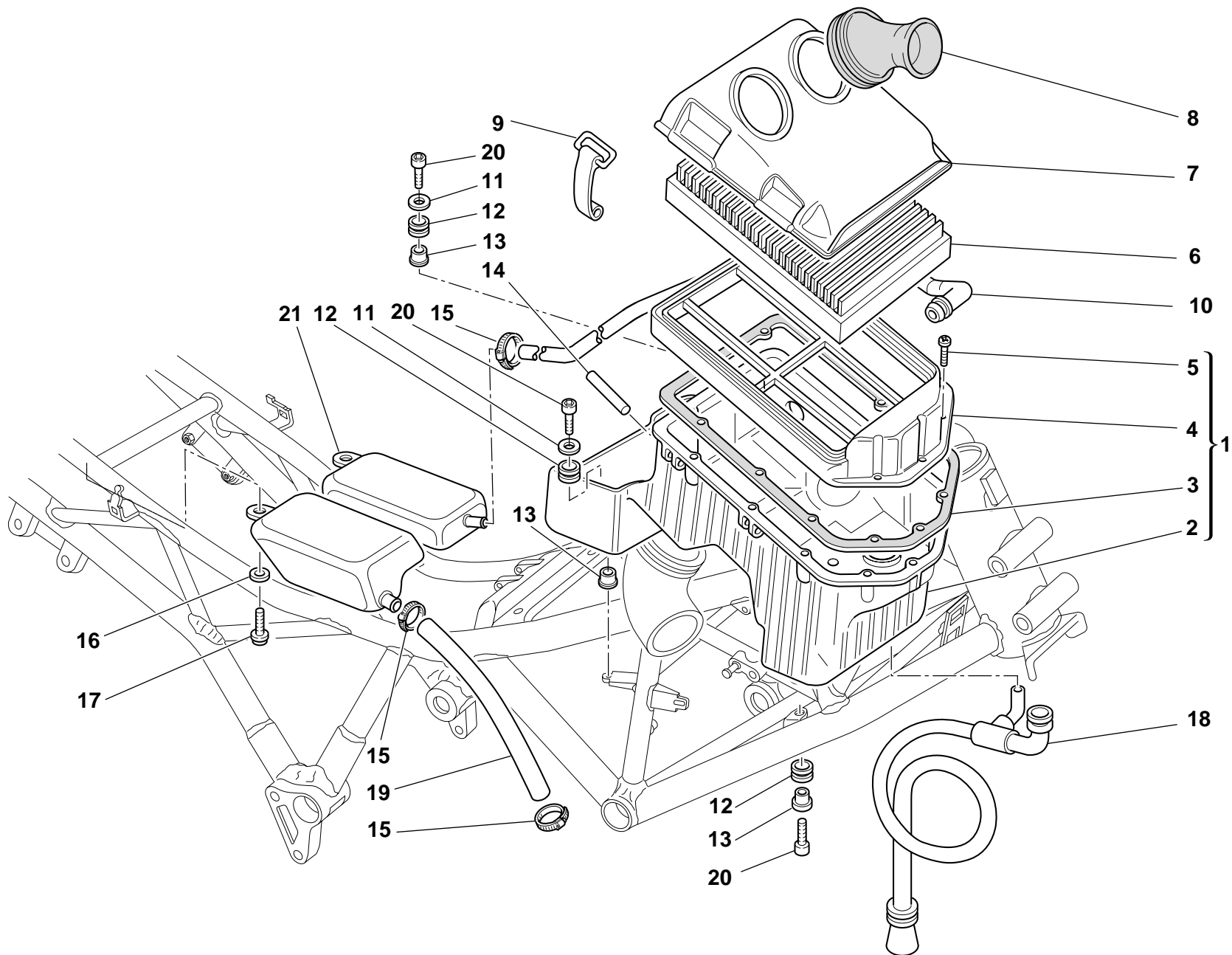
DRAWING **030** **BATTERY BOX MOUNT**

NOTES	NO.	CODE NO.	DESCRIPTION	VALIDITY	Q.TY	
	1	462.4.037.6A	Spring washer		2	
	2	417.9.050.6A	Nut		2	
	3	397.4.002.1A	Remote switch		1	
	4	829.1.379.1A	Plate		1	
	5	514.1.043.1A	Solenoid starter-starter motor cable		1	
	6	759.1.017.1A	Spring hook		2	
	7	8000.59572	Screw		4	
	8	829.1.374.1A	Plate		1	
	9	8000.18048	Rubber pad		2	
	10	750.1.114.1A	Nut		2	
	11	716.1.103.1A	Spacer		2	
	12	772.5.018.1A	Screw		2	
	13	541.4.007.1A	Relay		2	
	14	395.4.013.1B	Battery		1	
	15	764.1.031.1A	Rubber pad		2	
	16	0960.91.130	Nut		1	
	17	672.1.023.1A	Terminal cap		1	
	18	672.1.024.1A	Terminal cap(BLACK)		1	
	19	829.1.287.1A	Battery box mount		1	
	20	791.1.052.1A	Pad		1	
	21	672.1.029.1A	Rubber cap		1	
	22	779.1.050.1A	Screw		1	
	23	775.1.006.1A	Special screw		1	


NOTES	NO.	CODE NO.	DESCRIPTION	VALIDITY	Q.TY	
-------	-----	----------	-------------	----------	------	---

DRAWING **031**

AIR INDUCTIO AND OIL VENT

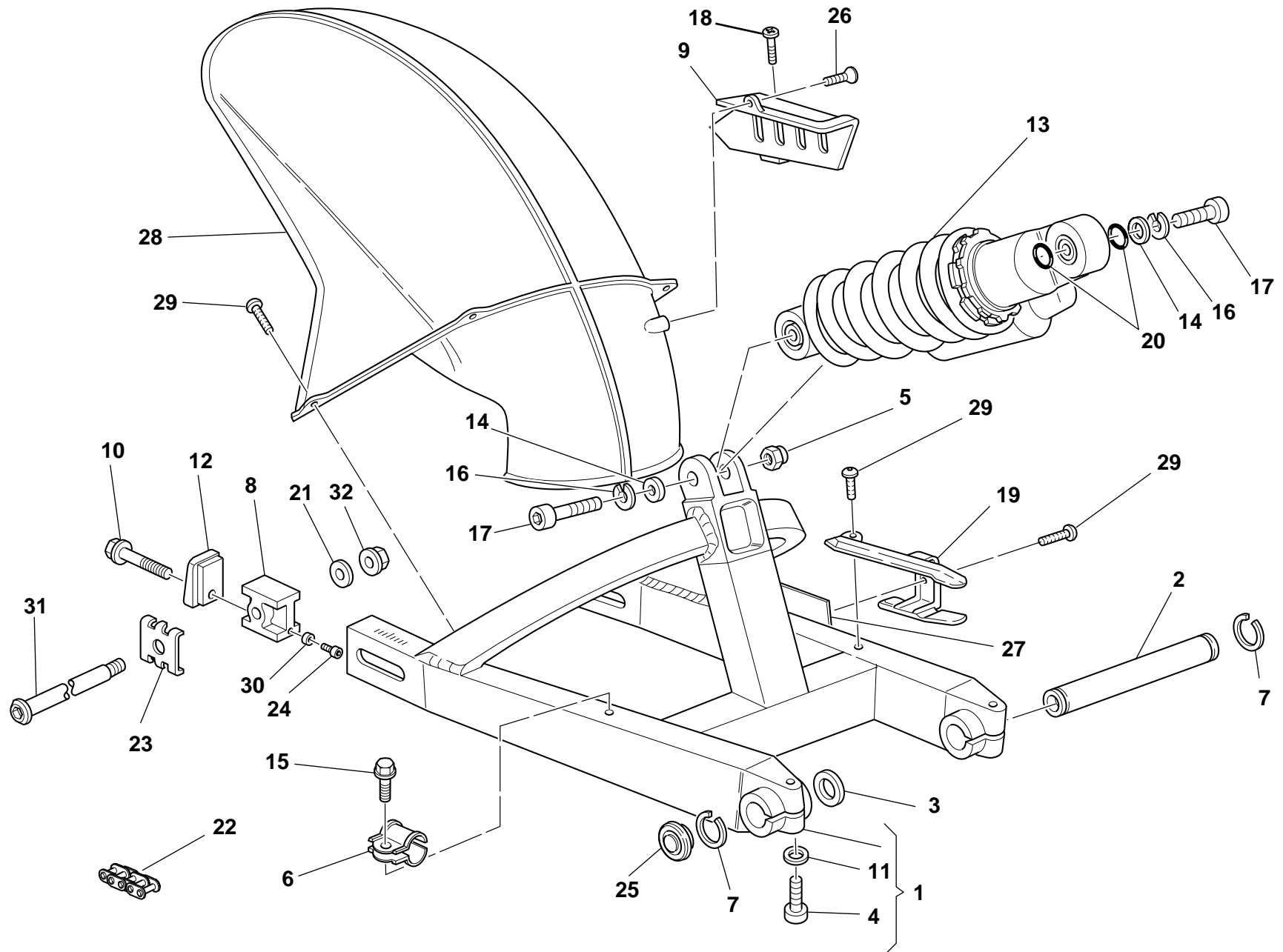


DRAWING **031** AIR INDUCTIO AND OIL VENT


NOTES	NO.	CODE NO.	DESCRIPTION	VALIDITY	Q.TY	
	1	442.2.041.1B	Air filter box		1	
	2	442.1.042.1B	Lower half-case		1	
	3	788.1.027.1A	Gasket		1	
	4	442.1.007.2A	Upper half-case		1	
	5	774.5.002.1A	Self-tapping screw		12	
	6	0370.98.610	Filter element		1	
	7	246.1.046.1B	Filter case cover		1	
	8	135.1.008.2A	Air funnel		2	
	9	760.1.003.1B	Hook		4	
	10	876.1.071.1A	Breather pipe		1	
	11	852.5.003.1A	Washer		2	
	12	8000.18048	Rubber pad		4	
	13	716.1.022.1A	Spacer		4	
	14	74223.1045	Spring pin		4	
	15	741.4.002.1A	Hose guide		3	
	16	8000.56359	Washer		2	
	17	771.5.667.2B	Screw		2	
	18	877.2.045.1A	Exhaust pipe		1	
	19	876.1.047.3A	Breather pipe		1	
	20	779.5.001.1A	Screw		4	
	21	585.1.008.2B	Oil breather tank		1	

NOTES	NO.	CODE NO.	DESCRIPTION	VALIDITY	Q.TY	
-------	-----	----------	-------------	----------	------	---

DRAWING **032** SWINGARM AND CHAIN



DRAWING **032** **SWINGARM AND CHAIN**

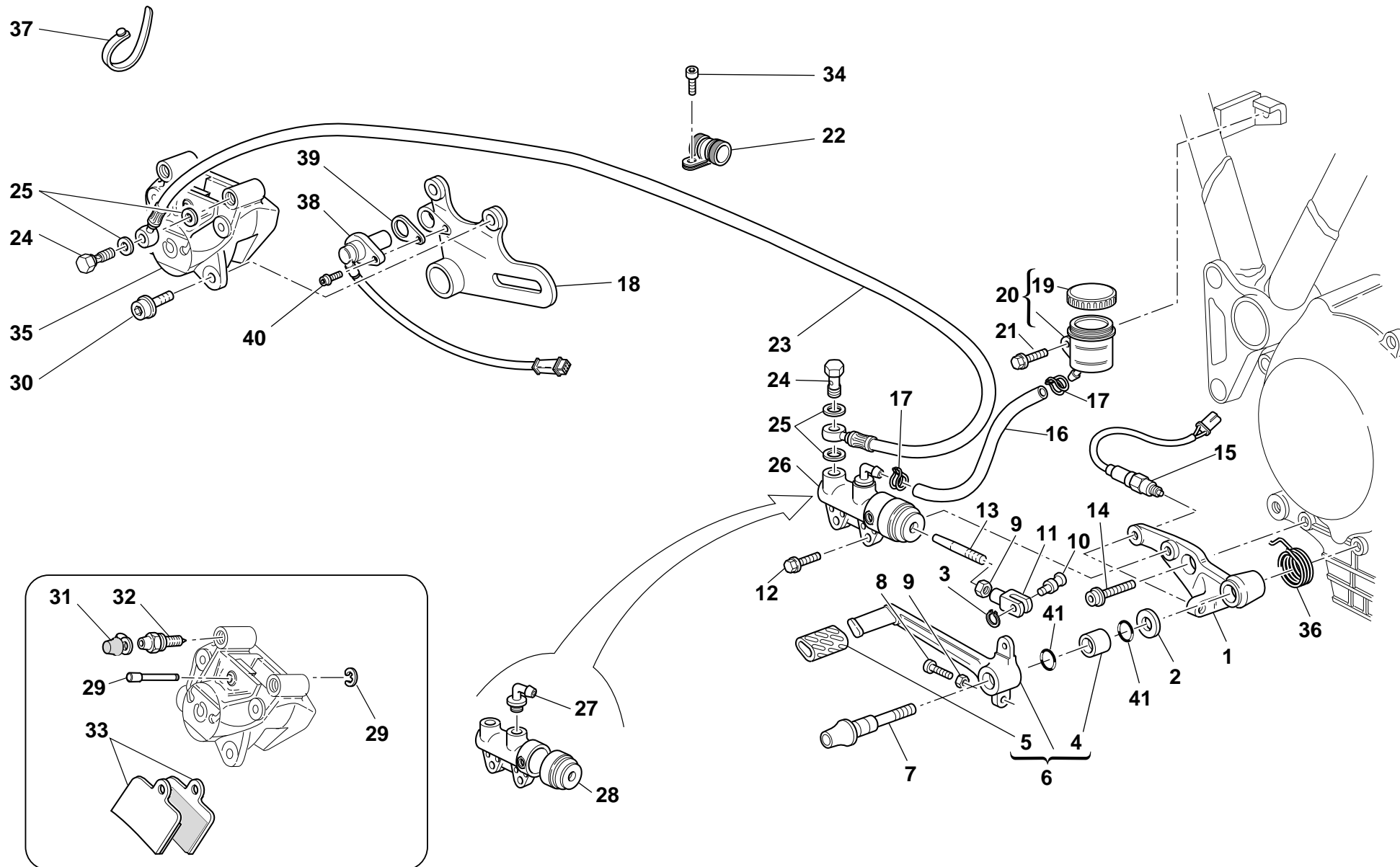
NOTES	NO.	CODE NO.	DESCRIPTION	VALIDITY	Q.TY	
	1	370.1.015.1B	Swingarm		1	
	2	369.1.004.1A	Swingarm pivot		1	
	3	852.1.001.1A	Shim th. 1.8		2	
	3	852.1.002.1A	Shim th. 0.2		2	
	3	852.1.003.1A	Shim th. 0.1		1	
	4	60N102585	Screw		2	
	5	763110N01	El-stop nut		1	
	6	741.4.062.1A	Clip		1	
	7	884.4.007.1A	Snap ring		2	
	8	373.1.009.1B	Sliding shoe		2	
	9	446.1.001.1A	Chain guard		1	
	10	779.1.037.1A	Screw		2	
	11	0670.92.190	Shim th. 2		2	
	12	373.1.008.1A	Cover		2	
	13	365.2.038.1A	Shock absorber		1	
	14	734310N01	Washer		2	
	15	8A00.67997	Screw		1	
	16	734010N01	Spring washer		2	
	17	60N102587	Screw		2	
	18	779.1.050.1A	Screw		1	
	19	447.1.005.1BB	Chain sliding shoe (GREY)		1	
	20	93823.0128	O-ring	Showa	2	
	21	0670.77.320	Washer		1	
	22	676.4.035.1A	Chain		1	
	23	373.1.019.1A	Plate		2	
	24	771.5.004.2B	Screw		2	
	25	872.1.019.1A	Cap		2	

NOTES	NO.	CODE NO.	DESCRIPTION	VALIDITY	Q.TY	
	26	779.1.009.1A	Screw		1	
	27	433.1.108.1H	Chain adjustment sticker		1	
	28	565.1.011.1A	Rear mudguard		1	
	29	779.1.119.2A	Screw		6	
	30	852.1.079.1A	Washer		2	
	31	819.1.021.1A	Rear wheel spindle		1	
	32	748.1.008.1B	Nut		1	


CATALOGUE No: **915.1.166.1B**
ISSUED: **07 - 03**

CATALOGUE No: **915.1.166.1B**
ISSUED: **07 - 03**


DRAWING **033** REAR HYDRAULIC BRAKE



DRAWING **033** REAR HYDRAULIC BRAKE

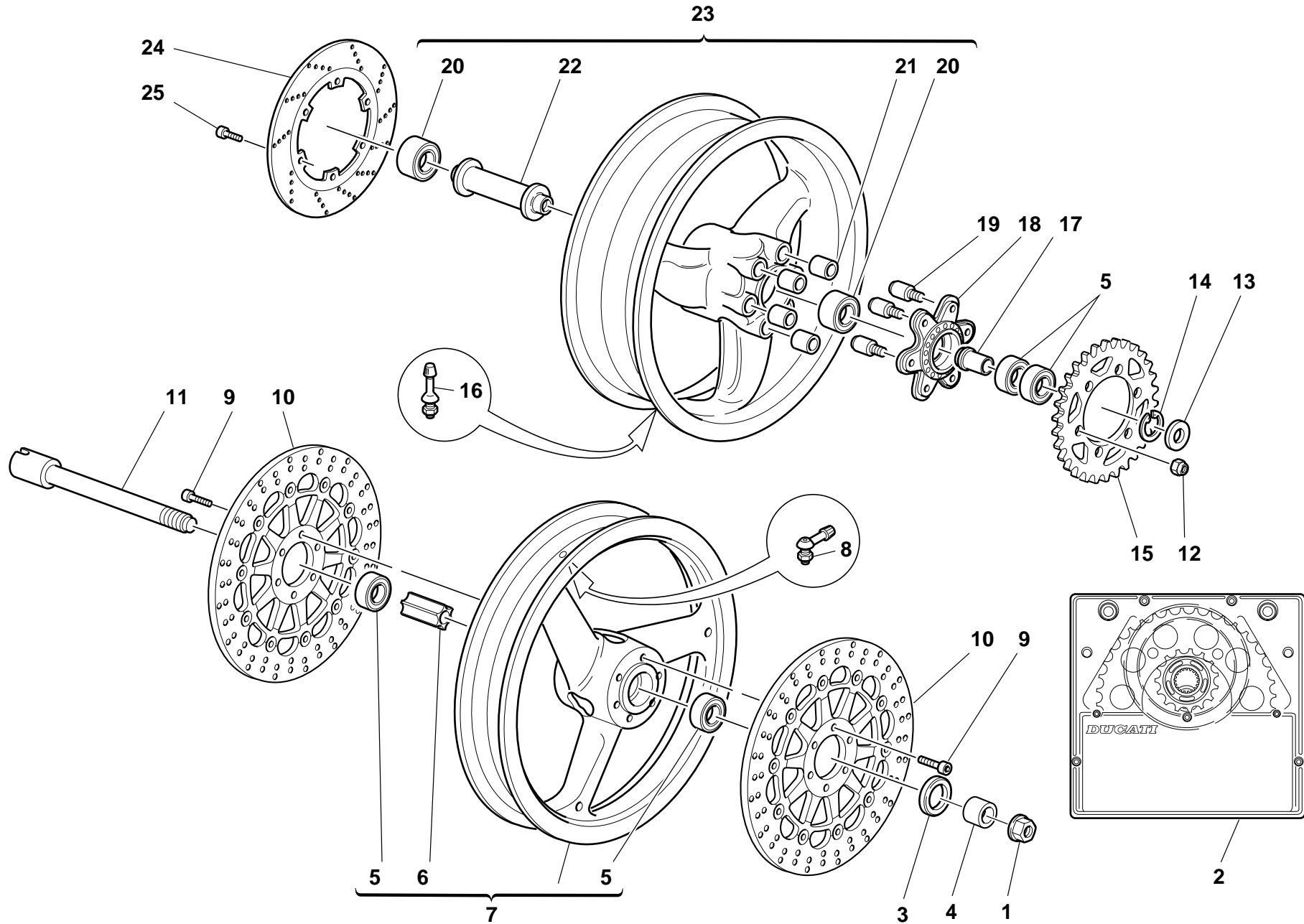
NOTES	NO.	CODE NO.	DESCRIPTION	VALIDITY	Q.TY	
	1	829.1.078.1A	Holder		1	
	2	852.1.054.1A	Washer		1	
	3	73500.0624	Circlip		1	
	4	8000.59056	Bush		1	
	5	764.1.011.2A	Rubber pad		1	
	6	457.2.008.1A	Brake control lever		1	
	7	821.1.091.1A	Pedal pin		1	
	8	8000.67981	Threaded dowel		1	
	9	60N115062	Nut		2	
	10	821.1.096.1A	Pin		1	
	11	184.1.001.1A	Fork		1	
	12	772.5.024.1A	Screw		2	
	13	117.1.025.2A	Adjuster rod		1	
	14	771.5.754.2B	Screw		1	
	15	539.4.003.1B	Switch		1	
	16	877.1.066.1A	Tube		1	
	17	741.4.043.1A	Hose guide		2	
	18	825.1.032.1A	Caliper holder plate		1	
	19	893.4.005.1A	Cap		1	
	20	585.4.001.1A	Complete oil tank		1	
	21	772.5.025.1A	Screw		1	
	22	827.1.087.1B	Plate		1	
	23	619.4.020.1A	Rear brake line (METAL PLAITED)		1	
	24	779.1.366.1AB	Special screw		2	
	25	420.2.001.0A	Gasket th.1		4	
	26	625.4.006.1A	Rear brake pump		1	
	27	631.4.008.1A	Spare union		1	

CATALOGUE No: 915.1.166.1B
ISSUED: 07 - 03


NOTES	NO.	CODE NO.	DESCRIPTION	VALIDITY	Q.TY	
	28	626.4.013.1A	Dust cover		1	
	29	612.4.016.1A	Spare pins and spring		1	
	30	771.5.724.2B	Screw		2	
	31	612.4.008.1A	Dust seal		1	
	32	0370.39.780	Spare bleed union		2	
	33	613.4.021.1A	Pads pair		1	
	34	60N102505	Screw		1	
	35	611.4.009.1A	Rear brake caliper		1	
	36	799.1.083.1B	Spring		1	
	37	741.1.013.1A	Hose guide		2	
	38	552.4.037.1A	Sensor		1	
	39	713.1.192.1A	Spacer		1	
	40	771.5.066.2B	Screw		1	
	41	230213	O-ring		2	

CATALOGUE No: 915.1.166.1B
ISSUED: 07 - 03

DRAWING **034** WHEELS



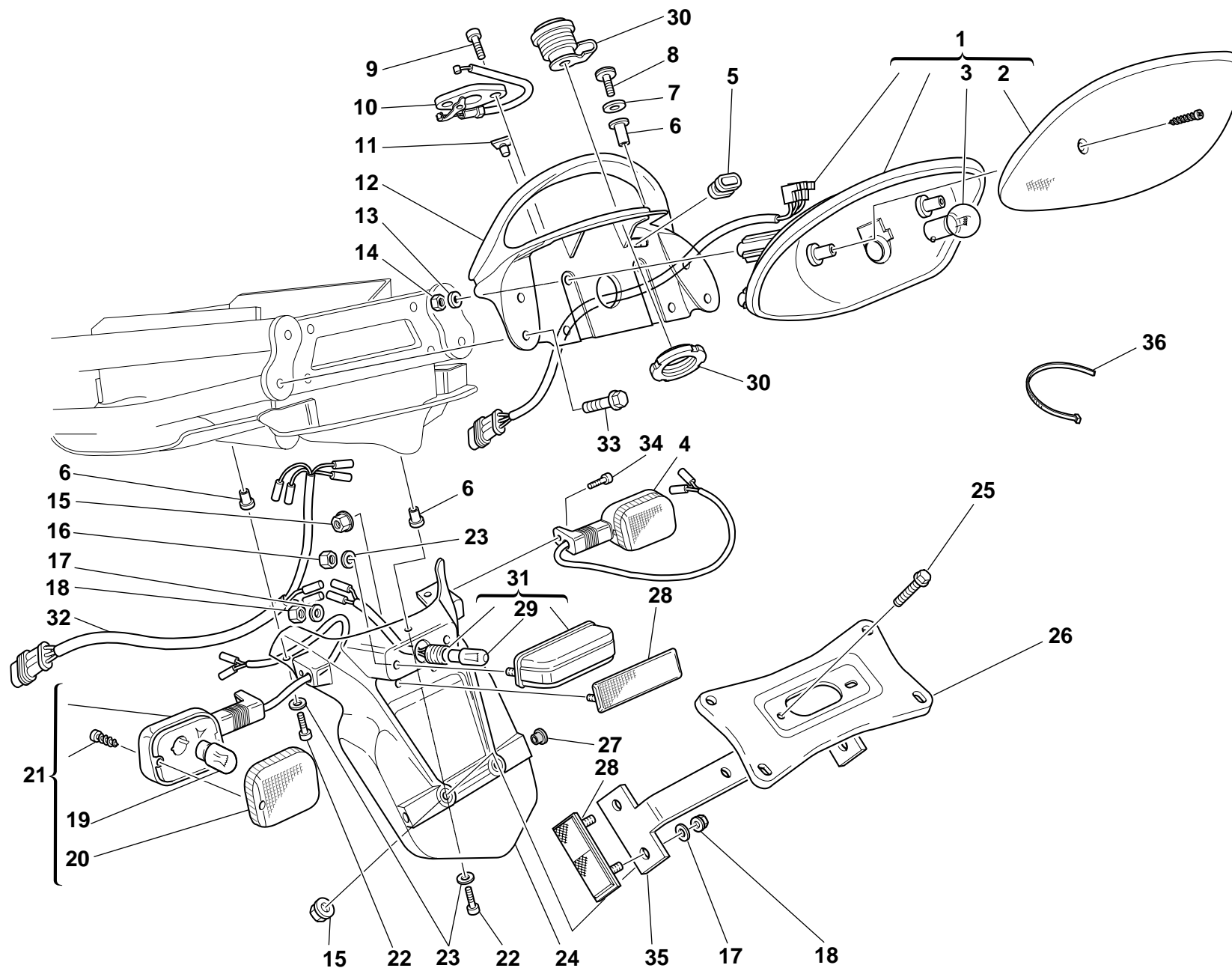
DRAWING **034** **WHEELS**

NOTES	NO.	CODE NO.	DESCRIPTION	VALIDITY	Q.TY	
	1	748.1.014.1B	Fork nut		1	
	2	676.2.051.1A	Final drive kit		1	
	3	0000.64471	Seal ring		1	
	4	714.1.045.1A	Spacer		1	
	5	75162.2566	Bearing		4	
	6	714.1.028.1A	Inner spacer		1	
	7	501.2.104.1AA	Front wheel rim		1	
	8	497.2.001.2A	Valve		1	
	9	771.1.020.1A	Screw		12	
	10	492.4.024.1A	Brake disc		2	
	11	819.1.017.1A	Front wheel spindle		1	
	12	748.4.024.1A	Nut		6	
	13	713.1.032.1A	Spacer		1	
	14	884.4.001.1A	Snap ring		1	
	15	494.1.004.4A	Ring gear z=39		1	
	16	0803.77.010	Valve		1	
	17	710.1.006.1A	Bush		1	
	18	160.1.004.2B	Rear sprocket flange		1	
	19	821.1.009.1B	Pin		6	
	20	75163.3268	Bearing		2	
	21	700.1.005.1A	Vibration damper		6	
	22	714.1.040.1A	Inner spacer		1	
	23	502.2.109.1AA	Rear wheel rim		1	
	24	492.4.003.2A	Brake disc		1	
	25	770.1.003.1A	Screw		6	


NOTES	NO.	CODE NO.	DESCRIPTION	VALIDITY	Q.TY	
-------	-----	----------	-------------	----------	------	---

DRAWING **035**


NUMBER PLATE HOLDER



DRAWING **035** NUMBER PLATE HOLDER

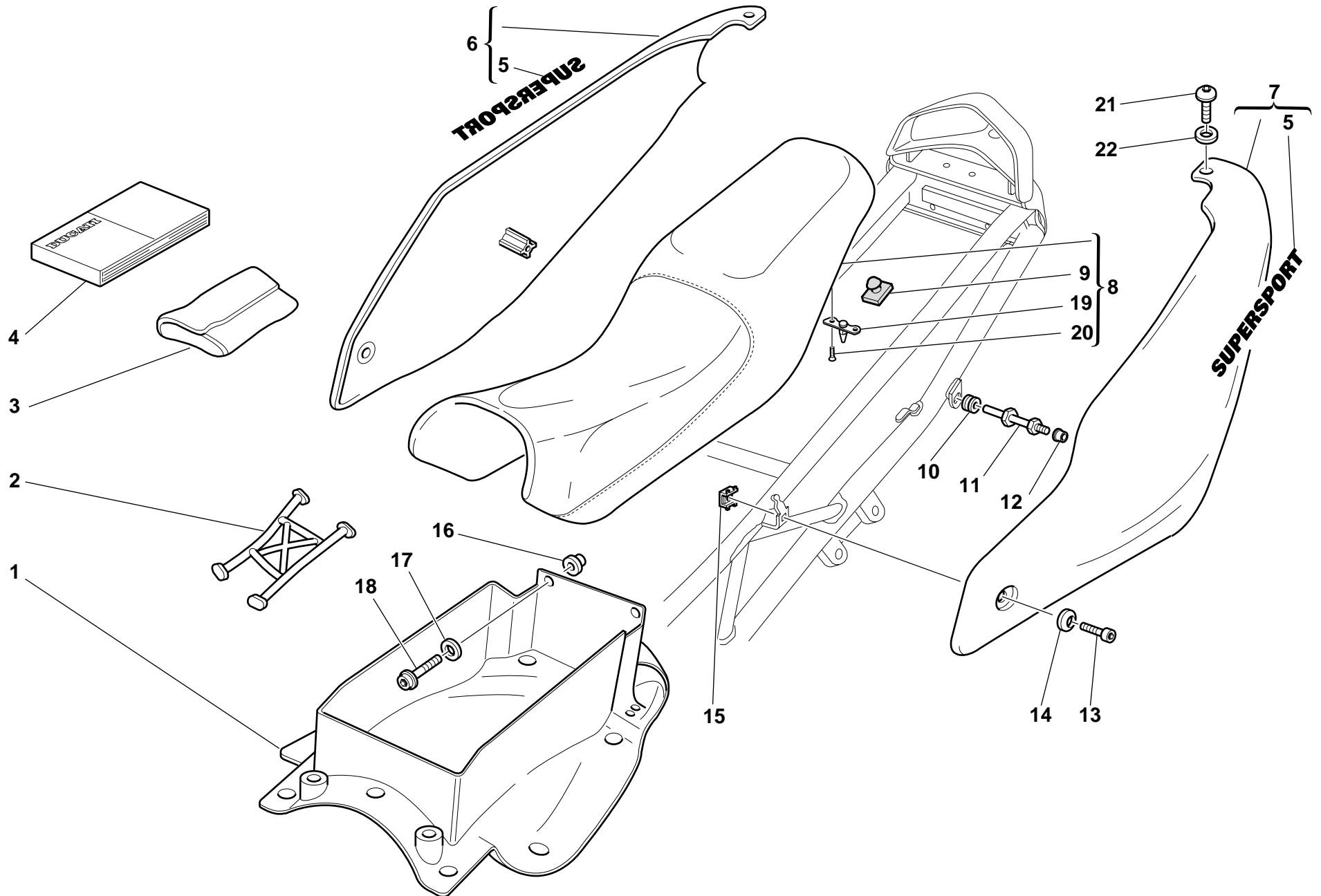
NOTES	NO.	CODE NO.	DESCRIPTION	VALIDITY	Q.TY	
	1	525.4.014.1A	Tail lamp		1	
	2	532.4.003.1A	Lens		1	
	3	390.4.003.1A	Two-light bulb 12V 5/21W		1	
	4	8000.74505	Turn indicator		1	
	5	829.1.231.1A	Fairlead rubber ring		1	
	6	8000.63150	Insert		7	
	7	8000.63161	Washer		2	
	8	8000.65535	Screw		2	
	9	777.5.038.2B	Screw		2	
	10	732.2.009.2A	Seat lock		1	
	11	866.1.036.1A	Rubber pad		2	
	12	806.1.014.0A	Handle (unpainted)		1	
	12	806.1.014.1AA	Red handle		1	
	12	806.1.014.1AB	Yellow handle		1	
	13	734305N01	Washer		4	
	14	749.5.002.1A	El-stop nut		4	
	15	729906FN1	Nut		4	
	16	8000.56443	Nut		2	
	17	852.5.001.1A	Washer		6	
	18	749.5.001.1A	Nut		6	
	19	8000.36726	Bulb		2	
	20	532.4.001.1A	Cup		2	
	21	8000.74504	Turn indicator		1	
	22	771.5.043.2B	Screw		5	
	23	60N115548	Washer		7	
	24	561.1.013.2A	Number plate holder		1	
	25	772.5.024.1A	Screw		2	

CATALOGUE No: 915.1.166.1B
ISSUED: 07 - 03


NOTES	NO.	CODE NO.	DESCRIPTION	VALIDITY	Q.TY	
	26	561.1.019.1A	Plate		1	
	27	417.7.007.1A	Cap		2	
	28	529.1.006.1A	Cat's eye		3	
	29	0000.36230	Bulb		1	
	30	598.2.023.1A	Seat lock		1	
	31	525.1.004.2A	Tail lamp		1	
	32	510.1.121.1A	Electric wiring		1	
	33	772.5.023.1A	Screw		4	
	34	771.5.667.2B	Screw		2	
	35	829.1.136.1A	Holder		1	
	36	0691.91.030	Hose guide		2	

CATALOGUE No: 915.1.166.1B
ISSUED: 07 - 03

DRAWING **036** SEAT



DRAWING **036** SEAT

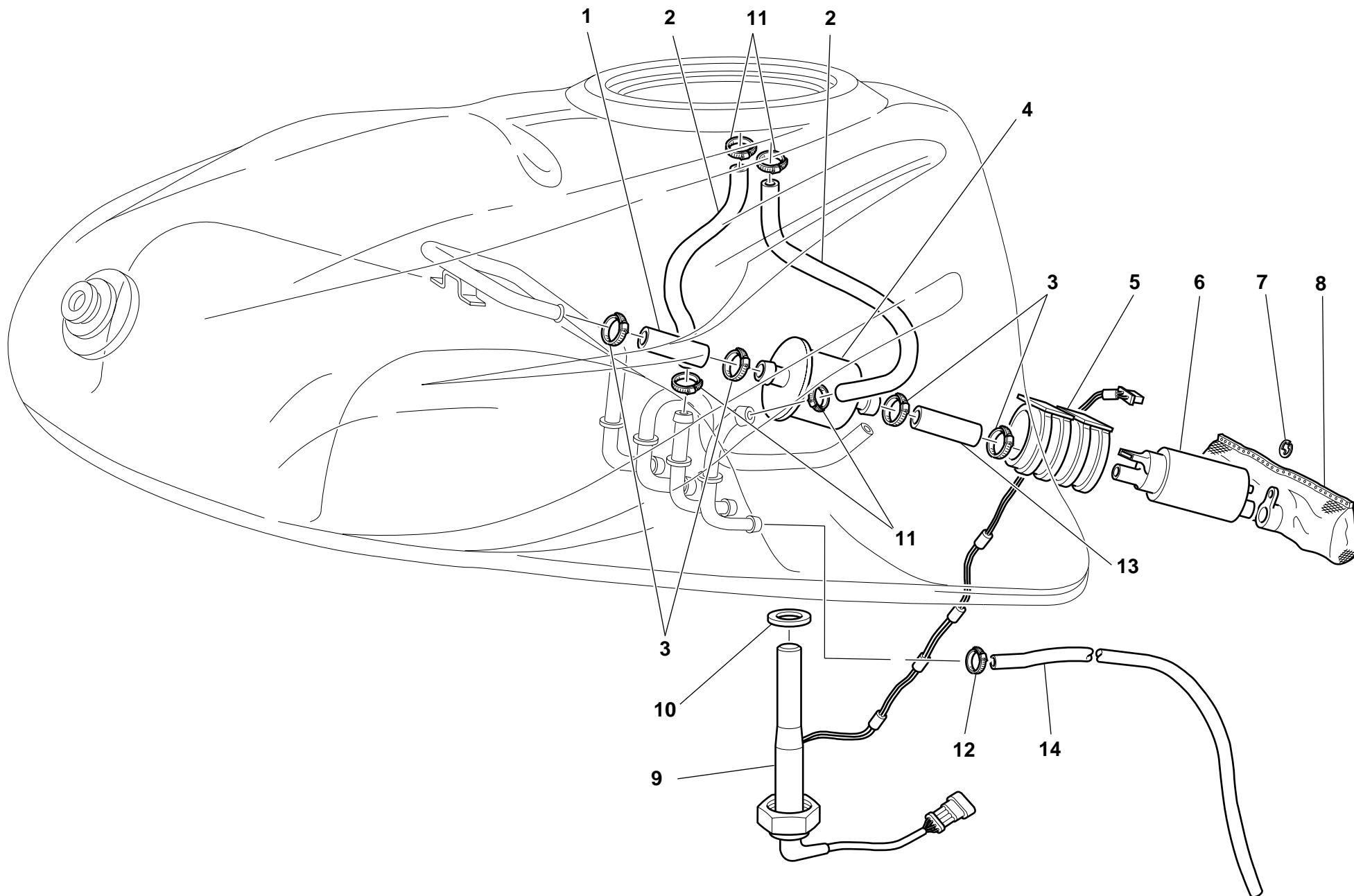
NOTES	NO.	CODE NO.	DESCRIPTION	VALIDITY	Q.TY	
	1	559.1.006.1A	Panel (BLACK)		1	
	2	0000.61172	Rubber		1	
	3	697.2.010.1B	Tool bag		1	
	4	913.7.088.1E	Owner's manual		1	
	5	436.1.030.1AA	Sticker "Supersport" (RED)		2	
	5	436.1.030.1AB	Sticker "Supersport" (YELLOW)		2	
	6	482.1.025.1BA	R.H. body panel (RED)		1	
	6	482.1.025.1BB	R.H. body panel (YELLOW)		1	
	6	482.3.025.1A	R.H. body panel (unpainted)		1	
	7	482.1.026.1BA	L.H. body panel (RED)		1	
	7	482.1.026.1BB	L.H. body panel (YELLOW)		1	
	7	482.3.026.1A	L.H. body panel (unpainted)		1	
	8	595.1.038.1B	Seat		1	
	9	866.1.030.1A	Rubber pad		6	
	10	0361.91.730	Rubber pad		2	
	11	821.1.089.1A	Pin		2	
	12	850.4.010.1A	Threaded insert		2	
	13	779.5.010.1A	Screw		2	
	14	841.1.028.1A	Retainer		2	
	15	0960.91.130	Nut		2	
	16	716.1.051.1A	Spacer		2	
	17	8000.56359	Washer		2	
	18	771.5.667.2B	Screw		2	
	19	829.2.232.1A	Holder		1	
	20	777.5.049.2C	Screw		2	
	21	775.1.011.1A	Screw		2	
	22	0000.63161	Washer		2	

NOTES	NO.	CODE NO.	DESCRIPTION	VALIDITY	Q.TY	
-------	-----	----------	-------------	----------	------	---


CATALOGUE No: 915.1.166.1B
ISSUED: 07 - 03

CATALOGUE No: 915.1.166.1B
ISSUED: 07 - 03

DRAWING **037** FUEL SYSTEM

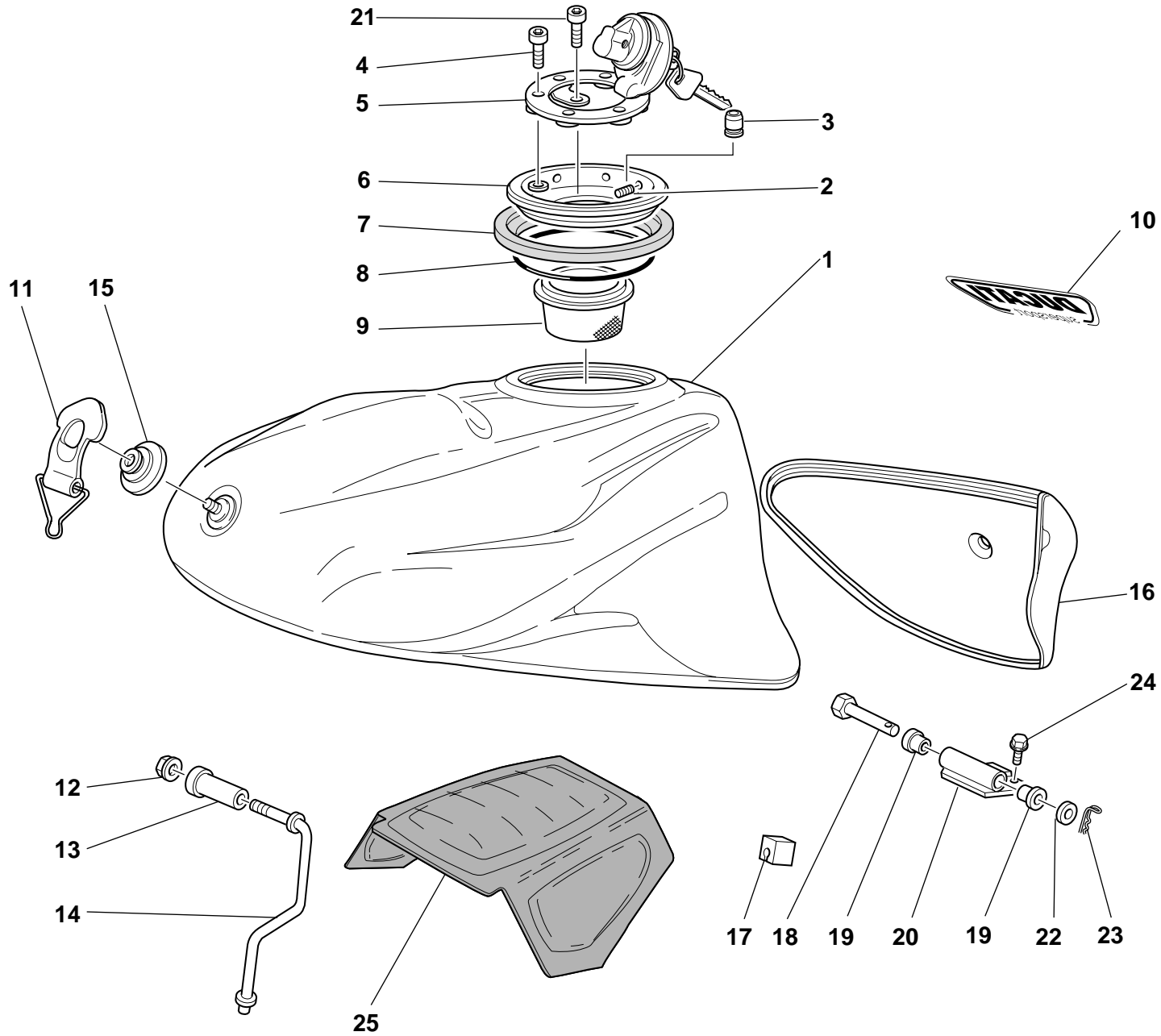


DRAWING **037** **FUEL SYSTEM**


NOTES	NO.	CODE NO.	DESCRIPTION	VALIDITY	Q.TY	
	1	590.1.179.1A	Tube		1	
	2	590.1.027.1A	Tube		2	
	3	741.4.064.1A	Hose guide		4	
	4	425.4.004.1B	Fuel filter		1	
	5	829.1.021.2A	Holder		1	
	6	430.4.004.1A	Fuel pump		1	
	7	884.4.012.1A	Circlip		1	
	8	425.4.008.1A	Fuel filter		1	
	9	592.1.015.1A	Low fuel sensor		1	
	10	789.1.001.1A	Gasket		1	
	11	741.4.008.2A	Hose guide		4	
	12	741.4.066.1A	Hose guide		2	
	13	590.1.056.3A	Filter/pump pipe		1	
	14	590.1.101.1B	Exhaust pipe		1	

NOTES	NO.	CODE NO.	DESCRIPTION	VALIDITY	Q.TY	
-------	-----	----------	-------------	----------	------	---


DRAWING **038** FUEL TANK



DRAWING **038** **FUEL TANK**

NOTES	NO.	CODE NO.	DESCRIPTION	VALIDITY	Q.TY	
	1	586.1.030.1DA	Fuel tank (RED)		1	
	1	586.1.030.1DB	Fuel tank (YELLOW)		1	
	1	586.3.030.3A	Fuel tank (unpainted)		1	
	2	779.5.007.1A	Screw		8	
	3	791.1.039.1A	Gasket		1	
	4	771.5.045.7E	Screw		3	
	5	895.4.001.2A	Tank cap		1	
	6	160.1.013.1B	Flange		1	
	7	791.1.015.1A	Gasket		1	
	8	886.4.011.1A	O-Ring		1	
	9	802.1.005.1A	Hose		1	
	10	435.1.030.1AA	Sticker "DUCATI" (RED)		1	
	11	759.2.016.1A	Belt		1	
	12	850.4.012.1A	Quik fastening		1	
	13	712.1.009.2A	Bush		1	
	14	117.1.017.1A	Rod		1	
	15	835.1.002.1A	Knob		1	
	16	723.1.005.1C	Cap		1	
	16	723.1.005.1CB	Cap		1	
	17	764.1.010.1A	Rubber pad		1	
	18	821.1.028.2B	Pin		1	
	19	712.1.013.3A	Bush		2	
	20	827.2.134.1A	Plate		1	
	21	771.5.040.2B	Screw		1	
	22	80C0.05893	Shim		2	
	23	8000.62705	Split pin		1	
	24	772.5.025.1A	Screw		2	

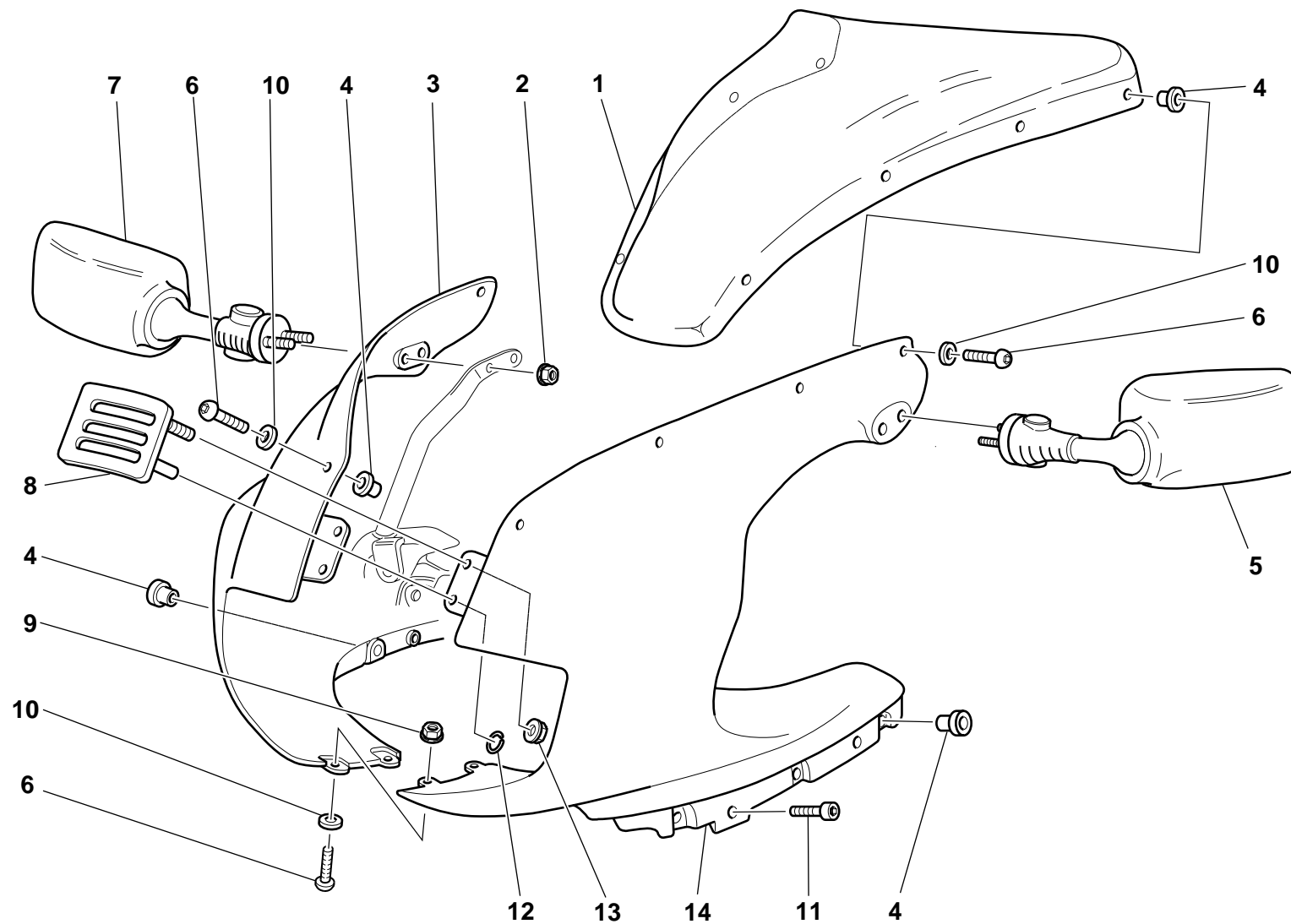
CATALOGUE No: **915.1.166.1B**
ISSUED: **07 - 03**

NOTES	NO.	CODE NO.	DESCRIPTION	VALIDITY	Q.TY	
	25	486.1.067.1A	Panel		1	


CATALOGUE No: **915.1.166.1B**
ISSUED: **07 - 03**

DRAWING **039**

HEADLIGHT FAIRING

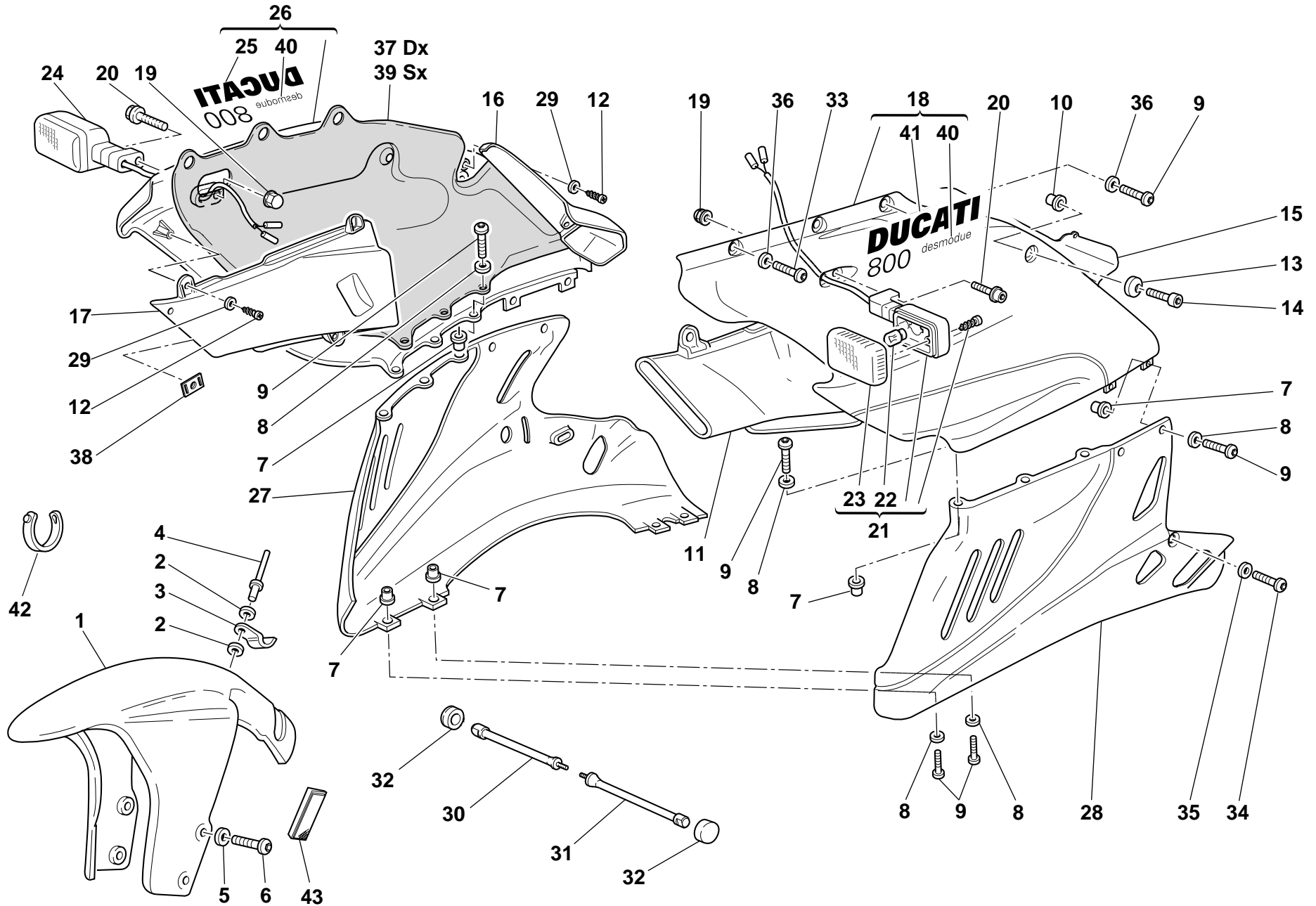


DRAWING **039** HEADLIGHT FAIRING


NOTES	NO.	CODE NO.	DESCRIPTION	VALIDITY	Q.TY	
	1	487.1.018.3A	Windshield		1	
	2	729906FN1	Nut		4	
	3	481.1.019.1AA	Half-Headlight fairing R.H.(RED)		1	
	3	481.1.019.1AB	Half-Headlight fairing R.H. (YELLOW)		1	
	3	481.3.019.1A	Half-Headlight fairing R.H. (unpainted)		1	
	4	0000.63150	Insert		14	
	5	523.4.011.1A	L.H. rear-view mirror		1	
	6	779.1.088.1A	Screw		10	
	7	523.4.010.1A	R.H. rear-view mirror		1	
	8	247.1.112.1B	Cover		1	
	9	8000.56443	Nut		2	
	10	0000.63161	Washer		10	
	11	779.5.010.1A	Screw		4	
	12	850.4.037.1B	Quik fastening		2	
	13	748.4.026.1B	Nut		2	
	14	481.1.020.1AA	Half-Headlight fairing L.H.(RED)		1	
	14	481.1.020.1AB	Half-Headlight fairing L.H. (YELLOW)		1	
	14	481.3.020.1A	Half-Headlight fairing L.H. (unpainted)		1	

NOTES	NO.	CODE NO.	DESCRIPTION	VALIDITY	Q.TY	
-------	-----	----------	-------------	----------	------	---

DRAWING 040 FAIRING



DRAWING **040** FAIRING

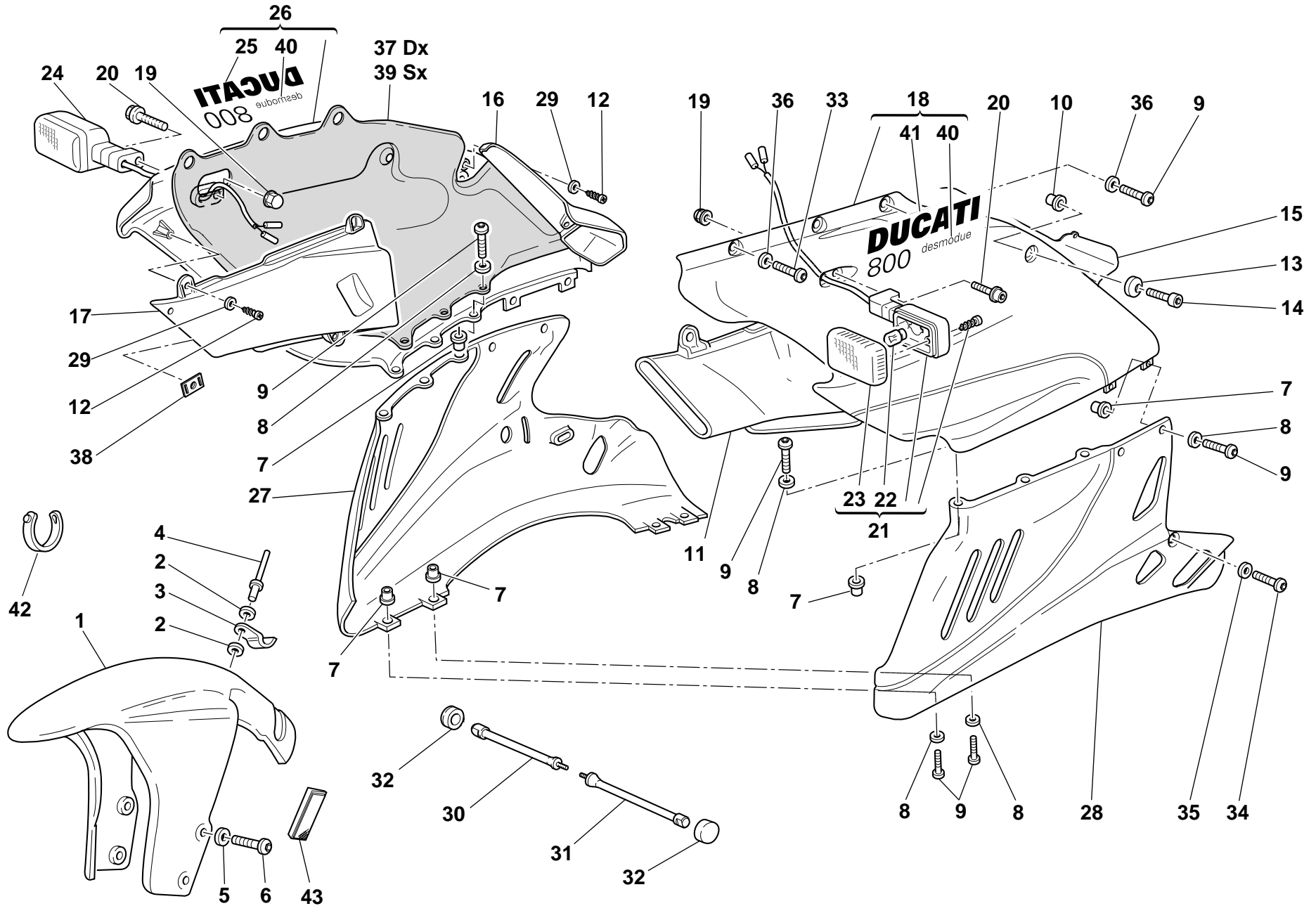
NOTES	NO.	CODE NO.	DESCRIPTION	VALIDITY	Q.TY	
	1	564.1.018.1A	Front mudguard (RED)		1	
	1	564.1.018.1AB	Front mudguard (YELLOW)		1	
	1	564.3.018.1A	Front mudguard (unpainted)		1	
	2	852.1.075.1A	Washer		2	
	3	850.1.003.1A	Clip		1	
	4	736.4.013.1B	Shear rivet		1	
	5	856.1.042.1A	Nylon washer		4	
	6	772.5.023.1A	Screw		4	
	7	0000.63150	Insert		12	
	8	0000.63161	Washer		12	
	9	775.1.011.1A	Screw		16	
	10	0364.99.020	Threaded insert		2	
	11	484.1.033.1A	L.H. air manifold		1	
	12	72231.0871	Screw		10	
	13	841.1.028.1A	Retainer		2	
	14	779.5.001.1A	Screw		2	
	15	484.1.036.1A	L.H. Air deflector		1	
	16	484.1.035.1A	R.H. air deflector		1	
	17	484.1.032.1A	R.H. air manifold		1	
	18	480.1.134.1BA	L.H. upper half-fairing (RED)		1	
	18	480.1.134.1BB	L.H. upper half-fairing (YELLOW)		1	
	18	480.3.082.1B	L.H. upper half-fairing (unpainted)		1	
	19	729906FN1	Nut		2	
	20	771.5.667.2B	Screw		2	
	21	8000.74504	Turn indicator		1	
	22	8000.36726	Bulb		2	
	23	532.4.001.1A	Cup		2	

CATALOGUE No: 915.1.166.1B
ISSUED: 07 - 03


NOTES	NO.	CODE NO.	DESCRIPTION	VALIDITY	Q.TY	
	24	8000.74505	Turn indicator		1	
	25	437.1.123.1AA	Sticker "DUCATI800" (RED)		1	
	25	437.1.123.1AB	Sticker"DUCATI800" (YELLOW)		1	
	26	480.1.133.1BA	R.H. upper half-fairing (RED)		1	
	26	480.1.133.1BB	R.H. upper half-fairing (YELLOW)		1	
	26	480.3.081.1A	R.H. upper half-fairing (unpainted)		1	
	27	480.1.083.1AA	R.H. lower half-fairing (RED)		1	
	27	480.1.083.1AB	R.H. lower half-fairing (YELLOW)		1	
	27	480.3.083.1A	R.H. lower half-fairing (unpainted)		1	
	28	480.1.084.1BA	L.H. lower half-fairing (RED)		1	
	28	480.1.084.1BB	L.H. lower half-fairing (YELLOW)		1	
	28	480.3.084.1B	L.H. lower half-fairing (unpainted)		1	
	29	852.5.002.1A	Washer		10	
	30	684.1.042.1A	R.H. Stud bolt		1	
	31	684.1.043.1A	L.H. stud bolt		1	
	32	0000.17847	Rubber hose		2	
	33	775.1.013.1A	Screw		2	
	34	775.1.008.2A	Screw		2	
	35	856.1.040.1A	Nylon washer		2	
	36	856.4.002.1A	Washer		6	
	37	486.1.054.1A	R.H. side panel		1	
	38	850.4.037.1B	Quik fastening		2	
	39	486.1.055.1A	L.H. side panel		1	
	40	437.1.108.1AA	Sticker "DESMODUE" (RED, GREY)		1	
	40	437.1.108.1AB	Sticker "DESMODUE" (YELLOW)		1	
	41	437.1.124.1AA	Sticker "DUCATI800" (RED)		1	
	41	437.1.124.1AB	Sticker"DUCATI800" (YELLOW)		1	

CATALOGUE No: 915.1.166.1B
ISSUED: 07 - 03

DRAWING **040** FAIRING

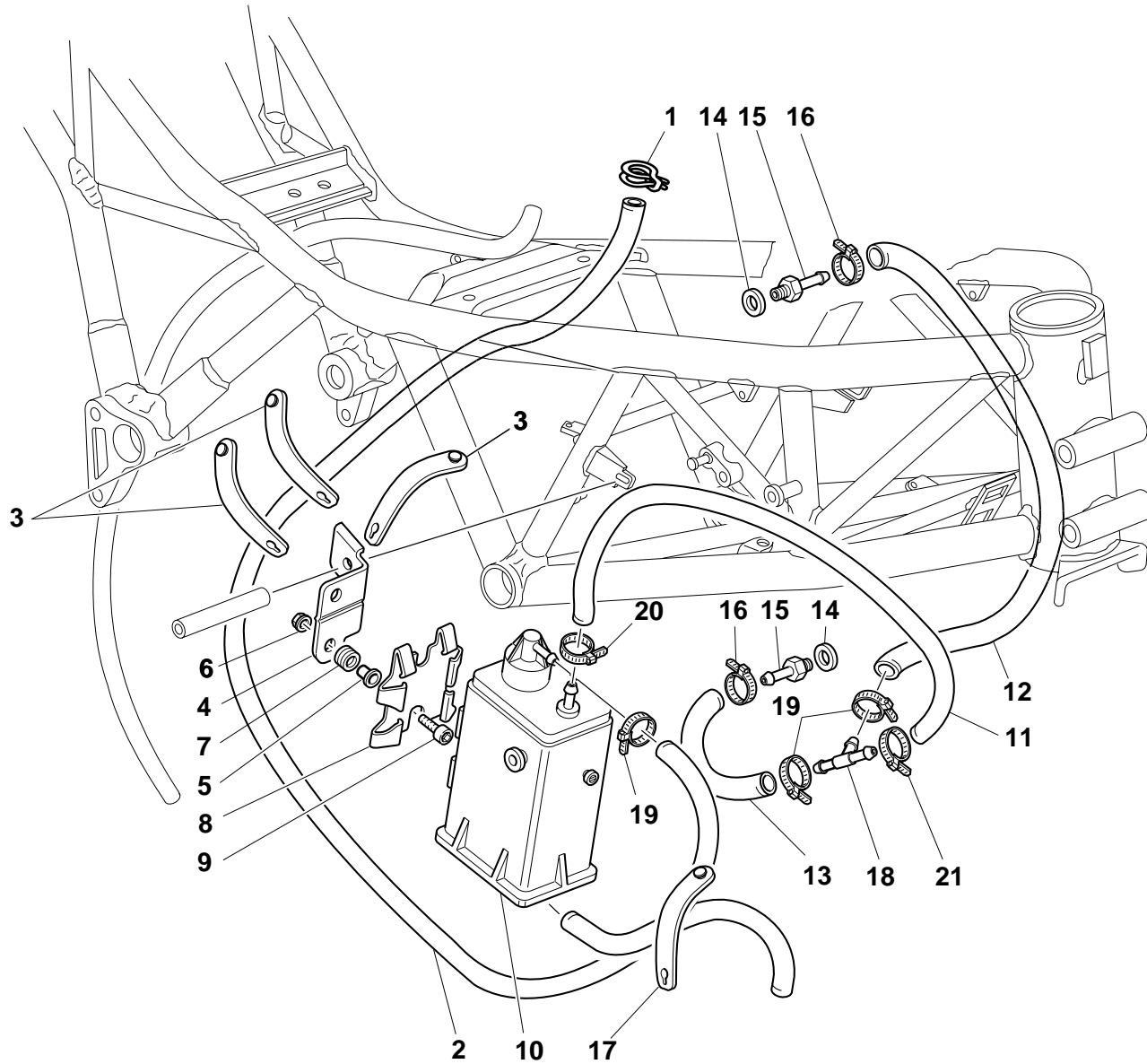


DRAWING **040** FAIRING


NOTES	NO.	CODE NO.	DESCRIPTION	VALIDITY	Q.TY	
	42	741.4.038.1A	Hose guide		2	
	43	529.1.008.1AB	Cat's eye (AMBER)		2	

NOTES	NO.	CODE NO.	DESCRIPTION	VALIDITY	Q.TY	
-------	-----	----------	-------------	----------	------	---

DRAWING **041** FUEL INFEED

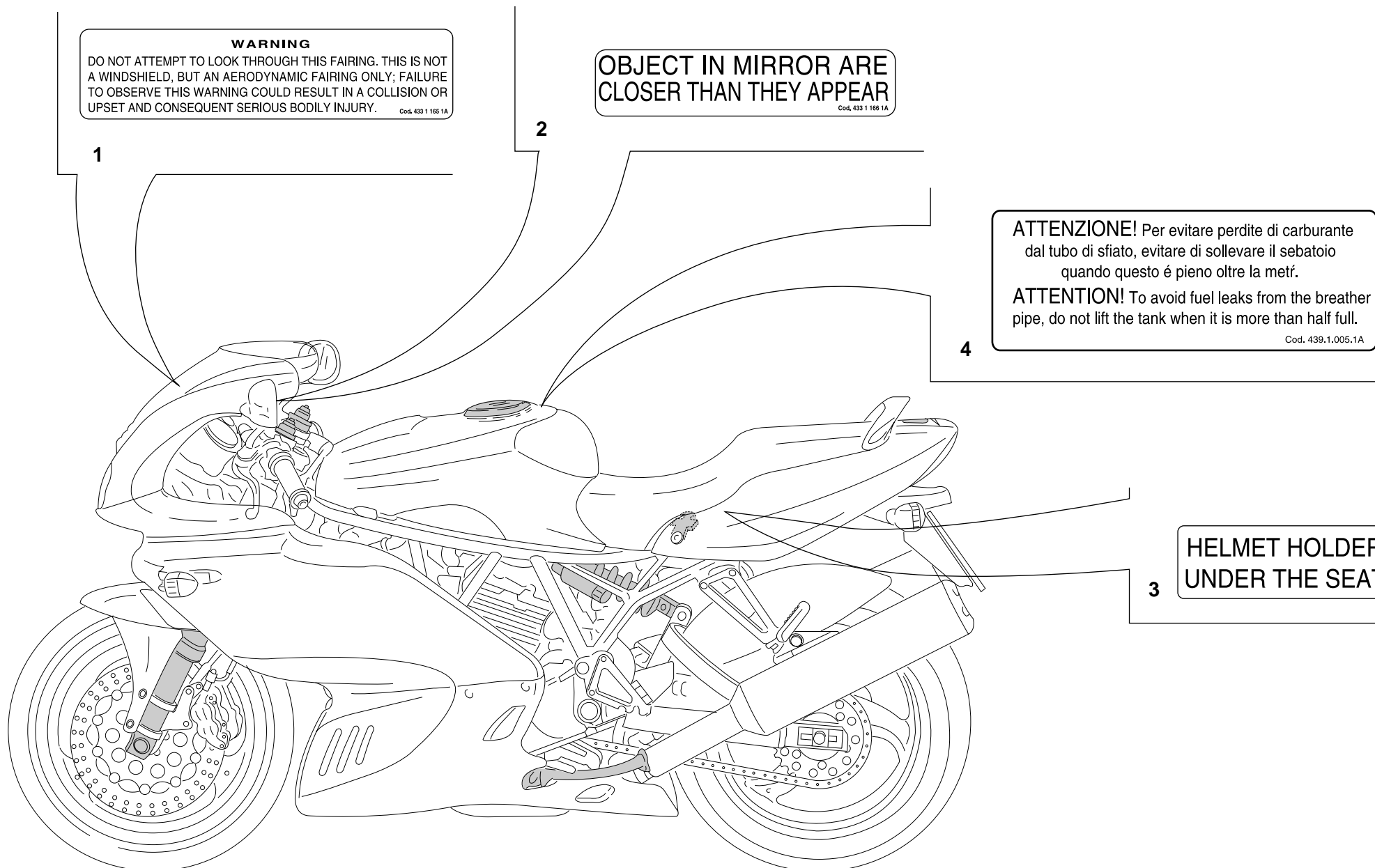


DRAWING **041** FUEL INFEED

NOTES	NO.	CODE NO.	DESCRIPTION	VALIDITY	Q.TY	
	1	741.4.057.1A	Hose guide		1	
	2	590.1.116.1A	Tube		1	
	3	741.1.013.1A	Hose guide		3	
	4	827.1.183.1A	Holder		1	
	5	716.1.043.1A	Spacer		2	
	6	0000.44240	Nut		2	
	7	764.1.029.1A	Rubber pad		2	
	8	827.1.157.1A	Plate		1	
	9	779.5.001.1A	Screw		2	
	10	426.1.007.1A	CANISTER filter		1	
	11	590.1.117.1A	Tube		1	
	12	590.1.171.1A	Tube		1	
	13	590.1.111.1B	Tube		1	
	14	0250.70.223	Aluminium gasket		2	
	15	814.1.091.1B	Union		2	
	16	741.4.001.1A	Hose guide		2	
	17	741.1.012.1A	Hose guide		1	
	18	0361.98.850	Shunt valve		1	
	19	741.4.063.1A	Hose guide		3	
	20	741.4.058.1A	Hose guide		1	
	21	741.4.059.1A	Hose guide		1	

NOTES	NO.	CODE NO.	DESCRIPTION	VALIDITY	Q.TY	
-------	-----	----------	-------------	----------	------	---

DRAWING **042** MARKING PLATES




WARNING
DO NOT ATTEMPT TO LOOK THROUGH THIS FAIRING. THIS IS NOT A WINDSHIELD, BUT AN AERODYNAMIC FAIRING ONLY; FAILURE TO OBSERVE THIS WARNING COULD RESULT IN A COLLISION OR UPSET AND CONSEQUENT SERIOUS BODILY INJURY. Cod. 433 1 165 1A

OBJECT IN MIRROR ARE CLOSER THAN THEY APPEAR
Cod. 433 1 166 1A

ATTENZIONE! Per evitare perdite di carburante dal tubo di sfiato, evitare di sollevare il serbatoio quando questo é pieno oltre la metr.
ATTENTION! To avoid fuel leaks from the breather pipe, do not lift the tank when it is more than half full.
Cod. 439.1.005.1A

HELMET HOLDER UNDER THE SEAT

DRAWING **042** MARKING PLATES

NOTES	NO.	CODE NO.	DESCRIPTION	VALIDITY	Q.TY	
	1	433.1.165.1A	Sticker		1	
	2	433.1.166.1A	Label		2	
	3	433.1.170.1A	Sticker		1	
	4	433.1.164.1A	Sticker		1	

NOTES	NO.	CODE NO.	DESCRIPTION	VALIDITY	Q.TY	
-------	-----	----------	-------------	----------	------	---

INDEX

CODE No.	Drwg.	POS. N.	CODE No.	Drwg.	POS. N.	CODE No.	Drwg.	POS. N.	CODE No.	Drwg.	POS. N.	CODE No.	Drwg.	POS. N.
0000.17847	40	32	0204.70.105	13	7	0400.49.240	11	18	0670.16.171	3	26	0723.92.505	014	19
0000.33552	26	11	0214.07.350	2	22	0400.49.240	5	13	0670.16.184	3	11	0723.92.505	015	16
0000.36230	35	29	0214.07.350	8	18	0619.84.015	17	2	0670.16.184	3	15	0723.92.506	014	19
0000.44099	29	11	0250.70.223	16	12	0619.92.180	14	8	0670.16.185	3	15	0723.92.506	015	16
0000.44240	41	6	0250.70.223	41	14	0619.92.180	15	8	0670.49.310	9	26	0723.92.507	014	19
0000.46664	27	6	0251.47.050	3	1	0647.29.040	12	15	0670.49.910	9	21	0723.92.507	015	16
0000.46665	26	5	0251.47.054	3	1	0647.70.010	14	12	0670.77.320	32	21	0723.92.508	014	19
0000.46665	27	9	0272.91.090	2	8	0647.70.010	15	20	0670.92.190	14	8	0723.92.508	015	16
0000.49654	26	2	0335.03.465	16	25	0659.16.558	4	4	0670.92.190	15	8	0723.92.509	014	19
0000.49654	27	10	0340.13.075	2	11	0660.13.060	2	19	0670.92.190	32	11	0723.92.509	015	16
0000.56803	29	4	0340.13.080	2	12	0660.13.070	2	13	0691.37.020	24	12	0723.92.510	014	19
0000.59056	20	14	0361.91.730	36	10	0660.13.143	2	9	0691.91.010	24	4	0723.92.510	015	16
0000.61172	36	2	0361.98.850	41	18	0660.13.165	2	25	0691.91.030	22	14	0723.92.511	014	19
0000.62729	10	35	0364.99.020	19	14	0660.47.230	6	8	0691.91.030	29	27	0723.92.511	015	16
0000.63150	39	4	0364.99.020	40	10	0660.47.290	6	6	0691.91.030	35	36	0723.92.512	014	19
0000.63150	40	7	0367.49.275	10	11	0660.49.053	9	17	0723.92.239	14	19	0723.92.512	015	16
0000.63161	36	22	0370.39.780	33	32	0660.49.268	10	13	0723.92.239	15	16	0723.92.513	014	19
0000.63161	39	10	0370.69.020	20	12	0660.50.020	12	8	0723.92.500	014	19	0723.92.513	015	16
0000.63161	40	8	0370.84.005	17	1	0660.92.310	13	18	0723.92.500	015	16	0723.92.514	014	19
0000.64471	34	3	0370.98.610	31	6	0665.49.680	5	8	0723.92.501	014	19	0723.92.514	015	16
0000.66527	29	20	0375.92.210	14	13	0670.16.145	3	7	0723.92.501	015	16	0723.92.515	014	19
0011.52.010	10	23	0375.92.210	15	19	0670.16.150	3	3	0723.92.502	014	19	0723.92.515	015	16
0124.40.060	8	7	0377.49.270	10	6	0670.16.155	3	19	0723.92.502	015	16	0723.92.516	014	19
0150.70.120	5	20	0400.09.050	2	21	0670.16.163	3	11	0723.92.503	014	19	0723.92.516	015	16
0150.70.120	9	28	0400.17.030	7	1	0670.16.164	3	15	0723.92.503	015	16	0723.92.517	014	19
0170.91.730	20	28	0400.29.125	2	34	0670.16.165	3	15	0723.92.504	014	19	0723.92.517	015	16
0170.91.730	21	15	0400.29.126	2	34	0670.16.170	3	26	0723.92.504	015	16	0723.92.518	014	19

INDEX

CODE No.	Drwg.	POS. N.	CODE No.	Drwg.	POS. N.	CODE No.	Drwg.	POS. N.	CODE No.	Drwg.	POS. N.	CODE No.	Drwg.	POS. N.
0723.92.518	015	16	0723.92.533	014	19	0723.92.547	015	16	0723.92.605	014	19	0723.92.745	015	16
0723.92.519	014	19	0723.92.533	015	16	0723.92.548	014	19	0723.92.605	015	16	0727.92.050	014	17
0723.92.519	015	16	0723.92.534	014	19	0723.92.548	015	16	0723.92.615	014	19	0727.92.050	015	14
0723.92.520	014	19	0723.92.534	015	16	0723.92.549	014	19	0723.92.615	015	16	0727.92.051	014	17
0723.92.520	015	16	0723.92.535	014	19	0723.92.549	015	16	0723.92.625	014	19	0727.92.051	015	14
0723.92.521	014	19	0723.92.535	015	16	0723.92.550	014	19	0723.92.625	015	16	0727.92.052	014	17
0723.92.521	015	16	0723.92.537	014	19	0723.92.550	015	16	0723.92.635	014	19	0727.92.052	015	14
0723.92.522	014	19	0723.92.537	015	16	0723.92.551	014	19	0723.92.635	015	16	0727.92.053	014	17
0723.92.522	015	16	0723.92.538	014	19	0723.92.551	015	16	0723.92.645	014	19	0727.92.053	015	14
0723.92.523	014	19	0723.92.538	015	16	0723.92.552	014	19	0723.92.645	015	16	0727.92.054	014	17
0723.92.523	015	16	0723.92.539	014	19	0723.92.552	015	16	0723.92.655	014	19	0727.92.054	015	14
0723.92.524	014	19	0723.92.539	015	16	0723.92.553	014	19	0723.92.655	015	16	0727.92.055	014	17
0723.92.524	015	16	0723.92.540	014	19	0723.92.553	015	16	0723.92.675	014	19	0727.92.055	015	14
0723.92.525	014	19	0723.92.540	015	16	0723.92.554	014	19	0723.92.675	015	16	0727.92.056	014	17
0723.92.525	015	16	0723.92.541	014	19	0723.92.554	015	16	0723.92.685	014	19	0727.92.056	015	14
0723.92.526	014	19	0723.92.541	015	16	0723.92.555	014	19	0723.92.685	015	16	0727.92.057	014	17
0723.92.526	015	16	0723.92.542	014	19	0723.92.555	015	16	0723.92.695	014	19	0727.92.057	015	14
0723.92.527	014	19	0723.92.542	015	16	0723.92.556	014	19	0723.92.695	015	16	0727.92.058	014	17
0723.92.527	015	16	0723.92.543	014	19	0723.92.556	015	16	0723.92.705	014	19	0727.92.058	015	14
0723.92.528	014	19	0723.92.543	015	16	0723.92.565	014	19	0723.92.705	015	16	0727.92.059	014	17
0723.92.528	015	16	0723.92.544	014	19	0723.92.565	015	16	0723.92.715	014	19	0727.92.059	015	14
0723.92.529	014	19	0723.92.544	015	16	0723.92.575	014	19	0723.92.715	015	16	0727.92.060	014	17
0723.92.529	015	16	0723.92.545	014	19	0723.92.575	015	16	0723.92.725	014	19	0727.92.060	015	14
0723.92.530	014	19	0723.92.545	015	16	0723.92.585	014	19	0723.92.725	015	16	0727.92.061	014	17
0723.92.530	015	16	0723.92.546	014	19	0723.92.585	015	16	0723.92.735	014	19	0727.92.061	015	14
0723.92.531	014	19	0723.92.546	015	16	0723.92.595	014	19	0723.92.735	015	16	0727.92.062	014	17
0723.92.531	015	16	0723.92.547	014	19	0723.92.595	015	16	0723.92.745	014	19	0727.92.062	015	14

INDEX

CODE No.	Drwg.	POS. N.	CODE No.	Drwg.	POS. N.	CODE No.	Drwg.	POS. N.	CODE No.	Drwg.	POS. N.	CODE No.	Drwg.	POS. N.
0727.92.063	014	17	0727.92.076	015	14	0727.92.090	014	17	0727.92.156	015	14	0727.92.170	014	17
0727.92.063	015	14	0727.92.077	014	17	0727.92.090	015	14	0727.92.157	014	17	0727.92.170	015	14
0727.92.064	014	17	0727.92.077	015	14	0727.92.091	014	17	0727.92.157	015	14	0727.92.171	014	17
0727.92.064	015	14	0727.92.078	014	17	0727.92.091	015	14	0727.92.158	014	17	0727.92.171	015	14
0727.92.065	014	17	0727.92.078	015	14	0727.92.092	014	17	0727.92.158	015	14	0727.92.172	014	17
0727.92.065	015	14	0727.92.079	014	17	0727.92.092	015	14	0727.92.159	014	17	0727.92.172	015	14
0727.92.066	014	17	0727.92.079	015	14	0727.92.093	014	17	0727.92.159	015	14	0727.92.173	014	17
0727.92.066	015	14	0727.92.080	014	17	0727.92.093	015	14	0727.92.160	014	17	0727.92.173	015	14
0727.92.067	014	17	0727.92.080	015	14	0727.92.094	014	17	0727.92.160	015	14	0727.92.174	014	17
0727.92.067	015	14	0727.92.081	014	17	0727.92.094	015	14	0727.92.161	014	17	0727.92.174	015	14
0727.92.068	014	17	0727.92.081	015	14	0727.92.095	014	17	0727.92.161	015	14	0727.92.175	014	17
0727.92.068	015	14	0727.92.082	014	17	0727.92.095	015	14	0727.92.162	014	17	0727.92.175	015	14
0727.92.069	014	17	0727.92.082	015	14	0727.92.096	014	17	0727.92.162	015	14	0727.92.176	014	17
0727.92.069	015	14	0727.92.083	014	17	0727.92.096	015	14	0727.92.163	014	17	0727.92.176	015	14
0727.92.070	014	17	0727.92.083	015	14	0727.92.150	014	17	0727.92.163	015	14	0727.92.177	014	17
0727.92.070	015	14	0727.92.084	014	17	0727.92.150	015	14	0727.92.164	014	17	0727.92.177	015	14
0727.92.071	014	17	0727.92.084	015	14	0727.92.151	014	17	0727.92.164	015	14	0727.92.178	014	17
0727.92.071	015	14	0727.92.085	014	17	0727.92.151	015	14	0727.92.165	014	17	0727.92.178	015	14
0727.92.072	014	17	0727.92.085	015	14	0727.92.152	014	17	0727.92.165	015	14	0727.92.179	014	17
0727.92.072	015	14	0727.92.086	014	17	0727.92.152	015	14	0727.92.166	014	17	0727.92.179	015	14
0727.92.073	014	17	0727.92.086	015	14	0727.92.153	014	17	0727.92.166	015	14	0727.92.180	014	17
0727.92.073	015	14	0727.92.087	014	17	0727.92.153	015	14	0727.92.167	014	17	0727.92.180	015	14
0727.92.074	014	17	0727.92.087	015	14	0727.92.154	014	17	0727.92.167	015	14	0727.92.181	014	17
0727.92.074	015	14	0727.92.088	014	17	0727.92.154	015	14	0727.92.168	014	17	0727.92.181	015	14
0727.92.075	014	17	0727.92.088	015	14	0727.92.155	014	17	0727.92.168	015	14	0727.92.182	014	17
0727.92.075	015	14	0727.92.089	014	17	0727.92.155	015	14	0727.92.169	014	17	0727.92.182	015	14
0727.92.076	014	17	0727.92.089	015	14	0727.92.156	014	17	0727.92.169	015	14	0727.92.183	014	17

INDEX

CODE No.	Drwg.	POS. N.	CODE No.	Drwg.	POS. N.	CODE No.	Drwg.	POS. N.	CODE No.	Drwg.	POS. N.	CODE No.	Drwg.	POS. N.
0727.92.183	015	14	0755.17.125	7	7	120.2.085.1A	7	8	172.1.113.1A	3	24	220.3.208.3A	9	16
0727.92.184	014	17	0755.29.025	6	14	120.2.086.1A	7	4	172.1.114.1A	3	22	225.2.076.2A	10	1
0727.92.184	015	14	0755.29.025	8	23	121.1.129.1A	7	3	172.1.115.1A	3	21	230213	20	19
0727.92.185	014	17	0755.49.265	10	2	121.2.035.1A	7	11	172.1.116.1A	3	20	230213	33	41
0727.92.185	015	14	0759.49.280	9	15	122.2.105.1A	7	9	172.1.117.1A	3	23	235.1.026.1A	13	11
0727.92.186	014	17	0765.92.185	14	8	135.1.008.2A	31	8	173.1.012.3A	12	20	235.1.027.1A	13	5
0727.92.186	015	14	0765.92.185	15	8	140.2.014.2A	16	11	174.1.002.1A	9	3	235.2.031.1A	13	20
0727.92.187	014	17	0765.92.190	14	8	146.2.103.1A	6	1	174.1.025.1A	9	12	240.1.010.1AB	14	10
0727.92.187	015	14	0765.92.190	15	8	147.1.015.1A	8	4	174.2.025.5A	9	1	240.1.010.1AB	15	12
0727.92.188	014	17	0765.92.195	14	8	148.1.146.1A	13	22	176.1.001.1A	12	6	240.1.012.1BB	15	24
0727.92.188	015	14	0765.92.195	15	8	148.1.147.1A	13	16	176.1.009.1A	12	10	242.2.045.1A	11	19
0727.92.189	014	17	0765.92.205	14	8	149.1.033.1A	3	2	180.1.008.1A	2	24	243.1.029.1A	5	17
0727.92.189	015	14	0765.92.205	15	8	149.1.034.1A	3	25	182.2.018.1A	2	18	243.2.028.2AC	5	1
0727.92.190	014	17	0765.92.205	2	21	150.2.061.1A	3	27	184.1.001.1A	33	11	245.1.047.1A	8	2
0727.92.190	015	14	0795.37.120	24	13	150.2.062.1A	3	28	190.2.009.2B	4	7	245.1.048.1A	8	8
0727.92.191	014	17	0796.38.305	22	2	158.2.018.1A	6	5	194.2.016.1A	4	5	246.1.046.1B	31	7
0727.92.191	015	14	0797.72.068	29	13	160.1.004.2B	34	18	195.4.002.1A	27	3	246.1.057.1D	29	22
0727.92.192	014	17	0799.13.110	2	27	160.1.013.1B	38	6	195.4.003.1A	4	19	246.1.070.1A	24	19
0727.92.192	015	14	0803.77.010	34	16	160.1.057.1A	12	13	196.1.016.3A	4	10	247.1.002.1BC	11	9
0727.92.193	014	17	0960.91.130	19	10	160.1.076.1A	13	17	208.1.012.4A	14	14	247.1.073.1A	20	21
0727.92.193	015	14	0960.91.130	22	8	170.2.072.1A	4	12	208.1.012.4A	15	17	247.1.083.1AE	11	4
0727.92.194	014	17	0960.91.130	30	16	171.2.020.2B	8	10	209.1.012.4A	14	16	247.1.112.1B	39	8
0727.92.194	015	14	0960.91.130	36	15	172.1.108.1A	3	10	209.1.012.4A	15	18	247.1.115.1A	21	10
0727.92.195	014	17	117.1.017.1A	38	14	172.1.109.1A	3	8	210.1.003.5A	14	22	247.1.174.1A	9	2
0727.92.195	015	14	117.1.025.2A	33	13	172.1.110.1A	3	5	210.1.003.5A	15	6	250.1.038.1A	9	5
0727.92.239	14	17	117.2.007.1A	4	16	172.1.111.1A	3	9	211.1.003.4A	14	21	254.1.001.2A	11	7
0727.92.239	15	14	117.2.030.1A	20	8	172.1.112.1A	3	18	211.1.003.4A	15	7	254.4.001.1A	5	4

INDEX

CODE No.	Drwg.	POS. N.	CODE No.	Drwg.	POS. N.	CODE No.	Drwg.	POS. N.	CODE No.	Drwg.	POS. N.	CODE No.	Drwg.	POS. N.
255.1.001.1B	8	13	303.1.004.1CC	15	2	349.2.021.1A	25	9	420.2.001.0A	2	5	442.1.007.2A	31	4
255.1.014.1A	13	3	303.1.004.1CD	14	5	350.1.008.1B	25	15	420.2.001.0A	26	8	442.1.042.1B	31	2
264.4.022.1A	11	1	303.1.004.1CD	15	2	350.1.009.1B	25	5	420.2.001.0A	27	12	442.2.041.1B	31	1
270.4.001.1A	12	1	304.1.005.2A	14	2	360.1.037.1A	24	20	420.2.001.0A	33	25	444.4.003.4A	9	20
276.1.025.1B	12	16	304.1.005.2A	15	5	360.1.038.1A	24	17	420.2.001.0A	9	34	446.1.001.1A	32	9
280.4.007.1A	16	10	304.1.005.2AB	14	2	365.2.038.1A	32	13	420.2.006.2A	10	40	447.1.005.1BB	32	19
282.4.047.1A	16	1	304.1.005.2AB	15	5	369.1.004.1A	32	2	420.2.006.4A	10	19	449.1.049.1A	3	12
283.4.003.1A	16	21	304.1.005.2AC	14	2	370.1.015.1B	32	1	420.2.006.4A	28	10	451.1.025.1A	8	16
284.4.008.1A	16	2	304.1.005.2AC	15	5	373.1.008.1A	32	12	425.4.004.1B	37	4	451.2.006.1A	8	17
286.4.067.1A	29	5	304.1.006.2A	14	3	373.1.009.1B	32	8	425.4.008.1A	37	8	455.2.003.1A	2	4
287.4.024.1B	16	8	304.1.006.2A	15	4	373.1.019.1A	32	23	426.1.007.1A	41	10	456.2.007.1A	20	16
300160	15	35	304.1.006.2AB	14	3	380.4.004.1B	29	10	430.4.004.1A	37	6	457.2.008.1A	33	6
301.2.124.1A	15	1	304.1.006.2AB	15	4	389.4.006.1A	29	26	433.1.108.1H	32	27	462.4.037.6A	30	1
301.2.125.1A	14	1	304.1.006.2AC	14	3	389.4.008.1A	29	26	433.1.164.1A	42	4	462.4.046.1A	23	3
303.1.003.1A	14	4	304.1.006.2AC	15	4	389.4.010.1A	29	26	433.1.165.1A	42	1	463.2.019.6A	7	2
303.1.003.1A	15	3	340.2.137.1A	25	11	389.4.013.1A	29	26	433.1.166.1A	42	2	463.2.022.2A	16	14
303.1.003.1AB	14	4	340.2.139.1A	25	13	389.4.014.1A	29	3	433.1.170.1A	42	3	463.4.001.1A	10	22
303.1.003.1AB	15	3	341.1.039.1A	24	9	390.4.003.1A	35	3	433.1.300.1B	29	23	464.1.005.1A	20	20
303.1.003.1AC	14	4	342.2.007.1A	24	3	395.4.013.1B	30	14	435.1.030.1AA	38	10	464.1.006.1A	21	13
303.1.003.1AC	15	3	347.2.001.1A	25	12	397.4.002.1A	30	3	436.1.030.1AA	36	5	465.1.008.1A	20	27
303.1.003.1AD	14	4	348.2.010.1A	25	7	406.1.023.1B	23	1	436.1.030.1AB	36	5	465.1.010.1A	21	6
303.1.003.1AD	15	3	349.1.143.1A	25	2	417.7.007.1A	35	27	437.1.108.1AA	40	40	470.1.042.1DA	19	1
303.1.004.1C	14	5	349.1.149.1A	25	14	417.9.030.8A	24	1	437.1.108.1AB	40	40	480.1.083.1AA	40	27
303.1.004.1C	15	2	349.1.152.1A	25	6	417.9.050.6A	30	2	437.1.123.1AA	40	25	480.1.083.1AB	40	27
303.1.004.1CB	14	5	349.1.155.1A	25	16	420.2.000.7A	14	23	437.1.123.1AB	40	25	480.1.084.1BA	40	28
303.1.004.1CB	15	2	349.2.019.1A	25	8	420.2.000.7A	15	23	437.1.124.1AA	40	41	480.1.084.1BB	40	28
303.1.004.1CC	14	5	349.2.020.1A	25	10	420.2.001.0A	17	9	437.1.124.1AB	40	41	480.1.133.1BA	40	26

INDEX

CODE No.	Drwg.	POS. N.	CODE No.	Drwg.	POS. N.	CODE No.	Drwg.	POS. N.	CODE No.	Drwg.	POS. N.	CODE No.	Drwg.	POS. N.
480.1.133.1BB	40	26	487.1.018.3A	39	1	532.4.001.1A	35	20	561.1.019.1A	35	26	590.1.171.1A	41	12
480.1.134.1BA	40	18	492.4.003.2A	34	24	532.4.001.1A	40	23	564.1.018.1A	40	1	590.1.179.1A	37	1
480.1.134.1BB	40	18	492.4.024.1A	34	10	532.4.003.1A	35	2	564.1.018.1AB	40	1	590.1.189.1A	1c	1
480.3.081.1A	40	26	494.1.004.4A	34	15	539.1.021.1A	2	6	564.3.018.1A	40	1	590.1.190.1A	1c	2
480.3.082.1B	40	18	497.2.001.2A	34	8	539.1.023.1A	18	5	565.1.011.1A	32	28	592.1.015.1A	37	9
480.3.083.1A	40	27	501.2.104.1AA	34	7	539.4.003.1B	33	15	570.1.082.1A	17	7	593.1.003.1B	10	33
480.3.084.1B	40	28	502.2.109.1AA	34	23	539.4.004.1B	27	5	571.1.083.1A	17	5	593.1.018.1A	9	29
481.1.019.1AA	39	3	510.1.121.1A	35	32	539.4.030.1A	5	21	573.1.047.3A	17	11	595.1.038.1B	36	8
481.1.019.1AB	39	3	510.1.210.1A	22	16	539.4.034.1A	26	13	574.1.047.3A	17	18	598.2.023.1A	35	30
481.1.020.1AA	39	14	510.1.211.2A	29	1	540.4.010.1A	29	18	575.1.001.1AB	17	3	598.2.031.1B	19	13
481.1.020.1AB	39	14	514.1.032.1A	1c	9	541.4.007.1A	30	13	576.1.031.1A	17	12	598.4.016.1A	24	8
481.3.019.1A	39	3	514.1.033.1A	1c	13	548.4.030.1A	28	9	576.1.032.1A	17	19	598.4.018.1A	24	31
481.3.020.1A	39	14	514.1.034.1A	1c	12	552.1.037.1A	1c	4	585.1.008.2B	31	21	60N102505	33	34
482.1.025.1BA	36	6	514.1.035.1A	1c	10	552.1.038.1A	1c	5	585.4.001.1A	33	20	60N102509	24	14
482.1.025.1BB	36	6	514.1.036.1A	1c	10	552.1.039.1A	1c	7	586.1.030.1DA	38	1	60N102511	19	12
482.1.026.1BA	36	7	514.1.037.1A	1c	6	552.1.040.1A	1c	11	586.1.030.1DB	38	1	60N102511	28	5
482.1.026.1BB	36	7	514.1.038.1A	1c	14	552.1.045.1A	9	35	586.3.030.3A	38	1	60N102557	24	11
482.3.025.1A	36	6	514.1.043.1A	30	5	552.4.013.1A	15	32	590.1.027.1A	37	2	60N102585	32	4
482.3.026.1A	36	7	516.4.001.1AB	29	6	552.4.020.1A	11	12	590.1.056.3A	37	13	60N102587	32	17
484.1.032.1A	40	17	518.4.004.1B	24	30	552.4.028.1A	1b	15	590.1.084.1A	16	18	60N102590	24	28
484.1.033.1A	40	11	520.4.029.1C	22	1	552.4.031.1A	22	7	590.1.101.1B	37	14	60N107335	4	20
484.1.035.1A	40	16	523.4.010.1A	39	7	552.4.037.1A	33	38	590.1.104.1A	16	16	60N115062	20	7
484.1.036.1A	40	15	523.4.011.1A	39	5	556.1.018.1C	18	9	590.1.111.1B	41	13	60N115062	33	9
486.1.051.1A	5	6	525.1.004.2A	35	31	556.1.023.1A	18	3	590.1.116.1A	41	2	60N115548	35	23
486.1.054.1A	40	37	525.4.014.1A	35	1	556.2.021.1A	18	1	590.1.117.1A	41	11	610.4.039.1A	27	18
486.1.055.1A	40	39	529.1.006.1A	35	28	559.1.006.1A	36	1	590.1.154.1A	16	7	610.4.040.1A	27	22
486.1.067.1A	38	25	529.1.008.1AB	40	43	561.1.013.2A	35	24	590.1.162.1A	16	17	611.4.009.1A	33	35

INDEX

CODE No.	Drwg.	POS. N.	CODE No.	Drwg.	POS. N.	CODE No.	Drwg.	POS. N.	CODE No.	Drwg.	POS. N.	CODE No.	Drwg.	POS. N.
612.4.005.1A	26	10	656.1.018.3A	24	5	700.1.027.1A	15	33	713.1.011.1A	3	15	72465.0214	27	4
612.4.008.1A	27	7	657.1.017.1A	24	27	700.1.027.1A	7	12	713.1.014.1A	3	11	72944.1542	13	1
612.4.008.1A	33	31	658.4.002.1B	24	22	700.1.042.1A	23	4	713.1.014.1A	3	15	72944.1542	8	11
612.4.014.1A	27	16	669.1.003.1A	14	18	701.4.003.1A	12	19	713.1.014.1B	3	11	729906FN1	35	15
612.4.016.1A	33	29	669.1.003.1A	15	15	701.4.005.1A	3	4	713.1.014.1E	3	11	729906FN1	39	2
612.4.017.1A	27	15	670.4.007.1A	29	21	701.4.007.1A	12	21	713.1.014.1E	3	15	729906FN1	40	19
612.4.018.1A	27	21	672.1.013.1A	29	14	702.4.020.1A	10	25	713.1.014.1F	3	11	729908FN1	17	10
613.4.021.1A	33	33	672.1.023.1A	30	17	702.4.040.1A	10	9	713.1.032.1A	34	13	729908FN1	19	8
613.4.041.1A	27	17	672.1.024.1A	30	18	702.5.008.1A	10	20	713.1.119.1A	4	15	732.2.009.2A	35	10
618.4.035.2B	27	14	672.1.029.1A	30	21	702.5.008.1A	11	3	713.1.137.1A	15	27	73270.8001	17	13
619.4.020.1A	33	23	672.1.034.1A	15	34	702.5.008.1A	4	6	713.1.140.1A	10	14	734010N01	32	16
624.4.029.1A	27	1	672.4.004.1A	22	9	702.5.015.1A	4	14	713.1.192.1A	33	39	734305N01	35	13
625.4.006.1A	33	26	672.4.005.1A	22	4	703.1.019.1A	15	30	713.1.241.1A	5	18	734306N01	10	37
626.1.003.1A	27	2	676.2.051.1A	34	2	70620.5212	16	26	714.1.028.1A	34	6	734306N01	11	25
626.4.001.1A	26	7	676.4.035.1A	32	22	70700.6N02	28	7	714.1.040.1A	34	22	734306N01	28	3
626.4.001.1A	27	11	677.4.003.1A	1a	4	70914.2121	17	14	714.1.045.1A	34	4	734310N01	32	14
626.4.013.1A	33	28	680.1.001.1B	9	7	710.1.001.1A	9	13	7150.22.594	25	1	73500.0624	33	3
626.4.025.1A	26	3	684.1.027.3A	19	11	710.1.006.1A	34	17	716.1.022.1A	31	13	73500.1237	12	7
626.4.037.1A	26	4	684.1.042.1A	40	30	710.1.032.1A	10	38	716.1.043.1A	41	5	73500.1237	9	25
630.4.021.1A	26	1	684.1.043.1A	40	31	710.1.069.1A	10	21	716.1.051.1A	36	16	73500.1440	12	11
631.4.004.1A	27	19	684.1.044.1A	17	16	710.1.070.1A	10	30	716.1.103.1A	30	11	73500.1542	2	15
631.4.008.1A	33	27	684.1.046.1A	18	11	711.1.072.1A	10	39	716.4.001.1A	22	12	73500.1747	15	26
632.1.016.2B	26	6	697.2.010.1B	36	3	711.1.095.1A	10	32	72094.1616	10	10	73503.3075	5	11
650.4.009.1B	24	29	698.1.033.1A	1c	15	711.1.128.1A	10	43	72121.2106	6	4	73503.3380	10	18
651.4.011.1A	24	18	700.1.005.1A	34	21	712.1.009.2A	38	13	72231.0871	40	12	73503.3380	11	2
652.4.006.1B	24	10	700.1.011.1A	28	6	712.1.013.3A	38	19	723.1.005.1C	38	16	73503.3380	13	4
654.2.003.1A	24	23	700.1.027.1A	14	25	713.1.007.1A	13	9	723.1.005.1CB	38	16	73503.3449	16	22

INDEX

CODE No.	Drwg.	POS. N.	CODE No.	Drwg.	POS. N.	CODE No.	Drwg.	POS. N.	CODE No.	Drwg.	POS. N.	CODE No.	Drwg.	POS. N.
73503.3683	13	13	74223.1045	31	14	75173.1542	13	19	76401.0003	20	10	771.5.067.8B	8	1
736.4.013.1B	40	4	74224.0570	6	7	75191.3380	10	29	76402.0002	3	17	771.5.069.8B	11	6
737.4.007.2A	8	14	747.5.001.1A	20	9	75794.1542	10	17	766.4.017.2A	13	12	771.5.069.8B	12	5
741.1.003.1A	17	6	748.1.008.1B	32	32	759.1.017.1A	30	6	766.4.018.1A	13	23	771.5.069.8B	5	5
741.1.012.1A	41	17	748.1.014.1B	34	1	759.2.016.1A	38	11	76835.1134	2	10	771.5.069.8B	8	5
741.1.013.1A	33	37	748.1.035.1A	23	5	760.1.003.1B	31	9	770.1.003.1A	34	25	771.5.069.8B	9	10
741.1.013.1A	41	3	748.1.038.1A	10	8	76266.2668	10	4	770.5.250.8B	10	15	771.5.071.8B	11	17
741.4.001.1A	41	16	748.1.039.1A	16	15	76267.0012	9	24	771.1.020.1A	34	9	771.5.071.8B	5	23
741.4.002.1A	31	15	748.1.040.1A	2	23	76270.0827	3	29	771.5.004.2B	32	24	771.5.072.8B	10	31
741.4.004.1A	16	5	748.4.002.1A	19	3	763106N01	20	5	771.5.019.2B	16	29	771.5.072.8B	5	7
741.4.008.2A	37	11	748.4.024.1A	34	12	763110N01	32	5	771.5.040.2B	38	21	771.5.073.8B	11	16
741.4.038.1A	29	2	748.4.026.1B	39	13	764.1.001.1A	17	15	771.5.040.8B	11	21	771.5.078.8B	12	12
741.4.038.1A	40	42	748.4.033.1A	17	4	764.1.005.1A	22	15	771.5.040.8B	13	6	771.5.080.8B	10	27
741.4.040.1A	16	9	749.4.045.2G	18	10	764.1.009.1A	14	20	771.5.043.2B	29	9	771.5.081.8B	5	3
741.4.041.1A	16	6	749.5.001.1A	35	18	764.1.009.1A	15	21	771.5.043.2B	35	22	771.5.083.8B	5	2
741.4.042.1A	16	3	749.5.002.1A	29	28	764.1.010.1A	38	17	771.5.043.8B	4	1	771.5.123.8B	2	30
741.4.043.1A	33	17	749.5.002.1A	35	14	764.1.011.1A	20	15	771.5.045.7E	38	4	771.5.123.8B	8	20
741.4.057.1A	41	1	750.1.007.1A	4	8	764.1.011.2A	33	5	771.5.064.2B	11	5	771.5.129.8B	9	8
741.4.058.1A	41	20	750.1.012.2A	6	16	764.1.013.1A	14	6	771.5.064.8B	8	24	771.5.136.8B	10	24
741.4.059.1A	41	21	750.1.113.1A	6	13	764.1.013.1A	15	22	771.5.065.8B	13	10	771.5.431.2B	27	20
741.4.062.1A	32	6	750.1.114.1A	30	10	764.1.029.1A	41	7	771.5.066.2B	33	40	771.5.663.2B	19	6
741.4.063.1A	41	19	750.1.121.1A	12	3	764.1.031.1A	30	15	771.5.066.8B	11	24	771.5.667.2B	20	11
741.4.064.1A	37	3	75120.1747	13	8	764.1.063.1A	17	21	771.5.066.8B	13	21	771.5.667.2B	31	17
741.4.066.1A	37	12	75120.2567	10	12	764.4.004.1A	19	2	771.5.067.8B	11	13	771.5.667.2B	35	34
74172.1008	13	15	75162.2566	34	5	764.4.007.1A	22	13	771.5.067.8B	14	11	771.5.667.2B	36	18
74172.1008	6	10	75163.3268	34	20	76400.0004	10	3	771.5.067.8B	15	13	771.5.667.2B	40	20
74172.1008	8	3	75166.1238	8	19	76401.0002	20	6	771.5.067.8B	2	28	771.5.721.2B	29	7

INDEX

CODE No.	Drwg.	POS. N.	CODE No.	Drwg.	POS. N.	CODE No.	Drwg.	POS. N.	CODE No.	Drwg.	POS. N.	CODE No.	Drwg.	POS. N.
771.5.724.2B	33	30	775.1.011.1A	40	9	779.1.366.1AB	26	9	791.1.052.1A	30	20	8000.59572	22	17
771.5.725.2B	20	2	775.1.013.1A	40	33	779.1.366.1AB	27	13	791.1.059.1A	22	11	8000.59572	30	7
771.5.725.2B	21	5	776.5.032.8A	16	13	779.1.366.1AB	33	24	791.2.034.1A	7	5	8000.62655	20	26
771.5.754.2B	18	2	776.5.307.2A	27	8	779.4.005.1A	18	4	799.1.025.1A	2	20	8000.62655	21	8
771.5.754.2B	33	14	777.5.038.2B	35	9	779.4.075.1A	11	14	799.1.045.1A	20	4	8000.62705	38	23
772.1.010.3A	8	9	777.5.049.2C	36	20	779.5.001.1A	31	20	799.1.045.1A	21	3	8000.62729	16	20
772.5.018.1A	30	12	777.5.049.8B	11	10	779.5.001.1A	40	14	799.1.049.1A	2	1	8000.63150	35	6
772.5.022.1A	19	7	779.1.007.2A	6	9	779.5.001.1A	41	9	799.1.051.2A	6	15	8000.63161	35	7
772.5.023.1A	22	6	779.1.009.1A	32	26	779.5.007.1A	38	2	799.1.055.1A	9	30	8000.65535	35	8
772.5.023.1A	24	7	779.1.029.2A	10	26	779.5.010.1A	36	13	799.1.058.1A	24	6	8000.66526	29	19
772.5.023.1A	29	8	779.1.037.1A	32	10	779.5.010.1A	39	11	799.1.061.1A	14	7	8000.66774	24	25
772.5.023.1A	35	33	779.1.039.1A	2	3	779.5.016.1A	17	17	799.1.061.1A	15	9	8000.67981	33	8
772.5.023.1A	40	6	779.1.050.1A	30	22	780.1.007.1A	17	8	799.1.083.1B	33	36	8000.70127	25	4
772.5.024.1A	29	17	779.1.050.1A	32	18	780.1.016.1A	6	3	799.1.088.1A	18	7	8000.70139	1a	2
772.5.024.1A	33	12	779.1.082.2A	26	12	780.1.018.1A	9	31	799.1.089.1A	18	6	8000.74504	35	21
772.5.024.1A	35	25	779.1.088.1A	29	24	786.1.069.2A	7	6	799.2.077.2A	9	14	8000.74504	40	21
772.5.025.1A	20	22	779.1.088.1A	39	6	787.1.008.1A	15	29	8000.18048	30	9	8000.74505	35	4
772.5.025.1A	21	11	779.1.099.1A	24	2	788.1.027.1A	31	3	8000.18048	31	12	8000.74505	40	24
772.5.025.1A	22	10	779.1.109.1A	6	2	788.1.032.2A	14	9	8000.36230	22	3	8000.78345	24	16
772.5.025.1A	33	21	779.1.119.2A	32	29	788.1.032.2A	15	11	8000.36726	35	19	801.1.023.2A	16	28
772.5.025.1A	38	24	779.1.133.1A	14	24	788.1.054.1A	12	4	8000.36726	40	22	801.1.024.2A	16	4
773.1.001.1A	5	19	779.1.133.1A	15	25	788.1.066.1AA	11	22	8000.56359	29	16	802.1.005.1A	38	9
773.5.069.8B	9	6	779.1.162.2A	9	27	788.1.066.1AB	11	22	8000.56359	31	16	806.1.014.0A	35	12
774.5.002.1A	31	5	779.1.182.2A	10	41	788.1.066.1AC	11	22	8000.56359	36	17	806.1.014.1AA	35	12
775.1.006.1A	30	23	779.1.198.2A	9	23	789.1.001.1A	37	10	8000.56443	35	16	806.1.014.1AB	35	12
775.1.008.2A	40	34	779.1.203.2A	2	7	791.1.015.1A	38	7	8000.56443	39	9	80A0.53548	20	18
775.1.011.1A	36	21	779.1.213.1A	19	9	791.1.039.1A	38	3	8000.59056	33	4	80C0.05893	38	22

INDEX

CODE No.	Drwg.	POS. N.	CODE No.	Drwg.	POS. N.	CODE No.	Drwg.	POS. N.	CODE No.	Drwg.	POS. N.	CODE No.	Drwg.	POS. N.
814.1.091.1B	41	15	826.1.011.1A	3	13	835.1.002.1A	38	15	852.1.096.1A	24	24	852.1.174.1A	2	31
814.1.114.1A	1c	8	827.1.087.1B	33	22	841.1.028.1A	28	8	852.1.099.1A	17	20	852.1.174.1A	8	21
815.1.022.1A	10	42	827.1.115.1A	20	24	841.1.028.1A	36	14	852.1.104.1A	6	11	852.1.175.1A	12	17
815.1.022.1A	28	4	827.1.115.1A	21	7	841.1.028.1A	40	13	852.1.104.1B	6	11	852.1.176.1A	5	16
818.1.010.1B	4	3	827.1.139.2B	18	8	841.1.039.1A	4	2	852.1.104.1C	6	11	852.5.001.1A	35	17
819.1.017.1A	34	11	827.1.157.1A	41	8	847.4.002.1A	20	25	852.1.104.1D	6	11	852.5.002.1A	40	29
819.1.021.1A	32	31	827.1.178.1A	29	15	847.4.002.1A	21	9	852.1.104.1E	6	11	852.5.003.1A	31	11
821.1.001.1A	2	26	827.1.183.1A	41	4	850.1.003.1A	40	3	852.1.104.1F	6	11	852.5.005.1A	9	18
821.1.009.1B	34	19	827.1.241.1A	16	27	850.4.010.1A	36	12	852.1.104.1G	6	11	853.1.002.1A	9	9
821.1.028.2B	38	18	827.2.134.1A	38	20	850.4.012.1A	38	12	852.1.104.1H	6	11	853.1.003.1A	11	27
821.1.051.1A	20	3	829.1.021.2A	37	5	850.4.037.1B	39	12	852.1.104.1I	6	11	853.1.003.1A	12	2
821.1.051.1A	21	2	829.1.073.3A	5	24	850.4.037.1B	40	38	852.1.104.1J	6	11	853.1.004.1A	9	11
821.1.054.1A	29	25	829.1.078.1A	33	1	851.1.004.1A	4	9	852.1.104.1K	6	11	856.1.001.1A	3	6
821.1.068.1A	20	29	829.1.109.1B	28	1	851.1.013.1A	8	6	852.1.104.1L	6	11	856.1.002.2A	8	15
821.1.068.1A	21	14	829.1.136.1A	35	35	851.4.003.1A	6	12	852.1.104.1M	6	11	856.1.014.1A	4	11
821.1.070.1A	2	17	829.1.231.1A	35	5	852.1.001.1A	32	3	852.1.104.1N	6	11	856.1.025.2A	10	7
821.1.089.1A	36	11	829.1.235.1A	15	31	852.1.002.1A	32	3	852.1.105.1AB	3	26	856.1.031.1A	3	16
821.1.091.1A	33	7	829.1.275.1A	10	36	852.1.003.1A	32	3	852.1.105.1AD	3	26	856.1.040.1A	40	35
821.1.096.1A	33	10	829.1.287.1A	30	19	852.1.005.1A	2	14	852.1.105.1AG	3	26	856.1.042.1A	40	5
821.1.115.1A	14	15	829.1.368.1A	23	2	852.1.008.1A	5	10	852.1.108.1AH	3	1	856.1.071.1A	12	9
821.1.115.1A	15	10	829.1.373.1A	22	5	852.1.053.1A	20	13	852.1.108.1AL	3	1	856.4.002.1A	40	36
824.1.043.1A	21	1	829.1.374.1A	30	8	852.1.053.2A	2	2	852.1.108.1AN	3	1	863.1.002.1A	12	14
824.1.044.1A	20	1	829.1.379.1A	30	4	852.1.054.1A	33	2	852.1.120.1A	9	32	866.1.030.1A	36	9
824.1.045.1A	21	12	829.1.380.1A	29	12	852.1.075.1A	40	2	852.1.124.2A	13	14	866.1.035.1A	19	5
824.1.046.1A	20	23	829.2.232.1A	36	19	852.1.079.1A	32	30	852.1.172.1A	2	29	866.1.036.1A	35	11
825.1.032.1A	33	18	830.1.091.2A	16	19	852.1.093.1A	2	14	852.1.173.1A	13	2	866.1.038.1A	19	15
826.1.009.1A	2	33	830.1.144.1A	11	20	852.1.094.1A	2	19	852.1.173.1A	8	12	872.1.019.1A	32	25

INDEX

CODE No.	Drwg.	POS. N.	CODE No.	Drwg.	POS. N.	CODE No.	Drwg.	POS. N.	CODE No.	Drwg.	POS. N.	CODE No.	Drwg.	POS. N.
872.1.026.1A	19	4	886.4.021.1A	16	24	88713.2107	1	1	88765.1126Q	1b	5	88765.1373	1b	27
872.4.028.1A	24	15	886.4.022.1A	16	23	88713.2133	1	22	88765.1126R	1b	3	88765.1374	1b	28
872.4.029.1A	24	21	886.4.028.1A	15	28	88713.2362	1	11	88765.1126S	1b	22	893.1.005.1A	5	15
873.1.035.1A	24	26	886.4.035.1A	11	8	88713.2422	1	7	88765.1126T	1b	23	893.4.005.1A	33	19
873.1.039.1A	9	33	886.4.037.1A	9	4	88713.2423	1	6	88765.1126T	1c	16	894.2.009.1A	9	19
875.1.052.1A	28	11	886.4.043.1A	4	17	88765.1000	1	15	88765.1126U	1b	20	895.4.001.2A	38	5
875.1.053.1A	28	12	886.5.015.1A	28	2	88765.1005	1	15	88765.1126V	1b	8	8A00.67997	3	14
875.1.065.1A	1c	3	88700.5644	1	12	88765.1006	1	15	88765.1126Z	1b	1	8A00.67997	32	15
876.1.047.3A	31	19	88700.5749	1	20	88765.1058	1	13	88765.1241	1c	0	8A00.69056	25	3
876.1.071.1A	31	10	88713.0123	1	5	88765.1073	1b	21	88765.1242	1c	0	913.7.088.1E	36	4
877.1.066.1A	33	16	88713.0262	1	16	88765.1074	1b	21	88765.1243	1c	0	914.7.023.1A	1b	2
877.2.045.1A	31	18	88713.0844	1	10	88765.1075	1b	21	88765.1244	1c	0	914.7.023.1B	1b	2
881.1.010.1C	12	18	88713.1010	1a	7	88765.1076	1b	21	88765.1245	1c	0	914.7.023.1C	1b	2
881.1.012.1A	2	32	88713.1058	1a	1	88765.1077	1b	21	88765.1297	1	23	914.7.023.1D	1b	2
881.1.026.1A	4	13	88713.1072	1a	6	88765.1126	1b	6	88765.1298	1	18	914.7.023.1E	1b	2
881.1.030.1A	11	26	88713.1091	1	21	88765.1126A	1b	4	88765.1363A	1	8	93783.0812	3	30
881.1.030.1A	5	22	88713.1096	1a	8	88765.1126B	1b	12	88765.1363B	1	8	93783.1524	11	11
882.1.003.1A	8	22	88713.1215	1	9	88765.1126C	1b	11	88765.1363C	1	8	93784.2030	5	9
882.1.006.1A	2	16	88713.1344	1a	3	88765.1126D	1b	14	88765.1363D	1	8	93785.1830	10	16
884.4.001.1A	34	14	88713.1515	1a	5	88765.1126E	1b	9	88765.1363E	1	8	93823.0128	32	20
884.4.007.1A	32	7	88713.1749	1	24	88765.1126F	1b	13	88765.1369A	1b	24	93823.2018	4	18
884.4.012.1A	37	7	88713.1994	1	25	88765.1126G	1b	17	88765.1369B	1b	24	93823.2082	5	14
884.4.017.1A	7	10	88713.2009	1	14	88765.1126H	1b	16	88765.1369C	1b	24	93823.3156	10	34
884.5.003.1A	20	17	88713.2011	1	17	88765.1126L	1b	19	88765.1369D	1b	24	93827.0114	10	28
884.5.003.1A	21	4	88713.2036	1	19	88765.1126M	1b	18	88765.1369E	1b	24	93827.0114	5	12
886.4.003.1A	11	23	88713.2096	1	2	88765.1126N	1b	7	88765.1371	1b	25	93827.0114	9	22
886.4.011.1A	38	8	88713.2103	1	3	88765.1126P	1b	10	88765.1372	1b	26	94247.0014	10	5

INDEX

CODE No.	Drwg.	POS. N.	CODE No.	Drwg.	POS. N.	CODE No.	Drwg.	POS. N.	CODE No.	Drwg.	POS. N.	CODE No.	Drwg.	POS. N.
94247.0014	11	15												
98112.0002	1	4												

DUCATIMOTOR HOLDING 

Spare Sparts Department

SS 800 *i.e.*

P.N. 91511661B

M.Y. '04

Luglio - July '03

U.S.A.

Edizione - Edition 00

DUCATIMOTOR HOLDING 

Spare Sparts Department

SS 800 *i.e.*

P.N. 91511661B

M.Y. '04

Luglio - July '03

U.S.A.

Edizione - Edition 00

DUCATIMOTOR HOLDING 

Spare Sparts Department

SS 800 *i.e.*

P.N. 91511661B

M.Y. '04

Luglio - July '03

U.S.A.

Edizione - Edition 00

DUCATIMOTOR HOLDING 

Spare Sparts Department

SS 800 *i.e.*

P.N. 91511661B

M.Y. '04

Luglio - July '03

U.S.A.

Edizione - Edition 00

Spare parts catalogue SUPERSPORT 800 i.e. U.S.A.

***DUCATI*SS**



