




Spare parts catalogue **SPORT** 1000 S **U.S.A.**


DUCATI *SPORTCLASSIC*



DUCATI		<b>SPORT</b> 1000 S	M.Y. '07	<b>U.S.A.</b>
Spare Parts Department		P.N. 91512531B	Novembre - November '06	Edizione - Edition 00

DUCATI		<b>SPORT</b> 1000 S	M.Y. '07	<b>U.S.A.</b>
Spare Parts Department		P.N. 91512531B	Novembre - November '06	Edizione - Edition 00

DUCATI		<b>SPORT</b> 1000 S	M.Y. '07	<b>U.S.A.</b>
Spare Parts Department		P.N. 91512531B	Novembre - November '06	Edizione - Edition 00

DUCATI		<b>SPORT</b> 1000 S	M.Y. '07	<b>U.S.A.</b>
Spare Parts Department		P.N. 91512531B	Novembre - November '06	Edizione - Edition 00



## GENERAL INFORMATION

The present spare parts order exactly the right spare parts

When ordering specify:

1) the part's code number followed by its description; quantity needed;

2) the motorcycle's serial number, stamped on the steering head.

Reference to right and left apply to the vehicle in terms of its direction of movement.

Spare parts drawings are general and do not represent the part.

The contents of this catalogue are general and can undergo changes without prior notice.

## VALIDITY

f.m. Until V.I.N.  
d.m. From V.I.N.  
f.m.m. Up to engine number  
d.m.m. From engine number

*Ducati Motor Holding S.p.A.  
Commercial and Administration Office:  
Via A. Cavalieri Ducati n. 3  
40132 Bologna, Italy  
Telefono 051 6413111  
Fax 051 406580  
Internet [www.ducati.com](http://www.ducati.com)*

CATALOGUE No: 915.1.253.1B  
ISSUED: 11 - 06

CATALOGUE No: 915.1.253.1B  
ISSUED: 11 - 06

PAINTS

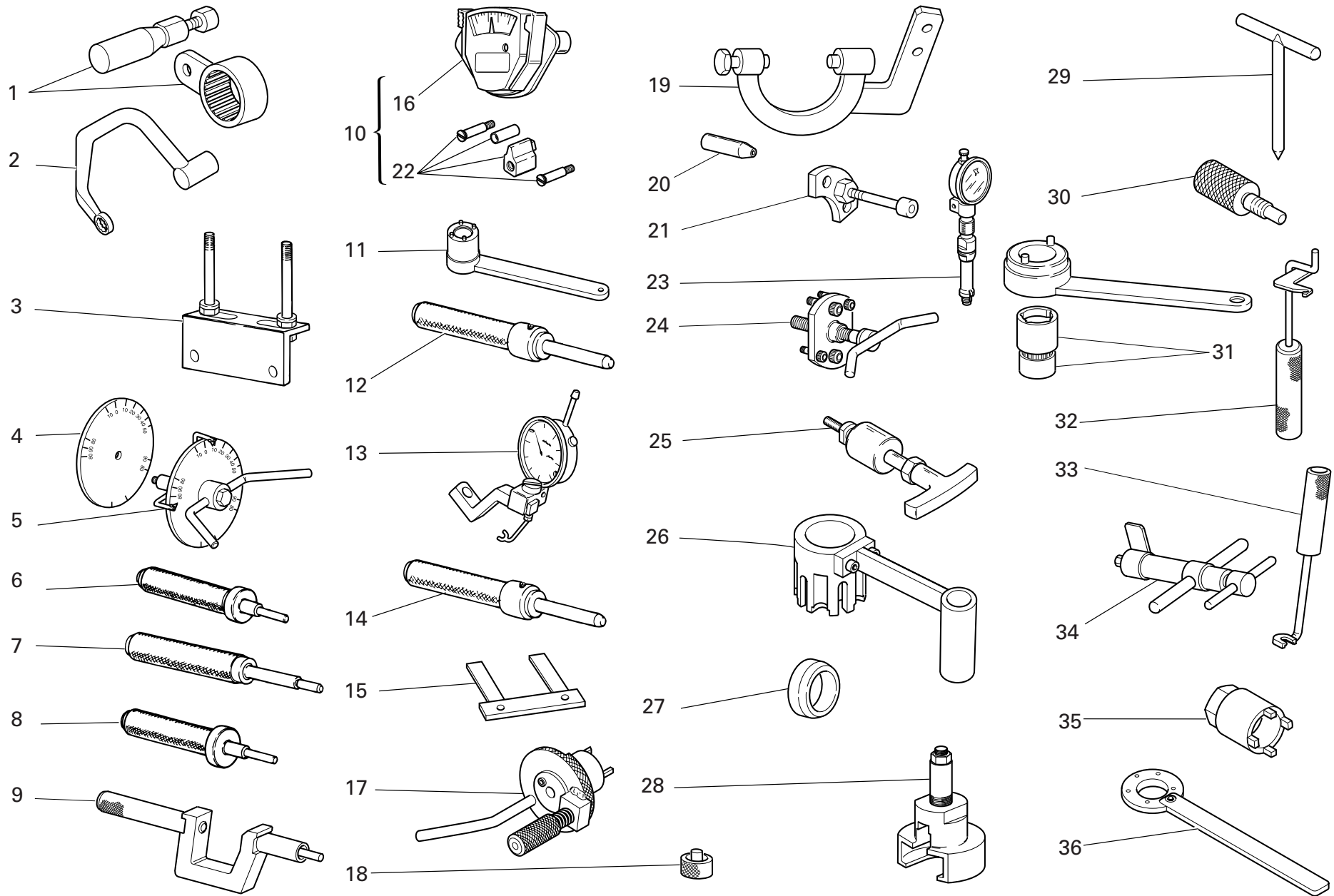
Paint	Code
"Rosso Anniversary DUCATI"	(PPG) F_473.101
"Trasparente"	(PPG) 228.880



page	CONTENTS
4	001 WORKSHOP SERVICE TOOLS
6	001a WORKSHOP SERVICE TOOLS
8	001b DDS TESTER
10	001c WORKSHOP SERVICE TOOLS
12	002 GEARCHANGE CONTROL
14	003 GEARBOX
16	004 CLUTCH
18	005 CLUTCH-SIDE CRANKCASE COVER
20	006 CONNECTING RODS
22	007 CYLINDERS - PISTONS
24	008 TIMING SYSTEM
26	009 FILTERS AND OIL PUMP
28	010 CRANKCASE HALVES
30	011 ALTERNATOR-SIDE CRANKCASE COVER
32	012 ELECTRIC STARTING AND IGNITION
34	013 CYLINDER HEAD : TIMING SYSTEM
36	014 VERTICAL CYLINDER HEAD
38	015 HORIZONTAL CYLINDER HEAD
40	016 INTAKE MANIFOLDS
42	017 AIR INTAKE - OIL BREATHER
44	018 FUEL TANK
46	019 FUEL SYSTEM
48	020 EXHAUST SYSTEM
50	021 FRAME
52	022 STANDS
54	023 R.H. FOOTRESTS
56	024 L.H. FOOTRESTS
58	025 FRONT FORKS
60	026 HANDLEBARS AND CONTROLS
62	027 CLUTCH CONTROL
64	028 FRONT HYDRAULIC BRAKE
66	029 REAR HYDRAULIC BRAKE
68	030 SWINGARM AND DRIVE CHAIN
70	031 FRONT AND REAR WHEELS
72	032 OIL COOLER
74	033 INSTRUMENT PANEL
76	034 HEADLIGHT
78	035 NUMBER PLATE HOLDER
80	036 BATTERY SUPPORT
82	037 ELECTRICAL SYSTEM
84	037a ELECTRICAL SYSTEM
86	038 SEAT
88	039 HEADLIGHT FAIRING
90	040 EVAPORATIVE EMISSIONS CANISTER
92	041 DATA PLATE POSITIONS

DRAWING 001

WORKSHOP SERVICE TOOLS




DRAWING 001

WORKSHOP SERVICE TOOLS

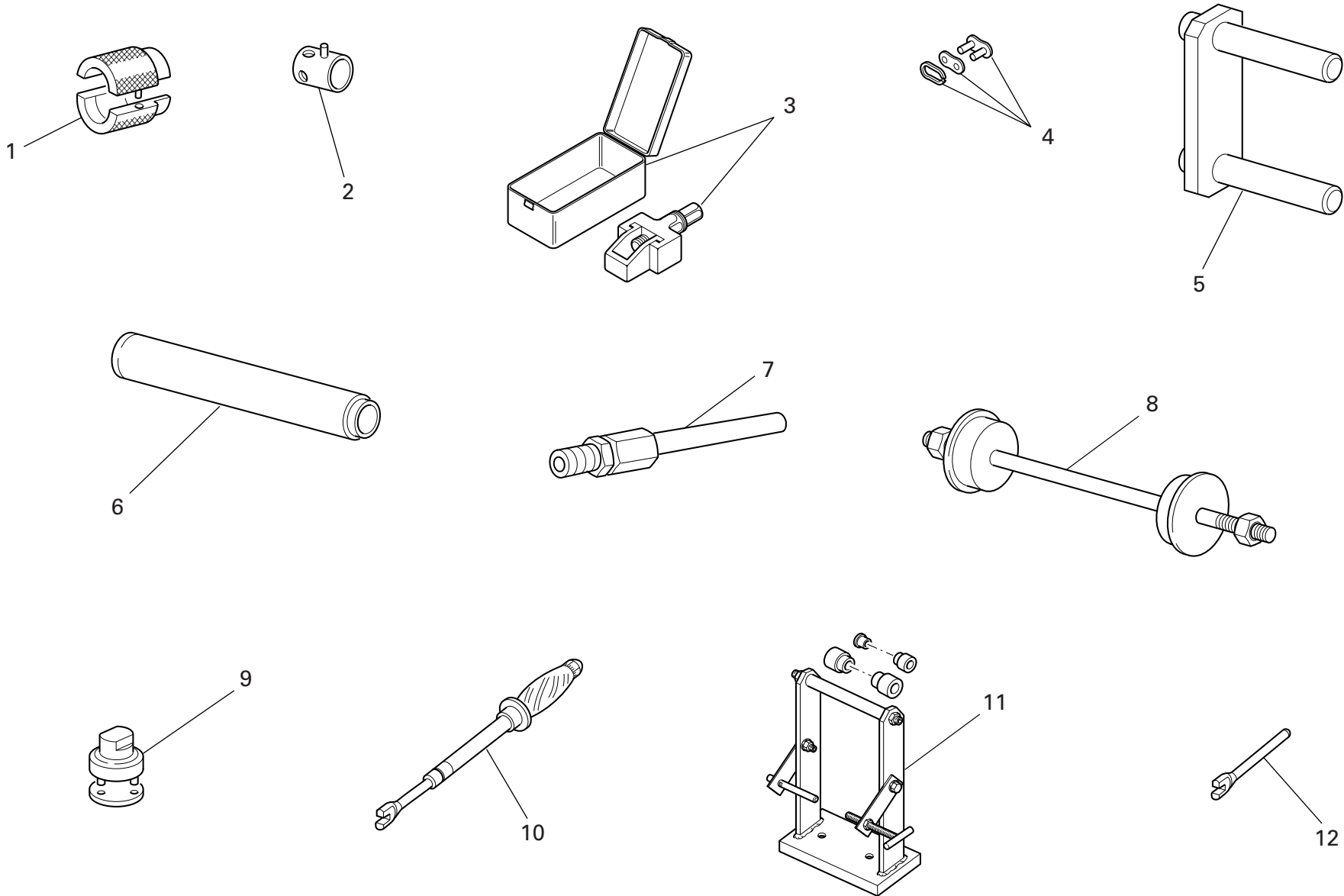
NOTES NO.	CODE NO.	DESCRIPTION	VALIDITY	Q.TY 
1	88713.2355	Wrench for holding timing belt rollers ring nuts		1
2	88713.2676	Head nuts holder wrench		1
3	88713.2103	Head mounting base		1
4	98112.0002	Degree wheel		1
5	88713.0123	Degree wheel holder tool for ignition advance check		1
6	88713.0874	Exhaust valve guide punch tool		1
7	88713.0879	Punch tool to extract valve guide		1
8	88713.0875	Intake valve guide punch tool		1
9	88713.1429	Tool to drive valve seal ring $\varnothing 7$		1
10	051.2.001.1A	Torque wrench for timing belt		1
11	88713.0137	Crankshaft gear holder wrench for tightening nut		1
12	88713.1078	Punch tool for driving exhaust valve seat		1
13	88765.1058	Valve lift gauge		1
14	88713.1079	Punch tool for driving intake valve seat		1
15	88765.1000	Fork feeler gauge 0.1 mm		1
15	88765.1005	Fork feeler gauge 0,2 mm		1
15	88765.1006	Fork feeler gauge 0.3 mm		1
16	88765.0999	Timing belt control gauge		1
17	88713.2011	Tool to hold crankshaft in TDC position		1
18	88765.1298	Spacer for checking lower valve shim		1
19	88713.2036	Flywheel Wrench		1
20	88700.5749	Crankcases assembling cap		1
21	88713.1091	Plate for positioning gear engagement fork		1
22	88765.1086	Conversion kit for 2V belts tensioning tool		1
23	88765.1297	T.D.C. control gauge		1

CATALOGUE No: 915.1.253.1B  
ISSUED: 11 - 06

NOTES NO.	CODE NO.	DESCRIPTION	VALIDITY	Q.TY 
24	88713.1749	Drive roller puller		1
25	88713.1994	Rocker shaft extractor		1
26	88713.2651	Reaction tool for wet "FCC" clutch		1
27	88700.5665	Sleeve for installing clutch bell gear		1
28	88713.2092	Extractor for primary drive gear		1
29	88713.0262	Pin for assembling rocker arms		1
30	88713.2282	Belt roller timing of two-valva head		1
31	88700.5644	Wrench for camshaft pulley ring nut adjustment		1
32	88713.2362	Tool for assembling closing rocker and spring		1
33	88713.0844	Half-rings mounting punch tool		1
34	88713.1215	Torque wrench for timing belt		1
35	88713.2422	Wrench for tightening primary transmission ring nut		1
36	88713.2423	Torque wrench		1

CATALOGUE No: 915.1.253.1B  
ISSUED: 11 - 06

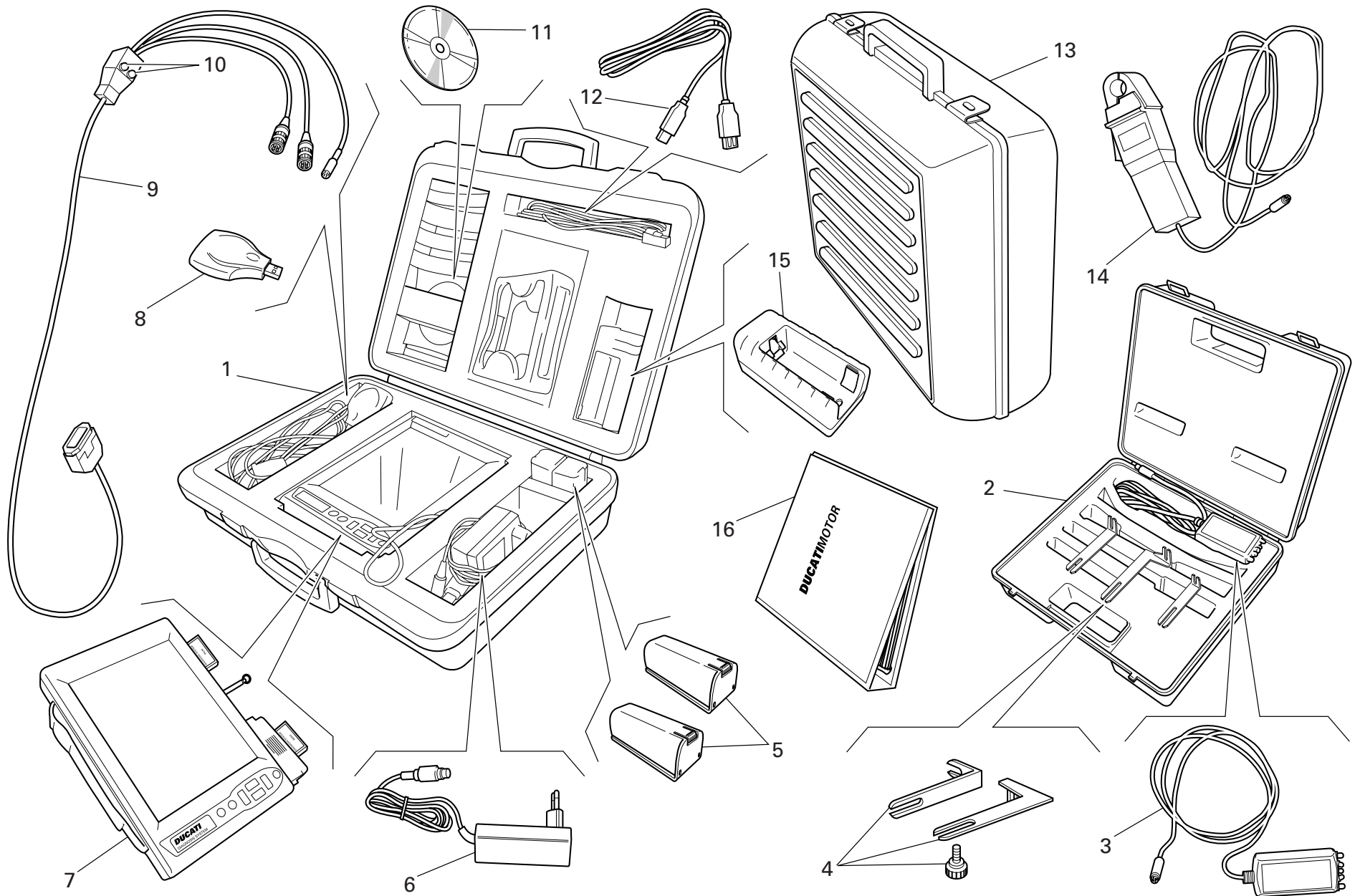
DRAWING 001a WORKSHOP SERVICE TOOLS




DRAWING 001a WORKSHOP SERVICE TOOLS

NOTES NO.	CODE NO.	DESCRIPTION	VALIDITY	Q.TY 	NOTES NO.	CODE NO.	DESCRIPTION	VALIDITY	Q.TY 
1	88713.1096	Tool for overhauling SHOWA forks - assembling seal ring		1					
2	8000.70139	Wrench for front wheel spindle		1					
3	88713.1344	Tool for assembling chain		1					
4	677.4.003.1A	Coupling		1					
5	88713.1515	Frame/engine mount		1					
6	88713.1072	Stopper for driving the half bearing of the steering head base		1					
7	88713.1010	Union for exhaust gas suction		1					
8	88713.1062	Tool for assembling the steering head bearings		1					
9	88713.1058	Wrench for assembling the steering head cap		1					
10	88713.2776	Nipples tightening wrench		1					
11	88713.2775	Spoke wheels truing tool		1					
12	88713.2777	Nipples torque wrench		1					

DRAWING 001b DDS TESTER

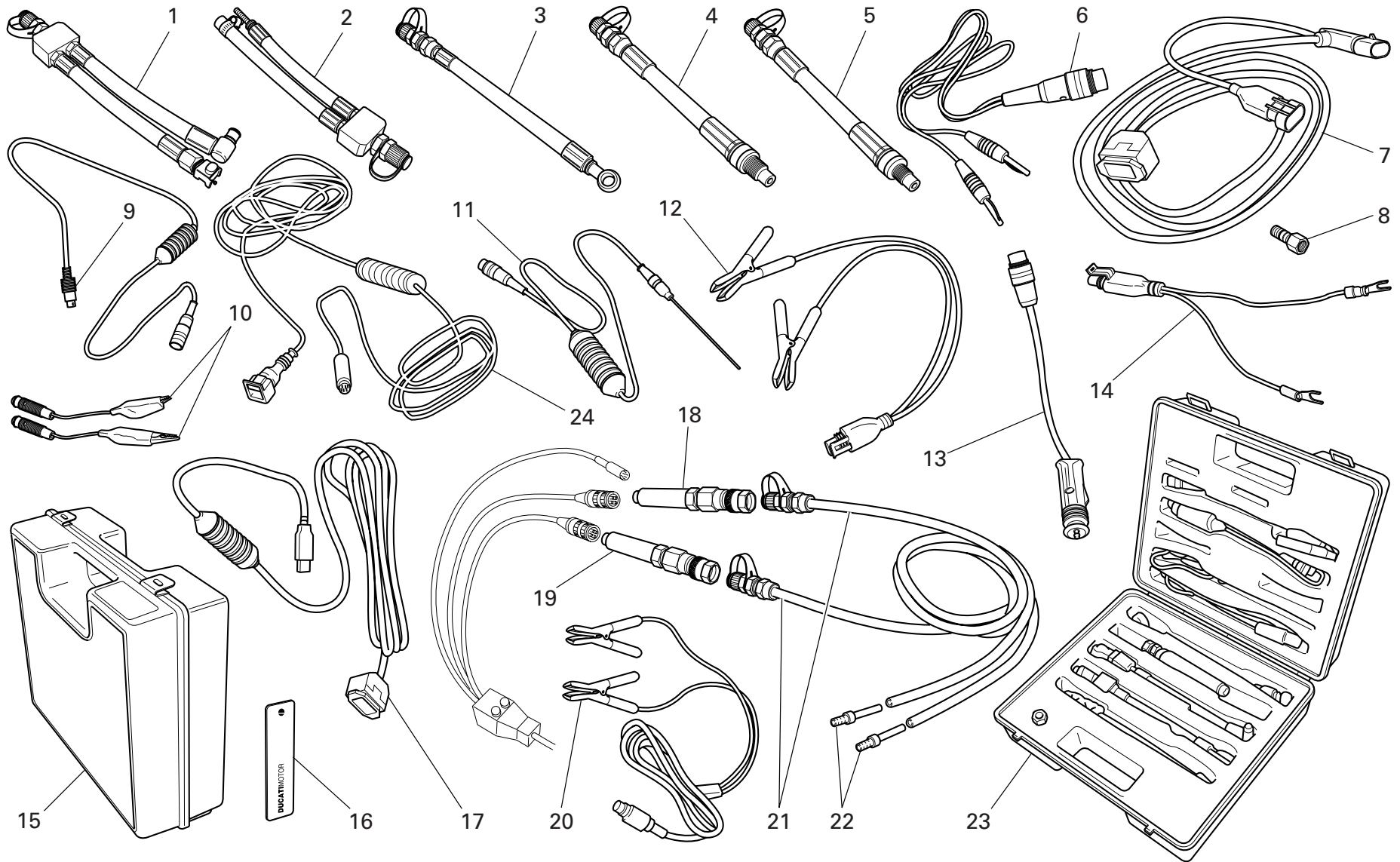


DRAWING 001b DDS TESTER


NOTES NO.	CODE NO.	DESCRIPTION	VALIDITY	Q.TY 
1	97900.0215	DDS (Ducati Diagnosis System) + manifold vacuum meter. kit		1
2	97900.0002	Belt tensioning kit		1
3	88765.1371	Sensor		1
4	88765.1374	Bracket		1
5	97900.0216	Battery		2
6	97900.0224	Feeder		1
7	97900.0211	Bare DDS		1
8	97900.0225	(USB) Memory card reader		1
9	97900.0222	Main cable 1060838		1
10	97900.0219	Fuse		2
11	97900.0223	Software DDS CD		1
12	97900.0226	(USB) Cable extension		1
13	97900.0229	Black case with sponge rubber		1
14	97900.0234	Amperometer plier		1
15	97900.0217	Battery charger		1
16	97900.0232	DDS manual		1

NOTES NO.	CODE NO.	DESCRIPTION	VALIDITY	Q.TY 
-----------	----------	-------------	----------	--

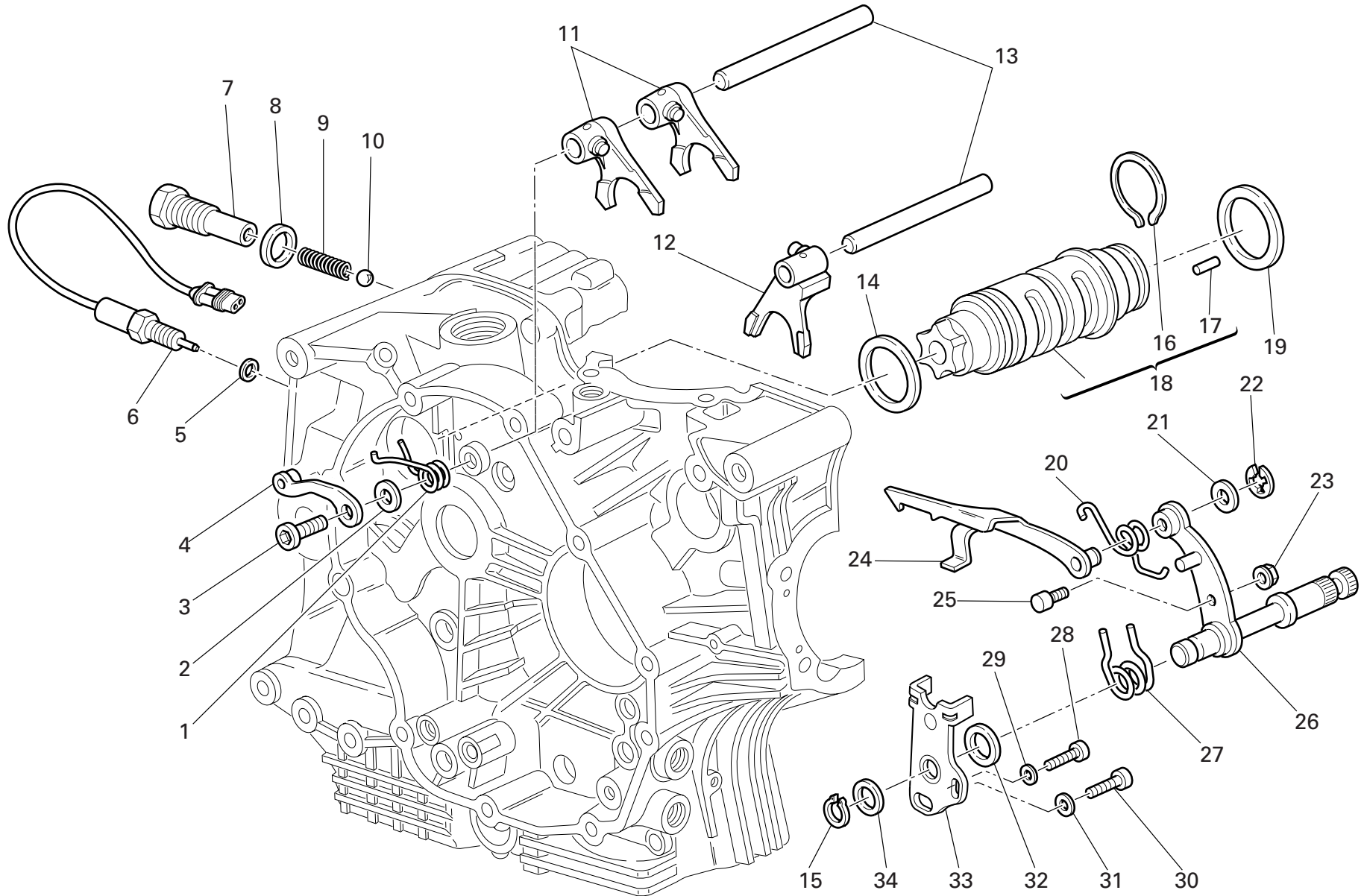
DRAWING 001c WORKSHOP SERVICE TOOLS



DRAWING 001c WORKSHOP SERVICE TOOLS

NOTES NO.	CODE NO.	DESCRIPTION	VALIDITY	Q.TY 
1	590.1.189.1A	Fuel pressure line HS.		1
2	590.1.190.1A	Fuel pressure line ST/SS/M.		1
3	875.1.065.1A	Oil pressure line		1
4	552.1.037.1A	Fitting - cylinder compression M12		1
5	552.1.038.1A	Fitting - cylinder compression M10		1
6	514.1.037.1A	Cable Volt PF DUC 21		1
7	97900.0227	Main cable D607		1
8	814.1.114.1A	Oil pressure fitting		1
9	514.1.032.1A	Cable for supplementary tests		1
10	514.1.035.1A	Red clamp cable		1
10	514.1.036.1A	Black clamp cable		1
11	552.1.040.1A	Temperature probe		1
12	97900.0228	Battery connection adapter		1
13	514.1.033.1A	Electric lighter connection adapter (ST)		1
14	514.1.038.1A	Battery connection adapter		1
15	698.1.033.1A	Red case with sponge rubber		1
16	88765.1126T	DUCATI sticker RH/LH side		2
17	97900.0231	(USB) Adaptor		1
18	97900.0218	Depressure sensor		1
19	552.1.039.1A	Pressure sensor		1
20	97900.0230	Feeder		1
21	97900.0220	Depressure/pressure line		2
22	97900.0221	Union		4
23	97900.0003	Pressure kit		1
24	88765.1126C	Cable for potentiometer adjustment		1


NOTES NO.	CODE NO.	DESCRIPTION	VALIDITY	Q.TY 
-----------	----------	-------------	----------	--



DRAWING 002 GEARCHANGE CONTROL

NOTES NO.	CODE NO.	DESCRIPTION	VALIDITY	Q.TY 
1	799.1.049.1A	Return spring		1
2	852.1.053.2A	Washer		1
3	779.1.039.1A	Special screw		1
4	455.2.003.1A	Gear stopper assembly		1
5	852.5.024.1A	Gasket th.1		1
6	539.1.021.1B	Switch		1
7	779.1.203.3A	Special screw		1
8	0272.91.090	Gasket		1
9	0660.13.143	Gear selector spring		1
10	76835.1134	Ball		1
11	180.1.001.1A	1st,4th-2nd,3rd gear selector fork		2
12	180.1.002.1A	5th,6th gear selector fork		1
13	0660.13.070	Fork pin		2
14	852.1.005.1A	Shim th. 1		1
15	73500.1542	Circlip		1
16	882.1.006.1A	Needle retaining ring (square cross-section)		1
17	821.1.070.1A	Pin		6
18	182.2.018.1A	Complete gearbox drum		1
19	0660.13.060	Shim th. 1		1
19	852.1.094.1A	Shim th. 0.9		1
20	799.1.025.1A	Fork return spring		1
21	0400.09.050	Shim th. 0.5		1
21	0765.92.205	Shim th. 0.2		2
22	0214.07.350	Ring		1
23	748.1.040.1A	Nut		1
24	180.1.008.1A	Gearbox drum control fork		1
25	0660.13.165	Gearchange lever pin		1

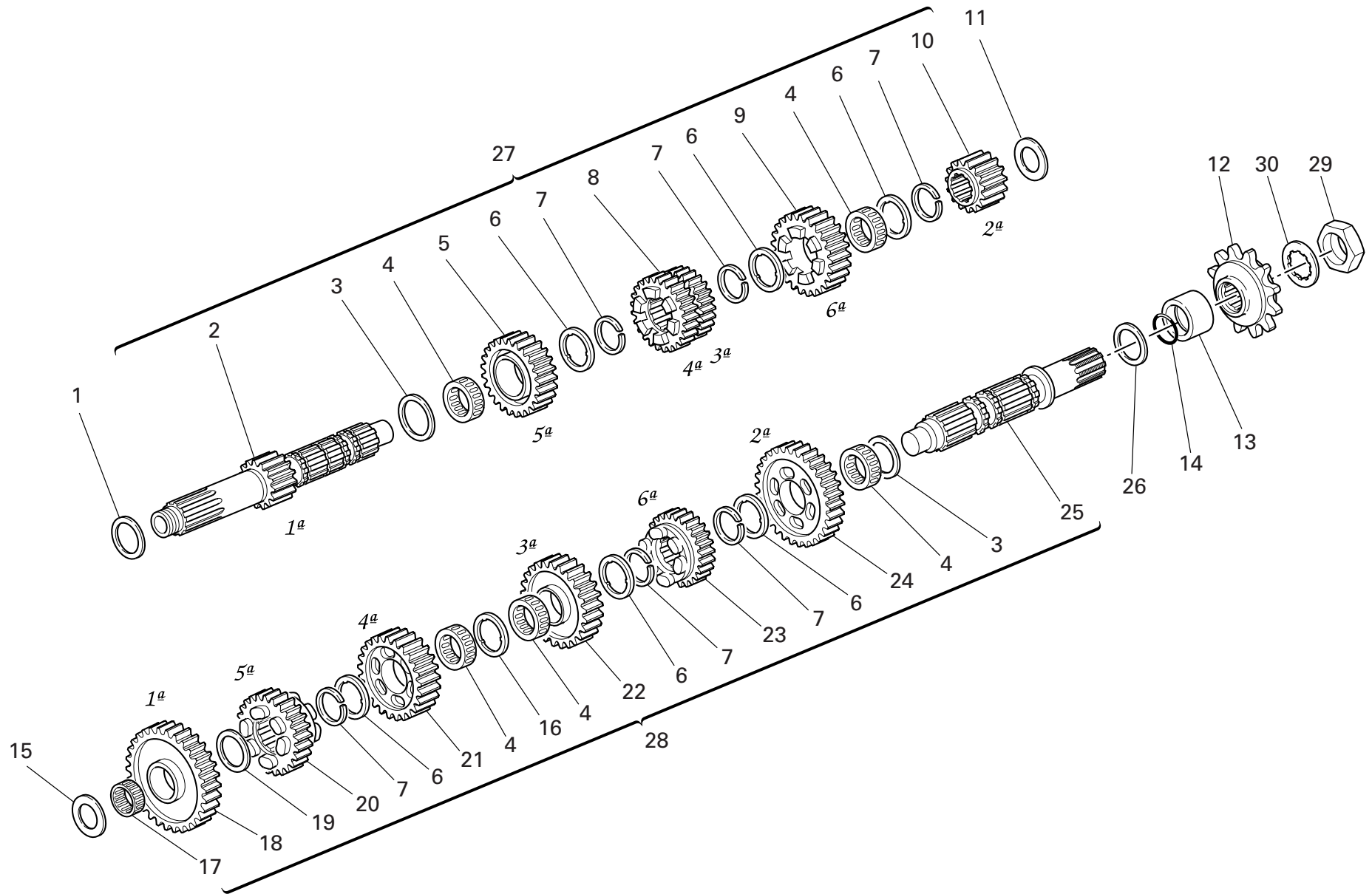
CATALOGUE No: 915.1.253.1B  
ISSUED: 11 - 06

NOTES NO.	CODE NO.	DESCRIPTION	VALIDITY	Q.TY 
26	821.1.001.1A	Pin with gearchange lever		1
27	0799.13.110	Gearchange lever return spring		1
28	771.5.067.8B	Screw		1
29	852.1.172.1A	Washer		1
30	771.5.123.8B	Screw		1
31	852.1.174.1A	Washer		1
32	881.1.012.1A	Centering ring		1
33	826.1.009.1A	Stopper plate		1
34	0400.29.125	Shim th. 0.2		2
34	0400.29.126	Shim th. 0.5		1

CATALOGUE No: 915.1.253.1B  
ISSUED: 11 - 06

DRAWING 003


GEARBOX



DRAWING 003

GEARBOX

NOTES NO.	CODE NO.	DESCRIPTION	VALIDITY	Q.TY 
1	0251.47.054	Shim th. 1.2		1
2	149.1.046.1A	Gearbox main shaft		1
3	0670.16.150	Shim th. 0.5		2
4	701.4.005.1A	Needle bearing		3
5	172.1.004.1A	Driving gear 5th sp.		1
6	856.1.001.1A	Grooved washer th. 0.5		6
7	0670.16.145	Snap ring		6
8	172.1.003.1A	Driving gear 3rd/4th sp.		1
9	172.1.005.1A	Driving gear 6th sp.		1
10	172.1.002.1B	Driving gear 2nd sp.		1
11	713.1.014.1E	Shim th. 1.6		1
12	449.1.045.1A	Front sprocket w/rubber protection Z=15		1
13	713.1.157.1A	Spacer		1
14	930.4.023.1A	O-ring		1
15	713.1.266.1A	Spacer th. 3,15		1
16	856.1.031.1A	Grooved washer th. 0.5		1
17	76402.0002	Needle bearing		1
18	172.1.006.1B	Driven gear 1st sp.		1
19	0670.16.155	Shim th. 1		1
20	172.1.010.1A	Driven gear 5th sp.		1
21	172.1.009.1A	Driven gear 4th sp.		1
22	172.1.008.1A	Driven gear 3rd sp.		1
23	172.1.011.1A	Driven gear 6th sp.		1
24	172.1.007.1B	Driven gear 2nd sp.		1
25	149.1.032.3A	Gearbox lay shaft		1
26	0670.16.170	Shim th. 0.8		1
27	150.2.078.1A	Complete main shaft		1

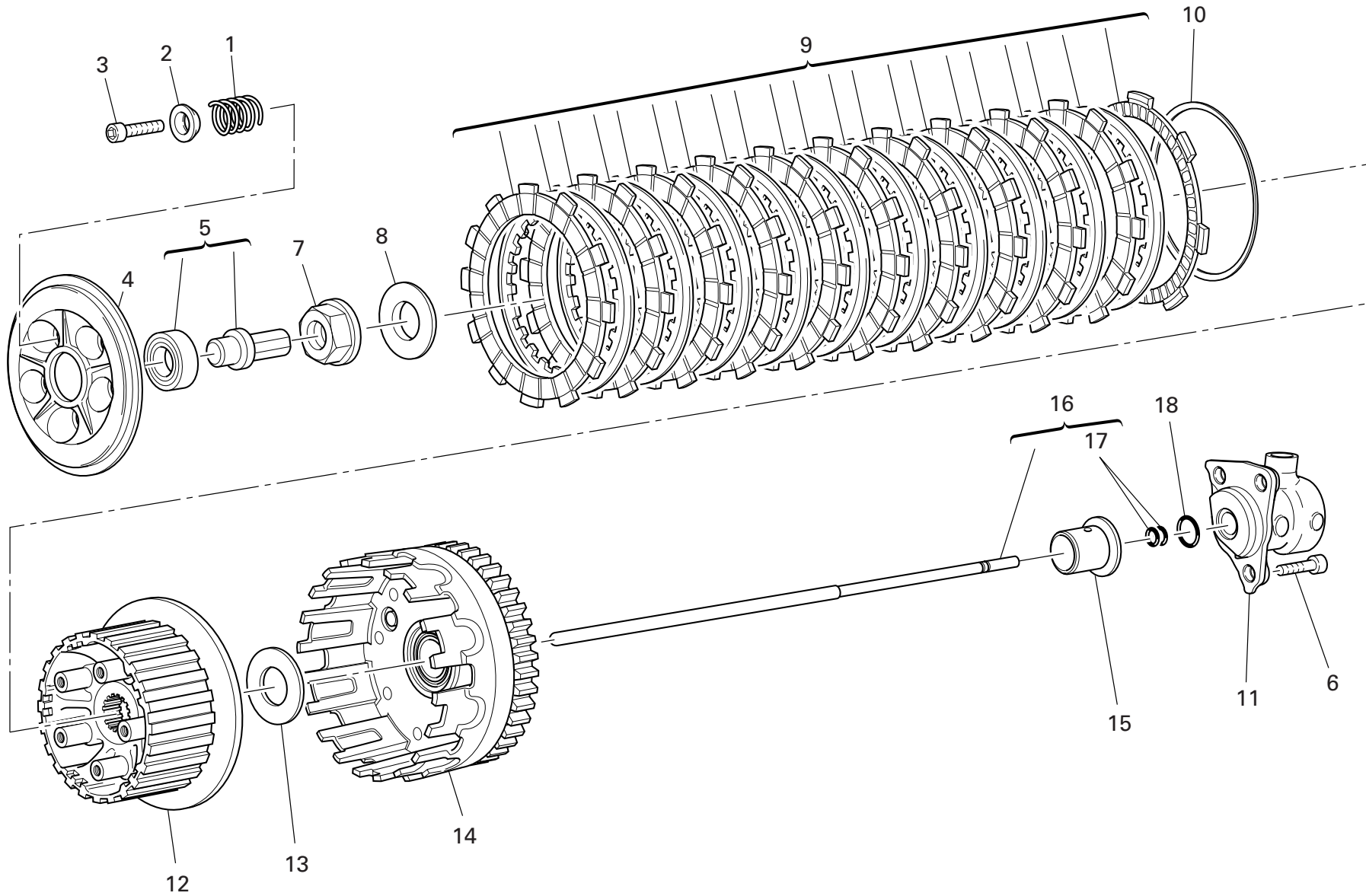
NOTES NO.	CODE NO.	DESCRIPTION	VALIDITY	Q.TY 
28	150.2.063.1A	Gearbox lay shaft		1
29	750.1.007.1A	Nut		1
30	851.1.004.1A	Lock washer		1

CATALOGUE No: 915.1.253.1B  
ISSUED: 11 - 06

CATALOGUE No: 915.1.253.1B  
ISSUED: 11 - 06

DRAWING 004

CLUTCH



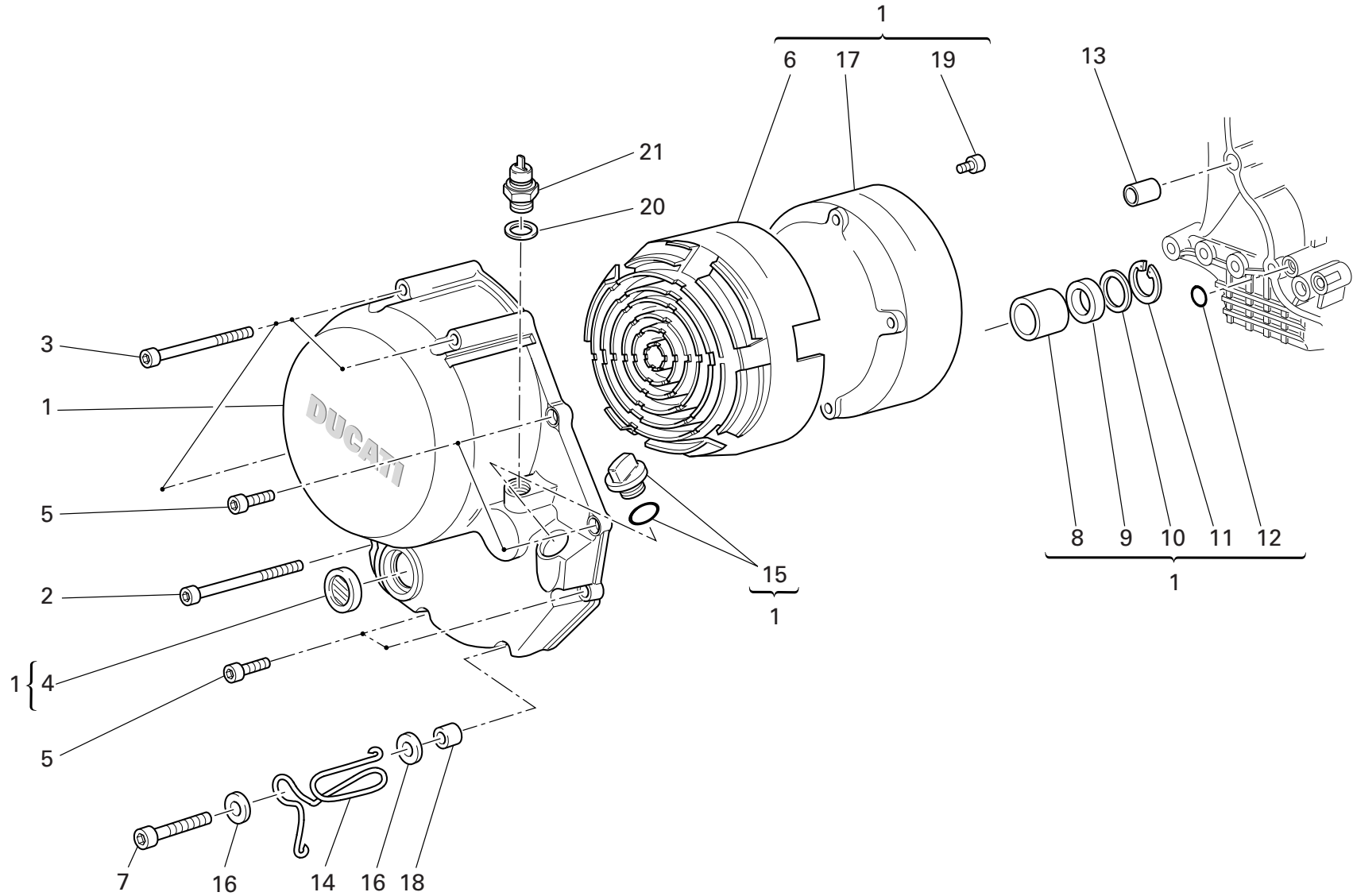
DRAWING 004 CLUTCH

NOTES NO.	CODE NO.	DESCRIPTION	VALIDITY	Q.TY 
1	797.1.032.1A	Clutch spring		5
2	841.1.046.1A	Retainer		5
3	771.5.072.8C	Screw		5
4	194.1.027.1A	Pressure plate "FCC"		1
5	818.2.016.1A	Pin		1
6	771.5.065.8B	Screw		3
7	748.1.013.1A	Hexagon nut		1
8	799.5.001.2A	Spring washer		1
9	190.2.013.1A	Clutch plates set		1
10	799.1.191.1A	Spring washer "FCC"		1
11	195.4.003.1A	Piston assembly		1
12	196.1.035.1A	Plate holder hub "FCC"		1
13	713.1.309.1A	Spacer		1
14	198.2.036.1A	Clutch housing		1
15	713.1.237.1A	Spacer		1
16	117.2.007.1A	Clutch control rod		1
17	93823.2018	O-ring		2
18	886.4.043.1A	O-ring		1

NOTES NO.	CODE NO.	DESCRIPTION	VALIDITY	Q.TY 
-----------	----------	-------------	----------	--


DRAWING 005

CLUTCH-SIDE CRANKCASE COVER

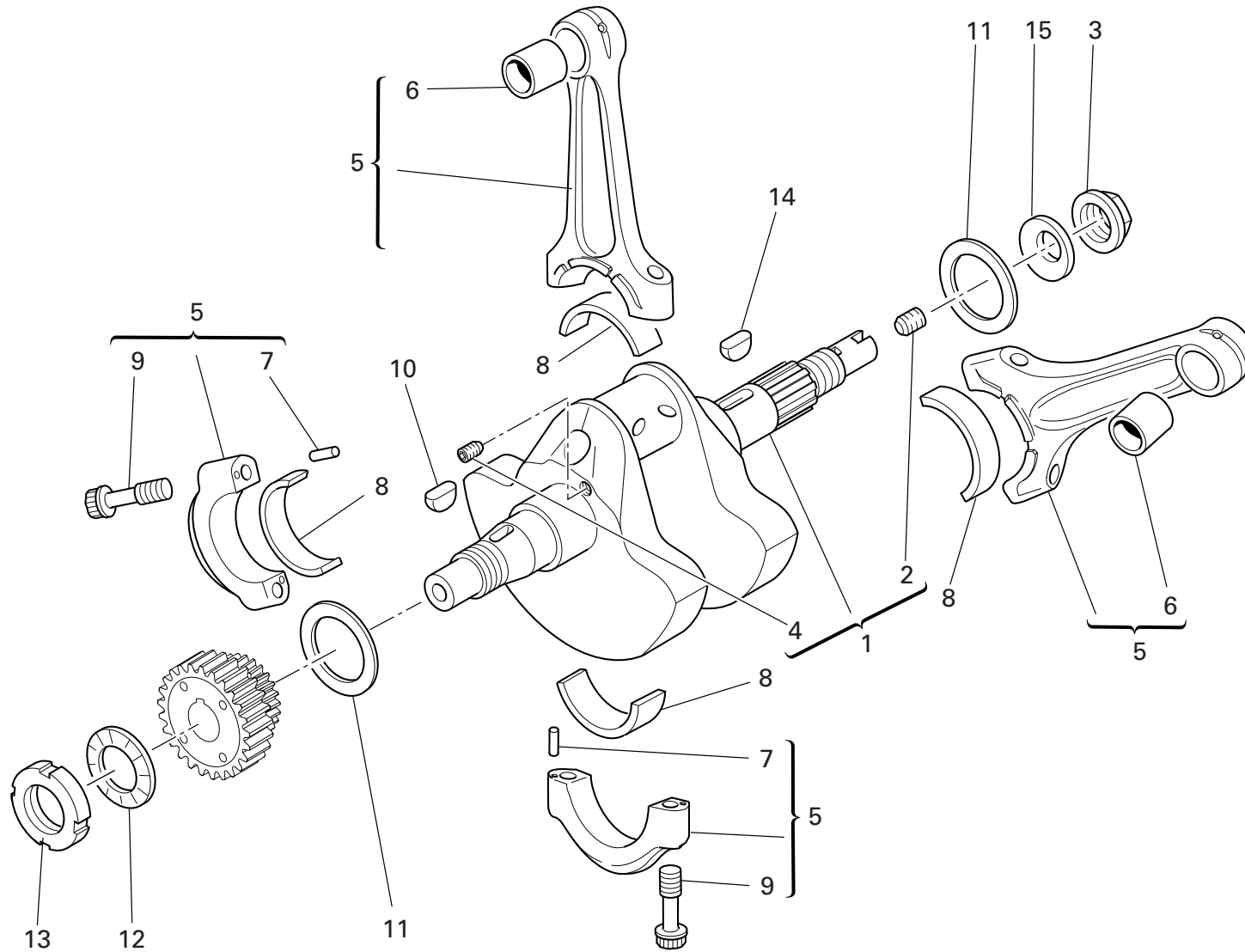


DRAWING 005

CLUTCH-SIDE CRANKCASE COVER

NOTES NO.	CODE NO.	DESCRIPTION	VALIDITY	Q.TY 
1	243.2.028.5AD	Cover clutch side		1
2	771.5.083.8B	Screw		1
3	771.5.081.8B	Screw		3
4	254.4.001.2A	Oil level sight glass		1
5	771.5.069.8B	Screw		9
6	486.1.051.1A	Panel (BLACK)		1
7	771.5.072.8B	Screw		2
8	0665.49.680	Bush		1
9	930.4.091.1A	Seal ring		1
10	852.1.008.1A	Shim th. 0.5		1
11	884.5.035.1A	Circlip		1
12	93827.0114	O-ring		3
13	0400.49.240	Locating bush		1
14	881.1.051.1A	Holder		1
15	893.2.013.1A	Complete cap		1
16	852.1.176.1A	Washer		2
17	243.1.029.1A	Cover		1
18	713.1.241.1A	Spacer		1
19	773.1.001.1A	Screw		6
20	852.1.195.1A	Gasket th.2		1
21	539.4.030.1A	Switch		1

NOTES NO.	CODE NO.	DESCRIPTION	VALIDITY	Q.TY 
-----------	----------	-------------	----------	--




DRAWING 006

CONNECTING RODS

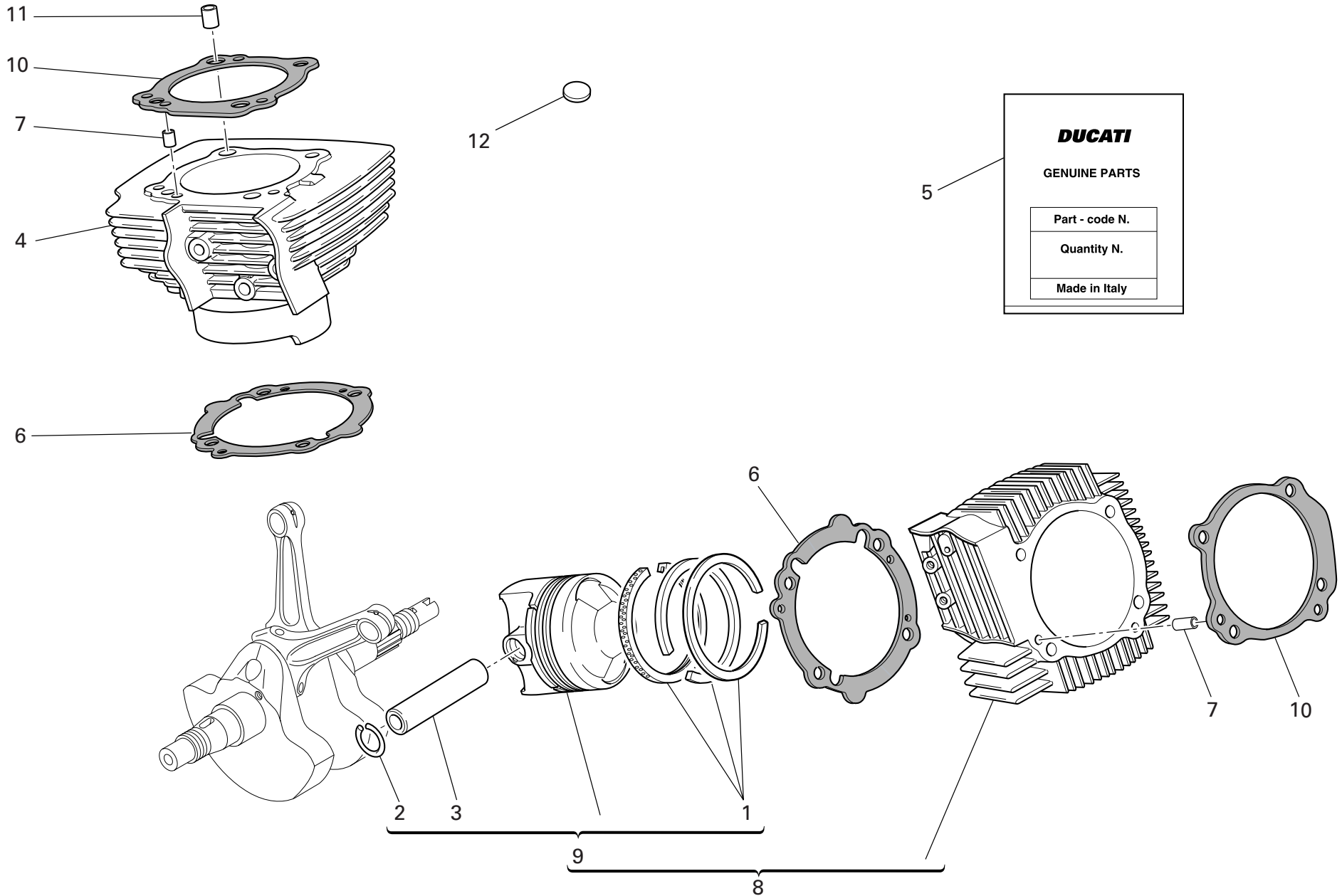
NOTES NO.	CODE NO.	DESCRIPTION	VALIDITY	Q.TY 
1	146.2.091.1A	Crankshaft		1
2	779.1.109.1A	Special screw		1
3	750.1.012.2A	Nut		1
4	72121.2106	Threaded dowel		1
5	158.2.012.1A	Connecting rods pair		1
6	711.1.007.1A	Bush		2
7	74224.0570	Pin		4
8	112.1.012.1AB	Half-bearing (BLUE)		2
8	112.1.012.1AC	Half-bearing (YELLOW)		2
9	779.1.007.2A	Special screw		4
10	74172.1008	Woodruff key		1
11	852.1.104.1A	Shim th. 1.9		2
11	852.1.104.1B	Shim th. 1.95		2
11	852.1.104.2C	Shim th. 2		2
11	852.1.104.2D	Shim th. 2,05		2
11	852.1.104.2E	Shim th. 2,1		2
11	852.1.104.2F	Shim th. 2,15		2
11	852.1.104.2G	Shim th. 2.2		2
11	852.1.104.1H	Shim th. 2.25		2
11	852.1.104.2I	Shim th. 2.3		2
11	852.1.104.2J	Shim th. 2.35		2
11	852.1.104.1K	Shim th. 2,4		2
11	852.1.104.1L	Shim th. 2,45		2
11	852.1.104.1M	Shim th. 2.5		2
11	852.1.104.1N	Shim th. 2.55		2
12	851.4.003.1A	Lock washer		1
13	750.1.113.1A	Ring nut		1

CATALOGUE No: 915.1.253.1B  
ISSUED: 11 - 06


NOTES NO.	CODE NO.	DESCRIPTION	VALIDITY	Q.TY 
14	0755.29.025	Woodruff key		1
15	799.1.051.2A	Spring washer		1

CATALOGUE No: 915.1.253.1B  
ISSUED: 11 - 06

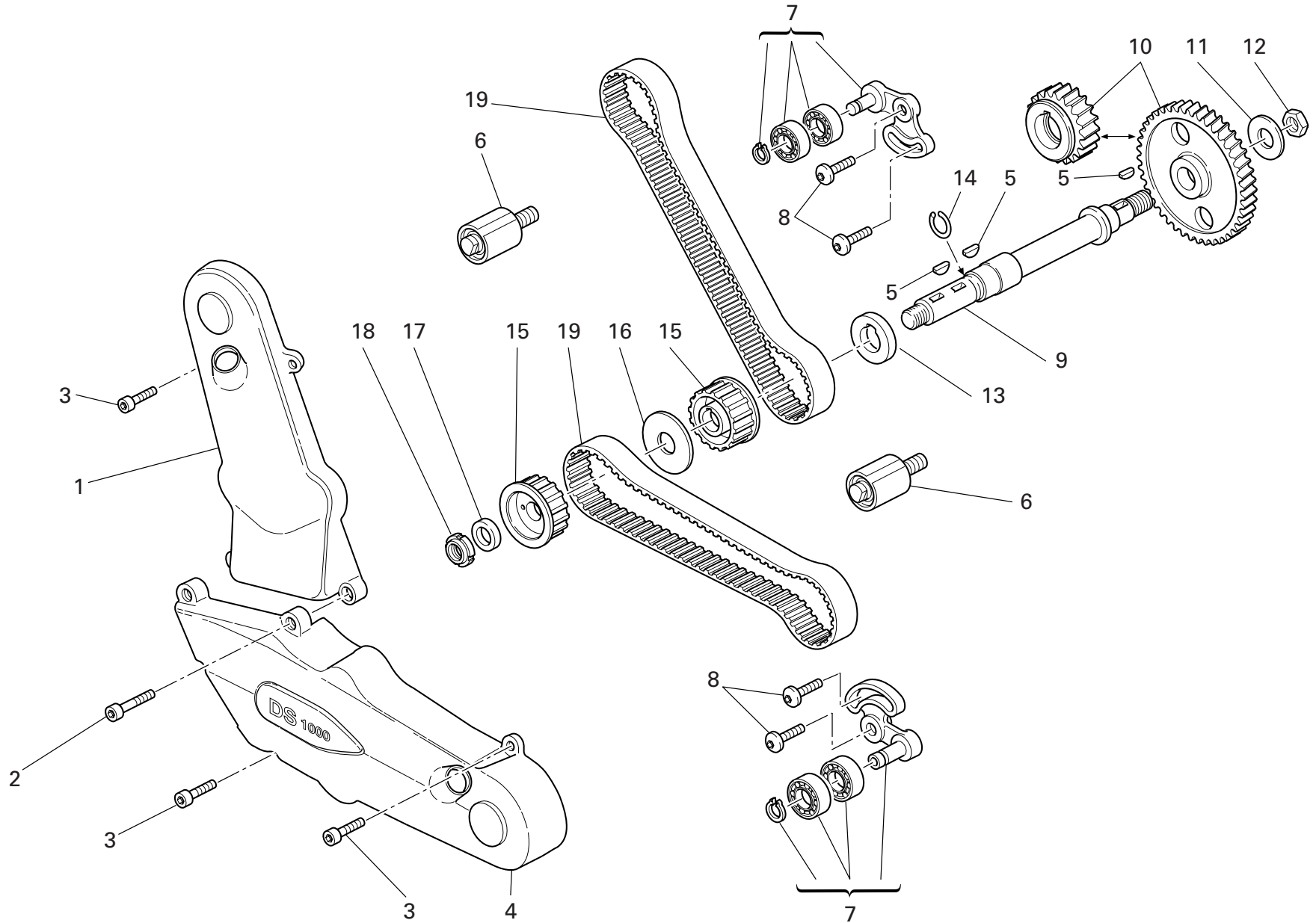
DRAWING 007 CYLINDERS - PISTONS




DRAWING 007 CYLINDERS - PISTONS

NOTES NO.	CODE NO.	DESCRIPTION	VALIDITY	Q.TY 
1	121.2.033.1A	Piston rings set		1
2	884.4.011.1A	Piston pin circlip		4
3	121.1.127.1A	Piston pin		2
4	120.2.081.1A	Vertical cylinder-piston fit		1
5	791.2.026.2A	Head-cylinder gaskets set		1
6	786.1.086.1A	Cylinder-crankcase gasket th. 0.4		2
7	711.1.172.1A	Bush		2
8	120.2.080.1A	Horizontal cylinder-piston fit		1
9	122.2.087.2A	Complete piston		2
10	786.1.064.1A	Head-cylinder gasket		2
11	711.1.126.1A	Bush		4
12	700.1.040.1A	Vibration damper pad		41

NOTES NO.	CODE NO.	DESCRIPTION	VALIDITY	Q.TY 
-----------	----------	-------------	----------	--



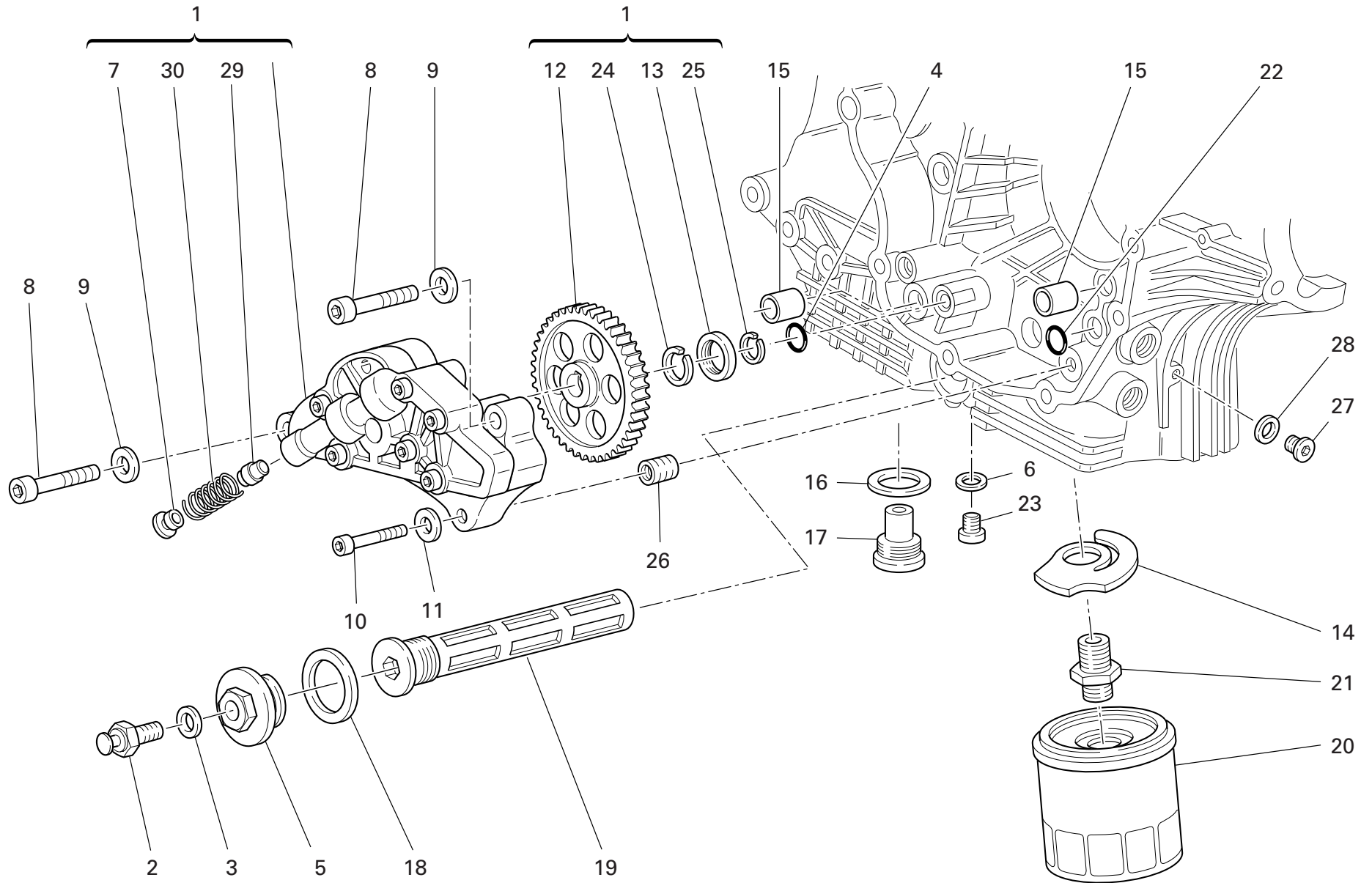
DRAWING 008 TIMING SYSTEM

NOTES NO.	CODE NO.	DESCRIPTION	VALIDITY	Q.TY 
1	245.1.058.1AB	Vertical timing belt cover (BLACK)		1
2	771.5.072.8B	Screw		2
3	771.5.065.8B	Screw		5
4	245.1.059.1AB	Horizontal timing belt cover (BLACK)		1
5	0755.29.025	Woodruff key		3
6	451.1.025.1A	Fixed tensioner assembly		2
7	451.2.020.1A	Complete vertical cylinder tensioner roller		2
8	772.1.010.3A	Screw		4
9	147.1.026.1A	Lay shaft		1
10	171.2.020.2B	Timing gears pair		1
11	851.1.013.1A	Lock washer		1
12	0124.40.060	Hexagon nut		1
13	716.1.073.2A	Spacer		1
14	882.1.003.1A	Snap ring		1
15	255.1.023.2A	Timing belt roller		2
16	856.1.062.2A	Belt roller separating washer		1
17	716.1.099.1A	Spacer		1
18	703.5.006.2A	Elastic-stop ring nut		1
19	737.4.021.1A	Timing drive toothed belt		2

NOTES NO.	CODE NO.	DESCRIPTION	VALIDITY	Q.TY 
-----------	----------	-------------	----------	--


DRAWING 009


FILTERS AND OIL PUMP



DRAWING 009

FILTERS AND OIL PUMP

NOTES NO.	CODE NO.	DESCRIPTION	VALIDITY	Q.TY 
1	174.2.025.6A	Complete oil pump		1
2	552.1.045.2A	Thermistor		1
3	852.5.024.1A	Gasket th.1		1
4	886.4.037.1A	O-ring		1
5	873.1.039.1A	Cap		1
6	852.1.120.1A	Aluminium gasket		1
7	780.1.018.1A	Bypass cap		1
8	771.5.129.8B	Screw		2
9	853.1.002.1A	Spring washer		2
10	771.5.069.8B	Screw		1
11	853.1.004.1A	Spring washer		1
12	174.1.025.2A	Pump drive gear		1
13	710.1.001.1A	Bush		1
14	799.2.077.2A	Bypass spring		1
15	0759.49.280	Locating bush		2
16	220.3.208.3A	Gasket		1
17	780.2.047.1A	Oil drain plug with magnet		1
18	852.5.005.1A	Gasket th.1,5		1
19	894.2.009.1A	Oil filter		1
20	444.4.003.4A	Oil filter cartridge		1
21	815.1.028.1A	Nipple		1
22	93827.0114	O-ring		3
23	779.1.198.2A	Cap		1
24	884.4.042.1A	Snap ring		1
25	884.5.036.1A	Circlip		2
26	0670.49.310	Reduction bush		1
27	779.1.162.2A	Cap		1

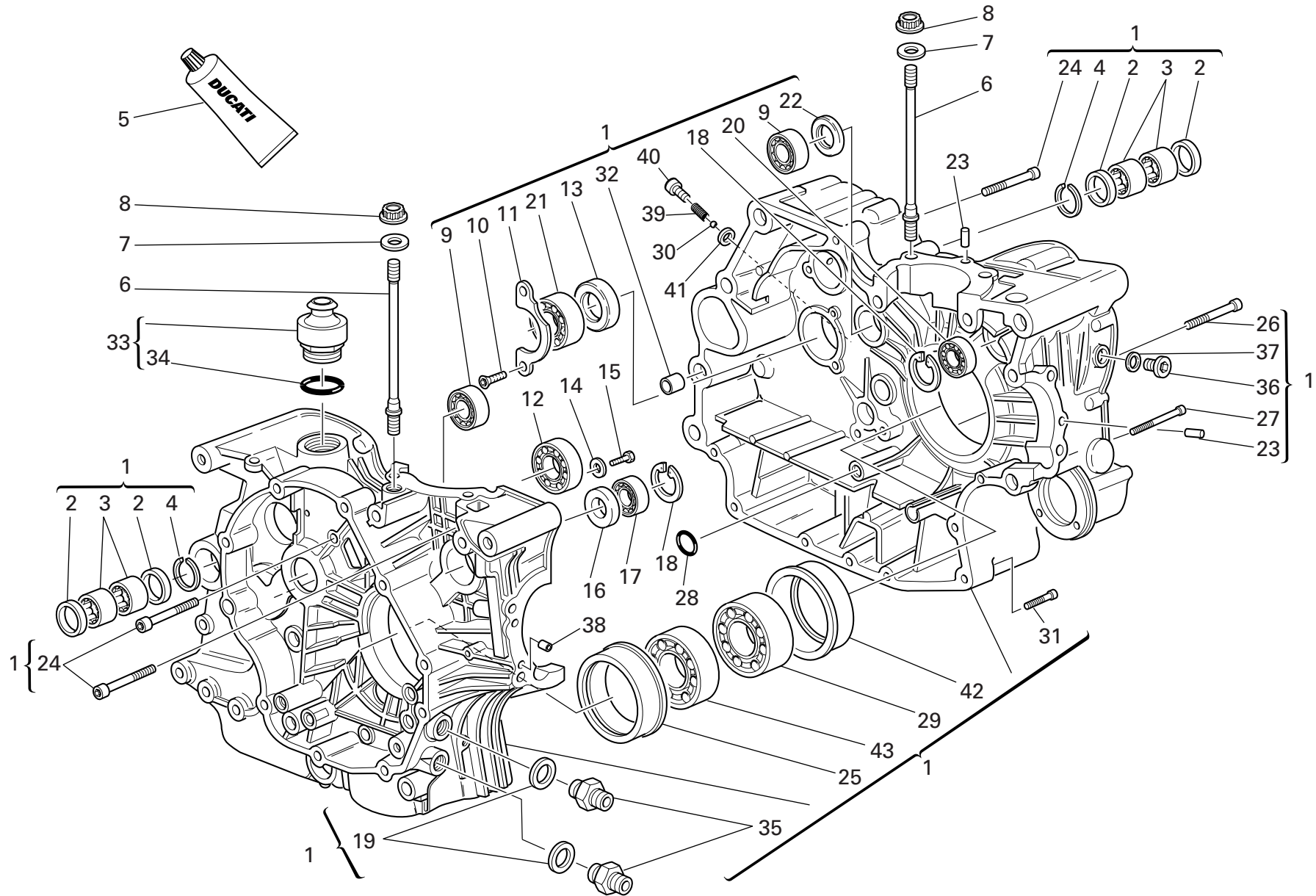
NOTES NO.	CODE NO.	DESCRIPTION	VALIDITY	Q.TY 
28	852.1.195.1A	Gasket th.2		1
29	593.1.018.1A	Bypass valve		1
30	799.1.055.1A	Bypass spring		1

CATALOGUE No: 915.1.253.1B  
ISSUED: 11 - 06

CATALOGUE No: 915.1.253.1B  
ISSUED: 11 - 06

DRAWING 010

CRANKCASE HALVES




DRAWING 010

CRANKCASE HALVES

NOTES NO.	CODE NO.	DESCRIPTION	VALIDITY	Q.TY 
1	225.2.197.1A	Complete half-crankcases pair		1
2	0755.49.265	Seal ring		4
3	76400.0004	Needle bearing		4
4	76266.2668	Snap ring		2
5	94247.0014	Fluid sealant		1
6	766.1.059.1A	Stud bolt for fastening head cylinder		4
7	856.1.064.2A	Special washer		8
8	748.1.050.1A	Nut		8
9	702.4.033.1A	Bearing		1
10	72094.1616	Screw		2
11	826.1.012.1A	Keep plate		1
12	702.5.019.1A	Bearing		1
13	930.4.022.1A	Seal ring		1
14	713.1.140.1A	Spacer		2
15	770.5.250.8B	Screw		2
16	93785.1830	Seal ring		1
17	75794.1542	Bearing		1
18	73503.3380	Circlip		1
19	420.2.006.4A	Aluminium gasket		2
20	702.5.008.1A	Bearing		1
21	702.4.013.1A	Bearing		1
22	463.4.001.1A	Seal ring		1
23	0011.52.010	Locating dowel		2
24	771.5.136.8B	Screw		6
25	710.1.069.1A	Bearing holder bush		1
26	779.1.029.2A	Special screw		1
27	771.5.080.8B	Screw		2

CATALOGUE No: 915.1.253.1B  
ISSUED: 11 - 06

NOTES NO.	CODE NO.	DESCRIPTION	VALIDITY	Q.TY 
28	93827.0114	O-ring		3
29	702.4.020.1A	Bearing		1
30	847.4.006.1A	Ball		1
31	771.5.072.8B	Screw		5
32	711.1.095.1A	Bush		2
33	593.1.003.1B	Breather valve		1
34	93823.3156	O-ring		1
35	815.1.022.1A	Nipple		2
36	779.1.026.2A	Screw		1
37	852.5.026.1A	Aluminium gasket th.1,5		1
38	711.1.128.1A	Bush		2
39	799.1.211.1A	Spring		1
40	771.1.032.1A	Special screw		1
41	852.5.023.1A	Gasket		1
42	710.1.070.1A	Bearing holder bush		1
43	75191.3380	Bearing		1

CATALOGUE No: 915.1.253.1B  
ISSUED: 11 - 06




DRAWING 011

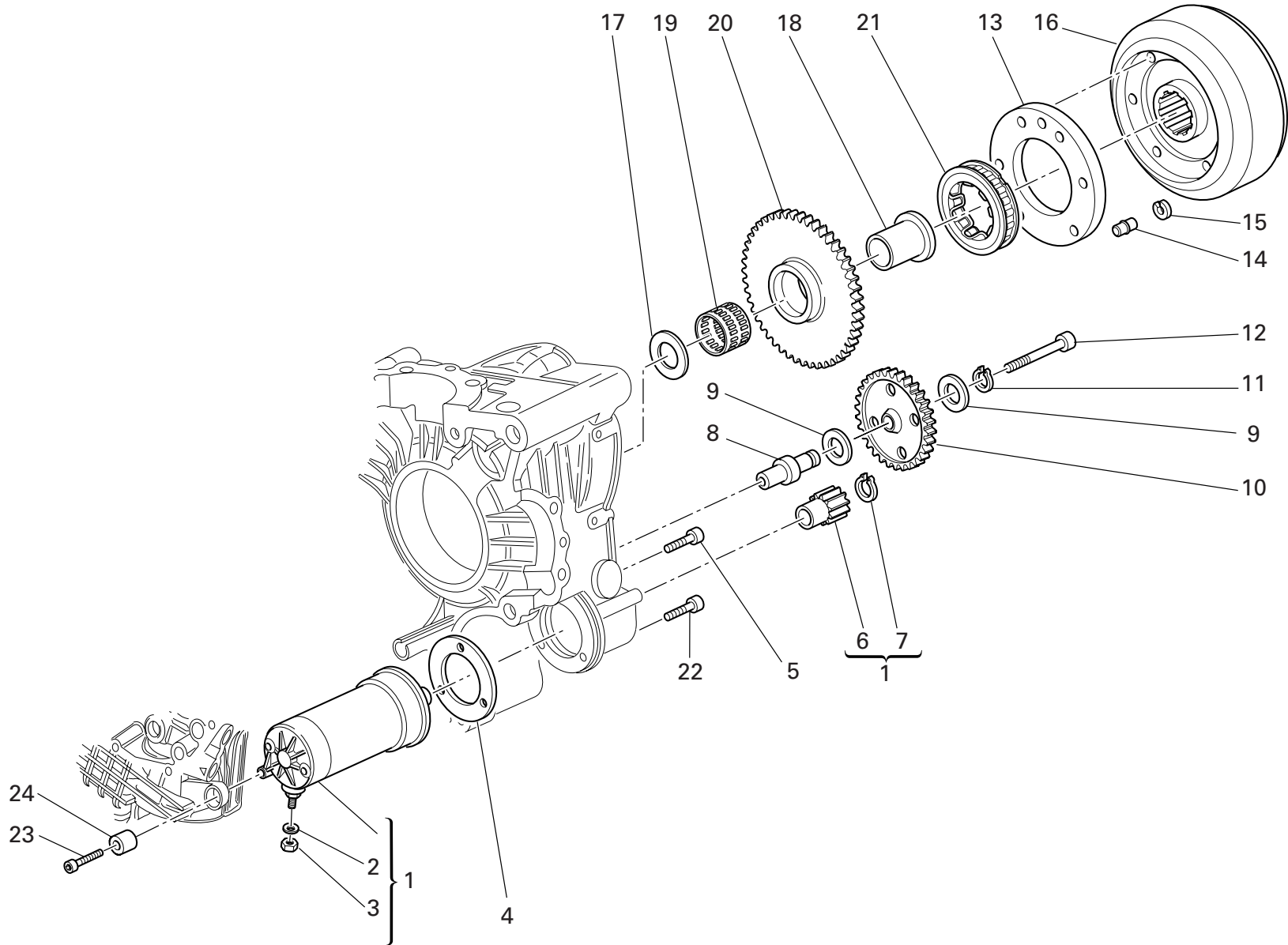
ALTERNATOR-SIDE CRANKCASE COVER

NOTES NO.	CODE NO.	DESCRIPTION	VALIDITY	Q.TY 
1	264.4.014.3B	Generator "DENSO"		1
1	264.4.022.1A	Generator "KOKUSAN"		1
2	73503.3380	Circlip		1
3	702.5.008.1A	Bearing		1
4	247.1.279.1A	Chain cover		1
5	853.1.003.1A	Spring washer		1
6	771.5.069.8B	Screw		9
7	254.1.001.1A	Oil level sight glass		1
8	886.1.095.1A	O-ring		1
9	247.1.002.1BD	Cover		1
10	777.5.049.8B	Screw		2
11	93783.1524	Seal ring		1
12	552.4.020.1A	Sensor		1
13	771.5.067.8B	Screw		2
14	779.4.075.1A	Screw		8
15	94247.0014	Fluid sealant		1
16	771.5.073.8B	Screw		3
17	771.5.071.8B	Screw		3
18	0400.49.240	Locating bush		2
19	242.2.045.2AB	Generator cover		1
20	830.1.144.1A	Bracket		1
21	771.5.040.8B	Screw		2
22	788.1.076.1A	Gasket th.0,6		1
22	788.1.076.1AA	Gasket th.0,8		1
22	788.1.076.1AB	Gasket th.1,0		1
23	886.4.003.1A	O-ring		1
24	771.5.066.8B	Screw		1

CATALOGUE No: 915.1.253.1B  
ISSUED: 11 - 06

NOTES NO.	CODE NO.	DESCRIPTION	VALIDITY	Q.TY 
25	852.1.176.1A	Washer		2
26	881.1.051.1A	Holder		1
27	713.1.365.1A	Spacer		1

CATALOGUE No: 915.1.253.1B  
ISSUED: 11 - 06



DRAWING 012

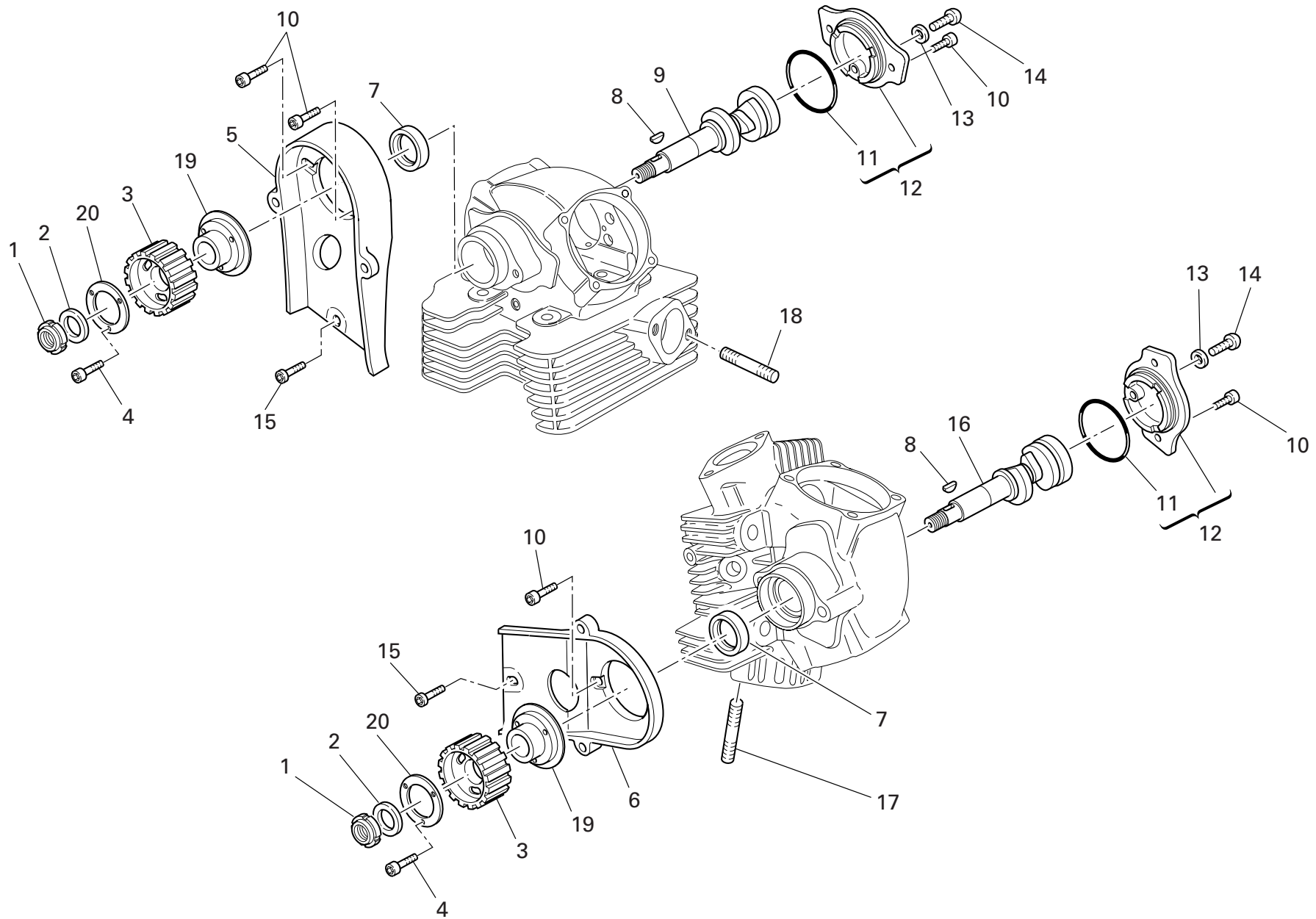
ELECTRIC STARTING AND IGNITION

NOTES NO.	CODE NO.	DESCRIPTION	VALIDITY	Q.TY 
1	270.4.005.1A	Complete starter motor		1
2	853.1.003.1A	Spring washer		1
3	750.1.121.1A	Nut		1
4	788.1.054.2A	Starter motor gasket		1
5	771.5.066.8B	Screw		2
6	176.1.001.1A	Starter motor sprocket		1
7	884.5.036.1A	Circlip		1
8	821.1.257.1A	Intermediate gear pin		1
9	856.1.071.1A	Washer		2
10	176.1.009.1A	Intermediate gear assembly		1
11	73500.1440	Circlip		1
12	771.5.078.8B	Screw		1
13	160.1.057.1A	Flange		1
14	863.1.002.1A	Locating pin		1
15	882.1.012.1A	Check ring		1
16	276.1.025.1B	Ignition flywheel		1
17	0619.50.065	Washer		1
18	881.1.010.1C	Inner ring		1
19	701.4.003.1A	Needle bearing		1
20	173.1.012.3A	Electric starter driven gear		1
21	701.4.007.1A	Starter clutch		1
22	771.5.069.8B	Screw		1
23	771.5.071.8B	Screw		1
24	700.1.036.1A	Flexible bush		1

NOTES NO.	CODE NO.	DESCRIPTION	VALIDITY	Q.TY 
-----------	----------	-------------	----------	--


DRAWING 013

CYLINDER HEAD : TIMING SYSTEM



DRAWING 013

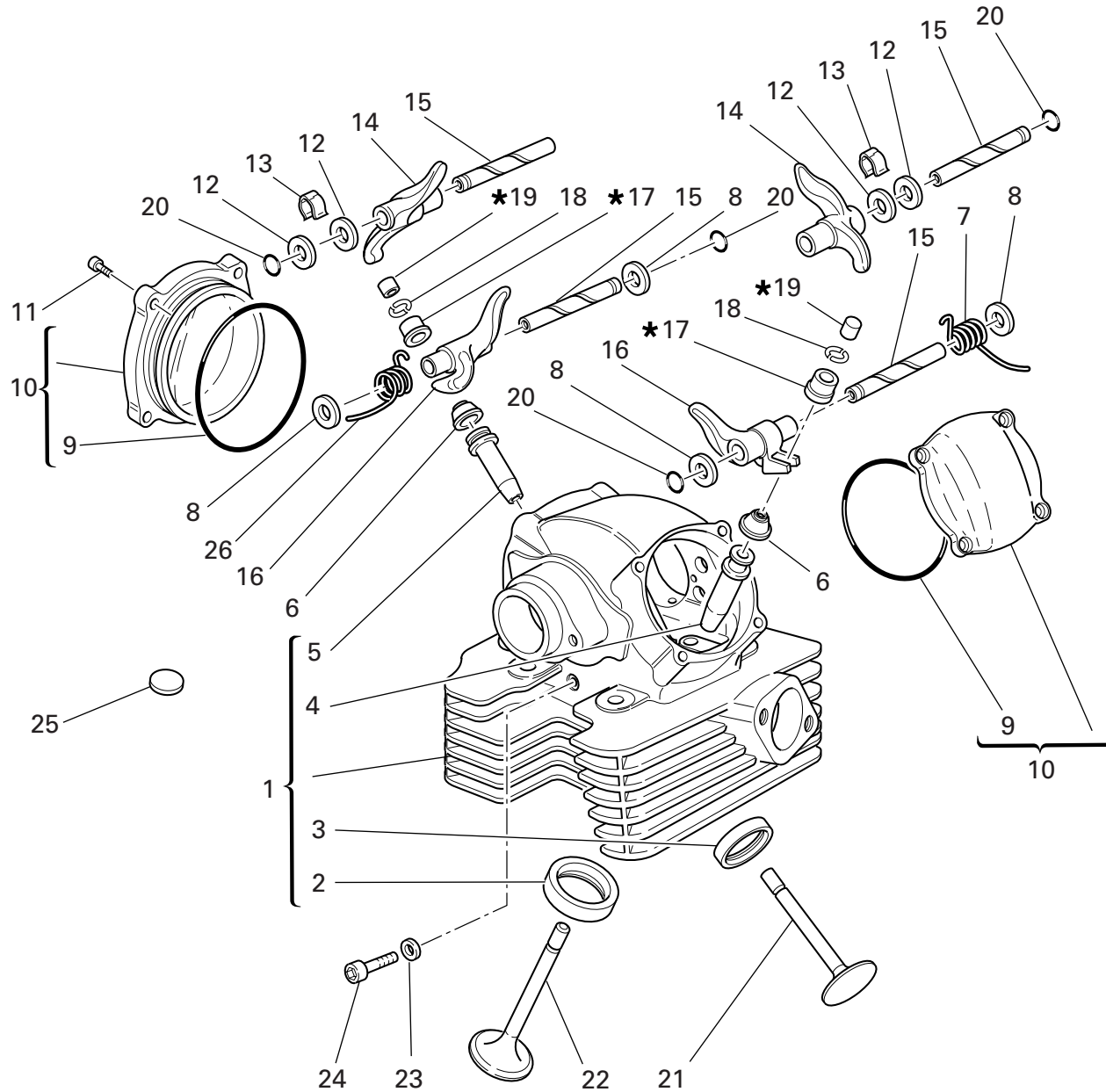
CYLINDER HEAD : TIMING SYSTEM

NOTES NO.	CODE NO.	DESCRIPTION	VALIDITY	Q.TY 
1	703.5.006.2A	Elastic-stop ring nut		2
2	852.1.173.1A	Washer		2
3	255.1.024.2A	Timing belt roller		2
4	779.5.030.2A	Screw		6
5	245.1.030.1A	Vertical belt inner cover		1
6	245.1.031.1A	Horizontal belt inner cover		1
7	930.4.061.1A	Seal ring		2
8	74172.1008	Woodruff key		2
9	148.1.285.1A	Vertical head camshaft		1
10	771.5.066.8B	Screw		7
11	886.4.060.1A	O-ring		2
12	235.2.037.1A	Side cap		2
13	852.1.197.1A	Copper gasket		2
14	775.1.036.1A	Screw		2
15	773.5.065.8B	Screw		2
16	148.1.284.1A	Horizontal head camshaft		1
17	766.4.017.2A	Stud bolt		4
18	766.4.018.1A	Stud bolt		4
19	160.1.105.1A	Flange		2
20	856.1.074.2A	Special washer		2

NOTES NO.	CODE NO.	DESCRIPTION	VALIDITY	Q.TY 
-----------	----------	-------------	----------	--

DRAWING 014


VERTICAL CYLINDER HEAD




19	17
Registro bilanciari apertura Adjustment Réglage Ventilkäppchen	Registro bilanciari chiusura Adjustment Réglage Ventilkäppchen
840.1.031.1A - 1,8	840.1.041.1B - 2,20
840.1.032.1A - 1,85	840.1.042.1B - 2,25
840.1.033.1A - 1,9	840.1.043.1B - 2,30
840.1.034.1A - 1,95	840.1.044.1B - 2,35
840.1.001.1A - 2,0	840.1.045.1B - 2,40
840.1.002.1A - 2,05	840.1.046.1B - 2,45
840.1.003.1A - 2,1	840.1.047.1B - 2,5
840.1.004.1A - 2,15	840.1.048.1B - 2,55
840.1.005.1A - 2,2	840.1.049.1B - 2,6
840.1.006.1A - 2,25	840.1.050.1B - 2,65
840.1.007.1A - 2,3	840.1.051.1B - 2,7
840.1.008.1A - 2,35	840.1.052.1B - 2,75
840.1.009.1A - 2,4	840.1.053.1B - 2,8
840.1.010.1A - 2,45	840.1.054.1B - 2,85
840.1.011.1A - 2,5	840.1.055.1B - 2,9
840.1.012.1A - 2,55	840.1.056.1B - 2,95
840.1.013.1A - 2,6	840.1.057.1B - 3,0
840.1.014.1A - 2,65	840.1.058.1B - 3,05
840.1.015.1A - 2,7	840.1.059.1B - 3,1
840.1.016.1A - 2,75	
840.1.017.1A - 2,8	
840.1.018.1A - 2,85	
840.1.019.1A - 2,9	
840.1.020.1A - 2,95	
840.1.021.1A - 3,0	
840.1.022.1A - 3,05	
840.1.023.1A - 3,1	
840.1.024.1A - 3,15	
840.1.025.1A - 3,2	
840.1.026.1A - 3,25	
840.1.027.1A - 3,3	
840.1.028.1A - 3,35	
840.1.029.1A - 3,4	
840.1.030.1A - 3,45	

DRAWING 014

VERTICAL CYLINDER HEAD

NOTES NO.	CODE NO.	DESCRIPTION	VALIDITY	Q.TY 
1	301.2.233.1A	Complete vertical head		1
2	304.1.042.1B	Intake valve seat		1
2	304.1.042.1BB	Oversize intake valve seat 0.03		1
2	304.1.042.1BC	Oversize intake valve seat 0.06		1
3	304.1.043.1B	Exhaust valve seat		1
3	304.1.043.1BB	Oversize exhaust valve seat 0.03		1
3	304.1.043.1BC	Oversize exhaust valve seat 0.06		1
4	303.1.041.1C	Intake valve guide		1
4	303.1.041.1CA	Intake valve guide magg. 0,03		1
4	303.1.041.1CB	Intake valve guide magg. 0,06		1
4	303.1.041.1CC	Intake valve guide magg. 0,09		1
5	303.1.040.1B	Exhaust valve guide		1
5	303.1.040.1BA	Exhaust valve guide magg. 0,03		1
5	303.1.040.1BB	Exhaust valve guide magg. 0,06		1
5	303.1.040.1BC	Exhaust valve guide magg. 0,09		1
6	764.1.002.1A	Rubber pad		2
7	799.1.061.3A	Closing rocker spring		1
8	0619.92.180	Shim th. 0.3		6
8	0670.92.190	Shim th. 2		3
8	0765.92.185	Shim th. 1		2
8	0765.92.190	Shim th. 0.5		4
8	0765.92.205	Shim th. 0.2		8
8	713.1.352.1A	Spacer		1
8	852.1.214.1A	Shim th. 1.8		1
9	463.2.010.9A	O-ring		2
10	240.2.026.1B	Valve cover		3
11	771.5.066.8B	Screw		8

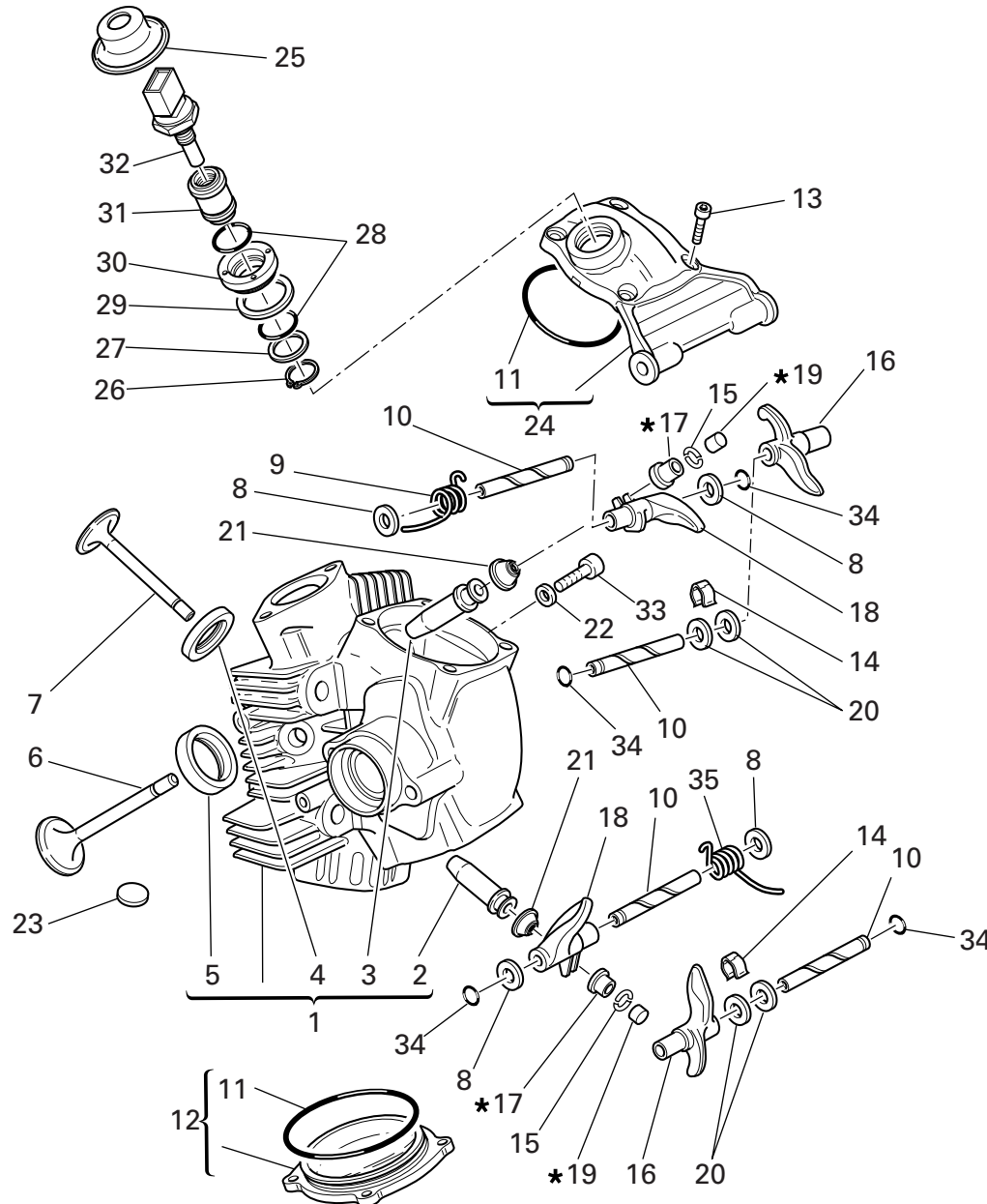
CATALOGUE No: 915.1.253.1B  
ISSUED: 11 - 06

NOTES NO.	CODE NO.	DESCRIPTION	VALIDITY	Q.TY 
12	0647.70.010	Shim		8
13	0375.92.210	Spring		2
14	208.1.012.4A	Opening rocker		2
15	821.1.111.2A	Rocker shaft		4
16	209.1.041.1A	Closing rocker		2
17	840.2.002.1B	See table		2
18	669.1.001.1E	Split rings		4
19	840.2.001.1A	See table		2
20	463.2.026.1A	O-ring		4
21	211.1.040.1A	Exhaust valve		1
22	210.1.042.1A	Intake valve		1
23	852.5.023.1A	Gasket		1
24	779.1.133.1A	Screw		1
25	700.1.040.1A	Vibration damper pad		12
26	799.1.247.2A	Closing rocker spring		1

CATALOGUE No: 915.1.253.1B  
ISSUED: 11 - 06

DRAWING 015


HORIZONTAL CYLINDER HEAD



19	17
Registro bilanciari apertura	Registro bilanciari chiusura
Adjustment	Adjustment
Réglage	Réglage
Ventilkäppchen	Ventilkäppchen
840.1.031.1A - 1,8	840.1.041.1B - 2,20
840.1.032.1A - 1,85	840.1.042.1B - 2,25
840.1.033.1A - 1,9	840.1.043.1B - 2,30
840.1.034.1A - 1,95	840.1.044.1B - 2,35
840.1.001.1A - 2,0	840.1.045.1B - 2,40
840.1.002.1A - 2,05	840.1.046.1B - 2,45
840.1.003.1A - 2,1	840.1.047.1B - 2,5
840.1.004.1A - 2,15	840.1.048.1B - 2,55
840.1.005.1A - 2,2	840.1.049.1B - 2,6
840.1.006.1A - 2,25	840.1.050.1B - 2,65
840.1.007.1A - 2,3	840.1.051.1B - 2,7
840.1.008.1A - 2,35	840.1.052.1B - 2,75
840.1.009.1A - 2,4	840.1.053.1B - 2,8
840.1.010.1A - 2,45	840.1.054.1B - 2,85
840.1.011.1A - 2,5	840.1.055.1B - 2,9
840.1.012.1A - 2,55	840.1.056.1B - 2,95
840.1.013.1A - 2,6	840.1.057.1B - 3,0
840.1.014.1A - 2,65	840.1.058.1B - 3,05
840.1.015.1A - 2,7	840.1.059.1B - 3,1
840.1.016.1A - 2,75	
840.1.017.1A - 2,8	
840.1.018.1A - 2,85	
840.1.019.1A - 2,9	
840.1.020.1A - 2,95	
840.1.021.1A - 3,0	
840.1.022.1A - 3,05	
840.1.023.1A - 3,1	
840.1.024.1A - 3,15	
840.1.025.1A - 3,2	
840.1.026.1A - 3,25	
840.1.027.1A - 3,3	
840.1.028.1A - 3,35	
840.1.029.1A - 3,4	
840.1.030.1A - 3,45	

DRAWING 015

HORIZONTAL CYLINDER HEAD

NOTES NO.	CODE NO.	DESCRIPTION	VALIDITY	Q.TY 
1	301.2.232.1A	Complete horizontal head		1
2	303.1.040.1B	Exhaust valve guide		1
2	303.1.040.1BA	Exhaust valve guide magg. 0,03		1
2	303.1.040.1BB	Exhaust valve guide magg. 0,06		1
2	303.1.040.1BC	Exhaust valve guide magg. 0,09		1
3	303.1.041.1C	Intake valve guide		1
3	303.1.041.1CA	Intake valve guide magg. 0,03		1
3	303.1.041.1CB	Intake valve guide magg. 0,06		1
3	303.1.041.1CC	Intake valve guide magg. 0,09		1
4	304.1.042.1B	Intake valve seat		1
4	304.1.042.1BB	Oversize intake valve seat 0.03		1
4	304.1.042.1BC	Oversize intake valve seat 0.06		1
5	304.1.043.1B	Exhaust valve seat		1
5	304.1.043.1BB	Oversize exhaust valve seat 0.03		1
5	304.1.043.1BC	Oversize exhaust valve seat 0.06		1
6	211.1.040.1A	Exhaust valve		1
7	210.1.042.1A	Intake valve		1
8	0619.92.180	Shim th. 0.3		6
8	0670.92.190	Shim th. 2		3
8	0765.92.185	Shim th. 1		2
8	0765.92.190	Shim th. 0.5		4
8	0765.92.205	Shim th. 0.2		8
8	713.1.352.1A	Spacer		1
8	852.1.214.1A	Shim th. 1.8		1
9	799.1.061.3A	Closing rocker spring		1
10	821.1.111.2A	Rocker shaft		4
11	463.2.010.9A	O-ring		1

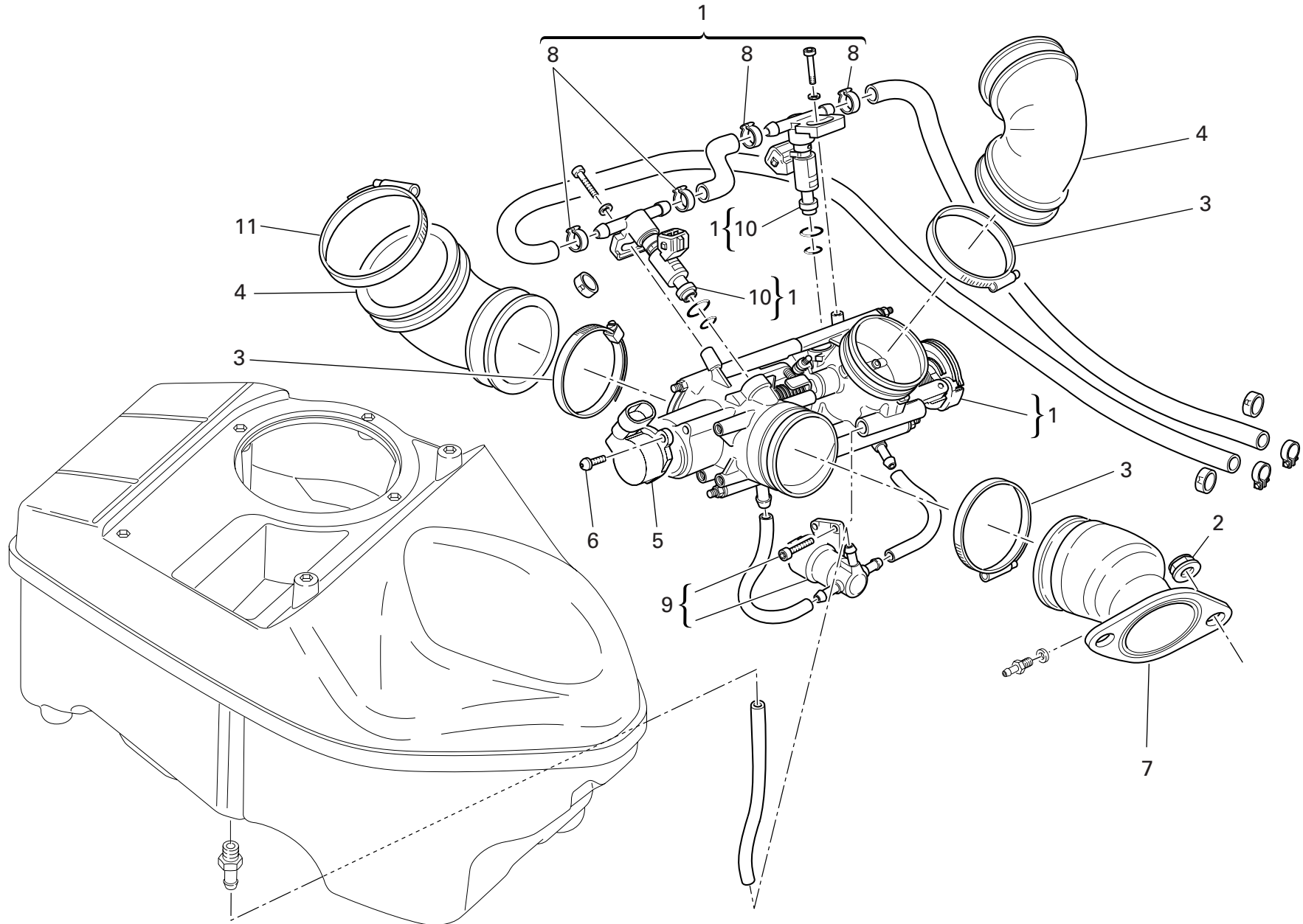
CATALOGUE No: 915.1.253.1B  
ISSUED: 11 - 06

NOTES NO.	CODE NO.	DESCRIPTION	VALIDITY	Q.TY 
12	240.2.026.1B	Valve cover		1
13	771.5.066.8B	Screw		8
14	0375.92.210	Spring		2
15	669.1.001.1E	Split rings		4
16	208.1.012.4A	Opening rocker		2
17	840.2.002.1B	See table		2
18	209.1.041.1A	Closing rocker		2
19	840.2.001.1A	See table		2
20	0647.70.010	Shim		4
21	764.1.002.1A	Rubber pad		2
22	852.5.023.1A	Gasket		1
23	700.1.040.1A	Vibration damper pad		27
24	240.2.031.1A	Intake valve cover		1
25	672.1.034.1A	Rubber cap		1
26	73500.1747	Snap ring		1
27	713.1.137.1A	Spacer		1
28	886.4.028.1A	O-Ring		2
29	787.1.008.1A	Aluminium gasket		1
30	703.1.019.1A	Ring nut		1
31	829.1.235.1A	Holder sensor		1
32	552.4.013.1A	Sensor		1
33	779.1.133.1A	Screw		1
34	463.2.026.1A	O-ring		4
35	799.1.247.2A	Closing rocker spring		1


CATALOGUE No: 915.1.253.1B  
ISSUED: 11 - 06

DRAWING 016

INTAKE MANIFOLDS

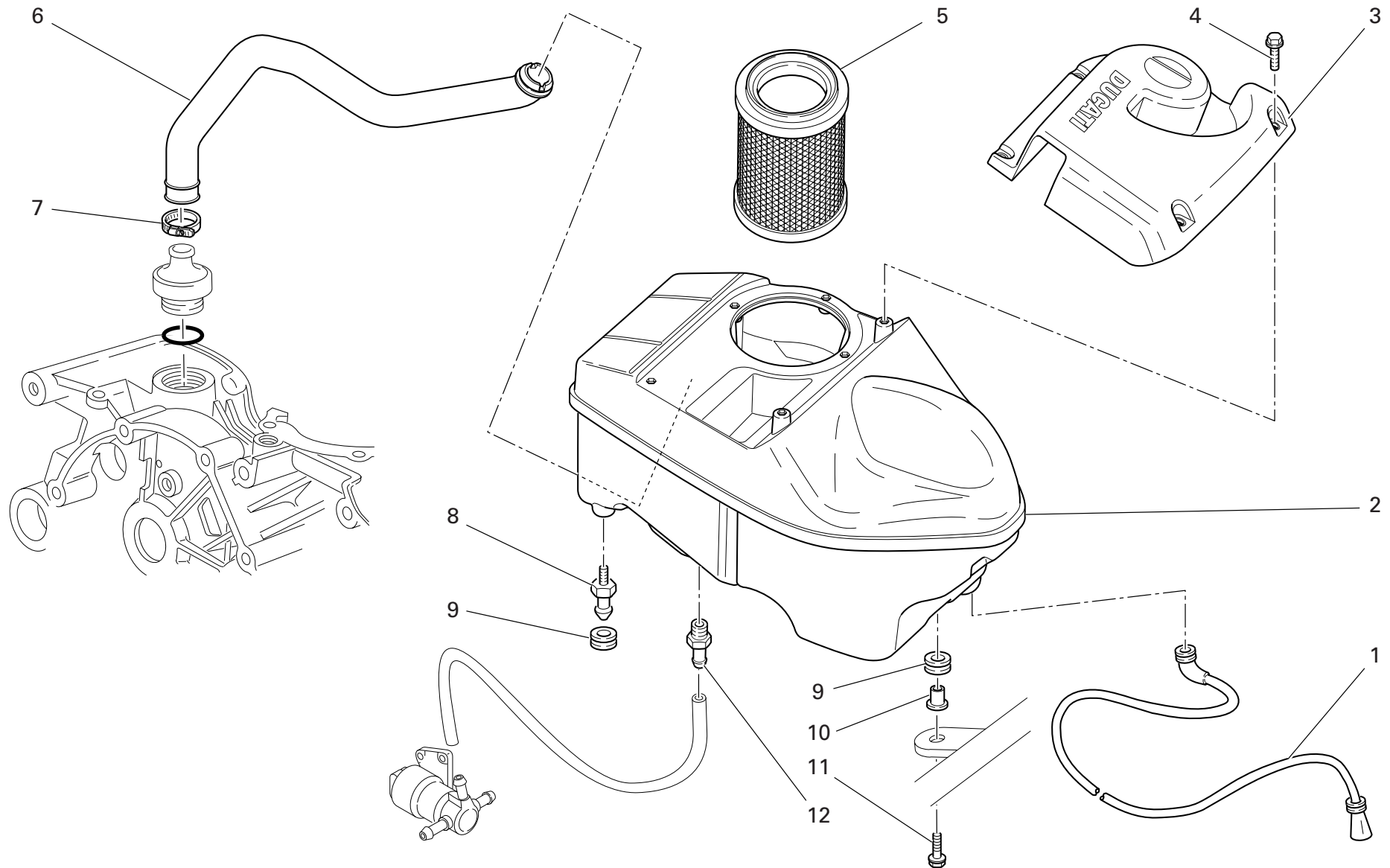


DRAWING **016** INTAKE MANIFOLDS


NOTES NO.	CODE NO.	DESCRIPTION	VALIDITY	Q.TY 
1	282.4.073.1B	Feed unit assembly		1
2	748.1.039.1A	Nut		4
3	741.4.042.1A	Hose guide		4
4	801.1.027.1A	Hose		2
5	284.4.008.1A	Potentiometer		1
6	779.5.012.1B	Screw		2
7	137.2.003.4B	Intake duct		2
8	287.4.024.1B	Clamp		4
9	283.4.011.1A	Stepper motor		1
10	280.4.015.1A	Injector		2
11	741.4.067.1A	Hose guide		2

NOTES NO.	CODE NO.	DESCRIPTION	VALIDITY	Q.TY 
-----------	----------	-------------	----------	--

DRAWING 017 AIR INTAKE - OIL BREATHER



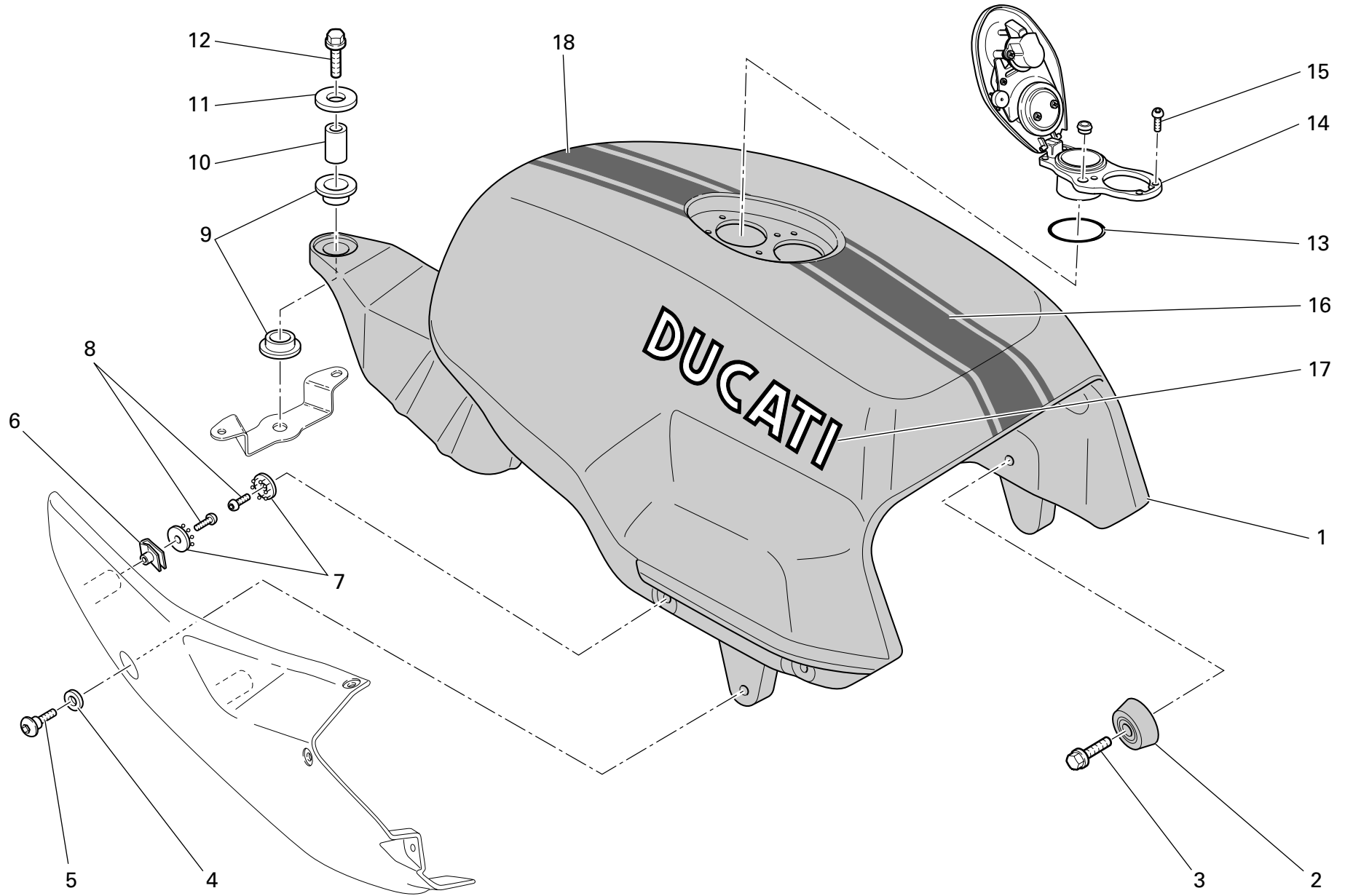
DRAWING 017 AIR INTAKE - OIL BREATHER

NOTES NO.	CODE NO.	DESCRIPTION	VALIDITY	Q.TY 
1	877.2.046.1A	Tube		1
2	442.1.129.1A	Air filter box		1
3	246.1.089.1A	Filter case cover		1
4	772.1.045.1A	Screw		6
5	426.1.019.1A	Filter element		1
6	876.1.093.1A	Breather pipe		1
7	741.4.002.1A	Hose guide		1
8	821.1.075.1A	Pin		2
9	764.1.090.1A	Rubber pad		3
10	716.1.022.1B	Spacer		1
11	772.5.031.1B	Screw		1
12	779.1.335.1A	Pressure pick-up point		1


NOTES NO.	CODE NO.	DESCRIPTION	VALIDITY	Q.TY 
-----------	----------	-------------	----------	--

DRAWING 018

FUEL TANK

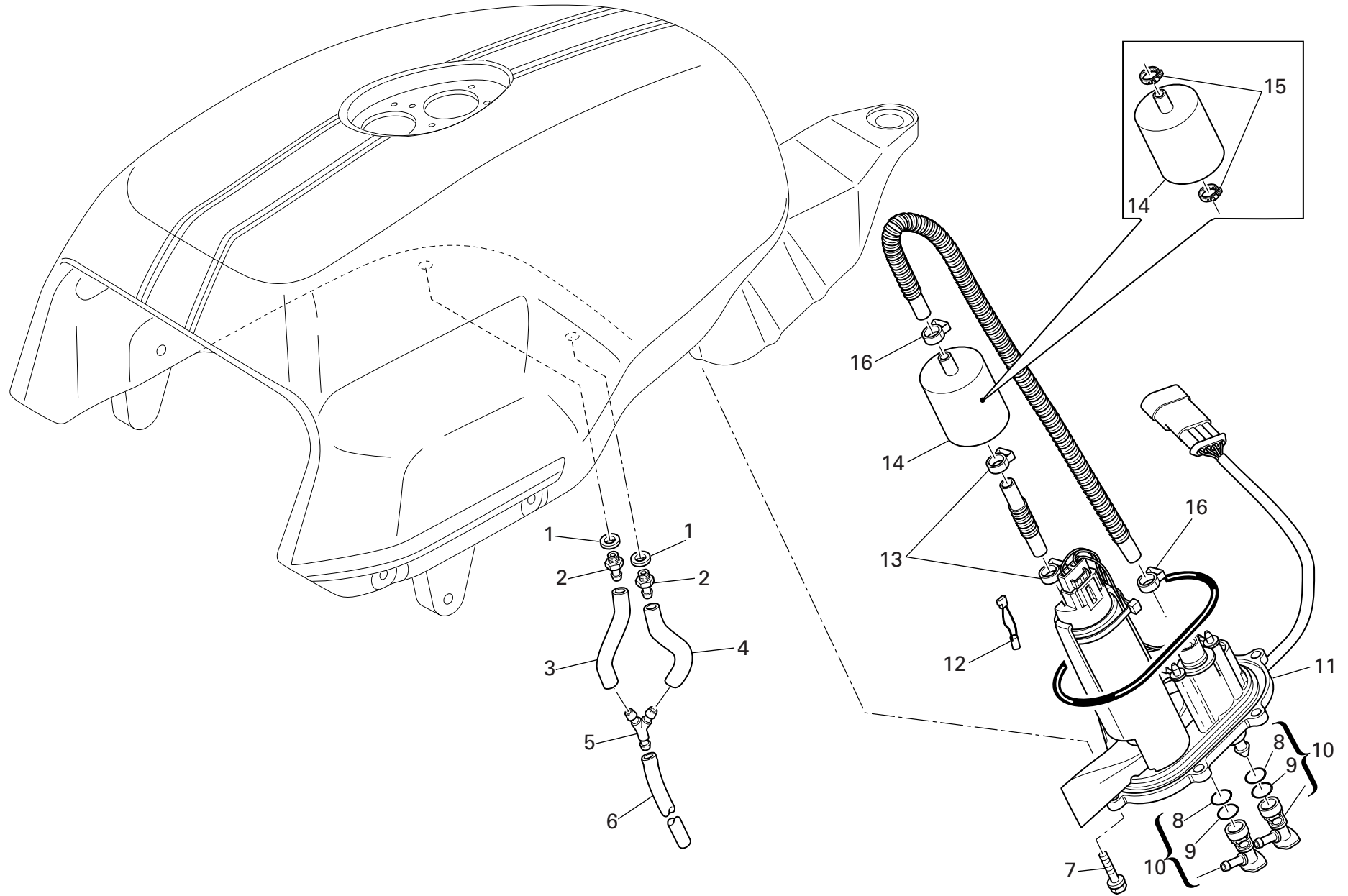


DRAWING 018 FUEL TANK


NOTES NO.	CODE NO.	DESCRIPTION	VALIDITY	Q.TY 
1	586.1.071.1BM	Tank (RED)		1
2	866.1.062.1A	Rubber pad		2
3	771.5.662.8B	Screw		2
4	852.1.205.1A	Nylon washer		2
5	779.1.439.2A	Screw		2
6	850.4.083.1A	Nut with clip		4
7	850.1.014.1A	Quik fastening		8
8	775.1.016.1A	Screw		8
9	764.1.001.1A	Rubber pad		2
10	713.1.330.1A	Spacer		1
11	852.1.099.1A	Washer		1
12	771.5.728.8B	Screw		1
13	886.4.055.1A	O-ring		1
14	895.1.007.1B	Tank cap		1
15	775.1.017.1A	Screw		6
16	435.1.136.1A	White strip (for RED)		1
17	435.1.119.1A	Sticker "DUCATI" (for RED)		2
18	435.1.130.1A	White strip (for RED)		1

NOTES NO.	CODE NO.	DESCRIPTION	VALIDITY	Q.TY 
-----------	----------	-------------	----------	--

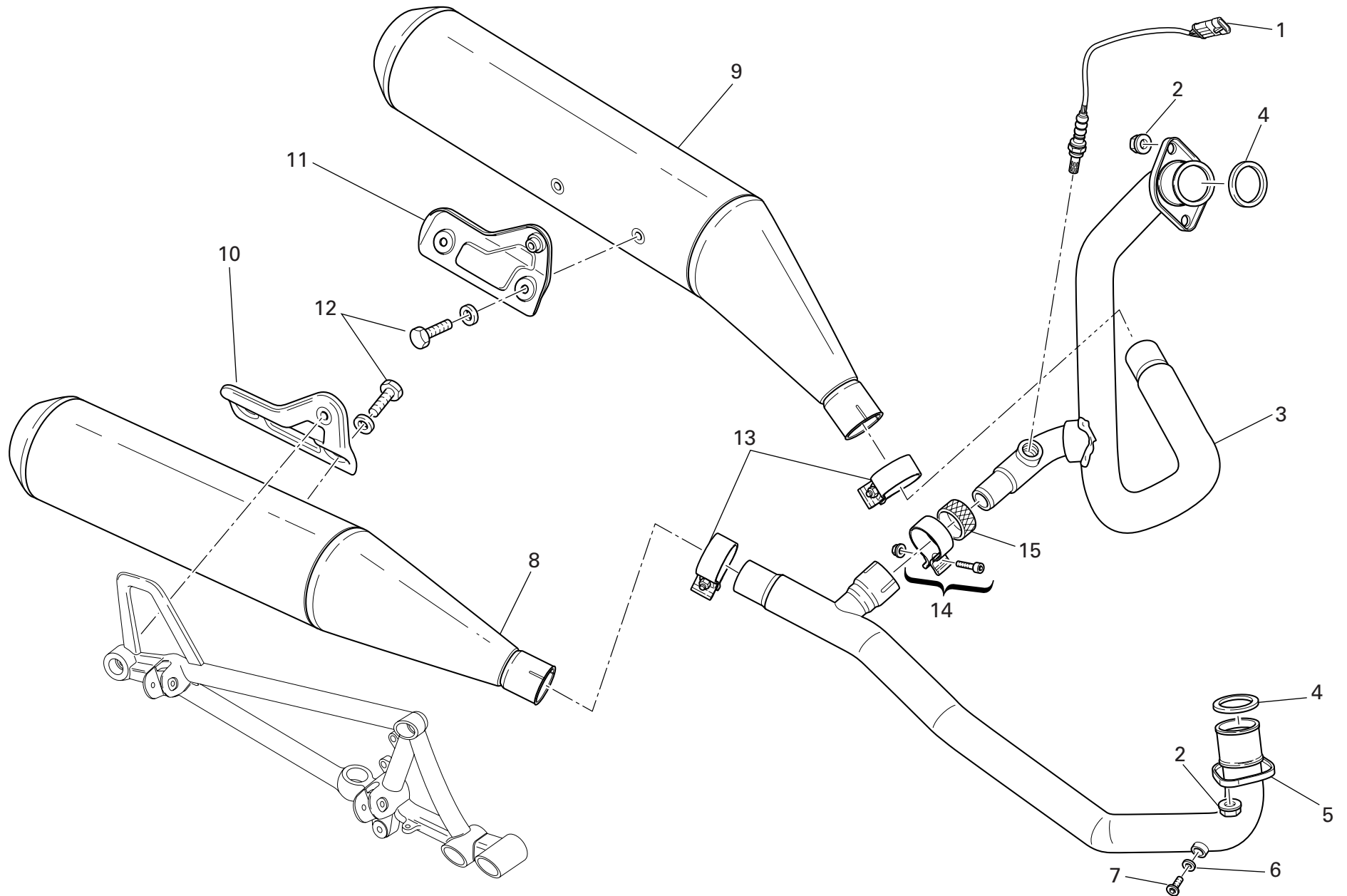
DRAWING 019 FUEL SYSTEM




DRAWING 019 FUEL SYSTEM

NOTES NO.	CODE NO.	DESCRIPTION	VALIDITY	Q.TY 
1	886.1.013.1A	Gasket		2
2	814.1.179.1A	Union		2
3	590.1.275.1A	Tube		1
4	590.1.274.1A	Tube		1
5	616.1.002.1A	Union		1
6	590.1.276.1A	Tube		1
7	772.1.062.1A	Screw		6
8	886.4.072.1A	O-ring		2
9	886.4.073.1A	O-ring		2
10	814.4.010.1A	Quick-coupling union		2
11	160.2.366.1A	Flange		1
12	552.4.048.1A	Thermistor		1
13	741.4.158.1A	Clamp		2
14	425.4.004.1B	Fuel filter		1
15	699.2.345.1A	Clamps kit		1
16	741.4.092.1A	collar		2

NOTES NO.	CODE NO.	DESCRIPTION	VALIDITY	Q.TY 
-----------	----------	-------------	----------	--



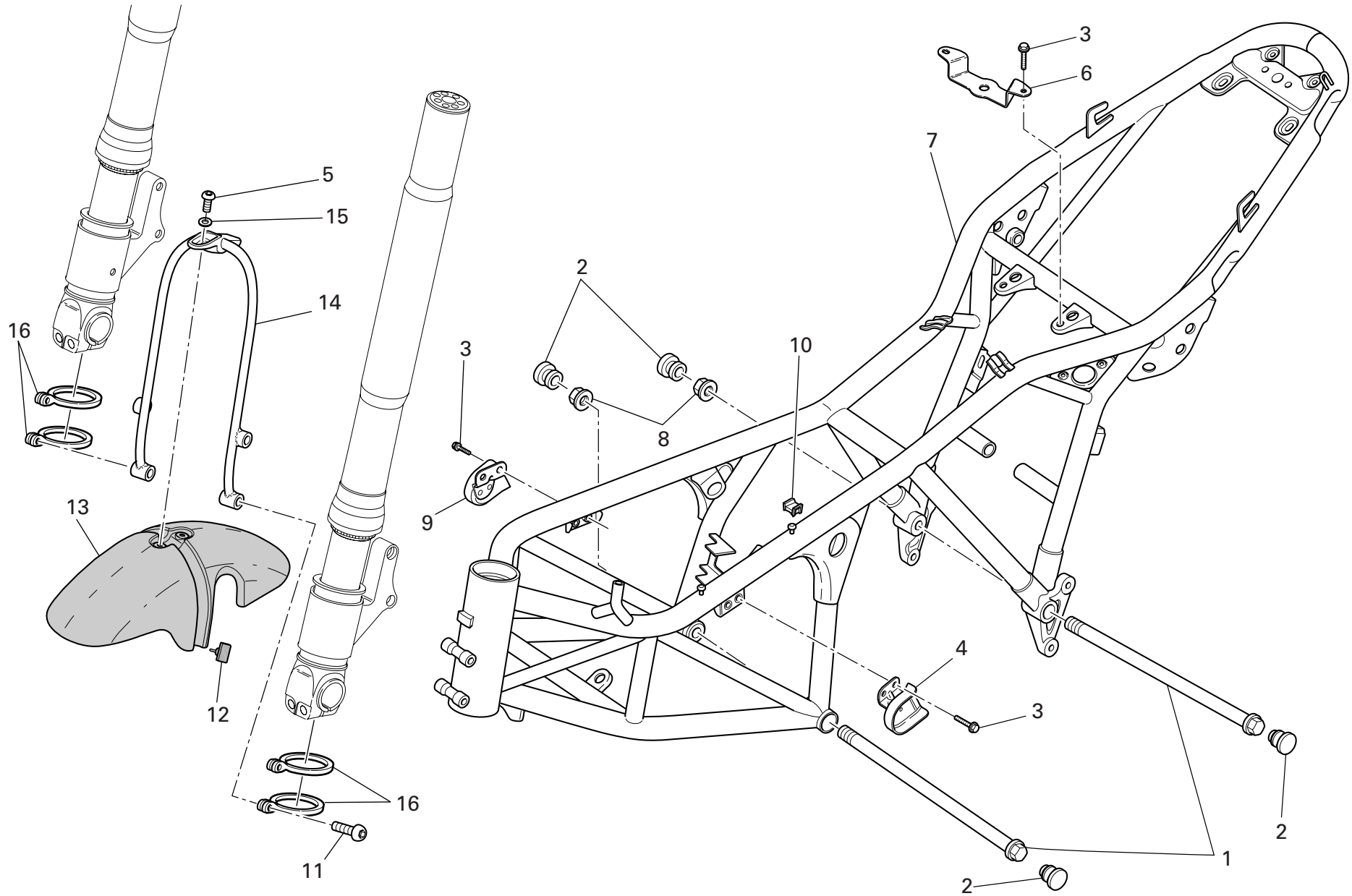
DRAWING 020 EXHAUST SYSTEM

NOTES NO.	CODE NO.	DESCRIPTION	VALIDITY	Q.TY 
1	552.1.111.1A	Lambda sensor		1
2	748.4.033.1A	Nut		4
3	571.1.257.1A	Vertical head exhaust pipe		1
4	0370.84.005	Exhaust gasket		2
5	570.1.262.1A	Horizontal head exhaust pipe		1
6	852.5.024.1A	Gasket th.1		2
7	780.1.007.1A	Cap		2
8	573.1.101.1B	R.H. silencer		1
9	574.1.103.1B	L.H. silencer		1
10	576.1.055.1A	R.H. holder		1
11	576.1.056.1A	L.H. holder		1
12	770.5.123.3B	Screw		4
13	576.1.044.1B	Clamp		2
14	741.4.032.1B	Clamp		1
15	790.1.016.1A	Exhaust gasket		1


NOTES NO.	CODE NO.	DESCRIPTION	VALIDITY	Q.TY 
-----------	----------	-------------	----------	--

DRAWING 021

FRAME



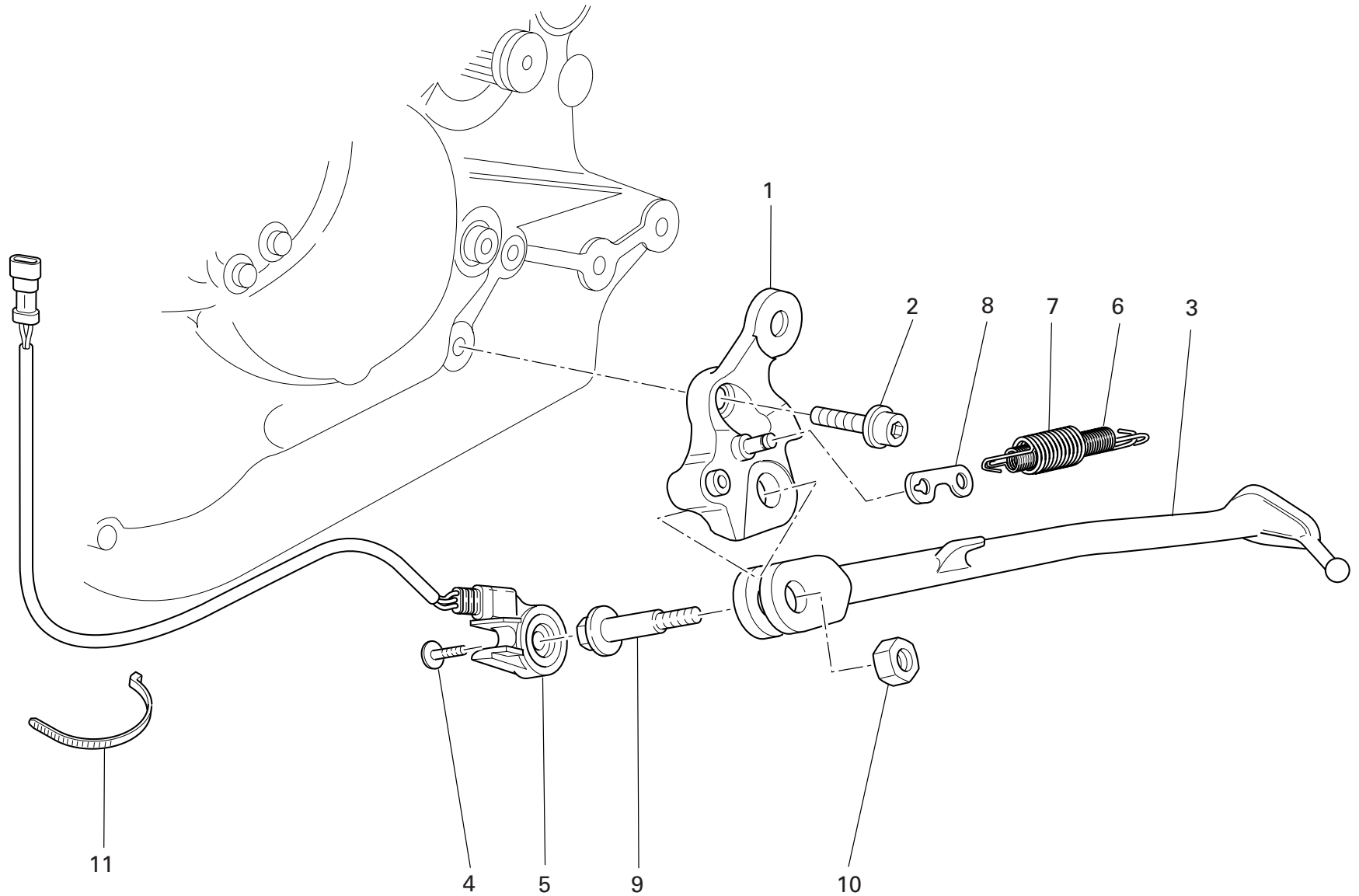
DRAWING 021 FRAME

NOTES NO.	CODE NO.	DESCRIPTION	VALIDITY	Q.TY 
1	779.1.213.1A	Screw		2
2	872.1.026.1A	Cap		4
3	771.5.665.8B	Screw		6
4	473.1.563.1A	L.H. holder		1
5	775.1.031.1B	Screw		2
6	473.1.548.1A	Rear bracket		1
7	470.1.179.2BA	Frame		1
8	748.4.002.1A	Nut		2
9	473.1.562.1A	R.H. holder		1
10	850.4.067.1A	Clamp		8
11	775.1.022.1A	Screw		4
12	866.1.036.1A	Rubber pad		2
13	564.1.057.1AA	Front mudguard (RED)		1
14	829.1.666.1A	Holder		1
15	852.5.030.1A	Washer		2
16	741.1.034.1A	Clamp		4

NOTES NO.	CODE NO.	DESCRIPTION	VALIDITY	Q.TY 
-----------	----------	-------------	----------	--


DRAWING 022

STANDS



DRAWING 022

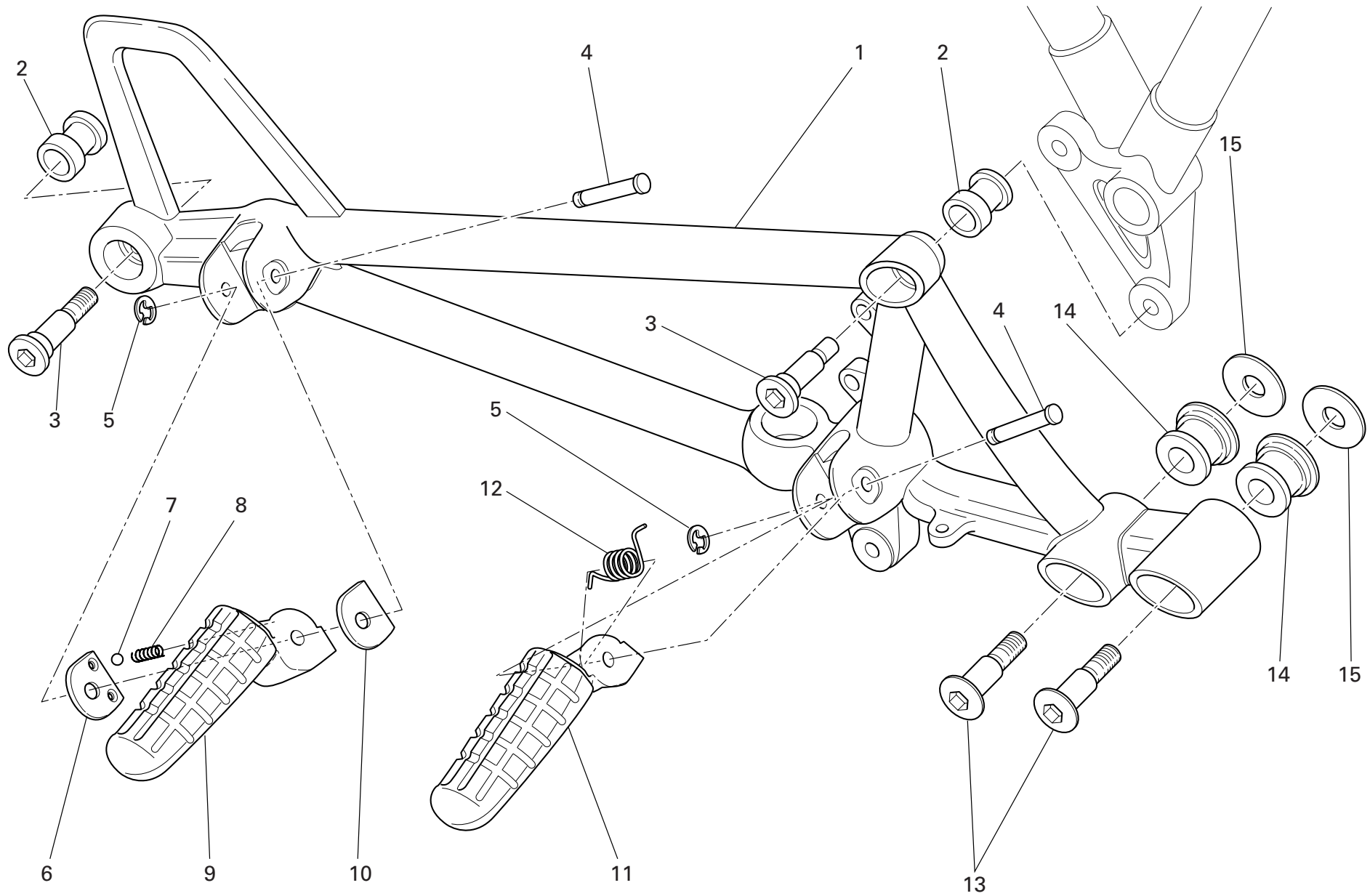
STANDS

NOTES NO.	CODE NO.	DESCRIPTION	VALIDITY	Q.TY 
1	556.2.036.1B	Plate		1
2	771.5.754.8B	Screw		2
3	556.1.043.1A	Side stand (BLACK)		1
4	779.4.005.2A	Screw		1
5	539.1.023.2A	Switch		1
6	799.1.089.1B	Inner spring		1
7	799.1.088.1B	Outer spring		1
8	827.1.139.2B	Plate		1
9	556.1.018.1D	Pivot		1
10	749.4.045.2A	Nut		1
11	0691.91.030	Hose guide		1

NOTES NO.	CODE NO.	DESCRIPTION	VALIDITY	Q.TY 
-----------	----------	-------------	----------	--


DRAWING 023

R.H. FOOTRESTS



DRAWING 023

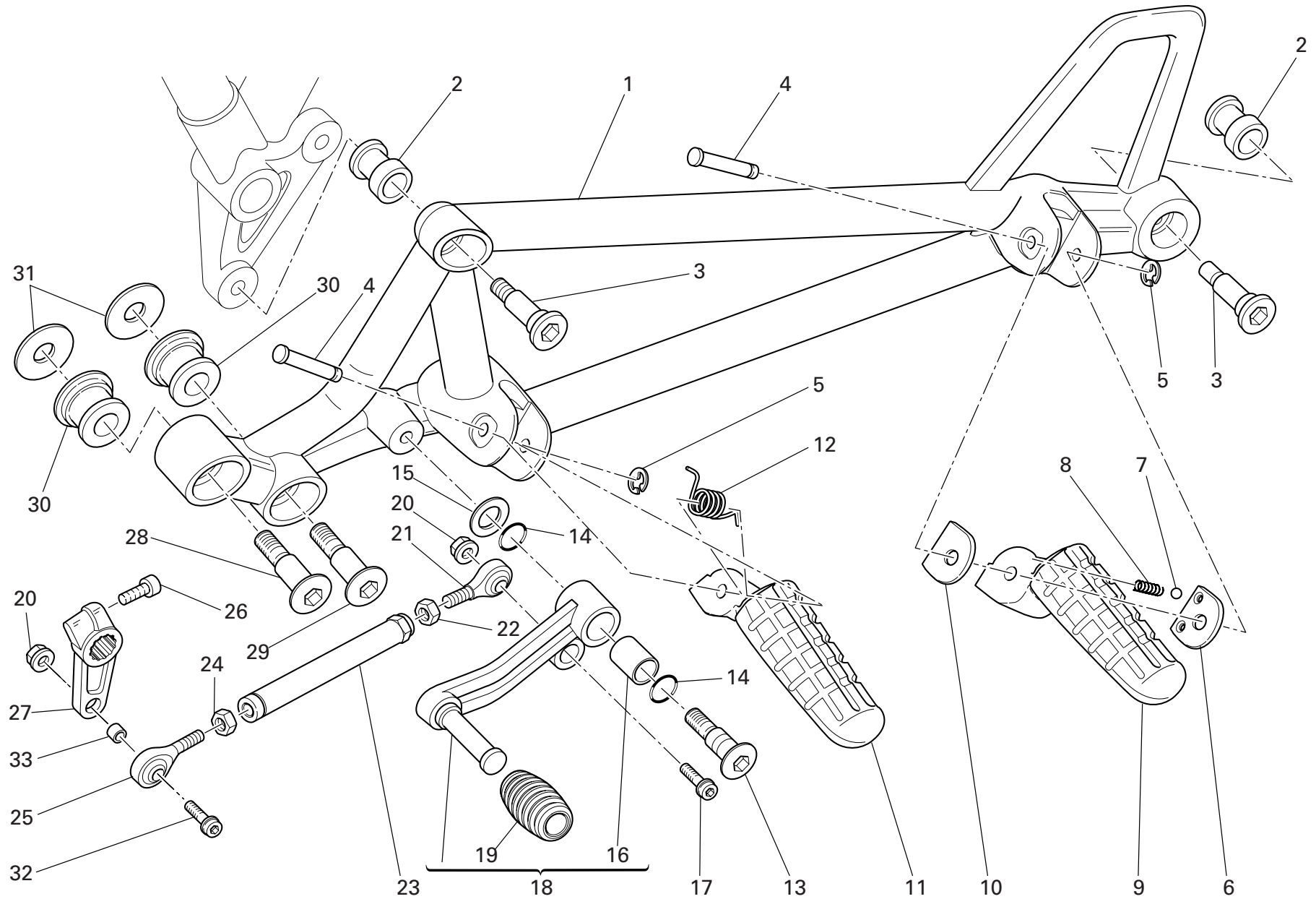
R.H. FOOTRESTS

NOTES NO.	CODE NO.	DESCRIPTION	VALIDITY	Q.TY 
1	824.1.120.1AB	R.H. foot peg holder plate (BLACK)		1
2	700.1.050.1A	Vibration damper		1
3	779.1.476.1A	Special screw		1
4	821.1.090.1B	Pin		2
5	884.5.003.1A	Ring		2
6	827.1.161.1B	Plate		1
7	847.4.002.1A	Ball		1
8	799.1.024.1A	Spring		1
9	465.1.062.1A	Rear R.H. foot peg		1
10	827.1.414.1A	Plate		1
11	464.1.047.1A	Front R.H. foot peg		1
12	8000.60700	Spring		1
13	779.1.418.1A	Screw		2
14	700.1.049.1A	Vibration damper		2
15	852.1.065.1B	Washer		2

NOTES NO.	CODE NO.	DESCRIPTION	VALIDITY	Q.TY 
-----------	----------	-------------	----------	--

DRAWING 024


L.H. FOOTRESTS



DRAWING 024

L.H. FOOTRESTS

NOTES NO.	CODE NO.	DESCRIPTION	VALIDITY	Q.TY 
1	824.1.121.1AB	L.H. foot peg holder plate (BLACK)		1
2	700.1.050.1A	Vibration damper		1
3	779.1.476.1A	Special screw		1
4	821.1.090.1B	Pin		2
5	884.5.003.1A	Ring		2
6	827.1.161.1B	Plate		1
7	847.4.002.1A	Ball		1
8	799.1.024.1A	Spring		1
9	465.1.063.1A	Rear L.H. foot peg		1
10	827.1.414.1A	Plate		1
11	464.1.048.1A	Front L.H. foot peg		1
12	8000.60700	Spring		1
13	821.1.170.1A	Pin		1
14	0000.01199	O-ring		2
15	852.1.151.1A	Washer		1
16	712.1.034.1A	Bush		1
17	771.5.668.8B	Screw		1
18	456.2.009.1A	Gearchange lever		1
19	765.1.001.1A	Rubber pad		1
20	749.4.004.1A	Nut		2
21	848.5.001.1A	Ball joint		1
22	747.5.001.1AB	Nut		1
23	117.2.091.1A	Gearbox transmission rod		1
24	747.5.005.1B	Nut		1
25	848.5.002.1A	Ball joint		1
26	771.5.666.8B	Screw		1
27	456.1.046.1B	Gearchange control lever		1


NOTES NO.	CODE NO.	DESCRIPTION	VALIDITY	Q.TY 
28	779.1.206.1AB	Special screw		1
29	779.1.418.1A	Screw		1
30	700.1.049.1A	Vibration damper		2
31	852.1.065.1B	Washer		2
32	771.5.669.8B	Screw		1
33	713.1.365.1A	Spacer		1

CATALOGUE No: 915.1.253.1B  
ISSUED: 11 - 06

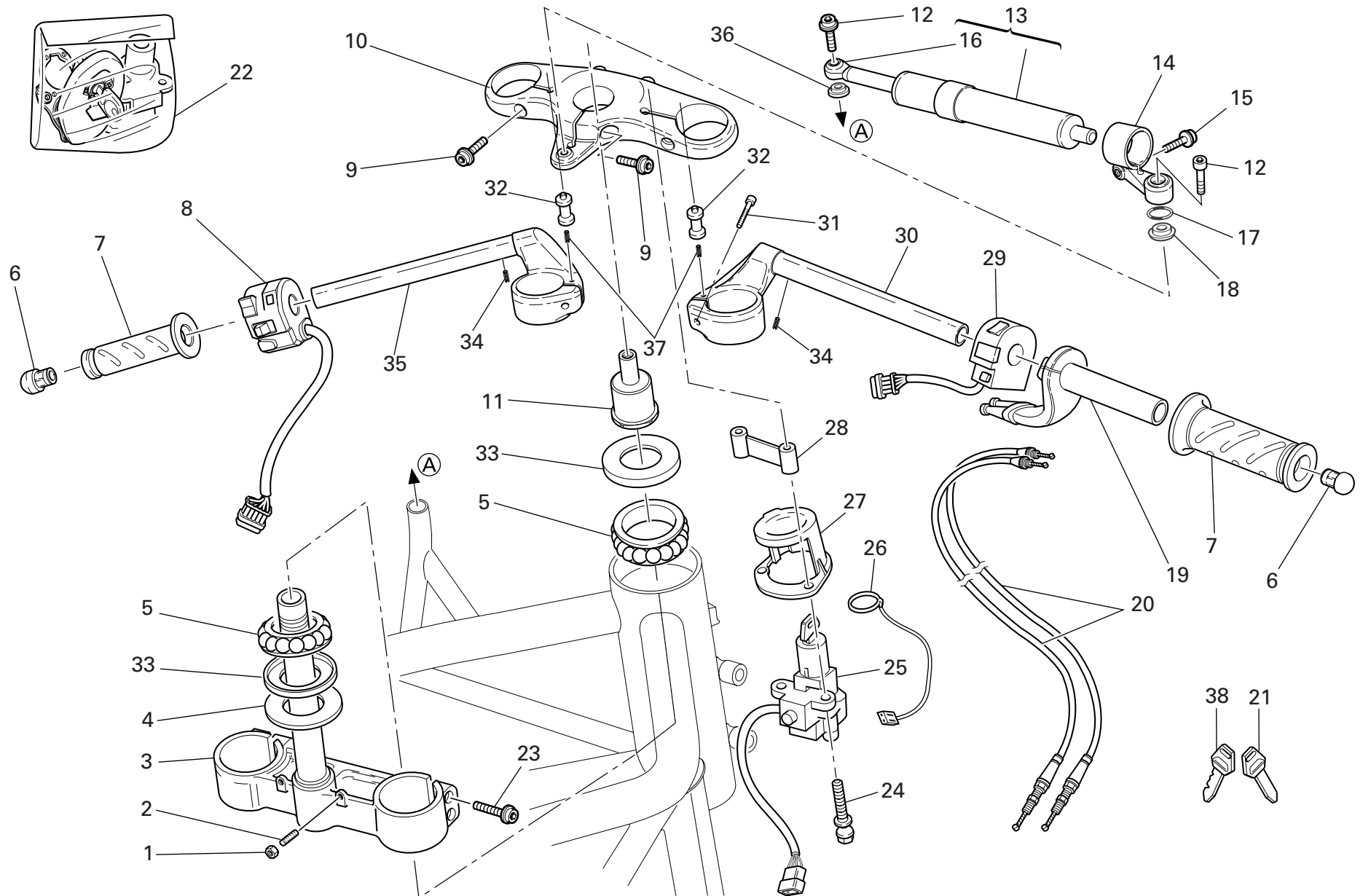
CATALOGUE No: 915.1.253.1B  
ISSUED: 11 - 06



DRAWING 025 FRONT FORKS

NOTES NO.	CODE NO.	DESCRIPTION	VALIDITY	Q.TY 
1	71502.2594	Screw		2
2	856.1.057.1A	Washer		2
3	772.5.026.1B	Screw		4
4	529.1.001.1A	Reflector		2
5	348.2.016.1A	Complete R.H. pumping element		1
6	349.1.152.1A	Retainer		2
7	348.2.017.1A	Complete L.H. pumping element		1
8	349.2.048.1A	Complete cap		2
9	349.2.021.1A	Seat kit		1
10	349.2.020.1A	Overhaul kit		1
11	340.2.294.1A	L.H. fork leg assembly		1
12	347.2.003.1A	Spring kit		2
13	340.2.293.1A	R.H. fork leg assembly		1
14	349.1.107.1A	Check ring		2

NOTES NO.	CODE NO.	DESCRIPTION	VALIDITY	Q.TY 
-----------	----------	-------------	----------	--




DRAWING 026

HANDLEBARS AND CONTROLS

NOTES NO.	CODE NO.	DESCRIPTION	VALIDITY	Q.TY 
1	747.5.007.1A	Nut		2
2	779.1.099.1B	Special screw		2
3	342.2.052.1A	Steering head base assembly		1
4	852.1.103.1A	Washer		1
5	702.4.004.1A	Bearing		2
6	872.1.015.1A	Cap		2
7	656.2.012.1A	Grips pair		1
8	651.1.001.1A	L.H. switch		1
9	771.5.728.8B	Screw		3
10	341.1.051.1A	Steering head		1
11	703.1.039.1A	Ring nut		1
12	771.5.667.8B	Screw		2
13	364.2.006.1A	Steering damper		1
14	829.2.079.1BB	Holder		1
15	771.5.665.8B	Screw		1
16	848.4.001.1A	Joint		1
17	886.5.014.1A	O-ring		1
18	713.1.210.1A	Spacer		1
19	654.4.012.1A	Throttle control		1
20	656.2.067.1A	Throttle control transmission		1
21	598.4.018.1A	Wrench without Transponder		1
22	598.2.041.1A	Locks kit		1
23	771.5.727.8B	Screw		4
24	779.1.468.1A	Special screw		2
25	652.4.006.1C	Key-operated switch		1
26	518.4.004.2B	Antenna		1
27	246.1.100.1A	Cover		1

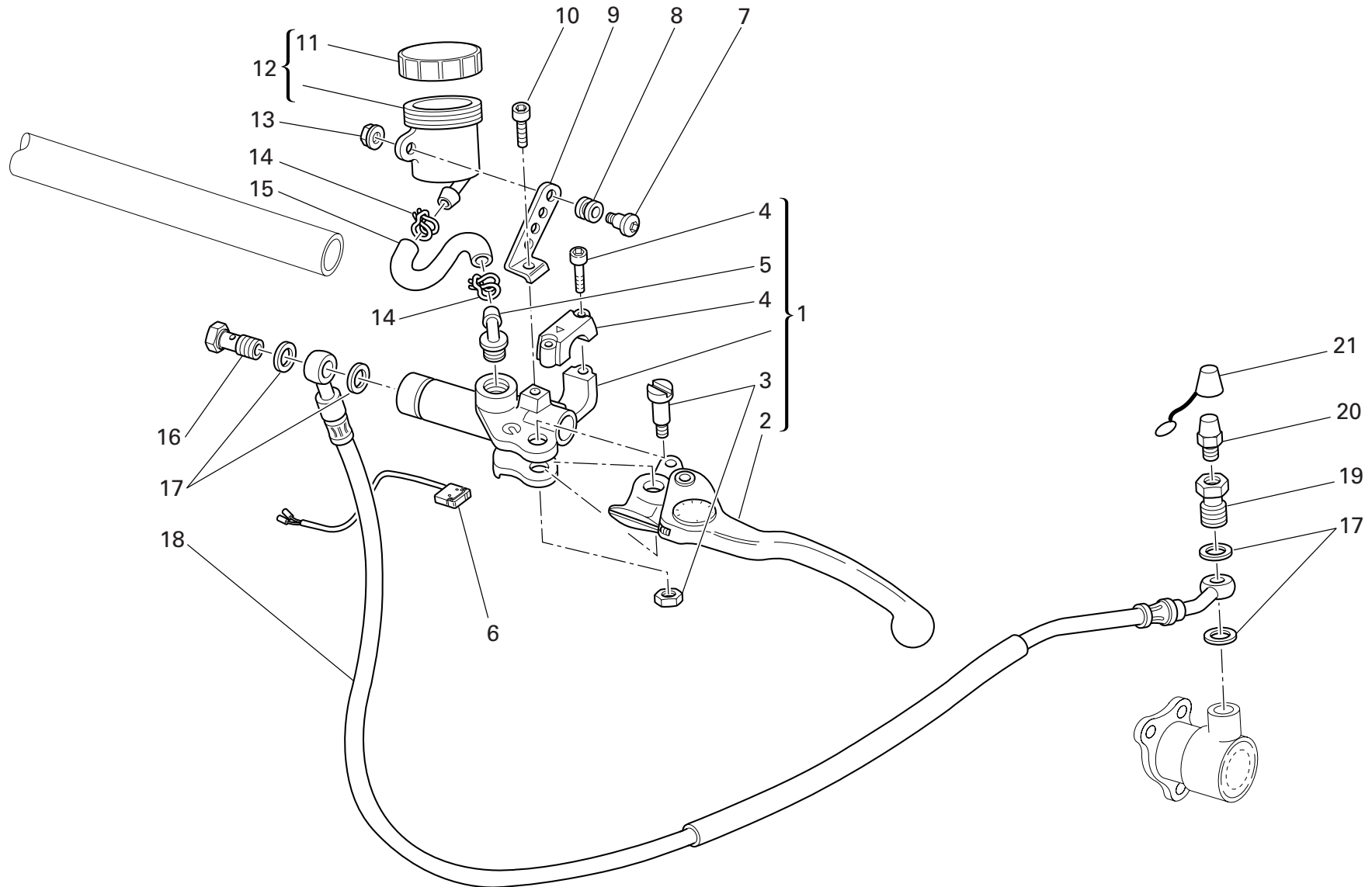
CATALOGUE No: 915.1.253.1B  
ISSUED: 11 - 06

NOTES NO.	CODE NO.	DESCRIPTION	VALIDITY	Q.TY 
28	713.1.351.1A	Spacer		1
29	650.4.009.1B	R.H. switch		1
30	360.1.070.1A	R.H. handlebar		1
31	771.5.127.8B	Screw		2
32	713.1.327.1A	Spacer		2
33	930.1.004.1B	Seal ring		2
34	861.5.013.1A	Spring pin		2
35	360.1.071.1A	L.H. handlebar		1
36	713.1.209.1A	Spacer		1
37	462.4.001.1A	Spring pin		2
38	598.4.016.1A	Wrench with Transponder		1

CATALOGUE No: 915.1.253.1B  
ISSUED: 11 - 06

DRAWING 027

CLUTCH CONTROL



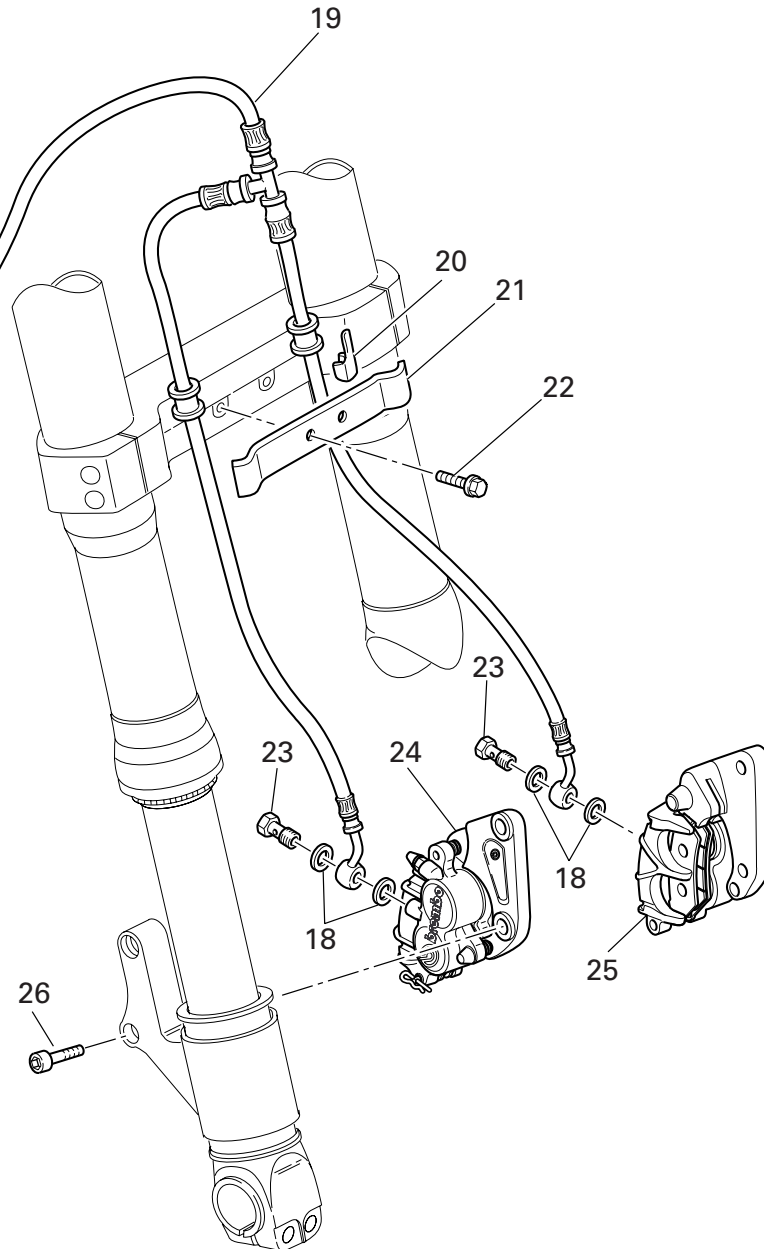
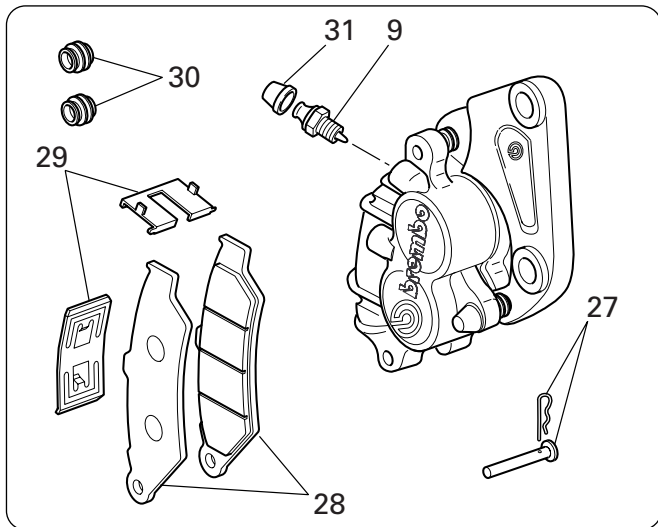
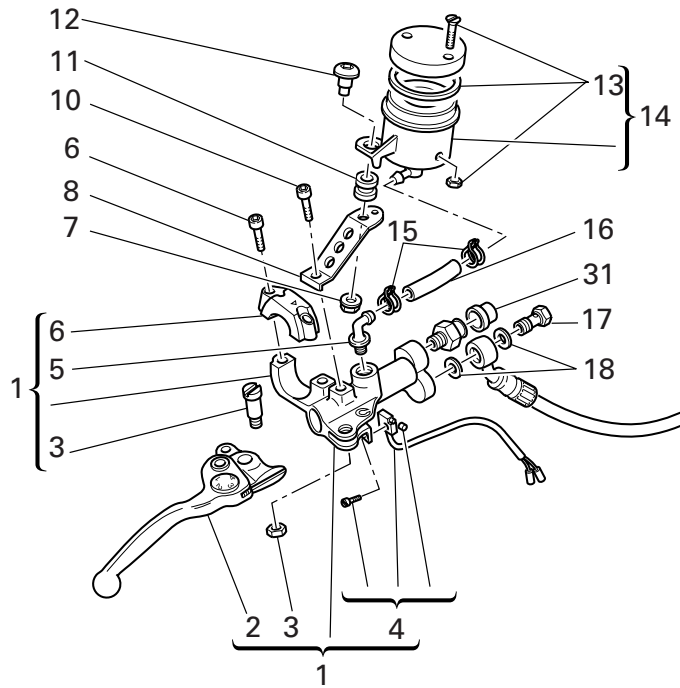
DRAWING 027 CLUTCH CONTROL

NOTES NO.	CODE NO.	DESCRIPTION	VALIDITY	Q.TY 
1	630.4.029.1A	Clutch drive pump		1
2	626.4.034.1A	Clutch control lever		1
3	626.4.011.1A	Spare lever pin		1
4	626.4.015.1C	Bracket		1
5	631.4.008.1A	Spare union		1
6	539.4.043.1A	Microswitch		1
7	779.1.092.1A	Screw		1
8	0370.72.020	Vibration damper pad		1
9	829.1.061.1E	Bracket		1
10	779.5.059.1A	Screw		1
11	893.4.005.1A	Cap		1
12	0000.61078	Complete oil tank		1
13	8000.56443	Nut		1
14	741.4.043.1A	Hose guide		2
15	877.1.106.1A	Tube		1
16	779.1.366.1AB	Special screw		1
17	852.5.024.1A	Gasket th.1		4
18	632.1.036.1A	Clutch control pipe		1
19	779.1.397.1A	Special screw		1
20	187.1.002.1A	Bleed		1
21	612.4.005.1A	Dust seal		1

NOTES NO.	CODE NO.	DESCRIPTION	VALIDITY	Q.TY 
-----------	----------	-------------	----------	--

DRAWING 028


FRONT HYDRAULIC BRAKE



DRAWING 028

FRONT HYDRAULIC BRAKE

NOTES NO.	CODE NO.	DESCRIPTION	VALIDITY	Q.TY 
1	624.4.038.1A	Front brake pump		1
2	626.4.041.1A	Brake control lever		1
3	626.4.011.1A	Spare lever pin		1
4	539.4.044.1A	Microswitch		1
5	631.4.008.1A	Spare union		1
6	626.4.042.1A	Spare bracket		1
7	8000.56443	Nut		1
8	829.1.132.1C	Plate		1
9	631.4.028.1A	Spare bleed union		2
10	779.5.059.1A	Screw		1
11	0370.72.020	Vibration damper pad		1
12	779.1.092.1A	Screw		1
13	0000.68490	Spare cap		1
14	0000.66181	Complete oil tank		1
15	741.4.043.1A	Hose guide		2
16	877.1.049.1A	Tube		1
17	779.1.415.1A	Special screw		1
18	852.5.024.1A	Gasket th.1		6
19	618.4.071.1A	Caliper pump pipe		1
20	829.1.141.1C	Fairlead		2
21	830.1.286.1A	Plate		1
22	772.5.037.1A	Screw		2
23	779.1.366.1AB	Special screw		2
24	610.4.087.1A	R.H. brake caliper		1
25	610.4.086.1A	L.H. brake caliper		1
26	771.5.431.8B	Screw		4
27	612.4.032.1A	Spare pins and spring		2

NOTES NO.	CODE NO.	DESCRIPTION	VALIDITY	Q.TY 
28	613.4.075.1A	Pads pair		2
29	612.4.033.1A	Spring and plate		2
30	612.4.030.1A	Dust cover		4
31	612.4.008.1A	Dust seal		3

CATALOGUE No: 915.1.253.1B  
ISSUED: 11 - 06


CATALOGUE No: 915.1.253.1B  
ISSUED: 11 - 06



DRAWING 029 REAR HYDRAULIC BRAKE

NOTES NO.	CODE NO.	DESCRIPTION	VALIDITY	Q.TY 
1	771.5.754.8B	Screw		1
2	552.4.037.1C	Sensor		1
3	713.1.192.1A	Spacer		1
4	611.4.028.1A	Rear brake caliper		1
5	852.5.024.1A	Gasket th.1		4
6	779.1.366.1AB	Special screw		2
7	771.5.665.8B	Screw		3
8	741.4.062.1A	Clip		2
9	893.4.005.1A	Cap		1
10	0000.61078	Complete oil tank		1
11	741.4.043.1A	Hose guide		2
12	877.1.108.1A	Tube		1
13	741.4.063.1A	Hose guide		1
14	771.5.662.8B	Screw		1
15	852.1.151.1A	Washer		1
16	0000.01199	O-ring		2
17	712.1.034.1A	Bush		1
18	799.1.251.1A	Return spring		1
19	779.1.237.1B	Adjusting screw		1
20	747.5.005.1B	Nut		1
21	765.1.001.1A	Rubber pad		1
22	457.2.041.1A	Brake control lever		1
23	821.1.170.1A	Pin		1
24	850.1.015.1A	Quik fastening		1
25	184.1.005.1A	Fork		1
26	747.5.003.1A	Nut		1
27	117.2.090.1A	Adjuster rod		1

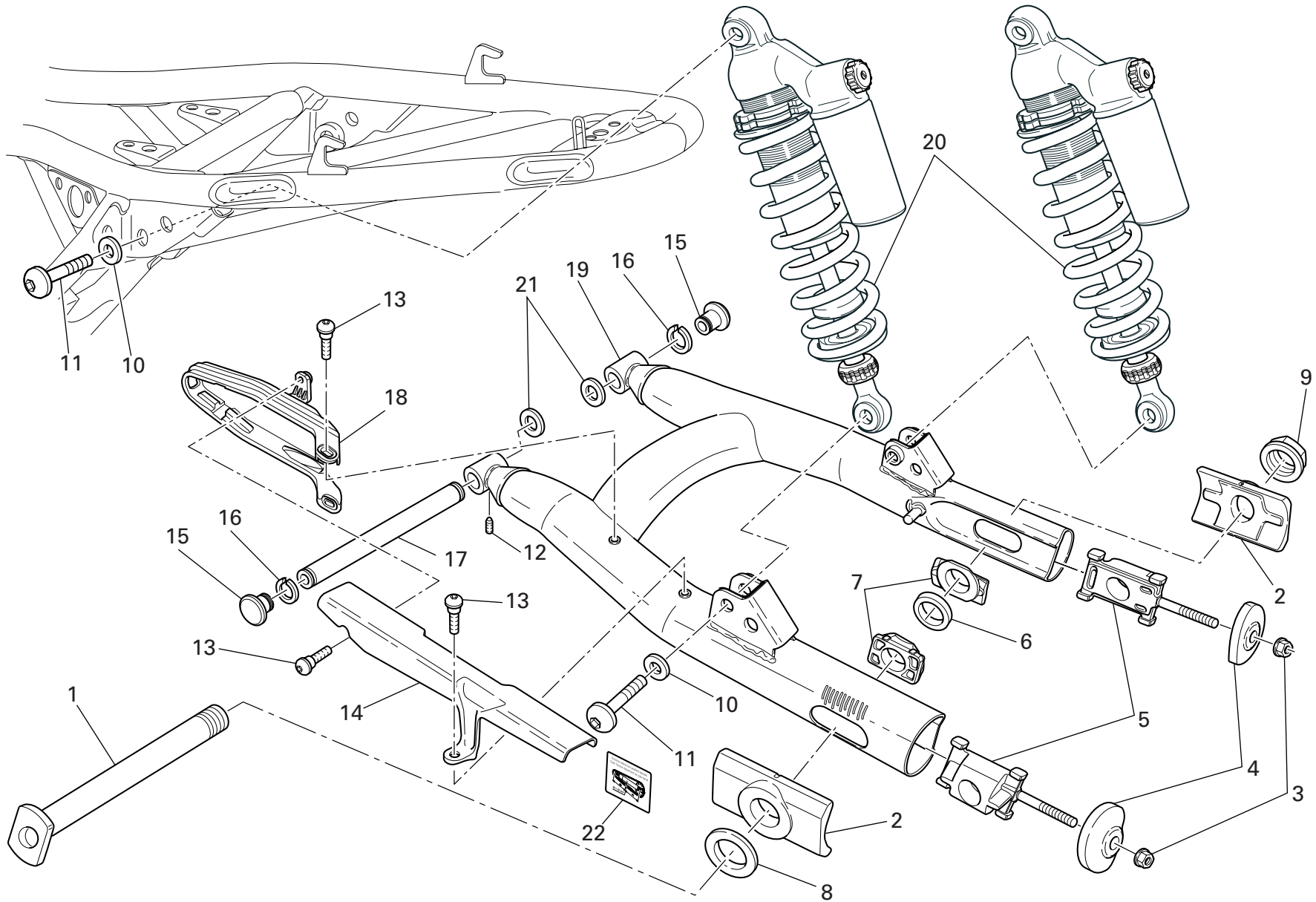
CATALOGUE No: 915.1.253.1B  
ISSUED: 11 - 06

NOTES NO.	CODE NO.	DESCRIPTION	VALIDITY	Q.TY 
28	626.4.013.1A	Dust cover		1
29	619.4.033.1A	Rear brake line		1
30	625.4.004.1A	Rear brake pump		1
31	631.4.008.1A	Spare union		1
32	612.4.034.1A	Spring and plate		1
33	613.4.076.1A	Pads pair		1
34	612.4.035.1A	Spare pins and spring		1
35	631.4.028.1A	Spare bleed union		1
36	612.4.030.1A	Dust cover		2
37	612.4.008.1A	Dust seal		1
38	539.4.003.1B	Switch		1
39	772.5.029.1AB	Screw		1

CATALOGUE No: 915.1.253.1B  
ISSUED: 11 - 06

DRAWING 030

SWINGARM AND DRIVE CHAIN



DRAWING 030

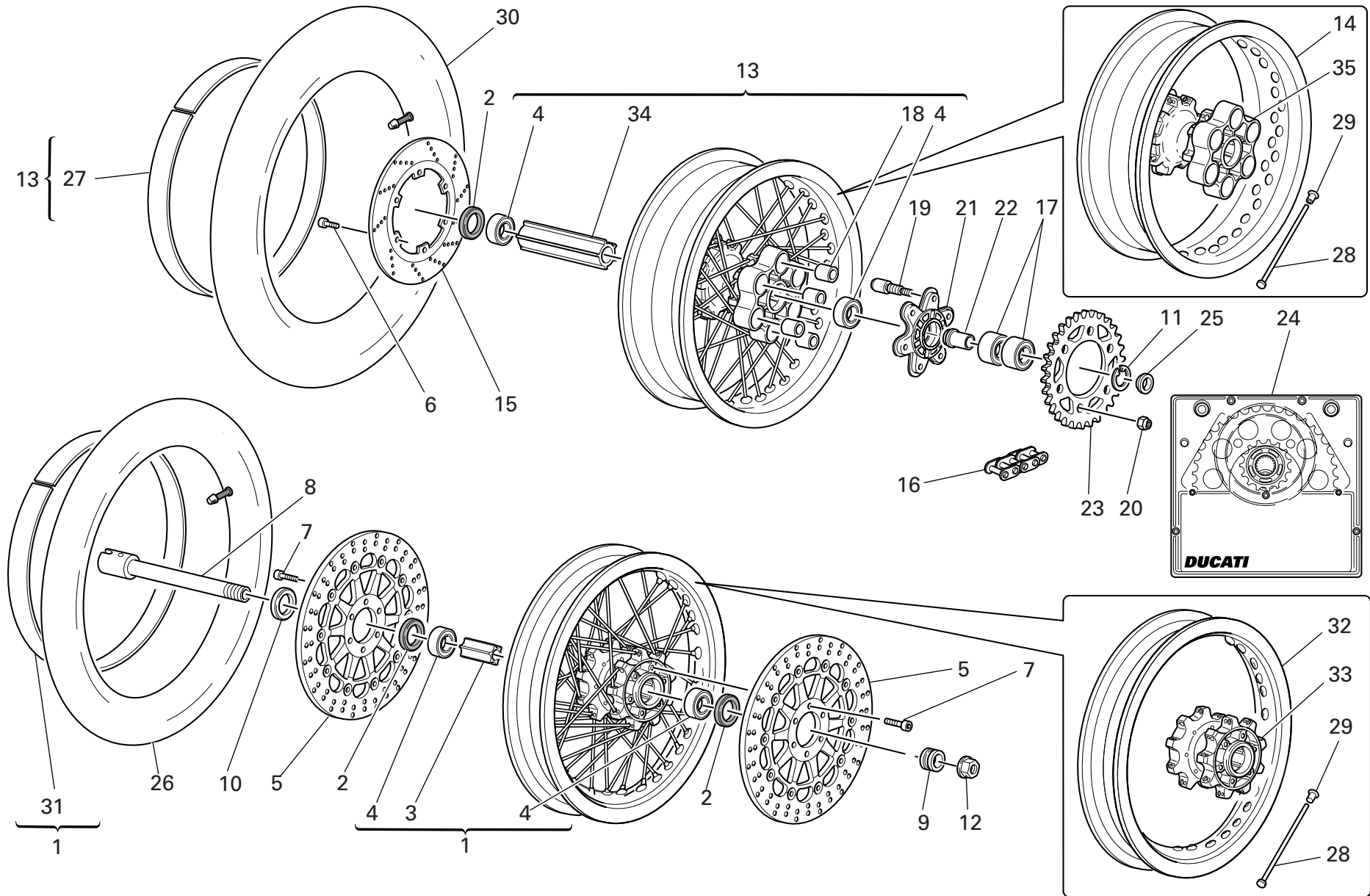
SWINGARM AND DRIVE CHAIN

NOTES NO.	CODE NO.	DESCRIPTION	VALIDITY	Q.TY 
1	819.1.057.1A	Rear wheel spindle		1
2	373.1.053.1A	Outer sliding shoe		2
3	748.1.045.1A	Nut		2
4	373.1.055.1A	Cover		2
5	373.2.056.1A	Sliding shoe		2
6	713.1.196.1A	R.H. spacer		1
7	373.1.057.1A	Inner sliding shoe		2
8	852.1.200.1A	L.H. spacer		1
9	748.1.023.1B	Nut		1
10	852.1.204.1A	Washer		2
11	771.1.227.2A	Screw		2
12	778.4.003.1A	Threaded dowel		2
13	779.1.440.2A	Special screw		4
14	446.1.013.1A	Chain guard		1
15	872.1.019.1A	Cap		2
16	884.4.045.1A	Snap ring		2
17	369.1.117.1A	Swingarm pivot		1
18	447.1.066.1A	Chain sliding shoe		1
19	370.1.074.2AA	Swingarm		1
20	365.2.070.1A	Shock absorber		2
21	852.1.001.1B	Shim th. 1.8		2
21	852.1.002.1B	Shim th. 0.2		2
21	852.1.003.1B	Shim th. 0.1		2
22	433.1.329.1A	Chain adjustment sticker		1

NOTES NO.	CODE NO.	DESCRIPTION	VALIDITY	Q.TY 
-----------	----------	-------------	----------	--

DRAWING 031


FRONT AND REAR WHEELS



## DRAWING 031 FRONT AND REAR WHEELS

NOTES NO.	CODE NO.	DESCRIPTION	VALIDITY	Q.TY 
1	499.2.134.1B	Wheel rim		1
2	930.4.052.1A	Seal ring		3
3	714.1.072.1A	Inner spacer		1
4	702.5.045.1A	Bearing		4
5	492.4.029.1A	Front brake disc		2
6	779.1.311.1A	Screw		6
7	779.1.399.1A	Screw		12
8	819.1.043.1A	Front wheel spindle		1
9	713.1.197.3A	L.H. spacer		1
10	713.1.196.1A	R.H. spacer		1
11	884.5.008.1A	Circlip		1
12	748.1.014.1C	Fork nut		1
13	500.2.134.1B	Rear wheel rim		1
14	502.1.113.1AB	Rear wheel rim		1
15	492.4.003.2A	Brake disc		1
16	676.4.025.1A	Chain		1
17	702.5.050.1A	Bearing		2
18	700.1.005.1A	Vibration damper		6
19	821.1.009.1B	Pin		6
20	748.4.024.1AB	Nut		6
21	160.1.049.1A	Rear sprocket flange		1
22	710.1.041.1B	Bush		1
23	494.1.096.1A	Ring gear Z=39		1
24	676.2.066.1A	Final drive kit		1
25	713.1.097.2B	Spacer		1
26	503.4.004.1A	Tube (front)		1
27	460.4.006.1A	Spoke cover		1

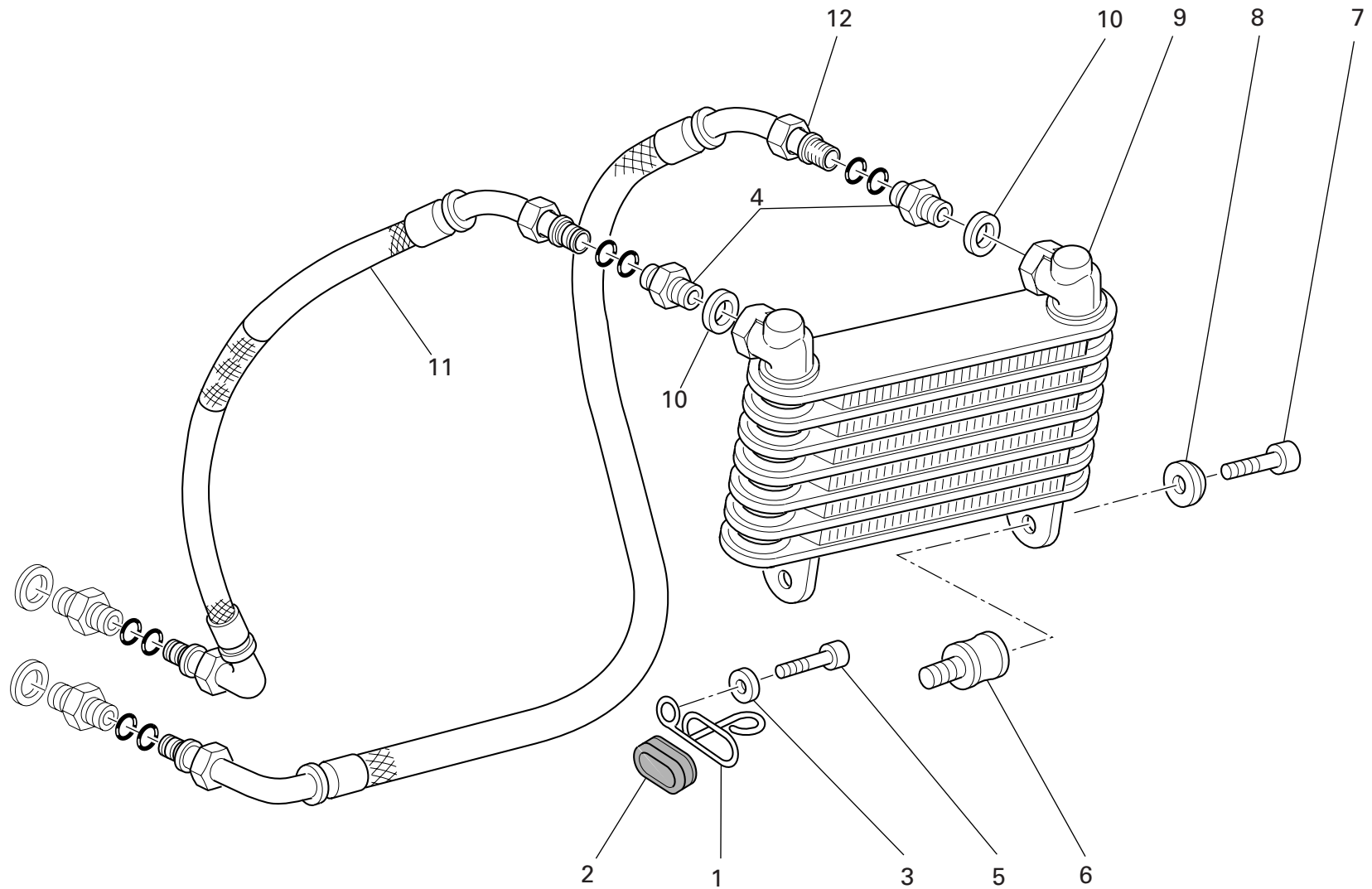
CATALOGUE No: 915.1.253.1B  
ISSUED: 11 - 06

NOTES NO.	CODE NO.	DESCRIPTION	VALIDITY	Q.TY 
28	496.4.001.1A	Spoke		72
29	815.4.003.1A	Nipple		72
30	503.4.003.1A	Tube (rear)		1
31	460.4.007.1A	Spoke cover		1
32	501.1.109.1AB	Wheel rim		1
33	162.2.027.1AB	Front hub		1
34	714.1.070.1A	Inner spacer		1
35	162.2.028.1AB	Rear hub		1


CATALOGUE No: 915.1.253.1B  
ISSUED: 11 - 06

DRAWING 032

OIL COOLER



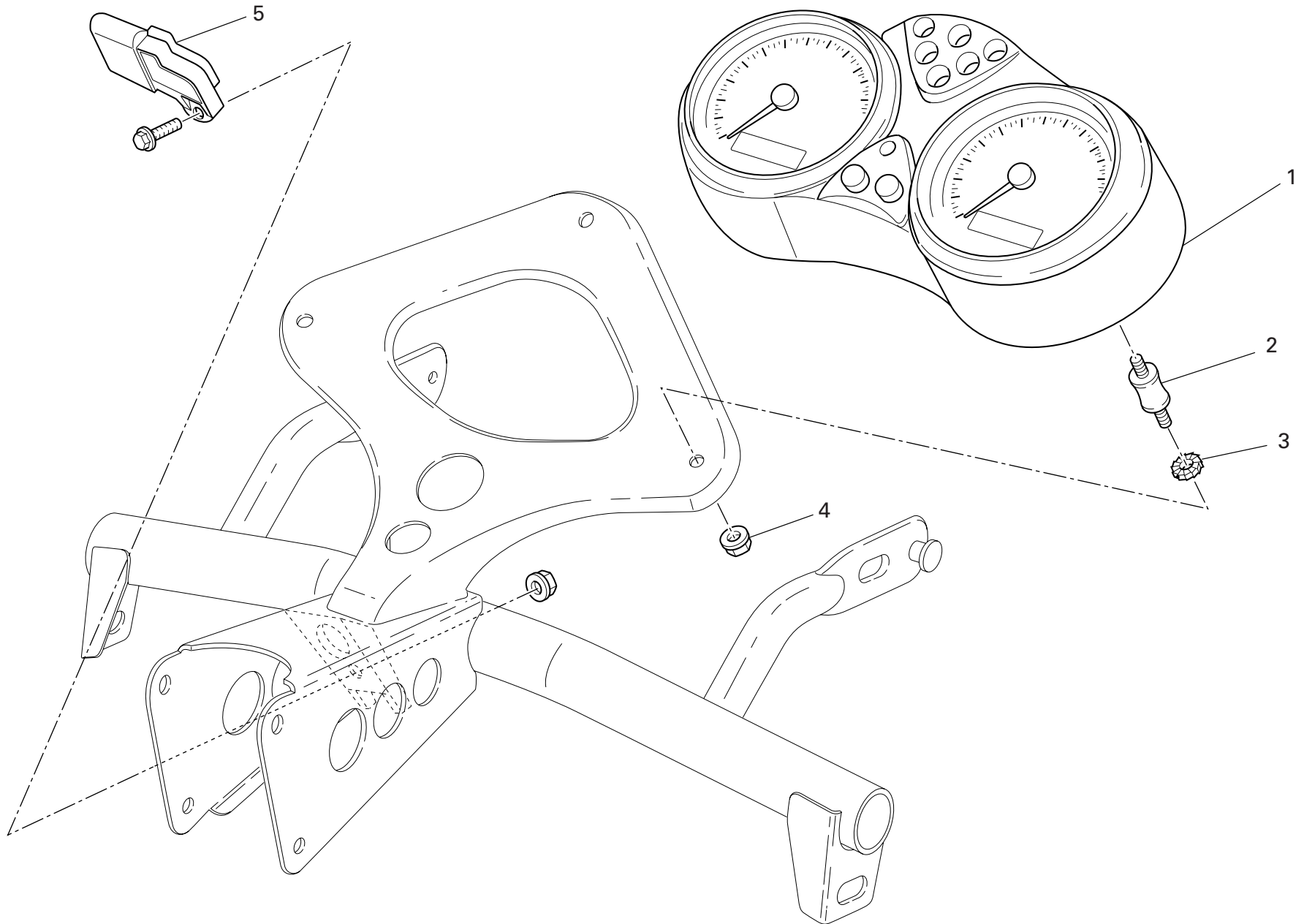
DRAWING 032 OIL COOLER

NOTES NO.	CODE NO.	DESCRIPTION	VALIDITY	Q.TY 
1	829.1.109.1B	Ring		1
2	0797.41.090	Fairlead rubber ring		1
3	852.5.028.1A	Washer		1
4	815.1.022.1A	Nipple		2
5	771.5.071.8B	Screw		1
6	700.1.011.1B	Vibration damper		2
7	773.5.062.8B	Screw		2
8	841.1.028.1A	Retainer		2
9	548.4.030.3A	Oil cooler		1
10	420.2.006.4A	Aluminium gasket		2
11	875.1.053.1A	Oil delivery pipe		1
12	875.1.052.1A	Oil return pipe		1

NOTES NO.	CODE NO.	DESCRIPTION	VALIDITY	Q.TY 
-----------	----------	-------------	----------	--


DRAWING 033

INSTRUMENT PANEL



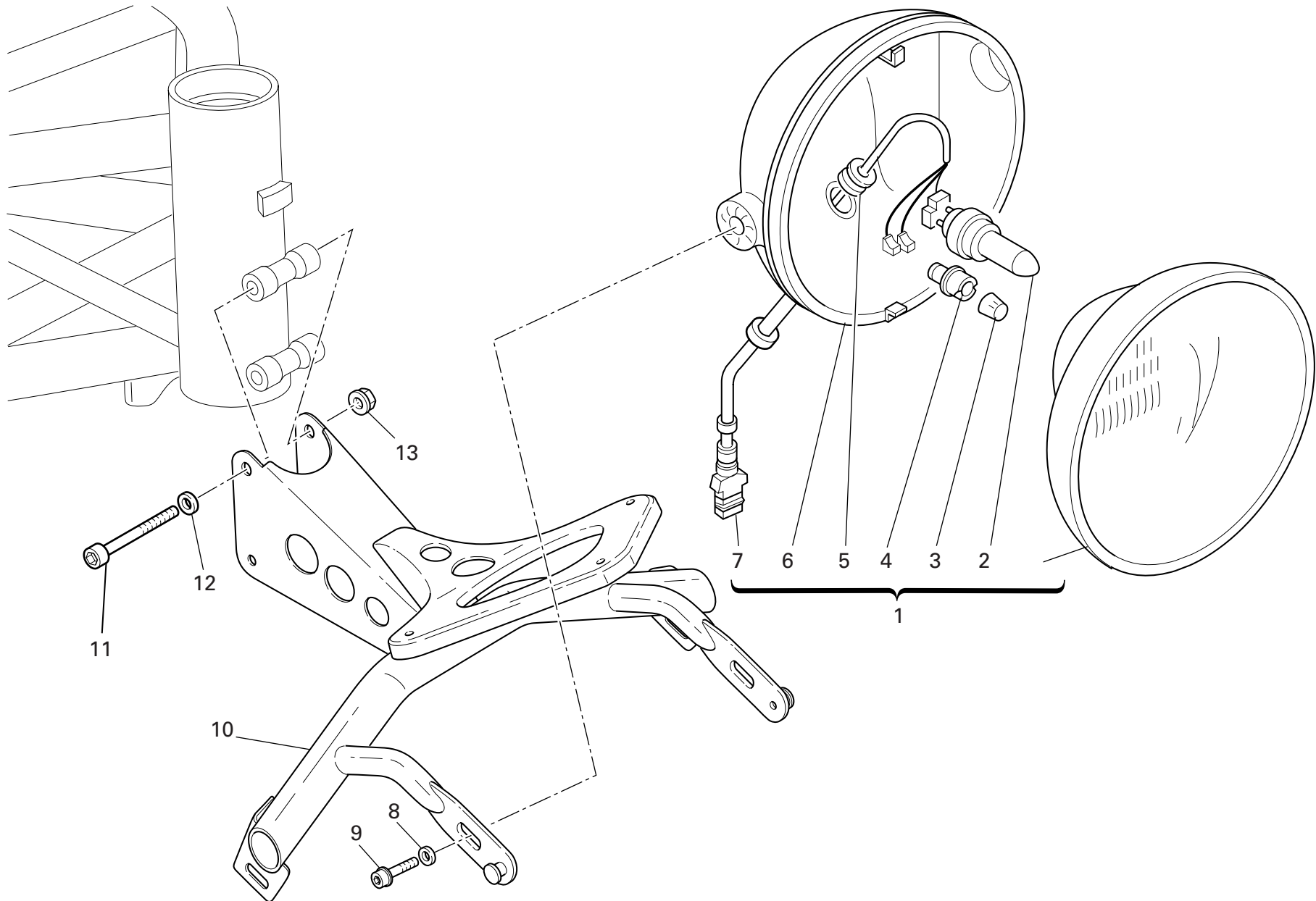
DRAWING **033**

INSTRUMENT PANEL


NOTES NO.	CODE NO.	DESCRIPTION	VALIDITY	Q.TY 
1	406.1.037.1C	Complete instrument panel (speedometer - miles)		1
2	700.1.038.1C	Vibration damper pad		3
3	462.4.046.1A	Spring washer		3
4	748.4.038.1A	Nut		3
5	552.4.031.2B	Sensor		1

NOTES NO.	CODE NO.	DESCRIPTION	VALIDITY	Q.TY 
-----------	----------	-------------	----------	--

DRAWING 034 HEADLIGHT



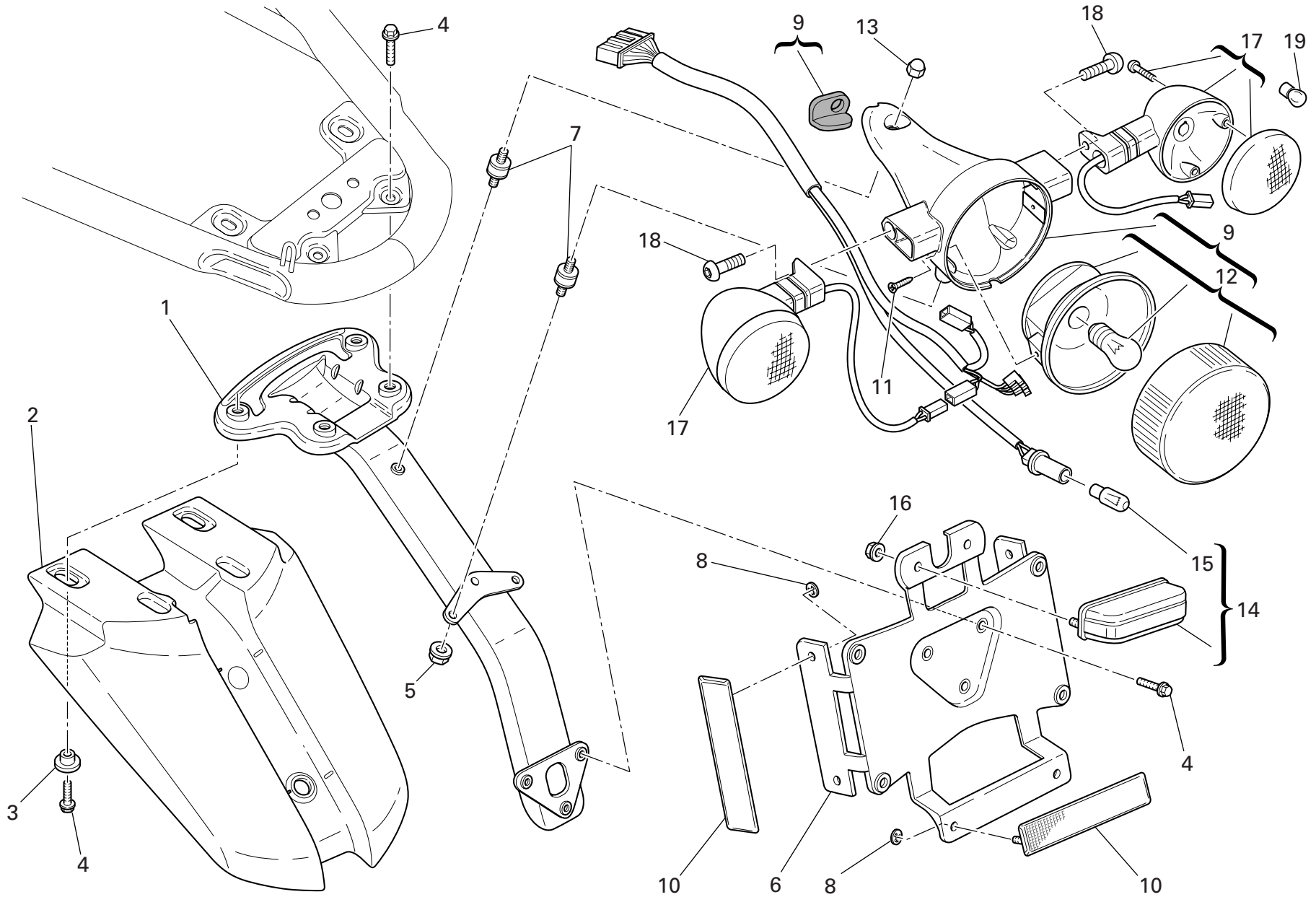
DRAWING 034 HEADLIGHT

NOTES NO.	CODE NO.	DESCRIPTION	VALIDITY	Q.TY 
1	520.1.005.1A	Complete headlight		1
2	0796.38.305	Bulb 55/60W		1
3	0659.38.226	Bulb 4W		1
4	521.4.005.1A	Lamp holder		1
5	758.1.014.1A	Fairlead		1
6	723.1.003.1A	Cap		1
7	510.1.075.1A	Electric wiring		1
8	856.1.035.1A	Washer		2
9	771.5.725.8B	Screw		2
10	829.1.649.2BA	Front frame		1
11	771.5.078.8B	Screw		2
12	852.5.027.1A	Washer		2
13	748.1.042.1A	Nut		2


NOTES NO.	CODE NO.	DESCRIPTION	VALIDITY	Q.TY 
-----------	----------	-------------	----------	--

DRAWING 035

NUMBER PLATE HOLDER



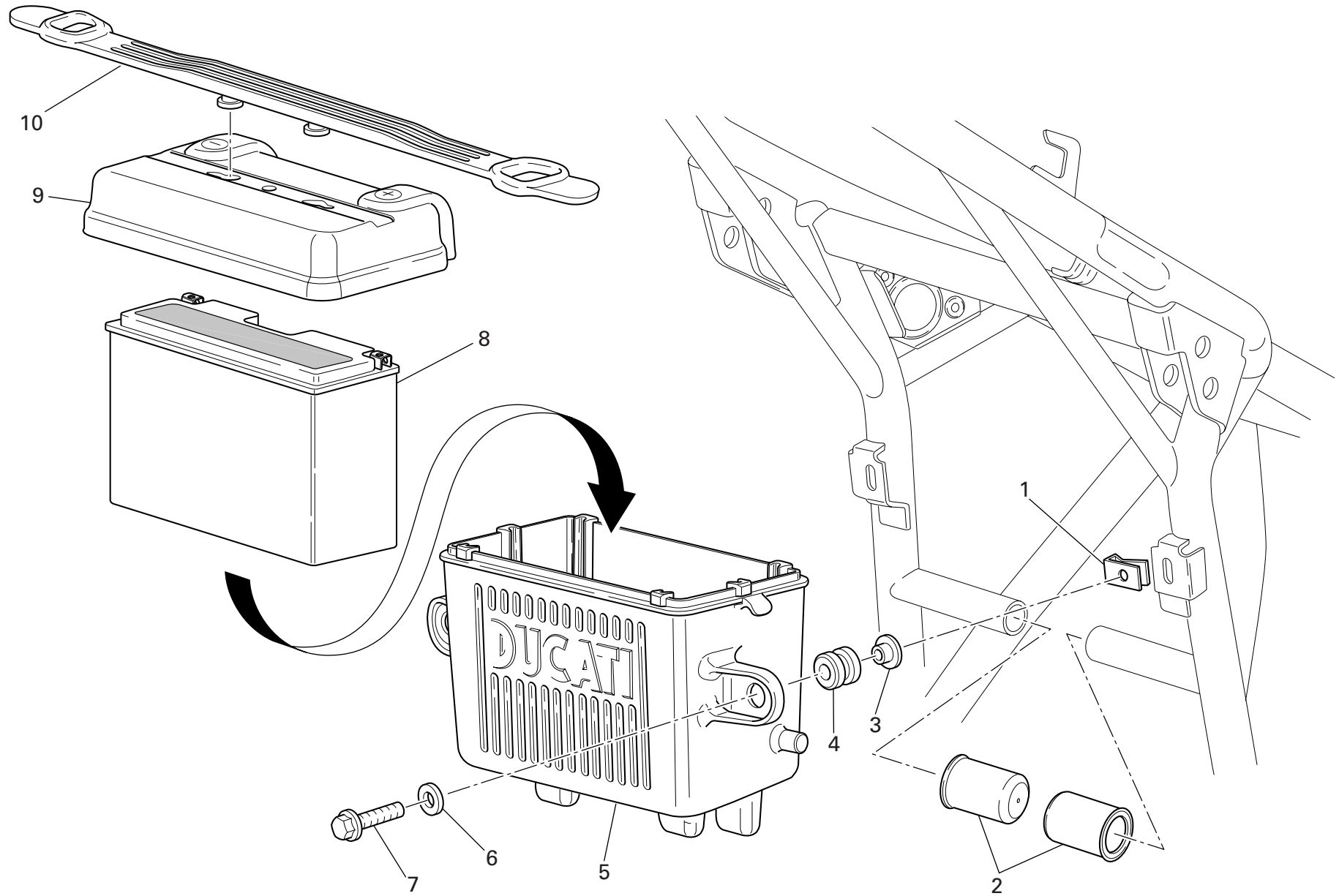
DRAWING 035 NUMBER PLATE HOLDER

NOTES NO.	CODE NO.	DESCRIPTION	VALIDITY	Q.TY 
1	829.1.541.1A	Rear frame		1
2	565.1.036.1A	Rear mudguard		1
3	716.1.053.1B	Spacer		3
4	772.5.037.1A	Screw		7
5	748.4.038.1A	Nut		2
6	561.1.024.1A	Holder		1
7	700.1.038.1D	Vibration damper		3
8	850.4.052.1A	Quik fastening		6
9	525.2.024.2B	Complete headlight		1
10	529.1.010.1A	Reflector		3
11	779.1.453.1A	Screw		2
12	525.1.020.1B	Tail light		1
13	750.4.014.1A	Nut		1
14	525.1.004.3A	Tail lamp		1
15	0000.36230	Bulb		1
16	748.4.100.1AB	Nut		2
17	530.1.011.2A	Turn indicator		2
18	775.1.011.1B	Screw		2
19	390.4.018.1A	Bulb 10W		2

NOTES NO.	CODE NO.	DESCRIPTION	VALIDITY	Q.TY 
-----------	----------	-------------	----------	--


DRAWING 036

BATTERY SUPPORT



DRAWING 036

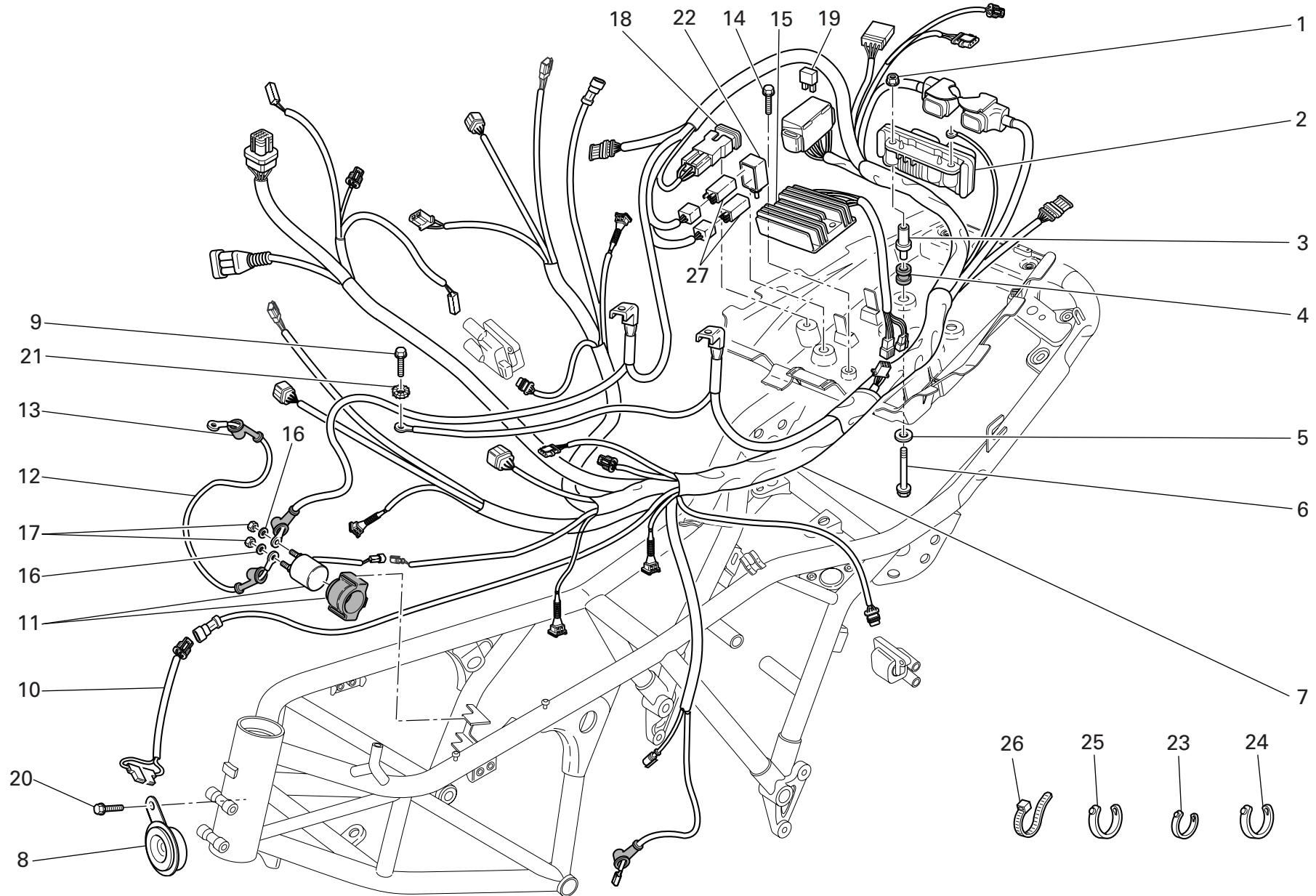
BATTERY SUPPORT

NOTES NO.	CODE NO.	DESCRIPTION	VALIDITY	Q.TY 
1	850.4.038.1A	Quik fastening		2
2	866.1.060.1A	Rubber pad		2
3	713.1.332.1A	Spacer		2
4	764.1.084.1A	Vibration damper pad		2
5	829.1.668.1A	Battery box mount		1
6	852.5.003.1B	Washer		2
7	772.1.063.1A	Screw		2
8	395.2.013.1C	Battery		1
9	247.1.280.1A	Cover		1
10	759.1.020.2A	Rubber		1

NOTES NO.	CODE NO.	DESCRIPTION	VALIDITY	Q.TY 
-----------	----------	-------------	----------	--

DRAWING 037


ELECTRICAL SYSTEM



DRAWING 037

ELECTRICAL SYSTEM

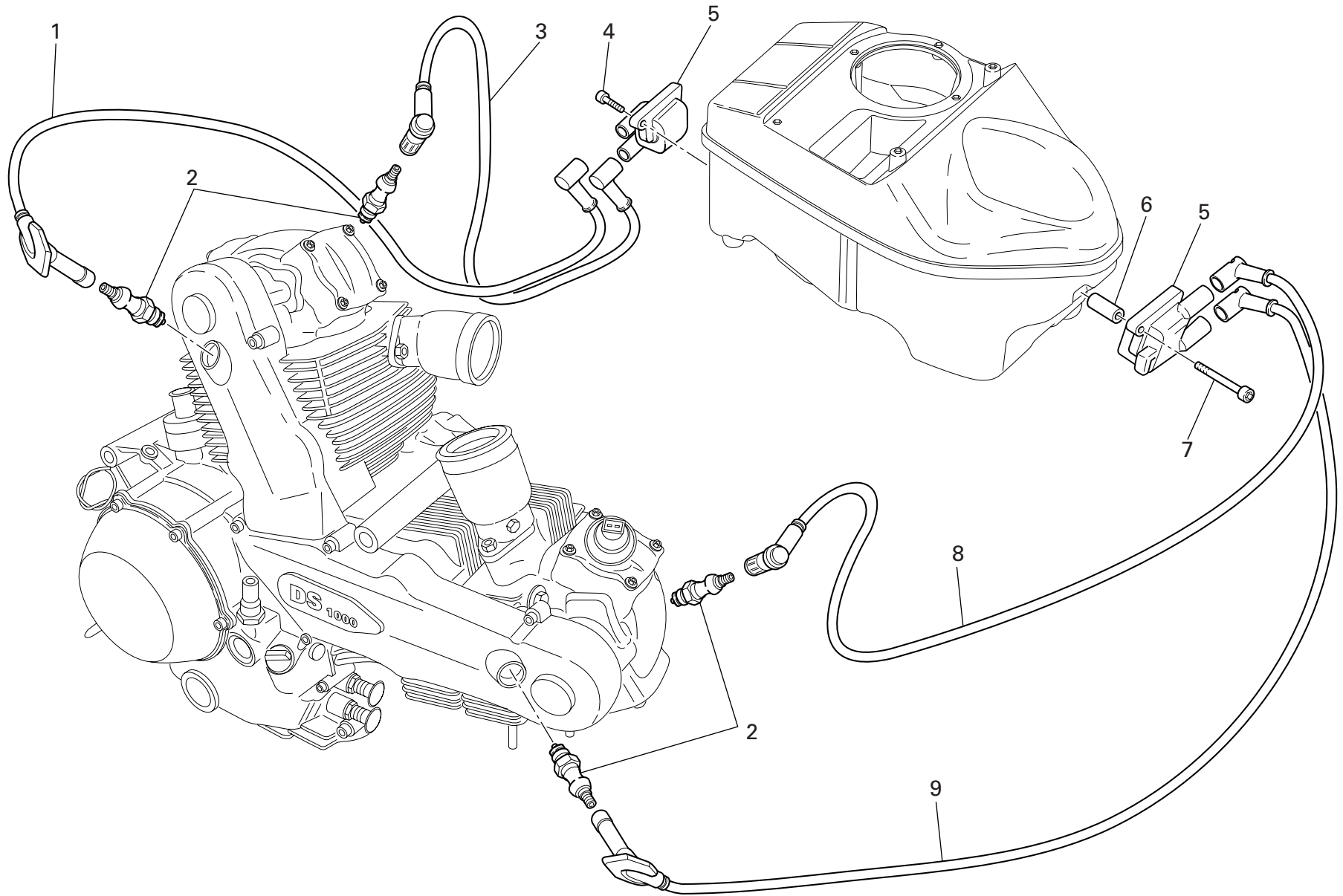
NOTES NO.	CODE NO.	DESCRIPTION	VALIDITY	Q.TY 
1	748.1.042.1A	Nut		2
2	286.4.128.1C	Injection control unit		1
3	821.1.129.1A	Spacer		2
4	764.1.029.1A	Rubber pad		2
5	852.5.009.1A	Washer		2
6	772.5.021.1B	Screw		2
7	510.1.360.2C	Electric wiring		1
8	516.4.004.1B	Horn		1
9	772.1.039.1A	Screw		1
10	510.1.568.1A	Wiring		1
11	397.4.003.1B	Remote switch		1
12	514.1.055.1A	Solenoid starter - starter motor cable		1
13	672.1.029.1A	Rubber cap		1
14	772.5.031.1B	Screw		2
15	540.4.010.1A	Voltage rectifier		1
16	853.5.009.1A	Spring washer		2
17	750.5.005.1A	Nut		2
18	389.4.018.1A	Fuse 30A		1
19	389.4.019.1A	Fuse 5A		1
19	389.4.020.1A	Fuse 10A		1
19	389.4.021.1A	Fuse 15A		1
19	389.4.022.1A	Fuse 20A		1
19	389.4.024.1A	Fuse 7.5A		1
20	772.5.037.1A	Screw		1
21	855.5.001.1B	Washer		1
22	829.1.127.1A	Holder		1
23	8000.53724	Hose guide		5

NOTES NO.	CODE NO.	DESCRIPTION	VALIDITY	Q.TY 
24	741.1.012.1A	Hose guide		1
25	741.1.013.1A	Hose guide		2
26	0691.91.030	Hose guide		12
27	541.4.007.1A	Relay		1


CATALOGUE No: 915.1.253.1B  
ISSUED: 11 - 06

CATALOGUE No: 915.1.253.1B  
ISSUED: 11 - 06

DRAWING 037a ELECTRICAL SYSTEM



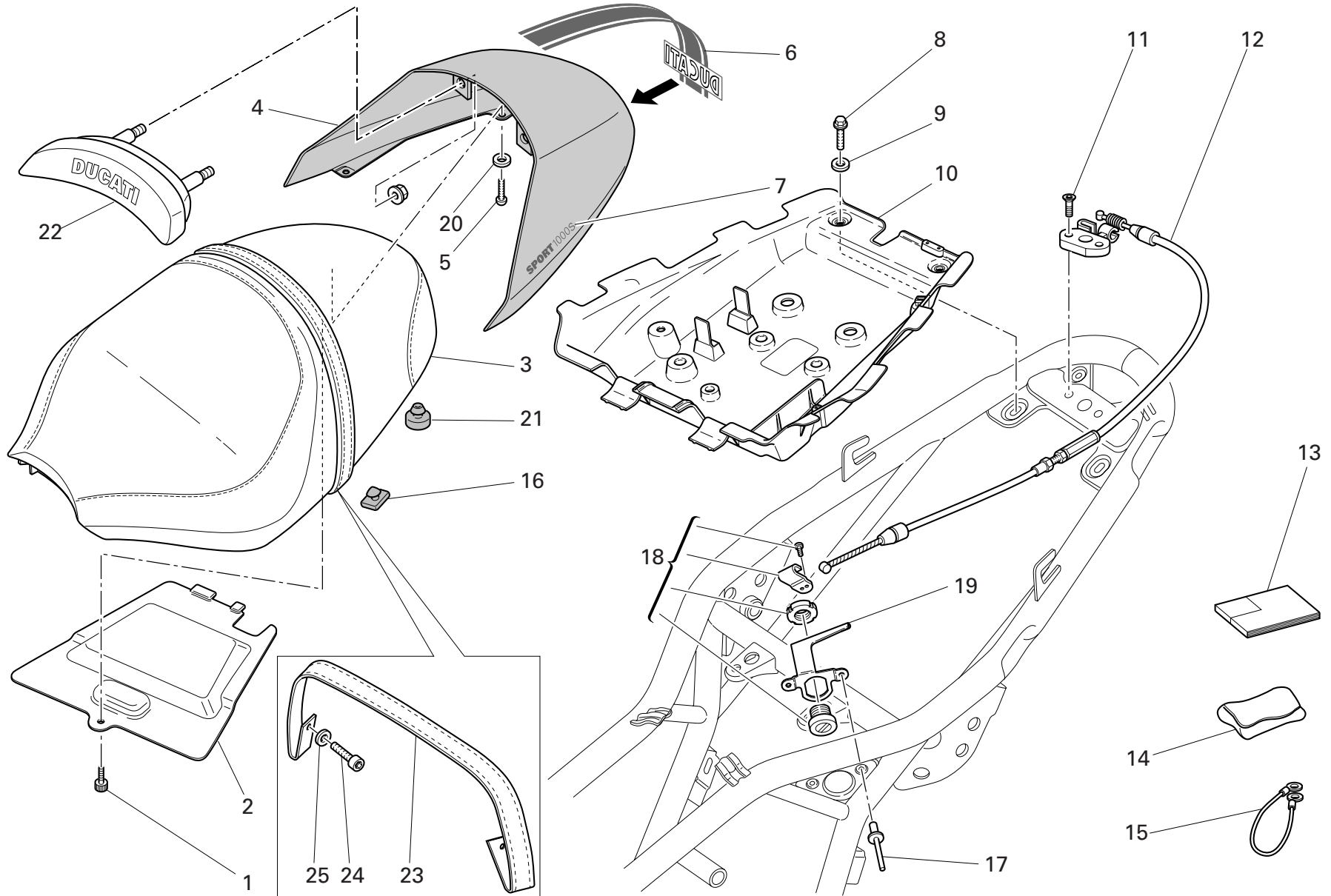
DRAWING 037a ELECTRICAL SYSTEM

NOTES NO.	CODE NO.	DESCRIPTION	VALIDITY	Q.TY 
1	671.1.024.1A	Right spark plug cable		1
2	670.4.035.1A	Spark plug		4
3	671.1.031.1A	Vertical spark plug cable - left		1
4	771.5.042.8B	Screw		2
5	380.4.010.1C	Coil		2
6	711.1.181.1A	Spacer		2
7	771.5.049.8B	Screw		2
8	671.1.028.1A	LH spark plug cable		1
9	671.1.027.1A	Right spark plug cable		1

NOTES NO.	CODE NO.	DESCRIPTION	VALIDITY	Q.TY 
-----------	----------	-------------	----------	--

DRAWING 038


SEAT



DRAWING 038 SEAT

NOTES NO.	CODE NO.	DESCRIPTION	VALIDITY	Q.TY 
1	779.1.104.1B	Special screw		1
2	247.1.284.1A	Cover		1
3	595.1.082.1A	Seat		1
4	483.1.050.1DM	Cover seat (RED)		1
5	775.1.008.3A	Screw		4
6	435.1.127.1A	Sticker "DUCATI"		1
7	435.1.137.1A	Sticker "Sport 1000S"		2
8	772.5.037.1A	Screw		2
9	852.1.186.1A	Washer		2
10	829.1.673.2A	Mudflap		1
11	777.5.052.8B	Screw		2
12	598.1.006.1A	Flexible cable		1
I	13 913.7.121.1A	Owner's manual		1
GB	13 913.7.121.1A	Owner's manual		1
F	13 913.7.121.1A	Owner's manual		1
D	13 913.7.121.1A	Owner's manual		1
F	13 913.7.121.1B	Owner's manual		1
E	13 913.7.121.1B	Owner's manual		1
GB	13 913.7.121.1B	Owner's manual		1
J	13 913.7.121.1B	Owner's manual		1
E	13 913.7.121.1C	Owner's manual		1
P	13 913.7.121.1C	Owner's manual		1
GR	13 913.7.121.1C	Owner's manual		1
F	13 913.7.121.1D	Owner's manual		1
NL	13 913.7.121.1D	Owner's manual		1
14	697.2.020.1A	Tool bag		1
15	732.1.020.1A	Helmet anti-theft wire		1

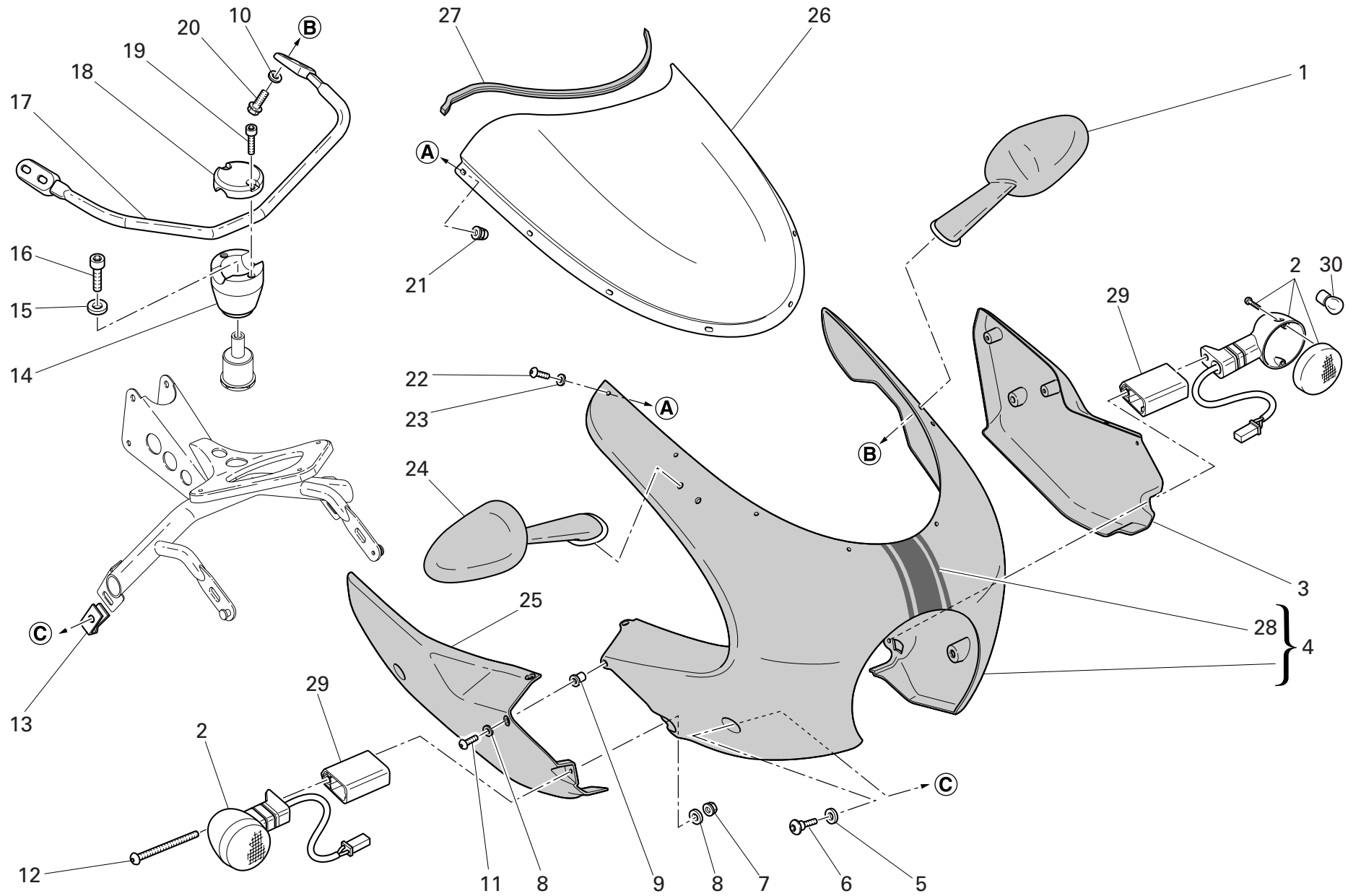
CATALOGUE No: 915.1.253.1B  
ISSUED: 11 - 06

NOTES NO.	CODE NO.	DESCRIPTION	VALIDITY	Q.TY 
16	866.1.061.1A	Rubber pad		2
17	736.5.003.1A	Shear rivet		2
18	598.1.005.1A	Seat lock		1
19	827.1.389.1A	Plate		1
20	866.1.030.1A	Rubber pad		6
21	764.1.090.1A	Rubber pad		4
22	595.1.075.1A	Seat back		1
23	595.1.078.1A	Belt		1
24	852.1.191.1A	Washer		2
25	771.5.063.8B	Screw		2

CATALOGUE No: 915.1.253.1B  
ISSUED: 11 - 06


DRAWING 039

HEADLIGHT FAIRING




DRAWING 039

HEADLIGHT FAIRING

NOTES NO.	CODE NO.	DESCRIPTION	VALIDITY	Q.TY 
1	523.1.006.1AA	L.H. rear-view mirror		1
2	530.1.011.2A	Turn indicator		2
3	481.2.035.1AM	L.H. body panel		1
4	481.2.036.1AM	Headlight fairing		1
5	852.1.205.1A	Nylon washer		2
6	775.1.008.3A	Screw		2
7	748.4.100.1AB	Nut		2
8	856.4.002.1A	Washer		6
9	850.4.082.1A	Insert		4
10	852.5.028.1A	Washer		4
11	775.1.011.1B	Screw		6
12	775.1.046.1A	Screw		2
13	850.4.038.1A	Quik fastening		2
14	236.1.024.1A	Lower holder		1
15	852.1.167.1A	Washer		1
16	773.5.069.8B	Screw		1
17	829.1.674.1A	Headlight fairing support		1
18	236.1.025.1A	Upper holder		1
19	771.5.040.8B	Screw		2
20	772.5.012.1B	Screw		4
21	750.1.028.1A	Nut		8
22	775.1.007.1AB	Special screw		8
23	852.1.024.1A	Nylon washer		8
24	523.1.005.1AA	R.H. rear-view mirror		1
25	481.2.034.1AM	R.H. body panel		1
26	487.2.036.1A	Windshield		1
27	764.1.085.1A	Gasket		1

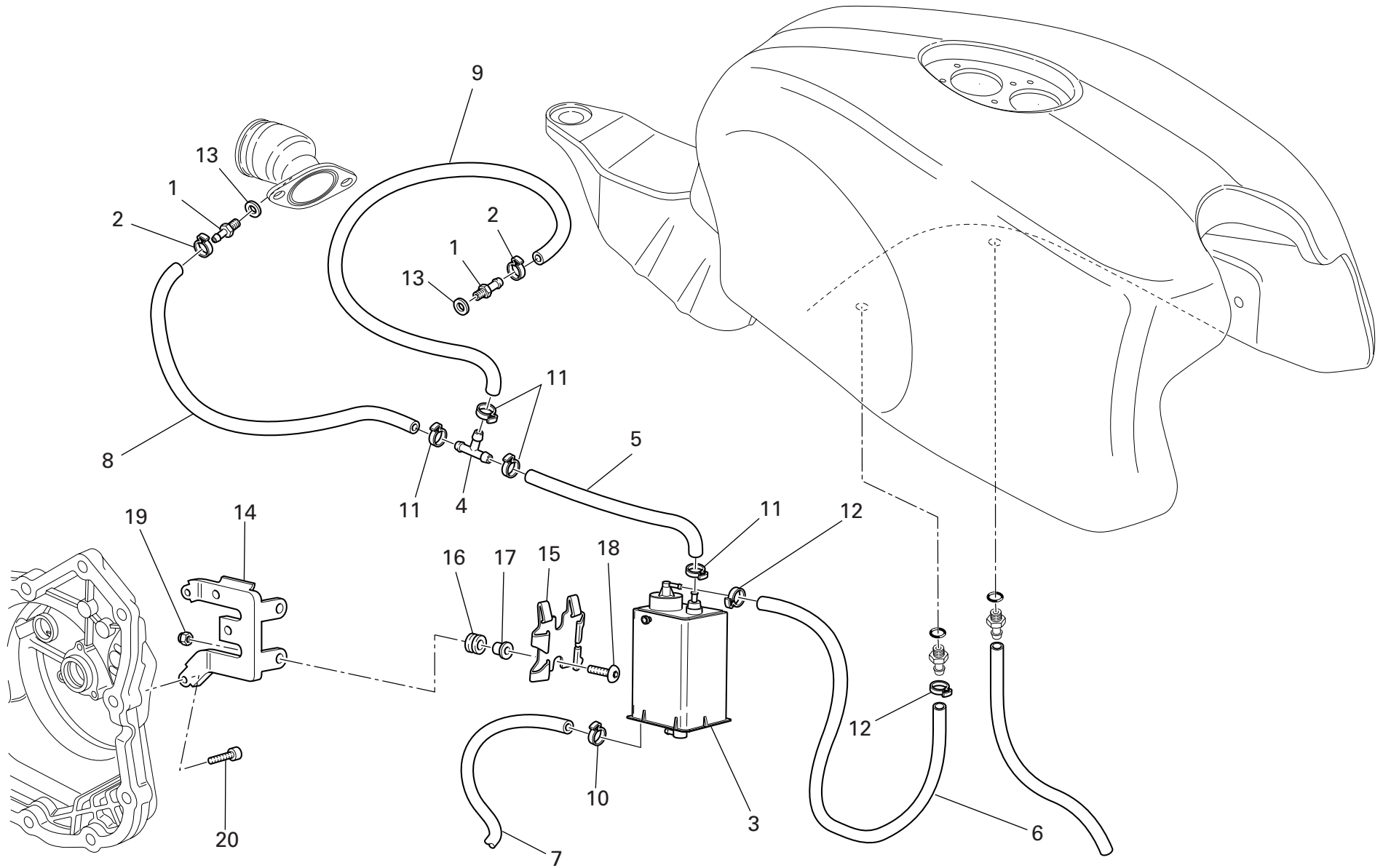
CATALOGUE No: 915.1.253.1B  
ISSUED: 11 - 06

NOTES NO.	CODE NO.	DESCRIPTION	VALIDITY	Q.TY 
28	435.1.135.1A	White strip (for RED)		1
29	713.1.358.1A	Spacer		1
30	390.4.018.1A	Bulb 10W		2

CATALOGUE No: 915.1.253.1B  
ISSUED: 11 - 06


DRAWING 040

EVAPORATIVE EMISSIONS CANISTER



DRAWING 040

EVAPORATIVE EMISSIONS CANISTER

NOTES NO.	CODE NO.	DESCRIPTION	VALIDITY	Q.TY 
1	814.1.180.1A	Union		2
2	741.4.043.1A	Hose guide		2
3	426.1.007.1B	Canister filter		1
4	814.1.183.1A	Shunt valve		1
5	590.1.250.1A	Union/filter pipe		1
6	590.1.280.1A	Filter/fuel tank outlet pipe		1
7	590.1.141.1A	Tube		1
8	590.1.213.1A	Tube		1
9	590.1.112.1A	Fuel pipe		1
10	741.4.057.1A	Hose guide		1
11	741.4.058.1A	Hose guide		4
12	741.4.063.1A	Hose guide		2
13	0250.70.223	Aluminium gasket		2
14	830.1.292.2A	Bracket		1
15	827.1.157.1A	Plate		1
16	764.1.029.1A	Rubber pad		2
17	716.1.043.1B	Spacer		2
18	775.5.013.1A	Screw		2
19	748.1.036.1A	Nut		2
20	771.5.071.8B	Screw		2

NOTES NO.	CODE NO.	DESCRIPTION	VALIDITY	Q.TY 
-----------	----------	-------------	----------	--

**WARNING**  
DO NOT ATTEMPT TO LOOK THROUGH THIS FAIRING. THIS IS NOT A WINDSHIELD, BUT AN AERODYNAMIC FAIRING ONLY; FAILURE TO OBSERVE THIS WARNING COULD RESULT IN A COLLISION OR UPSET AND CONSEQUENT SERIOUS BODILY INJURY. Cod. 433 1 165 1A

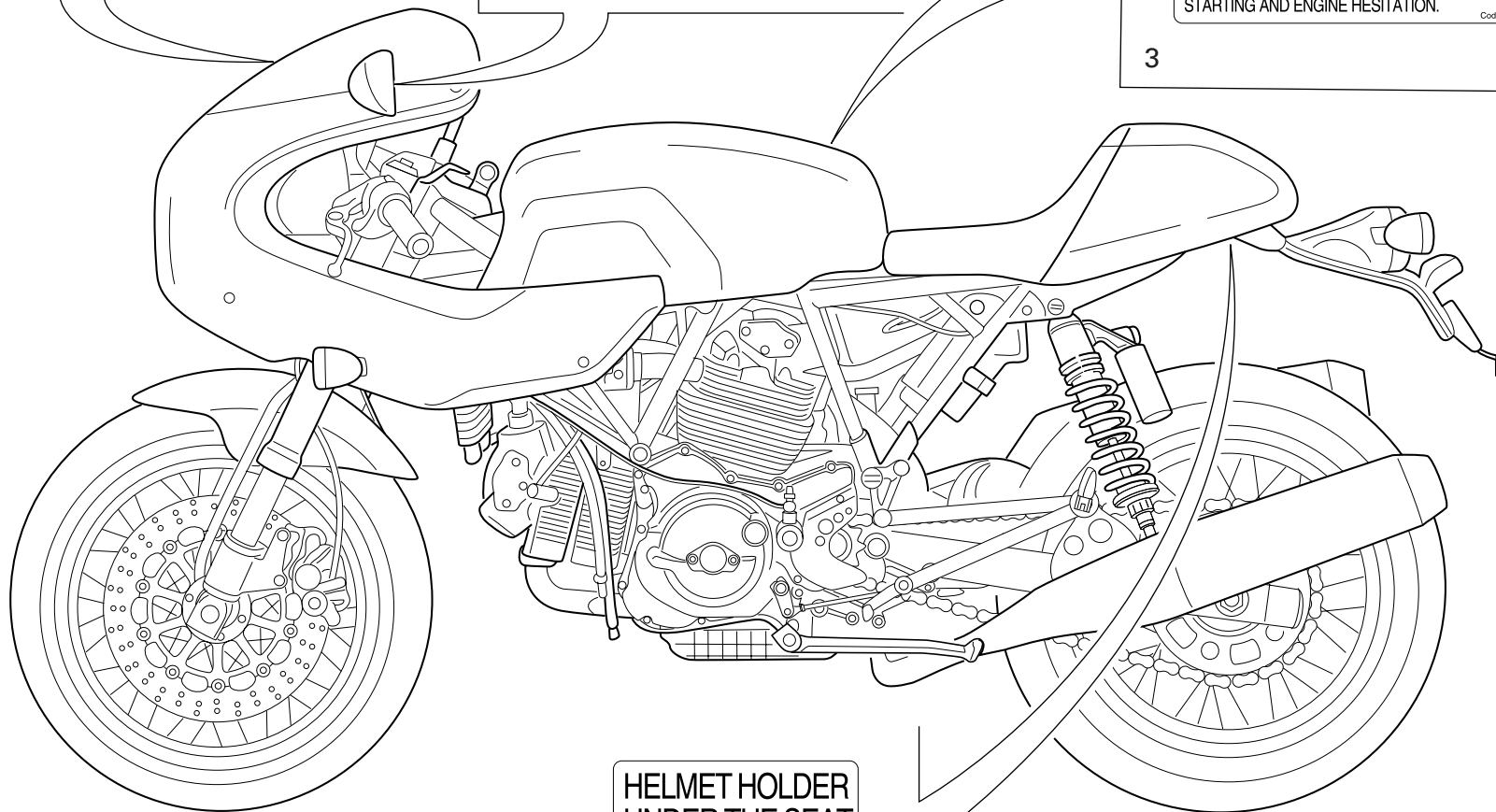
4

**OBJECTS IN MIRROR ARE CLOSER THAN THEY APPEAR**  
Cod. 43311661A

2

**CAUTION**  
NEVER FILL TANK SO FUEL LEVEL RISES INTO FILLER NECK. IF TANK IS OVERFILLED, HEAT MAY CAUSE FUEL TO EXPAND AND FLOW INTO EVAPORATIVE EMISSION CONTROL SYSTEM RESULTING IN HARD STARTING AND ENGINE HESITATION. Cod. 43311641A

3




**HELMET HOLDER UNDER THE SEAT**

1

DRAWING **041**

DATA PLATE POSITIONS

NOTES NO.	CODE NO.	DESCRIPTION	VALIDITY	Q.TY 
1	433.1.170.1A	Sticker		1
2	433.1.166.1A	Label		2
3	433.1.164.1A	Sticker		1
4	433.1.165.1A	Sticker		1

NOTES NO.	CODE NO.	DESCRIPTION	VALIDITY	Q.TY 
-----------	----------	-------------	----------	--

## INDEX

CODE No.	Drwg.	POS. N.	CODE No.	Drwg.	POS. N.	CODE No.	Drwg.	POS. N.	CODE No.	Drwg.	POS. N.	CODE No.	Drwg.	POS. N.
0000.01199	024	14	0647.70.010	014	12	0765.92.205	015	8	160.2.366.1A	019	11	195.4.003.1A	004	11
0000.01199	029	16	0647.70.010	015	20	0796.38.305	034	2	162.2.027.1AB	031	33	196.1.035.1A	004	12
0000.36230	035	15	0659.38.226	034	3	0797.41.090	032	2	162.2.028.1AB	031	35	198.2.036.1A	004	14
0000.61078	027	12	0660.13.060	002	19	0799.13.110	002	27	171.2.020.2B	008	10	208.1.012.4A	014	14
0000.61078	029	10	0660.13.070	002	13	112.1.012.1AB	006	8	172.1.002.1B	003	10	208.1.012.4A	015	16
0000.66181	028	14	0660.13.143	002	9	112.1.012.1AC	006	8	172.1.003.1A	003	8	209.1.041.1A	014	16
0000.68490	028	13	0660.13.165	002	25	117.2.007.1A	004	16	172.1.004.1A	003	5	209.1.041.1A	015	18
0011.52.010	010	23	0665.49.680	005	8	117.2.090.1A	029	27	172.1.005.1A	003	9	210.1.042.1A	014	22
0124.40.060	008	12	0670.16.145	003	7	117.2.091.1A	024	23	172.1.006.1B	003	18	210.1.042.1A	015	7
0214.07.350	002	22	0670.16.150	003	3	120.2.080.1A	007	8	172.1.007.1B	003	24	211.1.040.1A	014	21
0250.70.223	040	13	0670.16.155	003	19	120.2.081.1A	007	4	172.1.008.1A	003	22	211.1.040.1A	015	6
0251.47.054	003	1	0670.16.170	003	26	121.1.127.1A	007	3	172.1.009.1A	003	21	220.3.208.3A	009	16
0272.91.090	002	8	0670.49.310	009	26	121.2.033.1A	007	1	172.1.010.1A	003	20	225.2.197.1A	010	1
0370.72.020	027	8	0670.92.190	014	8	122.2.087.2A	007	9	172.1.011.1A	003	23	235.2.037.1A	013	12
0370.72.020	028	11	0670.92.190	015	8	137.2.003.4B	016	7	173.1.012.3A	012	20	236.1.024.1A	039	14
0370.84.005	020	4	0691.91.030	022	11	146.2.091.1A	006	1	174.1.025.2A	009	12	236.1.025.1A	039	18
0375.92.210	014	13	0691.91.030	037	26	147.1.026.1A	008	9	174.2.025.6A	009	1	240.2.026.1B	014	10
0375.92.210	015	14	0755.29.025	006	14	148.1.284.1A	013	16	176.1.001.1A	012	6	240.2.026.1B	015	12
0400.09.050	002	21	0755.29.025	008	5	148.1.285.1A	013	9	176.1.009.1A	012	10	240.2.031.1A	015	24
0400.29.125	002	34	0755.49.265	010	2	149.1.032.3A	003	25	180.1.001.1A	002	11	242.2.045.2AB	011	19
0400.29.126	002	34	0759.49.280	009	15	149.1.046.1A	003	2	180.1.002.1A	002	12	243.1.029.1A	005	17
0400.49.240	005	13	0765.92.185	014	8	150.2.063.1A	003	28	180.1.008.1A	002	24	243.2.028.5AD	005	1
0400.49.240	011	18	0765.92.185	015	8	150.2.078.1A	003	27	182.2.018.1A	002	18	245.1.030.1A	013	5
051.2.001.1A	001	10	0765.92.190	014	8	158.2.012.1A	006	5	184.1.005.1A	029	25	245.1.031.1A	013	6
0619.50.065	012	17	0765.92.190	015	8	160.1.049.1A	031	21	187.1.002.1A	027	20	245.1.058.1AB	008	1
0619.92.180	014	8	0765.92.205	002	21	160.1.057.1A	012	13	190.2.013.1A	004	9	245.1.059.1AB	008	4
0619.92.180	015	8	0765.92.205	014	8	160.1.105.1A	013	19	194.1.027.1A	004	4	246.1.089.1A	017	3

## INDEX

CODE No.	Drwg.	POS. N.	CODE No.	Drwg.	POS. N.	CODE No.	Drwg.	POS. N.	CODE No.	Drwg.	POS. N.	CODE No.	Drwg.	POS. N.
246.1.100.1A	026	27	303.1.040.1BC	014	5	348.2.016.1A	025	5	397.4.003.1B	037	11	456.2.009.1A	024	18
247.1.002.1BD	011	9	303.1.040.1BC	015	2	348.2.017.1A	025	7	406.1.037.1C	033	1	457.2.041.1A	029	22
247.1.279.1A	011	4	303.1.041.1C	014	4	349.1.107.1A	025	14	420.2.006.4A	010	19	460.4.006.1A	031	27
247.1.280.1A	036	9	303.1.041.1C	015	3	349.1.152.1A	025	6	420.2.006.4A	032	10	460.4.007.1A	031	31
247.1.284.1A	038	2	303.1.041.1CA	014	4	349.2.020.1A	025	10	425.4.004.1B	019	14	462.4.001.1A	026	37
254.1.001.1A	011	7	303.1.041.1CA	015	3	349.2.021.1A	025	9	426.1.007.1B	040	3	462.4.046.1A	033	3
254.4.001.2A	005	4	303.1.041.1CB	014	4	349.2.048.1A	025	8	426.1.019.1A	017	5	463.2.010.9A	014	9
255.1.023.2A	008	15	303.1.041.1CB	015	3	360.1.070.1A	026	30	433.1.164.1A	041	3	463.2.010.9A	015	11
255.1.024.2A	013	3	303.1.041.1CC	014	4	360.1.071.1A	026	35	433.1.165.1A	041	4	463.2.026.1A	014	20
264.4.014.3B	011	1	303.1.041.1CC	015	3	364.2.006.1A	026	13	433.1.166.1A	041	2	463.2.026.1A	015	34
264.4.022.1A	011	1	304.1.042.1B	014	2	365.2.070.1A	030	20	433.1.170.1A	041	1	463.4.001.1A	010	22
270.4.005.1A	012	1	304.1.042.1B	015	4	369.1.117.1A	030	17	433.1.329.1A	030	22	464.1.047.1A	023	11
276.1.025.1B	012	16	304.1.042.1BB	014	2	370.1.074.2AA	030	19	435.1.119.1A	018	17	464.1.048.1A	024	11
280.4.015.1A	016	10	304.1.042.1BB	015	4	373.1.053.1A	030	2	435.1.127.1A	038	6	465.1.062.1A	023	9
282.4.073.1B	016	1	304.1.042.1BC	014	2	373.1.055.1A	030	4	435.1.130.1A	018	18	465.1.063.1A	024	9
283.4.011.1A	016	9	304.1.042.1BC	015	4	373.1.057.1A	030	7	435.1.135.1A	039	28	470.1.179.2BA	021	7
284.4.008.1A	016	5	304.1.043.1B	014	3	373.2.056.1A	030	5	435.1.136.1A	018	16	473.1.548.1A	021	6
286.4.128.1C	037	2	304.1.043.1B	015	5	380.4.010.1C	037a	5	435.1.137.1A	038	7	473.1.562.1A	021	9
287.4.024.1B	016	8	304.1.043.1BB	014	3	389.4.018.1A	037	18	442.1.129.1A	017	2	473.1.563.1A	021	4
301.2.232.1A	015	1	304.1.043.1BB	015	5	389.4.019.1A	037	19	444.4.003.4A	009	20	481.2.034.1AM	039	25
301.2.233.1A	014	1	304.1.043.1BC	014	3	389.4.020.1A	037	19	446.1.013.1A	030	14	481.2.035.1AM	039	3
303.1.040.1B	014	5	304.1.043.1BC	015	5	389.4.021.1A	037	19	447.1.066.1A	030	18	481.2.036.1AM	039	4
303.1.040.1B	015	2	340.2.293.1A	025	13	389.4.022.1A	037	19	449.1.045.1A	003	12	483.1.050.1DM	038	4
303.1.040.1BA	014	5	340.2.294.1A	025	11	389.4.024.1A	037	19	451.1.025.1A	008	6	486.1.051.1A	005	6
303.1.040.1BA	015	2	341.1.051.1A	026	10	390.4.018.1A	035	19	451.2.020.1A	008	7	487.2.036.1A	039	26
303.1.040.1BB	014	5	342.2.052.1A	026	3	390.4.018.1A	039	30	455.2.003.1A	002	4	492.4.003.2A	031	15
303.1.040.1BB	015	2	347.2.003.1A	025	12	395.2.013.1C	036	8	456.1.046.1B	024	27	492.4.029.1A	031	5

## INDEX

CODE No.	Drwg.	POS. N.	CODE No.	Drwg.	POS. N.	CODE No.	Drwg.	POS. N.	CODE No.	Drwg.	POS. N.	CODE No.	Drwg.	POS. N.
494.1.096.1A	031	23	529.1.001.1A	025	4	561.1.024.1A	035	6	598.1.006.1A	038	12	626.4.034.1A	027	2
496.4.001.1A	031	28	529.1.010.1A	035	10	564.1.057.1AA	021	13	598.2.041.1A	026	22	626.4.041.1A	028	2
499.2.134.1B	031	1	530.1.011.2A	035	17	565.1.036.1A	035	2	598.4.016.1A	026	38	626.4.042.1A	028	6
500.2.134.1B	031	13	530.1.011.2A	039	2	570.1.262.1A	020	5	598.4.018.1A	026	21	630.4.029.1A	027	1
501.1.109.1AB	031	32	539.1.021.1B	002	6	571.1.257.1A	020	3	610.4.086.1A	028	25	631.4.008.1A	027	5
502.1.113.1AB	031	14	539.1.023.2A	022	5	573.1.101.1B	020	8	610.4.087.1A	028	24	631.4.008.1A	028	5
503.4.003.1A	031	30	539.4.003.1B	029	38	574.1.103.1B	020	9	611.4.028.1A	029	4	631.4.008.1A	029	31
503.4.004.1A	031	26	539.4.030.1A	005	21	576.1.044.1B	020	13	612.4.005.1A	027	21	631.4.028.1A	028	9
510.1.075.1A	034	7	539.4.043.1A	027	6	576.1.055.1A	020	10	612.4.008.1A	028	31	631.4.028.1A	029	35
510.1.360.2C	037	7	539.4.044.1A	028	4	576.1.056.1A	020	11	612.4.008.1A	029	37	632.1.036.1A	027	18
510.1.568.1A	037	10	540.4.010.1A	037	15	586.1.071.1BM	018	1	612.4.030.1A	028	30	650.4.009.1B	026	29
514.1.032.1A	001c	9	541.4.007.1A	037	27	590.1.112.1A	040	9	612.4.030.1A	029	36	651.1.001.1A	026	8
514.1.033.1A	001c	13	548.4.030.3A	032	9	590.1.141.1A	040	7	612.4.032.1A	028	27	652.4.006.1C	026	25
514.1.035.1A	001c	10	552.1.037.1A	001c	4	590.1.189.1A	001c	1	612.4.033.1A	028	29	654.4.012.1A	026	19
514.1.036.1A	001c	10	552.1.038.1A	001c	5	590.1.190.1A	001c	2	612.4.034.1A	029	32	656.2.012.1A	026	7
514.1.037.1A	001c	6	552.1.039.1A	001c	19	590.1.213.1A	040	8	612.4.035.1A	029	34	656.2.067.1A	026	20
514.1.038.1A	001c	14	552.1.040.1A	001c	11	590.1.250.1A	040	5	613.4.075.1A	028	28	669.1.001.1E	014	18
514.1.055.1A	037	12	552.1.045.2A	009	2	590.1.274.1A	019	4	613.4.076.1A	029	33	669.1.001.1E	015	15
516.4.004.1B	037	8	552.1.111.1A	020	1	590.1.275.1A	019	3	616.1.002.1A	019	5	670.4.035.1A	037a	2
518.4.004.2B	026	26	552.4.013.1A	015	32	590.1.276.1A	019	6	618.4.071.1A	028	19	671.1.024.1A	037a	1
520.1.005.1A	034	1	552.4.020.1A	011	12	590.1.280.1A	040	6	619.4.033.1A	029	29	671.1.027.1A	037a	9
521.4.005.1A	034	4	552.4.031.2B	033	5	593.1.003.1B	010	33	624.4.038.1A	028	1	671.1.028.1A	037a	8
523.1.005.1AA	039	24	552.4.037.1C	029	2	593.1.018.1A	009	29	625.4.004.1A	029	30	671.1.031.1A	037a	3
523.1.006.1AA	039	1	552.4.048.1A	019	12	595.1.075.1A	038	22	626.4.011.1A	027	3	672.1.029.1A	037	13
525.1.004.3A	035	14	556.1.018.1D	022	9	595.1.078.1A	038	23	626.4.011.1A	028	3	672.1.034.1A	015	25
525.1.020.1B	035	12	556.1.043.1A	022	3	595.1.082.1A	038	3	626.4.013.1A	029	28	676.2.066.1A	031	24
525.2.024.2B	035	9	556.2.036.1B	022	1	598.1.005.1A	038	18	626.4.015.1C	027	4	676.4.025.1A	031	16

## INDEX

CODE No.	Drwg.	POS. N.	CODE No.	Drwg.	POS. N.	CODE No.	Drwg.	POS. N.	CODE No.	Drwg.	POS. N.	CODE No.	Drwg.	POS. N.
677.4.003.1A	001a	4	702.5.050.1A	031	17	713.1.210.1A	026	18	8000.70139	001a	2	741.4.067.1A	016	11
697.2.020.1A	038	14	703.1.019.1A	015	30	713.1.237.1A	004	15	72094.1616	010	10	741.4.092.1A	019	16
698.1.033.1A	001c	15	703.1.039.1A	026	11	713.1.241.1A	005	18	72121.2106	006	4	741.4.158.1A	019	13
699.2.345.1A	019	15	703.5.006.2A	008	18	713.1.266.1A	003	15	723.1.003.1A	034	6	74172.1008	006	10
700.1.005.1A	031	18	703.5.006.2A	013	1	713.1.309.1A	004	13	732.1.020.1A	038	15	74172.1008	013	8
700.1.011.1B	032	6	710.1.001.1A	009	13	713.1.327.1A	026	32	73500.1440	012	11	74224.0570	006	7
700.1.036.1A	012	24	710.1.041.1B	031	22	713.1.330.1A	018	10	73500.1542	002	15	747.5.001.1AB	024	22
700.1.038.1C	033	2	710.1.069.1A	010	25	713.1.332.1A	036	3	73500.1747	015	26	747.5.003.1A	029	26
700.1.038.1D	035	7	710.1.070.1A	010	42	713.1.351.1A	026	28	73503.3380	010	18	747.5.005.1B	024	24
700.1.040.1A	007	12	711.1.007.1A	006	6	713.1.352.1A	014	8	73503.3380	011	2	747.5.005.1B	029	20
700.1.040.1A	014	25	711.1.095.1A	010	32	713.1.352.1A	015	8	736.5.003.1A	038	17	747.5.007.1A	026	1
700.1.040.1A	015	23	711.1.126.1A	007	11	713.1.358.1A	039	29	737.4.021.1A	008	19	748.1.013.1A	004	7
700.1.049.1A	023	14	711.1.128.1A	010	38	713.1.365.1A	011	27	741.1.012.1A	037	24	748.1.014.1C	031	12
700.1.049.1A	024	30	711.1.172.1A	007	7	713.1.365.1A	024	33	741.1.013.1A	037	25	748.1.023.1B	030	9
700.1.050.1A	023	2	711.1.181.1A	037a	6	714.1.070.1A	031	34	741.1.034.1A	021	16	748.1.036.1A	040	19
700.1.050.1A	024	2	712.1.034.1A	024	16	714.1.072.1A	031	3	741.4.002.1A	017	7	748.1.039.1A	016	2
701.4.003.1A	012	19	712.1.034.1A	029	17	71502.2594	025	1	741.4.032.1B	020	14	748.1.040.1A	002	23
701.4.005.1A	003	4	713.1.014.1E	003	11	716.1.022.1B	017	10	741.4.042.1A	016	3	748.1.042.1A	034	13
701.4.007.1A	012	21	713.1.097.2B	031	25	716.1.043.1B	040	17	741.4.043.1A	027	14	748.1.042.1A	037	1
702.4.004.1A	026	5	713.1.137.1A	015	27	716.1.053.1B	035	3	741.4.043.1A	028	15	748.1.045.1A	030	3
702.4.013.1A	010	21	713.1.140.1A	010	14	716.1.073.2A	008	13	741.4.043.1A	029	11	748.1.050.1A	010	8
702.4.020.1A	010	29	713.1.157.1A	003	13	716.1.099.1A	008	17	741.4.043.1A	040	2	748.4.002.1A	021	8
702.4.033.1A	010	9	713.1.192.1A	029	3	8000.53724	037	23	741.4.057.1A	040	10	748.4.024.1AB	031	20
702.5.008.1A	010	20	713.1.196.1A	030	6	8000.56443	027	13	741.4.058.1A	040	11	748.4.033.1A	020	2
702.5.008.1A	011	3	713.1.196.1A	031	10	8000.56443	028	7	741.4.062.1A	029	8	748.4.038.1A	033	4
702.5.019.1A	010	12	713.1.197.3A	031	9	8000.60700	023	12	741.4.063.1A	029	13	748.4.038.1A	035	5
702.5.045.1A	031	4	713.1.209.1A	026	36	8000.60700	024	12	741.4.063.1A	040	12	748.4.100.1AB	035	16

## INDEX

CODE No.	Drwg.	POS. N.	CODE No.	Drwg.	POS. N.	CODE No.	Drwg.	POS. N.	CODE No.	Drwg.	POS. N.	CODE No.	Drwg.	POS. N.
748.4.100.1AB	039	7	765.1.001.1A	029	21	771.5.071.8B	011	17	771.5.669.8B	024	32	775.1.008.3A	038	5
749.4.004.1A	024	20	766.1.059.1A	010	6	771.5.071.8B	012	23	771.5.725.8B	034	9	775.1.008.3A	039	6
749.4.045.2A	022	10	766.4.017.2A	013	17	771.5.071.8B	032	5	771.5.727.8B	026	23	775.1.011.1B	035	18
750.1.007.1A	003	29	766.4.018.1A	013	18	771.5.071.8B	040	20	771.5.728.8B	018	12	775.1.011.1B	039	11
750.1.012.2A	006	3	76835.1134	002	10	771.5.072.8B	005	7	771.5.728.8B	026	9	775.1.016.1A	018	8
750.1.028.1A	039	21	770.5.123.3B	020	12	771.5.072.8B	008	2	771.5.754.8B	022	2	775.1.017.1A	018	15
750.1.113.1A	006	13	770.5.250.8B	010	15	771.5.072.8B	010	31	771.5.754.8B	029	1	775.1.022.1A	021	11
750.1.121.1A	012	3	771.1.032.1A	010	40	771.5.072.8C	004	3	772.1.010.3A	008	8	775.1.031.1B	021	5
750.4.014.1A	035	13	771.1.227.2A	030	11	771.5.073.8B	011	16	772.1.039.1A	037	9	775.1.036.1A	013	14
750.5.005.1A	037	17	771.5.040.8B	011	21	771.5.078.8B	012	12	772.1.045.1A	017	4	775.1.046.1A	039	12
75191.3380	010	43	771.5.040.8B	039	19	771.5.078.8B	034	11	772.1.062.1A	019	7	775.5.013.1A	040	18
75794.1542	010	17	771.5.042.8B	037a	4	771.5.080.8B	010	27	772.1.063.1A	036	7	777.5.049.8B	011	10
758.1.014.1A	034	5	771.5.049.8B	037a	7	771.5.081.8B	005	3	772.5.012.1B	039	20	777.5.052.8B	038	11
759.1.020.2A	036	10	771.5.063.8B	038	25	771.5.083.8B	005	2	772.5.021.1B	037	6	778.4.003.1A	030	12
76266.2668	010	4	771.5.065.8B	004	6	771.5.123.8B	002	30	772.5.026.1B	025	3	779.1.007.2A	006	9
764.1.001.1A	018	9	771.5.065.8B	008	3	771.5.127.8B	026	31	772.5.029.1AB	029	39	779.1.026.2A	010	36
764.1.002.1A	014	6	771.5.066.8B	011	24	771.5.129.8B	009	8	772.5.031.1B	017	11	779.1.029.2A	010	26
764.1.002.1A	015	21	771.5.066.8B	012	5	771.5.136.8B	010	24	772.5.031.1B	037	14	779.1.039.1A	002	3
764.1.029.1A	037	4	771.5.066.8B	013	10	771.5.431.8B	028	26	772.5.037.1A	028	22	779.1.092.1A	027	7
764.1.029.1A	040	16	771.5.066.8B	014	11	771.5.662.8B	018	3	772.5.037.1A	035	4	779.1.092.1A	028	12
764.1.084.1A	036	4	771.5.066.8B	015	13	771.5.662.8B	029	14	772.5.037.1A	037	20	779.1.099.1B	026	2
764.1.085.1A	039	27	771.5.067.8B	002	28	771.5.665.8B	021	3	772.5.037.1A	038	8	779.1.104.1B	038	1
764.1.090.1A	017	9	771.5.067.8B	011	13	771.5.665.8B	026	15	773.1.001.1A	005	19	779.1.109.1A	006	2
764.1.090.1A	038	21	771.5.069.8B	005	5	771.5.665.8B	029	7	773.5.062.8B	032	7	779.1.133.1A	014	24
76400.0004	010	3	771.5.069.8B	009	10	771.5.666.8B	024	26	773.5.065.8B	013	15	779.1.133.1A	015	33
76402.0002	003	17	771.5.069.8B	011	6	771.5.667.8B	026	12	773.5.069.8B	039	16	779.1.162.2A	009	27
765.1.001.1A	024	19	771.5.069.8B	012	22	771.5.668.8B	024	17	775.1.007.1AB	039	22	779.1.198.2A	009	23

## INDEX

CODE No.	Drwg.	POS. N.	CODE No.	Drwg.	POS. N.	CODE No.	Drwg.	POS. N.	CODE No.	Drwg.	POS. N.	CODE No.	Drwg.	POS. N.
779.1.203.3A	002	7	780.1.018.1A	009	7	799.2.077.2A	009	14	824.1.120.1AB	023	1	840.1.001.1A	14/15	19
779.1.206.1AB	024	28	780.2.047.1A	009	17	799.5.001.2A	004	8	824.1.121.1AB	024	1	840.1.002.1A	14/15	19
779.1.213.1A	021	1	786.1.064.1A	007	10	801.1.027.1A	016	4	826.1.009.1A	002	33	840.1.003.1A	14/15	19
779.1.237.1B	029	19	786.1.086.1A	007	6	814.1.114.1A	001c	8	826.1.012.1A	010	11	840.1.004.1A	14/15	19
779.1.311.1A	031	6	787.1.008.1A	015	29	814.1.179.1A	019	2	827.1.139.2B	022	8	840.1.005.1A	14/15	19
779.1.335.1A	017	12	788.1.054.2A	012	4	814.1.180.1A	040	1	827.1.157.1A	040	15	840.1.006.1A	14/15	19
779.1.366.1AB	027	16	788.1.076.1A	011	22	814.1.183.1A	040	4	827.1.161.1B	023	6	840.1.007.1A	14/15	19
779.1.366.1AB	028	23	788.1.076.1AA	011	22	814.4.010.1A	019	10	827.1.161.1B	024	6	840.1.008.1A	14/15	19
779.1.366.1AB	029	6	788.1.076.1AB	011	22	815.1.022.1A	010	35	827.1.389.1A	038	19	840.1.009.1A	14/15	19
779.1.397.1A	027	19	790.1.016.1A	020	15	815.1.022.1A	032	4	827.1.414.1A	023	10	840.1.010.1A	14/15	19
779.1.399.1A	031	7	791.2.026.2A	007	5	815.1.028.1A	009	21	827.1.414.1A	024	10	840.1.012.1A	14/15	19
779.1.415.1A	028	17	797.1.032.1A	004	1	815.4.003.1A	031	29	829.1.061.1E	027	9	840.1.014.1A	14/15	19
779.1.418.1A	023	13	799.1.024.1A	023	8	818.2.016.1A	004	5	829.1.109.1B	032	1	840.1.015.1A	14/15	19
779.1.418.1A	024	29	799.1.024.1A	024	8	819.1.043.1A	031	8	829.1.127.1A	037	22	840.1.015.1A	14/15	19
779.1.439.2A	018	5	799.1.025.1A	002	20	819.1.057.1A	030	1	829.1.132.1C	028	8	840.1.016.1A	14/15	19
779.1.440.2A	030	13	799.1.049.1A	002	1	821.1.001.1A	002	26	829.1.141.1C	028	20	840.1.017.1A	14/15	19
779.1.453.1A	035	11	799.1.051.2A	006	15	821.1.009.1B	031	19	829.1.235.1A	015	31	840.1.018.1A	14/15	19
779.1.468.1A	026	24	799.1.055.1A	009	30	821.1.070.1A	002	17	829.1.541.1A	035	1	840.1.019.1A	14/15	19
779.1.476.1A	023	3	799.1.061.3A	014	7	821.1.075.1A	017	8	829.1.649.2BA	034	10	840.1.019.1A	14/15	19
779.1.476.1A	024	3	799.1.061.3A	015	9	821.1.090.1B	023	4	829.1.666.1A	021	14	840.1.020.1A	14/15	19
779.4.005.2A	022	4	799.1.088.1B	022	7	821.1.090.1B	024	4	829.1.668.1A	036	5	840.1.021.1A	14/15	19
779.4.075.1A	011	14	799.1.089.1B	022	6	821.1.111.2A	014	15	829.1.673.2A	038	10	840.1.022.1A	14/15	19
779.5.012.1B	016	6	799.1.191.1A	004	10	821.1.111.2A	015	10	829.1.674.1A	039	17	840.1.023.1A	14/15	19
779.5.030.2A	013	4	799.1.211.1A	010	39	821.1.129.1A	037	3	829.2.079.1BB	026	14	840.1.024.1A	14/15	19
779.5.059.1A	027	10	799.1.247.2A	014	26	821.1.170.1A	024	13	830.1.144.1A	011	20	840.1.025.1A	14/15	19
779.5.059.1A	028	10	799.1.247.2A	015	35	821.1.170.1A	029	23	830.1.286.1A	028	21	840.1.026.1A	14/15	19
780.1.007.1A	020	7	799.1.251.1A	029	18	821.1.257.1A	012	8	830.1.292.2A	040	14	840.1.027.1A	14/15	19

## INDEX

CODE No.	Drwg.	POS. N.	CODE No.	Drwg.	POS. N.	CODE No.	Drwg.	POS. N.	CODE No.	Drwg.	POS. N.	CODE No.	Drwg.	POS. N.
840.1.028.1A	14/15	19	840.2.001.1A	015	19	852.1.024.1A	039	23	852.1.174.1A	002	31	852.5.027.1A	034	12
840.1.029.1A	14/15	19	840.2.002.1B	014	17	852.1.053.2A	002	2	852.1.176.1A	005	16	852.5.028.1A	032	3
840.1.030.1A	14/15	19	840.2.002.1B	015	17	852.1.065.1B	023	15	852.1.176.1A	011	25	852.5.028.1A	039	10
840.1.031.1A	14/15	19	841.1.028.1A	032	8	852.1.065.1B	024	31	852.1.186.1A	038	9	852.5.030.1A	021	15
840.1.032.1A	14/15	19	841.1.046.1A	004	2	852.1.094.1A	002	19	852.1.191.1A	038	24	853.1.002.1A	009	9
840.1.033.1A	14/15	19	847.4.002.1A	023	7	852.1.099.1A	018	11	852.1.195.1A	005	20	853.1.003.1A	011	5
840.1.034.1A	14/15	19	847.4.002.1A	024	7	852.1.103.1A	026	4	852.1.195.1A	009	28	853.1.003.1A	012	2
840.1.041.1B	14/15	17	847.4.006.1A	010	30	852.1.104.1A	006	11	852.1.197.1A	013	13	853.1.004.1A	009	11
840.1.042.1B	14/15	17	848.4.001.1A	026	16	852.1.104.1B	006	11	852.1.200.1A	030	8	853.5.009.1A	037	16
840.1.043.1B	14/15	17	848.5.001.1A	024	21	852.1.104.1H	006	11	852.1.204.1A	030	10	855.5.001.1B	037	21
840.1.044.1B	14/15	17	848.5.002.1A	024	25	852.1.104.1K	006	11	852.1.205.1A	018	4	856.1.001.1A	003	6
840.1.045.1B	14/15	17	850.1.014.1A	018	7	852.1.104.1L	006	11	852.1.205.1A	039	5	856.1.031.1A	003	16
840.1.046.1B	14/15	17	850.1.015.1A	029	24	852.1.104.1M	006	11	852.1.214.1A	014	8	856.1.035.1A	034	8
840.1.047.1B	14/15	17	850.4.038.1A	036	1	852.1.104.1N	006	11	852.1.214.1A	015	8	856.1.057.1A	025	2
840.1.048.1B	14/15	17	850.4.038.1A	039	13	852.1.104.2C	006	11	852.5.003.1B	036	6	856.1.062.2A	008	16
840.1.049.1B	14/15	17	850.4.052.1A	035	8	852.1.104.2D	006	11	852.5.005.1A	009	18	856.1.064.2A	010	7
840.1.050.1B	14/15	17	850.4.067.1A	021	10	852.1.104.2E	006	11	852.5.009.1A	037	5	856.1.071.1A	012	9
840.1.051.1B	14/15	17	850.4.082.1A	039	9	852.1.104.2F	006	11	852.5.023.1A	010	41	856.1.074.2A	013	20
840.1.052.1B	14/15	17	850.4.083.1A	018	6	852.1.104.2G	006	11	852.5.023.1A	014	23	856.4.002.1A	039	8
840.1.053.1B	14/15	17	851.1.004.1A	003	30	852.1.104.2I	006	11	852.5.023.1A	015	22	861.5.013.1A	026	34
840.1.054.1B	14/15	17	851.1.013.1A	008	11	852.1.104.2J	006	11	852.5.024.1A	002	5	863.1.002.1A	012	14
840.1.055.1B	14/15	17	851.4.003.1A	006	12	852.1.120.1A	009	6	852.5.024.1A	009	3	866.1.030.1A	038	20
840.1.056.1B	14/15	17	852.1.001.1B	030	21	852.1.151.1A	024	15	852.5.024.1A	020	6	866.1.036.1A	021	12
840.1.057.1B	14/15	17	852.1.002.1B	030	21	852.1.151.1A	029	15	852.5.024.1A	027	17	866.1.060.1A	036	2
840.1.058.1B	14/15	17	852.1.003.1B	030	21	852.1.167.1A	039	15	852.5.024.1A	028	18	866.1.061.1A	038	16
840.1.059.1B	14/15	17	852.1.005.1A	002	14	852.1.172.1A	002	29	852.5.024.1A	029	5	866.1.062.1A	018	2
840.2.001.1A	014	19	852.1.008.1A	005	10	852.1.173.1A	013	2	852.5.026.1A	010	37	872.1.015.1A	026	6

## INDEX

CODE No.	Drwg.	POS. N.	CODE No.	Drwg.	POS. N.	CODE No.	Drwg.	POS. N.	CODE No.	Drwg.	POS. N.	CODE No.	Drwg.	POS. N.
872.1.019.1A	030	15	886.1.013.1A	019	1	88713.1091	001	21	88765.1086	001	22	930.4.023.1A	003	14
872.1.026.1A	021	2	886.1.095.1A	011	8	88713.1096	001a	1	88765.1126C	001c	24	930.4.052.1A	031	2
873.1.039.1A	009	5	886.4.003.1A	011	23	88713.1215	001	34	88765.1126T	001c	16	930.4.061.1A	013	7
875.1.052.1A	032	12	886.4.028.1A	015	28	88713.1344	001a	3	88765.1297	001	23	930.4.091.1A	005	9
875.1.053.1A	032	11	886.4.037.1A	009	4	88713.1429	001	9	88765.1298	001	18	93783.1524	011	11
875.1.065.1A	001c	3	886.4.043.1A	004	18	88713.1515	001a	5	88765.1371	001b	3	93785.1830	010	16
876.1.093.1A	017	6	886.4.055.1A	018	13	88713.1749	001	24	88765.1374	001b	4	93823.2018	004	17
877.1.049.1A	028	16	886.4.060.1A	013	11	88713.1994	001	25	893.2.013.1A	005	15	93823.3156	010	34
877.1.106.1A	027	15	886.4.072.1A	019	8	88713.2011	001	17	893.4.005.1A	027	11	93827.0114	005	12
877.1.108.1A	029	12	886.4.073.1A	019	9	88713.2036	001	19	893.4.005.1A	029	9	93827.0114	009	22
877.2.046.1A	017	1	886.5.014.1A	026	17	88713.2092	001	28	894.2.009.1A	009	19	93827.0114	010	28
881.1.010.1C	012	18	88700.5644	001	31	88713.2103	001	3	895.1.007.1B	018	14	94247.0014	010	5
881.1.012.1A	002	32	88700.5665	001	27	88713.2282	001	30	913.7.121.1A	038	13	94247.0014	011	15
881.1.051.1A	005	14	88700.5749	001	20	88713.2355	001	1	913.7.121.1A	038	13	97900.0002	001b	2
881.1.051.1A	011	26	88713.0123	001	5	88713.2362	001	32	913.7.121.1A	038	13	97900.0003	001c	23
882.1.003.1A	008	14	88713.0137	001	11	88713.2422	001	35	913.7.121.1A	038	13	97900.0211	001b	7
882.1.006.1A	002	16	88713.0262	001	29	88713.2423	001	36	913.7.121.1B	038	13	97900.0215	001b	1
882.1.012.1A	012	15	88713.0844	001	33	88713.2651	001	26	913.7.121.1B	038	13	97900.0216	001b	5
884.4.011.1A	007	2	88713.0874	001	6	88713.2676	001	2	913.7.121.1B	038	13	97900.0217	001b	15
884.4.042.1A	009	24	88713.0875	001	8	88713.2775	001a	11	913.7.121.1B	038	13	97900.0218	001c	18
884.4.045.1A	030	16	88713.0879	001	7	88713.2776	001a	10	913.7.121.1C	038	13	97900.0219	001b	10
884.5.003.1A	023	5	88713.1010	001a	7	88713.2777	001a	12	913.7.121.1C	038	13	97900.0220	001c	21
884.5.003.1A	024	5	88713.1058	001a	9	88765.0999	001	16	913.7.121.1C	038	13	97900.0221	001c	22
884.5.008.1A	031	11	88713.1062	001a	8	88765.1000	001	15	913.7.121.1D	038	13	97900.0222	001b	9
884.5.035.1A	005	11	88713.1072	001a	6	88765.1005	001	15	913.7.121.1D	038	13	97900.0223	001b	11
884.5.036.1A	009	25	88713.1078	001	12	88765.1006	001	15	930.1.004.1B	026	33	97900.0224	001b	6
884.5.036.1A	012	7	88713.1079	001	14	88765.1058	001	13	930.4.022.1A	010	13	97900.0225	001b	8

## INDEX

CODE No.	Drwg.	POS. N.	CODE No.	Drwg.	POS. N.	CODE No.	Drwg.	POS. N.	CODE No.	Drwg.	POS. N.	CODE No.	Drwg.	POS. N.
97900.0226	001b	12												
97900.0227	001c	7												
97900.0228	001c	12												
97900.0229	001b	13												
97900.0230	001c	20												
97900.0231	001c	17												
97900.0232	001b	16												
97900.0234	001b	14												
98112.0002	001	4												