

GENERAL INFORMATION

The present spare parts order exactly the right spare parts

When ordering specify:

1) the part's code number followed by its description; quantity needed;

2) the motorcycle's serial number, stamped on the steering head.

Reference to right and left apply to the vehicle in terms of its direction of movement.

Spare parts drawings are general and do not represent the part.

The contents of this catalogue are general and can undergo changes without prior notice.

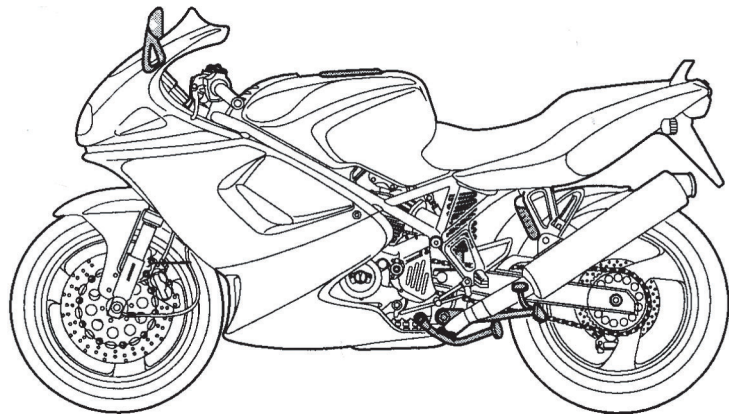
VALIDITY

f.m. Until V.I.N.
d.m. From V.I.N.
f.m.m. Up to engine number
d.m.m. From engine number

Ducati Motor Holding S.p.A.
Commercial and Administration Office:
Via A. Cavalieri Ducati n. 3
40132 Bologna, Italy
Telefono 051 6413111
Fax 051 406580
Internet www.ducati.com

CATALOGUE No: 915.1.046.1F
ISSUED: 06 - 02

CATALOGUE No: 915.1.046.1F
ISSUED: 06 - 02



Colore	Codice	Codice	Codice
Paint	Code	Code	Code
Vernis	Code	Code	Code
Slacken	Code	Code	Code
Lacas	Codice	Codice	Codice

"Rosso Anniversary DUCATI"

473.101

"Giallo DUCATI"

473.201

"Blu metallizzato DUCATI"

291.800

"Grigio metallizzato DUCATI"

291.601

page

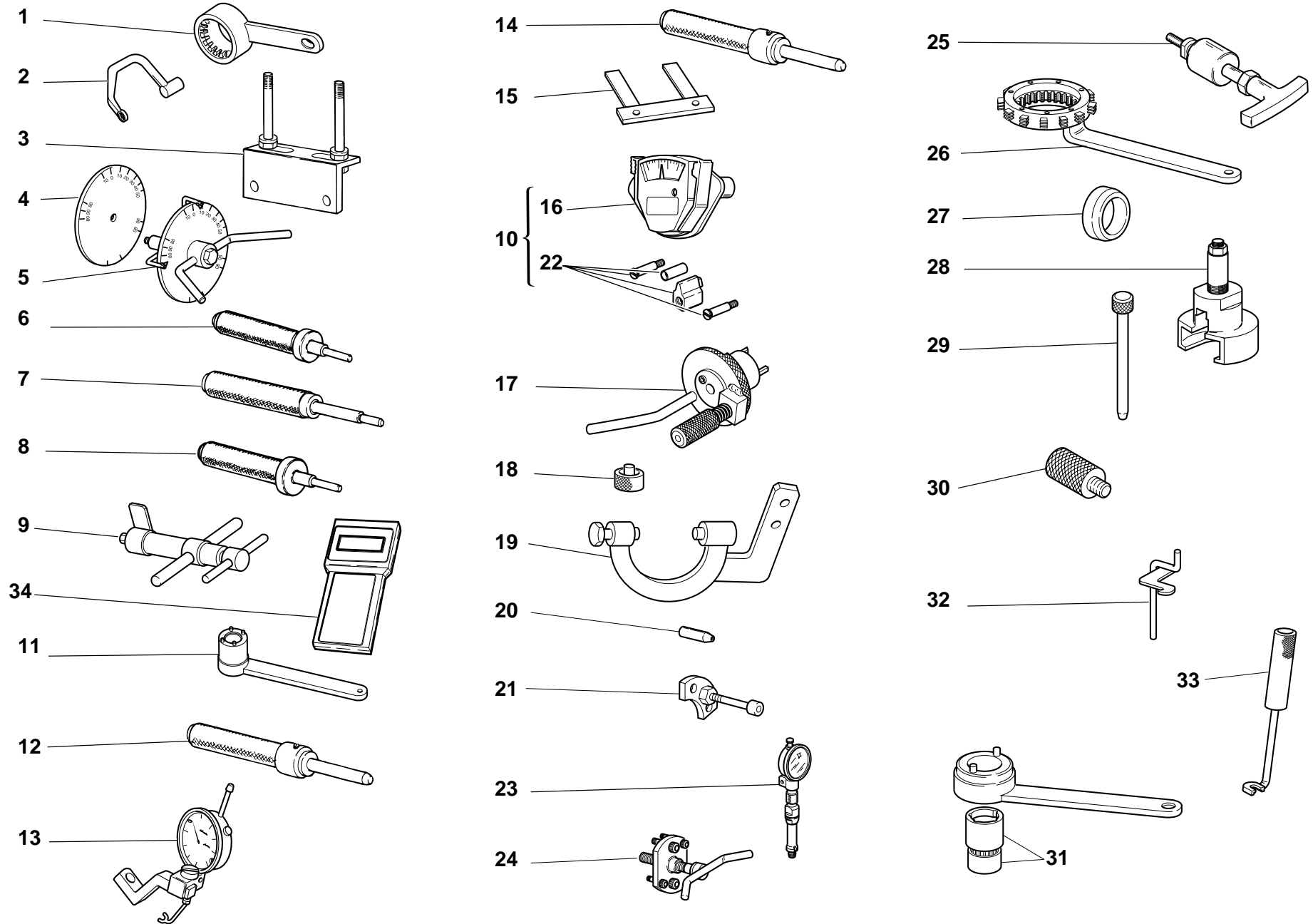
CONTENTS

4	001	WORKSHOP SPECIAL TOOLS
6	001a	WORKSHOP SPECIAL TOOLS
8	001b	DIAGNOSIS TESTER MATHESIS
10	001c	WORKSHOP SPECIAL TOOLS
12	002	GEARCHANGE
14	003	GEAR-BOX
16	004	CLUTCH
18	005	CLUTCH COVER
20	006	CRANKSHAFT
22	007	CYLINDERS - PISTONS
24	008	TIMING
26	009	FILTERS AND OIL PUMP
28	010	HALF CRANKCASES
30	011	WATER PUMP - ALTERNATOR COVER
32	012	ELECTRIC STARTER AND IGNITION
34	013	HEAD: TIMING
36	014	VERTICAL HEAD
38	015	HORIZONTAL HEAD
40	016	THROTTLE BODY
42	017	EXHAUST SYSTEM
44	018	STANDS
46	019	FRAME
48	020	L.H. FOOT RESTS
50	021	R.H. FOOT RESTS
52	022	HEADLIGHT HOLDER
54	023	HEAD-LIGHT AND ELECTRIC WIRING
56	024	INSTRUMENT PANEL
58	025	HANDLEBAR AND CONTROLS
60	026	FRONT FORK
62	027	CLUTCH CONTROL
64	028	FRONT HYDRAULIC BRAKE
66	029	WATER RADIATOR ASSY
68	030	COOLING CIRCUIT
70	031	ELECTRIC SYSTEM
72	032	BATTERY BOX MOUNT
74	033	AIR INDUCTION AND OIL VENT
76	034	SWINGARM AND CHAIN
78	035	REAR SUSPENSION
80	036	REAR HYDRAULIC BRAKE
82	037	WHEELS
84	038	NUMBER PLATE HOLDER
86	039	SEAT
88	040	FUEL TANK
90	041	FUEL SYSTEM
92	042	HEADLIGHT FAIRING
94	043	FAIRING
98	044	PANNIERS FASTENERS
100	045	SIDE PANNIERS
102	046	FUEL INFEED
104	047	MARKING PLATES

DRAWING

001

WORKSHOP SPECIAL TOOLS




DRAWING

001

WORKSHOP SPECIAL TOOLS

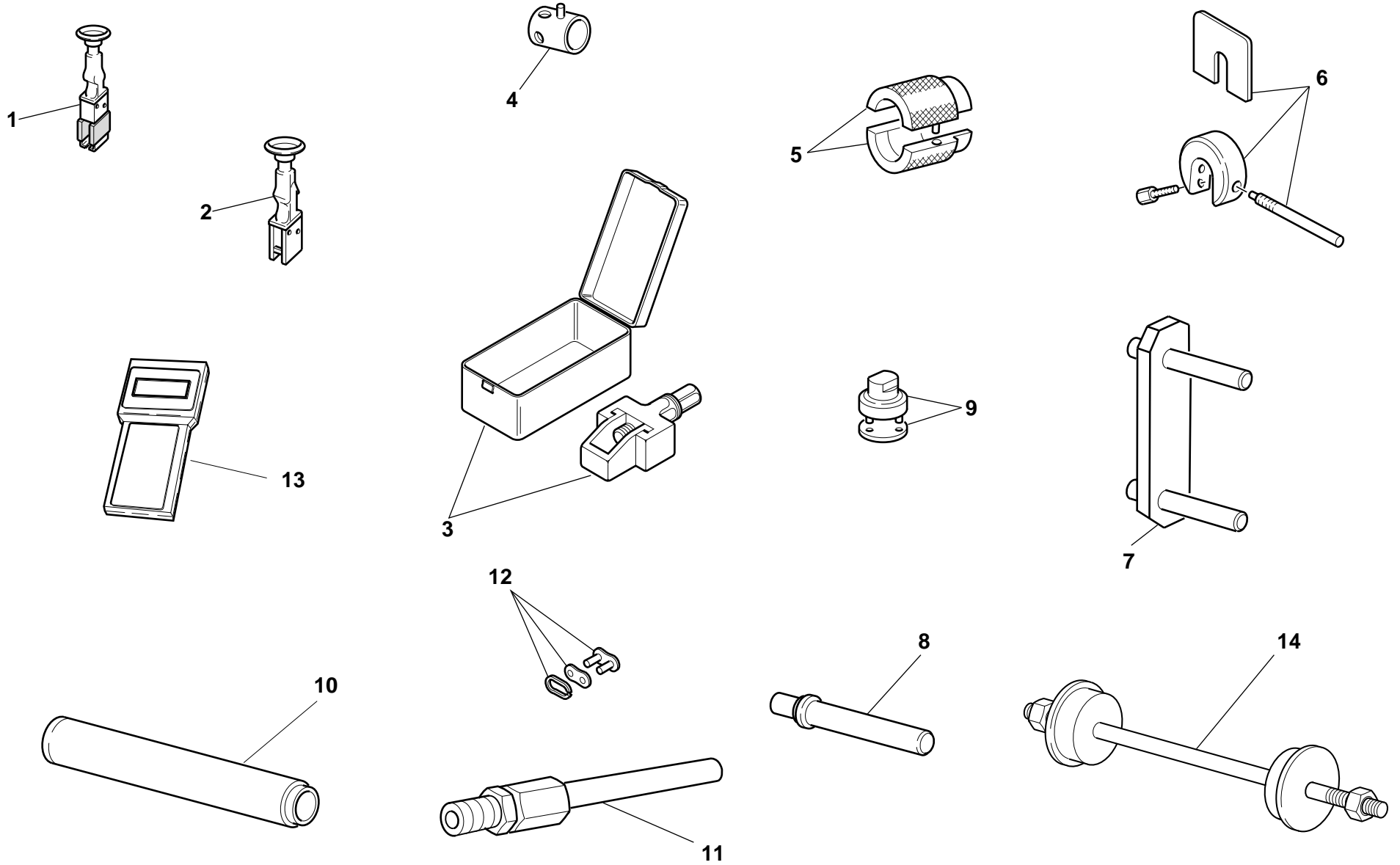
NOTES	NO.	CODE NO.	DESCRIPTION	VALIDITY	Q.TY	
	1	88713.2107	Wrench for holding timing belt rollers ring nuts		1	
	2	88713.2096	Head nuts holder wrench		1	
	3	88713.2103	Head mounting base		1	
	4	98112.0002	Degree wheel		1	
	5	88713.0123	Degree wheel holder tool for ignition advance check		1	
	6	88713.0874	Exhaust valve guide punch tool		1	
	7	88713.0879	Punch tool to extract valve guide		1	
	8	88713.0875	Intake valve guide punch tool		1	
	9	88713.1215	Torque wrench for timing belt		1	
	10	051.2.001.1A	Torque wrench for timing belt		1	
	11	88713.0137	Crankshaft gear holder wrench for tightening nut		1	
	12	88713.1078	Punch tool for driving exhaust valve seat		1	
	13	88765.1058	Valve lift gauge		1	
	14	88713.1079	Punch tool for driving intake valve seat		1	
	15	88765.1000	Fork feeler gauge 0.1 mm		1	
	15	88765.1005	Fork feeler gauge 0.2 mm		1	
	15	88765.1006	Fork feeler gauge 0.3 mm		1	
	16	88765.0999	Timing belt control gauge		1	
	17	88713.2011	Tool to hold crankshaft in TDC position		1	
	18	88765.1322	Spacer for checking lower valve shim		1	
	19	88713.2036	Flywheel Wrench		1	
	20	88700.5749	Crankcases assembling cap		1	
	21	88713.1091	Plate for positioning gear engagement fork		1	
	22	88765.1086	Conversion kit for 2V belts tensioning tool		1	
	23	88765.1297	T.D.C. control gauge		1	
	24	88713.1749	Drive roller puller		1	
	25	88713.1994	Rocker shaft extractor		1	

CATALOGUE No:
ISSUED:915.1.046.1F
06 - 02


NOTES	NO.	CODE NO.	DESCRIPTION	VALIDITY	Q.TY	
	26	88713.2133	Wrench to hold clutch housing drum steady		1	
	27	88700.5665	Sleeve for installing clutch bell gear		1	
	28	88713.2092	Extractor for primary drive gear		1	
	29	88713.0262	Pin for assembling rocker arms		1	
	30	88713.2009	Belt roller timing of two-valva head		1	
	31	88700.5644	Wrench for camshaft pulley ring nut adjustment		1	
	32	88713.0143	Tool for assembling closing rocker and spring		1	
	33	88713.0844	Half-rings mounting punch tool		1	
	34	88765.1363A	Check instrument		1	
GB	34	88765.1363B	Check instrument		1	
D	34	88765.1363C	Check instrument		1	
F	34	88765.1363D	Check instrument		1	
E	34	88765.1363E	Check instrument		1	


CATALOGUE No:
ISSUED:915.1.046.1F
06 - 02

DRAWING **001a** WORKSHOP SPECIAL TOOLS

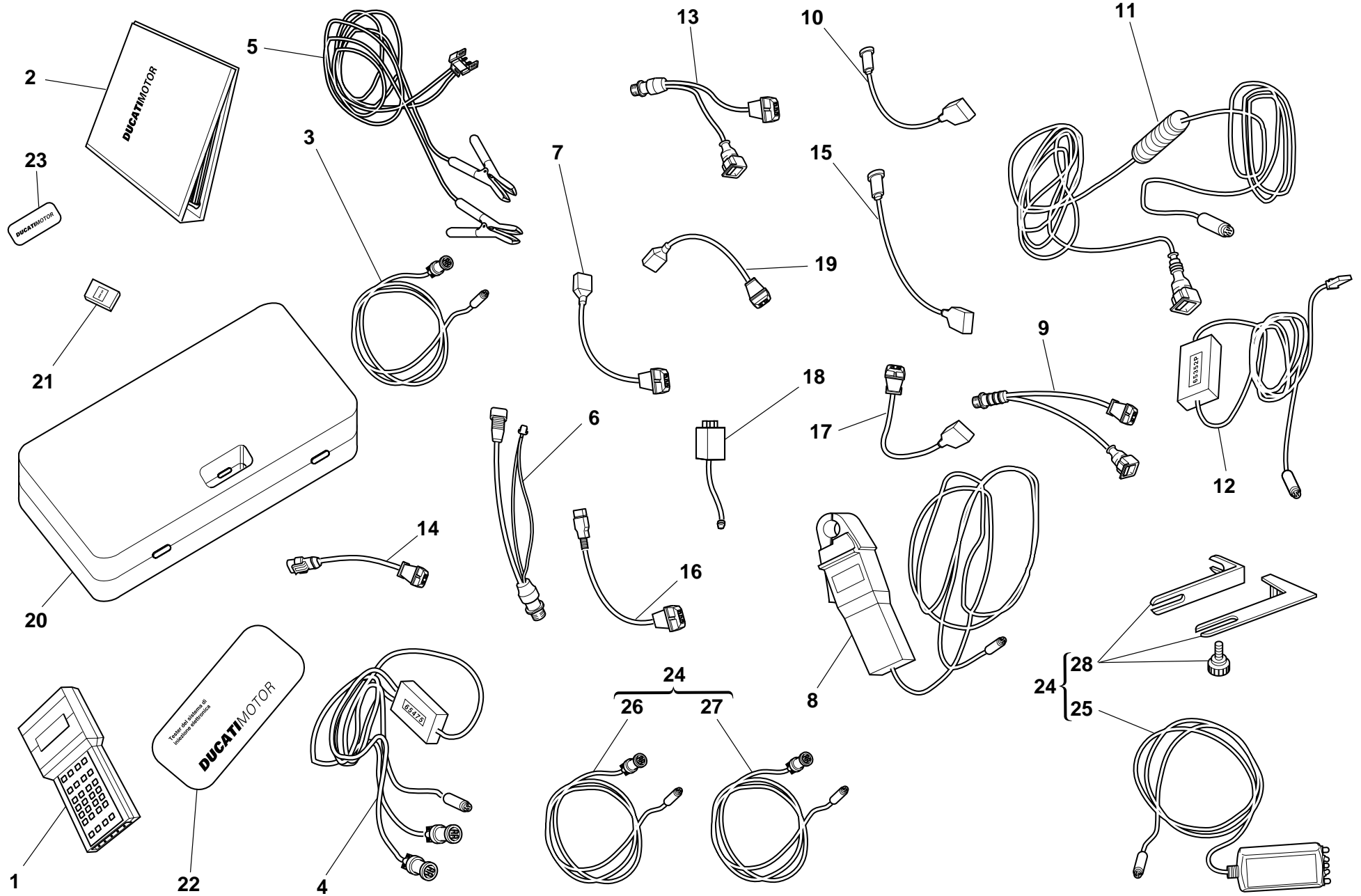


DRAWING **001a** WORKSHOP SPECIAL TOOLS

NOTES	NO.	CODE NO.	DESCRIPTION	VALIDITY	Q.TY	
	1	88713.1097	EPROM extractor		1	
	2	88713.1140	EPROM chip introducing		1	
	3	88713.1344	Tool for assembling chain		1	
	4	0000.70139	Wrench for front wheel spindle		1	
	5	88713.0960	Tool for overhauling SHOWA forks - assembling seal ring		1	
	6	88713.0957	Tool for holding SHOWA fork spacer		1	
	7	88713.1515	Frame/engine mount		1	
	8	88713.1071	Stopper for assembling the rocker needle bearings		1	
	9	88713.1058	Wrench for assembling the steering head cap		1	
	10	88713.1072	Stopper for driving the half bearing of the steering head base		1	
	11	88713.1010	Union for exhaust gas suction		1	
	12	677.4.003.1A	Coupling		1	
I	13	88765.1236	Check instrument		1	
GB	13	88765.1237	Check instrument		1	
D	13	88765.1238	Check instrument		1	
F	13	88765.1239	Check instrument		1	
E	13	88765.1240	Check instrument		1	
	14	88713.1062	Tool for assembling the steering head bearings		1	

NOTES	NO.	CODE NO.	DESCRIPTION	VALIDITY	Q.TY	
-------	-----	----------	-------------	----------	------	---

DRAWING 001b DIAGNOSIS TESTER MATHESIS




DRAWING

001b**DIAGNOSIS TESTER MATHESIS**

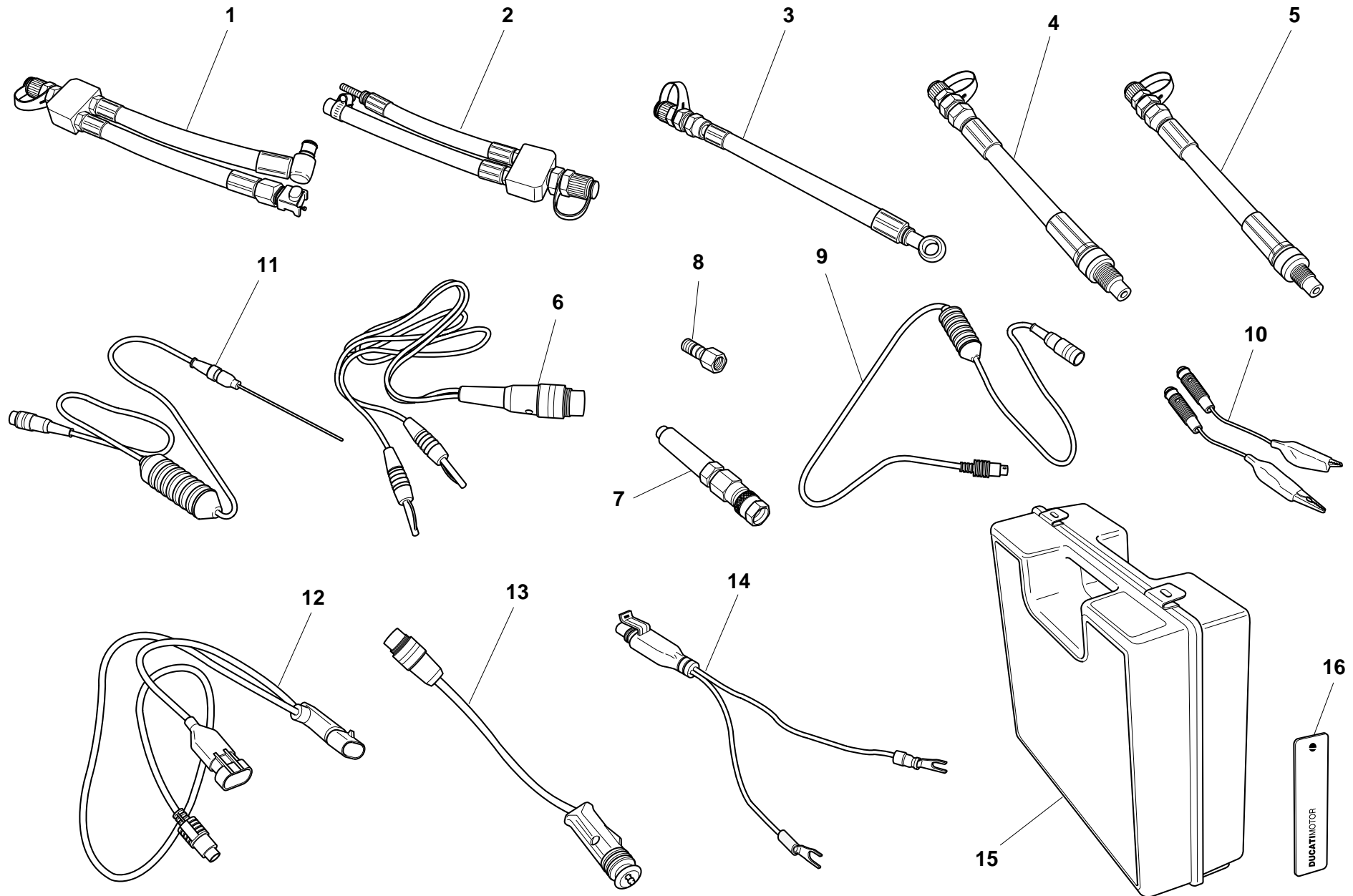
NOTES	NO.	CODE NO.	DESCRIPTION	VALIDITY	Q.TY	
	1	88765.1126Z	Bare Mathesis		1	
	2	914.7.023.1A	Italian manual		1	
	2	914.7.023.1B	English manual		1	
	2	914.7.023.1C	German manual		1	
	2	914.7.023.1D	Franch manual		1	
	2	914.7.023.1E	Spanish manual		1	
	3	88765.1126R	Main cable Mathesis		1	
	4	88765.1126A	Pickup Control cable		1	
	5	88765.1126Q	Battery mains cable		1	
	6	88765.1126	Mains cable adapter for self diagnosis		1	
	7	88765.1126N	Sensor for absolute pressure sampling		1	
	8	88765.1126V	Amperometer plier		1	
	9	88765.1126E	Adapter for 3 wires Pickup test cable		1	
	10	88765.1126P	Sensor for air temperature sampling		1	
	11	88765.1126C	Cable for potentiometer adjustment		1	
	12	88765.1126B	Test cable and speed indicator adjustment		1	
	13	88765.1126F	Adapter for 2 wires Pickup test cable		1	
	14	88765.1126D	Adapter for potentiometer adjustment		1	
	15	552.4.028.1A	Sensor for small throttle potentiometer sampling		1	
	16	88765.1126H	Sensor for throttle potentiomer sampling		1	
	17	88765.1126G	Sensor for air/water temperature sampling		1	
	18	88765.1126M	Sfety remote switch		1	
	19	88765.1126L	2 Wires sampling Pickup sensor		1	
	20	88765.1126U	Case with sponge		1	
	21	88765.1073	Italian memory card		1	
	21	88765.1074	English memory card		1	
	21	88765.1075	German memory card		1	

CATALOGUE No:
ISSUED:**915.1.046.1F**
06 - 02


NOTES	NO.	CODE NO.	DESCRIPTION	VALIDITY	Q.TY	
	21	88765.1076	French memory card		1	
	21	88765.1077	Spanish memory card		1	
	22	88765.1126S	DUCATI sticker for case		1	
	23	88765.1126T	DUCATI sticker RH/LH side		1	
	24	88765.1369A	Belt tensioning kit		1	
GB	24	88765.1369B	Belt tensioning kit		1	
D	24	88765.1369C	Belt tensioning kit		1	
F	24	88765.1369D	Belt tensioning kit		1	
E	24	88765.1369E	Belt tensioning kit		1	
	25	88765.1371	Sensor		1	
	26	88765.1372	Main cable		1	
	27	88765.1373	Cable extension		1	
	28	88765.1374	Bracket		1	


CATALOGUE No:
ISSUED:**915.1.046.1F**
06 - 02

DRAWING **001c** WORKSHOP SPECIAL TOOLS

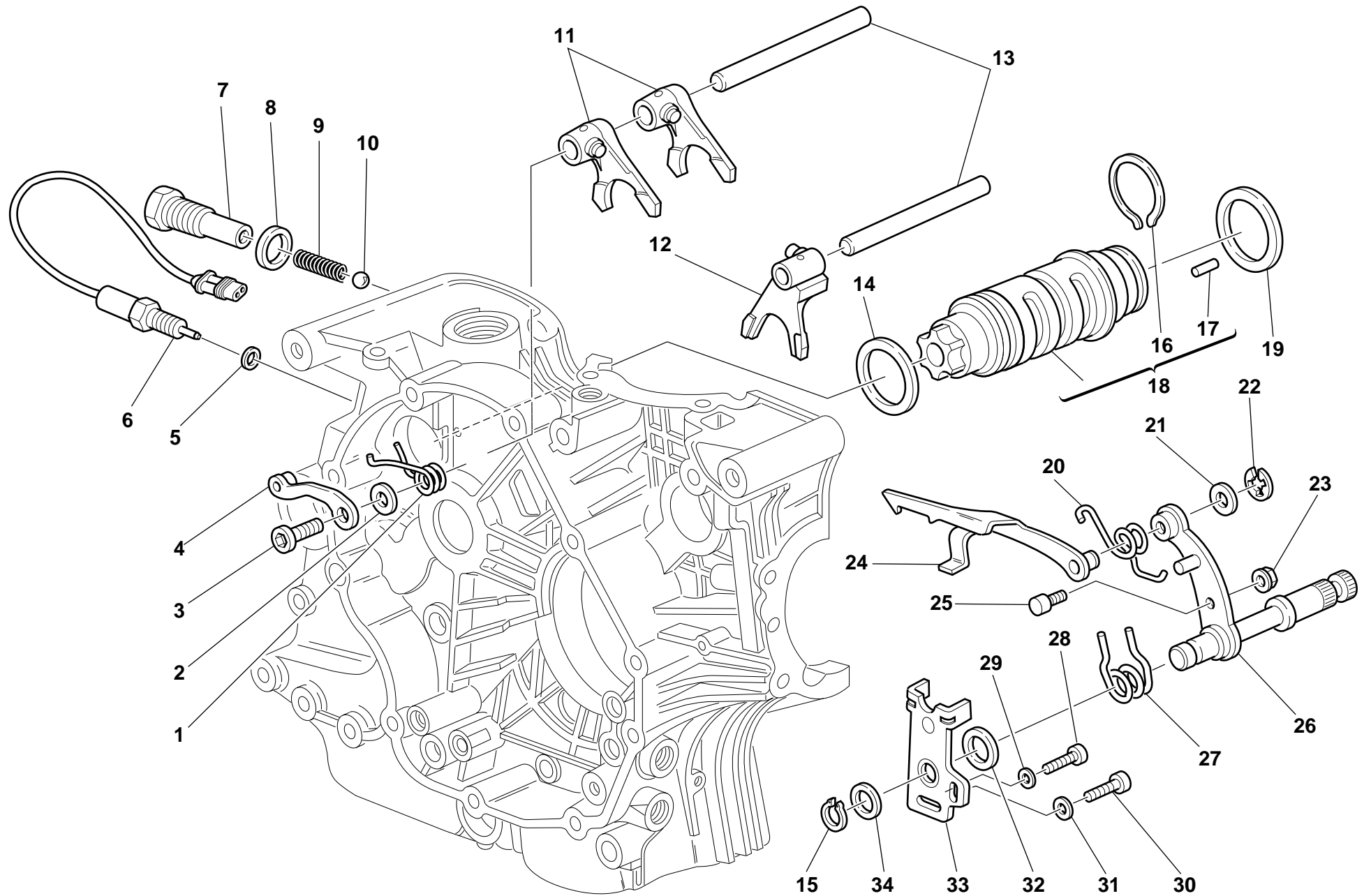


DRAWING **001c** WORKSHOP SPECIAL TOOLS

NOTES	NO.	CODE NO.	DESCRIPTION	VALIDITY	Q.TY	
	-	88765.1241	Check instrument		1	
GB	-	88765.1242	Check instrument		1	
D	-	88765.1243	Check instrument		1	
F	-	88765.1244	Check instrument		1	
E	-	88765.1245	Check instrument		1	
	1	590.1.189.1A	Fuel pressure line HS.		1	
	2	590.1.190.1A	Fuel pressure line ST/SS/M.		1	
	3	875.1.065.1A	Oil pressure line		1	
	4	552.1.037.1A	Fitting - cylinder compression M12		1	
	5	552.1.038.1A	Fitting - cylinder compression M10		1	
	6	514.1.037.1A	Cable Volt PF DUC 21		1	
	7	552.1.039.1A	Pressure sensor		1	
	8	814.1.114.1A	Oil pressure fitting		1	
	9	514.1.032.1A	Cable for supplementary tests		1	
	10	514.1.035.1A	Red clamp cable		1	
	10	514.1.036.1A	Black clamp cable		1	
	11	552.1.040.1A	Temperature probe		1	
	12	514.1.034.1A	Main cable PF A621		1	
	13	514.1.033.1A	Electric lighter connection adapter (ST)		1	
	14	514.1.038.1A	Battery connection adapter		1	
	15	698.1.033.1A	Red case with sponge rubber		1	
	16	88765.1126T	DUCATI sticker RH/LH side		2	

NOTES	NO.	CODE NO.	DESCRIPTION	VALIDITY	Q.TY	
-------	-----	----------	-------------	----------	------	---

DRAWING 002 GEARCHANGE




DRAWING

002**GEARCHANGE**

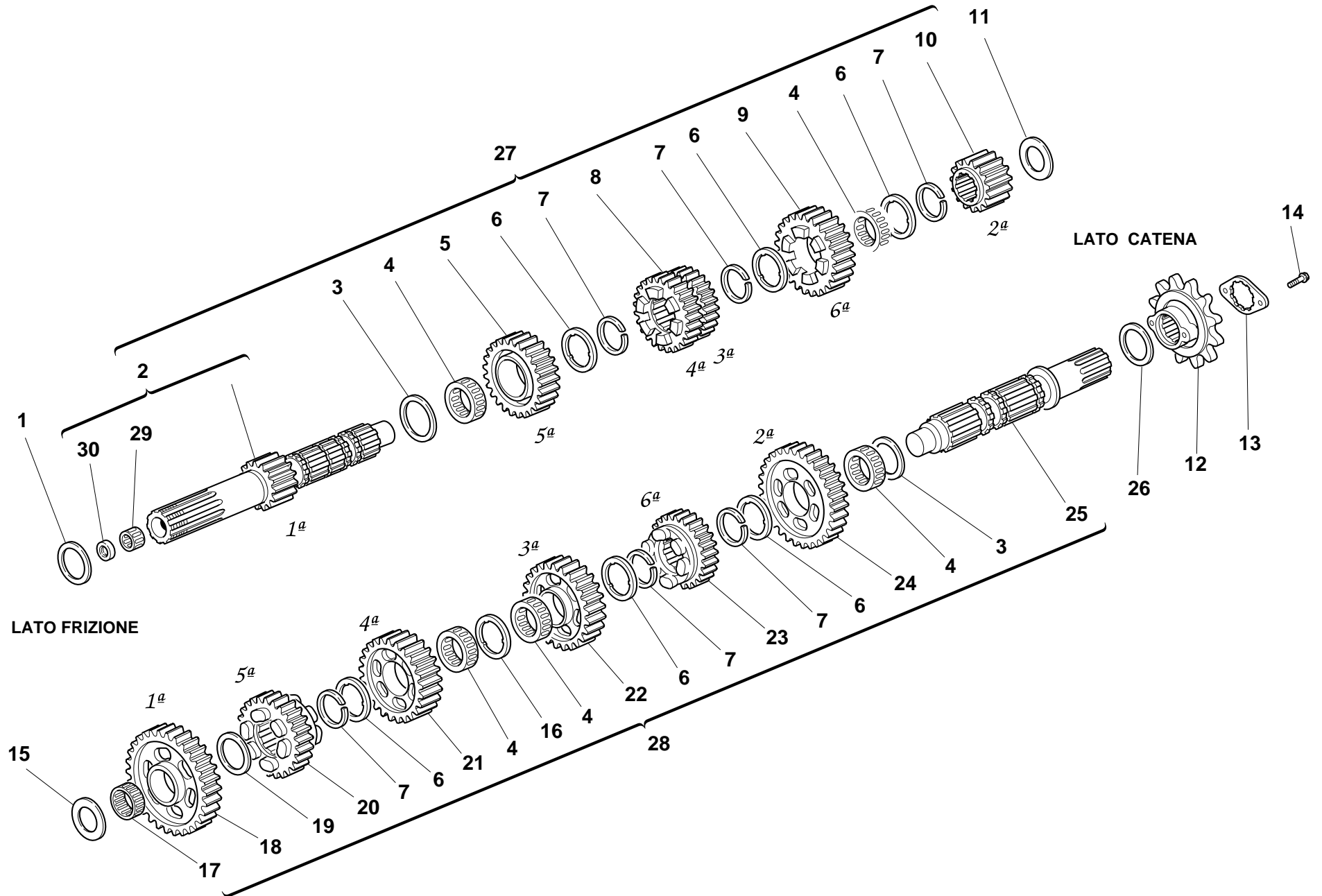
NOTES	NO.	CODE NO.	DESCRIPTION	VALIDITY	Q.TY	
	1	799.1.049.1A	Return spring		1	
	2	852.1.053.1A	Washer		1	
	3	779.1.039.1A	Special screw		1	
	4	455.2.003.1A	Gear stopper assembly		1	
	5	420.2.001.0A	Gasket th.1		1	
	6	539.1.021.1A	Switch		1	
	7	779.1.203.1A	Push rod holder		1	
	8	0272.91.090	Gasket		1	
	9	0660.13.143	Gear selector spring		1	
	10	76835.1134	Ball		1	
	11	180.1.001.1A	1st,4th-2nd,3rd gear selector fork		2	
	12	180.1.002.1A	5th,6th gear selector fork		1	
	13	0660.13.070	Fork pin		2	
	14	852.1.005.1A	Shim th. 1		1	
	15	73500.1542	Circlip		1	
	16	882.1.006.1A	Needle retaining ring (square cross-section)		1	
	17	821.1.070.1A	Special roller (square cross-section)		6	
	18	182.2.010.1A	Complete gearbox drum		1	
	19	0660.13.060	Shim th. 1		1	
	19	852.1.094.1A	Shim th. 0.9		1	
	20	799.1.025.1A	Fork return spring		1	
	21	0400.09.050	Shim th. 0.5		1	
	21	0765.92.205	Shim th. 0.2		2	
	22	0214.07.350	Ring		1	
	23	750.5.001.1A	Nut		1	
	24	180.1.008.1A	Gearbox drum control fork		1	
	25	0660.13.165	Gearchange lever pin		1	

CATALOGUE No:
ISSUED:**915.1.046.1F**
06 - 02

NOTES	NO.	CODE NO.	DESCRIPTION	VALIDITY	Q.TY	
	26	821.1.001.1A	Pin with gearchange lever		1	
	27	0799.13.110	Gearchange lever return spring		1	
	28	60N102509	Screw		1	
	29	462.3.003.8A	Washer		1	
	30	60N102555	Screw		1	
	31	462.3.003.7A	Washer		1	
	32	881.1.012.1A	Centering ring		1	
	33	826.1.009.1A	Stopper plate		1	
	34	0400.29.125	Shim th. 0.2		2	
	34	0400.29.126	Shim th. 0.5		1	


CATALOGUE No:
ISSUED:**915.1.046.1F**
06 - 02

DRAWING 003 GEAR-BOX




DRAWING

003**GEAR-BOX**

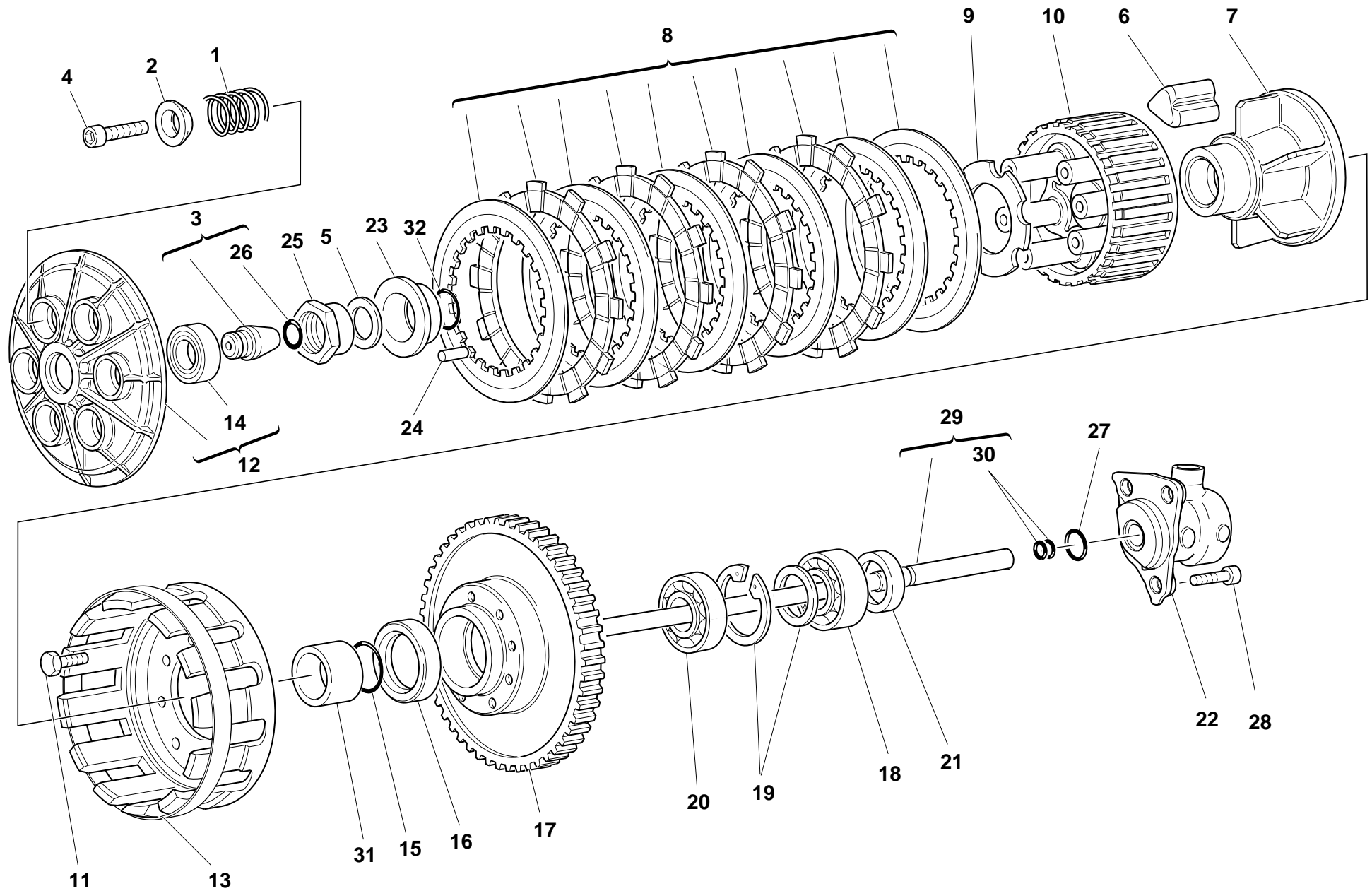
NOTES	NO.	CODE NO.	DESCRIPTION	VALIDITY	Q.TY	
	1	0251.47.050	Shim th. 1		1	
	1	0251.47.054	Shim th. 1.2		1	
	1	852.1.108.1AH	Shim th. 0.9		1	
	1	852.1.108.1AL	Shim th. 1,1		1	
	1	852.1.108.1AN	Shim th. 1,3		1	
	2	150.2.006.1A	Gearbox main shaft		1	
	3	0670.16.150	Shim th. 0.5		2	
	4	701.4.005.1A	Needle bearing		5	
	5	172.1.004.1A	Driving gear 5th sp.		1	
	6	856.1.001.1A	Grooved washer th. 0.5		7	
	7	0670.16.145	Snap ring		6	
	8	172.1.003.1A	Driving gear 3rd/4th sp.		1	
	9	172.1.005.1A	Driving gear 6th sp.		1	
	10	172.1.002.1B	Driving gear 2nd sp.		1	
	11	0670.16.163	Shim th. 1.8		1	
	11	0670.16.164	Shim th. 2		1	
	11	713.1.014.1A	Shim th. 1.5		1	
	11	713.1.014.1B	Shim th. 1.7		1	
	11	713.1.014.1E	Shim th. 1.6		1	
	11	713.1.014.1F	Shim th. 1.9		1	
	12	449.1.038.1A	Front sprocket w/rubber protection Z=15		1	
	13	826.1.011.1A	Sprocket keep plate		1	
	14	8A00.67997	Screw		2	
	15	0670.16.164	Shim th. 2		1	
	15	0670.16.165	Shim th. 2.2		1	
	15	0670.16.184	Shim th. 1		1	
	15	0670.16.185	Shim th. 1.2		1	

CATALOGUE No:
ISSUED:**915.1.046.1F**
06 - 02

NOTES	NO.	CODE NO.	DESCRIPTION	VALIDITY	Q.TY	
	15	713.1.011.1A	Shim th. 2.3		1	
	15	713.1.014.1A	Shim th. 1.5		1	
	15	713.1.014.1E	Shim th. 1.6		1	
	16	856.1.031.1A	Grooved washer th. 0.5		1	
	17	76402.0002	Needle bearing		1	
	18	172.1.006.1B	Driven gear 1st sp.		1	
	19	0670.16.155	Shim th. 1		1	
	20	172.1.010.1A	Driven gear 5th sp.		1	
	21	172.1.009.1A	Driven gear 4th sp.		1	
	22	172.1.008.1A	Driven gear 3rd sp.		1	
	23	172.1.011.1A	Driven gear 6th sp.		1	
	24	172.1.007.1B	Driven gear 2nd sp.		1	
	25	149.1.024.1A	Gearbox lay shaft		1	
	26	0670.16.170	Shim th. 0.8		1	
	26	0670.16.171	Shim th. 1		1	
	26	852.1.105.1AB	Shim th. 0.9		1	
	26	852.1.105.1AD	Shim th. 1,1		1	
	26	852.1.105.1AG	Shim th. 0.7		1	
	27	150.2.005.1A	Complete main shaft		1	
	28	150.2.035.1A	Complete lay shaft		1	
	29	76270.0827	Needle bearing		1	
	30	93783.0812	Seal ring		1	

CATALOGUE No:
ISSUED:**915.1.046.1F**
06 - 02


DRAWING 004 CLUTCH



DRAWING **004** **CLUTCH**

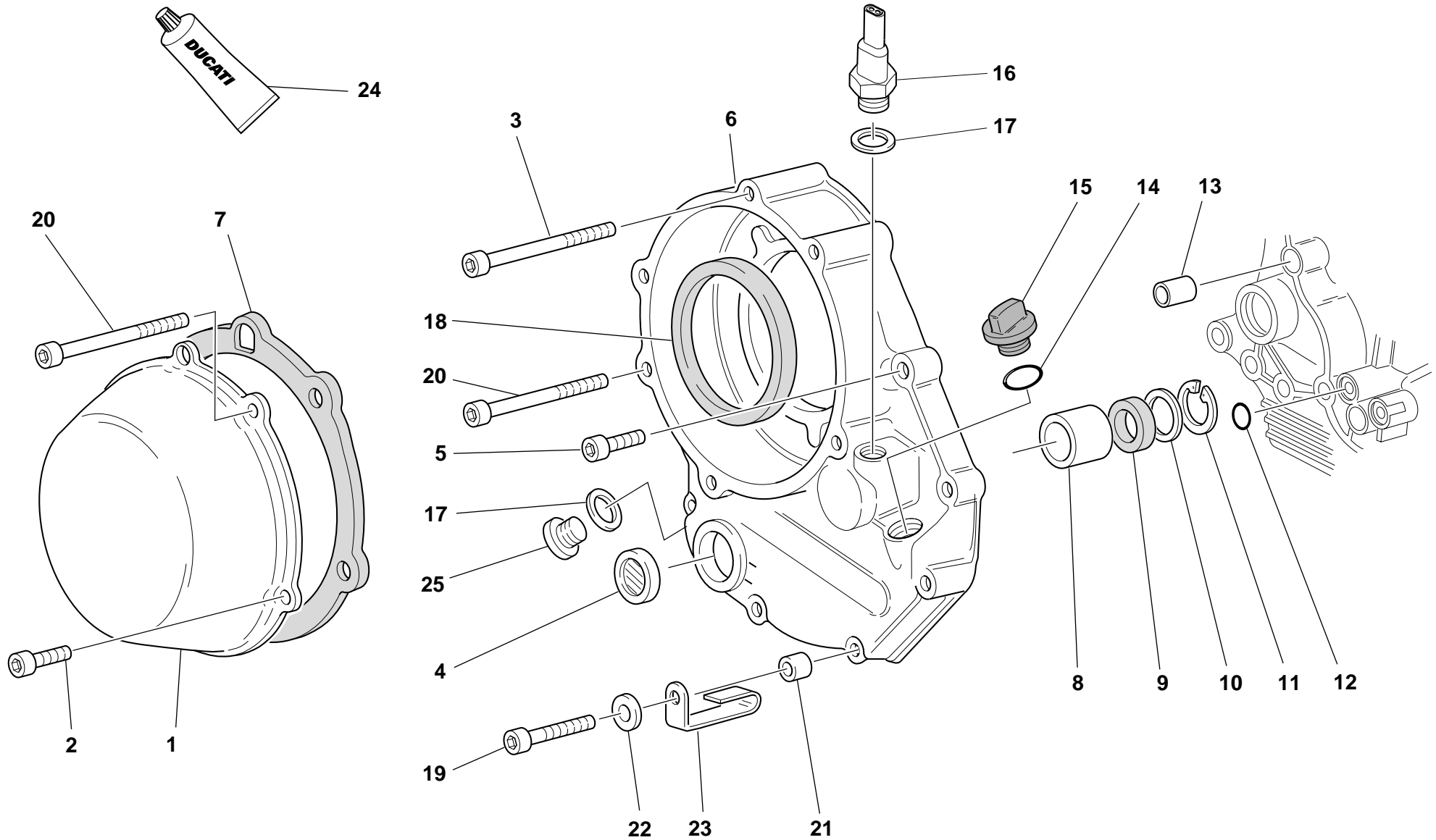
NOTES	NO.	CODE NO.	DESCRIPTION	VALIDITY	Q.TY	
	1	0659.16.555	Clutch spring		6	
	2	841.1.002.2A	Retainer		6	
	3	818.2.009.1A	Clutch control pin		1	
	4	771.5.043.2B	Screw		6	
	5	851.4.001.1A	Lock washer		1	
	6	764.1.003.1B	Rubber pad		12	
	7	162.1.001.1B	Plate holder hub		1	
	8	190.2.011.1A	Clutch plates set		1	
	9	851.1.001.1B	Lock washer		1	
	10	196.1.001.2B	Clutch drum		1	
	11	70610.8120	Screw		8	
	12	194.2.001.1B	Pressure plate		1	
	13	198.1.029.1A	Clutch housing		1	
	14	702.5.016.1A	Bearing		1	
	15	463.2.053.7A	O-ring		1	
	16	930.4.035.1A	Seal ring		1	
	17	170.2.020.1B	Clutch/crankshaft gears pair		1	
	18	702.4.017.1A	Bearing		1	
	19	881.2.001.1A	Circlip - spacer		1	
	20	75113.2566	Bearing		1	
	21	0660.16.145	Spacer		1	
	22	195.4.003.1A	Piston assembly		1	
	23	710.1.002.1A	Bush		1	
	24	74224.0570	Pin		1	
	25	750.1.002.1B	Nut		1	
	26	0400.17.030	O-ring		1	
	27	886.4.043.1A	O-ring		1	

CATALOGUE No: **915.1.046.1F**
ISSUED: **06 - 02**


NOTES	NO.	CODE NO.	DESCRIPTION	VALIDITY	Q.TY	
	28	60N107335	Screw		3	
	29	117.2.006.1A	Clutch control rod		1	
	30	93823.2018	O-ring		2	
	31	713.1.012.1B	Spacer		1	
	32	93823.0128	O-ring		1	


CATALOGUE No: **915.1.046.1F**
ISSUED: **06 - 02**

DRAWING 005 CLUTCH COVER



DRAWING **005** **CLUTCH COVER**

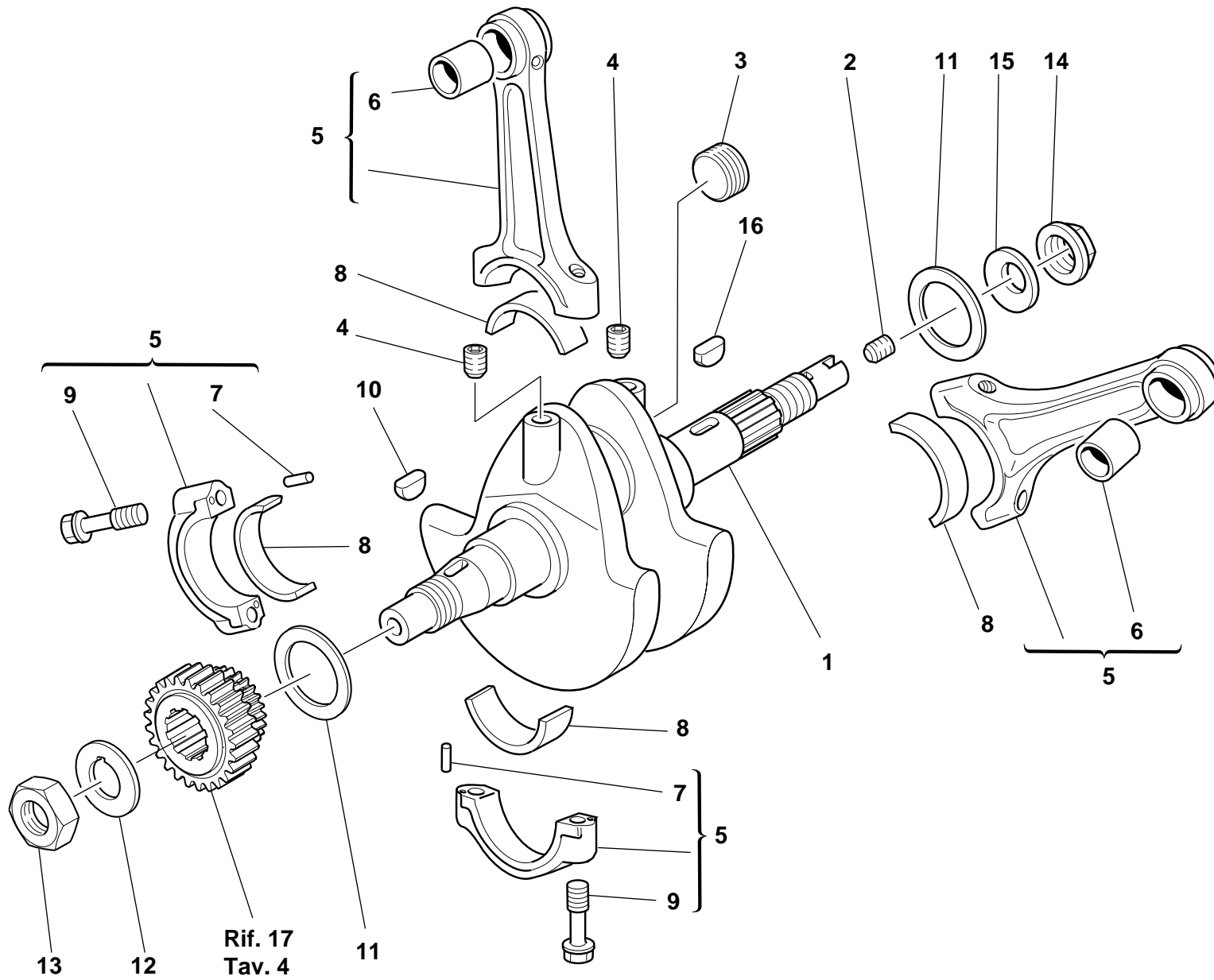
NOTES	NO.	CODE NO.	DESCRIPTION	VALIDITY	Q.TY	
	1	243.1.025.1AD	Clutch protection cover		1	
	2	60N102509	Screw		3	
	3	771.5.078.2B	Screw		1	
	4	254.4.001.1A	Oil level sight glass		1	
	5	60N102510	Screw		5	
	6	243.2.004.1BB	Cover clutch side		1	
	7	788.1.052.1A	Clutch cover gasket		1	
	8	0665.49.680	Bush		1	
	9	93784.2030	Seal ring		1	
	10	852.1.008.1A	Shim th. 0.5		1	
	11	73503.3075	Circlip		1	
	12	93827.0114	O-ring		1	
	13	0400.49.240	Locating bush		1	
	14	93823.2082	O-ring		1	
	15	893.1.005.1A	Cap		1	
	16	539.4.030.1A	Switch		1	
	17	0150.70.120	Gasket th.2		1	
	17	420.2.001.0A	Gasket th.1		2	
	18	930.4.034.1A	Ring		1	
	19	771.5.072.2B	Screw		1	
	20	417.6.075.9A	Screw		2	
	21	0675.49.540	Spacer		1	
	22	734306N01	Washer		1	
	23	0675.49.530	Clamp		1	
	24	94247.0014	Fluid sealant		1	
	25	780.1.005.1A	Cap		1	

NOTES	NO.	CODE NO.	DESCRIPTION	VALIDITY	Q.TY	
-------	-----	----------	-------------	----------	------	---


CATALOGUE No:
ISSUED:**915.1.046.1F**
06 - 02CATALOGUE No:
ISSUED:**915.1.046.1F**
06 - 02

DRAWING 006


CRANKSHAFT



DRAWING **006** **CRANKSHAFT**

NOTES	NO.	CODE NO.	DESCRIPTION	VALIDITY	Q.TY	
	1	146.2.096.1A	Crankshaft (items 2-3-4 included)		1	
	2	779.1.109.1A	Special screw		1	
	3	780.1.016.1A	Cap		1	
	4	72121.2106	Threaded dowel		2	
	5	158.2.012.1A	Connecting rods pair		1	
	6	711.1.007.1A	Bush		2	
	7	74224.0570	Pin		4	
	8	112.1.026.1AA	Half-bearing (RED)		4	
	8	112.1.026.1AB	Half-bearing (BLUE)		4	
	9	779.1.007.2A	Special screw		4	
	10	74172.1008	Woodruff key		1	
	11	852.1.104.1A	Shim th. 1.9		2	
	11	852.1.104.1B	Shim th. 1.95		2	
	11	852.1.104.1C	Shim th. 2		2	
	11	852.1.104.1D	Shim th. 2,05		2	
	11	852.1.104.1E	Shim th. 2,1		2	
	11	852.1.104.1F	Shim th. 2,15		2	
	11	852.1.104.1G	Shim th. 2.2		2	
	11	852.1.104.1H	Shim th. 2.25		2	
	11	852.1.104.1I	Shim th. 2.3		2	
	11	852.1.104.1L	Shim th. 2,45		2	
	11	852.1.104.1M	Shim th. 2.5		2	
	11	852.1.104.1N	Shim th. 2.55		2	
	12	0619.47.030	Lock washer		1	
	13	0660.47.040	Nut		1	
	14	750.1.012.2A	Nut		1	
	15	799.1.051.2A	Spring washer		1	

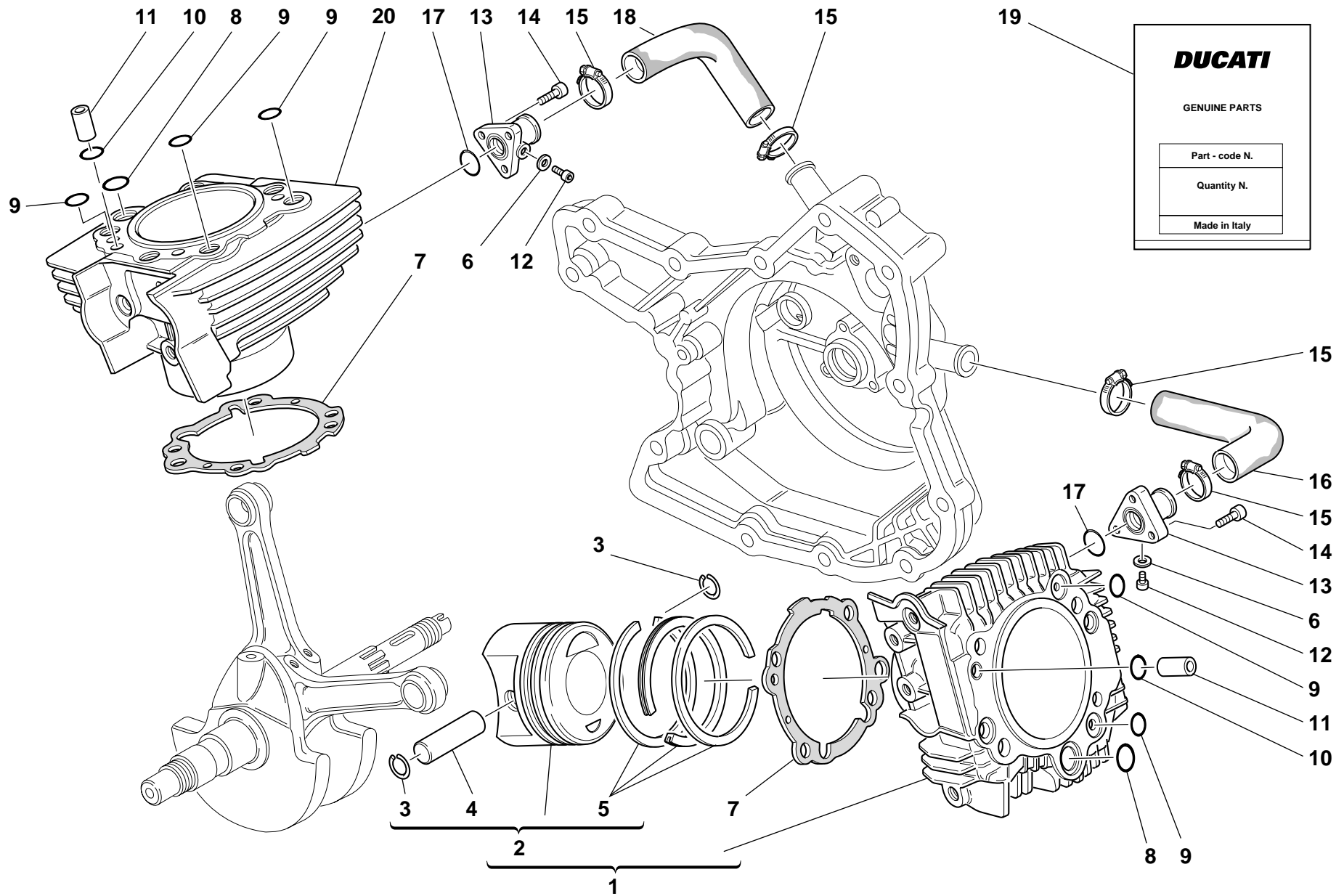
CATALOGUE No: **915.1.046.1F**
ISSUED: **06 - 02**

NOTES	NO.	CODE NO.	DESCRIPTION	VALIDITY	Q.TY	
	16	0755.29.025	Woodruff key		1	

CATALOGUE No: **915.1.046.1F**
ISSUED: **06 - 02**


DRAWING 007


CYLINDERS - PISTONS



DUCATI	
GENUINE PARTS	
Part - code N.	
Quantity N.	
Made in Italy	

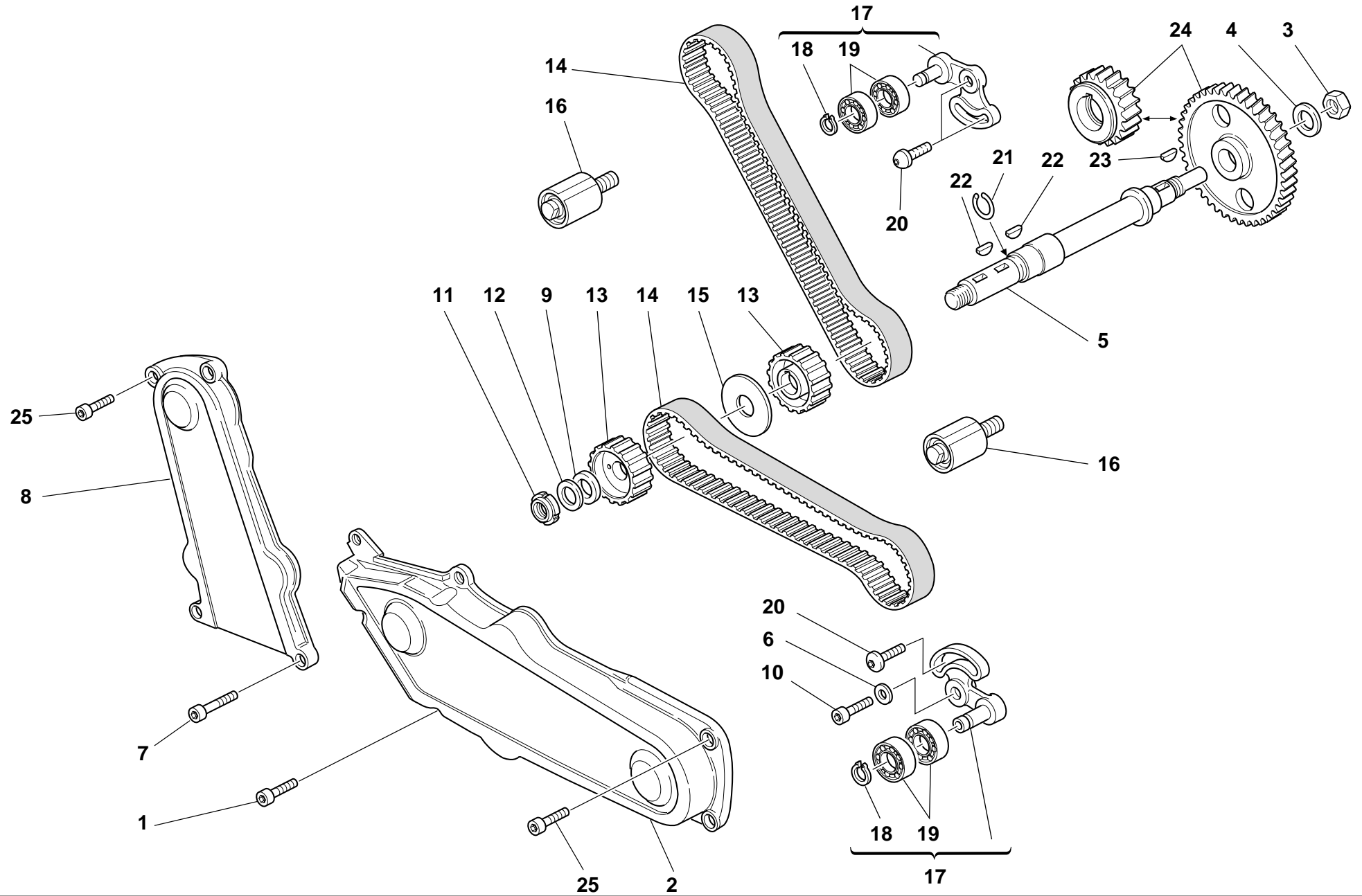
DRAWING **007** **CYLINDERS - PISTONS**

NOTES	NO.	CODE NO.	DESCRIPTION	VALIDITY	Q.TY	
	1	120.2.037.4BB	Horizontal cylinder-piston fit		1	
	2	122.2.039.1A	Complete piston		2	
	3	121.1.006.1A	Piston pin circlip		4	
	4	121.1.005.1A	Piston pin		2	
	5	121.2.003.1A	Piston rings set		2	
	6	420.2.000.7A	Gasket		2	
	7	786.1.068.2A	Cylinder-crankcase gasket th. 0.4		2	
	8	93823.3081	O-ring		2	
	9	463.2.019.6A	O-ring		5	
	10	0400.17.030	O-ring		2	
	11	0755.17.125	Bush		2	
	12	60N102504	Screw		2	
	13	814.1.002.1AB	Water inlet union to cylinders		2	
	14	60N107335	Screw		6	
	15	741.4.002.1A	Clamp		4	
	16	800.1.014.1A	Horizontal cylinder water inlet hose		1	
	17	93823.2087	O-ring		2	
	18	800.1.013.1A	Vertical cylinder water inlet hose		1	
	19	791.2.033.1A	Head-cylinder gaskets set		1	
	20	120.2.036.4BB	Vertical cylinder-piston fit		1	

NOTES	NO.	CODE NO.	DESCRIPTION	VALIDITY	Q.TY	
-------	-----	----------	-------------	----------	------	---

DRAWING 008


TIMING



DRAWING

008**TIMING**

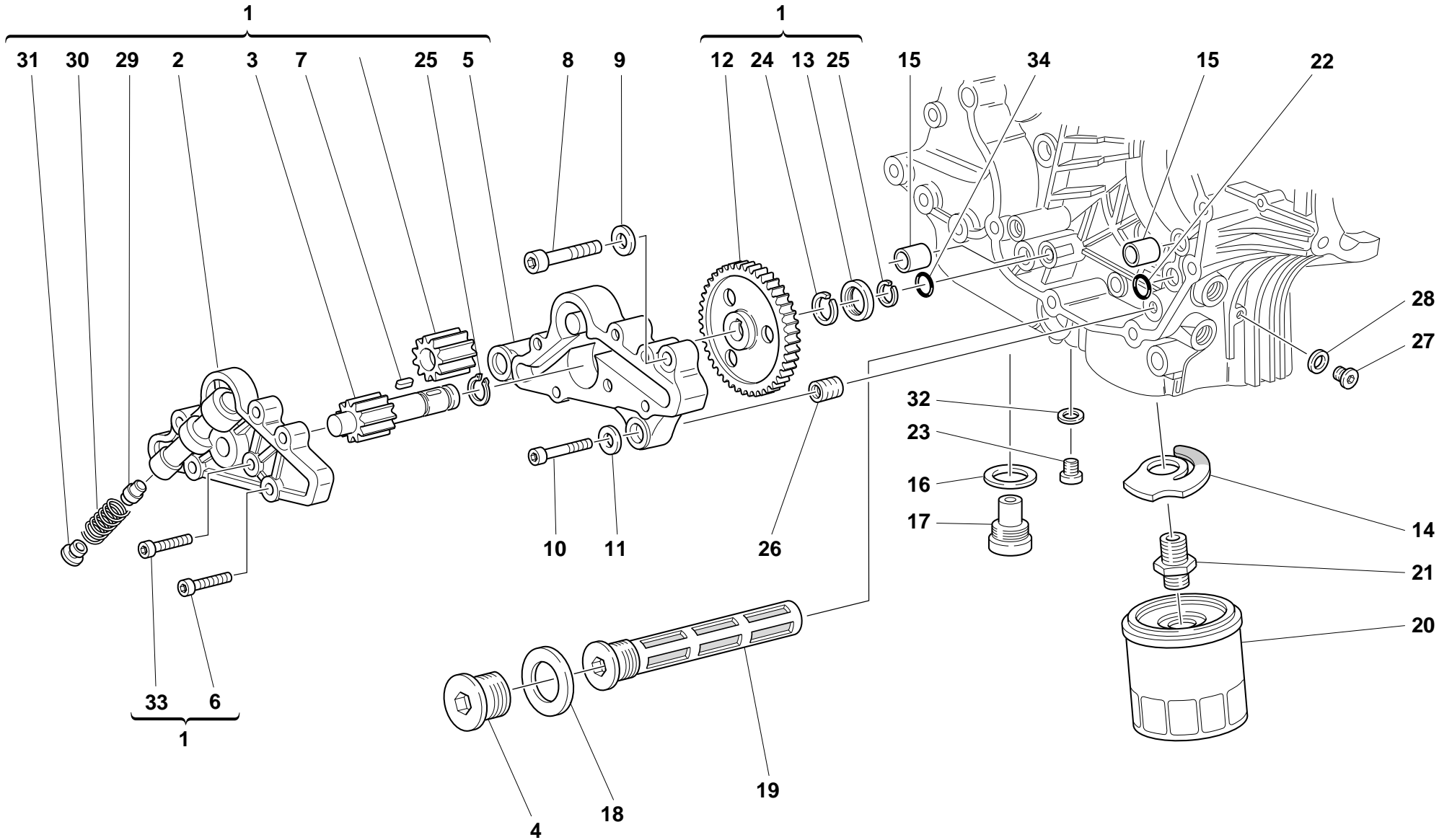
NOTES	NO.	CODE NO.	DESCRIPTION	VALIDITY	Q.TY	
	1	60N102509	Screw		1	
	2	245.1.044.1A	Horizontal timing belt cover		1	
	3	0124.40.060	Hexagon nut		1	
	4	851.1.013.1A	Lock washer		1	
	5	147.1.014.1A	Timing lay shaft		1	
	6	462.3.003.7A	Washer		2	
	7	60N102510	Screw		2	
	8	245.1.043.1A	Vertical timing belt cover		1	
	9	713.1.018.1A	Spacer		1	
	10	60N102555	Screw		2	
	11	72944.1542	Elastic-stop ring nut		1	
	12	0797.69.040	Washer		1	
	13	255.1.001.1B	Timing belt roller		2	
	14	737.4.002.3A	Timing drive toothed belt		2	
	15	856.1.002.1A	Belt roller separating washer sp. 2		1	
	16	451.1.025.1A	Fixed tensioner assembly		2	
	17	451.2.006.1A	Complete vertical cylinder tensioner roller		2	
	18	0214.07.350	Ring		2	
	19	75166.1238	Bearing		4	
	20	772.1.010.2A	Screw		2	
	21	882.1.003.1A	Snap ring		1	
	22	74172.1008	Woodruff key		2	
	23	0755.29.025	Woodruff key		1	
	24	171.2.020.2B	Timing gears pair		1	
	25	771.5.064.2B	Screw		4	

NOTES	NO.	CODE NO.	DESCRIPTION	VALIDITY	Q.TY	
-------	-----	----------	-------------	----------	------	---

CATALOGUE No:
ISSUED:**915.1.046.1F**
06 - 02CATALOGUE No:
ISSUED:**915.1.046.1F**
06 - 02

DRAWING 009


FILTERS AND OIL PUMP



DRAWING **009** **FILTERS AND OIL PUMP**

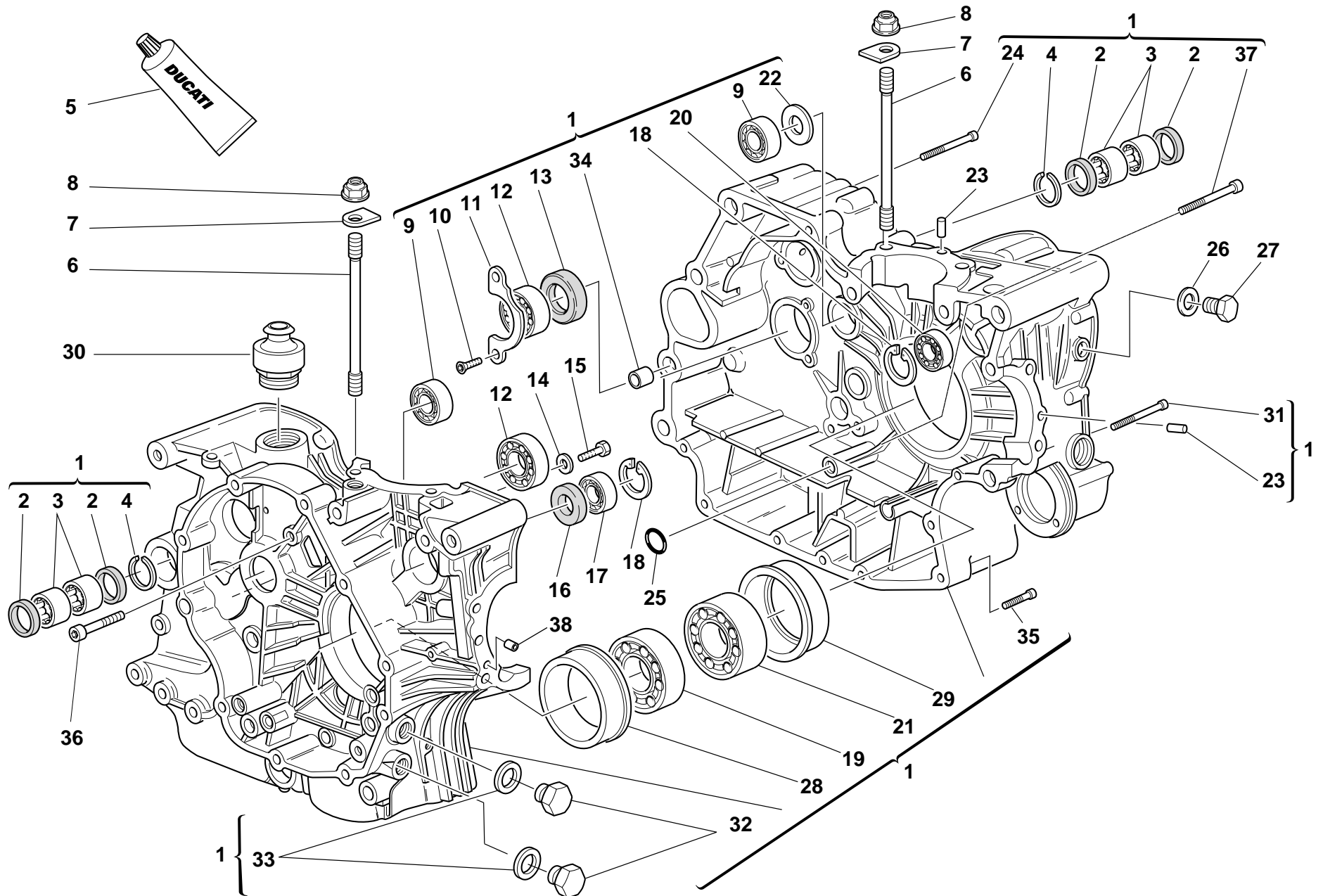
NOTES	NO.	CODE NO.	DESCRIPTION	VALIDITY	Q.TY	
	1	174.2.025.3A	Complete oil pump		1	
	2	247.1.104.1A	Pump cover		1	
	3	174.1.002.1A	Pump driving gear		1	
	4	873.1.037.1A	Cap		1	
	5	250.2.030.3A	Pump body		1	
	6	779.5.020.1A	Screw		3	
	7	680.1.001.1B	Woodruff key		1	
	8	771.5.129.2B	Screw		2	
	9	462.4.037.8A	Spring washer		2	
	10	60N102510	Screw		1	
	11	462.4.037.6A	Spring washer		1	
	12	174.1.025.1A	Pump drive gear		1	
	13	710.1.001.1A	Bush		1	
	14	799.2.077.2A	Bypass spring		1	
	15	0759.49.280	Locating bush		2	
	16	220.3.208.3A	Gasket		1	
	17	0660.49.053	Oil drain plug with magnet		1	
	18	852.5.005.1A	Gasket th.1,5		1	
	19	894.2.009.1A	Oil filter		1	
	20	0905.49.960	Oil filter cartridge		1	
	21	0670.49.910	Nipple		1	
	22	93827.0114	O-ring		2	
	23	779.1.198.1A	Cap		1	
	24	76267.0012	Snap ring		1	
	25	73500.1237	Circlip		2	
	26	0670.49.310	Reduction bush		1	
	27	779.1.162.1A	Cap		1	

CATALOGUE No: **915.1.046.1F**
ISSUED: **06 - 02**

NOTES	NO.	CODE NO.	DESCRIPTION	VALIDITY	Q.TY	
	28	0150.70.120	Gasket th.2		1	
	29	593.1.018.1A	Bypass valve		1	
	30	799.1.055.1A	Bypass spring		1	
	31	780.1.018.1A	Bypass cap		1	
	32	852.1.120.1A	Aluminium gasket		2	
	33	779.5.019.1A	Screw		3	
	34	886.4.037.1A	O-ring		1	

CATALOGUE No: **915.1.046.1F**
ISSUED: **06 - 02**

DRAWING 010 HALF CRANKCASES




DRAWING

010**HALF CRANKCASES**

NOTES	NO.	CODE NO.	DESCRIPTION	VALIDITY	Q.TY	
	1	225.2.077.1A	Complete half-crankcases pair		1	
	2	0755.49.265	Seal ring		4	
	3	76400.0004	Needle bearing		4	
	4	76266.2668	Snap ring		2	
	5	94247.0014	Fluid sealant		1	
	6	766.1.001.2B	Stud bolt for fastening head cylinder		8	
	7	856.1.024.1A	Special washer		8	
	8	0670.92.010	Nut		8	
	9	75791.1747	Bearing		2	
	10	72094.1616	Screw		2	
	11	826.1.003.1A	Keep plate		1	
	12	702.5.019.1A	Bearing		2	
	13	93783.2552	Seal ring		1	
	14	713.1.140.1A	Spacer		2	
	15	60N101079	Screw		2	
	16	93785.1830	Seal ring		1	
	17	75794.1542	Bearing		1	
	18	73503.3380	Circlip		2	
	19	75143.3380	Bearing		1	
	20	702.5.008.1A	Bearing		1	
	21	75191.3380	Bearing		1	
	22	0370.49.250	Washer		1	
	23	0011.52.010	Locating dowel		2	
	24	771.5.136.2B	Screw		6	
	25	93827.0114	O-ring		1	
	26	420.2.006.2A	Aluminium gasket		1	
	27	779.1.026.1A	Screw		1	

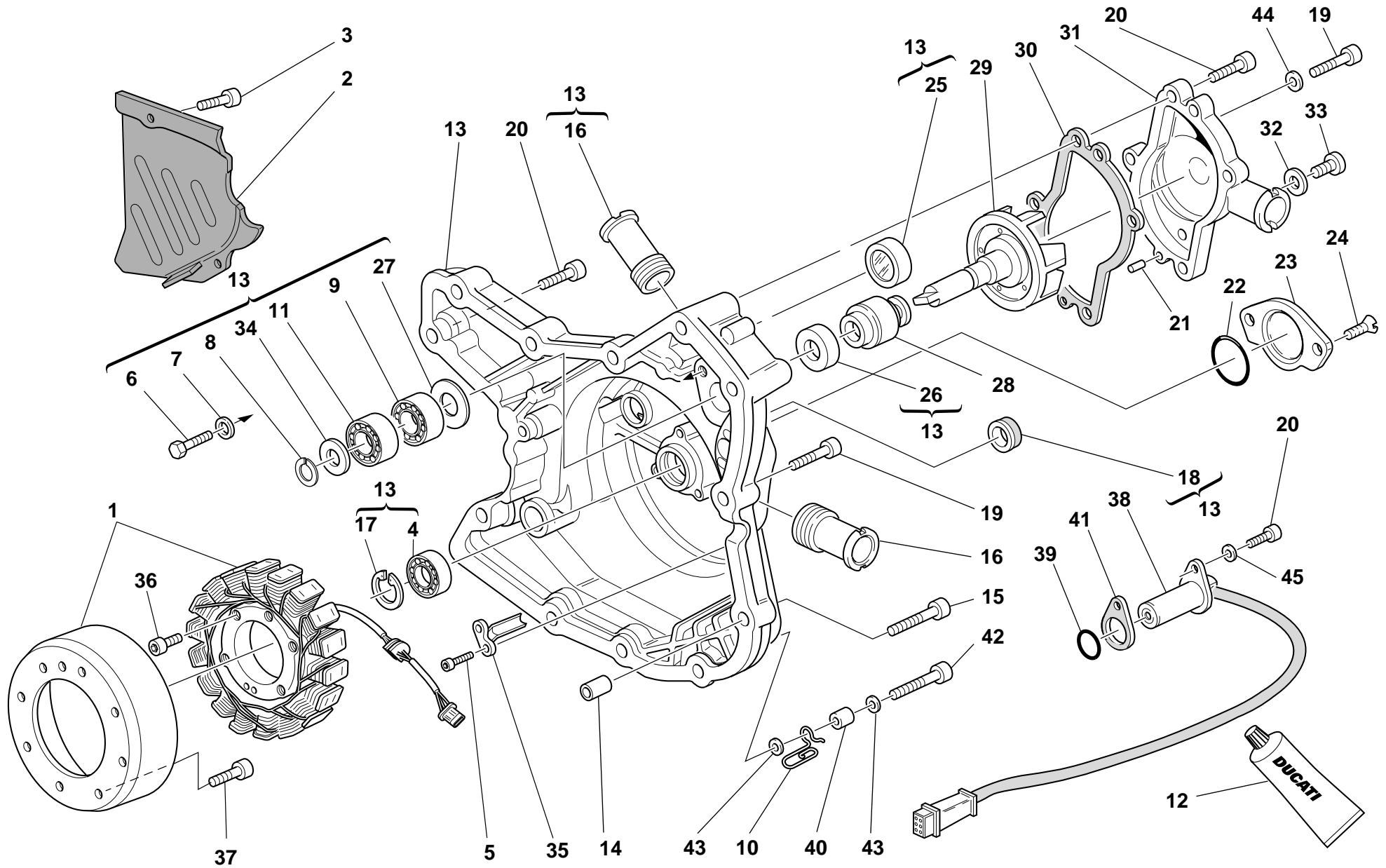
CATALOGUE No:
ISSUED:**915.1.046.1F**
06 - 02

NOTES	NO.	CODE NO.	DESCRIPTION	VALIDITY	Q.TY	
	28	710.1.069.1A	Bearing holder bush		1	
	29	710.1.070.1A	Bearing holder bush		1	
	30	593.1.003.1B	Breather valve		1	
	31	771.5.080.2B	Screw		2	
	32	0665.49.365	Cap		2	
	33	420.2.006.4A	Aluminium gasket		2	
	34	711.1.095.1A	Bush		2	
	35	771.5.072.2B	Screw		7	
	36	771.1.010.1A	Screw		2	
	37	779.1.029.1A	Special screw		1	
	38	711.1.128.1A	Bush		2	

CATALOGUE No:
ISSUED:**915.1.046.1F**
06 - 02

DRAWING 011

WATER PUMP - ALTERNATOR COVER




DRAWING

011**WATER PUMP - ALTERNATOR COVER**

NOTES	NO.	CODE NO.	DESCRIPTION	VALIDITY	Q.TY	
	1	264.4.018.1A	Generator		1	
	2	247.1.083.1AE	Chain cover		1	
	3	60N107335	Screw		2	
	4	702.5.008.1A	Bearing		1	
	5	771.5.040.2B	Screw		2	
	6	60N101079	Screw		2	
	7	462.3.003.8A	Washer		2	
	8	884.5.011.1A	A 10 Ring		1	
	9	702.4.010.1A	Bearing		1	
	10	881.1.030.1A	Holder		1	
	11	702.4.009.1A	Bearing		1	
	12	94247.0014	Fluid sealant		1	
	13	242.2.038.1BB	Generator cover		1	
	14	0400.49.240	Locating bush		2	
	15	60N102511	Screw		2	
	16	668.1.001.2A	Water pump delivery filler		2	
	17	73503.3380	Circlip		1	
	18	93783.1524	Seal ring		1	
	19	60N102510	Screw		10	
	20	771.5.066.2B	Screw		5	
	21	0011.52.010	Locating dowel		2	
	22	886.4.035.1A	O-ring		1	
	23	247.1.002.1BC	Cover		1	
	24	777.5.049.2C	Screw		2	
	25	254.1.001.1A	Oil level sight glass		1	
	26	930.5.005.1A	Seal		1	
	27	713.1.128.1B	Spacer		1	

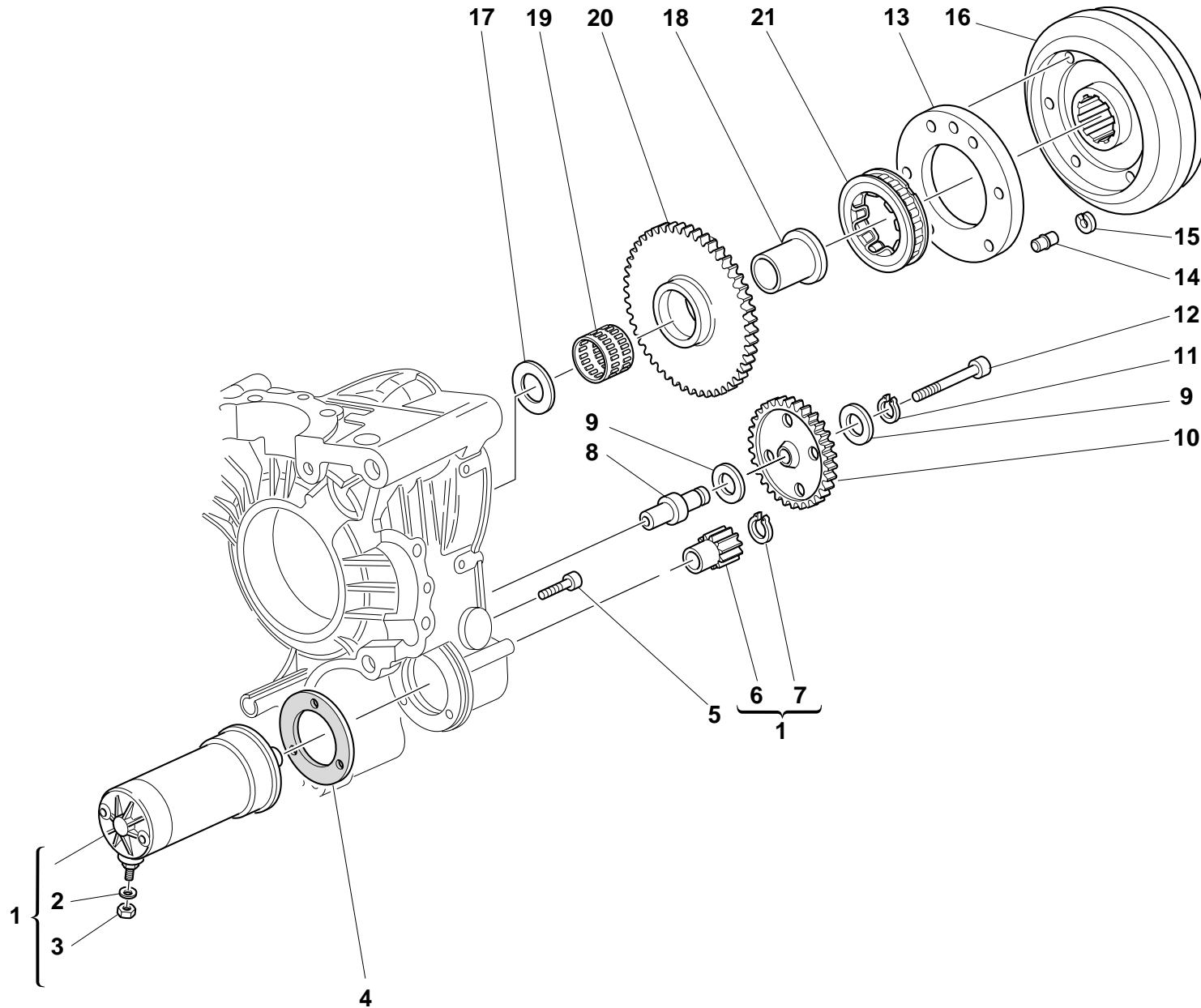
CATALOGUE No:
ISSUED:**915.1.046.1F**
06 - 02

NOTES	NO.	CODE NO.	DESCRIPTION	VALIDITY	Q.TY	
	28	930.5.006.2B	Mechanical seal		1	
	29	251.2.001.6B	Water pump fan		1	
	30	788.1.056.1A	Gasket		1	
	31	247.2.202.1A	Complete water pump cover		1	
	32	420.2.001.0A	Gasket th.1		1	
	33	780.5.001.1A	Cap		1	
	34	852.1.114.1A	Washer		1	
	35	830.1.144.1A	Bracket		1	
	36	771.5.073.2B	Screw		3	
	37	771.4.006.1A	Screw		8	
	38	552.4.020.1A	Sensor		1	
	39	886.4.003.1A	O-ring		1	
	40	0675.49.540	Spacer		1	
	41	788.1.066.1AA	Gasket th.0,6		2	
	41	788.1.066.1AB	Gasket th.0,8		1	
	41	788.1.066.1AC	Gasket th.1,0		1	
	42	771.5.072.2B	Screw		1	
	43	734306N01	Washer		2	
	44	420.2.000.7A	Gasket		1	
	45	734006N01	Spring washer		1	

CATALOGUE No:
ISSUED:**915.1.046.1F**
06 - 02


DRAWING 012

ELECTRIC STARTER AND IGNITION



DRAWING

012**ELECTRIC STARTER AND IGNITION**

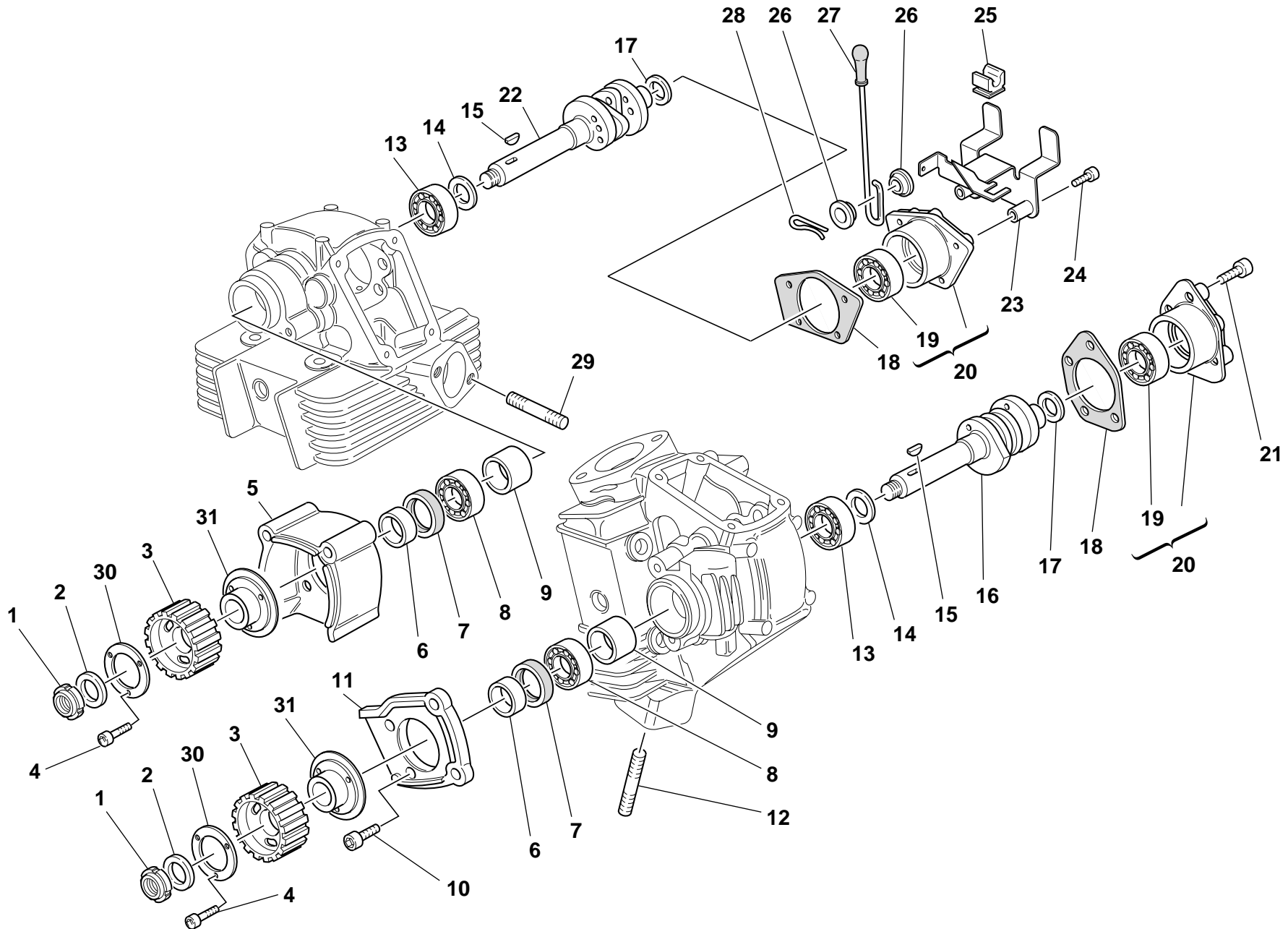
NOTES	NO.	CODE NO.	DESCRIPTION	VALIDITY	Q.TY	
	1	270.4.001.1A	Complete starter motor (8-9 included)		1	
	2	734006N01	Spring washer		1	
	3	417.9.050.6A	Nut		1	
	4	788.1.054.1A	Starter motor gasket		1	
	5	60N102510	Screw		3	
	6	176.1.001.1A	Starter motor sprocket		1	
	7	73500.1237	Circlip		1	
	8	0660.50.020	Intermediate gear pin		1	
	9	856.1.071.1A	Washer		2	
	10	176.1.009.1A	Intermediate gear assembly		1	
	11	73500.1440	Circlip		1	
	12	771.5.078.2B	Screw		1	
	13	160.1.057.1A	Flange		1	
	14	863.1.002.1A	Locating pin		1	
	15	0647.29.040	Check ring		1	
	16	276.1.028.1B	Ignition flywheel		1	
	17	0619.50.065	Washer		1	
	18	881.1.010.1C	Inner ring		1	
	19	701.4.003.1A	Needle bearing		1	
	20	173.1.012.3A	Electric starter driven gear		1	
	21	701.4.007.1A	Starter clutch		1	

NOTES	NO.	CODE NO.	DESCRIPTION	VALIDITY	Q.TY	
-------	-----	----------	-------------	----------	------	---

CATALOGUE No:
ISSUED:**915.1.046.1F**
06 - 02CATALOGUE No:
ISSUED:**915.1.046.1F**
06 - 02

DRAWING 013


HEAD: TIMING



DRAWING **013** HEAD: TIMING

NOTES	NO.	CODE NO.	DESCRIPTION	VALIDITY	Q.TY	
	1	72944.1542	Elastic-stop ring nut		2	
	2	0797.69.040	Washer		2	
	3	255.1.014.1A	Timing belt roller		2	
	4	771.5.040.2B	Screw		6	
	5	235.1.029.1A	Vertical rubber cap		1	
	6	713.1.006.1A	Belt roller spacer		2	
	7	0204.70.105	Seal ring		2	
	8	75110.1747	Bearing		2	
	9	0660.29.030	Spacer		2	
	10	60N107335	Screw		4	
	11	235.1.028.1A	Horizontal rubber cap		1	
	12	766.4.017.1A	Stud bolt		4	
	13	75110.2054	Bearing		2	
	14	0400.16.190	Washer		2	
	15	74172.1008	Woodruff key		2	
	16	148.1.053.2A	Horizontal head camshaft		1	
	17	0400.29.125	Shim th. 0.2		2	
	17	0400.29.126	Shim th. 0.5		2	
	18	0660.92.310	Cap gasket		2	
	19	75173.1542	Bearing		2	
	20	235.2.015.1BA	Cap with bearing		2	
	21	60N102509	Screw		5	
	22	148.1.052.2A	Vertical head camshaft		1	
	23	829.1.185.1A	Bracket		1	
	24	771.5.073.2B	Screw		2	
	25	764.1.010.1A	Rubber pad		1	
	26	711.1.082.1A	Bush		2	

CATALOGUE No: **915.1.046.1F**
ISSUED: **06 - 02**

NOTES	NO.	CODE NO.	DESCRIPTION	VALIDITY	Q.TY	
	27	117.1.032.1A	Rod		1	
	28	73601.0220	Split pin		1	
	29	417.5.033.7A	Stud bolt		4	
	30	852.1.124.1A	Special washer		2	
	31	160.1.076.1A	Flange		2	

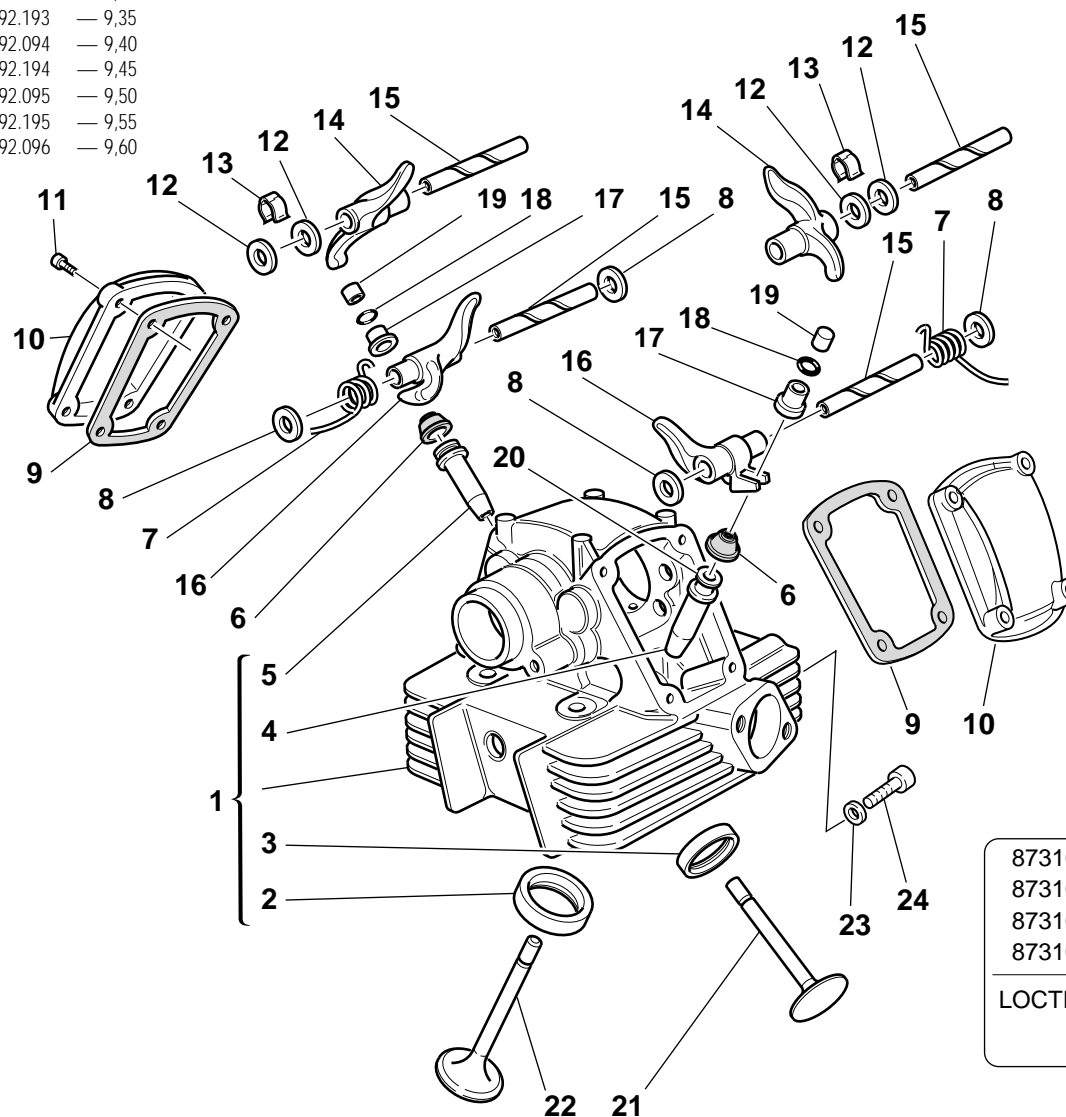
CATALOGUE No: **915.1.046.1F**
ISSUED: **06 - 02**

DRAWING **014**

VERTICAL HEAD

17 * Scodellino ritorno
Return cap
Coupelle retour
Einstellhülse

0727.92.050	— 5	0727.92.171	— 7,15	0727.92.093	— 9,30
0727.92.150	— 5,05	0727.92.072	— 7,20	0727.92.193	— 9,35
0727.92.051	— 5,10	0727.92.172	— 7,25	0727.92.094	— 9,40
0727.92.151	— 5,15	0727.92.073	— 7,30	0727.92.194	— 9,45
0727.92.052	— 5,20	0727.92.173	— 7,35	0727.92.095	— 9,50
0727.92.152	— 5,25	0727.92.074	— 7,40	0727.92.195	— 9,55
0727.92.053	— 5,30	0727.92.174	— 7,45	0727.92.096	— 9,60
0727.92.153	— 5,35	0727.92.075	— 7,50		
0727.92.054	— 5,40	0727.92.175	— 7,55		
0727.92.154	— 5,45	0727.92.076	— 7,60		
0727.92.055	— 5,50	0727.92.176	— 7,65		
0727.92.155	— 5,55	0727.92.077	— 7,70		
0727.92.056	— 5,60	0727.92.177	— 7,75		
0727.92.156	— 5,65	0727.92.078	— 7,80		
0727.92.057	— 5,70	0727.92.178	— 7,85		
0727.92.157	— 5,75	0727.92.079	— 7,90		
0727.92.058	— 5,80	0727.92.179	— 7,95		
0727.92.158	— 5,85	0727.92.080	— 8		
0727.92.059	— 5,90	0727.92.180	— 8,05		
0727.92.159	— 5,95	0727.92.081	— 8,10		
0727.92.060	— 6	0727.92.181	— 8,15		
0727.92.160	— 6,05	0727.92.082	— 8,20		
0727.92.061	— 6,10	0727.92.182	— 8,25		
0727.92.161	— 6,15	0727.92.083	— 8,30		
0727.92.062	— 6,20	0727.92.183	— 8,35		
0727.92.162	— 6,25	0727.92.084	— 8,40		
0727.92.063	— 6,30	0727.92.184	— 8,45		
0727.92.163	— 6,35	0727.92.085	— 8,50		
0727.92.064	— 6,40	0727.92.185	— 8,55		
0727.92.164	— 6,45	0727.92.086	— 8,60		
0727.92.065	— 6,50	0727.92.186	— 8,65		
0727.92.165	— 6,55	0727.92.087	— 8,70		
0727.92.066	— 6,60	0727.92.187	— 8,75		
0727.92.166	— 6,65	0727.92.088	— 8,80		
0727.92.067	— 6,70	0727.92.188	— 8,85		
0727.92.167	— 6,75	0727.92.089	— 8,90		
0727.92.068	— 6,80	0727.92.189	— 8,95		
0727.92.168	— 6,85	0727.92.090	— 9		
0727.92.069	— 6,90	0727.92.190	— 9,05		
0727.92.169	— 6,95	0727.92.091	— 9,10		
0727.92.070	— 7	0727.92.191	— 9,15		
0727.92.170	— 7,05	0727.92.092	— 9,20		
0727.92.071	— 7,10	0727.92.192	— 9,25		


19 * Registro bilanciere
Adjustment
Réglage
Ventilkäppchen

0723.92.500	— 2	0723.92.515	— 3,50
0723.92.535	— 2,05	0723.92.695	— 3,55
0723.92.501	— 2,10	0723.92.516	— 3,60
0723.92.545	— 2,15	0723.92.705	— 3,65
0723.92.502	— 2,20	0723.92.517	— 3,70
0723.92.555	— 2,25	0723.92.715	— 3,75
0723.92.503	— 2,30	0723.92.518	— 3,80
0723.92.565	— 2,35	0723.92.725	— 3,85
0723.92.504	— 2,40	0723.92.519	— 3,90
0723.92.575	— 2,45	0723.92.735	— 3,95
0723.92.505	— 2,50	0723.92.520	— 4
0723.92.585	— 2,55	0723.92.745	— 4,05
0723.92.506	— 2,60	0723.92.521	— 4,10
0723.92.595	— 2,65	0723.92.531	— 4,15
0723.92.507	— 2,70	0723.92.522	— 4,20
0723.92.605	— 2,75	0723.92.533	— 4,25
0723.92.508	— 2,80	0723.92.523	— 4,30
0723.92.615	— 2,85	0723.92.534	— 4,35
0723.92.509	— 2,90	0723.92.524	— 4,40
0723.92.625	— 2,95	0723.92.537	— 4,45
0723.92.510	— 3	0723.92.525	— 4,50
0723.92.635	— 3,05	0723.92.538	— 4,55
0723.92.511	— 3,10	0723.92.526	— 4,60
0723.92.645	— 3,15	0723.92.539	— 4,65
0723.92.512	— 3,20	0723.92.527	— 4,70
0723.92.655	— 3,25	0723.92.540	— 4,75
0723.92.513	— 3,30	0723.92.528	— 4,80
0723.92.675	— 3,35	0723.92.541	— 4,85
0723.92.514	— 3,40	0723.92.529	— 4,90
0723.92.685	— 3,45	0723.92.542	— 4,95
		0723.92.530	— 5
		0723.92.543	— 5,05
		0723.92.544	— 5,10
		0723.92.546	— 5,15
		0723.92.547	— 5,20
		0723.92.548	— 5,25
		0723.92.549	— 5,30
		0723.92.550	— 5,35
		0723.92.551	— 5,40
		0723.92.552	— 5,45
		0723.92.553	— 5,50
		0723.92.554	— 5,55
		0723.92.556	— 5,60

87310201A	—20
87310051A	—18
87310011A	—16
87310021A	—10


LOCTITE 510



DRAWING **014** VERTICAL HEAD

NOTES	NO.	CODE NO.	DESCRIPTION	VALIDITY	Q.TY	
	1	301.2.020.1C	Complete vertical head		1	
	2	304.1.005.2A	Intake valve seat		1	
	2	304.1.005.2AB	Oversize intake valve seat 0.03		1	
	2	304.1.005.2AC	Oversize intake valve seat 0.06		1	
	3	304.1.006.2A	Exhaust valve seat		1	
	3	304.1.006.2AB	Oversize exhaust valve seat 0.03		1	
	3	304.1.006.2AC	Oversize exhaust valve seat 0.06		1	
	4	303.1.003.1A	Intake valve cast iron guide		1	
	4	303.1.003.1AB	Oversize valve guide 0.03		1	
	4	303.1.003.1AC	Oversize valve guide 0.06		1	
	4	303.1.003.1AD	Oversize valve guide 0.09		1	
	5	303.2.004.1C	Exhaust valve bronze guide		1	
	5	303.2.004.1CB	Oversize valve guide 0.03		1	
	5	303.2.004.1CC	Oversize valve guide 0.06		1	
	5	303.2.004.1CD	Oversize valve guide 0.09		1	
	6	764.1.013.1A	Valve seal		2	
	7	799.1.061.1A	Closing rocker spring		2	
	8	0619.92.180	Shim th. 0.3		3	
	8	0670.92.190	Shim th. 2		4	
	8	0765.92.185	Shim th. 1		2	
	8	0765.92.190	Shim th. 0.5		2	
	8	0765.92.205	Shim th. 0.2		4	
	9	788.1.032.2A	Valve cover gasket		2	
	10	240.1.010.1AB	Valve cover		2	
	11	771.5.064.2B	Screw		8	
	12	0647.70.010	Shim		4	
	13	0375.92.210	Spring		2	

CATALOGUE No: **915.1.046.1F**
ISSUED: **06 - 02**

NOTES	NO.	CODE NO.	DESCRIPTION	VALIDITY	Q.TY	
	14	208.1.012.4A	Opening rocker		2	
	15	0660.92.240	Rocker shaft		4	
	15	0660.92.245	Oversize rocker shaft 0.02		4	
	16	209.1.012.4A	Closing rocker		2	
	17	0727.92.239	See table		2	
	18	669.1.003.1A	Split rings		4	
	19	0723.92.239	See table		2	
	20	764.1.009.1A	Valve seal		1	
	21	211.1.003.4A	Exhaust valve		1	
	22	210.1.003.5A	Intake valve		1	
	23	420.2.000.7A	Gasket		1	
	24	779.1.133.1A	Screw		1	


CATALOGUE No: **915.1.046.1F**
ISSUED: **06 - 02**

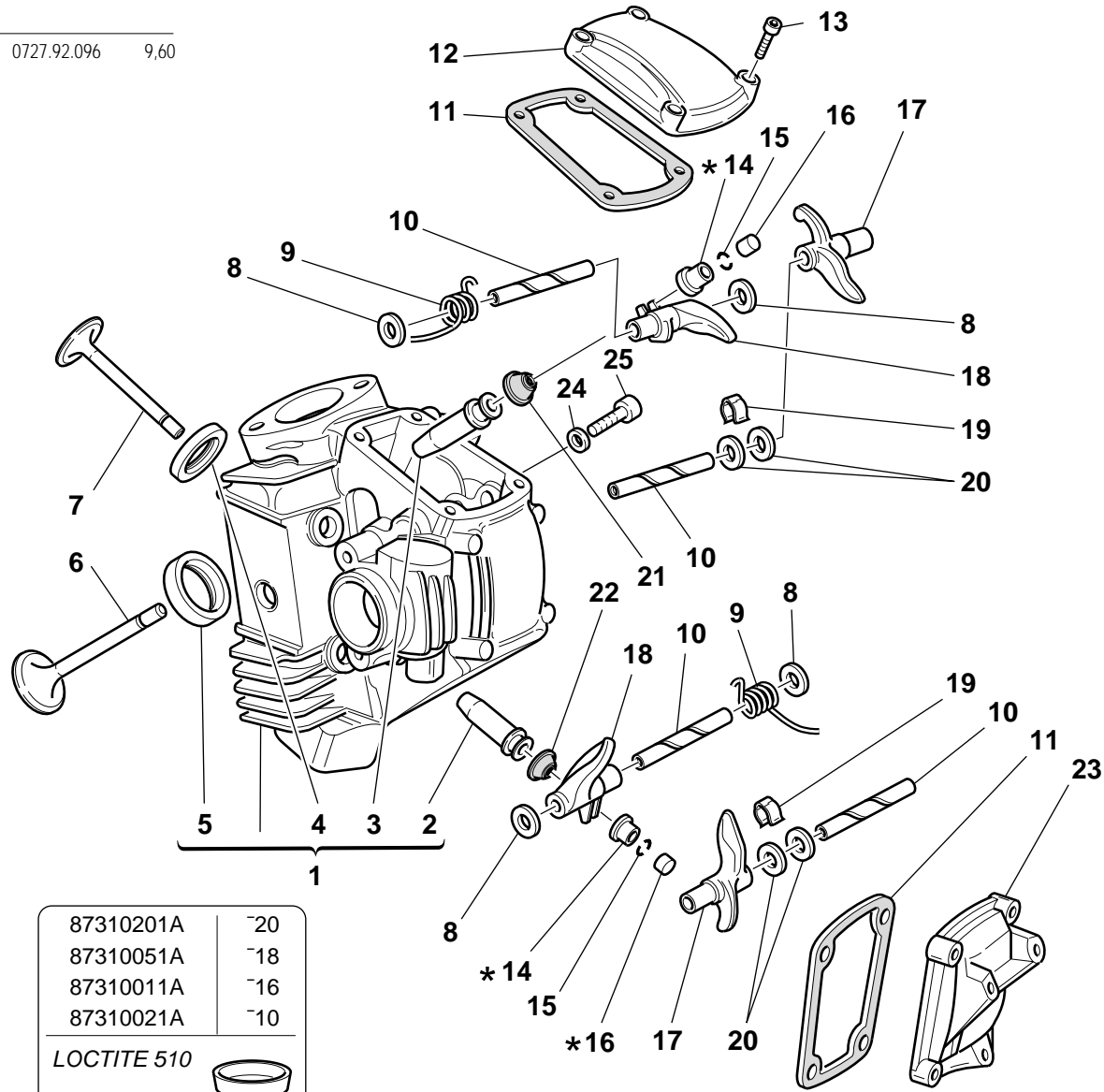
DRAWING **015** HORIZONTAL HEAD

14 ★ Scodellino ritorno
Return cap
Coupelle retour
Einstellhülse

0727.92.050		0727.92.073	7,30	0727.92.096	9,60
0727.92.150	5,05	0727.92.173	7,35		
0727.92.051	5,10	0727.92.074	7,40		
0727.92.151	5,15	0727.92.174	7,45		
0727.92.052	5,20	0727.92.075	7,50		
0727.92.152	5,25	0727.92.175	7,55		
0727.92.053	5,30	0727.92.076	7,60		
0727.92.153	5,35	0727.92.176	7,65		
0727.92.054	5,40	0727.92.077	7,70		
0727.92.154	5,45	0727.92.177	7,75		
0727.92.055	5,50	0727.92.078	7,80		
0727.92.155	5,55	0727.92.178	7,85		
0727.92.056	5,60	0727.92.079	7,90		
0727.92.156	5,65	0727.92.179	7,95		
0727.92.057	5,70	0727.92.080			
0727.92.157	5,75	0727.92.180	8,05		
0727.92.058	5,80	0727.92.081	8,10		
0727.92.158	5,85	0727.92.181	8,15		
0727.92.059	5,90	0727.92.082	8,20		
0727.92.159	5,95	0727.92.182	8,25		
0727.92.060		0727.92.083	8,30		
0727.92.160	6,05	0727.92.183	8,35		
0727.92.061	6,10	0727.92.084	8,40		
0727.92.161	6,15	0727.92.184	8,45		
0727.92.062	6,20	0727.92.085	8,50		
0727.92.162	6,25	0727.92.185	8,55		
0727.92.063	6,30	0727.92.086	8,60		
0727.92.163	6,35	0727.92.186	8,65		
0727.92.064	6,40	0727.92.087	8,70		
0727.92.164	6,45	0727.92.187	8,75		
0727.92.065	6,50	0727.92.088	8,80		
0727.92.165	6,55	0727.92.188	8,85		
0727.92.066	6,60	0727.92.089	8,90		
0727.92.166	6,65	0727.92.189	8,95		
0727.92.067	6,70	0727.92.090			
0727.92.167	6,75	0727.92.190	9,05		
0727.92.068	6,80	0727.92.091	9,10		
0727.92.168	6,85	0727.92.191	9,15		
0727.92.069	6,90	0727.92.092	9,20		
0727.92.169	6,95	0727.92.192	9,25		
0727.92.070		0727.92.192	9,25		
0727.92.170	7,05	0727.92.093	9,30		
0727.92.071	7,10	0727.92.193	9,35		
0727.92.171	7,15	0727.92.194	9,45		
0727.92.072	7,20	0727.92.095	9,50		
0727.92.172	7,25	0727.92.195	9,55		

87310201A	-20
87310051A	-18
87310011A	-16
87310021A	-10

LOCTITE 510 



16 ★ Registro bilanciere
Adjustment
Ventilkäppchen


0723.92.500		0723.92.675	3,35
0723.92.535	2,05	0723.92.514	3,40
0723.92.501	2,10	0723.92.685	3,45
0723.92.545	2,15	0723.92.515	3,50
0723.92.502	2,20	0723.92.695	3,55
0723.92.555	2,25	0723.92.516	3,60
0723.92.503	2,30	0723.92.705	3,65
0723.92.565	2,35	0723.92.517	3,70
0723.92.504	2,40	0723.92.715	3,75
0723.92.575	2,45	0723.92.518	3,80
0723.92.505	2,50	0723.92.725	3,85
0723.92.585	2,55	0723.92.519	3,90
0723.92.506	2,60	0723.92.735	3,95
0723.92.595	2,65	0723.92.520	
0723.92.507	2,70	0723.92.745	4,05
0723.92.605	2,75	0723.92.521	4,10
0723.92.508	2,80	0723.92.531	4,15
0723.92.615	2,85	0723.92.522	4,20
0723.92.509	2,90	0723.92.533	4,25
0723.92.625	2,95	0723.92.523	4,30
0723.92.510		0723.92.534	4,35
0723.92.635	3,05	0723.92.524	4,40
0723.92.511	3,10	0723.92.537	4,45
0723.92.645	3,15	0723.92.525	4,50
0723.92.512	3,20	0723.92.538	4,55
0723.92.655	3,25	0723.92.526	4,60
0723.92.513	3,30	0723.92.539	4,65
		0723.92.527	4,70
		0723.92.540	4,75
		0723.92.528	4,80
		0723.92.541	4,85
		0723.92.529	4,90
		0723.92.542	4,95
		0723.92.530	
		0723.92.543	5,05
		0723.92.544	5,10
		0723.92.546	5,15
		0723.92.547	5,20
		0723.92.548	5,25
		0723.92.549	5,30
		0723.92.550	5,35
		0723.92.551	5,40
		0723.92.552	5,45
		0723.92.553	5,50
		0723.92.554	5,55
		0723.92.556	5,60

DRAWING

015**HORIZONTAL HEAD**

NOTES	NO.	CODE NO.	DESCRIPTION	VALIDITY	Q.TY	
	1	301.2.021.2C	Complete horizontal head		1	
	2	303.2.004.1C	Exhaust valve bronze guide		1	
	2	303.2.004.1CB	Oversize valve guide 0.03		1	
	2	303.2.004.1CC	Oversize valve guide 0.06		1	
	2	303.2.004.1CD	Oversize valve guide 0.09		1	
	3	303.1.003.1A	Intake valve cast iron guide		1	
	3	303.1.003.1AB	Oversize valve guide 0.03		1	
	3	303.1.003.1AC	Oversize valve guide 0.06		1	
	3	303.1.003.1AD	Oversize valve guide 0.09		1	
	4	304.1.006.2A	Exhaust valve seat		1	
	4	304.1.006.2AB	Oversize exhaust valve seat 0.03		1	
	4	304.1.006.2AC	Oversize exhaust valve seat 0.06		1	
	5	304.1.005.2A	Intake valve seat		1	
	5	304.1.005.2AB	Oversize intake valve seat 0.03		1	
	5	304.1.005.2AC	Oversize intake valve seat 0.06		1	
	6	210.1.003.5A	Intake valve		1	
	7	211.1.003.4A	Exhaust valve		1	
	8	0619.92.180	Shim th. 0.3		3	
	8	0670.92.190	Shim th. 2		4	
	8	0765.92.185	Shim th. 1		2	
	8	0765.92.190	Shim th. 0.5		2	
	8	0765.92.205	Shim th. 0.2		4	
	9	799.1.061.1A	Closing rocker spring		2	
	10	0660.92.240	Rocker shaft		4	
	10	0660.92.245	Oversize rocker shaft 0.02		4	
	11	788.1.032.2A	Valve cover gasket		2	
	12	240.1.010.1AB	Valve cover		1	

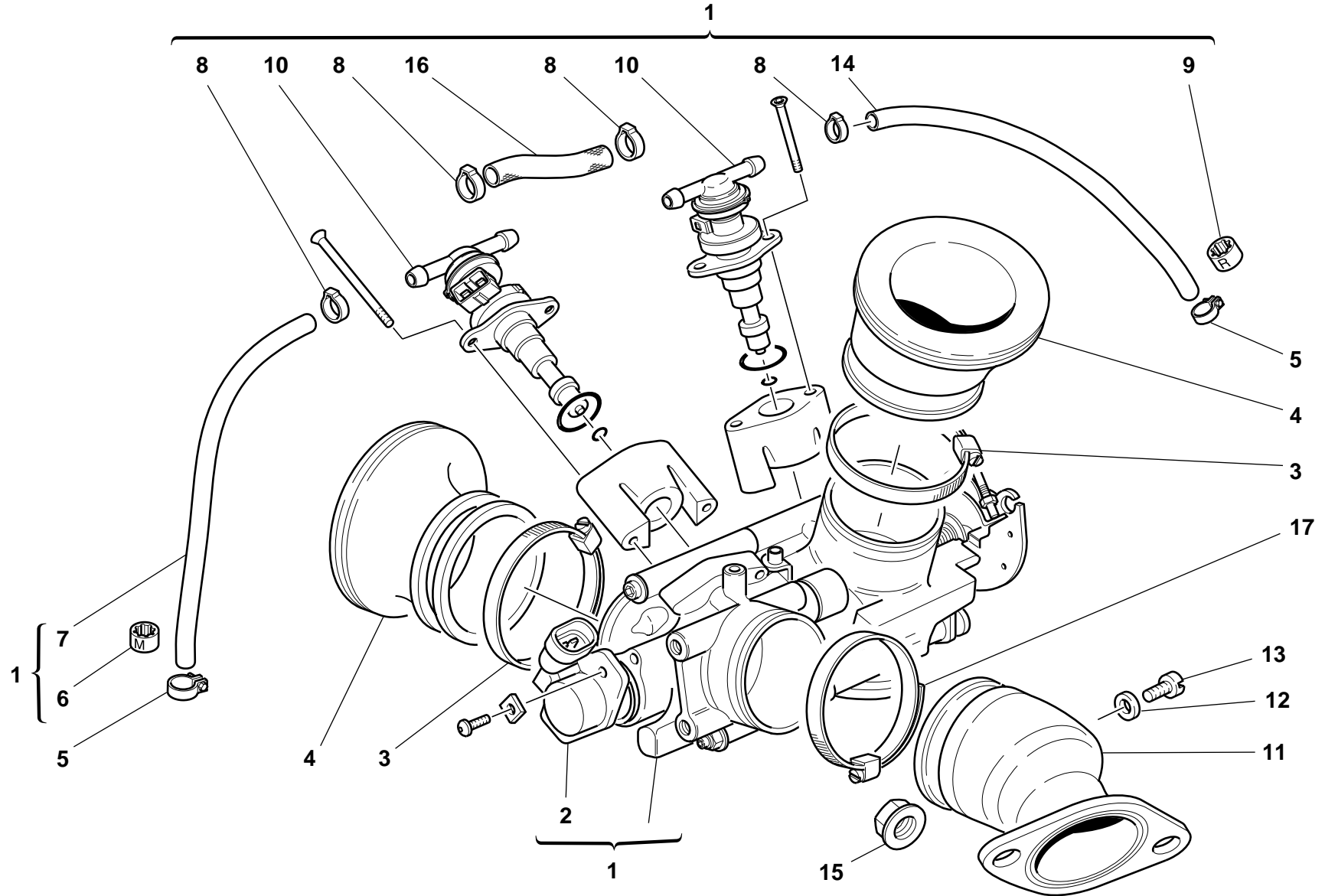
CATALOGUE No:
ISSUED:**915.1.046.1F**
06 - 02

NOTES	NO.	CODE NO.	DESCRIPTION	VALIDITY	Q.TY	
	13	771.5.064.2B	Screw		8	
	14	0727.92.239	See table		2	
	15	669.1.003.1A	Split rings		4	
	16	0723.92.239	See table		2	
	17	208.1.012.4A	Opening rocker		2	
	18	209.1.012.4A	Closing rocker		2	
	19	0375.92.210	Spring		2	
	20	0647.70.010	Shim		4	
	21	764.1.009.1A	Valve seal		1	
	22	764.1.013.1A	Valve seal		1	
	23	240.1.016.1AA	Exhaust valve cover		1	
	24	420.2.000.7A	Gasket		1	
	25	779.1.133.1A	Screw		1	


CATALOGUE No:
ISSUED:**915.1.046.1F**
06 - 02


DRAWING 016

THROTTLE BODY



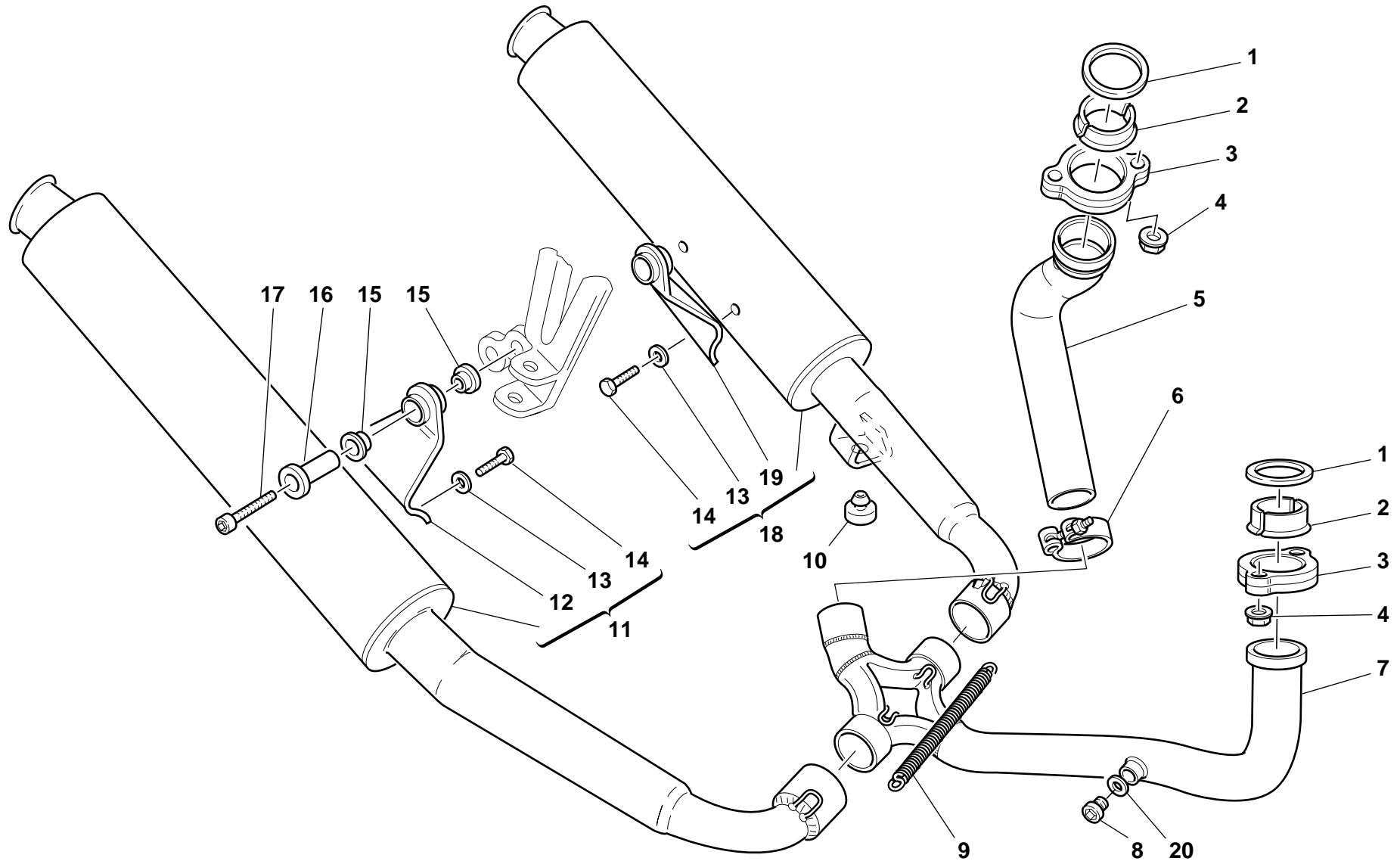
DRAWING **016** THROTTLE BODY

NOTES	NO.	CODE NO.	DESCRIPTION	VALIDITY	Q.TY	
	1	282.4.014.1A	Throttle body		1	
	2	284.4.002.1A	Potentiometer		1	
	3	741.4.022.1A	Clamp		2	
	4	801.1.003.1A	Hose		2	
	5	741.4.013.1A	Clamp		2	
	6	741.4.040.1A	Clamp "M"		1	
	7	590.1.084.1A	Tube		1	
	8	287.4.024.1B	Clamp		4	
	9	741.4.041.1A	Clamp "R"		1	
	10	280.4.002.1A	Injector		2	
	11	137.1.003.2B	Intake duct		2	
	12	0250.70.223	Aluminium gasket		2	
	13	776.5.032.2A	Screw		2	
	14	590.1.099.1A	Tube		1	
	15	748.4.034.1A	Nut		4	
	16	590.1.096.1A	Tube		1	
	17	741.4.042.1A	Clamp		2	


NOTES	NO.	CODE NO.	DESCRIPTION	VALIDITY	Q.TY	
-------	-----	----------	-------------	----------	------	---


CATALOGUE No:
ISSUED:**915.1.046.1F**
06 - 02CATALOGUE No:
ISSUED:**915.1.046.1F**
06 - 02

DRAWING 017 EXHAUST SYSTEM



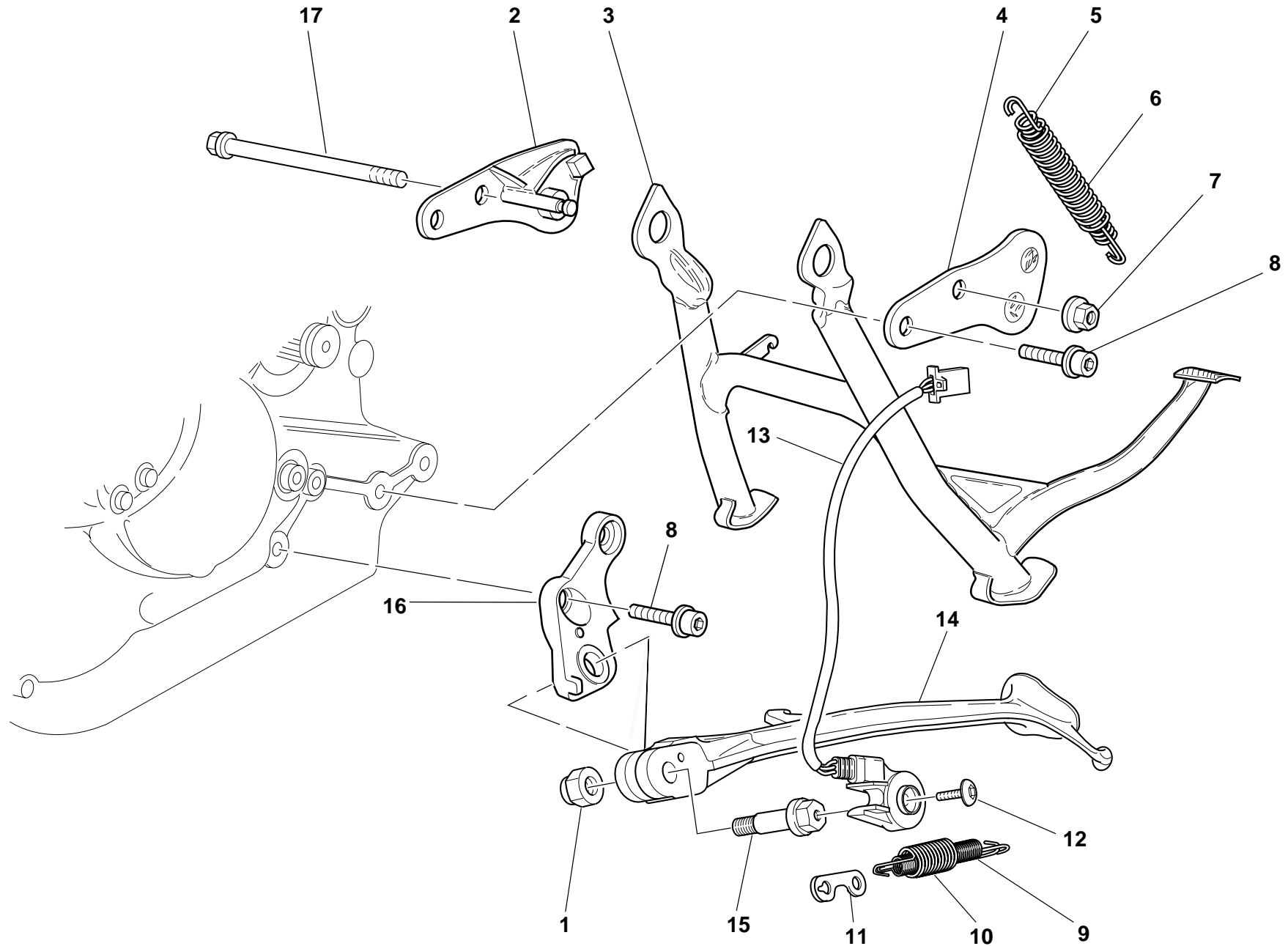
DRAWING **017** EXHAUST SYSTEM

NOTES	NO.	CODE NO.	DESCRIPTION	VALIDITY	Q.TY	
	1	0370.84.005	Exhaust gasket		2	
	2	0619.84.015	Half bushes		4	
	3	575.1.001.1A	Exhaust ring nut (BLACK)		2	
	4	0404.02.390	Nut		4	
	5	571.1.018.2A	Vertical head exhaust pipe		1	
	6	741.1.003.1A	Clamp		1	
	7	570.1.034.1A	Horizontal head exhaust pipe		1	
	8	780.1.007.1A	Cap		2	
	9	799.1.072.1A	Spring		1	
	10	0000.41039	Rubber pad		1	
	11	573.1.046.5B	R.H. silencer		1	
	12	576.1.034.1A	R.H. bracket		1	
	13	73270.8001	Washer		4	
	14	70914.2121	Screw		4	
	15	764.1.001.1A	Rubber pad		4	
	16	684.1.044.1A	Stud bolt		2	
	17	779.5.016.1A	Screw		2	
	18	574.1.046.5B	L.H. silencer		1	
	19	576.1.035.1A	L.H. bracket		1	
	20	420.2.001.0A	Gasket th.1		2	


NOTES	NO.	CODE NO.	DESCRIPTION	VALIDITY	Q.TY	
-------	-----	----------	-------------	----------	------	---


DRAWING 018

STANDS

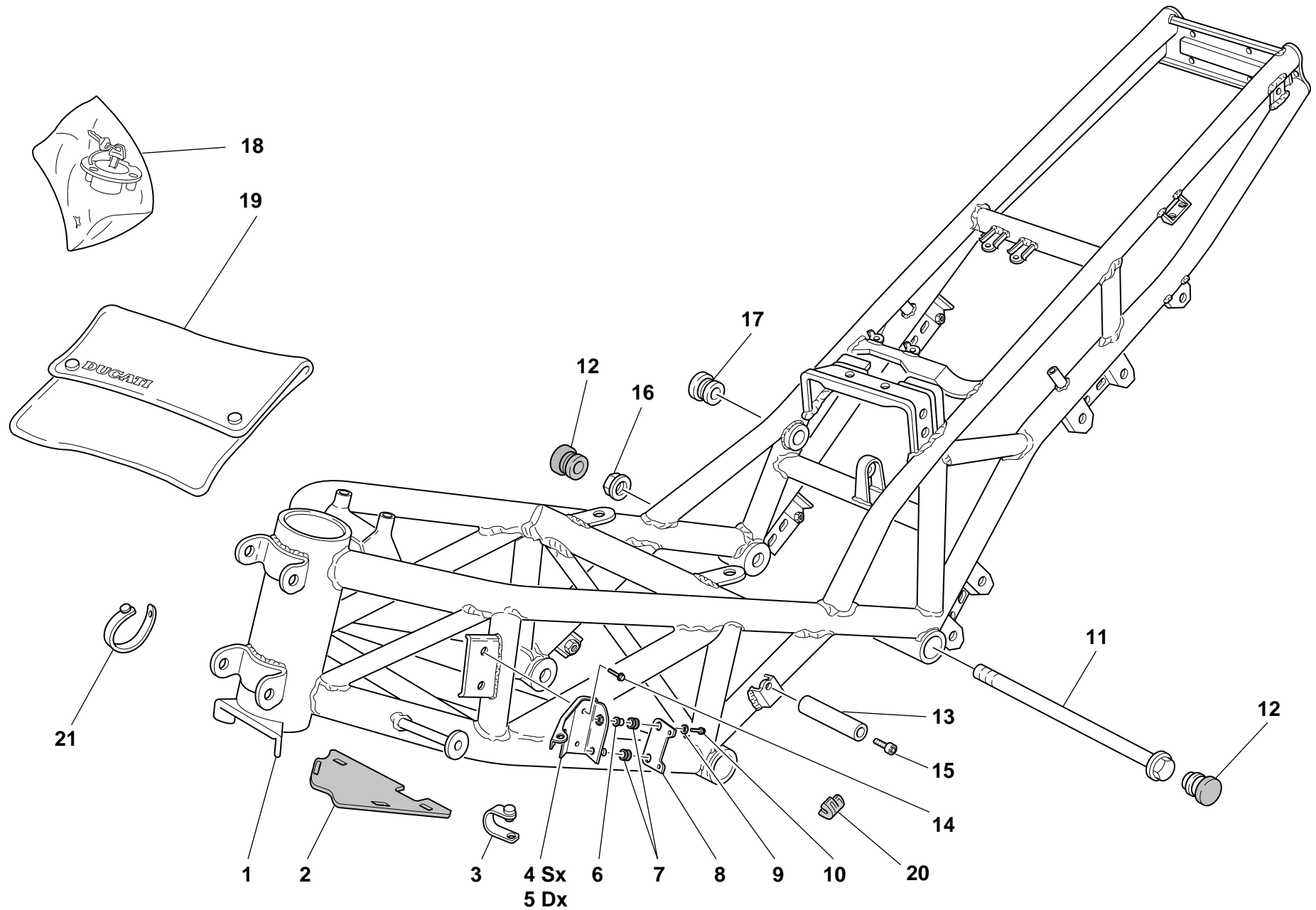


DRAWING **018** STANDS


NOTES	NO.	CODE NO.	DESCRIPTION	VALIDITY	Q.TY	
	1	749.4.045.2G	Nut		1	
	2	555.1.007.1A	R. H. Plate		1	
	3	555.1.005.1A	Central stand		1	
	4	555.1.006.1B	L. H. Plate		1	
	5	799.1.069.1A	Inner spring		1	
	6	799.1.070.1A	Outer spring		1	
	7	749.4.045.2G	Nut		1	
	8	771.5.754.2B	Screw		4	
	9	799.1.089.1A	Spring		1	
	10	799.1.088.1A	Outer spring		1	
	11	827.1.139.2B	Plate		1	
	12	779.4.005.1A	Screw		1	
	13	539.1.023.1A	Switch		1	
	14	556.1.017.1C	Side stand		1	
	15	556.1.018.1C	Pivot		1	
	16	556.2.020.1B	Plate		1	
	17	772.1.001.1A	Screw		1	


NOTES	NO.	CODE NO.	DESCRIPTION	VALIDITY	Q.TY	
-------	-----	----------	-------------	----------	------	---

DRAWING 019 FRAME



DRAWING **019** **FRAME**

NOTES	NO.	CODE NO.	DESCRIPTION	VALIDITY	Q.TY	
	1	470.1.034.1B	Frame		1	
	2	460.1.075.1A	Mudflap		1	
	3	741.1.013.1A	Clamp		1	
	4	829.1.170.1AB	L.H. holder		1	
	5	829.1.169.1AB	R.H. holder		1	
	6	0000.44099	Spacer		2	
	7	0797.72.068	Vibration damper pad		4	
	8	830.1.040.1B	Holder		2	
	9	8000.56359	Washer		2	
	10	0000.62726	Screw		2	
	11	779.1.213.1A	Screw		2	
	12	872.1.026.1A	Cap		4	
	13	827.1.121.1A	Stud bolt		2	
	14	772.5.024.1A	Screw		2	
	15	60N102511	Screw		2	
	16	748.4.002.1A	Nut		2	
	17	872.1.027.1A	Cap		1	
	18	598.2.017.2A	Locks kit		1	
	19	919.1.008.1A	Motrocycle's canvas cover (RED)		1	
	20	866.1.034.1A	Rubber pad		2	
	21	741.1.012.1A	Clamp		3	


NOTES	NO.	CODE NO.	DESCRIPTION	VALIDITY	Q.TY	
-------	-----	----------	-------------	----------	------	---

CATALOGUE No:
ISSUED:**915.1.046.1F**
06 - 02CATALOGUE No:
ISSUED:**915.1.046.1F**
06 - 02

DRAWING **020****L.H. FOOT RESTS**

NOTES	NO.	CODE NO.	DESCRIPTION	VALIDITY	Q.TY	
	1	824.1.039.1A	L.H. foot peg holder plate		1	
	2	771.5.725.2B	Screw		4	
	3	0370.69.920	Pin		2	
	4	0370.69.910	Spring		1	
	5	763106N01	El-stop nut		2	
	6	76401.0003	Ball joint		1	
	7	747.5.001.1A	L.H. nut		1	
	8	117.1.033.1A	Gearbox transmission rod		1	
	9	417.9.030.6A	Nut		1	
	10	76401.0002	Ball joint		1	
	11	779.5.011.1A	Screw		2	
	12	456.1.006.1A	Gearchange control lever		1	
	13	852.1.053.1A	Washer		1	
	14	8000.59056	Bush		1	
	15	765.1.001.1A	Rubber pad		1	
	16	456.2.009.1A	Gearchange lever		1	
	17	73500.0827	Circlip		2	
	18	80A0.53548	Pin		1	
	19	827.1.192.1A	Plate		1	
	20	777.5.002.1A	Screw		4	
	21	0370.69.930	Plate		2	
	22	0370.69.940	Foot peg rubber cover		2	
	23	0370.69.850	Front L.H. foot peg, complete		1	
	24	772.5.004.1A	Screw		2	
	25	460.1.062.1A	Protection		1	
	26	779.1.159.1A	Screw		1	
	27	806.1.012.1A	Handle		1	

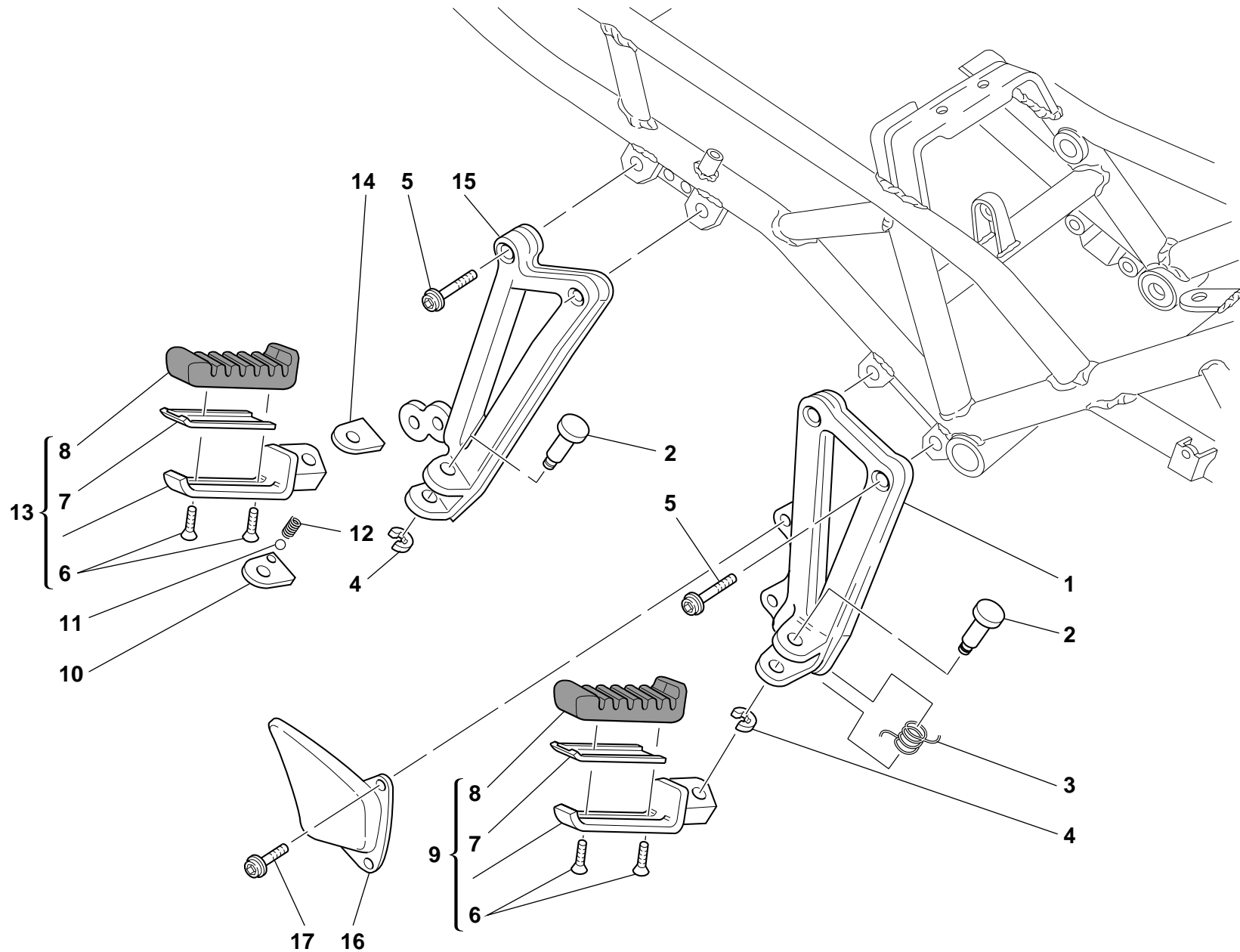
CATALOGUE No:
ISSUED:**915.1.046.1F**
06 - 02

NOTES	NO.	CODE NO.	DESCRIPTION	VALIDITY	Q.TY	
	28	861.5.003.1A	Spring pin		1	
	29	799.1.071.1A	Spring		1	
	30	824.1.041.1C	Rear L.H. foot peg holder plate		1	
	31	0370.69.970	Plate		1	
	32	799.1.024.1A	Spring		1	
	33	847.4.002.1A	Ball		2	
	34	827.1.045.1A	Keep plate		1	
	35	0370.69.860	Rear L.H. foot peg, complete		1	
	36	806.1.013.1A	Handgrip		1	
	37	386.4.013.1A	Power Point		1	
	38	779.5.001.1A	Screw		1	

CATALOGUE No:
ISSUED:**915.1.046.1F**
06 - 02


DRAWING 021

R.H. FOOT RESTS

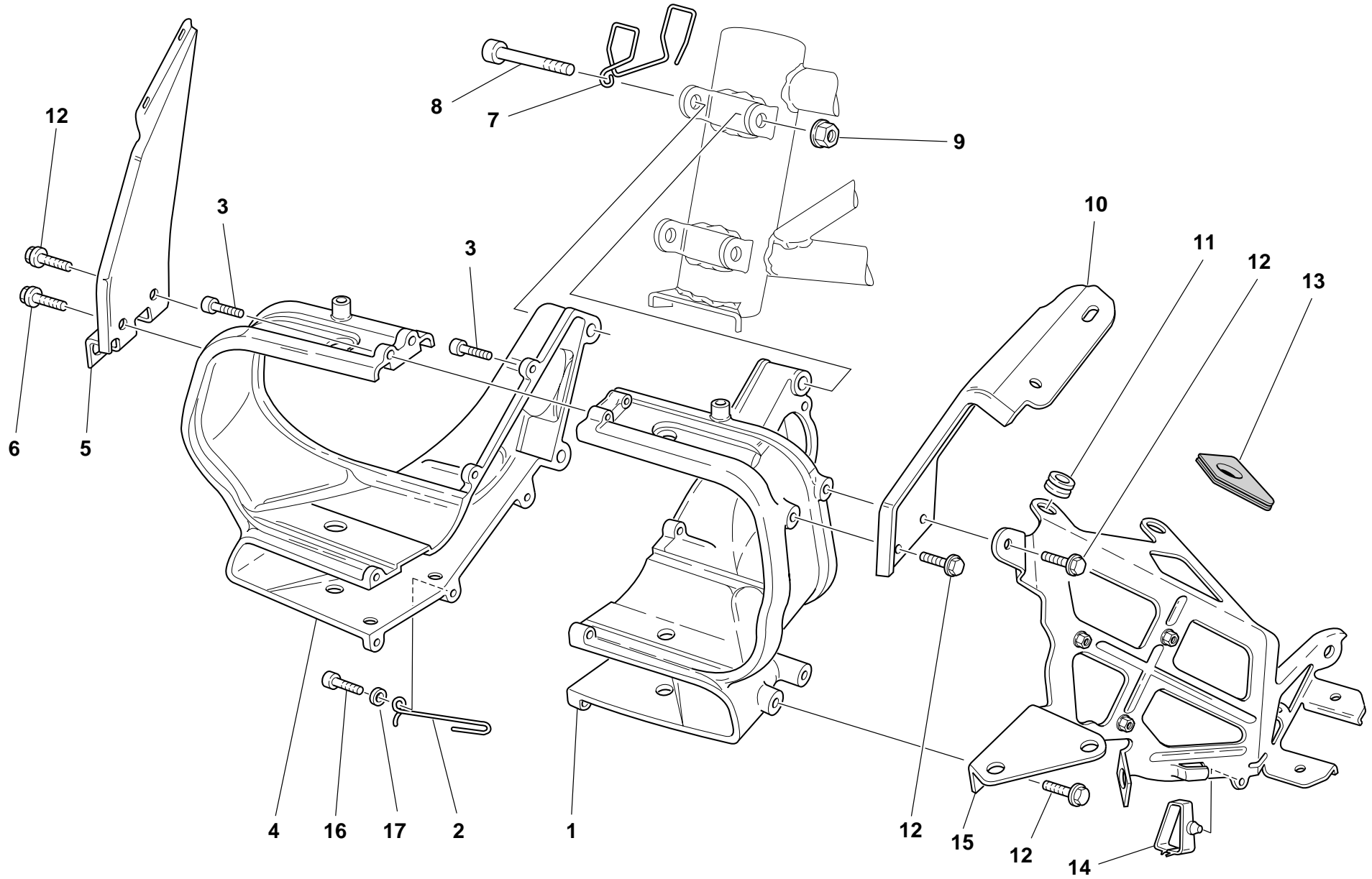


DRAWING **021** R.H. FOOT RESTS


NOTES	NO.	CODE NO.	DESCRIPTION	VALIDITY	Q.TY	
	1	824.1.040.1B	R.H. foot peg holder plate		1	
	2	0370.69.920	Pin		2	
	3	0370.69.910	Spring		1	
	4	73500.0827	Circlip		2	
	5	771.5.725.2B	Screw		4	
	6	777.5.002.1A	Screw		4	
	7	0370.69.930	Plate		2	
	8	0370.69.940	Foot peg rubber cover		2	
	9	0370.69.855	Front R.H. foot peg, complete		1	
	10	827.1.045.1A	Keep plate		1	
	11	847.4.002.1A	Ball		2	
	12	799.1.024.1A	Spring		1	
	13	0370.69.865	Rear R.H. foot peg, complete		1	
	14	0370.69.970	Plate		1	
	15	824.1.042.1C	Rear R.H. foot peg holder plate		1	
	16	460.1.063.1A	Protection		1	
	17	772.5.004.1A	Screw		2	


NOTES	NO.	CODE NO.	DESCRIPTION	VALIDITY	Q.TY	
-------	-----	----------	-------------	----------	------	---

DRAWING **022** HEADLIGHT HOLDER

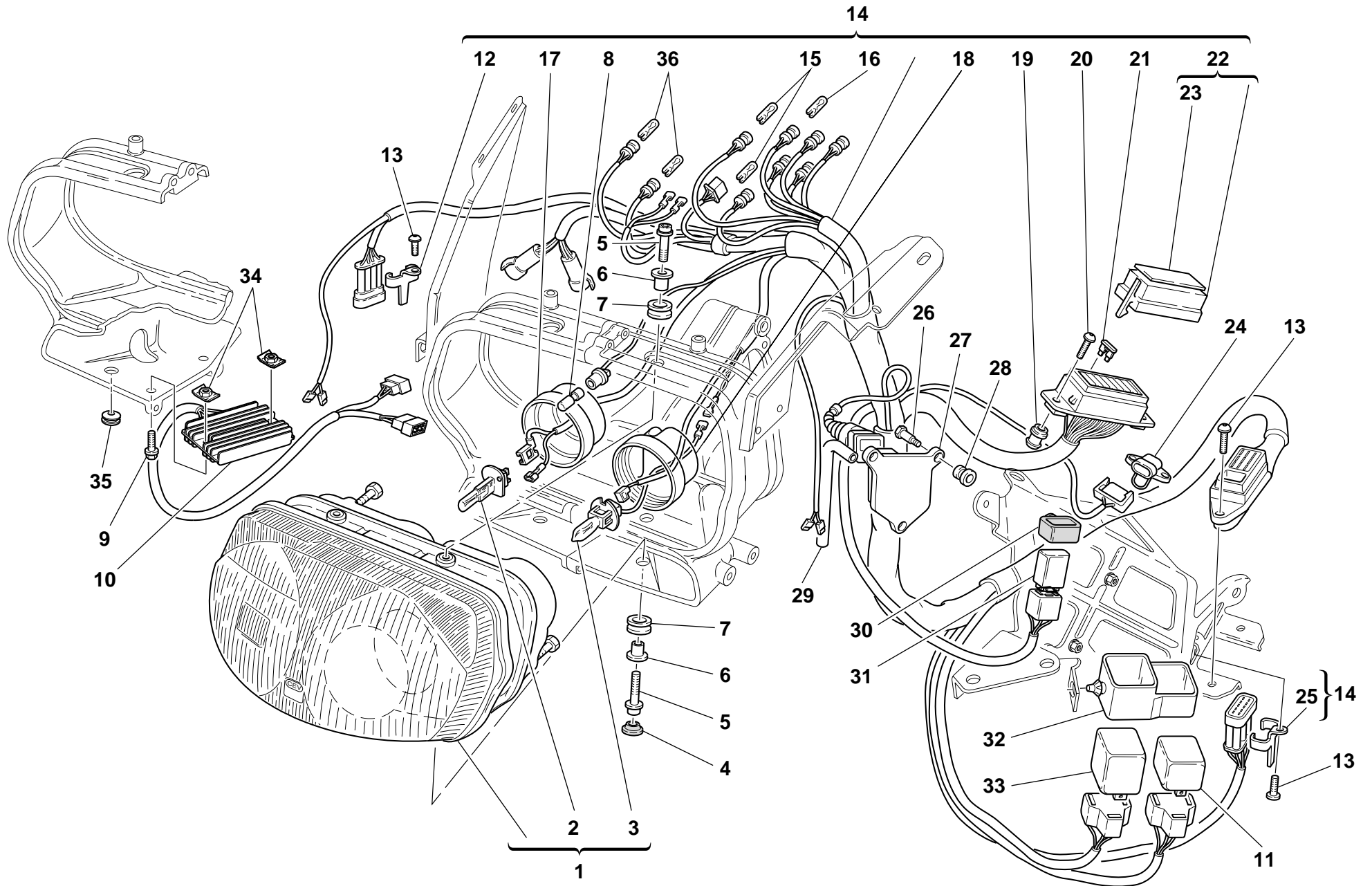


DRAWING **022** HEADLIGHT HOLDER

NOTES	NO.	CODE NO.	DESCRIPTION	VALIDITY	Q.TY	
	1	829.1.168.1AB	L.H. holder		1	
	2	881.1.027.2A	Fairlead		1	
	3	771.5.043.2B	Screw		8	
	4	829.1.167.2AB	R.H. holder		1	
	5	829.1.174.1AB	R.H. mirror holder		1	
	6	772.5.023.1A	Screw		1	
	7	758.1.019.1A	Fairlead		1	
	8	771.5.141.2B	Screw		2	
	9	729908FN1	Nut		2	
	10	829.1.175.2AB	L.H. mirror holder		1	
	11	0797.72.068	Vibration damper pad		2	
	12	772.5.024.1A	Screw		5	
	13	829.1.204.1A	Holder		1	
	14	0000.60283	Clamp		1	
	15	829.1.179.1AB	Holder		1	
	16	60N102488	Screw		1	
	17	734305N01	Washer		1	


NOTES	NO.	CODE NO.	DESCRIPTION	VALIDITY	Q.TY	
-------	-----	----------	-------------	----------	------	---

DRAWING **023** HEAD-LIGHT AND ELECTRIC WIRING




DRAWING

023**HEAD-LIGHT AND ELECTRIC WIRING**

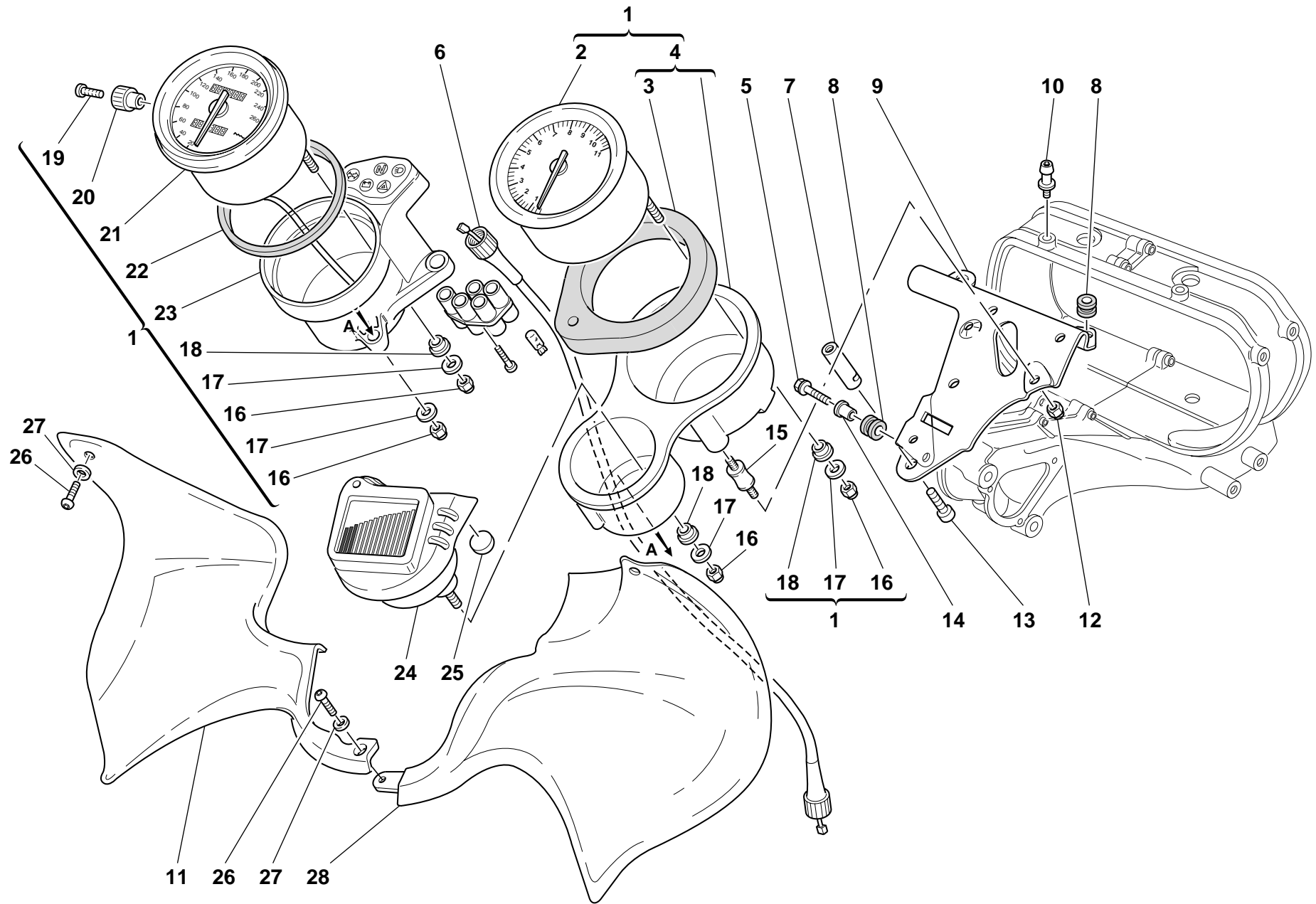
NOTES	NO.	CODE NO.	DESCRIPTION	VALIDITY	Q.TY	
	1	520.4.011.2B	Complete headlight		1	
	2	0000.79672	Bulb		1	
	3	0000.79673	Bulb		1	
	4	764.4.003.1A	Fairlead		2	
	5	772.5.023.1A	Screw		4	
	6	716.1.022.1A	Spacer		4	
	7	8000.18048	Rubber pad		4	
	8	0000.36230	Bulb		1	
	9	0000.62729	Screw		2	
	10	540.4.011.1C	Regulator		1	
	11	287.4.014.1A	Relay		1	
	12	827.1.089.1A	R.H. plate		1	
	13	8000.59572	Screw		4	
	14	510.1.257.1A	Front wiring		1	
	15	390.4.008.1A	Warning lamp bulb 12V-3W		4	
	16	390.4.007.1A	Warning lamp bulb 12V-1.2W		5	
	17	672.1.022.1A	Headlight cover		1	
	18	672.1.019.1A	Headlight cover		1	
	19	821.1.054.1A	Pin		2	
	20	779.1.088.1A	Screw		2	
	21	389.4.006.1A	Fuse 3A		2	
	21	389.4.007.1A	Fuse 7.5A		3	
	21	389.4.008.1A	Fuse 15A		2	
	21	389.4.010.1A	Fuse 30A		1	
	21	389.4.014.1A	Fuse 40A		1	
	22	246.1.009.1D	Cover		1	
	23	433.1.295.1A	Sticker "schema fusibili"		1	

CATALOGUE No:
ISSUED:**915.1.046.1F**
06 - 02

NOTES	NO.	CODE NO.	DESCRIPTION	VALIDITY	Q.TY	
	24	552.4.012.1A	Air temperature sensor		1	
	25	827.1.090.1A	L.H. plate		1	
	26	779.1.157.1A	Special screw		3	
	27	552.4.002.1A	Pressure sensor		1	
	28	764.1.016.1A	Vibration damper pad		3	
	29	877.1.040.1A	Tube		1	
	30	829.1.190.1A	Rubber holder		1	
	31	541.4.003.1A	Relay		1	
	32	829.1.183.1A	Holder		1	
	33	538.4.005.1A	Flashing device		1	
	34	827.1.166.1A	Plate		2	
	35	0797.72.068	Vibration damper pad		4	

CATALOGUE No:
ISSUED:**915.1.046.1F**
06 - 02

DRAWING 024 INSTRUMENT PANEL




DRAWING

024**INSTRUMENT PANEL**

NOTES	NO.	CODE NO.	DESCRIPTION	VALIDITY	Q.TY	
	1	400.2.018.1A	Complete instrument panel		1	
	2	402.4.007.1A	Tachometer		1	
	3	408.1.011.1A	Vibration damper sponge		1	
	4	407.4.002.1A	Tachometer holder		1	
	5	60N102488	Screw		1	
	6	403.1.009.1A	Speedometer transmission		1	
	7	684.1.022.1B	Stud bolt		1	
	8	8000.18048	Rubber pad		3	
	9	829.1.177.1A	Plate		1	
	10	821.1.075.1A	Pin		2	
	11	460.1.074.1A	L.H. side panel (GREY)		1	
	12	748.1.035.1A	Nut		3	
	13	70620.5212	Screw		1	
	14	716.1.022.1A	Spacer		1	
	15	0000.56752	Rubber pad		3	
	16	8000.56748	Nut		7	
	17	8000.56747	Washer		7	
	18	408.1.010.1A	Rubber pad		5	
	19	776.4.002.1A	Screw		1	
	20	0000.56742	Grip		1	
	21	401.4.021.1A	Speedometer		1	
	22	8000.56741	Gasket		1	
	23	407.4.001.1B	Speedometer holder		1	
	24	404.1.003.1A	Module LCD (°F)		1	
	25	764.5.018.1A	Rubber pad		3	
	26	779.1.116.1A	Screw		3	
	27	852.1.024.1A	Nylon washer		3	

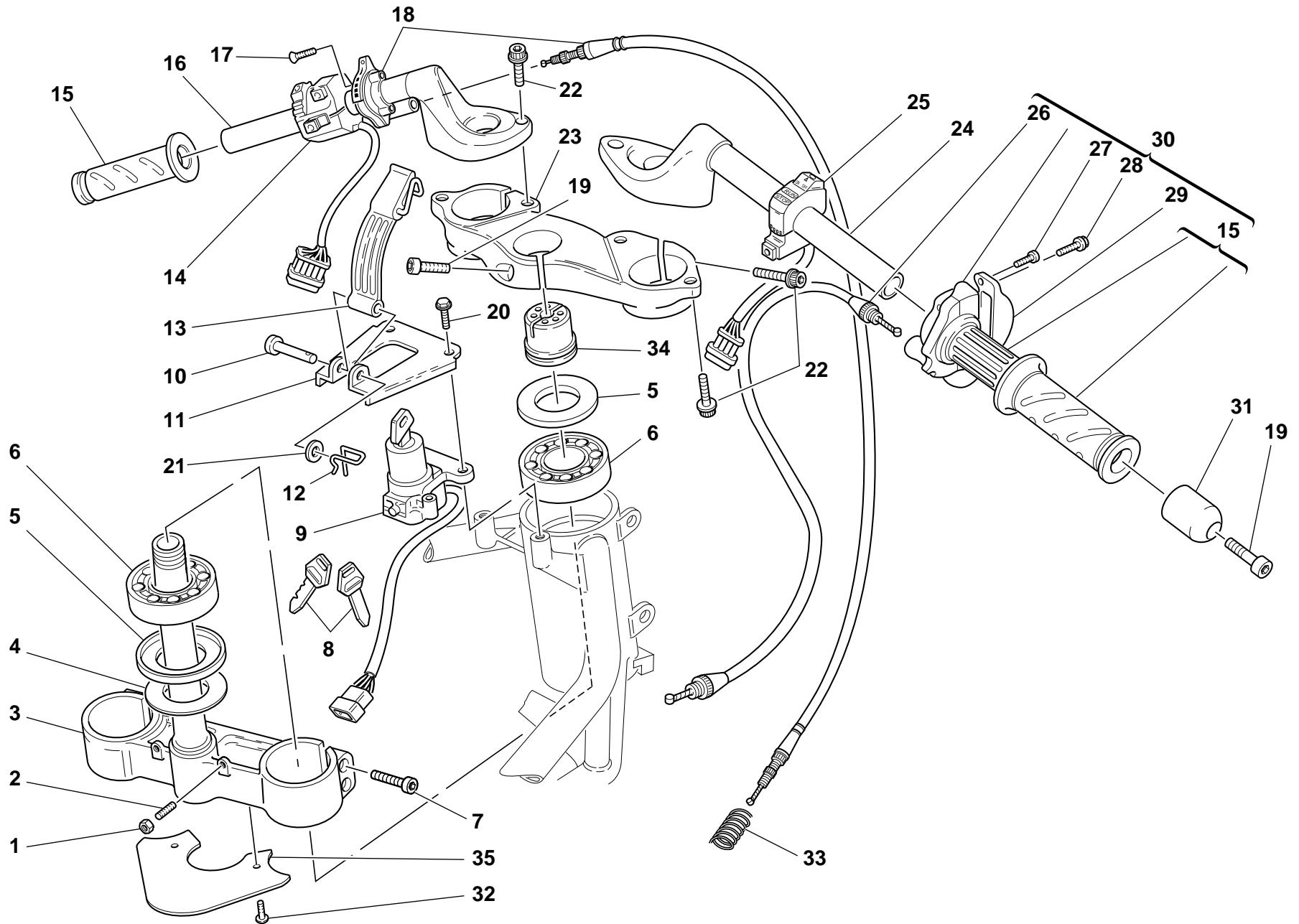
CATALOGUE No:
ISSUED:**915.1.046.1F**
06 - 02

NOTES	NO.	CODE NO.	DESCRIPTION	VALIDITY	Q.TY	
	28	460.1.073.1A	R.H. side panel (GREY)		1	

CATALOGUE No:
ISSUED:**915.1.046.1F**
06 - 02


DRAWING 025

HANDLEBAR AND CONTROLS




DRAWING

025**HANDLEBAR AND CONTROLS**

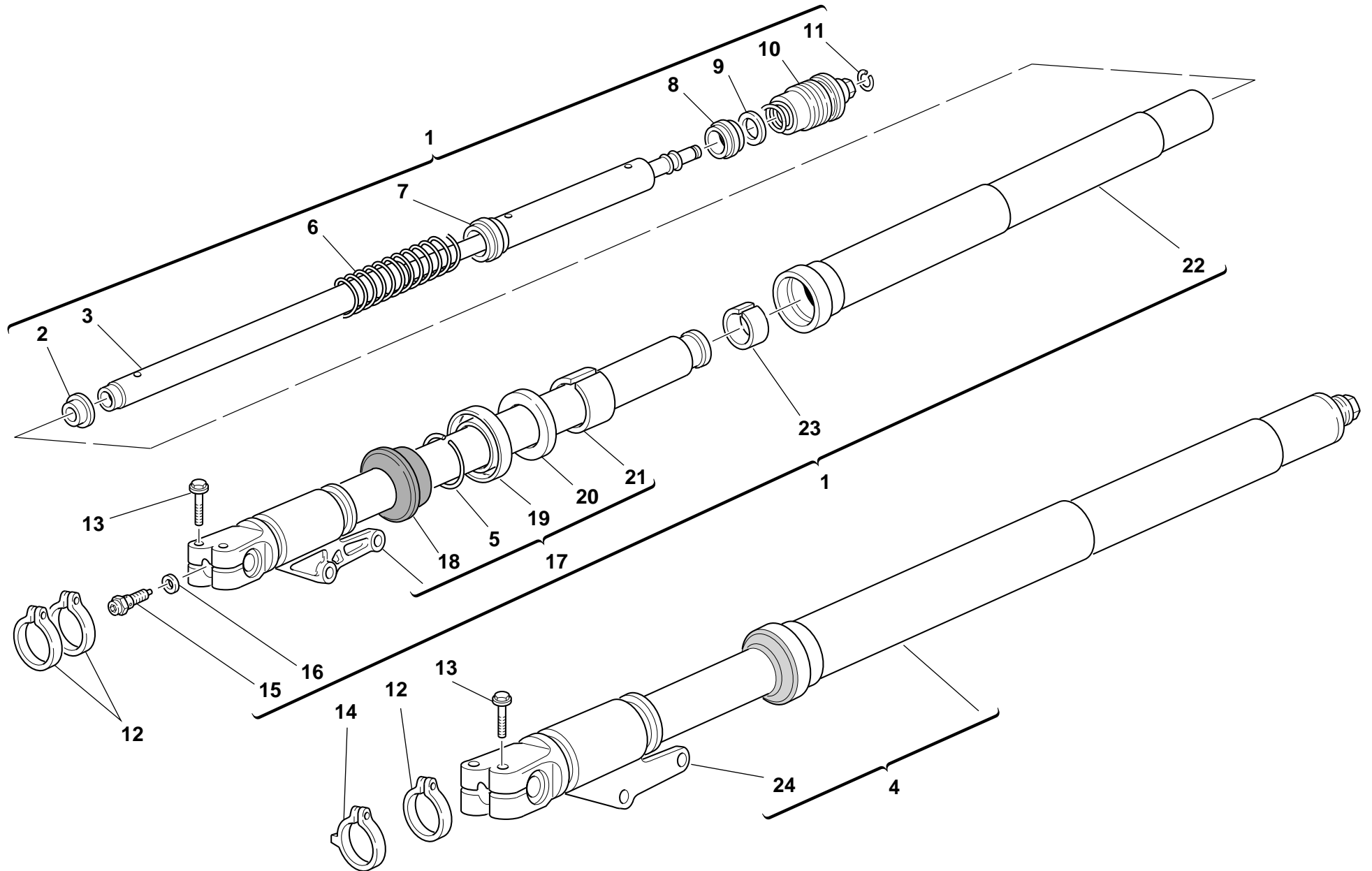
NOTES	NO.	CODE NO.	DESCRIPTION	VALIDITY	Q.TY	
	1	417.9.030.8A	Nut		2	
	2	779.1.099.1A	Special screw		2	
	3	342.2.015.1B	Steering head base		1	
	4	852.1.103.1A	Washer		1	
	5	930.1.004.1A	Seal ring		2	
	6	702.4.004.1A	Bearing		2	
	7	60N102557	Screw		4	
	8	598.4.011.3A	Wrench		1	
	9	652.4.004.3A	Key-operated switch		1	
	10	821.1.073.1A	Pin		1	
	11	827.1.122.1A	Plate		1	
	12	0000.62705	Split pin		1	
	13	8000.70178	Belt		1	
	14	651.4.008.1A	L.H. switch		1	
	15	8000.78345	Grips pair		1	
	16	360.1.015.1B	L.H. handlebar		1	
	17	777.5.210.2A	Screw		2	
	18	655.2.005.2A	Starter control		1	
	19	779.5.012.1A	Screw		3	
	20	772.5.024.1A	Screw		2	
	21	734305N01	Washer		1	
	22	771.5.725.2B	Screw		6	
	23	341.1.028.1A	Steering head		1	
	24	360.1.014.1B	R.H. handlebar		1	
	25	650.4.006.1B	R.H. switch		1	
	26	656.1.018.2A	Throttle control transmission		1	
	27	8000.66774	Screw		2	

CATALOGUE No:
ISSUED:**915.1.046.1F**
06 - 02


NOTES	NO.	CODE NO.	DESCRIPTION	VALIDITY	Q.TY	
	28	772.5.023.1A	Screw		2	
	29	658.4.002.1B	Cover		1	
	30	654.2.003.1A	Throttle control		1	
	31	153.1.005.1A	Counterweight		2	
	32	772.5.004.1A	Screw		2	
	33	799.1.058.1A	Starter control transmission return spring		1	
	34	703.1.013.1A	Ring nut		1	
	35	460.1.076.2A	Mudflap		1	


CATALOGUE No:
ISSUED:**915.1.046.1F**
06 - 02

DRAWING 026 FRONT FORK



DRAWING **026** FRONT FORK

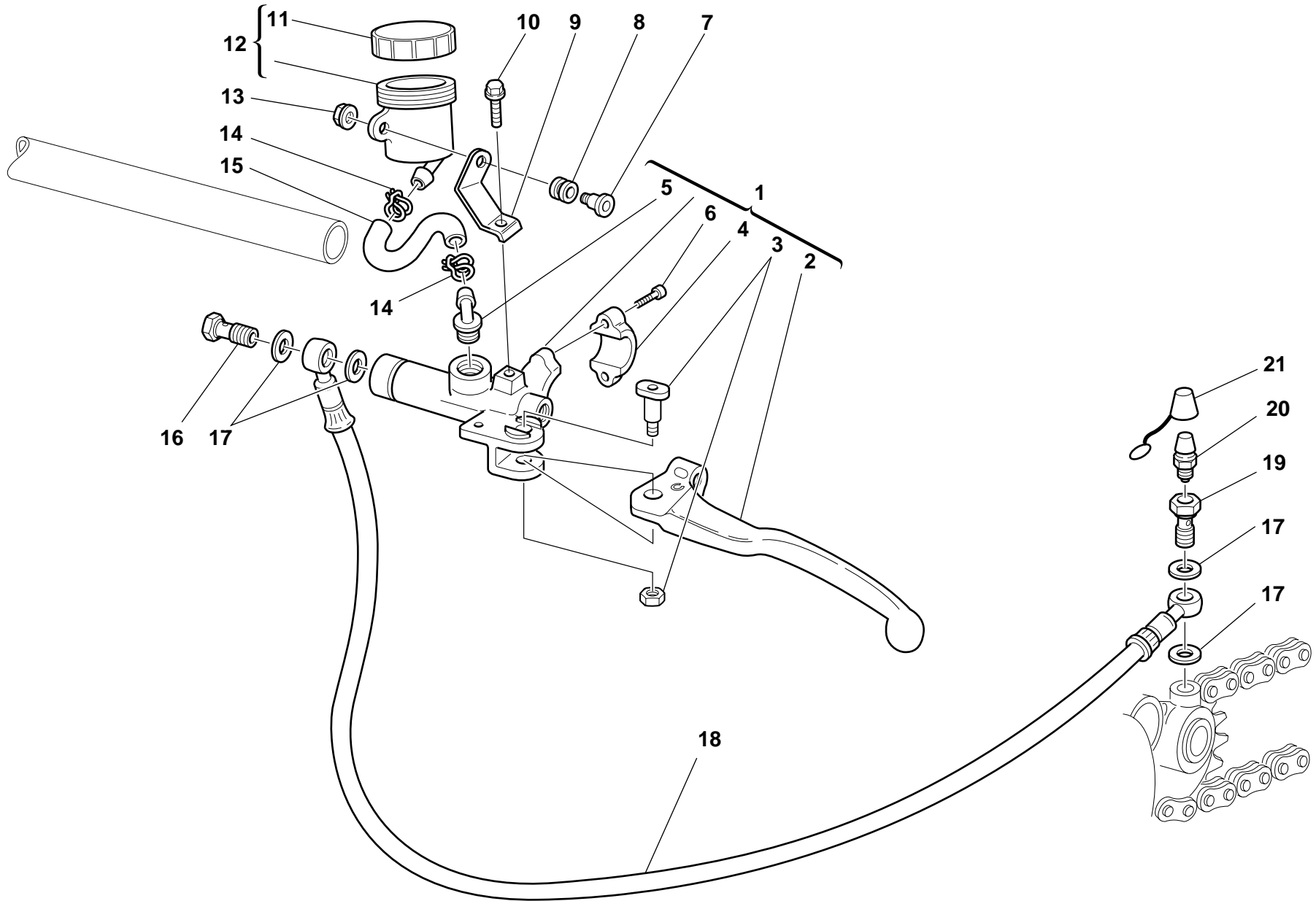
NOTES	NO.	CODE NO.	DESCRIPTION	VALIDITY	Q.TY	
	1	340.2.069.1D	R.H. fork leg assembly		1	
	2	349.1.075.1A	Centering ring		2	
	3	349.1.112.1B	Spring coupling		2	
	4	340.2.070.1D	L.H. fork leg assembly		1	
	5	884.1.005.1A	Ring		2	
	6	347.1.014.1B	Spring		2	
	7	349.1.154.1A	Spring coupling		2	
	8	349.1.064.1A	Slider		2	
	9	349.1.065.1A	Rubber cush drive hub		2	
	10	349.2.014.1B	Complete cap		2	
	11	349.1.098.1A	Snap ring		2	
	12	8000.70127	Clamp		3	
	13	8A00.69056	Screw		4	
	14	8000.70133	Clamp		1	
	15	349.1.124.1A	Adjusting screw		2	
	16	349.1.076.1A	Washer		2	
	17	349.1.109.1E	Complete R.H. slider		1	
	18	349.1.101.1A	Dust seal		2	
	19	930.1.005.1A	Seal ring		2	
	20	349.1.102.1A	Check ring		2	
	21	349.1.103.1A	Bush		2	
	22	349.1.111.1A	Stanchion tube		2	
	23	349.1.120.1A	Bush		2	
	24	349.1.110.1E	Complete L.H. slider		1	

NOTES	NO.	CODE NO.	DESCRIPTION	VALIDITY	Q.TY	
-------	-----	----------	-------------	----------	------	---


CATALOGUE No: 915.1.046.1F
ISSUED: 06 - 02


CATALOGUE No: 915.1.046.1F
ISSUED: 06 - 02

DRAWING 027 CLUTCH CONTROL

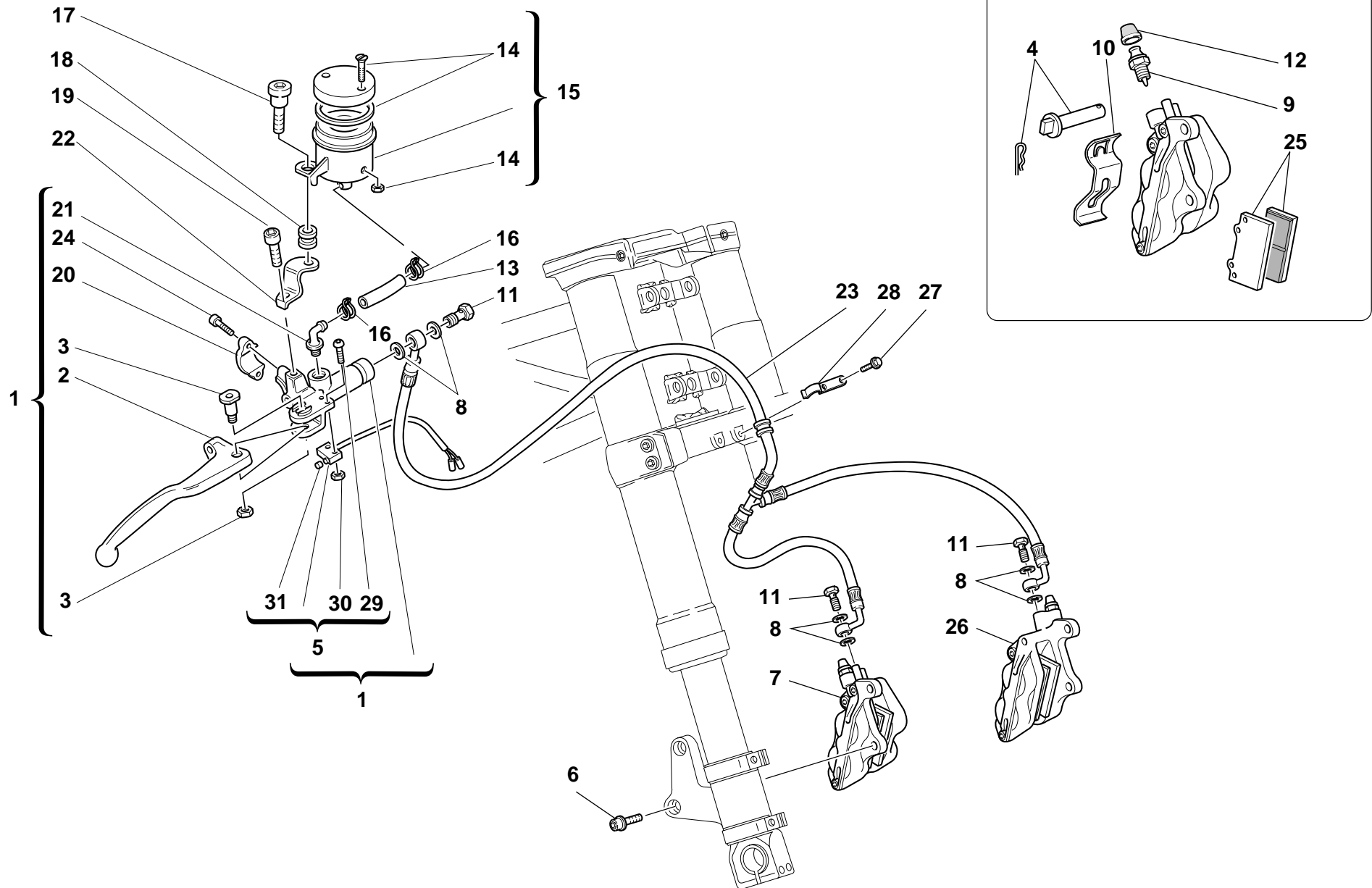


DRAWING **027** CLUTCH CONTROL

NOTES	NO.	CODE NO.	DESCRIPTION	VALIDITY	Q.TY	
	1	630.4.006.1A	Clutch drive pump		1	
	2	626.1.003.1A	Lever with dowel		1	
	3	0000.46664	Spare lever pin		1	
	4	626.4.010.1A	Spare bracket		1	
	5	631.4.008.1A	Spare union		1	
	6	771.5.667.2B	Screw		2	
	7	779.1.092.1A	Screw		1	
	8	0370.72.020	Vibration damper pad		1	
	9	829.1.241.1A	Plate		1	
	10	70700.6N02	Screw		1	
	11	893.4.005.1A	Cap		1	
	12	0000.61078	Complete oil tank		1	
	13	8000.56443	Nut		1	
	14	741.4.043.1A	Clamp		2	
	15	877.1.069.1A	Tube		1	
	16	779.1.058.1A	Special screw		1	
	17	420.2.001.0A	Gasket th.1		4	
	18	632.1.013.2B	Clutch control pipe		1	
	19	779.1.082.1A	Union		1	
	20	0000.33552	Bleed		1	
	21	612.4.005.1A	Dust seal		1	

NOTES	NO.	CODE NO.	DESCRIPTION	VALIDITY	Q.TY	
-------	-----	----------	-------------	----------	------	---

DRAWING **028** FRONT HYDRAULIC BRAKE




DRAWING

028**FRONT HYDRAULIC BRAKE**

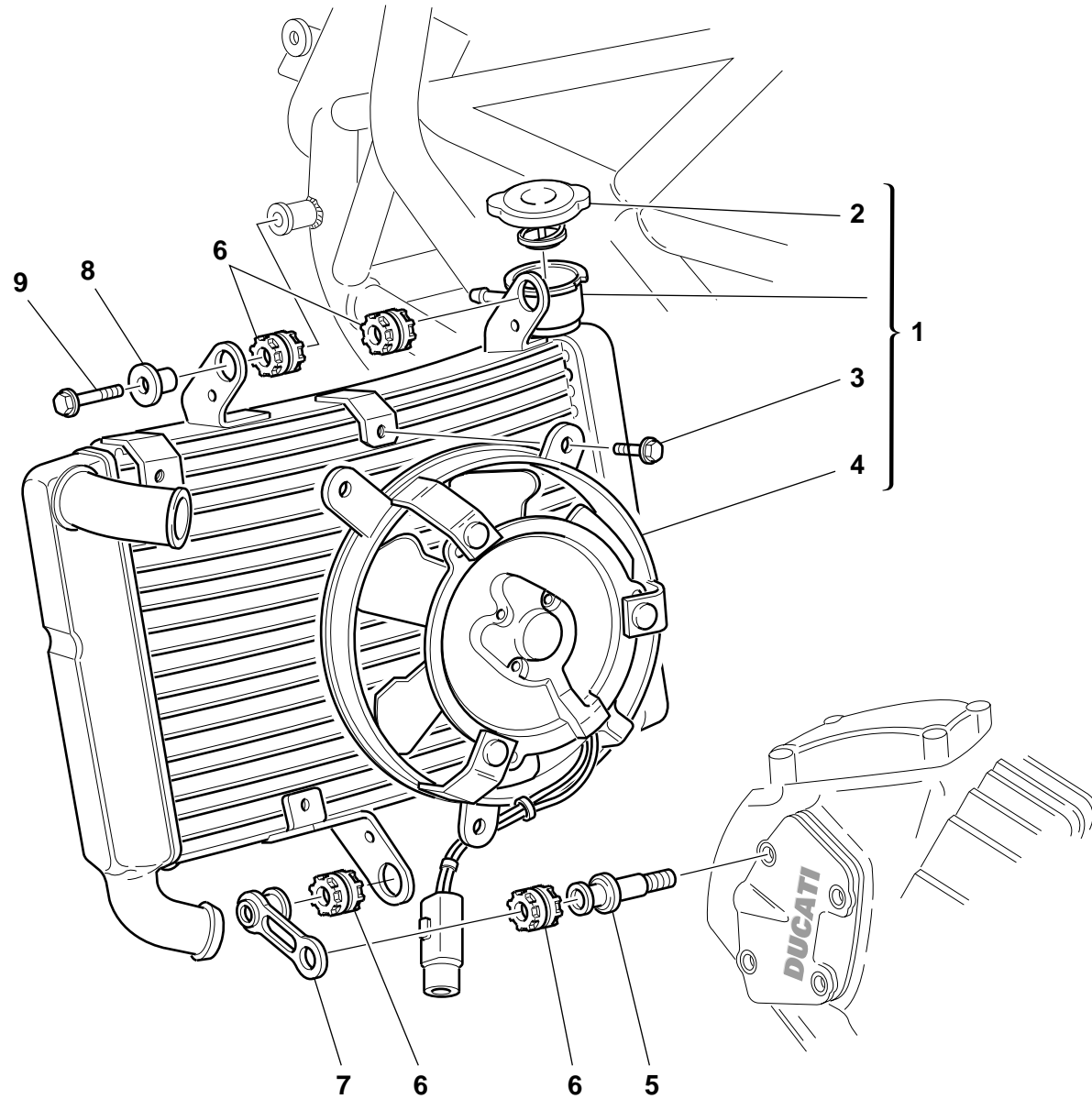
NOTES	NO.	CODE NO.	DESCRIPTION	VALIDITY	Q.TY	
	1	624.4.012.1B	Front brake pump		1	
	2	626.1.003.1A	Lever with dowel		1	
	3	0000.46664	Spare lever pin		1	
	4	612.4.014.1A	Spare pins and spring		2	
	5	539.4.004.1B	Microswitch		1	
	6	771.5.431.2B	Screw		4	
	7	610.4.012.2B	R.H. brake caliper		1	
	8	420.2.001.0A	Gasket th.1		6	
	9	631.4.004.1A	Spare bleed union		2	
	10	612.4.017.1A	Spring		2	
	11	779.1.058.2A	Special screw		3	
	12	612.4.008.1A	Dust seal		2	
	13	877.1.068.1A	Tube		1	
	14	8000.68490	Spare cap		1	
	15	0000.66181	Complete oil tank		1	
	16	741.4.043.1A	Clamp		2	
	17	779.1.092.1A	Screw		1	
	18	0370.72.020	Vibration damper pad		1	
	19	70700.6N02	Screw		1	
	20	626.4.008.1B	Spare bracket		1	
	21	631.4.008.1A	Spare union		1	
	22	829.1.240.1A	Bracket		1	
	23	618.4.032.1B	Caliper pump pipe		1	
	24	771.5.667.2B	Screw		2	
	25	613.4.020.1A	Pads pair		2	
	26	610.4.011.2B	L.H. brake caliper		1	
	27	772.5.025.1A	Screw		2	

CATALOGUE No:
ISSUED:**915.1.046.1F**
06 - 02CATALOGUE No:
ISSUED:**915.1.046.1F**
06 - 02


NOTES	NO.	CODE NO.	DESCRIPTION	VALIDITY	Q.TY	
	28	829.1.208.1A	Holder		1	
	29	776.5.307.2A	Screw		2	
	30	72465.0214	Nut		2	
	31	195.4.002.1A	Rubber pad		1	

DRAWING 029

WATER RADIATOR ASSY



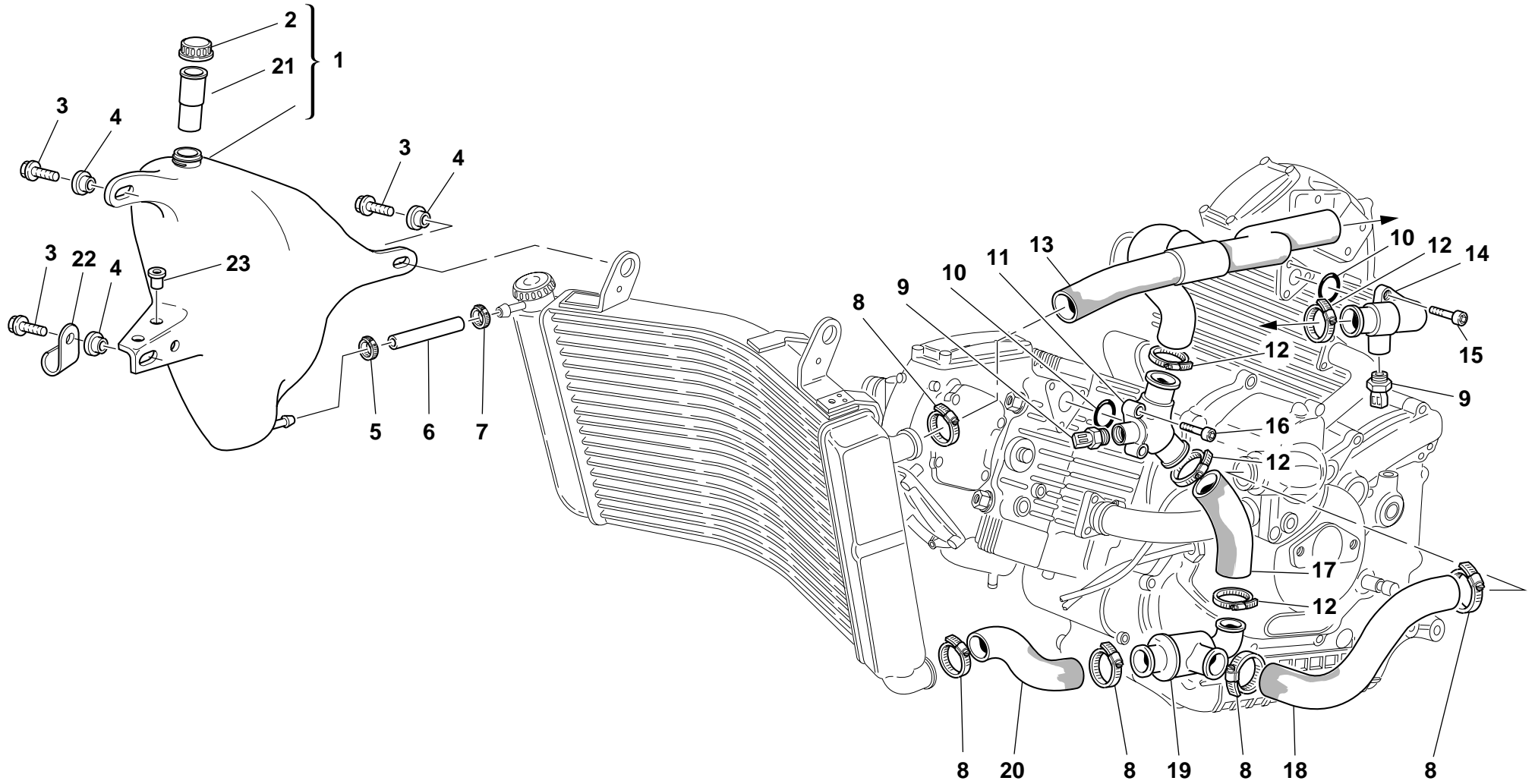
DRAWING **029** WATER RADIATOR ASSY

NOTES	NO.	CODE NO.	DESCRIPTION	VALIDITY	Q.TY	
	1	548.4.019.1A	Water radiator		1	
	2	893.1.003.1A	Radiator cap		1	
	3	772.5.025.1A	Screw		3	
	4	550.4.008.1A	Electric fan		1	
	5	779.1.160.1A	Special screw		1	
	6	764.1.022.1A	Vibration damper pad		4	
	7	827.2.003.1A	Bracket		1	
	8	0000.62652	Spacer		1	
	9	0000.62729	Screw		1	

NOTES	NO.	CODE NO.	DESCRIPTION	VALIDITY	Q.TY	
-------	-----	----------	-------------	----------	------	---


CATALOGUE No:
ISSUED:**915.1.046.1F**
06 - 02CATALOGUE No:
ISSUED:**915.1.046.1F**
06 - 02

DRAWING 030 COOLING CIRCUIT

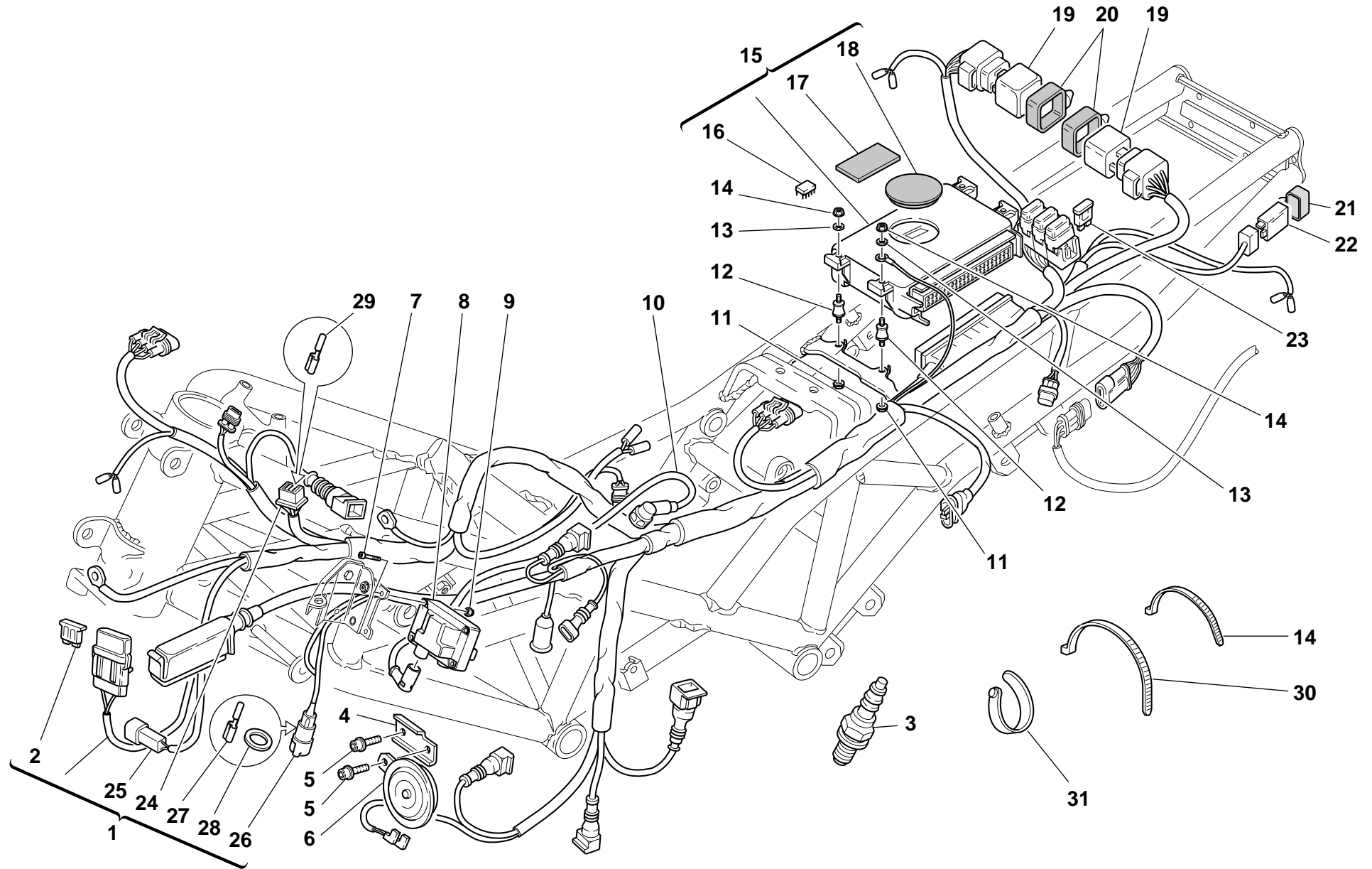


DRAWING **030** COOLING CIRCUIT

NOTES	NO.	CODE NO.	DESCRIPTION	VALIDITY	Q.TY	
	1	585.1.020.1A	Water tank		1	
	2	0000.40427	Tank cap		1	
	3	772.5.023.1A	Screw		4	
	4	716.1.038.1A	Spacer		4	
	5	8A00.67.610	Clamp		1	
	6	800.1.049.1A	Hose		1	
	7	741.4.001.1A	Clamp		1	
	8	741.4.025.1A	Clamp		5	
	9	552.4.013.1A	Sensor		2	
	10	93823.2087	O-ring		2	
	11	814.1.059.1AB	Water outlet union		1	
	12	741.4.002.1A	Clamp		4	
	13	800.1.048.1A	Radiator/head hose		1	
	14	814.1.053.1AB	Water outlet union		1	
	15	60N102511	Screw		3	
	16	771.5.072.2B	Screw		3	
	17	800.1.033.1A	Thermostat/pump hose		1	
	18	800.1.031.1A	Thermostat/pump hose		1	
	19	553.4.003.1A	Thermostat		1	
	20	800.1.047.1A	Cooler/thermostat hose		1	
	21	711.1.084.1A	Bush		1	
	22	741.4.055.1A	Clamp		1	
	23	0000.63150	Insert		2	

NOTES	NO.	CODE NO.	DESCRIPTION	VALIDITY	Q.TY	
-------	-----	----------	-------------	----------	------	---


DRAWING 031 ELECTRIC SYSTEM



DRAWING **031** ELECTRIC SYSTEM

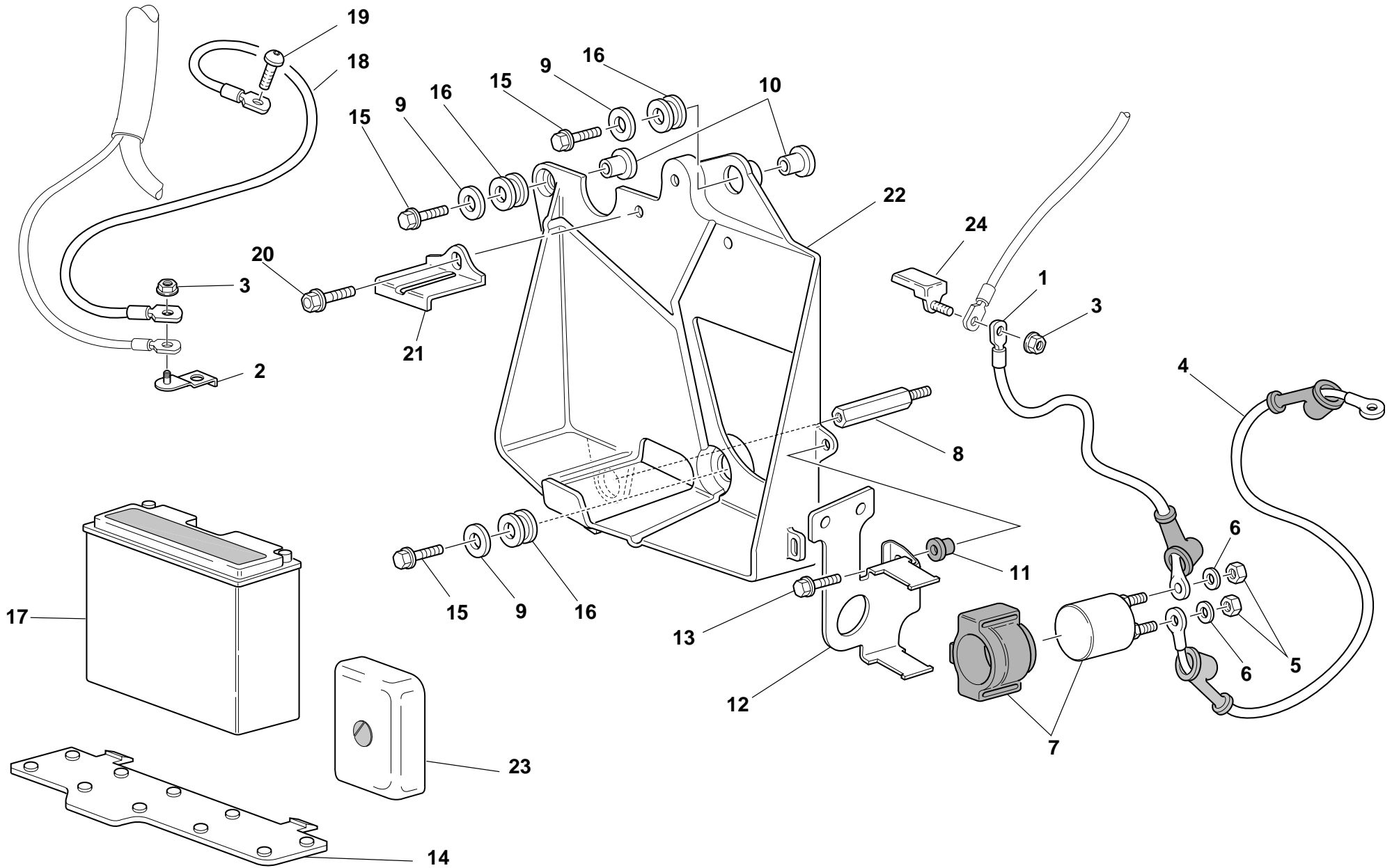
NOTES	NO.	CODE NO.	DESCRIPTION	VALIDITY	Q.TY	
	1	510.1.245.1A	Electric wiring		1	
	2	389.4.014.1A	Fuse 40A		1	
	3	670.4.007.1A	Spark plug		2	
	4	829.1.196.1A	Holder		1	
	5	771.5.721.2B	Screw		2	
	6	516.4.001.1AB	Horn (BLACK)		1	
	7	771.5.025.2B	Screw		4	
	8	285.4.003.1A	Coil		2	
	9	749.5.001.1A	Nut		4	
	10	671.1.008.1A	Head spark plug wiring		2	
	11	750.5.001.1A	Nut		8	
	12	700.1.023.2A	Vibration damper		4	
	13	80A0.06385	Washer		1	
	14	741.4.038.1A	Clamp		12	
	15	286.4.013.1A	Injection control unit		1	
	16	546.1.079.1A	EPROM 067		1	
	17	433.1.179.1A	Plate "NON RIMUOVERE"		1	
	18	872.4.018.1A	Rubber cap		1	
	19	287.4.040.2A	Relay		2	
	20	829.1.127.1A	Holder		2	
	21	829.1.190.1A	Rubber holder		1	
	22	541.4.003.1A	Relay		1	
	23	389.4.007.1A	Fuse 7.5A		2	
	23	389.4.013.1A	Fuse 20A		1	
	23	389.4.015.1A	Fuse 5A		1	
	24	0000.66526	Connector		1	
	25	0000.56803	Connector		1	

CATALOGUE No: **915.1.046.1F**
ISSUED: **06 - 02**

NOTES	NO.	CODE NO.	DESCRIPTION	VALIDITY	Q.TY	
	26	386.4.006.1A	Connector		1	
	27	387.4.002.1A	End section		2	
	28	764.4.005.1A	Rubber pad		1	
	29	0000.66527	End section		4	
	30	0691.91.030	Clamp		13	
	31	741.1.013.1A	Clamp		1	


CATALOGUE No: **915.1.046.1F**
ISSUED: **06 - 02**

DRAWING **032** BATTERY BOX MOUNT

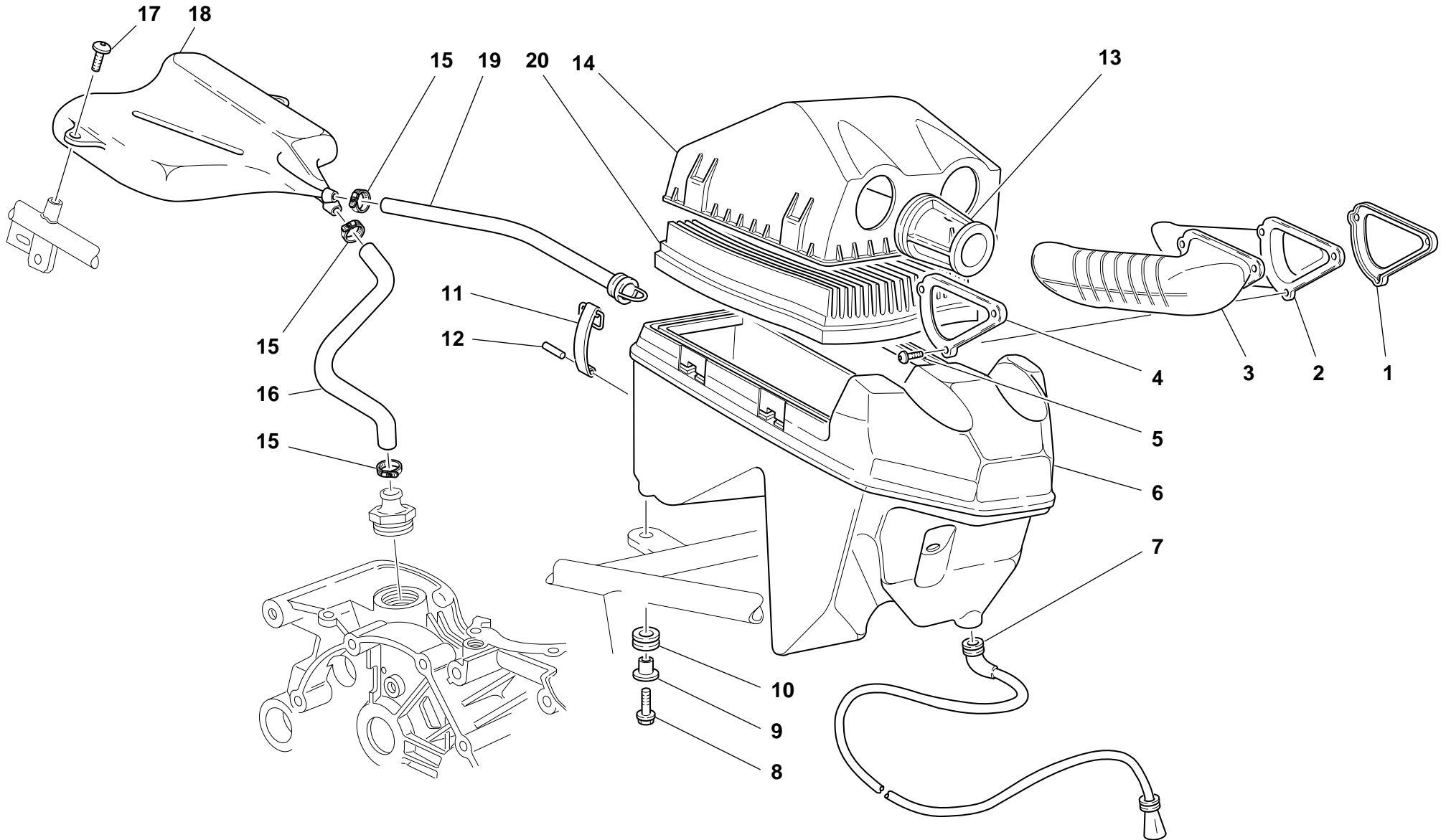


DRAWING **032** BATTERY BOX MOUNT

NOTES	NO.	CODE NO.	DESCRIPTION	VALIDITY	Q.TY	
	1	827.2.215.1A	Plate		1	
	2	514.1.041.1A	Battery-solenoid starter cable		1	
	3	8000.56443	Nut		2	
	4	514.1.040.1A	Solenoid starter-starter motor cable		1	
	5	417.9.050.6A	Nut		2	
	6	734006N01	Spring washer		2	
	7	397.4.002.1A	Remote switch		1	
	8	684.1.020.1A	Stud bolt		1	
	9	8000.56359	Washer		3	
	10	716.1.022.1A	Spacer		2	
	11	0364.99.020	Threaded insert		1	
	12	827.1.286.1A	Plate		1	
	13	0000.62726	Screw		1	
	14	866.1.031.1A	Rubber pad		1	
	15	772.5.023.1A	Screw		3	
	16	300182	Rubber pad		3	
	17	395.4.013.1A	Battery		1	
	18	513.1.008.2D	Battery grounding cable		1	
	19	775.1.006.1A	Special screw		1	
	20	772.5.025.1A	Screw		1	
	21	827.1.195.1A	Plate		1	
	22	829.1.172.2B	Battery box mount		1	
	23	829.1.291.1A	Spacer		1	
	24	827.1.077.1A	Plate		1	


NOTES	NO.	CODE NO.	DESCRIPTION	VALIDITY	Q.TY	
-------	-----	----------	-------------	----------	------	---

DRAWING **033** AIR INDUCTIO AND OIL VENT



DRAWING

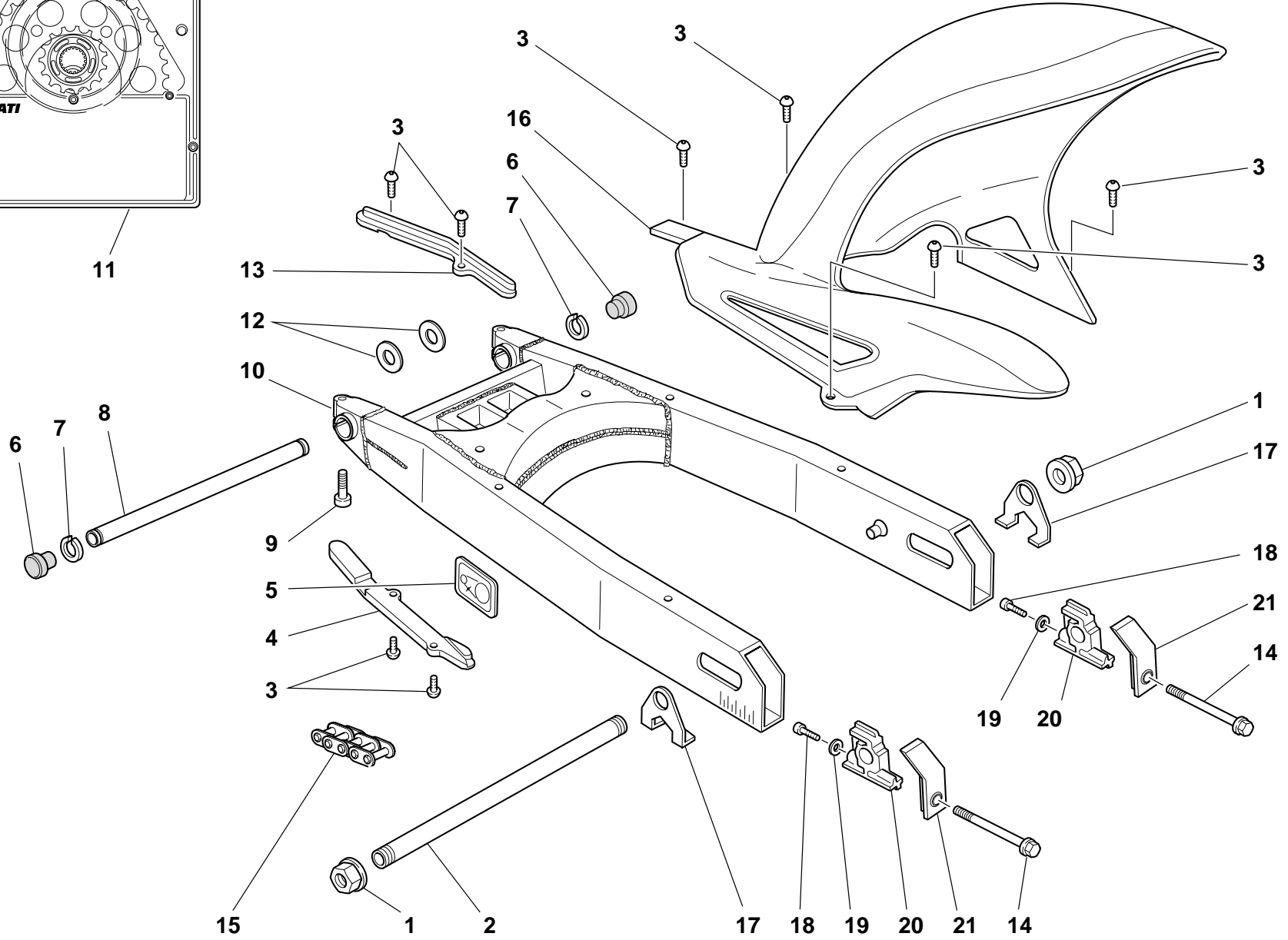
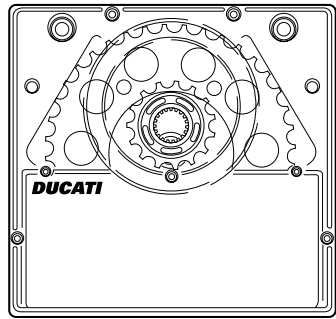
033**AIR INDUCTIO AND OIL VENT**

NOTES	NO.	CODE NO.	DESCRIPTION	VALIDITY	Q.TY	
	1	827.1.123.1AB	L.H. plate		1	
	2	135.1.013.1B	L.H. hose		1	
	3	135.1.014.1B	R.H. hose		1	
	4	827.1.124.1AB	R.H. plate		1	
	5	779.1.088.1A	Screw		6	
	6	442.2.032.1A	Air filter box		1	
	7	877.2.002.1A	Tube		1	
	8	772.5.023.1A	Screw		3	
	9	716.1.022.1A	Spacer		3	
	10	8000.18048	Rubber pad		3	
	11	760.1.003.1A	Hook		4	
	12	74223.1045	Spring pin		4	
	13	135.1.015.1A	Air funnel		2	
	14	246.1.055.1A	Filter case cover		1	
	15	741.4.002.1A	Clamp		3	
	16	876.1.066.1A	Breather pipe		1	
	17	0364.99.015	Screw		2	
	18	585.1.019.1C	Oil breather tank		1	
	19	876.1.067.1A	Breather pipe		1	
	20	0370.98.610	Filter element		1	


NOTES	NO.	CODE NO.	DESCRIPTION	VALIDITY	Q.TY	
-------	-----	----------	-------------	----------	------	---

CATALOGUE No:
ISSUED:**915.1.046.1F**
06 - 02CATALOGUE No:
ISSUED:**915.1.046.1F**
06 - 02

DRAWING **034** SWINGARM AND CHAIN



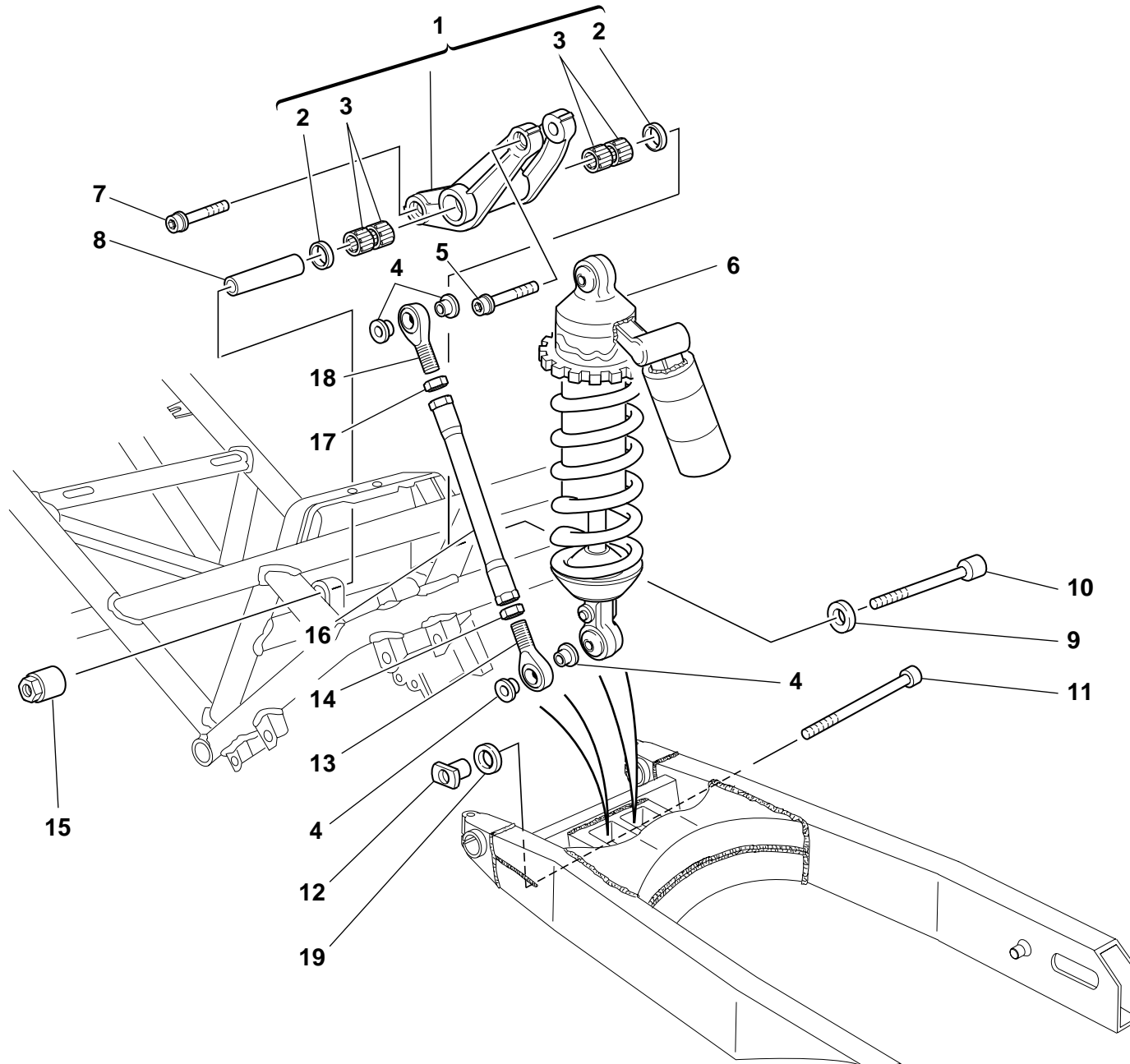
DRAWING **034** SWINGARM AND CHAIN

NOTES	NO.	CODE NO.	DESCRIPTION	VALIDITY	Q.TY	
	1	748.1.023.1A	Nut		2	
	2	819.1.030.1A	Rear wheel spindle		1	
	3	779.1.119.2A	Screw		8	
	4	447.1.031.2A	Lower chain sliding shoe		1	
	5	433.1.220.1A	Plate		1	
	6	872.1.019.1A	Cap		2	
	7	884.4.007.1A	Snap ring		2	
	8	369.1.004.1A	Swingarm pivot		1	
	9	60N102584	Screw		2	
	10	370.1.021.1B	Swingarm		1	
	11	676.2.029.3A	Final drive kit		1	
	12	852.1.001.1A	Shim th. 1.8		2	
	12	852.1.002.1A	Shim th. 0.2		1	
	12	852.1.003.1A	Shim th. 0.1		1	
	13	447.1.030.2A	Upper chain sliding shoe		1	
	14	779.1.037.1A	Screw		2	
	15	676.4.018.1A	Chain (102 Links)		1	
	16	565.1.021.2A	Rear mudguard		1	
	17	373.1.029.1B	Plate		2	
	18	771.5.004.2B	Screw		2	
	19	852.1.079.1A	Washer		2	
	20	373.1.028.1B	Sliding shoe		2	
	21	373.1.023.1B	Cover		2	


NOTES	NO.	CODE NO.	DESCRIPTION	VALIDITY	Q.TY	
-------	-----	----------	-------------	----------	------	---

DRAWING 035

REAR SUSPENSION



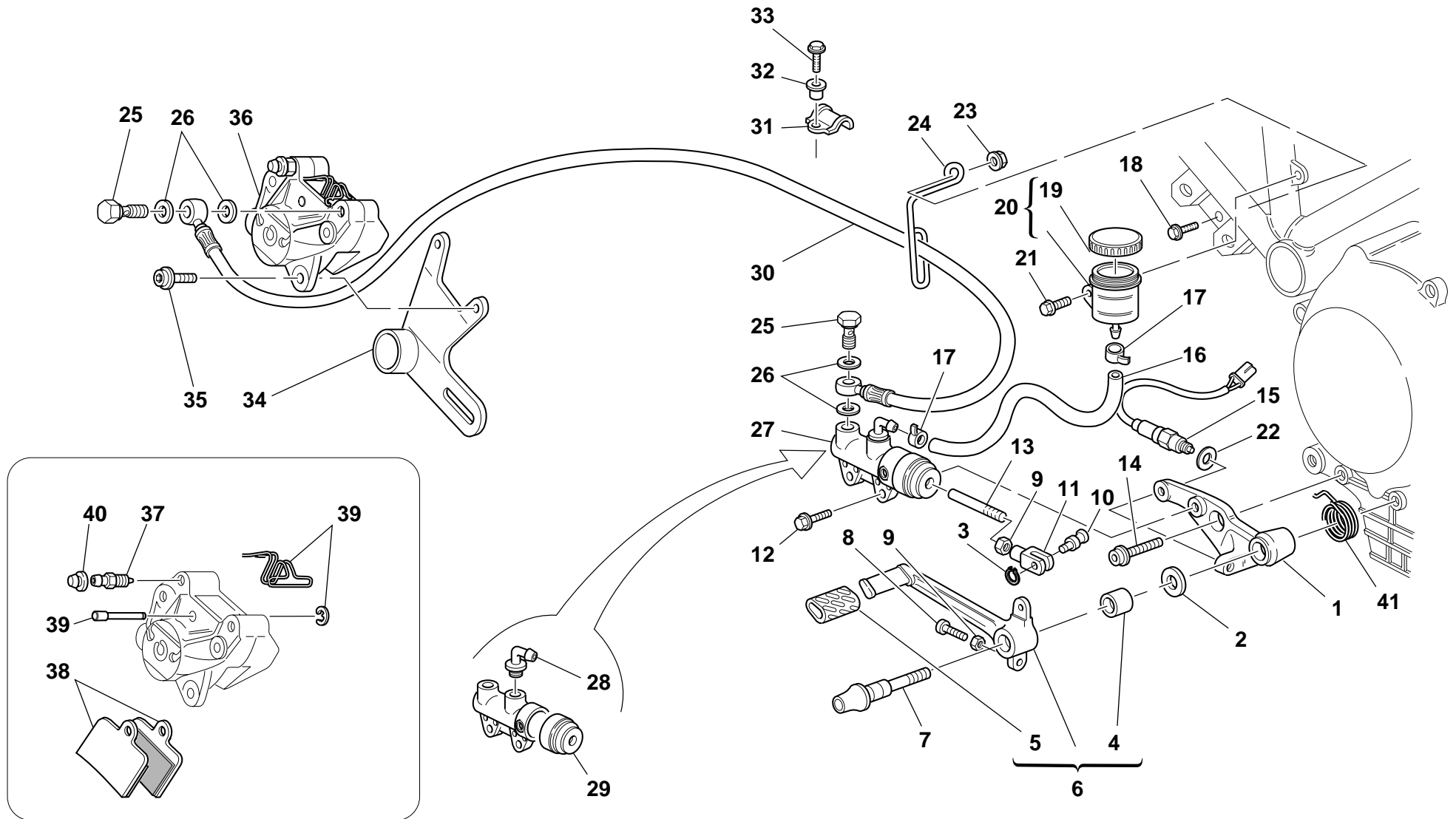
DRAWING **035** REAR SUSPENSION

NOTES	NO.	CODE NO.	DESCRIPTION	VALIDITY	Q.TY	
	1	372.2.008.3A	Rocker assembly		1	
	2	93781.1824	Seal ring		2	
	3	701.4.006.1A	Needle bearing		4	
	4	710.1.025.1A	Bush		4	
	5	771.5.938.2B	Screw		1	
	6	365.2.027.1C	Shock absorber		1	
	7	771.5.937.2B	Screw		1	
	8	715.1.004.1A	Spacer		1	
	9	710.1.057.1A	Bush		1	
	10	771.1.009.1A	Screw		1	
	11	771.1.008.1A	Screw		1	
	12	710.1.046.1A	Bush		1	
	13	76401.0009	Ball joint		1	
	14	747.1.006.1A	Nut		1	
	15	750.1.041.1A	Nut		1	
	16	875.1.038.2A	Tie rod		1	
	17	417.9.090.1A	Nut		1	
	18	76401.0010	Ball joint		1	
	19	0670.92.190	Shim th. 2		2	

NOTES	NO.	CODE NO.	DESCRIPTION	VALIDITY	Q.TY	
-------	-----	----------	-------------	----------	------	---

CATALOGUE No:
ISSUED:**915.1.046.1F**
06 - 02CATALOGUE No:
ISSUED:**915.1.046.1F**
06 - 02


DRAWING 036 REAR HYDRAULIC BRAKE



DRAWING **036** REAR HYDRAULIC BRAKE

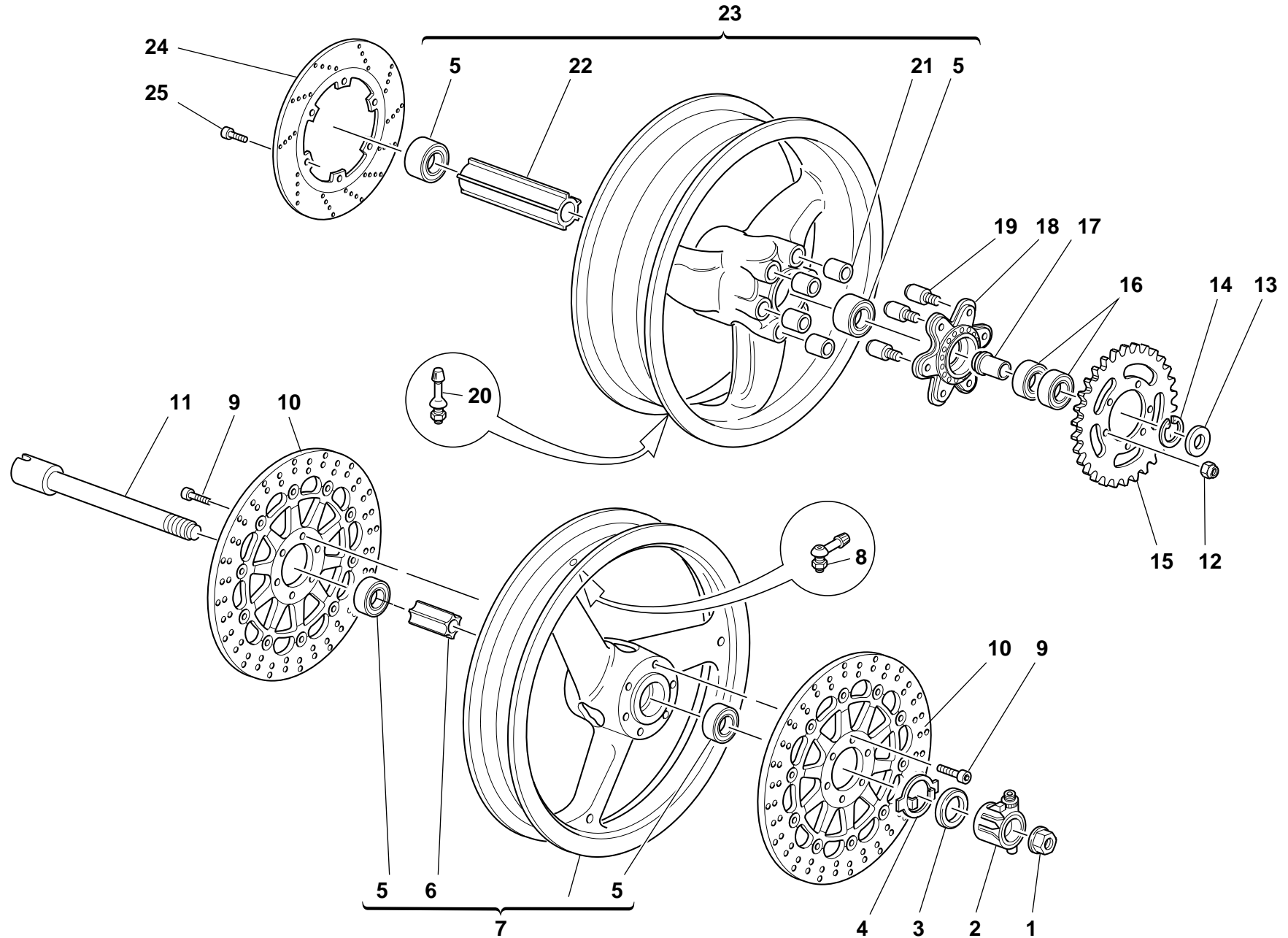
NOTES	NO.	CODE NO.	DESCRIPTION	VALIDITY	Q.TY	
	1	829.1.184.1A	Holder		1	
	2	852.1.054.1A	Washer		1	
	3	73500.0624	Circlip		1	
	4	8000.59056	Bush		1	
	5	764.1.011.2A	Rubber pad		1	
	6	457.2.008.1A	Brake control lever		1	
	7	821.1.052.1A	Pedal pin		1	
	8	8000.67981	Threaded dowel		1	
	9	60N115062	Nut		2	
	10	821.1.096.1A	Pin		1	
	11	184.1.001.1A	Fork		1	
	12	772.5.024.1A	Screw		2	
	13	117.1.025.2A	Master cylinder adjusting rod ø13		1	
	14	771.5.754.2B	Screw		1	
	15	539.4.003.1B	Switch		1	
	16	877.1.050.1A	Tube		1	
	17	741.4.043.1A	Clamp		2	
	18	0000.62726	Screw		1	
	19	893.4.005.1A	Cap		1	
	20	585.4.001.1A	Complete oil tank		1	
	21	772.5.025.1A	Screw		1	
	22	420.2.000.8A	Copper gasket sp. 1		1	
	23	0000.44240	Nut		1	
	24	829.1.073.3A	Holder		1	
	25	779.1.058.2A	Special screw		2	
	26	420.2.001.0A	Gasket th.1		4	
	27	625.4.006.1A	Rear brake pump		1	

CATALOGUE No: **915.1.046.1F**
ISSUED: **06 - 02**

NOTES	NO.	CODE NO.	DESCRIPTION	VALIDITY	Q.TY	
	28	631.4.008.1A	Spare union		1	
	29	626.4.013.1A	Dust cover		1	
	30	619.4.015.1A	Caliper pump pipe		1	
	31	8000.73456	Clip		1	
	32	8000.69282	Spacer		1	
	33	8A00.67997	Screw		1	
	34	825.1.022.1A	Caliper holder plate		1	
	35	771.5.723.2B	Screw		2	
	36	611.4.009.1A	Rear brake caliper		1	
	37	0370.39.780	Spare bleed union		1	
	38	613.4.021.1A	Pads pair		1	
	39	612.4.016.1A	Spare pins and spring		1	
	40	612.4.008.1A	Dust seal		1	
	41	799.1.083.1B	Spring		1	


CATALOGUE No: **915.1.046.1F**
ISSUED: **06 - 02**

DRAWING 037 WHEELS



DRAWING **037** **WHEELS**

NOTES	NO.	CODE NO.	DESCRIPTION	VALIDITY	Q.TY	
	1	748.1.014.1B	Fork nut		1	
	2	498.1.009.1A	Speedometer transmission		1	
	3	0000.64471	Seal ring		1	
	4	0000.62648	Relay drive ring		1	
	5	75162.2566	Bearing		4	
	6	714.1.028.1A	Inner spacer		1	
	7	501.2.019.1AF	Front wheel rim		1	
	8	497.2.001.2A	Valve		1	
	9	771.5.721.2B	Screw		12	
	10	492.4.024.1A	Brake disc		2	
	11	819.1.017.1A	Front wheel spindle		1	
	12	748.4.024.1A	Nut		6	
	13	713.1.097.1B	Spacer		1	
	14	884.5.008.1A	Circlip		1	
	15	494.1.068.3D	Ring gear z=42		1	
	16	75162.3075	Bearing		2	
	17	710.1.041.1B	Bush		1	
	18	160.1.049.1A	Rear sprocket flange		1	
	19	821.1.009.1B	Pin		6	
	20	0803.77.010	Valve		1	
	21	700.1.005.1A	Vibration damper		6	
	22	713.1.098.1A	Inner spacer		1	
	23	502.2.017.2AB	Rear rim		1	
	24	492.4.003.2A	Brake disc		1	
	25	771.5.723.2B	Screw		6	


NOTES	NO.	CODE NO.	DESCRIPTION	VALIDITY	Q.TY	
-------	-----	----------	-------------	----------	------	---

CATALOGUE No:
ISSUED:**915.1.046.1F**
06 - 02CATALOGUE No:
ISSUED:**915.1.046.1F**
06 - 02

DRAWING **038** NUMBER PLATE HOLDER

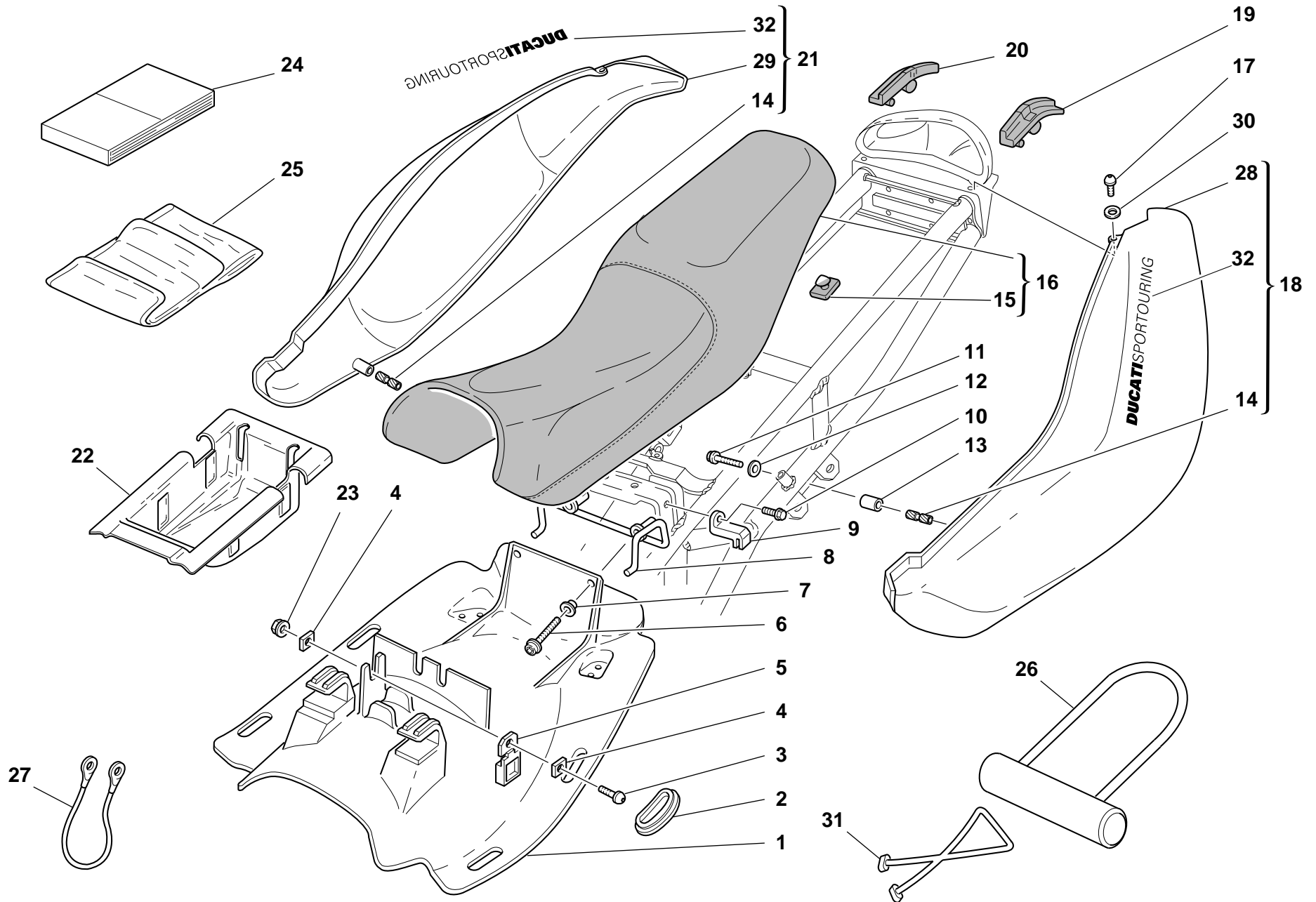
NOTES	NO.	CODE NO.	DESCRIPTION	VALIDITY	Q.TY	
	1	772.5.023.1A	Screw		4	
	2	806.1.011.1AA	Red handle		1	
	2	806.1.011.1AB	Silver handle		1	
	2	806.1.011.1AD	Handle blue		1	
	2	806.1.011.1AE	Yellow handle		1	
	3	732.2.006.2A	Lock latch		1	
	4	8A00.67997	Screw		2	
	5	598.2.019.1A	Seat lock		1	
	6	530.4.003.1B	L.H. turn indicator		1	
	7	0000.36726	Bulb		2	
	8	532.4.001.1A	Cup		2	
	9	852.5.001.1A	Washer		4	
	10	749.5.001.1A	Nut		6	
	11	716.1.022.1A	Spacer		2	
	12	0000.44240	Nut		6	
	13	0000.63150	Insert		5	
	14	8000.18048	Rubber pad		3	
	15	525.4.010.1A	Tail light		1	
	16	390.4.003.1A	Two-light bulb 12V 5/21W		1	
	17	821.1.081.1A	Pin		1	
	18	532.4.002.1A	Lens		1	
	19	60N115548	Washer		7	
	20	0000.36230	Bulb		1	
	21	510.1.108.1A	Wiring		1	
	22	60N107335	Screw		2	
	23	530.4.004.1B	R.H. turn indicator		1	
	24	525.1.004.2A	Tail lamp		1	

CATALOGUE No: **915.1.046.1F**
ISSUED: **06 - 02**

NOTES	NO.	CODE NO.	DESCRIPTION	VALIDITY	Q.TY	
	25	529.1.006.1A	Cat's eye		3	
	26	772.5.024.1A	Screw		2	
	27	561.1.019.1A	Plate		1	
	28	771.5.043.2B	Screw		5	
	29	561.1.013.2A	Number plate holder		1	
	30	417.7.007.1A	Cap		2	
	31	741.1.012.1A	Clamp		2	
	32	460.1.077.1A	Mudflap		1	
	33	460.1.080.1A	Mudflap		1	
	34	0000.62726	Screw		2	
	35	829.1.136.1A	Holder		1	

CATALOGUE No: **915.1.046.1F**
ISSUED: **06 - 02**


DRAWING 039 SEAT



DRAWING **039** SEAT


NOTES	NO.	CODE NO.	DESCRIPTION	VALIDITY	Q.TY	
	1	559.1.005.1A	Panel (BLACK)		1	
	2	872.1.022.1A	Cap		4	
	3	779.1.088.1A	Screw		1	
	4	827.1.061.1A	Plate		2	
	5	829.4.001.1A	Holder		1	
	6	771.5.667.2B	Screw		2	
	7	716.1.038.1A	Spacer		2	
	8	760.1.015.1A	Hook		1	
	9	808.1.019.1A	Clamp		2	
	10	8H00.67545	Screw		2	
	11	770.5.619.2B	Screw		2	
	12	734305N01	Washer		2	
	13	713.1.129.1A	Spacer		2	
	14	850.4.016.1A	Threaded insert		2	
	15	866.1.030.1A	Rubber pad		6	
	16	595.1.054.1A	Seat		1	
	17	775.1.008.2A	Screw		2	
	18	482.1.027.1BA	L.H. body panel (RED)		1	
	18	482.1.027.1BB	L.H. body panel (SILVER)		1	
	18	482.1.027.1BD	L.H. body panel (BLUE)		1	
	18	482.1.027.1BE	L.H. body panel (YELLOW)		1	
	19	700.1.025.1A	L.H. gasket		1	
	20	700.1.024.1A	R.H. gasket		1	
	21	482.1.028.1BA	R.H. body panel (RED)		1	
	21	482.1.028.1BB	R.H. body panel (SILVER)		1	
	21	482.1.028.1BD	R.H. body panel (BLUE)		1	
	21	482.1.028.1BE	R.H. body panel (YELLOW)		1	

CATALOGUE No: **915.1.046.1F**
ISSUED: **06 - 02**


NOTES	NO.	CODE NO.	DESCRIPTION	VALIDITY	Q.TY	
	22	565.1.022.2A	Tool box		1	
	23	8000.56443	Nut		1	
	24	913.7.062.1I	Owner's manual		1	
	25	697.2.009.2C	Tool bag		1	
	26	598.4.015.1A	Padlock		1	
	27	732.1.005.1A	Helmet anti-theft wire		1	
	28	482.3.021.1A	L.H. body panel (unpainted)		1	
	29	482.3.022.1A	R.H. body panel (unpainted)		1	
	30	856.1.040.1A	Nylon washer		2	
	31	759.1.015.1A	Rubber		2	
	32	436.1.021.1A	Sticker "SPORTTOURING" (for RED, BLUE, BLACK)		2	
	32	436.1.021.1AB	Sticker "SPORTTOURING" (for YELLOW, SILVER)		1	

CATALOGUE No: **915.1.046.1F**
ISSUED: **06 - 02**

DRAWING **040** FUEL TANK

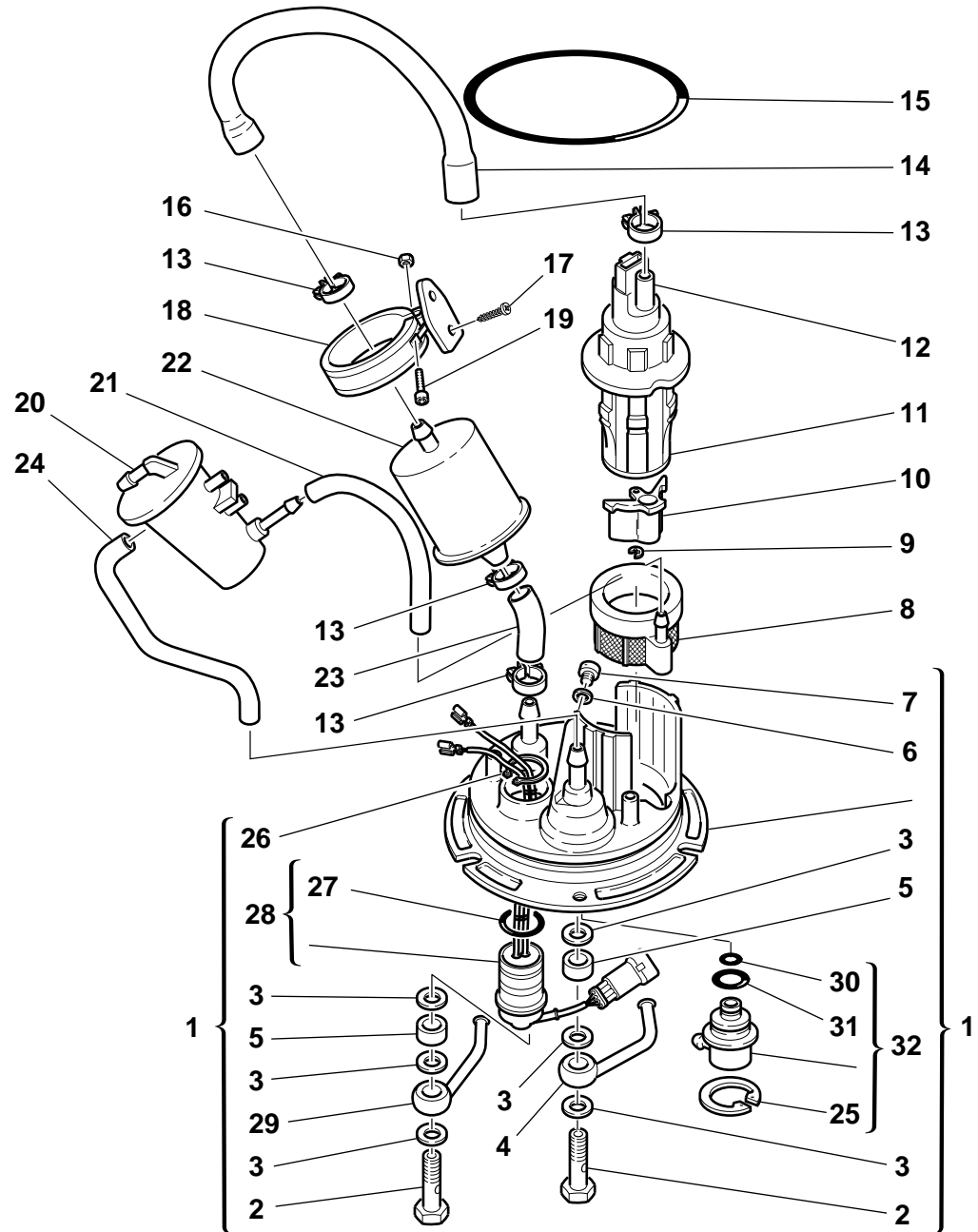
NOTES	NO.	CODE NO.	DESCRIPTION	VALIDITY	Q.TY	
	1	586.1.029.1BA	Fuel tank (RED)		1	
	1	586.1.029.1BB	Fuel tank (SILVER)		1	
	1	586.1.029.1BD	Fuel tank (BLUE)		1	
	1	586.1.029.1BE	Fuel tank (YELLOW)		1	
	1	586.3.029.1A	Fuel tank (unpainted)		1	
	2	895.4.001.2A	Tank cap		1	
	3	0000.62705	Split pin		1	
	4	80C0.05893	Shim		2	
	5	712.1.013.3A	Bush		2	
	6	772.5.025.1A	Screw		2	
	7	827.2.134.1A	Plate		1	
	8	821.1.028.2B	Pin		1	
	9	590.1.085.1A	Tube		2	
	10	741.4.004.1A	Clamp		4	
	11	829.1.186.1A	Rubber holder		2	
	12	552.1.003.2A	Sensor		1	
	13	8000.56391	Nylon washer		2	
	14	771.5.040.2B	Screw		1	
	15	771.5.045.7E	Screw		3	
	16	791.1.034.1A	Cover gasket		1	
	17	750.1.042.1A	Nut		5	
	18	763106N01	El-stop nut		4	
	19	866.1.029.1A	Rubber pad		2	
	20	8000.77921	Screw		1	
	21	420.2.001.0A	Gasket th.1		1	
	22	830.1.131.1A	Bracket		1	
	23	764.1.019.1A	Vibration damper pad		1	

CATALOGUE No: **915.1.046.1F**
ISSUED: **06 - 02**

NOTES	NO.	CODE NO.	DESCRIPTION	VALIDITY	Q.TY	
	24	80B0.55703	Screw		2	
	25	247.2.105.2A	Cover		1	
	26	791.1.012.1A	Gasket		1	

CATALOGUE No: **915.1.046.1F**
ISSUED: **06 - 02**


DRAWING 041 FUEL SYSTEM



DRAWING **041** FUEL SYSTEM

NOTES	NO.	CODE NO.	DESCRIPTION	VALIDITY	Q.TY	
	1	160.9.053.1B	Flange		1	
	2	779.1.158.1A	Special screw		2	
	3	852.1.098.1A	Washer		6	
	4	814.1.058.1A	Union		1	
	5	713.1.112.1A	Spacer		2	
	6	420.2.001.0A	Gasket th.1		1	
	7	780.1.008.1A	Cap		1	
	8	427.1.003.1A	Fuel pump filter		1	
	9	850.4.031.1A	Snap ring		1	
	10	484.1.029.1B	Manifold		1	
	11	829.1.077.2B	Pump holder		1	
	12	430.4.004.1A	Fuel pump		1	
	13	741.4.004.1A	Clamp		4	
	14	590.1.055.1A	Tube		1	
	15	886.5.001.1A	O-Ring		1	
	16	0419.50.115	Hexagon nut		1	
	17	72237.0974	Self-tapping screw		2	
	18	829.1.104.1A	Holder		1	
	19	0419.50.045	Screw		1	
	20	427.4.002.1A	Air separator		1	
	21	590.1.059.1A	Tube		1	
	22	425.4.004.1B	Fuel filter		1	
	23	590.1.056.1A	Filter/pump pipe		1	
	24	590.1.058.1A	Tube		1	
	25	73503.3449	Circlip		1	
	26	73500.2668	Circlip		1	
	27	886.5.011.1A	O-Ring		1	

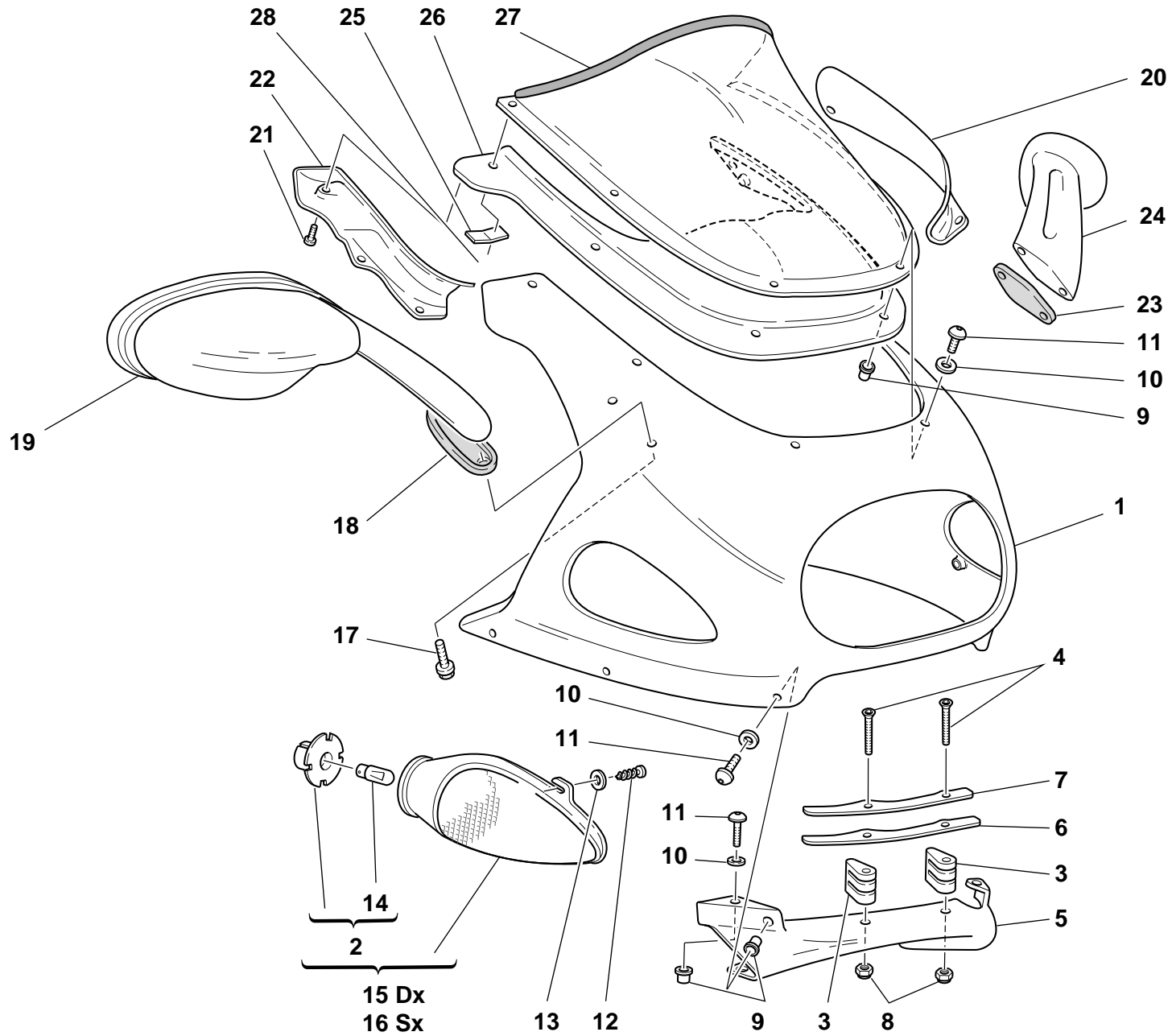
CATALOGUE No: **915.1.046.1F**
ISSUED: **06 - 02**

NOTES	NO.	CODE NO.	DESCRIPTION	VALIDITY	Q.TY	
	28	510.2.003.1A	Pump wiring		1	
	29	814.1.057.1A	Union		1	
	30	886.4.021.1A	O-ring		1	
	31	886.4.022.1A	O-ring		1	
	32	283.4.003.1A	Pressure regulator		1	

CATALOGUE No: **915.1.046.1F**
ISSUED: **06 - 02**

DRAWING 042

HEADLIGHT FAIRING




DRAWING

042**HEADLIGHT FAIRING**

NOTES	NO.	CODE NO.	DESCRIPTION	VALIDITY	Q.TY	
	1	481.1.016.1BA	Headlight fairing (RED)		1	
	1	481.1.016.1BB	Headlight fairing (SILVER)		1	
	1	481.1.016.1BD	Headlight fairing (BLUE)		1	
	1	481.1.016.1BE	Headlight fairing (YELLOW)		1	
	1	481.3.016.1A	Headlight fairing (unpainted)		1	
	2	390.4.005.1A	Lamp holder		2	
	3	808.1.018.1A	Clamp		1	
	4	777.5.007.2B	Screw		2	
	5	484.1.024.1AA	Air manifold (RED)		1	
	5	484.1.024.1AB	Air manifold (SILVER)		1	
	5	484.1.024.1AD	Air manifold (BLUE)		1	
	5	484.1.024.1AE	Air manifold (YELLOW)		1	
	5	484.3.024.1A	Manifold (unpainted)		1	
	6	827.1.131.1A	Lower plate		1	
	7	827.1.130.1A	Upper plate		1	
	8	749.5.001.1A	Nut		2	
	9	0000.63150	Insert		8	
	10	0000.63161	Washer		8	
	11	775.1.011.1A	Screw		8	
	12	72237.0657	Self-tapping screw		4	
	13	852.5.002.1A	Washer		4	
	14	0000.36726	Bulb		2	
	15	530.4.006.1A	R.H. turn indicator		1	
	16	530.4.005.1A	L.H. turn indicator		1	
	17	772.5.023.1A	Screw		4	
	18	713.1.126.1A	R.H. gasket		1	
	19	523.4.007.1AA	R.H. rear-view mirror (RED)		1	

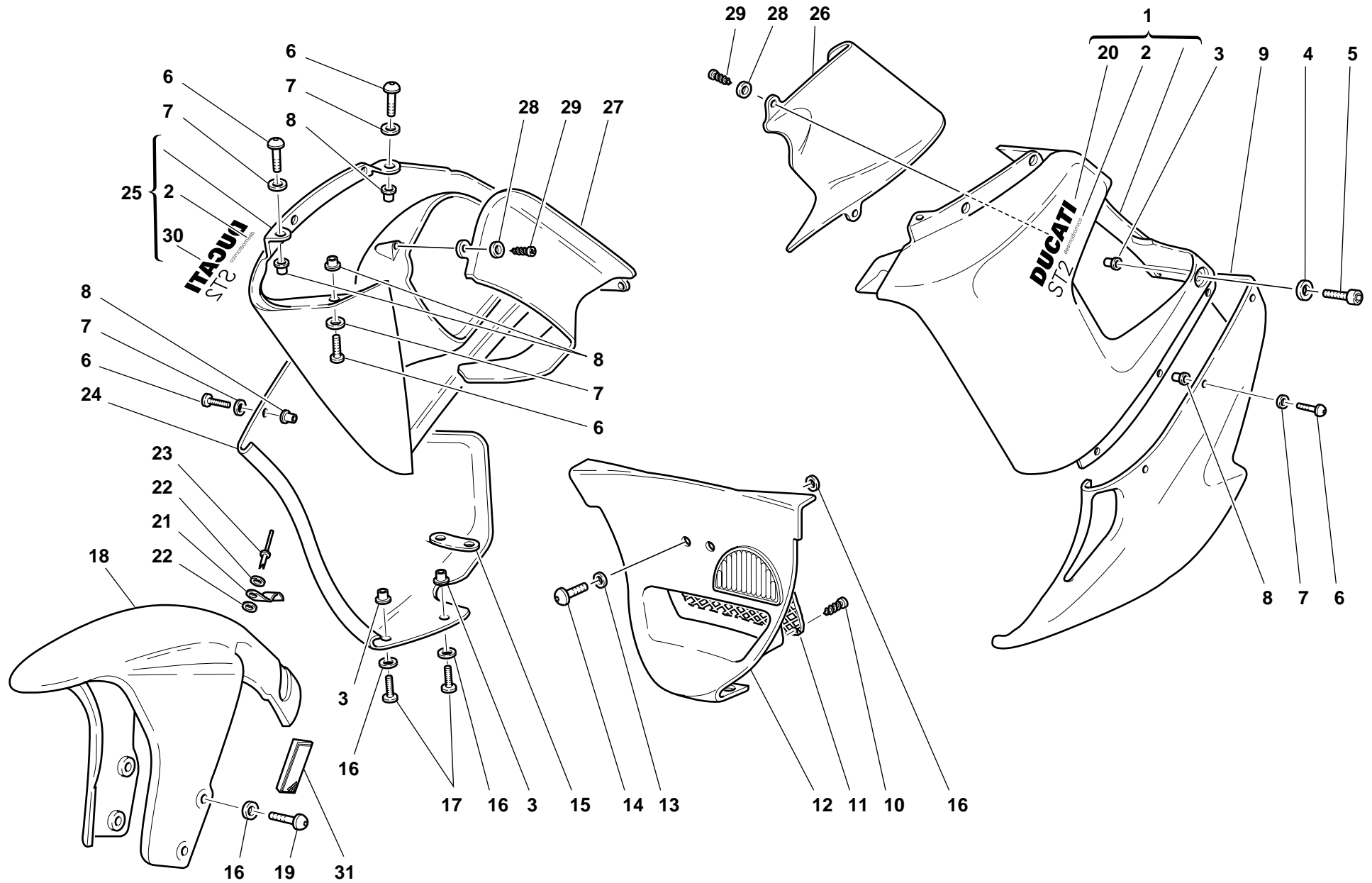
CATALOGUE No:
ISSUED:**915.1.046.1F**
06 - 02

NOTES	NO.	CODE NO.	DESCRIPTION	VALIDITY	Q.TY	
	19	523.4.007.1AB	R.H. rear-view mirror (SILVER)		1	
	19	523.4.007.1AD	R.H. rear-view mirror (BLUE)		1	
	19	523.4.007.1AE	R.H. rear-view mirror (YELLOW)		1	
	20	460.1.072.1A	L.H. side panel (GREY)		1	
	21	779.1.116.1A	Screw		3	
	22	460.1.071.1A	R.H. side panel (GREY)		1	
	23	713.1.127.1A	L.H. gasket		1	
	24	523.4.006.1AA	L.H. rear-view mirror (RED)		1	
	24	523.4.006.1AB	L.H. rear-view mirror (SILVER)		1	
	24	523.4.006.1AD	L.H. rear-view mirror (BLUE)		1	
	24	523.4.006.1AE	L.H. rear-view mirror (YELLOW)		1	
	25	827.1.162.1A	Plate		2	
	26	460.1.070.1A	Panel (GREY)		1	
	27	487.1.014.1A	Windshield		1	
	28	850.4.013.1A	Threaded insert		1	

CATALOGUE No:
ISSUED:**915.1.046.1F**
06 - 02

DRAWING 043

FAIRING



DRAWING

043**FAIRING**

NOTES	NO.	CODE NO.	DESCRIPTION	VALIDITY	Q.TY	
	1	480.1.058.0A	L.H. upper half-fairing (unpainted)		1	
	1	480.1.058.1DA	L.H. upper half-fairing (RED)		1	
	1	480.1.058.1DB	L.H. upper half-fairing (SILVER)		1	
	1	480.1.058.1DD	L.H. upper half-fairing (BLUE)		1	
	1	480.1.058.1DE	L.H. upper half-fairing (YELLOW)		1	
	2	437.1.107.1AA	Sticker "DESMODROMICO" (for RED, BLUE, BLACK)		1	
	2	437.1.107.1AB	Sticker "DESMODROMICO" (for SILVER, YELLOW)		1	
	3	0364.99.020	Threaded insert		6	
	4	841.1.001.1C	Retainer		2	
	5	779.5.001.1A	Screw		2	
	6	775.1.011.1A	Screw		4	
	7	0000.63161	Washer		4	
	8	0000.63150	Insert		4	
	9	480.1.059.0A	L.H. lower half-fairing (unpainted)		1	
	9	480.1.059.2AA	L.H. lower half-fairing (RED)		1	
	9	480.1.059.2AB	L.H. lower half-fairing (SILVER)		1	
	9	480.1.059.2AD	L.H. lower half-fairing (BLUE)		1	
	9	480.1.059.2AE	L.H. lower half-fairing (YELLOW)		1	
	10	72237.0974	Self-tapping screw		4	
	11	460.1.079.1A	Net		1	
	12	484.1.031.1AA	Air manifold (RED)		1	
	12	484.1.031.1AB	Air manifold (SILVER)		1	
	12	484.1.031.1AD	Air manifold (BLUE)		1	
	12	484.1.031.1AE	Air manifold (YELLOW)		1	
	12	484.3.031.1A	Air manifold (unpainted)		1	
	13	8000.56391	Nylon washer		2	
	14	80B0.55703	Screw		2	

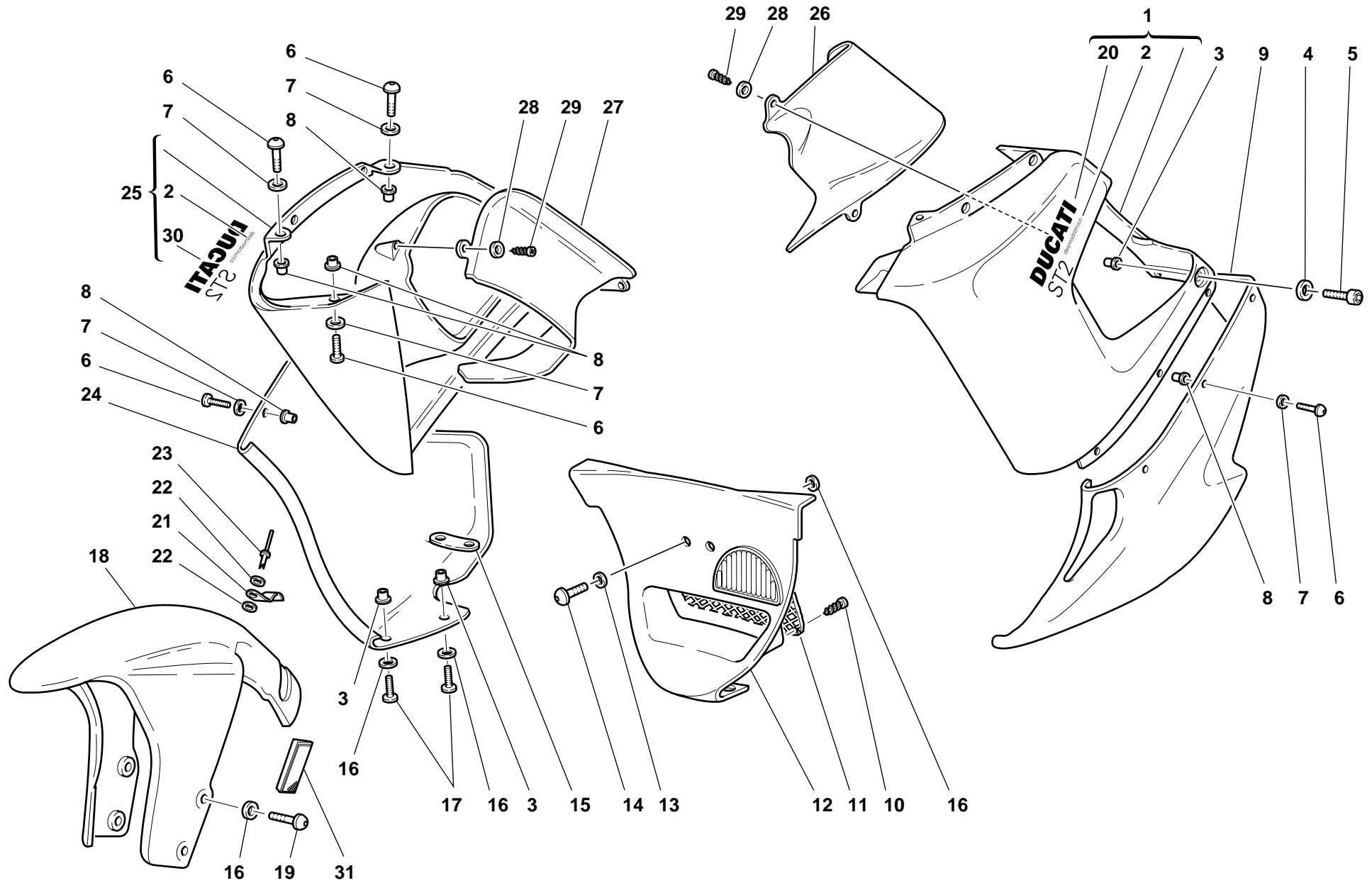
CATALOGUE No:
ISSUED:**915.1.046.1F**
06 - 02

NOTES	NO.	CODE NO.	DESCRIPTION	VALIDITY	Q.TY	
	15	827.1.012.1A	Bent plate		1	
	16	856.1.040.1A	Nylon washer		8	
	17	779.1.089.1A	Screw		4	
	18	564.1.023.1AA	Front mudguard (RED)		1	
	18	564.1.023.1AB	Front mudguard (SILVER)		1	
	18	564.1.023.1AD	Front mudguard (BLUE)		1	
	18	564.1.023.1AE	Front mudguard (YELLOW)		1	
	18	564.3.023.1A	Front mudguard (unpainted)		1	
	19	0000.55698	Screw		4	
	20	437.1.111.1AA	L.H. sticker "DUCATI ST2" (for RED, BLUE, BLACK)		1	
	20	437.1.111.1AB	L.H. sticker "DUCATI ST2" (for SILVER, YELLOW)		1	
	21	850.1.003.1A	Clip		1	
	22	852.1.075.1A	Washer		2	
	23	736.4.013.1B	Shear rivet		1	
	24	480.1.061.0A	R.H. lower half-fairing (unpainted)		1	
	24	480.1.061.2AA	R.H. lower half-fairing (RED)		1	
	24	480.1.061.2AB	R.H. lower half-fairing (SILVER)		1	
	24	480.1.061.2AD	R.H. lower half-fairing (BLUE)		1	
	24	480.1.061.2AE	R.H. lower half-fairing (YELLOW)		1	
	25	480.1.060.0A	R.H. upper half-fairing (unpainted)		1	
	25	480.1.060.1DA	R.H. upper half-fairing (RED)		1	
	25	480.1.060.1DB	R.H. upper half-fairing (SILVER)		1	
	25	480.1.060.1DD	R.H. upper half-fairing (BLUE)		1	
	25	480.1.060.1DE	R.H. upper half-fairing (YELLOW)		1	
	26	484.1.025.1AA	L.H. air manifold		1	
	27	484.1.026.1AA	R.H. air manifold		1	
	28	852.5.002.1A	Washer		4	


CATALOGUE No:
ISSUED:**915.1.046.1F**
06 - 02

DRAWING 043

FAIRING

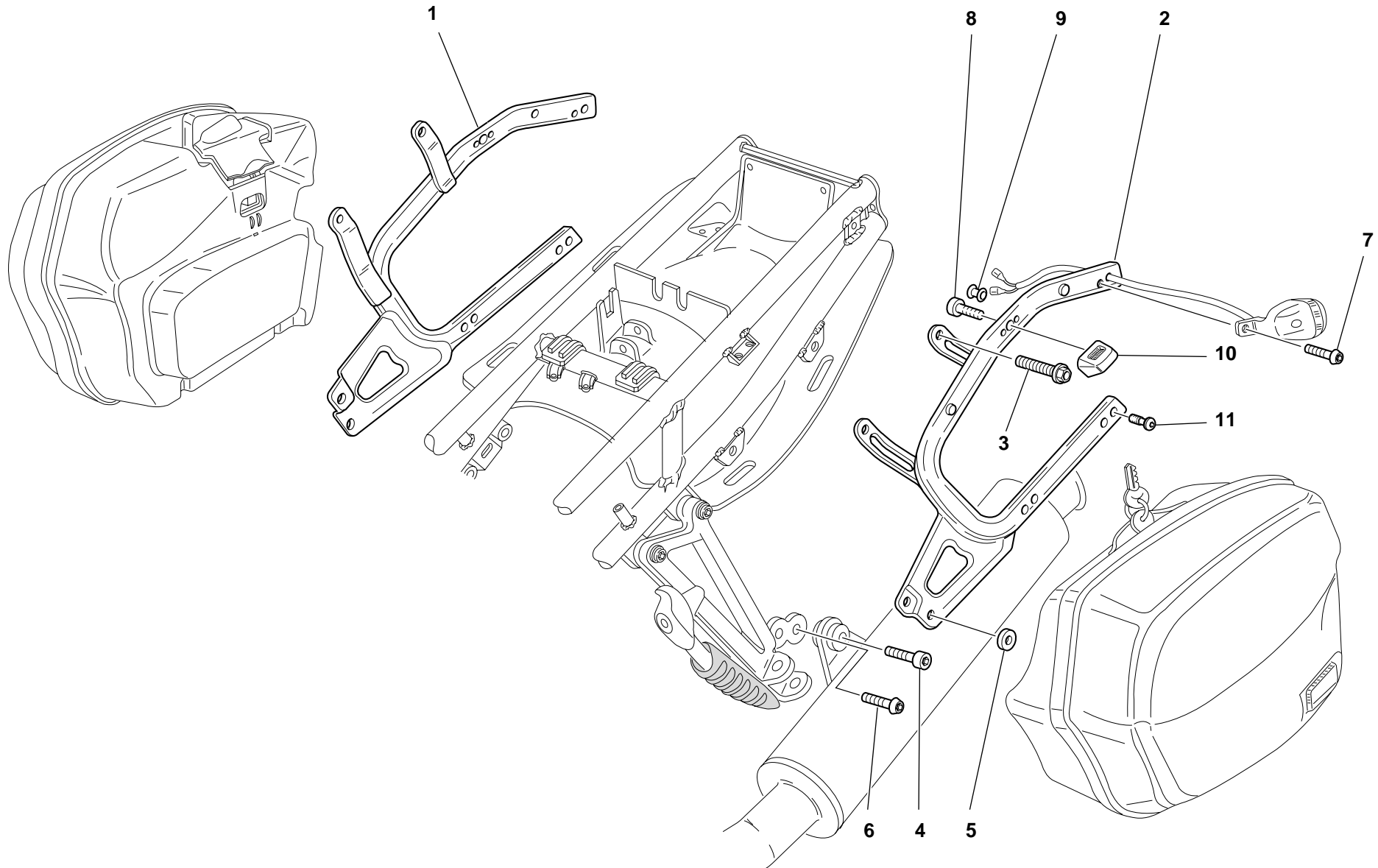


DRAWING **043** FAIRING


NOTES	NO.	CODE NO.	DESCRIPTION	VALIDITY	Q.TY	
	29	72231.0871	Screw		4	
	30	437.1.113.1AA	R.H. sticker "DUCATI ST2" (for RED, BLUE, BLACK)		1	
	30	437.1.113.1AB	R.H. sticker "DUCATI ST2" (for SILVER, YELLOW)		1	
	31	529.1.008.1AB	Cat's eye (AMBER)		2	

NOTES	NO.	CODE NO.	DESCRIPTION	VALIDITY	Q.TY	
-------	-----	----------	-------------	----------	------	---

DRAWING **044** PANNIERS FASTENS



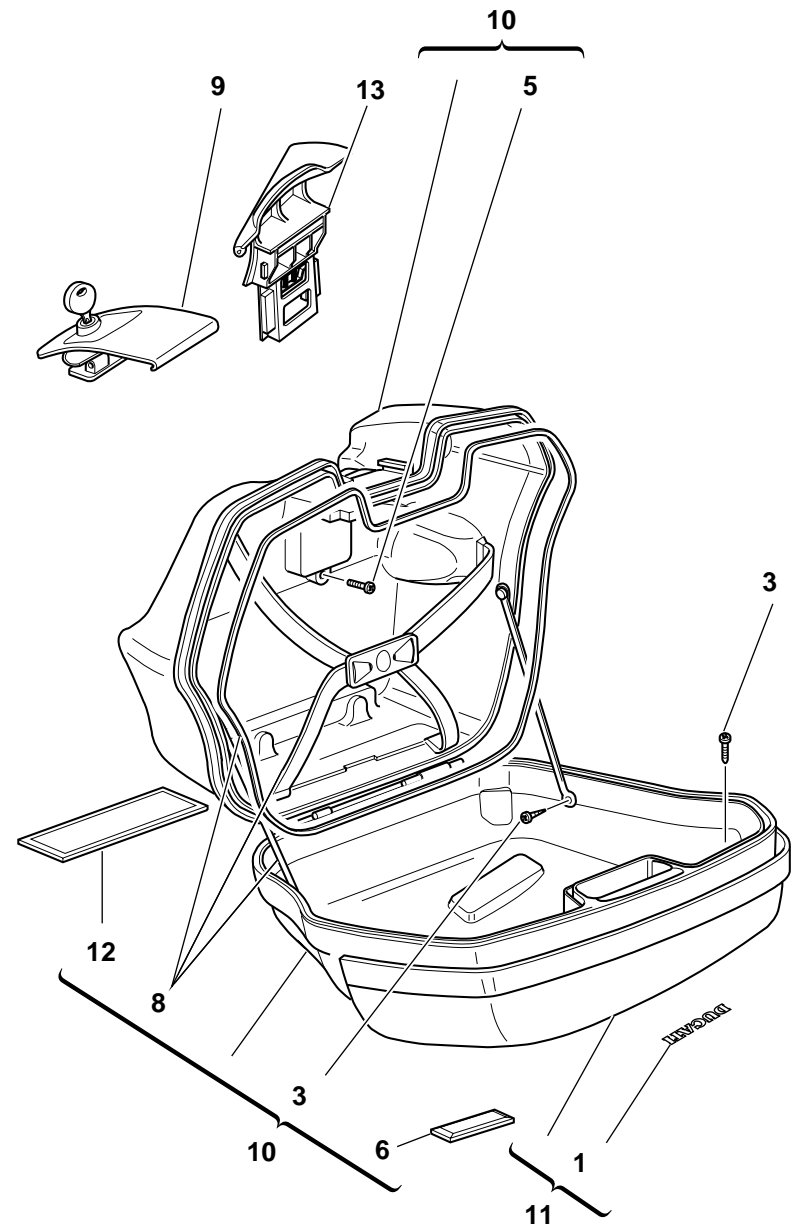
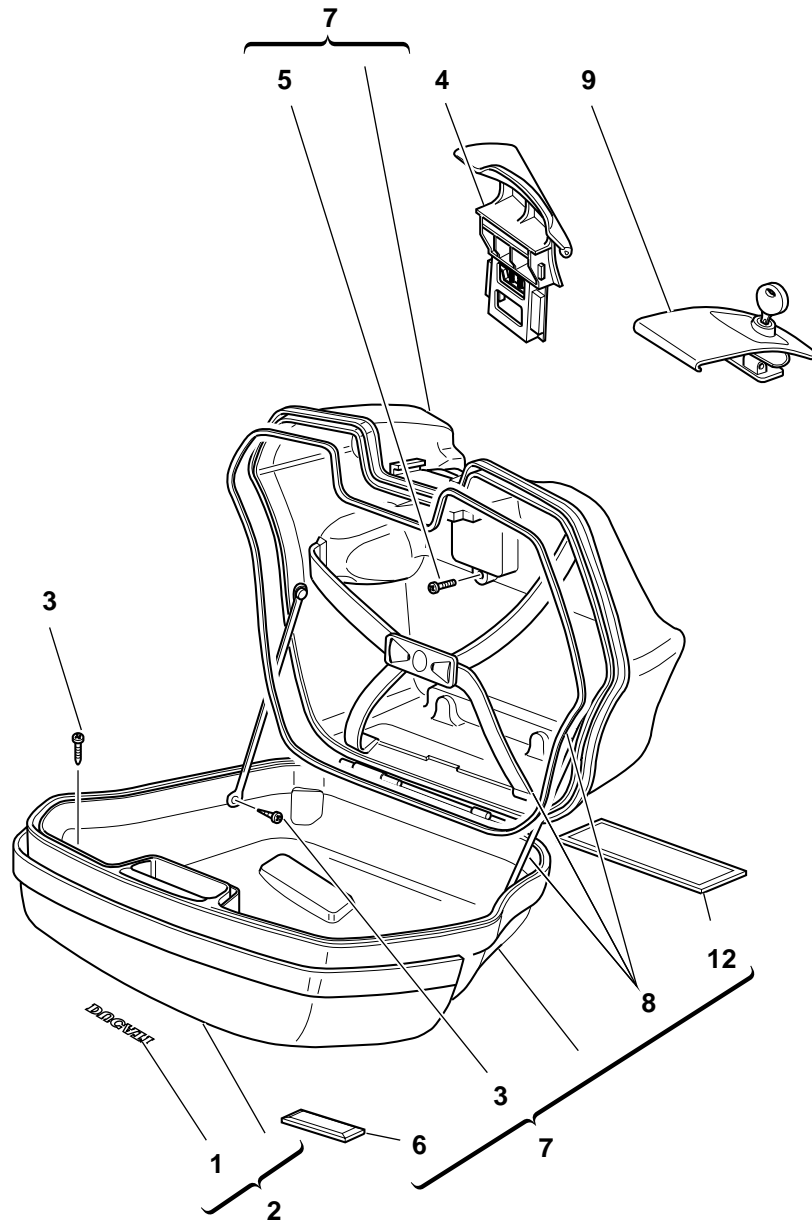
DRAWING **044** PANNIERS FASTENS

NOTES	NO.	CODE NO.	DESCRIPTION	VALIDITY	Q.TY	
-		699.2.094.1CA	Coplete panniers kit (RED)		1	
-		699.2.094.1CB	Complete Panniers kit (SILVER)		1	
-		699.2.094.1CD	Coplete panniers kit (BLUE)		1	
-		699.2.094.1CE	Coplete panniers kit (YELLOW)		1	
1		829.1.206.1A	R.H. holder		1	
2		829.1.205.1A	L.H. holder		1	
3		772.5.008.1A	Screw		4	
4		771.5.002.1A	Screw		1	
5		713.1.130.1A	Spacer		1	
6		775.5.002.1A	Screw		2	
7		8BB0.61070	Screw		2	
8		771.4.007.1A	Screw		2	
9		872.4.023.1A	Cap		4	
10		829.1.332.1A	Holder		2	
11		775.4.002.1A	Special screw		8	


NOTES	NO.	CODE NO.	DESCRIPTION	VALIDITY	Q.TY	
-------	-----	----------	-------------	----------	------	---


DRAWING 045

SIDE PANNIERS



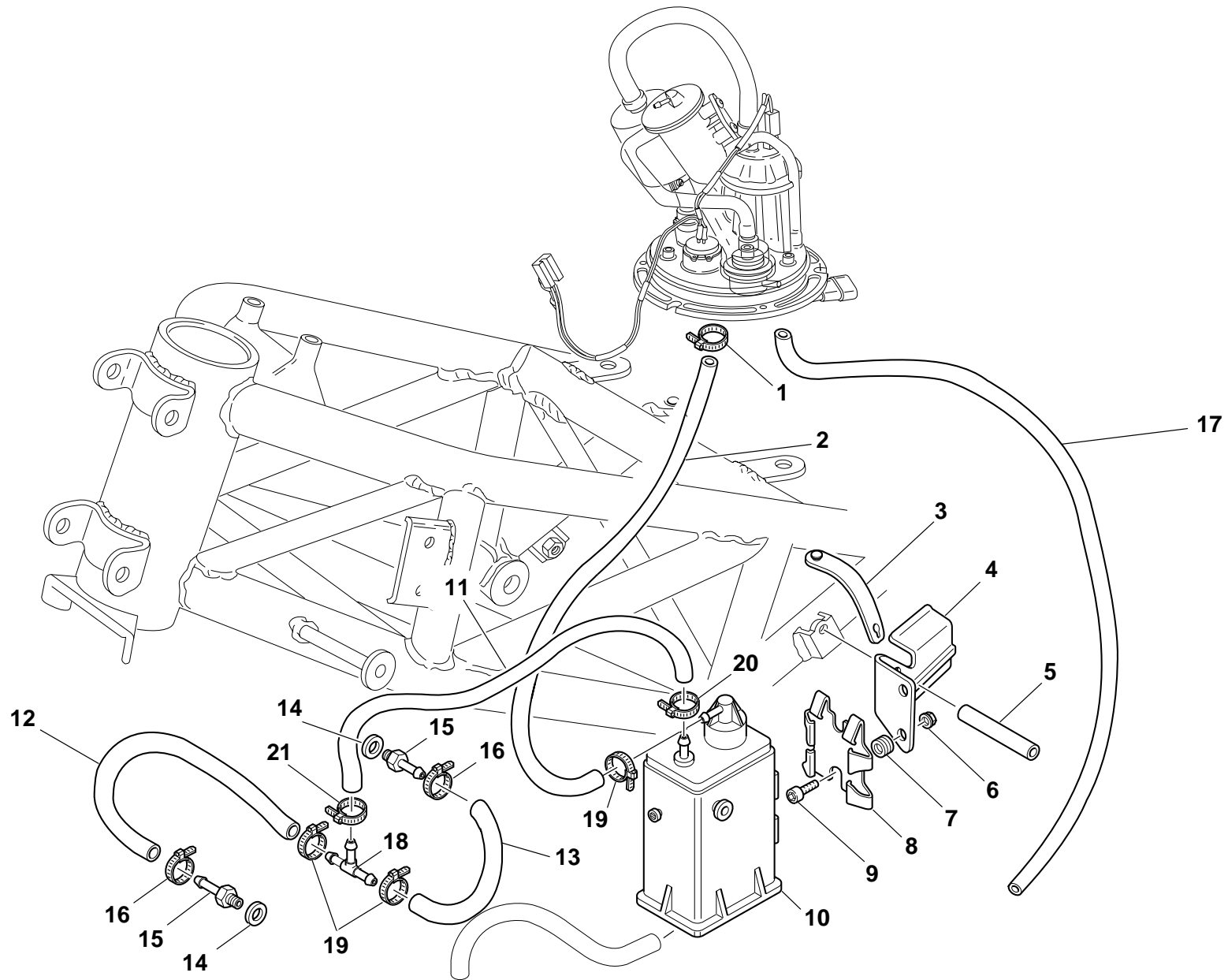
DRAWING **045** **SIDE PANNIERS**

NOTES	NO.	CODE NO.	DESCRIPTION	VALIDITY	Q.TY	
-		699.2.094.1CA	Coplete panniers kit (RED)		1	
-		699.2.094.1CB	Complete Panniers kit (SILVER)		1	
-		699.2.094.1CD	Coplete panniers kit (BLUE)		1	
-		699.2.094.1CE	Coplete panniers kit (YELLOW)		1	
1		438.1.096.1AA	Sticker "DUCATI" (for RED, BLUE, BLACK)		2	
1		438.1.096.1AB	Sticker "DUCATI" (for SILVER, YELLOW)		2	
2		698.1.021.1BA	R.H. cover (RED)		1	
2		698.1.021.1BB	R.H. cover (SILVER)		1	
2		698.1.021.1BD	R.H. cover (BLUE)		1	
2		698.1.021.1BE	R.H. cover (YELLOW)		1	
3		72237.0657	Self-tapping screw		20	
4		698.1.023.1A	R.H. handle		1	
5		72237.0974	Self-tapping screw		2	
6		529.4.005.1A	Cat's eye (AMBER)		2	
7		698.1.015.1A	R.H. pannier		1	
8		698.1.026.1A	Series of belts		1	
9		698.1.025.1A	Pannier locks kit		1	
10		698.1.016.1A	L.H. pannier		1	
11		698.1.022.1BA	L.H. cover (RED)		1	
11		698.1.022.1BB	L.H. cover (SILVER)		1	
11		698.1.022.1BD	L.H. cover (BLUE)		1	
11		698.1.022.1BE	L.H. cover (YELLOW)		1	
12		698.1.027.1A	Insulation		1	
13		698.1.024.1A	L.H. handle		1	


NOTES	NO.	CODE NO.	DESCRIPTION	VALIDITY	Q.TY	
-------	-----	----------	-------------	----------	------	---


DRAWING 046

FUEL INFEED



DRAWING **046** FUEL INFEED

NOTES	NO.	CODE NO.	DESCRIPTION	VALIDITY	Q.TY	
	1	741.4.057.1A	Clamp		1	
	2	590.1.106.1A	Tube		1	
	3	741.1.013.1A	Clamp		1	
	4	829.1.207.1A	Holder		1	
	5	716.1.043.1A	Spacer		2	
	6	0000.44240	Nut		2	
	7	764.1.029.1A	Rubber pad		2	
	8	827.1.157.1A	Plate		1	
	9	779.5.001.1A	Screw		2	
	10	426.1.007.1A	CANISTER filter		1	
	11	590.1.175.1A	Tube		1	
	12	590.1.069.2A	Tube		1	
	13	590.1.172.1A	Tube		2	
	14	0250.70.223	Aluminium gasket		2	
	15	814.1.091.1B	Union		2	
	16	741.4.013.1B	Clamp		2	
	17	590.1.098.1A	Tube		1	
	18	0361.98.850	Shunt valve		1	
	19	741.4.063.1A	Clamp		3	
	20	741.4.058.1A	Clamp		1	
	21	741.4.059.1A	Clamp		1	

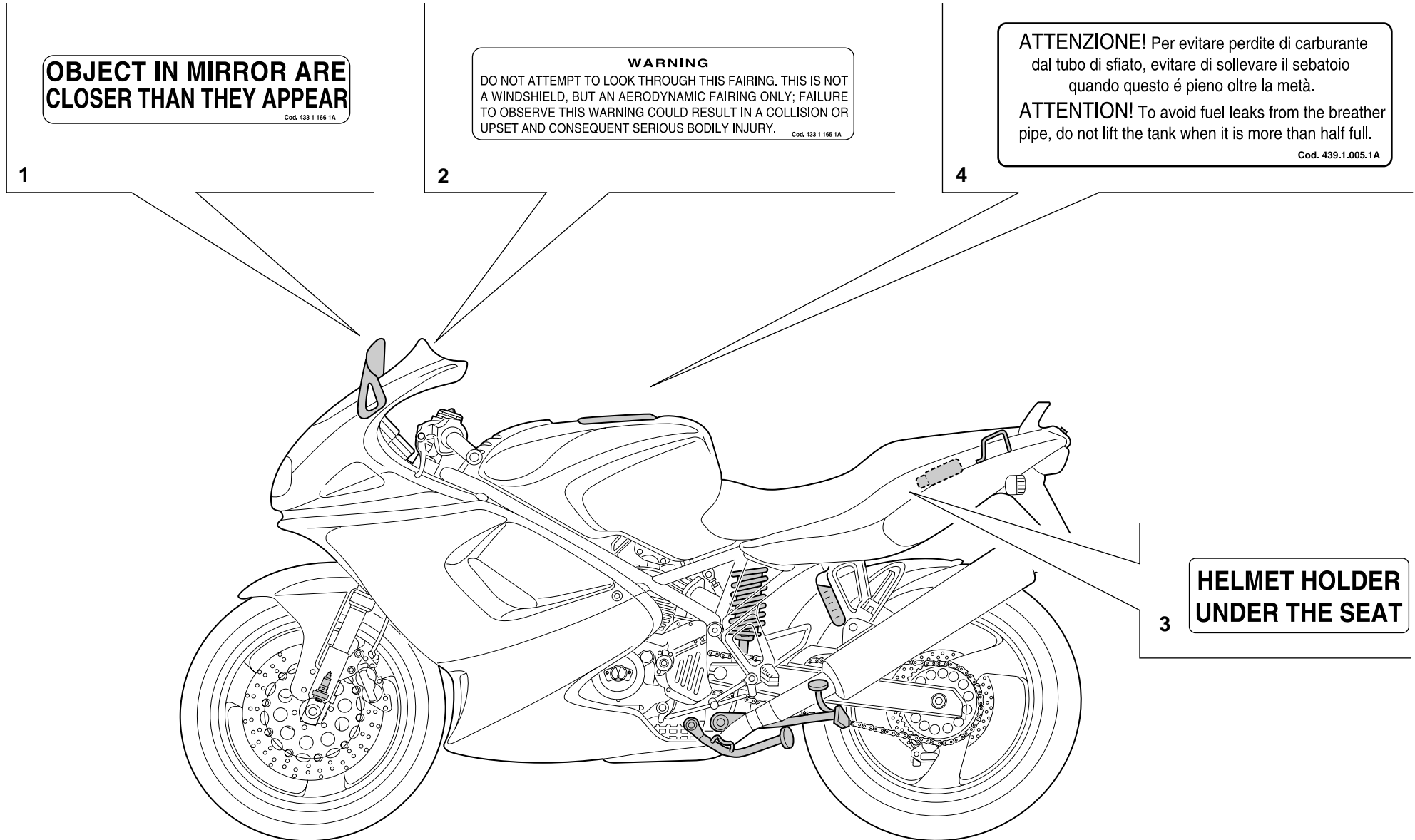
NOTES	NO.	CODE NO.	DESCRIPTION	VALIDITY	Q.TY	
-------	-----	----------	-------------	----------	------	---

CATALOGUE No:
ISSUED:**915.1.046.1F**
06 - 02CATALOGUE No:
ISSUED:**915.1.046.1F**
06 - 02

DRAWING

047

MARKING PLATES



**OBJECT IN MIRROR ARE
CLOSER THAN THEY APPEAR**

Cod. 433.1.166.1A

WARNING

DO NOT ATTEMPT TO LOOK THROUGH THIS FAIRING. THIS IS NOT A WINDSHIELD, BUT AN AERODYNAMIC FAIRING ONLY; FAILURE TO OBSERVE THIS WARNING COULD RESULT IN A COLLISION OR UPSET AND CONSEQUENT SERIOUS BODILY INJURY.

Cod. 433.1.165.1A


ATTENZIONE! Per evitare perdite di carburante dal tubo di sfiato, evitare di sollevare il serbatoio quando questo é pieno oltre la metà.

ATTENTION! To avoid fuel leaks from the breather pipe, do not lift the tank when it is more than half full.

Cod. 439.1.005.1A

**HELMET HOLDER
UNDER THE SEAT**

DRAWING **047** MARKING PLATES

NOTES	NO.	CODE NO.	DESCRIPTION	VALIDITY	Q.TY	
	1	433.1.165.1A	Sticker		1	
	2	433.1.166.1A	Label		2	
	3	433.1.170.1A	Sticker		1	
	4	433.1.164.1A	Sticker		1	

NOTES	NO.	CODE NO.	DESCRIPTION	VALIDITY	Q.TY	
-------	-----	----------	-------------	----------	------	---

INDEX

CODE No.	Drwg.	POS. N.	CODE No.	Drwg.	POS. N.	CODE No.	Drwg.	POS. N.	CODE No.	Drwg.	POS. N.	CODE No.	Drwg.	POS. N.
0000.33552	27	20	0000.62729	23	9	0272.91.090	2	8	0400.09.050	2	21	0660.16.145	4	21
0000.36230	23	8	0000.62729	29	9	0361.98.850	46	18	0400.16.190	13	14	0660.29.030	13	9
0000.36230	38	20	0000.63150	30	23	0364.99.015	33	17	0400.17.030	4	26	0660.47.040	6	13
0000.36726	38	7	0000.63150	38	13	0364.99.020	32	11	0400.17.030	7	10	0660.49.053	9	17
0000.36726	42	14	0000.63150	42	9	0364.99.020	43	3	0400.29.125	13	17	0660.50.020	12	8
0000.40427	30	2	0000.63150	43	8	0370.39.780	36	37	0400.29.125	2	34	0660.92.240	14	15
0000.41039	17	10	0000.63161	42	10	0370.49.250	10	22	0400.29.126	13	17	0660.92.240	15	10
0000.44099	19	6	0000.63161	43	7	0370.69.850	20	23	0400.29.126	2	34	0660.92.245	14	15
0000.44240	36	23	0000.64471	37	3	0370.69.855	21	9	0400.49.240	11	14	0660.92.245	15	10
0000.44240	38	12	0000.66181	28	15	0370.69.860	20	35	0400.49.240	5	13	0660.92.310	13	18
0000.44240	46	6	0000.66526	31	24	0370.69.865	21	13	0404.02.390	17	4	0665.49.365	10	32
0000.46664	27	3	0000.66527	31	29	0370.69.910	20	4	0419.50.045	41	19	0665.49.680	5	8
0000.46664	28	3	0000.70139	1a	4	0370.69.910	21	3	0419.50.115	41	16	0670.16.145	3	7
0000.55698	43	19	0000.79672	23	2	0370.69.920	20	3	051.2.001.1A	1	10	0670.16.150	3	3
0000.56742	24	20	0000.79673	23	3	0370.69.920	21	2	0619.47.030	6	12	0670.16.155	3	19
0000.56752	24	15	0011.52.010	10	23	0370.69.930	20	21	0619.50.065	12	17	0670.16.163	3	11
0000.56803	31	25	0011.52.010	11	21	0370.69.930	21	7	0619.84.015	17	2	0670.16.164	3	11
0000.60283	22	14	0124.40.060	8	3	0370.69.940	20	22	0619.92.180	14	8	0670.16.164	3	15
0000.61078	27	12	0150.70.120	5	17	0370.69.940	21	8	0619.92.180	15	8	0670.16.165	3	15
0000.62648	37	4	0150.70.120	9	28	0370.69.970	20	31	0647.29.040	12	15	0670.16.170	3	26
0000.62652	29	8	0204.70.105	13	7	0370.69.970	21	14	0647.70.010	14	12	0670.16.171	3	26
0000.62705	25	12	0214.07.350	2	22	0370.72.020	27	8	0647.70.010	15	20	0670.16.184	3	15
0000.62705	40	3	0214.07.350	8	18	0370.72.020	28	18	0659.16.555	4	1	0670.16.185	3	15
0000.62726	19	10	0250.70.223	16	12	0370.84.005	17	1	0660.13.060	2	19	0670.49.310	9	26
0000.62726	32	13	0250.70.223	46	14	0370.98.610	33	20	0660.13.070	2	13	0670.49.910	9	21
0000.62726	36	18	0251.47.050	3	1	0375.92.210	14	13	0660.13.143	2	9	0670.92.010	10	8
0000.62726	38	34	0251.47.054	3	1	0375.92.210	15	19	0660.13.165	2	25	0670.92.190	14	8

INDEX

CODE No.	Drwg.	POS. N.	CODE No.	Drwg.	POS. N.	CODE No.	Drwg.	POS. N.	CODE No.	Drwg.	POS. N.	CODE No.	Drwg.	POS. N.
0670.92.190	15	8	0723.92.509	15	16	0723.92.523	14	19	0723.92.585	15	16	0723.92.735	14	19
0670.92.190	35	19	0723.92.510	14	19	0723.92.523	15	16	0723.92.595	14	19	0723.92.735	15	16
0675.49.530	5	23	0723.92.510	15	16	0723.92.524	14	19	0723.92.595	15	16	0723.92.745	14	19
0675.49.540	11	40	0723.92.511	14	19	0723.92.524	15	16	0723.92.605	14	19	0723.92.745	15	16
0675.49.540	5	21	0723.92.511	15	16	0723.92.525	14	19	0723.92.605	15	16	0727.92.050	14	17
0691.91.030	31	30	0723.92.512	14	19	0723.92.525	15	16	0723.92.615	14	19	0727.92.050	15	14
0723.92.239	14	19	0723.92.512	15	16	0723.92.526	14	19	0723.92.615	15	16	0727.92.051	14	17
0723.92.239	15	16	0723.92.513	14	19	0723.92.526	15	16	0723.92.625	14	19	0727.92.051	15	14
0723.92.500	14	19	0723.92.514	14	19	0723.92.527	14	19	0723.92.625	15	16	0727.92.052	14	17
0723.92.500	15	16	0723.92.514	17	16	0723.92.527	15	16	0723.92.635	14	19	0727.92.052	15	14
0723.92.501	14	19	0723.92.515	14	16	0723.92.528	14	19	0723.92.635	15	16	0727.92.053	14	17
0723.92.501	15	16	0723.92.515	14	19	0723.92.528	15	16	0723.92.645	14	19	0727.92.053	15	14
0723.92.502	14	19	0723.92.515	15	16	0723.92.529	14	19	0723.92.645	15	16	0727.92.054	14	17
0723.92.502	15	16	0723.92.516	14	19	0723.92.529	15	16	0723.92.655	14	19	0727.92.054	15	14
0723.92.503	14	19	0723.92.516	15	16	0723.92.530	14	19	0723.92.655	15	16	0727.92.055	14	17
0723.92.503	15	16	0723.92.517	14	19	0723.92.530	15	16	0723.92.675	14	19	0727.92.055	15	14
0723.92.504	14	19	0723.92.517	15	16	0723.92.535	14	19	0723.92.675	15	16	0727.92.056	14	17
0723.92.504	15	16	0723.92.518	14	19	0723.92.535	15	16	0723.92.685	14	19	0727.92.056	15	14
0723.92.505	14	19	0723.92.518	15	16	0723.92.545	14	19	0723.92.685	15	16	0727.92.057	14	17
0723.92.505	15	16	0723.92.519	14	19	0723.92.545	15	16	0723.92.695	14	19	0727.92.057	15	14
0723.92.506	14	19	0723.92.519	15	16	0723.92.555	14	19	0723.92.695	15	16	0727.92.058	14	17
0723.92.506	15	16	0723.92.520	14	19	0723.92.555	15	16	0723.92.705	14	19	0727.92.058	15	14
0723.92.507	14	19	0723.92.520	15	16	0723.92.565	14	19	0723.92.705	15	16	0727.92.059	14	17
0723.92.507	15	16	0723.92.521	14	19	0723.92.565	15	16	0723.92.715	14	19	0727.92.059	15	14
0723.92.508	14	19	0723.92.521	15	16	0723.92.575	14	19	0723.92.715	15	16	0727.92.060	14	17
0723.92.508	15	16	0723.92.522	14	19	0723.92.575	15	16	0723.92.725	14	19	0727.92.060	15	14
0723.92.509	14	19	0723.92.522	15	16	0723.92.585	14	19	0723.92.725	15	16	0727.92.061	14	17

INDEX

CODE No.	Drwg.	POS. N.	CODE No.	Drwg.	POS. N.	CODE No.	Drwg.	POS. N.	CODE No.	Drwg.	POS. N.	CODE No.	Drwg.	POS. N.
0727.92.061	15	14	0727.92.075	14	17	0727.92.088	15	14	0727.92.158	14	17	0727.92.171	15	14
0727.92.062	14	17	0727.92.075	15	14	0727.92.089	14	17	0727.92.158	15	14	0727.92.172	14	17
0727.92.062	15	14	0727.92.076	14	17	0727.92.089	15	14	0727.92.159	14	17	0727.92.172	15	14
0727.92.063	14	17	0727.92.076	15	14	0727.92.090	14	17	0727.92.159	15	14	0727.92.173	14	17
0727.92.063	15	14	0727.92.077	14	17	0727.92.090	15	14	0727.92.160	14	17	0727.92.173	15	14
0727.92.064	14	17	0727.92.077	15	14	0727.92.092	14	17	0727.92.160	15	14	0727.92.174	14	17
0727.92.064	15	14	0727.92.078	14	17	0727.92.092	15	14	0727.92.161	14	17	0727.92.174	15	14
0727.92.065	14	17	0727.92.078	15	14	0727.92.094	14	17	0727.92.161	15	14	0727.92.175	14	17
0727.92.065	15	14	0727.92.079	14	17	0727.92.094	15	14	0727.92.162	14	17	0727.92.175	15	14
0727.92.066	14	17	0727.92.079	15	14	0727.92.096	14	17	0727.92.162	15	14	0727.92.176	14	17
0727.92.066	15	14	0727.92.080	14	17	0727.92.096	15	14	0727.92.163	14	17	0727.92.176	15	14
0727.92.067	14	17	0727.92.080	15	14	0727.92.150	14	17	0727.92.163	15	14	0727.92.177	14	17
0727.92.067	15	14	0727.92.081	14	17	0727.92.150	15	14	0727.92.164	14	17	0727.92.177	15	14
0727.92.068	14	17	0727.92.081	15	14	0727.92.151	14	17	0727.92.164	15	14	0727.92.178	14	17
0727.92.068	15	14	0727.92.082	14	17	0727.92.151	15	14	0727.92.165	14	17	0727.92.178	15	14
0727.92.069	14	17	0727.92.082	15	14	0727.92.152	14	17	0727.92.165	15	14	0727.92.179	14	17
0727.92.069	15	14	0727.92.083	14	17	0727.92.152	15	14	0727.92.166	14	17	0727.92.179	15	14
0727.92.070	14	17	0727.92.083	15	14	0727.92.153	14	17	0727.92.166	15	14	0727.92.180	14	17
0727.92.070	15	14	0727.92.084	14	17	0727.92.153	15	14	0727.92.167	14	17	0727.92.180	15	14
0727.92.071	14	17	0727.92.084	15	14	0727.92.154	14	17	0727.92.167	15	14	0727.92.181	14	17
0727.92.071	15	14	0727.92.085	14	17	0727.92.154	15	14	0727.92.168	14	17	0727.92.181	15	14
0727.92.072	14	17	0727.92.085	15	14	0727.92.155	14	17	0727.92.168	15	14	0727.92.182	14	17
0727.92.072	15	14	0727.92.086	14	17	0727.92.155	15	14	0727.92.169	14	17	0727.92.182	15	14
0727.92.073	14	17	0727.92.086	15	14	0727.92.156	14	17	0727.92.169	15	14	0727.92.183	14	17
0727.92.073	15	14	0727.92.087	14	17	0727.92.156	15	14	0727.92.170	14	17	0727.92.183	15	14
0727.92.074	14	17	0727.92.087	15	14	0727.92.157	14	17	0727.92.170	15	14	0727.92.184	14	17
0727.92.074	15	14	0727.92.088	14	17	0727.92.157	15	14	0727.92.171	14	17	0727.92.184	15	14

INDEX

CODE No.	Drwg.	POS. N.	CODE No.	Drwg.	POS. N.	CODE No.	Drwg.	POS. N.	CODE No.	Drwg.	POS. N.	CODE No.	Drwg.	POS. N.
0727.92.185	14	17	0797.72.068	22	11	150.2.006.1A	3	2	180.1.001.1A	2	11	242.2.038.1BB	11	13
0727.92.185	15	14	0797.72.068	23	35	150.2.035.1A	3	28	180.1.002.1A	2	12	243.1.025.1AD	5	1
0727.92.186	14	17	0799.13.110	2	27	153.1.005.1A	25	31	180.1.008.1A	2	24	243.2.004.1BB	5	6
0727.92.186	15	14	0803.77.010	37	20	158.2.012.1A	6	5	182.2.010.1A	2	18	245.1.043.1A	8	8
0727.92.187	14	17	0905.49.960	9	20	160.1.049.1A	37	18	184.1.001.1A	36	11	245.1.044.1A	8	2
0727.92.187	15	14	112.1.026.1AA	6	8	160.1.057.1A	12	13	190.2.011.1A	4	8	246.1.009.1D	23	22
0727.92.188	14	17	112.1.026.1AB	6	8	160.1.076.1A	13	31	194.2.001.1B	4	12	246.1.055.1A	33	14
0727.92.188	15	14	117.1.025.2A	36	13	160.9.053.1B	41	1	195.4.002.1A	28	31	247.1.002.1BC	11	23
0727.92.189	14	17	117.1.032.1A	13	27	162.1.001.1B	4	7	195.4.003.1A	4	22	247.1.083.1AE	11	2
0727.92.189	15	14	117.1.033.1A	20	8	170.2.020.1B	4	17	196.1.001.2B	4	10	247.1.104.1A	9	2
0727.92.239	14	17	117.2.006.1A	4	29	171.2.020.2B	8	24	198.1.029.1A	4	13	247.2.105.2A	40	25
0727.92.239	15	14	120.2.036.4BB	7	20	172.1.002.1B	3	10	208.1.012.4A	14	14	247.2.202.1A	11	31
0755.17.125	7	11	120.2.037.4BB	7	1	172.1.003.1A	3	8	208.1.012.4A	15	17	250.2.030.3A	9	5
0755.29.025	6	16	121.1.005.1A	7	4	172.1.004.1A	3	5	209.1.012.4A	14	16	251.2.001.6B	11	29
0755.29.025	8	23	121.1.006.1A	7	3	172.1.005.1A	3	9	209.1.012.4A	15	18	254.1.001.1A	11	25
0755.49.265	10	2	121.2.003.1A	7	5	172.1.006.1B	3	18	210.1.003.5A	14	22	254.4.001.1A	5	4
0759.49.280	9	15	122.2.039.1A	7	2	172.1.007.1B	3	24	210.1.003.5A	15	6	255.1.001.1B	8	13
0765.92.185	14	8	135.1.013.1B	33	2	172.1.008.1A	3	22	211.1.003.4A	14	21	255.1.014.1A	13	3
0765.92.185	15	8	135.1.014.1B	33	3	172.1.009.1A	3	21	211.1.003.4A	15	7	264.4.018.1A	11	1
0765.92.190	14	8	135.1.015.1A	33	13	172.1.010.1A	3	20	220.3.208.3A	9	16	270.4.001.1A	12	1
0765.92.190	15	8	137.1.003.2B	16	11	172.1.011.1A	3	23	225.2.077.1A	10	1	276.1.028.1B	12	16
0765.92.205	14	8	146.2.096.1A	6	1	173.1.012.3A	12	20	235.1.028.1A	13	11	280.4.002.1A	16	10
0765.92.205	15	8	147.1.014.1A	8	5	174.1.002.1A	9	3	235.1.029.1A	13	5	282.4.014.1A	16	1
0765.92.205	2	21	148.1.052.2A	13	22	174.1.025.1A	9	12	235.2.015.1BA	13	20	283.4.003.1A	41	32
0797.69.040	13	2	148.1.053.2A	13	16	174.2.025.3A	9	1	240.1.010.1AB	14	10	284.4.002.1A	16	2
0797.69.040	8	12	149.1.024.1A	3	25	176.1.001.1A	12	6	240.1.010.1AB	15	12	285.4.003.1A	31	8
0797.72.068	19	7	150.2.005.1A	3	27	176.1.009.1A	12	10	240.1.016.1AA	15	23	286.4.013.1A	31	15

INDEX

CODE No.	Drwg.	POS. N.	CODE No.	Drwg.	POS. N.	CODE No.	Drwg.	POS. N.	CODE No.	Drwg.	POS. N.	CODE No.	Drwg.	POS. N.
287.4.014.1A	23	11	304.1.005.2AC	15	5	349.2.014.1B	26	10	397.4.002.1A	32	7	420.2.001.0A	28	8
287.4.024.1B	16	8	304.1.006.2A	14	3	360.1.014.1B	25	24	400.2.018.1A	24	1	420.2.001.0A	36	26
287.4.040.2A	31	19	304.1.006.2A	15	4	360.1.015.1B	25	16	401.4.021.1A	24	21	420.2.001.0A	40	21
300182	32	16	304.1.006.2AB	14	3	365.2.027.1C	35	6	402.4.007.1A	24	2	420.2.001.0A	41	6
301.2.020.1C	14	1	304.1.006.2AB	15	4	369.1.004.1A	34	8	403.1.009.1A	24	6	420.2.001.0A	5	17
301.2.021.2C	15	1	304.1.006.2AC	14	3	370.1.021.1B	34	10	404.1.003.1A	24	24	420.2.006.2A	10	26
303.1.003.1A	14	4	304.1.006.2AC	15	4	372.2.008.3A	35	1	407.4.001.1B	24	23	420.2.006.4A	10	33
303.1.003.1A	15	3	340.2.069.1D	26	1	373.1.023.1B	34	21	407.4.002.1A	24	4	425.4.004.1B	41	22
303.1.003.1AB	14	4	340.2.070.1D	26	4	373.1.028.1B	34	20	408.1.010.1A	24	18	426.1.007.1A	46	10
303.1.003.1AB	15	3	341.1.028.1A	25	23	373.1.029.1B	34	17	408.1.011.1A	24	3	427.1.003.1A	41	8
303.1.003.1AC	14	4	342.2.015.1B	25	3	386.4.006.1A	31	26	417.5.033.7A	13	29	427.4.002.1A	41	20
303.1.003.1AC	15	3	347.1.014.1B	26	6	386.4.013.1A	20	37	417.6.075.9A	5	20	430.4.004.1A	41	12
303.1.003.1AD	14	4	349.1.064.1A	26	8	387.4.002.1A	31	27	417.7.007.1A	38	30	433.1.164.1A	47	4
303.1.003.1AD	15	3	349.1.065.1A	26	9	389.4.006.1A	23	21	417.9.030.6A	20	9	433.1.165.1A	47	1
303.2.004.1C	14	5	349.1.075.1A	26	2	389.4.007.1A	23	21	417.9.030.8A	25	1	433.1.166.1A	47	2
303.2.004.1C	15	2	349.1.076.1A	26	16	389.4.007.1A	31	23	417.9.050.6A	12	3	433.1.170.1A	47	3
303.2.004.1CB	14	5	349.1.098.1A	26	11	389.4.008.1A	23	21	417.9.050.6A	32	5	433.1.179.1A	31	17
303.2.004.1CB	15	2	349.1.101.1A	26	18	389.4.010.1A	23	21	417.9.090.1A	35	17	433.1.220.1A	34	5
303.2.004.1CC	14	5	349.1.102.1A	26	20	389.4.013.1A	31	23	420.2.000.7A	11	44	433.1.295.1A	23	23
303.2.004.1CC	15	2	349.1.103.1A	26	21	389.4.014.1A	23	21	420.2.000.7A	14	23	436.1.021.1A	39	32
303.2.004.1CD	14	5	349.1.109.1E	26	17	389.4.014.1A	31	2	420.2.000.7A	15	24	436.1.021.1AB	39	32
303.2.004.1CD	15	2	349.1.110.1E	26	24	389.4.015.1A	31	23	420.2.000.7A	7	6	437.1.107.1AA	43	2
304.1.005.2A	14	2	349.1.111.1A	26	22	390.4.003.1A	38	16	420.2.000.8A	36	22	437.1.107.1AB	43	2
304.1.005.2A	15	5	349.1.112.1B	26	3	390.4.005.1A	42	2	420.2.001.0A	11	32	437.1.111.1AA	43	20
304.1.005.2AB	14	2	349.1.120.1A	26	23	390.4.007.1A	23	16	420.2.001.0A	17	20	437.1.111.1AB	43	20
304.1.005.2AB	15	5	349.1.124.1A	26	15	390.4.008.1A	23	15	420.2.001.0A	2	5	437.1.113.1AA	43	30
304.1.005.2AC	14	2	349.1.154.1A	26	7	395.4.013.1A	32	17	420.2.001.0A	27	17	437.1.113.1AB	43	30

INDEX

CODE No.	Drwg.	POS. N.	CODE No.	Drwg.	POS. N.	CODE No.	Drwg.	POS. N.	CODE No.	Drwg.	POS. N.	CODE No.	Drwg.	POS. N.
438.1.096.1AA	45	1	462.3.003.8A	2	29	481.1.016.1BB	42	1	487.1.014.1A	42	27	523.4.006.1AE	42	24
438.1.096.1AB	45	1	462.4.037.6A	9	11	481.1.016.1BD	42	1	492.4.003.2A	37	24	523.4.007.1AA	42	19
442.2.032.1A	33	6	462.4.037.8A	9	9	481.1.016.1BE	42	1	492.4.024.1A	37	10	523.4.007.1AB	42	19
447.1.030.2A	34	13	463.2.019.6A	7	9	481.3.016.1A	42	1	494.1.068.3D	37	15	523.4.007.1AD	42	19
447.1.031.2A	34	4	463.2.053.7A	4	15	482.1.027.1BA	39	18	497.2.001.2A	37	8	523.4.007.1AE	42	19
449.1.038.1A	3	12	470.1.034.1B	19	1	482.1.027.1BB	39	18	498.1.009.1A	37	2	525.1.004.2A	38	24
451.1.025.1A	8	16	480.1.058.0A	43	1	482.1.027.1BD	39	18	501.2.019.1AF	37	7	525.4.010.1A	38	15
451.2.006.1A	8	17	480.1.058.1DA	43	1	482.1.027.1BE	39	18	502.2.017.2AB	37	23	529.1.006.1A	38	25
455.2.003.1A	2	4	480.1.058.1DB	43	1	482.1.028.1BA	39	21	510.1.108.1A	38	21	529.1.008.1AB	43	31
456.1.006.1A	20	12	480.1.058.1DD	43	1	482.1.028.1BB	39	21	510.1.245.1A	31	1	529.4.005.1A	45	6
456.2.009.1A	20	16	480.1.058.1DE	43	1	482.1.028.1BD	39	21	510.1.257.1A	23	14	530.4.003.1B	38	6
457.2.008.1A	36	6	480.1.059.0A	43	9	482.1.028.1BE	39	21	510.2.003.1A	41	28	530.4.004.1B	38	23
460.1.062.1A	20	25	480.1.059.2AA	43	9	482.3.021.1A	39	28	513.1.008.2D	32	18	530.4.005.1A	42	16
460.1.063.1A	21	16	480.1.059.2AB	43	9	482.3.022.1A	39	29	514.1.032.1A	1c	9	530.4.006.1A	42	15
460.1.070.1A	42	26	480.1.059.2AD	43	9	484.1.024.1AA	42	5	514.1.033.1A	1c	13	532.4.001.1A	38	8
460.1.071.1A	42	22	480.1.059.2AE	43	9	484.1.024.1AB	42	5	514.1.034.1A	1c	12	532.4.002.1A	38	18
460.1.072.1A	42	20	480.1.060.0A	43	25	484.1.024.1AD	42	5	514.1.035.1A	1c	10	538.4.005.1A	23	33
460.1.073.1A	24	28	480.1.060.1DA	43	25	484.1.024.1AE	42	5	514.1.036.1A	1c	10	539.1.021.1A	2	6
460.1.074.1A	24	11	480.1.060.1DB	43	25	484.1.025.1AA	43	26	514.1.037.1A	1c	6	539.1.023.1A	18	13
460.1.075.1A	19	2	480.1.060.1DD	43	25	484.1.026.1AA	43	27	514.1.038.1A	1c	14	539.4.003.1B	36	15
460.1.076.2A	25	35	480.1.060.1DE	43	25	484.1.029.1B	41	10	514.1.040.1A	32	4	539.4.004.1B	28	5
460.1.077.1A	38	32	480.1.061.0A	43	24	484.1.031.1AA	43	12	514.1.041.1A	32	2	539.4.030.1A	5	16
460.1.079.1A	43	11	480.1.061.2AA	43	24	484.1.031.1AB	43	12	516.4.001.1AB	31	6	540.4.011.1C	23	10
460.1.080.1A	38	33	480.1.061.2AB	43	24	484.1.031.1AD	43	12	520.4.011.2B	23	1	541.4.003.1A	23	31
462.3.003.7A	2	31	480.1.061.2AD	43	24	484.1.031.1AE	43	12	523.4.006.1AA	42	24	541.4.003.1A	31	22
462.3.003.7A	8	6	480.1.061.2AE	43	24	484.3.024.1A	42	5	523.4.006.1AB	42	24	546.1.079.1A	31	16
462.3.003.8A	11	7	481.1.016.1BA	42	1	484.3.031.1A	43	12	523.4.006.1AD	42	24	548.4.019.1A	29	1

INDEX

CODE No.	Drwg.	POS. N.	CODE No.	Drwg.	POS. N.	CODE No.	Drwg.	POS. N.	CODE No.	Drwg.	POS. N.	CODE No.	Drwg.	POS. N.
550.4.008.1A	29	4	565.1.022.2A	39	22	590.1.172.1A	46	13	60N102511	30	15	626.1.003.1A	27	2
552.1.003.2A	40	12	570.1.034.1A	17	7	590.1.175.1A	46	11	60N102555	2	30	626.1.003.1A	28	2
552.1.037.1A	1c	4	571.1.018.2A	17	5	590.1.189.1A	1c	1	60N102555	8	10	626.4.008.1B	28	20
552.1.038.1A	1c	5	573.1.046.5B	17	11	590.1.190.1A	1c	2	60N102557	25	7	626.4.010.1A	27	4
552.1.039.1A	1c	7	574.1.046.5B	17	18	593.1.003.1B	10	30	60N102584	34	9	626.4.013.1A	36	29
552.1.040.1A	1c	11	575.1.001.1A	17	3	593.1.018.1A	9	29	60N107335	11	3	630.4.006.1A	27	1
552.4.002.1A	23	27	576.1.034.1A	17	12	595.1.054.1A	39	16	60N107335	13	10	631.4.004.1A	28	9
552.4.012.1A	23	24	576.1.035.1A	17	19	598.2.017.2A	19	18	60N107335	38	22	631.4.008.1A	27	5
552.4.013.1A	30	9	585.1.019.1C	33	18	598.2.019.1A	38	5	60N107335	4	28	631.4.008.1A	28	21
552.4.020.1A	11	38	585.1.020.1A	30	1	598.4.011.3A	25	8	60N107335	7	14	631.4.008.1A	36	28
552.4.028.1A	1b	15	585.4.001.1A	36	20	598.4.015.1A	39	26	60N115062	36	9	632.1.013.2B	27	18
553.4.003.1A	30	19	586.1.029.1BA	40	1	60N101079	10	15	60N115548	38	19	650.4.006.1B	25	25
555.1.005.1A	18	3	586.1.029.1BB	40	1	60N101079	11	6	610.4.011.2B	28	26	651.4.008.1A	25	14
555.1.006.1B	18	4	586.1.029.1BD	40	1	60N102488	22	16	610.4.012.2B	28	7	652.4.004.3A	25	9
555.1.007.1A	18	2	586.1.029.1BE	40	1	60N102488	24	5	611.4.009.1A	36	36	654.2.003.1A	25	30
556.1.017.1C	18	14	586.3.029.1A	40	1	60N102504	7	12	612.4.005.1A	27	21	655.2.005.2A	25	18
556.1.018.1C	18	15	590.1.055.1A	41	14	60N102509	13	21	612.4.008.1A	28	12	656.1.018.2A	25	26
556.2.020.1B	18	16	590.1.056.1A	41	23	60N102509	2	28	612.4.008.1A	36	40	658.4.002.1B	25	29
559.1.005.1A	39	1	590.1.058.1A	41	24	60N102509	5	2	612.4.014.1A	28	4	668.1.001.2A	11	16
561.1.013.2A	38	29	590.1.059.1A	41	21	60N102509	8	1	612.4.016.1A	36	39	669.1.003.1A	14	18
561.1.019.1A	38	27	590.1.069.2A	46	12	60N102510	11	19	612.4.017.1A	28	10	669.1.003.1A	15	15
564.1.023.1AA	43	18	590.1.084.1A	16	7	60N102510	12	5	613.4.020.1A	28	25	670.4.007.1A	31	3
564.1.023.1AB	43	18	590.1.085.1A	40	9	60N102510	5	5	613.4.021.1A	36	38	671.1.008.1A	31	10
564.1.023.1AD	43	18	590.1.096.1A	16	16	60N102510	8	7	618.4.032.1B	28	23	672.1.019.1A	23	18
564.1.023.1AE	43	18	590.1.098.1A	46	17	60N102510	9	10	619.4.015.1A	36	30	672.1.022.1A	23	17
564.3.023.1A	43	18	590.1.099.1A	16	14	60N102511	11	15	624.4.012.1B	28	1	676.2.029.3A	34	11
565.1.021.2A	34	16	590.1.106.1A	46	2	60N102511	19	15	625.4.006.1A	36	27	676.4.018.1A	34	15

INDEX

CODE No.	Drwg.	POS. N.	CODE No.	Drwg.	POS. N.	CODE No.	Drwg.	POS. N.	CODE No.	Drwg.	POS. N.	CODE No.	Drwg.	POS. N.
677.4.003.1A	1a	12	699.2.094.1CD	45	0	710.1.025.1A	35	4	713.1.128.1B	11	27	732.2.006.2A	38	3
680.1.001.1B	9	7	699.2.094.1CE	44	0	710.1.041.1B	37	17	713.1.129.1A	39	13	73270.8001	17	13
684.1.020.1A	32	8	699.2.094.1CE	45	0	710.1.046.1A	35	12	713.1.130.1A	44	5	734006N01	11	45
684.1.022.1B	24	7	700.1.005.1A	37	21	710.1.057.1A	35	9	713.1.140.1A	10	14	734006N01	12	2
684.1.044.1A	17	16	700.1.023.2A	31	12	710.1.069.1A	10	28	714.1.028.1A	37	6	734006N01	32	6
697.2.009.2C	39	25	700.1.024.1A	39	20	710.1.070.1A	10	29	715.1.004.1A	35	8	734305N01	22	17
698.1.015.1A	45	7	700.1.025.1A	39	19	711.1.007.1A	6	6	716.1.022.1A	23	6	734305N01	25	21
698.1.016.1A	45	10	701.4.003.1A	12	19	711.1.082.1A	13	26	716.1.022.1A	24	14	734305N01	39	12
698.1.021.1BA	45	2	701.4.005.1A	3	4	711.1.084.1A	30	21	716.1.022.1A	32	10	734306N01	11	43
698.1.021.1BB	45	2	701.4.006.1A	35	3	711.1.095.1A	10	34	716.1.022.1A	33	9	734306N01	5	22
698.1.021.1BD	45	2	701.4.007.1A	12	21	711.1.128.1A	10	38	716.1.022.1A	38	11	73500.0624	36	3
698.1.021.1BE	45	2	702.4.004.1A	25	6	712.1.013.3A	40	5	716.1.038.1A	30	4	73500.0827	20	17
698.1.022.1BA	45	11	702.4.009.1A	11	11	713.1.006.1A	13	6	716.1.038.1A	39	7	73500.0827	21	4
698.1.022.1BB	45	11	702.4.010.1A	11	9	713.1.011.1A	3	15	716.1.043.1A	46	5	73500.1237	12	7
698.1.022.1BD	45	11	702.4.017.1A	4	18	713.1.012.1B	4	31	72094.1616	10	10	73500.1237	9	25
698.1.022.1BE	45	11	702.5.008.1A	10	20	713.1.014.1A	3	11	72121.2106	6	4	73500.1440	12	11
698.1.023.1A	45	4	702.5.008.1A	11	4	713.1.014.1A	3	15	72231.0871	43	29	73500.1542	2	15
698.1.024.1A	45	13	702.5.016.1A	4	14	713.1.014.1B	3	11	72237.0657	42	12	73500.2668	41	26
698.1.025.1A	45	9	702.5.019.1A	10	12	713.1.014.1E	3	11	72237.0657	45	3	73503.3075	5	11
698.1.026.1A	45	8	703.1.013.1A	25	34	713.1.014.1E	3	15	72237.0974	41	17	73503.3380	10	18
698.1.027.1A	45	12	70610.8120	4	11	713.1.014.1F	3	11	72237.0974	43	10	73503.3380	11	17
698.1.033.1A	1c	15	70620.5212	24	13	713.1.018.1A	8	9	72237.0974	45	5	73503.3449	41	25
699.2.094.1CA	44	0	70700.6N02	27	10	713.1.097.1B	37	13	72465.0214	28	30	736.4.013.1B	43	23
699.2.094.1CA	45	0	70700.6N02	28	19	713.1.098.1A	37	22	72944.1542	13	1	73601.0220	13	28
699.2.094.1CB	44	0	70914.2121	17	14	713.1.112.1A	41	5	72944.1542	8	11	737.4.002.3A	8	14
699.2.094.1CB	45	0	710.1.001.1A	9	13	713.1.126.1A	42	18	729908FN1	22	9	741.1.003.1A	17	6
699.2.094.1CD	44	0	710.1.002.1A	4	23	713.1.127.1A	42	23	732.1.005.1A	39	27	741.1.012.1A	19	21

INDEX

CODE No.	Drwg.	POS. N.	CODE No.	Drwg.	POS. N.	CODE No.	Drwg.	POS. N.	CODE No.	Drwg.	POS. N.	CODE No.	Drwg.	POS. N.
741.1.012.1A	38	31	74172.1008	6	10	75143.3380	10	19	764.1.022.1A	29	6	771.5.043.2B	22	3
741.1.013.1A	19	3	74172.1008	8	22	75162.2566	37	5	764.1.029.1A	46	7	771.5.043.2B	38	28
741.1.013.1A	31	31	74223.1045	33	12	75162.3075	37	16	764.4.003.1A	23	4	771.5.043.2B	4	4
741.1.013.1A	46	3	74224.0570	4	24	75166.1238	8	19	764.4.005.1A	31	28	771.5.045.7E	40	15
741.4.001.1A	30	7	74224.0570	6	7	75173.1542	13	19	764.5.018.1A	24	25	771.5.064.2B	14	11
741.4.002.1A	30	12	747.1.006.1A	35	14	75191.3380	10	21	76400.0004	10	3	771.5.064.2B	15	13
741.4.002.1A	33	15	747.5.001.1A	20	7	75791.1747	10	9	76401.0002	20	10	771.5.064.2B	8	25
741.4.002.1A	7	15	748.1.014.1B	37	1	75794.1542	10	17	76401.0003	20	6	771.5.066.2B	11	20
741.4.004.1A	40	10	748.1.023.1A	34	1	758.1.019.1A	22	7	76401.0009	35	13	771.5.072.2B	10	35
741.4.004.1A	41	13	748.1.035.1A	24	12	759.1.015.1A	39	31	76401.0010	35	18	771.5.072.2B	11	42
741.4.013.1A	16	5	748.4.002.1A	19	16	760.1.003.1A	33	11	76402.0002	3	17	771.5.072.2B	30	16
741.4.013.1B	46	16	748.4.024.1A	37	12	760.1.015.1A	39	8	765.1.001.1A	20	15	771.5.072.2B	5	19
741.4.022.1A	16	3	748.4.034.1A	16	15	76266.2668	10	4	766.1.001.2B	10	6	771.5.073.2B	11	36
741.4.025.1A	30	8	749.4.045.2G	18	1	76267.0012	9	24	766.4.017.1A	13	12	771.5.073.2B	13	24
741.4.038.1A	31	14	749.4.045.2G	18	7	76270.0827	3	29	76835.1134	2	10	771.5.078.2B	12	12
741.4.040.1A	16	6	749.5.001.1A	31	9	763106N01	20	5	770.5.619.2B	39	11	771.5.078.2B	5	3
741.4.041.1A	16	9	749.5.001.1A	38	10	763106N01	40	18	771.1.008.1A	35	11	771.5.080.2B	10	31
741.4.042.1A	16	17	749.5.001.1A	42	8	764.1.001.1A	17	15	771.1.009.1A	35	10	771.5.129.2B	9	8
741.4.043.1A	27	14	750.1.002.1B	4	25	764.1.003.1B	4	6	771.1.010.1A	10	36	771.5.136.2B	10	24
741.4.043.1A	28	16	750.1.012.2A	6	14	764.1.009.1A	14	20	771.4.006.1A	11	37	771.5.141.2B	22	8
741.4.043.1A	36	17	750.1.041.1A	35	15	764.1.009.1A	15	21	771.4.007.1A	44	8	771.5.431.2B	28	6
741.4.055.1A	30	22	750.1.042.1A	40	17	764.1.010.1A	13	25	771.5.002.1A	44	4	771.5.667.2B	27	6
741.4.057.1A	46	1	750.5.001.1A	2	23	764.1.011.2A	36	5	771.5.004.2B	34	18	771.5.667.2B	28	24
741.4.058.1A	46	20	750.5.001.1A	31	11	764.1.013.1A	14	6	771.5.025.2B	31	7	771.5.667.2B	39	6
741.4.059.1A	46	21	75110.1747	13	8	764.1.013.1A	15	22	771.5.040.2B	11	5	771.5.721.2B	31	5
741.4.063.1A	46	19	75110.2054	13	13	764.1.016.1A	23	28	771.5.040.2B	13	4	771.5.721.2B	37	9
74172.1008	13	15	75113.2566	4	20	764.1.019.1A	40	23	771.5.040.2B	40	14	771.5.723.2B	36	35

INDEX

CODE No.	Drwg.	POS. N.	CODE No.	Drwg.	POS. N.	CODE No.	Drwg.	POS. N.	CODE No.	Drwg.	POS. N.	CODE No.	Drwg.	POS. N.
771.5.723.2B	37	25	772.5.025.1A	28	27	779.1.082.1A	27	19	779.5.012.1A	25	19	799.1.055.1A	9	30
771.5.725.2B	20	2	772.5.025.1A	29	3	779.1.088.1A	23	20	779.5.016.1A	17	17	799.1.058.1A	25	33
771.5.725.2B	21	5	772.5.025.1A	32	20	779.1.088.1A	33	5	779.5.019.1A	9	33	799.1.061.1A	14	7
771.5.725.2B	25	22	772.5.025.1A	36	21	779.1.088.1A	39	3	779.5.020.1A	9	6	799.1.061.1A	15	9
771.5.754.2B	18	8	772.5.025.1A	40	6	779.1.089.1A	43	17	780.1.005.1A	5	25	799.1.069.1A	18	5
771.5.754.2B	36	14	775.1.006.1A	32	19	779.1.092.1A	27	7	780.1.007.1A	17	8	799.1.070.1A	18	6
771.5.937.2B	35	7	775.1.008.2A	39	17	779.1.092.1A	28	17	780.1.008.1A	41	7	799.1.071.1A	20	29
771.5.938.2B	35	5	775.1.011.1A	42	11	779.1.099.1A	25	2	780.1.016.1A	6	3	799.1.072.1A	17	9
772.1.001.1A	18	17	775.1.011.1A	43	6	779.1.109.1A	6	2	780.1.018.1A	9	31	799.1.083.1B	36	41
772.1.010.2A	8	20	775.4.002.1A	44	11	779.1.116.1A	24	26	780.5.001.1A	11	33	799.1.088.1A	18	10
772.5.004.1A	20	24	775.5.002.1A	44	6	779.1.116.1A	42	21	786.1.068.2A	7	7	799.1.089.1A	18	9
772.5.004.1A	21	17	776.4.002.1A	24	19	779.1.119.2A	34	3	788.1.032.2A	14	9	799.2.077.2A	9	14
772.5.004.1A	25	32	776.5.032.2A	16	13	779.1.133.1A	14	24	788.1.032.2A	15	11	800.1.013.1A	7	18
772.5.008.1A	44	3	776.5.307.2A	28	29	779.1.133.1A	15	25	788.1.052.1A	5	7	800.1.014.1A	7	16
772.5.023.1A	22	6	777.5.002.1A	20	20	779.1.157.1A	23	26	788.1.054.1A	12	4	800.1.031.1A	30	18
772.5.023.1A	23	5	777.5.002.1A	21	6	779.1.158.1A	41	2	788.1.056.1A	11	30	800.1.033.1A	30	17
772.5.023.1A	25	28	777.5.007.2B	42	4	779.1.159.1A	20	26	788.1.066.1AA	11	41	800.1.047.1A	30	20
772.5.023.1A	30	3	777.5.049.2C	11	24	779.1.160.1A	29	5	788.1.066.1AB	11	41	800.1.048.1A	30	13
772.5.023.1A	32	15	777.5.210.2A	25	17	779.1.162.1A	9	27	788.1.066.1AC	11	41	800.1.049.1A	30	6
772.5.023.1A	33	8	779.1.007.2A	6	9	779.1.198.1A	9	23	791.1.012.1A	40	26	8000.18048	23	7
772.5.023.1A	38	1	779.1.026.1A	10	27	779.1.203.1A	2	7	791.1.034.1A	40	16	8000.18048	24	8
772.5.023.1A	42	17	779.1.029.1A	10	37	779.1.213.1A	19	11	791.2.033.1A	7	19	8000.18048	33	10
772.5.024.1A	19	14	779.1.037.1A	34	14	779.4.005.1A	18	12	799.1.024.1A	20	32	8000.18048	38	14
772.5.024.1A	22	12	779.1.039.1A	2	3	779.5.001.1A	20	38	799.1.024.1A	21	12	8000.56359	19	9
772.5.024.1A	25	20	779.1.058.1A	27	16	779.5.001.1A	43	5	799.1.025.1A	2	20	8000.56359	32	9
772.5.024.1A	36	12	779.1.058.2A	28	11	779.5.001.1A	46	9	799.1.049.1A	2	1	8000.56391	40	13
772.5.024.1A	38	26	779.1.058.2A	36	25	779.5.011.1A	20	11	799.1.051.2A	6	15	8000.56391	43	13

INDEX





CODE No.	Drwg.	POS. N.	CODE No.	Drwg.	POS. N.	CODE No.	Drwg.	POS. N.	CODE No.	Drwg.	POS. N.	CODE No.	Drwg.	POS. N.
8000.56443	27	13	808.1.019.1A	39	9	824.1.040.1B	21	1	827.2.003.1A	29	7	829.1.207.1A	46	4
8000.56443	32	3	80A0.06385	31	13	824.1.041.1C	20	30	827.2.134.1A	40	7	829.1.208.1A	28	28
8000.56443	39	23	80A0.53548	20	18	824.1.042.1C	21	15	827.2.215.1A	32	1	829.1.240.1A	28	22
8000.56741	24	22	80B0.55703	40	24	825.1.022.1A	36	34	829.1.073.3A	36	24	829.1.241.1A	27	9
8000.56747	24	17	80B0.55703	43	14	826.1.003.1A	10	11	829.1.077.2B	41	11	829.1.291.1A	32	23
8000.56748	24	16	80C0.05893	40	4	826.1.009.1A	2	33	829.1.104.1A	41	18	829.1.332.1A	44	10
8000.59056	20	14	814.1.002.1AB	7	13	826.1.011.1A	3	13	829.1.127.1A	31	20	829.4.001.1A	39	5
8000.59056	36	4	814.1.053.1AB	30	14	827.1.012.1A	43	15	829.1.136.1A	38	35	830.1.040.1B	19	8
8000.59572	23	13	814.1.057.1A	41	29	827.1.045.1A	20	34	829.1.167.2AB	22	4	830.1.131.1A	40	22
8000.66774	25	27	814.1.058.1A	41	4	827.1.045.1A	21	10	829.1.168.1AB	22	1	830.1.144.1A	11	35
8000.67981	36	8	814.1.059.1AB	30	11	827.1.061.1A	39	4	829.1.169.1AB	19	5	841.1.001.1C	43	4
8000.68490	28	14	814.1.091.1B	46	15	827.1.077.1A	32	24	829.1.170.1AB	19	4	841.1.002.2A	4	2
8000.69282	36	32	814.1.114.1A	1c	8	827.1.089.1A	23	12	829.1.172.2B	32	22	847.4.002.1A	20	33
8000.70127	26	12	818.2.009.1A	4	3	827.1.090.1A	23	25	829.1.174.1AB	22	5	847.4.002.1A	21	11
8000.70133	26	14	819.1.017.1A	37	11	827.1.121.1A	19	13	829.1.175.2AB	22	10	850.1.003.1A	43	21
8000.70178	25	13	819.1.030.1A	34	2	827.1.122.1A	25	11	829.1.177.1A	24	9	850.4.013.1A	42	28
8000.73456	36	31	821.1.001.1A	2	26	827.1.123.1AB	33	1	829.1.179.1AB	22	15	850.4.016.1A	39	14
8000.77921	40	20	821.1.009.1B	37	19	827.1.124.1AB	33	4	829.1.183.1A	23	32	850.4.031.1A	41	9
8000.78345	25	15	821.1.028.2B	40	8	827.1.130.1A	42	7	829.1.184.1A	36	1	851.1.001.1B	4	9
801.1.003.1A	16	4	821.1.052.1A	36	7	827.1.131.1A	42	6	829.1.185.1A	13	23	851.1.013.1A	8	4
806.1.011.1AA	38	2	821.1.054.1A	23	19	827.1.139.2B	18	11	829.1.186.1A	40	11	851.4.001.1A	4	5
806.1.011.1AB	38	2	821.1.070.1A	2	17	827.1.157.1A	46	8	829.1.190.1A	23	30	852.1.001.1A	34	12
806.1.011.1AD	38	2	821.1.073.1A	25	10	827.1.162.1A	42	25	829.1.190.1A	31	21	852.1.002.1A	34	12
806.1.011.1AE	38	2	821.1.075.1A	24	10	827.1.166.1A	23	34	829.1.196.1A	31	4	852.1.003.1A	34	12
806.1.012.1A	20	27	821.1.081.1A	38	17	827.1.192.1A	20	19	829.1.204.1A	22	13	852.1.005.1A	2	14
806.1.013.1A	20	36	821.1.096.1A	36	10	827.1.195.1A	32	21	829.1.205.1A	44	2	852.1.008.1A	5	10
808.1.018.1A	42	3	824.1.039.1A	20	1	827.1.286.1A	32	12	829.1.206.1A	44	1	852.1.024.1A	24	27

INDEX

CODE No.	Drwg.	POS. N.	CODE No.	Drwg.	POS. N.	CODE No.	Drwg.	POS. N.	CODE No.	Drwg.	POS. N.	CODE No.	Drwg.	POS. N.
852.1.053.1A	2	2	852.1.120.1A	9	32	875.1.065.1A	1c	3	88700.5644	1	31	88713.1994	1	25
852.1.053.1A	20	13	852.1.124.1A	13	30	876.1.066.1A	33	16	88700.5665	1	27	88713.2009	1	30
852.1.054.1A	36	2	852.5.001.1A	38	9	876.1.067.1A	33	19	88700.5749	1	20	88713.2011	1	17
852.1.075.1A	43	22	852.5.002.1A	42	13	877.1.040.1A	23	29	88713.0123	1	5	88713.2036	1	19
852.1.079.1A	34	19	852.5.002.1A	43	28	877.1.050.1A	36	16	88713.0137	1	11	88713.2092	1	28
852.1.094.1A	2	19	852.5.005.1A	9	18	877.1.068.1A	28	13	88713.0143	1	32	88713.2096	1	2
852.1.098.1A	41	3	856.1.001.1A	3	6	877.1.069.1A	27	15	88713.0262	1	29	88713.2103	1	3
852.1.103.1A	25	4	856.1.002.1A	8	15	877.2.002.1A	33	7	88713.0844	1	33	88713.2107	1	1
852.1.104.1A	6	11	856.1.024.1A	10	7	881.1.010.1C	12	18	88713.0874	1	6	88713.2133	1	26
852.1.104.1B	6	11	856.1.031.1A	3	16	881.1.012.1A	2	32	88713.0875	1	8	88765.0999	1	16
852.1.104.1C	6	11	856.1.040.1A	39	30	881.1.027.2A	22	2	88713.0879	1	7	88765.1000	1	15
852.1.104.1D	6	11	856.1.040.1A	43	16	881.1.030.1A	11	10	88713.0957	1a	6	88765.1005	1	15
852.1.104.1E	6	11	856.1.071.1A	12	9	881.2.001.1A	4	19	88713.0960	1a	5	88765.1006	1	15
852.1.104.1F	6	11	861.5.003.1A	20	28	882.1.003.1A	8	21	88713.1010	1a	11	88765.1058	1	13
852.1.104.1G	6	11	863.1.002.1A	12	14	882.1.006.1A	2	16	88713.1058	1a	9	88765.1073	1b	21
852.1.104.1H	6	11	866.1.029.1A	40	19	884.1.005.1A	26	5	88713.1062	1a	14	88765.1074	1b	21
852.1.104.1I	6	11	866.1.030.1A	39	15	884.4.007.1A	34	7	88713.1071	1a	8	88765.1075	1b	21
852.1.104.1L	6	11	866.1.031.1A	32	14	884.5.008.1A	37	14	88713.1072	1a	10	88765.1076	1b	21
852.1.104.1M	6	11	866.1.034.1A	19	20	884.5.011.1A	11	8	88713.1078	1	12	88765.1077	1b	21
852.1.104.1N	6	11	872.1.019.1A	34	6	886.4.003.1A	11	39	88713.1079	1	14	88765.1086	1	22
852.1.105.1AB	3	26	872.1.022.1A	39	2	886.4.021.1A	41	30	88713.1091	1	21	88765.1126	1b	6
852.1.105.1AD	3	26	872.1.026.1A	19	12	886.4.022.1A	41	31	88713.1097	1a	1	88765.1126A	1b	4
852.1.105.1AG	3	26	872.1.027.1A	19	17	886.4.035.1A	11	22	88713.1140	1a	2	88765.1126B	1b	12
852.1.108.1AH	3	1	872.4.018.1A	31	18	886.4.037.1A	9	34	88713.1215	1	9	88765.1126C	1b	11
852.1.108.1AL	3	1	872.4.023.1A	44	9	886.4.043.1A	4	27	88713.1344	1a	3	88765.1126D	1b	14
852.1.108.1AN	3	1	873.1.037.1A	9	4	886.5.001.1A	41	15	88713.1515	1a	7	88765.1126E	1b	9
852.1.114.1A	11	34	875.1.038.2A	35	16	886.5.011.1A	41	27	88713.1749	1	24	88765.1126F	1b	13

INDEX

CODE No.	Drwg.	POS. N.	CODE No.	Drwg.	POS. N.	CODE No.	Drwg.	POS. N.	CODE No.	Drwg.	POS. N.	CODE No.	Drwg.	POS. N.
88765.1126G	1b	17	88765.1363B	1	34	914.7.023.1A	1b	2	94247.0014	10	5			
88765.1126H	1b	16	88765.1363C	1	34	914.7.023.1B	1b	2	94247.0014	11	12			
88765.1126L	1b	19	88765.1363D	1	34	914.7.023.1C	1b	2	94247.0014	5	24			
88765.1126M	1b	18	88765.1363E	1	34	914.7.023.1D	1b	2	98112.0002	1	4			
88765.1126N	1b	7	88765.1369A	1b	24	914.7.023.1E	1b	2						
88765.1126P	1b	10	88765.1369B	1b	24	919.1.008.1A	19	19						
88765.1126Q	1b	5	88765.1369C	1b	24	930.1.004.1A	25	5						
88765.1126R	1b	3	88765.1369D	1b	24	930.1.005.1A	26	19						
88765.1126S	1b	22	88765.1369E	1b	24	930.4.034.1A	5	18						
88765.1126T	1b	23	88765.1371	1b	25	930.4.035.1A	4	16						
88765.1126T	1c	16	88765.1372	1b	26	930.5.005.1A	11	26						
88765.1126U	1b	20	88765.1373	1b	27	930.5.006.2B	11	28						
88765.1126V	1b	8	88765.1374	1b	28	93781.1824	35	2						
88765.1126Z	1b	1	893.1.003.1A	29	2	93783.0812	3	30						
88765.1236	1a	13	893.1.005.1A	5	15	93783.1524	11	18						
88765.1237	1a	13	893.4.005.1A	27	11	93783.2552	10	13						
88765.1238	1a	13	893.4.005.1A	36	19	93784.2030	5	9						
88765.1239	1a	13	894.2.009.1A	9	19	93785.1830	10	16						
88765.1240	1a	13	895.4.001.2A	40	2	93823.0128	4	32						
88765.1241	1c	0	8A00.67.610	30	5	93823.2018	4	30						
88765.1242	1c	0	8A00.67997	3	14	93823.2082	5	14						
88765.1243	1c	0	8A00.67997	36	33	93823.2087	30	10						
88765.1244	1c	0	8A00.67997	38	4	93823.2087	7	17						
88765.1245	1c	0	8A00.69056	26	13	93823.3081	7	8						
88765.1297	1	23	8BB0.61070	44	7	93827.0114	10	25						
88765.1322	1	18	8H00.67545	39	10	93827.0114	5	12						
88765.1363A	1	34	913.7.062.1I	39	24	93827.0114	9	22						

DUCATI MOTORHOLDING 	DUCATI IST2	M.Y. '03	U.S.A.
<i>Spare Sparts Department</i>	<i>P.N. 91510461F</i>	<i>Giugno - June '02</i>	<i>Edizione - Edition 00</i>
DUCATI MOTORHOLDING 	DUCATI IST2	M.Y. '03	U.S.A.
<i>Spare Sparts Department</i>	<i>P.N. 91510461F</i>	<i>Giugno - June '02</i>	<i>Edizione - Edition 00</i>
DUCATI MOTORHOLDING 	DUCATI IST2	M.Y. '03	U.S.A.
<i>Spare Sparts Department</i>	<i>P.N. 91510461F</i>	<i>Giugno - June '02</i>	<i>Edizione - Edition 00</i>
DUCATI MOTORHOLDING 	DUCATI IST2	M.Y. '03	U.S.A.
<i>Spare Sparts Department</i>	<i>P.N. 91510461F</i>	<i>Giugno - June '02</i>	<i>Edizione - Edition 00</i>

Spare parts catalogue SPORT TOURING 2 U.S.A.

DUCATIST



