





**Spare parts catalogue SPORT TOURING 4 S U.S.A.**

***DUCATIST***





<b>DUCATI</b> MOTORHOLDING 	<b>DUCATIST4 S</b>	<b>M.Y. '04</b>	<b>U.S.A.</b>
<i>Spare Sparts Department</i>	<i>P.N. 91511302C</i>	<i>Maggio - May '04</i>	<i>Edizione - Edition 01</i>
<b>DUCATI</b> MOTORHOLDING 	<b>DUCATIST4 S</b>	<b>M.Y. '04</b>	<b>U.S.A.</b>
<i>Spare Sparts Department</i>	<i>P.N. 91511302C</i>	<i>Maggio - May '04</i>	<i>Edizione - Edition 01</i>
<b>DUCATI</b> MOTORHOLDING 	<b>DUCATIST4 S</b>	<b>M.Y. '04</b>	<b>U.S.A.</b>
<i>Spare Sparts Department</i>	<i>P.N. 91511302C</i>	<i>Maggio - May '04</i>	<i>Edizione - Edition 01</i>
<b>DUCATI</b> MOTORHOLDING 	<b>DUCATIST4 S</b>	<b>M.Y. '04</b>	<b>U.S.A.</b>
<i>Spare Sparts Department</i>	<i>P.N. 91511302C</i>	<i>Maggio - May '04</i>	<i>Edizione - Edition 01</i>



**GENERAL INFORMATION**

The present spare parts order exactly the right spare parts

When ordering specify:

1) the part's code number followed by its description; quantity needed;

2) the motorcycle's serial number, stamped on the steering head.

Reference to right and left apply to the vehicle in terms of its direction of movement.

**Spare parts drawings are general and do not represent the part.**

**The contents of this catalogue are general and can undergo changes without prior notice.**

**VALIDITY**

**f.m.** Until V.I.N.  
**d.m.** From V.I.N.  
**f.m.m.** Up to engine number  
**d.m.m.** From engine number

**Ducati Motor Holding S.p.A.**  
*Commercial and Administration Office:*  
*Via A. Cavalieri Ducati n. 3*  
*40132 Bologna, Italy*  
*Telefono 051 6413111*  
*Fax 051 406580*  
*Internet [www.ducati.com](http://www.ducati.com)*

CATALOGUE No: 915.1.130.2C  
ISSUED: 05 - 04

CATALOGUE No: 915.1.130.2C  
ISSUED: 05 - 04

## PAINTS



Colore	Codice	Codice	Codice
Paint	Code	Code	Code
Vernis	Code	Code	PPG
Slacken	Code	Code	Code
Lacas	Codice	Codice	Codice

---

"Rosso Anniversary DUCATI"

473.101

---

"Giallo DUCATI"

473.201

---

"Grigio scuro metallizzato DUCATI"

653.6047

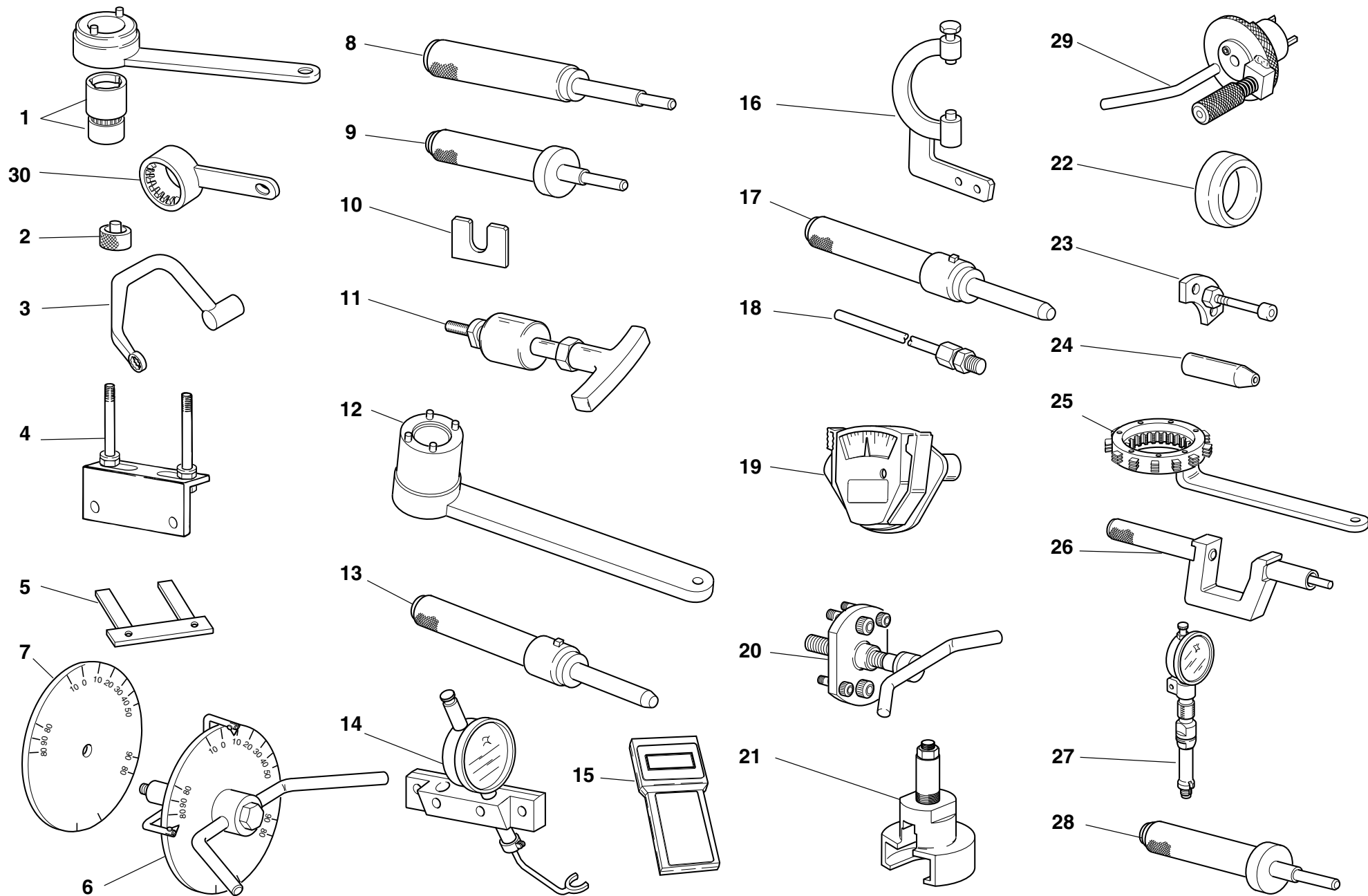
---

page


## CONTENTS

4	001	WORKSHOP SPECIAL TOOLS
6	001a	WORKSHOP SPECIAL TOOLS
8	001b	DIAGNOSIS TESTER MATHESIS
10	001c	WORKSHOP SPECIAL TOOLS
12	002	GEARCHANGE
14	003	GEAR-BOX
16	004	CLUTCH
18	005	CLUTCH COVER
20	006	CRANKSHAFT
22	007	CYLINDERS - PISTONS
24	008	TIMING
26	009	FILTERS AND OIL PUMP
28	010	HALF CRANKCASES
30	011	WATER PUMP - ALTERNATOR COVER
32	011a	WATER PUMP - ALTERNATOR COVER
34	012	ELECTRIC STARTER AND IGNITION
36	013	HEAD
38	014	HEAD : TIMING
40	015	COLLECTORS AND HEAD COVERS
42	016	THROTTLE BODY
44	017	EXHAUST SYSTEM
46	018	STANDS
48	019	FRAME
50	020	L.H. FOOT RESTS
52	021	R.H. FOOT RESTS
54	022	HEADLIGHT HOLDER
56	023	HEAD-LIGHT AND ELECTRIC WIRING
58	023a	FRONT HEAD-LIGHT
60	024	INSTRUMENT PANEL
62	025	HALF HANDLEBARS AND CONTROLS
64	026	FRONT FORK
66	027	CLUTCH CONTROL
68	028	FRONT HYDRAULIC BRAKE
70	029	WATER RADIATOR ASSY
72	030	COOLING CIRCUIT
74	031	ELECTRIC SYSTEM
76	032	BATTERY BOX MOUNT
78	033	AIR INDUCTIO AND OIL VENT
80	034	SWINGARM AND CHAIN
82	035	REAR SUSPENSION
84	036	OIL COOLER
86	037	REAR HYDRAULIC BRAKE
88	038	FRONT AND REAR WHEELS
90	039	NUMBER PLATE HOLDER
92	040	SEAT
94	041	FUEL TANK
96	042	FUEL SYSTEM
98	043	HEADLIGHT FAIRING
100	044	FAIRING
104	045	PANNIERS FASTENS
106	046	SIDE PANNIERS
108	047	FUEL INFEED
110	048	MARKING PLATES


DRAWING **001** WORKSHOP SPECIAL TOOLS



DRAWING **001****WORKSHOP SPECIAL TOOLS**

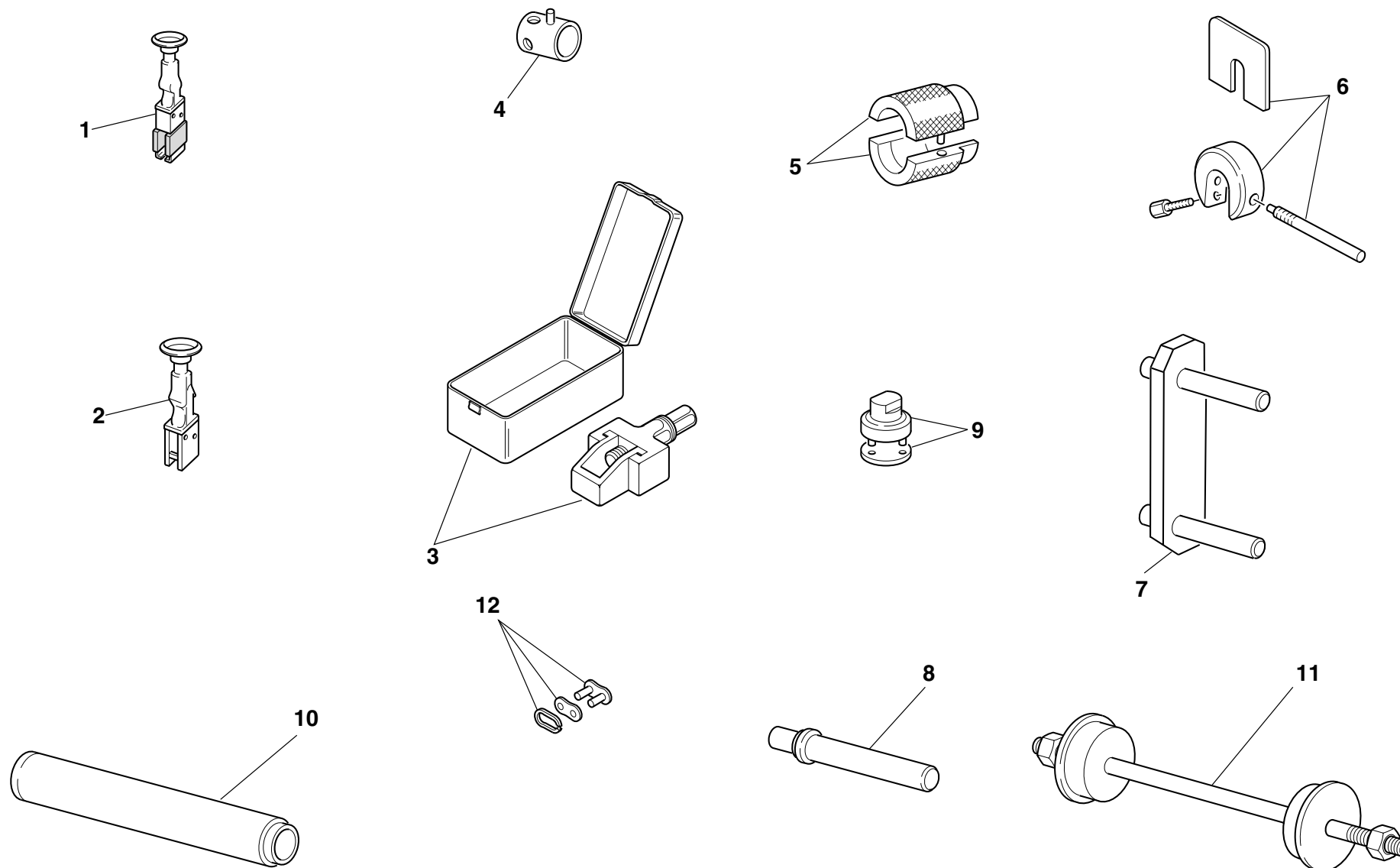
NOTES	NO.	CODE NO.	DESCRIPTION	VALIDITY	Q.TY	
	1	88700.5644	Wrench for camshaft pulley ring nut adjustment		1	
	2	88765.1298	Spacer for checking lower valve shim		1	
	3	88713.2096	Head nuts holder wrench		1	
	4	88713.2103	Head mounting base		1	
	5	88765.1000	Fork feeler gauge 0.1 mm		1	
	5	88765.1005	Fork feeler gauge 0.2 mm		1	
	5	88765.1006	Fork feeler gauge 0.3 mm		1	
	6	88713.0123	Degree wheel holder tool for ignition advance check		1	
	7	98112.0002	Degree wheel		1	
	8	88713.0879	Punch tool to extract valve guide		1	
	9	88713.0875	Intake valve guide punch tool		1	
	10	88713.1309	Fork feeler gauge 2,35 mm		1	
	11	88713.1994	Rocker shaft extractor		1	
	12	88713.0137	Crankshaft gear holder wrench for tightening nut		1	
	13	88713.1078	Punch tool for driving exhaust valve seat		1	
	14	88765.1001	Valve lift gauge		1	
	15	88765.1375AF	Check instrument		1	
GB	15	88765.1375AF	Check instrument		1	
D	15	88765.1375CF	Check instrument		1	
F	15	88765.1375DF	Check instrument		1	
E	15	88765.1375EF	Check instrument		1	
	16	88713.2036	Flywheel Wrench		1	
	17	88713.1079	Punch tool for driving intake valve seat		1	
	18	88713.1010	Union for exhaust gas suction		1	
	19	88765.0999	Timing belt control gauge		1	
	20	88713.1749	Drive roller puller		1	
	21	88713.2092	Extractor for primary drive gear		1	

CATALOGUE No:  
ISSUED:*915.1.130.2C*  
*05 - 04*


NOTES	NO.	CODE NO.	DESCRIPTION	VALIDITY	Q.TY	
	22	88700.5665	Sleeve for installing clutch bell gear		1	
	23	88713.1091	Plate for positioning gear engagement fork		1	
	24	88700.5749	Crankcases assembling cap		1	
	25	88713.2133	Wrench to hold clutch housing drum steady		1	
	26	88713.1429	Tool to drive valve seal ring $\varnothing 7$		1	
	27	88765.1297	T.D.C. control gauge		1	
	28	88713.0874	Exhaust valve guide punch tool		1	
	29	88713.2011	Tool to hold crankshaft in TDC position		1	
	30	88713.2107	Wrench for holding timing belt rollers ring nuts		1	

CATALOGUE No:  
ISSUED:*915.1.130.2C*  
*05 - 04*

DRAWING **001a** WORKSHOP SPECIAL TOOLS

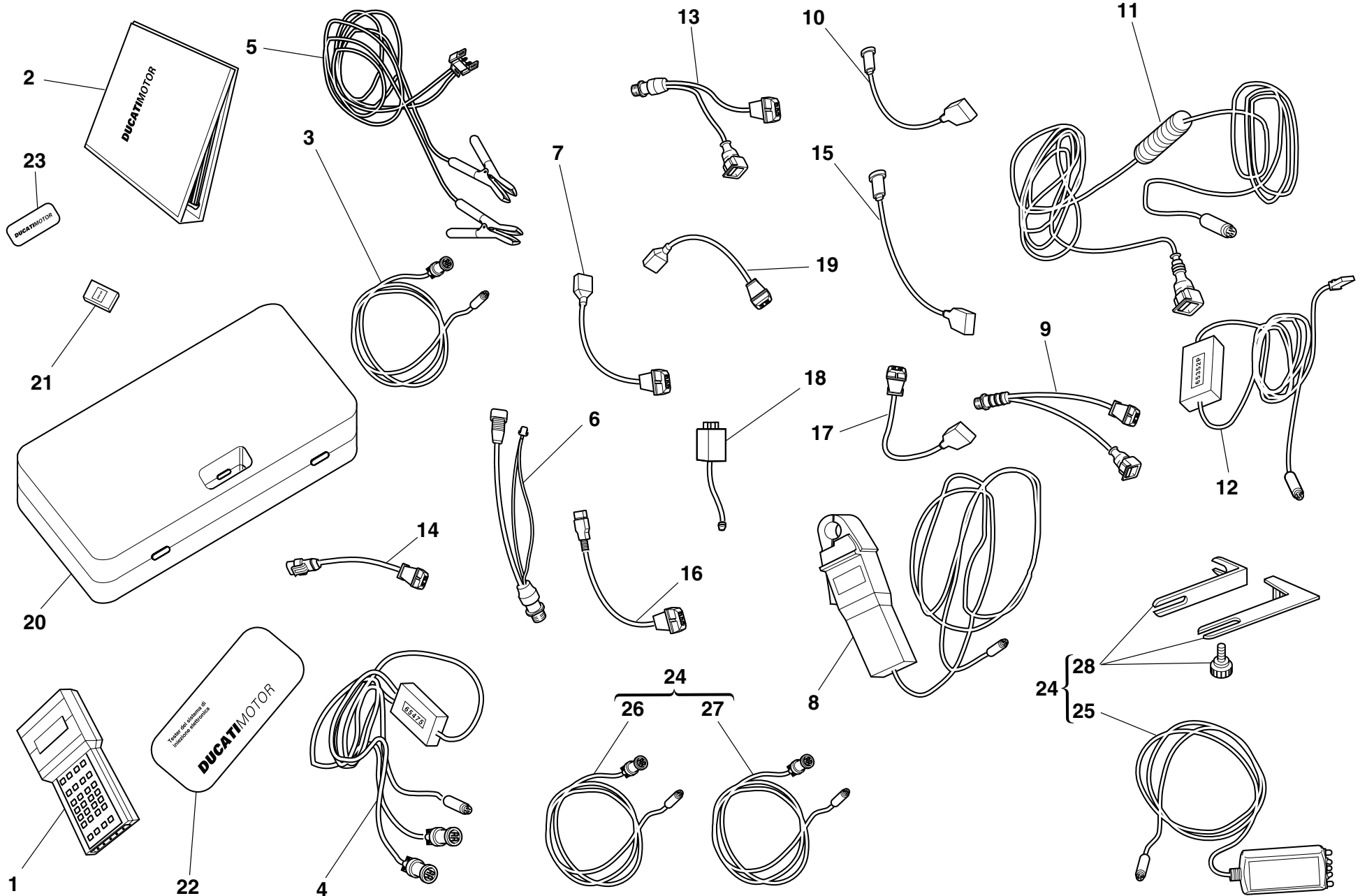


DRAWING **001a** WORKSHOP SPECIAL TOOLS


NOTES	NO.	CODE NO.	DESCRIPTION	VALIDITY	Q.TY	
	1	88713.1097	Extractor		1	
	2	88713.1140	EPROM chip introducing		1	
	3	88713.1344	Tool for assembling chain		1	
	4	0000.70139	Wrench for front wheel spindle		1	
	5	88713.0960	Tool for overhauling SHOWA forks - assembling seal ring		1	
	6	88713.0957	Tool for holding SHOWA fork spacer		1	
	7	88713.1515	Frame/engine mount		1	
	8	88713.1071	Stopper for assembling the rocker needle bearings		1	
	9	88713.1058	Wrench for assembling the steering head cap		1	
	10	88713.1072	Stopper for driving the half bearing of the steering head base		1	
	11	88713.1062	Tool for assembling the steering head bearings		1	
	12	677.4.003.1A	Coupling		1	

NOTES	NO.	CODE NO.	DESCRIPTION	VALIDITY	Q.TY	
-------	-----	----------	-------------	----------	------	---


DRAWING **001b** DIAGNOSIS TESTER MATHESIS



DRAWING **001b** **DIAGNOSIS TESTER MATHESIS**

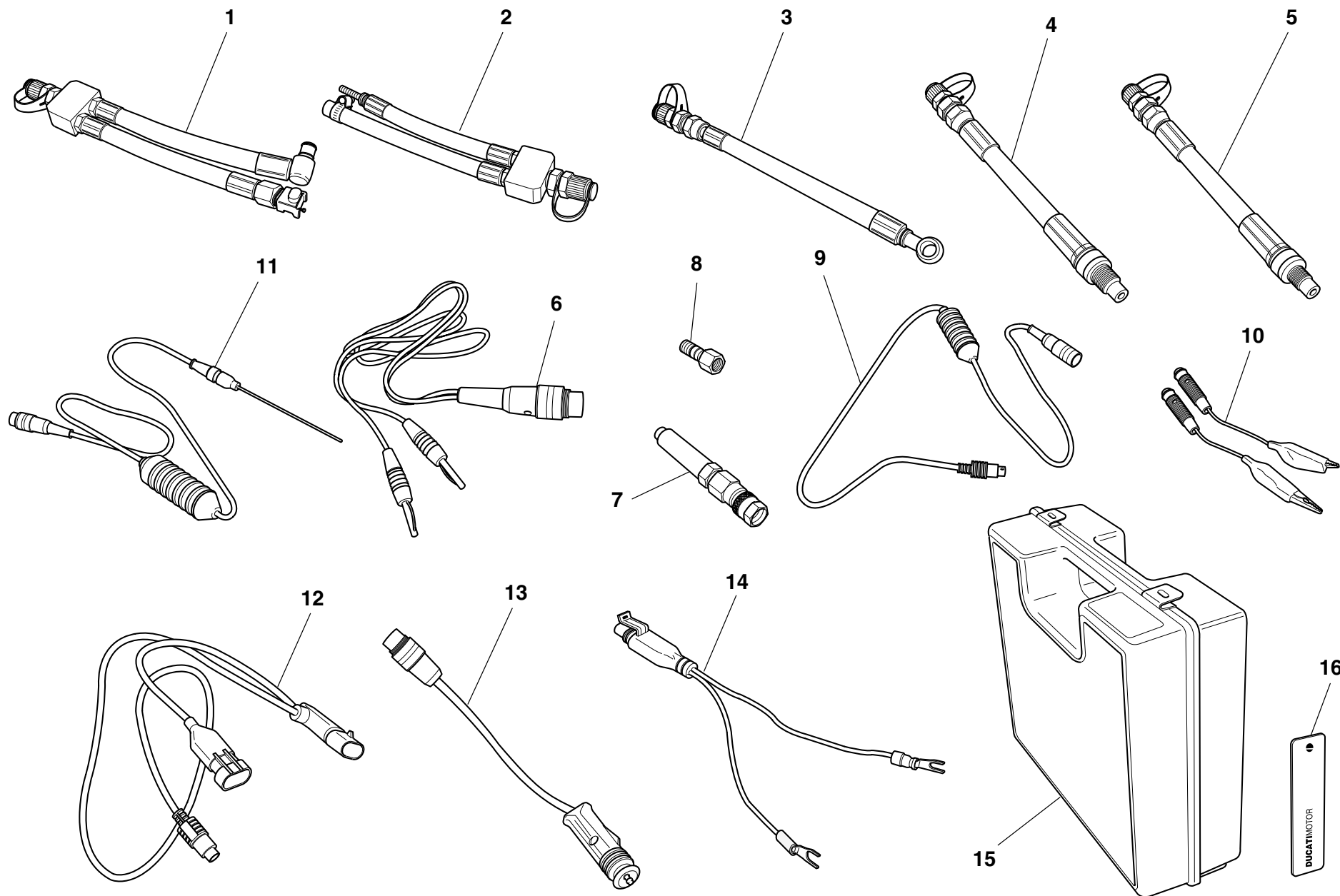
NOTES	NO.	CODE NO.	DESCRIPTION	VALIDITY	Q.TY	
	1	88765.1126Z	Bare Mathesis		1	
	2	914.7.023.1A	Italian manual		1	
	2	914.7.023.1B	English manual		1	
	2	914.7.023.1C	German manual		1	
	2	914.7.023.1D	Franch manual		1	
	2	914.7.023.1E	Spanish manual		1	
	3	88765.1126R	Main cable Mathesis		1	
	4	88765.1126A	Pickup Control cable		1	
	5	88765.1126Q	Battery mains cable		1	
	6	88765.1126	Mains cable adapter for self diagnosis		1	
	7	88765.1126N	Sensor for absolute pressure sampling		1	
	8	88765.1126V	Amperometer plier		1	
	9	88765.1126E	Adapter for 3 wires Pickup test cable		1	
	10	88765.1126P	Sensor for air temperature sampling		1	
	11	88765.1126C	Cable for potentiometer adjustment		1	
	12	88765.1126B	Test cable and speed indicator adjustment		1	
	13	88765.1126F	Adapter for 2 wires Pickup test cable		1	
	14	88765.1126D	Adapter for potentiometer adjustment		1	
	15	552.4.028.1A	Sensor for small throttle potentiometer sampling		1	
	16	88765.1126H	Sensor for throttle potentiomer sampling		1	
	17	88765.1126G	Sensor for air/water temperature sampling		1	
	18	88765.1126M	Sfety remote switch		1	
	19	88765.1126L	2 Wires sampling Pickup sensor		1	
	20	88765.1126U	Case with sponge		1	
	21	88765.1073	Italian memory card		1	
	21	88765.1074	English memory card		1	
	21	88765.1075	German memory card		1	

CATALOGUE No:  
ISSUED:*915.1.130.2C*  
*05 - 04*


NOTES	NO.	CODE NO.	DESCRIPTION	VALIDITY	Q.TY	
	21	88765.1076	French memory card		1	
	21	88765.1077	Spanish memory card		1	
	22	88765.1126S	DUCATI sticker for case		1	
	23	88765.1126T	DUCATI sticker RH/LH side		1	
	24	88765.1369A	Belt tensioning kit		1	
GB	24	88765.1369B	Belt tensioning kit		1	
D	24	88765.1369C	Belt tensioning kit		1	
F	24	88765.1369D	Belt tensioning kit		1	
E	24	88765.1369E	Belt tensioning kit		1	
	25	88765.1371	Sensor		1	
	26	88765.1372	Main cable		1	
	27	88765.1373	Cable extension		1	
	28	88765.1374	Bracket		1	

CATALOGUE No:  
ISSUED:*915.1.130.2C*  
*05 - 04*

DRAWING **001c** WORKSHOP SPECIAL TOOLS

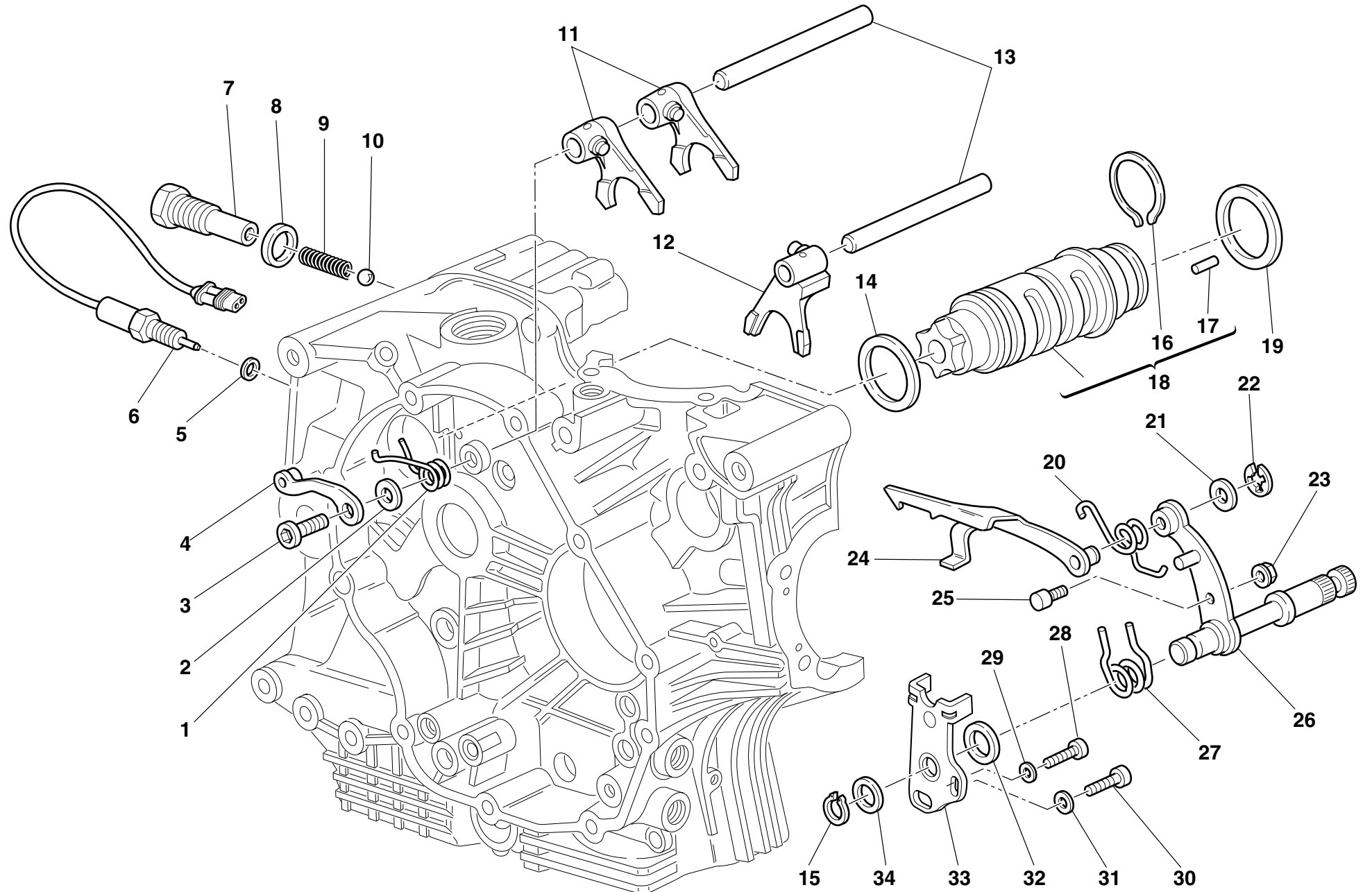


DRAWING **001c** WORKSHOP SPECIAL TOOLS

NOTES	NO.	CODE NO.	DESCRIPTION	VALIDITY	Q.TY	
-		88765.1241	Check instrument		1	
GB	-	88765.1242	Check instrument		1	
D	-	88765.1243	Check instrument		1	
F	-	88765.1244	Check instrument		1	
E	-	88765.1245	Check instrument		1	
1		590.1.189.1A	Fuel pressure line HS.		1	
2		590.1.190.1A	Fuel pressure line ST/SS/M.		1	
3		875.1.065.1A	Oil pressure line		1	
4		552.1.037.1A	Fitting - cylinder compression M12		1	
5		552.1.038.1A	Fitting - cylinder compression M10		1	
6		514.1.037.1A	Cable Volt PF DUC 21		1	
7		552.1.039.1A	Pressure sensor		1	
8		814.1.114.1A	Oil pressure fitting		1	
9		514.1.032.1A	Cable for supplementary tests		1	
10		514.1.035.1A	Red clamp cable		1	
10		514.1.036.1A	Black clamp cable		1	
11		552.1.040.1A	Temperature probe		1	
12		514.1.034.1A	Main cable PF A621		1	
13		514.1.033.1A	Electric lighter connection adapter (ST)		1	
14		514.1.038.1A	Battery connection adapter		1	
15		698.1.033.1A	Red case with sponge rubber		1	
16		88765.1126T	DUCATI sticker RH/LH side		2	

NOTES	NO.	CODE NO.	DESCRIPTION	VALIDITY	Q.TY	
-------	-----	----------	-------------	----------	------	---


DRAWING 002 GEARCHANGE



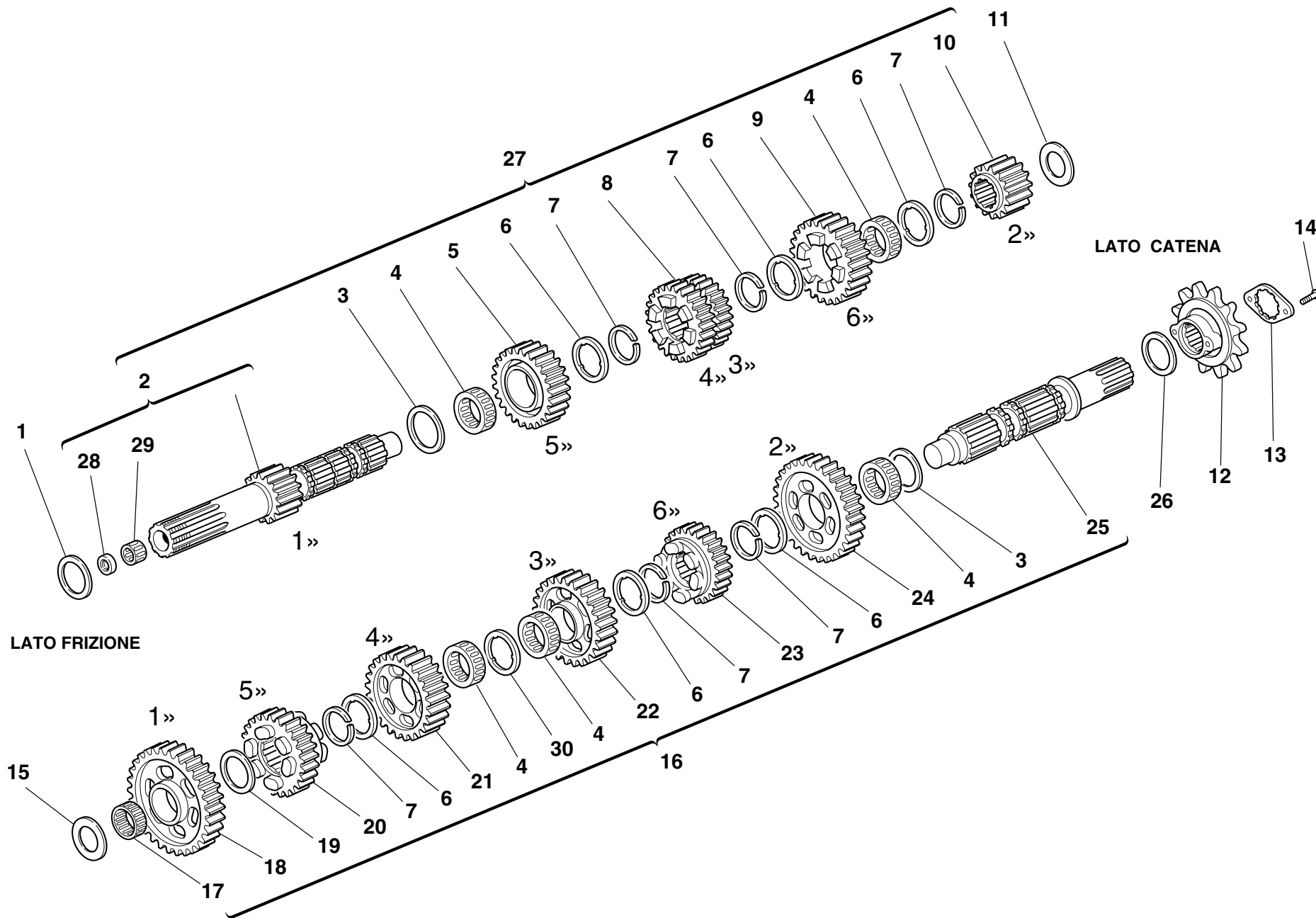
DRAWING **002** GEARCHANGE

NOTES	NO.	CODE NO.	DESCRIPTION	VALIDITY	Q.TY	
	1	799.1.049.1A	Return spring		1	
	2	852.1.053.2A	Washer		1	
	3	779.1.039.1A	Special screw		1	
	4	455.2.003.1A	Gear stopper assembly		1	
	5	852.5.024.1A	Gasket th.1		1	
	6	539.1.021.1A	Switch		1	
	7	779.1.203.2A	Push rod holder		1	
	8	0272.91.090	Gasket		1	
	9	0660.13.143	Gear selector spring		1	
	10	76835.1134	Ball		1	
	11	180.1.001.1A	1st,4th-2nd,3rd gear selector fork		2	
	12	180.1.002.1A	5th,6th gear selector fork		1	
	13	0660.13.070	Fork pin		2	
	14	852.1.005.1A	Shim th. 1		1	
	15	73500.1542	Circlip		1	
	16	882.1.006.1A	Needle retaining ring (square cross-section)		1	
	17	821.1.070.1A	Special roller (square cross-section)		6	
	18	182.2.018.1A	Complete gearbox drum		1	
	19	0660.13.060	Shim th. 1		1	
	19	852.1.094.1A	Shim th. 0.9		1	
	20	799.1.025.1A	Fork return spring		1	
	21	0400.09.050	Shim th. 0.5		1	
	21	0765.92.205	Shim th. 0.2		2	
	22	884.5.034.1A	Ring		1	
	23	748.1.040.1A	Nut		1	
	24	180.1.008.1A	Gearbox drum control fork		1	
	25	0660.13.165	Gearchange lever pin		1	


CATALOGUE No:  
ISSUED:*915.1.130.2C*  
*05 - 04*

NOTES	NO.	CODE NO.	DESCRIPTION	VALIDITY	Q.TY	
	26	821.1.001.1A	Pin with gearchange lever		1	
	27	0799.13.110	Gearchange lever return spring		1	
	28	771.5.067.8B	Screw		1	
	29	852.1.172.1A	Washer		1	
	30	771.5.123.8B	Screw		1	
	31	852.1.174.1A	Washer		1	
	32	881.1.012.1A	Centering ring		1	
	33	826.1.009.1A	Stopper plate		1	
	34	0400.29.125	Shim th. 0.2		2	
	34	0400.29.126	Shim th. 0.5		1	


CATALOGUE No:  
ISSUED:*915.1.130.2C*  
*05 - 04*



DRAWING **003** GEAR-BOX

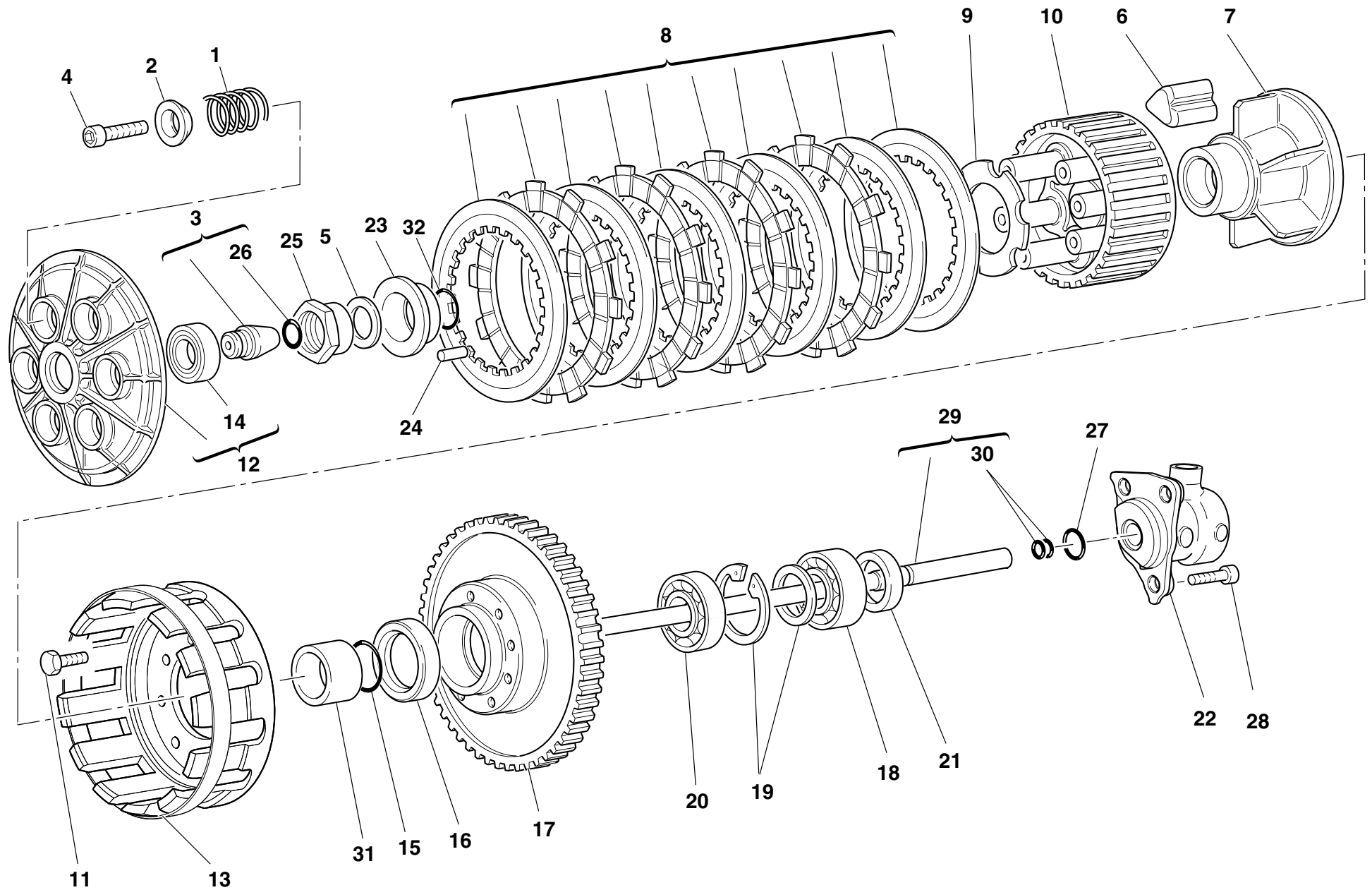
NOTES	NO.	CODE NO.	DESCRIPTION	VALIDITY	Q.TY	
	1	0251.47.050	Shim th. 1		1	
	1	0251.47.054	Shim th. 1.2		1	
	1	852.1.108.1AH	Shim th. 0.9		1	
	1	852.1.108.1AL	Shim th. 1,1		1	
	1	852.1.108.1AN	Shim th. 1,3		1	
	2	150.2.006.1B	Gearbox main shaft		1	
	3	0670.16.150	Shim th. 0.5		2	
	4	701.4.005.1A	Needle bearing		5	
	5	172.1.004.2A	Driving gear 5th sp.		1	
	6	856.1.001.1A	Grooved washer th. 0.5		6	
	7	0670.16.145	Snap ring		6	
	8	172.1.003.2A	Driving gear 3rd/4th sp.		1	
	9	172.1.005.2A	Driving gear 6th sp.		1	
	10	172.1.002.1B	Driving gear 2nd sp.		1	
	11	0670.16.163	Shim th. 1.8		1	
	11	0670.16.164	Shim th. 2		1	
	11	713.1.014.1A	Shim th. 1.5		1	
	11	713.1.014.1B	Shim th. 1.7		1	
	11	713.1.014.1E	Shim th. 1.6		5	
	11	713.1.014.1F	Shim th. 1.9		1	
	12	449.1.038.1A	Front sprocket w/rubber protection Z=15		1	
	13	826.1.011.1A	Sprocket keep plate		1	
	14	8A00.67997	Screw		2	
	15	0670.16.164	Shim th. 2		1	
	15	0670.16.165	Shim th. 2.2		1	
	15	0670.16.184	Shim th. 1		1	
	15	0670.16.185	Shim th. 1.2		1	

CATALOGUE No: 915.1.130.2C  
ISSUED: 05 - 04

NOTES	NO.	CODE NO.	DESCRIPTION	VALIDITY	Q.TY	
	15	713.1.011.1A	Shim th. 2.3		1	
	16	150.2.035.2A	Complete lay shaft		1	
	17	76402.0002	Needle bearing		1	
	18	172.1.006.1B	Driven gear 1st sp.		1	
	19	0670.16.155	Shim th. 1		1	
	20	172.1.010.2A	Driven gear 5th sp.		1	
	21	172.1.009.2A	Driven gear 4th sp.		1	
	22	172.1.008.1A	Driven gear 3rd sp.		1	
	23	172.1.011.2A	Driven gear 6th sp.		1	
	24	172.1.007.1B	Driven gear 2nd sp.		1	
	25	149.1.024.1A	Gearbox lay shaft		1	
	26	0670.16.170	Shim th. 0.8		1	
	26	0670.16.171	Shim th. 1		1	
	26	852.1.105.1AB	Shim th. 0.9		1	
	26	852.1.105.1AD	Shim th. 1,1		1	
	26	852.1.105.1AG	Shim th. 0.7		1	
	27	150.2.005.2A	Complete main shaft		1	
	28	930.4.049.1A	Seal ring		1	
	29	702.5.044.1A	Needle bearing		1	
	30	856.1.031.1A	Grooved washer th. 0.5		1	

CATALOGUE No: 915.1.130.2C  
ISSUED: 05 - 04


DRAWING 004 CLUTCH



DRAWING **004** **CLUTCH**

NOTES	NO.	CODE NO.	DESCRIPTION	VALIDITY	Q.TY	
	1	0659.16.555	Clutch spring		6	
	2	841.1.002.2A	Retainer		6	
	3	818.2.009.1A	Clutch control pin		1	
	4	771.5.043.8B	Screw		6	
	5	851.4.001.1A	Lock washer		1	
	6	764.1.003.1B	Rubber pad		12	
	7	162.1.001.1B	Plate holder hub		1	
	8	190.2.011.1A	Clutch plates set		1	
	9	851.1.001.1B	Lock washer		1	
	10	196.1.001.2B	Clutch drum		1	
	11	70610.8120	Screw		8	
	12	194.2.001.1B	Pressure plate		1	
	13	198.1.029.1A	Clutch housing		1	
	14	702.5.016.1A	Bearing		1	
	15	463.2.053.7A	O-ring		1	
	16	930.4.035.1A	Seal ring		1	
	17	170.2.020.1B	Clutch/crankshaft gears pair		1	
	18	75113.2566	Bearing		1	
	19	881.2.001.1A	Circlip - spacer		1	
	20	702.4.017.1A	Bearing		1	
	21	0660.16.145	Spacer		1	
	22	195.4.003.1A	Piston assembly		1	
	23	710.1.002.1A	Bush		1	
	24	74224.0570	Pin		1	
	25	750.1.002.1B	Nut		1	
	26	0400.17.030	O-ring		1	
	27	886.4.043.1A	O-ring		1	

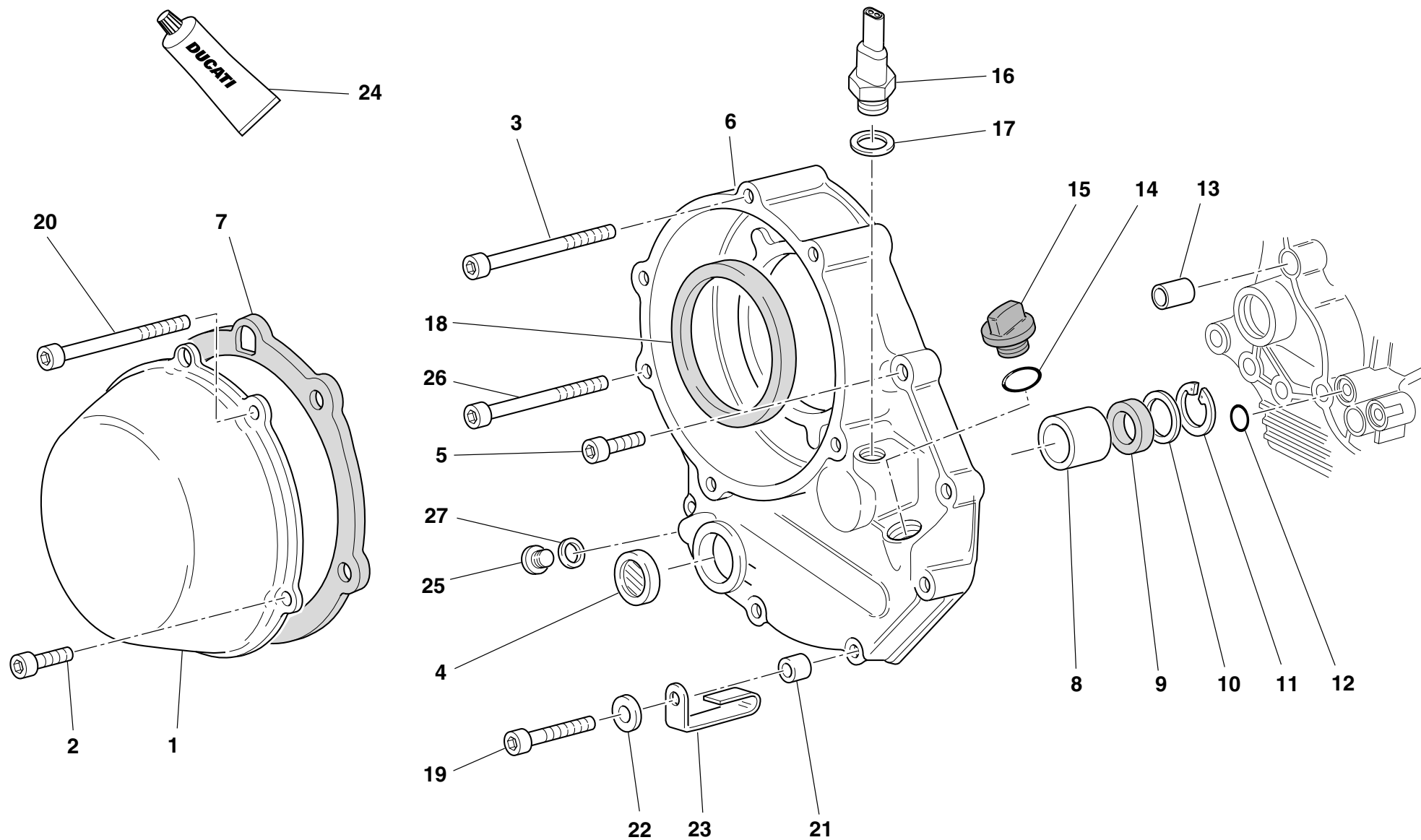
CATALOGUE No: *915.1.130.2C*  
ISSUED: *05 - 04*

NOTES	NO.	CODE NO.	DESCRIPTION	VALIDITY	Q.TY	
	28	60N107335	Screw		3	
	29	117.2.006.1A	Clutch control rod		1	
	30	93823.2018	O-ring		2	
	31	713.1.012.1B	Spacer		1	
	32	93823.0128	O-ring		1	


CATALOGUE No: *915.1.130.2C*  
ISSUED: *05 - 04*

DRAWING 005


CLUTCH COVER



DRAWING **005** CLUTCH COVER

NOTES	NO.	CODE NO.	DESCRIPTION	VALIDITY	Q.TY	
	1	243.1.025.1AD	Clutch protection cover		1	
	2	771.1.026.1A	Screw		3	
	3	771.5.078.8B	Screw		1	
	4	254.4.001.1A	Oil level sight glass		1	
	5	771.5.069.8B	Screw		5	
	6	243.2.004.1BB	Cover clutch side		1	
	7	788.1.052.1A	Clutch cover gasket		1	
	8	0665.49.680	Bush		1	
	9	93784.2030	Seal ring		1	
	10	852.1.008.1A	Shim th. 0.5		2	
	11	73503.3075	Circlip		1	
	12	93827.0114	O-ring		1	
	13	0400.49.240	Locating bush		1	
	14	886.4.090.1A	O-ring		1	
	15	893.1.005.1A	Cap		1	
	16	539.4.030.1A	Switch		1	
	17	852.1.195.1A	Gasket th.2		1	
	17	852.5.024.1A	Gasket th.1		2	
	18	930.4.034.1A	Ring		1	
	19	771.5.071.8B	Screw		2	
	20	771.1.027.1A	Screw		2	
	21	0675.49.540	Spacer		1	
	22	852.1.176.1A	Washer		4	
	23	0675.49.530	Hose guide		1	
	24	94247.0014	Fluid sealant		1	
	25	780.5.001.1A	Cap		1	
	26	771.5.079.8B	Screw		1	

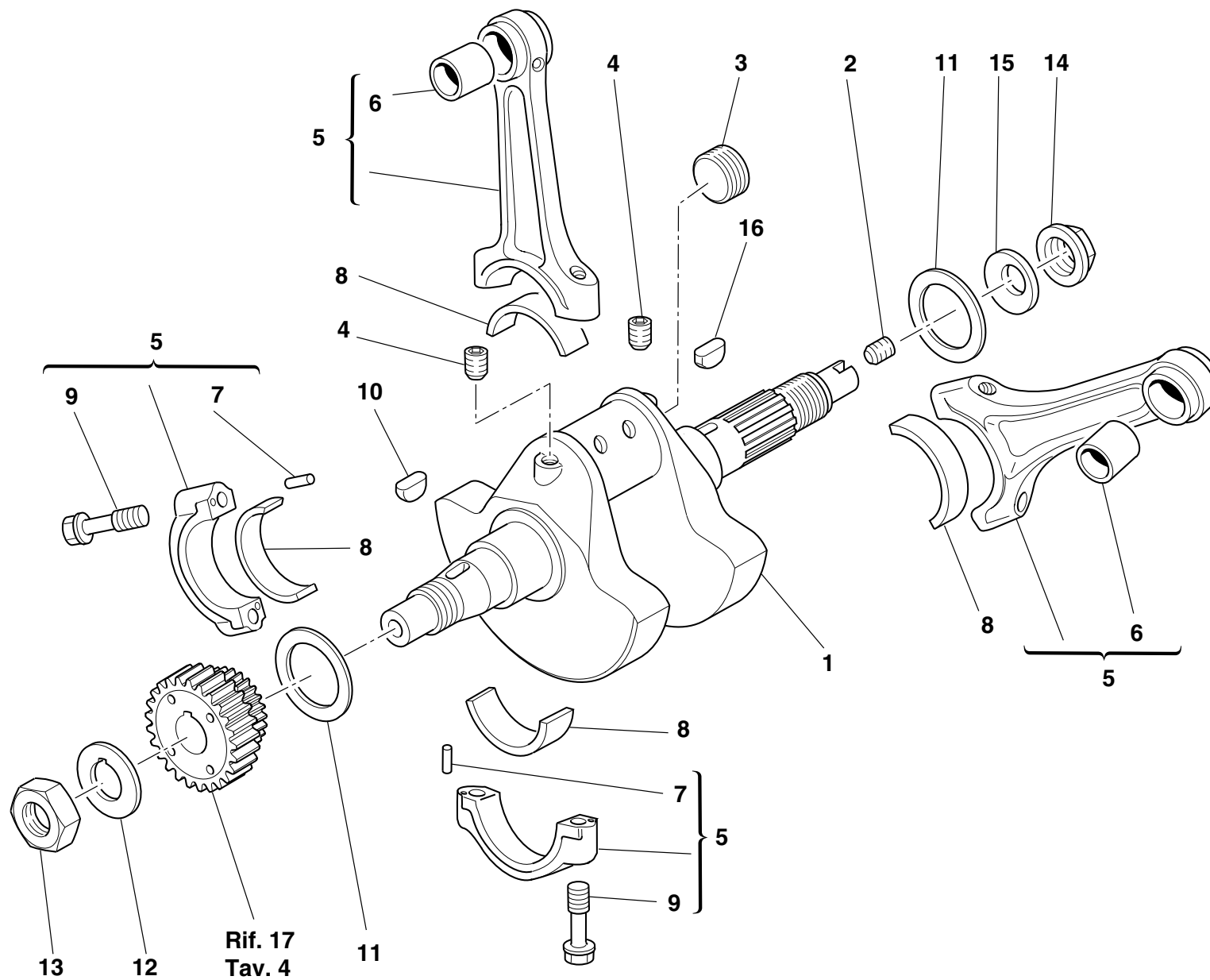
CATALOGUE No: 915.1.130.2C  
ISSUED: 05 - 04

NOTES	NO.	CODE NO.	DESCRIPTION	VALIDITY	Q.TY	
	27	852.5.024.1A	Gasket th.1		1	


CATALOGUE No: 915.1.130.2C  
ISSUED: 05 - 04

DRAWING 006


CRANKSHAFT



DRAWING **006** **CRANKSHAFT**

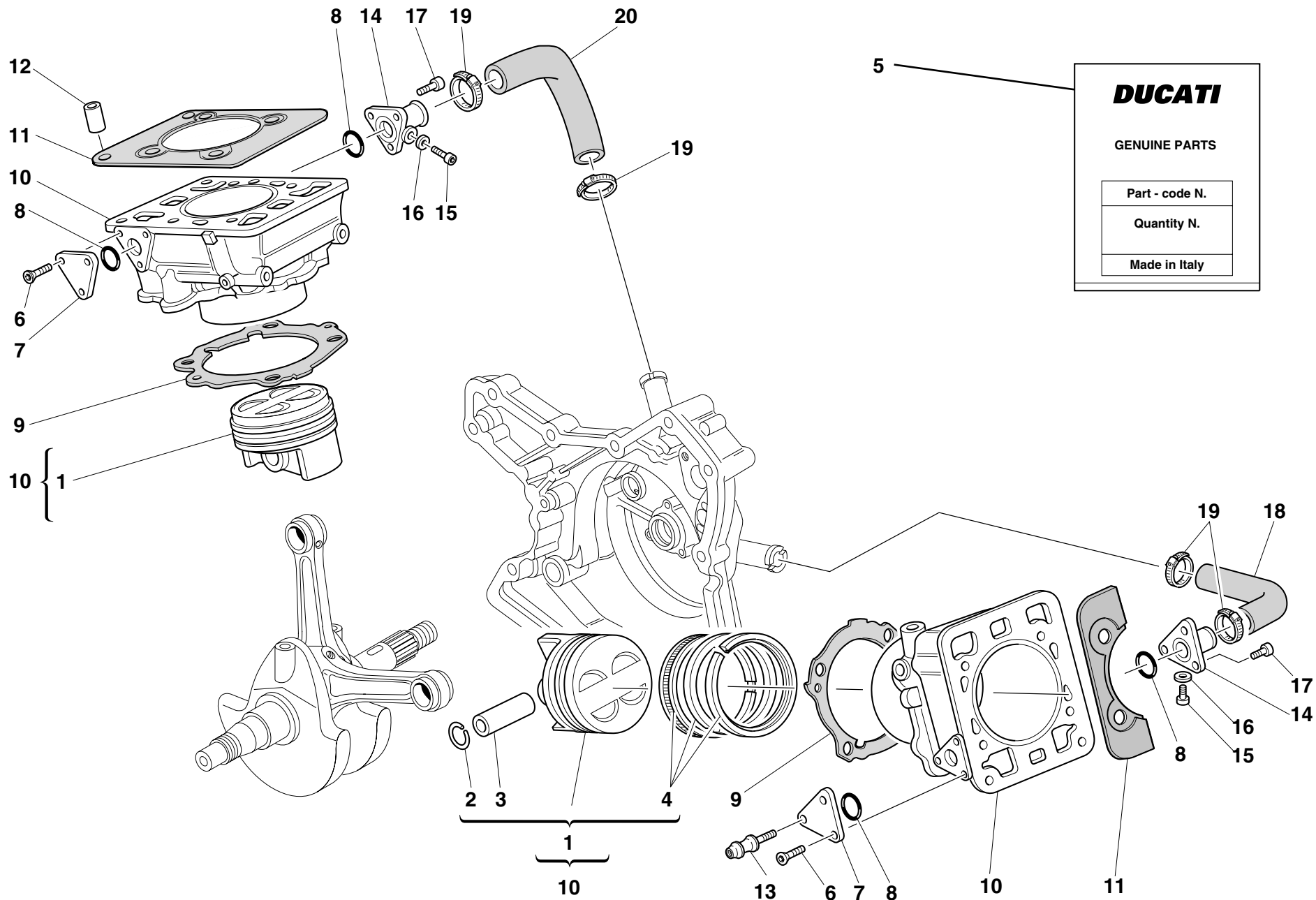
NOTES	NO.	CODE NO.	DESCRIPTION	VALIDITY	Q.TY	
	1	146.2.113.1A	Crankshaft (items 2-3-4 included)		1	
	2	779.1.109.1A	Special screw		1	
	3	780.1.016.1A	Cap		1	
	4	72121.2106	Threaded dowel		2	
	5	158.2.020.1A	Connecting rods pair		1	
	6	711.1.089.1A	Bush		2	
	7	74224.0570	Pin		4	
	8	112.1.026.1AA	Half-bearing (RED)		4	
	8	112.1.026.1AB	Half-bearing (BLUE)		4	
	9	779.1.007.2A	Special screw		4	
	10	0755.29.025	Woodruff key		1	
	11	852.1.104.1A	Shim th. 1.9		2	
	11	852.1.104.1B	Shim th. 1.95		2	
	11	852.1.104.1C	Shim th. 2		2	
	11	852.1.104.1D	Shim th. 2,05		2	
	11	852.1.104.1E	Shim th. 2,1		2	
	11	852.1.104.1F	Shim th. 2,15		2	
	11	852.1.104.1G	Shim th. 2.2		2	
	11	852.1.104.1H	Shim th. 2.25		2	
	11	852.1.104.1I	Shim th. 2.3		2	
	11	852.1.104.1J	Shim th. 2.35		2	
	11	852.1.104.1K	Shim th. 2,4		2	
	11	852.1.104.1L	Shim th. 2,45		2	
	11	852.1.104.1M	Shim th. 2.5		2	
	11	852.1.104.1N	Shim th. 2.55		2	
	12	851.1.019.1A	Lock washer		1	
	13	0660.47.040	Nut		1	

CATALOGUE No: *915.1.130.2C*  
ISSUED: *05 - 04*


NOTES	NO.	CODE NO.	DESCRIPTION	VALIDITY	Q.TY	
	14	750.1.012.2A	Nut		1	
	15	799.1.051.2A	Spring washer		1	
	16	74172.1008	Woodruff key		1	


CATALOGUE No: *915.1.130.2C*  
ISSUED: *05 - 04*

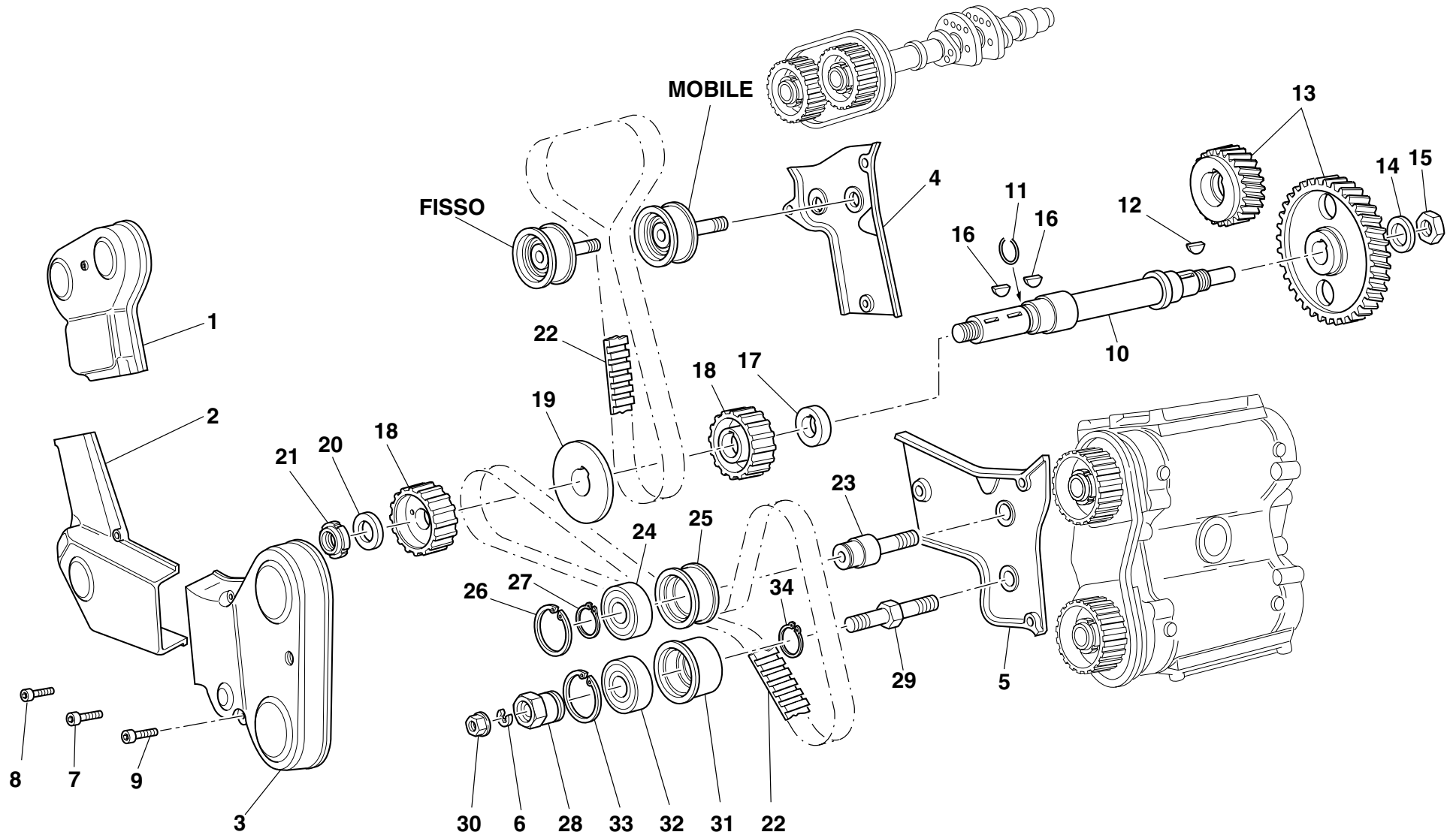
DRAWING **007** CYLINDERS - PISTONS



DRAWING **007** **CYLINDERS - PISTONS**

NOTES	NO.	CODE NO.	DESCRIPTION	VALIDITY	Q.TY	
	1	122.2.048.1A	Complete piston		2	
	2	121.1.048.1A	Piston pin circlip		4	
	3	121.1.047.1A	Piston pin		2	
	4	121.2.028.1A	Piston rings set		2	
	5	791.2.030.1A	Head-cylinder gaskets set		1	
	6	777.5.049.8B	Screw		5	
	7	247.1.020.1AB	Cover		2	
	8	93823.2087	O-ring		4	
	9	786.1.041.2D	Cylinder-crankcase gasket th. 0.6		2	
	10	120.2.053.3A	Cylinder-piston fit		2	
	11	786.1.048.4A	Head-cylinder gasket		2	
	12	711.1.126.1A	Bush		4	
	13	684.1.014.2B	Stud bolt		1	
	14	814.1.002.1AB	Water inlet union to cylinders		2	
	15	771.5.062.8B	Screw		2	
	16	852.5.023.1A	Gasket		2	
	17	771.5.065.8B	Screw		6	
	18	800.1.008.1A	Horizontal cylinder water inlet hose		1	
	19	741.4.002.1A	Hose guide		4	
	20	800.1.007.1A	Vertical cylinder water inlet hose		1	


NOTES	NO.	CODE NO.	DESCRIPTION	VALIDITY	Q.TY	
-------	-----	----------	-------------	----------	------	---



DRAWING **008** **TIMING**

NOTES	NO.	CODE NO.	DESCRIPTION	VALIDITY	Q.TY	
	1	245.1.021.1AB	Vertical belt outer cover		1	
	2	245.1.022.1AB	Outer central cover		1	
	3	245.1.020.1AB	Horizontal belt outer cover		1	
	4	245.1.041.1A	Vertical belt inner cover		1	
	5	245.1.042.1A	Horizontal belt inner cover		1	
	6	853.1.002.1A	Spring washer		2	
	7	771.5.069.8B	Screw		3	
	8	771.5.065.8B	Screw		3	
	9	771.5.071.8B	Screw		3	
	10	147.1.014.1A	Timing lay shaft		1	
	11	882.1.003.1A	Snap ring		1	
	12	0755.29.025	Woodruff key		1	
	13	171.2.020.2B	Timing gears pair		1	
	14	851.1.013.1A	Lock washer		1	
	15	0124.40.060	Hexagon nut		1	
	16	74172.1008	Woodruff key		2	
	17	713.1.166.1A	Spacer		1	
	18	255.1.004.1A	Timing belt roller		2	
	19	856.1.002.2A	Belt roller separating washer sp. 2		1	
	20	852.1.173.1A	Washer		1	
	21	72944.1542	Elastic-stop ring nut		1	
	22	737.4.010.3B	Timing drive toothed belt		2	
	23	451.1.004.2A	Fixed tensioner roller pin		2	
	24	702.5.001.5A	Bearing		2	
	25	451.1.010.1A	Fixed tensioner bush		2	
	26	73503.3380	Circlip		2	
	27	73500.1747	Snap ring		2	


CATALOGUE No: *915.1.130.2C*  
ISSUED: *05 - 04*

NOTES	NO.	CODE NO.	DESCRIPTION	VALIDITY	Q.TY	
	28	451.1.033.1A	Tensioner eccentric		2	
	29	451.1.001.2A	Movable tensioner roller pin		2	
	30	748.1.044.1A	Nut		2	
	31	451.1.034.1A	Movable tensioner roller bush		2	
	32	702.5.022.2A	Bearing		2	
	33	73503.3450	Circlip		2	
	34	73500.2054	Snap ring		2	


CATALOGUE No: *915.1.130.2C*  
ISSUED: *05 - 04*



DRAWING **009****FILTERS AND OIL PUMP**

NOTES	NO.	CODE NO.	DESCRIPTION	VALIDITY	Q.TY	
	1	174.2.025.5A	Complete oil pump		1	
	2	247.1.174.1A	Pump cover		1	
	3	773.5.069.8B	Screw		6	
	4	852.1.120.1A	Aluminium gasket		1	
	5	250.1.038.1A	Pump body		1	
	6	873.1.037.1A	Cap		1	
	7	680.1.001.1B	Woodruff key		1	
	8	771.5.129.8B	Screw		2	
	9	853.1.002.1A	Spring washer		2	
	10	771.5.069.8B	Screw		1	
	11	853.1.004.1A	Spring washer		1	
	12	174.1.025.1A	Pump drive gear		1	
	13	710.1.001.1A	Bush		1	
	14	799.2.077.2A	Bypass spring		1	
	15	0759.49.280	Locating bush		2	
	16	220.3.208.3A	Gasket		1	
	17	0660.49.053	Oil drain plug with magnet		1	
	18	852.5.005.1A	Gasket th.1,5		1	
	19	894.2.009.1A	Oil filter		1	
	20	444.4.003.4A	Oil filter cartridge		1	
	21	0670.49.910	Nipple		1	
	22	93827.0114	O-ring		2	
	23	779.1.198.2A	Cap		1	
	24	76267.0012	Snap ring		1	
	25	73500.1237	Circlip		2	
	26	0670.49.310	Reduction bush		1	
	27	779.1.162.2A	Cap		1	

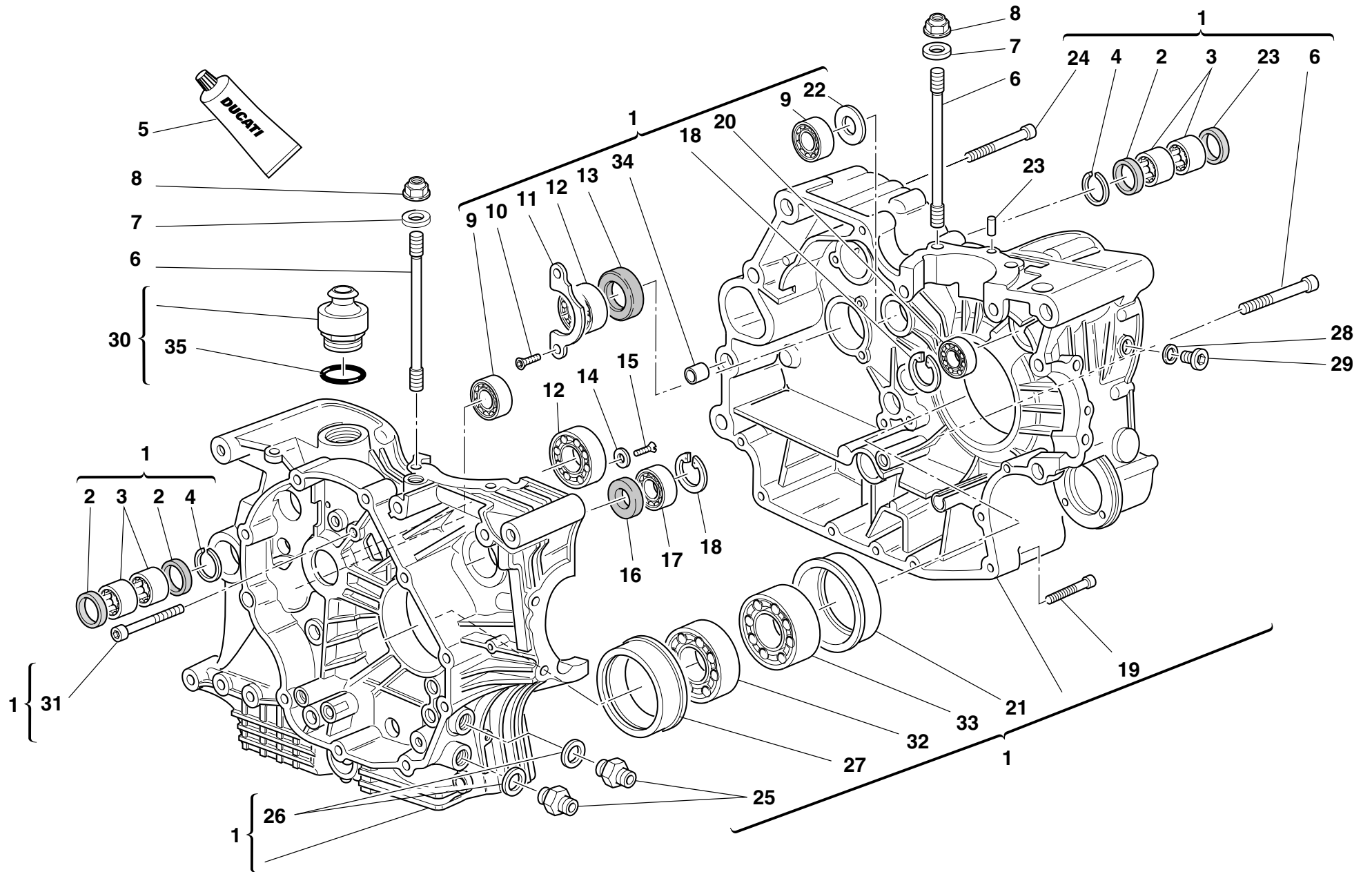
CATALOGUE No:  
ISSUED:*915.1.130.2C*  
*05 - 04*

NOTES	NO.	CODE NO.	DESCRIPTION	VALIDITY	Q.TY	
	28	852.1.195.1A	Gasket th.2		1	
	29	593.1.018.1A	Bypass valve		1	
	30	799.1.055.1A	Bypass spring		1	
	31	780.1.018.1A	Bypass cap		1	
	32	886.4.037.1A	O-ring		1	

CATALOGUE No:  
ISSUED:*915.1.130.2C*  
*05 - 04*

DRAWING 010


HALF CRANKCASES



DRAWING **010** HALF CRANKCASES

NOTES	NO.	CODE NO.	DESCRIPTION	VALIDITY	Q.TY	
	1	225.2.084.1A	Complete half-crankcases pair		1	
	2	0755.49.265	Seal ring		4	
	3	76400.0004	Needle bearing		4	
	4	76266.2668	Snap ring		2	
	5	94247.0014	Fluid sealant		1	
	6	766.1.014.1A	Stud bolt for fastening head cylinder		8	
	7	856.1.064.2A	Special washer		8	
	8	748.1.038.1A	Nut		8	
	9	702.4.033.1A	Bearing		2	
	10	72094.1616	Screw		2	
	11	826.1.003.1A	Keep plate		1	
	12	702.5.019.1A	Bearing		2	
	13	93783.2552	Seal ring		1	
	14	713.1.140.1A	Spacer		2	
	15	770.5.250.8B	Screw		2	
	16	93785.1830	Seal ring		1	
	17	75794.1542	Bearing		1	
	18	73503.3380	Circlip		2	
	19	771.5.072.8B	Screw		8	
	20	702.5.008.1A	Bearing		1	
	21	710.1.070.1A	Bearing holder bush		1	
	22	0370.49.250	Washer		1	
	23	860.1.004.1A	Locating dowel		2	
	24	771.5.136.8B	Screw		6	
	25	815.1.022.1A	Nipple		2	
	26	420.2.006.4A	Aluminium gasket		2	
	27	710.1.069.1A	Bearing holder bush		1	

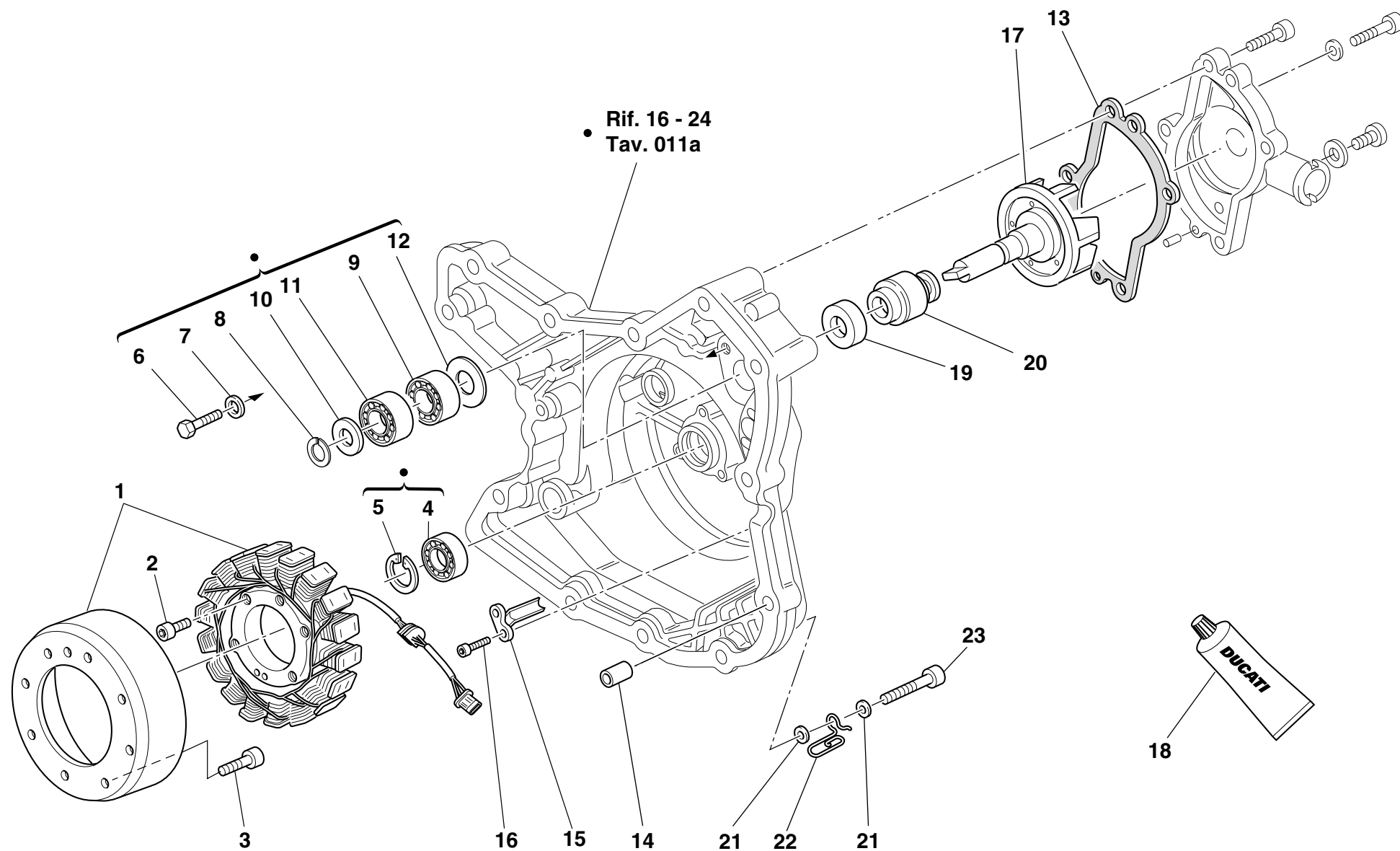
CATALOGUE No: 915.1.130.2C  
ISSUED: 05 - 04

NOTES	NO.	CODE NO.	DESCRIPTION	VALIDITY	Q.TY	
	28	852.5.026.1A	Aluminium gasket th.1,5		1	
	29	779.1.026.1A	Screw		1	
	30	593.1.003.1B	Breather valve		1	
	31	771.5.080.8B	Screw		2	
	32	702.4.020.1A	Bearing		1	
	33	75191.3380	Bearing		1	
	34	711.1.095.1A	Bush		2	
	35	93823.3156	O-ring		1	
	36	779.1.029.2A	Special screw		1	


CATALOGUE No: 915.1.130.2C  
ISSUED: 05 - 04

DRAWING 011

WATER PUMP - ALTERNATOR COVER



DRAWING **011****WATER PUMP - ALTERNATOR COVER**

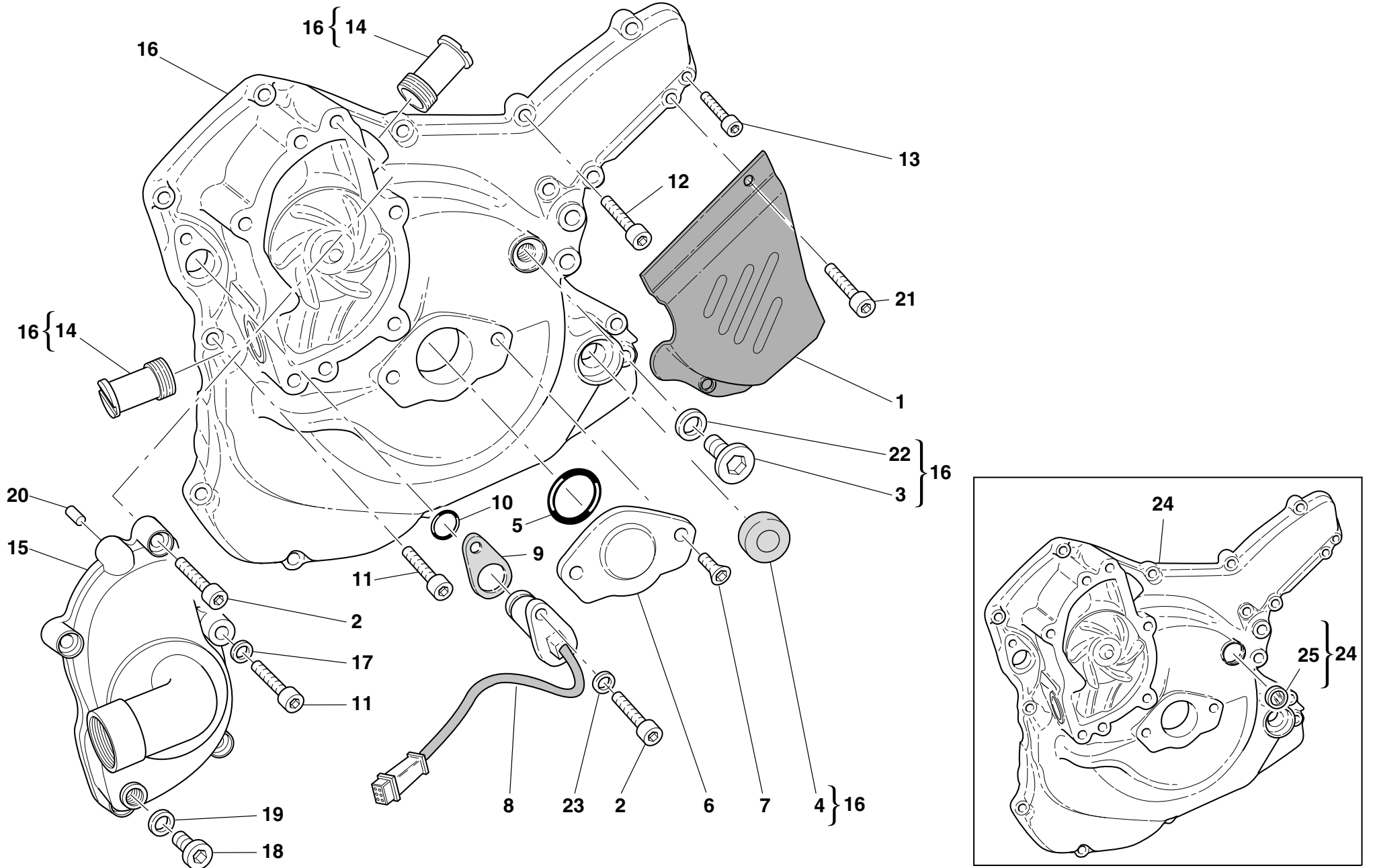
NOTES	NO.	CODE NO.	DESCRIPTION	VALIDITY	Q.TY	
	1	264.4.018.2A	Generator		1	
	2	771.5.073.8B	Screw		3	
	3	779.4.075.1A	Screw		8	
	4	702.5.008.1A	Bearing		1	
	5	73503.3380	Circlip		1	
	6	770.5.250.8B	Screw		2	
	7	852.1.172.1A	Washer		2	
	8	884.5.011.1A	A 10 Ring		1	
	9	702.4.010.2A	Bearing		1	
	10	852.1.114.1A	Washer		1	
	11	702.4.009.1A	Bearing		1	
	12	713.1.128.1B	Spacer		1	
	13	788.1.056.1A	Gasket		1	
	14	0400.49.240	Locating bush		2	
	15	830.1.144.1A	Bracket		1	
	16	771.5.040.8B	Screw		2	
	17	251.2.002.6B	Water pump fan		1	
	18	94247.0014	Fluid sealant		1	
	19	930.5.005.1A	Seal		1	
	20	930.5.006.2B	Mechanical seal		1	
	21	734306N01	Washer		2	
	22	881.1.030.1A	Holder		1	
	23	771.5.072.2B	Screw		1	

NOTES	NO.	CODE NO.	DESCRIPTION	VALIDITY	Q.TY	
-------	-----	----------	-------------	----------	------	---


CATALOGUE No: **915.1.130.2C**  
ISSUED: **05 - 04**

CATALOGUE No: **915.1.130.2C**  
ISSUED: **05 - 04**

DRAWING **011a** WATER PUMP - ALTERNATOR COVER



DRAWING **011a** WATER PUMP - ALTERNATOR COVER

NOTES	NO.	CODE NO.	DESCRIPTION	VALIDITY	Q.TY	
	1	247.1.083.1AE	Chain cover		1	
	2	771.5.066.8B	Screw		5	
	3	779.1.198.1A	Cap		1	
	4	93783.1524	Seal ring		1	
	5	886.4.035.1A	O-ring		1	
	6	247.1.002.1BC	Cover		1	
	7	777.5.049.8B	Screw		2	
	8	552.4.020.1A	Sensor		1	
	9	788.1.066.1AA	Gasket th.0,6		2	
	9	788.1.066.1AB	Gasket th.0,8		1	
	9	788.1.066.1AC	Gasket th.1,0		1	
	10	886.4.003.1A	O-ring		1	
	11	771.5.069.8B	Screw		10	
	12	771.5.071.8B	Screw		3	
	13	771.5.067.8B	Screw		2	
	14	668.1.001.3A	Water pump delivery filler		2	
	15	247.2.202.1A	Complete water pump cover		1	
	16	242.2.063.1A	Generator cover		1	
	17	852.5.023.1A	Gasket		1	
	18	780.5.001.1A	Cap		1	
	19	852.5.024.1A	Gasket th.1		1	
	20	860.1.004.1A	Locating dowel		2	
	21	60N107335	Screw		2	
	22	852.1.120.1A	Aluminium gasket		1	
	23	853.1.003.1A	Spring washer		1	
	24	242.2.038.2BB	Generator cover		1	
	25	254.1.001.1A	Oil level sight glass		1	

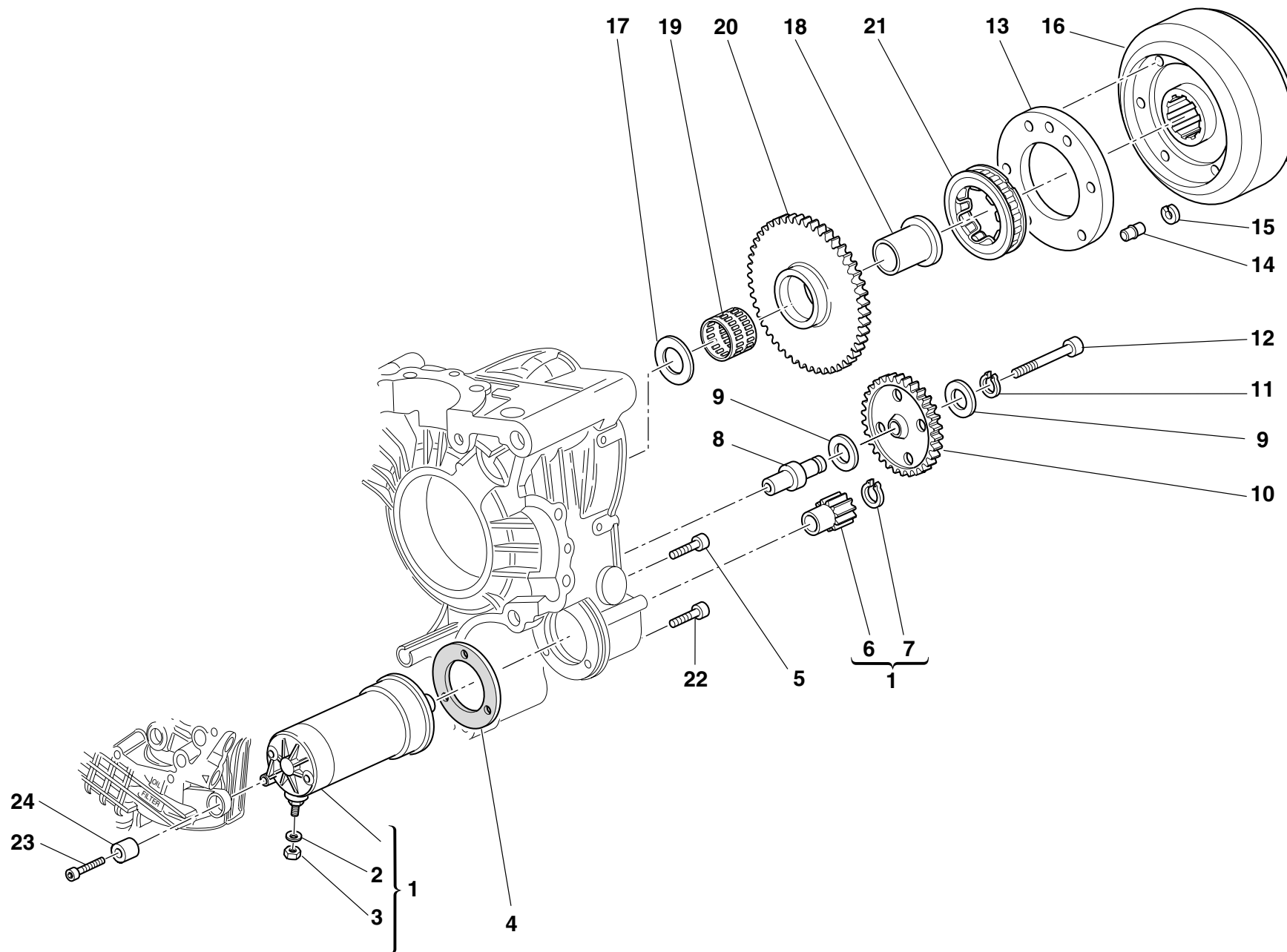
CATALOGUE No: 915.1.130.2C  
ISSUED: 05 - 04

NOTES	NO.	CODE NO.	DESCRIPTION	VALIDITY	Q.TY	
-------	-----	----------	-------------	----------	------	---


CATALOGUE No: 915.1.130.2C  
ISSUED: 05 - 04

DRAWING 012

ELECTRIC STARTER AND IGNITION

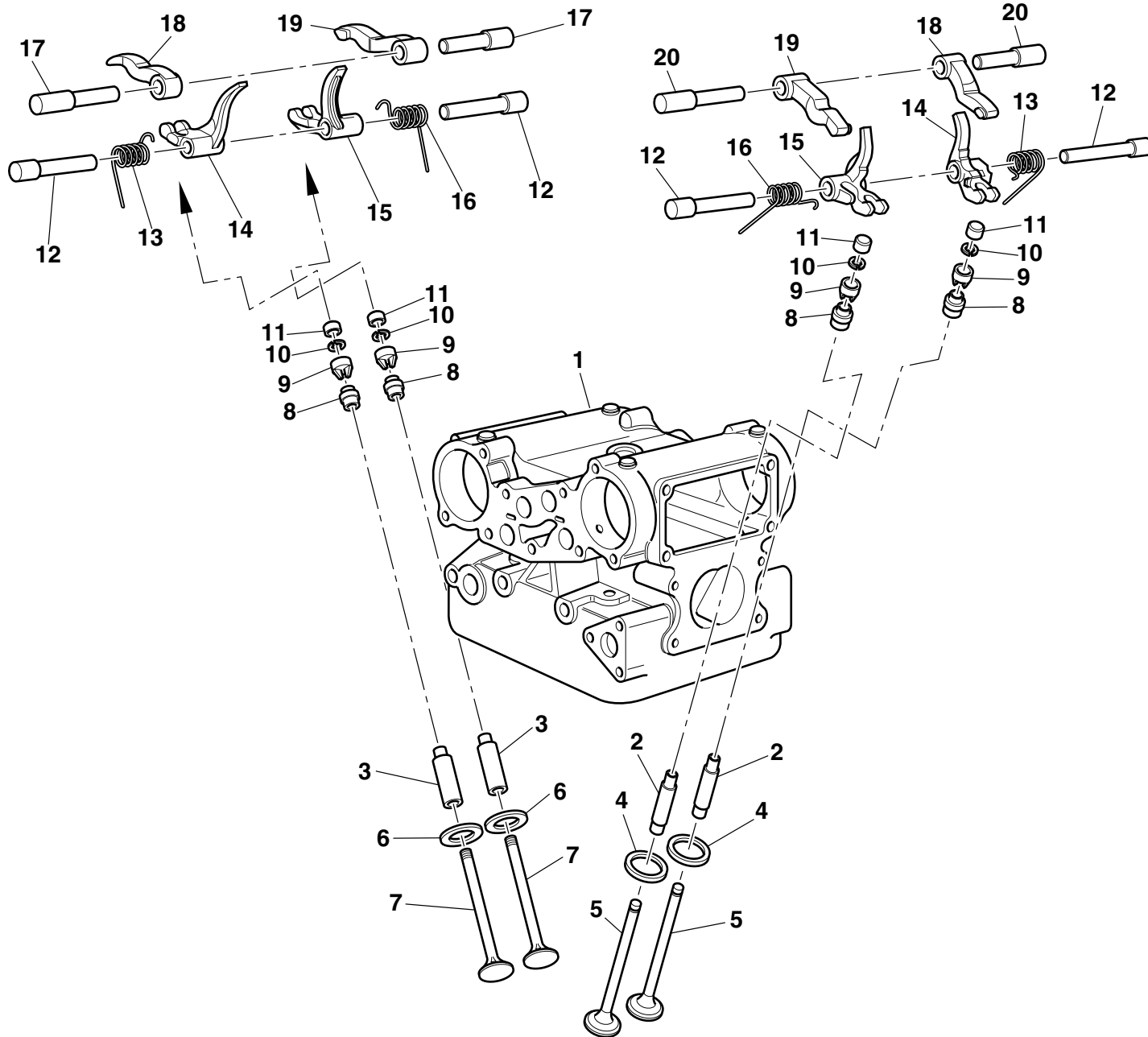


DRAWING **012** ELECTRIC STARTER AND IGNITION

NOTES	NO.	CODE NO.	DESCRIPTION	VALIDITY	Q.TY	
	1	270.4.005.1A	Complete starter motor		1	
	2	853.1.003.1A	Spring washer		1	
	3	750.1.121.1A	Nut		1	
	4	788.1.054.1A	Starter motor gasket		1	
	5	771.5.066.8B	Screw		2	
	6	176.1.001.1A	Starter motor sprocket		1	
	7	73500.1237	Circlip		1	
	8	0660.50.020	Intermediate gear pin		1	
	9	856.1.071.1A	Washer		2	
	10	176.1.009.1A	Intermediate gear assembly		1	
	11	73500.1440	Circlip		1	
	12	771.5.078.8B	Screw		1	
	13	160.1.057.1A	Flange		1	
	14	863.1.002.1A	Locating pin		1	
	15	882.1.012.1A	Check ring		1	
	16	276.1.025.1B	Ignition flywheel		1	
	17	0619.50.065	Washer		1	
	18	881.1.010.1C	Inner ring		1	
	19	701.4.003.1A	Needle bearing		1	
	20	173.1.012.3A	Electric starter driven gear		1	
	21	701.4.007.1A	Starter clutch		1	
	22	771.5.069.8B	Screw		1	
	23	771.5.071.8B	Screw		1	
	24	700.1.036.1A	Threaded insert		1	


NOTES	NO.	CODE NO.	DESCRIPTION	VALIDITY	Q.TY	
-------	-----	----------	-------------	----------	------	---

DRAWING **013** HEAD




11		9	
Registro bilanc. apertura		Registro bilanc. chiusura	
Adjustment		Adjustment	
Réglage		Réglage	
Ventilkäppchen		Ventilkäppchen	
840.1.031.1A	1,8	840.1.047.1B	2,5
840.1.032.1A	1,85	840.1.048.1B	2,55
840.1.033.1A	1,9	840.1.049.1B	2,6
840.1.034.1A	1,95	840.1.050.1B	2,65
840.1.001.1A	2	840.1.051.1B	2,7
840.1.002.1A	2,05	840.1.052.1B	2,75
840.1.003.1A	2,1	840.1.053.1B	2,8
840.1.004.1A	2,15	840.1.054.1B	2,85
840.1.005.1A	2,2	840.1.055.1B	2,9
840.1.006.1A	2,25	840.1.056.1B	2,95
840.1.007.1A	2,3	840.1.057.1B	3,2
840.1.008.1A	2,35	840.1.058.1B	3,05
840.1.009.1A	2,4	840.1.059.1B	3,1
840.1.010.1A	2,45	840.1.060.1B	3,15
840.1.011.1A	2,5	840.1.061.1B	3,2
840.1.012.1A	2,55	840.1.062.1B	3,25
840.1.013.1A	2,6	840.1.063.1B	3,3
840.1.014.1A	2,65	840.1.064.1B	3,35
840.1.015.1A	2,7	840.1.065.1B	3,4
840.1.016.1A	2,75	840.1.066.1B	3,45
840.1.017.1A	2,8	840.1.067.1B	3,5
840.1.018.1A	2,85	840.1.068.1B	3,55
840.1.019.1A	2,9	840.1.069.1B	3,6
840.1.020.1A	2,95	840.1.070.1B	3,65
840.1.021.1A	3	840.1.071.1B	3,7
840.1.022.1A	3,05	840.1.072.1B	3,75
840.1.023.1A	3,1	840.1.073.1B	3,8
840.1.024.1A	3,15	840.1.074.1B	3,85
840.1.025.1A	3,2	840.1.075.1B	3,9
840.1.026.1A	3,25	840.1.076.1B	3,95
840.1.027.1A	3,3	840.1.077.1B	4
840.1.028.1A	3,35	840.1.078.1B	4,05
840.1.029.1A	3,4	840.1.079.1B	4,1
840.1.030.1A	3,45	840.1.080.1B	4,15
840.1.108.1A	3,5	840.1.081.1B	4,2
840.1.109.1A	3,55	840.1.082.1B	4,25
840.1.072.1A	3,6	840.1.083.1B	4,3
840.1.110.1A	3,65	840.1.084.1B	4,35
840.1.111.1A	3,7	840.1.085.1B	4,4
840.1.112.1A	3,75		
840.1.073.1A	3,8		

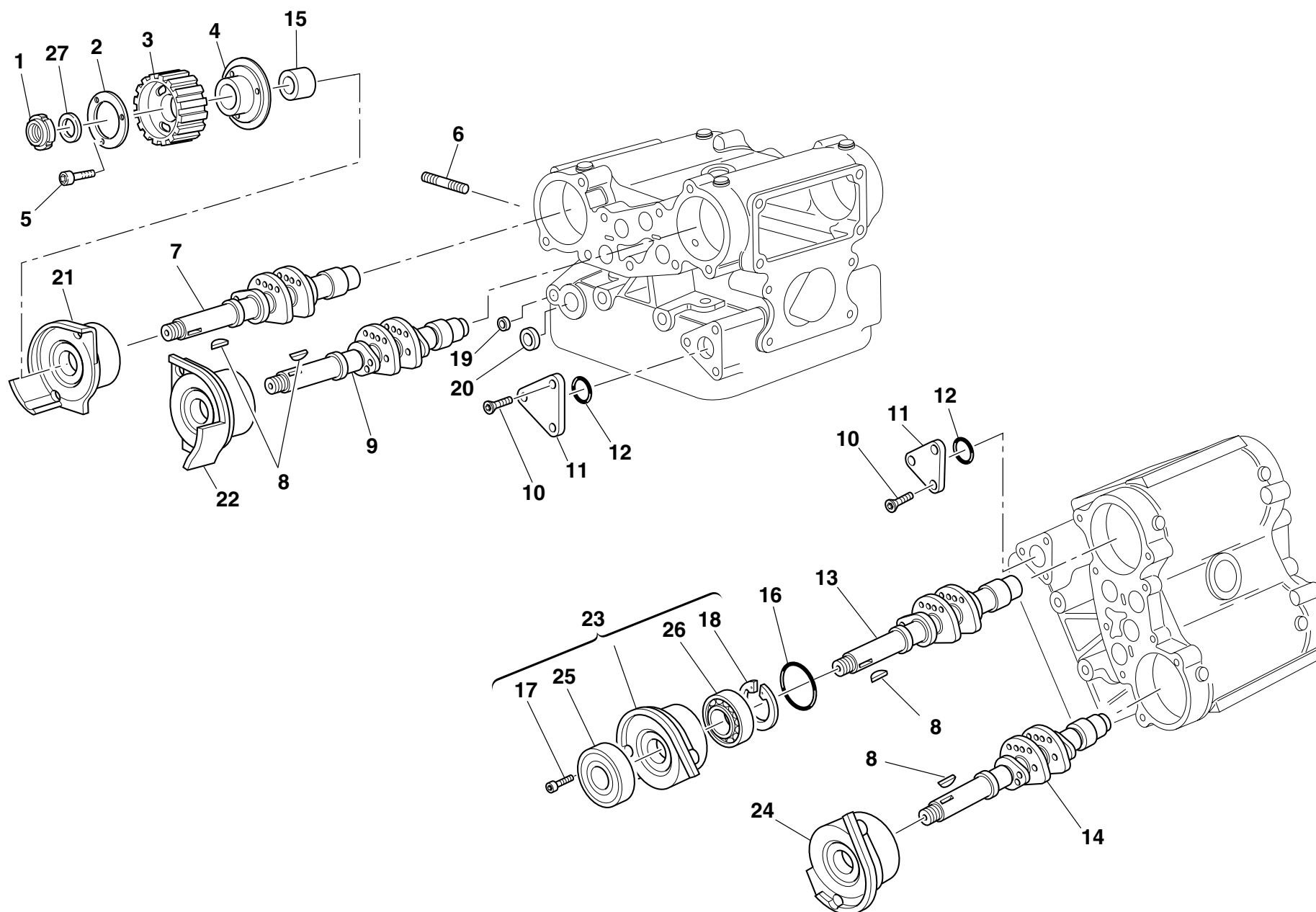
DRAWING **013** HEAD

NOTES	NO.	CODE NO.	DESCRIPTION	VALIDITY	Q.TY	
	1	301.2.106.2A	Head (2,3,4,6 included)		2	
	2	303.1.009.1A	Intake valve bronze guide		4	
	2	303.1.009.1AB	Oversize valve guide 0.03		4	
	2	303.1.009.1AC	Oversize valve guide 0.06		4	
	2	303.1.009.1AD	Oversize valve guide 0.09		4	
	3	303.1.015.1A	Exhaust valve bronze guide		4	
	3	303.1.015.1AB	Oversize valve guide 0.03		4	
	3	303.1.015.1AC	Oversize valve guide 0.06		4	
	3	303.1.015.1AD	Oversize valve guide 0.09		4	
	4	304.1.026.1A	Intake valve seat		4	
	4	304.1.026.1AB	Oversize intake valve seat 0.03		4	
	4	304.1.026.1AC	Oversize intake valve seat 0.06		4	
	5	210.1.022.2A	Intake valve		4	
	6	304.1.012.2A	Exhaust valve seat		4	
	6	304.1.012.2AB	Oversize exhaust valve seat 0.03		4	
	6	304.1.012.2AC	Oversize exhaust valve seat 0.06		4	
	7	211.1.010.2A	Exhaust valve		4	
	8	764.1.002.1A	Rubber pad		8	
	9	840.2.001.1A	See table		8	
	10	669.1.001.1E	Split rings		16	
	11	840.2.002.1B	See table		8	
	12	821.1.004.1A	Closing rocker shaft		8	
	13	799.1.015.1A	L.H. valve return spring		4	
	14	209.1.002.7A	L.H. Closing rocker		4	
	15	209.1.001.7A	R.H. Closing rocker		4	
	16	799.1.014.1A	R.H. valve return spring		4	
	17	821.1.003.1A	Exhaust opening rocker shaft		4	

CATALOGUE No:  
ISSUED:*915.1.130.2C*  
*05 - 04*

NOTES	NO.	CODE NO.	DESCRIPTION	VALIDITY	Q.TY	
	18	208.1.002.7A	L.H. Opening rocker		4	
	19	208.1.001.7A	R.H. Opening rocker		4	
	20	821.1.002.1A	Opening rocker shaft		4	

CATALOGUE No:  
ISSUED:*915.1.130.2C*  
*05 - 04*

DRAWING **014** HEAD : TIMING

DRAWING **014** HEAD : TIMING

NOTES	NO.	CODE NO.	DESCRIPTION	VALIDITY	Q.TY	
	1	72944.1542	Elastic-stop ring nut		4	
	2	852.1.124.2A	Special washer		4	
	3	255.1.014.1A	Timing belt roller		4	
	4	160.1.076.1A	Flange		4	
	5	771.5.040.8B	Screw		12	
	6	766.4.012.1A	Stud bolt		6	
	7	148.1.156.1A	Vertical exhaust camshaft		1	
	8	74172.1008	Woodruff key		4	
	9	148.1.145.1A	Vertical intake camshaft		1	
	10	777.5.049.8B	Screw		6	
	11	247.1.020.1AB	Cover		2	
	12	93823.2087	O-ring		2	
	13	148.1.144.1A	Horizontal intake camshaft		1	
	14	148.1.155.1A	Horizontal exhaust camshaft		1	
	15	713.1.007.1A	Belt roller spacer		4	
	16	886.4.001.1A	O-Ring		4	
	17	771.5.065.8B	Screw		8	
	18	73503.3683	Circlip		4	
	19	873.1.004.1A	Cap		4	
	20	873.1.001.1A	Cap		4	
	21	235.2.033.1A	Rear complete cap timing side		1	
	22	235.2.035.1A	Front complete cap timing side		1	
	23	235.2.032.1A	Rear complete cap timing side		1	
	24	235.2.034.1A	Front complete cap timing side		1	
	25	0204.70.105	Seal ring		4	
	26	75120.1747	Bearing		4	
	27	852.1.173.1A	Washer		4	

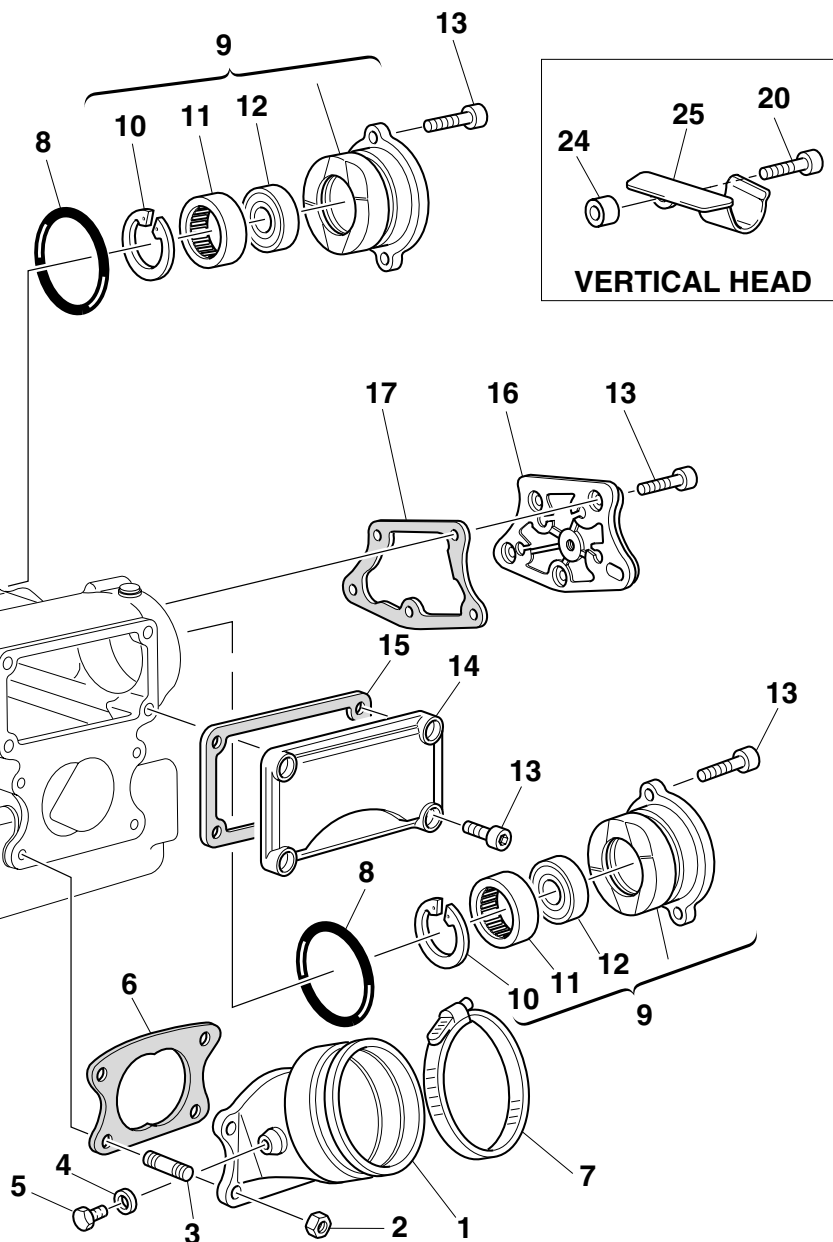
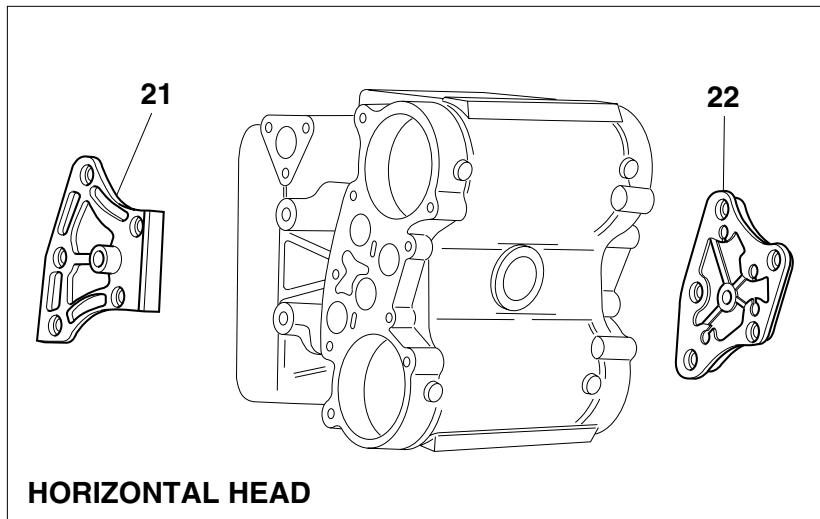
CATALOGUE No: 915.1.130.2C  
ISSUED: 05 - 04

NOTES	NO.	CODE NO.	DESCRIPTION	VALIDITY	Q.TY	
-------	-----	----------	-------------	----------	------	---

CATALOGUE No: 915.1.130.2C  
ISSUED: 05 - 04

DRAWING 015

COLLECTORS AND HEAD COVERS



DRAWING **015** COLLECTORS AND HEAD COVERS

NOTES	NO.	CODE NO.	DESCRIPTION	VALIDITY	Q.TY	
	1	140.2.008.2B	Intake manifold		2	
	2	748.1.042.1A	Nut		8	
	3	766.4.019.1A	Stud bolt		8	
	4	0250.70.223	Aluminium gasket		4	
	5	776.5.032.8A	Screw		4	
	6	788.1.002.2A	Intake duct gasket		2	
	7	741.4.067.1A	Hose guide		2	
	8	886.4.001.1A	O-Ring		4	
	9	235.2.002.2AB	Complete cap tachometer side		4	
	10	73503.3380	Circlip		4	
	11	75794.1542	Bearing		4	
	12	930.4.033.1A	Seal ring		4	
	13	771.5.065.8B	Screw		52	
	14	240.1.001.1AB	Intake valve cover		2	
	15	788.1.007.3A	Intake valves cover gasket		2	
	16	247.1.080.1AA	Central cover (LIGHT GREY)		1	
	17	788.1.050.1A	Central cover gasket		4	
	18	788.1.053.1A	Exhaust valves cover gasket		2	
	19	240.1.014.1AA	Exhaust valve cover		2	
	20	771.5.069.8B	Screw		1	
	21	247.1.090.1AB	Central cover timing side		1	
	22	247.1.079.1AA	Central cover (LIGHT GREY)		1	
	23	247.1.089.1AB	Central cover timing side		1	
	24	713.1.241.1A	Spacer		1	
	25	829.1.245.1A	Plate		1	
	26	240.1.015.1AA	Exhaust valve cover (horizontal)		1	

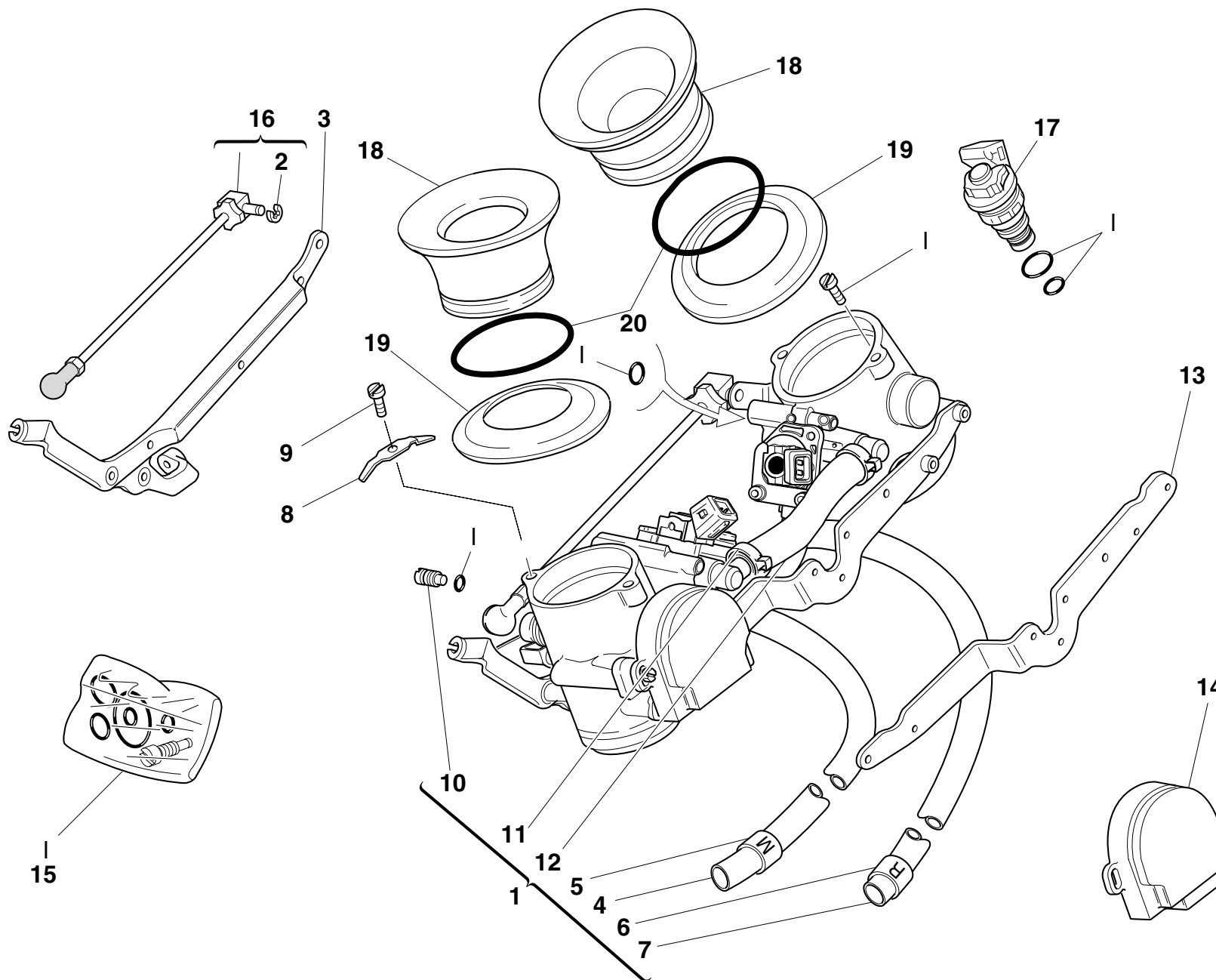
NOTES	NO.	CODE NO.	DESCRIPTION	VALIDITY	Q.TY	
-------	-----	----------	-------------	----------	------	---

CATALOGUE No: 915.1.130.2C  
ISSUED: 05 - 04


CATALOGUE No: 915.1.130.2C  
ISSUED: 05 - 04


DRAWING 016

THROTTLE BODY



DRAWING **016** THROTTLE BODY

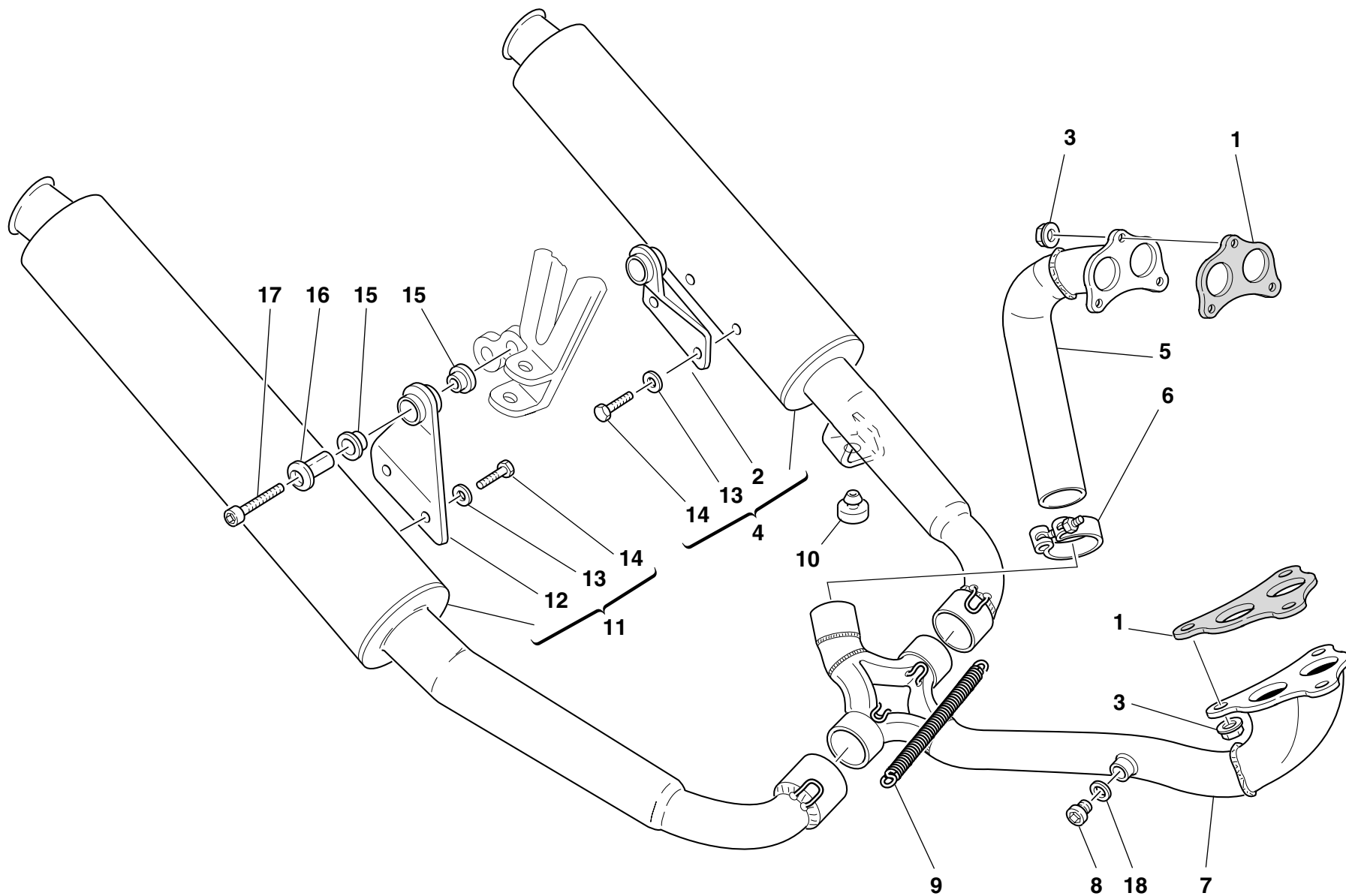
NOTES	NO.	CODE NO.	DESCRIPTION	VALIDITY	Q.TY	
	1	282.4.019.1D	Throttle body		1	
	2	884.5.010.1A	Circlip		1	
	3	830.1.172.1A	Bracket		1	
	4	590.1.103.1A	Tube		1	
	5	741.4.040.1A	Clamp "M"		1	
	6	741.4.041.1A	Clamp "R"		1	
	7	590.1.124.1A	Tube		1	
	8	799.1.052.1A	Spring		4	
	9	470412	Screw		4	
	10	287.4.028.1A	Bypass adjusting screw		1	
	11	287.4.024.1B	Hose guide		4	
	12	590.1.080.1A	Tube		1	
	13	830.1.121.1A	Connector holder		1	
	14	284.4.001.1B	Potentiometer PF09/04		1	
	15	287.4.029.1A	Repair kit		1	
	16	287.4.027.1A	Tie rod		1	
	17	280.4.005.1A	Injector		2	
	18	802.1.015.1A	Air funnel		2	
	19	791.1.017.2A	Gasket		2	
	20	886.5.004.1A	O-ring		2	

NOTES	NO.	CODE NO.	DESCRIPTION	VALIDITY	Q.TY	
-------	-----	----------	-------------	----------	------	---


CATALOGUE No: 915.1.130.2C  
ISSUED: 05 - 04

CATALOGUE No: 915.1.130.2C  
ISSUED: 05 - 04

DRAWING 017 EXHAUST SYSTEM



DRAWING **017** EXHAUST SYSTEM

NOTES	NO.	CODE NO.	DESCRIPTION	VALIDITY	Q.TY	
	1	790.1.001.2A	Exhaust gasket		2	
	2	576.1.029.1A	L.H. bracket		1	
	3	748.1.024.1A	Nut		6	
	4	574.1.057.1A	L.H. silencer		1	
	5	571.1.035.1A	Vertical head exhaust pipe		1	
	6	741.1.004.1A	Hose guide		1	
	7	570.1.035.1A	Horizontal head exhaust pipe		1	
	8	780.1.007.1A	Cap		2	
	9	799.1.072.1A	Spring		1	
	10	0000.41039	Rubber pad		1	
	11	573.1.057.1A	R.H. silencer		1	
	12	576.1.028.1A	R.H. bracket		1	
	13	73270.8001	Washer		4	
	14	70914.2121	Screw		4	
	15	764.1.001.1A	Rubber pad		4	
	16	684.1.044.1A	Stud bolt		2	
	17	779.5.016.1A	Screw		2	
	18	852.5.024.1A	Gasket th.1		2	

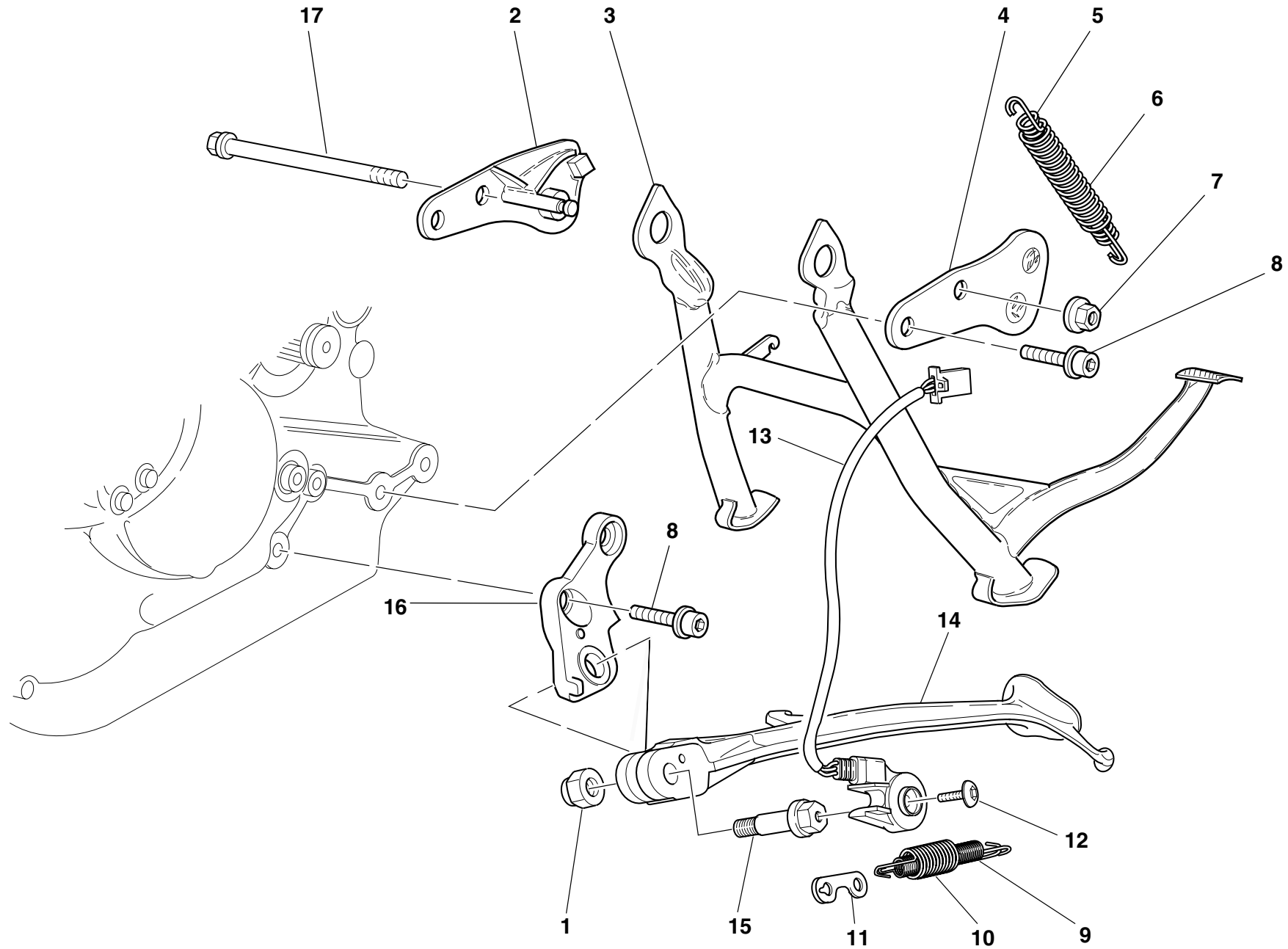
NOTES	NO.	CODE NO.	DESCRIPTION	VALIDITY	Q.TY	
-------	-----	----------	-------------	----------	------	---

CATALOGUE No: 915.1.130.2C  
ISSUED: 05 - 04


CATALOGUE No: 915.1.130.2C  
ISSUED: 05 - 04

DRAWING 018

STANDS



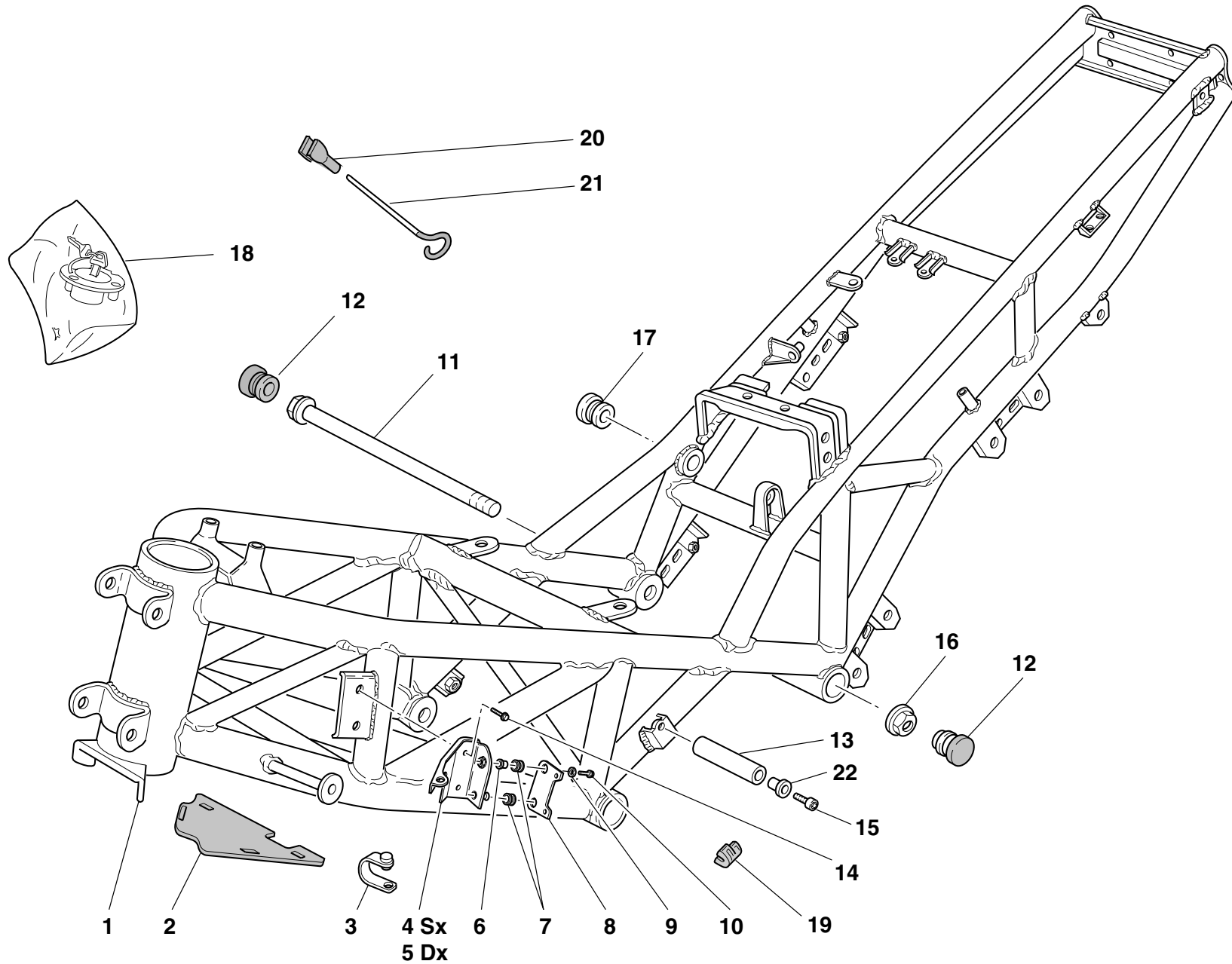
DRAWING **018** STANDS

NOTES	NO.	CODE NO.	DESCRIPTION	VALIDITY	Q.TY	
	1	749.4.045.2G	Nut		1	
	2	555.1.007.1A	R. H. Plate		1	
	3	555.1.005.1A	Central stand		1	
	4	555.1.006.1B	L. H. Plate		1	
	5	799.1.069.1A	Inner spring		1	
	6	799.1.070.1A	Outer spring		1	
	7	749.4.045.2G	Nut		1	
	8	771.5.754.2B	Screw		4	
	9	799.1.089.1A	Spring		1	
	10	799.1.088.1A	Outer spring		1	
	11	827.1.139.2B	Plate		1	
	12	779.4.005.2A	Screw		1	
	13	539.1.023.2A	Switch		1	
	14	556.1.017.1C	Side stand		1	
	15	556.1.018.1C	Pivot		1	
	16	556.2.020.1B	Plate		1	
	17	772.1.001.1A	Screw		1	


NOTES	NO.	CODE NO.	DESCRIPTION	VALIDITY	Q.TY	
-------	-----	----------	-------------	----------	------	---

CATALOGUE No: 915.1.130.2C  
ISSUED: 05 - 04

CATALOGUE No: 915.1.130.2C  
ISSUED: 05 - 04



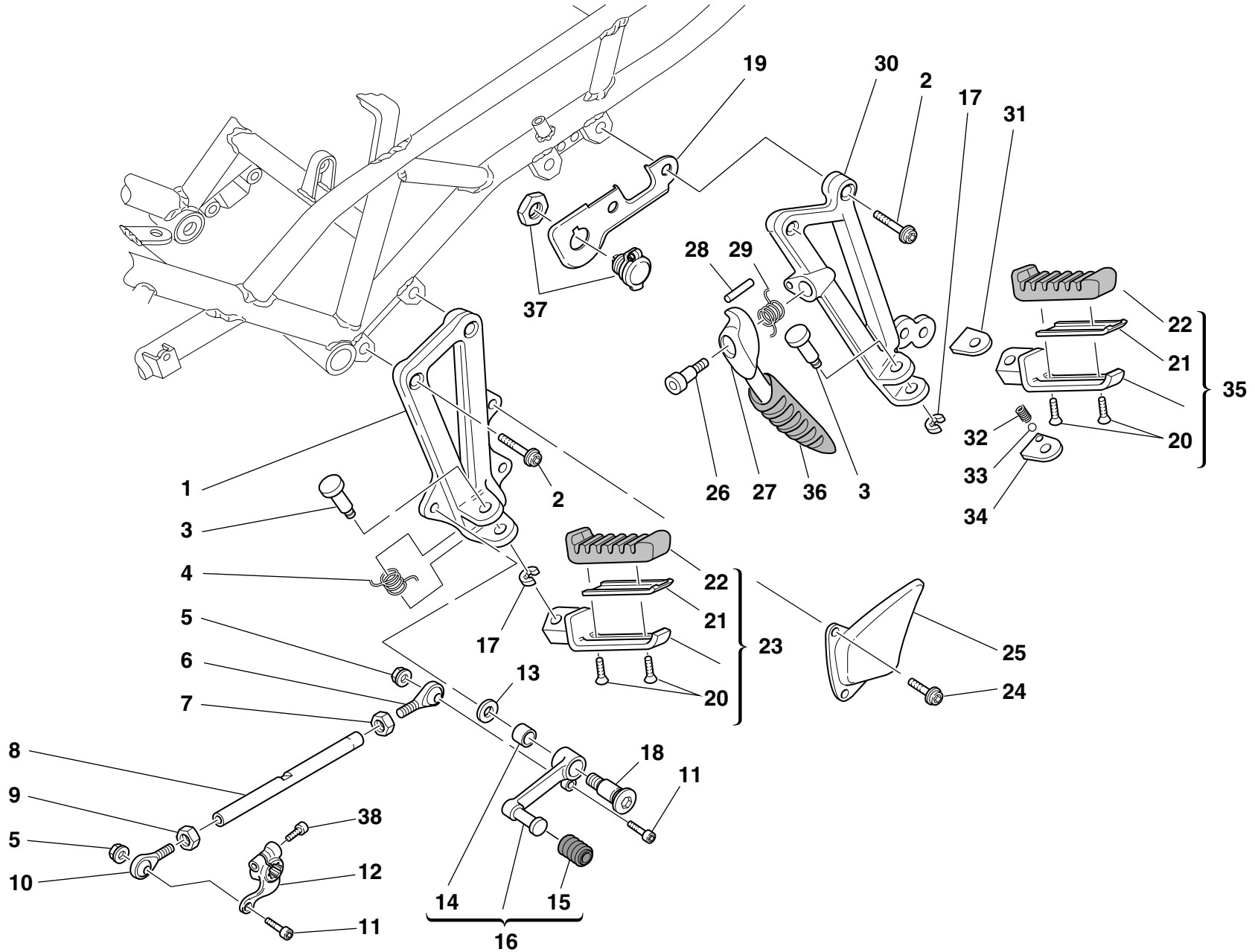
DRAWING **019** **FRAME**

NOTES	NO.	CODE NO.	DESCRIPTION	VALIDITY	Q.TY	
	1	470.1.081.1AA	Frame		1	
	2	460.1.088.1A	Mudflap		1	
	3	741.1.013.1A	Hose guide		4	
	4	829.1.170.1AB	L.H. holder		1	
	5	829.1.169.1AB	R.H. holder		1	
	6	0000.44099	Spacer		2	
	7	0797.72.068	Vibration damper pad		4	
	8	830.1.040.1B	Holder		2	
	9	8000.56359	Washer		2	
	10	772.5.024.1A	Screw		2	
	11	779.1.213.1A	Screw		2	
	12	872.1.026.1A	Cap		2	
	13	827.1.121.1A	Stud bolt		2	
	14	772.5.025.1A	Screw		2	
	15	60N102511	Screw		2	
	16	748.4.002.1A	Nut		2	
	17	872.1.027.1A	Cap		1	
	18	598.2.030.1A	Locks kit		1	
	19	866.1.034.1A	Rubber pad		2	
	20	764.1.010.1A	Rubber pad		1	
	21	117.2.002.1A	Rod		1	
	22	0364.99.020	Bush		2	


NOTES	NO.	CODE NO.	DESCRIPTION	VALIDITY	Q.TY	
-------	-----	----------	-------------	----------	------	---

DRAWING 020


L.H. FOOT RESTS



DRAWING **020****L.H. FOOT RESTS**

NOTES	NO.	CODE NO.	DESCRIPTION	VALIDITY	Q.TY	
	1	824.1.039.1A	L.H. foot peg holder plate		1	
	2	771.5.725.2B	Screw		4	
	3	0370.69.920	Pin		2	
	4	0370.69.910	Spring		1	
	5	763106N01	El-stop nut		2	
	6	76401.0003	Ball joint		1	
	7	747.5.001.1A	L.H. nut		1	
	8	117.1.033.1A	Gearbox transmission rod		1	
	9	417.9.030.6A	Nut		1	
	10	76401.0002	Ball joint		1	
	11	779.5.011.1A	Screw		2	
	12	456.1.006.2A	Gearchange control lever		1	
	13	852.1.053.1A	Washer		1	
	14	8000.59056	Bush		1	
	15	765.1.001.1A	Rubber pad		1	
	16	456.2.009.1A	Gearchange lever		1	
	17	73500.0827	Circlip		2	
	18	821.1.170.1A	Pin		1	
	19	827.1.192.1A	Plate		1	
	20	777.5.002.1A	Screw		4	
	21	0370.69.930	Plate		2	
	22	0370.69.940	Foot peg rubber cover		2	
	23	0370.69.850	Front L.H. foot peg, complete		1	
	24	772.5.004.1A	Screw		2	
	25	460.1.062.1A	Protection		1	
	26	779.1.159.1A	Screw		1	
	27	806.1.012.1A	Handle		1	

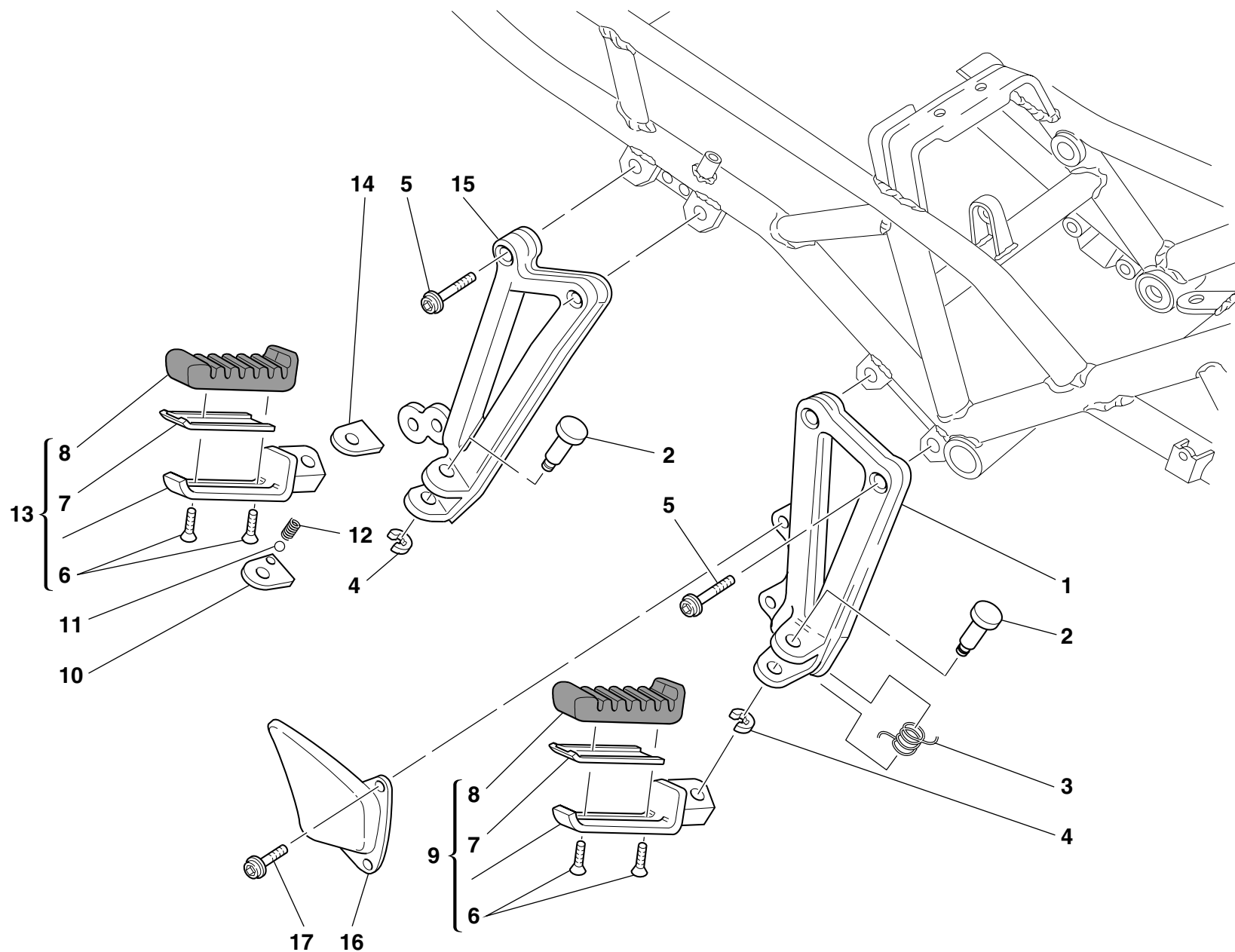
CATALOGUE No:  
ISSUED:*915.1.130.2C*  
*05 - 04*

NOTES	NO.	CODE NO.	DESCRIPTION	VALIDITY	Q.TY	
	28	861.5.003.1A	Spring pin		1	
	29	799.1.071.1A	Spring		1	
	30	824.1.041.1C	Rear L.H. foot peg holder plate		1	
	31	0370.69.970	Plate		1	
	32	799.1.024.1A	Spring		1	
	33	847.4.002.1A	Ball		2	
	34	827.1.045.1A	Keep plate		1	
	35	0370.69.860	Rear L.H. foot peg, complete		1	
	36	806.1.013.1A	Handgrip		1	
	37	386.4.013.2A	Power Point		1	
	38	779.5.001.1A	Screw		1	


CATALOGUE No:  
ISSUED:*915.1.130.2C*  
*05 - 04*

DRAWING 021

R.H. FOOT RESTS



DRAWING **021** R.H. FOOT RESTS

NOTES	NO.	CODE NO.	DESCRIPTION	VALIDITY	Q.TY	
	1	824.1.040.1B	R.H. foot peg holder plate		1	
	2	0370.69.920	Pin		2	
	3	0370.69.910	Spring		1	
	4	73500.0827	Circlip		2	
	5	771.5.725.2B	Screw		4	
	6	777.5.002.1A	Screw		4	
	7	0370.69.930	Plate		2	
	8	0370.69.940	Foot peg rubber cover		2	
	9	0370.69.855	Front R.H. foot peg, complete		1	
	10	827.1.045.1A	Keep plate		1	
	11	847.4.002.1A	Ball		2	
	12	799.1.024.1A	Spring		1	
	13	0370.69.865	Rear R.H. foot peg, complete		1	
	14	0370.69.970	Plate		1	
	15	824.1.042.1C	Rear R.H. foot peg holder plate		1	
	16	460.1.063.1A	Protection		1	
	17	772.5.004.1A	Screw		2	

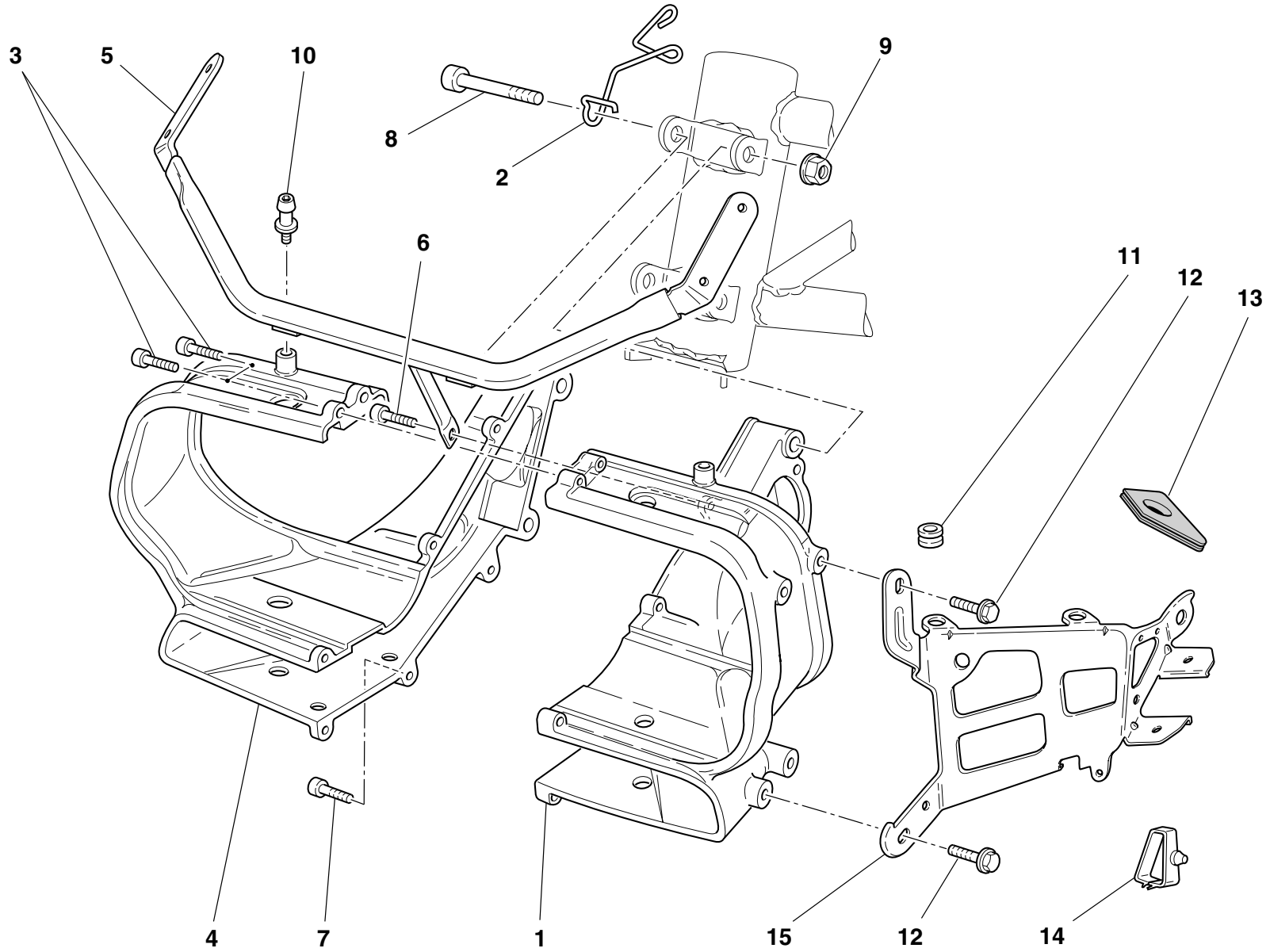
NOTES	NO.	CODE NO.	DESCRIPTION	VALIDITY	Q.TY	
-------	-----	----------	-------------	----------	------	---

CATALOGUE No: 915.1.130.2C  
ISSUED: 05 - 04


CATALOGUE No: 915.1.130.2C  
ISSUED: 05 - 04


DRAWING 022

HEADLIGHT HOLDER



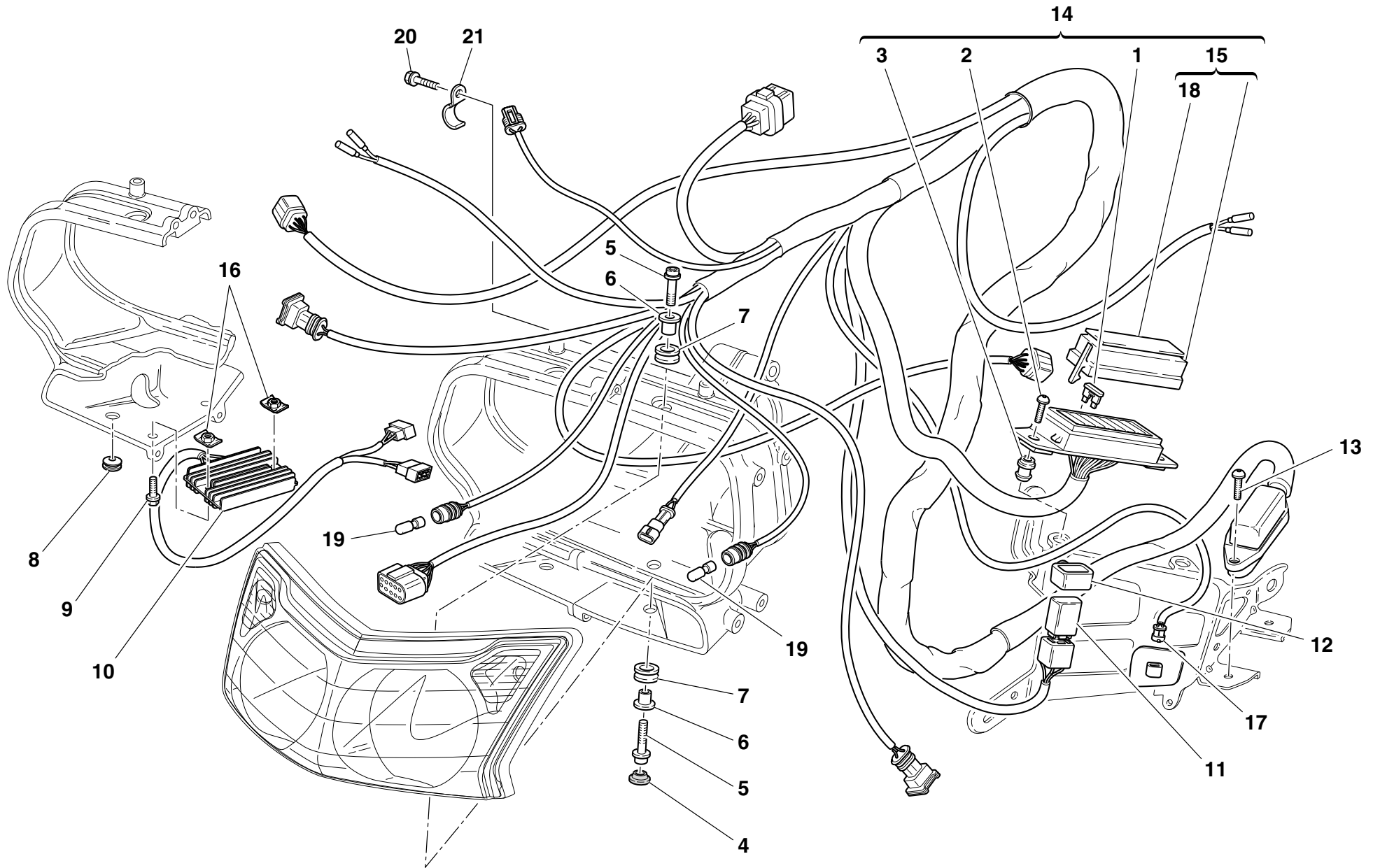
DRAWING **022** HEADLIGHT HOLDER

NOTES	NO.	CODE NO.	DESCRIPTION	VALIDITY	Q.TY	
	1	829.1.168.1AB	L.H. holder		1	
	2	758.1.026.1A	Fairlead		1	
	3	771.5.043.2B	Screw		7	
	4	829.1.167.2AB	R.H. holder		1	
	5	829.1.556.1A	Holder		1	
	6	8A00.67997	Screw		1	
	7	60N102488	Screw		1	
	8	771.5.141.2B	Screw		2	
	9	729908FN1	Nut		2	
	10	821.1.075.1A	Pin		2	
	11	0797.72.068	Vibration damper pad		2	
	12	772.5.024.1A	Screw		3	
	13	829.1.204.1A	Holder		1	
	14	0000.60283	Hose guide		1	
	15	829.1.544.1A	Holder		1	


NOTES	NO.	CODE NO.	DESCRIPTION	VALIDITY	Q.TY	
-------	-----	----------	-------------	----------	------	---

DRAWING 023

HEAD-LIGHT AND ELECTRIC WIRING



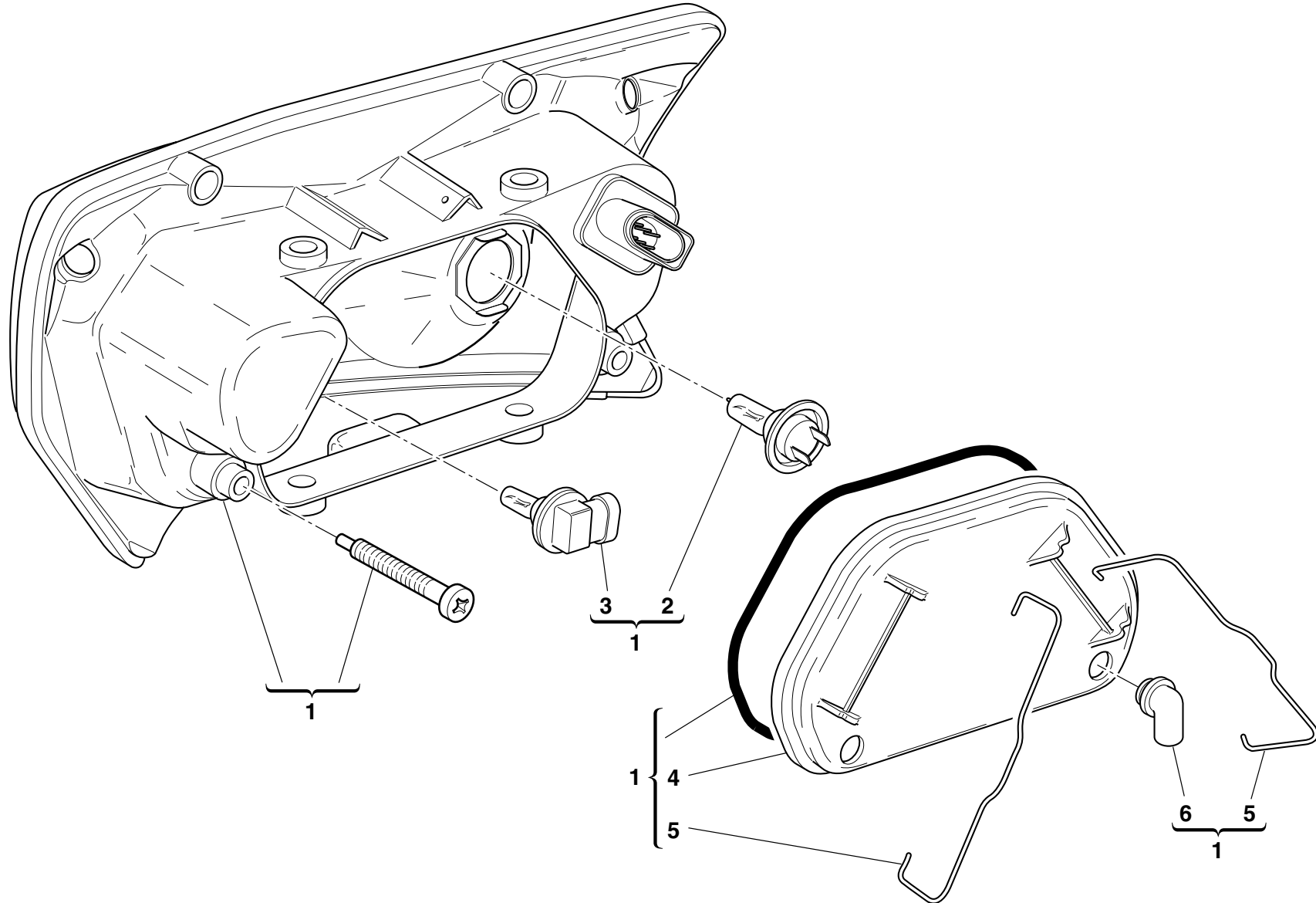
DRAWING **023****HEAD-LIGHT AND ELECTRIC WIRING**

NOTES	NO.	CODE NO.	DESCRIPTION	VALIDITY	Q.TY	
	1	389.4.006.1A	Fuse 3A		1	
	1	389.4.007.1A	Fuse 7.5A		3	
	1	389.4.008.1A	Fuse 15A		1	
	1	389.4.012.1A	Fuse 20A		1	
	1	389.4.015.1A	Fuse 5A		2	
	2	779.1.088.1A	Screw		2	
	3	821.1.054.1A	Pin		2	
	4	764.4.003.1A	Fairlead		2	
	5	772.5.023.1A	Screw		4	
	6	716.1.022.1A	Spacer		4	
	7	8000.18048	Rubber pad		4	
	8	0797.72.068	Vibration damper pad		4	
	9	0000.62730	Screw		2	
	10	540.4.011.1C	Regulator		1	
	11	541.4.007.1A	Relay		1	
	12	829.1.190.1A	Rubber holder		2	
	13	8000.59572	Screw		2	
	14	510.1.262.1A	Front wiring		1	
	15	246.1.009.1G	Cover		1	
	16	827.1.166.1A	Plate		2	
	17	552.4.012.1A	Air temperature sensor		1	
	18	433.1.296.1B	Sticker "schema fusibili"		1	
	19	390.4.008.1A	Warning lamp bulb 12V-3W		2	
	20	8A00.67997	Screw		1	
	21	741.4.062.1A	Clip		2	


NOTES	NO.	CODE NO.	DESCRIPTION	VALIDITY	Q.TY	
-------	-----	----------	-------------	----------	------	---

CATALOGUE No:  
ISSUED:*915.1.130.2C*  
*05 - 04*CATALOGUE No:  
ISSUED:*915.1.130.2C*  
*05 - 04*

DRAWING **023a** FRONT HEAD-LIGHT



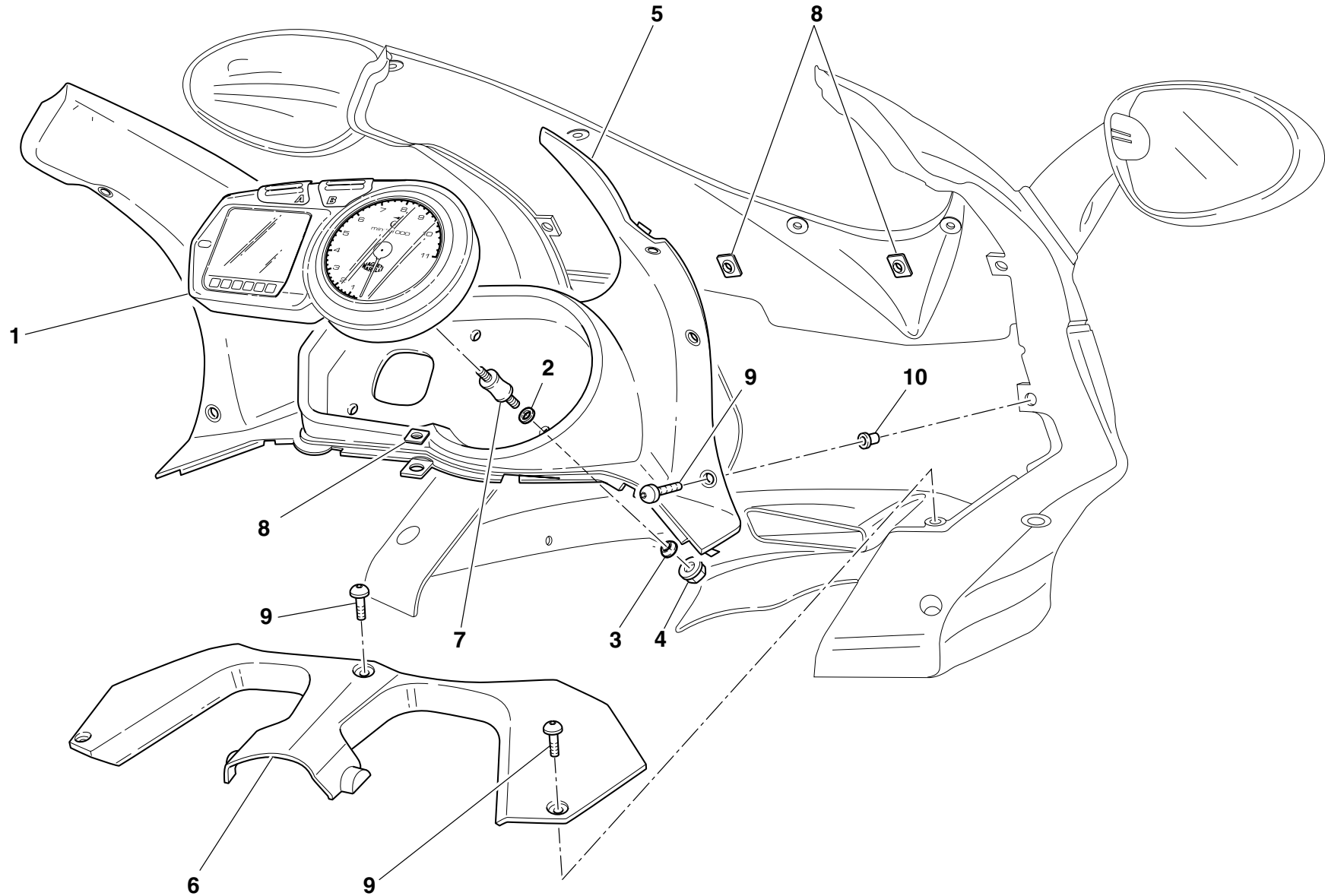
DRAWING **023a** FRONT HEAD-LIGHT

NOTES	NO.	CODE NO.	DESCRIPTION	VALIDITY	Q.TY	
	1	520.1.002.1C	Complete headlight		1	
	2	390.4.011.1A	Bulb		1	
	3	390.4.014.1A	Bulb		1	
	4	246.2.083.1A	Cover		1	
	5	799.1.215.1A	Spring		2	
	6	672.1.040.1A	Rubber pad		4	


NOTES	NO.	CODE NO.	DESCRIPTION	VALIDITY	Q.TY	
-------	-----	----------	-------------	----------	------	---

DRAWING 024

INSTRUMENT PANEL



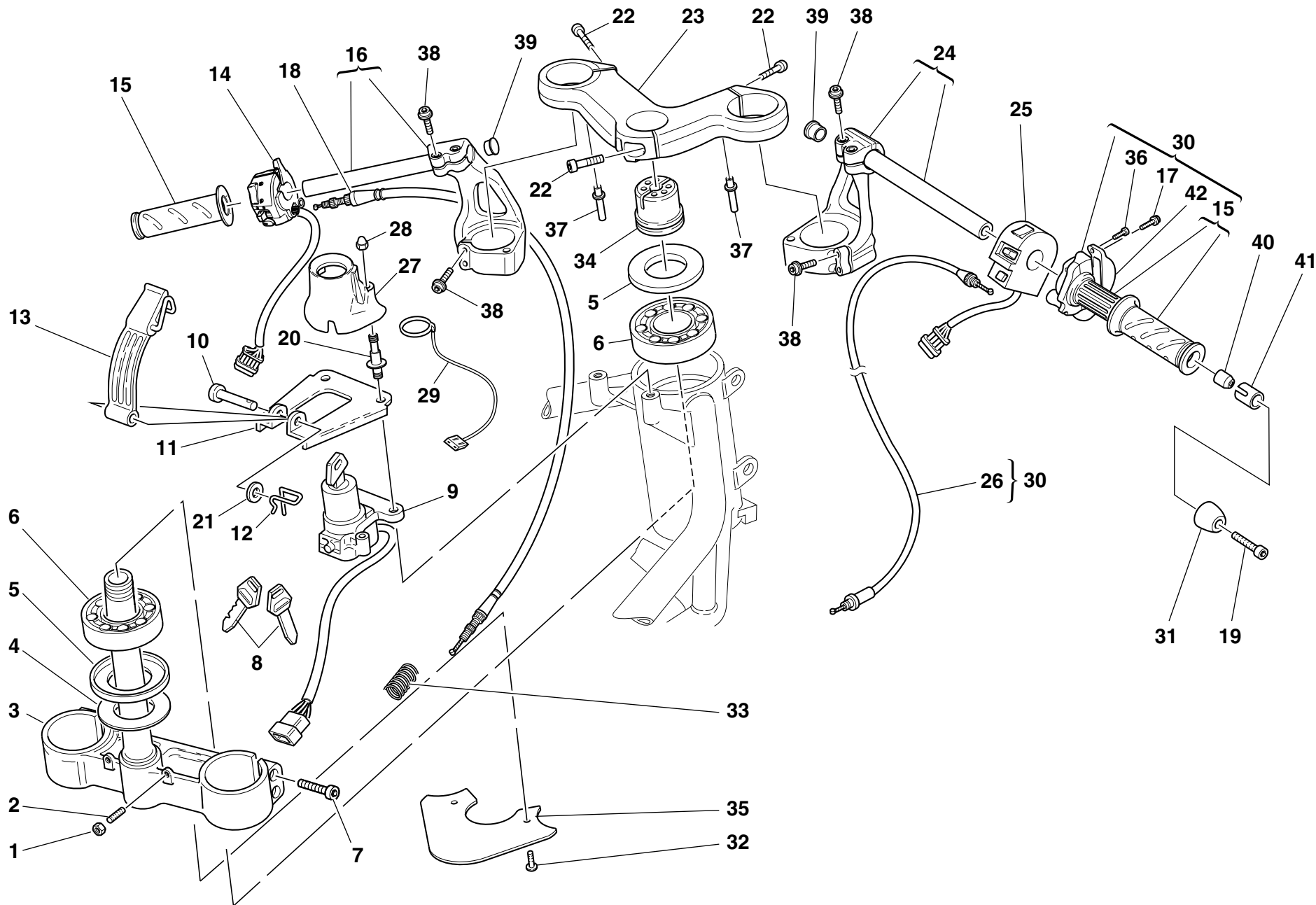
DRAWING **024** INSTRUMENT PANEL

NOTES	NO.	CODE NO.	DESCRIPTION	VALIDITY	Q.TY	
	1	406.1.020.1B	Complete instrument panel		1	
	2	734005N01	Spring washer		3	
	3	716.1.107.1B	Spacer		3	
	4	748.4.038.1A	Nut		3	
	5	460.1.174.1A	Front headlight fairing panel		1	
	6	460.1.175.1A	Rear headlight fairing panel		1	
	7	700.1.043.1A	Spacer		3	
	8	850.4.047.1A	Quik fastening		3	
	9	779.1.050.1A	Screw		9	
	10	0000.63150	Insert		4	


NOTES	NO.	CODE NO.	DESCRIPTION	VALIDITY	Q.TY	
-------	-----	----------	-------------	----------	------	---

DRAWING 025


HALF HANDLEBARS AND CONTROLS



DRAWING **025****HALF HANDLEBARS AND CONTROLS**

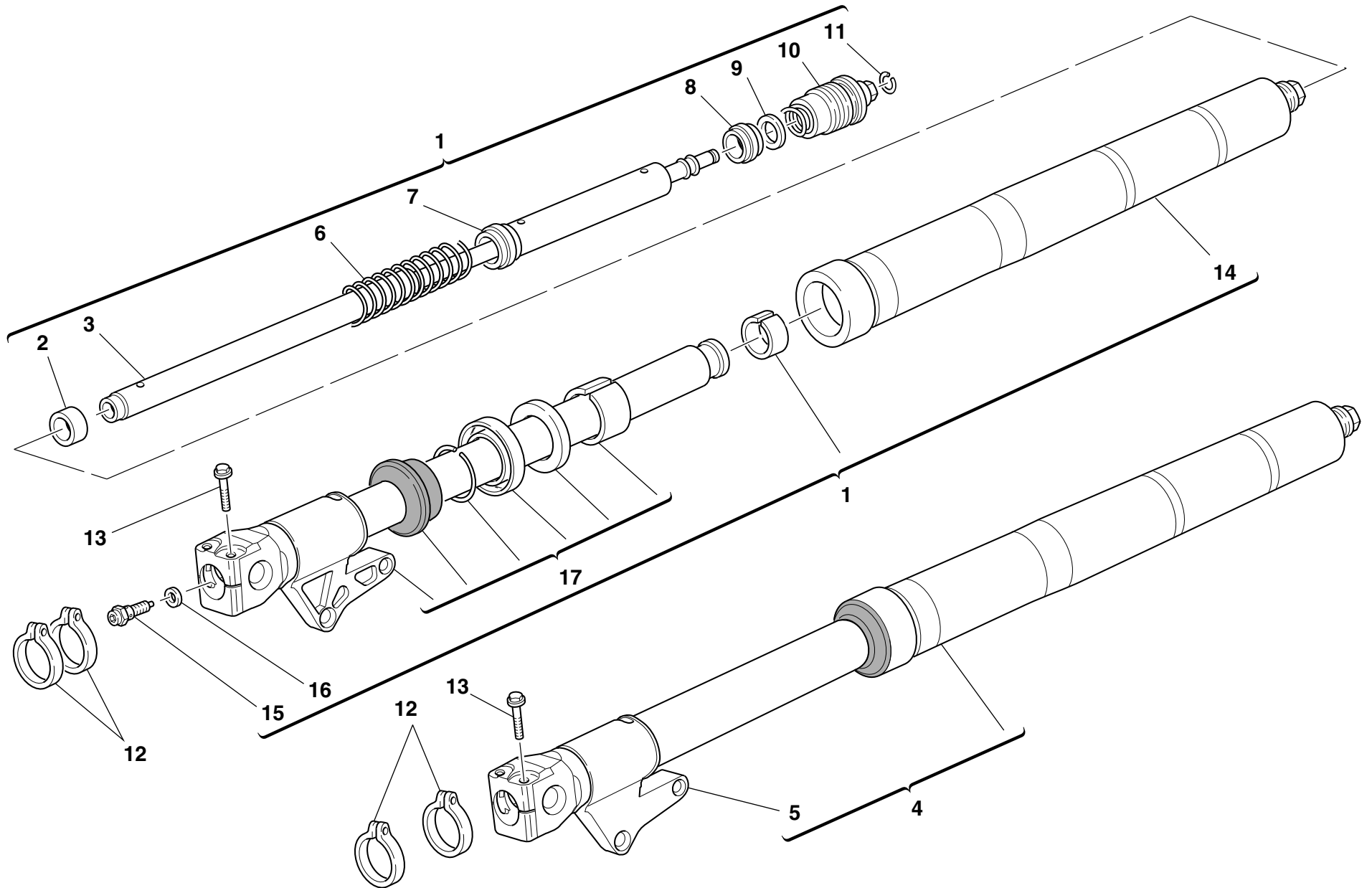
NOTES	NO.	CODE NO.	DESCRIPTION	VALIDITY	Q.TY	
	1	417.9.030.8A	Nut		2	
	2	779.1.099.1A	Special screw		2	
	3	342.2.015.1B	Steering head base		1	
	4	852.1.103.1A	Washer		1	
	5	930.1.004.1A	Seal ring		2	
	6	702.4.004.1A	Bearing		2	
	7	60N102557	Screw		4	
	8	598.4.016.1A	Wrench with Transponder		1	
	8	598.4.018.1A	Wrench without Transponder		1	
	9	652.4.006.1D	Key-operated switch		1	
	10	821.1.073.1A	Pin		1	
	11	827.1.122.2A	Plate		1	
	12	0000.62705	Split pin		1	
	13	8000.70178	Belt		1	
	14	651.4.011.1A	L.H. switch		1	
	15	8000.78345	Grips pair		1	
	16	360.2.057.1A	L.H. handlebar		1	
	17	772.5.023.1A	Screw		2	
	18	657.1.019.1A	Flexible cable		1	
	19	771.5.074.2B	Screw		2	
	20	779.1.221.1A	Special screw		2	
	21	734305N01	Washer		1	
	22	771.5.725.2B	Screw		3	
	23	341.2.042.1A	Steering head		1	
	24	360.2.056.1A	R.H. handlebar		1	
	25	650.1.002.1A	R.H. switch		1	
	26	656.1.050.1A	Throttle control transmission		1	

CATALOGUE No:  
ISSUED:*915.1.130.2C*  
*05 - 04*

NOTES	NO.	CODE NO.	DESCRIPTION	VALIDITY	Q.TY	
	27	246.1.060.2A	Cover		1	
	28	749.4.002.1A	Nut		2	
	29	518.4.004.1B	Antenna		1	
	30	654.4.006.1A	Throttle control		1	
	31	153.1.008.1A	Counterweight		2	
	32	772.5.004.1A	Screw		2	
	33	799.1.087.1A	Starter control transmission return spring		1	
	34	703.1.013.1A	Ring nut		1	
	35	460.1.076.2A	Mudflap		1	
	36	8000.66774	Screw		2	
	37	832.1.032.1A	Pin		2	
	38	771.5.669.2B	Screw		8	
	39	872.1.048.1A	Cap		2	
	40	711.1.072.1A	Bush		2	
	41	710.1.068.1A	Bush		2	
	42	658.4.002.1B	Cover		1	


CATALOGUE No:  
ISSUED:*915.1.130.2C*  
*05 - 04*

DRAWING **026** FRONT FORK



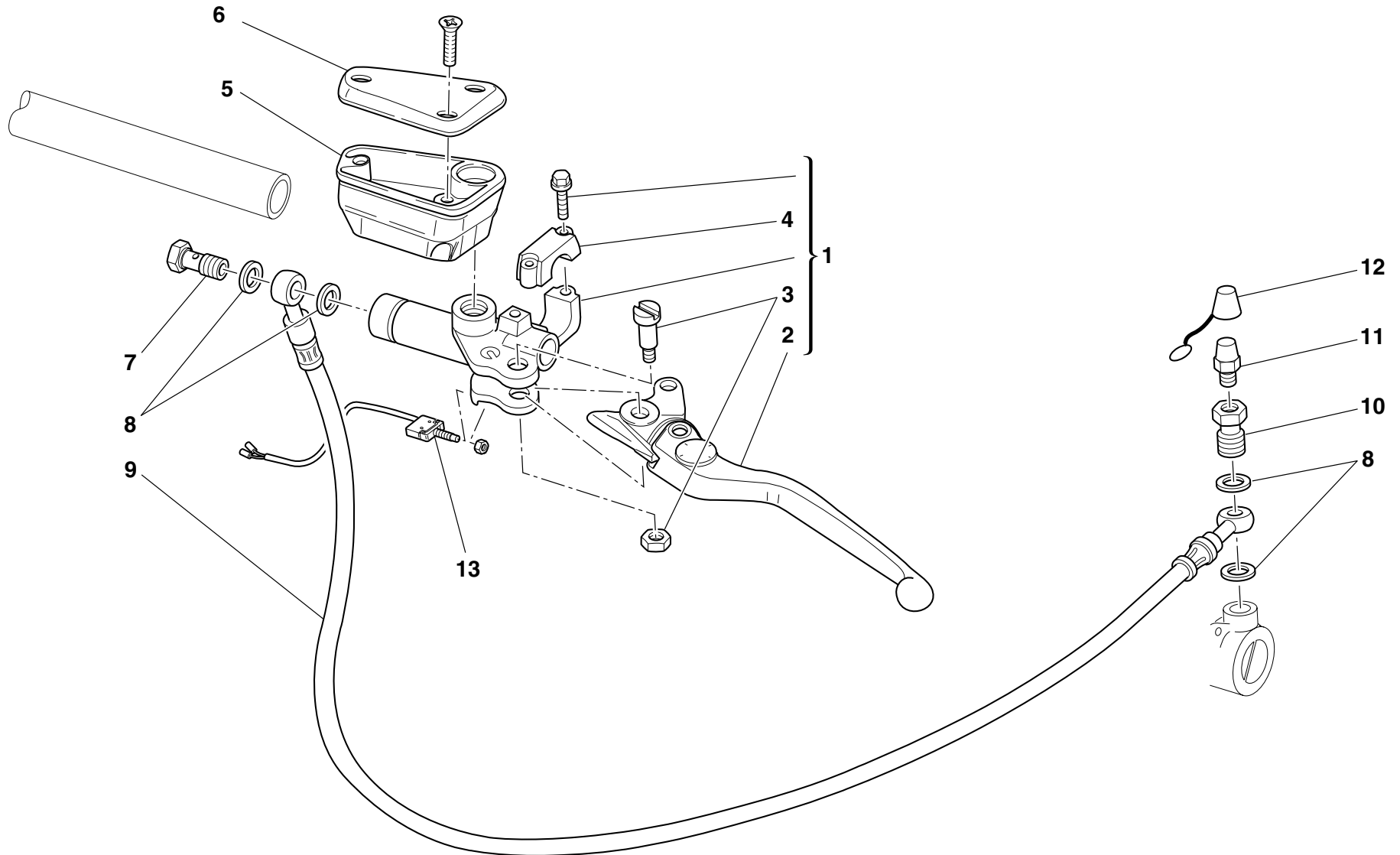
DRAWING **026** FRONT FORK

NOTES	NO.	CODE NO.	DESCRIPTION	VALIDITY	Q.TY	
	1	340.2.281.1A	R.H. fork leg assembly		1	
	2	349.1.095.1A	Centering ring		2	
	3	349.1.195.1A	Damper tube		2	
	4	340.2.282.1A	L.H. fork leg assembly		1	
	5	349.1.193.1A	Complete L.H. slider		1	
	6	366.1.039.1A	Spring		2	
	7	349.1.097.1A	Spring coupling		2	
	8	349.1.064.1A	Slider		2	
	9	349.1.065.1A	Rubber cush drive hub		2	
	10	349.2.014.1A	Complete cap		2	
	11	349.1.098.1A	Snap ring		2	
	12	8000.70127	Hose guide		4	
	13	8A00.69056	Screw		4	
	14	349.1.194.1A	Stanchion tube		2	
	15	349.2.029.1B	Adjusting screw		2	
	16	349.1.096.1A	Special washer		2	
	17	349.1.192.1A	Complete R.H. slider		1	


NOTES	NO.	CODE NO.	DESCRIPTION	VALIDITY	Q.TY	
-------	-----	----------	-------------	----------	------	---

DRAWING 027

CLUTCH CONTROL



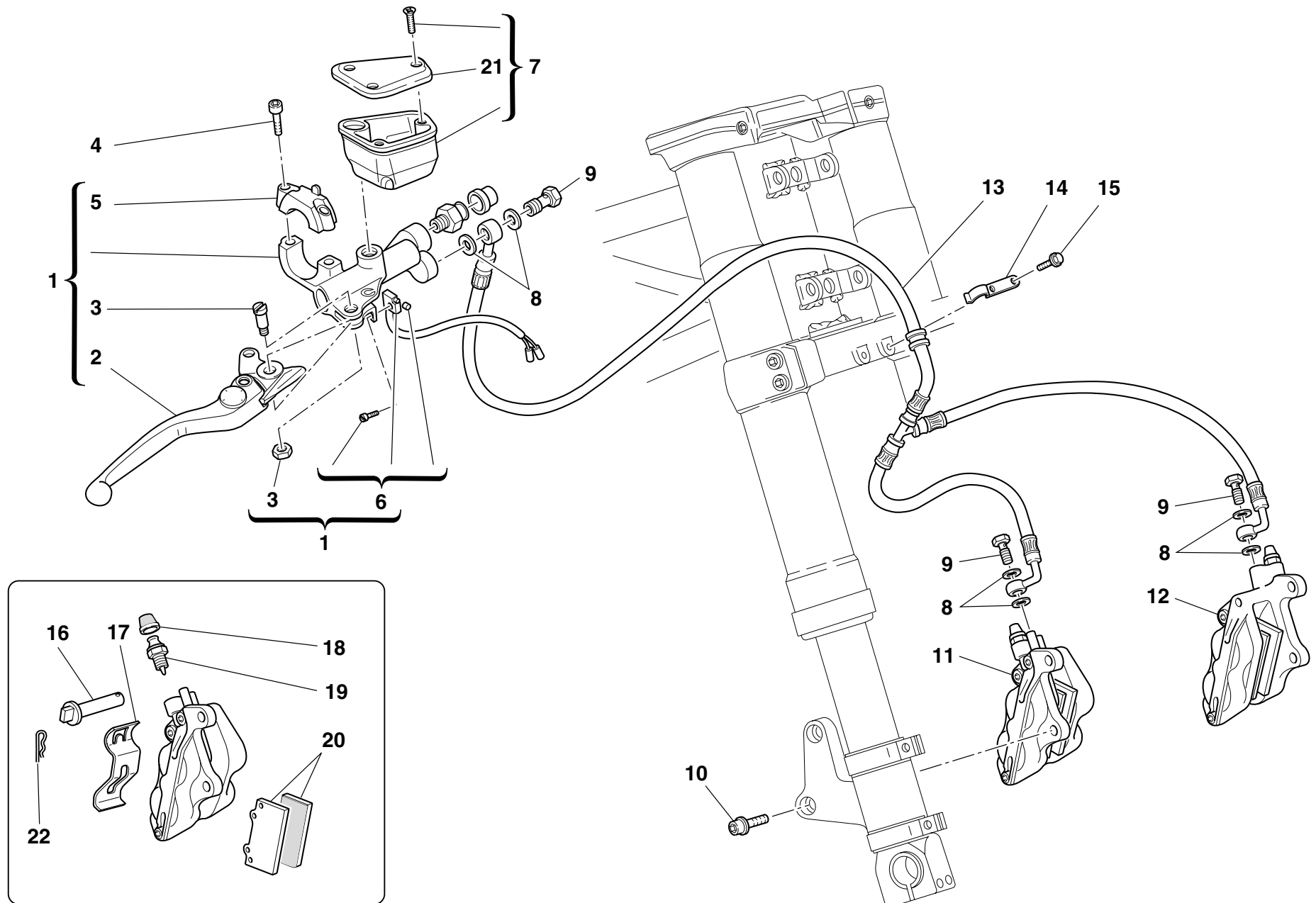
DRAWING **027** CLUTCH CONTROL

NOTES	NO.	CODE NO.	DESCRIPTION	VALIDITY	Q.TY	
	1	630.4.024.1A	Clutch drive pump		1	
	2	626.4.034.1A	Clutch control lever		1	
	3	626.4.011.1A	Spare lever pin		1	
	4	626.4.015.1C	Bracket		1	
	5	585.4.007.1A	Complete oil tank		1	
	6	893.4.008.1A	Cap		1	
	7	779.1.366.1AB	Special screw		1	
	8	852.5.024.1A	Gasket th.1		4	
	9	632.1.025.1A	Clutch control pipe		1	
	10	779.1.082.2A	Filler		1	
	11	0000.33552	Bleed		1	
	12	612.4.005.1A	Dust seal		1	
	13	539.4.033.1A	Microswitch		1	

NOTES	NO.	CODE NO.	DESCRIPTION	VALIDITY	Q.TY	
-------	-----	----------	-------------	----------	------	---


DRAWING 028

FRONT HYDRAULIC BRAKE



DRAWING **028**

## FRONT HYDRAULIC BRAKE

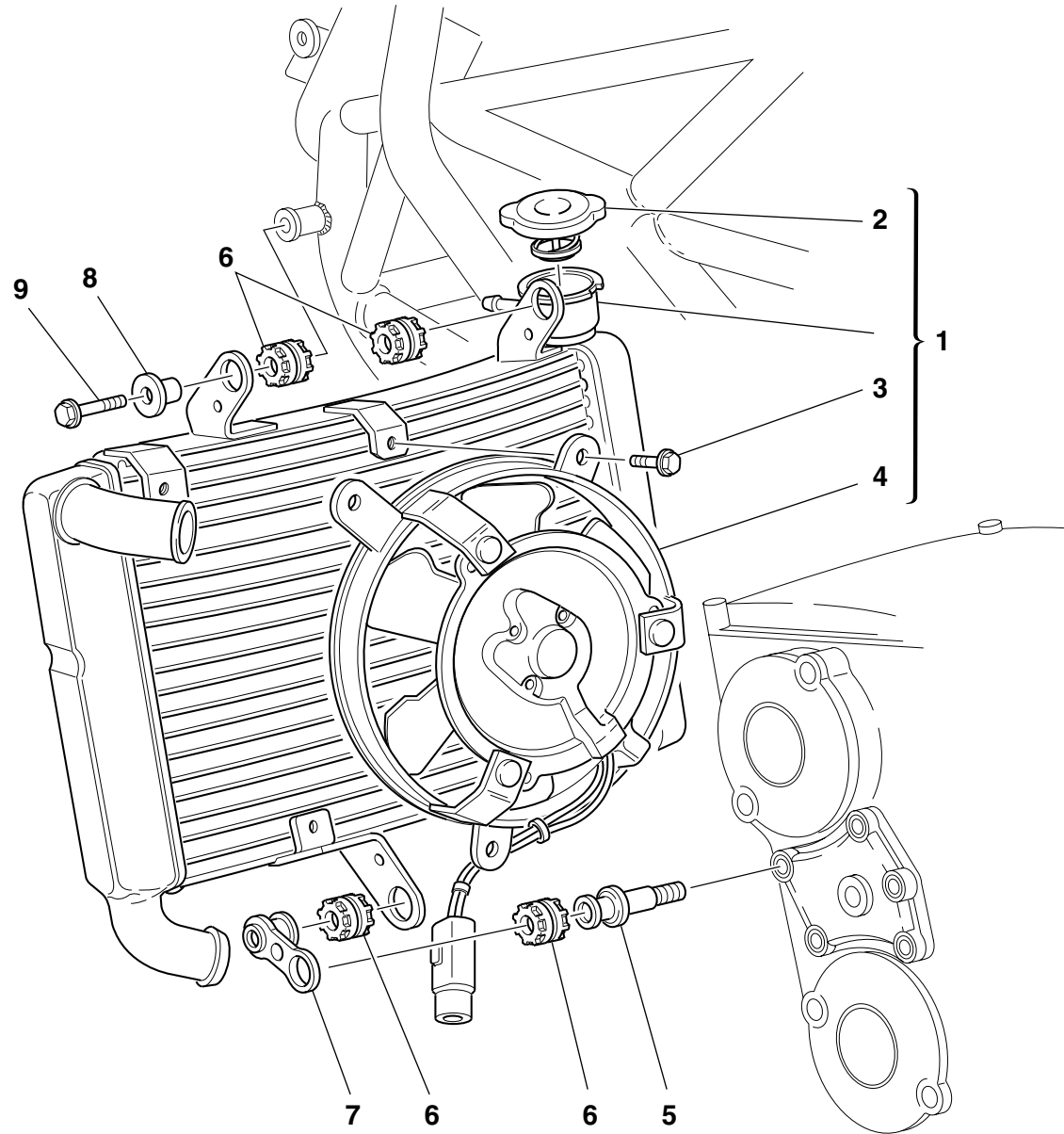
NOTES	NO.	CODE NO.	DESCRIPTION	VALIDITY	Q.TY	
	1	624.4.031.1A	Front brake pump		1	
	2	626.4.019.1A	Brake control lever		1	
	3	626.4.011.1A	Spare lever pin		1	
	4	771.5.669.2B	Screw		2	
	5	626.4.015.1D	Bracket		1	
	6	539.4.021.1A	Microswitch		1	
	7	585.4.006.1A	Complete oil tank		1	
	8	852.5.024.1A	Gasket th.1		6	
	9	779.1.366.1AB	Special screw		3	
	10	771.5.431.2B	Screw		4	
	11	610.4.012.2C	R.H. brake caliper		1	
	12	610.4.011.2C	L.H. brake caliper		1	
	13	618.4.054.1A	Caliper pump pipe		1	
	14	829.1.208.2A	Holder		1	
	15	772.5.025.1A	Screw		2	
	16	612.4.014.1A	Spare pins and spring		2	
	17	612.4.017.1A	Spring		2	
	18	612.4.008.1A	Dust seal		2	
	19	631.4.004.1A	Spare bleed union		2	
	20	613.4.021.1B	Pads pair		2	
	21	893.4.007.1A	Tank cap		1	
	22	612.4.018.1A	Spring		2	

NOTES	NO.	CODE NO.	DESCRIPTION	VALIDITY	Q.TY	
-------	-----	----------	-------------	----------	------	---


CATALOGUE No:  
ISSUED:*915.1.130.2C*  
*05 - 04*CATALOGUE No:  
ISSUED:*915.1.130.2C*  
*05 - 04*

DRAWING 029

WATER RADIATOR ASSY



DRAWING **029** WATER RADIATOR ASSY

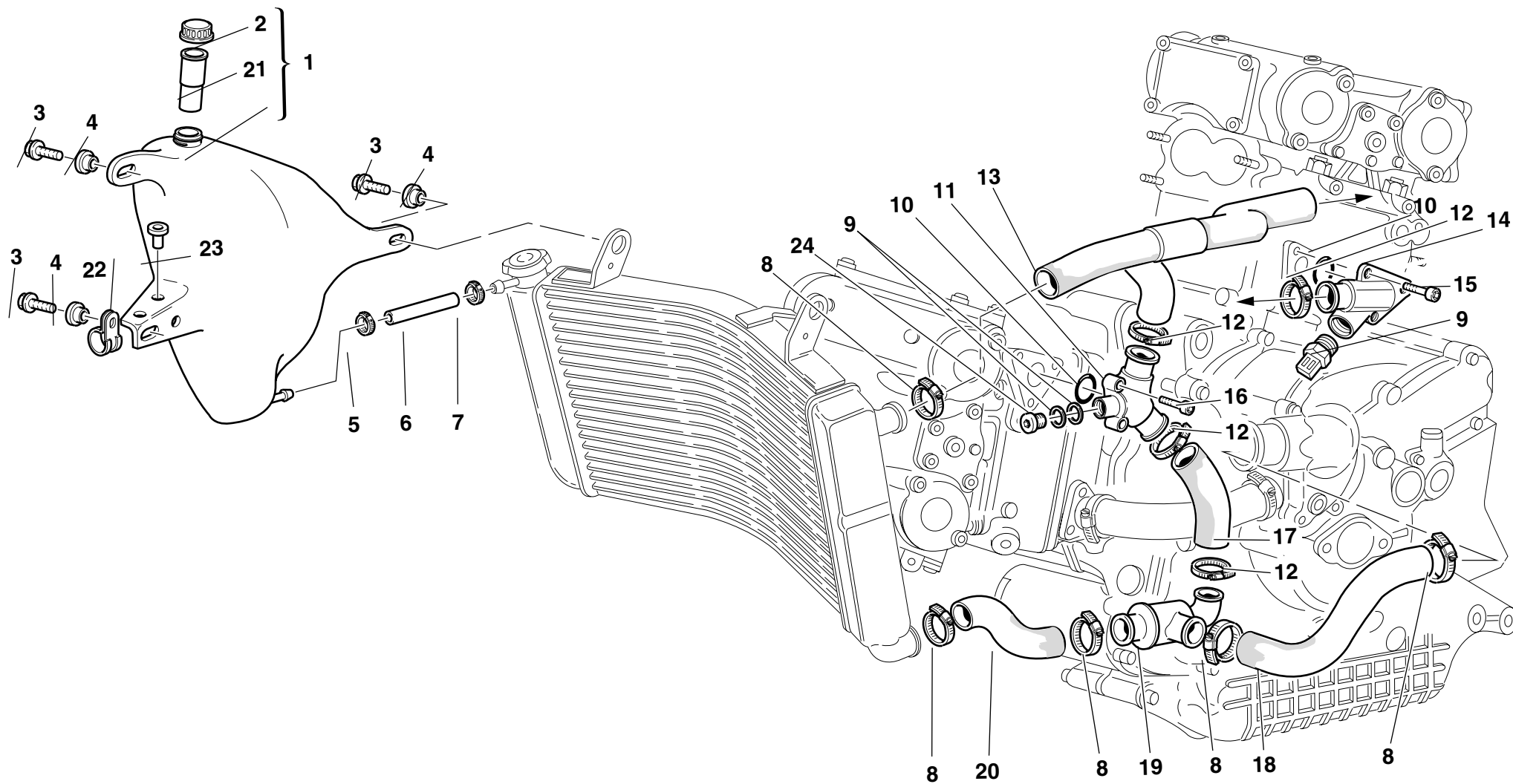
NOTES	NO.	CODE NO.	DESCRIPTION	VALIDITY	Q.TY	
	1	548.4.019.2A	Water radiator		1	
	2	893.1.003.1A	Radiator cap		1	
	3	772.5.025.1A	Screw		3	
	4	550.4.008.1A	Electric fan		1	
	5	779.1.059.2A	Special screw		1	
	6	764.1.022.1A	Vibration damper pad		4	
	7	830.1.077.1A	Holder		1	
	8	0000.62652	Spacer		1	
	9	0000.62729	Screw		1	

NOTES	NO.	CODE NO.	DESCRIPTION	VALIDITY	Q.TY	
-------	-----	----------	-------------	----------	------	---

CATALOGUE No: 915.1.130.2C  
ISSUED: 05 - 04

CATALOGUE No: 915.1.130.2C  
ISSUED: 05 - 04

DRAWING **030** COOLING CIRCUIT



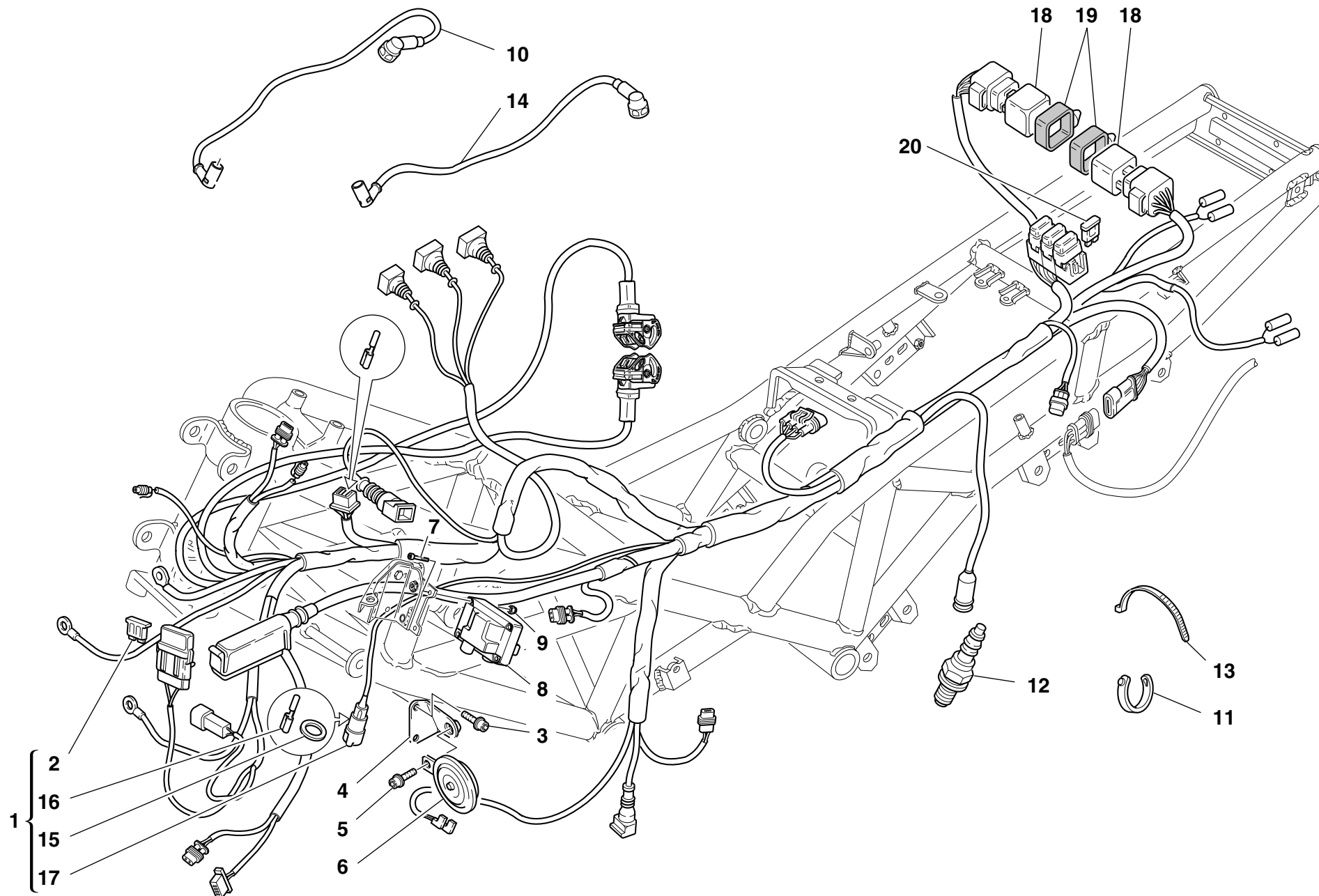
DRAWING **030** COOLING CIRCUIT

NOTES	NO.	CODE NO.	DESCRIPTION	VALIDITY	Q.TY	
	1	585.1.020.1A	Water tank		1	
	2	0000.40427	Tank cap		1	
	3	772.5.023.1A	Screw		4	
	4	716.1.038.1A	Spacer		4	
	5	8A00.67610	Hose guide		1	
	6	800.1.049.1A	Hose		1	
	7	741.4.001.1A	Hose guide		1	
	8	741.4.025.1A	Hose guide		5	
	9	420.2.001.7A	Copper gasket		2	
	10	93823.2087	O-ring		2	
	11	814.1.063.1AB	Water outlet union		1	
	12	741.4.002.1A	Hose guide		4	
	13	800.1.048.1A	Radiator/head hose		1	
	14	814.1.053.1AB	Water outlet union		1	
	15	771.5.071.8B	Screw		3	
	16	771.5.073.8B	Screw		3	
	17	800.1.033.1A	Thermostat/pump hose		1	
	18	800.1.053.1A	Thermostat/pump hose		1	
	19	553.4.003.1A	Thermostat		1	
	20	800.1.054.1A	Cooler/thermostat hose		1	
	21	711.1.084.1A	Bush		1	
	22	741.4.055.1A	Hose guide		1	
	23	0000.63150	Insert		2	
	24	780.5.004.1A	Cap		1	


NOTES	NO.	CODE NO.	DESCRIPTION	VALIDITY	Q.TY	
-------	-----	----------	-------------	----------	------	---

DRAWING 031

ELECTRIC SYSTEM

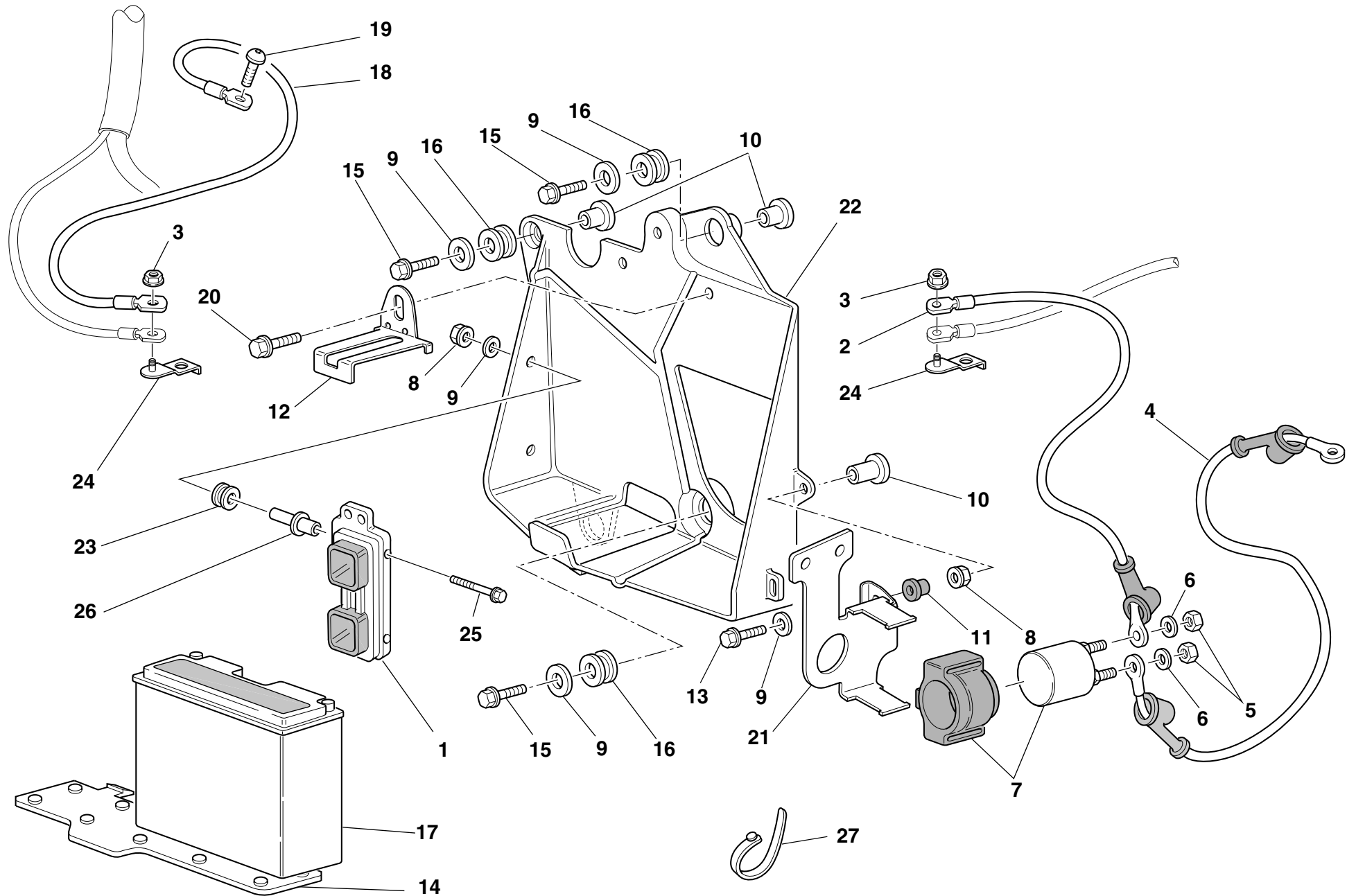


DRAWING **031** ELECTRIC SYSTEM


NOTES	NO.	CODE NO.	DESCRIPTION	VALIDITY	Q.TY	
	1	510.1.263.1A	Main wiring		1	
	2	389.4.014.1A	Fuse 40A		1	
	3	60N102510	Screw		2	
	4	829.1.217.1A	Holder		1	
	5	771.5.721.2B	Screw		1	
	6	516.4.001.1AB	Horn (BLACK)		1	
	7	771.5.025.2B	Screw		4	
	8	285.4.003.1A	Coil		2	
	9	749.5.001.1A	Nut		4	
	10	671.1.010.1A	Horizontal head spark plug wiring		1	
	11	0691.91.030	Hose guide		17	
	12	670.4.012.1A	Spark plug		2	
	13	741.4.038.1A	Hose guide		12	
	14	671.1.009.1A	Vertical head spark plug wiring		1	
	15	764.4.005.1A	Rubber pad		1	
	16	387.4.002.1A	End section		2	
	17	386.4.006.1A	Connector		1	
	18	287.4.040.2A	Relay		2	
	19	829.1.127.1A	Holder		2	
	20	389.4.006.1A	Fuse 3A		1	
	20	389.4.012.1A	Fuse 20A		2	

NOTES	NO.	CODE NO.	DESCRIPTION	VALIDITY	Q.TY	
-------	-----	----------	-------------	----------	------	---

DRAWING **032** BATTERY BOX MOUNT



DRAWING **032** BATTERY BOX MOUNT

NOTES	NO.	CODE NO.	DESCRIPTION	VALIDITY	Q.TY	
	1	286.4.092.1C	Injection control unit		1	
	2	514.1.041.1A	Battery-solenoid starter cable		1	
	3	0000.56443	Nut		2	
	4	514.1.040.1A	Solenoid starter-starter motor cable		1	
	5	417.9.050.6A	Nut		2	
	6	462.4.037.6A	Spring washer		2	
	7	397.4.002.1A	Remote switch		1	
	8	750.5.001.1A	Nut		2	
	9	8000.56359	Washer		5	
	10	716.1.022.1A	Spacer		3	
	11	716.1.053.1A	Spacer		1	
	12	827.1.330.1A	Plate		1	
	13	775.1.038.1A	Screw		1	
	14	866.1.031.1A	Rubber pad		1	
	15	772.5.023.1A	Screw		3	
	16	300182	Rubber pad		3	
	17	395.4.013.1B	Battery		1	
	18	513.1.008.2D	Battery grounding cable		1	
	19	775.1.062.2A	Special screw		1	
	20	772.5.025.1A	Screw		1	
	21	827.1.286.1A	Plate		1	
	22	829.1.172.2B	Battery box mount		1	
	23	0797.72.068	Vibration damper pad		2	
	24	827.2.215.1A	Plate		2	
	25	772.5.021.1A	Screw		2	
	26	821.1.129.1A	Spacer		2	
	27	0691.91.030	Hose guide		1	

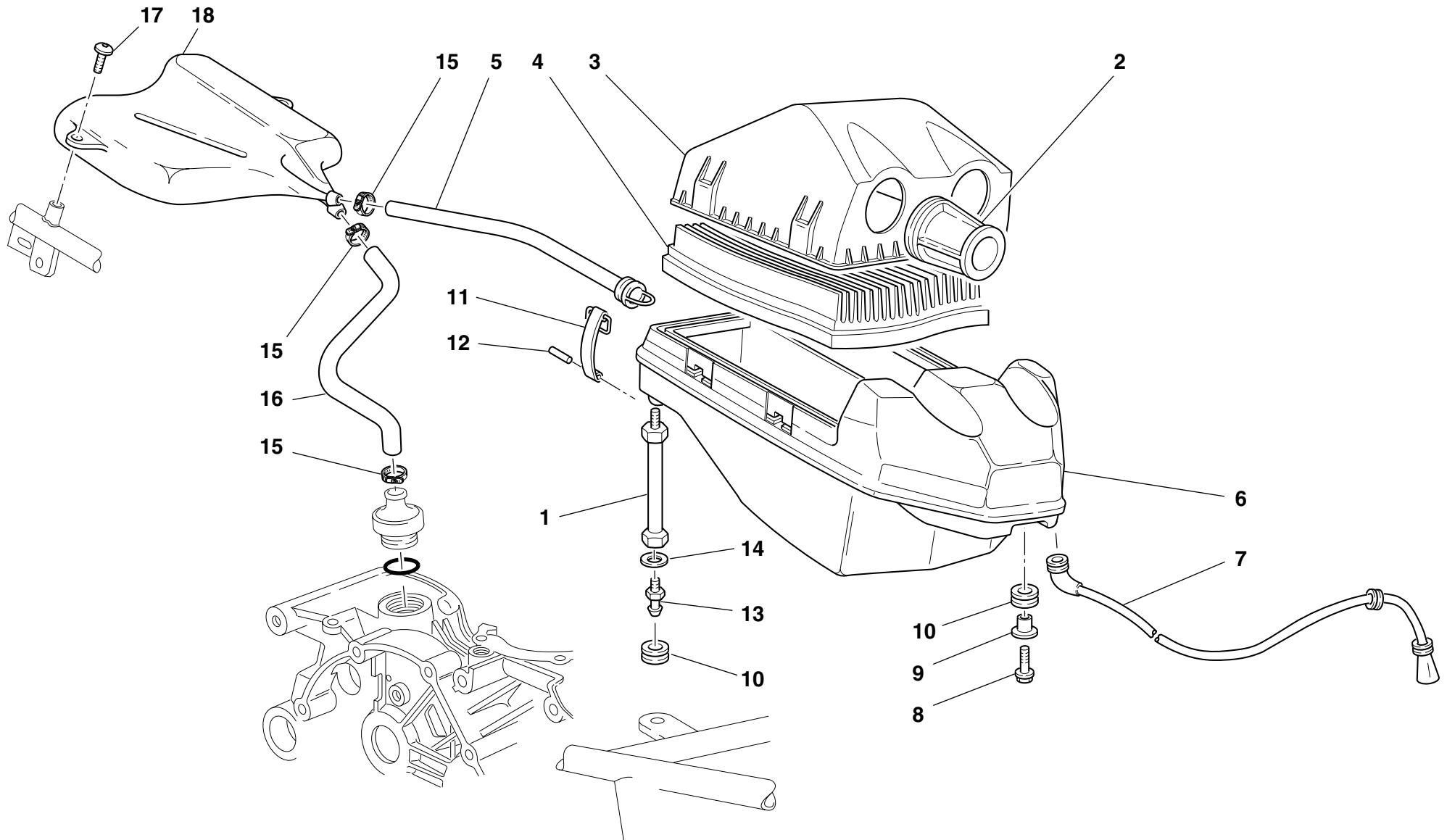
CATALOGUE No: 915.1.130.2C  
ISSUED: 05 - 04

NOTES	NO.	CODE NO.	DESCRIPTION	VALIDITY	Q.TY	
-------	-----	----------	-------------	----------	------	---


CATALOGUE No: 915.1.130.2C  
ISSUED: 05 - 04


DRAWING 033

AIR INDUCTIO AND OIL VENT



DRAWING **033****AIR INDUCTIO AND OIL VENT**

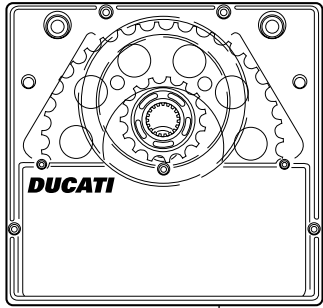
NOTES	NO.	CODE NO.	DESCRIPTION	VALIDITY	Q.TY	
	1	684.1.026.1A	Stud bolt		2	
	2	135.1.015.1A	Air funnel		2	
	3	246.1.056.1A	Filter case cover		1	
	4	0370.98.610	Filter element		1	
	5	876.1.084.1A	Filter/fuel tank outlet pipe		1	
	6	442.2.008.1A	Air filter box		1	
	7	877.2.004.2A	Tube		1	
	8	772.5.023.1A	Screw		1	
	9	716.1.022.1A	Spacer		1	
	10	8000.18048	Rubber pad		2	
	11	760.1.003.1B	Hook		4	
	12	74223.1045	Spring pin		4	
	13	821.1.075.1A	Pin		2	
	14	8000.56359	Washer		2	
	15	741.4.002.1A	Hose guide		2	
	16	876.1.083.1A	Breather pipe		1	
	17	0364.99.015	Screw		2	
	18	585.1.019.2D	Oil breather tank		1	

NOTES	NO.	CODE NO.	DESCRIPTION	VALIDITY	Q.TY	
-------	-----	----------	-------------	----------	------	---

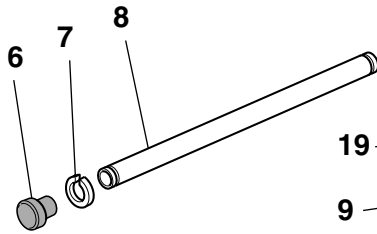
CATALOGUE No: **915.1.130.2C**  
ISSUED: **05 - 04**

CATALOGUE No: **915.1.130.2C**  
ISSUED: **05 - 04**

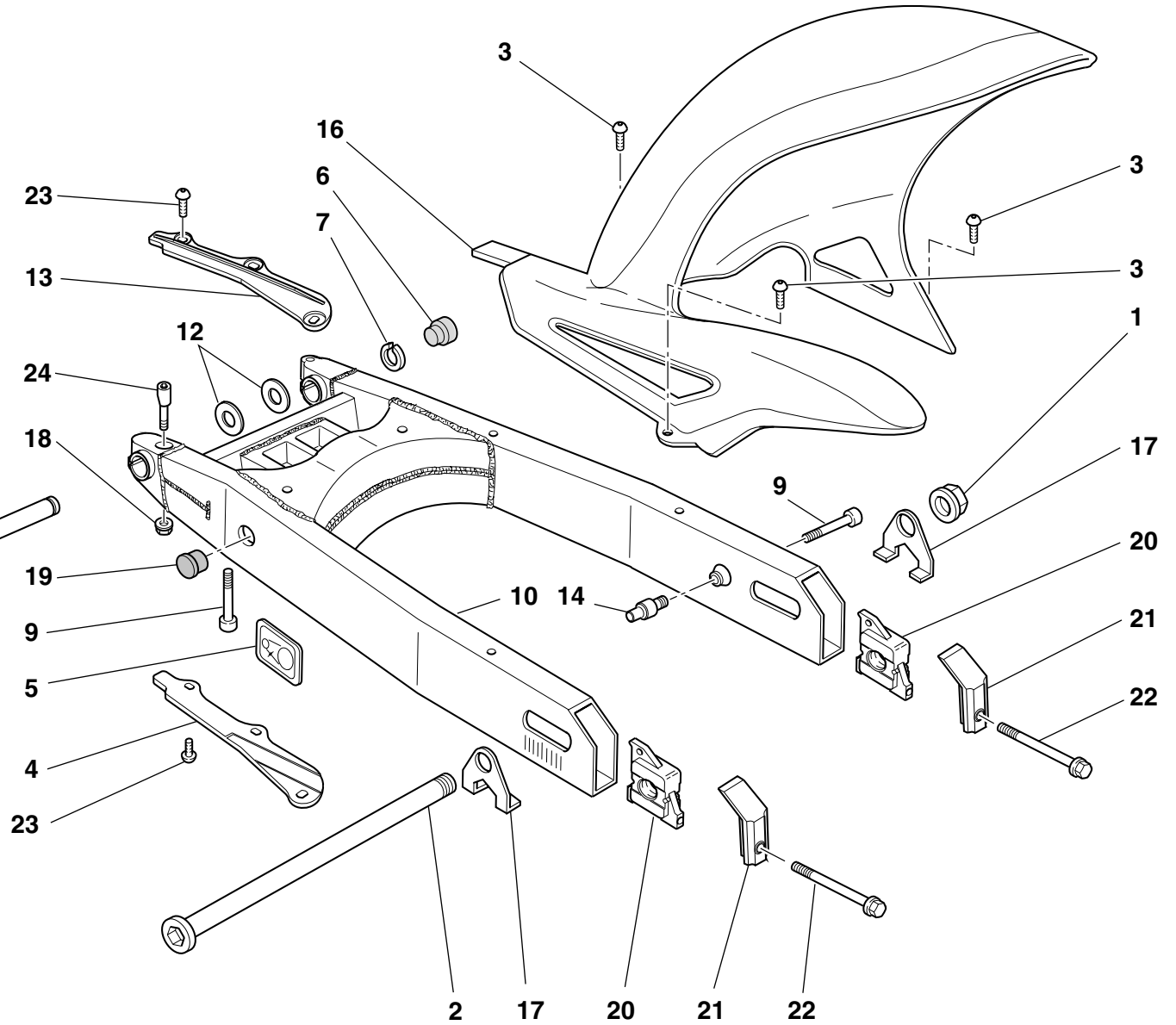
DRAWING **034** SWINGARM AND CHAIN




11



15



DRAWING **034** SWINGARM AND CHAIN

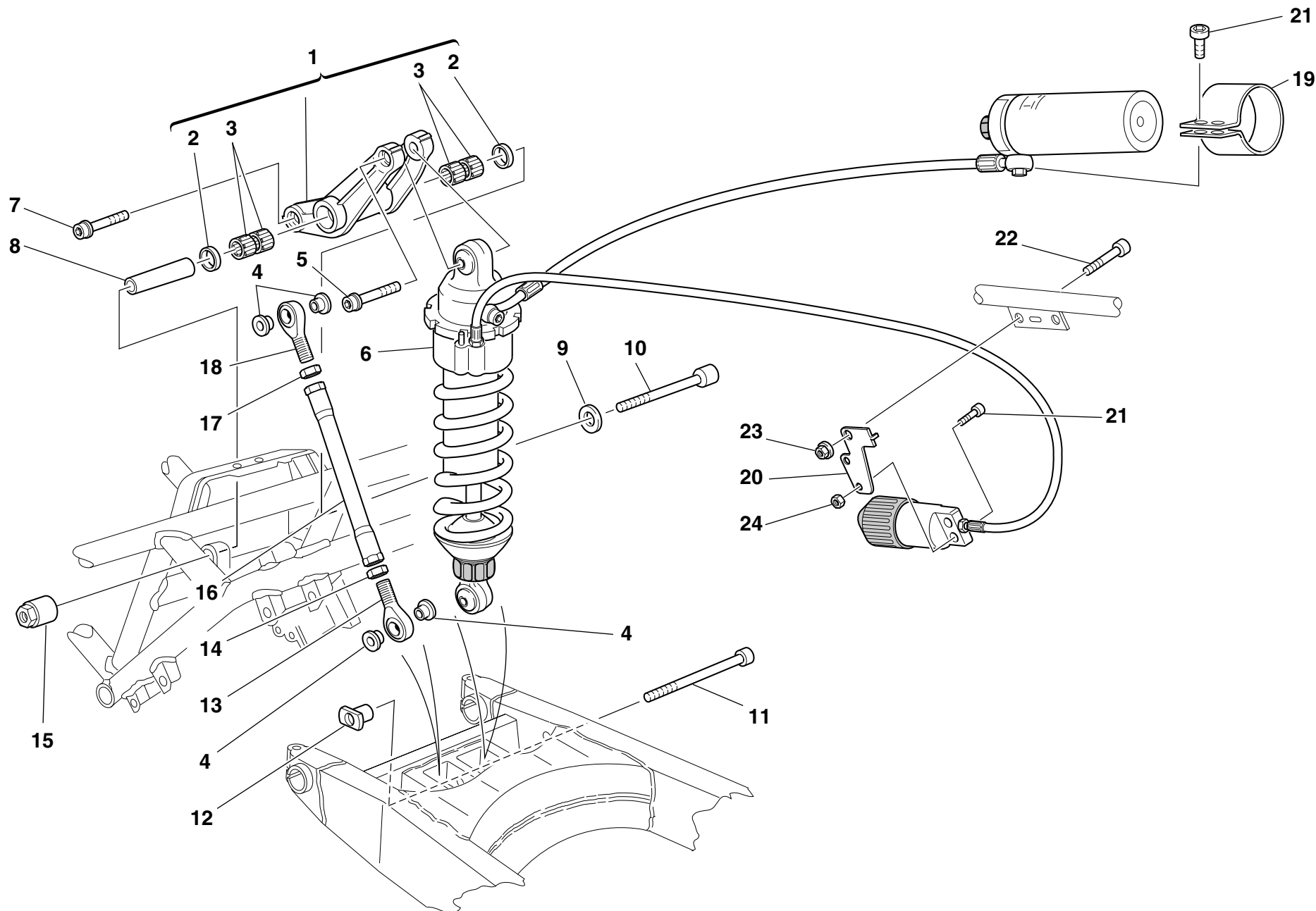
NOTES	NO.	CODE NO.	DESCRIPTION	VALIDITY	Q.TY	
	1	748.1.023.1A	Nut		1	
	2	819.1.039.1A	Rear wheel spindle		1	
	3	779.1.119.2A	Screw		4	
	4	447.1.033.1A	Lower chain sliding shoe		1	
	5	433.1.230.1D	Plate		1	
	6	872.1.019.1A	Cap		2	
	7	884.4.007.1A	Snap ring		2	
	8	369.1.004.1A	Swingarm pivot		1	
	9	60N102556	Screw		2	
	10	370.1.028.2C	Complete swingarm		1	
	11	676.2.037.2B	Final drive kit		1	
	12	852.1.001.1A	Shim th. 1.8		2	
	12	852.1.002.1A	Shim th. 0.2		2	
	12	852.1.003.1A	Shim th. 0.1		1	
	13	447.1.034.1A	Upper chain sliding shoer		1	
	14	821.1.113.1A	Locating pin		1	
	15	676.4.029.1A	Chain (102 Links)		1	
	16	565.1.021.2A	Rear mudguard		1	
	17	374.1.002.1B	Plate		2	
	18	748.4.034.1A	Nut		2	
	19	872.1.031.1A	Cap		1	
	20	373.1.032.1A	Sliding shoe		2	
	21	373.1.033.1A	Cover		2	
	22	779.1.110.1A	Screw		2	
	23	779.5.037.1A	Screw		6	
	24	808.1.046.1A	Clamp		2	

NOTES	NO.	CODE NO.	DESCRIPTION	VALIDITY	Q.TY	
-------	-----	----------	-------------	----------	------	---


CATALOGUE No: 915.1.130.2C  
ISSUED: 05 - 04

CATALOGUE No: 915.1.130.2C  
ISSUED: 05 - 04

DRAWING **035** REAR SUSPENSION



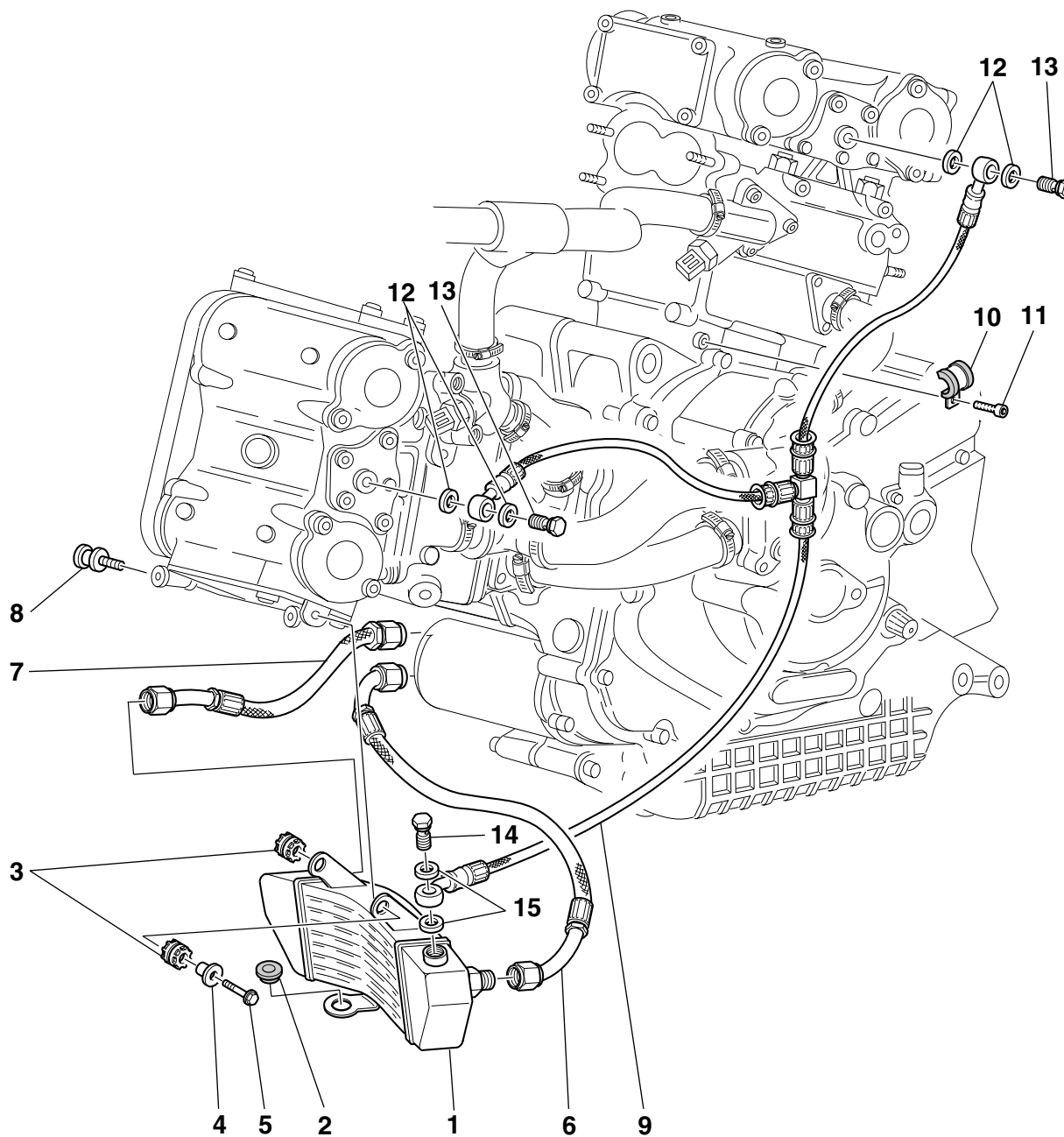
DRAWING **035** REAR SUSPENSION

NOTES	NO.	CODE NO.	DESCRIPTION	VALIDITY	Q.TY	
	1	372.2.008.3A	Rocker assembly		1	
	2	93781.1824	Seal ring		2	
	3	701.4.006.1A	Needle bearing		4	
	4	710.1.025.1A	Bush		4	
	5	771.5.938.2B	Screw		1	
	6	365.2.041.2A	Shock absorber		1	
	7	771.5.937.2B	Screw		1	
	8	715.1.004.1A	Spacer		1	
	9	710.1.057.1A	Bush		1	
	10	771.1.009.1A	Screw		1	
	11	771.1.016.1A	Screw		1	
	12	710.1.048.1A	Bush		1	
	13	848.4.027.1A	Ball joint		1	
	14	417.9.090.1A	Nut		1	
	15	750.1.041.1A	Nut		1	
	16	875.1.038.2A	Tie rod		1	
	17	747.1.006.1A	Nut		1	
	18	848.4.026.1A	Ball joint		1	
	19	808.1.007.1C	Clamp		1	
	20	827.1.221.1A	Plate		1	
	21	779.5.010.1A	Screw		4	
	22	71502.2146	Screw		1	
	23	729908FN1	Nut		1	
	24	0000.44240	Nut		2	


NOTES	NO.	CODE NO.	DESCRIPTION	VALIDITY	Q.TY	
-------	-----	----------	-------------	----------	------	---

DRAWING 036

OIL COOLER



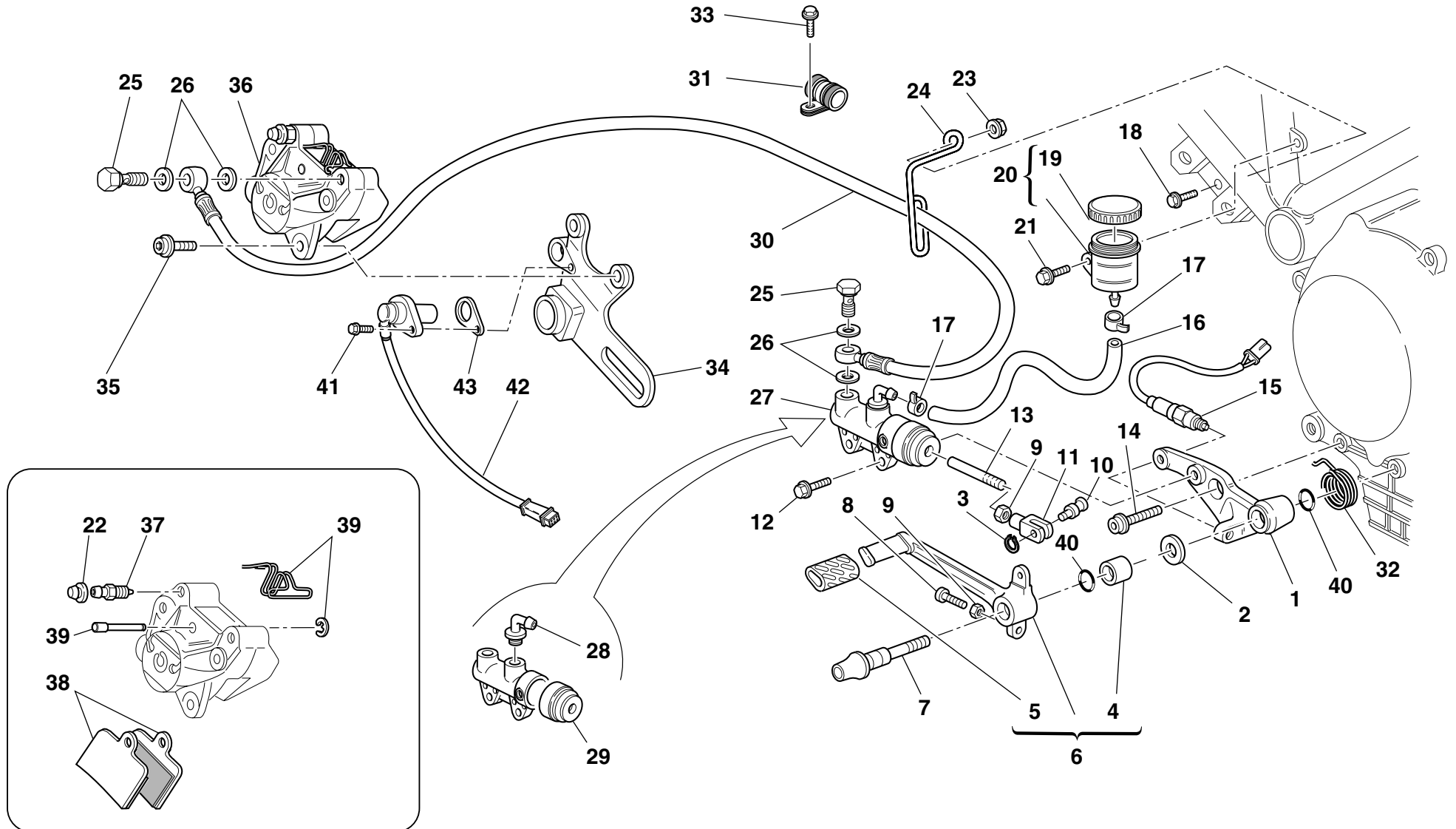
DRAWING **036** OIL COOLER

NOTES	NO.	CODE NO.	DESCRIPTION	VALIDITY	Q.TY	
	1	548.4.023.1B	Oil cooler		1	
	2	8000.69069	Vibration damper		1	
	3	764.1.022.1A	Vibration damper pad		2	
	4	0000.62652	Spacer		1	
	5	0000.62729	Screw		1	
	6	875.1.055.1A	Oil return pipe		1	
	7	875.1.054.1A	Oil delivery pipe		1	
	8	779.1.083.1A	Special screw		1	
	9	875.1.027.1A	Oil delivery pipe		1	
	10	741.4.033.1A	Hose guide		1	
	11	771.5.064.8B	Screw		1	
	12	787.1.005.1A	Copper gasket		4	
	13	779.1.086.1B	Special screw		2	
	14	779.1.058.1A	Special screw		1	
	15	852.5.024.1A	Gasket th.1		2	

NOTES	NO.	CODE NO.	DESCRIPTION	VALIDITY	Q.TY	
-------	-----	----------	-------------	----------	------	---


CATALOGUE No: 915.1.130.2C  
ISSUED: 05 - 04CATALOGUE No: 915.1.130.2C  
ISSUED: 05 - 04

DRAWING **037** REAR HYDRAULIC BRAKE




DRAWING **037**

## REAR HYDRAULIC BRAKE

NOTES	NO.	CODE NO.	DESCRIPTION	VALIDITY	Q.TY	
	1	829.1.184.1A	Holder		1	
	2	852.1.054.1A	Washer		1	
	3	73500.0624	Circlip		1	
	4	0000.59056	Bush		1	
	5	764.1.011.2A	Rubber pad		1	
	6	457.2.008.1A	Brake control lever		1	
	7	821.1.052.1A	Pedal pin		1	
	8	8000.67981	Threaded dowel		1	
	9	60N115062	Nut		2	
	10	821.1.096.1A	Pin		1	
	11	184.1.001.1A	Fork		1	
	12	772.5.024.1A	Screw		2	
	13	117.1.025.2A	Adjuster rod		1	
	14	771.5.754.2B	Screw		1	
	15	539.4.003.1B	Switch		1	
	16	877.1.050.1A	Tube		1	
	17	741.4.043.1A	Hose guide		2	
	18	0000.62726	Screw		1	
	19	893.4.005.1A	Cap		1	
	20	585.4.001.1A	Complete oil tank		1	
	21	707006N02	Screw		1	
	22	612.4.008.1A	Dust seal		1	
	23	729906FN1	Nut		1	
	24	829.1.073.3A	Holder		1	
	25	779.1.366.1AB	Special screw		2	
	26	852.5.024.1A	Gasket th.1		4	
	27	625.4.006.1A	Rear brake pump		1	

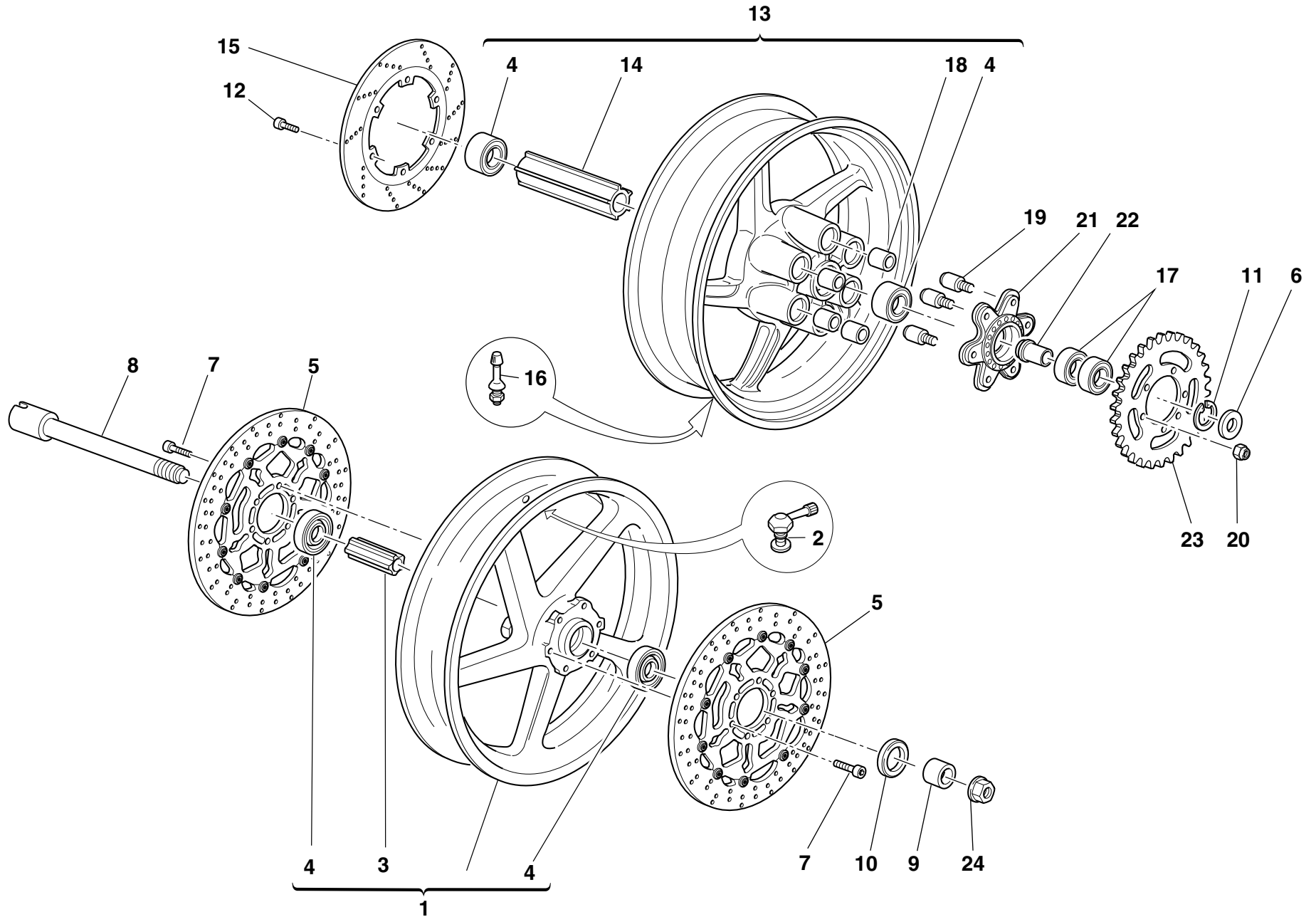
CATALOGUE No:  
ISSUED:*915.1.130.2C*  
*05 - 04*

NOTES	NO.	CODE NO.	DESCRIPTION	VALIDITY	Q.TY	
	28	631.4.008.1A	Spare union		1	
	29	626.4.013.1A	Dust cover		1	
	30	619.4.015.2C	Caliper pump pipe		1	
	31	741.4.062.1A	Clip		1	
	32	799.1.083.1B	Spring		1	
	33	8A00.67997	Screw		1	
	34	825.1.030.1A	Caliper holder plate		1	
	35	771.5.723.2B	Screw		2	
	36	611.4.009.1A	Rear brake caliper		1	
	37	0370.39.780	Spare bleed union		1	
	38	613.4.021.1A	Pads pair		1	
	39	612.4.016.1A	Spare pins and spring		1	
	40	230213	O-ring		2	
	41	771.5.665.8B	Screw		1	
	42	552.4.037.1A	Sensor		1	
	43	713.1.192.1A	Spacer		1	

CATALOGUE No:  
ISSUED:*915.1.130.2C*  
*05 - 04*


DRAWING 038

FRONT AND REAR WHEELS



DRAWING **038**

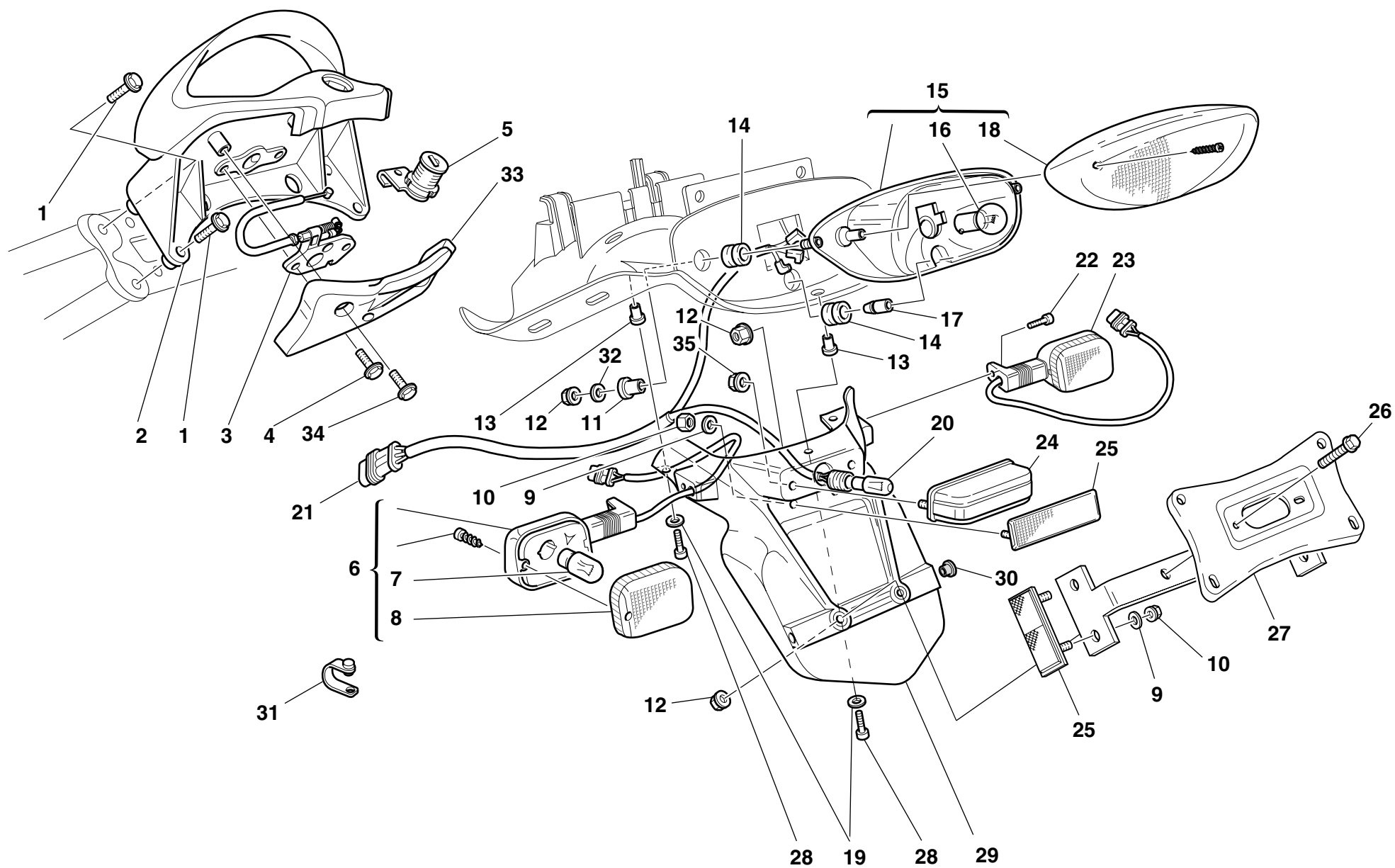
## FRONT AND REAR WHEELS

NOTES	NO.	CODE NO.	DESCRIPTION	VALIDITY	Q.TY	
	1	501.2.105.1AA	Front wheel rim		1	
	1	501.2.105.1AE	Front wheel rim (RED)		1	
	2	497.2.001.2A	Valve		1	
	3	714.1.028.1A	Inner spacer		1	
	4	75162.2566	Bearing		4	
	5	492.4.010.1A	Brake disc		2	
	6	713.1.097.1B	Spacer		1	
	7	771.1.020.1A	Screw		12	
	8	819.1.017.1A	Front wheel spindle		1	
	9	714.1.045.1A	Spacer		1	
	10	0000.64471	Seal ring		1	
	11	884.5.008.1A	Circlip		1	
	12	770.1.003.1A	Screw		6	
	13	502.2.105.1AA	Rear wheel rim		1	
	13	502.2.105.1AE	Rear wheel rim (RED)		1	
	14	713.1.098.1A	Inner spacer		1	
	15	492.4.003.2A	Brake disc		1	
	16	0803.77.010	Valve		1	
	17	75162.3075	Bearing		2	
	18	700.1.005.1A	Vibration damper		6	
	19	821.1.009.1B	Pin		6	
	20	748.4.024.1A	Nut		6	
	21	160.1.049.1A	Rear sprocket flange		1	
	22	710.1.041.1B	Bush		1	
	23	494.1.072.2A	Ring gear z=38		1	
	24	748.1.014.1B	Fork nut		1	

NOTES	NO.	CODE NO.	DESCRIPTION	VALIDITY	Q.TY	
-------	-----	----------	-------------	----------	------	---

CATALOGUE No:  
ISSUED:*915.1.130.2C*  
*05 - 04*CATALOGUE No:  
ISSUED:*915.1.130.2C*  
*05 - 04*


DRAWING **039** NUMBER PLATE HOLDER



DRAWING **039** NUMBER PLATE HOLDER

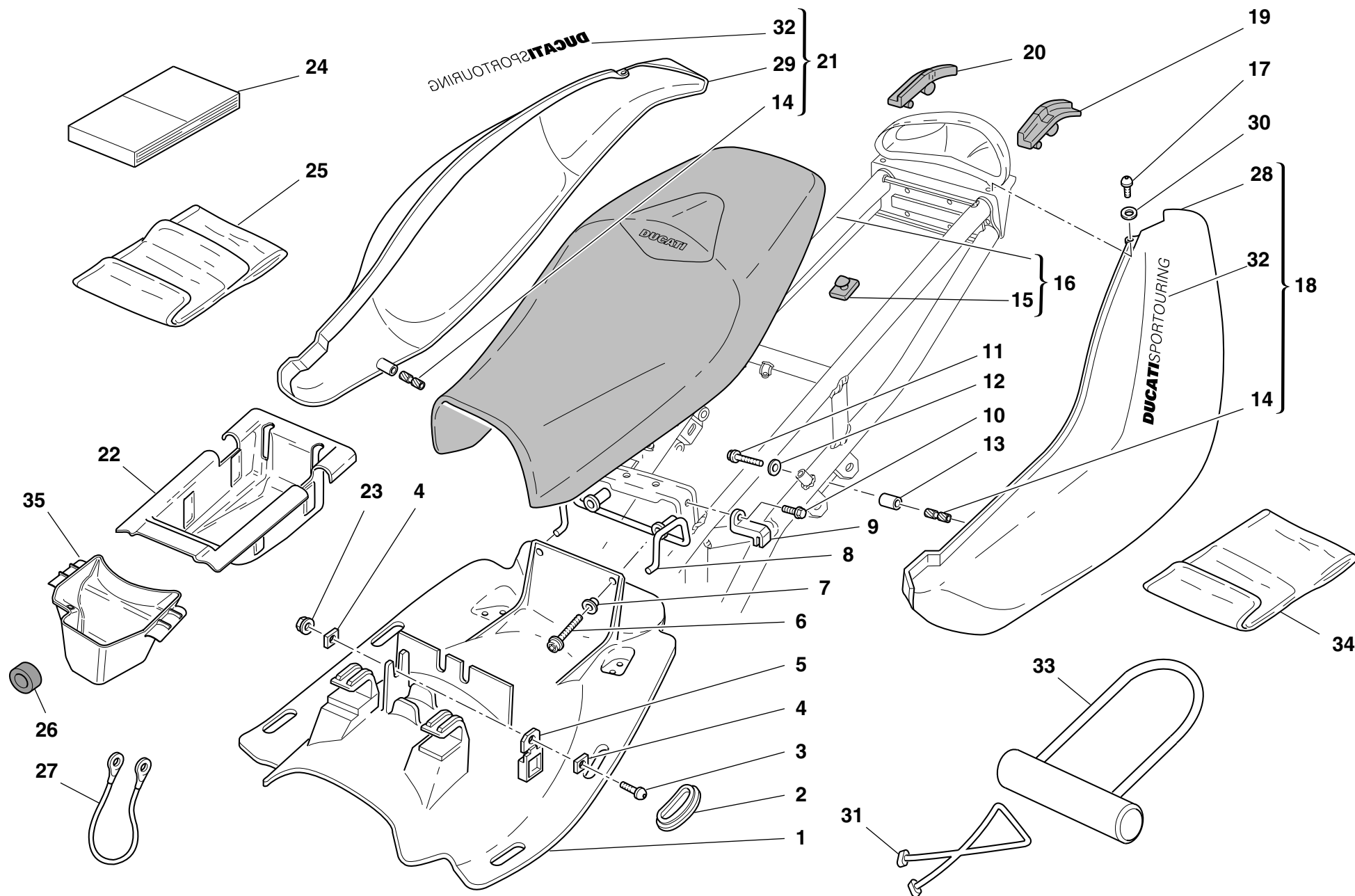
NOTES	NO.	CODE NO.	DESCRIPTION	VALIDITY	Q.TY	
	1	772.5.023.1A	Screw		4	
	2	806.1.011.1AA	Handle (RED)		1	
	2	806.1.011.1AE	Handle (YELLOW)		1	
	2	806.1.011.1AG	Handle (METALLIC DARK GREY)		1	
	3	732.2.006.2A	Lock latch		1	
	4	8A00.67997	Screw		2	
	5	598.2.010.1A	Seat lock		1	
	6	530.4.003.1B	L.H. turn indicator		1	
	7	0000.36726	Bulb		2	
	8	532.4.001.1A	Cup		2	
	9	852.5.001.1A	Washer		6	
	10	749.5.001.1A	Nut		6	
	11	716.1.022.1A	Spacer		2	
	12	729906FN1	Nut		6	
	13	0000.63150	Insert		5	
	14	8000.18048	Rubber pad		3	
	15	525.4.010.1A	Tail light		1	
	16	390.4.003.1A	Two-light bulb 12V 5/21W		1	
	17	821.1.081.1A	Pin		1	
	18	532.4.002.1A	Lens		1	
	19	852.1.161.1A	Washer		7	
	20	0000.36230	Bulb		1	
	21	510.1.108.1A	Wiring		1	
	22	60N107335	Screw		2	
	23	530.4.004.1B	R.H. turn indicator		1	
	24	525.1.004.2A	Tail lamp		1	
	25	529.1.006.1A	Cat's eye		3	

CATALOGUE No: 915.1.130.2C  
ISSUED: 05 - 04


NOTES	NO.	CODE NO.	DESCRIPTION	VALIDITY	Q.TY	
	26	772.5.024.1A	Screw		2	
	27	561.1.019.1A	Plate		1	
	28	771.5.043.2B	Screw		5	
	29	561.1.013.2A	Number plate holder		1	
	30	417.7.007.1A	Cap		2	
	31	741.1.012.1A	Hose guide		2	
	32	8000.56359	Washer		2	
	33	460.1.080.1A	Mudflap		1	
	34	0000.62726	Screw		2	
	35	8000.56443	Nut		2	
	36	829.1.136.1A	Holder		1	

CATALOGUE No: 915.1.130.2C  
ISSUED: 05 - 04


DRAWING **040** SEAT



DRAWING **040** SEAT

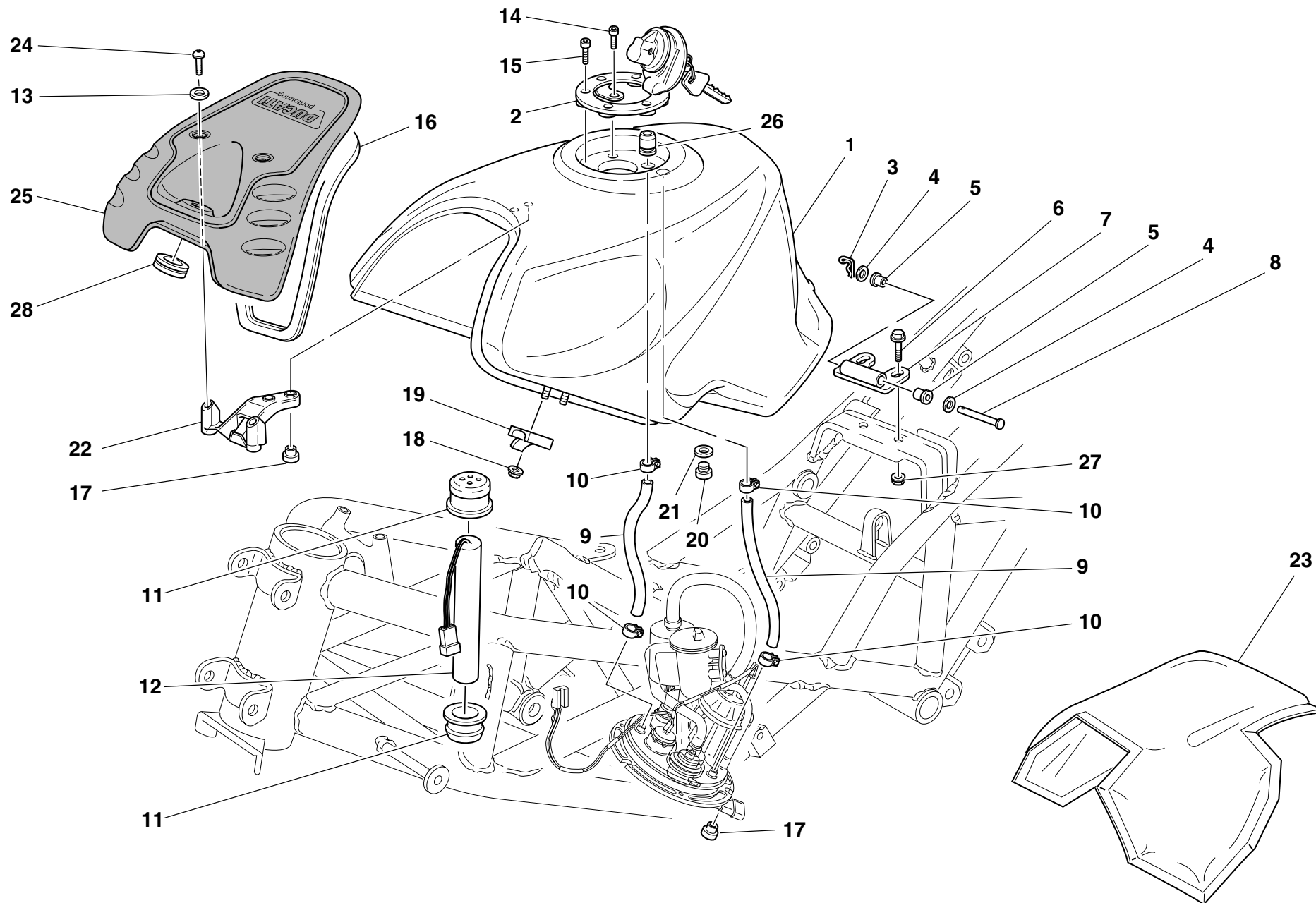
NOTES	NO.	CODE NO.	DESCRIPTION	VALIDITY	Q.TY	
	1	559.1.005.1A	Panel (BLACK)		1	
	2	872.1.022.1A	Cap		4	
	3	779.1.088.1A	Screw		1	
	4	827.1.061.1A	Plate		2	
	5	829.4.001.1A	Holder		1	
	6	771.5.667.2B	Screw		2	
	7	716.1.038.1A	Spacer		2	
	8	760.1.015.1A	Hook		1	
	9	808.1.019.1A	Clamp		2	
	10	8H00.67545	Screw		2	
	11	770.5.619.2B	Screw		2	
	12	734305N01	Washer		2	
	13	713.1.129.1A	Spacer		2	
	14	850.4.016.1A	Threaded insert		2	
	15	866.1.030.1A	Rubber pad		6	
	16	595.1.066.1A	Seat		1	
	17	775.1.008.2A	Screw		2	
	18	482.1.027.1BA	L.H. body panel (RED)		1	
	18	482.1.027.1BE	L.H. body panel (YELLOW)		1	
	18	482.1.027.1BG	L.H. body panel (METALLIC DARK GREY)		1	
	19	700.1.025.1A	L.H. gasket		1	
	20	700.1.024.1A	R.H. gasket		1	
	21	482.1.028.1BA	R.H. body panel (RED)		1	
	21	482.1.028.1BE	R.H. body panel (YELLOW)		1	
	21	482.1.028.1BG	R.H. body panel (METALLIC DARK GREY)		1	
	22	565.1.022.2A	Tool box		1	
	23	0000.56443	Nut		1	

CATALOGUE No: 915.1.130.2C  
ISSUED: 05 - 04


NOTES	NO.	CODE NO.	DESCRIPTION	VALIDITY	Q.TY	
	24	913.7.094.1A	Owner's manual		1	
	25	697.2.011.1A	Tool bag		1	
	26	764.1.037.1A	Rubber pad		1	
	27	732.1.017.1A	Helmet anti-theft wire		1	
	28	482.3.021.1A	L.H. body panel (unpainted)		1	
	29	482.3.022.1A	R.H. body panel (unpainted)		1	
	30	856.1.040.1A	Nylon washer		2	
	31	759.1.015.1A	Rubber		2	
	32	436.1.021.1A	Sticker "SPORTTOURING" (for RED, METALLIC DARK GREY, BLACK)		2	
	32	436.1.021.1AB	Sticker "SPORTTOURING" (for YELLOW)		2	
	33	598.4.015.1A	Padlock		1	
	34	919.1.008.1A	Motrocycle's canvas cover (RED)		1	
	35	565.1.027.1A	Tool box		1	

CATALOGUE No: 915.1.130.2C  
ISSUED: 05 - 04

DRAWING **041** FUEL TANK



DRAWING **041** FUEL TANK

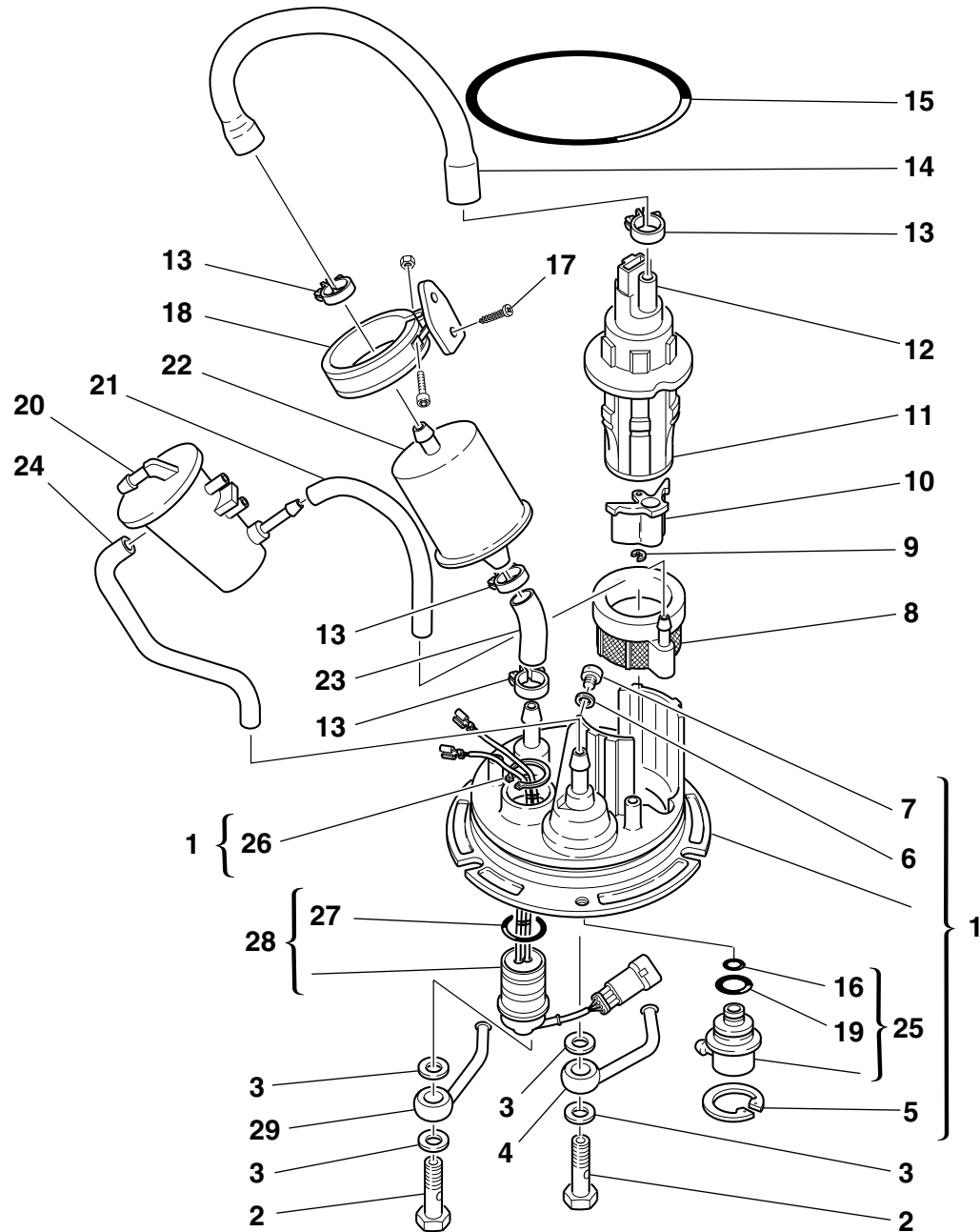
NOTES	NO.	CODE NO.	DESCRIPTION	VALIDITY	Q.TY	
	1	586.1.060.1AA	Fuel tank (RED)		1	
	1	586.1.060.1AB	Fuel tank (YELLOW)		1	
	1	586.1.060.1AG	Fuel tank (METALLIC DARK GREY)		1	
	2	895.4.001.2A	Tank cap		1	
	3	0000.62705	Split pin		1	
	4	734305N01	Washer		2	
	5	712.1.013.3A	Bush		2	
	6	772.5.025.1A	Screw		2	
	7	827.2.134.1A	Plate		1	
	8	821.1.028.2B	Pin		1	
	9	590.1.085.1A	Tube		2	
	10	741.4.004.1A	Hose guide		4	
	11	672.1.005.1A	Rubber holder		2	
	12	592.1.018.1A	Fuel level sensor		1	
	13	8000.56391	Nylon washer		2	
	14	771.5.040.2B	Screw		1	
	15	771.5.045.7E	Screw		3	
	16	791.1.034.1A	Cover gasket		1	
	17	750.1.042.1A	Nut		3	
	18	763106N01	El-stop nut		4	
	19	866.1.029.1A	Rubber pad		2	
	20	8000.77921	Screw		1	
	21	852.5.024.1A	Gasket th.1		1	
	22	830.1.131.1A	Bracket		1	
	23	486.1.070.1A	Panel		1	
	24	00B0.55703	Screw		2	
	25	247.2.105.1AA	Cover (RED)		1	

CATALOGUE No: 915.1.130.2C  
ISSUED: 05 - 04


NOTES	NO.	CODE NO.	DESCRIPTION	VALIDITY	Q.TY	
	25	247.2.105.1AB	Cover (YELLOW)		1	
	25	247.2.105.1AG	Cover (METALLIC DARK GREY)		1	
	26	791.1.012.1A	Gasket		1	
	27	729906FN1	Nut		2	
	28	764.1.019.1A	Vibration damper pad		1	

CATALOGUE No: 915.1.130.2C  
ISSUED: 05 - 04


DRAWING **042** FUEL SYSTEM



DRAWING **042** FUEL SYSTEM

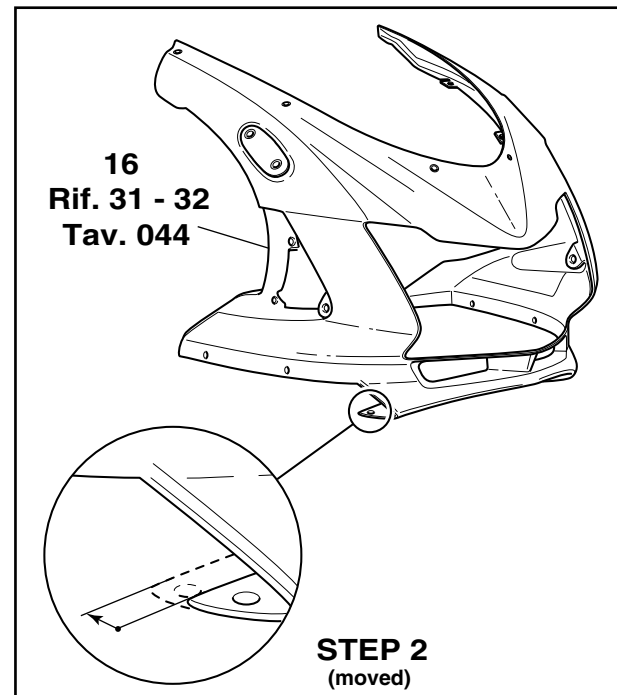
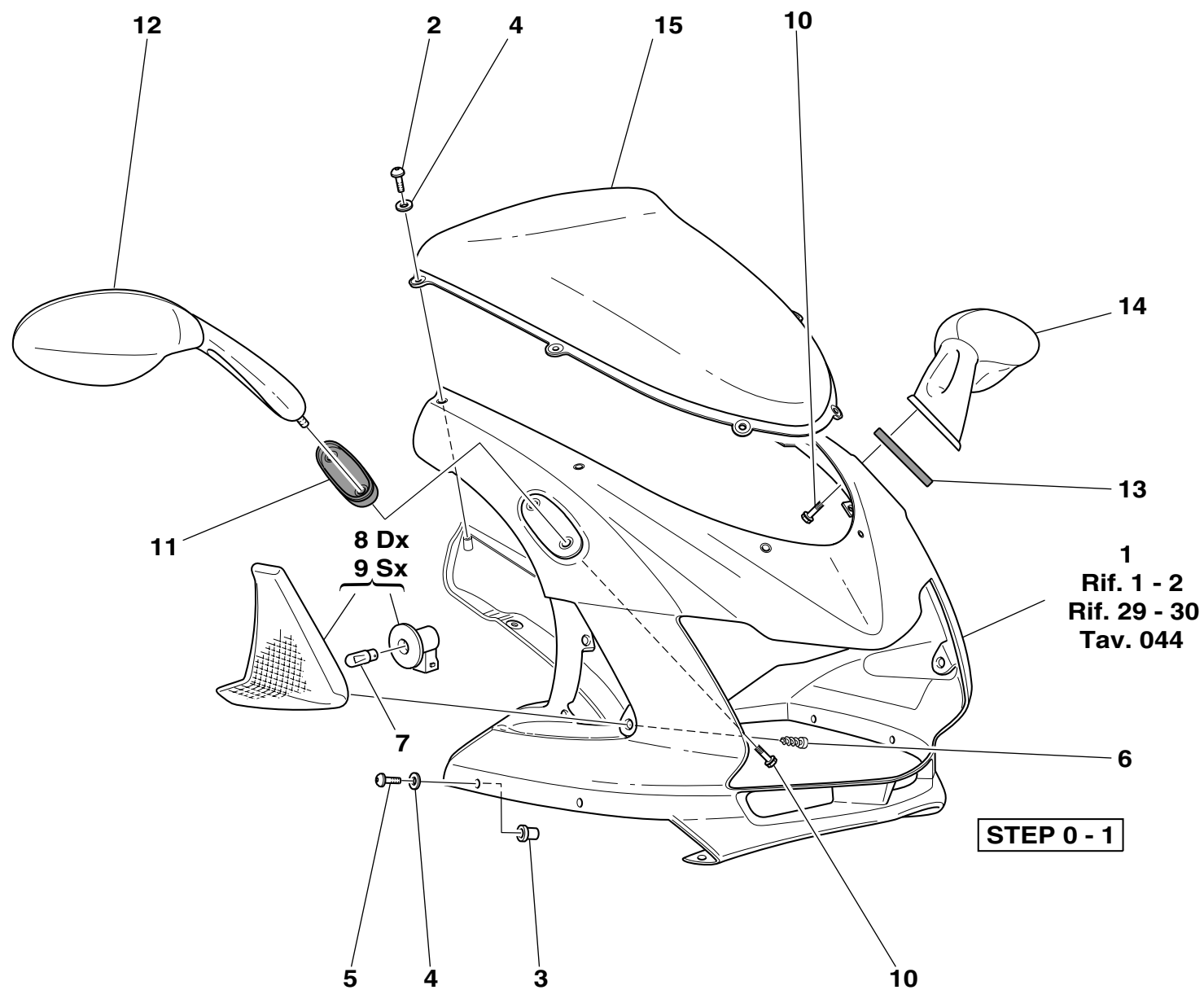
NOTES	NO.	CODE NO.	DESCRIPTION	VALIDITY	Q.TY	
	1	160.9.057.1A	Flange		1	
	2	779.1.170.1A	Special screw		2	
	3	852.1.098.1A	Washer		4	
	4	814.1.065.1A	Union		1	
	5	73503.3449	Circlip		1	
	6	852.5.024.1A	Gasket th.1		1	
	7	780.1.008.1A	Cap		1	
	8	427.1.003.1A	Fuel pump filter		1	
	9	850.4.031.1A	Snap ring		1	
	10	484.1.029.1B	Manifold		1	
	11	829.1.077.2B	Pump holder		1	
	12	430.4.004.1A	Fuel pump		1	
	13	741.4.004.1A	Hose guide		4	
	14	590.1.092.1A	Tube		1	
	15	886.5.001.1A	O-Ring		1	
	16	886.4.021.1A	O-ring		1	
	17	72237.0974	Self-tapping screw		2	
	18	829.1.104.1A	Holder		1	
	19	886.4.022.1A	O-ring		1	
	20	427.4.002.1A	Air separator		1	
	21	590.1.059.1A	Tube		1	
	22	425.4.004.1B	Fuel filter		1	
	23	590.1.056.1A	Filter/pump pipe		1	
	24	590.1.058.1A	Tube		1	
	25	283.4.003.1A	Pressure regulator		1	
	26	73500.2668	Circlip		1	
	27	886.5.011.1A	O-Ring		1	

CATALOGUE No:  
ISSUED:*915.1.130.2C*  
*05 - 04*

NOTES	NO.	CODE NO.	DESCRIPTION	VALIDITY	Q.TY	
	28	510.2.003.1A	Pump wiring		1	
	29	814.1.066.1A	Union		1	

CATALOGUE No:  
ISSUED:*915.1.130.2C*  
*05 - 04*

DRAWING **043** HEADLIGHT FAIRING



DRAWING **043** HEADLIGHT FAIRING

NOTES	NO.	CODE NO.	DESCRIPTION	VALIDITY	Q.TY	
	1	481.1.031.1AA	Headlight fairing (RED)		1	
	1	481.1.031.1AB	Headlight fairing (YELLOW)		1	
	1	481.1.031.1AG	Headlight fairing (METALLIC DARK GREY)		1	
	1	481.3.031.1A	Headlight fairing (unpainted)		1	
	2	779.1.088.1A	Screw		6	
	3	0000.63150	Insert		4	
	4	0000.63161	Washer		4	
	5	775.1.011.1A	Screw		4	
	6	772.5.034.1A	Screw		6	
	7	390.4.015.1A	Bulb 12V-10W		2	
	8	530.1.003.1A	R.H. turn indicator		1	
	9	530.1.004.1A	L.H. turn indicator		1	
	10	772.5.023.1A	Screw		4	
	11	713.1.126.1A	R.H. gasket		1	
	12	523.4.016.1AA	R.H. rear-view mirror (RED)		1	
	12	523.4.016.1AB	R.H. rear-view mirror (YELLOW)		1	
	12	523.4.016.1AG	R.H. rear-view mirror (METALLIC DARK GREY)		1	
	13	713.1.127.1A	L.H. gasket		1	
	14	523.4.017.1AA	L.H. rear-view mirror (RED)		1	
	14	523.4.017.1AB	L.H. rear-view mirror (YELLOW)		1	
	14	523.4.017.1AG	L.H. rear-view mirror (METALLIC DARK GREY)		1	
	15	487.1.034.1A	Windshield		1	
	16	481.1.031.1BA	Headlight fairing (RED)		1	
	16	481.1.031.1BB	Headlight fairing (YELLOW)		1	
	16	481.1.031.1BG	Headlight fairing (METALLIC DARK GREY)		1	
	16	481.3.031.1B	Headlight fairing (unpainted)		1	

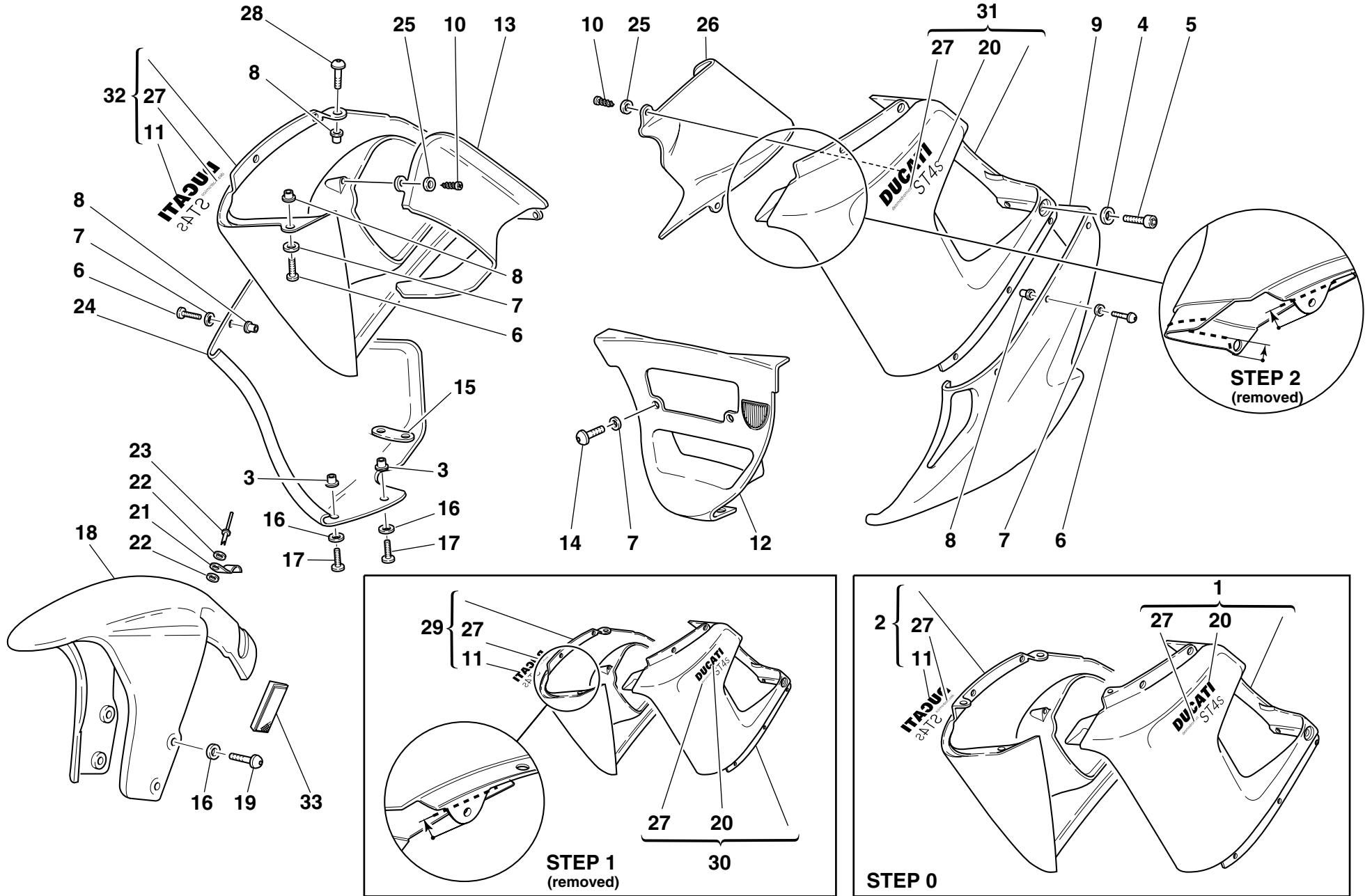
NOTES	NO.	CODE NO.	DESCRIPTION	VALIDITY	Q.TY	
-------	-----	----------	-------------	----------	------	---

CATALOGUE No: 915.1.130.2C  
ISSUED: 05 - 04


CATALOGUE No: 915.1.130.2C  
ISSUED: 05 - 04

DRAWING 044

FAIRING



DRAWING **044** FAIRING

NOTES	NO.	CODE NO.	DESCRIPTION	VALIDITY	Q.TY	
	1	480.1.058.0A	L.H. upper half-fairing (unpainted)		1	
	1	480.1.058.1EA	L.H. upper half-fairing (RED)		1	
	1	480.1.058.1EC	L.H. upper half-fairing (YELLOW)		1	
	1	480.1.058.1EG	L.H. upper half-fairing(METALLIC DARK GREY)		1	
	2	480.1.060.0A	R.H. upper half-fairing (unpainted)		1	
	2	480.1.060.1EA	R.H. upper half-fairing (RED)		1	
	2	480.1.060.1EC	R.H. upper half-fairing (YELLOW)		1	
	2	480.1.060.1EG	R.H. upper half-fairing (METALLIC DARK GREY)		1	
	3	0364.99.020	Bush		4	
	4	841.1.001.1C	Retainer		2	
	5	779.5.001.1A	Screw		2	
	6	775.1.011.1A	Screw		10	
	7	0000.63161	Washer		10	
	8	0000.63150	Insert		10	
	9	480.1.059.0A	L.H. lower half-fairing (unpainted)		1	
	9	480.1.059.2AA	L.H. lower half-fairing (RED)		1	
	9	480.1.059.2AE	L.H. lower half-fairing (YELLOW)		1	
	9	480.1.059.2AG	L.H. lower half-fairing (METALLIC DARK GREY)		1	
	10	72231.0871	Screw		4	
	11	437.1.114.1BA	R.H. sticker "DUCATI ST4S" (for RED)		1	
	11	437.1.114.1BB	R.H. sticker "DUCATI ST4S" (for YELLOW)		1	
	11	437.1.114.1BG	R.H. sticker "DUCATI ST4S" (for METALLIC DARK GRAY)		1	
	12	484.1.049.1AA	Air manifold (RED)		1	
	12	484.1.049.1AB	Air manifold (YELLOW)		1	
	12	484.1.049.1AG	Air manifold (METALLIC DARK GREY)		1	
	12	484.3.049.1A	Air manifold (unpainted)		1	

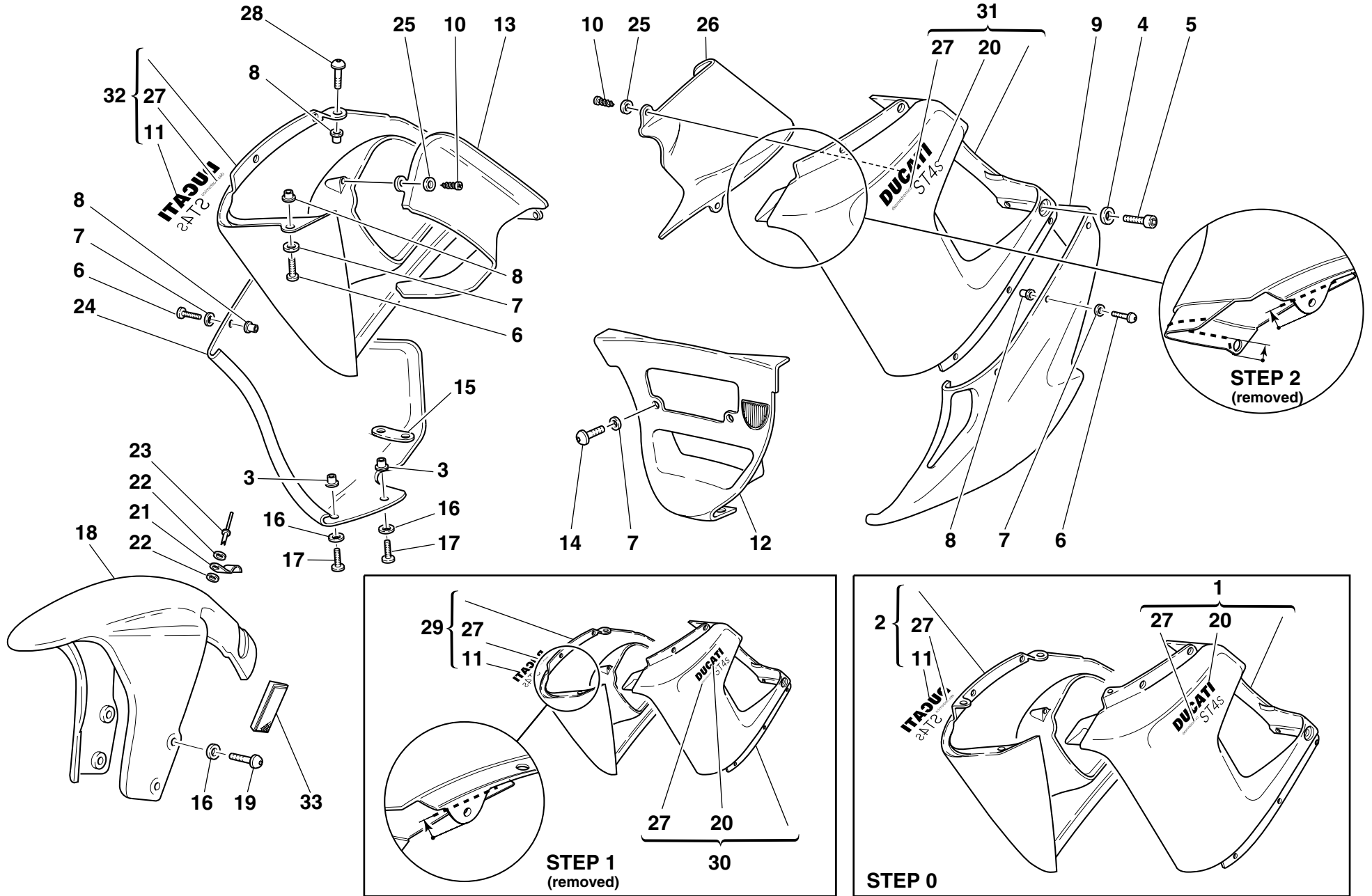
CATALOGUE No:  
ISSUED:915.1.130.2C  
05 - 04

NOTES	NO.	CODE NO.	DESCRIPTION	VALIDITY	Q.TY	
	13	484.1.026.1AE	R.H. air manifold (GREY)		1	
	13	484.1.046.1AA	R.H. air manifold (RED)		1	
	13	484.1.046.1AB	R.H. air manifold (YELLOW)		1	
	14	80B0.55703	Screw		2	
	15	827.1.012.1A	Bent plate		1	
	16	856.1.040.1A	Nylon washer		8	
	17	779.1.089.1A	Screw		4	
	18	564.1.023.1AA	Front mudguard (RED)		1	
	18	564.1.023.1AE	Front mudguard (YELLOW)		1	
	18	564.1.023.1AG	Front mudguard (METALLIC DARK GREY)		1	
	18	564.3.023.1A	Front mudguard (unpainted)		1	
	19	775.1.038.1A	Screw		4	
	20	437.1.112.1BA	L.H. sticker "DUCATI ST4S" (for RED)		1	
	20	437.1.112.1BB	L.H. sticker "DUCATI ST4S" (for YELLOW)		1	
	20	437.1.112.1BG	L.H. sticker "DUCATI ST4S" (for METALLIC DARK GRAY)		1	
	21	850.1.003.1A	Clip		1	
	22	852.1.075.1A	Washer		2	
	23	736.4.013.1B	Shear rivet		1	
	24	480.1.061.1A	R.H. lower half-fairing (unpainted)		1	
	24	480.1.115.1AA	R.H. lower half-fairing (RED)		1	
	24	480.1.115.1AB	R.H. lower half-fairing (YELLOW)		1	
	24	480.1.115.1AG	R.H. lower half-fairing (METALLIC DARK GREY)		1	
	25	852.5.002.1A	Washer		4	
	26	484.1.025.1AE	L.H. air manifold (GREY)		1	
	26	484.1.045.1AA	L.H. air manifold (RED)		1	
	26	484.1.045.1AB	L.H. air manifold (YELLOW)		1	


CATALOGUE No:  
ISSUED:915.1.130.2C  
05 - 04

DRAWING 044

FAIRING



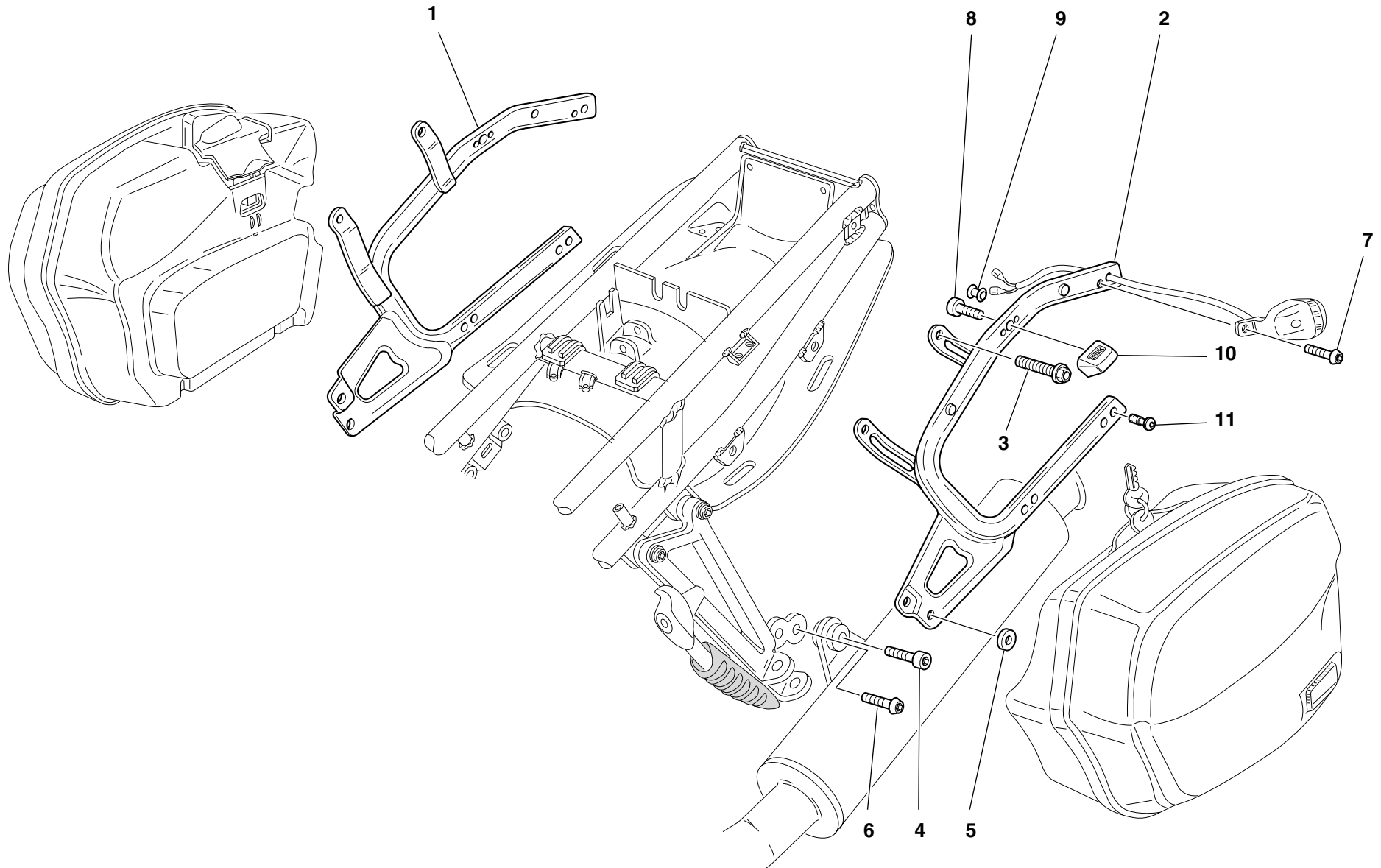
DRAWING **044** FAIRING

NOTES	NO.	CODE NO.	DESCRIPTION	VALIDITY	Q.TY	
	27	437.1.107.1AA	Sticker "DESMODROMICO" (for RED, METALLIC DARK GRAY)		2	
	27	437.1.107.1AB	Sticker "DESMODROMICO" (for YELLOW)		2	
	28	480.1.060.2A	R.H. upper half-fairing (unpainted)		1	
	28	771.5.049.2B	Screw		2	
	29	480.1.060.1A	R.H. upper half-fairing (unpainted)		1	
	29	480.1.060.2EA	R.H. upper half-fairing (RED)		1	
	29	480.1.060.2EC	R.H. upper half-fairing (YELLOW)		1	
	29	480.1.060.2EG	R.H. upper half-fairing (METALLIC DARK GREY)		1	
	30	480.1.058.1A	L.H. upper half-fairing (unpainted)		1	
	30	480.1.058.2EA	L.H. upper half-fairing (RED)		1	
	30	480.1.058.2EC	L.H. upper half-fairing (YELLOW)		1	
	30	480.1.058.2EG	L.H. upper half-fairing(METALLIC DARK GREY)		1	
	31	480.1.058.1B	L.H. upper half-fairing (unpainted)		1	
	31	480.1.058.1BG	L.H. upper half-fairing(METALLIC DARK GREY)		1	
	31	480.1.194.1BA	L.H. upper half-fairing (RED)		1	
	31	480.1.194.1BB	L.H. upper half-fairing (YELLOW)		1	
	32	480.1.060.1B	R.H. upper half-fairing (unpainted)		1	
	32	480.1.060.1BG	R.H. upper half-fairing (METALLIC DARK GREY)		1	
	32	480.1.193.1BA	R.H. upper half-fairing (RED)		1	
	32	480.1.193.1BB	R.H. upper half-fairing (YELLOW)		1	
	33	529.1.008.1AB	Cat's eye (AMBER)		2	


NOTES	NO.	CODE NO.	DESCRIPTION	VALIDITY	Q.TY	
-------	-----	----------	-------------	----------	------	---

CATALOGUE No:  
ISSUED:915.1.130.2C  
05 - 04CATALOGUE No:  
ISSUED:915.1.130.2C  
05 - 04

DRAWING **045** PANNIERS FASTENS



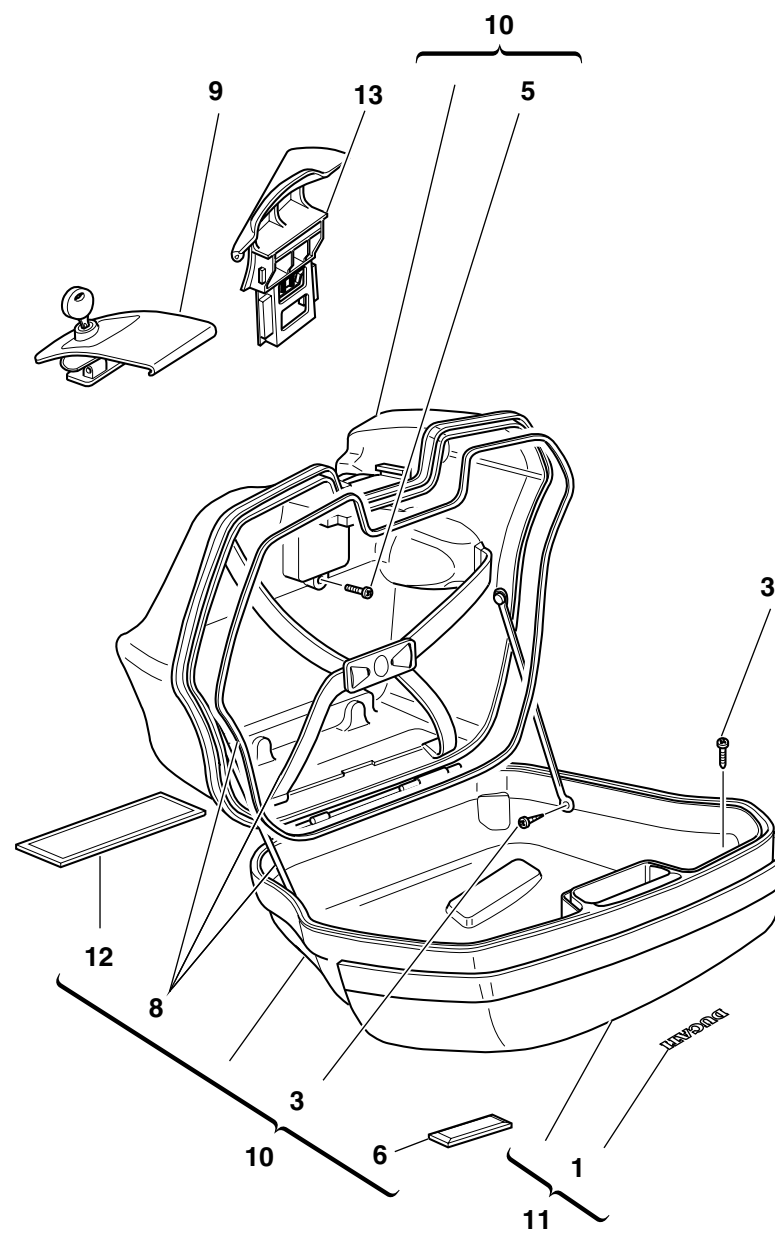
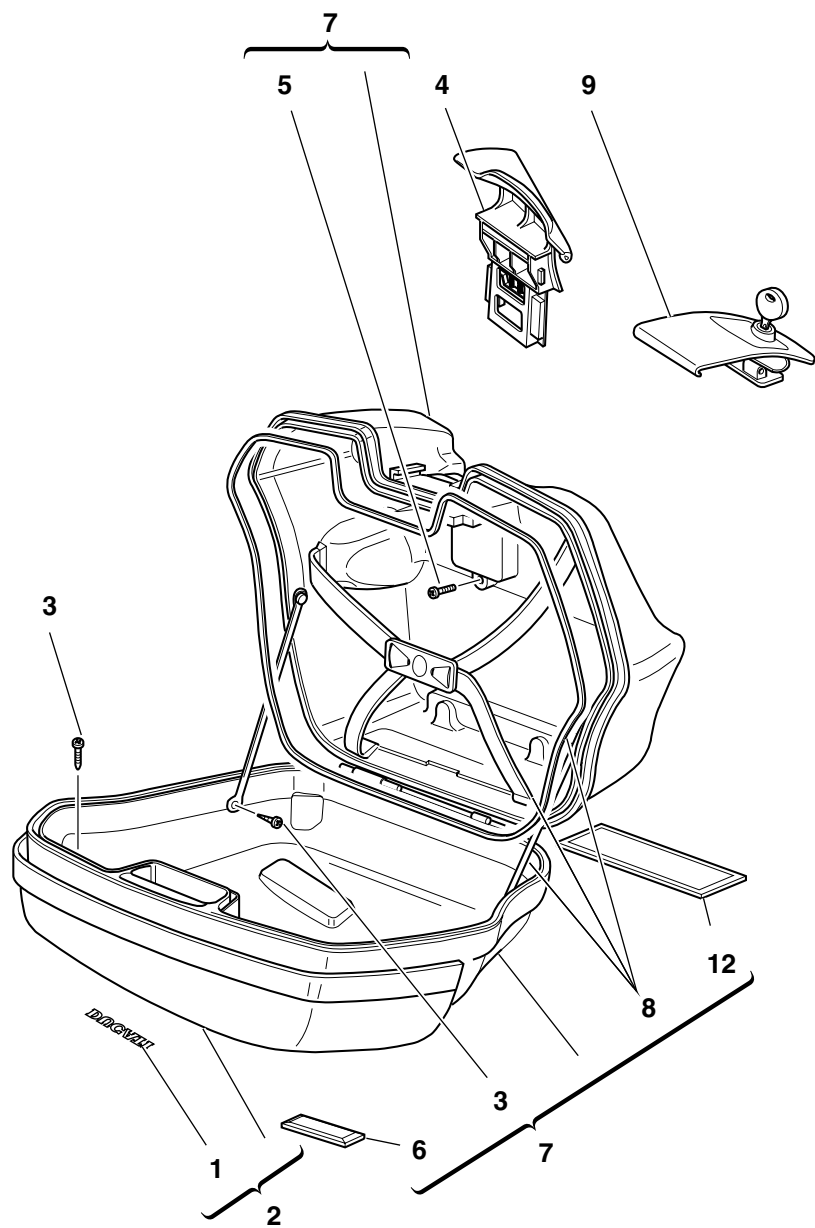
DRAWING **045** PANNIERS FASTENS

NOTES	NO.	CODE NO.	DESCRIPTION	VALIDITY	Q.TY	
-		699.2.094.1CA	Coplete panniers kit (RED)		1	
-		699.2.094.1CE	Coplete panniers kit (YELLOW)		1	
-		699.2.094.1CG	Complete Panniers kit (METALLIC DARK GREY)		1	
1		829.1.206.1A	R.H. holder		1	
2		829.1.205.1A	L.H. holder		1	
3		772.5.008.1A	Screw		4	
4		771.5.002.1A	Screw		1	
5		713.1.130.1A	Spacer		1	
6		775.5.002.1A	Screw		2	
7		8BB0.61070	Screw		2	
8		771.4.007.1A	Screw		2	
9		872.4.023.1A	Cap		4	
10		829.1.332.1A	Holder		2	
11		775.4.002.1A	Special screw		8	


NOTES	NO.	CODE NO.	DESCRIPTION	VALIDITY	Q.TY	
-------	-----	----------	-------------	----------	------	---

DRAWING 046

SIDE PANNIERS




DRAWING **046** SIDE PANNIERS

NOTES	NO.	CODE NO.	DESCRIPTION	VALIDITY	Q.TY	
-		699.2.094.1CA	Coplete panniers kit (RED)		1	
-		699.2.094.1CE	Coplete panniers kit (YELLOW)		1	
-		699.2.094.1CG	Complete Panniers kit (METALLIC DARK GREY)		1	
1		438.1.096.1AA	Sticker "DUCATI" (for RED, METALLIC DARK GREY)		2	
1		438.1.096.1AB	Sticker "DUCATI" (for YELLOW)		2	
2		698.1.021.1BA	R.H. cover (RED)		1	
2		698.1.021.1BE	R.H. cover (YELLOW)		1	
2		698.1.021.1BG	R.H. cover (METALLIC DARK GREY)		1	
3		72237.0657	Self-tapping screw		20	
4		698.1.023.1A	R.H. handle		1	
5		72237.0974	Self-tapping screw		2	
6		529.4.003.1A	Cat's eye		2	
7		698.1.015.1A	R.H. pannier		1	
8		698.1.026.1A	Series of belts		1	
9		698.1.025.1A	Pannier locks kit		1	
10		698.1.016.1A	L.H. pannier		1	
11		698.1.022.1BA	L.H. cover (RED)		1	
11		698.1.022.1BE	L.H. cover (YELLOW)		1	
11		698.1.022.1BG	L.H. cover (METALLIC DARK GREY)		1	
12		698.1.027.1A	Insulation		1	
13		698.1.024.1A	L.H. handle		1	

NOTES	NO.	CODE NO.	DESCRIPTION	VALIDITY	Q.TY	
-------	-----	----------	-------------	----------	------	---



DRAWING **047** FUEL INFEED

NOTES	NO.	CODE NO.	DESCRIPTION	VALIDITY	Q.TY	
	1	741.4.057.1A	Hose guide		1	
	2	590.1.174.1A	Tube		1	
	3	741.1.013.1A	Hose guide		1	
	4	829.1.207.1A	Holder		1	
	5	716.1.043.1A	Spacer		2	
	6	729906FN1	Nut		2	
	7	764.1.029.1A	Rubber pad		2	
	8	827.1.157.1A	Plate		1	
	9	779.5.001.1A	Screw		2	
	10	426.1.007.1A	CANISTER filter		1	
	11	590.1.175.1A	Tube		1	
	12	590.1.173.1A	Tube		1	
	13	590.1.172.1A	Tube		2	
	14	852.5.025.1A	Aluminium gasket th.1		2	
	15	814.1.091.1B	Union		2	
	16	741.4.013.1B	Hose guide		2	
	17	590.1.102.1A	Breather pipe		1	
	18	0361.98.850	Shunt valve		1	
	19	741.4.063.1A	Hose guide		3	
	20	741.4.058.1A	Hose guide		1	
	21	741.4.059.1A	Hose guide		1	

NOTES	NO.	CODE NO.	DESCRIPTION	VALIDITY	Q.TY	
-------	-----	----------	-------------	----------	------	---

DRAWING 048

MARKING PLATES

**OBJECT IN MIRROR ARE CLOSER THAN THEY APPEAR**

Cod. 433.1.165.1A

1

**WARNING**

DO NOT ATTEMPT TO LOOK THROUGH THIS FAIRING. THIS IS NOT A WINDSHIELD, BUT AN AERODYNAMIC FAIRING ONLY; FAILURE TO OBSERVE THIS WARNING COULD RESULT IN A COLLISION OR UPSET AND CONSEQUENT SERIOUS BODILY INJURY.

Cod. 433.1.165.1A

2

**ATTENZIONE!** Per evitare perdite di carburante dal tubo di sfiato, evitare di sollevare il serbatoio quando questo é pieno oltre la metà.  
**ATTENTION!** To avoid fuel leaks from the breather pipe, do not lift the tank when it is more than half full.

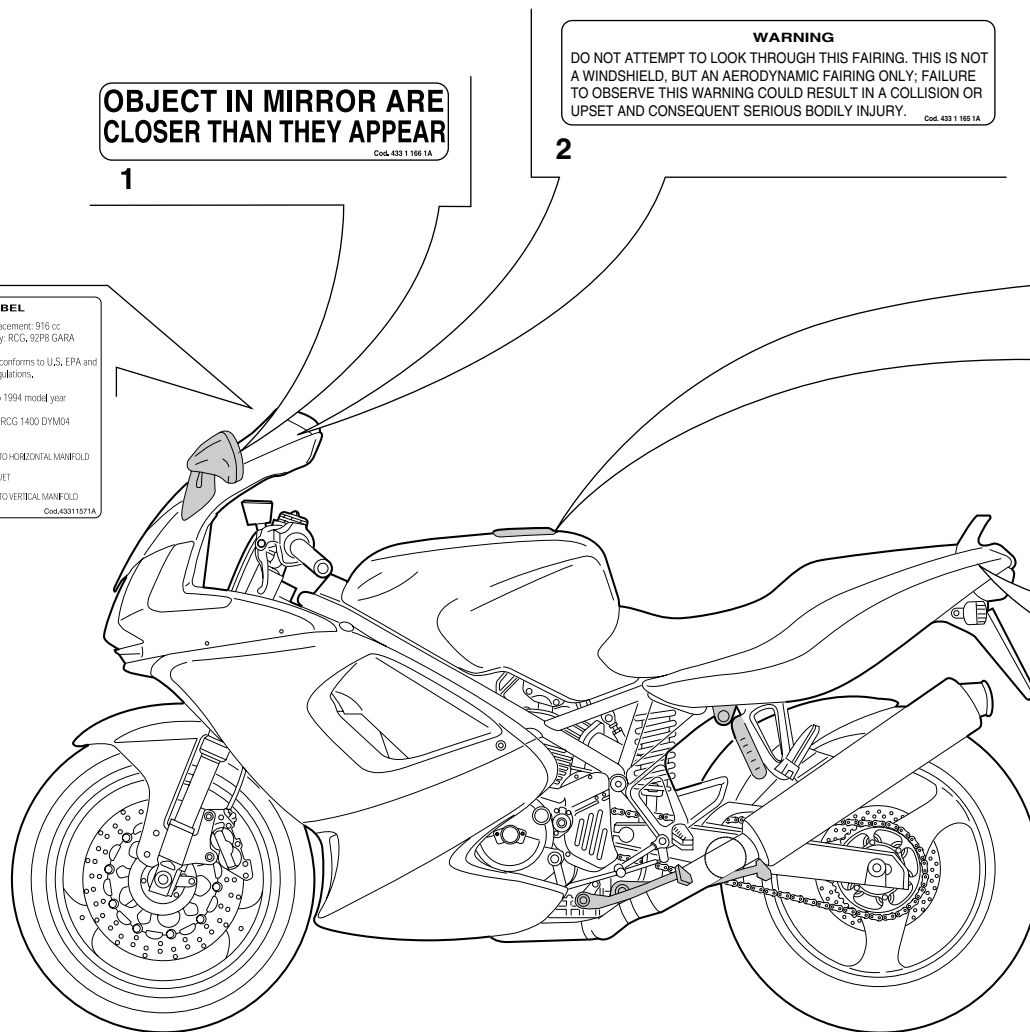
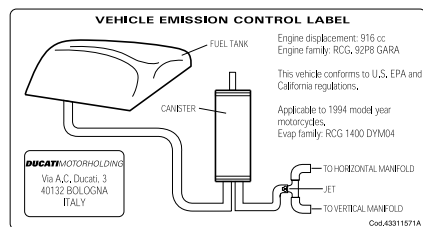
Cod. 439.1.005.1A

4


**HELMET HOLDER UNDER THE SEAT**


3

5



DRAWING **048** MARKING PLATES

NOTES	NO.	CODE NO.	DESCRIPTION	VALIDITY	Q.TY	
	1	433.1.165.1A	Sticker		1	
	2	433.1.166.1A	Label		2	
	3	433.1.170.1A	Sticker		1	
	4	433.1.164.1A	Sticker		1	
	5	433.1.172.1A	Sticker		1	

NOTES	NO.	CODE NO.	DESCRIPTION	VALIDITY	Q.TY	
-------	-----	----------	-------------	----------	------	---

## INDEX

CODE No.	Drwg.	POS. N.	CODE No.	Drwg.	POS. N.	CODE No.	Drwg.	POS. N.	CODE No.	Drwg.	POS. N.	CODE No.	Drwg.	POS. N.
0000.33552	27	11	0000.64471	38	10	0370.69.970	20	31	0670.16.170	3	26	120.2.053.3A	7	10
0000.36230	39	20	0000.70139	1a	4	0370.69.970	21	14	0670.16.171	3	26	121.1.047.1A	7	3
0000.36726	39	7	00B0.55703	41	24	0370.98.610	33	4	0670.16.184	3	15	121.1.048.1A	7	2
0000.40427	30	2	0124.40.060	8	15	0400.09.050	2	21	0670.16.185	3	15	121.2.028.1A	7	4
0000.41039	17	10	0204.70.105	14	25	0400.17.030	4	26	0670.49.310	9	26	122.2.048.1A	7	1
0000.44099	19	6	0250.70.223	15	4	0400.29.125	2	34	0670.49.910	9	21	135.1.015.1A	33	2
0000.44240	35	24	0251.47.050	3	1	0400.29.126	2	34	0675.49.530	5	23	140.2.008.2B	15	1
0000.56443	32	3	0251.47.054	3	1	0400.49.240	11	14	0675.49.540	5	21	146.2.113.1A	6	1
0000.56443	40	23	0272.91.090	2	8	0400.49.240	5	13	0691.91.030	31	11	147.1.014.1A	8	10
0000.59056	37	4	0361.98.850	47	18	0619.50.065	12	17	0691.91.030	32	27	148.1.144.1A	14	13
0000.60283	22	14	0364.99.015	33	17	0659.16.555	4	1	0755.29.025	6	10	148.1.145.1A	14	9
0000.62652	29	8	0364.99.020	19	22	0660.13.060	2	19	0755.29.025	8	12	148.1.155.1A	14	14
0000.62652	36	4	0364.99.020	44	3	0660.13.070	2	13	0755.49.265	10	2	148.1.156.1A	14	7
0000.62705	25	12	0370.39.780	37	37	0660.13.143	2	9	0759.49.280	9	15	149.1.024.1A	3	25
0000.62705	41	3	0370.49.250	10	22	0660.13.165	2	25	0765.92.205	2	21	150.2.005.2A	3	27
0000.62726	37	18	0370.69.850	20	23	0660.16.145	4	21	0797.72.068	19	7	150.2.006.1B	3	2
0000.62726	39	34	0370.69.855	21	9	0660.47.040	6	13	0797.72.068	22	11	150.2.035.2A	3	16
0000.62729	29	9	0370.69.860	20	35	0660.49.053	9	17	0797.72.068	23	8	153.1.008.1A	25	31
0000.62729	36	5	0370.69.865	21	13	0660.50.020	12	8	0797.72.068	32	23	158.2.020.1A	6	5
0000.62730	23	9	0370.69.910	20	4	0665.49.680	5	8	0799.13.110	2	27	160.1.049.1A	38	21
0000.63150	24	10	0370.69.910	21	3	0670.16.145	3	7	0803.77.010	38	16	160.1.057.1A	12	13
0000.63150	30	23	0370.69.920	20	3	0670.16.150	3	3	112.1.026.1AA	6	8	160.1.076.1A	14	4
0000.63150	39	13	0370.69.920	21	2	0670.16.155	3	19	112.1.026.1AB	6	8	160.9.057.1A	42	1
0000.63150	43	3	0370.69.930	20	21	0670.16.163	3	11	117.1.025.2A	37	13	162.1.001.1B	4	7
0000.63150	44	8	0370.69.930	21	7	0670.16.164	3	11	117.1.033.1A	20	8	170.2.020.1B	4	17
0000.63161	43	4	0370.69.940	20	22	0670.16.164	3	15	117.2.002.1A	19	21	171.2.020.2B	8	13
0000.63161	44	7	0370.69.940	21	8	0670.16.165	3	15	117.2.006.1A	4	29	172.1.002.1B	3	10

## INDEX

CODE No.	Drwg.	POS. N.	CODE No.	Drwg.	POS. N.	CODE No.	Drwg.	POS. N.	CODE No.	Drwg.	POS. N.	CODE No.	Drwg.	POS. N.
172.1.003.2A	3	8	209.1.002.7A	13	14	247.1.002.1BC	11a	6	286.4.092.1C	32	1	349.1.065.1A	26	9
172.1.004.2A	3	5	210.1.022.2A	13	5	247.1.020.1AB	14	11	287.4.024.1B	16	11	349.1.095.1A	26	2
172.1.005.2A	3	9	211.1.010.2A	13	7	247.1.020.1AB	7	7	287.4.027.1A	16	16	349.1.096.1A	26	16
172.1.006.1B	3	18	220.3.208.3A	9	16	247.1.079.1AA	15	22	287.4.028.1A	16	10	349.1.097.1A	26	7
172.1.007.1B	3	24	225.2.084.1A	10	1	247.1.080.1AA	15	16	287.4.029.1A	16	15	349.1.098.1A	26	11
172.1.008.1A	3	22	230213	37	40	247.1.083.1AE	11a	1	287.4.040.2A	31	18	349.1.192.1A	26	17
172.1.009.2A	3	21	235.2.002.2AB	15	9	247.1.089.1AB	15	23	300182	32	16	349.1.193.1A	26	5
172.1.010.2A	3	20	235.2.032.1A	14	23	247.1.090.1AB	15	21	301.2.106.2A	13	1	349.1.194.1A	26	14
172.1.011.2A	3	23	235.2.033.1A	14	21	247.1.174.1A	9	2	303.1.009.1A	13	2	349.1.195.1A	26	3
173.1.012.3A	12	20	235.2.034.1A	14	24	247.2.105.1AA	41	25	303.1.009.1AB	13	2	349.2.014.1A	26	10
174.1.025.1A	9	12	235.2.035.1A	14	22	247.2.105.1AB	41	25	303.1.009.1AC	13	2	349.2.029.1B	26	15
174.2.025.5A	9	1	240.1.001.1AB	15	14	247.2.105.1AG	41	25	303.1.009.1AD	13	2	360.2.056.1A	25	24
176.1.001.1A	12	6	240.1.014.1AA	15	19	247.2.202.1A	11a	15	303.1.015.1A	13	3	360.2.057.1A	25	16
176.1.009.1A	12	10	240.1.015.1AA	15	26	250.1.038.1A	9	5	303.1.015.1AB	13	3	365.2.041.2A	35	6
180.1.001.1A	2	11	242.2.038.2BB	11a	24	251.2.002.6B	11	17	303.1.015.1AC	13	3	366.1.039.1A	26	6
180.1.002.1A	2	12	242.2.063.1A	11a	16	254.1.001.1A	11a	25	303.1.015.1AD	13	3	369.1.004.1A	34	8
180.1.008.1A	2	24	243.1.025.1AD	5	1	254.4.001.1A	5	4	304.1.012.2A	13	6	370.1.028.2C	34	10
182.2.018.1A	2	18	243.2.004.1BB	5	6	255.1.004.1A	8	18	304.1.012.2AB	13	6	372.2.008.3A	35	1
184.1.001.1A	37	11	245.1.020.1AB	8	3	255.1.014.1A	14	3	304.1.012.2AC	13	6	373.1.032.1A	34	20
190.2.011.1A	4	8	245.1.021.1AB	8	1	264.4.018.2A	11	1	304.1.026.1A	13	4	373.1.033.1A	34	21
194.2.001.1B	4	12	245.1.022.1AB	8	2	270.4.005.1A	12	1	304.1.026.1AB	13	4	374.1.002.1B	34	17
195.4.003.1A	4	22	245.1.041.1A	8	4	276.1.025.1B	12	16	304.1.026.1AC	13	4	386.4.006.1A	31	17
196.1.001.2B	4	10	245.1.042.1A	8	5	280.4.005.1A	16	17	340.2.281.1A	26	1	386.4.013.2A	20	37
198.1.029.1A	4	13	246.1.009.1G	23	15	282.4.019.1D	16	1	340.2.282.1A	26	4	387.4.002.1A	31	16
208.1.001.7A	13	19	246.1.056.1A	33	3	283.4.003.1A	42	25	341.2.042.1A	25	23	389.4.006.1A	23	1
208.1.002.7A	13	18	246.1.060.2A	25	27	284.4.001.1B	16	14	342.2.015.1B	25	3	389.4.006.1A	31	20
209.1.001.7A	13	15	246.2.083.1A	23a	4	285.4.003.1A	31	8	349.1.064.1A	26	8	389.4.007.1A	23	1

## INDEX

CODE No.	Drwg.	POS. N.	CODE No.	Drwg.	POS. N.	CODE No.	Drwg.	POS. N.	CODE No.	Drwg.	POS. N.	CODE No.	Drwg.	POS. N.
389.4.008.1A	23	1	433.1.166.1A	48	2	455.2.003.1A	2	4	480.1.059.2AE	44	9	481.3.031.1A	43	1
389.4.012.1A	23	1	433.1.170.1A	48	3	456.1.006.2A	20	12	480.1.059.2AG	44	9	481.3.031.1B	43	16
389.4.012.1A	31	20	433.1.172.1A	48	5	456.2.009.1A	20	16	480.1.060.0A	44	2	482.1.027.1BA	40	18
389.4.014.1A	31	2	433.1.230.1D	34	5	457.2.008.1A	37	6	480.1.060.1A	44	29	482.1.027.1BE	40	18
389.4.015.1A	23	1	433.1.296.1B	23	18	460.1.062.1A	20	25	480.1.060.1B	44	32	482.1.027.1BG	40	18
390.4.003.1A	39	16	436.1.021.1A	40	32	460.1.063.1A	21	16	480.1.060.1BG	44	32	482.1.028.1BA	40	21
390.4.008.1A	23	19	436.1.021.1AB	40	32	460.1.076.2A	25	35	480.1.060.1EA	44	2	482.1.028.1BE	40	21
390.4.011.1A	23a	2	437.1.107.1AA	44	27	460.1.080.1A	39	33	480.1.060.1EC	44	2	482.1.028.1BG	40	21
390.4.014.1A	23a	3	437.1.107.1AB	44	27	460.1.088.1A	19	2	480.1.060.1EG	44	2	482.3.021.1A	40	28
390.4.015.1A	43	7	437.1.112.1BA	44	20	460.1.174.1A	24	5	480.1.060.2A	44	28	482.3.022.1A	40	29
395.4.013.1B	32	17	437.1.112.1BB	44	20	460.1.175.1A	24	6	480.1.060.2EA	44	29	484.1.025.1AE	44	26
397.4.002.1A	32	7	437.1.112.1BG	44	20	462.4.037.6A	32	6	480.1.060.2EC	44	29	484.1.026.1AE	44	13
406.1.020.1B	24	1	437.1.114.1BA	44	11	463.2.053.7A	4	15	480.1.060.2EG	44	29	484.1.029.1B	42	10
417.7.007.1A	39	30	437.1.114.1BB	44	11	470.1.081.1AA	19	1	480.1.061.1A	44	24	484.1.045.1AA	44	26
417.9.030.6A	20	9	437.1.114.1BG	44	11	470412	16	9	480.1.115.1AA	44	24	484.1.045.1AB	44	26
417.9.030.8A	25	1	438.1.096.1AA	46	1	480.1.058.0A	44	1	480.1.115.1AB	44	24	484.1.046.1AA	44	13
417.9.050.6A	32	5	438.1.096.1AB	46	1	480.1.058.1A	44	30	480.1.115.1AG	44	24	484.1.046.1AB	44	13
417.9.090.1A	35	14	442.2.008.1A	33	6	480.1.058.1B	44	31	480.1.193.1BA	44	32	484.1.049.1AA	44	12
420.2.001.7A	30	9	444.4.003.4A	9	20	480.1.058.1BG	44	31	480.1.193.1BB	44	32	484.1.049.1AB	44	12
420.2.006.4A	10	26	447.1.033.1A	34	4	480.1.058.1EA	44	1	480.1.194.1BA	44	31	484.1.049.1AG	44	12
425.4.004.1B	42	22	447.1.034.1A	34	13	480.1.058.1EC	44	1	480.1.194.1BB	44	31	484.3.049.1A	44	12
426.1.007.1A	47	10	449.1.038.1A	3	12	480.1.058.1EG	44	1	481.1.031.1AA	43	1	486.1.070.1A	41	23
427.1.003.1A	42	8	451.1.001.2A	8	29	480.1.058.2EA	44	30	481.1.031.1AB	43	1	487.1.034.1A	43	15
427.4.002.1A	42	20	451.1.004.2A	8	23	480.1.058.2EC	44	30	481.1.031.1AG	43	1	492.4.003.2A	38	15
430.4.004.1A	42	12	451.1.010.1A	8	25	480.1.058.2EG	44	30	481.1.031.1BA	43	16	492.4.010.1A	38	5
433.1.164.1A	48	4	451.1.033.1A	8	28	480.1.059.0A	44	9	481.1.031.1BB	43	16	494.1.072.2A	38	23
433.1.165.1A	48	1	451.1.034.1A	8	31	480.1.059.2AA	44	9	481.1.031.1BG	43	16	497.2.001.2A	38	2

## INDEX

CODE No.	Drwg.	POS. N.	CODE No.	Drwg.	POS. N.	CODE No.	Drwg.	POS. N.	CODE No.	Drwg.	POS. N.	CODE No.	Drwg.	POS. N.
501.2.105.1AA	38	1	525.1.004.2A	39	24	552.4.020.1A	11a	8	585.1.020.1A	30	1	598.2.030.1A	19	18
501.2.105.1AE	38	1	525.4.010.1A	39	15	552.4.028.1A	1b	15	585.4.001.1A	37	20	598.4.015.1A	40	33
502.2.105.1AA	38	13	529.1.006.1A	39	25	552.4.037.1A	37	42	585.4.006.1A	28	7	598.4.016.1A	25	8
502.2.105.1AE	38	13	529.1.008.1AB	44	33	553.4.003.1A	30	19	585.4.007.1A	27	5	598.4.018.1A	25	8
510.1.108.1A	39	21	529.4.003.1A	46	6	555.1.005.1A	18	3	586.1.060.1AA	41	1	60N102488	22	7
510.1.262.1A	23	14	530.1.003.1A	43	8	555.1.006.1B	18	4	586.1.060.1AB	41	1	60N102510	31	3
510.1.263.1A	31	1	530.1.004.1A	43	9	555.1.007.1A	18	2	586.1.060.1AG	41	1	60N102511	19	15
510.2.003.1A	42	28	530.4.003.1B	39	6	556.1.017.1C	18	14	590.1.056.1A	42	23	60N102556	34	9
513.1.008.2D	32	18	530.4.004.1B	39	23	556.1.018.1C	18	15	590.1.058.1A	42	24	60N102557	25	7
514.1.032.1A	1c	9	532.4.001.1A	39	8	556.2.020.1B	18	16	590.1.059.1A	42	21	60N107335	11a	21
514.1.033.1A	1c	13	532.4.002.1A	39	18	559.1.005.1A	40	1	590.1.080.1A	16	12	60N107335	39	22
514.1.034.1A	1c	12	539.1.021.1A	2	6	561.1.013.2A	39	29	590.1.085.1A	41	9	60N107335	4	28
514.1.035.1A	1c	10	539.1.023.2A	18	13	561.1.019.1A	39	27	590.1.092.1A	42	14	60N115062	37	9
514.1.036.1A	1c	10	539.4.003.1B	37	15	564.1.023.1AA	44	18	590.1.102.1A	47	17	610.4.011.2C	28	12
514.1.037.1A	1c	6	539.4.021.1A	28	6	564.1.023.1AE	44	18	590.1.103.1A	16	4	610.4.012.2C	28	11
514.1.038.1A	1c	14	539.4.030.1A	5	16	564.1.023.1AG	44	18	590.1.124.1A	16	7	611.4.009.1A	37	36
514.1.040.1A	32	4	539.4.033.1A	27	13	564.3.023.1A	44	18	590.1.172.1A	47	13	612.4.005.1A	27	12
514.1.041.1A	32	2	540.4.011.1C	23	10	565.1.021.2A	34	16	590.1.173.1A	47	12	612.4.008.1A	28	18
516.4.001.1AB	31	6	541.4.007.1A	23	11	565.1.022.2A	40	22	590.1.174.1A	47	2	612.4.008.1A	37	22
518.4.004.1B	25	29	548.4.019.2A	29	1	565.1.027.1A	40	35	590.1.175.1A	47	11	612.4.014.1A	28	16
520.1.002.1C	23a	1	548.4.023.1B	36	1	570.1.035.1A	17	7	590.1.189.1A	1c	1	612.4.016.1A	37	39
523.4.016.1AA	43	12	550.4.008.1A	29	4	571.1.035.1A	17	5	590.1.190.1A	1c	2	612.4.017.1A	28	17
523.4.016.1AB	43	12	552.1.037.1A	1c	4	573.1.057.1A	17	11	592.1.018.1A	41	12	612.4.018.1A	28	22
523.4.016.1AG	43	12	552.1.038.1A	1c	5	574.1.057.1A	17	4	593.1.003.1B	10	30	613.4.021.1A	37	38
523.4.017.1AA	43	14	552.1.039.1A	1c	7	576.1.028.1A	17	12	593.1.018.1A	9	29	613.4.021.1B	28	20
523.4.017.1AB	43	14	552.1.040.1A	1c	11	576.1.029.1A	17	2	595.1.066.1A	40	16	618.4.054.1A	28	13
523.4.017.1AG	43	14	552.4.012.1A	23	17	585.1.019.2D	33	18	598.2.010.1A	39	5	619.4.015.2C	37	30

## INDEX

CODE No.	Drwg.	POS. N.	CODE No.	Drwg.	POS. N.	CODE No.	Drwg.	POS. N.	CODE No.	Drwg.	POS. N.	CODE No.	Drwg.	POS. N.
624.4.031.1A	28	1	676.2.037.2B	34	11	699.2.094.1CG	46	0	710.1.001.1A	9	13	713.1.129.1A	40	13
625.4.006.1A	37	27	676.4.029.1A	34	15	700.1.005.1A	38	18	710.1.002.1A	4	23	713.1.130.1A	45	5
626.4.011.1A	27	3	677.4.003.1A	1a	12	700.1.024.1A	40	20	710.1.025.1A	35	4	713.1.140.1A	10	14
626.4.011.1A	28	3	680.1.001.1B	9	7	700.1.025.1A	40	19	710.1.041.1B	38	22	713.1.166.1A	8	17
626.4.013.1A	37	29	684.1.014.2B	7	13	700.1.036.1A	12	24	710.1.048.1A	35	12	713.1.192.1A	37	43
626.4.015.1C	27	4	684.1.026.1A	33	1	700.1.043.1A	24	7	710.1.057.1A	35	9	713.1.241.1A	15	24
626.4.015.1D	28	5	684.1.044.1A	17	16	701.4.003.1A	12	19	710.1.068.1A	25	41	714.1.028.1A	38	3
626.4.019.1A	28	2	697.2.011.1A	40	25	701.4.005.1A	3	4	710.1.069.1A	10	27	714.1.045.1A	38	9
626.4.034.1A	27	2	698.1.015.1A	46	7	701.4.006.1A	35	3	710.1.070.1A	10	21	715.1.004.1A	35	8
630.4.024.1A	27	1	698.1.016.1A	46	10	701.4.007.1A	12	21	711.1.072.1A	25	40	71502.2146	35	22
631.4.004.1A	28	19	698.1.021.1BA	46	2	702.4.004.1A	25	6	711.1.084.1A	30	21	716.1.022.1A	23	6
631.4.008.1A	37	28	698.1.021.1BE	46	2	702.4.009.1A	11	11	711.1.089.1A	6	6	716.1.022.1A	32	10
632.1.025.1A	27	9	698.1.021.1BG	46	2	702.4.010.2A	11	9	711.1.095.1A	10	34	716.1.022.1A	33	9
650.1.002.1A	25	25	698.1.022.1BA	46	11	702.4.017.1A	4	20	711.1.126.1A	7	12	716.1.022.1A	39	11
651.4.011.1A	25	14	698.1.022.1BE	46	11	702.4.020.1A	10	32	712.1.013.3A	41	5	716.1.038.1A	30	4
652.4.006.1D	25	9	698.1.022.1BG	46	11	702.4.033.1A	10	9	713.1.007.1A	14	15	716.1.038.1A	40	7
654.4.006.1A	25	30	698.1.023.1A	46	4	702.5.001.5A	8	24	713.1.011.1A	3	15	716.1.043.1A	47	5
656.1.050.1A	25	26	698.1.024.1A	46	13	702.5.008.1A	10	20	713.1.012.1B	4	31	716.1.053.1A	32	11
657.1.019.1A	25	18	698.1.025.1A	46	9	702.5.008.1A	11	4	713.1.014.1A	3	11	716.1.107.1B	24	3
658.4.002.1B	25	42	698.1.026.1A	46	8	702.5.016.1A	4	14	713.1.014.1B	3	11	72094.1616	10	10
668.1.001.3A	11a	14	698.1.027.1A	46	12	702.5.019.1A	10	12	713.1.014.1E	3	11	72121.2106	6	4
669.1.001.1E	13	10	698.1.033.1A	1c	15	702.5.022.2A	8	32	713.1.014.1F	3	11	72231.0871	44	10
670.4.012.1A	31	12	699.2.094.1CA	45	0	702.5.044.1A	3	29	713.1.097.1B	38	6	72237.0657	46	3
671.1.009.1A	31	14	699.2.094.1CA	46	0	703.1.013.1A	25	34	713.1.098.1A	38	14	72237.0974	42	17
671.1.010.1A	31	10	699.2.094.1CE	45	0	70610.8120	4	11	713.1.126.1A	43	11	72237.0974	46	5
672.1.005.1A	41	11	699.2.094.1CE	46	0	707006N02	37	21	713.1.127.1A	43	13	72944.1542	14	1
672.1.040.1A	23a	6	699.2.094.1CG	45	0	70914.2121	17	14	713.1.128.1B	11	12	72944.1542	8	21

## INDEX

CODE No.	Drwg.	POS. N.	CODE No.	Drwg.	POS. N.	CODE No.	Drwg.	POS. N.	CODE No.	Drwg.	POS. N.	CODE No.	Drwg.	POS. N.
729906FN1	37	23	73503.3380	15	10	741.4.059.1A	47	21	749.5.001.1A	31	9	764.1.011.2A	37	5
729906FN1	39	12	73503.3380	8	26	741.4.062.1A	23	21	749.5.001.1A	39	10	764.1.019.1A	41	28
729906FN1	41	27	73503.3449	42	5	741.4.062.1A	37	31	750.1.002.1B	4	25	764.1.022.1A	29	6
729906FN1	47	6	73503.3450	8	33	741.4.063.1A	47	19	750.1.012.2A	6	14	764.1.022.1A	36	3
729908FN1	22	9	73503.3683	14	18	741.4.067.1A	15	7	750.1.041.1A	35	15	764.1.029.1A	47	7
729908FN1	35	23	736.4.013.1B	44	23	74172.1008	14	8	750.1.042.1A	41	17	764.1.037.1A	40	26
732.1.017.1A	40	27	737.4.010.3B	8	22	74172.1008	6	16	750.1.121.1A	12	3	764.4.003.1A	23	4
732.2.006.2A	39	3	741.1.004.1A	17	6	74172.1008	8	16	750.5.001.1A	32	8	764.4.005.1A	31	15
73270.8001	17	13	741.1.012.1A	39	31	74223.1045	33	12	75113.2566	4	18	76400.0004	10	3
734005N01	24	2	741.1.013.1A	19	3	74224.0570	4	24	75120.1747	14	26	76401.0002	20	10
734305N01	25	21	741.1.013.1A	47	3	74224.0570	6	7	75162.2566	38	4	76401.0003	20	6
734305N01	40	12	741.4.001.1A	30	7	747.1.006.1A	35	17	75162.3075	38	17	76402.0002	3	17
734305N01	41	4	741.4.002.1A	30	12	747.5.001.1A	20	7	75191.3380	10	33	765.1.001.1A	20	15
734306N01	11	21	741.4.002.1A	33	15	748.1.014.1B	38	24	75794.1542	10	17	766.1.014.1A	10	6
73500.0624	37	3	741.4.002.1A	7	19	748.1.023.1A	34	1	75794.1542	15	11	766.4.012.1A	14	6
73500.0827	20	17	741.4.004.1A	41	10	748.1.024.1A	17	3	758.1.026.1A	22	2	766.4.019.1A	15	3
73500.0827	21	4	741.4.004.1A	42	13	748.1.038.1A	10	8	759.1.015.1A	40	31	76835.1134	2	10
73500.1237	12	7	741.4.013.1B	47	16	748.1.040.1A	2	23	760.1.003.1B	33	11	770.1.003.1A	38	12
73500.1237	9	25	741.4.025.1A	30	8	748.1.042.1A	15	2	760.1.015.1A	40	8	770.5.250.8B	10	15
73500.1440	12	11	741.4.033.1A	36	10	748.1.044.1A	8	30	76266.2668	10	4	770.5.250.8B	11	6
73500.1542	2	15	741.4.038.1A	31	13	748.4.002.1A	19	16	76267.0012	9	24	770.5.619.2B	40	11
73500.1747	8	27	741.4.040.1A	16	5	748.4.024.1A	38	20	763106N01	20	5	771.1.009.1A	35	10
73500.2054	8	34	741.4.041.1A	16	6	748.4.034.1A	34	18	763106N01	41	18	771.1.016.1A	35	11
73500.2668	42	26	741.4.043.1A	37	17	748.4.038.1A	24	4	764.1.001.1A	17	15	771.1.020.1A	38	7
73503.3075	5	11	741.4.055.1A	30	22	749.4.002.1A	25	28	764.1.002.1A	13	8	771.1.026.1A	5	2
73503.3380	10	18	741.4.057.1A	47	1	749.4.045.2G	18	1	764.1.003.1B	4	6	771.1.027.1A	5	20
73503.3380	11	5	741.4.058.1A	47	20	749.4.045.2G	18	7	764.1.010.1A	19	20	771.4.007.1A	45	8

## INDEX

CODE No.	Drwg.	POS. N.	CODE No.	Drwg.	POS. N.	CODE No.	Drwg.	POS. N.	CODE No.	Drwg.	POS. N.	CODE No.	Drwg.	POS. N.
771.5.002.1A	45	4	771.5.071.8B	12	23	771.5.754.2B	18	8	773.5.069.8B	9	3	779.1.088.1A	43	2
771.5.025.2B	31	7	771.5.071.8B	30	15	771.5.754.2B	37	14	775.1.008.2A	40	17	779.1.089.1A	44	17
771.5.040.2B	41	14	771.5.071.8B	5	19	771.5.937.2B	35	7	775.1.011.1A	43	5	779.1.099.1A	25	2
771.5.040.8B	11	16	771.5.071.8B	8	9	771.5.938.2B	35	5	775.1.011.1A	44	6	779.1.109.1A	6	2
771.5.040.8B	14	5	771.5.072.2B	11	23	772.1.001.1A	18	17	775.1.038.1A	32	13	779.1.110.1A	34	22
771.5.043.2B	22	3	771.5.072.8B	10	19	772.5.004.1A	20	24	775.1.038.1A	44	19	779.1.119.2A	34	3
771.5.043.2B	39	28	771.5.073.8B	11	2	772.5.004.1A	21	17	775.1.062.2A	32	19	779.1.159.1A	20	26
771.5.043.8B	4	4	771.5.073.8B	30	16	772.5.004.1A	25	32	775.4.002.1A	45	11	779.1.162.2A	9	27
771.5.045.7E	41	15	771.5.074.2B	25	19	772.5.008.1A	45	3	775.5.002.1A	45	6	779.1.170.1A	42	2
771.5.049.2B	44	28	771.5.078.8B	12	12	772.5.021.1A	32	25	776.5.032.8A	15	5	779.1.198.1A	11a	3
771.5.062.8B	7	15	771.5.078.8B	5	3	772.5.023.1A	23	5	777.5.002.1A	20	20	779.1.198.2A	9	23
771.5.064.8B	36	11	771.5.079.8B	5	26	772.5.023.1A	25	17	777.5.002.1A	21	6	779.1.203.2A	2	7
771.5.065.8B	14	17	771.5.080.8B	10	31	772.5.023.1A	30	3	777.5.049.8B	11a	7	779.1.213.1A	19	11
771.5.065.8B	15	13	771.5.123.8B	2	30	772.5.023.1A	32	15	777.5.049.8B	14	10	779.1.221.1A	25	20
771.5.065.8B	7	17	771.5.129.8B	9	8	772.5.023.1A	33	8	777.5.049.8B	7	6	779.1.366.1AB	27	7
771.5.065.8B	8	8	771.5.136.8B	10	24	772.5.023.1A	39	1	779.1.007.2A	6	9	779.1.366.1AB	28	9
771.5.066.8B	11a	2	771.5.141.2B	22	8	772.5.023.1A	43	10	779.1.026.1A	10	29	779.1.366.1AB	37	25
771.5.066.8B	12	5	771.5.431.2B	28	10	772.5.024.1A	19	10	779.1.029.2A	10	36	779.4.005.2A	18	12
771.5.067.8B	11a	13	771.5.665.8B	37	41	772.5.024.1A	22	12	779.1.039.1A	2	3	779.4.075.1A	11	3
771.5.067.8B	2	28	771.5.667.2B	40	6	772.5.024.1A	37	12	779.1.050.1A	24	9	779.5.001.1A	20	38
771.5.069.8B	11a	11	771.5.669.2B	25	38	772.5.024.1A	39	26	779.1.058.1A	36	14	779.5.001.1A	44	5
771.5.069.8B	12	22	771.5.669.2B	28	4	772.5.025.1A	19	14	779.1.059.2A	29	5	779.5.001.1A	47	9
771.5.069.8B	15	20	771.5.721.2B	31	5	772.5.025.1A	28	15	779.1.082.2A	27	10	779.5.010.1A	35	21
771.5.069.8B	5	5	771.5.723.2B	37	35	772.5.025.1A	29	3	779.1.083.1A	36	8	779.5.011.1A	20	11
771.5.069.8B	8	7	771.5.725.2B	20	2	772.5.025.1A	32	20	779.1.086.1B	36	13	779.5.016.1A	17	17
771.5.069.8B	9	10	771.5.725.2B	21	5	772.5.025.1A	41	6	779.1.088.1A	23	2	779.5.037.1A	34	23
771.5.071.8B	11a	12	771.5.725.2B	25	22	772.5.034.1A	43	6	779.1.088.1A	40	3	780.1.007.1A	17	8

## INDEX

CODE No.	Drwg.	POS. N.	CODE No.	Drwg.	POS. N.	CODE No.	Drwg.	POS. N.	CODE No.	Drwg.	POS. N.	CODE No.	Drwg.	POS. N.
780.1.008.1A	42	7	799.1.024.1A	21	12	8000.56359	32	9	814.1.065.1A	42	4	824.1.041.1C	20	30
780.1.016.1A	6	3	799.1.025.1A	2	20	8000.56359	33	14	814.1.066.1A	42	29	824.1.042.1C	21	15
780.1.018.1A	9	31	799.1.049.1A	2	1	8000.56359	39	32	814.1.091.1B	47	15	825.1.030.1A	37	34
780.5.001.1A	11a	18	799.1.051.2A	6	15	8000.56391	41	13	814.1.114.1A	1c	8	826.1.003.1A	10	11
780.5.001.1A	5	25	799.1.052.1A	16	8	8000.56443	39	35	815.1.022.1A	10	25	826.1.009.1A	2	33
780.5.004.1A	30	24	799.1.055.1A	9	30	8000.59056	20	14	818.2.009.1A	4	3	826.1.011.1A	3	13
786.1.041.2D	7	9	799.1.069.1A	18	5	8000.59572	23	13	819.1.017.1A	38	8	827.1.012.1A	44	15
786.1.048.4A	7	11	799.1.070.1A	18	6	8000.66774	25	36	819.1.039.1A	34	2	827.1.045.1A	20	34
787.1.005.1A	36	12	799.1.071.1A	20	29	8000.67981	37	8	821.1.001.1A	2	26	827.1.045.1A	21	10
788.1.002.2A	15	6	799.1.072.1A	17	9	8000.69069	36	2	821.1.002.1A	13	20	827.1.061.1A	40	4
788.1.007.3A	15	15	799.1.083.1B	37	32	8000.70127	26	12	821.1.003.1A	13	17	827.1.121.1A	19	13
788.1.050.1A	15	17	799.1.087.1A	25	33	8000.70178	25	13	821.1.004.1A	13	12	827.1.122.2A	25	11
788.1.052.1A	5	7	799.1.088.1A	18	10	8000.77921	41	20	821.1.009.1B	38	19	827.1.139.2B	18	11
788.1.053.1A	15	18	799.1.089.1A	18	9	8000.78345	25	15	821.1.028.2B	41	8	827.1.157.1A	47	8
788.1.054.1A	12	4	799.1.215.1A	23a	5	802.1.015.1A	16	18	821.1.052.1A	37	7	827.1.166.1A	23	16
788.1.056.1A	11	13	799.2.077.2A	9	14	806.1.011.1AA	39	2	821.1.054.1A	23	3	827.1.192.1A	20	19
788.1.066.1AA	11a	9	800.1.007.1A	7	20	806.1.011.1AE	39	2	821.1.070.1A	2	17	827.1.221.1A	35	20
788.1.066.1AB	11a	9	800.1.008.1A	7	18	806.1.011.1AG	39	2	821.1.073.1A	25	10	827.1.286.1A	32	21
788.1.066.1AC	11a	9	800.1.033.1A	30	17	806.1.012.1A	20	27	821.1.075.1A	22	10	827.1.330.1A	32	12
790.1.001.2A	17	1	800.1.048.1A	30	13	806.1.013.1A	20	36	821.1.075.1A	33	13	827.2.134.1A	41	7
791.1.012.1A	41	26	800.1.049.1A	30	6	808.1.007.1C	35	19	821.1.081.1A	39	17	827.2.215.1A	32	24
791.1.017.2A	16	19	800.1.053.1A	30	18	808.1.019.1A	40	9	821.1.096.1A	37	10	829.1.073.3A	37	24
791.1.034.1A	41	16	800.1.054.1A	30	20	808.1.046.1A	34	24	821.1.113.1A	34	14	829.1.077.2B	42	11
791.2.030.1A	7	5	8000.18048	23	7	80B0.55703	44	14	821.1.129.1A	32	26	829.1.104.1A	42	18
799.1.014.1A	13	16	8000.18048	33	10	814.1.002.1AB	7	14	821.1.170.1A	20	18	829.1.127.1A	31	19
799.1.015.1A	13	13	8000.18048	39	14	814.1.053.1AB	30	14	824.1.039.1A	20	1	829.1.136.1A	39	36
799.1.024.1A	20	32	8000.56359	19	9	814.1.063.1AB	30	11	824.1.040.1B	21	1	829.1.167.2AB	22	4

## INDEX

CODE No.	Drwg.	POS. N.	CODE No.	Drwg.	POS. N.	CODE No.	Drwg.	POS. N.	CODE No.	Drwg.	POS. N.	CODE No.	Drwg.	POS. N.
829.1.168.1AB	22	1	840.1.004.1A	13	11	840.1.031.1A	13	11	841.1.001.1C	44	4	852.1.104.1B	6	11
829.1.169.1AB	19	5	840.1.005.1A	13	11	840.1.032.1A	13	11	841.1.002.2A	4	2	852.1.104.1C	6	11
829.1.170.1AB	19	4	840.1.006.1A	13	11	840.1.033.1A	13	11	847.4.002.1A	20	33	852.1.104.1D	6	11
829.1.172.2B	32	22	840.1.007.1A	13	11	840.1.034.1A	13	11	847.4.002.1A	21	11	852.1.104.1E	6	11
829.1.184.1A	37	1	840.1.008.1A	13	11	840.1.051.1B	13	9	848.4.026.1A	35	18	852.1.104.1F	6	11
829.1.190.1A	23	12	840.1.009.1A	13	11	840.1.052.1B	13	9	848.4.027.1A	35	13	852.1.104.1G	6	11
829.1.204.1A	22	13	840.1.010.1A	13	11	840.1.053.1B	13	9	850.1.003.1A	44	21	852.1.104.1H	6	11
829.1.205.1A	45	2	840.1.011.1A	13	11	840.1.054.1B	13	9	850.4.016.1A	40	14	852.1.104.1I	6	11
829.1.206.1A	45	1	840.1.012.1A	13	11	840.1.055.1B	13	9	850.4.031.1A	42	9	852.1.104.1J	6	11
829.1.207.1A	47	4	840.1.013.1A	13	11	840.1.056.1B	13	9	850.4.047.1A	24	8	852.1.104.1K	6	11
829.1.208.2A	28	14	840.1.014.1A	13	11	840.1.057.1B	13	9	851.1.001.1B	4	9	852.1.104.1L	6	11
829.1.217.1A	31	4	840.1.015.1A	13	11	840.1.058.1B	13	9	851.1.013.1A	8	14	852.1.104.1M	6	11
829.1.245.1A	15	25	840.1.016.1A	13	11	840.1.059.1B	13	9	851.1.019.1A	6	12	852.1.104.1N	6	11
829.1.332.1A	45	10	840.1.017.1A	13	11	840.1.060.1B	13	9	851.4.001.1A	4	5	852.1.105.1AB	3	26
829.1.544.1A	22	15	840.1.018.1A	13	11	840.1.061.1B	13	9	852.1.001.1A	34	12	852.1.105.1AD	3	26
829.1.556.1A	22	5	840.1.019.1A	13	11	840.1.062.1B	13	9	852.1.002.1A	34	12	852.1.105.1AG	3	26
829.4.001.1A	40	5	840.1.020.1A	13	11	840.1.063.1B	13	9	852.1.003.1A	34	12	852.1.108.1AH	3	1
830.1.040.1B	19	8	840.1.021.1A	13	11	840.1.064.1B	13	9	852.1.005.1A	2	14	852.1.108.1AL	3	1
830.1.077.1A	29	7	840.1.022.1A	13	11	840.1.065.1B	13	9	852.1.008.1A	5	10	852.1.108.1AN	3	1
830.1.121.1A	16	13	840.1.023.1A	13	11	840.1.066.1B	13	9	852.1.053.1A	20	13	852.1.114.1A	11	10
830.1.131.1A	41	22	840.1.024.1A	13	11	840.1.067.1B	13	9	852.1.053.2A	2	2	852.1.120.1A	11a	22
830.1.144.1A	11	15	840.1.025.1A	13	11	840.1.068.1B	13	9	852.1.054.1A	37	2	852.1.120.1A	9	4
830.1.172.1A	16	3	840.1.026.1A	13	11	840.1.069.1B	13	9	852.1.075.1A	44	22	852.1.124.2A	14	2
832.1.032.1A	25	37	840.1.027.1A	13	11	840.1.070.1B	13	9	852.1.094.1A	2	19	852.1.161.1A	39	19
840.1.001.1A	13	11	840.1.028.1A	13	11	840.1.071.1B	13	9	852.1.098.1A	42	3	852.1.172.1A	11	7
840.1.002.1A	13	11	840.1.029.1A	13	11	840.2.001.1A	13	9	852.1.103.1A	25	4	852.1.172.1A	2	29
840.1.003.1A	13	11	840.1.030.1A	13	11	840.2.002.1B	13	11	852.1.104.1A	6	11	852.1.173.1A	14	27

## INDEX

CODE No.	Drwg.	POS. N.	CODE No.	Drwg.	POS. N.	CODE No.	Drwg.	POS. N.	CODE No.	Drwg.	POS. N.	CODE No.	Drwg.	POS. N.
852.1.173.1A	8	20	853.1.004.1A	9	11	875.1.038.2A	35	16	886.4.043.1A	4	27	88713.1429	1	26
852.1.174.1A	2	31	856.1.001.1A	3	6	875.1.054.1A	36	7	886.4.090.1A	5	14	88713.1515	1a	7
852.1.176.1A	5	22	856.1.002.2A	8	19	875.1.055.1A	36	6	886.5.001.1A	42	15	88713.1749	1	20
852.1.195.1A	5	17	856.1.031.1A	3	30	875.1.065.1A	1c	3	886.5.004.1A	16	20	88713.1994	1	11
852.1.195.1A	9	28	856.1.040.1A	40	30	876.1.083.1A	33	16	886.5.011.1A	42	27	88713.2011	1	29
852.5.001.1A	39	9	856.1.040.1A	44	16	876.1.084.1A	33	5	88700.5644	1	1	88713.2036	1	16
852.5.002.1A	44	25	856.1.064.2A	10	7	877.1.050.1A	37	16	88700.5665	1	22	88713.2092	1	21
852.5.005.1A	9	18	856.1.071.1A	12	9	877.2.004.2A	33	7	88700.5749	1	24	88713.2096	1	3
852.5.023.1A	11a	17	860.1.004.1A	10	23	881.1.010.1C	12	18	88713.0123	1	6	88713.2103	1	4
852.5.023.1A	7	16	860.1.004.1A	11a	20	881.1.012.1A	2	32	88713.0137	1	12	88713.2107	1	30
852.5.024.1A	11a	19	861.5.003.1A	20	28	881.1.030.1A	11	22	88713.0874	1	28	88713.2133	1	25
852.5.024.1A	17	18	863.1.002.1A	12	14	881.2.001.1A	4	19	88713.0875	1	9	88765.0999	1	19
852.5.024.1A	2	5	866.1.029.1A	41	19	882.1.003.1A	8	11	88713.0879	1	8	88765.1000	1	5
852.5.024.1A	27	8	866.1.030.1A	40	15	882.1.006.1A	2	16	88713.0957	1a	6	88765.1001	1	14
852.5.024.1A	28	8	866.1.031.1A	32	14	882.1.012.1A	12	15	88713.0960	1a	5	88765.1005	1	5
852.5.024.1A	36	15	866.1.034.1A	19	19	884.4.007.1A	34	7	88713.1010	1	18	88765.1006	1	5
852.5.024.1A	37	26	872.1.019.1A	34	6	884.5.008.1A	38	11	88713.1058	1a	9	88765.1073	1b	21
852.5.024.1A	41	21	872.1.022.1A	40	2	884.5.010.1A	16	2	88713.1062	1a	11	88765.1074	1b	21
852.5.024.1A	42	6	872.1.026.1A	19	12	884.5.011.1A	11	8	88713.1071	1a	8	88765.1075	1b	21
852.5.024.1A	5	17	872.1.027.1A	19	17	884.5.034.1A	2	22	88713.1072	1a	10	88765.1076	1b	21
852.5.024.1A	5	27	872.1.031.1A	34	19	886.4.001.1A	14	16	88713.1078	1	13	88765.1077	1b	21
852.5.025.1A	47	14	872.1.048.1A	25	39	886.4.001.1A	15	8	88713.1079	1	17	88765.1126	1b	6
852.5.026.1A	10	28	872.4.023.1A	45	9	886.4.003.1A	11a	10	88713.1091	1	23	88765.1126A	1b	4
853.1.002.1A	8	6	873.1.001.1A	14	20	886.4.021.1A	42	16	88713.1097	1a	1	88765.1126B	1b	12
853.1.002.1A	9	9	873.1.004.1A	14	19	886.4.022.1A	42	19	88713.1140	1a	2	88765.1126C	1b	11
853.1.003.1A	11a	23	873.1.037.1A	9	6	886.4.035.1A	11a	5	88713.1309	1	10	88765.1126D	1b	14
853.1.003.1A	12	2	875.1.027.1A	36	9	886.4.037.1A	9	32	88713.1344	1a	3	88765.1126E	1b	9

## INDEX

CODE No.	Drwg.	POS. N.	CODE No.	Drwg.	POS. N.	CODE No.	Drwg.	POS. N.	CODE No.	Drwg.	POS. N.	CODE No.	Drwg.	POS. N.
88765.1126F	1b	13	88765.1371	1b	25	914.7.023.1B	1b	2	94247.0014	5	24			
88765.1126G	1b	17	88765.1372	1b	26	914.7.023.1C	1b	2	98112.0002	1	7			
88765.1126H	1b	16	88765.1373	1b	27	914.7.023.1D	1b	2						
88765.1126L	1b	19	88765.1374	1b	28	914.7.023.1E	1b	2						
88765.1126M	1b	18	88765.1375AF	1	15	919.1.008.1A	40	34						
88765.1126N	1b	7	88765.1375AF	1	15	930.1.004.1A	25	5						
88765.1126P	1b	10	88765.1375CF	1	15	930.4.033.1A	15	12						
88765.1126Q	1b	5	88765.1375DF	1	15	930.4.034.1A	5	18						
88765.1126R	1b	3	88765.1375EF	1	15	930.4.035.1A	4	16						
88765.1126S	1b	22	893.1.003.1A	29	2	930.4.049.1A	3	28						
88765.1126T	1b	23	893.1.005.1A	5	15	930.5.005.1A	11	19						
88765.1126T	1c	16	893.4.005.1A	37	19	930.5.006.2B	11	20						
88765.1126U	1b	20	893.4.007.1A	28	21	93781.1824	35	2						
88765.1126V	1b	8	893.4.008.1A	27	6	93783.1524	11a	4						
88765.1126Z	1b	1	894.2.009.1A	9	19	93783.2552	10	13						
88765.1241	1c	0	895.4.001.2A	41	2	93784.2030	5	9						
88765.1242	1c	0	8A00.67610	30	5	93785.1830	10	16						
88765.1243	1c	0	8A00.67997	22	6	93823.0128	4	32						
88765.1244	1c	0	8A00.67997	23	20	93823.2018	4	30						
88765.1245	1c	0	8A00.67997	3	14	93823.2087	14	12						
88765.1297	1	27	8A00.67997	37	33	93823.2087	30	10						
88765.1298	1	2	8A00.67997	39	4	93823.2087	7	8						
88765.1369A	1b	24	8A00.69056	26	13	93823.3156	10	35						
88765.1369B	1b	24	8BB0.61070	45	7	93827.0114	5	12						
88765.1369C	1b	24	8H00.67545	40	10	93827.0114	9	22						
88765.1369D	1b	24	913.7.094.1A	40	24	94247.0014	10	5						
88765.1369E	1b	24	914.7.023.1A	1b	2	94247.0014	11	18						