





***Spare parts catalogue SPORT TOURING 3 U.S.A.***

***DUCATIST***





<b>DUCATI</b> MOTORHOLDING 	<b>DUCATIST3</b>	<b>M.Y. '04</b>	<b>U.S.A.</b>
<i>Spare Sparts Department</i>	<i>P.N. 91512022A</i>	<i>Maggio - May '04</i>	<i>Edizione - Edition 01</i>
<b>DUCATI</b> MOTORHOLDING 	<b>DUCATIST3</b>	<b>M.Y. '04</b>	<b>U.S.A.</b>
<i>Spare Sparts Department</i>	<i>P.N. 91512022A</i>	<i>Maggio - May '04</i>	<i>Edizione - Edition 01</i>
<b>DUCATI</b> MOTORHOLDING 	<b>DUCATIST3</b>	<b>M.Y. '04</b>	<b>U.S.A.</b>
<i>Spare Sparts Department</i>	<i>P.N. 91512022A</i>	<i>Maggio - May '04</i>	<i>Edizione - Edition 01</i>
<b>DUCATI</b> MOTORHOLDING 	<b>DUCATIST3</b>	<b>M.Y. '04</b>	<b>U.S.A.</b>
<i>Spare Sparts Department</i>	<i>P.N. 91512022A</i>	<i>Maggio - May '04</i>	<i>Edizione - Edition 01</i>



## GENERAL INFORMATION

The present spare parts order exactly the right spare parts

When ordering specify:

1) the part's code number followed by its description; quantity needed;

2) the motorcycle's serial number, stamped on the steering head.

Reference to right and left apply to the vehicle in terms of its direction of movement.

Spare parts drawings are general and do not represent the part.

The contents of this catalogue are general and can undergo changes without prior notice.

## VALIDITY

f.m. Until V.I.N.  
d.m. From V.I.N.  
f.m.m. Up to engine number  
d.m.m. From engine number

## LIST

CAL California  
CND Canada

*Ducati Motor Holding S.p.A.  
Commercial and Administration Office:  
Via A. Cavalieri Ducati n. 3  
40132 Bologna, Italy  
Telefono 051 6413111  
Fax 051 406580  
Internet [www.ducati.com](http://www.ducati.com)*

CATALOGUE No: 915.1.202.2A  
ISSUED: 05 - 04

CATALOGUE No: 915.1.202.2A  
ISSUED: 05 - 04

## PAINTS

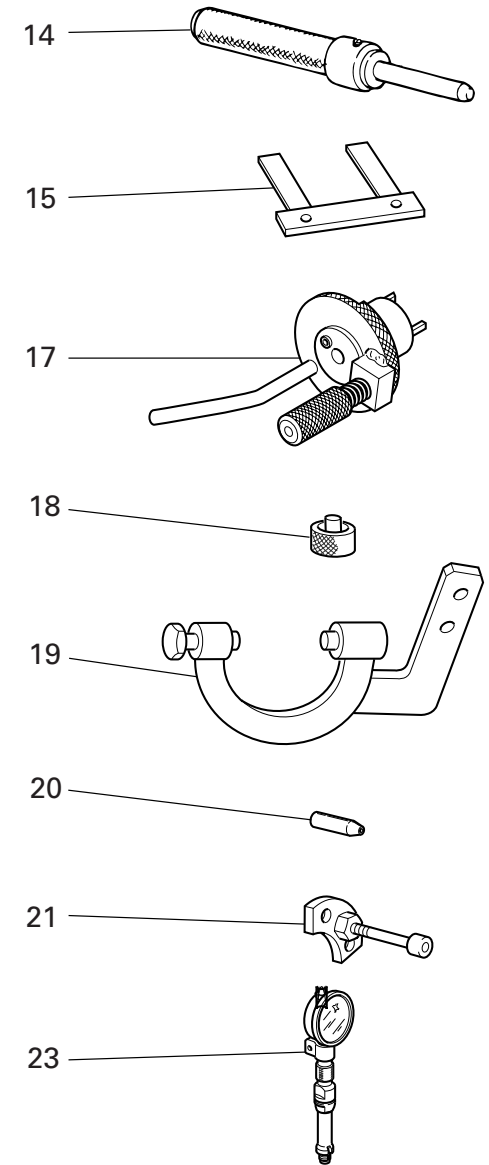
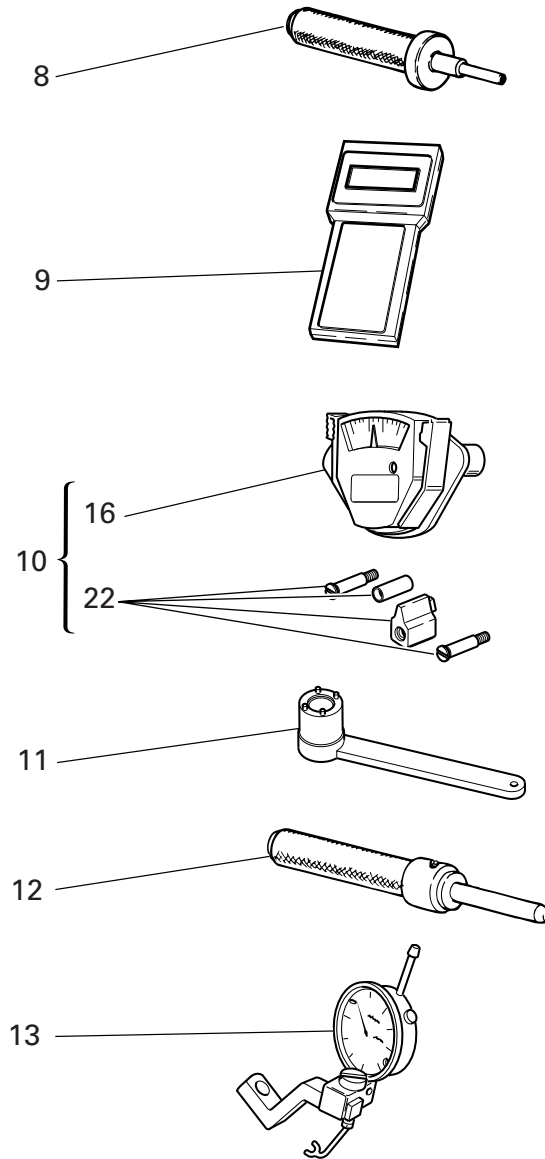
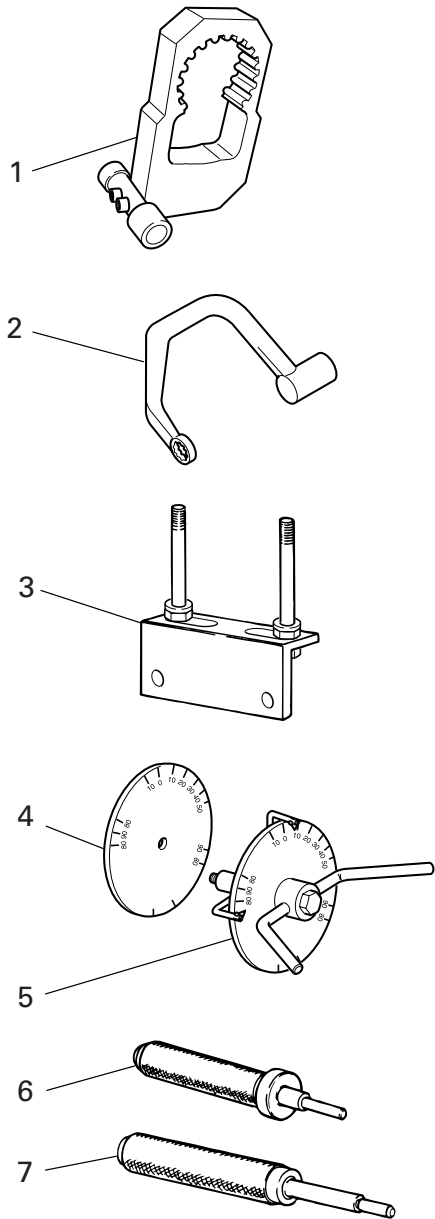


Paint	Code
"Rosso Anniversary DUCATI"	(PPG) F_473.101
"Giallo DUCATI"	(PPG) 473.201
"Grigio Chiaro Metallizzato"	(PPG) *0026
"Trasparente"	(PPG) 228.880

page	CONTENTS
4	001 WORKSHOP SPECIAL TOOLS
6	001a WORKSHOP SPECIAL TOOLS
8	001b WORKSHOP SPECIAL TOOLS
10	001c WORKSHOP SPECIAL TOOLS
12	001d DIAGNOSIS TESTER MATHESIS
14	002 GEARCHANGE
16	003 GEAR-BOX
18	004 CLUTCH
20	005 CLUTCH COVER
22	006 CRANKSHAFT
24	007 CYLINDERS - PISTONS
26	008 TIMING
28	009 FILTERS AND OIL PUMP
30	010 HALF CRANKCASES
32	011 WATER PUMP - ALTERNATOR COVER
34	011a WATER PUMP - ALTERNATOR COVER
36	012 ELECTRIC STARTER AND IGNITION
38	013 HEAD : TIMING
40	013a COLLECTORS AND HEAD COVERS
42	014 VERTICAL HEAD
44	015 HORIZONTAL HEAD
46	016 THROTTLE BODY
48	017 EXHAUST SYSTEM
50	018 STANDS
52	019 FRAME
54	020 L.H. FOOT RESTS
56	021 R.H. FOOT RESTS
58	022 HEADLIGHT HOLDER
60	023 HEAD-LIGHT AND ELECTRIC WIRING
62	023a FRONT HEAD-LIGHT
64	024 INSTRUMENT PANEL
66	025 HALF HANDLEBARS AND CONTROLS
68	026 FRONT FORK
70	027 CLUTCH CONTROL
72	028 FRONT HYDRAULIC BRAKE
74	029 WATER RADIATOR ASSY
76	030 COOLING CIRCUIT
78	031 ELECTRIC SYSTEM
80	032 BATTERY BOX MOUNT
82	033 AIR INDUCTIO AND OIL VENT
84	034 SWINGARM AND CHAIN
86	035 REAR SUSPENSION
88	036 OIL COOLER
90	037 REAR HYDRAULIC BRAKE
92	038 FRONT AND REAR WHEELS
94	039 NUMBER PLATE HOLDER
96	040 SEAT
98	041 FUEL TANK
100	042 FUEL SYSTEM
102	043 HEADLIGHT FAIRING
104	044 FAIRING
108	045 PANNIERS FASTENS
110	046 SIDE PANNIERS
112	047 FUEL INFEED
114	048 MARKING PLATES

DRAWING 001

WORKSHOP SPECIAL TOOLS




DRAWING 001

WORKSHOP SPECIAL TOOLS

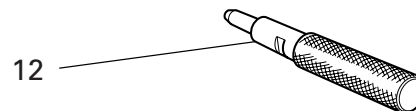
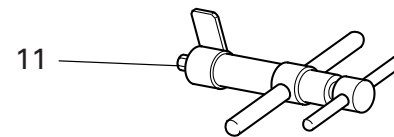
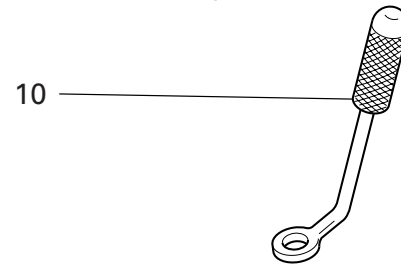
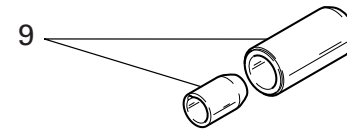
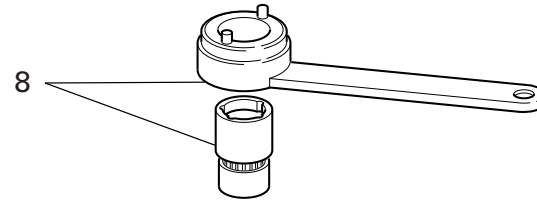
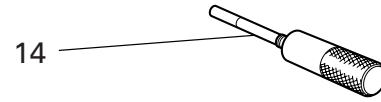
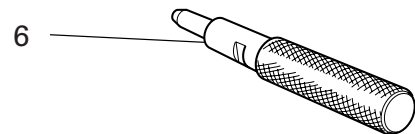
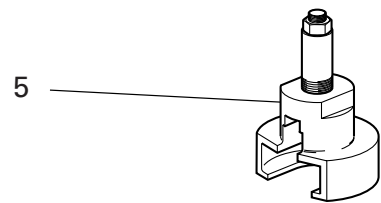
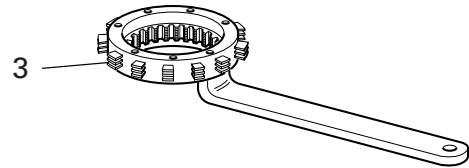
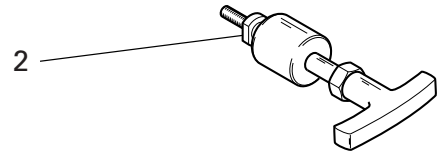
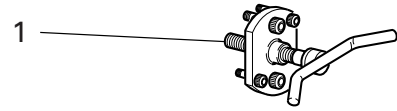
NOTES NO.	CODE NO.	DESCRIPTION	VALIDITY	Q.TY 
1	88713.2295	Timing belt roller reaction tool		1
2	88713.2096	Head nuts holder wrench		1
3	88713.2103	Head mounting base		1
4	98112.0002	Degree wheel		1
5	88713.0123	Degree wheel holder tool for ignition advance check		1
6	88713.0874	Exhaust valve guide punch tool		1
7	88713.0879	Punch tool to extract valve guide		1
8	88713.0875	Intake valve guide punch tool		1
9	88765.1375AF	Check instrument		1
GB	9 88765.1375BF	Check instrument		1
D	9 88765.1375CF	Check instrument		1
F	9 88765.1375DF	Check instrument		1
E	9 88765.1375EF	Check instrument		1
10	051.2.001.1A	Torque wrench for timing belt		1
11	88713.0137	Crankshaft gear holder wrench for tightening nut		1
12	88713.1078	Punch tool for driving exhaust valve seat		1
13	88765.1397	Valve lift gauge		1
14	88713.1079	Punch tool for driving intake valve seat		1
15	88765.1000	Fork feeler gauge 0.1 mm		1
15	88765.1005	Fork feeler gauge 0,2 mm		1
15	88765.1006	Fork feeler gauge 0.3 mm		1
16	88765.0999	Timing belt control gauge		1
17	88713.2011	Tool to hold crankshaft in TDC position		1
18	88765.1298	Spacer for checking lower valve shim		1
19	88713.2036	Flywheel Wrench		1
20	88700.5749	Crankcases assembling cap		1

CATALOGUE No: 915.1.202.2A  
ISSUED: 05 - 04


NOTES NO.	CODE NO.	DESCRIPTION	VALIDITY	Q.TY 
21	88713.1091	Plate for positioning gear engagement fork		1
22	88765.1086	Conversion kit for 2V belts tensioning tool		1
23	88765.1297	T.D.C. control gauge		1

CATALOGUE No: 915.1.202.2A  
ISSUED: 05 - 04

DRAWING 001a WORKSHOP SPECIAL TOOLS



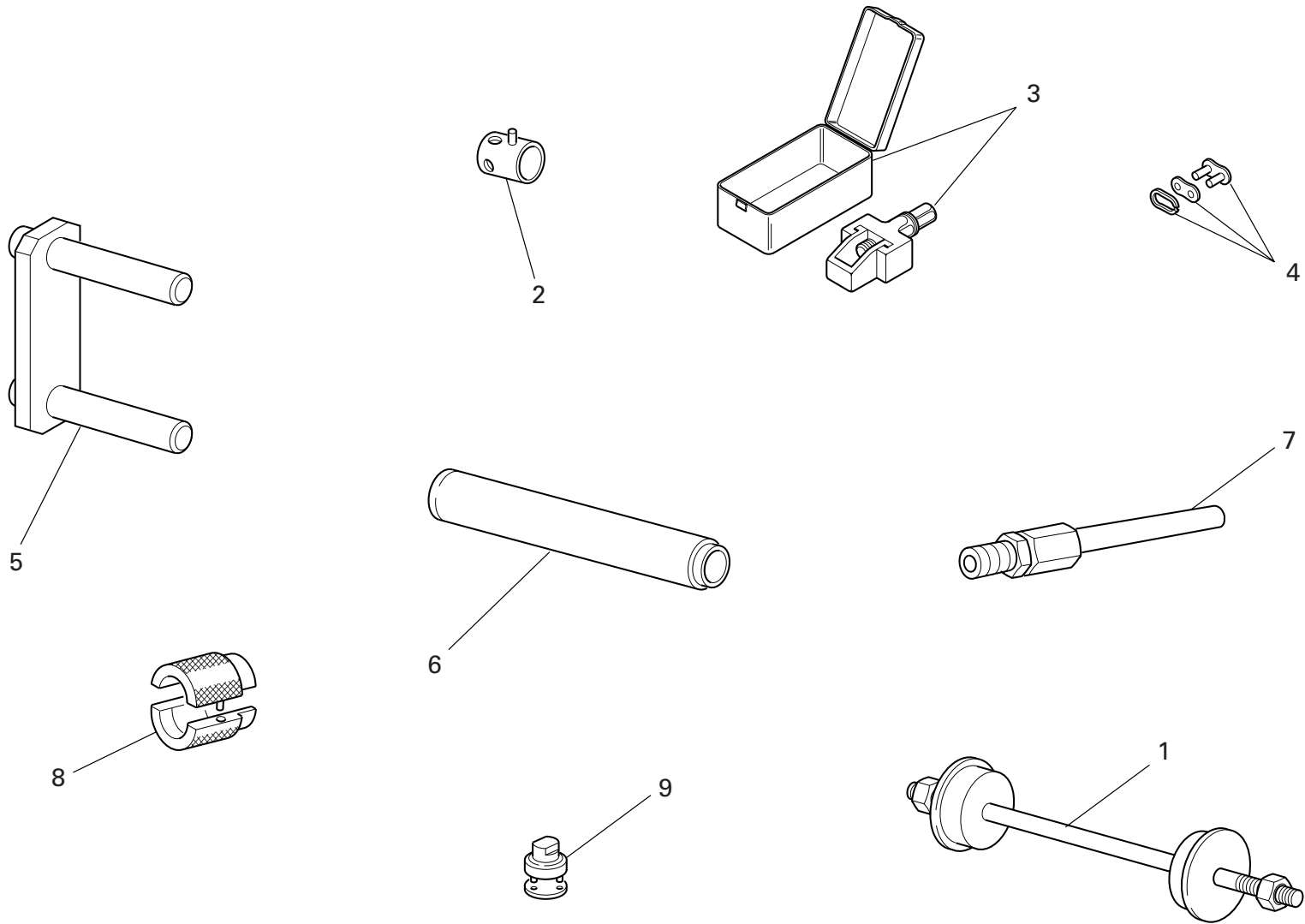
DRAWING 001a WORKSHOP SPECIAL TOOLS

NOTES NO.	CODE NO.	DESCRIPTION	VALIDITY	Q.TY 
1	88713.1749	Drive roller puller		1
2	88713.1994	Rocker shaft extractor		1
3	88713.2133	Wrench to hold clutch housing drum steady		1
4	88700.5665	Sleeve for installing clutch bell gear		1
5	88713.2092	Extractor for primary drive gear		1
6	88713.2442	Seal ring driving tool		1
7	88713.2282	Belt roller timing of two-valva head		1
8	88700.5644	Wrench for camshaft pulley ring nut adjustment		1
9	88713.2544	Tool to fit seals on camshafts		1
10	88713.1904	Half-rings mounting punch tool		1
11	88713.1215	Torque wrench for timing belt		1
12	88713.1429	Tool to drive valve seal ring $\varnothing 7$		1
13	88713.2545	Tool to install rocker arm shaft clip		1
14	88713.2257	Cam axis locking tool		1

NOTES NO.	CODE NO.	DESCRIPTION	VALIDITY	Q.TY 
-----------	----------	-------------	----------	--

DRAWING 001b

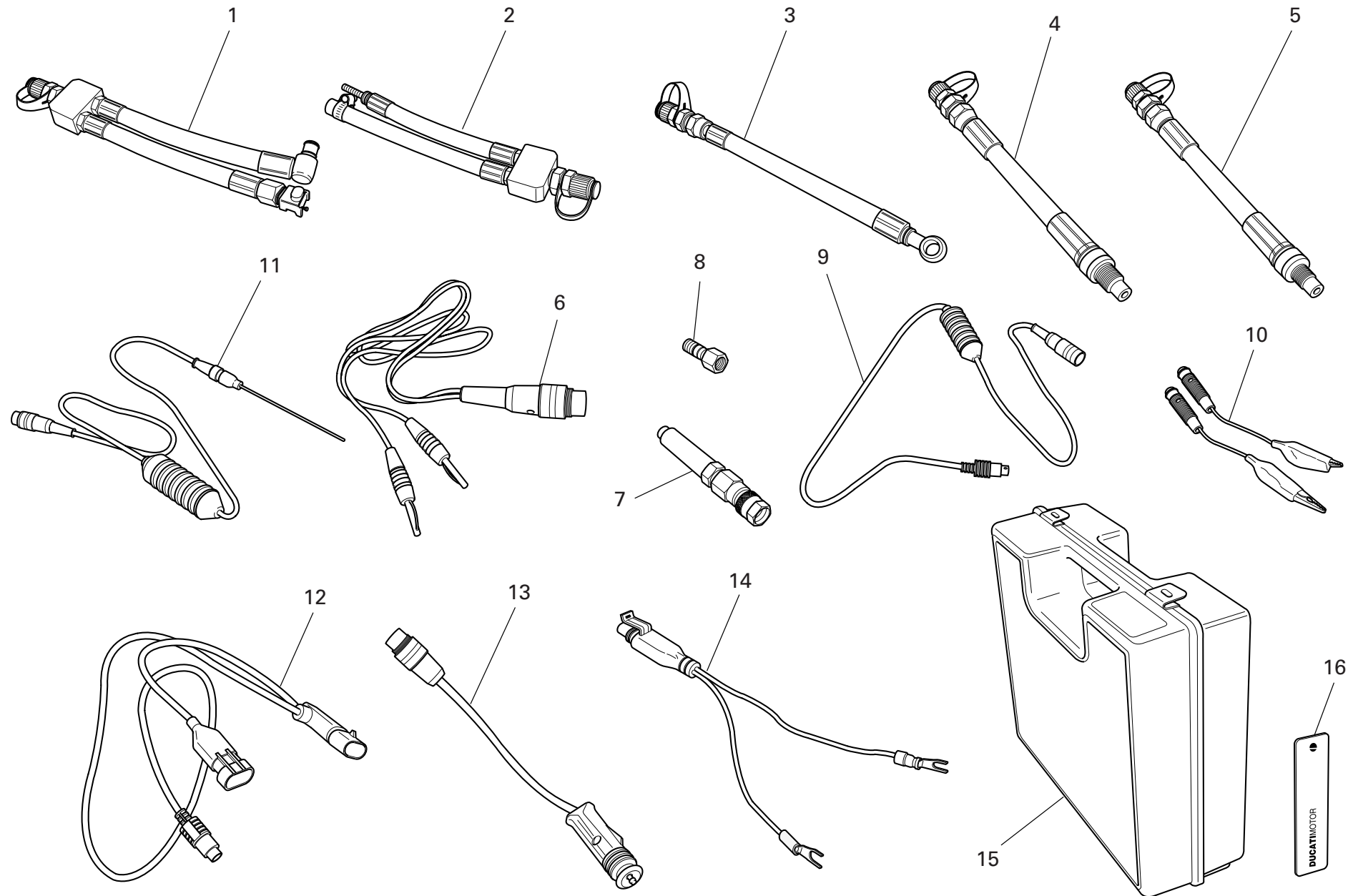
WORKSHOP SPECIAL TOOLS




DRAWING 001b WORKSHOP SPECIAL TOOLS

NOTES NO.	CODE NO.	DESCRIPTION	VALIDITY	Q.TY 	NOTES NO.	CODE NO.	DESCRIPTION	VALIDITY	Q.TY 
1	88713.1062	Tool for assembling the steering head bearings		1					
2	8000.70139	Wrench for front wheel spindle		1					
3	88713.1344	Tool for assembling chain		1					
4	677.4.003.1A	Coupling		1					
5	88713.1515	Frame/engine mount		1					
6	88713.1072	Stopper for driving the half bearing of the steering head base		1					
7	88713.1010	Union for exhaust gas suction		1					
8	88713.1096	Tool for overhauling SHOWA forks - assembling seal ring		1					
9	88713.1058	Wrench for assembling the steering head cap		1					

DRAWING 001c WORKSHOP SPECIAL TOOLS

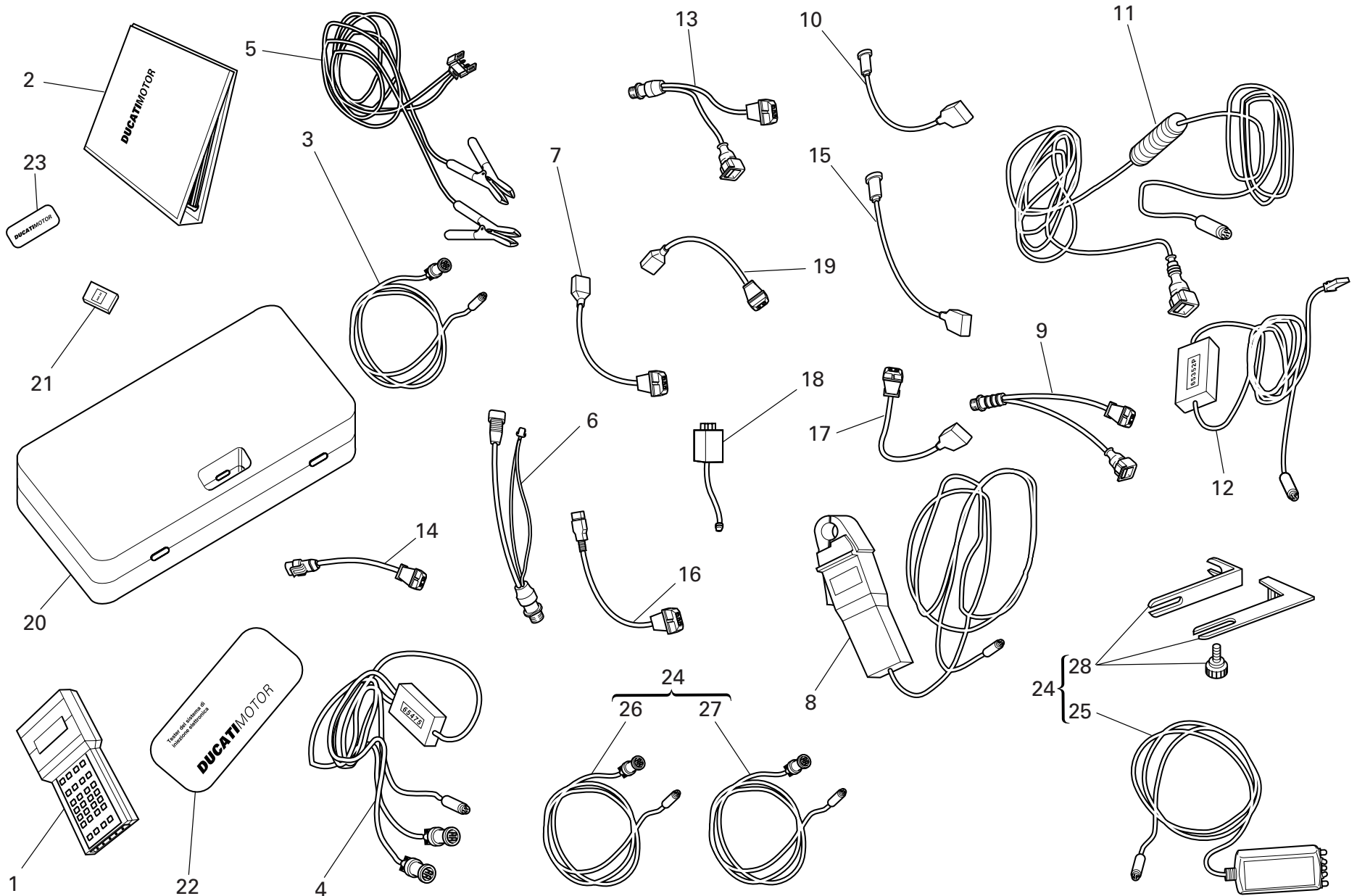


DRAWING 001c WORKSHOP SPECIAL TOOLS

NOTES NO.	CODE NO.	DESCRIPTION	VALIDITY	Q.TY 
0	88765.1241	Check instrument		1
GB 0	88765.1242	Check instrument		1
D 0	88765.1243	Check instrument		1
F 0	88765.1244	Check instrument		1
E 0	88765.1245	Check instrument		1
1	590.1.189.1A	Fuel pressure line HS.		1
2	590.1.190.1A	Fuel pressure line ST/SS/M.		1
3	875.1.065.1A	Oil pressure line		1
4	552.1.037.1A	Fitting - cylinder compression M12		1
5	552.1.038.1A	Fitting - cylinder compression M10		1
6	514.1.037.1A	Cable Volt PF DUC 21		1
7	552.1.039.1A	Pressure sensor		1
8	814.1.114.1A	Oil pressure fitting		1
9	514.1.032.1A	Cable for supplementary tests		1
10	514.1.035.1A	Red clamp cable		1
10	514.1.036.1A	Black clamp cable		1
11	552.1.040.1A	Temperature probe		1
12	514.1.034.1A	Main cable PF A621		1
13	514.1.033.1A	Electric lighter connection adapter (ST)		1
14	514.1.038.1A	Battery connection adapter		1
15	698.1.033.1A	Red case with sponge rubber		1
16	88765.1126T	DUCATI sticker RH/LH side		2


NOTES NO.	CODE NO.	DESCRIPTION	VALIDITY	Q.TY 
-----------	----------	-------------	----------	--

DRAWING 001d DIAGNOSIS TESTER MATHESIS

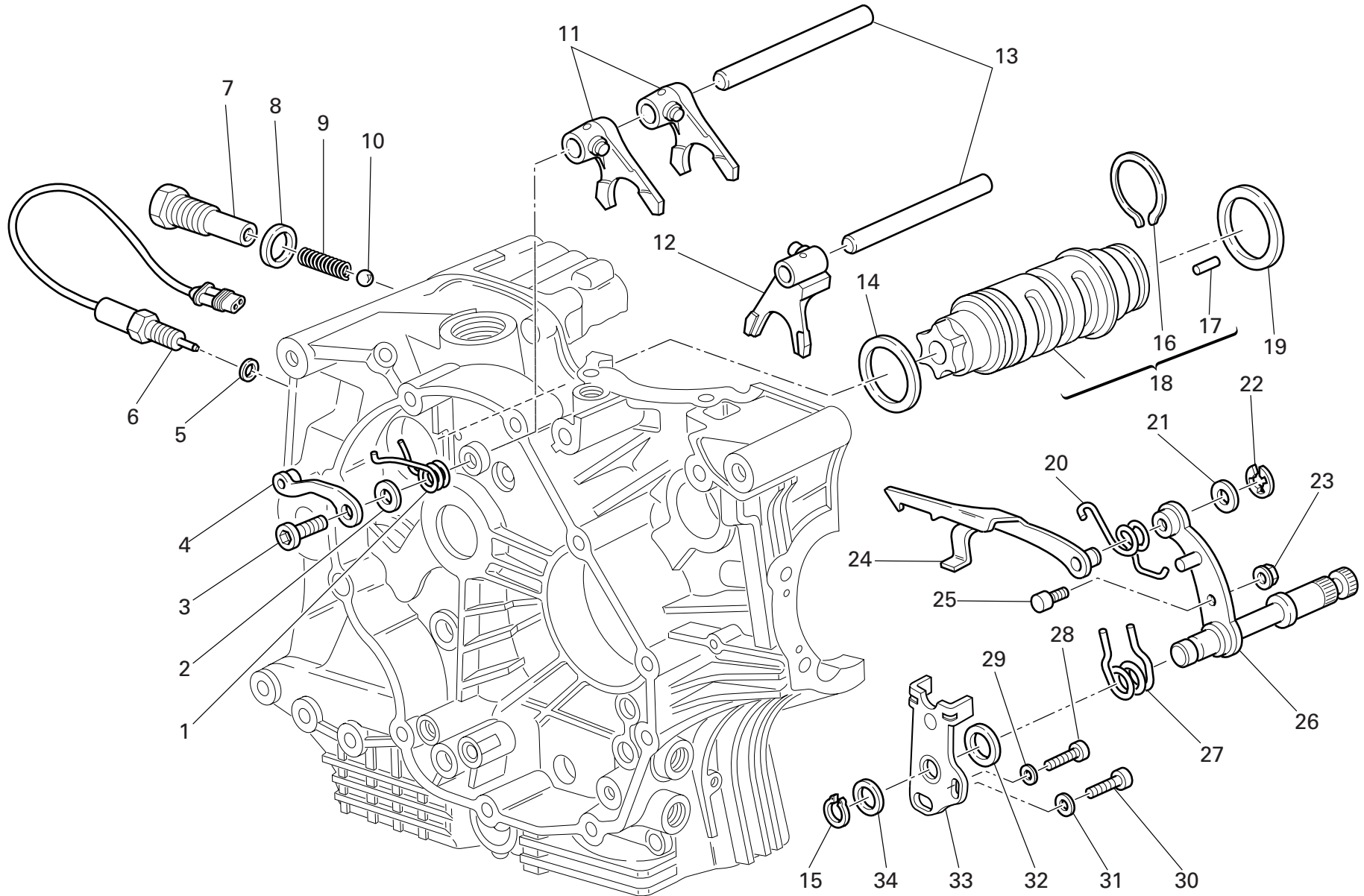


DRAWING 001d DIAGNOSIS TESTER MATHESIS

NOTES NO.	CODE NO.	DESCRIPTION	VALIDITY	Q.TY 
1	88765.1126Z	Bare Mathesis		1
2	914.7.023.1A	Italian manual		1
2	914.7.023.1B	English manual		1
2	914.7.023.1C	German manual		1
2	914.7.023.1D	Franch manual		1
2	914.7.023.1E	Spanish manual		1
3	88765.1126R	Main cable Mathesis		1
4	88765.1126A	Pickup Control cable		1
5	88765.1126Q	Battery mains cable		1
6	88765.1126	Mains cable adapter for self diagnosis		1
7	88765.1126N	Sensor for absolute pressure sampling		1
8	88765.1126V	Amperometer plier		1
9	88765.1126E	Adapter for 3 wires Pickup test cable		1
10	88765.1126P	Sensor for air temperature sampling		1
11	88765.1126C	Cable for potentiometer adjustment		1
12	88765.1126B	Test cable and speed indicator adjustment		1
13	88765.1126F	Adapter for 2 wires Pickup test cable		1
14	88765.1126D	Adapter for potentiometer adjustment		1
15	552.4.028.1A	Sensor for small throttle potentiometer sampling		1
16	88765.1126H	Sensor for throttle potentiomer sampling		1
17	88765.1126G	Sensor for air/water temperature sampling		1
18	88765.1126M	Sfety remote switch		1
19	88765.1126L	2 Wires sampling Pickup sensor		1
20	88765.1126U	Case with sponge		1
21	88765.1073	Memory card reader		1
21	88765.1074	English memory card		1

NOTES NO.	CODE NO.	DESCRIPTION	VALIDITY	Q.TY 
21	88765.1075	German memory card		1
21	88765.1076	French memory card		1
21	88765.1077	Spanish memory card		1
22	88765.1126S	DUCATI sticker for case		1
23	88765.1126T	DUCATI sticker RH/LH side		1
24	88765.1369A	Belt tensioning kit		1
GB	24	88765.1369B	Belt tensioning kit	1
D	24	88765.1369C	Belt tensioning kit	1
F	24	88765.1369D	Belt tensioning kit	1
E	24	88765.1369E	Belt tensioning kit	1
25	88765.1371	Sensor		1
26	88765.1372	Main cable		1
27	88765.1373	Cable extension		1
28	88765.1374	Bracket		1


CATALOGUE No: 915.1.202.2A  
ISSUED: 05 - 04CATALOGUE No: 915.1.202.2A  
ISSUED: 05 - 04



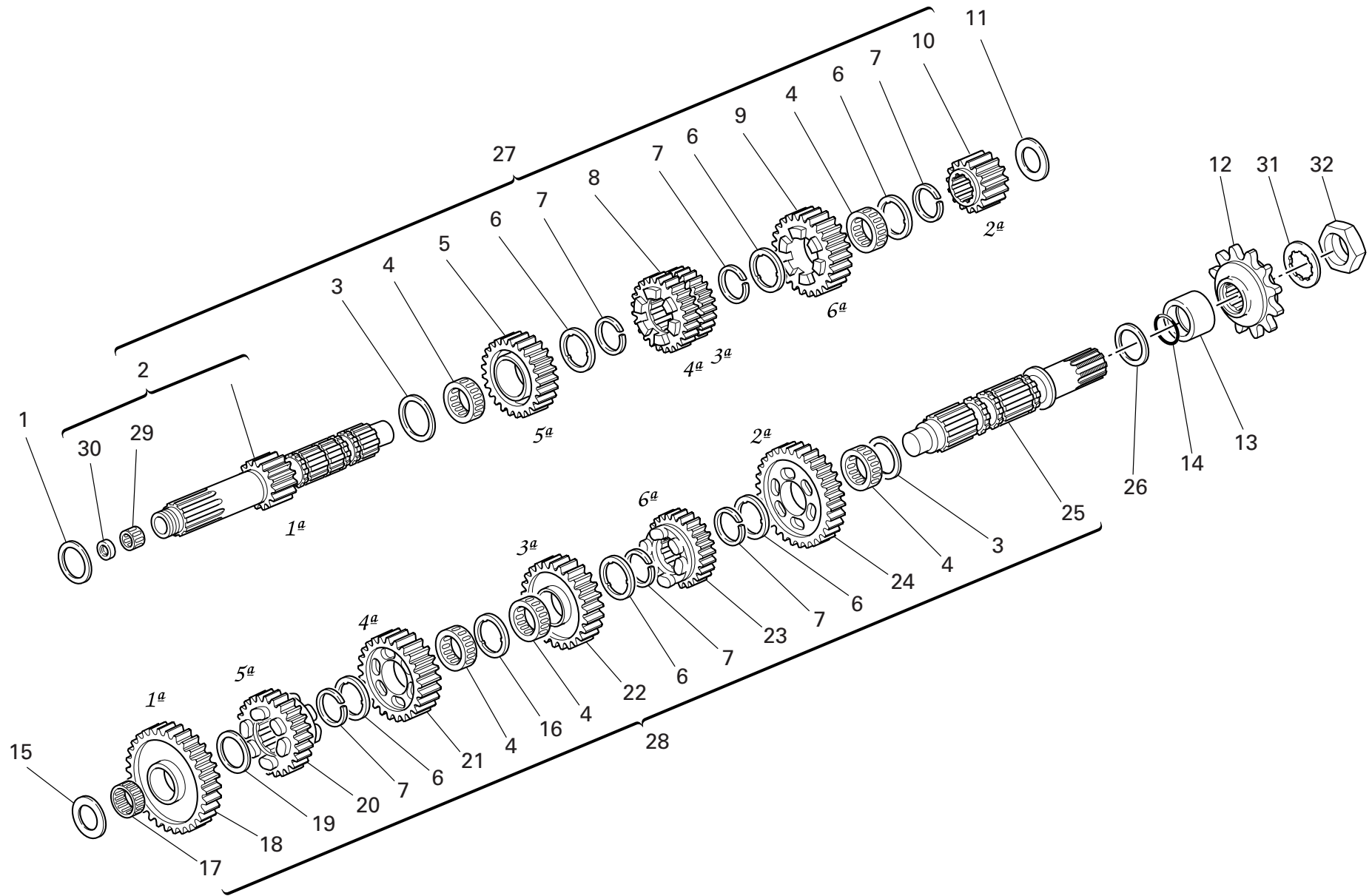
DRAWING 002 GEARCHANGE

NOTES NO.	CODE NO.	DESCRIPTION	VALIDITY	Q.TY 
1	799.1.049.1A	Return spring		1
2	852.1.053.2A	Washer		1
3	779.1.039.1A	Special screw		1
4	455.2.003.1A	Gear stopper assembly		1
5	420.2.001.0A	Gasket th.1		1
6	539.1.021.1A	Switch		1
7	779.1.203.2A	Push rod holder		1
8	0272.91.090	Gasket		1
9	0660.13.143	Gear selector spring		1
10	76835.1134	Ball		1
11	180.1.001.1A	1st,4th-2nd,3rd gear selector fork		2
12	180.1.002.1A	5th,6th gear selector fork		1
13	0660.13.070	Fork pin		2
14	852.1.005.1A	Shim th. 1		1
15	73500.1542	Circlip		1
16	882.1.006.1A	Needle retaining ring (square cross-section)		1
17	821.1.070.1A	Pin		6
18	182.2.018.1A	Complete gearbox drum		1
19	0660.13.060	Shim th. 1		1
19	852.1.094.1A	Shim th. 0.9		1
20	799.1.025.1A	Fork return spring		1
21	0400.09.050	Shim th. 0.5		1
21	0765.92.205	Shim th. 0.2		2
22	884.5.034.1A	Ring		1
23	748.1.040.1A	Nut		1
24	180.1.008.1A	Gearbox drum control fork		1
25	0660.13.165	Gearchange lever pin		1

CATALOGUE No: 915.1.202.2A  
ISSUED: 05 - 04


NOTES NO.	CODE NO.	DESCRIPTION	VALIDITY	Q.TY 
26	821.1.001.1A	Pin with gearchange lever		1
27	0799.13.110	Gearchange lever return spring		1
28	771.5.067.8B	Screw		1
29	852.1.172.1A	Washer		1
30	771.5.123.8B	Screw		1
31	852.1.174.1A	Washer		1
32	881.1.012.1A	Centering ring		1
33	826.1.009.1A	Stopper plate		1
34	0400.29.125	Shim th. 0.2		2
34	0400.29.126	Shim th. 0.5		1

CATALOGUE No: 915.1.202.2A  
ISSUED: 05 - 04




DRAWING 003

GEAR-BOX

NOTES NO.	CODE NO.	DESCRIPTION	VALIDITY	Q.TY 
1	0251.47.050	Shim th. 1		1
1	0251.47.054	Shim th. 1.2		1
1	851.1.004.1A	Lock washer		1
1	852.1.108.1AH	Shim th. 0.9		1
1	852.1.108.1AL	Shim th. 1,1		1
1	852.1.108.1AN	Shim th. 1,3		1
2	150.2.006.1B	Gearbox main shaft		1
3	0670.16.150	Shim th. 0.5		2
4	701.4.005.1A	Needle bearing		5
5	172.1.004.1A	Driving gear 5th sp.		1
6	856.1.001.1A	Grooved washer th. 0.5		6
7	0670.16.145	Snap ring		6
8	172.1.003.1A	Driving gear 3rd/4th sp.		1
9	172.1.005.1A	Driving gear 6th sp.		1
10	172.1.002.1B	Driving gear 2nd sp.		1
11	0670.16.163	Shim th. 1.8		1
11	0670.16.164	Shim th. 2		1
11	713.1.014.1A	Shim th. 1.5		1
11	713.1.014.1B	Shim th. 1.7		1
11	713.1.014.1E	Shim th. 1.6		1
11	713.1.014.1F	Shim th. 1.9		1
12	449.1.045.1A	Front sprocket w/rubber protection Z=15		1
13	713.1.204.1A	Spacer		1
14	930.4.023.1A	O-ring		1
15	0670.16.164	Shim th. 2		1
15	0670.16.165	Shim th. 2.2		1
15	0670.16.184	Shim th. 1		1

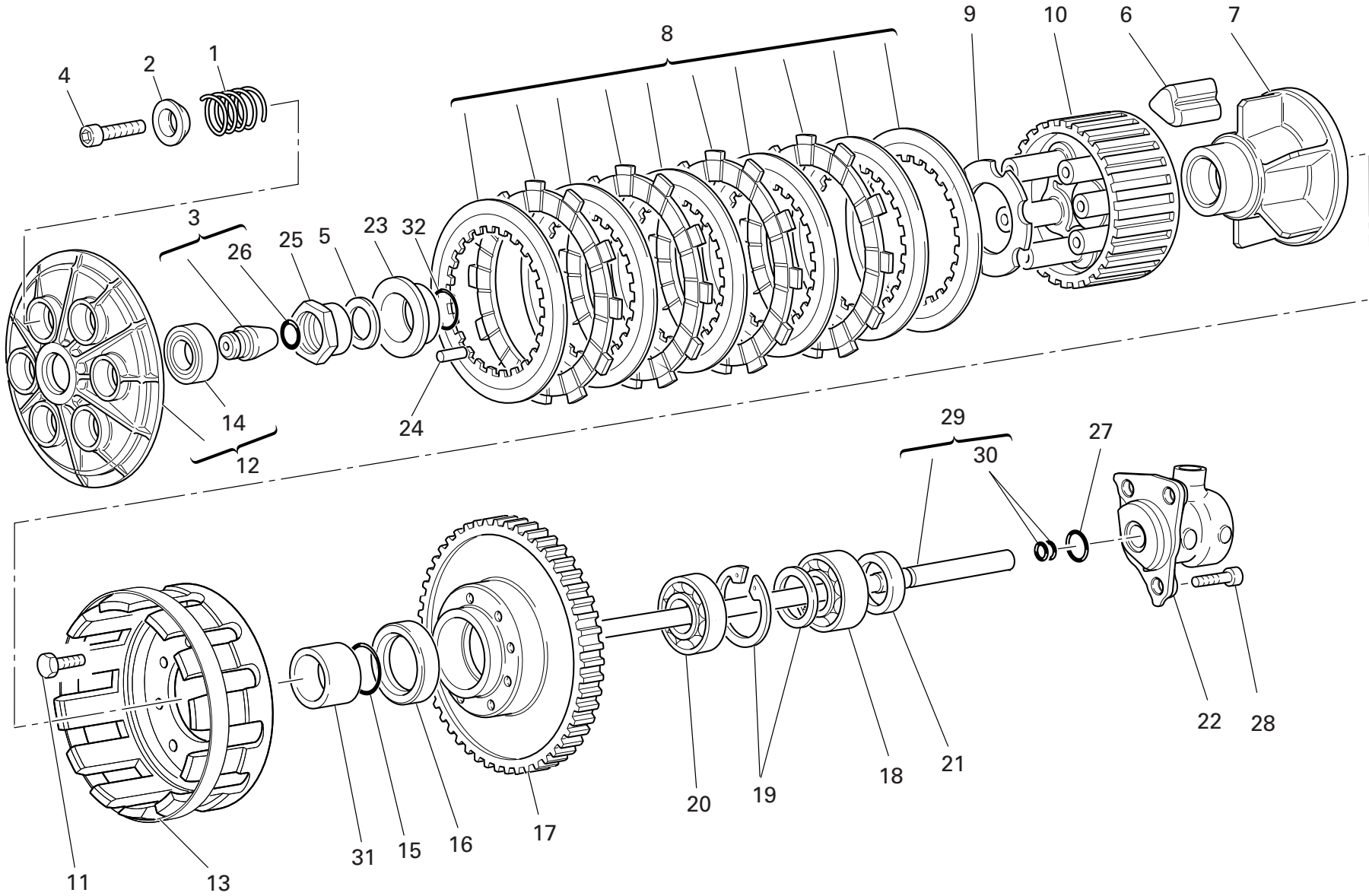
CATALOGUE No: 915.1.202.2A  
ISSUED: 05 - 04

NOTES NO.	CODE NO.	DESCRIPTION	VALIDITY	Q.TY 
15	0670.16.185	Shim th. 1.2		1
15	713.1.011.1A	Shim th. 2.3		1
15	713.1.014.1A	Shim th. 1.5		1
15	713.1.014.1E	Shim th. 1.6		3
16	856.1.031.1A	Grooved washer th. 0.5		1
17	76402.0002	Needle bearing		1
18	172.1.006.1B	Driven gear 1st sp.		1
19	0670.16.155	Shim th. 1		1
20	172.1.010.1A	Driven gear 5th sp.		1
21	172.1.009.1A	Driven gear 4th sp.		1
22	172.1.008.1A	Driven gear 3rd sp.		1
23	172.1.011.1A	Driven gear 6th sp.		1
24	172.1.007.1B	Driven gear 2nd sp.		1
25	149.1.032.3A	Gearbox lay shaft		1
26	0670.16.170	Shim th. 0.8		1
26	0670.16.171	Shim th. 1		1
26	852.1.105.1AB	Shim th. 0.9		1
26	852.1.105.1AD	Shim th. 1,1		1
26	852.1.105.1AG	Shim th. 0.7		1
27	150.2.072.1A	Complete main shaft		1
28	150.2.063.1A	Gearbox lay shaft		1
29	702.5.044.1A	Needle bearing		1
30	930.4.049.1A	Seal ring		1
31	851.1.004.1A	Lock washer		1
32	750.1.007.1A	Nut		1

CATALOGUE No: 915.1.202.2A  
ISSUED: 05 - 04

DRAWING 004


CLUTCH



DRAWING 004

CLUTCH

NOTES NO.	CODE NO.	DESCRIPTION	VALIDITY	Q.TY 
1	0659.16.555	Clutch spring		6
2	841.1.002.2A	Retainer		6
3	818.2.009.1A	Clutch control pin		1
4	771.5.043.8B	Screw		6
5	851.4.001.1A	Lock washer		1
6	764.1.003.1B	Rubber pad		12
7	162.1.001.1B	Plate holder hub		1
8	190.2.011.1A	Clutch plates set		1
9	851.1.001.1B	Lock washer		1
10	196.1.001.2B	Clutch drum		1
11	70610.8120	Screw		8
12	194.2.001.1B	Pressure plate		1
13	198.1.029.1A	Clutch housing		1
14	702.5.016.1A	Bearing		1
15	463.2.053.7A	O-ring		1
16	930.4.035.1A	Seal ring		1
17	170.2.020.1B	Clutch/crankshaft gears pair		1
18	75113.2566	Bearing		1
19	881.2.001.1A	Circlip - spacer		1
20	702.4.017.1A	Bearing		1
21	0660.16.145	Spacer		1
22	195.4.003.1A	Piston assembly		1
23	710.1.002.1A	Bush		1
24	74224.0570	Pin		1
25	750.1.002.1B	Nut		1
26	0400.17.030	O-ring		1
27	886.4.043.1A	O-ring		1

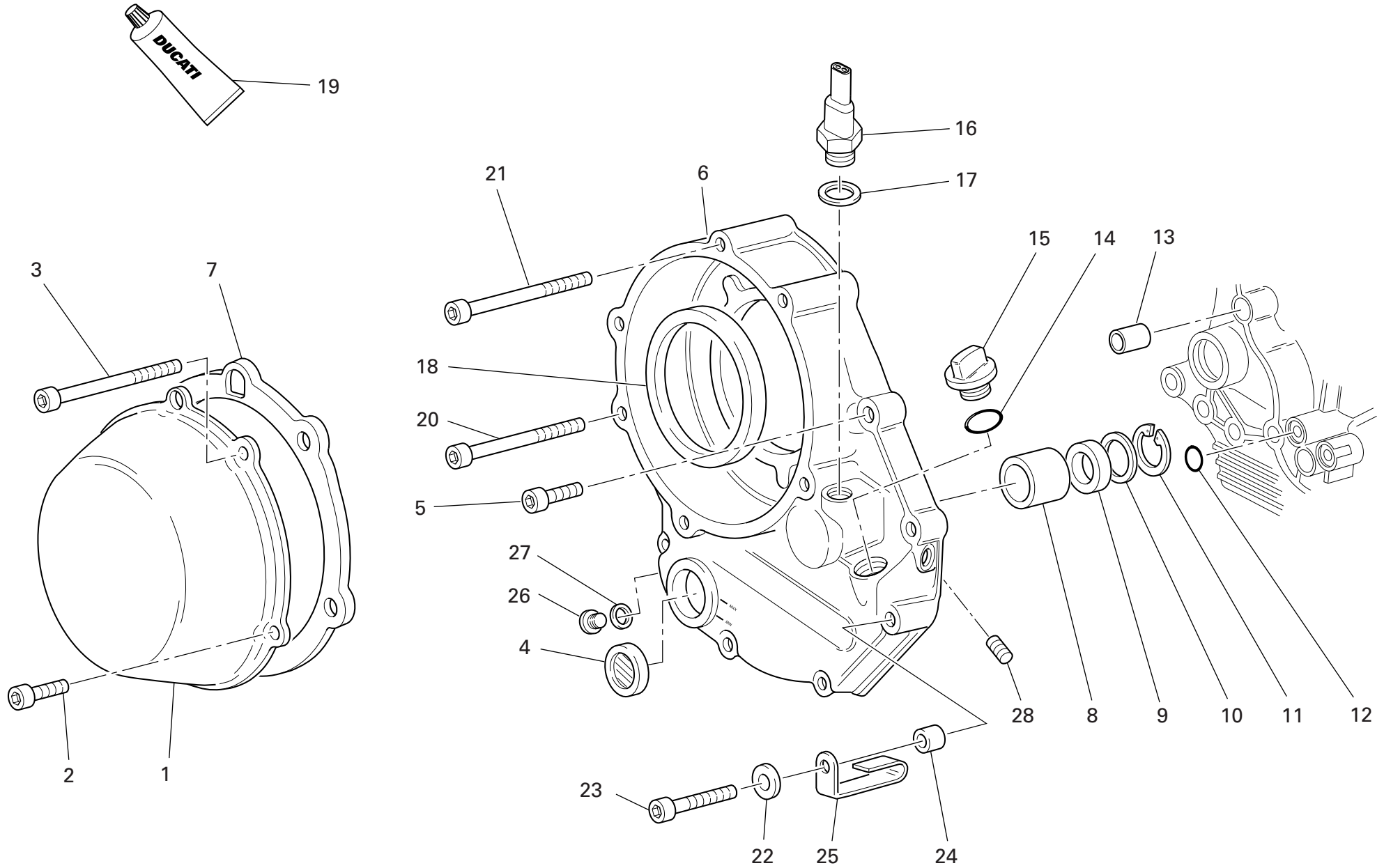
NOTES NO.	CODE NO.	DESCRIPTION	VALIDITY	Q.TY 
28	60N107335	Screw		3
29	117.2.006.1A	Clutch control rod		1
30	93823.2018	O-ring		2
31	713.1.012.1B	Spacer		1
32	93823.0128	O-ring		1

CATALOGUE No: 915.1.202.2A  
ISSUED: 05 - 04

CATALOGUE No: 915.1.202.2A  
ISSUED: 05 - 04


DRAWING 005

CLUTCH COVER



DRAWING 005 CLUTCH COVER

NOTES NO.	CODE NO.	DESCRIPTION	VALIDITY	Q.TY 
1	243.1.025.1AD	Clutch protection cover		1
2	771.1.026.1A	Screw		2
3	771.1.027.1A	Screw		2
4	254.4.001.1A	Oil level sight glass		1
5	771.5.069.8B	Screw		5
6	243.2.004.1BB	Cover clutch side		1
7	788.1.052.1A	Clutch cover gasket		1
8	0665.49.680	Bush		1
9	930.4.021.1A	Seal ring		1
10	852.1.135.1A	Shim th. 1		1
11	884.5.013.1A	Circlip		1
12	93827.0114	O-ring		1
13	0400.49.240	Locating bush		1
14	93823.2082	O-ring		1
15	893.1.005.1A	Cap		1
16	539.4.030.1A	Switch		1
17	852.1.195.1A	Gasket th.2		1
18	930.4.034.1A	Ring		1
19	94247.0014	Fluid sealant		1
20	771.5.078.8B	Screw		1
21	771.5.079.8B	Screw		1
22	852.1.176.1A	Washer		1
23	771.5.072.8B	Screw		1
24	713.1.241.1A	Spacer		1
25	0675.49.530	Hose guide		1
26	780.1.005.1A	Cap		1
27	852.5.024.1A	Gasket th.1		1

NOTES NO.	CODE NO.	DESCRIPTION	VALIDITY	Q.TY 
28	417.6.011.3A	Threaded dowel		1

CATALOGUE No: 915.1.202.2A  
ISSUED: 05 - 04


CATALOGUE No: 915.1.202.2A  
ISSUED: 05 - 04



DRAWING 006 CRANKSHAFT

NOTES NO.	CODE NO.	DESCRIPTION	VALIDITY	Q.TY 
1	146.2.104.1A	Crankshaft		1
2	779.1.109.1A	Special screw		1
3	750.1.012.2A	Nut		1
4	72121.2106	Threaded dowel		1
5	158.2.019.1A	Connecting rods pair		1
6	712.1.021.1A	Bush		2
7	74224.0570	Pin		4
8	112.1.026.1AA	Half-bearing (RED)		4
8	112.1.026.1AB	Half-bearing (BLUE)		4
9	779.1.007.2A	Special screw		4
10	74172.1008	Woodruff key		1
11	852.1.104.1A	Shim th. 1.9		2
11	852.1.104.1B	Shim th. 1.95		2
11	852.1.104.1C	Shim th. 2		2
11	852.1.104.1D	Shim th. 2,05		2
11	852.1.104.1E	Shim th. 2,1		2
11	852.1.104.1F	Shim th. 2,15		2
11	852.1.104.1G	Shim th. 2.2		2
11	852.1.104.1H	Shim th. 2.25		2
11	852.1.104.1I	Shim th. 2.3		2
11	852.1.104.1J	Shim th. 2.35		2
11	852.1.104.1K	Shim th. 2,4		2
11	852.1.104.1L	Shim th. 2,45		2
11	852.1.104.1M	Shim th. 2.5		2
11	852.1.104.1N	Shim th. 2.55		2
12	851.1.019.1A	Lock washer		1
13	0660.47.040	Nut		1

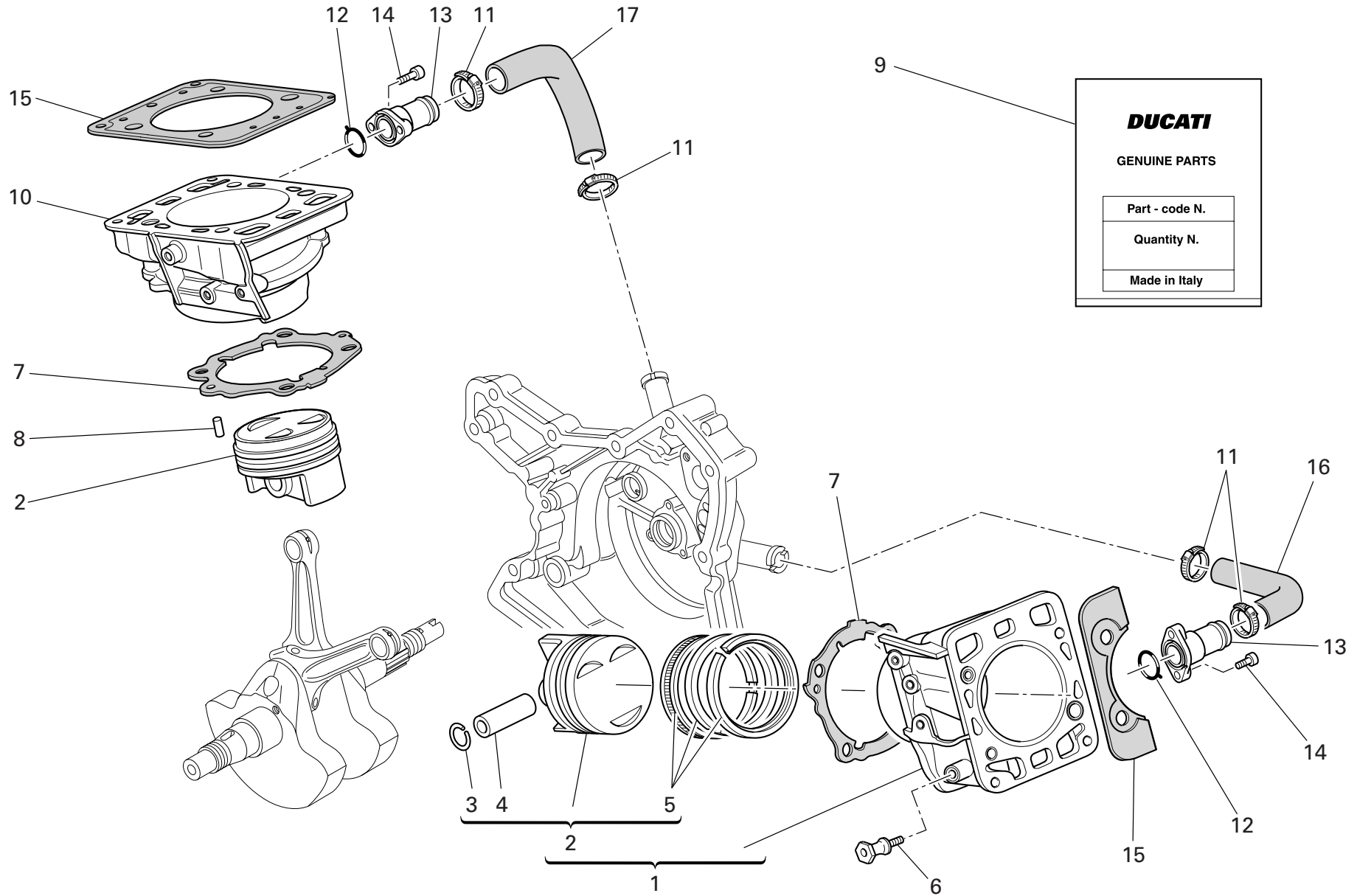
CATALOGUE No: 915.1.202.2A  
ISSUED: 05 - 04

NOTES NO.	CODE NO.	DESCRIPTION	VALIDITY	Q.TY 
14	0755.29.025	Woodruff key		1
15	799.1.051.2A	Spring washer		1


CATALOGUE No: 915.1.202.2A  
ISSUED: 05 - 04

DRAWING 007

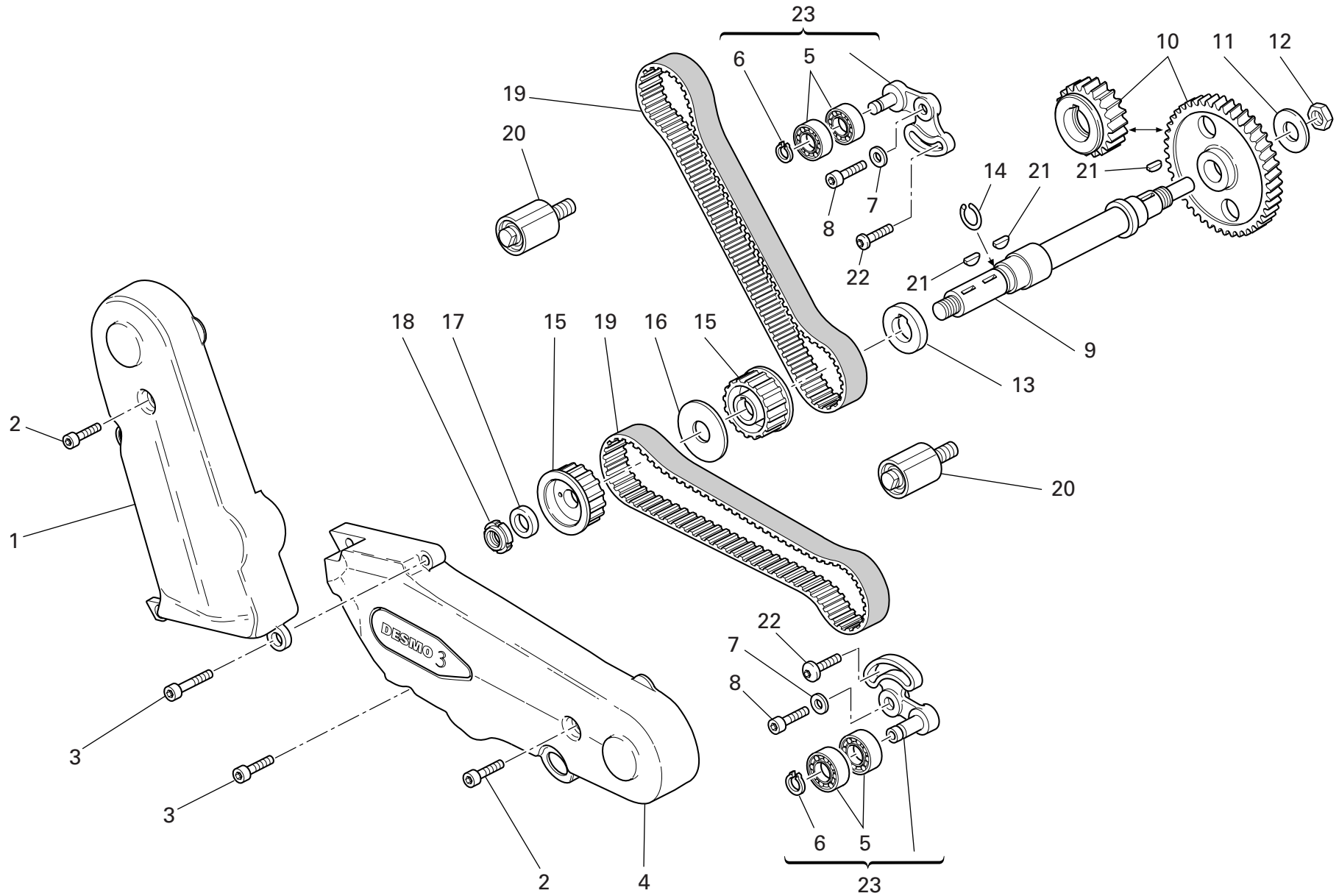
CYLINDERS - PISTONS



DRAWING 007 CYLINDERS - PISTONS

NOTES NO.	CODE NO.	DESCRIPTION	VALIDITY	Q.TY 
1	120.2.092.1A	Horizontal cylinder-piston fit		1
2	122.2.118.1A	Complete piston		2
3	121.1.079.1A	Piston pin circlip		4
4	121.1.078.2A	Piston pin		2
5	121.2.033.1A	Piston rings set		2
6	684.1.070.1A	Stud bolt		1
7	786.1.063.1A	Cylinder-crankcase gasket th. 0.4		2
8	711.1.093.2A	Bush		4
9	791.2.036.1A	Head-cylinder gaskets set		1
10	120.2.093.1A	Vertical cylinder-piston fit		1
11	741.4.002.1A	Hose guide		4
12	788.1.072.1A	O-ring		2
13	814.1.124.1A	Water inlet union to cylinders		2
14	771.5.067.8B	Screw		4
15	786.1.073.1A	Head-cylinder gasket		2
16	800.1.008.1A	Horizontal cylinder water inlet hose		1
17	800.1.007.1A	Vertical cylinder water inlet hose		1

NOTES NO.	CODE NO.	DESCRIPTION	VALIDITY	Q.TY 
-----------	----------	-------------	----------	--

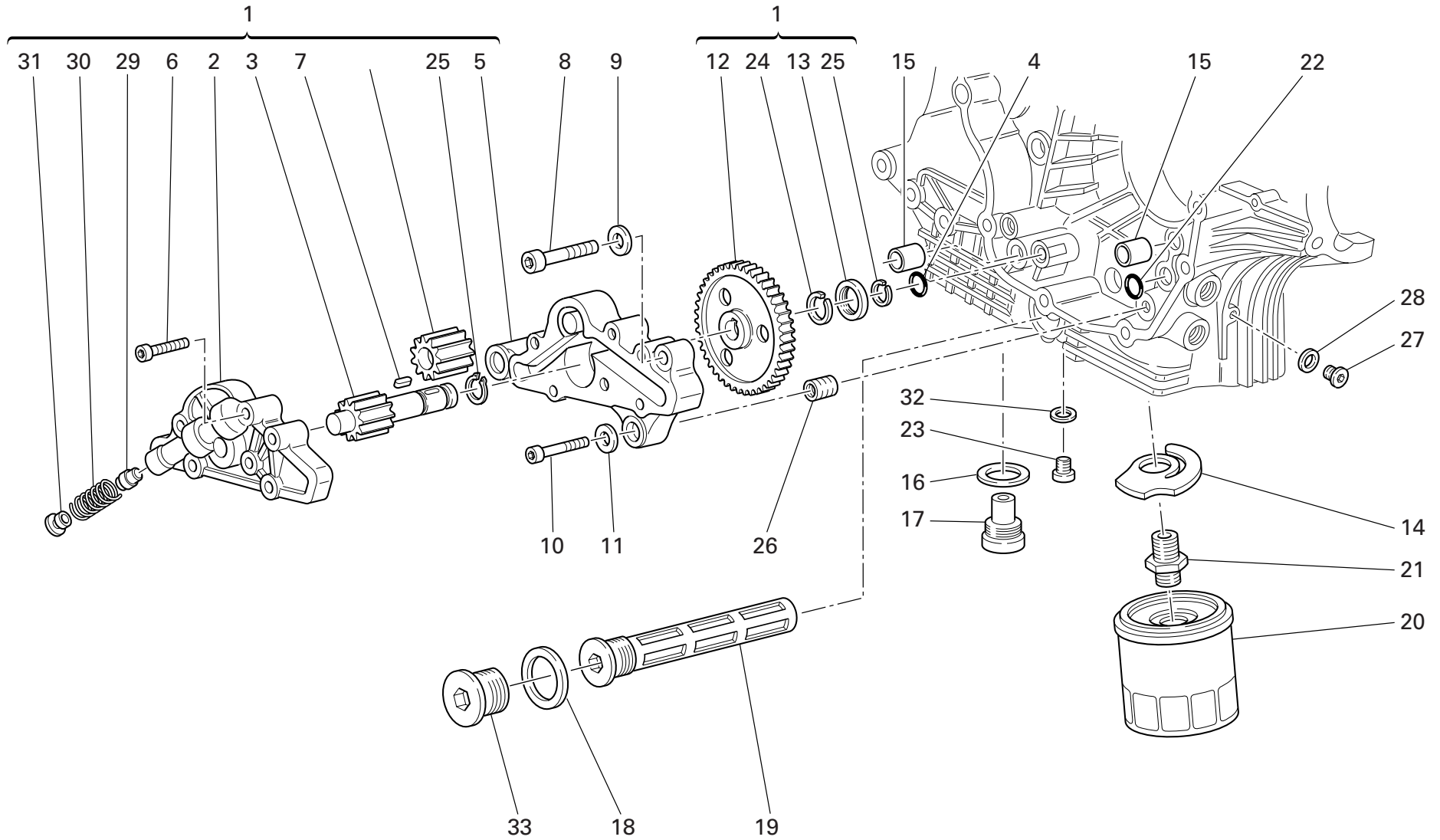


DRAWING 008


TIMING


NOTES NO.	CODE NO.	DESCRIPTION	VALIDITY	Q.TY 
1	245.1.055.1A	Vertical timing belt cover		1
2	771.5.072.8B	Screw		2
3	771.5.067.8B	Screw		3
4	245.1.056.1A	Horizontal timing belt cover		1
5	702.4.069.1A	Bearing		4
6	884.5.034.1A	Ring		2
7	852.1.174.1A	Washer		2
8	771.5.123.8B	Screw		2
9	147.1.014.1A	Timing lay shaft		1
10	171.2.020.2B	Timing gears pair		1
11	851.1.013.1A	Lock washer		1
12	0124.40.060	Hexagon nut		1
13	716.1.073.2A	Spacer		1
14	882.1.003.1A	Snap ring		1
15	255.1.023.1A	Timing belt roller		2
16	856.1.062.2A	Belt roller separating washer		1
17	716.1.099.1A	Spacer		1
18	72944.1542	Elastic-stop ring nut		1
19	737.4.021.1A	Timing drive toothed belt		2
20	451.1.025.1A	Fixed tensioner assembly		2
21	0755.29.025	Woodruff key		3
22	772.1.010.3A	Screw		2
23	451.2.006.1A	Complete vertical cylinder tensioner roller		2

NOTES NO.	CODE NO.	DESCRIPTION	VALIDITY	Q.TY 
-----------	----------	-------------	----------	--

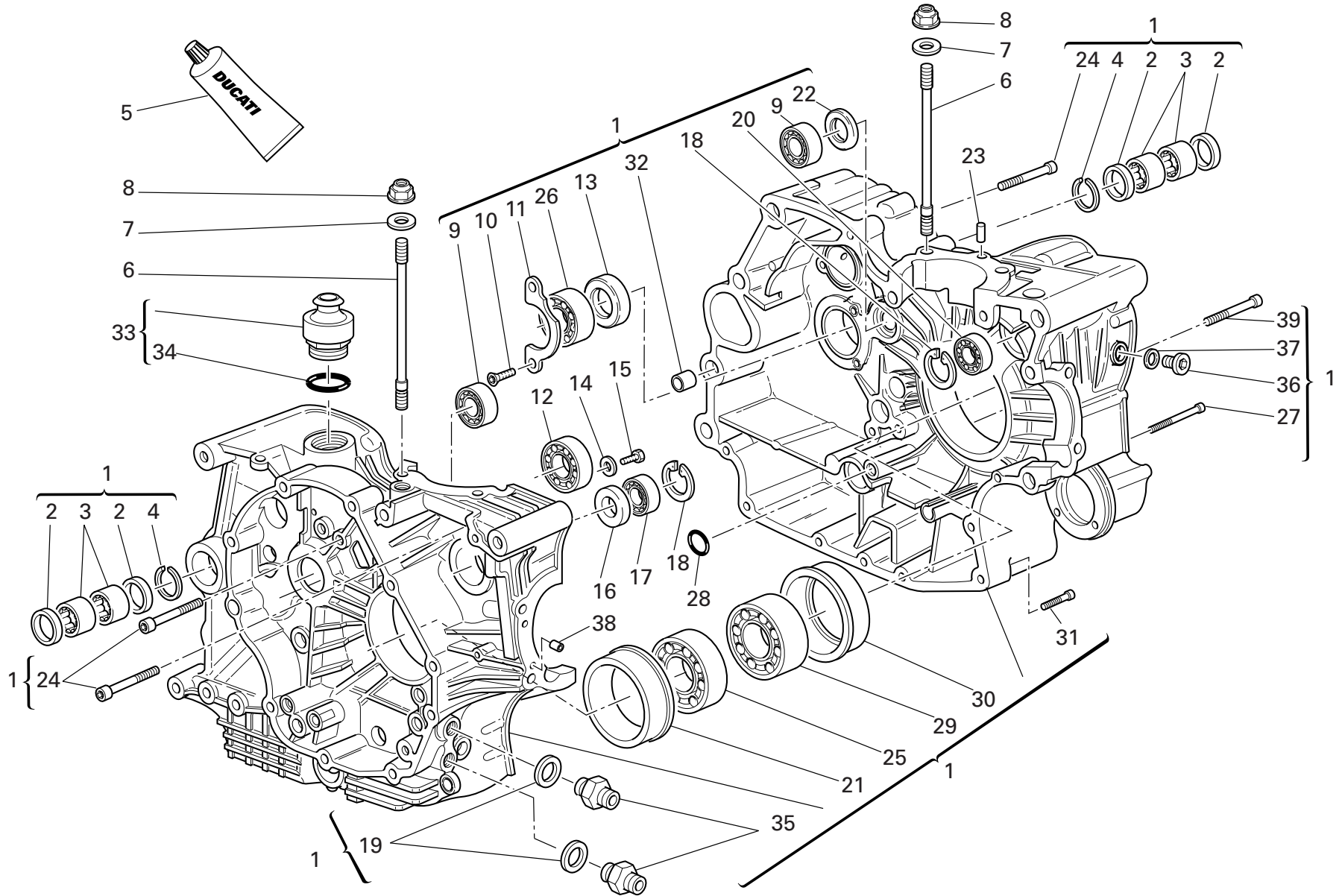


DRAWING 009 FILTERS AND OIL PUMP

NOTES NO.	CODE NO.	DESCRIPTION	VALIDITY	Q.TY 
1	174.2.025.5A	Complete oil pump		1
2	247.1.174.1A	Pump cover		1
3	174.1.002.1A	Pump driving gear		1
4	886.4.037.1A	O-ring		1
5	250.1.038.1A	Pump body		1
6	773.5.069.8B	Screw		6
7	680.1.001.1B	Woodruff key		1
8	771.5.129.8B	Screw		2
9	853.1.002.1A	Spring washer		2
10	771.5.069.8B	Screw		1
11	853.1.004.1A	Spring washer		1
12	174.1.025.1A	Pump drive gear		1
13	710.1.001.1A	Bush		1
14	799.2.077.2A	Bypass spring		1
15	0759.49.280	Locating bush		2
16	220.3.208.3A	Gasket		1
17	0660.49.053	Oil drain plug with magnet		1
18	852.5.005.1A	Gasket th.1,5		1
19	894.2.009.1A	Oil filter		1
20	444.4.003.4A	Oil filter cartridge		1
21	815.1.028.1A	Nipple		1
22	93827.0114	O-ring		1
23	779.1.198.2A	Cap		1
24	76267.0012	Snap ring		1
25	73500.1237	Circlip		2
26	0670.49.310	Reduction bush		1
27	779.1.162.2A	Cap		1

NOTES NO.	CODE NO.	DESCRIPTION	VALIDITY	Q.TY 
28	852.1.195.1A	Gasket th.2		1
29	593.1.018.1A	Bypass valve		1
30	799.1.055.1A	Bypass spring		1
31	780.1.018.1A	Bypass cap		1
32	852.1.120.1A	Aluminium gasket		1
33	873.1.037.1A	Cap		1


CATALOGUE No: 915.1.202.2A  
ISSUED: 05 - 04CATALOGUE No: 915.1.202.2A  
ISSUED: 05 - 04



DRAWING 010 HALF CRANKCASES

NOTES NO.	CODE NO.	DESCRIPTION	VALIDITY	Q.TY 
1	225.2.086.1A	Complete half-crankcases pair		1
2	0755.49.265	Seal ring		4
3	76400.0004	Needle bearing		4
4	76266.2668	Snap ring		2
5	94247.0014	Fluid sealant		1
6	766.1.027.1A	Stud bolt for fastening head cylinder		8
7	856.1.064.2A	Special washer		8
8	748.1.038.1A	Nut		8
9	702.4.033.1A	Bearing		2
10	72094.1616	Screw		2
11	826.1.012.1A	Keep plate		1
12	702.5.019.1A	Bearing		1
13	930.4.022.1A	Seal ring		1
14	713.1.140.1A	Spacer		2
15	770.5.250.8B	Screw		2
16	93785.1830	Seal ring		1
17	75794.1542	Bearing		1
18	73503.3380	Circlip		2
19	420.2.006.4A	Aluminium gasket		2
20	702.5.008.1A	Bearing		1
21	710.1.069.1A	Bearing holder bush		1
22	0370.49.250	Washer		1
23	860.1.004.1A	Locating dowel		2
24	771.5.136.8B	Screw		6
25	75191.3380	Bearing		1
26	702.4.013.1A	Bearing		1
27	771.5.080.8B	Screw		2

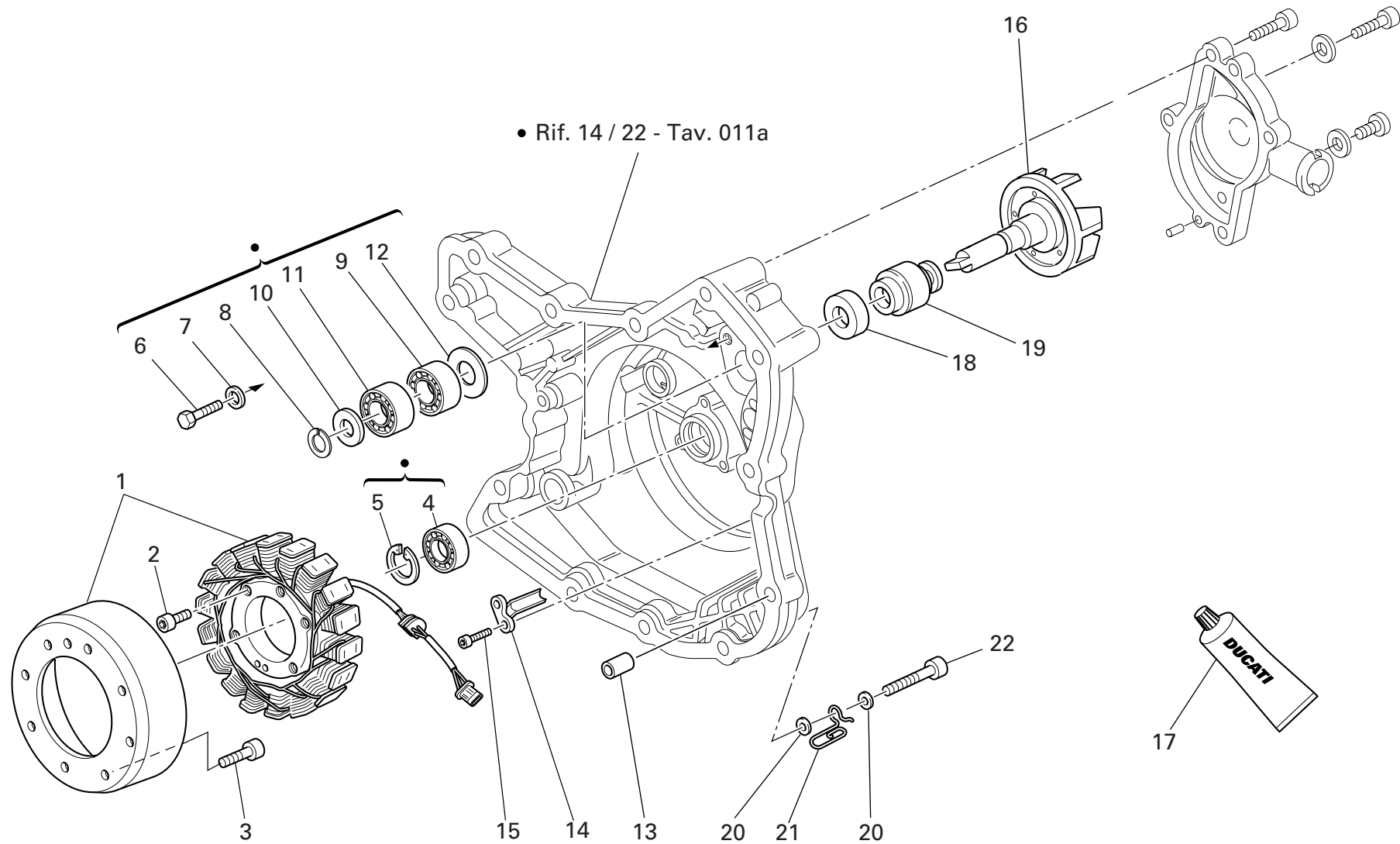
CATALOGUE No: 915.1.202.2A  
ISSUED: 05 - 04

NOTES NO.	CODE NO.	DESCRIPTION	VALIDITY	Q.TY 
28	93827.0114	O-ring		1
29	702.4.020.1A	Bearing		1
30	710.1.070.1A	Bearing holder bush		1
31	771.5.072.8B	Screw		7
32	711.1.095.1A	Bush		2
33	593.1.003.1B	Breather valve		1
34	93823.3156	O-ring		1
35	815.1.022.1A	Nipple		2
36	779.1.026.1A	Screw		1
37	852.5.026.1A	Aluminium gasket th.1,5		1
38	711.1.128.1A	Bush		2
39	779.1.029.2A	Special screw		1

CATALOGUE No: 915.1.202.2A  
ISSUED: 05 - 04


DRAWING 011

WATER PUMP - ALTERNATOR COVER



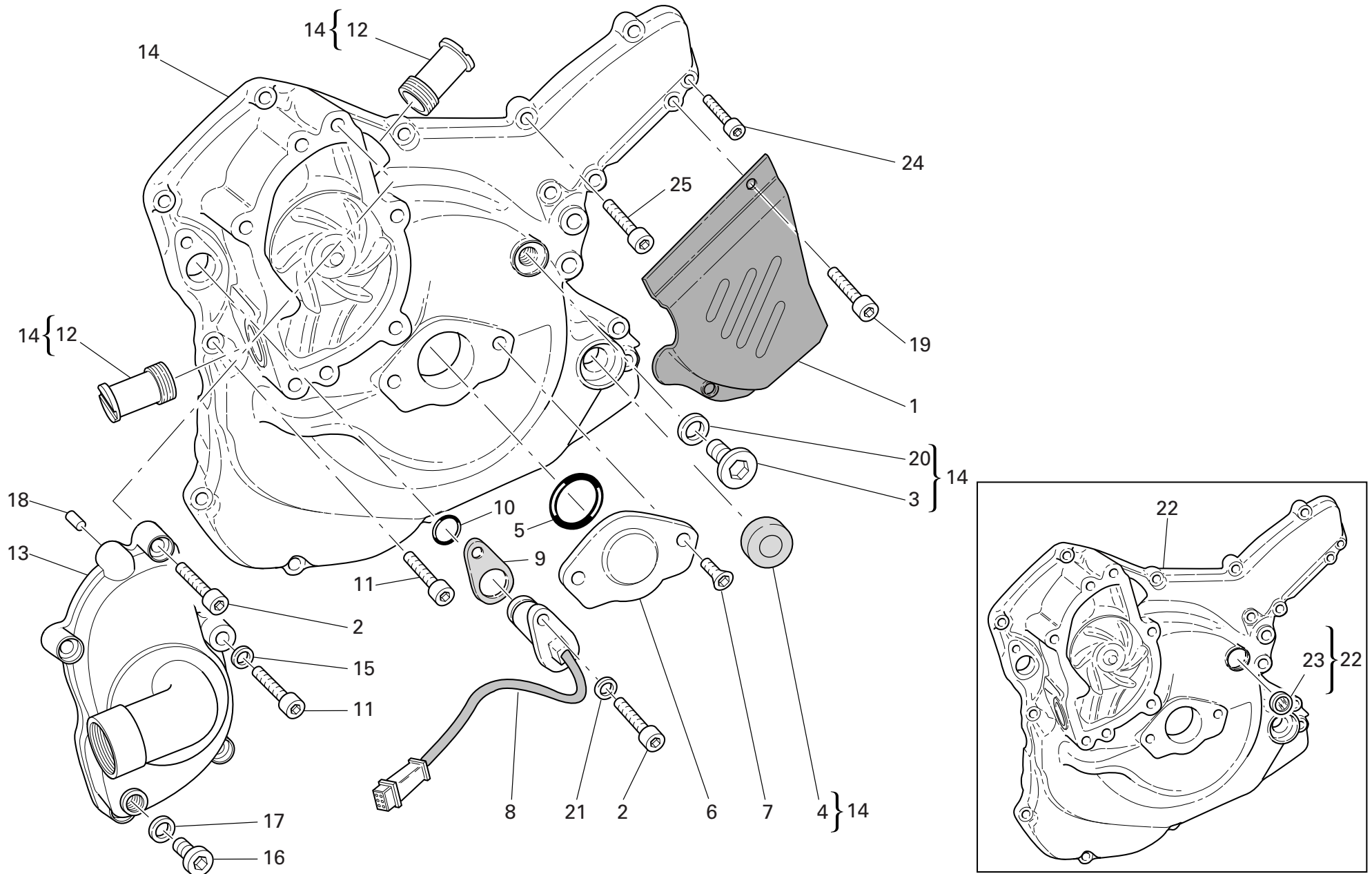
DRAWING 011

WATER PUMP - ALTERNATOR COVER


NOTES NO.	CODE NO.	DESCRIPTION	VALIDITY	Q.TY 
1	264.4.025.1A	Generator		1
2	771.5.073.8B	Screw		3
3	779.4.075.1A	Screw		8
4	702.5.008.1A	Bearing		1
5	73503.3380	Circlip		1
6	770.5.250.8B	Screw		2
7	852.1.172.1A	Washer		2
8	884.5.011.1A	A 10 Ring		1
9	702.4.010.2A	Bearing		1
10	852.1.114.1A	Washer		1
11	702.4.009.1A	Bearing		1
12	713.1.128.1B	Spacer		1
13	0400.49.240	Locating bush		2
14	830.1.144.1A	Bracket		1
15	771.5.040.8B	Screw		2
16	251.2.009.1A	Water pump fan		1
17	94247.0014	Fluid sealant		1
18	930.5.005.1A	Seal		1
19	930.5.006.2B	Mechanical seal		1
20	852.1.176.1A	Washer		2
21	881.1.030.1A	Holder		1
22	771.5.072.2B	Screw		1

NOTES NO.	CODE NO.	DESCRIPTION	VALIDITY	Q.TY 
-----------	----------	-------------	----------	--

DRAWING 011a WATER PUMP - ALTERNATOR COVER



DRAWING 011a WATER PUMP - ALTERNATOR COVER

NOTES NO.	CODE NO.	DESCRIPTION	VALIDITY	Q.TY 
1	247.1.083.1AE	Chain cover		1
2	771.5.066.8B	Screw		5
3	779.1.198.2A	Cap		1
4	93783.1524	Seal ring		1
5	886.4.035.1A	O-ring		1
6	247.1.002.1BC	Cover		1
7	777.5.049.8B	Screw		2
8	552.4.020.1A	Sensor		1
9	788.1.066.1AA	Gasket th.0,6		2
9	788.1.066.1AB	Gasket th.0,8		1
9	788.1.066.1AC	Gasket th.1,0		1
10	886.4.003.1A	O-ring		1
11	771.5.069.8B	Screw		10
12	668.1.001.3A	Water pump delivery filler		2
13	247.2.166.2A	Complete water pump cover		1
14	242.2.062.1A	Generator cover		1
15	852.5.023.1A	Gasket		1
16	780.5.001.1A	Cap		1
17	852.5.024.1A	Gasket th.1		1
18	860.1.004.1A	Locating dowel		2
19	771.5.064.2B	Screw		2
20	852.1.120.1A	Aluminium gasket		1
21	853.1.003.1A	Spring washer		1
22	242.2.038.2BB	Generator cover		1
23	254.4.001.1A	Oil level sight glass		1
24	771.5.067.8B	Screw		2
25	771.5.071.8B	Screw		3

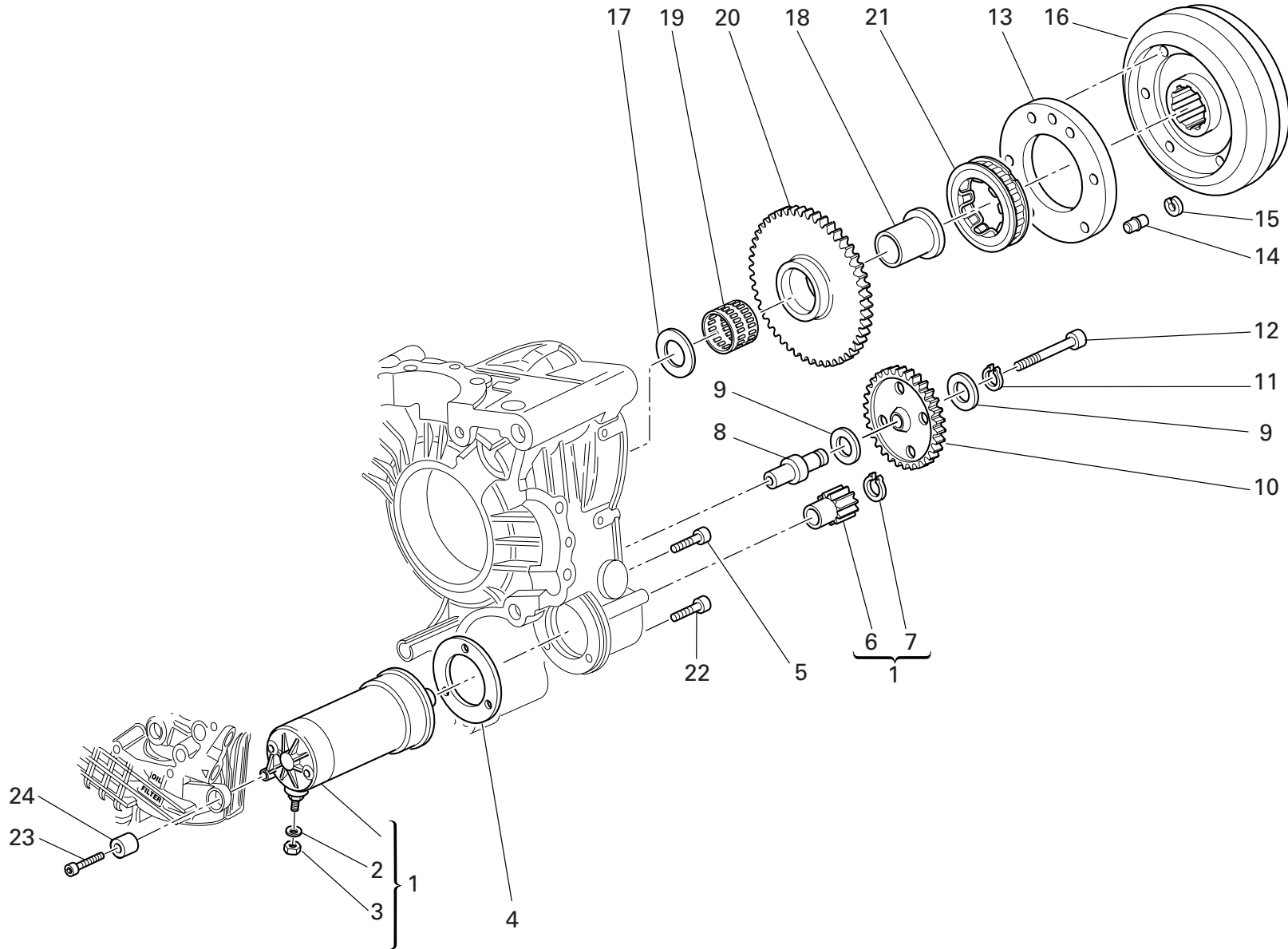
NOTES NO.	CODE NO.	DESCRIPTION	VALIDITY	Q.TY 
-----------	----------	-------------	----------	--

CATALOGUE No: 915.1.202.2A  
ISSUED: 05 - 04

CATALOGUE No: 915.1.202.2A  
ISSUED: 05 - 04

DRAWING 012

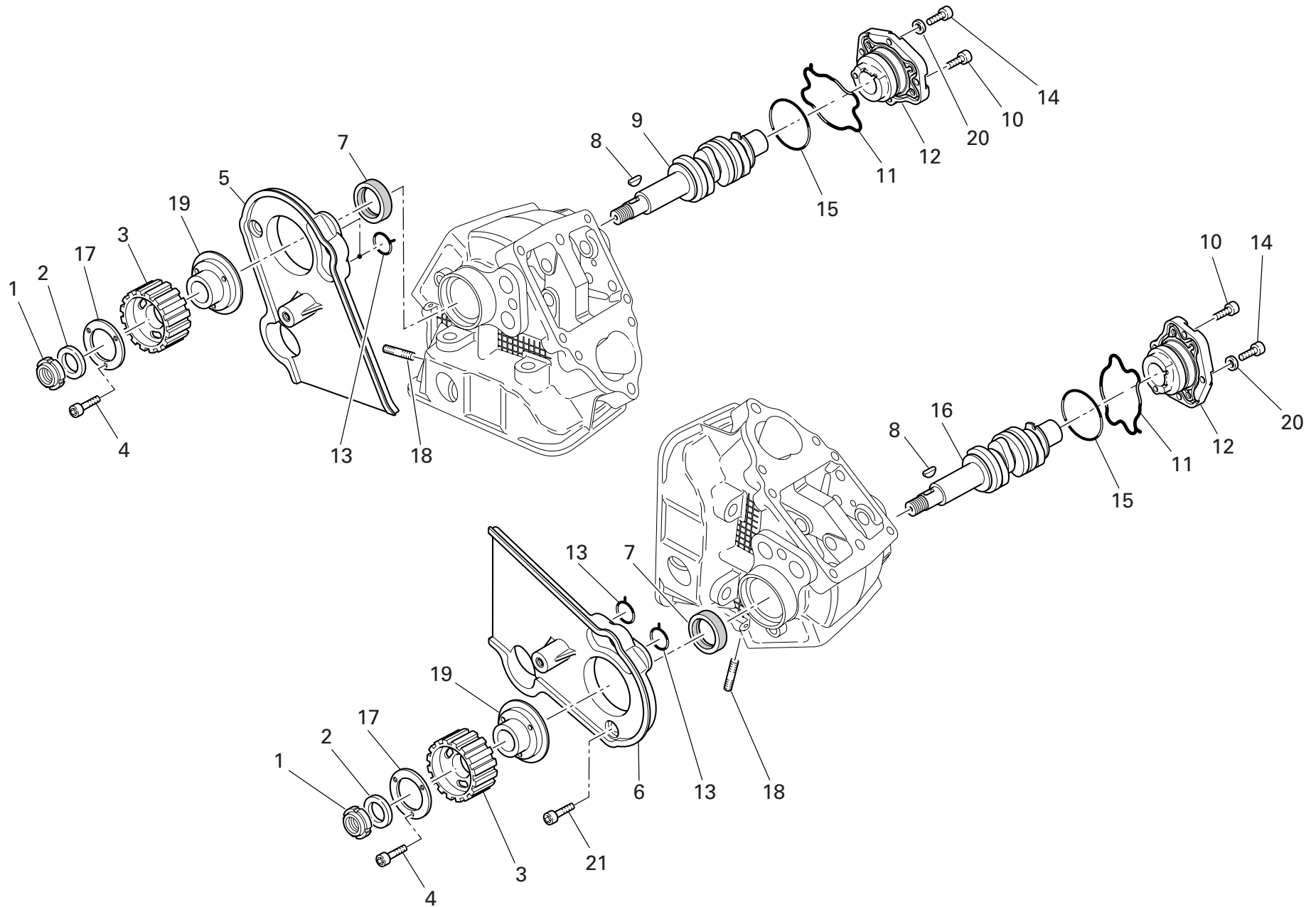
ELECTRIC STARTER AND IGNITION




DRAWING 012 ELECTRIC STARTER AND IGNITION

NOTES NO.	CODE NO.	DESCRIPTION	VALIDITY	Q.TY 
1	270.4.005.1A	Complete starter motor		1
2	853.1.003.1A	Spring washer		1
3	750.1.121.1A	Nut		1
4	788.1.054.1A	Starter motor gasket		1
5	771.5.066.8B	Screw		2
6	176.1.001.1A	Starter motor sprocket		1
7	73500.1237	Circlip		1
8	0660.50.020	Intermediate gear pin		1
9	856.1.071.1A	Washer		2
10	176.1.009.1A	Intermediate gear assembly		1
11	73500.1440	Circlip		1
12	771.5.078.8B	Screw		1
13	160.1.057.1A	Flange		1
14	863.1.002.1A	Locating pin		1
15	882.1.012.1A	Check ring		1
16	276.1.028.1B	Ignition flywheel		1
17	0619.50.065	Washer		1
18	881.1.010.1C	Inner ring		1
19	701.4.003.1A	Needle bearing		1
20	173.1.012.3A	Electric starter driven gear		1
21	701.4.007.1A	Starter clutch		1
22	771.5.069.8B	Screw		1
23	771.5.071.8B	Screw		1
24	700.1.036.1A	Flexible bush		1

NOTES NO.	CODE NO.	DESCRIPTION	VALIDITY	Q.TY 
-----------	----------	-------------	----------	--

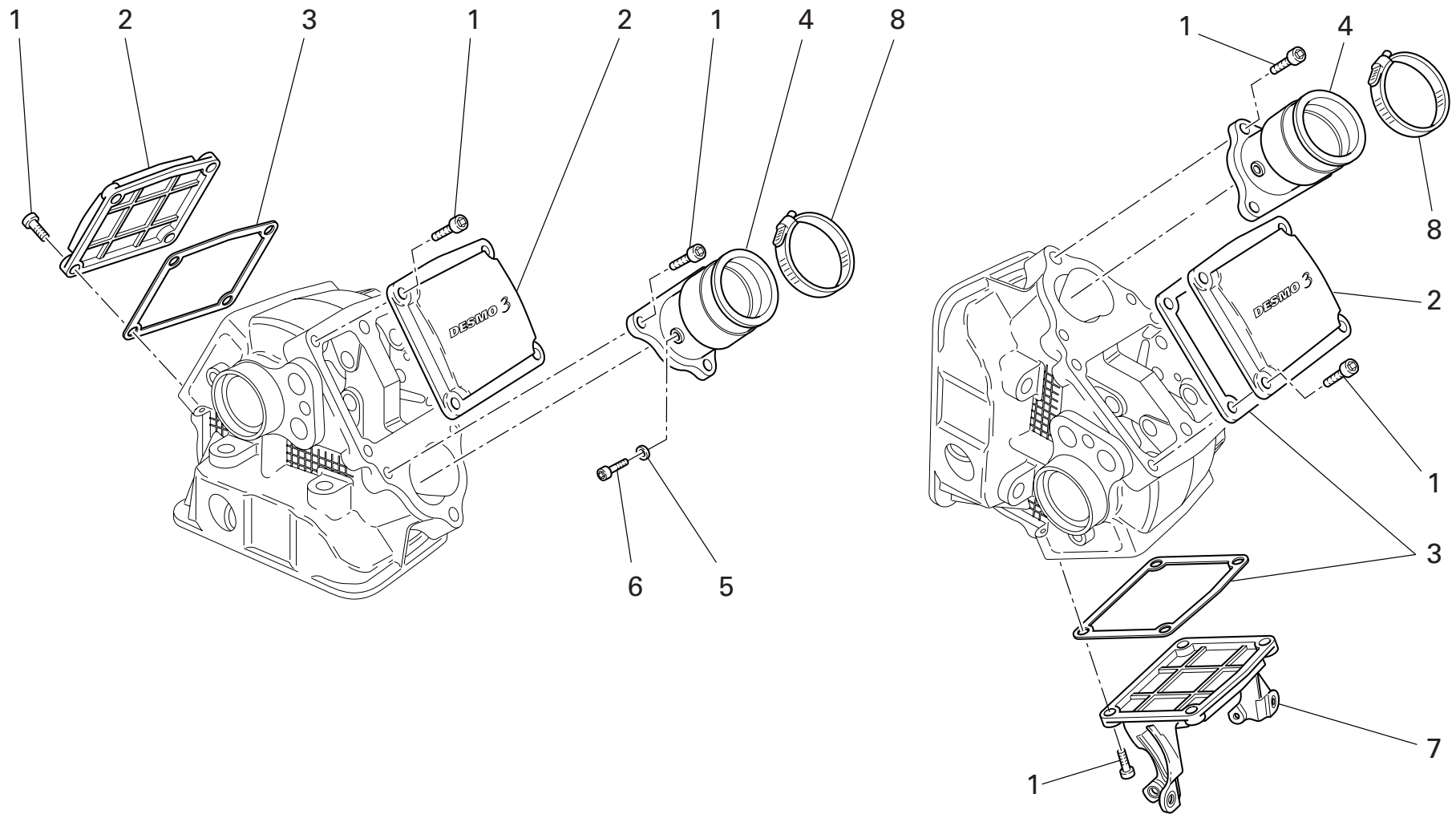


DRAWING 013 HEAD : TIMING


NOTES NO.	CODE NO.	DESCRIPTION	VALIDITY	Q.TY 
1	72944.1542	Elastic-stop ring nut		2
2	852.1.173.1A	Washer		2
3	255.1.024.1A	Timing belt roller		2
4	779.5.030.2A	Screw		6
5	245.1.054.1A	Vertical belt inner cover		1
6	245.1.057.1A	Horizontal belt inner cover		1
7	930.5.007.1A	Seal ring		2
8	74172.1008	Woodruff key		2
9	148.1.143.1A	Vertical head camshaft		1
10	771.5.067.8B	Screw		4
11	788.1.071.1A	O-ring		2
12	235.1.036.1A	Side cap		2
13	788.1.075.1A	O-ring		4
14	771.5.063.8B	Screw		2
15	886.4.060.1A	O-ring		2
16	148.1.142.1A	Horizontal head camshaft		1
17	856.1.074.2A	Special washer		2
18	766.4.019.1A	Stud bolt		8
19	160.1.105.1A	Flange		2
20	852.5.023.1A	Gasket		2
21	771.1.026.3A	Screw		4

NOTES NO.	CODE NO.	DESCRIPTION	VALIDITY	Q.TY 
-----------	----------	-------------	----------	--

DRAWING 013a COLLECTORS AND HEAD COVERS



DRAWING 013a COLLECTORS AND HEAD COVERS

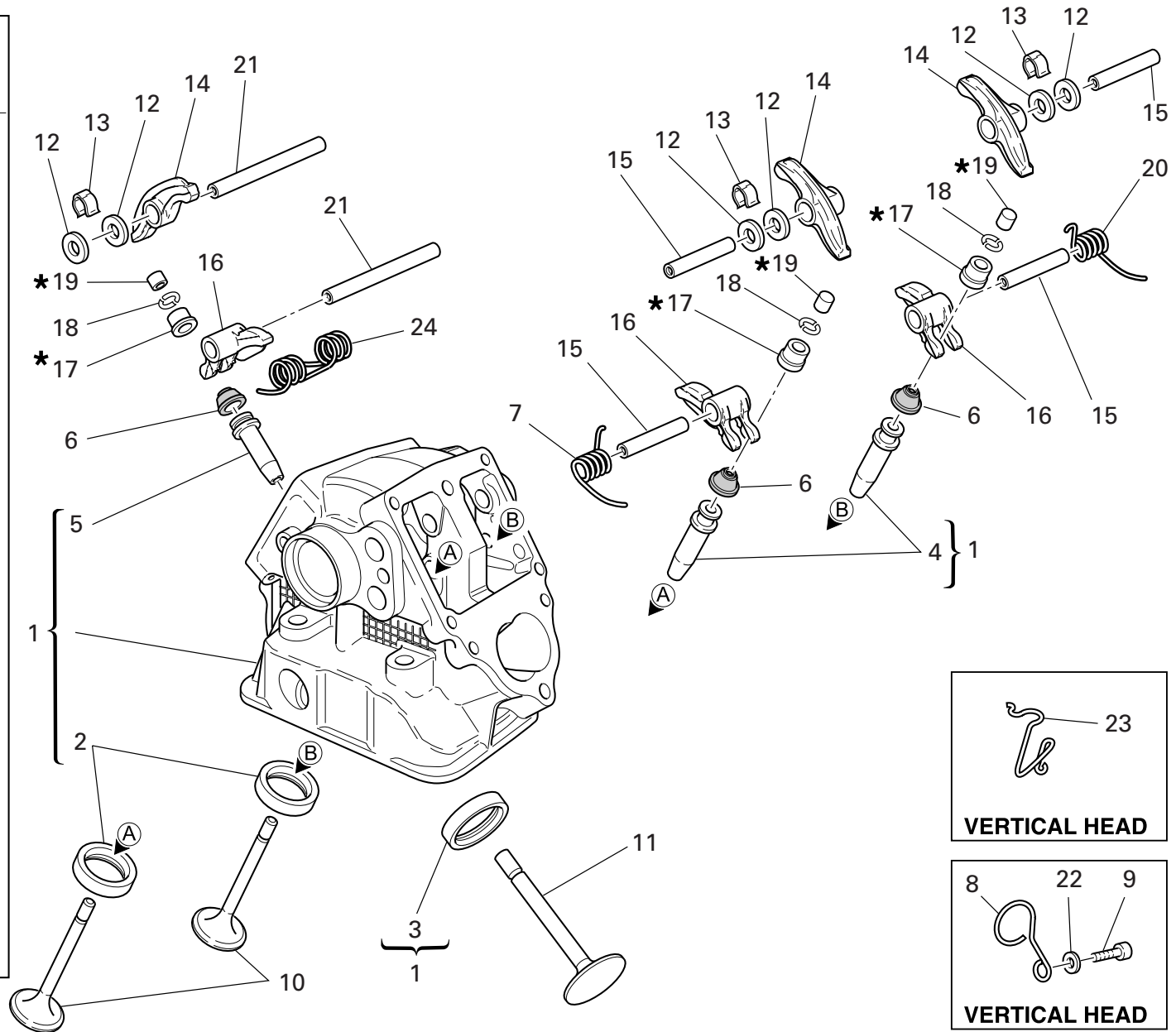
NOTES NO.	CODE NO.	DESCRIPTION	VALIDITY	Q.TY 
1	771.5.067.8B	Screw		22
2	240.1.029.1A	Valve cover		3
3	788.1.074.1A	Head gasket		4
4	140.2.033.1A	Intake manifold		2
5	852.5.025.1A	Aluminium gasket th.1		2
6	771.5.062.8B	Screw		2
7	240.1.032.1A	Exhaust valve cover (horizontal)		1
8	741.4.067.1A	Hose guide		2

NOTES NO.	CODE NO.	DESCRIPTION	VALIDITY	Q.TY 
-----------	----------	-------------	----------	--


DRAWING 014


VERTICAL HEAD

19		17	
Registro bilanc. apertura		Registro bilanc. chiusura	
Adjustment		Adjustment	
Règlage		Règlage	
Ventilkäppchen		Ventilkäppchen	
840.1.031.1A — 1,8	840.1.047.1B — 2,5		
840.1.032.1A — 1,85	840.1.048.1B — 2,55		
840.1.033.1A — 1,9	840.1.049.1B — 2,6		
840.1.034.1A — 1,95	840.1.050.1B — 2,65		
840.1.001.1A — 2	840.1.051.1B — 2,7		
840.1.002.1A — 2,05	840.1.052.1B — 2,75		
840.1.003.1A — 2,1	840.1.053.1B — 2,8		
840.1.004.1A — 2,15	840.1.054.1B — 2,85		
840.1.005.1A — 2,2	840.1.055.1B — 2,9		
840.1.006.1A — 2,25	840.1.056.1B — 2,95		
840.1.007.1A — 2,3	840.1.057.1B — 3		
840.1.008.1A — 2,35	840.1.058.1B — 3,05		
840.1.009.1A — 2,4	840.1.059.1B — 3,1		
840.1.010.1A — 2,45	840.1.060.1B — 3,15		
840.1.011.1A — 2,5	840.1.061.1B — 3,2		
840.1.012.1A — 2,55	840.1.062.1B — 3,25		
840.1.013.1A — 2,6	840.1.063.1B — 3,3		
840.1.014.1A — 2,65	840.1.064.1B — 3,35		
840.1.015.1A — 2,7	840.1.065.1B — 3,4		
840.1.016.1A — 2,75	840.1.066.1B — 3,45		
840.1.017.1A — 2,8	840.1.067.1B — 3,5		
840.1.018.1A — 2,85	840.1.068.1B — 3,55		
840.1.019.1A — 2,9	840.1.069.1B — 3,6		
840.1.020.1A — 2,95	840.1.070.1B — 3,65		
840.1.021.1A — 3	840.1.071.1B — 3,7		
840.1.022.1A — 3,05	840.1.072.1B — 3,75		
840.1.023.1A — 3,1	840.1.073.1B — 3,8		
840.1.024.1A — 3,15	840.1.074.1B — 3,85		
840.1.025.1A — 3,2	840.1.075.1B — 3,9		
840.1.026.1A — 3,25	840.1.076.1B — 3,95		
840.1.027.1A — 3,3	840.1.077.1B — 4		
840.1.028.1A — 3,35	840.1.078.1B — 4,05		
840.1.029.1A — 3,4	840.1.079.1B — 4,1		
840.1.030.1A — 3,45	840.1.080.1B — 4,15		
840.1.108.1A — 3,5	840.1.081.1B — 4,2		
840.1.109.1A — 3,55	840.1.082.1B — 4,25		
840.1.072.1A — 3,6	840.1.083.1B — 4,3		
840.1.110.1A — 3,65	840.1.084.1B — 4,35		
840.1.111.1A — 3,7	840.1.085.1B — 4,4		
840.1.112.1A — 3,75			
840.1.073.1A — 3,8			



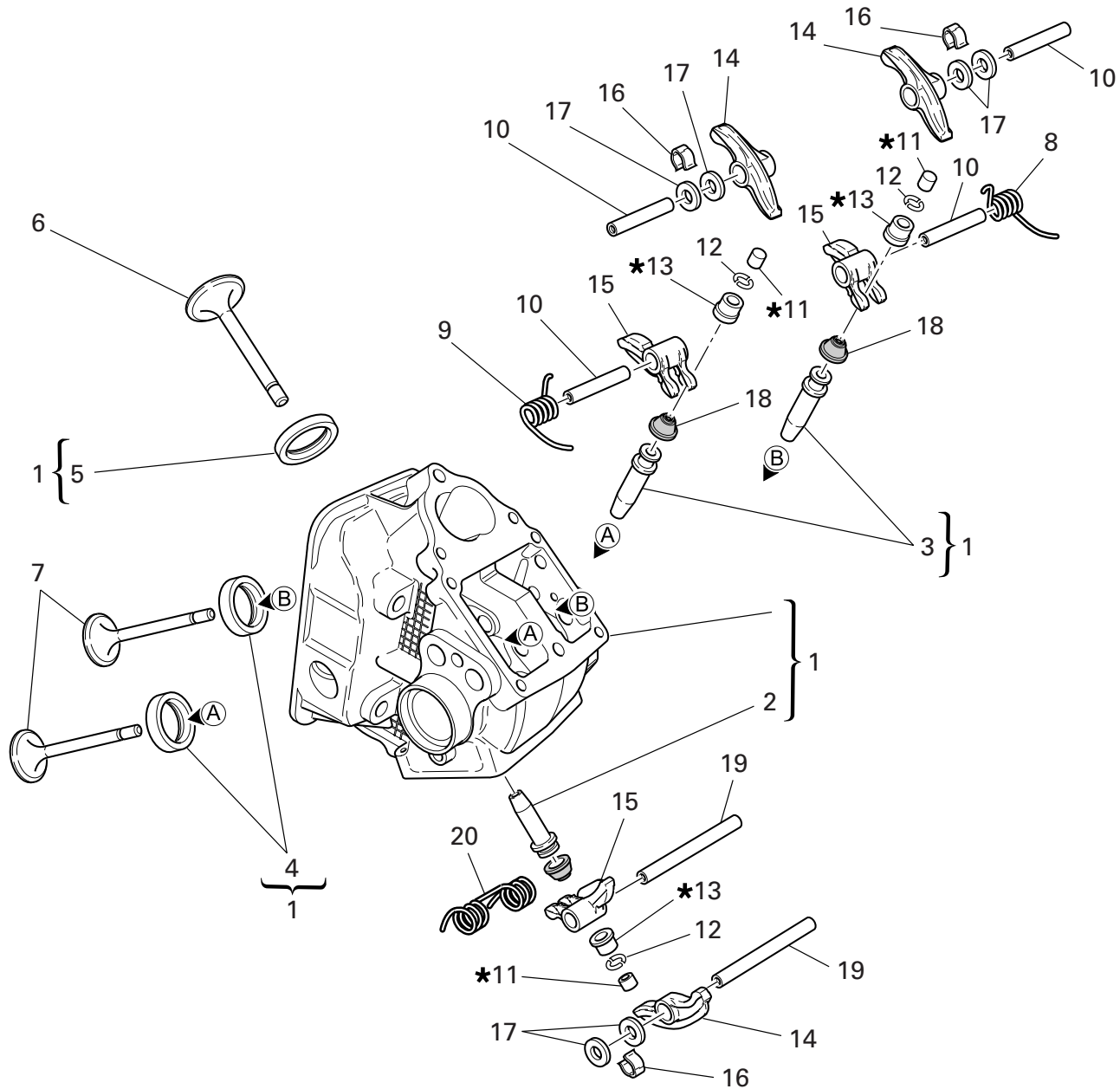
DRAWING 014 VERTICAL HEAD

NOTES NO.	CODE NO.	DESCRIPTION	VALIDITY	Q.TY 
1	301.2.131.1C	Complete vertical head		1
2	304.A.001.1A	Intake valve seat		2
2	304.A.001.1AB	Oversize intake valve seat 0.03		2
2	304.A.001.1AC	Oversize intake valve seat 0.06		2
3	304.A.004.1A	Exhaust valve seat		1
3	304.A.004.1AB	Oversize exhaust valve seat 0.03		1
3	304.A.004.1AC	Oversize exhaust valve seat 0.06		1
4	303.1.039.1A	Intake valve guide		2
4	303.1.039.1AB	Intake valve guide magg. 0,03		2
4	303.1.039.1AC	Intake valve guide magg. 0,06		2
4	303.1.039.1AD	Intake valve guide magg. 0,09		2
5	303.1.025.1A	Exhaust valve guide		2
5	303.1.025.1AB	Oversize valve guide 0.03		1
5	303.1.025.1AC	Oversize valve guide 0.06		1
5	303.1.025.1AD	Oversize valve guide 0.09		1
6	764.1.002.1A	Rubber pad		3
7	799.1.147.1A	R.H. Closing rocker spring		1
8	881.1.043.1A	Hose guide		1
9	60N102511	Screw		1
10	210.1.047.1B	Intake valve		2
11	211.1.043.2B	Exhaust valve		1
12	0795.37.096	Washer		6
13	799.1.179.1A	Spring		3
14	208.1.022.1A	Opening rocker		3
15	821.1.141.1A	Opening rocker shaft		4
16	209.1.026.1B	Closing rocker		3
17	840.2.002.1B	See table		3


NOTES NO.	CODE NO.	DESCRIPTION	VALIDITY	Q.TY 
18	669.1.001.1E	Split rings		6
19	840.2.001.1A	See table		3
20	799.1.146.1A	L.H. Closing rocker spring		1
21	821.1.142.1B	Closing rocker shaft		2
22	852.1.176.1A	Washer		1
23	881.1.030.1A	Holder		1
24	799.1.221.1A	Return spring		1


CATALOGUE No: 915.1.202.2A  
ISSUED: 05 - 04CATALOGUE No: 915.1.202.2A  
ISSUED: 05 - 04

11		13	
Registro bilanc. apertura	Registrazione bilanc. chiusura	Registro bilanc. chiusura	Registrazione bilanc. chiusura
Adjustment	Adjustment	Adjustment	Adjustment
Réglage	Réglage	Réglage	Réglage
Ventilkäppchen	Ventilkäppchen	Ventilkäppchen	Ventilkäppchen
840.1.031.1A — 1,8	840.1.047.1B — 2,5		
840.1.032.1A — 1,85	840.1.048.1B — 2,55		
840.1.033.1A — 1,9	840.1.049.1B — 2,6		
840.1.034.1A — 1,95	840.1.050.1B — 2,65		
840.1.001.1A — 2	840.1.051.1B — 2,7		
840.1.002.1A — 2,05	840.1.052.1B — 2,75		
840.1.003.1A — 2,1	840.1.053.1B — 2,8		
840.1.004.1A — 2,15	840.1.054.1B — 2,85		
840.1.005.1A — 2,2	840.1.055.1B — 2,9		
840.1.006.1A — 2,25	840.1.056.1B — 2,95		
840.1.007.1A — 2,3	840.1.057.1B — 3		
840.1.008.1A — 2,35	840.1.058.1B — 3,05		
840.1.009.1A — 2,4	840.1.059.1B — 3,1		
840.1.010.1A — 2,45	840.1.060.1B — 3,15		
840.1.011.1A — 2,5	840.1.061.1B — 3,2		
840.1.012.1A — 2,55	840.1.062.1B — 3,25		
840.1.013.1A — 2,6	840.1.063.1B — 3,3		
840.1.014.1A — 2,65	840.1.064.1B — 3,35		
840.1.015.1A — 2,7	840.1.065.1B — 3,4		
840.1.016.1A — 2,75	840.1.066.1B — 3,45		
840.1.017.1A — 2,8	840.1.067.1B — 3,5		
840.1.018.1A — 2,85	840.1.068.1B — 3,55		
840.1.019.1A — 2,9	840.1.069.1B — 3,6		
840.1.020.1A — 2,95	840.1.070.1B — 3,65		
840.1.021.1A — 3	840.1.071.1B — 3,7		
840.1.022.1A — 3,05	840.1.072.1B — 3,75		
840.1.023.1A — 3,1	840.1.073.1B — 3,8		
840.1.024.1A — 3,15	840.1.074.1B — 3,85		
840.1.025.1A — 3,2	840.1.075.1B — 3,9		
840.1.026.1A — 3,25	840.1.076.1B — 3,95		
840.1.027.1A — 3,3	840.1.077.1B — 4		
840.1.028.1A — 3,35	840.1.078.1B — 4,05		
840.1.029.1A — 3,4	840.1.079.1B — 4,1		
840.1.030.1A — 3,45	840.1.080.1B — 4,15		
840.1.108.1A — 3,5	840.1.081.1B — 4,2		
840.1.109.1A — 3,55	840.1.082.1B — 4,25		
840.1.072.1A — 3,6	840.1.083.1B — 4,3		
840.1.110.1A — 3,65	840.1.084.1B — 4,35		
840.1.111.1A — 3,7	840.1.085.1B — 4,4		
840.1.112.1A — 3,75			
840.1.073.1A — 3,8			



DRAWING 015 HORIZONTAL HEAD

NOTES NO.	CODE NO.	DESCRIPTION	VALIDITY	Q.TY 
1	301.2.130.1C	Complete horizontal head		1
2	303.1.025.1A	Exhaust valve guide		1
2	303.1.025.1AB	Oversize valve guide 0.03		1
2	303.1.025.1AC	Oversize valve guide 0.06		1
2	303.1.025.1AD	Oversize valve guide 0.09		1
3	303.1.039.1A	Intake valve guide		1
3	303.1.039.1AB	Intake valve guide magg. 0,03		1
3	303.1.039.1AC	Intake valve guide magg. 0,06		1
3	303.1.039.1AD	Intake valve guide magg. 0,09		1
4	304.A.001.1A	Intake valve seat		2
4	304.A.001.1AB	Oversize intake valve seat 0.03		2
4	304.A.001.1AC	Oversize intake valve seat 0.06		2
5	304.A.004.1A	Exhaust valve seat		1
5	304.A.004.1AB	Oversize exhaust valve seat 0.03		1
5	304.A.004.1AC	Oversize exhaust valve seat 0.06		1
6	211.1.043.2B	Exhaust valve		1
7	210.1.047.1B	Intake valve		2
8	799.1.147.1A	R.H. Closing rocker spring		1
9	799.1.146.1A	L.H. Closing rocker spring		1
10	821.1.141.1A	Opening rocker shaft		4
11	840.2.001.1A	See table		3
12	669.1.001.1E	Split rings		6
13	840.2.002.1B	See table		3
14	208.1.022.1A	Opening rocker		3
15	209.1.026.1B	Closing rocker		3
16	799.1.179.1A	Spring		3
17	0795.37.096	Washer		6

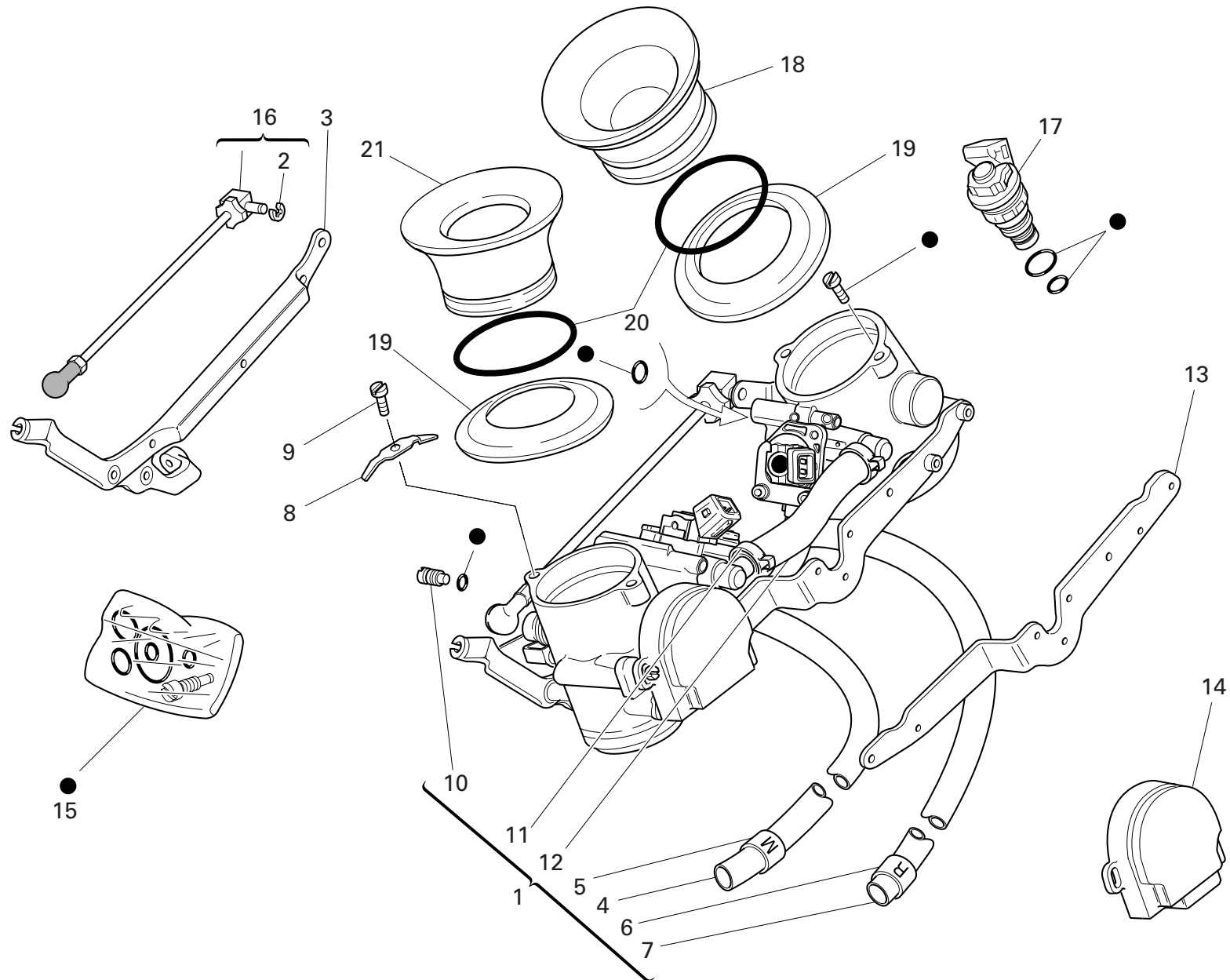
NOTES NO.	CODE NO.	DESCRIPTION	VALIDITY	Q.TY 
18	764.1.002.1A	Rubber pad		2
19	821.1.142.1B	Closing rocker shaft		2
20	799.1.221.1A	Return spring		1

CATALOGUE No: 915.1.202.2A  
ISSUED: 05 - 04


CATALOGUE No: 915.1.202.2A  
ISSUED: 05 - 04

DRAWING 016

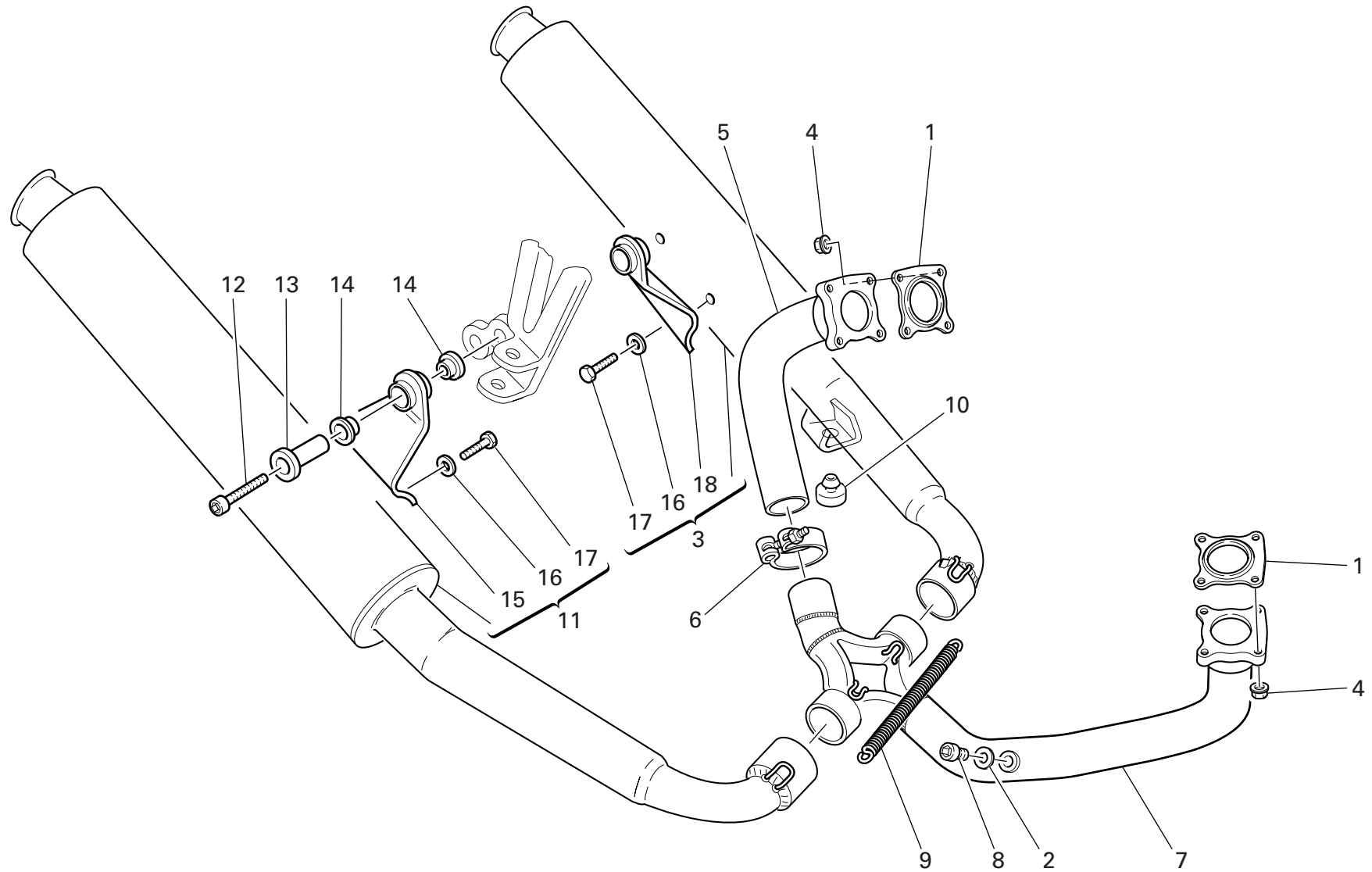
THROTTLE BODY




DRAWING 016 THROTTLE BODY

NOTES NO.	CODE NO.	DESCRIPTION	VALIDITY	Q.TY 
1	282.4.019.1D	Throttle body		1
2	884.5.010.1A	Circlip		1
3	830.1.172.1A	Bracket		1
4	590.1.103.1A	Tube		1
5	741.4.040.1A	Clamp "M"		1
6	741.4.041.1A	Clamp "R"		1
7	590.1.124.1A	Tube		1
8	799.1.052.2A	Spring		4
9	470412	Screw		4
10	287.4.028.1A	Bypass adjusting screw		1
11	287.4.024.1B	Hose guide		4
12	590.1.080.1A	Tube		1
13	830.1.121.1A	Connector holder		1
14	284.4.001.1B	Potentiometer PF09/04		1
15	287.4.029.1A	Repair kit		1
16	287.4.027.1A	Tie rod		1
17	280.4.005.1A	Injector		2
18	802.1.015.1A	Air funnel		1
19	791.1.017.2A	Gasket		2
20	886.5.004.1A	O-ring		2
21	802.1.009.1A	Air funnel		1

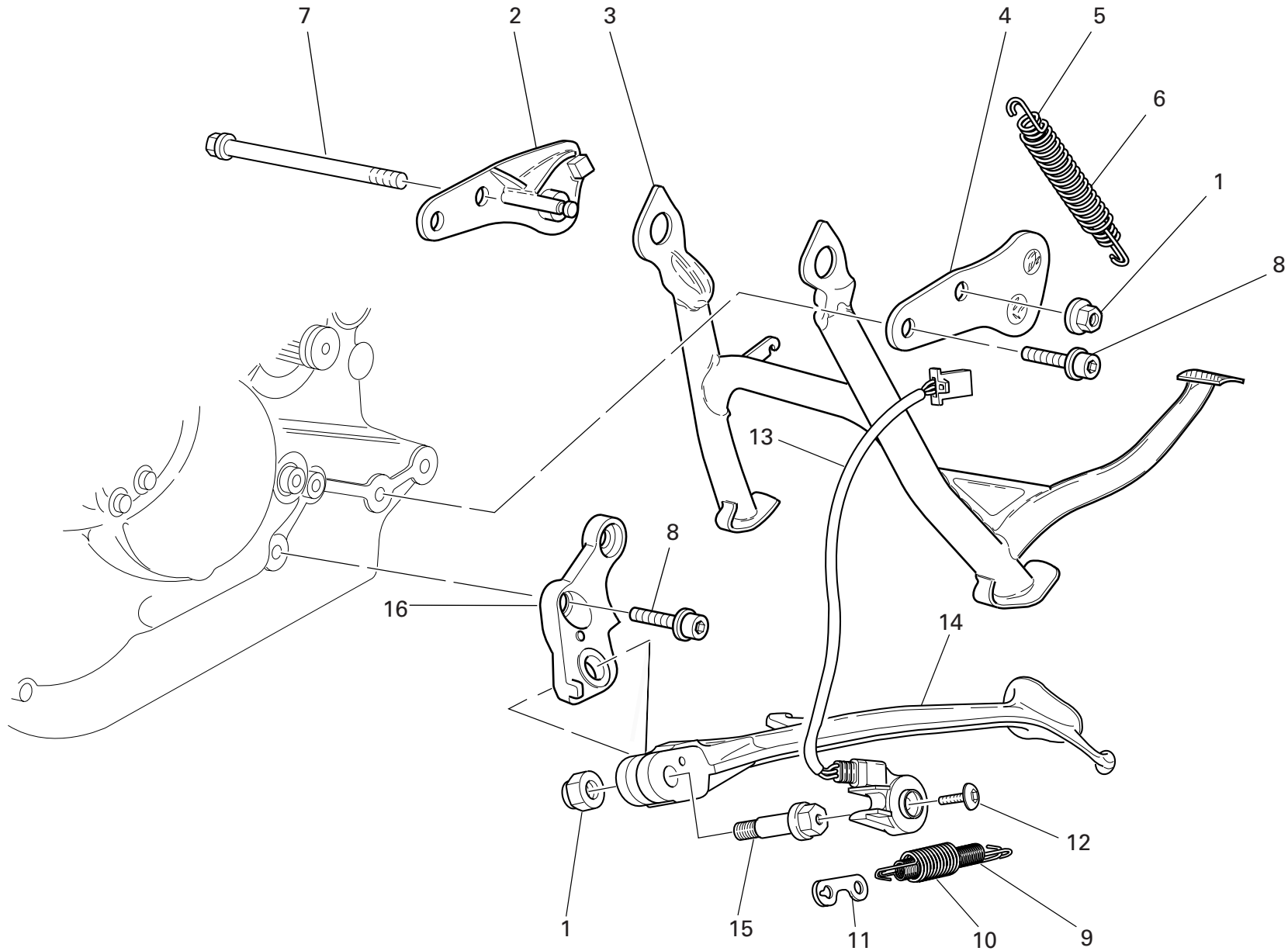
NOTES NO.	CODE NO.	DESCRIPTION	VALIDITY	Q.TY 
-----------	----------	-------------	----------	--



DRAWING 017 EXHAUST SYSTEM

NOTES NO.	CODE NO.	DESCRIPTION	VALIDITY	Q.TY 
1	790.1.007.1A	Exhaust gasket		2
2	852.5.024.1A	Gasket th.1		2
3	574.1.088.1A	L.H. silencer		1
4	748.1.024.1A	Nut		8
5	571.1.100.1A	Vertical head exhaust pipe		1
6	741.1.003.2A	Clamp		1
7	570.1.102.1A	Horizontal head exhaust pipe		1
8	780.1.007.1A	Cap		2
9	799.1.072.1A	Spring		1
10	866.1.061.1A	Rubber pad		1
11	573.1.088.1A	R.H. silencer		1
12	779.5.016.1A	Screw		2
13	684.1.044.1A	Stud bolt		2
14	764.1.001.1A	Rubber pad		4
15	576.1.034.1A	R.H. bracket		1
16	73270.8001	Washer		4
17	70914.2121	Screw		4
18	576.1.035.1A	L.H. bracket		1

NOTES NO.	CODE NO.	DESCRIPTION	VALIDITY	Q.TY 
-----------	----------	-------------	----------	--



DRAWING 018

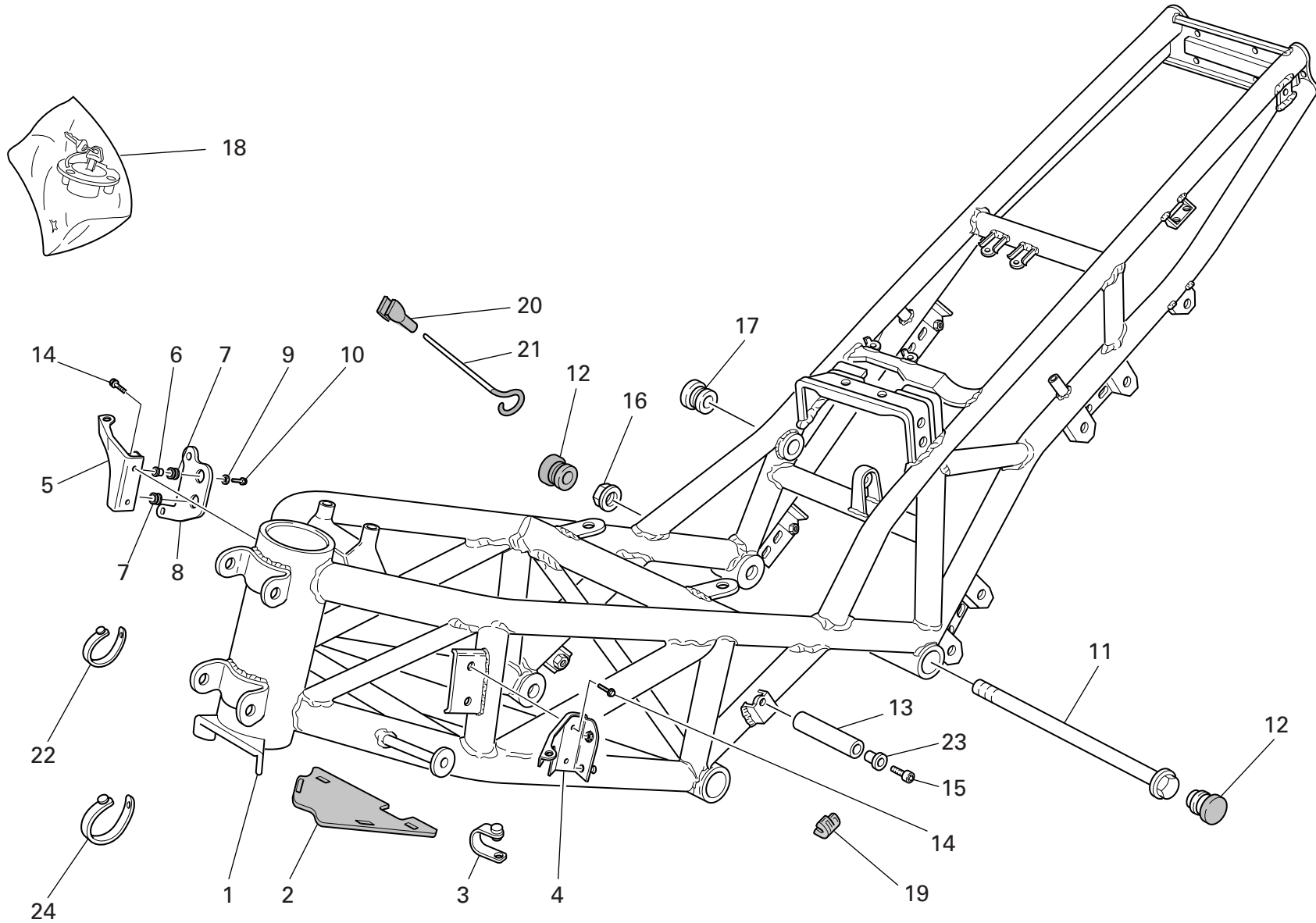
STANDS

NOTES NO.	CODE NO.	DESCRIPTION	VALIDITY	Q.TY 
1	749.4.045.2G	Nut		1
2	555.1.007.1A	R. H. Plate		1
3	555.1.005.1A	Central stand		1
4	555.1.006.1B	L. H. Plate		1
5	799.1.069.1A	Inner spring		1
6	799.1.070.1A	Outer spring		1
7	749.4.045.2G	Nut		1
8	771.5.754.2B	Screw		4
9	799.1.089.1A	Spring		1
10	799.1.088.1A	Outer spring		1
11	827.1.139.2B	Plate		1
12	779.4.005.2A	Screw		1
13	539.1.023.2A	Switch		1
14	556.1.017.1C	Side stand		1
15	556.1.018.1C	Pivot		1
16	556.2.020.1B	Plate		1
17	772.1.001.1A	Screw		1


NOTES NO.	CODE NO.	DESCRIPTION	VALIDITY	Q.TY 
-----------	----------	-------------	----------	--

DRAWING 019

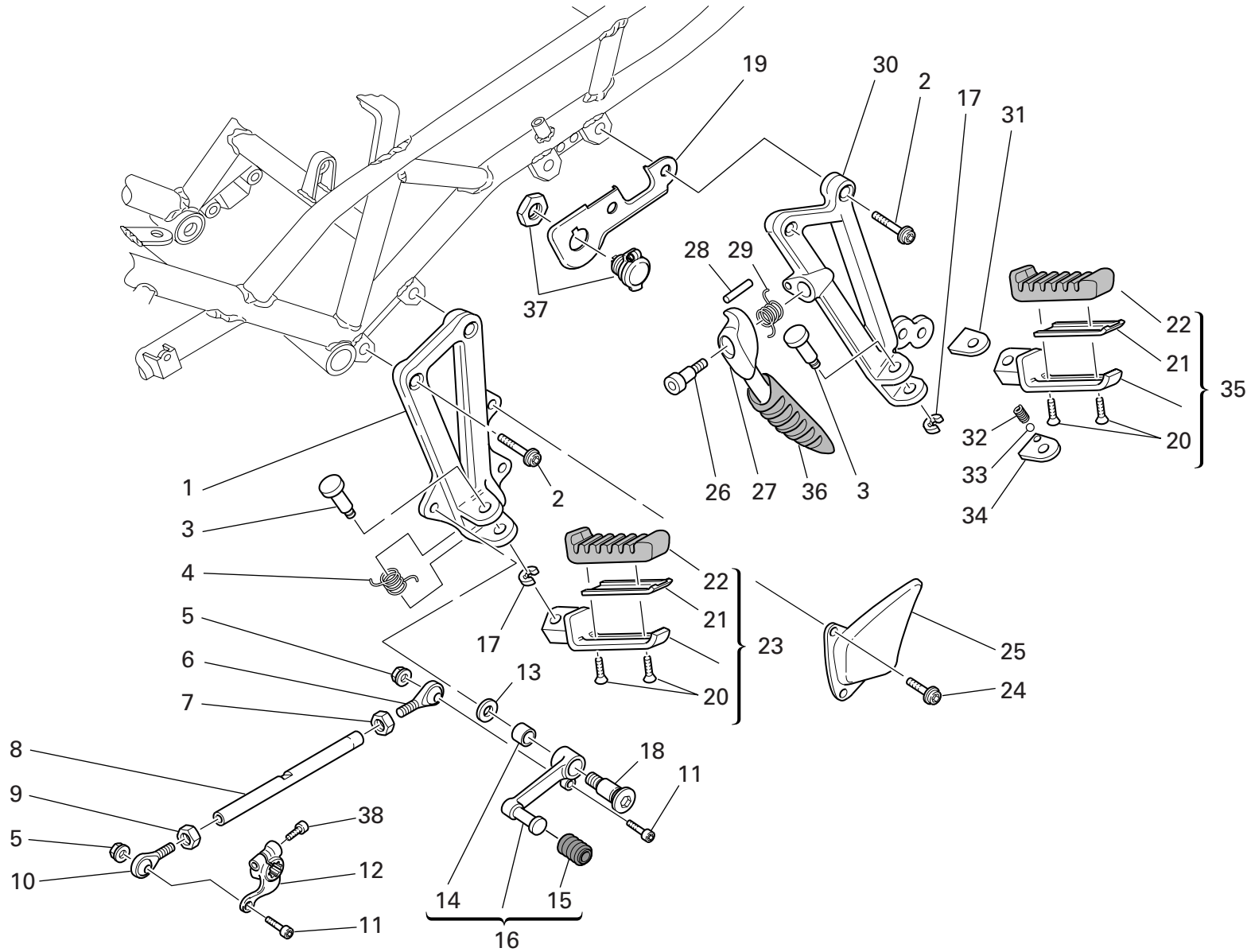
FRAME



DRAWING 019 FRAME


NOTES NO.	CODE NO.	DESCRIPTION	VALIDITY	Q.TY 
1	470.1.081.1AA	Frame (METALLIC DARK GREY)		1
2	460.1.088.1A	Mudflap		1
3	741.1.013.1A	Hose guide		3
4	829.1.170.1AB	L.H. holder		1
5	829.1.169.1AB	R.H. holder		1
6	0000.44099	Spacer		2
7	0797.72.068	Vibration damper pad		2
8	829.1.487.1A	Holder		2
9	8000.56359	Washer		2
10	772.5.024.1A	Screw		2
11	779.1.213.1A	Screw		2
12	872.1.026.1A	Cap		4
13	827.1.121.1A	Stud bolt		2
14	772.5.025.1A	Screw		2
15	60N102511	Screw		2
16	748.4.002.1A	Nut		2
17	872.1.027.1A	Cap		1
18	598.2.017.2A	Locks kit		1
19	866.1.034.1A	Rubber pad		2
20	764.1.010.1A	Rubber pad		1
21	117.2.002.1A	Rod		1
22	741.1.012.1A	Hose guide		1
23	0364.99.020	Bush		2
24	741.4.013.1A	Hose guide		3

NOTES NO.	CODE NO.	DESCRIPTION	VALIDITY	Q.TY 
-----------	----------	-------------	----------	--




DRAWING 020

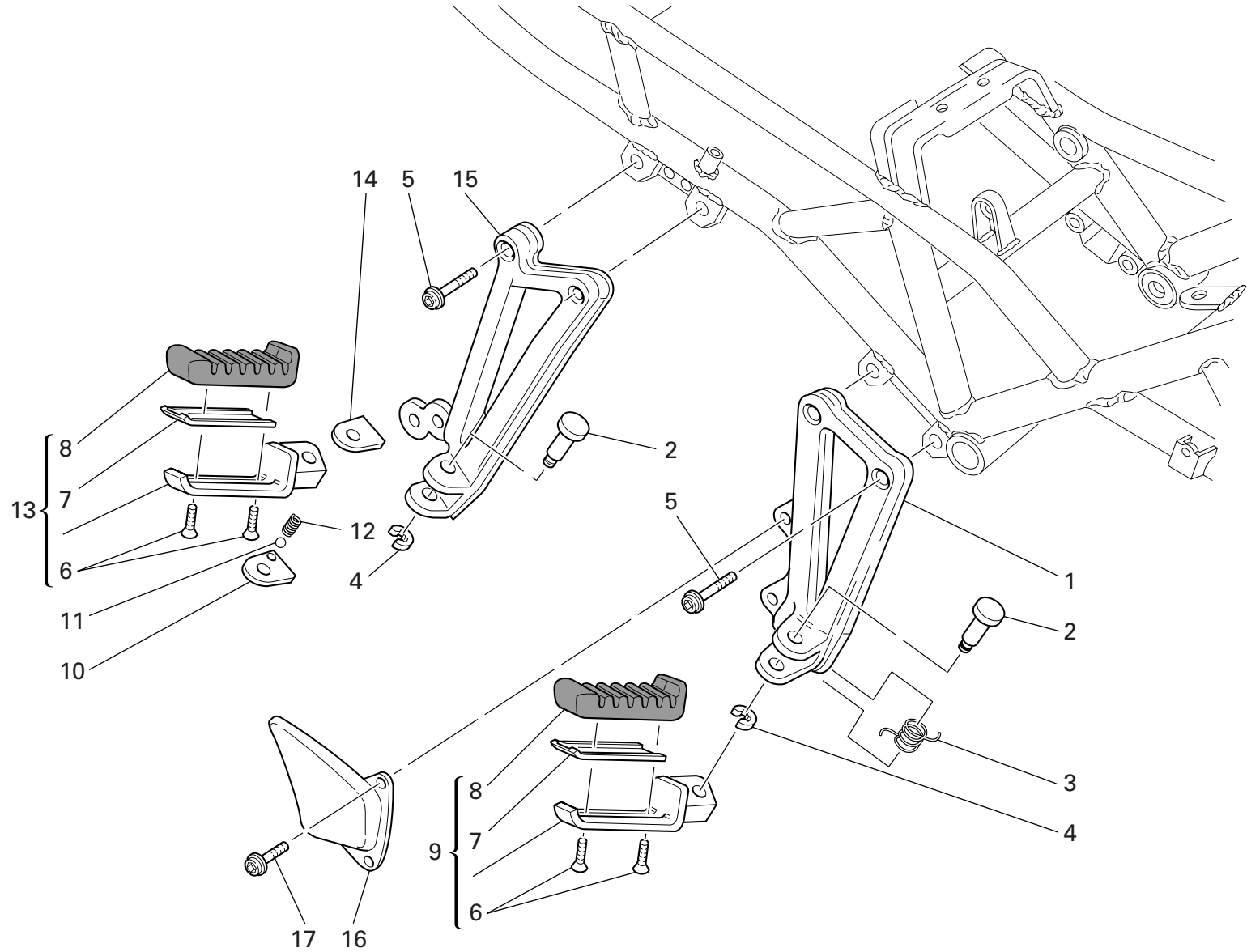
L.H. FOOT RESTS

NOTES NO.	CODE NO.	DESCRIPTION	VALIDITY	Q.TY 
1	824.1.039.1A	L.H. foot peg holder plate		1
2	771.5.725.2B	Screw		4
3	0370.69.920	Pin		2
4	0370.69.910	Spring		1
5	763106N01	El-stop nut		2
6	76401.0003	Ball joint		1
7	747.5.001.1A	L.H. nut		1
8	117.1.033.1A	Gearbox transmission rod		1
9	417.9.030.6A	Nut		1
10	76401.0002	Ball joint		1
11	779.5.011.1A	Screw		2
12	456.1.006.2A	Gearchange control lever		1
13	852.1.053.1A	Washer		1
14	8000.59056	Bush		1
15	765.1.001.1A	Rubber pad		1
16	456.2.009.1A	Gearchange lever		1
17	73500.0827	Circlip		2
18	821.1.170.1A	Pin		1
19	827.1.192.1A	Plate		1
20	777.5.002.1A	Screw		4
21	0370.69.930	Plate		2
22	0370.69.940	Foot peg rubber cover		2
23	0370.69.850	Front L.H. foot peg, complete		1
24	772.5.004.1A	Screw		2
25	460.1.062.1A	Protection		1
26	779.1.159.1A	Screw		1
27	806.1.012.1A	Handle		1


CATALOGUE No: 915.1.202.2A  
ISSUED: 05 - 04

NOTES NO.	CODE NO.	DESCRIPTION	VALIDITY	Q.TY 
28	861.5.003.1A	Spring pin		1
29	799.1.071.1A	Spring		1
30	824.1.041.1C	Rear L.H. foot peg holder plate		1
31	0370.69.970	Plate		1
32	799.1.024.1A	Spring		1
33	847.4.002.1A	Ball		2
34	827.1.045.1A	Keep plate		1
35	0370.69.860	Rear L.H. foot peg, complete		1
36	806.1.013.1A	Handgrip		1
37	386.4.013.2A	Power Point		1
38	779.5.001.1A	Screw		1

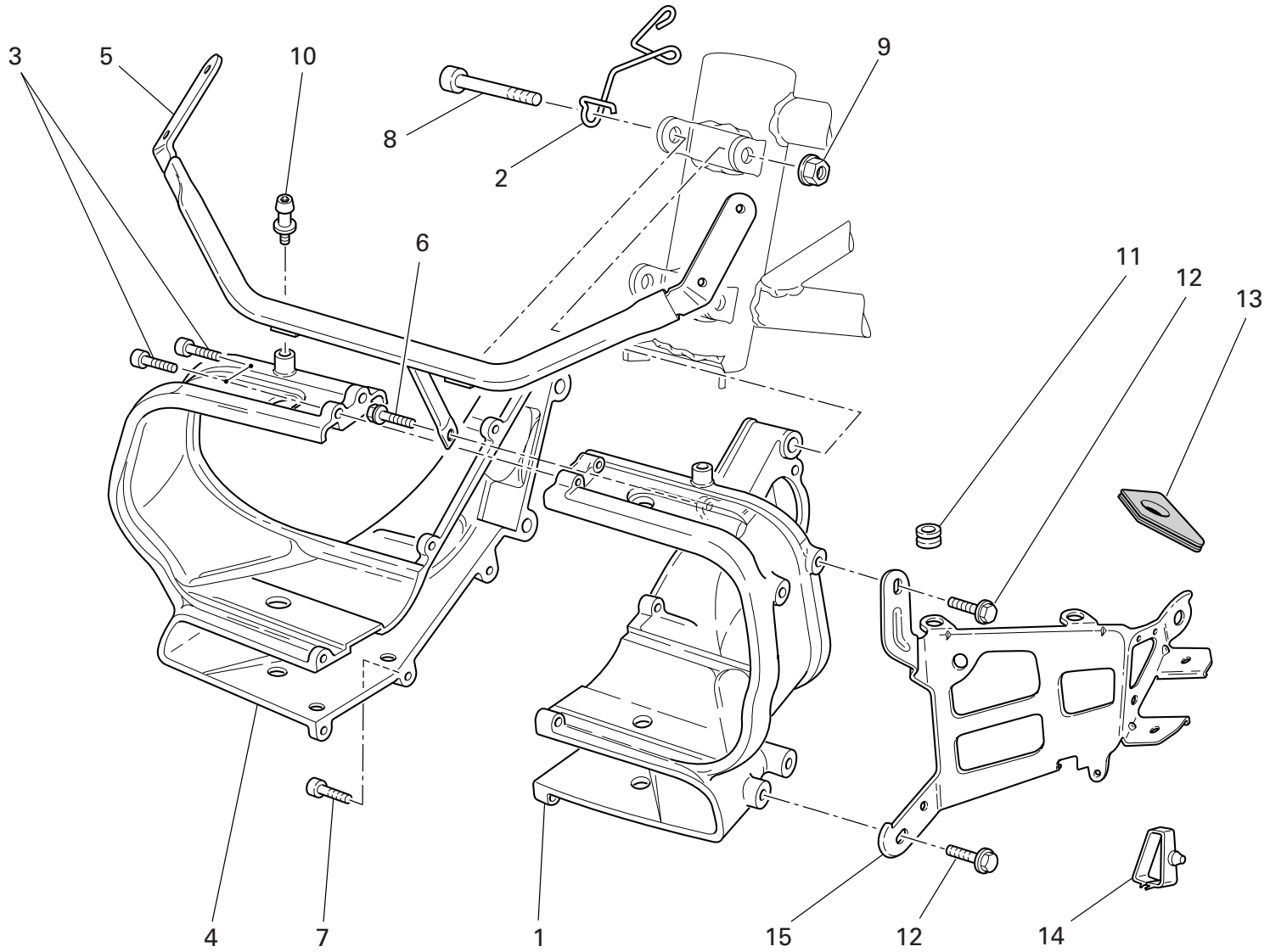
CATALOGUE No: 915.1.202.2A  
ISSUED: 05 - 04




DRAWING 021 R.H. FOOT RESTS

NOTES NO.	CODE NO.	DESCRIPTION	VALIDITY	Q.TY 
1	824.1.040.1B	R.H. foot peg holder plate		1
2	0370.69.920	Pin		2
3	0370.69.910	Spring		1
4	73500.0827	Circlip		2
5	771.5.725.2B	Screw		4
6	777.5.002.1A	Screw		4
7	0370.69.930	Plate		2
8	0370.69.940	Foot peg rubber cover		2
9	0370.69.855	Front R.H. foot peg, complete		1
10	827.1.045.1A	Keep plate		1
11	847.4.002.1A	Ball		2
12	799.1.024.1A	Spring		1
13	0370.69.865	Rear R.H. foot peg, complete		1
14	0370.69.970	Plate		1
15	824.1.042.1C	Rear R.H. foot peg holder plate		1
16	460.1.063.1A	Protection		1
17	772.5.004.1A	Screw		2

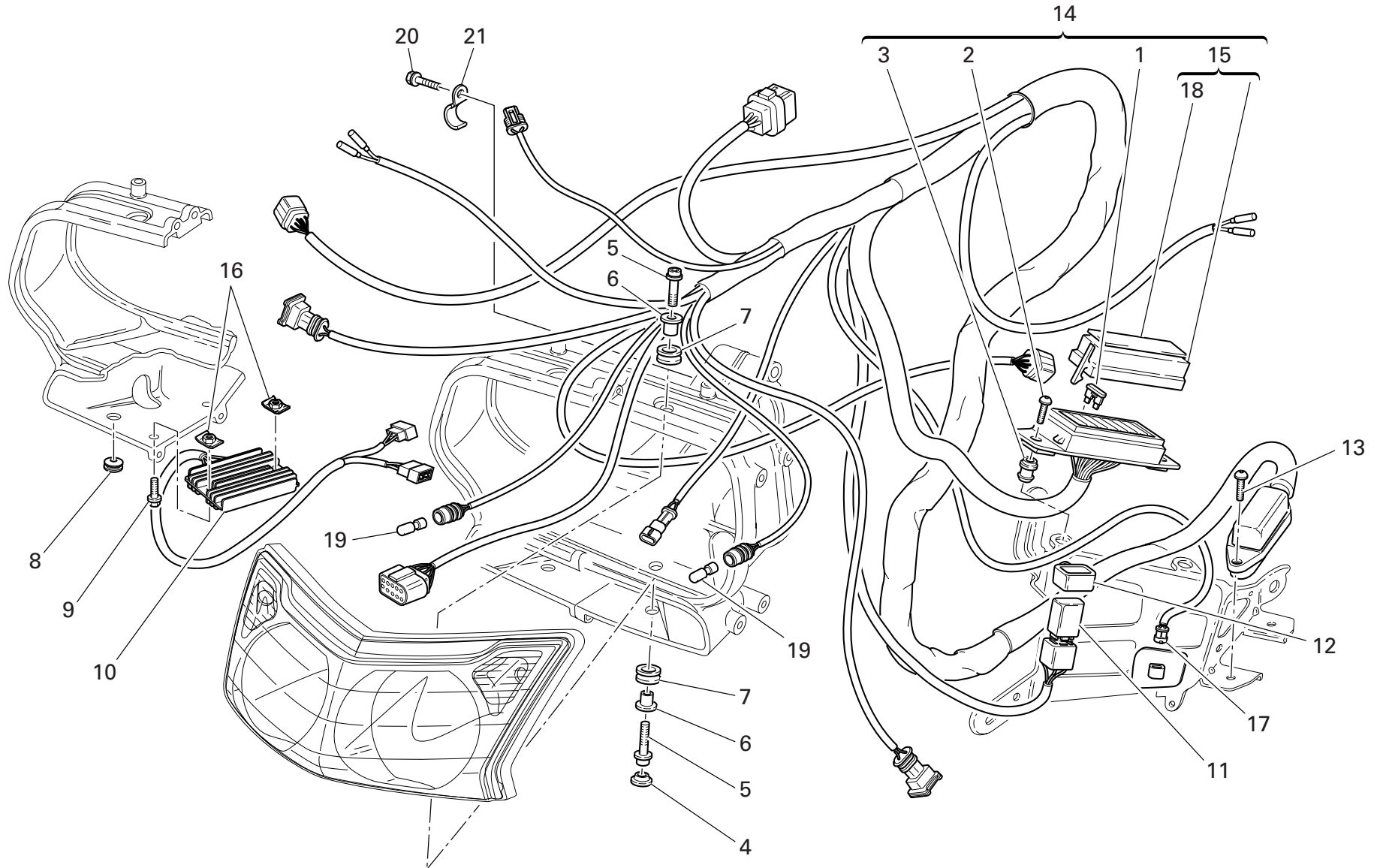
NOTES NO.	CODE NO.	DESCRIPTION	VALIDITY	Q.TY 
-----------	----------	-------------	----------	--



DRAWING 022 HEADLIGHT HOLDER

NOTES NO.	CODE NO.	DESCRIPTION	VALIDITY	Q.TY 
1	829.1.168.1AB	L.H. holder		1
2	758.1.026.1A	Fairlead		1
3	771.5.043.2B	Screw		7
4	829.1.167.2AB	R.H. holder		1
5	829.1.556.1A	Holder		1
6	8A00.67997	Screw		1
7	60N102488	Screw		1
8	771.5.141.2B	Screw		2
9	729908FN1	Nut		2
10	821.1.075.1A	Pin		2
11	0797.72.068	Vibration damper pad		2
12	772.5.024.1A	Screw		3
13	829.1.204.1A	Holder		1
14	0000.60283	Hose guide		1
15	829.1.544.1A	Holder		1

NOTES NO.	CODE NO.	DESCRIPTION	VALIDITY	Q.TY 
-----------	----------	-------------	----------	--



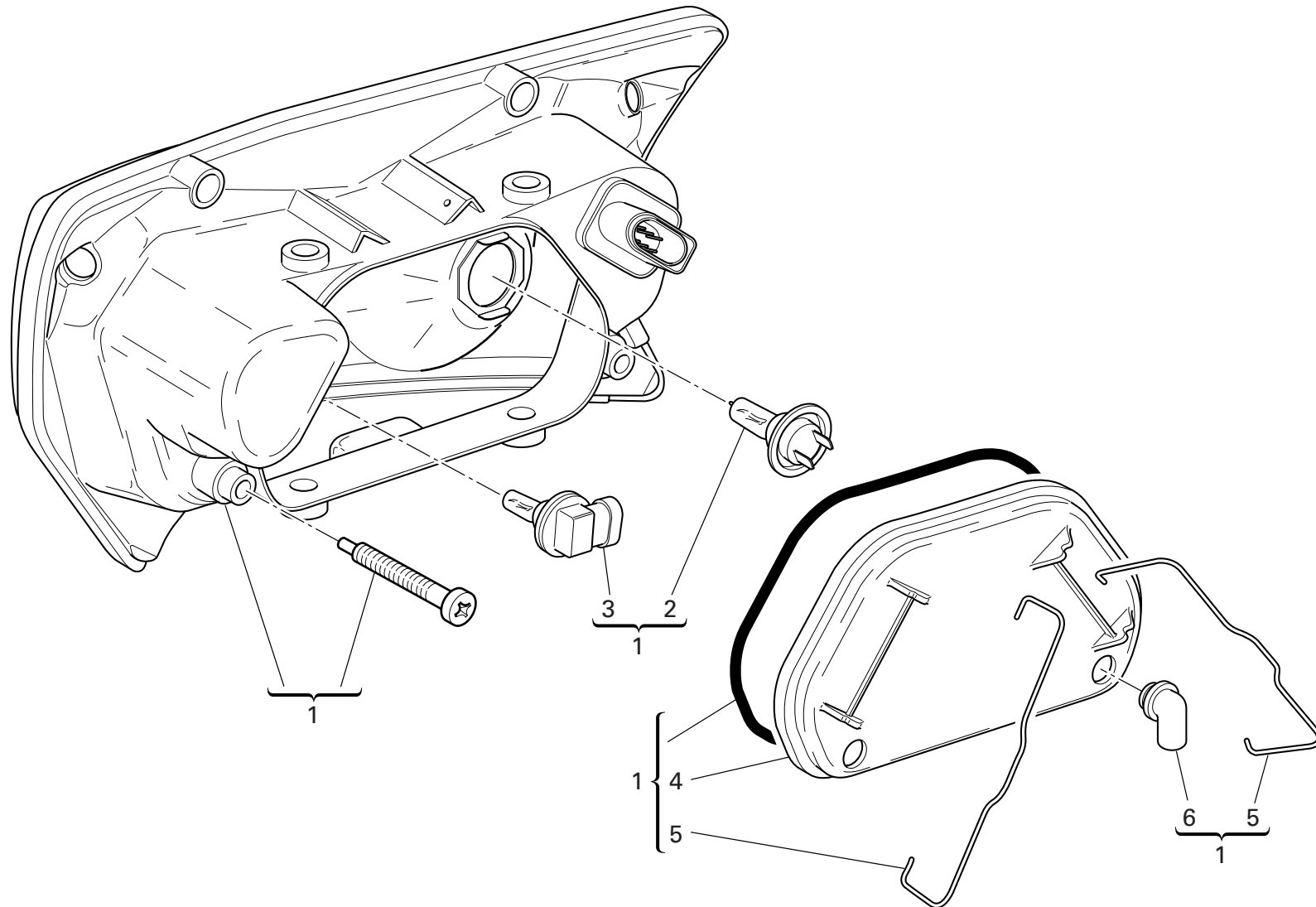
DRAWING 023

HEAD-LIGHT AND ELECTRIC WIRING



NOTES NO.	CODE NO.	DESCRIPTION	VALIDITY	Q.TY 
1	389.4.006.1A	Fuse 3A		1
1	389.4.007.1A	Fuse 7.5A		3
1	389.4.008.1A	Fuse 15A		1
1	389.4.012.1A	Fuse 20A		1
1	389.4.015.1A	Fuse 5A		2
2	779.1.088.1A	Screw		2
3	821.1.054.1A	Pin		2
4	764.4.003.1A	Fairlead		2
5	772.5.023.1A	Screw		4
6	716.1.022.1A	Spacer		4
7	764.1.090.1A	Rubber pad		4
8	0797.72.068	Vibration damper pad		4
9	0000.62730	Screw		2
10	540.4.011.1C	Regulator		1
11	541.4.007.1A	Relay		1
12	829.1.190.1A	Rubber holder		2
13	8000.59572	Screw		2
14	510.1.262.1A	Front wiring		1
15	246.1.009.1G	Cover		1
16	827.1.166.1A	Plate		2
17	552.4.012.1A	Air temperature sensor		1
18	433.1.296.1B	Sticker "schema fusibili"		1
19	390.4.008.1A	Warning lamp bulb 12V-3W		2
20	8A00.67997	Screw		1
21	741.4.062.1A	Clip		2

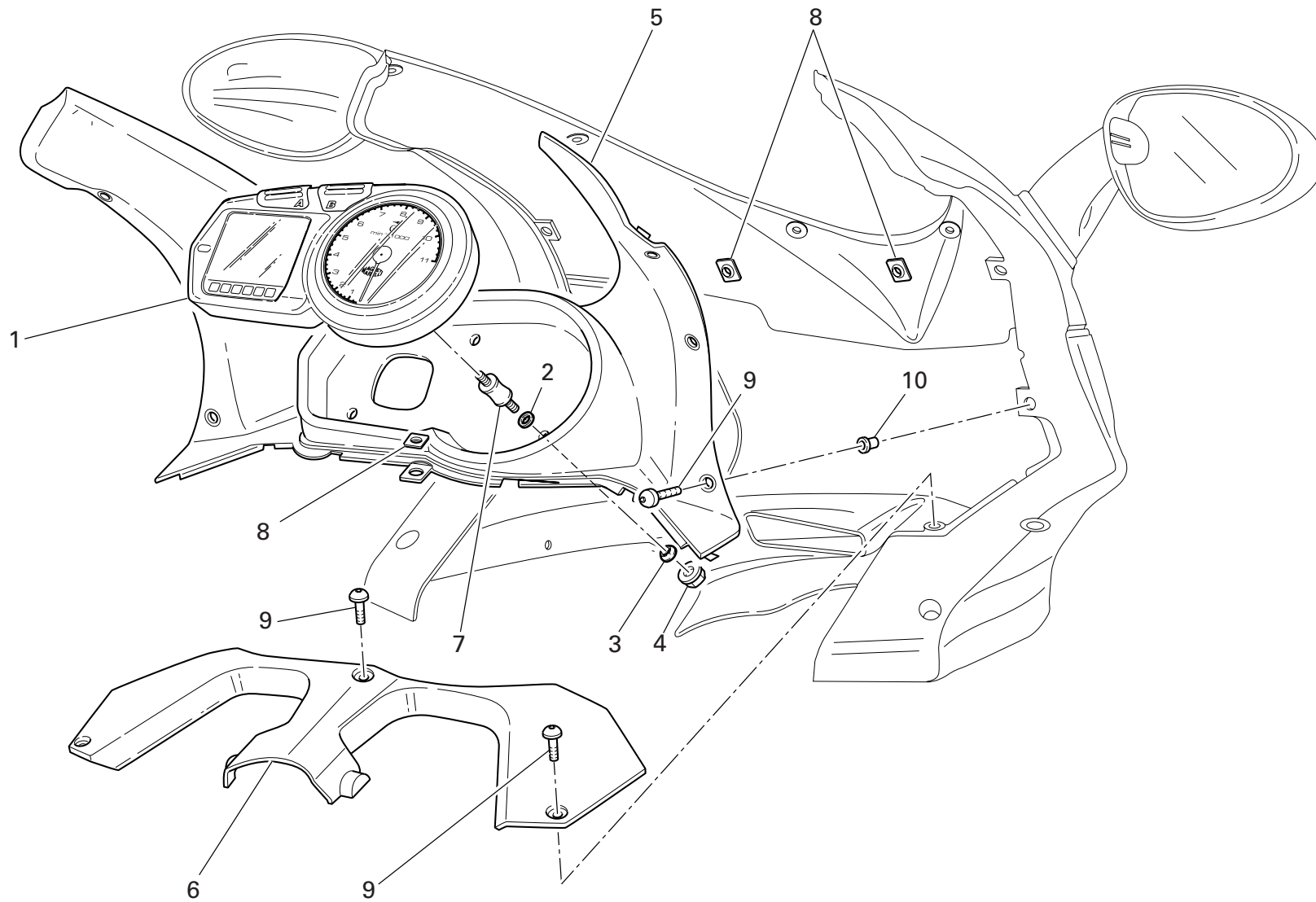
NOTES NO.	CODE NO.	DESCRIPTION	VALIDITY	Q.TY 
-----------	----------	-------------	----------	--

DRAWING 023a FRONT HEAD-LIGHT




DRAWING 023a FRONT HEAD-LIGHT

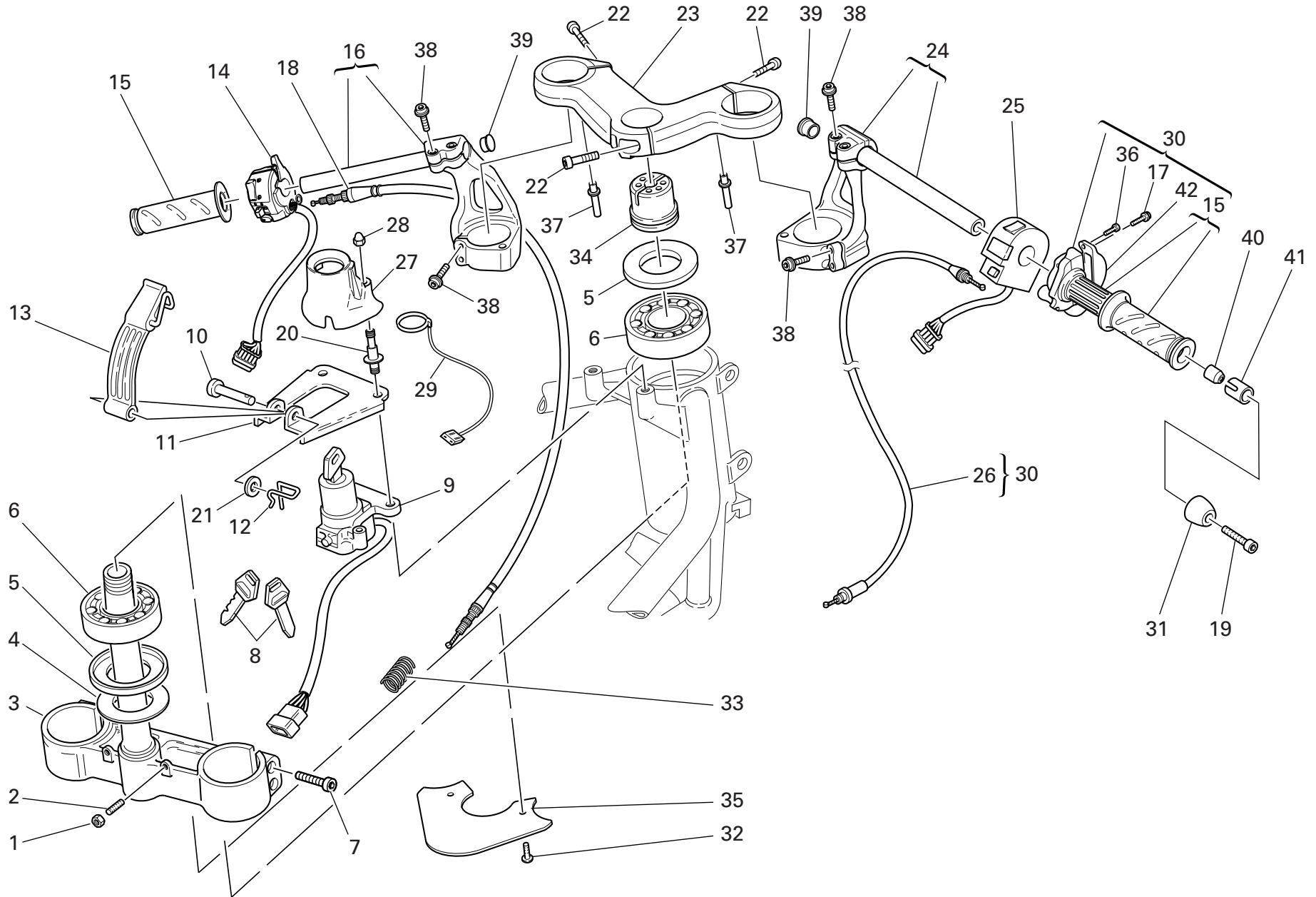
NOTES NO.	CODE NO.	DESCRIPTION	VALIDITY	Q.TY 	NOTES NO.	CODE NO.	DESCRIPTION	VALIDITY	Q.TY 
1	520.1.002.1C	Complete headlight		1					
2	390.4.011.1A	Bulb		1					
3	390.4.014.1A	Bulb		1					
4	246.2.083.1A	Cover		1					
5	799.1.215.1A	Spring		2					
6	672.1.040.1A	Rubber pad		4					



DRAWING 024 INSTRUMENT PANEL

NOTES NO.	CODE NO.	DESCRIPTION	VALIDITY	Q.TY 
1	406.1.020.1B	Complete instrument panel		1
2	734005N01	Spring washer		3
3	716.1.107.1B	Spacer		3
4	748.4.038.1A	Nut		3
5	460.1.174.1A	Front headlight fairing panel		1
6	460.1.175.1A	Rear headlight fairing panel		1
7	700.1.043.1A	Spacer		3
8	850.4.047.1A	Quik fastening		3
9	779.1.050.1A	Screw		9
10	0000.63150	Insert		4

NOTES NO.	CODE NO.	DESCRIPTION	VALIDITY	Q.TY 
-----------	----------	-------------	----------	--




DRAWING 025

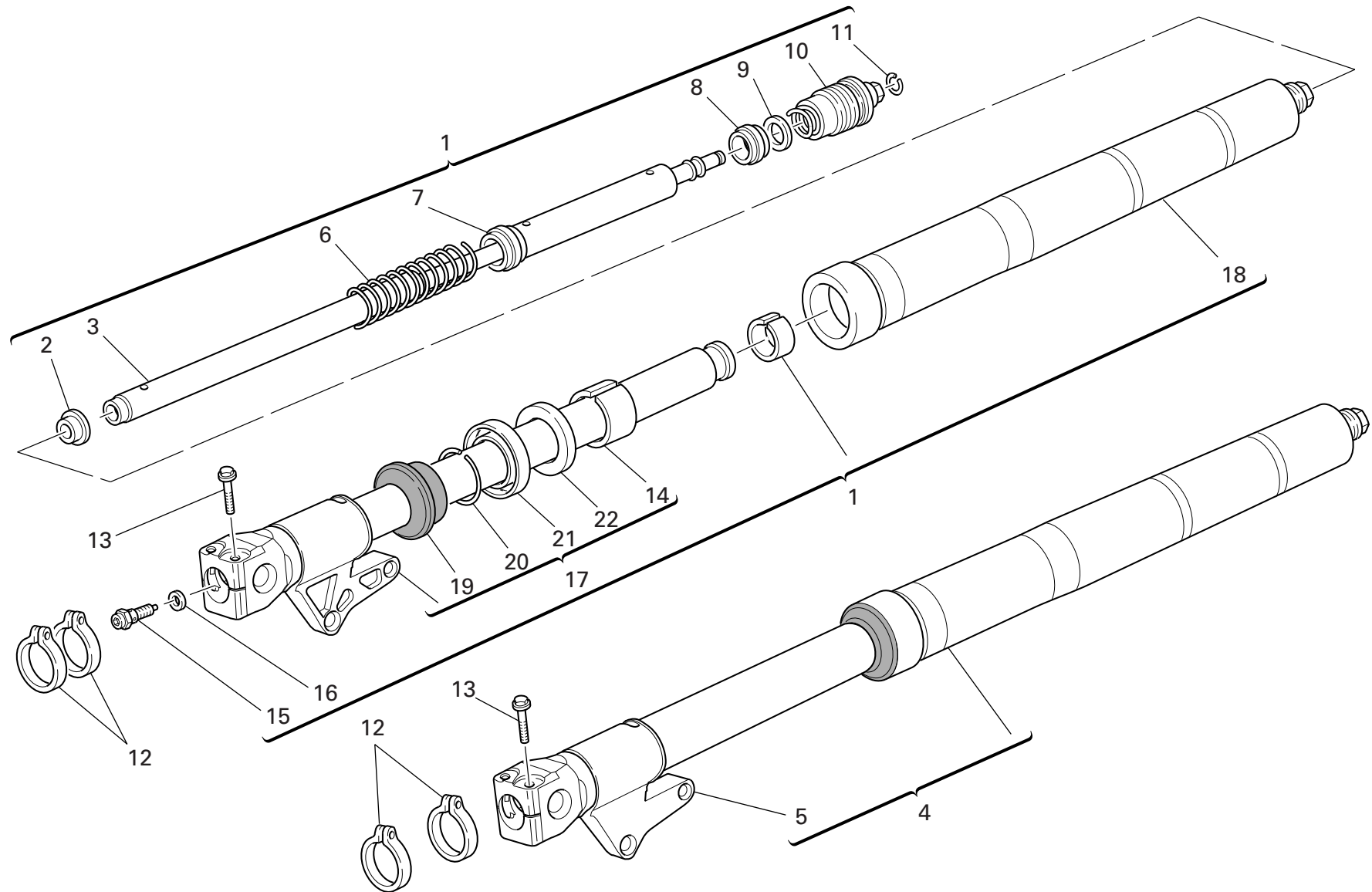
HALF HANDLEBARS AND CONTROLS

NOTES NO.	CODE NO.	DESCRIPTION	VALIDITY	Q.TY 
1	417.9.030.8A	Nut		2
2	779.1.099.1A	Special screw		2
3	342.2.015.1B	Steering head base		1
4	852.1.103.1A	Washer		1
5	930.1.004.1A	Seal ring		2
6	702.4.004.1A	Bearing		2
7	60N102557	Screw		4
8	598.4.016.1A	Wrench with Transponder		1
8	598.4.018.1A	Wrench without Transponder		1
9	652.4.006.1D	Key-operated switch		1
10	821.1.073.1A	Pin		1
11	827.1.122.2A	Plate		1
12	0000.62705	Split pin		1
13	8000.70178	Belt		1
14	651.4.011.1A	L.H. switch		1
15	8000.78345	Grips pair		1
16	360.2.057.1A	L.H. handlebar		1
17	772.5.023.1A	Screw		2
18	657.1.019.1A	Flexible cable		1
19	771.5.074.2B	Screw		2
20	779.1.221.1A	Special screw		2
21	734305N01	Washer		1
22	771.5.725.2B	Screw		3
23	341.2.042.1A	Steering head		1
24	360.2.056.1A	R.H. handlebar		1
25	650.1.002.1A	R.H. switch		1
26	656.1.050.1A	Throttle control transmission		1

CATALOGUE No: 915.1.202.2A  
ISSUED: 05 - 04

NOTES NO.	CODE NO.	DESCRIPTION	VALIDITY	Q.TY 
27	246.1.060.2A	Cover		1
28	749.4.002.1A	Nut		2
29	518.4.004.1B	Antenna		1
30	654.4.006.1A	Throttle control		1
31	153.1.008.1A	Counterweight		2
32	772.5.004.1A	Screw		2
33	799.1.087.1A	Starter control transmission return spring		1
34	703.1.013.1A	Ring nut		1
35	460.1.076.2A	Mudflap		1
36	8000.66774	Screw		2
37	832.1.032.1A	Pin		2
38	771.5.669.2B	Screw		8
39	872.1.048.1A	Cap		2
40	711.1.072.1A	Bush		2
41	710.1.068.1A	Bush		2
42	658.4.002.1B	Cover		1

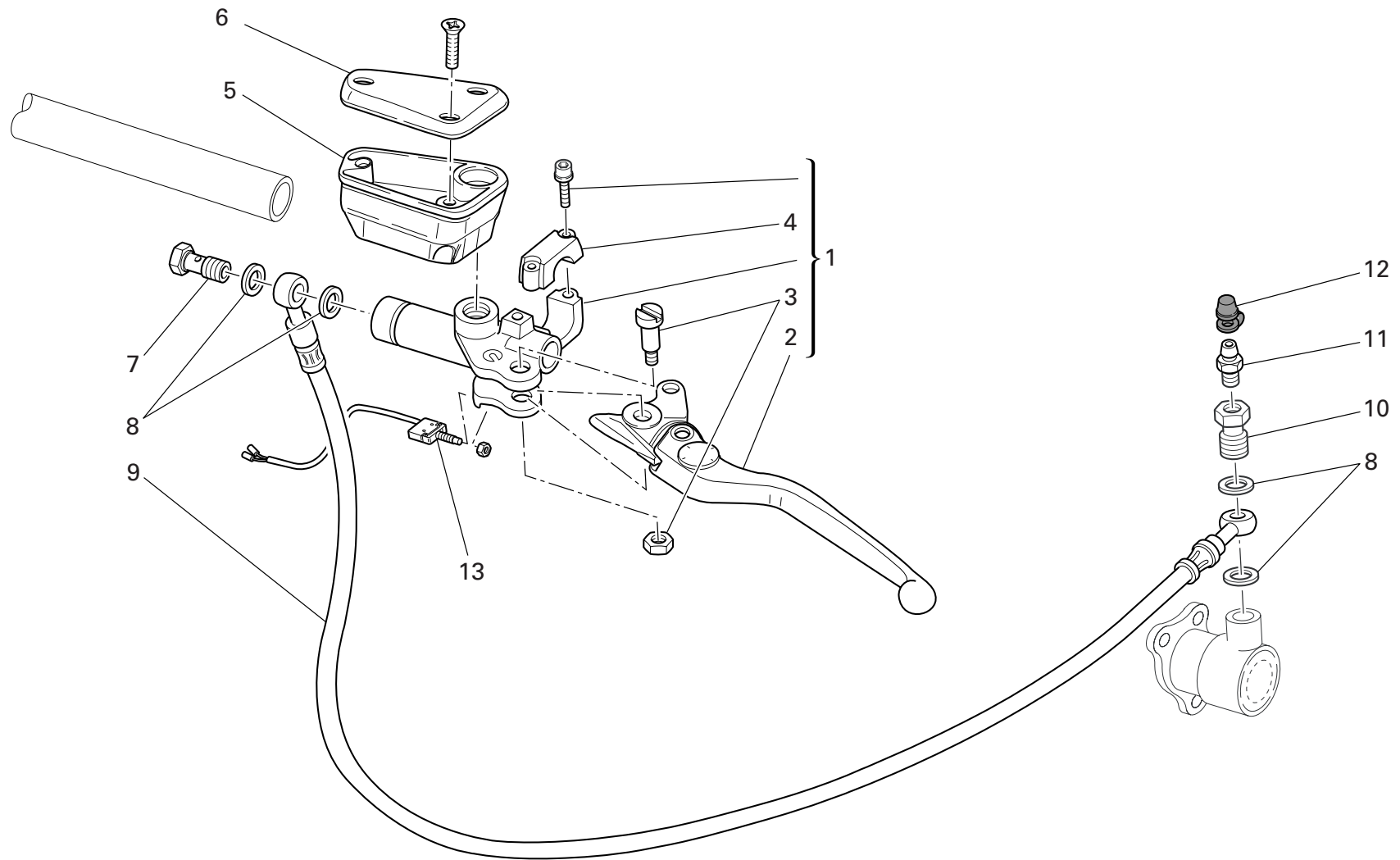
CATALOGUE No: 915.1.202.2A  
ISSUED: 05 - 04




DRAWING 026 FRONT FORK

NOTES NO.	CODE NO.	DESCRIPTION	VALIDITY	Q.TY 
1	340.2.283.1A	R.H. fork leg assembly		1
2	349.1.075.1A	Centering ring		2
3	349.1.198.1A	Damper tube		2
4	340.2.284.1A	L.H. fork leg assembly		1
5	349.1.197.1A	Complete L.H. slider		1
6	366.1.039.1A	Spring		2
7	349.1.097.1A	Spring coupling		2
8	349.1.064.1A	Slider		2
9	349.1.065.1A	Rubber cush drive hub		2
10	349.2.014.1B	Complete cap		2
11	349.1.098.1A	Snap ring		2
12	8000.70127	Hose guide		4
13	8A00.69056	Screw		4
14	349.1.103.1A	Bush		2
15	349.1.124.1A	Adjusting screw		2
16	349.1.076.1A	Washer		2
17	349.1.196.1A	Complete R.H. slider		1
18	349.1.194.1A	Stanchion tube		2
19	349.1.101.1A	Dust seal		2
20	884.1.005.1A	Ring		2
21	930.1.005.1A	Seal ring		2
22	349.1.102.1A	Check ring		2

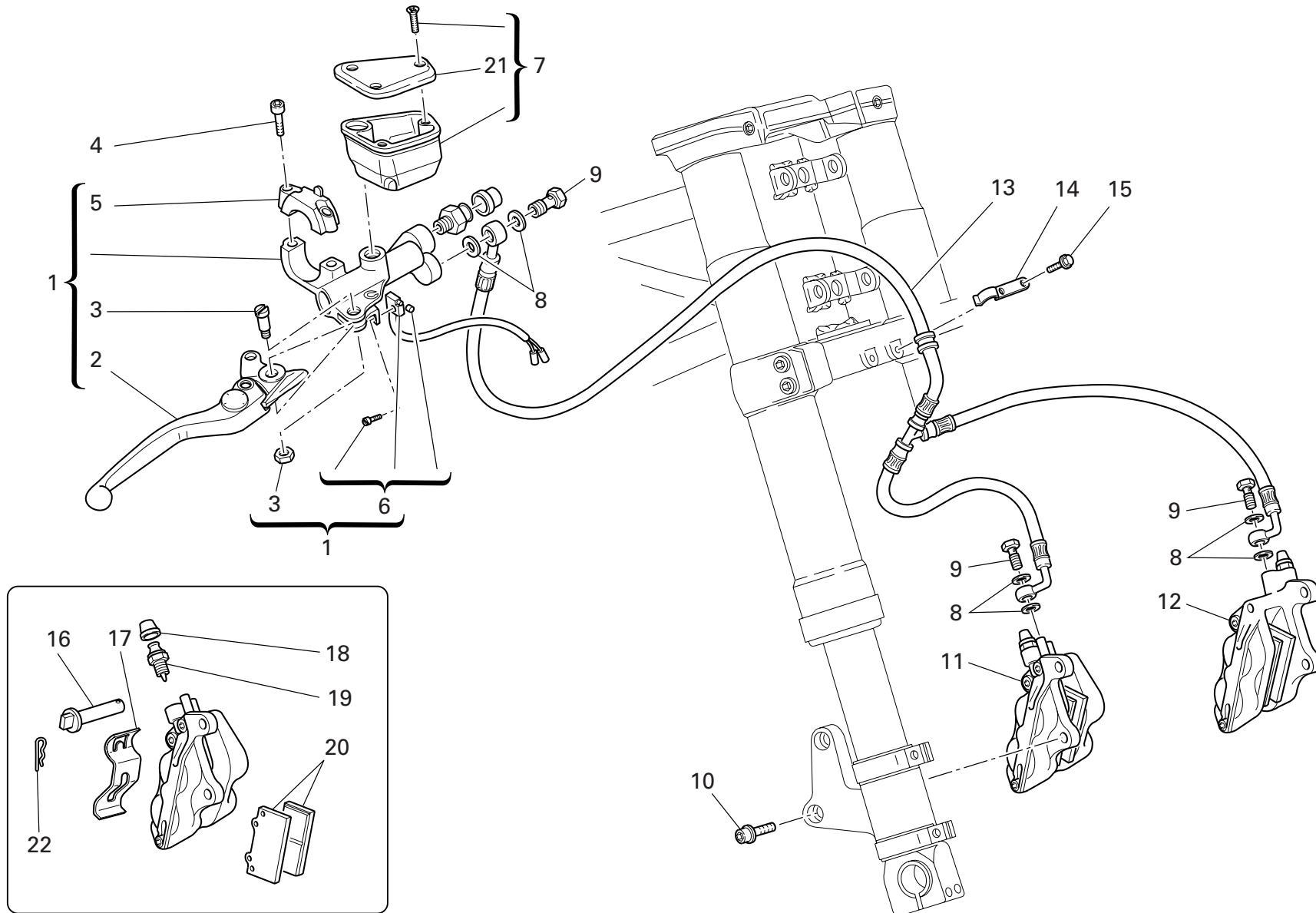
NOTES NO.	CODE NO.	DESCRIPTION	VALIDITY	Q.TY 
-----------	----------	-------------	----------	--




DRAWING 027 CLUTCH CONTROL

NOTES NO.	CODE NO.	DESCRIPTION	VALIDITY	Q.TY 
1	630.4.024.1A	Clutch drive pump		1
2	626.4.034.1A	Clutch control lever		1
3	626.4.011.1A	Spare lever pin		1
4	626.4.015.1C	Bracket		1
5	585.4.007.1A	Complete oil tank		1
6	893.4.008.1A	Cap		1
7	779.1.366.1AB	Special screw		1
8	852.5.024.1A	Gasket th.1		4
9	632.1.025.1A	Clutch control pipe		1
10	779.1.082.2A	Filler		1
11	0000.33552	Bleed		1
12	612.4.005.1A	Dust seal		1
13	539.4.033.1A	Microswitch		1

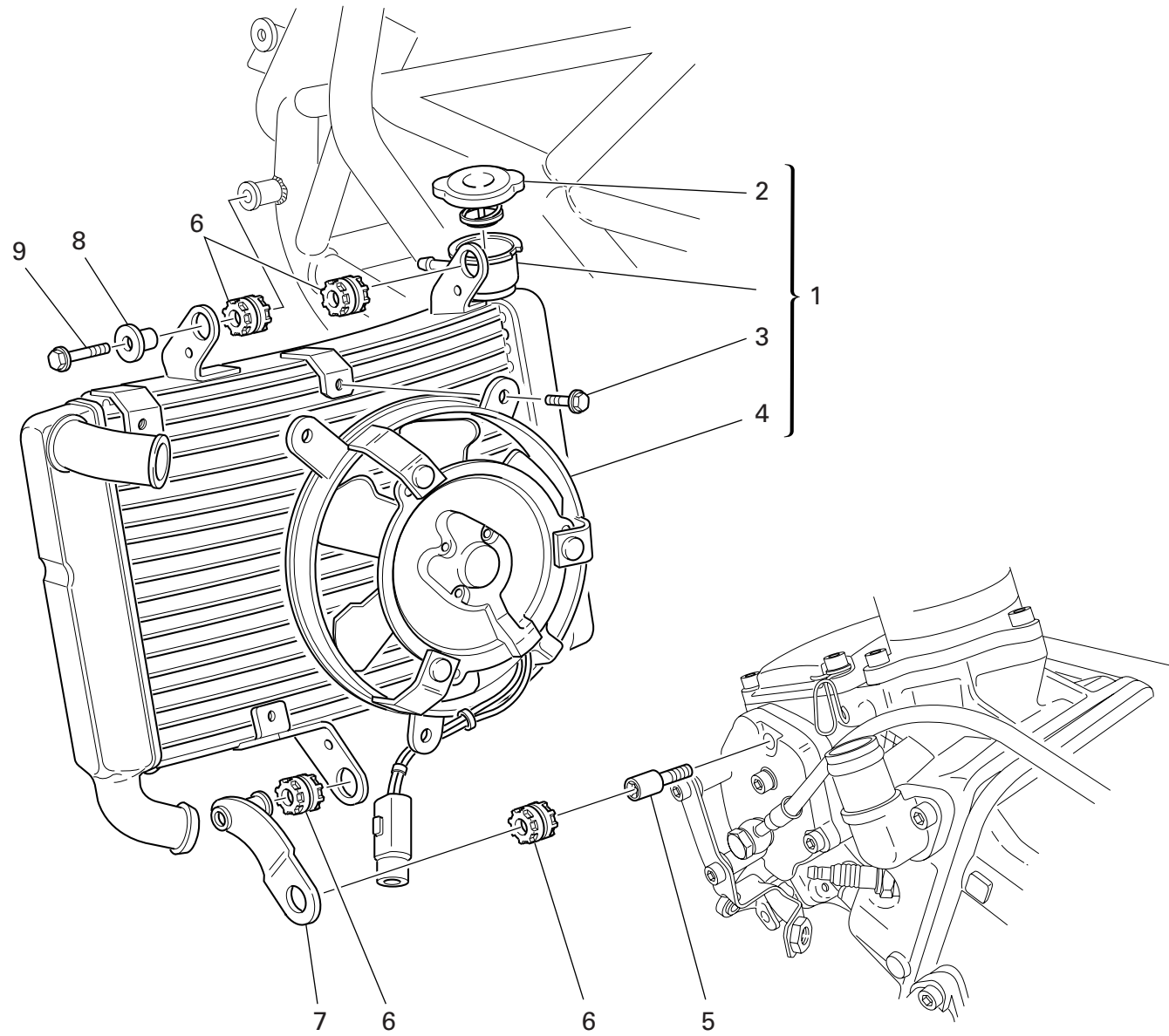
NOTES NO.	CODE NO.	DESCRIPTION	VALIDITY	Q.TY 
-----------	----------	-------------	----------	--




DRAWING 028 FRONT HYDRAULIC BRAKE

NOTES NO.	CODE NO.	DESCRIPTION	VALIDITY	Q.TY 
1	624.4.031.1A	Front brake pump		1
2	626.4.019.1A	Brake control lever		1
3	626.4.011.1A	Spare lever pin		1
4	771.5.669.2B	Screw		2
5	626.4.015.1D	Bracket		1
6	539.4.021.1A	Microswitch		1
7	585.4.006.1A	Complete oil tank		1
8	852.5.024.1A	Gasket th.1		6
9	779.1.366.1AB	Special screw		3
10	771.5.431.2B	Screw		4
11	610.4.012.2C	R.H. brake caliper		1
12	610.4.011.2C	L.H. brake caliper		1
13	618.4.054.1A	Caliper pump pipe		1
14	829.1.208.2A	Holder		1
15	772.5.025.1A	Screw		2
16	612.4.014.1A	Spare pins and spring		2
17	612.4.017.1A	Spring		2
18	612.4.008.1A	Dust seal		2
19	631.4.004.1A	Spare bleed union		2
20	613.4.021.1B	Pads pair		2
21	893.4.007.1A	Tank cap		1
22	612.4.018.1A	Spring		2

NOTES NO.	CODE NO.	DESCRIPTION	VALIDITY	Q.TY 
-----------	----------	-------------	----------	--



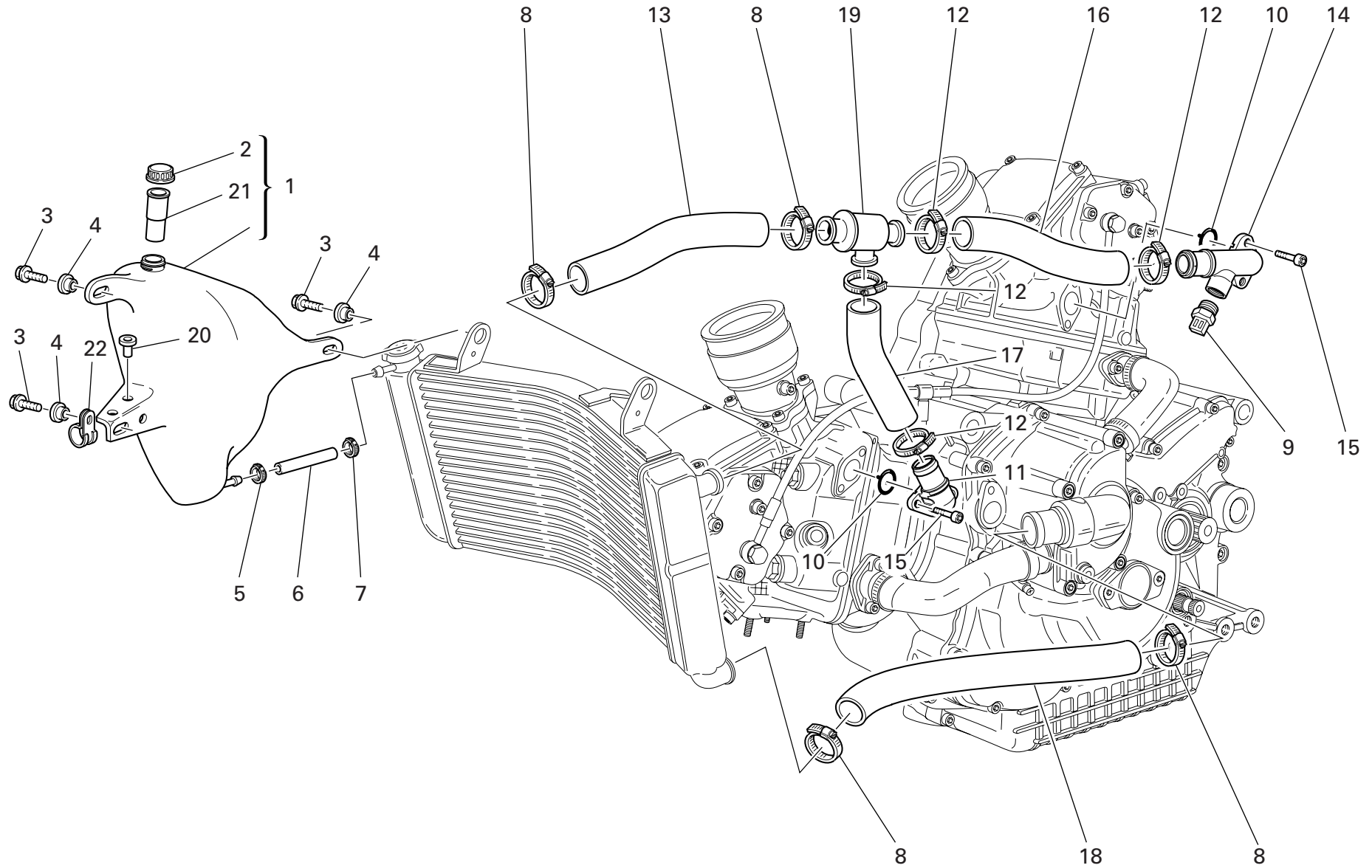
DRAWING 029 WATER RADIATOR ASSY

NOTES NO.	CODE NO.	DESCRIPTION	VALIDITY	Q.TY 
1	548.4.019.2A	Water radiator		1
2	893.1.003.1A	Radiator cap		1
3	772.5.025.1A	Screw		3
4	550.4.008.1A	Electric fan		1
5	779.1.301.1AB	Special screw		1
6	764.1.022.1A	Vibration damper pad		4
7	830.1.299.1A	Holder		1
8	0000.62652	Spacer		1
9	0000.62729	Screw		1

NOTES NO.	CODE NO.	DESCRIPTION	VALIDITY	Q.TY 
-----------	----------	-------------	----------	--


DRAWING 030

COOLING CIRCUIT



DRAWING 030

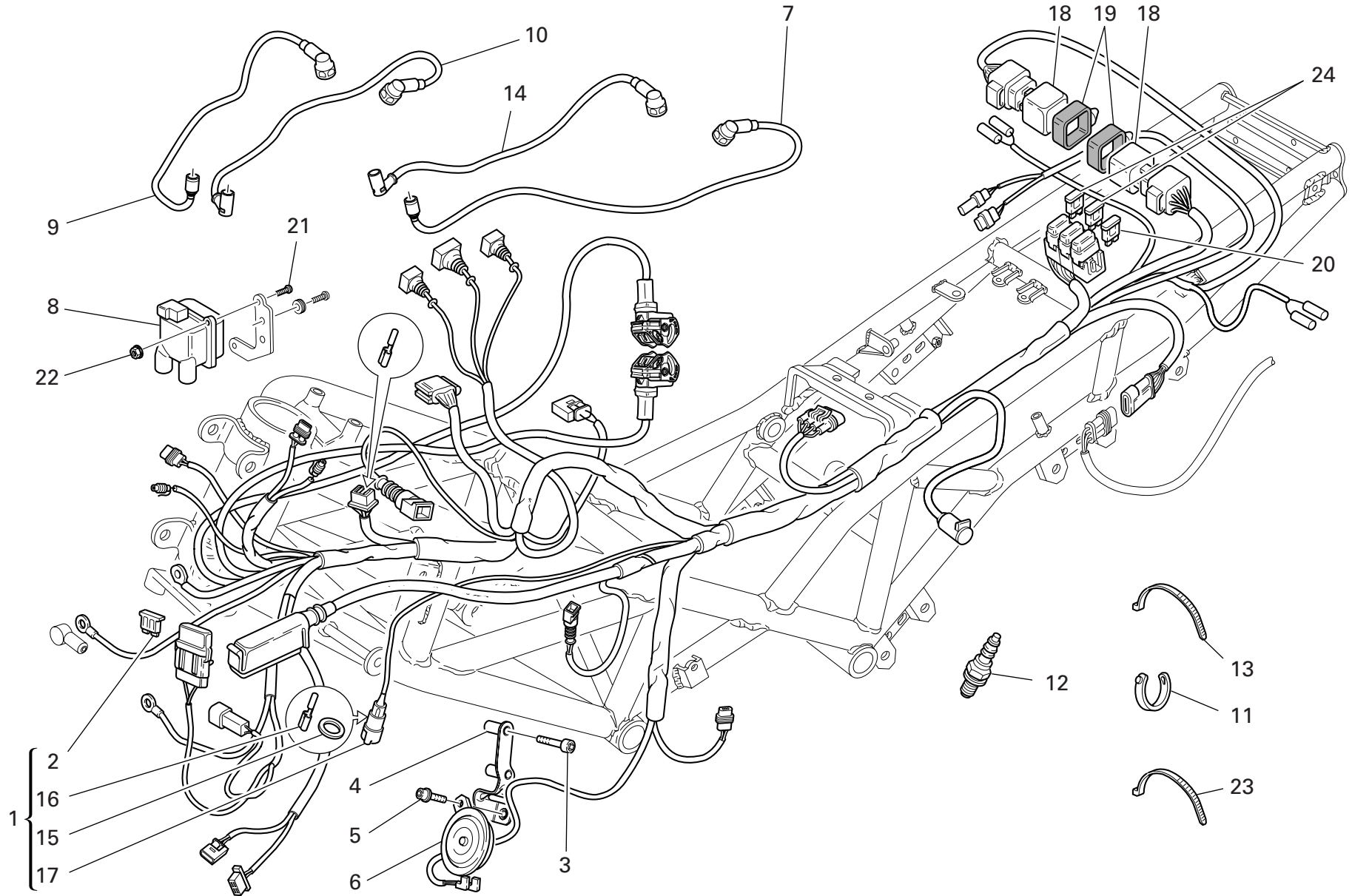
COOLING CIRCUIT

NOTES NO.	CODE NO.	DESCRIPTION	VALIDITY	Q.TY 
1	585.1.020.1A	Water tank		1
2	0000.40427	Tank cap		1
3	772.5.024.1A	Screw		3
4	716.1.038.1A	Spacer		4
5	8A00.67610	Hose guide		1
6	800.1.049.1A	Hose		1
7	741.4.001.1A	Hose guide		1
8	741.4.025.1A	Hose guide		4
9	552.4.013.1A	Sensor		2
10	788.1.072.1A	O-ring		2
11	814.1.157.1A	Water outlet union		1
12	741.4.002.1A	Hose guide		4
13	800.1.129.1A	Cooler/thermostat hose		1
14	814.1.123.1A	Water outlet union		1
15	771.5.067.8B	Screw		4
16	800.1.126.1A	Thermostat/pump hose		1
17	800.1.127.1A	Thermostat/pump hose		1
18	800.1.128.1A	Pump/cooler hose		1
19	553.4.004.1A	Thermostat		1
20	0000.63150	Insert		2
21	711.1.084.1A	Bush		1
22	741.4.055.1A	Hose guide		1

NOTES NO.	CODE NO.	DESCRIPTION	VALIDITY	Q.TY 
-----------	----------	-------------	----------	--

DRAWING 031

ELECTRIC SYSTEM



DRAWING 031 ELECTRIC SYSTEM

NOTES NO.	CODE NO.	DESCRIPTION	VALIDITY	Q.TY 
1	510.1.265.1A	Electric wiring		1
2	389.4.014.1A	Fuse 40A		1
3	771.1.034.2A	Screw		2
4	830.1.290.1A	Holder		1
5	771.5.721.2B	Screw		1
6	516.4.001.1AB	Horn (BLACK)		1
7	671.1.031.1A	Vertical spark plug cable - left		1
8	380.4.010.1C	Coil		2
9	671.1.032.1A	Horizontal spark plug cable - right		1
10	671.1.033.1A	Horizontal spark plug cable - left		1
11	0691.91.030	Hose guide		17
12	670.4.016.1B	Spark plug		4
13	741.1.013.1A	Hose guide		1
14	671.1.030.1A	Vertical spark plug cable - right		1
15	764.4.005.1A	Rubber pad		1
16	387.4.002.1A	End section		2
17	386.4.006.1A	Connector		1
18	541.4.007.1A	Relay		2
19	829.1.127.1A	Holder		2
20	389.4.006.1A	Fuse 3A		1
21	775.1.011.1A	Screw		2
22	8000.56443	Nut		2
23	741.4.038.1A	Hose guide		12
24	389.4.012.1A	Fuse 20A		2


NOTES NO.	CODE NO.	DESCRIPTION	VALIDITY	Q.TY 
-----------	----------	-------------	----------	--


CATALOGUE No: 915.1.202.2A  
ISSUED: 05 - 04

CATALOGUE No: 915.1.202.2A  
ISSUED: 05 - 04



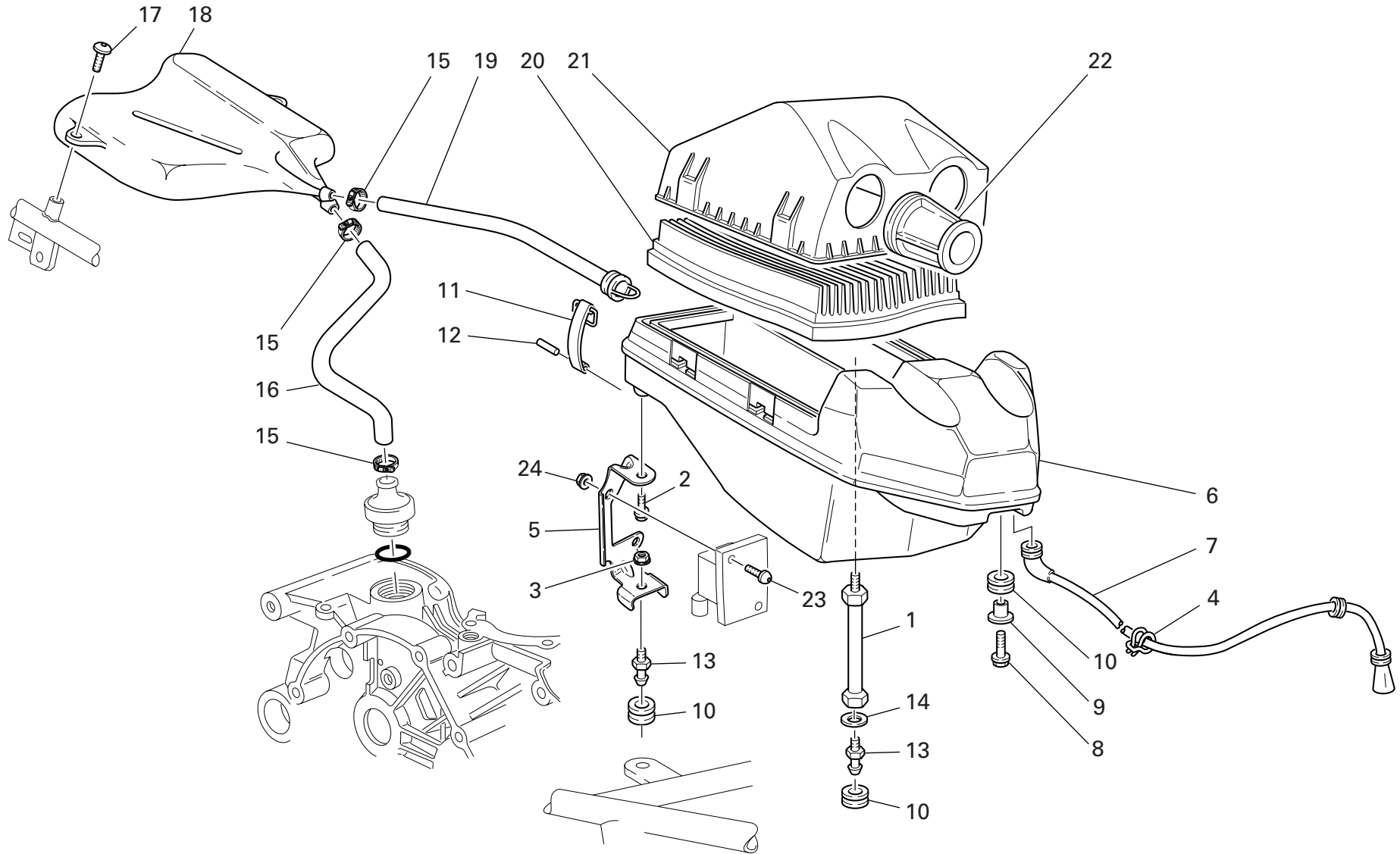
DRAWING 032 BATTERY BOX MOUNT

NOTES NO.	CODE NO.	DESCRIPTION	VALIDITY	Q.TY 
1	286.4.090.1C	Injection control unit		1
2	514.1.041.1A	Battery - solenoid starter cable		1
3	0000.56443	Nut		2
4	514.1.040.1A	Solenoid starter - starter motor cable		1
5	417.9.050.6A	Nut		2
6	462.4.037.6A	Spring washer		2
7	397.4.002.1A	Remote switch		1
8	750.5.001.1A	Nut		2
9	8000.56359	Washer		5
10	716.1.022.1A	Spacer		3
11	716.1.053.1A	Spacer		1
12	827.1.286.1A	Plate		1
13	775.1.038.1A	Screw		1
14	866.1.031.1A	Rubber pad		1
15	772.5.023.1A	Screw		3
16	300182	Rubber pad		3
17	395.4.013.1B	Battery		1
18	672.1.029.1A	Rubber cap		1
19	0691.91.030	Hose guide		1
20	772.5.025.1A	Screw		1
21	827.1.330.1A	Plate		1
22	829.1.172.2B	Battery box mount		1
23	0797.72.068	Vibration damper pad		2
24	827.2.215.1A	Plate		2
25	772.5.021.1A	Screw		2
26	821.1.129.1A	Spacer		2
27	775.1.006.1A	Special screw		1


NOTES NO.	CODE NO.	DESCRIPTION	VALIDITY	Q.TY 
28	513.1.008.2D	Battery grounding cable		1

CATALOGUE No: 915.1.202.2A  
ISSUED: 05 - 04

CATALOGUE No: 915.1.202.2A  
ISSUED: 05 - 04



DRAWING 033 AIR INDUCTIO AND OIL VENT

NOTES NO.	CODE NO.	DESCRIPTION	VALIDITY	Q.TY 
1	684.1.026.1A	Stud bolt		1
2	772.1.050.1A	Screw		1
3	748.1.036.1A	Nut		1
4	829.1.129.1A	Clip		1
5	829.1.486.1A	Bracket		1
6	442.2.008.1A	Air filter box		1
7	877.2.004.2A	Tube		1
8	772.5.023.1A	Screw		1
9	716.1.022.1A	Spacer		1
10	764.1.090.1A	Rubber pad		3
11	760.1.003.1B	Hook		4
12	74223.1045	Spring pin		4
13	821.1.075.1A	Pin		2
14	8000.56359	Washer		1
15	741.4.002.1A	Hose guide		3
16	876.1.083.1A	Breather pipe		1
17	0364.99.015	Screw		2
18	585.1.019.2D	Oil breather tank		1
19	876.1.084.1A	Filter/fuel tank outlet pipe		1
20	0370.98.610	Filter element		1
21	246.1.056.1A	Filter case cover		1
22	135.1.015.1A	Air funnel		2
23	775.1.011.1A	Screw		2
24	8000.56443	Nut		2

NOTES NO.	CODE NO.	DESCRIPTION	VALIDITY	Q.TY 
-----------	----------	-------------	----------	--

CATALOGUE No: 915.1.202.2A  
ISSUED: 05 - 04

CATALOGUE No: 915.1.202.2A  
ISSUED: 05 - 04



DRAWING 034 SWINGARM AND CHAIN

NOTES NO.	CODE NO.	DESCRIPTION	VALIDITY	Q.TY 
1	748.1.023.1A	Nut		2
2	819.1.030.1A	Rear wheel spindle		1
3	779.1.119.1B	Special screw		8
4	447.1.031.2A	Lower chain sliding shoe		1
5	433.1.230.1A	Chain adjustment sticker		1
6	872.1.019.1A	Cap		2
7	884.4.007.1A	Snap ring		2
8	369.1.004.1A	Swingarm pivot		1
9	60N102584	Screw		2
10	370.1.021.1B	Swingarm		1
11	676.2.055.1A	Final drive kit		1
12	852.1.001.1A	Shim th. 1.8		2
12	852.1.002.1A	Shim th. 0.2		2
12	852.1.003.1A	Shim th. 0.1		1
13	447.1.030.2A	Upper chain sliding shoer		1
14	779.1.037.1A	Screw		2
15	676.4.018.1A	Chain (102 Links)		1
16	565.1.021.2A	Rear mudguard		1
17	373.1.029.1B	Plate		2
18	771.5.004.2B	Screw		2
19	852.1.079.1A	Washer		2
20	373.1.028.1B	Sliding shoe		2
21	373.1.023.1B	Cover		2
22	0364.99.710	Nylon gasket		2

NOTES NO.	CODE NO.	DESCRIPTION	VALIDITY	Q.TY 
-----------	----------	-------------	----------	--


CATALOGUE No: 915.1.202.2A  
ISSUED: 05 - 04

CATALOGUE No: 915.1.202.2A  
ISSUED: 05 - 04

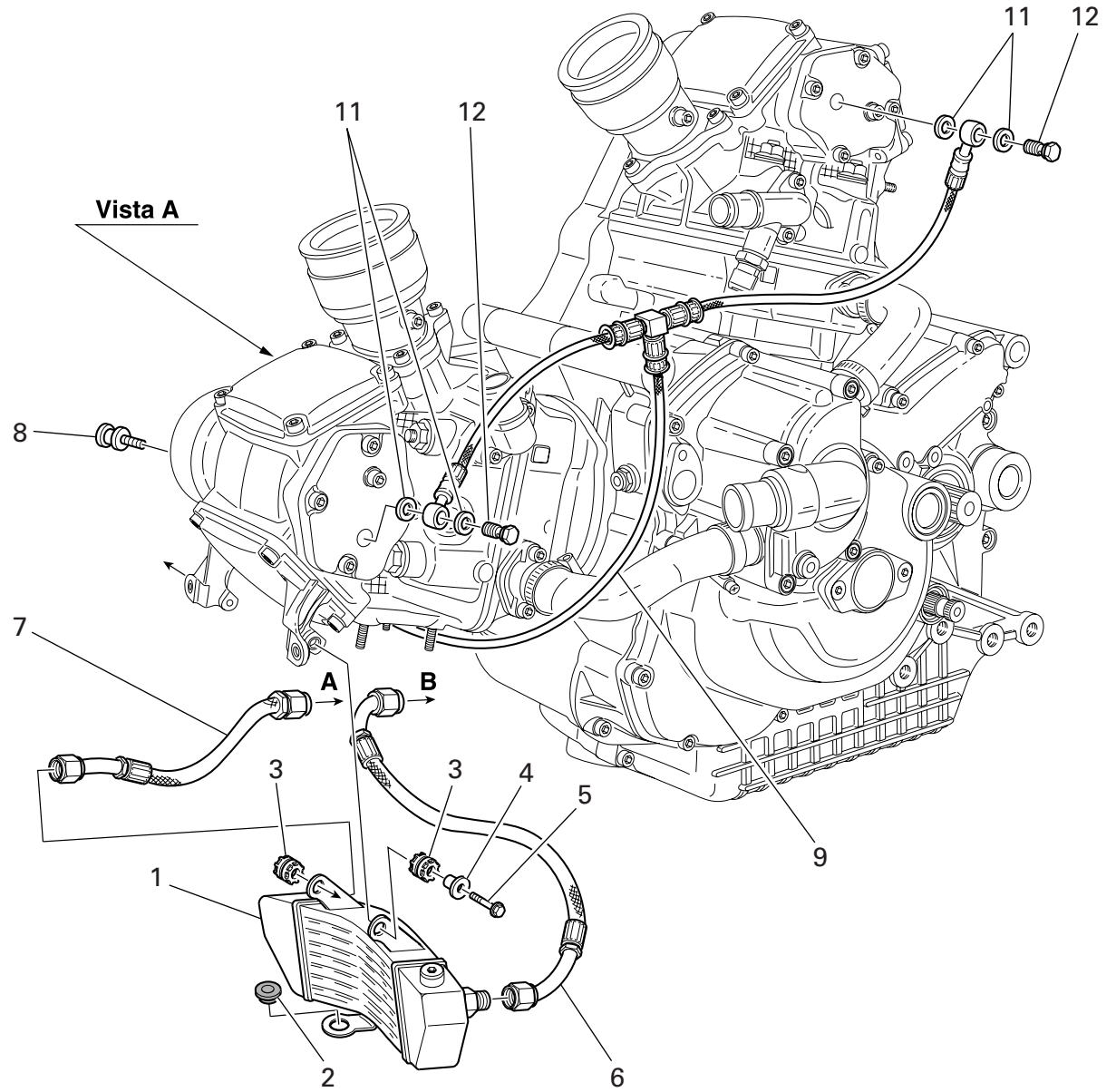
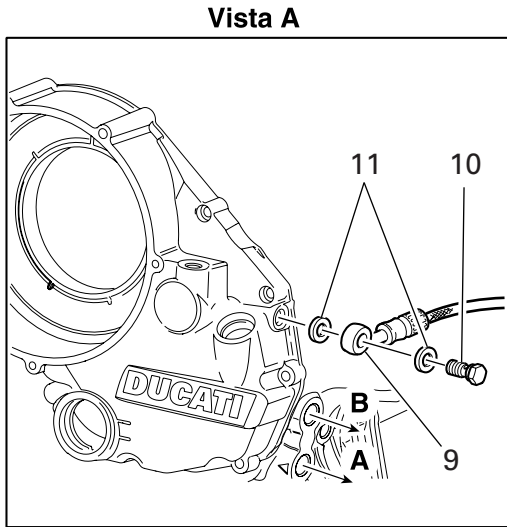


DRAWING 035


REAR SUSPENSION

NOTES NO.	CODE NO.	DESCRIPTION	VALIDITY	Q.TY 
1	372.2.008.3A	Rocker assembly		1
2	93781.1824	Seal ring		2
3	701.4.006.1A	Needle bearing		4
4	710.1.025.1A	Bush		4
5	771.5.938.2B	Screw		1
6	365.2.027.1C	Shock absorber		1
7	771.5.937.2B	Screw		1
8	715.1.004.1A	Spacer		1
9	710.1.057.1A	Bush		1
10	771.1.009.1A	Screw		1
11	771.1.016.1A	Screw		1
12	710.1.046.1A	Bush		1
13	848.4.011.1A	Ball joint		2
14	0670.92.190	Shim th. 2		2
15	750.1.041.1A	Nut		1
16	875.1.063.1B	Tie rod ( L=272 mm )		1

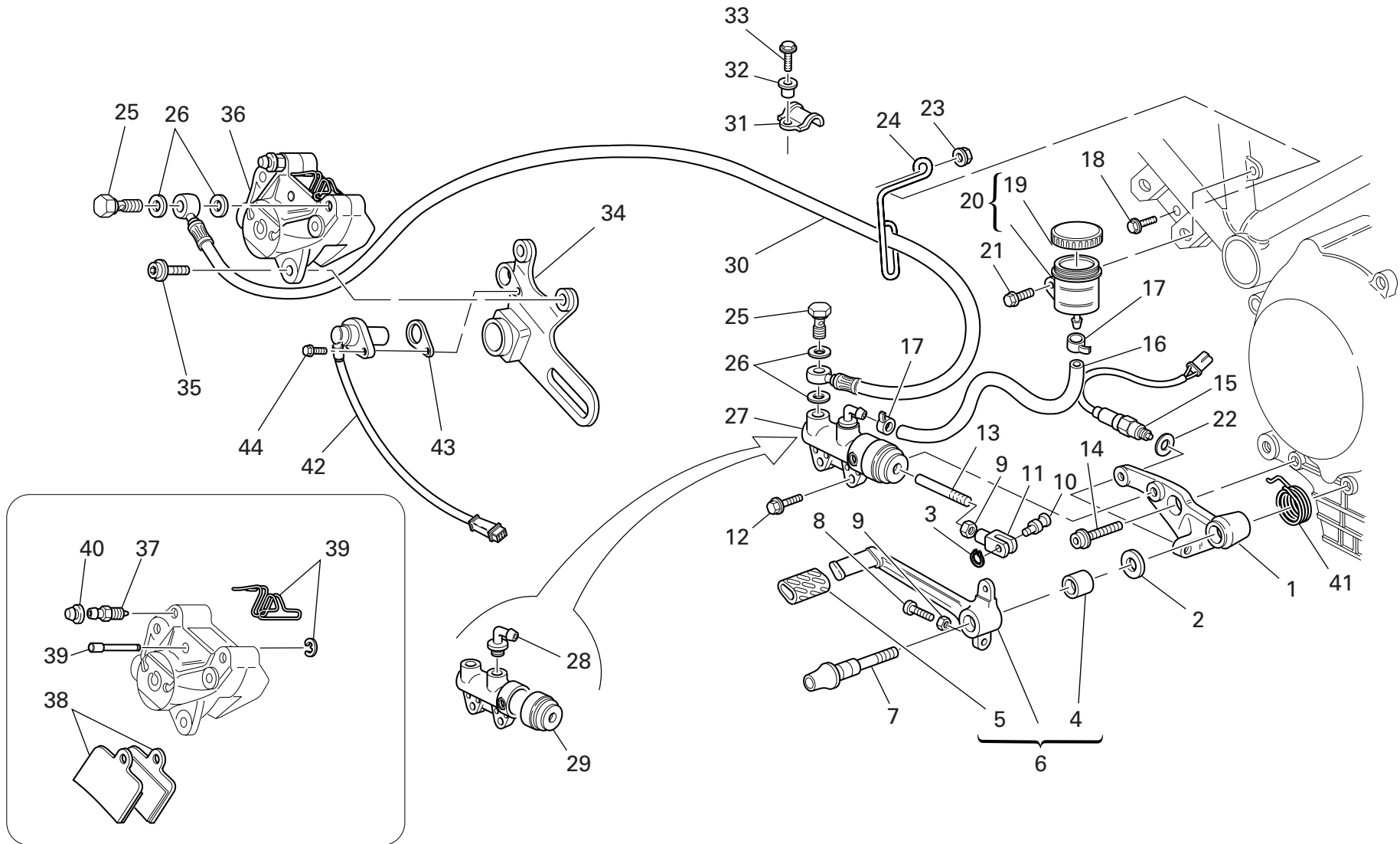
NOTES NO.	CODE NO.	DESCRIPTION	VALIDITY	Q.TY 
-----------	----------	-------------	----------	--



DRAWING 036 OIL COOLER

NOTES NO.	CODE NO.	DESCRIPTION	VALIDITY	Q.TY 
1	548.4.023.1B	Oil cooler		1
2	8000.69069	Vibration damper		1
3	764.1.022.1A	Vibration damper pad		2
4	0000.62652	Spacer		1
5	0000.62729	Screw		1
6	875.1.055.1A	Oil return pipe		1
7	875.1.054.1A	Oil delivery pipe		1
8	779.1.083.1A	Special screw		1
9	875.1.089.1A	Oil delivery pipe		1
10	779.1.058.1A	Special screw		1
11	852.5.024.1A	Gasket th.1		6
12	781.1.003.3A	Special screw		2


NOTES NO.	CODE NO.	DESCRIPTION	VALIDITY	Q.TY 
-----------	----------	-------------	----------	--



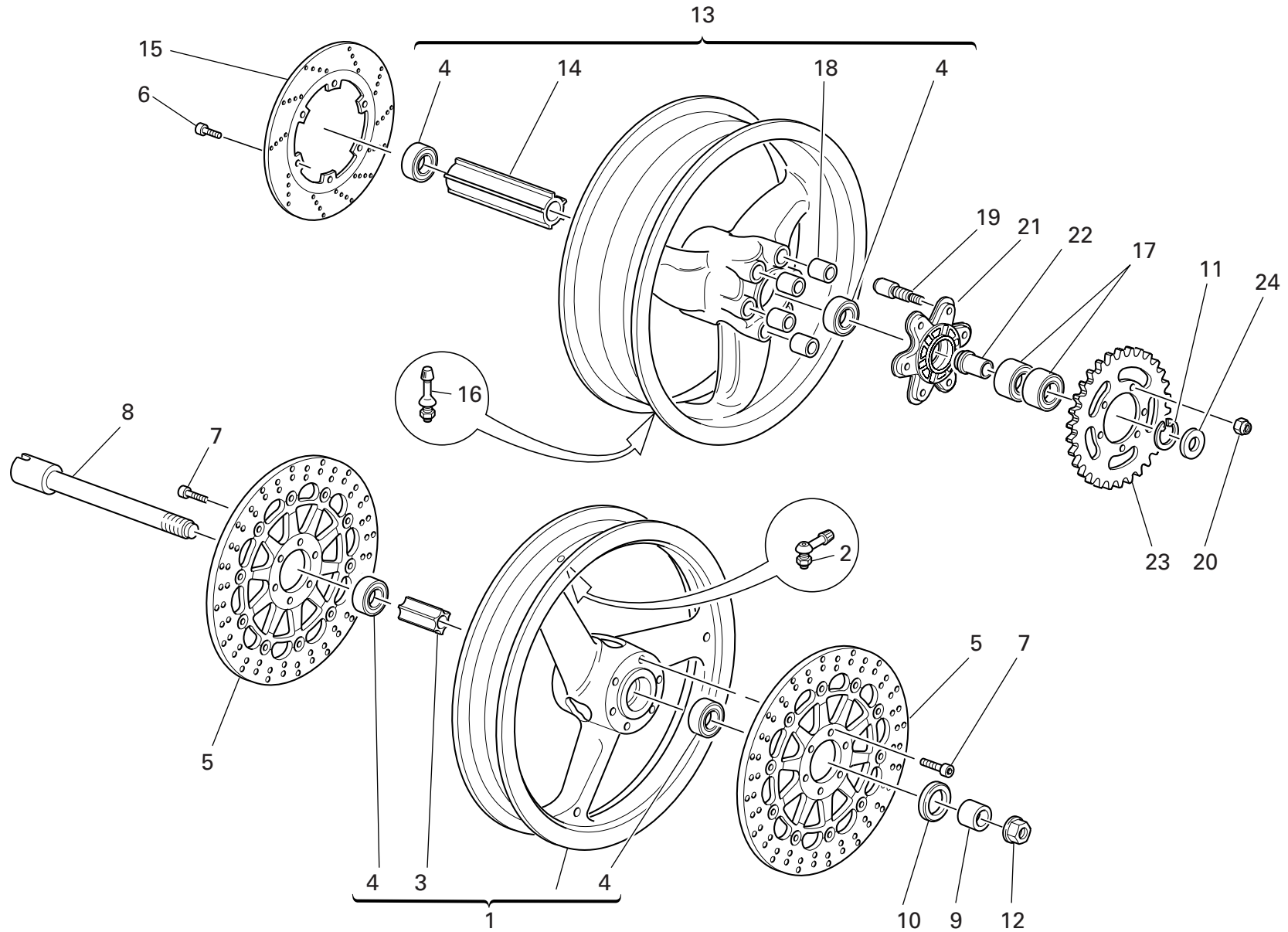
DRAWING 037 REAR HYDRAULIC BRAKE

NOTES NO.	CODE NO.	DESCRIPTION	VALIDITY	Q.TY 
1	829.1.184.1A	Holder		1
2	852.1.054.1A	Washer		1
3	73500.0624	Circlip		1
4	8000.59056	Bush		1
5	764.1.011.2A	Rubber pad		1
6	457.2.008.1A	Brake control lever		1
7	821.1.052.1A	Pedal pin		1
8	8000.67981	Threaded dowel		1
9	60N115062	Nut		2
10	821.1.096.1A	Pin		1
11	184.1.001.1A	Fork		1
12	772.5.024.1A	Screw		2
13	117.1.025.2A	Adjuster rod		1
14	771.5.754.2B	Screw		1
15	539.4.003.1B	Switch		1
16	877.1.050.1A	Tube		1
17	741.4.043.1A	Hose guide		2
18	0000.62726	Screw		1
19	893.4.005.1A	Cap		1
20	585.4.001.1A	Complete oil tank		1
21	707006N02	Screw		1
22	420.2.000.8A	Copper gasket sp. 1		1
23	729906FN1	Nut		1
24	829.1.073.3A	Holder		1
25	779.1.366.1AB	Special screw		2
26	852.5.024.1A	Gasket th.1		4
27	625.4.006.1A	Rear brake pump		1


CATALOGUE No: 915.1.202.2A  
ISSUED: 05 - 04

NOTES NO.	CODE NO.	DESCRIPTION	VALIDITY	Q.TY 
28	631.4.008.1A	Spare union		1
29	626.4.013.1A	Dust cover		1
30	619.4.015.2C	Caliper pump pipe		1
31	741.4.062.1A	Clip		1
32	8000.69282	Spacer		1
33	8A00.67997	Screw		1
34	825.1.030.1A	Caliper holder plate		1
35	771.5.723.2B	Screw		2
36	611.4.009.1A	Rear brake caliper		1
37	0370.39.780	Spare bleed union		1
38	613.4.021.1A	Pads pair		1
39	612.4.016.1A	Spare pins and spring		1
40	612.4.008.1A	Dust seal		1
41	799.1.083.1B	Spring		1
42	552.4.037.1A	Sensor		1
43	713.1.192.1A	Spacer		1
44	771.5.665.2B	Screw		1

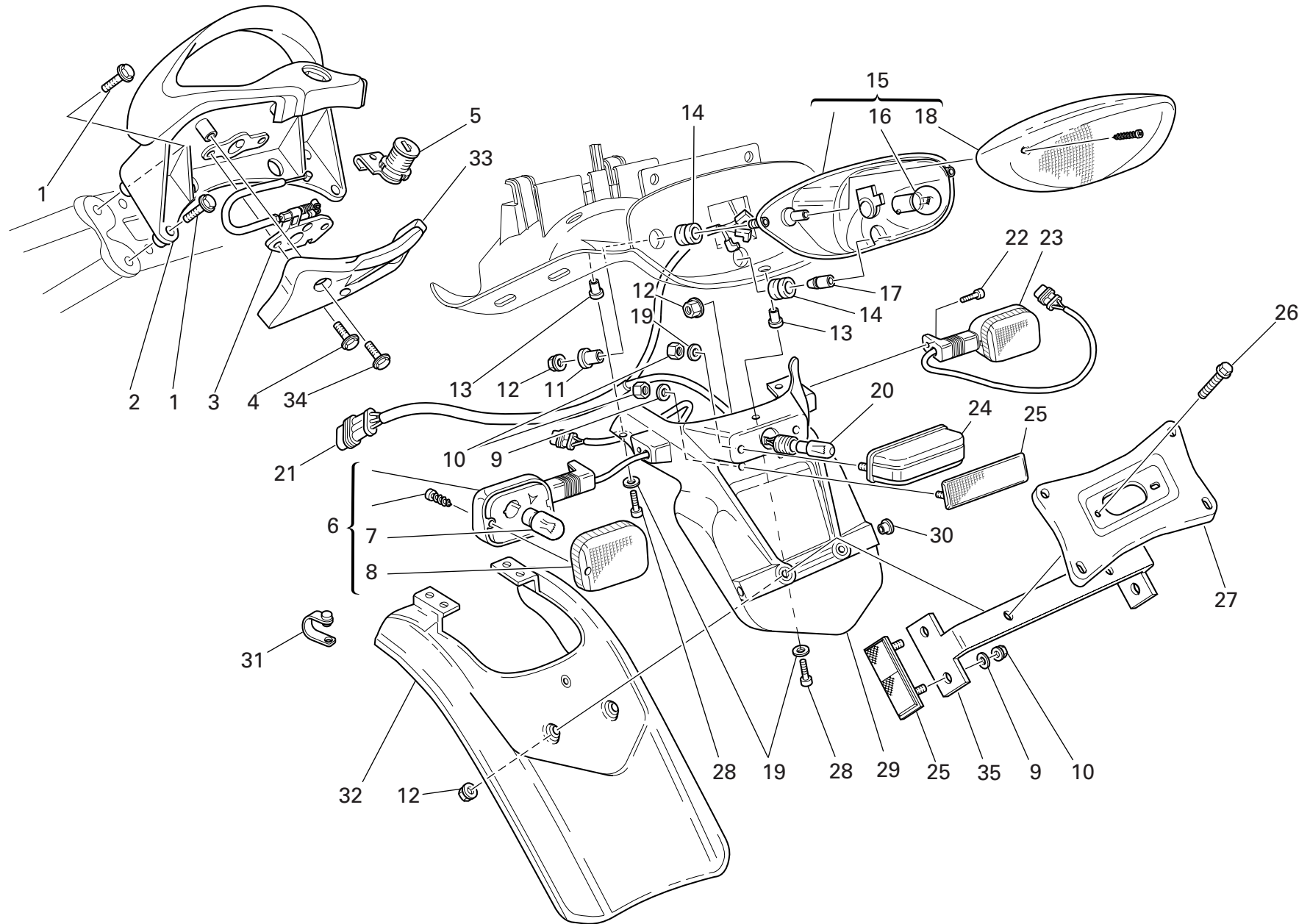
CATALOGUE No: 915.1.202.2A  
ISSUED: 05 - 04



DRAWING 038 FRONT AND REAR WHEELS

NOTES NO.	CODE NO.	DESCRIPTION	VALIDITY	Q.TY 
1	501.2.104.1AA	Front wheel rim		1
2	497.2.001.2A	Valve		1
3	714.1.028.1A	Inner spacer		1
4	75162.2566	Bearing		4
5	492.4.024.1A	Brake disc		2
6	770.1.003.1A	Screw		6
7	771.1.020.1A	Screw		12
8	819.1.017.1A	Front wheel spindle		1
9	714.1.045.1A	Spacer		1
10	0000.64471	Seal ring		1
11	884.5.008.1A	Circlip		1
12	748.1.014.1B	Fork nut		1
13	502.2.104.1AA	Rear wheel rim		1
14	713.1.098.1A	Inner spacer		1
15	492.4.003.2A	Brake disc		1
16	0803.77.010	Valve		1
17	75162.3075	Bearing		2
18	700.1.005.1A	Vibration damper		6
19	821.1.009.1B	Pin		6
20	748.4.024.1A	Nut		6
21	160.1.049.1A	Rear sprocket flange		1
22	710.1.041.1B	Bush		1
23	494.1.068.4D	Ring gear z=42		1
24	713.1.097.1B	Spacer		1


NOTES NO.	CODE NO.	DESCRIPTION	VALIDITY	Q.TY 
-----------	----------	-------------	----------	--



DRAWING 039 NUMBER PLATE HOLDER

NOTES NO.	CODE NO.	DESCRIPTION	VALIDITY	Q.TY 
1	772.5.023.1B	Screw		4
2	806.1.011.1AA	Handle (RED)		1
2	806.1.011.1AE	Handle (YELLOW)		1
2	806.1.011.1AH	Handle (SILVER)		1
3	732.2.006.2A	Lock latch		1
4	8A00.67997	Screw		2
5	598.2.010.1A	Seat lock		1
6	530.4.003.1B	L.H. turn indicator		1
7	0000.36726	Bulb		2
8	532.4.001.1A	Cup		2
9	852.5.001.1A	Washer		4
10	749.5.001.1A	Nut		6
11	716.1.022.1A	Spacer		2
12	729906FN1	Nut		6
13	0000.63150	Insert		5
14	764.1.090.1A	Rubber pad		3
15	525.4.010.1A	Tail light		1
16	390.4.003.1A	Two-light bulb 12V 5/21W		1
17	821.1.081.1A	Pin		1
18	532.4.002.1A	Lens		1
19	60N115548	Washer		2
20	0000.36230	Bulb		1
21	510.1.108.1A	Wiring		1
22	60N107335	Screw		2
23	530.4.004.1B	R.H. turn indicator		1
24	525.1.004.2A	Tail lamp		1
25	529.1.006.1A	Reflector		3

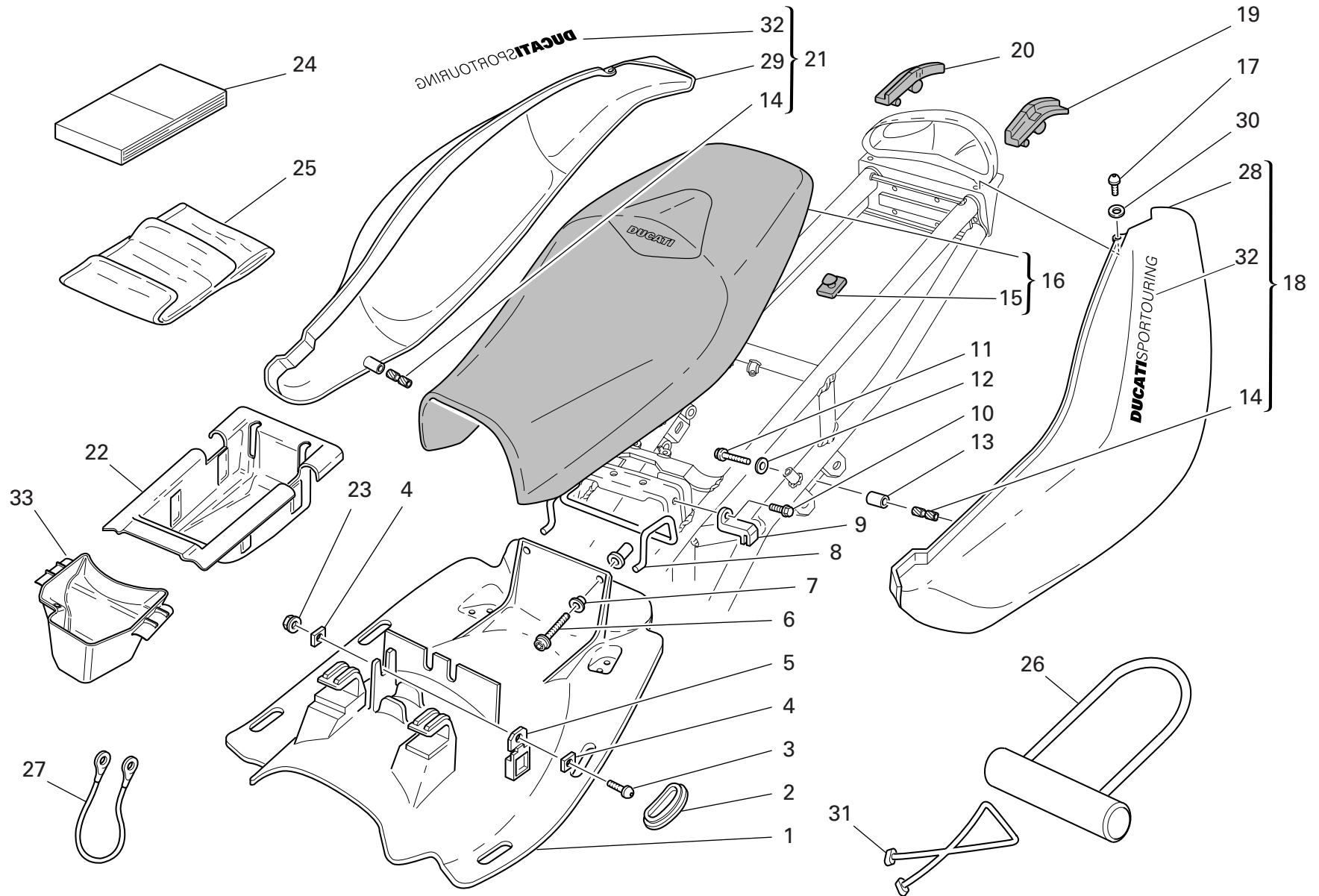
CATALOGUE No: 915.1.202.2A  
ISSUED: 05 - 04

NOTES NO.	CODE NO.	DESCRIPTION	VALIDITY	Q.TY 
26	772.5.024.1A	Screw		2
27	561.1.019.1A	Plate		1
28	771.5.043.2B	Screw		5
29	561.1.013.2A	Number plate holder		1
30	417.7.007.1A	Cap		2
31	741.1.012.1A	Hose guide		2
32	460.1.077.1A	Mudflap		1
33	460.1.080.1A	Mudflap		1
34	0000.62726	Screw		2
35	829.1.136.1A	Holder		1


CATALOGUE No: 915.1.202.2A  
ISSUED: 05 - 04

DRAWING 040


SEAT



DRAWING 040 SEAT

NOTES NO.	CODE NO.	DESCRIPTION	VALIDITY	Q.TY 
1	559.1.005.1A	Panel (BLACK)		1
2	872.1.022.1A	Cap		4
3	779.1.088.1A	Screw		1
4	827.1.061.1A	Plate		2
5	829.4.001.1A	Holder		1
6	771.5.667.2B	Screw		2
7	716.1.038.1A	Spacer		2
8	760.1.015.1A	Hook		1
9	808.1.019.1A	Clamp		2
10	8H00.67545	Screw		2
11	770.5.619.2B	Screw		2
12	734305N01	Washer		2
13	713.1.129.1A	Spacer		2
14	850.4.016.1A	Threaded insert		2
15	866.1.030.1A	Rubber pad		6
16	595.1.066.1A	Seat		1
17	775.1.008.2A	Screw		2
18	482.1.027.1BA	L.H. body panel (RED)		1
18	482.1.027.1BE	L.H. body panel (YELLOW)		1
18	482.1.118.1AE	L.H. body panel (SILVER)		1
19	700.1.025.1A	L.H. gasket		1
20	700.1.024.1A	R.H. gasket		1
21	482.1.028.1BA	R.H. body panel (RED)		1
21	482.1.028.1BE	R.H. body panel (YELLOW)		1
21	482.1.117.1AE	R.H. body panel (SILVER)		1
22	565.1.022.2A	Tool box		1
23	8000.56443	Nut		1

CATALOGUE No: 915.1.202.2A  
ISSUED: 05 - 04


NOTES NO.	CODE NO.	DESCRIPTION	VALIDITY	Q.TY 
24	913.7.092.1A	Owner's manual		1
25	697.2.016.1A	Tool bag		1
26	598.4.015.1A	Padlock		1
27	732.1.017.1A	Helmet anti-theft wire		1
28	482.3.021.1A	L.H. body panel (unpainted)		1
29	482.3.022.1A	R.H. body panel (unpainted)		1
30	856.1.040.1A	Nylon washer		2
31	759.1.015.1A	Rubber		2
32	436.1.021.1A	Sticker "SPORTTOURING" (for RED)		2
32	436.1.021.1AB	Sticker "SPORTTOURING" (for SILVER, YELLOW)		2
33	565.1.027.1A	Tool box		1

CATALOGUE No: 915.1.202.2A  
ISSUED: 05 - 04



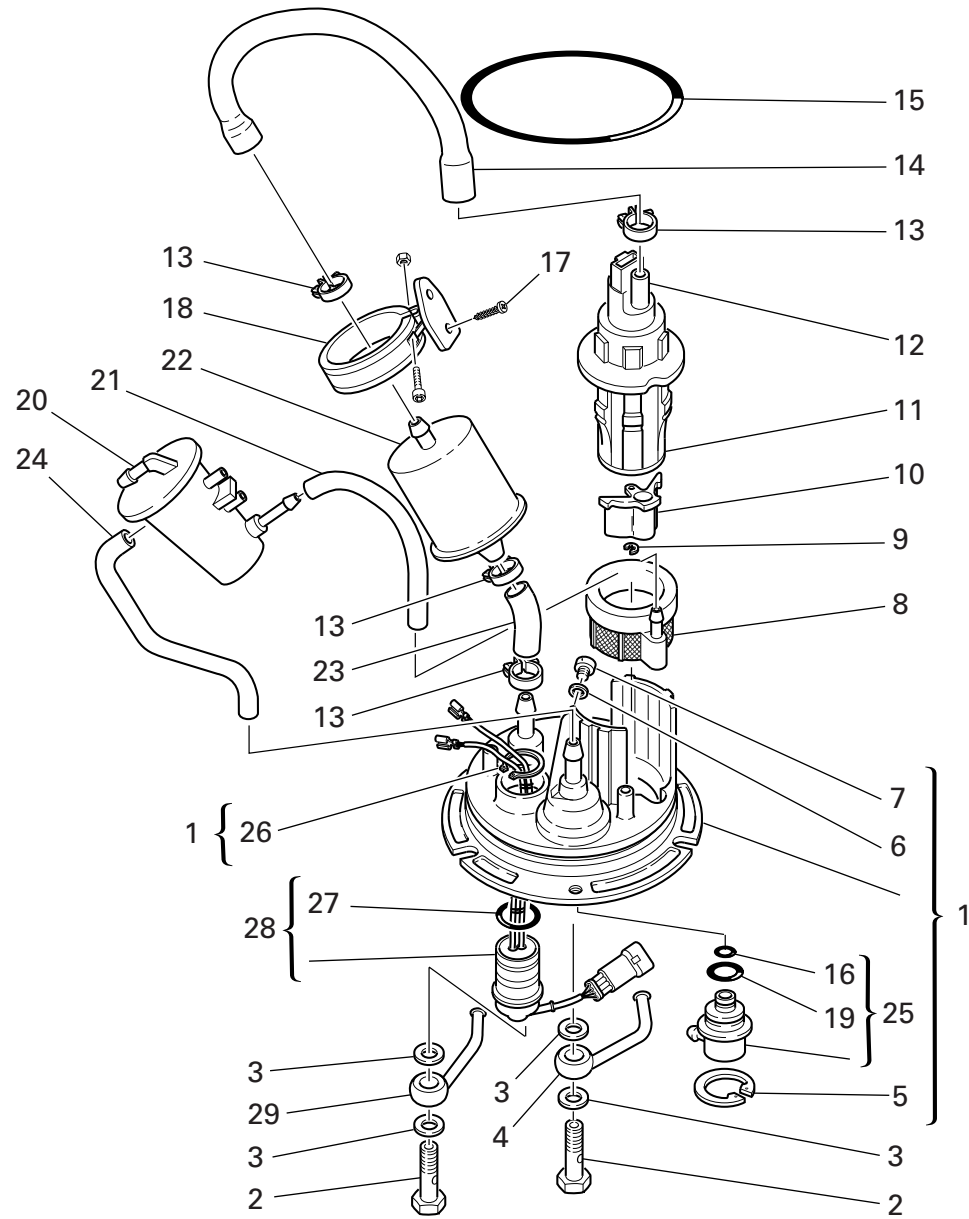
DRAWING 041 FUEL TANK

NOTES NO.	CODE NO.	DESCRIPTION	VALIDITY	Q.TY 
1	586.1.060.1AA	Fuel tank (RED)		1
1	586.1.060.1AB	Fuel tank (YELLOW)		1
1	586.1.060.1AE	Fuel tank (SILVER)		1
2	895.4.001.2A	Tank cap		1
3	0000.62705	Split pin		1
4	734305N01	Washer		2
5	712.1.013.3A	Bush		2
6	772.5.025.1A	Screw		2
7	827.2.134.1A	Plate		1
8	821.1.028.2B	Pin		1
9	590.1.085.1A	Tube		2
10	741.4.004.1A	Hose guide		4
11	672.1.005.1A	Rubber holder		2
12	592.1.018.1A	Fuel level sensor		1
13	8000.56391	Nylon washer		2
14	771.5.040.2B	Screw		1
15	771.5.045.7E	Screw		3
16	791.1.034.1A	Cover gasket		1
17	750.1.042.1A	Nut		3
18	763106N01	El-stop nut		4
19	866.1.029.1A	Rubber pad		2
20	8000.77921	Screw		1
21	852.5.024.1A	Gasket th.1		1
22	830.1.131.1A	Bracket		1
23	486.1.070.1A	Panel		1
24	00B0.55703	Screw		2
25	247.2.105.1AA	Cover (RED)		1


NOTES NO.	CODE NO.	DESCRIPTION	VALIDITY	Q.TY 
25	247.2.105.1AB	Cover (YELLOW)		1
25	247.2.105.1BB	Cover (BLACK)		1
26	791.1.012.1A	Gasket		1
27	729906FN1	Nut		2
28	764.1.019.1A	Vibration damper pad		1


CATALOGUE No: 915.1.202.2A  
ISSUED: 05 - 04

CATALOGUE No: 915.1.202.2A  
ISSUED: 05 - 04



DRAWING 042 FUEL SYSTEM

NOTES NO.	CODE NO.	DESCRIPTION	VALIDITY	Q.TY 
1	160.9.057.1A	Flange		1
2	779.1.170.1A	Special screw		2
3	852.1.098.1A	Washer		4
4	814.1.065.1A	Union		1
5	73503.3449	Circlip		1
6	852.5.024.1A	Gasket th.1		1
7	780.1.008.1A	Cap		1
8	427.1.003.1A	Fuel pump filter		1
9	850.4.031.1A	Snap ring		1
10	484.1.029.1B	Manifold		1
11	829.1.077.2B	Pump holder		1
12	430.4.004.1A	Fuel pump		1
13	741.4.004.1A	Hose guide		4
14	590.1.092.1A	Tube		1
15	886.5.001.1A	O-Ring		1
16	886.4.021.1A	O-ring		1
17	72237.0974	Self-tapping screw		2
18	829.1.104.1A	Holder		1
19	886.4.022.1A	O-ring		1
20	427.4.002.1A	Air separator		1
21	590.1.059.1A	Tube		1
22	425.4.004.1B	Fuel filter		1
23	590.1.056.1A	Filter/pump pipe		1
24	590.1.058.1A	Tube		1
25	283.4.003.1A	Pressure regulator		1
26	73500.2668	Circlip		1
27	886.5.011.1A	O-Ring		1

NOTES NO.	CODE NO.	DESCRIPTION	VALIDITY	Q.TY 
28	510.2.003.1A	Pump wiring		1
29	814.1.066.1A	Union		1

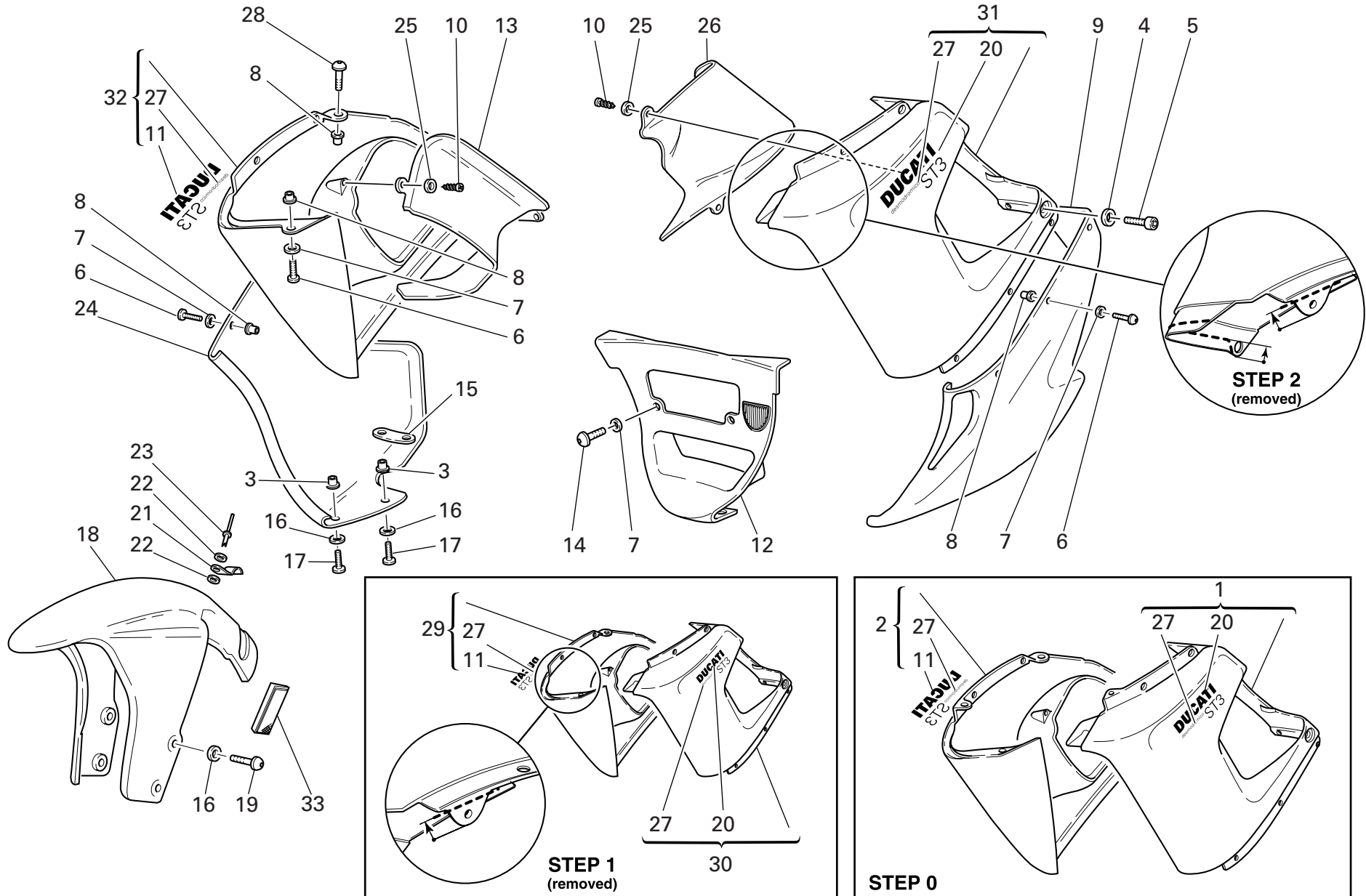
CATALOGUE No: 915.1.202.2A  
ISSUED: 05 - 04CATALOGUE No: 915.1.202.2A  
ISSUED: 05 - 04




DRAWING 043 HEADLIGHT FAIRING

NOTES NO.	CODE NO.	DESCRIPTION	VALIDITY	Q.TY 
1	481.1.031.1AA	Headlight fairing (RED)		1
1	481.1.031.1AB	Headlight fairing (YELLOW)		1
1	481.1.031.1AE	Headlight fairing (SILVER)		1
1	481.3.031.1A	Headlight fairing (unpainted)		1
2	779.1.088.1A	Screw		6
3	0000.63150	Insert		4
4	0000.63161	Washer		4
5	775.1.011.1A	Screw		4
6	772.5.034.1A	Screw		6
7	390.4.010.1A	Bulb		2
8	530.1.003.1A	R.H. turn indicator		1
9	530.1.004.1A	L.H. turn indicator		1
10	772.5.023.1A	Screw		4
11	713.1.126.1A	R.H. gasket		1
12	523.4.016.1AA	R.H. rear-view mirror (RED)		1
12	523.4.016.1AB	R.H. rear-view mirror (YELLOW)		1
12	523.4.016.1AE	R.H. rear-view mirror (SILVER)		1
13	713.1.127.1A	L.H. gasket		1
14	523.4.017.1AA	L.H. rear-view mirror (RED)		1
14	523.4.017.1AB	L.H. rear-view mirror (YELLOW)		1
14	523.4.017.1AE	L.H. rear-view mirror (SILVER)		1
15	487.1.034.1A	Windshield		1
16	481.1.031.1BA	Headlight fairing (RED)		1
16	481.1.031.1BB	Headlight fairing (YELLOW)		1
16	481.1.031.1BE	Headlight fairing (SILVER)		1
16	481.3.031.1B	Headlight fairing (unpainted)		1

NOTES NO.	CODE NO.	DESCRIPTION	VALIDITY	Q.TY 
-----------	----------	-------------	----------	--



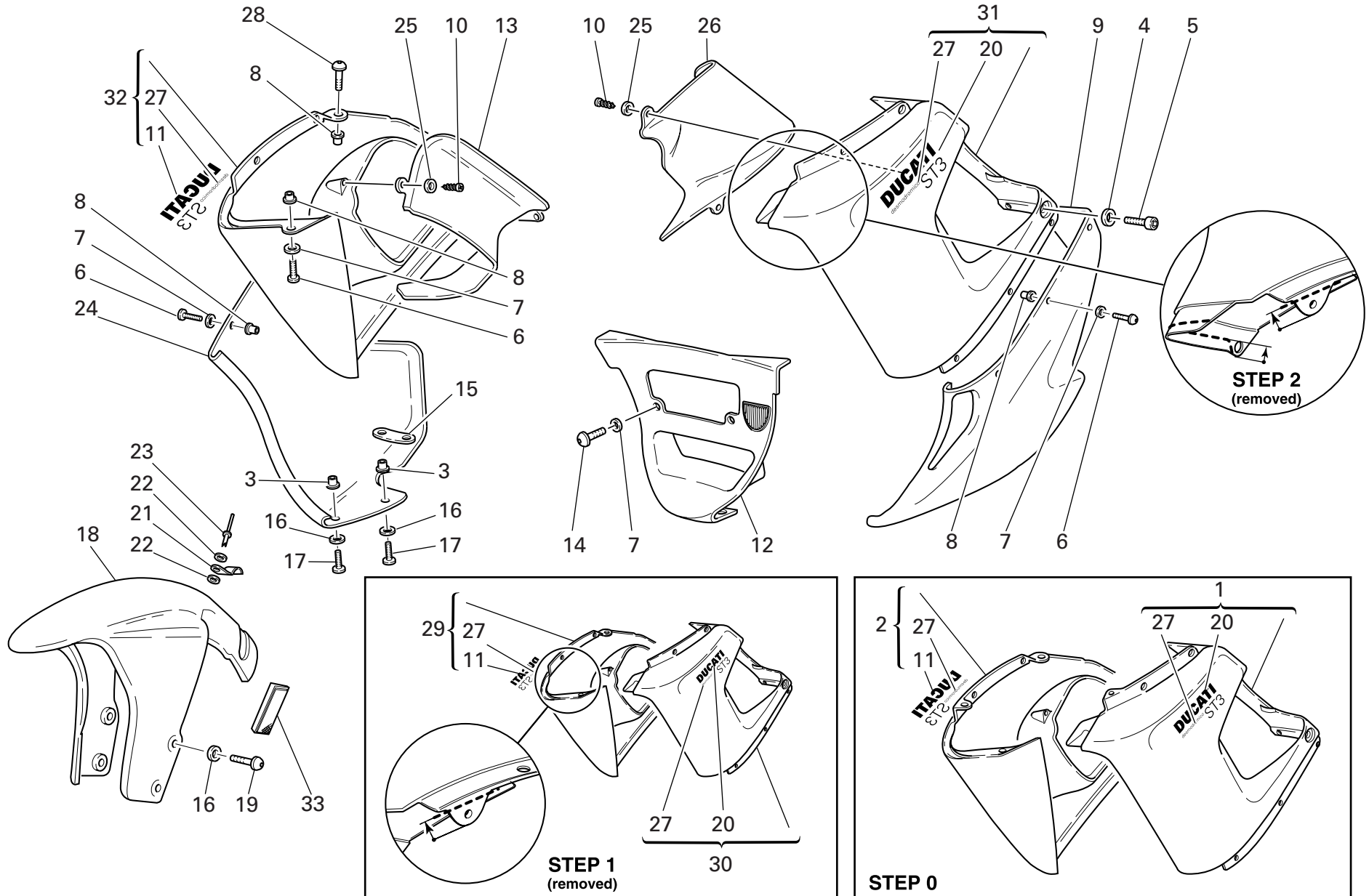
DRAWING 044 FAIRING

NOTES NO.	CODE NO.	DESCRIPTION	VALIDITY	Q.TY 
1	480.1.058.0A	L.H. upper half-fairing (unpainted)		1
1	480.1.190.1AA	L.H. upper half-fairing (RED)		1
1	480.1.190.1AB	L.H. upper half-fairing (YELLOW)		1
1	480.1.190.1AE	L.H. upper half-fairing (SILVER)		1
2	480.1.060.0A	R.H. upper half-fairing (unpainted)		1
2	480.1.189.1AA	R.H. upper half-fairing (RED)		1
2	480.1.189.1AB	R.H. upper half-fairing (YELLOW)		1
2	480.1.189.1AE	R.H. upper half-fairing (SILVER)		1
3	0364.99.020	Bush		4
4	841.1.001.1C	Retainer		2
5	779.5.001.1A	Screw		2
6	775.1.011.1A	Screw		10
7	0000.63161	Washer		10
8	0000.63150	Insert		12
9	480.1.059.0A	L.H. lower half-fairing (unpainted)		1
9	480.1.059.2AA	L.H. lower half-fairing (RED)		1
9	480.1.059.2AE	L.H. lower half-fairing (YELLOW)		1
9	480.1.193.1AE	L.H. lower half-fairing (SILVER)		1
10	72231.0871	Screw		4
11	437.1.137.1AA	R.H. sticker "DUCATI ST3" (for RED)		1
11	437.1.137.1AB	R.H. sticker "DUCATI ST3" (for SILVER, YELLOW)		1
12	484.1.049.1AA	Air manifold (RED)		1
12	484.1.049.1AB	Air manifold (YELLOW)		1
12	484.1.049.1AE	Air manifold (SILVER)		1
12	484.3.049.1A	Air manifold (unpainted)		1
13	484.1.026.1AB	R.H. air manifold (BLACK)		1


CATALOGUE No: 915.1.202.2A  
ISSUED: 05 - 04

NOTES NO.	CODE NO.	DESCRIPTION	VALIDITY	Q.TY 
14	80B0.55703	Screw		2
15	827.1.012.1A	Bent plate		1
16	856.1.040.1A	Nylon washer		8
17	779.1.089.1A	Screw		4
18	564.1.023.1AA	Front mudguard (RED)		1
18	564.1.023.1AE	Front mudguard (YELLOW)		1
18	564.1.023.1AH	Front mudguard (SILVER)		1
18	564.3.023.1A	Front mudguard (unpainted)		1
19	775.1.038.1B	Screw		4
20	437.1.136.1AA	L.H. sticker "DUCATI ST3" (for RED)		1
20	437.1.136.1AB	L.H. sticker "DUCATI ST3" (for SILVER, YELLOW)		1
21	850.1.003.1A	Clip		1
22	852.1.075.1A	Washer		2
23	736.4.013.1B	Shear rivet		1
24	480.1.061.1A	R.H. lower half-fairing (unpainted)		1
24	480.1.115.1AA	R.H. lower half-fairing (RED)		1
24	480.1.115.1AB	R.H. lower half-fairing (YELLOW)		1
24	480.1.194.1AE	R.H. lower half-fairing (SILVER)		1
25	852.5.002.1A	Washer		4
26	484.1.025.1AB	L.H. air manifold (BLACK)		1
27	437.1.107.1AA	Sticker "DESMODROMICO" (for RED)		2
27	437.1.107.1AB	Sticker "DESMODROMICO" (for SILVER, YELLOW)		2
28	771.5.049.2B	Screw		2
29	480.1.060.1A	R.H. upper half-fairing (unpainted)		1
29	480.1.189.2AA	R.H. upper half-fairing (RED)		1
29	480.1.189.2AB	R.H. upper half-fairing (YELLOW)		1

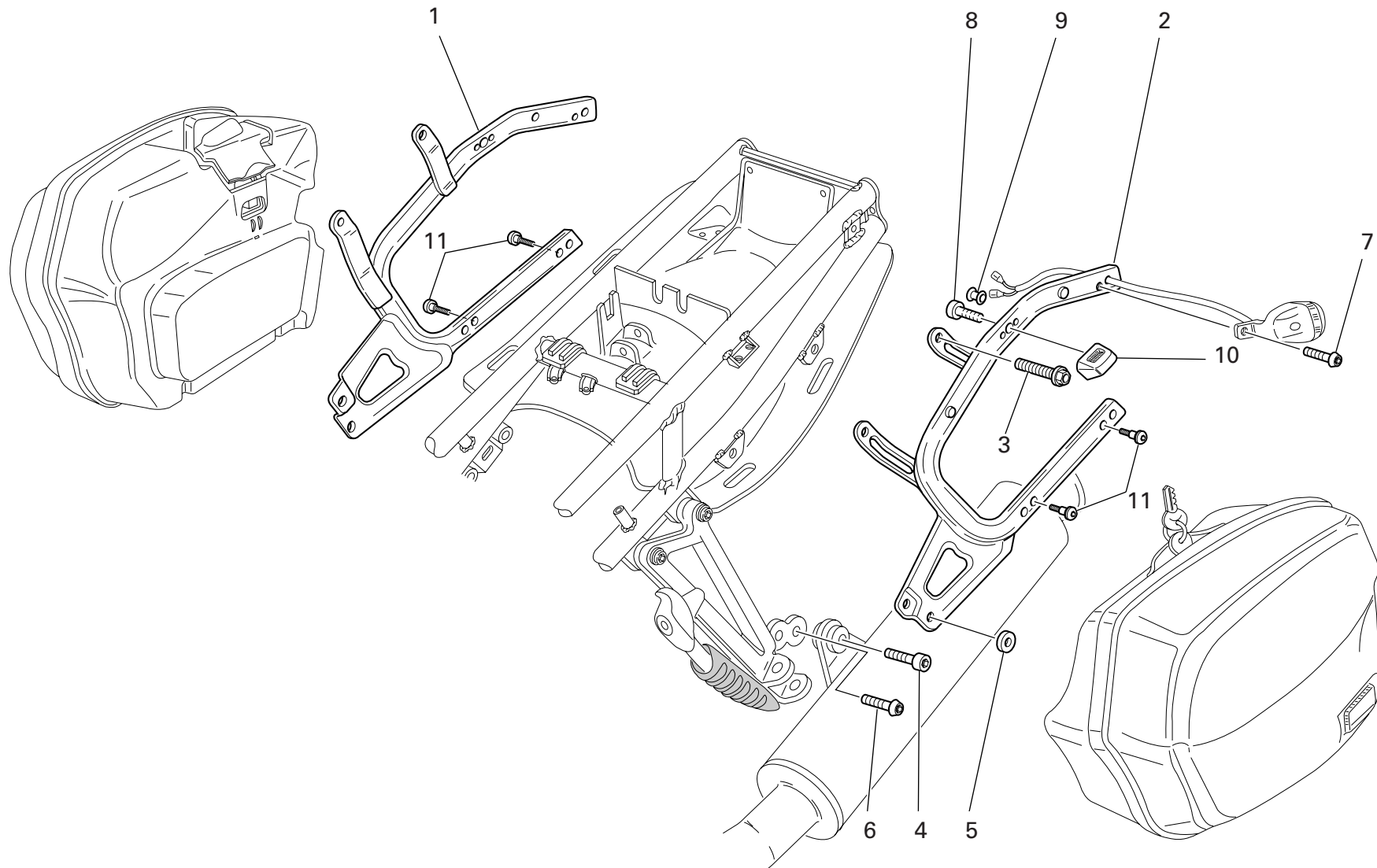
CATALOGUE No: 915.1.202.2A  
ISSUED: 05 - 04



DRAWING 044 FAIRING


NOTES NO.	CODE NO.	DESCRIPTION	VALIDITY	Q.TY 
29	480.1.189.2AE	R.H. upper half-fairing (SILVER)		1
30	480.1.058.1A	L.H. upper half-fairing (unpainted)		1
30	480.1.190.2AA	L.H. upper half-fairing (RED)		1
30	480.1.190.2AB	L.H. upper half-fairing (YELLOW)		1
30	480.1.190.2AE	L.H. upper half-fairing (SILVER)		1
31	480.1.058.1B	L.H. upper half-fairing (unpainted)		1
31	480.1.190.1BA	L.H. upper half-fairing (RED)		1
31	480.1.190.1BB	L.H. upper half-fairing (YELLOW)		1
31	480.1.190.1BE	L.H. upper half-fairing (SILVER)		1
32	480.1.060.1B	R.H. upper half-fairing (unpainted)		1
32	480.1.189.1BA	R.H. upper half-fairing (RED)		1
32	480.1.189.1BB	R.H. upper half-fairing (YELLOW)		1
32	480.1.189.1BE	R.H. upper half-fairing (SILVER)		1
33	529.1.008.1AB	Cat's eye (AMBER)		2

NOTES NO.	CODE NO.	DESCRIPTION	VALIDITY	Q.TY 
-----------	----------	-------------	----------	--

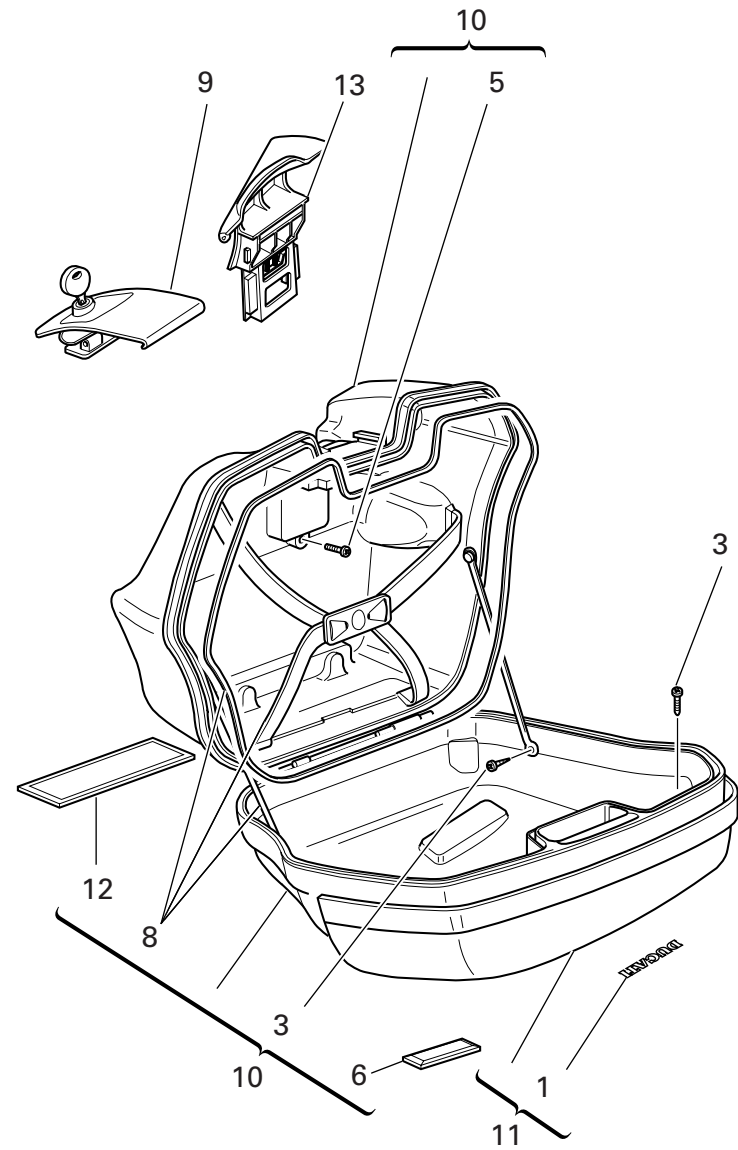
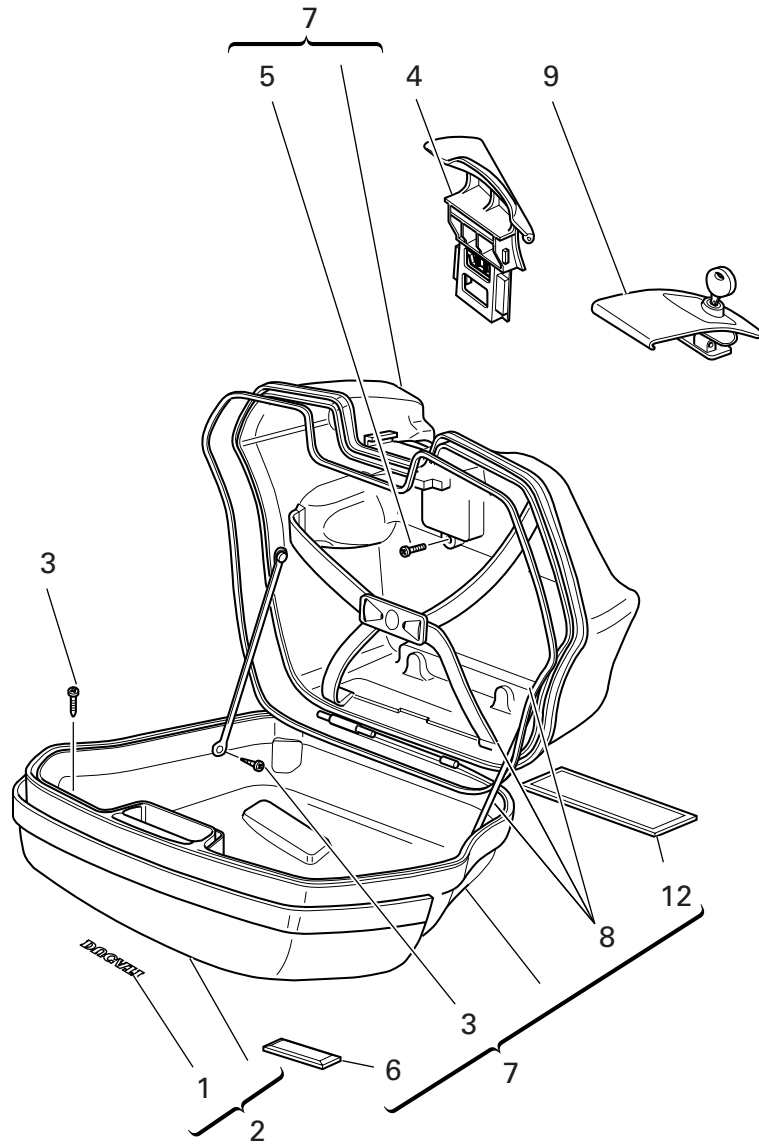


DRAWING 045


PANNIERS FASTENS

NOTES NO.	CODE NO.	DESCRIPTION	VALIDITY	Q.TY 
1	829.1.206.1A	R.H. holder		1
2	829.1.205.1A	L.H. holder		1
3	772.5.008.1A	Screw		4
4	771.5.002.1A	Screw		2
5	713.1.130.1A	Spacer		1
6	775.5.002.1A	Screw		2
7	8BB06.1070	Screw		2
8	771.4.007.1A	Screw		2
9	872.4.023.1A	Cap		4
10	829.1.332.1A	Holder		2
11	966.1.890.4B	Special screw		4

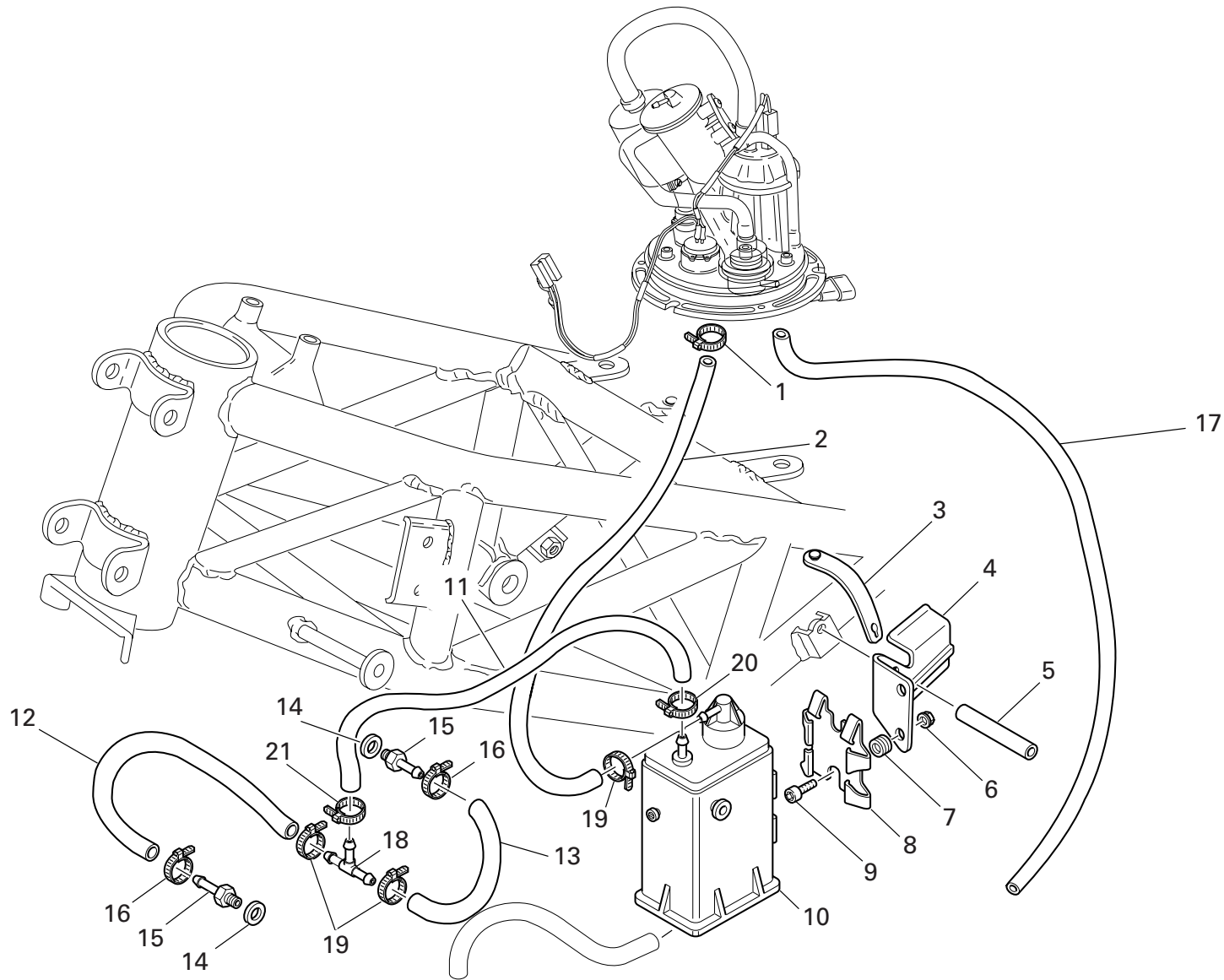
NOTES NO.	CODE NO.	DESCRIPTION	VALIDITY	Q.TY 
-----------	----------	-------------	----------	--




DRAWING 046 SIDE PANNIERS

NOTES NO.	CODE NO.	DESCRIPTION	VALIDITY	Q.TY 
0	699.2.094.1CA	Coplete panniers kit (RED)		1
0	699.2.094.1CB	Complete Panniers kit (SILVER)		1
0	699.2.094.1CE	Coplete panniers kit (YELLOW)		1
1	438.1.096.1AA	Sticker "DUCATI" (for RED)		2
1	438.1.096.1AB	Sticker "DUCATI" (for SILVER, YELLOW)		2
2	698.1.021.1BA	R.H. cover (RED)		1
2	698.1.021.1BB	R.H. cover (SILVER)		1
2	698.1.021.1BE	R.H. cover (YELLOW)		1
3	72237.0657	Self-tapping screw		20
4	698.1.023.1A	R.H. handle		1
5	72237.0974	Self-tapping screw		2
6	529.4.003.1A	Reflector		2
6	529.4.005.1A	Cat's eye (AMBER)		2
7	698.1.015.1A	R.H. pannier		1
8	698.1.026.1A	Series of belts		1
9	698.1.025.1A	Pannier locks kit		1
10	698.1.016.1A	L.H. pannier		1
11	698.1.022.1BA	L.H. cover (RED)		1
11	698.1.022.1BB	L.H. cover (SILVER)		1
11	698.1.022.1BE	L.H. cover (YELLOW)		1
12	698.1.027.1A	Insulation		1
13	698.1.024.1A	L.H. handle		1

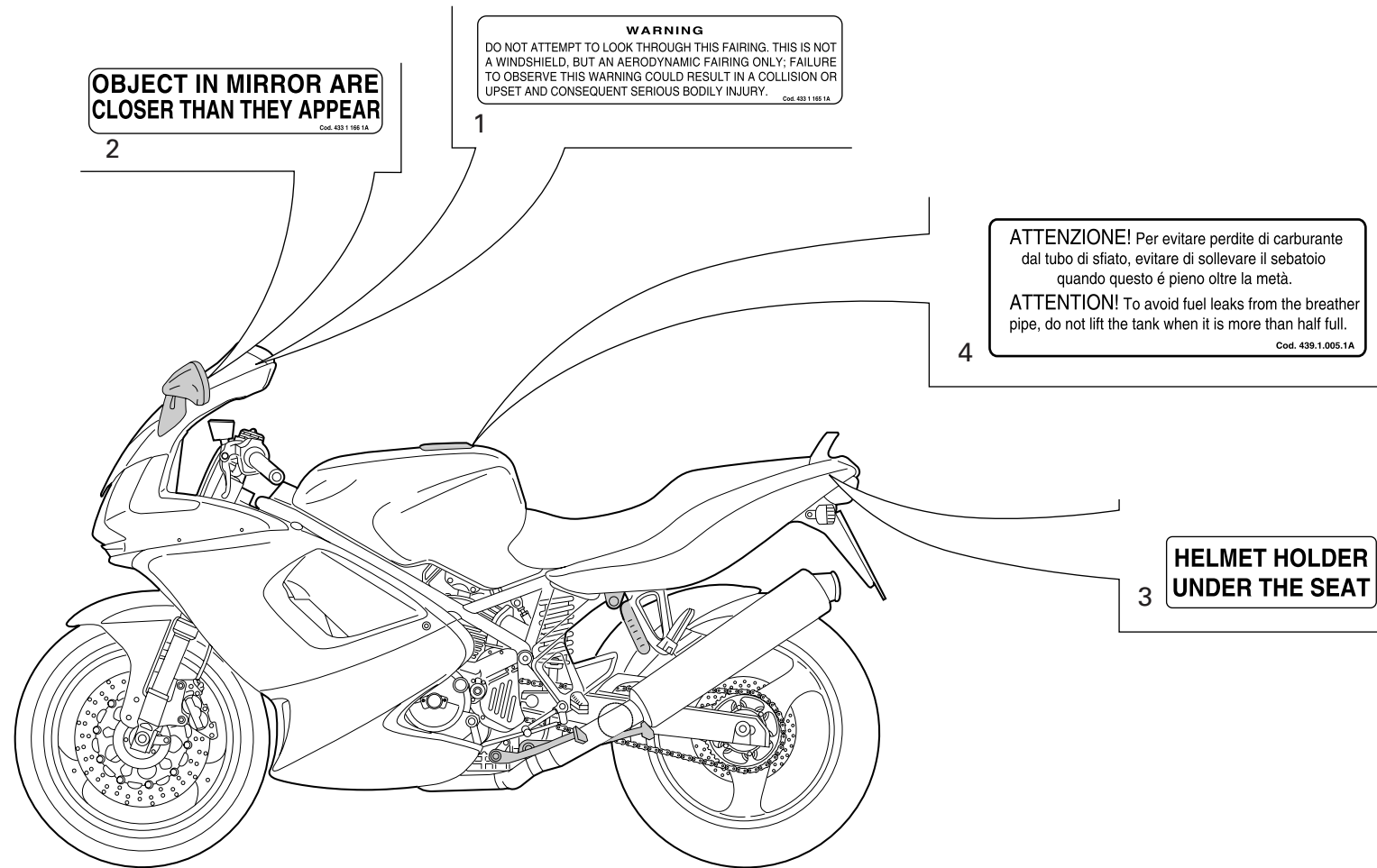
NOTES NO.	CODE NO.	DESCRIPTION	VALIDITY	Q.TY 
-----------	----------	-------------	----------	--




DRAWING 047 FUEL INFEED

NOTES NO.	CODE NO.	DESCRIPTION	VALIDITY	Q.TY 
1	741.4.057.1A	Hose guide		1
2	590.1.174.1A	Tube		1
3	741.1.013.1A	Hose guide		1
4	829.1.207.1A	Holder		1
5	716.1.043.1A	Spacer		2
6	729906FN1	Nut		2
7	764.1.029.1A	Rubber pad		2
8	827.1.157.1A	Plate		1
9	779.5.001.1A	Screw		2
10	426.1.007.1A	CANISTER filter		1
11	590.1.175.1A	Tube		1
12	590.1.173.1A	Tube		1
13	590.1.172.1A	Tube		2
14	852.5.025.1A	Aluminium gasket th.1		2
15	814.1.111.2B	Union		2
16	741.4.013.1B	Hose guide		2
17	590.1.102.1A	Breather pipe		1
18	0361.98.850	Shunt valve		1
19	741.4.063.1A	Hose guide		3
20	741.4.058.1A	Hose guide		1
21	741.4.059.1A	Hose guide		1

NOTES NO.	CODE NO.	DESCRIPTION	VALIDITY	Q.TY 
-----------	----------	-------------	----------	--



DRAWING 048 MARKING PLATES

NOTES NO.	CODE NO.	DESCRIPTION	VALIDITY	Q.TY 
1	433.1.165.1A	Sticker		1
2	433.1.166.1A	Label		2
3	433.1.170.1A	Sticker		1
4	433.1.164.1A	Sticker		1

NOTES NO.	CODE NO.	DESCRIPTION	VALIDITY	Q.TY 
-----------	----------	-------------	----------	--

## INDEX

CODE No.	Drwg.	POS. N.	CODE No.	Drwg.	POS. N.	CODE No.	Drwg.	POS. N.	CODE No.	Drwg.	POS. N.	CODE No.	Drwg.	POS. N.
0000.33552	027	11	0251.47.054	003	1	0400.29.126	002	34	0670.92.190	035	14	121.2.033.1A	007	5
0000.36230	039	20	0272.91.090	002	8	0400.49.240	005	13	0675.49.530	005	25	122.2.118.1A	007	2
0000.36726	039	7	0361.98.850	047	18	0400.49.240	011	13	0691.91.030	031	11	135.1.015.1A	033	22
0000.40427	030	2	0364.99.015	033	17	051.2.001.1A	001	10	0691.91.030	032	19	140.2.033.1A	013a	4
0000.44099	019	6	0364.99.020	019	23	0619.50.065	012	17	0755.29.025	006	14	146.2.104.1A	006	1
0000.56443	032	3	0364.99.020	044	3	0659.16.555	004	1	0755.29.025	008	21	147.1.014.1A	008	9
0000.60283	022	14	0364.99.710	034	22	0660.13.060	002	19	0755.49.265	010	2	148.1.142.1A	013	16
0000.62652	029	8	0370.39.780	037	37	0660.13.070	002	13	0759.49.280	009	15	148.1.143.1A	013	9
0000.62652	036	4	0370.49.250	010	22	0660.13.143	002	9	0765.92.205	002	21	149.1.032.3A	003	25
0000.62705	025	12	0370.69.850	020	23	0660.13.165	002	25	0795.37.096	014	12	150.2.006.1B	003	2
0000.62705	041	3	0370.69.855	021	9	0660.16.145	004	21	0795.37.096	015	17	150.2.063.1A	003	28
0000.62726	037	18	0370.69.860	020	35	0660.47.040	006	13	0797.72.068	019	7	150.2.072.1A	003	27
0000.62726	039	34	0370.69.865	021	13	0660.49.053	009	17	0797.72.068	022	11	153.1.008.1A	025	31
0000.62729	029	9	0370.69.910	020	4	0660.50.020	012	8	0797.72.068	023	8	158.2.019.1A	006	5
0000.62729	036	5	0370.69.910	021	3	0665.49.680	005	8	0797.72.068	032	23	160.1.049.1A	038	21
0000.62730	023	9	0370.69.920	020	3	0670.16.145	003	7	0799.13.110	002	27	160.1.057.1A	012	13
0000.63150	024	10	0370.69.920	021	2	0670.16.150	003	3	0803.77.010	038	16	160.1.105.1A	013	19
0000.63150	030	20	0370.69.930	020	21	0670.16.155	003	19	112.1.026.1AA	006	8	160.9.057.1A	042	1
0000.63150	039	13	0370.69.930	021	7	0670.16.163	003	11	112.1.026.1AB	006	8	162.1.001.1B	004	7
0000.63150	043	3	0370.69.940	020	22	0670.16.164	003	11	117.1.025.2A	037	13	170.2.020.1B	004	17
0000.63150	044	8	0370.69.940	021	8	0670.16.164	003	15	117.1.033.1A	020	8	171.2.020.2B	008	10
0000.63161	043	4	0370.69.970	020	31	0670.16.165	003	15	117.2.002.1A	019	21	172.1.002.1B	003	10
0000.63161	044	7	0370.69.970	021	14	0670.16.170	003	26	117.2.006.1A	004	29	172.1.003.1A	003	8
0000.64471	038	10	0370.98.610	033	20	0670.16.171	003	26	120.2.092.1A	007	1	172.1.004.1A	003	5
00B0.55703	041	24	0400.09.050	002	21	0670.16.184	003	15	120.2.093.1A	007	10	172.1.005.1A	003	9
0124.40.060	008	12	0400.17.030	004	26	0670.16.185	003	15	121.1.078.2A	007	4	172.1.006.1B	003	18
0251.47.050	003	1	0400.29.125	002	34	0670.49.310	009	26	121.1.079.1A	007	3	172.1.007.1B	003	24

## INDEX

CODE No.	Drwg.	POS. N.	CODE No.	Drwg.	POS. N.	CODE No.	Drwg.	POS. N.	CODE No.	Drwg.	POS. N.	CODE No.	Drwg.	POS. N.
172.1.008.1A	003	22	211.1.043.2B	015	6	254.4.001.1A	005	4	303.1.039.1A	015	3	349.1.097.1A	026	7
172.1.009.1A	003	21	220.3.208.3A	009	16	254.4.001.1A	011a	23	303.1.039.1AB	014	4	349.1.098.1A	026	11
172.1.010.1A	003	20	225.2.086.1A	010	1	255.1.023.1A	008	15	303.1.039.1AB	015	3	349.1.101.1A	026	19
172.1.011.1A	003	23	235.1.036.1A	013	12	255.1.024.1A	013	3	303.1.039.1AC	014	4	349.1.102.1A	026	22
173.1.012.3A	012	20	240.1.029.1A	013a	2	264.4.025.1A	011	1	303.1.039.1AC	015	3	349.1.103.1A	026	14
174.1.002.1A	009	3	240.1.032.1A	013a	7	270.4.005.1A	012	1	303.1.039.1AD	014	4	349.1.124.1A	026	15
174.1.025.1A	009	12	242.2.038.2BB	011a	22	276.1.028.1B	012	16	303.1.039.1AD	015	3	349.1.194.1A	026	18
174.2.025.5A	009	1	242.2.062.1A	011a	14	280.4.005.1A	016	17	304.A.001.1A	014	2	349.1.196.1A	026	17
176.1.001.1A	012	6	243.1.025.1AD	005	1	282.4.019.1D	016	1	304.A.001.1A	015	4	349.1.197.1A	026	5
176.1.009.1A	012	10	243.2.004.1BB	005	6	283.4.003.1A	042	25	304.A.001.1AB	014	2	349.1.198.1A	026	3
180.1.001.1A	002	11	245.1.054.1A	013	5	284.4.001.1B	016	14	304.A.001.1AB	015	4	349.2.014.1B	026	10
180.1.002.1A	002	12	245.1.055.1A	008	1	286.4.090.1C	032	1	304.A.001.1AC	014	2	360.2.056.1A	025	24
180.1.008.1A	002	24	245.1.056.1A	008	4	287.4.024.1B	016	11	304.A.001.1AC	015	4	360.2.057.1A	025	16
182.2.018.1A	002	18	245.1.057.1A	013	6	287.4.027.1A	016	16	304.A.004.1A	014	3	365.2.027.1C	035	6
184.1.001.1A	037	11	246.1.009.1G	023	15	287.4.028.1A	016	10	304.A.004.1A	015	5	366.1.039.1A	026	6
190.2.011.1A	004	8	246.1.056.1A	033	21	287.4.029.1A	016	15	304.A.004.1AB	014	3	369.1.004.1A	034	8
194.2.001.1B	004	12	246.1.060.2A	025	27	301.2.130.1C	015	1	304.A.004.1AB	015	5	370.1.021.1B	034	10
195.4.003.1A	004	22	246.2.083.1A	023a	4	301.2.131.1C	014	1	304.A.004.1AC	014	3	372.2.008.3A	035	1
196.1.001.2B	004	10	247.1.002.1BC	011a	6	303.1.025.1A	014	5	304.A.004.1AC	015	5	373.1.023.1B	034	21
198.1.029.1A	004	13	247.1.083.1AE	011a	1	303.1.025.1A	015	2	340.2.283.1A	026	1	373.1.028.1B	034	20
208.1.022.1A	014	14	247.1.174.1A	009	2	303.1.025.1AB	014	5	340.2.284.1A	026	4	373.1.029.1B	034	17
208.1.022.1A	015	14	247.2.105.1AA	041	25	303.1.025.1AB	015	2	341.2.042.1A	025	23	380.4.010.1C	031	8
209.1.026.1B	014	16	247.2.105.1AB	041	25	303.1.025.1AC	014	5	342.2.015.1B	025	3	386.4.006.1A	031	17
209.1.026.1B	015	15	247.2.105.1BB	041	25	303.1.025.1AC	015	2	349.1.064.1A	026	8	386.4.013.2A	020	37
210.1.047.1B	014	10	247.2.166.2A	011a	13	303.1.025.1AD	014	5	349.1.065.1A	026	9	387.4.002.1A	031	16
210.1.047.1B	015	7	250.1.038.1A	009	5	303.1.025.1AD	015	2	349.1.075.1A	026	2	389.4.006.1A	023	1
211.1.043.2B	014	11	251.2.009.1A	011	16	303.1.039.1A	014	4	349.1.076.1A	026	16	389.4.006.1A	031	20

## INDEX

CODE No.	Drwg.	POS. N.	CODE No.	Drwg.	POS. N.	CODE No.	Drwg.	POS. N.	CODE No.	Drwg.	POS. N.	CODE No.	Drwg.	POS. N.
389.4.007.1A	023	1	433.1.164.1A	048	4	460.1.062.1A	020	25	480.1.189.1BB	044	32	482.1.028.1BE	040	21
389.4.008.1A	023	1	433.1.165.1A	048	1	460.1.063.1A	021	16	480.1.189.1BE	044	32	482.1.117.1AE	040	21
389.4.012.1A	023	1	433.1.166.1A	048	2	460.1.076.2A	025	35	480.1.189.2AA	044	29	482.1.118.1AE	040	18
389.4.012.1A	031	24	433.1.170.1A	048	3	460.1.077.1A	039	32	480.1.189.2AB	044	29	482.3.021.1A	040	28
389.4.014.1A	031	2	433.1.230.1A	034	5	460.1.080.1A	039	33	480.1.189.2AE	044	29	482.3.022.1A	040	29
389.4.015.1A	023	1	433.1.296.1B	023	18	460.1.088.1A	019	2	480.1.190.1AA	044	1	484.1.025.1AB	044	26
390.4.003.1A	039	16	436.1.021.1A	040	32	460.1.174.1A	024	5	480.1.190.1AB	044	1	484.1.026.1AB	044	13
390.4.008.1A	023	19	436.1.021.1AB	040	32	460.1.175.1A	024	6	480.1.190.1AE	044	1	484.1.029.1B	042	10
390.4.010.1A	043	7	437.1.107.1AA	044	27	462.4.037.6A	032	6	480.1.190.1BA	044	31	484.1.049.1AA	044	12
390.4.011.1A	023a	2	437.1.107.1AB	044	27	463.2.053.7A	004	15	480.1.190.1BB	044	31	484.1.049.1AB	044	12
390.4.014.1A	023a	3	437.1.136.1AA	044	20	470.1.081.1AA	019	1	480.1.190.1BE	044	31	484.1.049.1AE	044	12
395.4.013.1B	032	17	437.1.136.1AB	044	20	480.1.058.0A	044	1	480.1.190.2AA	044	30	484.3.049.1A	044	12
397.4.002.1A	032	7	437.1.137.1AA	044	11	480.1.058.1A	044	30	480.1.190.2AB	044	30	486.1.070.1A	041	23
406.1.020.1B	024	1	437.1.137.1AB	044	11	480.1.058.1B	044	31	480.1.190.2AE	044	30	487.1.034.1A	043	15
417.6.011.3A	005	28	438.1.096.1AA	046	1	480.1.059.0A	044	9	480.1.193.1AE	044	9	492.4.003.2A	038	15
417.7.007.1A	039	30	438.1.096.1AB	046	1	480.1.059.2AA	044	9	480.1.194.1AE	044	24	492.4.024.1A	038	5
417.9.030.6A	020	9	442.2.008.1A	033	6	480.1.059.2AE	044	9	481.1.031.1AA	043	1	494.1.068.4D	038	23
417.9.030.8A	025	1	444.4.003.4A	009	20	480.1.060.0A	044	2	481.1.031.1AB	043	1	497.2.001.2A	038	2
417.9.050.6A	032	5	447.1.030.2A	034	13	480.1.060.1A	044	29	481.1.031.1AE	043	1	501.2.104.1AA	038	1
420.2.000.8A	037	22	447.1.031.2A	034	4	480.1.060.1B	044	32	481.1.031.1BA	043	16	502.2.104.1AA	038	13
420.2.001.0A	002	5	449.1.045.1A	003	12	480.1.061.1A	044	24	481.1.031.1BB	043	16	510.1.108.1A	039	21
420.2.006.4A	010	19	451.1.025.1A	008	20	480.1.115.1AA	044	24	481.1.031.1BE	043	16	510.1.262.1A	023	14
425.4.004.1B	042	22	451.2.006.1A	008	23	480.1.115.1AB	044	24	481.3.031.1A	043	1	510.1.265.1A	031	1
426.1.007.1A	047	10	455.2.003.1A	002	4	480.1.189.1AA	044	2	481.3.031.1B	043	16	510.2.003.1A	042	28
427.1.003.1A	042	8	456.1.006.2A	020	12	480.1.189.1AB	044	2	482.1.027.1BA	040	18	513.1.008.2D	032	28
427.4.002.1A	042	20	456.2.009.1A	020	16	480.1.189.1AE	044	2	482.1.027.1BE	040	18	514.1.032.1A	001c	9
430.4.004.1A	042	12	457.2.008.1A	037	6	480.1.189.1BA	044	32	482.1.028.1BA	040	21	514.1.033.1A	001c	13

## INDEX

CODE No.	Drwg.	POS. N.	CODE No.	Drwg.	POS. N.	CODE No.	Drwg.	POS. N.	CODE No.	Drwg.	POS. N.	CODE No.	Drwg.	POS. N.
514.1.034.1A	001c	12	532.4.002.1A	039	18	556.1.018.1C	018	15	590.1.058.1A	042	24	60N102584	034	9
514.1.035.1A	001c	10	539.1.021.1A	002	6	556.2.020.1B	018	16	590.1.059.1A	042	21	60N107335	004	28
514.1.036.1A	001c	10	539.1.023.2A	018	13	559.1.005.1A	040	1	590.1.080.1A	016	12	60N107335	039	22
514.1.037.1A	001c	6	539.4.003.1B	037	15	561.1.013.2A	039	29	590.1.085.1A	041	9	60N115062	037	9
514.1.038.1A	001c	14	539.4.021.1A	028	6	561.1.019.1A	039	27	590.1.092.1A	042	14	60N115548	039	19
514.1.040.1A	032	4	539.4.030.1A	005	16	564.1.023.1AA	044	18	590.1.102.1A	047	17	610.4.011.2C	028	12
514.1.041.1A	032	2	539.4.033.1A	027	13	564.1.023.1AE	044	18	590.1.103.1A	016	4	610.4.012.2C	028	11
516.4.001.1AB	031	6	540.4.011.1C	023	10	564.1.023.1AH	044	18	590.1.124.1A	016	7	611.4.009.1A	037	36
518.4.004.1B	025	29	541.4.007.1A	023	11	564.3.023.1A	044	18	590.1.172.1A	047	13	612.4.005.1A	027	12
520.1.002.1C	023a	1	541.4.007.1A	031	18	565.1.021.2A	034	16	590.1.173.1A	047	12	612.4.008.1A	028	18
523.4.016.1AA	043	12	548.4.019.2A	029	1	565.1.022.2A	040	22	590.1.174.1A	047	2	612.4.008.1A	037	40
523.4.016.1AB	043	12	548.4.023.1B	036	1	565.1.027.1A	040	33	590.1.175.1A	047	11	612.4.014.1A	028	16
523.4.016.1AE	043	12	550.4.008.1A	029	4	570.1.102.1A	017	7	590.1.189.1A	001c	1	612.4.016.1A	037	39
523.4.017.1AA	043	14	552.1.037.1A	001c	4	571.1.100.1A	017	5	590.1.190.1A	001c	2	612.4.017.1A	028	17
523.4.017.1AB	043	14	552.1.038.1A	001c	5	573.1.088.1A	017	11	592.1.018.1A	041	12	612.4.018.1A	028	22
523.4.017.1AE	043	14	552.1.039.1A	001c	7	574.1.088.1A	017	3	593.1.003.1B	010	33	613.4.021.1A	037	38
525.1.004.2A	039	24	552.1.040.1A	001c	11	576.1.034.1A	017	15	593.1.018.1A	009	29	613.4.021.1B	028	20
525.4.010.1A	039	15	552.4.012.1A	023	17	576.1.035.1A	017	18	595.1.066.1A	040	16	618.4.054.1A	028	13
529.1.006.1A	039	25	552.4.013.1A	030	9	585.1.019.2D	033	18	598.2.010.1A	039	5	619.4.015.2C	037	30
529.1.008.1AB	044	33	552.4.020.1A	011a	8	585.1.020.1A	030	1	598.2.017.2A	019	18	624.4.031.1A	028	1
529.4.003.1A	046	6	552.4.028.1A	001d	15	585.4.001.1A	037	20	598.4.015.1A	040	26	625.4.006.1A	037	27
529.4.005.1A	046	6	552.4.037.1A	037	42	585.4.006.1A	028	7	598.4.016.1A	025	8	626.4.011.1A	027	3
530.1.003.1A	043	8	553.4.004.1A	030	19	585.4.007.1A	027	5	598.4.018.1A	025	8	626.4.011.1A	028	3
530.1.004.1A	043	9	555.1.005.1A	018	3	586.1.060.1AA	041	1	60N102488	022	7	626.4.013.1A	037	29
530.4.003.1B	039	6	555.1.006.1B	018	4	586.1.060.1AB	041	1	60N102511	014	9	626.4.015.1C	027	4
530.4.004.1B	039	23	555.1.007.1A	018	2	586.1.060.1AE	041	1	60N102511	019	15	626.4.015.1D	028	5
532.4.001.1A	039	8	556.1.017.1C	018	14	590.1.056.1A	042	23	60N102557	025	7	626.4.019.1A	028	2

## INDEX

CODE No.	Drwg.	POS. N.	CODE No.	Drwg.	POS. N.	CODE No.	Drwg.	POS. N.	CODE No.	Drwg.	POS. N.	CODE No.	Drwg.	POS. N.
626.4.034.1A	027	2	684.1.026.1A	033	1	701.4.005.1A	003	4	8000.66774	025	36	712.1.021.1A	006	6
630.4.024.1A	027	1	684.1.044.1A	017	13	701.4.006.1A	035	3	8000.67981	037	8	713.1.011.1A	003	15
631.4.004.1A	028	19	684.1.070.1A	007	6	701.4.007.1A	012	21	8000.69069	036	2	713.1.012.1B	004	31
631.4.008.1A	037	28	697.2.016.1A	040	25	702.4.004.1A	025	6	8000.69282	037	32	713.1.014.1A	003	11
632.1.025.1A	027	9	698.1.015.1A	046	7	702.4.009.1A	011	11	8000.70127	026	12	713.1.014.1A	003	15
650.1.002.1A	025	25	698.1.016.1A	046	10	702.4.010.2A	011	9	8000.70139	001b	2	713.1.014.1B	003	11
651.4.011.1A	025	14	698.1.021.1BA	046	2	702.4.013.1A	010	26	8000.70178	025	13	713.1.014.1E	003	11
652.4.006.1D	025	9	698.1.021.1BB	046	2	702.4.017.1A	004	20	8000.77921	041	20	713.1.014.1E	003	15
654.4.006.1A	025	30	698.1.021.1BE	046	2	702.4.020.1A	010	29	8000.78345	025	15	713.1.014.1F	003	11
656.1.050.1A	025	26	698.1.022.1BA	046	11	702.4.033.1A	010	9	70610.8120	004	11	713.1.097.1B	038	24
657.1.019.1A	025	18	698.1.022.1BB	046	11	702.4.069.1A	008	5	707006N02	037	21	713.1.098.1A	038	14
658.4.002.1B	025	42	698.1.022.1BE	046	11	702.5.008.1A	010	20	70914.2121	017	17	713.1.126.1A	043	11
668.1.001.3A	011a	12	698.1.023.1A	046	4	702.5.008.1A	011	4	710.1.001.1A	009	13	713.1.127.1A	043	13
669.1.001.1E	014	18	698.1.024.1A	046	13	702.5.016.1A	004	14	710.1.002.1A	004	23	713.1.128.1B	011	12
669.1.001.1E	015	12	698.1.025.1A	046	9	702.5.019.1A	010	12	710.1.025.1A	035	4	713.1.129.1A	040	13
670.4.016.1B	031	12	698.1.026.1A	046	8	702.5.044.1A	003	29	710.1.041.1B	038	22	713.1.130.1A	045	5
671.1.030.1A	031	14	698.1.027.1A	046	12	703.1.013.1A	025	34	710.1.046.1A	035	12	713.1.140.1A	010	14
671.1.031.1A	031	7	698.1.033.1A	001c	15	8000.56359	019	9	710.1.057.1A	035	9	713.1.192.1A	037	43
671.1.032.1A	031	9	699.2.094.1CA	046	0	8000.56359	032	9	710.1.068.1A	025	41	713.1.204.1A	003	13
671.1.033.1A	031	10	699.2.094.1CB	046	0	8000.56359	033	14	710.1.069.1A	010	21	713.1.241.1A	005	24
672.1.005.1A	041	11	699.2.094.1CE	046	0	8000.56391	041	13	710.1.070.1A	010	30	714.1.028.1A	038	3
672.1.029.1A	032	18	700.1.005.1A	038	18	8000.56443	031	22	711.1.072.1A	025	40	714.1.045.1A	038	9
672.1.040.1A	023a	6	700.1.024.1A	040	20	8000.56443	033	24	711.1.084.1A	030	21	715.1.004.1A	035	8
676.2.055.1A	034	11	700.1.025.1A	040	19	8000.56443	040	23	711.1.093.2A	007	8	716.1.022.1A	023	6
676.4.018.1A	034	15	700.1.036.1A	012	24	8000.59056	020	14	711.1.095.1A	010	32	716.1.022.1A	032	10
677.4.003.1A	001b	4	700.1.043.1A	024	7	8000.59056	037	4	711.1.128.1A	010	38	716.1.022.1A	033	9
680.1.001.1B	009	7	701.4.003.1A	012	19	8000.59572	023	13	712.1.013.3A	041	5	716.1.022.1A	039	11

## INDEX

CODE No.	Drwg.	POS. N.	CODE No.	Drwg.	POS. N.	CODE No.	Drwg.	POS. N.	CODE No.	Drwg.	POS. N.	CODE No.	Drwg.	POS. N.
716.1.038.1A	030	4	73500.0624	037	3	741.4.025.1A	030	8	748.4.002.1A	019	16	764.1.001.1A	017	14
716.1.038.1A	040	7	73500.0827	020	17	741.4.038.1A	031	23	748.4.024.1A	038	20	764.1.002.1A	014	6
716.1.043.1A	047	5	73500.0827	021	4	741.4.040.1A	016	5	748.4.038.1A	024	4	764.1.002.1A	015	18
716.1.053.1A	032	11	73500.1237	009	25	741.4.041.1A	016	6	749.4.002.1A	025	28	764.1.003.1B	004	6
716.1.073.2A	008	13	73500.1237	012	7	741.4.043.1A	037	17	749.4.045.2G	018	1	764.1.010.1A	019	20
716.1.099.1A	008	17	73500.1440	012	11	741.4.055.1A	030	22	749.4.045.2G	018	7	764.1.011.2A	037	5
716.1.107.1B	024	3	73500.1542	002	15	741.4.057.1A	047	1	749.5.001.1A	039	10	764.1.019.1A	041	28
72094.1616	010	10	73500.2668	042	26	741.4.058.1A	047	20	750.1.002.1B	004	25	764.1.022.1A	029	6
72121.2106	006	4	73503.3380	010	18	741.4.059.1A	047	21	750.1.007.1A	003	32	764.1.022.1A	036	3
72231.0871	044	10	73503.3380	011	5	741.4.062.1A	023	21	750.1.012.2A	006	3	764.1.029.1A	047	7
72237.0657	046	3	73503.3449	042	5	741.4.062.1A	037	31	750.1.041.1A	035	15	764.1.090.1A	023	7
72237.0974	042	17	736.4.013.1B	044	23	741.4.063.1A	047	19	750.1.042.1A	041	17	764.1.090.1A	033	10
72237.0974	046	5	737.4.021.1A	008	19	741.4.067.1A	013a	8	750.1.121.1A	012	3	764.1.090.1A	039	14
72944.1542	008	18	741.1.003.2A	017	6	74172.1008	006	10	750.5.001.1A	032	8	764.4.003.1A	023	4
72944.1542	013	1	741.1.012.1A	019	22	74172.1008	013	8	75113.2566	004	18	764.4.005.1A	031	15
729906FN1	037	23	741.1.012.1A	039	31	74223.1045	033	12	75162.2566	038	4	76400.0004	010	3
729906FN1	039	12	741.1.013.1A	019	3	74224.0570	004	24	75162.3075	038	17	76401.0002	020	10
729906FN1	041	27	741.1.013.1A	031	13	74224.0570	006	7	75191.3380	010	25	76401.0003	020	6
729906FN1	047	6	741.1.013.1A	047	3	300182	032	16	75794.1542	010	17	76402.0002	003	17
729908FN1	022	9	741.4.001.1A	030	7	470412	016	9	758.1.026.1A	022	2	765.1.001.1A	020	15
732.1.017.1A	040	27	741.4.002.1A	007	11	747.5.001.1A	020	7	759.1.015.1A	040	31	766.1.027.1A	010	6
732.2.006.2A	039	3	741.4.002.1A	030	12	748.1.014.1B	038	12	760.1.003.1B	033	11	766.4.019.1A	013	18
73270.8001	017	16	741.4.002.1A	033	15	748.1.023.1A	034	1	760.1.015.1A	040	8	76835.1134	002	10
734005N01	024	2	741.4.004.1A	041	10	748.1.024.1A	017	4	76266.2668	010	4	770.1.003.1A	038	6
734305N01	025	21	741.4.004.1A	042	13	748.1.036.1A	033	3	76267.0012	009	24	770.5.250.8B	010	15
734305N01	040	12	741.4.013.1A	019	24	748.1.038.1A	010	8	763106N01	020	5	770.5.250.8B	011	6
734305N01	041	4	741.4.013.1B	047	16	748.1.040.1A	002	23	763106N01	041	18	770.5.619.2B	040	11

## INDEX

CODE No.	Drwg.	POS. N.	CODE No.	Drwg.	POS. N.	CODE No.	Drwg.	POS. N.	CODE No.	Drwg.	POS. N.	CODE No.	Drwg.	POS. N.
771.1.009.1A	035	10	771.5.067.8B	013a	1	771.5.669.2B	028	4	772.5.024.1A	037	12	779.1.058.1A	036	10
771.1.016.1A	035	11	771.5.067.8B	030	15	771.5.721.2B	031	5	772.5.024.1A	039	26	779.1.082.2A	027	10
771.1.020.1A	038	7	771.5.069.8B	005	5	771.5.723.2B	037	35	772.5.025.1A	019	14	779.1.083.1A	036	8
771.1.026.1A	005	2	771.5.069.8B	009	10	771.5.725.2B	020	2	772.5.025.1A	028	15	779.1.088.1A	023	2
771.1.026.3A	013	21	771.5.069.8B	011a	11	771.5.725.2B	021	5	772.5.025.1A	029	3	779.1.088.1A	040	3
771.1.027.1A	005	3	771.5.069.8B	012	22	771.5.725.2B	025	22	772.5.025.1A	032	20	779.1.088.1A	043	2
771.1.034.2A	031	3	771.5.071.8B	011a	25	771.5.754.2B	018	8	772.5.025.1A	041	6	779.1.089.1A	044	17
771.4.007.1A	045	8	771.5.071.8B	012	23	771.5.754.2B	037	14	772.5.034.1A	043	6	779.1.099.1A	025	2
771.5.002.1A	045	4	771.5.072.2B	011	22	771.5.937.2B	035	7	773.5.069.8B	009	6	779.1.109.1A	006	2
771.5.004.2B	034	18	771.5.072.8B	005	23	771.5.938.2B	035	5	775.1.006.1A	032	27	779.1.119.1B	034	3
771.5.040.2B	041	14	771.5.072.8B	008	2	772.1.001.1A	018	17	775.1.008.2A	040	17	779.1.159.1A	020	26
771.5.040.8B	011	15	771.5.072.8B	010	31	772.1.010.3A	008	22	775.1.011.1A	031	21	779.1.162.2A	009	27
771.5.043.2B	022	3	771.5.073.8B	011	2	772.1.050.1A	033	2	775.1.011.1A	033	23	779.1.170.1A	042	2
771.5.043.2B	039	28	771.5.074.2B	025	19	772.5.004.1A	020	24	775.1.011.1A	043	5	779.1.198.2A	009	23
771.5.043.8B	004	4	771.5.078.8B	005	20	772.5.004.1A	021	17	775.1.011.1A	044	6	779.1.198.2A	011a	3
771.5.045.7E	041	15	771.5.078.8B	012	12	772.5.004.1A	025	32	775.1.038.1A	032	13	779.1.203.2A	002	7
771.5.049.2B	044	28	771.5.079.8B	005	21	772.5.008.1A	045	3	775.1.038.1B	044	19	779.1.213.1A	019	11
771.5.062.8B	013a	6	771.5.080.8B	010	27	772.5.021.1A	032	25	775.5.002.1A	045	6	779.1.221.1A	025	20
771.5.063.8B	013	14	771.5.123.8B	002	30	772.5.023.1A	023	5	777.5.002.1A	020	20	779.1.301.1AB	029	5
771.5.064.2B	011a	19	771.5.123.8B	008	8	772.5.023.1A	025	17	777.5.002.1A	021	6	779.1.366.1AB	027	7
771.5.066.8B	011a	2	771.5.129.8B	009	8	772.5.023.1A	032	15	777.5.049.8B	011a	7	779.1.366.1AB	028	9
771.5.066.8B	012	5	771.5.136.8B	010	24	772.5.023.1A	033	8	779.1.007.2A	006	9	779.1.366.1AB	037	25
771.5.067.8B	002	28	771.5.141.2B	022	8	772.5.023.1A	043	10	779.1.026.1A	010	36	779.4.005.2A	018	12
771.5.067.8B	007	14	771.5.431.2B	028	10	772.5.023.1B	039	1	779.1.029.2A	010	39	779.4.075.1A	011	3
771.5.067.8B	008	3	771.5.665.2B	037	44	772.5.024.1A	019	10	779.1.037.1A	034	14	779.5.001.1A	020	38
771.5.067.8B	011a	24	771.5.667.2B	040	6	772.5.024.1A	022	12	779.1.039.1A	002	3	779.5.001.1A	044	5
771.5.067.8B	013	10	771.5.669.2B	025	38	772.5.024.1A	030	3	779.1.050.1A	024	9	779.5.001.1A	047	9

## INDEX

CODE No.	Drwg.	POS. N.	CODE No.	Drwg.	POS. N.	CODE No.	Drwg.	POS. N.	CODE No.	Drwg.	POS. N.	CODE No.	Drwg.	POS. N.
779.5.011.1A	020	11	799.1.024.1A	021	12	800.1.126.1A	030	16	821.1.028.2B	041	8	827.1.122.2A	025	11
779.5.016.1A	017	12	799.1.025.1A	002	20	800.1.127.1A	030	17	821.1.052.1A	037	7	827.1.139.2B	018	11
779.5.030.2A	013	4	799.1.049.1A	002	1	800.1.128.1A	030	18	821.1.054.1A	023	3	827.1.157.1A	047	8
780.1.005.1A	005	26	799.1.051.2A	006	15	800.1.129.1A	030	13	821.1.070.1A	002	17	827.1.166.1A	023	16
780.1.007.1A	017	8	799.1.052.2A	016	8	802.1.009.1A	016	21	821.1.073.1A	025	10	827.1.192.1A	020	19
780.1.008.1A	042	7	799.1.055.1A	009	30	802.1.015.1A	016	18	821.1.075.1A	022	10	827.1.286.1A	032	12
780.1.018.1A	009	31	799.1.069.1A	018	5	806.1.011.1AA	039	2	821.1.075.1A	033	13	827.1.330.1A	032	21
780.5.001.1A	011a	16	799.1.070.1A	018	6	806.1.011.1AE	039	2	821.1.081.1A	039	17	827.2.134.1A	041	7
781.1.003.3A	036	12	799.1.071.1A	020	29	806.1.011.1AH	039	2	821.1.096.1A	037	10	827.2.215.1A	032	24
786.1.063.1A	007	7	799.1.072.1A	017	9	806.1.012.1A	020	27	821.1.129.1A	032	26	829.1.073.3A	037	24
786.1.073.1A	007	15	799.1.083.1B	037	41	806.1.013.1A	020	36	821.1.141.1A	014	15	829.1.077.2B	042	11
788.1.052.1A	005	7	799.1.087.1A	025	33	808.1.019.1A	040	9	821.1.141.1A	015	10	829.1.104.1A	042	18
788.1.054.1A	012	4	799.1.088.1A	018	10	80B0.55703	044	14	821.1.142.1B	014	21	829.1.127.1A	031	19
788.1.066.1AA	011a	9	799.1.089.1A	018	9	814.1.065.1A	042	4	821.1.142.1B	015	19	829.1.129.1A	033	4
788.1.066.1AB	011a	9	799.1.146.1A	014	20	814.1.066.1A	042	29	821.1.170.1A	020	18	829.1.136.1A	039	35
788.1.066.1AC	011a	9	799.1.146.1A	015	9	814.1.111.2B	047	15	824.1.039.1A	020	1	829.1.167.2AB	022	4
788.1.071.1A	013	11	799.1.147.1A	014	7	814.1.114.1A	001c	8	824.1.040.1B	021	1	829.1.168.1AB	022	1
788.1.072.1A	007	12	799.1.147.1A	015	8	814.1.123.1A	030	14	824.1.041.1C	020	30	829.1.169.1AB	019	5
788.1.072.1A	030	10	799.1.179.1A	014	13	814.1.124.1A	007	13	824.1.042.1C	021	15	829.1.170.1AB	019	4
788.1.074.1A	013a	3	799.1.179.1A	015	16	814.1.157.1A	030	11	825.1.030.1A	037	34	829.1.172.2B	032	22
788.1.075.1A	013	13	799.1.215.1A	023a	5	815.1.022.1A	010	35	826.1.009.1A	002	33	829.1.184.1A	037	1
790.1.007.1A	017	1	799.1.221.1A	014	24	815.1.028.1A	009	21	826.1.012.1A	010	11	829.1.190.1A	023	12
791.1.012.1A	041	26	799.1.221.1A	015	20	818.2.009.1A	004	3	827.1.012.1A	044	15	829.1.204.1A	022	13
791.1.017.2A	016	19	799.2.077.2A	009	14	819.1.017.1A	038	8	827.1.045.1A	020	34	829.1.205.1A	045	2
791.1.034.1A	041	16	800.1.007.1A	007	17	819.1.030.1A	034	2	827.1.045.1A	021	10	829.1.206.1A	045	1
791.2.036.1A	007	9	800.1.008.1A	007	16	821.1.001.1A	002	26	827.1.061.1A	040	4	829.1.207.1A	047	4
799.1.024.1A	020	32	800.1.049.1A	030	6	821.1.009.1B	038	19	827.1.121.1A	019	13	829.1.208.2A	028	14

## INDEX

CODE No.	Drwg.	POS. N.	CODE No.	Drwg.	POS. N.	CODE No.	Drwg.	POS. N.	CODE No.	Drwg.	POS. N.	CODE No.	Drwg.	POS. N.
829.1.332.1A	045	10	851.1.004.1A	003	1	852.1.104.1K	006	11	852.5.023.1A	011a	15	860.1.004.1A	011a	18
829.1.486.1A	033	5	851.1.004.1A	003	31	852.1.104.1L	006	11	852.5.023.1A	013	20	861.5.003.1A	020	28
829.1.487.1A	019	8	851.1.013.1A	008	11	852.1.104.1M	006	11	852.5.024.1A	005	27	863.1.002.1A	012	14
829.1.544.1A	022	15	851.1.019.1A	006	12	852.1.104.1N	006	11	852.5.024.1A	011a	17	866.1.029.1A	041	19
829.1.556.1A	022	5	851.4.001.1A	004	5	852.1.105.1AB	003	26	852.5.024.1A	017	2	866.1.030.1A	040	15
829.4.001.1A	040	5	852.1.001.1A	034	12	852.1.105.1AD	003	26	852.5.024.1A	027	8	866.1.031.1A	032	14
830.1.121.1A	016	13	852.1.002.1A	034	12	852.1.105.1AG	003	26	852.5.024.1A	028	8	866.1.034.1A	019	19
830.1.131.1A	041	22	852.1.003.1A	034	12	852.1.108.1AH	003	1	852.5.024.1A	036	11	866.1.061.1A	017	10
830.1.144.1A	011	14	852.1.005.1A	002	14	852.1.108.1AL	003	1	852.5.024.1A	037	26	872.1.019.1A	034	6
830.1.172.1A	016	3	852.1.053.1A	020	13	852.1.108.1AN	003	1	852.5.024.1A	041	21	872.1.022.1A	040	2
830.1.290.1A	031	4	852.1.053.2A	002	2	852.1.114.1A	011	10	852.5.024.1A	042	6	872.1.026.1A	019	12
830.1.299.1A	029	7	852.1.054.1A	037	2	852.1.120.1A	009	32	852.5.025.1A	013a	5	872.1.027.1A	019	17
832.1.032.1A	025	37	852.1.075.1A	044	22	852.1.120.1A	011a	20	852.5.025.1A	047	14	872.1.048.1A	025	39
840.2.001.1A	014	19	852.1.079.1A	034	19	852.1.135.1A	005	10	852.5.026.1A	010	37	872.4.023.1A	045	9
840.2.001.1A	015	11	852.1.094.1A	002	19	852.1.172.1A	002	29	853.1.002.1A	009	9	873.1.037.1A	009	33
840.2.002.1B	014	17	852.1.098.1A	042	3	852.1.172.1A	011	7	853.1.003.1A	011a	21	875.1.054.1A	036	7
840.2.002.1B	015	13	852.1.103.1A	025	4	852.1.173.1A	013	2	853.1.003.1A	012	2	875.1.055.1A	036	6
841.1.001.1C	044	4	852.1.104.1A	006	11	852.1.174.1A	002	31	853.1.004.1A	009	11	875.1.063.1B	035	16
841.1.002.2A	004	2	852.1.104.1B	006	11	852.1.174.1A	008	7	856.1.001.1A	003	6	875.1.065.1A	001c	3
847.4.002.1A	020	33	852.1.104.1C	006	11	852.1.176.1A	005	22	856.1.031.1A	003	16	875.1.089.1A	036	9
847.4.002.1A	021	11	852.1.104.1D	006	11	852.1.176.1A	011	20	856.1.040.1A	040	30	876.1.083.1A	033	16
848.4.011.1A	035	13	852.1.104.1E	006	11	852.1.176.1A	014	22	856.1.040.1A	044	16	876.1.084.1A	033	19
850.1.003.1A	044	21	852.1.104.1F	006	11	852.1.195.1A	005	17	856.1.062.2A	008	16	877.1.050.1A	037	16
850.4.016.1A	040	14	852.1.104.1G	006	11	852.1.195.1A	009	28	856.1.064.2A	010	7	877.2.004.2A	033	7
850.4.031.1A	042	9	852.1.104.1H	006	11	852.5.001.1A	039	9	856.1.071.1A	012	9	881.1.010.1C	012	18
850.4.047.1A	024	8	852.1.104.1I	006	11	852.5.002.1A	044	25	856.1.074.2A	013	17	881.1.012.1A	002	32
851.1.001.1B	004	9	852.1.104.1J	006	11	852.5.005.1A	009	18	860.1.004.1A	010	23	881.1.030.1A	011	21

## INDEX

CODE No.	Drwg.	POS. N.	CODE No.	Drwg.	POS. N.	CODE No.	Drwg.	POS. N.	CODE No.	Drwg.	POS. N.	CODE No.	Drwg.	POS. N.
881.1.030.1A	014	23	88713.0123	001	5	88713.2282	001a	7	88765.1126P	001d	10	88765.1375CF	001	9
881.1.043.1A	014	8	88713.0137	001	11	88713.2295	001	1	88765.1126Q	001d	5	88765.1375DF	001	9
881.2.001.1A	004	19	88713.0874	001	6	88713.2442	001a	6	88765.1126R	001d	3	88765.1375EF	001	9
882.1.003.1A	008	14	88713.0875	001	8	88713.2544	001a	9	88765.1126S	001d	22	88765.1397	001	13
882.1.006.1A	002	16	88713.0879	001	7	88713.2545	001a	13	88765.1126T	001c	16	893.1.003.1A	029	2
882.1.012.1A	012	15	88713.1010	001b	7	88765.0999	001	16	88765.1126T	001d	23	893.1.005.1A	005	15
884.1.005.1A	026	20	88713.1058	001b	9	88765.1000	001	15	88765.1126U	001d	20	893.4.005.1A	037	19
884.4.007.1A	034	7	88713.1062	001b	1	88765.1005	001	15	88765.1126V	001d	8	893.4.007.1A	028	21
884.5.008.1A	038	11	88713.1072	001b	6	88765.1006	001	15	88765.1126Z	001d	1	893.4.008.1A	027	6
884.5.010.1A	016	2	88713.1078	001	12	88765.1073	001d	21	88765.1241	001c	0	894.2.009.1A	009	19
884.5.011.1A	011	8	88713.1079	001	14	88765.1074	001d	21	88765.1242	001c	0	895.4.001.2A	041	2
884.5.013.1A	005	11	88713.1091	001	21	88765.1075	001d	21	88765.1243	001c	0	8A00.67610	030	5
884.5.034.1A	002	22	88713.1096	001b	8	88765.1076	001d	21	88765.1244	001c	0	8A00.67997	022	6
884.5.034.1A	008	6	88713.1215	001a	11	88765.1077	001d	21	88765.1245	001c	0	8A00.67997	023	20
886.4.003.1A	011a	10	88713.1344	001b	3	88765.1086	001	22	88765.1297	001	23	8A00.67997	037	33
886.4.021.1A	042	16	88713.1429	001a	12	88765.1126	001d	6	88765.1298	001	18	8A00.67997	039	4
886.4.022.1A	042	19	88713.1515	001b	5	88765.1126A	001d	4	88765.1369A	001d	24	8A00.69056	026	13
886.4.035.1A	011a	5	88713.1749	001a	1	88765.1126B	001d	12	88765.1369B	001d	24	8BB06.1070	045	7
886.4.037.1A	009	4	88713.1904	001a	10	88765.1126C	001d	11	88765.1369C	001d	24	8H00.67545	040	10
886.4.043.1A	004	27	88713.1994	001a	2	88765.1126D	001d	14	88765.1369D	001d	24	913.7.092.1A	040	24
886.4.060.1A	013	15	88713.2011	001	17	88765.1126E	001d	9	88765.1369E	001d	24	914.7.023.1A	001d	2
886.5.001.1A	042	15	88713.2036	001	19	88765.1126F	001d	13	88765.1371	001d	25	914.7.023.1B	001d	2
886.5.004.1A	016	20	88713.2092	001a	5	88765.1126G	001d	17	88765.1372	001d	26	914.7.023.1C	001d	2
886.5.011.1A	042	27	88713.2096	001	2	88765.1126H	001d	16	88765.1373	001d	27	914.7.023.1D	001d	2
88700.5644	001a	8	88713.2103	001	3	88765.1126L	001d	19	88765.1374	001d	28	914.7.023.1E	001d	2
88700.5665	001a	4	88713.2133	001a	3	88765.1126M	001d	18	88765.1375AF	001	9	930.1.004.1A	025	5
88700.5749	001	20	88713.2257	001a	14	88765.1126N	001d	7	88765.1375BF	001	9	930.1.005.1A	026	21

## INDEX

CODE No.	Drwg.	POS. N.	CODE No.	Drwg.	POS. N.	CODE No.	Drwg.	POS. N.	CODE No.	Drwg.	POS. N.	CODE No.	Drwg.	POS. N.
930.4.021.1A	005	9												
930.4.022.1A	010	13												
930.4.023.1A	003	14												
930.4.034.1A	005	18												
930.4.035.1A	004	16												
930.4.049.1A	003	30												
930.5.005.1A	011	18												
930.5.006.2B	011	19												
930.5.007.1A	013	7												
93781.1824	035	2												
93783.1524	011a	4												
93785.1830	010	16												
93823.0128	004	32												
93823.2018	004	30												
93823.2082	005	14												
93823.3156	010	34												
93827.0114	005	12												
93827.0114	009	22												
93827.0114	010	28												
94247.0014	005	19												
94247.0014	010	5												
94247.0014	011	17												
966.1.890.4B	045	11												
98112.0002	001	4												