





**Spare parts catalogue SPORT TOURING 4 S U.S.A.**

***DUCATIST***





<b>DUCATI</b> MOTOR HOLDING 	<b>DUCATIST4 S</b>	<b>M.Y. '05</b>	<b>U.S.A.</b>
<i>Spare Parts Department</i>	<i>P.N. 91511302D</i>	<i>Ottobre - October '05</i>	<i>Edizione - Edition 01</i>
<b>DUCATI</b> MOTOR HOLDING 	<b>DUCATIST4 S</b>	<b>M.Y. '05</b>	<b>U.S.A.</b>
<i>Spare Parts Department</i>	<i>P.N. 91511302D</i>	<i>Ottobre - October '05</i>	<i>Edizione - Edition 01</i>
<b>DUCATI</b> MOTOR HOLDING 	<b>DUCATIST4 S</b>	<b>M.Y. '05</b>	<b>U.S.A.</b>
<i>Spare Parts Department</i>	<i>P.N. 91511302D</i>	<i>Ottobre - October '05</i>	<i>Edizione - Edition 01</i>
<b>DUCATI</b> MOTOR HOLDING 	<b>DUCATIST4 S</b>	<b>M.Y. '05</b>	<b>U.S.A.</b>
<i>Spare Parts Department</i>	<i>P.N. 91511302D</i>	<i>Ottobre - October '05</i>	<i>Edizione - Edition 01</i>



## GENERAL INFORMATION

The present spare parts order exactly the right spare parts

When ordering specify:

1) the part's code number followed by its description; quantity needed;

2) the motorcycle's serial number, stamped on the steering head.

Reference to right and left apply to the vehicle in terms of its direction of movement.

Spare parts drawings are general and do not represent the part.

The contents of this catalogue are general and can undergo changes without prior notice.

## VALIDITY

f.m. Until V.I.N.  
d.m. From V.I.N.  
f.m.m. Up to engine number  
d.m.m. From engine number

## LIST

CAL California  
CND Canada

*Ducati Motor Holding S.p.A.  
Commercial and Administration Office:  
Via A. Cavalieri Ducati n. 3  
40132 Bologna, Italy  
Telefono 051 6413111  
Fax 051 406580  
Internet [www.ducati.com](http://www.ducati.com)*

CATALOGUE No: 915.1.130.2D  
ISSUED: 10 - 05

CATALOGUE No: 915.1.130.2D  
ISSUED: 10 - 05

## PAINTS

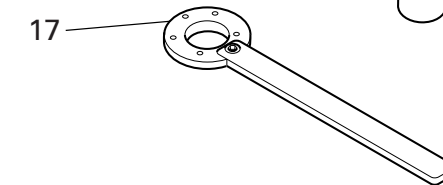
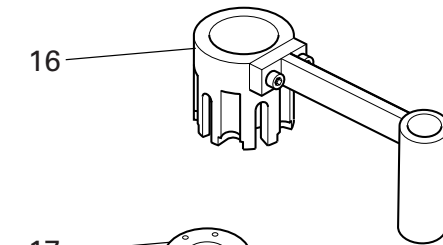
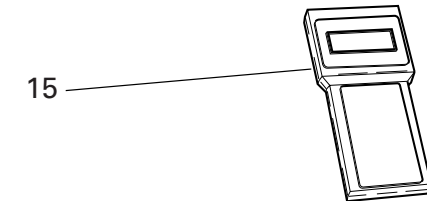
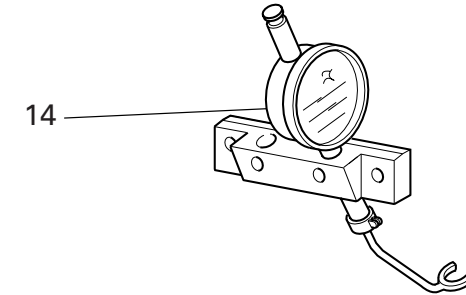
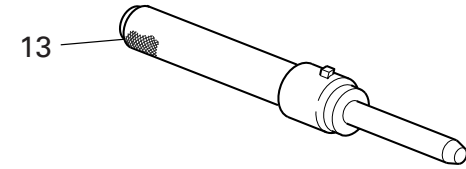
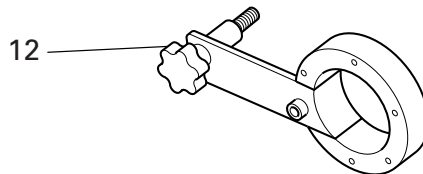
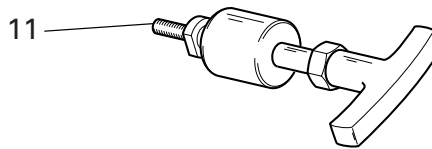
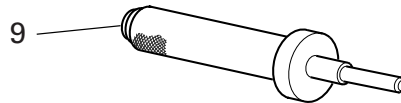
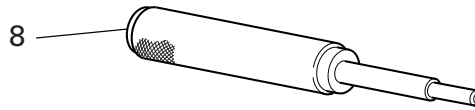
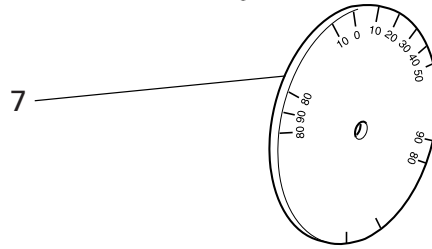
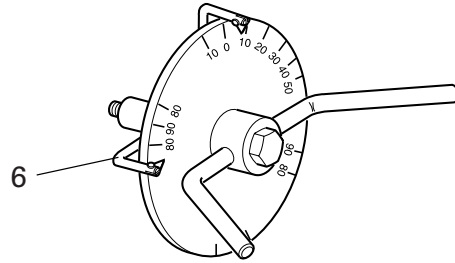
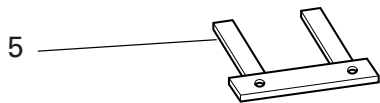
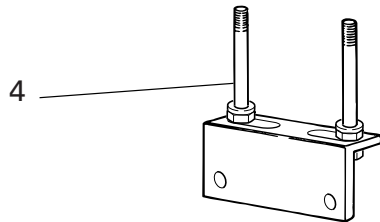
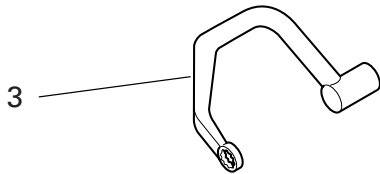
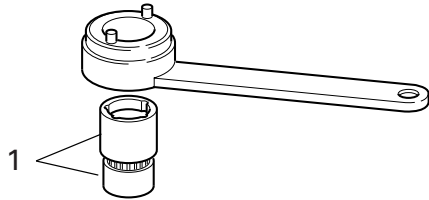


Paint	Code
"Rosso Anniversary DUCATI"	(PPG) F_473.101
"Nero Lucido DUCATI"	(PPG) 248.514
"Grigio Scuro Metallizzato"	(PPG) *0017
"Trasparente"	(PPG) 228.880

page	CONTENTS
4	001 WORKSHOP SPECIAL TOOLS
6	001a WORKSHOP SPECIAL TOOLS
8	001b DIAGNOSIS TESTER MATHESIS
10	001c WORKSHOP SPECIAL TOOLS
12	001d WORKSHOP SPECIAL TOOLS
14	002 GEARCHANGE
16	003 GEAR-BOX
18	004 CLUTCH
20	005 CLUTCH COVER
22	006 CRANKSHAFT
24	007 CYLINDERS - PISTONS
26	008 TIMING
28	009 FILTERS AND OIL PUMP
30	010 HALF CRANKCASES
32	011 WATER PUMP - ALTERNATOR COVER
34	011a WATER PUMP - ALTERNATOR COVER
36	012 ELECTRIC STARTER AND IGNITION
38	013 HEAD
40	014 HEAD : TIMING
42	015 COLLECTORS AND HEAD COVERS
44	016 THROTTLE BODY
46	017 EXHAUST SYSTEM
48	018 STANDS
50	019 FRAME
52	020 L.H. FOOT RESTS
54	021 R.H. FOOT RESTS
56	022 HEADLIGHT HOLDER
58	023 HEAD-LIGHT AND ELECTRIC WIRING
60	023a FRONT HEAD-LIGHT
62	024 INSTRUMENT PANEL
64	025 HALF HANDLEBARS AND CONTROLS
66	026 FRONT FORK
68	027 CLUTCH CONTROL
70	028 FRONT HYDRAULIC BRAKE
72	029 WATER RADIATOR ASSY
74	030 COOLING CIRCUIT
76	031 ELECTRIC SYSTEM
78	032 BATTERY BOX MOUNT
80	033 AIR INDUCTIO AND OIL VENT
82	034 SWINGARM AND CHAIN
84	035 REAR SUSPENSION
86	036 OIL COOLER
88	037 REAR HYDRAULIC BRAKE
90	038 FRONT AND REAR WHEELS
92	039 NUMBER PLATE HOLDER
94	040 SEAT
96	041 FUEL TANK
98	042 FUEL SYSTEM
100	043 HEADLIGHT FAIRING
102	044 FAIRING
106	045 PANNIERS FASTENS
108	046 SIDE PANNIERS
110	047 FUEL INFEED
112	048 MARKING PLATES



DRAWING 001

WORKSHOP SPECIAL TOOLS



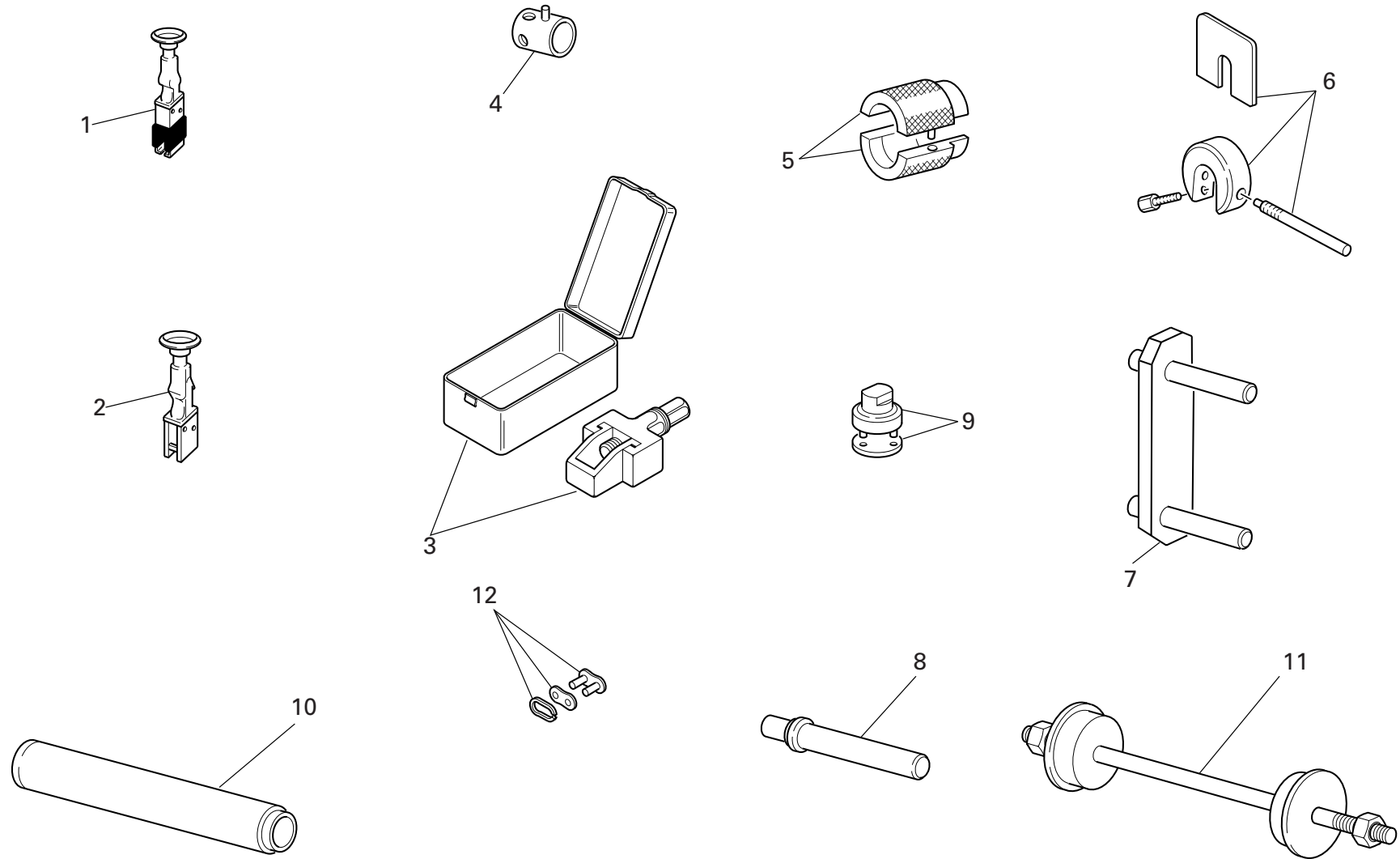
DRAWING 001

WORKSHOP SPECIAL TOOLS


NOTES NO.	CODE NO.	DESCRIPTION	VALIDITY	Q.TY 	NOTES NO.	CODE NO.	DESCRIPTION	VALIDITY	Q.TY 
1	88700.5644	Wrench for camshaft pulley ring nut adjustment		1					
2	88765.1298	Spacer for checking lower valve shim		1					
3	88713.2676	Head nuts holder wrench		1					
4	88713.2103	Head mounting base		1					
5	88765.1000	Fork feeler gauge 0.1 mm		1					
5	88765.1005	Fork feeler gauge 0,2 mm		1					
5	88765.1006	Fork feeler gauge 0.3 mm		1					
6	88713.0123	Degree wheel holder tool for ignition advance check		1					
7	98112.0002	Degree wheel		1					
8	88713.0879	Punch tool to extract valve guide		1					
9	88713.0875	Intake valve guide punch tool		1					
10	88713.1309	Fork feeler gauge 2,35 mm		1					
11	88713.1994	Rocker shaft extractor		1					
12	88713.0137	Crankshaft gear holder wrench for tightening nut		1					
13	88713.1078	Punch tool for driving exhaust valve seat		1					
14	88765.1001	Valve lift gauge		1					
15	88765.1375AF	Check instrument		1					
GB	15 88765.1375AF	Check instrument		1					
D	15 88765.1375CF	Check instrument		1					
F	15 88765.1375DF	Check instrument		1					
E	15 88765.1375EF	Check instrument		1					
16	88713.2651	Reaction tool for wet "FCC" clutch		1					
17	88713.2423	Torque wrench		1					

CATALOGUE No: 915.1.130.2D  
ISSUED: 10 - 05

CATALOGUE No: 915.1.130.2D  
ISSUED: 10 - 05

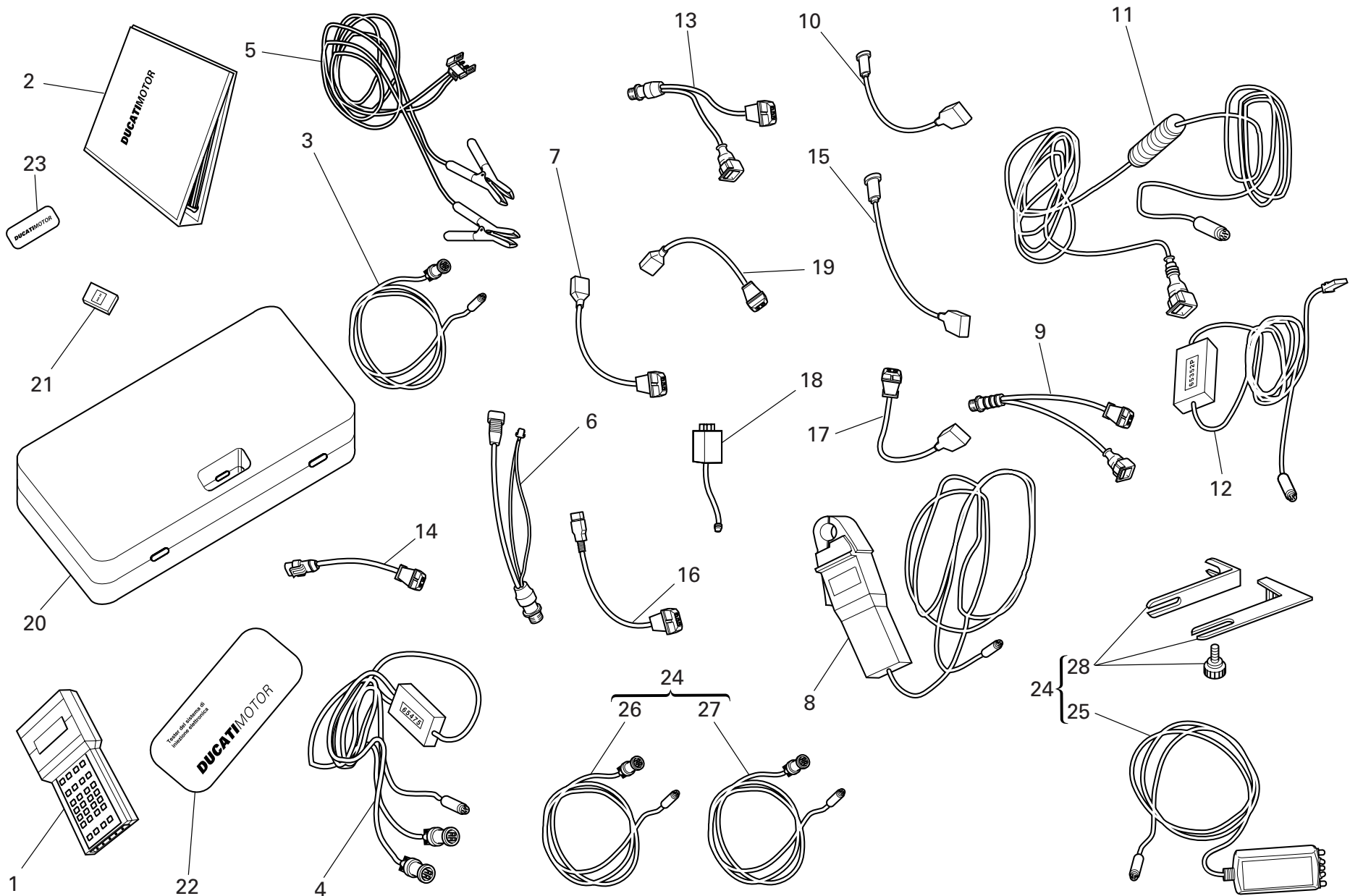


DRAWING 001a WORKSHOP SPECIAL TOOLS


NOTES NO.	CODE NO.	DESCRIPTION	VALIDITY	Q.TY 
1	88713.1097	Extractor		1
2	88713.1140	EPROM chip introducing		1
3	88713.1344	Tool for assembling chain		1
4	0000.70139	Wrench for front wheel spindle		1
5	88713.0960	Tool for overhauling SHOWA forks - assembling seal ring		1
6	88713.0957	Tool for holding SHOWA fork spacer		1
7	88713.1515	Frame/engine mount		1
8	88713.1071	Stopper for assembling the rocker needle bearings		1
9	88713.1058	Wrench for assembling the steering head cap		1
10	88713.1072	Stopper for driving the half bearing of the steering head base		1
11	88713.1062	Tool for assembling the steering head bearings		1
12	677.4.003.1A	Coupling		1


NOTES NO.	CODE NO.	DESCRIPTION	VALIDITY	Q.TY 
-----------	----------	-------------	----------	--

DRAWING 001b DIAGNOSIS TESTER MATHESIS



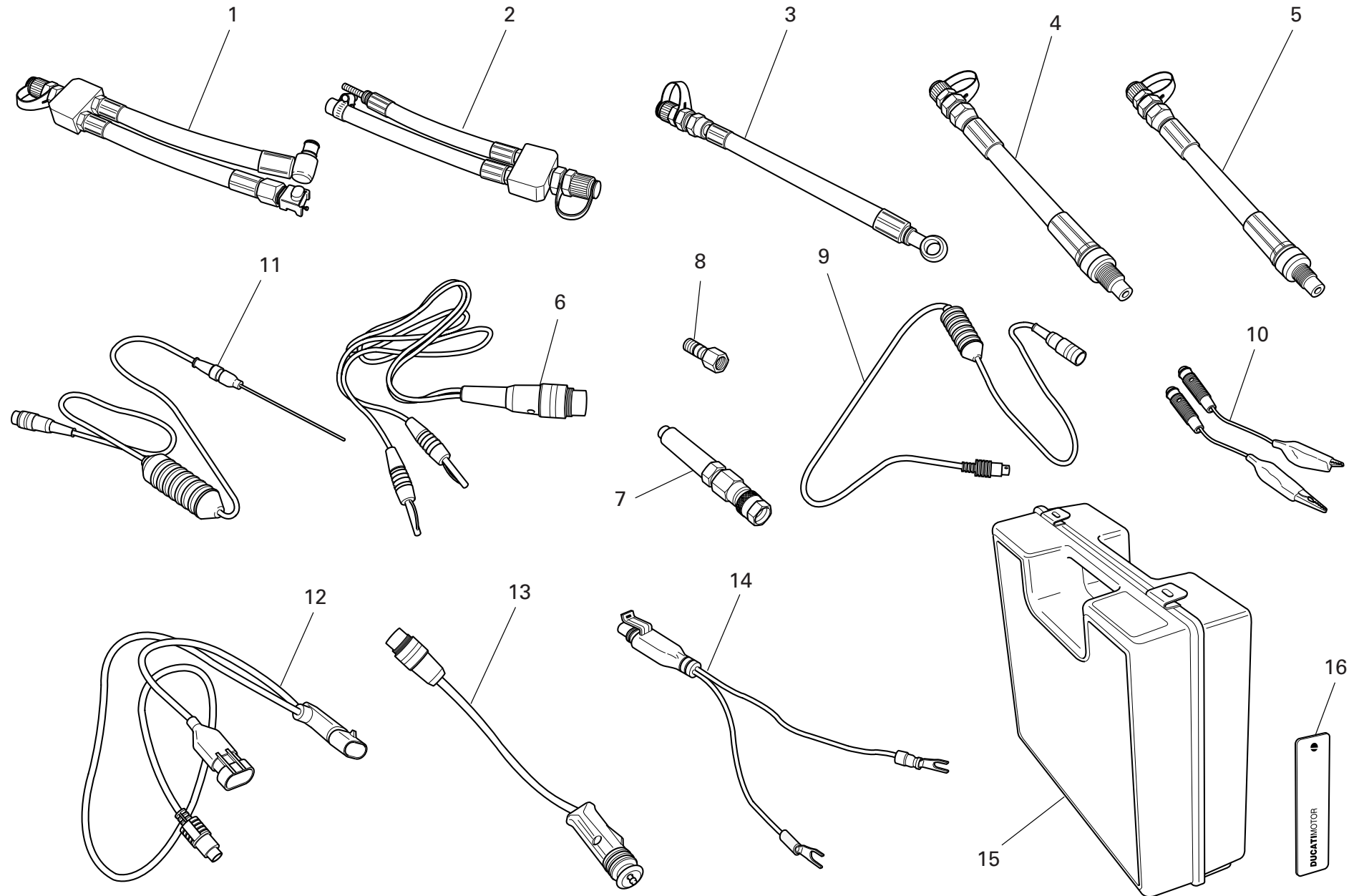
DRAWING 001b DIAGNOSIS TESTER MATHESIS

NOTES NO.	CODE NO.	DESCRIPTION	VALIDITY	Q.TY 
1	88765.1126Z	Bare Mathesis		1
2	914.7.023.1A	Italian manual		1
2	914.7.023.1B	English manual		1
2	914.7.023.1C	German manual		1
2	914.7.023.1D	Franch manual		1
2	914.7.023.1E	Spanish manual		1
3	88765.1126R	Main cable Mathesis		1
4	88765.1126A	Pickup Control cable		1
5	88765.1126Q	Battery mains cable		1
6	88765.1126	Mains cable adapter for self diagnosis		1
7	88765.1126N	Sensor for absolute pressure sampling		1
8	88765.1126V	Amperometer plier		1
9	88765.1126E	Adapter for 3 wires Pickup test cable		1
10	88765.1126P	Sensor for air temperature sampling		1
11	88765.1126C	Cable for potentiometer adjustment		1
12	88765.1126B	Test cable and speed indicator adjustment		1
13	88765.1126F	Adapter for 2 wires Pickup test cable		1
14	88765.1126D	Adapter for potentiometer adjustment		1
15	552.4.028.1A	Sensor for small throttle potentiometer sampling		1
16	88765.1126H	Sensor for throttle potentiomer sampling		1
17	88765.1126G	Sensor for air/water temperature sampling		1
18	88765.1126M	Sfety remote switch		1
19	88765.1126L	2 Wires sampling Pickup sensor		1
20	88765.1126U	Case with sponge		1
21	88765.1073	Memory card reader		1
21	88765.1074	English memory card		1


NOTES NO.	CODE NO.	DESCRIPTION	VALIDITY	Q.TY 
21	88765.1075	German memory card		1
21	88765.1076	French memory card		1
21	88765.1077	Spanish memory card		1
22	88765.1126S	DUCATI sticker for case		1
23	88765.1126T	DUCATI sticker RH/LH side		1
24	88765.1369A	Belt tensioning kit		1
GB	24	88765.1369B	Belt tensioning kit	1
D	24	88765.1369C	Belt tensioning kit	1
F	24	88765.1369D	Belt tensioning kit	1
E	24	88765.1369E	Belt tensioning kit	1
25	88765.1371	Sensor		1
26	88765.1372	Main cable		1
27	88765.1373	Cable extension		1
28	88765.1374	Bracket		1

CATALOGUE No: 915.1.130.2D  
ISSUED: 10 - 05CATALOGUE No: 915.1.130.2D  
ISSUED: 10 - 05

DRAWING 001c WORKSHOP SPECIAL TOOLS

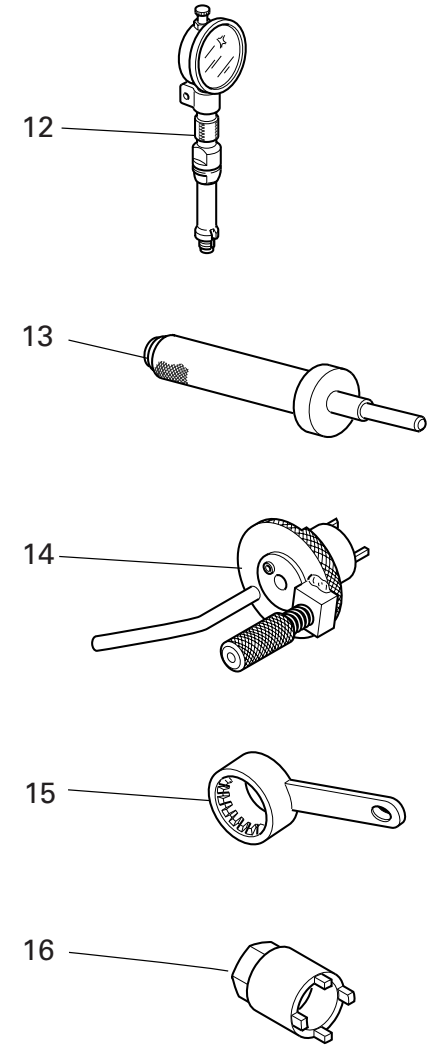
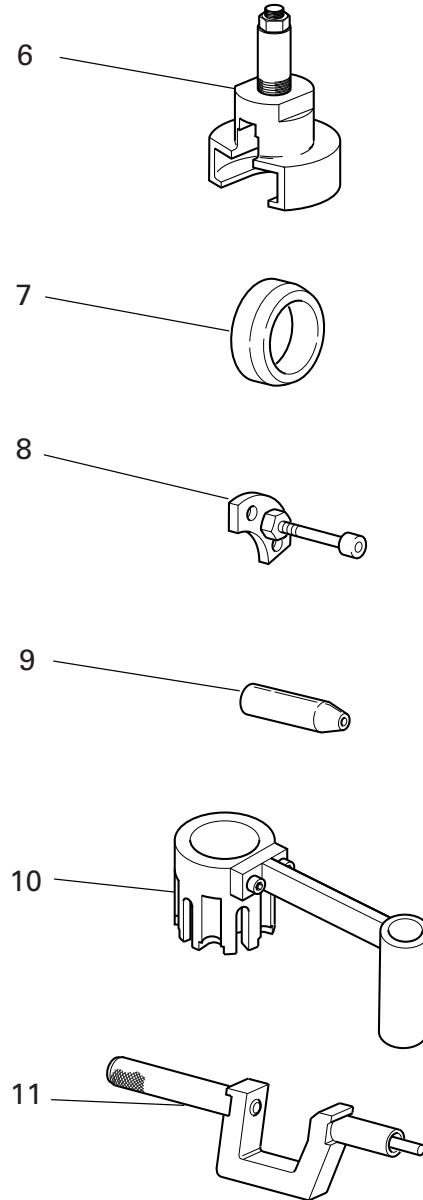
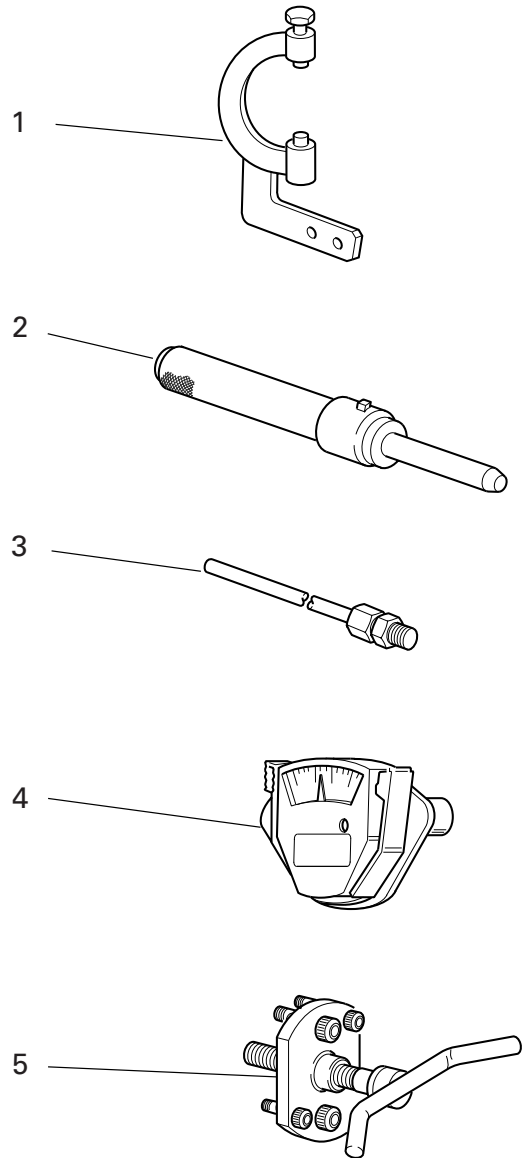


DRAWING 001c WORKSHOP SPECIAL TOOLS


NOTES NO.	CODE NO.	DESCRIPTION	VALIDITY	Q.TY 
0	88765.1241	Check instrument		1
GB 0	88765.1242	Check instrument		1
D 0	88765.1243	Check instrument		1
F 0	88765.1244	Check instrument		1
E 0	88765.1245	Check instrument		1
1	590.1.189.1A	Fuel pressure line HS.		1
2	590.1.190.1A	Fuel pressure line ST/SS/M.		1
3	875.1.065.1A	Oil pressure line		1
4	552.1.037.1A	Fitting - cylinder compression M12		1
5	552.1.038.1A	Fitting - cylinder compression M10		1
6	514.1.037.1A	Cable Volt PF DUC 21		1
7	552.1.039.1A	Pressure sensor		1
8	814.1.114.1A	Oil pressure fitting		1
9	514.1.032.1A	Cable for supplementary tests		1
10	514.1.035.1A	Red clamp cable		1
10	514.1.036.1A	Black clamp cable		1
11	552.1.040.1A	Temperature probe		1
12	514.1.034.1A	Main cable PF A621		1
13	514.1.033.1A	Electric lighter connection adapter (ST)		1
14	514.1.038.1A	Battery connection adapter		1
15	698.1.033.1A	Red case with sponge rubber		1
16	88765.1126T	DUCATI sticker RH/LH side		2

NOTES NO.	CODE NO.	DESCRIPTION	VALIDITY	Q.TY 
-----------	----------	-------------	----------	--

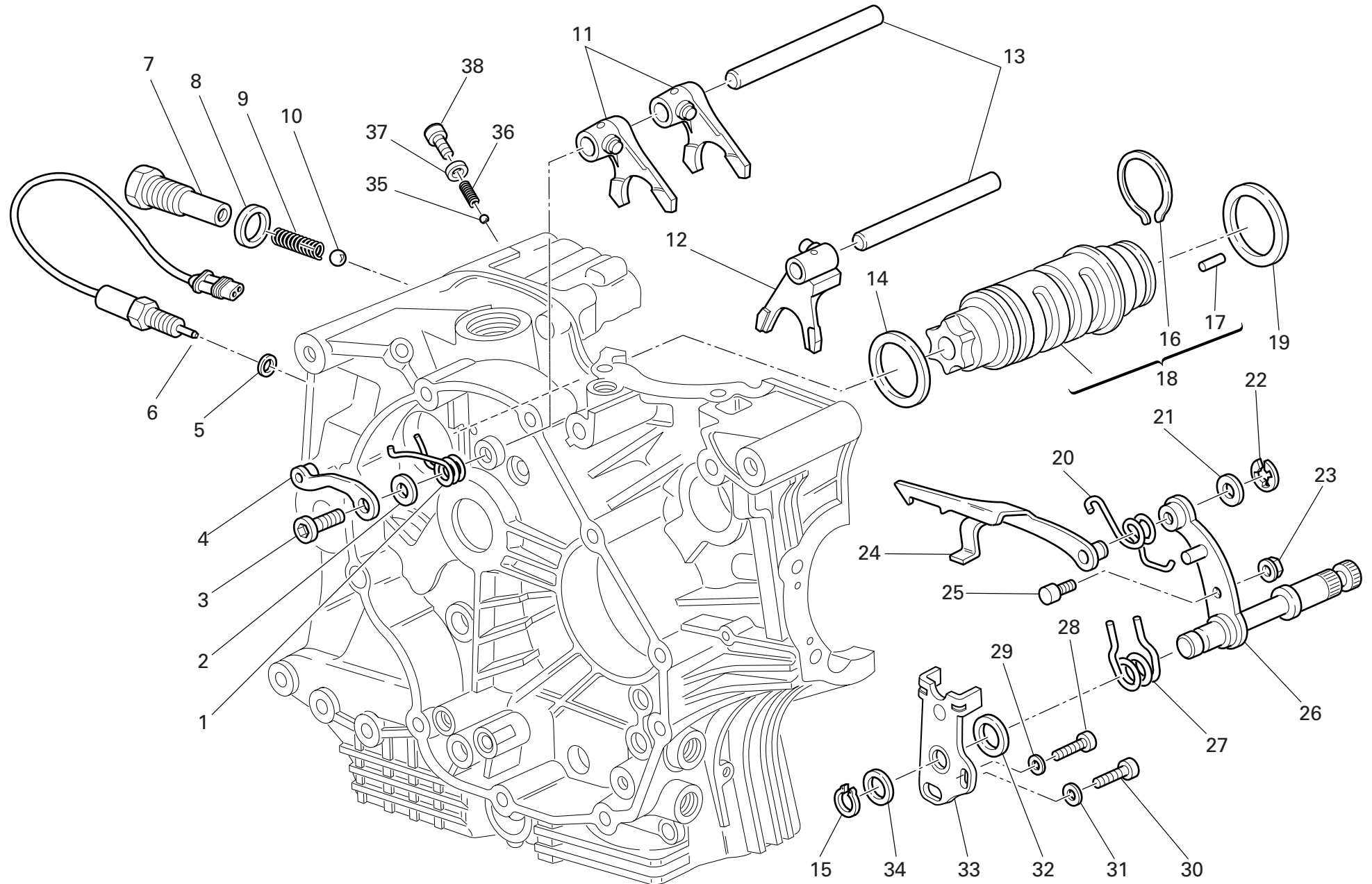
DRAWING 001d WORKSHOP SPECIAL TOOLS



DRAWING 001d WORKSHOP SPECIAL TOOLS

NOTES NO.	CODE NO.	DESCRIPTION	VALIDITY	Q.TY 
1	88713.2036	Flywheel Wrench		1
2	88713.1079	Punch tool for driving intake valve seat		1
3	88713.1010	Union for exhaust gas suction		1
4	88765.0999	Timing belt control gauge		1
5	88713.1749	Drive roller puller		1
6	88713.2092	Extractor for primary drive gear		1
7	88700.5665	Sleeve for installing clutch bell gear		1
8	88713.1091	Plate for positioning gear engagement fork		1
9	88700.5749	Crankcases assembling cap		1
10	88713.2651	Reaction tool for wet "FCC" clutch		1
11	88713.1429	Tool to drive valve seal ring ø7		1
12	88765.1297	T.D.C. control gauge		1
13	88713.0874	Exhaust valve guide punch tool		1
14	88713.2011	Tool to hold crankshaft in TDC position		1
15	88713.2107	Wrench for holding timing belt rollers ring nuts		1
16	88713.2422	Wrench for tightening primary transmission ring nut		1


NOTES NO.	CODE NO.	DESCRIPTION	VALIDITY	Q.TY 
-----------	----------	-------------	----------	--



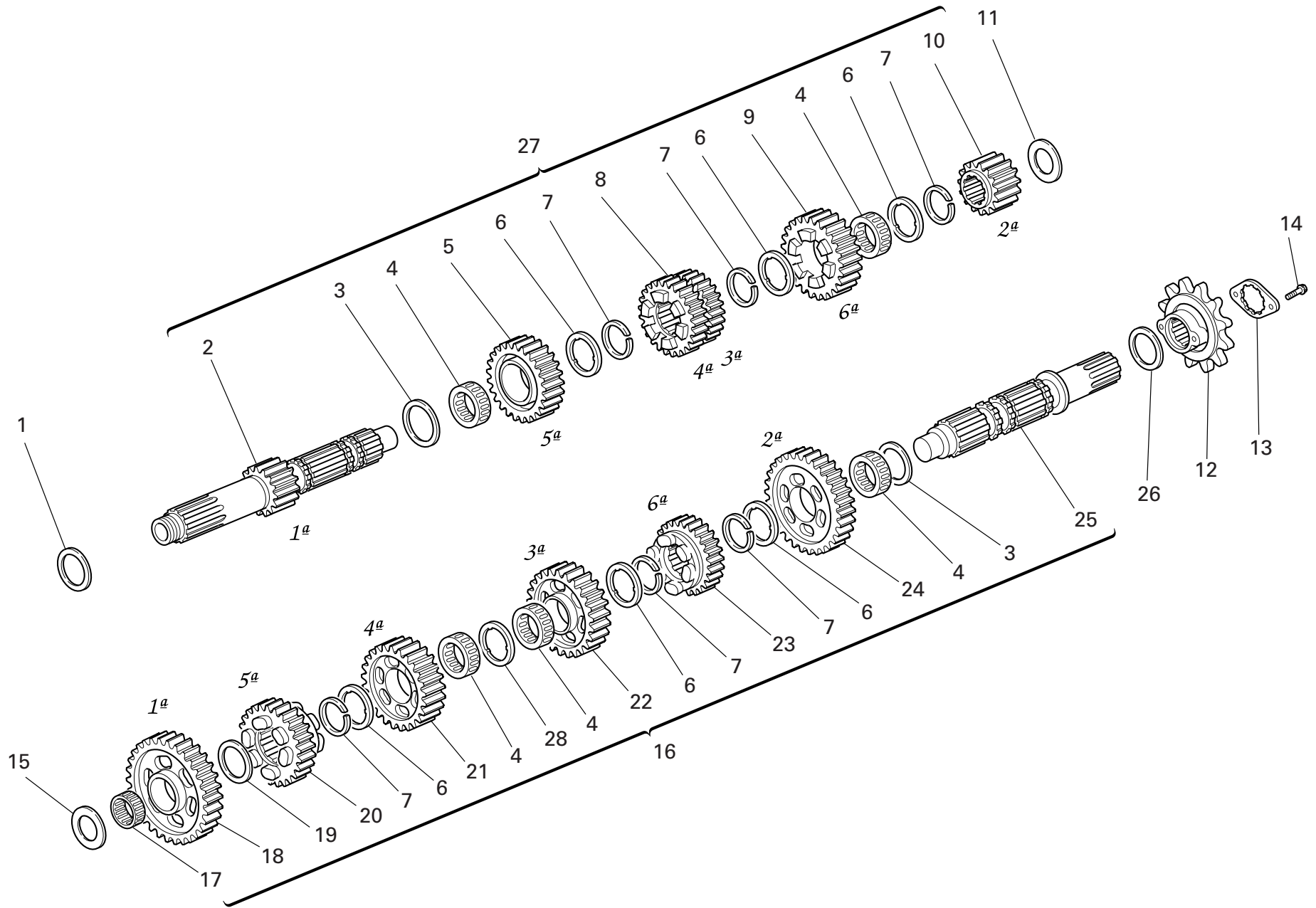
DRAWING 002 GEARCHANGE

NOTES NO.	CODE NO.	DESCRIPTION	VALIDITY	Q.TY 
1	799.1.049.1A	Return spring		1
2	852.1.053.2A	Washer		1
3	779.1.039.1A	Special screw		1
4	455.2.003.1A	Gear stopper assembly		1
5	852.5.024.1A	Gasket th.1		1
6	539.1.021.1A	Switch		1
7	779.1.203.2A	Push rod holder		1
8	0272.91.090	Gasket		1
9	0660.13.143	Gear selector spring		1
10	76835.1134	Ball		1
11	180.1.001.1A	1st,4th-2nd,3rd gear selector fork		2
12	180.1.002.1A	5th,6th gear selector fork		1
13	0660.13.070	Fork pin		2
14	852.1.005.1A	Shim th. 1		1
15	73500.1542	Circlip		1
16	882.1.006.1A	Needle retaining ring (square cross-section)		1
17	821.1.070.1A	Pin		6
18	182.2.018.1A	Complete gearbox drum		1
19	0660.13.060	Shim th. 1		1
19	852.1.094.1A	Shim th. 0.9		1
20	799.1.025.1A	Fork return spring		1
21	0400.09.050	Shim th. 0.5		1
21	0765.92.205	Shim th. 0.2		2
22	884.5.034.1A	Ring		1
23	748.1.040.1A	Nut		1
24	180.1.008.1A	Gearbox drum control fork		1
25	0660.13.165	Gearchange lever pin		1

CATALOGUE No: 915.1.130.2D  
ISSUED: 10 - 05

NOTES NO.	CODE NO.	DESCRIPTION	VALIDITY	Q.TY 
26	821.1.001.1A	Pin with gearchange lever		1
27	0799.13.110	Gearchange lever return spring		1
28	771.5.067.8B	Screw		1
29	852.1.172.1A	Washer		1
30	771.5.123.8B	Screw		1
31	852.1.174.1A	Washer		1
32	881.1.012.1A	Centering ring		1
33	826.1.009.1A	Stopper plate		1
34	0400.29.125	Shim th. 0.2		2
34	0400.29.126	Shim th. 0.5		1
35	847.4.006.1A	Ball		1
36	799.1.211.1A	Spring		1
37	852.1.199.1A	Aluminium gasket th.2		1
37	852.1.201.1A	Aluminium gasket th.1,5		1
37	852.5.025.1A	Aluminium gasket th.1		1
38	771.1.032.1A	Special screw		1

CATALOGUE No: 915.1.130.2D  
ISSUED: 10 - 05




DRAWING 003

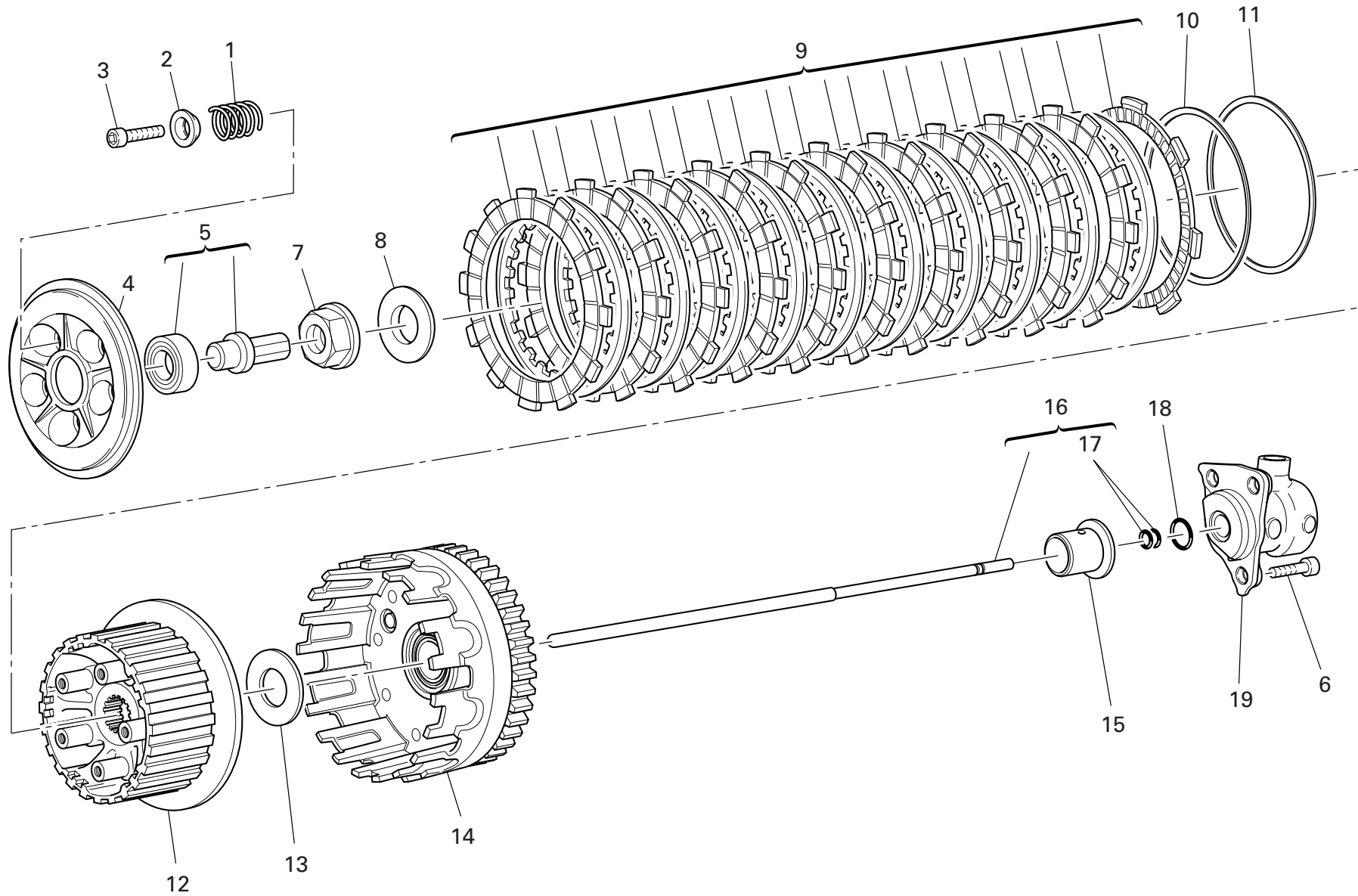
GEAR-BOX

NOTES NO.	CODE NO.	DESCRIPTION	VALIDITY	Q.TY 
1	0251.47.050	Shim th. 1		1
1	0251.47.054	Shim th. 1.2		1
1	852.1.108.1AH	Shim th. 0.9		1
1	852.1.108.1AL	Shim th. 1,1		1
1	852.1.108.1AN	Shim th. 1,3		1
2	149.1.046.1A	Gearbox main shaft		1
3	0670.16.150	Shim th. 0.5		2
4	701.4.005.1A	Needle bearing		5
5	172.1.004.2A	Driving gear 5th sp.		1
6	856.1.001.1A	Grooved washer th. 0.5		6
7	0670.16.145	Snap ring		6
8	172.1.003.2A	Driving gear 3rd/4th sp.		1
9	172.1.005.2A	Driving gear 6th sp.		1
10	172.1.002.1B	Driving gear 2nd sp.		1
11	0670.16.163	Shim th. 1.8		1
11	0670.16.164	Shim th. 2		1
11	713.1.014.1A	Shim th. 1.5		1
11	713.1.014.1B	Shim th. 1.7		1
11	713.1.014.1E	Shim th. 1.6		3
11	713.1.014.1F	Shim th. 1.9		1
11	713.1.266.1A	Spacer th. 3,15		1
12	449.1.038.1A	Front sprocket w/rubber protection Z=15		1
13	826.1.011.1A	Sprocket keep plate		1
14	8A00.67997	Screw		2
15	0670.16.164	Shim th. 2		1
15	0670.16.165	Shim th. 2.2		1
15	0670.16.184	Shim th. 1		1

CATALOGUE No: 915.1.130.2D  
ISSUED: 10 - 05


NOTES NO.	CODE NO.	DESCRIPTION	VALIDITY	Q.TY 
15	0670.16.185	Shim th. 1.2		1
15	713.1.011.1A	Shim th. 2.3		1
16	150.2.035.2A	Complete lay shaft		1
17	76402.0002	Needle bearing		1
18	172.1.006.1B	Driven gear 1st sp.		1
19	0670.16.155	Shim th. 1		1
20	172.1.010.2A	Driven gear 5th sp.		1
21	172.1.009.2A	Driven gear 4th sp.		1
22	172.1.008.1A	Driven gear 3rd sp.		1
23	172.1.011.2A	Driven gear 6th sp.		1
24	172.1.007.1B	Driven gear 2nd sp.		1
25	149.1.024.1A	Gearbox lay shaft		1
26	0670.16.170	Shim th. 0.8		1
26	0670.16.171	Shim th. 1		1
26	852.1.105.1AB	Shim th. 0.9		1
26	852.1.105.1AD	Shim th. 1,1		1
26	852.1.105.1AG	Shim th. 0.7		1
27	150.2.070.1A	Complete main shaft		1
28	856.1.031.1A	Grooved washer th. 0.5		1

CATALOGUE No: 915.1.130.2D  
ISSUED: 10 - 05

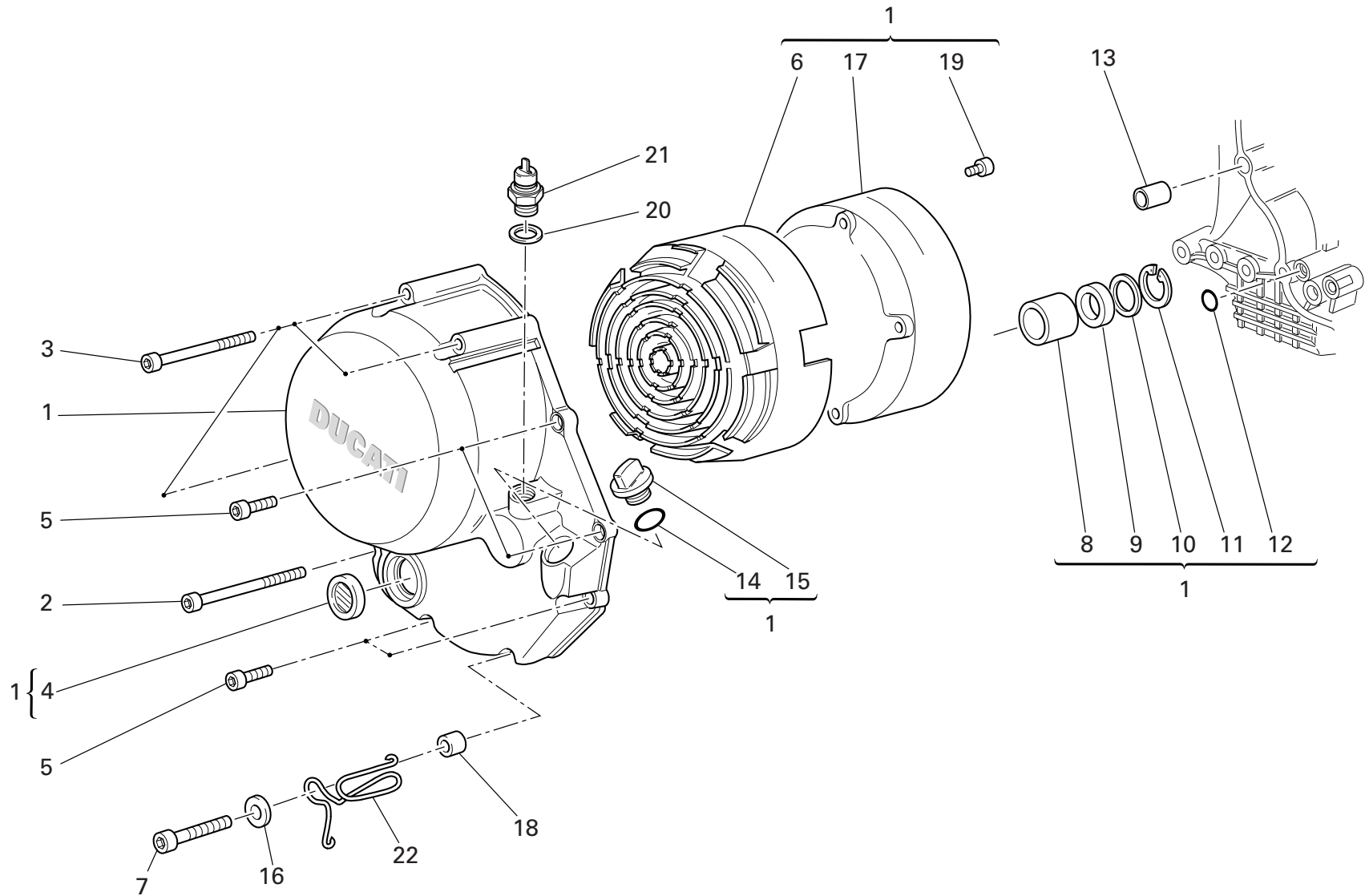


DRAWING 004


CLUTCH

NOTES NO.	CODE NO.	DESCRIPTION	VALIDITY	Q.TY 
1	797.1.032.1A	Clutch spring		5
2	841.1.046.1A	Retainer		5
3	771.5.072.8C	Screw		5
4	194.1.027.1A	Pressure plate "FCC"		1
5	818.1.060.1A	Bearing		1
6	60N107335	Screw		3
7	748.1.013.1A	Hexagon nut		1
8	799.5.001.2A	Spring washer		1
9	190.2.013.1A	Clutch plates set		1
10	799.1.191.1A	Spring washer "FCC"		1
11	797.1.036.1A	Spring		1
12	196.1.035.1A	Plate holder hub "FCC"		1
13	713.1.309.1A	Spacer		1
14	198.2.036.1A	Clutch housing		1
15	713.1.237.1A	Spacer		1
16	117.2.007.1A	Clutch control rod		1
17	93823.2018	O-ring		2
18	886.4.043.1A	O-ring		1
19	195.4.003.1A	Piston assembly		1

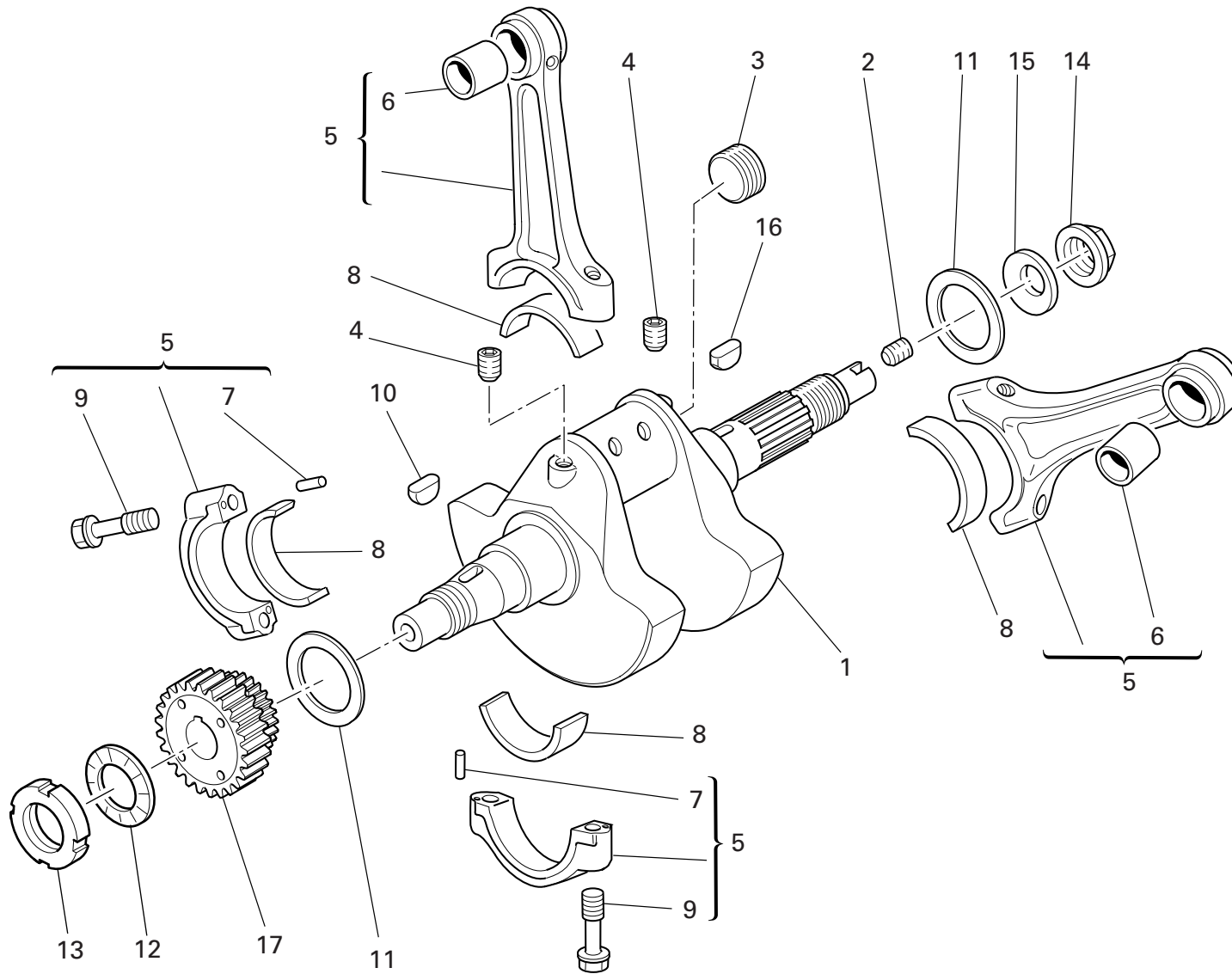
NOTES NO.	CODE NO.	DESCRIPTION	VALIDITY	Q.TY 
-----------	----------	-------------	----------	--




DRAWING 005 CLUTCH COVER

NOTES NO.	CODE NO.	DESCRIPTION	VALIDITY	Q.TY 
1	243.2.028.4AC	Cover clutch side		1
2	771.5.083.8B	Screw		1
3	771.5.081.8B	Screw		3
4	254.4.001.2A	Oil level sight glass		1
5	771.5.069.8B	Screw		4
6	486.1.051.1A	Panel (BLACK)		1
7	771.5.072.8B	Screw		2
8	0665.49.680	Bush		1
9	930.4.091.1A	Seal ring		1
10	852.1.008.1A	Shim th. 0.5		1
11	884.5.035.1A	Circlip		1
12	93827.0114	O-ring		1
13	0400.49.240	Locating bush		1
14	886.4.090.1A	O-ring		1
15	893.1.005.1A	Cap		1
16	852.1.176.1A	Washer		1
17	243.1.029.1A	Cover		1
18	713.1.241.1A	Spacer		1
19	773.1.001.1A	Screw		6
20	852.1.195.1A	Gasket th.2		1
21	539.4.030.1A	Switch		1
22	881.1.051.1A	Holder		1


NOTES NO.	CODE NO.	DESCRIPTION	VALIDITY	Q.TY 
-----------	----------	-------------	----------	--



DRAWING 006 CRANKSHAFT

NOTES NO.	CODE NO.	DESCRIPTION	VALIDITY	Q.TY 
1	146.2.113.1A	Crankshaft (items 2-3-4 included)		1
2	779.1.109.1A	Special screw		1
3	780.1.016.1A	Cap		1
4	72121.2106	Threaded dowel		2
5	158.2.020.1A	Connecting rods pair		1
6	711.1.089.1A	Bush		2
7	74224.0570	Pin		4
8	112.1.026.1AA	Half-bearing (RED)		4
8	112.1.026.1AB	Half-bearing (BLUE)		4
9	779.1.007.2A	Special screw		4
10	0755.29.025	Woodruff key		1
11	852.1.104.1A	Shim th. 1.9		2
11	852.1.104.1B	Shim th. 1.95		2
11	852.1.104.1C	Shim th. 2		2
11	852.1.104.1D	Shim th. 2,05		2
11	852.1.104.1E	Shim th. 2,1		2
11	852.1.104.1F	Shim th. 2,15		2
11	852.1.104.1G	Shim th. 2.2		2
11	852.1.104.1H	Shim th. 2.25		2
11	852.1.104.1I	Shim th. 2.3		2
11	852.1.104.1J	Shim th. 2.35		2
11	852.1.104.1K	Shim th. 2,4		2
11	852.1.104.1L	Shim th. 2,45		2
11	852.1.104.1M	Shim th. 2.5		2
11	852.1.104.1N	Shim th. 2.55		2
12	851.4.003.1A	Lock washer		1
13	750.1.113.1A	Ring nut		1

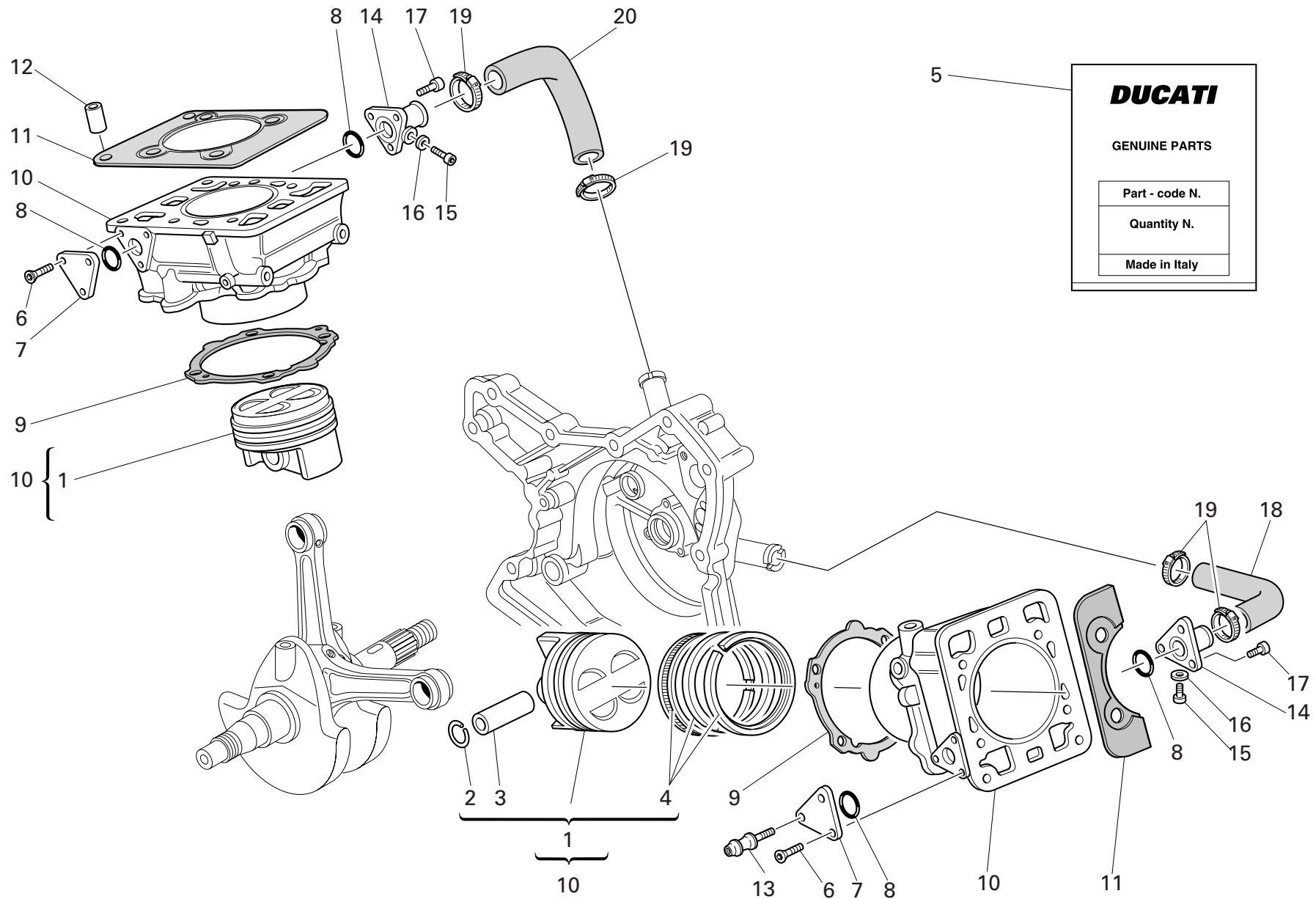
CATALOGUE No: 915.1.130.2D  
ISSUED: 10 - 05

NOTES NO.	CODE NO.	DESCRIPTION	VALIDITY	Q.TY 
14	750.1.012.2A	Nut		1
15	799.1.051.2A	Spring washer		1
16	74172.1008	Woodruff key		1
17	170.2.081.1A	Primary drive front sprocket		1


CATALOGUE No: 915.1.130.2D  
ISSUED: 10 - 05

DRAWING 007

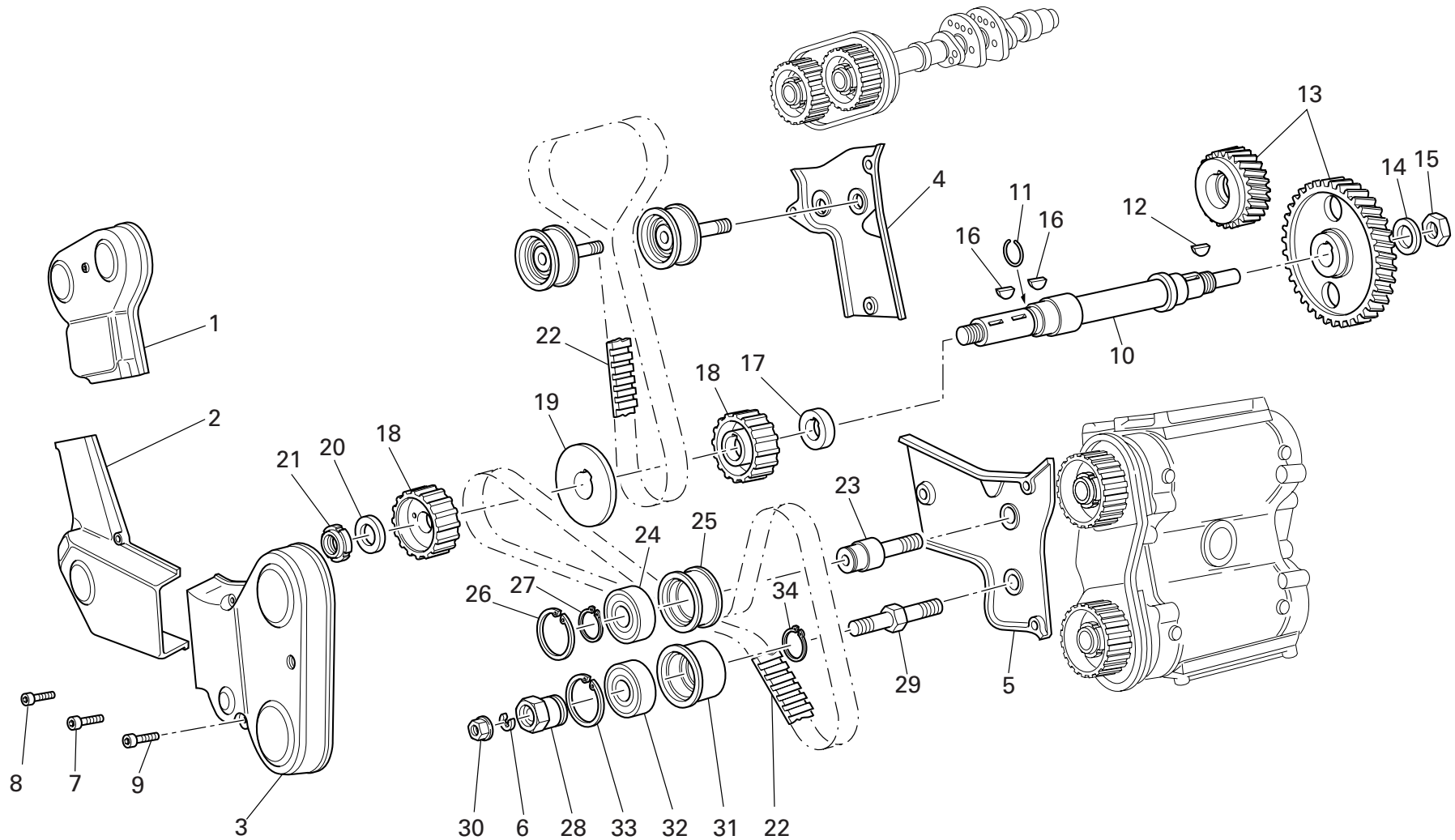
CYLINDERS - PISTONS



DRAWING 007 CYLINDERS - PISTONS

NOTES NO.	CODE NO.	DESCRIPTION	VALIDITY	Q.TY 
1	122.2.048.1A	Complete piston		2
2	121.1.048.1A	Piston pin circlip		4
3	121.1.047.1A	Piston pin		2
4	121.2.028.1A	Piston rings set		2
5	791.2.030.2A	Head-cylinder gaskets set		1
6	777.5.049.8B	Screw		5
7	247.1.020.1AB	Cover		2
8	93823.2087	O-ring		4
9	786.1.089.1D	Cylinder-crankcase gasket th. 0.6		2
10	120.2.053.3A	Cylinder-piston fit		2
11	786.1.048.4A	Head-cylinder gasket		2
12	711.1.126.1A	Bush		4
13	684.1.014.2B	Stud bolt		1
14	814.1.002.1AB	Water inlet union to cylinders		2
15	771.5.062.8B	Screw		2
16	852.5.023.1A	Gasket		2
17	771.5.065.8B	Screw		6
18	800.1.008.1A	Horizontal cylinder water inlet hose		1
19	741.4.002.1A	Hose guide		4
20	800.1.007.1A	Vertical cylinder water inlet hose		1


NOTES NO.	CODE NO.	DESCRIPTION	VALIDITY	Q.TY 
-----------	----------	-------------	----------	--



DRAWING 008

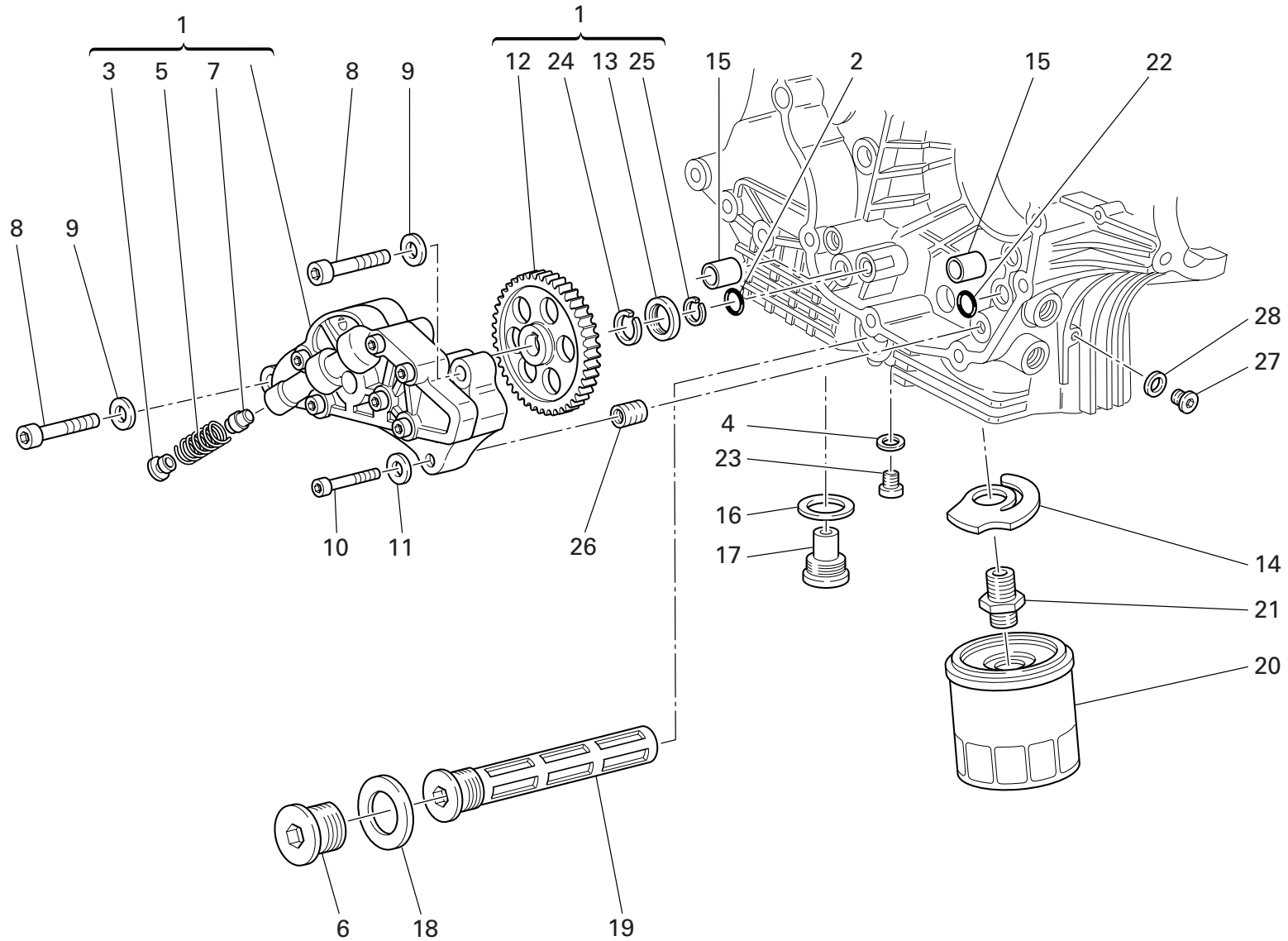
TIMING

NOTES NO.	CODE NO.	DESCRIPTION	VALIDITY	Q.TY 
1	245.1.021.1AB	Vertical belt outer cover		1
2	245.1.022.1AB	Outer central cover		1
3	245.1.020.1AB	Horizontal belt outer cover		1
4	245.1.041.1A	Vertical belt inner cover		1
5	245.1.042.1A	Horizontal belt inner cover		1
6	853.1.002.1A	Spring washer		2
7	771.5.069.8B	Screw		3
8	771.5.065.8B	Screw		3
9	771.5.071.8B	Screw		3
10	147.1.014.1A	Timing lay shaft		1
11	882.1.003.1A	Snap ring		1
12	0755.29.025	Woodruff key		1
13	171.2.020.2B	Timing gears pair		1
14	851.1.013.1A	Lock washer		1
15	0124.40.060	Hexagon nut		1
16	74172.1008	Woodruff key		2
17	713.1.166.1A	Spacer		1
18	255.1.004.1A	Timing belt roller		2
19	856.1.002.2A	Belt roller separating washer sp. 2		1
20	852.1.173.1A	Washer		1
21	703.5.006.2A	Elastic-stop ring nut		1
22	737.4.010.3B	Timing drive toothed belt		2
23	451.1.004.2A	Fixed tensioner roller pin		2
24	702.5.001.5A	Bearing		2
25	451.1.010.1A	Fixed tensioner bush		2
26	73503.3380	Circlip		2
27	73500.1747	Snap ring		2

NOTES NO.	CODE NO.	DESCRIPTION	VALIDITY	Q.TY 
28	451.1.033.1A	Tensioner eccentric		2
29	451.1.001.2A	Movable tensioner roller pin		2
30	748.1.044.1A	Nut		2
31	451.1.034.1A	Movable tensioner roller bush		2
32	702.5.022.2A	Bearing		2
33	73503.3450	Circlip		2
34	73500.2054	Snap ring		2


CATALOGUE No: 915.1.130.2D  
ISSUED: 10 - 05

CATALOGUE No: 915.1.130.2D  
ISSUED: 10 - 05



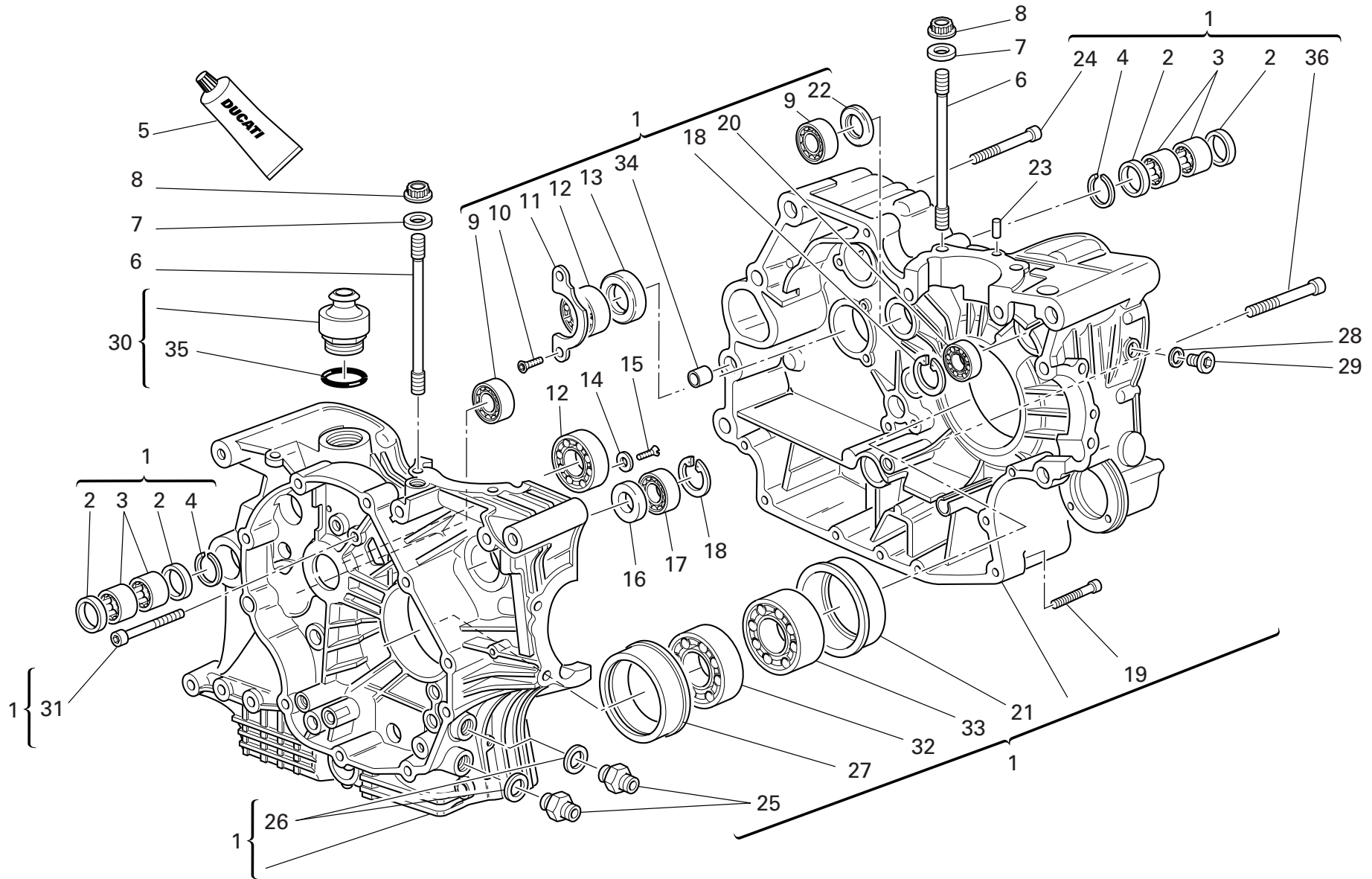
DRAWING 009 FILTERS AND OIL PUMP

NOTES NO.	CODE NO.	DESCRIPTION	VALIDITY	Q.TY 
1	174.2.025.6A	Complete oil pump		1
2	886.4.037.1A	O-ring		1
3	780.1.018.1A	Bypass cap		1
4	852.1.120.1A	Aluminium gasket		1
5	799.1.055.1A	Bypass spring		1
6	873.1.037.1A	Cap		1
7	593.1.018.1A	Bypass valve		1
8	771.5.129.8B	Screw		2
9	853.1.002.1A	Spring washer		2
10	771.5.069.8B	Screw		1
11	853.1.004.1A	Spring washer		1
12	174.1.025.2A	Pump drive gear		1
13	710.1.001.1A	Bush		1
14	799.2.077.2A	Bypass spring		1
15	0759.49.280	Locating bush		2
16	220.3.208.3A	Gasket		1
17	780.2.047.1A	Oil drain plug with magnet		1
18	852.5.005.1A	Gasket th.1,5		1
19	894.2.009.1A	Oil filter		1
20	444.4.003.4A	Oil filter cartridge		1
21	815.1.028.1A	Nipple		1
22	93827.0114	O-ring		2
23	779.1.198.2A	Cap		1
24	884.4.042.1A	Snap ring		1
25	884.5.036.1A	Circlip		1
26	0670.49.310	Reduction bush		1
27	779.1.162.2A	Cap		1

NOTES NO.	CODE NO.	DESCRIPTION	VALIDITY	Q.TY 
28	852.1.195.1A	Gasket th.2		1

CATALOGUE No: 915.1.130.2D  
ISSUED: 10 - 05


CATALOGUE No: 915.1.130.2D  
ISSUED: 10 - 05



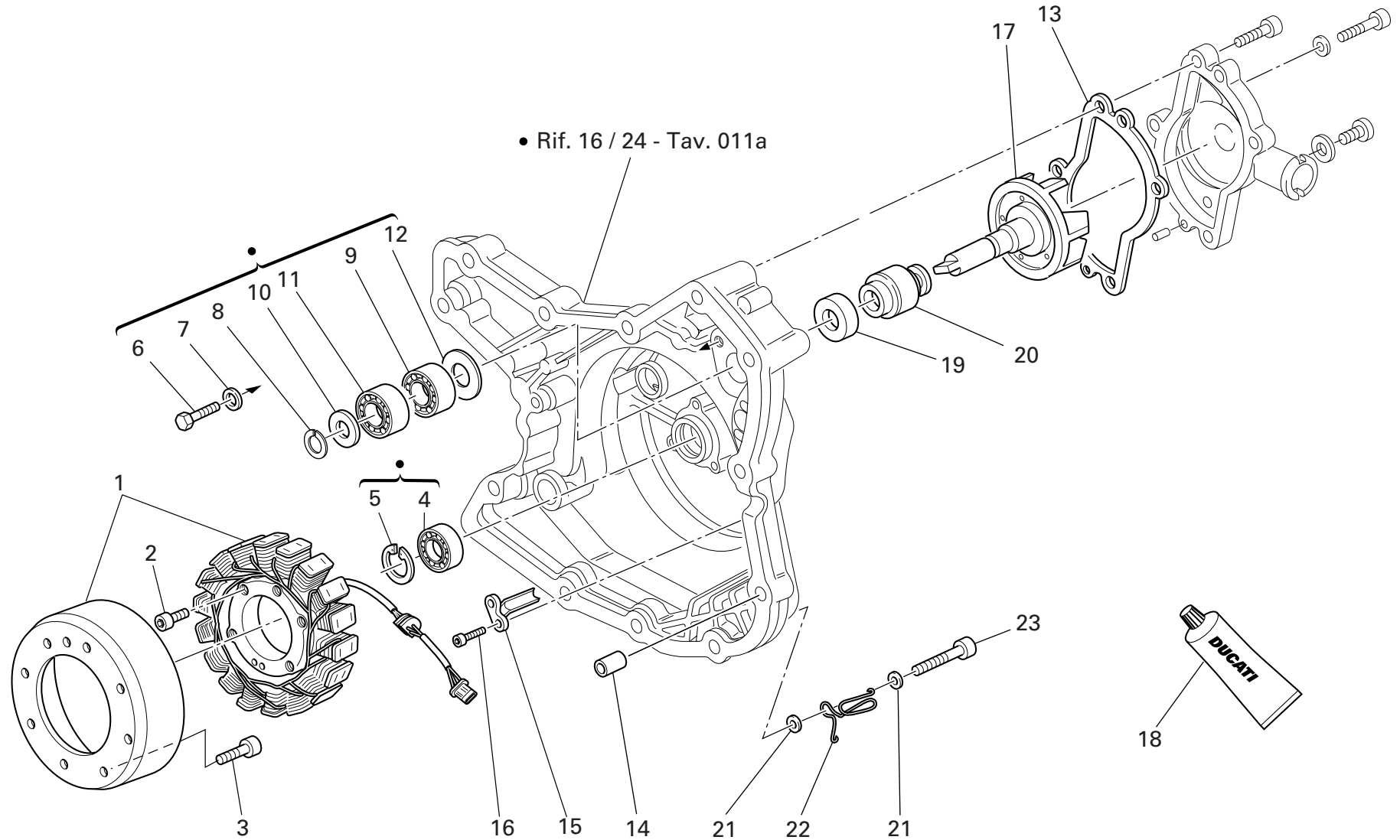
DRAWING 010 HALF CRANKCASES

NOTES NO.	CODE NO.	DESCRIPTION	VALIDITY	Q.TY 
1	225.2.085.1A	Complete half-crankcases pair		1
2	0755.49.265	Seal ring		4
3	76400.0004	Needle bearing		4
4	76266.2668	Snap ring		2
5	94247.0014	Fluid sealant		1
6	766.1.014.1A	Stud bolt for fastening head cylinder		8
7	856.1.064.2A	Special washer		8
8	748.1.050.1A	Nut		8
9	702.4.033.1A	Bearing		2
10	72094.1616	Screw		2
11	826.1.003.1A	Keep plate		1
12	702.5.019.1A	Bearing		2
13	93783.2552	Seal ring		1
14	713.1.140.1A	Spacer		2
15	770.5.250.8B	Screw		2
16	93785.1830	Seal ring		1
17	75794.1542	Bearing		1
18	73503.3380	Circlip		2
19	771.5.072.8B	Screw		8
20	702.5.008.1A	Bearing		1
21	710.1.070.1A	Bearing holder bush		1
22	463.4.001.1A	Seal ring		1
23	860.1.004.1A	Locating dowel		2
24	771.5.136.8B	Screw		6
25	815.1.022.1A	Nipple		2
26	787.1.011.1A	Aluminium gasket th.2		2
27	710.1.069.1A	Bearing holder bush		1

CATALOGUE No: 915.1.130.2D  
ISSUED: 10 - 05

NOTES NO.	CODE NO.	DESCRIPTION	VALIDITY	Q.TY 
28	852.5.026.1A	Aluminium gasket th.1,5		1
29	779.1.026.1A	Screw		1
30	593.1.003.1B	Breather valve		1
31	771.5.080.8B	Screw		2
32	702.4.020.1A	Bearing		1
33	75191.3380	Bearing		1
34	711.1.095.1A	Bush		2
35	93823.3156	O-ring		1
36	779.1.029.2A	Special screw		1

CATALOGUE No: 915.1.130.2D  
ISSUED: 10 - 05



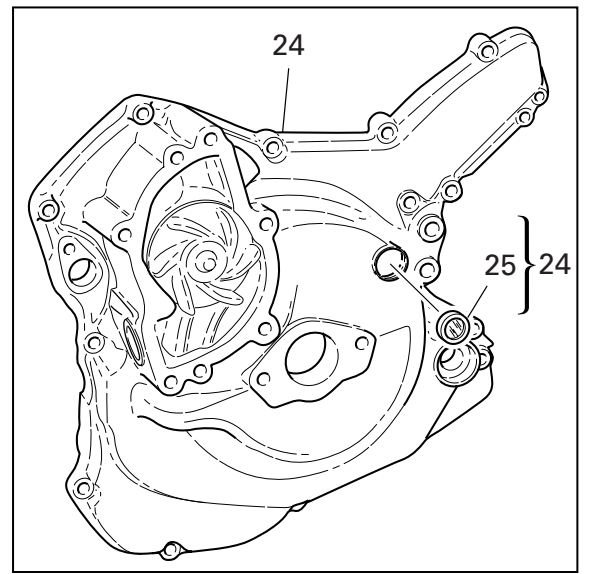
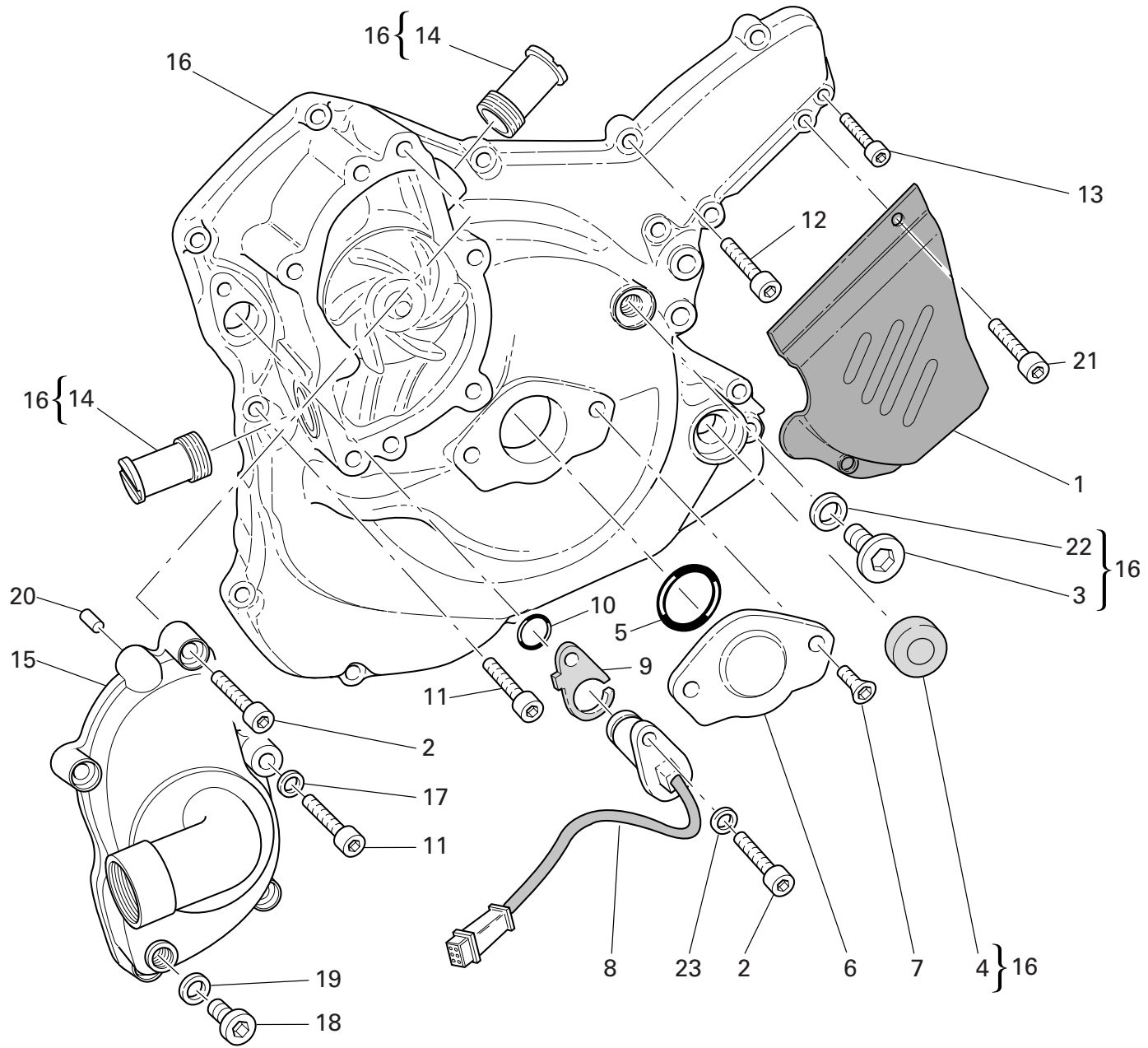
DRAWING 011

WATER PUMP - ALTERNATOR COVER


NOTES NO.	CODE NO.	DESCRIPTION	VALIDITY	Q.TY 
1	264.4.018.2A	Generator	d.m.m.014450	1
1	264.4.025.1A	Generator	f.m.m.014449	1
2	771.5.073.8B	Screw		3
3	779.4.075.1A	Screw		8
4	702.5.008.1A	Bearing		1
5	73503.3380	Circlip		1
6	770.5.250.8B	Screw		2
7	852.1.172.1A	Washer		2
8	884.5.011.1A	A 10 Ring		1
9	702.4.010.2A	Bearing		1
10	852.1.114.1A	Washer		1
11	702.4.009.1A	Bearing		1
12	713.1.128.1B	Spacer		1
13	788.1.056.1A	Gasket		1
14	0400.49.240	Locating bush		2
15	830.1.144.1A	Bracket		1
16	771.5.040.8B	Screw		2
17	251.2.001.1A	Water pump fan		1
18	94247.0014	Fluid sealant		1
19	930.5.005.1A	Seal		1
20	930.5.006.2B	Mechanical seal		1
21	734306N01	Washer		2
22	881.1.051.1A	Holder		1
23	771.5.072.2B	Screw		1

NOTES NO.	CODE NO.	DESCRIPTION	VALIDITY	Q.TY 
-----------	----------	-------------	----------	--

DRAWING 011a WATER PUMP - ALTERNATOR COVER



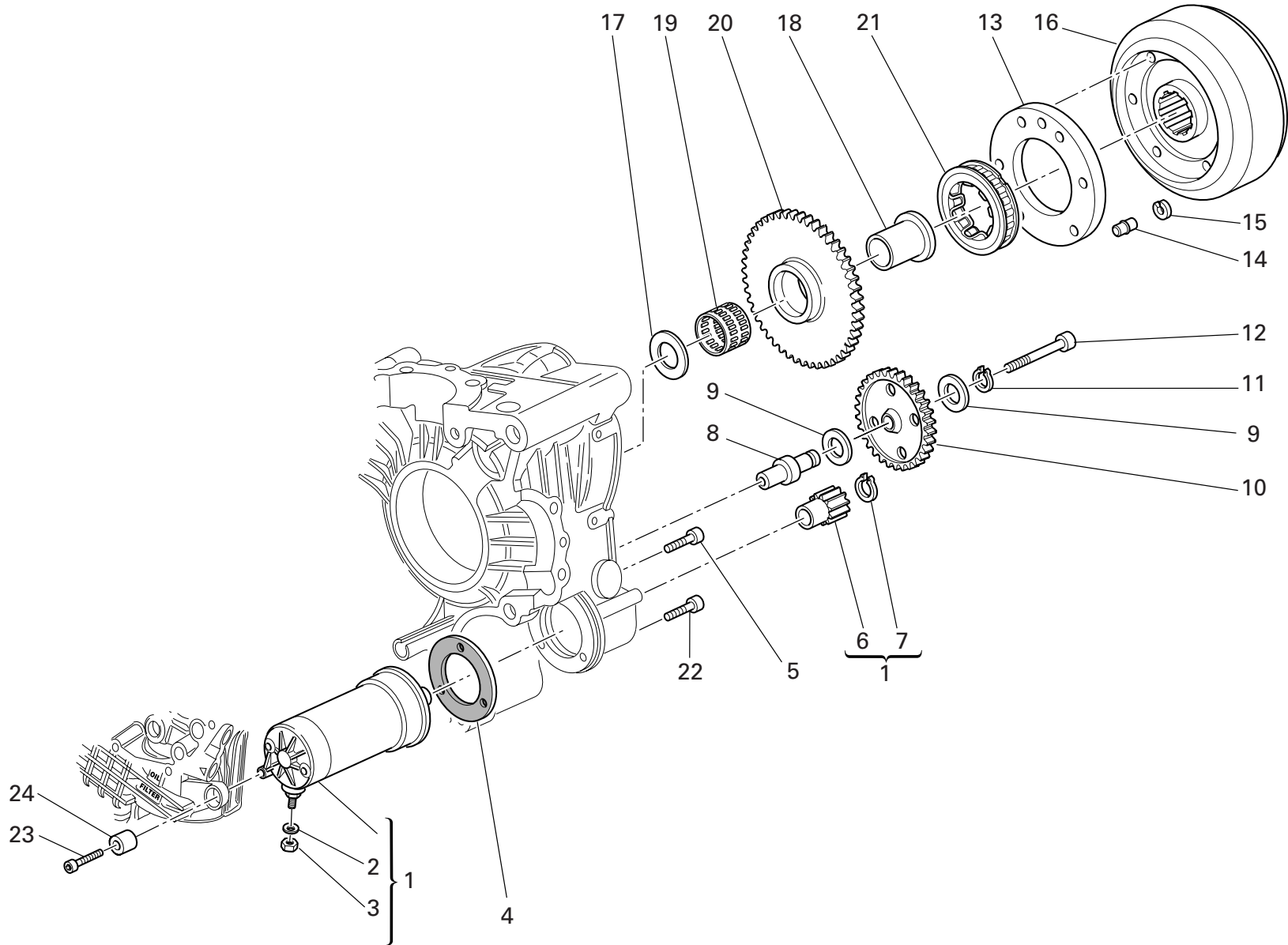
DRAWING 011a WATER PUMP - ALTERNATOR COVER

NOTES NO.	CODE NO.	DESCRIPTION	VALIDITY	Q.TY 
1	247.1.083.1AE	Chain cover		1
2	771.5.066.8B	Screw		5
3	779.1.198.1A	Cap		1
4	93783.1524	Seal ring		1
5	886.4.035.1A	O-ring		1
6	247.1.002.1BC	Cover		1
7	777.5.049.8B	Screw		2
8	552.4.020.1A	Sensor		1
9	788.1.076.1A	Gasket th.0,6		2
9	788.1.076.1AA	Gasket th.0,8		1
9	788.1.076.1AB	Gasket th.1,0		1
10	886.4.003.1A	O-ring		1
11	771.5.069.8B	Screw		10
12	771.5.071.8B	Screw		3
13	771.5.067.8B	Screw		2
14	668.1.001.3A	Water pump delivery filler		2
15	247.2.202.1A	Complete water pump cover		1
16	242.2.062.2A	Generator cover		1
17	852.5.023.1A	Gasket		1
18	780.5.001.1A	Cap		1
19	852.5.024.1A	Gasket th.1		1
20	860.1.004.1A	Locating dowel		2
21	60N107335	Screw		2
22	852.1.120.1A	Aluminium gasket		1
23	853.1.003.1A	Spring washer		1
24	242.2.038.2BB	Generator cover		1
25	254.1.001.1A	Oil level sight glass		1

NOTES NO.	CODE NO.	DESCRIPTION	VALIDITY	Q.TY 
-----------	----------	-------------	----------	--

CATALOGUE No: 915.1.130.2D  
ISSUED: 10 - 05

CATALOGUE No: 915.1.130.2D  
ISSUED: 10 - 05

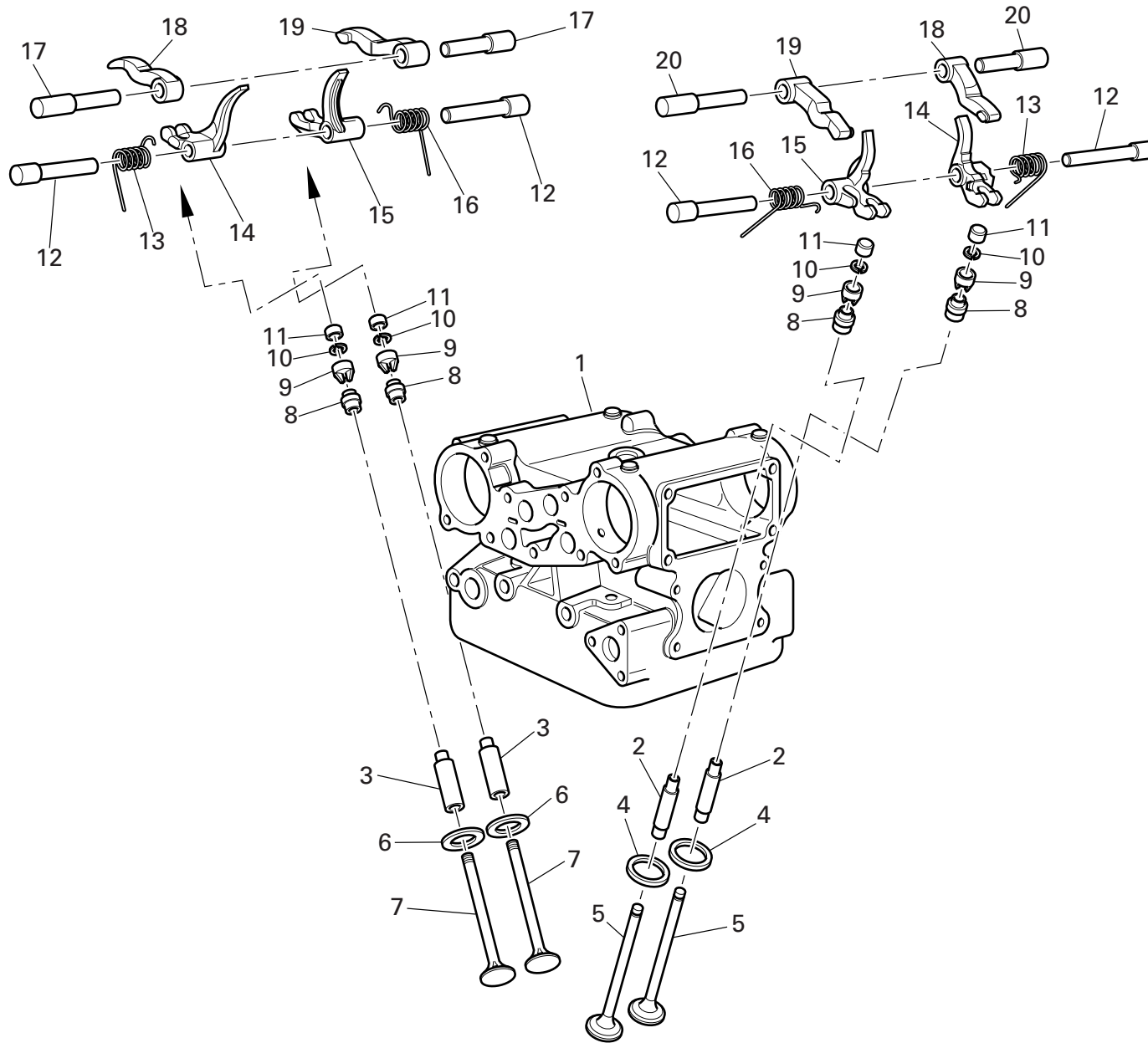


DRAWING 012 ELECTRIC STARTER AND IGNITION

NOTES NO.	CODE NO.	DESCRIPTION	VALIDITY	Q.TY 
1	270.4.005.1A	Complete starter motor		1
2	853.1.003.1A	Spring washer		1
3	750.1.121.1A	Nut		1
4	788.1.054.1A	Starter motor gasket		1
5	771.5.066.8B	Screw		2
6	176.1.001.1A	Starter motor sprocket		1
7	884.5.036.1A	Circlip		1
8	0660.50.020	Intermediate gear pin		1
9	856.1.071.1A	Washer		2
10	176.1.009.1A	Intermediate gear assembly		1
11	73500.1440	Circlip		1
12	771.5.078.8B	Screw		1
13	160.1.057.1A	Flange		1
14	863.1.002.1A	Locating pin		1
15	882.1.012.1A	Check ring		1
16	276.1.025.1B	Ignition flywheel		1
17	0619.50.065	Washer		1
18	881.1.010.1C	Inner ring		1
19	701.4.003.1A	Needle bearing		1
20	173.1.012.3A	Electric starter driven gear		1
21	701.4.007.1A	Starter clutch		1
22	771.5.069.8B	Screw		1
23	771.5.071.8B	Screw		1
24	700.1.036.1A	Flexible bush		1


NOTES NO.	CODE NO.	DESCRIPTION	VALIDITY	Q.TY 
-----------	----------	-------------	----------	--


DRAWING 013 HEAD



11		9	
Registro bilanc. apertura	apertura	Registro bilanc. chiusura	chiusura
Adjustment		Adjustment	
Réglage		Réglage	
Ventilkäppchen		Ventilkäppchen	
840.1.031.1A—	1,8	840.1.047.1B—	2,5
840.1.032.1A—	1,85	840.1.048.1B—	2,55
840.1.033.1A—	1,9	840.1.049.1B—	2,6
840.1.034.1A—	1,95	840.1.050.1B—	2,65
840.1.001.1A—	2	840.1.051.1B—	2,7
840.1.002.1A—	2,05	840.1.052.1B—	2,75
840.1.003.1A—	2,1	840.1.053.1B—	2,8
840.1.004.1A—	2,15	840.1.054.1B—	2,85
840.1.005.1A—	2,2	840.1.055.1B—	2,9
840.1.006.1A—	2,25	840.1.056.1B—	2,95
840.1.007.1A—	2,3	840.1.057.1B—	3,2
840.1.008.1A—	2,35	840.1.058.1B—	3,05
840.1.009.1A—	2,4	840.1.059.1B—	3,1
840.1.010.1A—	2,45	840.1.060.1B—	3,15
840.1.011.1A—	2,5	840.1.061.1B—	3,2
840.1.012.1A—	2,55	840.1.062.1B—	3,25
840.1.013.1A—	2,6	840.1.063.1B—	3,3
840.1.014.1A—	2,65	840.1.064.1B—	3,35
840.1.015.1A—	2,7	840.1.065.1B—	3,4
840.1.016.1A—	2,75	840.1.066.1B—	3,45
840.1.017.1A—	2,8	840.1.067.1B—	3,5
840.1.018.1A—	2,85	840.1.068.1B—	3,55
840.1.019.1A—	2,9	840.1.069.1B—	3,6
840.1.020.1A—	2,95	840.1.070.1B—	3,65
840.1.021.1A—	3	840.1.071.1B—	3,7
840.1.022.1A—	3,05	840.1.072.1B—	3,75
840.1.023.1A—	3,1	840.1.073.1B—	3,8
840.1.024.1A—	3,15	840.1.074.1B—	3,85
840.1.025.1A—	3,2	840.1.075.1B—	3,9
840.1.026.1A—	3,25	840.1.076.1B—	3,95
840.1.027.1A—	3,3	840.1.077.1B—	4
840.1.028.1A—	3,35	840.1.078.1B—	4,05
840.1.029.1A—	3,4	840.1.079.1B—	4,1
840.1.030.1A—	3,45	840.1.080.1B—	4,15
840.1.108.1A—	3,5	840.1.081.1B—	4,2
840.1.109.1A—	3,55	840.1.082.1B—	4,25
840.1.072.1A—	3,6	840.1.083.1B—	4,3
840.1.110.1A—	3,65	840.1.084.1B—	4,35
840.1.111.1A—	3,7	840.1.085.1B—	4,4
840.1.112.1A—	3,75		
840.1.073.1A—	3,8		

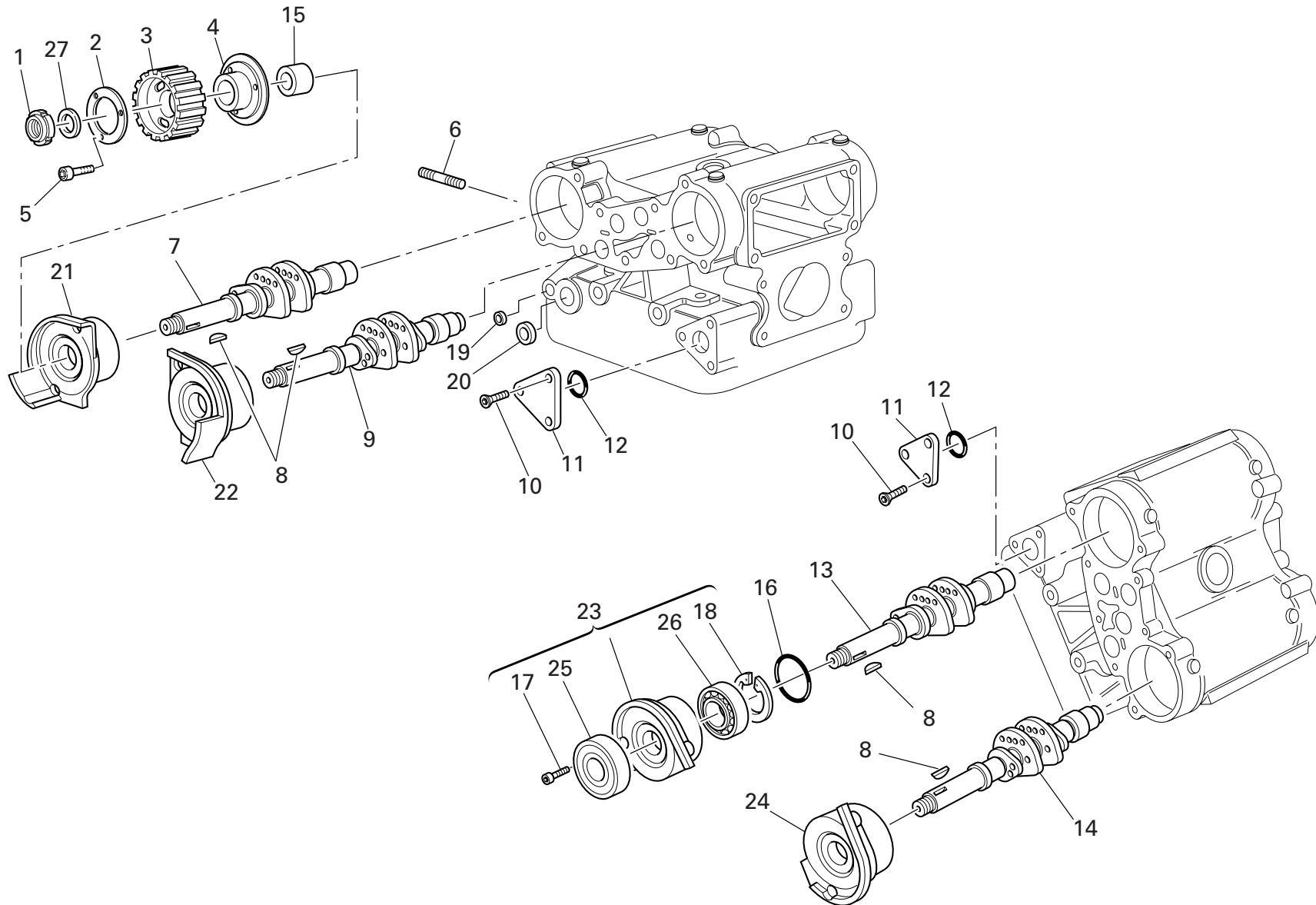
DRAWING 013 HEAD

NOTES NO.	CODE NO.	DESCRIPTION	VALIDITY	Q.TY 
1	301.2.106.2A	Head (2,3,4,6 included)		2
2	303.1.009.1A	Intake valve bronze guide		4
2	303.1.009.1AB	Oversize valve guide 0.03		4
2	303.1.009.1AC	Oversize valve guide 0.06		4
2	303.1.009.1AD	Oversize valve guide 0.09		4
3	303.1.015.1A	Exhaust valve bronze guide		4
3	303.1.015.1AB	Oversize valve guide 0.03		4
3	303.1.015.1AC	Oversize valve guide 0.06		4
3	303.1.015.1AD	Oversize valve guide 0.09		4
4	304.1.026.1A	Intake valve seat		4
4	304.1.026.1AB	Oversize intake valve seat 0.03		4
4	304.1.026.1AC	Oversize intake valve seat 0.06		4
5	210.1.022.2A	Intake valve		4
6	304.1.012.2A	Exhaust valve seat		4
6	304.1.012.2AB	Oversize exhaust valve seat 0.03		4
6	304.1.012.2AC	Oversize exhaust valve seat 0.06		4
7	211.1.010.2A	Exhaust valve		4
8	764.1.002.1A	Rubber pad		8
9	840.2.001.1A	See table		8
10	669.1.001.1E	Split rings		16
11	840.2.002.1B	See table		8
12	821.1.004.1A	Closing rocker shaft		8
13	799.1.015.1A	L.H. valve return spring		4
14	209.1.002.7A	L.H. Closing rocker		4
15	209.1.001.7A	R.H. Closing rocker		4
16	799.1.014.1A	R.H. valve return spring		4
17	821.1.003.1A	Exhaust opening rocker shaft		4

NOTES NO.	CODE NO.	DESCRIPTION	VALIDITY	Q.TY 
18	208.1.002.7A	L.H. Opening rocker		4
19	208.1.001.7A	R.H. Opening rocker		4
20	821.1.002.1A	Opening rocker shaft		4

CATALOGUE No: 915.1.130.2D  
ISSUED: 10 - 05

CATALOGUE No: 915.1.130.2D  
ISSUED: 10 - 05



DRAWING 014

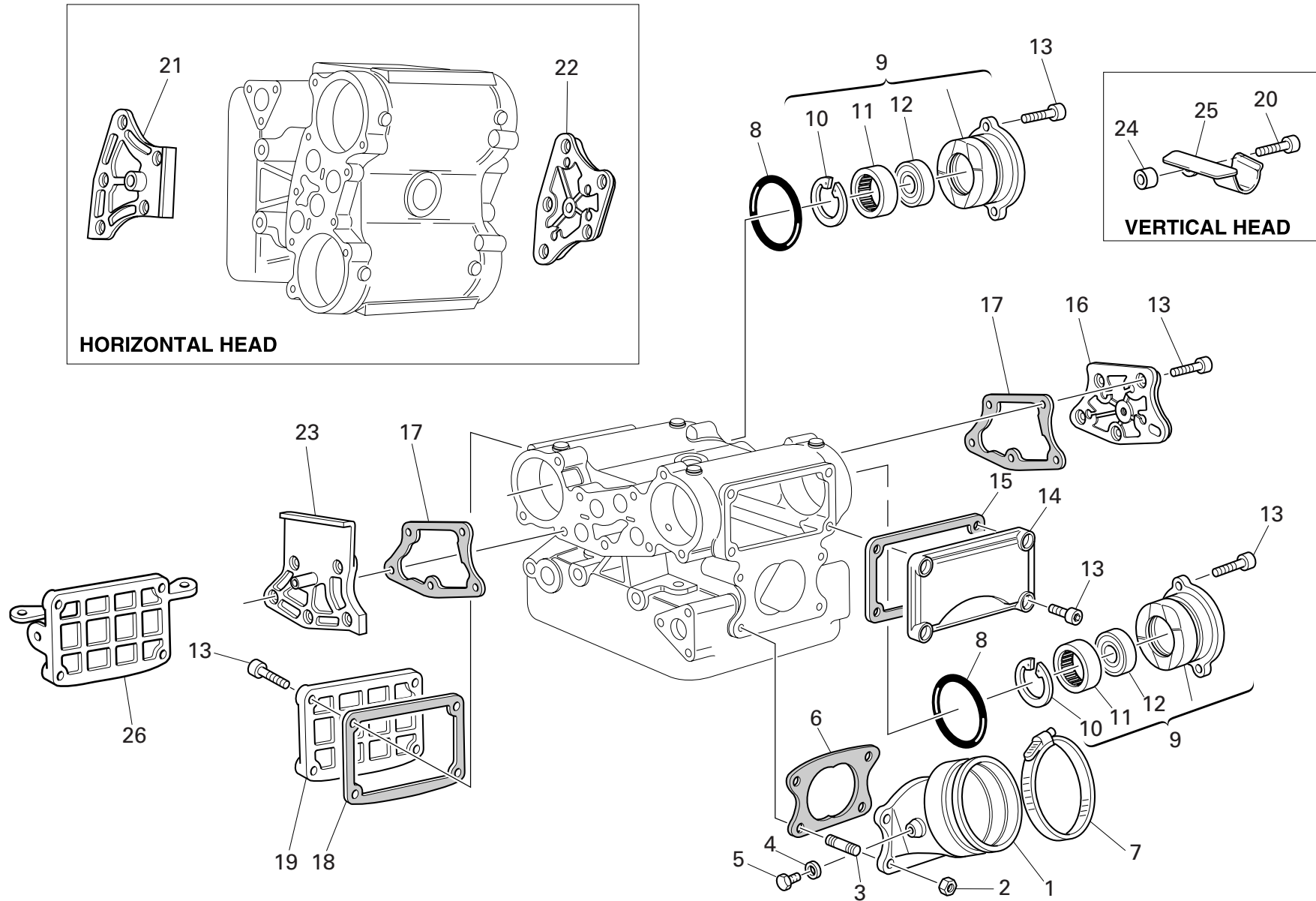
HEAD : TIMING

NOTES NO.	CODE NO.	DESCRIPTION	VALIDITY	Q.TY 
1	703.5.006.2A	Elastic-stop ring nut		4
2	852.1.124.2A	Special washer		4
3	255.1.014.1A	Timing belt roller		4
4	160.1.076.1A	Flange		4
5	771.5.040.8B	Screw		12
6	766.4.012.1A	Stud bolt		6
7	148.1.156.1A	Vertical exhaust camshaft		1
8	74172.1008	Woodruff key		4
9	148.1.145.1A	Vertical intake camshaft		1
10	777.5.049.8B	Screw		6
11	247.1.020.1AB	Cover		2
12	93823.2087	O-ring		2
13	148.1.144.1A	Horizontal intake camshaft		1
14	148.1.155.1A	Horizontal exhaust camshaft		1
15	713.1.007.1A	Belt roller spacer		4
16	886.4.001.1A	O-Ring		4
17	771.5.065.8B	Screw		8
18	73503.3683	Circlip		4
19	873.1.004.1A	Cap		4
20	873.1.001.1A	Cap		4
21	235.2.033.1A	Rear complete cap timing side		1
22	235.2.035.1A	Front complete cap timing side		1
23	235.2.032.1A	Rear complete cap timing side		1
24	235.2.034.1A	Front complete cap timing side		1
25	0204.70.105	Seal ring		4
26	75120.1747	Bearing		4
27	852.1.173.1A	Washer		4

NOTES NO.	CODE NO.	DESCRIPTION	VALIDITY	Q.TY 
-----------	----------	-------------	----------	--

CATALOGUE No: 915.1.130.2D  
ISSUED: 10 - 05

CATALOGUE No: 915.1.130.2D  
ISSUED: 10 - 05



DRAWING 015

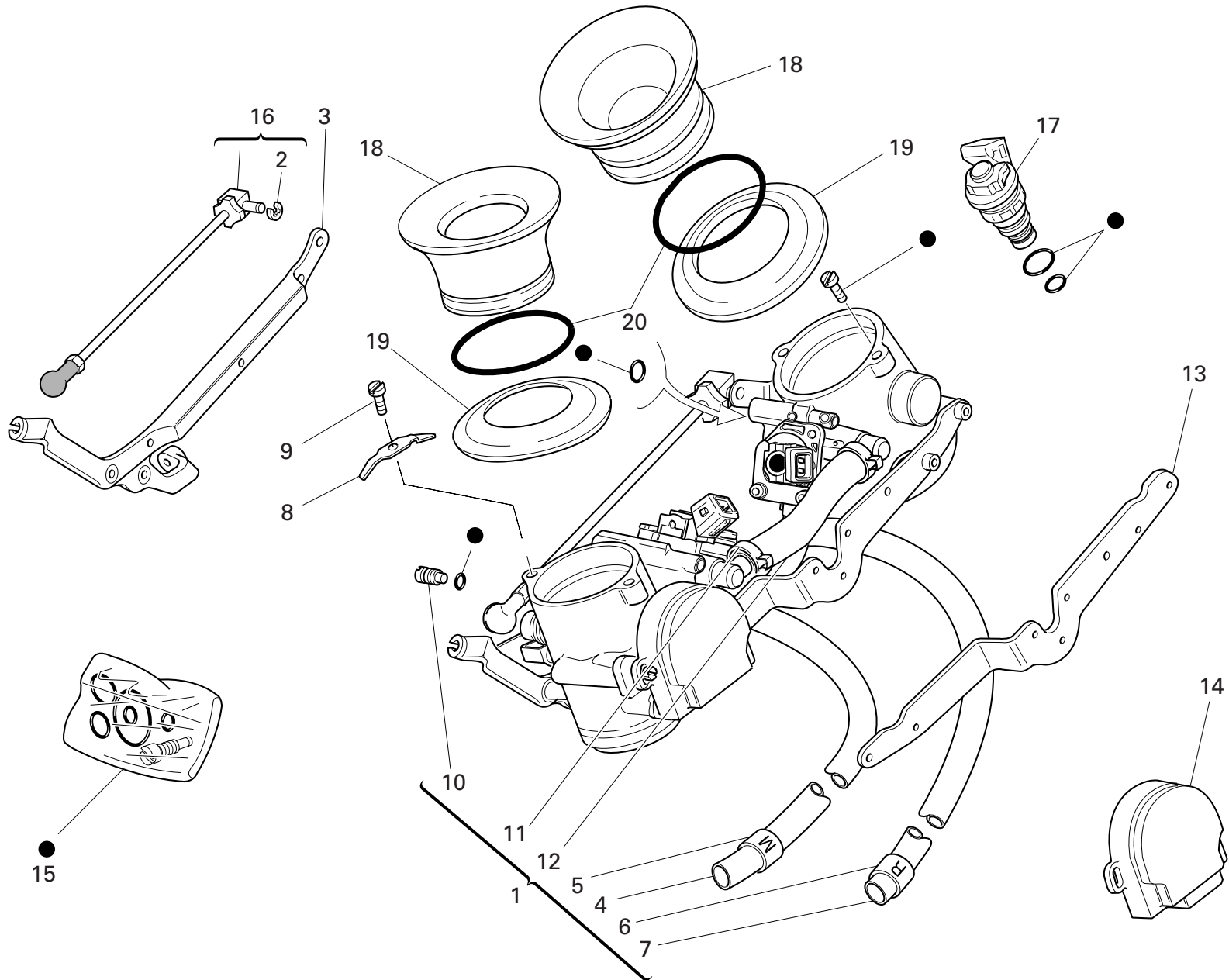
COLLECTORS AND HEAD COVERS

NOTES NO.	CODE NO.	DESCRIPTION	VALIDITY	Q.TY 
1	140.2.038.2B	Intake manifold		2
2	748.1.042.1A	Nut		8
3	766.4.019.1A	Stud bolt		8
4	0250.70.223	Aluminium gasket		4
5	776.5.032.8A	Screw		4
6	788.1.002.2A	Intake duct gasket		2
7	741.4.067.1A	Hose guide		2
8	886.4.001.1A	O-Ring		4
9	235.2.002.2AB	Complete cap tachometer side		4
10	73503.3380	Circlip		4
11	75794.1542	Bearing		4
12	930.4.033.1A	Seal ring		4
13	771.5.065.8B	Screw		52
14	240.1.001.1AB	Intake valve cover		2
15	788.1.007.3A	Intake valves cover gasket		2
16	247.1.080.1AA	Central cover (LIGHT GREY)		1
17	788.1.050.1A	Central cover gasket		4
18	788.1.053.1A	Exhaust valves cover gasket		2
19	240.1.014.1AA	Exhaust valve cover		2
20	771.5.069.8B	Screw		1
21	247.1.090.1AB	Central cover timing side		1
22	247.1.079.1AA	Central cover (LIGHT GREY)		1
23	247.1.089.1AB	Central cover timing side		1
24	713.1.241.1A	Spacer		1
25	829.1.245.1A	Plate		1
26	240.1.015.1AA	Exhaust valve cover (horizontal)		1


NOTES NO.	CODE NO.	DESCRIPTION	VALIDITY	Q.TY 
-----------	----------	-------------	----------	--

CATALOGUE No: 915.1.130.2D  
ISSUED: 10 - 05

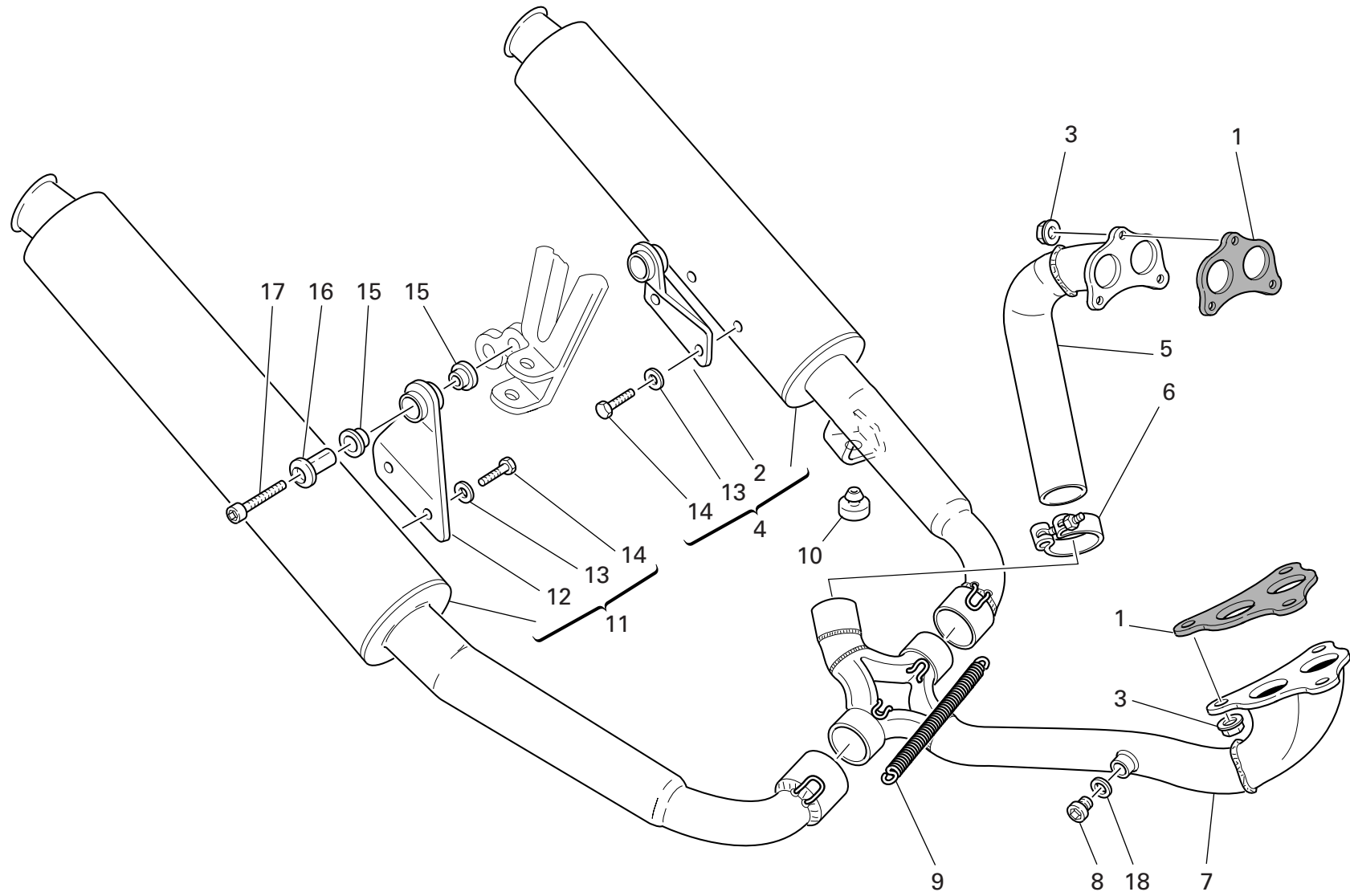
CATALOGUE No: 915.1.130.2D  
ISSUED: 10 - 05




DRAWING 016 THROTTLE BODY

NOTES NO.	CODE NO.	DESCRIPTION	VALIDITY	Q.TY 
1	282.4.019.1D	Throttle body		1
2	884.5.010.1A	Circlip		1
3	830.1.172.1A	Bracket		1
4	590.1.103.1A	Tube		1
5	741.4.040.1A	Clamp "M"		1
6	741.4.041.1A	Clamp "R"		1
7	590.1.124.1A	Tube		1
8	799.1.052.2A	Spring		4
9	470412	Screw		4
10	287.4.028.1A	Bypass adjusting screw		1
11	287.4.024.1B	Hose guide		4
12	590.1.080.1A	Tube		1
13	830.1.121.1A	Connector holder		1
14	284.4.001.1B	Potentiometer PF09/04		1
15	287.4.029.1A	Repair kit		1
16	287.4.027.1A	Tie rod		1
17	280.4.005.1A	Injector		2
18	802.1.015.1A	Air funnel		2
19	791.1.017.2A	Gasket		2
20	886.5.004.1A	O-ring		2

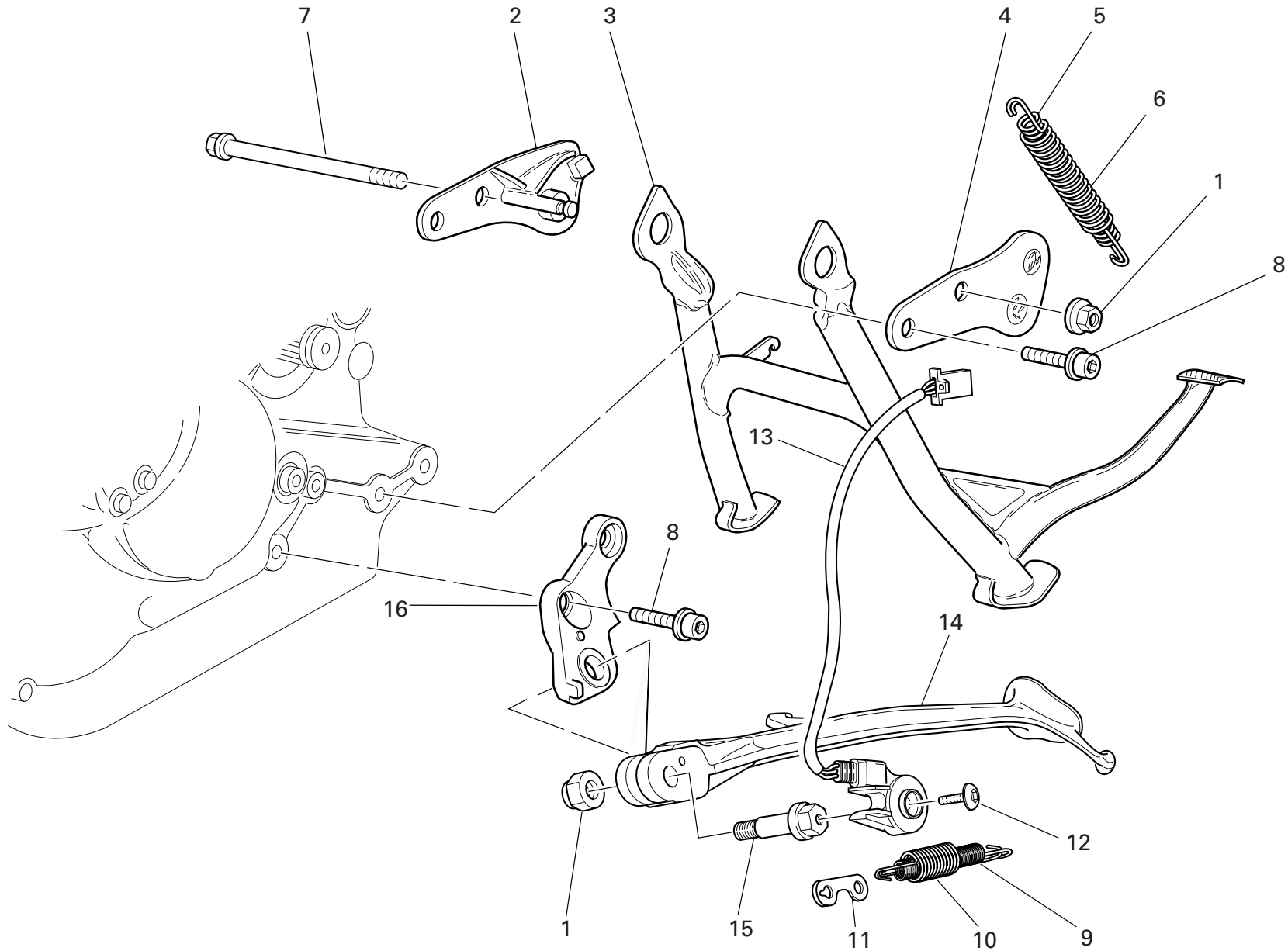
NOTES NO.	CODE NO.	DESCRIPTION	VALIDITY	Q.TY 
-----------	----------	-------------	----------	--



DRAWING 017 EXHAUST SYSTEM


NOTES NO.	CODE NO.	DESCRIPTION	VALIDITY	Q.TY 
1	790.1.001.2A	Exhaust gasket		2
2	576.1.029.1A	L.H. bracket		1
3	748.1.024.1A	Nut		6
4	574.1.057.1A	L.H. silencer		1
5	571.1.035.1A	Vertical head exhaust pipe		1
6	741.1.004.1A	Hose guide		1
7	570.1.035.1A	Horizontal head exhaust pipe		1
8	780.1.007.1A	Cap		2
9	799.1.072.1A	Spring		1
10	866.1.061.1A	Rubber pad		1
11	573.1.057.1A	R.H. silencer		1
12	576.1.028.1A	R.H. bracket		1
13	73270.8001	Washer		4
14	70914.2121	Screw		4
15	764.1.001.1A	Rubber pad		4
16	684.1.044.1A	Stud bolt		2
17	779.5.016.1A	Screw		2
18	852.5.024.1A	Gasket th.1		2

NOTES NO.	CODE NO.	DESCRIPTION	VALIDITY	Q.TY 
-----------	----------	-------------	----------	--

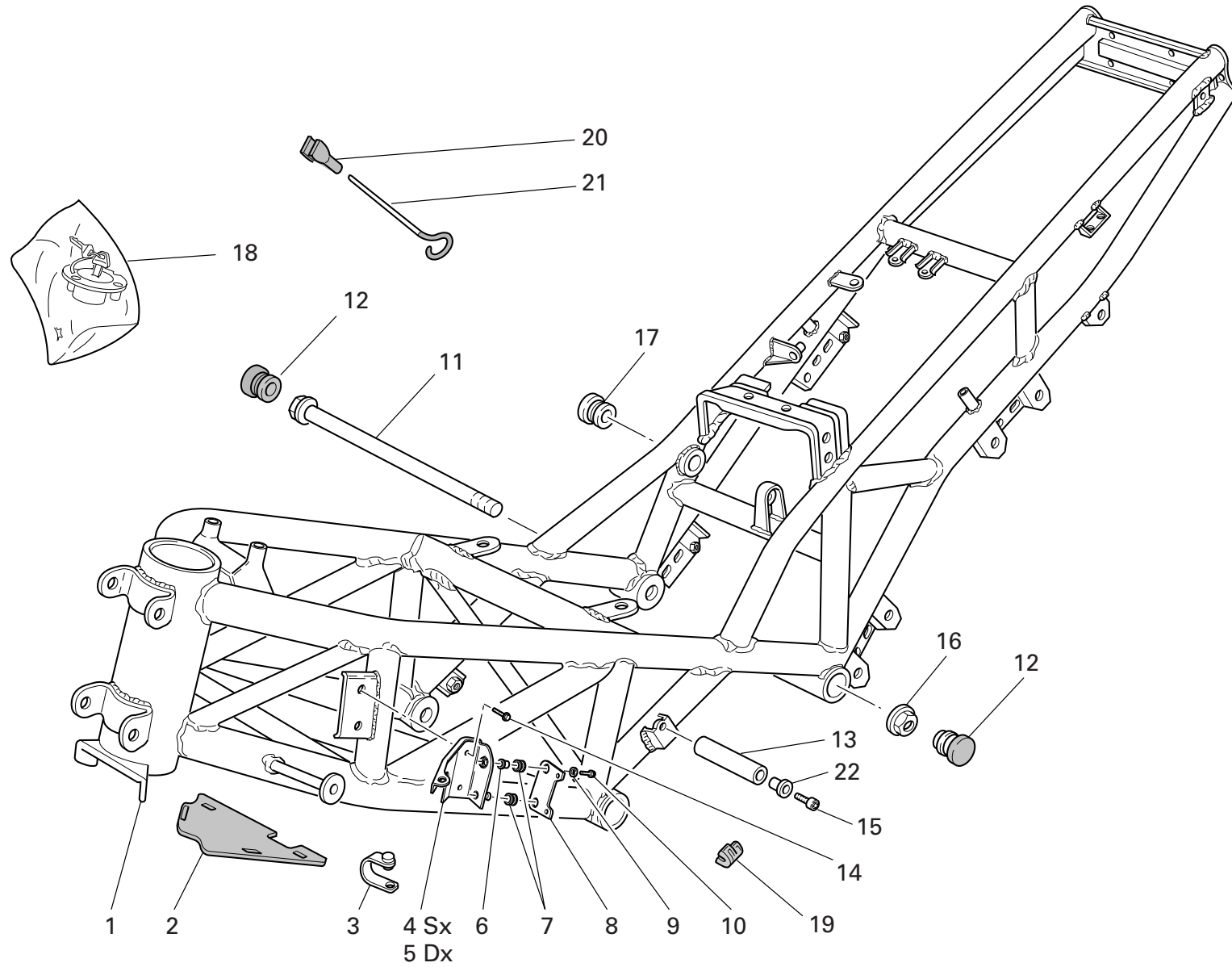


DRAWING 018


STANDS

NOTES NO.	CODE NO.	DESCRIPTION	VALIDITY	Q.TY 
1	749.4.045.2G	Nut		1
2	555.1.007.1A	R. H. Plate		1
3	555.1.005.1A	Central stand		1
4	555.1.006.1B	L. H. Plate		1
5	799.1.069.1A	Inner spring		1
6	799.1.070.1A	Outer spring		1
7	749.4.045.2G	Nut		1
8	771.5.754.2B	Screw		4
9	799.1.089.1A	Spring		1
10	799.1.088.1A	Outer spring		1
11	827.1.139.2B	Plate		1
12	779.4.005.2A	Screw		1
13	539.1.023.2A	Switch		1
14	556.1.017.1C	Side stand		1
15	556.1.018.1C	Pivot		1
16	556.2.020.1B	Plate		1
17	772.1.001.1A	Screw		1

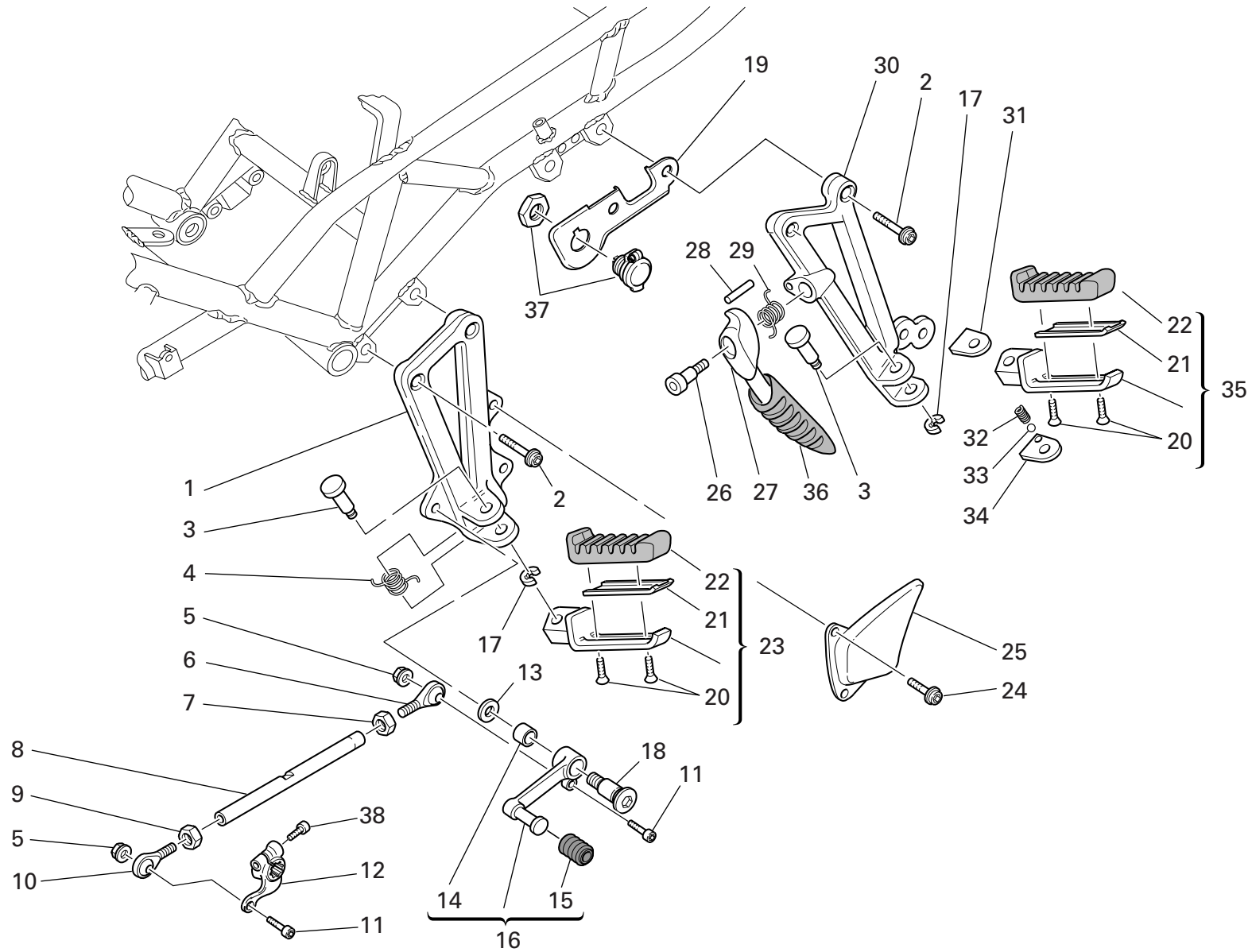
NOTES NO.	CODE NO.	DESCRIPTION	VALIDITY	Q.TY 
-----------	----------	-------------	----------	--



DRAWING 019 FRAME

NOTES NO.	CODE NO.	DESCRIPTION	VALIDITY	Q.TY 
1	470.1.081.1AA	Frame (METALLIC DARK GREY)		1
1	470.1.081.1AB	Frame (BLACK)		1
2	460.1.088.1A	Mudflap		1
3	741.1.013.1A	Hose guide		4
4	829.1.170.1AB	L.H. holder		1
5	829.1.169.1AB	R.H. holder		1
6	0000.44099	Spacer		2
7	764.1.084.1A	Vibration damper pad		4
8	830.1.040.1B	Holder		2
9	8000.56359	Washer		2
10	772.5.024.1A	Screw		2
11	779.1.213.1A	Screw		2
12	872.1.026.1A	Cap		2
13	827.1.121.1A	Stud bolt		2
14	772.5.025.1A	Screw		2
15	60N102511	Screw		2
16	748.4.002.1A	Nut		2
17	872.1.027.1A	Cap		1
18	598.2.030.1A	Locks kit		1
19	866.1.034.1A	Rubber pad		2
20	764.1.010.1A	Rubber pad		1
21	117.2.002.1A	Rod		1
22	0364.99.020	Bush		2

NOTES NO.	CODE NO.	DESCRIPTION	VALIDITY	Q.TY 
-----------	----------	-------------	----------	--




DRAWING 020

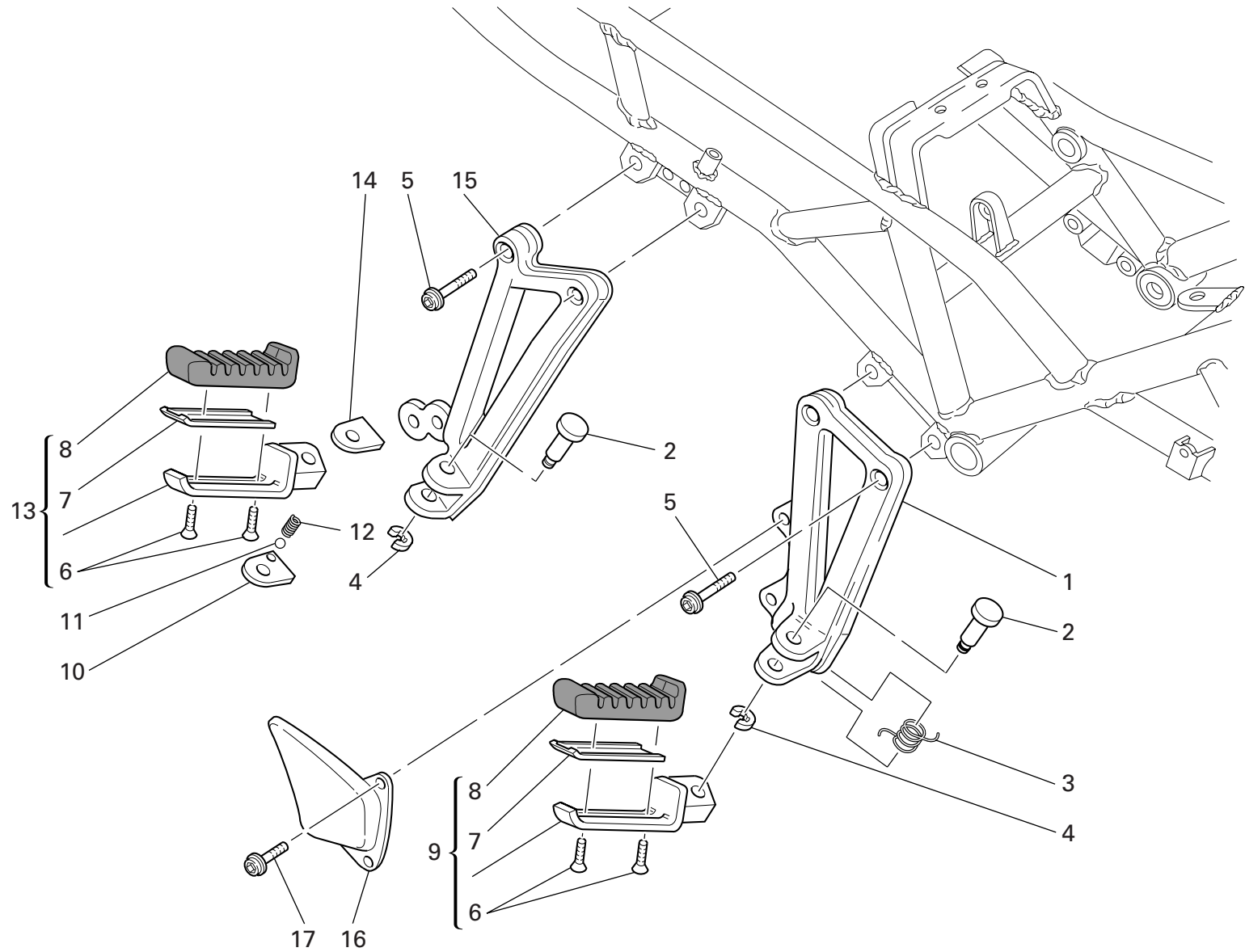
L.H. FOOT RESTS

NOTES NO.	CODE NO.	DESCRIPTION	VALIDITY	Q.TY 
1	824.1.039.1A	L.H. foot peg holder plate		1
2	771.5.725.8B	Screw		4
3	0370.69.920	Pin		2
4	0370.69.910	Spring		1
5	763106N01	El-stop nut		2
6	848.5.001.1A	Ball joint		1
7	747.5.001.1A	L.H. nut		1
8	117.1.033.1A	Gearbox transmission rod		1
9	417.9.030.6A	Nut		1
10	848.5.002.1A	Ball joint		1
11	779.5.011.1A	Screw		2
12	456.1.006.2A	Gearchange control lever		1
13	852.1.053.1A	Washer		1
14	712.1.034.1A	Bush		1
15	765.1.001.1A	Rubber pad		1
16	456.2.009.1A	Gearchange lever		1
17	73500.0827	Circlip		2
18	821.1.170.1A	Pin		1
19	827.1.192.1A	Plate		1
20	777.5.002.1A	Screw		4
21	0370.69.930	Plate		2
22	0370.69.940	Foot peg rubber cover		2
23	0370.69.850	Front L.H. foot peg, complete		1
24	772.5.004.1A	Screw		2
25	460.1.062.1A	Protection		1
26	779.1.159.1A	Screw		1
27	806.1.012.1A	Handle		1


CATALOGUE No: 915.1.130.2D  
ISSUED: 10 - 05

NOTES NO.	CODE NO.	DESCRIPTION	VALIDITY	Q.TY 
28	861.5.003.1A	Spring pin		1
29	799.1.071.1A	Spring		1
30	824.1.041.1C	Rear L.H. foot peg holder plate		1
31	0370.69.970	Plate		1
32	799.1.024.1A	Spring		1
33	847.4.002.1A	Ball		2
34	827.1.045.1A	Keep plate		1
35	0370.69.860	Rear L.H. foot peg, complete		1
36	806.1.013.1A	Handgrip		1
37	386.4.013.2A	Power Point		1
38	779.5.001.1A	Screw		1

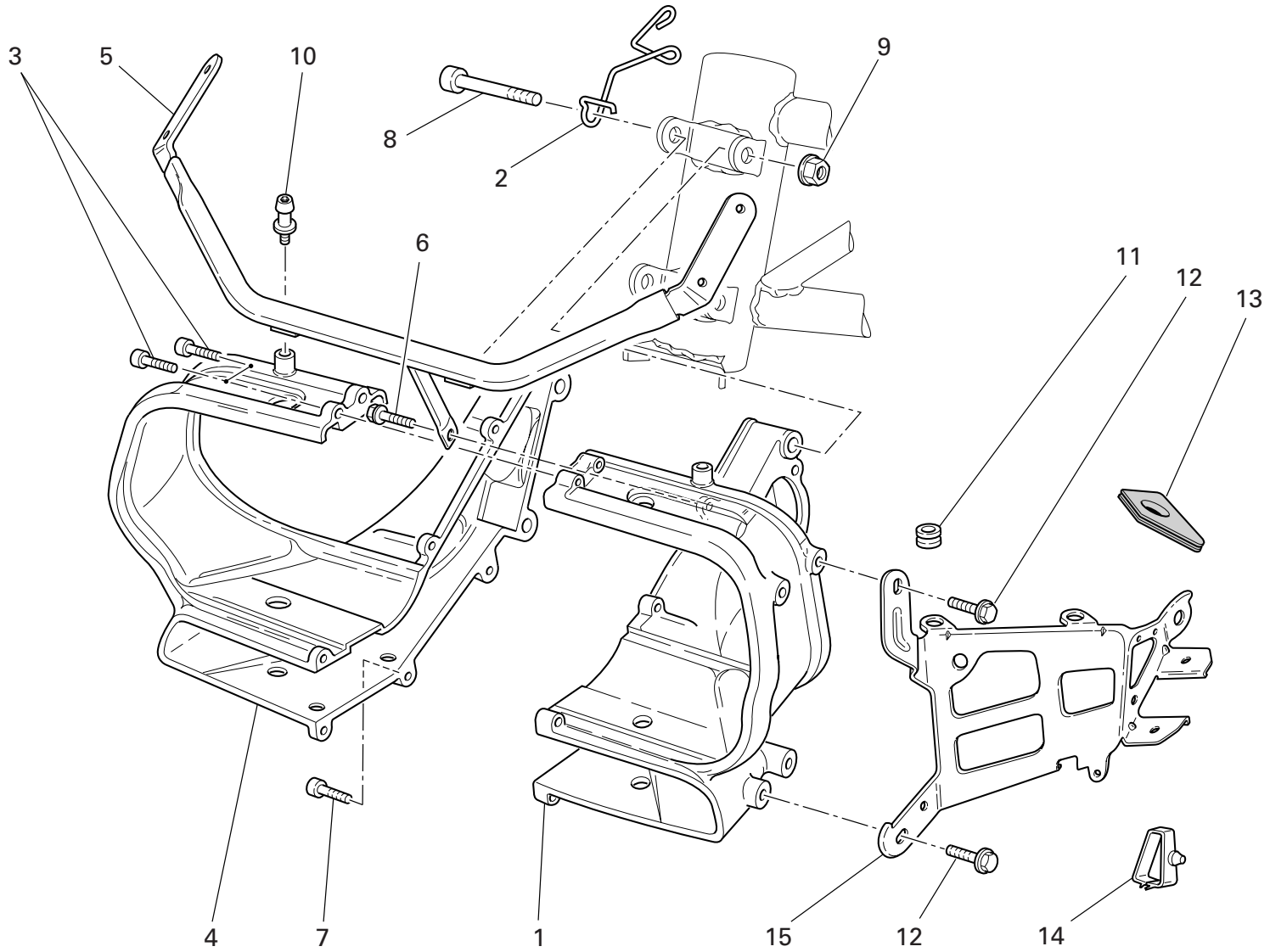
CATALOGUE No: 915.1.130.2D  
ISSUED: 10 - 05




DRAWING 021 R.H. FOOT RESTS

NOTES NO.	CODE NO.	DESCRIPTION	VALIDITY	Q.TY 
1	824.1.040.1B	R.H. foot peg holder plate		1
2	0370.69.920	Pin		2
3	0370.69.910	Spring		1
4	73500.0827	Circlip		2
5	771.5.725.8B	Screw		4
6	777.5.002.1A	Screw		4
7	0370.69.930	Plate		2
8	0370.69.940	Foot peg rubber cover		2
9	0370.69.855	Front R.H. foot peg, complete		1
10	827.1.045.1A	Keep plate		1
11	847.4.002.1A	Ball		2
12	799.1.024.1A	Spring		1
13	0370.69.865	Rear R.H. foot peg, complete		1
14	0370.69.970	Plate		1
15	824.1.042.1C	Rear R.H. foot peg holder plate		1
16	460.1.063.1A	Protection		1
17	772.5.004.1A	Screw		2

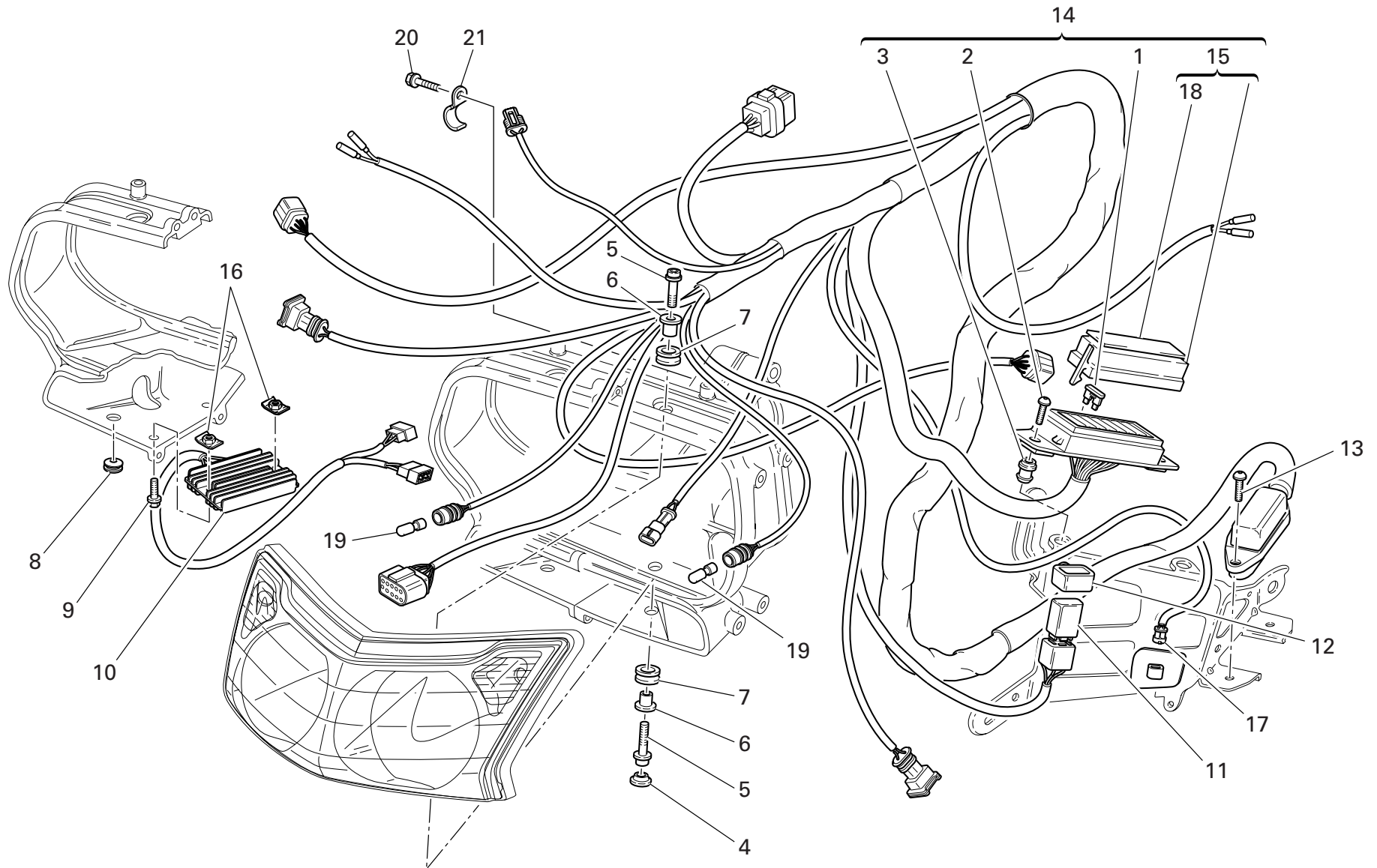
NOTES NO.	CODE NO.	DESCRIPTION	VALIDITY	Q.TY 
-----------	----------	-------------	----------	--



DRAWING 022 HEADLIGHT HOLDER

NOTES NO.	CODE NO.	DESCRIPTION	VALIDITY	Q.TY 
1	829.1.168.1AB	L.H. holder		1
2	758.1.026.1A	Fairlead		1
3	771.5.043.2B	Screw		7
4	829.1.167.2AB	R.H. holder		1
5	829.1.556.1A	Holder		1
6	8A00.67997	Screw		1
7	60N102488	Screw		1
8	771.5.141.2B	Screw		2
9	729908FN1	Nut		2
10	821.1.075.1A	Pin		2
11	764.1.084.1A	Vibration damper pad		2
12	772.5.024.1A	Screw		3
13	829.1.204.1A	Holder		1
14	0000.60283	Hose guide		1
15	829.1.544.1A	Holder		1

NOTES NO.	CODE NO.	DESCRIPTION	VALIDITY	Q.TY 
-----------	----------	-------------	----------	--



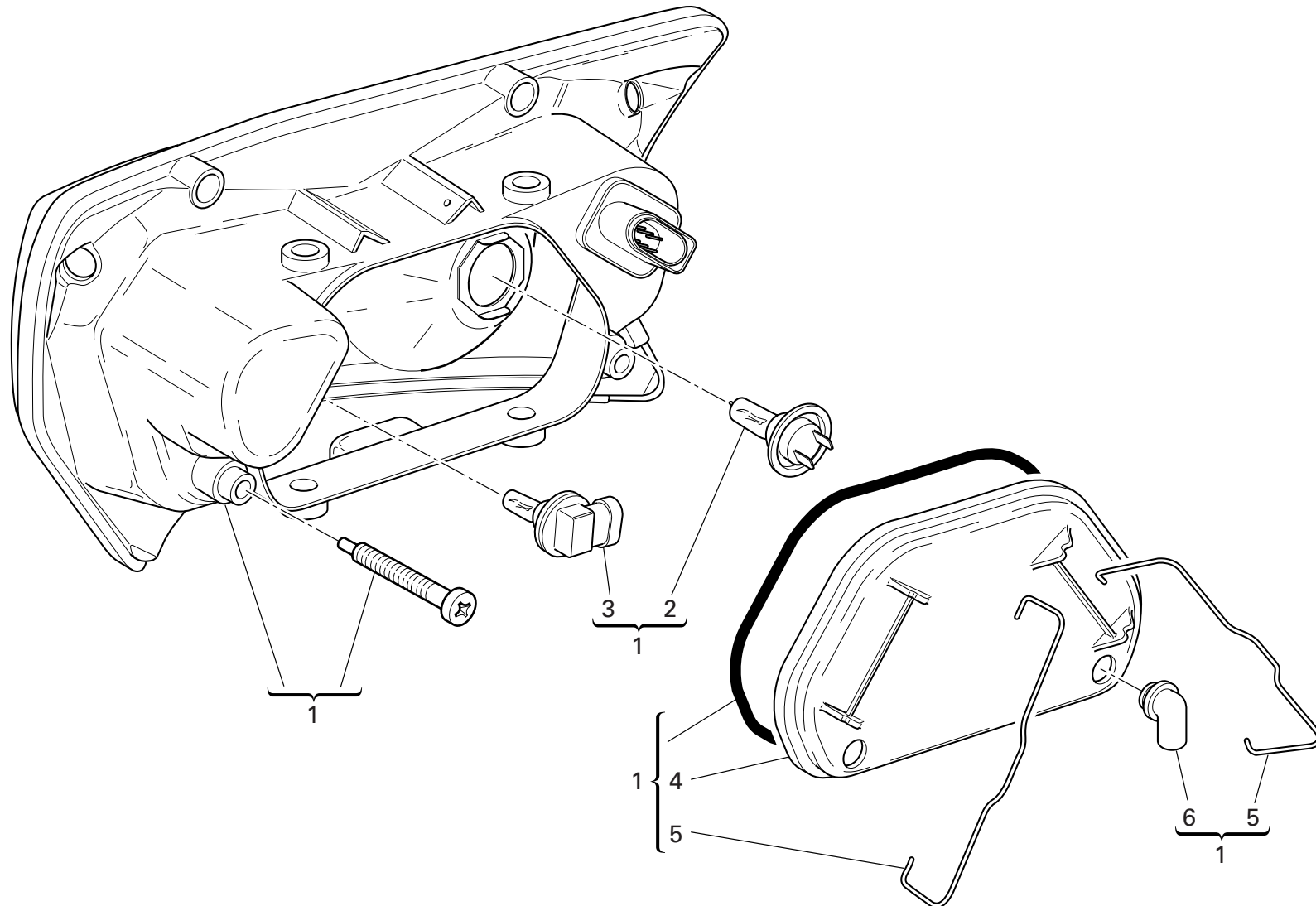
DRAWING 023

HEAD-LIGHT AND ELECTRIC WIRING


NOTES NO.	CODE NO.	DESCRIPTION	VALIDITY	Q.TY 
1	389.4.006.1A	Fuse 3A		1
1	389.4.007.1A	Fuse 7.5A		3
1	389.4.008.1A	Fuse 15A		1
1	389.4.012.1A	Fuse 20A		1
1	389.4.015.1A	Fuse 5A		2
2	779.1.088.1A	Screw		2
3	821.1.054.1A	Pin		2
4	764.4.003.1A	Fairlead		2
5	772.5.023.1A	Screw		4
6	716.1.022.1A	Spacer		4
7	764.1.090.1A	Rubber pad		4
8	764.1.084.1A	Vibration damper pad		4
9	0000.62730	Screw		2
10	540.4.011.1C	Regulator		1
11	541.4.007.1A	Relay		1
12	829.1.190.1A	Rubber holder		2
13	8000.59572	Screw		2
14	510.1.262.1A	Front wiring		1
15	246.1.009.1G	Cover		1
16	827.1.166.1A	Plate		2
17	552.4.012.1A	Air temperature sensor		1
18	433.1.296.1B	Sticker "schema fusibili"		1
19	390.4.008.1A	Warning lamp bulb 12V-3W		2
20	8A00.67997	Screw		1
21	741.4.062.1A	Clip		2

NOTES NO.	CODE NO.	DESCRIPTION	VALIDITY	Q.TY 
-----------	----------	-------------	----------	--

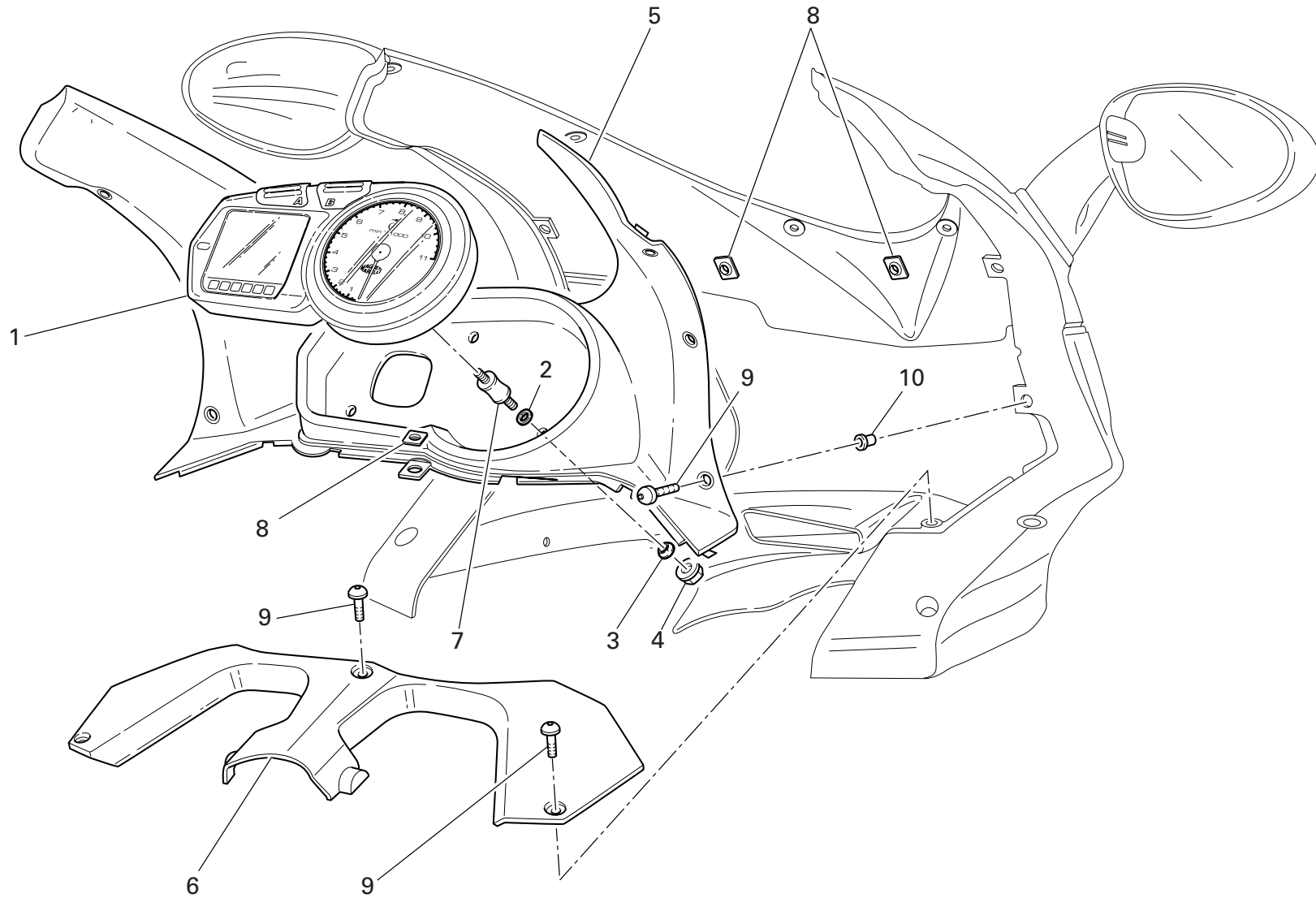
DRAWING 023a FRONT HEAD-LIGHT



DRAWING 023a FRONT HEAD-LIGHT


NOTES NO.	CODE NO.	DESCRIPTION	VALIDITY	Q.TY 
1	520.1.002.1C	Complete headlight		1
2	390.4.011.1A	Bulb		1
3	390.4.014.1A	Bulb		1
4	246.2.083.1A	Cover		1
5	799.1.215.1A	Spring		2
6	672.1.040.1A	Rubber pad		4

NOTES NO.	CODE NO.	DESCRIPTION	VALIDITY	Q.TY 
-----------	----------	-------------	----------	--



DRAWING 024

INSTRUMENT PANEL

NOTES NO.	CODE NO.	DESCRIPTION	VALIDITY	Q.TY 
1	406.1.020.1B	Complete instrument panel		1
2	734005N01	Spring washer		3
3	716.1.107.1B	Spacer		3
4	748.4.038.1A	Nut		3
5	460.1.174.1B	Front headlight fairing panel		1
6	460.1.175.1A	Rear headlight fairing panel		1
7	700.1.043.1A	Spacer		3
8	850.4.047.1A	Quik fastening		3
9	779.1.050.1A	Screw		9
10	850.4.082.1A	Insert		4

NOTES NO.	CODE NO.	DESCRIPTION	VALIDITY	Q.TY 
-----------	----------	-------------	----------	--



DRAWING 025

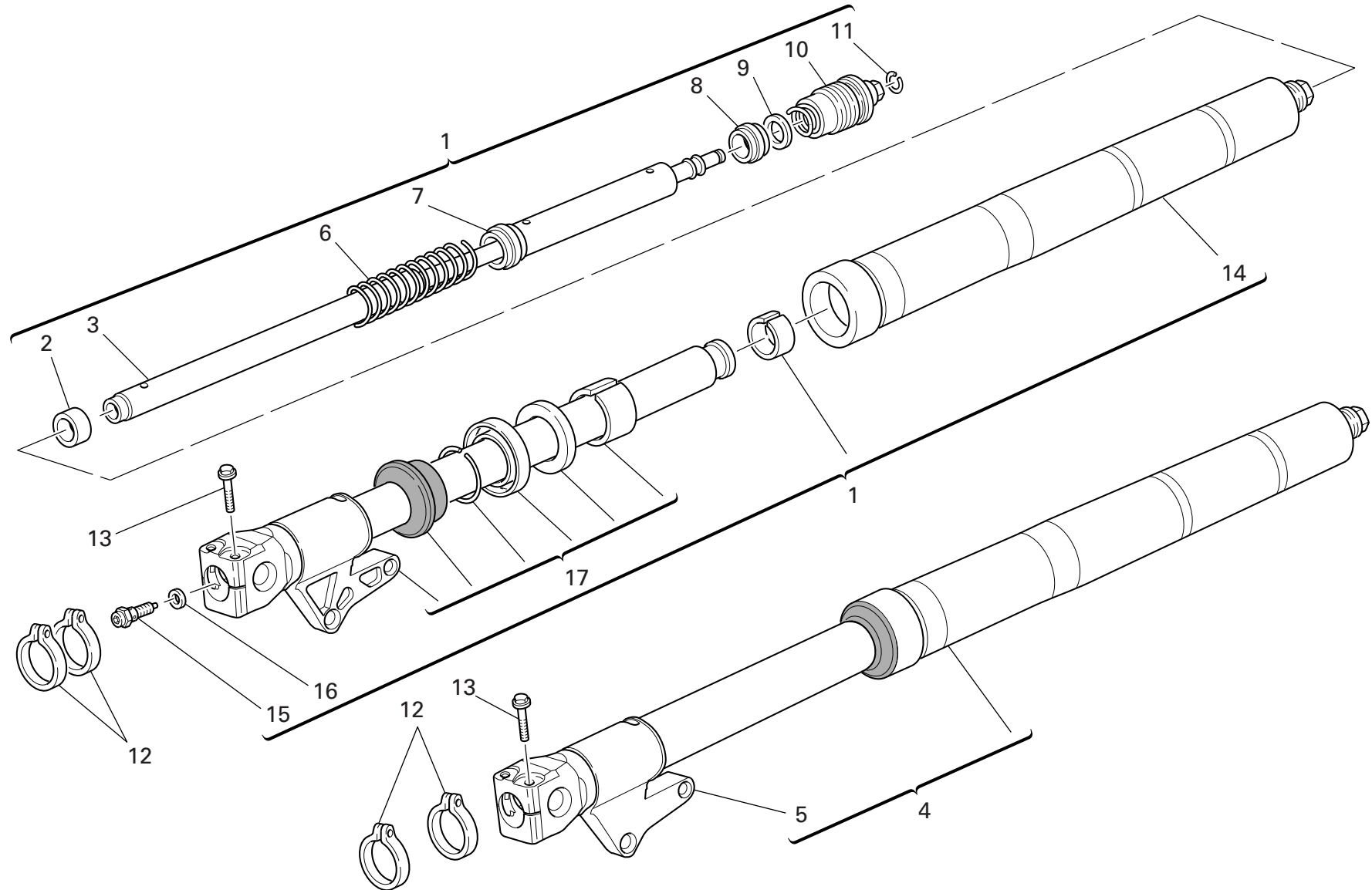
HALF HANDLEBARS AND CONTROLS

NOTES NO.	CODE NO.	DESCRIPTION	VALIDITY	Q.TY 
1	417.9.030.8A	Nut		2
2	779.1.099.1A	Special screw		2
3	342.2.015.1B	Steering head base		1
4	852.1.103.1A	Washer		1
5	930.1.004.1A	Seal ring		2
6	702.4.004.1A	Bearing		2
7	60N102557	Screw		4
8	598.4.016.1A	Wrench with Transponder		1
8	598.4.018.1A	Wrench without Transponder		1
9	652.4.006.1D	Key-operated switch		1
10	821.1.073.1A	Pin		1
11	827.1.122.2A	Plate		1
12	0000.62705	Split pin		1
13	8000.70178	Belt		1
14	651.4.011.1A	L.H. switch		1
15	8000.78345	Grips pair		1
16	360.2.057.1A	L.H. handlebar		1
17	772.5.023.1A	Screw		2
18	657.1.019.1A	Flexible cable		1
19	771.5.074.2B	Screw		2
20	779.1.221.1A	Special screw		2
21	734305N01	Washer		1
22	771.5.725.2B	Screw		3
23	341.2.042.1A	Steering head		1
24	360.2.056.1A	R.H. handlebar		1
25	650.1.002.1A	R.H. switch		1
26	656.1.050.1A	Throttle control transmission		1


CATALOGUE No: 915.1.130.2D  
ISSUED: 10 - 05

NOTES NO.	CODE NO.	DESCRIPTION	VALIDITY	Q.TY 
27	246.1.060.2A	Cover		1
28	749.4.002.1A	Nut		2
29	518.4.004.1B	Antenna		1
30	654.4.006.1A	Throttle control		1
31	153.1.008.1A	Counterweight		2
32	772.1.047.1A	Screw		2
33	799.1.087.1A	Starter control transmission return spring		1
34	703.1.013.1A	Ring nut		1
35	460.1.076.2A	Mudflap		1
36	8000.66774	Screw		2
37	832.1.032.1A	Pin		2
38	771.5.669.2B	Screw		8
39	872.1.048.1A	Cap		2
40	711.1.072.1A	Bush		2
41	710.1.068.1A	Bush		2
42	658.4.002.1B	Cover		1

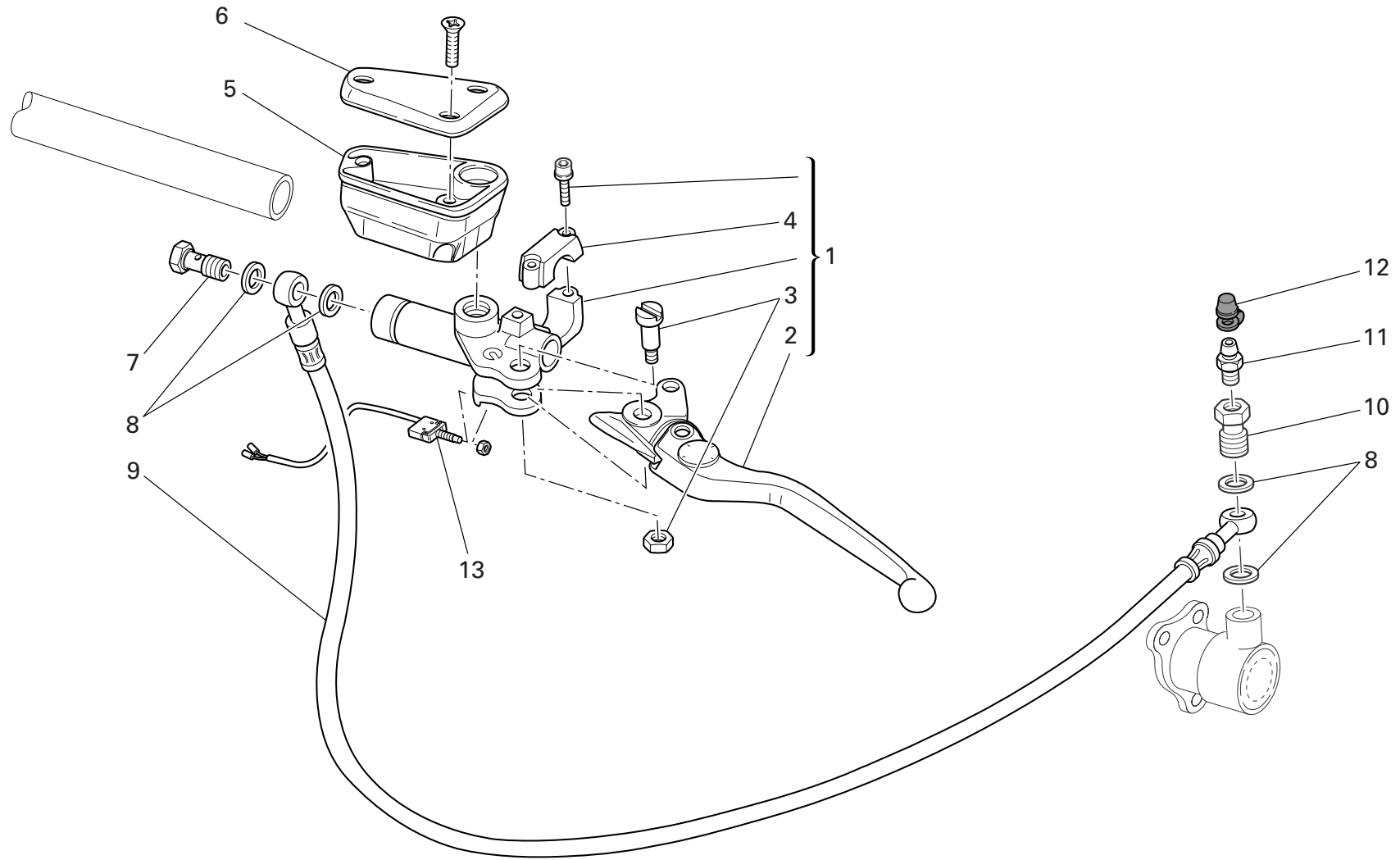
CATALOGUE No: 915.1.130.2D  
ISSUED: 10 - 05



DRAWING 026 FRONT FORK


NOTES NO.	CODE NO.	DESCRIPTION	VALIDITY	Q.TY 
1	340.2.281.1A	R.H. fork leg assembly		1
2	349.1.095.1A	Centering ring		2
3	349.1.195.1A	Damper tube		2
4	340.2.282.1A	L.H. fork leg assembly		1
5	349.1.193.1A	Complete L.H. slider		1
6	366.1.039.1A	Spring		2
7	349.1.097.1A	Spring coupling		2
8	349.1.064.1A	Slider		2
9	349.1.065.1A	Rubber cush drive hub		2
10	349.2.014.1A	Complete cap		2
11	349.1.098.1A	Snap ring		2
12	8000.70127	Hose guide		4
13	8A00.69056	Screw		4
14	349.1.194.1A	Stanchion tube		2
15	349.2.029.1B	Adjusting screw		2
16	349.1.096.1A	Special washer		2
17	349.1.192.1A	Complete R.H. slider		1

NOTES NO.	CODE NO.	DESCRIPTION	VALIDITY	Q.TY 
-----------	----------	-------------	----------	--

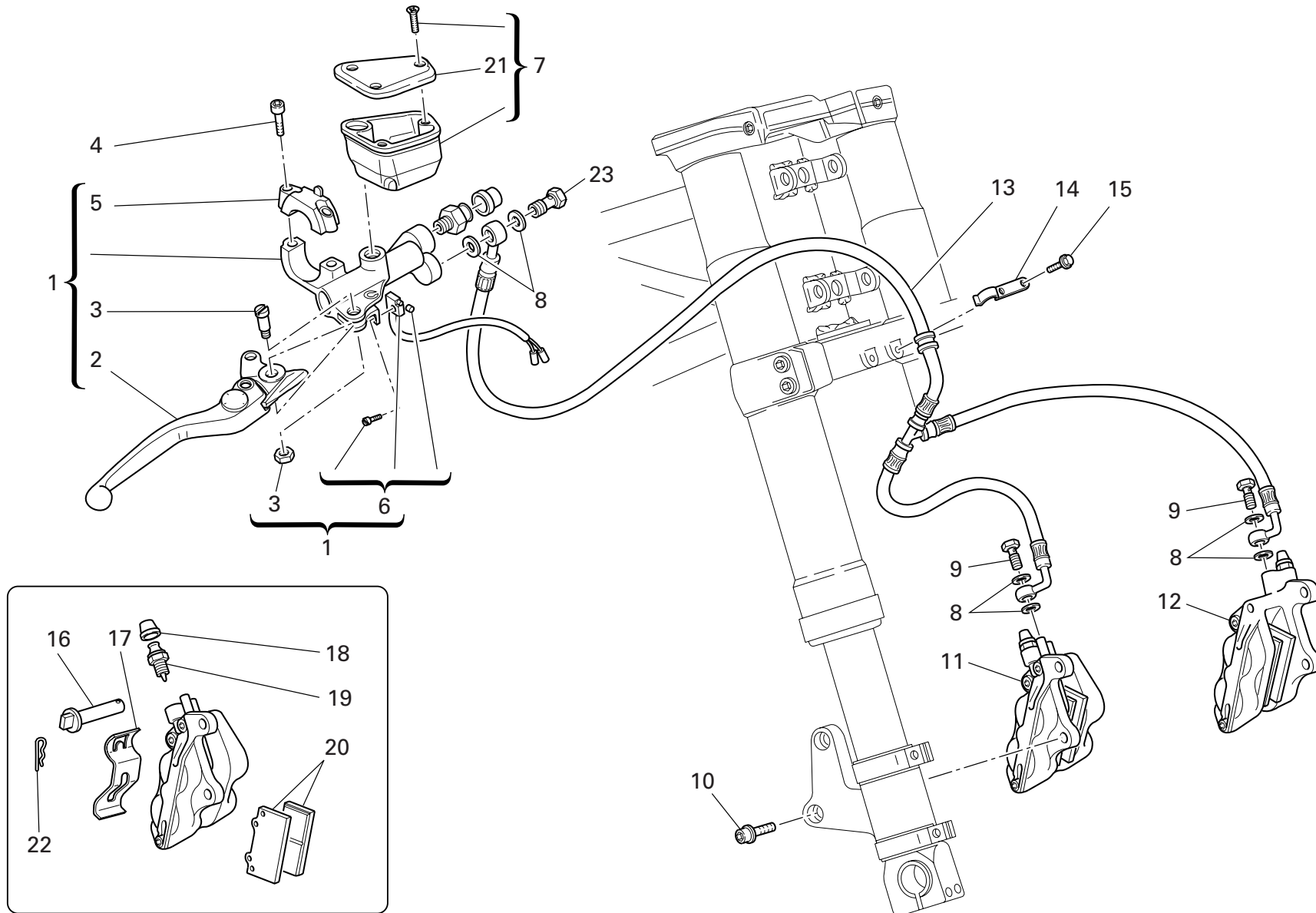


DRAWING 027

CLUTCH CONTROL


NOTES NO.	CODE NO.	DESCRIPTION	VALIDITY	Q.TY 
1	630.4.024.1A	Clutch drive pump		1
2	626.4.034.1A	Clutch control lever		1
3	626.4.011.1A	Spare lever pin		1
4	626.4.015.1C	Bracket		1
5	585.4.007.1A	Complete oil tank		1
6	893.4.008.1A	Cap		1
7	779.1.366.1AB	Special screw		1
8	852.5.024.1A	Gasket th.1		4
9	632.1.030.1A	Clutch control pipe		1
10	779.1.397.1A	Special screw		1
11	0000.33552	Bleed		1
12	612.4.005.1A	Dust seal		1
13	539.4.033.1A	Microswitch		1

NOTES NO.	CODE NO.	DESCRIPTION	VALIDITY	Q.TY 
-----------	----------	-------------	----------	--

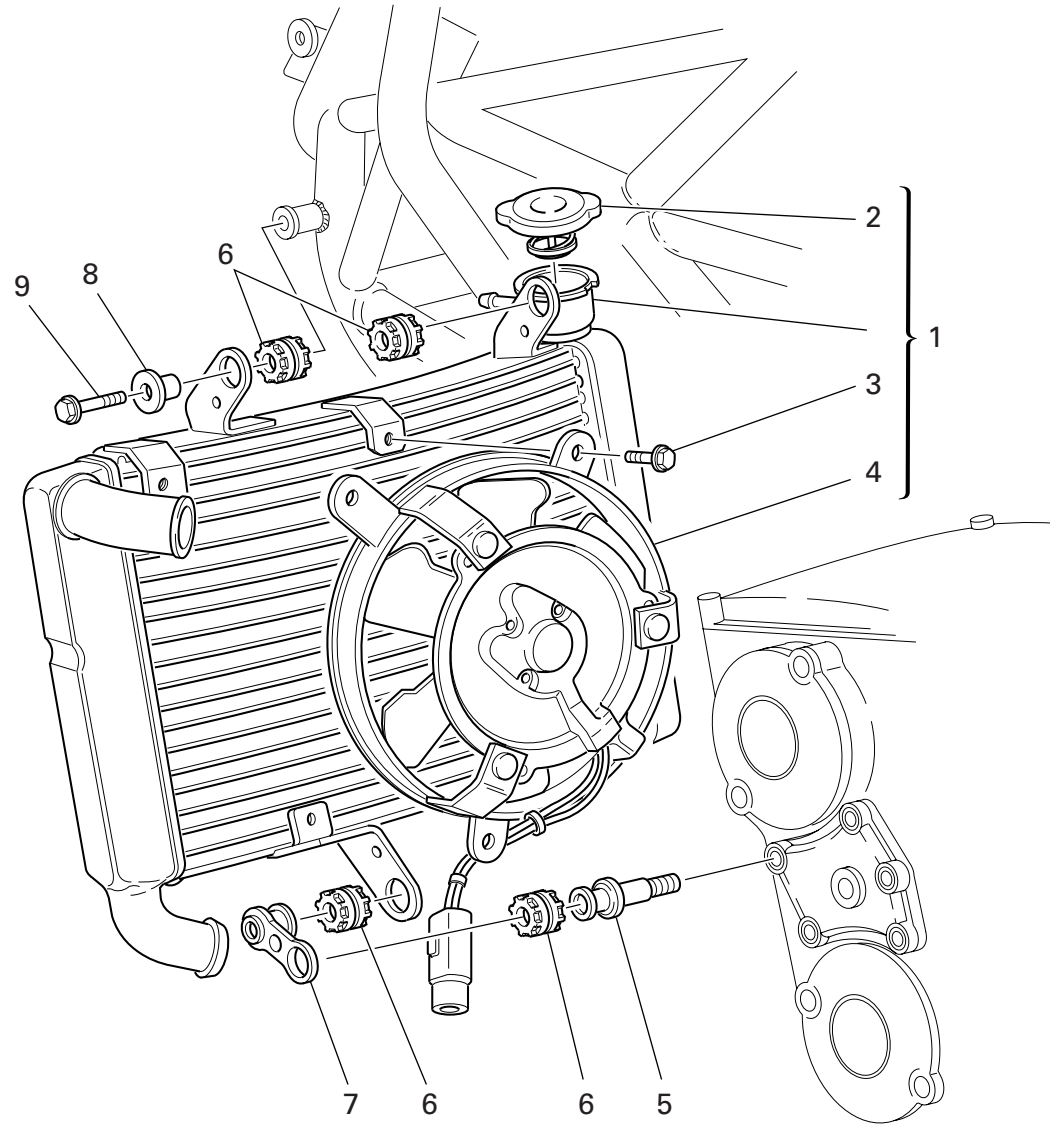


DRAWING 028



FRONT HYDRAULIC BRAKE

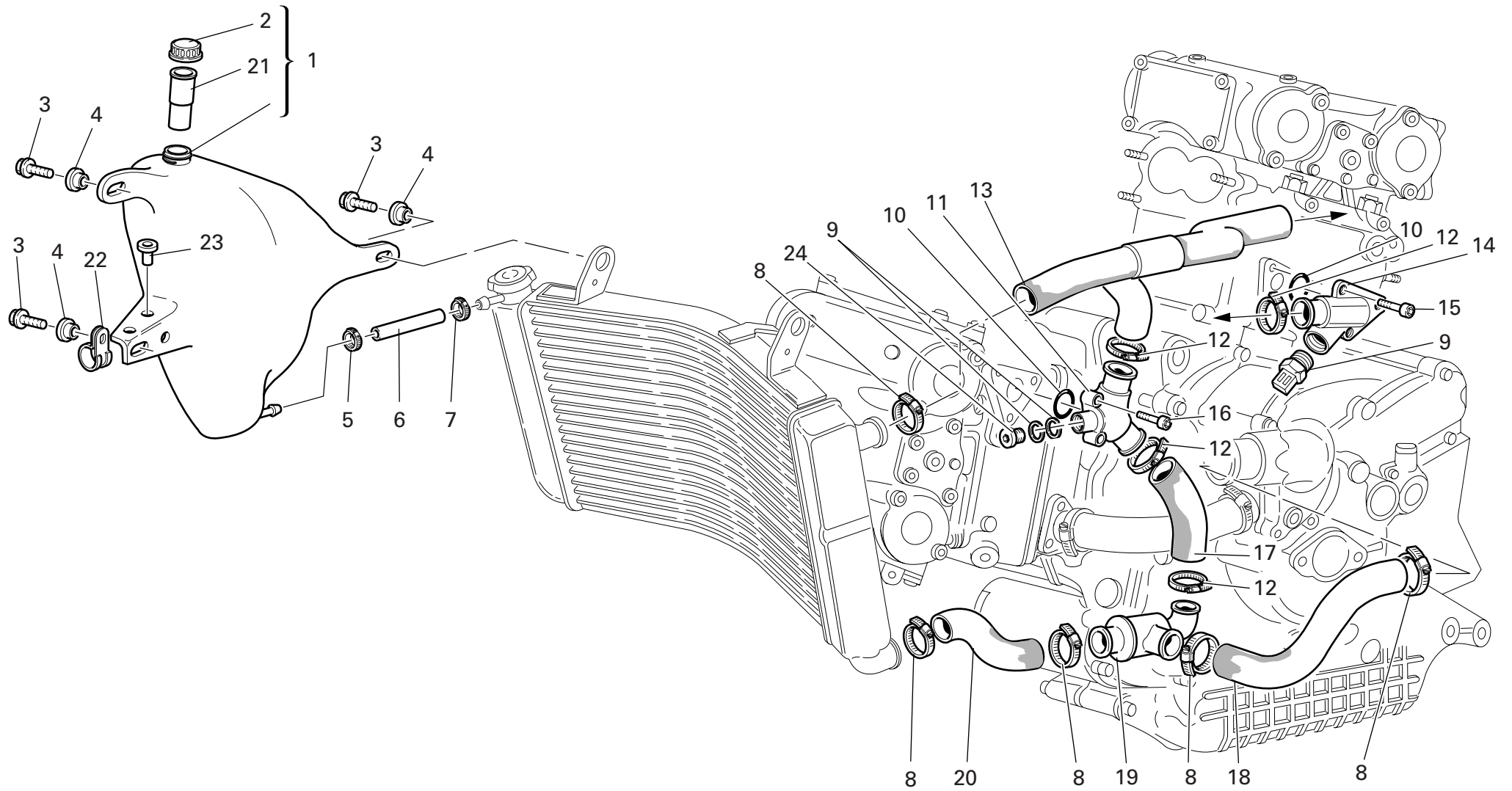
NOTES NO.	CODE NO.	DESCRIPTION	VALIDITY	Q.TY 
1	624.4.031.1A	Front brake pump		1
2	626.4.019.1A	Brake control lever		1
3	626.4.011.1A	Spare lever pin		1
4	771.5.669.2B	Screw		2
5	626.4.015.1D	Bracket		1
6	539.4.021.1A	Microswitch		1
7	585.4.006.1A	Complete oil tank		1
8	852.5.024.1A	Gasket th.1		6
9	779.1.366.1AB	Special screw		2
10	771.5.431.2B	Screw		4
11	610.4.079.1A	R.H. brake caliper		1
12	610.4.078.1A	L.H. brake caliper		1
13	618.4.061.1A	Caliper pump pipe		1
14	829.1.208.2A	Holder		1
15	772.5.025.1A	Screw		2
16	612.4.014.1A	Spare pins and spring		2
17	612.4.017.1A	Spring		2
18	612.4.008.1A	Dust seal		2
19	631.4.004.1A	Spare bleed union		2
20	613.4.021.1A	Pads pair		2
21	893.4.007.1A	Tank cap		1
22	612.4.018.1A	Spring		2
23	779.1.415.1A	Special screw		1

NOTES NO.	CODE NO.	DESCRIPTION	VALIDITY	Q.TY 
-----------	----------	-------------	----------	--




DRAWING 029 WATER RADIATOR ASSY

NOTES NO.	CODE NO.	DESCRIPTION	VALIDITY	Q.TY 	NOTES NO.	CODE NO.	DESCRIPTION	VALIDITY	Q.TY 
1	548.4.019.2A	Water radiator		1					
2	893.1.003.1A	Radiator cap		1					
3	772.5.025.1A	Screw		3					
4	550.4.008.1A	Electric fan		1					
5	779.1.059.2A	Special screw		1					
6	764.1.022.1A	Vibration damper pad		4					
7	830.1.077.1A	Holder		1					
8	713.1.304.1A	Spacer		1					
9	0000.62729	Screw		1					

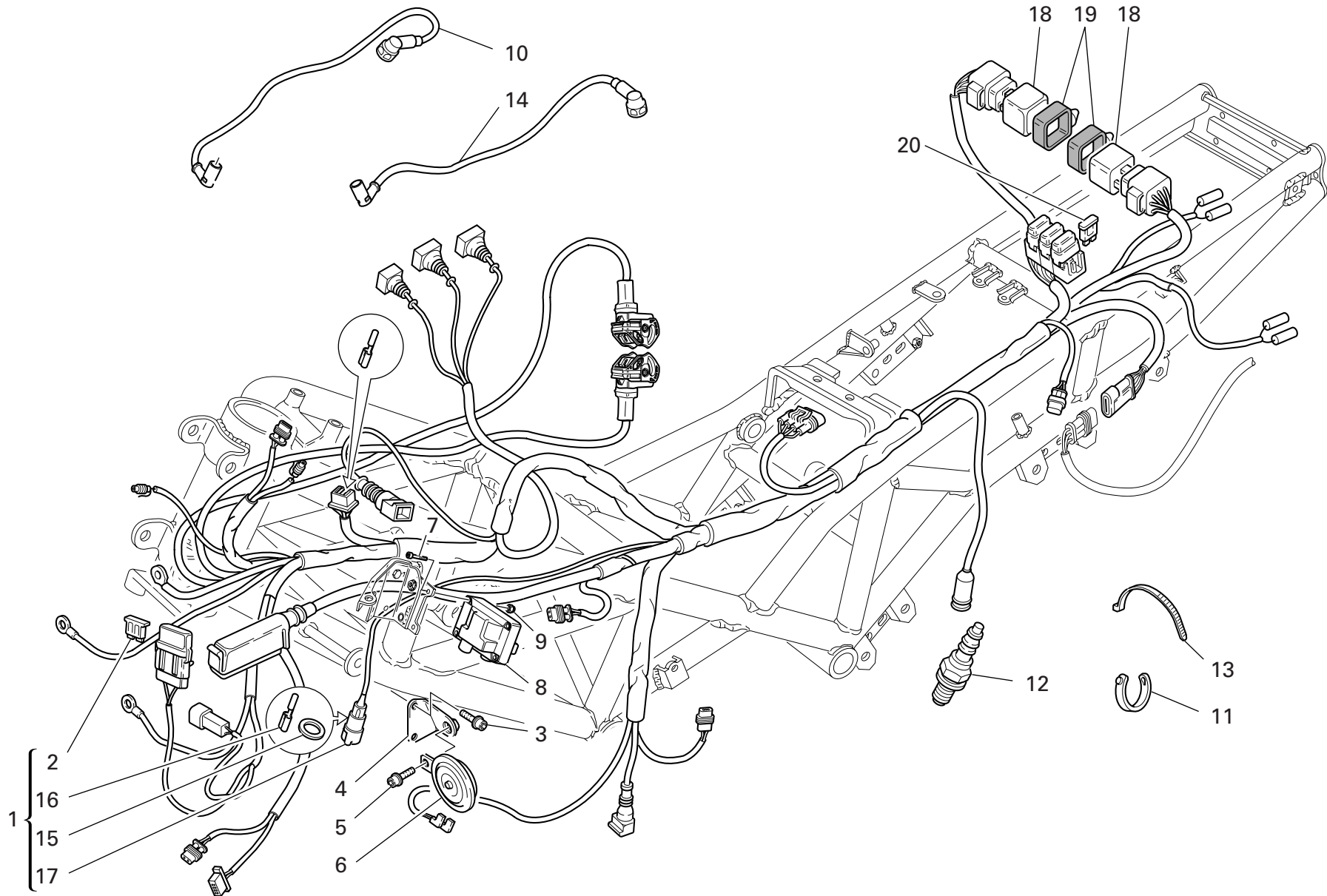


DRAWING 030


COOLING CIRCUIT

NOTES NO.	CODE NO.	DESCRIPTION	VALIDITY	Q.TY 
1	585.1.020.1A	Water tank		1
2	0000.40427	Tank cap		1
3	772.5.023.1A	Screw		4
4	716.1.038.1A	Spacer		4
5	8A00.67610	Hose guide		1
6	800.1.049.1A	Hose		1
7	741.4.001.1A	Hose guide		1
8	741.4.025.1A	Hose guide		5
9	420.2.001.7A	Copper gasket		2
10	93823.2087	O-ring		2
11	814.1.063.1AB	Water outlet union		1
12	741.4.002.1A	Hose guide		4
13	800.1.048.1A	Radiator/head hose		1
14	814.1.053.1AB	Water outlet union		1
15	771.5.071.8B	Screw		3
16	771.5.073.8B	Screw		3
17	800.1.033.1A	Thermostat/pump hose		1
18	800.1.053.1A	Thermostat/pump hose		1
19	553.4.003.1A	Thermostat		1
20	800.1.054.1A	Cooler/thermostat hose		1
21	711.1.084.1A	Bush		1
22	741.4.055.1A	Hose guide		1
23	850.4.082.1A	Insert		2
24	780.5.004.1A	Cap		1

NOTES NO.	CODE NO.	DESCRIPTION	VALIDITY	Q.TY 
-----------	----------	-------------	----------	--



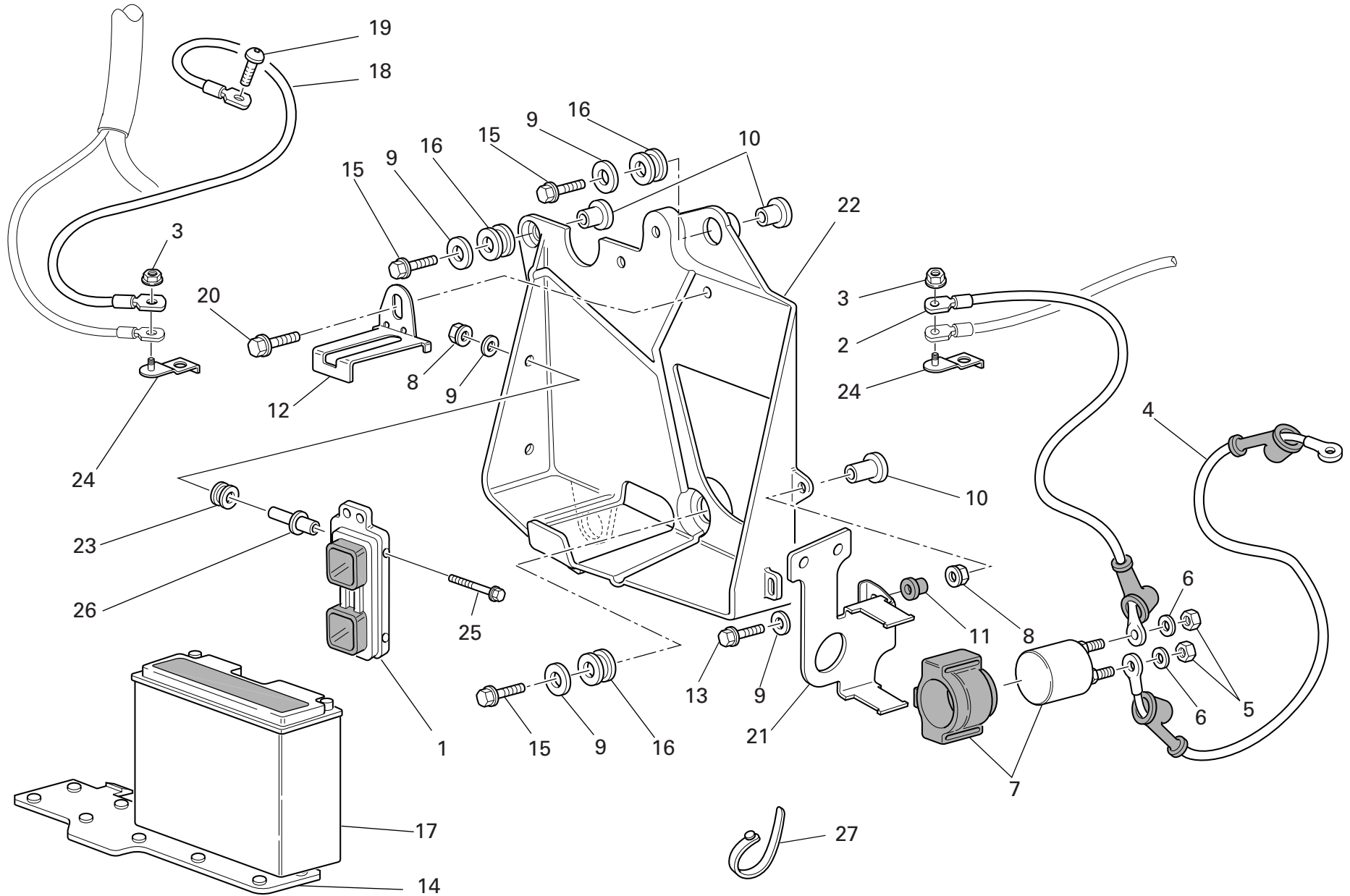
DRAWING 031 ELECTRIC SYSTEM

NOTES NO.	CODE NO.	DESCRIPTION	VALIDITY	Q.TY 
1	510.1.263.1A	Main wiring		1
2	389.4.014.1A	Fuse 40A		1
3	60N102510	Screw		2
4	829.1.217.1A	Holder		1
5	771.5.721.2B	Screw		1
6	516.4.001.1AB	Horn (BLACK)		1
7	771.5.025.2B	Screw		4
8	285.4.003.1A	Coil		2
9	749.5.001.1A	Nut		4
10	671.1.010.1A	Horizontal head spark plug wiring		1
11	0691.91.030	Hose guide		17
12	670.4.012.1A	Spark plug		2
13	741.4.038.1A	Hose guide		12
14	671.1.009.1A	Vertical head spark plug wiring		1
15	764.4.005.1A	Rubber pad		1
16	387.4.002.1A	End section		2
17	386.4.006.1A	Connector		1
18	287.4.040.2A	Relay		2
19	829.1.127.1A	Holder		2
20	389.4.006.1A	Fuse 3A		1
20	389.4.012.1A	Fuse 20A		2


NOTES NO.	CODE NO.	DESCRIPTION	VALIDITY	Q.TY 
-----------	----------	-------------	----------	--

DRAWING 032

BATTERY BOX MOUNT



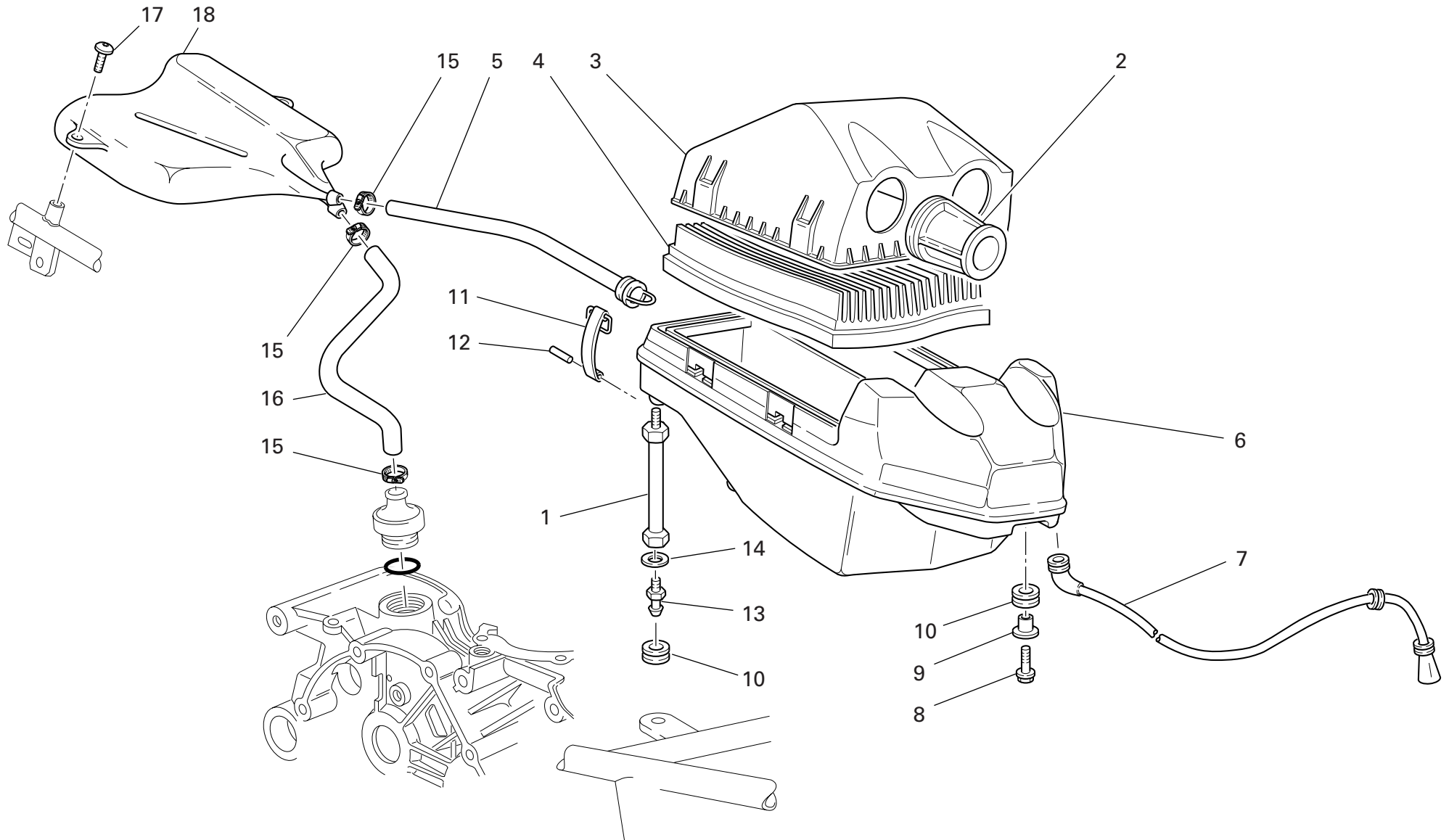
DRAWING 032 BATTERY BOX MOUNT

NOTES NO.	CODE NO.	DESCRIPTION	VALIDITY	Q.TY 
1	286.4.098.1F	Injection control unit		1
2	514.1.041.1A	Battery - solenoid starter cable		1
3	0000.56443	Nut		2
4	514.1.040.1A	Solenoid starter - starter motor cable		1
5	417.9.050.6A	Nut		2
6	462.4.037.6A	Spring washer		2
7	397.4.002.1A	Remote switch		1
8	750.5.001.1A	Nut		2
9	8000.56359	Washer		5
10	716.1.022.1A	Spacer		3
11	716.1.053.1A	Spacer		1
12	827.1.330.1A	Plate		1
13	775.1.038.1A	Screw		1
14	866.1.031.1A	Rubber pad		1
15	772.5.023.1A	Screw		3
16	300182	Rubber pad		3
17	395.4.013.1C	Battery		1
18	513.1.008.2D	Battery grounding cable		1
19	775.1.062.2A	Special screw		1
20	772.5.025.1A	Screw		1
21	827.1.286.1A	Plate		1
22	829.1.172.2B	Battery box mount		1
23	764.1.084.1A	Vibration damper pad		2
24	827.2.215.1A	Plate		2
25	772.5.021.1A	Screw		2
26	821.1.129.1A	Spacer		2
27	0691.91.030	Hose guide		1


NOTES NO.	CODE NO.	DESCRIPTION	VALIDITY	Q.TY 
-----------	----------	-------------	----------	--

CATALOGUE No: 915.1.130.2D  
ISSUED: 10 - 05

CATALOGUE No: 915.1.130.2D  
ISSUED: 10 - 05



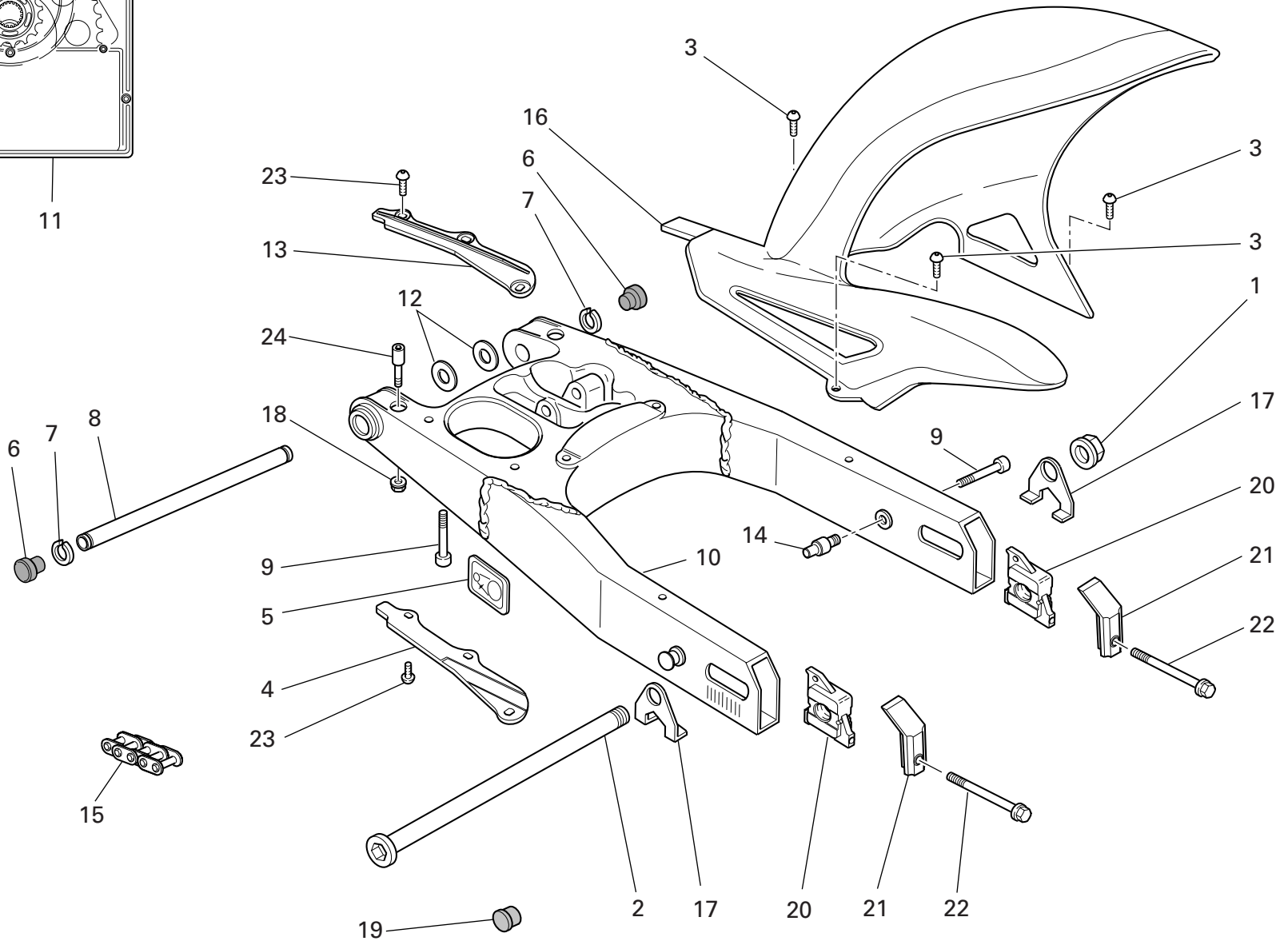
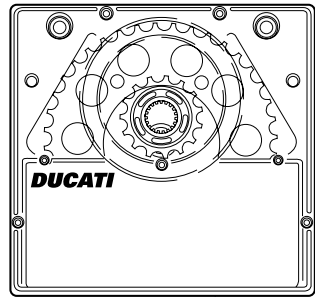
DRAWING 033 AIR INDUCTIO AND OIL VENT

NOTES NO.	CODE NO.	DESCRIPTION	VALIDITY	Q.TY 
1	684.1.026.1A	Stud bolt		2
2	135.1.015.1A	Air funnel		2
3	246.1.056.1A	Filter case cover		1
4	0370.98.610	Filter element		1
5	876.1.084.1A	Filter/fuel tank outlet pipe		1
6	442.2.008.2A	Air filter box		1
7	877.2.004.2A	Tube		1
8	772.5.023.1A	Screw		1
9	716.1.022.1A	Spacer		1
10	764.1.090.1A	Rubber pad		2
11	760.1.003.1B	Hook		4
12	74223.1045	Spring pin		4
13	821.1.075.1A	Pin		2
14	8000.56359	Washer		2
15	741.4.002.1A	Hose guide		2
16	876.1.083.1A	Breather pipe		1
17	0364.99.015	Screw		2
18	585.1.019.2D	Oil breather tank		1


NOTES NO.	CODE NO.	DESCRIPTION	VALIDITY	Q.TY 
-----------	----------	-------------	----------	--

DRAWING 034

SWINGARM AND CHAIN



DRAWING 034 SWINGARM AND CHAIN

NOTES NO.	CODE NO.	DESCRIPTION	VALIDITY	Q.TY 
1	748.1.023.1B	Nut		1
2	819.1.039.1A	Rear wheel spindle		1
3	779.1.119.2A	Screw		4
4	447.1.033.1A	Lower chain sliding shoe		1
5	433.1.230.1D	Plate		1
6	872.1.019.1A	Cap		2
7	884.4.007.1A	Snap ring		2
8	369.1.004.1A	Swingarm pivot		1
9	60N102556	Screw		2
10	370.1.028.2C	Complete swingarm		1
11	676.2.037.2B	Final drive kit		1
12	852.1.001.1A	Shim th. 1.8		2
12	852.1.002.1A	Shim th. 0.2		2
12	852.1.003.1A	Shim th. 0.1		1
13	447.1.034.1A	Upper chain sliding shoer		1
14	821.1.113.1A	Locating pin		1
15	676.4.029.1A	Chain (102 Links)		1
16	565.1.021.2A	Rear mudguard		1
17	374.1.002.1B	Plate		2
18	748.4.034.1A	Nut		2
19	872.1.031.1A	Cap		1
20	373.1.032.1A	Sliding shoe		2
21	373.1.033.1A	Cover		2
22	779.1.110.1B	Screw		2
23	779.1.427.1A	Screw		6
24	808.1.046.1A	Clamp		2


NOTES NO.	CODE NO.	DESCRIPTION	VALIDITY	Q.TY 
-----------	----------	-------------	----------	--

CATALOGUE No: 915.1.130.2D  
ISSUED: 10 - 05CATALOGUE No: 915.1.130.2D  
ISSUED: 10 - 05

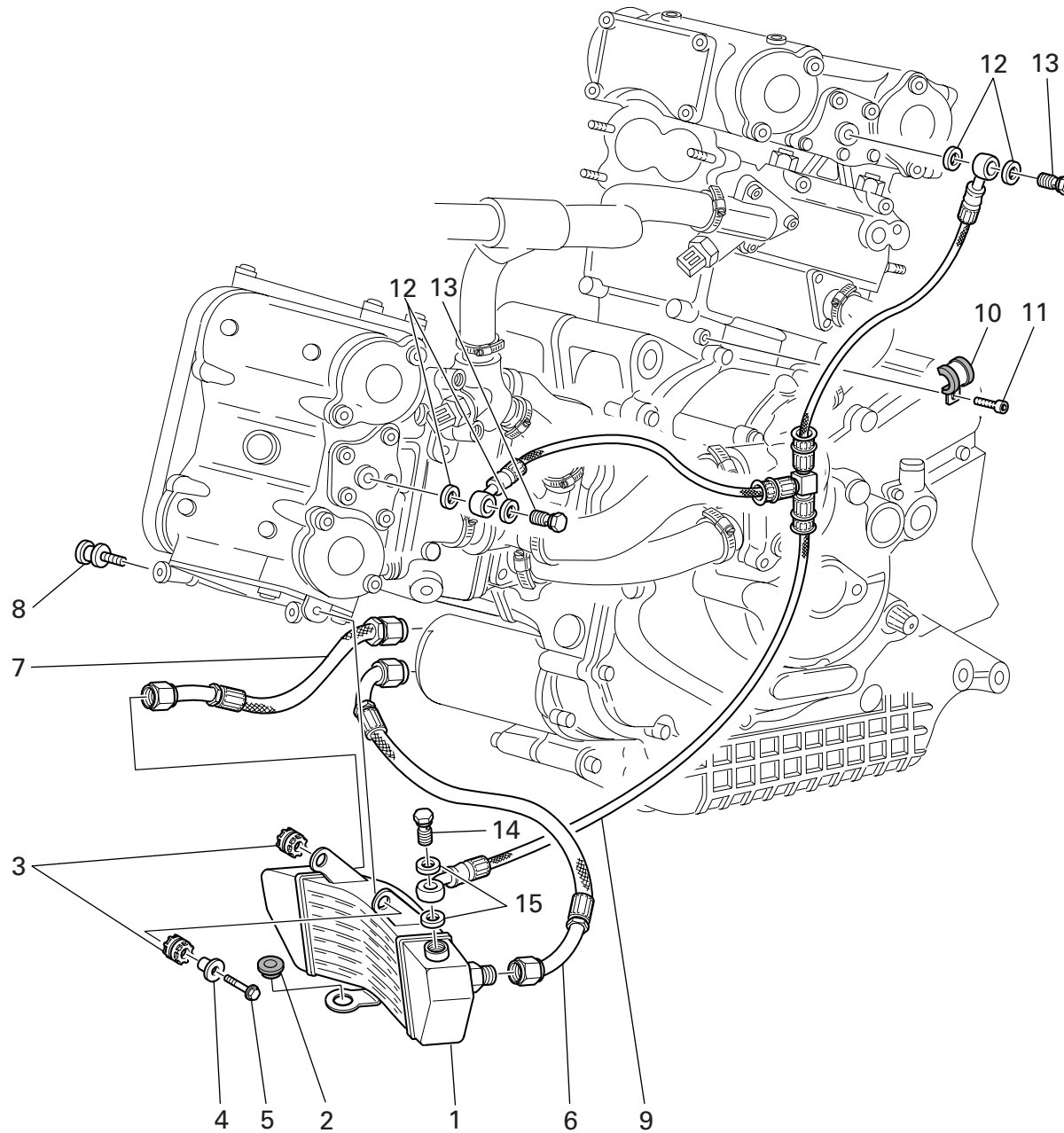


DRAWING 035


REAR SUSPENSION

NOTES NO.	CODE NO.	DESCRIPTION	VALIDITY	Q.TY 
1	372.2.008.3A	Rocker assembly		1
2	93781.1824	Seal ring		2
3	701.4.006.1A	Needle bearing		4
4	710.1.025.1A	Bush		4
5	771.5.938.2B	Screw		1
6	365.2.041.2A	Shock absorber		1
7	771.5.937.2B	Screw		1
8	715.1.004.1A	Spacer		1
9	710.1.057.1A	Bush		1
10	771.1.009.1A	Screw		1
11	771.1.016.1A	Screw		1
12	710.1.048.1A	Bush		1
13	848.4.027.1A	Ball joint		1
14	417.9.090.1A	Nut		1
15	750.1.041.1A	Nut		1
16	875.1.038.2A	Tie rod		1
17	747.1.006.1A	Nut		1
18	848.4.026.1A	Ball joint		1
19	808.1.007.1C	Clamp		1
20	827.1.221.1A	Plate		1
21	779.5.010.1A	Screw		4
22	71502.2146	Screw		1
23	729908FN1	Nut		1
24	0000.44240	Nut		2

NOTES NO.	CODE NO.	DESCRIPTION	VALIDITY	Q.TY 
-----------	----------	-------------	----------	--



DRAWING 036 OIL COOLER


NOTES NO.	CODE NO.	DESCRIPTION	VALIDITY	Q.TY 
1	548.4.023.1B	Oil cooler		1
2	8000.69069	Vibration damper		1
3	764.1.022.1A	Vibration damper pad		2
4	713.1.304.1A	Spacer		1
5	0000.62729	Screw		1
6	875.1.055.1A	Oil return pipe		1
7	875.1.054.1A	Oil delivery pipe		1
8	779.1.083.1A	Special screw		1
9	875.1.027.1A	Oil delivery pipe		1
10	741.4.033.1A	Hose guide		1
11	771.5.064.8B	Screw		1
12	787.1.005.1A	Copper gasket		4
13	779.1.086.1B	Special screw		2
14	779.1.058.1A	Special screw		1
15	852.5.024.1A	Gasket th.1		2

NOTES NO.	CODE NO.	DESCRIPTION	VALIDITY	Q.TY 
-----------	----------	-------------	----------	--

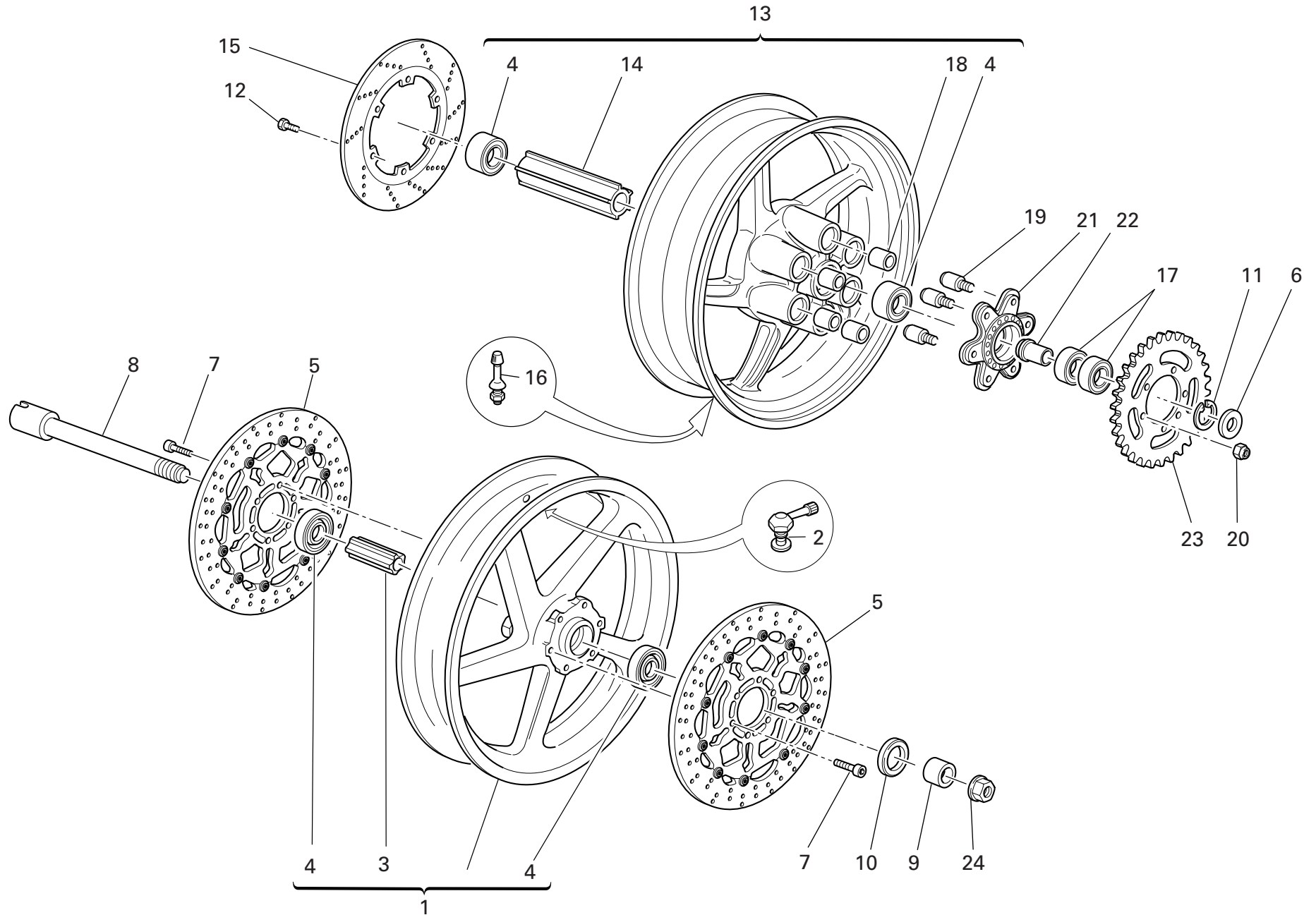


DRAWING 037 REAR HYDRAULIC BRAKE


NOTES NO.	CODE NO.	DESCRIPTION	VALIDITY	Q.TY 
1	829.1.184.1A	Holder		1
2	852.1.054.1A	Washer		1
3	73500.0624	Circlip		1
4	712.1.034.1A	Bush		1
5	764.1.011.2A	Rubber pad		1
6	457.2.008.1A	Brake control lever		1
7	821.1.052.1A	Pedal pin		1
8	8000.67981	Threaded dowel		1
9	60N115062	Nut		2
10	821.1.096.2A	Pin		1
11	184.1.001.1A	Fork		1
12	772.5.024.1A	Screw		2
13	117.1.025.2A	Adjuster rod		1
14	771.5.754.2B	Screw		1
15	539.4.003.1B	Switch		1
16	877.1.050.1A	Tube		1
17	741.4.043.1A	Hose guide		2
18	0000.62726	Screw		1
19	893.4.005.1A	Cap		1
20	585.4.001.1A	Complete oil tank		1
21	707006N02	Screw		1
22	612.4.008.1A	Dust seal		1
23	729906FN1	Nut		1
24	829.1.073.3A	Holder		1
25	779.1.366.1AB	Special screw		2
26	852.5.024.1A	Gasket th.1		4
27	625.4.006.1A	Rear brake pump		1

NOTES NO.	CODE NO.	DESCRIPTION	VALIDITY	Q.TY 
28	631.4.008.1A	Spare union		1
29	626.4.013.1A	Dust cover		1
30	619.4.029.1A	Caliper pump pipe		1
31	741.4.062.1A	Clip		1
32	799.1.083.1B	Spring		1
33	8A00.67997	Screw		1
34	825.1.030.1A	Caliper holder plate		1
35	771.5.723.2B	Screw		2
36	611.4.009.1A	Rear brake caliper		1
37	0370.39.780	Spare bleed union		1
38	613.4.021.1A	Pads pair		1
39	612.4.016.1A	Spare pins and spring		1
40	0000.01199	O-ring		2
41	771.5.665.8B	Screw		1
42	552.4.037.1A	Sensor		1
43	713.1.192.1A	Spacer		1

CATALOGUE No: 915.1.130.2D  
ISSUED: 10 - 05CATALOGUE No: 915.1.130.2D  
ISSUED: 10 - 05



DRAWING 038 FRONT AND REAR WHEELS

NOTES NO.	CODE NO.	DESCRIPTION	VALIDITY	Q.TY 
1	501.2.105.1AA	Front wheel rim		1
1	501.2.105.1AE	Front wheel rim (RED)		1
2	497.2.001.2A	Valve		1
3	714.1.028.1A	Inner spacer		1
4	75162.2566	Bearing		4
5	492.4.079.1A	Brake disc		2
6	713.1.097.1B	Spacer		1
7	779.1.399.1A	Screw		12
8	819.1.017.1A	Front wheel spindle		1
9	714.1.045.1A	Spacer		1
10	0000.64471	Seal ring		1
11	884.5.008.1A	Circlip		1
12	779.1.311.1A	Screw		6
13	502.2.105.1AA	Rear wheel rim		1
13	502.2.105.1AE	Rear wheel rim (RED)		1
14	713.1.098.1A	Inner spacer		1
15	492.4.003.2A	Brake disc		1
16	0803.77.010	Valve		1
17	702.5.050.1A	Bearing		2
18	700.1.005.1A	Vibration damper		6
19	821.1.009.1B	Pin		6
20	748.4.024.1A	Nut		6
21	160.1.049.1A	Rear sprocket flange		1
22	710.1.041.1B	Bush		1
23	494.1.072.2A	Ring gear z=38		1
24	748.1.014.1B	Fork nut		1


NOTES NO.	CODE NO.	DESCRIPTION	VALIDITY	Q.TY 
-----------	----------	-------------	----------	--



DRAWING 039

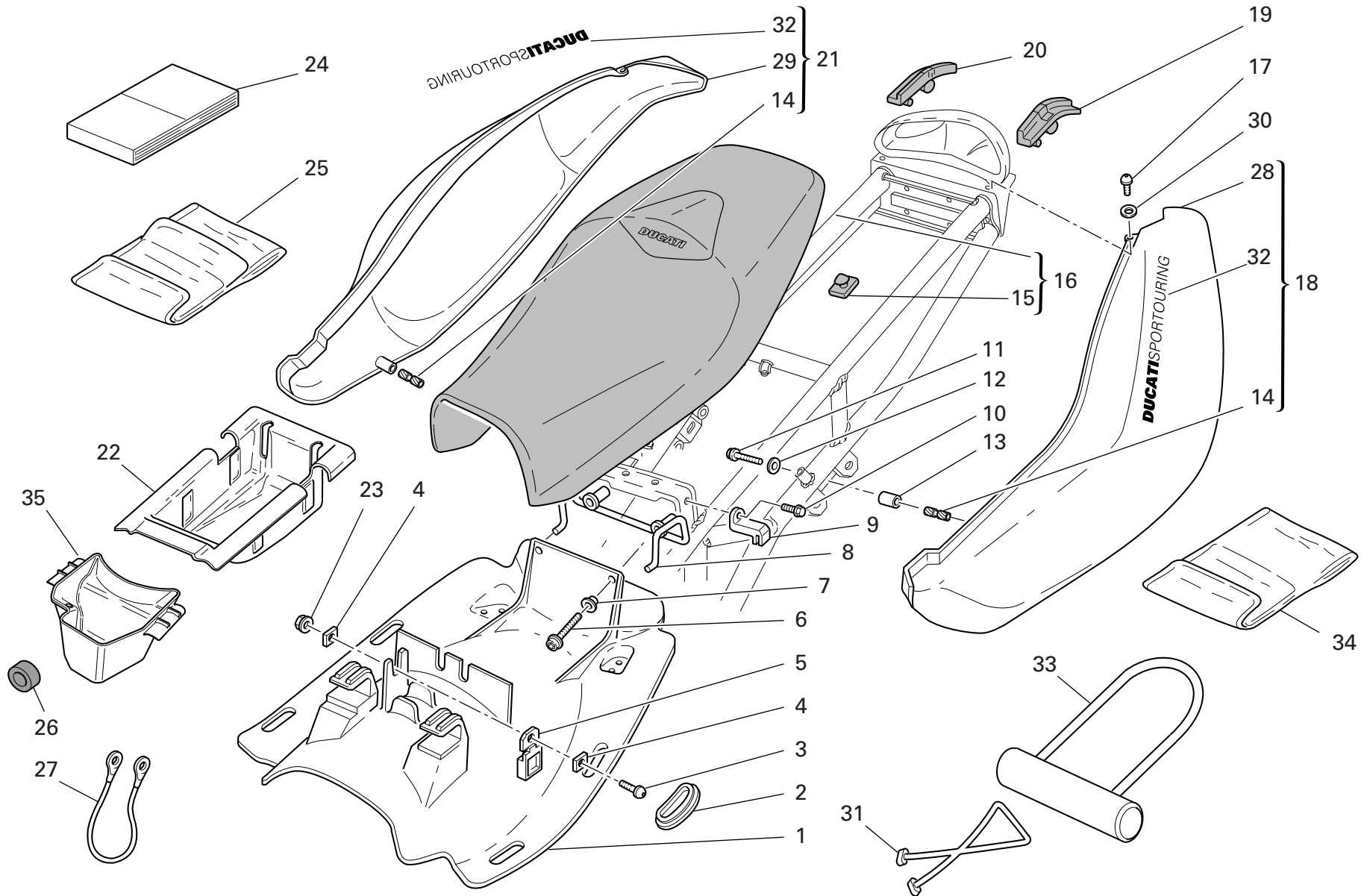
NUMBER PLATE HOLDER

NOTES NO.	CODE NO.	DESCRIPTION	VALIDITY	Q.TY 
1	772.1.063.1A	Screw		4
2	806.1.011.1AA	Handle (RED)		1
2	806.1.011.1AG	Handle (METALLIC DARK GREY)		1
2	806.1.011.1AT	Handle (BLACK)		1
3	732.2.006.2A	Lock latch		1
4	8A00.67997	Screw		2
5	598.2.010.1A	Seat lock		1
6	530.4.003.1B	L.H. turn indicator		1
7	0000.36726	Bulb		2
8	532.4.001.1A	Cup		2
9	852.5.001.1A	Washer		6
10	749.5.001.1A	Nut		6
11	716.1.022.1A	Spacer		2
12	729906FN1	Nut		6
13	850.4.082.1A	Insert		5
14	764.1.090.1A	Rubber pad		3
15	525.4.010.1A	Tail light		1
16	390.4.003.1A	Two-light bulb 12V 5/21W		1
17	821.1.081.1A	Pin		1
18	532.4.002.1A	Lens		1
19	60N115548	Washer		7
20	0000.36230	Bulb		1
21	510.1.108.1A	Wiring		1
22	60N107335	Screw		2
23	530.4.004.1B	R.H. turn indicator		1
24	525.1.004.2A	Tail lamp		1
25	529.1.006.1A	Reflector		3


NOTES NO.	CODE NO.	DESCRIPTION	VALIDITY	Q.TY 
26	772.5.024.1A	Screw		2
27	561.1.019.1A	Plate		1
28	771.5.043.2B	Screw		5
29	561.1.013.2A	Number plate holder		1
30	417.7.007.1A	Cap		2
31	741.1.012.1A	Hose guide		2
32	8000.56359	Washer		2
33	460.1.080.1A	Mudflap		1
34	0000.62726	Screw		2
35	8000.56443	Nut		2
36	829.1.136.1A	Holder		1

CATALOGUE No: 915.1.130.2D  
ISSUED: 10 - 05


CATALOGUE No: 915.1.130.2D  
ISSUED: 10 - 05



DRAWING 040 SEAT

NOTES NO.	CODE NO.	DESCRIPTION	VALIDITY	Q.TY 
1	559.1.005.1A	Panel (BLACK)		1
2	872.1.022.1A	Cap		4
3	779.1.088.1A	Screw		1
4	827.1.061.1A	Plate		2
5	829.4.001.1A	Holder		1
6	771.5.667.2B	Screw		2
7	716.1.038.1A	Spacer		2
8	760.1.015.1A	Hook		1
9	808.1.019.1A	Clamp		2
10	8H00.67545	Screw		2
11	770.5.619.2B	Screw		2
12	734305N01	Washer		2
13	713.1.129.1A	Spacer		2
14	850.4.016.1A	Threaded insert		2
15	866.1.030.1A	Rubber pad		6
16	595.1.066.1A	Seat		1
17	775.1.008.2A	Screw		2
18	482.1.027.1BA	L.H. body panel (RED)		1
18	482.1.027.1BG	L.H. body panel (METALLIC DARK GREY)		1
18	482.1.027.1BT	L.H. body panel (BLACK)		1
19	700.1.025.1A	L.H. gasket		1
20	700.1.024.1A	R.H. gasket		1
21	482.1.028.1BA	R.H. body panel (RED)		1
21	482.1.028.1BG	R.H. body panel (METALLIC DARK GREY)		1
21	482.1.028.1BT	R.H. body panel (BLACK)		1
22	565.1.022.2A	Tool box		1
23	0000.56443	Nut		1

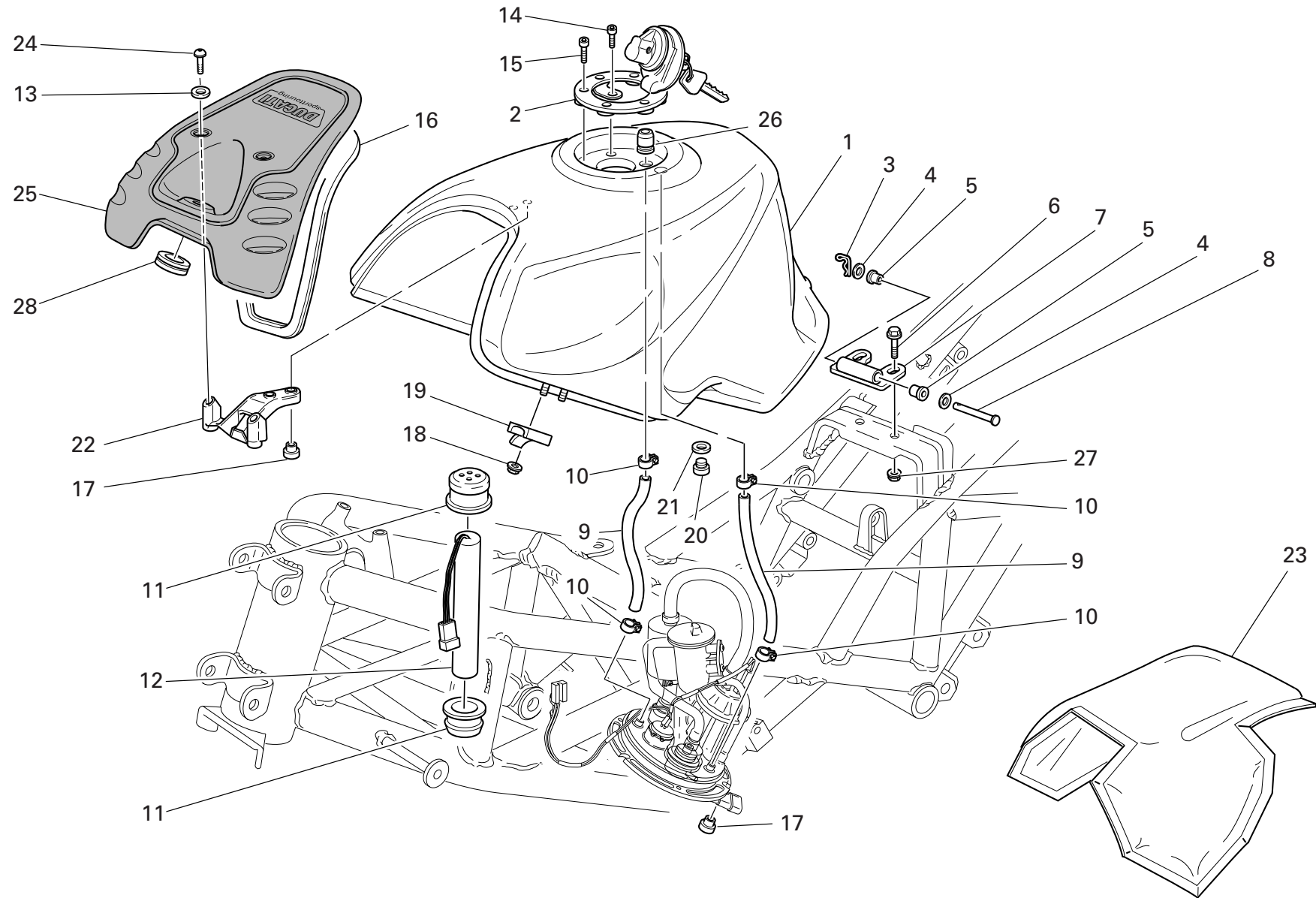
CATALOGUE No: 915.1.130.2D  
ISSUED: 10 - 05

NOTES NO.	CODE NO.	DESCRIPTION	VALIDITY	Q.TY 
24	913.7.094.1E	Owner's manual		1
25	697.2.011.1A	Tool bag		1
26	764.1.037.1A	Rubber pad		1
27	732.1.017.1A	Helmet anti-theft wire		1
28	482.3.021.1A	L.H. body panel (unpainted)		1
29	482.3.022.1A	R.H. body panel (unpainted)		1
30	856.1.040.1A	Nylon washer		2
31	759.1.015.1A	Rubber		2
32	436.1.021.1A	Sticker "SPORTTOURING" (for RED, METALLIC DARK GREY, BLACK)		2
33	598.4.015.1A	Padlock		1
34	919.1.008.1A	Motrocycle's canvas cover (RED)		1
35	565.1.027.1A	Tool box		1

CATALOGUE No: 915.1.130.2D  
ISSUED: 10 - 05


DRAWING 041

FUEL TANK



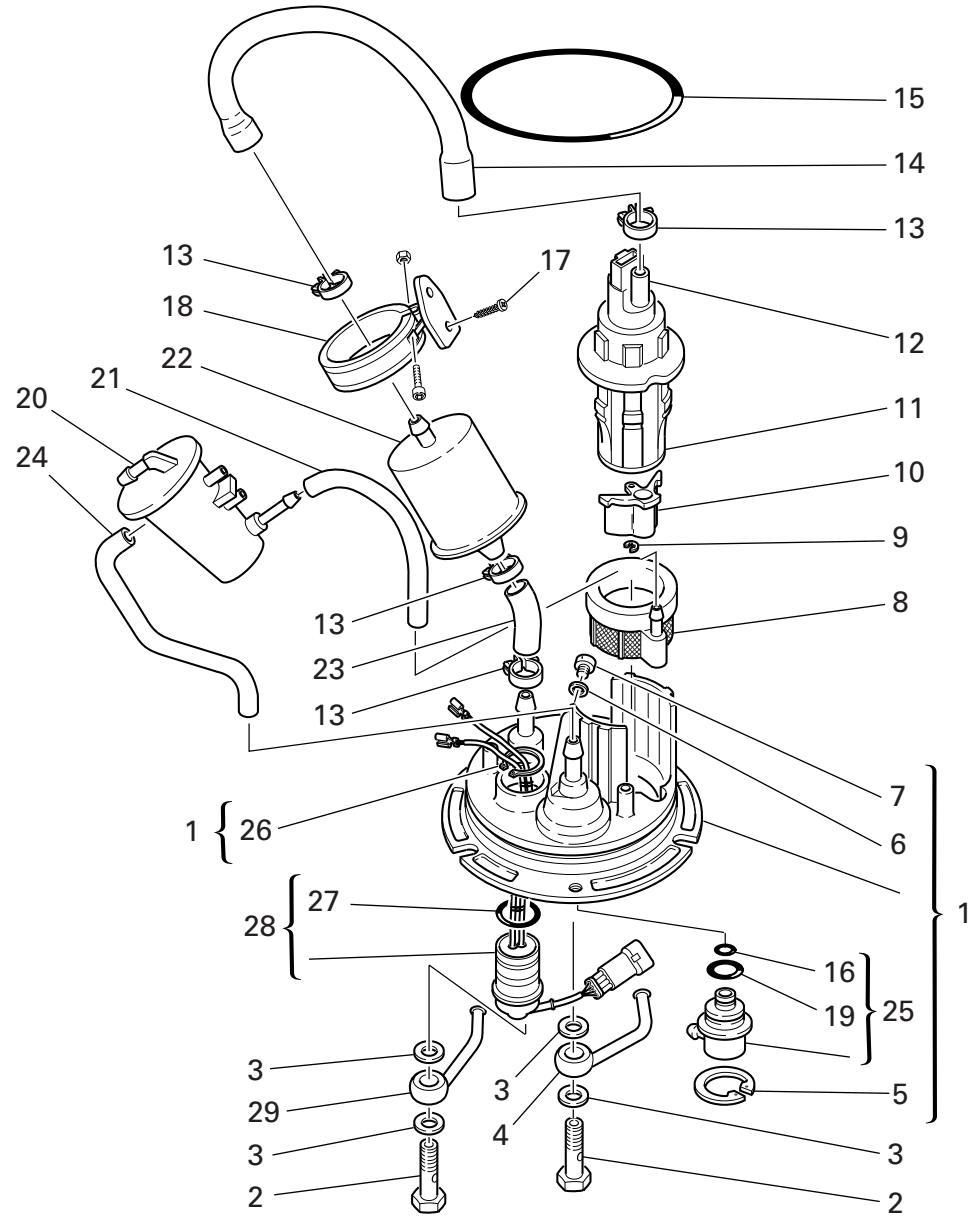
DRAWING 041 FUEL TANK

NOTES NO.	CODE NO.	DESCRIPTION	VALIDITY	Q.TY 
1	586.1.060.1AA	Fuel tank (RED)		1
1	586.1.060.1AG	Fuel tank (METALLIC DARK GREY)		1
1	586.1.060.1AT	Fuel tank (BLACK)		1
2	895.4.001.2A	Tank cap		1
3	0000.62705	Split pin		1
4	734305N01	Washer		2
5	712.1.013.3A	Bush		2
6	772.5.025.1A	Screw		2
7	827.2.134.1A	Plate		1
8	821.1.028.2B	Pin		1
9	590.1.085.1A	Tube		2
10	741.4.004.1A	Hose guide		4
11	829.1.509.1A	Rubber holder		2
12	592.1.018.1A	Fuel level sensor		1
13	8000.56391	Nylon washer		2
14	771.5.040.2B	Screw		1
15	771.5.045.7E	Screw		3
16	791.1.034.1A	Cover gasket		1
17	750.1.042.1A	Nut		3
18	763106N01	El-stop nut		4
19	866.1.029.1A	Rubber pad		2
20	8000.77921	Screw		1
21	852.5.024.1A	Gasket th.1		1
22	830.1.131.1A	Bracket		1
23	486.1.070.1A	Panel		1
24	00B0.55703	Screw		2
25	247.2.105.1AA	Cover (RED)		1


NOTES NO.	CODE NO.	DESCRIPTION	VALIDITY	Q.TY 
25	247.2.105.1AG	Cover (METALLIC DARK GREY)		1
25	247.2.105.1AT	Cover (BLACK)		1
26	791.1.012.1A	Gasket		1
27	729906FN1	Nut		2
28	764.1.019.1A	Vibration damper pad		1


CATALOGUE No: 915.1.130.2D  
ISSUED: 10 - 05

CATALOGUE No: 915.1.130.2D  
ISSUED: 10 - 05

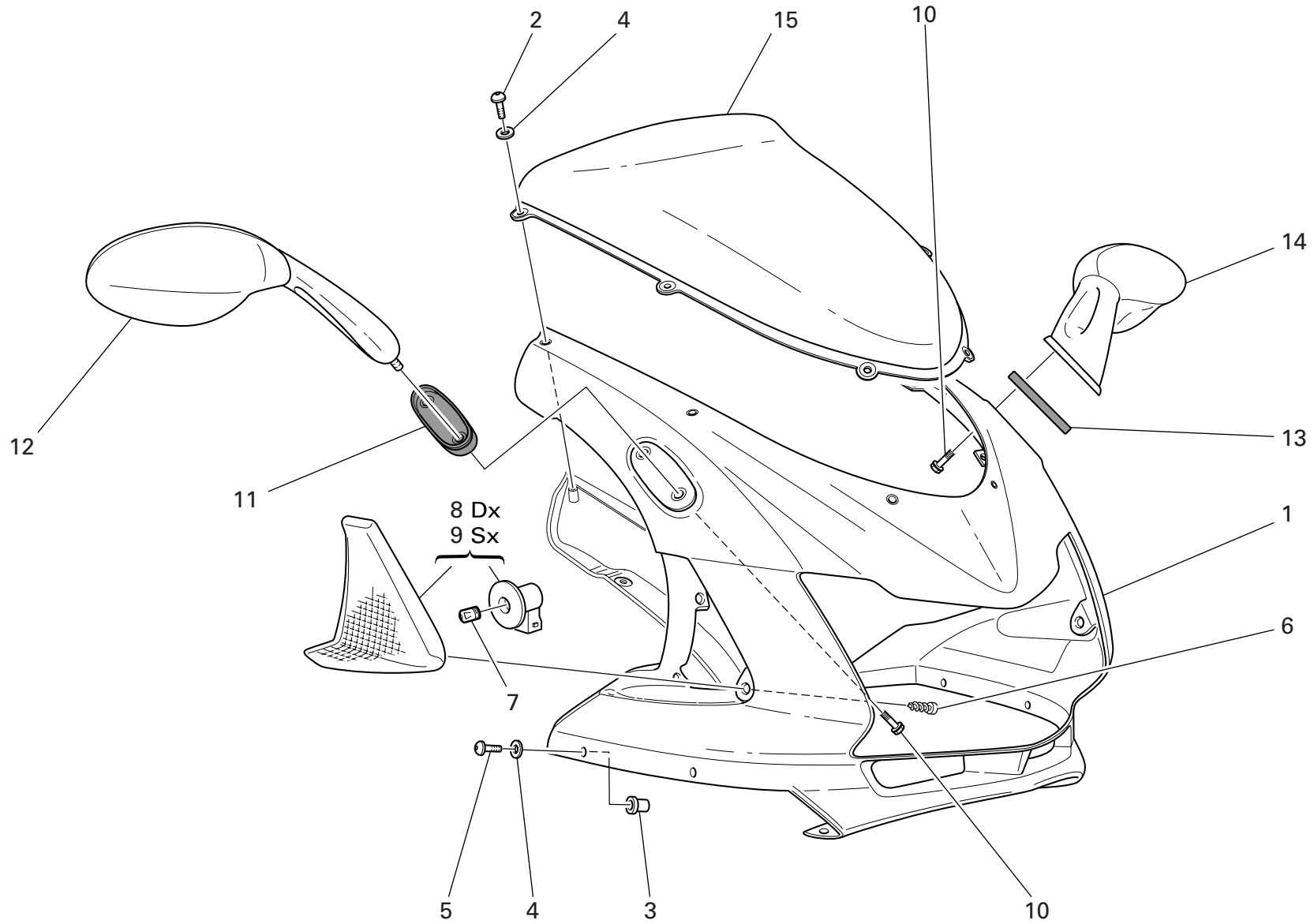


DRAWING 042 FUEL SYSTEM

NOTES NO.	CODE NO.	DESCRIPTION	VALIDITY	Q.TY 
1	160.9.057.1A	Flange		1
2	779.1.170.1A	Special screw		2
3	852.1.098.1A	Washer		4
4	814.1.065.1A	Union		1
5	73503.3449	Circlip		1
6	852.5.024.1A	Gasket th.1		1
7	780.1.008.1A	Cap		1
8	427.1.003.1A	Fuel pump filter		1
9	850.4.031.1A	Snap ring		1
10	484.1.029.1B	Manifold		1
11	829.1.077.2B	Pump holder		1
12	430.4.004.1A	Fuel pump		1
13	741.4.004.1A	Hose guide		4
14	590.1.092.1A	Tube		1
15	886.5.001.1A	O-Ring		1
16	886.4.021.1A	O-ring		1
17	72237.0974	Self-tapping screw		2
18	829.1.104.1A	Holder		1
19	886.4.022.1A	O-ring		1
20	427.4.002.1A	Air separator		1
21	590.1.059.1A	Tube		1
22	425.4.004.1B	Fuel filter		1
23	590.1.056.1A	Filter/pump pipe		1
24	590.1.058.1A	Tube		1
25	283.4.003.1A	Pressure regulator		1
26	73500.2668	Circlip		1
27	886.5.011.1A	O-Ring		1

NOTES NO.	CODE NO.	DESCRIPTION	VALIDITY	Q.TY 
28	510.2.003.1A	Pump wiring		1
29	814.1.066.1A	Union		1

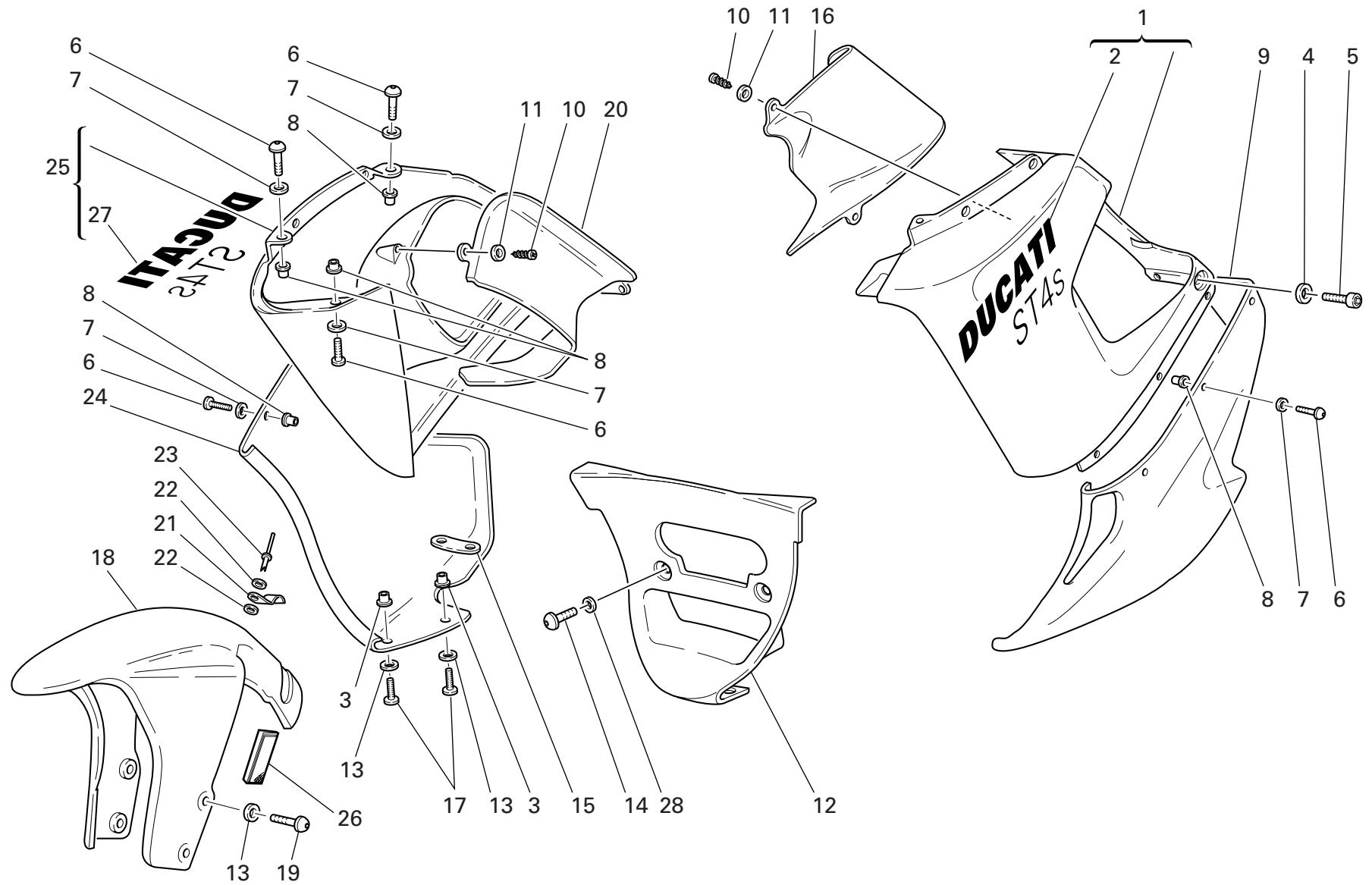
CATALOGUE No: 915.1.130.2D  
ISSUED: 10 - 05CATALOGUE No: 915.1.130.2D  
ISSUED: 10 - 05



DRAWING 043 HEADLIGHT FAIRING

NOTES NO.	CODE NO.	DESCRIPTION	VALIDITY	Q.TY 
1	481.1.031.1BA	Headlight fairing (RED)		1
1	481.1.031.1BG	Headlight fairing (METALLIC DARK GREY)		1
1	481.1.031.1BT	Headlight fairing (BLACK)		1
1	481.3.031.1B	Headlight fairing (unpainted)		1
2	779.1.088.1A	Screw		6
3	850.4.082.1A	Insert		6
4	0000.63161	Washer		6
5	775.1.011.1A	Screw		6
6	772.5.034.1A	Screw		6
7	390.4.010.1A	Bulb		2
8	530.1.003.1A	R.H. turn indicator		1
9	530.1.004.1A	L.H. turn indicator		1
10	772.5.023.1A	Screw		4
11	713.1.126.1A	R.H. gasket		1
12	523.4.016.1BA	R.H. rear-view mirror (RED)		1
12	523.4.016.1BG	R.H. rear-view mirror (METALLIC DARK GREY)		1
12	523.4.016.1BT	R.H. rear-view mirror (BLACK)		1
13	713.1.127.1A	L.H. gasket		1
14	523.4.017.1BA	L.H. rear-view mirror (RED)		1
14	523.4.017.1BG	L.H. rear-view mirror (METALLIC DARK GREY)		1
14	523.4.017.1BT	L.H. rear-view mirror (BLACK)		1
15	487.1.034.1A	Windshield		1


NOTES NO.	CODE NO.	DESCRIPTION	VALIDITY	Q.TY 
-----------	----------	-------------	----------	--



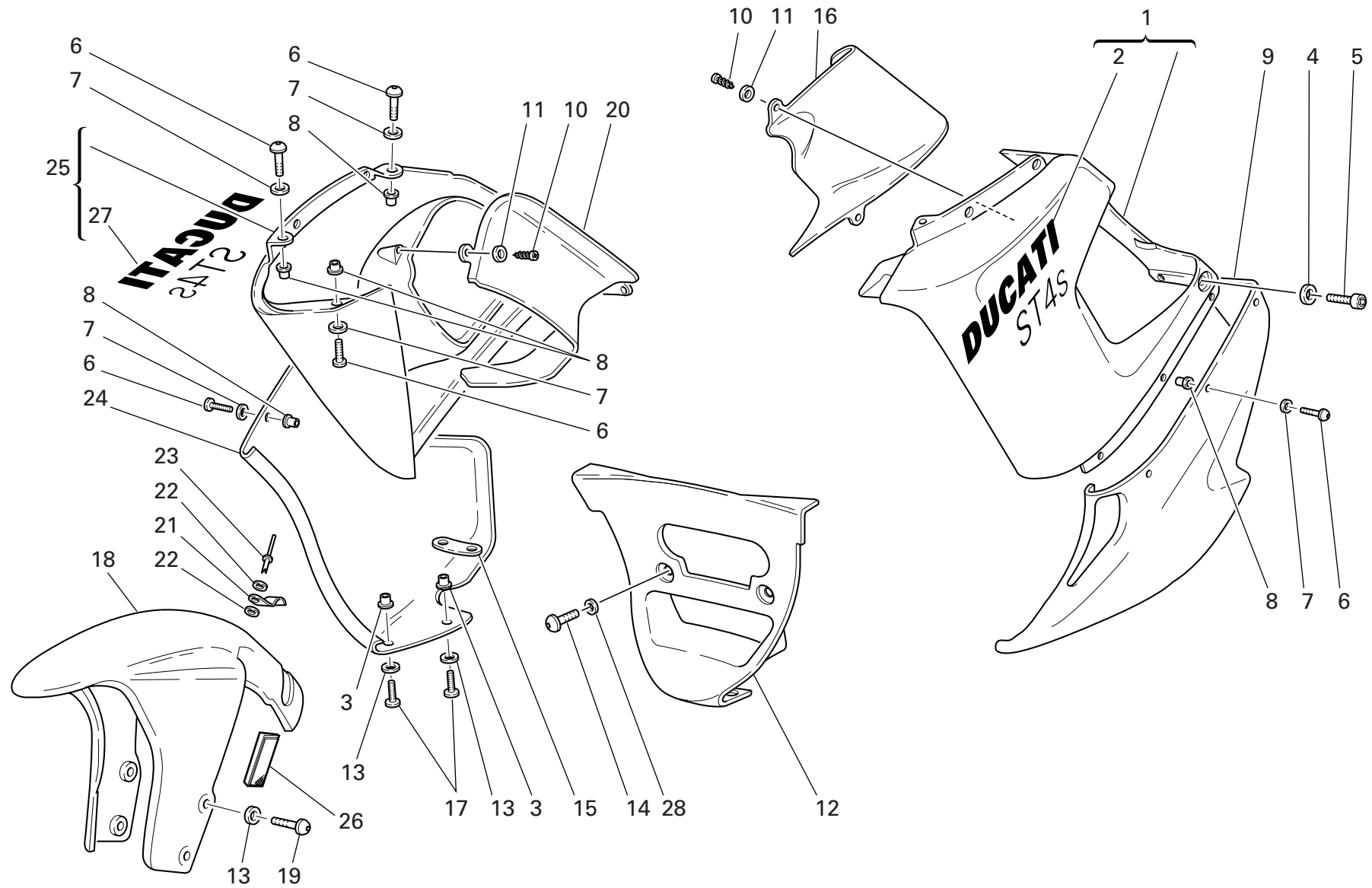
DRAWING 044 FAIRING

NOTES NO.	CODE NO.	DESCRIPTION	VALIDITY	Q.TY 
1	480.1.058.1A	L.H. upper half-fairing (unpainted)		1
1	480.1.058.2FA	L.H. upper half-fairing (RED)		1
1	480.1.058.2FG	L.H. upper half-fairing(METALLIC DARK GREY)		1
1	480.1.058.2FT	L.H. upper half-fairing (BLACK)		1
2	437.1.112.1BA	Sticker "DUCATI ST4S" (L.H.) (for RED, BLACK)		1
2	437.1.112.1BG	L.H. sticker "DUCATI ST4S" (for METALLIC DARK GRAY) (L.H.)		1
3	0364.99.020	Bush		4
4	841.1.001.1C	Retainer		2
5	779.5.001.1A	Screw		2
6	779.1.050.1A	Screw		10
7	0000.63161	Washer		10
8	850.4.082.1A	Insert		10
9	480.1.059.0A	L.H. lower half-fairing (unpainted)		1
9	480.1.059.2AA	L.H. lower half-fairing (RED)		1
9	480.1.059.2AG	L.H. lower half-fairing (METALLIC DARK GREY)		1
9	480.1.059.2AT	L.H. lower half-fairing (BLACK)		1
10	72231.0871	Screw		4
11	852.5.002.1A	Washer		4
12	484.1.049.1AA	Air manifold (RED)		1
12	484.1.049.1AG	Air manifold (METALLIC DARK GREY)		1
12	484.1.049.1AT	Air manifold (BLACK)		1
12	484.3.049.1A	Air manifold (unpainted)		1
13	856.1.040.1A	Nylon washer		8
14	80B0.55703	Screw		2

CATALOGUE No: 915.1.130.2D  
ISSUED: 10 - 05

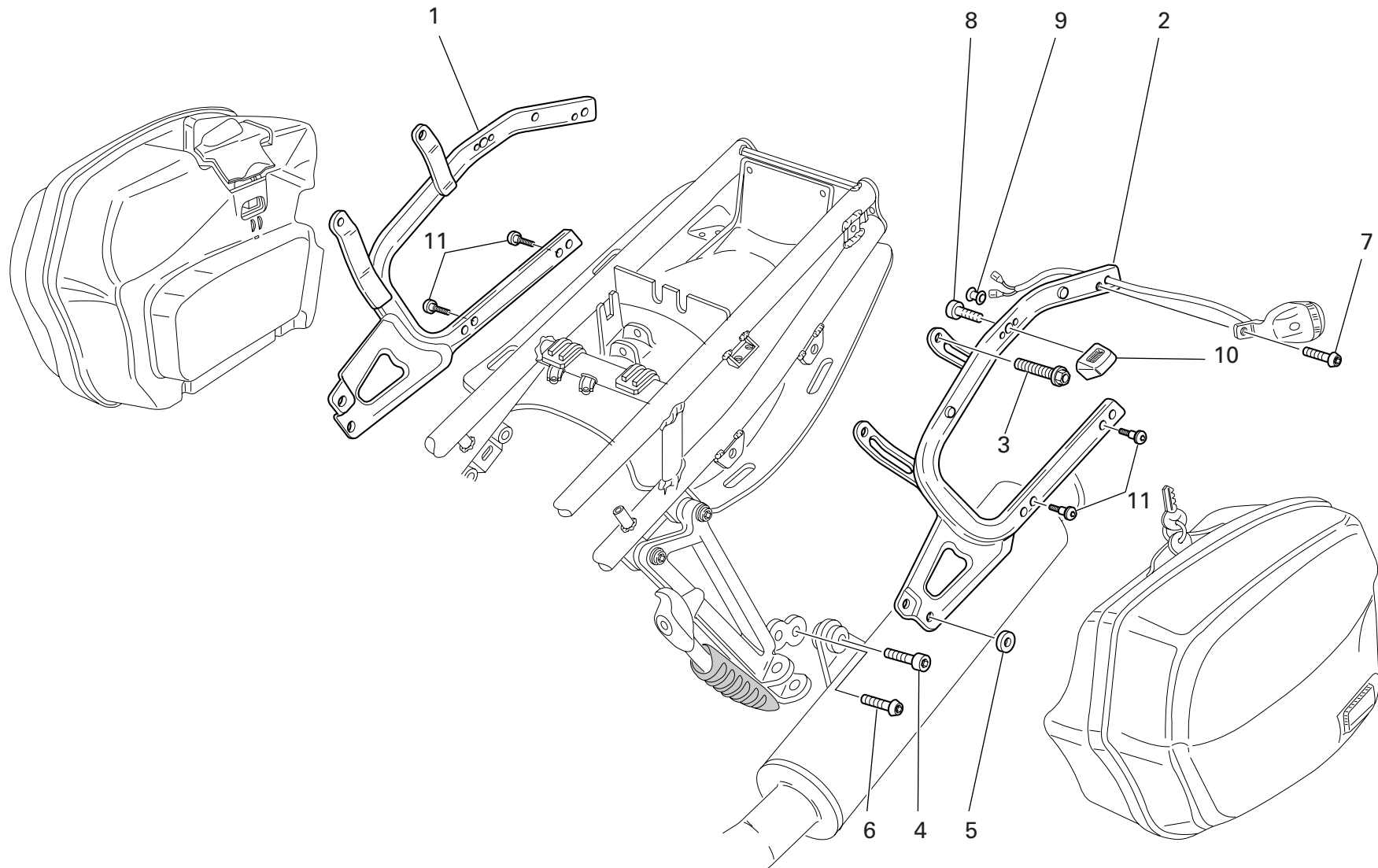
NOTES NO.	CODE NO.	DESCRIPTION	VALIDITY	Q.TY 
15	827.1.012.1A	Bent plate		1
16	484.1.025.1AE	L.H. air manifold (GREY)		1
16	484.1.045.1AA	L.H. air manifold (RED)		1
16	484.1.045.1AT	L.H. air manifold (BLACK)		1
17	779.1.089.1A	Screw		4
18	564.1.023.1AA	Front mudguard (RED)		1
18	564.1.023.1AG	Front mudguard (METALLIC DARK GREY)		1
18	564.1.023.1AT	Front mudguard (BLACK)		1
18	564.3.023.1A	Front mudguard (unpainted)		1
19	775.1.038.1B	Screw		4
20	484.1.026.1AE	R.H. air manifold (GREY)		1
20	484.1.046.1AA	R.H. air manifold (RED)		1
20	484.1.046.1AT	R.H. air manifold (BLACK)		1
21	850.1.003.1A	Clip		1
22	852.1.075.1A	Washer		2
23	736.4.013.1B	Shear rivet		1
24	480.1.115.1AA	R.H. lower half-fairing (RED)		1
24	480.1.115.1AG	R.H. lower half-fairing (METALLIC DARK GREY)		1
24	480.1.115.1AT	R.H. lower half-fairing (BLACK)		1
24	480.3.061.1A	R.H. lower half-fairing (unpainted)		1
25	480.1.060.1A	R.H. upper half-fairing (unpainted)		1
25	480.1.060.2FA	R.H. upper half-fairing (RED)		1
25	480.1.060.2FG	R.H. upper half-fairing (METALLIC DARK GREY)		1
25	480.1.060.2FT	R.H. upper half-fairing (BLACK)		1
26	529.1.008.1AB	Cat's eye (AMBER)		2

CATALOGUE No: 915.1.130.2D  
ISSUED: 10 - 05




DRAWING 044 FAIRING

NOTES NO.	CODE NO.	DESCRIPTION	VALIDITY	Q.TY 	NOTES NO.	CODE NO.	DESCRIPTION	VALIDITY	Q.TY 
27	437.1.114.1BA	Sticker "DUCATI ST4S" (R.H.) (for RED, BLACK)		1					
27	437.1.114.1BG	Sticker "DUCATI ST4S" (R.H.) (for METALLIC DARK GRAY)		1					
28	8000.56391	Nylon washer		2					

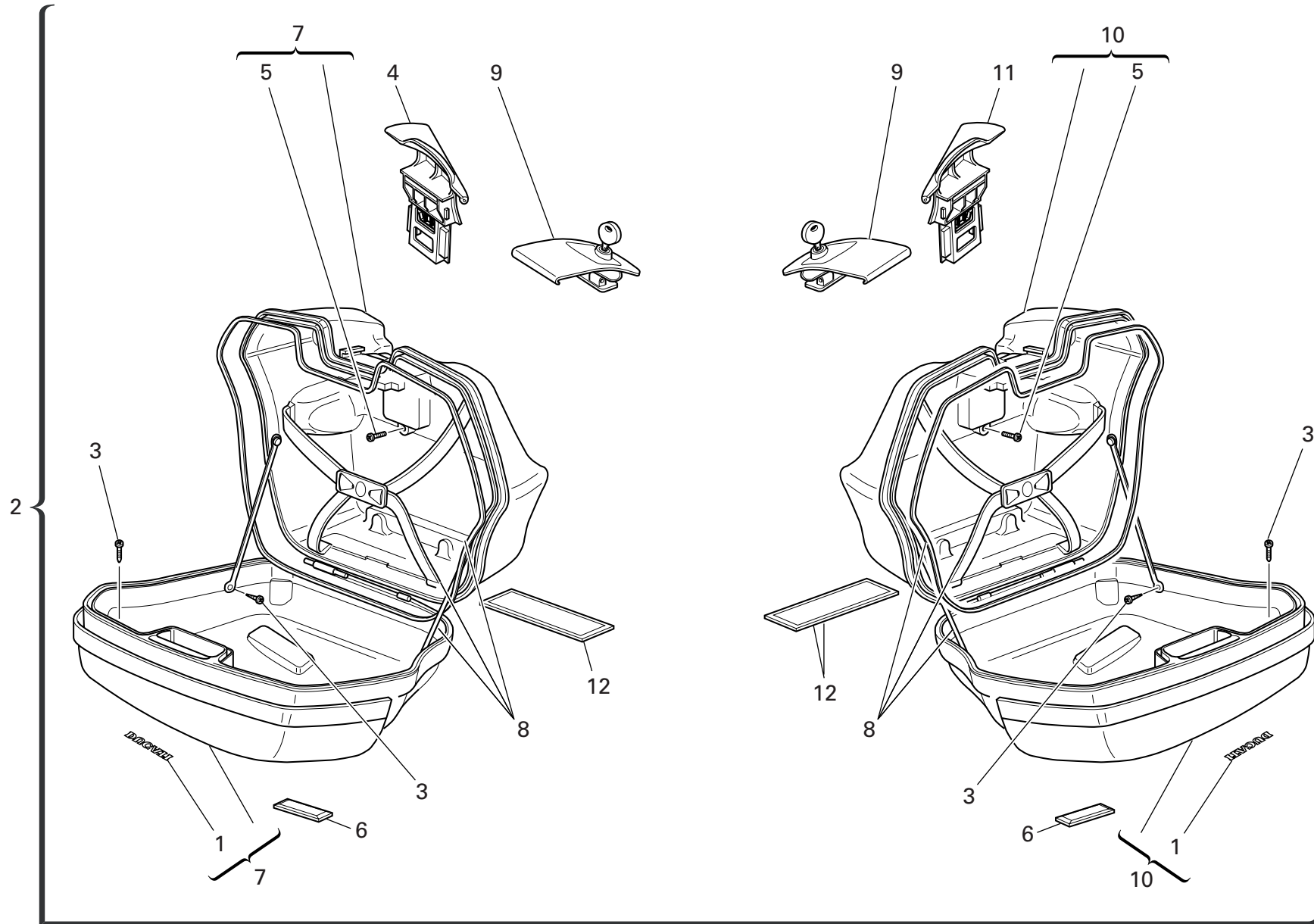


DRAWING 045

PANNIERS FASTENS

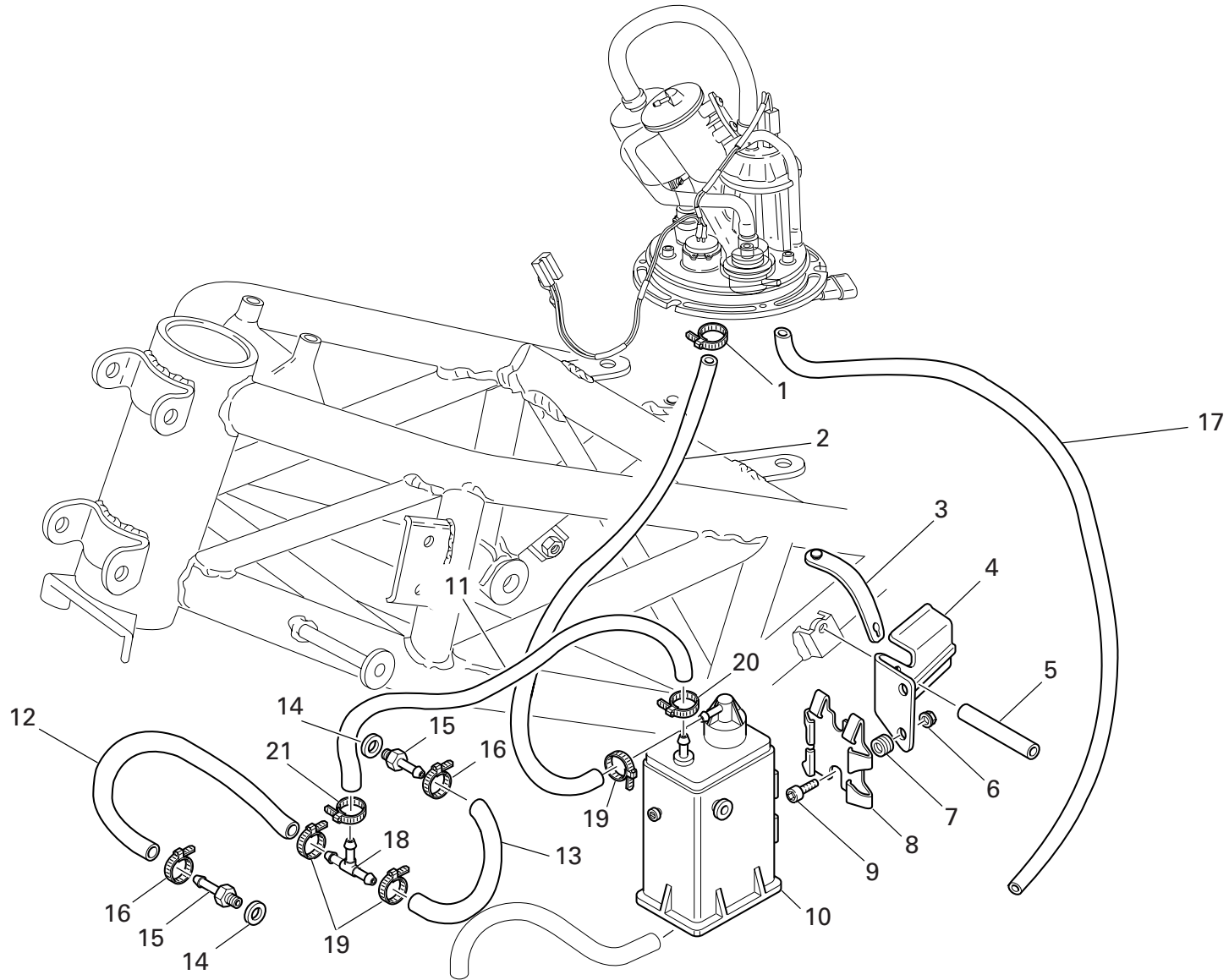
NOTES NO.	CODE NO.	DESCRIPTION	VALIDITY	Q.TY 
1	829.1.206.1A	R.H. holder		1
2	829.1.205.1A	L.H. holder		1
3	772.5.008.1A	Screw		4
4	771.5.002.1A	Screw		1
5	713.1.130.1A	Spacer		1
6	775.5.002.1A	Screw		2
7	8BB06.1070	Screw		2
8	771.4.007.1A	Screw		2
9	872.4.023.1A	Cap		4
10	829.1.332.1A	Holder		2
11	966.1.890.4B	Special screw		4

NOTES NO.	CODE NO.	DESCRIPTION	VALIDITY	Q.TY 
-----------	----------	-------------	----------	--




DRAWING 046 SIDE PANNIERS

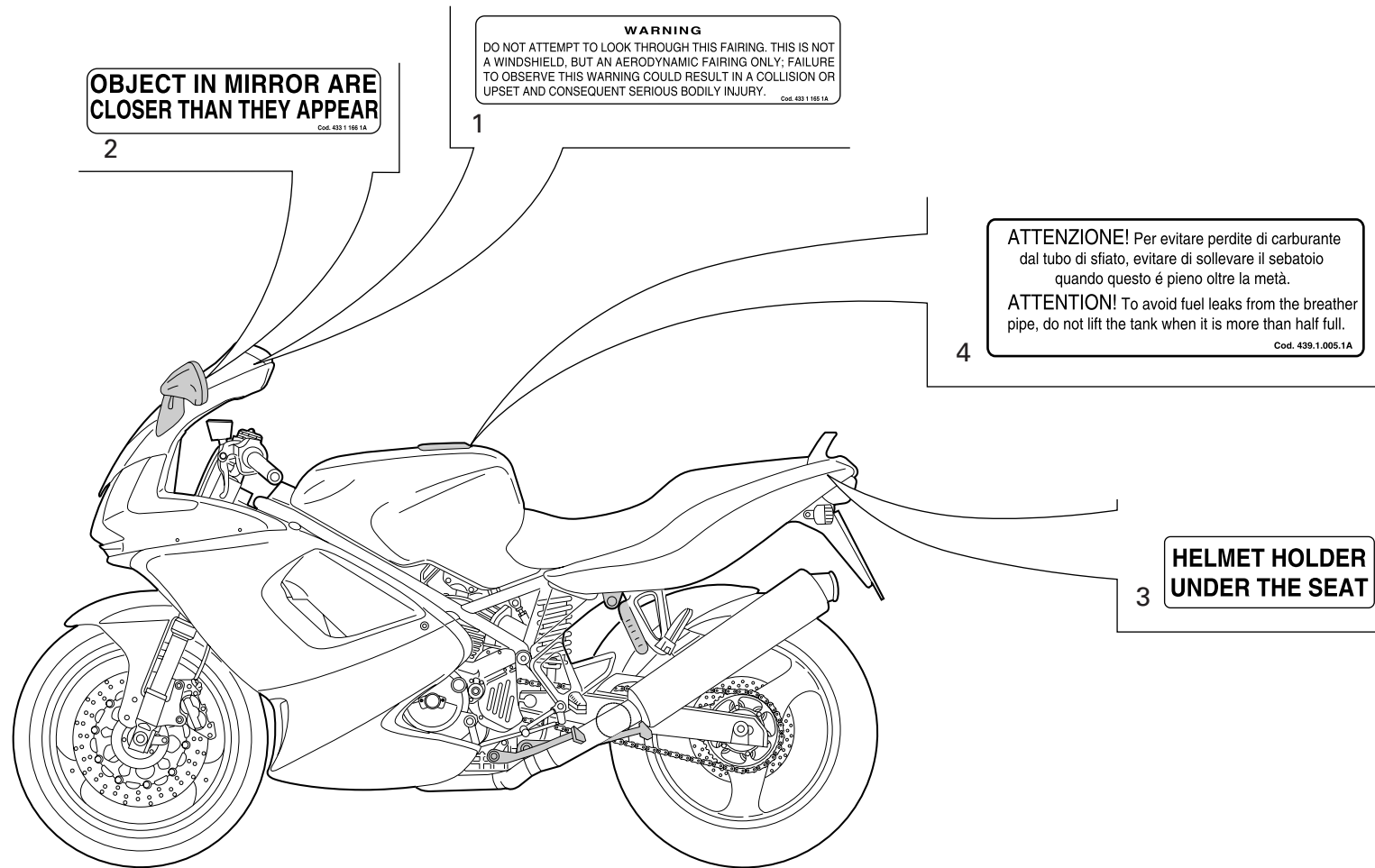
NOTES NO.	CODE NO.	DESCRIPTION	VALIDITY	Q.TY 	NOTES NO.	CODE NO.	DESCRIPTION	VALIDITY	Q.TY 
1	438.1.096.1AA	Sticker "DUCATI" (for RED, METALLIC DARK GREY, BLACK)		2					
2	967.2.200.1AA	Coplete panniers kit (RED)		1					
2	967.2.200.1AG	Complete Panniers kit (METALLIC DARK GREY)		1					
2	967.2.200.1AT	Coplete panniers kit (BLACK)		1					
3	72237.0657	Self-tapping screw		20					
4	698.1.023.1A	R.H. handle		1					
5	72237.0974	Self-tapping screw		2					
6	529.4.003.1A	Reflector		2					
7	246.1.200.1AA	R.H. cover (RED)		1					
7	246.1.200.1AG	R.H. cover (METALLIC DARK GREY)		1					
7	246.1.200.1AT	R.H. cover (BLACK)		1					
8	698.1.026.1A	Series of belts		1					
9	698.1.025.1A	Pannier locks kit		1					
10	246.1.201.1AA	L.H. cover (RED)		1					
10	246.1.201.1AG	L.H. cover (METALLIC DARK GREY)		1					
10	246.1.201.1AT	L.H. cover (BLACK)		1					
11	698.1.024.1A	L.H. handle		1					
12	698.1.027.1A	Insulation		1					



DRAWING 047 FUEL INFEED


NOTES NO.	CODE NO.	DESCRIPTION	VALIDITY	Q.TY 
1	741.4.057.1A	Hose guide		1
2	590.1.174.1A	Tube		1
3	741.1.013.1A	Hose guide		1
4	829.1.207.1A	Holder		1
5	716.1.043.1A	Spacer		2
6	729906FN1	Nut		2
7	764.1.029.1A	Rubber pad		2
8	827.1.157.1A	Plate		1
9	779.5.001.1A	Screw		2
10	426.1.007.1A	CANISTER filter		1
11	590.1.175.1A	Tube		1
12	590.1.173.1A	Tube		1
13	590.1.172.1A	Tube		2
14	852.5.025.1A	Aluminium gasket th.1		2
15	814.1.091.1B	Union		2
16	741.4.013.1B	Hose guide		2
17	590.1.102.1A	Breather pipe		1
18	0361.98.850	Shunt valve		1
19	741.4.063.1A	Hose guide		3
20	741.4.058.1A	Hose guide		1
21	741.4.059.1A	Hose guide		1

NOTES NO.	CODE NO.	DESCRIPTION	VALIDITY	Q.TY 
-----------	----------	-------------	----------	--



DRAWING 048

MARKING PLATES

NOTES NO.	CODE NO.	DESCRIPTION	VALIDITY	Q.TY 
1	433.1.165.1A	Sticker		1
2	433.1.166.1A	Label		2
3	433.1.170.1A	Sticker		1
4	433.1.164.1A	Sticker		1

NOTES NO.	CODE NO.	DESCRIPTION	VALIDITY	Q.TY 
-----------	----------	-------------	----------	--

## INDEX

CODE No.	Drwg.	POS. N.	CODE No.	Drwg.	POS. N.	CODE No.	Drwg.	POS. N.	CODE No.	Drwg.	POS. N.	CODE No.	Drwg.	POS. N.
0000.01199	037	40	0272.91.090	002	8	0660.13.060	002	19	112.1.026.1AA	006	8	160.1.076.1A	014	4
0000.33552	027	11	0361.98.850	047	18	0660.13.070	002	13	112.1.026.1AB	006	8	160.9.057.1A	042	1
0000.36230	039	20	0364.99.015	033	17	0660.13.143	002	9	117.1.025.2A	037	13	170.2.081.1A	006	17
0000.36726	039	7	0364.99.020	019	22	0660.13.165	002	25	117.1.033.1A	020	8	171.2.020.2B	008	13
0000.40427	030	2	0364.99.020	044	3	0660.50.020	012	8	117.2.002.1A	019	21	172.1.002.1B	003	10
0000.44099	019	6	0370.39.780	037	37	0665.49.680	005	8	117.2.007.1A	004	16	172.1.003.2A	003	8
0000.44240	035	24	0370.69.850	020	23	0670.16.145	003	7	120.2.053.3A	007	10	172.1.004.2A	003	5
0000.56443	032	3	0370.69.855	021	9	0670.16.150	003	3	121.1.047.1A	007	3	172.1.005.2A	003	9
0000.56443	040	23	0370.69.860	020	35	0670.16.155	003	19	121.1.048.1A	007	2	172.1.006.1B	003	18
0000.60283	022	14	0370.69.865	021	13	0670.16.163	003	11	121.2.028.1A	007	4	172.1.007.1B	003	24
0000.62705	025	12	0370.69.910	020	4	0670.16.164	003	11	122.2.048.1A	007	1	172.1.008.1A	003	22
0000.62705	041	3	0370.69.910	021	3	0670.16.164	003	15	135.1.015.1A	033	2	172.1.009.2A	003	21
0000.62726	037	18	0370.69.920	020	3	0670.16.165	003	15	140.2.038.2B	015	1	172.1.010.2A	003	20
0000.62726	039	34	0370.69.920	021	2	0670.16.170	003	26	146.2.113.1A	006	1	172.1.011.2A	003	23
0000.62729	029	9	0370.69.930	020	21	0670.16.171	003	26	147.1.014.1A	008	10	173.1.012.3A	012	20
0000.62729	036	5	0370.69.930	021	7	0670.16.184	003	15	148.1.144.1A	014	13	174.1.025.2A	009	12
0000.62730	023	9	0370.69.940	020	22	0670.16.185	003	15	148.1.145.1A	014	9	174.2.025.6A	009	1
0000.63161	043	4	0370.69.940	021	8	0670.49.310	009	26	148.1.155.1A	014	14	176.1.001.1A	012	6
0000.63161	044	7	0370.69.970	020	31	0691.91.030	031	11	148.1.156.1A	014	7	176.1.009.1A	012	10
0000.64471	038	10	0370.69.970	021	14	0691.91.030	032	27	149.1.024.1A	003	25	180.1.001.1A	002	11
0000.70139	001a	4	0370.98.610	033	4	0755.29.025	006	10	149.1.046.1A	003	2	180.1.002.1A	002	12
00B0.55703	041	24	0400.09.050	002	21	0755.29.025	008	12	150.2.035.2A	003	16	180.1.008.1A	002	24
0124.40.060	008	15	0400.29.125	002	34	0755.49.265	010	2	150.2.070.1A	003	27	182.2.018.1A	002	18
0204.70.105	014	25	0400.29.126	002	34	0759.49.280	009	15	153.1.008.1A	025	31	184.1.001.1A	037	11
0250.70.223	015	4	0400.49.240	005	13	0765.92.205	002	21	158.2.020.1A	006	5	190.2.013.1A	004	9
0251.47.050	003	1	0400.49.240	011	14	0799.13.110	002	27	160.1.049.1A	038	21	194.1.027.1A	004	4
0251.47.054	003	1	0619.50.065	012	17	0803.77.010	038	16	160.1.057.1A	012	13	195.4.003.1A	004	19

## INDEX

CODE No.	Drwg.	POS. N.	CODE No.	Drwg.	POS. N.	CODE No.	Drwg.	POS. N.	CODE No.	Drwg.	POS. N.	CODE No.	Drwg.	POS. N.
196.1.035.1A	004	12	246.1.009.1G	023	15	264.4.018.2A	011	1	304.1.026.1A	013	4	373.1.033.1A	034	21
198.2.036.1A	004	14	246.1.056.1A	033	3	264.4.025.1A	011	1	304.1.026.1AB	013	4	374.1.002.1B	034	17
208.1.001.7A	013	19	246.1.060.2A	025	27	270.4.005.1A	012	1	304.1.026.1AC	013	4	386.4.006.1A	031	17
208.1.002.7A	013	18	246.1.200.1AA	046	7	276.1.025.1B	012	16	340.2.281.1A	026	1	386.4.013.2A	020	37
209.1.001.7A	013	15	246.1.200.1AG	046	7	280.4.005.1A	016	17	340.2.282.1A	026	4	387.4.002.1A	031	16
209.1.002.7A	013	14	246.1.200.1AT	046	7	282.4.019.1D	016	1	341.2.042.1A	025	23	389.4.006.1A	023	1
210.1.022.2A	013	5	246.1.201.1AA	046	10	283.4.003.1A	042	25	342.2.015.1B	025	3	389.4.006.1A	031	20
211.1.010.2A	013	7	246.1.201.1AG	046	10	284.4.001.1B	016	14	349.1.064.1A	026	8	389.4.007.1A	023	1
220.3.208.3A	009	16	246.1.201.1AT	046	10	285.4.003.1A	031	8	349.1.065.1A	026	9	389.4.008.1A	023	1
225.2.085.1A	010	1	246.2.083.1A	023a	4	286.4.098.1F	032	1	349.1.095.1A	026	2	389.4.012.1A	023	1
235.2.002.2AB	015	9	247.1.002.1BC	011a	6	287.4.024.1B	016	11	349.1.096.1A	026	16	389.4.012.1A	031	20
235.2.032.1A	014	23	247.1.020.1AB	007	7	287.4.027.1A	016	16	349.1.097.1A	026	7	389.4.014.1A	031	2
235.2.033.1A	014	21	247.1.020.1AB	014	11	287.4.028.1A	016	10	349.1.098.1A	026	11	389.4.015.1A	023	1
235.2.034.1A	014	24	247.1.079.1AA	015	22	287.4.029.1A	016	15	349.1.192.1A	026	17	390.4.003.1A	039	16
235.2.035.1A	014	22	247.1.080.1AA	015	16	287.4.040.2A	031	18	349.1.193.1A	026	5	390.4.008.1A	023	19
240.1.001.1AB	015	14	247.1.083.1AE	011a	1	301.2.106.2A	013	1	349.1.194.1A	026	14	390.4.010.1A	043	7
240.1.014.1AA	015	19	247.1.089.1AB	015	23	303.1.009.1A	013	2	349.1.195.1A	026	3	390.4.011.1A	023a	2
240.1.015.1AA	015	26	247.1.090.1AB	015	21	303.1.009.1AB	013	2	349.2.014.1A	026	10	390.4.014.1A	023a	3
242.2.038.2BB	011a	24	247.2.105.1AA	041	25	303.1.009.1AC	013	2	349.2.029.1B	026	15	395.4.013.1C	032	17
242.2.062.2A	011a	16	247.2.105.1AG	041	25	303.1.009.1AD	013	2	360.2.056.1A	025	24	397.4.002.1A	032	7
243.1.029.1A	005	17	247.2.105.1AT	041	25	303.1.015.1A	013	3	360.2.057.1A	025	16	406.1.020.1B	024	1
243.2.028.4AC	005	1	247.2.202.1A	011a	15	303.1.015.1AB	013	3	365.2.041.2A	035	6	417.7.007.1A	039	30
245.1.020.1AB	008	3	251.2.001.1A	011	17	303.1.015.1AC	013	3	366.1.039.1A	026	6	417.9.030.6A	020	9
245.1.021.1AB	008	1	254.1.001.1A	011a	25	303.1.015.1AD	013	3	369.1.004.1A	034	8	417.9.030.8A	025	1
245.1.022.1AB	008	2	254.4.001.2A	005	4	304.1.012.2A	013	6	370.1.028.2C	034	10	417.9.050.6A	032	5
245.1.041.1A	008	4	255.1.004.1A	008	18	304.1.012.2AB	013	6	372.2.008.3A	035	1	417.9.090.1A	035	14
245.1.042.1A	008	5	255.1.014.1A	014	3	304.1.012.2AC	013	6	373.1.032.1A	034	20	420.2.001.7A	030	9

## INDEX

CODE No.	Drwg.	POS. N.	CODE No.	Drwg.	POS. N.	CODE No.	Drwg.	POS. N.	CODE No.	Drwg.	POS. N.	CODE No.	Drwg.	POS. N.
425.4.004.1B	042	22	455.2.003.1A	002	4	480.1.115.1AA	044	24	486.1.051.1A	005	6	520.1.002.1C	023a	1
426.1.007.1A	047	10	456.1.006.2A	020	12	480.1.115.1AG	044	24	486.1.070.1A	041	23	523.4.016.1BA	043	12
427.1.003.1A	042	8	456.2.009.1A	020	16	480.1.115.1AT	044	24	487.1.034.1A	043	15	523.4.016.1BG	043	12
427.4.002.1A	042	20	457.2.008.1A	037	6	480.3.061.1A	044	24	492.4.003.2A	038	15	523.4.016.1BT	043	12
430.4.004.1A	042	12	460.1.062.1A	020	25	481.1.031.1BA	043	1	492.4.079.1A	038	5	523.4.017.1BA	043	14
433.1.164.1A	048	4	460.1.063.1A	021	16	481.1.031.1BG	043	1	494.1.072.2A	038	23	523.4.017.1BG	043	14
433.1.165.1A	048	1	460.1.076.2A	025	35	481.1.031.1BT	043	1	497.2.001.2A	038	2	523.4.017.1BT	043	14
433.1.166.1A	048	2	460.1.080.1A	039	33	481.3.031.1B	043	1	501.2.105.1AA	038	1	525.1.004.2A	039	24
433.1.170.1A	048	3	460.1.088.1A	019	2	482.1.027.1BA	040	18	501.2.105.1AE	038	1	525.4.010.1A	039	15
433.1.230.1D	034	5	460.1.174.1B	024	5	482.1.027.1BG	040	18	502.2.105.1AA	038	13	529.1.006.1A	039	25
433.1.296.1B	023	18	460.1.175.1A	024	6	482.1.027.1BT	040	18	502.2.105.1AE	038	13	529.1.008.1AB	044	26
436.1.021.1A	040	32	462.4.037.6A	032	6	482.1.028.1BA	040	21	510.1.108.1A	039	21	529.4.003.1A	046	6
437.1.112.1BA	044	2	463.4.001.1A	010	22	482.1.028.1BG	040	21	510.1.262.1A	023	14	530.1.003.1A	043	8
437.1.112.1BG	044	2	470.1.081.1AA	019	1	482.1.028.1BT	040	21	510.1.263.1A	031	1	530.1.004.1A	043	9
437.1.114.1BA	044	27	470.1.081.1AB	019	1	482.3.021.1A	040	28	510.2.003.1A	042	28	530.4.003.1B	039	6
437.1.114.1BG	044	27	480.1.058.1A	044	1	482.3.022.1A	040	29	513.1.008.2D	032	18	530.4.004.1B	039	23
438.1.096.1AA	046	1	480.1.058.2FA	044	1	484.1.025.1AE	044	16	514.1.032.1A	001c	9	532.4.001.1A	039	8
442.2.008.2A	033	6	480.1.058.2FG	044	1	484.1.026.1AE	044	20	514.1.033.1A	001c	13	532.4.002.1A	039	18
444.4.003.4A	009	20	480.1.058.2FT	044	1	484.1.029.1B	042	10	514.1.034.1A	001c	12	539.1.021.1A	002	6
447.1.033.1A	034	4	480.1.059.0A	044	9	484.1.045.1AA	044	16	514.1.035.1A	001c	10	539.1.023.2A	018	13
447.1.034.1A	034	13	480.1.059.2AA	044	9	484.1.045.1AT	044	16	514.1.036.1A	001c	10	539.4.003.1B	037	15
449.1.038.1A	003	12	480.1.059.2AG	044	9	484.1.046.1AA	044	20	514.1.037.1A	001c	6	539.4.021.1A	028	6
451.1.001.2A	008	29	480.1.059.2AT	044	9	484.1.046.1AT	044	20	514.1.038.1A	001c	14	539.4.030.1A	005	21
451.1.004.2A	008	23	480.1.060.1A	044	25	484.1.049.1AA	044	12	514.1.040.1A	032	4	539.4.033.1A	027	13
451.1.010.1A	008	25	480.1.060.2FA	044	25	484.1.049.1AG	044	12	514.1.041.1A	032	2	540.4.011.1C	023	10
451.1.033.1A	008	28	480.1.060.2FG	044	25	484.1.049.1AT	044	12	516.4.001.1AB	031	6	541.4.007.1A	023	11
451.1.034.1A	008	31	480.1.060.2FT	044	25	484.3.049.1A	044	12	518.4.004.1B	025	29	548.4.019.2A	029	1

## INDEX

CODE No.	Drwg.	POS. N.	CODE No.	Drwg.	POS. N.	CODE No.	Drwg.	POS. N.	CODE No.	Drwg.	POS. N.	CODE No.	Drwg.	POS. N.
548.4.023.1B	036	1	570.1.035.1A	017	7	590.1.189.1A	001c	1	612.4.014.1A	028	16	658.4.002.1B	025	42
550.4.008.1A	029	4	571.1.035.1A	017	5	590.1.190.1A	001c	2	612.4.016.1A	037	39	668.1.001.3A	011a	14
552.1.037.1A	001c	4	573.1.057.1A	017	11	592.1.018.1A	041	12	612.4.017.1A	028	17	669.1.001.1E	013	10
552.1.038.1A	001c	5	574.1.057.1A	017	4	593.1.003.1B	010	30	612.4.018.1A	028	22	670.4.012.1A	031	12
552.1.039.1A	001c	7	576.1.028.1A	017	12	593.1.018.1A	009	7	613.4.021.1A	028	20	671.1.009.1A	031	14
552.1.040.1A	001c	11	576.1.029.1A	017	2	595.1.066.1A	040	16	613.4.021.1A	037	38	671.1.010.1A	031	10
552.4.012.1A	023	17	585.1.019.2D	033	18	598.2.010.1A	039	5	618.4.061.1A	028	13	672.1.040.1A	023a	6
552.4.020.1A	011a	8	585.1.020.1A	030	1	598.2.030.1A	019	18	619.4.029.1A	037	30	676.2.037.2B	034	11
552.4.028.1A	001b	15	585.4.001.1A	037	20	598.4.015.1A	040	33	624.4.031.1A	028	1	676.4.029.1A	034	15
552.4.037.1A	037	42	585.4.006.1A	028	7	598.4.016.1A	025	8	625.4.006.1A	037	27	677.4.003.1A	001a	12
553.4.003.1A	030	19	585.4.007.1A	027	5	598.4.018.1A	025	8	626.4.011.1A	027	3	684.1.014.2B	007	13
555.1.005.1A	018	3	586.1.060.1AA	041	1	60N102488	022	7	626.4.011.1A	028	3	684.1.026.1A	033	1
555.1.006.1B	018	4	586.1.060.1AG	041	1	60N102510	031	3	626.4.013.1A	037	29	684.1.044.1A	017	16
555.1.007.1A	018	2	586.1.060.1AT	041	1	60N102511	019	15	626.4.015.1C	027	4	697.2.011.1A	040	25
556.1.017.1C	018	14	590.1.056.1A	042	23	60N102556	034	9	626.4.015.1D	028	5	698.1.023.1A	046	4
556.1.018.1C	018	15	590.1.058.1A	042	24	60N102557	025	7	626.4.019.1A	028	2	698.1.024.1A	046	11
556.2.020.1B	018	16	590.1.059.1A	042	21	60N107335	004	6	626.4.034.1A	027	2	698.1.025.1A	046	9
559.1.005.1A	040	1	590.1.080.1A	016	12	60N107335	011a	21	630.4.024.1A	027	1	698.1.026.1A	046	8
561.1.013.2A	039	29	590.1.085.1A	041	9	60N107335	039	22	631.4.004.1A	028	19	698.1.027.1A	046	12
561.1.019.1A	039	27	590.1.092.1A	042	14	60N115062	037	9	631.4.008.1A	037	28	698.1.033.1A	001c	15
564.1.023.1AA	044	18	590.1.102.1A	047	17	60N115548	039	19	632.1.030.1A	027	9	700.1.005.1A	038	18
564.1.023.1AG	044	18	590.1.103.1A	016	4	610.4.078.1A	028	12	650.1.002.1A	025	25	700.1.024.1A	040	20
564.1.023.1AT	044	18	590.1.124.1A	016	7	610.4.079.1A	028	11	651.4.011.1A	025	14	700.1.025.1A	040	19
564.3.023.1A	044	18	590.1.172.1A	047	13	611.4.009.1A	037	36	652.4.006.1D	025	9	700.1.036.1A	012	24
565.1.021.2A	034	16	590.1.173.1A	047	12	612.4.005.1A	027	12	654.4.006.1A	025	30	700.1.043.1A	024	7
565.1.022.2A	040	22	590.1.174.1A	047	2	612.4.008.1A	028	18	656.1.050.1A	025	26	701.4.003.1A	012	19
565.1.027.1A	040	35	590.1.175.1A	047	11	612.4.008.1A	037	22	657.1.019.1A	025	18	701.4.005.1A	003	4

## INDEX

CODE No.	Drwg.	POS. N.	CODE No.	Drwg.	POS. N.	CODE No.	Drwg.	POS. N.	CODE No.	Drwg.	POS. N.	CODE No.	Drwg.	POS. N.
701.4.006.1A	035	3	711.1.084.1A	030	21	713.1.304.1A	029	8	729908FN1	035	23	741.1.012.1A	039	31
701.4.007.1A	012	21	711.1.089.1A	006	6	713.1.304.1A	036	4	732.1.017.1A	040	27	741.1.013.1A	019	3
702.4.004.1A	025	6	711.1.095.1A	010	34	713.1.309.1A	004	13	732.2.006.2A	039	3	741.1.013.1A	047	3
702.4.009.1A	011	11	711.1.126.1A	007	12	714.1.028.1A	038	3	73270.8001	017	13	741.4.001.1A	030	7
702.4.010.2A	011	9	712.1.013.3A	041	5	714.1.045.1A	038	9	734005N01	024	2	741.4.002.1A	007	19
702.4.020.1A	010	32	712.1.034.1A	020	14	715.1.004.1A	035	8	734305N01	025	21	741.4.002.1A	030	12
702.4.033.1A	010	9	712.1.034.1A	037	4	71502.2146	035	22	734305N01	040	12	741.4.002.1A	033	15
702.5.001.5A	008	24	713.1.007.1A	014	15	716.1.022.1A	023	6	734305N01	041	4	741.4.004.1A	041	10
702.5.008.1A	010	20	713.1.011.1A	003	15	716.1.022.1A	032	10	734306N01	011	21	741.4.004.1A	042	13
702.5.008.1A	011	4	713.1.014.1A	003	11	716.1.022.1A	033	9	73500.0624	037	3	741.4.013.1B	047	16
702.5.019.1A	010	12	713.1.014.1B	003	11	716.1.022.1A	039	11	73500.0827	020	17	741.4.025.1A	030	8
702.5.022.2A	008	32	713.1.014.1E	003	11	716.1.038.1A	030	4	73500.0827	021	4	741.4.033.1A	036	10
702.5.050.1A	038	17	713.1.014.1F	003	11	716.1.038.1A	040	7	73500.1440	012	11	741.4.038.1A	031	13
703.1.013.1A	025	34	713.1.097.1B	038	6	716.1.043.1A	047	5	73500.1542	002	15	741.4.040.1A	016	5
703.5.006.2A	008	21	713.1.098.1A	038	14	716.1.053.1A	032	11	73500.1747	008	27	741.4.041.1A	016	6
703.5.006.2A	014	1	713.1.126.1A	043	11	716.1.107.1B	024	3	73500.2054	008	34	741.4.043.1A	037	17
707006N02	037	21	713.1.127.1A	043	13	72094.1616	010	10	73500.2668	042	26	741.4.055.1A	030	22
70914.2121	017	14	713.1.128.1B	011	12	72121.2106	006	4	73503.3380	008	26	741.4.057.1A	047	1
710.1.001.1A	009	13	713.1.129.1A	040	13	72231.0871	044	10	73503.3380	010	18	741.4.058.1A	047	20
710.1.025.1A	035	4	713.1.130.1A	045	5	72237.0657	046	3	73503.3380	011	5	741.4.059.1A	047	21
710.1.041.1B	038	22	713.1.140.1A	010	14	72237.0974	042	17	73503.3380	015	10	741.4.062.1A	023	21
710.1.048.1A	035	12	713.1.166.1A	008	17	72237.0974	046	5	73503.3449	042	5	741.4.062.1A	037	31
710.1.057.1A	035	9	713.1.192.1A	037	43	729906FN1	037	23	73503.3450	008	33	741.4.063.1A	047	19
710.1.068.1A	025	41	713.1.237.1A	004	15	729906FN1	039	12	73503.3683	014	18	741.4.067.1A	015	7
710.1.069.1A	010	27	713.1.241.1A	005	18	729906FN1	041	27	736.4.013.1B	044	23	74172.1008	006	16
710.1.070.1A	010	21	713.1.241.1A	015	24	729906FN1	047	6	737.4.010.3B	008	22	74172.1008	008	16
711.1.072.1A	025	40	713.1.266.1A	003	11	729908FN1	022	9	741.1.004.1A	017	6	74172.1008	014	8

## INDEX

CODE No.	Drwg.	POS. N.	CODE No.	Drwg.	POS. N.	CODE No.	Drwg.	POS. N.	CODE No.	Drwg.	POS. N.	CODE No.	Drwg.	POS. N.
74223.1045	033	12	8000.56359	019	9	763106N01	020	5	770.5.250.8B	010	15	771.5.069.8B	009	10
74224.0570	006	7	8000.56359	032	9	763106N01	041	18	770.5.250.8B	011	6	771.5.069.8B	011a	11
747.1.006.1A	035	17	8000.56359	033	14	764.1.001.1A	017	15	770.5.619.2B	040	11	771.5.069.8B	012	22
747.5.001.1A	020	7	8000.56359	039	32	764.1.002.1A	013	8	771.1.009.1A	035	10	771.5.069.8B	015	20
748.1.013.1A	004	7	8000.56391	041	13	764.1.010.1A	019	20	771.1.016.1A	035	11	771.5.071.8B	008	9
748.1.014.1B	038	24	8000.56391	044	28	764.1.011.2A	037	5	771.1.032.1A	002	38	771.5.071.8B	011a	12
748.1.023.1B	034	1	8000.56443	039	35	764.1.019.1A	041	28	771.4.007.1A	045	8	771.5.071.8B	012	23
748.1.024.1A	017	3	8000.59572	023	13	764.1.022.1A	029	6	771.5.002.1A	045	4	771.5.071.8B	030	15
748.1.040.1A	002	23	8000.66774	025	36	764.1.022.1A	036	3	771.5.025.2B	031	7	771.5.072.2B	011	23
748.1.042.1A	015	2	8000.67981	037	8	764.1.029.1A	047	7	771.5.040.2B	041	14	771.5.072.8B	005	7
748.1.044.1A	008	30	8000.69069	036	2	764.1.037.1A	040	26	771.5.040.8B	011	16	771.5.072.8B	010	19
748.1.050.1A	010	8	8000.70127	026	12	764.1.084.1A	019	7	771.5.040.8B	014	5	771.5.072.8C	004	3
748.4.002.1A	019	16	8000.70178	025	13	764.1.084.1A	022	11	771.5.043.2B	022	3	771.5.073.8B	011	2
748.4.024.1A	038	20	8000.77921	041	20	764.1.084.1A	023	8	771.5.043.2B	039	28	771.5.073.8B	030	16
748.4.034.1A	034	18	8000.78345	025	15	764.1.084.1A	032	23	771.5.045.7E	041	15	771.5.074.2B	025	19
748.4.038.1A	024	4	75120.1747	014	26	764.1.090.1A	023	7	771.5.062.8B	007	15	771.5.078.8B	012	12
749.4.002.1A	025	28	75162.2566	038	4	764.1.090.1A	033	10	771.5.064.8B	036	11	771.5.080.8B	010	31
749.4.045.2G	018	1	75191.3380	010	33	764.1.090.1A	039	14	771.5.065.8B	007	17	771.5.081.8B	005	3
749.4.045.2G	018	7	75794.1542	010	17	764.4.003.1A	023	4	771.5.065.8B	008	8	771.5.083.8B	005	2
749.5.001.1A	031	9	75794.1542	015	11	764.4.005.1A	031	15	771.5.065.8B	014	17	771.5.123.8B	002	30
749.5.001.1A	039	10	300182	032	16	76400.0004	010	3	771.5.065.8B	015	13	771.5.129.8B	009	8
750.1.012.2A	006	14	470412	016	9	76402.0002	003	17	771.5.066.8B	011a	2	771.5.136.8B	010	24
750.1.041.1A	035	15	758.1.026.1A	022	2	765.1.001.1A	020	15	771.5.066.8B	012	5	771.5.141.2B	022	8
750.1.042.1A	041	17	759.1.015.1A	040	31	766.1.014.1A	010	6	771.5.067.8B	002	28	771.5.431.2B	028	10
750.1.113.1A	006	13	760.1.003.1B	033	11	766.4.012.1A	014	6	771.5.067.8B	011a	13	771.5.665.8B	037	41
750.1.121.1A	012	3	760.1.015.1A	040	8	766.4.019.1A	015	3	771.5.069.8B	005	5	771.5.667.2B	040	6
750.5.001.1A	032	8	76266.2668	010	4	76835.1134	002	10	771.5.069.8B	008	7	771.5.669.2B	025	38

## INDEX

CODE No.	Drwg.	POS. N.	CODE No.	Drwg.	POS. N.	CODE No.	Drwg.	POS. N.	CODE No.	Drwg.	POS. N.	CODE No.	Drwg.	POS. N.
771.5.669.2B	028	4	772.5.025.1A	019	14	779.1.083.1A	036	8	779.4.075.1A	011	3	790.1.001.2A	017	1
771.5.721.2B	031	5	772.5.025.1A	028	15	779.1.086.1B	036	13	779.5.001.1A	020	38	791.1.012.1A	041	26
771.5.723.2B	037	35	772.5.025.1A	029	3	779.1.088.1A	023	2	779.5.001.1A	044	5	791.1.017.2A	016	19
771.5.725.2B	025	22	772.5.025.1A	032	20	779.1.088.1A	040	3	779.5.001.1A	047	9	791.1.034.1A	041	16
771.5.725.8B	020	2	772.5.025.1A	041	6	779.1.088.1A	043	2	779.5.010.1A	035	21	791.2.030.2A	007	5
771.5.725.8B	021	5	772.5.034.1A	043	6	779.1.089.1A	044	17	779.5.011.1A	020	11	797.1.032.1A	004	1
771.5.754.2B	018	8	773.1.001.1A	005	19	779.1.099.1A	025	2	779.5.016.1A	017	17	797.1.036.1A	004	11
771.5.754.2B	037	14	775.1.008.2A	040	17	779.1.109.1A	006	2	780.1.007.1A	017	8	799.1.014.1A	013	16
771.5.937.2B	035	7	775.1.011.1A	043	5	779.1.110.1B	034	22	780.1.008.1A	042	7	799.1.015.1A	013	13
771.5.938.2B	035	5	775.1.038.1A	032	13	779.1.119.2A	034	3	780.1.016.1A	006	3	799.1.024.1A	020	32
772.1.001.1A	018	17	775.1.038.1B	044	19	779.1.159.1A	020	26	780.1.018.1A	009	3	799.1.024.1A	021	12
772.1.047.1A	025	32	775.1.062.2A	032	19	779.1.162.2A	009	27	780.2.047.1A	009	17	799.1.025.1A	002	20
772.1.063.1A	039	1	775.5.002.1A	045	6	779.1.170.1A	042	2	780.5.001.1A	011a	18	799.1.049.1A	002	1
772.5.004.1A	020	24	776.5.032.8A	015	5	779.1.198.1A	011a	3	780.5.004.1A	030	24	799.1.051.2A	006	15
772.5.004.1A	021	17	777.5.002.1A	020	20	779.1.198.2A	009	23	786.1.048.4A	007	11	799.1.052.2A	016	8
772.5.008.1A	045	3	777.5.002.1A	021	6	779.1.203.2A	002	7	786.1.089.1D	007	9	799.1.055.1A	009	5
772.5.021.1A	032	25	777.5.049.8B	007	6	779.1.213.1A	019	11	787.1.005.1A	036	12	799.1.069.1A	018	5
772.5.023.1A	023	5	777.5.049.8B	011a	7	779.1.221.1A	025	20	787.1.011.1A	010	26	799.1.070.1A	018	6
772.5.023.1A	025	17	777.5.049.8B	014	10	779.1.311.1A	038	12	788.1.002.2A	015	6	799.1.071.1A	020	29
772.5.023.1A	030	3	779.1.007.2A	006	9	779.1.366.1AB	027	7	788.1.007.3A	015	15	799.1.072.1A	017	9
772.5.023.1A	032	15	779.1.026.1A	010	29	779.1.366.1AB	028	9	788.1.050.1A	015	17	799.1.083.1B	037	32
772.5.023.1A	033	8	779.1.029.2A	010	36	779.1.366.1AB	037	25	788.1.053.1A	015	18	799.1.087.1A	025	33
772.5.023.1A	043	10	779.1.039.1A	002	3	779.1.397.1A	027	10	788.1.054.1A	012	4	799.1.088.1A	018	10
772.5.024.1A	019	10	779.1.050.1A	024	9	779.1.399.1A	038	7	788.1.056.1A	011	13	799.1.089.1A	018	9
772.5.024.1A	022	12	779.1.050.1A	044	6	779.1.415.1A	028	23	788.1.076.1A	011a	9	799.1.191.1A	004	10
772.5.024.1A	037	12	779.1.058.1A	036	14	779.1.427.1A	034	23	788.1.076.1AA	011a	9	799.1.211.1A	002	36
772.5.024.1A	039	26	779.1.059.2A	029	5	779.4.005.2A	018	12	788.1.076.1AB	011a	9	799.1.215.1A	023a	5

## INDEX

CODE No.	Drwg.	POS. N.	CODE No.	Drwg.	POS. N.	CODE No.	Drwg.	POS. N.	CODE No.	Drwg.	POS. N.	CODE No.	Drwg.	POS. N.
799.2.077.2A	009	14	815.1.028.1A	009	21	826.1.009.1A	002	33	829.1.184.1A	037	1	840.1.007.1A	13	11
799.5.001.2A	004	8	818.1.060.1A	004	5	826.1.011.1A	003	13	829.1.190.1A	023	12	840.1.008.1A	13	11
800.1.007.1A	007	20	819.1.017.1A	038	8	827.1.012.1A	044	15	829.1.204.1A	022	13	840.1.009.1A	13	11
800.1.008.1A	007	18	819.1.039.1A	034	2	827.1.045.1A	020	34	829.1.205.1A	045	2	840.1.010.1A	13	11
800.1.033.1A	030	17	821.1.001.1A	002	26	827.1.045.1A	021	10	829.1.206.1A	045	1	840.1.011.1A	13	11
800.1.048.1A	030	13	821.1.002.1A	013	20	827.1.061.1A	040	4	829.1.207.1A	047	4	840.1.012.1A	13	11
800.1.049.1A	030	6	821.1.003.1A	013	17	827.1.121.1A	019	13	829.1.208.2A	028	14	840.1.013.1A	13	11
800.1.053.1A	030	18	821.1.004.1A	013	12	827.1.122.2A	025	11	829.1.217.1A	031	4	840.1.014.1A	13	11
800.1.054.1A	030	20	821.1.009.1B	038	19	827.1.139.2B	018	11	829.1.245.1A	015	25	840.1.015.1A	13	11
802.1.015.1A	016	18	821.1.028.2B	041	8	827.1.157.1A	047	8	829.1.332.1A	045	10	840.1.016.1A	13	11
806.1.011.1AA	039	2	821.1.052.1A	037	7	827.1.166.1A	023	16	829.1.509.1A	041	11	840.1.017.1A	13	11
806.1.011.1AG	039	2	821.1.054.1A	023	3	827.1.192.1A	020	19	829.1.544.1A	022	15	840.1.018.1A	13	11
806.1.011.1AT	039	2	821.1.070.1A	002	17	827.1.221.1A	035	20	829.1.556.1A	022	5	840.1.019.1A	13	11
806.1.012.1A	020	27	821.1.073.1A	025	10	827.1.286.1A	032	21	829.4.001.1A	040	5	840.1.020.1A	13	11
806.1.013.1A	020	36	821.1.075.1A	022	10	827.1.330.1A	032	12	830.1.040.1B	019	8	840.1.021.1A	13	11
808.1.007.1C	035	19	821.1.075.1A	033	13	827.2.134.1A	041	7	830.1.077.1A	029	7	840.1.022.1A	13	11
808.1.019.1A	040	9	821.1.081.1A	039	17	827.2.215.1A	032	24	830.1.121.1A	016	13	840.1.023.1A	13	11
808.1.046.1A	034	24	821.1.096.2A	037	10	829.1.073.3A	037	24	830.1.131.1A	041	22	840.1.024.1A	13	11
80B0.55703	044	14	821.1.113.1A	034	14	829.1.077.2B	042	11	830.1.144.1A	011	15	840.1.025.1A	13	11
814.1.002.1AB	007	14	821.1.129.1A	032	26	829.1.104.1A	042	18	830.1.172.1A	016	3	840.1.026.1A	13	11
814.1.053.1AB	030	14	821.1.170.1A	020	18	829.1.127.1A	031	19	832.1.032.1A	025	37	840.1.027.1A	13	11
814.1.063.1AB	030	11	824.1.039.1A	020	1	829.1.136.1A	039	36	840.1.001.1A	13	11	840.1.028.1A	13	11
814.1.065.1A	042	4	824.1.040.1B	021	1	829.1.167.2AB	022	4	840.1.002.1A	13	11	840.1.029.1A	13	11
814.1.066.1A	042	29	824.1.041.1C	020	30	829.1.168.1AB	022	1	840.1.003.1A	13	11	840.1.030.1A	13	11
814.1.091.1B	047	15	824.1.042.1C	021	15	829.1.169.1AB	019	5	840.1.004.1A	13	11	840.1.031.1A	13	11
814.1.114.1A	001c	8	825.1.030.1A	037	34	829.1.170.1AB	019	4	840.1.005.1A	13	11	840.1.032.1A	13	11
815.1.022.1A	010	25	826.1.003.1A	010	11	829.1.172.2B	032	22	840.1.006.1A	13	11	840.1.033.1A	13	11

## INDEX

CODE No.	Drwg.	POS. N.	CODE No.	Drwg.	POS. N.	CODE No.	Drwg.	POS. N.	CODE No.	Drwg.	POS. N.	CODE No.	Drwg.	POS. N.
840.1.034.1A	13	11	840.1.072.1B	13	9	848.4.026.1A	035	18	852.1.104.1A	006	11	852.1.173.1A	014	27
840.1.047.1B	13	9	840.1.073.1A	13	11	848.4.027.1A	035	13	852.1.104.1B	006	11	852.1.174.1A	002	31
840.1.048.1B	13	9	840.1.073.1B	13	9	848.5.001.1A	020	6	852.1.104.1C	006	11	852.1.176.1A	005	16
840.1.049.1B	13	9	840.1.074.1B	13	9	848.5.002.1A	020	10	852.1.104.1D	006	11	852.1.195.1A	005	20
840.1.050.1B	13	9	840.1.075.1B	13	9	850.1.003.1A	044	21	852.1.104.1E	006	11	852.1.195.1A	009	28
840.1.051.1B	13	9	840.1.076.1B	13	9	850.4.016.1A	040	14	852.1.104.1F	006	11	852.1.199.1A	002	37
840.1.052.1B	13	9	840.1.077.1B	13	9	850.4.031.1A	042	9	852.1.104.1G	006	11	852.1.201.1A	002	37
840.1.053.1B	13	9	840.1.078.1B	13	9	850.4.047.1A	024	8	852.1.104.1H	006	11	852.5.001.1A	039	9
840.1.054.1B	13	9	840.1.079.1B	13	9	850.4.082.1A	024	10	852.1.104.1I	006	11	852.5.002.1A	044	11
840.1.055.1B	13	9	840.1.080.1B	13	9	850.4.082.1A	030	23	852.1.104.1J	006	11	852.5.005.1A	009	18
840.1.056.1B	13	9	840.1.081.1B	13	9	850.4.082.1A	039	13	852.1.104.1K	006	11	852.5.023.1A	007	16
840.1.057.1B	13	9	840.1.082.1B	13	9	850.4.082.1A	043	3	852.1.104.1L	006	11	852.5.023.1A	011a	17
840.1.058.1B	13	9	840.1.083.1B	13	9	850.4.082.1A	044	8	852.1.104.1M	006	11	852.5.024.1A	002	5
840.1.059.1B	13	9	840.1.084.1B	13	9	851.1.013.1A	008	14	852.1.104.1N	006	11	852.5.024.1A	011a	19
840.1.060.1B	13	9	840.1.085.1B	13	9	851.4.003.1A	006	12	852.1.105.1AB	003	26	852.5.024.1A	017	18
840.1.061.1B	13	9	840.1.108.1A	13	11	852.1.001.1A	034	12	852.1.105.1AD	003	26	852.5.024.1A	027	8
840.1.062.1B	13	9	840.1.109.1A	13	11	852.1.002.1A	034	12	852.1.105.1AG	003	26	852.5.024.1A	028	8
840.1.063.1B	13	9	840.1.110.1A	13	11	852.1.003.1A	034	12	852.1.108.1AH	003	1	852.5.024.1A	036	15
840.1.064.1B	13	9	840.1.111.1A	13	11	852.1.005.1A	002	14	852.1.108.1AL	003	1	852.5.024.1A	037	26
840.1.065.1B	13	9	840.1.112.1A	13	11	852.1.008.1A	005	10	852.1.108.1AN	003	1	852.5.024.1A	041	21
840.1.066.1B	13	9	840.2.001.1A	013	9	852.1.053.1A	020	13	852.1.114.1A	011	10	852.5.024.1A	042	6
840.1.067.1B	13	9	840.2.002.1B	013	11	852.1.053.2A	002	2	852.1.120.1A	009	4	852.5.025.1A	002	37
840.1.068.1B	13	9	841.1.001.1C	044	4	852.1.054.1A	037	2	852.1.120.1A	011a	22	852.5.025.1A	047	14
840.1.069.1B	13	9	841.1.046.1A	004	2	852.1.075.1A	044	22	852.1.124.2A	014	2	852.5.026.1A	010	28
840.1.070.1B	13	9	847.4.002.1A	020	33	852.1.094.1A	002	19	852.1.172.1A	002	29	853.1.002.1A	008	6
840.1.071.1B	13	9	847.4.002.1A	021	11	852.1.098.1A	042	3	852.1.172.1A	011	7	853.1.002.1A	009	9
840.1.072.1A	13	11	847.4.006.1A	002	35	852.1.103.1A	025	4	852.1.173.1A	008	20	853.1.003.1A	011a	23

## INDEX

CODE No.	Drwg.	POS. N.	CODE No.	Drwg.	POS. N.	CODE No.	Drwg.	POS. N.	CODE No.	Drwg.	POS. N.	CODE No.	Drwg.	POS. N.
853.1.003.1A	012	2	873.1.037.1A	009	6	886.4.001.1A	015	8	88713.1079	001d	2	88765.1075	001b	21
853.1.004.1A	009	11	875.1.027.1A	036	9	886.4.003.1A	011a	10	88713.1091	001d	8	88765.1076	001b	21
856.1.001.1A	003	6	875.1.038.2A	035	16	886.4.021.1A	042	16	88713.1097	001a	1	88765.1077	001b	21
856.1.002.2A	008	19	875.1.054.1A	036	7	886.4.022.1A	042	19	88713.1140	001a	2	88765.1126	001b	6
856.1.031.1A	003	28	875.1.055.1A	036	6	886.4.035.1A	011a	5	88713.1309	001	10	88765.1126A	001b	4
856.1.040.1A	040	30	875.1.065.1A	001c	3	886.4.037.1A	009	2	88713.1344	001a	3	88765.1126B	001b	12
856.1.040.1A	044	13	876.1.083.1A	033	16	886.4.043.1A	004	18	88713.1429	001d	11	88765.1126C	001b	11
856.1.064.2A	010	7	876.1.084.1A	033	5	886.4.090.1A	005	14	88713.1515	001a	7	88765.1126D	001b	14
856.1.071.1A	012	9	877.1.050.1A	037	16	886.5.001.1A	042	15	88713.1749	001d	5	88765.1126E	001b	9
860.1.004.1A	010	23	877.2.004.2A	033	7	886.5.004.1A	016	20	88713.1994	001	11	88765.1126F	001b	13
860.1.004.1A	011a	20	881.1.010.1C	012	18	886.5.011.1A	042	27	88713.2011	001d	14	88765.1126G	001b	17
861.5.003.1A	020	28	881.1.012.1A	002	32	88700.5644	001	1	88713.2036	001d	1	88765.1126H	001b	16
863.1.002.1A	012	14	881.1.051.1A	005	22	88700.5665	001d	7	88713.2092	001d	6	88765.1126L	001b	19
866.1.029.1A	041	19	881.1.051.1A	011	22	88700.5749	001d	9	88713.2103	001	4	88765.1126M	001b	18
866.1.030.1A	040	15	882.1.003.1A	008	11	88713.0123	001	6	88713.2107	001d	15	88765.1126N	001b	7
866.1.031.1A	032	14	882.1.006.1A	002	16	88713.0137	001	12	88713.2422	001d	16	88765.1126P	001b	10
866.1.034.1A	019	19	882.1.012.1A	012	15	88713.0874	001d	13	88713.2423	001	17	88765.1126Q	001b	5
866.1.061.1A	017	10	884.4.007.1A	034	7	88713.0875	001	9	88713.2651	001	16	88765.1126R	001b	3
872.1.019.1A	034	6	884.4.042.1A	009	24	88713.0879	001	8	88713.2651	001d	10	88765.1126S	001b	22
872.1.022.1A	040	2	884.5.008.1A	038	11	88713.0957	001a	6	88713.2676	001	3	88765.1126T	001b	23
872.1.026.1A	019	12	884.5.010.1A	016	2	88713.0960	001a	5	88765.0999	001d	4	88765.1126T	001c	16
872.1.027.1A	019	17	884.5.011.1A	011	8	88713.1010	001d	3	88765.1000	001	5	88765.1126U	001b	20
872.1.031.1A	034	19	884.5.034.1A	002	22	88713.1058	001a	9	88765.1001	001	14	88765.1126V	001b	8
872.1.048.1A	025	39	884.5.035.1A	005	11	88713.1062	001a	11	88765.1005	001	5	88765.1126Z	001b	1
872.4.023.1A	045	9	884.5.036.1A	009	25	88713.1071	001a	8	88765.1006	001	5	88765.1241	001c	0
873.1.001.1A	014	20	884.5.036.1A	012	7	88713.1072	001a	10	88765.1073	001b	21	88765.1242	001c	0
873.1.004.1A	014	19	886.4.001.1A	014	16	88713.1078	001	13	88765.1074	001b	21	88765.1243	001c	0

## INDEX

CODE No.	Drwg.	POS. N.	CODE No.	Drwg.	POS. N.	CODE No.	Drwg.	POS. N.	CODE No.	Drwg.	POS. N.	CODE No.	Drwg.	POS. N.
88765.1244	001c	0	8A00.67997	022	6	93823.3156	010	35						
88765.1245	001c	0	8A00.67997	023	20	93827.0114	005	12						
88765.1297	001d	12	8A00.67997	037	33	93827.0114	009	22						
88765.1298	001	2	8A00.67997	039	4	94247.0014	010	5						
88765.1369A	001b	24	8A00.69056	026	13	94247.0014	011	18						
88765.1369B	001b	24	8BB06.1070	045	7	966.1.890.4B	045	11						
88765.1369C	001b	24	8H00.67545	040	10	967.2.200.1AA	046	2						
88765.1369D	001b	24	913.7.094.1E	040	24	967.2.200.1AG	046	2						
88765.1369E	001b	24	914.7.023.1A	001b	2	967.2.200.1AT	046	2						
88765.1371	001b	25	914.7.023.1B	001b	2	98112.0002	001	7						
88765.1372	001b	26	914.7.023.1C	001b	2									
88765.1373	001b	27	914.7.023.1D	001b	2									
88765.1374	001b	28	914.7.023.1E	001b	2									
88765.1375AF	001	15	919.1.008.1A	040	34									
88765.1375AF	001	15	930.1.004.1A	025	5									
88765.1375CF	001	15	930.4.033.1A	015	12									
88765.1375DF	001	15	930.4.091.1A	005	9									
88765.1375EF	001	15	930.5.005.1A	011	19									
893.1.003.1A	029	2	930.5.006.2B	011	20									
893.1.005.1A	005	15	93781.1824	035	2									
893.4.005.1A	037	19	93783.1524	011a	4									
893.4.007.1A	028	21	93783.2552	010	13									
893.4.008.1A	027	6	93785.1830	010	16									
894.2.009.1A	009	19	93823.2018	004	17									
895.4.001.2A	041	2	93823.2087	007	8									
8A00.67610	030	5	93823.2087	014	12									
8A00.67997	003	14	93823.2087	030	10									