

GENERAL INFORMATION

The present spare parts order exactly the right spare parts

When ordering specify:

1) the part's code number followed by its description; quantity needed;

2) the motorcycle's serial number, stamped on the steering head.

Reference to right and left apply to the vehicle in terms of its direction of movement.

Spare parts drawings are general and do not represent the part.

The contents of this catalogue are general and can undergo changes without prior notice.

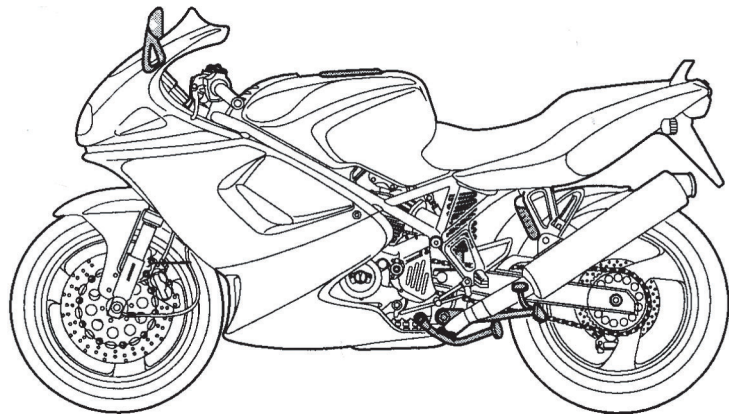
VALIDITY

f.m. Until V.I.N.
d.m. From V.I.N.
f.m.m. Up to engine number
d.m.m. From engine number

Ducati Motor Holding S.p.A.
Commercial and Administration Office:
Via A. Cavalieri Ducati n. 3
40132 Bologna, Italy
Telefono 051 6413111
Fax 051 406580
Internet www.ducati.com

CATALOGUE No: 915.1.130.1B
ISSUED: 06 - 02

CATALOGUE No: 915.1.130.1B
ISSUED: 06 - 02



Colore	Codice	Codice	Codice
Paint	Code	Code	Code
Vernis	Code	Code	Code
Slacken	Code	Code	Code
Lacas	Codice	Codice	Codice

"Rosso Anniversary DUCATI"

473.101

"Giallo DUCATI"

473.201

"Grigio ferro DUCATI"

291.600

"Grigio scuro metallizzato DUCATI"

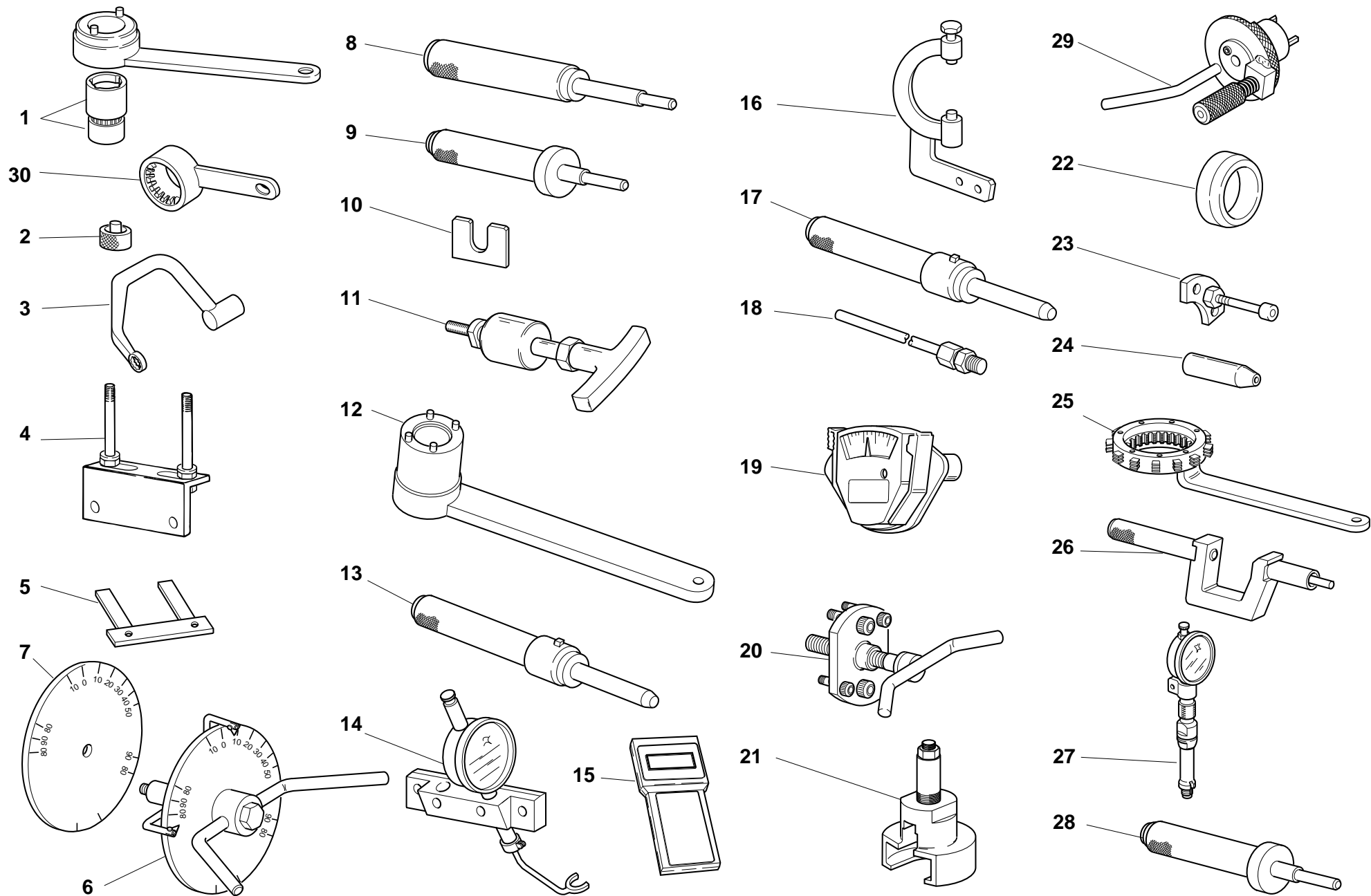
653.6047

page

CONTENTS

4	001	WORKSHOP SPECIAL TOOLS
6	001a	WORKSHOP SPECIAL TOOLS
8	001b	DIAGNOSIS TESTER MATHESIS
10	001c	WORKSHOP SPECIAL TOOLS
12	002	GEARCHANGE
14	003	GEAR-BOX
16	004	CLUTCH
18	005	CLUTCH COVER
20	006	CRANKSHAFT
22	007	CYLINDERS - PISTONS
24	008	TIMING
26	009	FILTERS AND OIL PUMP
28	010	HALF CRANKCASES
30	011	WATER PUMP - ALTERNATOR COVER
32	012	ELECTRIC STARTER AND IGNITION
34	013	HEAD
36	014	HEAD: TIMING
38	015	COLLECTORS AND HEAD COVERS
40	016	THROTTLE BODY
42	017	EXHAUST SYSTEM
44	018	STANDS
46	019	FRAME
48	020	L.H. FOOT RESTS
50	021	R.H. FOOT RESTS
52	022	HEADLIGHT HOLDER
54	023	HEAD-LIGHT AND ELECTRIC WIRING
56	024	INSTRUMENT PANEL
58	025	HANDLEBAR AND CONTROLS
60	025a	ANTI - THEFT
62	026	FRONT FORK
64	027	CLUTCH CONTROL
66	028	FRONT HYDRAULIC BRAKE
68	029	WATER RADIATOR ASSY
70	030	COOLING CIRCUIT
72	031	ELECTRIC SYSTEM
74	032	BATTERY BOX MOUNT
76	033	AIR INDUCTIO AND OIL VENT
78	034	SWINGARM AND CHAIN
80	035	REAR SUSPENSION
82	036	OIL COOLER
84	037	REAR HYDRAULIC BRAKE
86	038	FRONT AND REAR WHEELS
88	039	NUMBER PLATE HOLDER
90	040	SEAT
92	041	FUEL TANK
94	042	FUEL SYSTEM
96	043	HEADLIGHT FAIRING
98	044	FAIRING
102	045	PANNIERS FASTENS
104	046	SIDE PANNIERS
106	047	FUEL INFEEED
108	048	MARKING PLATES


DRAWING **001** WORKSHOP SPECIAL TOOLS



DRAWING **001****WORKSHOP SPECIAL TOOLS**

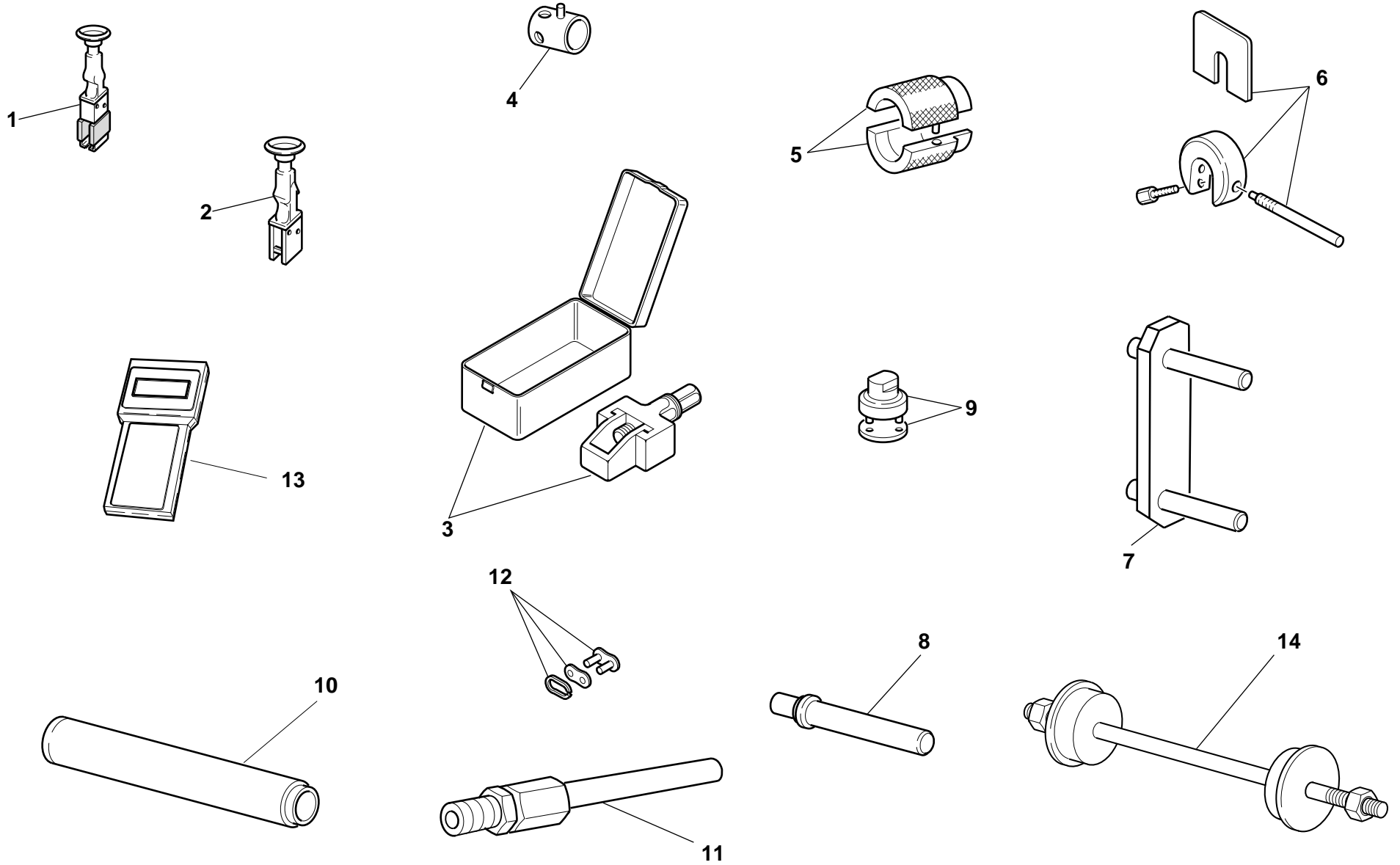
NOTES	NO.	CODE NO.	DESCRIPTION	VALIDITY	Q.TY	
	1	88700.5644	Wrench for camshaft pulley ring nut adjustment		1	
	2	88765.1298	Spacer for checking lower valve shim		1	
	3	88713.2096	Head nuts holder wrench		1	
	4	88713.2103	Head mounting base		1	
	5	88765.1000	Fork feeler gauge 0.1 mm		1	
	5	88765.1005	Fork feeler gauge 0.2 mm		1	
	5	88765.1006	Fork feeler gauge 0.3 mm		1	
	6	88713.0123	Degree wheel holder tool for ignition advance check		1	
	7	98112.0002	Degree wheel		1	
	8	88713.0879	Punch tool to extract valve guide		1	
	9	88713.0875	Intake valve guide punch tool		1	
	10	88713.1309	Fork feeler gauge 2,35 mm		1	
	11	88713.1994	Rocker shaft extractor		1	
	12	88713.0137	Crankshaft gear holder wrench for tightening nut		1	
	13	88713.1078	Punch tool for driving exhaust valve seat		1	
	14	88765.1001	Valve lift gauge		1	
	15	88765.1363A	Check instrument		1	
GB	15	88765.1363B	Check instrument		1	
D	15	88765.1363C	Check instrument		1	
F	15	88765.1363D	Check instrument		1	
E	15	88765.1363E	Check instrument		1	
	16	88713.2036	Flywheel Wrench		1	
	17	88713.1079	Punch tool for driving intake valve seat		1	
	18	88713.1010	Union for exhaust gas suction		1	
	19	88765.0999	Timing belt control gauge		1	
	20	88713.1749	Drive roller puller		1	
	21	88713.2092	Extractor for primary drive gear		1	

CATALOGUE No:
ISSUED:**915.1.130.1B**
06 - 02


NOTES	NO.	CODE NO.	DESCRIPTION	VALIDITY	Q.TY	
	22	88700.5665	Sleeve for installing clutch bell gear		1	
	23	88713.1091	Plate for positioning gear engagement fork		1	
	24	88700.5749	Crankcases assembling cap		1	
	25	88713.2133	Wrench to hold clutch housing drum steady		1	
	26	88713.1429	Tool to drive valve seal ring $\varnothing 7$		1	
	27	88765.1297	T.D.C. control gauge		1	
	28	88713.0874	Exhaust valve guide punch tool		1	
	29	88713.2011	Tool to hold crankshaft in TDC position		1	
	30	88713.2107	Wrench for holding timing belt rollers ring nuts		1	

CATALOGUE No:
ISSUED:**915.1.130.1B**
06 - 02

DRAWING **001a** WORKSHOP SPECIAL TOOLS

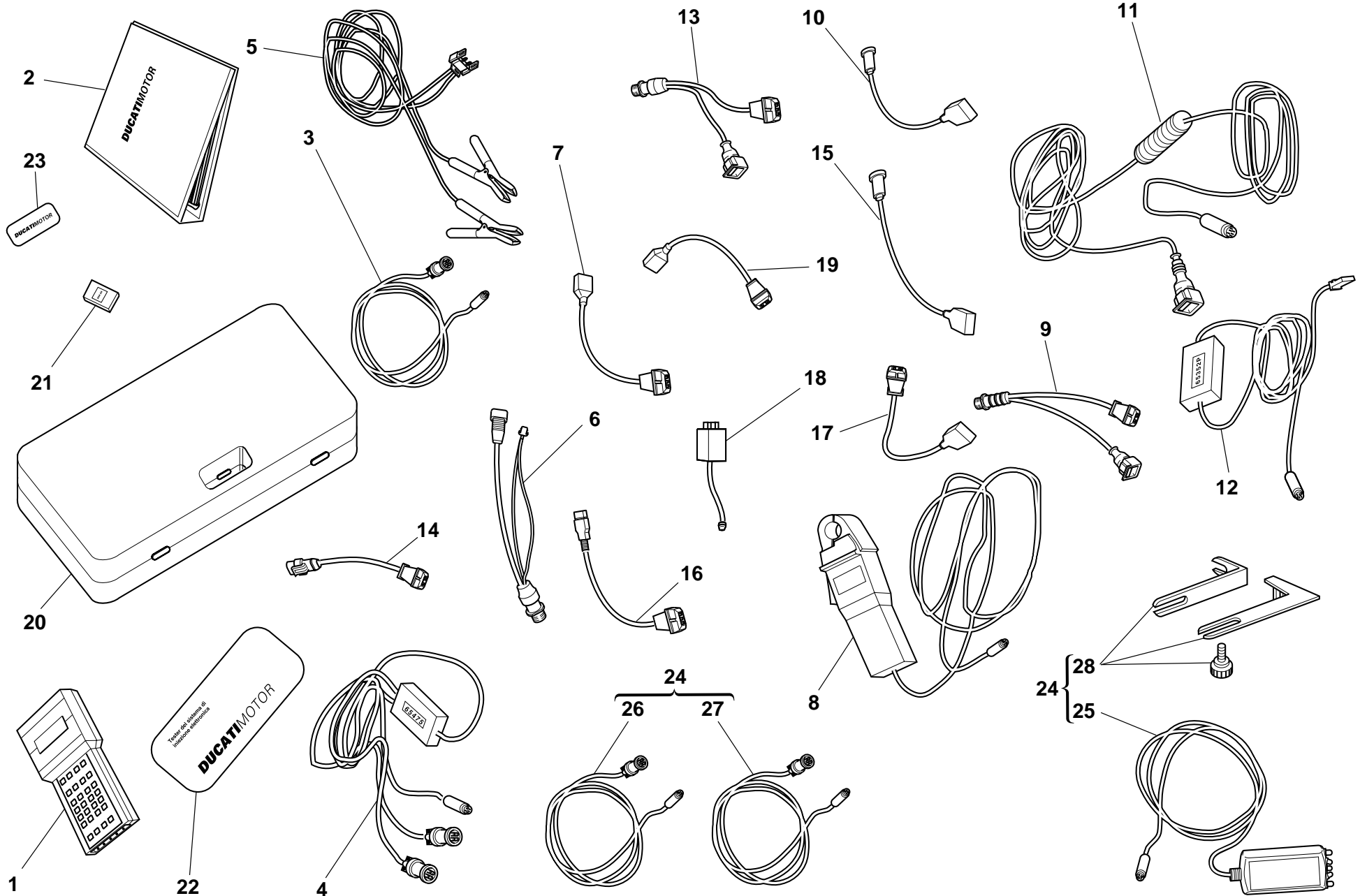


DRAWING **001a** WORKSHOP SPECIAL TOOLS


NOTES	NO.	CODE NO.	DESCRIPTION	VALIDITY	Q.TY	
	1	88713.1097	EPROM extractor		1	
	2	88713.1140	EPROM chip introducing		1	
	3	88713.1344	Tool for assembling chain		1	
	4	0000.70139	Wrench for front wheel spindle		1	
	5	88713.0960	Tool for overhauling SHOWA forks - assembling seal ring		1	
	6	88713.0957	Tool for holding SHOWA fork spacer		1	
	7	88713.1515	Frame/engine mount		1	
	8	88713.1071	Stopper for assembling the rocker needle bearings		1	
	9	88713.1058	Wrench for assembling the steering head cap		1	
	10	88713.1072	Stopper for driving the half bearing of the steering head base		1	
	11	88713.1010	Union for exhaust gas suction		1	
	12	677.4.003.1A	Coupling		1	
I	13	88765.1236	Check instrument		1	
GB	13	88765.1237	Check instrument		1	
D	13	88765.1238	Check instrument		1	
F	13	88765.1239	Check instrument		1	
E	13	88765.1240	Check instrument		1	
	14	88713.1062	Tool for assembling the steering head bearings		1	

NOTES	NO.	CODE NO.	DESCRIPTION	VALIDITY	Q.TY	
-------	-----	----------	-------------	----------	------	---


DRAWING **001b** DIAGNOSIS TESTER MATHESIS



DRAWING **001b** **DIAGNOSIS TESTER MATHESIS**

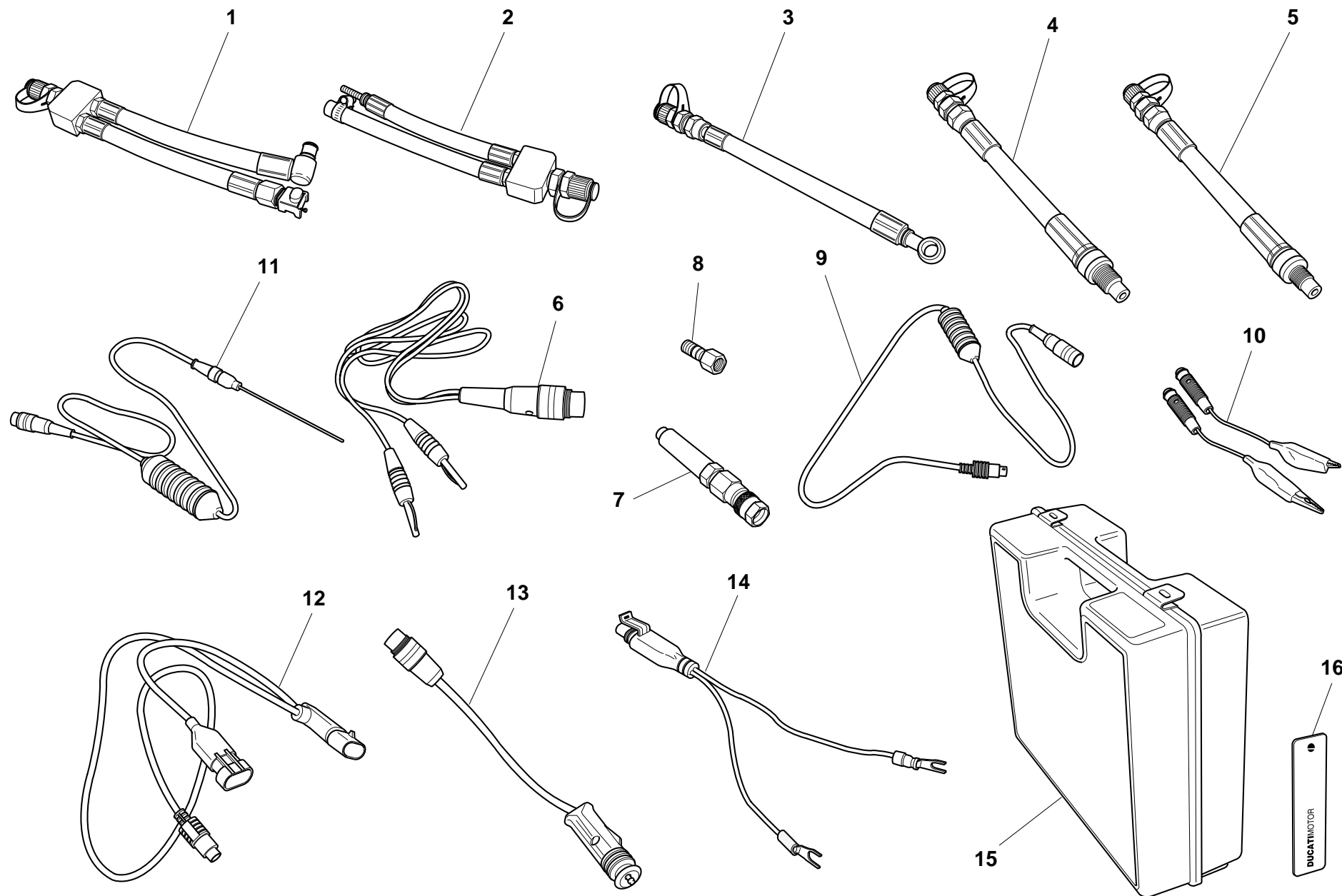
NOTES	NO.	CODE NO.	DESCRIPTION	VALIDITY	Q.TY	
	1	88765.1126Z	Bare Mathesis		1	
	2	914.7.023.1A	Italian manual		1	
	2	914.7.023.1B	English manual		1	
	2	914.7.023.1C	German manual		1	
	2	914.7.023.1D	Franch manual		1	
	2	914.7.023.1E	Spanish manual		1	
	3	88765.1126R	Main cable Mathesis		1	
	4	88765.1126A	Pickup Control cable		1	
	5	88765.1126Q	Battery mains cable		1	
	6	88765.1126	Mains cable adapter for self diagnosis		1	
	7	88765.1126N	Sensor for absolute pressure sampling		1	
	8	88765.1126V	Amperometer plier		1	
	9	88765.1126E	Adapter for 3 wires Pickup test cable		1	
	10	88765.1126P	Sensor for air temperature sampling		1	
	11	88765.1126C	Cable for potentiometer adjustment		1	
	12	88765.1126B	Test cable and speed indicator adjustment		1	
	13	88765.1126F	Adapter for 2 wires Pickup test cable		1	
	14	88765.1126D	Adapter for potentiometer adjustment		1	
	15	552.4.028.1A	Sensor for small throttle potentiometer sampling		1	
	16	88765.1126H	Sensor for throttle potentiomer sampling		1	
	17	88765.1126G	Sensor for air/water temperature sampling		1	
	18	88765.1126M	Sfety remote switch		1	
	19	88765.1126L	2 Wires sampling Pickup sensor		1	
	20	88765.1126U	Case with sponge		1	
	21	88765.1073	Italian memory card		1	
	21	88765.1074	English memory card		1	
	21	88765.1075	German memory card		1	

CATALOGUE No:
ISSUED:**915.1.130.1B**
06 - 02


NOTES	NO.	CODE NO.	DESCRIPTION	VALIDITY	Q.TY	
	21	88765.1076	French memory card		1	
	21	88765.1077	Spanish memory card		1	
	22	88765.1126S	DUCATI sticker for case		1	
	23	88765.1126T	DUCATI sticker RH/LH side		1	
	24	88765.1369A	Belt tensioning kit		1	
GB	24	88765.1369B	Belt tensioning kit		1	
D	24	88765.1369C	Belt tensioning kit		1	
F	24	88765.1369D	Belt tensioning kit		1	
E	24	88765.1369E	Belt tensioning kit		1	
	25	88765.1371	Sensor		1	
	26	88765.1372	Main cable		1	
	27	88765.1373	Cable extension		1	
	28	88765.1374	Bracket		1	


CATALOGUE No:
ISSUED:**915.1.130.1B**
06 - 02

DRAWING **001c** WORKSHOP SPECIAL TOOLS

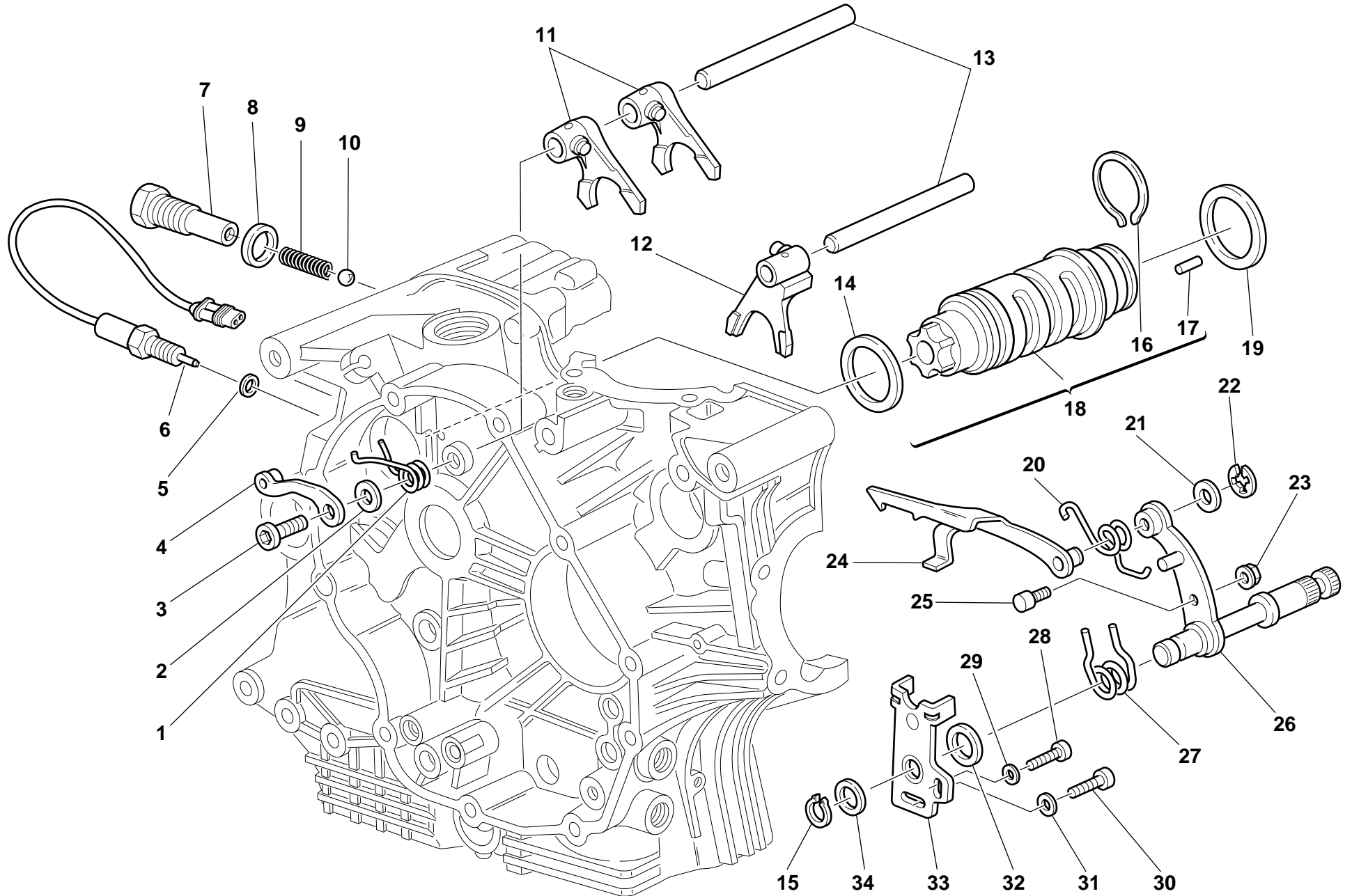


DRAWING **001c** WORKSHOP SPECIAL TOOLS

NOTES	NO.	CODE NO.	DESCRIPTION	VALIDITY	Q.TY	
	-	88765.1241	Check instrument		1	
GB	-	88765.1242	Check instrument		1	
D	-	88765.1243	Check instrument		1	
F	-	88765.1244	Check instrument		1	
E	-	88765.1245	Check instrument		1	
	1	590.1.189.1A	Fuel pressure line HS.		1	
	2	590.1.190.1A	Fuel pressure line ST/SS/M.		1	
	3	875.1.065.1A	Oil pressure line		1	
	4	552.1.037.1A	Fitting - cylinder compression M12		1	
	5	552.1.038.1A	Fitting - cylinder compression M10		1	
	6	514.1.037.1A	Cable Volt PF DUC 21		1	
	7	552.1.039.1A	Pressure sensor		1	
	8	814.1.114.1A	Oil pressure fitting		1	
	9	514.1.032.1A	Cable for supplementary tests		1	
	10	514.1.035.1A	Red clamp cable		1	
	10	514.1.036.1A	Black clamp cable		1	
	11	552.1.040.1A	Temperature probe		1	
	12	514.1.034.1A	Main cable PF A621		1	
	13	514.1.033.1A	Electric lighter connection adapter (ST)		1	
	14	514.1.038.1A	Battery connection adapter		1	
	15	698.1.033.1A	Red case with sponge rubber		1	
	16	88765.1126T	DUCATI sticker RH/LH side		2	

NOTES	NO.	CODE NO.	DESCRIPTION	VALIDITY	Q.TY	
-------	-----	----------	-------------	----------	------	---


DRAWING **002** GEARCHANGE



DRAWING **002** GEARCHANGE

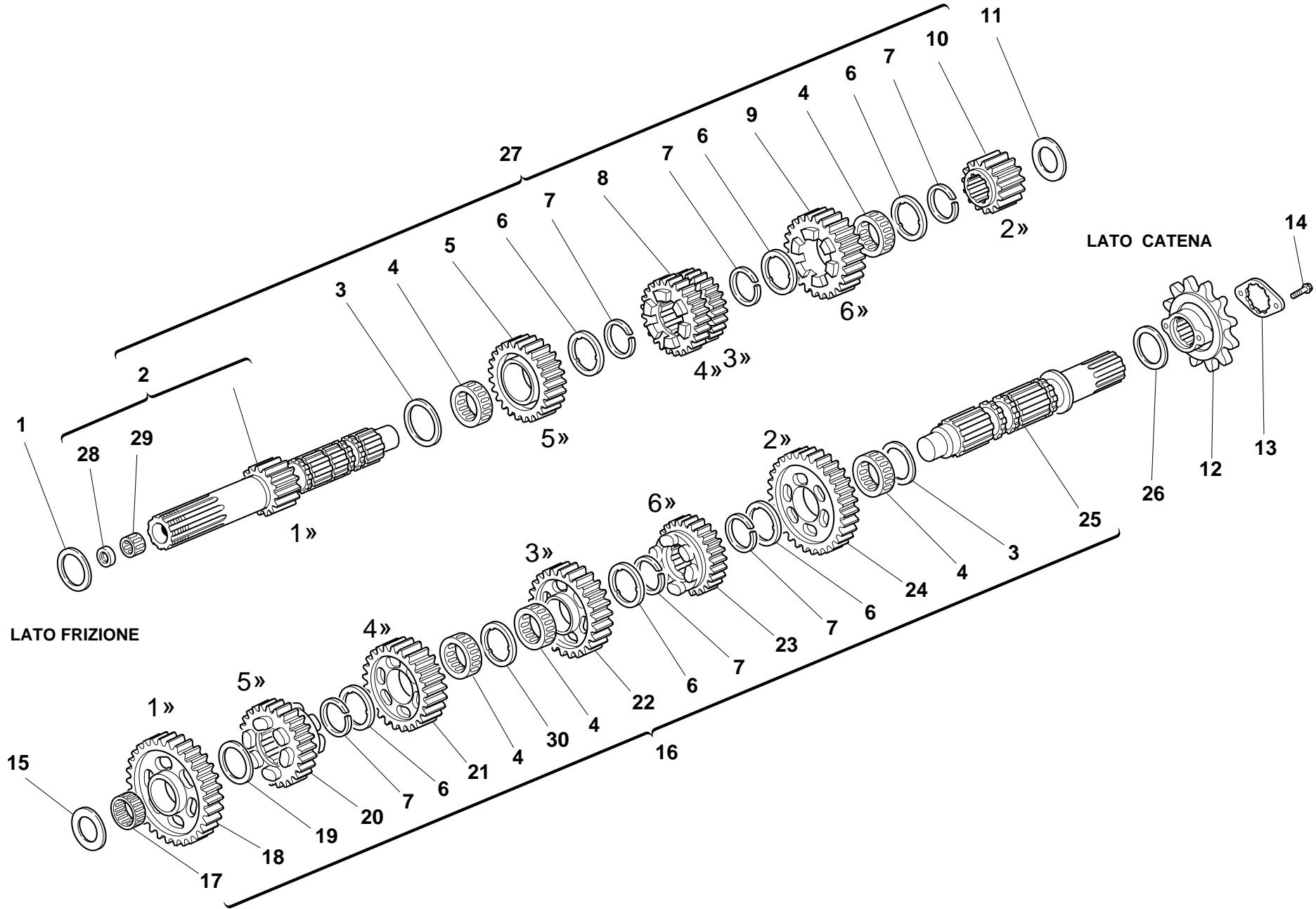
NOTES	NO.	CODE NO.	DESCRIPTION	VALIDITY	Q.TY	
	1	799.1.049.1A	Return spring		1	
	2	852.1.053.1A	Washer		1	
	3	779.1.039.1A	Special screw		1	
	4	455.2.003.1A	Gear stopper assembly		1	
	5	420.2.001.0A	Gasket th.1		1	
	6	539.1.021.1A	Switch		1	
	7	779.1.203.1A	Push rod holder		1	
	8	0272.91.090	Gasket		1	
	9	0660.13.143	Gear selector spring		1	
	10	76835.1134	Ball		1	
	11	180.1.001.1A	1st,4th-2nd,3rd gear selector fork		2	
	12	180.1.002.1A	5th,6th gear selector fork		1	
	13	0660.13.070	Fork pin		2	
	14	852.1.005.1A	Shim th. 1		1	
	15	73500.1542	Circlip		1	
	16	882.1.006.1A	Needle retaining ring (square cross-section)		1	
	17	821.1.070.1A	Special roller (square cross-section)		6	
	18	182.2.010.1A	Complete gearbox drum		1	
	19	0660.13.060	Shim th. 1		1	
	19	852.1.094.1A	Shim th. 0.9		1	
	20	799.1.025.1A	Fork return spring		1	
	21	0400.09.050	Shim th. 0.5		1	
	21	0765.92.205	Shim th. 0.2		2	
	22	0214.07.350	Ring		1	
	23	750.5.001.1A	Nut		1	
	24	180.1.008.1A	Gearbox drum control fork		1	
	25	0660.13.165	Gearchange lever pin		1	

CATALOGUE No:
ISSUED:**915.1.130.1B**
06 - 02


NOTES	NO.	CODE NO.	DESCRIPTION	VALIDITY	Q.TY	
	26	821.1.001.1A	Pin with gearchange lever		1	
	27	0799.13.110	Gearchange lever return spring		1	
	28	60N102509	Screw		1	
	29	462.3.003.8A	Washer		1	
	30	60N102555	Screw		1	
	31	462.3.003.7A	Washer		1	
	32	881.1.012.1A	Centering ring		1	
	33	826.1.009.1A	Stopper plate		1	
	34	0400.29.125	Shim th. 0.2		2	
	34	0400.29.126	Shim th. 0.5		1	

CATALOGUE No:
ISSUED:**915.1.130.1B**
06 - 02


DRAWING 003 GEAR-BOX



DRAWING **003** GEAR-BOX

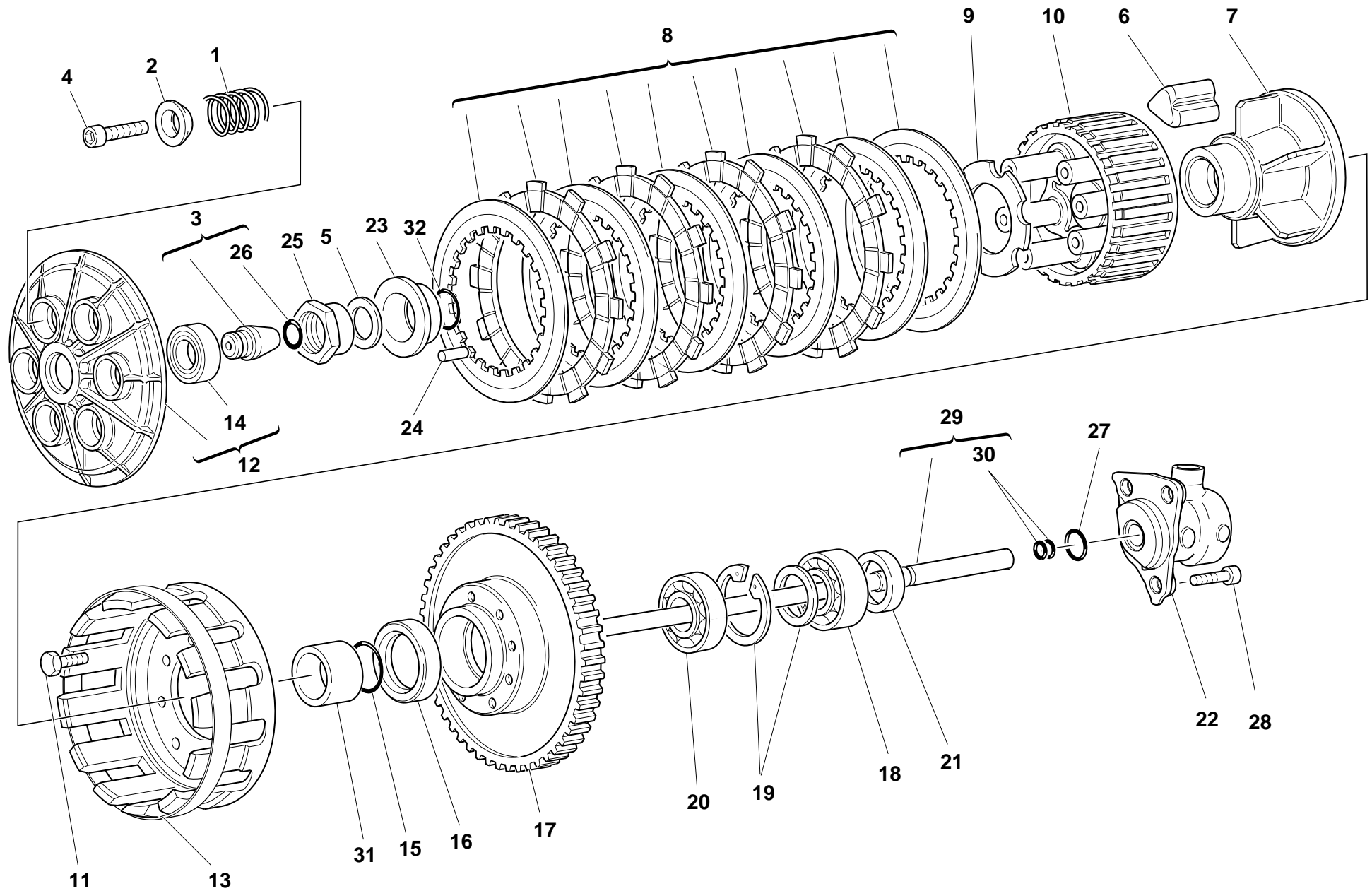
NOTES	NO.	CODE NO.	DESCRIPTION	VALIDITY	Q.TY	
	1	0251.47.050	Shim th. 1		1	
	1	0251.47.054	Shim th. 1.2		1	
	1	852.1.108.1AH	Shim th. 0.9		1	
	1	852.1.108.1AL	Shim th. 1,1		1	
	1	852.1.108.1AN	Shim th. 1,3		1	
	2	150.2.006.1A	Gearbox main shaft		1	
	3	0670.16.150	Shim th. 0.5		1	
	4	701.4.005.1A	Needle bearing		5	
	5	172.1.004.1A	Driving gear 5th sp.		1	
	6	856.1.001.1A	Grooved washer th. 0.5		6	
	7	0670.16.145	Snap ring		6	
	8	172.1.003.1A	Driving gear 3rd/4th sp.		1	
	9	172.1.005.1A	Driving gear 6th sp.		1	
	10	172.1.002.1B	Driving gear 2nd sp.		1	
	11	0670.16.163	Shim th. 1.8		1	
	11	0670.16.164	Shim th. 2		1	
	11	713.1.014.1A	Shim th. 1.5		1	
	11	713.1.014.1B	Shim th. 1.7		1	
	11	713.1.014.1E	Shim th. 1.6		1	
	11	713.1.014.1F	Shim th. 1.9		1	
	12	449.1.038.1A	Front sprocket w/rubber protection Z=15		1	
	13	826.1.011.1A	Sprocket keep plate		1	
	14	8A00.67997	Screw		2	
	15	0670.16.164	Shim th. 2		1	
	15	0670.16.165	Shim th. 2.2		1	
	15	0670.16.184	Shim th. 1		1	
	15	0670.16.185	Shim th. 1.2		1	

CATALOGUE No:
ISSUED:**915.1.130.1B**
06 - 02

NOTES	NO.	CODE NO.	DESCRIPTION	VALIDITY	Q.TY	
	15	713.1.011.1A	Shim th. 2.3		1	
	15	713.1.014.1A	Shim th. 1.5		1	
	15	713.1.014.1E	Shim th. 1.6		1	
	16	150.2.035.1A	Complete lay shaft		1	
	17	76402.0002	Needle bearing		1	
	18	172.1.006.1B	Driven gear 1st sp.		1	
	19	0670.16.150	Shim th. 0.5		1	
	19	0670.16.155	Shim th. 1		1	
	20	172.1.010.1A	Driven gear 5th sp.		1	
	21	172.1.009.1A	Driven gear 4th sp.		1	
	22	172.1.008.1A	Driven gear 3rd sp.		1	
	23	172.1.011.1A	Driven gear 6th sp.		1	
	24	172.1.007.1B	Driven gear 2nd sp.		1	
	25	149.1.024.1A	Gearbox lay shaft		1	
	26	0670.16.170	Shim th. 0.8		1	
	26	0670.16.171	Shim th. 1		1	
	26	852.1.105.1AB	Shim th. 0.9		1	
	26	852.1.105.1AD	Shim th. 1,1		1	
	26	852.1.105.1AG	Shim th. 0.7		1	
	27	150.2.005.1A	Complete main shaft		1	
	28	93783.0812	Seal ring		1	
	29	76270.0827	Needle bearing		1	
	30	856.1.031.1A	Grooved washer th. 0.5		1	

CATALOGUE No:
ISSUED:**915.1.130.1B**
06 - 02


DRAWING **004** CLUTCH



DRAWING **004** **CLUTCH**

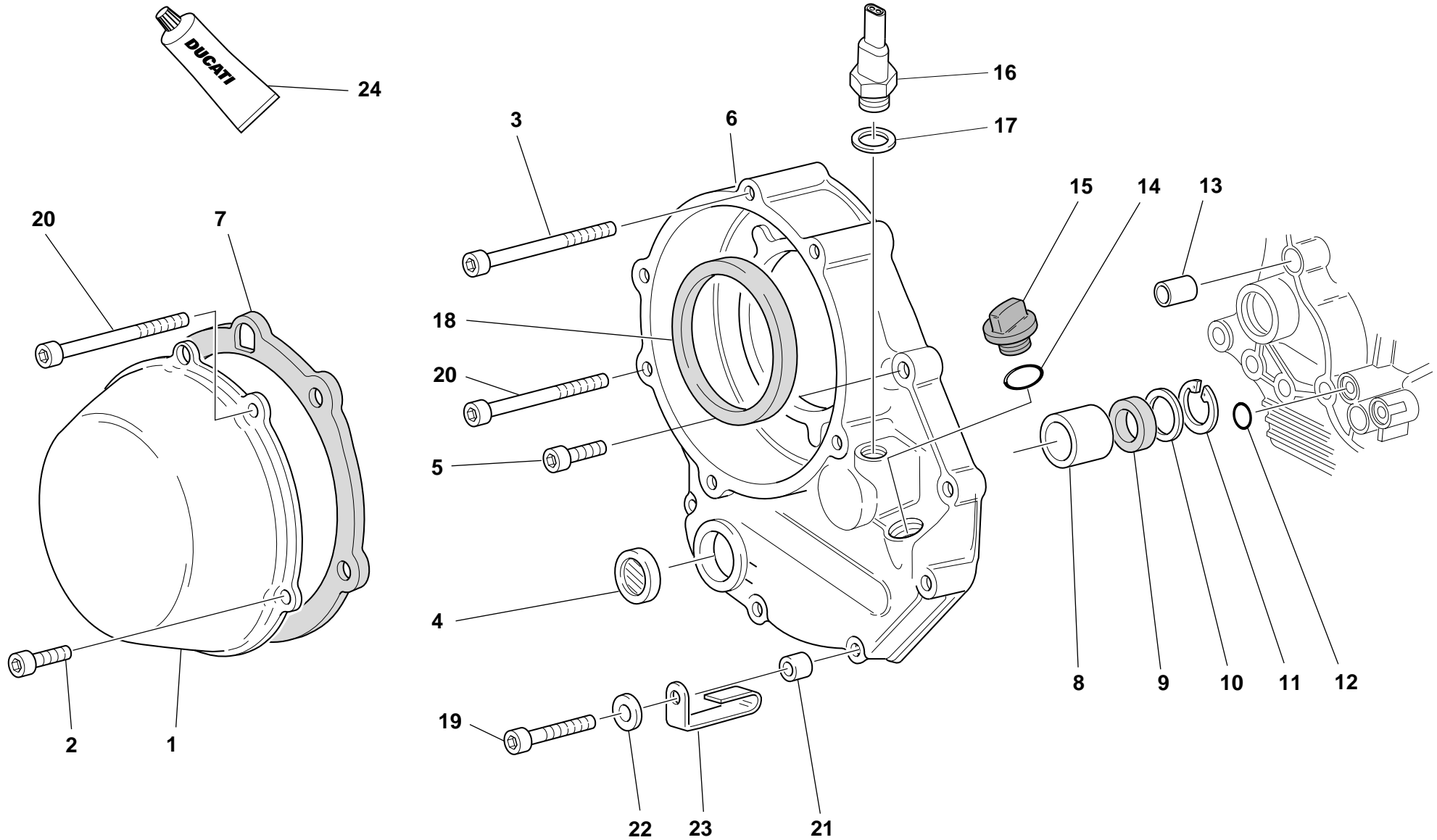
NOTES	NO.	CODE NO.	DESCRIPTION	VALIDITY	Q.TY	
	1	0659.16.555	Clutch spring		6	
	2	841.1.002.2A	Retainer		6	
	3	818.2.009.1A	Clutch control pin		1	
	4	771.5.043.2B	Screw		6	
	5	851.4.001.1A	Lock washer		1	
	6	764.1.003.1B	Rubber pad		12	
	7	162.1.001.1B	Plate holder hub		1	
	8	190.2.011.1A	Clutch plates set		1	
	9	851.1.001.1B	Lock washer		1	
	10	196.1.001.2B	Clutch drum		1	
	11	70610.8120	Screw		8	
	12	194.2.001.1B	Pressure plate		1	
	13	198.1.029.1A	Clutch housing		1	
	14	702.5.016.1A	Bearing		1	
	15	463.2.053.7A	O-ring		1	
	16	930.4.035.1A	Seal ring		1	
	17	170.2.020.1B	Clutch/crankshaft gears pair		1	
	18	702.4.017.1A	Bearing		1	
	19	881.2.001.1A	Circlip - spacer		1	
	20	75113.2566	Bearing		1	
	21	0660.16.145	Spacer		1	
	22	195.4.003.1A	Piston assembly		1	
	23	710.1.002.1A	Bush		1	
	24	74224.0570	Pin		1	
	25	750.1.002.1B	Nut		1	
	26	0400.17.030	O-ring		1	
	27	886.4.043.1A	O-ring		1	

CATALOGUE No: **915.1.130.1B**
ISSUED: **06 - 02**

NOTES	NO.	CODE NO.	DESCRIPTION	VALIDITY	Q.TY	
	28	60N107335	Screw		3	
	29	117.2.006.1A	Clutch control rod		1	
	30	93823.2018	O-ring		2	
	31	713.1.012.1B	Spacer		1	
	32	93823.0128	O-ring		1	

CATALOGUE No: **915.1.130.1B**
ISSUED: **06 - 02**

DRAWING **005** CLUTCH COVER



DRAWING **005** **CLUTCH COVER**

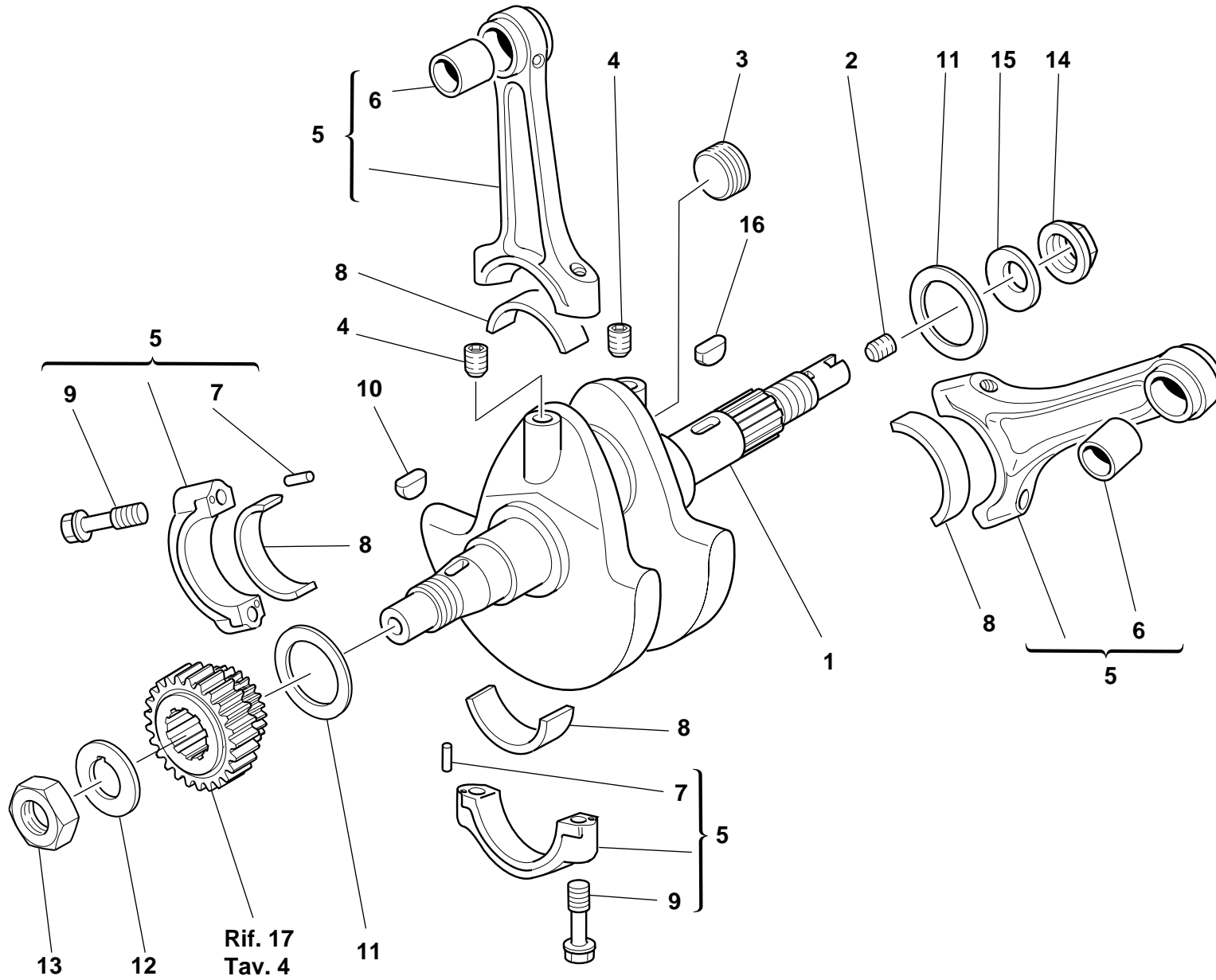
NOTES	NO.	CODE NO.	DESCRIPTION	VALIDITY	Q.TY	
	1	243.1.025.1AD	Clutch protection cover		1	
	2	60N102509	Screw		2	
	3	771.5.078.2B	Screw		1	
	4	254.4.001.1A	Oil level sight glass		1	
	5	60N102510	Screw		5	
	6	243.2.004.1BB	Cover clutch side		1	
	7	788.1.052.1A	Clutch cover gasket		1	
	8	0665.49.680	Bush		1	
	9	93784.2030	Seal ring		1	
	10	852.1.008.1A	Shim th. 0.5		1	
	11	73503.3075	Circlip		1	
	12	93827.0114	O-ring		1	
	13	0400.49.240	Locating bush		1	
	14	93823.2082	O-ring		1	
	15	893.1.005.1A	Cap		1	
	16	539.4.030.1A	Switch		1	
	17	0150.70.120	Gasket th.2		1	
	17	420.2.001.0A	Gasket th.1		1	
	18	463.4.047.7A	Ring		1	
	19	771.5.072.2B	Screw		1	
	20	417.6.075.9A	Screw		3	
	21	0675.49.540	Spacer		1	
	22	734306N01	Washer		1	
	23	0675.49.530	Clamp		1	
	24	94247.0014	Fluid sealant		1	

NOTES	NO.	CODE NO.	DESCRIPTION	VALIDITY	Q.TY	
-------	-----	----------	-------------	----------	------	---

CATALOGUE No:
ISSUED:**915.1.130.1B**
06 - 02CATALOGUE No:
ISSUED:**915.1.130.1B**
06 - 02

DRAWING **006**


CRANKSHAFT



DRAWING **006** **CRANKSHAFT**

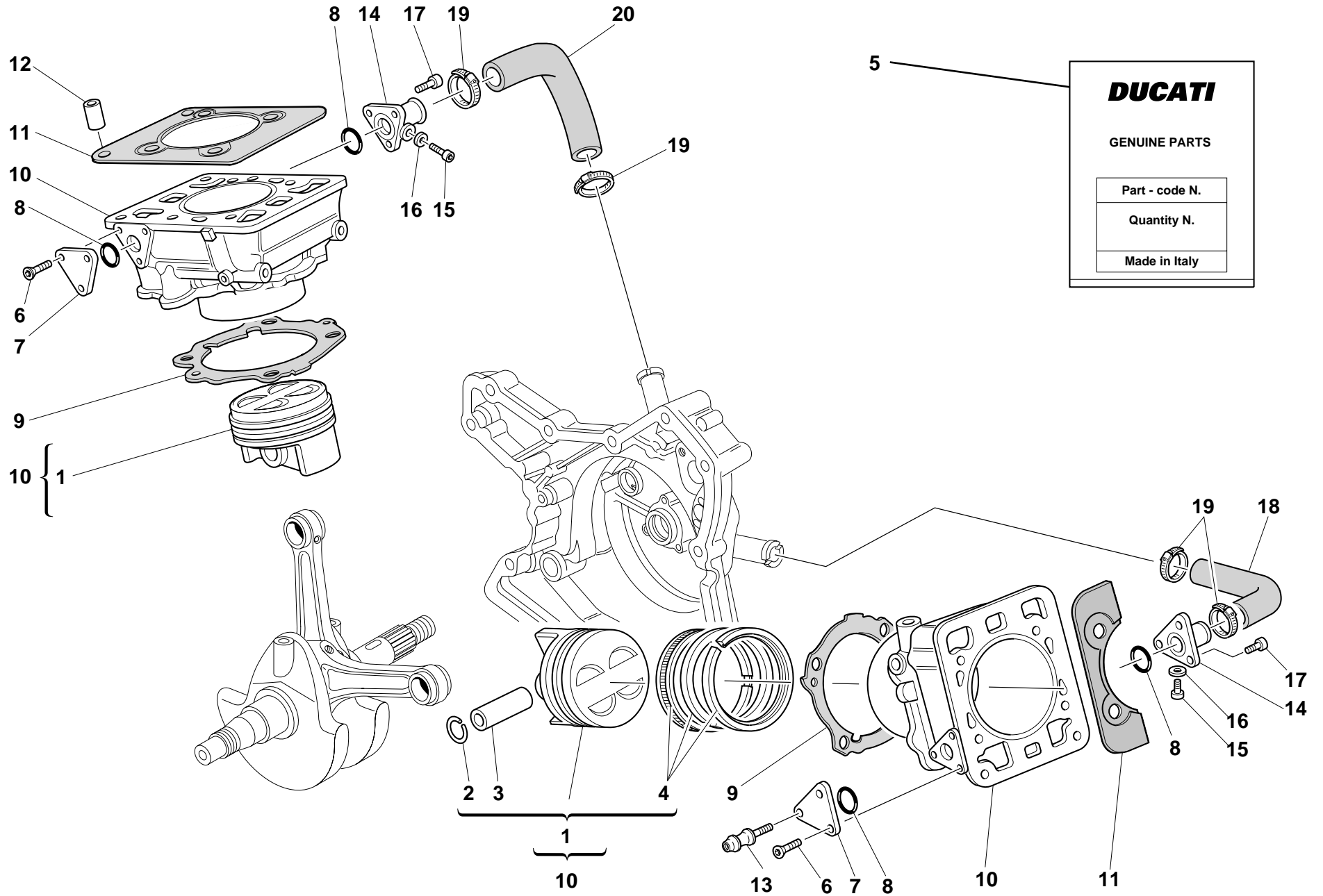
NOTES	NO.	CODE NO.	DESCRIPTION	VALIDITY	Q.TY	
	1	146.2.099.1A	Crankshaft (items 2-3-4 included)		1	
	2	779.1.109.1A	Special screw		1	
	3	780.1.016.1A	Cap		1	
	4	72121.2106	Threaded dowel		2	
	5	158.2.009.1A	Connecting rods pair		1	
	6	711.1.089.1A	Bush		2	
	7	74224.0570	Pin		4	
	8	112.1.026.1AA	Half-bearing (RED)		4	
	8	112.1.026.1AB	Half-bearing (BLUE)		4	
	9	779.1.007.2A	Special screw		4	
	10	0755.29.025	Woodruff key		1	
	11	852.1.104.1A	Shim th. 1.9		2	
	11	852.1.104.1B	Shim th. 1.95		2	
	11	852.1.104.1C	Shim th. 2		2	
	11	852.1.104.1D	Shim th. 2,05		2	
	11	852.1.104.1E	Shim th. 2,1		2	
	11	852.1.104.1F	Shim th. 2,15		2	
	11	852.1.104.1G	Shim th. 2.2		2	
	11	852.1.104.1H	Shim th. 2.25		2	
	11	852.1.104.1I	Shim th. 2.3		2	
	11	852.1.104.1J	Shim th. 2.35		2	
	11	852.1.104.1K	Shim th. 2,4		2	
	11	852.1.104.1L	Shim th. 2,45		2	
	11	852.1.104.1M	Shim th. 2.5		2	
	11	852.1.104.1N	Shim th. 2.55		2	
	12	0619.47.030	Lock washer		1	
	13	0660.47.040	Nut		1	

CATALOGUE No: **915.1.130.1B**
ISSUED: **06 - 02**


NOTES	NO.	CODE NO.	DESCRIPTION	VALIDITY	Q.TY	
	14	750.1.012.2A	Nut		1	
	15	799.1.051.2A	Spring washer		1	
	16	74172.1008	Woodruff key		1	


CATALOGUE No: **915.1.130.1B**
ISSUED: **06 - 02**

DRAWING **007** CYLINDERS - PISTONS



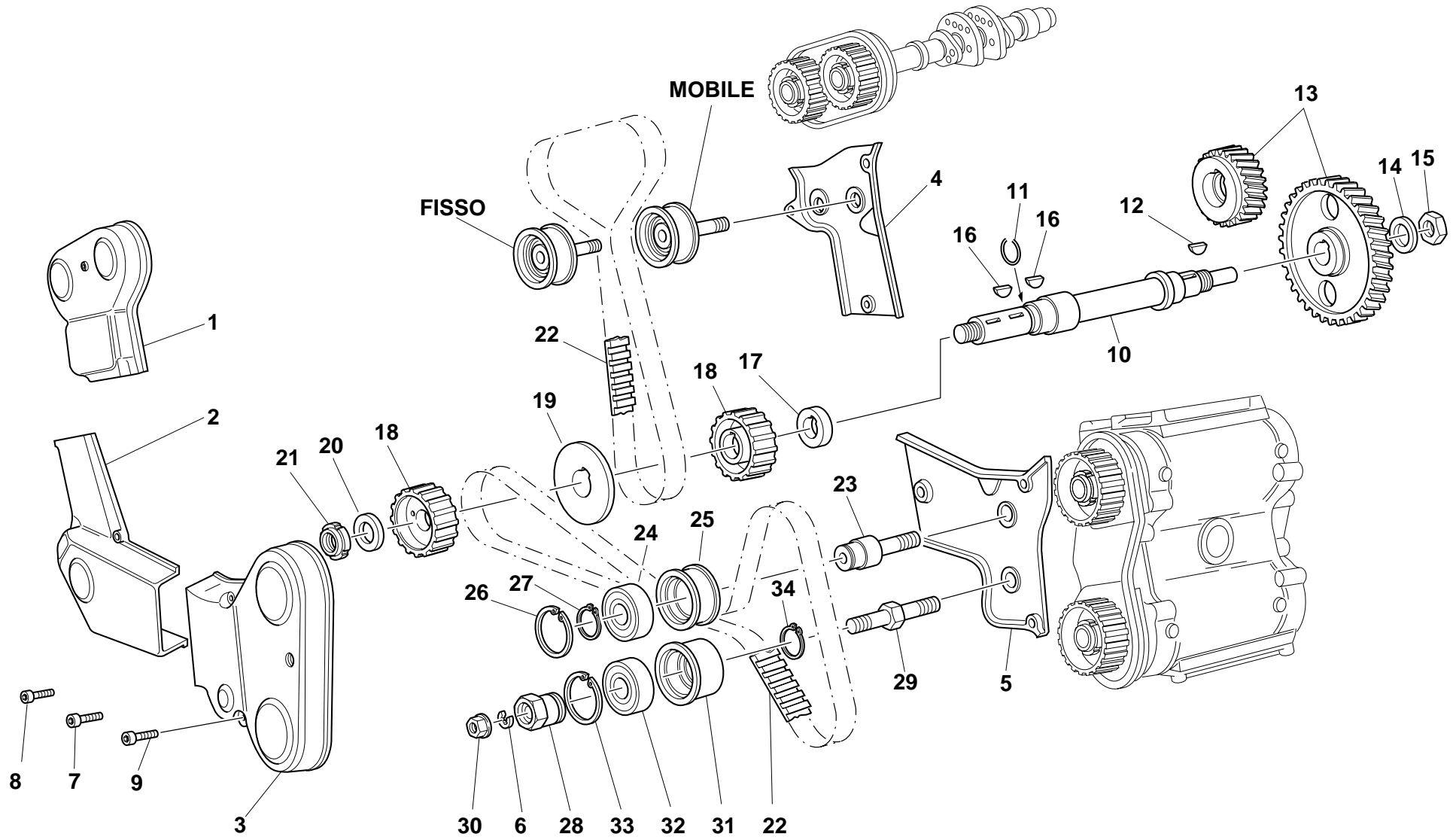
DRAWING **007** **CYLINDERS - PISTONS**

NOTES	NO.	CODE NO.	DESCRIPTION	VALIDITY	Q.TY	
	1	122.2.048.1A	Complete piston		2	
	2	121.1.048.1A	Piston pin circlip		4	
	3	121.1.047.1A	Piston pin		2	
	4	121.2.028.1A	Piston rings set		2	
	5	791.2.030.1A	Head-cylinder gaskets set		1	
	6	777.5.049.2C	Screw		5	
	7	247.1.020.1AB	Cover		2	
	8	93823.2087	O-ring		4	
	9	786.1.041.2D	Cylinder-crankcase gasket th. 0.6		2	
	10	120.2.053.3A	Cylinder-piston fit		2	
	11	786.1.048.3A	Head-cylinder gasket		2	
	12	711.1.126.1A	Bush		4	
	13	684.1.014.1B	Stud bolt		1	
	14	814.1.002.1AB	Water inlet union to cylinders		2	
	15	60N102504	Screw		2	
	16	420.2.000.7A	Gasket		2	
	17	60N107335	Screw		6	
	18	800.1.008.1A	Horizontal cylinder water inlet hose		1	
	19	741.4.002.1A	Clamp		4	
	20	800.1.007.1A	Vertical cylinder water inlet hose		1	

NOTES	NO.	CODE NO.	DESCRIPTION	VALIDITY	Q.TY	
-------	-----	----------	-------------	----------	------	---

DRAWING 008


TIMING



DRAWING **008** **TIMING**

NOTES	NO.	CODE NO.	DESCRIPTION	VALIDITY	Q.TY	
	1	245.1.021.1AB	Vertical belt outer cover		1	
	2	245.1.022.1AB	Outer central cover		1	
	3	245.1.020.1AB	Horizontal belt outer cover		1	
	4	245.1.041.1A	Vertical belt inner cover		1	
	5	245.1.042.1A	Horizontal belt inner cover		1	
	6	462.4.037.8A	Spring washer		2	
	7	60N107335	Screw		3	
	8	60N102510	Screw		3	
	9	60N102511	Screw		3	
	10	147.1.014.1A	Timing lay shaft		1	
	11	882.1.003.1A	Snap ring		1	
	12	0755.29.025	Woodruff key		1	
	13	171.2.020.2B	Timing gears pair		1	
	14	851.1.013.1A	Lock washer		1	
	15	0124.40.060	Hexagon nut		1	
	16	74172.1008	Woodruff key		2	
	17	713.1.166.1A	Spacer		1	
	18	255.1.004.1A	Timing belt roller		2	
	19	856.1.002.1A	Belt roller separating washer sp. 2		1	
	19	856.1.049.1A	Shim th. 0.3		1	
	19	856.1.050.1A	Shim th. 0.2		1	
	20	0797.69.040	Washer		1	
	21	72944.1542	Elastic-stop ring nut		1	
	22	737.4.010.3B	Timing drive toothed belt		2	
	23	451.1.004.1A	Fixed tensioner roller pin		2	
	24	702.5.001.4A	Bearing		2	
	25	451.1.010.1A	Fixed tensioner bush		2	

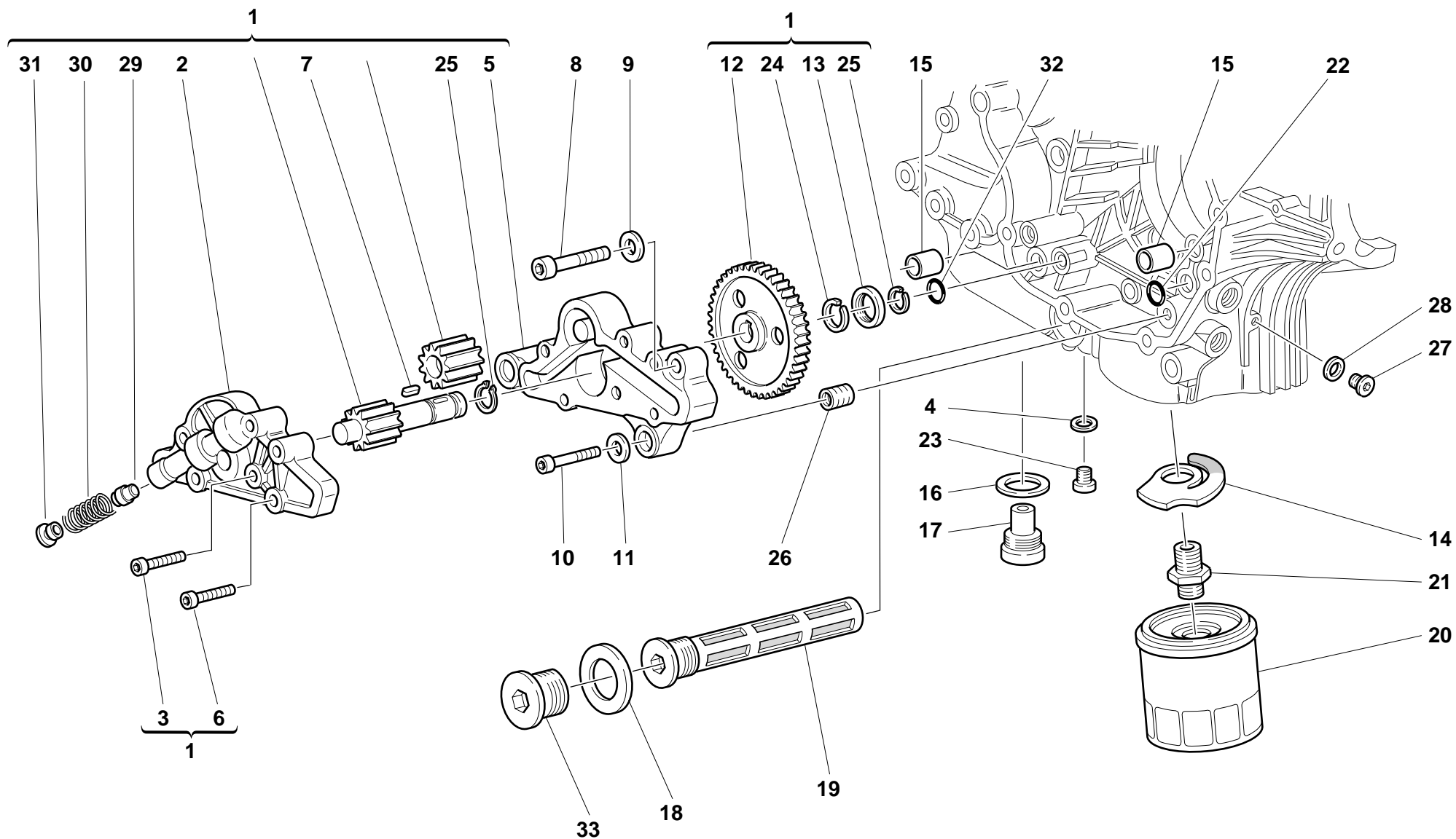
CATALOGUE No:
ISSUED:**915.1.130.1B**
06 - 02

NOTES	NO.	CODE NO.	DESCRIPTION	VALIDITY	Q.TY	
	26	73503.3380	Circlip		2	
	27	73500.1747	Snap ring		2	
	28	451.1.033.1A	Tensioner eccentric		2	
	29	451.1.001.1A	Movable tensioner roller pin		2	
	30	729908FN1	Nut		2	
	31	451.1.034.1A	Movable tensioner roller bush		2	
	32	702.5.022.2A	Bearing		2	
	33	73503.3450	Circlip		2	
	34	73500.2054	Snap ring		2	

CATALOGUE No:
ISSUED:**915.1.130.1B**
06 - 02

DRAWING 009


FILTERS AND OIL PUMP



DRAWING **009** **FILTERS AND OIL PUMP**

NOTES	NO.	CODE NO.	DESCRIPTION	VALIDITY	Q.TY	
	1	174.2.025.3A	Complete oil pump		1	
	2	247.1.104.1A	Pump cover		1	
	3	779.5.019.1A	Screw		3	
	4	852.1.120.1A	Aluminium gasket		1	
	5	250.2.030.3A	Pump body		1	
	6	779.5.020.1A	Screw		3	
	7	680.1.001.1B	Woodruff key		1	
	8	771.5.129.2B	Screw		2	
	9	462.4.037.8A	Spring washer		2	
	10	60N102510	Screw		1	
	11	462.4.037.6A	Spring washer		1	
	12	174.1.025.1A	Pump drive gear		1	
	13	710.1.001.1A	Bush		1	
	14	799.2.077.2A	Bypass spring		1	
	15	0759.49.280	Locating bush		2	
	16	220.3.208.3A	Gasket		1	
	17	0660.49.053	Oil drain plug with magnet		1	
	18	852.5.005.1A	Gasket th.1,5		1	
	19	894.2.009.1A	Oil filter		1	
	20	0905.49.960	Oil filter cartridge		1	
	21	0670.49.910	Nipple		1	
	22	93827.0114	O-ring		2	
	23	779.1.198.1A	Cap		1	
	24	76267.0012	Snap ring		1	
	25	73500.1237	Circlip		2	
	26	0670.49.310	Reduction bush		1	
	27	779.1.162.1A	Cap		1	

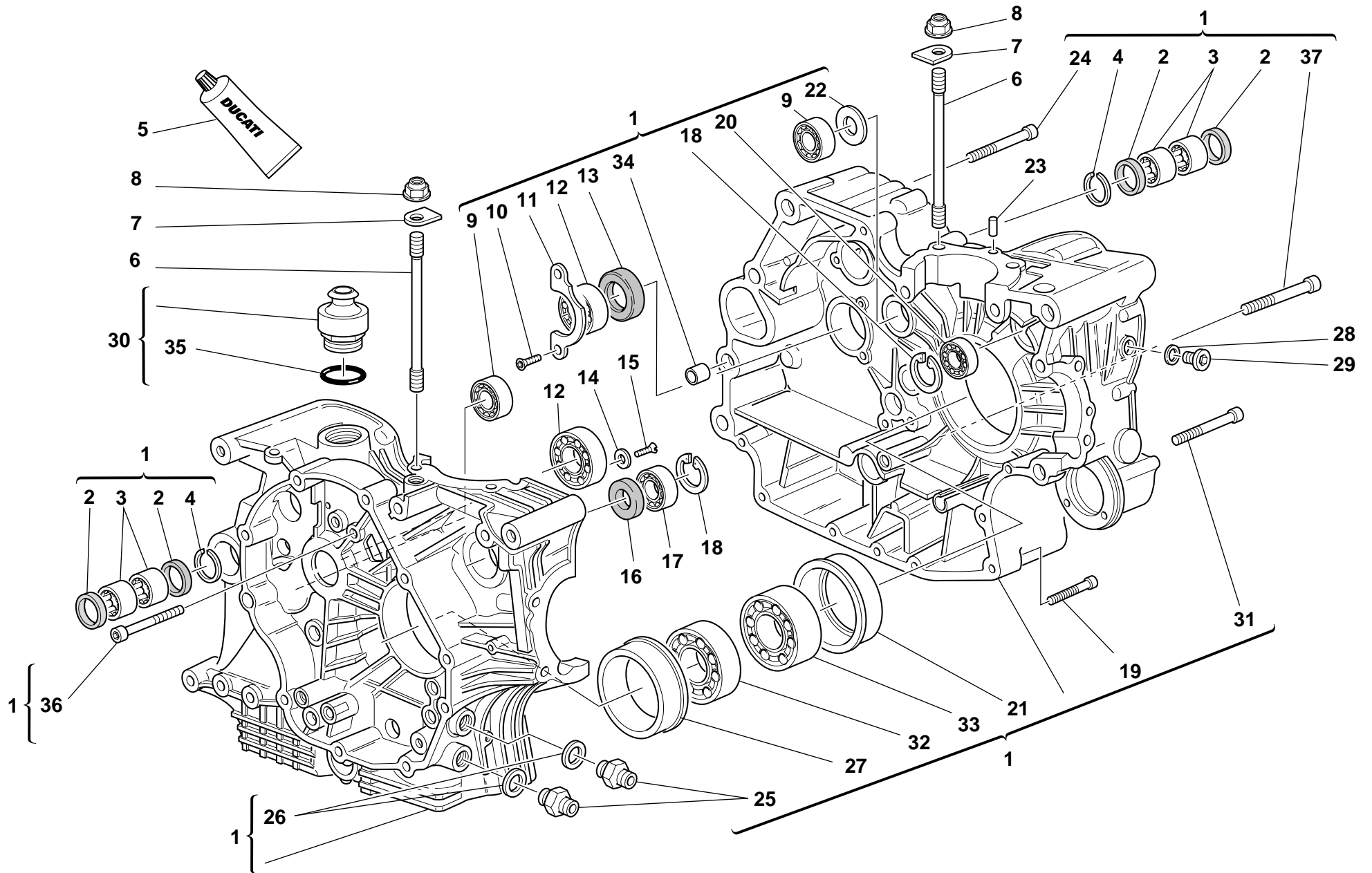
CATALOGUE No: **915.1.130.1B**
ISSUED: **06 - 02**

NOTES	NO.	CODE NO.	DESCRIPTION	VALIDITY	Q.TY	
	28	0150.70.120	Gasket th.2		1	
	29	593.1.018.1A	Bypass valve		1	
	30	799.1.055.1A	Bypass spring		1	
	31	780.1.018.1A	Bypass cap		1	
	32	886.4.037.1A	O-ring		1	
	33	873.1.037.1A	Cap		1	

CATALOGUE No: **915.1.130.1B**
ISSUED: **06 - 02**

DRAWING 010


HALF CRANKCASES



DRAWING **010** HALF CRANKCASES

NOTES	NO.	CODE NO.	DESCRIPTION	VALIDITY	Q.TY	
	1	225.2.052.1A	Complete half-crankcases pair		1	
	2	0755.49.265	Seal ring		4	
	3	76400.0004	Needle bearing		4	
	4	76266.2668	Snap ring		2	
	5	94247.0014	Fluid sealant		1	
	6	766.1.014.1A	Stud bolt for fastening head cylinder		8	
	7	856.1.025.1A	Special washer		8	
	8	0670.92.010	Nut		8	
	9	75791.1747	Bearing		2	
	10	72094.1616	Screw		2	
	11	826.1.003.1A	Keep plate		1	
	12	702.5.019.1A	Bearing		2	
	13	93783.2552	Seal ring		1	
	14	713.1.140.1A	Spacer		2	
	15	60N101079	Screw		2	
	16	93785.1830	Seal ring		1	
	17	75794.1542	Bearing		1	
	18	73503.3380	Circlip		1	
	19	771.5.072.2B	Screw		7	
	20	702.5.008.1A	Bearing		1	
	21	710.1.070.1A	Bearing holder bush		1	
	22	0370.49.250	Washer		1	
	23	0011.52.010	Locating dowel		2	
	24	771.5.136.2B	Screw		6	
	25	815.1.022.1A	Nipple		2	
	26	420.2.006.4A	Aluminium gasket		2	
	27	710.1.069.1A	Bearing holder bush		1	

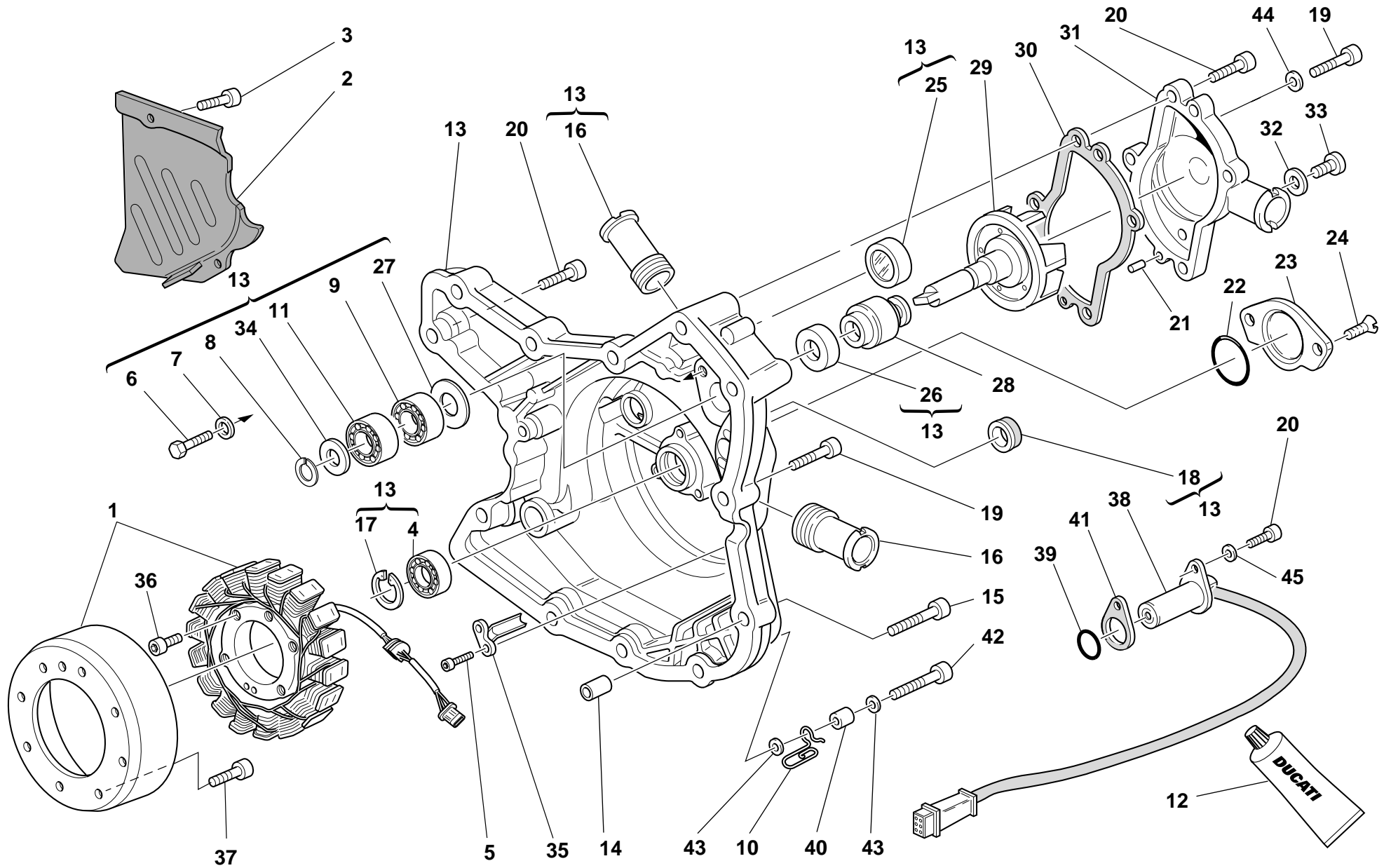
CATALOGUE No:
ISSUED:**915.1.130.1B**
06 - 02

NOTES	NO.	CODE NO.	DESCRIPTION	VALIDITY	Q.TY	
	28	420.2.006.2A	Aluminium gasket		1	
	29	779.1.026.1A	Screw		1	
	30	593.1.003.1B	Breather valve		1	
	31	771.5.080.2B	Screw		2	
	32	75143.3380	Bearing		1	
	33	75191.3380	Bearing		1	
	34	711.1.095.1A	Bush		2	
	35	93823.3156	O-ring		1	
	36	771.1.010.1A	Screw		2	
	37	779.1.029.1A	Special screw		1	

CATALOGUE No:
ISSUED:**915.1.130.1B**
06 - 02

DRAWING 011


WATER PUMP - ALTERNATOR COVER



DRAWING **011****WATER PUMP - ALTERNATOR COVER**

NOTES	NO.	CODE NO.	DESCRIPTION	VALIDITY	Q.TY	
	1	264.4.018.1A	Generator		1	
	2	247.1.083.1AE	Chain cover		1	
	3	60N107335	Screw		2	
	4	702.5.008.1A	Bearing		1	
	5	771.5.040.2B	Screw		2	
	6	60N101079	Screw		2	
	7	462.3.003.8A	Washer		2	
	8	884.5.011.1A	A 10 Ring		1	
	9	702.4.010.1A	Bearing		1	
	10	881.1.030.1A	Holder		1	
	11	702.4.009.1A	Bearing		1	
	12	94247.0014	Fluid sealant		1	
	13	242.2.038.1BB	Generator cover		1	
	14	0400.49.240	Locating bush		2	
	15	60N102511	Screw		2	
	16	668.1.001.2A	Water pump delivery filler		2	
	17	73503.3380	Circlip		1	
	18	93783.1524	Seal ring		1	
	19	60N102510	Screw		10	
	20	771.5.066.2B	Screw		5	
	21	0011.52.010	Locating dowel		2	
	22	886.4.035.1A	O-ring		1	
	23	247.1.002.1BC	Cover		1	
	24	777.5.049.2C	Screw		2	
	25	254.1.001.1A	Oil level sight glass		1	
	26	930.5.005.1A	Seal		1	
	27	713.1.128.1B	Spacer		1	

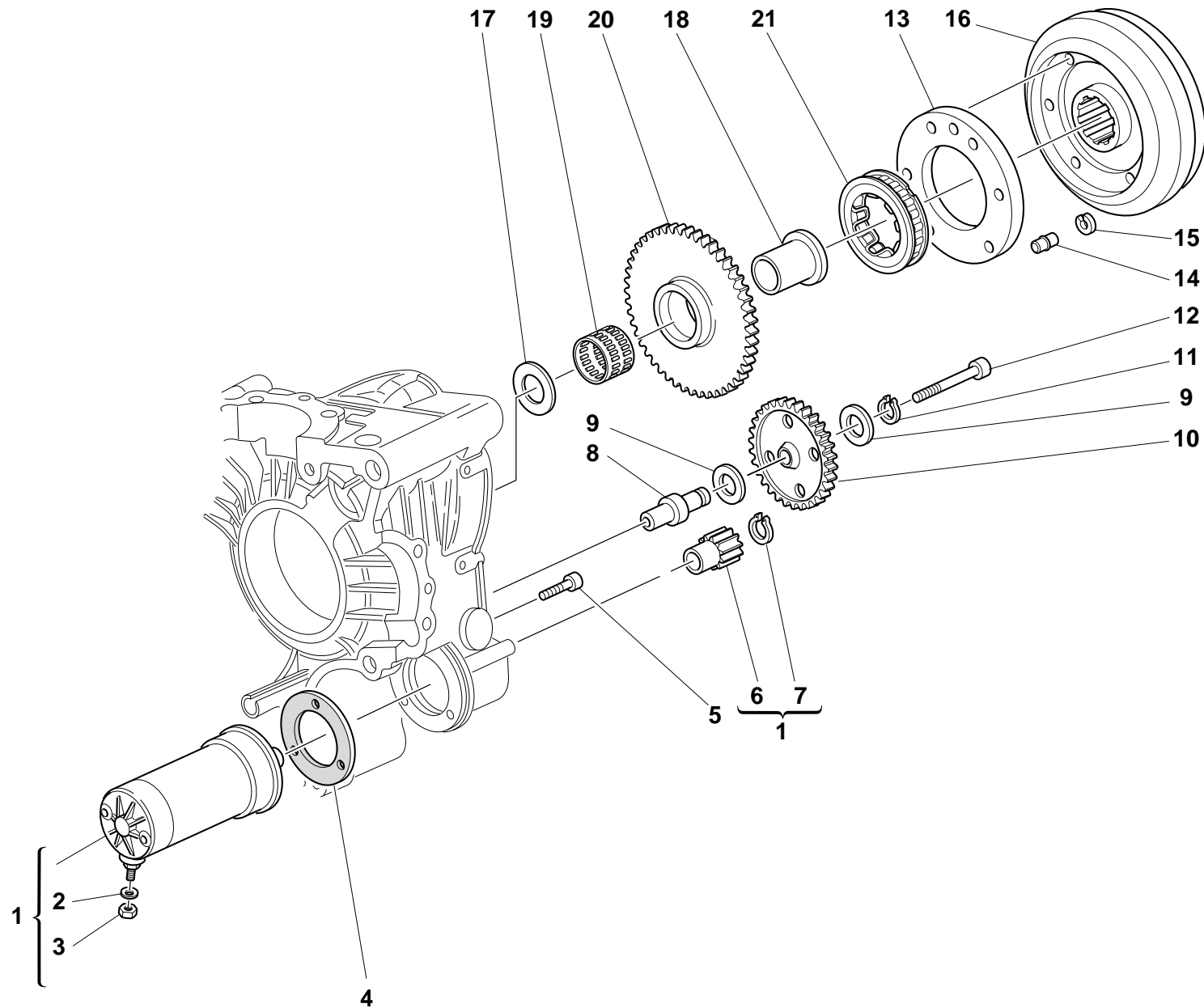
CATALOGUE No:
ISSUED:**915.1.130.1B**
06 - 02

NOTES	NO.	CODE NO.	DESCRIPTION	VALIDITY	Q.TY	
	28	930.5.006.2B	Mechanical seal		1	
	29	251.2.002.6B	Water pump fan		1	
	30	788.1.056.1A	Gasket		1	
	31	247.2.202.1A	Complete water pump cover		1	
	32	420.2.001.0A	Gasket th.1		1	
	33	780.5.001.1A	Cap		1	
	34	852.1.114.1A	Washer		1	
	35	830.1.144.1A	Bracket		1	
	36	771.5.073.2B	Screw		3	
	37	771.4.006.1A	Screw		8	
	38	552.4.020.1A	Sensor		1	
	39	886.4.003.1A	O-ring		1	
	40	0675.49.540	Spacer		1	
	41	788.1.066.1AA	Gasket th.0,6		2	
	41	788.1.066.1AB	Gasket th.0,8		1	
	41	788.1.066.1AC	Gasket th.1,0		1	
	42	771.5.072.2B	Screw		1	
	43	734306N01	Washer		2	
	44	420.2.000.7A	Gasket		1	
	45	734006N01	Spring washer		1	


CATALOGUE No:
ISSUED:**915.1.130.1B**
06 - 02

DRAWING 012

ELECTRIC STARTER AND IGNITION

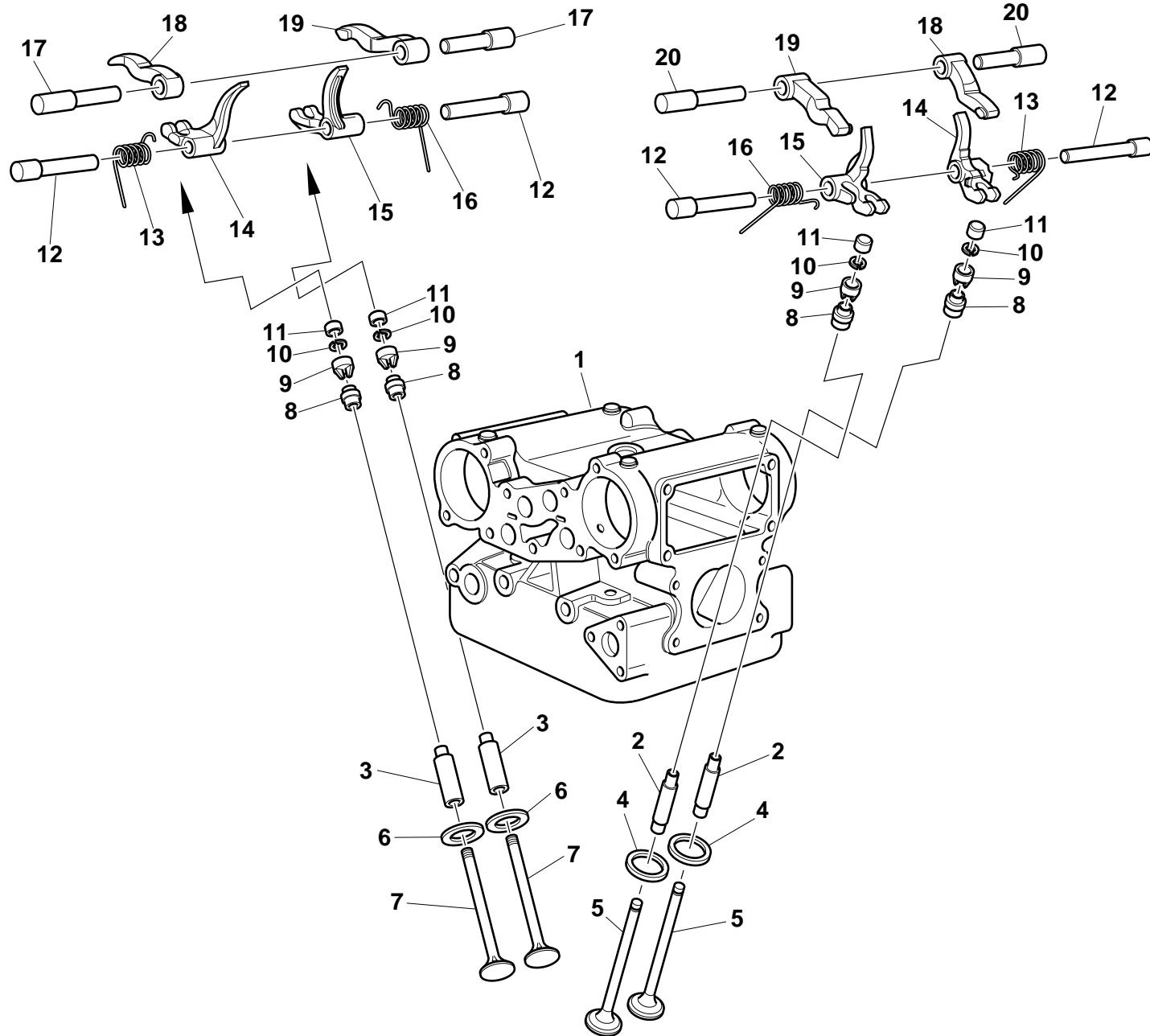


DRAWING **012** ELECTRIC STARTER AND IGNITION

NOTES	NO.	CODE NO.	DESCRIPTION	VALIDITY	Q.TY	
	1	270.4.001.1A	Complete starter motor (8-9 included)		1	
	2	734006N01	Spring washer		1	
	3	417.9.050.6A	Nut		1	
	4	788.1.054.1A	Starter motor gasket		1	
	5	60N102510	Screw		3	
	6	176.1.001.1A	Starter motor sprocket		1	
	7	73500.1237	Circlip		1	
	8	0660.50.020	Intermediate gear pin		1	
	9	856.1.071.1A	Washer		2	
	10	176.1.009.1A	Intermediate gear assembly		1	
	11	73500.1440	Circlip		1	
	12	771.5.078.2B	Screw		1	
	13	160.1.057.1A	Flange		1	
	14	863.1.002.1A	Locating pin		1	
	15	0647.29.040	Check ring		1	
	16	276.1.025.1B	Ignition flywheel		1	
	17	0619.50.065	Washer		1	
	18	881.1.010.1C	Inner ring		1	
	19	701.4.003.1A	Needle bearing		1	
	20	173.1.012.3A	Electric starter driven gear		1	
	21	701.4.007.1A	Starter clutch		1	

NOTES	NO.	CODE NO.	DESCRIPTION	VALIDITY	Q.TY	
-------	-----	----------	-------------	----------	------	---

DRAWING **013** HEAD




11		9	
Registro bilanc. apertura		Registro bilanc. chiusura	
Adjustment		Adjustment	
Réglage		Réglage	
Ventilköppchen		Ventilköppchen	
840.1.031.1A	1,8	840.1.047.1B	2,5
840.1.032.1A	1,85	840.1.048.1B	2,55
840.1.033.1A	1,9	840.1.049.1B	2,6
840.1.034.1A	1,95	840.1.050.1B	2,65
840.1.001.1A	2	840.1.051.1B	2,7
840.1.002.1A	2,05	840.1.052.1B	2,75
840.1.003.1A	2,1	840.1.053.1B	2,8
840.1.004.1A	2,15	840.1.054.1B	2,85
840.1.005.1A	2,2	840.1.055.1B	2,9
840.1.006.1A	2,25	840.1.056.1B	2,95
840.1.007.1A	2,3	840.1.057.1B	3,2
840.1.008.1A	2,35	840.1.058.1B	3,05
840.1.009.1A	2,4	840.1.059.1B	3,1
840.1.010.1A	2,45	840.1.060.1B	3,15
840.1.011.1A	2,5	840.1.061.1B	3,2
840.1.012.1A	2,55	840.1.062.1B	3,25
840.1.013.1A	2,6	840.1.063.1B	3,3
840.1.014.1A	2,65	840.1.064.1B	3,35
840.1.015.1A	2,7	840.1.065.1B	3,4
840.1.016.1A	2,75	840.1.066.1B	3,45
840.1.017.1A	2,8	840.1.067.1B	3,5
840.1.018.1A	2,85	840.1.068.1B	3,55
840.1.019.1A	2,9	840.1.069.1B	3,6
840.1.020.1A	2,95	840.1.070.1B	3,65
840.1.021.1A	3	840.1.071.1B	3,7
840.1.022.1A	3,05	840.1.072.1B	3,75
840.1.023.1A	3,1	840.1.073.1B	3,8
840.1.024.1A	3,15	840.1.074.1B	3,85
840.1.025.1A	3,2	840.1.075.1B	3,9
840.1.026.1A	3,25	840.1.076.1B	3,95
840.1.027.1A	3,3	840.1.077.1B	4
840.1.028.1A	3,35	840.1.078.1B	4,05
840.1.029.1A	3,4	840.1.079.1B	4,1
840.1.030.1A	3,45	840.1.080.1B	4,15
840.1.108.1A	3,5	840.1.081.1B	4,2
840.1.109.1A	3,55	840.1.082.1B	4,25
840.1.072.1A	3,6	840.1.083.1B	4,3
840.1.110.1A	3,65	840.1.084.1B	4,35
840.1.111.1A	3,7	840.1.085.1B	4,4
840.1.112.1A	3,75		
840.1.073.1A	3,8		

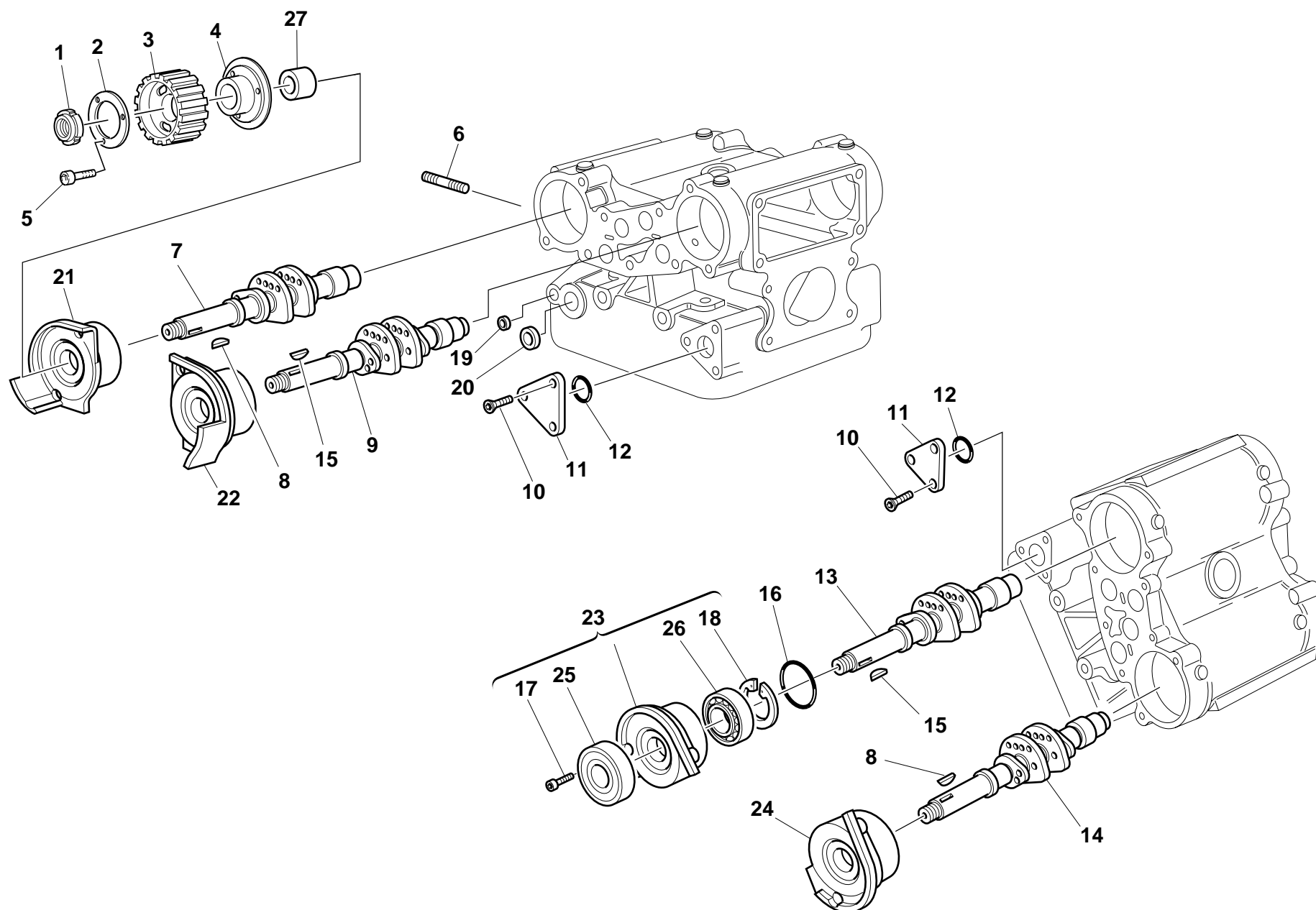
DRAWING **013** HEAD

NOTES	NO.	CODE NO.	DESCRIPTION	VALIDITY	Q.TY	
	1	301.2.106.2A	Head (2,3,4,6 included)		2	
	2	303.1.009.1A	Intake valve bronze guide		4	
	2	303.1.009.1AB	Oversize valve guide 0.03		4	
	2	303.1.009.1AC	Oversize valve guide 0.06		4	
	2	303.1.009.1AD	Oversize valve guide 0.09		4	
	3	303.1.015.1A	Exhaust valve bronze guide		4	
	3	303.1.015.1AB	Oversize valve guide 0.03		4	
	3	303.1.015.1AC	Oversize valve guide 0.06		4	
	3	303.1.015.1AD	Oversize valve guide 0.09		4	
	4	304.1.026.1A	Intake valve seat		4	
	4	304.1.026.1AB	Oversize intake valve seat 0.03		4	
	4	304.1.026.1AC	Oversize intake valve seat 0.06		4	
	5	210.1.022.2A	Intake valve		4	
	6	304.1.012.2A	Exhaust valve seat		4	
	6	304.1.012.2AB	Oversize exhaust valve seat 0.03		4	
	6	304.1.012.2AC	Oversize exhaust valve seat 0.06		4	
	7	211.1.010.2A	Exhaust valve		4	
	8	764.1.002.1A	Rubber pad		8	
	9	840.2.001.1A	See table		8	
	10	669.1.001.1E	Split rings		16	
	11	840.2.002.1B	See table		8	
	12	821.1.004.1A	Closing rocker shaft		8	
	13	799.1.015.1A	L.H. valve return spring		4	
	14	209.1.002.7A	L.H. Closing rocker		4	
	15	209.1.001.7A	R.H. Closing rocker		4	
	16	799.1.014.1A	R.H. valve return spring		4	
	17	821.1.003.1A	Exhaust opening rocker shaft		4	

CATALOGUE No:
ISSUED:**915.1.130.1B**
06 - 02

NOTES	NO.	CODE NO.	DESCRIPTION	VALIDITY	Q.TY	
	18	208.1.002.7A	L.H. Opening rocker		4	
	19	208.1.001.7A	R.H. Opening rocker		4	
	20	821.1.002.1A	Intake opening rocker shaft		4	

CATALOGUE No:
ISSUED:**915.1.130.1B**
06 - 02

DRAWING **014** HEAD: TIMING

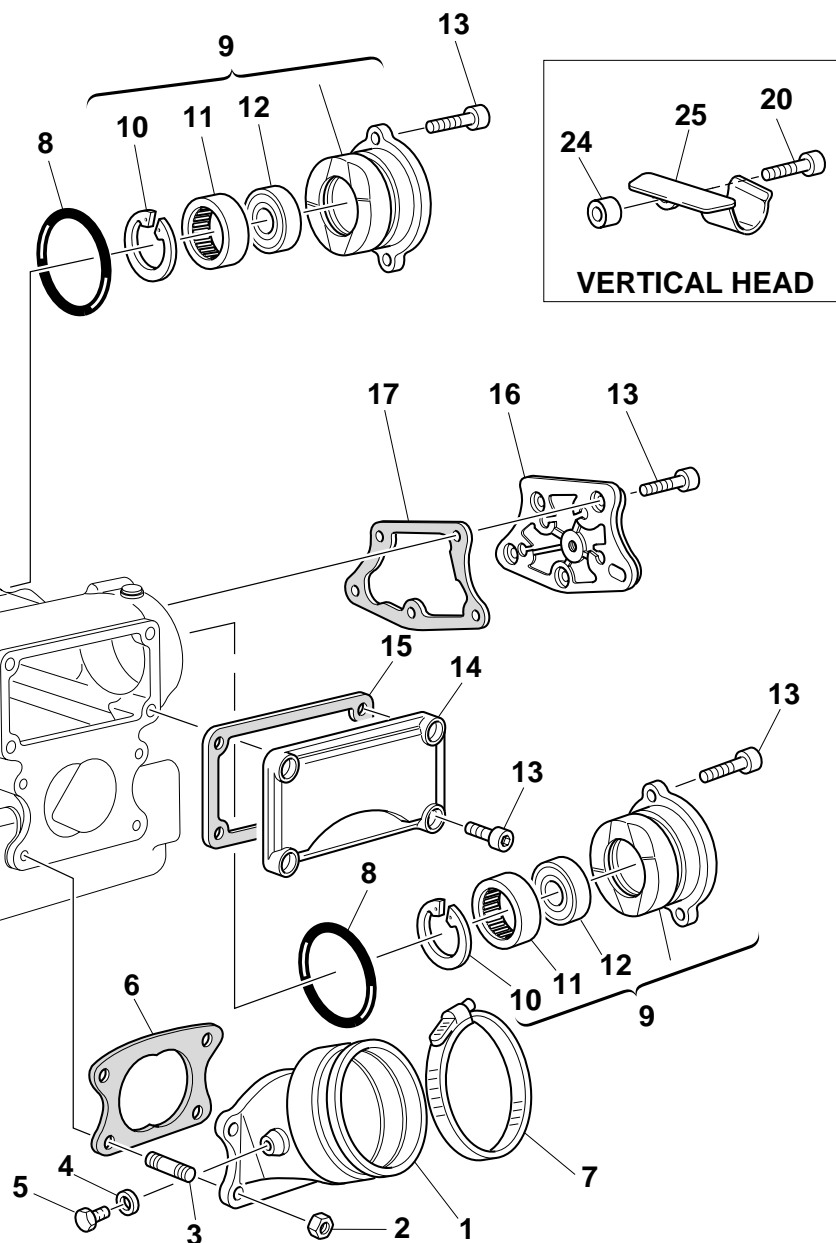
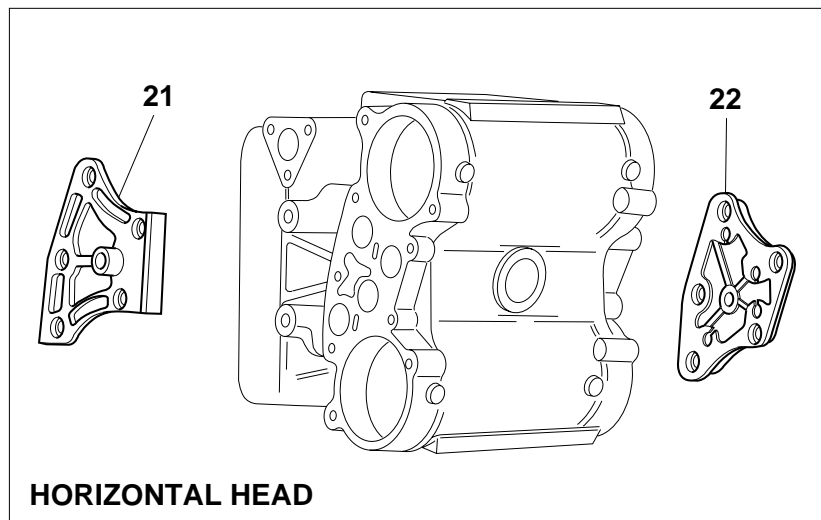
DRAWING **014** HEAD: TIMING

NOTES	NO.	CODE NO.	DESCRIPTION	VALIDITY	Q.TY	
	1	72944.1542	Elastic-stop ring nut		4	
	2	852.1.124.1A	Special washer		4	
	3	255.1.014.1A	Timing belt roller		4	
	4	160.1.076.1A	Flange		4	
	5	771.5.040.2B	Screw		12	
	6	766.4.012.1A	Stud bolt		6	
	7	148.1.156.1A	Vertical exhaust camshaft		1	
	8	74172.1008	Woodruff key		2	
	9	148.1.145.1A	Vertical intake camshaft		1	
	10	777.5.049.2C	Screw		6	
	11	247.1.020.1AB	Cover		2	
	12	93823.2087	O-ring		2	
	13	148.1.144.1A	Horizontal intake camshaft		1	
	14	148.1.155.1A	Horizontal exhaust camshaft		1	
	15	680.1.003.1H	Woodruff key		2	
	16	886.4.001.1A	O-Ring		4	
	17	60N107335	Screw		8	
	18	73503.3380	Circlip		4	
	19	873.1.004.1A	Cap		4	
	20	873.1.001.1A	Cap		4	
	21	235.2.033.1A	Rear complete cap timing side		1	
	22	235.2.035.1A	Front complete cap timing side		1	
	23	235.2.032.1A	Rear complete cap timing side		1	
	24	235.2.034.1A	Front complete cap timing side		1	
	25	930.4.033.1A	Seal ring		4	
	26	75794.1542	Bearing		4	
	27	713.1.007.1A	Belt roller spacer		4	

CATALOGUE No:
ISSUED:**915.1.130.1B**
06 - 02CATALOGUE No:
ISSUED:**915.1.130.1B**
06 - 02

DRAWING 015

COLLECTORS AND HEAD COVERS



DRAWING **015** COLLECTORS AND HEAD COVERS

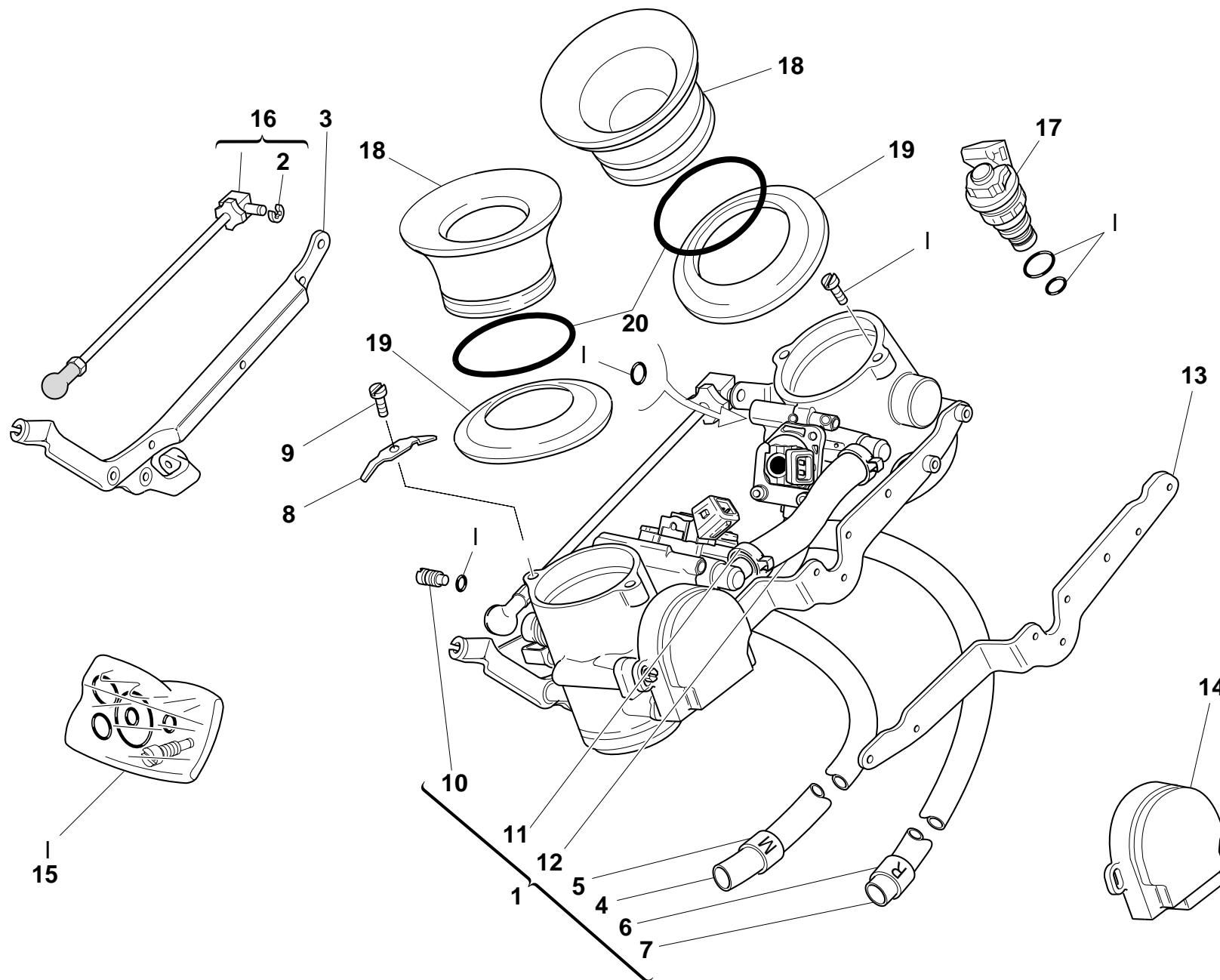
NOTES	NO.	CODE NO.	DESCRIPTION	VALIDITY	Q.TY	
	1	140.1.001.2A	Intake manifold		2	
	2	0000.44240	Nut		8	
	3	766.4.012.1A	Stud bolt		8	
	4	0250.70.223	Aluminium gasket		4	
	5	776.5.032.2A	Screw		4	
	6	788.1.002.2A	Intake duct gasket		2	
	7	741.4.067.1A	Clamp		2	
	8	886.4.001.1A	O-Ring		4	
	9	235.2.002.2AB	Complete cap tachometer side		4	
	10	73503.3683	Circlip		4	
	11	75120.1747	Bearing		4	
	12	930.4.033.1A	Seal ring		4	
	13	60N107335	Screw		52	
	14	240.1.001.1AB	Intake valve cover		2	
	15	788.1.007.3A	Intake valves cover gasket		2	
	16	247.1.080.1AA	Central cover (LIGHT GREY)		1	
	17	788.1.050.1A	Central cover gasket		4	
	18	788.1.053.1A	Exhaust valves cover gasket		2	
	19	240.1.014.1AA	Exhaust valve cover		2	
	20	60N102510	Screw		1	
	21	247.1.090.1AB	Central cover timing side		1	
	22	247.1.079.1AA	Central cover (LIGHT GREY)		1	
	23	247.1.089.1AB	Central cover timing side		1	
	24	0675.49.540	Spacer		1	
	25	829.1.245.1A	Plate		1	
	26	240.1.015.1AA	Exhaust valve cover (horizontal)		1	

NOTES	NO.	CODE NO.	DESCRIPTION	VALIDITY	Q.TY	
-------	-----	----------	-------------	----------	------	---


CATALOGUE No:
ISSUED:**915.1.130.1B**
06 - 02CATALOGUE No:
ISSUED:**915.1.130.1B**
06 - 02

DRAWING 016

THROTTLE BODY

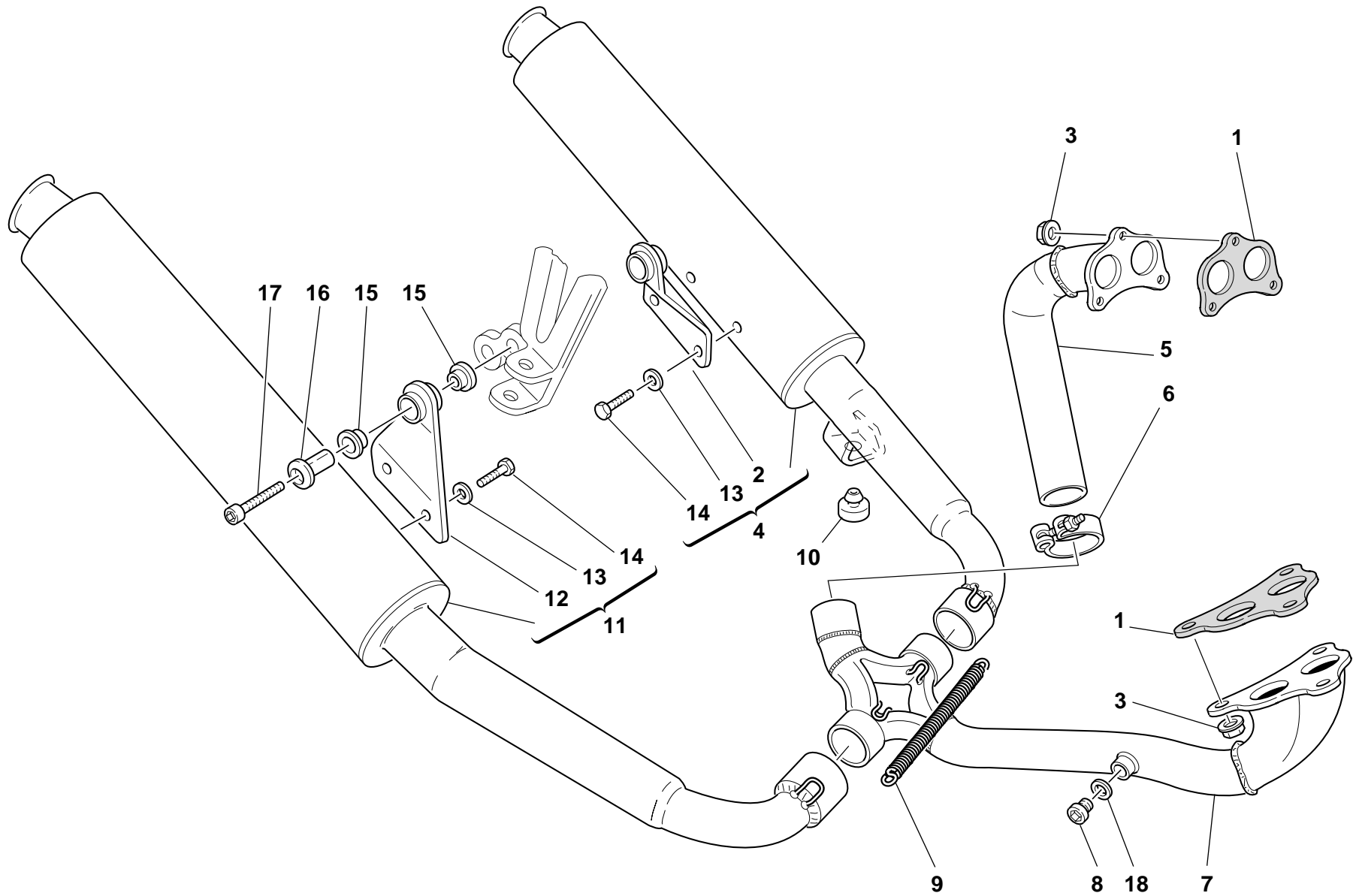


DRAWING **016** THROTTLE BODY


NOTES	NO.	CODE NO.	DESCRIPTION	VALIDITY	Q.TY	
	1	282.4.019.1D	Throttle body		1	
	2	884.5.010.1A	Circlip		1	
	3	830.1.172.1A	Bracket		1	
	4	590.1.103.1A	Tube		1	
	5	741.4.040.1A	Clamp "M"		1	
	6	741.4.041.1A	Clamp "R"		1	
	7	590.1.124.1A	Tube		1	
	8	799.1.052.1A	Spring		4	
	9	470412	Screw		4	
	10	287.4.028.1A	Bypass adjusting screw		1	
	11	287.4.024.1B	Clamp		4	
	12	590.1.080.1A	Tube		1	
	13	830.1.121.1A	Connector holder		1	
	14	284.4.001.1B	Potentiometer PF09/04		1	
	15	287.4.029.1A	Repair kit		1	
	16	287.4.027.1A	Tie rod		1	
	17	280.4.005.1A	Injector		2	
	18	802.1.015.1A	Air funnel		2	
	19	791.1.017.2A	Gasket		2	
	20	886.5.004.1A	O-ring		2	


NOTES	NO.	CODE NO.	DESCRIPTION	VALIDITY	Q.TY	
-------	-----	----------	-------------	----------	------	---

DRAWING **017** EXHAUST SYSTEM



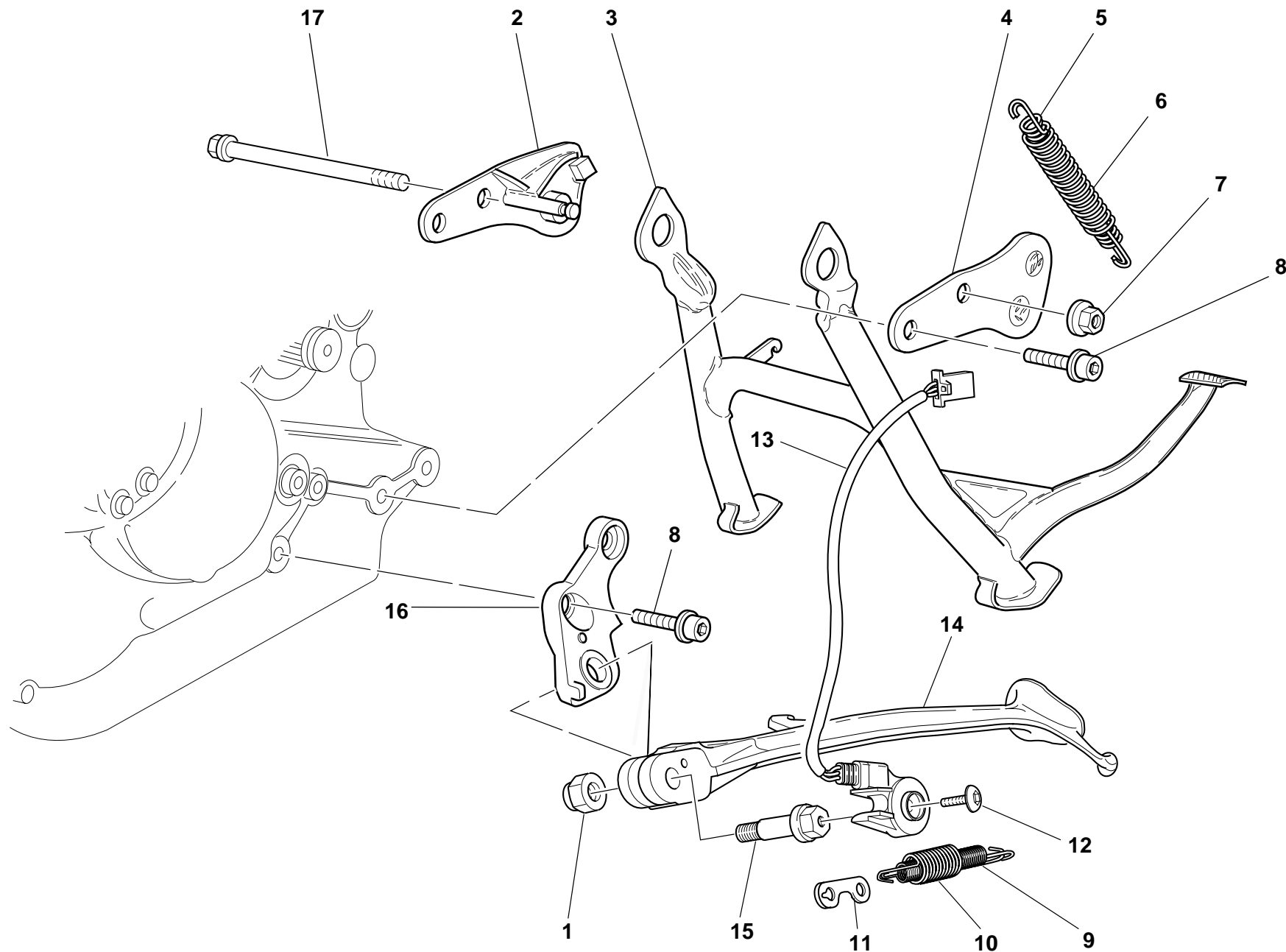
DRAWING **017** EXHAUST SYSTEM

NOTES	NO.	CODE NO.	DESCRIPTION	VALIDITY	Q.TY	
	1	790.1.001.1A	Exhaust gasket		2	
	2	576.1.029.1A	L.H. bracket		1	
	3	748.1.024.1A	Nut		6	
	4	574.1.057.1A	L.H. silencer		1	
	5	571.1.035.1A	Vertical head exhaust pipe		1	
	6	741.1.017.1A	Clamp		1	
	7	570.1.035.1A	Horizontal head exhaust pipe		1	
	8	780.1.007.1A	Cap		2	
	9	799.1.072.1A	Spring		1	
	10	0000.41039	Rubber pad		1	
	11	573.1.057.1A	R.H. silencer		1	
	12	576.1.028.1A	R.H. bracket		1	
	13	73270.8001	Washer		4	
	14	70914.2121	Screw		4	
	15	764.1.001.1A	Rubber pad		4	
	16	684.1.044.1A	Stud bolt		2	
	17	779.5.012.1A	Screw		2	
	18	420.2.001.0A	Gasket th.1		2	


NOTES	NO.	CODE NO.	DESCRIPTION	VALIDITY	Q.TY	
-------	-----	----------	-------------	----------	------	---


DRAWING 018

STANDS



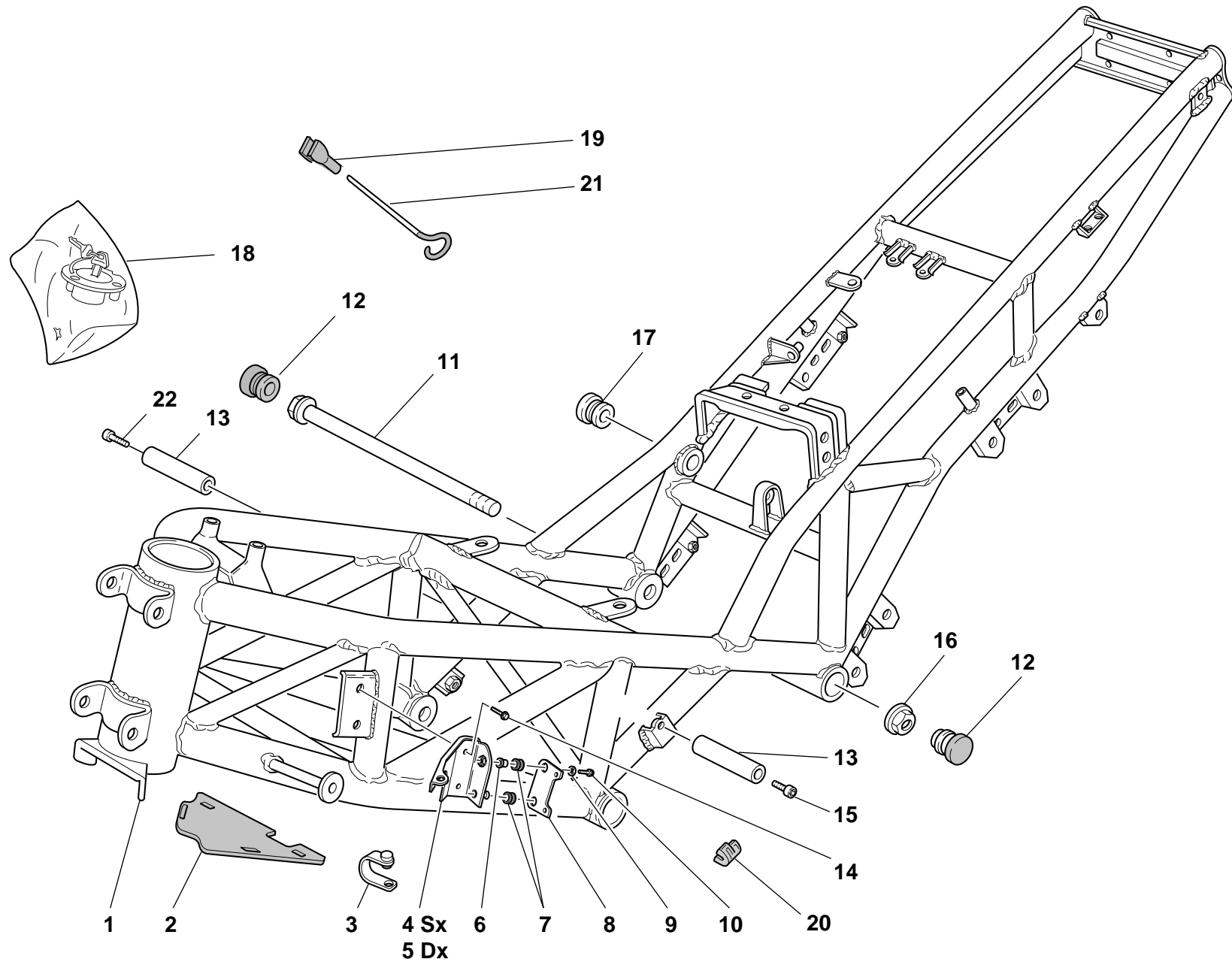
DRAWING **018** STANDS

NOTES	NO.	CODE NO.	DESCRIPTION	VALIDITY	Q.TY	
	1	749.4.045.2G	Nut		1	
	2	555.1.007.1A	R. H. Plate		1	
	3	555.1.005.1A	Central stand		1	
	4	555.1.006.1B	L. H. Plate		1	
	5	799.1.069.1A	Inner spring		1	
	6	799.1.070.1A	Outer spring		1	
	7	749.4.045.2G	Nut		1	
	8	771.5.754.2B	Screw		4	
	9	799.1.089.1A	Spring		1	
	10	799.1.088.1A	Outer spring		1	
	11	827.1.139.2B	Plate		1	
	12	779.4.005.1A	Screw		1	
	13	539.1.023.1A	Switch		1	
	14	556.1.017.1C	Side stand		1	
	15	556.1.018.1C	Pivot		1	
	16	556.2.020.1B	Plate		1	
	17	772.1.001.1A	Screw		1	


NOTES	NO.	CODE NO.	DESCRIPTION	VALIDITY	Q.TY	
-------	-----	----------	-------------	----------	------	---


DRAWING 019

FRAME



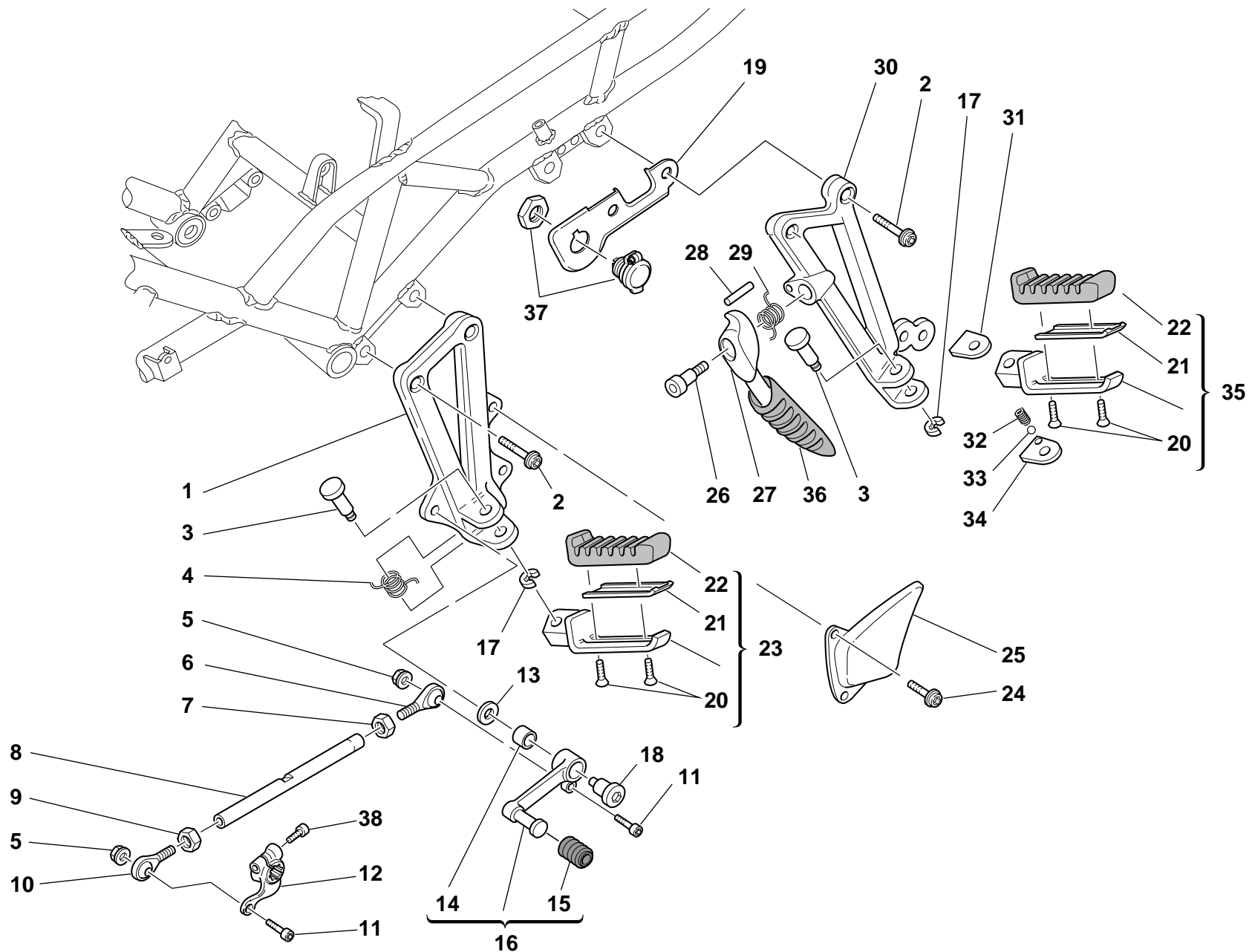
DRAWING **019** **FRAME**

NOTES	NO.	CODE NO.	DESCRIPTION	VALIDITY	Q.TY	
	1	470.1.039.1C	Frame		1	
	2	460.1.088.1A	Mudflap		1	
	3	741.1.013.1A	Clamp		4	
	4	829.1.170.1AB	L.H. holder		1	
	5	829.1.169.1AB	R.H. holder		1	
	6	0000.44099	Spacer		2	
	7	0797.72.068	Vibration damper pad		4	
	8	830.1.040.1B	Holder		2	
	9	8000.56359	Washer		2	
	10	772.5.024.1A	Screw		2	
	11	779.1.213.1A	Screw		2	
	12	872.1.026.1A	Cap		2	
	13	827.1.121.1A	Stud bolt		2	
	14	772.5.025.1A	Screw		2	
	15	60N102511	Screw		1	
	16	748.4.002.1A	Nut		2	
	17	872.1.027.1A	Cap		1	
	18	598.2.030.1A	Locks kit		1	
	19	866.1.034.1A	Rubber pad		2	
	20	764.1.010.1A	Rubber pad		1	
	21	117.2.002.1A	Rod		1	
	22	771.5.072.2B	Screw		1	

NOTES	NO.	CODE NO.	DESCRIPTION	VALIDITY	Q.TY	
-------	-----	----------	-------------	----------	------	---

DRAWING 020


L.H. FOOT RESTS



DRAWING **020****L.H. FOOT RESTS**

NOTES	NO.	CODE NO.	DESCRIPTION	VALIDITY	Q.TY	
	1	824.1.039.1A	L.H. foot peg holder plate		1	
	2	771.5.725.2B	Screw		4	
	3	0370.69.920	Pin		2	
	4	0370.69.910	Spring		1	
	5	763106N01	El-stop nut		2	
	6	76401.0003	Ball joint		1	
	7	747.5.001.1A	L.H. nut		1	
	8	117.1.033.1A	Gearbox transmission rod		1	
	9	417.9.030.6A	Nut		1	
	10	76401.0002	Ball joint		1	
	11	779.5.011.1A	Screw		2	
	12	456.1.006.1A	Gearchange control lever		1	
	13	852.1.053.1A	Washer		1	
	14	8000.59056	Bush		1	
	15	765.1.001.1A	Rubber pad		1	
	16	456.2.009.1A	Gearchange lever		1	
	17	73500.0827	Circlip		2	
	18	80A0.53548	Pin		1	
	19	827.1.192.1A	Plate		1	
	20	777.5.002.1A	Screw		4	
	21	0370.69.930	Plate		2	
	22	0370.69.940	Foot peg rubber cover		2	
	23	0370.69.850	Front L.H. foot peg, complete		1	
	24	772.5.004.1A	Screw		2	
	25	460.1.062.1A	Protection		1	
	26	779.1.159.1A	Screw		1	
	27	806.1.012.1A	Handle		1	

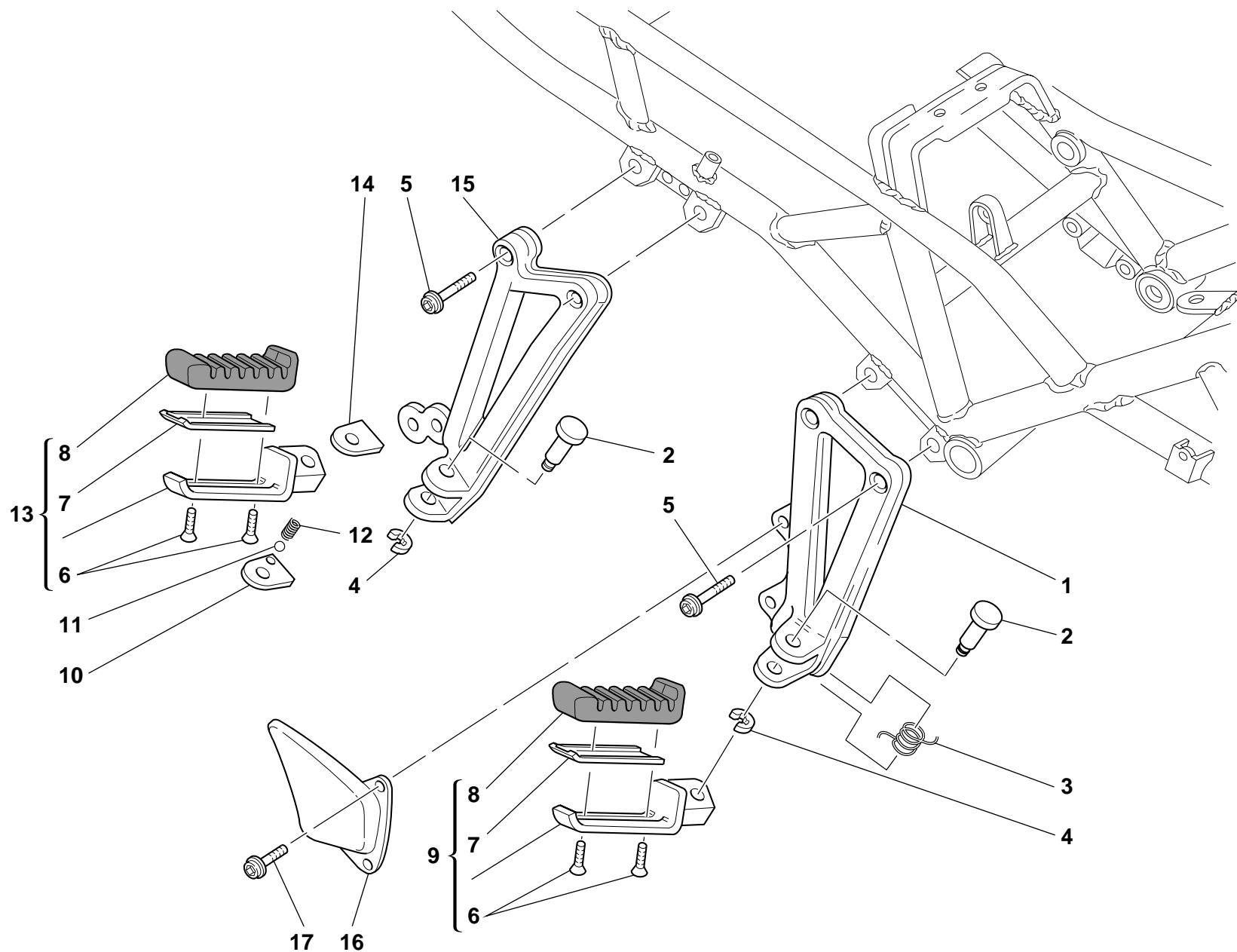
CATALOGUE No:
ISSUED:**915.1.130.1B**
06 - 02

NOTES	NO.	CODE NO.	DESCRIPTION	VALIDITY	Q.TY	
	28	861.5.003.1A	Spring pin		1	
	29	799.1.071.1A	Spring		1	
	30	824.1.041.1C	Rear L.H. foot peg holder plate		1	
	31	0370.69.970	Plate		1	
	32	799.1.024.1A	Spring		1	
	33	847.4.002.1A	Ball		2	
	34	827.1.045.1A	Keep plate		1	
	35	0370.69.860	Rear L.H. foot peg, complete		1	
	36	806.1.013.1A	Handgrip		1	
	37	386.4.013.1A	Power Point		1	
	38	779.5.001.1A	Screw		1	

CATALOGUE No:
ISSUED:**915.1.130.1B**
06 - 02


DRAWING 021

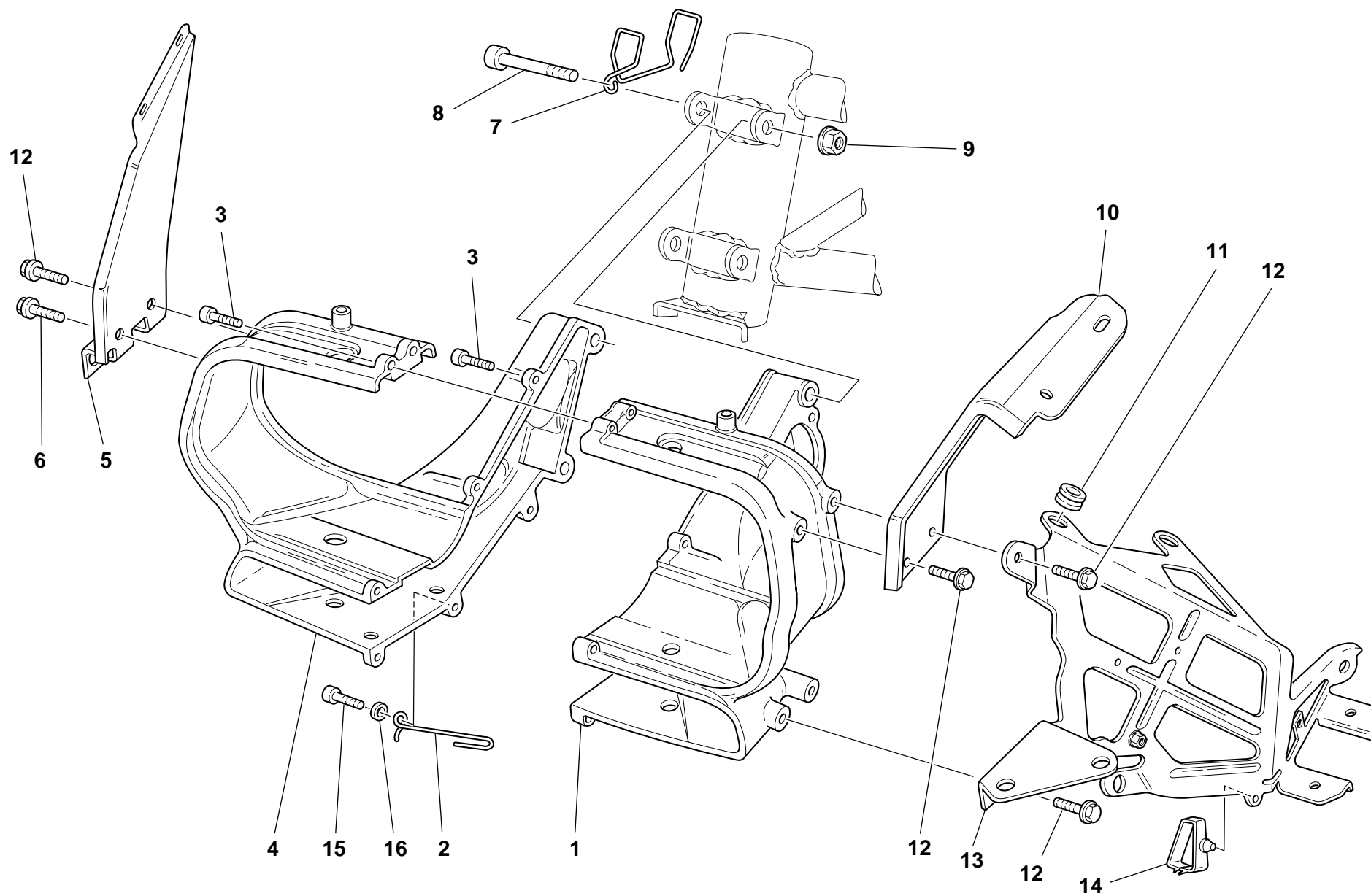
R.H. FOOT RESTS




DRAWING **021** R.H. FOOT RESTS


NOTES	NO.	CODE NO.	DESCRIPTION	VALIDITY	Q.TY	
	1	824.1.040.1B	R.H. foot peg holder plate		1	
	2	0370.69.920	Pin		2	
	3	0370.69.910	Spring		1	
	4	73500.0827	Circlip		2	
	5	771.5.725.2B	Screw		4	
	6	777.5.002.1A	Screw		4	
	7	0370.69.930	Plate		2	
	8	0370.69.940	Foot peg rubber cover		2	
	9	0370.69.855	Front R.H. foot peg, complete		1	
	10	827.1.045.1A	Keep plate		1	
	11	847.4.002.1A	Ball		2	
	12	799.1.024.1A	Spring		1	
	13	0370.69.865	Rear R.H. foot peg, complete		1	
	14	0370.69.970	Plate		1	
	15	824.1.042.1C	Rear R.H. foot peg holder plate		1	
	16	460.1.063.1A	Protection		1	
	17	772.5.004.1A	Screw		2	

NOTES	NO.	CODE NO.	DESCRIPTION	VALIDITY	Q.TY	
-------	-----	----------	-------------	----------	------	---

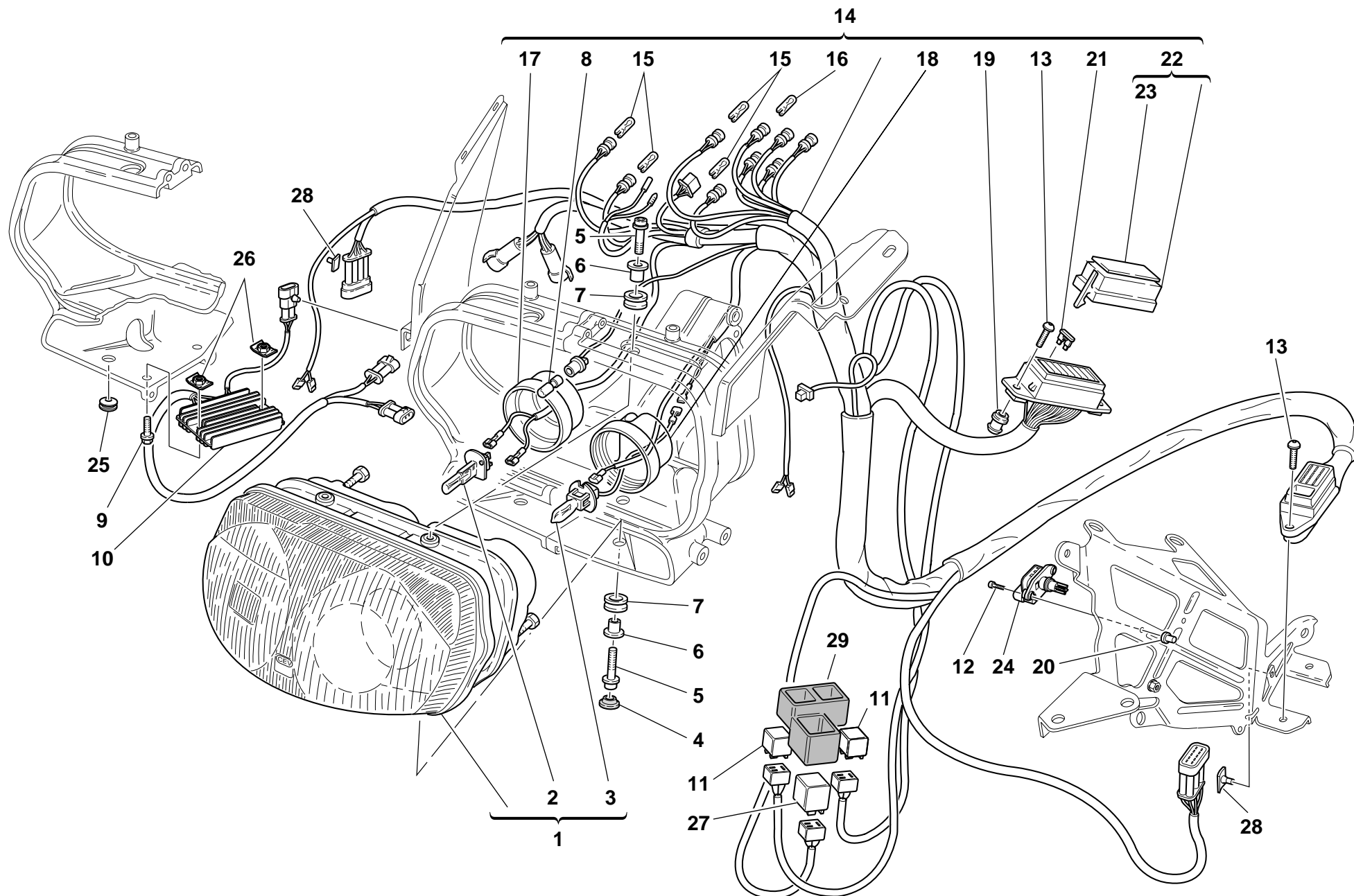
DRAWING **022** HEADLIGHT HOLDER

DRAWING **022** HEADLIGHT HOLDER


NOTES	NO.	CODE NO.	DESCRIPTION	VALIDITY	Q.TY	
	1	829.1.168.1AB	L.H. holder		1	
	2	881.1.027.2A	Fairlead		1	
	3	771.5.043.2B	Screw		7	
	4	829.1.167.2AB	R.H. holder		1	
	5	829.1.174.1C	R.H. mirror holder		1	
	6	772.5.023.1A	Screw		1	
	7	758.1.019.1A	Fairlead		1	
	8	771.5.141.2B	Screw		2	
	9	729908FN1	Nut		2	
	10	829.1.175.2AB	L.H. mirror holder		1	
	11	0797.72.068	Vibration damper pad		2	
	12	772.5.024.1A	Screw		5	
	13	829.1.320.2A	Holder		1	
	14	0000.60283	Clamp		1	
	15	60N102488	Screw		1	
	16	734305N01	Washer		1	

NOTES	NO.	CODE NO.	DESCRIPTION	VALIDITY	Q.TY	
-------	-----	----------	-------------	----------	------	---


DRAWING **023** HEAD-LIGHT AND ELECTRIC WIRING



DRAWING **023****HEAD-LIGHT AND ELECTRIC WIRING**

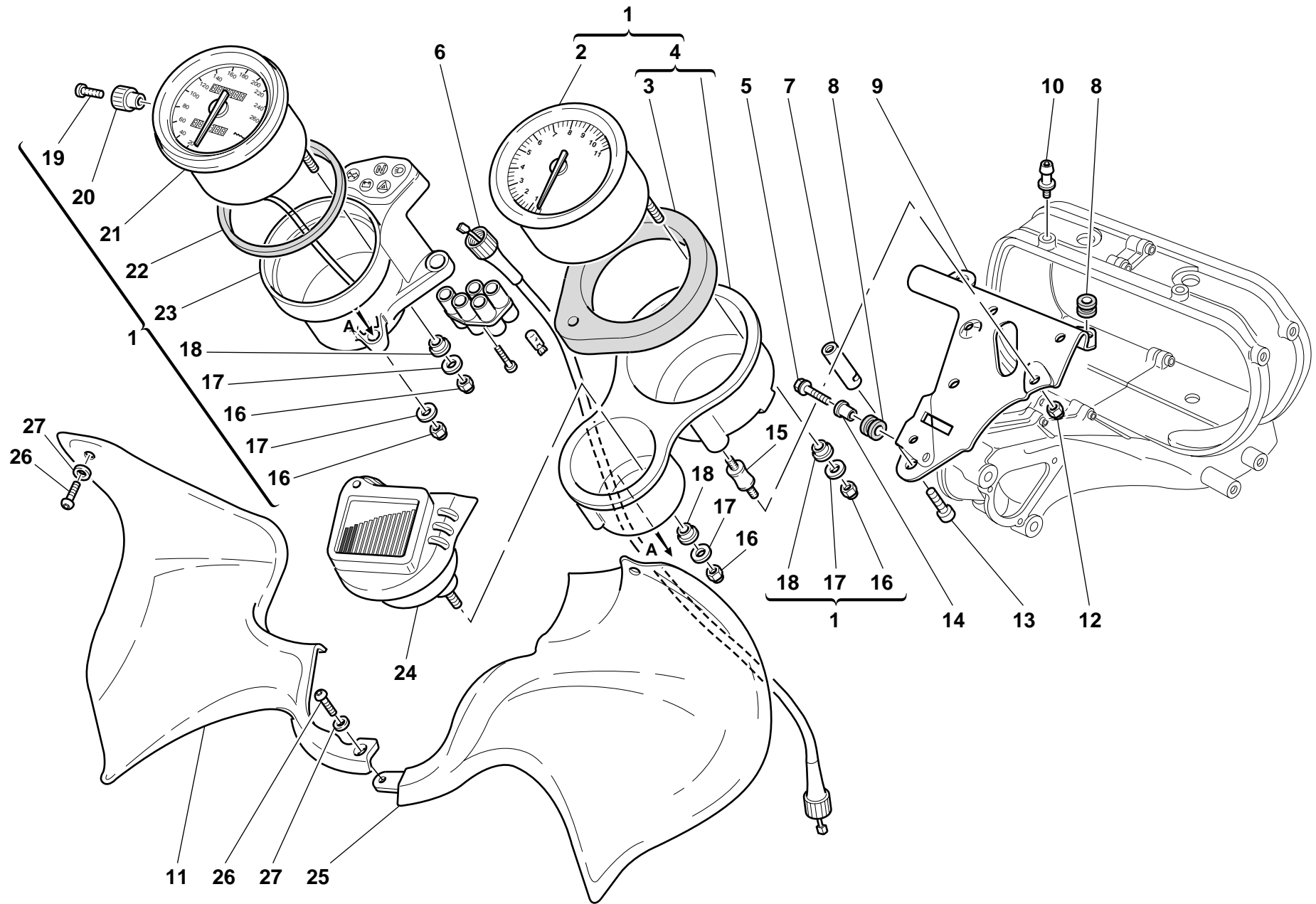
NOTES	NO.	CODE NO.	DESCRIPTION	VALIDITY	Q.TY	
	1	520.4.011.2B	Complete headlight		1	
	2	0000.79672	Bulb		1	
	3	0000.79673	Bulb		1	
	4	764.4.003.1A	Fairlead		2	
	5	772.5.023.1A	Screw		4	
	6	716.1.022.1A	Spacer		4	
	7	8000.18048	Rubber pad		4	
	8	0000.36230	Bulb		1	
	9	0000.62730	Screw		2	
	10	540.4.011.1C	Regulator		1	
	11	541.4.003.1A	Relay		2	
	12	72276.1035	Screw		2	
	13	8000.59572	Screw		4	
	14	510.1.217.1A	Wiring		1	
	15	390.4.008.1A	Warning lamp bulb 12V-3W		4	
	16	390.4.007.1A	Warning lamp bulb12V-1.2W		5	
	17	672.1.022.1A	Headlight cover		1	
	18	672.1.019.1A	Headlight cover		1	
	19	821.1.075.1A	Pin		2	
	20	850.4.022.1A	Threaded insert		2	
	21	389.4.006.1A	Fuse 3A		3	
	21	389.4.007.1A	Fuse 7.5A		1	
	21	389.4.008.1A	Fuse 15A		1	
	21	389.4.010.1A	Fuse 30A		1	
	21	389.4.013.1A	Fuse 20A		2	
	21	389.4.014.1A	Fuse 40A		1	
	22	246.1.009.1C	Case cover		1	

CATALOGUE No:
ISSUED:**915.1.130.1B**
06 - 02

NOTES	NO.	CODE NO.	DESCRIPTION	VALIDITY	Q.TY	
	23	433.1.296.1A	Sticker schema fusibili		1	
	24	552.4.031.1A	Sensor		1	
	25	0797.72.068	Vibration damper pad		4	
	26	827.1.166.1A	Plate		2	
	27	538.4.006.1A	Flashing device		1	
	28	850.4.043.1A	Quik fastening		2	
	29	829.1.190.1B	Rubber holder		1	

CATALOGUE No:
ISSUED:**915.1.130.1B**
06 - 02


DRAWING **024** INSTRUMENT PANEL



DRAWING **024** INSTRUMENT PANEL

NOTES	NO.	CODE NO.	DESCRIPTION	VALIDITY	Q.TY	
	1	400.2.020.1B	Complete instrument panel		1	
	2	402.4.016.1A	Tachometer		1	
	3	408.1.011.1A	Vibration damper sponge		1	
	4	407.4.002.1A	Tachometer holder		1	
	5	60N102488	Screw		1	
	6	403.1.009.1A	Speedometer transmission		1	
	7	684.1.022.1B	Stud bolt		1	
	8	8000.18048	Rubber pad		3	
	9	829.1.177.1A	Plate		1	
	10	821.1.075.1A	Pin		2	
	11	460.1.074.1A	L.H. side panel (GREY)		1	
	11	460.1.074.1AB	L.H. side panel (BLACK)		1	
	12	8000.42278	Nut		3	
	13	70620.5212	Screw		1	
	14	716.1.022.1A	Spacer		1	
	15	8000.56752	Rubber pad		3	
	16	8000.56748	Nut		7	
	17	8000.56747	Washer		7	
	18	408.1.010.1A	Rubber pad		5	
	19	776.4.002.1A	Screw		1	
	20	8000.56742	Grip		1	
	21	401.4.029.1A	Speedometer		1	
	22	8000.56741	Gasket		1	
	23	407.4.003.1A	Speedometer holder		1	
	24	404.1.005.1A	Module LCD (°F)		1	
	25	460.1.073.1A	R.H. side panel (GREY)		1	
	25	460.1.073.1AB	R.H. side panel (BLACK)		1	

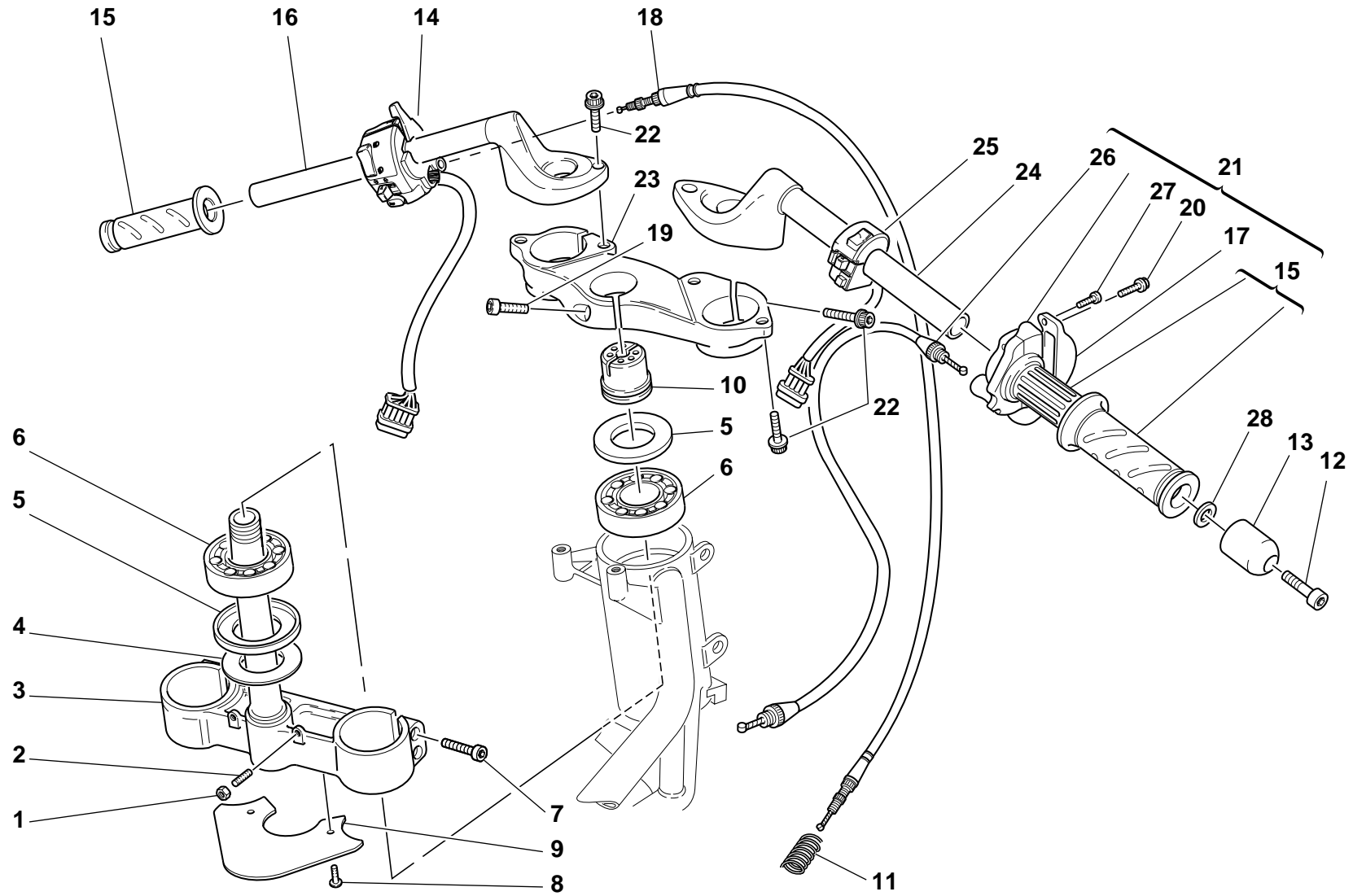
CATALOGUE No:
ISSUED:**915.1.130.1B**
06 - 02

NOTES	NO.	CODE NO.	DESCRIPTION	VALIDITY	Q.TY	
	26	779.1.116.1A	Screw		3	
	27	852.1.024.1A	Nylon washer		3	

CATALOGUE No:
ISSUED:**915.1.130.1B**
06 - 02

DRAWING 025


HANDLEBAR AND CONTROLS



DRAWING **025** HANDLEBAR AND CONTROLS

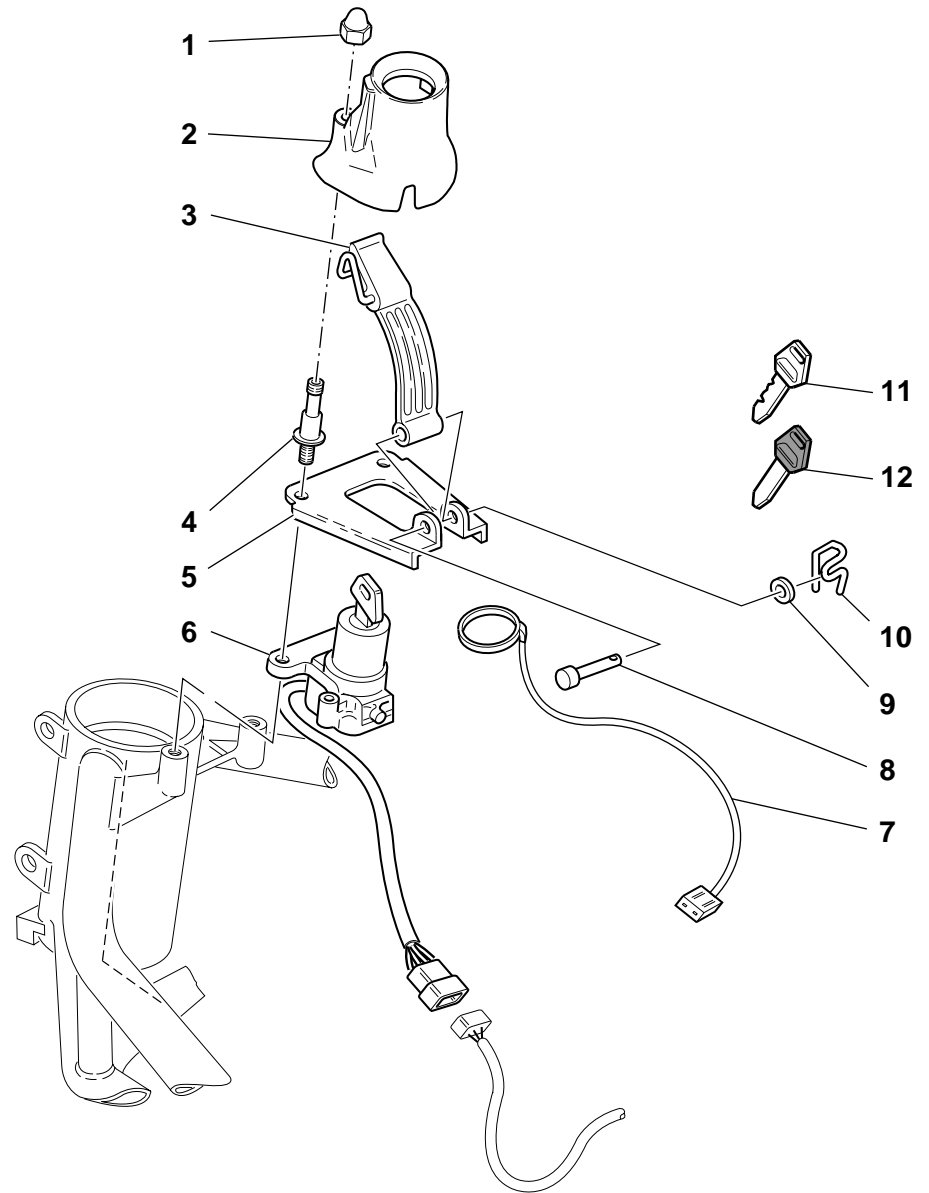
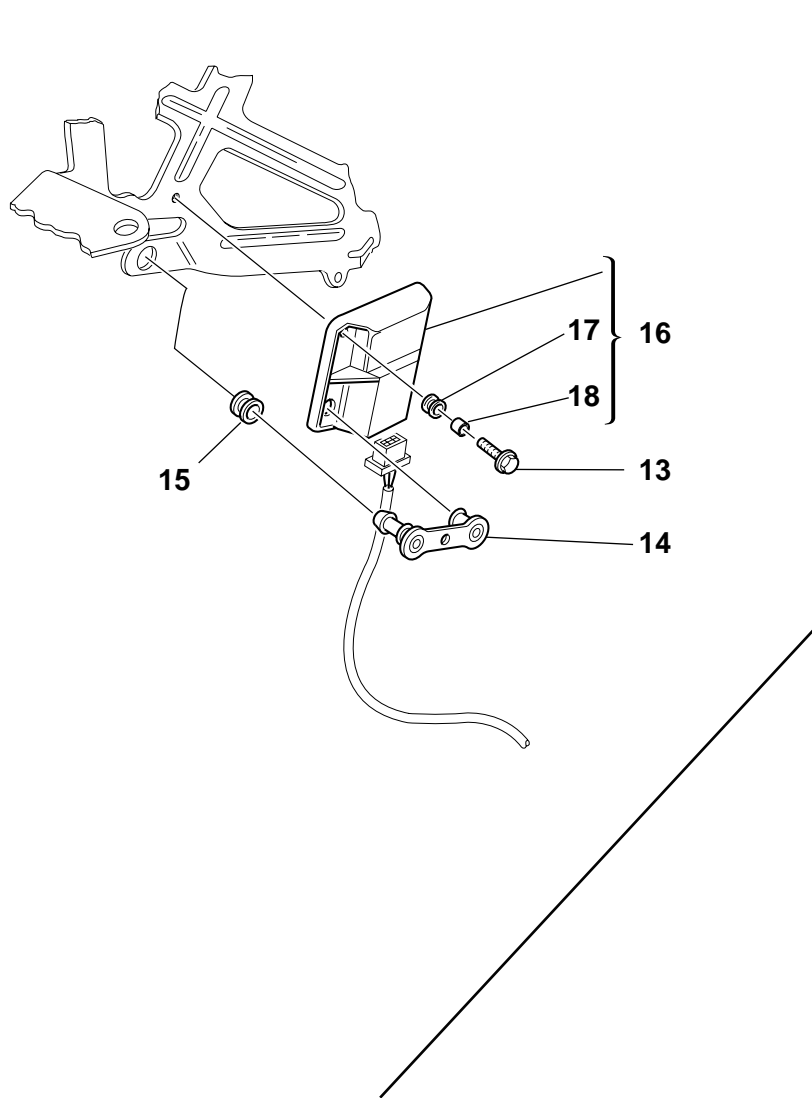
NOTES	NO.	CODE NO.	DESCRIPTION	VALIDITY	Q.TY	
	1	417.9.030.8A	Nut		2	
	2	779.1.099.1A	Special screw		2	
	3	342.2.015.1B	Steering head base		1	
	4	852.1.103.1A	Washer		1	
	5	930.1.004.1A	Seal ring		2	
	6	702.4.004.1A	Bearing		2	
	7	60N102557	Screw		4	
	8	772.5.004.1A	Screw		2	
	9	460.1.076.1A	Mudflap		1	
	10	703.1.013.1A	Ring nut		1	
	11	799.1.058.1A	Starter control transmission return spring		1	
	12	779.5.012.1A	Screw		2	
	13	153.1.005.2A	Counterweight		2	
	14	651.4.011.1A	L.H. switch		1	
	15	656.2.012.1A	Grips pair		1	
	16	360.1.015.1D	L.H. handlebar		1	
	17	658.4.002.1B	Cover		1	
	18	657.1.013.1A	Flexible cable		1	
	19	779.5.012.1A	Screw		1	
	20	772.5.023.1A	Screw		2	
	21	654.2.003.1A	Throttle control		1	
	22	771.5.725.2B	Screw		6	
	23	341.1.028.1A	Steering head		1	
	24	360.1.014.1D	R.H. handlebar		1	
	25	650.4.009.1B	R.H. switch		1	
	26	656.1.024.1A	Throttle control transmission		1	
	27	8000.66774	Screw		2	

CATALOGUE No:
ISSUED:**915.1.130.1B**
06 - 02


NOTES	NO.	CODE NO.	DESCRIPTION	VALIDITY	Q.TY	
	28	734310N01	Washer		1	

CATALOGUE No:
ISSUED:**915.1.130.1B**
06 - 02

DRAWING **025a** ANTI - THEFT

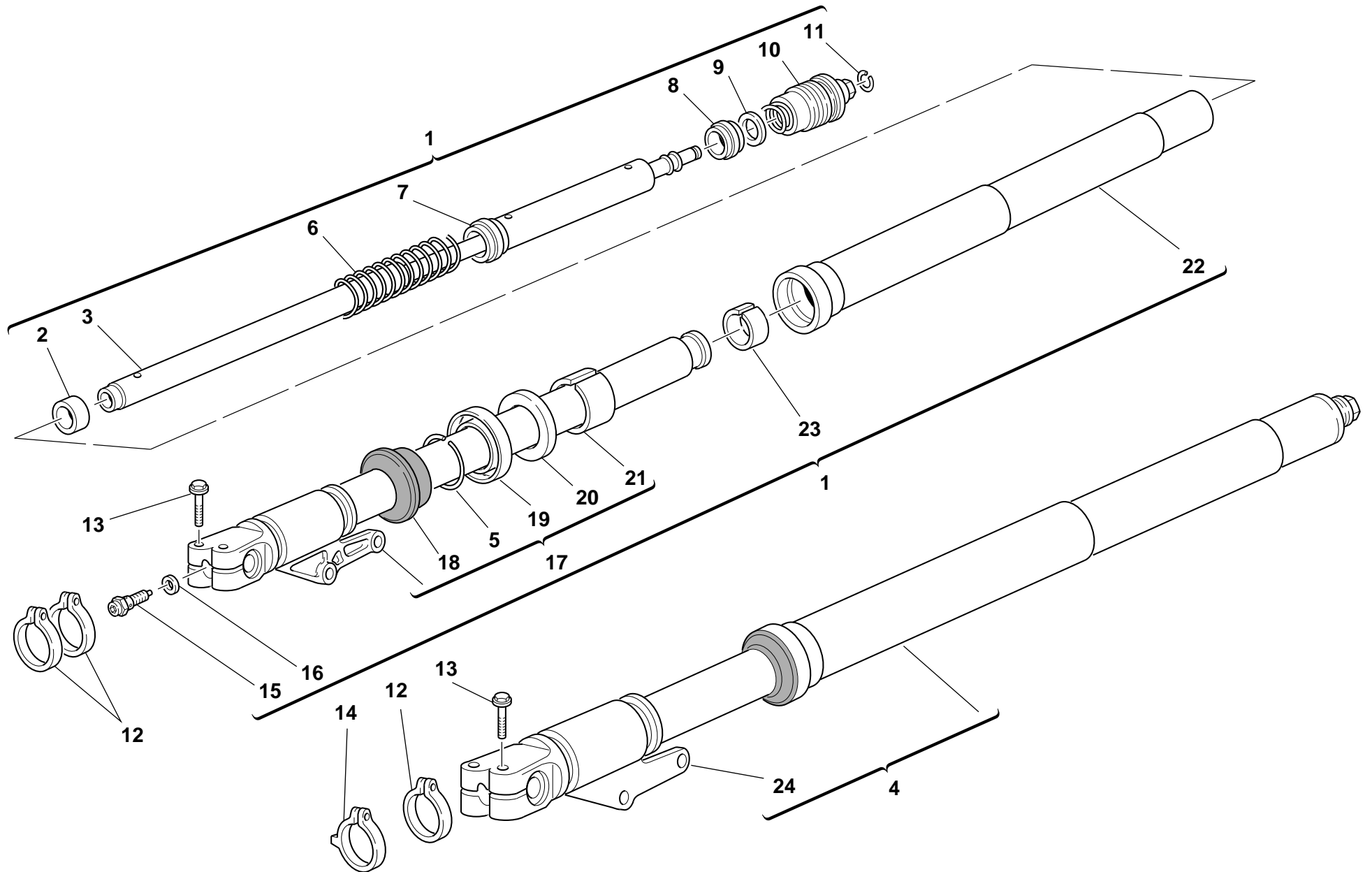


DRAWING **025a** ANTI - THEFT

NOTES	NO.	CODE NO.	DESCRIPTION	VALIDITY	Q.TY	
	1	749.4.002.1A	Nut		2	
	2	246.1.060.1A	Cover		1	
	3	8000.70178	Belt		1	
	4	779.1.221.1A	Special screw		1	
	5	827.1.122.2A	Plate		1	
	6	652.4.006.1A	Key-operated switch		1	
	7	518.4.004.1A	Antenna		1	
	8	821.1.073.1A	Pin		1	
	9	734305N01	Washer		1	
	10	0000.62705	Split pin		1	
	11	598.4.016.1A	Wrench with Transponder		1	
	12	598.4.018.1A	Wrench without Transponder		1	
	13	772.5.023.1A	Screw		1	
	14	830.2.221.1A	Bracket		1	
	15	764.1.029.1A	Rubber pad		1	
	16	286.4.032.1A	Starting enable control unit		1	
	17	764.1.038.1A	Rubber pad		1	
	18	0660.38.135	Spacer		1	

NOTES	NO.	CODE NO.	DESCRIPTION	VALIDITY	Q.TY	
-------	-----	----------	-------------	----------	------	---

DRAWING **026** FRONT FORK



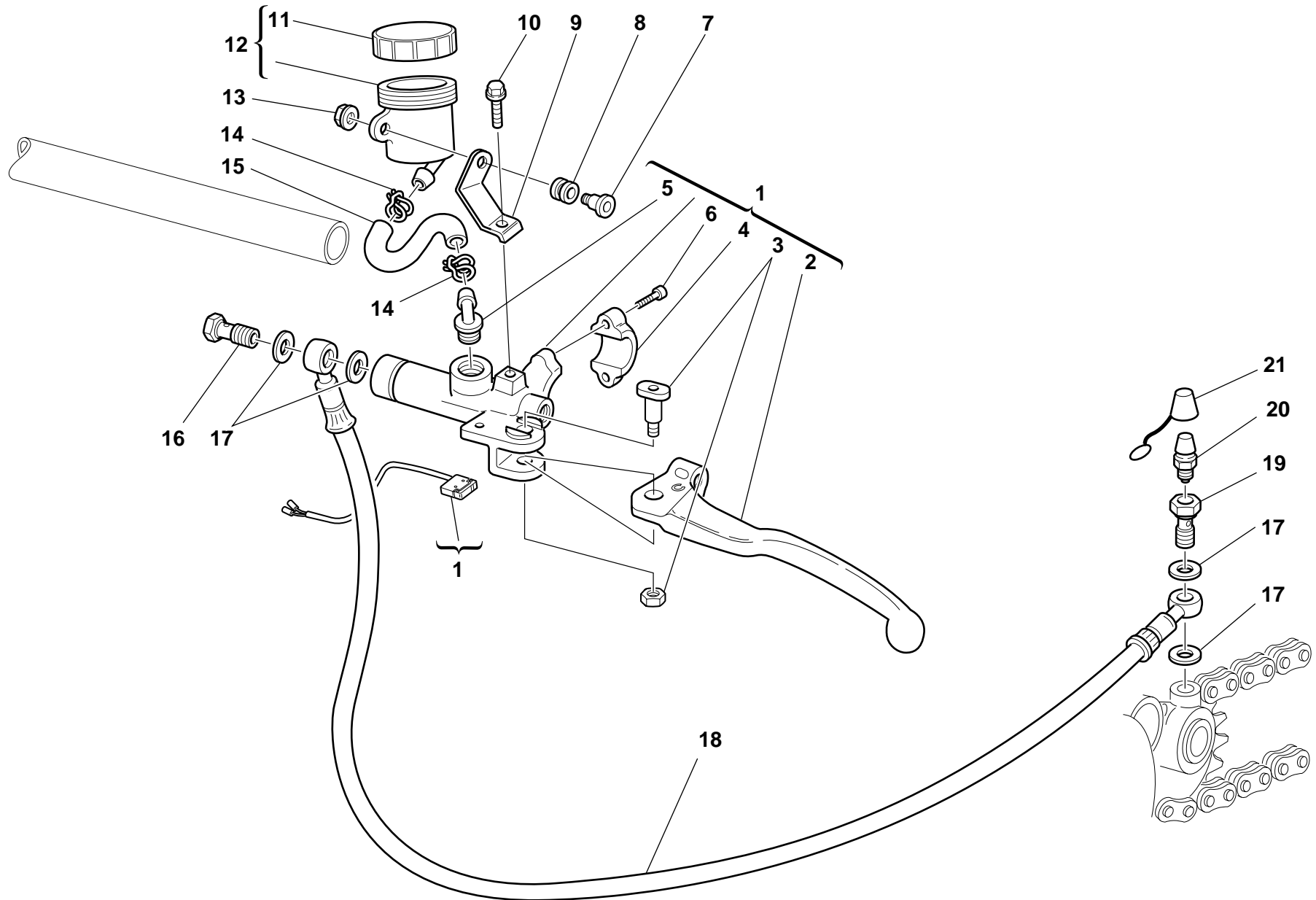
DRAWING **026** FRONT FORK

NOTES	NO.	CODE NO.	DESCRIPTION	VALIDITY	Q.TY	
	1	340.2.069.1C	R.H. fork leg assembly		1	
	2	349.1.095.1A	Centering ring		2	
	3	349.1.112.1C	Spring coupling		2	
	4	340.2.070.1C	L.H. fork leg assembly		1	
	5	884.1.005.1A	Ring		2	
	6	347.1.014.1A	Spring		2	
	7	349.1.097.1A	Spring coupling		2	
	8	349.1.064.1A	Slider		2	
	9	349.1.065.1A	Rubber cush drive hub		2	
	10	349.2.014.1A	Complete cap		2	
	11	349.1.098.1A	Snap ring		2	
	12	8000.70127	Clamp		3	
	13	8A00.69056	Screw		4	
	14	8000.70133	Clamp		1	
	15	349.2.010.1A	Adjusting screw		2	
	16	349.1.096.1A	Special washer		2	
	17	349.1.109.1F	Complete R.H. slider		1	
	18	349.1.101.1A	Dust seal		2	
	19	930.1.005.1A	Seal ring		2	
	20	349.1.102.1A	Check ring		2	
	21	349.1.103.1A	Bush		2	
	22	349.1.111.1A	Stanchion tube		2	
	23	349.1.120.1A	Bush		2	
	24	349.1.110.1F	Complete L.H. slider		1	


NOTES	NO.	CODE NO.	DESCRIPTION	VALIDITY	Q.TY	
-------	-----	----------	-------------	----------	------	---


DRAWING 027

CLUTCH CONTROL

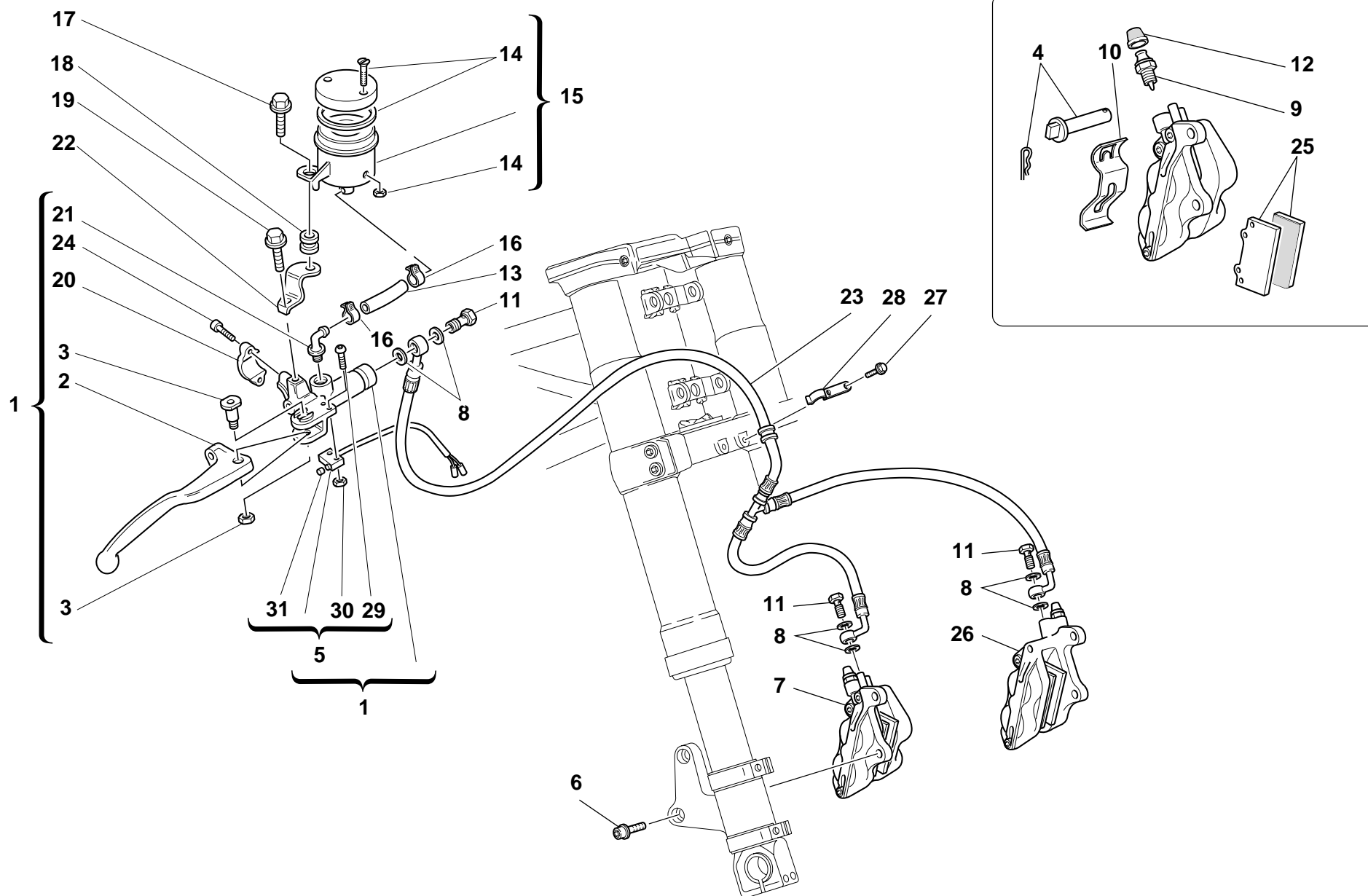


DRAWING **027** CLUTCH CONTROL

NOTES	NO.	CODE NO.	DESCRIPTION	VALIDITY	Q.TY	
	1	630.4.017.1A	Clutch drive pump		1	
	2	626.1.003.1A	Lever with dowel		1	
	3	0000.46664	Spare lever pin		1	
	4	626.4.010.1A	Spare bracket		1	
	5	631.4.008.1A	Spare union		1	
	6	771.5.667.2B	Screw		2	
	7	779.1.092.1A	Screw		1	
	8	0370.72.020	Vibration damper pad		1	
	9	829.1.241.1A	Plate		1	
	10	70700.6N02	Screw		1	
	11	893.4.005.1A	Cap		1	
	12	0000.61078	Complete oil tank		1	
	13	8000.56443	Nut		1	
	14	741.4.043.1A	Clamp		2	
	15	877.1.069.1A	Tube		1	
	16	779.1.058.2A	Special screw		1	
	17	420.2.001.0A	Gasket th.1		4	
	18	632.1.013.2B	Clutch control pipe		1	
	19	779.1.082.2A	Filler		1	
	20	0000.33552	Bleed		1	
	21	612.4.005.1A	Dust seal		1	

NOTES	NO.	CODE NO.	DESCRIPTION	VALIDITY	Q.TY	
-------	-----	----------	-------------	----------	------	---

DRAWING **028** FRONT HYDRAULIC BRAKE




DRAWING **028**

FRONT HYDRAULIC BRAKE

NOTES	NO.	CODE NO.	DESCRIPTION	VALIDITY	Q.TY	
	1	624.4.012.1B	Front brake pump		1	
	2	626.1.003.1A	Lever with dowel		1	
	3	0000.46664	Spare lever pin		1	
	4	612.4.014.1A	Spare pins and spring		2	
	5	539.4.004.1B	Microswitch		1	
	6	771.5.431.2B	Screw		4	
	7	610.4.012.2C	R.H. brake caliper		1	
	8	420.2.001.0A	Gasket th.1		6	
	9	631.4.004.1A	Spare bleed union		2	
	10	612.4.017.1A	Spring		2	
	11	779.1.058.2A	Special screw		3	
	12	612.4.008.1A	Dust seal		2	
	13	877.1.068.1A	Tube		1	
	14	8000.68490	Spare cap		1	
	15	0000.66181	Complete oil tank		1	
	16	741.4.043.1A	Clamp		2	
	17	779.1.092.1A	Screw		1	
	18	0370.72.020	Vibration damper pad		1	
	19	70700.6N02	Screw		1	
	20	626.4.010.1A	Spare bracket		1	
	21	631.4.008.1A	Spare union		1	
	22	829.1.240.1A	Bracket		1	
	23	618.4.032.2D	Caliper pump pipe		1	
	24	771.5.667.2B	Screw		2	
	25	613.4.021.1B	Pads pair		2	
	26	610.4.011.2C	L.H. brake caliper		1	
	27	772.5.025.1A	Screw		2	

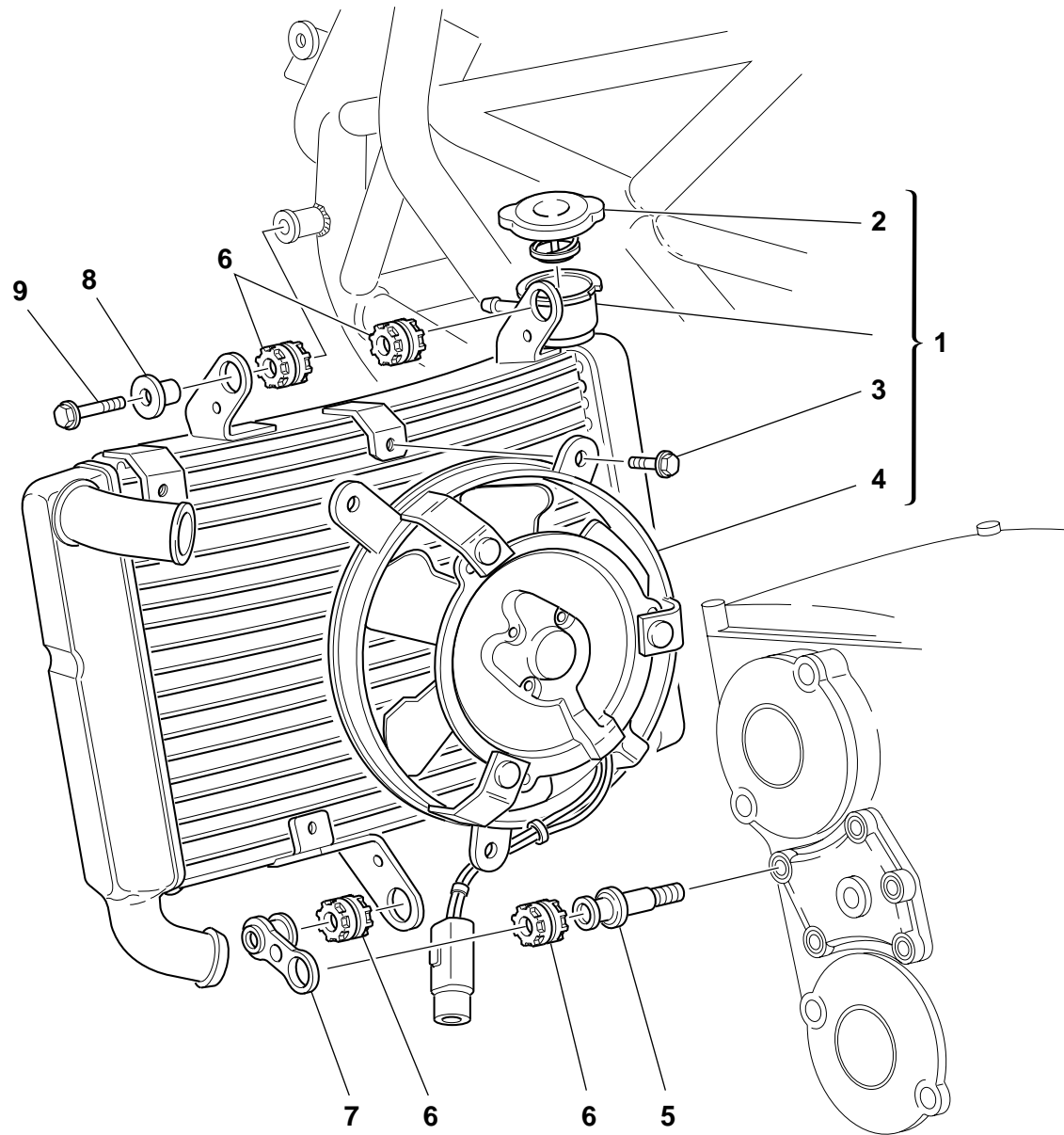
CATALOGUE No:
ISSUED:**915.1.130.1B**
06 - 02

NOTES	NO.	CODE NO.	DESCRIPTION	VALIDITY	Q.TY	
	28	829.1.208.1A	Holder		1	
	29	776.5.307.2A	Screw		2	
	30	72465.0214	Nut		2	
	31	195.4.002.1A	Rubber pad		1	


CATALOGUE No:
ISSUED:**915.1.130.1B**
06 - 02

DRAWING 029

WATER RADIATOR ASSY



DRAWING **029** WATER RADIATOR ASSY

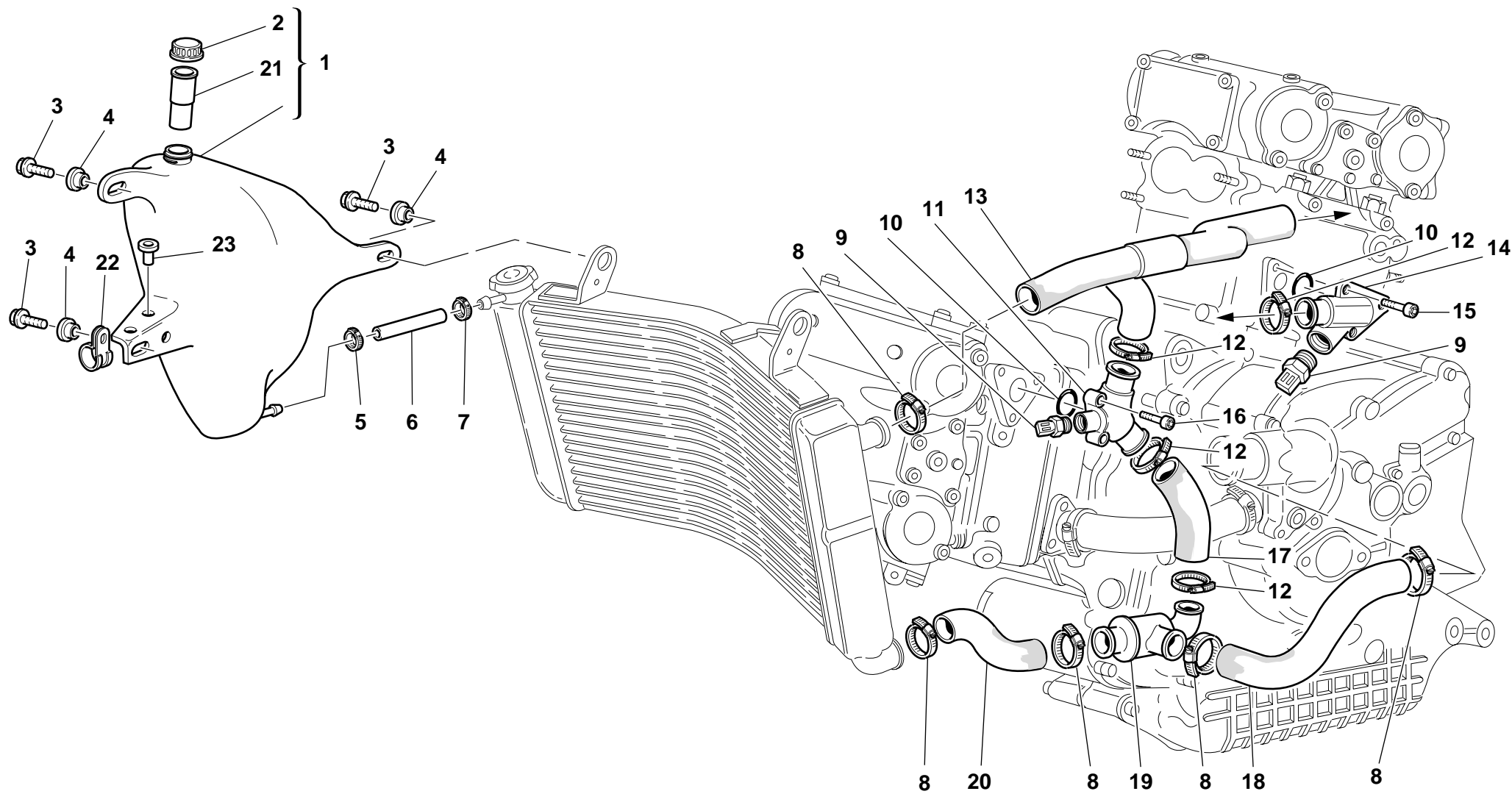
NOTES	NO.	CODE NO.	DESCRIPTION	VALIDITY	Q.TY	
	1	548.4.019.1A	Water radiator		1	
	2	893.4.006.1A	Radiator cap		1	
	3	772.5.025.1A	Screw		3	
	4	550.4.008.1A	Electric fan		1	
	5	779.1.059.1A	Special screw		1	
	6	764.1.022.1A	Vibration damper pad		4	
	7	830.1.077.1A	Holder		1	
	8	0000.62652	Spacer		1	
	9	0000.62729	Screw		1	

NOTES	NO.	CODE NO.	DESCRIPTION	VALIDITY	Q.TY	
-------	-----	----------	-------------	----------	------	---

CATALOGUE No: **915.1.130.1B**
ISSUED: **06 - 02**

CATALOGUE No: **915.1.130.1B**
ISSUED: **06 - 02**

DRAWING **030** COOLING CIRCUIT

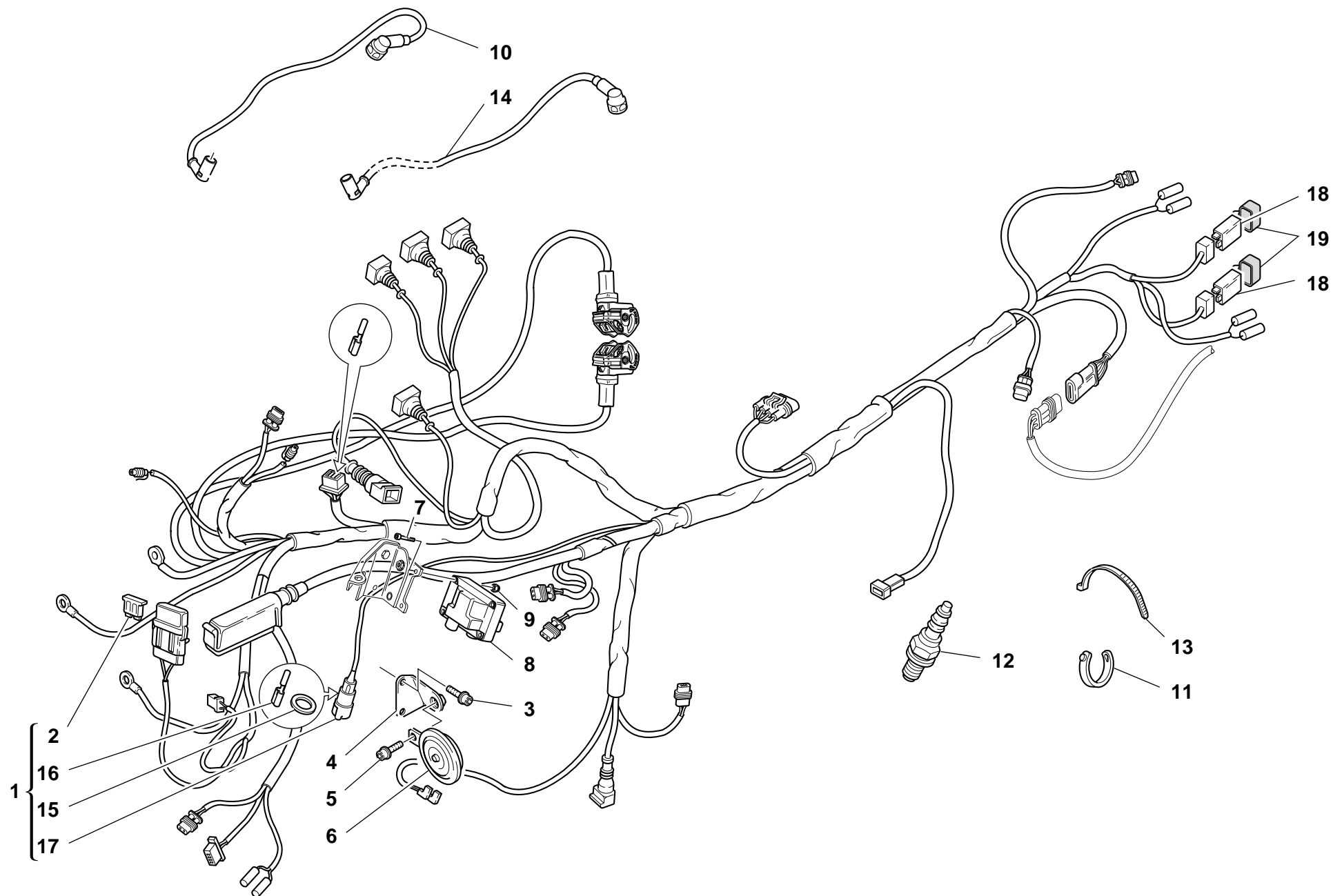


DRAWING **030** COOLING CIRCUIT


NOTES	NO.	CODE NO.	DESCRIPTION	VALIDITY	Q.TY	
	1	585.1.020.1A	Water tank		1	
	2	0000.40427	Tank cap		1	
	3	772.5.023.1A	Screw		4	
	4	716.1.038.1A	Spacer		4	
	5	8A00.67610	Clamp		1	
	6	800.1.049.1A	Hose		1	
	7	741.4.001.1A	Clamp		1	
	8	741.4.025.1A	Clamp		5	
	9	552.4.013.1A	Sensor		2	
	10	93823.2087	O-ring		2	
	11	814.1.063.1AB	Water outlet union		1	
	12	741.4.002.1A	Clamp		4	
	13	800.1.048.1A	Radiator/head hose		1	
	14	814.1.053.1AB	Water outlet union		1	
	15	60N102511	Screw		3	
	16	771.5.073.2B	Screw		3	
	17	800.1.033.1A	Thermostat/pump hose		1	
	18	800.1.053.1A	Thermostat/pump hose		1	
	19	553.4.003.1A	Thermostat		1	
	20	800.1.054.1A	Cooler/thermostat hose		1	
	21	711.1.084.1A	Bush		1	
	22	741.4.055.1A	Clamp		1	
	23	0000.63150	Insert		2	


NOTES	NO.	CODE NO.	DESCRIPTION	VALIDITY	Q.TY	
-------	-----	----------	-------------	----------	------	---

DRAWING **031** ELECTRIC SYSTEM

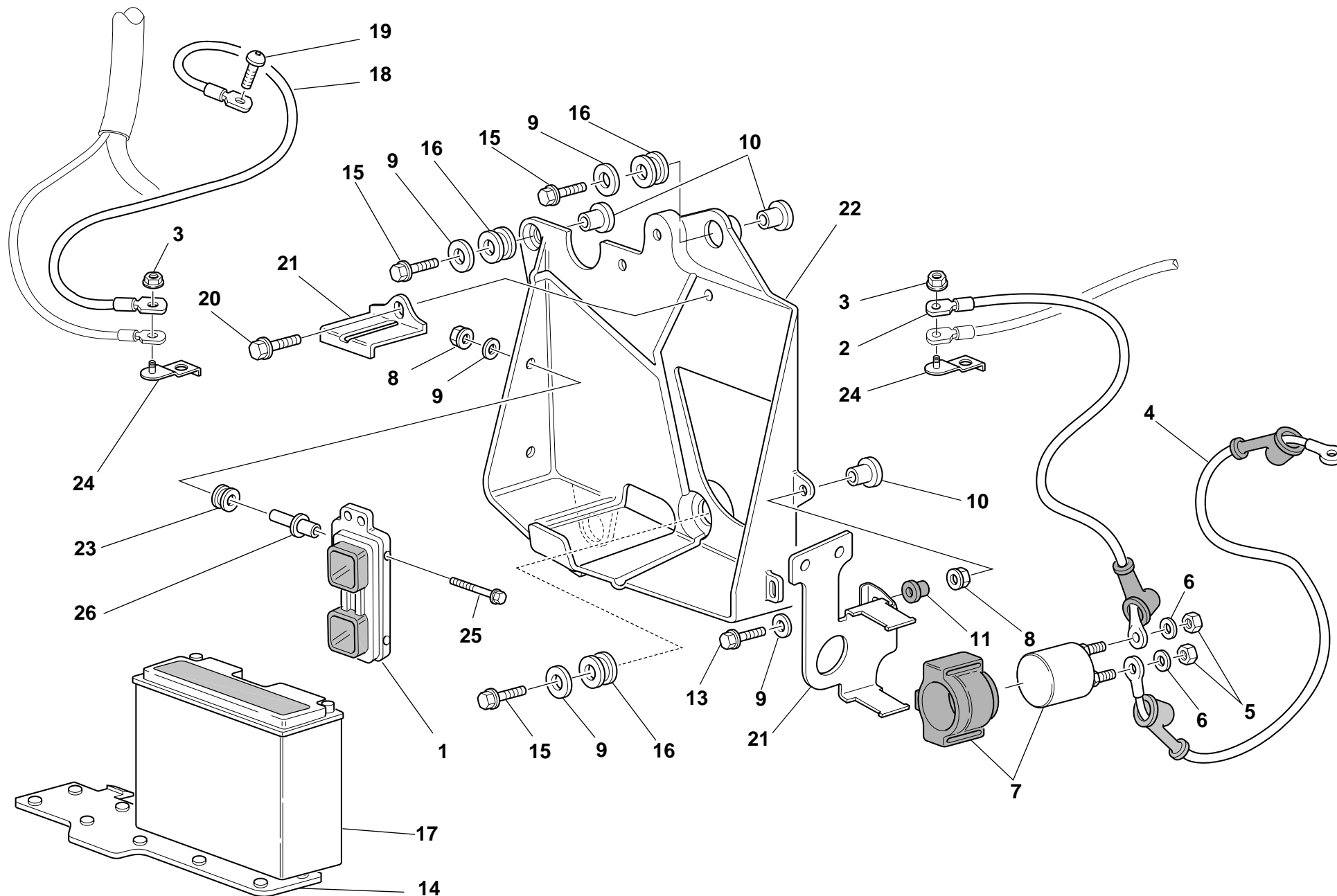


DRAWING **031** ELECTRIC SYSTEM


NOTES	NO.	CODE NO.	DESCRIPTION	VALIDITY	Q.TY	
	1	510.1.170.1A	Electric wiring		1	
	2	389.4.005.1A	Fuse 30A		1	
	3	60N102510	Screw		2	
	4	829.1.217.1A	Holder		1	
	5	771.5.721.2B	Screw		1	
	6	516.4.001.1AB	Horn (BLACK)		1	
	7	771.5.025.2B	Screw		4	
	8	285.4.003.1A	Coil		2	
	9	749.5.001.1A	Nut		4	
	10	671.1.010.1A	Horizontal head spark plug wiring		1	
	11	0691.91.030	Clamp		17	
	12	670.4.012.1A	Spark plug		2	
	13	741.4.038.1A	Clamp		12	
	14	671.1.009.1A	Vertical head spark plug wiring		1	
	15	764.4.005.1A	Rubber pad		1	
	16	387.4.002.1A	End section		2	
	17	386.4.006.1A	Connector		1	
	18	541.4.003.1A	Relay		2	
	19	829.1.190.1A	Rubber holder		2	


NOTES	NO.	CODE NO.	DESCRIPTION	VALIDITY	Q.TY	
-------	-----	----------	-------------	----------	------	---

DRAWING **032** BATTERY BOX MOUNT



DRAWING **032** BATTERY BOX MOUNT

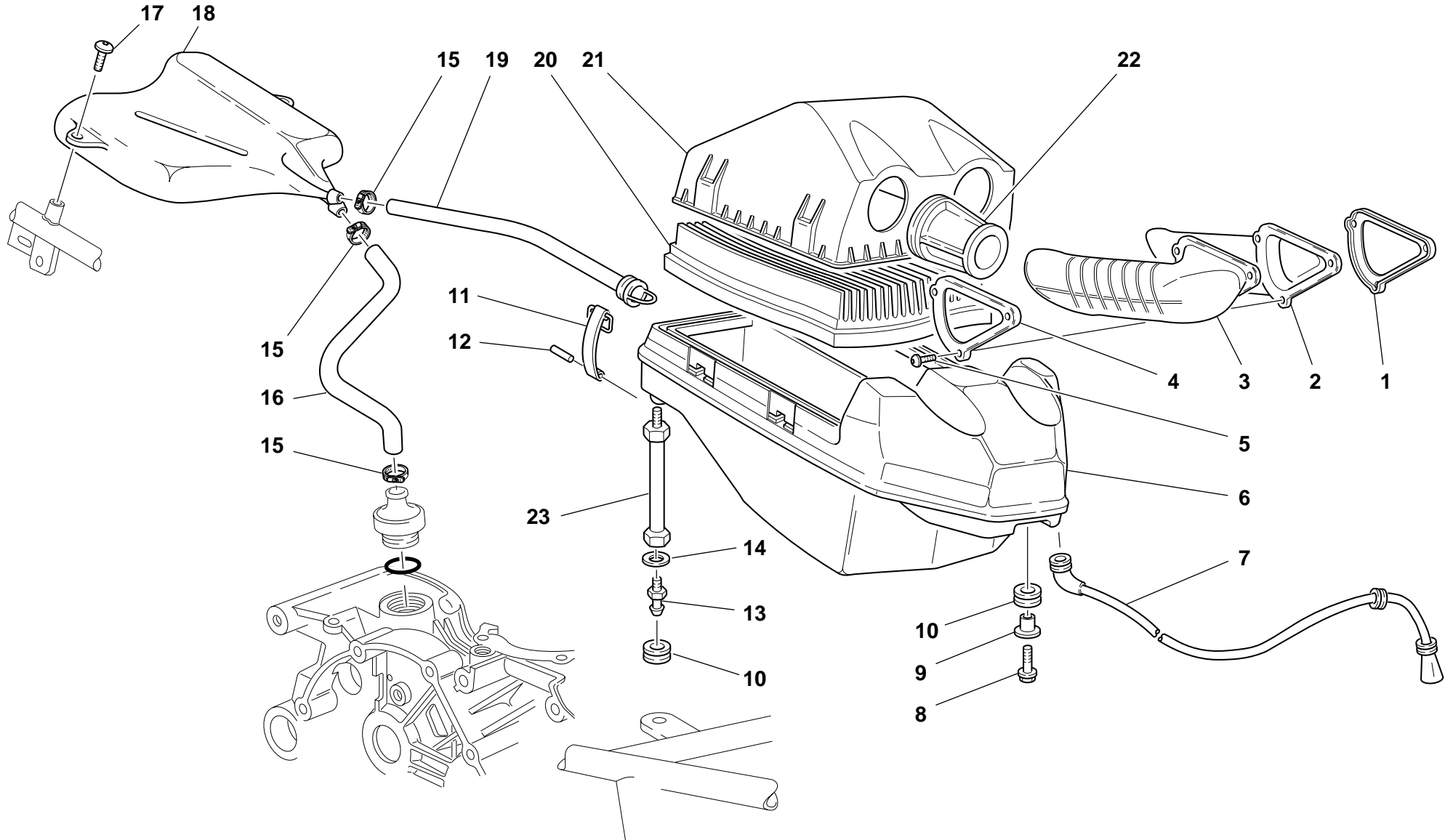
NOTES	NO.	CODE NO.	DESCRIPTION	VALIDITY	Q.TY	
	1	286.4.075.1B	Injection control unit		1	
	2	514.1.016.2A	Battery-solenoid starter cable		1	
	3	0000.56443	Nut		2	
	4	514.1.040.1A	Solenoid starter-starter motor cable		1	
	5	417.9.050.6A	Nut		2	
	6	462.4.037.6A	Spring washer		2	
	7	397.4.001.1A	Remote switch		1	
	8	750.5.001.1A	Nut		2	
	9	8000.56359	Washer		5	
	10	716.1.022.1A	Spacer		3	
	11	716.1.053.1A	Spacer		1	
	12	827.1.071.1A	Plate		1	
	13	0000.55698	Screw		1	
	14	866.1.031.1A	Rubber pad		1	
	15	772.5.023.1A	Screw		3	
	16	300182	Rubber pad		3	
	17	395.4.013.1A	Battery		1	
	18	513.1.008.2D	Battery grounding cable		1	
	19	775.1.006.1A	Special screw		1	
	20	772.5.025.1A	Screw		1	
	21	827.1.286.1A	Plate		1	
	22	829.1.172.2B	Battery box mount		1	
	23	0797.72.068	Vibration damper pad		2	
	24	827.2.215.1A	Plate		2	
	25	772.5.021.1A	Screw		2	
	26	821.1.129.1A	Spacer		2	

NOTES	NO.	CODE NO.	DESCRIPTION	VALIDITY	Q.TY	
-------	-----	----------	-------------	----------	------	---


CATALOGUE No:
ISSUED:**915.1.130.1B**
06 - 02CATALOGUE No:
ISSUED:**915.1.130.1B**
06 - 02

DRAWING 033

AIR INDUCTIO AND OIL VENT



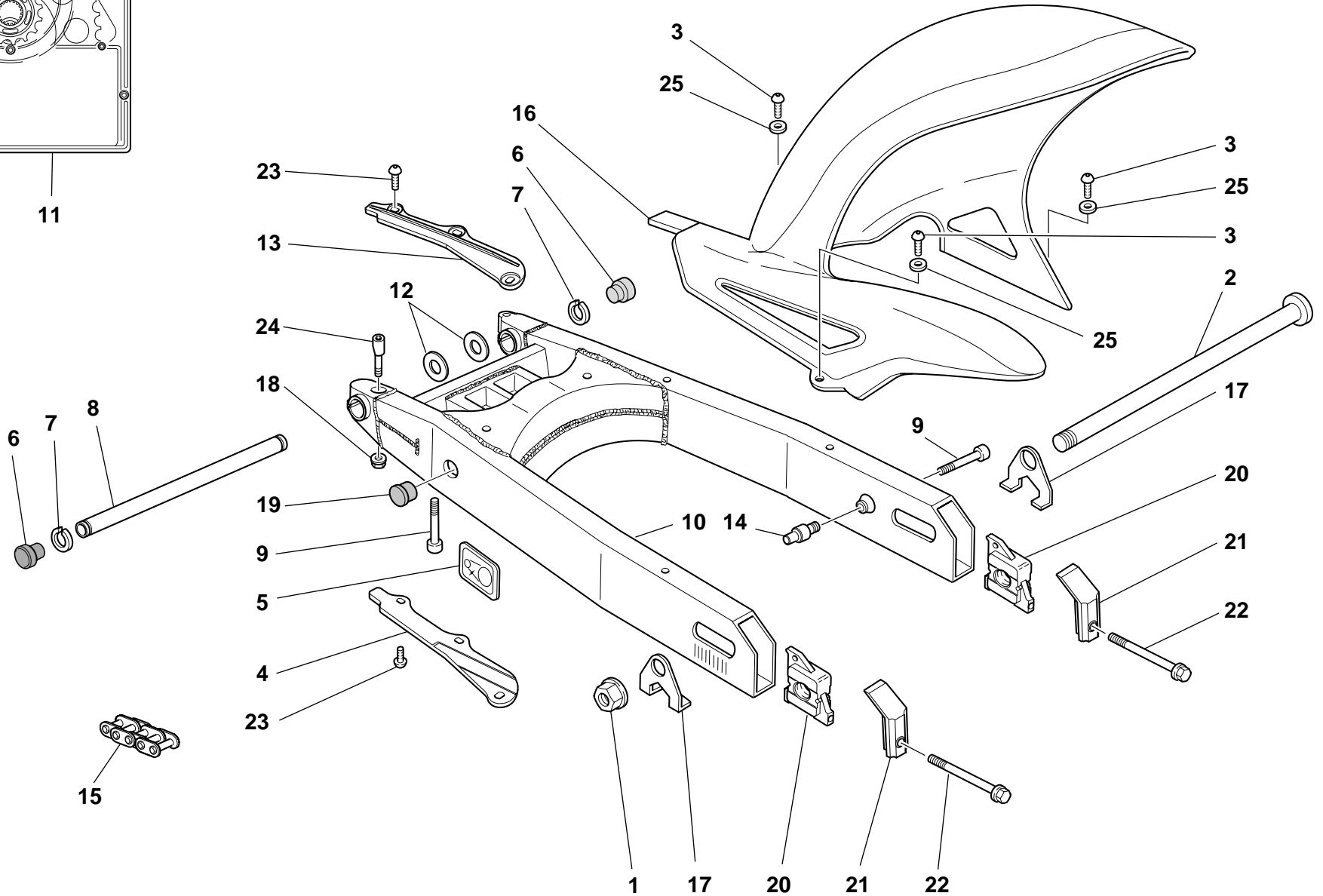
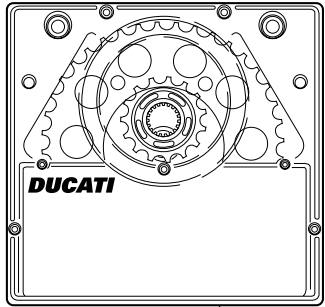
DRAWING **033****AIR INDUCTIO AND OIL VENT**

NOTES	NO.	CODE NO.	DESCRIPTION	VALIDITY	Q.TY	
	1	827.1.123.1AB	L.H. plate		1	
	2	135.1.013.1B	L.H. hose		1	
	3	135.1.014.1B	R.H. hose		1	
	4	827.1.124.1AB	R.H. plate		1	
	5	779.1.088.1A	Screw		6	
	6	442.2.008.1A	Air filter box		1	
	7	877.2.004.1A	Tube		1	
	8	772.5.023.1A	Screw		1	
	9	716.1.022.1A	Spacer		1	
	10	8000.18048	Rubber pad		3	
	11	760.1.003.1A	Hook		4	
	12	74223.1045	Spring pin		4	
	13	821.1.075.1A	Pin		2	
	14	8000.56359	Washer		2	
	15	741.4.002.1A	Clamp		2	
	16	876.1.083.1A	Breather pipe		1	
	17	0364.99.015	Screw		2	
	18	585.1.019.1D	Oil breather tank		1	
	19	876.1.084.1A	Filter/fuel tank outlet pipe		1	
	20	0370.98.610	Filter element		1	
	21	246.1.056.1A	Filter case cover		1	
	22	135.1.015.1A	Air funnel		2	
	23	684.1.026.1A	Stud bolt		2	

NOTES	NO.	CODE NO.	DESCRIPTION	VALIDITY	Q.TY	
-------	-----	----------	-------------	----------	------	---

CATALOGUE No:
ISSUED:**915.1.130.1B**
06 - 02CATALOGUE No:
ISSUED:**915.1.130.1B**
06 - 02

DRAWING **034** SWINGARM AND CHAIN



DRAWING **034** SWINGARM AND CHAIN

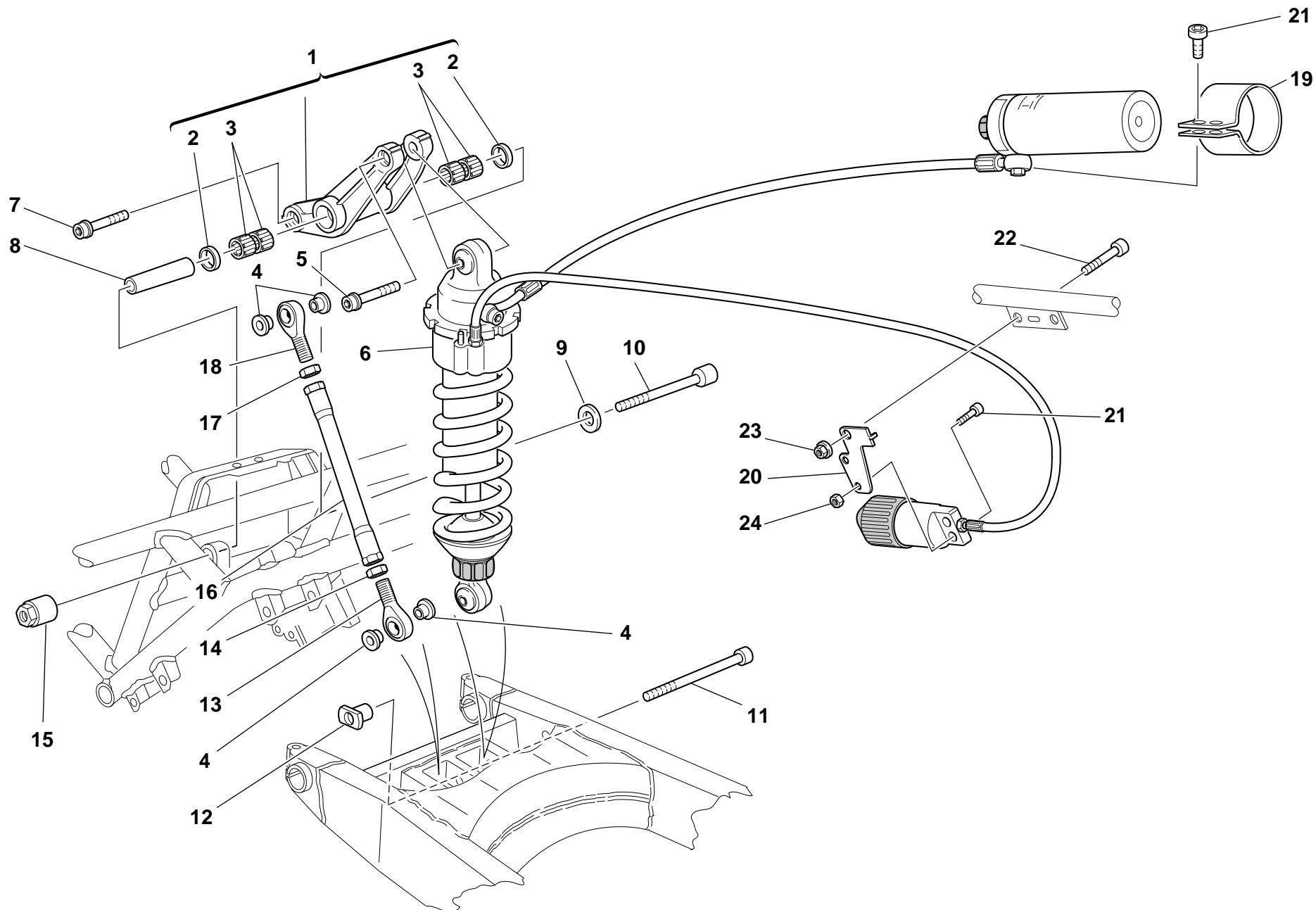
NOTES	NO.	CODE NO.	DESCRIPTION	VALIDITY	Q.TY	
	1	748.1.023.1A	Nut		1	
	2	819.1.039.1A	Rear wheel spindle		1	
	3	779.1.119.2A	Screw		4	
	4	447.1.033.1A	Lower chain sliding shoe		1	
	5	433.1.230.1D	Plate		1	
	6	872.1.019.1A	Cap		2	
	7	884.4.007.1A	Snap ring		2	
	8	369.1.004.1A	Swingarm pivot		1	
	9	60N102556	Screw		2	
	10	370.1.028.1C	Swingarm		1	
	11	676.2.037.1B	Final drive kit		1	
	12	852.1.001.1A	Shim th. 1.8		2	
	12	852.1.002.1A	Shim th. 0.2		1	
	12	852.1.003.1A	Shim th. 0.1		1	
	13	447.1.034.1A	Upper chain sliding shoer		1	
	14	821.1.113.1A	Locating pin		1	
	15	676.4.029.1A	Chain (102 Links)		1	
	16	565.1.025.1A	Rear mudguard		1	
	17	374.1.002.1B	Plate		2	
	18	748.4.034.1A	Nut		2	
	19	872.1.031.1A	Cap		1	
	20	373.1.032.1A	Sliding shoe		2	
	21	373.1.033.1A	Cover		2	
	22	779.1.110.1A	Screw		2	
	23	80B0.55703	Screw		6	
	24	808.1.046.1A	Clamp		2	

NOTES	NO.	CODE NO.	DESCRIPTION	VALIDITY	Q.TY	
-------	-----	----------	-------------	----------	------	---

CATALOGUE No: **915.1.130.1B**
ISSUED: **06 - 02**

CATALOGUE No: **915.1.130.1B**
ISSUED: **06 - 02**

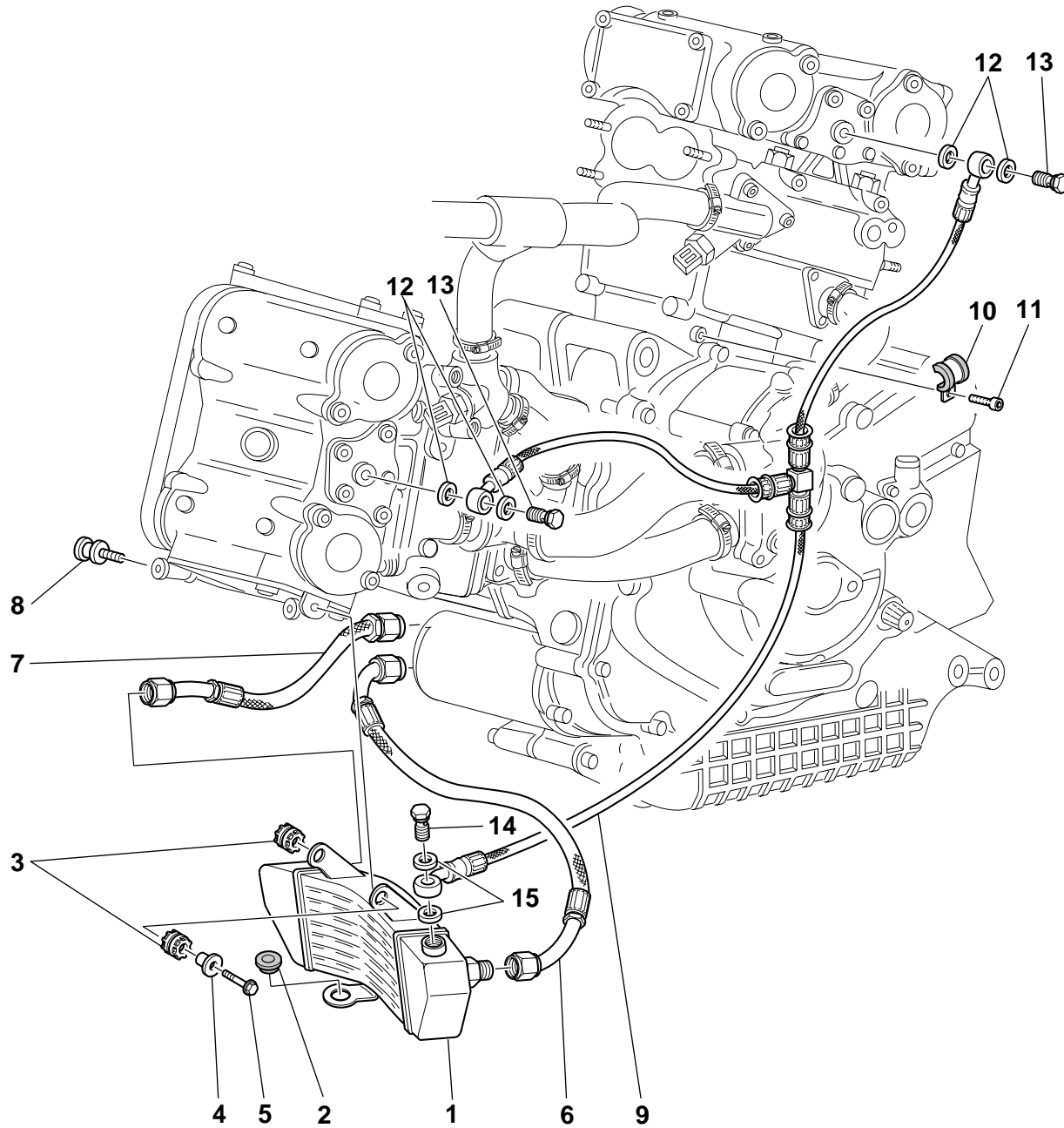
DRAWING **035** REAR SUSPENSION




DRAWING **035** REAR SUSPENSION

NOTES	NO.	CODE NO.	DESCRIPTION	VALIDITY	Q.TY	
	1	372.2.008.3A	Rocker assembly		1	
	2	93781.1824	Seal ring		2	
	3	701.4.006.1A	Needle bearing		4	
	4	710.1.025.1A	Bush		4	
	5	771.5.938.2B	Screw		1	
	6	365.2.041.1A	Shock absorber		1	
	7	771.5.937.2B	Screw		1	
	8	715.1.004.1A	Spacer		1	
	9	710.1.057.1A	Bush		1	
	10	771.1.009.1A	Screw		1	
	11	771.1.008.1A	Screw		1	
	12	710.1.048.1A	Bush		1	
	13	76401.0009	Ball joint		1	
	14	417.9.090.1A	Nut		1	
	15	750.1.041.1A	Nut		1	
	16	875.1.038.2A	Tie rod		1	
	17	747.1.006.1A	Nut		1	
	18	76401.0010	Ball joint		1	
	19	808.1.007.1B	Clamp		1	
	20	827.1.221.1A	Plate		1	
	21	779.5.010.1A	Screw		4	
	22	71502.2146	Screw		1	
	23	729908FN1	Nut		1	
	24	0000.44240	Nut		2	

NOTES	NO.	CODE NO.	DESCRIPTION	VALIDITY	Q.TY	
-------	-----	----------	-------------	----------	------	---



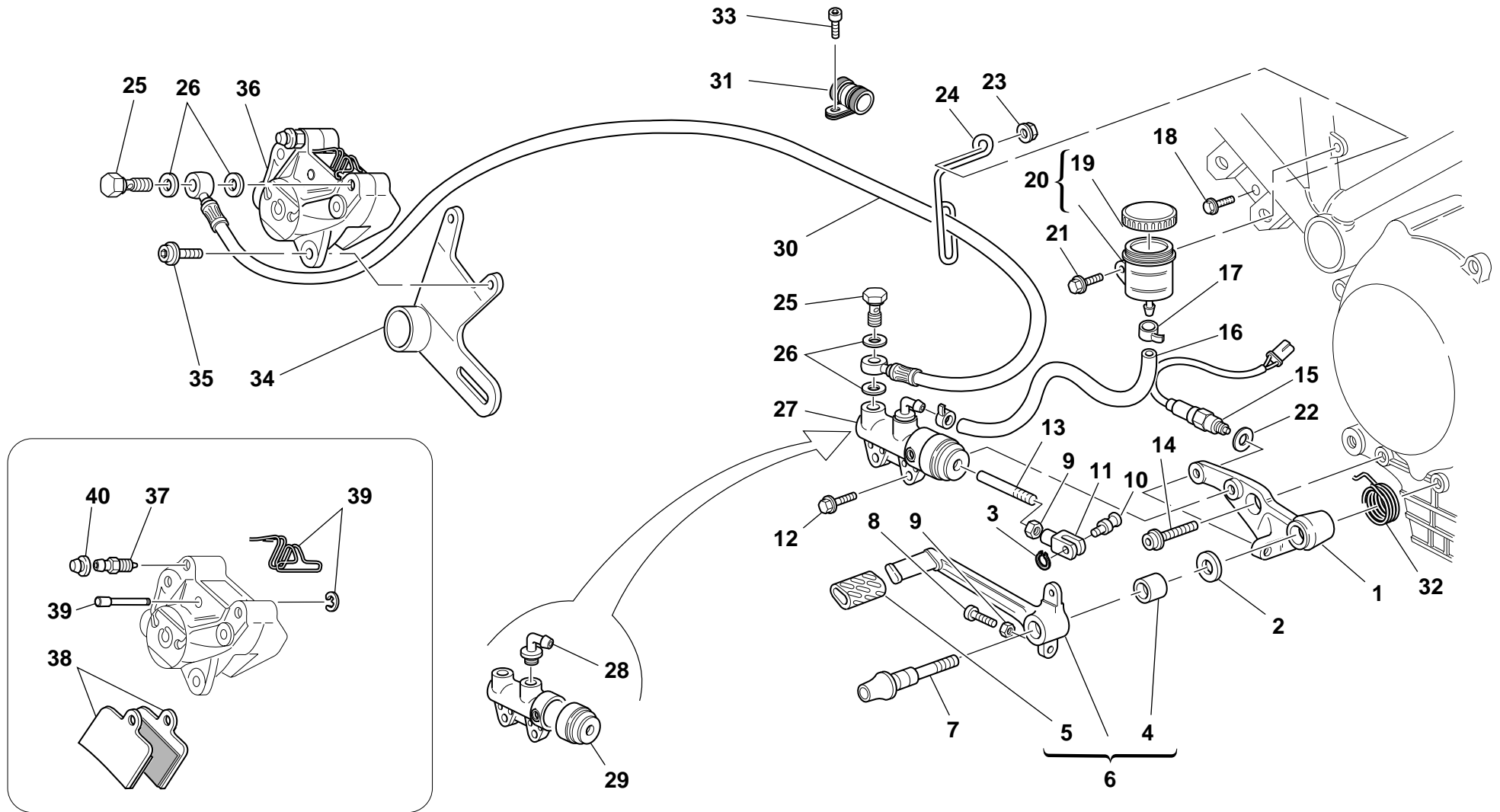
DRAWING **036** OIL COOLER

NOTES	NO.	CODE NO.	DESCRIPTION	VALIDITY	Q.TY	
	1	548.4.023.1B	Oil cooler		1	
	2	8000.69069	Vibration damper		1	
	3	764.1.022.1A	Vibration damper pad		2	
	4	0000.62652	Spacer		1	
	5	0000.62729	Screw		1	
	6	875.1.055.1A	Oil return pipe		1	
	7	875.1.054.1A	Oil delivery pipe		1	
	8	779.1.083.1A	Special screw		1	
	9	875.1.027.1A	Oil delivery pipe		1	
	10	741.4.033.1A	Clamp		1	
	11	60N102505	Screw		1	
	12	787.1.005.1A	Copper gasket		4	
	13	779.1.086.1B	Special screw		2	
	14	779.1.058.1A	Special screw		1	
	15	420.2.001.0A	Gasket th.1		2	

NOTES	NO.	CODE NO.	DESCRIPTION	VALIDITY	Q.TY	
-------	-----	----------	-------------	----------	------	---

CATALOGUE No: **915.1.130.1B**
ISSUED: **06 - 02**CATALOGUE No: **915.1.130.1B**
ISSUED: **06 - 02**

DRAWING **037** REAR HYDRAULIC BRAKE




DRAWING **037**

REAR HYDRAULIC BRAKE

NOTES	NO.	CODE NO.	DESCRIPTION	VALIDITY	Q.TY	
	1	829.1.184.1A	Holder		1	
	2	852.1.054.1A	Washer		1	
	3	73500.0624	Circlip		1	
	4	0000.59056	Bush		1	
	5	764.1.011.2A	Rubber pad		1	
	6	457.2.008.1A	Brake control lever		1	
	7	821.1.052.1A	Pedal pin		1	
	8	8000.67981	Threaded dowel		1	
	9	60N115062	Nut		2	
	10	821.1.096.1A	Pin		1	
	11	184.1.001.1A	Fork		1	
	12	772.5.024.1A	Screw		2	
	13	117.1.025.2A	Master cylinder adjusting rod ø13		1	
	14	771.5.754.2B	Screw		1	
	15	539.4.003.1B	Switch		1	
	16	877.1.050.1A	Tube		1	
	17	741.4.043.1A	Clamp		2	
	18	0000.62726	Screw		1	
	19	893.4.005.1A	Cap		1	
	20	585.4.001.1A	Complete oil tank		1	
	21	772.5.025.1A	Screw		1	
	22	420.2.000.8A	Copper gasket sp. 1		1	
	23	0000.44240	Nut		1	
	24	829.1.073.3A	Holder		1	
	25	779.1.058.2A	Special screw		2	
	26	420.2.001.0A	Gasket th.1		4	
	27	625.4.006.1A	Rear brake pump		1	

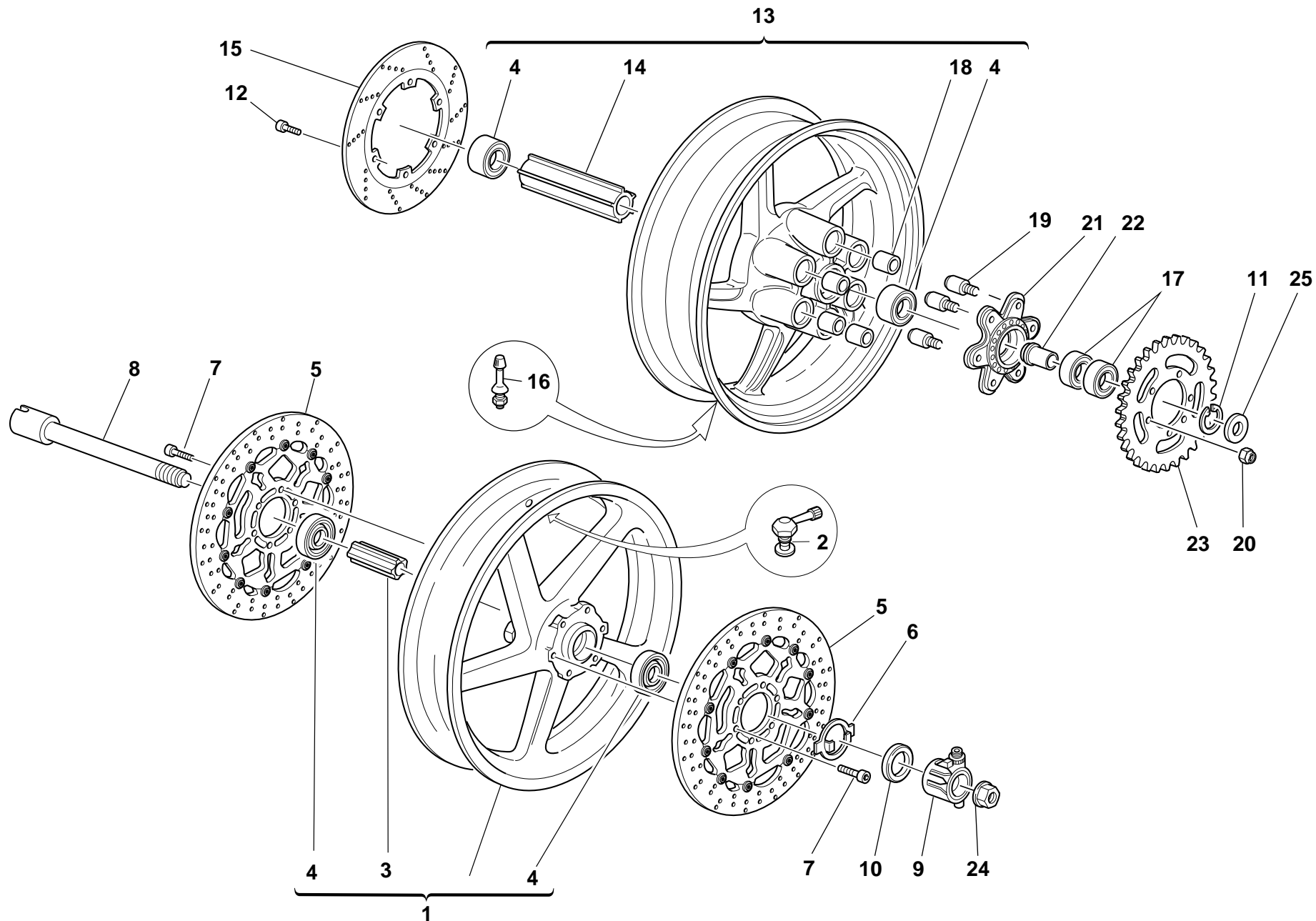
CATALOGUE No:
ISSUED:**915.1.130.1B**
06 - 02

NOTES	NO.	CODE NO.	DESCRIPTION	VALIDITY	Q.TY	
	28	0664.39.727	Spare union		1	
	29	0664.39.741	Dust cover		1	
	30	619.4.015.2C	Caliper pump pipe		1	
	31	741.4.062.1A	Clip		1	
	32	799.1.083.1A	Spring		1	
	33	8A00.67997	Screw		1	
	34	825.1.022.1A	Caliper holder plate		1	
	35	771.5.723.2B	Screw		2	
	36	611.4.009.1A	Rear brake caliper		1	
	37	0370.39.780	Spare bleed union		1	
	38	613.4.021.1A	Pads pair		1	
	39	612.4.016.1A	Spare pins and spring		1	
	40	612.4.008.1A	Dust seal		1	

CATALOGUE No:
ISSUED:**915.1.130.1B**
06 - 02

DRAWING 038

FRONT AND REAR WHEELS



DRAWING **038** FRONT AND REAR WHEELS

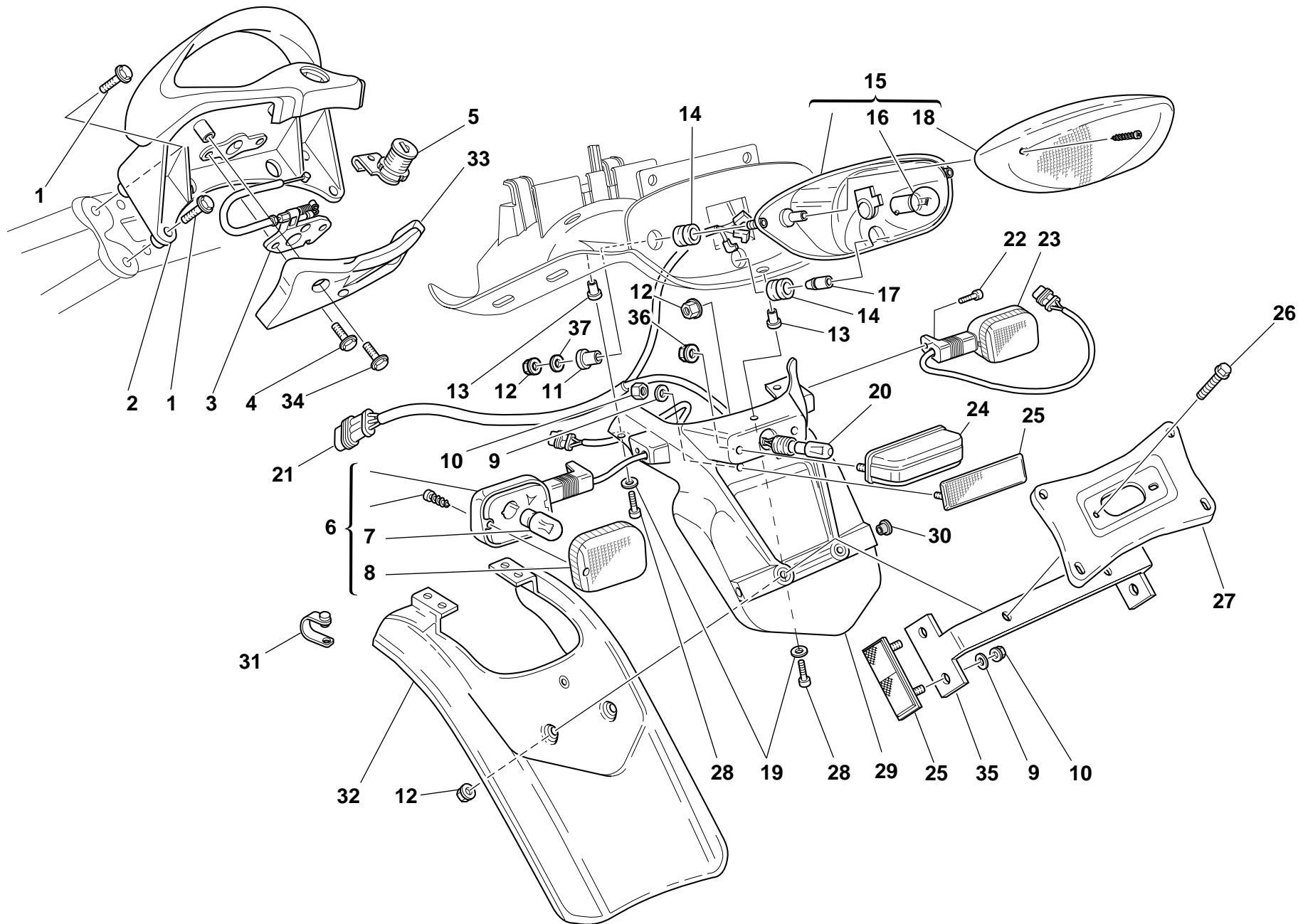
NOTES	NO.	CODE NO.	DESCRIPTION	VALIDITY	Q.TY	
	1	501.2.020.1AA	Front rim		1	
	1	501.2.020.1AB	Front wheel rim (RED)		1	
	2	497.2.001.2A	Valve		1	
	3	714.1.028.1A	Inner spacer		1	
	4	75162.2566	Bearing		4	
	5	492.4.010.1A	Brake disc		2	
	6	0000.62648	Relay drive ring		1	
	7	771.5.721.2B	Screw		12	
	8	819.1.017.1A	Front wheel spindle		1	
	9	498.1.009.1A	Speedometer transmission		1	
	10	0000.64471	Seal ring		1	
	11	884.5.008.1A	Circlip		1	
	12	771.5.723.2B	Screw		6	
	13	502.2.046.1AA	Rear wheel rim		1	
	13	502.2.046.1AB	Rear wheel rim (RED)		1	
	14	713.1.098.1A	Inner spacer		1	
	15	492.4.003.2A	Brake disc		1	
	16	0803.77.010	Valve		1	
	17	75162.3075	Bearing		2	
	18	700.1.005.1A	Vibration damper		6	
	19	821.1.009.1B	Pin		6	
	20	748.4.024.1A	Nut		6	
	21	160.1.049.1A	Rear sprocket flange		1	
	22	710.1.041.1B	Bush		1	
	23	494.1.072.1A	Ring gear z=38		1	
	24	748.1.014.1B	Fork nut		1	
	25	713.1.097.1B	Spacer		1	

CATALOGUE No: **915.1.130.1B**
ISSUED: **06 - 02**

NOTES	NO.	CODE NO.	DESCRIPTION	VALIDITY	Q.TY	
-------	-----	----------	-------------	----------	------	---

CATALOGUE No: **915.1.130.1B**
ISSUED: **06 - 02**


DRAWING **039** NUMBER PLATE HOLDER



DRAWING **039** NUMBER PLATE HOLDER

NOTES	NO.	CODE NO.	DESCRIPTION	VALIDITY	Q.TY	
	1	772.5.023.1A	Screw		4	
	2	806.1.011.1AA	Red handle		1	
	2	806.1.011.1AE	Yellow handle		1	
	2	806.1.011.1AF	Grey handle		1	
	2	806.1.011.1AG	Grey handle		1	
	3	732.2.006.1A	Lock latch		1	
	4	8A00.67997	Screw		2	
	5	598.2.019.1A	Seat lock		1	
	6	530.4.003.1B	L.H. turn indicator		1	
	7	0000.36726	Bulb		2	
	8	532.4.001.1A	Cup		2	
	9	852.5.001.1A	Washer		4	
	10	749.5.001.1A	Nut		6	
	11	716.1.022.1A	Spacer		2	
	12	0000.44240	Nut		6	
	13	0000.63150	Insert		5	
	14	8000.18048	Rubber pad		3	
	15	525.4.010.1A	Tail light		1	
	16	390.4.003.1A	Two-light bulb 12V 5/21W		1	
	17	821.1.081.1A	Pin		1	
	18	532.4.002.1A	Lens		1	
	19	60N115548	Washer		7	
	20	0000.36230	Bulb		1	
	21	510.1.108.1A	Wiring		1	
	22	60N107335	Screw		2	
	23	530.4.004.1B	R.H. turn indicator		1	
	24	525.1.004.2A	Tail lamp		1	

CATALOGUE No: **915.1.130.1B**
ISSUED: **06 - 02**

NOTES	NO.	CODE NO.	DESCRIPTION	VALIDITY	Q.TY	
	25	529.1.006.1A	Cat's eye		3	
	26	772.5.024.1A	Screw		2	
	27	561.1.019.1A	Plate		1	
	28	771.5.043.2B	Screw		5	
	29	561.1.013.2A	Number plate holder		1	
	30	417.7.007.1A	Cap		2	
	31	741.1.012.1A	Clamp		2	
	32	460.1.077.1A	Mudflap		1	
	33	460.1.080.1A	Mudflap		1	
	34	0000.62726	Screw		2	
	35	829.1.136.1A	Holder		1	
	36	8000.56443	Nut		2	
	37	8000.56359	Washer		2	

CATALOGUE No: **915.1.130.1B**
ISSUED: **06 - 02**

DRAWING **040** SEAT

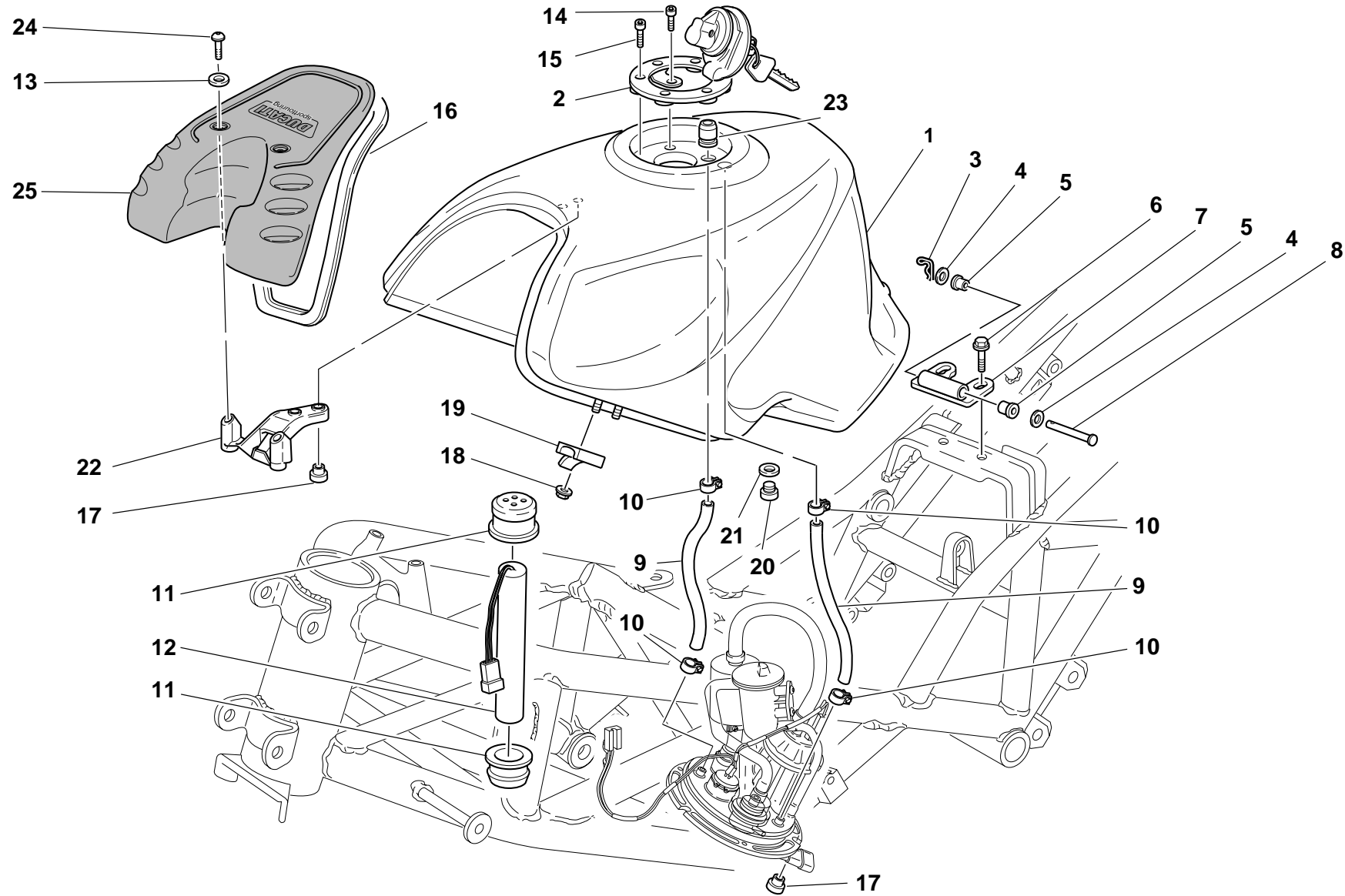
NOTES	NO.	CODE NO.	DESCRIPTION	VALIDITY	Q.TY	
	1	559.1.005.1A	Panel (BLACK)		1	
	2	872.1.022.1A	Cap		4	
	3	779.1.088.1A	Screw		1	
	4	827.1.061.1A	Plate		2	
	5	829.4.001.1A	Holder		1	
	6	771.5.667.2B	Screw		2	
	7	716.1.038.1A	Spacer		2	
	8	760.1.015.1A	Hook		1	
	9	808.1.019.1A	Clamp		2	
	10	8H00.67545	Screw		2	
	11	770.5.619.2B	Screw		2	
	12	734305N01	Washer		2	
	13	713.1.129.1A	Spacer		2	
	14	850.4.016.1A	Threaded insert		1	
	15	866.1.030.1A	Rubber pad		6	
	16	595.1.034.1A	Seat		1	
	17	775.1.008.1A	Screw		2	
	18	482.1.027.1BA	L.H. body panel (RED)		1	
	18	482.1.027.1BC	L.H. body panel (GREY)		1	
	18	482.1.027.1BE	L.H. body panel (YELLOW)		1	
	18	482.1.027.1BG	L.H. body panel (METALLIC DARK GREY)		1	
	19	700.1.025.1A	L.H. gasket		1	
	20	700.1.024.1A	R.H. gasket		1	
	21	482.1.028.1BA	R.H. body panel (RED)		1	
	21	482.1.028.1BC	R.H. body panel (GREY)		1	
	21	482.1.028.1BE	R.H. body panel (YELLOW)		1	
	21	482.1.028.1BG	R.H. body panel (METALLIC DARK GREY)		1	

CATALOGUE No: **915.1.130.1B**
ISSUED: **06 - 02**

NOTES	NO.	CODE NO.	DESCRIPTION	VALIDITY	Q.TY	
	22	565.1.022.2A	Tool box		1	
	23	0000.56443	Nut		1	
	24	913.7.062.1H	Owner's manual		1	
	25	697.2.011.1A	Tool bag		1	
	26	764.1.037.1A	Rubber pad		1	
	27	732.1.005.1A	Helmet anti-theft wire		1	
	28	482.3.021.1A	L.H. body panel (unpainted)		1	
	29	482.3.022.1A	R.H. body panel (unpainted)		1	
	30	856.1.040.1A	Nylon washer		2	
	31	759.1.015.1A	Rubber		1	
	32	436.1.021.1A	Sticker "SPORTTOURING" (for RED, BLUE, BLACK)		2	
	32	436.1.021.1AB	Sticker "SPORTTOURING" (for YELLOW, SILVER)		2	
	32	436.1.021.1BA	Sticker "SPORTTOURING" (for GREI)		1	
	33	598.4.015.1A	Padlock		1	
	34	919.1.008.1A	Motrocycle's canvas cover (RED)		1	
	35	565.1.027.1A	Tool box		1	

CATALOGUE No: **915.1.130.1B**
ISSUED: **06 - 02**

DRAWING **041** FUEL TANK



DRAWING **041** FUEL TANK

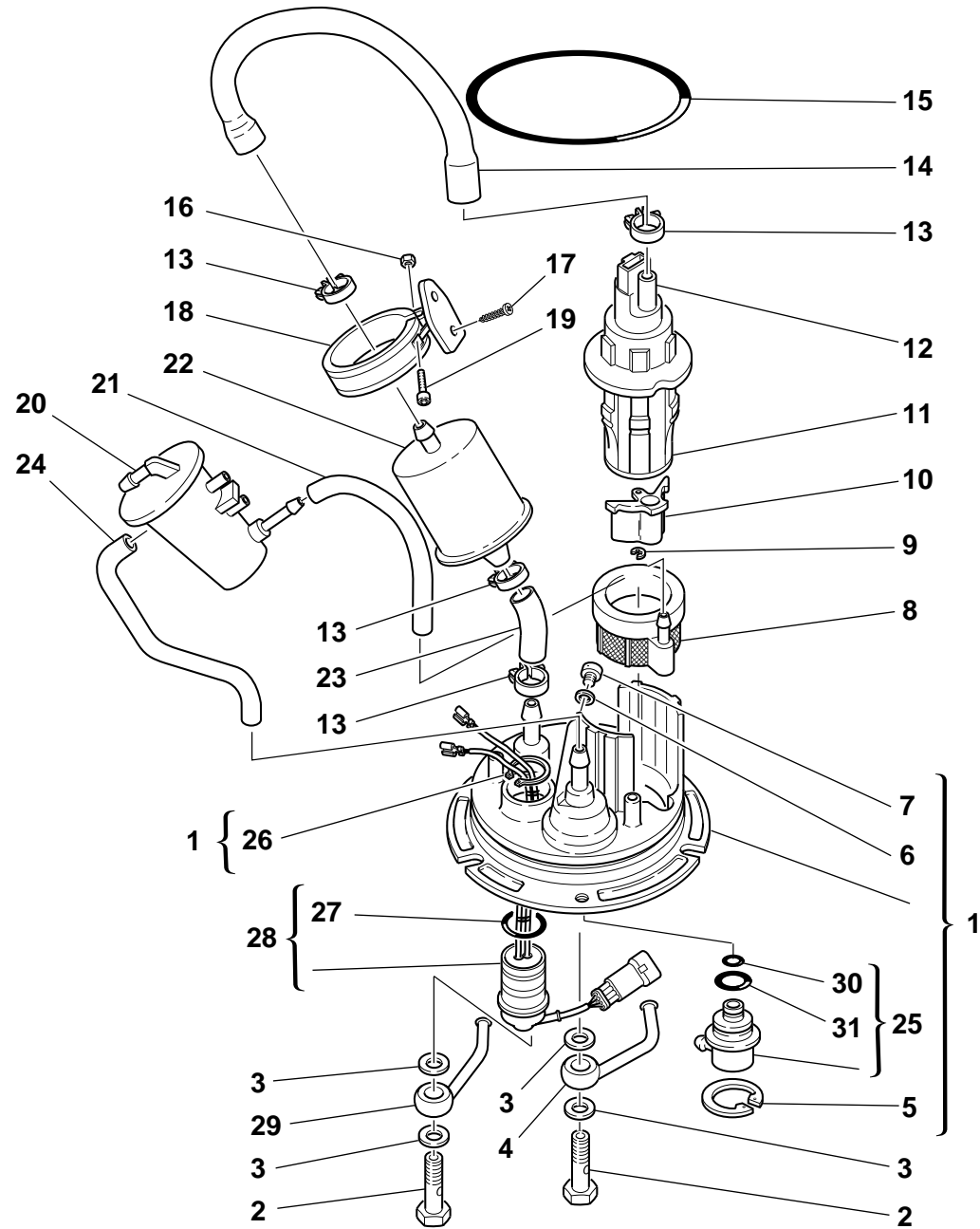
NOTES	NO.	CODE NO.	DESCRIPTION	VALIDITY	Q.TY	
	1	586.1.029.1BA	Fuel tank (RED)		1	
	1	586.1.029.1BE	Fuel tank (YELLOW)		1	
	1	586.1.029.1DB	Fuel tank (GREY)		1	
	1	586.1.029.1DG	Fuel tank (METALLIC DARK GREY)		1	
	2	895.4.004.1A	Tank cap		1	
	3	0000.62705	Split pin		1	
	4	00C0.05893	Shim		2	
	5	712.1.013.3A	Bush		2	
	6	772.5.025.1A	Screw		2	
	7	827.2.134.1A	Plate		1	
	8	821.1.028.2B	Pin		1	
	9	590.1.085.1A	Tube		2	
	10	741.4.004.1A	Clamp		4	
	11	829.1.186.1A	Rubber holder		2	
	12	552.1.003.2A	Sensor		1	
	13	8000.56391	Nylon washer		2	
	14	771.5.040.2B	Screw		1	
	15	771.5.045.7E	Screw		3	
	16	791.1.034.1A	Cover gasket		1	
	17	750.1.042.1A	Nut		5	
	18	763106N01	El-stop nut		4	
	19	866.1.029.1A	Rubber pad		2	
	20	8000.77921	Screw		1	
	21	420.2.001.0A	Gasket th.1		1	
	22	830.1.131.1A	Bracket		1	
	23	791.1.012.1A	Gasket		1	
	24	00B0.55703	Screw		2	

CATALOGUE No: **915.1.130.1B**
ISSUED: **06 - 02**

NOTES	NO.	CODE NO.	DESCRIPTION	VALIDITY	Q.TY	
	25	247.2.105.1AF	Cover (GREY)		1	
	25	247.2.105.1AG	Cover (METALLIC DARK GREY)		1	
	25	247.2.105.1B	Cover		1	
	25	247.2.105.1BB	Cover (BLACK)		1	

CATALOGUE No: **915.1.130.1B**
ISSUED: **06 - 02**


DRAWING 042 FUEL SYSTEM



DRAWING **042** FUEL SYSTEM

NOTES	NO.	CODE NO.	DESCRIPTION	VALIDITY	Q.TY	
	1	160.9.057.1A	Flange		1	
	2	779.1.170.1A	Special screw		2	
	3	852.1.098.1A	Washer		4	
	4	814.1.065.1A	Union		1	
	5	73503.3449	Circlip		1	
	6	420.2.001.0A	Gasket th.1		1	
	7	780.1.008.1A	Cap		1	
	8	427.1.003.1A	Fuel pump filter		1	
	9	850.4.031.1A	Snap ring		1	
	10	484.1.029.1B	Manifold		1	
	11	829.1.077.2B	Pump holder		1	
	12	430.4.004.1A	Fuel pump		1	
	13	741.4.004.1A	Clamp		4	
	14	590.1.092.1A	Tube		1	
	15	886.5.001.1A	O-Ring		1	
	16	0419.50.115	Hexagon nut		1	
	17	72237.0974	Self-tapping screw		2	
	18	829.1.104.1A	Holder		1	
	19	0419.50.045	Screw		1	
	20	427.4.002.1A	Air separator		1	
	21	590.1.059.1A	Tube		1	
	22	425.4.004.1A	Fuel filter		1	
	23	590.1.091.1A	Tube		1	
	24	590.1.058.1A	Tube		1	
	25	283.4.003.1A	Pressure regulator		1	
	26	73500.2668	Circlip		1	
	27	886.5.011.1A	O-Ring		1	

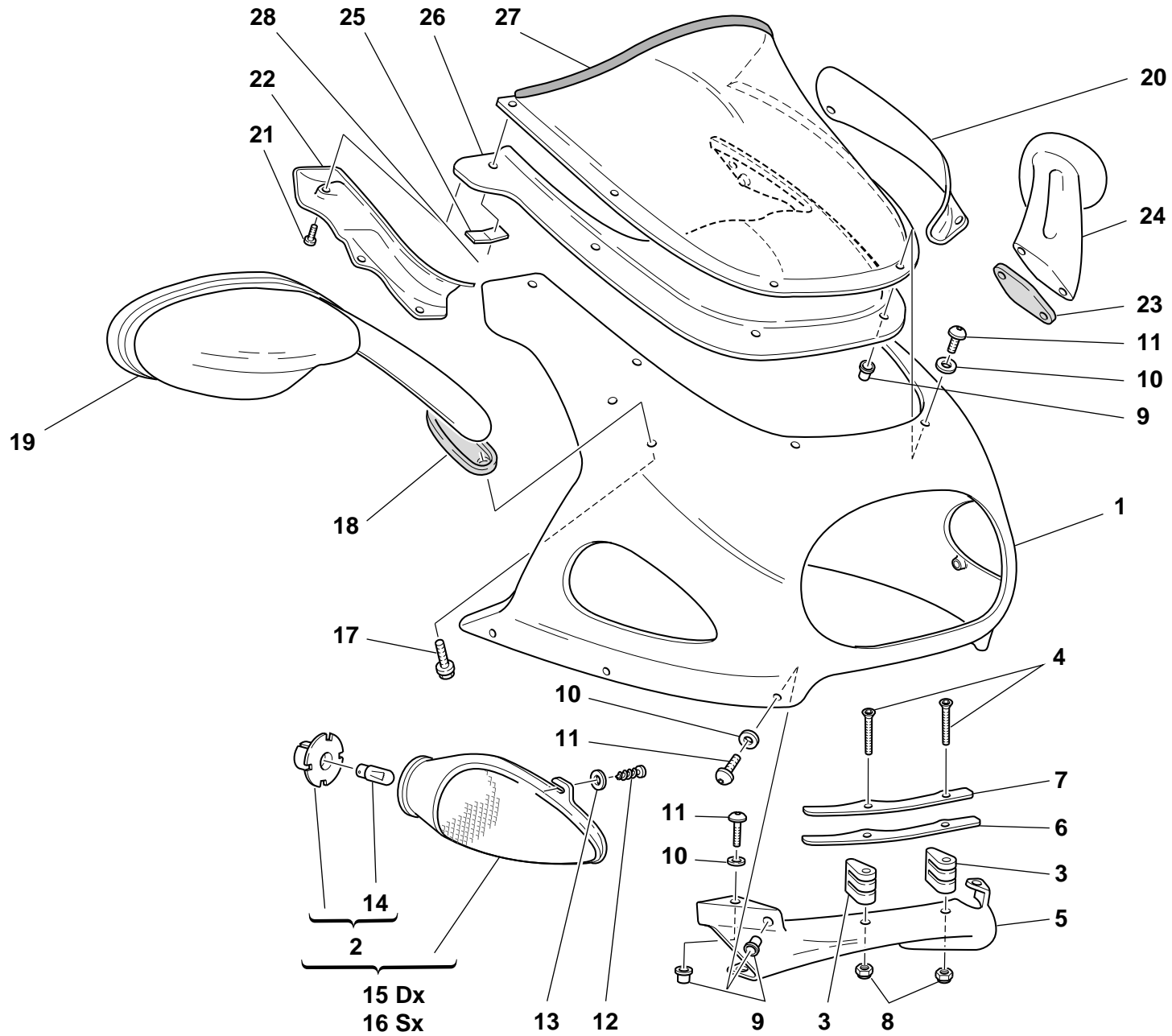
CATALOGUE No:
ISSUED:**915.1.130.1B**
06 - 02

NOTES	NO.	CODE NO.	DESCRIPTION	VALIDITY	Q.TY	
	28	510.2.003.1A	Pump wiring		1	
	29	814.1.066.1A	Union		1	
	30	886.4.021.1A	O-ring		1	
	31	886.4.022.1A	O-ring		1	


CATALOGUE No:
ISSUED:**915.1.130.1B**
06 - 02

DRAWING 043


HEADLIGHT FAIRING



DRAWING **043** HEADLIGHT FAIRING

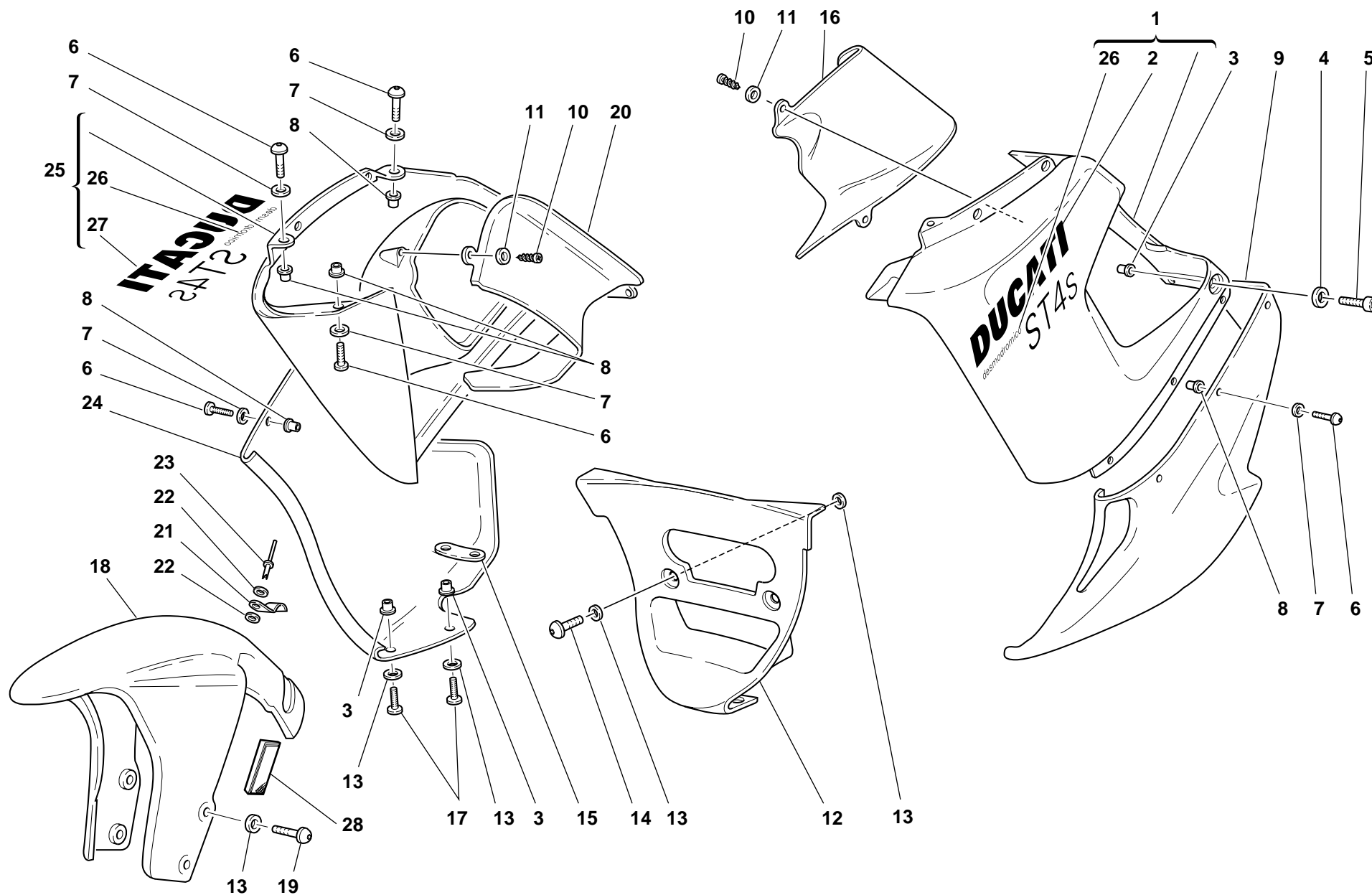
NOTES	NO.	CODE NO.	DESCRIPTION	VALIDITY	Q.TY	
	1	481.1.016.1BA	Headlight fairing (RED)		1	
	1	481.1.016.1BE	Headlight fairing (YELLOW)		1	
	1	481.1.016.1BF	Headlight fairing (GREY)		1	
	1	481.1.016.1BG	Headlight fairing (METALLIC DARK GREY)		1	
	1	481.3.016.1A	Headlight fairing (unpainted)		1	
	2	390.4.005.1A	Lamp holder		2	
	3	808.1.018.1A	Clamp		2	
	4	777.5.007.2B	Screw		2	
	5	484.1.024.1AA	Air manifold (RED)		1	
	5	484.1.024.1AE	Air manifold (YELLOW)		1	
	5	484.1.024.1AF	Air manifold (GREY)		1	
	5	484.1.024.1AG	Air manifold (METALLIC DARK GREY)		1	
	5	484.3.024.1A	Manifold (unpainted)		1	
	6	827.1.131.1A	Lower plate		1	
	7	827.1.130.1A	Upper plate		1	
	8	749.5.001.1A	Nut		2	
	9	0000.63150	Insert		14	
	10	0000.63161	Washer		14	
	11	775.1.011.1A	Screw		14	
	12	72237.0657	Self-tapping screw		4	
	13	852.5.002.1A	Washer		4	
	14	0000.36726	Bulb		2	
	15	530.4.006.1A	R.H. turn indicator		1	
	16	530.4.005.1A	L.H. turn indicator		1	
	17	772.5.023.1A	Screw		4	
	18	713.1.126.1A	R.H. gasket		1	
	19	523.4.007.1AA	R.H. rear-view mirror (RED)		1	

CATALOGUE No:
ISSUED:**915.1.130.1B**
06 - 02

NOTES	NO.	CODE NO.	DESCRIPTION	VALIDITY	Q.TY	
	19	523.4.007.1AE	R.H. rear-view mirror (YELLOW)		1	
	19	523.4.007.1AF	R.H. rear-view mirror (GREY)		1	
	19	523.4.007.1AG	R.H. rear-view mirror (METALLIC DARK GREY)		1	
	20	460.1.072.1A	L.H. side panel (GREY)		1	
	20	460.1.072.1AC	L.H. side panel (BLACK)		1	
	21	779.1.116.1A	Screw		2	
	22	460.1.071.1A	R.H. side panel (GREY)		1	
	22	460.1.071.1AC	R.H. side panel (BLACK)		1	
	23	713.1.127.1A	L.H. gasket		1	
	24	523.4.006.1AA	L.H. rear-view mirror (RED)		1	
	24	523.4.006.1AE	L.H. rear-view mirror (YELLOW)		1	
	24	523.4.006.1AF	L.H. rear-view mirror (GREY)		1	
	24	523.4.006.1AG	L.H. rear-view mirror (METALLIC DARK GREY)		1	
	25	827.1.162.1A	Plate		2	
	26	460.1.070.1A	Panel (GREY)		1	
	26	460.1.070.1AC	Panel (BLACK)		1	
	27	487.1.014.1A	Windshield		1	
	28	850.4.013.1A	Threaded insert		2	

CATALOGUE No:
ISSUED:**915.1.130.1B**
06 - 02


DRAWING **044** FAIRING



DRAWING **044** FAIRING

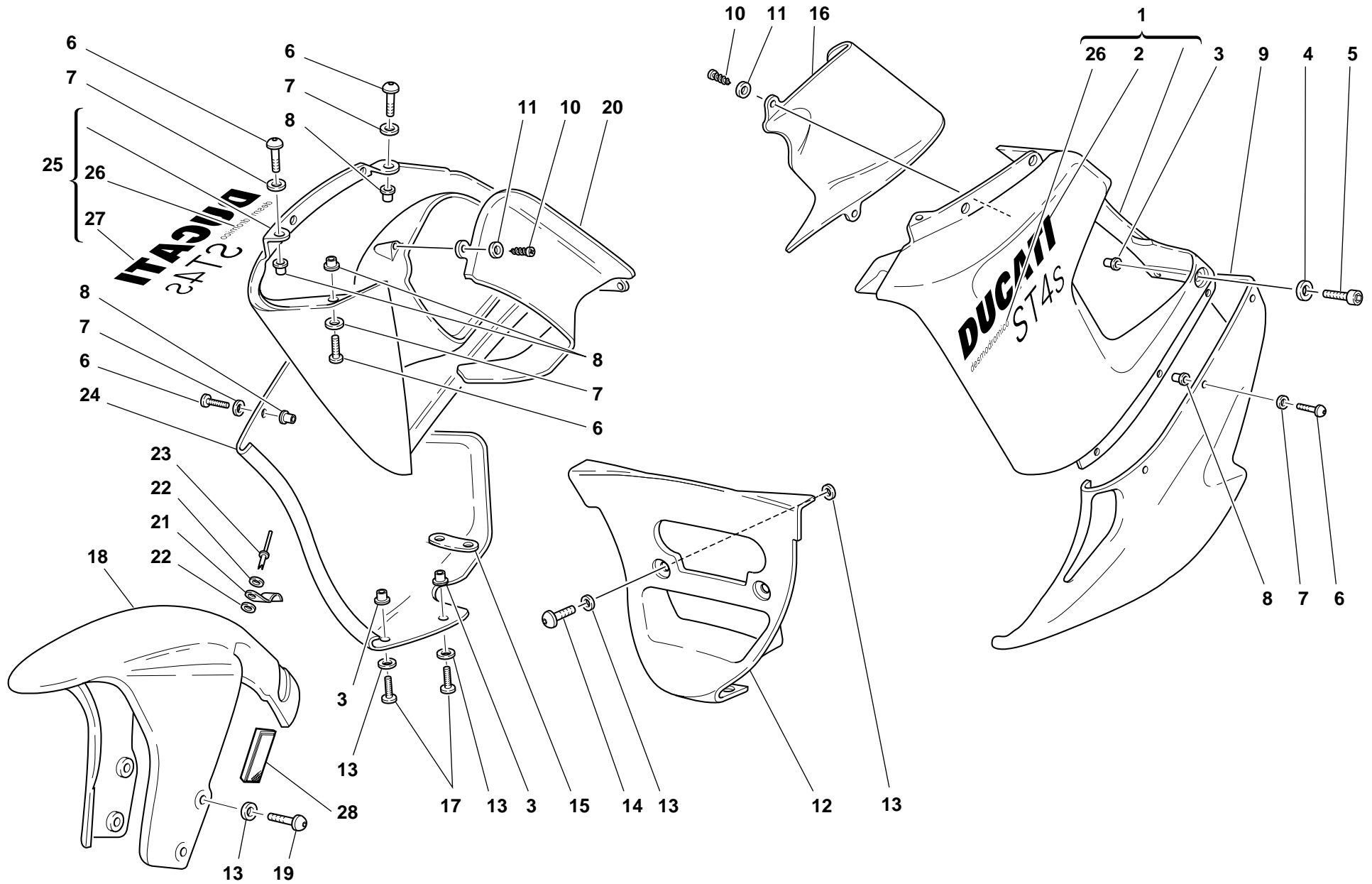
NOTES	NO.	CODE NO.	DESCRIPTION	VALIDITY	Q.TY	
	1	480.1.058.1EA	L.H. upper half-fairing (RED)		1	
	1	480.1.058.1EC	L.H. upper half-fairing (YELLOW)		1	
	1	480.1.058.1ED	L.H. upper half-fairing (GREY)		1	
	1	480.1.058.1EG	L.H. upper half-fairing(METALLIC DARK GREY)		1	
	1	480.3.058.1A	L.H. upper half-fairing (unpainted)		1	
	2	437.1.112.1BA	Sticker "DUCATI ST4S" (for RED, BLUE, BLACK)		1	
	2	437.1.112.1BB	Sticker "DUCATI ST4S" (for SILVER, YELLOW)		1	
	2	437.1.112.1BC	Sticker "DUCATI ST4S" (for GREY)		1	
	3	0364.99.020	Threaded insert		6	
	4	841.1.001.1C	Retainer		2	
	5	779.5.001.1A	Screw		2	
	6	775.1.011.1A	Screw		12	
	7	0000.63161	Washer		12	
	8	0000.63150	Insert		12	
	9	480.1.059.2AA	L.H. lower half-fairing (RED)		1	
	9	480.1.059.2AE	L.H. lower half-fairing (YELLOW)		1	
	9	480.1.059.2AF	L.H. lower half-fairing (GREY)		1	
	9	480.1.059.2AG	L.H. lower half-fairing (METALLIC DARK GREY)		1	
	9	480.3.059.1A	L.H. lower half-fairing (UNPAINTED)		1	
	10	72231.0871	Screw		4	
	11	852.5.002.1A	Washer		4	
	12	484.1.034.1A	Air manifold (RED)		1	
	12	484.1.034.1AE	Air manifold (YELLOW)		1	
	12	484.1.034.1AF	Air manifold (GREY)		1	
	12	484.1.034.1AG	Air manifold (METALLIC DARK GREY)		1	
	12	484.3.034.1A	Manifold (unpainted)		1	
	13	856.1.040.1A	Nylon washer		12	

CATALOGUE No:
ISSUED:**915.1.130.1B**
06 - 02


NOTES	NO.	CODE NO.	DESCRIPTION	VALIDITY	Q.TY	
	14	775.1.008.2A	Screw		2	
	15	827.1.012.1A	Bent plate		1	
	16	484.1.025.1AA	L.H. air manifold		1	
	16	484.1.025.1AB	L.H. air manifold (BLACK)		1	
	16	484.1.025.1AE	L.H. air manifold (GREY)		1	
	17	779.1.089.1A	Screw		4	
	18	564.1.023.1AA	Front mudguard (RED)		1	
	18	564.1.023.1AE	Front mudguard (YELLOW)		1	
	18	564.1.023.1AF	Front mudguard (GREY)		1	
	18	564.1.023.1AG	Front mudguard (METALLIC DARK GREY)		1	
	18	564.3.023.1A	Front mudguard (unpainted)		1	
	19	0000.55698	Screw		4	
	20	484.1.026.1AA	R.H. air manifold		1	
	20	484.1.026.1AB	R.H. air manifold (BLACK)		1	
	20	484.1.026.1AE	R.H. air manifold (GREY)		1	
	21	850.1.003.1A	Clip		1	
	22	852.1.075.1A	Washer		2	
	23	736.4.013.1B	Shear rivet		1	
	24	480.1.061.2AA	R.H. lower half-fairing (RED)		1	
	24	480.1.061.2AE	R.H. lower half-fairing (YELLOW)		1	
	24	480.1.061.2AF	R.H. lower half-fairing (GREY)		1	
	24	480.1.115.1AG	R.H. lower half-fairing (METALLIC DARK GREY)		1	
	24	480.3.061.1A	R.H. lower half-fairing (unpainted)		1	
	25	480.1.060.1EA	R.H. upper half-fairing (RED)		1	
	25	480.1.060.1EC	R.H. upper half-fairing (YELLOW)		1	
	25	480.1.060.1ED	R.H. upper half-fairing (GREY)		1	
	25	480.1.060.1EG	R.H. upper half-fairing (METALLIC DARK GREY)		1	

CATALOGUE No:
ISSUED:**915.1.130.1B**
06 - 02

DRAWING **044** FAIRING



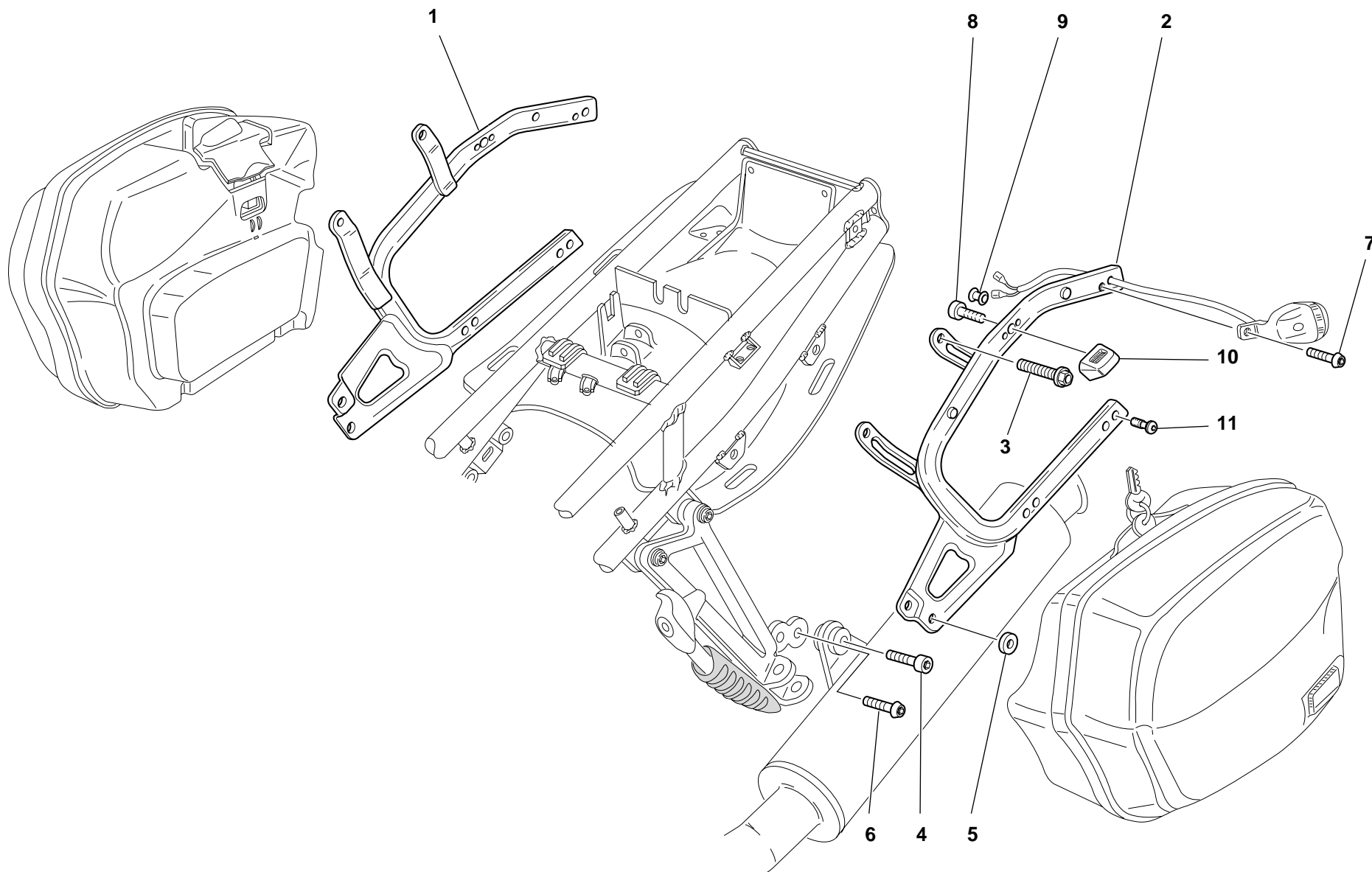
DRAWING **044** FAIRING

NOTES	NO.	CODE NO.	DESCRIPTION	VALIDITY	Q.TY	
	25	480.3.060.1A	R.H. upper half-fairing (unpainted)		1	
	26	437.1.107.1AA	Sticker "DESMODROMICO" (for RED, BLUE, BLACK)		2	
	26	437.1.107.1AB	Sticker "DESMODROMICO" (for SILVER, YELLOW)		2	
	26	437.1.107.1AC	Sticker "DESMODROMICO" (for GREY)		2	
	27	437.1.114.1BA	Sticker "DUCATI ST4S" (for RED, BLUE, BLACK)		1	
	27	437.1.114.1BB	Sticker "DUCATI ST4S" (for SILVER, YELLOW)		1	
	27	437.1.114.1BC	Sticker "DUCATI ST4S" (for GREY)		1	
	27	437.1.114.1BG	Sticker "DUCATI ST4S" (for GREY)		2	
	28	529.1.008.1AB	Cat's eye (AMBER)		2	


NOTES	NO.	CODE NO.	DESCRIPTION	VALIDITY	Q.TY	
-------	-----	----------	-------------	----------	------	---

DRAWING 045

PANNIERS FASTENS



DRAWING **045** PANNIERS FASTENS

NOTES	NO.	CODE NO.	DESCRIPTION	VALIDITY	Q.TY	
-		699.2.094.1CA	Coplete panniers kit (RED)		1	
-		699.2.094.1CE	Coplete panniers kit (YELLOW)		1	
-		699.2.094.1CF	Complete Panniers kit (GREY)		1	
-		699.2.094.1CG	Complete Panniers kit (METALLIC DARK GREY)		1	
1		829.1.206.1A	R.H. holder		1	
2		829.1.205.1A	L.H. holder		1	
3		772.5.008.1A	Screw		4	
4		771.5.002.1A	Screw		1	
5		713.1.130.1A	Spacer		1	
6		775.5.002.1A	Screw		2	
7		8BB0.61070	Screw		2	
8		771.4.007.1A	Screw		2	
9		872.4.023.1A	Cap		4	
10		829.1.332.1A	Holder		2	
11		775.4.002.1A	Special screw		8	

NOTES	NO.	CODE NO.	DESCRIPTION	VALIDITY	Q.TY	
-------	-----	----------	-------------	----------	------	---


DRAWING **046** **SIDE PANNIERS**

NOTES	NO.	CODE NO.	DESCRIPTION	VALIDITY	Q.TY	
-		699.2.094.1CA	Coplete panniers kit (RED)		1	
-		699.2.094.1CE	Coplete panniers kit (YELLOW)		1	
-		699.2.094.1CF	Complete Panniers kit (GREY)		1	
-		699.2.094.1CG	Complete Panniers kit (METALLIC DARK GREY)		1	
1		438.1.096.1AA	Sticker "DUCATI" (for RED, BLUE, BLACK)		2	
1		438.1.096.1AB	Sticker "DUCATI" (for SILVER, YELLOW)		2	
1		438.1.096.1AC	Sticker "DUCATI" (for GREI)		2	
2		698.1.021.1BA	R.H. cover (RED)		1	
2		698.1.021.1BE	R.H. cover (YELLOW)		1	
2		698.1.021.1BF	R.H. cover (GREY)		1	
2		698.1.021.1BG	R.H. cover (METALLIC DARK GREY)		1	
3		72237.0657	Self-tapping screw		20	
4		698.1.023.1A	R.H. handle		1	
5		72237.0974	Self-tapping screw		2	
6		529.4.005.1A	Cat's eye (AMBER)		2	
7		698.1.015.1A	R.H. pannier		1	
8		698.1.026.1A	Series of belts		1	
9		698.1.025.1A	Pannier locks kit		1	
10		698.1.016.1A	L.H. pannier		1	
11		698.1.022.1BA	L.H. cover (RED)		1	
11		698.1.022.1BE	L.H. cover (YELLOW)		1	
11		698.1.022.1BF	L.H. cover (GREY)		1	
11		698.1.022.1BG	L.H. cover (METALLIC DARK GREY)		1	
12		698.1.027.1A	Insulation		1	
13		698.1.024.1A	L.H. handle		1	

NOTES	NO.	CODE NO.	DESCRIPTION	VALIDITY	Q.TY	
-------	-----	----------	-------------	----------	------	---

CATALOGUE No:
ISSUED:**915.1.130.1B**
06 - 02CATALOGUE No:
ISSUED:**915.1.130.1B**
06 - 02

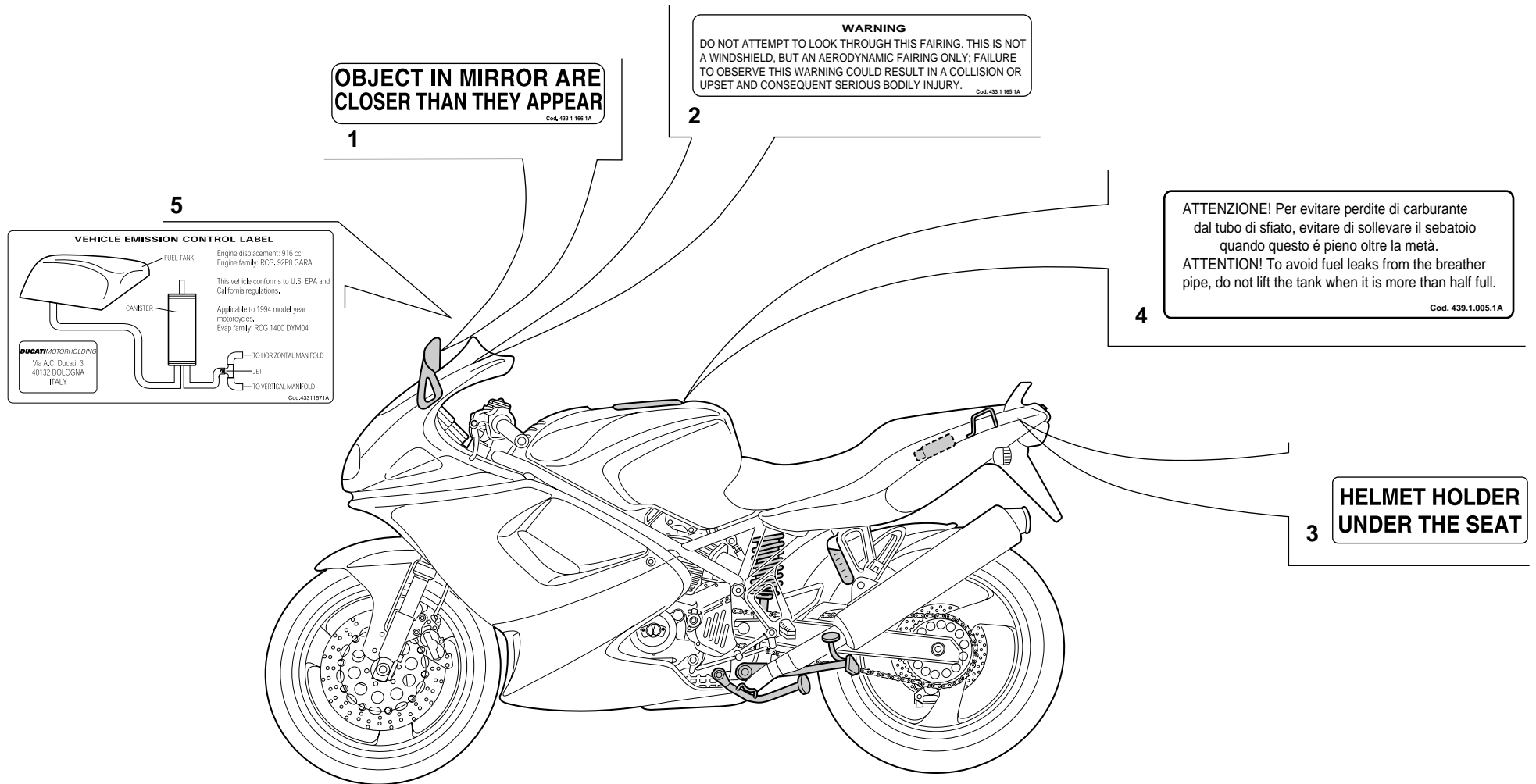
DRAWING **047** FUEL INFEED

NOTES	NO.	CODE NO.	DESCRIPTION	VALIDITY	Q.TY	
	1	741.4.057.1A	Clamp		1	
	2	590.1.174.1A	Tube		1	
	3	741.1.013.1A	Clamp		1	
	4	829.1.207.1A	Holder		1	
	5	716.1.043.1A	Spacer		2	
	6	0000.44240	Nut		2	
	7	764.1.029.1A	Rubber pad		2	
	8	827.1.157.1A	Plate		1	
	9	779.5.001.1A	Screw		2	
	10	426.1.007.1A	CANISTER filter		1	
	11	590.1.175.1A	Tube		1	
	12	590.1.173.1A	Tube		1	
	13	590.1.172.1A	Tube		2	
	14	0250.70.223	Aluminium gasket		2	
	15	814.1.091.1B	Union		2	
	16	741.4.013.1B	Clamp		2	
	17	590.1.102.1A	Breather pipe		1	
	18	0361.98.850	Shunt valve		1	
	19	741.4.063.1A	Clamp		3	
	20	741.4.058.1A	Clamp		1	
	21	741.4.059.1A	Clamp		1	


NOTES	NO.	CODE NO.	DESCRIPTION	VALIDITY	Q.TY	
-------	-----	----------	-------------	----------	------	---


DRAWING **048**

MARKING PLATES



DRAWING **048****MARKING PLATES**

NOTES	NO.	CODE NO.	DESCRIPTION	VALIDITY	Q.TY	
	1	433.1.165.1A	Sticker		1	
	2	433.1.166.1A	Label		2	
	3	433.1.170.1A	Sticker		1	
	4	433.1.164.1A	Sticker		1	
	5	433.1.172.1A	Sticker		1	

NOTES	NO.	CODE NO.	DESCRIPTION	VALIDITY	Q.TY	
-------	-----	----------	-------------	----------	------	---

CATALOGUE No:
ISSUED:**915.1.130.1B**
06 - 02CATALOGUE No:
ISSUED:**915.1.130.1B**
06 - 02

INDEX

CODE No.	Drwg.	POS. N.	CODE No.	Drwg.	POS. N.	CODE No.	Drwg.	POS. N.	CODE No.	Drwg.	POS. N.	CODE No.	Drwg.	POS. N.
0000.33552	27	20	0000.62726	37	18	0251.47.054	3	1	0400.29.126	2	34	0670.16.164	3	15
0000.36230	23	8	0000.62726	39	34	0272.91.090	2	8	0400.49.240	11	14	0670.16.165	3	15
0000.36230	39	20	0000.62729	29	9	0361.98.850	47	18	0400.49.240	5	13	0670.16.170	3	26
0000.36726	39	7	0000.62729	36	5	0364.99.015	33	17	0419.50.045	42	19	0670.16.171	3	26
0000.36726	43	14	0000.62730	23	9	0364.99.020	44	3	0419.50.115	42	16	0670.16.184	3	15
0000.40427	30	2	0000.63150	30	23	0370.39.780	37	37	0619.47.030	6	12	0670.16.185	3	15
0000.41039	17	10	0000.63150	39	13	0370.49.250	10	22	0619.50.065	12	17	0670.49.310	9	26
0000.44099	19	6	0000.63150	43	9	0370.69.850	20	23	0647.29.040	12	15	0670.49.910	9	21
0000.44240	15	2	0000.63150	44	8	0370.69.855	21	9	0659.16.555	4	1	0670.92.010	10	8
0000.44240	35	24	0000.63161	43	10	0370.69.860	20	35	0660.13.060	2	19	0675.49.530	5	23
0000.44240	37	23	0000.63161	44	7	0370.69.865	21	13	0660.13.070	2	13	0675.49.540	11	40
0000.44240	39	12	0000.64471	38	10	0370.69.910	20	4	0660.13.143	2	9	0675.49.540	15	24
0000.44240	47	6	0000.66181	28	15	0370.69.910	21	3	0660.13.165	2	25	0675.49.540	5	21
0000.46664	27	3	0000.70139	1a	4	0370.69.920	20	3	0660.16.145	4	21	0691.91.030	31	11
0000.46664	28	3	0000.79672	23	2	0370.69.920	21	2	0660.38.135	25a	18	0755.29.025	6	10
0000.55698	32	13	0000.79673	23	3	0370.69.930	20	21	0660.47.040	6	13	0755.29.025	8	12
0000.55698	44	19	0011.52.010	10	23	0370.69.930	21	7	0660.49.053	9	17	0755.49.265	10	2
0000.56443	32	3	0011.52.010	11	21	0370.69.940	20	22	0660.50.020	12	8	0759.49.280	9	15
0000.56443	40	23	00B0.55703	41	24	0370.69.940	21	8	0664.39.727	37	28	0765.92.205	2	21
0000.59056	37	4	00C0.05893	41	4	0370.69.970	20	31	0664.39.741	37	29	0797.69.040	8	20
0000.60283	22	14	0124.40.060	8	15	0370.69.970	21	14	0665.49.680	5	8	0797.72.068	19	7
0000.61078	27	12	0150.70.120	5	17	0370.72.020	27	8	0670.16.145	3	7	0797.72.068	22	11
0000.62648	38	6	0150.70.120	9	28	0370.72.020	28	18	0670.16.150	3	3	0797.72.068	23	25
0000.62652	29	8	0214.07.350	2	22	0370.98.610	33	20	0670.16.150	3	19	0797.72.068	32	23
0000.62652	36	4	0250.70.223	15	4	0400.09.050	2	21	0670.16.155	3	19	0799.13.110	2	27
0000.62705	25a	10	0250.70.223	47	14	0400.17.030	4	26	0670.16.163	3	11	0803.77.010	38	16
0000.62705	41	3	0251.47.050	3	1	0400.29.125	2	34	0670.16.164	3	11	0905.49.960	9	20

INDEX

CODE No.	Drwg.	POS. N.	CODE No.	Drwg.	POS. N.	CODE No.	Drwg.	POS. N.	CODE No.	Drwg.	POS. N.	CODE No.	Drwg.	POS. N.
112.1.026.1AA	6	8	160.1.049.1A	38	21	190.2.011.1A	4	8	245.1.022.1AB	8	2	270.4.001.1A	12	1
112.1.026.1AB	6	8	160.1.057.1A	12	13	194.2.001.1B	4	12	245.1.041.1A	8	4	276.1.025.1B	12	16
117.1.025.2A	37	13	160.1.076.1A	14	4	195.4.002.1A	28	31	245.1.042.1A	8	5	280.4.005.1A	16	17
117.1.033.1A	20	8	160.9.057.1A	42	1	195.4.003.1A	4	22	246.1.009.1C	23	22	282.4.019.1D	16	1
117.2.002.1A	19	21	162.1.001.1B	4	7	196.1.001.2B	4	10	246.1.056.1A	33	21	283.4.003.1A	42	25
117.2.006.1A	4	29	170.2.020.1B	4	17	198.1.029.1A	4	13	246.1.060.1A	25a	2	284.4.001.1B	16	14
120.2.053.3A	7	10	171.2.020.2B	8	13	208.1.001.7A	13	19	247.1.002.1BC	11	23	285.4.003.1A	31	8
121.1.047.1A	7	3	172.1.002.1B	3	10	208.1.002.7A	13	18	247.1.020.1AB	14	11	286.4.032.1A	25a	16
121.1.048.1A	7	2	172.1.003.1A	3	8	209.1.001.7A	13	15	247.1.020.1AB	7	7	286.4.075.1B	32	1
121.2.028.1A	7	4	172.1.004.1A	3	5	209.1.002.7A	13	14	247.1.079.1AA	15	22	287.4.024.1B	16	11
122.2.048.1A	7	1	172.1.005.1A	3	9	210.1.022.2A	13	5	247.1.080.1AA	15	16	287.4.027.1A	16	16
135.1.013.1B	33	2	172.1.006.1B	3	18	211.1.010.2A	13	7	247.1.083.1AE	11	2	287.4.028.1A	16	10
135.1.014.1B	33	3	172.1.007.1B	3	24	220.3.208.3A	9	16	247.1.089.1AB	15	23	287.4.029.1A	16	15
135.1.015.1A	33	22	172.1.008.1A	3	22	225.2.052.1A	10	1	247.1.090.1AB	15	21	300182	32	16
140.1.001.2A	15	1	172.1.009.1A	3	21	235.2.002.2AB	15	9	247.1.104.1A	9	2	301.2.106.2A	13	1
146.2.099.1A	6	1	172.1.010.1A	3	20	235.2.032.1A	14	23	247.2.105.1AF	41	25	303.1.009.1A	13	2
147.1.014.1A	8	10	172.1.011.1A	3	23	235.2.033.1A	14	21	247.2.105.1AG	41	25	303.1.009.1AB	13	2
148.1.144.1A	14	13	173.1.012.3A	12	20	235.2.034.1A	14	24	247.2.105.1B	41	25	303.1.009.1AC	13	2
148.1.145.1A	14	9	174.1.025.1A	9	12	235.2.035.1A	14	22	247.2.105.1BB	41	25	303.1.009.1AD	13	2
148.1.155.1A	14	14	174.2.025.3A	9	1	240.1.001.1AB	15	14	247.2.202.1A	11	31	303.1.015.1A	13	3
148.1.156.1A	14	7	176.1.001.1A	12	6	240.1.014.1AA	15	19	250.2.030.3A	9	5	303.1.015.1AB	13	3
149.1.024.1A	3	25	176.1.009.1A	12	10	240.1.015.1AA	15	26	251.2.002.6B	11	29	303.1.015.1AC	13	3
150.2.005.1A	3	27	180.1.001.1A	2	11	242.2.038.1BB	11	13	254.1.001.1A	11	25	303.1.015.1AD	13	3
150.2.006.1A	3	2	180.1.002.1A	2	12	243.1.025.1AD	5	1	254.4.001.1A	5	4	304.1.012.2A	13	6
150.2.035.1A	3	16	180.1.008.1A	2	24	243.2.004.1BB	5	6	255.1.004.1A	8	18	304.1.012.2AB	13	6
153.1.005.2A	25	13	182.2.010.1A	2	18	245.1.020.1AB	8	3	255.1.014.1A	14	3	304.1.012.2AC	13	6
158.2.009.1A	6	5	184.1.001.1A	37	11	245.1.021.1AB	8	1	264.4.018.1A	11	1	304.1.026.1A	13	4

INDEX

CODE No.	Drwg.	POS. N.	CODE No.	Drwg.	POS. N.	CODE No.	Drwg.	POS. N.	CODE No.	Drwg.	POS. N.	CODE No.	Drwg.	POS. N.
304.1.026.1AB	13	4	370.1.028.1C	34	10	407.4.003.1A	24	23	427.1.003.1A	42	8	447.1.033.1A	34	4
304.1.026.1AC	13	4	372.2.008.3A	35	1	408.1.010.1A	24	18	427.4.002.1A	42	20	447.1.034.1A	34	13
340.2.069.1C	26	1	373.1.032.1A	34	20	408.1.011.1A	24	3	430.4.004.1A	42	12	449.1.038.1A	3	12
340.2.070.1C	26	4	373.1.033.1A	34	21	417.6.075.9A	5	20	433.1.164.1A	48	4	451.1.001.1A	8	29
341.1.028.1A	25	23	374.1.002.1B	34	17	417.7.007.1A	39	30	433.1.165.1A	48	1	451.1.004.1A	8	23
342.2.015.1B	25	3	386.4.006.1A	31	17	417.9.030.6A	20	9	433.1.166.1A	48	2	451.1.010.1A	8	25
347.1.014.1A	26	6	386.4.013.1A	20	37	417.9.030.8A	25	1	433.1.170.1A	48	3	451.1.033.1A	8	28
349.1.064.1A	26	8	387.4.002.1A	31	16	417.9.050.6A	12	3	433.1.172.1A	48	5	451.1.034.1A	8	31
349.1.065.1A	26	9	389.4.005.1A	31	2	417.9.050.6A	32	5	433.1.230.1D	34	5	455.2.003.1A	2	4
349.1.095.1A	26	2	389.4.006.1A	23	21	417.9.090.1A	35	14	433.1.296.1A	23	23	456.1.006.1A	20	12
349.1.096.1A	26	16	389.4.007.1A	23	21	420.2.000.7A	11	44	436.1.021.1A	40	32	456.2.009.1A	20	16
349.1.097.1A	26	7	389.4.008.1A	23	21	420.2.000.7A	7	16	436.1.021.1AB	40	32	457.2.008.1A	37	6
349.1.098.1A	26	11	389.4.010.1A	23	21	420.2.000.8A	37	22	436.1.021.1BA	40	32	460.1.062.1A	20	25
349.1.101.1A	26	18	389.4.013.1A	23	21	420.2.001.0A	11	32	437.1.107.1AA	44	26	460.1.063.1A	21	16
349.1.102.1A	26	20	389.4.014.1A	23	21	420.2.001.0A	17	18	437.1.107.1AB	44	26	460.1.070.1A	43	26
349.1.103.1A	26	21	390.4.003.1A	39	16	420.2.001.0A	2	5	437.1.107.1AC	44	26	460.1.070.1AC	43	26
349.1.109.1F	26	17	390.4.005.1A	43	2	420.2.001.0A	27	17	437.1.112.1BA	44	2	460.1.071.1A	43	22
349.1.110.1F	26	24	390.4.007.1A	23	16	420.2.001.0A	28	8	437.1.112.1BB	44	2	460.1.071.1AC	43	22
349.1.111.1A	26	22	390.4.008.1A	23	15	420.2.001.0A	36	15	437.1.112.1BC	44	2	460.1.072.1A	43	20
349.1.112.1C	26	3	395.4.013.1A	32	17	420.2.001.0A	37	26	437.1.114.1BA	44	27	460.1.072.1AC	43	20
349.1.120.1A	26	23	397.4.001.1A	32	7	420.2.001.0A	41	21	437.1.114.1BB	44	27	460.1.073.1A	24	25
349.2.010.1A	26	15	400.2.020.1B	24	1	420.2.001.0A	42	6	437.1.114.1BC	44	27	460.1.073.1AB	24	25
349.2.014.1A	26	10	401.4.029.1A	24	21	420.2.001.0A	5	17	437.1.114.1BG	44	27	460.1.074.1A	24	11
360.1.014.1D	25	24	402.4.016.1A	24	2	420.2.006.2A	10	28	438.1.096.1AA	46	1	460.1.074.1AB	24	11
360.1.015.1D	25	16	403.1.009.1A	24	6	420.2.006.4A	10	26	438.1.096.1AB	46	1	460.1.076.1A	25	9
365.2.041.1A	35	6	404.1.005.1A	24	24	425.4.004.1A	42	22	438.1.096.1AC	46	1	460.1.077.1A	39	32
369.1.004.1A	34	8	407.4.002.1A	24	4	426.1.007.1A	47	10	442.2.008.1A	33	6	460.1.080.1A	39	33

INDEX

CODE No.	Drwg.	POS. N.	CODE No.	Drwg.	POS. N.	CODE No.	Drwg.	POS. N.	CODE No.	Drwg.	POS. N.	CODE No.	Drwg.	POS. N.
460.1.088.1A	19	2	480.1.115.1AG	44	24	484.1.026.1AA	44	20	514.1.033.1A	1c	13	532.4.001.1A	39	8
462.3.003.7A	2	31	480.3.058.1A	44	1	484.1.026.1AB	44	20	514.1.034.1A	1c	12	532.4.002.1A	39	18
462.3.003.8A	11	7	480.3.059.1A	44	9	484.1.026.1AE	44	20	514.1.035.1A	1c	10	538.4.006.1A	23	27
462.3.003.8A	2	29	480.3.060.1A	44	25	484.1.029.1B	42	10	514.1.036.1A	1c	10	539.1.021.1A	2	6
462.4.037.6A	32	6	480.3.061.1A	44	24	484.1.034.1A	44	12	514.1.037.1A	1c	6	539.1.023.1A	18	13
462.4.037.6A	9	11	481.1.016.1BA	43	1	484.1.034.1AE	44	12	514.1.038.1A	1c	14	539.4.003.1B	37	15
462.4.037.8A	8	6	481.1.016.1BE	43	1	484.1.034.1AF	44	12	514.1.040.1A	32	4	539.4.004.1B	28	5
462.4.037.8A	9	9	481.1.016.1BF	43	1	484.1.034.1AG	44	12	516.4.001.1AB	31	6	539.4.030.1A	5	16
463.2.053.7A	4	15	481.1.016.1BG	43	1	484.3.024.1A	43	5	518.4.004.1A	25a	7	540.4.011.1C	23	10
463.4.047.7A	5	18	481.3.016.1A	43	1	484.3.034.1A	44	12	520.4.011.2B	23	1	541.4.003.1A	23	11
470.1.039.1C	19	1	482.1.027.1BA	40	18	487.1.014.1A	43	27	523.4.006.1AA	43	24	541.4.003.1A	31	18
470412	16	9	482.1.027.1BC	40	18	492.4.003.2A	38	15	523.4.006.1AE	43	24	548.4.019.1A	29	1
480.1.058.1EA	44	1	482.1.027.1BE	40	18	492.4.010.1A	38	5	523.4.006.1AF	43	24	548.4.023.1B	36	1
480.1.058.1EC	44	1	482.1.027.1BG	40	18	494.1.072.1A	38	23	523.4.006.1AG	43	24	550.4.008.1A	29	4
480.1.058.1ED	44	1	482.1.028.1BA	40	21	497.2.001.2A	38	2	523.4.007.1AA	43	19	552.1.003.2A	41	12
480.1.058.1EG	44	1	482.1.028.1BC	40	21	498.1.009.1A	38	9	523.4.007.1AE	43	19	552.1.037.1A	1c	4
480.1.059.2AA	44	9	482.1.028.1BE	40	21	501.2.020.1AA	38	1	523.4.007.1AF	43	19	552.1.038.1A	1c	5
480.1.059.2AE	44	9	482.1.028.1BG	40	21	501.2.020.1AB	38	1	523.4.007.1AG	43	19	552.1.039.1A	1c	7
480.1.059.2AF	44	9	482.3.021.1A	40	28	502.2.046.1AA	38	13	525.1.004.2A	39	24	552.1.040.1A	1c	11
480.1.059.2AG	44	9	482.3.022.1A	40	29	502.2.046.1AB	38	13	525.4.010.1A	39	15	552.4.013.1A	30	9
480.1.060.1EA	44	25	484.1.024.1AA	43	5	510.1.108.1A	39	21	529.1.006.1A	39	25	552.4.020.1A	11	38
480.1.060.1EC	44	25	484.1.024.1AE	43	5	510.1.170.1A	31	1	529.1.008.1AB	44	28	552.4.028.1A	1b	15
480.1.060.1ED	44	25	484.1.024.1AF	43	5	510.1.217.1A	23	14	529.4.005.1A	46	6	552.4.031.1A	23	24
480.1.060.1EG	44	25	484.1.024.1AG	43	5	510.2.003.1A	42	28	530.4.003.1B	39	6	553.4.003.1A	30	19
480.1.061.2AA	44	24	484.1.025.1AA	44	16	513.1.008.2D	32	18	530.4.004.1B	39	23	555.1.005.1A	18	3
480.1.061.2AE	44	24	484.1.025.1AB	44	16	514.1.016.2A	32	2	530.4.005.1A	43	16	555.1.006.1B	18	4
480.1.061.2AF	44	24	484.1.025.1AE	44	16	514.1.032.1A	1c	9	530.4.006.1A	43	15	555.1.007.1A	18	2

INDEX

CODE No.	Drwg.	POS. N.	CODE No.	Drwg.	POS. N.	CODE No.	Drwg.	POS. N.	CODE No.	Drwg.	POS. N.	CODE No.	Drwg.	POS. N.
556.1.017.1C	18	14	590.1.058.1A	42	24	60N102504	7	15	610.4.011.2C	28	26	654.2.003.1A	25	21
556.1.018.1C	18	15	590.1.059.1A	42	21	60N102505	36	11	610.4.012.2C	28	7	656.1.024.1A	25	26
556.2.020.1B	18	16	590.1.080.1A	16	12	60N102509	2	28	611.4.009.1A	37	36	656.2.012.1A	25	15
559.1.005.1A	40	1	590.1.085.1A	41	9	60N102509	5	2	612.4.005.1A	27	21	657.1.013.1A	25	18
561.1.013.2A	39	29	590.1.091.1A	42	23	60N102510	11	19	612.4.008.1A	28	12	658.4.002.1B	25	17
561.1.019.1A	39	27	590.1.092.1A	42	14	60N102510	12	5	612.4.008.1A	37	40	668.1.001.2A	11	16
564.1.023.1AA	44	18	590.1.102.1A	47	17	60N102510	15	20	612.4.014.1A	28	4	669.1.001.1E	13	10
564.1.023.1AE	44	18	590.1.103.1A	16	4	60N102510	31	3	612.4.016.1A	37	39	670.4.012.1A	31	12
564.1.023.1AF	44	18	590.1.124.1A	16	7	60N102510	5	5	612.4.017.1A	28	10	671.1.009.1A	31	14
564.1.023.1AG	44	18	590.1.172.1A	47	13	60N102510	8	8	613.4.021.1A	37	38	671.1.010.1A	31	10
564.3.023.1A	44	18	590.1.173.1A	47	12	60N102510	9	10	613.4.021.1B	28	25	672.1.019.1A	23	18
565.1.022.2A	40	22	590.1.174.1A	47	2	60N102511	11	15	618.4.032.2D	28	23	672.1.022.1A	23	17
565.1.025.1A	34	16	590.1.175.1A	47	11	60N102511	19	15	619.4.015.2C	37	30	676.2.037.1B	34	11
565.1.027.1A	40	35	590.1.189.1A	1c	1	60N102511	30	15	624.4.012.1B	28	1	676.4.029.1A	34	15
570.1.035.1A	17	7	590.1.190.1A	1c	2	60N102511	8	9	625.4.006.1A	37	27	677.4.003.1A	1a	12
571.1.035.1A	17	5	593.1.003.1B	10	30	60N102555	2	30	626.1.003.1A	27	2	680.1.001.1B	9	7
573.1.057.1A	17	11	593.1.018.1A	9	29	60N102556	34	9	626.1.003.1A	28	2	680.1.003.1H	14	15
574.1.057.1A	17	4	595.1.034.1A	40	16	60N102557	25	7	626.4.010.1A	27	4	684.1.014.1B	7	13
576.1.028.1A	17	12	598.2.019.1A	39	5	60N107335	11	3	626.4.010.1A	28	20	684.1.022.1B	24	7
576.1.029.1A	17	2	598.2.030.1A	19	18	60N107335	14	17	630.4.017.1A	27	1	684.1.026.1A	33	23
585.1.019.1D	33	18	598.4.015.1A	40	33	60N107335	15	13	631.4.004.1A	28	9	684.1.044.1A	17	16
585.1.020.1A	30	1	598.4.016.1A	25a	11	60N107335	39	22	631.4.008.1A	27	5	697.2.011.1A	40	25
585.4.001.1A	37	20	598.4.018.1A	25a	12	60N107335	4	28	631.4.008.1A	28	21	698.1.015.1A	46	7
586.1.029.1BA	41	1	60N101079	10	15	60N107335	7	17	632.1.013.2B	27	18	698.1.016.1A	46	10
586.1.029.1BE	41	1	60N101079	11	6	60N107335	8	7	650.4.009.1B	25	25	698.1.021.1BA	46	2
586.1.029.1DB	41	1	60N102488	22	15	60N115062	37	9	651.4.011.1A	25	14	698.1.021.1BE	46	2
586.1.029.1DG	41	1	60N102488	24	5	60N115548	39	19	652.4.006.1A	25a	6	698.1.021.1BF	46	2

INDEX

CODE No.	Drwg.	POS. N.	CODE No.	Drwg.	POS. N.	CODE No.	Drwg.	POS. N.	CODE No.	Drwg.	POS. N.	CODE No.	Drwg.	POS. N.
698.1.021.1BG	46	2	702.4.009.1A	11	11	712.1.013.3A	41	5	716.1.038.1A	30	4	734306N01	5	22
698.1.022.1BA	46	11	702.4.010.1A	11	9	713.1.007.1A	14	27	716.1.038.1A	40	7	734310N01	25	28
698.1.022.1BE	46	11	702.4.017.1A	4	18	713.1.011.1A	3	15	716.1.043.1A	47	5	73500.0624	37	3
698.1.022.1BF	46	11	702.5.001.4A	8	24	713.1.012.1B	4	31	716.1.053.1A	32	11	73500.0827	20	17
698.1.022.1BG	46	11	702.5.008.1A	10	20	713.1.014.1A	3	11	72094.1616	10	10	73500.0827	21	4
698.1.023.1A	46	4	702.5.008.1A	11	4	713.1.014.1A	3	15	72121.2106	6	4	73500.1237	12	7
698.1.024.1A	46	13	702.5.016.1A	4	14	713.1.014.1B	3	11	72231.0871	44	10	73500.1237	9	25
698.1.025.1A	46	9	702.5.019.1A	10	12	713.1.014.1E	3	11	72237.0657	43	12	73500.1440	12	11
698.1.026.1A	46	8	702.5.022.2A	8	32	713.1.014.1E	3	15	72237.0657	46	3	73500.1542	2	15
698.1.027.1A	46	12	703.1.013.1A	25	10	713.1.014.1F	3	11	72237.0974	42	17	73500.1747	8	27
698.1.033.1A	1c	15	70610.8120	4	11	713.1.097.1B	38	25	72237.0974	46	5	73500.2054	8	34
699.2.094.1CA	45	0	70620.5212	24	13	713.1.098.1A	38	14	72276.1035	23	12	73500.2668	42	26
699.2.094.1CA	46	0	70700.6N02	27	10	713.1.126.1A	43	18	72465.0214	28	30	73503.3075	5	11
699.2.094.1CE	45	0	70700.6N02	28	19	713.1.127.1A	43	23	72944.1542	14	1	73503.3380	10	18
699.2.094.1CE	46	0	70914.2121	17	14	713.1.128.1B	11	27	72944.1542	8	21	73503.3380	11	17
699.2.094.1CF	45	0	710.1.001.1A	9	13	713.1.129.1A	40	13	729908FN1	22	9	73503.3380	14	18
699.2.094.1CF	46	0	710.1.002.1A	4	23	713.1.130.1A	45	5	729908FN1	35	23	73503.3380	8	26
699.2.094.1CG	45	0	710.1.025.1A	35	4	713.1.140.1A	10	14	729908FN1	8	30	73503.3449	42	5
699.2.094.1CG	46	0	710.1.041.1B	38	22	713.1.166.1A	8	17	732.1.005.1A	40	27	73503.3450	8	33
700.1.005.1A	38	18	710.1.048.1A	35	12	714.1.028.1A	38	3	732.2.006.1A	39	3	73503.3683	15	10
700.1.024.1A	40	20	710.1.057.1A	35	9	715.1.004.1A	35	8	73270.8001	17	13	736.4.013.1B	44	23
700.1.025.1A	40	19	710.1.069.1A	10	27	71502.2146	35	22	734006N01	11	45	737.4.010.3B	8	22
701.4.003.1A	12	19	710.1.070.1A	10	21	716.1.022.1A	23	6	734006N01	12	2	741.1.012.1A	39	31
701.4.005.1A	3	4	711.1.084.1A	30	21	716.1.022.1A	24	14	734305N01	22	16	741.1.013.1A	19	3
701.4.006.1A	35	3	711.1.089.1A	6	6	716.1.022.1A	32	10	734305N01	25a	9	741.1.013.1A	47	3
701.4.007.1A	12	21	711.1.095.1A	10	34	716.1.022.1A	33	9	734305N01	40	12	741.1.017.1A	17	6
702.4.004.1A	25	6	711.1.126.1A	7	12	716.1.022.1A	39	11	734306N01	11	43	741.4.001.1A	30	7

INDEX

CODE No.	Drwg.	POS. N.	CODE No.	Drwg.	POS. N.	CODE No.	Drwg.	POS. N.	CODE No.	Drwg.	POS. N.	CODE No.	Drwg.	POS. N.
741.4.002.1A	30	12	747.1.006.1A	35	17	75794.1542	10	17	76401.0009	35	13	771.5.072.2B	5	19
741.4.002.1A	33	15	747.5.001.1A	20	7	75794.1542	14	26	76401.0010	35	18	771.5.073.2B	11	36
741.4.002.1A	7	19	748.1.014.1B	38	24	758.1.019.1A	22	7	76402.0002	3	17	771.5.073.2B	30	16
741.4.004.1A	41	10	748.1.023.1A	34	1	759.1.015.1A	40	31	765.1.001.1A	20	15	771.5.078.2B	12	12
741.4.004.1A	42	13	748.1.024.1A	17	3	760.1.003.1A	33	11	766.1.014.1A	10	6	771.5.078.2B	5	3
741.4.013.1B	47	16	748.4.002.1A	19	16	760.1.015.1A	40	8	766.4.012.1A	14	6	771.5.080.2B	10	31
741.4.025.1A	30	8	748.4.024.1A	38	20	76266.2668	10	4	766.4.012.1A	15	3	771.5.129.2B	9	8
741.4.033.1A	36	10	748.4.034.1A	34	18	76267.0012	9	24	76835.1134	2	10	771.5.136.2B	10	24
741.4.038.1A	31	13	749.4.002.1A	25a	1	76270.0827	3	29	770.5.619.2B	40	11	771.5.141.2B	22	8
741.4.040.1A	16	5	749.4.045.2G	18	1	763106N01	20	5	771.1.008.1A	35	11	771.5.431.2B	28	6
741.4.041.1A	16	6	749.4.045.2G	18	7	763106N01	41	18	771.1.009.1A	35	10	771.5.667.2B	27	6
741.4.043.1A	27	14	749.5.001.1A	31	9	764.1.001.1A	17	15	771.1.010.1A	10	36	771.5.667.2B	28	24
741.4.043.1A	28	16	749.5.001.1A	39	10	764.1.002.1A	13	8	771.4.006.1A	11	37	771.5.667.2B	40	6
741.4.043.1A	37	17	749.5.001.1A	43	8	764.1.003.1B	4	6	771.4.007.1A	45	8	771.5.721.2B	31	5
741.4.055.1A	30	22	750.1.002.1B	4	25	764.1.010.1A	19	20	771.5.002.1A	45	4	771.5.721.2B	38	7
741.4.057.1A	47	1	750.1.012.2A	6	14	764.1.011.2A	37	5	771.5.025.2B	31	7	771.5.723.2B	37	35
741.4.058.1A	47	20	750.1.041.1A	35	15	764.1.022.1A	29	6	771.5.040.2B	11	5	771.5.723.2B	38	12
741.4.059.1A	47	21	750.1.042.1A	41	17	764.1.022.1A	36	3	771.5.040.2B	14	5	771.5.725.2B	20	2
741.4.062.1A	37	31	750.5.001.1A	2	23	764.1.029.1A	25a	15	771.5.040.2B	41	14	771.5.725.2B	21	5
741.4.063.1A	47	19	750.5.001.1A	32	8	764.1.029.1A	47	7	771.5.043.2B	22	3	771.5.725.2B	25	22
741.4.067.1A	15	7	75113.2566	4	20	764.1.037.1A	40	26	771.5.043.2B	39	28	771.5.754.2B	18	8
74172.1008	14	8	75120.1747	15	11	764.1.038.1A	25a	17	771.5.043.2B	4	4	771.5.754.2B	37	14
74172.1008	6	16	75143.3380	10	32	764.4.003.1A	23	4	771.5.045.7E	41	15	771.5.937.2B	35	7
74172.1008	8	16	75162.2566	38	4	764.4.005.1A	31	15	771.5.066.2B	11	20	771.5.938.2B	35	5
74223.1045	33	12	75162.3075	38	17	76400.0004	10	3	771.5.072.2B	10	19	772.1.001.1A	18	17
74224.0570	4	24	75191.3380	10	33	76401.0002	20	10	771.5.072.2B	11	42	772.5.004.1A	20	24
74224.0570	6	7	75791.1747	10	9	76401.0003	20	6	771.5.072.2B	19	22	772.5.004.1A	21	17

INDEX

CODE No.	Drwg.	POS. N.	CODE No.	Drwg.	POS. N.	CODE No.	Drwg.	POS. N.	CODE No.	Drwg.	POS. N.	CODE No.	Drwg.	POS. N.
772.5.004.1A	25	8	775.4.002.1A	45	11	779.1.092.1A	28	17	780.1.016.1A	6	3	799.1.051.2A	6	15
772.5.008.1A	45	3	775.5.002.1A	45	6	779.1.099.1A	25	2	780.1.018.1A	9	31	799.1.052.1A	16	8
772.5.021.1A	32	25	776.4.002.1A	24	19	779.1.109.1A	6	2	780.5.001.1A	11	33	799.1.055.1A	9	30
772.5.023.1A	22	6	776.5.032.2A	15	5	779.1.110.1A	34	22	786.1.041.2D	7	9	799.1.058.1A	25	11
772.5.023.1A	23	5	776.5.307.2A	28	29	779.1.116.1A	24	26	786.1.048.3A	7	11	799.1.069.1A	18	5
772.5.023.1A	25	20	777.5.002.1A	20	20	779.1.116.1A	43	21	787.1.005.1A	36	12	799.1.070.1A	18	6
772.5.023.1A	25a	13	777.5.002.1A	21	6	779.1.119.2A	34	3	788.1.002.2A	15	6	799.1.071.1A	20	29
772.5.023.1A	30	3	777.5.007.2B	43	4	779.1.159.1A	20	26	788.1.007.3A	15	15	799.1.072.1A	17	9
772.5.023.1A	32	15	777.5.049.2C	11	24	779.1.162.1A	9	27	788.1.050.1A	15	17	799.1.083.1A	37	32
772.5.023.1A	33	8	777.5.049.2C	14	10	779.1.170.1A	42	2	788.1.052.1A	5	7	799.1.088.1A	18	10
772.5.023.1A	39	1	777.5.049.2C	7	6	779.1.198.1A	9	23	788.1.053.1A	15	18	799.1.089.1A	18	9
772.5.023.1A	43	17	779.1.007.2A	6	9	779.1.203.1A	2	7	788.1.054.1A	12	4	799.2.077.2A	9	14
772.5.024.1A	19	10	779.1.026.1A	10	29	779.1.213.1A	19	11	788.1.056.1A	11	30	800.1.007.1A	7	20
772.5.024.1A	22	12	779.1.029.1A	10	37	779.1.221.1A	25a	4	788.1.066.1AA	11	41	800.1.008.1A	7	18
772.5.024.1A	37	12	779.1.039.1A	2	3	779.4.005.1A	18	12	788.1.066.1AB	11	41	800.1.033.1A	30	17
772.5.024.1A	39	26	779.1.058.1A	36	14	779.5.001.1A	20	38	788.1.066.1AC	11	41	800.1.048.1A	30	13
772.5.025.1A	19	14	779.1.058.2A	27	16	779.5.001.1A	44	5	790.1.001.1A	17	1	800.1.049.1A	30	6
772.5.025.1A	28	27	779.1.058.2A	28	11	779.5.001.1A	47	9	791.1.012.1A	41	23	800.1.053.1A	30	18
772.5.025.1A	29	3	779.1.058.2A	37	25	779.5.010.1A	35	21	791.1.017.2A	16	19	800.1.054.1A	30	20
772.5.025.1A	32	20	779.1.059.1A	29	5	779.5.011.1A	20	11	791.1.034.1A	41	16	8000.18048	23	7
772.5.025.1A	37	21	779.1.082.2A	27	19	779.5.012.1A	17	17	791.2.030.1A	7	5	8000.18048	24	8
772.5.025.1A	41	6	779.1.083.1A	36	8	779.5.012.1A	25	12	799.1.014.1A	13	16	8000.18048	33	10
775.1.006.1A	32	19	779.1.086.1B	36	13	779.5.012.1A	25	19	799.1.015.1A	13	13	8000.18048	39	14
775.1.008.1A	40	17	779.1.088.1A	33	5	779.5.019.1A	9	3	799.1.024.1A	20	32	8000.42278	24	12
775.1.008.2A	44	14	779.1.088.1A	40	3	779.5.020.1A	9	6	799.1.024.1A	21	12	8000.56359	19	9
775.1.011.1A	43	11	779.1.089.1A	44	17	780.1.007.1A	17	8	799.1.025.1A	2	20	8000.56359	32	9
775.1.011.1A	44	6	779.1.092.1A	27	7	780.1.008.1A	42	7	799.1.049.1A	2	1	8000.56359	33	14

INDEX

CODE No.	Drwg.	POS. N.	CODE No.	Drwg.	POS. N.	CODE No.	Drwg.	POS. N.	CODE No.	Drwg.	POS. N.	CODE No.	Drwg.	POS. N.
8000.56359	39	37	808.1.018.1A	43	3	821.1.075.1A	33	13	827.1.166.1A	23	26	829.1.240.1A	28	22
8000.56391	41	13	808.1.019.1A	40	9	821.1.081.1A	39	17	827.1.192.1A	20	19	829.1.241.1A	27	9
8000.56443	27	13	808.1.046.1A	34	24	821.1.096.1A	37	10	827.1.221.1A	35	20	829.1.245.1A	15	25
8000.56443	39	36	80A0.53548	20	18	821.1.113.1A	34	14	827.1.286.1A	32	21	829.1.320.2A	22	13
8000.56741	24	22	80B0.55703	34	23	821.1.129.1A	32	26	827.2.134.1A	41	7	829.1.332.1A	45	10
8000.56742	24	20	814.1.002.1AB	7	14	824.1.039.1A	20	1	827.2.215.1A	32	24	829.4.001.1A	40	5
8000.56747	24	17	814.1.053.1AB	30	14	824.1.040.1B	21	1	829.1.073.3A	37	24	830.1.040.1B	19	8
8000.56748	24	16	814.1.063.1AB	30	11	824.1.041.1C	20	30	829.1.077.2B	42	11	830.1.077.1A	29	7
8000.56752	24	15	814.1.065.1A	42	4	824.1.042.1C	21	15	829.1.104.1A	42	18	830.1.121.1A	16	13
8000.59056	20	14	814.1.066.1A	42	29	825.1.022.1A	37	34	829.1.136.1A	39	35	830.1.131.1A	41	22
8000.59572	23	13	814.1.091.1B	47	15	826.1.003.1A	10	11	829.1.167.2AB	22	4	830.1.144.1A	11	35
8000.66774	25	27	814.1.114.1A	1c	8	826.1.009.1A	2	33	829.1.168.1AB	22	1	830.1.172.1A	16	3
8000.67981	37	8	815.1.022.1A	10	25	826.1.011.1A	3	13	829.1.169.1AB	19	5	830.2.221.1A	25a	14
8000.68490	28	14	818.2.009.1A	4	3	827.1.012.1A	44	15	829.1.170.1AB	19	4	840.1.001.1A	13	11
8000.69069	36	2	819.1.017.1A	38	8	827.1.045.1A	20	34	829.1.172.2B	32	22	840.1.002.1A	13	11
8000.70127	26	12	819.1.039.1A	34	2	827.1.045.1A	21	10	829.1.174.1C	22	5	840.1.003.1A	13	11
8000.70133	26	14	821.1.001.1A	2	26	827.1.061.1A	40	4	829.1.175.2AB	22	10	840.1.004.1A	13	11
8000.70178	25a	3	821.1.002.1A	13	20	827.1.071.1A	32	12	829.1.177.1A	24	9	840.1.005.1A	13	11
8000.77921	41	20	821.1.003.1A	13	17	827.1.121.1A	19	13	829.1.184.1A	37	1	840.1.006.1A	13	11
802.1.015.1A	16	18	821.1.004.1A	13	12	827.1.122.2A	25a	5	829.1.186.1A	41	11	840.1.007.1A	13	11
806.1.011.1AA	39	2	821.1.009.1B	38	19	827.1.123.1AB	33	1	829.1.190.1A	31	19	840.1.008.1A	13	11
806.1.011.1AE	39	2	821.1.028.2B	41	8	827.1.124.1AB	33	4	829.1.190.1B	23	29	840.1.009.1A	13	11
806.1.011.1AF	39	2	821.1.052.1A	37	7	827.1.130.1A	43	7	829.1.205.1A	45	2	840.1.010.1A	13	11
806.1.011.1AG	39	2	821.1.070.1A	2	17	827.1.131.1A	43	6	829.1.206.1A	45	1	840.1.011.1A	13	11
806.1.012.1A	20	27	821.1.073.1A	25a	8	827.1.139.2B	18	11	829.1.207.1A	47	4	840.1.012.1A	13	11
806.1.013.1A	20	36	821.1.075.1A	23	19	827.1.157.1A	47	8	829.1.208.1A	28	28	840.1.013.1A	13	11
808.1.007.1B	35	19	821.1.075.1A	24	10	827.1.162.1A	43	25	829.1.217.1A	31	4	840.1.014.1A	13	11

INDEX

CODE No.	Drwg.	POS. N.	CODE No.	Drwg.	POS. N.	CODE No.	Drwg.	POS. N.	CODE No.	Drwg.	POS. N.	CODE No.	Drwg.	POS. N.
840.1.015.1A	13	11	840.1.054.1B	13	9	840.1.079.1B	13	9	852.1.001.1A	34	12	852.1.105.1AB	3	26
840.1.016.1A	13	11	840.1.055.1B	13	9	840.1.080.1B	13	9	852.1.002.1A	34	12	852.1.105.1AD	3	26
840.1.017.1A	13	11	840.1.056.1B	13	9	840.1.081.1B	13	9	852.1.003.1A	34	12	852.1.105.1AG	3	26
840.1.018.1A	13	11	840.1.057.1B	13	9	840.1.082.1B	13	9	852.1.005.1A	2	14	852.1.108.1AH	3	1
840.1.019.1A	13	11	840.1.058.1B	13	9	840.1.083.1B	13	9	852.1.008.1A	5	10	852.1.108.1AL	3	1
840.1.020.1A	13	11	840.1.059.1B	13	9	840.1.084.1B	13	9	852.1.024.1A	24	27	852.1.108.1AN	3	1
840.1.021.1A	13	11	840.1.060.1B	13	9	840.1.085.1B	13	9	852.1.053.1A	2	2	852.1.114.1A	11	34
840.1.022.1A	13	11	840.1.061.1B	13	9	840.1.108.1A	13	11	852.1.053.1A	20	13	852.1.120.1A	9	4
840.1.023.1A	13	11	840.1.062.1B	13	9	840.1.109.1A	13	11	852.1.054.1A	37	2	852.1.124.1A	14	2
840.1.024.1A	13	11	840.1.063.1B	13	9	840.1.110.1A	13	11	852.1.075.1A	44	22	852.5.001.1A	39	9
840.1.025.1A	13	11	840.1.064.1B	13	9	840.1.111.1A	13	11	852.1.094.1A	2	19	852.5.002.1A	43	13
840.1.026.1A	13	11	840.1.065.1B	13	9	840.1.112.1A	13	11	852.1.098.1A	42	3	852.5.002.1A	44	11
840.1.027.1A	13	11	840.1.066.1B	13	9	840.2.001.1A	13	9	852.1.103.1A	25	4	852.5.005.1A	9	18
840.1.028.1A	13	11	840.1.067.1B	13	9	840.2.002.1B	13	11	852.1.104.1A	6	11	856.1.001.1A	3	6
840.1.029.1A	13	11	840.1.068.1B	13	9	841.1.001.1C	44	4	852.1.104.1B	6	11	856.1.002.1A	8	19
840.1.030.1A	13	11	840.1.069.1B	13	9	841.1.002.2A	4	2	852.1.104.1C	6	11	856.1.025.1A	10	7
840.1.031.1A	13	11	840.1.070.1B	13	9	847.4.002.1A	20	33	852.1.104.1D	6	11	856.1.031.1A	3	30
840.1.032.1A	13	11	840.1.071.1B	13	9	847.4.002.1A	21	11	852.1.104.1E	6	11	856.1.040.1A	40	30
840.1.033.1A	13	11	840.1.072.1A	13	11	850.1.003.1A	44	21	852.1.104.1F	6	11	856.1.040.1A	44	13
840.1.034.1A	13	11	840.1.072.1B	13	9	850.4.013.1A	43	28	852.1.104.1G	6	11	856.1.049.1A	8	19
840.1.047.1B	13	9	840.1.073.1A	13	11	850.4.016.1A	40	14	852.1.104.1H	6	11	856.1.050.1A	8	19
840.1.048.1B	13	9	840.1.073.1B	13	9	850.4.022.1A	23	20	852.1.104.1I	6	11	856.1.071.1A	12	9
840.1.049.1B	13	9	840.1.074.1B	13	9	850.4.031.1A	42	9	852.1.104.1J	6	11	861.5.003.1A	20	28
840.1.050.1B	13	9	840.1.075.1B	13	9	850.4.043.1A	23	28	852.1.104.1K	6	11	863.1.002.1A	12	14
840.1.051.1B	13	9	840.1.076.1B	13	9	851.1.001.1B	4	9	852.1.104.1L	6	11	866.1.029.1A	41	19
840.1.052.1B	13	9	840.1.077.1B	13	9	851.1.013.1A	8	14	852.1.104.1M	6	11	866.1.030.1A	40	15
840.1.053.1B	13	9	840.1.078.1B	13	9	851.4.001.1A	4	5	852.1.104.1N	6	11	866.1.031.1A	32	14

INDEX

CODE No.	Drwg.	POS. N.	CODE No.	Drwg.	POS. N.	CODE No.	Drwg.	POS. N.	CODE No.	Drwg.	POS. N.	CODE No.	Drwg.	POS. N.
866.1.034.1A	19	19	882.1.006.1A	2	16	88713.1010	1	18	88765.1005	1	5	88765.1126Z	1b	1
872.1.019.1A	34	6	884.1.005.1A	26	5	88713.1010	1a	11	88765.1006	1	5	88765.1236	1a	13
872.1.022.1A	40	2	884.4.007.1A	34	7	88713.1058	1a	9	88765.1073	1b	21	88765.1237	1a	13
872.1.026.1A	19	12	884.5.008.1A	38	11	88713.1062	1a	14	88765.1074	1b	21	88765.1238	1a	13
872.1.027.1A	19	17	884.5.010.1A	16	2	88713.1071	1a	8	88765.1075	1b	21	88765.1239	1a	13
872.1.031.1A	34	19	884.5.011.1A	11	8	88713.1072	1a	10	88765.1076	1b	21	88765.1240	1a	13
872.4.023.1A	45	9	886.4.001.1A	14	16	88713.1078	1	13	88765.1077	1b	21	88765.1241	1c	0
873.1.001.1A	14	20	886.4.001.1A	15	8	88713.1079	1	17	88765.1126	1b	6	88765.1242	1c	0
873.1.004.1A	14	19	886.4.003.1A	11	39	88713.1091	1	23	88765.1126A	1b	4	88765.1243	1c	0
873.1.037.1A	9	33	886.4.021.1A	42	30	88713.1097	1a	1	88765.1126B	1b	12	88765.1244	1c	0
875.1.027.1A	36	9	886.4.022.1A	42	31	88713.1140	1a	2	88765.1126C	1b	11	88765.1245	1c	0
875.1.038.2A	35	16	886.4.035.1A	11	22	88713.1309	1	10	88765.1126D	1b	14	88765.1297	1	27
875.1.054.1A	36	7	886.4.037.1A	9	32	88713.1344	1a	3	88765.1126E	1b	9	88765.1298	1	2
875.1.055.1A	36	6	886.4.043.1A	4	27	88713.1429	1	26	88765.1126F	1b	13	88765.1363A	1	15
875.1.065.1A	1c	3	886.5.001.1A	42	15	88713.1515	1a	7	88765.1126G	1b	17	88765.1363B	1	15
876.1.083.1A	33	16	886.5.004.1A	16	20	88713.1749	1	20	88765.1126H	1b	16	88765.1363C	1	15
876.1.084.1A	33	19	886.5.011.1A	42	27	88713.1994	1	11	88765.1126L	1b	19	88765.1363D	1	15
877.1.050.1A	37	16	88700.5644	1	1	88713.2011	1	29	88765.1126M	1b	18	88765.1363E	1	15
877.1.068.1A	28	13	88700.5665	1	22	88713.2036	1	16	88765.1126N	1b	7	88765.1369A	1b	24
877.1.069.1A	27	15	88700.5749	1	24	88713.2092	1	21	88765.1126P	1b	10	88765.1369B	1b	24
877.2.004.1A	33	7	88713.0123	1	6	88713.2096	1	3	88765.1126Q	1b	5	88765.1369C	1b	24
881.1.010.1C	12	18	88713.0137	1	12	88713.2103	1	4	88765.1126R	1b	3	88765.1369D	1b	24
881.1.012.1A	2	32	88713.0874	1	28	88713.2107	1	30	88765.1126S	1b	22	88765.1369E	1b	24
881.1.027.2A	22	2	88713.0875	1	9	88713.2133	1	25	88765.1126T	1b	23	88765.1371	1b	25
881.1.030.1A	11	10	88713.0879	1	8	88765.0999	1	19	88765.1126T	1c	16	88765.1372	1b	26
881.2.001.1A	4	19	88713.0957	1a	6	88765.1000	1	5	88765.1126U	1b	20	88765.1373	1b	27
882.1.003.1A	8	11	88713.0960	1a	5	88765.1001	1	14	88765.1126V	1b	8	88765.1374	1b	28

INDEX

CODE No.	Drwg.	POS. N.	CODE No.	Drwg.	POS. N.	CODE No.	Drwg.	POS. N.	CODE No.	Drwg.	POS. N.	CODE No.	Drwg.	POS. N.
893.1.005.1A	5	15	93781.1824	35	2									
893.4.005.1A	27	11	93783.0812	3	28									
893.4.005.1A	37	19	93783.1524	11	18									
893.4.006.1A	29	2	93783.2552	10	13									
894.2.009.1A	9	19	93784.2030	5	9									
895.4.004.1A	41	2	93785.1830	10	16									
8A00.67610	30	5	93823.0128	4	32									
8A00.67997	3	14	93823.2018	4	30									
8A00.67997	37	33	93823.2082	5	14									
8A00.67997	39	4	93823.2087	14	12									
8A00.69056	26	13	93823.2087	30	10									
8BB0.61070	45	7	93823.2087	7	8									
8H00.67545	40	10	93823.3156	10	35									
913.7.062.1H	40	24	93827.0114	5	12									
914.7.023.1A	1b	2	93827.0114	9	22									
914.7.023.1B	1b	2	94247.0014	10	5									
914.7.023.1C	1b	2	94247.0014	11	12									
914.7.023.1D	1b	2	94247.0014	5	24									
914.7.023.1E	1b	2	98112.0002	1	7									
919.1.008.1A	40	34												
930.1.004.1A	25	5												
930.1.005.1A	26	19												
930.4.033.1A	14	25												
930.4.033.1A	15	12												
930.4.035.1A	4	16												
930.5.005.1A	11	26												
930.5.006.2B	11	28												

DUCATI MOTOR HOLDING ●	ST4 S	M.Y. '03	U.S.A.
<i>Spare Sparts Department</i>	<i>P.N. 91511301B</i>	<i>Giugno - June '02</i>	<i>Edizione - Edition 00</i>
DUCATI MOTOR HOLDING ●	ST4 S	M.Y. '03	U.S.A.
<i>Spare Sparts Department</i>	<i>P.N. 91511301B</i>	<i>Giugno - June '02</i>	<i>Edizione - Edition 00</i>
DUCATI MOTOR HOLDING ●	ST4 S	M.Y. '03	U.S.A.
<i>Spare Sparts Department</i>	<i>P.N. 91511301B</i>	<i>Giugno - June '02</i>	<i>Edizione - Edition 00</i>
DUCATI MOTOR HOLDING ●	ST4 S	M.Y. '03	U.S.A.
<i>Spare Sparts Department</i>	<i>P.N. 91511301B</i>	<i>Giugno - June '02</i>	<i>Edizione - Edition 00</i>

Spare parts catalogue SPORT TOURING 4 S U.S.A.

DUCATIST



