





Spare parts catalogue **ST3** S ABS **U.S.A.**

DUCATI SPORTTOURING

DUCATI MOTOR HOLDING 	ST3 S ABS	M.Y. '07	U.S.A.
Spare Parts Department	P.N. 91512311B	Settembre - September '06	Edizione - Edition 00
DUCATI MOTOR HOLDING 	ST3 S ABS	M.Y. '07	U.S.A.
Spare Parts Department	P.N. 91512311B	Settembre - September '06	Edizione - Edition 00
DUCATI MOTOR HOLDING 	ST3 S ABS	M.Y. '07	U.S.A.
Spare Parts Department	P.N. 91512311B	Settembre - September '06	Edizione - Edition 00
DUCATI MOTOR HOLDING 	ST3 S ABS	M.Y. '07	U.S.A.
Spare Parts Department	P.N. 91512311B	Settembre - September '06	Edizione - Edition 00

GENERAL INFORMATION

The present spare parts order exactly the right spare parts

When ordering specify:

1) the part's code number followed by its description; quantity needed;

2) the motorcycle's serial number, stamped on the steering head.

Reference to right and left apply to the vehicle in terms of its direction of movement.

Spare parts drawings are general and do not represent the part.

The contents of this catalogue are general and can undergo changes without prior notice.

VALIDITY

f.m. Until V.I.N.
d.m. From V.I.N.
f.m.m. Up to engine number
d.m.m. From engine number

LIST

CAL California
CND Canada

*Ducati Motor Holding S.p.A.
Commercial and Administration Office:
Via A. Cavalieri Ducati n. 3
40132 Bologna, Italy
Telefono 051 6413111
Fax 051 406580
Internet www.ducati.com*

CATALOGUE No: 915.1.231.1B
ISSUED: 09 - 06

CATALOGUE No: 915.1.231.1B
ISSUED: 09 - 06

PAINTS

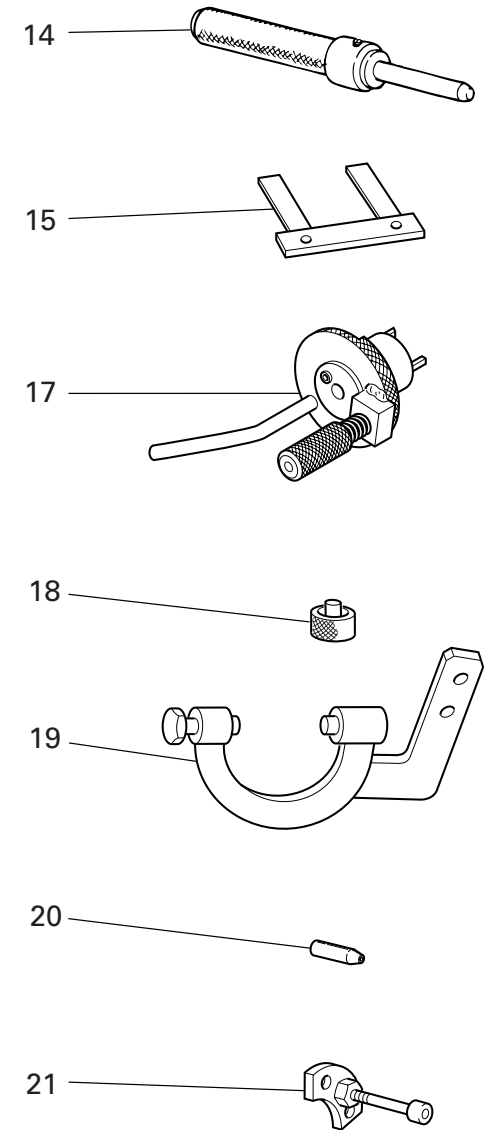
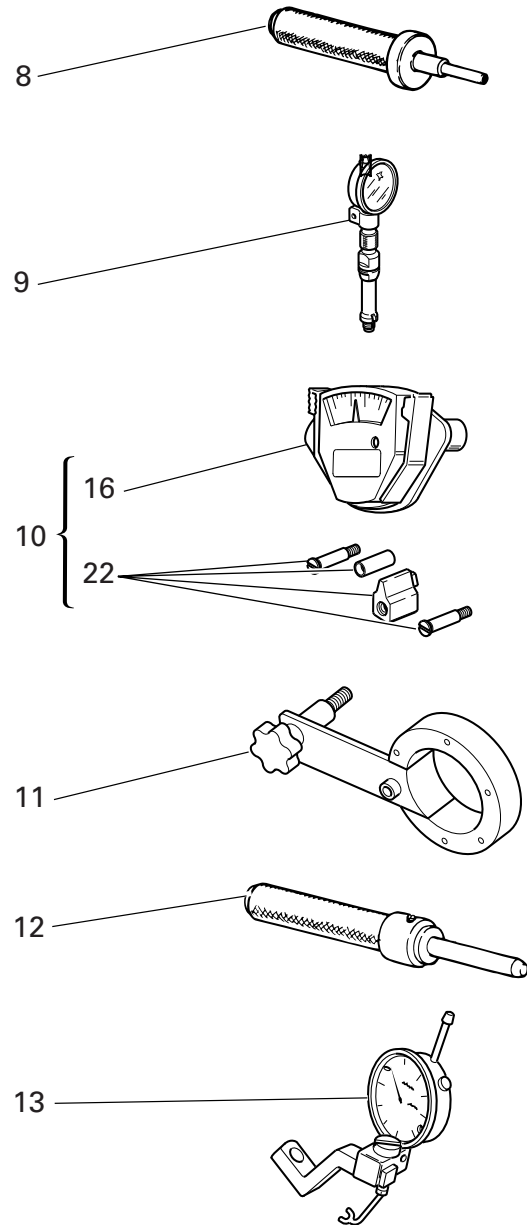
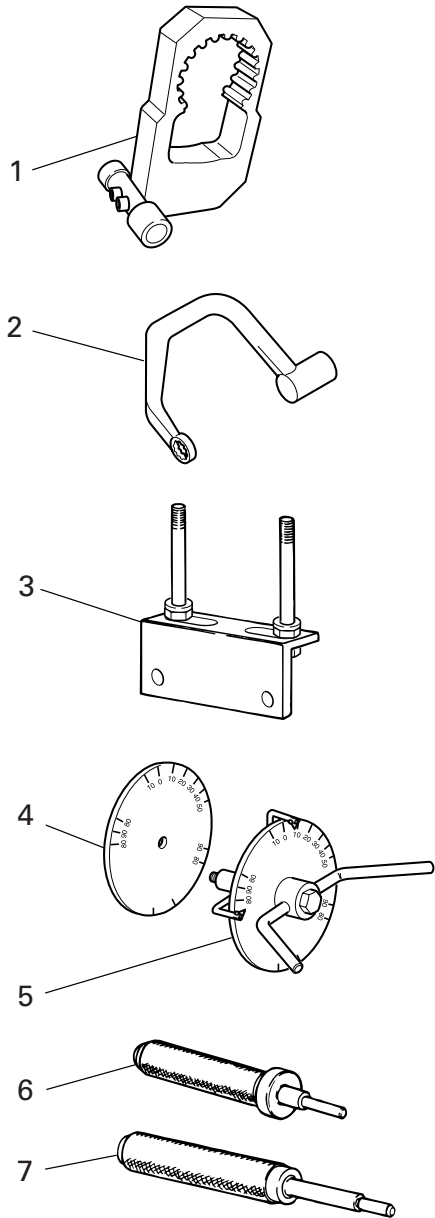


Paint	Code
"Rosso Anniversary DUCATI"	(PPG) F_473.101
"Grigio"	(PPG) *0017
"Nero Lucido DUCATI" (for CAN/CAL version)	(PPG) 248.514
"Trasparente"	(PPG) 228.880

page	CONTENTS
4	001 WORKSHOP SERVICE TOOLS
6	001a WORKSHOP SERVICE TOOLS
8	001b WORKSHOP SERVICE TOOLS
10	001c DDS TESTER
12	001d WORKSHOP SERVICE TOOLS
14	002 GEARCHANGE CONTROL
16	003 GEARBOX
18	004 CLUTCH
20	005 CLUTCH-SIDE CRANKCASE COVER
22	006 CONNECTING RODS
24	007 CYLINDERS - PISTONS
26	008 TIMING SYSTEM
28	009 FILTERS AND OIL PUMP
30	010 CRANKCASE HALVES
32	011 WATER PUMP-ALTR-SIDE CRANKCASE COVER
34	011a WATER PUMP-ALTR-SIDE CRANKCASE COVER
36	012 ELECTRIC STARTING AND IGNITION
38	013 CYLINDER HEAD : TIMING SYSTEM
40	013a MANIFOLDS AND CYLINDER HEAD COVERS
42	014 VERTICAL CYLINDER HEAD
44	015 HORIZONTAL CYLINDER HEAD
46	016 THROTTLE BODY
48	017 EXHAUST SYSTEM
50	018 STANDS
52	019 FRAME
54	020 L.H. FOOTRESTS
56	021 R.H. FOOTRESTS
58	022 HEADLIGHT SUPPORT
60	023 HEADLIGHT AND ELECTRICAL WIRING
62	023a HEADLIGHT
64	024 INSTRUMENT PANEL
66	025 HANDLEBARS AND CONTROLS
68	026 FRONT FORKS
70	027 CLUTCH CONTROL
72	028 FRONT HYDRAULIC BRAKE
74	029 RADIATOR
76	030 COOLING SYSTEM
78	031 ELECTRICAL SYSTEM
80	032 BATTERY SUPPORT
82	033 AIR INTAKE - OIL BREATHER
84	034 SWINGARM AND DRIVE CHAIN
86	035 REAR SUSPENSION
88	036 OIL COOLER
90	037 REAR HYDRAULIC BRAKE
92	038 FRONT AND REAR WHEELS
94	039 NUMBER PLATE HOLDER
96	040 SEAT
98	041 FUEL TANK
100	042 FUEL SYSTEM
102	043 HEADLIGHT FAIRING
104	044 FAIRING
106	045 PANNIER FASTENERS
108	046 SIDE PANNIERS
110	047 ANTILOCK BRAKING SYSTEM (ABS)
112	048 EVAPORATIVE EMISSIONS CANISTER
114	049 DATA PLATE POSITIONS


DRAWING 001

WORKSHOP SERVICE TOOLS



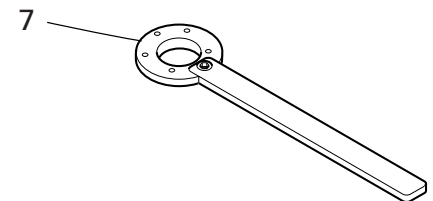
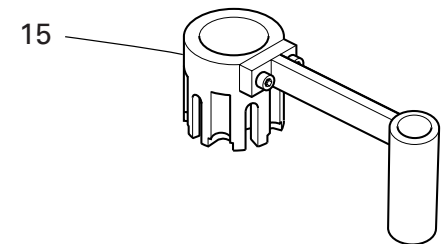
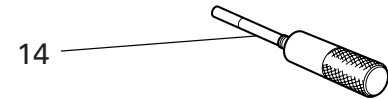
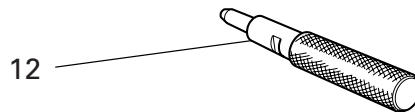
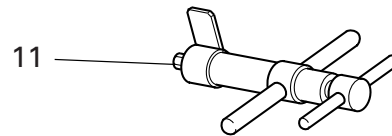
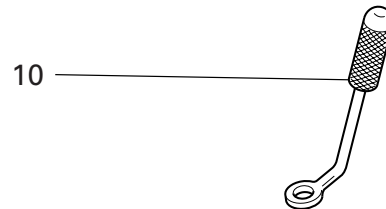
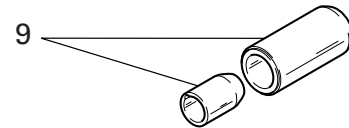
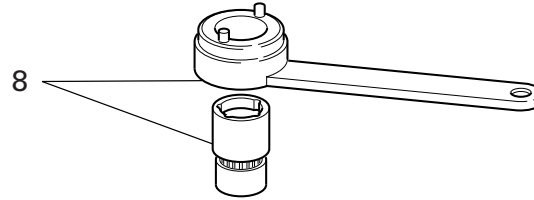
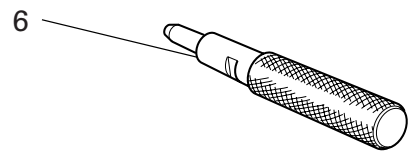
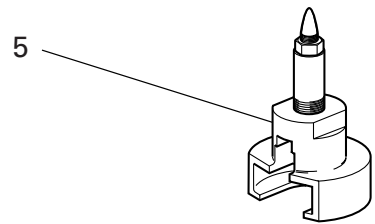
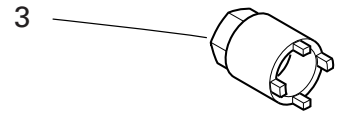
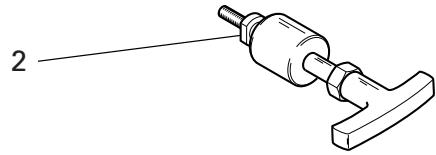
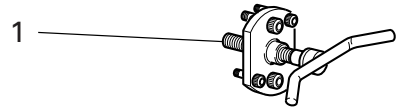
DRAWING 001

WORKSHOP SERVICE TOOLS

NOTES NO.	CODE NO.	DESCRIPTION	VALIDITY	Q.TY 
1	88713.2295	Timing belt roller reaction tool		1
2	88713.2676	Head nuts holder wrench		1
3	88713.2103	Head mounting base		1
4	98112.0002	Degree wheel		1
5	88713.0123	Degree wheel holder tool for ignition advance check		1
6	88713.0874	Exhaust valve guide punch tool		1
7	88713.0879	Punch tool to extract valve guide		1
8	88713.0875	Intake valve guide punch tool		1
9	88765.1297	T.D.C. control gauge		1
10	051.2.001.1A	Torque wrench for timing belt		1
11	88713.0137	Crankshaft gear holder wrench for tightening nut		1
12	88713.1078	Punch tool for driving exhaust valve seat		1
13	88765.1397	Valve lift gauge		1
14	88713.1079	Punch tool for driving intake valve seat		1
15	88765.1000	Fork feeler gauge 0.1 mm		1
15	88765.1005	Fork feeler gauge 0,2 mm		1
15	88765.1006	Fork feeler gauge 0.3 mm		1
16	88765.0999	Timing belt control gauge		1
17	88713.2011	Tool to hold crankshaft in TDC position		1
18	88765.1298	Spacer for checking lower valve shim		1
19	88713.2036	Flywheel Wrench		1
20	88700.5749	Crankcases assembling cap		1
21	88713.1091	Plate for positioning gear engagement fork		1
22	88765.1086	Conversion kit for 2V belts tensioning tool		1

NOTES NO.	CODE NO.	DESCRIPTION	VALIDITY	Q.TY 
-----------	----------	-------------	----------	--

DRAWING 001a WORKSHOP SERVICE TOOLS

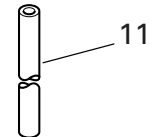
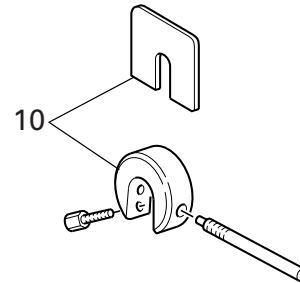
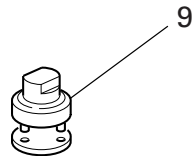
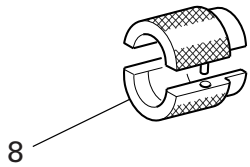
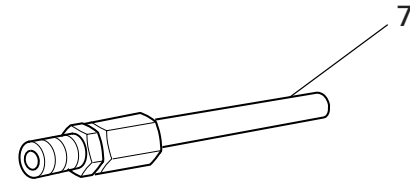
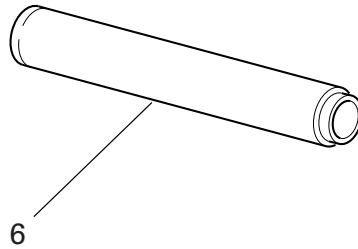
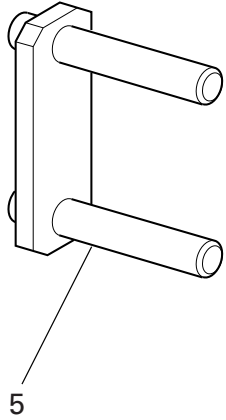
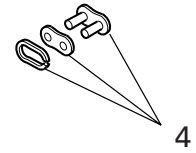
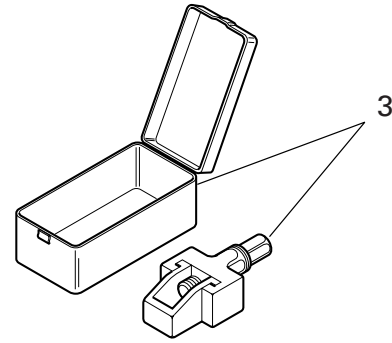
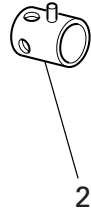
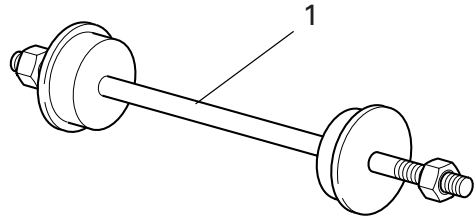


DRAWING 001a WORKSHOP SERVICE TOOLS

NOTES NO.	CODE NO.	DESCRIPTION	VALIDITY	Q.TY 
1	88713.1749	Drive roller puller		1
2	88713.1994	Rocker shaft extractor		1
3	88713.2422	Wrench for tightening primary transmission ring nut		1
4	88700.5665	Sleeve for installing clutch bell gear		1
5	88713.2092	Extractor for primary drive gear		1
6	88713.2442	Seal ring driving tool		1
7	88713.2423	Torque wrench		1
8	88700.5644	Wrench for camshaft pulley ring nut adjustment		1
9	88713.2544	Tool to fit seals on camshafts		1
10	88713.1904	Half-rings mounting punch tool		1
11	88713.1215	Torque wrench for timing belt		1
12	88713.1429	Tool to drive valve seal ring ø7		1
13	88713.2545	Tool to install rocker arm shaft clip		1
14	88713.2257	Cam axis locking tool		1
15	88713.2651	Reaction tool for wet "FCC" clutch		1

NOTES NO.	CODE NO.	DESCRIPTION	VALIDITY	Q.TY 
-----------	----------	-------------	----------	--

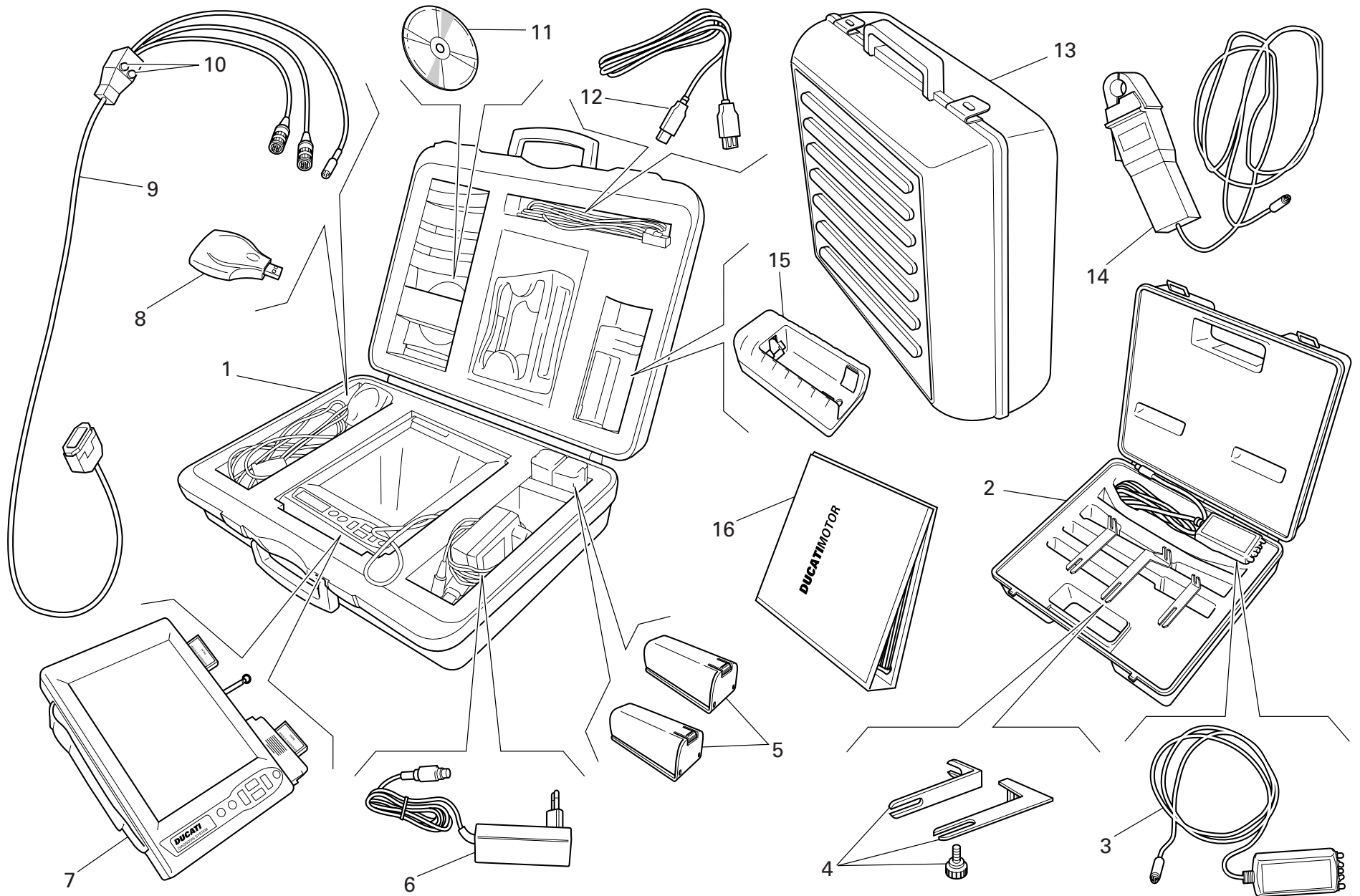
DRAWING 001b WORKSHOP SERVICE TOOLS





DRAWING 001b WORKSHOP SERVICE TOOLS

NOTES NO.	CODE NO.	DESCRIPTION	VALIDITY	Q.TY 	NOTES NO.	CODE NO.	DESCRIPTION	VALIDITY	Q.TY 
1	88713.1062	Tool for assembling the steering head bearings		1					
2	8000.70139	Wrench for front wheel spindle		1					
3	88713.1344	Tool for assembling chain		1					
4	677.4.003.1A	Coupling		1					
5	88713.1515	Frame/engine mount		1					
6	88713.1072	Stopper for driving the half bearing of the steering head base		1					
7	88713.1010	Union for exhaust gas suction		1					
8	88713.1096	Tool for overhauling SHOWA forks - assembling seal ring		1					
9	88713.1058	Wrench for assembling the steering head cap		1					
10	88713.0957	Tool for holding SHOWA fork spacer		1					
11	88713.0958	Draw bar for SHOWA forks overhauling		1					

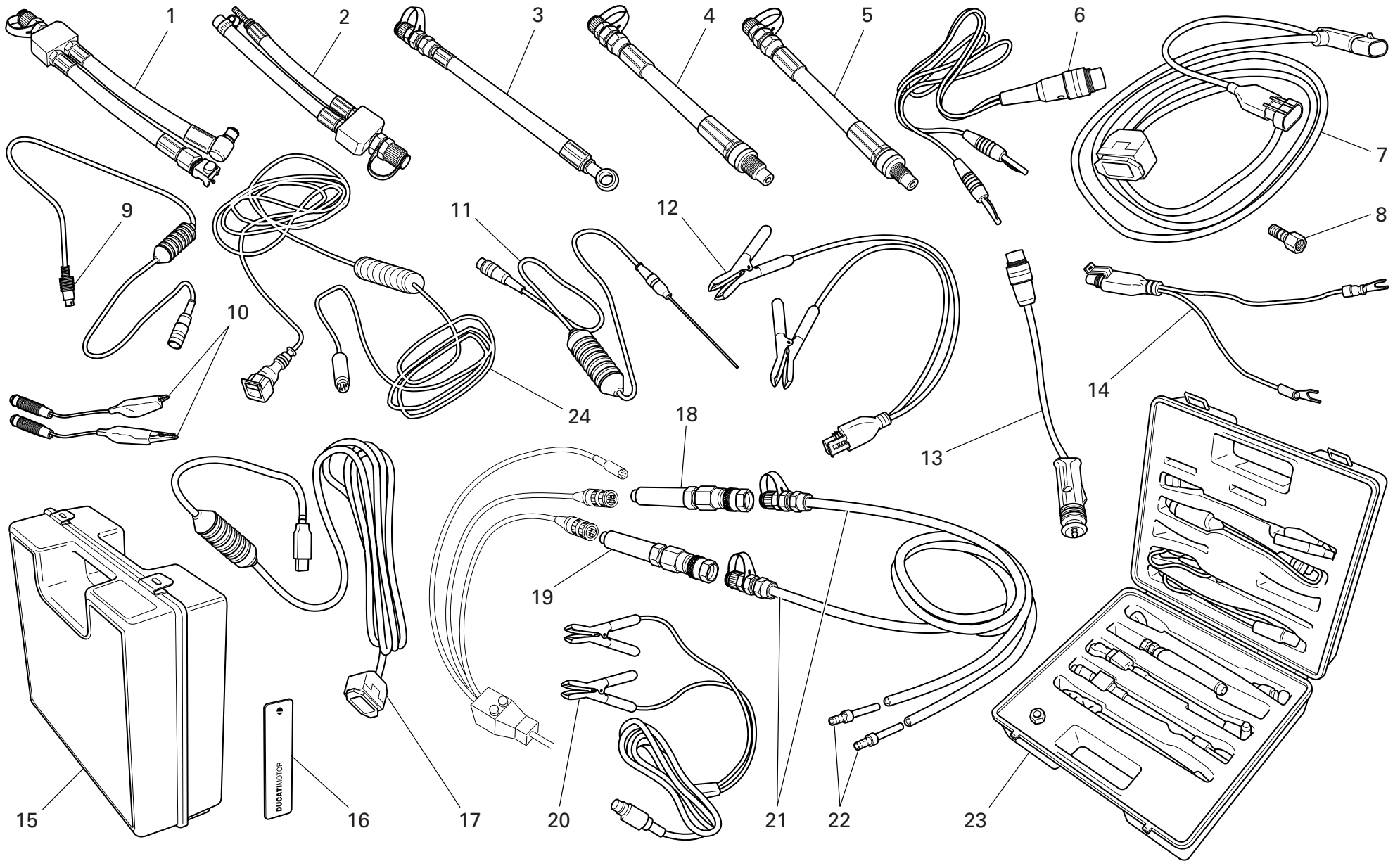
DRAWING 001c DDS TESTER




DRAWING 001c DDS TESTER

NOTES NO.	CODE NO.	DESCRIPTION	VALIDITY	Q.TY 	NOTES NO.	CODE NO.	DESCRIPTION	VALIDITY	Q.TY 
1	97900.0215	DDS (Ducati Diagnosis System) + manifold vacuum meter. kit		1					
2	97900.0002	Belt tensioning kit		1					
3	88765.1371	Sensor		1					
4	88765.1374	Bracket		1					
5	97900.0216	Battery		2					
6	97900.0224	Feeder		1					
7	97900.0211	Bare DDS		1					
8	97900.0225	(USB) Memory card reader		1					
9	97900.0222	Main cable 1060838		1					
10	97900.0219	Fuse		2					
11	97900.0223	Software DDS CD		1					
12	97900.0226	(USB) Cable extension		1					
13	97900.0229	Black case with sponge rubber		1					
14	97900.0234	Amperometer plier		1					
15	97900.0217	Battery charger		1					
16	97900.0232	DDS manual		1					

DRAWING 001d WORKSHOP SERVICE TOOLS



DRAWING 001d WORKSHOP SERVICE TOOLS

NOTES NO.	CODE NO.	DESCRIPTION	VALIDITY	Q.TY 
1	590.1.189.1A	Fuel pressure line HS.		1
2	590.1.190.1A	Fuel pressure line ST/SS/M.		1
3	875.1.065.1A	Oil pressure line		1
4	552.1.037.1A	Fitting - cylinder compression M12		1
5	552.1.038.1A	Fitting - cylinder compression M10		1
6	514.1.037.1A	Cable Volt PF DUC 21		1
7	97900.0227	Main cable D607		1
8	814.1.114.1A	Oil pressure fitting		1
9	514.1.032.1A	Cable for supplementary tests		1
10	514.1.035.1A	Red clamp cable		1
10	514.1.036.1A	Black clamp cable		1
11	552.1.040.1A	Temperature probe		1
12	97900.0228	Battery connection adapter		1
13	514.1.033.1A	Electric lighter connection adapter (ST)		1
14	514.1.038.1A	Battery connection adapter		1
15	698.1.033.1A	Red case with sponge rubber		1
16	88765.1126T	DUCATI sticker RH/LH side		2
17	97900.0231	(USB) Adaptor		1
18	97900.0218	Depressure sensor		1
19	552.1.039.1A	Pressure sensor		1
20	97900.0230	Feeder		1
21	97900.0220	Depressure/pressure line		2
22	97900.0221	Union		4
23	97900.0003	Pressure kit		1
24	88765.1126C	Cable for potentiometer adjustment		1

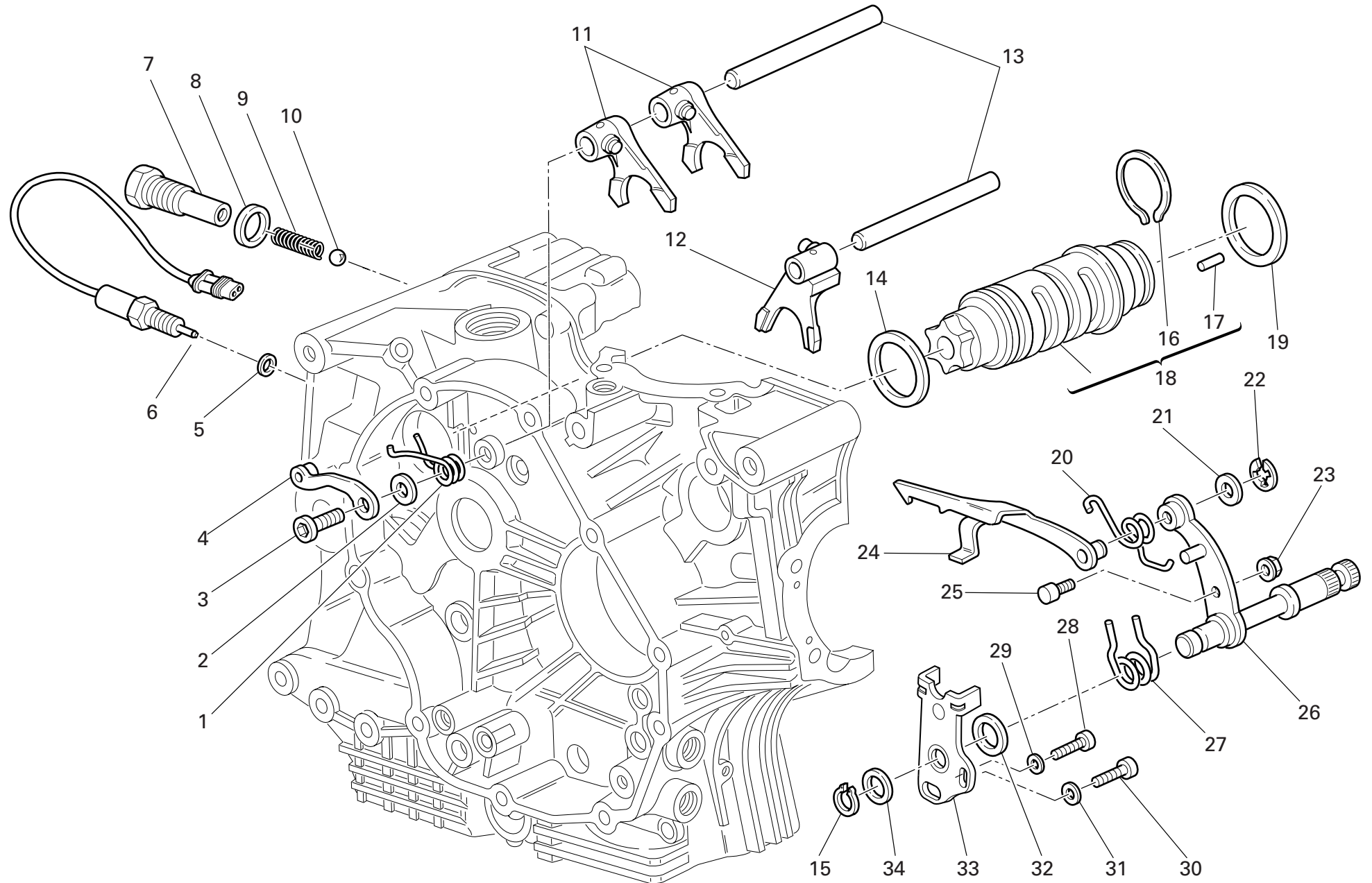
NOTES NO.	CODE NO.	DESCRIPTION	VALIDITY	Q.TY 
-----------	----------	-------------	----------	--

CATALOGUE No: 915.1.231.1B
ISSUED: 09 - 06

CATALOGUE No: 915.1.231.1B
ISSUED: 09 - 06

DRAWING 002

GEARCHANGE CONTROL




DRAWING 002

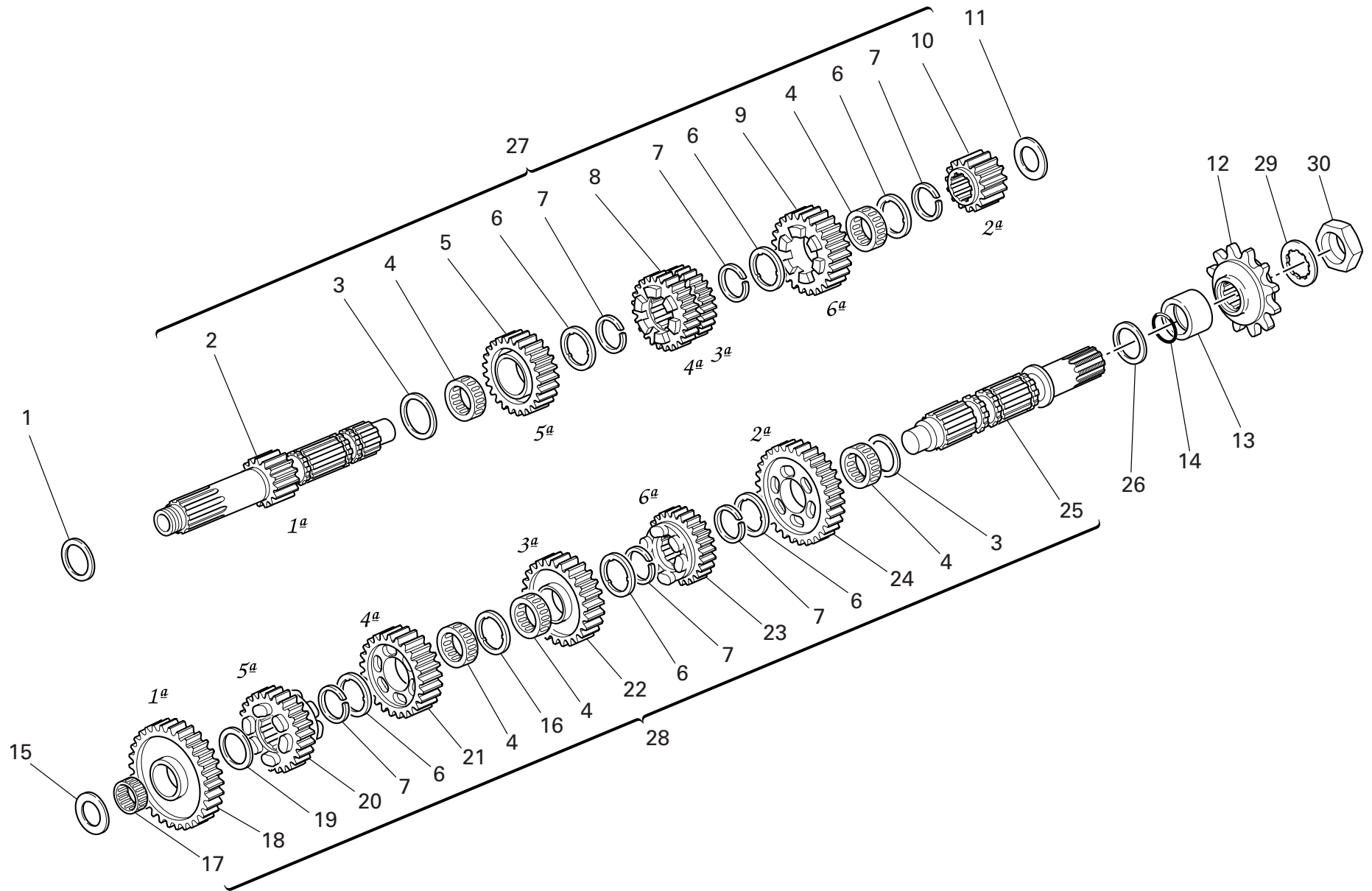
GEARCHANGE CONTROL

NOTES NO.	CODE NO.	DESCRIPTION	VALIDITY	Q.TY 
1	799.1.049.1A	Return spring		1
2	852.1.053.2A	Washer		1
3	779.1.039.1A	Special screw		1
4	455.2.003.1A	Gear stopper assembly		1
5	852.5.024.1A	Gasket th.1		1
6	539.1.021.1B	Switch		1
7	779.1.203.3A	Special screw		1
8	0272.91.090	Gasket		1
9	0660.13.143	Gear selector spring		1
10	76835.1134	Ball		1
11	180.1.001.1A	1st,4th-2nd,3rd gear selector fork		2
12	180.1.002.1A	5th,6th gear selector fork		1
13	0660.13.070	Fork pin		2
14	852.1.005.1A	Shim th. 1		1
15	73500.1542	Circlip		1
16	882.1.006.1A	Needle retaining ring (square cross-section)		1
17	821.1.070.1A	Pin		6
18	182.2.018.1A	Complete gearbox drum		1
19	0660.13.060	Shim th. 1		1
19	852.1.094.1A	Shim th. 0.9		1
20	799.1.025.1A	Fork return spring		1
21	0400.09.050	Shim th. 0.5		1
21	0765.92.205	Shim th. 0.2		2
22	884.5.034.1A	Ring		1
23	748.1.040.1A	Nut		1
24	180.1.008.1A	Gearbox drum control fork		1
25	0660.13.165	Gearchange lever pin		1

CATALOGUE No: 915.1.231.1B
ISSUED: 09 - 06


NOTES NO.	CODE NO.	DESCRIPTION	VALIDITY	Q.TY 
26	821.1.001.1A	Pin with gearchange lever		1
27	0799.13.110	Gearchange lever return spring		1
28	771.5.067.8B	Screw		1
29	852.1.172.1A	Washer		1
30	771.5.123.8B	Screw		1
31	852.1.174.1A	Washer		1
32	881.1.012.1A	Centering ring		1
33	826.1.009.1A	Stopper plate		1
34	0400.29.125	Shim th. 0.2		2
34	0400.29.126	Shim th. 0.5		1


CATALOGUE No: 915.1.231.1B
ISSUED: 09 - 06



DRAWING 003

GEARBOX

NOTES NO.	CODE NO.	DESCRIPTION	VALIDITY	Q.TY 
1	0251.47.054	Shim th. 1.2		1
2	149.1.046.1A	Gearbox main shaft		1
3	0670.16.150	Shim th. 0.5		2
4	701.4.005.1A	Needle bearing		5
5	172.1.004.1A	Driving gear 5th sp.		1
6	856.1.001.1A	Grooved washer th. 0.5		6
7	0670.16.145	Snap ring		6
8	172.1.003.1A	Driving gear 3rd/4th sp.		1
9	172.1.005.1A	Driving gear 6th sp.		1
10	172.1.002.1B	Driving gear 2nd sp.		1
11	713.1.014.1E	Shim th. 1.6		1
12	449.1.045.1A	Front sprocket w/rubber protection Z=15		1
13	713.1.157.1A	Spacer		1
14	930.4.023.1A	O-ring		1
15	713.1.266.1A	Spacer th. 3,15		1
16	856.1.031.1A	Grooved washer th. 0.5		1
17	76402.0002	Needle bearing		1
18	172.1.006.1B	Driven gear 1st sp.		1
19	0670.16.155	Shim th. 1		1
20	172.1.010.1A	Driven gear 5th sp.		1
21	172.1.009.1A	Driven gear 4th sp.		1
22	172.1.008.1A	Driven gear 3rd sp.		1
23	172.1.011.1A	Driven gear 6th sp.		1
24	172.1.007.1B	Driven gear 2nd sp.		1
25	149.1.032.3A	Gearbox lay shaft		1
26	0670.16.170	Shim th. 0.8		1
27	150.2.078.1A	Complete main shaft		1

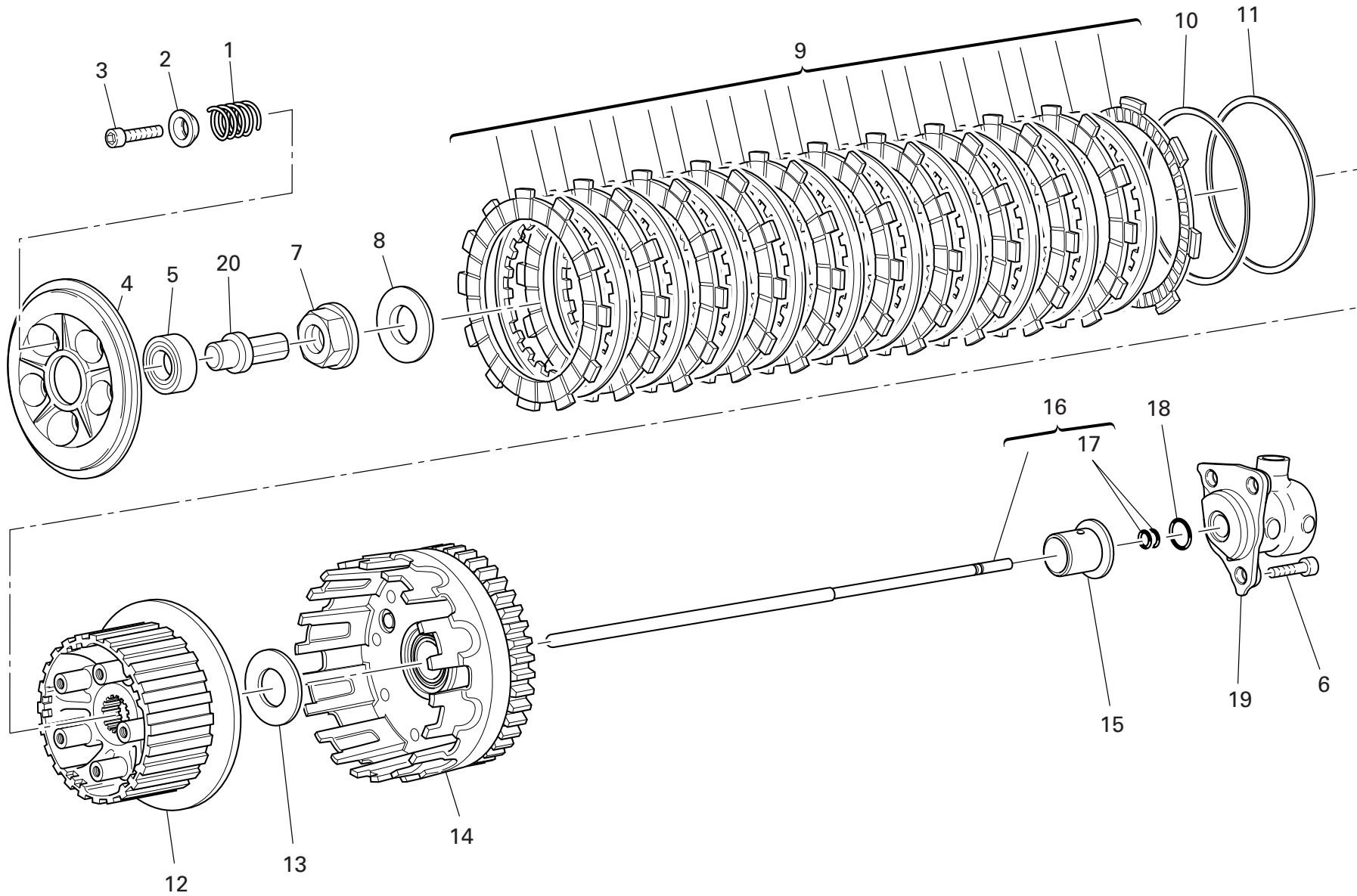
NOTES NO.	CODE NO.	DESCRIPTION	VALIDITY	Q.TY 
28	150.2.063.1A	Gearbox lay shaft		1
29	851.1.004.1A	Lock washer		1
30	750.1.007.1A	Nut		1

CATALOGUE No: 915.1.231.1B
ISSUED: 09 - 06

CATALOGUE No: 915.1.231.1B
ISSUED: 09 - 06


DRAWING 004

CLUTCH



DRAWING 004

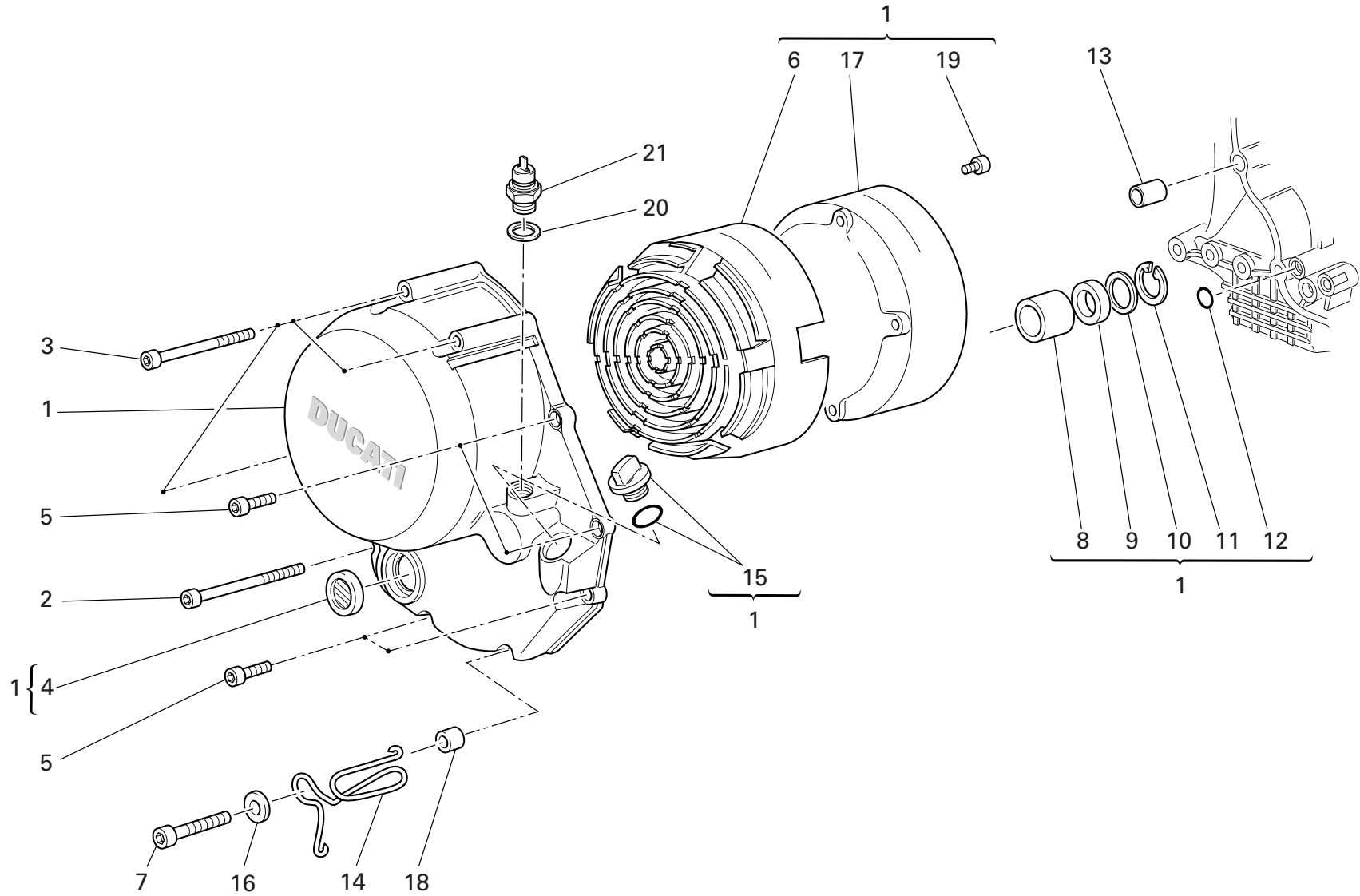
CLUTCH

NOTES NO.	CODE NO.	DESCRIPTION	VALIDITY	Q.TY 
1	797.1.032.1A	Clutch spring		5
2	841.1.046.1A	Retainer		5
3	771.5.072.8C	Screw		5
4	194.1.027.1A	Pressure plate "FCC"		1
5	702.5.047.1A	Bearing		1
6	771.5.065.8B	Screw		3
7	748.1.013.1A	Hexagon nut		1
8	799.5.001.2A	Spring washer		1
9	190.2.013.1A	Clutch plates set		1
10	799.1.191.1A	Spring washer "FCC"		1
11	190.1.017.1A	Spring		1
12	196.1.035.1A	Plate holder hub "FCC"		1
13	713.1.309.1A	Spacer		1
14	198.2.036.1A	Clutch housing		1
15	713.1.237.1A	Spacer		1
16	117.2.007.1A	Clutch control rod		1
17	93823.2018	O-ring		2
18	886.4.043.1A	O-ring		1
19	195.4.003.1A	Piston assembly		1
20	818.1.016.1A	Clutch control pin "FCC"		1

NOTES NO.	CODE NO.	DESCRIPTION	VALIDITY	Q.TY 
-----------	----------	-------------	----------	--


DRAWING 005

CLUTCH-SIDE CRANKCASE COVER

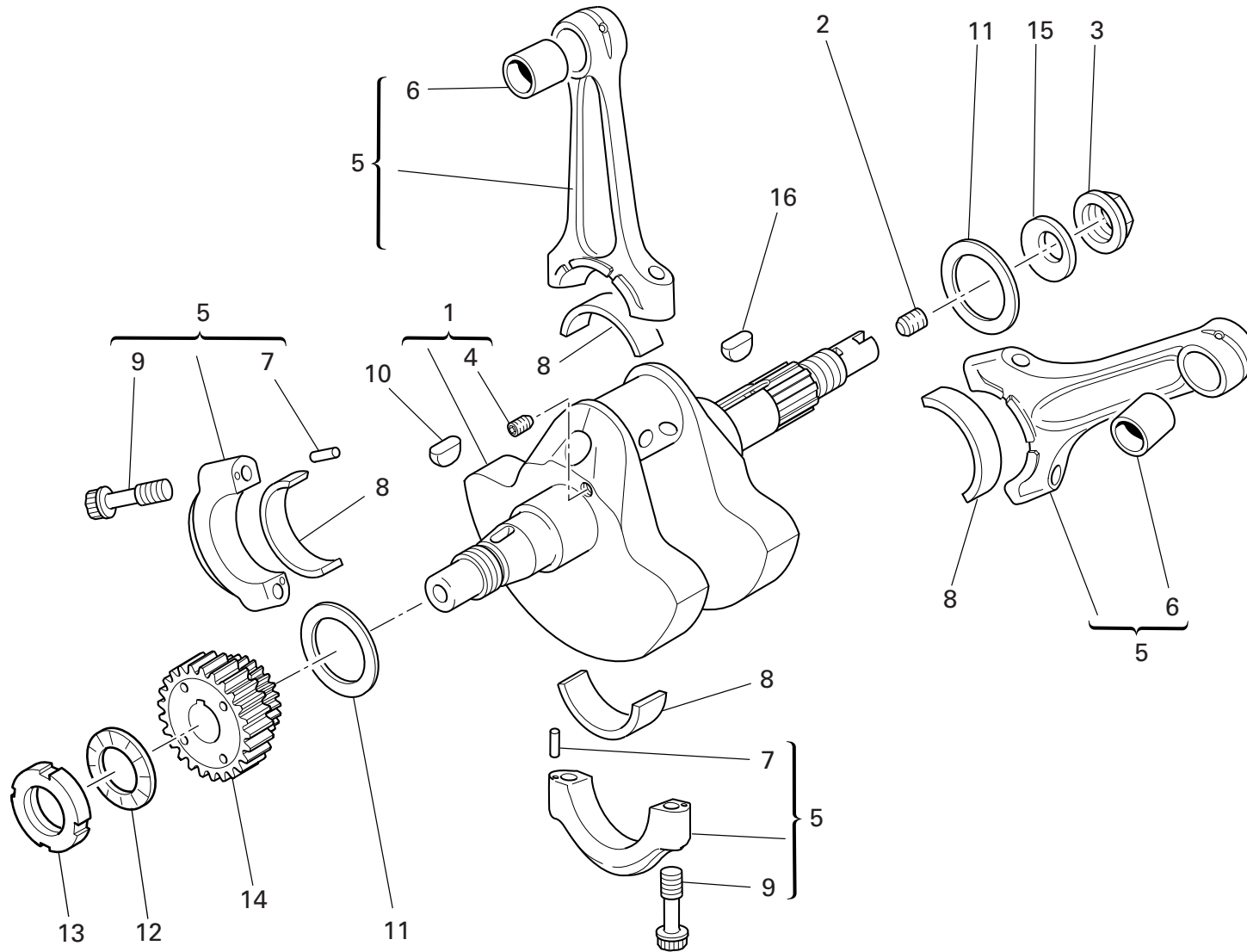


DRAWING 005

CLUTCH-SIDE CRANKCASE COVER

NOTES NO.	CODE NO.	DESCRIPTION	VALIDITY	Q.TY 
1	243.2.109.3A	Cover clutch side		1
2	771.5.083.8B	Screw		1
3	771.5.081.8B	Screw		3
4	254.4.001.1A	Oil level sight glass		1
5	771.5.069.8B	Screw		4
6	486.1.051.1A	Panel (BLACK)		1
7	771.5.072.8B	Screw		2
8	0665.49.680	Bush		1
9	930.4.091.1A	Seal ring		1
10	852.1.008.1A	Shim th. 0.5		1
11	884.5.035.1A	Circlip		1
12	93827.0114	O-ring		1
13	0400.49.240	Locating bush		1
14	758.1.031.1A	Holder		1
15	893.2.013.1A	Complete cap		1
16	852.1.176.1A	Washer		1
17	243.1.029.1A	Cover		1
18	713.1.241.1A	Spacer		1
19	773.1.001.1A	Screw		6
20	852.1.195.1A	Gasket th.2		1
21	539.4.030.1A	Switch		1


NOTES NO.	CODE NO.	DESCRIPTION	VALIDITY	Q.TY 
-----------	----------	-------------	----------	--



DRAWING 006

CONNECTING RODS

NOTES NO.	CODE NO.	DESCRIPTION	VALIDITY	Q.TY 
1	146.2.104.1A	Crankshaft		1
2	779.1.109.1A	Special screw		1
3	750.1.012.2A	Nut		1
4	72121.2106	Threaded dowel		1
5	158.2.019.1A	Connecting rods pair		1
6	712.1.021.1A	Bush		2
7	74224.0570	Pin		4
8	112.1.012.1AB	Half-bearing (BLUE)		2
8	112.1.012.1AC	Half-bearing (YELLOW)		2
9	779.1.007.2A	Special screw		4
10	74172.1008	Woodruff key		1
11	852.1.104.1A	Shim th. 1.9		2
11	852.1.104.1B	Shim th. 1.95		2
11	852.1.104.1H	Shim th. 2.25		2
11	852.1.104.1K	Shim th. 2,4		2
11	852.1.104.1L	Shim th. 2,45		2
11	852.1.104.1M	Shim th. 2.5		2
11	852.1.104.1N	Shim th. 2.55		2
11	852.1.104.2C	Shim th. 2		2
11	852.1.104.2D	Shim th. 2,05		2
11	852.1.104.2E	Shim th. 2,1		2
11	852.1.104.2F	Shim th. 2,15		2
11	852.1.104.2G	Shim th. 2.2		2
11	852.1.104.2I	Shim th. 2.3		2
11	852.1.104.2J	Shim th. 2.35		2
12	851.4.003.1A	Lock washer		1
13	750.1.113.1A	Ring nut		1

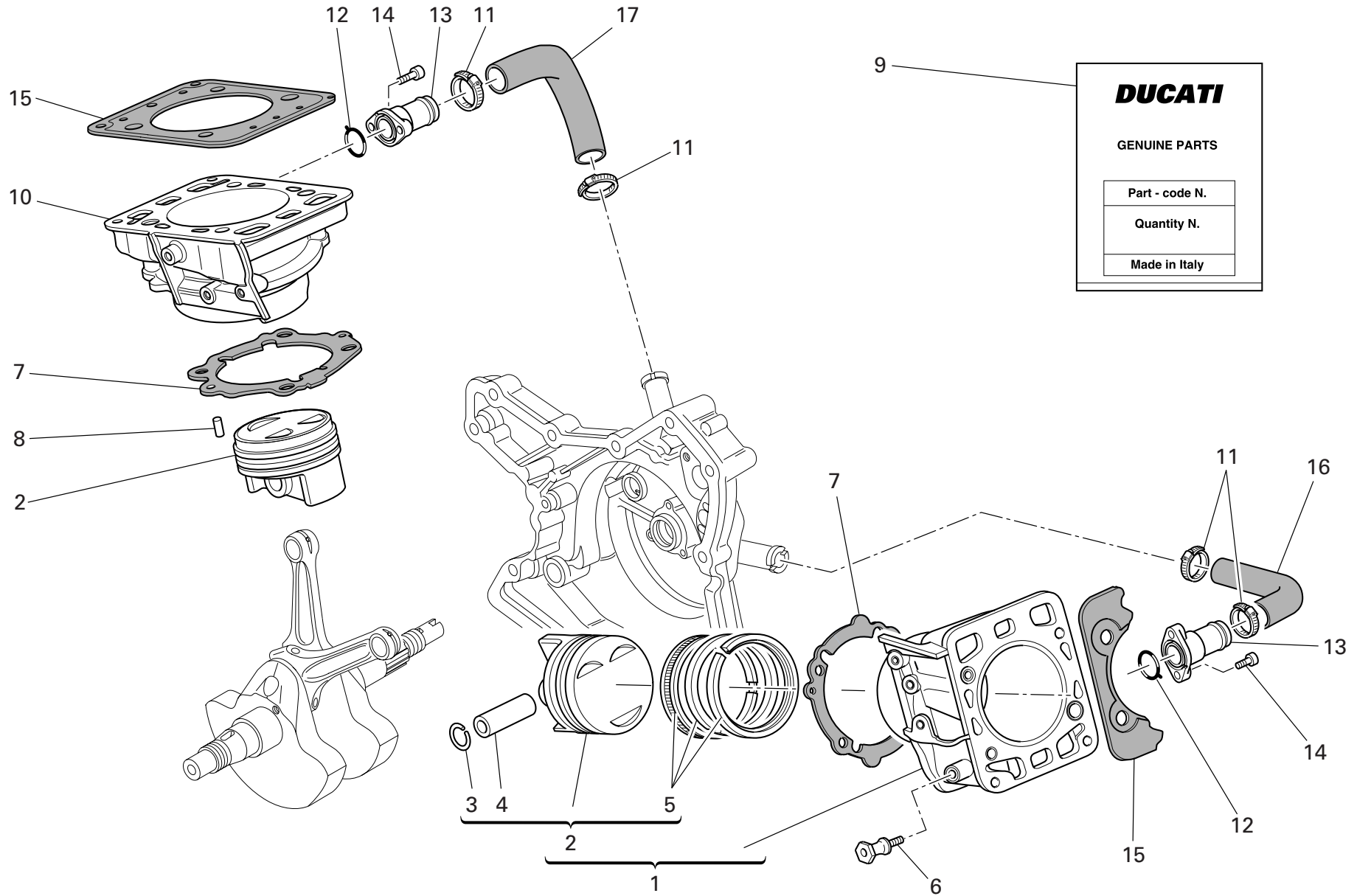
NOTES NO.	CODE NO.	DESCRIPTION	VALIDITY	Q.TY 
14	170.2.081.1A	Primary drive front sprocket		1
15	799.1.051.2A	Spring washer		1
16	0755.29.025	Woodruff key		1

CATALOGUE No: 915.1.231.1B
ISSUED: 09 - 06

CATALOGUE No: 915.1.231.1B
ISSUED: 09 - 06


DRAWING 007

CYLINDERS - PISTONS

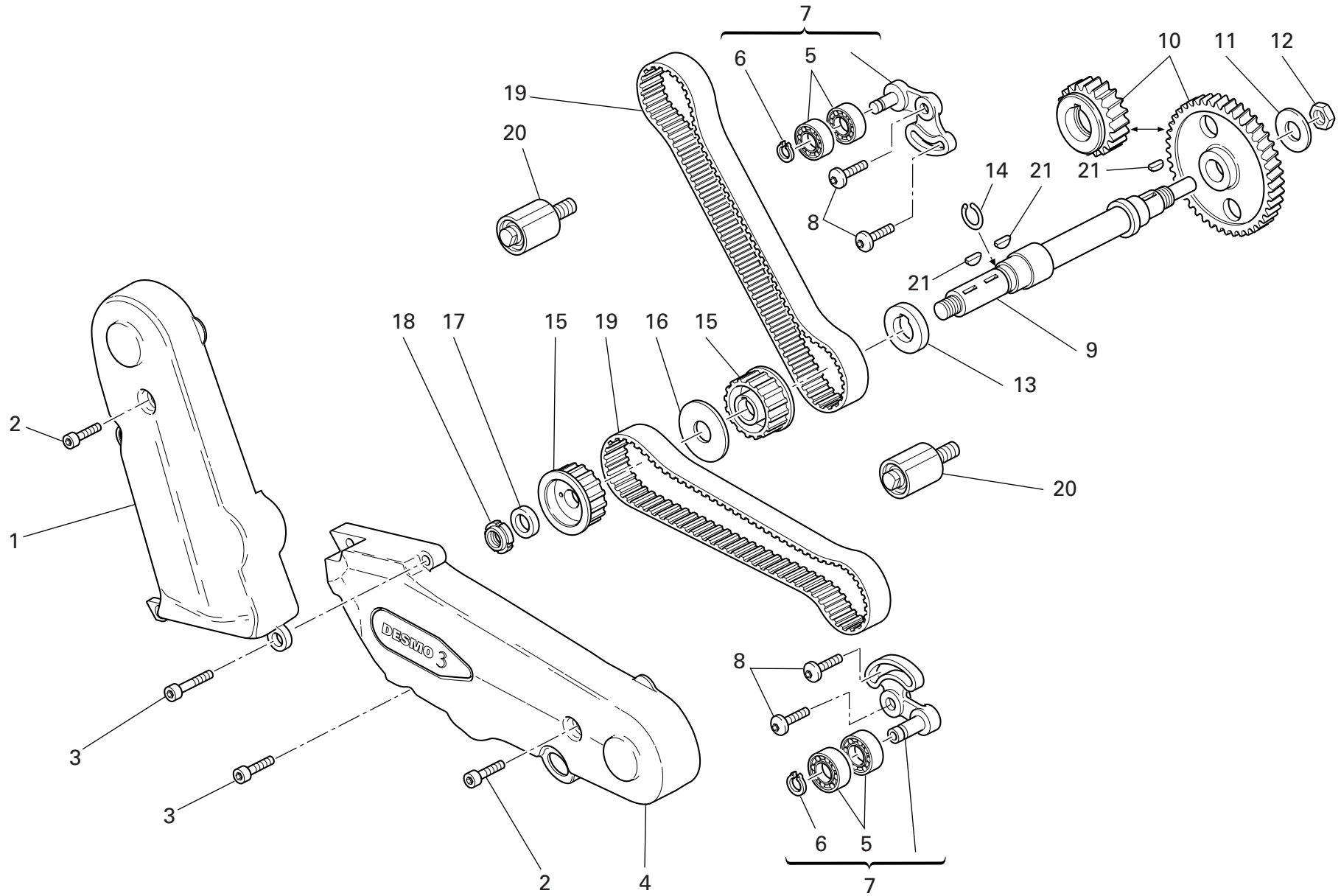


DRAWING 007

CYLINDERS - PISTONS

NOTES NO.	CODE NO.	DESCRIPTION	VALIDITY	Q.TY 
1	120.2.092.1A	Horizontal cylinder-piston fit		1
2	122.2.118.1A	Complete piston		2
3	121.1.079.1A	Piston pin circlip		4
4	121.1.078.2A	Piston pin		2
5	121.2.033.1A	Piston rings set		2
6	684.1.070.1A	Stud bolt		1
7	786.1.086.1A	Cylinder-crankcase gasket th. 0.4		2
8	711.1.093.2A	Bush		4
9	791.2.036.2A	Head-cylinder gaskets set		1
10	120.2.093.1A	Vertical cylinder-piston fit		1
11	741.4.002.1A	Hose guide		4
12	788.1.072.1A	O-ring		2
13	814.1.124.1A	Water inlet union to cylinders		2
14	771.5.067.8B	Screw		4
15	786.1.073.1A	Head-cylinder gasket		2
16	800.1.008.1A	Horizontal cylinder water inlet hose		1
17	800.1.007.1A	Vertical cylinder water inlet hose		1

NOTES NO.	CODE NO.	DESCRIPTION	VALIDITY	Q.TY 
-----------	----------	-------------	----------	--



DRAWING 008 TIMING SYSTEM

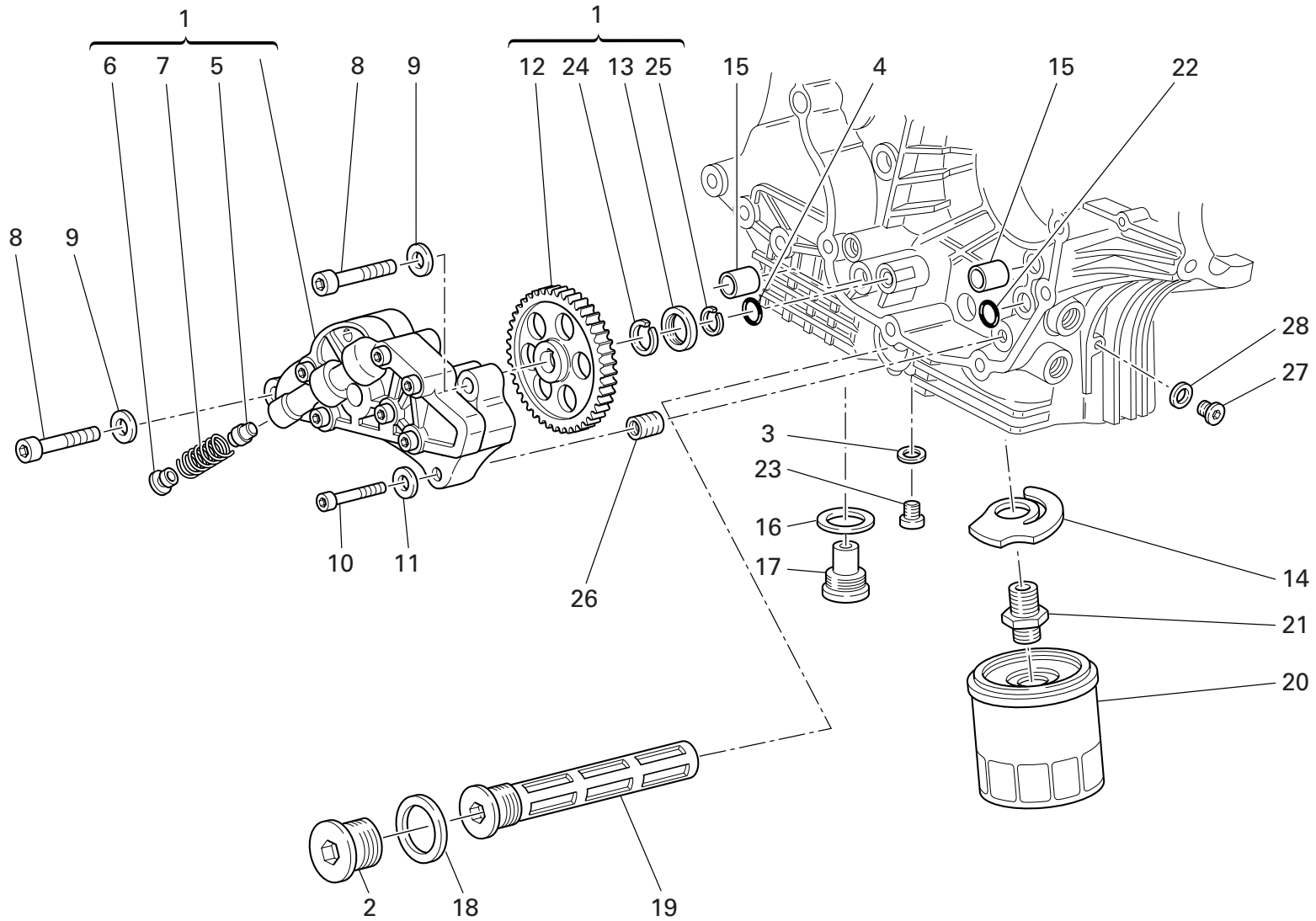
NOTES NO.	CODE NO.	DESCRIPTION	VALIDITY	Q.TY 
1	245.1.055.1A	Vertical timing belt cover		1
2	771.5.072.8B	Screw		2
3	771.5.067.8B	Screw		3
4	245.1.056.1A	Horizontal timing belt cover		1
5	702.4.069.1A	Bearing		4
6	884.5.034.1A	Ring		2
7	451.2.017.1A	Complete vertical cylinder tensioner roller		2
8	772.1.010.3A	Screw		4
9	147.1.014.1A	Timing lay shaft		1
10	171.2.023.1A	Timing gears pair		1
11	851.1.013.1A	Lock washer		1
12	0124.40.060	Hexagon nut		1
13	716.1.073.2A	Spacer		1
14	882.1.003.1A	Snap ring		1
15	255.1.023.2A	Timing belt roller		2
16	856.1.062.2A	Belt roller separating washer		1
17	716.1.099.1A	Spacer		1
18	703.5.006.2A	Elastic-stop ring nut		1
19	737.4.021.1A	Timing drive toothed belt		2
20	451.1.025.1A	Fixed tensioner assembly		2
21	0755.29.025	Woodruff key		3

NOTES NO.	CODE NO.	DESCRIPTION	VALIDITY	Q.TY 
-----------	----------	-------------	----------	--

CATALOGUE No: 915.1.231.1B
ISSUED: 09 - 06CATALOGUE No: 915.1.231.1B
ISSUED: 09 - 06

DRAWING 009


FILTERS AND OIL PUMP



DRAWING 009

FILTERS AND OIL PUMP

NOTES NO.	CODE NO.	DESCRIPTION	VALIDITY	Q.TY 
1	174.2.025.6A	Complete oil pump		1
2	873.1.037.1A	Cap		1
3	852.1.120.1A	Aluminium gasket		1
4	886.4.037.1A	O-ring		1
5	593.1.018.1A	Bypass valve		1
6	780.1.018.1A	Bypass cap		1
7	799.1.055.1A	Bypass spring		1
8	771.5.129.8B	Screw		2
9	853.1.002.1A	Spring washer		2
10	771.5.069.8B	Screw		1
11	853.1.004.1A	Spring washer		1
12	174.1.025.2A	Pump drive gear		1
13	710.1.001.1A	Bush		1
14	799.2.077.2A	Bypass spring		1
15	0759.49.280	Locating bush		2
16	220.3.208.3A	Gasket		1
17	780.2.047.1A	Oil drain plug with magnet		1
18	852.5.005.1A	Gasket th.1,5		1
19	894.2.009.1A	Oil filter		1
20	444.4.003.4A	Oil filter cartridge		1
21	815.1.028.1A	Nipple		1
22	93827.0114	O-ring		1
23	779.1.198.2A	Cap		1
24	884.4.042.1A	Snap ring		1
25	884.5.036.1A	Circlip		1
26	0670.49.310	Reduction bush		1
27	779.1.162.2A	Cap		1

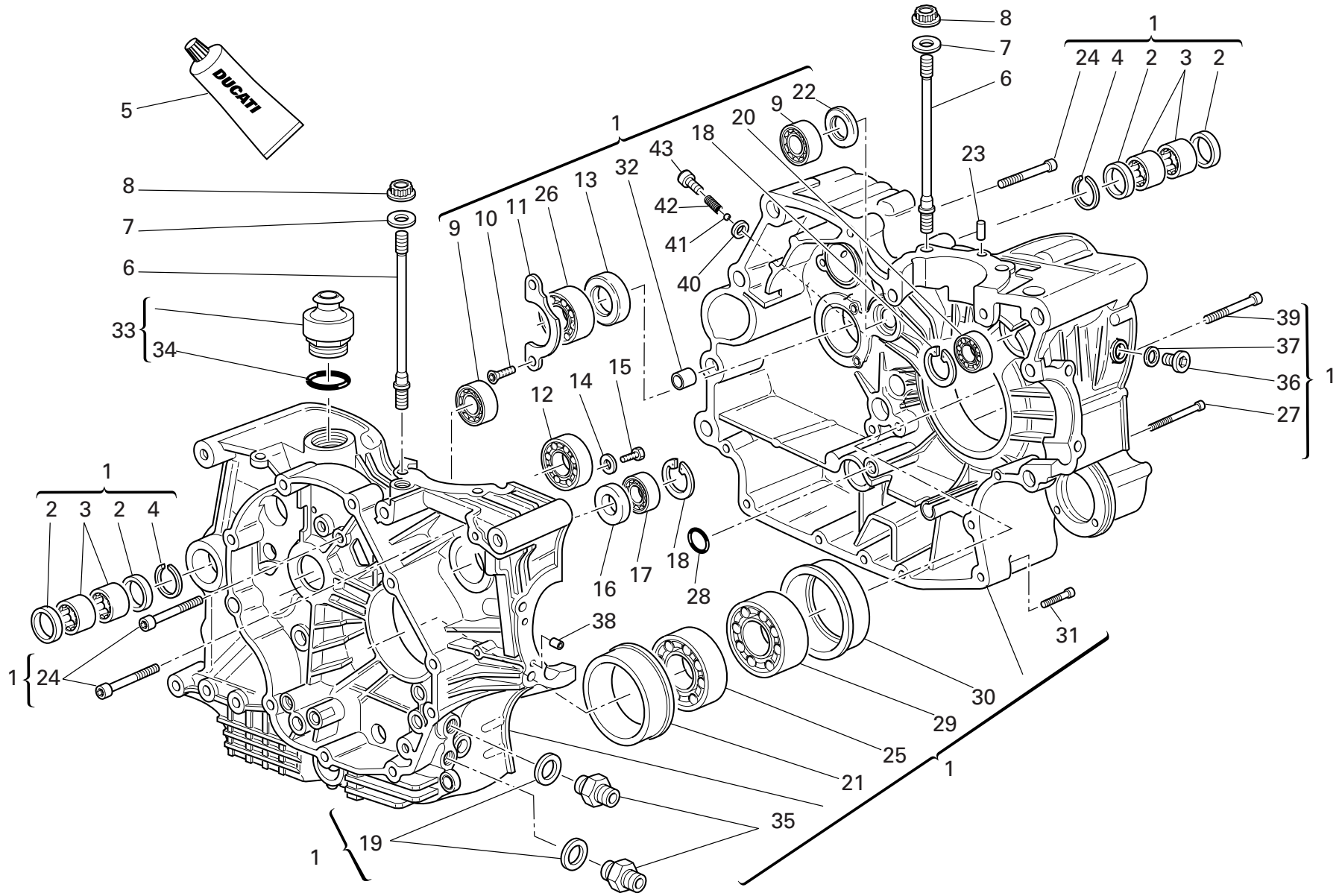
NOTES NO.	CODE NO.	DESCRIPTION	VALIDITY	Q.TY 
28	852.1.195.1A	Gasket th.2		1

CATALOGUE No: 915.1.231.1B
ISSUED: 09 - 06

CATALOGUE No: 915.1.231.1B
ISSUED: 09 - 06

DRAWING 010

CRANKCASE HALVES




DRAWING 010

CRANKCASE HALVES

NOTES NO.	CODE NO.	DESCRIPTION	VALIDITY	Q.TY 
1	225.2.200.1A	Complete half-crankcases pair		1
2	0755.49.265	Seal ring		4
3	76400.0004	Needle bearing		4
4	76266.2668	Snap ring		2
5	94247.0014	Fluid sealant		1
6	766.1.060.1A	Stud bolt for fastening head cylinder		8
7	856.1.064.2A	Special washer		8
8	748.1.050.1A	Nut		8
9	702.4.033.1A	Bearing		2
10	72094.1616	Screw		2
11	826.1.012.1A	Keep plate		1
12	702.5.019.1A	Bearing		1
13	930.4.022.1A	Seal ring		1
14	713.1.140.1A	Spacer		2
15	770.5.250.8B	Screw		2
16	93785.1830	Seal ring		1
17	75794.1542	Bearing		1
18	73503.3380	Circlip		2
19	787.1.011.1A	Aluminium gasket th.2		2
20	702.5.008.1A	Bearing		1
21	710.1.069.1A	Bearing holder bush		1
22	463.4.001.1A	Seal ring		1
23	860.1.004.1A	Locating dowel		2
24	771.5.136.8B	Screw		6
25	75191.3380	Bearing		1
26	702.4.013.1A	Bearing		1
27	771.5.080.8B	Screw		2

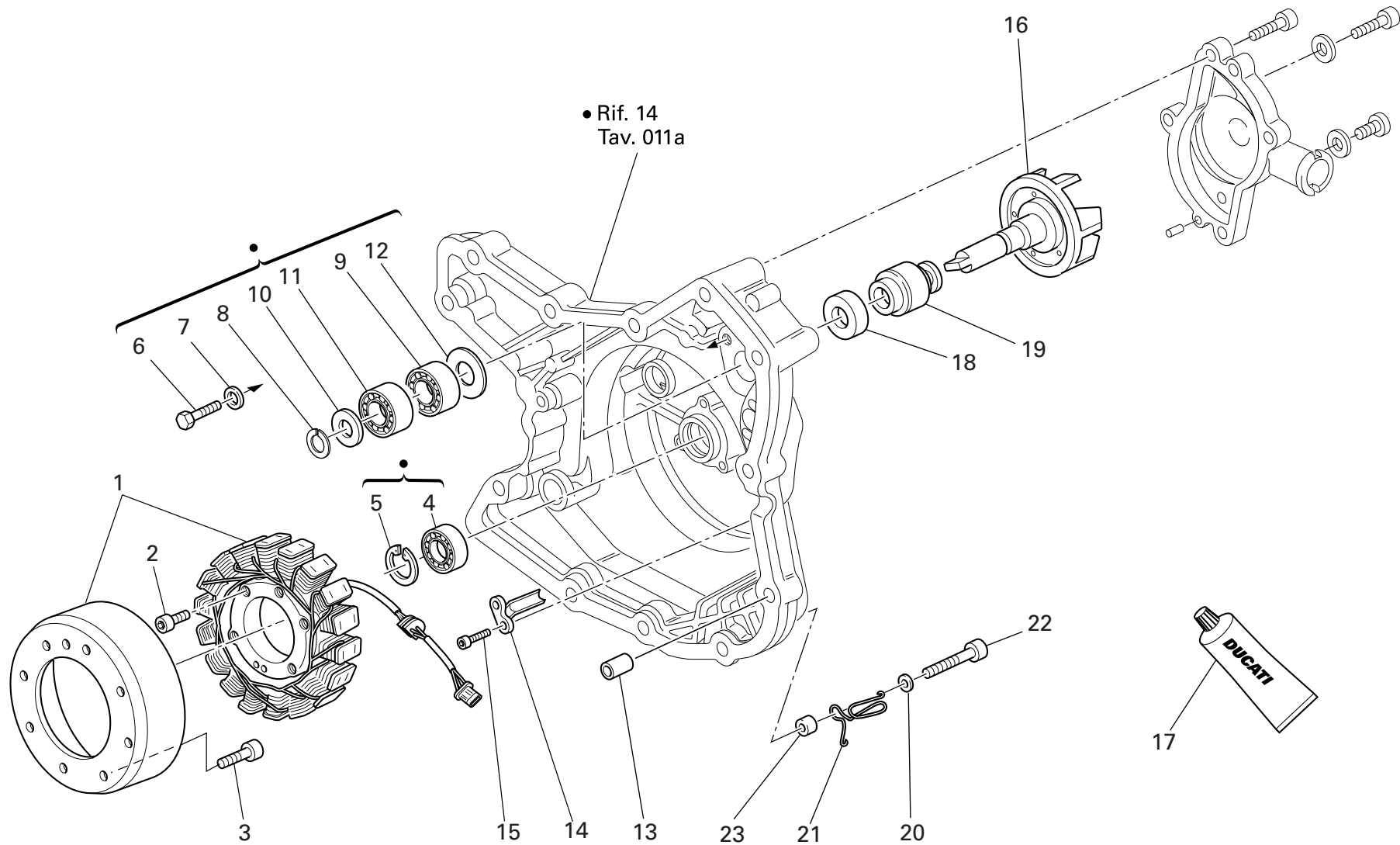
CATALOGUE No: 915.1.231.1B
ISSUED: 09 - 06

NOTES NO.	CODE NO.	DESCRIPTION	VALIDITY	Q.TY 
28	93827.0114	O-ring		1
29	702.4.020.1A	Bearing		1
30	710.1.070.1A	Bearing holder bush		1
31	771.5.072.8B	Screw		7
32	711.1.095.1A	Bush		2
33	593.1.003.1B	Breather valve		1
34	93823.3156	O-ring		1
35	815.1.022.1A	Nipple		2
36	779.1.026.2A	Screw		1
37	852.5.026.1A	Aluminium gasket th.1,5		1
38	711.1.128.1A	Bush		2
39	779.1.029.2A	Special screw		1
40	852.5.023.1A	Gasket		1
41	847.4.006.1A	Ball		1
42	799.1.211.1A	Spring		1
43	771.1.032.1A	Special screw		1

CATALOGUE No: 915.1.231.1B
ISSUED: 09 - 06

DRAWING 011

WATER PUMP-ALTR-SIDE CRNKCASE COVER



DRAWING 011

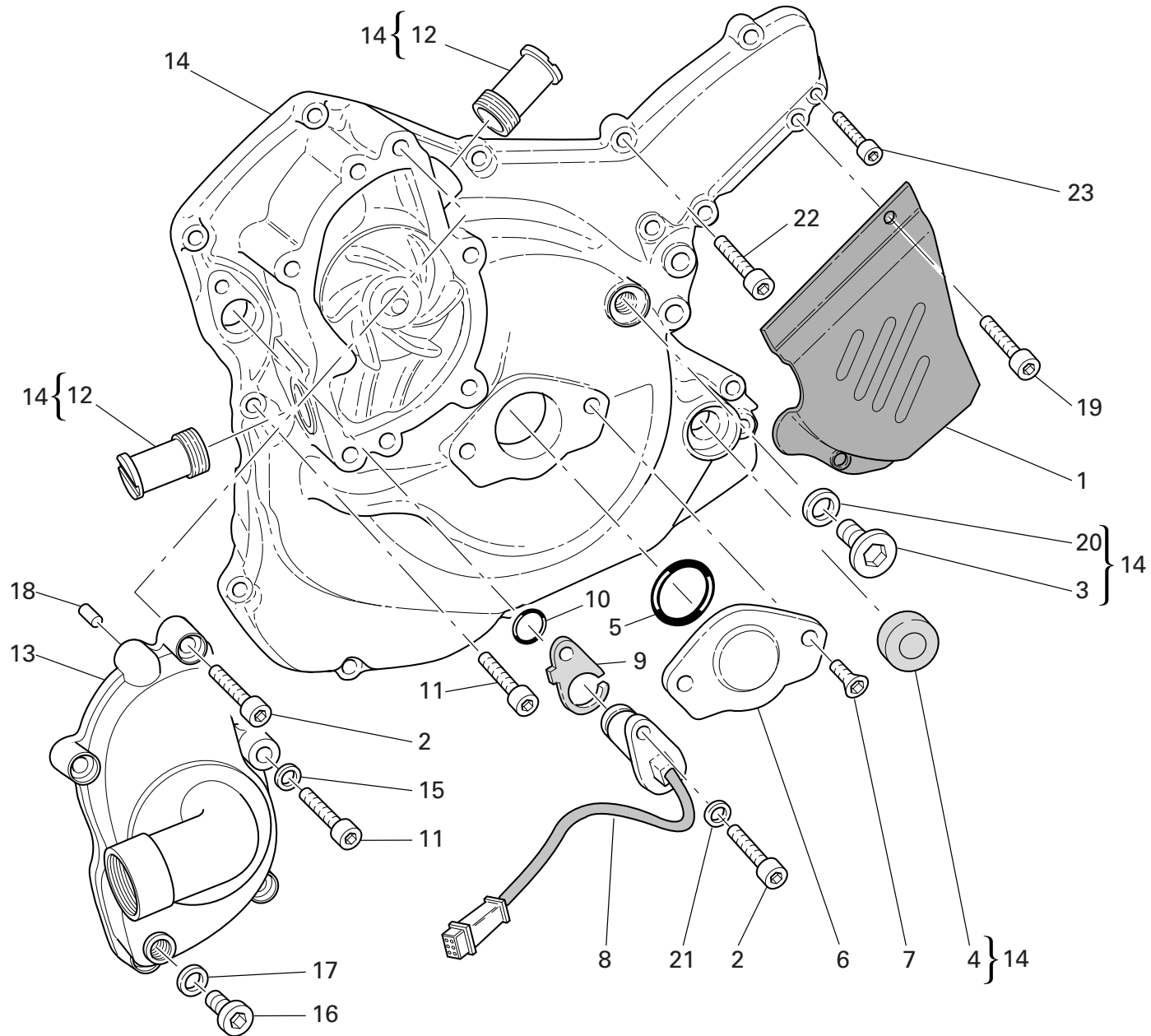
WATER PUMP-ALTR-SIDE CRNKCSSE COVER

NOTES NO.	CODE NO.	DESCRIPTION	VALIDITY	Q.TY 
1	264.4.018.3A	Generator		1
2	771.5.073.8B	Screw		3
3	779.4.075.1A	Screw		8
4	702.5.008.1A	Bearing		1
5	73503.3380	Circlip		1
6	770.5.250.8B	Screw		2
7	852.1.172.1A	Washer		2
8	884.5.011.1A	A 10 Ring		1
9	702.4.010.2A	Bearing		1
10	852.1.114.1A	Washer		1
11	702.4.009.1A	Bearing		1
12	713.1.128.1B	Spacer		1
13	0400.49.240	Locating bush		2
14	830.1.144.1A	Bracket		1
15	771.5.040.8B	Screw		2
16	251.2.009.1A	Water pump fan		1
17	94247.0014	Fluid sealant		1
18	930.5.005.1A	Seal		1
19	930.5.006.2B	Mechanical seal		1
20	852.1.176.1A	Washer		3
21	758.1.031.1A	Holder		1
22	771.5.072.8B	Screw		1
23	713.1.365.1A	Spacer		1

NOTES NO.	CODE NO.	DESCRIPTION	VALIDITY	Q.TY 
-----------	----------	-------------	----------	--

DRAWING 011a

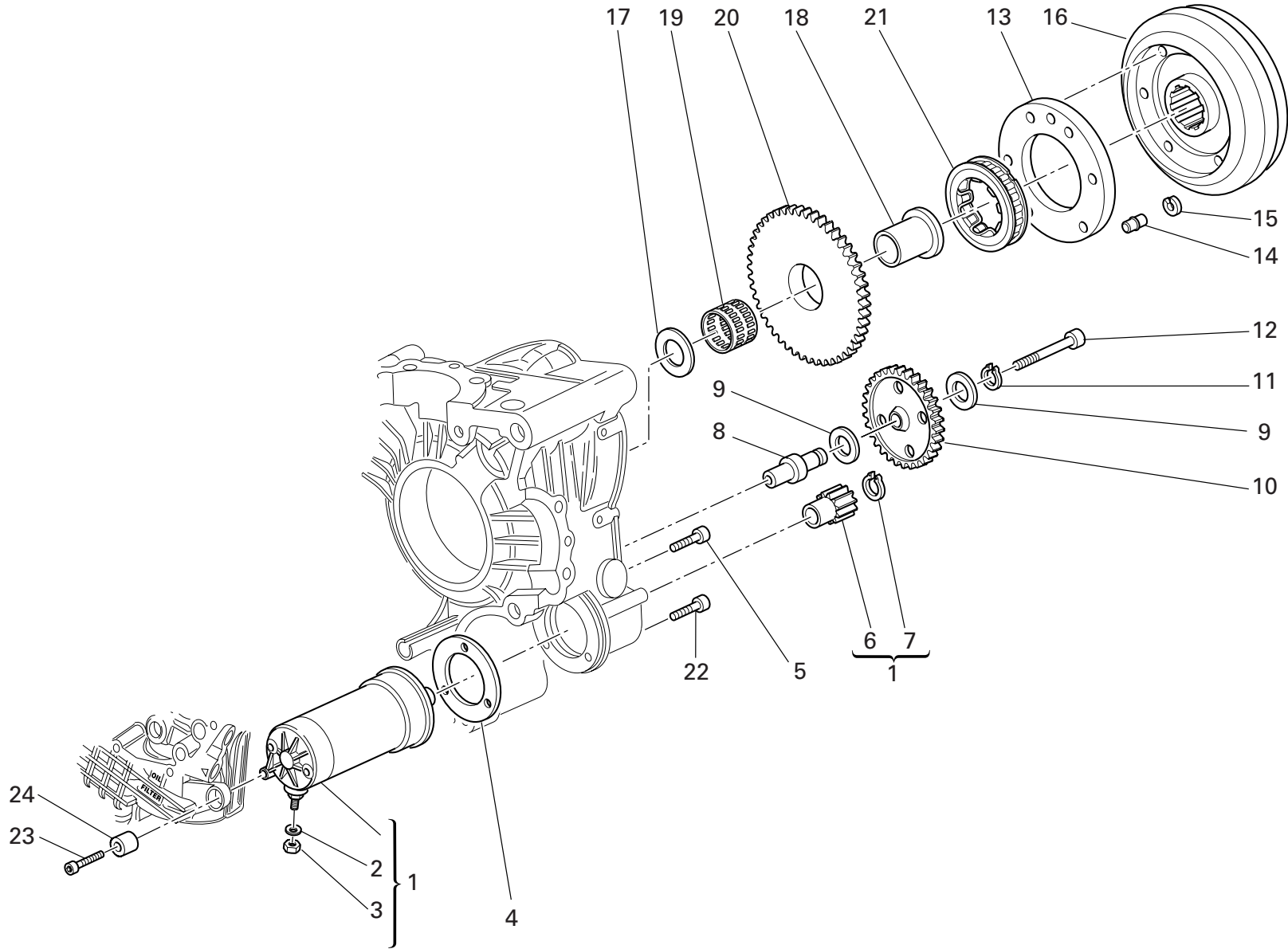
WATER PUMP-ALTR-SIDE CRNKCASE COVER



DRAWING 011a WATER PUMP-ALTR-SIDE CRNKSE COVER

NOTES NO.	CODE NO.	DESCRIPTION	VALIDITY	Q.TY 
1	247.1.083.1AE	Chain cover		1
2	771.5.066.8B	Screw		5
3	779.1.198.2A	Cap		1
4	93783.1524	Seal ring		1
5	886.4.035.1A	O-ring		1
6	247.1.002.1BC	Cover		1
7	777.5.049.8B	Screw		2
8	552.4.020.1A	Sensor		1
9	788.1.076.1A	Gasket th.0,6		1
9	788.1.076.1AA	Gasket th.0,8		1
9	788.1.076.1AB	Gasket th.1,0		1
10	886.4.033.1A	O-ring		1
11	771.5.069.8B	Screw		10
12	668.1.001.3A	Water pump delivery filler		2
13	247.2.166.2A	Complete water pump cover		1
14	242.2.062.2A	Generator cover		1
15	852.5.023.1A	Gasket		1
16	780.5.001.1A	Cap		1
17	852.5.024.1A	Gasket th.1		1
18	860.1.004.1A	Locating dowel		2
19	771.5.065.8B	Screw		2
20	852.1.120.1A	Aluminium gasket		1
21	853.1.003.1A	Spring washer		1
22	771.5.071.8B	Screw		3
23	771.5.067.8B	Screw		2

NOTES NO.	CODE NO.	DESCRIPTION	VALIDITY	Q.TY 
-----------	----------	-------------	----------	--



DRAWING 012

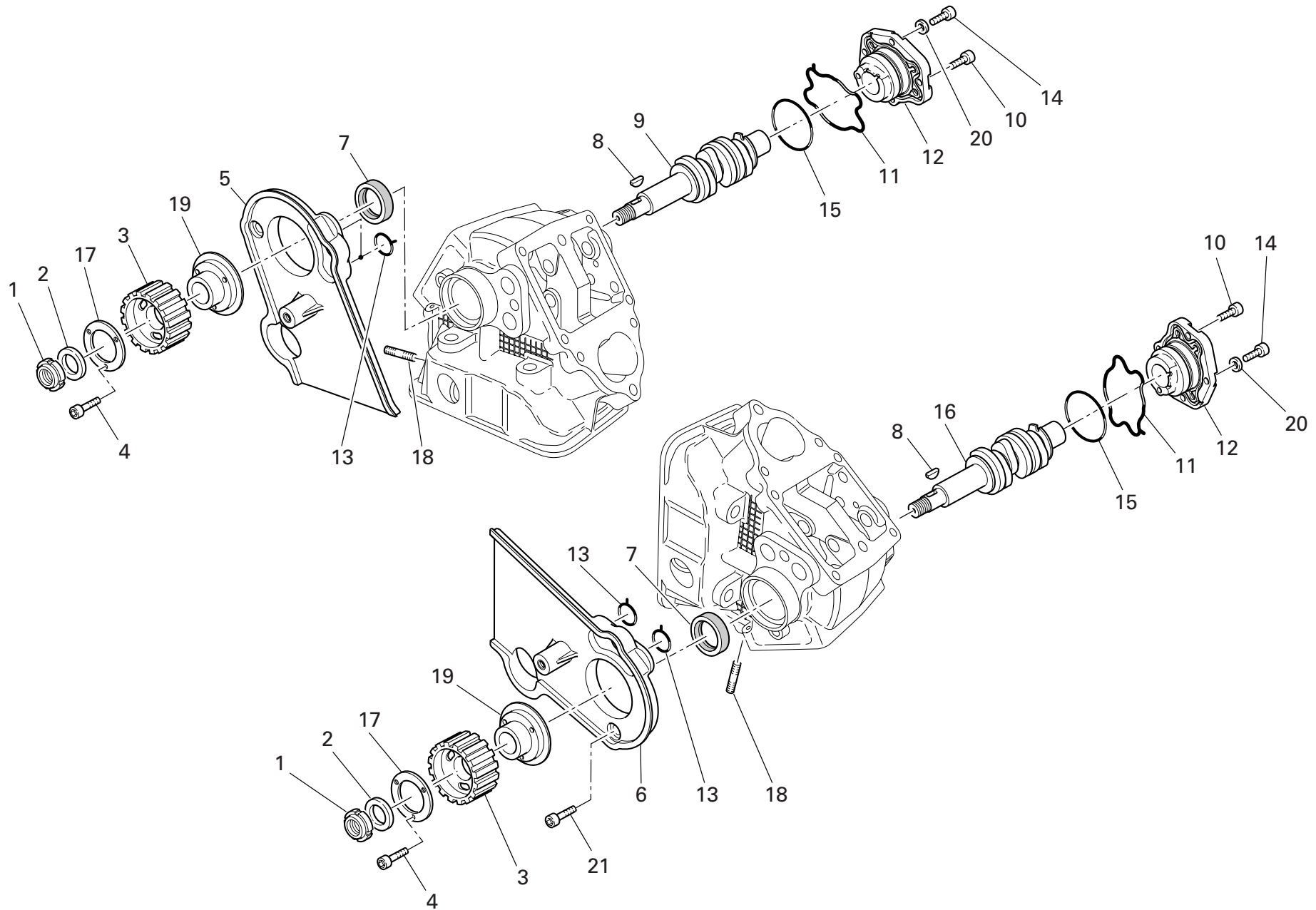
ELECTRIC STARTING AND IGNITION

NOTES NO.	CODE NO.	DESCRIPTION	VALIDITY	Q.TY 
1	270.4.005.1A	Complete starter motor		1
2	853.1.004.1A	Spring washer		1
3	750.1.121.1A	Nut		1
4	788.1.054.2A	Starter motor gasket		1
5	771.5.066.8B	Screw		2
6	176.1.001.1A	Starter motor sprocket		1
7	884.5.036.1A	Circlip		1
8	821.1.257.1A	Intermediate gear pin		1
9	856.1.071.1A	Washer		2
10	176.1.009.1A	Intermediate gear assembly		1
11	73500.1440	Circlip		1
12	771.5.078.8B	Screw		1
13	160.1.097.1A	Flange		1
14	863.1.002.1A	Locating pin		1
15	882.1.012.1A	Check ring		1
16	276.1.045.1A	Ignition flywheel		1
17	856.1.075.1A	Shim		1
18	881.1.034.1A	Inner ring		1
19	702.4.018.1A	Needle bearing		1
20	173.1.013.1A	Electric starter driven gear		1
21	701.4.019.1A	Starter clutch		1
22	771.5.069.8B	Screw		1
23	771.5.071.8B	Screw		1
24	700.1.036.1A	Flexible bush		1

NOTES NO.	CODE NO.	DESCRIPTION	VALIDITY	Q.TY 
-----------	----------	-------------	----------	--


DRAWING 013

CYLINDER HEAD : TIMING SYSTEM



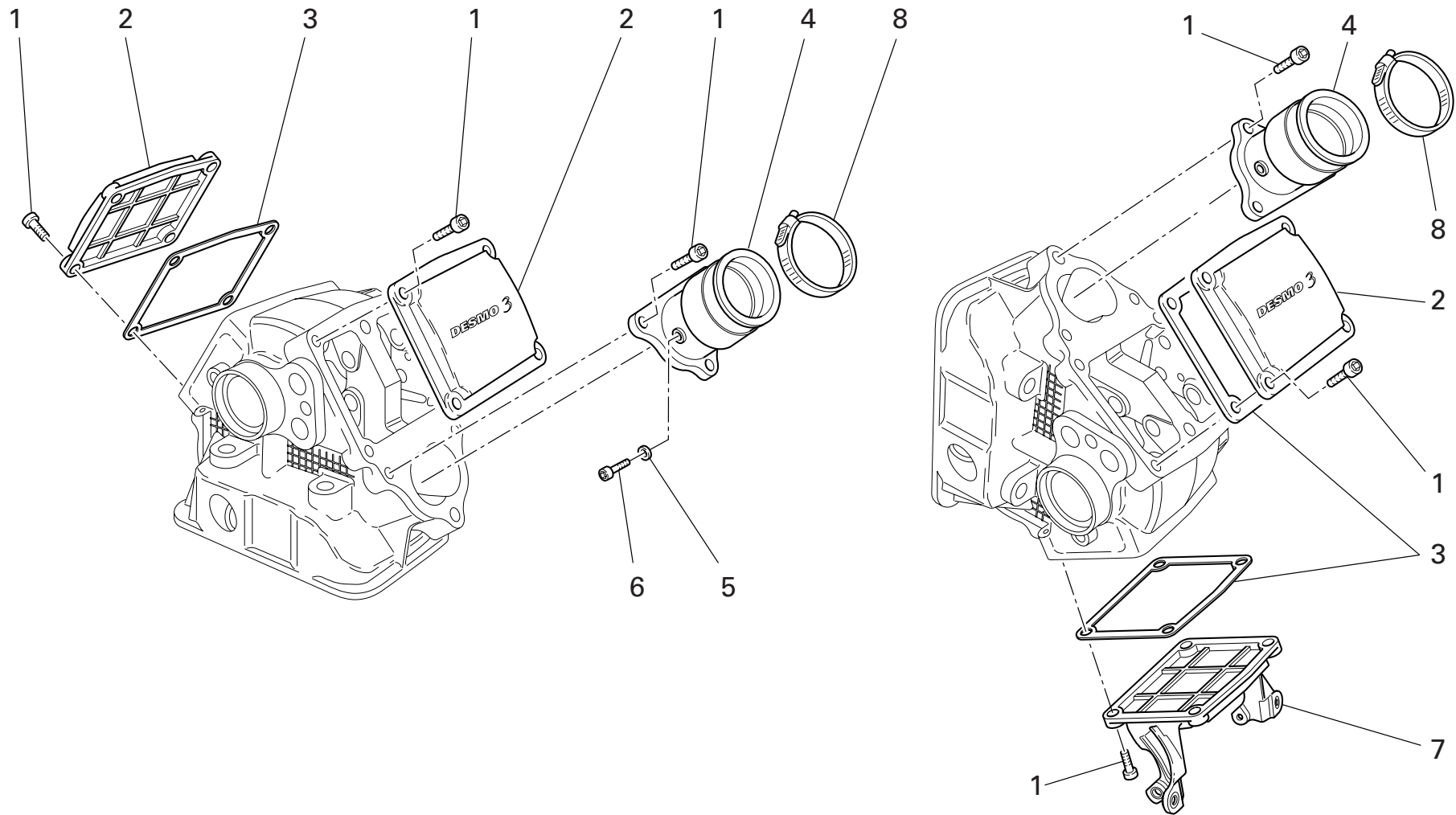
DRAWING 013

CYLINDER HEAD : TIMING SYSTEM


NOTES NO.	CODE NO.	DESCRIPTION	VALIDITY	Q.TY 
1	703.5.006.2A	Elastic-stop ring nut		2
2	852.1.173.1A	Washer		2
3	255.1.024.2A	Timing belt roller		2
4	779.5.030.2A	Screw		6
5	245.1.054.1A	Vertical belt inner cover		1
6	245.1.057.1A	Horizontal belt inner cover		1
7	930.5.007.1A	Seal ring		2
8	74172.1008	Woodruff key		2
9	148.1.143.1A	Vertical head camshaft		1
10	771.5.067.8B	Screw		4
11	788.1.071.1A	O-ring		2
12	235.1.036.1A	Side cap		2
13	788.1.075.1A	O-ring		4
14	771.5.063.8B	Screw		2
15	886.4.060.1A	O-ring		2
16	148.1.142.1A	Horizontal head camshaft		1
17	856.1.074.2A	Special washer		2
18	766.4.019.1A	Stud bolt		8
19	160.1.105.1A	Flange		2
20	852.5.023.1A	Gasket		2
21	771.1.026.3A	Screw		4

NOTES NO.	CODE NO.	DESCRIPTION	VALIDITY	Q.TY 
-----------	----------	-------------	----------	--

DRAWING 013a MANIFOLDS AND CYLINDER HEAD COVERS

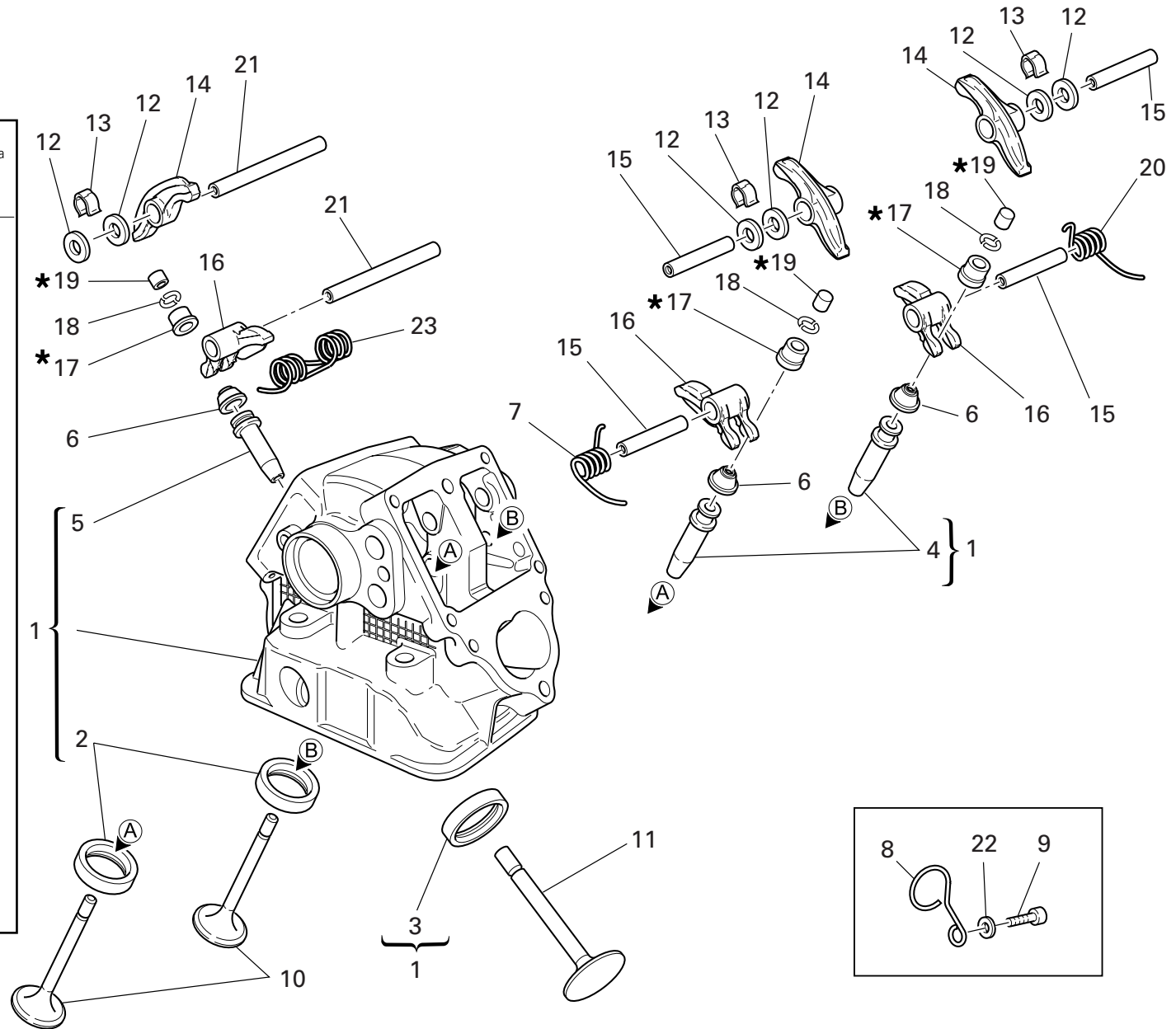


DRAWING 013a MANIFOLDS AND CYLINDER HEAD COVERS

NOTES NO.	CODE NO.	DESCRIPTION	VALIDITY	Q.TY 
1	771.5.067.8B	Screw		22
2	240.1.029.1A	Valve cover		3
3	788.1.074.1A	Head gasket		4
4	140.2.033.1A	Intake manifold		2
5	852.5.025.1A	Aluminium gasket th.1		2
6	771.5.062.8B	Screw		2
7	240.1.032.1A	Exhaust valve cover (horizontal)		1
8	741.4.067.1A	Hose guide		2


NOTES NO.	CODE NO.	DESCRIPTION	VALIDITY	Q.TY 
-----------	----------	-------------	----------	--

11	13
Registro bilanc. apertura	Registro bilanc. chiusura
Adjustment	Adjustment
Réglage	Réglage
Ventilkäppchen	Ventilkäppchen
840.1.031.1A - 1,8	840.1.041.1B - 2,20
840.1.032.1A - 1,85	840.1.042.1B - 2,25
840.1.033.1A - 1,9	840.1.043.1B - 2,30
840.1.034.1A - 1,95	840.1.044.1B - 2,35
840.1.001.1A - 2,0	840.1.045.1B - 2,40
840.1.002.1A - 2,05	840.1.046.1B - 2,45
840.1.003.1A - 2,1	840.1.047.1B - 2,5
840.1.004.1A - 2,15	840.1.048.1B - 2,55
840.1.005.1A - 2,2	840.1.049.1B - 2,6
840.1.006.1A - 2,25	840.1.050.1B - 2,65
840.1.007.1A - 2,3	840.1.051.1B - 2,7
840.1.008.1A - 2,35	840.1.052.1B - 2,75
840.1.009.1A - 2,4	840.1.053.1B - 2,8
840.1.010.1A - 2,45	840.1.054.1B - 2,85
840.1.011.1A - 2,5	840.1.055.1B - 2,9
840.1.012.1A - 2,55	840.1.056.1B - 2,95
840.1.013.1A - 2,6	840.1.057.1B - 3,0
840.1.014.1A - 2,65	840.1.058.1B - 3,05
840.1.015.1A - 2,7	840.1.059.1B - 3,1
840.1.016.1A - 2,75	
840.1.017.1A - 2,8	
840.1.018.1A - 2,85	
840.1.019.1A - 2,9	
840.1.020.1A - 2,95	
840.1.021.1A - 3,0	
840.1.022.1A - 3,05	
840.1.023.1A - 3,1	
840.1.024.1A - 3,15	
840.1.025.1A - 3,2	
840.1.026.1A - 3,25	
840.1.027.1A - 3,3	
840.1.028.1A - 3,35	
840.1.029.1A - 3,4	
840.1.030.1A - 3,45	




DRAWING 014

VERTICAL CYLINDER HEAD

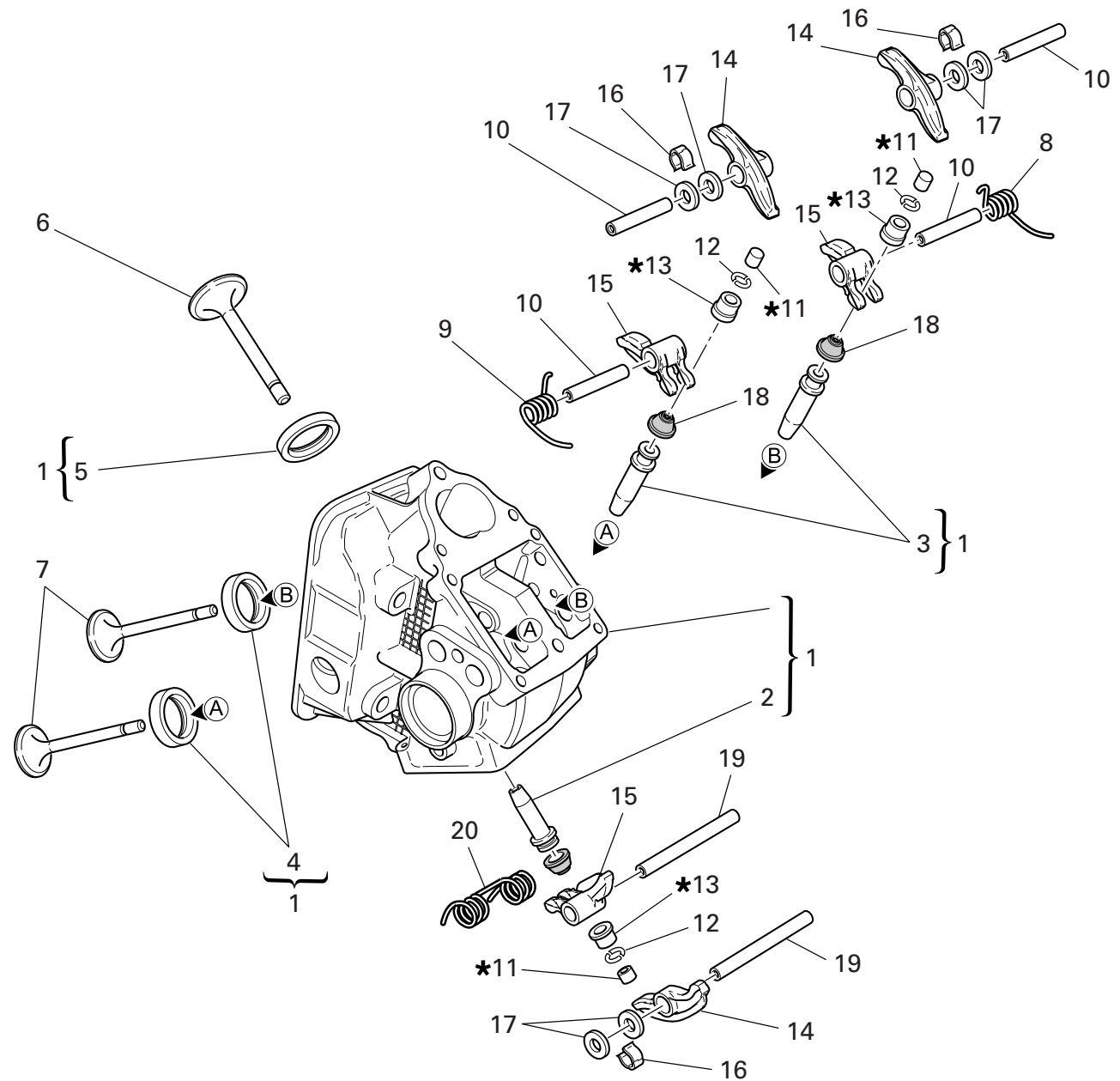
NOTES NO.	CODE NO.	DESCRIPTION	VALIDITY	Q.TY 
1	301.2.131.1C	Complete vertical head		1
2	304.A.001.1A	Intake valve seat		2
2	304.A.001.1AB	Oversize intake valve seat 0.03		2
2	304.A.001.1AC	Oversize intake valve seat 0.06		2
3	304.A.004.1A	Exhaust valve seat		1
3	304.A.004.1AB	Oversize exhaust valve seat 0.03		1
3	304.A.004.1AC	Oversize exhaust valve seat 0.06		1
4	303.1.039.1A	Intake valve guide		2
4	303.1.039.1AB	Intake valve guide magg. 0,03		2
4	303.1.039.1AC	Intake valve guide magg. 0,06		2
4	303.1.039.1AD	Intake valve guide magg. 0,09		2
5	303.1.025.1A	Exhaust valve guide		2
5	303.1.025.1AB	Oversize valve guide 0.03		1
5	303.1.025.1AC	Oversize valve guide 0.06		1
5	303.1.025.1AD	Oversize valve guide 0.09		1
6	764.1.002.1A	Rubber pad		3
7	799.1.147.1A	R.H. Closing rocker spring		1
8	881.1.043.1A	Hose guide		1
9	771.5.071.8B	Screw		1
10	210.1.047.1B	Intake valve		2
11	211.1.043.2B	Exhaust valve		1
12	0795.37.096	Washer		6
13	799.1.179.1A	Spring		3
14	208.1.022.1A	Opening rocker		3
15	821.1.141.1A	Opening rocker shaft		4
16	209.1.026.1B	Closing rocker		3
17	840.2.002.1B	See table		3

CATALOGUE No: 915.1.231.1B
ISSUED: 09 - 06

NOTES NO.	CODE NO.	DESCRIPTION	VALIDITY	Q.TY 
18	669.1.001.1E	Split rings		6
19	840.2.001.1A	See table		3
20	799.1.146.1A	L.H. Closing rocker spring		1
21	821.1.142.1B	Closing rocker shaft		2
22	852.1.176.1A	Washer		1
23	799.1.221.1A	Return spring		1


CATALOGUE No: 915.1.231.1B
ISSUED: 09 - 06


11	13
Registro bilanc. apertura	Registro bilanc. chiusura
Adjustment	Adjustment
Réglage	Réglage
Ventilkäppchen	Ventilkäppchen
840.1.031.1A - 1,8	840.1.041.1B - 2,20
840.1.032.1A - 1,85	840.1.042.1B - 2,25
840.1.033.1A - 1,9	840.1.043.1B - 2,30
840.1.034.1A - 1,95	840.1.044.1B - 2,35
840.1.001.1A - 2,0	840.1.045.1B - 2,40
840.1.002.1A - 2,05	840.1.046.1B - 2,45
840.1.003.1A - 2,1	840.1.047.1B - 2,5
840.1.004.1A - 2,15	840.1.048.1B - 2,55
840.1.005.1A - 2,2	840.1.049.1B - 2,6
840.1.006.1A - 2,25	840.1.050.1B - 2,65
840.1.007.1A - 2,3	840.1.051.1B - 2,7
840.1.008.1A - 2,35	840.1.052.1B - 2,75
840.1.009.1A - 2,4	840.1.053.1B - 2,8
840.1.010.1A - 2,45	840.1.054.1B - 2,85
840.1.011.1A - 2,5	840.1.055.1B - 2,9
840.1.012.1A - 2,55	840.1.056.1B - 2,95
840.1.013.1A - 2,6	840.1.057.1B - 3,0
840.1.014.1A - 2,65	840.1.058.1B - 3,05
840.1.015.1A - 2,7	840.1.059.1B - 3,1
840.1.016.1A - 2,75	
840.1.017.1A - 2,8	
840.1.018.1A - 2,85	
840.1.019.1A - 2,9	
840.1.020.1A - 2,95	
840.1.021.1A - 3,0	
840.1.022.1A - 3,05	
840.1.023.1A - 3,1	
840.1.024.1A - 3,15	
840.1.025.1A - 3,2	
840.1.026.1A - 3,25	
840.1.027.1A - 3,3	
840.1.028.1A - 3,35	
840.1.029.1A - 3,4	
840.1.030.1A - 3,45	



DRAWING 015

HORIZONTAL CYLINDER HEAD

NOTES NO.	CODE NO.	DESCRIPTION	VALIDITY	Q.TY 
1	301.2.130.1C	Complete horizontal head		1
2	303.1.025.1A	Exhaust valve guide		1
2	303.1.025.1AB	Oversize valve guide 0.03		1
2	303.1.025.1AC	Oversize valve guide 0.06		1
2	303.1.025.1AD	Oversize valve guide 0.09		1
3	303.1.039.1A	Intake valve guide		1
3	303.1.039.1AB	Intake valve guide magg. 0,03		1
3	303.1.039.1AC	Intake valve guide magg. 0,06		1
3	303.1.039.1AD	Intake valve guide magg. 0,09		1
4	304.A.001.1A	Intake valve seat		2
4	304.A.001.1AB	Oversize intake valve seat 0.03		2
4	304.A.001.1AC	Oversize intake valve seat 0.06		2
5	304.A.004.1A	Exhaust valve seat		1
5	304.A.004.1AB	Oversize exhaust valve seat 0.03		1
5	304.A.004.1AC	Oversize exhaust valve seat 0.06		1
6	211.1.043.2B	Exhaust valve		1
7	210.1.047.1B	Intake valve		2
8	799.1.147.1A	R.H. Closing rocker spring		1
9	799.1.146.1A	L.H. Closing rocker spring		1
10	821.1.141.1A	Opening rocker shaft		4
11	840.2.001.1A	See table		3
12	669.1.001.1E	Split rings		6
13	840.2.002.1B	See table		3
14	208.1.022.1A	Opening rocker		3
15	209.1.026.1B	Closing rocker		3
16	799.1.179.1A	Spring		3
17	0795.37.096	Washer		6

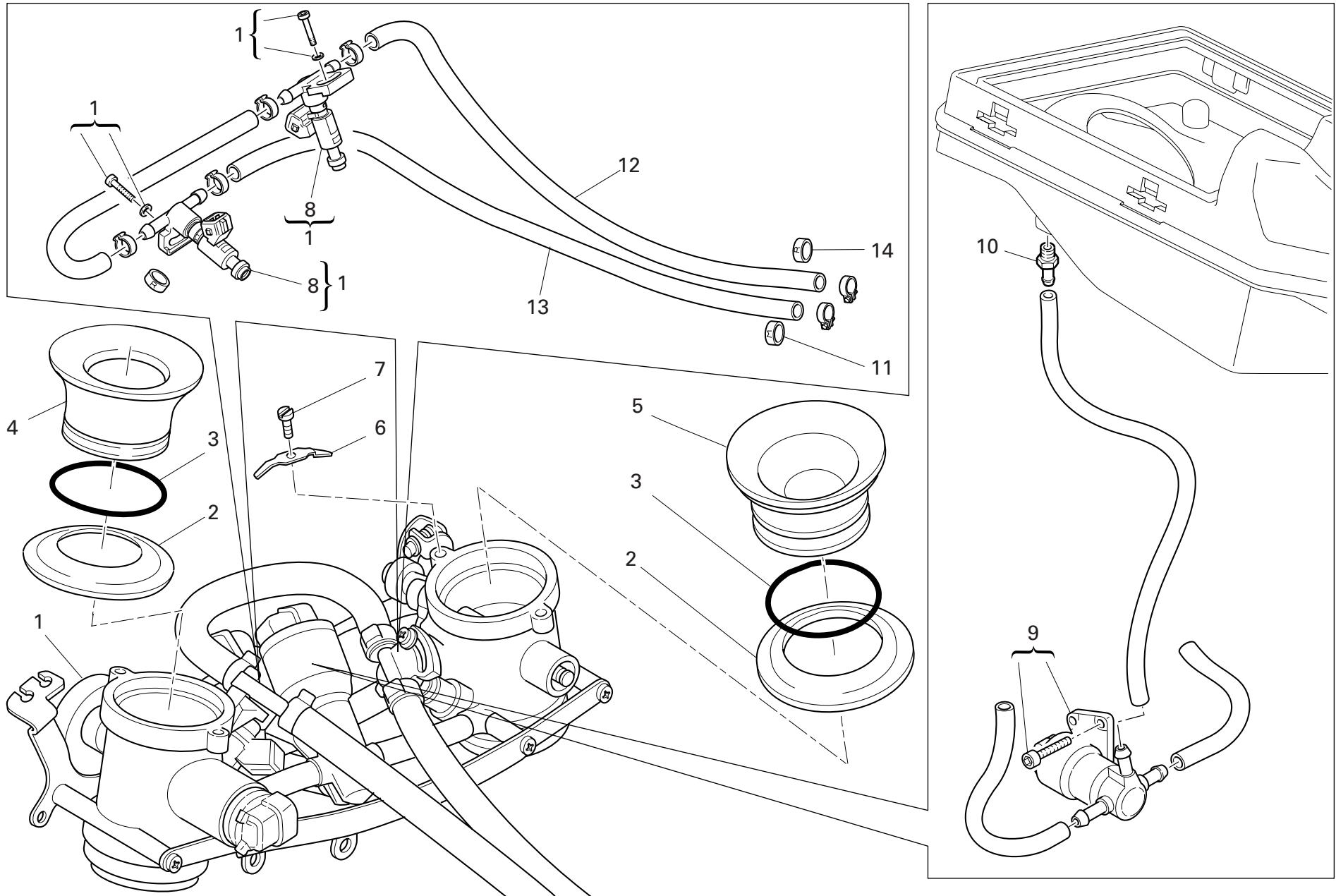
NOTES NO.	CODE NO.	DESCRIPTION	VALIDITY	Q.TY 
18	764.1.002.1A	Rubber pad		2
19	821.1.142.1B	Closing rocker shaft		2
20	799.1.221.1A	Return spring		1

CATALOGUE No: 915.1.231.1B
ISSUED: 09 - 06


CATALOGUE No: 915.1.231.1B
ISSUED: 09 - 06

DRAWING 016

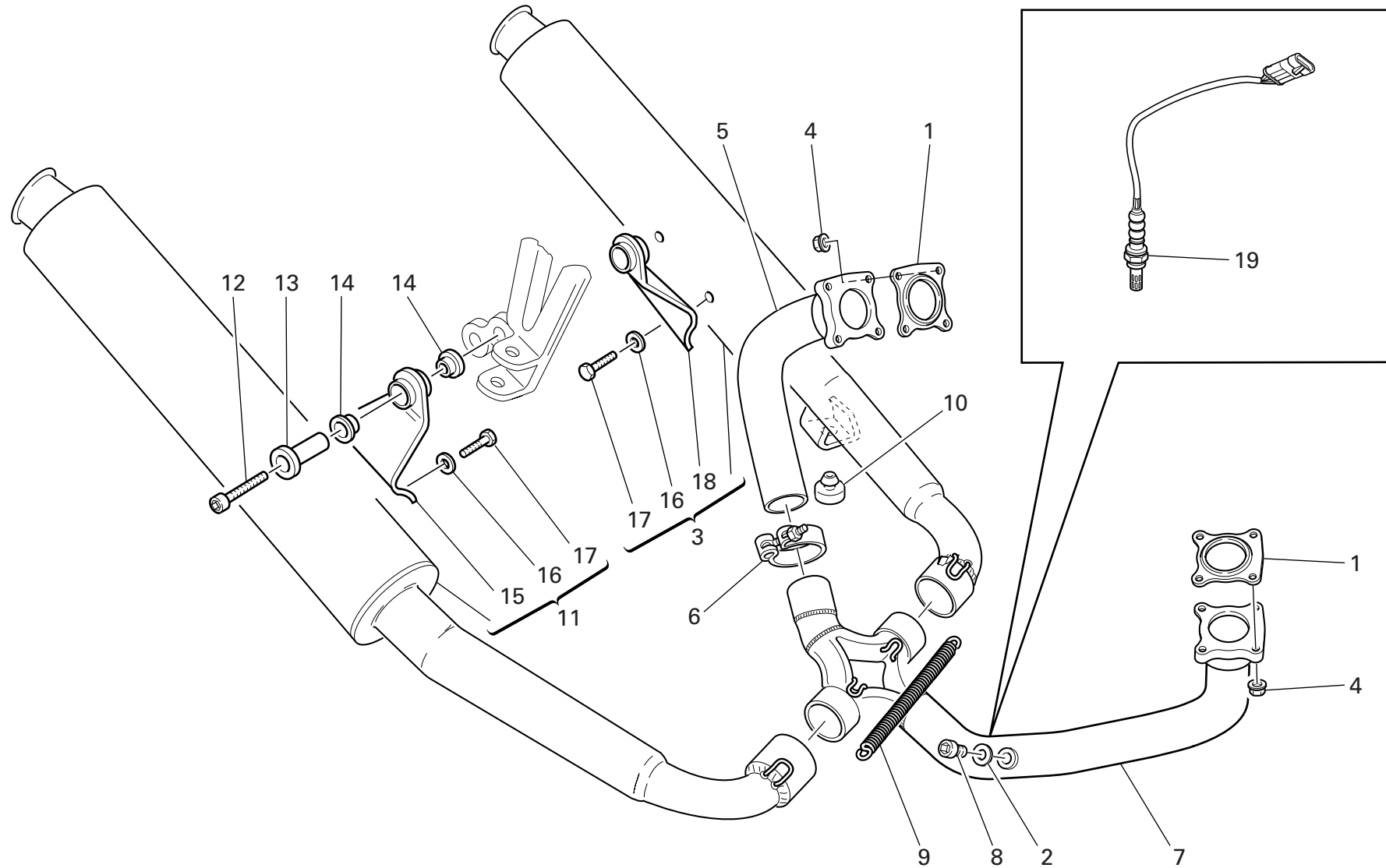
THROTTLE BODY




DRAWING 016 THROTTLE BODY

NOTES NO.	CODE NO.	DESCRIPTION	VALIDITY	Q.TY 
1	282.4.019.2B	Throttle body		1
2	791.1.017.2A	Gasket		2
3	886.5.004.1A	O-ring		2
4	802.1.009.1A	Air funnel		1
5	802.1.015.1A	Air funnel		1
6	799.1.052.2A	Spring		4
7	470412	Screw		4
8	280.4.015.1A	Injector		2
9	283.4.011.1A	Stepper motor		1
10	779.1.335.1A	Pressure pick-up point		1
11	741.4.040.1A	Clamp "M"		1
12	590.1.124.1A	Tube		1
13	590.1.103.1A	Tube		1
14	741.4.041.1A	Clamp "R"		1

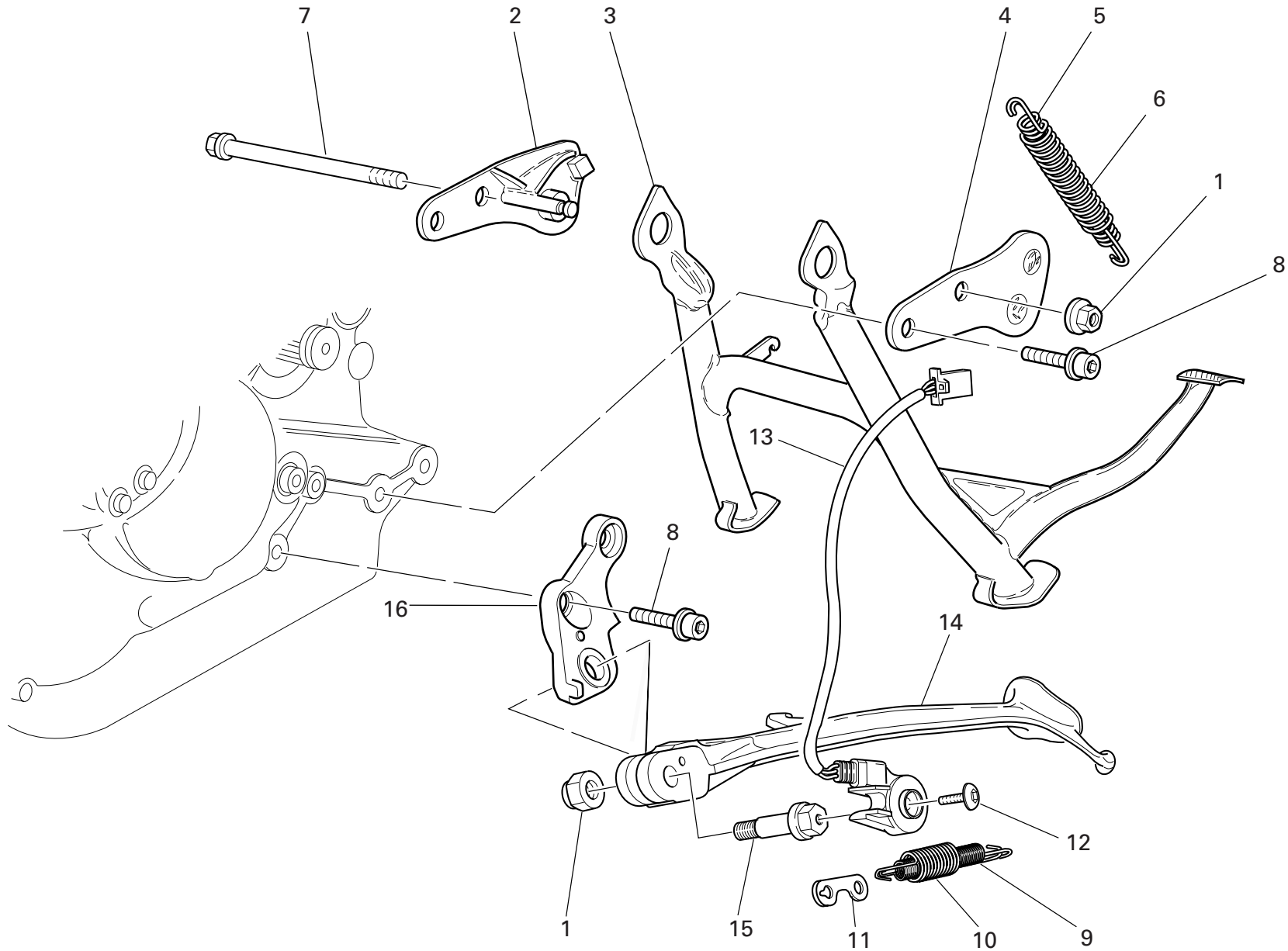
NOTES NO.	CODE NO.	DESCRIPTION	VALIDITY	Q.TY 
-----------	----------	-------------	----------	--



DRAWING 017 EXHAUST SYSTEM


NOTES NO.	CODE NO.	DESCRIPTION	VALIDITY	Q.TY 
1	790.1.007.1A	Exhaust gasket		2
2	852.5.024.1A	Gasket th.1		2
3	574.1.088.1A	L.H. silencer		1
4	748.1.024.1A	Nut		8
5	571.1.100.1A	Vertical head exhaust pipe		1
6	741.1.003.3A	Clamp		1
7	570.1.102.1B	Horizontal head exhaust pipe		1
8	780.1.007.1A	Cap		2
9	799.1.072.1A	Spring		1
10	866.1.061.1A	Rubber pad		1
11	573.1.088.1A	R.H. silencer		1
12	779.5.016.1B	Screw		2
13	684.1.044.1A	Stud bolt		2
14	764.1.001.1A	Rubber pad		4
15	576.1.034.1A	R.H. bracket		1
16	73270.8001	Washer		4
17	70914.2121	Screw		4
18	576.1.035.1A	L.H. bracket		1
19	552.1.111.1A	Lambda sensor		1

NOTES NO.	CODE NO.	DESCRIPTION	VALIDITY	Q.TY 
-----------	----------	-------------	----------	--



DRAWING 018

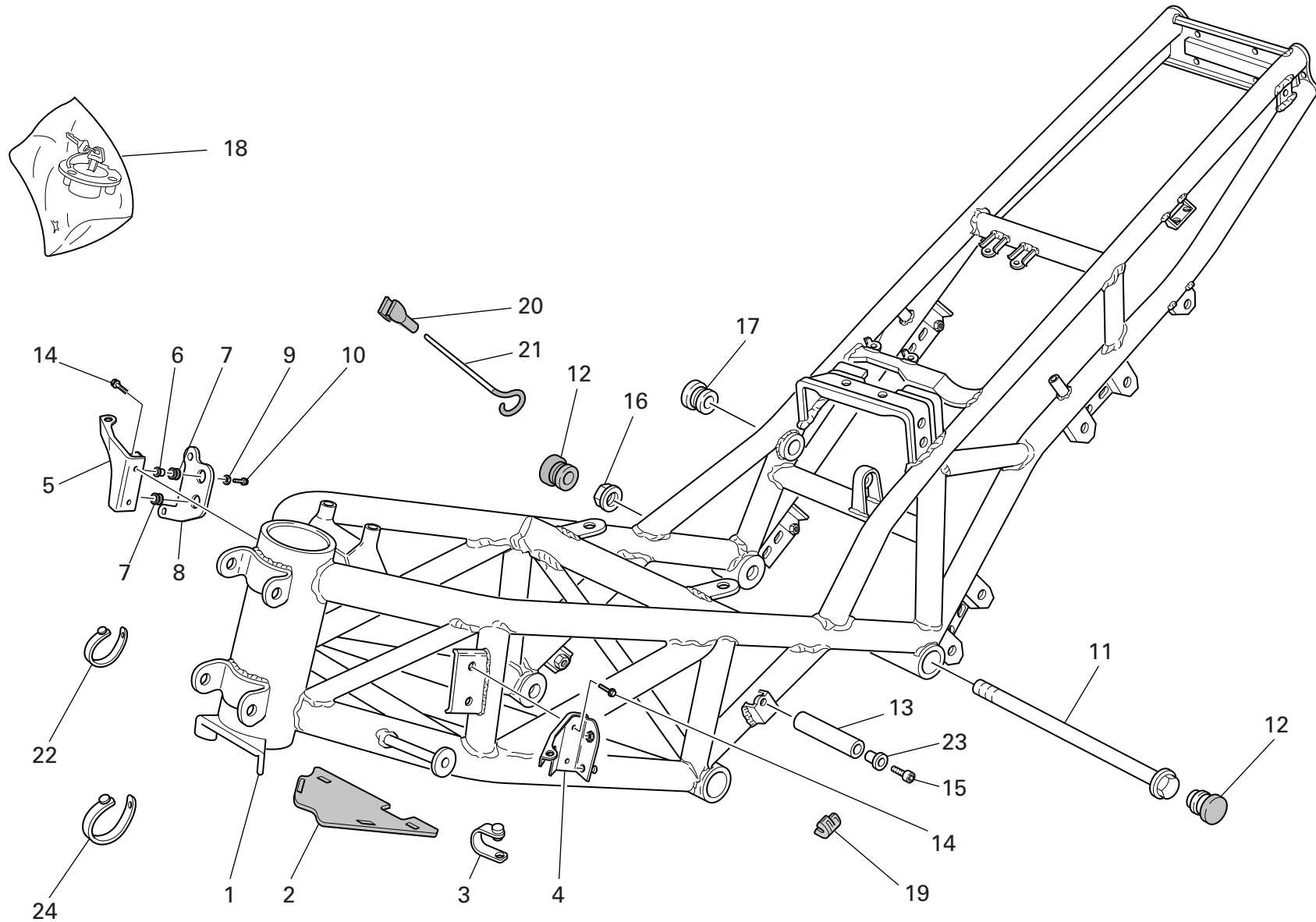
STANDS

NOTES NO.	CODE NO.	DESCRIPTION	VALIDITY	Q.TY 
1	748.4.024.1AB	Nut		2
2	555.1.007.1A	R. H. Plate		1
3	555.1.005.1A	Central stand		1
4	555.1.006.1B	L. H. Plate		1
5	799.1.069.1A	Inner spring		1
6	799.1.070.1A	Outer spring		1
7	772.1.001.1A	Screw		1
8	771.5.754.8B	Screw		2
9	799.1.089.1B	Inner spring		1
10	799.1.088.1B	Outer spring		1
11	827.1.139.2B	Plate		1
12	779.4.005.2A	Screw		1
13	539.1.023.2A	Switch		1
14	556.1.017.1C	Side stand		1
15	556.1.018.1D	Pivot		1
16	556.2.020.1D	Plate		1


NOTES NO.	CODE NO.	DESCRIPTION	VALIDITY	Q.TY 
-----------	----------	-------------	----------	--

DRAWING 019

FRAME



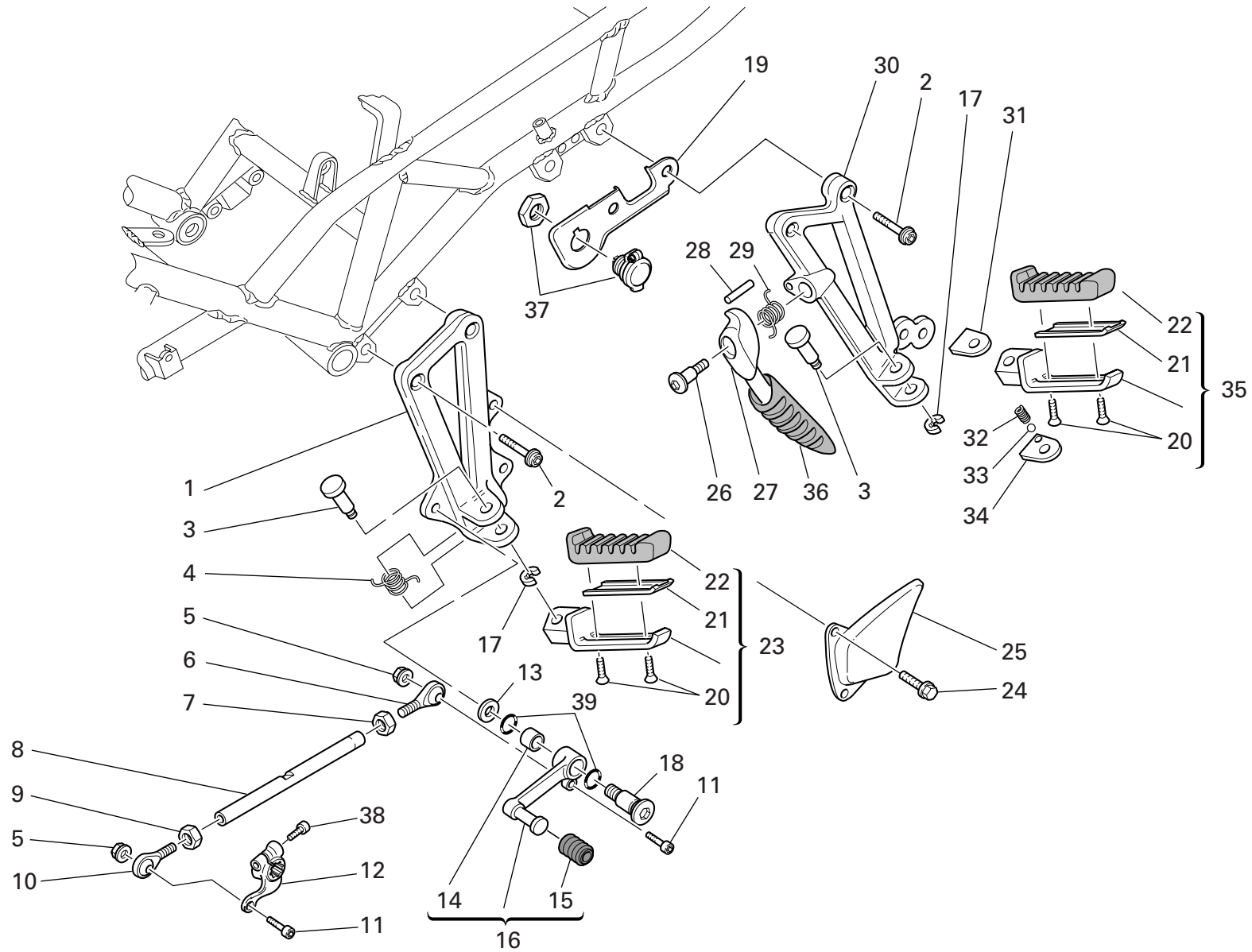
DRAWING 019 FRAME

NOTES NO.	CODE NO.	DESCRIPTION	VALIDITY	Q.TY 
	1 470.1.081.1AA	Frame (METALLIC DARK GREY)		1
J	1 470.1.081.1AB	Frame (BLACK)		1
	1 470.1.081.1AF	Frame (RED)		1
	2 460.1.088.1A	Mudflap		1
	3 741.1.013.1A	Hose guide		3
	4 829.1.170.1AB	L.H. holder		1
	5 829.1.169.1AB	R.H. holder		1
	6 713.1.332.1A	Spacer		2
	7 764.1.084.1A	Vibration damper pad		2
	8 829.1.487.1A	Holder		1
	9 852.1.191.1A	Washer		2
	10 772.5.029.1A	Screw		2
	11 779.1.213.1A	Screw		2
	12 872.1.026.1A	Cap		4
	13 827.1.121.1A	Stud bolt		2
	14 772.5.032.1A	Screw		2
	15 771.5.071.8B	Screw		2
	16 748.4.002.1A	Nut		2
	17 872.1.027.1A	Cap		1
	18 598.2.017.2A	Locks kit		1
	19 866.1.034.1A	Rubber pad		2
	20 764.1.010.1A	Rubber pad		1
	21 117.2.002.1B	Rod		1
	22 741.1.012.1A	Hose guide		1
	23 0364.99.020	Bush		2
	24 741.4.013.1B	Hose guide		2

NOTES NO.	CODE NO.	DESCRIPTION	VALIDITY	Q.TY 
-----------	----------	-------------	----------	--

DRAWING 020

L.H. FOOTRESTS




DRAWING 020

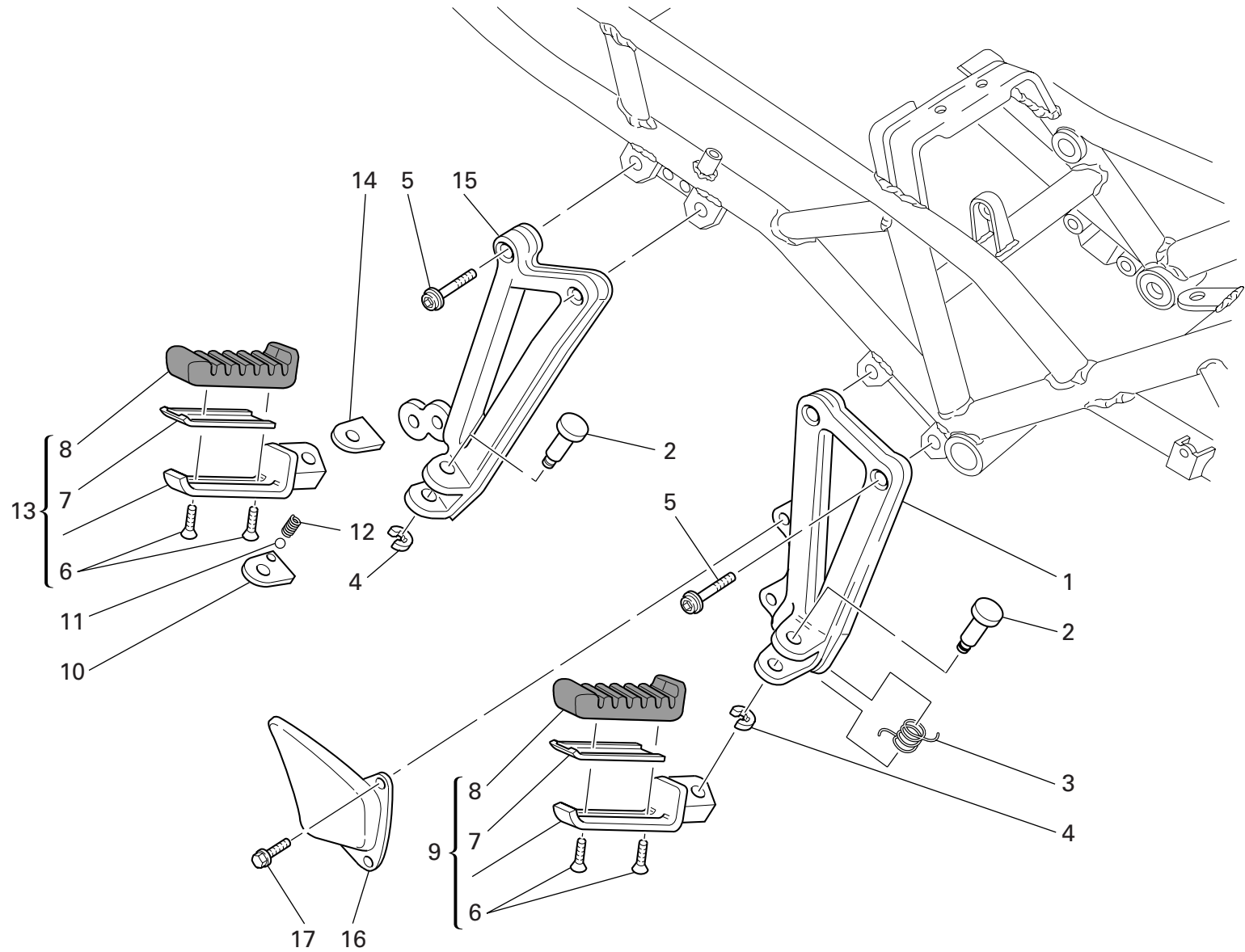
L.H. FOOTRESTS

NOTES NO.	CODE NO.	DESCRIPTION	VALIDITY	Q.TY 
1	824.1.039.1A	L.H. foot peg holder plate		1
2	771.1.035.1A	Screw		4
3	0370.69.920	Pin		2
4	0370.69.910	Spring		1
5	749.5.006.1A	Nut		2
6	848.5.001.1A	Ball joint		1
7	747.5.001.1AB	Nut		1
8	117.1.033.1A	Gearbox transmission rod		1
9	747.5.010.1A	Nut		1
10	848.5.002.1A	Ball joint		1
11	779.5.011.1B	Screw		2
12	456.1.006.2A	Gearchange control lever		1
13	852.1.053.1A	Washer		1
14	8000.59056	Bush		1
15	765.1.001.1A	Rubber pad		1
16	456.2.009.1A	Gearchange lever		1
17	73500.0827	Circlip		2
18	821.1.170.1A	Pin		1
19	827.1.192.1B	Plate		1
20	777.5.002.1A	Screw		2
21	0370.69.930	Plate		1
22	0370.69.940	Foot peg rubber cover		2
23	0370.69.950	Front L.H. foot peg, complete		1
24	772.1.047.1A	Screw		2
25	460.1.062.1A	Protection		1
26	779.1.159.1B	Screw		1
27	806.1.012.1A	Handle		1


CATALOGUE No: 915.1.231.1B
ISSUED: 09 - 06

NOTES NO.	CODE NO.	DESCRIPTION	VALIDITY	Q.TY 
28	861.5.003.1A	Spring pin		1
29	799.1.071.1A	Spring		1
30	824.1.041.1C	Rear L.H. foot peg holder plate		1
31	0370.69.970	Plate		1
32	799.1.024.1A	Spring		1
33	847.4.002.1A	Ball		1
34	827.1.045.1A	Keep plate		1
35	0370.69.860	Rear L.H. foot peg, complete		1
36	806.1.013.1A	Handgrip		1
37	386.4.013.2A	Power Point		1
38	779.5.001.1A	Screw		1
39	0000.01199	O-ring		2

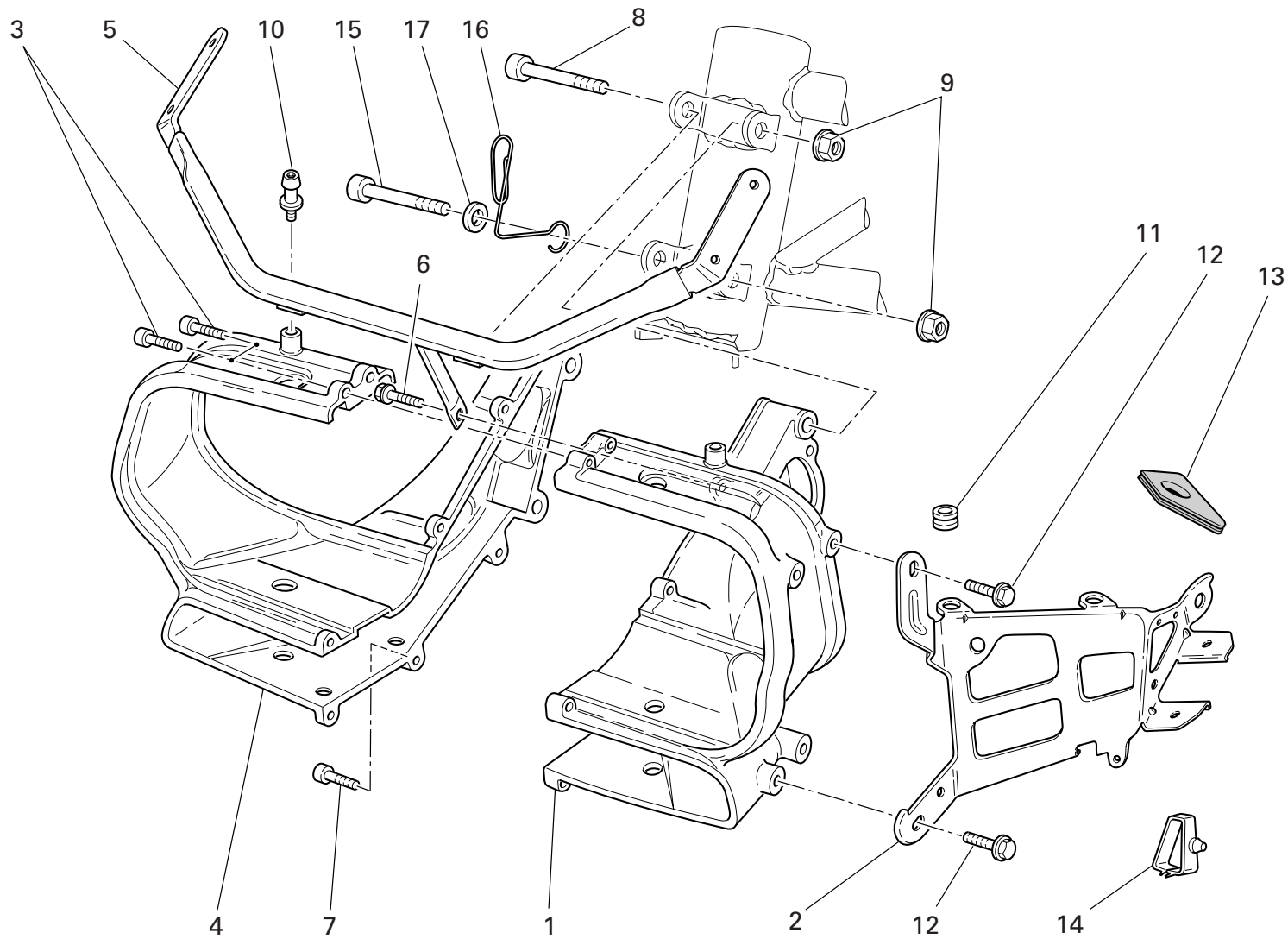
CATALOGUE No: 915.1.231.1B
ISSUED: 09 - 06



DRAWING 021 R.H. FOOTRESTS


NOTES NO.	CODE NO.	DESCRIPTION	VALIDITY	Q.TY 
1	824.1.040.1B	R.H. foot peg holder plate		1
2	0370.69.920	Pin		2
3	0370.69.910	Spring		1
4	73500.0827	Circlip		2
5	771.1.035.1A	Screw		4
6	777.5.002.1A	Screw		4
7	0370.69.930	Plate		2
8	0370.69.940	Foot peg rubber cover		2
9	0370.69.855	Front R.H. foot peg, complete		1
10	827.1.045.1A	Keep plate		1
11	847.4.002.1A	Ball		2
12	799.1.024.1A	Spring		1
13	0370.69.865	Rear R.H. foot peg, complete		1
14	827.1.391.1A	Plate		1
15	824.1.042.1C	Rear R.H. foot peg holder plate		1
16	460.1.063.1A	Protection		1
17	772.1.047.1A	Screw		2

NOTES NO.	CODE NO.	DESCRIPTION	VALIDITY	Q.TY 
-----------	----------	-------------	----------	--



DRAWING 022

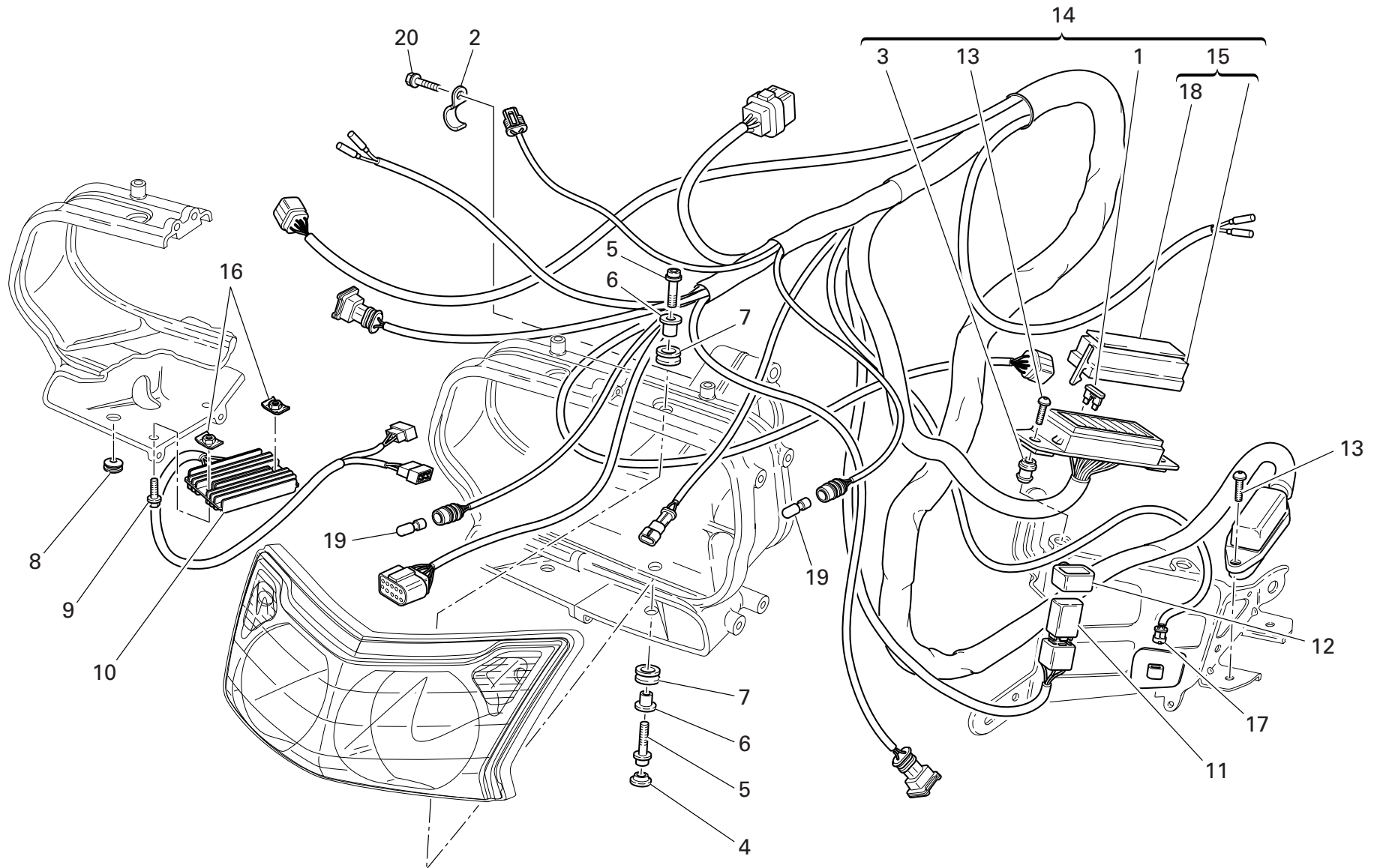
HEADLIGHT SUPPORT

NOTES NO.	CODE NO.	DESCRIPTION	VALIDITY	Q.TY 
1	829.1.168.1AB	L.H. holder		1
2	829.1.544.1A	Holder		1
3	771.5.043.8B	Screw		7
4	829.1.167.2AB	R.H. holder		1
5	829.1.556.1A	Holder		1
6	772.1.055.1A	Screw		1
7	771.5.045.8B	Screw		1
8	771.5.141.8B	Screw		1
9	749.4.032.1A	Nut		2
10	821.1.075.1A	Pin		2
11	764.1.084.1A	Vibration damper pad		2
12	772.5.029.1A	Screw		3
13	829.1.204.1A	Holder		1
14	0000.60283	Hose guide		1
15	771.5.041.8B	Screw		1
16	881.1.031.2A	Hose guide		1
17	852.5.028.1A	Washer		1

NOTES NO.	CODE NO.	DESCRIPTION	VALIDITY	Q.TY 
-----------	----------	-------------	----------	--

DRAWING 023

HEADLIGHT AND ELECTRICAL WIRING



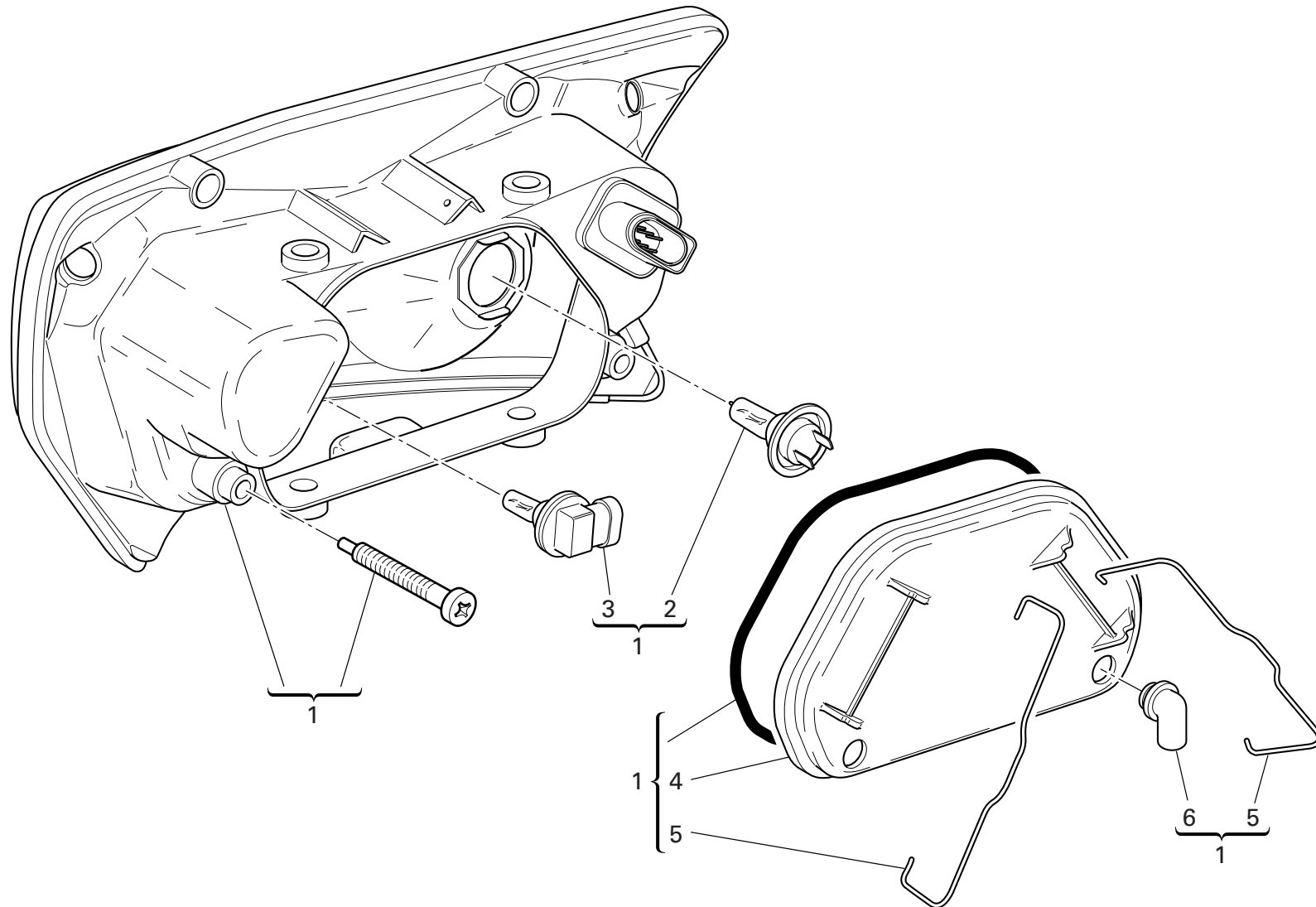
DRAWING 023

HEADLIGHT AND ELECTRICAL WIRING


NOTES NO.	CODE NO.	DESCRIPTION	VALIDITY	Q.TY 
1	389.4.006.1A	Fuse 3A		1
1	389.4.007.1A	Fuse 7.5A		3
1	389.4.008.1A	Fuse 15A		1
1	389.4.012.1A	Fuse 20A		1
1	389.4.015.1A	Fuse 5A		2
2	741.4.062.1A	Clip		2
3	821.1.054.1A	Pin		2
4	764.4.003.1A	Fairlead		2
5	772.5.031.1B	Screw		4
6	716.1.022.1B	Spacer		4
7	764.1.090.1A	Rubber pad		4
8	764.1.084.1A	Vibration damper pad		4
9	772.5.038.1A	Screw		2
10	540.4.011.1C	Regulator		1
11	541.4.007.1A	Relay		1
12	829.1.190.1A	Rubber holder		2
13	775.1.031.1B	Screw		3
14	510.1.463.1A	Front wiring		1
15	246.1.009.1G	Cover		1
16	827.1.166.1A	Plate		2
17	552.4.012.1A	Air temperature sensor		1
18	433.1.296.1B	Sticker "schema fusibili"		1
19	390.4.008.1A	Warning lamp bulb 12V-3W		2
20	772.1.055.1A	Screw		1

NOTES NO.	CODE NO.	DESCRIPTION	VALIDITY	Q.TY 
-----------	----------	-------------	----------	--

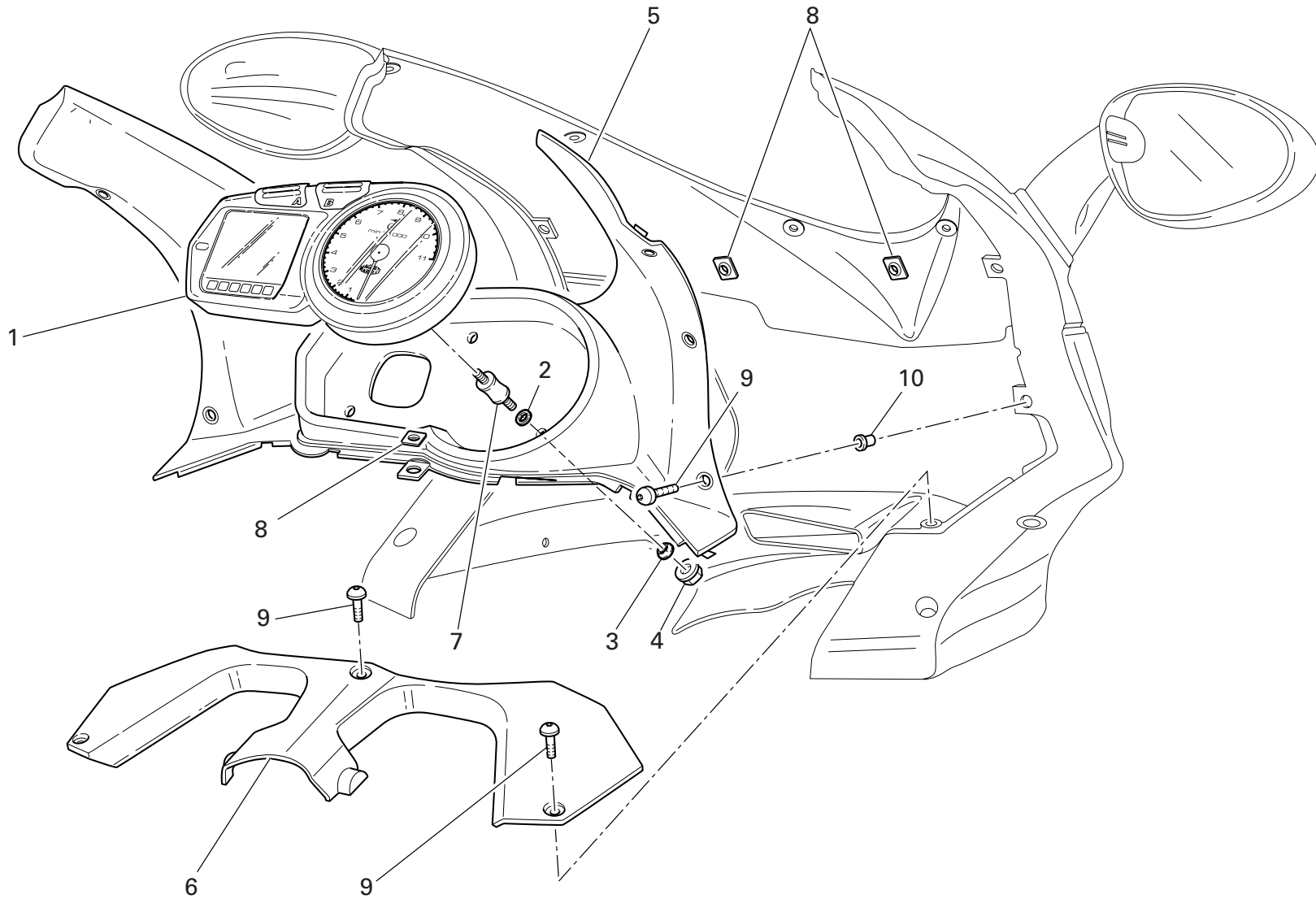
DRAWING 023a HEADLIGHT



DRAWING 023a HEADLIGHT


NOTES NO.	CODE NO.	DESCRIPTION	VALIDITY	Q.TY 
1	520.1.007.1C	Complete headlight		1
2	390.4.011.1A	Bulb		1
3	390.4.014.1A	Bulb		1
4	246.2.083.1A	Cover		1
5	799.1.215.1A	Spring		2
6	672.1.040.1A	Rubber pad		4

NOTES NO.	CODE NO.	DESCRIPTION	VALIDITY	Q.TY 
-----------	----------	-------------	----------	--

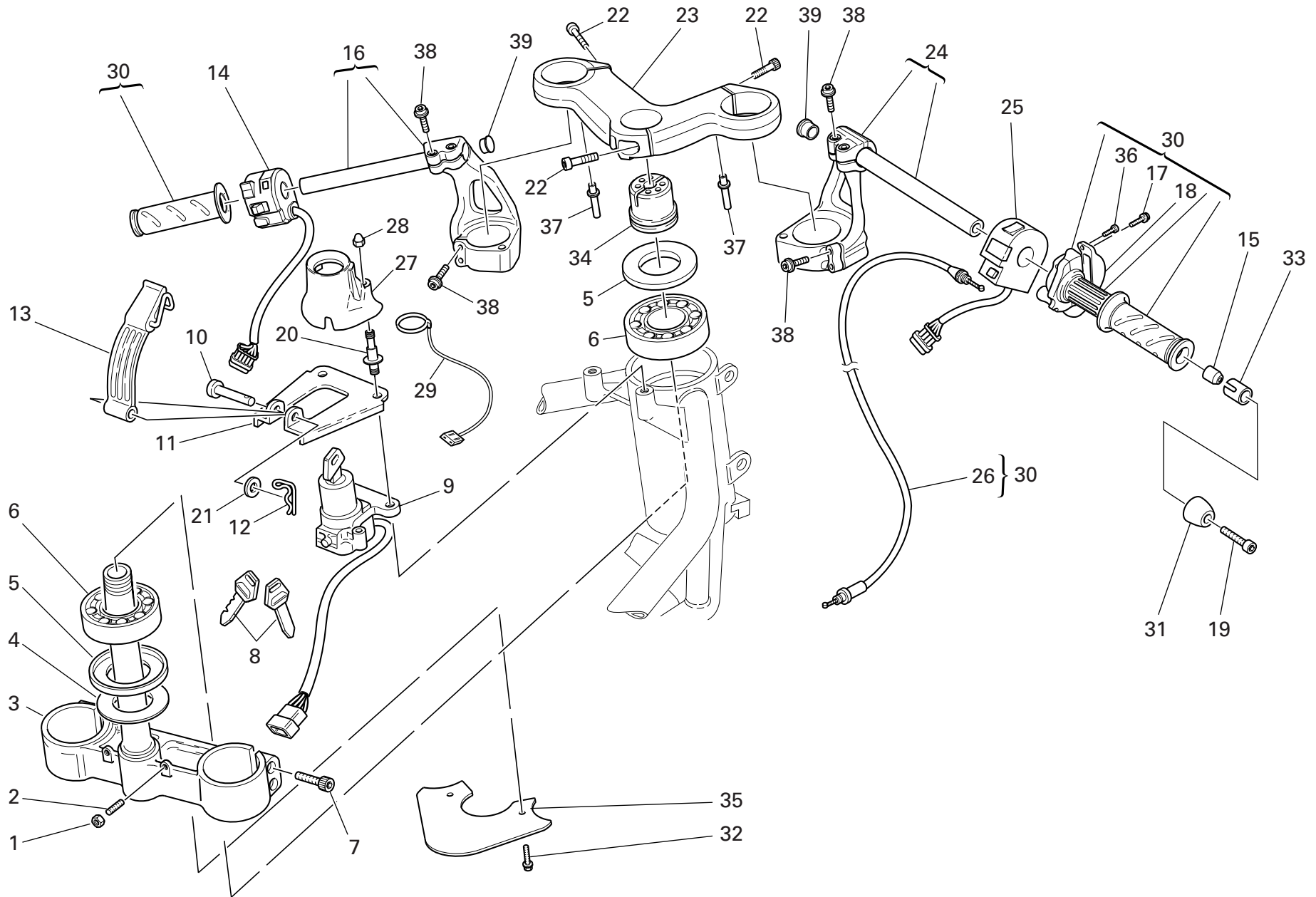


DRAWING 024

INSTRUMENT PANEL

NOTES NO.	CODE NO.	DESCRIPTION	VALIDITY	Q.TY 
1	406.1.053.1A	Complete instrument panel		1
2	734005N01	Spring washer		3
3	716.1.107.1B	Spacer		3
4	748.4.038.1A	Nut		3
5	460.1.174.1B	Front headlight fairing panel		1
6	460.1.175.1A	Rear headlight fairing panel		1
7	700.1.043.1A	Spacer		3
8	850.4.047.1A	Quik fastening		3
9	779.1.050.1A	Screw		9
10	850.4.082.1A	Insert		4

NOTES NO.	CODE NO.	DESCRIPTION	VALIDITY	Q.TY 
-----------	----------	-------------	----------	--




DRAWING 025

HANDLEBARS AND CONTROLS

NOTES NO.	CODE NO.	DESCRIPTION	VALIDITY	Q.TY 
1	747.5.007.1A	Nut		2
2	779.1.099.1B	Special screw		2
3	342.2.015.2B	Steering head base		1
4	852.1.103.1A	Washer		1
5	930.1.004.1A	Seal ring		2
6	702.4.004.1A	Bearing		2
7	771.5.727.8B	Screw		4
8	598.4.016.1A	Wrench with Transponder		1
8	598.4.018.1A	Wrench without Transponder		1
9	652.4.006.1D	Key-operated switch		1
10	821.1.073.1A	Pin		1
11	827.1.122.2A	Plate		1
12	685.1.006.1A	Split pin		1
13	8000.70178	Belt		1
14	651.4.012.1B	L.H. switch		1
15	711.1.072.1A	Bush		2
16	360.2.057.1C	L.H. handlebar		1
17	772.5.023.1A	Screw		2
18	658.4.002.1B	Cover		1
19	771.5.074.8B	Screw		2
20	779.1.221.1B	Special screw		2
21	852.5.030.1A	Washer		1
22	771.5.725.8B	Screw		3
23	341.2.042.1A	Steering head		1
24	360.2.056.1B	R.H. handlebar		1
25	650.1.002.1A	R.H. switch		1
26	656.1.050.1B	Throttle control transmission		1

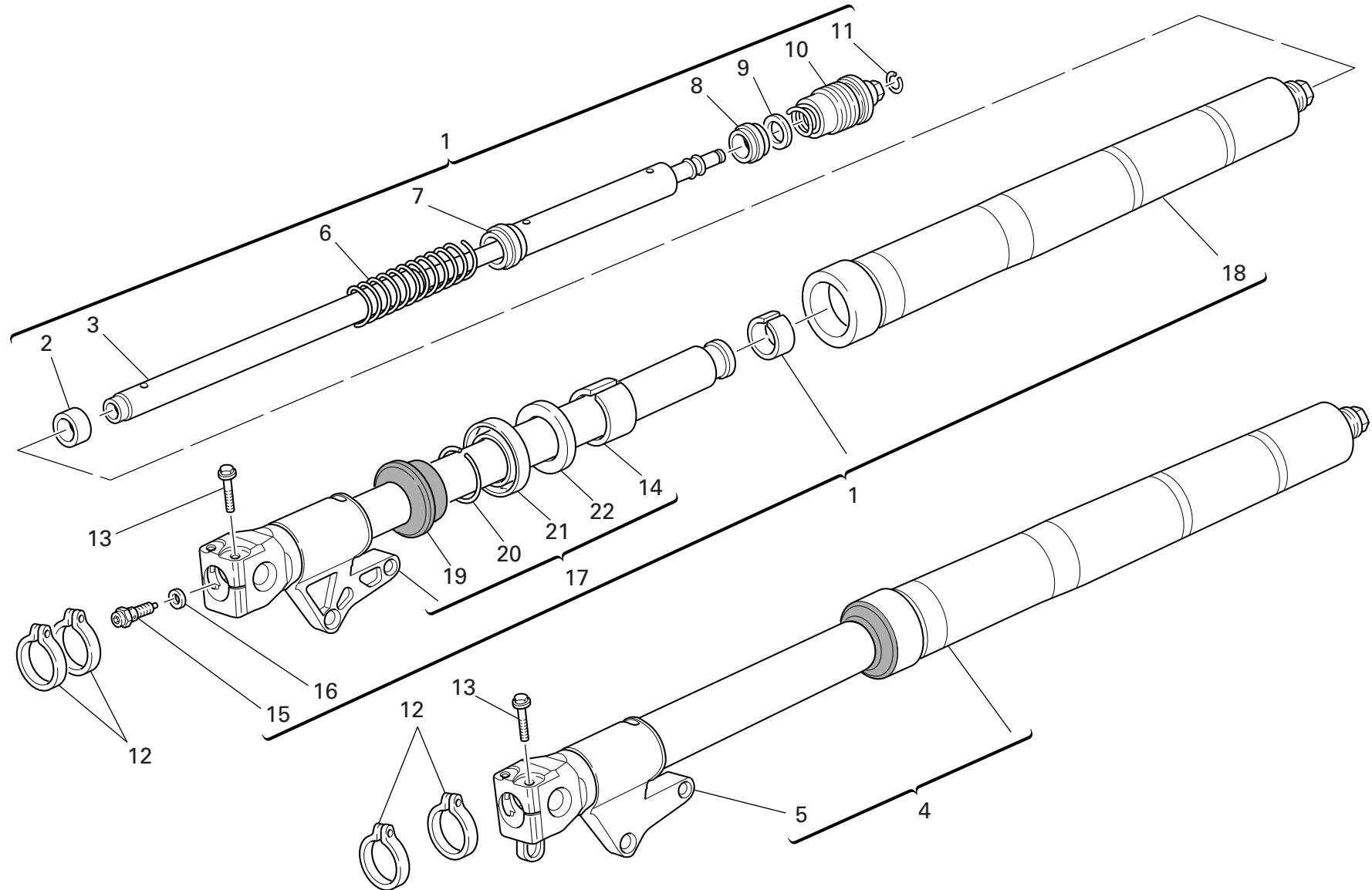
CATALOGUE No: 915.1.231.1B
ISSUED: 09 - 06

NOTES NO.	CODE NO.	DESCRIPTION	VALIDITY	Q.TY 
27	246.1.060.2A	Cover		1
28	749.4.002.1A	Nut		2
29	518.4.004.2B	Antenna		1
30	654.4.006.1A	Throttle control		1
31	153.1.008.1A	Counterweight		2
32	772.1.047.1B	Screw		2
33	710.1.068.1A	Bush		2
34	703.1.013.1A	Ring nut		1
35	460.1.076.2A	Mudflap		1
36	8000.66774	Screw		2
37	832.1.032.1A	Pin		2
38	771.5.669.8B	Screw		8
39	872.1.048.1A	Cap		2


CATALOGUE No: 915.1.231.1B
ISSUED: 09 - 06

DRAWING 026

FRONT FORKS



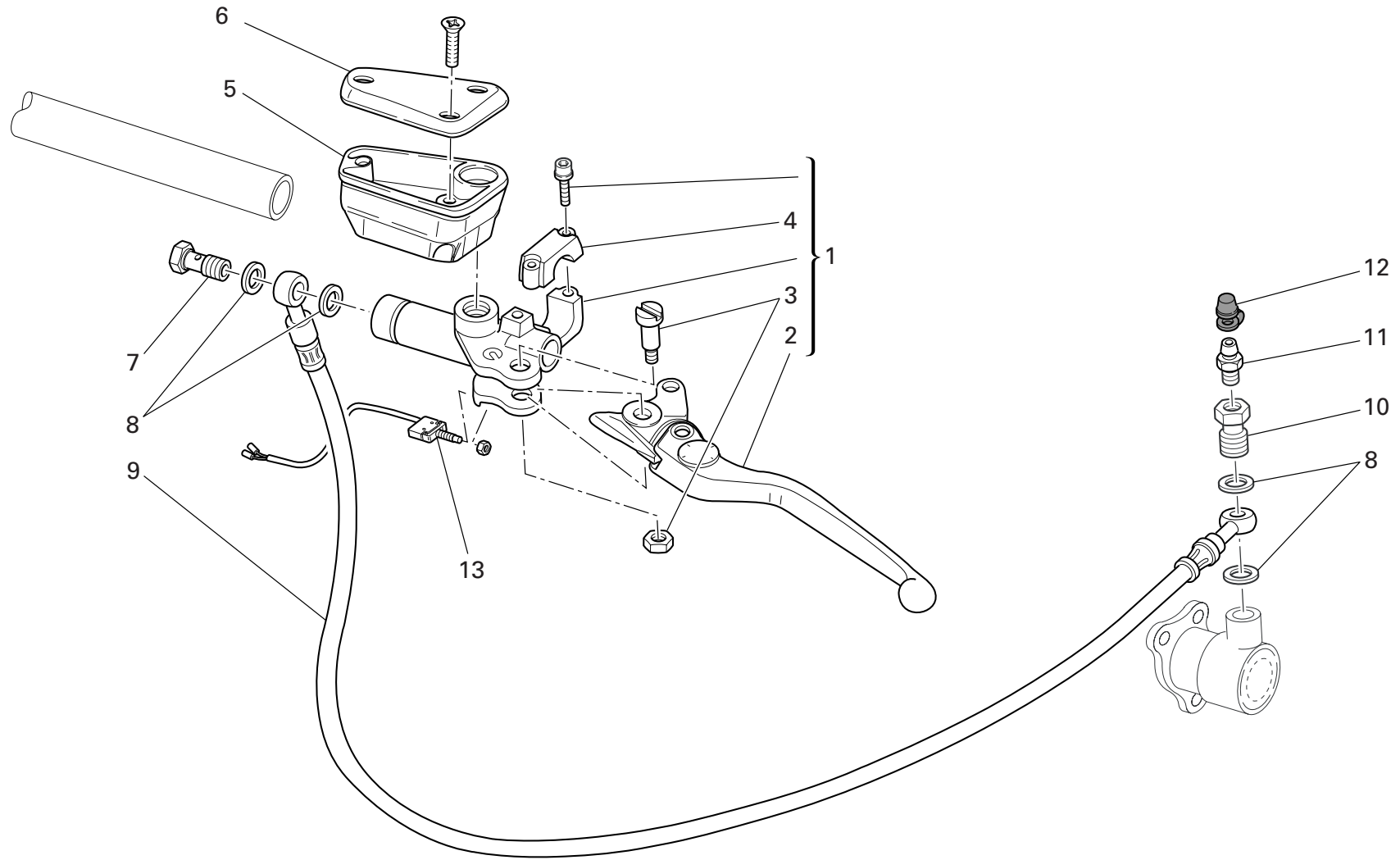
DRAWING 026 FRONT FORKS

NOTES NO.	CODE NO.	DESCRIPTION	VALIDITY	Q.TY 
1	340.2.281.1A	R.H. fork leg assembly		1
2	349.1.095.1A	Centering ring		2
3	349.1.195.1A	Damper tube		2
4	340.2.285.1A	L.H. fork leg assembly		1
5	349.1.193.1A	Complete L.H. slider		1
6	366.1.039.1A	Spring		2
7	349.1.097.1A	Spring coupling		2
8	349.1.064.1A	Damper tube		2
9	349.1.065.1A	Rubber cush drive hub		2
10	349.2.014.1A	Complete cap		2
11	349.1.098.1A	Snap ring		2
12	8000.70127	Hose guide		4
13	772.5.026.1B	Screw		4
14	349.1.103.1A	Bush		2
15	349.2.029.1B	Adjusting screw		2
16	349.1.096.1A	Special washer		2
17	349.1.192.1A	Complete R.H. slider		1
18	349.1.194.1A	Stanchion tube		2
19	349.1.101.1A	Dust seal		2
20	884.1.005.1A	Ring		2
21	930.1.005.1A	Seal ring		2
22	349.1.102.1A	Check ring		2

NOTES NO.	CODE NO.	DESCRIPTION	VALIDITY	Q.TY 
-----------	----------	-------------	----------	--


DRAWING 027

CLUTCH CONTROL



DRAWING 027

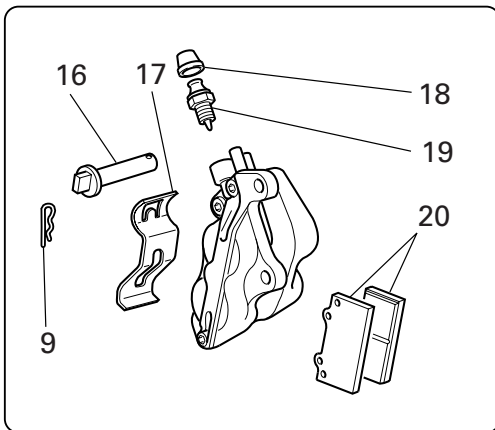
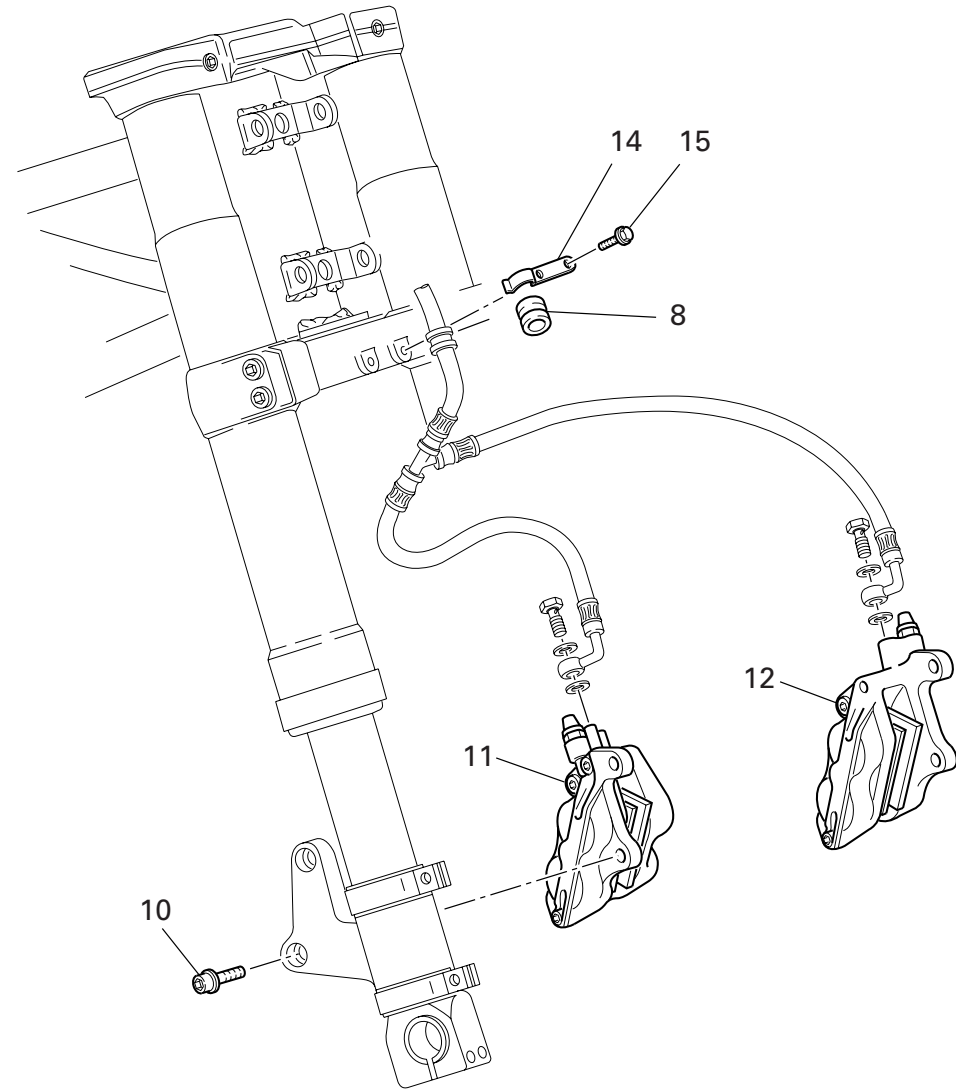
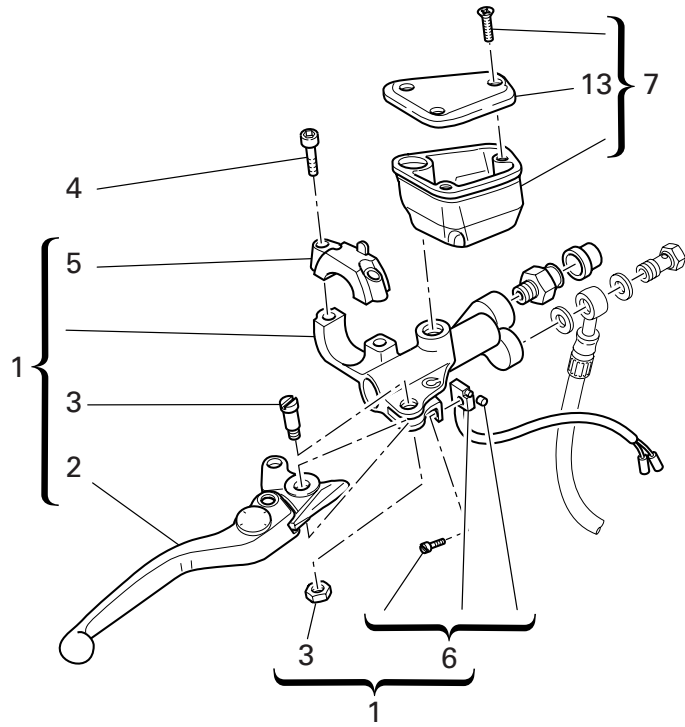
CLUTCH CONTROL

NOTES NO.	CODE NO.	DESCRIPTION	VALIDITY	Q.TY 
1	630.4.024.1A	Clutch drive pump		1
2	626.4.034.1A	Clutch control lever		1
3	626.4.011.1A	Spare lever pin		1
4	626.4.015.1C	Bracket		1
5	585.4.007.1A	Complete oil tank		1
6	893.4.008.1A	Cap		1
7	779.1.366.1AB	Special screw		1
8	852.5.024.1A	Gasket th.1		4
9	632.1.030.1A	Clutch control pipe		1
10	779.1.397.1A	Special screw		1
11	0000.33552	Bleed		1
12	612.4.005.1A	Dust seal		1
13	539.4.033.1A	Microswitch		1

NOTES NO.	CODE NO.	DESCRIPTION	VALIDITY	Q.TY 
-----------	----------	-------------	----------	--


DRAWING 028

FRONT HYDRAULIC BRAKE

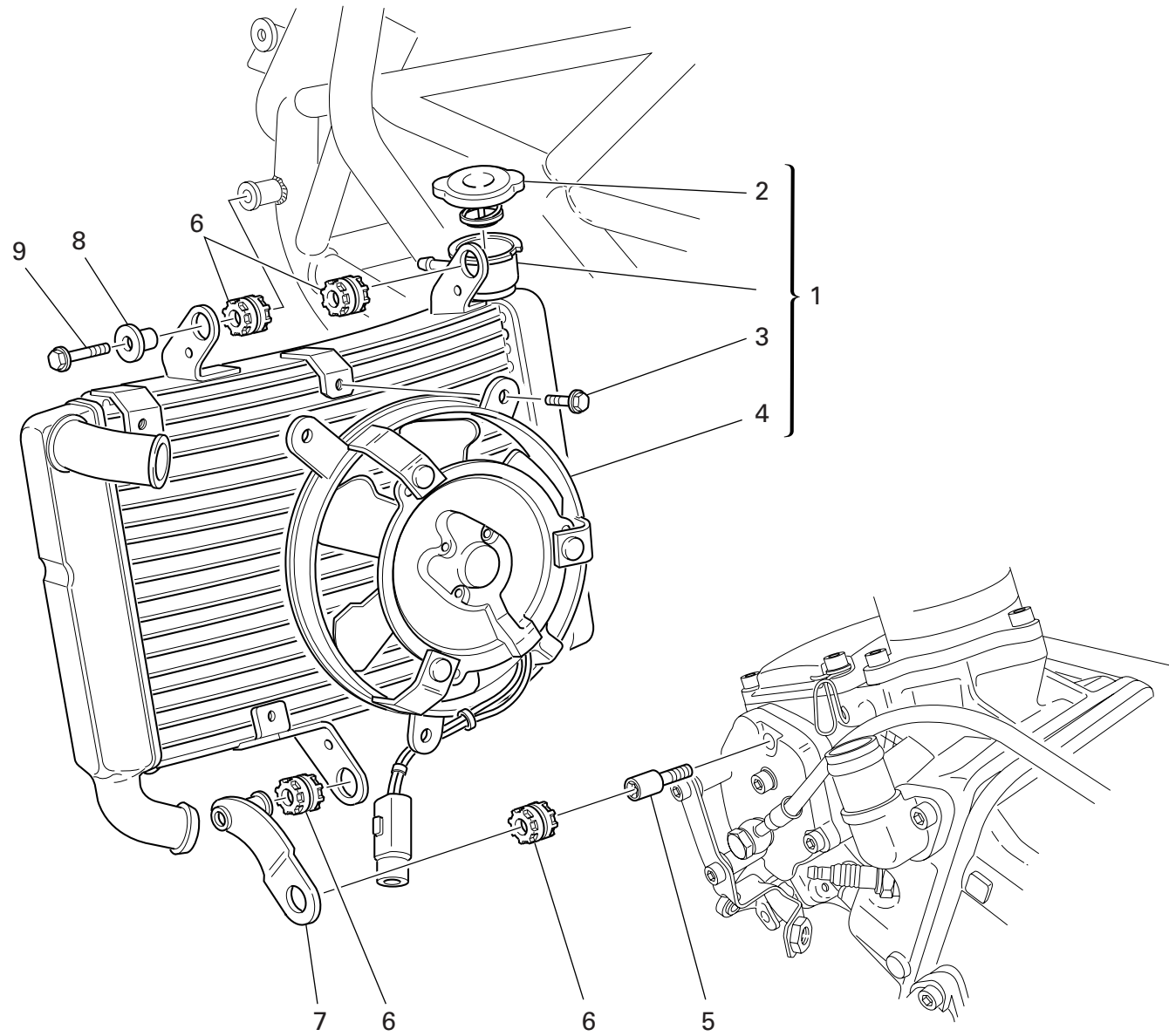


DRAWING 028

FRONT HYDRAULIC BRAKE


NOTES NO.	CODE NO.	DESCRIPTION	VALIDITY	Q.TY 
1	624.4.031.1A	Front brake pump		1
2	626.4.019.1A	Brake control lever		1
3	626.4.011.1A	Spare lever pin		1
4	771.5.669.8B	Screw		2
5	626.4.015.1D	Bracket		1
6	539.4.021.1A	Microswitch		1
7	585.4.006.1A	Complete oil tank		1
8	0370.72.020	Vibration damper pad		1
9	612.4.018.1A	Spring		2
10	771.5.431.8B	Screw		4
11	610.4.012.2C	R.H. brake caliper		1
12	610.4.011.2C	L.H. brake caliper		1
13	893.4.007.1A	Tank cap		1
14	829.1.208.2A	Holder		1
15	772.5.025.1A	Screw		2
16	612.4.014.1A	Spare pins and spring		2
17	612.4.017.1A	Spring		2
18	612.4.008.1A	Dust seal		2
19	631.4.004.1A	Spare bleed union		2
20	613.4.021.1B	Pads pair		2

NOTES NO.	CODE NO.	DESCRIPTION	VALIDITY	Q.TY 
-----------	----------	-------------	----------	--



DRAWING 029

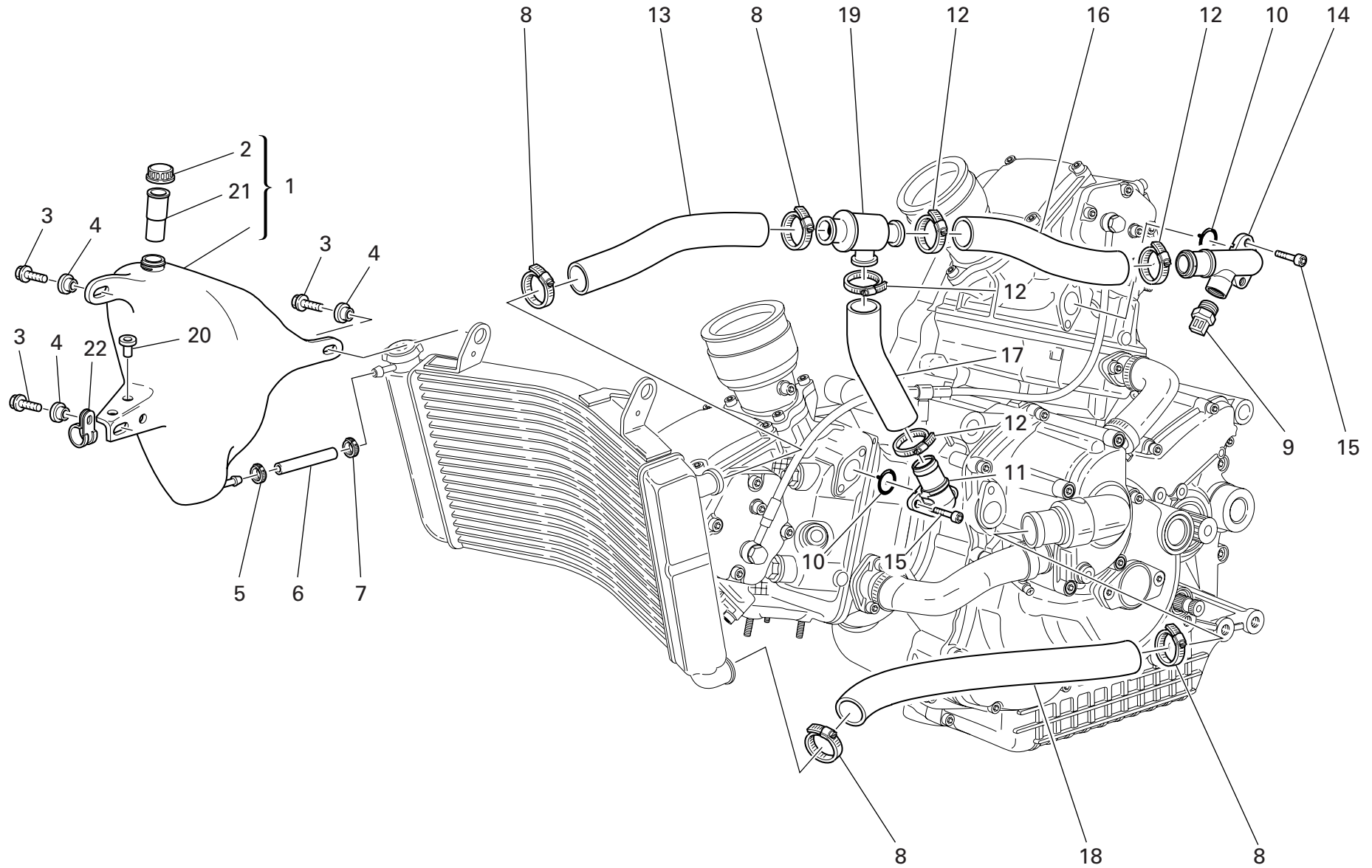
RADIATOR

NOTES NO.	CODE NO.	DESCRIPTION	VALIDITY	Q.TY 
1	548.4.019.2A	Water radiator		1
2	893.1.003.1A	Radiator cap		1
3	772.5.025.1A	Screw		3
4	550.4.008.1A	Electric fan		1
5	779.1.368.2A	Special screw		1
6	764.1.022.1A	Vibration damper pad		4
7	830.1.299.1A	Holder		1
8	713.1.304.1A	Spacer		1
9	772.5.033.1A	Screw		1


NOTES NO.	CODE NO.	DESCRIPTION	VALIDITY	Q.TY 
-----------	----------	-------------	----------	--

DRAWING 030

COOLING SYSTEM



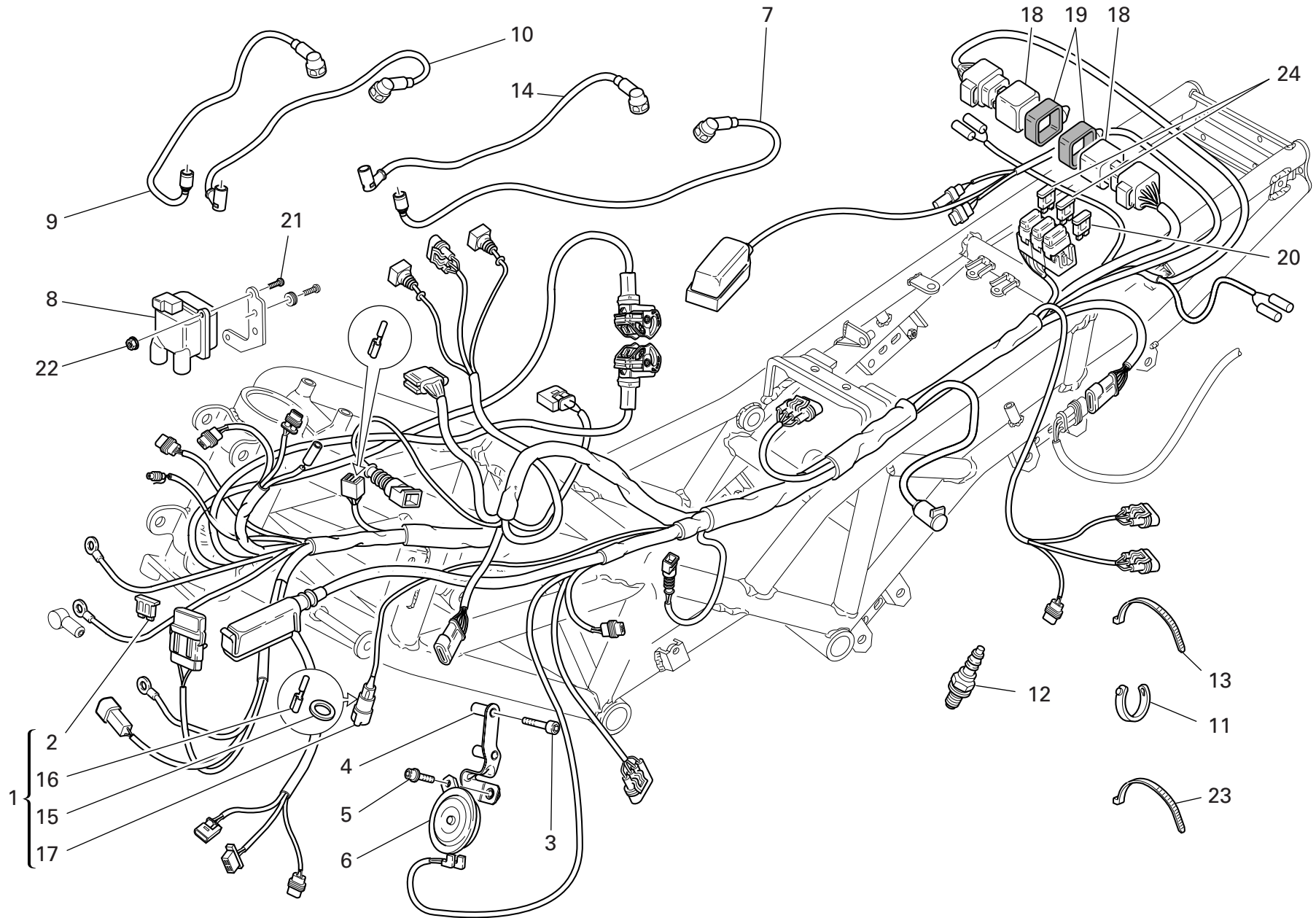
DRAWING 030 COOLING SYSTEM

NOTES NO.	CODE NO.	DESCRIPTION	VALIDITY	Q.TY 
1	585.1.020.1A	Water tank		1
2	0000.40427	Tank cap		1
3	772.5.031.1B	Screw		4
4	716.1.038.1B	Spacer		4
5	8A00.67610	Hose guide		1
6	800.1.049.1A	Hose		1
7	741.4.001.1A	Hose guide		1
8	741.4.025.1A	Clamp		4
9	552.4.013.1A	Sensor		2
10	788.1.072.1A	O-ring		2
11	814.1.157.1A	Water outlet union		1
12	741.4.002.1A	Hose guide		4
13	800.1.129.1A	Cooler/thermostat hose		1
14	814.1.123.1A	Water outlet union		1
15	771.5.067.8B	Screw		4
16	800.1.126.1A	Thermostat/pump hose		1
17	800.1.127.1A	Thermostat/pump hose		1
18	800.1.128.1A	Pump/cooler hose		1
19	553.4.004.1A	Thermostat		1
20	850.4.082.1A	Insert		2
21	711.1.084.1A	Bush		1
22	741.4.055.1A	Hose guide		1

NOTES NO.	CODE NO.	DESCRIPTION	VALIDITY	Q.TY 
-----------	----------	-------------	----------	--


DRAWING 031

ELECTRICAL SYSTEM



DRAWING 031

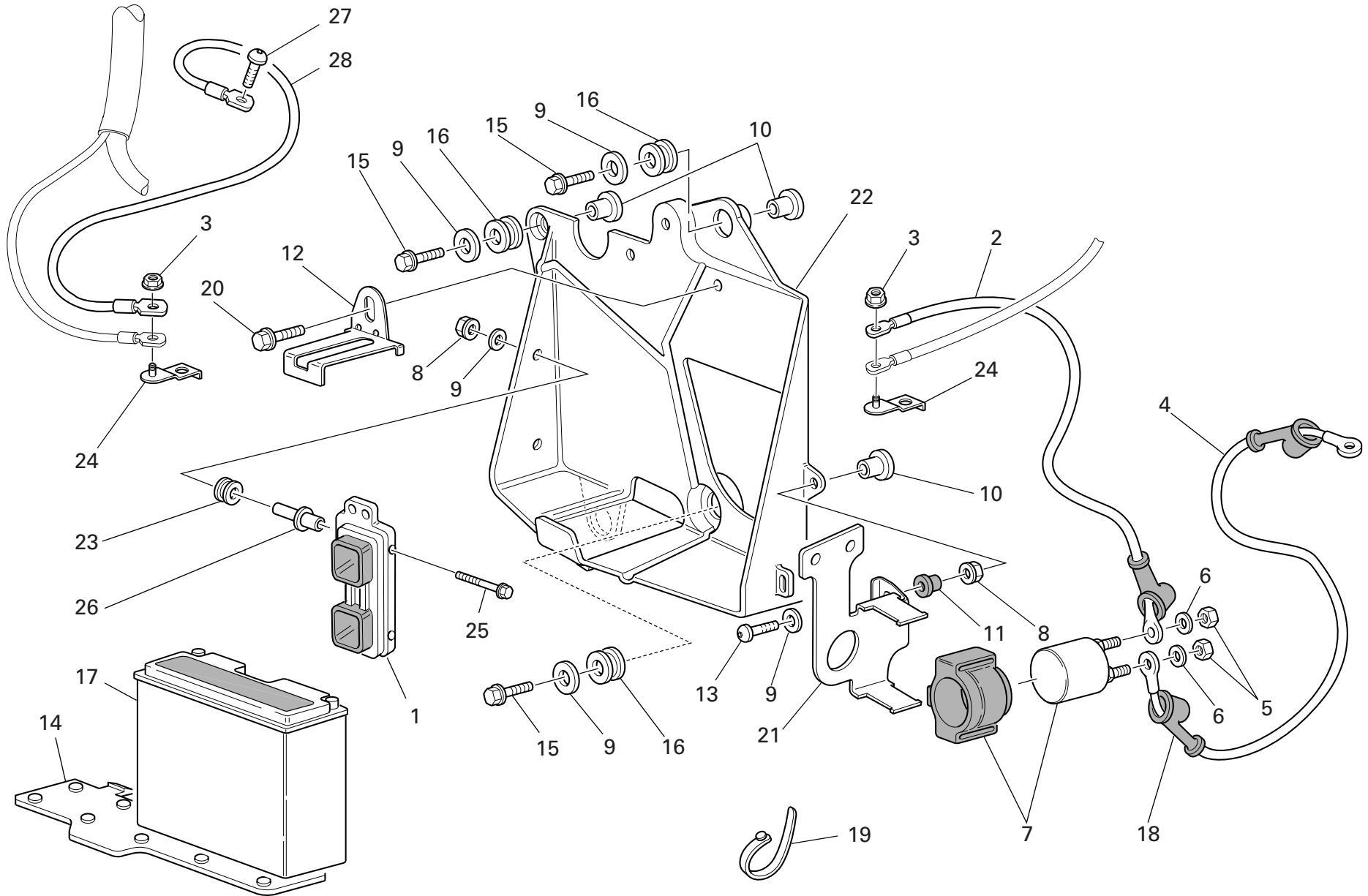
ELECTRICAL SYSTEM

NOTES NO.	CODE NO.	DESCRIPTION	VALIDITY	Q.TY 
1	510.1.481.1A	Electric wiring		1
2	389.4.014.1A	Fuse 40A		1
3	771.1.034.2A	Screw		2
4	830.1.290.1B	Holder		1
5	771.1.020.1A	Screw		1
6	516.4.001.1AB	Horn (BLACK)		1
7	671.1.031.1A	Vertical spark plug cable - left		1
8	380.4.010.1C	Coil		2
9	671.1.032.1A	Horizontal spark plug cable - right		1
10	671.1.033.1A	Horizontal spark plug cable - left		1
11	0691.91.030	Hose guide		17
12	670.4.016.1B	Spark plug		4
13	741.1.013.1A	Hose guide		1
14	671.1.030.1A	Vertical spark plug cable - right		1
15	764.4.005.1A	Rubber pad		1
16	387.4.002.1A	End section		2
17	386.4.006.1A	Connector		1
18	541.4.007.1A	Relay		2
19	829.1.127.1A	Holder		2
20	389.4.006.1A	Fuse 3A		1
21	771.5.043.8B	Screw		4
22	748.4.100.1AB	Nut		2
23	741.4.038.1A	Hose guide		12
24	389.4.012.1A	Fuse 20A		2

NOTES NO.	CODE NO.	DESCRIPTION	VALIDITY	Q.TY 
-----------	----------	-------------	----------	--

DRAWING 032


BATTERY SUPPORT



DRAWING 032

BATTERY SUPPORT

NOTES NO.	CODE NO.	DESCRIPTION	VALIDITY	Q.TY 
1	286.4.135.1D	Injection control unit		1
2	514.1.041.1A	Battery - solenoid starter cable		1
3	748.4.100.1AB	Nut		2
4	514.1.040.1A	Solenoid starter - starter motor cable		1
5	417.9.050.6A	Nut		2
6	462.4.037.6A	Spring washer		2
7	397.2.001.2A	Remote switch		1
8	750.5.001.1B	Nut		1
9	852.1.191.1A	Washer		5
10	716.1.022.1B	Spacer		3
11	716.1.053.1B	Spacer		1
12	827.1.286.1A	Plate		1
13	775.1.038.1B	Screw		1
14	866.1.031.1A	Rubber pad		1
15	772.5.023.1A	Screw		3
16	300182	Rubber pad		3
17	395.2.013.1C	Battery		1
18	672.1.029.1A	Rubber cap		1
19	0691.91.030	Hose guide		1
20	772.5.032.1A	Screw		1
21	827.1.330.1A	Plate		1
22	829.1.172.2B	Battery box mount		1
23	764.1.084.1A	Vibration damper pad		2
24	827.2.215.1A	Plate		2
25	772.5.021.1A	Screw		2
26	821.1.129.1A	Spacer		2
27	775.1.062.2A	Special screw		1

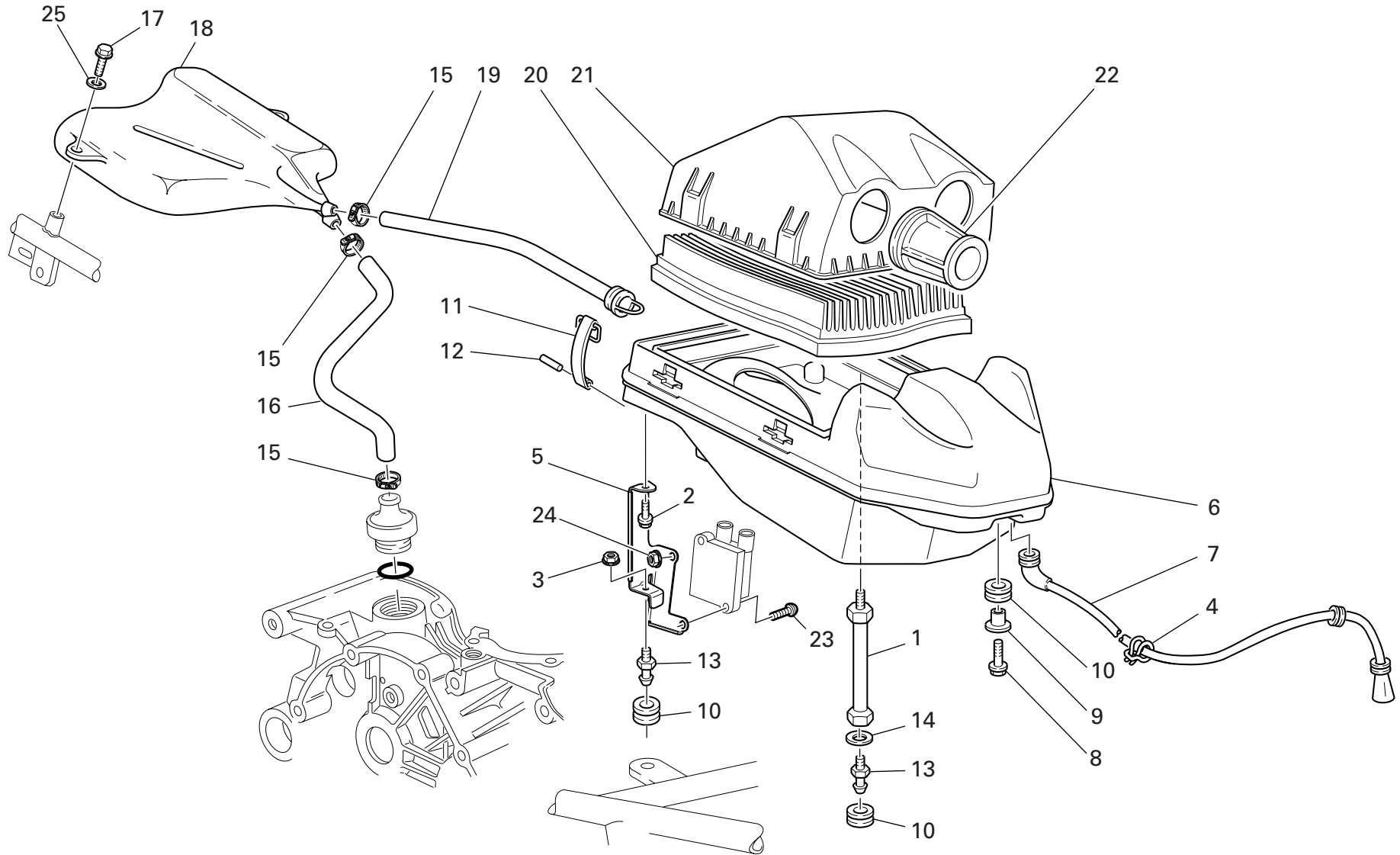
NOTES NO.	CODE NO.	DESCRIPTION	VALIDITY	Q.TY 
28	513.1.008.2D	Battery grounding cable		1

CATALOGUE No: 915.1.231.1B
ISSUED: 09 - 06

CATALOGUE No: 915.1.231.1B
ISSUED: 09 - 06


DRAWING 033

AIR INTAKE - OIL BREATHER



DRAWING 033

AIR INTAKE - OIL BREATHER

NOTES NO.	CODE NO.	DESCRIPTION	VALIDITY	Q.TY 
1	684.1.026.1B	Stud bolt		1
2	772.1.050.1A	Screw		1
3	748.1.036.1A	Nut		1
4	829.1.129.1A	Clip		1
5	829.1.486.1B	Bracket		1
6	442.2.008.1B	Air filter box		1
7	877.2.004.2A	Tube		1
8	772.5.031.1B	Screw		1
9	716.1.022.1B	Spacer		1
10	764.1.090.1A	Rubber pad		3
11	760.1.003.1B	Hook		4
12	74223.1045	Spring pin		4
13	821.1.075.1A	Pin		2
14	852.1.191.1A	Washer		1
15	741.4.002.1A	Hose guide		3
16	876.1.083.1A	Breather pipe		1
17	772.5.029.1A	Screw		2
18	585.1.019.2D	Oil breather tank		1
19	876.1.084.1A	Filter/fuel tank outlet pipe		1
20	0370.98.610	Filter element		1
21	246.1.056.1A	Filter case cover		1
22	135.1.015.1A	Air funnel		2
23	775.1.011.1B	Screw		2
24	8000.56443	Nut		2
25	852.5.028.1A	Washer		2

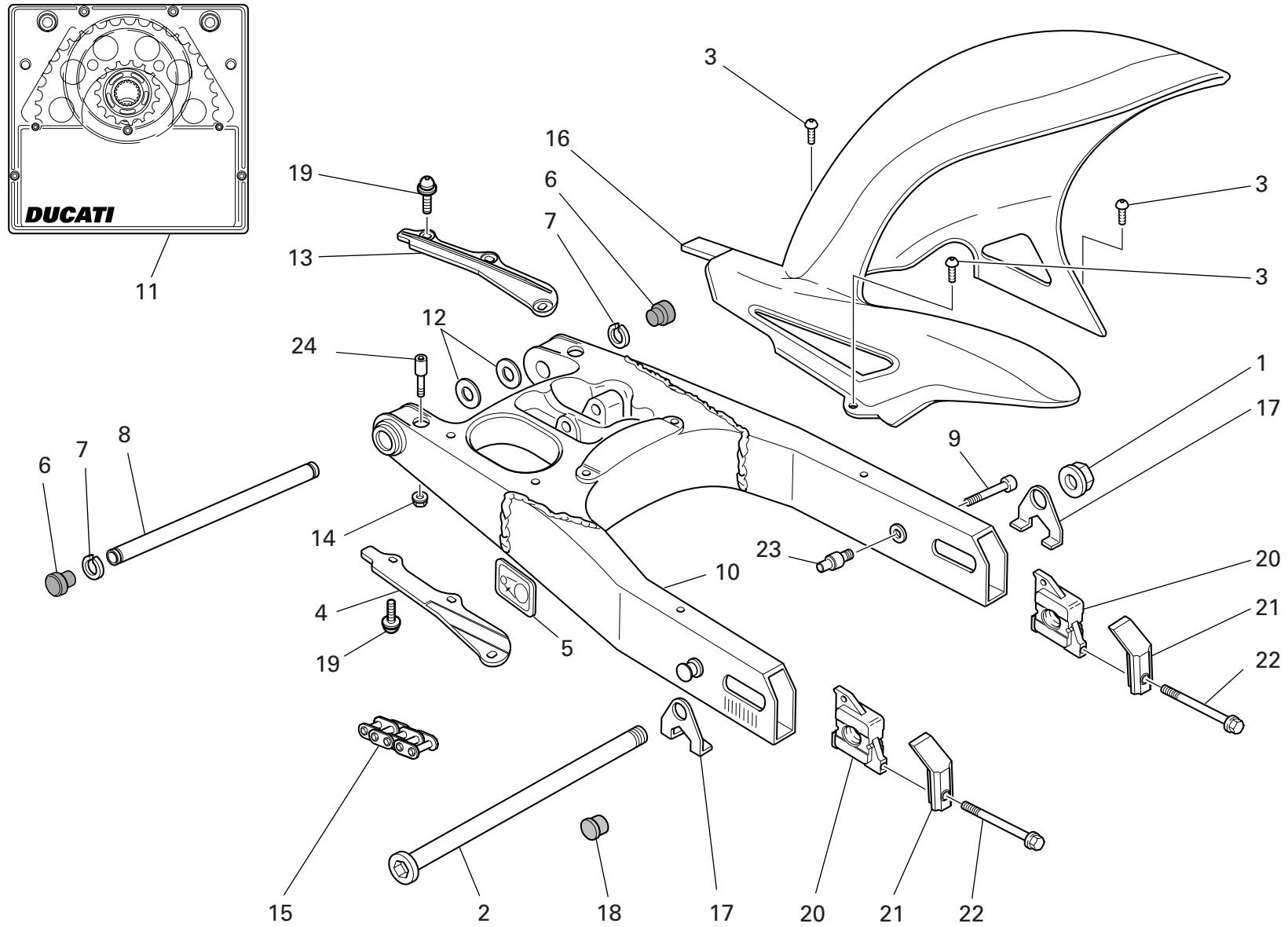
NOTES NO.	CODE NO.	DESCRIPTION	VALIDITY	Q.TY 
-----------	----------	-------------	----------	--

CATALOGUE No: 915.1.231.1B
ISSUED: 09 - 06

CATALOGUE No: 915.1.231.1B
ISSUED: 09 - 06


DRAWING 034

SWINGARM AND DRIVE CHAIN



DRAWING 034

SWINGARM AND DRIVE CHAIN

NOTES NO.	CODE NO.	DESCRIPTION	VALIDITY	Q.TY 
1	748.1.023.1B	Nut		1
2	819.1.039.1A	Rear wheel spindle		1
3	779.1.119.1B	Special screw		4
4	447.1.033.1A	Lower chain sliding shoe		1
5	433.1.334.1A	Chain adjustment sticker		1
6	872.1.019.1A	Cap		2
7	884.4.007.1A	Snap ring		2
8	369.1.004.1A	Swingarm pivot		1
9	771.5.125.8C	Screw		1
10	370.1.028.2C	Complete swingarm		1
11	676.2.055.1A	Final drive kit		1
12	852.1.001.1B	Shim th. 1.8		2
12	852.1.002.1B	Shim th. 0.2		2
12	852.1.003.1B	Shim th. 0.1		1
13	447.1.034.1A	Upper chain sliding shoer		1
14	748.4.034.1B	Nut		2
15	676.4.018.1A	Chain (102 Links)		1
16	565.1.021.2A	Rear mudguard		1
17	374.1.002.1B	Plate		2
18	872.1.031.1A	Cap		1
19	779.1.427.1A	Screw		6
20	373.1.032.1A	Sliding shoe		2
21	373.1.033.1A	Cover		2
22	779.1.110.1B	Screw		2
23	821.1.113.1A	Locating pin		1
24	808.1.046.1A	Clamp		2


NOTES NO.	CODE NO.	DESCRIPTION	VALIDITY	Q.TY 
-----------	----------	-------------	----------	--

CATALOGUE No: 915.1.231.1B
ISSUED: 09 - 06

CATALOGUE No: 915.1.231.1B
ISSUED: 09 - 06

DRAWING 035

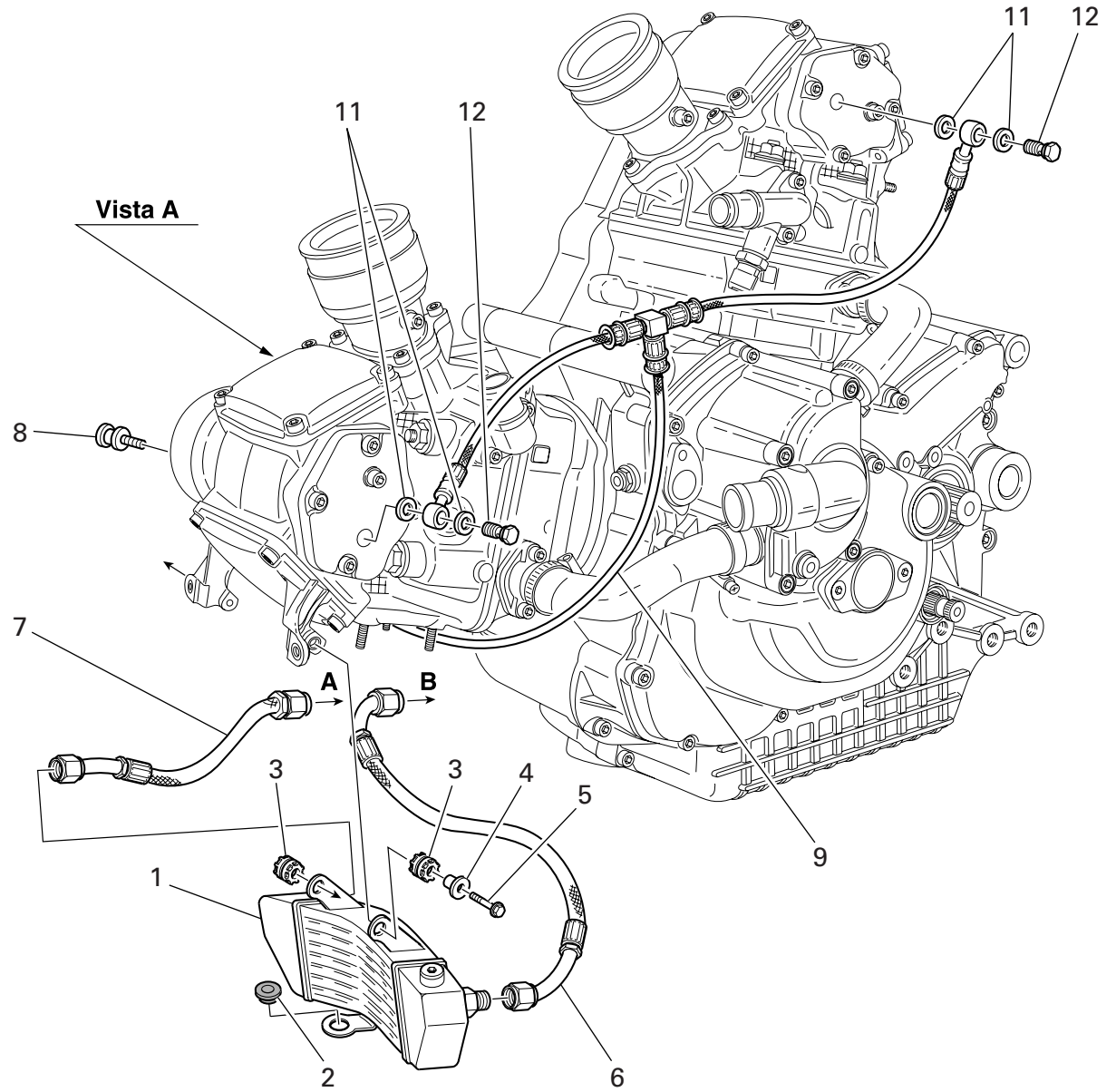
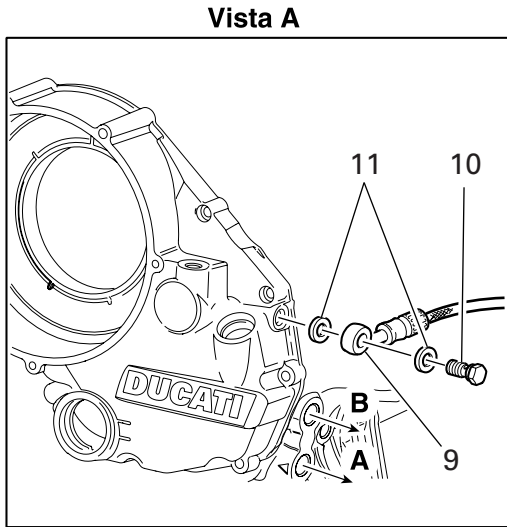
REAR SUSPENSION

NOTES NO.	CODE NO.	DESCRIPTION	VALIDITY	Q.TY 
1	372.2.008.3A	Rocker assembly		1
2	93781.1824	Seal ring		2
3	701.4.006.1A	Needle bearing		4
4	710.1.025.1A	Bush		4
5	771.5.938.8B	Screw		1
6	365.2.041.2A	Shock absorber		1
7	771.5.937.8B	Screw		1
8	715.1.004.1A	Spacer		1
9	710.1.057.1B	Bush		1
10	771.1.009.1A	Screw		1
11	771.1.016.1A	Screw		1
12	710.1.046.1B	Bush		1
13	417.9.090.1B	Nut		1
14	808.1.007.1C	Clamp		1
15	750.1.041.1B	Nut		1
16	875.1.038.2A	Tie rod		1
17	827.1.221.1A	Plate		1
18	779.5.010.1A	Screw		4
19	771.5.130.8B	Screw		1
20	749.4.032.1A	Nut		1
21	0000.44240	Nut		2
22	848.4.027.1A	Ball joint		1
23	848.4.026.1A	Ball joint		1
24	747.1.006.1B	Nut		1


NOTES NO.	CODE NO.	DESCRIPTION	VALIDITY	Q.TY 
-----------	----------	-------------	----------	--

DRAWING 036

OIL COOLER




DRAWING 036 OIL COOLER

NOTES NO.	CODE NO.	DESCRIPTION	VALIDITY	Q.TY 
1	548.4.023.1B	Oil cooler		1
2	8000.69069	Vibration damper		1
3	764.1.022.1A	Vibration damper pad		2
4	713.1.304.1A	Spacer		1
5	772.5.033.1A	Screw		1
6	875.1.055.1A	Oil return pipe		1
7	875.1.054.1A	Oil delivery pipe		1
8	779.1.083.2A	Special screw		1
9	875.1.111.1A	Oil delivery pipe		1
10	779.1.058.2A	Special screw		1
11	852.5.024.1A	Gasket th.1		6
12	781.1.003.3A	Special screw		2

NOTES NO.	CODE NO.	DESCRIPTION	VALIDITY	Q.TY 
-----------	----------	-------------	----------	--

DRAWING 037 REAR HYDRAULIC BRAKE

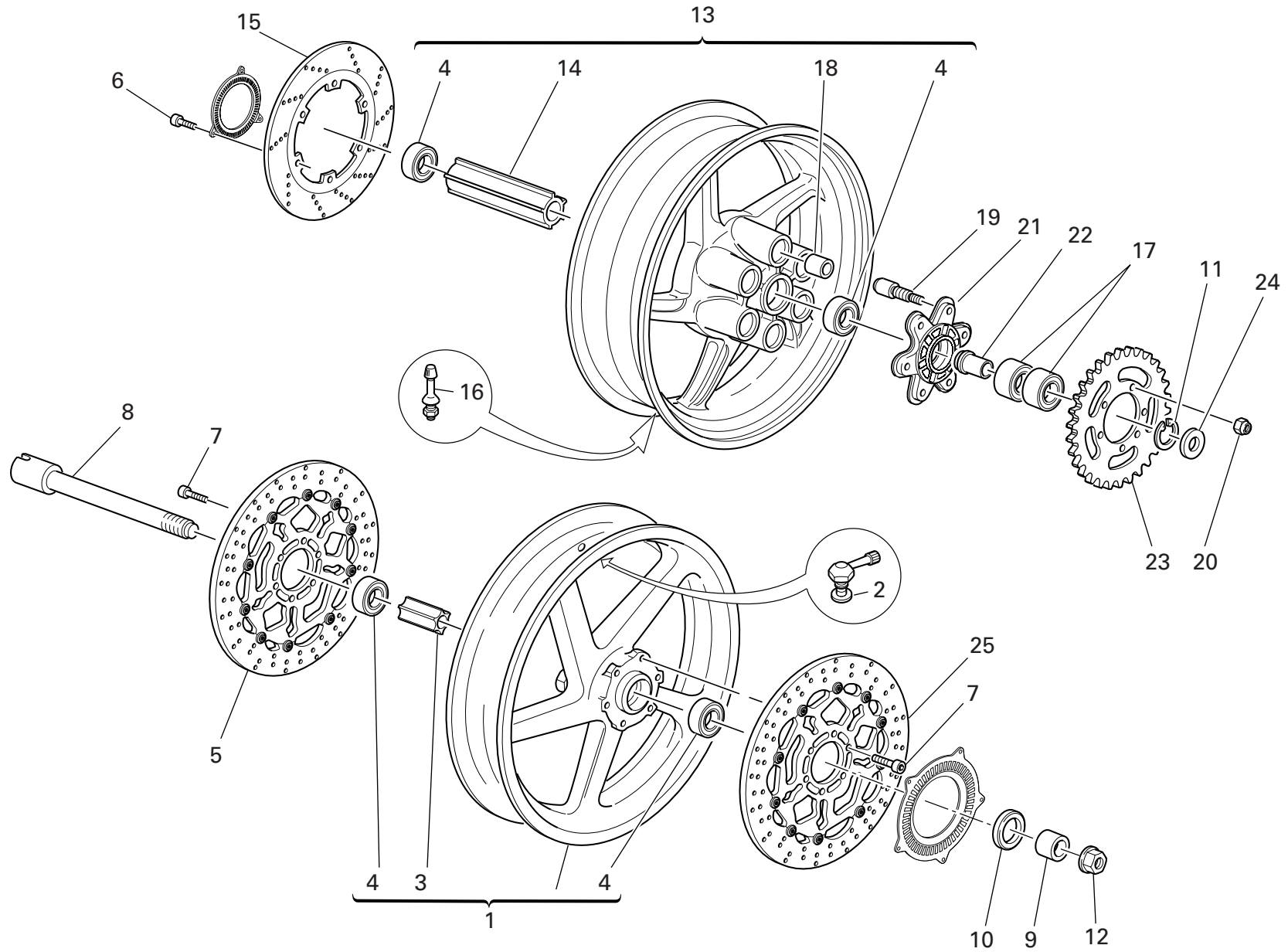
NOTES NO.	CODE NO.	DESCRIPTION	VALIDITY	Q.TY 
1	829.1.184.1A	Holder		1
2	852.1.054.1B	Washer		1
3	73500.0624	Circlip		1
4	8000.59056	Bush		1
5	764.1.011.2A	Rubber pad		1
6	457.2.008.1A	Brake control lever		1
7	821.1.052.1A	Pedal pin		1
8	8000.67981	Threaded dowel		1
9	60N115062	Nut		2
10	821.1.096.2A	Pin		1
11	184.1.001.1A	Fork		1
12	772.5.029.1A	Screw		2
13	117.1.025.2A	Adjuster rod		1
14	771.5.754.8B	Screw		1
15	539.4.003.1B	Switch		1
16	877.1.050.1A	Tube		1
17	741.4.043.1A	Hose guide		2
18	772.5.037.1A	Screw		1
19	893.4.005.1A	Cap		1
20	585.4.001.1A	Complete oil tank		1
21	779.5.024.1A	Screw		1
22	420.2.000.8A	Copper gasket sp. 1		1
23	749.4.031.1A	Nut		1
24	829.1.073.3A	Holder		1
25	779.1.366.1AB	Special screw		2
26	852.5.024.1A	Gasket th.1		4
27	625.4.006.1A	Rear brake pump		1

NOTES NO.	CODE NO.	DESCRIPTION	VALIDITY	Q.TY 
28	631.4.008.1A	Spare union		1
29	626.4.013.1A	Dust cover		1
30	799.1.083.1B	Spring		1
31	825.1.034.1A	Caliper holder plate		1
32	0000.01199	O-ring		2
33	612.4.016.1A	Spare pins and spring		1
34	612.4.008.1A	Dust seal		1
35	771.5.723.8B	Screw		2
36	611.4.009.1A	Rear brake caliper		1
37	0370.39.780	Spare bleed union		1
38	613.4.021.1A	Pads pair		1


CATALOGUE No: 915.1.231.1B
ISSUED: 09 - 06CATALOGUE No: 915.1.231.1B
ISSUED: 09 - 06


DRAWING 038

FRONT AND REAR WHEELS



DRAWING 038 FRONT AND REAR WHEELS

NOTES NO.	CODE NO.	DESCRIPTION	VALIDITY	Q.TY 
1	501.2.105.1AA	Wheel rim (GREY)		1
1	501.2.105.1AB	Front wheel rim (BLACK)		1
1	501.2.105.1AE	Front wheel rim (RED)		1
2	497.2.001.2A	Valve		1
3	714.1.028.1A	Inner spacer		1
4	702.5.045.1A	Bearing		4
5	492.4.079.1A	Brake disc		2
6	779.1.330.1A	Screw		6
7	779.1.399.1A	Screw		12
8	819.1.017.1C	Front wheel spindle		1
9	714.1.045.1A	Spacer		1
10	0000.64471	Seal ring		1
11	884.5.008.1A	Circlip		1
12	748.1.014.1C	Fork nut		1
13	502.2.105.1AA	Rear wheel rim (GREY)		1
13	502.2.105.1AB	Rear wheel rim (BLACK)		1
13	502.2.105.1AE	Rear wheel rim (RED)		1
14	713.1.098.1A	Inner spacer		1
15	492.4.003.2A	Brake disc		1
16	0803.77.010	Valve		1
17	702.5.050.1A	Bearing		2
18	700.1.005.1A	Vibration damper		6
19	821.1.009.1B	Pin		6
20	748.4.024.1AB	Nut		6
21	160.1.049.1A	Rear sprocket flange		1
22	710.1.041.1B	Bush		1
23	494.1.068.4D	Ring gear Z=42		1

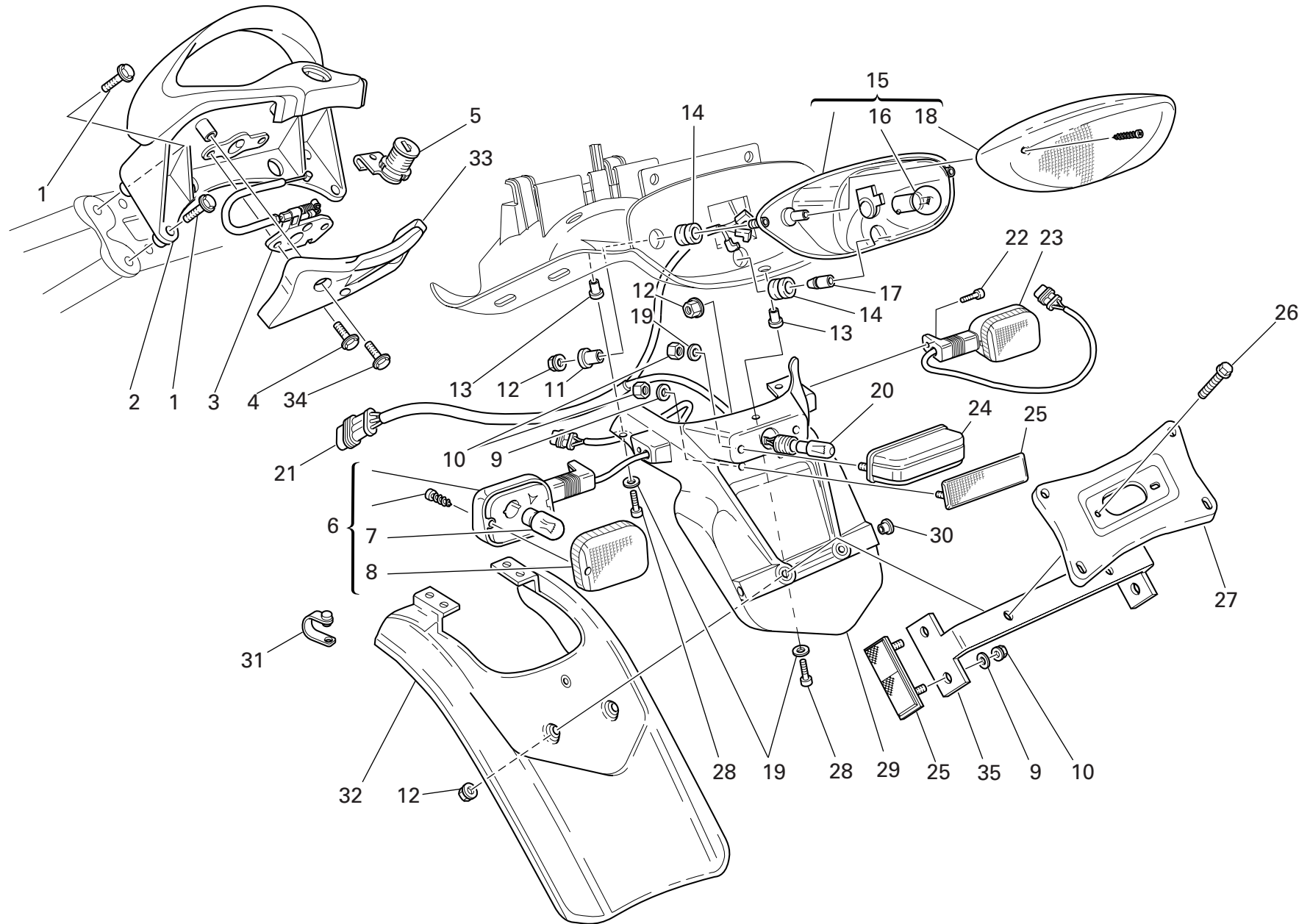
NOTES NO.	CODE NO.	DESCRIPTION	VALIDITY	Q.TY 
24	713.1.097.1B	Spacer		1
25	492.4.081.1A	Front brake disc		1

CATALOGUE No: 915.1.231.1B
ISSUED: 09 - 06

CATALOGUE No: 915.1.231.1B
ISSUED: 09 - 06

DRAWING 039


NUMBER PLATE HOLDER



DRAWING 039

NUMBER PLATE HOLDER

NOTES NO.	CODE NO.	DESCRIPTION	VALIDITY	Q.TY 
1	772.1.063.1A	Screw		4
2	806.1.011.1AA	Handle (RED)		1
2	806.1.011.1AG	Handle (METALLIC DARK GREY)		1
2	806.1.011.1AT	Handle (BLACK)		1
3	732.2.006.2A	Lock latch		1
4	772.1.055.1A	Screw		2
5	598.2.010.1A	Seat lock		1
6	530.4.003.1B	L.H. turn indicator		1
7	0000.36726	Bulb		2
8	532.4.001.1A	Cup		2
9	852.5.001.1A	Washer		4
10	749.5.001.1B	Nut		6
11	716.1.022.1B	Spacer		2
12	749.4.031.1A	Nut		6
13	850.4.082.1A	Insert		5
14	764.1.090.1A	Rubber pad		3
15	525.4.010.1A	Tail light		1
16	390.4.003.1A	Two-light bulb 12V 5/21W		1
17	821.1.081.1A	Pin		1
18	532.4.002.1A	Lens		1
19	852.5.031.1A	Washer		2
20	0000.36230	Bulb		1
21	510.1.237.1A	Wiring		1
22	771.5.065.8B	Screw		2
23	530.4.004.1B	R.H. turn indicator		1
24	525.1.004.2A	Tail lamp		1
25	529.1.006.1A	Reflector		3

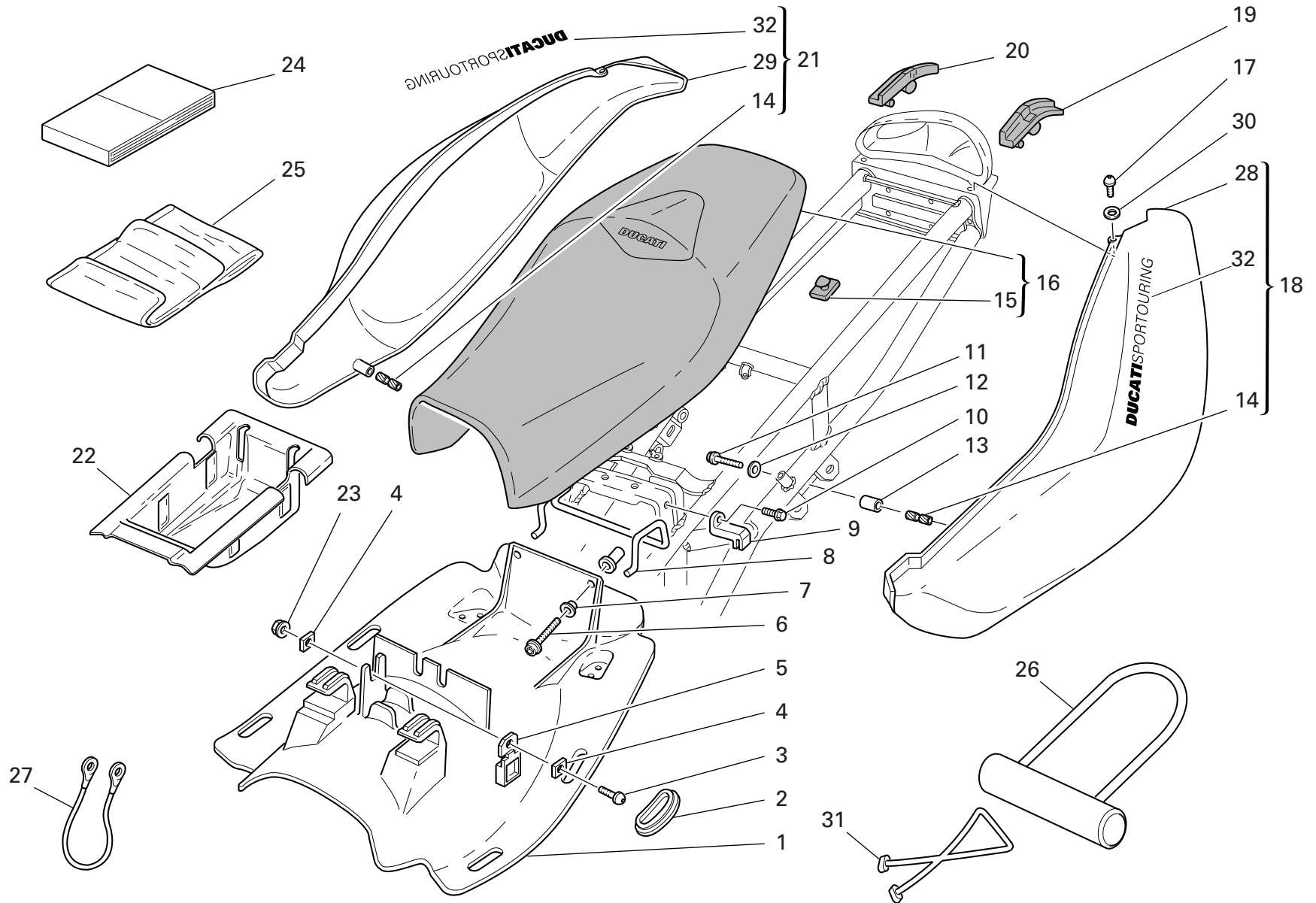
NOTES NO.	CODE NO.	DESCRIPTION	VALIDITY	Q.TY 
26	772.5.029.1A	Screw		2
27	561.1.019.1A	Plate		1
28	771.5.043.8B	Screw		5
29	561.1.013.2A	Number plate holder		1
30	417.7.007.1A	Cap		2
31	741.1.012.1A	Hose guide		2
32	460.1.077.1A	Mudflap		1
33	460.1.080.1A	Mudflap		1
34	772.5.037.1A	Screw		2
35	829.1.136.1A	Holder		1

CATALOGUE No: 915.1.231.1B
ISSUED: 09 - 06


CATALOGUE No: 915.1.231.1B
ISSUED: 09 - 06

DRAWING 040

SEAT



DRAWING 040 SEAT

NOTES NO.	CODE NO.	DESCRIPTION	VALIDITY	Q.TY 
1	559.1.005.1A	Panel (BLACK)		1
2	872.1.022.1A	Cap		4
3	775.1.017.1A	Screw		1
4	827.1.061.1B	Plate		2
5	829.4.001.1A	Holder		1
6	771.1.019.1A	Screw		2
7	716.1.038.1B	Spacer		2
8	760.1.015.1A	Hook		1
9	808.1.019.1A	Clamp		2
10	772.1.050.1A	Screw		2
11	770.5.619.8B	Screw		2
12	852.5.030.1A	Washer		2
13	713.1.129.1A	Spacer		2
14	850.4.016.1A	Threaded insert		2
15	866.1.030.1A	Rubber pad		6
16	595.1.066.2A	Seat		1
17	775.1.008.3A	Screw		2
18	482.1.027.1BA	L.H. body panel (RED)		1
18	482.1.027.1BG	L.H. body panel (METALLIC DARK GREY)		1
18	482.1.027.1BT	L.H. body panel (BLACK)		1
19	700.1.025.1A	L.H. gasket		1
20	700.1.024.1A	R.H. gasket		1
21	482.1.028.1BA	R.H. body panel (RED)		1
21	482.1.028.1BG	R.H. body panel (METALLIC DARK GREY)		1
21	482.1.028.1BT	R.H. body panel (BLACK)		1
22	565.1.022.2A	Tool box		1
23	8000.56443	Nut		1


CATALOGUE No: 915.1.231.1B
ISSUED: 09 - 06

NOTES NO.	CODE NO.	DESCRIPTION	VALIDITY	Q.TY 
24	913.7.092.1S	Owner's manual		1
25	697.2.016.1A	Tool bag		1
26	598.4.015.1A	Padlock		1
27	732.1.017.1A	Helmet anti-theft wire		1
28	482.3.021.1A	L.H. body panel (unpainted)		1
29	482.3.022.1A	R.H. body panel (unpainted)		1
30	856.1.040.1A	Nylon washer		2
31	759.1.015.1A	Rubber		2
32	436.1.021.1A	Sticker "SPORTTOURING" (for RED, METALLIC DARK GREY, BLACK)		2

CATALOGUE No: 915.1.231.1B
ISSUED: 09 - 06

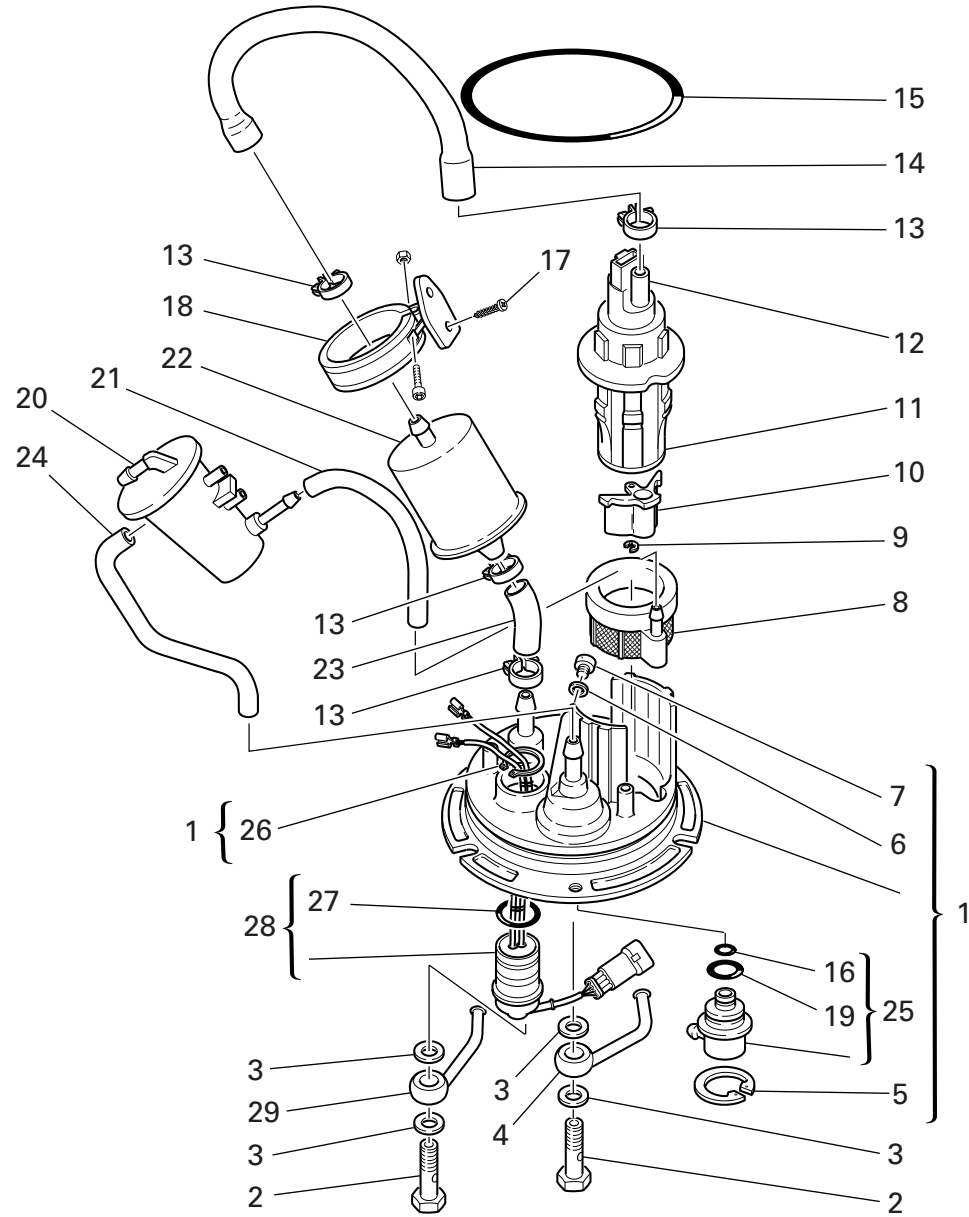
DRAWING 041 FUEL TANK

NOTES NO.	CODE NO.	DESCRIPTION	VALIDITY	Q.TY 
1	586.1.060.1AA	Fuel tank (RED)		1
1	586.1.060.1AG	Fuel tank (METALLIC DARK GREY)		1
1	586.1.060.1AT	Fuel tank (BLACK)		1
2	895.4.001.2A	Tank cap		1
3	685.1.006.1A	Split pin		1
4	852.5.030.1A	Washer		2
5	712.1.013.3A	Bush		2
6	772.5.032.1A	Screw		2
7	827.2.134.1B	Plate		1
8	821.1.028.1D	Pin		1
9	590.1.085.1A	Tube		2
10	741.4.004.1A	Hose guide		4
11	829.1.509.1A	Rubber holder		2
12	592.1.018.2A	Fuel level sensor		1
13	8000.56391	Nylon washer		2
14	771.5.040.8B	Screw		1
15	771.5.045.8B	Screw		3
16	791.1.034.1A	Cover gasket		1
17	750.1.042.1B	Nut		5
18	749.5.006.1A	Nut		4
19	866.1.029.1A	Rubber pad		2
20	8000.77921	Screw		1
21	852.5.024.1A	Gasket th.1		1
22	830.1.131.1A	Bracket		1
23	486.1.070.3A	Panel		1
24	779.1.446.1A	Screw		2
25	247.1.105.2BB	Cover (BLACK)		1


NOTES NO.	CODE NO.	DESCRIPTION	VALIDITY	Q.TY 
26	791.1.012.1A	Gasket		1
27	749.4.031.1A	Nut		2
28	764.1.019.1A	Vibration damper pad		1


CATALOGUE No: 915.1.231.1B
ISSUED: 09 - 06

CATALOGUE No: 915.1.231.1B
ISSUED: 09 - 06

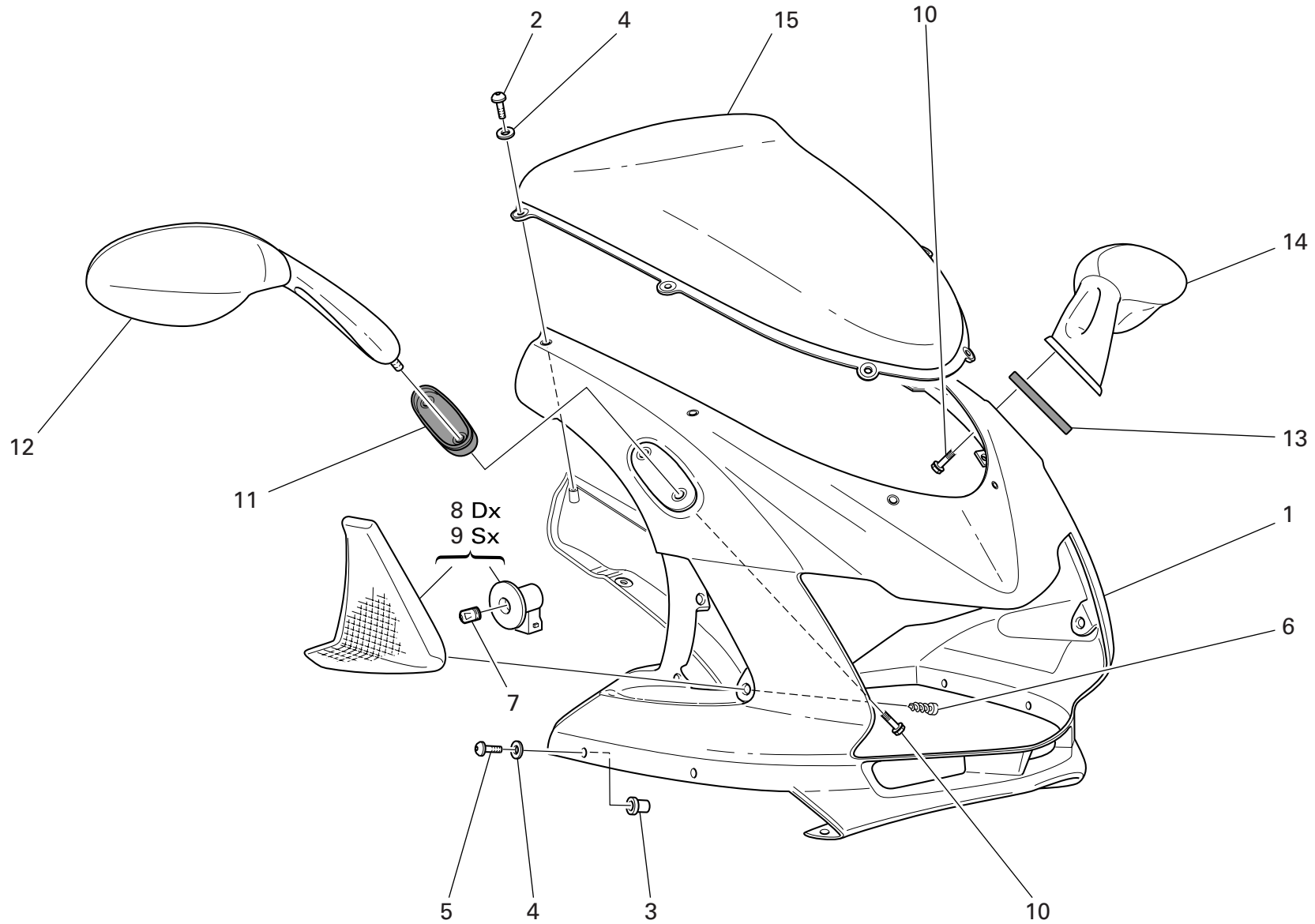


DRAWING 042 FUEL SYSTEM

NOTES NO.	CODE NO.	DESCRIPTION	VALIDITY	Q.TY 
1	160.9.057.1A	Flange		1
2	779.1.170.1A	Special screw		2
3	852.1.098.1A	Washer		4
4	814.1.065.1A	Union		1
5	73503.3449	Circlip		1
6	852.5.024.1A	Gasket th.1		1
7	780.1.008.1A	Cap		1
8	427.1.003.1A	Fuel pump filter		1
9	850.4.031.1A	Snap ring		1
10	484.1.029.1B	Manifold		1
11	829.1.077.2B	Pump holder		1
12	430.4.004.1A	Fuel pump		1
13	741.4.004.1A	Hose guide		4
14	590.1.092.1A	Tube		1
15	886.5.001.1A	O-Ring		1
16	886.4.021.1A	O-ring		1
17	72237.0974	Self-tapping screw		2
18	829.1.104.1A	Holder		1
19	886.4.022.1A	O-ring		1
20	427.4.002.1A	Air separator		1
21	590.1.059.1A	Tube		1
22	425.4.004.1B	Fuel filter		1
23	590.1.056.1A	Filter/pump pipe		1
24	590.1.058.1A	Tube		1
25	283.4.003.1A	Pressure regulator		1
26	73500.2668	Circlip		1
27	886.5.011.1A	O-Ring		1

NOTES NO.	CODE NO.	DESCRIPTION	VALIDITY	Q.TY 
28	510.2.003.2A	Pump wiring		1
29	814.1.066.1A	Union		1

CATALOGUE No: 915.1.231.1B
ISSUED: 09 - 06CATALOGUE No: 915.1.231.1B
ISSUED: 09 - 06



DRAWING 043

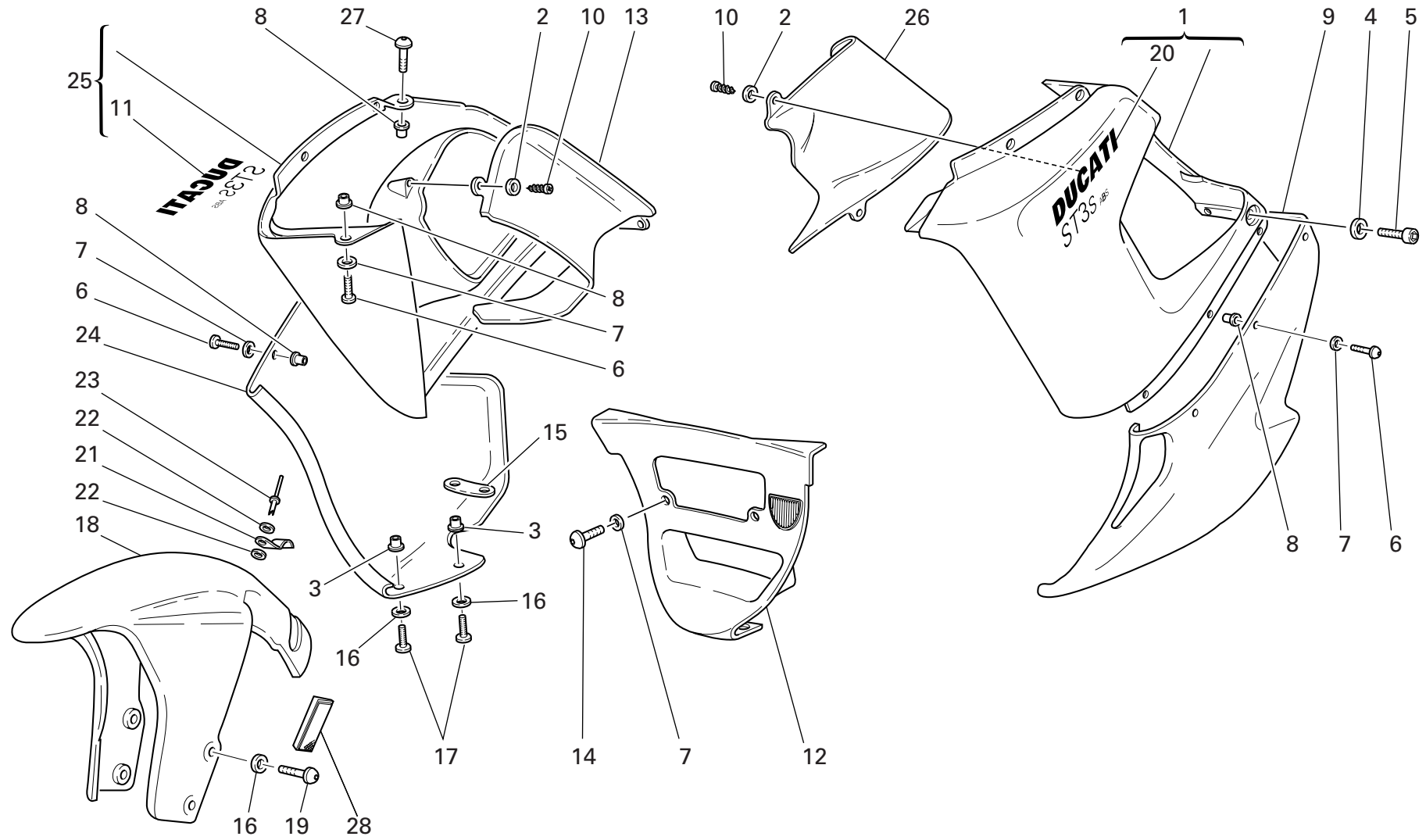
HEADLIGHT FAIRING

NOTES NO.	CODE NO.	DESCRIPTION	VALIDITY	Q.TY 
1	481.1.031.1BA	Headlight fairing (RED)		1
1	481.1.031.1BG	Headlight fairing (METALLIC DARK GREY)		1
1	481.1.031.1BT	Headlight fairing (BLACK)		1
1	481.3.031.1B	Headlight fairing (unpainted)		1
2	775.1.017.1A	Screw		6
3	850.4.082.1A	Insert		4
4	0000.63161	Washer		4
5	775.1.011.1B	Screw		4
6	772.5.034.1A	Screw		6
7	390.4.010.1A	Bulb		2
8	530.1.003.1A	R.H. turn indicator		1
9	530.1.004.1A	L.H. turn indicator		1
10	772.5.031.1B	Screw		4
11	713.1.126.1A	R.H. gasket		1
12	523.4.016.1BA	R.H. rear-view mirror (RED)		1
12	523.4.016.1BG	R.H. rear-view mirror (METALLIC DARK GREY)		1
12	523.4.016.1BT	R.H. rear-view mirror (BLACK)		1
13	713.1.127.1A	L.H. gasket		1
14	523.4.017.1BA	L.H. rear-view mirror (RED)		1
14	523.4.017.1BG	L.H. rear-view mirror (METALLIC DARK GREY)		1
14	523.4.017.1BT	L.H. rear-view mirror (BLACK)		1
15	487.1.034.1A	Windshield		1


NOTES NO.	CODE NO.	DESCRIPTION	VALIDITY	Q.TY 
-----------	----------	-------------	----------	--

CATALOGUE No: 915.1.231.1B
ISSUED: 09 - 06


CATALOGUE No: 915.1.231.1B
ISSUED: 09 - 06



DRAWING 044 FAIRING

NOTES NO.	CODE NO.	DESCRIPTION	VALIDITY	Q.TY 
1	480.1.058.1B	L.H. upper half-fairing (unpainted)		1
1	480.1.192.1AA	L.H. upper half-fairing (RED)		1
1	480.1.192.1AG	L.H. upper half-fairing(METALLIC DARK GREY)		1
1	480.1.192.1AT	L.H. upper half-fairing (BLACK)		1
2	852.5.002.1B	Washer		4
3	0364.99.020	Bush		4
4	841.1.001.1C	Retainer		2
5	779.5.001.1A	Screw		2
6	775.1.011.1B	Screw		10
7	0000.63161	Washer		10
8	850.4.082.1A	Insert		12
9	480.1.059.0A	L.H. lower half-fairing (unpainted)		1
9	480.1.059.2AA	L.H. lower half-fairing (RED)		1
9	480.1.059.2AG	L.H. lower half-fairing (METALLIC DARK GREY)		1
9	480.1.059.2AT	L.H. lower half-fairing (BLACK)		1
10	774.5.008.1A	Screw		4
11	437.1.139.1AA	R.H. sticker "DUCATI ST3S ABS" (for RED, BLACK)		1
11	437.1.139.1AB	R.H. sticker "DUCATI ST3S ABS" (for METALLIC DARK GREY)		1
12	484.1.049.1AA	Air manifold (RED)		1
12	484.1.049.1AG	Air manifold (METALLIC DARK GREY)		1
12	484.1.049.1AT	Air manifold (BLACK)		1
12	484.3.049.1A	Air manifold (unpainted)		1
13	484.1.026.1AB	R.H. air manifold (BLACK)		1
14	775.1.008.3A	Screw		2

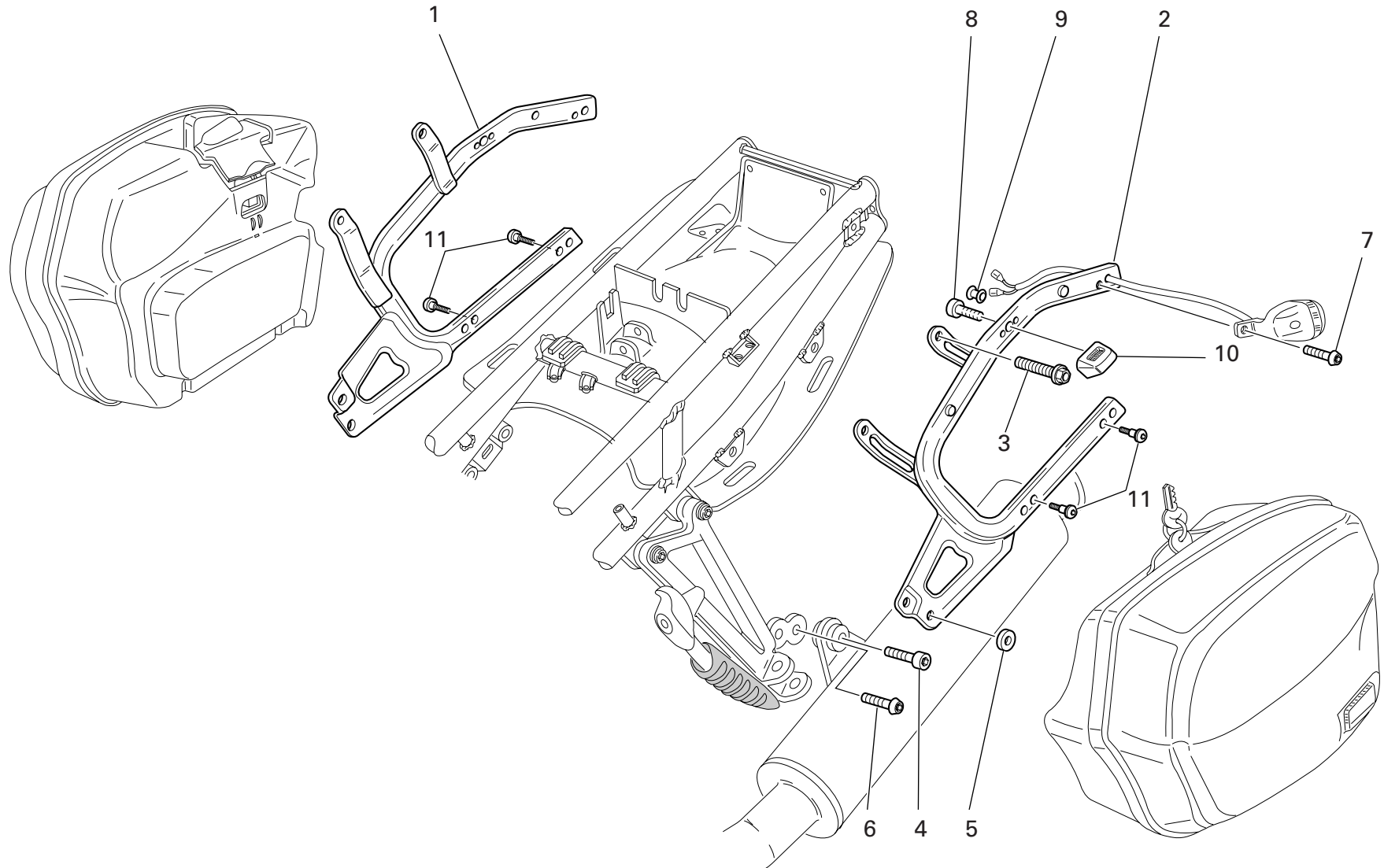
CATALOGUE No: 915.1.231.1B
ISSUED: 09 - 06

NOTES NO.	CODE NO.	DESCRIPTION	VALIDITY	Q.TY 
15	827.1.012.1B	Bent plate		1
16	856.1.040.1A	Nylon washer		8
17	779.1.089.1B	Screw		4
18	564.1.023.1AA	Front mudguard (RED)		1
18	564.1.023.1AG	Front mudguard (METALLIC DARK GREY)		1
18	564.1.023.1AT	Front mudguard (BLACK)		1
18	564.3.023.1A	Front mudguard (unpainted)		1
19	775.1.038.1B	Screw		4
20	437.1.138.1AA	L.H. sticker "DUCATI ST3S ABS" (for RED, BLACK)		1
20	437.1.138.1AB	L.H. sticker "DUCATI ST3S ABS" (for METALLIC DARK GREY)		1
21	850.1.003.1A	Clip		1
22	852.1.075.1B	Washer		2
23	736.4.013.1B	Shear rivet		1
24	480.1.061.1A	R.H. lower half-fairing (unpainted)		1
24	480.1.115.1AA	R.H. lower half-fairing (RED)		1
24	480.1.115.1AG	R.H. lower half-fairing (METALLIC DARK GREY)		1
24	480.1.115.1AT	R.H. lower half-fairing (BLACK)		1
25	480.1.060.1B	R.H. upper half-fairing (unpainted)		1
25	480.1.191.1AA	R.H. upper half-fairing (RED)		1
25	480.1.191.1AG	R.H. upper half-fairing (METALLIC DARK GREY)		1
25	480.1.191.1AT	R.H. upper half-fairing (BLACK)		1
26	484.1.025.1AB	L.H. air manifold (BLACK)		1
27	771.5.049.8B	Screw		2
28	529.1.008.1AB	Cat's eye (AMBER)		2

CATALOGUE No: 915.1.231.1B
ISSUED: 09 - 06



DRAWING 045

PANNIER FASTENERS



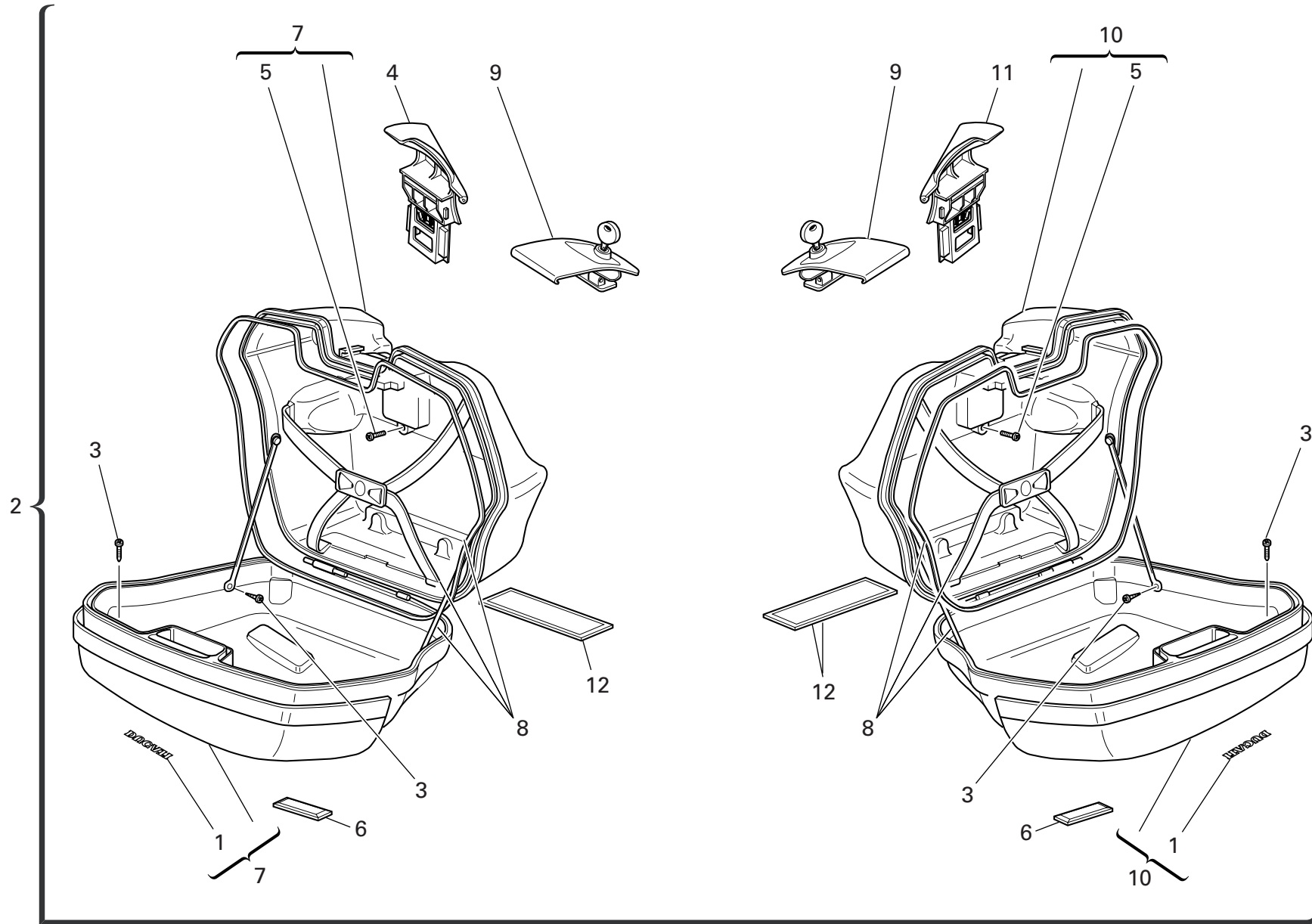
DRAWING 045

PANNIER FASTENERS


NOTES NO.	CODE NO.	DESCRIPTION	VALIDITY	Q.TY 	NOTES NO.	CODE NO.	DESCRIPTION	VALIDITY	Q.TY 
1	829.1.206.1B	R.H. holder		1					
2	829.1.205.1B	L.H. holder		1					
3	772.5.008.1A	Screw		4					
4	771.5.002.1A	Screw		2					
5	713.1.130.1A	Spacer		1					
6	775.5.002.1A	Screw		2					
7	8BB06.1070	Screw		2					
8	771.4.007.1A	Screw		2					
9	872.4.023.1A	Cap		4					
10	829.1.332.1A	Holder		2					
11	966.1.890.4B	Special screw		4					

DRAWING 046

SIDE PANNIERS



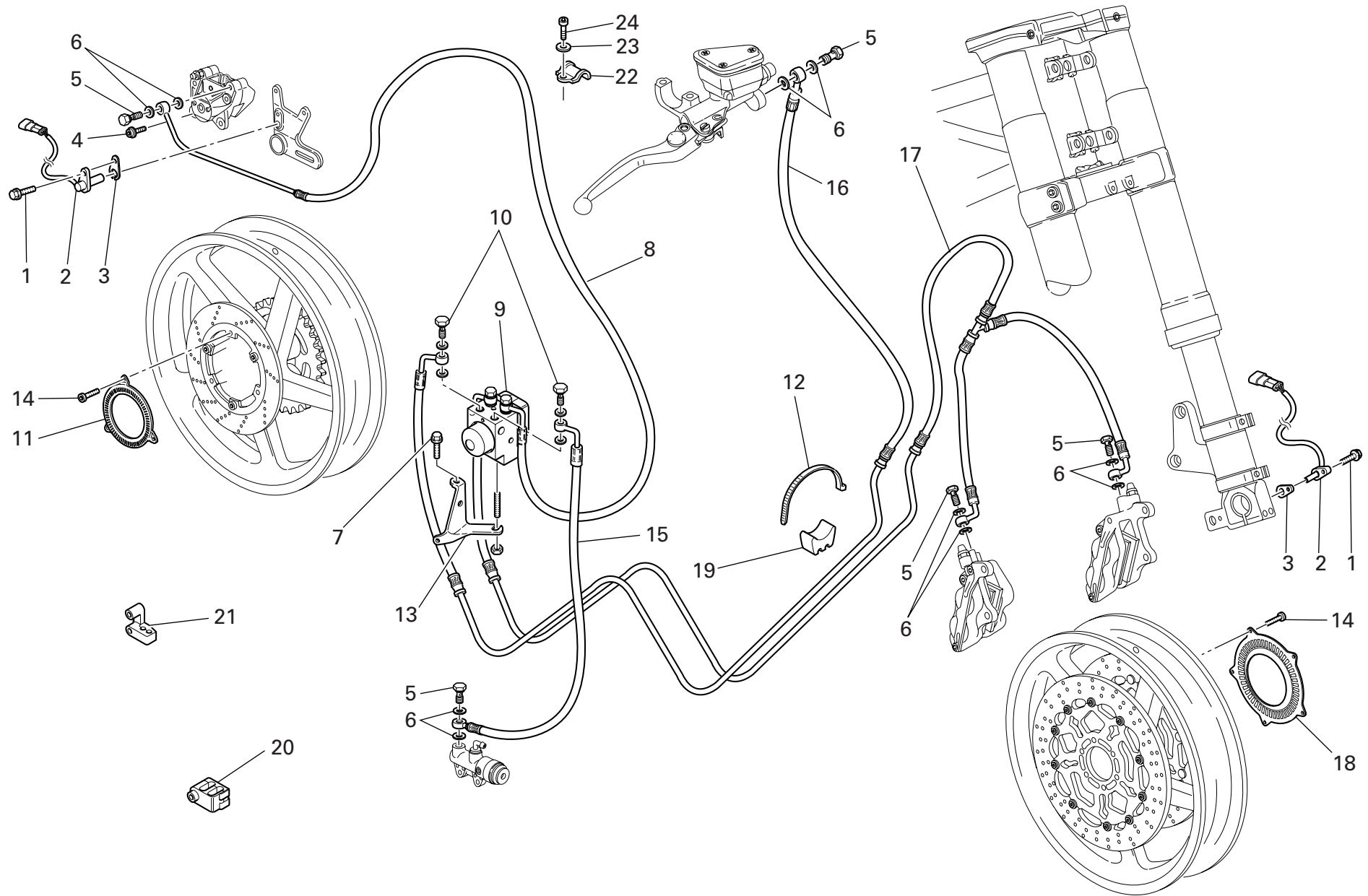
DRAWING 046 SIDE PANNIERS

NOTES NO.	CODE NO.	DESCRIPTION	VALIDITY	Q.TY 
1	438.1.096.1AA	Sticker "DUCATI" (for RED, METALLIC DARK GREY, BLACK)		2
2	967.2.200.1AA	Coplete panniers kit (RED)		1
2	967.2.200.1AG	Complete Panniers kit (METALLIC DARK GREY)		1
2	967.2.200.1AT	Coplete panniers kit (BLACK)		1
3	72237.0657	Self-tapping screw		20
4	698.1.023.1A	R.H. handle		1
5	72237.0974	Self-tapping screw		2
6	529.4.003.1A	Reflector		2
6	529.4.005.1A	Cat's eye (AMBER)		2
7	246.1.200.1AA	R.H. cover (RED)		1
7	246.1.200.1AG	R.H. cover (METALLIC DARK GREY)		1
7	246.1.200.1AT	R.H. cover (BLACK)		1
8	698.1.026.1A	Series of belts		1
9	698.1.025.1A	Pannier locks kit		1
10	246.1.201.1AA	L.H. cover (RED)		1
10	246.1.201.1AG	L.H. cover (METALLIC DARK GREY)		1
10	246.1.201.1AT	L.H. cover (BLACK)		1
11	698.1.024.1A	L.H. handle		1
12	698.1.027.1A	Insulation		1

NOTES NO.	CODE NO.	DESCRIPTION	VALIDITY	Q.TY 
-----------	----------	-------------	----------	--

DRAWING 047

ANTILOCK BRAKING SYSTEM (ABS)

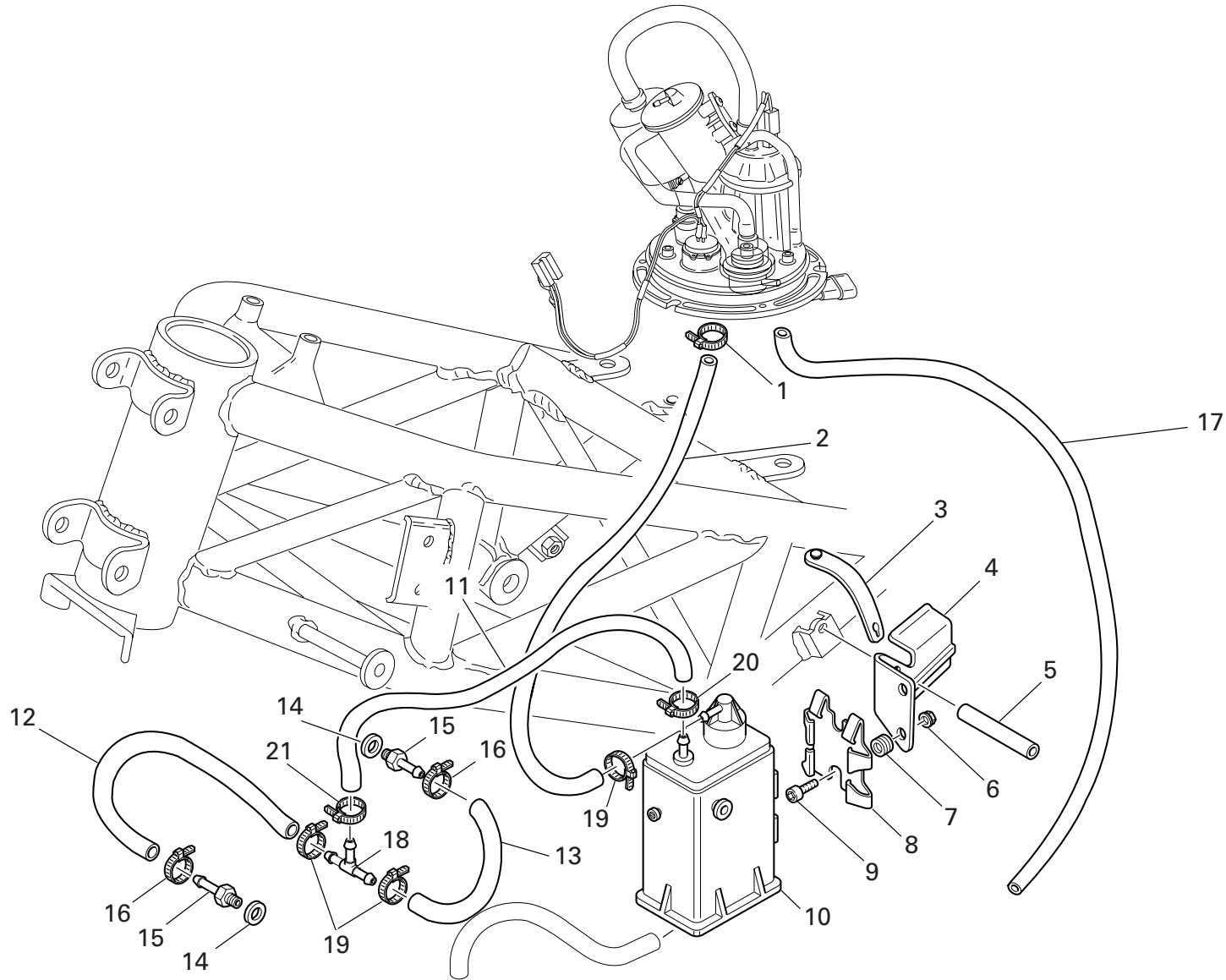


DRAWING 047

ANTILOCK BRAKING SYSTEM (ABS)


NOTES NO.	CODE NO.	DESCRIPTION	VALIDITY	Q.TY 
1	772.5.032.1A	Screw		2
2	552.4.051.1A	Speed sensor		2
3	713.1.214.1A	Gasket th.0.5		4
4	771.5.723.8B	Screw		2
5	779.1.058.2A	Special screw		3
6	852.5.024.1A	Gasket th.1		18
7	772.5.025.1A	Screw		1
8	618.4.051.1A	CPU - rear caliper line		1
9	542.4.007.1A	ABS unit		1
10	779.1.314.1A	Screw		2
11	160.2.134.1A	Rear phonic wheel		1
12	0691.91.030	Hose guide		3
13	830.1.260.1A	Bracket		1
14	775.1.028.1A	Screw		5
15	618.4.046.1A	Rear master cylinder - CPU line		1
16	618.4.044.1A	Front master cylinder - CPU line		1
17	618.4.045.1A	CPU - front calipers line		1
18	160.1.247.1A	Front phonic wheel		1
19	866.1.045.1A	Pad		3
20	829.1.429.1B	Holder		1
21	829.1.428.1A	Holder		1
22	741.4.062.1A	Clip		1
23	852.5.028.1A	Washer		1
24	771.5.041.8B	Screw		1

NOTES NO.	CODE NO.	DESCRIPTION	VALIDITY	Q.TY 
-----------	----------	-------------	----------	--



DRAWING 048

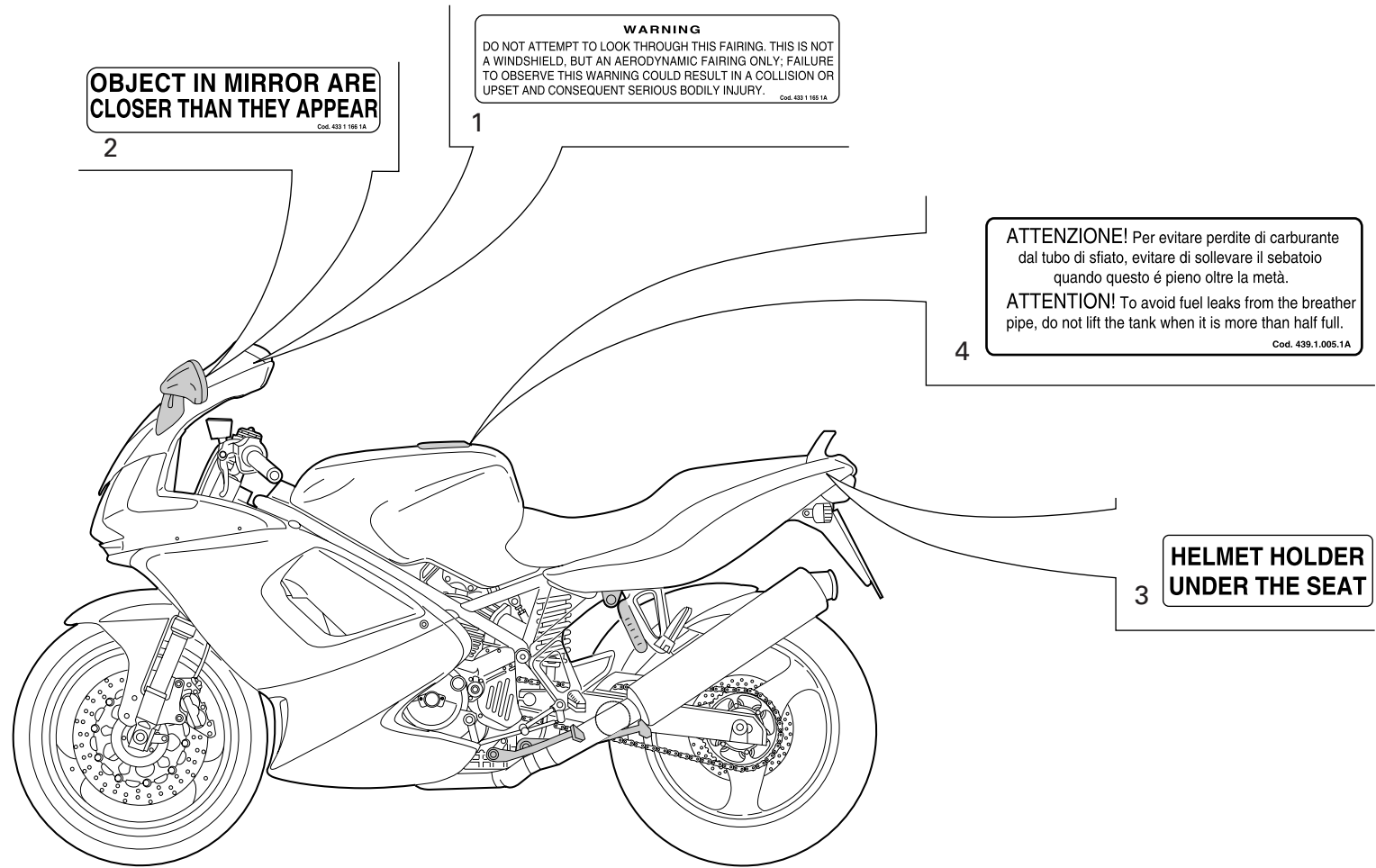
EVAPORATIVE EMISSIONS CANISTER

NOTES NO.	CODE NO.	DESCRIPTION	VALIDITY	Q.TY 
1	741.4.057.1A	Hose guide		1
2	590.1.174.1A	Tube		1
3	741.1.013.1A	Hose guide		1
4	829.1.207.1A	Holder		1
5	716.1.043.1B	Spacer		2
6	749.4.031.1A	Nut		2
7	764.1.029.1A	Rubber pad		2
8	827.1.157.1A	Plate		1
9	779.5.001.1A	Screw		2
10	426.1.007.1A	Canister filter		1
11	590.1.175.1A	Tube		1
12	590.1.173.1A	Tube		1
13	590.1.172.1A	Tube		2
14	852.5.025.1A	Aluminium gasket th.1		2
15	814.1.111.2B	Union		2
16	741.4.013.1B	Hose guide		2
17	590.1.102.1A	Breather pipe		1
18	0361.98.850	Shunt valve		1
19	741.4.063.1A	Hose guide		3
20	741.4.058.1A	Hose guide		1
21	741.4.059.1A	Hose guide		1

NOTES NO.	CODE NO.	DESCRIPTION	VALIDITY	Q.TY 
-----------	----------	-------------	----------	--


CATALOGUE No: 915.1.231.1B
ISSUED: 09 - 06

CATALOGUE No: 915.1.231.1B
ISSUED: 09 - 06



DRAWING 049

DATA PLATE POSITIONS

NOTES NO.	CODE NO.	DESCRIPTION	VALIDITY	Q.TY 
1	433.1.165.1A	Sticker		1
2	433.1.166.1A	Label		2
3	433.1.170.1A	Sticker		1
4	433.1.164.1A	Sticker		1

NOTES NO.	CODE NO.	DESCRIPTION	VALIDITY	Q.TY 
-----------	----------	-------------	----------	--

INDEX

CODE No.	Drwg.	POS. N.	CODE No.	Drwg.	POS. N.	CODE No.	Drwg.	POS. N.	CODE No.	Drwg.	POS. N.	CODE No.	Drwg.	POS. N.
0000.01199	020	39	0370.69.940	020	22	0755.49.265	010	2	150.2.063.1A	003	28	180.1.001.1A	002	11
0000.01199	037	32	0370.69.940	021	8	0759.49.280	009	15	150.2.078.1A	003	27	180.1.002.1A	002	12
0000.33552	027	11	0370.69.950	020	23	0765.92.205	002	21	153.1.008.1A	025	31	180.1.008.1A	002	24
0000.36230	039	20	0370.69.970	020	31	0795.37.096	014	12	158.2.019.1A	006	5	182.2.018.1A	002	18
0000.36726	039	7	0370.72.020	028	8	0795.37.096	015	17	160.1.049.1A	038	21	184.1.001.1A	037	11
0000.40427	030	2	0370.98.610	033	20	0799.13.110	002	27	160.1.097.1A	012	13	190.1.017.1A	004	11
0000.44240	035	21	0400.09.050	002	21	0803.77.010	038	16	160.1.105.1A	013	19	190.2.013.1A	004	9
0000.60283	022	14	0400.29.125	002	34	112.1.012.1AB	006	8	160.1.247.1A	047	18	194.1.027.1A	004	4
0000.63161	043	4	0400.29.126	002	34	112.1.012.1AC	006	8	160.2.134.1A	047	11	195.4.003.1A	004	19
0000.63161	044	7	0400.49.240	005	13	117.1.025.2A	037	13	160.9.057.1A	042	1	196.1.035.1A	004	12
0000.64471	038	10	0400.49.240	011	13	117.1.033.1A	020	8	170.2.081.1A	006	14	198.2.036.1A	004	14
0124.40.060	008	12	051.2.001.1A	001	10	117.2.002.1B	019	21	171.2.023.1A	008	10	208.1.022.1A	014	14
0251.47.054	003	1	0660.13.060	002	19	117.2.007.1A	004	16	172.1.002.1B	003	10	208.1.022.1A	015	14
0272.91.090	002	8	0660.13.070	002	13	120.2.092.1A	007	1	172.1.003.1A	003	8	209.1.026.1B	014	16
0361.98.850	048	18	0660.13.143	002	9	120.2.093.1A	007	10	172.1.004.1A	003	5	209.1.026.1B	015	15
0364.99.020	019	23	0660.13.165	002	25	121.1.078.2A	007	4	172.1.005.1A	003	9	210.1.047.1B	014	10
0364.99.020	044	3	0665.49.680	005	8	121.1.079.1A	007	3	172.1.006.1B	003	18	210.1.047.1B	015	7
0370.39.780	037	37	0670.16.145	003	7	121.2.033.1A	007	5	172.1.007.1B	003	24	211.1.043.2B	014	11
0370.69.855	021	9	0670.16.150	003	3	122.2.118.1A	007	2	172.1.008.1A	003	22	211.1.043.2B	015	6
0370.69.860	020	35	0670.16.155	003	19	135.1.015.1A	033	22	172.1.009.1A	003	21	220.3.208.3A	009	16
0370.69.865	021	13	0670.16.170	003	26	140.2.033.1A	013a	4	172.1.010.1A	003	20	225.2.200.1A	010	1
0370.69.910	020	4	0670.49.310	009	26	146.2.104.1A	006	1	172.1.011.1A	003	23	235.1.036.1A	013	12
0370.69.910	021	3	0691.91.030	031	11	147.1.014.1A	008	9	173.1.013.1A	012	20	240.1.029.1A	013a	2
0370.69.920	020	3	0691.91.030	032	19	148.1.142.1A	013	16	174.1.025.2A	009	12	240.1.032.1A	013a	7
0370.69.920	021	2	0691.91.030	047	12	148.1.143.1A	013	9	174.2.025.6A	009	1	242.2.062.2A	011a	14
0370.69.930	020	21	0755.29.025	006	16	149.1.032.3A	003	25	176.1.001.1A	012	6	243.1.029.1A	005	17
0370.69.930	021	7	0755.29.025	008	21	149.1.046.1A	003	2	176.1.009.1A	012	10	243.2.109.3A	005	1

INDEX

CODE No.	Drwg.	POS. N.	CODE No.	Drwg.	POS. N.	CODE No.	Drwg.	POS. N.	CODE No.	Drwg.	POS. N.	CODE No.	Drwg.	POS. N.
245.1.054.1A	013	5	283.4.003.1A	042	25	304.A.004.1A	014	3	365.2.041.2A	035	6	406.1.053.1A	024	1
245.1.055.1A	008	1	283.4.011.1A	016	9	304.A.004.1A	015	5	366.1.039.1A	026	6	417.7.007.1A	039	30
245.1.056.1A	008	4	286.4.135.1D	032	1	304.A.004.1AB	014	3	369.1.004.1A	034	8	417.9.050.6A	032	5
245.1.057.1A	013	6	301.2.130.1C	015	1	304.A.004.1AB	015	5	370.1.028.2C	034	10	417.9.090.1B	035	13
246.1.009.1G	023	15	301.2.131.1C	014	1	304.A.004.1AC	014	3	372.2.008.3A	035	1	420.2.000.8A	037	22
246.1.056.1A	033	21	303.1.025.1A	014	5	304.A.004.1AC	015	5	373.1.032.1A	034	20	425.4.004.1B	042	22
246.1.060.2A	025	27	303.1.025.1A	015	2	340.2.281.1A	026	1	373.1.033.1A	034	21	426.1.007.1A	048	10
246.1.200.1AA	046	7	303.1.025.1AB	014	5	340.2.285.1A	026	4	374.1.002.1B	034	17	427.1.003.1A	042	8
246.1.200.1AG	046	7	303.1.025.1AB	015	2	341.2.042.1A	025	23	380.4.010.1C	031	8	427.4.002.1A	042	20
246.1.200.1AT	046	7	303.1.025.1AC	014	5	342.2.015.2B	025	3	386.4.006.1A	031	17	430.4.004.1A	042	12
246.1.201.1AA	046	10	303.1.025.1AC	015	2	349.1.064.1A	026	8	386.4.013.2A	020	37	433.1.164.1A	049	4
246.1.201.1AG	046	10	303.1.025.1AD	014	5	349.1.065.1A	026	9	387.4.002.1A	031	16	433.1.165.1A	049	1
246.1.201.1AT	046	10	303.1.025.1AD	015	2	349.1.095.1A	026	2	389.4.006.1A	023	1	433.1.166.1A	049	2
246.2.083.1A	023a	4	303.1.039.1A	014	4	349.1.096.1A	026	16	389.4.006.1A	031	20	433.1.170.1A	049	3
247.1.002.1BC	011a	6	303.1.039.1A	015	3	349.1.097.1A	026	7	389.4.007.1A	023	1	433.1.296.1B	023	18
247.1.083.1AE	011a	1	303.1.039.1AB	014	4	349.1.098.1A	026	11	389.4.008.1A	023	1	433.1.334.1A	034	5
247.1.105.2BB	041	25	303.1.039.1AB	015	3	349.1.101.1A	026	19	389.4.012.1A	023	1	436.1.021.1A	040	32
247.2.166.2A	011a	13	303.1.039.1AC	014	4	349.1.102.1A	026	22	389.4.012.1A	031	24	437.1.138.1AA	044	20
251.2.009.1A	011	16	303.1.039.1AC	015	3	349.1.103.1A	026	14	389.4.014.1A	031	2	437.1.138.1AB	044	20
254.4.001.1A	005	4	303.1.039.1AD	014	4	349.1.192.1A	026	17	389.4.015.1A	023	1	437.1.139.1AA	044	11
255.1.023.2A	008	15	303.1.039.1AD	015	3	349.1.193.1A	026	5	390.4.003.1A	039	16	437.1.139.1AB	044	11
255.1.024.2A	013	3	304.A.001.1A	014	2	349.1.194.1A	026	18	390.4.008.1A	023	19	438.1.096.1AA	046	1
264.4.018.3A	011	1	304.A.001.1A	015	4	349.1.195.1A	026	3	390.4.010.1A	043	7	442.2.008.1B	033	6
270.4.005.1A	012	1	304.A.001.1AB	014	2	349.2.014.1A	026	10	390.4.011.1A	023a	2	444.4.003.4A	009	20
276.1.045.1A	012	16	304.A.001.1AB	015	4	349.2.029.1B	026	15	390.4.014.1A	023a	3	447.1.033.1A	034	4
280.4.015.1A	016	8	304.A.001.1AC	014	2	360.2.056.1B	025	24	395.2.013.1C	032	17	447.1.034.1A	034	13
282.4.019.2B	016	1	304.A.001.1AC	015	4	360.2.057.1C	025	16	397.2.001.2A	032	7	449.1.045.1A	003	12

INDEX

CODE No.	Drwg.	POS. N.	CODE No.	Drwg.	POS. N.	CODE No.	Drwg.	POS. N.	CODE No.	Drwg.	POS. N.	CODE No.	Drwg.	POS. N.
451.1.025.1A	008	20	480.1.115.1AG	044	24	486.1.051.1A	005	6	516.4.001.1AB	031	6	540.4.011.1C	023	10
451.2.017.1A	008	7	480.1.115.1AT	044	24	486.1.070.3A	041	23	518.4.004.2B	025	29	541.4.007.1A	023	11
455.2.003.1A	002	4	480.1.191.1AA	044	25	487.1.034.1A	043	15	520.1.007.1C	023a	1	541.4.007.1A	031	18
456.1.006.2A	020	12	480.1.191.1AG	044	25	492.4.003.2A	038	15	523.4.016.1BA	043	12	542.4.007.1A	047	9
456.2.009.1A	020	16	480.1.191.1AT	044	25	492.4.079.1A	038	5	523.4.016.1BG	043	12	548.4.019.2A	029	1
457.2.008.1A	037	6	480.1.192.1AA	044	1	492.4.081.1A	038	25	523.4.016.1BT	043	12	548.4.023.1B	036	1
460.1.062.1A	020	25	480.1.192.1AG	044	1	494.1.068.4D	038	23	523.4.017.1BA	043	14	550.4.008.1A	029	4
460.1.063.1A	021	16	480.1.192.1AT	044	1	497.2.001.2A	038	2	523.4.017.1BG	043	14	552.1.037.1A	001d	4
460.1.076.2A	025	35	481.1.031.1BA	043	1	501.2.105.1AA	038	1	523.4.017.1BT	043	14	552.1.038.1A	001d	5
460.1.077.1A	039	32	481.1.031.1BG	043	1	501.2.105.1AB	038	1	525.1.004.2A	039	24	552.1.039.1A	001d	19
460.1.080.1A	039	33	481.1.031.1BT	043	1	501.2.105.1AE	038	1	525.4.010.1A	039	15	552.1.040.1A	001d	11
460.1.088.1A	019	2	481.3.031.1B	043	1	502.2.105.1AA	038	13	529.1.006.1A	039	25	552.1.111.1A	017	19
460.1.174.1B	024	5	482.1.027.1BA	040	18	502.2.105.1AB	038	13	529.1.008.1AB	044	28	552.4.012.1A	023	17
460.1.175.1A	024	6	482.1.027.1BG	040	18	502.2.105.1AE	038	13	529.4.003.1A	046	6	552.4.013.1A	030	9
462.4.037.6A	032	6	482.1.027.1BT	040	18	510.1.237.1A	039	21	529.4.005.1A	046	6	552.4.020.1A	011a	8
463.4.001.1A	010	22	482.1.028.1BA	040	21	510.1.463.1A	023	14	530.1.003.1A	043	8	552.4.051.1A	047	2
470.1.081.1AA	019	1	482.1.028.1BG	040	21	510.1.481.1A	031	1	530.1.004.1A	043	9	553.4.004.1A	030	19
470.1.081.1AB	019	1	482.1.028.1BT	040	21	510.2.003.2A	042	28	530.4.003.1B	039	6	555.1.005.1A	018	3
470.1.081.1AF	019	1	482.3.021.1A	040	28	513.1.008.2D	032	28	530.4.004.1B	039	23	555.1.006.1B	018	4
480.1.058.1B	044	1	482.3.022.1A	040	29	514.1.032.1A	001d	9	532.4.001.1A	039	8	555.1.007.1A	018	2
480.1.059.0A	044	9	484.1.025.1AB	044	26	514.1.033.1A	001d	13	532.4.002.1A	039	18	556.1.017.1C	018	14
480.1.059.2AA	044	9	484.1.026.1AB	044	13	514.1.035.1A	001d	10	539.1.021.1B	002	6	556.1.018.1D	018	15
480.1.059.2AG	044	9	484.1.029.1B	042	10	514.1.036.1A	001d	10	539.1.023.2A	018	13	556.2.020.1D	018	16
480.1.059.2AT	044	9	484.1.049.1AA	044	12	514.1.037.1A	001d	6	539.4.003.1B	037	15	559.1.005.1A	040	1
480.1.060.1B	044	25	484.1.049.1AG	044	12	514.1.038.1A	001d	14	539.4.021.1A	028	6	561.1.013.2A	039	29
480.1.061.1A	044	24	484.1.049.1AT	044	12	514.1.040.1A	032	4	539.4.030.1A	005	21	561.1.019.1A	039	27
480.1.115.1AA	044	24	484.3.049.1A	044	12	514.1.041.1A	032	2	539.4.033.1A	027	13	564.1.023.1AA	044	18

INDEX

CODE No.	Drwg.	POS. N.	CODE No.	Drwg.	POS. N.	CODE No.	Drwg.	POS. N.	CODE No.	Drwg.	POS. N.	CODE No.	Drwg.	POS. N.
564.1.023.1AG	044	18	590.1.172.1A	048	13	613.4.021.1B	028	20	670.4.016.1B	031	12	701.4.005.1A	003	4
564.1.023.1AT	044	18	590.1.173.1A	048	12	618.4.044.1A	047	16	671.1.030.1A	031	14	701.4.006.1A	035	3
564.3.023.1A	044	18	590.1.174.1A	048	2	618.4.045.1A	047	17	671.1.031.1A	031	7	701.4.019.1A	012	21
565.1.021.2A	034	16	590.1.175.1A	048	11	618.4.046.1A	047	15	671.1.032.1A	031	9	702.4.004.1A	025	6
565.1.022.2A	040	22	590.1.189.1A	001d	1	618.4.051.1A	047	8	671.1.033.1A	031	10	702.4.009.1A	011	11
570.1.102.1B	017	7	590.1.190.1A	001d	2	624.4.031.1A	028	1	672.1.029.1A	032	18	702.4.010.2A	011	9
571.1.100.1A	017	5	592.1.018.2A	041	12	625.4.006.1A	037	27	672.1.040.1A	023a	6	702.4.013.1A	010	26
573.1.088.1A	017	11	593.1.003.1B	010	33	626.4.011.1A	027	3	676.2.055.1A	034	11	702.4.018.1A	012	19
574.1.088.1A	017	3	593.1.018.1A	009	5	626.4.011.1A	028	3	676.4.018.1A	034	15	702.4.020.1A	010	29
576.1.034.1A	017	15	595.1.066.2A	040	16	626.4.013.1A	037	29	677.4.003.1A	001b	4	702.4.033.1A	010	9
576.1.035.1A	017	18	598.2.010.1A	039	5	626.4.015.1C	027	4	684.1.026.1B	033	1	702.4.069.1A	008	5
585.1.019.2D	033	18	598.2.017.2A	019	18	626.4.015.1D	028	5	684.1.044.1A	017	13	702.5.008.1A	010	20
585.1.020.1A	030	1	598.4.015.1A	040	26	626.4.019.1A	028	2	684.1.070.1A	007	6	702.5.008.1A	011	4
585.4.001.1A	037	20	598.4.016.1A	025	8	626.4.034.1A	027	2	685.1.006.1A	025	12	702.5.019.1A	010	12
585.4.006.1A	028	7	598.4.018.1A	025	8	630.4.024.1A	027	1	685.1.006.1A	041	3	702.5.045.1A	038	4
585.4.007.1A	027	5	60N115062	037	9	631.4.004.1A	028	19	697.2.016.1A	040	25	702.5.047.1A	004	5
586.1.060.1AA	041	1	610.4.011.2C	028	12	631.4.008.1A	037	28	698.1.023.1A	046	4	702.5.050.1A	038	17
586.1.060.1AG	041	1	610.4.012.2C	028	11	632.1.030.1A	027	9	698.1.024.1A	046	11	703.1.013.1A	025	34
586.1.060.1AT	041	1	611.4.009.1A	037	36	650.1.002.1A	025	25	698.1.025.1A	046	9	703.5.006.2A	008	18
590.1.056.1A	042	23	612.4.005.1A	027	12	651.4.012.1B	025	14	698.1.026.1A	046	8	703.5.006.2A	013	1
590.1.058.1A	042	24	612.4.008.1A	028	18	652.4.006.1D	025	9	698.1.027.1A	046	12	70914.2121	017	17
590.1.059.1A	042	21	612.4.008.1A	037	34	654.4.006.1A	025	30	698.1.033.1A	001d	15	710.1.001.1A	009	13
590.1.085.1A	041	9	612.4.014.1A	028	16	656.1.050.1B	025	26	700.1.005.1A	038	18	710.1.025.1A	035	4
590.1.092.1A	042	14	612.4.016.1A	037	33	658.4.002.1B	025	18	700.1.024.1A	040	20	710.1.041.1B	038	22
590.1.102.1A	048	17	612.4.017.1A	028	17	668.1.001.3A	011a	12	700.1.025.1A	040	19	710.1.046.1B	035	12
590.1.103.1A	016	13	612.4.018.1A	028	9	669.1.001.1E	014	18	700.1.036.1A	012	24	710.1.057.1B	035	9
590.1.124.1A	016	12	613.4.021.1A	037	38	669.1.001.1E	015	12	700.1.043.1A	024	7	710.1.068.1A	025	33

INDEX

CODE No.	Drwg.	POS. N.	CODE No.	Drwg.	POS. N.	CODE No.	Drwg.	POS. N.	CODE No.	Drwg.	POS. N.	CODE No.	Drwg.	POS. N.
710.1.069.1A	010	21	713.1.365.1A	011	23	8000.59056	020	14	741.4.002.1A	007	11	747.5.010.1A	020	9
710.1.070.1A	010	30	714.1.028.1A	038	3	8000.59056	037	4	741.4.002.1A	030	12	748.1.013.1A	004	7
711.1.072.1A	025	15	714.1.045.1A	038	9	8000.66774	025	36	741.4.002.1A	033	15	748.1.014.1C	038	12
711.1.084.1A	030	21	715.1.004.1A	035	8	8000.67981	037	8	741.4.004.1A	041	10	748.1.023.1B	034	1
711.1.093.2A	007	8	716.1.022.1B	023	6	8000.69069	036	2	741.4.004.1A	042	13	748.1.024.1A	017	4
711.1.095.1A	010	32	716.1.022.1B	032	10	8000.70127	026	12	741.4.013.1B	019	24	748.1.036.1A	033	3
711.1.128.1A	010	38	716.1.022.1B	033	9	8000.70139	001b	2	741.4.013.1B	048	16	748.1.040.1A	002	23
712.1.013.3A	041	5	716.1.022.1B	039	11	8000.70178	025	13	741.4.025.1A	030	8	748.1.050.1A	010	8
712.1.021.1A	006	6	716.1.038.1B	030	4	8000.77921	041	20	741.4.038.1A	031	23	748.4.002.1A	019	16
713.1.014.1E	003	11	716.1.038.1B	040	7	73500.0624	037	3	741.4.040.1A	016	11	748.4.024.1AB	018	1
713.1.097.1B	038	24	716.1.043.1B	048	5	73500.0827	020	17	741.4.041.1A	016	14	748.4.024.1AB	038	20
713.1.098.1A	038	14	716.1.053.1B	032	11	73500.0827	021	4	741.4.043.1A	037	17	748.4.034.1B	034	14
713.1.126.1A	043	11	716.1.073.2A	008	13	73500.1440	012	11	741.4.055.1A	030	22	748.4.038.1A	024	4
713.1.127.1A	043	13	716.1.099.1A	008	17	73500.1542	002	15	741.4.057.1A	048	1	748.4.100.1AB	031	22
713.1.128.1B	011	12	716.1.107.1B	024	3	73500.2668	042	26	741.4.058.1A	048	20	748.4.100.1AB	032	3
713.1.129.1A	040	13	72094.1616	010	10	73503.3380	010	18	741.4.059.1A	048	21	749.4.002.1A	025	28
713.1.130.1A	045	5	72121.2106	006	4	73503.3380	011	5	741.4.062.1A	023	2	749.4.031.1A	037	23
713.1.140.1A	010	14	72237.0657	046	3	73503.3449	042	5	741.4.062.1A	047	22	749.4.031.1A	039	12
713.1.157.1A	003	13	72237.0974	042	17	736.4.013.1B	044	23	741.4.063.1A	048	19	749.4.031.1A	041	27
713.1.214.1A	047	3	72237.0974	046	5	737.4.021.1A	008	19	741.4.067.1A	013a	8	749.4.031.1A	048	6
713.1.237.1A	004	15	732.1.017.1A	040	27	741.1.003.3A	017	6	74172.1008	006	10	749.4.032.1A	022	9
713.1.241.1A	005	18	732.2.006.2A	039	3	741.1.012.1A	019	22	74172.1008	013	8	749.4.032.1A	035	20
713.1.266.1A	003	15	73270.8001	017	16	741.1.012.1A	039	31	74223.1045	033	12	749.5.001.1B	039	10
713.1.304.1A	029	8	734005N01	024	2	741.1.013.1A	019	3	74224.0570	006	7	749.5.006.1A	020	5
713.1.304.1A	036	4	8000.56391	041	13	741.1.013.1A	031	13	747.1.006.1B	035	24	749.5.006.1A	041	18
713.1.309.1A	004	13	8000.56443	033	24	741.1.013.1A	048	3	747.5.001.1AB	020	7	750.1.007.1A	003	30
713.1.332.1A	019	6	8000.56443	040	23	741.4.001.1A	030	7	747.5.007.1A	025	1	750.1.012.2A	006	3

INDEX

CODE No.	Drwg.	POS. N.	CODE No.	Drwg.	POS. N.	CODE No.	Drwg.	POS. N.	CODE No.	Drwg.	POS. N.	CODE No.	Drwg.	POS. N.
750.1.041.1B	035	15	764.1.090.1A	033	10	771.5.040.8B	041	14	771.5.071.8B	011a	22	771.5.727.8B	025	7
750.1.042.1B	041	17	764.1.090.1A	039	14	771.5.041.8B	022	15	771.5.071.8B	012	23	771.5.754.8B	018	8
750.1.113.1A	006	13	764.4.003.1A	023	4	771.5.041.8B	047	24	771.5.071.8B	014	9	771.5.754.8B	037	14
750.1.121.1A	012	3	764.4.005.1A	031	15	771.5.043.8B	022	3	771.5.071.8B	019	15	771.5.937.8B	035	7
750.5.001.1B	032	8	76400.0004	010	3	771.5.043.8B	031	21	771.5.072.8B	005	7	771.5.938.8B	035	5
75191.3380	010	25	76402.0002	003	17	771.5.043.8B	039	28	771.5.072.8B	008	2	772.1.001.1A	018	7
75794.1542	010	17	765.1.001.1A	020	15	771.5.045.8B	022	7	771.5.072.8B	010	31	772.1.010.3A	008	8
758.1.031.1A	005	14	766.1.060.1A	010	6	771.5.045.8B	041	15	771.5.072.8B	011	22	772.1.047.1A	020	24
758.1.031.1A	011	21	766.4.019.1A	013	18	771.5.049.8B	044	27	771.5.072.8C	004	3	772.1.047.1A	021	17
759.1.015.1A	040	31	76835.1134	002	10	771.5.062.8B	013a	6	771.5.073.8B	011	2	772.1.047.1B	025	32
760.1.003.1B	033	11	300182	032	16	771.5.063.8B	013	14	771.5.074.8B	025	19	772.1.050.1A	033	2
760.1.015.1A	040	8	470412	016	7	771.5.065.8B	004	6	771.5.078.8B	012	12	772.1.050.1A	040	10
76266.2668	010	4	770.5.250.8B	010	15	771.5.065.8B	011a	19	771.5.080.8B	010	27	772.1.055.1A	022	6
764.1.001.1A	017	14	770.5.250.8B	011	6	771.5.065.8B	039	22	771.5.081.8B	005	3	772.1.055.1A	023	20
764.1.002.1A	014	6	770.5.619.8B	040	11	771.5.066.8B	011a	2	771.5.083.8B	005	2	772.1.055.1A	039	4
764.1.002.1A	015	18	771.1.009.1A	035	10	771.5.066.8B	012	5	771.5.123.8B	002	30	772.1.063.1A	039	1
764.1.010.1A	019	20	771.1.016.1A	035	11	771.5.067.8B	002	28	771.5.125.8C	034	9	772.5.008.1A	045	3
764.1.011.2A	037	5	771.1.019.1A	040	6	771.5.067.8B	007	14	771.5.129.8B	009	8	772.5.021.1A	032	25
764.1.019.1A	041	28	771.1.020.1A	031	5	771.5.067.8B	008	3	771.5.130.8B	035	19	772.5.023.1A	025	17
764.1.022.1A	029	6	771.1.026.3A	013	21	771.5.067.8B	011a	23	771.5.136.8B	010	24	772.5.023.1A	032	15
764.1.022.1A	036	3	771.1.032.1A	010	43	771.5.067.8B	013	10	771.5.141.8B	022	8	772.5.025.1A	028	15
764.1.029.1A	048	7	771.1.034.2A	031	3	771.5.067.8B	013a	1	771.5.431.8B	028	10	772.5.025.1A	029	3
764.1.084.1A	019	7	771.1.035.1A	020	2	771.5.067.8B	030	15	771.5.669.8B	025	38	772.5.025.1A	047	7
764.1.084.1A	022	11	771.1.035.1A	021	5	771.5.069.8B	005	5	771.5.669.8B	028	4	772.5.026.1B	026	13
764.1.084.1A	023	8	771.4.007.1A	045	8	771.5.069.8B	009	10	771.5.723.8B	037	35	772.5.029.1A	019	10
764.1.084.1A	032	23	771.5.002.1A	045	4	771.5.069.8B	011a	11	771.5.723.8B	047	4	772.5.029.1A	022	12
764.1.090.1A	023	7	771.5.040.8B	011	15	771.5.069.8B	012	22	771.5.725.8B	025	22	772.5.029.1A	033	17

INDEX

CODE No.	Drwg.	POS. N.	CODE No.	Drwg.	POS. N.	CODE No.	Drwg.	POS. N.	CODE No.	Drwg.	POS. N.	CODE No.	Drwg.	POS. N.
772.5.029.1A	037	12	775.1.038.1B	032	13	779.1.221.1B	025	20	786.1.073.1A	007	15	799.1.071.1A	020	29
772.5.029.1A	039	26	775.1.038.1B	044	19	779.1.314.1A	047	10	786.1.086.1A	007	7	799.1.072.1A	017	9
772.5.031.1B	023	5	775.1.062.2A	032	27	779.1.330.1A	038	6	787.1.011.1A	010	19	799.1.083.1B	037	30
772.5.031.1B	030	3	775.5.002.1A	045	6	779.1.335.1A	016	10	788.1.054.2A	012	4	799.1.088.1B	018	10
772.5.031.1B	033	8	777.5.002.1A	020	20	779.1.366.1AB	027	7	788.1.071.1A	013	11	799.1.089.1B	018	9
772.5.031.1B	043	10	777.5.002.1A	021	6	779.1.366.1AB	037	25	788.1.072.1A	007	12	799.1.146.1A	014	20
772.5.032.1A	019	14	777.5.049.8B	011a	7	779.1.368.2A	029	5	788.1.072.1A	030	10	799.1.146.1A	015	9
772.5.032.1A	032	20	779.1.007.2A	006	9	779.1.397.1A	027	10	788.1.074.1A	013a	3	799.1.147.1A	014	7
772.5.032.1A	041	6	779.1.026.2A	010	36	779.1.399.1A	038	7	788.1.075.1A	013	13	799.1.147.1A	015	8
772.5.032.1A	047	1	779.1.029.2A	010	39	779.1.427.1A	034	19	788.1.076.1A	011a	9	799.1.179.1A	014	13
772.5.033.1A	029	9	779.1.039.1A	002	3	779.1.446.1A	041	24	788.1.076.1AA	011a	9	799.1.179.1A	015	16
772.5.033.1A	036	5	779.1.050.1A	024	9	779.4.005.2A	018	12	788.1.076.1AB	011a	9	799.1.191.1A	004	10
772.5.034.1A	043	6	779.1.058.2A	036	10	779.4.075.1A	011	3	790.1.007.1A	017	1	799.1.211.1A	010	42
772.5.037.1A	037	18	779.1.058.2A	047	5	779.5.001.1A	020	38	791.1.012.1A	041	26	799.1.215.1A	023a	5
772.5.037.1A	039	34	779.1.083.2A	036	8	779.5.001.1A	044	5	791.1.017.2A	016	2	799.1.221.1A	014	23
772.5.038.1A	023	9	779.1.089.1B	044	17	779.5.001.1A	048	9	791.1.034.1A	041	16	799.1.221.1A	015	20
773.1.001.1A	005	19	779.1.099.1B	025	2	779.5.010.1A	035	18	791.2.036.2A	007	9	799.2.077.2A	009	14
774.5.008.1A	044	10	779.1.109.1A	006	2	779.5.011.1B	020	11	797.1.032.1A	004	1	799.5.001.2A	004	8
775.1.008.3A	040	17	779.1.110.1B	034	22	779.5.016.1B	017	12	799.1.024.1A	020	32	800.1.007.1A	007	17
775.1.008.3A	044	14	779.1.119.1B	034	3	779.5.024.1A	037	21	799.1.024.1A	021	12	800.1.008.1A	007	16
775.1.011.1B	033	23	779.1.159.1B	020	26	779.5.030.2A	013	4	799.1.025.1A	002	20	800.1.049.1A	030	6
775.1.011.1B	043	5	779.1.162.2A	009	27	780.1.007.1A	017	8	799.1.049.1A	002	1	800.1.126.1A	030	16
775.1.011.1B	044	6	779.1.170.1A	042	2	780.1.008.1A	042	7	799.1.051.2A	006	15	800.1.127.1A	030	17
775.1.017.1A	040	3	779.1.198.2A	009	23	780.1.018.1A	009	6	799.1.052.2A	016	6	800.1.128.1A	030	18
775.1.017.1A	043	2	779.1.198.2A	011a	3	780.2.047.1A	009	17	799.1.055.1A	009	7	800.1.129.1A	030	13
775.1.028.1A	047	14	779.1.203.3A	002	7	780.5.001.1A	011a	16	799.1.069.1A	018	5	802.1.009.1A	016	4
775.1.031.1B	023	13	779.1.213.1A	019	11	781.1.003.3A	036	12	799.1.070.1A	018	6	802.1.015.1A	016	5

INDEX

CODE No.	Drwg.	POS. N.	CODE No.	Drwg.	POS. N.	CODE No.	Drwg.	POS. N.	CODE No.	Drwg.	POS. N.	CODE No.	Drwg.	POS. N.
806.1.011.1AA	039	2	821.1.075.1A	022	10	827.1.166.1A	023	16	829.1.428.1A	047	21	840.1.015.1A	14/15	19
806.1.011.1AG	039	2	821.1.075.1A	033	13	827.1.192.1B	020	19	829.1.429.1B	047	20	840.1.016.1A	14/15	19
806.1.011.1AT	039	2	821.1.081.1A	039	17	827.1.221.1A	035	17	829.1.486.1B	033	5	840.1.017.1A	14/15	19
806.1.012.1A	020	27	821.1.096.2A	037	10	827.1.286.1A	032	12	829.1.487.1A	019	8	840.1.018.1A	14/15	19
806.1.013.1A	020	36	821.1.113.1A	034	23	827.1.330.1A	032	21	829.1.509.1A	041	11	840.1.019.1A	14/15	19
808.1.007.1C	035	14	821.1.129.1A	032	26	827.1.391.1A	021	14	829.1.544.1A	022	2	840.1.019.1A	14/15	19
808.1.019.1A	040	9	821.1.141.1A	014	15	827.2.134.1B	041	7	829.1.556.1A	022	5	840.1.020.1A	14/15	19
808.1.046.1A	034	24	821.1.141.1A	015	10	827.2.215.1A	032	24	829.4.001.1A	040	5	840.1.021.1A	14/15	19
814.1.065.1A	042	4	821.1.142.1B	014	21	829.1.073.3A	037	24	830.1.131.1A	041	22	840.1.022.1A	14/15	19
814.1.066.1A	042	29	821.1.142.1B	015	19	829.1.077.2B	042	11	830.1.144.1A	011	14	840.1.023.1A	14/15	19
814.1.111.2B	048	15	821.1.170.1A	020	18	829.1.104.1A	042	18	830.1.260.1A	047	13	840.1.024.1A	14/15	19
814.1.114.1A	001d	8	821.1.257.1A	012	8	829.1.127.1A	031	19	830.1.290.1B	031	4	840.1.025.1A	14/15	19
814.1.123.1A	030	14	824.1.039.1A	020	1	829.1.129.1A	033	4	830.1.299.1A	029	7	840.1.026.1A	14/15	19
814.1.124.1A	007	13	824.1.040.1B	021	1	829.1.136.1A	039	35	832.1.032.1A	025	37	840.1.027.1A	14/15	19
814.1.157.1A	030	11	824.1.041.1C	020	30	829.1.167.2AB	022	4	840.1.001.1A	14/15	19	840.1.028.1A	14/15	19
815.1.022.1A	010	35	824.1.042.1C	021	15	829.1.168.1AB	022	1	840.1.002.1A	14/15	19	840.1.029.1A	14/15	19
815.1.028.1A	009	21	825.1.034.1A	037	31	829.1.169.1AB	019	5	840.1.003.1A	14/15	19	840.1.030.1A	14/15	19
818.1.016.1A	004	20	826.1.009.1A	002	33	829.1.170.1AB	019	4	840.1.004.1A	14/15	19	840.1.031.1A	14/15	19
819.1.017.1C	038	8	826.1.012.1A	010	11	829.1.172.2B	032	22	840.1.005.1A	14/15	19	840.1.032.1A	14/15	19
819.1.039.1A	034	2	827.1.012.1B	044	15	829.1.184.1A	037	1	840.1.006.1A	14/15	19	840.1.033.1A	14/15	19
821.1.001.1A	002	26	827.1.045.1A	020	34	829.1.190.1A	023	12	840.1.007.1A	14/15	19	840.1.034.1A	14/15	19
821.1.009.1B	038	19	827.1.045.1A	021	10	829.1.204.1A	022	13	840.1.008.1A	14/15	19	840.1.041.1B	14/15	17
821.1.028.1D	041	8	827.1.061.1B	040	4	829.1.205.1B	045	2	840.1.009.1A	14/15	19	840.1.042.1B	14/15	17
821.1.052.1A	037	7	827.1.121.1A	019	13	829.1.206.1B	045	1	840.1.010.1A	14/15	19	840.1.043.1B	14/15	17
821.1.054.1A	023	3	827.1.122.2A	025	11	829.1.207.1A	048	4	840.1.012.1A	14/15	19	840.1.044.1B	14/15	17
821.1.070.1A	002	17	827.1.139.2B	018	11	829.1.208.2A	028	14	840.1.014.1A	14/15	19	840.1.045.1B	14/15	17
821.1.073.1A	025	10	827.1.157.1A	048	8	829.1.332.1A	045	10	840.1.015.1A	14/15	19	840.1.046.1B	14/15	17

INDEX

CODE No.	Drwg.	POS. N.	CODE No.	Drwg.	POS. N.	CODE No.	Drwg.	POS. N.	CODE No.	Drwg.	POS. N.	CODE No.	Drwg.	POS. N.
840.1.047.1B	14/15	17	850.4.016.1A	040	14	852.1.104.1L	006	11	852.5.005.1A	009	18	856.1.001.1A	003	6
840.1.048.1B	14/15	17	850.4.031.1A	042	9	852.1.104.1M	006	11	852.5.023.1A	010	40	856.1.031.1A	003	16
840.1.049.1B	14/15	17	850.4.047.1A	024	8	852.1.104.1N	006	11	852.5.023.1A	011a	15	856.1.040.1A	040	30
840.1.050.1B	14/15	17	850.4.082.1A	024	10	852.1.104.2C	006	11	852.5.023.1A	013	20	856.1.040.1A	044	16
840.1.051.1B	14/15	17	850.4.082.1A	030	20	852.1.104.2D	006	11	852.5.024.1A	002	5	856.1.062.2A	008	16
840.1.052.1B	14/15	17	850.4.082.1A	039	13	852.1.104.2E	006	11	852.5.024.1A	011a	17	856.1.064.2A	010	7
840.1.053.1B	14/15	17	850.4.082.1A	043	3	852.1.104.2F	006	11	852.5.024.1A	017	2	856.1.071.1A	012	9
840.1.054.1B	14/15	17	850.4.082.1A	044	8	852.1.104.2G	006	11	852.5.024.1A	027	8	856.1.074.2A	013	17
840.1.055.1B	14/15	17	851.1.004.1A	003	29	852.1.104.2I	006	11	852.5.024.1A	036	11	856.1.075.1A	012	17
840.1.056.1B	14/15	17	851.1.013.1A	008	11	852.1.104.2J	006	11	852.5.024.1A	037	26	860.1.004.1A	010	23
840.1.057.1B	14/15	17	851.4.003.1A	006	12	852.1.114.1A	011	10	852.5.024.1A	041	21	860.1.004.1A	011a	18
840.1.058.1B	14/15	17	852.1.001.1B	034	12	852.1.120.1A	009	3	852.5.024.1A	042	6	861.5.003.1A	020	28
840.1.059.1B	14/15	17	852.1.002.1B	034	12	852.1.120.1A	011a	20	852.5.024.1A	047	6	863.1.002.1A	012	14
840.2.001.1A	014	19	852.1.003.1B	034	12	852.1.172.1A	002	29	852.5.025.1A	013a	5	866.1.029.1A	041	19
840.2.001.1A	015	11	852.1.005.1A	002	14	852.1.172.1A	011	7	852.5.025.1A	048	14	866.1.030.1A	040	15
840.2.002.1B	014	17	852.1.008.1A	005	10	852.1.173.1A	013	2	852.5.026.1A	010	37	866.1.031.1A	032	14
840.2.002.1B	015	13	852.1.053.1A	020	13	852.1.174.1A	002	31	852.5.028.1A	022	17	866.1.034.1A	019	19
841.1.001.1C	044	4	852.1.053.2A	002	2	852.1.176.1A	005	16	852.5.028.1A	033	25	866.1.045.1A	047	19
841.1.046.1A	004	2	852.1.054.1B	037	2	852.1.176.1A	011	20	852.5.028.1A	047	23	866.1.061.1A	017	10
847.4.002.1A	020	33	852.1.075.1B	044	22	852.1.176.1A	014	22	852.5.030.1A	025	21	872.1.019.1A	034	6
847.4.002.1A	021	11	852.1.094.1A	002	19	852.1.191.1A	019	9	852.5.030.1A	040	12	872.1.022.1A	040	2
847.4.006.1A	010	41	852.1.098.1A	042	3	852.1.191.1A	032	9	852.5.030.1A	041	4	872.1.026.1A	019	12
848.4.026.1A	035	23	852.1.103.1A	025	4	852.1.191.1A	033	14	852.5.031.1A	039	19	872.1.027.1A	019	17
848.4.027.1A	035	22	852.1.104.1A	006	11	852.1.195.1A	005	20	853.1.002.1A	009	9	872.1.031.1A	034	18
848.5.001.1A	020	6	852.1.104.1B	006	11	852.1.195.1A	009	28	853.1.003.1A	011a	21	872.1.048.1A	025	39
848.5.002.1A	020	10	852.1.104.1H	006	11	852.5.001.1A	039	9	853.1.004.1A	009	11	872.4.023.1A	045	9
850.1.003.1A	044	21	852.1.104.1K	006	11	852.5.002.1B	044	2	853.1.004.1A	012	2	873.1.037.1A	009	2

INDEX

CODE No.	Drwg.	POS. N.	CODE No.	Drwg.	POS. N.	CODE No.	Drwg.	POS. N.	CODE No.	Drwg.	POS. N.	CODE No.	Drwg.	POS. N.
875.1.038.2A	035	16	886.4.022.1A	042	19	88713.1215	001a	11	88765.1297	001	9	93823.3156	010	34
875.1.054.1A	036	7	886.4.033.1A	011a	10	88713.1344	001b	3	88765.1298	001	18	93827.0114	005	12
875.1.055.1A	036	6	886.4.035.1A	011a	5	88713.1429	001a	12	88765.1371	001c	3	93827.0114	009	22
875.1.065.1A	001d	3	886.4.037.1A	009	4	88713.1515	001b	5	88765.1374	001c	4	93827.0114	010	28
875.1.111.1A	036	9	886.4.043.1A	004	18	88713.1749	001a	1	88765.1397	001	13	94247.0014	010	5
876.1.083.1A	033	16	886.4.060.1A	013	15	88713.1904	001a	10	893.1.003.1A	029	2	94247.0014	011	17
876.1.084.1A	033	19	886.5.001.1A	042	15	88713.1994	001a	2	893.2.013.1A	005	15	966.1.890.4B	045	11
877.1.050.1A	037	16	886.5.004.1A	016	3	88713.2011	001	17	893.4.005.1A	037	19	967.2.200.1AA	046	2
877.2.004.2A	033	7	886.5.011.1A	042	27	88713.2036	001	19	893.4.007.1A	028	13	967.2.200.1AG	046	2
881.1.012.1A	002	32	88700.5644	001a	8	88713.2092	001a	5	893.4.008.1A	027	6	967.2.200.1AT	046	2
881.1.031.2A	022	16	88700.5665	001a	4	88713.2103	001	3	894.2.009.1A	009	19	97900.0002	001c	2
881.1.034.1A	012	18	88700.5749	001	20	88713.2257	001a	14	895.4.001.2A	041	2	97900.0003	001d	23
881.1.043.1A	014	8	88713.0123	001	5	88713.2295	001	1	8A00.67610	030	5	97900.0211	001c	7
882.1.003.1A	008	14	88713.0137	001	11	88713.2422	001a	3	8BB06.1070	045	7	97900.0215	001c	1
882.1.006.1A	002	16	88713.0874	001	6	88713.2423	001a	7	913.7.092.1S	040	24	97900.0216	001c	5
882.1.012.1A	012	15	88713.0875	001	8	88713.2442	001a	6	930.1.004.1A	025	5	97900.0217	001c	15
884.1.005.1A	026	20	88713.0879	001	7	88713.2544	001a	9	930.1.005.1A	026	21	97900.0218	001d	18
884.4.007.1A	034	7	88713.0957	001b	10	88713.2545	001a	13	930.4.022.1A	010	13	97900.0219	001c	10
884.4.042.1A	009	24	88713.0958	001b	11	88713.2651	001a	15	930.4.023.1A	003	14	97900.0220	001d	21
884.5.008.1A	038	11	88713.1010	001b	7	88713.2676	001	2	930.4.091.1A	005	9	97900.0221	001d	22
884.5.011.1A	011	8	88713.1058	001b	9	88765.0999	001	16	930.5.005.1A	011	18	97900.0222	001c	9
884.5.034.1A	002	22	88713.1062	001b	1	88765.1000	001	15	930.5.006.2B	011	19	97900.0223	001c	11
884.5.034.1A	008	6	88713.1072	001b	6	88765.1005	001	15	930.5.007.1A	013	7	97900.0224	001c	6
884.5.035.1A	005	11	88713.1078	001	12	88765.1006	001	15	93781.1824	035	2	97900.0225	001c	8
884.5.036.1A	009	25	88713.1079	001	14	88765.1086	001	22	93783.1524	011a	4	97900.0226	001c	12
884.5.036.1A	012	7	88713.1091	001	21	88765.1126C	001d	24	93785.1830	010	16	97900.0227	001d	7
886.4.021.1A	042	16	88713.1096	001b	8	88765.1126T	001d	16	93823.2018	004	17	97900.0228	001d	12

INDEX

CODE No.	Drwg.	POS. N.	CODE No.	Drwg.	POS. N.	CODE No.	Drwg.	POS. N.	CODE No.	Drwg.	POS. N.	CODE No.	Drwg.	POS. N.
97900.0229	001c	13												
97900.0230	001d	20												
97900.0231	001d	17												
97900.0232	001c	16												
97900.0234	001c	14												
98112.0002	001	4												