





***Spare parts catalogue SPORT TOURING 3 U.S.A.***

***DUCATIST***





<b>DUCATI</b> MOTORHOLDING 	<b>DUCATIST3</b>	<b>M.Y. '05</b>	<b>U.S.A.</b>
<i>Spare Parts Department</i>	<i>P.N. 91512022B</i>	<i>Febbraio - February '05</i>	<i>Edizione - Edition 01</i>
<b>DUCATI</b> MOTORHOLDING 	<b>DUCATIST3</b>	<b>M.Y. '05</b>	<b>U.S.A.</b>
<i>Spare Parts Department</i>	<i>P.N. 91512022B</i>	<i>Febbraio - February '05</i>	<i>Edizione - Edition 01</i>
<b>DUCATI</b> MOTORHOLDING 	<b>DUCATIST3</b>	<b>M.Y. '05</b>	<b>U.S.A.</b>
<i>Spare Parts Department</i>	<i>P.N. 91512022B</i>	<i>Febbraio - February '05</i>	<i>Edizione - Edition 01</i>
<b>DUCATI</b> MOTORHOLDING 	<b>DUCATIST3</b>	<b>M.Y. '05</b>	<b>U.S.A.</b>
<i>Spare Parts Department</i>	<i>P.N. 91512022B</i>	<i>Febbraio - February '05</i>	<i>Edizione - Edition 01</i>



## GENERAL INFORMATION

The present spare parts order exactly the right spare parts

When ordering specify:

1) the part's code number followed by its description; quantity needed;

2) the motorcycle's serial number, stamped on the steering head.

Reference to right and left apply to the vehicle in terms of its direction of movement.

Spare parts drawings are general and do not represent the part.

The contents of this catalogue are general and can undergo changes without prior notice.

## VALIDITY

f.m. Until V.I.N.  
d.m. From V.I.N.  
f.m.m. Up to engine number  
d.m.m. From engine number

## LIST

CAL California  
CND Canada

*Ducati Motor Holding S.p.A.  
Commercial and Administration Office:  
Via A. Cavalieri Ducati n. 3  
40132 Bologna, Italy  
Telefono 051 6413111  
Fax 051 406580  
Internet [www.ducati.com](http://www.ducati.com)*

CATALOGUE No: 915.1.202.2B  
ISSUED: 02 - 05

CATALOGUE No: 915.1.202.2B  
ISSUED: 02 - 05

## PAINTS

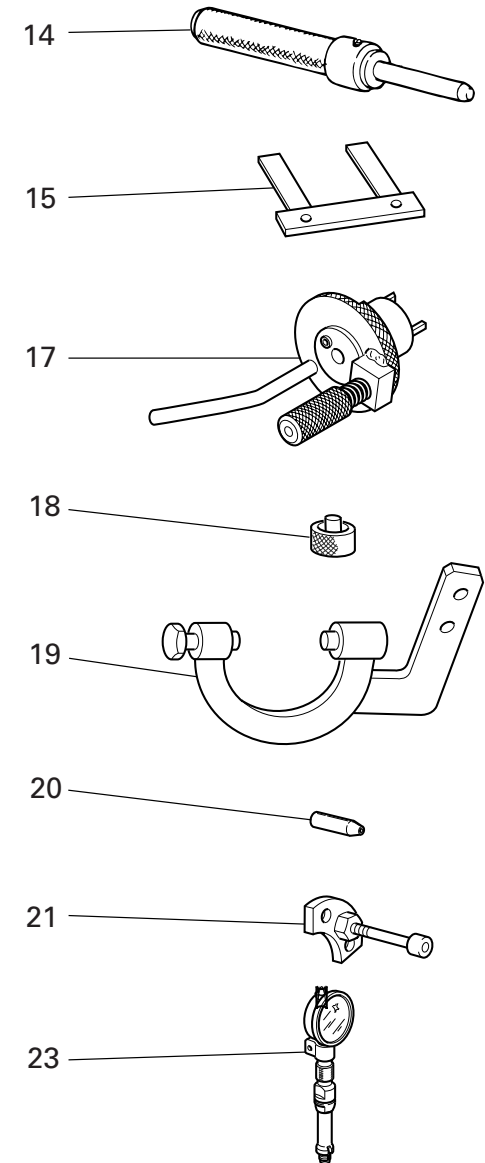
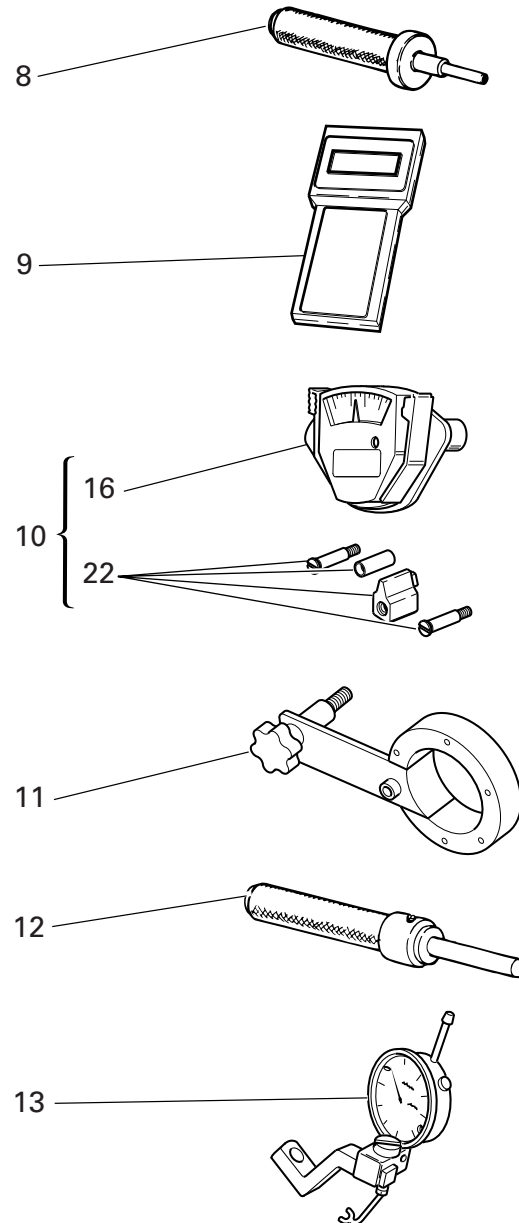
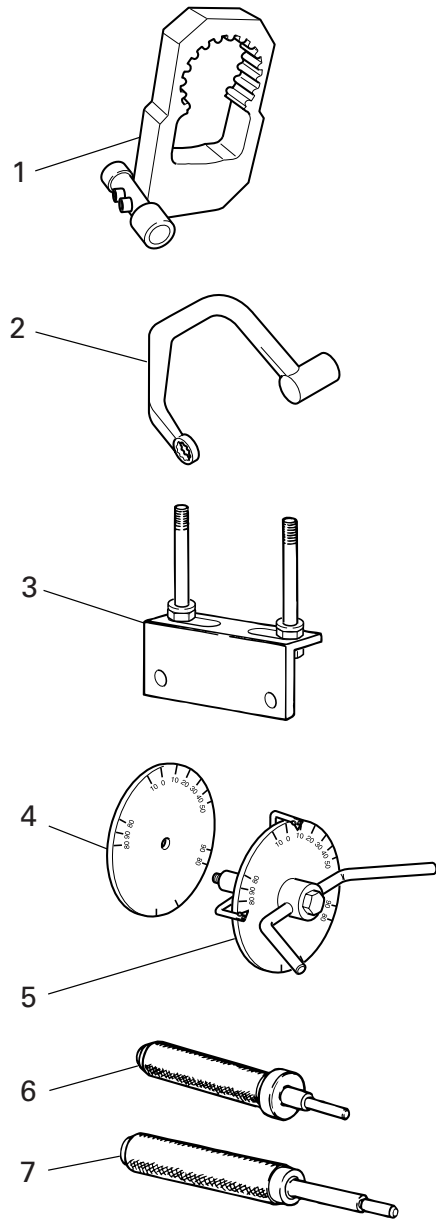


Paint	Code
"Rosso Anniversary DUCATI"	(PPG) F_473.101
"Nero Lucido DUCATI"	(PPG) 248.514
"Grigio Chiaro Metallizzato"	(PPG) *0026
"Trasparente"	(PPG) 228.880

page	CONTENTS
4	001 WORKSHOP SPECIAL TOOLS
6	001a WORKSHOP SPECIAL TOOLS
8	001b WORKSHOP SPECIAL TOOLS
10	001c WORKSHOP SPECIAL TOOLS
12	001d DIAGNOSIS TESTER MATHESIS
14	002 GEARCHANGE
16	003 GEAR-BOX
18	004 CLUTCH
20	005 CLUTCH COVER
22	006 CRANKSHAFT
24	007 CYLINDERS - PISTONS
26	008 TIMING
28	009 FILTERS AND OIL PUMP
30	010 HALF CRANKCASES
32	011 WATER PUMP - ALTERNATOR COVER
34	011a WATER PUMP - ALTERNATOR COVER
36	012 ELECTRIC STARTER AND IGNITION
38	013 HEAD : TIMING
40	013a COLLECTORS AND HEAD COVERS
42	014 VERTICAL HEAD
44	015 HORIZONTAL HEAD
46	016 THROTTLE BODY
48	017 EXHAUST SYSTEM
50	018 STANDS
52	019 FRAME
54	020 L.H. FOOT RESTS
56	021 R.H. FOOT RESTS
58	022 HEADLIGHT HOLDER
60	023 HEAD-LIGHT AND ELECTRIC WIRING
62	023a FRONT HEAD-LIGHT
64	024 INSTRUMENT PANEL
66	025 HALF HANDLEBARS AND CONTROLS
68	026 FRONT FORK
70	027 CLUTCH CONTROL
72	028 FRONT HYDRAULIC BRAKE
74	029 WATER RADIATOR ASSY
76	030 COOLING CIRCUIT
78	031 ELECTRIC SYSTEM
80	032 BATTERY BOX MOUNT
82	033 AIR INDUCTIO AND OIL VENT
84	034 SWINGARM AND CHAIN
86	035 REAR SUSPENSION
88	036 OIL COOLER
90	037 REAR HYDRAULIC BRAKE
92	038 FRONT AND REAR WHEELS
94	039 NUMBER PLATE HOLDER
96	040 SEAT
98	041 FUEL TANK
100	042 FUEL SYSTEM
102	043 HEADLIGHT FAIRING
104	044 FAIRING
106	045 PANNIERS FASTENS
108	046 SIDE PANNIERS
110	047 FUEL INFEED
112	048 MARKING PLATES

DRAWING 001

WORKSHOP SPECIAL TOOLS




DRAWING 001

WORKSHOP SPECIAL TOOLS

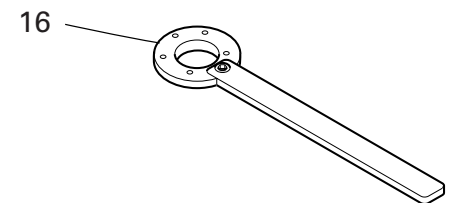
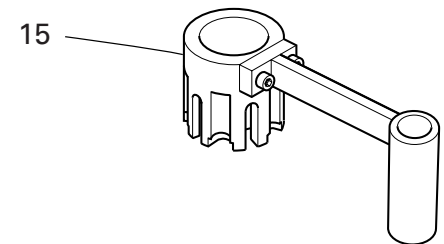
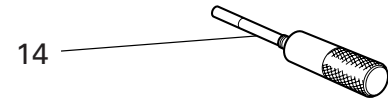
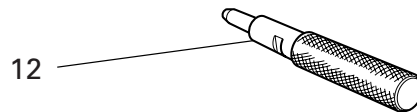
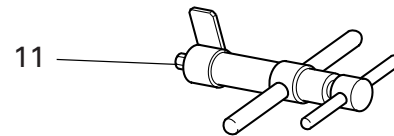
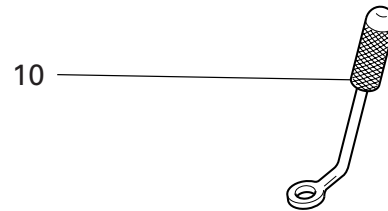
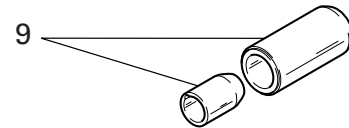
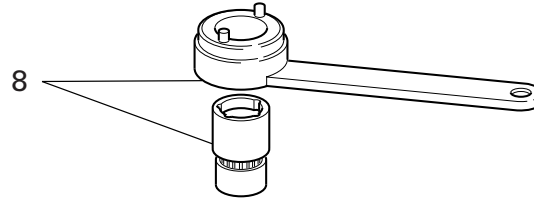
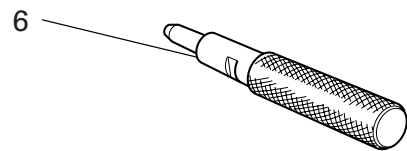
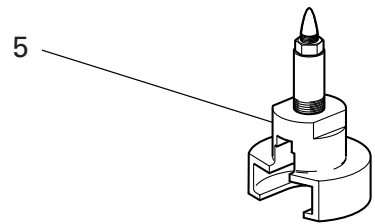
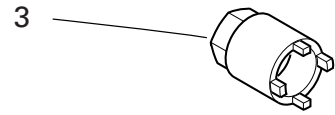
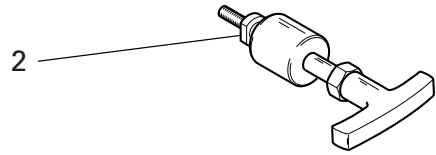
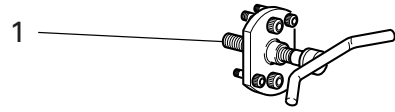
NOTES NO.	CODE NO.	DESCRIPTION	VALIDITY	Q.TY 
1	88713.2295	Timing belt roller reaction tool		1
2	88713.2676	Head nuts holder wrench		1
3	88713.2103	Head mounting base		1
4	98112.0002	Degree wheel		1
5	88713.0123	Degree wheel holder tool for ignition advance check		1
6	88713.0874	Exhaust valve guide punch tool		1
7	88713.0879	Punch tool to extract valve guide		1
8	88713.0875	Intake valve guide punch tool		1
9	88765.1375AF	Check instrument		1
GB	9 88765.1375BF	Check instrument		1
D	9 88765.1375CF	Check instrument		1
F	9 88765.1375DF	Check instrument		1
E	9 88765.1375EF	Check instrument		1
10	051.2.001.1A	Torque wrench for timing belt		1
11	88713.0137	Crankshaft gear holder wrench for tightening nut		1
12	88713.1078	Punch tool for driving exhaust valve seat		1
13	88765.1397	Valve lift gauge		1
14	88713.1079	Punch tool for driving intake valve seat		1
15	88765.1000	Fork feeler gauge 0.1 mm		1
15	88765.1005	Fork feeler gauge 0,2 mm		1
15	88765.1006	Fork feeler gauge 0.3 mm		1
16	88765.0999	Timing belt control gauge		1
17	88713.2011	Tool to hold crankshaft in TDC position		1
18	88765.1298	Spacer for checking lower valve shim		1
19	88713.2036	Flywheel Wrench		1
20	88700.5749	Crankcases assembling cap		1

CATALOGUE No: 915.1.202.2B  
ISSUED: 02 - 05


NOTES NO.	CODE NO.	DESCRIPTION	VALIDITY	Q.TY 
21	88713.1091	Plate for positioning gear engagement fork		1
22	88765.1086	Conversion kit for 2V belts tensioning tool		1
23	88765.1297	T.D.C. control gauge		1

CATALOGUE No: 915.1.202.2B  
ISSUED: 02 - 05

DRAWING 001a WORKSHOP SPECIAL TOOLS



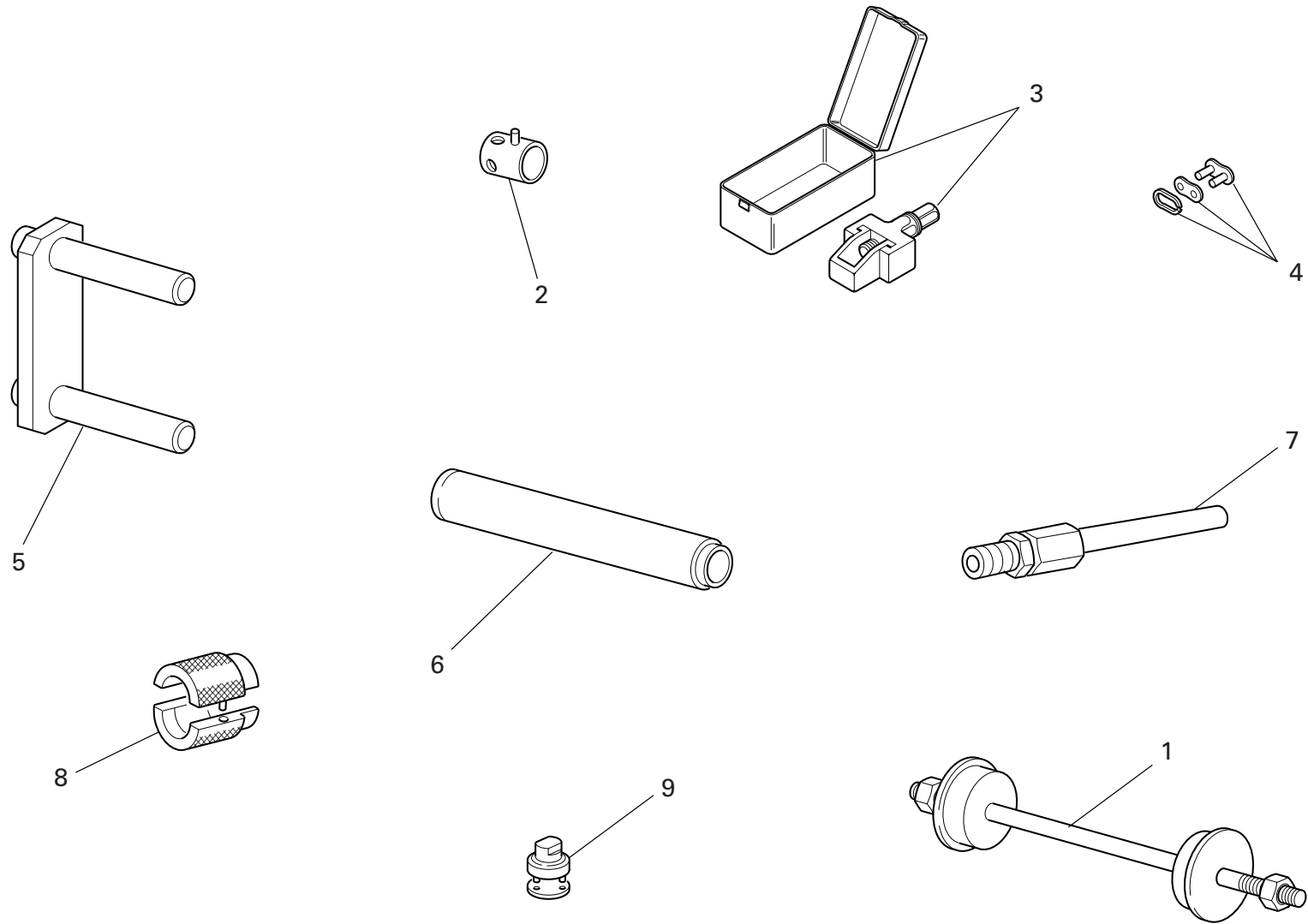
DRAWING 001a WORKSHOP SPECIAL TOOLS

NOTES NO.	CODE NO.	DESCRIPTION	VALIDITY	Q.TY 
1	88713.1749	Drive roller puller		1
2	88713.1994	Rocker shaft extractor		1
3	88713.2422	Wrench for tightening primary transmission ring nut		1
4	88700.5665	Sleeve for installing clutch bell gear		1
5	88713.2092	Extractor for primary drive gear		1
6	88713.2442	Seal ring driving tool		1
7	88713.2282	Belt roller timing of two-valva head		1
8	88700.5644	Wrench for camshaft pulley ring nut adjustment		1
9	88713.2544	Tool to fit seals on camshafts		1
10	88713.1904	Half-rings mounting punch tool		1
11	88713.1215	Torque wrench for timing belt		1
12	88713.1429	Tool to drive valve seal ring ø7		1
13	88713.2545	Tool to install rocker arm shaft clip		1
14	88713.2257	Cam axis locking tool		1
15	88713.2651	Reaction tool for wet "FCC" clutch		1
16	88713.2423	Torque wrench		1

NOTES NO.	CODE NO.	DESCRIPTION	VALIDITY	Q.TY 
-----------	----------	-------------	----------	--

DRAWING 001b

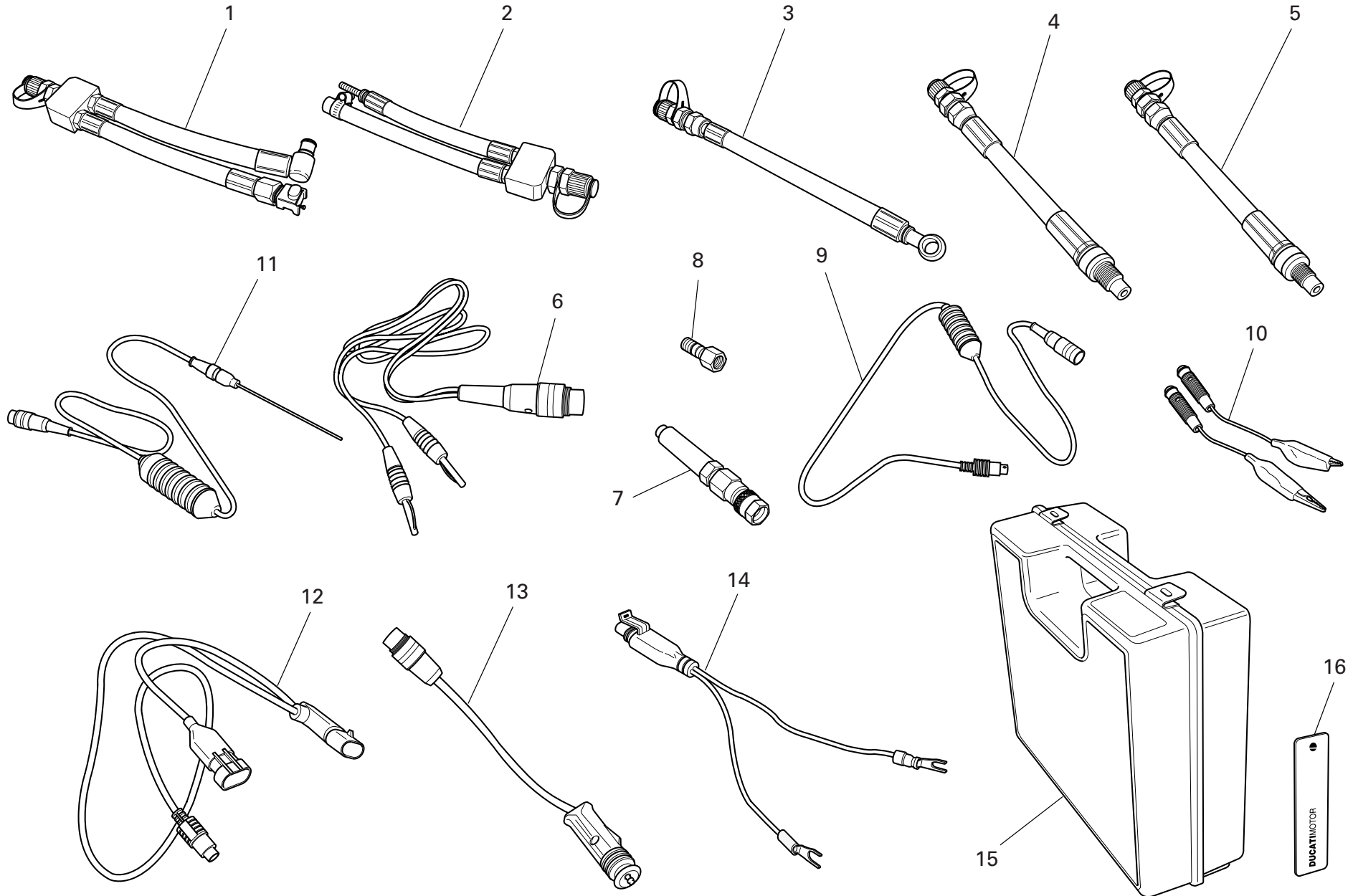
WORKSHOP SPECIAL TOOLS




DRAWING 001b WORKSHOP SPECIAL TOOLS

NOTES NO.	CODE NO.	DESCRIPTION	VALIDITY	Q.TY 	NOTES NO.	CODE NO.	DESCRIPTION	VALIDITY	Q.TY 
1	88713.1062	Tool for assembling the steering head bearings		1					
2	8000.70139	Wrench for front wheel spindle		1					
3	88713.1344	Tool for assembling chain		1					
4	677.4.003.1A	Coupling		1					
5	88713.1515	Frame/engine mount		1					
6	88713.1072	Stopper for driving the half bearing of the steering head base		1					
7	88713.1010	Union for exhaust gas suction		1					
8	88713.1096	Tool for overhauling SHOWA forks - assembling seal ring		1					
9	88713.1058	Wrench for assembling the steering head cap		1					

DRAWING 001c WORKSHOP SPECIAL TOOLS

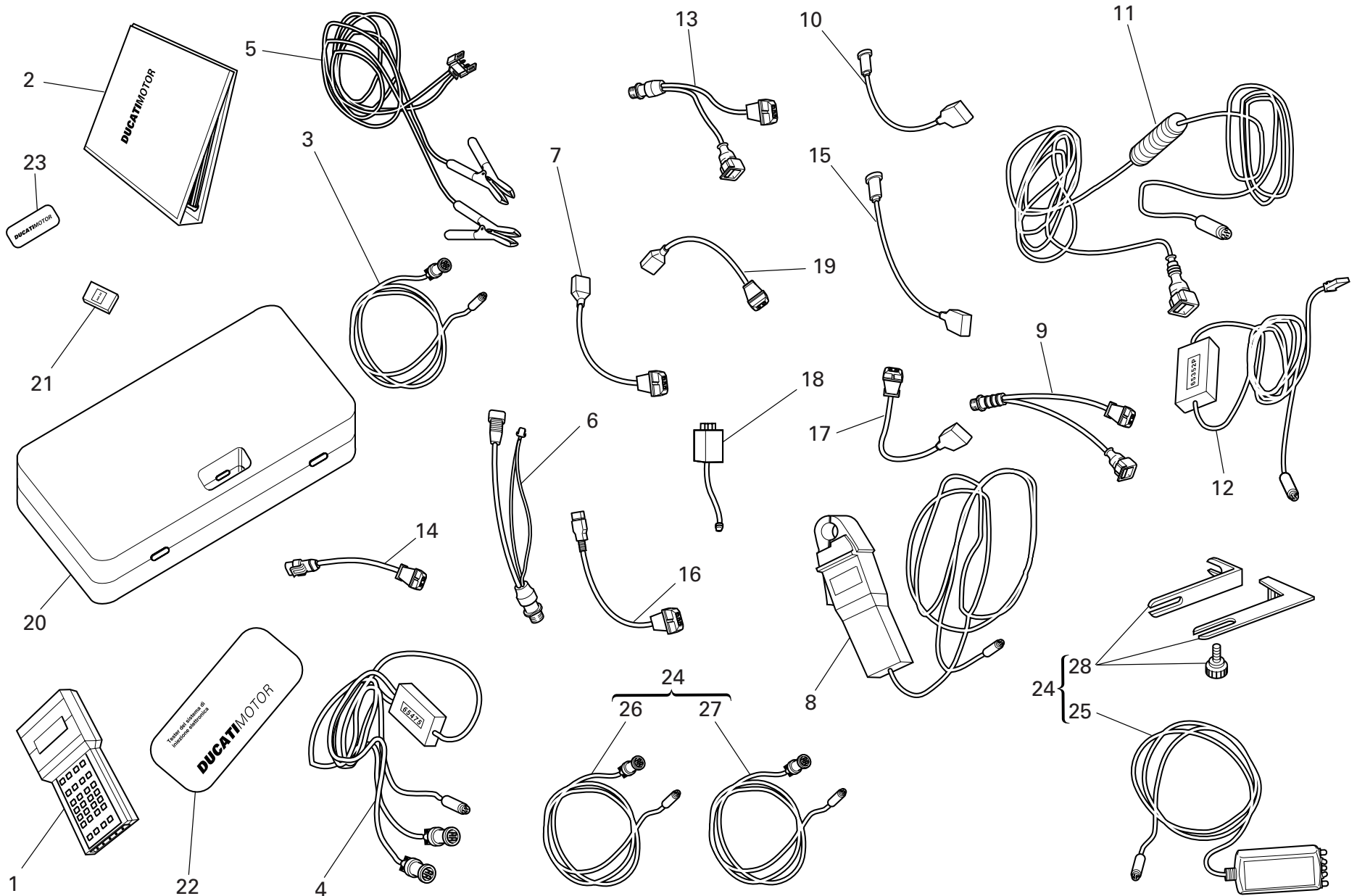


DRAWING 001c WORKSHOP SPECIAL TOOLS

NOTES NO.	CODE NO.	DESCRIPTION	VALIDITY	Q.TY 
0	88765.1241	Check instrument		1
GB 0	88765.1242	Check instrument		1
D 0	88765.1243	Check instrument		1
F 0	88765.1244	Check instrument		1
E 0	88765.1245	Check instrument		1
1	590.1.189.1A	Fuel pressure line HS.		1
2	590.1.190.1A	Fuel pressure line ST/SS/M.		1
3	875.1.065.1A	Oil pressure line		1
4	552.1.037.1A	Fitting - cylinder compression M12		1
5	552.1.038.1A	Fitting - cylinder compression M10		1
6	514.1.037.1A	Cable Volt PF DUC 21		1
7	552.1.039.1A	Pressure sensor		1
8	814.1.114.1A	Oil pressure fitting		1
9	514.1.032.1A	Cable for supplementary tests		1
10	514.1.035.1A	Red clamp cable		1
10	514.1.036.1A	Black clamp cable		1
11	552.1.040.1A	Temperature probe		1
12	514.1.034.1A	Main cable PF A621		1
13	514.1.033.1A	Electric lighter connection adapter (ST)		1
14	514.1.038.1A	Battery connection adapter		1
15	698.1.033.1A	Red case with sponge rubber		1
16	88765.1126T	DUCATI sticker RH/LH side		2


NOTES NO.	CODE NO.	DESCRIPTION	VALIDITY	Q.TY 
-----------	----------	-------------	----------	--

DRAWING 001d DIAGNOSIS TESTER MATHESIS

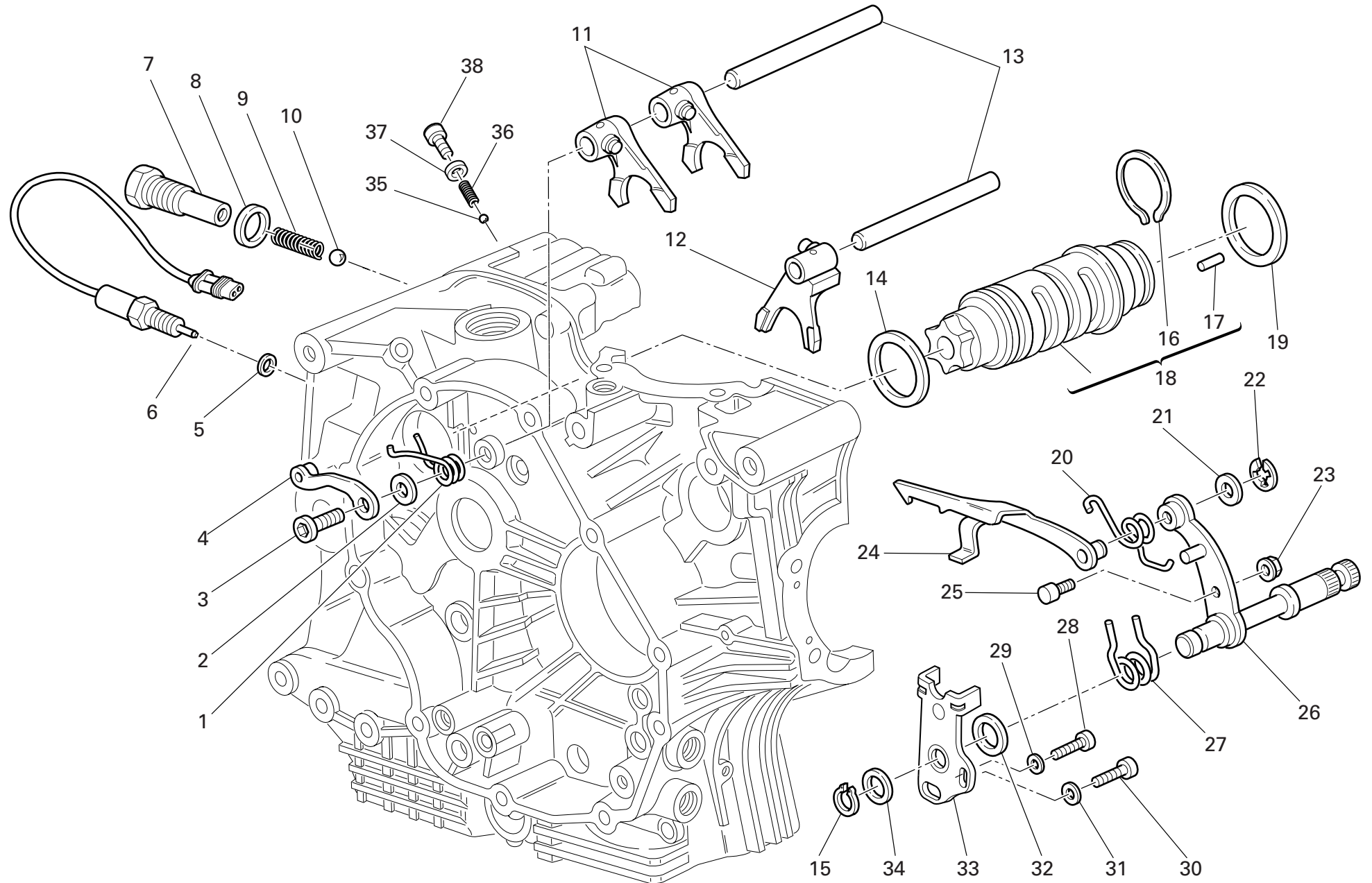


DRAWING 001d DIAGNOSIS TESTER MATHESIS

NOTES NO.	CODE NO.	DESCRIPTION	VALIDITY	Q.TY 
1	88765.1126Z	Bare Mathesis		1
2	914.7.023.1A	Italian manual		1
2	914.7.023.1B	English manual		1
2	914.7.023.1C	German manual		1
2	914.7.023.1D	Franch manual		1
2	914.7.023.1E	Spanish manual		1
3	88765.1126R	Main cable Mathesis		1
4	88765.1126A	Pickup Control cable		1
5	88765.1126Q	Battery mains cable		1
6	88765.1126	Mains cable adapter for self diagnosis		1
7	88765.1126N	Sensor for absolute pressure sampling		1
8	88765.1126V	Amperometer plier		1
9	88765.1126E	Adapter for 3 wires Pickup test cable		1
10	88765.1126P	Sensor for air temperature sampling		1
11	88765.1126C	Cable for potentiometer adjustment		1
12	88765.1126B	Test cable and speed indicator adjustment		1
13	88765.1126F	Adapter for 2 wires Pickup test cable		1
14	88765.1126D	Adapter for potentiometer adjustment		1
15	552.4.028.1A	Sensor for small throttle potentiometer sampling		1
16	88765.1126H	Sensor for throttle potentiomer sampling		1
17	88765.1126G	Sensor for air/water temperature sampling		1
18	88765.1126M	Sfety remote switch		1
19	88765.1126L	2 Wires sampling Pickup sensor		1
20	88765.1126U	Case with sponge		1
21	88765.1073	Memory card reader		1
21	88765.1074	English memory card		1

NOTES NO.	CODE NO.	DESCRIPTION	VALIDITY	Q.TY 
21	88765.1075	German memory card		1
21	88765.1076	French memory card		1
21	88765.1077	Spanish memory card		1
22	88765.1126S	DUCATI sticker for case		1
23	88765.1126T	DUCATI sticker RH/LH side		1
24	88765.1369A	Belt tensioning kit		1
GB	24	88765.1369B	Belt tensioning kit	1
D	24	88765.1369C	Belt tensioning kit	1
F	24	88765.1369D	Belt tensioning kit	1
E	24	88765.1369E	Belt tensioning kit	1
25	88765.1371	Sensor		1
26	88765.1372	Main cable		1
27	88765.1373	Cable extension		1
28	88765.1374	Bracket		1

CATALOGUE No: 915.1.202.2B  
ISSUED: 02 - 05CATALOGUE No: 915.1.202.2B  
ISSUED: 02 - 05



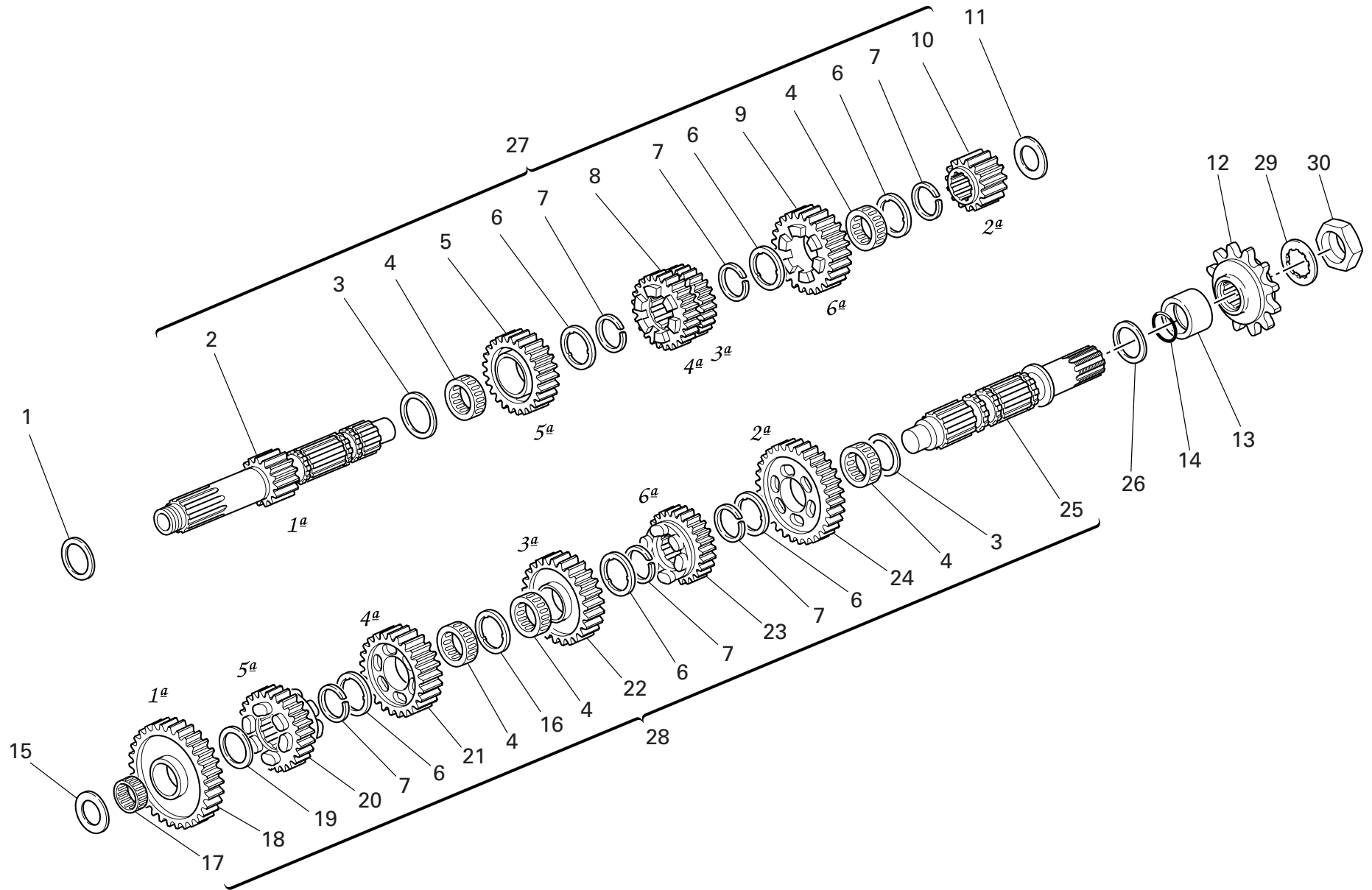
DRAWING 002 GEARCHANGE

NOTES NO.	CODE NO.	DESCRIPTION	VALIDITY	Q.TY 
1	799.1.049.1A	Return spring		1
2	852.1.053.2A	Washer		1
3	779.1.039.1A	Special screw		1
4	455.2.003.1A	Gear stopper assembly		1
5	852.5.024.1A	Gasket th.1		1
6	539.1.021.1A	Switch		1
7	779.1.203.2A	Push rod holder		1
8	0272.91.090	Gasket		1
9	0660.13.143	Gear selector spring		1
10	76835.1134	Ball		1
11	180.1.001.1A	1st,4th-2nd,3rd gear selector fork		2
12	180.1.002.1A	5th,6th gear selector fork		1
13	0660.13.070	Fork pin		2
14	852.1.005.1A	Shim th. 1		1
15	73500.1542	Circlip		1
16	882.1.006.1A	Needle retaining ring (square cross-section)		1
17	821.1.070.1A	Pin		6
18	182.2.018.1A	Complete gearbox drum		1
19	0660.13.060	Shim th. 1		1
19	852.1.094.1A	Shim th. 0.9		1
20	799.1.025.1A	Fork return spring		1
21	0400.09.050	Shim th. 0.5		1
21	0765.92.205	Shim th. 0.2		2
22	884.5.034.1A	Ring		1
23	748.1.040.1A	Nut		1
24	180.1.008.1A	Gearbox drum control fork		1
25	0660.13.165	Gearchange lever pin		1

CATALOGUE No: 915.1.202.2B  
ISSUED: 02 - 05


NOTES NO.	CODE NO.	DESCRIPTION	VALIDITY	Q.TY 
26	821.1.001.1A	Pin with gearchange lever		1
27	0799.13.110	Gearchange lever return spring		1
28	771.5.067.8B	Screw		1
29	852.1.172.1A	Washer		1
30	771.5.123.8B	Screw		1
31	852.1.174.1A	Washer		1
32	881.1.012.1A	Centering ring		1
33	826.1.009.1A	Stopper plate		1
34	0400.29.125	Shim th. 0.2		2
34	0400.29.126	Shim th. 0.5		1
35	847.4.006.1A	Ball		1
36	799.1.211.1A	Spring		1
37	852.1.199.1A	Aluminium gasket th.2		1
37	852.1.201.1A	Aluminium gasket th.1,5		1
37	852.5.025.1A	Aluminium gasket th.1		1
38	771.1.032.1A	Special screw		1

CATALOGUE No: 915.1.202.2B  
ISSUED: 02 - 05




DRAWING 003

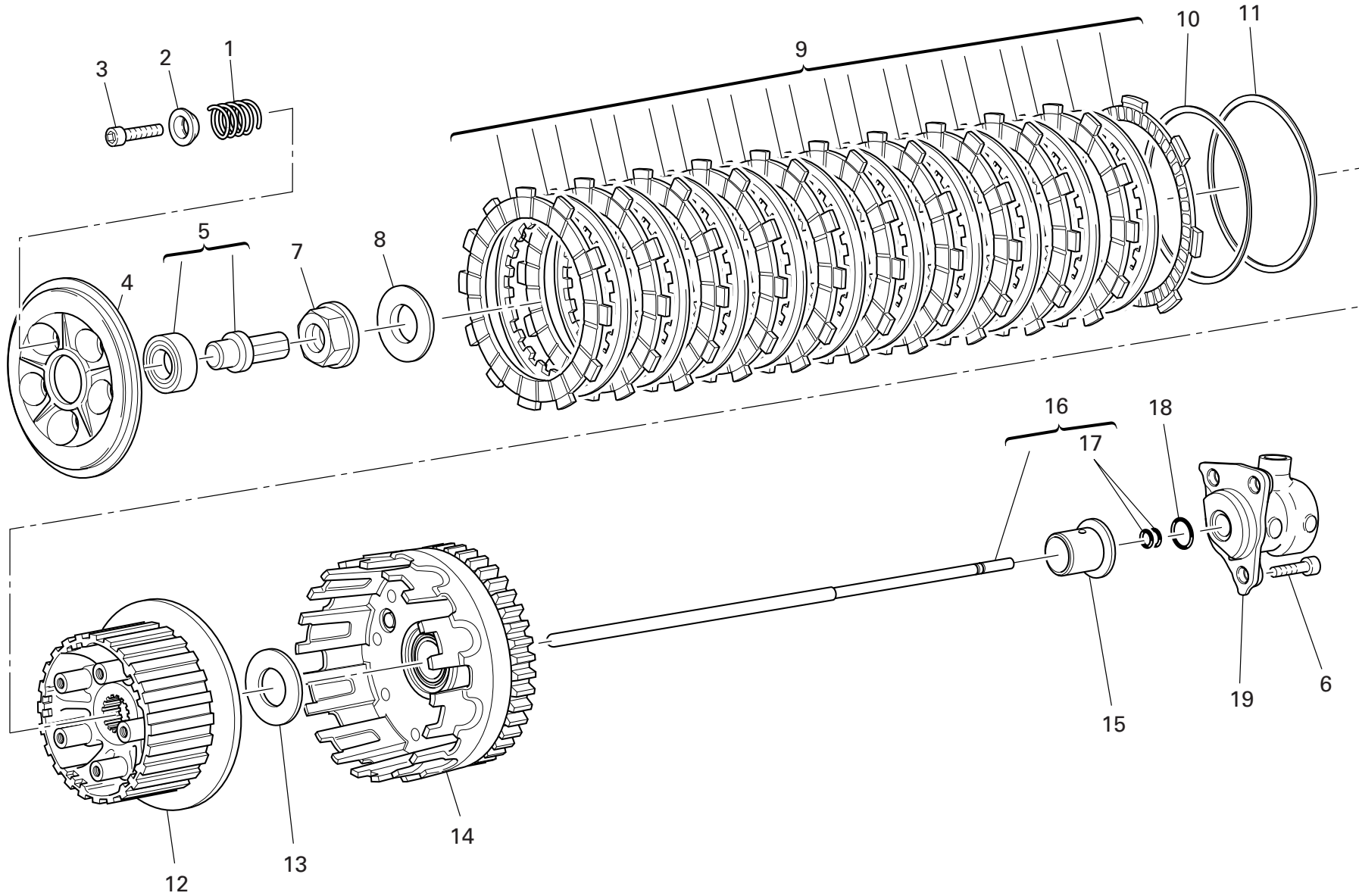
GEAR-BOX

NOTES NO.	CODE NO.	DESCRIPTION	VALIDITY	Q.TY 
1	0251.47.050	Shim th. 1		1
1	0251.47.054	Shim th. 1.2		1
1	851.1.004.1A	Lock washer		1
1	852.1.108.1AH	Shim th. 0.9		1
1	852.1.108.1AL	Shim th. 1,1		1
1	852.1.108.1AN	Shim th. 1,3		1
2	149.1.046.1A	Gearbox main shaft		1
3	0670.16.150	Shim th. 0.5		2
4	701.4.005.1A	Needle bearing		5
5	172.1.004.1A	Driving gear 5th sp.		1
6	856.1.001.1A	Grooved washer th. 0.5		6
7	0670.16.145	Snap ring		6
8	172.1.003.1A	Driving gear 3rd/4th sp.		1
9	172.1.005.1A	Driving gear 6th sp.		1
10	172.1.002.1B	Driving gear 2nd sp.		1
11	0670.16.163	Shim th. 1.8		1
11	0670.16.164	Shim th. 2		1
11	713.1.014.1A	Shim th. 1.5		1
11	713.1.014.1B	Shim th. 1.7		1
11	713.1.014.1E	Shim th. 1.6		1
11	713.1.014.1F	Shim th. 1.9		1
12	449.1.045.1A	Front sprocket w/rubber protection Z=15		1
13	713.1.204.1A	Spacer		1
14	930.4.023.1A	O-ring		1
15	0670.16.164	Shim th. 2		1
15	0670.16.165	Shim th. 2.2		1
15	0670.16.184	Shim th. 1		1


CATALOGUE No: 915.1.202.2B  
ISSUED: 02 - 05

NOTES NO.	CODE NO.	DESCRIPTION	VALIDITY	Q.TY 
15	0670.16.185	Shim th. 1.2		1
15	713.1.011.1A	Shim th. 2.3		1
15	713.1.014.1A	Shim th. 1.5		1
15	713.1.014.1E	Shim th. 1.6		3
15	713.1.266.1A	Spacer th. 3,15		1
16	856.1.031.1A	Grooved washer th. 0.5		1
17	76402.0002	Needle bearing		1
18	172.1.006.1B	Driven gear 1st sp.		1
19	0670.16.155	Shim th. 1		1
20	172.1.010.1A	Driven gear 5th sp.		1
21	172.1.009.1A	Driven gear 4th sp.		1
22	172.1.008.1A	Driven gear 3rd sp.		1
23	172.1.011.1A	Driven gear 6th sp.		1
24	172.1.007.1B	Driven gear 2nd sp.		1
25	149.1.032.3A	Gearbox lay shaft		1
26	0670.16.170	Shim th. 0.8		1
26	0670.16.171	Shim th. 1		1
26	852.1.105.1AB	Shim th. 0.9		1
26	852.1.105.1AD	Shim th. 1,1		1
26	852.1.105.1AG	Shim th. 0.7		1
27	150.2.078.1A	Complete main shaft		1
28	150.2.063.1A	Gearbox lay shaft		1
29	851.1.004.1A	Lock washer		1
30	750.1.007.1A	Nut		1

CATALOGUE No: 915.1.202.2B  
ISSUED: 02 - 05



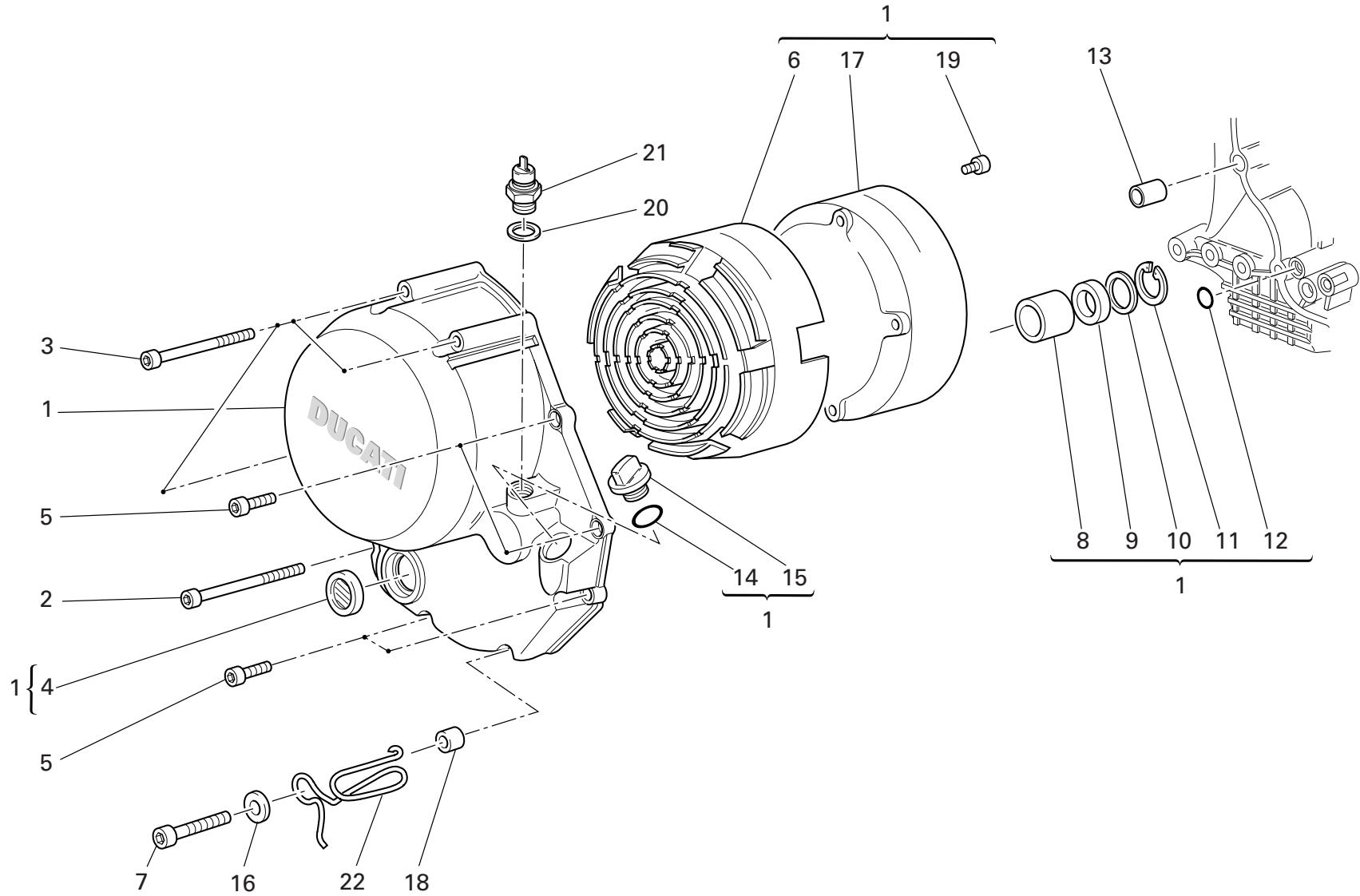
DRAWING 004 CLUTCH

NOTES NO.	CODE NO.	DESCRIPTION	VALIDITY	Q.TY 
1	797.1.032.1A	Clutch spring		5
2	841.1.046.1A	Retainer		5
3	771.5.072.8C	Screw		5
4	194.1.027.1A	Pressure plate "FCC"		1
5	818.1.060.1A	Bearing		1
6	60N107335	Screw		3
7	748.1.013.1A	Hexagon nut		1
8	799.5.001.2A	Spring washer		1
9	190.2.013.1A	Clutch plates set		1
10	799.1.191.1A	Spring washer "FCC"		1
11	797.1.036.1A	Spring		1
12	196.1.035.1A	Plate holder hub "FCC"		1
13	713.1.309.1A	Spacer		1
14	198.2.036.1A	Clutch housing		1
15	713.1.237.1A	Spacer		1
16	117.2.007.1A	Clutch control rod		1
17	93823.2018	O-ring		2
18	886.4.043.1A	O-ring		1
19	195.4.003.1A	Piston assembly		1


NOTES NO.	CODE NO.	DESCRIPTION	VALIDITY	Q.TY 
-----------	----------	-------------	----------	--

DRAWING 005

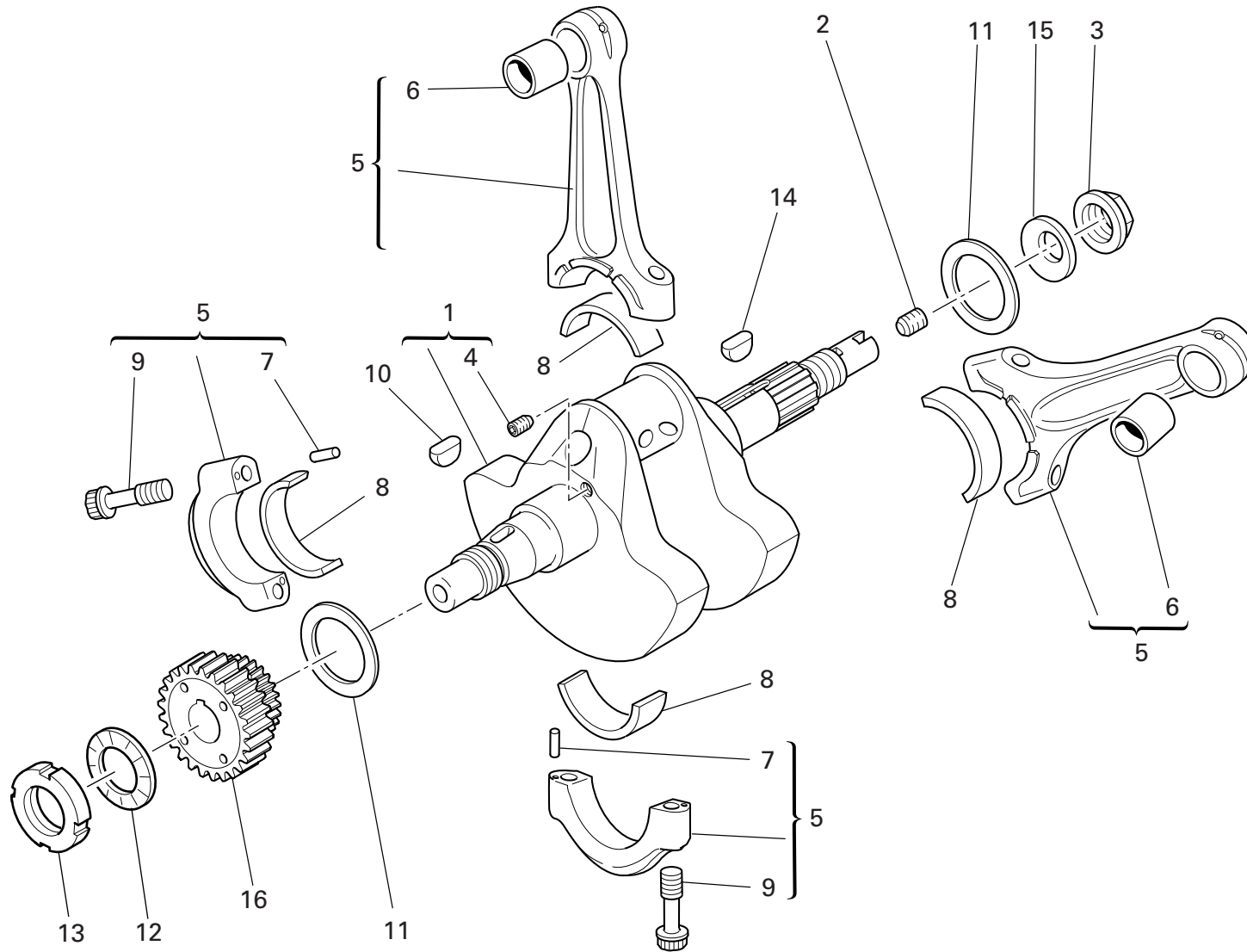
CLUTCH COVER




DRAWING 005 CLUTCH COVER

NOTES NO.	CODE NO.	DESCRIPTION	VALIDITY	Q.TY 
1	243.2.109.2A	Cover clutch side		1
2	771.5.083.8B	Screw		1
3	771.5.081.8B	Screw		3
4	254.4.001.2A	Oil level sight glass		1
5	771.5.069.8B	Screw		4
6	486.1.051.1A	Panel (BLACK)		1
7	771.5.072.8B	Screw		2
8	0665.49.680	Bush		1
9	930.4.091.1A	Seal ring		1
10	852.1.008.1A	Shim th. 0.5		1
11	884.5.035.1A	Circlip		1
12	93827.0114	O-ring		1
13	0400.49.240	Locating bush		1
14	886.4.090.1A	O-ring		1
15	893.1.005.1A	Cap		1
16	852.1.176.1A	Washer		1
17	243.1.029.1A	Cover		1
18	713.1.241.1A	Spacer		1
19	773.1.001.1A	Screw		6
20	852.1.195.1A	Gasket th.2		1
21	539.4.030.1A	Switch		1
22	881.1.030.1A	Holder		1


NOTES NO.	CODE NO.	DESCRIPTION	VALIDITY	Q.TY 
-----------	----------	-------------	----------	--



DRAWING 006 CRANKSHAFT

NOTES NO.	CODE NO.	DESCRIPTION	VALIDITY	Q.TY 
1	146.2.104.1A	Crankshaft		1
2	779.1.109.1A	Special screw		1
3	750.1.012.2A	Nut		1
4	72121.2106	Threaded dowel		1
5	158.2.019.1A	Connecting rods pair		1
6	712.1.021.1A	Bush		2
7	74224.0570	Pin		4
8	112.1.026.1AA	Half-bearing (RED)		4
8	112.1.026.1AB	Half-bearing (BLUE)		4
9	779.1.007.2A	Special screw		4
10	74172.1008	Woodruff key		1
11	852.1.104.1A	Shim th. 1.9		2
11	852.1.104.1B	Shim th. 1.95		2
11	852.1.104.1C	Shim th. 2		2
11	852.1.104.1D	Shim th. 2,05		2
11	852.1.104.1E	Shim th. 2,1		2
11	852.1.104.1F	Shim th. 2,15		2
11	852.1.104.1G	Shim th. 2.2		2
11	852.1.104.1H	Shim th. 2.25		2
11	852.1.104.1I	Shim th. 2.3		2
11	852.1.104.1J	Shim th. 2.35		2
11	852.1.104.1K	Shim th. 2,4		2
11	852.1.104.1L	Shim th. 2,45		2
11	852.1.104.1M	Shim th. 2.5		2
11	852.1.104.1N	Shim th. 2.55		2
12	851.4.003.1A	Lock washer		1
13	750.1.113.1A	Ring nut		1

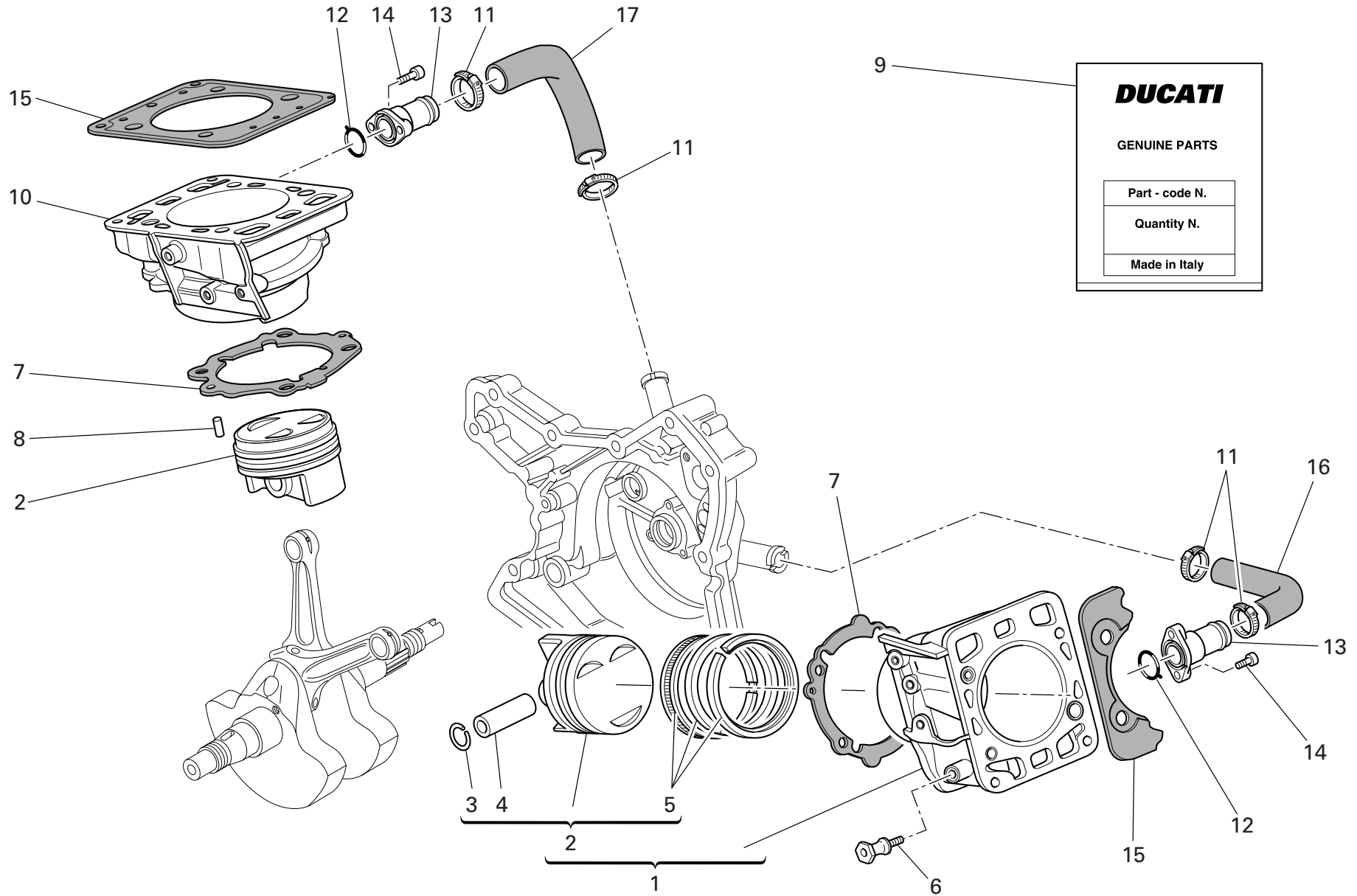
CATALOGUE No: 915.1.202.2B  
ISSUED: 02 - 05

NOTES NO.	CODE NO.	DESCRIPTION	VALIDITY	Q.TY 
14	0755.29.025	Woodruff key		1
15	799.1.051.2A	Spring washer		1
16	170.2.081.1A	Primary drive front sprocket		1


CATALOGUE No: 915.1.202.2B  
ISSUED: 02 - 05

DRAWING 007

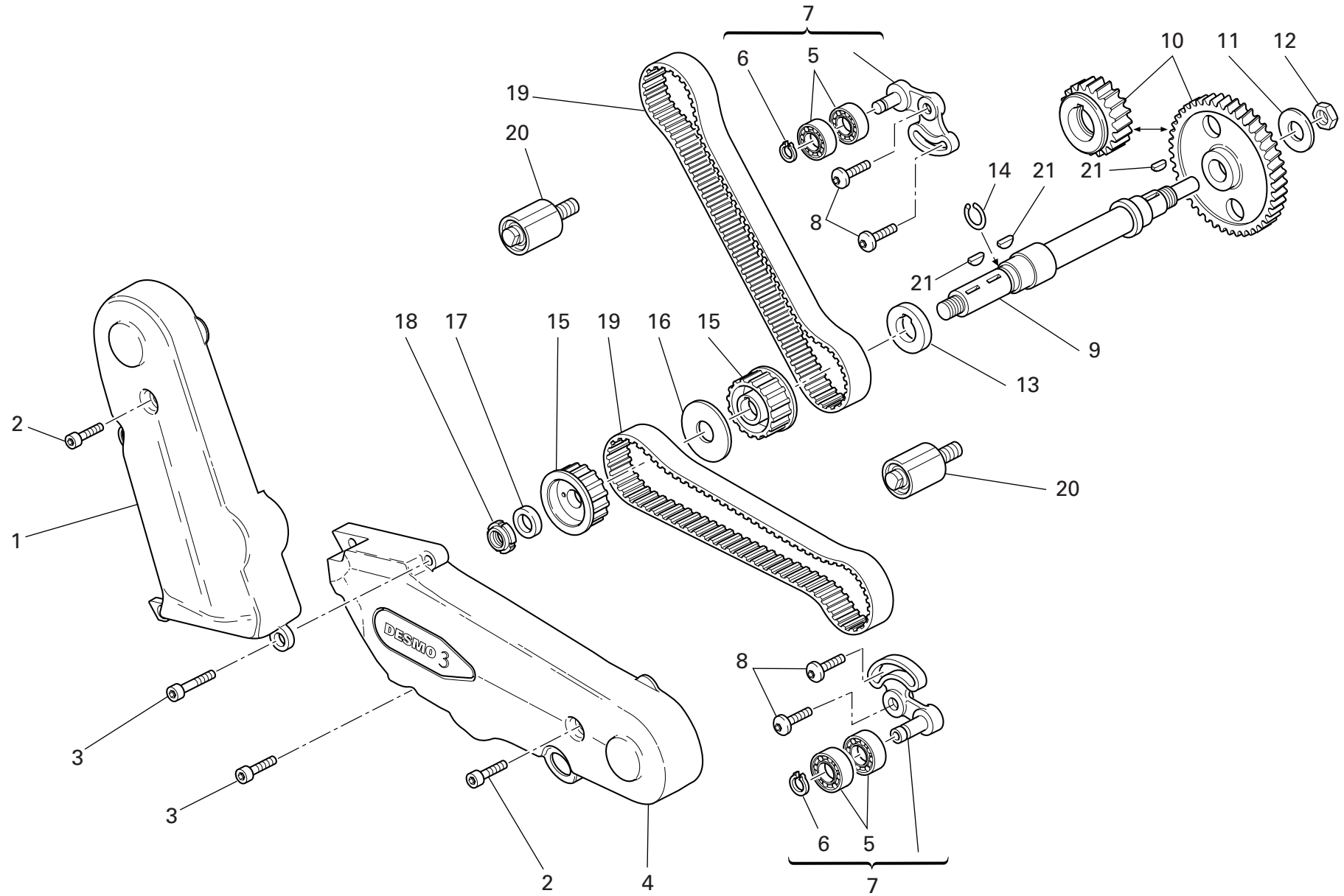
CYLINDERS - PISTONS



DRAWING 007 CYLINDERS - PISTONS

NOTES NO.	CODE NO.	DESCRIPTION	VALIDITY	Q.TY 
1	120.2.092.1A	Horizontal cylinder-piston fit		1
2	122.2.118.1A	Complete piston		2
3	121.1.079.1A	Piston pin circlip		4
4	121.1.078.2A	Piston pin		2
5	121.2.033.1A	Piston rings set		2
6	684.1.070.1A	Stud bolt		1
7	786.1.086.1A	Cylinder-crankcase gasket th. 0.4		2
8	711.1.093.2A	Bush		4
9	791.2.036.2A	Head-cylinder gaskets set		1
10	120.2.093.1A	Vertical cylinder-piston fit		1
11	741.4.002.1A	Hose guide		4
12	788.1.072.1A	O-ring		2
13	814.1.124.1A	Water inlet union to cylinders		2
14	771.5.067.8B	Screw		4
15	786.1.073.1A	Head-cylinder gasket		2
16	800.1.008.1A	Horizontal cylinder water inlet hose		1
17	800.1.007.1A	Vertical cylinder water inlet hose		1

NOTES NO.	CODE NO.	DESCRIPTION	VALIDITY	Q.TY 
-----------	----------	-------------	----------	--

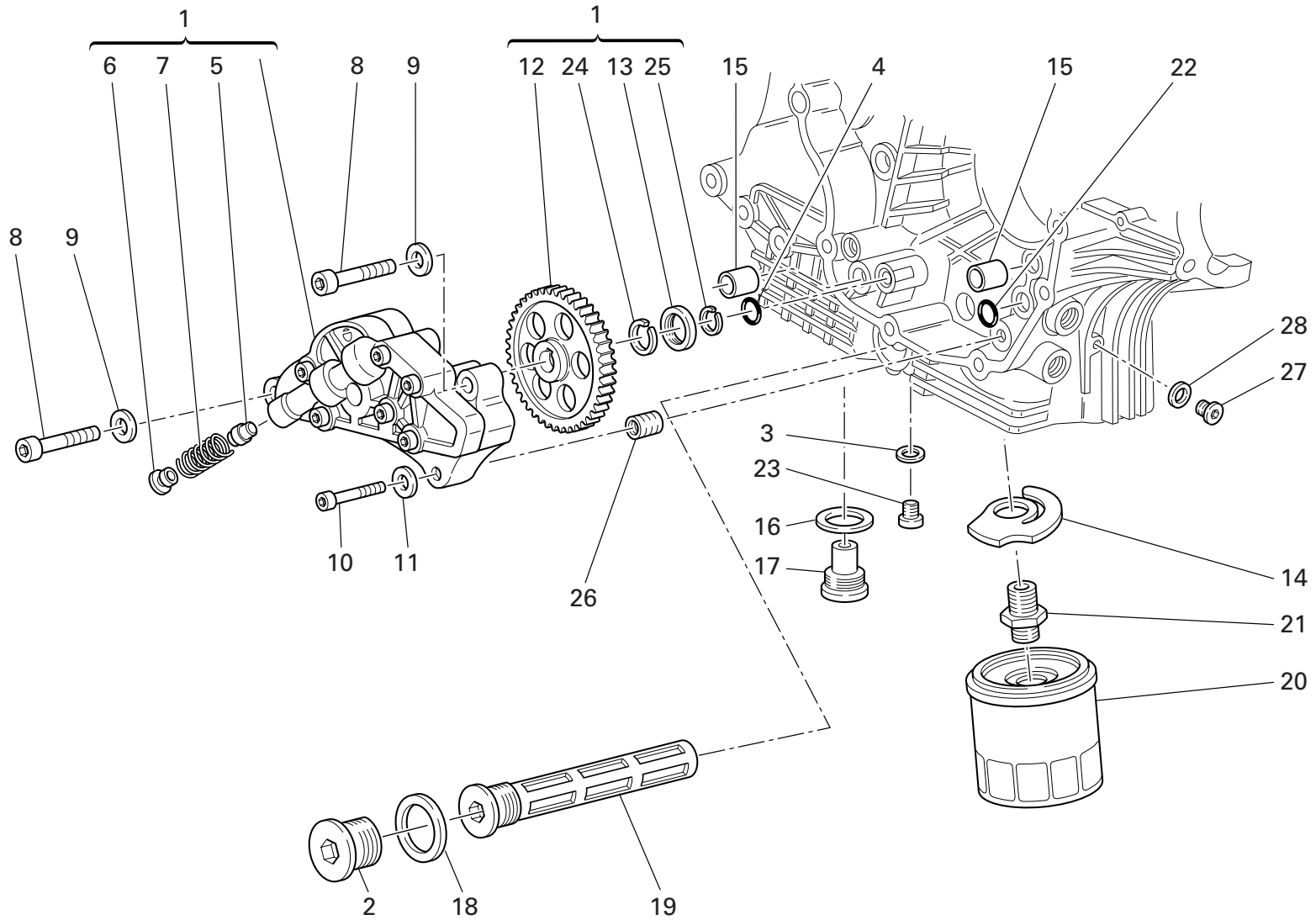


DRAWING 008


TIMING


NOTES NO.	CODE NO.	DESCRIPTION	VALIDITY	Q.TY 
1	245.1.055.1A	Vertical timing belt cover		1
2	771.5.072.8B	Screw		2
3	771.5.067.8B	Screw		3
4	245.1.056.1A	Horizontal timing belt cover		1
5	702.4.069.1A	Bearing		4
6	884.5.034.1A	Ring		2
7	451.2.017.1A	Complete vertical cylinder tensioner roller		2
8	772.1.010.3A	Screw		4
9	147.1.014.1A	Timing lay shaft		1
10	171.2.020.2B	Timing gears pair		1
11	851.1.013.1A	Lock washer		1
12	0124.40.060	Hexagon nut		1
13	716.1.073.2A	Spacer		1
14	882.1.003.1A	Snap ring		1
15	255.1.023.1A	Timing belt roller		2
16	856.1.062.2A	Belt roller separating washer		1
17	716.1.099.1A	Spacer		1
18	72944.1542	Elastic-stop ring nut		1
19	737.4.021.1A	Timing drive toothed belt		2
20	451.1.025.1A	Fixed tensioner assembly		2
21	0755.29.025	Woodruff key		3

NOTES NO.	CODE NO.	DESCRIPTION	VALIDITY	Q.TY 
-----------	----------	-------------	----------	--



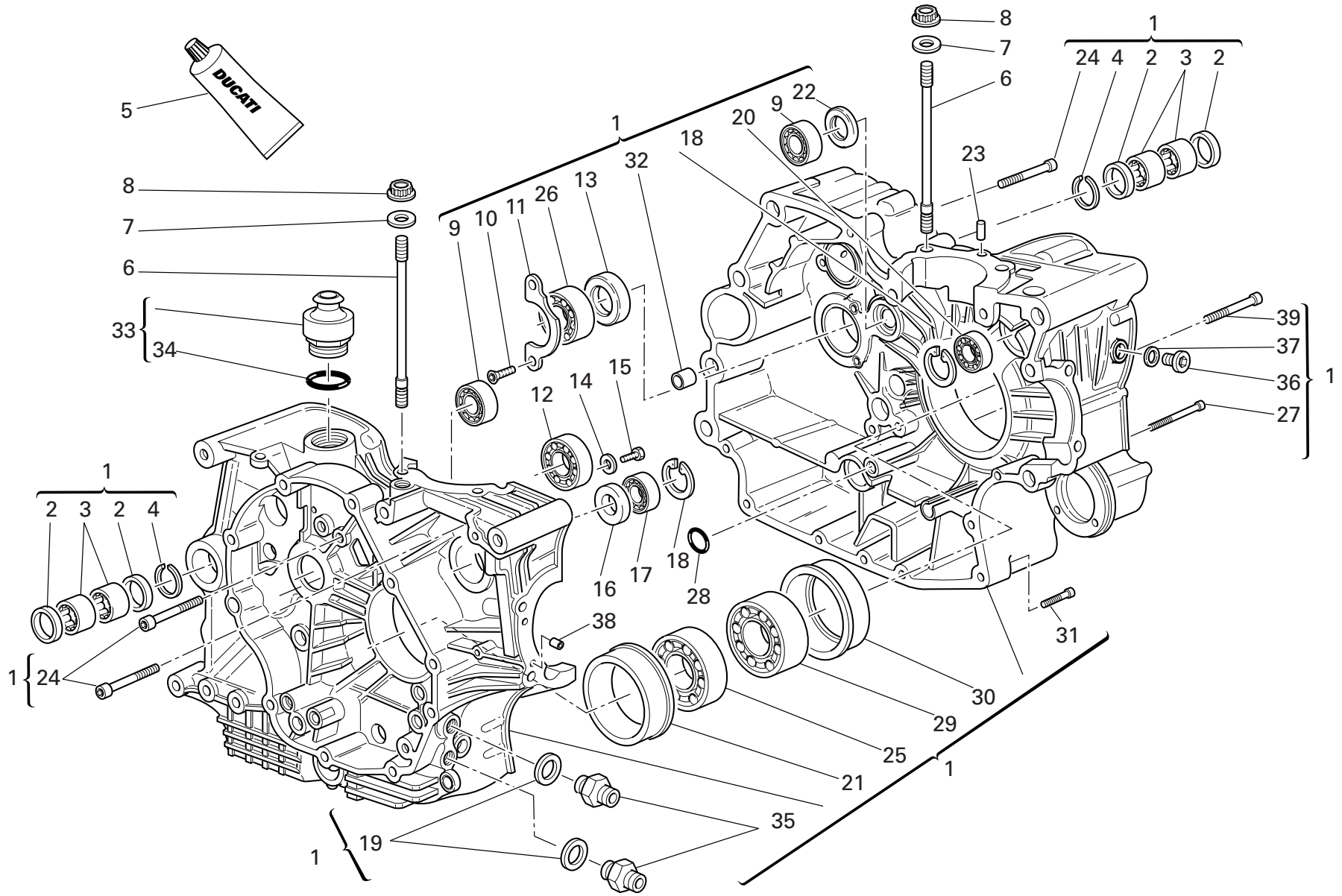
DRAWING 009 FILTERS AND OIL PUMP

NOTES NO.	CODE NO.	DESCRIPTION	VALIDITY	Q.TY 
1	174.2.025.6A	Complete oil pump		1
2	873.1.037.1A	Cap		1
3	852.1.120.1A	Aluminium gasket		1
4	886.4.037.1A	O-ring		1
5	593.1.018.1A	Bypass valve		1
6	780.1.018.1A	Bypass cap		1
7	799.1.055.1A	Bypass spring		1
8	771.5.129.8B	Screw		2
9	853.1.002.1A	Spring washer		2
10	771.5.069.8B	Screw		1
11	853.1.004.1A	Spring washer		1
12	174.1.025.2A	Pump drive gear		1
13	710.1.001.1A	Bush		1
14	799.2.077.2A	Bypass spring		1
15	0759.49.280	Locating bush		2
16	220.3.208.3A	Gasket		1
17	780.2.047.1A	Oil drain plug with magnet		1
18	852.5.005.1A	Gasket th.1,5		1
19	894.2.009.1A	Oil filter		1
20	444.4.003.4A	Oil filter cartridge		1
21	815.1.028.1A	Nipple		1
22	93827.0114	O-ring		1
23	779.1.198.2A	Cap		1
24	884.4.042.1A	Snap ring		1
25	884.5.036.1A	Circlip		1
26	0670.49.310	Reduction bush		1
27	779.1.162.2A	Cap		1

NOTES NO.	CODE NO.	DESCRIPTION	VALIDITY	Q.TY 
28	852.1.195.1A	Gasket th.2		1

CATALOGUE No: 915.1.202.2B  
ISSUED: 02 - 05


CATALOGUE No: 915.1.202.2B  
ISSUED: 02 - 05



DRAWING 010 HALF CRANKCASES

NOTES NO.	CODE NO.	DESCRIPTION	VALIDITY	Q.TY 
1	225.2.102.1A	Complete half-crankcases pair		1
2	0755.49.265	Seal ring		4
3	76400.0004	Needle bearing		4
4	76266.2668	Snap ring		2
5	94247.0014	Fluid sealant		1
6	766.1.027.1A	Stud bolt for fastening head cylinder		8
7	856.1.064.2A	Special washer		8
8	748.1.050.1A	Nut		8
9	702.4.033.1A	Bearing		2
10	72094.1616	Screw		2
11	826.1.012.1A	Keep plate		1
12	702.5.019.1A	Bearing		1
13	930.4.022.1A	Seal ring		1
14	713.1.140.1A	Spacer		2
15	770.5.250.8B	Screw		2
16	93785.1830	Seal ring		1
17	75794.1542	Bearing		1
18	73503.3380	Circlip		2
19	420.2.006.4A	Aluminium gasket		2
20	702.5.008.1A	Bearing		1
21	710.1.069.1A	Bearing holder bush		1
22	463.4.001.1A	Seal ring		1
23	860.1.004.1A	Locating dowel		2
24	771.5.136.8B	Screw		6
25	75191.3380	Bearing		1
26	702.4.013.1A	Bearing		1
27	771.5.080.8B	Screw		2

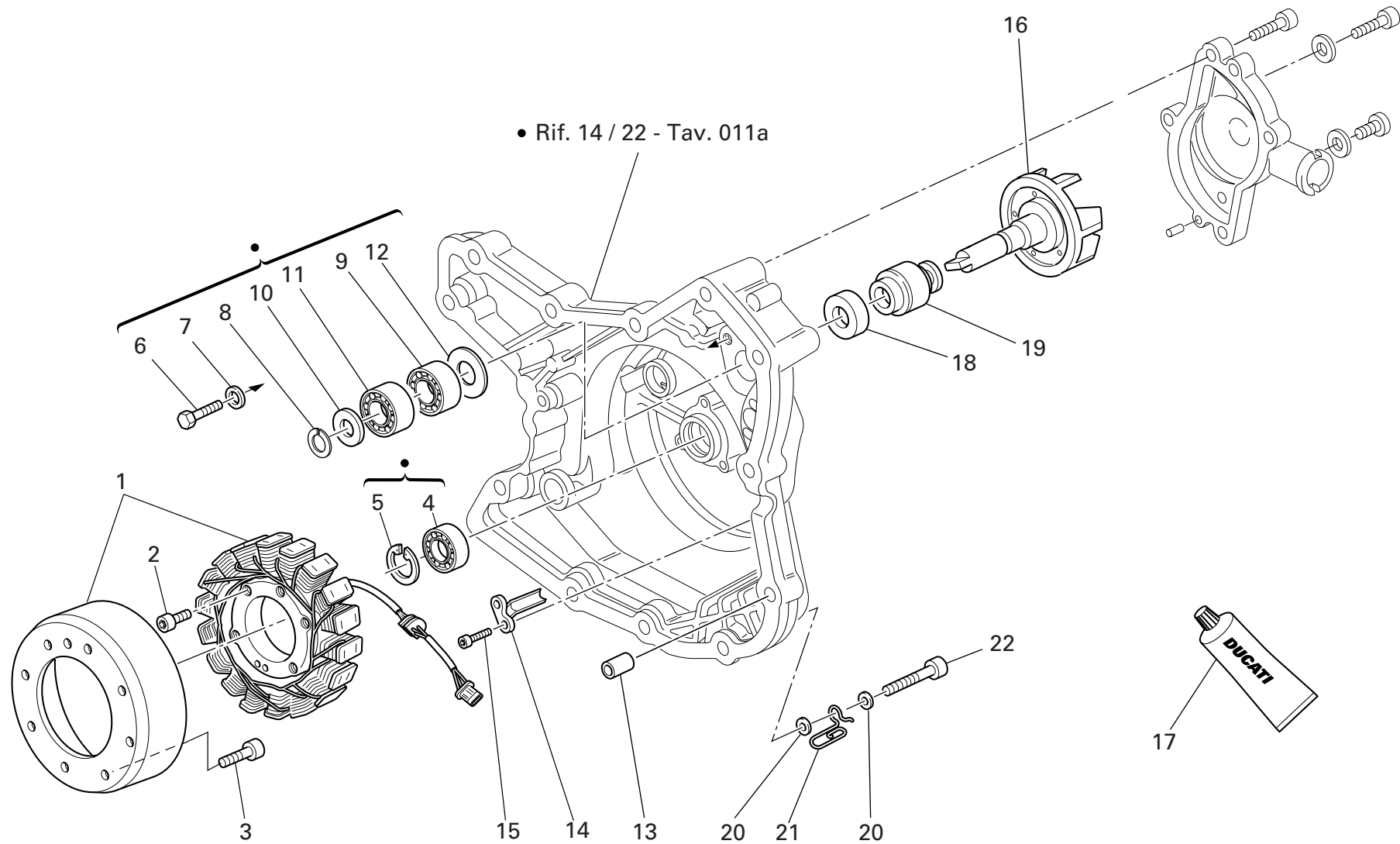
CATALOGUE No: 915.1.202.2B  
ISSUED: 02 - 05

NOTES NO.	CODE NO.	DESCRIPTION	VALIDITY	Q.TY 
28	93827.0114	O-ring		1
29	702.4.020.1A	Bearing		1
30	710.1.070.1A	Bearing holder bush		1
31	771.5.072.8B	Screw		7
32	711.1.095.1A	Bush		2
33	593.1.003.1B	Breather valve		1
34	93823.3156	O-ring		1
35	815.1.022.1A	Nipple		2
36	779.1.026.2A	Screw		1
37	852.5.026.1A	Aluminium gasket th.1,5		1
38	711.1.128.1A	Bush		2
39	779.1.029.2A	Special screw		1

CATALOGUE No: 915.1.202.2B  
ISSUED: 02 - 05

DRAWING 011

WATER PUMP - ALTERNATOR COVER



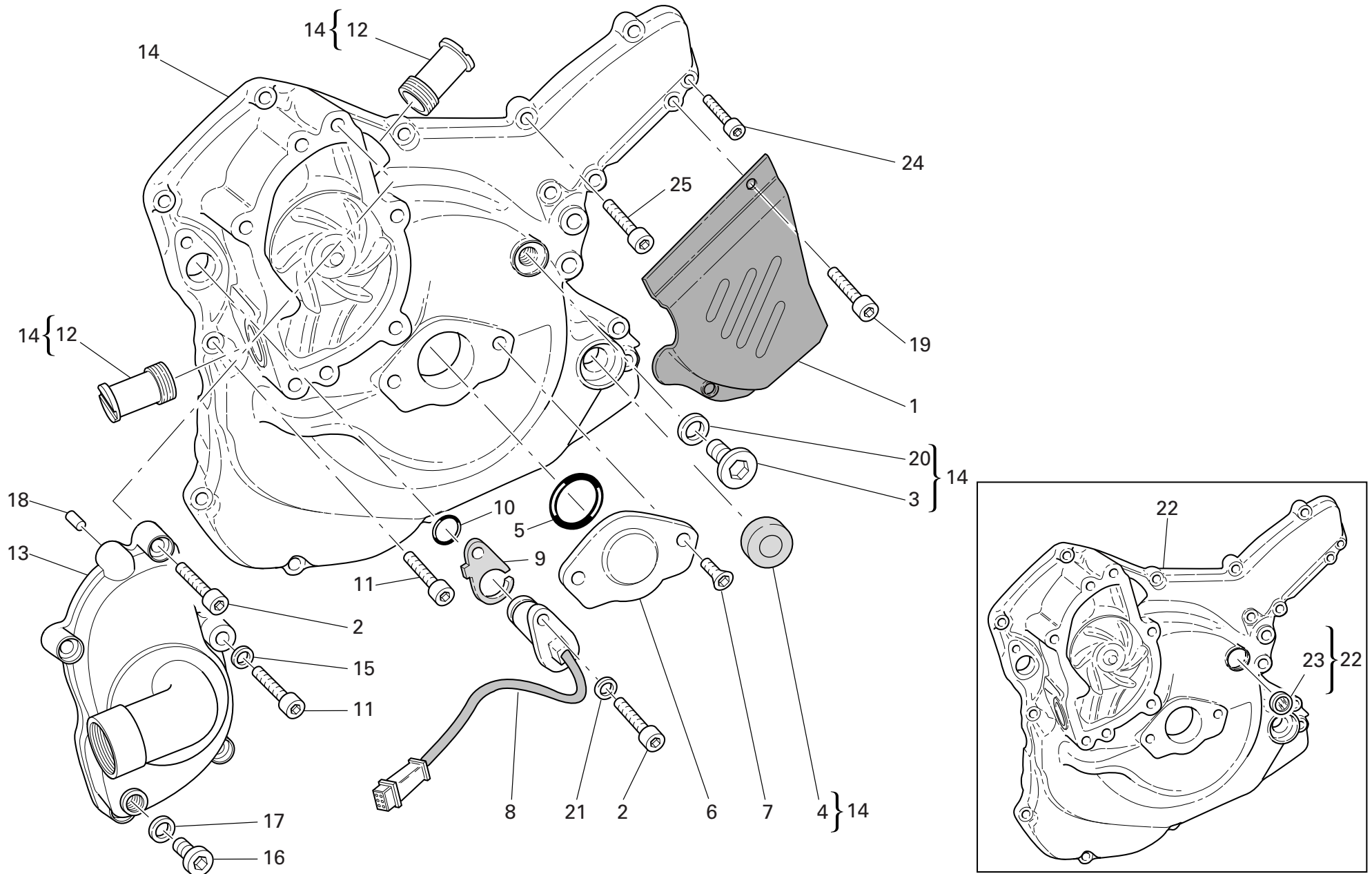
DRAWING 011

WATER PUMP - ALTERNATOR COVER


NOTES NO.	CODE NO.	DESCRIPTION	VALIDITY	Q.TY 
1	264.4.018.2A	Generator	dmm2962	1
1	264.4.025.1A	Generator	fmm2961	1
2	771.5.073.8B	Screw		3
3	779.4.075.1A	Screw		8
4	702.5.008.1A	Bearing		1
5	73503.3380	Circlip		1
6	770.5.250.8B	Screw		2
7	852.1.172.1A	Washer		2
8	884.5.011.1A	A 10 Ring		1
9	702.4.010.2A	Bearing		1
10	852.1.114.1A	Washer		1
11	702.4.009.1A	Bearing		1
12	713.1.128.1B	Spacer		1
13	0400.49.240	Locating bush		2
14	830.1.144.1A	Bracket		1
15	771.5.040.8B	Screw		2
16	251.2.009.1A	Water pump fan		1
17	94247.0014	Fluid sealant		1
18	930.5.005.1A	Seal		1
19	930.5.006.2B	Mechanical seal		1
20	852.1.176.1A	Washer		2
21	881.1.030.1A	Holder		1
22	771.5.072.2B	Screw		1

NOTES NO.	CODE NO.	DESCRIPTION	VALIDITY	Q.TY 
-----------	----------	-------------	----------	--

DRAWING 011a WATER PUMP - ALTERNATOR COVER



DRAWING 011a WATER PUMP - ALTERNATOR COVER

NOTES NO.	CODE NO.	DESCRIPTION	VALIDITY	Q.TY 
1	247.1.083.1AE	Chain cover		1
2	771.5.066.8B	Screw		5
3	779.1.198.2A	Cap		1
4	93783.1524	Seal ring		1
5	886.4.035.1A	O-ring		1
6	247.1.002.1BC	Cover		1
7	777.5.049.8B	Screw		2
8	552.4.020.1A	Sensor		1
9	788.1.076.1A	Gasket th.0,6		2
9	788.1.076.1AA	Gasket th.0,8		1
9	788.1.076.1AB	Gasket th.1,0		1
10	886.4.033.1A	O-ring		1
11	771.5.069.8B	Screw		10
12	668.1.001.3A	Water pump delivery filler		2
13	247.2.166.2A	Complete water pump cover		1
14	242.2.062.2A	Generator cover		1
15	852.5.023.1A	Gasket		1
16	780.5.001.1A	Cap		1
17	852.5.024.1A	Gasket th.1		1
18	860.1.004.1A	Locating dowel		2
19	771.5.064.2B	Screw		2
20	852.1.120.1A	Aluminium gasket		1
21	853.1.003.1A	Spring washer		1
22	242.2.038.2BB	Generator cover		1
23	254.4.001.1A	Oil level sight glass		1
24	771.5.067.8B	Screw		2
25	771.5.071.8B	Screw		3

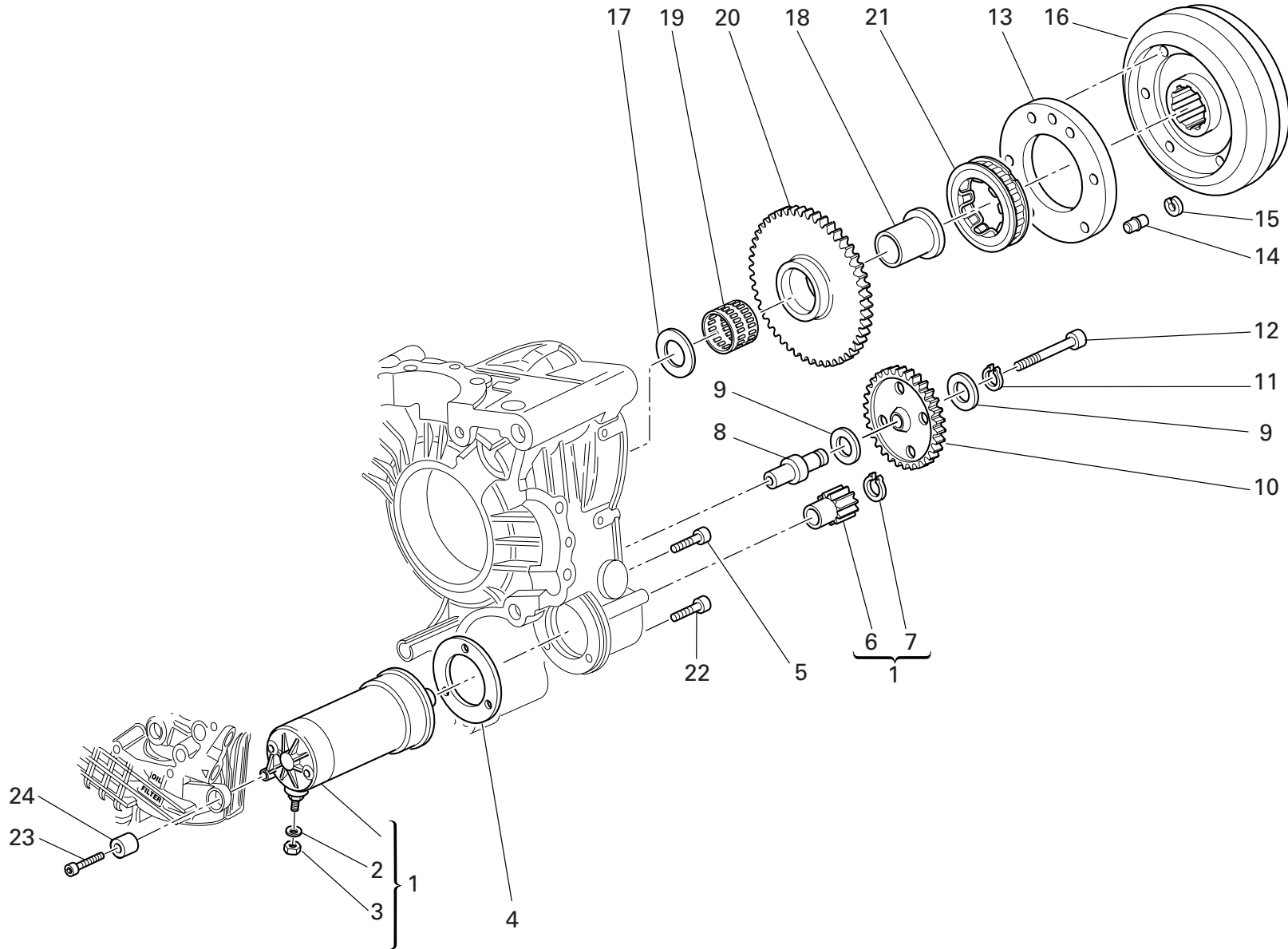
NOTES NO.	CODE NO.	DESCRIPTION	VALIDITY	Q.TY 
-----------	----------	-------------	----------	--

CATALOGUE No: 915.1.202.2B  
ISSUED: 02 - 05

CATALOGUE No: 915.1.202.2B  
ISSUED: 02 - 05

DRAWING 012

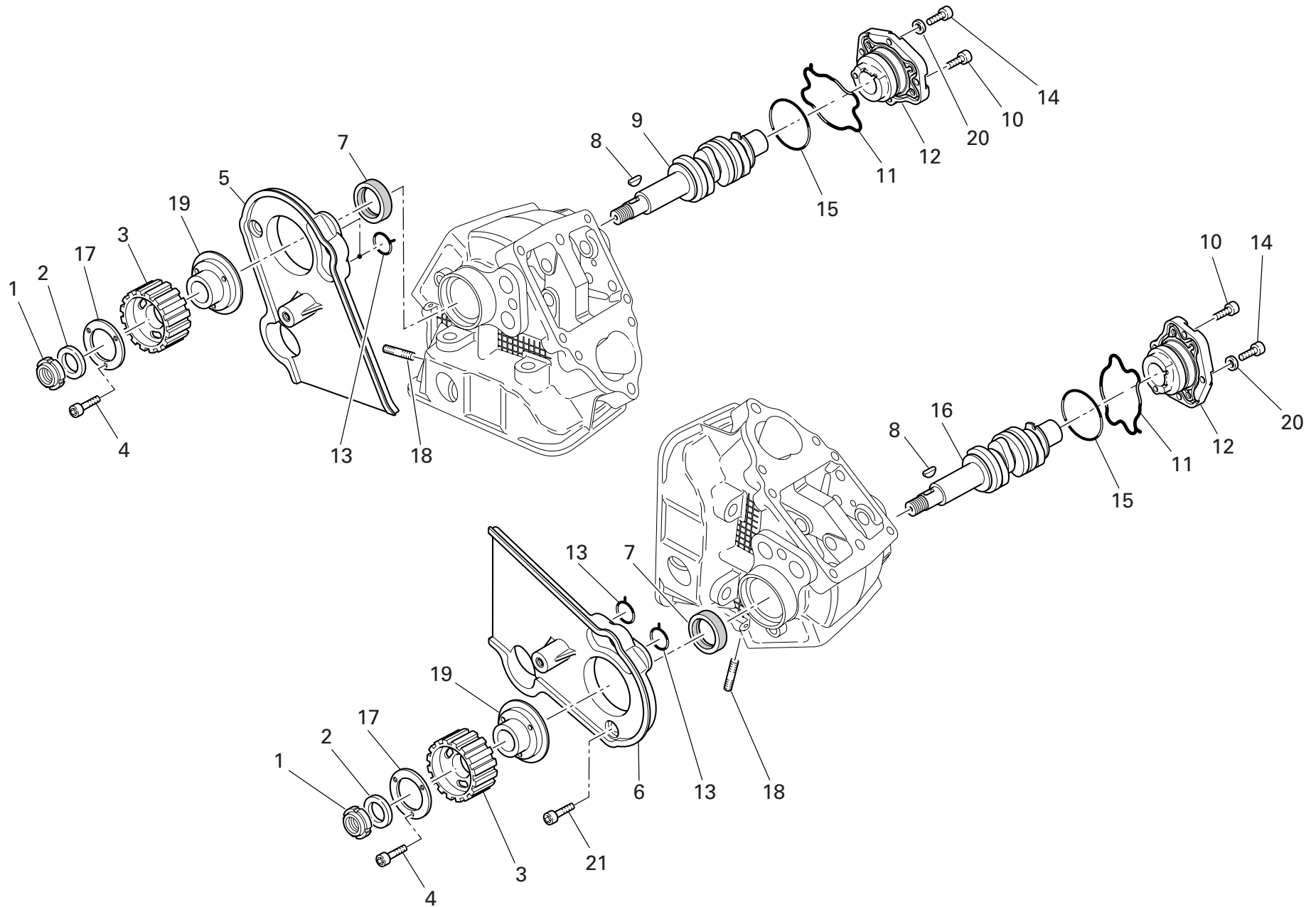
ELECTRIC STARTER AND IGNITION




DRAWING 012 ELECTRIC STARTER AND IGNITION

NOTES NO.	CODE NO.	DESCRIPTION	VALIDITY	Q.TY 
1	270.4.005.1A	Complete starter motor		1
2	853.1.003.1A	Spring washer		1
3	750.1.121.1A	Nut		1
4	788.1.054.1A	Starter motor gasket		1
5	771.5.066.8B	Screw		2
6	176.1.001.1A	Starter motor sprocket		1
7	884.5.036.1A	Circlip		1
8	0660.50.020	Intermediate gear pin		1
9	856.1.071.1A	Washer		2
10	176.1.009.1A	Intermediate gear assembly		1
11	73500.1440	Circlip		1
12	771.5.078.8B	Screw		1
13	160.1.057.1A	Flange		1
14	863.1.002.1A	Locating pin		1
15	882.1.012.1A	Check ring		1
16	276.1.028.1B	Ignition flywheel		1
17	0619.50.065	Washer		1
18	881.1.010.1C	Inner ring		1
19	701.4.003.1A	Needle bearing		1
20	173.1.012.3A	Electric starter driven gear		1
21	701.4.007.1A	Starter clutch		1
22	771.5.069.8B	Screw		1
23	771.5.071.8B	Screw		1
24	700.1.036.1A	Flexible bush		1

NOTES NO.	CODE NO.	DESCRIPTION	VALIDITY	Q.TY 
-----------	----------	-------------	----------	--

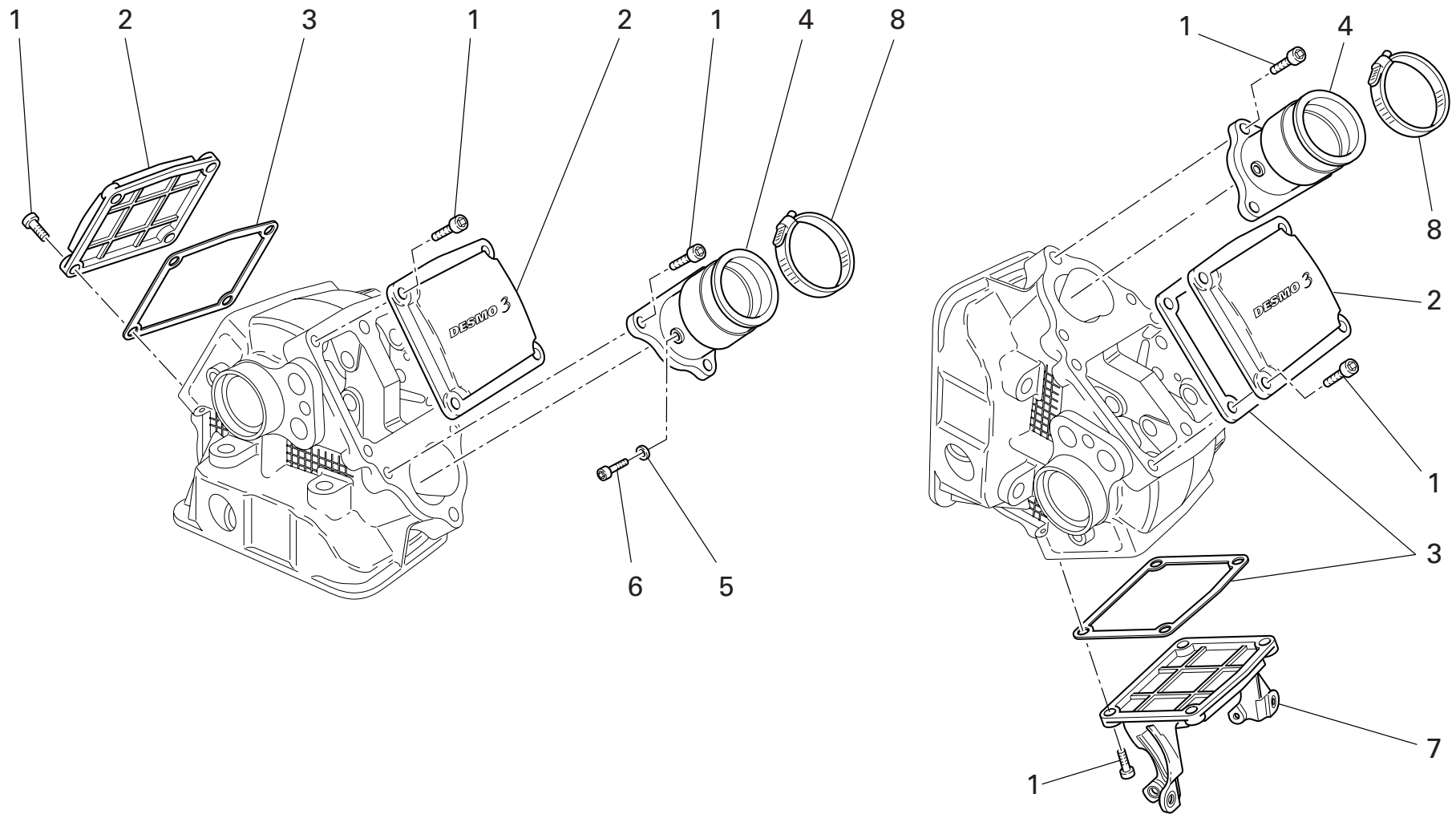


DRAWING 013 HEAD : TIMING


NOTES NO.	CODE NO.	DESCRIPTION	VALIDITY	Q.TY 
1	72944.1542	Elastic-stop ring nut		2
2	852.1.173.1A	Washer		2
3	255.1.024.1A	Timing belt roller		2
4	779.5.030.2A	Screw		6
5	245.1.054.1A	Vertical belt inner cover		1
6	245.1.057.1A	Horizontal belt inner cover		1
7	930.5.007.1A	Seal ring		2
8	74172.1008	Woodruff key		2
9	148.1.143.1A	Vertical head camshaft		1
10	771.5.067.8B	Screw		4
11	788.1.071.1A	O-ring		2
12	235.1.036.1A	Side cap		2
13	788.1.075.1A	O-ring		4
14	771.5.063.8B	Screw		2
15	886.4.060.1A	O-ring		2
16	148.1.142.1A	Horizontal head camshaft		1
17	856.1.074.2A	Special washer		2
18	766.4.019.1A	Stud bolt		8
19	160.1.105.1A	Flange		2
20	852.5.023.1A	Gasket		2
21	771.1.026.3A	Screw		4

NOTES NO.	CODE NO.	DESCRIPTION	VALIDITY	Q.TY 
-----------	----------	-------------	----------	--

DRAWING 013a COLLECTORS AND HEAD COVERS



DRAWING 013a COLLECTORS AND HEAD COVERS

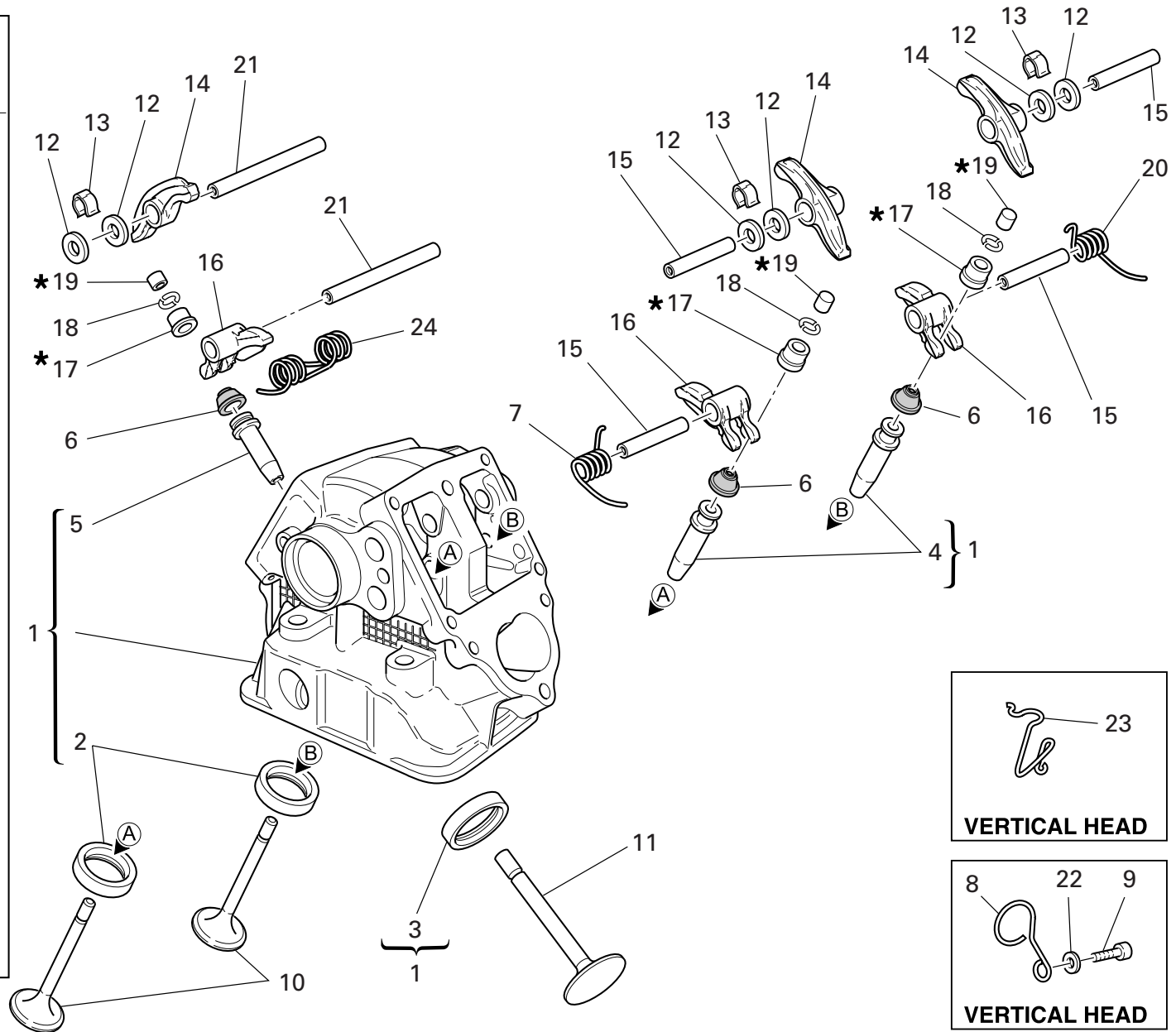
NOTES NO.	CODE NO.	DESCRIPTION	VALIDITY	Q.TY 
1	771.5.067.8B	Screw		22
2	240.1.029.1A	Valve cover		3
3	788.1.074.1A	Head gasket		4
4	140.2.033.1A	Intake manifold		2
5	852.5.025.1A	Aluminium gasket th.1		2
6	771.5.062.8B	Screw		2
7	240.1.032.1A	Exhaust valve cover (horizontal)		1
8	741.4.067.1A	Hose guide		2

NOTES NO.	CODE NO.	DESCRIPTION	VALIDITY	Q.TY 
-----------	----------	-------------	----------	--


DRAWING 014

VERTICAL HEAD


19		17	
Registro bilanc. apertura		Registro bilanc. chiusura	
Adjustment		Adjustment	
Règlage		Règlage	
Ventilkäppchen		Ventilkäppchen	
840.1.031.1A	— 1,8	840.1.047.1B	— 2,5
840.1.032.1A	— 1,85	840.1.048.1B	— 2,55
840.1.033.1A	— 1,9	840.1.049.1B	— 2,6
840.1.034.1A	— 1,95	840.1.050.1B	— 2,65
840.1.001.1A	— 2	840.1.051.1B	— 2,7
840.1.002.1A	— 2,05	840.1.052.1B	— 2,75
840.1.003.1A	— 2,1	840.1.053.1B	— 2,8
840.1.004.1A	— 2,15	840.1.054.1B	— 2,85
840.1.005.1A	— 2,2	840.1.055.1B	— 2,9
840.1.006.1A	— 2,25	840.1.056.1B	— 2,95
840.1.007.1A	— 2,3	840.1.057.1B	— 3
840.1.008.1A	— 2,35	840.1.058.1B	— 3,05
840.1.009.1A	— 2,4	840.1.059.1B	— 3,1
840.1.010.1A	— 2,45	840.1.060.1B	— 3,15
840.1.011.1A	— 2,5	840.1.061.1B	— 3,2
840.1.012.1A	— 2,55	840.1.062.1B	— 3,25
840.1.013.1A	— 2,6	840.1.063.1B	— 3,3
840.1.014.1A	— 2,65	840.1.064.1B	— 3,35
840.1.015.1A	— 2,7	840.1.065.1B	— 3,4
840.1.016.1A	— 2,75	840.1.066.1B	— 3,45
840.1.017.1A	— 2,8	840.1.067.1B	— 3,5
840.1.018.1A	— 2,85	840.1.068.1B	— 3,55
840.1.019.1A	— 2,9	840.1.069.1B	— 3,6
840.1.020.1A	— 2,95	840.1.070.1B	— 3,65
840.1.021.1A	— 3	840.1.071.1B	— 3,7
840.1.022.1A	— 3,05	840.1.072.1B	— 3,75
840.1.023.1A	— 3,1	840.1.073.1B	— 3,8
840.1.024.1A	— 3,15	840.1.074.1B	— 3,85
840.1.025.1A	— 3,2	840.1.075.1B	— 3,9
840.1.026.1A	— 3,25	840.1.076.1B	— 3,95
840.1.027.1A	— 3,3	840.1.077.1B	— 4
840.1.028.1A	— 3,35	840.1.078.1B	— 4,05
840.1.029.1A	— 3,4	840.1.079.1B	— 4,1
840.1.030.1A	— 3,45	840.1.080.1B	— 4,15
840.1.108.1A	— 3,5	840.1.081.1B	— 4,2
840.1.109.1A	— 3,55	840.1.082.1B	— 4,25
840.1.072.1A	— 3,6	840.1.083.1B	— 4,3
840.1.110.1A	— 3,65	840.1.084.1B	— 4,35
840.1.111.1A	— 3,7	840.1.085.1B	— 4,4
840.1.112.1A	— 3,75		
840.1.073.1A	— 3,8		



DRAWING 014 VERTICAL HEAD

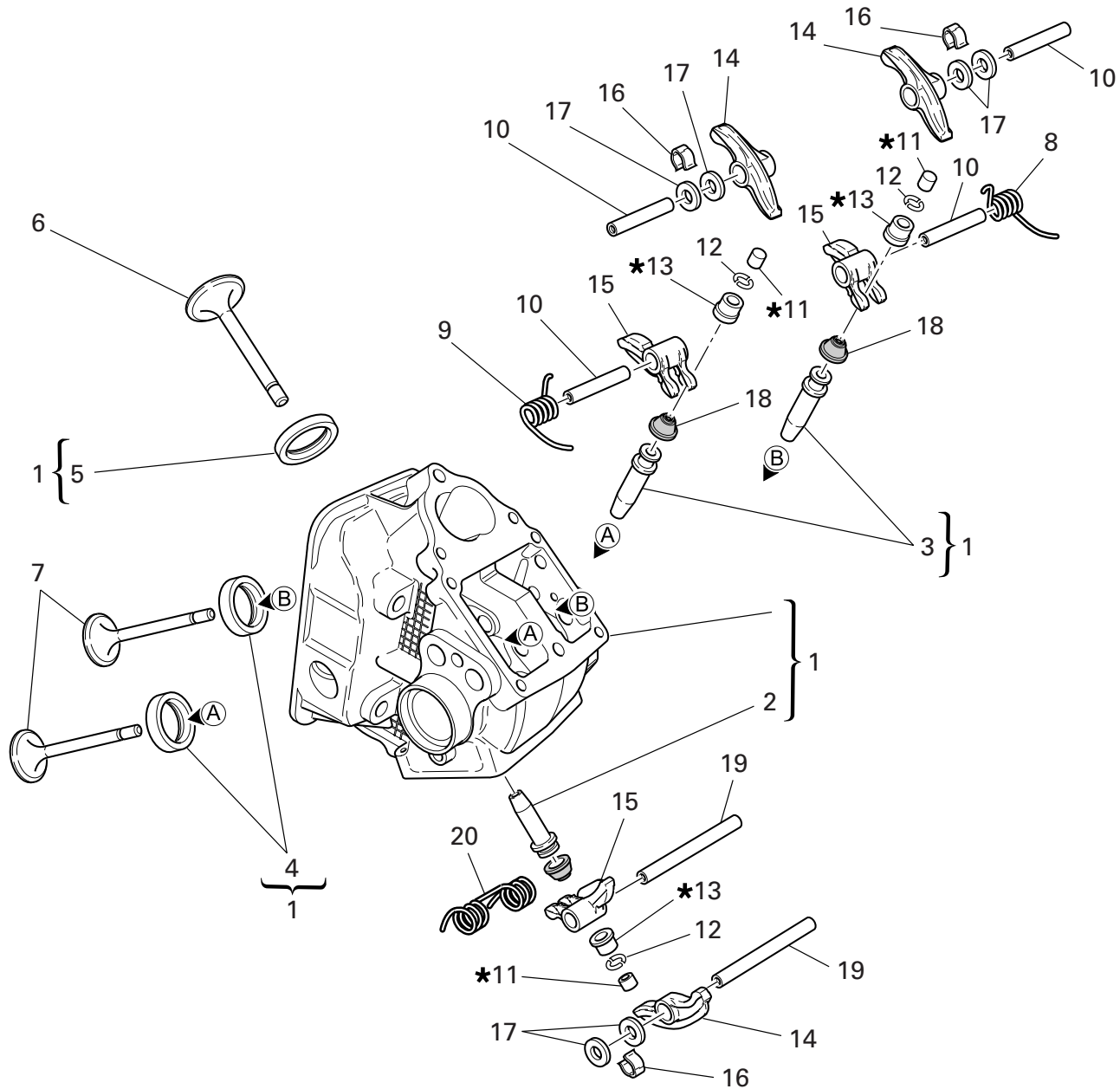
NOTES NO.	CODE NO.	DESCRIPTION	VALIDITY	Q.TY 
1	301.2.131.1C	Complete vertical head		1
2	304.A.001.1A	Intake valve seat		2
2	304.A.001.1AB	Oversize intake valve seat 0.03		2
2	304.A.001.1AC	Oversize intake valve seat 0.06		2
3	304.A.004.1A	Exhaust valve seat		1
3	304.A.004.1AB	Oversize exhaust valve seat 0.03		1
3	304.A.004.1AC	Oversize exhaust valve seat 0.06		1
4	303.1.039.1A	Intake valve guide		2
4	303.1.039.1AB	Intake valve guide magg. 0,03		2
4	303.1.039.1AC	Intake valve guide magg. 0,06		2
4	303.1.039.1AD	Intake valve guide magg. 0,09		2
5	303.1.025.1A	Exhaust valve guide		2
5	303.1.025.1AB	Oversize valve guide 0.03		1
5	303.1.025.1AC	Oversize valve guide 0.06		1
5	303.1.025.1AD	Oversize valve guide 0.09		1
6	764.1.002.1A	Rubber pad		3
7	799.1.147.1A	R.H. Closing rocker spring		1
8	881.1.043.1A	Hose guide		1
9	60N102511	Screw		1
10	210.1.047.1B	Intake valve		2
11	211.1.043.2B	Exhaust valve		1
12	0795.37.096	Washer		6
13	799.1.179.1A	Spring		3
14	208.1.022.1A	Opening rocker		3
15	821.1.141.1A	Opening rocker shaft		4
16	209.1.026.1B	Closing rocker		3
17	840.2.002.1B	See table		3

CATALOGUE No: 915.1.202.2B  
ISSUED: 02 - 05


NOTES NO.	CODE NO.	DESCRIPTION	VALIDITY	Q.TY 
18	669.1.001.1E	Split rings		6
19	840.2.001.1A	See table		3
20	799.1.146.1A	L.H. Closing rocker spring		1
21	821.1.142.1B	Closing rocker shaft		2
22	852.1.176.1A	Washer		1
23	881.1.030.1A	Holder		1
24	799.1.221.1A	Return spring		1

CATALOGUE No: 915.1.202.2B  
ISSUED: 02 - 05


11		13	
Registro bilanc. apertura		Registro bilanc. chiusura	
Adjustment		Adjustment	
Réglage		Réglage	
Ventilkäppchen		Ventilkäppchen	
840.1.031.1A — 1,8		840.1.047.1B — 2,5	
840.1.032.1A — 1,85		840.1.048.1B — 2,55	
840.1.033.1A — 1,9		840.1.049.1B — 2,6	
840.1.034.1A — 1,95		840.1.050.1B — 2,65	
840.1.001.1A — 2		840.1.051.1B — 2,7	
840.1.002.1A — 2,05		840.1.052.1B — 2,75	
840.1.003.1A — 2,1		840.1.053.1B — 2,8	
840.1.004.1A — 2,15		840.1.054.1B — 2,85	
840.1.005.1A — 2,2		840.1.055.1B — 2,9	
840.1.006.1A — 2,25		840.1.056.1B — 2,95	
840.1.007.1A — 2,3		840.1.057.1B — 3	
840.1.008.1A — 2,35		840.1.058.1B — 3,05	
840.1.009.1A — 2,4		840.1.059.1B — 3,1	
840.1.010.1A — 2,45		840.1.060.1B — 3,15	
840.1.011.1A — 2,5		840.1.061.1B — 3,2	
840.1.012.1A — 2,55		840.1.062.1B — 3,25	
840.1.013.1A — 2,6		840.1.063.1B — 3,3	
840.1.014.1A — 2,65		840.1.064.1B — 3,35	
840.1.015.1A — 2,7		840.1.065.1B — 3,4	
840.1.016.1A — 2,75		840.1.066.1B — 3,45	
840.1.017.1A — 2,8		840.1.067.1B — 3,5	
840.1.018.1A — 2,85		840.1.068.1B — 3,55	
840.1.019.1A — 2,9		840.1.069.1B — 3,6	
840.1.020.1A — 2,95		840.1.070.1B — 3,65	
840.1.021.1A — 3		840.1.071.1B — 3,7	
840.1.022.1A — 3,05		840.1.072.1B — 3,75	
840.1.023.1A — 3,1		840.1.073.1B — 3,8	
840.1.024.1A — 3,15		840.1.074.1B — 3,85	
840.1.025.1A — 3,2		840.1.075.1B — 3,9	
840.1.026.1A — 3,25		840.1.076.1B — 3,95	
840.1.027.1A — 3,3		840.1.077.1B — 4	
840.1.028.1A — 3,35		840.1.078.1B — 4,05	
840.1.029.1A — 3,4		840.1.079.1B — 4,1	
840.1.030.1A — 3,45		840.1.080.1B — 4,15	
840.1.108.1A — 3,5		840.1.081.1B — 4,2	
840.1.109.1A — 3,55		840.1.082.1B — 4,25	
840.1.072.1A — 3,6		840.1.083.1B — 4,3	
840.1.110.1A — 3,65		840.1.084.1B — 4,35	
840.1.111.1A — 3,7		840.1.085.1B — 4,4	
840.1.112.1A — 3,75			
840.1.073.1A — 3,8			



DRAWING 015 HORIZONTAL HEAD

NOTES NO.	CODE NO.	DESCRIPTION	VALIDITY	Q.TY 
1	301.2.130.1C	Complete horizontal head		1
2	303.1.025.1A	Exhaust valve guide		1
2	303.1.025.1AB	Oversize valve guide 0.03		1
2	303.1.025.1AC	Oversize valve guide 0.06		1
2	303.1.025.1AD	Oversize valve guide 0.09		1
3	303.1.039.1A	Intake valve guide		1
3	303.1.039.1AB	Intake valve guide magg. 0,03		1
3	303.1.039.1AC	Intake valve guide magg. 0,06		1
3	303.1.039.1AD	Intake valve guide magg. 0,09		1
4	304.A.001.1A	Intake valve seat		2
4	304.A.001.1AB	Oversize intake valve seat 0.03		2
4	304.A.001.1AC	Oversize intake valve seat 0.06		2
5	304.A.004.1A	Exhaust valve seat		1
5	304.A.004.1AB	Oversize exhaust valve seat 0.03		1
5	304.A.004.1AC	Oversize exhaust valve seat 0.06		1
6	211.1.043.2B	Exhaust valve		1
7	210.1.047.1B	Intake valve		2
8	799.1.147.1A	R.H. Closing rocker spring		1
9	799.1.146.1A	L.H. Closing rocker spring		1
10	821.1.141.1A	Opening rocker shaft		4
11	840.2.001.1A	See table		3
12	669.1.001.1E	Split rings		6
13	840.2.002.1B	See table		3
14	208.1.022.1A	Opening rocker		3
15	209.1.026.1B	Closing rocker		3
16	799.1.179.1A	Spring		3
17	0795.37.096	Washer		6

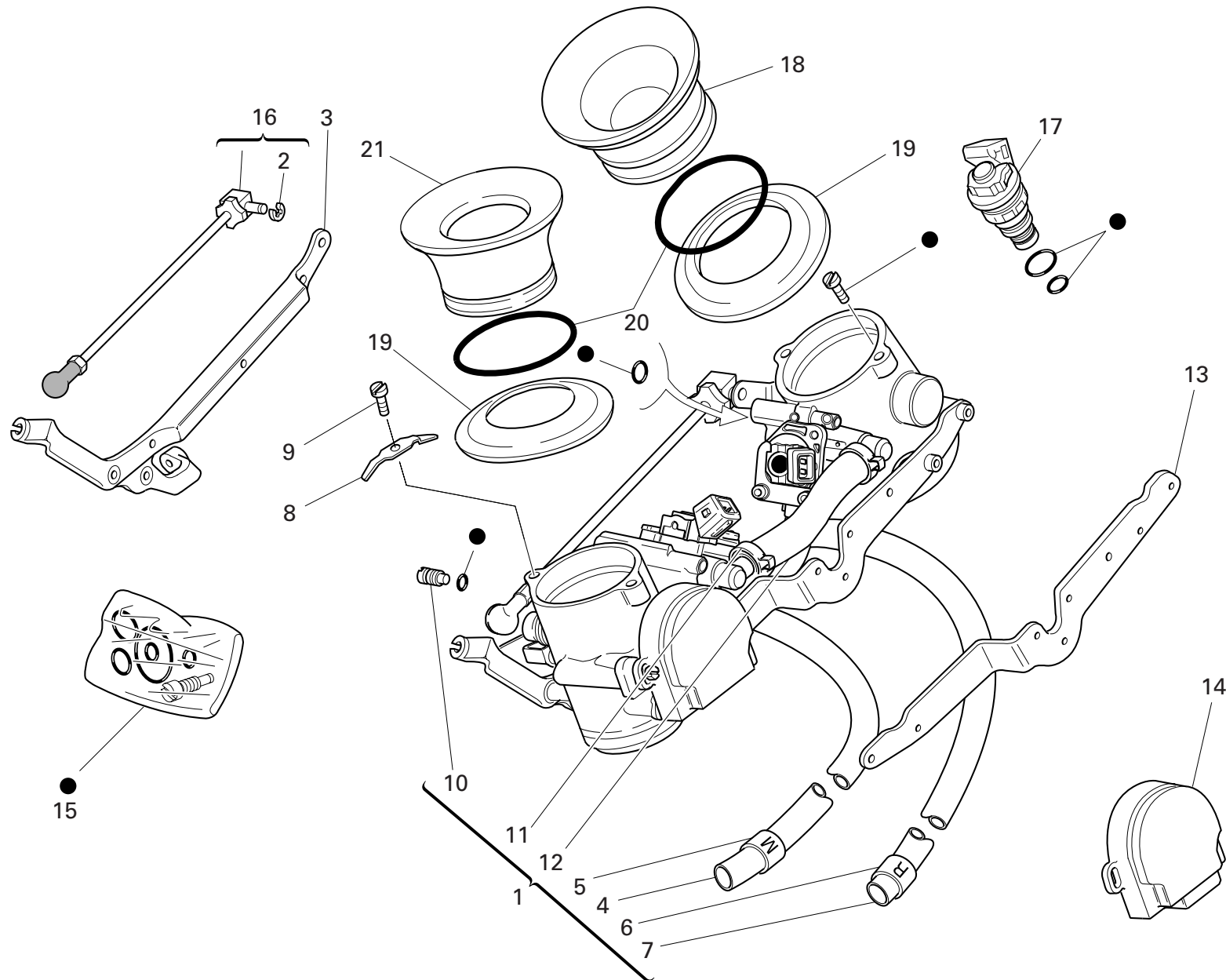
CATALOGUE No: 915.1.202.2B  
ISSUED: 02 - 05

NOTES NO.	CODE NO.	DESCRIPTION	VALIDITY	Q.TY 
18	764.1.002.1A	Rubber pad		2
19	821.1.142.1B	Closing rocker shaft		2
20	799.1.221.1A	Return spring		1


CATALOGUE No: 915.1.202.2B  
ISSUED: 02 - 05

DRAWING 016

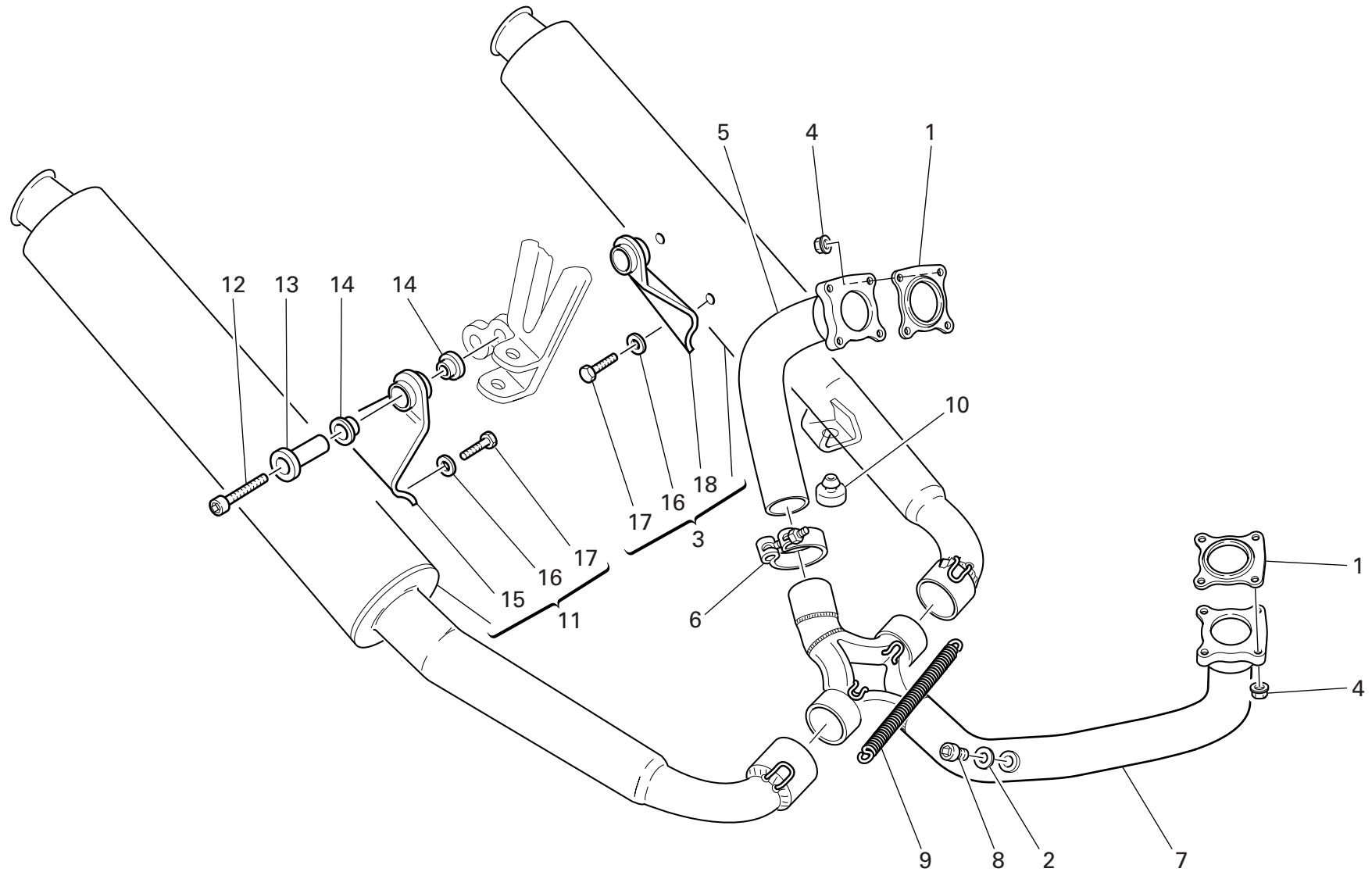
THROTTLE BODY




DRAWING 016 THROTTLE BODY

NOTES NO.	CODE NO.	DESCRIPTION	VALIDITY	Q.TY 
1	282.4.019.1D	Throttle body		1
2	884.5.010.1A	Circlip		1
3	830.1.172.1A	Bracket		1
4	590.1.103.1A	Tube		1
5	741.4.040.1A	Clamp "M"		1
6	741.4.041.1A	Clamp "R"		1
7	590.1.124.1A	Tube		1
8	799.1.052.2A	Spring		4
9	470412	Screw		4
10	287.4.028.1A	Bypass adjusting screw		1
11	287.4.024.1B	Hose guide		4
12	590.1.080.1A	Tube		1
13	830.1.121.1A	Connector holder		1
14	284.4.001.1B	Potentiometer PF09/04		1
15	287.4.029.1A	Repair kit		1
16	287.4.027.1A	Tie rod		1
17	280.4.005.1A	Injector		2
18	802.1.015.1A	Air funnel		1
19	791.1.017.2A	Gasket		2
20	886.5.004.1A	O-ring		2
21	802.1.009.1A	Air funnel		1

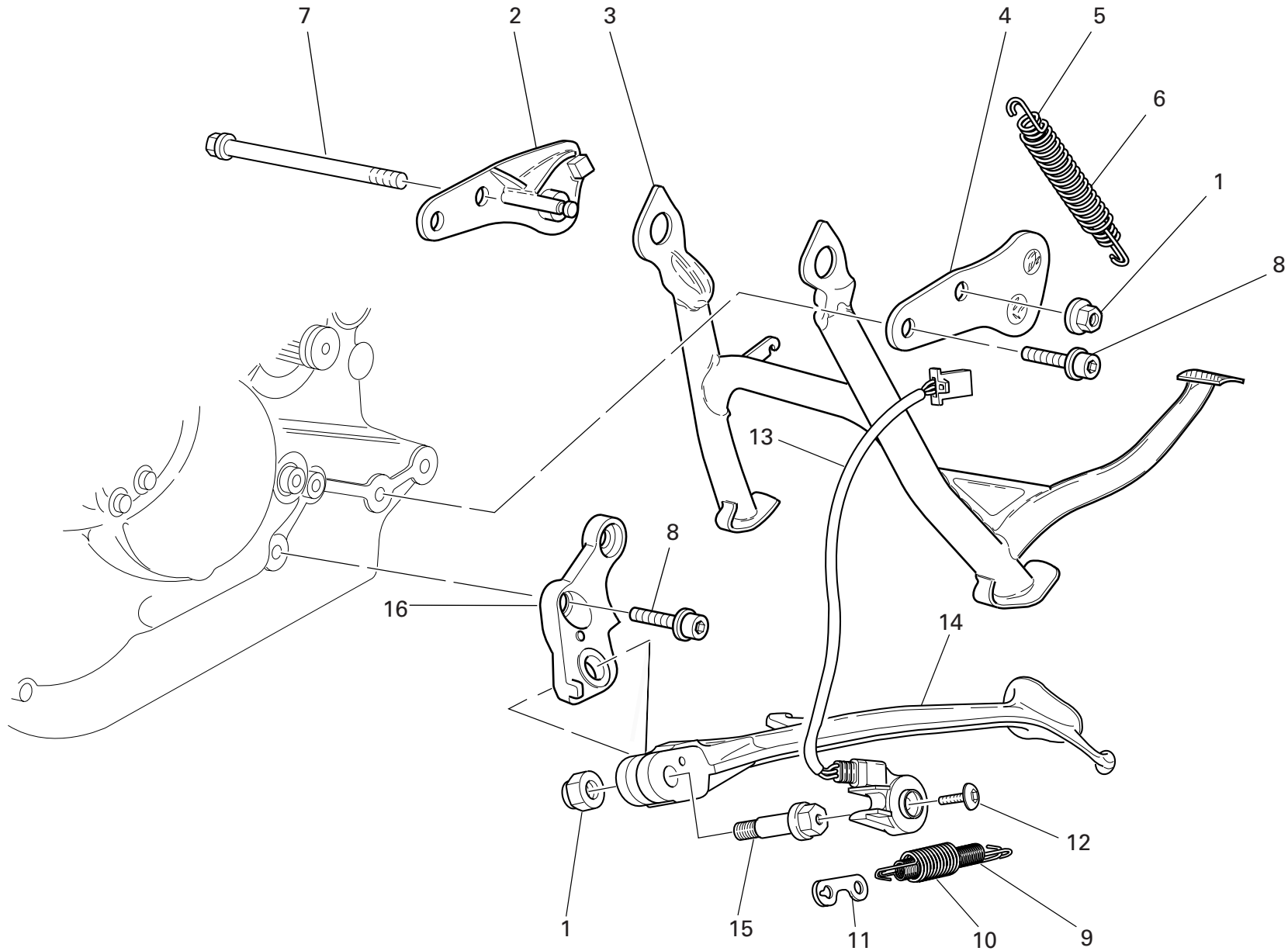
NOTES NO.	CODE NO.	DESCRIPTION	VALIDITY	Q.TY 
-----------	----------	-------------	----------	--



DRAWING 017 EXHAUST SYSTEM


NOTES NO.	CODE NO.	DESCRIPTION	VALIDITY	Q.TY 
1	790.1.007.1A	Exhaust gasket		2
2	852.5.024.1A	Gasket th.1		2
3	574.1.088.1A	L.H. silencer		1
4	748.1.024.1A	Nut		8
5	571.1.100.1A	Vertical head exhaust pipe		1
6	741.1.003.3A	Clamp		1
7	570.1.102.1A	Horizontal head exhaust pipe		1
8	780.1.007.1A	Cap		2
9	799.1.072.1A	Spring		1
10	866.1.061.1A	Rubber pad		1
11	573.1.088.1A	R.H. silencer		1
12	779.5.016.1A	Screw		2
13	684.1.044.1A	Stud bolt		2
14	764.1.001.1A	Rubber pad		4
15	576.1.034.1A	R.H. bracket		1
16	73270.8001	Washer		4
17	70914.2121	Screw		4
18	576.1.035.1A	L.H. bracket		1

NOTES NO.	CODE NO.	DESCRIPTION	VALIDITY	Q.TY 
-----------	----------	-------------	----------	--

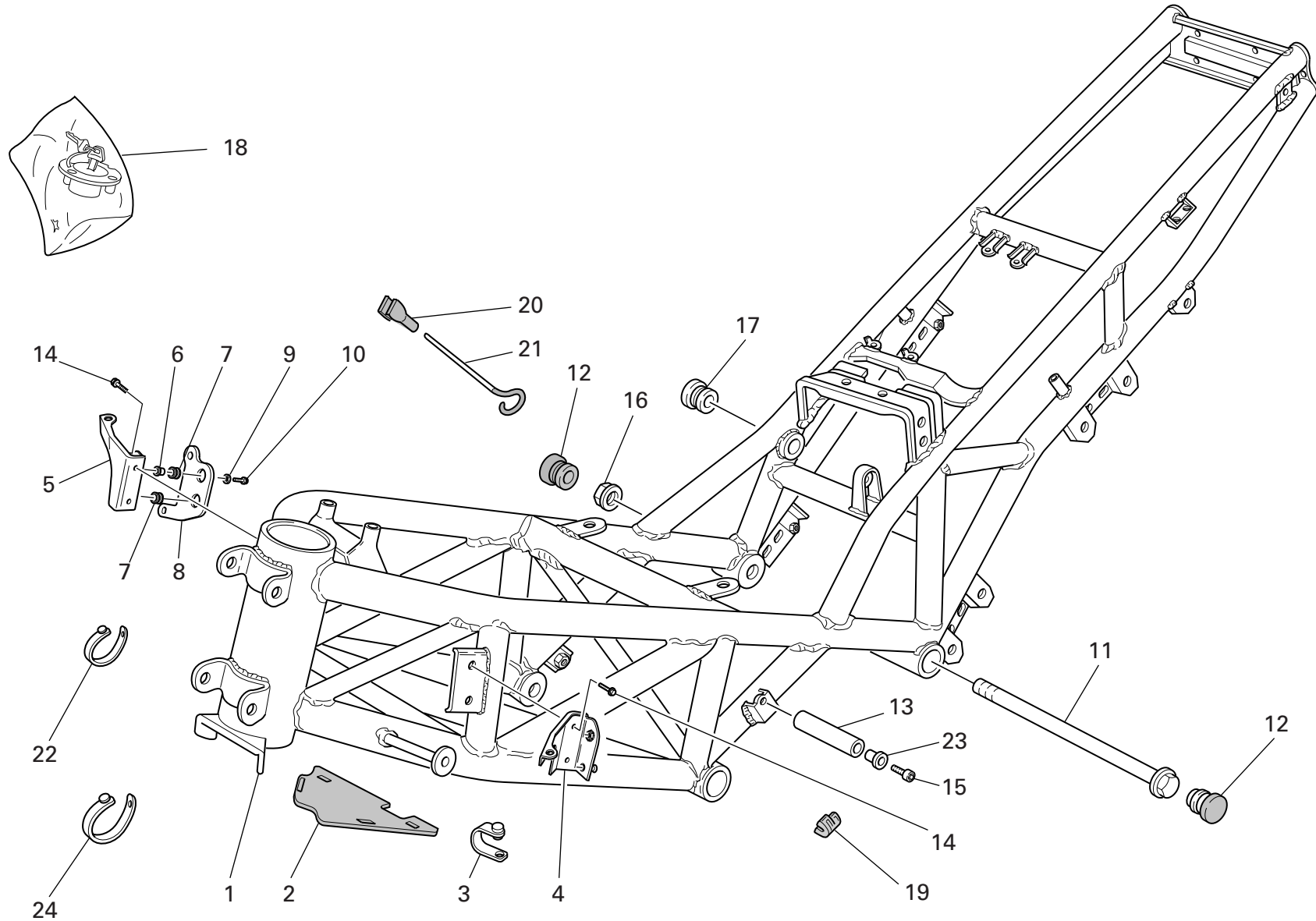


DRAWING 018


STANDS

NOTES NO.	CODE NO.	DESCRIPTION	VALIDITY	Q.TY 
1	749.4.045.2G	Nut		2
2	555.1.007.1A	R. H. Plate		1
3	555.1.005.1A	Central stand		1
4	555.1.006.1B	L. H. Plate		1
5	799.1.069.1A	Inner spring		1
6	799.1.070.1A	Outer spring		1
7	772.1.001.1A	Screw		1
8	771.5.154.8B	Screw		4
9	799.1.089.1A	Spring		1
10	799.1.088.1A	Outer spring		1
11	827.1.139.2B	Plate		1
12	779.4.005.2A	Screw		1
13	539.1.023.2A	Switch		1
14	556.1.017.1C	Side stand		1
15	556.1.018.1C	Pivot		1
16	556.2.020.1B	Plate		1

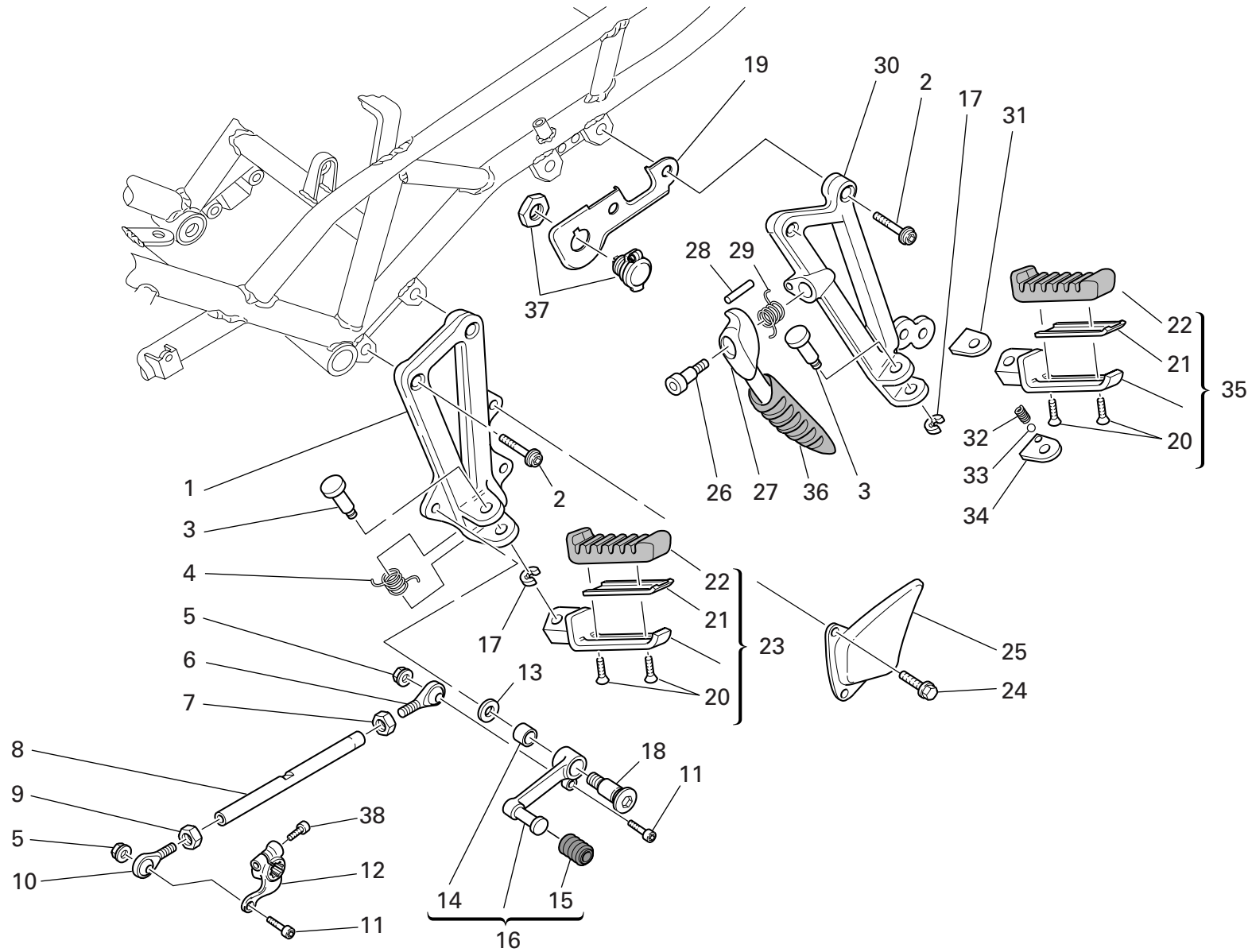
NOTES NO.	CODE NO.	DESCRIPTION	VALIDITY	Q.TY 
-----------	----------	-------------	----------	--



DRAWING 019 FRAME

NOTES NO.	CODE NO.	DESCRIPTION	VALIDITY	Q.TY 
1	470.1.081.1AA	Frame (METALLIC DARK GREY)		1
1	470.1.081.1AB	Frame (BLACK)		1
2	460.1.088.1A	Mudflap		1
3	741.1.013.1A	Hose guide		3
4	829.1.170.1AB	L.H. holder		1
5	829.1.169.1AB	R.H. holder		1
6	0000.44099	Spacer		2
7	764.1.084.1A	Vibration damper pad		2
8	829.1.487.1A	Holder		2
9	8000.56359	Washer		2
10	772.5.024.1A	Screw		2
11	779.1.213.1A	Screw		2
12	872.1.026.1A	Cap		4
13	827.1.121.1A	Stud bolt		2
14	772.5.025.1A	Screw		2
15	60N102511	Screw		2
16	748.4.002.1A	Nut		2
17	872.1.027.1A	Cap		1
18	598.2.017.2A	Locks kit		1
19	866.1.034.1A	Rubber pad		2
20	764.1.010.1A	Rubber pad		1
21	117.2.002.1A	Rod		1
22	741.1.012.1A	Hose guide		1
23	0364.99.020	Bush		2
24	741.4.013.1A	Hose guide		3

NOTES NO.	CODE NO.	DESCRIPTION	VALIDITY	Q.TY 
-----------	----------	-------------	----------	--




DRAWING 020

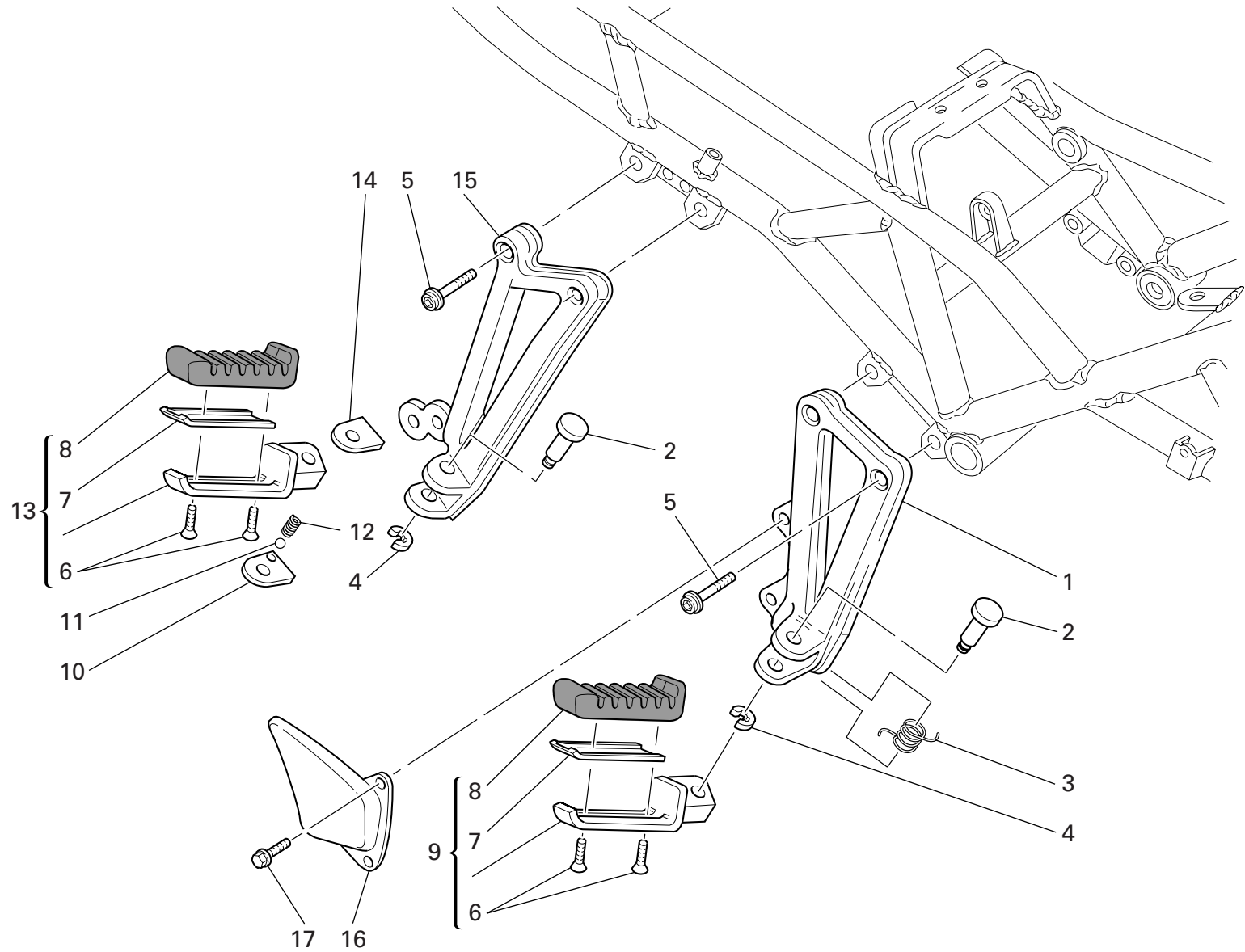
L.H. FOOT RESTS

NOTES NO.	CODE NO.	DESCRIPTION	VALIDITY	Q.TY 
1	824.1.039.1A	L.H. foot peg holder plate		1
2	771.5.725.8B	Screw		4
3	0370.69.920	Pin		2
4	0370.69.910	Spring		1
5	763106N01	El-stop nut		2
6	848.5.001.1A	Ball joint		1
7	747.5.001.1A	L.H. nut		1
8	117.1.033.1A	Gearbox transmission rod		1
9	417.9.030.6A	Nut		1
10	848.5.002.1A	Ball joint		1
11	779.5.011.1A	Screw		2
12	456.1.006.2A	Gearchange control lever		1
13	852.1.053.1A	Washer		1
14	8000.59056	Bush		1
15	765.1.001.1A	Rubber pad		1
16	456.2.009.1A	Gearchange lever		1
17	73500.0827	Circlip		2
18	821.1.170.1A	Pin		1
19	827.1.192.1A	Plate		1
20	777.5.002.1A	Screw		4
21	0370.69.930	Plate		2
22	0370.69.940	Foot peg rubber cover		2
23	0370.69.850	Front L.H. foot peg, complete		1
24	772.1.047.1A	Screw		2
25	460.1.062.1A	Protection		1
26	779.1.159.1A	Screw		1
27	806.1.012.1A	Handle		1


CATALOGUE No: 915.1.202.2B  
ISSUED: 02 - 05

NOTES NO.	CODE NO.	DESCRIPTION	VALIDITY	Q.TY 
28	861.5.003.1A	Spring pin		1
29	799.1.071.1A	Spring		1
30	824.1.041.1C	Rear L.H. foot peg holder plate		1
31	0370.69.970	Plate		1
32	799.1.024.1A	Spring		1
33	847.4.002.1A	Ball		2
34	827.1.045.1A	Keep plate		1
35	0370.69.860	Rear L.H. foot peg, complete		1
36	806.1.013.1A	Handgrip		1
37	386.4.013.2A	Power Point		1
38	779.5.001.1A	Screw		1

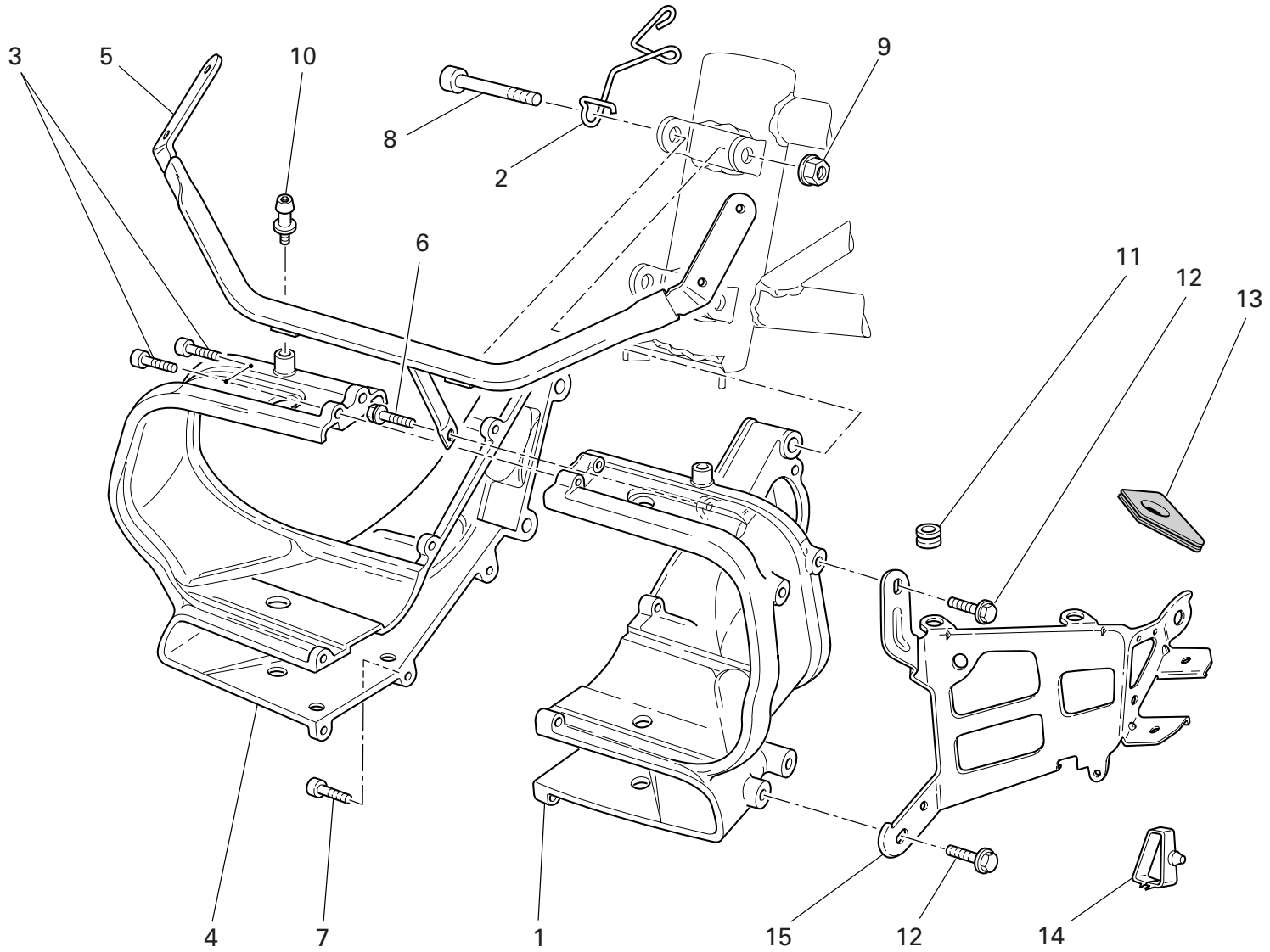
CATALOGUE No: 915.1.202.2B  
ISSUED: 02 - 05




DRAWING 021 R.H. FOOT RESTS

NOTES NO.	CODE NO.	DESCRIPTION	VALIDITY	Q.TY 
1	824.1.040.1B	R.H. foot peg holder plate		1
2	0370.69.920	Pin		2
3	0370.69.910	Spring		1
4	73500.0827	Circlip		2
5	771.5.725.8B	Screw		4
6	777.5.002.1A	Screw		4
7	0370.69.930	Plate		2
8	0370.69.940	Foot peg rubber cover		2
9	0370.69.855	Front R.H. foot peg, complete		1
10	827.1.045.1A	Keep plate		1
11	847.4.002.1A	Ball		2
12	799.1.024.1A	Spring		1
13	0370.69.865	Rear R.H. foot peg, complete		1
14	0370.69.970	Plate		1
15	824.1.042.1C	Rear R.H. foot peg holder plate		1
16	460.1.063.1A	Protection		1
17	772.1.047.1A	Screw		2

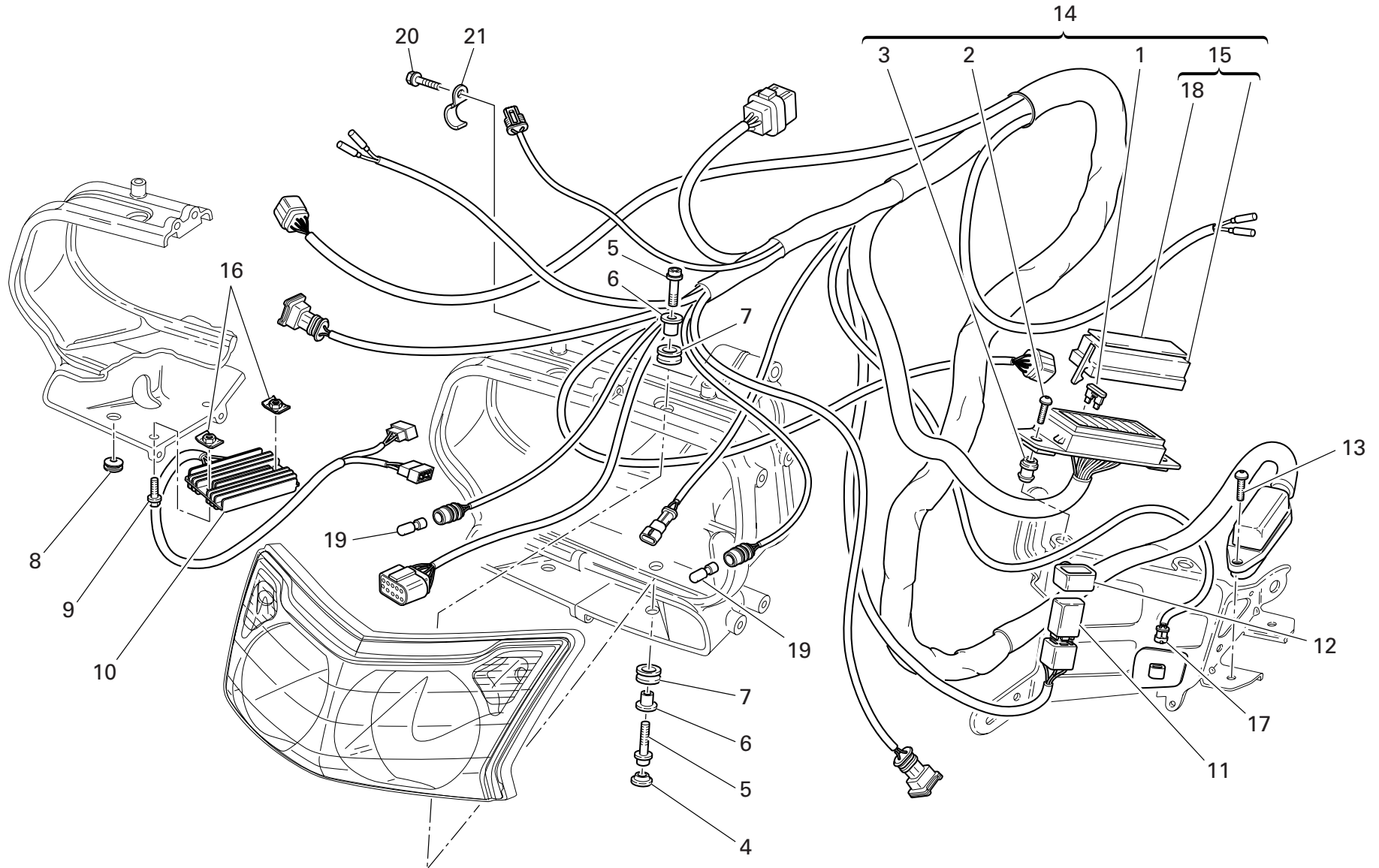
NOTES NO.	CODE NO.	DESCRIPTION	VALIDITY	Q.TY 
-----------	----------	-------------	----------	--



DRAWING 022 HEADLIGHT HOLDER

NOTES NO.	CODE NO.	DESCRIPTION	VALIDITY	Q.TY 
1	829.1.168.1AB	L.H. holder		1
2	758.1.026.1A	Fairlead		1
3	771.5.043.2B	Screw		7
4	829.1.167.2AB	R.H. holder		1
5	829.1.556.1A	Holder		1
6	8A00.67997	Screw		1
7	60N102488	Screw		1
8	771.5.141.2B	Screw		2
9	729908FN1	Nut		2
10	821.1.075.1A	Pin		2
11	764.1.084.1A	Vibration damper pad		2
12	772.5.024.1A	Screw		3
13	829.1.204.1A	Holder		1
14	0000.60283	Hose guide		1
15	829.1.544.1A	Holder		1

NOTES NO.	CODE NO.	DESCRIPTION	VALIDITY	Q.TY 
-----------	----------	-------------	----------	--



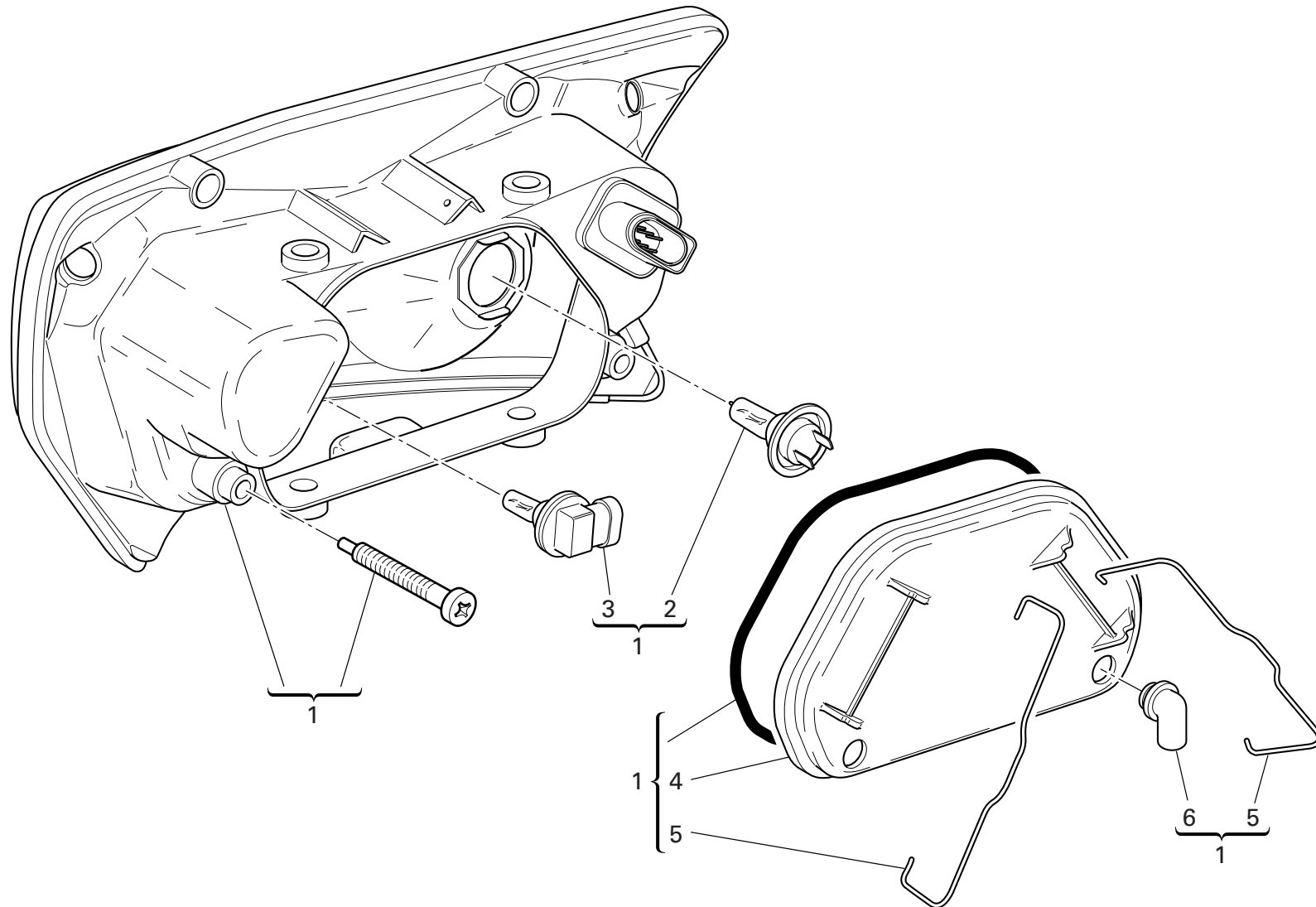
DRAWING 023

HEAD-LIGHT AND ELECTRIC WIRING


NOTES NO.	CODE NO.	DESCRIPTION	VALIDITY	Q.TY 
1	389.4.006.1A	Fuse 3A		1
1	389.4.007.1A	Fuse 7.5A		3
1	389.4.008.1A	Fuse 15A		1
1	389.4.012.1A	Fuse 20A		1
1	389.4.015.1A	Fuse 5A		2
2	779.1.088.1A	Screw		2
3	821.1.054.1A	Pin		2
4	764.4.003.1A	Fairlead		2
5	772.5.023.1A	Screw		4
6	716.1.022.1A	Spacer		4
7	764.1.090.1A	Rubber pad		4
8	764.1.084.1A	Vibration damper pad		4
9	0000.62730	Screw		2
10	540.4.011.1C	Regulator		1
11	541.4.007.1A	Relay		1
12	829.1.190.1A	Rubber holder		2
13	8000.59572	Screw		2
14	510.1.262.1A	Front wiring		1
15	246.1.009.1G	Cover		1
16	827.1.166.1A	Plate		2
17	552.4.012.1A	Air temperature sensor		1
18	433.1.296.1B	Sticker "schema fusibili"		1
19	390.4.008.1A	Warning lamp bulb 12V-3W		2
20	8A00.67997	Screw		1
21	741.4.062.1A	Clip		2

NOTES NO.	CODE NO.	DESCRIPTION	VALIDITY	Q.TY 
-----------	----------	-------------	----------	--

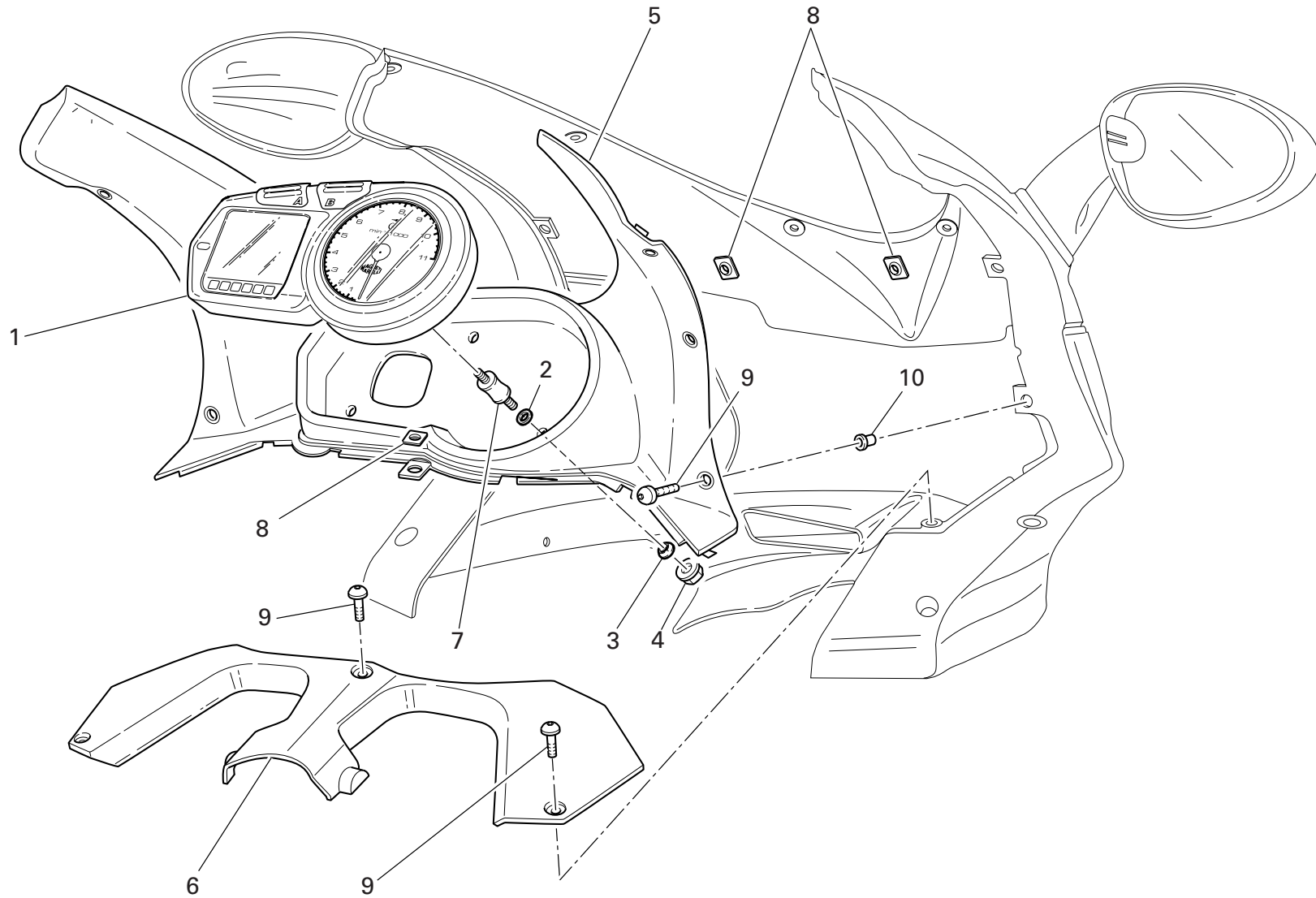
DRAWING 023a FRONT HEAD-LIGHT




DRAWING 023a FRONT HEAD-LIGHT

NOTES NO.	CODE NO.	DESCRIPTION	VALIDITY	Q.TY 
1	520.1.002.1C	Complete headlight		1
2	390.4.011.1A	Bulb		1
3	390.4.014.1A	Bulb		1
4	246.2.083.1A	Cover		1
5	799.1.215.1A	Spring		2
6	672.1.040.1A	Rubber pad		4

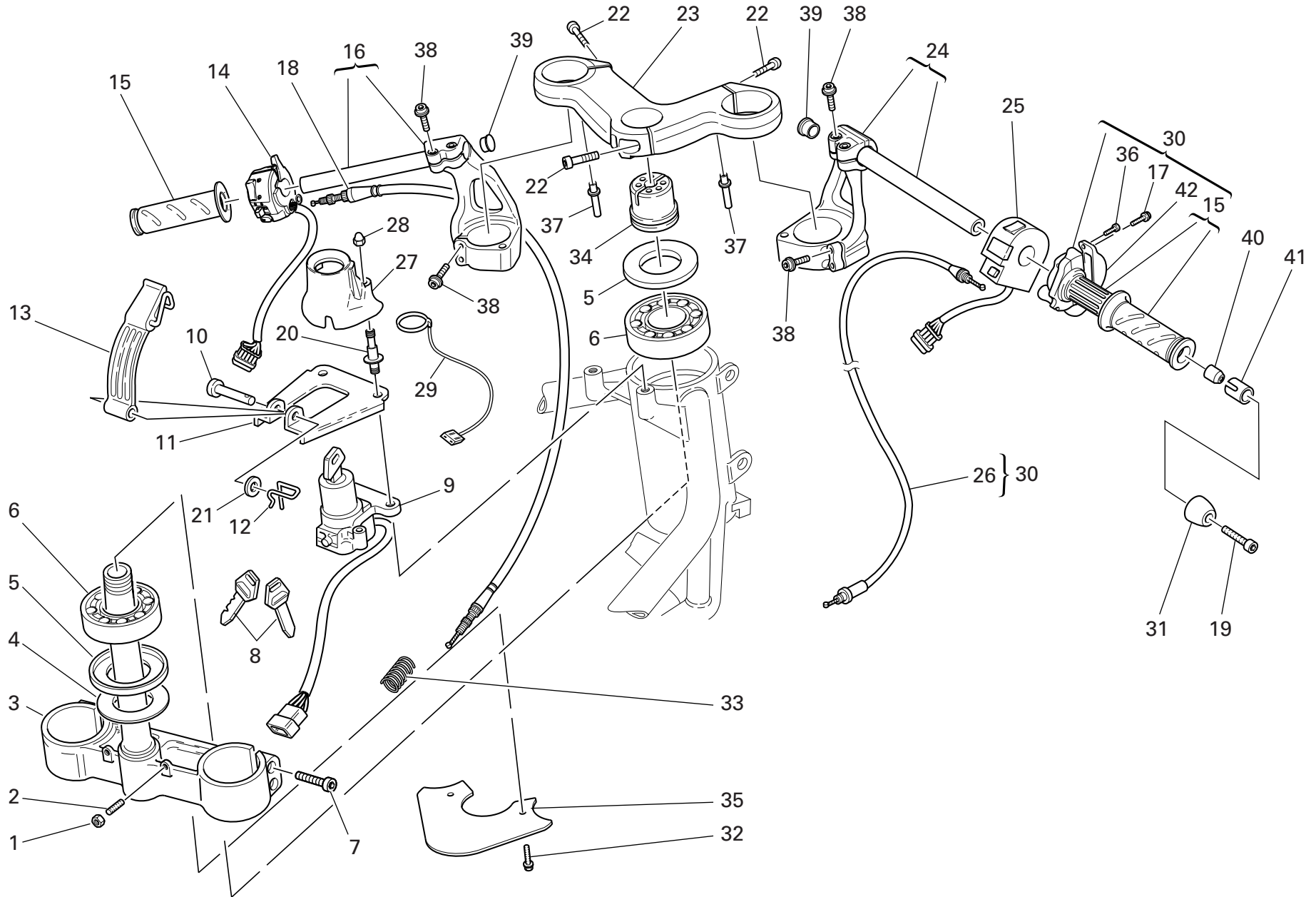
NOTES NO.	CODE NO.	DESCRIPTION	VALIDITY	Q.TY 
-----------	----------	-------------	----------	--



DRAWING 024 INSTRUMENT PANEL

NOTES NO.	CODE NO.	DESCRIPTION	VALIDITY	Q.TY 
1	406.1.020.1B	Complete instrument panel		1
2	734005N01	Spring washer		3
3	716.1.107.1B	Spacer		3
4	748.4.038.1A	Nut		3
5	460.1.174.1A	Front headlight fairing panel		1
6	460.1.175.1A	Rear headlight fairing panel		1
7	700.1.043.1A	Spacer		3
8	850.4.047.1A	Quik fastening		3
9	779.1.050.1A	Screw		9
10	0000.63150	Insert		4

NOTES NO.	CODE NO.	DESCRIPTION	VALIDITY	Q.TY 
-----------	----------	-------------	----------	--



DRAWING 025

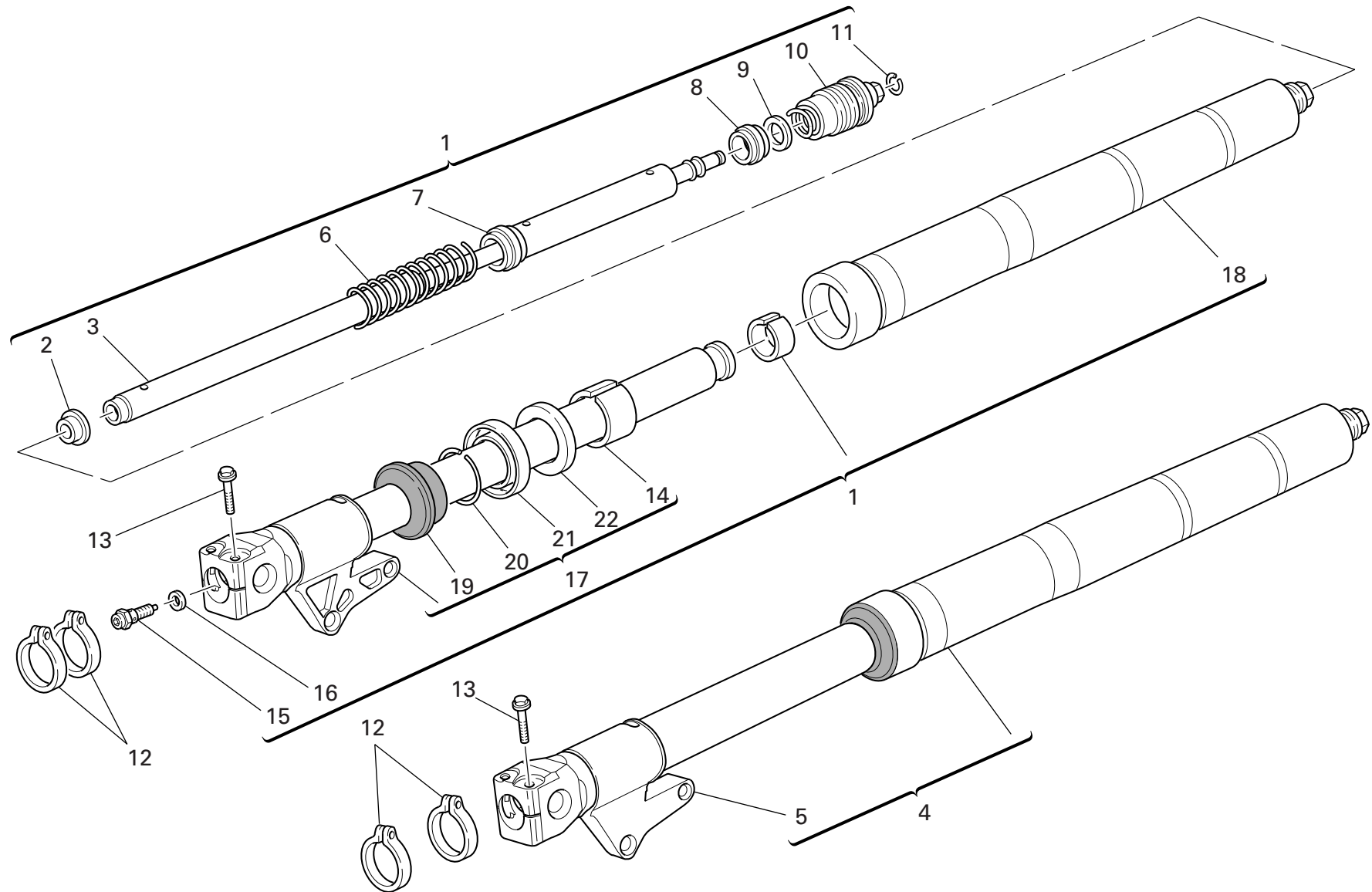
HALF HANDLEBARS AND CONTROLS

NOTES NO.	CODE NO.	DESCRIPTION	VALIDITY	Q.TY 
1	417.9.030.8A	Nut		2
2	779.1.099.1A	Special screw		2
3	342.2.015.1B	Steering head base		1
4	852.1.103.1A	Washer		1
5	930.1.004.1A	Seal ring		2
6	702.4.004.1A	Bearing		2
7	60N102557	Screw		4
8	598.4.016.1A	Wrench with Transponder		1
8	598.4.018.1A	Wrench without Transponder		1
9	652.4.006.1D	Key-operated switch		1
10	821.1.073.1A	Pin		1
11	827.1.122.2A	Plate		1
12	0000.62705	Split pin		1
13	8000.70178	Belt		1
14	651.4.011.1A	L.H. switch		1
15	8000.78345	Grips pair		1
16	360.2.057.1A	L.H. handlebar		1
17	772.5.023.1A	Screw		2
18	657.1.019.1A	Flexible cable		1
19	771.5.074.2B	Screw		2
20	779.1.221.1A	Special screw		2
21	734305N01	Washer		1
22	771.5.725.2B	Screw		3
23	341.2.042.1A	Steering head		1
24	360.2.056.1A	R.H. handlebar		1
25	650.1.002.1A	R.H. switch		1
26	656.1.050.1A	Throttle control transmission		1


CATALOGUE No: 915.1.202.2B  
ISSUED: 02 - 05

NOTES NO.	CODE NO.	DESCRIPTION	VALIDITY	Q.TY 
27	246.1.060.2A	Cover		1
28	749.4.002.1A	Nut		2
29	518.4.004.1B	Antenna		1
30	654.4.006.1A	Throttle control		1
31	153.1.008.1A	Counterweight		2
32	772.1.047.1A	Screw		2
33	799.1.087.1A	Starter control transmission return spring		1
34	703.1.013.1A	Ring nut		1
35	460.1.076.2A	Mudflap		1
36	8000.66774	Screw		2
37	832.1.032.1A	Pin		2
38	771.5.669.2B	Screw		8
39	872.1.048.1A	Cap		2
40	711.1.072.1A	Bush		2
41	710.1.068.1A	Bush		2
42	658.4.002.1B	Cover		1

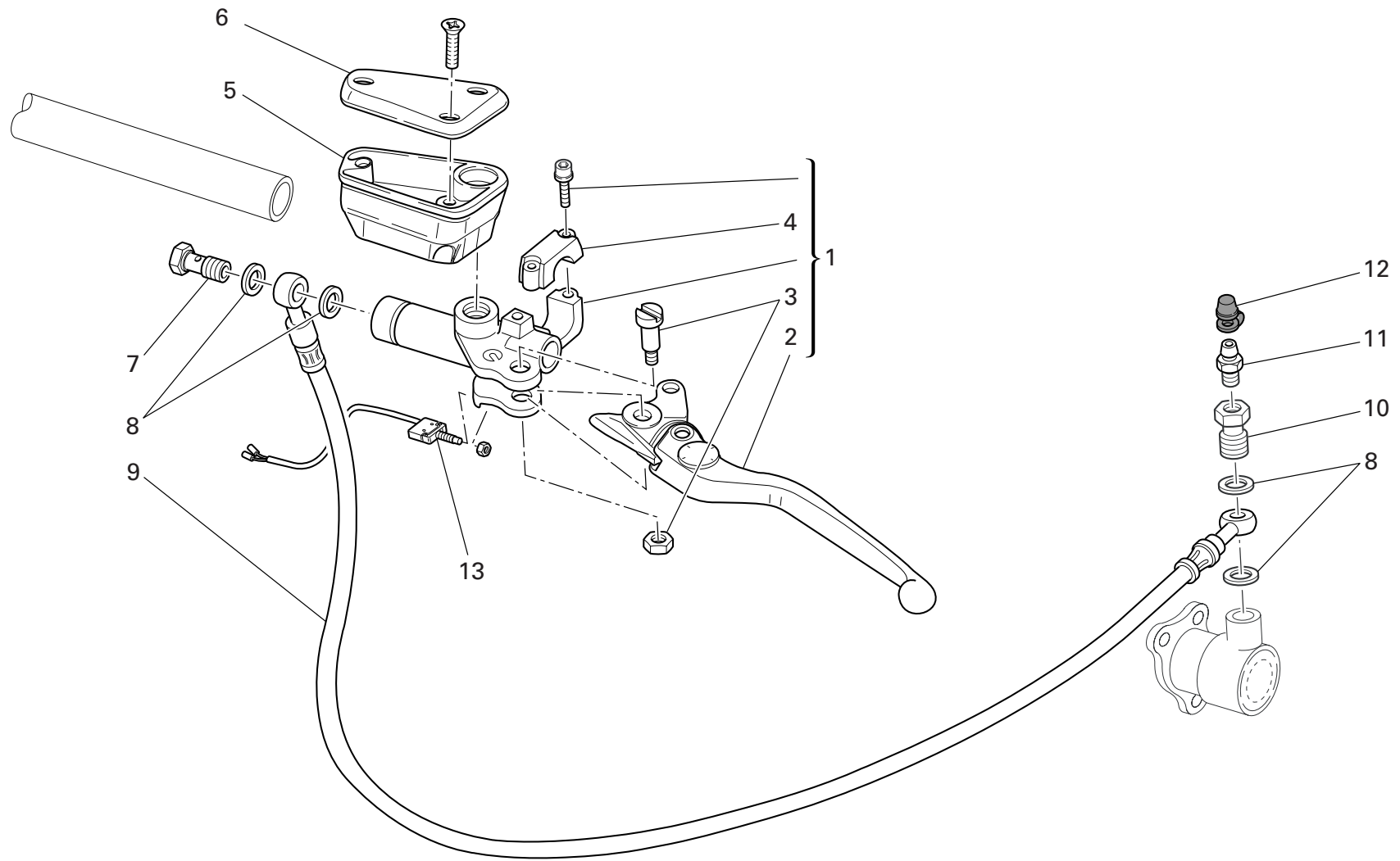
CATALOGUE No: 915.1.202.2B  
ISSUED: 02 - 05





DRAWING 026 FRONT FORK

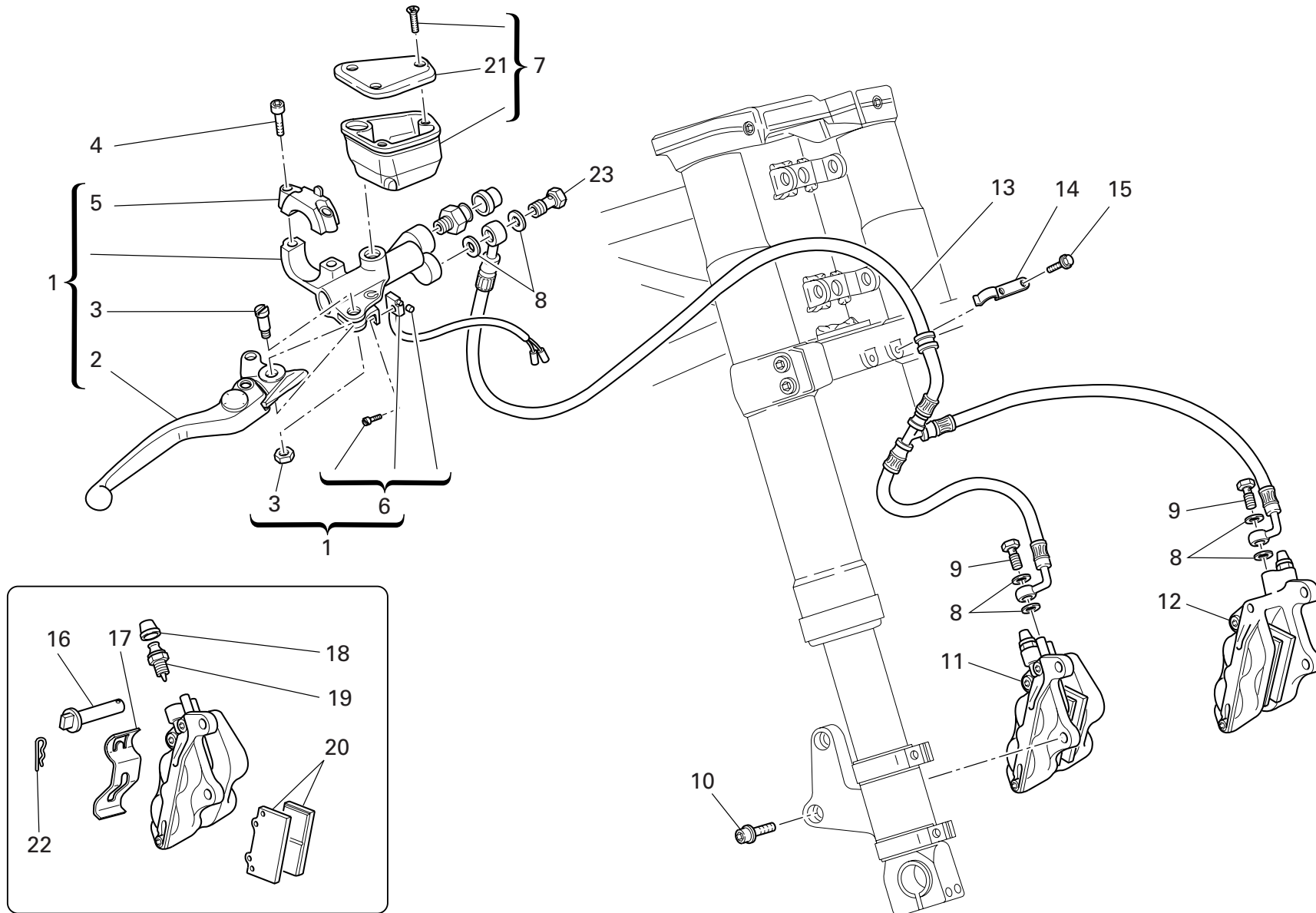
NOTES NO.	CODE NO.	DESCRIPTION	VALIDITY	Q.TY 
1	340.2.283.1A	R.H. fork leg assembly		1
2	349.1.075.1A	Centering ring		2
3	349.1.198.1A	Damper tube		2
4	340.2.284.1A	L.H. fork leg assembly		1
5	349.1.197.1A	Complete L.H. slider		1
6	366.1.039.1A	Spring		2
7	349.1.097.1A	Spring coupling		2
8	349.1.064.1A	Slider		2
9	349.1.065.1A	Rubber cush drive hub		2
10	349.2.014.1B	Complete cap		2
11	349.1.098.1A	Snap ring		2
12	8000.70127	Hose guide		4
13	8A00.69056	Screw		4
14	349.1.103.1A	Bush		2
15	349.1.124.1A	Adjusting screw		2
16	349.1.076.1A	Washer		2
17	349.1.196.1A	Complete R.H. slider		1
18	349.1.194.1A	Stanchion tube		2
19	349.1.101.1A	Dust seal		2
20	884.1.005.1A	Ring		2
21	930.1.005.1A	Seal ring		2
22	349.1.102.1A	Check ring		2

NOTES NO.	CODE NO.	DESCRIPTION	VALIDITY	Q.TY 
-----------	----------	-------------	----------	--




DRAWING 027 CLUTCH CONTROL

NOTES NO.	CODE NO.	DESCRIPTION	VALIDITY	Q.TY 	NOTES NO.	CODE NO.	DESCRIPTION	VALIDITY	Q.TY 
1	630.4.024.1A	Clutch drive pump		1					
2	626.4.034.1A	Clutch control lever		1					
3	626.4.011.1A	Spare lever pin		1					
4	626.4.015.1C	Bracket		1					
5	585.4.007.1A	Complete oil tank		1					
6	893.4.008.1A	Cap		1					
7	779.1.366.1AB	Special screw		1					
8	852.5.024.1A	Gasket th.1		4					
9	632.1.030.1A	Clutch control pipe		1					
10	779.1.397.1A	Special screw		1					
11	0000.33552	Bleed		1					
12	612.4.005.1A	Dust seal		1					
13	539.4.033.1A	Microswitch		1					

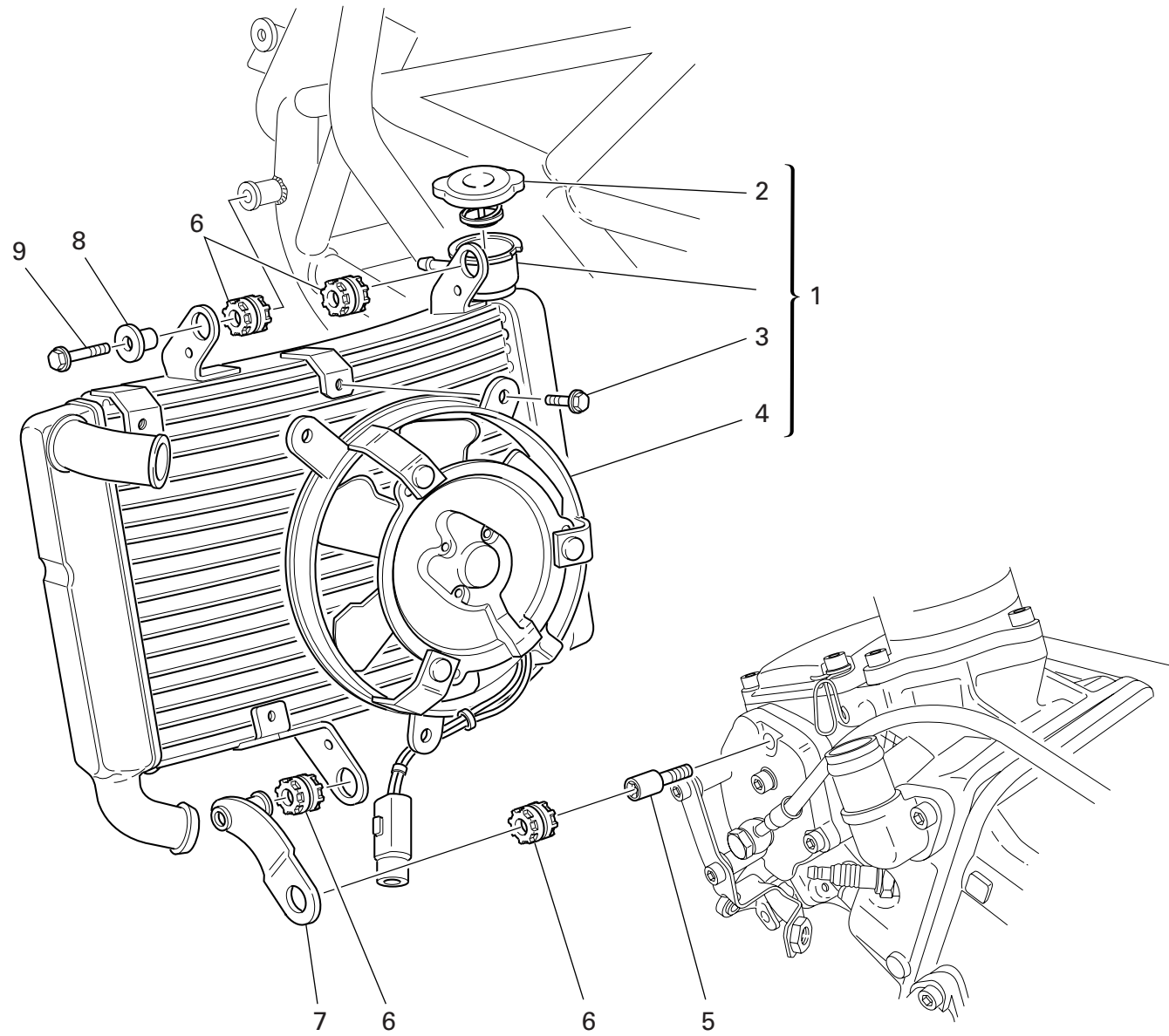


DRAWING 028



FRONT HYDRAULIC BRAKE

NOTES NO.	CODE NO.	DESCRIPTION	VALIDITY	Q.TY 
1	624.4.031.1A	Front brake pump		1
2	626.4.019.1A	Brake control lever		1
3	626.4.011.1A	Spare lever pin		1
4	771.5.669.2B	Screw		2
5	626.4.015.1D	Bracket		1
6	539.4.021.1A	Microswitch		1
7	585.4.006.1A	Complete oil tank		1
8	852.5.024.1A	Gasket th.1		6
9	779.1.366.1AB	Special screw		2
10	771.5.431.2B	Screw		4
11	610.4.079.1A	R.H. brake caliper		1
12	610.4.078.1A	L.H. brake caliper		1
13	618.4.061.1A	Caliper pump pipe		1
14	829.1.208.2A	Holder		1
15	772.5.025.1A	Screw		2
16	612.4.014.1A	Spare pins and spring		2
17	612.4.017.1A	Spring		2
18	612.4.008.1A	Dust seal		2
19	631.4.004.1A	Spare bleed union		2
20	613.4.021.1A	Pads pair		2
21	893.4.007.1A	Tank cap		1
22	612.4.018.1A	Spring		2
23	779.1.415.1A	Special screw		1

NOTES NO.	CODE NO.	DESCRIPTION	VALIDITY	Q.TY 
-----------	----------	-------------	----------	--



DRAWING 029 WATER RADIATOR ASSY

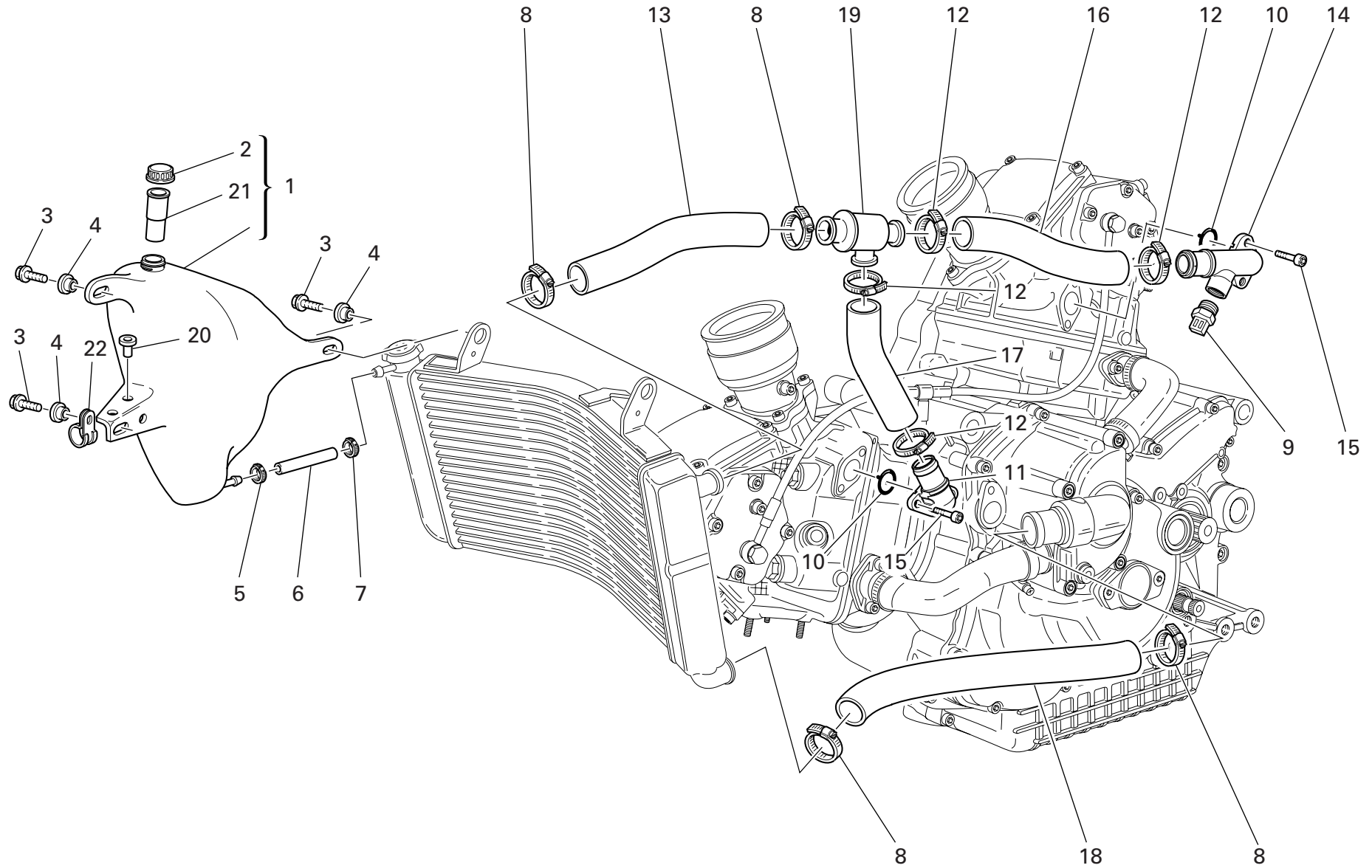
NOTES NO.	CODE NO.	DESCRIPTION	VALIDITY	Q.TY 	NOTES NO.	CODE NO.	DESCRIPTION	VALIDITY	Q.TY 
1	548.4.019.2A	Water radiator		1					
2	893.1.003.1A	Radiator cap		1					
3	772.5.025.1A	Screw		3					
4	550.4.008.1A	Electric fan		1					
5	779.1.368.2A	Special screw		1					
6	764.1.022.1A	Vibration damper pad		4					
7	830.1.299.1A	Holder		1					
8	713.1.304.1A	Spacer		1					
9	0000.62729	Screw		1					

CATALOGUE No: 915.1.202.2B  
ISSUED: 02 - 05


CATALOGUE No: 915.1.202.2B  
ISSUED: 02 - 05

DRAWING 030

COOLING CIRCUIT



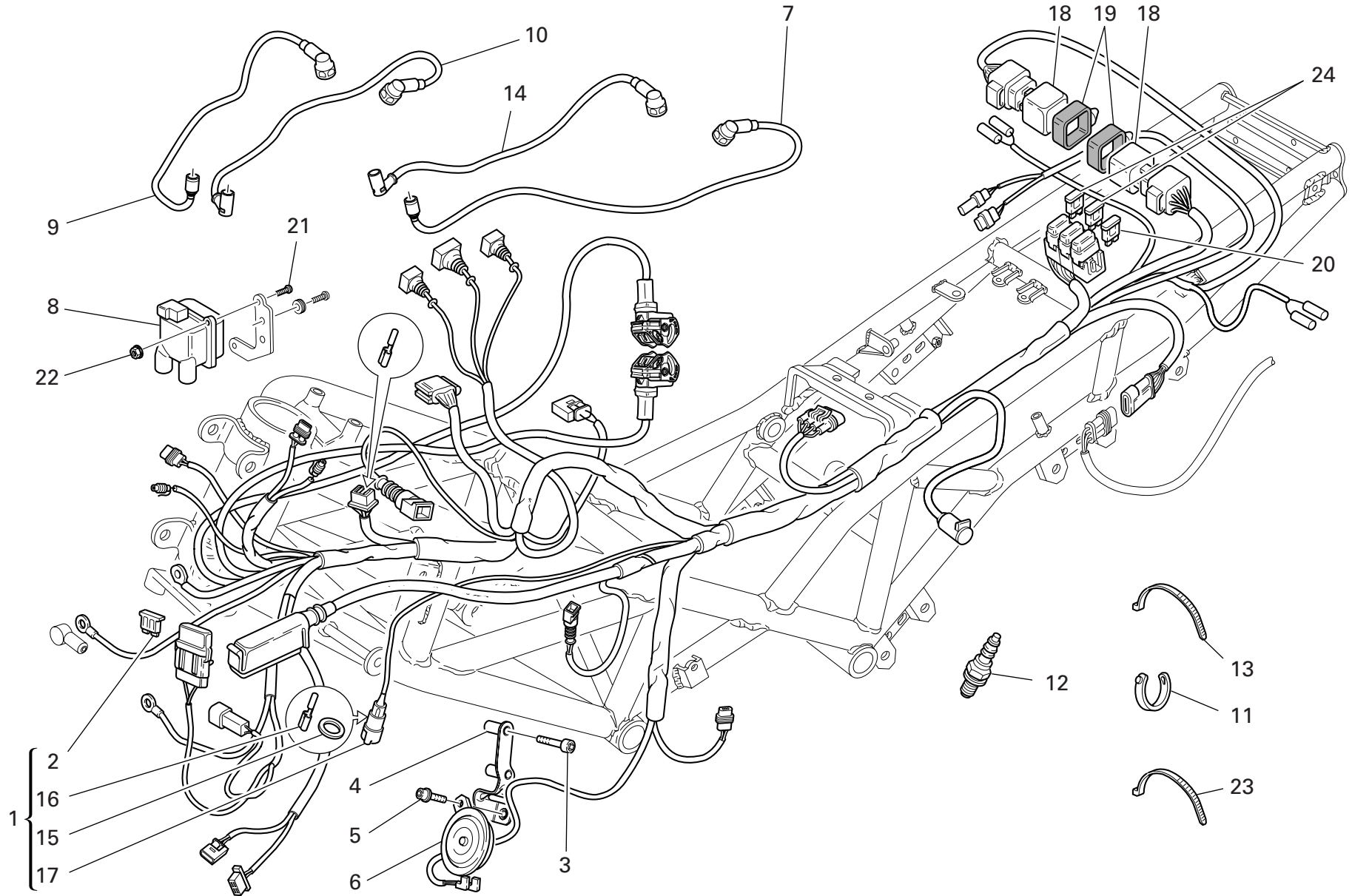
DRAWING 030 COOLING CIRCUIT

NOTES NO.	CODE NO.	DESCRIPTION	VALIDITY	Q.TY 
1	585.1.020.1A	Water tank		1
2	0000.40427	Tank cap		1
3	772.5.024.1A	Screw		3
4	716.1.038.1A	Spacer		4
5	8A00.67610	Hose guide		1
6	800.1.049.1A	Hose		1
7	741.4.001.1A	Hose guide		1
8	741.4.025.1A	Hose guide		4
9	552.4.013.1A	Sensor		2
10	788.1.072.1A	O-ring		2
11	814.1.157.1A	Water outlet union		1
12	741.4.002.1A	Hose guide		4
13	800.1.129.1A	Cooler/thermostat hose		1
14	814.1.123.1A	Water outlet union		1
15	771.5.067.8B	Screw		4
16	800.1.126.1A	Thermostat/pump hose		1
17	800.1.127.1A	Thermostat/pump hose		1
18	800.1.128.1A	Pump/cooler hose		1
19	553.4.004.1A	Thermostat		1
20	0000.63150	Insert		2
21	711.1.084.1A	Bush		1
22	741.4.055.1A	Hose guide		1


NOTES NO.	CODE NO.	DESCRIPTION	VALIDITY	Q.TY 
-----------	----------	-------------	----------	--

DRAWING 031

ELECTRIC SYSTEM



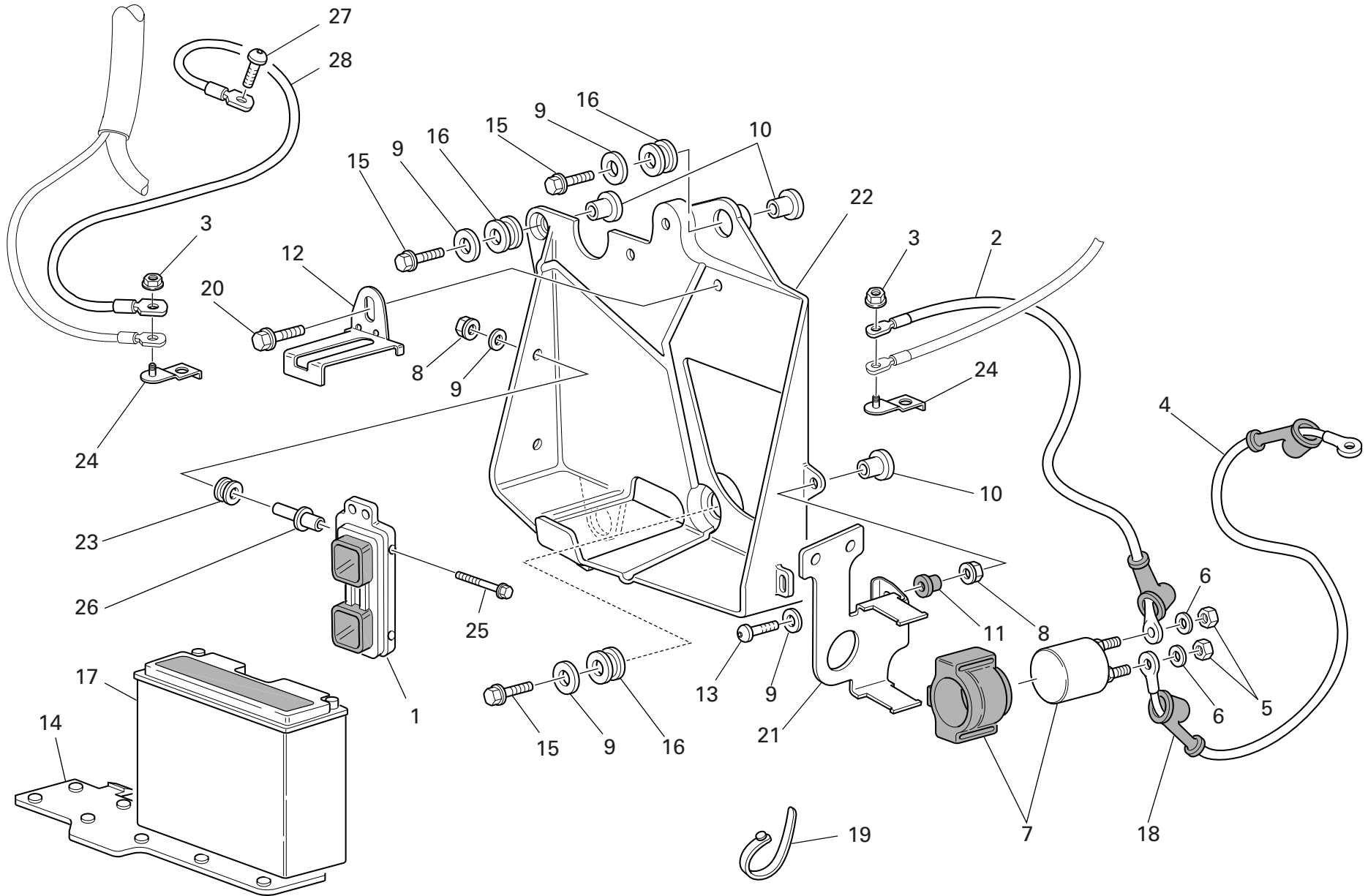
DRAWING 031 ELECTRIC SYSTEM

NOTES NO.	CODE NO.	DESCRIPTION	VALIDITY	Q.TY 
1	510.1.265.1A	Electric wiring		1
2	389.4.014.1A	Fuse 40A		1
3	771.1.034.2A	Screw		2
4	830.1.290.1B	Holder		1
5	771.5.721.2B	Screw		1
6	516.4.001.1AB	Horn (BLACK)		1
7	671.1.031.1A	Vertical spark plug cable - left		1
8	380.4.010.1C	Coil		2
9	671.1.032.1A	Horizontal spark plug cable - right		1
10	671.1.033.1A	Horizontal spark plug cable - left		1
11	0691.91.030	Hose guide		17
12	670.4.016.1B	Spark plug		4
13	741.1.013.1A	Hose guide		1
14	671.1.030.1A	Vertical spark plug cable - right		1
15	764.4.005.1A	Rubber pad		1
16	387.4.002.1A	End section		2
17	386.4.006.1A	Connector		1
18	541.4.007.1A	Relay		2
19	829.1.127.1A	Holder		2
20	389.4.006.1A	Fuse 3A		1
21	775.1.011.1A	Screw		2
22	8000.56443	Nut		2
23	741.4.038.1A	Hose guide		12
24	389.4.012.1A	Fuse 20A		2


NOTES NO.	CODE NO.	DESCRIPTION	VALIDITY	Q.TY 
-----------	----------	-------------	----------	--


DRAWING 032

BATTERY BOX MOUNT



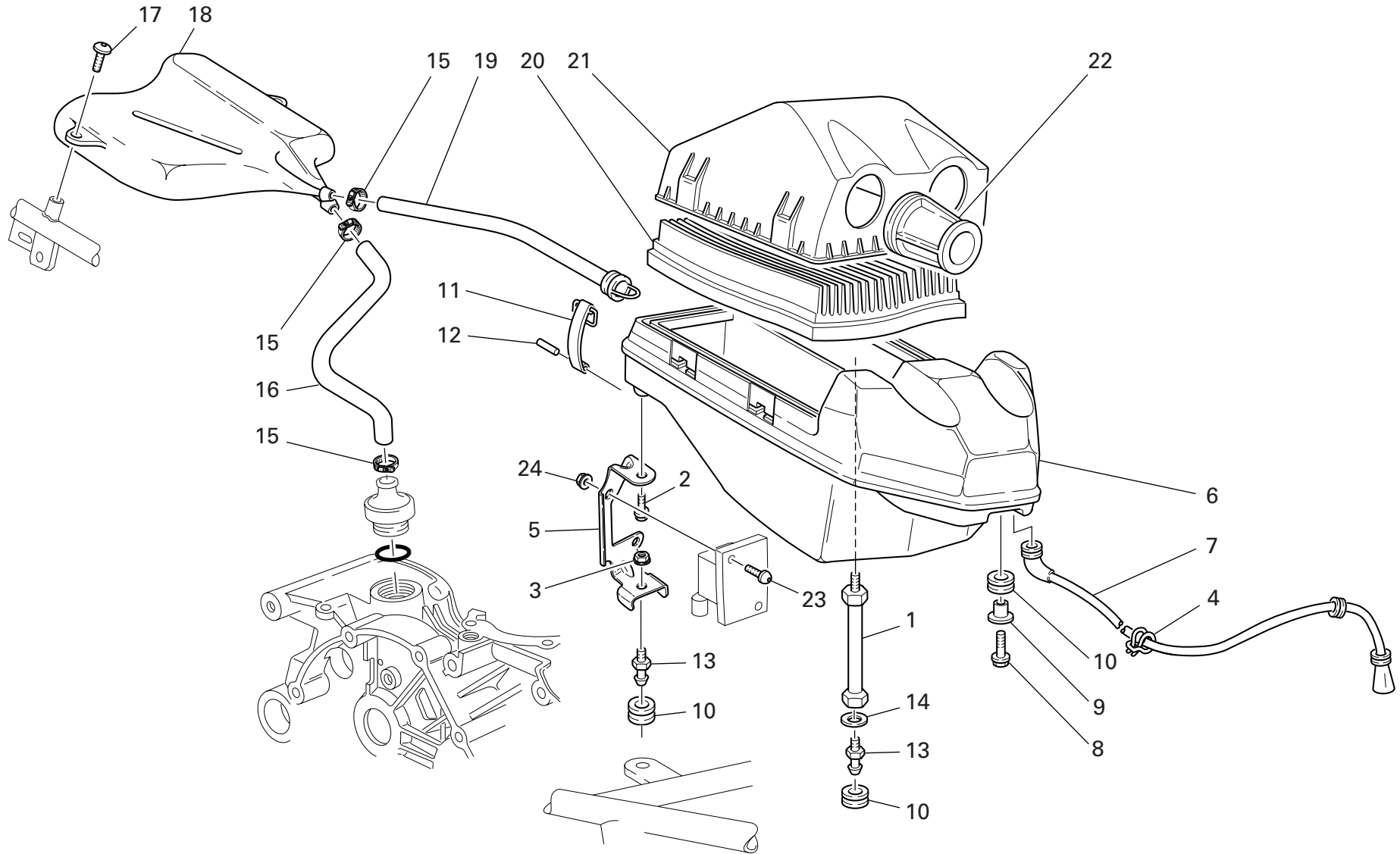
DRAWING 032 BATTERY BOX MOUNT

NOTES NO.	CODE NO.	DESCRIPTION	VALIDITY	Q.TY 
1	286.4.100.1L	Injection control unit		1
2	514.1.041.1A	Battery - solenoid starter cable		1
3	0000.56443	Nut		2
4	514.1.040.1A	Solenoid starter - starter motor cable		1
5	417.9.050.6A	Nut		2
6	462.4.037.6A	Spring washer		2
7	397.4.002.1A	Remote switch		1
8	750.5.001.1A	Nut		2
9	8000.56359	Washer		5
10	716.1.022.1A	Spacer		3
11	716.1.053.1A	Spacer		1
12	827.1.286.1A	Plate		1
13	775.1.038.1B	Screw		1
14	866.1.031.1A	Rubber pad		1
15	772.5.023.1A	Screw		3
16	300182	Rubber pad		3
17	395.2.013.1C	Battery		1
18	672.1.029.1A	Rubber cap		1
19	0691.91.030	Hose guide		1
20	772.5.025.1A	Screw		1
21	827.1.330.1A	Plate		1
22	829.1.172.2B	Battery box mount		1
23	764.1.084.1A	Vibration damper pad		2
24	827.2.215.1A	Plate		2
25	772.5.021.1A	Screw		2
26	821.1.129.1A	Spacer		2
27	775.1.006.1A	Special screw		1

NOTES NO.	CODE NO.	DESCRIPTION	VALIDITY	Q.TY 
28	513.1.008.2D	Battery grounding cable		1


CATALOGUE No: 915.1.202.2B  
ISSUED: 02 - 05

CATALOGUE No: 915.1.202.2B  
ISSUED: 02 - 05



DRAWING 033

AIR INDUCTIO AND OIL VENT

NOTES NO.	CODE NO.	DESCRIPTION	VALIDITY	Q.TY 
1	684.1.026.1A	Stud bolt		1
2	772.1.050.1A	Screw		1
3	748.1.036.1A	Nut		1
4	829.1.129.1A	Clip		1
5	829.1.486.1A	Bracket		1
6	442.2.008.1A	Air filter box		1
7	877.2.004.2A	Tube		1
8	772.5.023.1A	Screw		1
9	716.1.022.1A	Spacer		1
10	764.1.090.1A	Rubber pad		3
11	760.1.003.1B	Hook		4
12	74223.1045	Spring pin		4
13	821.1.075.1A	Pin		2
14	8000.56359	Washer		1
15	741.4.002.1A	Hose guide		3
16	876.1.083.1A	Breather pipe		1
17	0364.99.015	Screw		2
18	585.1.019.2D	Oil breather tank		1
19	876.1.084.1A	Filter/fuel tank outlet pipe		1
20	0370.98.610	Filter element		1
21	246.1.056.1A	Filter case cover		1
22	135.1.015.1A	Air funnel		2
23	775.1.011.1A	Screw		2
24	8000.56443	Nut		2

NOTES NO.	CODE NO.	DESCRIPTION	VALIDITY	Q.TY 
-----------	----------	-------------	----------	--

CATALOGUE No: 915.1.202.2B  
ISSUED: 02 - 05

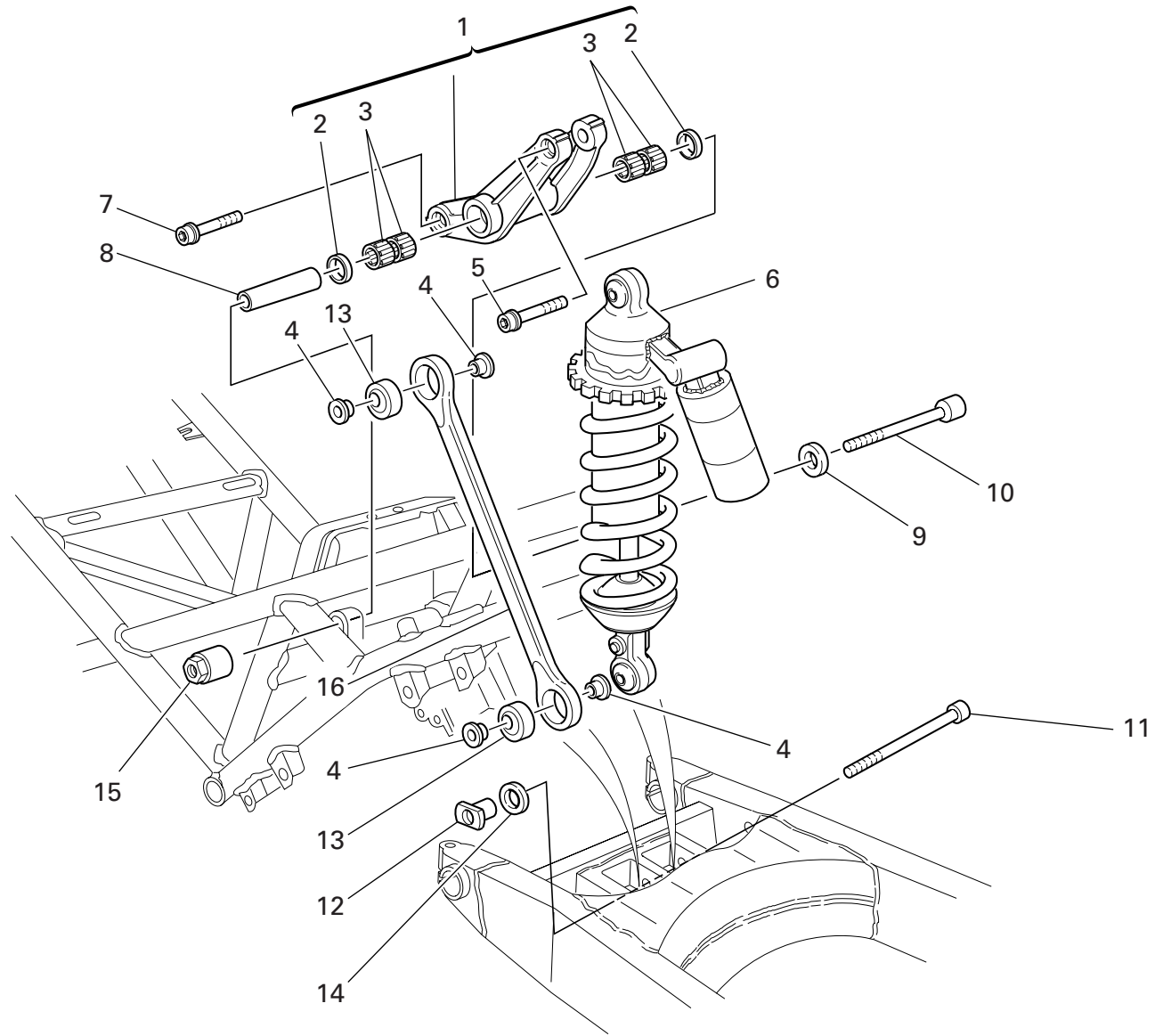
CATALOGUE No: 915.1.202.2B  
ISSUED: 02 - 05



DRAWING 034 SWINGARM AND CHAIN


NOTES NO.	CODE NO.	DESCRIPTION	VALIDITY	Q.TY 
1	748.1.023.1B	Nut		2
2	819.1.030.1A	Rear wheel spindle		1
3	779.1.119.1B	Special screw		8
4	447.1.031.2A	Lower chain sliding shoe		1
5	433.1.230.1A	Chain adjustment sticker		1
6	872.1.019.1A	Cap		2
7	884.4.007.1A	Snap ring		2
8	369.1.004.1A	Swingarm pivot		1
9	60N102584	Screw		2
10	370.1.021.1B	Swingarm		1
11	676.2.055.1A	Final drive kit		1
12	852.1.001.1A	Shim th. 1.8		2
12	852.1.002.1A	Shim th. 0.2		2
12	852.1.003.1A	Shim th. 0.1		1
13	447.1.030.2A	Upper chain sliding shoer		1
14	779.1.037.1B	Screw		2
15	676.4.018.1A	Chain (102 Links)		1
16	565.1.021.2A	Rear mudguard		1
17	373.1.029.1C	Plate		2
18	771.5.004.8B	Screw		2
19	852.1.079.1B	Washer		2
20	373.1.028.1B	Sliding shoe		2
21	373.1.023.1B	Cover		2
22	0364.99.710	Nylon gasket		2

NOTES NO.	CODE NO.	DESCRIPTION	VALIDITY	Q.TY 
-----------	----------	-------------	----------	--

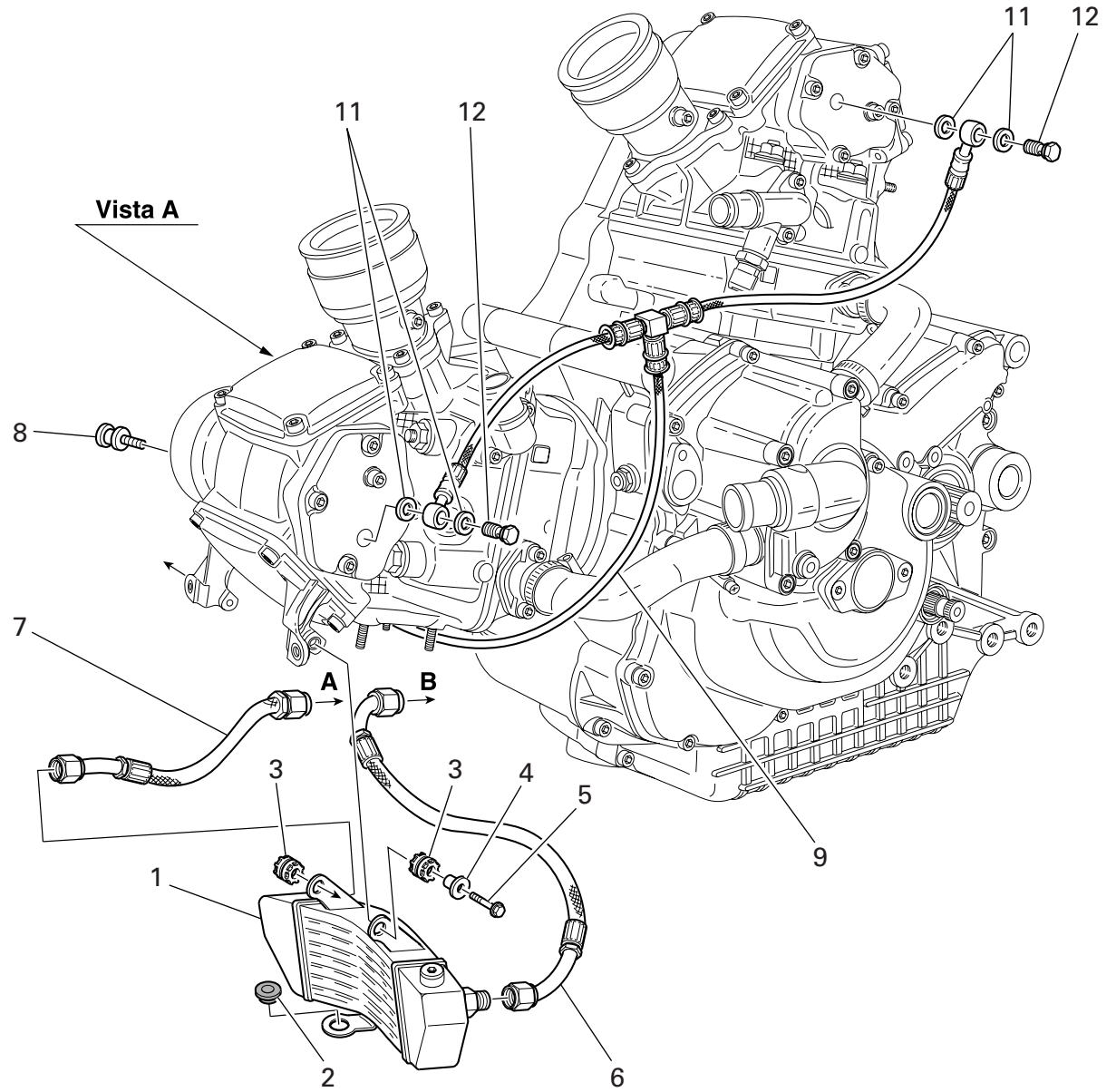
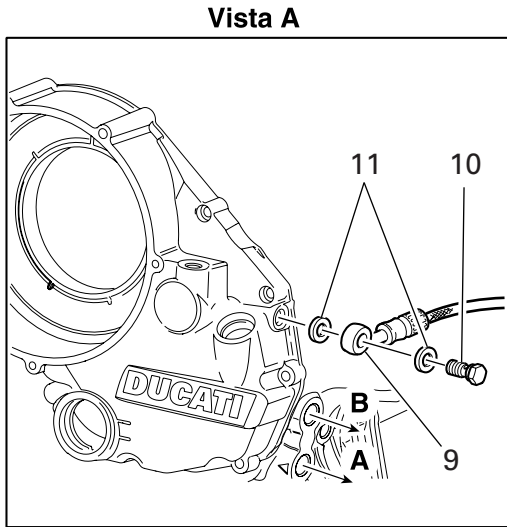


DRAWING 035


REAR SUSPENSION

NOTES NO.	CODE NO.	DESCRIPTION	VALIDITY	Q.TY 
1	372.2.008.3A	Rocker assembly		1
2	93781.1824	Seal ring		2
3	701.4.006.1A	Needle bearing		4
4	710.1.025.1A	Bush		4
5	771.5.938.2B	Screw		1
6	365.2.027.1C	Shock absorber		1
7	771.5.937.2B	Screw		1
8	715.1.004.1A	Spacer		1
9	710.1.057.1A	Bush		1
10	771.1.009.1A	Screw		1
11	771.1.016.1A	Screw		1
12	710.1.046.1A	Bush		1
13	848.4.011.1A	Ball joint		2
14	0670.92.190	Shim th. 2		2
15	750.1.041.1A	Nut		1
16	875.1.063.1B	Tie rod ( L=272 mm )		1

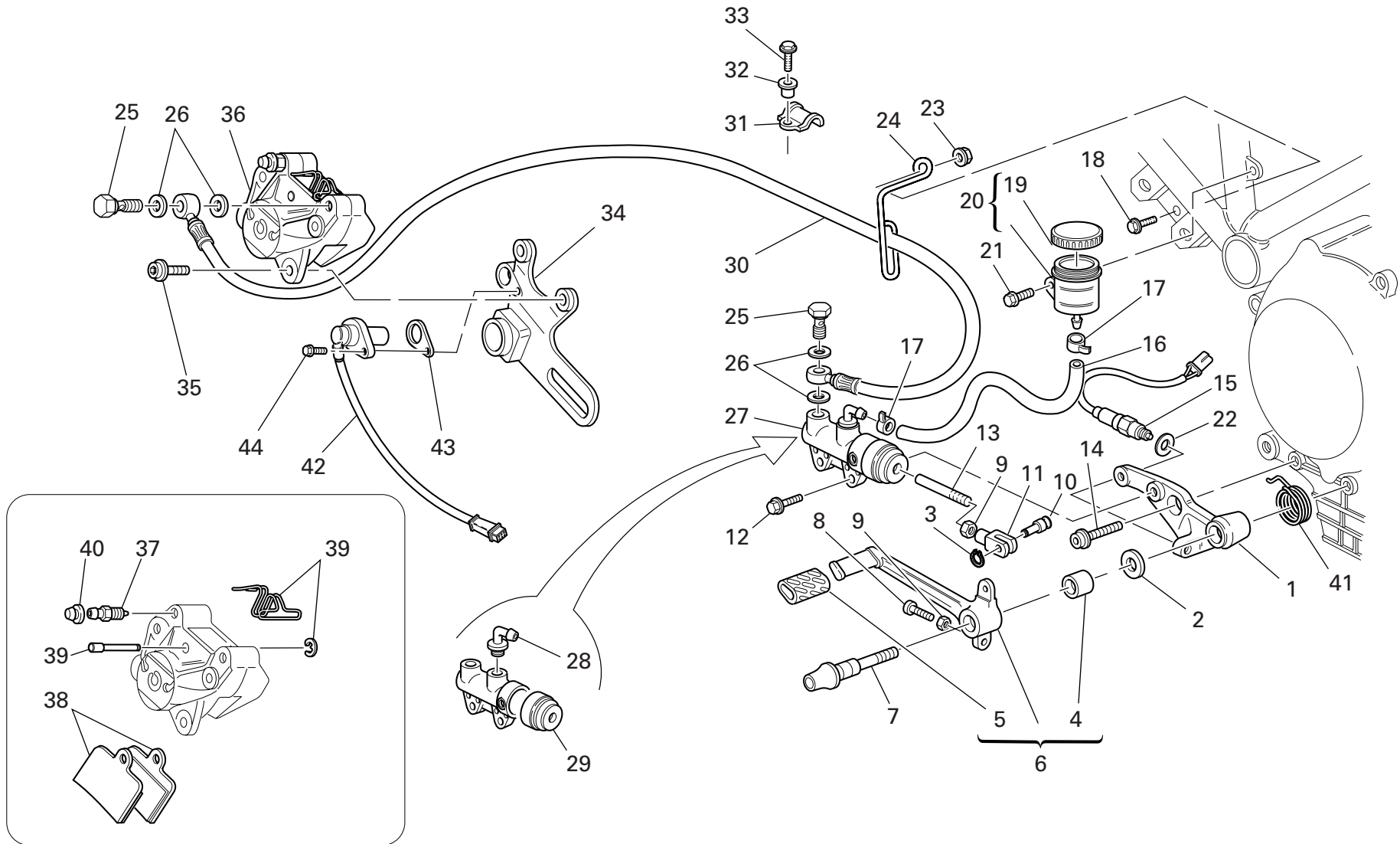
NOTES NO.	CODE NO.	DESCRIPTION	VALIDITY	Q.TY 
-----------	----------	-------------	----------	--



DRAWING 036 OIL COOLER


NOTES NO.	CODE NO.	DESCRIPTION	VALIDITY	Q.TY 
1	548.4.023.1B	Oil cooler		1
2	8000.69069	Vibration damper		1
3	764.1.022.1A	Vibration damper pad		2
4	713.1.304.1A	Spacer		1
5	0000.62729	Screw		1
6	875.1.055.1A	Oil return pipe		1
7	875.1.054.1A	Oil delivery pipe		1
8	779.1.083.2A	Special screw		1
9	875.1.111.1A	Oil delivery pipe		1
10	779.1.058.1A	Special screw		1
11	852.5.024.1A	Gasket th.1		6
12	781.1.003.3A	Special screw		2

NOTES NO.	CODE NO.	DESCRIPTION	VALIDITY	Q.TY 
-----------	----------	-------------	----------	--

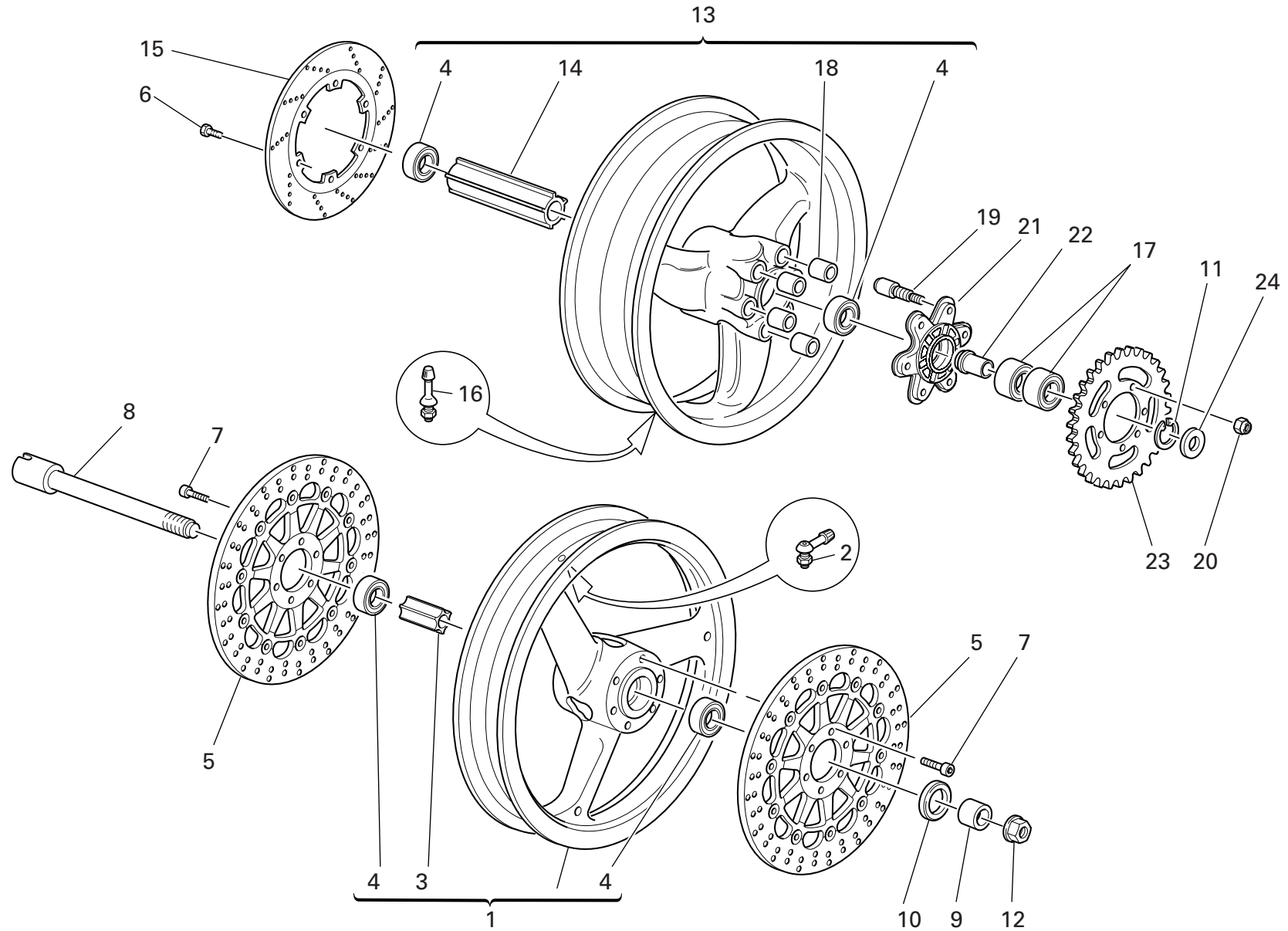


DRAWING 037 REAR HYDRAULIC BRAKE


NOTES NO.	CODE NO.	DESCRIPTION	VALIDITY	Q.TY 
1	829.1.184.1A	Holder		1
2	852.1.054.1A	Washer		1
3	884.5.003.1A	Ring		1
4	8000.59056	Bush		1
5	764.1.011.2A	Rubber pad		1
6	457.2.008.1A	Brake control lever		1
7	821.1.052.1A	Pedal pin		1
8	8000.67981	Threaded dowel		1
9	60N115062	Nut		2
10	821.1.096.2A	Pin		1
11	184.1.001.1A	Fork		1
12	772.5.024.1A	Screw		2
13	117.1.025.2A	Adjuster rod		1
14	771.5.754.2B	Screw		1
15	539.4.003.1B	Switch		1
16	877.1.050.1A	Tube		1
17	741.4.043.1A	Hose guide		2
18	0000.62726	Screw		1
19	893.4.005.1A	Cap		1
20	585.4.001.1A	Complete oil tank		1
21	707006N02	Screw		1
22	420.2.000.8A	Copper gasket sp. 1		1
23	729906FN1	Nut		1
24	829.1.073.3A	Holder		1
25	779.1.366.1AB	Special screw		2
26	852.5.024.1A	Gasket th.1		4
27	625.4.006.1A	Rear brake pump		1

NOTES NO.	CODE NO.	DESCRIPTION	VALIDITY	Q.TY 
28	631.4.008.1A	Spare union		1
29	626.4.013.1A	Dust cover		1
30	619.4.029.1A	Caliper pump pipe		1
31	741.4.062.1A	Clip		1
32	8000.69282	Spacer		1
33	8A00.67997	Screw		1
34	825.1.030.1A	Caliper holder plate		1
35	771.5.723.2B	Screw		2
36	611.4.009.1A	Rear brake caliper		1
37	0370.39.780	Spare bleed union		1
38	613.4.021.1A	Pads pair		1
39	612.4.016.1A	Spare pins and spring		1
40	612.4.008.1A	Dust seal		1
41	799.1.083.1B	Spring		1
42	552.4.037.1A	Sensor		1
43	713.1.192.1A	Spacer		1
44	771.5.665.2B	Screw		1

CATALOGUE No: 915.1.202.2B  
ISSUED: 02 - 05CATALOGUE No: 915.1.202.2B  
ISSUED: 02 - 05



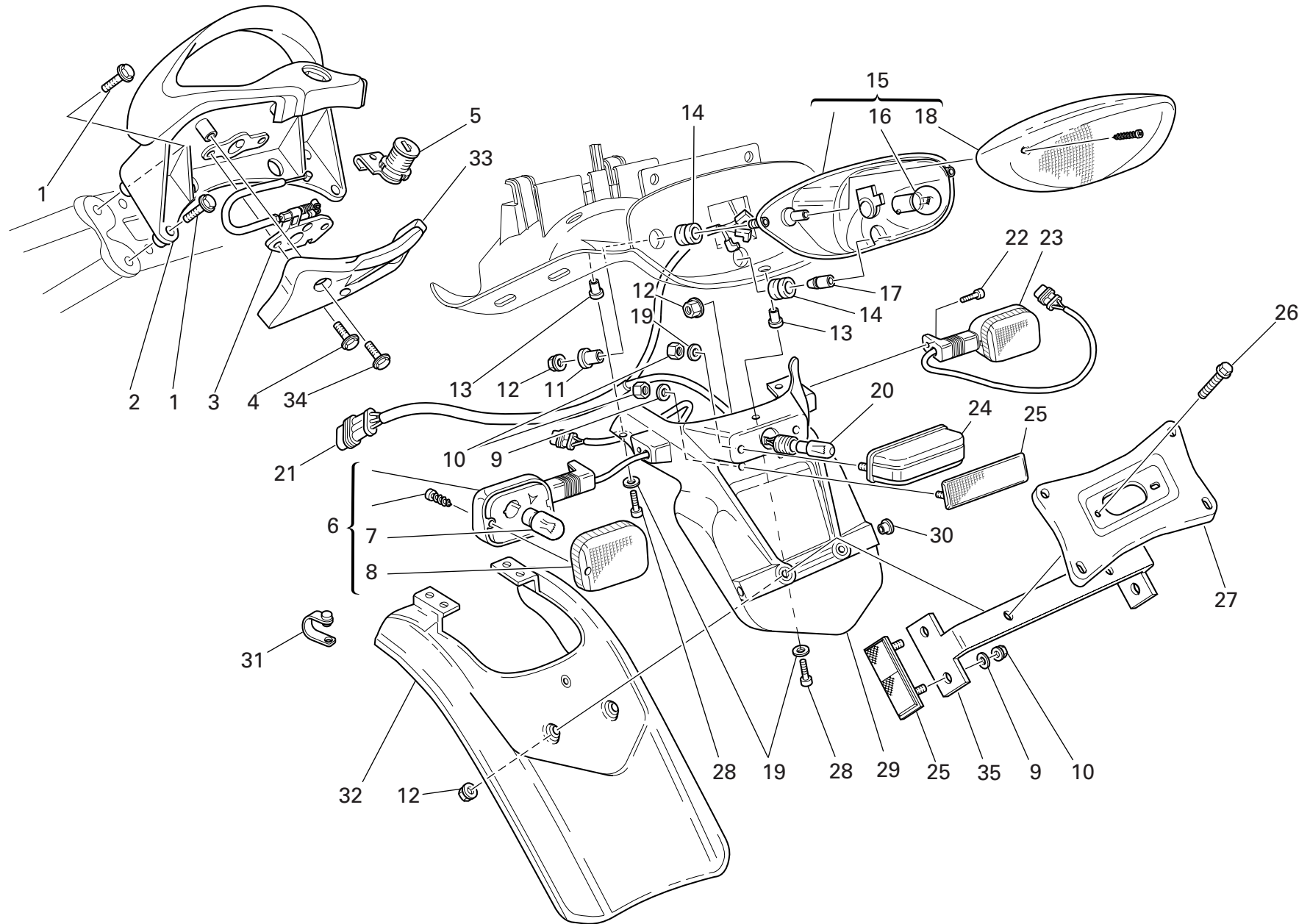
DRAWING 038 FRONT AND REAR WHEELS

NOTES NO.	CODE NO.	DESCRIPTION	VALIDITY	Q.TY 
1	501.2.080.1AA	Front wheel rim		1
2	497.2.001.2A	Valve		1
3	714.1.028.1A	Inner spacer		1
4	75162.2566	Bearing		4
5	492.4.024.1A	Brake disc		2
6	779.1.311.1A	Screw		6
7	779.1.399.1A	Screw		12
8	819.1.017.1A	Front wheel spindle		1
9	714.1.045.1A	Spacer		1
10	0000.64471	Seal ring		1
11	884.5.008.1A	Circlip		1
12	748.1.014.1B	Fork nut		1
13	502.2.104.1AA	Rear wheel rim		1
14	713.1.098.1A	Inner spacer		1
15	492.4.003.2A	Brake disc		1
16	0803.77.010	Valve		1
17	75162.3075	Bearing		2
18	700.1.005.1A	Vibration damper		6
19	821.1.009.1B	Pin		6
20	748.4.024.1A	Nut		6
21	160.1.049.1A	Rear sprocket flange		1
22	710.1.041.1B	Bush		1
23	494.1.068.4D	Ring gear z=42		1
24	713.1.097.1B	Spacer		1

NOTES NO.	CODE NO.	DESCRIPTION	VALIDITY	Q.TY 
-----------	----------	-------------	----------	--

DRAWING 039


NUMBER PLATE HOLDER



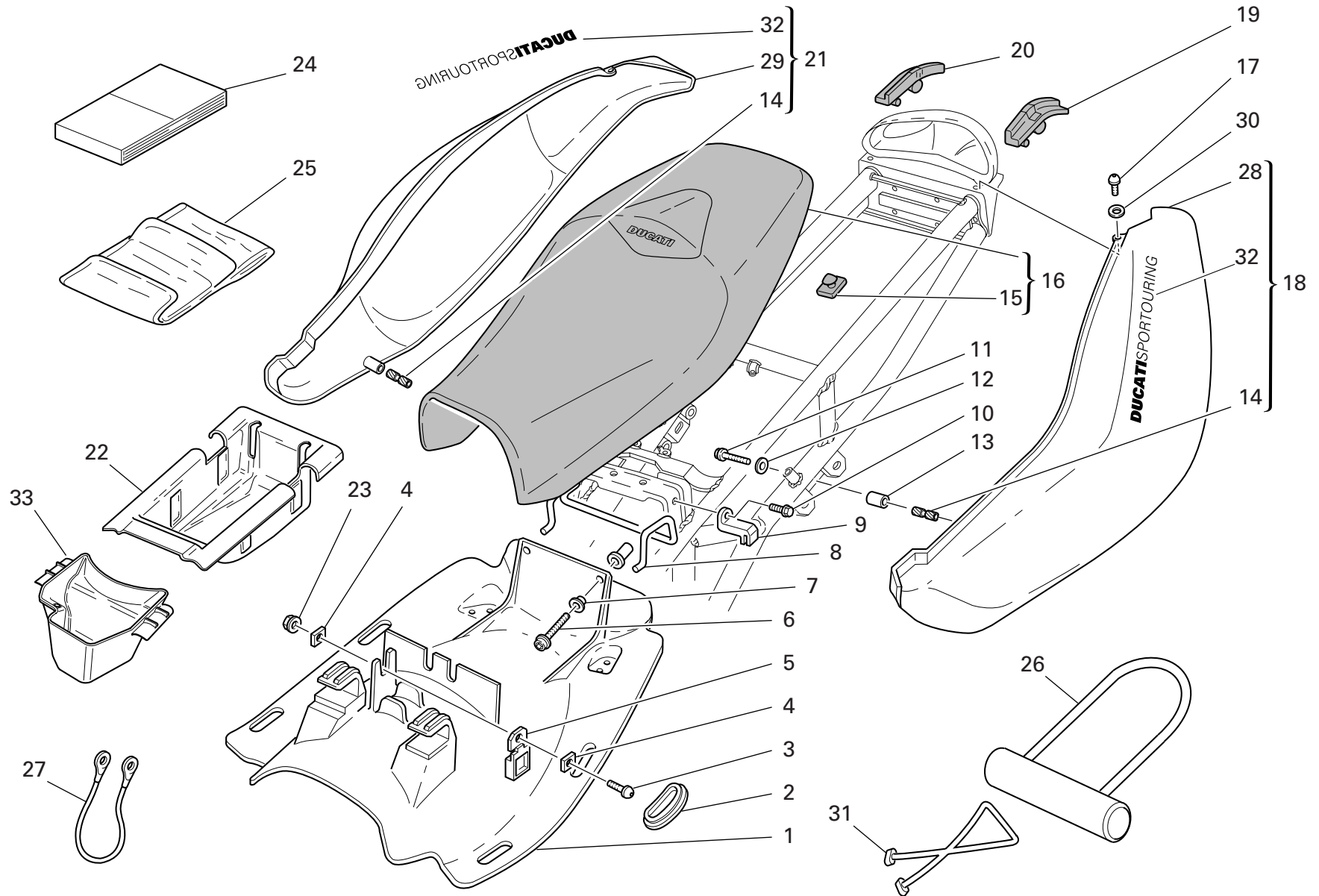
DRAWING 039 NUMBER PLATE HOLDER

NOTES NO.	CODE NO.	DESCRIPTION	VALIDITY	Q.TY 
1	772.1.063.1A	Screw		4
2	806.1.011.1AA	Handle (RED)		1
2	806.1.011.1AH	Handle (SILVER)		1
2	806.1.011.1AT	Handle (BLACK)		1
3	732.2.006.2A	Lock latch		1
4	8A00.67997	Screw		2
5	598.2.010.1A	Seat lock		1
6	530.4.003.1B	L.H. turn indicator		1
7	0000.36726	Bulb		2
8	532.4.001.1A	Cup		2
9	852.5.001.1A	Washer		4
10	749.5.001.1A	Nut		6
11	716.1.022.1A	Spacer		2
12	729906FN1	Nut		6
13	0000.63150	Insert		5
14	764.1.090.1A	Rubber pad		3
15	525.4.010.1A	Tail light		1
16	390.4.003.1A	Two-light bulb 12V 5/21W		1
17	821.1.081.1A	Pin		1
18	532.4.002.1A	Lens		1
19	60N115548	Washer		2
20	0000.36230	Bulb		1
21	510.1.108.1A	Wiring		1
22	60N107335	Screw		2
23	530.4.004.1B	R.H. turn indicator		1
24	525.1.004.2A	Tail lamp		1
25	529.1.006.1A	Reflector		3


CATALOGUE No: 915.1.202.2B  
ISSUED: 02 - 05

NOTES NO.	CODE NO.	DESCRIPTION	VALIDITY	Q.TY 
26	772.5.024.1A	Screw		2
27	561.1.019.1A	Plate		1
28	771.5.043.2B	Screw		5
29	561.1.013.2A	Number plate holder		1
30	417.7.007.1A	Cap		2
31	741.1.012.1A	Hose guide		2
32	460.1.077.1A	Mudflap		1
33	460.1.080.1A	Mudflap		1
34	0000.62726	Screw		2
35	829.1.136.1A	Holder		1


CATALOGUE No: 915.1.202.2B  
ISSUED: 02 - 05



DRAWING 040 SEAT

NOTES NO.	CODE NO.	DESCRIPTION	VALIDITY	Q.TY 
1	559.1.005.1A	Panel (BLACK)		1
2	872.1.022.1A	Cap		4
3	779.1.088.1A	Screw		1
4	827.1.061.1A	Plate		2
5	829.4.001.1A	Holder		1
6	771.5.667.2B	Screw		2
7	716.1.038.1A	Spacer		2
8	760.1.015.1A	Hook		1
9	808.1.019.1A	Clamp		2
10	8H00.67545	Screw		2
11	770.5.619.2B	Screw		2
12	734305N01	Washer		2
13	713.1.129.1A	Spacer		2
14	850.4.016.1A	Threaded insert		2
15	866.1.030.1A	Rubber pad		6
16	595.1.066.1A	Seat		1
17	775.1.008.2A	Screw		2
18	482.1.027.1BA	L.H. body panel (RED)		1
18	482.1.027.1BT	L.H. body panel (BLACK)		1
18	482.1.118.1AE	L.H. body panel (SILVER)		1
19	700.1.025.1A	L.H. gasket		1
20	700.1.024.1A	R.H. gasket		1
21	482.1.028.1BA	R.H. body panel (RED)		1
21	482.1.117.1AE	R.H. body panel (SILVER)		1
21	482.1.117.1BT	R.H. body panel (BLACK)		1
22	565.1.022.2A	Tool box		1
23	8000.56443	Nut		1

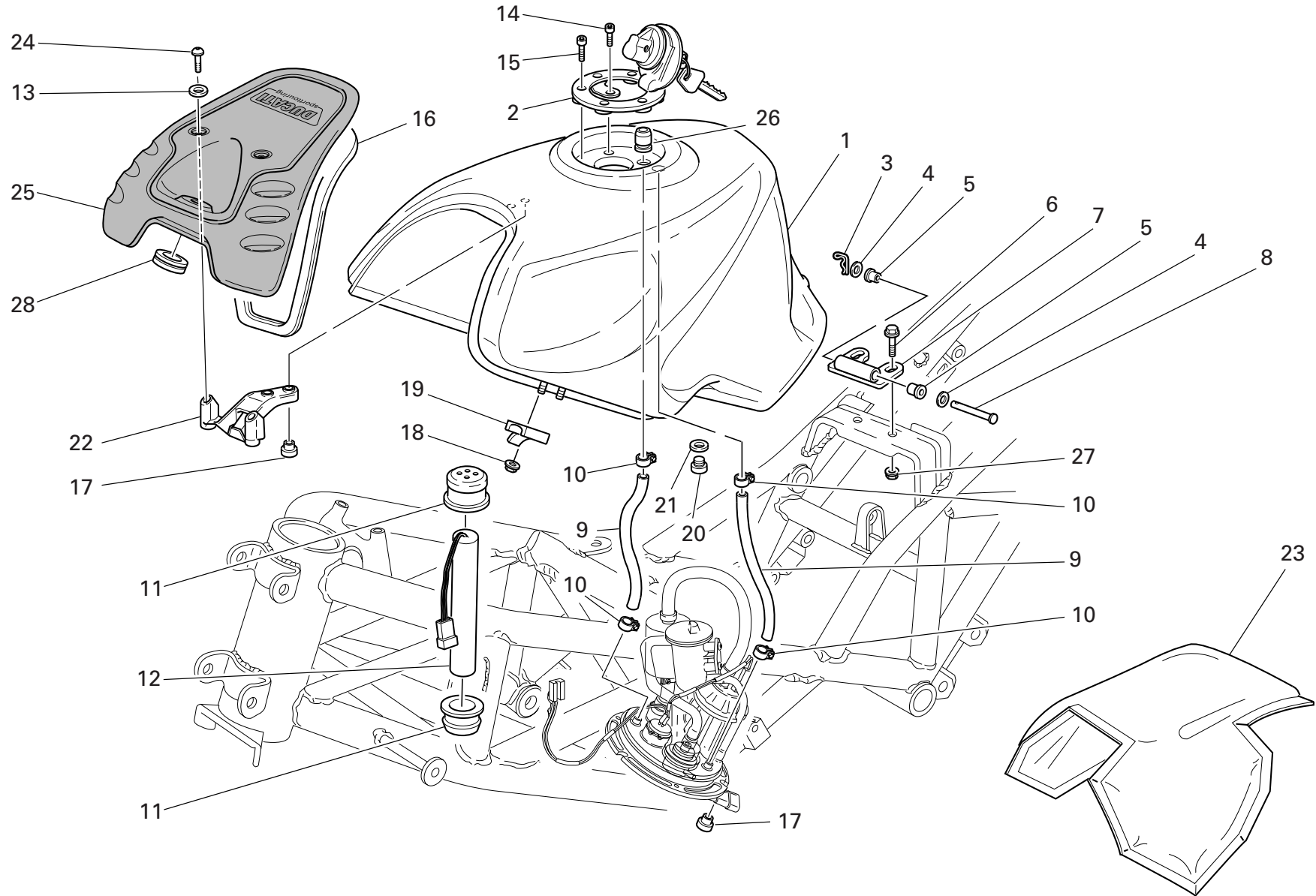
CATALOGUE No: 915.1.202.2B  
ISSUED: 02 - 05

NOTES NO.	CODE NO.	DESCRIPTION	VALIDITY	Q.TY 
24	913.7.092.1E	Owner's manual		1
25	697.2.016.1A	Tool bag		1
26	598.4.015.1A	Padlock		1
27	732.1.017.1A	Helmet anti-theft wire		1
28	482.3.021.1A	L.H. body panel (unpainted)		1
29	482.3.022.1A	R.H. body panel (unpainted)		1
30	856.1.040.1A	Nylon washer		2
31	759.1.015.1A	Rubber		2
32	436.1.021.1A	Sticker "SPORTTOURING" (for RED, BLACK)		2
32	436.1.021.1AB	Sticker "SPORTTOURING" (for SILVER, YELLOW)		2
33	565.1.027.1A	Tool box		1


CATALOGUE No: 915.1.202.2B  
ISSUED: 02 - 05


DRAWING 041

FUEL TANK



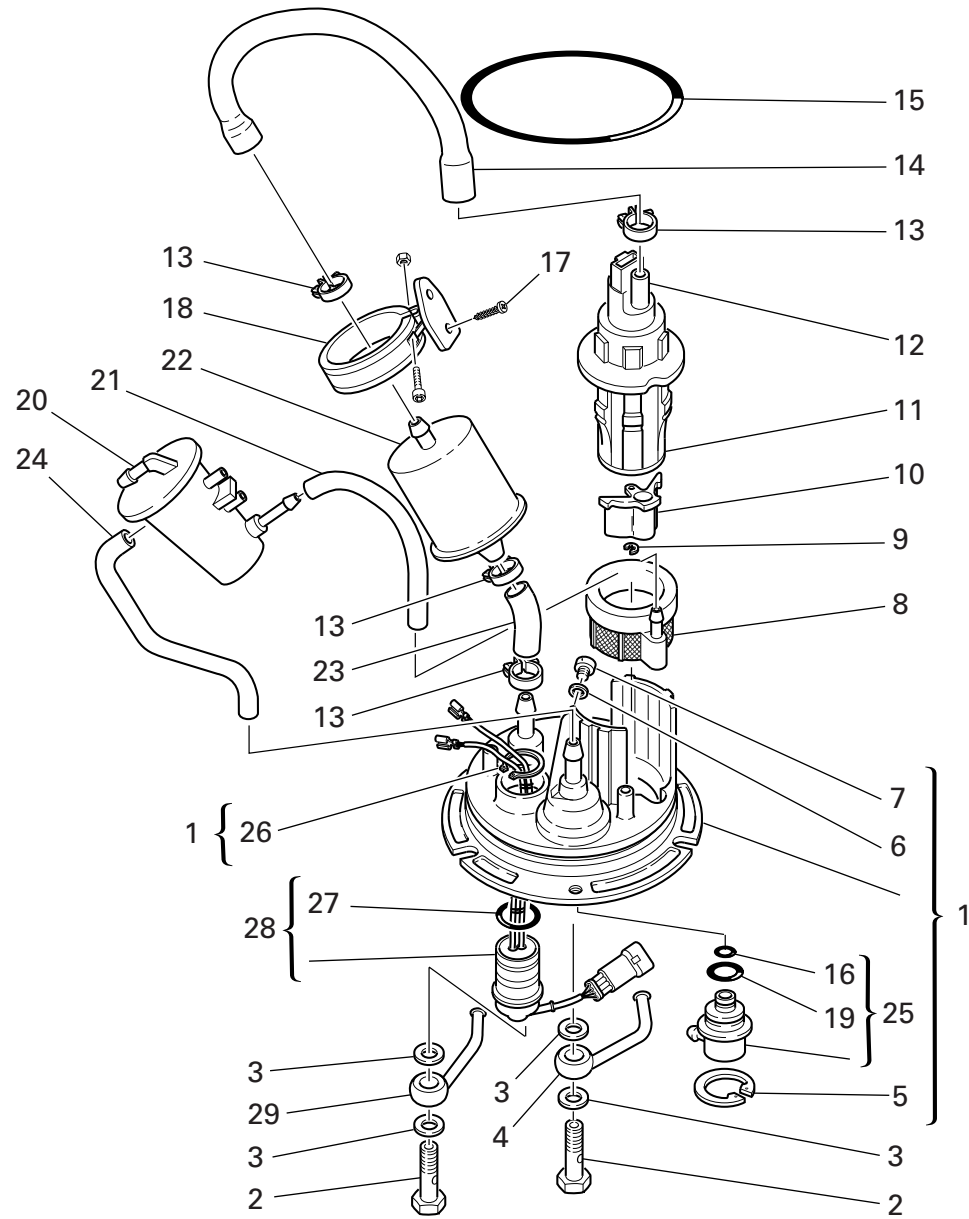
DRAWING 041 FUEL TANK

NOTES NO.	CODE NO.	DESCRIPTION	VALIDITY	Q.TY 
1	586.1.060.1AA	Fuel tank (RED)		1
1	586.1.060.1AE	Fuel tank (SILVER)		1
1	586.1.060.1AT	Fuel tank (BLACK)		1
2	895.4.001.2A	Tank cap		1
3	0000.62705	Split pin		1
4	734305N01	Washer		2
5	712.1.013.3A	Bush		2
6	772.5.025.1A	Screw		2
7	827.2.134.1A	Plate		1
8	821.1.028.2B	Pin		1
9	590.1.085.1A	Tube		2
10	741.4.004.1A	Hose guide		4
11	829.1.509.1A	Rubber holder		2
12	592.1.018.1A	Fuel level sensor		1
13	8000.56391	Nylon washer		2
14	771.5.040.2B	Screw		1
15	771.5.045.7E	Screw		3
16	791.1.034.1A	Cover gasket		1
17	750.1.042.1A	Nut		3
18	763106N01	El-stop nut		4
19	866.1.029.1A	Rubber pad		2
20	8000.77921	Screw		1
21	852.5.024.1A	Gasket th.1		1
22	830.1.131.1A	Bracket		1
23	486.1.070.2A	Panel		1
24	00B0.55703	Screw		2
25	247.2.105.1AA	Cover (RED)		1


NOTES NO.	CODE NO.	DESCRIPTION	VALIDITY	Q.TY 
25	247.2.105.1AT	Cover (BLACK)		1
25	247.2.105.1BB	Cover (BLACK)		1
26	791.1.012.1A	Gasket		1
27	729906FN1	Nut		2
28	764.1.019.1A	Vibration damper pad		1


CATALOGUE No: 915.1.202.2B  
ISSUED: 02 - 05

CATALOGUE No: 915.1.202.2B  
ISSUED: 02 - 05

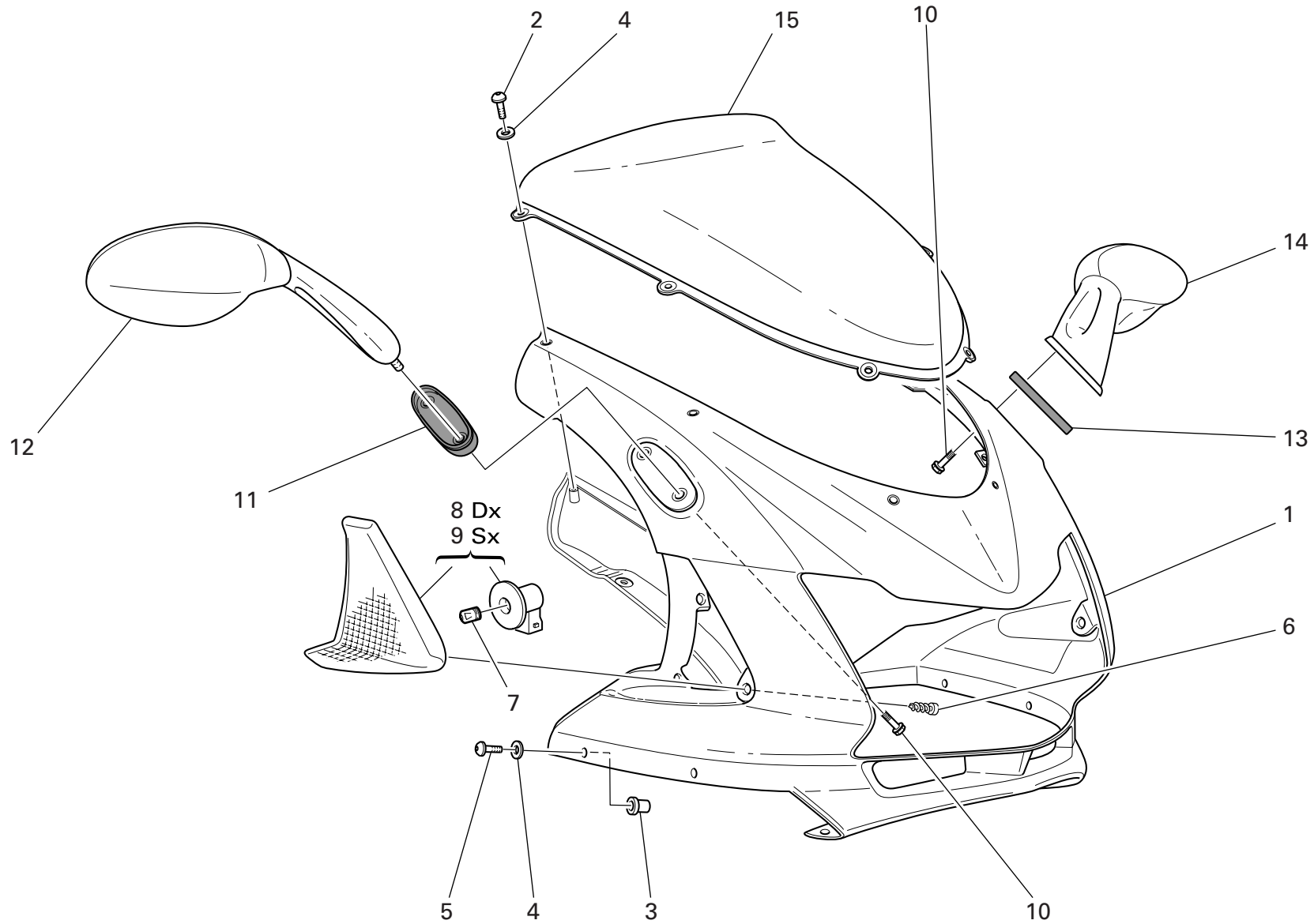


DRAWING 042 FUEL SYSTEM

NOTES NO.	CODE NO.	DESCRIPTION	VALIDITY	Q.TY 
1	160.9.057.1A	Flange		1
2	779.1.170.1A	Special screw		2
3	852.1.098.1A	Washer		4
4	814.1.065.1A	Union		1
5	73503.3449	Circlip		1
6	852.5.024.1A	Gasket th.1		1
7	780.1.008.1A	Cap		1
8	427.1.003.1A	Fuel pump filter		1
9	850.4.031.1A	Snap ring		1
10	484.1.029.1B	Manifold		1
11	829.1.077.2B	Pump holder		1
12	430.4.004.1A	Fuel pump		1
13	741.4.004.1A	Hose guide		4
14	590.1.092.1A	Tube		1
15	886.5.001.1A	O-Ring		1
16	886.4.021.1A	O-ring		1
17	72237.0974	Self-tapping screw		2
18	829.1.104.1A	Holder		1
19	886.4.022.1A	O-ring		1
20	427.4.002.1A	Air separator		1
21	590.1.059.1A	Tube		1
22	425.4.004.1B	Fuel filter		1
23	590.1.056.1A	Filter/pump pipe		1
24	590.1.058.1A	Tube		1
25	283.4.003.1A	Pressure regulator		1
26	73500.2668	Circlip		1
27	886.5.011.1A	O-Ring		1

NOTES NO.	CODE NO.	DESCRIPTION	VALIDITY	Q.TY 
28	510.2.003.1A	Pump wiring		1
29	814.1.066.1A	Union		1

CATALOGUE No: 915.1.202.2B  
ISSUED: 02 - 05CATALOGUE No: 915.1.202.2B  
ISSUED: 02 - 05



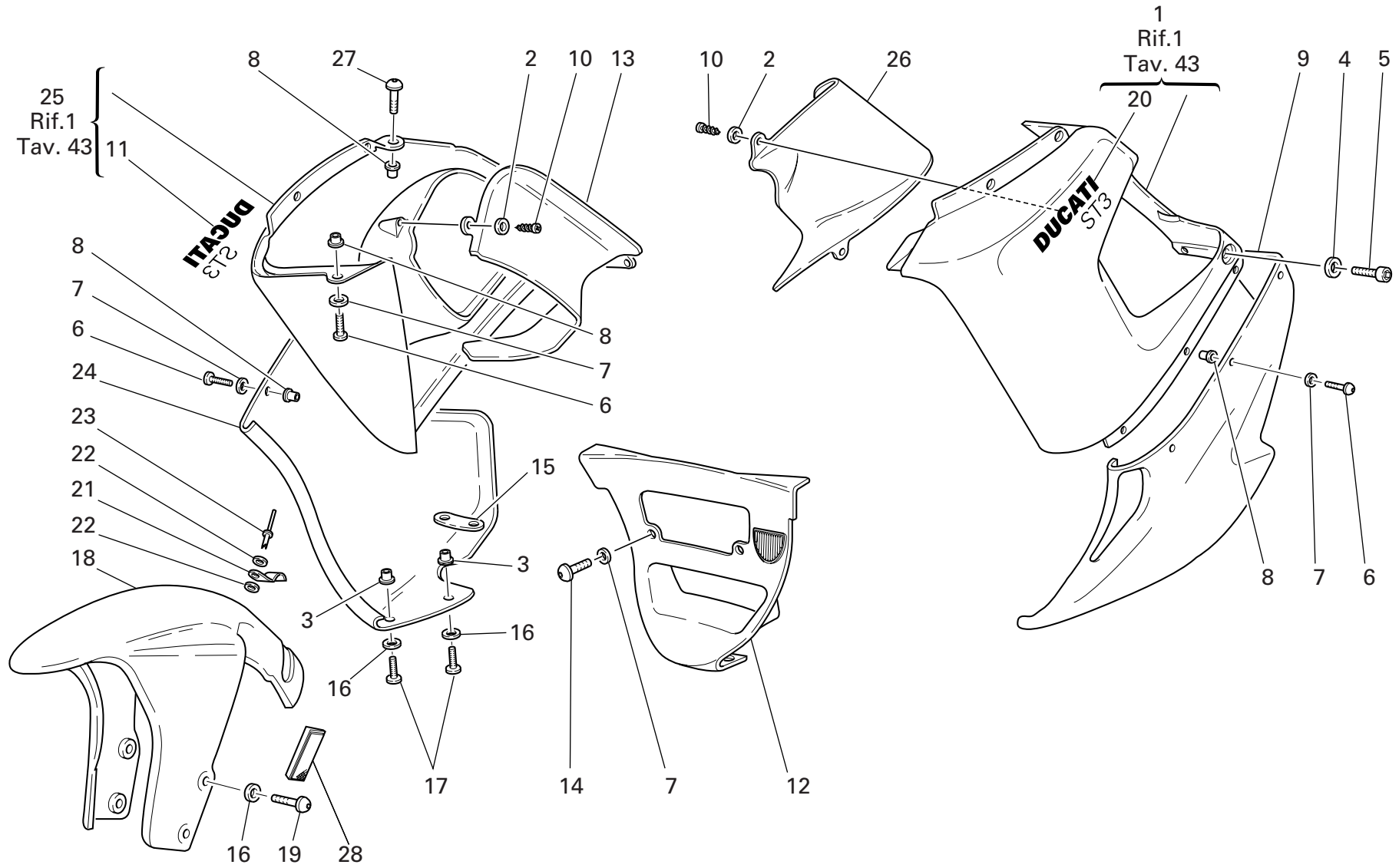
DRAWING 043 HEADLIGHT FAIRING

NOTES NO.	CODE NO.	DESCRIPTION	VALIDITY	Q.TY 
1	481.1.031.1AA	Headlight fairing (RED)		1
1	481.1.031.1AE	Headlight fairing (SILVER)		1
1	481.1.031.1AT	Headlight fairing (BLACK)		1
1	481.1.031.1BA	Headlight fairing (RED)		1
1	481.1.031.1BE	Headlight fairing (SILVER)		1
1	481.1.031.1BT	Headlight fairing (BLACK)		1
1	481.3.031.1A	Headlight fairing (unpainted)		1
1	481.3.031.1B	Headlight fairing (unpainted)		1
2	779.1.088.1A	Screw		6
3	0000.63150	Insert		4
4	0000.63161	Washer		4
5	775.1.011.1A	Screw		4
6	772.5.034.1A	Screw		6
7	390.4.010.1A	Bulb		2
8	530.1.003.1A	R.H. turn indicator		1
9	530.1.004.1A	L.H. turn indicator		1
10	772.5.023.1A	Screw		4
11	713.1.126.1A	R.H. gasket		1
12	523.4.016.1BA	R.H. rear-view mirror (RED)		1
12	523.4.016.1BE	R.H. rear-view mirror (SILVER)		1
12	523.4.016.1BT	R.H. rear-view mirror (BLACK)		1
13	713.1.127.1A	L.H. gasket		1
14	523.4.017.1BA	L.H. rear-view mirror (RED)		1
14	523.4.017.1BE	L.H. rear-view mirror (SILVER)		1
14	523.4.017.1BT	L.H. rear-view mirror (BLACK)		1
15	487.1.034.1A	Windshield		1

NOTES NO.	CODE NO.	DESCRIPTION	VALIDITY	Q.TY 
-----------	----------	-------------	----------	--

CATALOGUE No: 915.1.202.2B  
ISSUED: 02 - 05


CATALOGUE No: 915.1.202.2B  
ISSUED: 02 - 05



DRAWING 044 FAIRING

NOTES NO.	CODE NO.	DESCRIPTION	VALIDITY	Q.TY 
1	480.1.058.1B	L.H. upper half-fairing (unpainted)		1
1	480.1.190.2BA	L.H. upper half-fairing (RED)		1
1	480.1.190.2BE	L.H. upper half-fairing (SILVER)		1
1	480.1.190.2BT	L.H. upper half-fairing (BLACK)		1
2	852.5.002.1A	Washer		4
3	0364.99.020	Bush		4
4	841.1.001.1C	Retainer		2
5	779.5.001.1A	Screw		2
6	775.1.011.1A	Screw		10
7	0000.63161	Washer		10
8	0000.63150	Insert		12
9	480.1.059.0A	L.H. lower half-fairing (unpainted)		1
9	480.1.059.2AA	L.H. lower half-fairing (RED)		1
9	480.1.059.2AT	L.H. lower half-fairing (BLACK)		1
9	480.1.193.1AE	L.H. lower half-fairing (SILVER)		1
10	72231.0871	Screw		4
11	437.1.137.1AA	R.H. sticker "DUCATI ST3" (for RED, BLACK)		1
11	437.1.137.1AB	R.H. sticker "DUCATI ST3" (for SILVER, YELLOW)		1
12	484.1.049.1AA	Air manifold (RED)		1
12	484.1.049.1AE	Air manifold (SILVER)		1
12	484.1.049.1AT	Air manifold (BLACK)		1
12	484.3.049.1A	Air manifold (unpainted)		1
13	484.1.026.1AB	R.H. air manifold (BLACK)		1
14	80B0.55703	Screw		2
15	827.1.012.1A	Bent plate		1
16	856.1.040.1A	Nylon washer		8

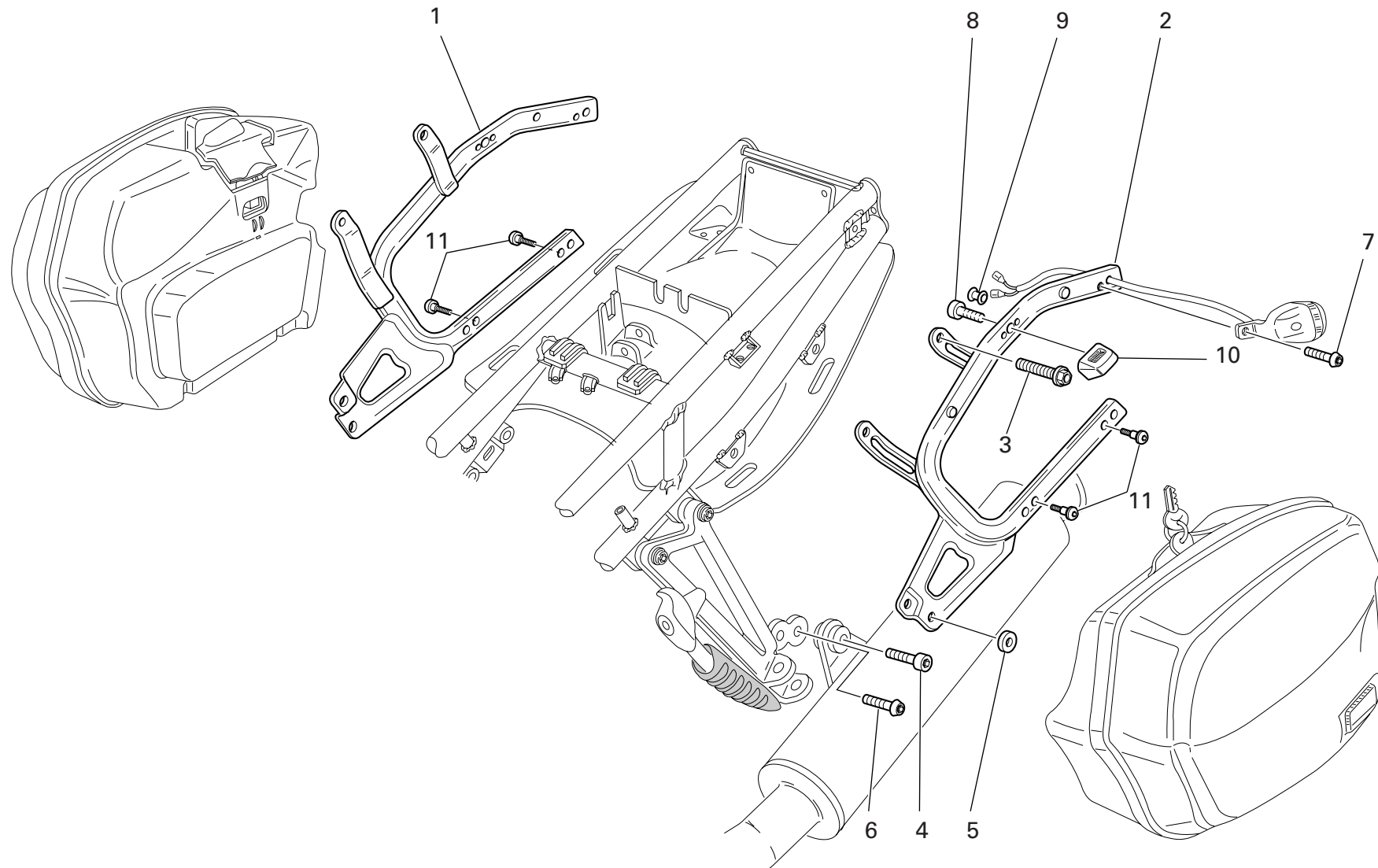
CATALOGUE No: 915.1.202.2B  
ISSUED: 02 - 05

NOTES NO.	CODE NO.	DESCRIPTION	VALIDITY	Q.TY 
17	779.1.089.1A	Screw		4
18	564.1.023.1AA	Front mudguard (RED)		1
18	564.1.023.1AH	Front mudguard (SILVER)		1
18	564.1.023.1AT	Front mudguard (BLACK)		1
18	564.3.023.1A	Front mudguard (unpainted)		1
19	775.1.038.1B	Screw		4
20	437.1.136.1AA	L.H. sticker "DUCATI ST3" (for RED, BLACK)		1
20	437.1.136.1AB	L.H. sticker "DUCATI ST3" (for SILVER, YELLOW)		1
21	850.1.003.1A	Clip		1
22	852.1.075.1A	Washer		2
23	736.4.013.1B	Shear rivet		1
24	480.1.061.1A	R.H. lower half-fairing (unpainted)		1
24	480.1.115.1AA	R.H. lower half-fairing (RED)		1
24	480.1.115.1AT	R.H. lower half-fairing (BLACK)		1
24	480.1.194.1AE	R.H. lower half-fairing (SILVER)		1
25	480.1.060.1B	R.H. upper half-fairing (unpainted)		1
25	480.1.189.2BA	R.H. upper half-fairing (RED)		1
25	480.1.189.2BE	R.H. upper half-fairing (SILVER)		1
25	480.1.189.2BT	R.H. upper half-fairing (BLACK)		1
26	484.1.025.1AB	L.H. air manifold (BLACK)		1
27	771.5.049.2B	Screw		2
28	529.1.008.1AB	Cat's eye (AMBER)		2

CATALOGUE No: 915.1.202.2B  
ISSUED: 02 - 05


DRAWING 045

PANNIERS FASTENS

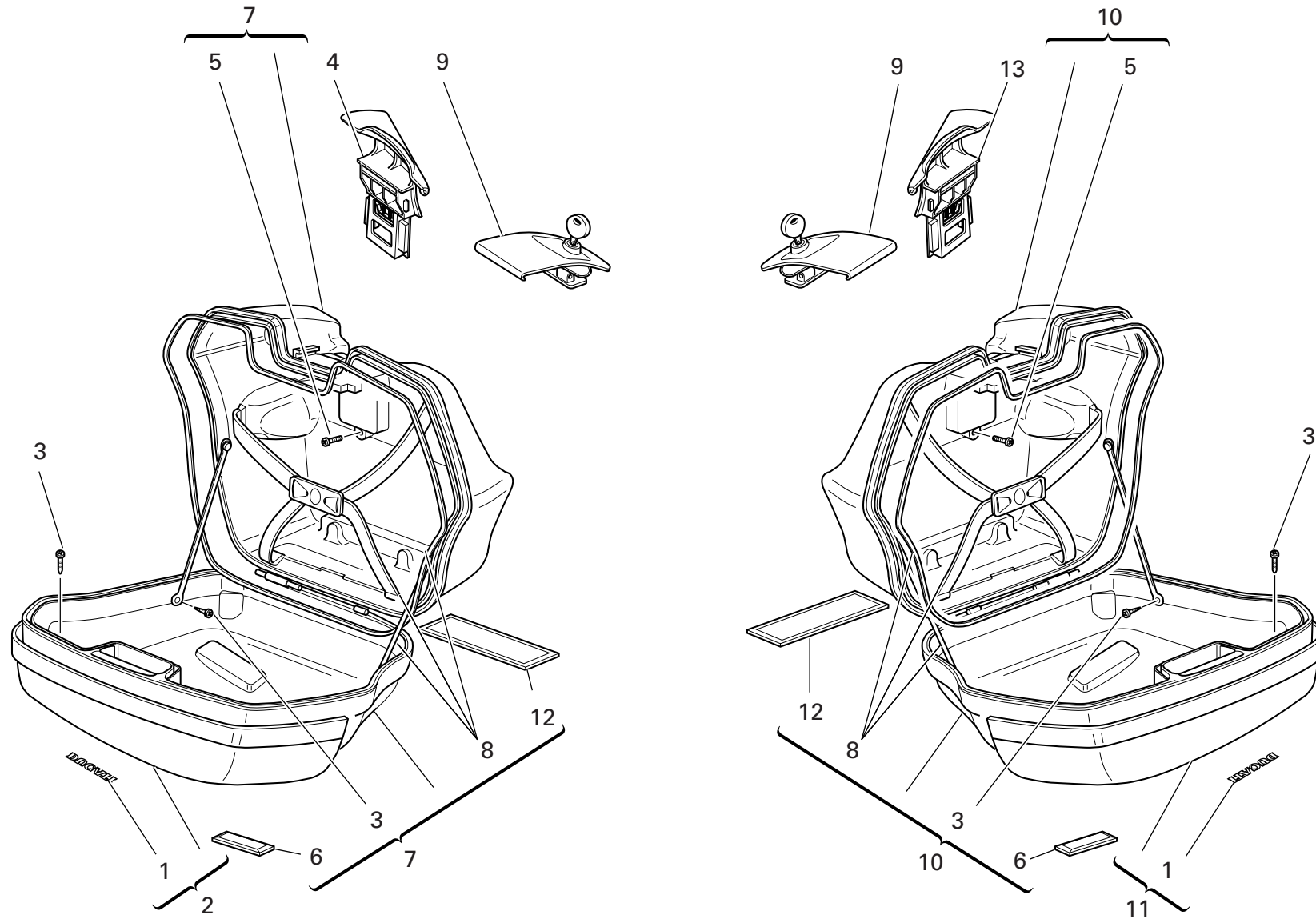


DRAWING 045


PANNIERS FASTENS

NOTES NO.	CODE NO.	DESCRIPTION	VALIDITY	Q.TY 
1	829.1.206.1A	R.H. holder		1
2	829.1.205.1A	L.H. holder		1
3	772.5.008.1A	Screw		4
4	771.5.002.1A	Screw		2
5	713.1.130.1A	Spacer		1
6	775.5.002.1A	Screw		2
7	8BB06.1070	Screw		2
8	771.4.007.1A	Screw		2
9	872.4.023.1A	Cap		4
10	829.1.332.1A	Holder		2
11	966.1.890.4B	Special screw		4

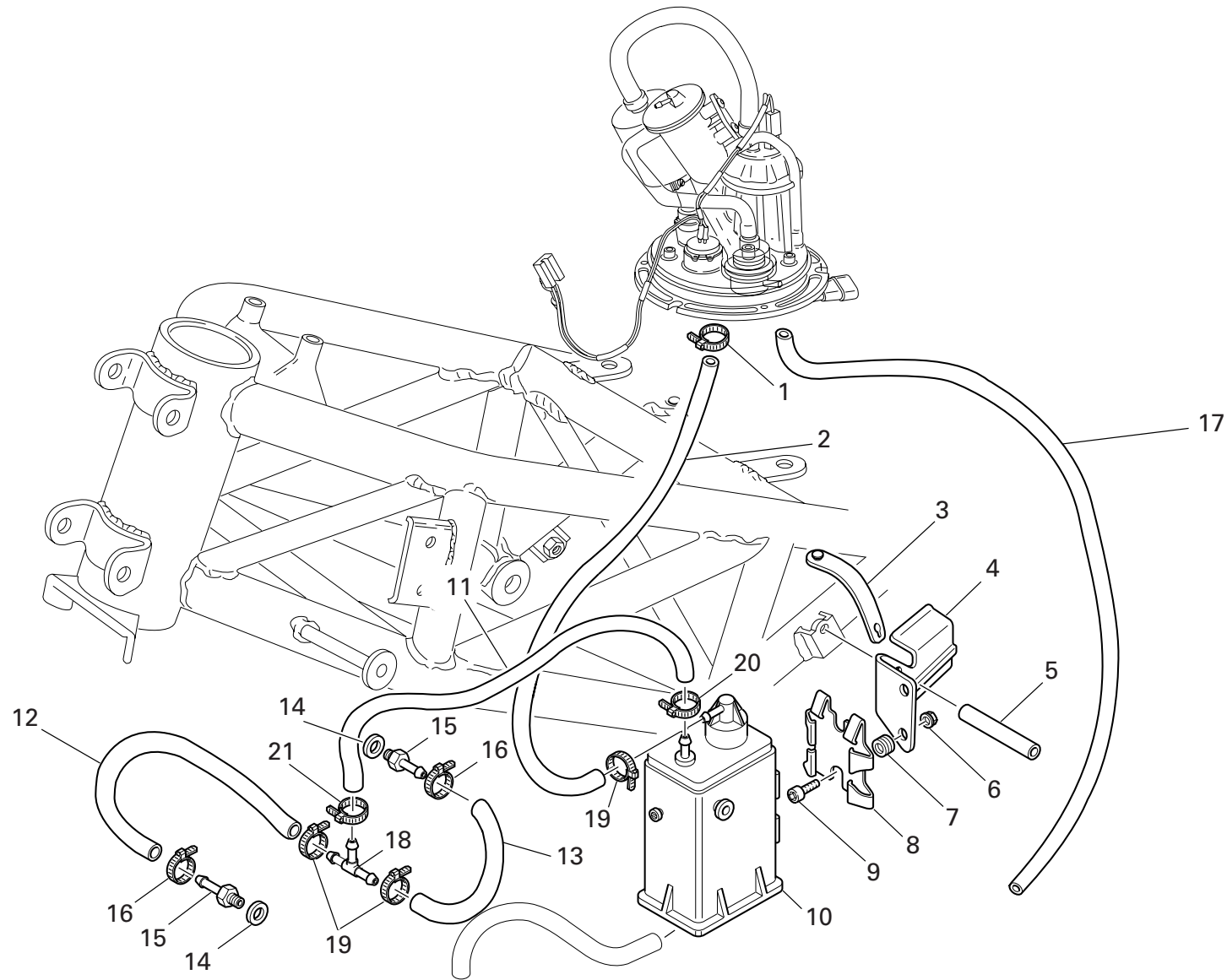
NOTES NO.	CODE NO.	DESCRIPTION	VALIDITY	Q.TY 
-----------	----------	-------------	----------	--




DRAWING 046 SIDE PANNIERS

NOTES NO.	CODE NO.	DESCRIPTION	VALIDITY	Q.TY 
0	699.2.094.1CA	Coplete panniers kit (RED)		1
0	699.2.094.1CB	Complete Panniers kit (SILVER)		1
0	699.2.094.1CE	Coplete panniers kit (YELLOW)		1
1	438.1.096.1AA	Sticker "DUCATI" (for RED)		2
1	438.1.096.1AB	Sticker "DUCATI" (for SILVER, YELLOW)		2
2	698.1.021.1BA	R.H. cover (RED)		1
2	698.1.021.1BB	R.H. cover (SILVER)		1
2	698.1.021.1BE	R.H. cover (YELLOW)		1
3	72237.0657	Self-tapping screw		20
4	698.1.023.1A	R.H. handle		1
5	72237.0974	Self-tapping screw		2
6	529.4.003.1A	Reflector		2
6	529.4.005.1A	Cat's eye (AMBER)		2
7	698.1.015.1A	R.H. pannier		1
8	698.1.026.1A	Series of belts		1
9	698.1.025.1A	Pannier locks kit		1
10	698.1.016.1A	L.H. pannier		1
11	698.1.022.1BA	L.H. cover (RED)		1
11	698.1.022.1BB	L.H. cover (SILVER)		1
11	698.1.022.1BE	L.H. cover (YELLOW)		1
12	698.1.027.1A	Insulation		1
13	698.1.024.1A	L.H. handle		1

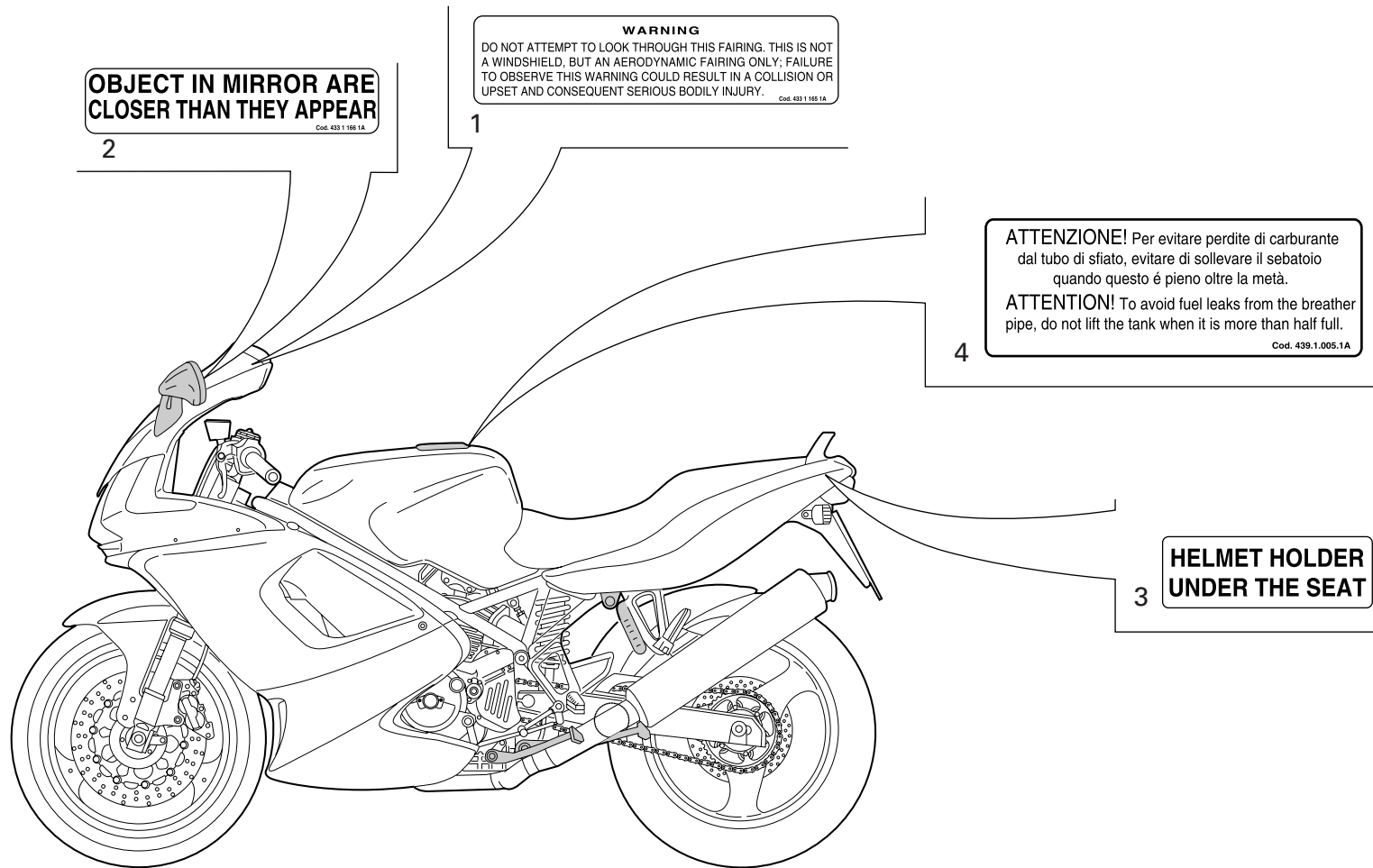
NOTES NO.	CODE NO.	DESCRIPTION	VALIDITY	Q.TY 
-----------	----------	-------------	----------	--




DRAWING 047 FUEL INFEED

NOTES NO.	CODE NO.	DESCRIPTION	VALIDITY	Q.TY 
1	741.4.057.1A	Hose guide		1
2	590.1.174.1A	Tube		1
3	741.1.013.1A	Hose guide		1
4	829.1.207.1A	Holder		1
5	716.1.043.1A	Spacer		2
6	729906FN1	Nut		2
7	764.1.029.1A	Rubber pad		2
8	827.1.157.1A	Plate		1
9	779.5.001.1A	Screw		2
10	426.1.007.1A	CANISTER filter		1
11	590.1.175.1A	Tube		1
12	590.1.173.1A	Tube		1
13	590.1.172.1A	Tube		2
14	852.5.025.1A	Aluminium gasket th.1		2
15	814.1.111.2B	Union		2
16	741.4.013.1B	Hose guide		2
17	590.1.102.1A	Breather pipe		1
18	0361.98.850	Shunt valve		1
19	741.4.063.1A	Hose guide		3
20	741.4.058.1A	Hose guide		1
21	741.4.059.1A	Hose guide		1

NOTES NO.	CODE NO.	DESCRIPTION	VALIDITY	Q.TY 
-----------	----------	-------------	----------	--



DRAWING 048 MARKING PLATES

NOTES NO.	CODE NO.	DESCRIPTION	VALIDITY	Q.TY 
1	433.1.165.1A	Sticker		1
2	433.1.166.1A	Label		2
3	433.1.170.1A	Sticker		1
4	433.1.164.1A	Sticker		1

NOTES NO.	CODE NO.	DESCRIPTION	VALIDITY	Q.TY 
-----------	----------	-------------	----------	--

## INDEX

CODE No.	Drwg.	POS. N.	CODE No.	Drwg.	POS. N.	CODE No.	Drwg.	POS. N.	CODE No.	Drwg.	POS. N.	CODE No.	Drwg.	POS. N.
0000.33552	027	11	0361.98.850	047	18	0619.50.065	012	17	0795.37.096	014	12	158.2.019.1A	006	5
0000.36230	039	20	0364.99.015	033	17	0660.13.060	002	19	0795.37.096	015	17	160.1.049.1A	038	21
0000.36726	039	7	0364.99.020	019	23	0660.13.070	002	13	0799.13.110	002	27	160.1.057.1A	012	13
0000.40427	030	2	0364.99.020	044	3	0660.13.143	002	9	0803.77.010	038	16	160.1.105.1A	013	19
0000.44099	019	6	0364.99.710	034	22	0660.13.165	002	25	112.1.026.1AA	006	8	160.9.057.1A	042	1
0000.56443	032	3	0370.39.780	037	37	0660.50.020	012	8	112.1.026.1AB	006	8	170.2.081.1A	006	16
0000.60283	022	14	0370.69.850	020	23	0665.49.680	005	8	117.1.025.2A	037	13	171.2.020.2B	008	10
0000.62705	025	12	0370.69.855	021	9	0670.16.145	003	7	117.1.033.1A	020	8	172.1.002.1B	003	10
0000.62705	041	3	0370.69.860	020	35	0670.16.150	003	3	117.2.002.1A	019	21	172.1.003.1A	003	8
0000.62726	037	18	0370.69.865	021	13	0670.16.155	003	19	117.2.007.1A	004	16	172.1.004.1A	003	5
0000.62726	039	34	0370.69.910	020	4	0670.16.163	003	11	120.2.092.1A	007	1	172.1.005.1A	003	9
0000.62729	029	9	0370.69.910	021	3	0670.16.164	003	11	120.2.093.1A	007	10	172.1.006.1B	003	18
0000.62729	036	5	0370.69.920	020	3	0670.16.164	003	15	121.1.078.2A	007	4	172.1.007.1B	003	24
0000.62730	023	9	0370.69.920	021	2	0670.16.165	003	15	121.1.079.1A	007	3	172.1.008.1A	003	22
0000.63150	024	10	0370.69.930	020	21	0670.16.170	003	26	121.2.033.1A	007	5	172.1.009.1A	003	21
0000.63150	030	20	0370.69.930	021	7	0670.16.171	003	26	122.2.118.1A	007	2	172.1.010.1A	003	20
0000.63150	039	13	0370.69.940	020	22	0670.16.184	003	15	135.1.015.1A	033	22	172.1.011.1A	003	23
0000.63150	043	3	0370.69.940	021	8	0670.16.185	003	15	140.2.033.1A	013a	4	173.1.012.3A	012	20
0000.63150	044	8	0370.69.970	020	31	0670.49.310	009	26	146.2.104.1A	006	1	174.1.025.2A	009	12
0000.63161	043	4	0370.69.970	021	14	0670.92.190	035	14	147.1.014.1A	008	9	174.2.025.6A	009	1
0000.63161	044	7	0370.98.610	033	20	0691.91.030	031	11	148.1.142.1A	013	16	176.1.001.1A	012	6
0000.64471	038	10	0400.09.050	002	21	0691.91.030	032	19	148.1.143.1A	013	9	176.1.009.1A	012	10
00B0.55703	041	24	0400.29.125	002	34	0755.29.025	006	14	149.1.032.3A	003	25	180.1.001.1A	002	11
0124.40.060	008	12	0400.29.126	002	34	0755.29.025	008	21	149.1.046.1A	003	2	180.1.002.1A	002	12
0251.47.050	003	1	0400.49.240	005	13	0755.49.265	010	2	150.2.063.1A	003	28	180.1.008.1A	002	24
0251.47.054	003	1	0400.49.240	011	13	0759.49.280	009	15	150.2.078.1A	003	27	182.2.018.1A	002	18
0272.91.090	002	8	051.2.001.1A	001	10	0765.92.205	002	21	153.1.008.1A	025	31	184.1.001.1A	037	11

## INDEX

CODE No.	Drwg.	POS. N.	CODE No.	Drwg.	POS. N.	CODE No.	Drwg.	POS. N.	CODE No.	Drwg.	POS. N.	CODE No.	Drwg.	POS. N.
190.2.013.1A	004	9	246.1.056.1A	033	21	300182	032	16	304.A.004.1AB	014	3	369.1.004.1A	034	8
194.1.027.1A	004	4	246.1.060.2A	025	27	301.2.130.1C	015	1	304.A.004.1AB	015	5	370.1.021.1B	034	10
195.4.003.1A	004	19	246.2.083.1A	023a	4	301.2.131.1C	014	1	304.A.004.1AC	014	3	372.2.008.3A	035	1
196.1.035.1A	004	12	247.1.002.1BC	011a	6	303.1.025.1A	014	5	304.A.004.1AC	015	5	373.1.023.1B	034	21
198.2.036.1A	004	14	247.1.083.1AE	011a	1	303.1.025.1A	015	2	340.2.283.1A	026	1	373.1.028.1B	034	20
208.1.022.1A	014	14	247.2.105.1AA	041	25	303.1.025.1AB	014	5	340.2.284.1A	026	4	373.1.029.1C	034	17
208.1.022.1A	015	14	247.2.105.1AT	041	25	303.1.025.1AB	015	2	341.2.042.1A	025	23	380.4.010.1C	031	8
209.1.026.1B	014	16	247.2.105.1BB	041	25	303.1.025.1AC	014	5	342.2.015.1B	025	3	386.4.006.1A	031	17
209.1.026.1B	015	15	247.2.166.2A	011a	13	303.1.025.1AC	015	2	349.1.064.1A	026	8	386.4.013.2A	020	37
210.1.047.1B	014	10	251.2.009.1A	011	16	303.1.025.1AD	014	5	349.1.065.1A	026	9	387.4.002.1A	031	16
210.1.047.1B	015	7	254.4.001.1A	011a	23	303.1.025.1AD	015	2	349.1.075.1A	026	2	389.4.006.1A	023	1
211.1.043.2B	014	11	254.4.001.2A	005	4	303.1.039.1A	014	4	349.1.076.1A	026	16	389.4.006.1A	031	20
211.1.043.2B	015	6	255.1.023.1A	008	15	303.1.039.1A	015	3	349.1.097.1A	026	7	389.4.007.1A	023	1
220.3.208.3A	009	16	255.1.024.1A	013	3	303.1.039.1AB	014	4	349.1.098.1A	026	11	389.4.008.1A	023	1
225.2.102.1A	010	1	264.4.018.2A	011	1	303.1.039.1AB	015	3	349.1.101.1A	026	19	389.4.012.1A	023	1
235.1.036.1A	013	12	264.4.025.1A	011	1	303.1.039.1AC	014	4	349.1.102.1A	026	22	389.4.012.1A	031	24
240.1.029.1A	013a	2	270.4.005.1A	012	1	303.1.039.1AC	015	3	349.1.103.1A	026	14	389.4.014.1A	031	2
240.1.032.1A	013a	7	276.1.028.1B	012	16	303.1.039.1AD	014	4	349.1.124.1A	026	15	389.4.015.1A	023	1
242.2.038.2BB	011a	22	280.4.005.1A	016	17	303.1.039.1AD	015	3	349.1.194.1A	026	18	390.4.003.1A	039	16
242.2.062.2A	011a	14	282.4.019.1D	016	1	304.A.001.1A	014	2	349.1.196.1A	026	17	390.4.008.1A	023	19
243.1.029.1A	005	17	283.4.003.1A	042	25	304.A.001.1A	015	4	349.1.197.1A	026	5	390.4.010.1A	043	7
243.2.109.2A	005	1	284.4.001.1B	016	14	304.A.001.1AB	014	2	349.1.198.1A	026	3	390.4.011.1A	023a	2
245.1.054.1A	013	5	286.4.100.1L	032	1	304.A.001.1AB	015	4	349.2.014.1B	026	10	390.4.014.1A	023a	3
245.1.055.1A	008	1	287.4.024.1B	016	11	304.A.001.1AC	014	2	360.2.056.1A	025	24	395.2.013.1C	032	17
245.1.056.1A	008	4	287.4.027.1A	016	16	304.A.001.1AC	015	4	360.2.057.1A	025	16	397.4.002.1A	032	7
245.1.057.1A	013	6	287.4.028.1A	016	10	304.A.004.1A	014	3	365.2.027.1C	035	6	406.1.020.1B	024	1
246.1.009.1G	023	15	287.4.029.1A	016	15	304.A.004.1A	015	5	366.1.039.1A	026	6	417.7.007.1A	039	30

## INDEX

CODE No.	Drwg.	POS. N.	CODE No.	Drwg.	POS. N.	CODE No.	Drwg.	POS. N.	CODE No.	Drwg.	POS. N.	CODE No.	Drwg.	POS. N.
417.9.030.6A	020	9	447.1.031.2A	034	4	480.1.115.1AA	044	24	484.1.026.1AB	044	13	514.1.040.1A	032	4
417.9.030.8A	025	1	449.1.045.1A	003	12	480.1.115.1AT	044	24	484.1.029.1B	042	10	514.1.041.1A	032	2
417.9.050.6A	032	5	451.1.025.1A	008	20	480.1.189.2BA	044	25	484.1.049.1AA	044	12	516.4.001.1AB	031	6
420.2.000.8A	037	22	451.2.017.1A	008	7	480.1.189.2BE	044	25	484.1.049.1AE	044	12	518.4.004.1B	025	29
420.2.006.4A	010	19	455.2.003.1A	002	4	480.1.189.2BT	044	25	484.1.049.1AT	044	12	520.1.002.1C	023a	1
425.4.004.1B	042	22	456.1.006.2A	020	12	480.1.190.2BA	044	1	484.3.049.1A	044	12	523.4.016.1BA	043	12
426.1.007.1A	047	10	456.2.009.1A	020	16	480.1.190.2BE	044	1	486.1.051.1A	005	6	523.4.016.1BE	043	12
427.1.003.1A	042	8	457.2.008.1A	037	6	480.1.190.2BT	044	1	486.1.070.2A	041	23	523.4.016.1BT	043	12
427.4.002.1A	042	20	460.1.062.1A	020	25	480.1.193.1AE	044	9	487.1.034.1A	043	15	523.4.017.1BA	043	14
430.4.004.1A	042	12	460.1.063.1A	021	16	480.1.194.1AE	044	24	492.4.003.2A	038	15	523.4.017.1BE	043	14
433.1.164.1A	048	4	460.1.076.2A	025	35	481.1.031.1AA	043	1	492.4.024.1A	038	5	523.4.017.1BT	043	14
433.1.165.1A	048	1	460.1.077.1A	039	32	481.1.031.1AE	043	1	494.1.068.4D	038	23	525.1.004.2A	039	24
433.1.166.1A	048	2	460.1.080.1A	039	33	481.1.031.1AT	043	1	497.2.001.2A	038	2	525.4.010.1A	039	15
433.1.170.1A	048	3	460.1.088.1A	019	2	481.1.031.1BA	043	1	501.2.080.1AA	038	1	529.1.006.1A	039	25
433.1.230.1A	034	5	460.1.174.1A	024	5	481.1.031.1BE	043	1	502.2.104.1AA	038	13	529.1.008.1AB	044	28
433.1.296.1B	023	18	460.1.175.1A	024	6	481.1.031.1BT	043	1	510.1.108.1A	039	21	529.4.003.1A	046	6
436.1.021.1A	040	32	462.4.037.6A	032	6	481.3.031.1A	043	1	510.1.262.1A	023	14	529.4.005.1A	046	6
436.1.021.1AB	040	32	463.4.001.1A	010	22	481.3.031.1B	043	1	510.1.265.1A	031	1	530.1.003.1A	043	8
437.1.136.1AA	044	20	470.1.081.1AA	019	1	482.1.027.1BA	040	18	510.2.003.1A	042	28	530.1.004.1A	043	9
437.1.136.1AB	044	20	470.1.081.1AB	019	1	482.1.027.1BT	040	18	513.1.008.2D	032	28	530.4.003.1B	039	6
437.1.137.1AA	044	11	470412	016	9	482.1.028.1BA	040	21	514.1.032.1A	001c	9	530.4.004.1B	039	23
437.1.137.1AB	044	11	480.1.058.1B	044	1	482.1.117.1AE	040	21	514.1.033.1A	001c	13	532.4.001.1A	039	8
438.1.096.1AA	046	1	480.1.059.0A	044	9	482.1.117.1BT	040	21	514.1.034.1A	001c	12	532.4.002.1A	039	18
438.1.096.1AB	046	1	480.1.059.2AA	044	9	482.1.118.1AE	040	18	514.1.035.1A	001c	10	539.1.021.1A	002	6
442.2.008.1A	033	6	480.1.059.2AT	044	9	482.3.021.1A	040	28	514.1.036.1A	001c	10	539.1.023.2A	018	13
444.4.003.4A	009	20	480.1.060.1B	044	25	482.3.022.1A	040	29	514.1.037.1A	001c	6	539.4.003.1B	037	15
447.1.030.2A	034	13	480.1.061.1A	044	24	484.1.025.1AB	044	26	514.1.038.1A	001c	14	539.4.021.1A	028	6

## INDEX

CODE No.	Drwg.	POS. N.	CODE No.	Drwg.	POS. N.	CODE No.	Drwg.	POS. N.	CODE No.	Drwg.	POS. N.	CODE No.	Drwg.	POS. N.
539.4.030.1A	005	21	564.1.023.1AA	044	18	590.1.102.1A	047	17	610.4.078.1A	028	12	650.1.002.1A	025	25
539.4.033.1A	027	13	564.1.023.1AH	044	18	590.1.103.1A	016	4	610.4.079.1A	028	11	651.4.011.1A	025	14
540.4.011.1C	023	10	564.1.023.1AT	044	18	590.1.124.1A	016	7	611.4.009.1A	037	36	652.4.006.1D	025	9
541.4.007.1A	023	11	564.3.023.1A	044	18	590.1.172.1A	047	13	612.4.005.1A	027	12	654.4.006.1A	025	30
541.4.007.1A	031	18	565.1.021.2A	034	16	590.1.173.1A	047	12	612.4.008.1A	028	18	656.1.050.1A	025	26
548.4.019.2A	029	1	565.1.022.2A	040	22	590.1.174.1A	047	2	612.4.008.1A	037	40	657.1.019.1A	025	18
548.4.023.1B	036	1	565.1.027.1A	040	33	590.1.175.1A	047	11	612.4.014.1A	028	16	658.4.002.1B	025	42
550.4.008.1A	029	4	570.1.102.1A	017	7	590.1.189.1A	001c	1	612.4.016.1A	037	39	668.1.001.3A	011a	12
552.1.037.1A	001c	4	571.1.100.1A	017	5	590.1.190.1A	001c	2	612.4.017.1A	028	17	669.1.001.1E	014	18
552.1.038.1A	001c	5	573.1.088.1A	017	11	592.1.018.1A	041	12	612.4.018.1A	028	22	669.1.001.1E	015	12
552.1.039.1A	001c	7	574.1.088.1A	017	3	593.1.003.1B	010	33	613.4.021.1A	028	20	670.4.016.1B	031	12
552.1.040.1A	001c	11	576.1.034.1A	017	15	593.1.018.1A	009	5	613.4.021.1A	037	38	671.1.030.1A	031	14
552.4.012.1A	023	17	576.1.035.1A	017	18	595.1.066.1A	040	16	618.4.061.1A	028	13	671.1.031.1A	031	7
552.4.013.1A	030	9	585.1.019.2D	033	18	598.2.010.1A	039	5	619.4.029.1A	037	30	671.1.032.1A	031	9
552.4.020.1A	011a	8	585.1.020.1A	030	1	598.2.017.2A	019	18	624.4.031.1A	028	1	671.1.033.1A	031	10
552.4.028.1A	001d	15	585.4.001.1A	037	20	598.4.015.1A	040	26	625.4.006.1A	037	27	672.1.029.1A	032	18
552.4.037.1A	037	42	585.4.006.1A	028	7	598.4.016.1A	025	8	626.4.011.1A	027	3	672.1.040.1A	023a	6
553.4.004.1A	030	19	585.4.007.1A	027	5	598.4.018.1A	025	8	626.4.011.1A	028	3	676.2.055.1A	034	11
555.1.005.1A	018	3	586.1.060.1AA	041	1	60N102488	022	7	626.4.013.1A	037	29	676.4.018.1A	034	15
555.1.006.1B	018	4	586.1.060.1AE	041	1	60N102511	014	9	626.4.015.1C	027	4	677.4.003.1A	001b	4
555.1.007.1A	018	2	586.1.060.1AT	041	1	60N102511	019	15	626.4.015.1D	028	5	684.1.026.1A	033	1
556.1.017.1C	018	14	590.1.056.1A	042	23	60N102557	025	7	626.4.019.1A	028	2	684.1.044.1A	017	13
556.1.018.1C	018	15	590.1.058.1A	042	24	60N102584	034	9	626.4.034.1A	027	2	684.1.070.1A	007	6
556.2.020.1B	018	16	590.1.059.1A	042	21	60N107335	004	6	630.4.024.1A	027	1	697.2.016.1A	040	25
559.1.005.1A	040	1	590.1.080.1A	016	12	60N107335	039	22	631.4.004.1A	028	19	698.1.015.1A	046	7
561.1.013.2A	039	29	590.1.085.1A	041	9	60N115062	037	9	631.4.008.1A	037	28	698.1.016.1A	046	10
561.1.019.1A	039	27	590.1.092.1A	042	14	60N115548	039	19	632.1.030.1A	027	9	698.1.021.1BA	046	2

## INDEX

CODE No.	Drwg.	POS. N.	CODE No.	Drwg.	POS. N.	CODE No.	Drwg.	POS. N.	CODE No.	Drwg.	POS. N.	CODE No.	Drwg.	POS. N.
698.1.021.1BB	046	2	702.4.020.1A	010	29	713.1.014.1B	003	11	716.1.038.1A	030	4	73500.0827	020	17
698.1.021.1BE	046	2	702.4.033.1A	010	9	713.1.014.1E	003	11	716.1.038.1A	040	7	73500.0827	021	4
698.1.022.1BA	046	11	702.4.069.1A	008	5	713.1.014.1E	003	15	716.1.043.1A	047	5	73500.1440	012	11
698.1.022.1BB	046	11	702.5.008.1A	010	20	713.1.014.1F	003	11	716.1.053.1A	032	11	73500.1542	002	15
698.1.022.1BE	046	11	702.5.008.1A	011	4	713.1.097.1B	038	24	716.1.073.2A	008	13	73500.2668	042	26
698.1.023.1A	046	4	702.5.019.1A	010	12	713.1.098.1A	038	14	716.1.099.1A	008	17	73503.3380	010	18
698.1.024.1A	046	13	703.1.013.1A	025	34	713.1.126.1A	043	11	716.1.107.1B	024	3	73503.3380	011	5
698.1.025.1A	046	9	707006N02	037	21	713.1.127.1A	043	13	72094.1616	010	10	73503.3449	042	5
698.1.026.1A	046	8	70914.2121	017	17	713.1.128.1B	011	12	72121.2106	006	4	736.4.013.1B	044	23
698.1.027.1A	046	12	710.1.001.1A	009	13	713.1.129.1A	040	13	72231.0871	044	10	737.4.021.1A	008	19
698.1.033.1A	001c	15	710.1.025.1A	035	4	713.1.130.1A	045	5	72237.0657	046	3	741.1.003.3A	017	6
699.2.094.1CA	046	0	710.1.041.1B	038	22	713.1.140.1A	010	14	72237.0974	042	17	741.1.012.1A	019	22
699.2.094.1CB	046	0	710.1.046.1A	035	12	713.1.192.1A	037	43	72237.0974	046	5	741.1.012.1A	039	31
699.2.094.1CE	046	0	710.1.057.1A	035	9	713.1.204.1A	003	13	72944.1542	008	18	741.1.013.1A	019	3
700.1.005.1A	038	18	710.1.068.1A	025	41	713.1.237.1A	004	15	72944.1542	013	1	741.1.013.1A	031	13
700.1.024.1A	040	20	710.1.069.1A	010	21	713.1.241.1A	005	18	729906FN1	037	23	741.1.013.1A	047	3
700.1.025.1A	040	19	710.1.070.1A	010	30	713.1.266.1A	003	15	729906FN1	039	12	741.4.001.1A	030	7
700.1.036.1A	012	24	711.1.072.1A	025	40	713.1.304.1A	029	8	729906FN1	041	27	741.4.002.1A	007	11
700.1.043.1A	024	7	711.1.084.1A	030	21	713.1.304.1A	036	4	729906FN1	047	6	741.4.002.1A	030	12
701.4.003.1A	012	19	711.1.093.2A	007	8	713.1.309.1A	004	13	729908FN1	022	9	741.4.002.1A	033	15
701.4.005.1A	003	4	711.1.095.1A	010	32	714.1.028.1A	038	3	732.1.017.1A	040	27	741.4.004.1A	041	10
701.4.006.1A	035	3	711.1.128.1A	010	38	714.1.045.1A	038	9	732.2.006.2A	039	3	741.4.004.1A	042	13
701.4.007.1A	012	21	712.1.013.3A	041	5	715.1.004.1A	035	8	73270.8001	017	16	741.4.013.1A	019	24
702.4.004.1A	025	6	712.1.021.1A	006	6	716.1.022.1A	023	6	734005N01	024	2	741.4.013.1B	047	16
702.4.009.1A	011	11	713.1.011.1A	003	15	716.1.022.1A	032	10	734305N01	025	21	741.4.025.1A	030	8
702.4.010.2A	011	9	713.1.014.1A	003	11	716.1.022.1A	033	9	734305N01	040	12	741.4.038.1A	031	23
702.4.013.1A	010	26	713.1.014.1A	003	15	716.1.022.1A	039	11	734305N01	041	4	741.4.040.1A	016	5

## INDEX

CODE No.	Drwg.	POS. N.	CODE No.	Drwg.	POS. N.	CODE No.	Drwg.	POS. N.	CODE No.	Drwg.	POS. N.	CODE No.	Drwg.	POS. N.
741.4.041.1A	016	6	749.5.001.1A	039	10	764.1.029.1A	047	7	771.5.040.2B	041	14	771.5.072.8B	010	31
741.4.043.1A	037	17	750.1.007.1A	003	30	764.1.084.1A	019	7	771.5.040.8B	011	15	771.5.072.8C	004	3
741.4.055.1A	030	22	750.1.012.2A	006	3	764.1.084.1A	022	11	771.5.043.2B	022	3	771.5.073.8B	011	2
741.4.057.1A	047	1	750.1.041.1A	035	15	764.1.084.1A	023	8	771.5.043.2B	039	28	771.5.074.2B	025	19
741.4.058.1A	047	20	750.1.042.1A	041	17	764.1.084.1A	032	23	771.5.045.7E	041	15	771.5.078.8B	012	12
741.4.059.1A	047	21	750.1.113.1A	006	13	764.1.090.1A	023	7	771.5.049.2B	044	27	771.5.080.8B	010	27
741.4.062.1A	023	21	750.1.121.1A	012	3	764.1.090.1A	033	10	771.5.062.8B	013a	6	771.5.081.8B	005	3
741.4.062.1A	037	31	750.5.001.1A	032	8	764.1.090.1A	039	14	771.5.063.8B	013	14	771.5.083.8B	005	2
741.4.063.1A	047	19	75162.2566	038	4	764.4.003.1A	023	4	771.5.064.2B	011a	19	771.5.123.8B	002	30
741.4.067.1A	013a	8	75162.3075	038	17	764.4.005.1A	031	15	771.5.066.8B	011a	2	771.5.129.8B	009	8
74172.1008	006	10	75191.3380	010	25	76400.0004	010	3	771.5.066.8B	012	5	771.5.136.8B	010	24
74172.1008	013	8	75794.1542	010	17	76402.0002	003	17	771.5.067.8B	002	28	771.5.141.2B	022	8
74223.1045	033	12	758.1.026.1A	022	2	765.1.001.1A	020	15	771.5.067.8B	007	14	771.5.154.8B	018	8
74224.0570	006	7	759.1.015.1A	040	31	766.1.027.1A	010	6	771.5.067.8B	008	3	771.5.431.2B	028	10
747.5.001.1A	020	7	760.1.003.1B	033	11	766.4.019.1A	013	18	771.5.067.8B	011a	24	771.5.665.2B	037	44
748.1.013.1A	004	7	760.1.015.1A	040	8	76835.1134	002	10	771.5.067.8B	013	10	771.5.667.2B	040	6
748.1.014.1B	038	12	76266.2668	010	4	770.5.250.8B	010	15	771.5.067.8B	013a	1	771.5.669.2B	025	38
748.1.023.1B	034	1	763106N01	020	5	770.5.250.8B	011	6	771.5.067.8B	030	15	771.5.669.2B	028	4
748.1.024.1A	017	4	763106N01	041	18	770.5.619.2B	040	11	771.5.069.8B	005	5	771.5.721.2B	031	5
748.1.036.1A	033	3	764.1.001.1A	017	14	771.1.009.1A	035	10	771.5.069.8B	009	10	771.5.723.2B	037	35
748.1.040.1A	002	23	764.1.002.1A	014	6	771.1.016.1A	035	11	771.5.069.8B	011a	11	771.5.725.2B	025	22
748.1.050.1A	010	8	764.1.002.1A	015	18	771.1.026.3A	013	21	771.5.069.8B	012	22	771.5.725.8B	020	2
748.4.002.1A	019	16	764.1.010.1A	019	20	771.1.032.1A	002	38	771.5.071.8B	011a	25	771.5.725.8B	021	5
748.4.024.1A	038	20	764.1.011.2A	037	5	771.1.034.2A	031	3	771.5.071.8B	012	23	771.5.754.2B	037	14
748.4.038.1A	024	4	764.1.019.1A	041	28	771.4.007.1A	045	8	771.5.072.2B	011	22	771.5.937.2B	035	7
749.4.002.1A	025	28	764.1.022.1A	029	6	771.5.002.1A	045	4	771.5.072.8B	005	7	771.5.938.2B	035	5
749.4.045.2G	018	1	764.1.022.1A	036	3	771.5.004.8B	034	18	771.5.072.8B	008	2	772.1.001.1A	018	7

## INDEX

CODE No.	Drwg.	POS. N.	CODE No.	Drwg.	POS. N.	CODE No.	Drwg.	POS. N.	CODE No.	Drwg.	POS. N.	CODE No.	Drwg.	POS. N.
772.1.010.3A	008	8	775.1.011.1A	031	21	779.1.170.1A	042	2	781.1.003.3A	036	12	799.1.070.1A	018	6
772.1.047.1A	020	24	775.1.011.1A	033	23	779.1.198.2A	009	23	786.1.073.1A	007	15	799.1.071.1A	020	29
772.1.047.1A	021	17	775.1.011.1A	043	5	779.1.198.2A	011a	3	786.1.086.1A	007	7	799.1.072.1A	017	9
772.1.047.1A	025	32	775.1.011.1A	044	6	779.1.203.2A	002	7	788.1.054.1A	012	4	799.1.083.1B	037	41
772.1.050.1A	033	2	775.1.038.1B	032	13	779.1.213.1A	019	11	788.1.071.1A	013	11	799.1.087.1A	025	33
772.1.063.1A	039	1	775.1.038.1B	044	19	779.1.221.1A	025	20	788.1.072.1A	007	12	799.1.088.1A	018	10
772.5.008.1A	045	3	775.5.002.1A	045	6	779.1.311.1A	038	6	788.1.072.1A	030	10	799.1.089.1A	018	9
772.5.021.1A	032	25	777.5.002.1A	020	20	779.1.366.1AB	027	7	788.1.074.1A	013a	3	799.1.146.1A	014	20
772.5.023.1A	023	5	777.5.002.1A	021	6	779.1.366.1AB	028	9	788.1.075.1A	013	13	799.1.146.1A	015	9
772.5.023.1A	025	17	777.5.049.8B	011a	7	779.1.366.1AB	037	25	788.1.076.1A	011a	9	799.1.147.1A	014	7
772.5.023.1A	032	15	779.1.007.2A	006	9	779.1.368.2A	029	5	788.1.076.1AA	011a	9	799.1.147.1A	015	8
772.5.023.1A	033	8	779.1.026.2A	010	36	779.1.397.1A	027	10	788.1.076.1AB	011a	9	799.1.179.1A	014	13
772.5.023.1A	043	10	779.1.029.2A	010	39	779.1.399.1A	038	7	790.1.007.1A	017	1	799.1.179.1A	015	16
772.5.024.1A	019	10	779.1.037.1B	034	14	779.1.415.1A	028	23	791.1.012.1A	041	26	799.1.191.1A	004	10
772.5.024.1A	022	12	779.1.039.1A	002	3	779.4.005.2A	018	12	791.1.017.2A	016	19	799.1.211.1A	002	36
772.5.024.1A	030	3	779.1.050.1A	024	9	779.4.075.1A	011	3	791.1.034.1A	041	16	799.1.215.1A	023a	5
772.5.024.1A	037	12	779.1.058.1A	036	10	779.5.001.1A	020	38	791.2.036.2A	007	9	799.1.221.1A	014	24
772.5.024.1A	039	26	779.1.083.2A	036	8	779.5.001.1A	044	5	797.1.032.1A	004	1	799.1.221.1A	015	20
772.5.025.1A	019	14	779.1.088.1A	023	2	779.5.001.1A	047	9	797.1.036.1A	004	11	799.2.077.2A	009	14
772.5.025.1A	028	15	779.1.088.1A	040	3	779.5.011.1A	020	11	799.1.024.1A	020	32	799.5.001.2A	004	8
772.5.025.1A	029	3	779.1.088.1A	043	2	779.5.016.1A	017	12	799.1.024.1A	021	12	800.1.007.1A	007	17
772.5.025.1A	032	20	779.1.089.1A	044	17	779.5.030.2A	013	4	799.1.025.1A	002	20	800.1.008.1A	007	16
772.5.025.1A	041	6	779.1.099.1A	025	2	780.1.007.1A	017	8	799.1.049.1A	002	1	800.1.049.1A	030	6
772.5.034.1A	043	6	779.1.109.1A	006	2	780.1.008.1A	042	7	799.1.051.2A	006	15	800.1.126.1A	030	16
773.1.001.1A	005	19	779.1.119.1B	034	3	780.1.018.1A	009	6	799.1.052.2A	016	8	800.1.127.1A	030	17
775.1.006.1A	032	27	779.1.159.1A	020	26	780.2.047.1A	009	17	799.1.055.1A	009	7	800.1.128.1A	030	18
775.1.008.2A	040	17	779.1.162.2A	009	27	780.5.001.1A	011a	16	799.1.069.1A	018	5	800.1.129.1A	030	13

## INDEX

CODE No.	Drwg.	POS. N.	CODE No.	Drwg.	POS. N.	CODE No.	Drwg.	POS. N.	CODE No.	Drwg.	POS. N.	CODE No.	Drwg.	POS. N.
8000.56359	019	9	80B0.55703	044	14	821.1.142.1B	014	21	829.1.127.1A	031	19	830.1.299.1A	029	7
8000.56359	032	9	814.1.065.1A	042	4	821.1.142.1B	015	19	829.1.129.1A	033	4	832.1.032.1A	025	37
8000.56359	033	14	814.1.066.1A	042	29	821.1.170.1A	020	18	829.1.136.1A	039	35	840.1.001.1A	13	11
8000.56391	041	13	814.1.111.2B	047	15	824.1.039.1A	020	1	829.1.167.2AB	022	4	840.1.002.1A	13	11
8000.56443	031	22	814.1.114.1A	001c	8	824.1.040.1B	021	1	829.1.168.1AB	022	1	840.1.003.1A	13	11
8000.56443	033	24	814.1.123.1A	030	14	824.1.041.1C	020	30	829.1.169.1AB	019	5	840.1.004.1A	13	11
8000.56443	040	23	814.1.124.1A	007	13	824.1.042.1C	021	15	829.1.170.1AB	019	4	840.1.005.1A	13	11
8000.59056	020	14	814.1.157.1A	030	11	825.1.030.1A	037	34	829.1.172.2B	032	22	840.1.006.1A	13	11
8000.59056	037	4	815.1.022.1A	010	35	826.1.009.1A	002	33	829.1.184.1A	037	1	840.1.007.1A	13	11
8000.59572	023	13	815.1.028.1A	009	21	826.1.012.1A	010	11	829.1.190.1A	023	12	840.1.008.1A	13	11
8000.66774	025	36	818.1.060.1A	004	5	827.1.012.1A	044	15	829.1.204.1A	022	13	840.1.009.1A	13	11
8000.67981	037	8	819.1.017.1A	038	8	827.1.045.1A	020	34	829.1.205.1A	045	2	840.1.010.1A	13	11
8000.69069	036	2	819.1.030.1A	034	2	827.1.045.1A	021	10	829.1.206.1A	045	1	840.1.011.1A	13	11
8000.69282	037	32	821.1.001.1A	002	26	827.1.061.1A	040	4	829.1.207.1A	047	4	840.1.012.1A	13	11
8000.70127	026	12	821.1.009.1B	038	19	827.1.121.1A	019	13	829.1.208.2A	028	14	840.1.013.1A	13	11
8000.70139	001b	2	821.1.028.2B	041	8	827.1.122.2A	025	11	829.1.332.1A	045	10	840.1.014.1A	13	11
8000.70178	025	13	821.1.052.1A	037	7	827.1.139.2B	018	11	829.1.486.1A	033	5	840.1.015.1A	13	11
8000.77921	041	20	821.1.054.1A	023	3	827.1.157.1A	047	8	829.1.487.1A	019	8	840.1.016.1A	13	11
8000.78345	025	15	821.1.070.1A	002	17	827.1.166.1A	023	16	829.1.509.1A	041	11	840.1.017.1A	13	11
802.1.009.1A	016	21	821.1.073.1A	025	10	827.1.192.1A	020	19	829.1.544.1A	022	15	840.1.018.1A	13	11
802.1.015.1A	016	18	821.1.075.1A	022	10	827.1.286.1A	032	12	829.1.556.1A	022	5	840.1.019.1A	13	11
806.1.011.1AA	039	2	821.1.075.1A	033	13	827.1.330.1A	032	21	829.4.001.1A	040	5	840.1.020.1A	13	11
806.1.011.1AH	039	2	821.1.081.1A	039	17	827.2.134.1A	041	7	830.1.121.1A	016	13	840.1.021.1A	13	11
806.1.011.1AT	039	2	821.1.096.2A	037	10	827.2.215.1A	032	24	830.1.131.1A	041	22	840.1.022.1A	13	11
806.1.012.1A	020	27	821.1.129.1A	032	26	829.1.073.3A	037	24	830.1.144.1A	011	14	840.1.023.1A	13	11
806.1.013.1A	020	36	821.1.141.1A	014	15	829.1.077.2B	042	11	830.1.172.1A	016	3	840.1.024.1A	13	11
808.1.019.1A	040	9	821.1.141.1A	015	10	829.1.104.1A	042	18	830.1.290.1B	031	4	840.1.025.1A	13	11

## INDEX

CODE No.	Drwg.	POS. N.	CODE No.	Drwg.	POS. N.	CODE No.	Drwg.	POS. N.	CODE No.	Drwg.	POS. N.	CODE No.	Drwg.	POS. N.
840.1.026.1A	13	11	840.1.065.1B	13	9	840.1.112.1A	13	11	852.1.053.2A	002	2	852.1.114.1A	011	10
840.1.027.1A	13	11	840.1.066.1B	13	9	840.2.001.1A	014	19	852.1.054.1A	037	2	852.1.120.1A	009	3
840.1.028.1A	13	11	840.1.067.1B	13	9	840.2.001.1A	015	11	852.1.075.1A	044	22	852.1.120.1A	011a	20
840.1.029.1A	13	11	840.1.068.1B	13	9	840.2.002.1B	014	17	852.1.079.1B	034	19	852.1.172.1A	002	29
840.1.030.1A	13	11	840.1.069.1B	13	9	840.2.002.1B	015	13	852.1.094.1A	002	19	852.1.172.1A	011	7
840.1.031.1A	13	11	840.1.070.1B	13	9	841.1.001.1C	044	4	852.1.098.1A	042	3	852.1.173.1A	013	2
840.1.032.1A	13	11	840.1.071.1B	13	9	841.1.046.1A	004	2	852.1.103.1A	025	4	852.1.174.1A	002	31
840.1.033.1A	13	11	840.1.072.1A	13	11	847.4.002.1A	020	33	852.1.104.1A	006	11	852.1.176.1A	005	16
840.1.034.1A	13	11	840.1.072.1B	13	9	847.4.002.1A	021	11	852.1.104.1B	006	11	852.1.176.1A	011	20
840.1.047.1B	13	9	840.1.073.1A	13	11	847.4.006.1A	002	35	852.1.104.1C	006	11	852.1.176.1A	014	22
840.1.048.1B	13	9	840.1.073.1B	13	9	848.4.011.1A	035	13	852.1.104.1D	006	11	852.1.195.1A	005	20
840.1.049.1B	13	9	840.1.074.1B	13	9	848.5.001.1A	020	6	852.1.104.1E	006	11	852.1.195.1A	009	28
840.1.050.1B	13	9	840.1.075.1B	13	9	848.5.002.1A	020	10	852.1.104.1F	006	11	852.1.199.1A	002	37
840.1.051.1B	13	9	840.1.076.1B	13	9	850.1.003.1A	044	21	852.1.104.1G	006	11	852.1.201.1A	002	37
840.1.052.1B	13	9	840.1.077.1B	13	9	850.4.016.1A	040	14	852.1.104.1H	006	11	852.5.001.1A	039	9
840.1.053.1B	13	9	840.1.078.1B	13	9	850.4.031.1A	042	9	852.1.104.1I	006	11	852.5.002.1A	044	2
840.1.054.1B	13	9	840.1.079.1B	13	9	850.4.047.1A	024	8	852.1.104.1J	006	11	852.5.005.1A	009	18
840.1.055.1B	13	9	840.1.080.1B	13	9	851.1.004.1A	003	1	852.1.104.1K	006	11	852.5.023.1A	011a	15
840.1.056.1B	13	9	840.1.081.1B	13	9	851.1.004.1A	003	29	852.1.104.1L	006	11	852.5.023.1A	013	20
840.1.057.1B	13	9	840.1.082.1B	13	9	851.1.013.1A	008	11	852.1.104.1M	006	11	852.5.024.1A	002	5
840.1.058.1B	13	9	840.1.083.1B	13	9	851.4.003.1A	006	12	852.1.104.1N	006	11	852.5.024.1A	011a	17
840.1.059.1B	13	9	840.1.084.1B	13	9	852.1.001.1A	034	12	852.1.105.1AB	003	26	852.5.024.1A	017	2
840.1.060.1B	13	9	840.1.085.1B	13	9	852.1.002.1A	034	12	852.1.105.1AD	003	26	852.5.024.1A	027	8
840.1.061.1B	13	9	840.1.108.1A	13	11	852.1.003.1A	034	12	852.1.105.1AG	003	26	852.5.024.1A	028	8
840.1.062.1B	13	9	840.1.109.1A	13	11	852.1.005.1A	002	14	852.1.108.1AH	003	1	852.5.024.1A	036	11
840.1.063.1B	13	9	840.1.110.1A	13	11	852.1.008.1A	005	10	852.1.108.1AL	003	1	852.5.024.1A	037	26
840.1.064.1B	13	9	840.1.111.1A	13	11	852.1.053.1A	020	13	852.1.108.1AN	003	1	852.5.024.1A	041	21

## INDEX

CODE No.	Drwg.	POS. N.	CODE No.	Drwg.	POS. N.	CODE No.	Drwg.	POS. N.	CODE No.	Drwg.	POS. N.	CODE No.	Drwg.	POS. N.
852.5.024.1A	042	6	872.1.022.1A	040	2	884.5.003.1A	037	3	88713.0879	001	7	88713.2545	001a	13
852.5.025.1A	002	37	872.1.026.1A	019	12	884.5.008.1A	038	11	88713.1010	001b	7	88713.2651	001a	15
852.5.025.1A	013a	5	872.1.027.1A	019	17	884.5.010.1A	016	2	88713.1058	001b	9	88713.2676	001	2
852.5.025.1A	047	14	872.1.048.1A	025	39	884.5.011.1A	011	8	88713.1062	001b	1	88765.0999	001	16
852.5.026.1A	010	37	872.4.023.1A	045	9	884.5.034.1A	002	22	88713.1072	001b	6	88765.1000	001	15
853.1.002.1A	009	9	873.1.037.1A	009	2	884.5.034.1A	008	6	88713.1078	001	12	88765.1005	001	15
853.1.003.1A	011a	21	875.1.054.1A	036	7	884.5.035.1A	005	11	88713.1079	001	14	88765.1006	001	15
853.1.003.1A	012	2	875.1.055.1A	036	6	884.5.036.1A	009	25	88713.1091	001	21	88765.1073	001d	21
853.1.004.1A	009	11	875.1.063.1B	035	16	884.5.036.1A	012	7	88713.1096	001b	8	88765.1074	001d	21
856.1.001.1A	003	6	875.1.065.1A	001c	3	886.4.021.1A	042	16	88713.1215	001a	11	88765.1075	001d	21
856.1.031.1A	003	16	875.1.111.1A	036	9	886.4.022.1A	042	19	88713.1344	001b	3	88765.1076	001d	21
856.1.040.1A	040	30	876.1.083.1A	033	16	886.4.033.1A	011a	10	88713.1429	001a	12	88765.1077	001d	21
856.1.040.1A	044	16	876.1.084.1A	033	19	886.4.035.1A	011a	5	88713.1515	001b	5	88765.1086	001	22
856.1.062.2A	008	16	877.1.050.1A	037	16	886.4.037.1A	009	4	88713.1749	001a	1	88765.1126	001d	6
856.1.064.2A	010	7	877.2.004.2A	033	7	886.4.043.1A	004	18	88713.1904	001a	10	88765.1126A	001d	4
856.1.071.1A	012	9	881.1.010.1C	012	18	886.4.060.1A	013	15	88713.1994	001a	2	88765.1126B	001d	12
856.1.074.2A	013	17	881.1.012.1A	002	32	886.4.090.1A	005	14	88713.2011	001	17	88765.1126C	001d	11
860.1.004.1A	010	23	881.1.030.1A	005	22	886.5.001.1A	042	15	88713.2036	001	19	88765.1126D	001d	14
860.1.004.1A	011a	18	881.1.030.1A	011	21	886.5.004.1A	016	20	88713.2092	001a	5	88765.1126E	001d	9
861.5.003.1A	020	28	881.1.030.1A	014	23	886.5.011.1A	042	27	88713.2103	001	3	88765.1126F	001d	13
863.1.002.1A	012	14	881.1.043.1A	014	8	88700.5644	001a	8	88713.2257	001a	14	88765.1126G	001d	17
866.1.029.1A	041	19	882.1.003.1A	008	14	88700.5665	001a	4	88713.2282	001a	7	88765.1126H	001d	16
866.1.030.1A	040	15	882.1.006.1A	002	16	88700.5749	001	20	88713.2295	001	1	88765.1126L	001d	19
866.1.031.1A	032	14	882.1.012.1A	012	15	88713.0123	001	5	88713.2422	001a	3	88765.1126M	001d	18
866.1.034.1A	019	19	884.1.005.1A	026	20	88713.0137	001	11	88713.2423	001a	16	88765.1126N	001d	7
866.1.061.1A	017	10	884.4.007.1A	034	7	88713.0874	001	6	88713.2442	001a	6	88765.1126P	001d	10
872.1.019.1A	034	6	884.4.042.1A	009	24	88713.0875	001	8	88713.2544	001a	9	88765.1126Q	001d	5

## INDEX

CODE No.	Drwg.	POS. N.	CODE No.	Drwg.	POS. N.	CODE No.	Drwg.	POS. N.	CODE No.	Drwg.	POS. N.	CODE No.	Drwg.	POS. N.
88765.1126R	001d	3	88765.1375EF	001	9	930.4.091.1A	005	9						
88765.1126S	001d	22	88765.1397	001	13	930.5.005.1A	011	18						
88765.1126T	001c	16	893.1.003.1A	029	2	930.5.006.2B	011	19						
88765.1126T	001d	23	893.1.005.1A	005	15	930.5.007.1A	013	7						
88765.1126U	001d	20	893.4.005.1A	037	19	93781.1824	035	2						
88765.1126V	001d	8	893.4.007.1A	028	21	93783.1524	011a	4						
88765.1126Z	001d	1	893.4.008.1A	027	6	93785.1830	010	16						
88765.1241	001c	0	894.2.009.1A	009	19	93823.2018	004	17						
88765.1242	001c	0	895.4.001.2A	041	2	93823.3156	010	34						
88765.1243	001c	0	8A00.67610	030	5	93827.0114	005	12						
88765.1244	001c	0	8A00.67997	022	6	93827.0114	009	22						
88765.1245	001c	0	8A00.67997	023	20	93827.0114	010	28						
88765.1297	001	23	8A00.67997	037	33	94247.0014	010	5						
88765.1298	001	18	8A00.67997	039	4	94247.0014	011	17						
88765.1369A	001d	24	8A00.69056	026	13	966.1.890.4B	045	11						
88765.1369B	001d	24	8BB06.1070	045	7	98112.0002	001	4						
88765.1369C	001d	24	8H00.67545	040	10									
88765.1369D	001d	24	913.7.092.1E	040	24									
88765.1369E	001d	24	914.7.023.1A	001d	2									
88765.1371	001d	25	914.7.023.1B	001d	2									
88765.1372	001d	26	914.7.023.1C	001d	2									
88765.1373	001d	27	914.7.023.1D	001d	2									
88765.1374	001d	28	914.7.023.1E	001d	2									
88765.1375AF	001	9	930.1.004.1A	025	5									
88765.1375BF	001	9	930.1.005.1A	026	21									
88765.1375CF	001	9	930.4.022.1A	010	13									
88765.1375DF	001	9	930.4.023.1A	003	14									