





Spare parts catalogue 1000 **U.S.A**

DUCATI SUPERSPORT

DUCATI MOTOR HOLDING 	SUPERSPORT 1000	M.Y. '06	U.S.A.
Spare Parts Department	P.N. 91511802D	Ottobre - October '06	Edizione - Edition 01
DUCATI MOTOR HOLDING 	SUPERSPORT 1000	M.Y. '06	U.S.A.
Spare Parts Department	P.N. 91511802D	Ottobre - October '06	Edizione - Edition 01
DUCATI MOTOR HOLDING 	SUPERSPORT 1000	M.Y. '06	U.S.A.
Spare Parts Department	P.N. 91511802D	Ottobre - October '06	Edizione - Edition 01
DUCATI MOTOR HOLDING 	SUPERSPORT 1000	M.Y. '06	U.S.A.
Spare Parts Department	P.N. 91511802D	Ottobre - October '06	Edizione - Edition 01

GENERAL INFORMATION

The present spare parts order exactly the right spare parts

When ordering specify:

1) the part's code number followed by its description; quantity needed;

2) the motorcycle's serial number, stamped on the steering head.

Reference to right and left apply to the vehicle in terms of its direction of movement.

Spare parts drawings are general and do not represent the part.

The contents of this catalogue are general and can undergo changes without prior notice.

VALIDITY

f.m. Until V.I.N.
d.m. From V.I.N.
f.m.m. Up to engine number
d.m.m. From engine number

LIST

CAL California
CND Canada

*Ducati Motor Holding S.p.A.
Commercial and Administration Office:
Via A. Cavalieri Ducati n. 3
40132 Bologna, Italy
Telefono 051 6413111
Fax 051 406580
Internet www.ducati.com*

CATALOGUE No: 915.1.180.2D
ISSUED: 10 - 06

CATALOGUE No: 915.1.180.2D
ISSUED: 10 - 06

PAINTS



Paint	Code
-------	------

"Rosso Anniversary DUCATI"	(PPG) F_473.101
----------------------------	-----------------

"Giallo DUCATI"	(PPG) 473.201
-----------------	---------------

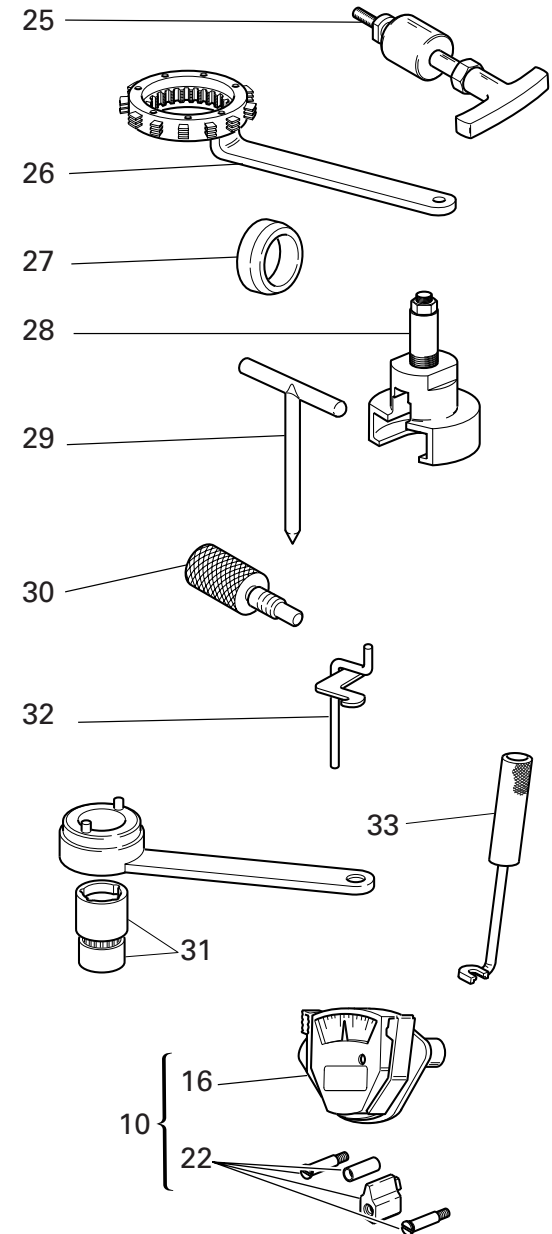
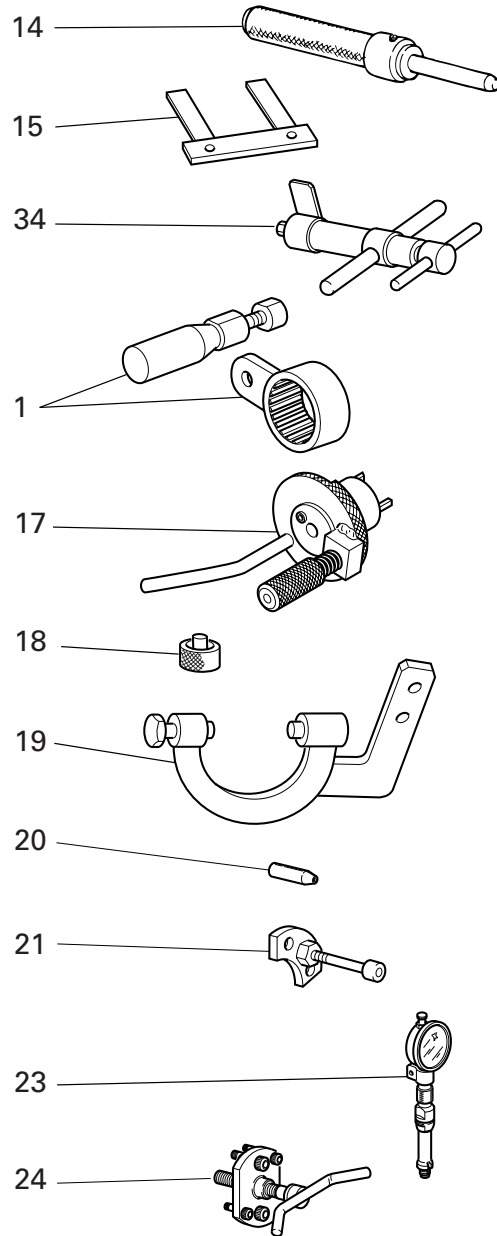
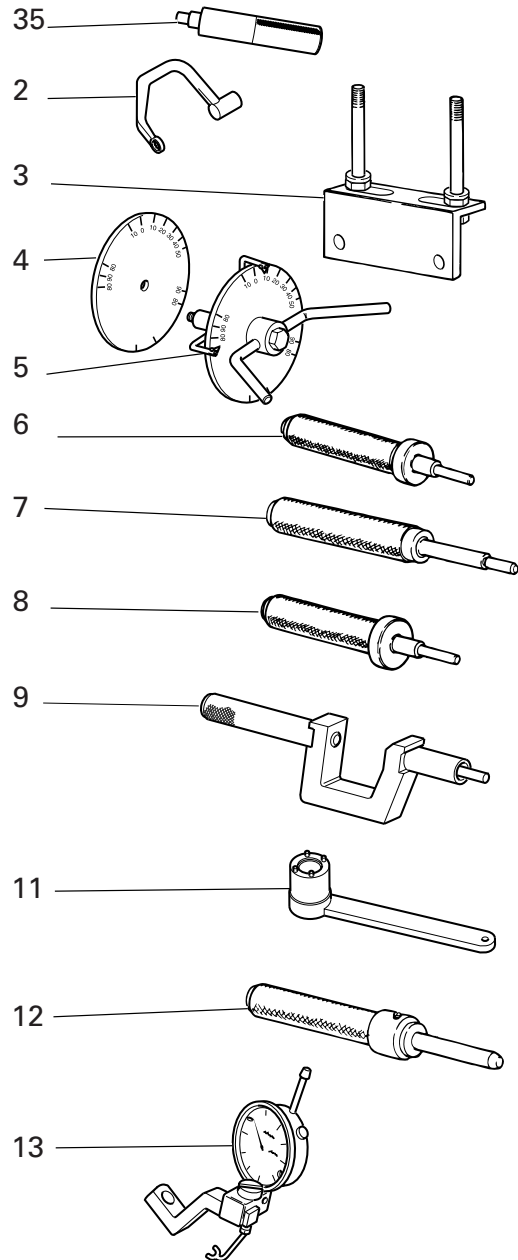
"Grigio Scuro Metallizzato"	(PPG) *0017
-----------------------------	-------------

"Trasparente"	(PPG) 228.880
---------------	---------------

page	CONTENTS
4	001 WORKSHOP SPECIAL TOOLS
8	001a WORKSHOP SPECIAL TOOLS
10	001b DIAGNOSIS TESTER DDS
12	001c WORKSHOP SPECIAL TOOLS
14	002 GEARCHANGE
18	003 GEAR-BOX
22	004 CLUTCH
26	005 CLUTCH COVER
28	006 CRANKSHAFT
32	007 CYLINDERS - PISTONS
34	008 TIMING
36	009 FILTERS AND OIL PUMP
40	010 HALF CRANKCASES
44	011 ALTERNATOR COVER
48	012 ELECTRIC STARTER AND IGNITION
50	013 HEAD: TIMING
52	014 VERTICAL HEAD
56	015 HORIZONTAL HEAD
60	016 THROTTLE BODY
62	017 EXHAUST SYSTEM
64	018 STANDS
66	019 FRAME
68	020 L.H. FOOT RESTS
72	021 R.H. FOOT RESTS
74	022 HEAD-LIGHT AND ELECTRIC WIRING
76	023 INSTRUMENT PANEL
78	024 HANDLEBAR AND CONTROLS
82	025 FRONT FORK
84	026 CLUTCH CONTROL
86	027 FRONT HYDRAULIC BRAKE
88	028 OIL COOLER
90	029 ELECTRIC SYSTEM
94	030 BATTERY BOX MOUNT
96	031 AIR INDUCTIO AND OIL VENT
98	032 SWINGARM AND CHAIN
102	033 REAR HYDRAULIC BRAKE
106	034 WHEELS
108	035 NUMBER PLATE HOLDER
112	036 SEAT
114	037 FUEL SYSTEM
116	038 FUEL TANK
118	039 HEADLIGHT FAIRING
120	040 FAIRING
124	041 FUEL INFEED
126	042 MARKING PLATES


DRAWING 001


WORKSHOP SPECIAL TOOLS



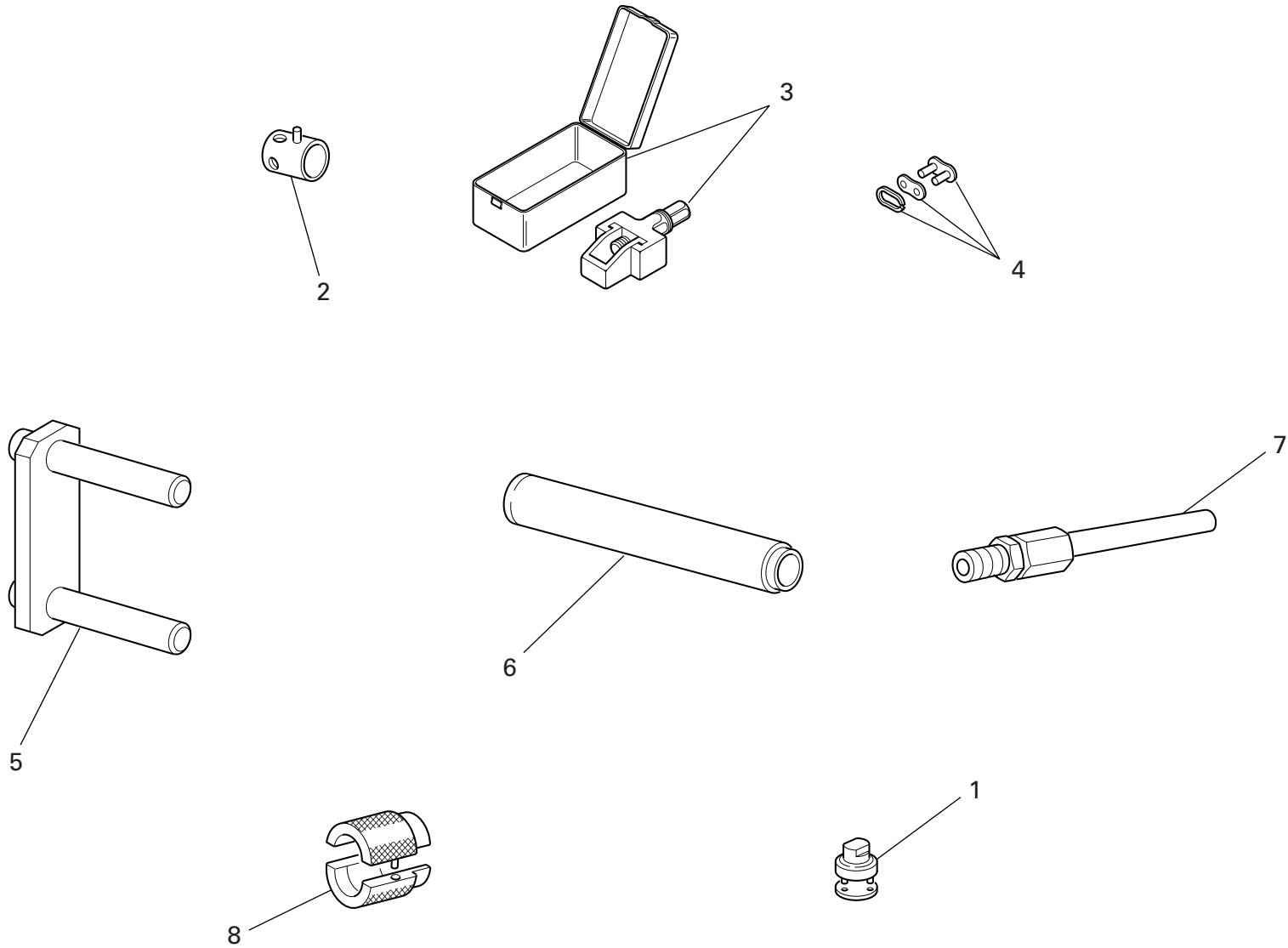
DRAWING 001

WORKSHOP SPECIAL TOOLS


NOTES NO.	CODE NO.	DESCRIPTION	VALIDITY	Q.TY 
1	88713.2355	Wrench for holding timing belt rollers ring nuts		1
2	88713.2676	Head nuts holder wrench		1
3	88713.2103	Head mounting base		1
4	98112.0002	Degree wheel		1
5	88713.0123	Degree wheel holder tool for ignition advance check		1
6	88713.0874	Exhaust valve guide punch tool		1
7	88713.0879	Punch tool to extract valve guide		1
8	88713.0875	Intake valve guide punch tool		1
9	88713.1429	Tool to drive valve seal ring $\varnothing 7$		1
10	051.2.001.1A	Torque wrench for timing belt		1
11	88713.0137	Crankshaft gear holder wrench for tightening nut		1
12	88713.1078	Punch tool for driving exhaust valve seat		1
13	88765.1058	Valve lift gauge		1
14	88713.1079	Punch tool for driving intake valve seat		1
15	88765.1000	Fork feeler gauge 0.1 mm		1
15	88765.1005	Fork feeler gauge 0,2 mm		1
15	88765.1006	Fork feeler gauge 0.3 mm		1
16	88765.0999	Timing belt control gauge		1
17	88713.2011	Tool to hold crankshaft in TDC position		1
18	88765.1298	Spacer for checking lower valve shim		1
19	88713.2036	Flywheel Wrench		1
20	88700.5749	Crankcases assembling cap		1
21	88713.1091	Plate for positioning gear engagement fork		1
22	88765.1086	Conversion kit for 2V belts tensioning tool		1

NOTES NO.	CODE NO.	DESCRIPTION	VALIDITY	Q.TY 
23	88765.1297	T.D.C. control gauge		1
24	88713.1749	Drive roller puller		1
25	88713.1994	Rocker shaft extractor		1
26	88713.2133	Wrench to hold clutch housing drum steady		1
27	88700.5665	Sleeve for installing clutch bell gear		1
28	88713.2092	Extractor for primary drive gear		1
29	88713.0262	Pin for assembling rocker arms		1
30	88713.2282	Belt roller timing of two-valva head		1
31	88700.5644	Wrench for camshaft pulley ring nut adjustment		1
32	88713.2362	Tool for assembling closing rocker and spring		1
33	88713.0844	Half-rings mounting punch tool		1
34	88713.1215	Torque wrench for timing belt		1
35	88713.2669	Roller cage fitting tool on primary shaft		1

DRAWING 001a WORKSHOP SPECIAL TOOLS

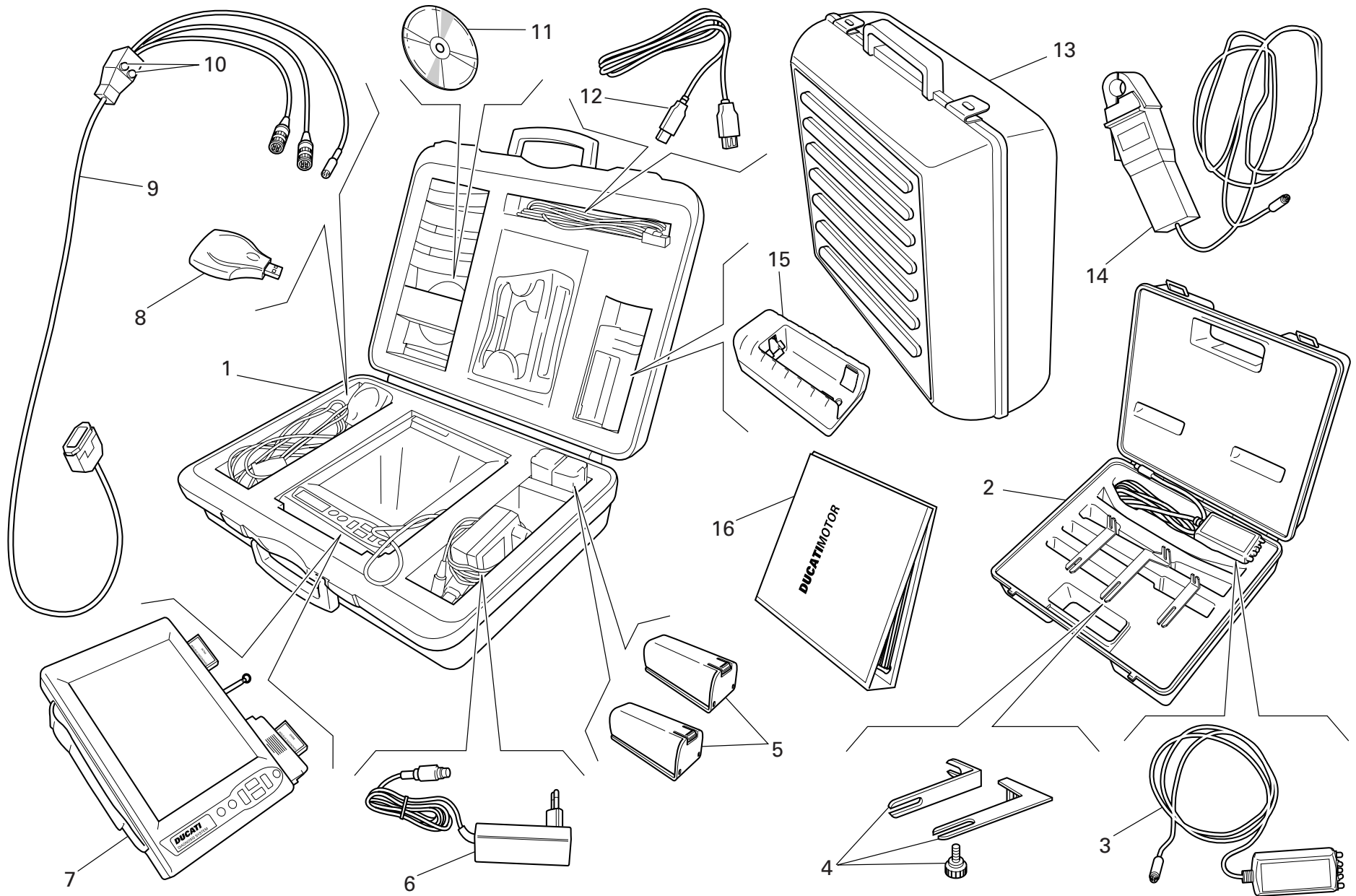


DRAWING 001a WORKSHOP SPECIAL TOOLS


NOTES NO.	CODE NO.	DESCRIPTION	VALIDITY	Q.TY 
1	88713.1058	Wrench for assembling the steering head cap		1
2	8000.70139	Wrench for front wheel spindle		1
3	88713.1344	Tool for assembling chain		1
4	677.4.003.1A	Coupling		1
5	88713.1515	Frame/engine mount		1
6	88713.1072	Stopper for driving the half bearing of the steering head base		1
7	88713.1010	Union for exhaust gas suction		1
8	88713.1096	Tool for overhauling SHOWA forks - assembling seal ring		1

NOTES NO.	CODE NO.	DESCRIPTION	VALIDITY	Q.TY 
-----------	----------	-------------	----------	--

DRAWING 001b DIAGNOSIS TESTER DDS

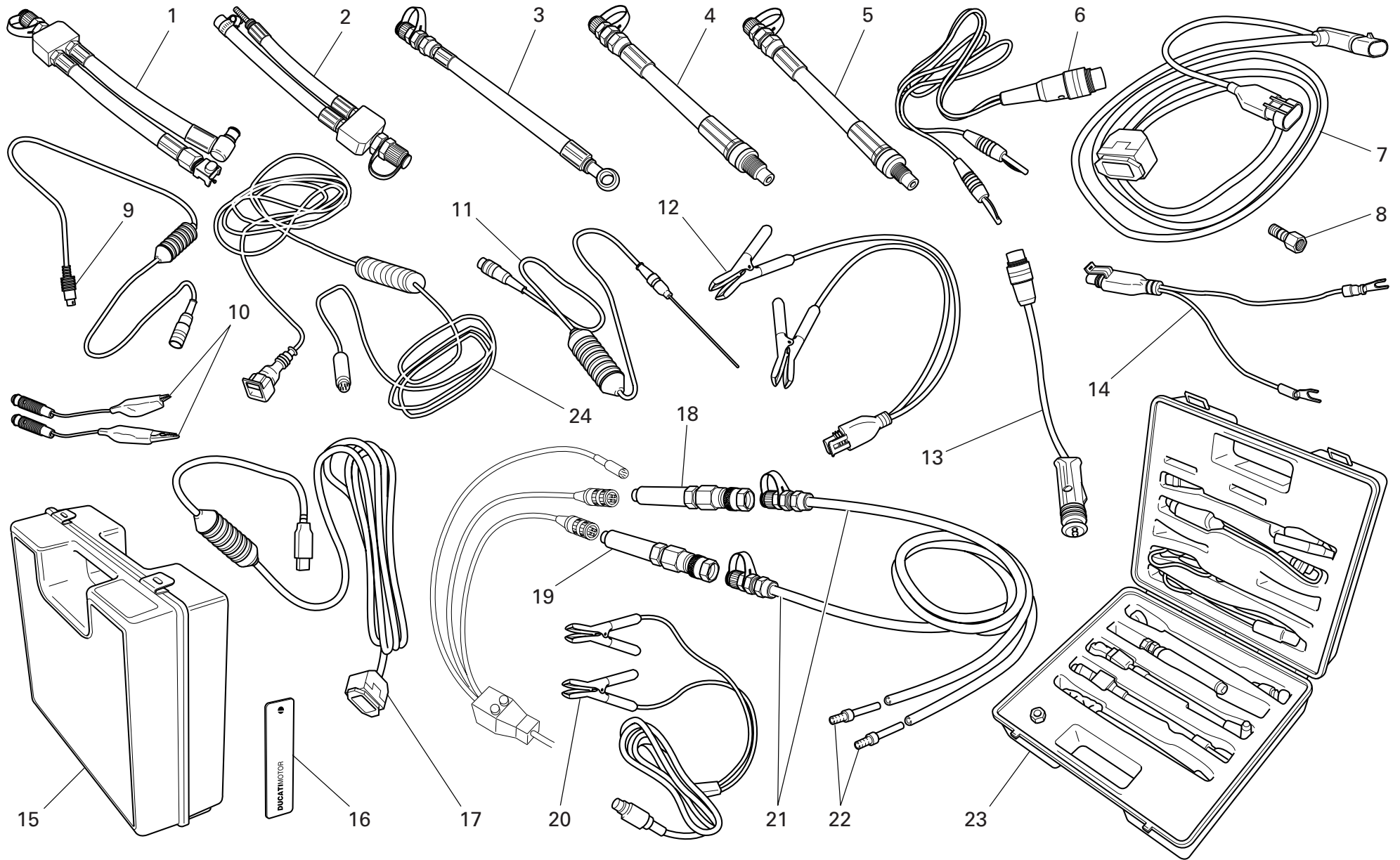


DRAWING 001b DIAGNOSIS TESTER DDS

NOTES NO.	CODE NO.	DESCRIPTION	VALIDITY	Q.TY 
1	97900.0215	DDS (Ducati Diagnosis System) + manifold vacuum meter. kit		1
2	97900.0002	Belt tensioning kit		1
3	88765.1371	Sensor		1
4	88765.1374	Bracket		1
5	97900.0216	Battery		2
6	97900.0224	Feeder		1
7	97900.0211	Bare DDS		1
8	97900.0225	(USB) Memory card reader		1
9	97900.0222	Main cable 1060838		1
10	97900.0219	Fuse		2
11	97900.0223	Software DDS CD		1
12	97900.0226	(USB) Cable extension		1
13	97900.0229	Black case with sponge rubber		1
14	88765.1126V	Amperometer plier		1
15	97900.0217	Battery charger		1
16	97900.0232	DDS manual		1

NOTES NO.	CODE NO.	DESCRIPTION	VALIDITY	Q.TY 
-----------	----------	-------------	----------	--

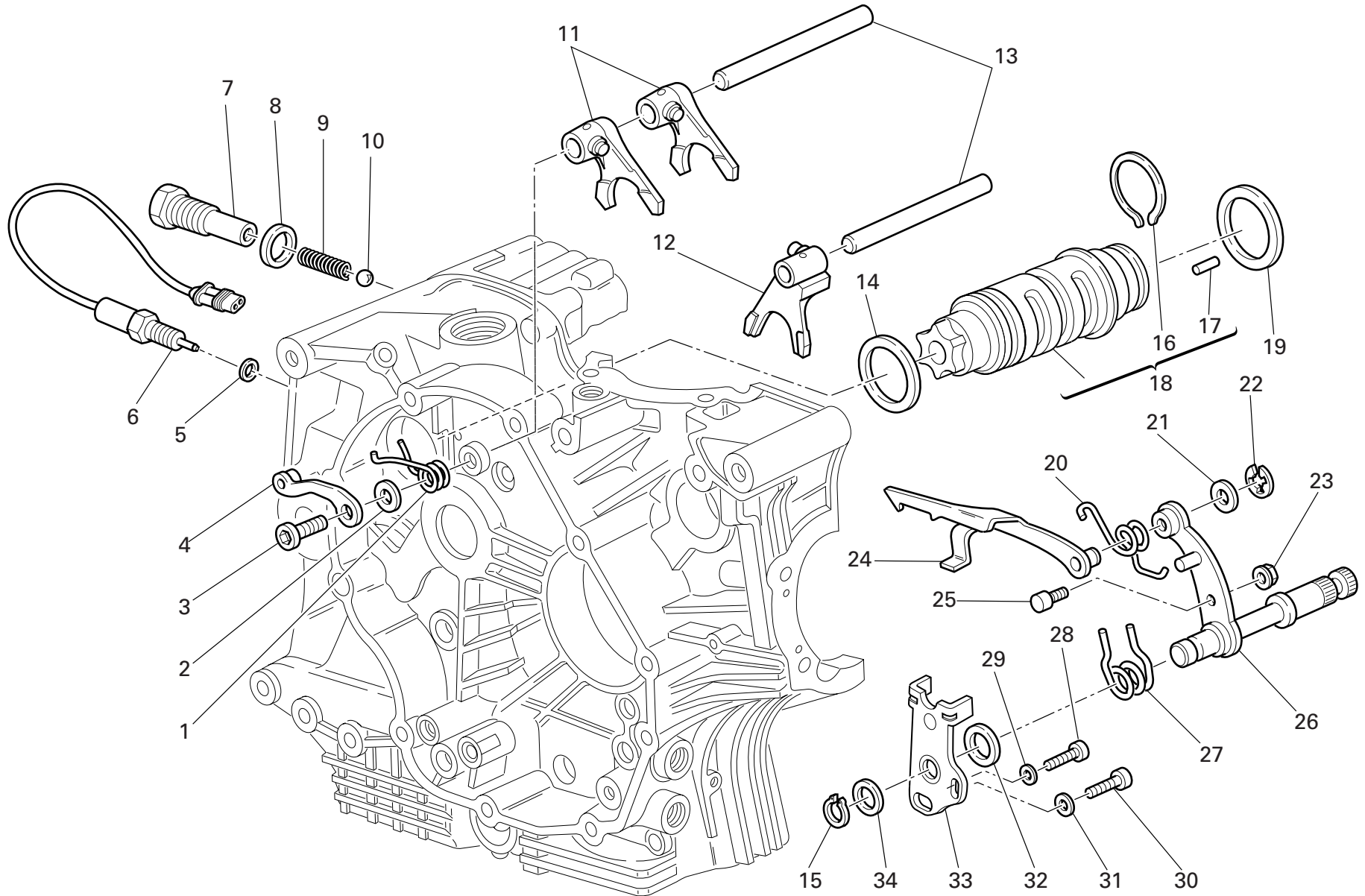
DRAWING 001c WORKSHOP SPECIAL TOOLS




DRAWING **001c** WORKSHOP SPECIAL TOOLS


NOTES NO.	CODE NO.	DESCRIPTION	VALIDITY	Q.TY 
1	590.1.189.1A	Fuel pressure line HS.		1
2	590.1.190.1A	Fuel pressure line ST/SS/M.		1
3	875.1.065.1A	Oil pressure line		1
4	552.1.037.1A	Fitting - cylinder compression M12		1
5	552.1.038.1A	Fitting - cylinder compression M10		1
6	514.1.037.1A	Cable Volt PF DUC 21		1
7	97900.0227	Main cable D607		1
8	814.1.114.1A	Oil pressure fitting		1
9	514.1.032.1A	Cable for supplementary tests		1
10	514.1.035.1A	Red clamp cable		1
10	514.1.036.1A	Black clamp cable		1
11	552.1.040.1A	Temperature probe		1
12	97900.0228	Battery connection adapter		1
13	514.1.033.1A	Electric lighter connection adapter (ST)		1
14	514.1.038.1A	Battery connection adapter		1
15	698.1.033.1A	Red case with sponge rubber		1
16	88765.1126T	DUCATI sticker RH/LH side		2
17	97900.0231	(USB) Adaptor		1
18	97900.0218	Depressure sensor		1
19	552.1.039.1A	Pressure sensor		1
20	97900.0230	Feeder		1
21	97900.0220	Depressure/pressure line		2
22	97900.0221	Union		4
23	97900.0003	Pressure kit		1
24	88765.1126C	Cable for potentiometer adjustment		1

NOTES NO.	CODE NO.	DESCRIPTION	VALIDITY	Q.TY 
-----------	----------	-------------	----------	--



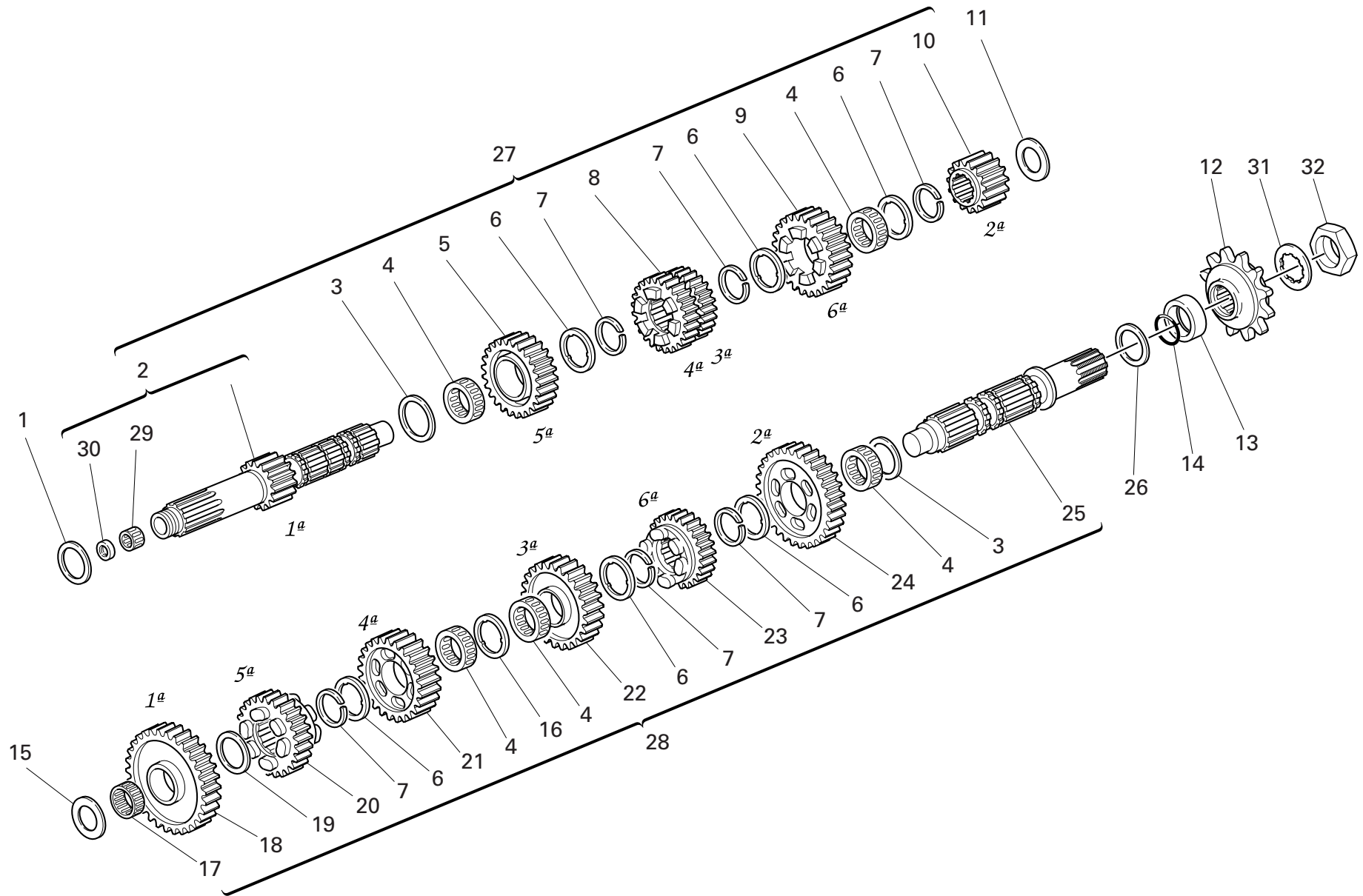
DRAWING 002 GEARCHANGE

NOTES NO.	CODE NO.	DESCRIPTION	VALIDITY	Q.TY 
1	799.1.049.1A	Return spring		1
2	852.1.053.2A	Washer		1
3	779.1.039.1A	Special screw		1
4	455.2.003.1A	Gear stopper assembly		1
5	852.5.024.1A	Gasket th.1		1
6	539.1.021.1A	Switch		1
7	779.1.203.2A	Push rod holder		1
8	0272.91.090	Gasket		1
9	0660.13.143	Gear selector spring		1
10	76835.1134	Ball		1
11	180.1.001.1A	1st,4th-2nd,3rd gear selector fork		2
12	180.1.002.1A	5th,6th gear selector fork		1
13	0660.13.070	Fork pin		2
14	852.1.005.1A	Shim th. 1		1
15	73500.1542	Circlip		1
16	882.1.006.1A	Needle retaining ring (square cross-section)		1
17	821.1.070.1A	Pin		6
18	182.2.018.1A	Complete gearbox drum		1
19	0660.13.060	Shim th. 1		1
19	852.1.094.1A	Shim th. 0.9		1
20	799.1.025.1A	Fork return spring		1
21	0400.09.050	Shim th. 0.5		1
21	0765.92.205	Shim th. 0.2		2
22	884.5.034.1A	Ring		1
23	748.1.040.1A	Nut		1
24	180.1.008.1A	Gearbox drum control fork		1

NOTES NO.	CODE NO.	DESCRIPTION	VALIDITY	Q.TY 
25	0660.13.165	Gearchange lever pin		1
26	821.1.001.1A	Pin with gearchange lever		1
27	0799.13.110	Gearchange lever return spring		1
28	771.5.067.8B	Screw		1
29	852.1.172.1A	Washer		1
30	771.5.123.8B	Screw		1
31	852.1.174.1A	Washer		1
32	881.1.012.1A	Centering ring		1
33	826.1.009.1A	Stopper plate		1
34	0400.29.125	Shim th. 0.2		2
34	0400.29.126	Shim th. 0.5		1

DRAWING 003


GEAR-BOX



DRAWING 003

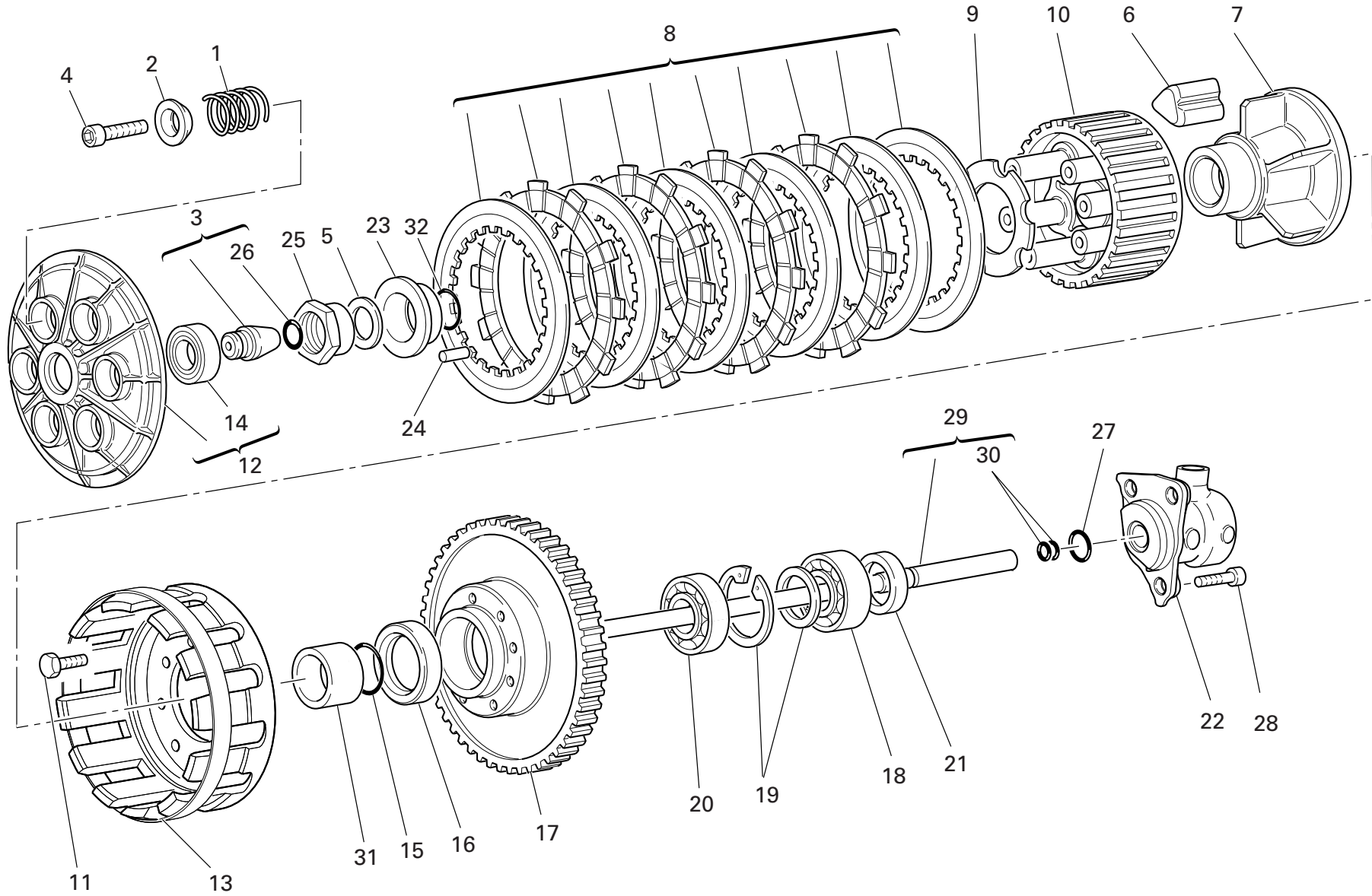
GEAR-BOX

NOTES NO.	CODE NO.	DESCRIPTION	VALIDITY	Q.TY 
1	0251.47.054	Shim th. 1.2		1
1	851.1.004.1A	Lock washer		1
2	150.2.006.1B	Gearbox main shaft		1
3	0670.16.150	Shim th. 0.5		2
4	701.4.005.1A	Needle bearing		5
5	172.1.004.1A	Driving gear 5th sp.		1
6	856.1.001.1A	Grooved washer th. 0.5		6
7	0670.16.145	Snap ring		6
8	172.1.003.1A	Driving gear 3rd/4th sp.		1
9	172.1.005.1A	Driving gear 6th sp.		1
10	172.1.002.1B	Driving gear 2nd sp.		1
11	713.1.014.1E	Shim th. 1.6		1
12	449.1.045.1A	Front sprocket w/rubber protection Z=15		1
13	713.1.204.1A	Spacer		1
14	930.4.023.1A	O-ring		1
15	713.1.266.1A	Spacer th. 3,15		1
16	856.1.031.1A	Grooved washer th. 0.5		1
17	76402.0002	Needle bearing		1
18	172.1.006.1B	Driven gear 1st sp.		1
19	0670.16.155	Shim th. 1		1
20	172.1.010.1A	Driven gear 5th sp.		1
21	172.1.009.1A	Driven gear 4th sp.		1
22	172.1.008.1A	Driven gear 3rd sp.		1
23	172.1.011.1A	Driven gear 6th sp.		1
24	172.1.007.1B	Driven gear 2nd sp.		1
25	149.1.032.3A	Gearbox lay shaft		1

NOTES NO.	CODE NO.	DESCRIPTION	VALIDITY	Q.TY 
26	0670.16.170	Shim th. 0.8		1
27	150.2.072.1A	Complete main shaft		1
28	150.2.063.1A	Gearbox lay shaft		1
29	702.5.044.1A	Needle bearing		1
30	930.4.049.1A	Seal ring		1
31	826.1.012.1A	Keep plate		1
32	750.1.007.1A	Nut		1

DRAWING 004


CLUTCH



DRAWING 004

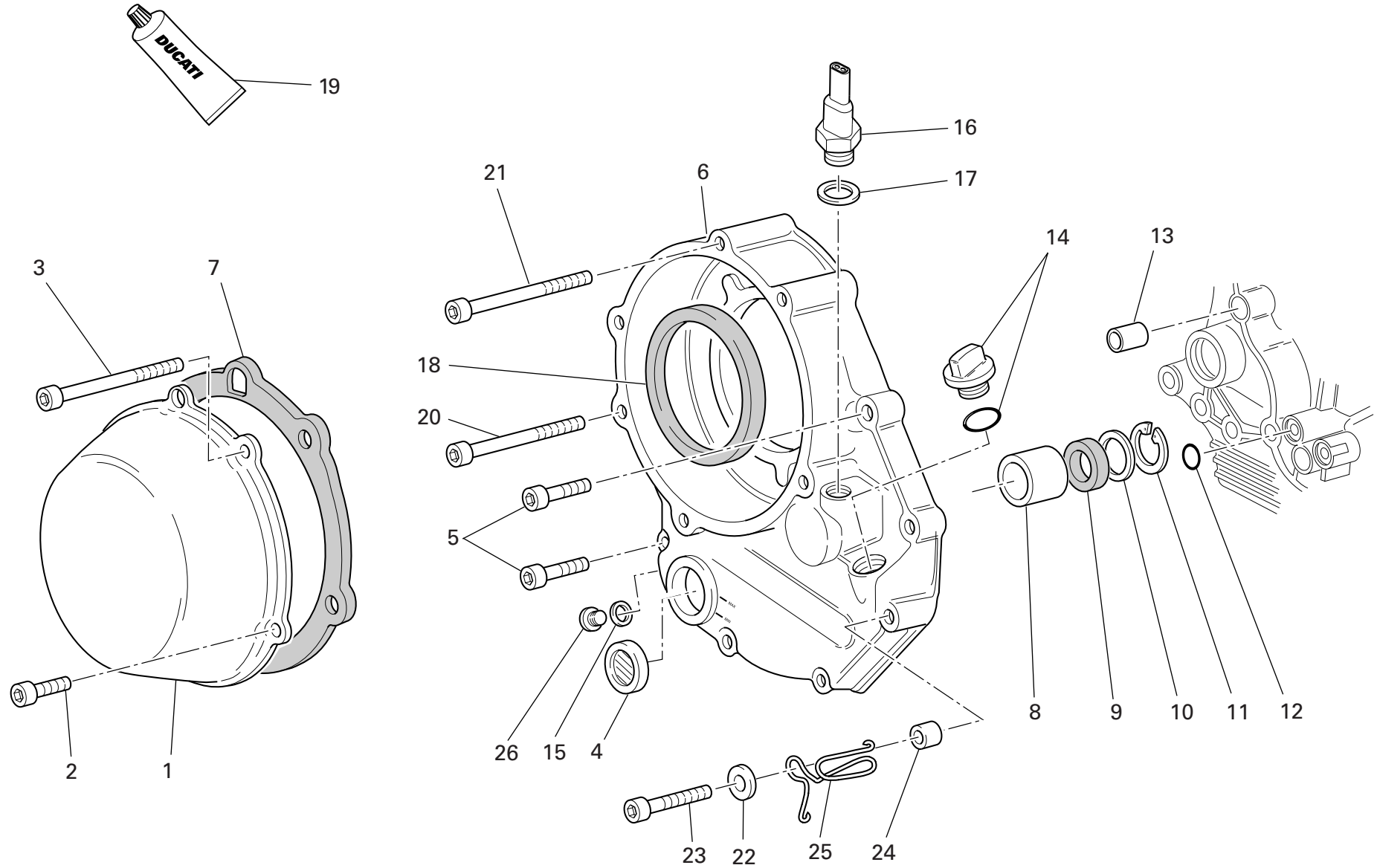
CLUTCH

NOTES NO.	CODE NO.	DESCRIPTION	VALIDITY	Q.TY 
1	0659.16.555	Clutch spring		6
2	841.1.002.2A	Retainer		6
3	818.2.009.1A	Clutch control pin		1
4	771.5.043.8B	Screw		6
5	851.4.001.1A	Lock washer		1
6	764.1.003.1B	Rubber pad		12
7	162.1.001.1B	Plate holder hub		1
8	190.2.011.1A	Clutch plates set		1
9	851.1.001.1B	Lock washer		1
10	196.1.001.2B	Clutch drum		1
11	70610.8120	Screw		8
12	194.2.001.1B	Pressure plate		1
13	198.1.029.1A	Clutch housing		1
14	702.5.016.1A	Bearing		1
15	463.2.053.7A	O-ring		1
16	930.4.035.1A	Seal ring		1
17	170.2.020.1B	Clutch/crankshaft gears pair		1
18	75113.2566	Bearing		1
19	881.2.001.1A	Circlip - spacer		1
20	702.4.017.1A	Bearing		1
21	0660.16.145	Spacer		1
22	195.4.003.1A	Piston assembly		1
23	710.1.002.1A	Bush		1
24	74224.0570	Pin		1
25	750.1.002.1B	Nut		1
26	0400.17.030	O-ring		1

NOTES NO.	CODE NO.	DESCRIPTION	VALIDITY	Q.TY 
27	886.4.043.1A	O-ring		1
28	771.5.665.8B	Screw		3
29	117.2.006.1A	Clutch control rod		1
30	93823.2018	O-ring		2
31	713.1.012.1B	Spacer		1
32	93823.0128	O-ring		1

DRAWING 005

CLUTCH COVER




DRAWING 005 CLUTCH COVER

NOTES NO.	CODE NO.	DESCRIPTION	VALIDITY	Q.TY 
1	243.1.025.1AD	Clutch protection cover		1
2	771.1.026.1A	Screw		2
3	771.1.027.1A	Screw		2
4	254.4.001.2A	Oil level sight glass		1
5	771.5.069.8B	Screw		5
6	243.2.039.4A	Cover clutch side		1
7	788.1.052.1A	Clutch cover gasket		1
8	0665.49.680	Bush		1
9	930.4.091.1A	Seal ring		1
10	852.1.008.1A	Shim th. 0.5		1
11	884.5.035.1A	Circlip		1
12	93827.0114	O-ring		1
13	0400.49.240	Locating bush		1
14	893.2.013.1A	Complete cap		1
15	852.5.024.1A	Gasket th.1		1
16	539.4.030.1A	Switch		1
17	852.1.195.1A	Gasket th.2		1
18	930.4.034.1A	Ring		1
19	94247.0014	Fluid sealant		1
20	771.5.078.8B	Screw		1
21	771.5.079.8B	Screw		1
22	852.1.176.1A	Washer		1
23	771.5.071.8B	Screw		1
24	713.1.241.1A	Spacer		1
25	881.1.051.1A	Holder		1
26	780.5.001.1A	Cap		1

NOTES NO.	CODE NO.	DESCRIPTION	VALIDITY	Q.TY 
-----------	----------	-------------	----------	--

DRAWING 006 CRANKSHAFT

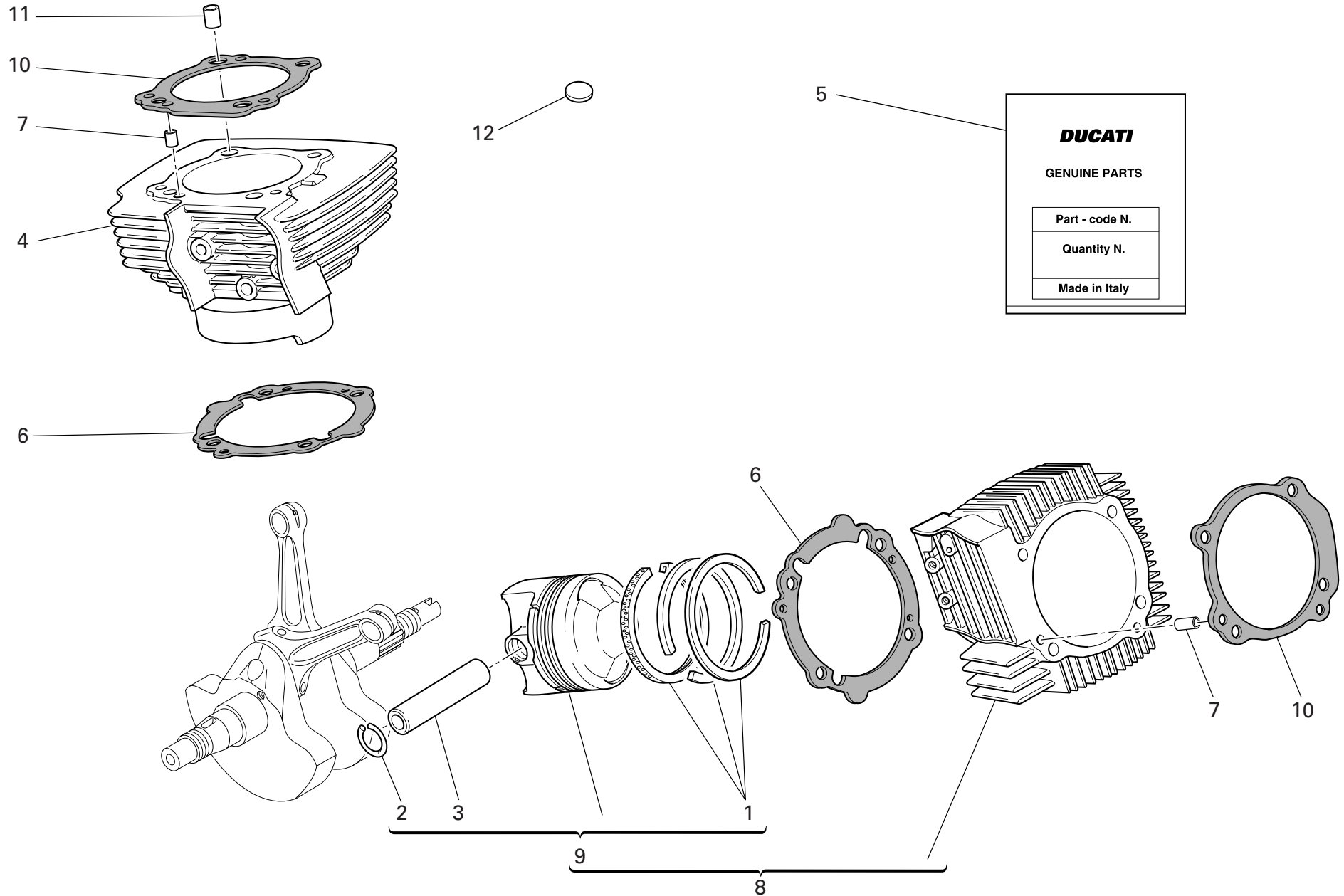
NOTES NO.	CODE NO.	DESCRIPTION	VALIDITY	Q.TY 
1	146.2.091.1A	Crankshaft (items 2-3-4 included)		1
2	779.1.109.1A	Special screw		1
3	750.1.012.2A	Nut		1
4	72121.2106	Threaded dowel		1
5	158.2.012.1A	Connecting rods pair		1
6	711.1.007.1A	Bush		2
7	74224.0570	Pin		4
8	112.1.012.1AB	Half-bearing (BLUE)		2
8	112.1.012.1AC	Half-bearing (YELLOW)		2
9	779.1.007.2A	Special screw		4
10	74172.1008	Woodruff key		1
11	852.1.104.1A	Shim th. 1.9		2
11	852.1.104.1B	Shim th. 1.95		2
11	852.1.104.1H	Shim th. 2.25		2
11	852.1.104.1K	Shim th. 2,4		2
11	852.1.104.1L	Shim th. 2,45		2
11	852.1.104.1M	Shim th. 2.5		2
11	852.1.104.1N	Shim th. 2.55		2
11	852.1.104.2C	Shim th. 2		2
11	852.1.104.2D	Shim th. 2,05		2
11	852.1.104.2E	Shim th. 2,1		2
11	852.1.104.2F	Shim th. 2,15		2
11	852.1.104.2G	Shim th. 2.2		2
11	852.1.104.2I	Shim th. 2.3		2
11	852.1.104.2J	Shim th. 2.35		2
12	851.1.019.1A	Lock washer		1

NOTES NO.	CODE NO.	DESCRIPTION	VALIDITY	Q.TY 
13	0660.47.040	Nut		1
14	0755.29.025	Woodruff key		1
15	799.1.051.2A	Spring washer		1


CATALOGUE No: 915.1.180.2D
ISSUED: 10 - 06

CATALOGUE No: 915.1.180.2D
ISSUED: 10 - 06

DRAWING 007 CYLINDERS - PISTONS



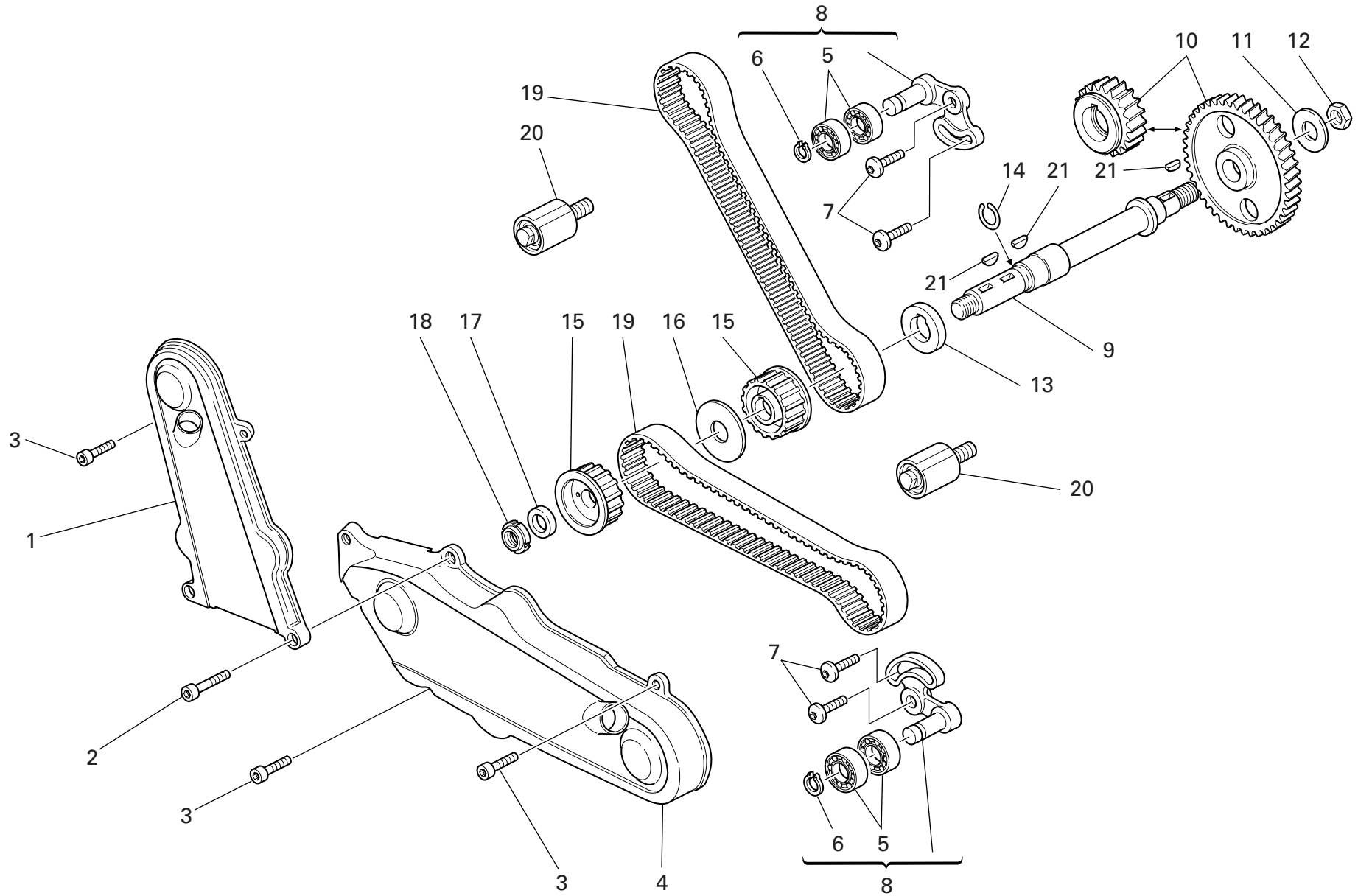
DRAWING 007 CYLINDERS - PISTONS

NOTES NO.	CODE NO.	DESCRIPTION	VALIDITY	Q.TY 
1	121.2.033.1A	Piston rings set		2
2	884.4.011.1A	Piston pin circlip		4
3	121.1.127.1A	Piston pin		2
4	120.2.081.1A	Vertical cylinder-piston fit		1
5	791.2.026.2A	Head-cylinder gaskets set		1
6	786.1.086.1A	Cylinder-crankcase gasket th. 0.4		2
7	711.1.172.1A	Bush		2
8	120.2.080.1A	Horizontal cylinder-piston fit		1
9	122.2.087.2A	Complete piston		2
10	786.1.064.1A	Head-cylinder gasket		2
11	711.1.126.1A	Bush		4
12	700.1.040.1A	Vibration damper pad		41

NOTES NO.	CODE NO.	DESCRIPTION	VALIDITY	Q.TY 
-----------	----------	-------------	----------	--


DRAWING 008

TIMING



DRAWING 008

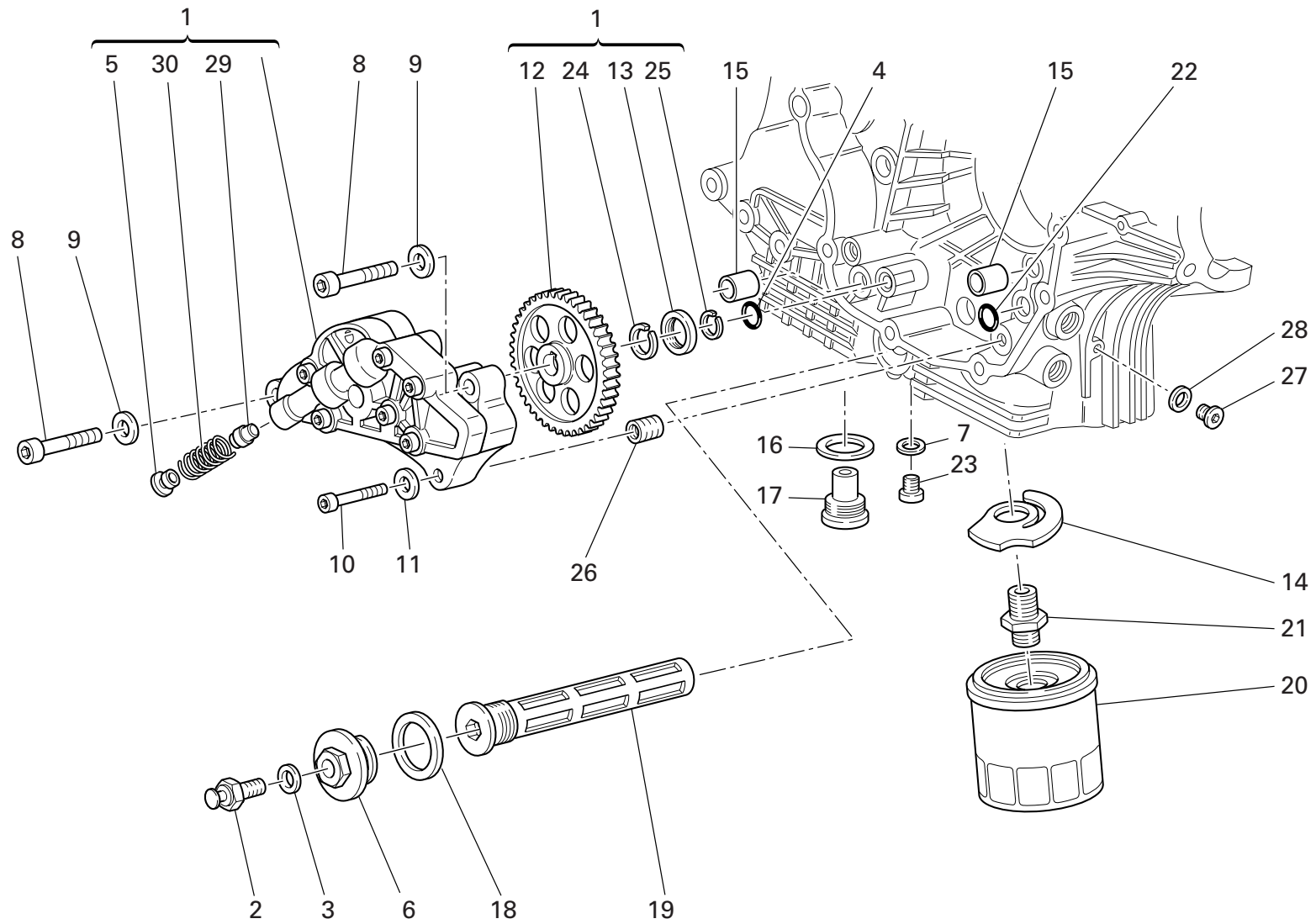
TIMING

NOTES NO.	CODE NO.	DESCRIPTION	VALIDITY	Q.TY 
1	245.1.033.1A	Vertical timing belt cover		1
2	771.5.072.8B	Screw		2
3	771.5.065.8B	Screw		5
4	245.1.032.1A	Horizontal timing belt cover		1
5	702.4.069.1A	Bearing		4
6	884.5.034.1A	Ring		2
7	772.1.010.3A	Screw		4
8	451.2.017.1A	Complete vertical cylinder tensioner roller		2
9	147.1.026.1A	Lay shaft		1
10	171.2.020.2B	Timing gears pair		1
11	851.1.013.1A	Lock washer		1
12	0124.40.060	Hexagon nut		1
13	716.1.073.2A	Spacer		1
14	882.1.003.1A	Snap ring		1
15	255.1.023.2A	Timing belt roller		2
16	856.1.062.2A	Belt roller separating washer		1
17	716.1.099.1A	Spacer		1
18	703.5.006.2A	Elastic-stop ring nut		1
19	737.4.021.1A	Timing drive toothed belt		2
20	451.1.025.1A	Fixed tensioner assembly		2
21	0755.29.025	Woodruff key		3

NOTES NO.	CODE NO.	DESCRIPTION	VALIDITY	Q.TY 
-----------	----------	-------------	----------	--


DRAWING 009

FILTERS AND OIL PUMP



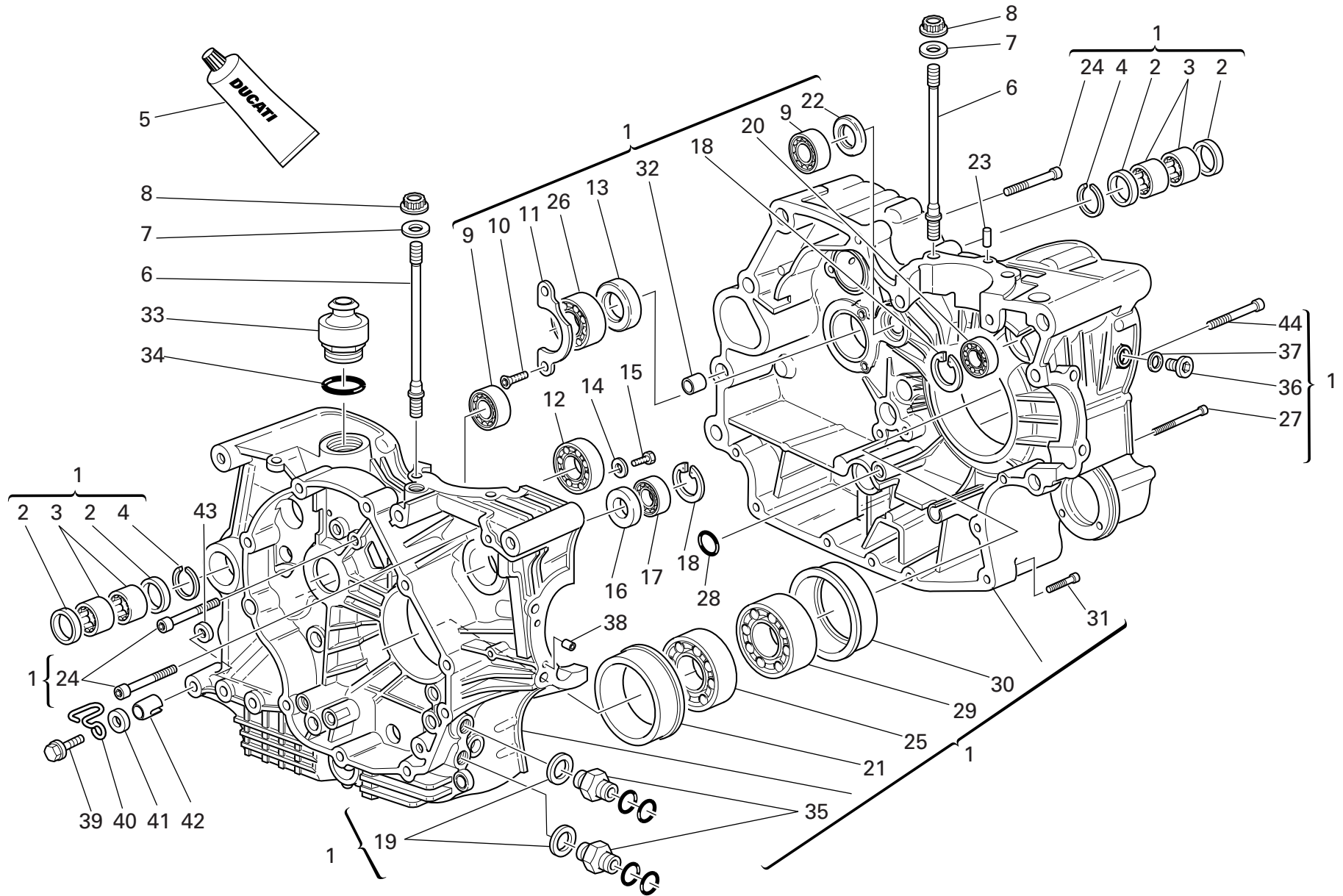
DRAWING 009 FILTERS AND OIL PUMP

NOTES NO.	CODE NO.	DESCRIPTION	VALIDITY	Q.TY 
1	174.2.025.6A	Complete oil pump		1
2	552.1.045.2A	Thermistor		1
3	852.5.024.1A	Gasket th.1		1
4	886.4.037.1A	O-ring		1
5	780.1.018.1A	Bypass cap		1
6	873.1.039.1A	Cap		1
7	852.1.120.1A	Aluminium gasket		1
8	771.5.129.8B	Screw		2
9	853.1.002.1A	Spring washer		2
10	771.5.069.8B	Screw		1
11	853.1.004.1A	Spring washer		1
12	174.1.025.2A	Pump drive gear		1
13	710.1.001.1A	Bush		1
14	799.2.077.2A	Bypass spring		1
15	0759.49.280	Locating bush		2
16	220.3.208.3A	Gasket		1
17	780.2.047.1A	Oil drain plug with magnet		1
18	852.5.005.1A	Gasket th.1,5		1
19	894.2.009.1A	Oil filter		1
20	444.4.003.4A	Oil filter cartridge		1
21	815.1.028.1A	Nipple		1
22	93827.0114	O-ring		1
23	779.1.198.2A	Cap		1
24	884.4.042.1A	Snap ring		1
25	884.5.036.1A	Circlip		1
26	0670.49.310	Reduction bush		1

NOTES NO.	CODE NO.	DESCRIPTION	VALIDITY	Q.TY 
27	779.1.162.2A	Cap		1
28	852.1.195.1A	Gasket th.2		1
29	593.1.018.1A	Bypass valve		1
30	799.1.055.1A	Bypass spring		1


DRAWING 010

HALF CRANKCASES



DRAWING 010 HALF CRANKCASES

NOTES NO.	CODE NO.	DESCRIPTION	VALIDITY	Q.TY 
1	225.2.148.1A	Complete half-crankcases pair		1
2	0755.49.265	Seal ring		4
3	76400.0004	Needle bearing		4
4	76266.2668	Snap ring		2
5	94247.0014	Fluid sealant		1
6	766.1.059.1A	Stud bolt for fastening head cylinder		8
7	856.1.064.2A	Special washer		8
8	748.1.050.1A	Nut		8
9	702.4.033.1A	Bearing		2
10	72094.1616	Screw		2
11	826.1.012.1A	Keep plate		1
12	702.5.019.1A	Bearing		1
13	930.4.022.1A	Seal ring		1
14	713.1.140.1A	Spacer		2
15	770.5.250.8B	Screw		2
16	93785.1830	Seal ring		1
17	75794.1542	Bearing		1
18	73503.3380	Circlip		2
19	420.2.006.4A	Aluminium gasket		2
20	702.5.008.1A	Bearing		1
21	710.1.069.1A	Bearing holder bush		1
22	0370.49.250	Washer		1
23	860.1.004.1A	Locating dowel		2
24	771.5.136.8B	Screw		6
25	75191.3380	Bearing		1
26	702.4.013.1A	Bearing		1

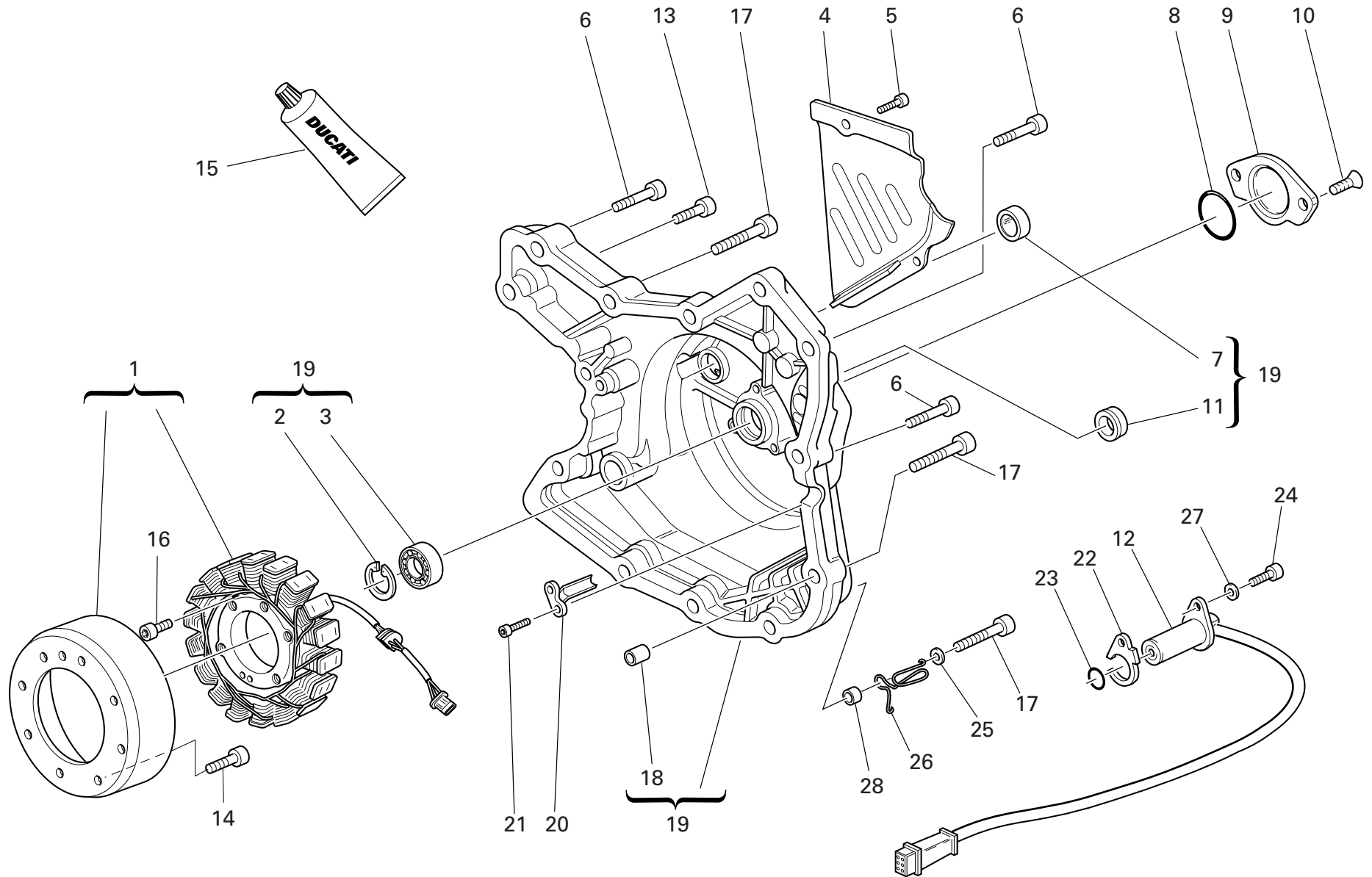
NOTES NO.	CODE NO.	DESCRIPTION	VALIDITY	Q.TY 
27	771.5.080.8B	Screw		2
28	93827.0114	O-ring		1
29	702.4.020.1A	Bearing		1
30	710.1.070.1A	Bearing holder bush		1
31	771.5.072.8B	Screw		7
32	711.1.095.1A	Bush		2
33	593.1.003.1B	Breather valve		1
34	93823.3156	O-ring		1
35	815.1.022.1A	Nipple		2
36	779.1.026.2A	Screw		1
37	852.5.026.1A	Aluminium gasket th.1,5		1
38	711.1.128.1A	Bush		2
39	772.5.033.1A	Screw		1
40	829.1.275.1A	Ring		1
41	852.5.028.1A	Washer		1
42	710.1.032.1A	Bush		1
43	711.1.072.1A	Bush		1
44	779.1.029.2A	Special screw		1

CATALOGUE No: 915.1.180.2D
ISSUED: 10 - 06

CATALOGUE No: 915.1.180.2D
ISSUED: 10 - 06


DRAWING 011

ALTERNATOR COVER



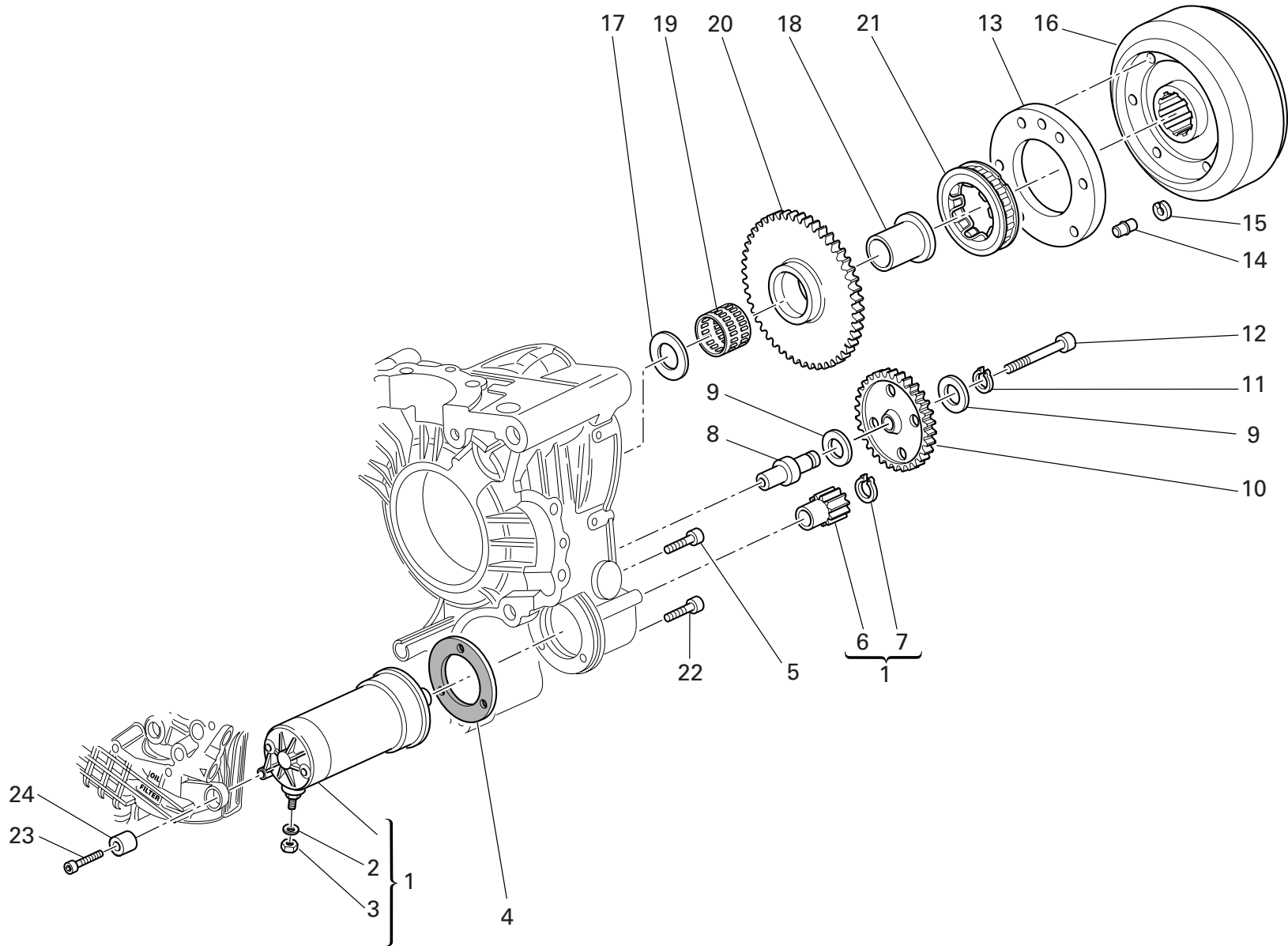
DRAWING **011** ALTERNATOR COVER

NOTES NO.	CODE NO.	DESCRIPTION	VALIDITY	Q.TY 
1	264.4.014.3B	Generator "DENSO"		1
1	264.4.022.1A	Generator "KOKUSAN"		1
2	73503.3380	Circlip		1
3	702.5.008.1A	Bearing		1
4	247.1.083.1AE	Chain cover		1
5	771.5.064.2B	Screw		2
6	771.5.069.8B	Screw		9
7	254.1.001.1A	Oil level sight glass		1
8	886.4.035.1A	O-ring		1
9	247.1.002.1BC	Cover		1
10	777.5.049.8B	Screw		2
11	93783.1524	Seal ring		1
12	552.4.020.1A	Sensor		1
13	771.5.067.8B	Screw		2
14	779.4.075.1A	Screw		8
15	94247.0014	Fluid sealant		1
16	771.5.073.8B	Screw		3
17	771.5.071.8B	Screw		3
18	0400.49.240	Locating bush		2
19	242.2.045.2A	Generator cover		1
20	830.1.144.1A	Bracket		1
21	771.5.040.8B	Screw		2
22	788.1.076.1A	Gasket th.0,6		1
22	788.1.076.1AA	Gasket th.0,8		1
22	788.1.076.1AB	Gasket th.1,0		1
23	886.4.033.1A	O-ring		1

NOTES NO.	CODE NO.	DESCRIPTION	VALIDITY	Q.TY 
24	771.5.066.8B	Screw		1
25	852.5.028.1A	Washer		1
26	881.1.051.1A	Holder		1
27	853.1.003.1A	Spring washer		1
28	713.1.365.1A	Spacer		1

DRAWING 012

ELECTRIC STARTER AND IGNITION



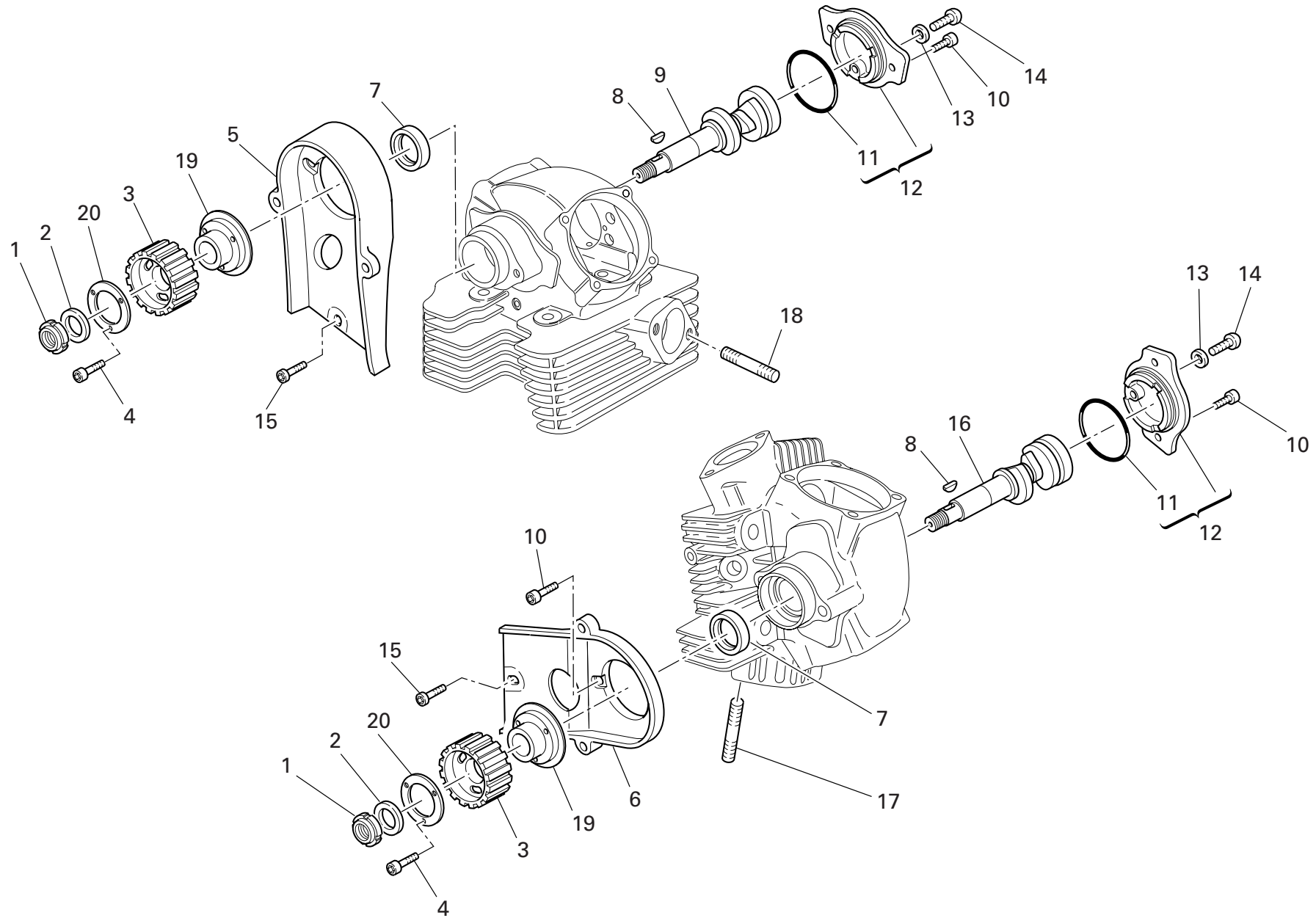
DRAWING **012** ELECTRIC STARTER AND IGNITION

NOTES NO.	CODE NO.	DESCRIPTION	VALIDITY	Q.TY 
1	270.4.005.1A	Complete starter motor		1
2	853.5.009.1A	Spring washer		1
3	750.5.005.1A	Nut		1
4	788.1.054.2A	Starter motor gasket		1
5	771.5.066.8B	Screw		2
6	176.1.001.1A	Starter motor sprocket		1
7	884.5.036.1A	Circlip		1
8	0660.50.020	Intermediate gear pin		1
9	856.1.071.1A	Washer		2
10	176.1.009.1A	Intermediate gear assembly		1
11	73500.1440	Circlip		1
12	771.5.078.8B	Screw		1
13	160.1.057.1A	Flange		1
14	863.1.002.1A	Locating pin		1
15	882.1.012.1A	Check ring		1
16	276.1.025.1B	Ignition flywheel		1
17	0619.50.065	Washer		1
18	881.1.010.1C	Inner ring		1
19	701.4.003.1A	Needle bearing		1
20	173.1.012.3A	Electric starter driven gear		1
21	701.4.007.1A	Starter clutch		1
22	771.5.069.8B	Screw		1
23	771.5.071.8B	Screw		1
24	700.1.036.1A	Flexible bush		1


NOTES NO.	CODE NO.	DESCRIPTION	VALIDITY	Q.TY 
-----------	----------	-------------	----------	--

DRAWING 013

HEAD: TIMING



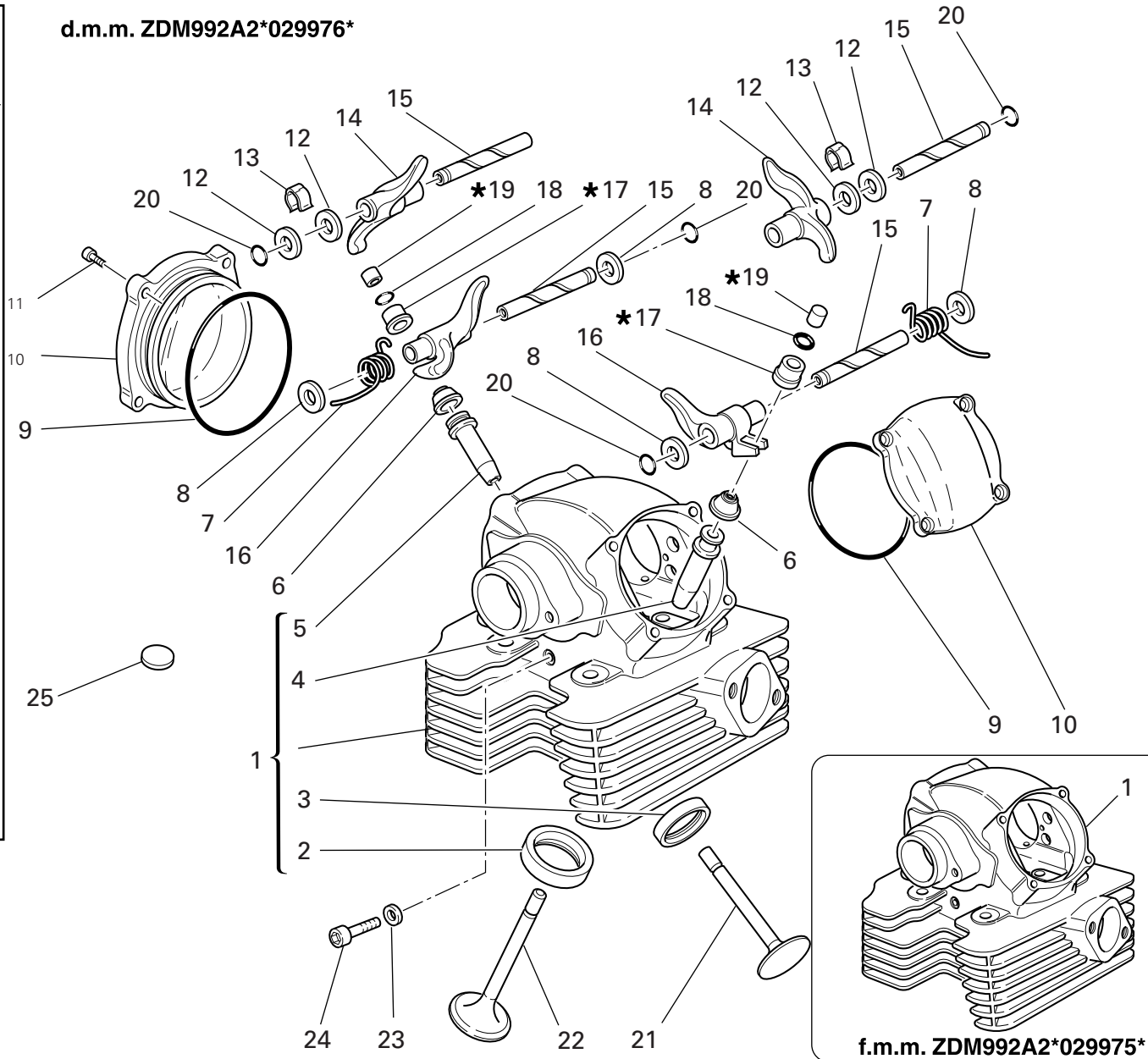
DRAWING **013** HEAD: TIMING

NOTES NO.	CODE NO.	DESCRIPTION	VALIDITY	Q.TY 
1	703.5.006.2A	Elastic-stop ring nut		2
2	852.1.173.1A	Washer		2
3	255.1.024.2A	Timing belt roller		2
4	779.5.030.2A	Screw		6
5	245.1.030.1A	Vertical belt inner cover		1
6	245.1.031.1A	Horizontal belt inner cover		1
7	930.4.061.1A	Seal ring		2
8	74172.1008	Woodruff key		2
9	148.1.285.1A	Vertical head camshaft		1
10	771.5.066.8B	Screw		7
11	886.4.060.1A	O-ring		2
12	235.2.037.1A	Side cap		2
13	852.1.197.1A	Copper gasket		2
14	775.1.036.1A	Screw		2
15	773.5.065.8B	Screw		2
16	148.1.284.1A	Horizontal head camshaft		1
17	766.4.017.2A	Stud bolt		4
18	766.4.018.1A	Stud bolt		4
19	160.1.105.1A	Flange		2
20	856.1.074.2A	Washer		2

NOTES NO.	CODE NO.	DESCRIPTION	VALIDITY	Q.TY 
-----------	----------	-------------	----------	--

19		17	
Registro bilanc. apertura		Registro bilanc. chiusura	
Adjustment		Adjustment	
Réglage		Réglage	
Ventilkäppchen		Ventilkäppchen	
840.1.031.1A	1,8	840.1.041.1B	2,20
840.1.032.1A	1,85	840.1.042.1B	2,25
840.1.033.1A	1,9	840.1.043.1B	2,30
840.1.034.1A	1,95	840.1.044.1B	2,35
840.1.001.1A	2	840.1.045.1B	2,40
840.1.002.1A	2,05	840.1.046.1B	2,45
840.1.003.1A	2,1	840.1.047.1B	2,5
840.1.004.1A	2,15	840.1.048.1B	2,55
840.1.005.1A	2,2	840.1.049.1B	2,6
840.1.006.1A	2,25	840.1.050.1B	2,65
840.1.007.1A	2,3	840.1.051.1B	2,7
840.1.008.1A	2,35	840.1.052.1B	2,75
840.1.009.1A	2,4	840.1.053.1B	2,8
840.1.010.1A	2,45	840.1.054.1B	2,85
840.1.011.1A	2,5	840.1.055.1B	2,9
840.1.012.1A	2,55	840.1.056.1B	2,95
840.1.013.1A	2,6	840.1.057.1B	3
840.1.014.1A	2,65	840.1.058.1B	3,05
840.1.015.1A	2,7	840.1.059.1B	3,1
840.1.016.1A	2,75		
840.1.017.1A	2,8		
840.1.018.1A	2,85		
840.1.019.1A	2,9		
840.1.020.1A	2,95		
840.1.021.1A	3		
840.1.022.1A	3,05		
840.1.023.1A	3,1		
840.1.024.1A	3,15		
840.1.025.1A	3,2		
840.1.026.1A	3,25		
840.1.027.1A	3,3		
840.1.028.1A	3,35		
840.1.029.1A	3,4		
840.1.030.1A	3,45		

d.m.m. ZDM992A2*029976*





f.m.m. ZDM992A2*029975*

87310201A	20
87310051A	18
87310011A	16
87310021A	10

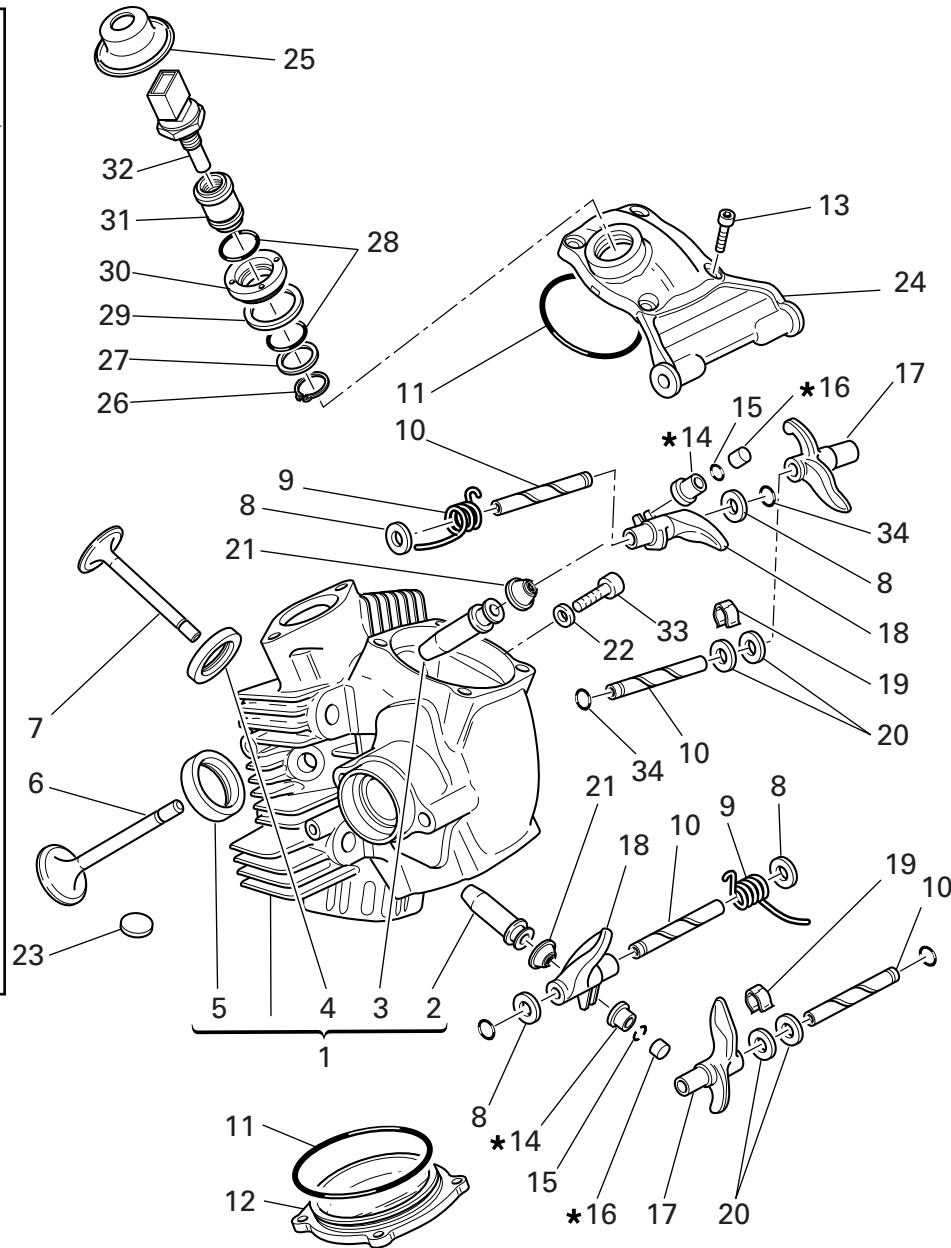
LOCTITE 510

DRAWING 014 VERTICAL HEAD

NOTES NO.	CODE NO.	DESCRIPTION	VALIDITY	Q.TY 
1	301.2.092.1D	Complete vertical head	fmm9975	1
1	301.2.233.1A	Complete vertical head	dmm9976	1
2	304.1.042.1B	Intake valve seat		1
2	304.1.042.1BB	Oversize intake valve seat 0.03		1
2	304.1.042.1BC	Oversize intake valve seat 0.06		1
3	304.1.043.1B	Exhaust valve seat		1
3	304.1.043.1BB	Oversize exhaust valve seat 0.03		1
3	304.1.043.1BC	Oversize exhaust valve seat 0.06		1
4	303.1.041.1C	Intake valve guide		1
4	303.1.041.1CA	Intake valve guide magg. 0,03		1
4	303.1.041.1CB	Intake valve guide magg. 0,06		1
4	303.1.041.1CC	Intake valve guide magg. 0,09		1
5	303.1.040.1B	Exhaust valve guide		1
5	303.1.040.1BA	Exhaust valve guide magg. 0,03		1
5	303.1.040.1BB	Exhaust valve guide magg. 0,06		1
5	303.1.040.1BC	Exhaust valve guide magg. 0,09		1
6	764.1.002.1A	Rubber pad		2
7	799.1.061.3A	Closing rocker spring		2
8	0619.92.180	Shim th. 0.3		6
8	0670.92.190	Shim th. 2		4
8	0765.92.185	Shim th. 1		2
8	0765.92.190	Shim th. 0.5		4
8	0765.92.205	Shim th. 0.2		8
9	463.2.010.9A	O-ring		2
10	240.2.026.1B	Valve cover		2
11	771.5.066.8B	Screw		8

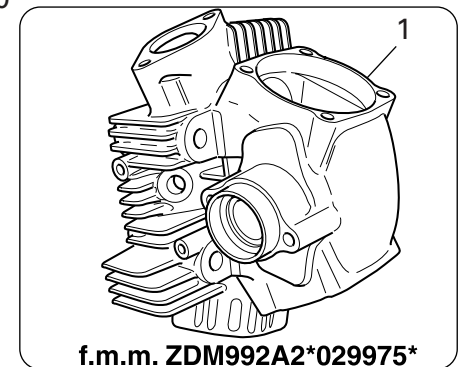
NOTES NO.	CODE NO.	DESCRIPTION	VALIDITY	Q.TY 
12	0647.70.010	Shim		4
13	0375.92.210	Spring		2
14	208.1.012.4A	Opening rocker		2
15	821.1.111.2A	Rocker shaft		4
16	209.1.041.1A	Closing rocker		2
17	840.2.002.1B	See table		2
18	669.1.001.1E	Split rings		4
19	840.2.001.1A	See table		2
20	463.2.026.1A	O-ring		4
21	211.1.040.1A	Exhaust valve		1
22	210.1.042.1A	Intake valve		1
23	852.5.023.1A	Gasket		1
24	779.1.133.1A	Screw		1
25	700.1.040.1A	Vibration damper pad		12

19		17	
Registro bilanc. apertura		Registro bilanc. chiusura	
Adjustment		Adjustment	
Réglage		Réglage	
Ventilkäppchen		Ventilkäppchen	
840.1.031.1A	1,8	840.1.041.1B	2,20
840.1.032.1A	1,85	840.1.042.1B	2,25
840.1.033.1A	1,9	840.1.043.1B	2,30
840.1.034.1A	1,95	840.1.044.1B	2,35
840.1.001.1A	2	840.1.045.1B	2,40
840.1.002.1A	2,05	840.1.046.1B	2,45
840.1.003.1A	2,1	840.1.047.1B	2,5
840.1.004.1A	2,15	840.1.048.1B	2,55
840.1.005.1A	2,2	840.1.049.1B	2,6
840.1.006.1A	2,25	840.1.050.1B	2,65
840.1.007.1A	2,3	840.1.051.1B	2,7
840.1.008.1A	2,35	840.1.052.1B	2,75
840.1.009.1A	2,4	840.1.053.1B	2,8
840.1.010.1A	2,45	840.1.054.1B	2,85
840.1.011.1A	2,5	840.1.055.1B	2,9
840.1.012.1A	2,55	840.1.056.1B	2,95
840.1.013.1A	2,6	840.1.057.1B	3
840.1.014.1A	2,65	840.1.058.1B	3,05
840.1.015.1A	2,7	840.1.059.1B	3,1
840.1.016.1A	2,75		
840.1.017.1A	2,8		
840.1.018.1A	2,85		
840.1.019.1A	2,9		
840.1.020.1A	2,95		
840.1.021.1A	3		
840.1.022.1A	3,05		
840.1.023.1A	3,1		
840.1.024.1A	3,15		
840.1.025.1A	3,2		
840.1.026.1A	3,25		
840.1.027.1A	3,3		
840.1.028.1A	3,35		
840.1.029.1A	3,4		
840.1.030.1A	3,45		





d.m.m. ZDM992A2*029976*

87310201A	Ø20
87310051A	Ø18
87310011A	Ø16
87310021A	Ø10
LOCTITE 510	



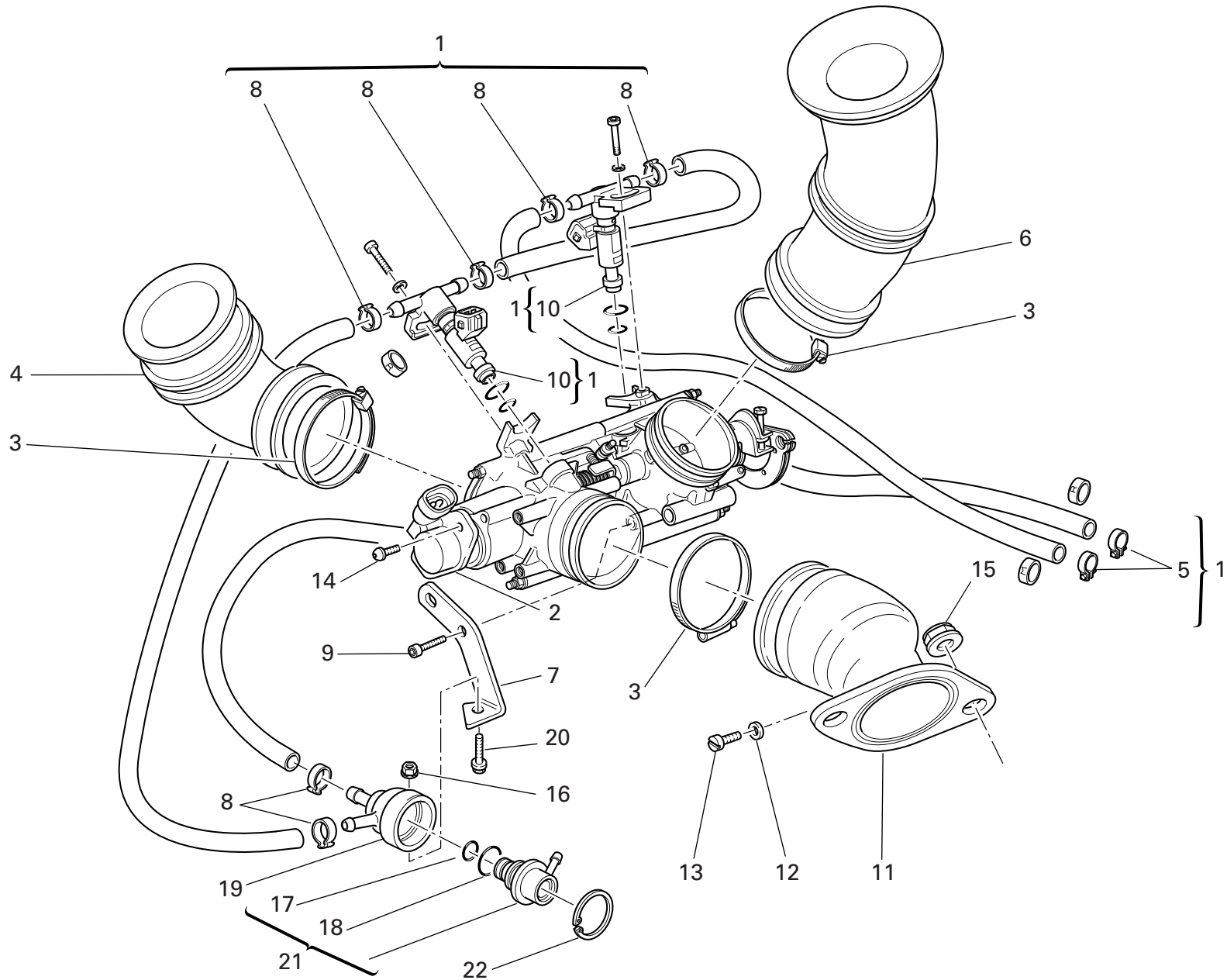
DRAWING **015** HORIZONTAL HEAD

NOTES NO.	CODE NO.	DESCRIPTION	VALIDITY	Q.TY 
1	301.2.232.1A	Complete horizontal head		1
2	303.1.040.1B	Exhaust valve guide		1
2	303.1.040.1BA	Exhaust valve guide magg. 0,03		1
2	303.1.040.1BB	Exhaust valve guide magg. 0,06		1
2	303.1.040.1BC	Exhaust valve guide magg. 0,09		1
3	303.1.041.1C	Intake valve guide		1
3	303.1.041.1CA	Intake valve guide magg. 0,03		1
3	303.1.041.1CB	Intake valve guide magg. 0,06		1
3	303.1.041.1CC	Intake valve guide magg. 0,09		1
4	304.1.042.1B	Intake valve seat		1
4	304.1.042.1BB	Oversize intake valve seat 0.03		1
4	304.1.042.1BC	Oversize intake valve seat 0.06		1
5	304.1.043.1B	Exhaust valve seat		1
5	304.1.043.1BB	Oversize exhaust valve seat 0.03		1
5	304.1.043.1BC	Oversize exhaust valve seat 0.06		1
6	211.1.040.1A	Exhaust valve		1
7	210.1.042.1A	Intake valve		1
8	0619.92.180	Shim th. 0.3		6
8	0670.92.190	Shim th. 2		4
8	0765.92.185	Shim th. 1		2
8	0765.92.190	Shim th. 0.5		4
8	0765.92.205	Shim th. 0.2		8
9	799.1.061.3A	Closing rocker spring		2
10	821.1.111.2A	Rocker shaft		4
11	463.2.010.9A	O-ring		2
12	240.2.026.1B	Valve cover		1


NOTES NO.	CODE NO.	DESCRIPTION	VALIDITY	Q.TY 
13	771.5.066.8B	Screw		8
14	840.2.002.1B	See table		2
15	669.1.001.1E	Split rings		4
16	840.2.001.1A	See table		2
17	208.1.012.4A	Opening rocker		2
18	209.1.041.1A	Closing rocker		2
19	0375.92.210	Spring		2
20	0647.70.010	Shim		4
21	764.1.002.1A	Rubber pad		2
22	852.5.023.1A	Gasket		1
23	700.1.040.1A	Vibration damper pad		27
24	240.2.031.1A	Intake valve cover		1
25	672.1.034.1A	Rubber cap		1
26	73500.1747	Snap ring		1
27	713.1.137.1A	Spacer		1
28	886.4.028.1A	O-Ring		2
29	787.1.008.1A	Aluminium gasket		1
30	703.1.019.1A	Ring nut		1
31	829.1.235.1A	Holder sensor		1
32	552.4.013.1A	Sensor		1
33	779.1.133.1A	Screw		1
34	463.2.026.1A	O-ring		4

DRAWING 016

THROTTLE BODY

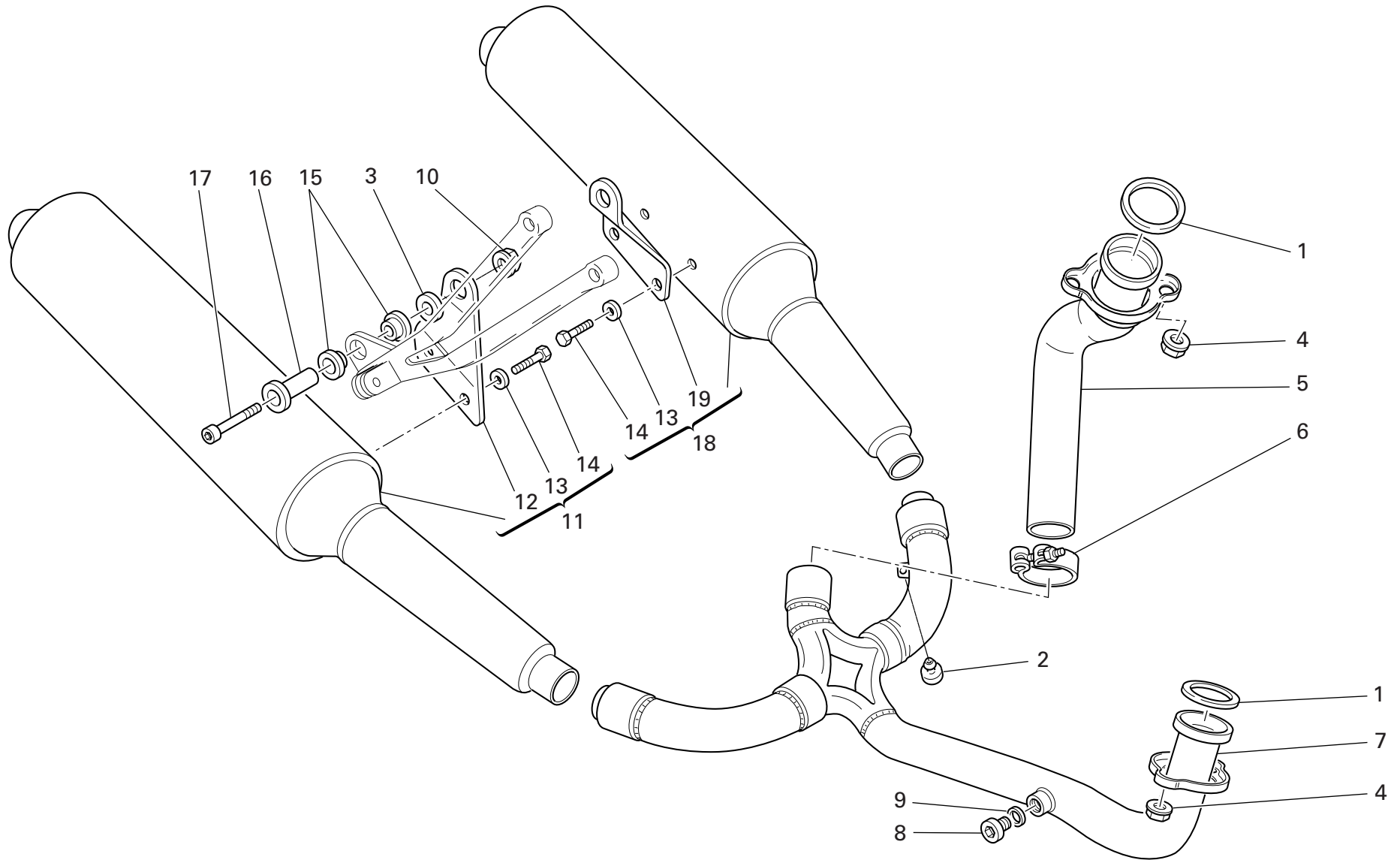


DRAWING **016** THROTTLE BODY


NOTES NO.	CODE NO.	DESCRIPTION	VALIDITY	Q.TY 
1	282.4.046.3A	Feed unit assembly		1
2	284.4.008.1A	Potentiometer		1
3	741.4.042.1A	Hose guide		4
4	801.1.024.2A	Hose		1
5	741.4.004.1A	Hose guide		2
6	801.1.023.2A	Hose		1
7	827.1.241.1B	Regulator bracket		1
8	287.4.024.1B	Hose guide		6
9	771.5.039.8B	Screw		2
10	280.4.007.1A	Injector		2
11	137.2.003.3B	Intake duct		2
12	0250.70.223	Aluminium gasket		4
13	776.5.032.8A	Screw		4
14	779.5.012.1B	Screw		2
15	748.1.039.1A	Nut		4
16	749.5.006.1A	Nut		1
17	886.4.021.1A	O-ring		1
18	886.4.022.1A	O-ring		1
19	830.1.091.2A	Holder		1
20	772.5.033.1A	Screw		1
21	283.4.003.1A	Pressure regulator		1
22	73503.3449	Circlip		1

NOTES NO.	CODE NO.	DESCRIPTION	VALIDITY	Q.TY 
-----------	----------	-------------	----------	--

DRAWING 017 EXHAUST SYSTEM



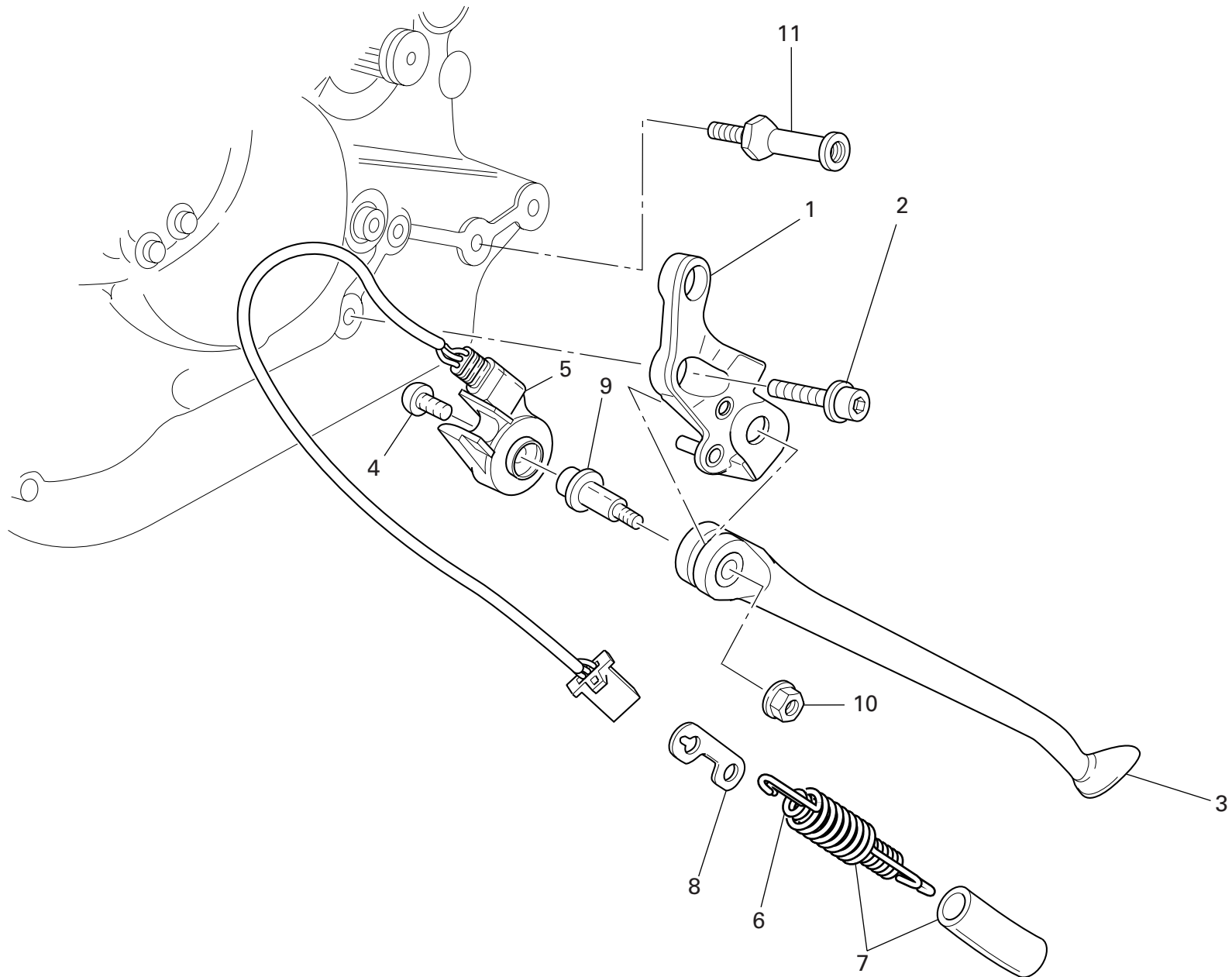
DRAWING **017** EXHAUST SYSTEM

NOTES NO.	CODE NO.	DESCRIPTION	VALIDITY	Q.TY 
1	0370.84.005	Exhaust gasket		2
2	764.1.063.1A	Rubber pad		2
3	852.1.099.1A	Washer		2
4	748.4.033.1A	Nut		4
5	571.1.081.1A	Vertical head exhaust pipe		1
6	741.1.003.3A	Clamp		1
7	570.1.084.1A	Horizontal head exhaust pipe		1
8	780.1.007.1A	Cap		2
9	852.5.024.1A	Gasket th.1		2
10	749.4.032.1A	Nut		2
11	573.1.047.3A	R.H. silencer		1
12	576.1.031.1A	R.H. bracket		1
13	73270.8001	Washer		4
14	70914.2121	Screw		4
15	764.1.001.1A	Rubber pad		4
16	684.1.044.1A	Stud bolt		2
17	779.5.016.1B	Screw		2
18	574.1.047.3A	L.H. silencer		1
19	576.1.032.1A	L.H. bracket		1

NOTES NO.	CODE NO.	DESCRIPTION	VALIDITY	Q.TY 
-----------	----------	-------------	----------	--


DRAWING 018

STANDS



DRAWING 018

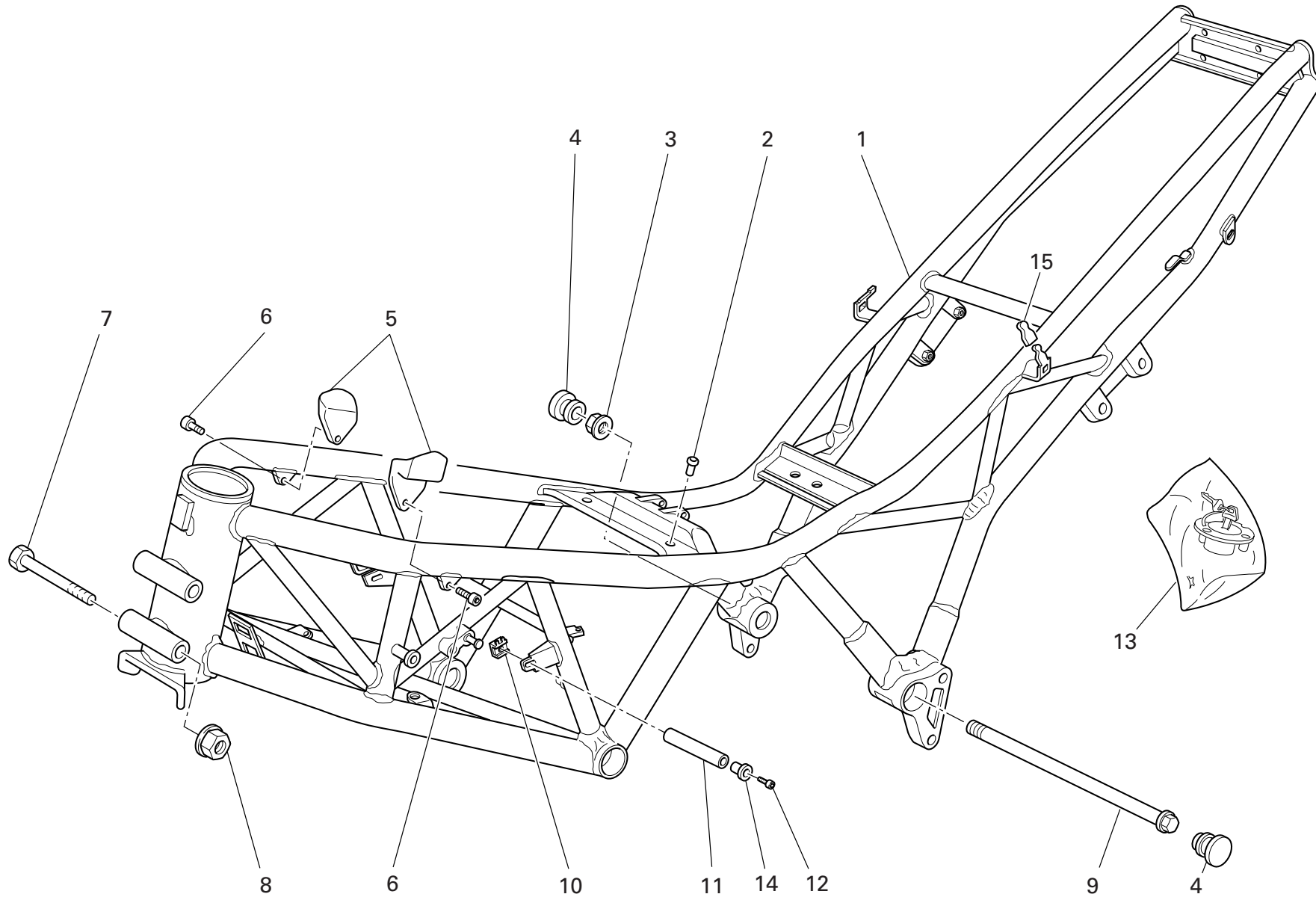
STANDS

NOTES NO.	CODE NO.	DESCRIPTION	VALIDITY	Q.TY 
1	556.2.021.1B	Plate		1
2	771.5.154.8B	Screw		2
3	556.1.023.1A	Side stand		1
4	779.4.005.2A	Screw		1
5	539.1.023.2A	Switch		1
6	799.1.089.1A	Spring		1
7	799.1.088.1A	Outer spring		1
8	827.1.139.2B	Plate		1
9	556.1.018.1D	Pivot		1
10	749.4.045.2A	Nut		1
11	684.1.046.1B	Stud bolt		1


NOTES NO.	CODE NO.	DESCRIPTION	VALIDITY	Q.TY 
-----------	----------	-------------	----------	--

DRAWING 019

FRAME



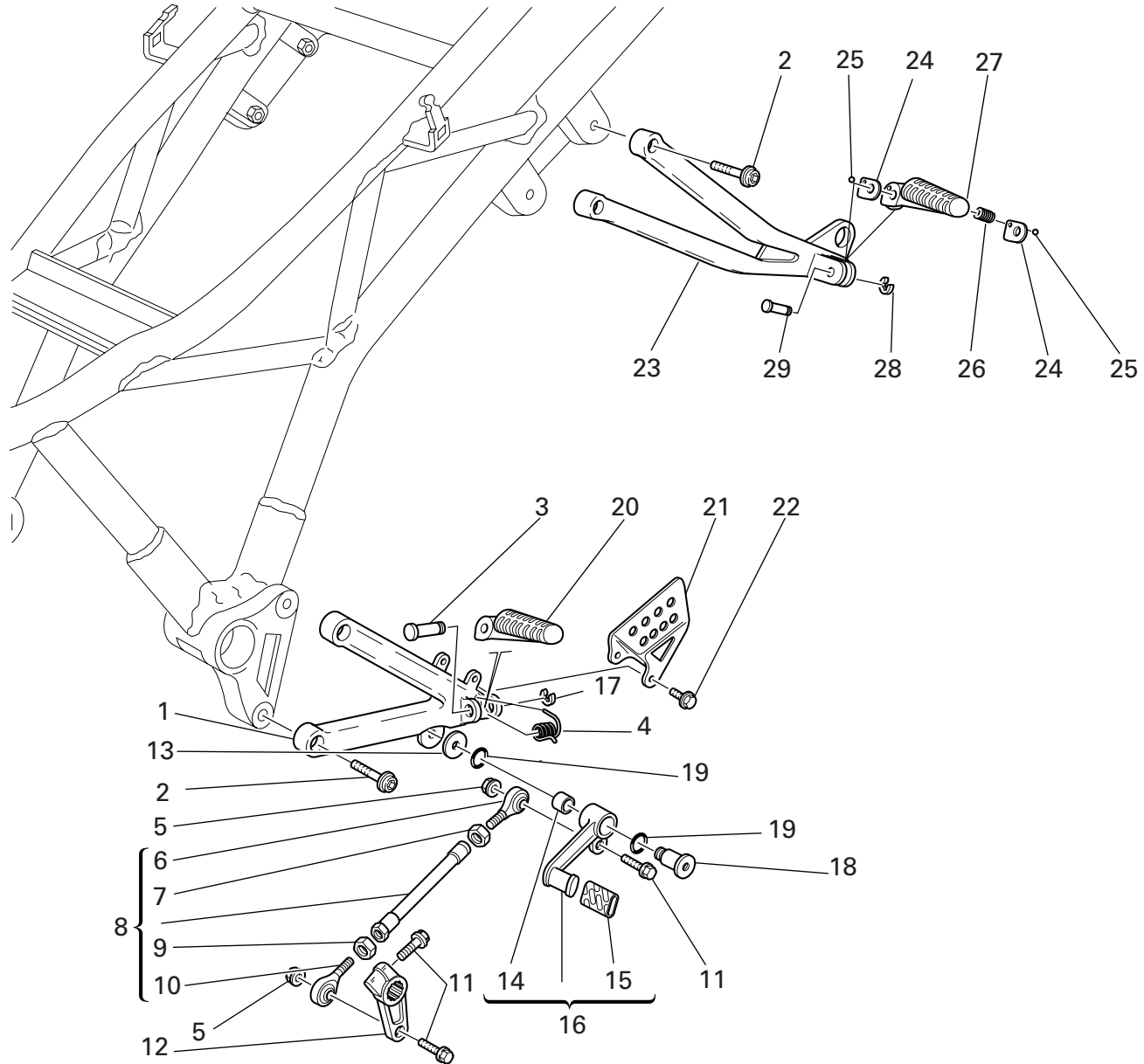
DRAWING **019** FRAME

NOTES NO.	CODE NO.	DESCRIPTION	VALIDITY	Q.TY 
1	470.1.042.1FA	Frame (RED)		1
2	764.4.004.1A	Fairlead		1
3	748.4.002.1A	Nut		2
4	872.1.026.1A	Cap		4
5	866.1.035.1A	Rubber pad		2
6	771.5.663.8B	Screw		2
7	772.5.022.1B	Screw		2
8	749.4.032.1A	Nut		2
9	779.1.213.1A	Screw		2
10	0960.91.130	Nut		2
11	684.1.027.3A	Stud bolt		2
12	771.5.071.8B	Screw		2
13	598.2.031.1B	Locks kit		1
14	0364.99.020	Bush		2
15	866.1.038.1A	Protection		2

NOTES NO.	CODE NO.	DESCRIPTION	VALIDITY	Q.TY 
-----------	----------	-------------	----------	--


DRAWING 020

L.H. FOOT RESTS



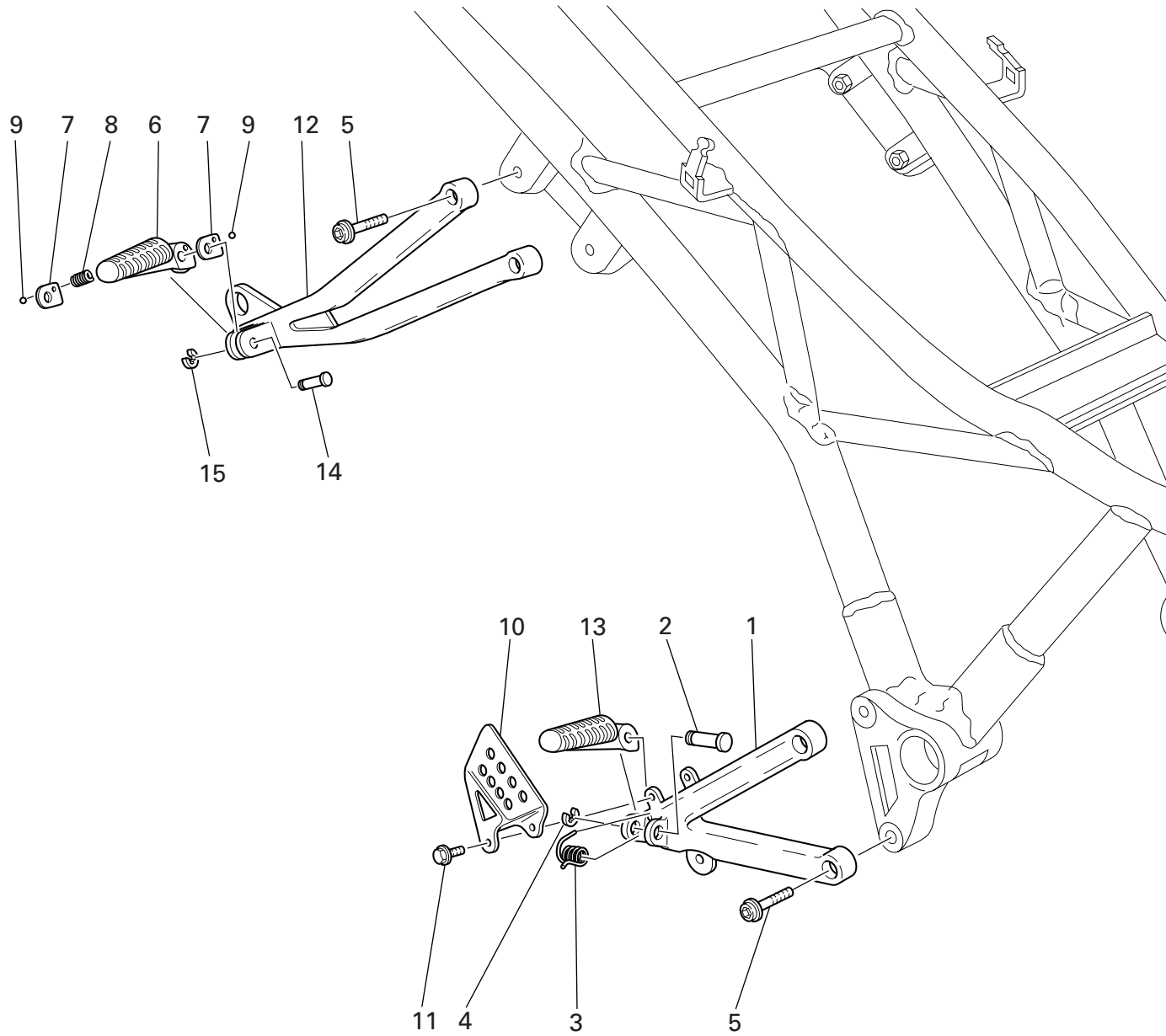
DRAWING **020** L.H. FOOT RESTS

NOTES NO.	CODE NO.	DESCRIPTION	VALIDITY	Q.TY 
1	824.1.074.1A	L.H. foot peg holder plate		1
2	771.1.035.1A	Screw		4
3	821.1.051.1B	Pin		1
4	799.1.045.1A	Spring		1
5	747.5.005.1B	Nut		2
6	848.5.002.1A	Ball joint		1
7	749.5.006.1A	Nut		1
8	117.2.030.2A	Gearbox transmission rod assembly		1
9	747.5.001.1A	L.H. nut		1
10	848.5.001.1A	Ball joint		1
11	771.5.667.8B	Screw		3
12	456.1.046.1B	Gearchange control lever		1
13	852.1.053.1A	Washer		1
14	712.1.034.1A	Bush		1
15	764.1.011.1A	Rubber pad		1
16	456.2.007.1A	Gearchange lever		1
17	884.5.003.1A	Ring		1
18	821.1.170.1A	Pin		1
19	0000.01199	O-ring		2
20	464.1.005.1A	Foot peg (front) (L.H.)		1
21	247.1.184.1A	Protection		1
22	772.5.032.1A	Screw		2
23	824.1.076.1A	Rear L.H. foot peg holder plate		1
24	827.1.115.1AB	Plate		2
25	847.4.002.1A	Ball		1
26	799.1.252.1A	Spring		1


NOTES NO.	CODE NO.	DESCRIPTION	VALIDITY	Q.TY 
27	465.1.008.1A	Rear L.H. foot peg		1
28	0170.91.730	Ring		1
29	821.1.068.1B	Pin		1

DRAWING 021

R.H. FOOT RESTS



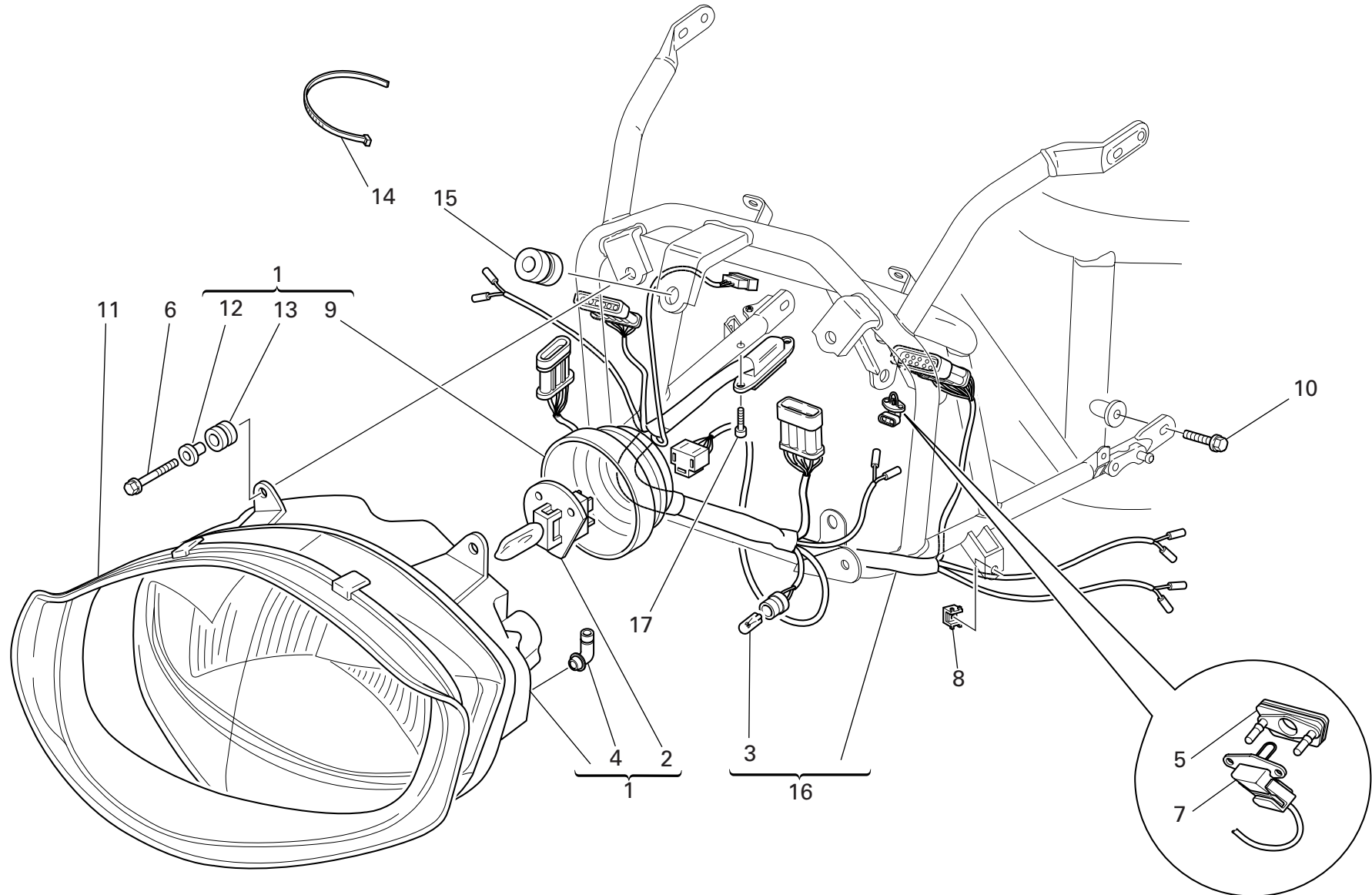
DRAWING **021** R.H. FOOT RESTS

NOTES NO.	CODE NO.	DESCRIPTION	VALIDITY	Q.TY 
1	824.1.073.1A	R.H. foot peg holder plate		1
2	821.1.051.1B	Pin		1
3	799.1.045.1A	Spring		1
4	884.5.003.1A	Ring		1
5	771.1.035.1A	Screw		4
6	465.1.010.1A	Rear R.H. foot peg		1
7	827.1.115.1AB	Plate		2
8	799.1.252.1A	Spring		1
9	847.4.002.1A	Ball		1
10	247.1.185.1A	Protection		1
11	772.5.032.1A	Screw		2
12	824.1.075.1A	Rear R.H. foot peg holder plate		1
13	464.1.006.1A	Foot peg (front) (R.H.)		1
14	821.1.068.1B	Pin		1
15	0170.91.730	Ring		1


NOTES NO.	CODE NO.	DESCRIPTION	VALIDITY	Q.TY 
-----------	----------	-------------	----------	--

DRAWING 022

HEAD-LIGHT AND ELECTRIC WIRING



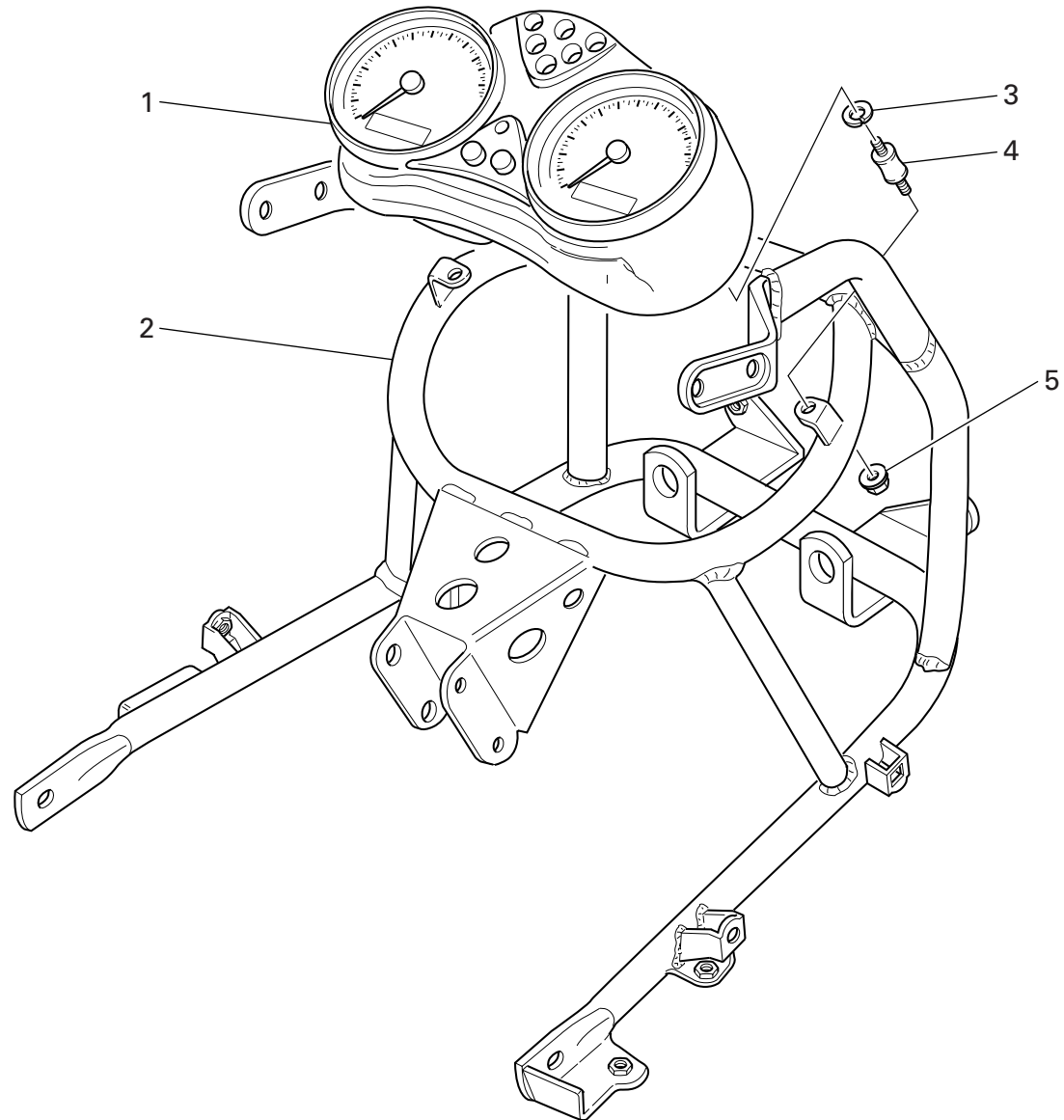
DRAWING **022** HEAD-LIGHT AND ELECTRIC WIRING

NOTES NO.	CODE NO.	DESCRIPTION	VALIDITY	Q.TY 
1	520.4.029.1C	Complete headlight		1
2	0796.38.305	Bulb 55/60W		1
3	0000.36230	Bulb		1
4	672.4.005.1A	Rubber cap		2
5	829.1.373.1A	Holder sensor		1
6	772.5.031.1B	Screw		4
7	552.4.031.1A	Sensor		1
8	0960.91.130	Nut		2
9	672.4.004.1A	Headlight cover		1
10	772.1.059.1A	Screw		2
11	791.1.059.1A	Headlight gasket		1
12	716.4.001.1A	Spacer		4
13	764.4.007.1A	Vibration damper pad		4
14	0691.91.030	Hose guide		4
15	764.1.005.1A	Vibration damper pad		1
16	510.1.210.2A	Front wiring		1
17	775.1.031.1B	Screw		2


NOTES NO.	CODE NO.	DESCRIPTION	VALIDITY	Q.TY 
-----------	----------	-------------	----------	--

DRAWING 023

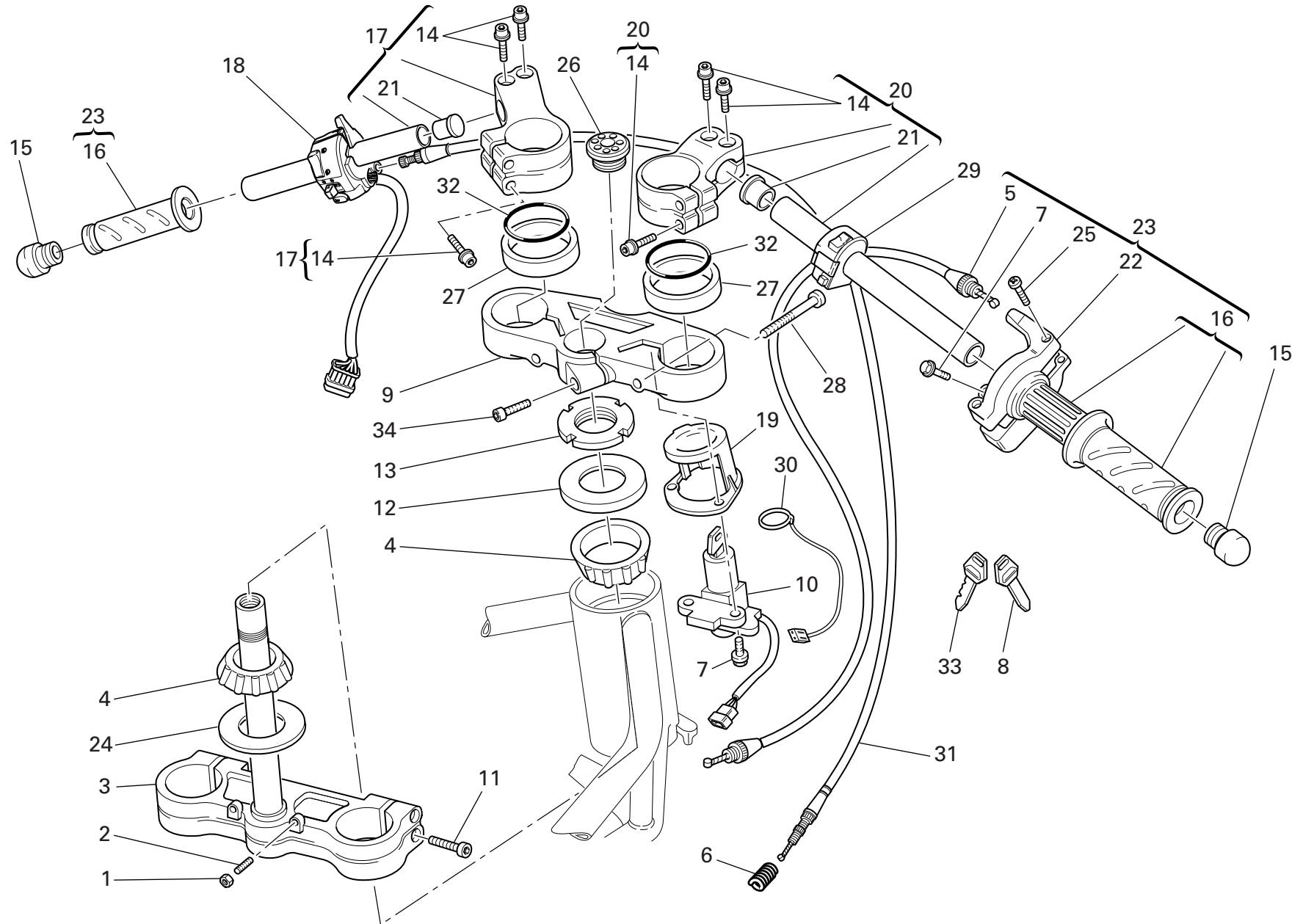
INSTRUMENT PANEL



DRAWING **023** INSTRUMENT PANEL


NOTES NO.	CODE NO.	DESCRIPTION	VALIDITY	Q.TY 
1	406.1.023.1B	Complete instrument panel (speedometer - miles)		1
2	829.1.368.1A	Headlight holder		1
3	462.4.046.1A	Spring washer		3
4	700.1.042.1A	Rubber pad		3
5	748.4.100.1AB	Nut		3

NOTES NO.	CODE NO.	DESCRIPTION	VALIDITY	Q.TY 
-----------	----------	-------------	----------	--



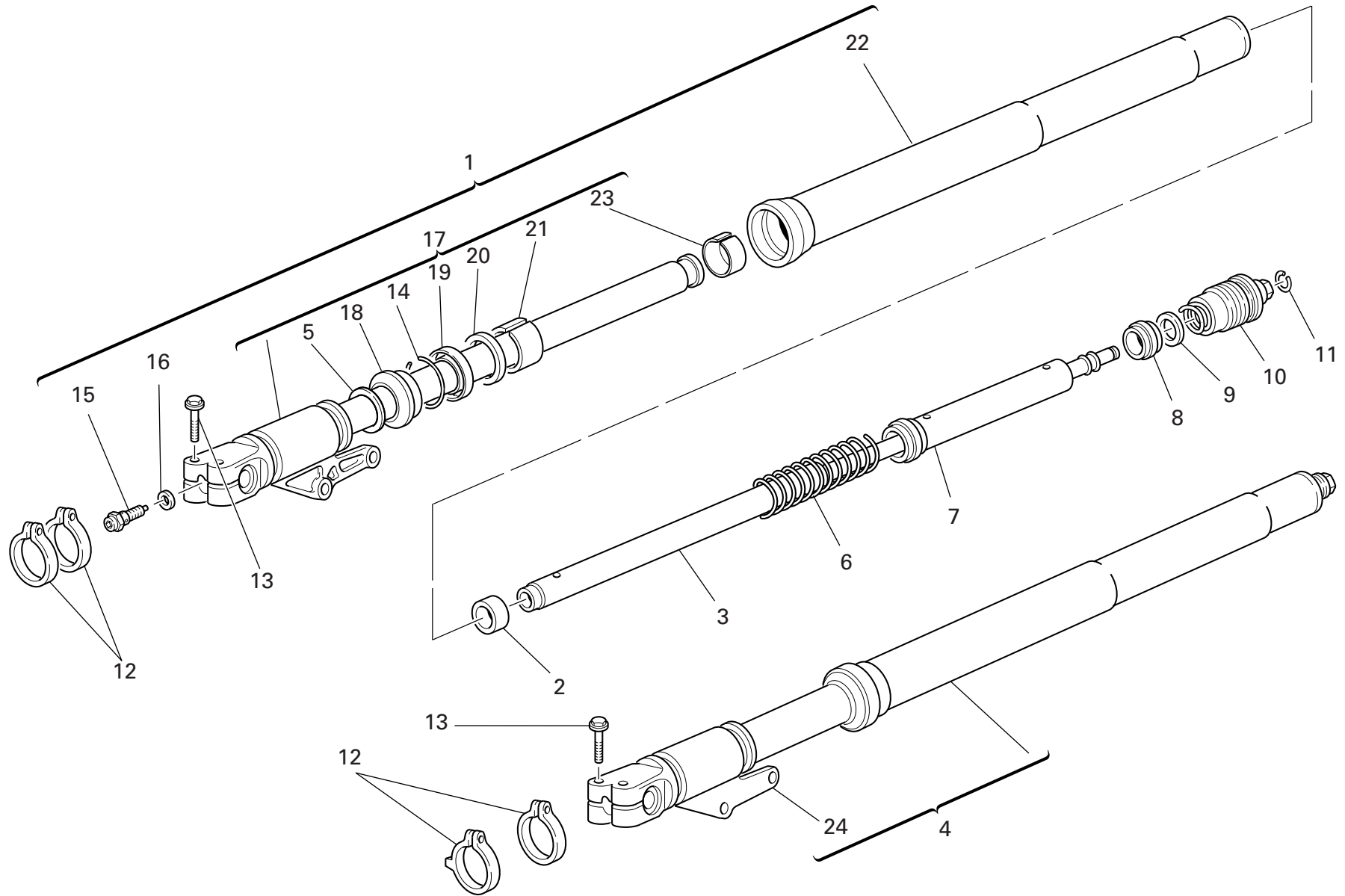
DRAWING **024** HANDLEBAR AND CONTROLS

NOTES NO.	CODE NO.	DESCRIPTION	VALIDITY	Q.TY 
1	747.5.009.1A	Nut		2
2	779.1.099.1C	Special screw		2
3	342.2.007.1B	Steering head base assembly		1
4	0691.91.010	Bearing		2
5	656.1.018.3A	Throttle control transmission		1
6	799.1.058.1A	Starter control transmission return spring		1
7	772.5.023.1A	Screw		4
8	598.4.016.1A	Wrench with Transponder		1
9	341.1.039.1A	Steering head		1
10	652.4.006.1B	Key-operated switch		1
11	771.5.727.8B	Screw		4
12	0691.37.020	Special washer		1
13	0795.37.120	Ring nut		1
14	771.5.669.2B	Screw		6
15	872.1.015.1A	Cap		2
16	8000.78345	Grips pair		1
17	360.2.037.1A	L.H. handlebar		1
18	651.4.011.1A	L.H. switch		1
19	246.1.070.1A	Cover		1
20	360.2.038.1A	R.H. handlebar		1
21	872.1.011.1A	Cap		2
22	658.4.002.1B	Cover		1
23	654.2.003.1A	Throttle control		1
24	852.1.096.1A	Washer		1
25	8000.66774	Screw		2
26	873.1.035.1A	Cap		1

NOTES NO.	CODE NO.	DESCRIPTION	VALIDITY	Q.TY 
27	713.1.152.1A	Spacer		2
28	771.5.162.8B	Screw		2
29	650.4.009.1B	R.H. switch		1
30	518.4.004.2B	Antenna		1
31	657.1.017.1A	Starter control transmission		1
32	930.4.024.1A	O-Ring		2
33	598.4.018.1A	Wrench without Transponder		2
34	771.5.127.8B	Screw		1

DRAWING 025

FRONT FORK



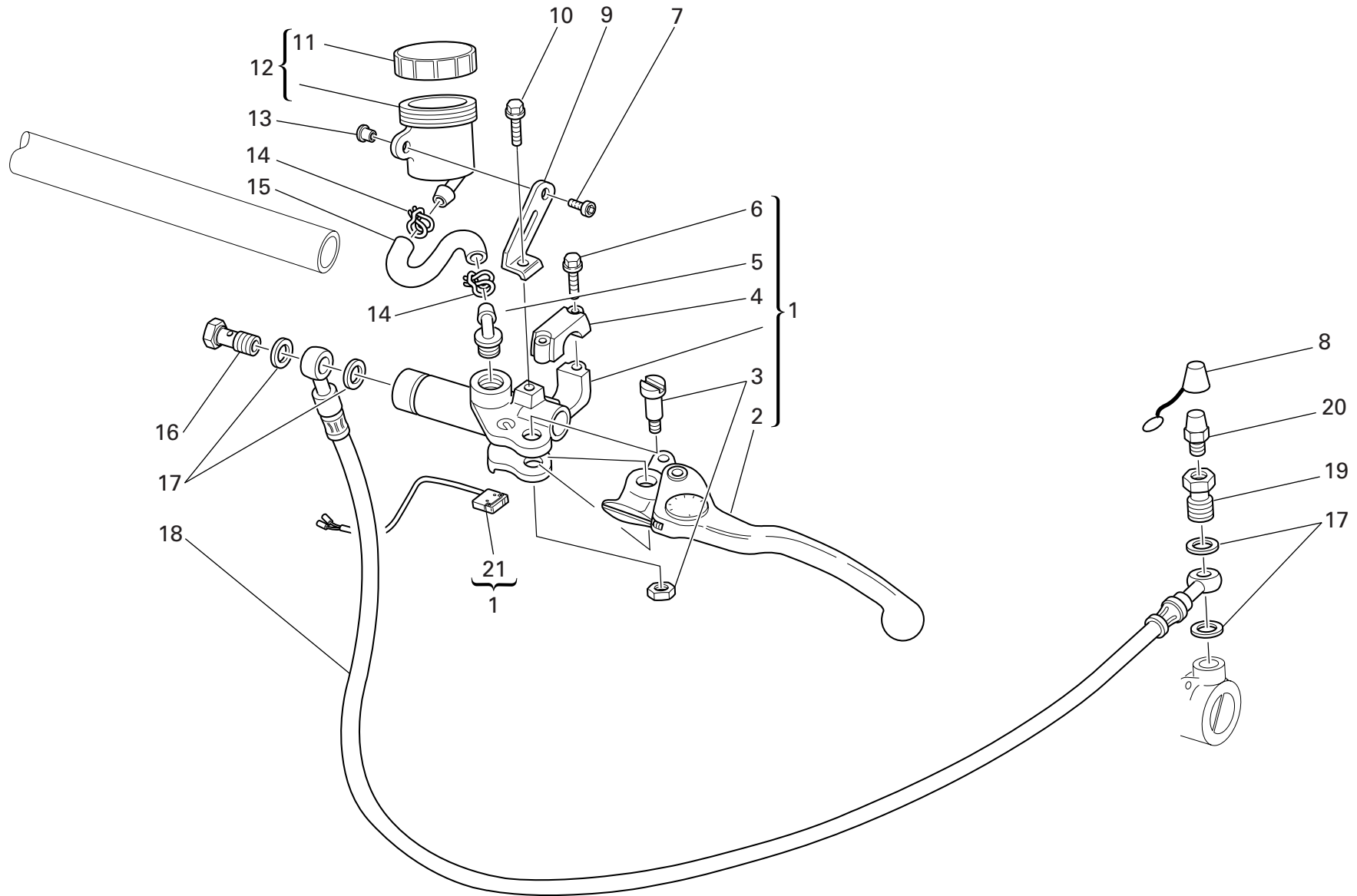
DRAWING **025** FRONT FORK

NOTES NO.	CODE NO.	DESCRIPTION	VALIDITY	Q.TY 
1	340.2.163.1A	R.H. fork leg assembly		1
2	349.1.095.1A	Centering ring		2
3	349.1.175.1A	Damper tube		2
4	340.2.162.1A	L.H. fork leg assembly		1
5	349.1.100.1A	Special washer		2
6	347.1.018.1A	Spring		2
7	349.1.176.1A	Spring coupling		2
8	349.1.064.1A	Slider		2
9	349.1.065.1A	Rubber cush drive hub		2
10	349.2.014.1A	Complete cap		2
11	349.1.098.1A	Snap ring		2
12	8000.70127	Hose guide		4
13	772.5.026.1B	Screw		4
14	884.1.005.1A	Ring		2
15	349.2.029.1B	Adjusting screw		2
16	349.1.096.1A	Special washer		2
17	349.1.172.1A	Complete R.H. slider		1
18	349.1.101.1A	Dust seal		2
19	930.1.005.1A	Seal ring		2
20	349.1.102.1A	Check ring		2
21	349.1.103.1A	Bush		2
22	349.1.174.1A	Stanchion tube		2
23	349.1.120.1A	Bush		2
24	349.1.173.1A	Complete L.H. slider		1

NOTES NO.	CODE NO.	DESCRIPTION	VALIDITY	Q.TY 
-----------	----------	-------------	----------	--

DRAWING 026

CLUTCH CONTROL



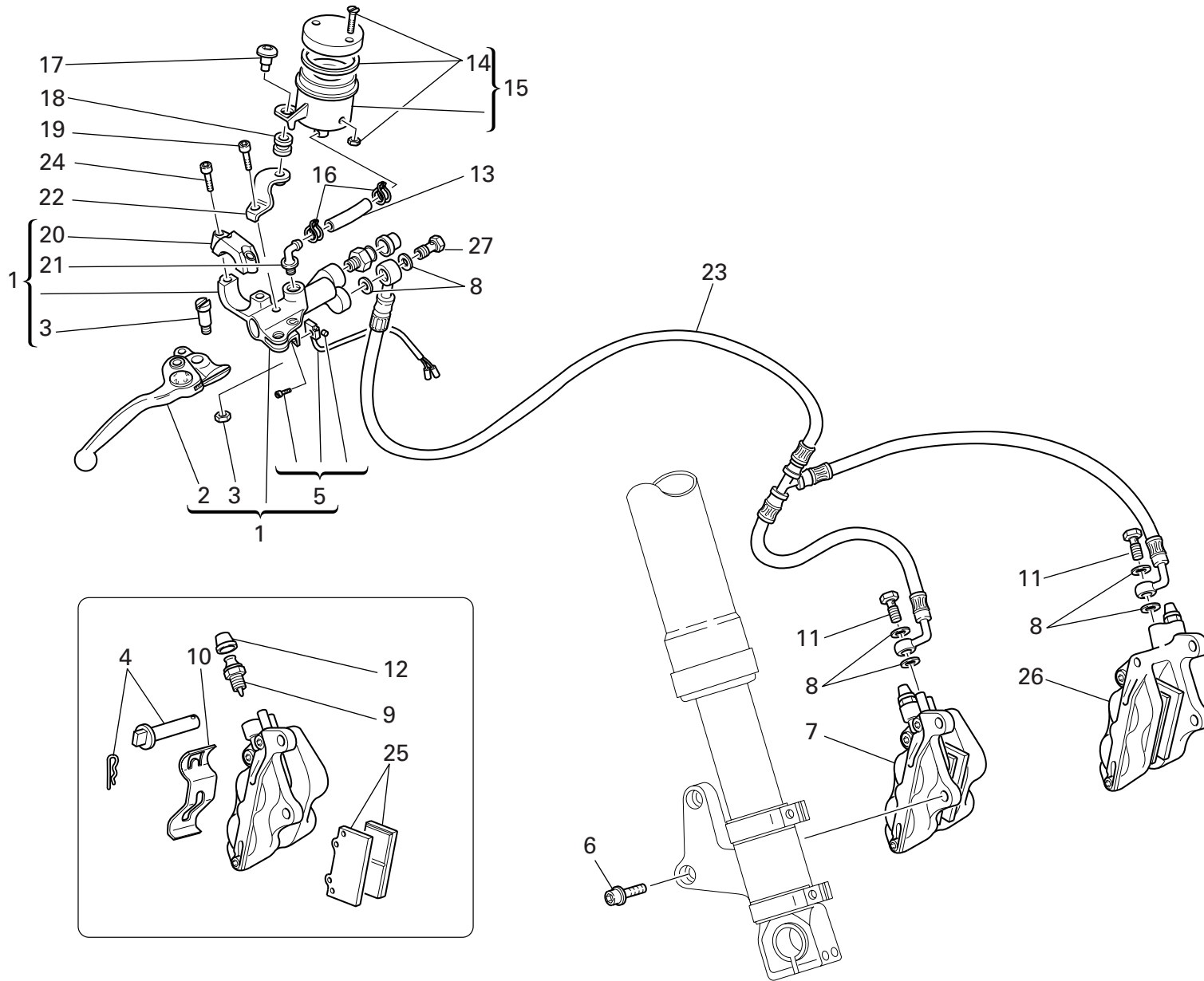
DRAWING 026 CLUTCH CONTROL

NOTES NO.	CODE NO.	DESCRIPTION	VALIDITY	Q.TY 
1	630.4.020.1A	Clutch drive pump		1
2	626.4.035.1A	Clutch control lever		1
3	626.4.009.1A	Spare lever pin		1
4	626.4.008.1B	Spare bracket		1
5	631.4.008.1A	Spare union		1
6	771.5.669.2B	Screw		2
7	60N107321	Screw		1
8	612.4.005.1A	Dust seal		1
9	829.1.228.1B	Plate		1
10	707006N02	Screw		1
11	893.4.005.1A	Cap		1
12	0000.61078	Complete oil tank		1
13	710.1.030.1A	Bush		1
14	741.4.043.1A	Hose guide		2
15	877.1.067.1A	Tube		1
16	779.1.397.1A	Special screw		1
17	852.5.024.1A	Gasket th.1		4
18	632.1.029.1A	Clutch control pipe (METAL PLAITED)		1
19	779.1.082.2A	Filler		1
20	0000.33552	Bleed		1
21	539.4.033.1A	Microswitch		1

NOTES NO.	CODE NO.	DESCRIPTION	VALIDITY	Q.TY 
-----------	----------	-------------	----------	--


DRAWING 027

FRONT HYDRAULIC BRAKE



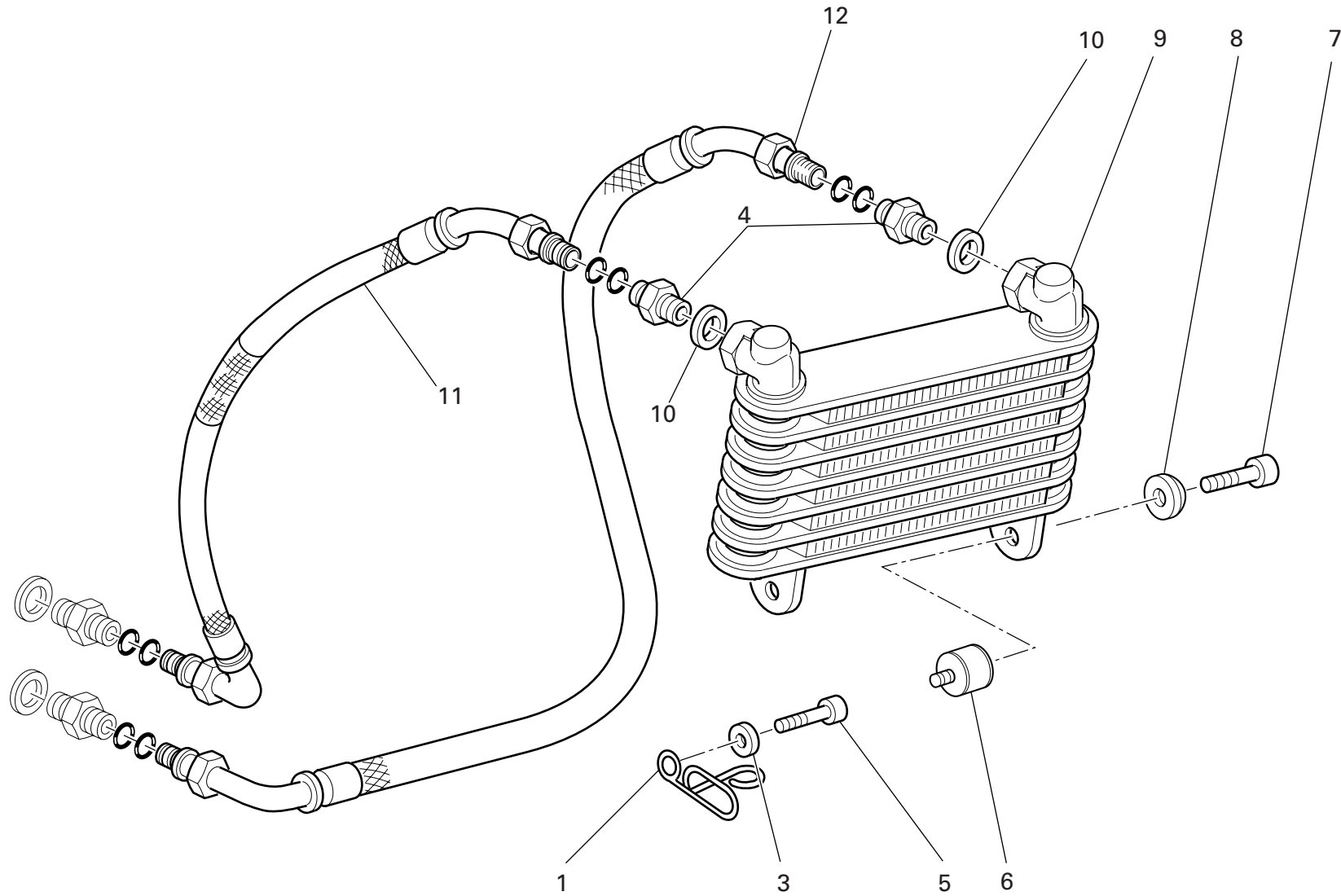
DRAWING **027** FRONT HYDRAULIC BRAKE

NOTES NO.	CODE NO.	DESCRIPTION	VALIDITY	Q.TY 
1	624.4.012.1A	Front brake pump		1
2	626.4.007.1B	Lever with dowel		1
3	626.4.009.1A	Spare lever pin		1
4	612.4.014.1A	Spare pins and spring		2
5	539.4.021.1A	Microswitch		1
6	771.5.431.2B	Screw		4
7	610.4.066.1A	R.H. brake caliper		1
8	852.5.024.1A	Gasket th.1		6
9	631.4.004.1A	Spare bleed union		2
10	612.4.017.1A	Spring		2
11	779.1.397.1A	Special screw		2
12	612.4.008.1A	Dust seal		2
13	877.1.069.1A	Tube		1
14	8000.68490	Spare cap		1
15	0000.66181	Complete oil tank		1
16	741.4.043.1A	Hose guide		2
17	779.1.092.1A	Screw		1
18	0370.72.020	Vibration damper pad		1
19	707006N02	Screw		1
20	626.4.008.1A	Spare bracket		1
21	631.4.008.1A	Spare union		1
22	829.1.227.1B	Bracket		1
23	618.4.060.1A	Caliper pump pipe (METAL PLAITED)		1
24	771.5.669.2B	Screw		2
25	613.4.020.1A	Pads pair		2
26	610.4.065.1A	L.H. brake caliper		1


NOTES NO.	CODE NO.	DESCRIPTION	VALIDITY	Q.TY 
27	779.1.415.1A	Special screw		1

DRAWING 028

OIL COOLER



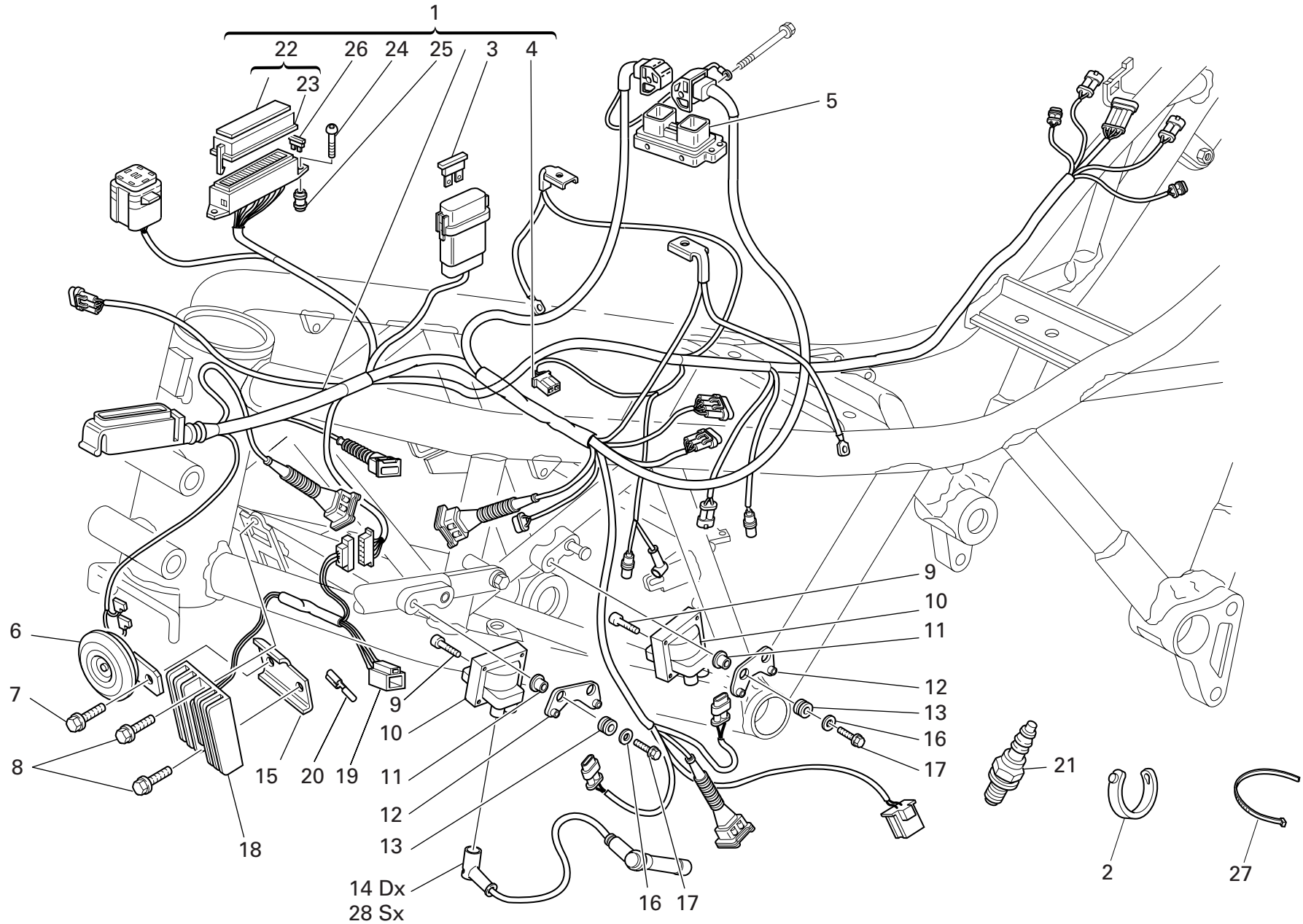
DRAWING **028** OIL COOLER

NOTES NO.	CODE NO.	DESCRIPTION	VALIDITY	Q.TY 
1	829.1.109.1B	Ring		1
2	875.1.052.1A	Oil return pipe		1
3	852.5.028.1A	Washer		1
4	815.1.022.1A	Nipple		2
5	771.5.071.8B	Screw		1
6	700.1.011.1B	Vibration damper		2
7	779.5.056.8B	Screw		2
8	841.1.028.1A	Retainer		2
9	548.4.030.3A	Oil cooler		1
10	787.1.011.1A	Aluminium gasket th.2		2
11	875.1.053.1A	Oil delivery pipe		1

NOTES NO.	CODE NO.	DESCRIPTION	VALIDITY	Q.TY 
-----------	----------	-------------	----------	--


DRAWING 029

ELECTRIC SYSTEM



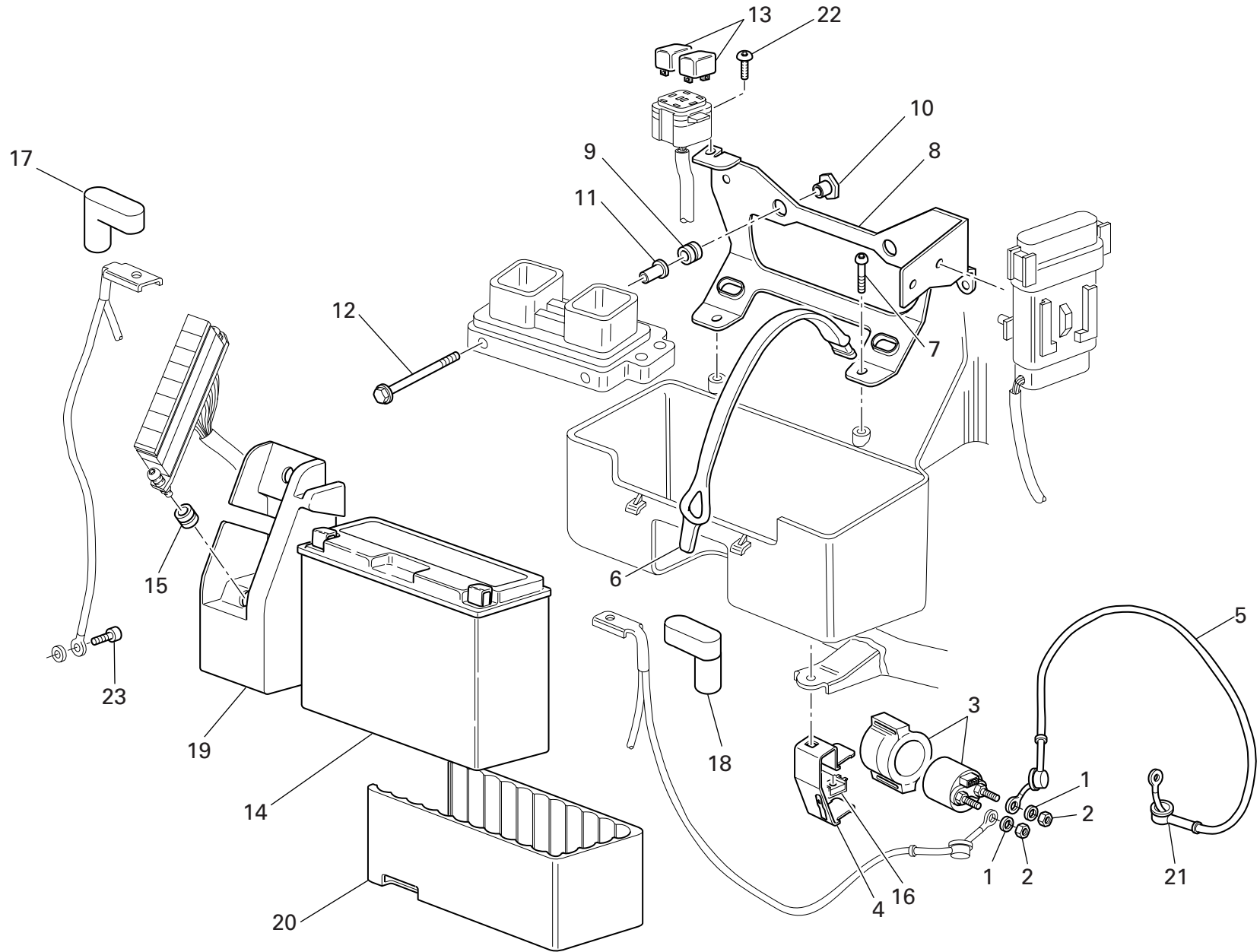
DRAWING **029** ELECTRIC SYSTEM

NOTES NO.	CODE NO.	DESCRIPTION	VALIDITY	Q.TY 
1	510.1.227.2A	Main wiring		1
2	741.4.038.1A	Hose guide		8
3	389.4.012.1A	Fuse 20A		1
4	0000.56803	Connector		1
5	286.4.102.1A	Injection control unit		1
6	516.4.001.1AB	Horn (BLACK)		1
7	771.5.721.8B	Screw		1
8	772.5.031.1B	Screw		2
9	771.5.025.8B	Screw		4
10	380.4.010.1B	Coil		2
11	713.1.332.1A	Spacer		2
12	829.1.096.1A	Holder		2
13	764.1.084.1A	Vibration damper pad		4
14	671.1.020.1A	Right spark plug cable		2
15	827.1.178.1B	Plate		1
16	852.1.191.1A	Washer		2
17	772.5.029.1A	Screw		2
18	540.4.010.1A	Voltage rectifier		1
19	8000.66526	Connector		1
20	0000.66527	End section		4
21	670.4.035.1A	Spark plug		4
22	246.1.057.1D	Case cover		1
23	433.1.300.1B	Sticker schema fusibili		1
24	775.1.017.1A	Screw		2
25	821.1.054.1A	Pin		2
26	389.4.006.1A	Fuse 3A		3


NOTES NO.	CODE NO.	DESCRIPTION	VALIDITY	Q.TY 
26	389.4.008.1A	Fuse 15A		2
26	389.4.010.1A	Fuse 30A		1
26	389.4.013.1A	Fuse 20A		1
27	0691.91.030	Hose guide		36
28	671.1.021.1A	LH spark plug cable		2

DRAWING 030

BATTERY BOX MOUNT



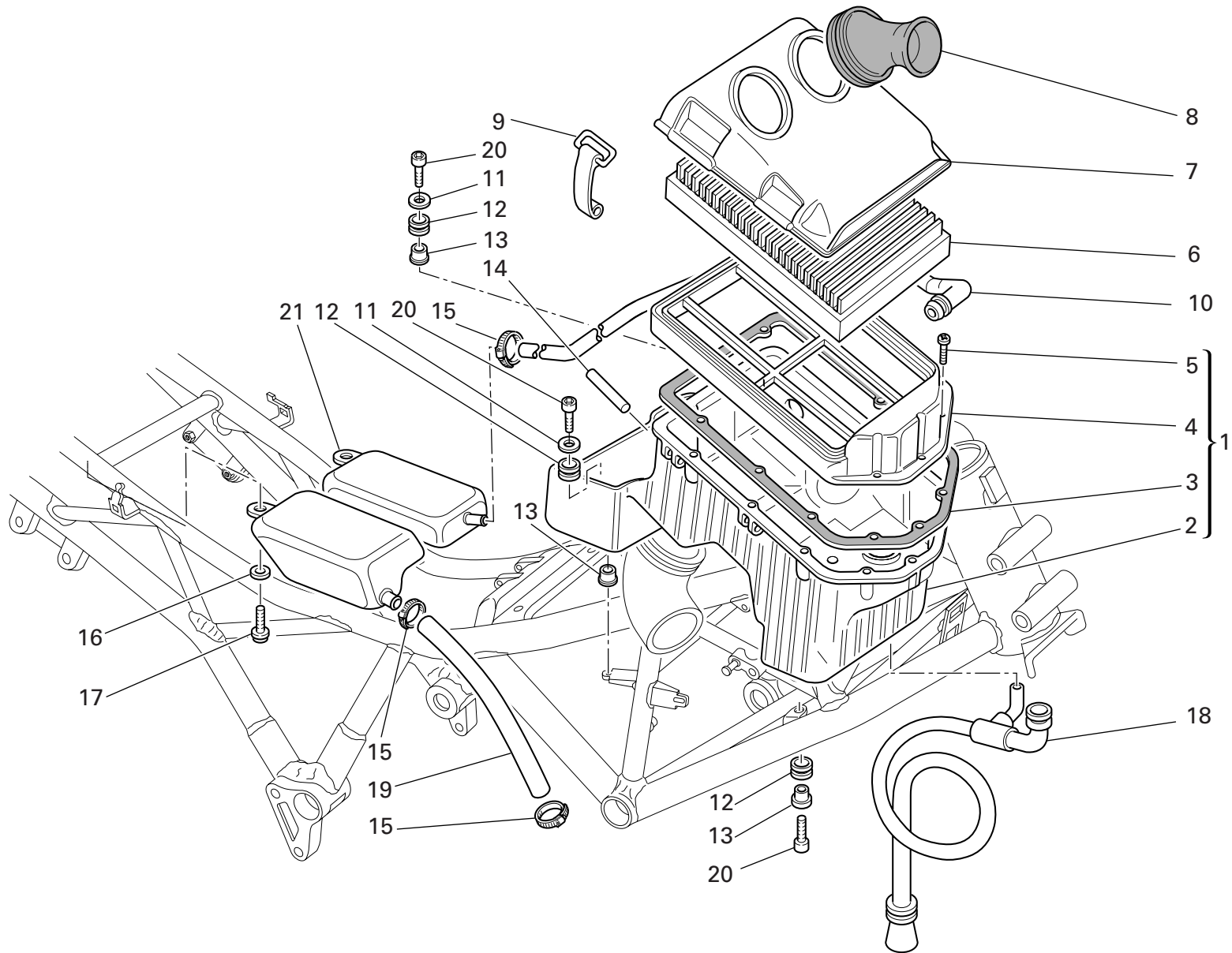
DRAWING **030** BATTERY BOX MOUNT

NOTES NO.	CODE NO.	DESCRIPTION	VALIDITY	Q.TY 
1	853.5.010.1A	Spring washer		2
2	750.5.005.1A	Nut		2
3	397.2.001.2A	Remote switch		1
4	829.1.379.1B	Plate		1
5	514.1.043.1A	Solenoid starter-starter motor cable		1
6	759.1.017.1A	Spring hook		2
7	775.1.031.1B	Screw		4
8	829.1.374.1B	Plate		1
9	764.1.090.1A	Rubber pad		2
10	750.1.114.1B	Nut		2
11	716.1.103.1B	Spacer		2
12	772.5.018.1A	Screw		2
13	541.4.007.1A	Relay		2
14	395.2.013.1C	Battery		1
15	764.1.031.1A	Rubber pad		2
16	0960.91.130	Nut		1
17	672.1.023.1A	Terminal cap		1
18	672.1.024.1A	Terminal cap(BLACK)		1
19	829.1.287.1A	Battery box mount		1
20	791.1.052.1A	Pad		1
21	672.1.029.1A	Rubber cap		1
22	779.1.050.1A	Screw		1
23	775.1.006.1A	Special screw		1


NOTES NO.	CODE NO.	DESCRIPTION	VALIDITY	Q.TY 
-----------	----------	-------------	----------	--

DRAWING 031

AIR INDUCTIO AND OIL VENT



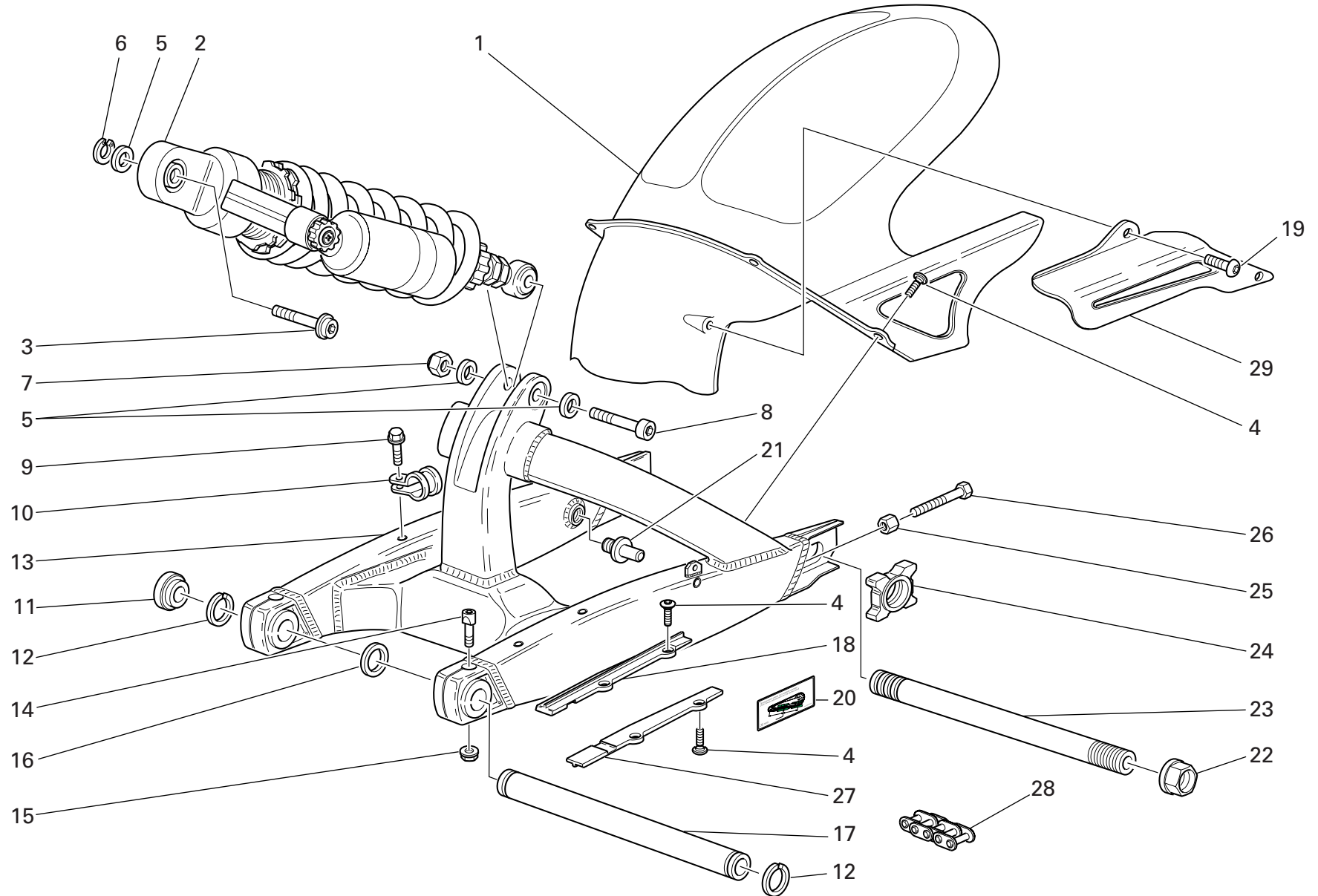
DRAWING **031** AIR INDUCTIO AND OIL VENT

NOTES NO.	CODE NO.	DESCRIPTION	VALIDITY	Q.TY 
1	442.2.041.1B	Air filter box		1
2	442.1.042.1B	Lower half-case		1
3	788.1.027.1A	Gasket		1
4	442.1.007.2A	Upper half-case		1
5	774.5.002.1A	Self-tapping screw		12
6	0370.98.610	Filter element		1
7	246.1.046.1B	Filter case cover		1
8	135.1.008.2A	Air funnel		2
9	760.1.003.1B	Hook		4
10	876.1.071.1A	Breather pipe		1
11	852.5.003.1B	Washer		2
12	764.1.090.1A	Rubber pad		4
13	716.1.022.1B	Spacer		4
14	74223.1045	Spring pin		4
15	741.4.002.1A	Hose guide		3
16	852.1.191.1A	Washer		2
17	771.5.667.8B	Screw		2
18	877.2.045.1A	Exhaust pipe		1
19	876.1.047.3A	Breather pipe		1
20	779.5.001.1B	Screw		4
21	585.1.008.2B	Oil breather tank		1


NOTES NO.	CODE NO.	DESCRIPTION	VALIDITY	Q.TY 
-----------	----------	-------------	----------	--


DRAWING 032

SWINGARM AND CHAIN

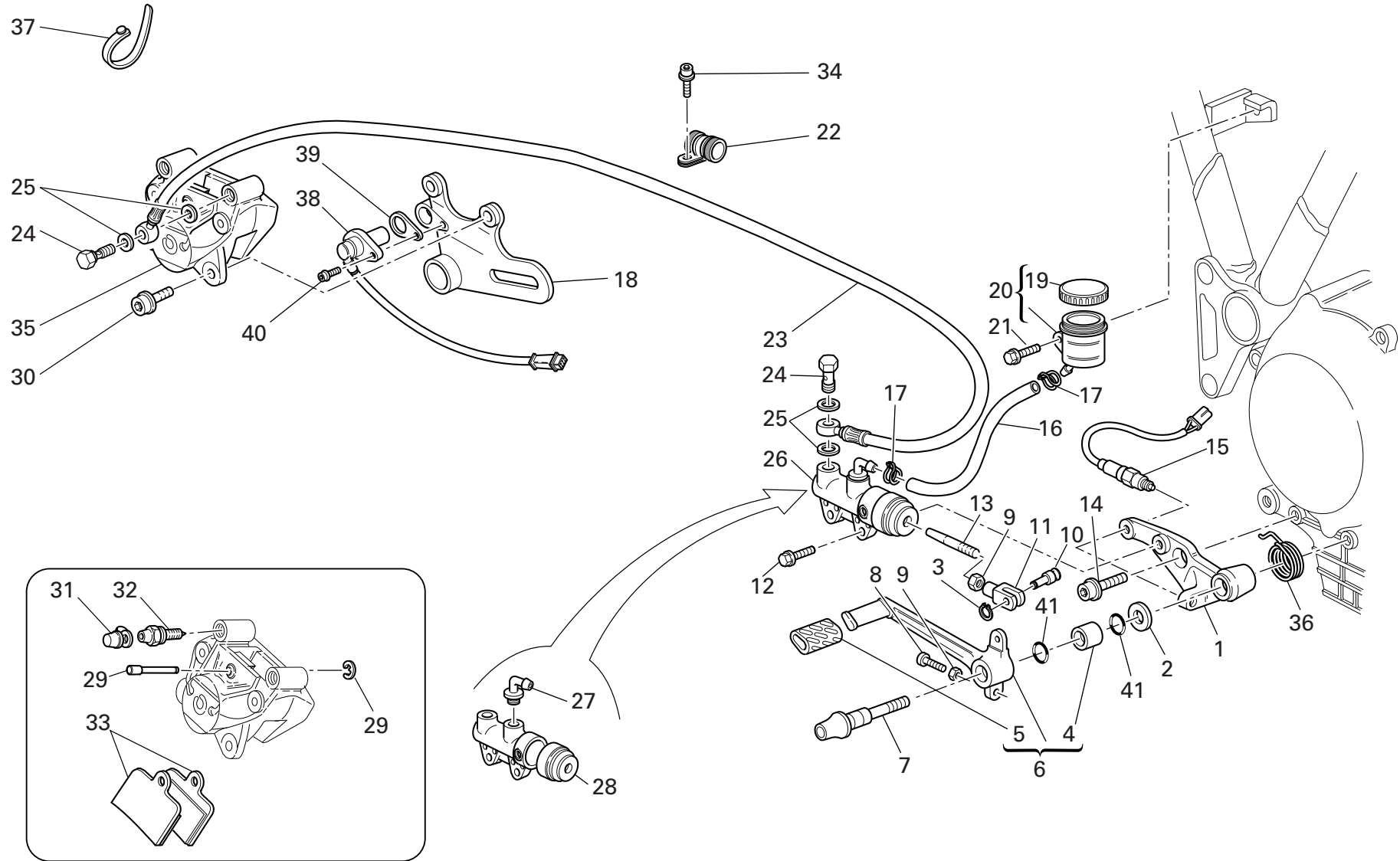


DRAWING **032** SWINGARM AND CHAIN

NOTES NO.	CODE NO.	DESCRIPTION	VALIDITY	Q.TY 
1	565.1.029.1A	Rear mudguard		1
2	365.2.047.2A	Shock absorber		1
3	771.5.759.8B	Screw		1
4	779.1.119.1B	Special screw		8
5	856.1.064.2A	Special washer		3
6	853.5.007.1A	Spring washer		1
7	749.5.007.1A	Nut		1
8	771.5.761.8B	Screw		1
9	772.1.062.1A	Screw		1
10	741.4.062.1A	Clip		1
11	872.1.019.1A	Cap		2
12	884.4.007.1A	Snap ring		2
13	370.1.031.2A	Swingarm		1
14	808.1.046.1A	Clamp		2
15	748.4.034.1B	Nut		2
16	852.1.001.1B	Shim th. 1.8		2
16	852.1.002.1B	Shim th. 0.2		2
16	852.1.003.1B	Shim th. 0.1		1
17	369.1.004.1A	Swingarm pivot		1
18	447.1.039.1A	Upper chain sliding shoer		1
19	779.1.009.1A	Screw		2
20	433.1.108.1E	Plate		1
21	821.1.033.2B	Locating pin		1
22	748.1.008.1C	Nut		2
23	819.1.009.1A	Rear wheel spindle		1
24	373.1.034.1A	Sliding shoe		2


NOTES NO.	CODE NO.	DESCRIPTION	VALIDITY	Q.TY 
25	750.1.125.1A	Nut		2
26	779.1.057.1C	Adjusting screw		2
27	447.1.040.1A	Lower chain sliding shoe		1
28	676.4.034.1A	Chain		1
29	446.1.004.1A	Chain guard		1

DRAWING 033 REAR HYDRAULIC BRAKE



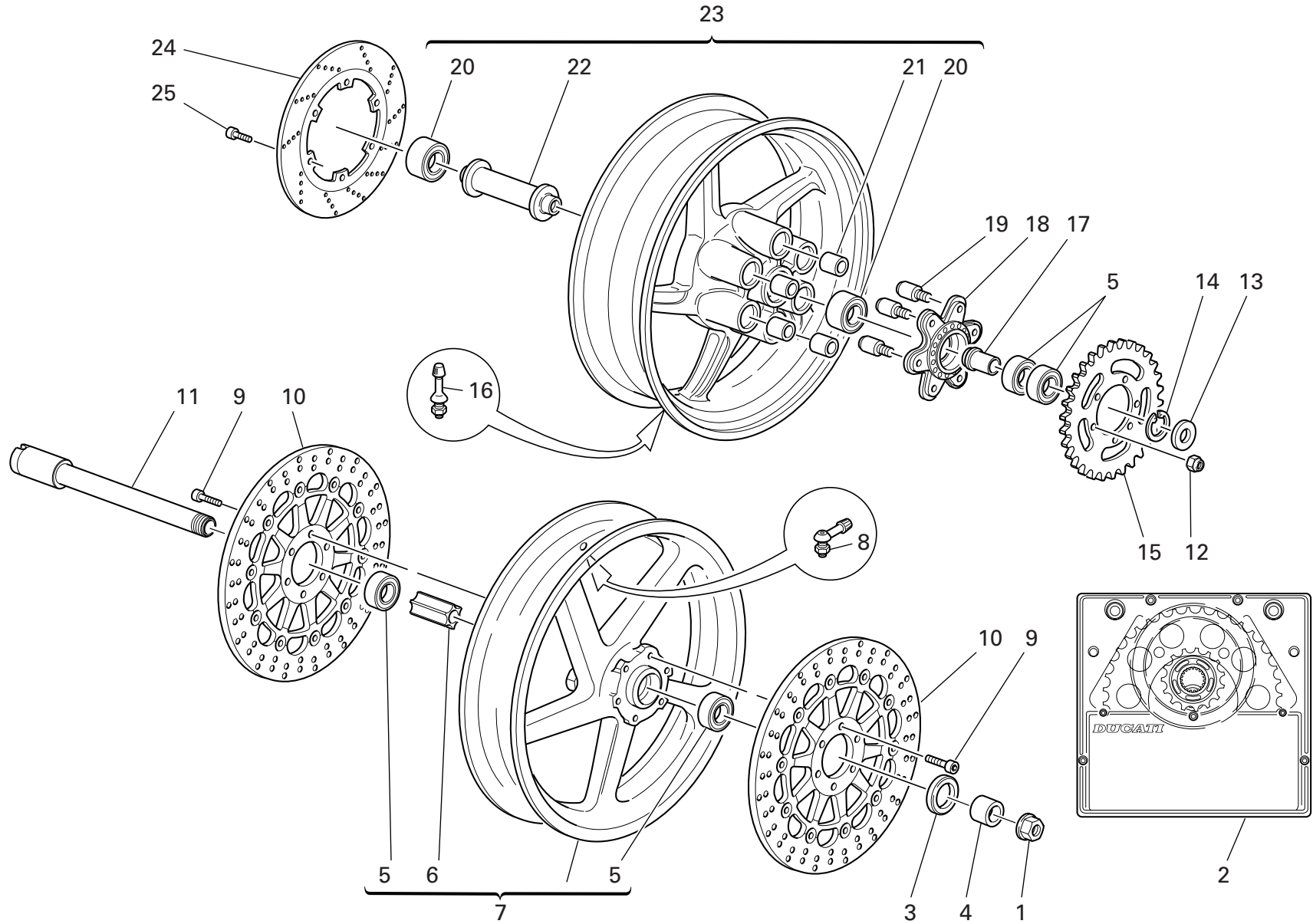
DRAWING **033** REAR HYDRAULIC BRAKE

NOTES NO.	CODE NO.	DESCRIPTION	VALIDITY	Q.TY 
1	829.1.078.1A	Holder		1
2	852.1.054.1A	Washer		1
3	73500.0624	Circlip		1
4	712.1.034.1A	Bush		1
5	764.1.011.2A	Rubber pad		1
6	457.2.008.1A	Brake control lever		1
7	821.1.091.1A	Pedal pin		1
8	8000.67981	Threaded dowel		1
9	749.5.006.1A	Nut		2
10	821.1.096.2A	Pin		1
11	184.1.001.1A	Fork		1
12	772.5.029.1A	Screw		2
13	117.1.025.2A	Adjuster rod		1
14	771.5.754.8B	Screw		1
15	539.4.003.1B	Switch		1
16	877.1.066.1A	Tube		1
17	741.4.043.1A	Hose guide		2
18	825.1.032.1A	Caliper holder plate		1
19	893.4.005.1A	Cap		1
20	585.4.001.1A	Complete oil tank		1
21	779.5.056.8B	Screw		1
22	827.1.087.1B	Plate		1
23	619.4.028.1A	Rear brake line (METAL PLAITED)		1
24	779.1.366.1AB	Special screw		2
25	852.5.024.1A	Gasket th.1		4
26	625.4.006.1A	Rear brake pump		1

NOTES NO.	CODE NO.	DESCRIPTION	VALIDITY	Q.TY 
27	631.4.008.1A	Spare union		1
28	626.4.013.1A	Dust cover		1
29	612.4.016.1A	Spare pins and spring		1
30	771.5.724.8B	Screw		2
31	612.4.008.1A	Dust seal		1
32	0370.39.780	Spare bleed union		2
33	613.4.021.1A	Pads pair		1
34	771.5.663.8B	Screw		1
35	611.4.009.1A	Rear brake caliper		1
36	799.1.083.1B	Spring		1
37	741.1.013.1A	Hose guide		2
38	552.4.037.1A	Sensor		1
39	713.1.192.1A	Spacer		1
40	771.5.066.8B	Screw		1
41	0000.01199	O-ring		2

DRAWING 034

WHEELS



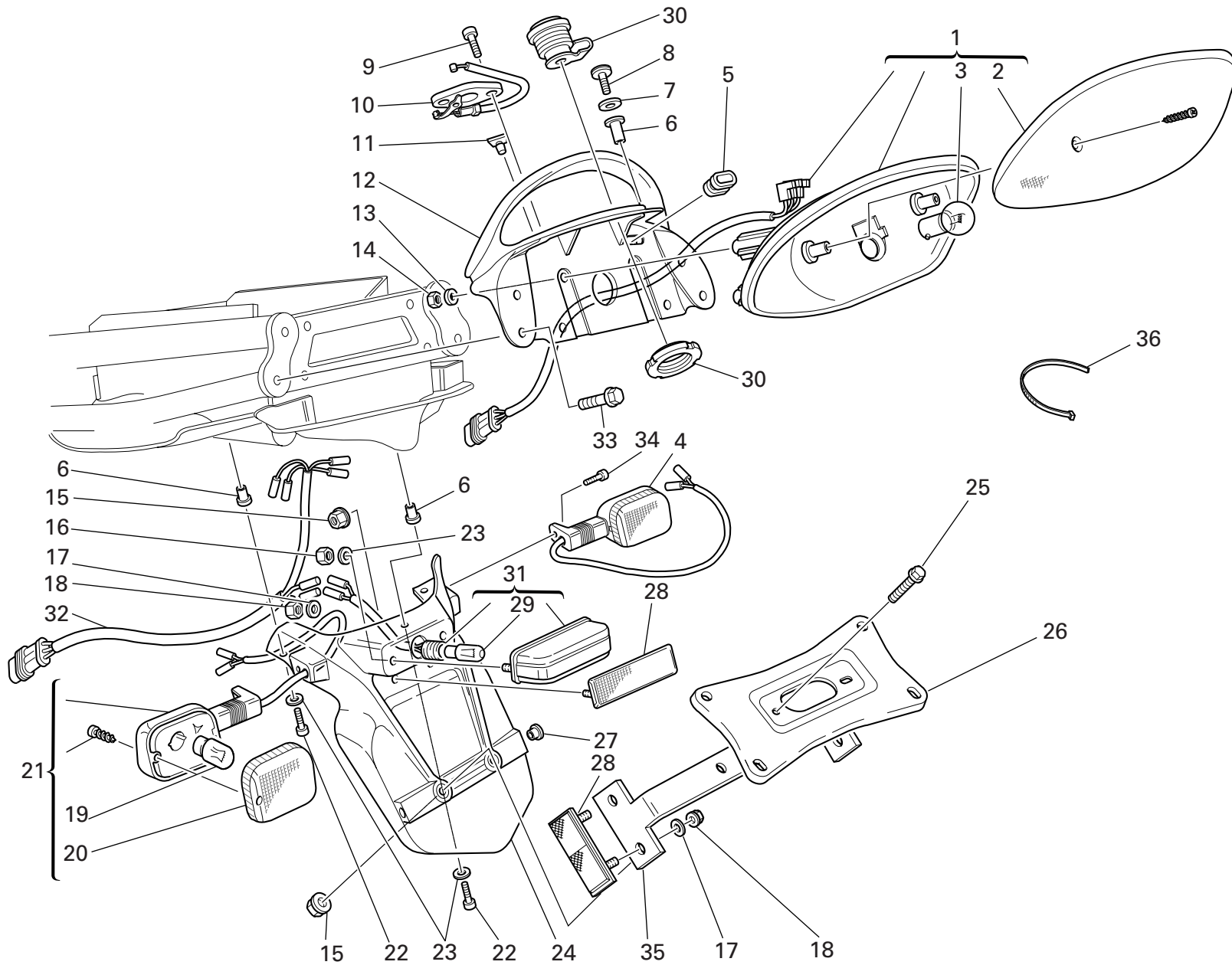
DRAWING **034** WHEELS

NOTES NO.	CODE NO.	DESCRIPTION	VALIDITY	Q.TY 
1	748.1.014.1C	Fork nut		1
2	676.2.052.1A	Final drive kit		1
3	0000.64471	Seal ring		1
4	714.1.045.1B	Spacer		1
5	702.5.045.1A	Bearing		4
6	714.1.028.1A	Inner spacer		1
7	501.2.105.1AB	Front wheel rim (BLACK)		1
8	497.2.001.2A	Valve		1
9	779.1.399.1A	Screw		12
10	492.4.024.1A	Brake disc		2
11	819.1.017.1C	Front wheel spindle		1
12	748.4.024.1AB	Nut		6
13	713.1.032.1A	Spacer		1
14	884.4.001.1A	Snap ring		1
15	494.1.072.2A	Ring gear z=38		1
16	0803.77.010	Valve		1
17	710.1.006.1A	Bush		1
18	160.1.004.2B	Rear sprocket flange		1
19	821.1.009.1B	Pin		6
20	75163.3268	Bearing		2
21	700.1.005.1A	Vibration damper		6
22	714.1.040.1A	Inner spacer		1
23	502.2.108.1AB	Rear wheel rim (BLACK)		1
24	492.4.003.2A	Brake disc		1
25	779.1.311.1A	Screw		6

NOTES NO.	CODE NO.	DESCRIPTION	VALIDITY	Q.TY 
-----------	----------	-------------	----------	--


DRAWING 035

NUMBER PLATE HOLDER



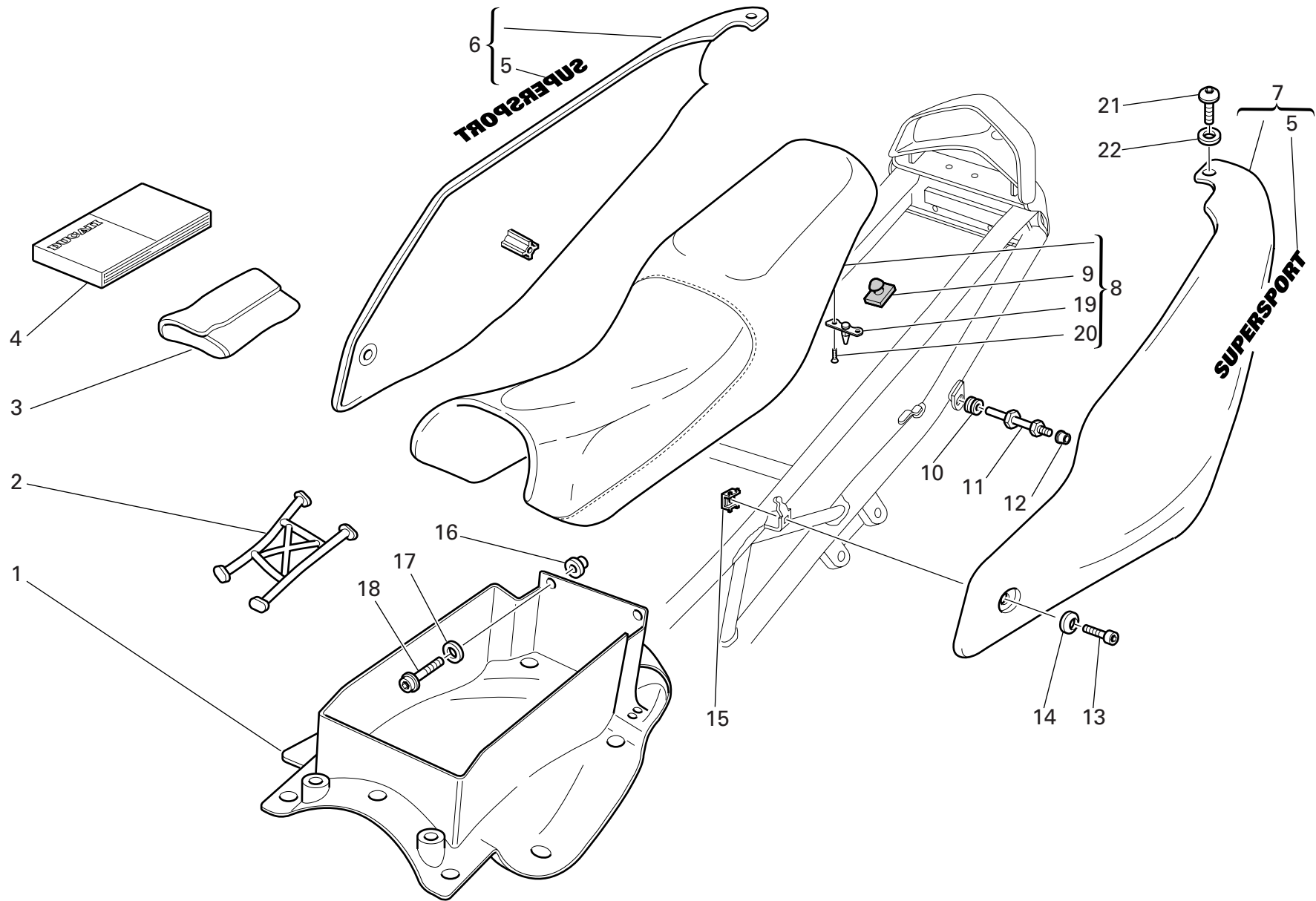
DRAWING **035** NUMBER PLATE HOLDER

NOTES NO.	CODE NO.	DESCRIPTION	VALIDITY	Q.TY 
1	525.4.014.1A	Tail lamp		1
2	532.4.003.1A	Lens		1
3	390.4.003.1A	Two-light bulb 12V 5/21W		1
4	8000.74505	Turn indicator		1
5	829.1.231.1A	Fairlead rubber ring		1
6	850.4.082.1A	Insert		7
7	8000.63161	Washer		2
8	8000.65535	Screw		2
9	777.5.038.2B	Screw		2
10	732.2.009.2A	Seat lock		1
11	866.1.036.1A	Rubber pad		2
12	806.1.014.0A	Handle (unpainted)		1
12	806.1.014.1AA	Red handle		1
13	852.5.030.1A	Washer		4
14	749.5.002.1B	Nut		4
15	749.4.031.1A	Nut		4
16	748.4.100.1AB	Nut		2
17	852.5.001.1C	Washer		6
18	749.5.001.1B	Nut		6
19	8000.36726	Bulb		2
20	532.4.001.1A	Cup		2
21	8000.74504	Turn indicator		1
22	771.5.043.8B	Screw		5
23	852.5.031.1A	Washer		7
24	561.1.013.2A	Number plate holder		1
25	772.5.029.1A	Screw		2

NOTES NO.	CODE NO.	DESCRIPTION	VALIDITY	Q.TY 
26	561.1.019.1A	Plate		1
27	417.7.007.1A	Cap		2
28	529.1.006.1A	Reflector		3
29	0000.36230	Bulb		1
30	598.2.023.1A	Seat lock		1
31	525.1.004.3A	Tail lamp		1
32	510.1.121.1A	Electric wiring		1
33	772.1.063.1A	Screw		4
34	771.5.667.8B	Screw		2
35	829.1.136.1A	Holder		1
36	0691.91.030	Hose guide		2

DRAWING 036

SEAT

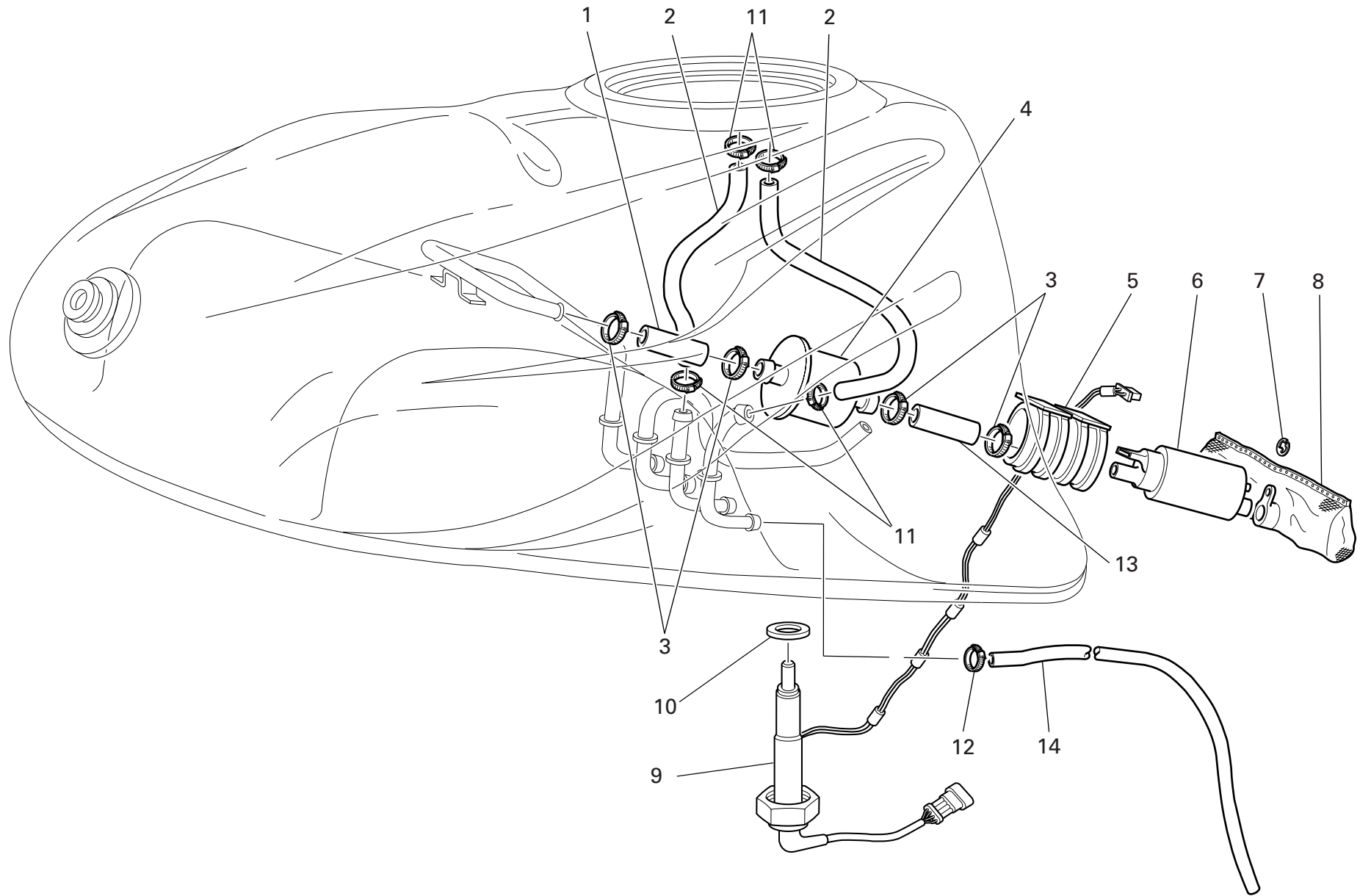


DRAWING **036** SEAT


NOTES NO.	CODE NO.	DESCRIPTION	VALIDITY	Q.TY 
1	559.1.006.1A	Panel (BLACK)		1
2	0000.61172	Rubber		1
3	697.2.010.1B	Tool bag		1
4	913.7.113.1A	Owner's manual		1
5	436.1.030.1AA	Sticker "Supersport" (for RED)		2
6	482.1.025.1BA	R.H. body panel (RED)		1
6	482.3.025.1A	R.H. body panel (unpainted)		1
7	482.1.026.1BA	L.H. body panel (RED)		1
7	482.3.026.1A	L.H. body panel (unpainted)		1
8	595.1.038.2B	Seat		1
9	866.1.030.1A	Rubber pad		6
10	0361.91.730	Rubber pad		2
11	821.1.089.1A	Pin		2
12	850.4.010.1A	Threaded insert		2
13	779.5.010.1B	Screw		2
14	841.1.028.1A	Retainer		2
15	0960.91.130	Nut		2
16	716.1.051.1A	Spacer		2
17	852.1.191.1A	Washer		2
18	771.5.667.8B	Screw		2
19	829.2.232.1A	Holder		1
20	777.5.049.2C	Screw		2
21	775.1.011.1B	Screw		2
22	0000.63161	Washer		2

NOTES NO.	CODE NO.	DESCRIPTION	VALIDITY	Q.TY 
-----------	----------	-------------	----------	--

DRAWING 037 FUEL SYSTEM



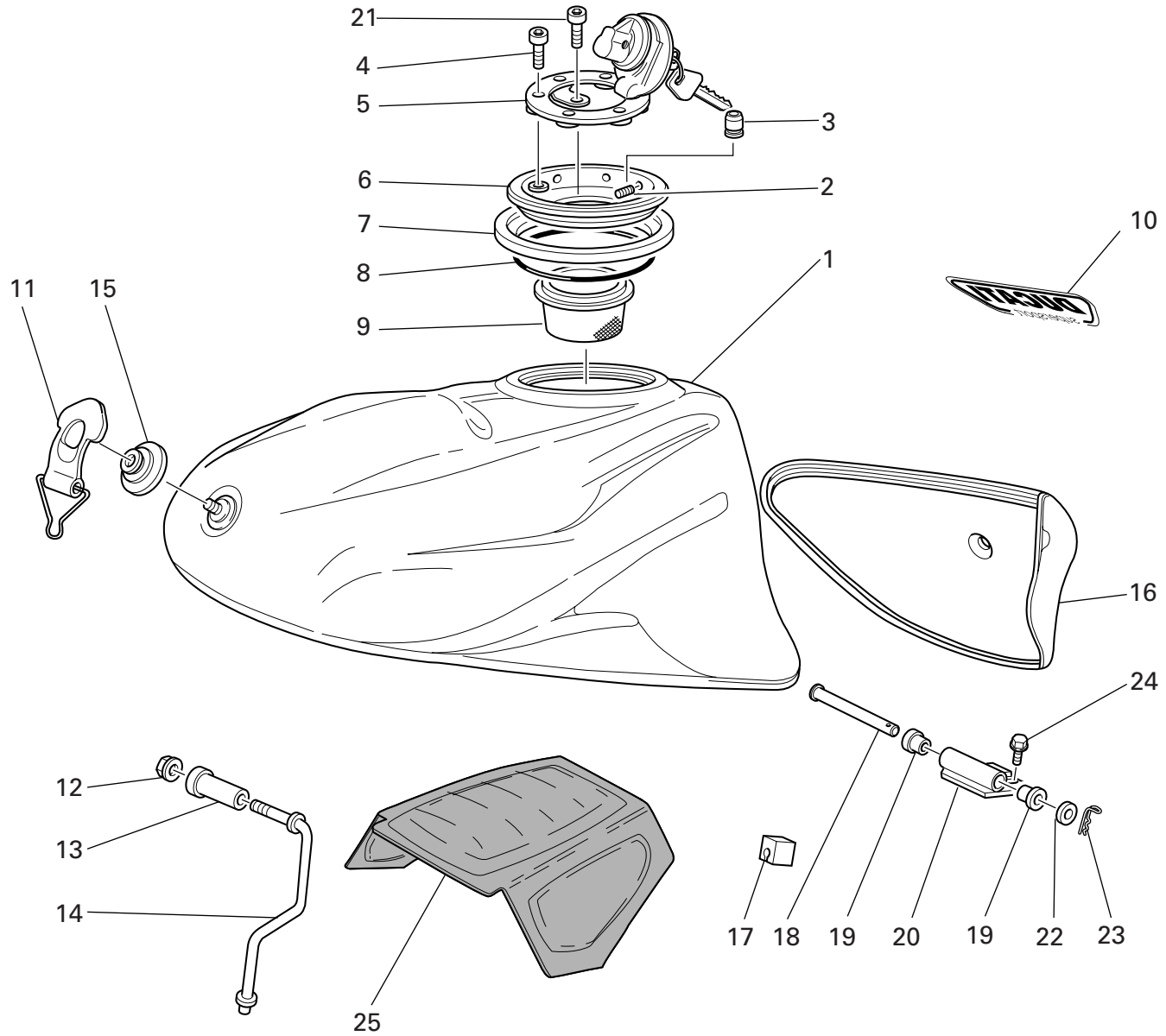
DRAWING **037** FUEL SYSTEM

NOTES NO.	CODE NO.	DESCRIPTION	VALIDITY	Q.TY 
1	590.1.179.1A	Tube		1
2	590.1.027.1A	Tube		2
3	741.4.064.1A	Hose guide		4
4	425.4.004.1B	Fuel filter		1
5	829.1.021.2A	Holder		1
6	430.4.004.1A	Fuel pump		1
7	884.4.012.1A	Circlip		1
8	425.4.008.1A	Fuel filter		1
9	592.1.015.2A	Low fuel sensor		1
10	789.1.001.1A	Gasket		1
11	741.4.008.2A	Hose guide		4
12	741.4.066.1A	Hose guide		2
13	590.1.056.3A	Filter/pump pipe		1
14	590.1.101.1B	Exhaust pipe		1

NOTES NO.	CODE NO.	DESCRIPTION	VALIDITY	Q.TY 
-----------	----------	-------------	----------	--

DRAWING 038

FUEL TANK



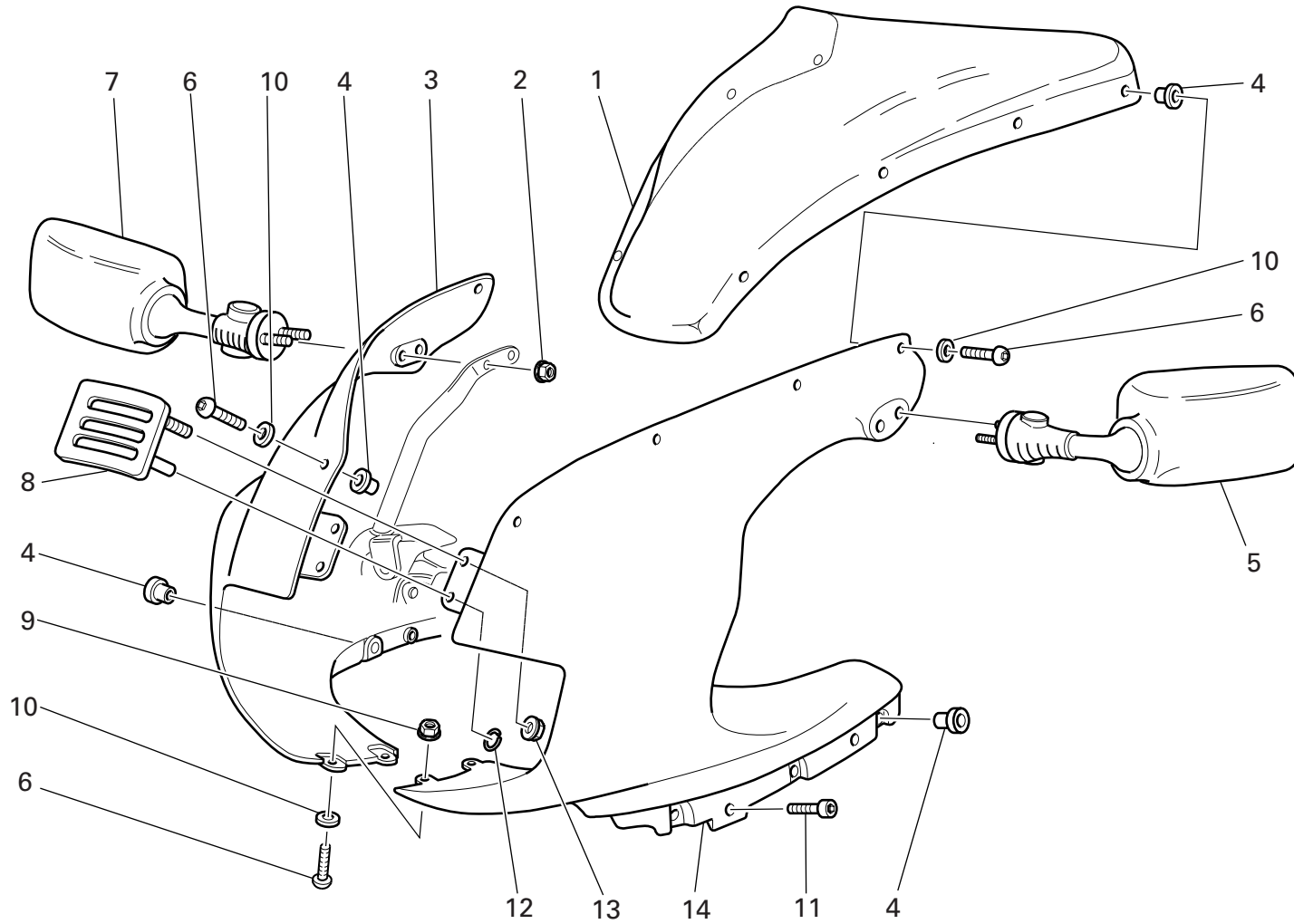
DRAWING **038** FUEL TANK

NOTES NO.	CODE NO.	DESCRIPTION	VALIDITY	Q.TY 
1	586.1.030.1DA	Fuel tank (RED)		1
1	586.3.030.3A	Fuel tank (unpainted)		1
2	779.5.007.1A	Screw		8
3	791.1.039.1A	Gasket		1
4	771.5.045.7E	Screw		3
5	895.4.001.2A	Tank cap		1
6	160.1.013.1B	Flange		1
7	791.1.015.1A	Gasket		1
8	886.4.011.1A	O-Ring		1
9	802.1.005.1A	Hose		1
10	435.1.030.1AA	Sticker "DUCATI" (for RED)		1
11	759.2.016.1A	Belt		1
12	850.4.012.1A	Quik fastening		1
13	712.1.009.2A	Bush		1
14	117.1.017.1A	Rod		1
15	835.1.002.1A	Knob		1
16	723.1.005.1C	Cap		1
17	764.1.010.1A	Rubber pad		1
18	821.1.028.1D	Pin		1
19	712.1.013.3A	Bush		2
20	827.2.134.1B	Plate		1
21	771.5.040.8B	Screw		1
22	80C0.05893	Shim		2
23	685.1.006.1A	Split pin		1
24	772.5.032.1A	Screw		2
25	486.1.067.2A	Panel		1

NOTES NO.	CODE NO.	DESCRIPTION	VALIDITY	Q.TY 
-----------	----------	-------------	----------	--

DRAWING 039

HEADLIGHT FAIRING



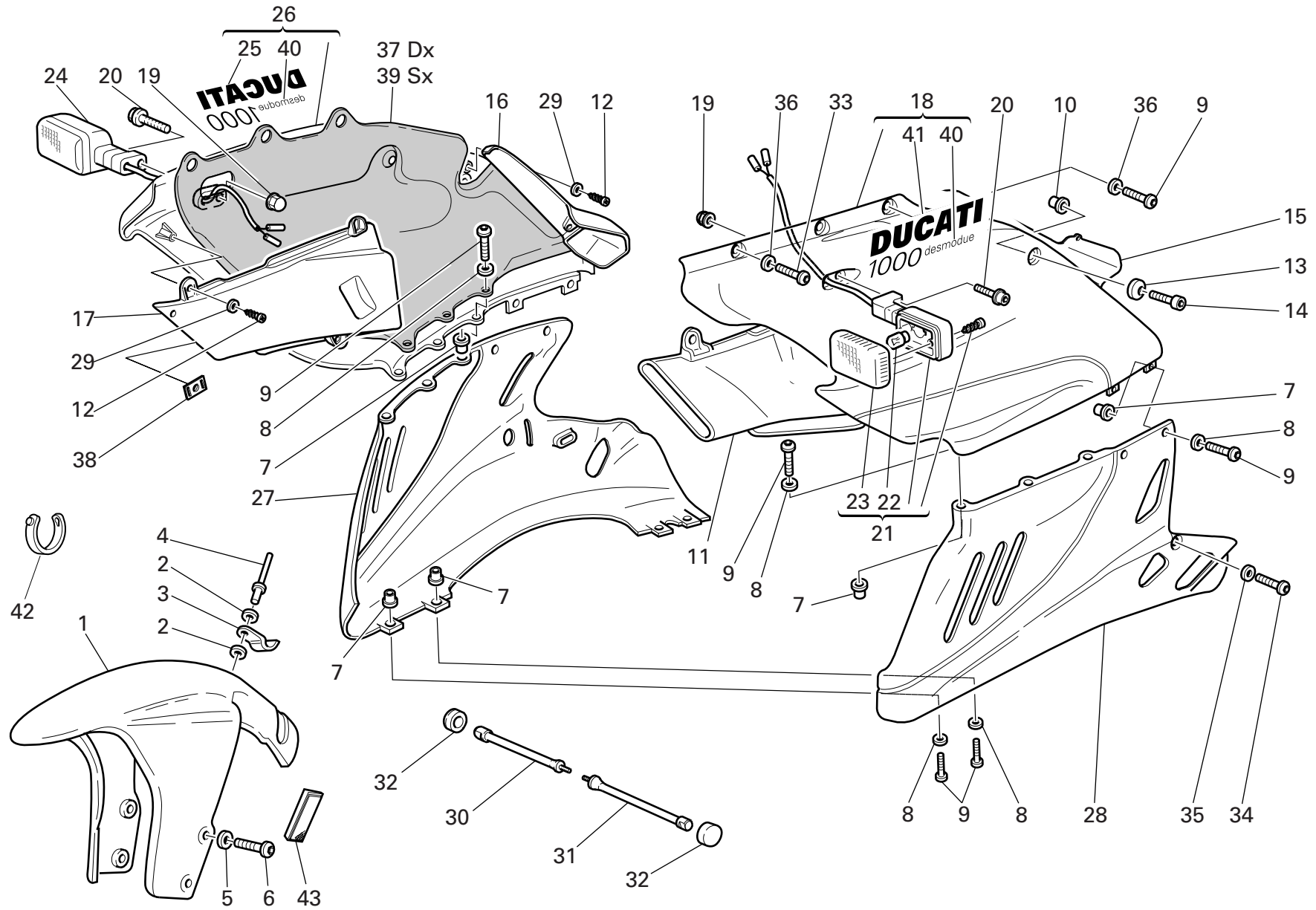
DRAWING 039 HEADLIGHT FAIRING

NOTES NO.	CODE NO.	DESCRIPTION	VALIDITY	Q.TY 
1	487.1.018.3A	Windshield		1
2	749.4.031.1A	Nut		4
3	481.1.019.1AA	Half-Headlight fairing R.H.(RED)		1
3	481.3.019.1A	Half-Headlight fairing R.H. (unpainted)		1
4	850.4.082.1A	Insert		14
5	523.4.011.1A	L.H. rear-view mirror		1
6	775.1.017.1A	Screw		10
7	523.4.010.1A	R.H. rear-view mirror		1
8	247.1.112.1B	Cover		1
9	748.4.100.1AB	Nut		2
10	0000.63161	Washer		10
11	779.5.010.1B	Screw		4
12	850.4.037.1B	Quik fastening		2
13	748.4.026.1C	Nut		2
14	481.1.020.1AA	Half-Headlight fairing L.H.(RED)		1
14	481.3.020.1A	Half-Headlight fairing L.H. (unpainted)		1


NOTES NO.	CODE NO.	DESCRIPTION	VALIDITY	Q.TY 
-----------	----------	-------------	----------	--


DRAWING 040

FAIRING



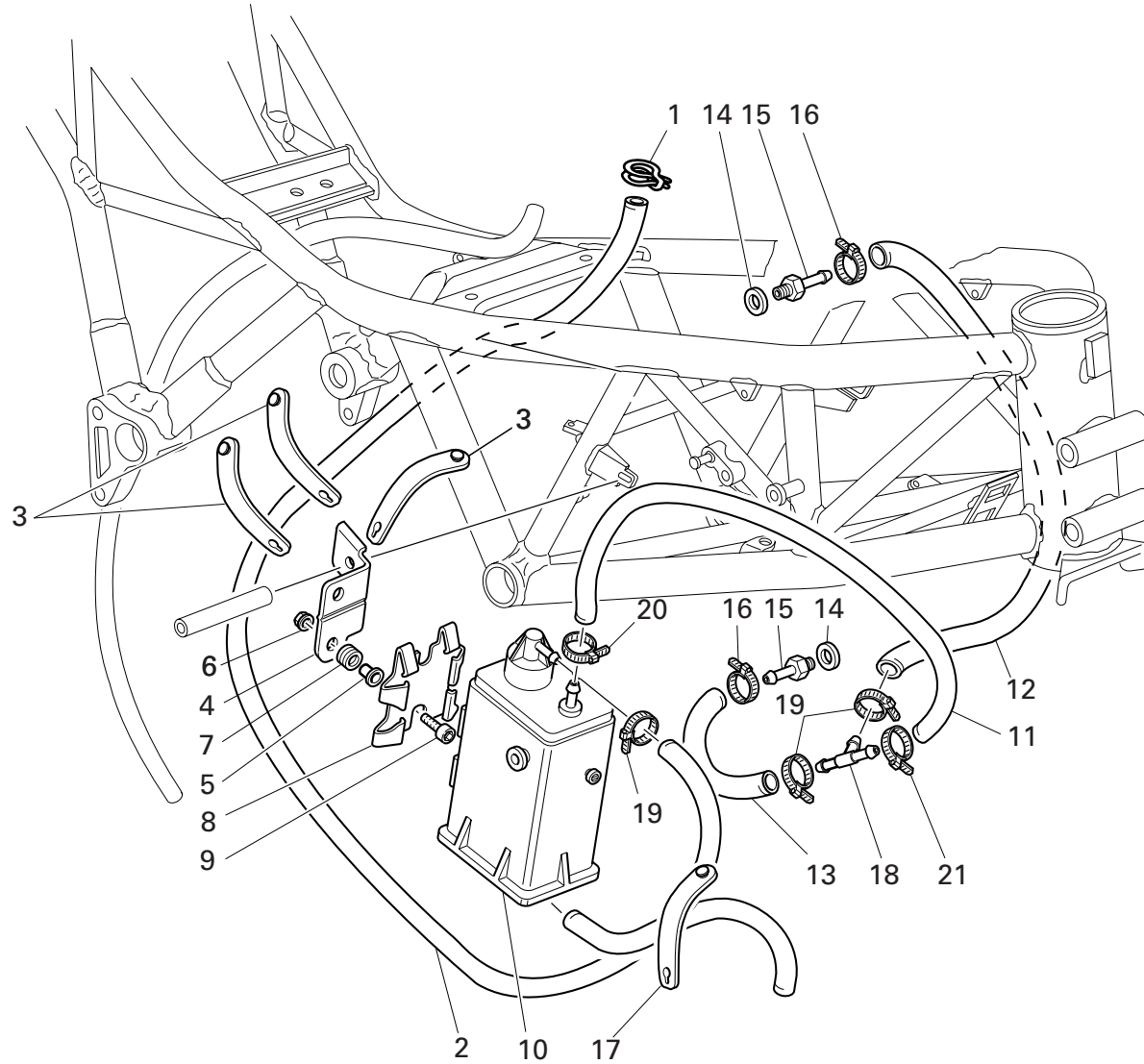
DRAWING **040** FAIRING

NOTES NO.	CODE NO.	DESCRIPTION	VALIDITY	Q.TY 
1	564.1.018.1A	Front mudguard (RED)		1
1	564.3.018.1A	Front mudguard (unpainted)		1
2	852.1.075.1B	Washer		2
3	850.1.003.1A	Clip		1
4	736.4.013.1B	Shear rivet		1
5	856.1.042.1A	Nylon washer		4
6	775.1.038.1B	Screw		4
7	850.4.082.1A	Insert		12
8	0000.63161	Washer		12
9	775.1.011.1B	Screw		16
10	0364.99.020	Bush		2
11	484.1.033.1A	L.H. air manifold		1
12	774.5.008.1A	Screw		10
13	841.1.028.1A	Retainer		2
14	779.5.001.1B	Screw		2
15	484.1.036.1A	L.H. Air deflector		1
16	484.1.035.1A	R.H. air deflector		1
17	484.1.032.1A	R.H. air manifold		1
18	480.1.136.1BA	L.H. upper half-fairing (RED)		1
18	480.3.082.1B	L.H. upper half-fairing (unpainted)		1
19	749.4.031.1A	Nut		2
20	771.5.667.8B	Screw		2
21	8000.74504	Turn indicator		1
22	8000.36726	Bulb		2
23	532.4.001.1A	Cup		2
24	8000.74505	Turn indicator		1


NOTES NO.	CODE NO.	DESCRIPTION	VALIDITY	Q.TY 
25	437.1.125.1AA	Sticker "DUCATI1000" (for RED)		1
26	480.1.135.1BA	R.H. upper half-fairing (RED)		1
26	480.3.081.1A	R.H. upper half-fairing (unpainted)		1
27	480.1.083.1AA	R.H. lower half-fairing (RED)		1
27	480.3.083.1A	R.H. lower half-fairing (unpainted)		1
28	480.1.084.1BA	L.H. lower half-fairing (RED)		1
28	480.3.084.1B	L.H. lower half-fairing (unpainted)		1
29	852.5.002.1B	Washer		10
30	684.1.042.1A	R.H. Stud bolt		1
31	684.1.043.1A	L.H. stud bolt		1
32	0000.17847	Rubber hose		2
33	775.1.013.1AB	Screw		2
34	775.1.008.3A	Screw		2
35	856.1.040.1A	Nylon washer		2
36	856.4.002.1A	Washer		6
37	486.1.054.2A	R.H. side panel		1
38	0691.91.030	Hose guide		2
39	486.1.055.2A	L.H. side panel		1
40	437.1.108.1AA	Sticker "DESMODUE" (for RED)		1
41	437.1.126.1AA	Sticker "DUCATI1000" (for RED)		1
42	529.1.008.1AB	Cat's eye (AMBER)		2

DRAWING 041

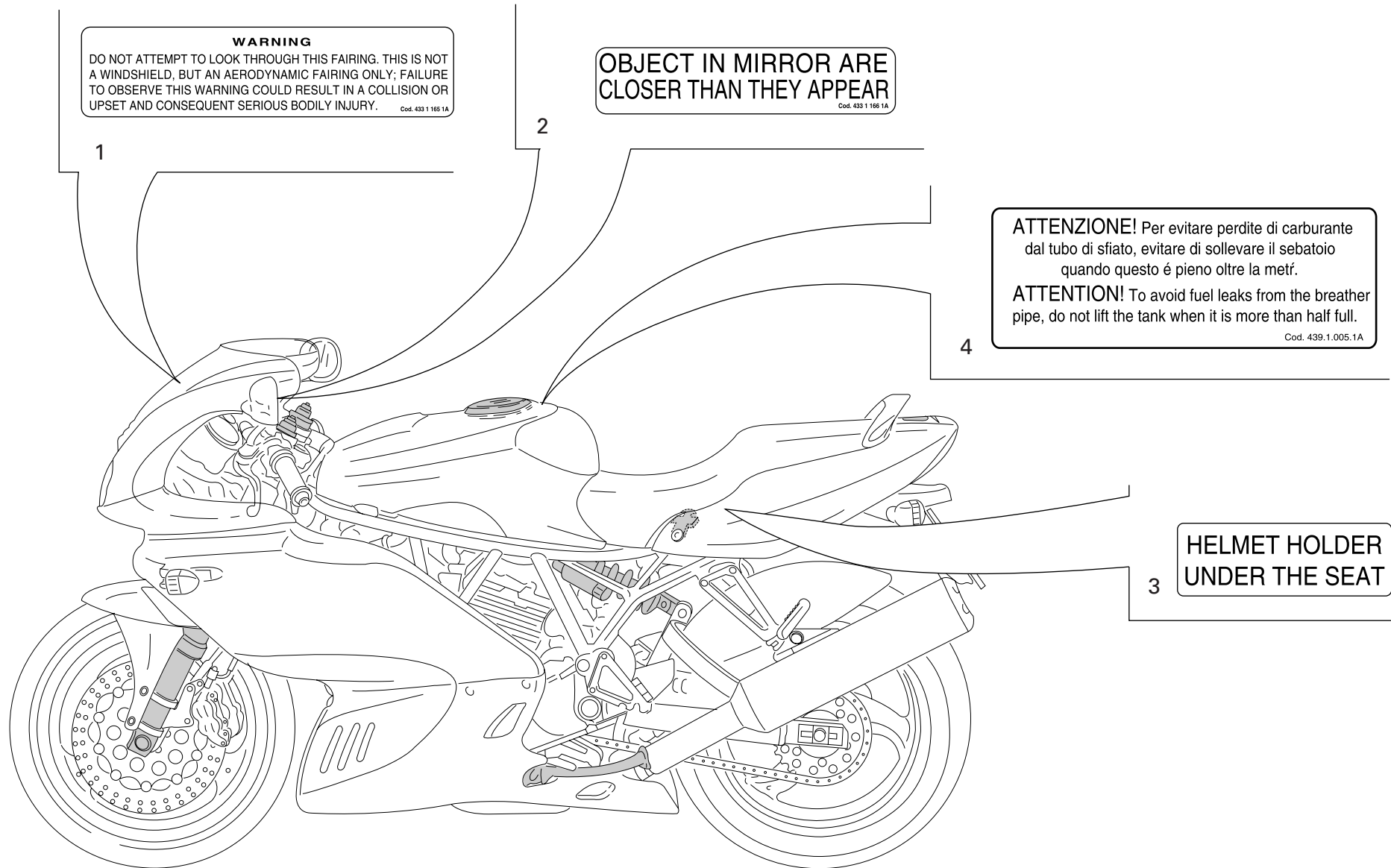
FUEL INFEED




DRAWING **041** FUEL INFEED

NOTES NO.	CODE NO.	DESCRIPTION	VALIDITY	Q.TY 
1	741.4.057.1A	Hose guide		1
2	590.1.116.1A	Tube		1
3	741.1.013.1A	Hose guide		3
4	827.1.183.2A	Holder		1
5	716.1.043.1B	Spacer		2
6	749.4.031.1A	Nut		2
7	764.1.029.1A	Rubber pad		2
8	827.1.157.1A	Plate		1
9	779.5.001.1B	Screw		2
10	426.1.007.1A	CANISTER filter		1
11	590.1.117.1A	Tube		1
12	590.1.171.1A	Tube		1
13	590.1.111.1B	Tube		1
14	0250.70.223	Aluminium gasket		2
15	814.1.091.2A	Union		2
16	741.4.001.1A	Hose guide		2
17	741.1.012.1A	Hose guide		1
18	0361.98.850	Shunt valve		1
19	741.4.063.1A	Hose guide		3
20	741.4.058.1A	Hose guide		1
21	741.4.059.1A	Hose guide		1

NOTES NO.	CODE NO.	DESCRIPTION	VALIDITY	Q.TY 
-----------	----------	-------------	----------	--



DRAWING 042 MARKING PLATES

NOTES NO.	CODE NO.	DESCRIPTION	VALIDITY	Q.TY 
1	433.1.165.1A	Sticker		1
2	433.1.166.1A	Label		2
3	433.1.170.1A	Sticker		1
4	433.1.164.1A	Sticker		1

NOTES NO.	CODE NO.	DESCRIPTION	VALIDITY	Q.TY 
-----------	----------	-------------	----------	--

INDEX

CODE No.	Drwg.	POS. N.	CODE No.	Drwg.	POS. N.	CODE No.	Drwg.	POS. N.	CODE No.	Drwg.	POS. N.	CODE No.	Drwg.	POS. N.
0000.01199	020	19	0370.49.250	010	22	0670.16.145	003	7	0803.77.010	034	16	160.1.004.2B	034	18
0000.01199	033	41	0370.72.020	027	18	0670.16.150	003	3	0960.91.130	019	10	160.1.013.1B	038	6
0000.17847	040	32	0370.84.005	017	1	0670.16.155	003	19	0960.91.130	022	8	160.1.057.1A	012	13
0000.33552	026	20	0370.98.610	031	6	0670.16.170	003	26	0960.91.130	030	16	160.1.105.1A	013	19
0000.36230	022	3	0375.92.210	014	13	0670.49.310	009	26	0960.91.130	036	15	162.1.001.1B	004	7
0000.36230	035	29	0375.92.210	015	19	0670.92.190	014	8	112.1.012.1AB	006	8	170.2.020.1B	004	17
0000.56803	029	4	0400.09.050	002	21	0670.92.190	015	8	112.1.012.1AC	006	8	171.2.020.2B	008	10
0000.61078	026	12	0400.17.030	004	26	0691.37.020	024	12	117.1.017.1A	038	14	172.1.002.1B	003	10
0000.61172	036	2	0400.29.125	002	34	0691.91.010	024	4	117.1.025.2A	033	13	172.1.003.1A	003	8
0000.63161	036	22	0400.29.126	002	34	0691.91.030	022	14	117.2.006.1A	004	29	172.1.004.1A	003	5
0000.63161	039	10	0400.49.240	005	13	0691.91.030	029	27	117.2.030.2A	020	8	172.1.005.1A	003	9
0000.63161	040	8	0400.49.240	011	18	0691.91.030	035	36	120.2.080.1A	007	8	172.1.006.1B	003	18
0000.64471	034	3	051.2.001.1A	001	10	0691.91.030	040	38	120.2.081.1A	007	4	172.1.007.1B	003	24
0000.66181	027	15	0619.50.065	012	17	0755.29.025	006	14	121.1.127.1A	007	3	172.1.008.1A	003	22
0000.66527	029	20	0619.92.180	014	8	0755.29.025	008	21	121.2.033.1A	007	1	172.1.009.1A	003	21
0124.40.060	008	12	0619.92.180	015	8	0755.49.265	010	2	122.2.087.2A	007	9	172.1.010.1A	003	20
0170.91.730	020	28	0647.70.010	014	12	0759.49.280	009	15	135.1.008.2A	031	8	172.1.011.1A	003	23
0170.91.730	021	15	0647.70.010	015	20	0765.92.185	014	8	137.2.003.3B	016	11	173.1.012.3A	012	20
0250.70.223	016	12	0659.16.555	004	1	0765.92.185	015	8	146.2.091.1A	006	1	174.1.025.2A	009	12
0250.70.223	041	14	0660.13.060	002	19	0765.92.190	014	8	147.1.026.1A	008	9	174.2.025.6A	009	1
0251.47.054	003	1	0660.13.070	002	13	0765.92.190	015	8	148.1.284.1A	013	16	176.1.001.1A	012	6
0272.91.090	002	8	0660.13.143	002	9	0765.92.205	002	21	148.1.285.1A	013	9	176.1.009.1A	012	10
0361.91.730	036	10	0660.13.165	002	25	0765.92.205	014	8	149.1.032.3A	003	25	180.1.001.1A	002	11
0361.98.850	041	18	0660.16.145	004	21	0765.92.205	015	8	150.2.006.1B	003	2	180.1.002.1A	002	12
0364.99.020	019	14	0660.47.040	006	13	0795.37.120	024	13	150.2.063.1A	003	28	180.1.008.1A	002	24
0364.99.020	040	10	0660.50.020	012	8	0796.38.305	022	2	150.2.072.1A	003	27	182.2.018.1A	002	18
0370.39.780	033	32	0665.49.680	005	8	0799.13.110	002	27	158.2.012.1A	006	5	184.1.001.1A	033	11

INDEX

CODE No.	Drwg.	POS. N.	CODE No.	Drwg.	POS. N.	CODE No.	Drwg.	POS. N.	CODE No.	Drwg.	POS. N.	CODE No.	Drwg.	POS. N.
190.2.011.1A	004	8	246.1.057.1D	029	22	303.1.040.1BA	015	2	341.1.039.1A	024	9	389.4.006.1A	029	26
194.2.001.1B	004	12	246.1.070.1A	024	19	303.1.040.1BB	014	5	342.2.007.1B	024	3	389.4.008.1A	029	26
195.4.003.1A	004	22	247.1.002.1BC	011	9	303.1.040.1BB	015	2	347.1.018.1A	025	6	389.4.010.1A	029	26
196.1.001.2B	004	10	247.1.083.1AE	011	4	303.1.040.1BC	014	5	349.1.064.1A	025	8	389.4.012.1A	029	3
198.1.029.1A	004	13	247.1.112.1B	039	8	303.1.040.1BC	015	2	349.1.065.1A	025	9	389.4.013.1A	029	26
208.1.012.4A	014	14	247.1.184.1A	020	21	303.1.041.1C	014	4	349.1.095.1A	025	2	390.4.003.1A	035	3
208.1.012.4A	015	17	247.1.185.1A	021	10	303.1.041.1C	015	3	349.1.096.1A	025	16	395.2.013.1C	030	14
209.1.041.1A	014	16	254.1.001.1A	011	7	303.1.041.1CA	014	4	349.1.098.1A	025	11	397.2.001.2A	030	3
209.1.041.1A	015	18	254.4.001.2A	005	4	303.1.041.1CA	015	3	349.1.100.1A	025	5	406.1.023.1B	023	1
210.1.042.1A	014	22	255.1.023.2A	008	15	303.1.041.1CB	014	4	349.1.101.1A	025	18	417.7.007.1A	035	27
210.1.042.1A	015	7	255.1.024.2A	013	3	303.1.041.1CB	015	3	349.1.102.1A	025	20	420.2.006.4A	010	19
211.1.040.1A	014	21	264.4.014.3B	011	1	303.1.041.1CC	014	4	349.1.103.1A	025	21	425.4.004.1B	037	4
211.1.040.1A	015	6	264.4.022.1A	011	1	303.1.041.1CC	015	3	349.1.120.1A	025	23	425.4.008.1A	037	8
220.3.208.3A	009	16	270.4.005.1A	012	1	304.1.042.1B	014	2	349.1.172.1A	025	17	426.1.007.1A	041	10
225.2.148.1A	010	1	276.1.025.1B	012	16	304.1.042.1B	015	4	349.1.173.1A	025	24	430.4.004.1A	037	6
235.2.037.1A	013	12	280.4.007.1A	016	10	304.1.042.1BB	014	2	349.1.174.1A	025	22	433.1.108.1E	032	20
240.2.026.1B	014	10	282.4.046.3A	016	1	304.1.042.1BB	015	4	349.1.175.1A	025	3	433.1.164.1A	042	4
240.2.026.1B	015	12	283.4.003.1A	016	21	304.1.042.1BC	014	2	349.1.176.1A	025	7	433.1.165.1A	042	1
240.2.031.1A	015	24	284.4.008.1A	016	2	304.1.042.1BC	015	4	349.2.014.1A	025	10	433.1.166.1A	042	2
242.2.045.2A	011	19	286.4.102.1A	029	5	304.1.043.1B	014	3	349.2.029.1B	025	15	433.1.170.1A	042	3
243.1.025.1AD	005	1	287.4.024.1B	016	8	304.1.043.1B	015	5	360.2.037.1A	024	17	433.1.300.1B	029	23
243.2.039.4A	005	6	301.2.092.1D	014	1	304.1.043.1BB	014	3	360.2.038.1A	024	20	435.1.030.1AA	038	10
245.1.030.1A	013	5	301.2.232.1A	015	1	304.1.043.1BB	015	5	365.2.047.2A	032	2	436.1.030.1AA	036	5
245.1.031.1A	013	6	301.2.233.1A	014	1	304.1.043.1BC	014	3	369.1.004.1A	032	17	437.1.108.1AA	040	40
245.1.032.1A	008	4	303.1.040.1B	014	5	304.1.043.1BC	015	5	370.1.031.2A	032	13	437.1.125.1AA	040	25
245.1.033.1A	008	1	303.1.040.1B	015	2	340.2.162.1A	025	4	373.1.034.1A	032	24	437.1.126.1AA	040	41
246.1.046.1B	031	7	303.1.040.1BA	014	5	340.2.163.1A	025	1	380.4.010.1B	029	10	442.1.007.2A	031	4

INDEX

CODE No.	Drwg.	POS. N.	CODE No.	Drwg.	POS. N.	CODE No.	Drwg.	POS. N.	CODE No.	Drwg.	POS. N.	CODE No.	Drwg.	POS. N.
442.1.042.1B	031	2	480.1.136.1BA	040	18	510.1.121.1A	035	32	539.4.033.1A	026	21	576.1.032.1A	017	19
442.2.041.1B	031	1	480.3.081.1A	040	26	510.1.210.2A	022	16	540.4.010.1A	029	18	585.1.008.2B	031	21
444.4.003.4A	009	20	480.3.082.1B	040	18	510.1.227.2A	029	1	541.4.007.1A	030	13	585.4.001.1A	033	20
446.1.004.1A	032	29	480.3.083.1A	040	27	514.1.032.1A	001c	9	548.4.030.3A	028	9	586.1.030.1DA	038	1
447.1.039.1A	032	18	480.3.084.1B	040	28	514.1.033.1A	001c	13	552.1.037.1A	001c	4	586.3.030.3A	038	1
447.1.040.1A	032	27	481.1.019.1AA	039	3	514.1.035.1A	001c	10	552.1.038.1A	001c	5	590.1.027.1A	037	2
449.1.045.1A	003	12	481.1.020.1AA	039	14	514.1.036.1A	001c	10	552.1.039.1A	001c	19	590.1.056.3A	037	13
451.1.025.1A	008	20	481.3.019.1A	039	3	514.1.037.1A	001c	6	552.1.040.1A	001c	11	590.1.101.1B	037	14
451.2.017.1A	008	8	481.3.020.1A	039	14	514.1.038.1A	001c	14	552.1.045.2A	009	2	590.1.111.1B	041	13
455.2.003.1A	002	4	482.1.025.1BA	036	6	514.1.043.1A	030	5	552.4.013.1A	015	32	590.1.116.1A	041	2
456.1.046.1B	020	12	482.1.026.1BA	036	7	516.4.001.1AB	029	6	552.4.020.1A	011	12	590.1.117.1A	041	11
456.2.007.1A	020	16	482.3.025.1A	036	6	518.4.004.2B	024	30	552.4.031.1A	022	7	590.1.171.1A	041	12
457.2.008.1A	033	6	482.3.026.1A	036	7	520.4.029.1C	022	1	552.4.037.1A	033	38	590.1.179.1A	037	1
462.4.046.1A	023	3	484.1.032.1A	040	17	523.4.010.1A	039	7	556.1.018.1D	018	9	590.1.189.1A	001c	1
463.2.010.9A	014	9	484.1.033.1A	040	11	523.4.011.1A	039	5	556.1.023.1A	018	3	590.1.190.1A	001c	2
463.2.010.9A	015	11	484.1.035.1A	040	16	525.1.004.3A	035	31	556.2.021.1B	018	1	592.1.015.2A	037	9
463.2.026.1A	014	20	484.1.036.1A	040	15	525.4.014.1A	035	1	559.1.006.1A	036	1	593.1.003.1B	010	33
463.2.026.1A	015	34	486.1.054.2A	040	37	529.1.006.1A	035	28	561.1.013.2A	035	24	593.1.018.1A	009	29
463.2.053.7A	004	15	486.1.055.2A	040	39	529.1.008.1AB	040	42	561.1.019.1A	035	26	595.1.038.2B	036	8
464.1.005.1A	020	20	486.1.067.2A	038	25	532.4.001.1A	035	20	564.1.018.1A	040	1	598.2.023.1A	035	30
464.1.006.1A	021	13	487.1.018.3A	039	1	532.4.001.1A	040	23	564.3.018.1A	040	1	598.2.031.1B	019	13
465.1.008.1A	020	27	492.4.003.2A	034	24	532.4.003.1A	035	2	565.1.029.1A	032	1	598.4.016.1A	024	8
465.1.010.1A	021	6	492.4.024.1A	034	10	539.1.021.1A	002	6	570.1.084.1A	017	7	598.4.018.1A	024	33
470.1.042.1FA	019	1	494.1.072.2A	034	15	539.1.023.2A	018	5	571.1.081.1A	017	5	60N107321	026	7
480.1.083.1AA	040	27	497.2.001.2A	034	8	539.4.003.1B	033	15	573.1.047.3A	017	11	610.4.065.1A	027	26
480.1.084.1BA	040	28	501.2.105.1AB	034	7	539.4.021.1A	027	5	574.1.047.3A	017	18	610.4.066.1A	027	7
480.1.135.1BA	040	26	502.2.108.1AB	034	23	539.4.030.1A	005	16	576.1.031.1A	017	12	611.4.009.1A	033	35

INDEX

CODE No.	Drwg.	POS. N.	CODE No.	Drwg.	POS. N.	CODE No.	Drwg.	POS. N.	CODE No.	Drwg.	POS. N.	CODE No.	Drwg.	POS. N.
612.4.005.1A	026	8	652.4.006.1B	024	10	700.1.005.1A	034	21	70914.2121	017	14	713.1.266.1A	003	15
612.4.008.1A	027	12	654.2.003.1A	024	23	700.1.011.1B	028	6	710.1.001.1A	009	13	713.1.332.1A	029	11
612.4.008.1A	033	31	656.1.018.3A	024	5	700.1.036.1A	012	24	710.1.002.1A	004	23	713.1.365.1A	011	28
612.4.014.1A	027	4	657.1.017.1A	024	31	700.1.040.1A	007	12	710.1.006.1A	034	17	714.1.028.1A	034	6
612.4.016.1A	033	29	658.4.002.1B	024	22	700.1.040.1A	014	25	710.1.030.1A	026	13	714.1.040.1A	034	22
612.4.017.1A	027	10	669.1.001.1E	014	18	700.1.040.1A	015	23	710.1.032.1A	010	42	714.1.045.1B	034	4
613.4.020.1A	027	25	669.1.001.1E	015	15	700.1.042.1A	023	4	710.1.069.1A	010	21	716.1.022.1B	031	13
613.4.021.1A	033	33	670.4.035.1A	029	21	701.4.003.1A	012	19	710.1.070.1A	010	30	716.1.043.1B	041	5
618.4.060.1A	027	23	671.1.020.1A	029	14	701.4.005.1A	003	4	711.1.007.1A	006	6	716.1.051.1A	036	16
619.4.028.1A	033	23	671.1.021.1A	029	28	701.4.007.1A	012	21	711.1.072.1A	010	43	716.1.073.2A	008	13
624.4.012.1A	027	1	672.1.023.1A	030	17	702.4.013.1A	010	26	711.1.095.1A	010	32	716.1.099.1A	008	17
625.4.006.1A	033	26	672.1.024.1A	030	18	702.4.017.1A	004	20	711.1.126.1A	007	11	716.1.103.1B	030	11
626.4.007.1B	027	2	672.1.029.1A	030	21	702.4.020.1A	010	29	711.1.128.1A	010	38	716.4.001.1A	022	12
626.4.008.1A	027	20	672.1.034.1A	015	25	702.4.033.1A	010	9	711.1.172.1A	007	7	72094.1616	010	10
626.4.008.1B	026	4	672.4.004.1A	022	9	702.4.069.1A	008	5	712.1.009.2A	038	13	72121.2106	006	4
626.4.009.1A	026	3	672.4.005.1A	022	4	702.5.008.1A	010	20	712.1.013.3A	038	19	723.1.005.1C	038	16
626.4.009.1A	027	3	676.2.052.1A	034	2	702.5.008.1A	011	3	712.1.034.1A	020	14	732.2.009.2A	035	10
626.4.013.1A	033	28	676.4.034.1A	032	28	702.5.016.1A	004	14	712.1.034.1A	033	4	73270.8001	017	13
626.4.035.1A	026	2	677.4.003.1A	001a	4	702.5.019.1A	010	12	713.1.012.1B	004	31	73500.0624	033	3
630.4.020.1A	026	1	684.1.027.3A	019	11	702.5.044.1A	003	29	713.1.014.1E	003	11	73500.1440	012	11
631.4.004.1A	027	9	684.1.042.1A	040	30	702.5.045.1A	034	5	713.1.032.1A	034	13	73500.1542	002	15
631.4.008.1A	026	5	684.1.043.1A	040	31	703.1.019.1A	015	30	713.1.137.1A	015	27	73500.1747	015	26
631.4.008.1A	027	21	684.1.044.1A	017	16	703.5.006.2A	008	18	713.1.140.1A	010	14	73503.3380	010	18
631.4.008.1A	033	27	684.1.046.1B	018	11	703.5.006.2A	013	1	713.1.152.1A	024	27	73503.3380	011	2
632.1.029.1A	026	18	685.1.006.1A	038	23	70610.8120	004	11	713.1.192.1A	033	39	73503.3449	016	22
650.4.009.1B	024	29	697.2.010.1B	036	3	707006N02	026	10	713.1.204.1A	003	13	736.4.013.1B	040	4
651.4.011.1A	024	18	698.1.033.1A	001c	15	707006N02	027	19	713.1.241.1A	005	24	737.4.021.1A	008	19

INDEX

CODE No.	Drwg.	POS. N.	CODE No.	Drwg.	POS. N.	CODE No.	Drwg.	POS. N.	CODE No.	Drwg.	POS. N.	CODE No.	Drwg.	POS. N.
741.1.003.3A	017	6	747.5.009.1A	024	1	750.1.002.1B	004	25	764.1.090.1A	030	9	771.5.066.8B	014	11
741.1.012.1A	041	17	748.1.008.1C	032	22	750.1.007.1A	003	32	764.1.090.1A	031	12	771.5.066.8B	015	13
741.1.013.1A	033	37	748.1.014.1C	034	1	750.1.012.2A	006	3	764.4.004.1A	019	2	771.5.066.8B	033	40
741.1.013.1A	041	3	748.1.039.1A	016	15	750.1.114.1B	030	10	764.4.007.1A	022	13	771.5.067.8B	002	28
741.4.001.1A	041	16	748.1.040.1A	002	23	750.1.125.1A	032	25	76400.0004	010	3	771.5.067.8B	011	13
741.4.002.1A	031	15	748.1.050.1A	010	8	750.5.005.1A	012	3	76402.0002	003	17	771.5.069.8B	005	5
741.4.004.1A	016	5	748.4.002.1A	019	3	750.5.005.1A	030	2	766.1.059.1A	010	6	771.5.069.8B	009	10
741.4.008.2A	037	11	748.4.024.1AB	034	12	75113.2566	004	18	766.4.017.2A	013	17	771.5.069.8B	011	6
741.4.038.1A	029	2	748.4.026.1C	039	13	75163.3268	034	20	766.4.018.1A	013	18	771.5.069.8B	012	22
741.4.042.1A	016	3	748.4.033.1A	017	4	75191.3380	010	25	76835.1134	002	10	771.5.071.8B	005	23
741.4.043.1A	026	14	748.4.034.1B	032	15	75794.1542	010	17	770.5.250.8B	010	15	771.5.071.8B	011	17
741.4.043.1A	027	16	748.4.100.1AB	023	5	759.1.017.1A	030	6	771.1.026.1A	005	2	771.5.071.8B	012	23
741.4.043.1A	033	17	748.4.100.1AB	035	16	759.2.016.1A	038	11	771.1.027.1A	005	3	771.5.071.8B	019	12
741.4.057.1A	041	1	748.4.100.1AB	039	9	760.1.003.1B	031	9	771.1.035.1A	020	2	771.5.071.8B	028	5
741.4.058.1A	041	20	749.4.031.1A	035	15	76266.2668	010	4	771.1.035.1A	021	5	771.5.072.8B	008	2
741.4.059.1A	041	21	749.4.031.1A	039	2	764.1.001.1A	017	15	771.5.025.8B	029	9	771.5.072.8B	010	31
741.4.062.1A	032	10	749.4.031.1A	040	19	764.1.002.1A	014	6	771.5.039.8B	016	9	771.5.073.8B	011	16
741.4.063.1A	041	19	749.4.031.1A	041	6	764.1.002.1A	015	21	771.5.040.8B	011	21	771.5.078.8B	005	20
741.4.064.1A	037	3	749.4.032.1A	017	10	764.1.003.1B	004	6	771.5.040.8B	038	21	771.5.078.8B	012	12
741.4.066.1A	037	12	749.4.032.1A	019	8	764.1.005.1A	022	15	771.5.043.8B	004	4	771.5.079.8B	005	21
74172.1008	006	10	749.4.045.2A	018	10	764.1.010.1A	038	17	771.5.043.8B	035	22	771.5.080.8B	010	27
74172.1008	013	8	749.5.001.1B	035	18	764.1.011.1A	020	15	771.5.045.7E	038	4	771.5.123.8B	002	30
74223.1045	031	14	749.5.002.1B	035	14	764.1.011.2A	033	5	771.5.064.2B	011	5	771.5.127.8B	024	34
74224.0570	004	24	749.5.006.1A	016	16	764.1.029.1A	041	7	771.5.065.8B	008	3	771.5.129.8B	009	8
74224.0570	006	7	749.5.006.1A	020	7	764.1.031.1A	030	15	771.5.066.8B	011	24	771.5.136.8B	010	24
747.5.001.1A	020	9	749.5.006.1A	033	9	764.1.063.1A	017	2	771.5.066.8B	012	5	771.5.154.8B	018	2
747.5.005.1B	020	5	749.5.007.1A	032	7	764.1.084.1A	029	13	771.5.066.8B	013	10	771.5.162.8B	024	28

INDEX

CODE No.	Drwg.	POS. N.	CODE No.	Drwg.	POS. N.	CODE No.	Drwg.	POS. N.	CODE No.	Drwg.	POS. N.	CODE No.	Drwg.	POS. N.
771.5.431.2B	027	6	772.5.029.1A	033	12	779.1.007.2A	006	9	779.5.001.1B	040	14	791.1.052.1A	030	20
771.5.663.8B	019	6	772.5.029.1A	035	25	779.1.009.1A	032	19	779.5.001.1B	041	9	791.1.059.1A	022	11
771.5.663.8B	033	34	772.5.031.1B	022	6	779.1.026.2A	010	36	779.5.007.1A	038	2	791.2.026.2A	007	5
771.5.665.8B	004	28	772.5.031.1B	029	8	779.1.029.2A	010	44	779.5.010.1B	036	13	799.1.025.1A	002	20
771.5.667.8B	020	11	772.5.032.1A	020	22	779.1.039.1A	002	3	779.5.010.1B	039	11	799.1.045.1A	020	4
771.5.667.8B	031	17	772.5.032.1A	021	11	779.1.050.1A	030	22	779.5.012.1B	016	14	799.1.045.1A	021	3
771.5.667.8B	035	34	772.5.032.1A	038	24	779.1.057.1C	032	26	779.5.016.1B	017	17	799.1.049.1A	002	1
771.5.667.8B	036	18	772.5.033.1A	010	39	779.1.082.2A	026	19	779.5.030.2A	013	4	799.1.051.2A	006	15
771.5.667.8B	040	20	772.5.033.1A	016	20	779.1.092.1A	027	17	779.5.056.8B	028	7	799.1.055.1A	009	30
771.5.669.2B	024	14	773.5.065.8B	013	15	779.1.099.1C	024	2	779.5.056.8B	033	21	799.1.058.1A	024	6
771.5.669.2B	026	6	774.5.002.1A	031	5	779.1.109.1A	006	2	780.1.007.1A	017	8	799.1.061.3A	014	7
771.5.669.2B	027	24	774.5.008.1A	040	12	779.1.119.1B	032	4	780.1.018.1A	009	5	799.1.061.3A	015	9
771.5.721.8B	029	7	775.1.006.1A	030	23	779.1.133.1A	014	24	780.2.047.1A	009	17	799.1.083.1B	033	36
771.5.724.8B	033	30	775.1.008.3A	040	34	779.1.133.1A	015	33	780.5.001.1A	005	26	799.1.088.1A	018	7
771.5.727.8B	024	11	775.1.011.1B	036	21	779.1.162.2A	009	27	786.1.064.1A	007	10	799.1.089.1A	018	6
771.5.754.8B	033	14	775.1.011.1B	040	9	779.1.198.2A	009	23	786.1.086.1A	007	6	799.1.252.1A	020	26
771.5.759.8B	032	3	775.1.013.1AB	040	33	779.1.203.2A	002	7	787.1.008.1A	015	29	799.1.252.1A	021	8
771.5.761.8B	032	8	775.1.017.1A	029	24	779.1.213.1A	019	9	787.1.011.1A	028	10	799.2.077.2A	009	14
772.1.010.3A	008	7	775.1.017.1A	039	6	779.1.311.1A	034	25	788.1.027.1A	031	3	8000.36726	035	19
772.1.059.1A	022	10	775.1.031.1B	022	17	779.1.366.1AB	033	24	788.1.052.1A	005	7	8000.36726	040	22
772.1.062.1A	032	9	775.1.031.1B	030	7	779.1.397.1A	026	16	788.1.054.2A	012	4	8000.63161	035	7
772.1.063.1A	035	33	775.1.036.1A	013	14	779.1.397.1A	027	11	788.1.076.1A	011	22	8000.65535	035	8
772.5.018.1A	030	12	775.1.038.1B	040	6	779.1.399.1A	034	9	788.1.076.1AA	011	22	8000.66526	029	19
772.5.022.1B	019	7	776.5.032.8A	016	13	779.1.415.1A	027	27	788.1.076.1AB	011	22	8000.66774	024	25
772.5.023.1A	024	7	777.5.038.2B	035	9	779.4.005.2A	018	4	789.1.001.1A	037	10	8000.67981	033	8
772.5.026.1B	025	13	777.5.049.2C	036	20	779.4.075.1A	011	14	791.1.015.1A	038	7	8000.68490	027	14
772.5.029.1A	029	17	777.5.049.8B	011	10	779.5.001.1B	031	20	791.1.039.1A	038	3	8000.70127	025	12

INDEX

CODE No.	Drwg.	POS. N.	CODE No.	Drwg.	POS. N.	CODE No.	Drwg.	POS. N.	CODE No.	Drwg.	POS. N.	CODE No.	Drwg.	POS. N.
8000.70139	001a	2	821.1.054.1A	029	25	829.1.021.2A	037	5	840.1.009.1A	14/15	19	840.1.042.1B	14/15	17
8000.74504	035	21	821.1.068.1B	020	29	829.1.078.1A	033	1	840.1.010.1A	14/15	19	840.1.043.1B	14/15	17
8000.74504	040	21	821.1.068.1B	021	14	829.1.096.1A	029	12	840.1.012.1A	14/15	19	840.1.044.1B	14/15	17
8000.74505	035	4	821.1.070.1A	002	17	829.1.109.1B	028	1	840.1.014.1A	14/15	19	840.1.045.1B	14/15	17
8000.74505	040	24	821.1.089.1A	036	11	829.1.136.1A	035	35	840.1.015.1A	14/15	19	840.1.046.1B	14/15	17
8000.78345	024	16	821.1.091.1A	033	7	829.1.227.1B	027	22	840.1.015.1A	14/15	19	840.1.047.1B	14/15	17
801.1.023.2A	016	6	821.1.096.2A	033	10	829.1.228.1B	026	9	840.1.016.1A	14/15	19	840.1.048.1B	14/15	17
801.1.024.2A	016	4	821.1.111.2A	014	15	829.1.231.1A	035	5	840.1.017.1A	14/15	19	840.1.049.1B	14/15	17
802.1.005.1A	038	9	821.1.111.2A	015	10	829.1.235.1A	015	31	840.1.018.1A	14/15	19	840.1.050.1B	14/15	17
806.1.014.0A	035	12	821.1.170.1A	020	18	829.1.275.1A	010	40	840.1.019.1A	14/15	19	840.1.051.1B	14/15	17
806.1.014.1AA	035	12	824.1.073.1A	021	1	829.1.287.1A	030	19	840.1.019.1A	14/15	19	840.1.052.1B	14/15	17
808.1.046.1A	032	14	824.1.074.1A	020	1	829.1.368.1A	023	2	840.1.020.1A	14/15	19	840.1.053.1B	14/15	17
80C0.05893	038	22	824.1.075.1A	021	12	829.1.373.1A	022	5	840.1.021.1A	14/15	19	840.1.054.1B	14/15	17
814.1.091.2A	041	15	824.1.076.1A	020	23	829.1.374.1B	030	8	840.1.022.1A	14/15	19	840.1.055.1B	14/15	17
814.1.114.1A	001c	8	825.1.032.1A	033	18	829.1.379.1B	030	4	840.1.023.1A	14/15	19	840.1.056.1B	14/15	17
815.1.022.1A	010	35	826.1.009.1A	002	33	829.2.232.1A	036	19	840.1.024.1A	14/15	19	840.1.057.1B	14/15	17
815.1.022.1A	028	4	826.1.012.1A	003	31	830.1.091.2A	016	19	840.1.025.1A	14/15	19	840.1.058.1B	14/15	17
815.1.028.1A	009	21	826.1.012.1A	010	11	830.1.144.1A	011	20	840.1.026.1A	14/15	19	840.1.059.1B	14/15	17
818.2.009.1A	004	3	827.1.087.1B	033	22	835.1.002.1A	038	15	840.1.027.1A	14/15	19	840.2.001.1A	014	19
819.1.009.1A	032	23	827.1.115.1AB	020	24	840.1.001.1A	14/15	19	840.1.028.1A	14/15	19	840.2.001.1A	015	16
819.1.017.1C	034	11	827.1.115.1AB	021	7	840.1.002.1A	14/15	19	840.1.029.1A	14/15	19	840.2.002.1B	014	17
821.1.001.1A	002	26	827.1.139.2B	018	8	840.1.003.1A	14/15	19	840.1.030.1A	14/15	19	840.2.002.1B	015	14
821.1.009.1B	034	19	827.1.157.1A	041	8	840.1.004.1A	14/15	19	840.1.031.1A	14/15	19	841.1.002.2A	004	2
821.1.028.1D	038	18	827.1.178.1B	029	15	840.1.005.1A	14/15	19	840.1.032.1A	14/15	19	841.1.028.1A	028	8
821.1.033.2B	032	21	827.1.183.2A	041	4	840.1.006.1A	14/15	19	840.1.033.1A	14/15	19	841.1.028.1A	036	14
821.1.051.1B	020	3	827.1.241.1B	016	7	840.1.007.1A	14/15	19	840.1.034.1A	14/15	19	841.1.028.1A	040	13
821.1.051.1B	021	2	827.2.134.1B	038	20	840.1.008.1A	14/15	19	840.1.041.1B	14/15	17	847.4.002.1A	020	25

INDEX

CODE No.	Drwg.	POS. N.	CODE No.	Drwg.	POS. N.	CODE No.	Drwg.	POS. N.	CODE No.	Drwg.	POS. N.	CODE No.	Drwg.	POS. N.
847.4.002.1A	021	9	852.1.104.1A	006	11	852.5.003.1B	031	11	856.1.062.2A	008	16	881.1.010.1C	012	18
848.5.001.1A	020	10	852.1.104.1B	006	11	852.5.005.1A	009	18	856.1.064.2A	010	7	881.1.012.1A	002	32
848.5.002.1A	020	6	852.1.104.1H	006	11	852.5.023.1A	014	23	856.1.064.2A	032	5	881.1.051.1A	005	25
850.1.003.1A	040	3	852.1.104.1K	006	11	852.5.023.1A	015	22	856.1.071.1A	012	9	881.1.051.1A	011	26
850.4.010.1A	036	12	852.1.104.1L	006	11	852.5.024.1A	002	5	856.1.074.2A	013	20	881.2.001.1A	004	19
850.4.012.1A	038	12	852.1.104.1M	006	11	852.5.024.1A	005	15	856.4.002.1A	040	36	882.1.003.1A	008	14
850.4.037.1B	039	12	852.1.104.1N	006	11	852.5.024.1A	009	3	860.1.004.1A	010	23	882.1.006.1A	002	16
850.4.082.1A	035	6	852.1.104.2C	006	11	852.5.024.1A	017	9	863.1.002.1A	012	14	882.1.012.1A	012	15
850.4.082.1A	039	4	852.1.104.2D	006	11	852.5.024.1A	026	17	866.1.030.1A	036	9	884.1.005.1A	025	14
850.4.082.1A	040	7	852.1.104.2E	006	11	852.5.024.1A	027	8	866.1.035.1A	019	5	884.4.001.1A	034	14
851.1.001.1B	004	9	852.1.104.2F	006	11	852.5.024.1A	033	25	866.1.036.1A	035	11	884.4.007.1A	032	12
851.1.004.1A	003	1	852.1.104.2G	006	11	852.5.026.1A	010	37	866.1.038.1A	019	15	884.4.011.1A	007	2
851.1.013.1A	008	11	852.1.104.2I	006	11	852.5.028.1A	010	41	872.1.011.1A	024	21	884.4.012.1A	037	7
851.1.019.1A	006	12	852.1.104.2J	006	11	852.5.028.1A	011	25	872.1.015.1A	024	15	884.4.042.1A	009	24
851.4.001.1A	004	5	852.1.120.1A	009	7	852.5.028.1A	028	3	872.1.019.1A	032	11	884.5.003.1A	020	17
852.1.001.1B	032	16	852.1.172.1A	002	29	852.5.030.1A	035	13	872.1.026.1A	019	4	884.5.003.1A	021	4
852.1.002.1B	032	16	852.1.173.1A	013	2	852.5.031.1A	035	23	873.1.035.1A	024	26	884.5.034.1A	002	22
852.1.003.1B	032	16	852.1.174.1A	002	31	853.1.002.1A	009	9	873.1.039.1A	009	6	884.5.034.1A	008	6
852.1.005.1A	002	14	852.1.176.1A	005	22	853.1.003.1A	011	27	875.1.052.1A	028	2	884.5.035.1A	005	11
852.1.008.1A	005	10	852.1.191.1A	029	16	853.1.004.1A	009	11	875.1.053.1A	028	11	884.5.036.1A	009	25
852.1.053.1A	020	13	852.1.191.1A	031	16	853.5.007.1A	032	6	875.1.065.1A	001c	3	884.5.036.1A	012	7
852.1.053.2A	002	2	852.1.191.1A	036	17	853.5.009.1A	012	2	876.1.047.3A	031	19	886.4.011.1A	038	8
852.1.054.1A	033	2	852.1.195.1A	005	17	853.5.010.1A	030	1	876.1.071.1A	031	10	886.4.021.1A	016	17
852.1.075.1B	040	2	852.1.195.1A	009	28	856.1.001.1A	003	6	877.1.066.1A	033	16	886.4.022.1A	016	18
852.1.094.1A	002	19	852.1.197.1A	013	13	856.1.031.1A	003	16	877.1.067.1A	026	15	886.4.028.1A	015	28
852.1.096.1A	024	24	852.5.001.1C	035	17	856.1.040.1A	040	35	877.1.069.1A	027	13	886.4.033.1A	011	23
852.1.099.1A	017	3	852.5.002.1B	040	29	856.1.042.1A	040	5	877.2.045.1A	031	18	886.4.035.1A	011	8

INDEX

CODE No.	Drwg.	POS. N.	CODE No.	Drwg.	POS. N.	CODE No.	Drwg.	POS. N.	CODE No.	Drwg.	POS. N.	CODE No.	Drwg.	POS. N.
886.4.037.1A	009	4	88713.2036	001	19	913.7.113.1A	036	4	97900.0218	001c	18			
886.4.043.1A	004	27	88713.2092	001	28	930.1.005.1A	025	19	97900.0219	001b	10			
886.4.060.1A	013	11	88713.2103	001	3	930.4.022.1A	010	13	97900.0220	001c	21			
88700.5644	001	31	88713.2133	001	26	930.4.023.1A	003	14	97900.0221	001c	22			
88700.5665	001	27	88713.2282	001	30	930.4.024.1A	024	32	97900.0222	001b	9			
88700.5749	001	20	88713.2355	001	1	930.4.034.1A	005	18	97900.0223	001b	11			
88713.0123	001	5	88713.2362	001	32	930.4.035.1A	004	16	97900.0224	001b	6			
88713.0137	001	11	88713.2669	001	35	930.4.049.1A	003	30	97900.0225	001b	8			
88713.0262	001	29	88713.2676	001	2	930.4.061.1A	013	7	97900.0226	001b	12			
88713.0844	001	33	88765.0999	001	16	930.4.091.1A	005	9	97900.0227	001c	7			
88713.0874	001	6	88765.1000	001	15	93783.1524	011	11	97900.0228	001c	12			
88713.0875	001	8	88765.1005	001	15	93785.1830	010	16	97900.0229	001b	13			
88713.0879	001	7	88765.1006	001	15	93823.0128	004	32	97900.0230	001c	20			
88713.1010	001a	7	88765.1058	001	13	93823.2018	004	30	97900.0231	001c	17			
88713.1058	001a	1	88765.1086	001	22	93823.3156	010	34	97900.0232	001b	16			
88713.1072	001a	6	88765.1126C	001c	24	93827.0114	005	12	98112.0002	001	4			
88713.1078	001	12	88765.1126T	001c	16	93827.0114	009	22						
88713.1079	001	14	88765.1126V	001b	14	93827.0114	010	28						
88713.1091	001	21	88765.1297	001	23	94247.0014	005	19						
88713.1096	001a	8	88765.1298	001	18	94247.0014	010	5						
88713.1215	001	34	88765.1371	001b	3	94247.0014	011	15						
88713.1344	001a	3	88765.1374	001b	4	97900.0002	001b	2						
88713.1429	001	9	893.2.013.1A	005	14	97900.0003	001c	23						
88713.1515	001a	5	893.4.005.1A	026	11	97900.0211	001b	7						
88713.1749	001	24	893.4.005.1A	033	19	97900.0215	001b	1						
88713.1994	001	25	894.2.009.1A	009	19	97900.0216	001b	5						
88713.2011	001	17	895.4.001.2A	038	5	97900.0217	001b	15						