

HOW TO USE THIS CATALOG

This parts catalog is to be used when ordering replacement parts for the model (s) specified on the microfiche strip.

CATALOG PAGE BREAKDOWN (Generic layout-sample data only)

4= MODEL 5= MODEL 6= MODEL 7= MODEL			E-1						
④			Engine Serial Number						
Ref.	Description	MODEL-ID	From	To	AREA	ORG	QTY	Part Number	H/C
1	COVER SET, CYLINDER HEAD	4	15240057	---	AC	JPN	1	12310-PE2-020	2031797
①	COVER SET, CYLINDER HEAD	③	---	12234811	A	USA	1	12310-PE2-030	2210888
			⑤		⑥	⑦	⑧	⑨	⑩

KEY TO CATALOG PAGE BREAKDOWN

- Ref.** - Reference numbers correspond to the reference numbers on the illustrations. All illustrations are representative only and do not necessarily correspond exactly to the actual part. "N" signifies the part is not illustrated.
- Description*** - Describes the part for the related part number.
Abbreviations:

ASSY. - Assembly	V - Volt
COMP. - Complete	W - Watt
L(100L) - Link(100Links)	A.C. - Alternating Current
R. - Right	D.C. - Direct Current
L. - Left	KPH - Kilometers Per Hour
IN. - Inlet	MPH - Miles Per Hour
EX. - Exhaust	A.M. - Attaching Mark
FR. - Front	T.M. - Transcript Mark
RR. - Rear	A - Ampere
HEX. - Hexagonal	WL - With Labeling
STD. - Standard	WOL - Without Labeling
MM - Millimeter	T (22T) - Tooth
G - Gram	C.D.I. - Capacitive Discharge Ignition
- MODEL-ID*** - Model indicator code is unique per catalog (not consistent with other catalogs).
- Each catalog will be represented with applicable model indicators and models.
- Serial Number** - Applies to Engine or Frame serial numbers depending on the section. The serial numbers of the vehicle (frame, engine, carburetor) should be checked prior to ordering parts for a specific unit. In cases where a part has been modified, the serial number of the vehicle bearing the modification is listed in the 'SERIAL NUMBER' column. The modification parts are controlled by each pertinent serial number below.
Engine serial number - Engine group parts (Block numbers beginning with 'E').
Carburetor identification number - Carburetor component parts.
Frame serial number - Frame group parts (Block numbers beginning with 'F').
A serial number chart and serial number locations are provided.
Note - Some models may be controlled by one serial number only.
- AREA*** - Applicable area code type is defined in the serial number chart.
- ORG*** - Manufacturing origin of the unit.

- QTY** - Quantity required per unit as specified.
A. "AR" in place of the quantity indicates AS REQUIRED.
B. "()" Parentheses in the quantity required indicate "optional".
- Part Number** - Part number corresponds to the reference number and application. Several part numbers may be listed under one (1) reference number. For your convenience the current supersede chain, as of print date, has been listed. Supersede chains are subject to change without notice.
- H/C** - The Honda Code and Part Number share a 1 to 1 relationship.

MAKE-UP OF PART NUMBERS

All parts are classified into two groups consisting of "GENERAL PARTS" and "STANDARD PARTS". All parts are numbered in accordance with the system described below:

General Parts
Example: Driver Seat Assembly Part No. 77400-634-671ZA
Function No. 77
Component No. 400
Model Code No. -634-
Modification Process Design 671
Color Code** ZA

A. Additional Information - The section index located at the bottom of each microfiche grid lists section titles. The Engine and Frame sections have separate section indexes.

Note:

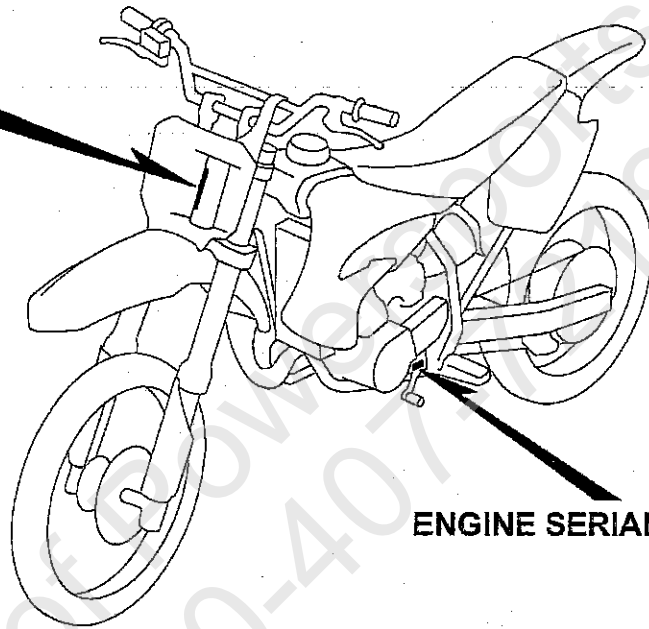
1. Rear view mirrors are standard equipment on all street legal models.

*When columns become full, additional data is displayed on a second line.

**The color code at the end of a part number indicates a color. Color codes such as ZA, ZB, ZC . . . , except ZZ, do not indicate the actual color. Actual colors are represented in code, between asterisks in the part description.

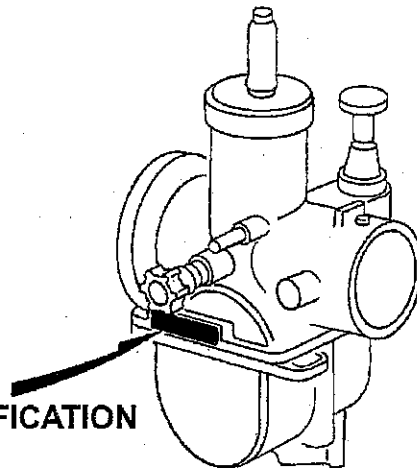
LOCATION OF SERIAL NUMBER

FRAME SERIAL
NUMBER



ENGINE SERIAL NUMBER

CARBURETOR IDENTIFICATION
NUMBER



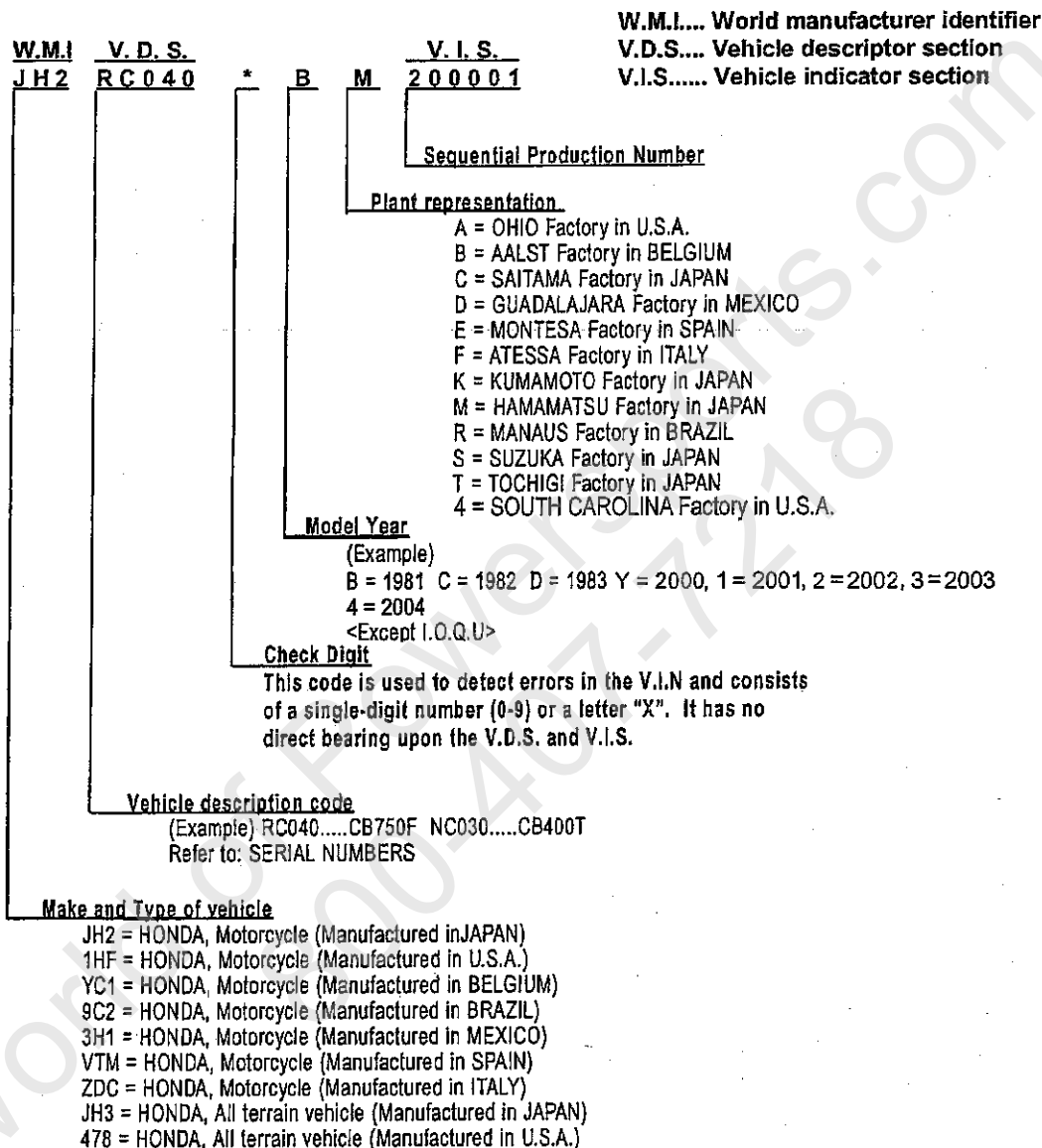
SERIAL NUMBERS

Models and applicable serial numbers

Models and applicable serial numbers given in this parts catalog can be identified as follows.

Model	Area Code	Engine Serial No.	Frame Serial No.	Carburetor Serial No.
CR85R'03	A	HE07E-5000001~	JH2HE07C*3K000001~	PE68E A
CR85RB'03	A	HE07E-5000001~	JH2HE073*3K000001~	PE68E A
CR85R'04	A	HE07E-5000001~	JH2HE07C*4K100001~	PE68E A
CR85RB'04	A	HE07E-5000001~	JH2HE073*4K100001~	PE68E A

CONSTRUCTION OF VEHICLE IDENTIFICATION NUMBER

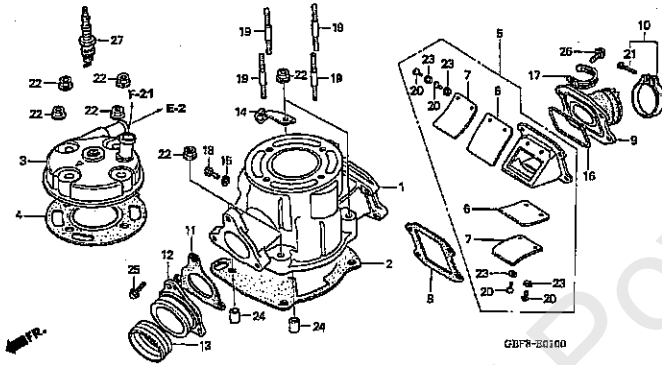


Any change or modification of parts is directly related to the V.D.S. and V.I.S.
 A V.I.S. number will appear in the "Serial No." column of the Parts Catalog if a part is changed or modified.

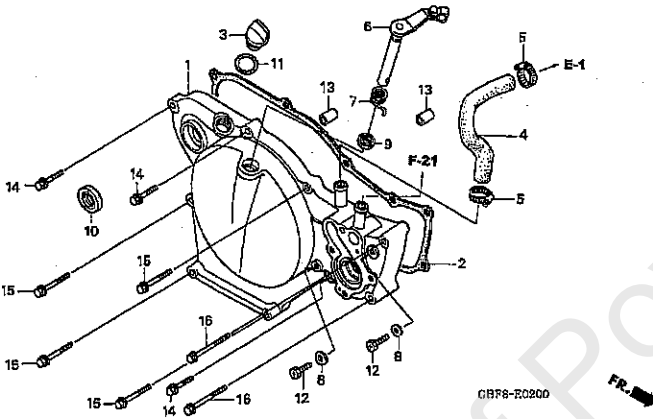
COMMENT:

This example is generic and applies to 1981 and newer vehicles. 1980 models and prior are referred to as "FRAME NUMBERS" and the construction is designed by using the model designation or code followed by a sequential number.

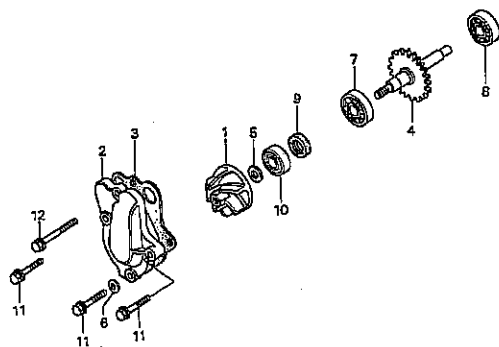
Ref. No.	Part No.	Description
1	12110-GBF-B00	CYLINDER A
2	12191-GBF-830	GASKET, CYLINDER
3	12201-GBF-840	CYLINDER HEAD
3	12201-GBF-840	CYLINDER HEAD
3	12201-GBF-841	CYLINDER HEAD
4	12251-GBF-B01	GASKET, CYL HD
5	14100-GS2-003	VALVE ASSY., REED
6	14111-GS2-003	VALVE, REED
7	14121-GC4-601	STOPPER, REED VALVE
8	14132-GBF-830	GASKET A, REED VALVE
9	16220-GC4-600	INSULATOR
10	16223-GBF-830	BAND, INSULATOR
11	18291-GS2-621	GASKET, EX. JOINT
12	18321-GBF-830	JOINT, EX. PIPE
13	18357-GBF-830	SEAL, EX. PIPE
14	22821-GBF-830	RECEIVER
15	90543-273-000	GASKET, FR.
16	91305-GC4-601	O-RING, SPECIAL
17	91406-166-000	CLIP, WIRE
18	92301-06010-0A	BOLT, SLOT (6X10)
19	92700-08050-0E	BOLT, STUD (8X50)
19	92900-08032-0E	BOLT 2, STUD (8X32)
20	93500-03006-0H	SCREW, PAN (3X6)
21	93500-04025-0G	SCREW, PAN (4X25)
22	94050-08000	NUT, FLANGE (8MM)
23	94111-03800	WASHER, SPRING (3MM)
24	94301-10160	DOWEL PIN (10X16)
25	96001-06018-07	BOLT, FLANGE (6X18)
26	96001-06020-00	BOLT, FLANGE (6X20)
27	98079-60679	SPARK PLUG (BR10EG)



Ref. No.	Part No.	Description
1	11330-GBF-J20	COVER, R. CRANKCASE
2	11393-GBF-830	GASKET, R.
3	15611-KA3-710	CAP, OIL FILLER
4	19501-GBF-830	HOSE, WATER
5	19505-KS6-700	CLAMP, WATER HOSE
6	22810-GBF-830	LEVER, CLUTCH
7	22815-GC4-600	SPRING, CLUTCH LEVER
8	90543-273-000	GASKET, FR.
9	91204-KK0-003	OIL SEAL (12X18X5)
10	91211-671-003	OIL SEAL (15X25X6)
11	91370-461-000	O-RING (11.9X2.2)
12	92301-06010-0A	BOLT, SLOT (6X10)
13	94301-08140	DOWEL PIN (8X14)
14	96001-06028-00	BOLT, FLANGE (6X28)
15	96001-06035-00	BOLT, FLANGE (6X35)
16	96001-06050-00	BOLT, FLANGE (6X50)

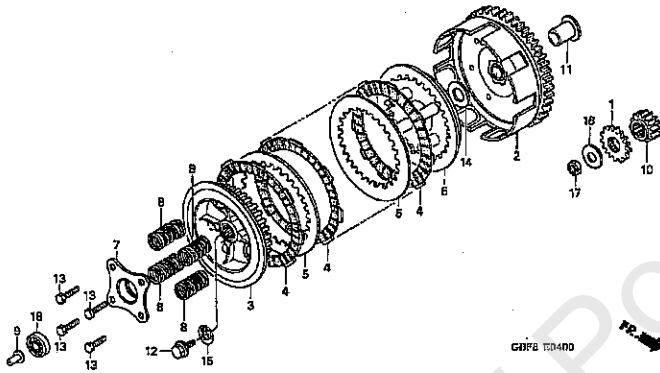


Ref. No.	Part No.	Description
1	19215-GC4-731	IMPELLER, WATER PUMP
2	19221-GBF-830	COVER, WATER PUMP
3	19229-GBF-830	GASKET, WATER PUMP
4	19230-GC4-730	SHAFT, WATER PUMP
5	90447-KE1-000	WASHER (7MM)
6	90543-273-000	GASKET, FR.
7	91001-KA4-003	BEARING (12X28X7)
8	91006-GC4-731	BEARING (7X22X7)
9	91201-035-013	OIL SEAL (12X21X4)
9	91201-035-015	OIL SEAL (12X21X4)
10	91211-KA3-761	SEAL, WATER PUMP
11	96001-06022-00	BOLT, FLANGE (6X22)
12	96001-06065-00	BOLT, FLANGE (6X65)

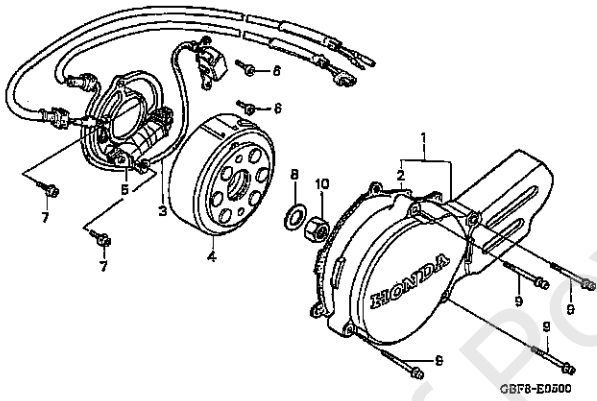


GBF8-ED0300

Ref. No.	Part No.	Description
1	19233-GC4-730	GEAR (20T/16T)
2	22100-GC4-600	CLUTCH OUTER
3	22121-GBF-830	CENTER, CLUTCH
4	22201-GS2-000	DISK, CL FRICTION
4	22201-MR8-000	DISK, CL FRICTION
5	22311-KN4-680	PLATE, CLUTCH
6	22350-GS2-000	PLATE, CLU PRESS
7	22361-166-000	PLATE, CLUTCH LIFTER
8	22401-GBF-830	SPRING, CLUTCH
9	22847-166-000	ROD, CLUTCH LIFTER
10	23121-GC4-710	GEAR (17T/16T)
11	28242-GC4-600	COLLAR (17X32.5)
12	90002-GC4-710	BOLT, HEX. (10X28)
13	90030-KL8-740	BOLT, HEX. (8X25)
14	90401-GC4-730	WASHER, PLAIN (17MM)
15	90403-GBF-830	WASHER (10X22)
16	90404-GS2-000	WASHER (12MM)
17	94001-12200-0S	NUT, HEX. (12MM)
18	96100-60000-00	BEARING (6000)

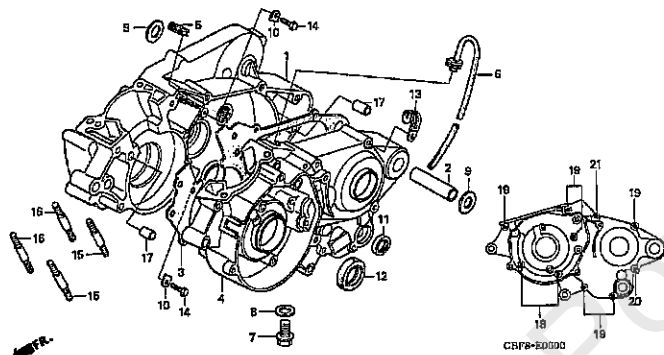


Ref. No.	Part No.	Description
1	11340-GBF-830	COVER, L. CRANKCASE
2	11342-GC4-710	GASKET, L. COVER
3	30300-GC4-601	GENERATOR, PULSE
4	31110-GBF-831	FLYWHEEL
5	31120-GBF-831	STATOR
6	90001-MA2-770	BOLT, SOCKET (6X16)
7	90071-MG8-000	BOLT (6X16)
8	90441-166-000	WASHER, SEAL (12MM)
9	93891-06035-00	SCREW-WASHER (6X35)
10	94001-12200-0S	NUT, HEX. (12MM)

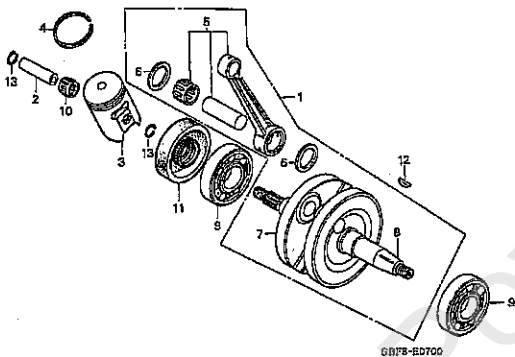


World of Powersports.com
 800-407-7218

Ref. No.	Part No.	Description
1	11100-GBF-830	CRANKCASE, R.
2	11104-GC4-000	COLLAR (17MM)
3	11191-GBF-830	GASKET, CRANKCASE
4	11200-GBF-830	CRANKCASE, L.
5	11206-GC4-700	GROMMET, BREATHER
6	11211-GC4-701	TUBE, BREATHER
7	90015-KA3-711	BOLT, SPECIAL (12MM)
8	90407-259-000	GASKET (12.5X20)
9	90412-GC4-600	WASHER (14.2X30.5)
10	90441-KA4-700	PLATE
11	91202-444-023	OIL SEAL (14X24X6)
12	91205-GC4-711	OIL SEAL (20X32X7)
12	91205-166-004	OIL SEAL (20X32X7)
13	91413-679-000	CLIP (2X70)
14	92101-06016-0A	BOLT, HEX. (6X16)
15	92700-08050-0E	BOLT, STUD (8X50)
15	92900-08032-0E	BOLT 2, STUD (8X32)
16	92700-08055-0E	BOLT, STUD (8X55)
16	92900-08040-0E	BOLT, STUD (8X55)
17	94301-08200	PIN, DOWEL (8X20)
18	96001-06035-00	BOLT, FLANGE (6X35)
19	96001-06055-00	BOLT, FLANGE (6X55)
20	96001-06060-00	BOLT, FLANGE (6X60)
21	96001-06070-00	BOLT, FLANGE (6X70)

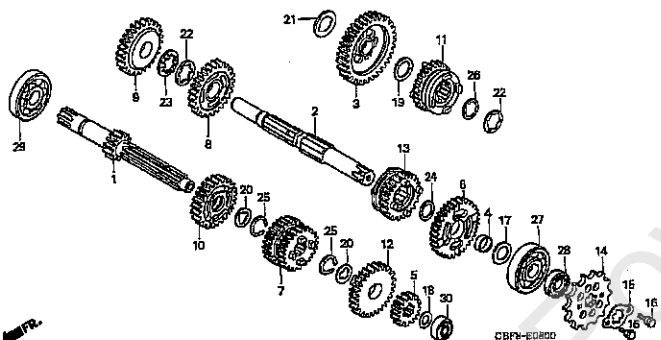


Ref. No.	Part No.	Description
1	13000-GC4-601	CRANKSHAFT
2	13111-GC4-600	PIN, PISTON
3	13120-GBF-B00	PISTON B
4	13121-GBF-B01	RING, PISTON TOP
5	13200-GC4-600	ROD SET, CONNECTING
6	13202-GC4-600	PLATE
7	13311-GC4-601	CRANKSHAFT, R.
8	13321-GC4-600	CRANKSHAFT, L.
9	91002-KE1-014	BEARING (63/22)
9	91002-KY4-901	BEARING (63/22)
9	91002-466-008	BEARING (63/22)
10	91102-GC4-601	BEARING
11	91206-GC4-711	OIL SEAL (22X40X8)
12	94401-25140	KEY (25X14)
13	94601-14000	CLIP (14MM)



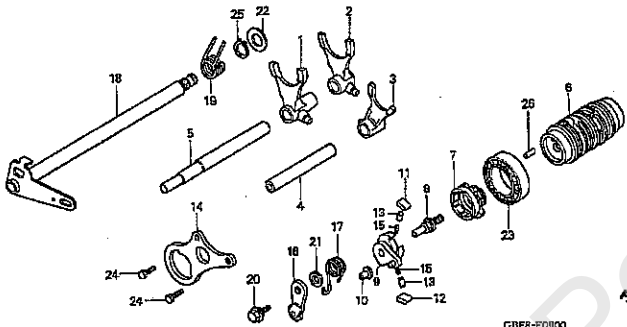
World of Powersports.com
800-407-7218

Ref. No.	Part No.	Description
1	23211-GBF-830	MAINSHAFT, TRANS
2	23221-GC4-600	COUNTERSHAFT, TRANS
3	23420-GC4-700	GEAR (35T)
4	23431-166-600	BUSH (17MM)
5	23441-GC4-730	GEAR (18T)
6	23451-GC4-730	GEAR (31T)
7	23461-GBF-B00	GEAR (20T/23T)
8	23471-GBF-B00	GEAR (28T)
9	23481-GC4-600	GEAR (27T)
10	23491-GBF-B00	GEAR (25T)
11	23501-GC4-600	GEAR (25T)
12	23511-GC4-710	GEAR (26T)
13	23515-GC4-711	GEAR (23T)
14	23800-GC4-600	SPROCKET (15T)
15	23802-GC4-601	PLATE
16	90084-041-000	BOLT
17	90446-357-000	WASHER (17.2MM)
18	90452-166-600	WASHER (12MM)
19	90452-437-000	WASHER (16.5MM)
20	90461-115-000	WASHER (17MM)
21	90463-166-000	WASHER (15MM)
22	90464-166-000	WASHER A (19MM)
23	90465-166-600	WASHER, LOCK (19MM)
24	90466-166-600	WASHER (17MM)
25	90601-001-000	CIRCLIP (17MM)
26	90602-166-010	CIRCLIP (19MM)
27	91007-GC4-701	BEARING (6303)
28	91201-415-013	OIL SEAL (17X28X7)
29	96120-62030-00	BEARING (6203)
30	96140-60010-00	BEARING (6001)



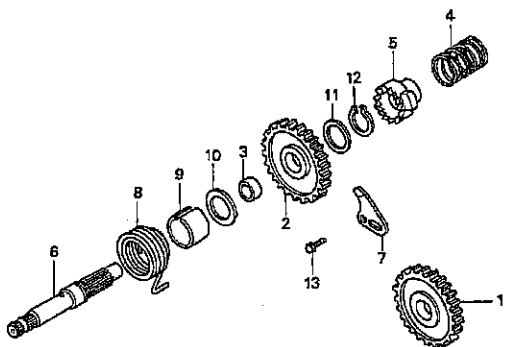
Block Title:
GEARSHIFT DRUM

Ref. No.	Part No.	Description
1	24211-GBF-830	FORK, R. GEARSHIFT
2	24221-GBF-830	FORK, L. GEARSHIFT
3	24231-GBF-830	FORK C, GEARSHIFT
4	24265-GC4-710	MAINSHAFT
5	24266-GC4-710	COUNTERSHAFT
6	24301-GBF-830	DRUM, GEARSHIFT
7	24312-KA3-741	CENTER, SHIFT DRUM
8	24315-KA3-710	PIN, SHIFTER
9	24321-KT7-752	SHIFTER, DRUM
10	24322-HA0-000	COLLAR, SHIFTER
11	24324-KA3-711	PAWL A, RATCHET
12	24325-KA3-711	PAWL B, RATCHET
13	24326-KBH-901	PLUNGER, PAWL
14	24328-GC4-730	PLATE, GUIDE
15	24329-KA3-740	SPRING, PAWL PLUNGER
16	24430-KA3-740	STOPPER, DRUM
17	24435-KA3-710	SPRING, DRUM STOPPER
18	24610-GC4-710	SPINDLE, GEARSHIFT
19	24651-KA3-710	SPRING, SHIFT RETURN
20	90023-041-010	BOLT
21	90417-360-000	WASHER, DRUM STOPPER
22	90428-958-000	WASHER B (14MM)
23	91004-GC4-731	BEARING (25X42X9)
24	93301-06016-0A	BOLT, HEX. (6X16)
25	94510-14000	CIRCLIP (14MM)
26	96220-40080	ROLLER (4X8)



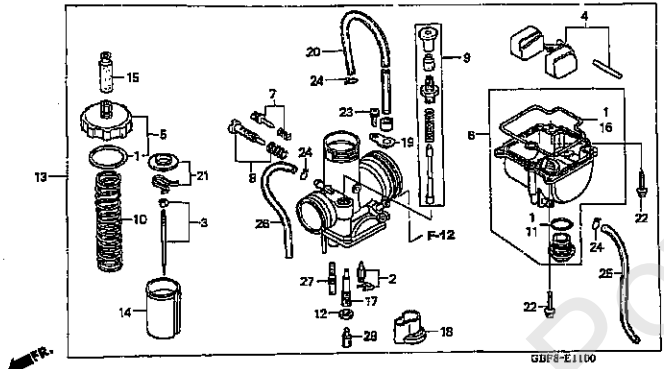
GBF8-801000

Ref. No.	Part No.	Description
1	23531-GC4-600	GEAR (23T)
2	28211-GC4-600	PINION (25T)
3	28212-GC4-700	BUSH (17MM)
4	28223-GC4-700	SPRING, RATCHET
5	28241-KA3-710	RATCHET, STARTER
6	28251-GC4-700	SPINDLE
7	28259-GC4-700	PLATE, RATCHET GUIDE
8	28281-GC4-700	SPRING, KICK STARTER
9	28282-GC4-600	COLLAR, KICK SPRING
10	90412-187-000	WASHER (15MM)
11	90452-GC4-700	WASHER (17.2X22X1)
12	90601-001-000	CIRCLIP (17MM)
13	93301-06016-0A	BOLT, HEX. (6X16)

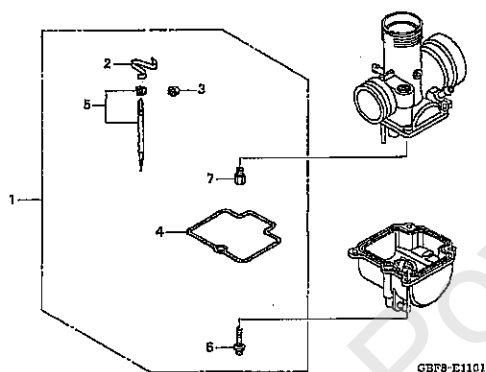


GBF8-E1000

Ref. No.	Part No.	Description
1	16010-GBF-840	GASKET SET
2	16011-KBA-850	VALVE SET, FLOAT
3	16012-GBF-B01	NDL, JET (24NAAA)
4	16013-GBF-840	FLOAT SET
5	16014-GBF-840	TOP SET
6	16015-GBF-840	CHAMBER SET, FLOAT
7	16016-GBF-840	SCREW SET
8	16028-GBF-840	SCREW SET
9	16046-KA5-771	VALVE SET, STARTER
10	16050-GC4-731	SPRING
11	16075-GHB-B00	O-RING (2.4X18.6)
12	16096-HC0-003	NUT, HEX.
13	16100-GBF-B01	CARBURETOR (PE68E A)
14	16111-GC4-711	VALVE, THROTTLE
15	16118-GHB-600	CAP, CABLE SEALING
16	16163-KBA-850	GASKET
17	16164-GC4-601	JET, NEEDLE
18	16168-GC4-701	HOLDER, JET
19	16179-428-670	BINDER
19	16179-428-671	BINDER
20	16199-GBF-840	TUBE, VINYL
21	16212-GC4-701	PLATE SET
22	93500-04016-0H	SCREW, PAN (4X16)
22	93500-04016-08	SCREW, PAN (4X16)
22	93500-04016-1H	SCREW, PAN (4X16)
23	93892-04008-08	SCREW-WASHER (4X8)
23	93892-04008-18	SCREW-WASHER (4X8)
24	95002-02079	CLIP, TUBE (B17)
25	95003-07008-60M	BULK HOSE (4X7X8000)
26	95003-07008-60M	BULK HOSE (4X7X8000)
27	99103-KA3-0450	JET, SLOW (#45)
27	99103-399-0550	JET, SLOW (#55)
27	99103-440-0450	JET, SLOW (#45)
27	99103-440-0480	JET, SLOW (#48)
27	99103-440-0500	JET, SLOW (#50)
27	99103-440-0520	JET, SLOW (#52)
27	99103-440-0550	JET, MAIN (#55)
28	99113-GHB-1250	JET, MAIN (#125)



Ref. No.	Part No.	Description
1	16020-GBF-B01	PARTS KIT
2	16114-GHB-610	PLATE, NEEDLE CLIP
3	16115-GHB-610	CLIP, BAR
4	16163-KBA-850	GASKET
5	16012-GBF-B01	NDL, JET (24NAAA)
5	16201-GBF-B01	NDL, JET (24NAAM)
5	16202-GBF-B01	NDL, JET (24NAAN)
5	16203-GBF-B01	NDL, JET (24NAAB)
5	16204-GBF-B01	NDL, JET (24NAAC)
6	93500-04016-0H	SCREW, PAN (4X16)
6	93500-04016-08	SCREW, PAN (4X16)
6	93500-04016-1H	SCREW, PAN (4X16)
7	99113-GHB-1150	JET, MAIN (#115)
7	99113-GHB-1180	JET, MAIN (#118)
7	99113-GHB-1200	JET, MAIN (#120)
7	99113-GHB-1220	JET, MAIN (#122)
7	99113-GHB-1280	JET, MAIN (#128)
7	99113-GHB-1300	JET, MAIN (#130)
7	99113-GHB-1320	JET, MAIN (#132)
7	99113-GHB-1350	JET, MAIN (#135)



PR.

Block No.
EOP01

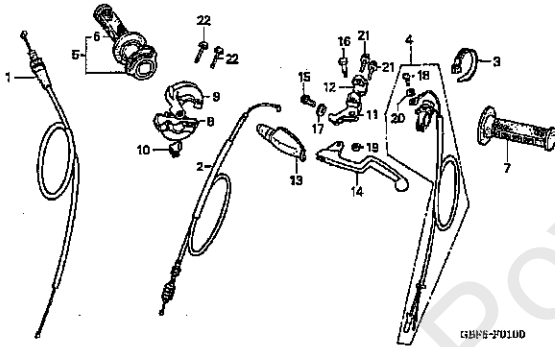
Block Title:
GASKET KIT A

Honda

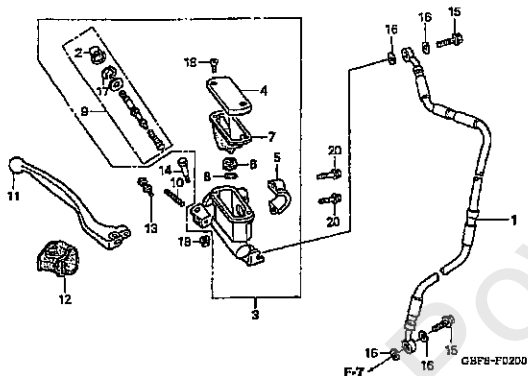
Ref. No.	Part No.	Description
1	08111-GBF-B00	GASKET KIT
1	11191-GBF-830	GASKET, CRANKCASE
1	11342-GC4-710	GASKET, L. COVER
1	11393-GBF-830	GASKET, R.
1	12191-GBF-830	GASKET, CYLINDER
1	12251-GBF-B01	GASKET, CYL HD
1	14132-GBF-830	GASKET A, REED VALVE
1	18291-GS2-621	GASKET, EX. JOINT
1	19229-GBF-830	GASKET, WATER PUMP
1	90407-259-000	GASKET (12.5X20)
1	90447-KE1-000	WASHER (7MM)
1	90543-273-000	GASKET, FR.
1	91305-GC4-601	O-RING, SPECIAL
1	91370-461-000	O-RING (11.9X2.2)

World of Powersports.com
800-407-7218

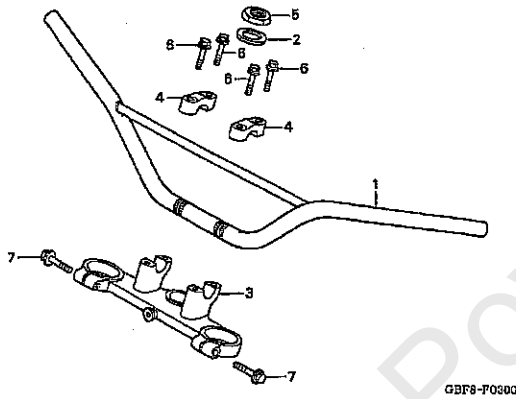
Ref. No.	Part No.	Description
1	17910-GBF-830	CABLE, THROTTLE
2	22870-GBF-831	CABLE, CLUTCH
3	32161-404-000	BAND B1, CABLE
4	35130-GM7-700	SWITCH ASSY., KILL
5	53140-GBF-J60	GRIP, THROTTLE
6	53165-GBF-J60	GRIP, R. HANDLE
7	53166-GBF-J60	GRIP, L. HANDLE
8	53167-GC4-830	HOUSING A, GRIP
9	53168-GC4-830	HOUSING B, GRIP
10	53169-GC4-730	SLIDER
11	53172-KAE-730	BRACKET, L.
12	53174-KCE-670	HOLDER, L.
13	53177-430-000	COVER, L. HANDLEBAR
14	53178-KZ4-A10	LEVER, L. HANDLEBAR
15	53192-203-000	BOLT
16	90114-428-870	BOLT
17	90321-315-670	NUT, FIXING
18	93500-04012-0A	SCREW, PAN (4X12)
18	93500-04012-1A	SCREW, PAN (4X12)
19	94001-06000-0S	NUT, HEX. (6MM)
19	94001-06200-0S	NUT, HEX. (6MM)
20	94111-04000	WASHER, SPRING (4MM)
21	96001-06022-00	BOLT, FLANGE (6X22)
22	96001-06025-07	BOLT, FLANGE (6X25)



Ref. No.	Part No.	Description
1	45125-GBF-J21	HOSE, FR. BRAKE
2	45504-KN5-006	BOOT
3	45510-GBF-J01	CYLINDER SUB-ASSY.
4	45513-KCE-671	CAP, MASTER CYLINDER
5	45517-GW0-751	HOLDER
6	45518-KA3-731	SEPARATOR
7	45520-KA3-731	DIAPHRAGM
8	45523-KA3-731	RING
9	45530-KCE-671	MASTER CYLINDER SET
10	53174-KN5-006	SPRING, BRAKE LEVER
11	53175-KCE-670	LEVER, R. HANDLEBAR
12	53176-ML3-791	CVR, R. HANDLE LEVER
13	90111-ML3-791	BOLT SET, ADJUSTER
14	90114-166-006	BOLT
15	90145-MS9-612	BOLT, OIL (10X22)
16	90545-300-000	WASHER, OIL BOLT
17	90651-MA5-671	CIRCLIP
18	93600-04012-0G	SCREW, FLAT (4X12)
18	93600-04012-1G	SCREW, FLAT (4X12)
19	94050-06000	NUT, FLANGE (6MM)
20	96001-06022-00	BOLT, FLANGE (6X22)

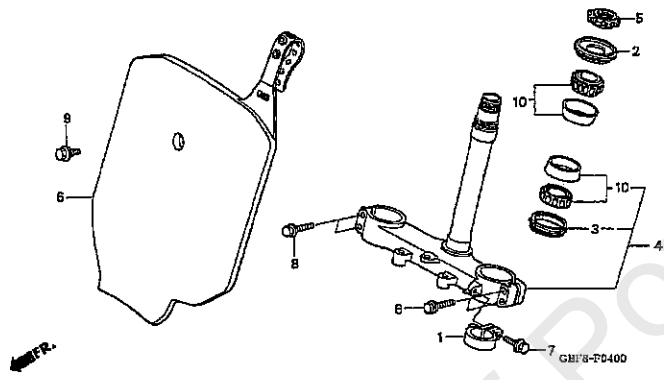


Ref. No.	Part No.	Description
1	53100-GBF-J20ZC	HANDLEBAR *NH146M*
2	53215-GF8-000	WASHER, DUST SEAL
3	53230-GBF-830	BRIDGE, FORK TOP
4	53231-KZ3-600	HOLDER (UPPER)
5	90304-425-000	NUT, STEERING STEM
6	96400-08032-00	BOLT, FLANGE (8X32)
7	96400-08035-00	BOLT, FLANGE (8X35)



World of Powersports.com
800-407-7218

Ref. No.	Part No.	Description
1	45468-KS7-830	GUIDE, FR.
2	53214-KA3-732	DUST SEAL
3	53214-KA4-701	DUST SEAL
4	53219-GBF-J20	STEM SUB-ASSY., STRG
5	53229-MN1-650	THREAD
6	61136-GBF-830ZB	PLATE, FR. *NH196*
7	90108-MJ0-000	BOLT, FLANGE (6X16)
8	90107-KF0-000	BOLT, FLANGE (8X40)
9	90112-GC3-000	BOLT, SPECIAL (5MM)
10	91015-425-832	BEARING, HEAD PIPE

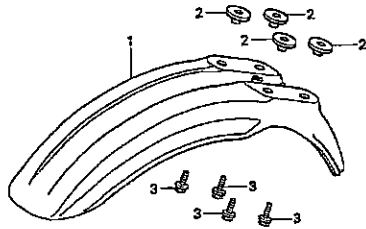


Catalog Title:
CR85R/CR85RB '03 - '04

Block No.
F 05

Block Title:
FRONT FENDER

Ref. No.	Part No.	Description
1	61101-GBF-J40ZA	FENDER, FR. *R254R*
1	61101-GBF-K20	FENDER, FR.
2	90512-300-000	WASHER (6X20)
3	93404-06016-08	BOLT-WASHER (6X16)



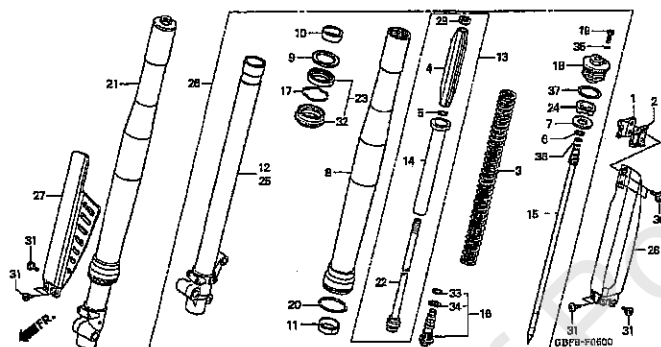
GBF F0500

Catalog Title:
CR85R/CR85RB '03 - '04

Block No.
F 06

Block Title:
FRONT FORK

Ref. No.	Part No.	Description
1	45461-GBF-J00	CLAMP A, FR.
2	45462-GBF-J00	CLAMP B, FR.
3	51401-GBF-831	SPRING, FR. (0.28)
3	51401-GBF-831	SPRING, FR. (0.28)
3	51402-GBF-J01	SPRING, FR. FORK
3	51402-GBF-831	SPRING, FR. (0.26)
3	51402-GBF-831	SPRING, FR. (0.26)
3	51401-GBF-861	SPRING, FR. (0.30)
4	51404-GBF-831	GUIDE, SPRING
5	51405-GBF-831	RING, STOPPER
6	51405-MC7-003	RING, STOPPER
7	51408-GBF-831	SEAT, SPRING
8	51410-GBF-K01	TUBE (OUTER)
8	51410-GBF-K11	TUBE (OUTER)
8	51410-GBF-K21	TUBE (OUTER)
8	51410-GBF-K31	TUBE (OUTER)
9	51412-461-003	RING, BACK-UP
10	51414-GBF-831	BUSH, GUIDE
11	51415-GBF-831	BUSH, SLIDER
12	51420-GBF-K01	PIPE, R. SLIDE
13	51430-GBF-J21	DAMPER, FR.
14	51431-GBF-J01	DAMPER SUB, FR.
15	51436-GBF-J01	NEEDLE, REBOUND
16	51441-GBF-K01	BOLT, CENTER
16	51441-GBF-K21	BOLT, CENTER
17	51447-KR6-003	RING
18	51450-GBF-831	BOLT ASSY., FR. FORK
19	51456-KZ3-731	BOLT, PLUG
20	51476-GBF-831	RING, WEAR
21	51480-GBF-K01	FORK SUB, R. FR.
21	51480-GBF-K11	FORK SUB, R. FR.
21	51480-GBF-K21	FORK SUB, R. FR.
21	51480-GBF-K31	FORK SUB, R. FR.
22	51481-GBF-J21	ROD, PISTON
23	51490-GBF-J21	SEAL SET, FR. FORK
24	51517-GBF-831	RUBBER, STOPPER
25	51520-GBF-K01	PIPE, L. SLIDE
26	51580-GBF-K01	FORK SUB, L. FR.
26	51580-GBF-K11	FORK SUB, L. FR.
26	51580-GBF-K21	FORK SUB, L. FR.
26	51580-GBF-K31	FORK SUB, L. FR.
27	51610-GBF-680ZB	PROTR, R. *TNATURAL*
28	51620-GBF-680ZB	PROTR, L. *TNATURAL*
29	52482-GBF-831	NUT, HEX.
30	90113-KZ3-000	BOLT, FLANGE (6MM)
31	90113-MAC-780	BOLT, PROTECTOR
32	91254-GBF-831	DUST SEAL
33	91256-GC5-003	O-RING (15.5X1.5)
34	91258-KZ3-B01	O-RING (18.8X1.9)

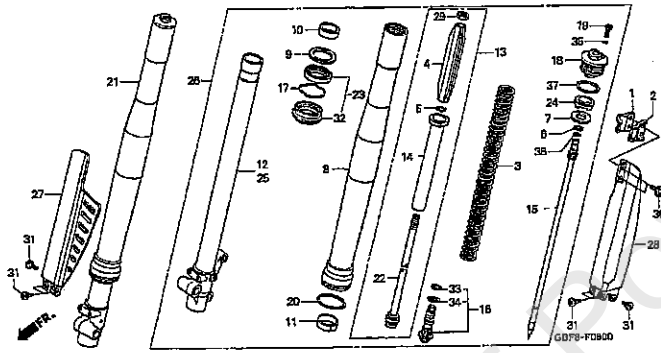


Catalog Title:
CR85R/CR85RB '03 - '04

Block No.
F 06

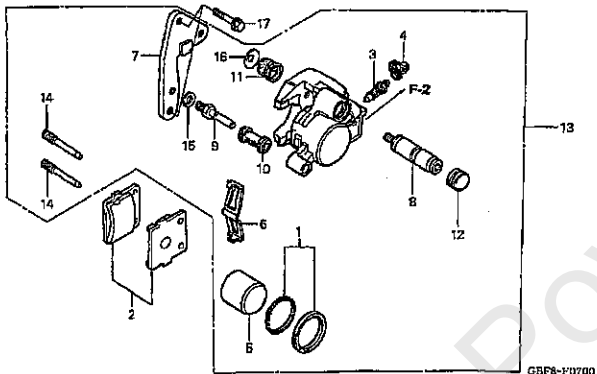
Block Title:
FRONT FORK

Ref. No.	Part No.	Description
35	91301-KZ3-731	O-RING (2.8X1.9)
36	91310-MJ0-003	O-RING
37	91356-MW0-003	O-RING (37.2X2.4)

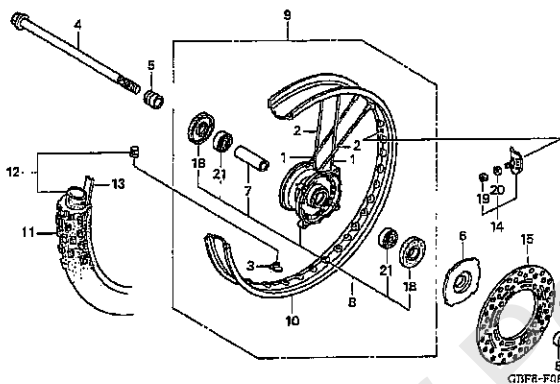


World of Powersports.com
 800-407-7218

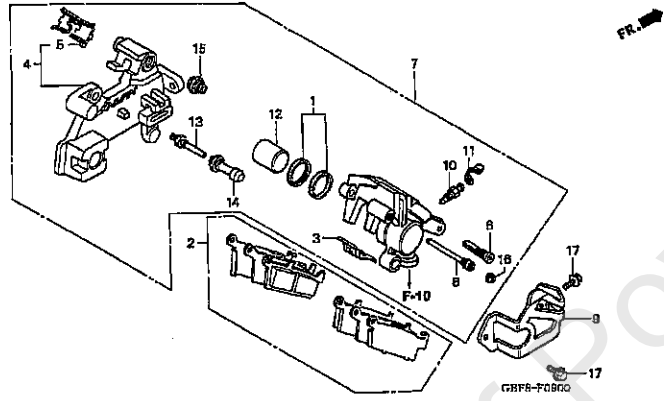
Ref. No.	Part No.	Description
1	06451-166-405	SEAL SET, PISTON
2	06455-GBF-K01	PAD SET, FR.
3	43352-568-003	SCREW, BLEEDER
4	43353-461-771	CAP, BLEEDER
5	45107-166-008	PISTON
6	45108-166-006	SPRING, PAD
7	45110-GC4-601	BRACKET, L.
8	45115-GE3-602	PIN, SLIDE
9	45131-GZ0-006	BOLT, PIN
10	45132-166-016	BUSH, PIN
11	45133-166-016	BOOT, PIN
12	45134-GE3-601	DUST PLUG
13	45150-GS2-305	CALIPER SUB-ASSY.
14	45215-GC4-602	PIN, HANGER
15	45216-166-006	WASHER, WAVE
16	45218-166-006	WASHER
17	90131-KBV-003	BOLT, FLANGE (8X32)



Ref. No.	Part No.	Description
1	06440-GBF-830	SPOKE SET A, FR.
1	06440-GBF-860	SPOKE SET A, FR.
2	06440-GBF-830	SPOKE SET A, FR.
2	06441-GBF-860	SPOKE SET B, FR.
3	42714-KA3-710	CAP, VALVE
4	44301-GBF-J00	AXLE, FR. WHEEL
5	44311-GC4-600	COLR, FR. WHEEL SIDE
6	44610-GC4-600	COVER, FR. HUB
7	44620-GC4-600	COLLAR, FR.
8	44635-GBF-830	HUB SUB, FR. WHEEL
9	44650-GBF-830	WHEEL SUB-ASSY., FR.
9	44650-GBF-860	WHEEL SUB-ASSY., FR.
10	44701-GBF-831	RIM, FR. WHEEL
10	44701-GBF-861	RIM, FR. WHEEL
11	44711-GS2-701	TIRE (70/100-17)
11	44711-GBF-861	TIRE (70/100-19)
12	44712-GS2-701	TUBE (70/100-17)
12	44712-GE4-004	TUBE (70/90-19)
13	44713-GS2-701	FLAP, TIRE (1.40-17)
13	44713-GBF-861	FLAP, TIRE (1.40-19)
14	44715-GC4-000	STOPPER, BEAD (1.40)
15	45351-GBF-830	DISK, FR. BRAKE
16	90105-KAE-870	BOLT, DISK (6X17)
17	90306-KE0-003	NUT, FLANGE (12MM)
18	90745-GC4-701	DUST SEAL (32X21X5)
18	90745-GC4-702	DUST SEAL
19	94001-08000-0S	NUT, HEX. (8MM)
20	94111-08000	WASHER, SPRING (8MM)
21	96140-62010-10	BEARING (6201U)

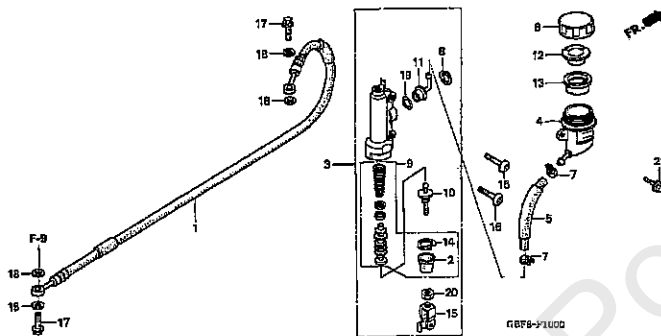


Ref. No.	Part No.	Description
1	06431-MA3-405	SEAL SET, PISTON
2	43105-KZ1-405	PAD SET, RR. BRAKE
3	43108-MY6-671	SPRING, PAD
4	43110-GS2-601	BRACKET, RR.
5	43112-GT4-006	RETAINER
6	43131-KW3-006	BOLT, PIN
7	43150-GS2-305	CALIPER SUB-ASSY.
8	43215-ML3-911	PIN, HANGER
9	43340-KS6-831	GUARD, RR. CALIPER
10	43352-568-003	SCREW, BLEEDER
11	43353-461-771	CAP, BLEEDER
12	45107-MN4-016	PISTON
13	45131-166-016	PIN, BOLT
14	45132-166-016	BUSH, PIN
15	45133-MA3-006	BOOT B
16	45203-MG3-016	PLUG, PIN
17	96001-06012-00	BOLT, FLANGE (6X12)

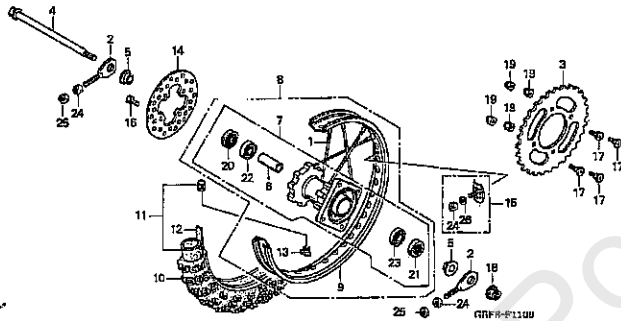


World of Powersports.com
 800-407-7218

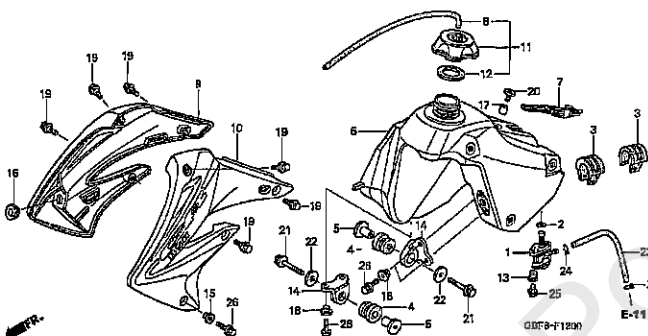
Ref. No.	Part No.	Description
1	43310-GBF-J21	HOSE, RR. BRAKE
1	43310-GBF-J31	HOSE, RR. BRAKE
2	43504-MB2-006	BOOT
3	43510-GBF-831	M/CYL SUB-ASSY, RR.
4	43511-KS6-702	CUP
5	43512-GBF-831	HOSE, RR.
6	43513-KS6-701	CAP, MASTER CYLINDER
7	43514-KS6-701	CLAMP
8	43517-KS6-701	CIRCLIP, RR.
9	43520-MJ6-305	PISTON SET
10	43530-MJ0-006	ROD, PUSH
11	45503-KV3-006	CONNECTOR
12	45518-GM9-711	PLATE, DIAPHRAGM
13	45520-GM9-711	DIAPHRAGM
14	46182-500-013	CIRCLIP
15	46504-KV6-702	JOINT, BRAKE ROD
16	90109-KZ9-000	BOLT, RR.
17	90145-MS9-812	BOLT, OIL (10X22)
18	90545-300-000	WASHER, OIL BOLT
19	91212-422-006	O-RING (14.8X2.4)
20	94002-08000-0S	NUT, HEX. (8MM)
21	96001-06016-00	BOLT, FLANGE (6X16)



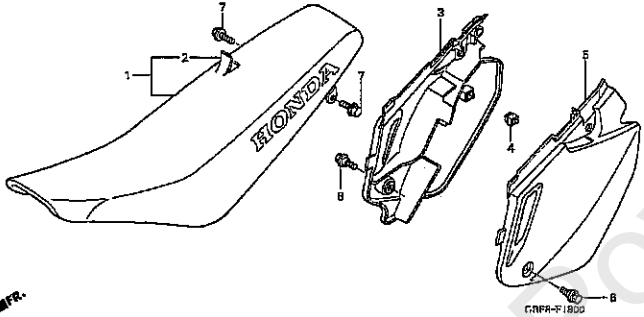
Ref. No.	Part No.	Description
1	06420-GBF-830	SPOKE SET A, RR.
1	06420-GBF-860	SPOKE SET A, RR.
2	40543-GBF-830	ADJUSTER, CHAIN
3	41201-GBF-K00	SPROCKET (50T)
3	41202-GBF-830	SPROCKET (47T)
3	41202-GC4-601	SPROCKET (47T)
3	41203-GBF-830	SPROCKET (51T)
3	41201-GBF-K10	SPROCKET (56T)
3	41201-GBF-860	SPROCKET (55T)
3	41202-GBF-860	SPROCKET (57T)
3	41203-GBF-860	SPROCKET (53T)
4	42301-GBF-J00	AXLE, RR. WHEEL
5	42311-GBF-830	COLLAR, RR. WHEEL
6	42620-GBF-830	COLLAR, RR.
7	42635-GBF-830	HUB SUB, RR. WHEEL
8	42650-GBF-830	WHEEL SUB-ASSY., RR.
8	42650-GBF-860	WHEEL SUB-ASSY., RR.
9	42701-GBF-831	RIM, RR. WHEEL
9	42701-GBF-861	RIM, RR. WHEEL
10	42711-GBF-701	TIRE (90/100-14)
10	42711-GBF-861	TIRE (90/100-16)
11	42712-GS2-701	TUBE (90/100-14)
11	42712-GBF-861	TUBE (90/100-16)
12	42713-GS2-701	FLAP, TIRE (1.60-14)
12	42713-GBF-861	FLAP, TIRE (2.15-19)
13	42714-KA3-710	CAP, VALVE
14	43351-GS2-600	DISK, RR. BRAKE
15	44715-MA0-770	STOPPER, BEAD (1.60)
15	42715-KA2-680	STOPPER, BEAD (1.85)
16	90105-KAE-870	BOLT, DISK (6X17)
17	90125-KA4-000	SCREW, FLAT (8X31)
18	90305-GE8-003	NUT, U (14MM)
19	90309-ML3-791	NUT, U (8MM)
20	90745-GC4-702	DUST SEAL
21	90752-GB4-681	OIL SEAL (21X35X7)
22	91073-GBF-831	BEARING (6002-SH)
23	91074-GBF-831	BEARING (6202-SH)
24	94001-08000-0S	NUT, HEX. (8MM)
25	94002-08000-0S	NUT, HEX. (8MM)
26	94111-08000	WASHER, SPRING (8MM)



Ref. No.	Part No.	Description
1	16950-GS2-911	PETCOCK ASSY.
2	16997-467-000	O-RING (11.8X3.55)
3	17504-GC4-830	RUBBER, TANK SETTING
4	17508-GBF-830	RUBBER
5	17509-KS6-700	COLLAR, TANK SETTING
6	17510-GBF-K00	TANK, FUEL
6	17510-GBF-K20	TANK, FUEL
7	17516-GBF-830	BAND, RR. TANK
8	17521-429-000	TUBE
9	17545-GBF-K00ZA	SHROUD SET (TYPE1)
9	17545-GBF-K20ZA	SHROUD SET (TYPE1)
10	17555-GBF-K00ZA	SHROUD SET (TYPE1)
10	17555-GBF-K20ZA	SHROUD SET (TYPE1)
11	17620-ML3-600	CAP ASSY., FUEL TANK
12	17624-KA4-000	GASKET
13	17626-467-000	COLLAR
14	17634-KZ3-860	BRKT, FR. FUEL TANK
15	44125-MN5-000	COLLAR, FR.
16	64266-MG9-770	GROMMET
17	83607-356-000	COLLAR, BATTERY
18	84706-415-000	COLLAR
19	90113-GF0-000	BOLT, FLANGE (6MM)
20	90124-MM9-000	SCREW, COWL SETTING
21	90137-KA3-830	BOLT, FLANGE (6X40)
22	90506-430-000	WASHER
23	95001-55008-60M	BULK HOSE (5.5X8000)
24	95002-02100	CLIP, TUBE (B10)
25	96001-06014-00	BOLT, FLANGE (6X14)
26	96001-06016-00	BOLT, FLANGE (6X16)

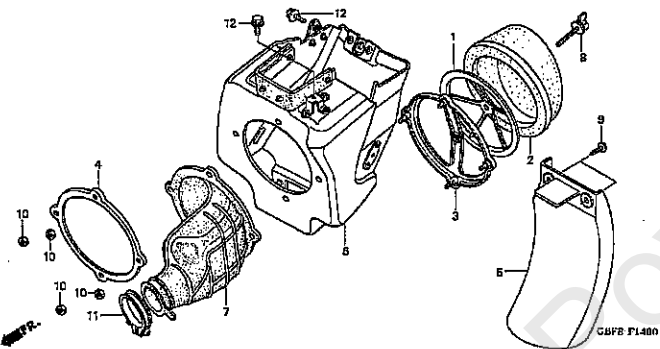


Ref. No.	Part No.	Description
1	77100-GBF-J80	SEAT
1	77100-GBF-K20	SEAT
2	77101-GBF-J80	LEATHER, SEAT
2	77101-GBF-K20	LEATHER, SEAT
3	83510-GBF-K00ZA	CVR, R. SIDE *NH196*
4	83515-KS7-830	RUBBER
5	83610-GBF-K00ZA	CVR, L. SIDE *NH196*
6	90111-162-000	BOLT, FLANGE (6MM)
7	96300-08014-00	BOLT, FLANGE (8X14)



World of Powersports.com
800-407-7218

Ref. No.	Part No.	Description
1	17212-GC4-600	BASE, ELEMENT
2	17213-GS2-680	ELEMENT, AIR CLEANER
3	17215-GC4-600	STAY, A/CLNR ELEM
4	17217-GC4-600	PLATE, FR. CASE
5	17219-GBF-830	MUDGUARD, A/CLNR HSG
6	17220-GBF-K00ZA	CASE SET *NH220*
7	17253-GBF-830	TUBE
8	17291-GBF-830	BOLT
9	93913-15410	SCREW, TAP (5X16)
10	94002-05000-0S	NUT, HEX. (5MM)
11	95018-54250	BAND (54)
12	95701-06012-00	BOLT, FLANGE (6X12)



Honda

Catalog Title:
CR85R/CR85RB '03 - '04

Block No.
F 15

Block Title:
EXPANSION CHAMBER

Ref. No.	Part No.	Description
1	18300-GBF-J20	CHAMBER, EX.
2	18325-KS6-000	STAY, RR. CHAMBER
3	18330-GBF-B00	MUFFLER
4	18332-KS6-000	SPRING, EX. PIPE
5	18334-KA3-830	RUBBER, MUFFLER
6	18336-KS6-700	COLLAR
7	18340-KZ4-860	WOOL, GLASS
8	18350-GBF-B00	BODY, MUFFLER
9	18354-KS6-000	NUT, MUFFLER SPRING
10	18355-KS6-000	STAY, CHAMBER
11	18361-GBF-830	SEAL, MUFFLER
12	90506-430-000	WASHER
13	96001-06014-00	BOLT, FLANGE (6X14)
14	96001-06025-00	BOLT, FLANGE (6X25)
15	96300-06010-00	BOLT, FLANGE (6X10)
15	96500-06010-00	BOLT, FLANGE (6X10)

© 2004 Bell & Howell Publishing Services

Honda

Catalog Title:
CR85R/CR85RB '03 - '04

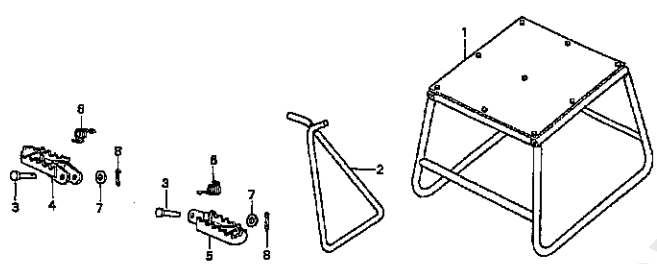
Block No.
F 16

Block Title:
PEDAL

Ref. No.	Part No.	Description
1	24700-GBF-830	PEDAL, GEARSHIFT
2	28241-GBF-J20	JOINT, KICK ARM
3	28293-333-000	CLIP
4	28300-GBF-J20	ARM, KICK STARTER
5	28333-124-000	SPRING
6	46510-GBF-J00	PEDAL, BRAKE
7	46512-GBF-830	SPRING, BRAKE PEDAL
8	46513-MAC-680	SHAFT, BRAKE PIVOT
10	90112-GBF-830	BOLT, FLANGE (6X22)
11	90451-168-000	WASHER, SPECIAL
12	91251-444-000	DUST SEAL
13	91303-GC4-831	DUST SEAL (13X19)
14	94201-20120	PIN, SPLIT (2.0X12)
15	95015-54000	PIN D, JOINT
16	95701-06020-00	BOLT, FLANGE (6X20)
17	96211-08000	BALL (#8) (1/4)

© 2004 Bell & Howell Publishing Services

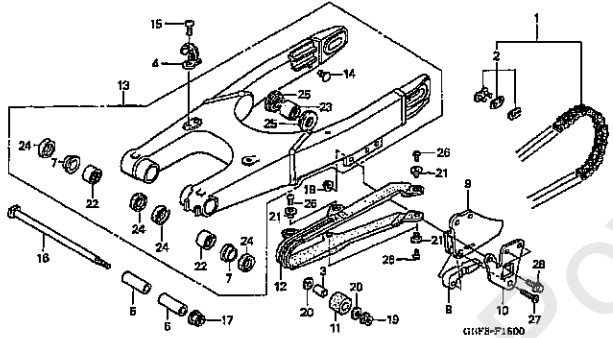
Ref. No.	Part No.	Description
1	50500-KA3-820	WORKSTAND (17")
2	50530-GBF-830	BAR, SIDE STAND
3	50603-GBF-830	PIN, STEP BAR JOINT
4	50616-KAE-730	STEP, R.
5	50642-KAE-730	STEP, L.
6	50644-KAE-000	SPRING, L.
7	94102-08000	WASHER, PLAIN (8MM)
8	94201-30180	PIN, SPLIT (3.0X18)



GBFB-F1700

World of Powersports.com
800-407-7218

Ref. No.	Part No.	Description
1	40530-GBF-K01	CHAIN, DRIVE
1	40530-GBF-B01	CHAIN, DRIVE
1	40530-GBF-K11	CHAIN, DRIVE
2	40531-GM7-641	MASTER LINK
3	43435-392-000	COLLAR, LINK
4	43468-KAE-000	GUIDE, RR.
5	52141-GBF-J00	COLLAR, R. SWINGARM
6	52142-GBF-J00	COLLAR, L. SWINGARM
7	52143-GBF-J00	COLLAR, THRUST PIVOT
8	52147-GM7-701	SLIDER, CHAIN GUIDE
9	52156-GM7-700	GUIDE, CHAIN
10	52157-GS2-770	GUIDE, PLATE
11	52158-GBF-830	ROLLER
12	52170-GBF-831	SLIDER, CHAIN
13	52200-GBF-J00	SWINGARM SUB, RR.
13	52200-GBF-J10	SWINGARM SUB, RR.
14	80103-192-600	PLUG, RR. FENDER
15	90104-ML7-920	SCREW, PAN (5X10)
16	90121-GBF-830	BOLT, SWINGARM PIVOT
17	90201-GC4-000	NUT, FLANGE (14MM)
18	90301-473-003	NUT, U (6MM)
19	90309-KF0-003	NUT, FLANGE (8MM)
19	90309-428-731	NUT, FLANGE (8MM)
20	90485-040-000	WASHER (8MM)
21	90520-134-000	WASHER
22	91070-GC4-601	BEARING (20X26X20)
23	91075-GBF-831	BEARING (20X26X20)
24	91254-KS6-003	DUST SEAL
25	91262-GBF-831	DUST SEAL (20X26X4)
26	93500-05012-0G	SCREW, PAN (5X12)
27	93600-06035-0A	SCREW, FLAT (6X35)
28	96001-06022-00	BOLT, FLANGE (6X22)

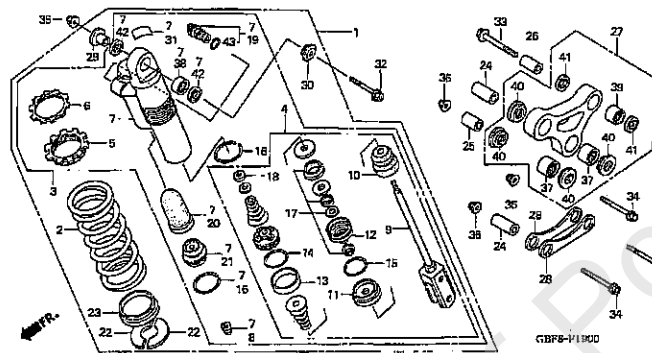


Catalog Title:
CR85R/CR85RB '03 - '04

Block No.
F 19

Block Title:
RR SHOCK ABSORBER

Ref. No.	Part No.	Description
1	52400-GBF-B01	CUSHION ASSY., RR.
1	52400-GBF-B11	CUSHION ASSY., RR.
2	52401-GBF-831	SPRING, RR. (5.2)
2	52401-GBF-831	SPRING, RR. (5.2)
2	52402-GBF-J01	SPRING (4.8KGF/MM)
2	52402-GBF-J01	SPRING (4.8KGF/MM)
2	52403-GBF-J01	SPRING (4.6KGF/MM)
2	52404-GBF-J01	SPRING (4.4KGF/MM)
2	52402-GBF-831	SPRING, RR. (5.0)
2	52403-GBF-831	SPRING, RR. (5.4)
2	52403-GBF-861	SPRING, RR. (5.6)
3	52410-GBF-B01	DAMPER, RR.
4	52421-GBF-B01	ROD, PISTON
5	52422-MA0-003	ADJUSTER, SPRING
6	52423-GBF-831	NUT, ADJUSTER
7	52425-GBF-A01	CASE, SHOCK ABSORBER
8	52425-169-003	CAP, AIR VALVE
9	52426-GBF-B01	ROD
10	52427-GBF-831	RUBBER, STOPPER
11	52428-KA4-741	CAP, CASE
12	52429-GBF-831	CASE, ROD GUIDE
13	52431-MA0-771	RING, PISTON
14	52432-GBF-831	O-RING (2.0X33.5)
15	52434-KA3-681	O-RING (3.5X33.7)
16	52435-MA0-771	RING, STOPPER
17	52436-MN1-680	OIL SEAL SET
18	52438-KA4-741	NUT, HEX. (12MM)
19	52440-GBF-A01	ADJUSTER
20	52451-GBF-831	DIAPHRAGM
21	52453-GBF-831	CAP, CHAMBER
22	52455-GBF-831	STOPPER, SPRING SEAT
23	52459-GBF-831	SEAT, SPRING STOPPER
24	52463-GBF-830	COLLAR
25	52464-GBF-830	COLLAR
26	52464-KW3-000	COLR, SHOCK (LOWER)
27	52465-GBF-K00	ARM SUB-ASSY.
28	52471-GBF-J20	PLATE
29	52486-GBF-830	COLLAR A, SHOCK
30	52487-GBF-830	COLLAR B, SHOCK
31	87516-KZ1-600	LABEL, RR.
32	90128-GC5-000	BOLT, FLANGE (10X70)
33	90153-KW3-003	BOLT, FLANGE (10X43)
34	90155-GBF-830	BOLT, FLANGE (12X65)
35	90304-GA6-003	NUT, AXLE (10MM)
36	90306-KF0-003	NUT, FLANGE (12MM)
37	91075-GBF-831	BEARING (20X26X20)
38	91077-GS2-702	BEARING (16X22X12)
39	91079-KN5-003	BEARING, CONN ROD
40	91262-GBF-831	DUST SEAL (20X26X4)

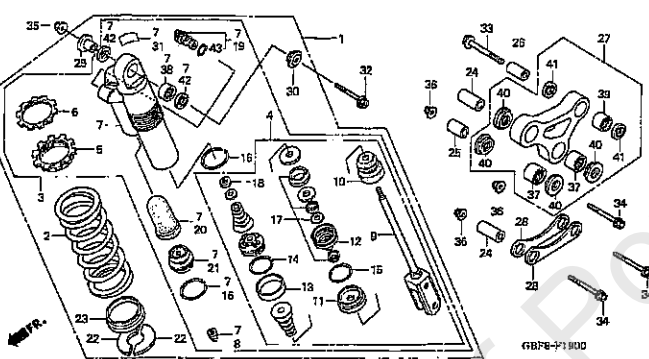


Catalog Title:
CR85R/CR85RB '03 - '04

Block No.
F 19

Block Title:
RR SHOCK ABSORBER

Ref. No.	Part No.	Description
41	91263-GBF-831	DUST SEAL (15X22X5)
42	91351-GS2-701	DUST SEAL, SHOCK
43	91356-GBF-831	O-RING (16.8X1.9)



Honda

Catalog Title:
CR85R/CR85RB '03 - '04

Block No.
F 20

Block Title:
REAR FENDER

Ref. No.	Part No.	Description
1	61304-958-003	NUT, SPECIAL (6X7)
2	80101-GBF-J80ZA	FDR ST, RR. *R254R*
2	80101-GBF-K20ZA	FDR ST, RR. (TYPE1)
3	90111-197-890	BOLT, FLANGE (6MM)
4	90675-SA5-003	NUT, CLIP (6MM)
5	95701-06012-00	BOLT, FLANGE (6X12)

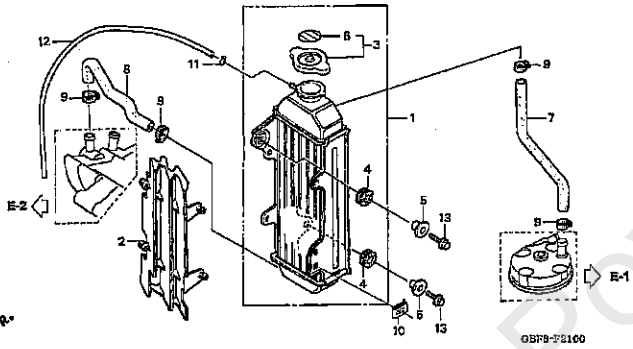
The diagram shows an exploded view of the rear fender assembly. Callout 1 points to a special nut on the rear fender stay. Callout 2 points to the rear fender stay itself, showing two variants: *R254R* and (TYPE1). Callout 3 points to a 6mm flange bolt used for mounting. Callout 4 points to a 6mm clip nut. Callout 5 points to a 6x12mm flange bolt used for mounting to the frame. A small 'FR.' label with an arrow is visible on the left side of the diagram.

GBF8-F2000

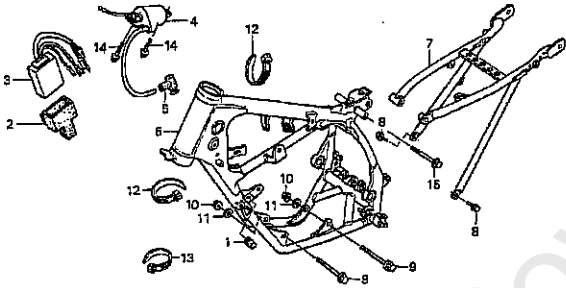
World of Powersports.com
800-407-7218

© 2004 Bell & Howell Publishing Services

Ref. No.	Part No.	Description
1	19000-GBF-840	RADIATOR ASSY.
2	19034-GBF-J20	GRILLE, RADIATOR
3	19045-GBF-770	CAP, RADIATOR
4	19051-KA3-830	RUBBER
5	19052-MAC-680	COLLAR
6	19055-MV9-921	SEAL, RADIATOR CAP
7	19061-GBF-J20	HOSE A, WATER
8	19062-GBF-J20	HOSE B, WATER
9	19505-KS6-700	CLAMP, WATER HOSE
10	19508-KA3-710	NUT, SPRING (6MM)
11	95002-02080	CLIP, TUBE (B8)
12	95003-14001-10M	BULK HOSE (6X9X1000)
13	96001-06022-00	BOLT, FLANGE (6X22)



Ref. No.	Part No.	Description
1	19055-GS2-000	RUBBER, STOPPER
2	30401-GC4-601	RUBBER
3	30410-GBF-831	MODULE, IGN CONT
4	30500-GBF-J21	COIL ASSY., IGNITION
5	30700-KA5-771	CAP ASSY.
6	50090-GBF-K00ZA	FRAME, FR. *NH146M*
7	50140-GBF-830ZB	FRAME, RR. *NH146M*
8	90108-KA3-710	BOLT, JOINT (8X19)
9	90113-KT0-670	BOLT, FLANGE (8X87)
10	90309-ML3-791	NUT, U (8MM)
11	90465-MC4-000	WASHER (8MM)
12	90651-KV6-003	BAND, WIRE
13	90652-KT1-771	BAND, WIRE
14	95701-08022-07	BOLT, FLANGE (6X22)
15	96400-08095-00	BOLT, FLANGE (8X95)



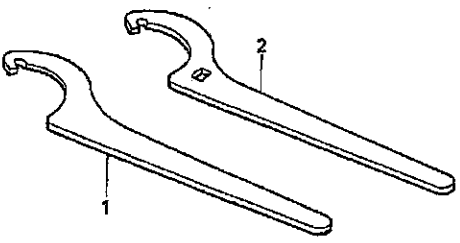
GBF5-F2200

Catalog Title:
CR85R/CR85RB '03 - '04

Block No.
F 23

Block Title:
TOOLS

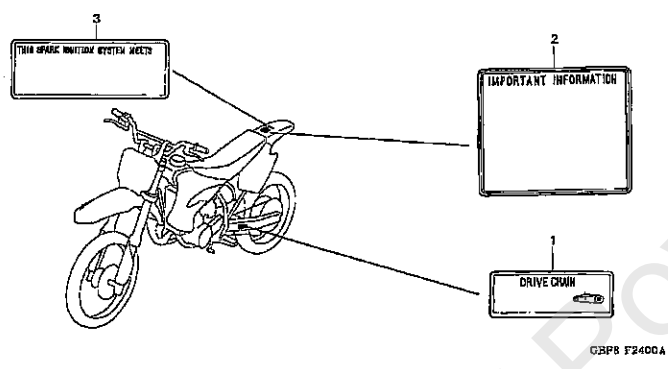
Ref. No.	Part No.	Description
1	89201-KA4-811	SPANNER A, PIN
2	89202-KA4-811	SPANNER B, PIN



CR85-F2300

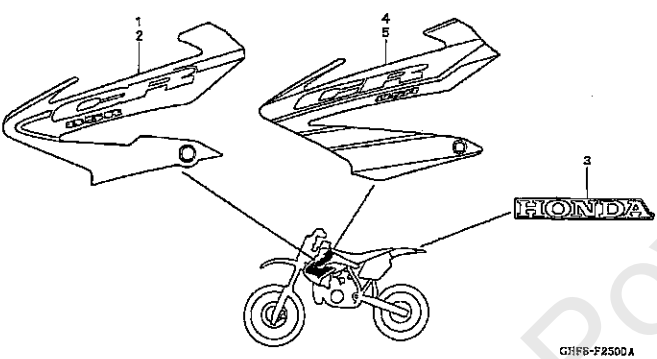
World of Powersports.com
800-407-7218

Ref. No.	Part No.	Description
1	87507-KZ3-900	LABEL, DRIVE CHAIN
2	87560-GBF-770	MARK, CAUTION



World of Powersports.com
800-407-7218

Ref. No.	Part No.	Description
1	87126-GBF-K00ZA	MARK, R. (TYPE1)
2	87127-GBF-K00ZA	MARK, L. (TYPE1)
3	87130-MBN-830ZA	MARK, HONDA (TYPE1)
4	87126-GBF-K20ZA	MARK, R. (TYPE1)
5	87127-GBF-K20ZA	MARK, L. (TYPE1)



World of Powersports.com
800-407-7218