

Change in Thread Pitch – The standard thread pitches for all bolts, nuts, and screws in the 3 mm, 4 mm, 5 mm and 12 mm sizes are changed as indicated below:

Nominal Dia.	Thread Pitch	
	Present J.I.S.	Modified J.I.S. (I.S.O.)
3 mm	0.6	0.5
4 mm	0.75	0.7
5 mm	0.9	0.8
12 mm	1.5	1.25

These changes will affect the interchangeability of threaded parts in these sizes. Care must be taken to use the correct pitch to avoid stripping.

These changes will also require new taps and dies.

To help avoid confusion in the 3 mm, 4 mm, 5 mm and 12 mm size, wherein the thread pitch has been changed, the modified J.I.S. (I.S.O.) threaded parts used by Honda will be marked such that they can be readily identified. The marks used are as follows:

<u>PART TYPE</u>	<u>DESCRIPTION OF MARKING</u>
STD. HEX BOLT	A number, indicating the strength of the bolt, will be embossed on the top of the bolt head. <b>This mark will appear on modified J.I.S. (I.S.O.) bolts of all sizes</b> , but as explained above all sizes except 4 mm, 5 mm, and 12 mm (there are no 3 mm hex bolts) will interchange with the present J.I.S. parts.
SLOTTED HEX BOLT	There will be a hemispherical embossment (bump) on the top of the bolt head in the 4 mm and 5 mm sizes (3 mm and 12 mm slotted hex bolts are not in use).
CAP BOLT	There will be a hemispherical dimple on the <b>side</b> of the bolt head in the 4 mm, 5 mm and 12 mm sizes (3 mm not in use).
STUD BOLT	There will be a hemispherical dimple or embossment on the nut end in the 5 mm and 12 mm sizes (3 mm and 4 mm studs are not in use).
ALL CROSS RECESS SCREWS	There will be a hemispherical embossment on the top of the screw head in the 3 mm, 4 mm and 5 mm sizes (12 mm not used).

## **ALL NUTS**

There will be a hemispherical dimple on **either the top or side** of the nut in all sizes with changed pitch. This will also apply to nuts that are permanently welded to other parts.

All mechanics and parts department personnel should read and understand this change-over, to avoid confusion and damage to threaded parts.

## **ENGINE AND FRAME SERIAL NUMBERS**

The engine and frame numbers should be checked prior to ordering parts for a specific motorcycle. HONDA engine numbers are located on the left portion of the engine and frame numbers on the left side of the frame body.

Parts list serial numbers are coded (E) for ENGINE and (F) for FRAME to assist you in identification.

Modified parts will show ENGINE or FRAME serial number in the remark column. These numbers will designate the start (FROM) and finish (TO) production run for that item listed to its left.

Newly introduced items will be listed from initial part installation serial numbers.

## **ILLUSTRATIONS**

To aid identification of PARTS, (exploded) illustrations are incorporated in this catalogue. Available items in the illustrations are identified by NUMBERS which correspond with the PARTS descriptions on the PARTS list.

A separate PARTS list is provided for each illustration. Reference numbers on the PARTS list duplicate identification numbers on the illustration for assistance in choosing the correct PART. Addition to the numerical reference numbers, we have used numeral-alphabet reference numbers for the convenience of adding new PARTS to the PARTS list.

Find the illustration of PART you require and check the accompanying PARTS list for its HONDA CODE, NEW PART NUMBER, DESCRIPTION, etc.

## **PARTS RETURN**

PARTS may not be returned to AMERICAN HONDA without prior written authorization. Written authorization may be obtained by writing to AMERICAN HONDA MOTOR CO., INC., 100 West Alondra Blvd., Gardena, California 90247. We will correct any error which we were of primary fault. This would cover damaged

PARTS, (not caused in mishandling by the delivery source), wrong parts, incorrect quantities, etc. Advise us of discrepancies within five (5) days of receipt. AMERICAN HONDA is not responsible for PARTS – returned to us without written authorization.

#### **ADDITIONAL INFORMATION**

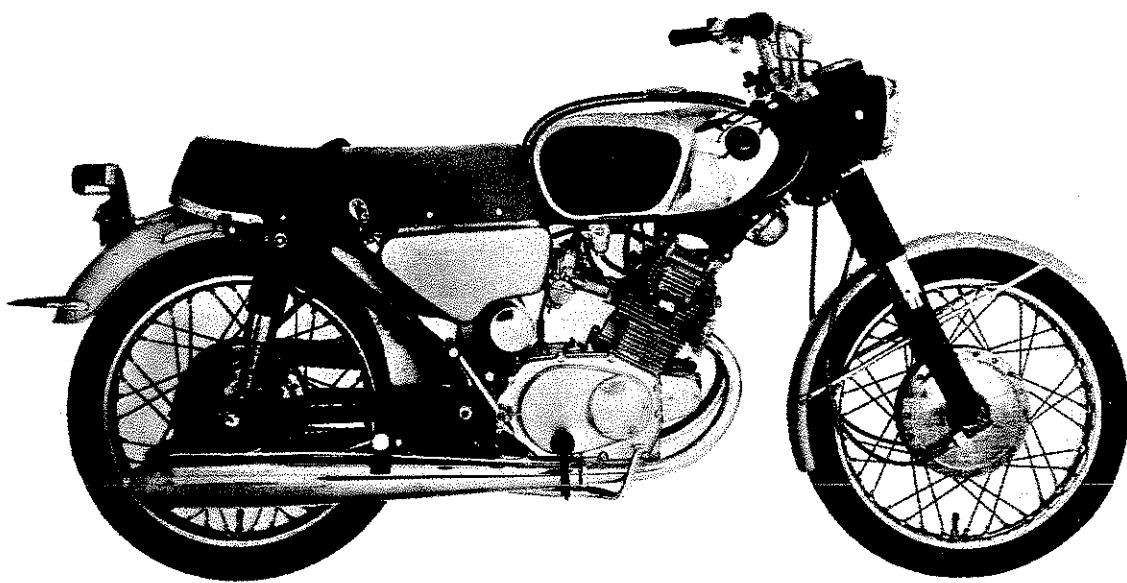
1. Dimensions of the PARTS in this catalogue are indicated in millimeter units.
2. L or R in the description of a PART stands for the LEFT hand side or the RIGHT hand side, which is decided by the direction of travel of the vehicle.
3. Many standard items, SPARK PLUGS, BOLTS, NUTS, WASHERS, PINS, which are in constant use are sold in multiples of ten and consideration when placing your order is advised.

#### **4. ABBREVIATIONS**

ASSY. – Assembly  
COMP. – Complete

REF. – Reference  
HEX. – Hexagonal

ADJ. – Adjusting  
STD. – Standard



# Contents

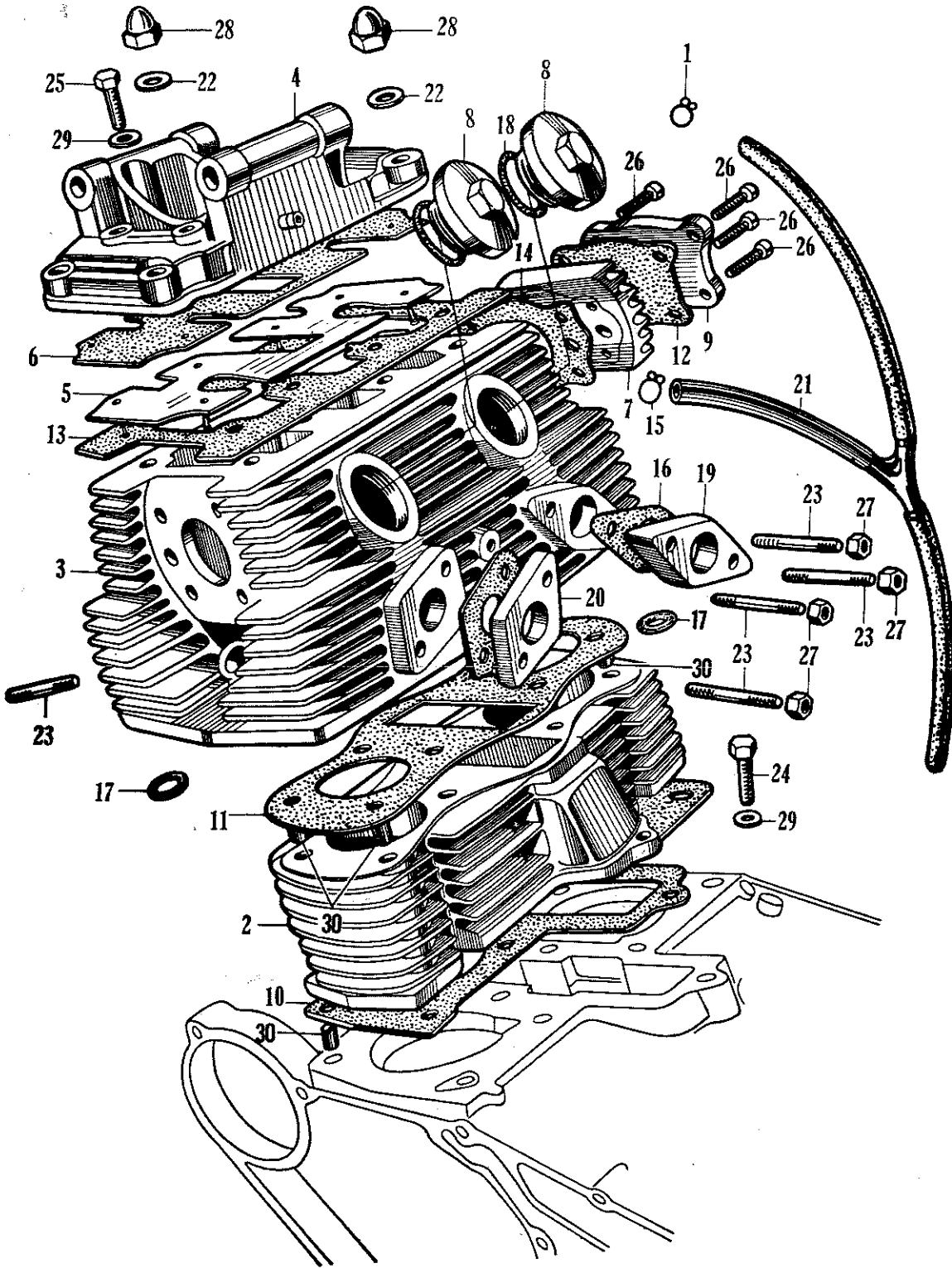
## ENGINE GROUP

REF. NO.		PAGE
E - 1....	CYLINDER . CYLINDER HEAD.....	2
E - 2....	CRANKSHAFT . PISTON.....	4
E - 3....	CAMSHAFT . VALVE . CAM CHAIN TENSIONER..	6
E - 4....	CLUTCH.....	10
E - 5....	CLUTCH ADJUSTER . LEFT CRANKCASE COVER..	12
E - 6....	TRANSMISSION.....	14
E - 7....	UPPER CRANKCASE . SHIFT DRUM.....	16
E - 8....	LOWER CRANKCASE . KICK STARTER.....	18
E - 9....	CONTACT BREAKER . ADVANCER.....	22
E -10....	GENERATOR STARTING MOTOR.....	24
E -11....	OIL PUMP . FILTER . R. CRANKCASE COVER..	28
E -12....	RIGHT CARBURETOR.....	32
E -13....	LEFT CARBURETOR.....	36

## FRAME GROUP

F - 1....	HANDLE BAR.....	40
F - 2....	FRONT FORK (1).....	42
F - 3....	FRONT FORK (2).....	44
F - 4....	STEERING STEM . FRONT FENDER.....	46
F - 5....	FUEL TANK.....	48
F - 6....	FRAME BODY.....	50
F - 7....	AIR CLEANER CASE . DUAL SEAT.....	52
F - 8....	MAIN STAND . STEP BAR.....	54
F - 9....	EXHAUST PIPE . MUFFLER.....	58
F -10....	AIR CLEANER . TOOL CASE . TOOLS.....	60
F -11....	REAR FORK . REAR FENDER.....	62
F -12....	REAR CUSHION.....	64
F -13....	FRONT WHEEL.....	66
F -14....	REAR WHEEL.....	70
F -15....	HEADLIGHT . TAIL LIGHT . SPEEDOMETER....	72
F -16....	DIMMER SWITCH . STARTER SWITCH.....	74
F -17....	WIRE HARNESS . BATTERY.....	76
	GASKET SET.....	79
	CONVERSION PARTS.....	80
	COMMON TOOLS.....	82
	SPECIAL TOOLS.....	86
	PART NO. INDEX.....	89

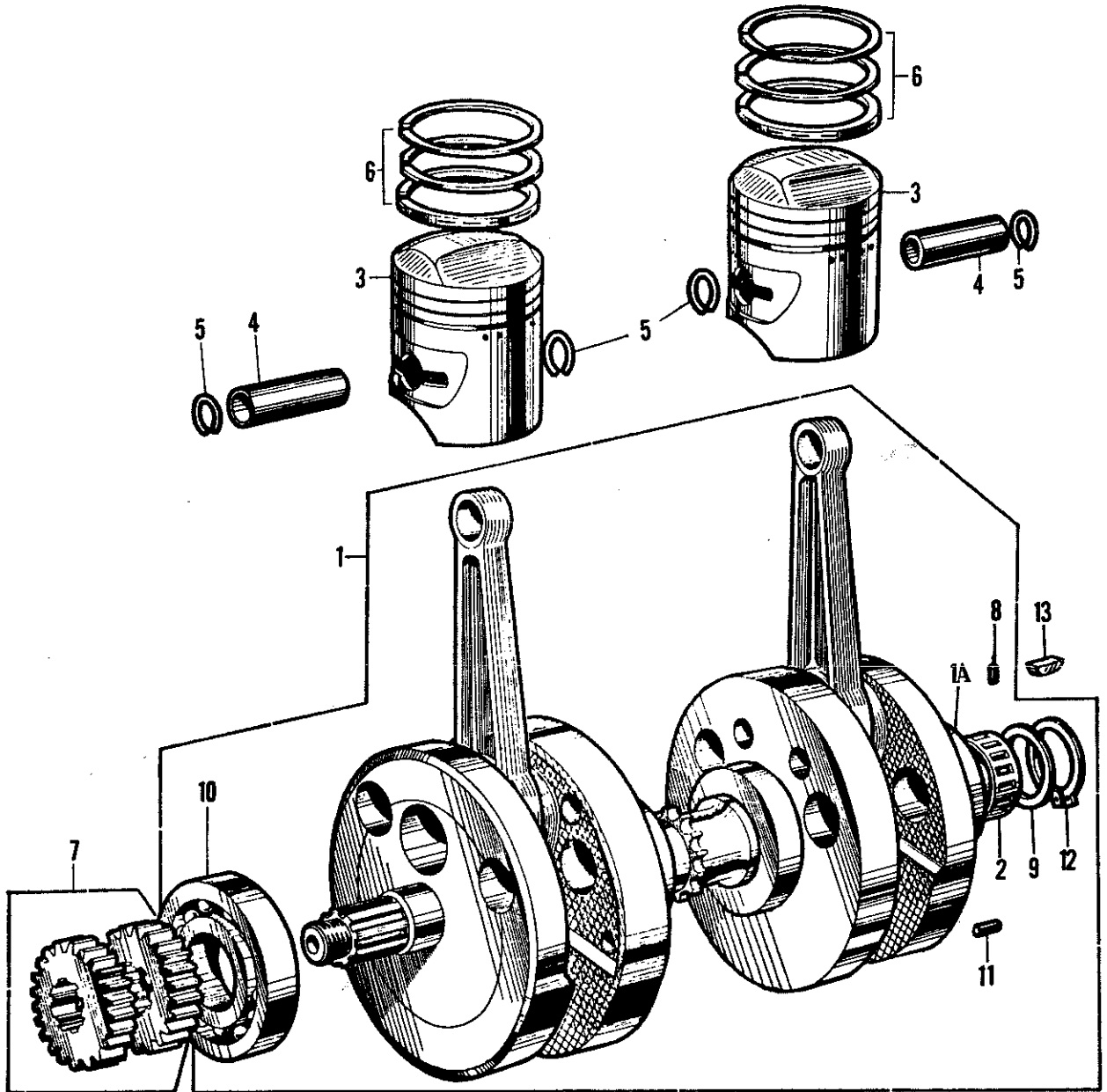
# E-1 Cylinder . Cylinder Head



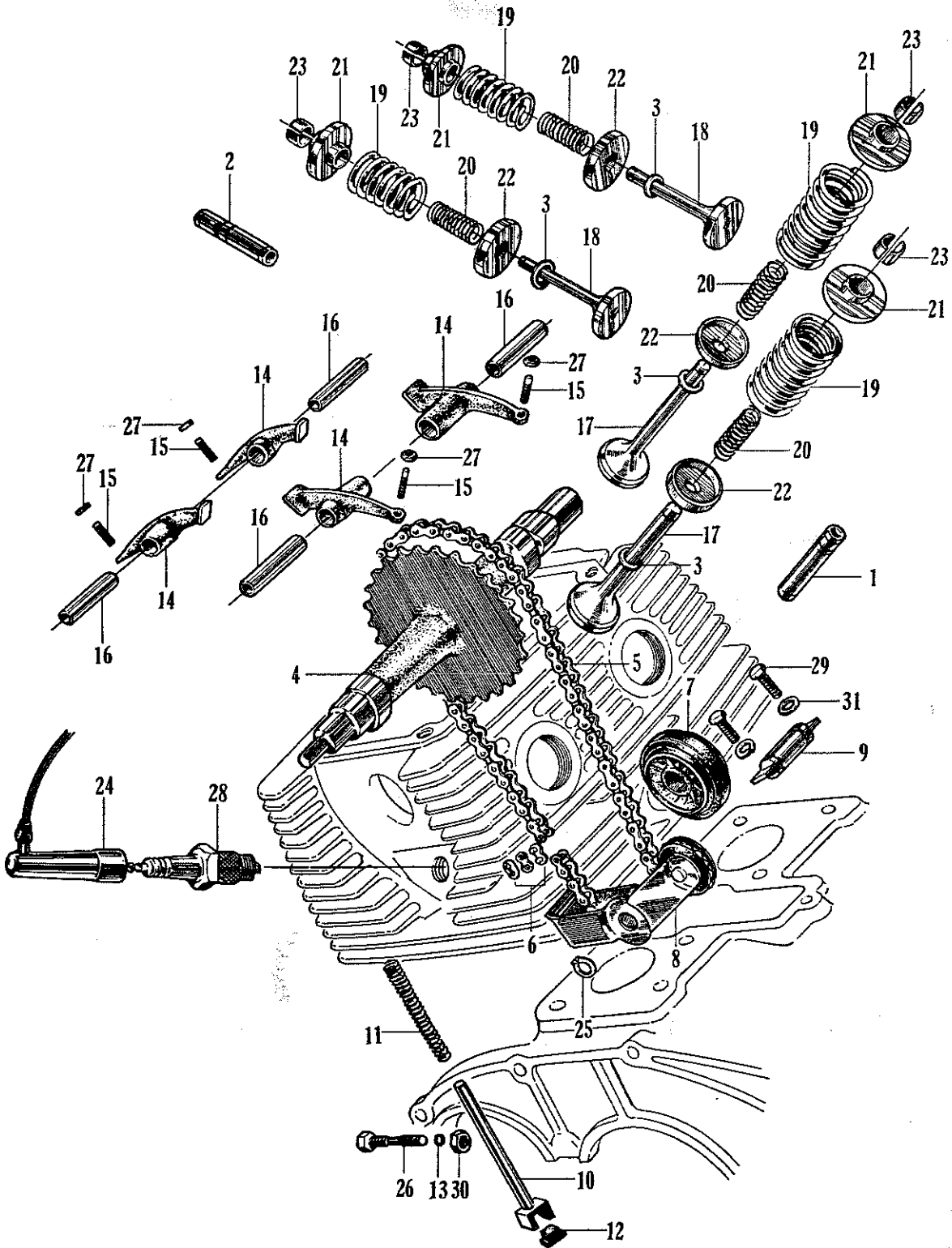
REF. NO.	H/C	NEW PART NUMBER	DESCRIPTION	ORDER IN MULTIPLES OF	NO. REQD.	REMARKS
1	03519	15772-259-000...	CLIP, BREATHER TUBE.....		1	
2	02223	12100-217-600...	CYLINDER.....		1	
3	02232	12200-217-050...	HEAD, CYLINDER.....		1	
4	02236	12300-216-000...	COVER, CYLINDER HEAD.....		1	
5		12302-216-300...	NOT SOLD. THIS PART IS INCLUDED IN 12300-216-000		1	
6		12303-216-300...	NOT SOLD. THIS PART IS INCLUDED IN 12300-216-000		1	
7		12331-216-000...	NOT AVAILABLE,USE 12331-235-010 W/30361-235-000		1	
	15701	12331-235-010...	COVER, RIGHT CYLINDER HEAD SIDE		1	
8	02244	12361-216-000...	CAP, TAPPET ADJUSTING HOLE.		4	
9	02247	12351-216-000...	CAP, CYLINDER HEAD SIDE....		1	
10	02249	12191-216-000...	GASKET, CYLINDER.....		1	
11	02253	12251-217-000...	GASKET, CYLINDER HEAD.....		1	
12	02254	12396-216-000...	GASKET, CYLINDER HEAD SIDE CAP		1	
13	02256	12391-216-000...	GASKET, CYLINDER HEAD COVER		1	
14	02258	12394-216-000...	GASKET, RIGHT CYLINDER HEAD SIDE COVER		1	
15	03582	16242-259-000...	CLIP, AIR VENT TUBE.....		1	
16	02265	16229-216-000...	GASKET, CARBURETOR INSULATOR		2	
17	02267	91301-200-000...	D-RING, 10X1.6 M/M.....		2	
18	02269	91302-216-000...	D-RING, 39X3 M/M.....		4	
19	02270	16211-216-000...	INSULATOR, RIGHT CARBURETOR		1	
20	02274	16213-216-000...	INSULATOR, LEFT CARBURETOR.		1	
21	02278	16231-216-303...	BREATHER, AIR VENT.....		1	Y SHAPE AIR VENT TUBE
	02189	15761-202-000...	BREATHER, AIR VENT.....		1	STRAIGHT TYPE AIR VENT TUBE
22	11546	90441-216-000...	WASHER, SEALING 8 M/M.....		8	
23	05869	92700-06040.....	BOLT, STUD, 6X40 M/M.....		8	
24	05429	92000-06022.....	BOLT, HEX., 6X22 M/M.....	10	1	
25	05444	92000-06045.....	BOLT, HEX., 6X45 M/M.....	10	1	
26	05756	93500-06032.....	SCREW, CROSS, 6X32 M/M.....	10	4	
27	05801	94001-06000.....	NUT, HEX., 6 M/M.....	10	4	
28	05790	94021-08000.....	NUT, BLIND, 8 M/M.....	10	8	
29	05907	94101-06000.....	WASHER, FLAT, 6 M/M.....	10	2	
30	06933	94301-10140.....	PIN, KNOCK, 10X14 M/M.....		6	

REF. NO.	H/C	NEW PART NUMBER	DESCRIPTION	ORDER IN MULTIPLES OF	NO. REQD.	REMARKS
1		13000-217-303...	NOT AVAILABLE,USE 13000-217-020		1	E CB160-9000001 TO CB160-9007000 CB160-1000001 TO CB160-1089040
		13000-217-010...	NOT AVAILABLE,USE 13000-217-020		1	E CB160-1089041 TO CB160-1091963
	12063	13000-217-020...	CRANKSHAFT ASSY.....		1	E CB160-1091964 TO
1A	02286	13421-216-000...	RING, LEFT MAIN BEARING OUTER		1	
2	02287	13482-216-000...	RETAINER, LEFT MAIN BEARING ROLLER		1	
3	02318	13101-217-000...	PISTON STD.....		2	
	02319	13102-217-000...	PISTON 0.25.....		2	
	02320	13103-217-000...	PISTON 0.50.....		2	
	02321	13104-217-000...	PISTON 0.75.....		2	
	02322	13105-217-000...	PISTON 1.00.....		2	
4	02325	13111-217-000...	PIN, PISTON.....		2	
5	02326	13115-200-000...	CLIP, PISTON PIN.....	10	4	
6	02347	13012-217-000...	RING SET, PISTON STD.....		1	
	02348	13022-217-000...	RING SET, PISTON 0.25.....		1	
	02349	13032-217-000...	RING SET, PISTON 0.50.....		1	
	02350	13042-217-000...	RING SET, PISTON 0.75.....		1	
	02351	13052-217-000...	RING SET, PISTON 1.00.....		1	
7	02356	13611-216-010...	GEAR SET, PRIMARY DRIVE....		1	E CB160-9000001 TO CB160-9007000 CB160-1000001 TO CB160-1091963
	12064	13615-216-020...	GEAR SET, PRIMARY DRIVE....		1	E CB160-1091964 TO
8	14722	30906-235-000...	PIN, KNOCK, FLYWHEEL.....		1	
9	02690	90452-216-000...	WASHER, THRUST, 35 M/M.....		1	
10	02697	91001-216-000...	BEARING, BALL, 6305SHS.....		1	
11	02701	91103-222-000...	ROLLER, 4X10 M/M.....		20	
12	05373	94510-35000.....	CIRCLIP, 35 M/M.....		1	
13	04018	90741-253-000...	KEY, WOODRUFF.....		1	

# E-2 Crankshaft . Piston



# E-3 Camshaft · Valve · Cam Chain Tensioner



# CB-160 E-3 Camshaft . Valve . Cam Chain Tensioner

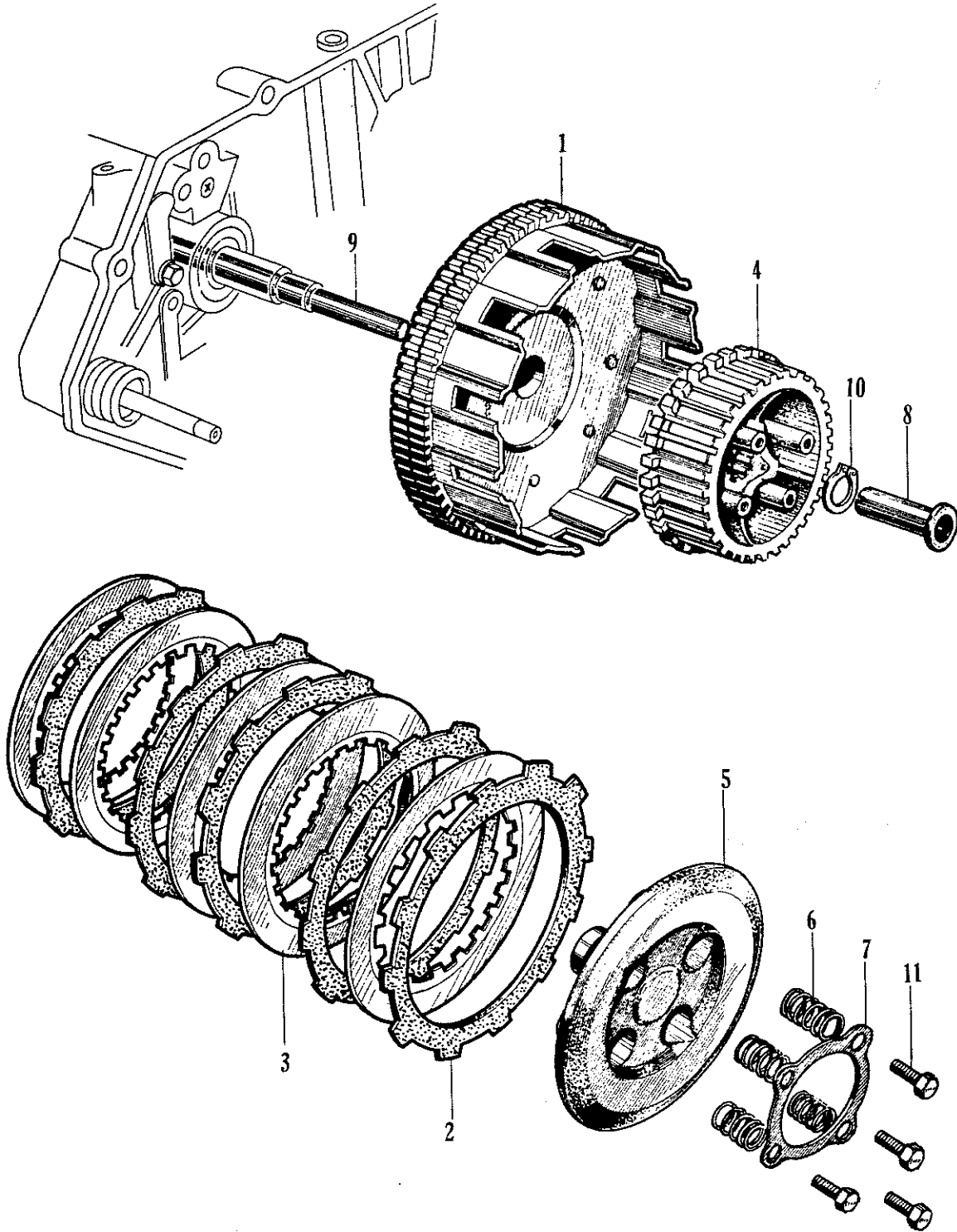
REF. NO.	H/C	NEW PART NUMBER	DESCRIPTION	ORDER IN MULTIPLES OF	NO. REQD.	REMARKS
1		02233 12021-216-000...	GUIDE, INLET VALVE.....		2	
2		02234 12023-216-000...	GUIDE, EXHAUST VALVE.....		2	
3		02226 12253-200-300...	CLIP, VALVE GUIDE.....		4	
4		02364 14100-216-010...	CAMSHAFT.....		1	
5		02369 14410-216-003...	CHAIN, CAM.....		1	
6		02370 14411-216-000...	JOINT, CAM CHAIN.....		1	
7		02371 14610-200-000...	ROLLER, CAM CHAIN GUIDE....		1	
7A		02377 14500-216-000...	TENSIONER ASSY., CAM CHAIN. COMPOSED OF REF. # 7-9, 25		1	
8		02378 14501-216-000...	TENSIONER, CAM CHAIN.....		1	
9		02379 14503-216-000...	PIN, CAM CHAIN GUIDE ROLLER		1	
10		02381 14550-216-020...	BAR, CAM CHAIN TENSIONER... PUSHING		1	
11		02383 14541-216-000...	SPRING, CAM CHAIN TENSIONER		1	
12		02387 14556-216-020...	RUBBER, CAM CHAIN TENSIONER PUSHING		1	
13		02394 91303-216-000...	O-RING, 3.4X10 M/M.....		1	
14		02396 14431-216-000...	ARM, VALVE ROCKER.....		4	
15		05368 90012-216-000...	SCREW, TAPPET ADJUSTING....		4	
16		02399 14451-216-010...	SHAFT, ROCKER ARM.....		4	
17		02403 14711-216-000...	VALVE, INLET.....		2	E CB160-9000001 TO CB160-9007000 CB160-1000001 TO CB160-1021673
		08078 14711-216-020...	VALVE, INLET.....		2	E CB160-1021674 TO
18		02405 14721-216-000...	VALVE, EXHAUST.....		2	E CB160-9000001 TO CB160-9007000 CB160-1000001 TO CB160-1021673
		08079 14721-216-020...	VALVE, EXHAUST.....		2	E CB160-1021674 TO
19		02407 14751-216-000...	SPRING, OUTER, VALVE.....		4	
		08212 14751-216-810...	SPRING, OUTER, VALVE.....		4	OPTIONAL
20		02409 14761-216-000...	SPRING, INNER, VALVE.....		4	
		08213 14761-216-810...	SPRING, INNER, VALVE.....		4	OPTIONAL
21		02410 14771-216-000...	RETAINER, VALVE SPRING.....		4	
22		02412 14775-216-000...	SEAT, VALVE SPRING.....		4	
23		00189 14781-001-010...	COTTER, VALVE.....		8	E CB160-9000001 TO CB160-9007000 CB160-1000001 TO CB160-1021673
		13857 14781-235-000...	COTTER, VALVE.....		8	E CB160-1021674 TO
24		03810 30700-259-600...	TERMINAL ASSY., HIGH..... TENSION CORD		2	METAL COVERED
		10039 30700-259-810...	TERMINAL ASSY, HIGH TENSION CORD		2	PLASTIC
25		02621 90603-200-000...	SET-RING, 12 M/M.....		1	
26		02663 90009-216-020...	BOLT, TENSIONER SETTING....		1	
27		00459 90206-001-000...	NUT, TAPPET ADJUSTING.....		4	

# CB-160 E-3 Camshaft . Valve . Cam Chain Tensioner

REF. NO.	H/C	NEW PART NUMBER	DESCRIPTION	ORDER IN MULTIPLES OF	NO. REQD.	REMARKS
28		98066-60710.....	NOT AVAILABLE,USE 98066-60714		2	
	12116	98066-60714.....	SPARK PLUG, D10HS.....	10	2	WIDE HEAT RANGE PLUGS
29	05425	92000-06018.....	BOLT, HEX., 6X18.....	10	2	
30	05799	94001-05000.....	NUT, HEX., 5 M/M.....	10	1	
31	05897	94111-06000.....	WASHER, SPRING, 6 M/M.....	10	2	



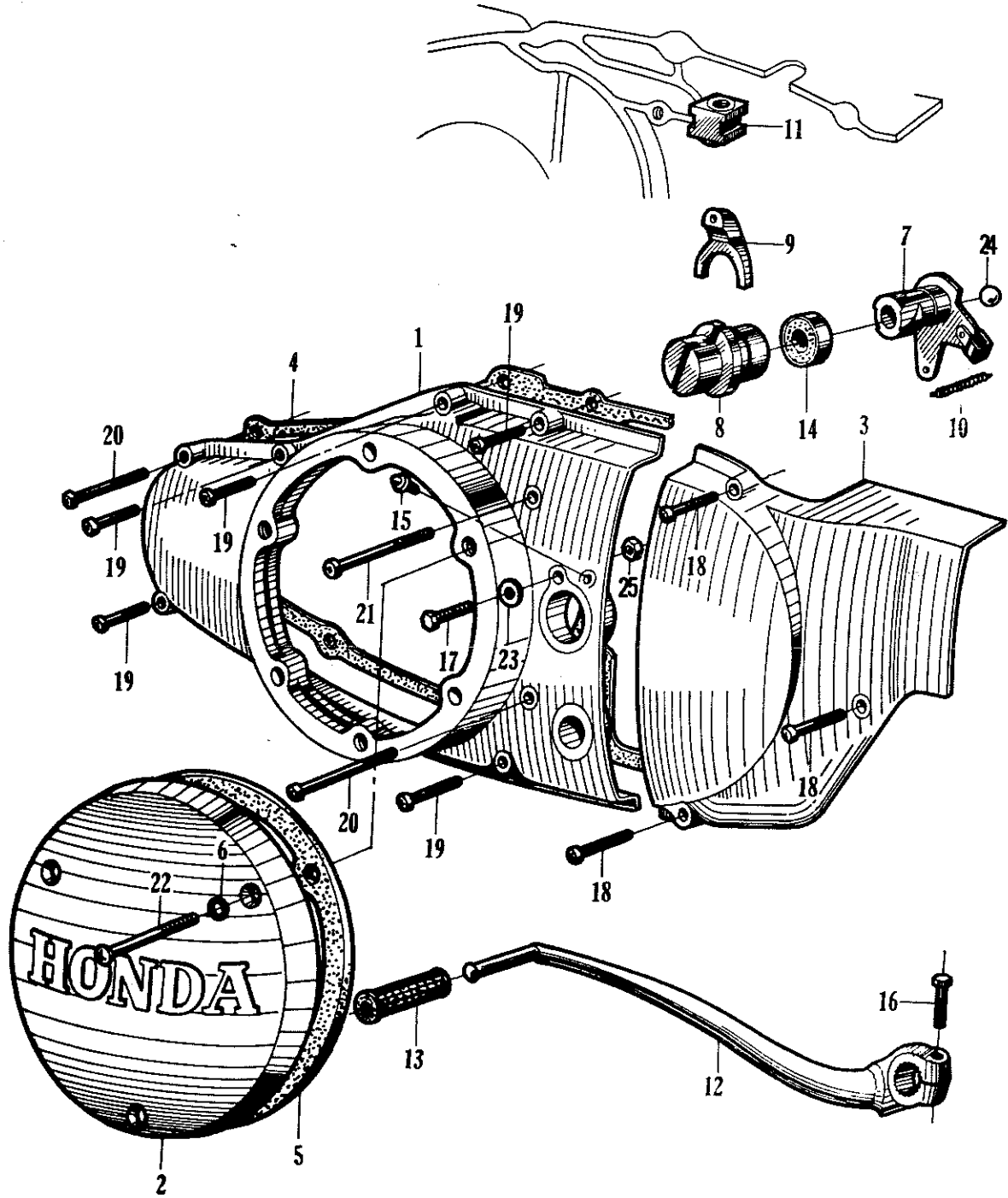
# E-4 Clutch



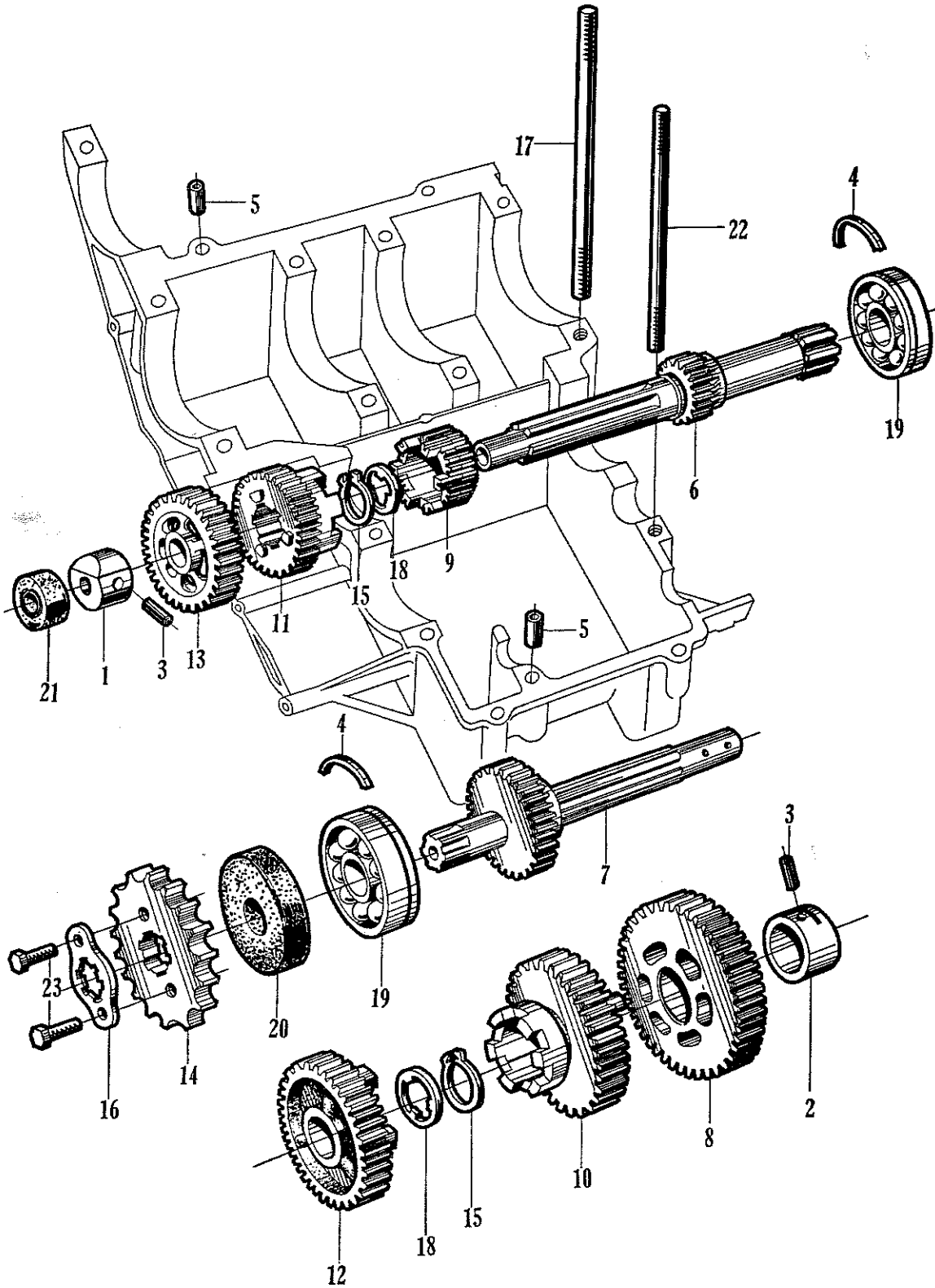
REF. NO.	H/C	NEW PART NUMBER	DESCRIPTION	ORDER IN MULTIPLES OF	NO. REQ.	REMARKS
1		22100-216-000...	NOT AVAILABLE,USE 22100-217-000		1	E CB160-9000001 TO CB160-9007000 CB160-1000001 TO CB160-1007556
	02527	22100-217-000...	OUTER, CLUTCH.....		1	E CB160-1007560 TO
2	02530	22201-217-600...	DISC, CLUTCH FRICTION.....		5	
3	02531	23311-200-000...	PLATE, CLUTCH.....		5	
4	02535	22120-216-000...	CENTER, CLUTCH.....		1	
5	02537	22351-216-000...	PLATE, CLUTCH PRESSURE.....		1	E CB160-9000001 TO CB160-9007000 CB160-1000001 TO CB160-1075576
	08972	22351-216-010...	PLATE, CLUTCH PRESSURE.....		1	E CB160-1075577 TO
6	02539	22401-216-600...	SPRING, CLUTCH.....		4	
7	02541	22408-216-000...	PLATE, CLUTCH SPRING RETAINING		1	
8	02550	22838-202-010...	PIECE, CLUTCH LIFTER JOINT.		1	
9	02552	22850-216-000...	ROD, CLUTCH LIFTER.....		1	
10	02563	22903-200-000...	SET RING, 20 M/M.....		1	
11	05425	92000-06018.....	BOLT, HEX., 6X18.....	10	4	

REF. NO.	H/C	NEW PART NUMBER	DESCRIPTION	ORDER IN MULTIPLES OF	NO. REQD.	REMARKS
1		02162 11340-216-010...	COVER, LEFT CRANKCASE.....		1	
2		02165 11340-216-000...	COVER, DYNAMO.....		1	
3		02171 11661-216-000...	COVER, DRIVE CHAIN.....		1	
4		02199 11395-216-000...	GASKET, LEFT, CRANKCASE COVER		1	
5		02200 11691-216-000...	GASKET, DYNAMO COVER.....		1	
6		02202 91301-216-000...	O-RING, 5.5X1.5 M/M.....		3	
7		02543 22810-216-010...	THREAD, CLUTCH LIFTER.....		1	E CB160-9000001 TO CB160-9007000 CB160-1000001 TO CB160-1045779
		08973 22810-216-030...	THREAD, CLUTCH LIFTER.....		1	E CB160-1045780 TO
8		02547 22841-216-000...	ADJUSTER, CLUTCH.....		1	E CB160-9000001 TO CB160-9007000 CB160-1000001 TO CB160-1045779
		19802 22841-216-030...	ADJUSTER, CLUTCH.....		1	E CB160-1045780 TO
9		02553 22844-200-000...	PIECE, CLUTCH ADJUSTER FIXING		1	
10		02556 22815-216-010...	SPRING, CLUTCH LEVER.....		1	
11		02562 22875-216-000...	JOINT, CLUTCH CABLE.....		1	
12		02624 24700-216-000...	PEDAL, GEAR CHANGE.....		1	
13		02633 24781-205-000...	RUBBER, GEAR CHANGE PEDAL..		1	
14		02710 91205-222-000...	OIL SEAL, 20X26X29X8.....		1	
15		05354 96201-30000.....	NIPPLE, GREASE, 4.5 M/M....		1	
16		05432 92000-06025.....	BOLT, HEX., 6X25.....	10	1	
17		05438 92000-06035.....	BOLT, HEX., 6X35.....	10	1	
18		05749 93500-06020.....	SCREW, CROSS., 6X20.....	10	3	
19		05753 93500-06025.....	SCREW, CROSS., 6X25.....	10	7	
20		05756 93500-06032.....	SCREW, CROSS., 6X32.....	10	2	
21		05759 93500-06038.....	SCREW, CROSS., 6X38.....	10	1	
22		11543 93700-06036.....	SCREW, CROSS., 6X36.....		3	
23		05907 94101-06000.....	WASHER, FLAT, 6 M/M.....	10	1	
24		05893 96211-10000.....	BALL, STEEL #10.....	10	1	E CB160-1045780 TO
25		05788 94021-06000.....	NUT, BLIND, 6 M/M.....	10	1	

# E-5 Clutch Adjuster . Left Crankcase Cover



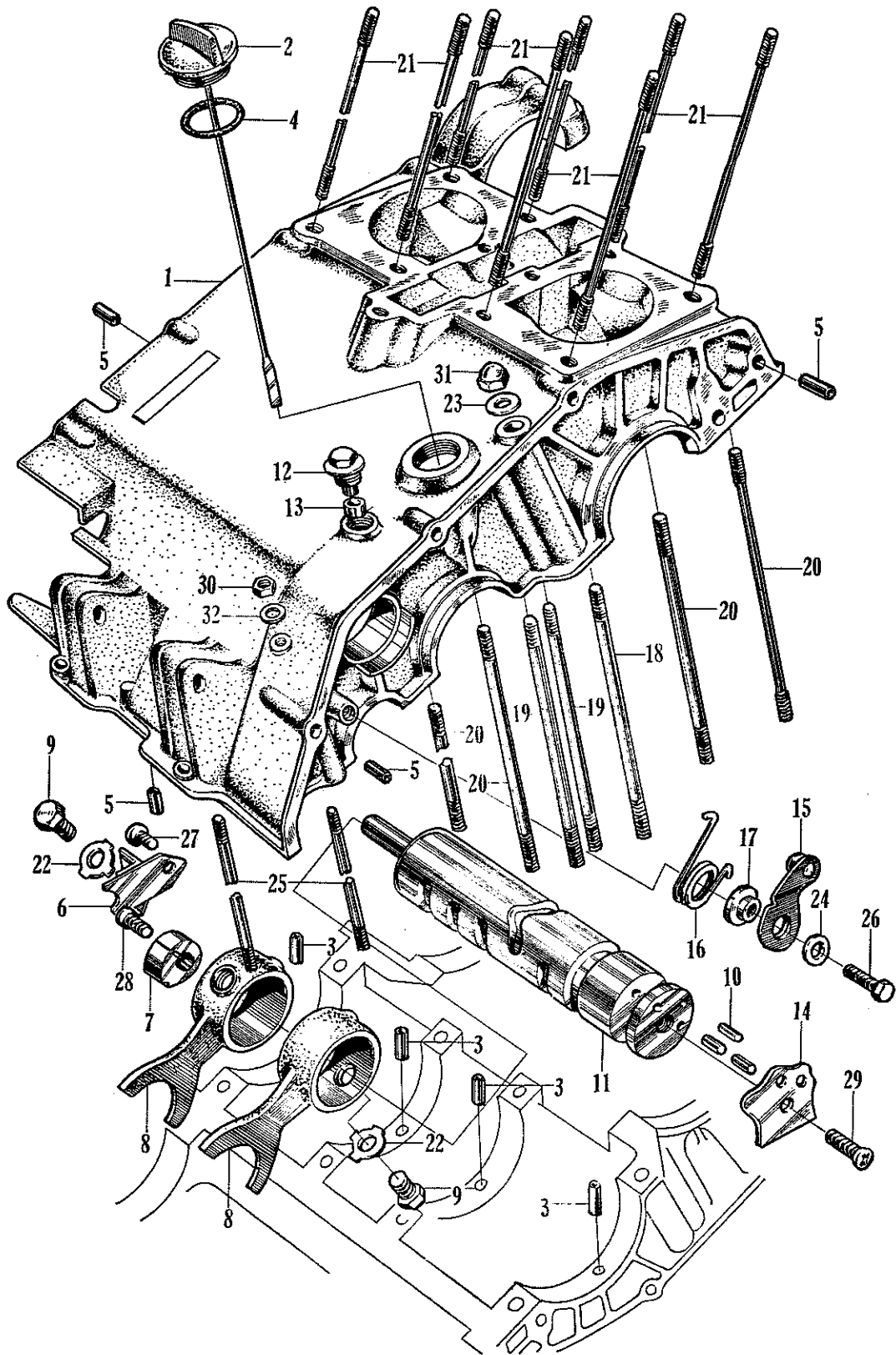
# E-6 Transmission



REF. NO.	H/C	NEW PART NUMBER	DESCRIPTION	ORDER IN MULTIPLES OF	NO. REQD.	REMARKS
1		02193 23931-216-000...	BUSHING A, BEARING, 15 M/M.		1	
2		17980 23932-246-000...	BUSHING B, BEARING, 15 M/M.		1	
3		02210 90702-200-000...	PIN, KNOCK, 6 M/M.....		2	
4		14749 13495-200-000...	SET RING A, BALL BEARING...		2	
5		06933 94301-10140.....	PIN, KNOCK, 10X14 M/M.....		2	
6		02567 23211-216-000...	SHAFT, MAIN, TRANSMISSION 13T		1	
7		02570 23221-216-000...	SHAFT, COUNTER, TRANSMISSION 26T		1	
8		02572 23420-216-000...	GEAR, LOW, COUNTER SHAFT 36T		1	
9		02574 23431-216-000...	GEAR, SECOND, MAIN SHAFT 18T		1	
10		02576 23441-216-000...	GEAR, SECOND, COUNTER SHAFT 32T		1	
11		02578 23451-216-000...	GEAR, THIRD, MAIN SHAFT 22T		1	
12		02580 23460-216-000...	GEAR, THIRD, COUNTER SHAFT 29T		1	
13		02583 23471-216-000...	GEAR, FOURTH, MAIN SHAFT 25T		1	
14		02585 23801-216-000...	SPROCKET, DRIVE, 16T.....		1	
		02586 23801-216-810...	SPROCKET, DRIVE, 17T.....		1	OPTIONAL
		02587 23801-216-820...	SPROCKET, DRIVE, 18T.....		1	OPTIONAL
15		05362 94510-20000.....	SET-RING, 20 M/M.....		2	
16		23811-200-010...	NOT AVAILABLE,USE 23811-206-000		1	
		02590 23811-206-000...	PLATE, DRIVE SPROCKET FIXING		1	
17		02668 90063-216-000...	BOLT, STUD, 8X119 M/M.....		1	
18		02681 90451-200-000...	WASHER A, THRUST, 20 M/M...		2	
19		02693 91001-200-000...	BEARING, BALL, 6304HS.....		2	
20		02704 91201-216-000...	OIL SEAL, 20X52X9 TC TYPE..		1	
21		02712 91206-216-000...	OIL SEAL, 8X25X8.....		1	
22		05873 92700-06101.....	BOLT, STUD, 6X101 M/M.....		1	
23		05417 92000-06010.....	BOLT, HEX., 6X10.....	10	2	

REF. NO.	H/C	NEW PART NUMBER	DESCRIPTION	ORDER IN MULTIPLES OF	NO. REQD.	REMARKS
1		02148 11101-216-000...	CRANKCASE, UPPER.....		1	
2		02183 15650-216-000...	GAUGE, OIL LEVEL.....		1	
3		02213 90701-222-000...	PIN, KNOCK, 6X12.5 M/M.....		4	
4		00105 91302-001-000...	O-RING, 27.5 M/M.....		1	
5		06933 94301-10140.....	PIN, KNOCK, 10X14 M/M.....		4	
6		02493 35752-216-000...	STATOR, NEUTRAL SWITCH.....		1	
7		35753-205-000...	NOT AVAILABLE, USE 35753-286-000		1	
		17273 35753-286-000...	ROTOR, NEUTRAL SWITCH.....		1	
8		02593 24211-216-000...	FORK, GEAR SHIFT.....		2	
9		02595 24261-216-000...	PIN, GEAR SHIFT FORK GUIDE.		2	
10		11946 24421-230-000...	PIN, GEAR SHIFT DRUM.....		3	
11		02598 24301-216-000...	DRUM, GEAR SHIFT.....		1	
12		02599 24445-200-000...	SCREW, SHIFT DRUM GUIDE....		1	
13		02600 24446-200-000...	COLLAR, SHIFT DRUM GUIDE...		1	
14		02603 24434-216-000...	PLATE, SHIFT DRUM STOPPER..		1	
15		02606 24430-216-000...	STOPPER, SHIFT DRUM.....		1	
16		02608 24435-216-000...	SPRING, SHIFT DRUM STOPPER.		1	
17		02614 24438-216-000...	COLLAR, SHIFT DRUM STOPPER.		1	
18		02665 90061-216-000...	BOLT, STUD, 8X152 M/M.....		1	
19		02666 90062-216-000...	BOLT, STUD, 8X131 M/M.....		2	
20		02669 90063-200-010...	BOLT, STUD, 8X111 M/M.....		4	
21		02672 90031-216-000...	BOLT, STUD, CYLINDER.....		8	
22		02676 90416-200-000...	WASHER, SHIFT FORK LOCKING.		2	
23		11546 90441-216-000...	WASHER, SEALING, 8 M/M.....		1	
24		02684 90453-216-000...	WASHER, 6 M/M.....		1	
25		05873 92700-06101.....	BOLT, STUD, 6X101 M/M.....		2	
26		05425 92000-06018.....	BOLT, HEX., 6X18.....	10	1	
27		05742 93500-06012.....	SCREW, CROSS., 6X12.....	10	1	
28		05749 93500-06020.....	SCREW, CROSS., 6X20.....	10	1	
29		05578 93600-06014.....	SCREW, CROSS., 6X14.....		1	
30		05801 94001-06000.....	NUT, HEX., 6 M/M.....	10	1	
31		05790 94021-08000.....	NUT, BLIND, 8 M/M.....	10	1	
32		05907 94101-06000.....	WASHER, FLAT, 6 M/M.....	10	1	

# E-7 Upper Crankcase · Shift Drum

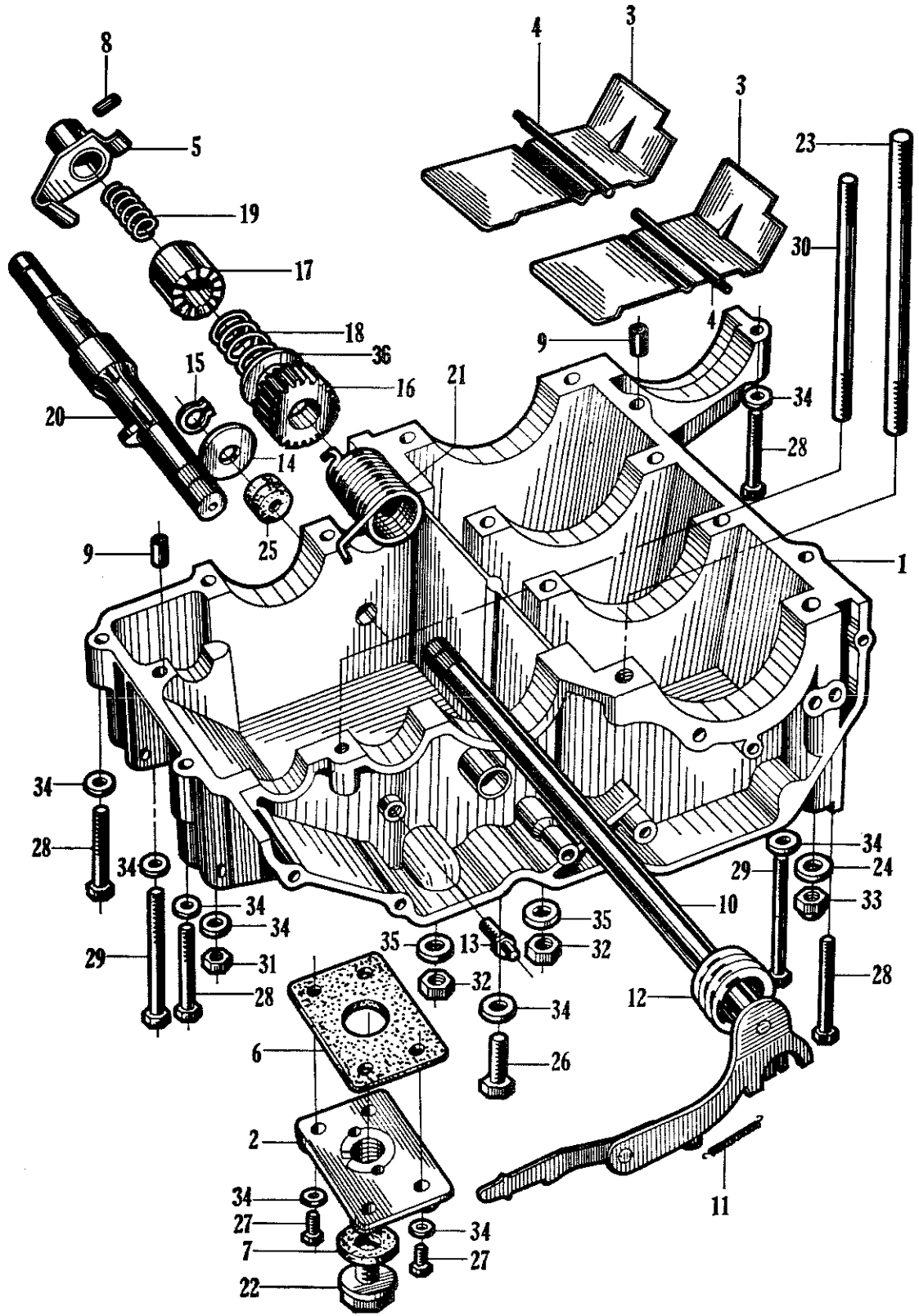




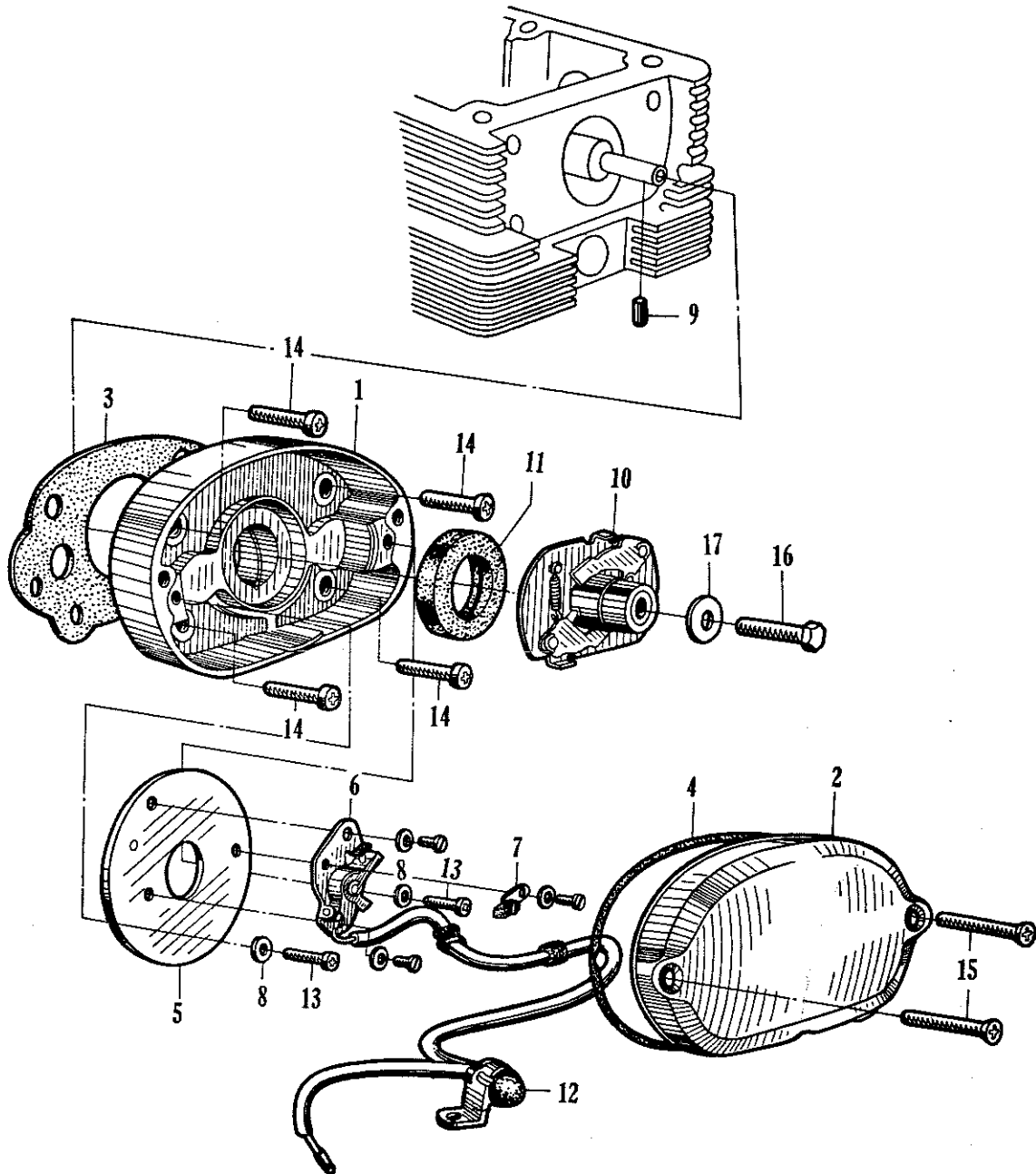
REF. NO.	H/C	NEW PART NUMBER	DESCRIPTION	ORDER IN MULTIPLES OF	NO. REQD.	REMARKS
1		02153 11200-216-010...	CRANKCASE, LOWER.....		1	
2		02154 11311-216-010...	COVER, LOWER, CRANKCASE....		1	
3		02184 11751-216-000...	SEPARATOR, OIL.....		2	
4		02188 11781-216-000...	BAR, OIL SEPARATOR SETTING.		2	
5		02191 28258-216-000...	BUSHING, KICK STARTER SPINDLE		1	
6		02205 11396-216-010...	GASKET, LOWER COVER.....		1	
7		03529 90407-259-000...	PACKING, DRAIN COCK.....		1	
8		02217 90701-216-000...	PIN, KNOCK, 4X15 M/M.....		1	
9		06933 94301-10140.....	PIN, KNOCK, 10X14 M/M.....		2	
10		02612 24610-216-000...	SPINDLE, GEAR SHIFT.....		1	
11		02616 24641-216-000...	SPRING, GEAR SHIFT ARM.....		1	
12		02618 24651-216-000...	SPRING, GEAR SHIFT RETURN..		1	
13		02619 24652-200-000...	PIN, GEAR SHIFT RETURN SPRING		1	
14		02620 24621-200-000...	STOPPER, SIDE, GEAR SHIFT.. SPINDLE		1	
15		02621 90603-200-000...	SET RING, 12 MM.....		2	
16		02635 28211-216-000...	PINION, KICK STARTER.....		1	E CB160-9000001 TO CB160-9007000 CB160-1000001 TO CB160-1091210
		11975 28211-216-010...	PINION, KICK STARTER.....		1	E CB160-1091211 TO
17		02637 28221-216-000...	RATCHET, KICK STARTER.....		1	E CB160-9000001 TO CB160-9007000 CB160-1000001 TO CB160-1091210
		11976 28221-216-010...	RATCHET, KICK STARTER.....		1	E CB160-1091211 TO
18		02638 28215-216-000...	SPRING, STARTER PINION SETTING		1	
19		02639 28223-216-000...	SPRING, KICK STARTER RATCHET		1	
20		02642 28250-216-000...	SPINDLE, KICK STARTER.....		1	
21		02649 28281-216-000...	SPRING, KICK STARTER.....		1	
22		05397 92800-12000.....	BOLT, DRAIN COCK.....		1	
23		02668 90063-216-000...	BOLT, STUD, 8X119 M/M.....		1	
24		11546 90441-216-000...	WASHER, SEALING, 8 M/M.....		1	
25		02708 91204-200-000...	OIL SEAL, 12X25X4.5 M/M.....		1	
26		05417 92000-06010.....	BOLT, HEX., 6X10.....	10	1	
27		05425 92000-06018.....	BOLT, HEX., 6X18.....	10	4	
28		05438 92000-06035.....	BOLT, HEX., 6X35.....	10	4	
29		05448 92000-06055.....	BOLT, HEX., 6X55.....	10	2	
30		05873 92700-06101.....	BOLT, STUD, 6X101 M/M.....		1	
31		05801 94001-06000.....	NUT, HEX., 6 M/M.....	10	2	
32		05803 94001-08000.....	NUT, HEX., 8 M/M.....	10	6	
33		05790 94021-08000.....	NUT, BLIND, 8 M/M.....	10	1	
34		05907 94101-06000.....	WASHER, FLAT, 6 M/M.....	10	11	
35		05909 94101-08000.....	WASHER, FLAT, 8 M/M.....	10	6	

REF. NO.	H/C	NEW PART NUMBER	DESCRIPTION	ORDER IN MULTIPLES OF	NO. REQD.	REMARKS
36		02680 90451-216-000...	WASHER, 20 MM.....		1	

# E-8 Lower Crankcase . Kick Starter



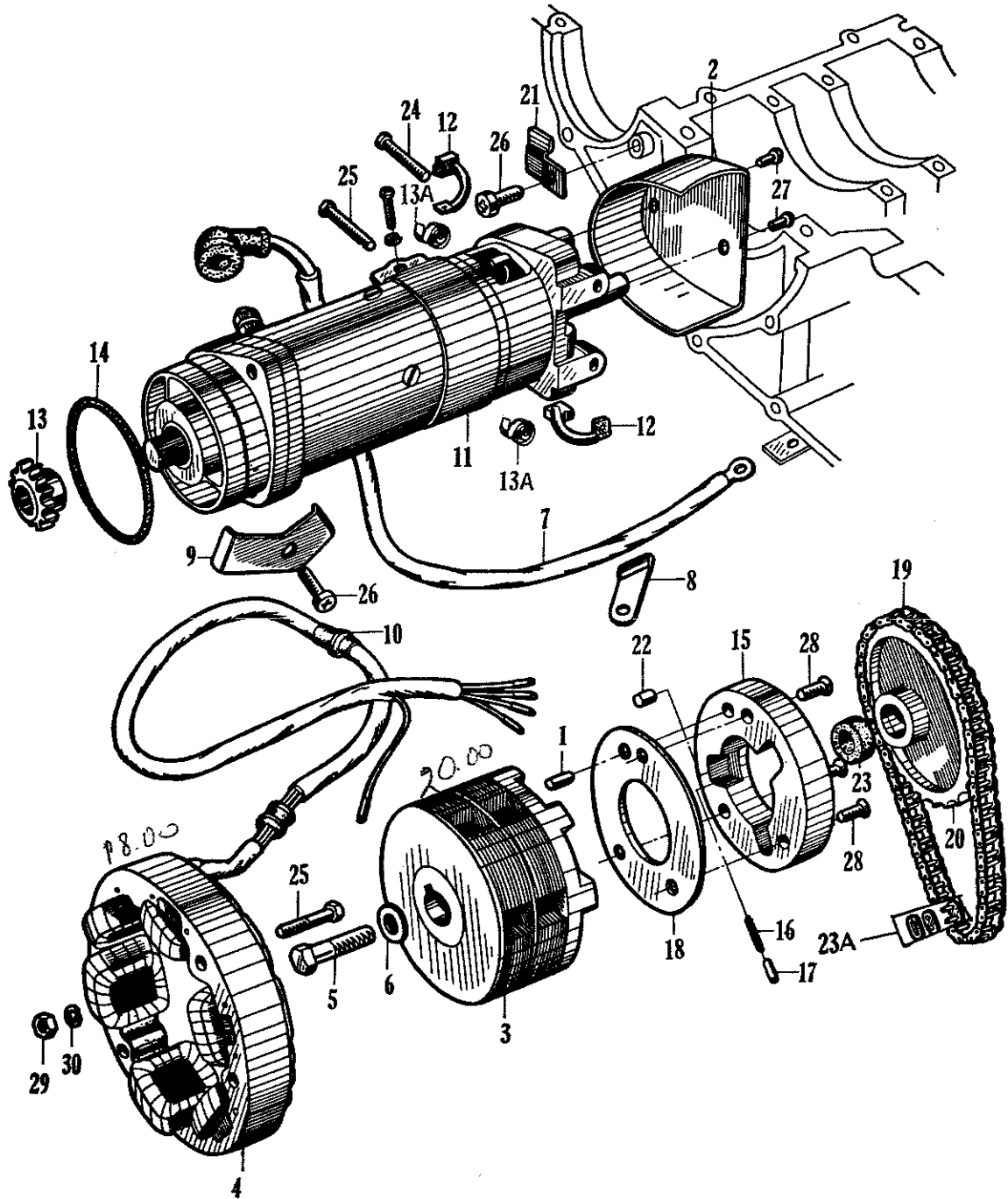
# E-9 Contact Breaker · Advancer



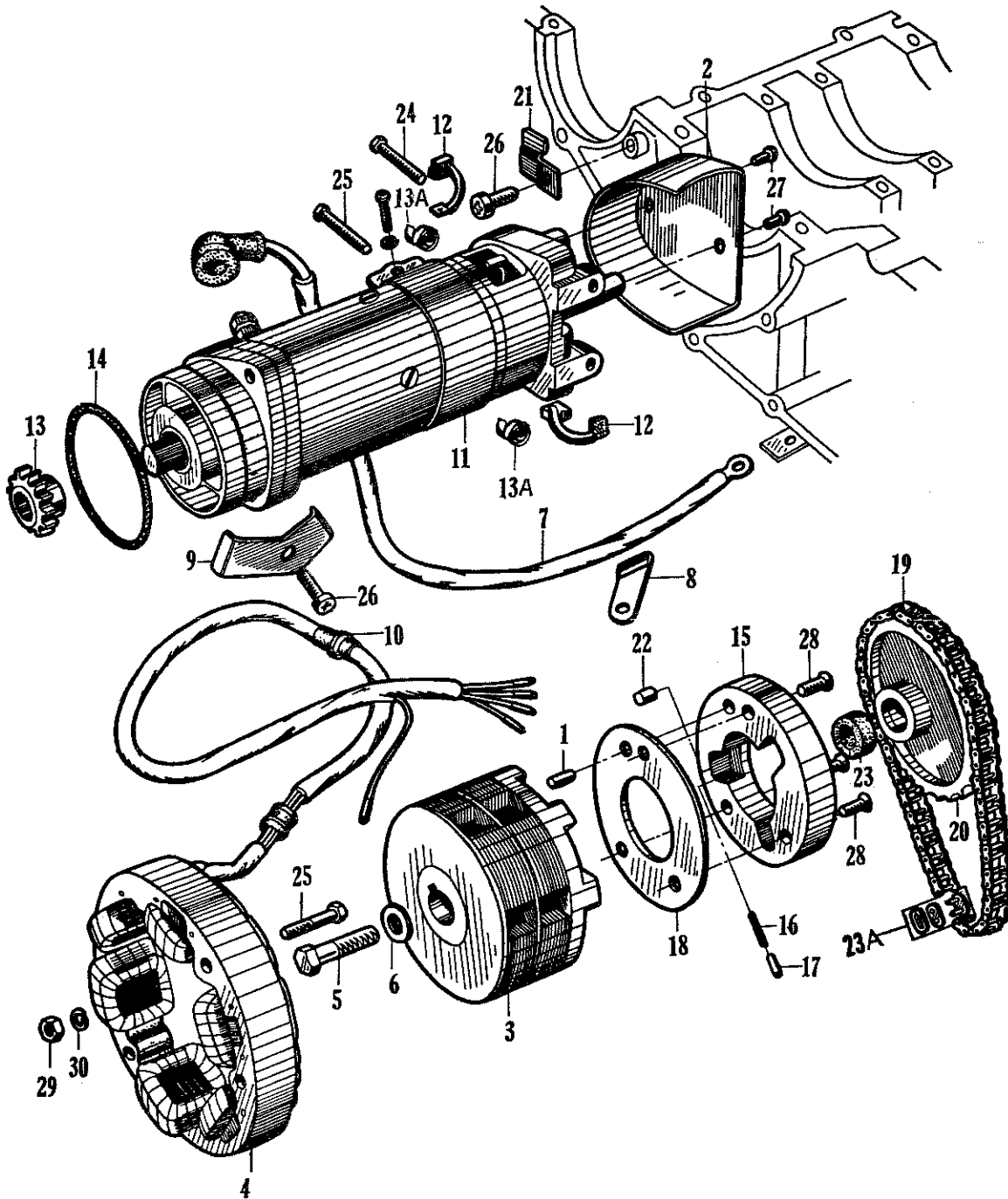
REF. NO.	H/C	NEW PART NUMBER	DESCRIPTION	ORDER IN MULTIPLES OF	NO. REQD.	REMARKS
1		30361-216-000...	NOT AVAILABLE, USE 30361-235-000 W/12331-235-010		1	
		17687 30361-235-000...	BASE, BREAKER POINT.....		1	
2		02245 30370-216-000...	COVER, BREAKER POINT.....		1	
3		02258 12394-216-000...	GASKET, CYLINDER HEAD RIGHT SIDE COVER		1	
4		02260 30391-216-000...	GASKET, POINT COVER.....		1	
4A		02482 30200-216-000...	BREAKER ASSY., CONTACT..... COMPOSED OF REF. #5-7		1	
5		02485 30201-216-004...	PLATE, CONTACT BREAKER BASE		1	
		02483 30201-216-005...	PLATE, CONTACT BREAKER BASE		1	
		02484 30201-216-003...	PLATE, CONTACT BREAKER BASE		1	
6		02488 30202-216-004...	BREAKER, CONTACT.....		1	
		02486 30202-216-005...	BREAKER, CONTACT.....		1	
		02487 30202-216-003...	BREAKER, CONTACT.....		1	
7		02491 30205-216-004...	FELT.....		1	
		02489 30205-216-005...	FELT.....		1	
		02490 30205-216-003...	FELT.....		1	
8		02502 30903-216-000...	WASHER, CONTACT BREAKER LOCKING		2	
9		02506 30905-216-000...	PIN, KNOCK, 3X5.2 M/M.....		1	
		17752 30905-216-305...	PIN, KNOCK, 2.9 MM.....		1	
10		02523 30220-216-000...	ADVANCER ASSY., SPARK.....		1	
11		02715 91204-216-000...	OIL SEAL, 20X35X5.5 SC TYPE		1	
12		02993 30280-216-000...	CONDENSER.....		1	
13		05713 93500-05012.....	SCREW, CROSS., 5X12.....	10	2	
14		05747 93500-06018.....	SCREW, CROSS., 6X18.....	10	4	
15		05634 93700-0502502...	SCREW, CROSS., 5X25.....	10	2	
16		05408 92000-05020.....	BOLT, HEX., 5X20.....	10	1	
17		00484 90417-001-000...	WASHER.....		1	

REF. NO.	H/C	NEW PART NUMBER	DESCRIPTION	ORDER IN MULTIPLES OF	NO. REQD.	REMARKS
1		90701-250-000...	NOT AVAILABLE, USE 90704-259-000		1	
		07399 90704-259-000...	PIN, KNOCK, 6X17.5 M/M.....		1	
2		02180 11641-216-000...	COVER, STARTER MOTOR SIDE..		1	
2A		20097 31100-216-671...	A.C. GENERATOR ASSY..... COMPOSED OF REF. # 3-6		1	
3		02466 31101-216-604...	ROTOR, A.C. DYNAMO.....		1	
		02464 31101-216-605...	ROTOR, A.C. DYNAMO.....		1	
		02465 31101-216-603...	ROTOR, A.C. DYNAMO.....		1	
4		02469 31102-216-671...	STATOR ASSY., A.C. DYNAMO..		1	
		02467 31102-216-672...	STATOR ASSY., A.C. DYNAMO..		1	
		02468 31102-216-603...	STATOR ASSY., A.C. DYNAMO..		1	
5		02472 31104-216-004...	BOLT, A.C. DYNAMO ROTOR SETTING		1	
		31104-216-005...	NOT AVAILABLE, USE..... 31104-216-004		1	
		31104-216-003...	NOT AVAILABLE, USE..... 31104-216-004		1	
6		08276 90427-259-000...	WASHER, ROTOR SETTING.....		1	
7		02495 32402-216-000...	CABLE, STARTING MOTOR.....		1	
8		02498 32911-216-000...	CLAMP A, STARTING MOTOR CABLE		1	
9		02500 32912-216-000...	CLAMP B, STARTING MOTOR CABLE		1	
10		02504 32971-205-000...	GROMMET, DYNAMO CORD.....		1	
11		02509 31200-216-004...	MOTOR ASSY., STARTING..... COMPOSED OF REF. # 11-14		1	
12		02512 31201-216-004...	BRUSH, CARBON, STARTING MOTOR		1	
		02510 31201-216-005...	BRUSH, CARBON, STARTING MOTOR		1	
		02511 31201-216-003...	BRUSH, CARBON, STARTING MOTOR		1	
13		02515 31202-216-004...	SPROCKET, STARTING MOTOR...		1	
		02513 31202-216-005...	SPROCKET, STARTING MOTOR...		1	
		02514 31202-216-003...	SPROCKET, STARTING MOTOR...		1	
13A		02518 31204-216-004...	SPRING, CARBON BRUSH.....		2	
14		02521 31205-216-004...	O-RING, 67X2 M/M.....		1	
		31205-216-005...	NOT AVAILABLE, USE..... 31205-216-004		1	
		31205-216-003...	NOT AVAILABLE, USE..... 31505-216-004		1	
15		02653 28120-201-040...	OUTER, STARTING CLUTCH.....		1	
16		03987 28125-253-020...	SPRING, STARTING CLUTCH ROLLER		3	
17		03988 28126-253-030...	CAP, STARTING ROLLER SPRING		3	
18		03989 28128-253-030...	PLATE, STARTING CLUTCH SIDE		1	
19		02654 28101-216-003...	CHAIN, STARTING.....		1	
20		02656 28110-216-000...	SPROCKET, STARTING.....		1	

# E-10 Generator . Starting Motor



# E-10 Generator . Starting Motor



CB-160

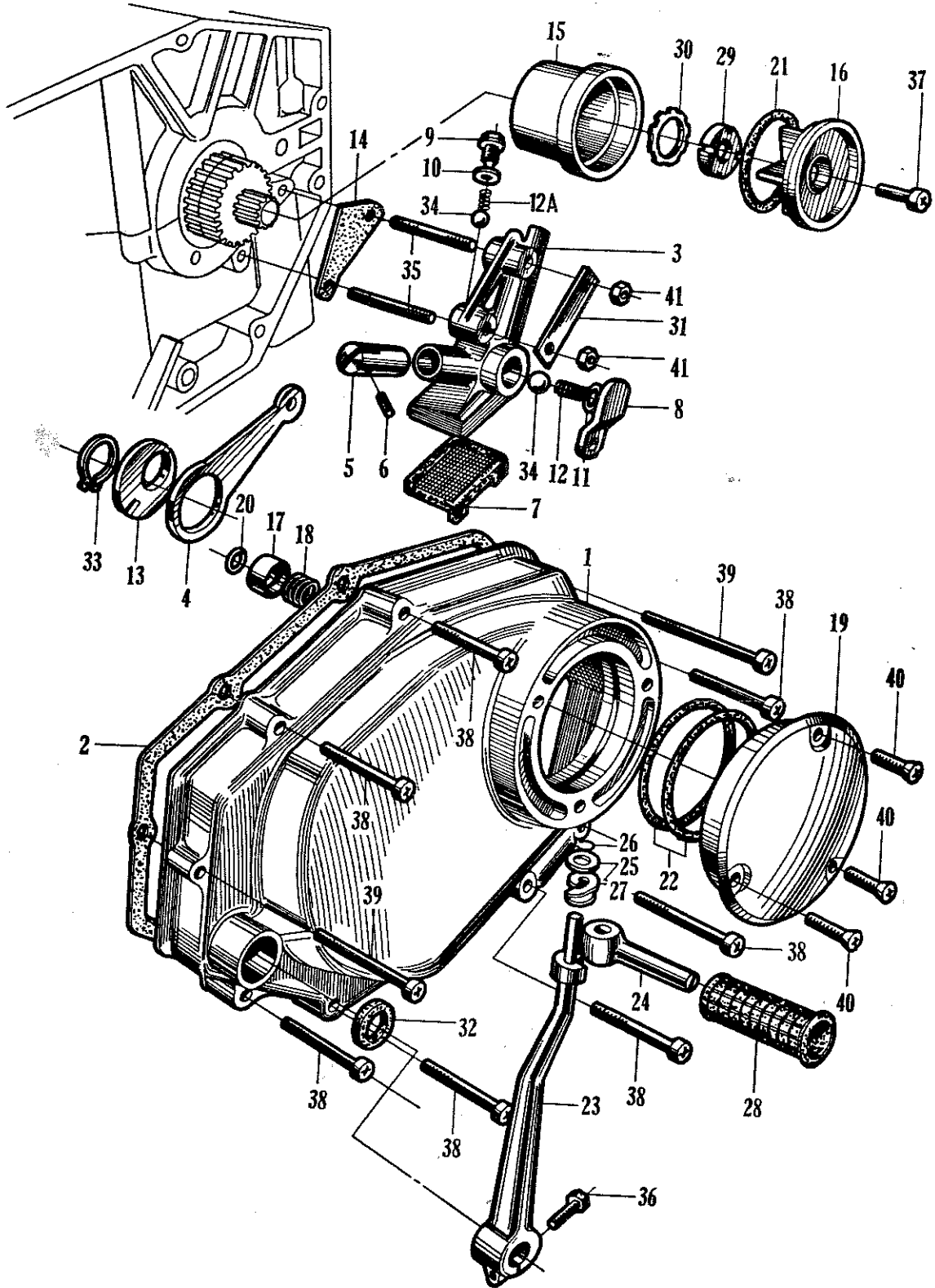
## E-10 Generator Starting Motor

REF. NO.	H/C	NEW PART NUMBER	DESCRIPTION	ORDER IN MULTIPLES OF	NO. REQD.	REMARKS
21	02658	28117-216-000...	PLATE, STARTING SPROCKET... SETTING		1	
22	08000	91101-253-020...	ROLLER, 10.2X9.5 M/M.....		3	
23	02716	91205-216-000...	OIL SEAL, 20X26X4 V-TYPE...		1	
23A	02370	14411-216-000...	JOINT, CAM CHAIN.....		1	
24	05429	92000-06022.....	BOLT, HEX., 6X22.....	10	1	
25	05434	92000-06028.....	BOLT, HEX., 6X28.....	10	4	
26	05742	93500-06012.....	SCREW, CROSS., 6X12.....	10	2	
27	05624	93700-05012.....	SCREW, CROSS, 5X12.....	10	2	
28	05581	93600-06020.....	SCREW, CROSS, 6X20.....	10	3	
29	05801	94001-06000.....	NUT, HEX., 6 M/M.....	10	3	
30	05897	94111-06000.....	WASHER, SPRING, 6 M/M.....	10	3	

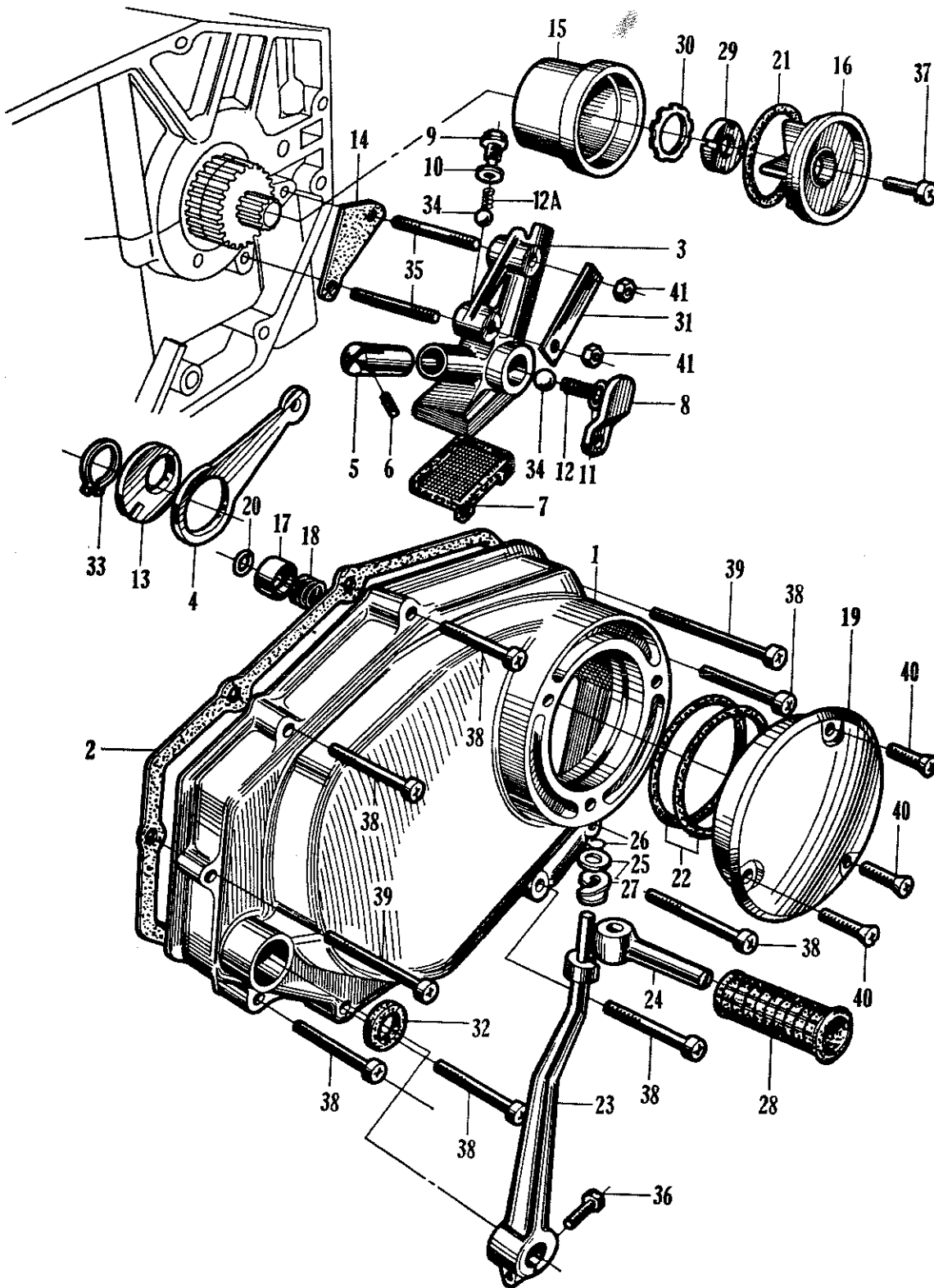
# CB-160 E-11 Oil Pump . Filter . Right Crankcase Cover

REF. NO.	H/C	NEW PART NUMBER	DESCRIPTION	ORDER IN MULTIPLES OF	NO. REQD.	REMARKS
1		02159 11330-216-000...	COVER, RIGHT, CRANKCASE....		1	
2		02197 11394-216-000...	GASKET, CRANKCASE RIGHT COVER		1	
3		02438 15210-216-000...	BODY, OIL PUMP.....		1	
4		15281-216-000...	NOT AVAILABLE,USE 15281-216-010		1	
		19672 15281-216-010...	ROD, OIL PUMP.....		1	
5		02434 15231-205-000...	PLUNGER, OIL PUMP.....		1	
6		02435 15235-205-000...	PIN, PUMP PLUNGER.....		1	
7		02425 15421-216-000...	SCREEN, PUMP FILTER.....		1	
8		02427 15260-216-000...	GUIDE, PUMP OUTLET VALVE...		1	
9		02429 15213-216-000...	BOLT, PUMP SUCTION VALVE...		1	
10		02420 15266-200-000...	PACKING, SUCTION VALVE BOLT		1	
11		02430 91304-216-000...	O-RING, 11.5X2 M/M.....		1	
12		02431 15272-216-000...	SPRING, PUMP SUCTION VALVE.		1	
12A		11666 15271-216-000...	SPRING, BALL VALVE.....		1	
13		02441 15292-216-000...	WASHER, SIDE, PUMP ROD.....		1	
14		02442 15219-216-000...	GASKET, PUMP BODY.....		1	
15		02445 15441-216-000...	ROTOR, OIL FILTER.....		1	
16		02447 15450-216-000...	CAP, OIL FILTER.....		1	
17		02448 15594-216-000...	METAL, OIL GUIDE.....		1	
18		02449 15595-216-000...	SPRING, OIL GUIDE METAL....		1	
19		02451 15481-216-000...	COVER, OIL FILTER.....		1	
20		02453 15597-216-000...	RING, OIL GUIDE METAL STOPPER		1	
21		02455 91305-216-000...	O-RING, 46X2 M/M.....		1	
22		00272 91309-700-010...	O-RING, 74.5X3 M/M.....		2	
23		02646 28301-216-000...	ARM, KICK STARTER.....		1	
24		02644 28302-200-000...	PEDAL, KICK STARTER.....		1	
25		00423 28303-001-000...	WASHER, KICK STARTER KNUCKLE		1	
26		00424 28324-001-000...	CLIP, KICK STARTER KNUCKLE.		1	
27		00425 28322-001-000...	SPRING, KICK STARTER KNUCKLE		1	
28		02650 28311-200-000...	RUBBER, KICK STARTER.....		1	
29		02675 90231-200-010...	NUT, LOCK, 16 M/M.....		1	
30		02679 90431-216-000...	WASHER, LOCK, 16 M/M.....		1	
31		02692 90404-216-000...	WASHER, LOCK, OIL PUMP.....		1	
32		02706 91202-216-000...	OIL SEAL, 14X24X5 SB TYPE..		1	
33		05372 94510-26000.....	CIRCLIP, 26 M/M.....		1	
34		05893 96211-10000.....	BALL, STEEL, #10.....	10	2	
35		0586B 92700-06038.....	BOLT, STUD, 6X38.....		2	

# E-11 Oil Pump . Filter . Right Crankcase Cover



# E-11 Oil Pump . Filter . Right Crankcase Cover

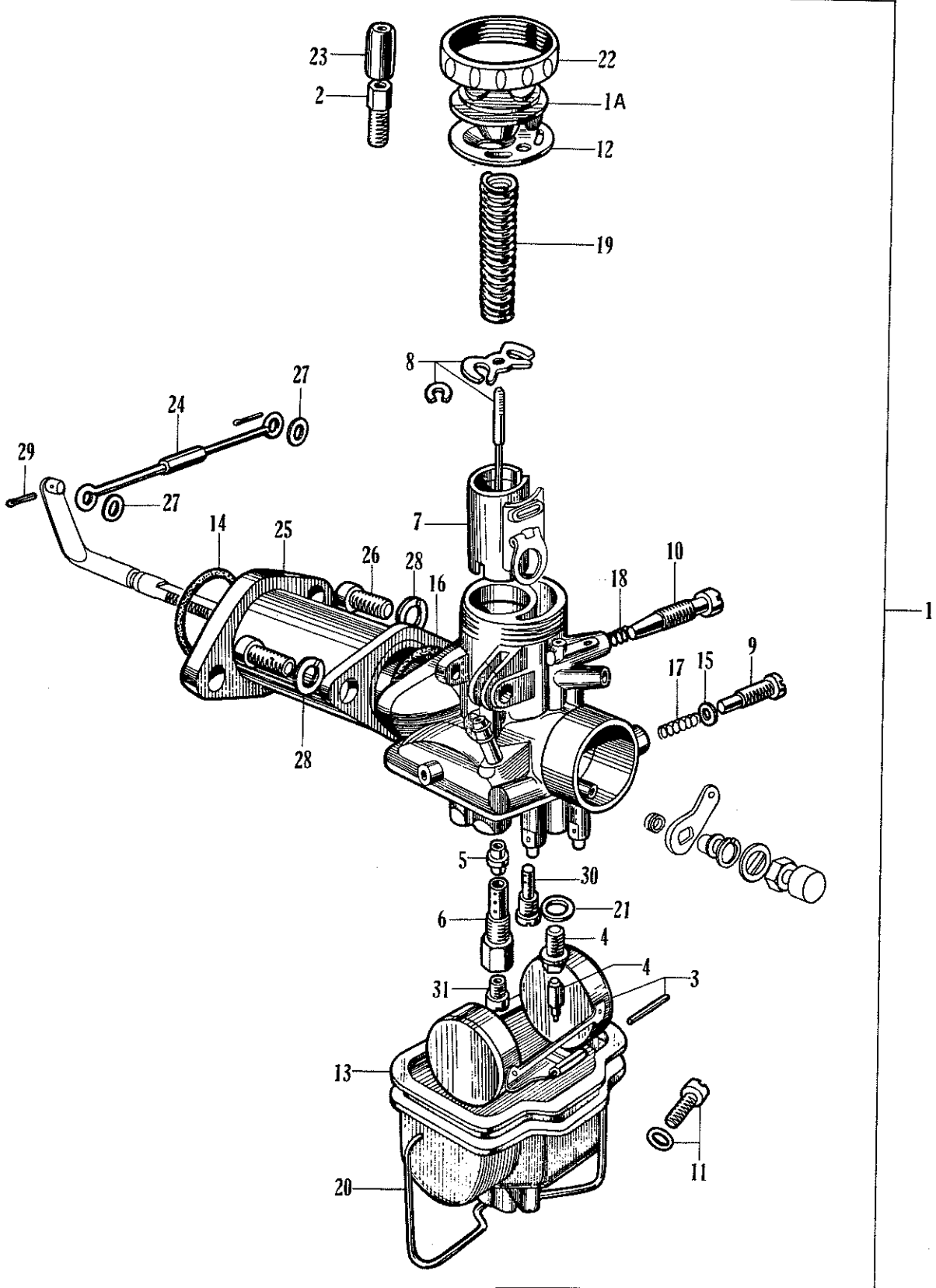


**CB-160 E-11 Oil Pump . Filter . Right Crankcase Cover**

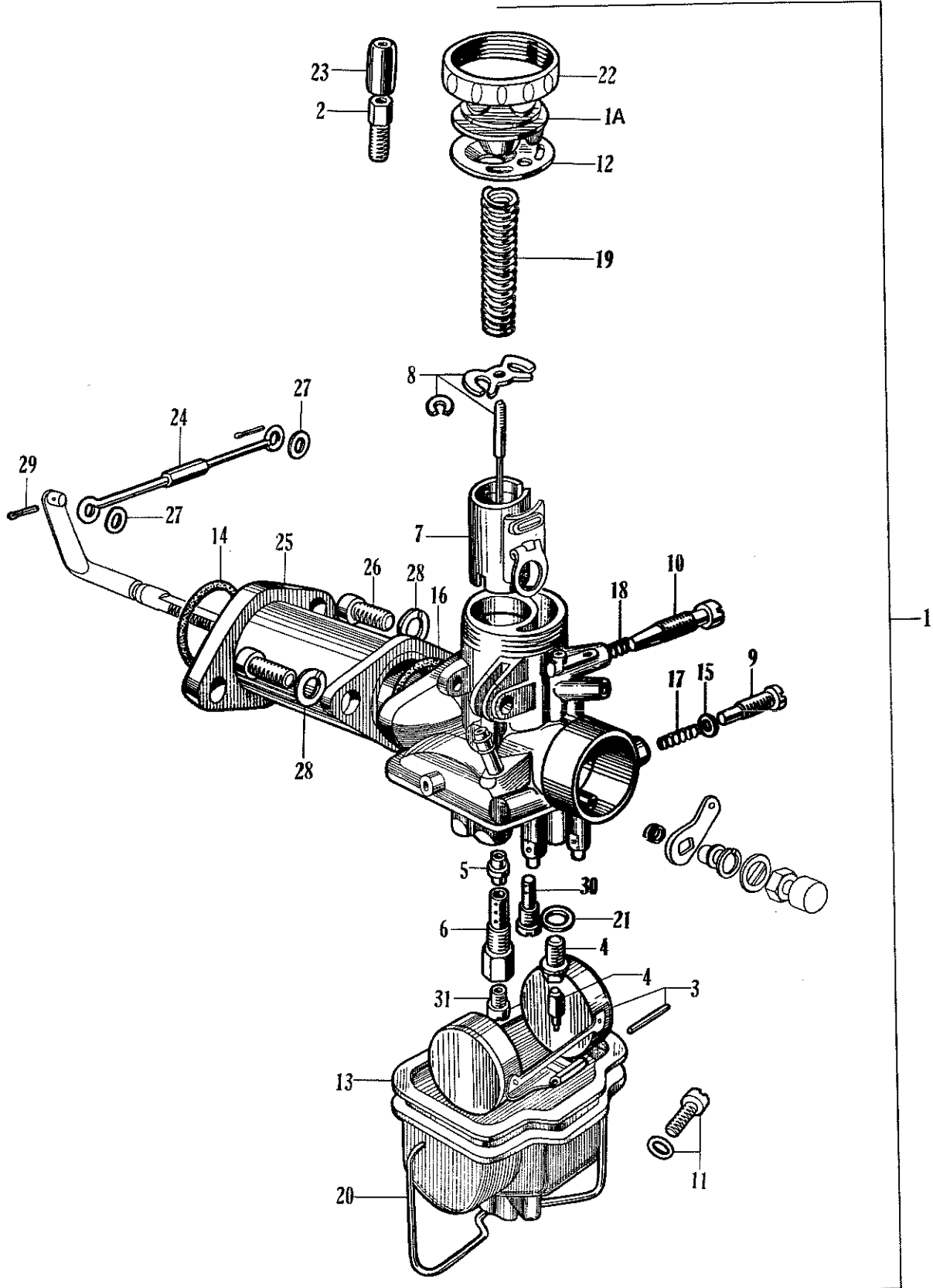
REF. NO.	H/C	NEW PART NUMBER	DESCRIPTION	ORDER IN MULTIPLES OF	NO. REQD.	REMARKS
36	05432	92000-06025.....	BOLT, HEX., 6X25.....	10	1	
37	05749	93500-06020.....	SCREW, CROSS., 6X20.....	10	1	
38	05756	93500-06032.....	SCREW, CROSS., 6X32.....	10	8	
39	05762	93500-06042.....	SCREW, CROSS., 6X42.....	10	2	
40	05647	93700-06016.....	SCREW, CROSS., 6X16.....	10	3	
41	05801	94001-06000.....	NUT, HEX., 6 M/M.....	10	2	

REF. NO.	H/C	NEW PART NUMBER	DESCRIPTION	ORDER IN MULTIPLES OF	NO. REQD.	REMARKS
1	02727	16100-217-000...	CARBURETOR ASSY., RIGHT....		1	
1A	12054	16111-217-004...	TOP, RIGHT.....		1	
2	12056	16118-217-004...	ADJUSTER, CABLE.....		1	
3	02733	16122-202-004...	FLOAT.....		1	
4	00543	16123-011-004...	VALVE SET, FLOAT.....		1	
5	02743	16133-205-004...	JET, NEEDLE.....		1	
6	02730	16139-217-004...	HOLDER, NEEDLE JET.....		1	
7	02731	16141-217-004...	VALVE, THROTTLE, R.....		1	
8	02732	16151-217-004...	NEEDLE, JET.....		1	
9	07349	16162-259-004...	SCREW, AIR.....	10	1	
10	07354	16163-217-004...	SCREW, THROTTLE STOP.....	10	1	
11	13142	16164-202-004...	SCREW, DRAIN.....		1	
12	12057	16171-217-004...	GASKET, TOP.....		1	
13	01875	16172-030-004...	WASHER, FLOAT CHAMBER.....		1	
14	04055	16173-250-004...	O RING, 24MM.....		1	
15	04138	16175-260-004...	O RING, 2.8MM.....		1	
16	00569	16176-001-004...	O RING, 23MM.....		1	
17	07924	16181-202-004...	SPRING, AIR SCREW.....	10	1	
18	08366	16182-011-004...	SPRING, THROTTLE STOP.....	10	1	
19	12058	16185-217-004...	SPRING, THROTTLE.....		1	
20	12059	16187-217-004...	CLIP, FLOAT CHAMBER SET....		1	
21	12060	16189-040-004...	WASHER, FIBER, 7MM.....		1	
22	12061	16193-217-004...	CAP, TOP.....		1	
23	12062	16194-217-004...	CAP, CABLE ADJUSTER RUBBER.		1	
24	12044	16250-217-004...	ROD ASSY, CHOKE LEVER.....		1	
25	12043	16274-217-004...	ADAPTER, FLANGE RIGHT.....		1	
26	05745	93500-06016.....	SCREW, CROSS, 6X16.....	10	2	
27	05905	94101-05000.....	WASHER, 5MM.....	10	1	
28	05897	94111-06000.....	WASHER, SPRING, 6MM.....	10	1	
29	05824	94201-10100.....	PIN, COTTER, 1.0X10.....	10	1	
30	12045	99124-217-0350..	JET, SLOW, SIZE 35.....		1	
	12046	99124-217-0380..	JET, SLOW, SIZE 38.....		1	
	12047	99124-217-0400..	JET, SLOW, SIZE 40.....		1	
	12048	99124-217-0420..	JET, SLOW, SIZE 42.....		1	
	12049	99124-217-0450..	JET, SLOW, SIZE 45.....		1	
31	12050	99125-08504.....	JET, MAIN, SIZE 85.....		1	
	12037	99125-08804.....	JET, MAIN, SIZE 88.....		1	
	12038	99125-09004.....	JET, MAIN, SIZE 90.....		1	

# E-12 Right Carburetor



# E-12 Right Carburetor



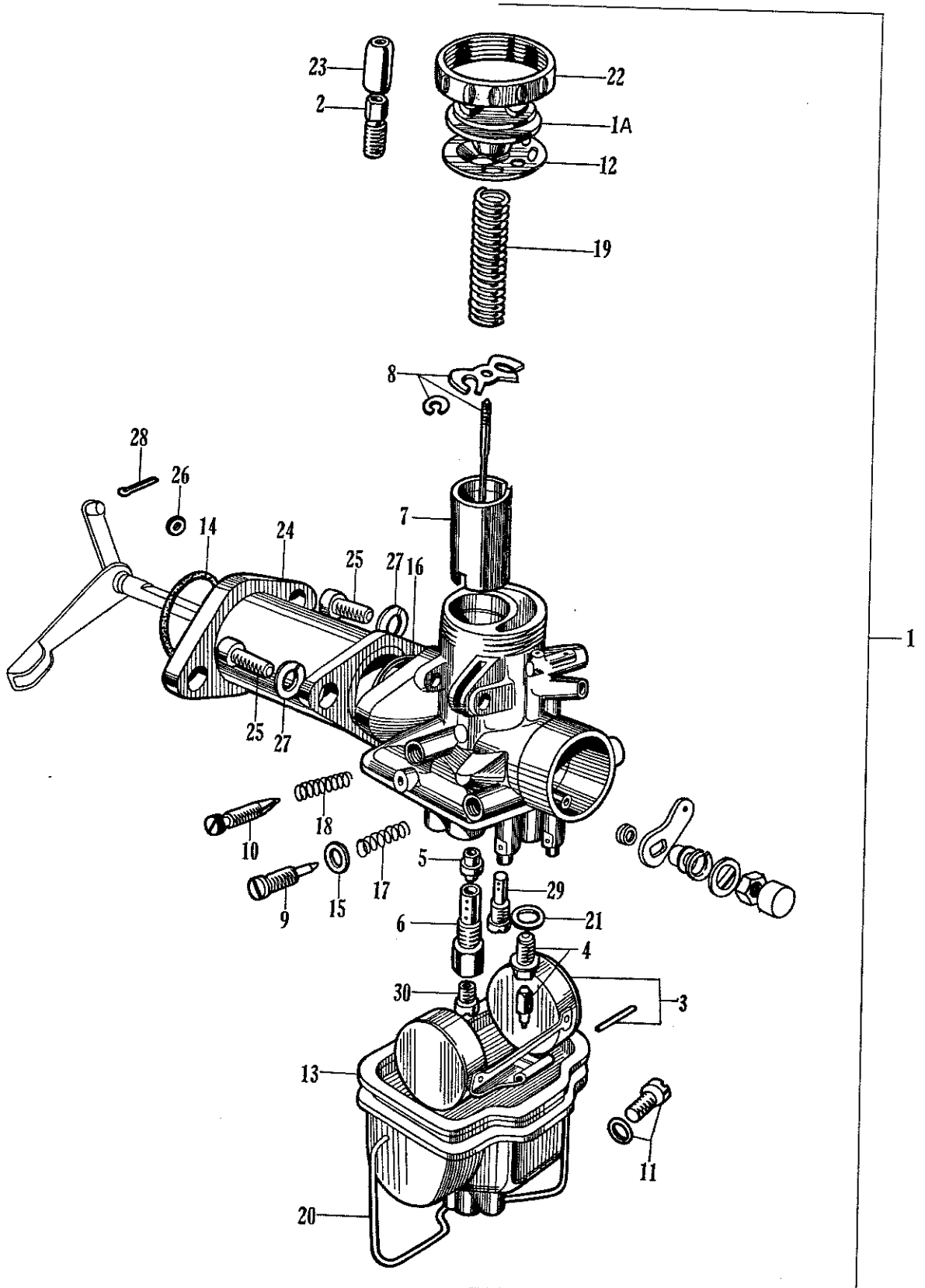
CB-160

E-12 Right Carburetor

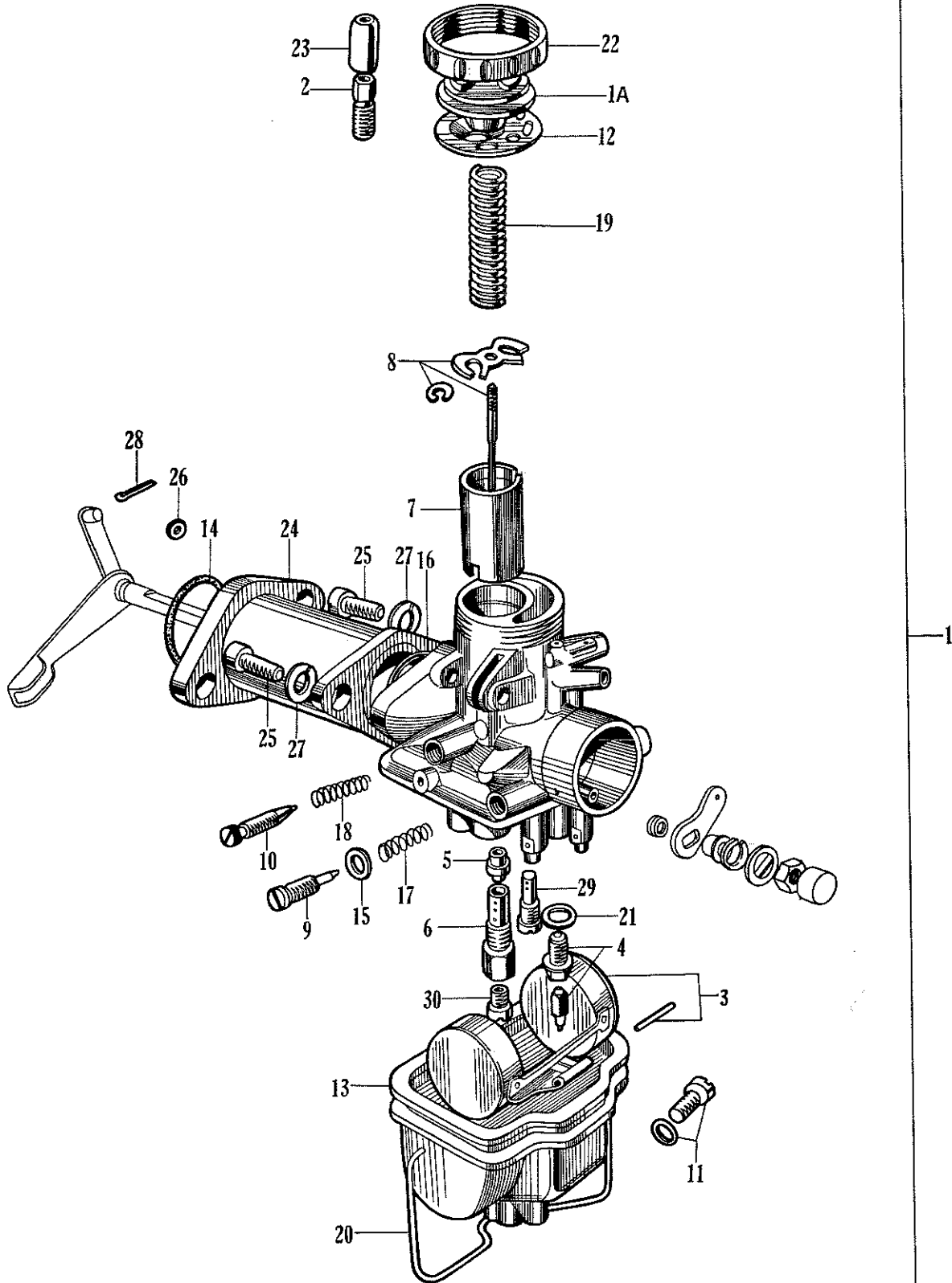
REF. NO.	H/C	NEW PART NUMBER	DESCRIPTION	ORDER IN MULTIPLES OF	NO. REQD.	REMARKS
31		12039 99125-09204.....	JET, MAIN, SIZE 92.....		1	
		12040 99125-09804.....	JET, MAIN, SIZE 98.....		1	
		12041 99125-10004.....	JET, MAIN, SIZE 100.....		1	

REF. NO.	H/C	NEW PART NUMBER	DESCRIPTION	ORDER IN MULTIPLES OF	NO. REQD.	REMARKS
1		02758 16102-217-000...	CARBURETOR ASSY., LEFT.....		1	
1A		12055 16119-217-004...	TOP, LEFT.....		1	
2		12056 16118-217-004...	ADJUSTER, CABLE.....		1	
3		02733 16122-202-004...	FLOAT.....		1	
4		00543 16123-011-004...	VALVE SET, FLOAT.....		1	
5		02743 16133-205-004...	JET, NEEDLE.....		1	
6		02730 16139-217-004...	HOLDER, NEEDLE JET.....		1	
7		02759 16146-217-004...	VALVE, THROTTLE, L.....		1	
8		02732 16151-217-004...	NEEDLE, JET.....		1	
9		07349 16162-259-004...	SCREW, AIR.....	10	1	
10		07354 16163-217-004...	SCREW, THROTTLE STOP.....	10	1	
11		13142 16164-202-004...	SCREW, DRAIN.....		1	
12		12057 16171-217-004...	GASKET, TOP.....		1	
13		01875 16172-030-004...	WASHER, FLOAT CHAMBER.....		1	
14		04055 16173-250-004...	O RING, 24MM.....		1	
15		04138 16175-260-004...	O RING, 2.8MM.....		1	
16		00569 16176-001-004...	O RING, 23MM.....		1	
17		07924 16181-202-004...	SPRING, AIR SCREW.....	10	1	
18		08366 16182-011-004...	SPRING, THROTTLE STOP.....	10	1	
19		12058 16185-217-004...	SPRING, THROTTLE.....		1	
20		12059 16187-217-004...	CLIP, FLOAT CHAMBER SET.....		1	
21		12060 16189-040-004...	WASHER, FIBER, 7MM.....		1	
22		12061 16193-217-004...	CAP, TOP.....		1	
23		16062 90001-823-000...	CAP, CABLE ADJUSTER RUBBER.		1	
24		12043 16274-217-004...	ADAPTER, FLANGE LEFT.....		1	
25		05745 93500-06016.....	SCREW, CROSS, 6X16.....	10	2	
26		05905 94101-05000.....	WASHER, 5MM.....	10	1	
27		05897 94111-06000.....	WASHER, SPRING, 6MM.....	10	1	
28		05824 94201-10100.....	PIN, COTTER, 1.0X10.....	10	1	
29		12045 99124-217-0350..	JET, SLOW, SIZE 35.....		1	
		12046 99124-217-0380..	JET, SLOW, SIZE 38.....		1	
		12047 99124-217-0400..	JET, SLOW, SIZE 40.....		1	
		12048 99124-217-0420..	JET, SLOW, SIZE 42.....		1	
		12049 99124-217-0450..	JET, SLOW, SIZE 45.....		1	
30		12050 99125-08504.....	JET, MAIN, SIZE 85.....		1	
		12037 99125-08804.....	JET, MAIN, SIZE 88.....		1	
		12038 99125-09004.....	JET, MAIN, SIZE 90.....		1	
		12039 99125-09204.....	JET, MAIN, SIZE 92.....		1	

# E-13 Left Carburetor



# E-13 Left Carburetor



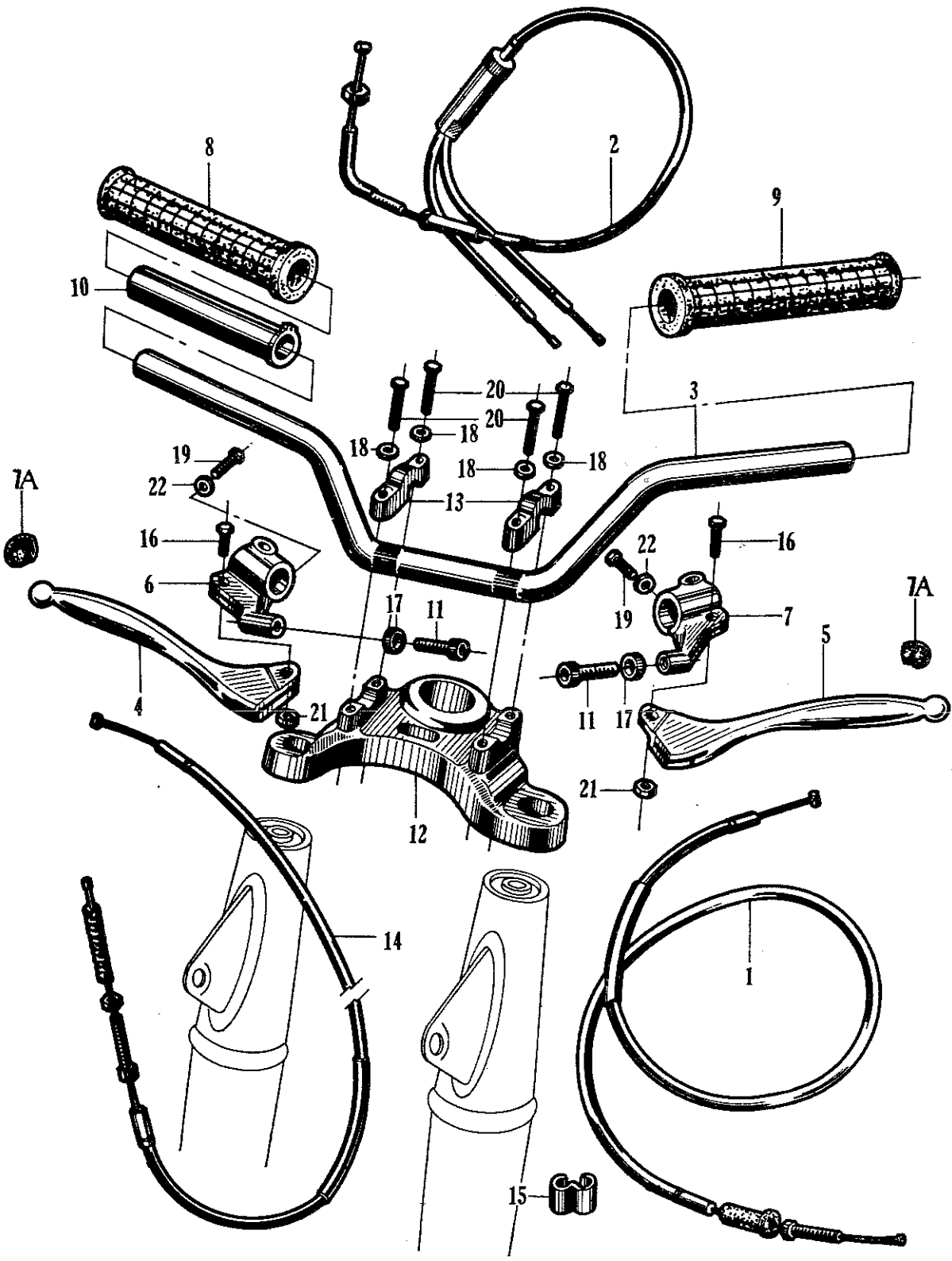
CB-160

E-13 Left Carburetor

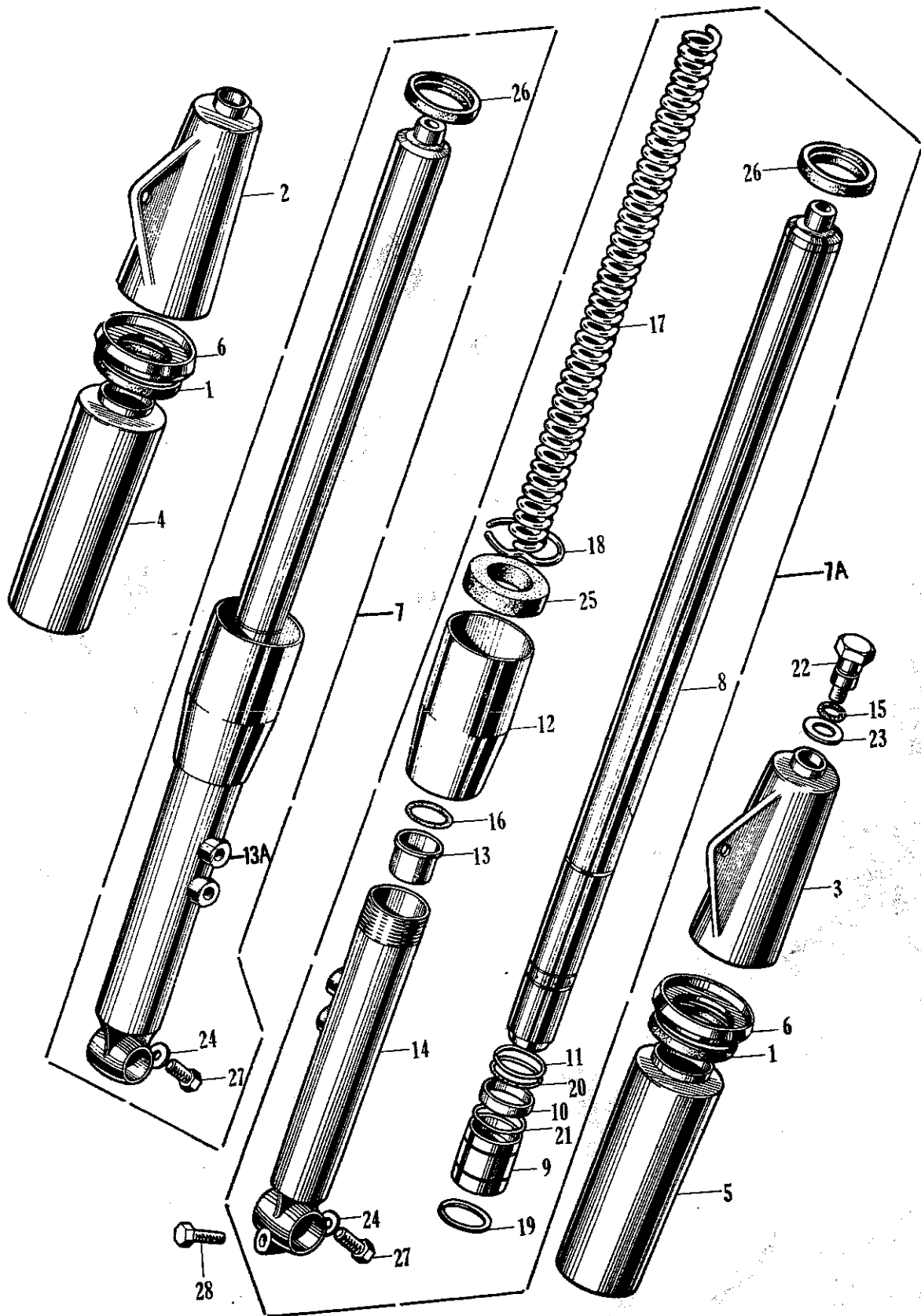
REF. NO.	H/C	NEW PART NUMBER	DESCRIPTION	ORDER IN MULTIPLES OF	NO. REQD.	REMARKS
30		12040 99125-09804.....	JET, MAIN, SIZE 98.....		1	
		12041 99125-10004.....	JET, MAIN, SIZE 100.....		1	

REF. NO.	H/C	NEW PART NUMBER	DESCRIPTION	ORDER IN MULTIPLES OF	NO. REQD.	REMARKS
1		02560 22870-216-000...	CABLE, CLUTCH.....		1	
2		02764 17910-216-000...	CABLE, THROTTLE.....		1	
3		03076 53100-216-000...	PIPE, STEERING HANDLE.....		1	
4		53175-216-000...	NOT AVAILABLE,USE 53170-216-670 W/53190-216-670 & 53180-028-670		1	F CB160-9000001 TO CB160-9007000 CB160-1000001 TO CB160-1089127
		18276 53170-216-670...	LEVER, RIGHT, STEERING HANDLE		1	F CB160-1089128 TO
5		53178-216-000...	NOT AVAILABLE,USE 53190-216-670 W/53170-216-670 & 53180-028-670		1	F CB160-9000001 TO CB160-9007000 CB160-1000001 TO CB160-1089127
		18278 53190-216-670...	LEVER, LEFT, STEERING HANDLE		1	F CB160-1089128 TO
6		04715 53171-268-010...	BRACKET, RIGHT, HANDLE LEVER		1	
7		04717 53172-268-010...	BRACKET, LEFT, HANDLE LEVER		1	
7A		11754 53180-028-670...	CAP, HANDLE LEVER.....		2	F CB160-1089128 TO
8		03084 53165-205-000...	RUBBER, GRIP, RIGHT.....		1	F CB160-9000001 TO CB160-9007000 CB160-1000001 TO CB160-1079921
		07792 53165-283-000...	RUBBER, GRIP, RIGHT.....		1	F CB160-1079922 TO
9		03085 53166-205-000...	RUBBER, GRIP, LEFT.....		1	F CB160-9000001 TO CB160-9007000 CB160-1000001 TO CB160-1079921
		07793 53166-283-000...	RUBBER, GRIP, LEFT.....		1	F CB160-1079922 TO
10		03086 53141-205-000...	PIPE, THROTTLE GRIP.....		1	
11		04725 53192-268-000...	BOLT, CLUTCH CABLE ADJUSTING		2	
12		03091 53230-216-000...	BRIDGE, FORK TOP.....		1	
13		04734 53131-268-000...	HOLDER, HANDLE PIPE.....		2	
14		03188 45450-216-000...	CABLE, FRONT BRAKE.....		1	
15		04852 45465-270-000...	CLIP, FRONT BRAKE CABLE....		1	
16		05130 90114-268-020...	BOLT, HANDLE LEVER PIVOT...		2	
17		05190 90321-268-000...	NUT, FIXING.....		2	
18		03420 90507-222-000...	WASHER, SPECIAL, 8 M/M.....		4	
19		05432 92000-06025.....	BOLT, HEX., 6X25.....	10	2	
20		05481 92000-0803202...	BOLT, HEX., 8X32.....	10	4	
21		05801 94001-06000.....	NUT, HEX., 6 M/M.....	10	2	
22		05907 94101-06000.....	WASHER, FLAT, 6 M/M.....	10	2	

# F-1 Handle Bar



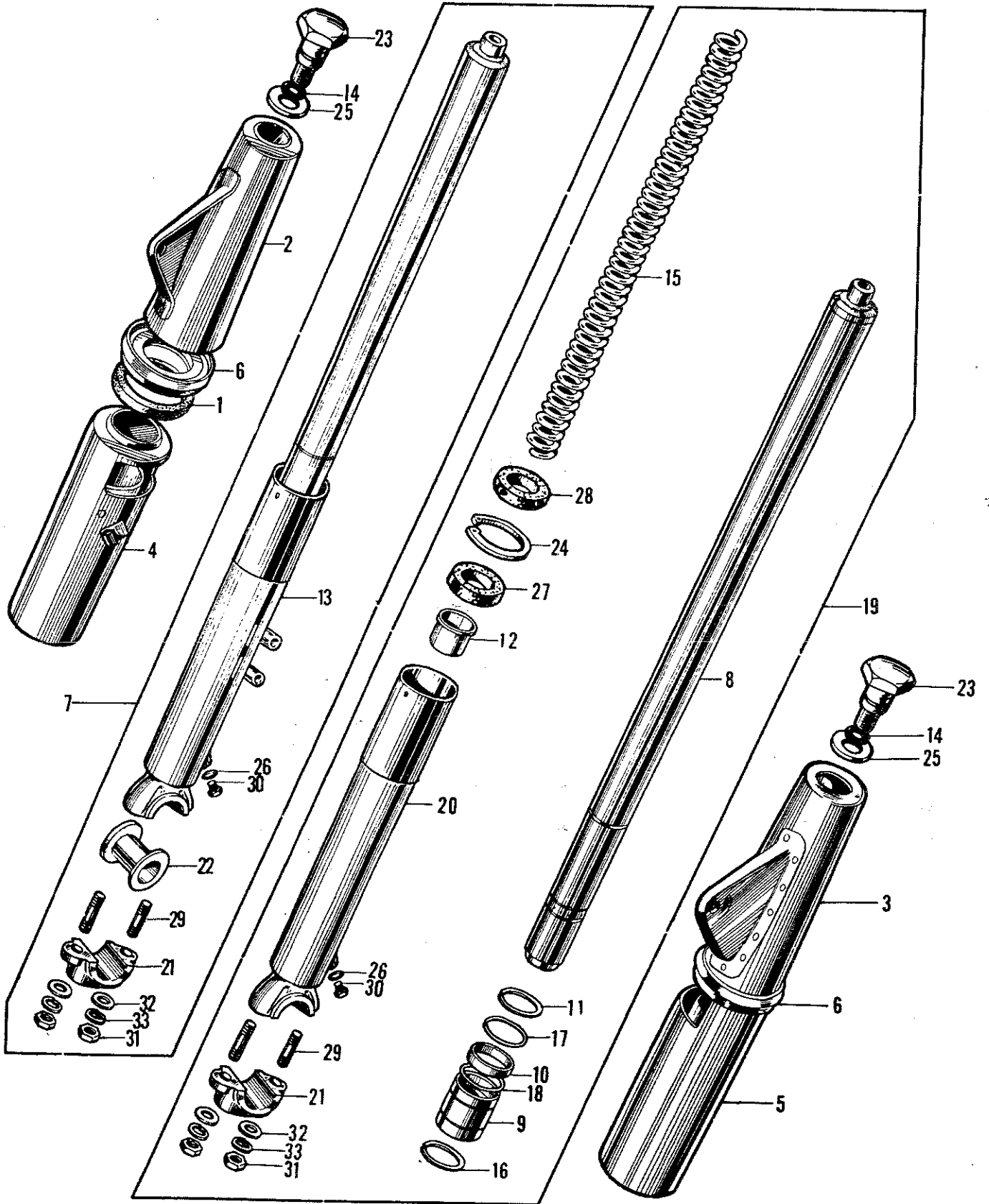
# F-2 Front Fork (I)



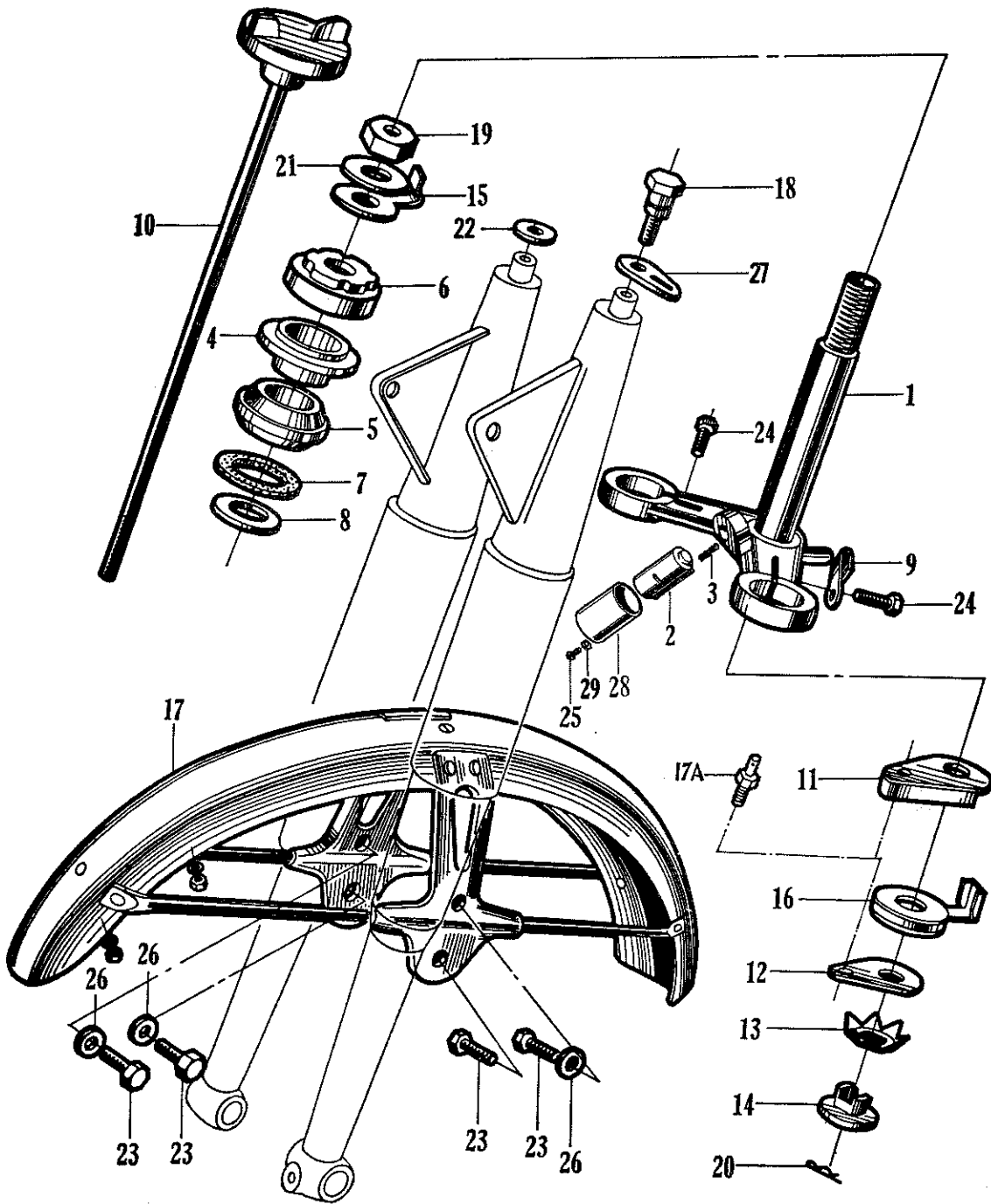
REF. NO.	H/C	NEW PART NUMBER	DESCRIPTION	ORDER IN MULTIPLES OF	NO. REQD.	REMARKS
1	03037	51622-222-000...	PACKING, FRONT FORK RIB....		2	
2	03038	51602-216-000Z..	COVER, UPPER, RIGHT FRONT FORK		1	
3	03039	51606-216-000Z..	COVER, UPPER, LEFT FRONT FORK		1	
4	03041	51611-216-000Z..	COVER, LOWER, RIGHT FRONT FORK		1	F CB160-9000001 TO CB160-9007000 CB160-1000001 TO CB160-1070463
5	03043	51612-216-000Z..	COVER, LOWER, LEFT FRONT FORK		1	F CB160-9000001 TO CB160-9007000 CB160-1000001 TO CB160-1070463
6	03044	51608-216-000...	RIB, FRONT FORK.....		2	
7	03052	51400-216-000Z..	FORK ASSY., RIGHT, FRONT...		1	F CB160-9000001 TO CB160-9007000 CB160-1000001 TO CB160-1070463
7A	03066	51500-216-000Z..	FORK ASSY., LEFT, FRONT....		1	F CB160-9000001 TO CB160-9007000 CB160-1000001 TO CB160-1070463
8	03053	51410-216-000...	PIPE, FRONT FORK.....		2	F CB160-9000001 TO CB160-9007000 CB160-1000001 TO CB160-1070463
9	13075	51442-216-000...	PISTON, FRONT FORK.....		2	F CB160-9000001 TO CB160-9007000 CB160-1000001 TO CB160-1070463
10	03054	51443-222-000...	VALVE, FRONT DAMPER.....		2	
11	03055	51444-222-000...	RING, FORK PIPE STOPPER....		2	
12	03056	51470-216-000...	HOUSING, FRONT FORK SEAL...		2	
13	03057	51451-216-000...	GUIDE, FRONT FORK PIPE.....		2	F CB160-9000001 TO CB160-9007000 CB160-1000001 TO CB160-1070463
13A	03058	51420-216-000Z..	CASE, LOWER, RIGHT FRONT FORK		1	F CB160-9000001 TO CB160-9007000 CB160-1000001 TO CB160-1070463
14	03067	51520-216-000Z..	CASE, LOWER, LEFT FRONT FORK		1	F CB160-9000001 TO CB160-9007000 CB160-1000001 TO CB160-1070463
15	04671	51493-273-000...	O-RING, 8.4X2.4 M/M.....		2	
16	03059	51494-222-000...	O-RING, 38X3 M/M.....		2	
17	03060	51401-216-000...	SPRING, FRONT CUSHION.....		2	
18	03062	51432-216-000...	RETAINER, FRONT FORK OIL SEAL		2	
19	03063	51445-216-000...	SNAP RING, FORK PISTON.....		2	
20	03064	51446-222-000...	RING, FORK VALVE STOPPER...		2	
21	03065	51447-216-000...	RING, FORK PISTON STOPPER..		2	
22	05142	90123-273-000...	BOLT, FRONT FORK.....		2	
23	05216	90506-273-000...	WASHER, FRONT FORK.....		2	
24	05220	90543-273-000...	PACKING, FRONT FORK DRAIN BOLT		2	
25	03443	90755-222-000...	OIL SEAL, FRONT FORK.....		2	F CB160-9000001 TO CB160-9007000 CB160-1000001 TO CB160-1070463
26	03445	90758-216-000...	DUST SEAL, FRONT FORK.....		2	F CB160-9000001 TO CB160-9007000 CB160-1000001 TO CB160-1070463
27	05427	92000-06020.....	BOLT, HEX., 6X20.....	10	2	F CB160-9000001 TO CB160-9007000 CB160-1000001 TO CB160-1070463
28	05474	92000-08025.....	BOLT, HEX., 8X25.....	10	1	F CB160-9000001 TO CB160-9007000 CB160-1000001 TO CB160-1070463

REF. NO.	H/C	NEW PART NUMBER	DESCRIPTION	ORDER IN MULTIPLES OF	NO. REQD.	REMARKS
1		03037 51622-222-000...	PACKING, FRONT FORK RIB....		2	
2		03038 51602-216-000Z..	COVER, UPPER, RIGHT FRONT FORK		1	
3		03039 51606-216-000Z..	COVER, UPPER, LEFT FRONT FORK		1	
4		11657 51611-216-010Z..	COVER, LOWER, RIGHT FRONT FORK		1	F CB160-1070464 TO
5		11658 51612-216-010Z..	COVER, LOWER, LEFT FRONT FORK		1	F CB160-1070464 TO
6		03044 51608-216-000...	RIB, FRONT FORK.....		2	
7		11659 51400-216-010S..	FORK ASSY., RIGHT FRONT....		1	F CB160-1070464 TO
8		11505 51410-216-010...	PIPE, FRONT FORK.....		2	F CB160-1070464 TO
9		11507 51442-216-010...	PISTON, FRONT FORK.....		2	F CB160-1070464 TO
10		03054 51443-222-000...	VALVE, FRONT DAMPER.....		2	
11		03055 51444-222-000...	RING, FORK PIPE STOPPER....		2	
12		11508 51451-216-010...	GUIDE, FRONT FORK PIPE.....		2	F CB160-1070464 TO
13		11660 51420-216-010S..	CASE, BOTTOM, RIGHT FRONT FORK		1	F CB160-1070464 TO
14		04671 51493-273-000...	O RING, 8.4X2.4 MM.....		2	
15		03060 51401-216-000...	SPRING, FRONT CUSHION.....		2	
16		03063 51445-216-000...	SNAP RING, FORK PISTON.....		2	
17		03064 51446-222-000...	RING, FORK VALVE STOPPER...		2	
18		03065 51447-216-000...	RING, FORK PISTON STOPPER..		2	
19		11661 51500-216-010S..	FORK ASSY, LEFT FRONT.....		1	F CB160-1070464 TO
20		11662 51520-216-010S..	CASE, BOTTOM, LEFT FRONT FORK		1	F CB160-1070464 TO
21		11514 51634-216-000...	HOLDER, FRONT AXLE.....		2	F CB160-1070464 TO
22		11663 44311-216-000...	COLLAR, FRONT WHEEL SIDE...		1	F CB160-1070464 TO
23		05142 90123-273-000...	BOLT, FRONT FORK.....		2	
24		11678 90667-216-000...	CIRCLIP, INTERNAL, 41 MM...		2	F CB160-1070464 TO
25		05216 90506-273-000...	WASHER, FRONT FORK.....		2	
26		05220 90543-273-000...	PACKING, FRONT FORK DRAIN BOLT		2	
27		90755-216-000...	NOT AVAILABLE, USE 91255-216-000		2	
		13780 91255-216-000...	OIL SEAL, FRONT FORK.....		2	F CB160-1070464 TO
28		11679 90758-216-010...	DUST SEAL, FRONT FORK.....		2	F CB160-1070464 TO
29		07981 92700-0804930...	STUD BOLT, 8X49 M/M.....		4	F CB160-1070464 TO
30		05419 92000-06012.....	BOLT, HEX., 6X12.....	10	2	F CB160-1070464 TO
31		05803 94001-08000.....	NUT, HEX., 8 M/M.....	10	4	F CB160-1070464 TO
32		05909 94101-08000.....	WASHER, FLAT, 8 M/M.....	10	4	F CB160-1070464 TO
33		05898 94111-08000.....	WASHER, SPRING, 8 M/M.....	10	4	F CB160-1070464 TO

# F-3 Front Fork (2)



# F-4 Steering Stem . Front Fender

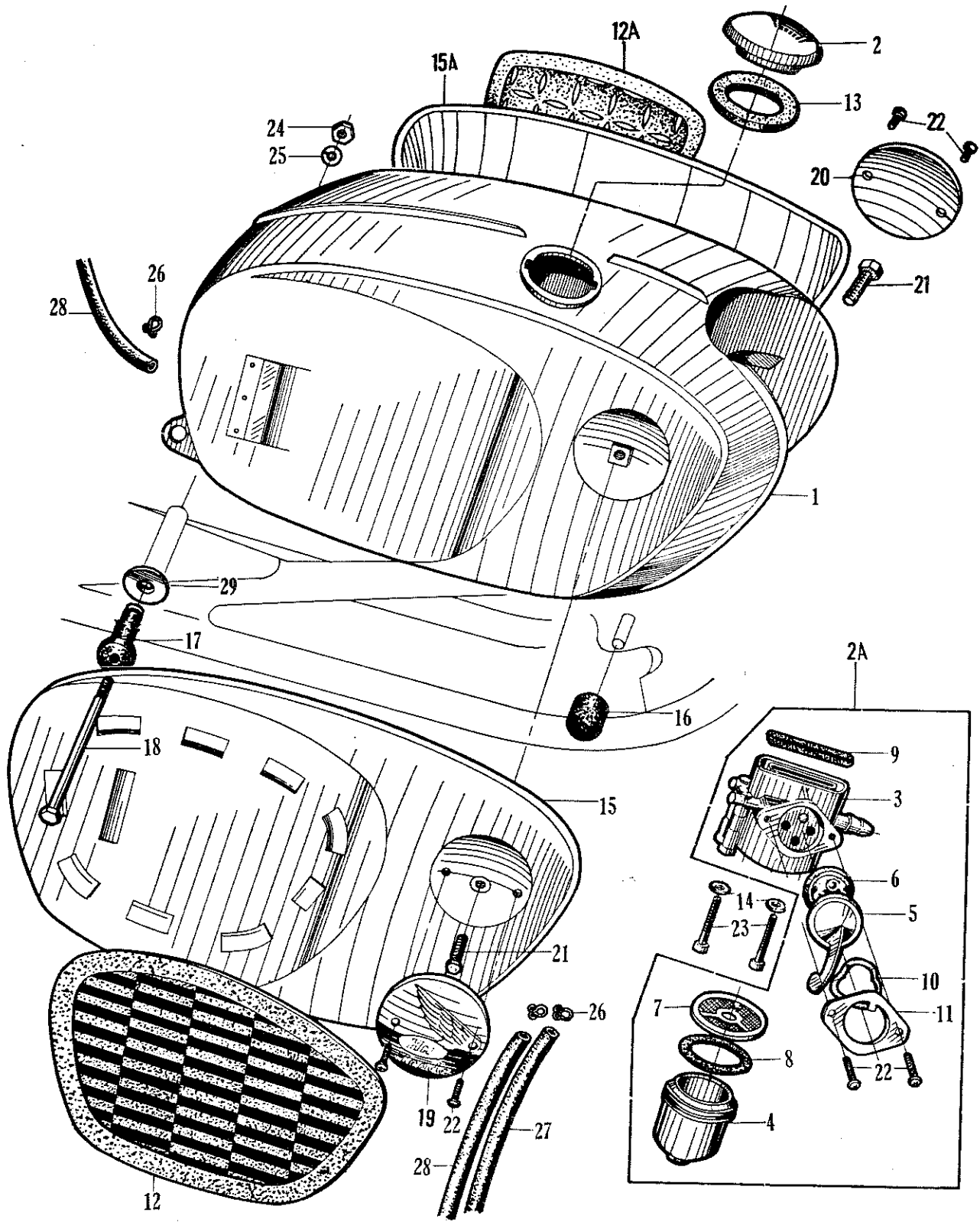


F-4 Steering Stem . Front Fender

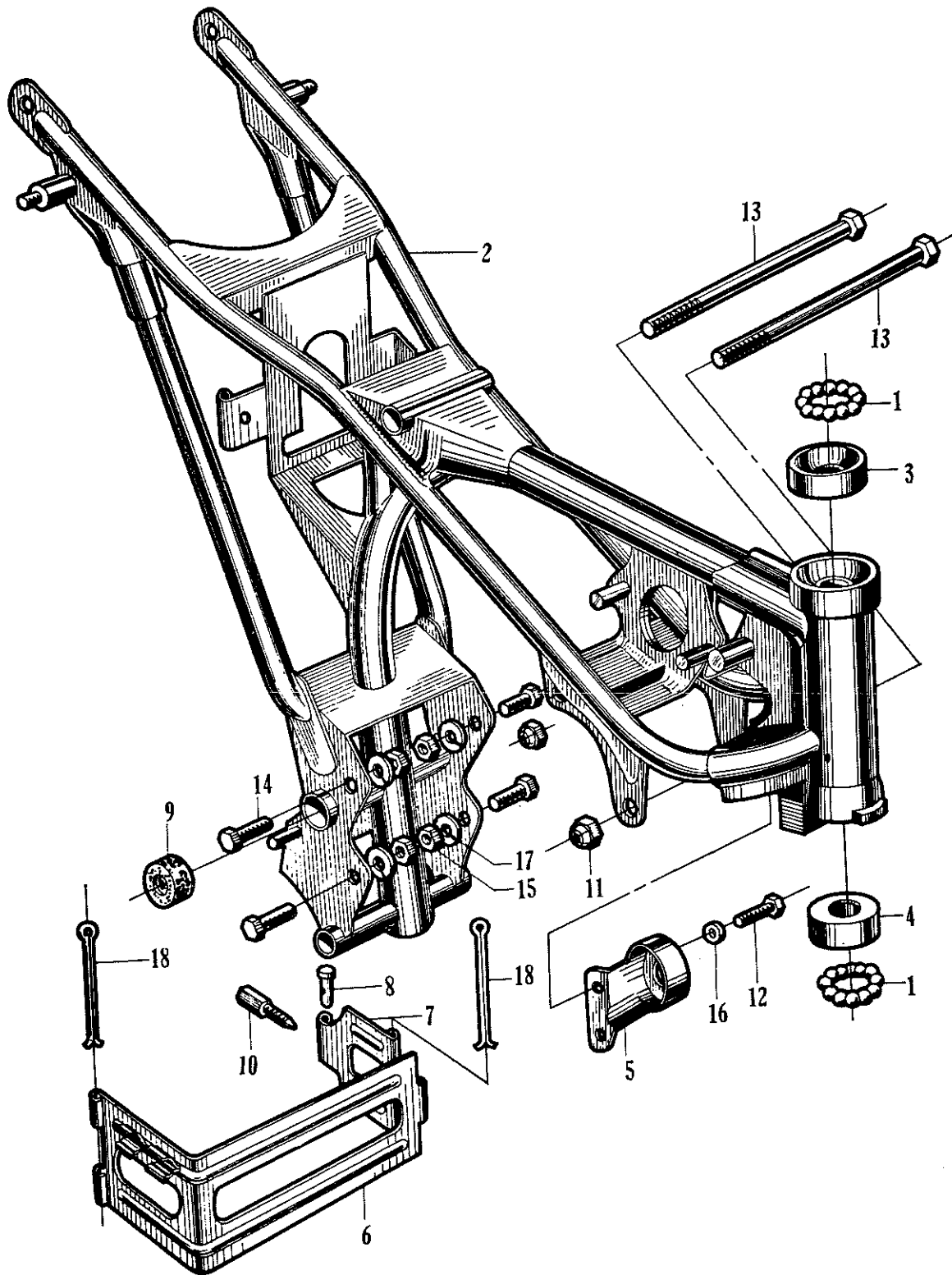
REF. NO.	H/C	NEW PART NUMBER	DESCRIPTION	ORDER IN MULTIPLES OF	NO. REQD.	REMARKS
1	03013	53200-216-000Z..	STEM, STEERING.....		1	
2		35600-268-000...	NOT SOLD. THIS PART IS INCLUDED IN 35010-216-000		1	
3	04597	53631-268-020...	SPRING, HANDLE LOCK.....		1	
4		53211-222-305...	NOT AVAILABLE,USE 53211-222-000		1	
	09830	53211-222-000...	RACE, STEERING STEM TOP CONE		1	
5	03016	53212-200-305...	RACE, STEERING STEM BOTTOM CONE		1	
6	03018	53220-216-000...	THREAD, STEERING HEAD TOP..		1	
7	03019	53214-200-000...	DUST SEAL, STEERING HEAD...		1	
8	03020	53215-200-000...	WASHER, STEERING HEAD DUST SEAL		1	
9	03036	45465-216-000...	CLIP, FRONT BRAKE CABLE....		1	
10	03098	53740-216-000...	KNDB, STEERING DAMPER.....		1	
11	03099	53761-216-000...	PLATE A, STEERING DAMPER...		1	
12	03101	53762-216-000...	PLATE B, STEERING DAMPER...		1	
13	03102	53763-216-000...	SPRING, STEERING DAMPER....		1	
14		53764-216-000...	NOT AVAILABLE,USE 53764-283-000		1	
	08094	53764-283-000...	NUT, STEERING DAMPER.....		1	
15	03105	53765-216-000...	SPRING, STEERING DAMPER LOCKING		1	
16	03106	53750-216-000...	DISC, STEERING DAMPER FRICTION		1	
17	03193	61100-217-000S..	FENDER, FRONT.....		1	F CB160-9000001 TO CB160-9007000 CB160-1000001 TO CB160-1070463
	11677	61100-217-010S..	FENDER, FRONT.....		1	F CB160-1070464 TO
17A	05132	90118-268-000...	BOLT, STEERING DAMPER DISC.		1	
18	05142	90123-273-000...	BOLT, FRONT FORK.....		2	
19	03404	90304-216-000...	NUT, STEERING HEAD STEM....		1	
20	05848	94251-06000.....	PIN, LOCK, 6 M/M.....	10	1	
21	03424	90503-222-000...	WASHER, STEERING STEM.....		1	
22	05216	90506-273-000...	WASHER, FRONT FORK.....		1	
23	05465	92000-08010.....	BOLT, HEX., 8X10.....	10	4	F CB160-9000001 TO CB160-9007000 CB160-1000001 TO CB160-1070463
	05468	92000-08016.....	BOLT, HEX., 8X16.....	10	4	F CB160-1070464 TO
24	05480	92000-08032.....	BOLT, HEX., 8X32.....	10	2	
25	05671	93500-0300802...	SCREW, CROSS., 3X8.....	10	1	F CB160-9000001 TO CB160-9007000 CB160-1000001 TO CB160-1092554
	05673	93500-0301002...	SCREW, CROSS, 3X10.....	10	1	F CB160-1092555 TO
26	05909	94101-08000.....	WASHER, FLAT, 8 M/M.....	10	3	
27	11646	53126-216-810...	KEEPER, HELMET.....		1	
28	12114	53215-230-000...	COVER, HANDLE LOCK CASE....		1	F CB160-1092555 TO
29	05903	94101-03000.....	WASHER, FLAT, 3MM.....	10	1	F CB160-1092555 TO

REF. NO.	H/C	NEW PART NUMBER	DESCRIPTION	ORDER IN MULTIPLES OF	NO. REQD.	REMARKS
1		02785 17500-216-000Z...	TANK, FUEL.....		1	
2		04204 17620-253-010...	CAP, FUEL FILLER.....		1	
2A		02790 16950-216-000...	COCK ASSY., FUEL.....		1	
3		02791 16951-216-000...	BODY, FUEL COCK.....		1	
4		04221 16952-268-000...	CUP, FUEL COCK STRAINER....		1	
5		04222 16953-268-020...	LEVER, FUEL COCK.....		1	
6		04223 16955-268-020...	PACKING A, FUEL COCK VALVE.		1	
7		04224 16957-268-010...	SCREEN, FUEL STRAINER.....		1	
8		04225 16958-268-010...	PACKING, FUEL STRAINER CUP.		1	
9		00621 16960-011-000...	PACKING, FUEL COCK.....		1	
10		04226 16960-268-010...	SPRING, FUEL COCK LEVER....		1	
11		04227 16961-268-010...	PLATE, FUEL COCK LEVER SETTING		1	
12		02796 17661-216-000...	RUBBER, RIGHT, KNEE GRIP...		1	
12A		02799 17662-216-000...	RUBBER, LEFT, KNEE GRIP....		1	
13		04244 17631-253-000...	PACKING, FUEL FILLER CAP...		1	
14		00626 16993-011-000...	PACKING, FUEL COCK FIXING BOLT		2	
15		02803 17640-216-000...	COVER, RIGHT, FUEL TANK....		1	
15A		02806 17650-216-000...	COVER, LEFT, FUEL TANK.....		1	
16		04259 17611-268-000...	CUSHION, FUEL TANK, FRONT..		2	
17		02810 17613-216-000...	CUSHION, FUEL TANK, REAR...		2	
18		03345 90109-216-000...	BOLT, FUEL TANK SETTING....		1	
19		03459 87121-217-000...	EMBLEM, RIGHT.....		1	
20		03462 87122-217-000...	EMBLEM, LEFT.....		1	
21		05417 92000-06010.....	BOLT, HEX., 6X10.....	10	2	
22		05671 93500-0300802...	SCREW, CROSS., 3X8.....	10	4	
23		05753 93500-06025.....	SCREW, CROSS., 6X25.....	10	2	
24		05801 94001-06000.....	NUT, HEX., 6 M/M.....	10	1	
25		05897 94111-06000.....	WASHER, SPRING, 6 M/M.....	10	1	
26		05344 95002-50000.....	CLIP, FUEL TUBE.....		4	
27		05349 95001-50190.....	FUEL TUBE, 5X190 M/M.....		1	
28		95001-50210.....	NOT AVAILABLE, USE 95001-50000		2	
		20099 95001-50000.....	FUEL TUBE, KX2 MM.....		2	
29		03434 90538-216-000...	WASHER, 14X27.....		2	

# F-5 Fuel Tank



# F-6 Frame Body



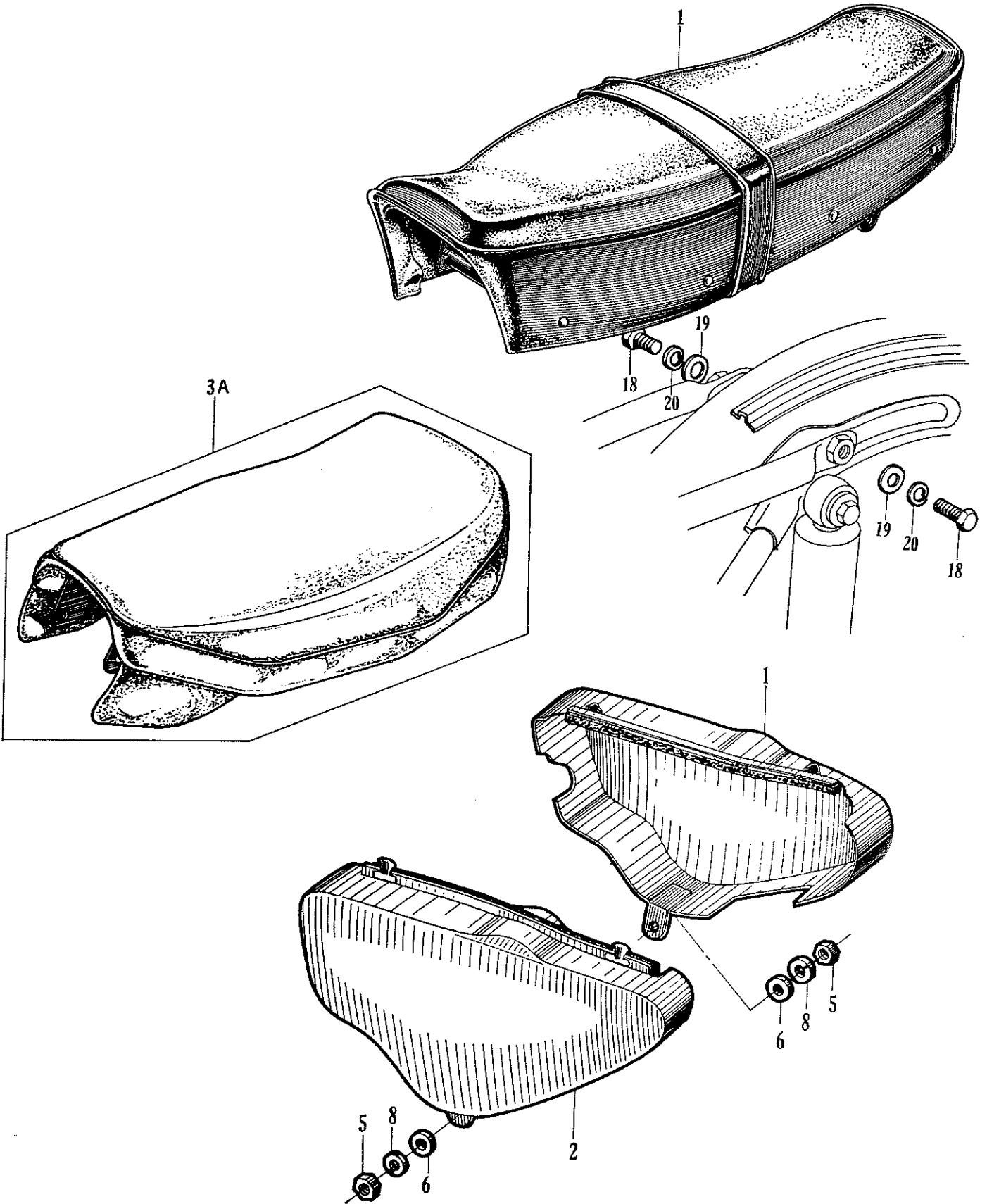
CB-160

F-6 Frame Body

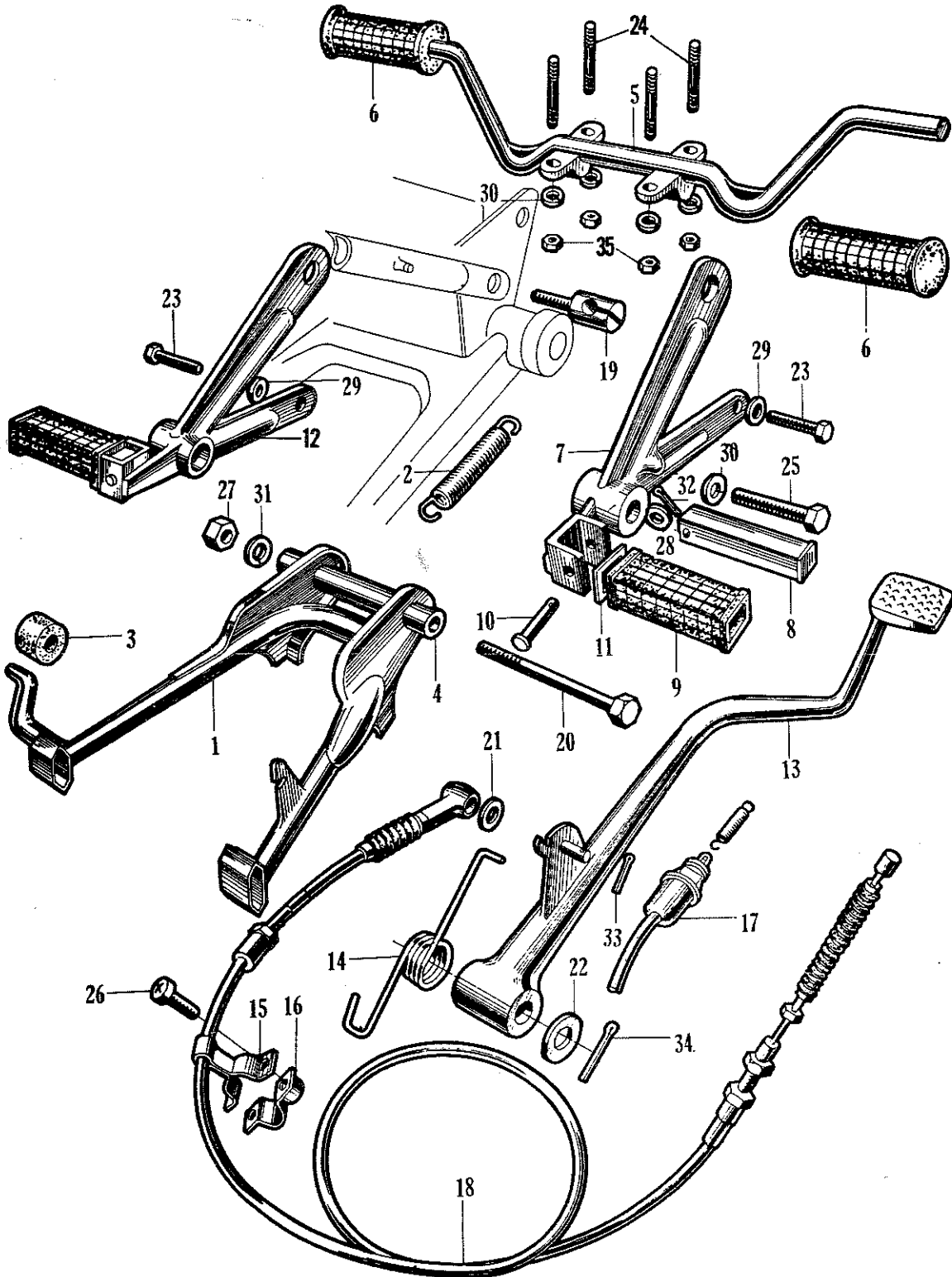
REF. NO.	H/C	NEW PART NUMBER	DESCRIPTION	ORDER IN MULTIPLES OF	NO. REQD.	REMARKS
1	07990	96211-08000.....	BALL, STEEL, 1/4 IN.....	10	36	
2		50100-216-000Z..	NOT AVAILABLE, USE.....		1	F CB160-9000001 TO CB160-9007000 CB160-1000001 TO CB160-1091435
	12031	50100-216-305Z..	BODY, FRAME.....		1	F CB160-1091436 TO
3	02852	50301-200-315...	RACE, STEERING HEAD TOP....		1	
4	02853	50302-200-305...	RACE, STEERING HEAD BOTTOM.		1	
5	02855	50327-216-000Z..	BRACKET, MAIN SWITCH.....		1	
6	02927	83631-222-000...	BAND A CLAMP, BATTERY.....		1	
7	02928	83632-216-000...	BAND B CLAMP, BATTERY.....		1	
8	02930	83635-216-000...	PIN, BATTERY BAND.....		1	
9	04876	52145-268-000...	RUBBER, REAR FORK DUST-SEAL CAP		2	
10	03363	90115-216-000...	BOLT, BATTERY BAND SETTING.		1	
11	01227	90349-001-000...	NUT, SELF LOCK, 8 M/M.....		2	
12	05421	92000-06014.....	BOLT, HEX., 6X14.....	10	1	
13	05505	92000-08099.....	BOLT, HEX., 8X99.....		2	
14	10893	92000-10044.....	BOLT, HEX., 10X44.....	10	4	
15	05805	94001-10000.....	NUT, HEX., 10 M/M.....	10	4	
16	05907	94101-06000.....	WASHER, FLAT, 6 M/M.....	10	1	
17	05900	94111-10000.....	WASHER, SPRING, 10 M/M.....	10	4	
18	05847	94201-40650.....	PIN, COTTER, 4.0X65 M/M.....	10	2	

REF. NO.	H/C	NEW PART NUMBER	DESCRIPTION	ORDER IN MULTIPLES OF	NO. REQD.	REMARKS
1		02770 17231-216-000S..	CASE, RIGHT, AIR CLEANER...		1	
2		02771 17331-216-000S..	CASE, LEFT, AIR CLEANER....		1	
3		77100-216-000A..	NOT AVAILABLE, USE..... 77100-216-670A		1	F CB160-9000001 TO CB160-9007000 CB160-1000001 TO CB160-1060217
		77100-216-000U..	NOT AVAILABLE, USE..... 77100-216-670A		1	F CB160-9000001 TO CB160-9007000 CB160-1000001 TO CB160-1060217
		11882 77100-216-670A..	SEAT, DUAL *BLACK*.....		1	F CB160-1060218 TO
3A		03002 77100-216-810A..	SEAT, SCRAMBLER.....		1	OPTIONAL
4		05468 92000-08016.....	BOLT, HEX., 8X16.....	10	2	
5		05801 94001-06000.....	NUT, HEX., 6 M/M.....	10	2	
6		05907 94101-06000.....	WASHER, FLAT, 6 M/M.....	10	2	
7		05909 94101-08000.....	WASHER, FLAT, 8 M/M.....	10	2	
8		05897 94111-06000.....	WASHER, SPRING, 6 M/M.....	10	2	
9		05898 94111-08000.....	WASHER, SPRING, 8 M/M.....	10	2	

# F-7 Air Cleaner Case . Dual Seat



# F-8 Main Stand . Step Bar



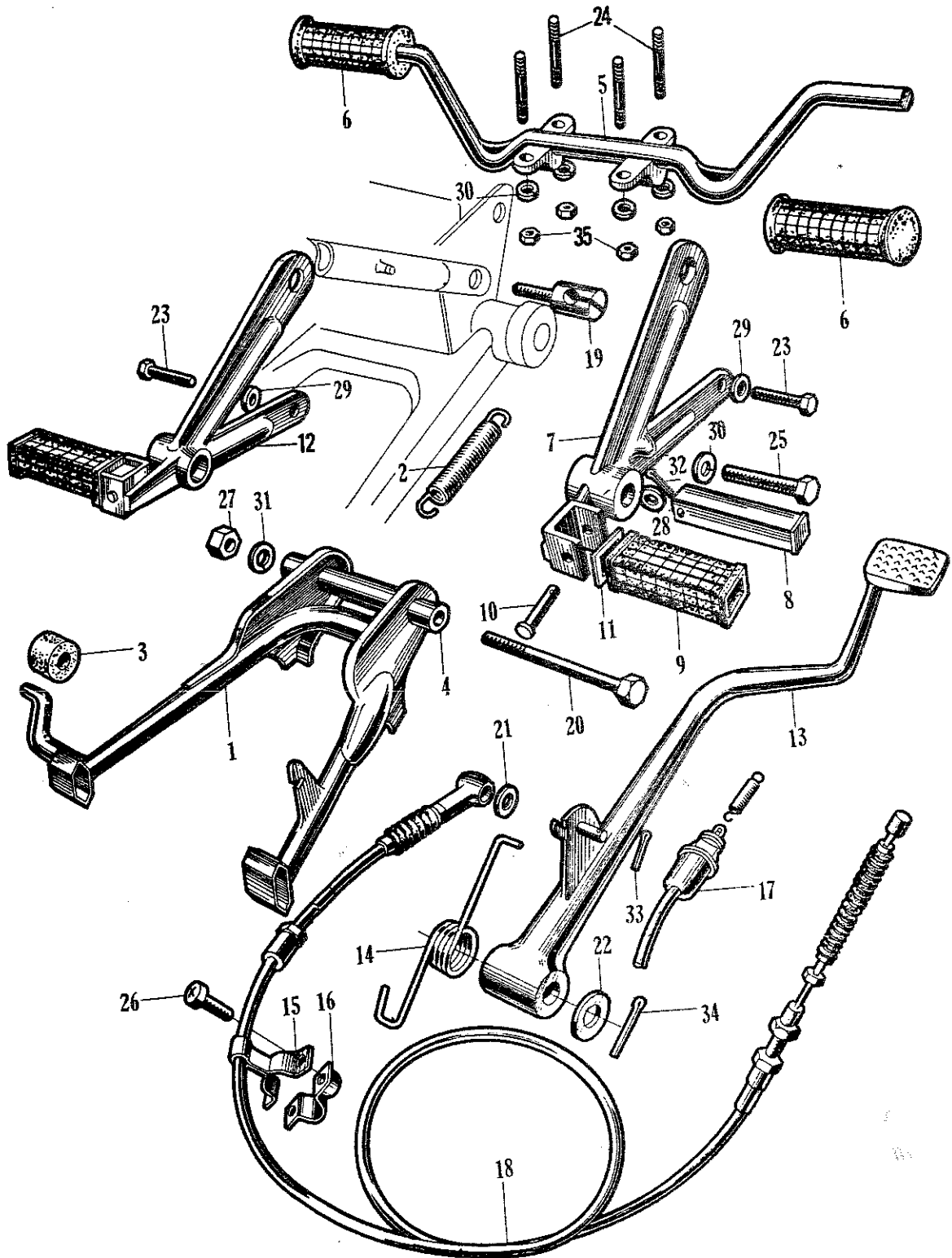
REF. NO.	H/C	NEW PART NUMBER	DESCRIPTION	ORDER IN MULTIPLES OF	NO. REQD.	REMARKS
1		50500-216-000...	NOT AVAILABLE, USE..... 50500-216-670B		1	F CB160-9000001 TO CB160-900700 CB160-1000001 TO CB160-108971
	11762	50500-216-670B..	STAND, MAIN.....		1	F CB160-1089718 TO
2	02874	50522-222-000...	SPRING, MAIN STAND.....		1	
3	02879	50524-222-000...	RUBBER, MAIN STAND STOPPER.		1	
4	02881	50525-222-000...	COLLAR, MAIN STAND DISTANCE		1	
5	02895	50610-216-000B..	BAR, STEP.....		1	
6	02901	50661-216-000...	RUBBER, STEP.....		2	
7	02902	57701-216-000Z..	ARM, RIGHT PILLION STEP....		1	
8		50701-024-010...	NOT AVAILABLE, USE 50715-283-000		2	
	07720	50715-283-000...	BAR, PILLION STEP.....		2	
9	01938	50705-024-000...	RUBBER, PILLION STEP.....		2	
10	02904	50703-216-000...	PIN, PILLION STEP.....		2	
11	01939	50712-024-000...	WASHER, PILLION STEP.....		2	
12	02905	50721-216-000Z..	ARM, LEFT PILLION STEP.....		1	
13	02908	46500-216-670...	PEDAL, BRAKE.....		1	F CB160-9000001 TO CB160-900700 CB160-1000001 TO CB160-109143
	12029	46500-216-315...	PEDAL, BRAKE.....		1	F CB160-1091436 TO
14	02912	46514-216-000...	SPRING, BRAKE PEDAL.....		1	
15	02931	43492-216-000...	BAND A, CABLE GUIDE SETTING		1	
16	02932	43495-216-000...	BAND B, CABLE GUIDE SETTING		1	
17	02981	35350-216-000...	SWITCH ASSY., STOP LAMP....		1	F CB160-9000001 TO CB160-900700 CB160-1000001 TO CB160-104793
	08214	35350-216-016...	SWITCH ASSY., STOP LAMP....		1	F CB160-1047937 TO
18	03341	43460-216-000...	CABLE, REAR BRAKE.....		1	
19	03342	43488-216-000...	RECEIVER, REAR BRAKE CABLE.		1	
20	03396	90151-222-000...	BOLT, MAIN STAND ANCHOR....		1	
21	03422	90522-222-000...	WASHER, 8.5X12 M/M.....		1	
22	03428	90529-216-000...	WASHER, 19X30 M/M.....		1	F CB160-9000001 TO CB160-900700 CB160-1000001 TO CB160-109143
	12030	90529-216-010...	WASHER, 21.5X32.....		1	F CB160-1091436 TO
23	05471	92000-08020.....	BOLT, HEX., 8X20 M/M.....	10	2	
24	11540	90064-250-000...	BOLT, STUD, 8X36 M/M.....		4	
25	05484	92000-08038.....	BOLT, HEX., 8X38.....		2	
26	05744	93500-06014.....	SCREW, CROSS., 6X14.....	10	1	
27	05805	94001-10000.....	NUT, HEX., 10 M/M.....	10	1	
28	05907	94101-06000.....	WASHER, FLAT, 6 M/M.....	10	2	
29	05909	94101-08000.....	WASHER, FLAT, 8 M/M.....	10	2	
30	05898	94111-08000.....	WASHER, SPRING, 8 M/M.....	10	6	
31	05900	94111-10000.....	WASHER, SPRING, 10 M/M.....	10	1	

CB-160

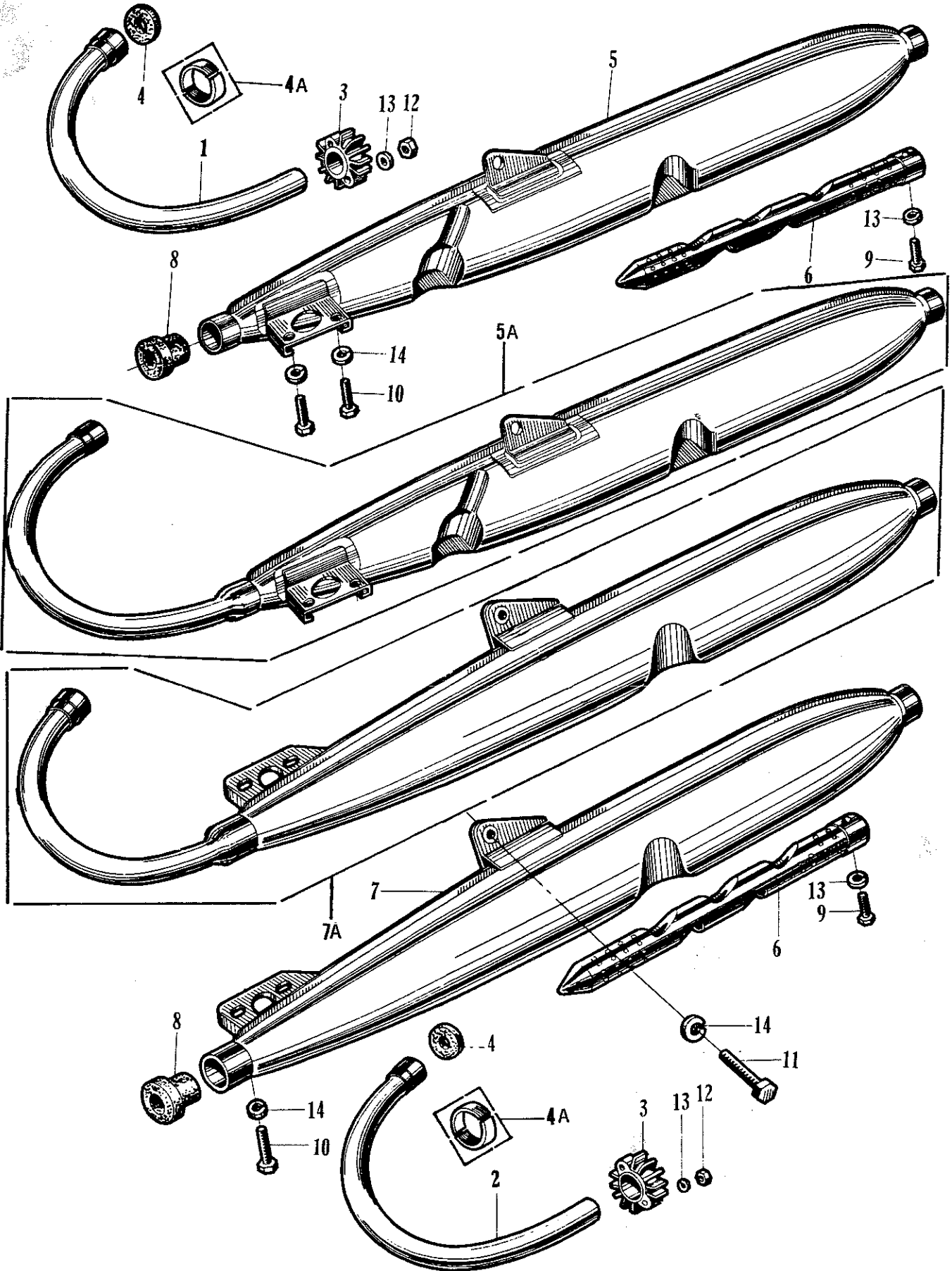
F-8 Main Stand . Step Bar

REF. NO.	H C	NEW PART NUMBER	DESCRIPTION	ORDER IN MULTIPLES OF	NO. REQD.	REMARKS
32		05831 94201-16150.....	PIN, COTTER, 1.6X15 M/M....	10	2	
33		05835 94201-20200.....	PIN, COTTER, 2.0X20 M/M....	10	1	
34		05842 94201-30250.....	PIN, COTTER, 3.0X25 M/M....	10	1	
35		05803 94001-08000.....	NUT, HEX, 8 M/M.....	10	4	

# F-8 Main Stand . Step Bar



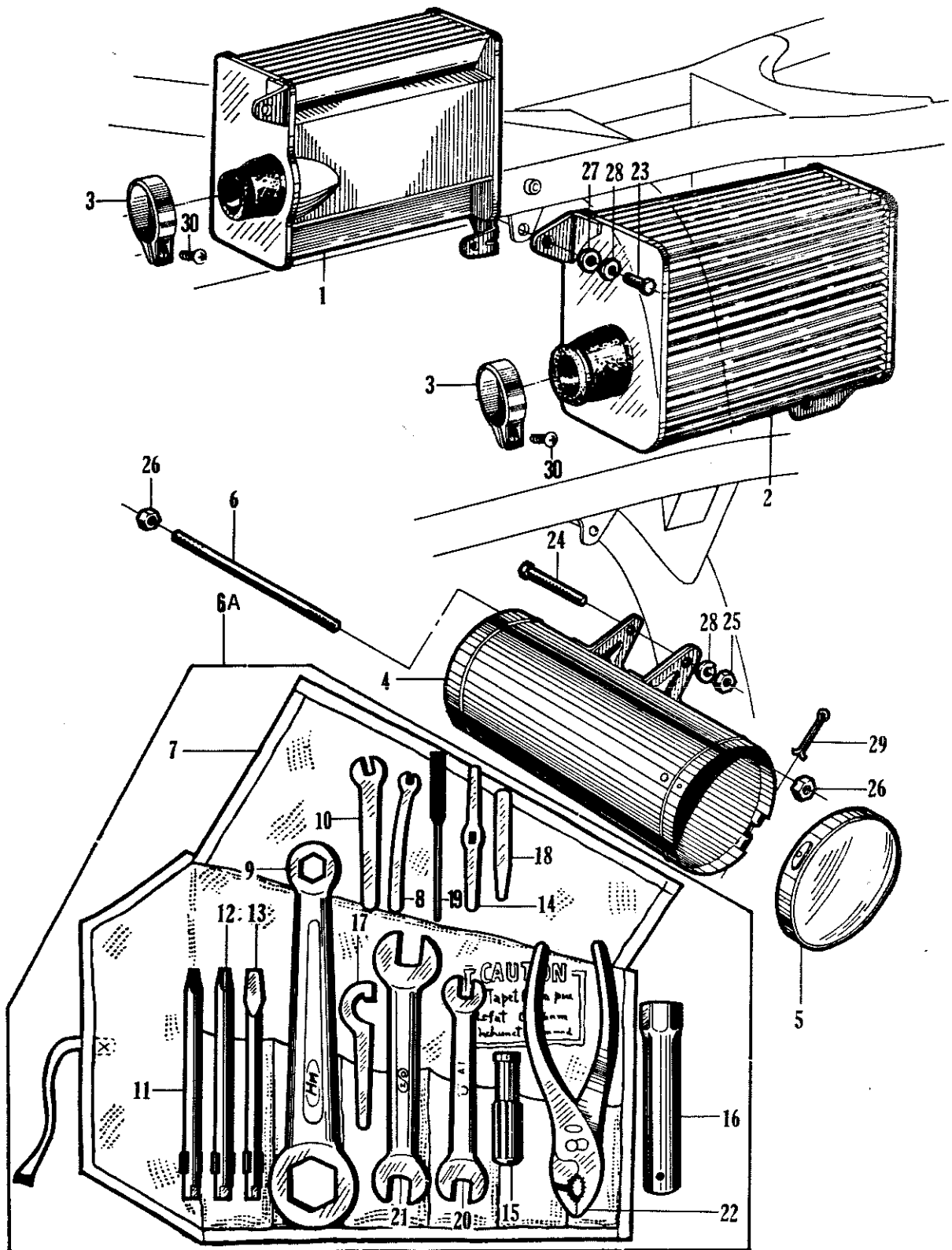
# F-9 Exhaust Pipe . Muffler



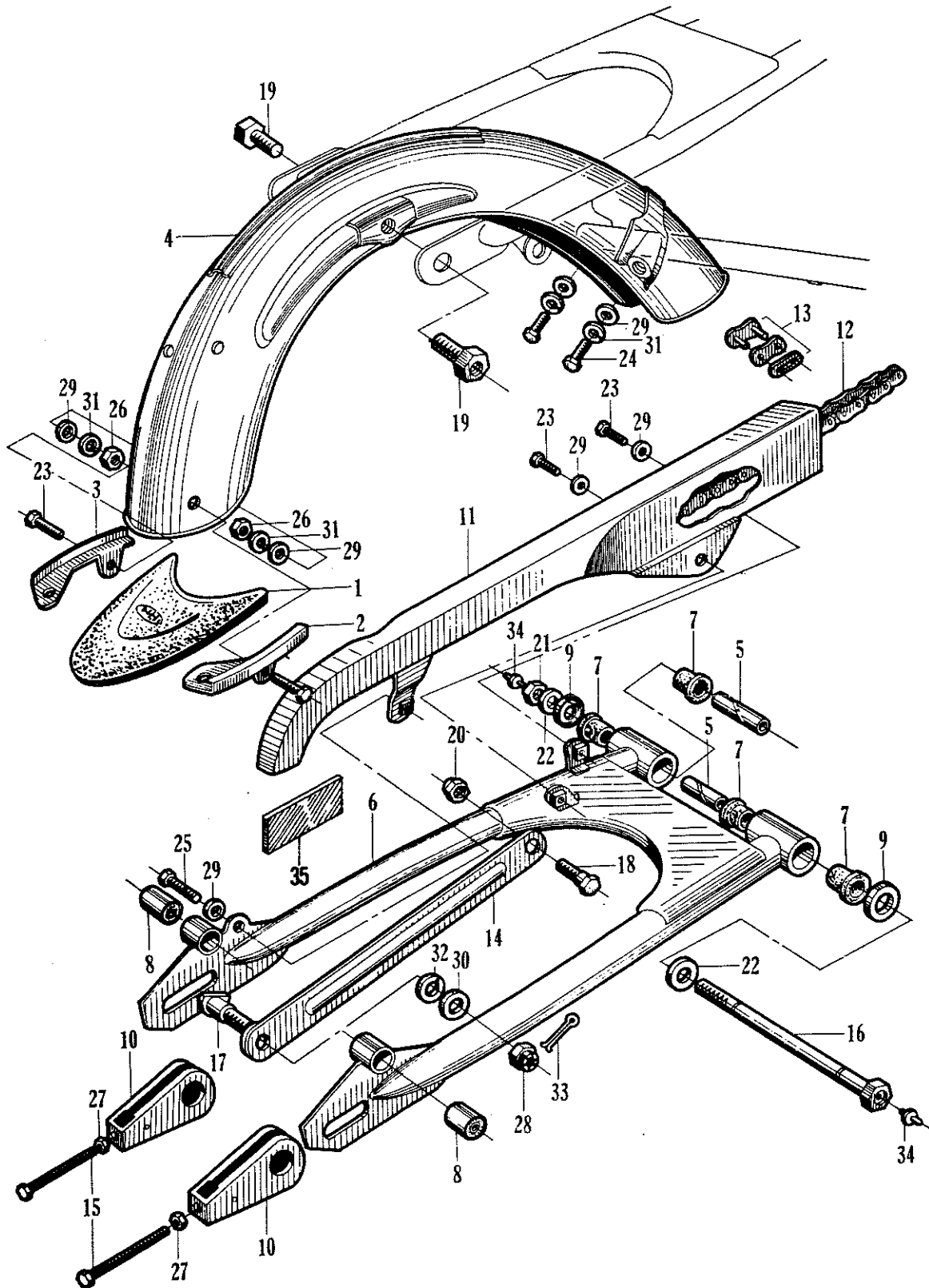
REF. NO.	H/C	NEW PART NUMBER	DESCRIPTION	ORDER IN MULTIPLES OF	NO. REQD.	REMARKS
1	02816	18210-216-000...	PIPE, EXHAUST, RIGHT.....		1	F CB160-9000001 TO CB160-9007000 CB160-1000001 TO CB160-1071399
	08957	18210-216-010...	PIPE, EXHAUST, RIGHT.....		1	F CB160-1071400 TO CB160-1089707
2	02820	18220-216-000...	PIPE, EXHAUST, LEFT.....		1	F CB160-9000001 TO CB160-9007000 CB160-1000001 TO CB160-1071399
	08958	18220-216-010...	PIPE, EXHAUST, LEFT.....		1	F CB160-1071400 TO CB160-1089707
3	02822	18231-216-000...	JOINT, EXHAUST PIPE.....		2	F CB160-9000001 TO CB160-9007000 CB160-1000001 TO CB160-1089707
	08981	18231-223-000...	JOINT, EXHAUST PIPE.....		2	F CB160-1089708 TO
4	02824	18291-216-000...	GASKET, EXHAUST PIPE.....		2	
4A	08982	18233-223-000...	COLLAR, EXHAUST PIPE JOINT.		4	F CB160-1089708 TO
5		18310-216-000...	NOT AVAILABLE, USE..... 18300-216-670		1	F CB160-9000001 TO CB160-9007000 CB160-1000001 TO CB160-1089707
5A	11779	18300-216-670...	MUFFLER, RIGHT.....		1	F CB160-1089708 TO
6	02834	18311-216-000...	PIPE, EXHAUST DIFFUSOR.....		2	F CB160-9000001 TO CB160-9007000 CB160-1000001 TO CB160-1089707
7		18330-216-000...	NOT AVAILABLE, USE..... 18400-216-670		1	F CB160-9000001 TO CB160-9007000 CB160-1000001 TO CB160-1089707
7A	11780	18400-216-670...	MUFFLER, LEFT.....		1	F CB160-1089708 TO
8	02843	18391-204-010...	PACKING, MUFFLER.....		2	F CB160-9000001 TO CB160-9007000 CB160-1000001 TO CB160-1089707
9	05415	92000-06008.....	BOLT, HEX., 6XR.....	10	2	F CB160-9000001 TO CB160-9007000 CB160-1000001 TO CB160-1089707
10	05477	92000-08028.....	BOLT, HEX., 8X28.....	10	4	
11	05484	92000-08038.....	BOLT, HEX., 8X38.....		2	
12	05801	94001-06000.....	NUT, HEX., 6 M/M.....	10	4	
13	05897	94111-06000.....	WASHER, SPRING, 6 M/M.....	10	6	
14	05898	94111-08000.....	WASHER, SPRING, 8 M/M.....	10	6	

REF. NO.	H C	NEW PART NUMBER	DESCRIPTION	ORDER IN MULTIPLES OF	NO. REQD.	REMARKS
1	02768	17210-217-000...	CLEANER, AIR, RIGHT.....		1	
2	02769	17310-217-000...	CLEANER, AIR, LEFT.....		1	
3	04178	17255-259-000...	BAND, AIR CLEANER TUBE.....		2	
4	02921	83500-216-000Z..	BOX, TOOL.....		1	
5	02924	83541-216-000...	CAP, TOOL BOX.....		1	
6	03401	90157-222-000...	BOLT, TOOL BOX SETTING.....		1	
6A	03447	89010-216-000...	TOOL SET.....		1	
7	03450	89101-216-000...	BAG, TOOL.....		1	
8	03451	89201-200-000...	WRENCH, TAPPET ADJUSTING...		1	
9	05241	89202-273-000...	WRENCH, AXLE.....		1	
10	03453	89203-200-000...	SPANNER, 9 M/M.....		1	
11	05242	99003-10000.....	DRIVER A, SCREW, 6 M/M.....		1	
12	05243	99003-20000.....	DRIVER B, SCREW, 8 M/M.....		1	
13	05244	99003-30000.....	DRIVER C, SCREW, 6 M/M.....		1	
14	05245	99003-40000.....	LEVER.....		1	
15	05246	99003-50000.....	GRIP.....		1	
16	05249	89216-264-000...	WRENCH, SPARK PLUG.....		1	
17	05250	89204-268-000...	SPANNER, PIN, 37 M/M.....		1	
18	03455	89231-216-000...	GAUGE, TAPPET CLEARANCE... ADJUSTING		1	
19	05252	89235-253-000...	FILE, POINT.....		1	
20	06924	99001-10140.....	SPANNER, 10X14.....		1	
21	07989	99001-17190.....	SPANNER, 17X19.....		1	
22	07988	99002-15000.....	PLIER, 150.....		1	
23	05419	92000-06012.....	BOLT, HEX., 6X12.....	10	2	
24	05452	92000-06070.....	BOLT, HEX., 6X70.....	10	1	
25	05801	94001-06000.....	NUT, HEX., 6 M/M.....	10	1	
26	05808	94002-06000.....	NUT, THIN, 6 M/M.....	10	2	
27	05907	94101-06000.....	WASHER, FLAT, 6 M/M.....	10	2	
28	05897	94111-06000.....	WASHER, SPRING, 6 M/M.....	10	3	
29	05838	94201-20350.....	PIN, COTTER, 2.0X35 M/M....	10	1	
30	05717	93500-05016.....	SCREW, 5X16.....	10	2	

# F-10 Air Cleaner . Tool Case . Tools



# F-11 Rear Fork . Rear Fender

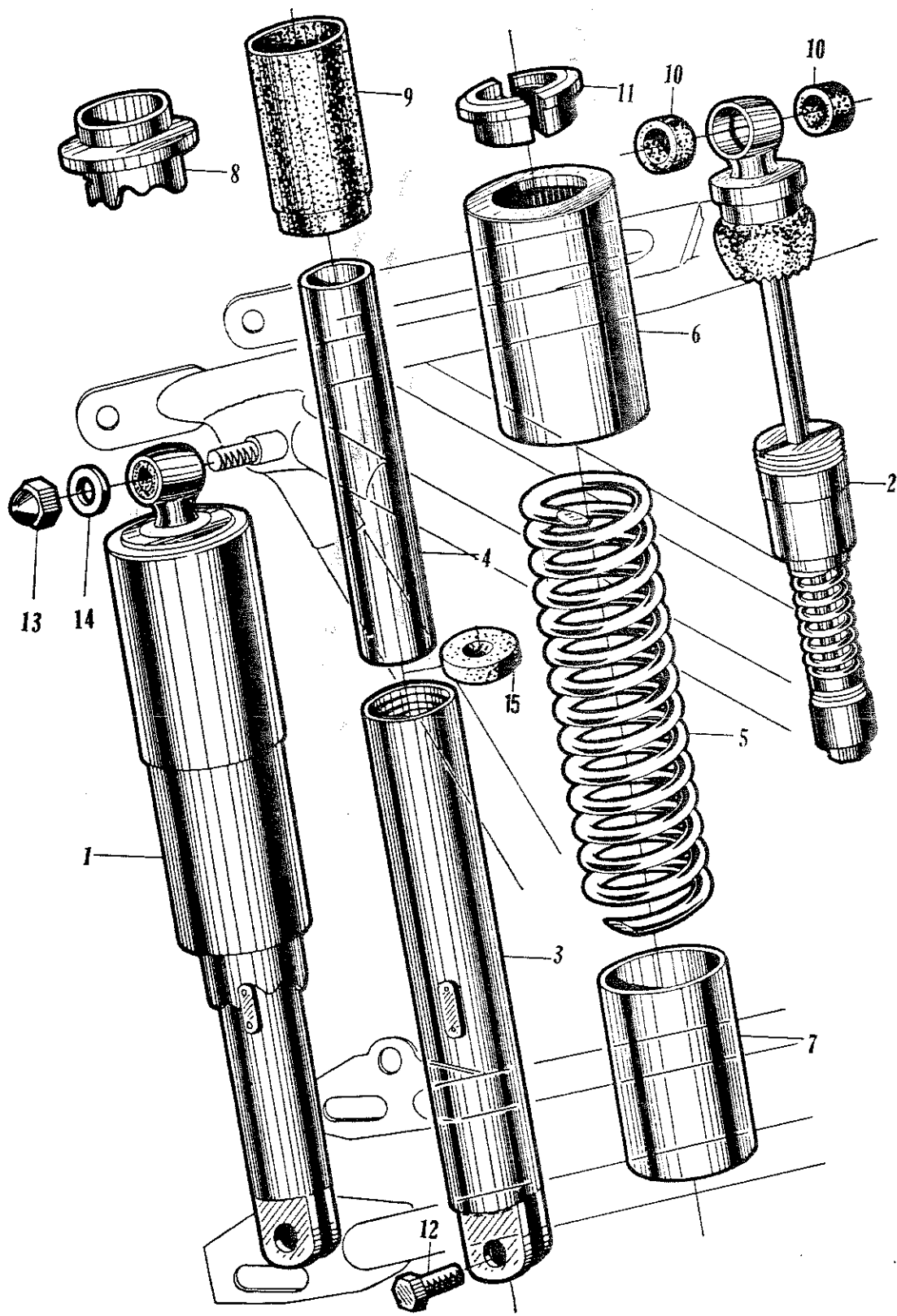


REF. NO.	H C	NEW PART NUMBER	DESCRIPTION	ORDER IN MULTIPLES OF	NO. REQD.	REMARKS
1		02863 80121-216-000...	MUDGUARD, REAR FENDER.....		1	
2		02865 80122-216-010...	STAY, RIGHT, REAR FENDER... MUDGUARD		1	
3		02867 80123-216-010...	STAY, LEFT, REAR FENDER.... MUDGUARD		1	
4		02913 80100-217-010...	FENDER, REAR.....		1	
5		03199 52141-216-000...	COLLAR, CENTER, REAR FORK..		2	
6		03203 52100-216-000Z..	FORK, REAR.....		1	
7		03204 52108-216-300...	BUSHING, REAR FORK PIVOT...		4	
8		03205 52109-222-810...	BUSHING, UNDER, REAR CUSHION		2	
9		04875 52144-268-000...	CAP, REAR FORK DUST SEAL...		2	
10		03237 40543-216-000...	ADJUSTER, DRIVE CHAIN.....		2	
11		03242 40510-216-000Z..	CASE, DRIVE CHAIN.....		1	
12		03249 40530-217-000...	CHAIN, DRIVE, DK428.....		1	
		03247 40530-216-810...	CHAIN, DRIVE, DK428, 118L..		1	OPTIONAL
13		08081 40531-216-003...	JOINT, CHAIN.....	10	1	
14		03335 43431-216-000...	ARM, REAR BRAKE STOPPER....		1	
15		05133 90119-253-000...	BOLT, DRIVE CHAIN ADJUSTING		2	
16		03367 90121-216-000...	BOLT, REAR FORK PIVOT.....		1	
17		03376 90127-222-000...	BOLT, REAR BRAKE PANEL STOPPER		1	
18		03384 90133-216-000...	BOLT, REAR BRAKE STOPPER ARM		1	
19		03402 90162-222-000...	BOLT, REAR FENDER SETTING..		2	
20		01227 90349-001-000...	NUT, SELF LOCKING, 8 M/M...		1	
21		05197 90354-268-000...	NUT, SELF LOCKING, 14 M/M..		1	
22		03425 90526-216-000...	WASHER, 14X26 M/M.....		2	
23		05418 92000-0601002...	BOLT, HEX., 6X10.....	10	4	
24		05419 92000-06012.....	BOLT, HEX., 6X12.....	10	2	
25		05421 92000-06014.....	BOLT, HEX., 6X14.....	10	1	
26		05801 94001-06000.....	NUT, HEX., 6 M/M.....	10	2	
27		05908 94002-06000.....	NUT, THIN, 6 M/M.....	10	2	
28		05818 94012-08020.....	NUT, CASTLE THIN, 8 M/M....		1	
29		05907 94101-06000.....	WASHER, FLAT, 6 M/M.....	10	7	
30		05909 94101-08000.....	WASHER, FLAT, 8 M/M.....	10	1	
31		05897 94111-06000.....	WASHER, SPRING, 6 M/M.....	10	4	
32		05900 94111-10000.....	WASHER, SPRING, 10 M/M.....	10	1	
33		05835 94201-20200.....	PIN, COTTER, 2.0X20 M/M....	10	1	
34		05354 96201-30000.....	NIPPLE, GREASE.....		2	
35		11774 87504-028-670...	MARK, MUFFLER CAUTION.....		1	F CB160-1089708 TO

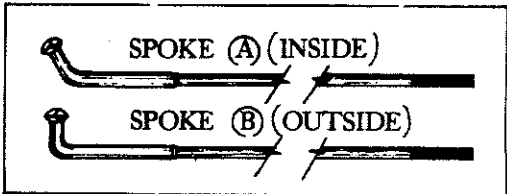
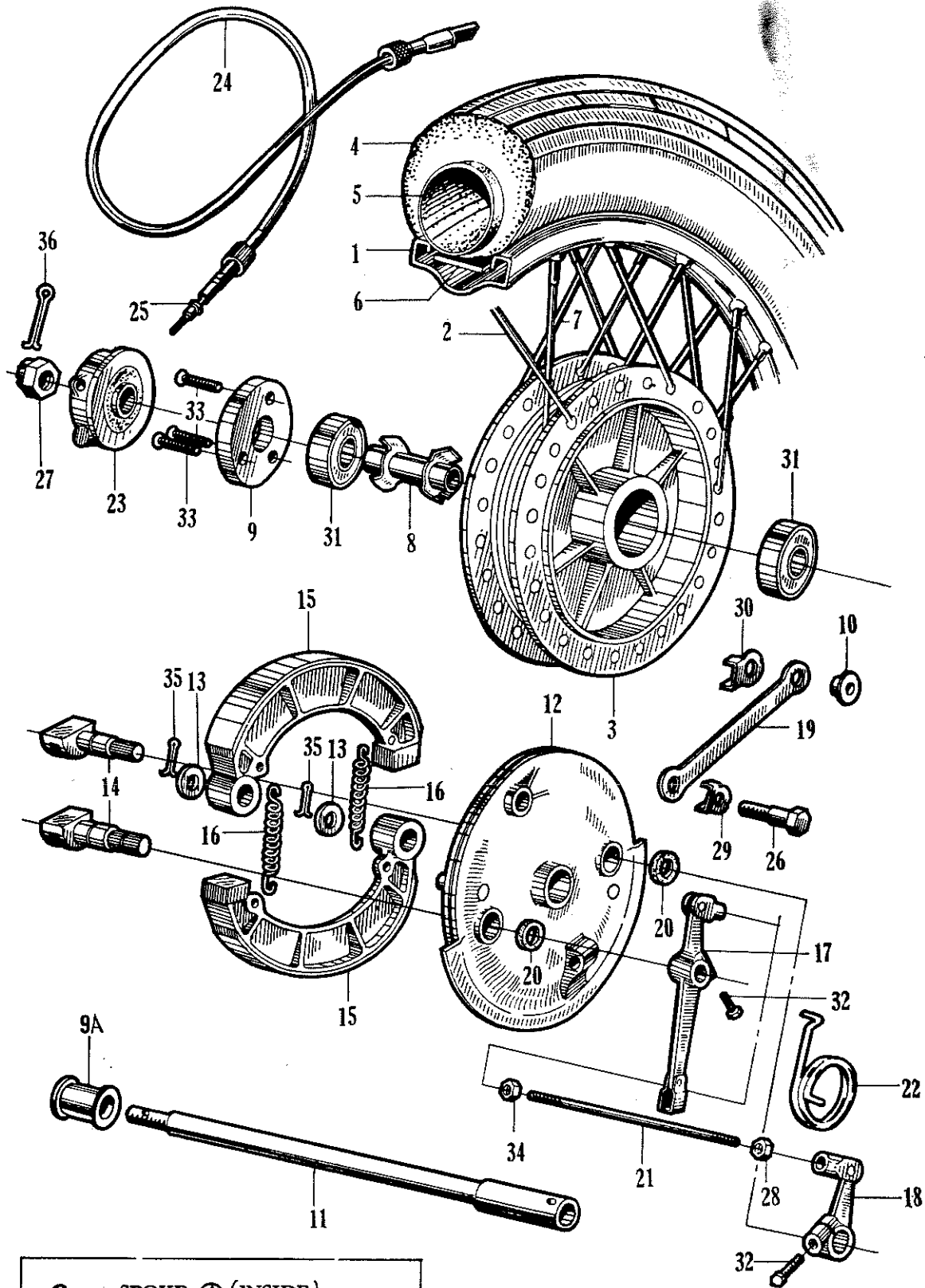
REF. NO.	H C	NEW PART NUMBER	DESCRIPTION	ORDER IN MULTIPLES OF	NO. REQD.	REMARKS
1		03222 52400-216-000A..	CUSHION ASSY., REAR, *WHITE*		2	
		03223 52400-216-000B..	CUSHION ASSY., REAR, *BLACK*		2	
		03224 52400-216-000E..	CUSHION ASSY., REAR, *BLUE*		2	
		03225 52400-216-000C..	CUSHION ASSY., REAR, *RED*		2	
2		52440-216-000...	NOT SOLD. THIS PART IS INCLUDED IN 52400-216-000		2	
3		03226 52460-216-010...	CASE, REAR DAMPER.....		2	
4		52442-216-000...	NOT SOLD. THIS PART IS INCLUDED IN 52400-216-000		2	
5		03227 52401-216-000...	SPRING, REAR CUSHION.....		2	
6		03228 52463-216-010A..	CASE, UPPER REAR CUSHION,.. *WHITE*		2	
		03229 52463-216-010B..	CASE, UPPER REAR CUSHION,.. *BLACK*		2	
		03230 52463-216-010E..	CASE, UPPER REAR CUSHION,.. *BLUE*		2	
		03231 52463-216-010C..	CASE, UPPER REAR CUSHION,.. *RED*		2	
7		03232 52465-216-010...	CASE, BOTTOM, REAR CUSHION.		2	
8		52407-216-000...	NOT SOLD. THIS PART IS INCLUDED IN 52400-216-000		2	
9		52455-216-000...	NOT SOLD. THIS PART IS INCLUDED IN 52400-216-000		2	
10		03233 52483-222-910...	BUSHING, UPPER, REAR CUSHION		4	
11		04918 52424-268-000...	STOPPER, REAR CUSHION SPRING		4	
12		08220 90107-216-010...	BOLT, UNDER, REAR CUSHION..		2	
13		03408 90308-216-000...	NUT, SPECIAL, 10 M/M.....		2	
14		03426 90527-200-000...	WASHER, 10.3 M/M.....		2	
15		03442 91254-216-000...	OIL SEAL, REAR DAMPER.....		2	

# F-12 Rear Cushion

2



# F-13 Front Wheel



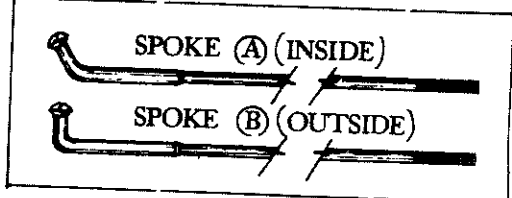
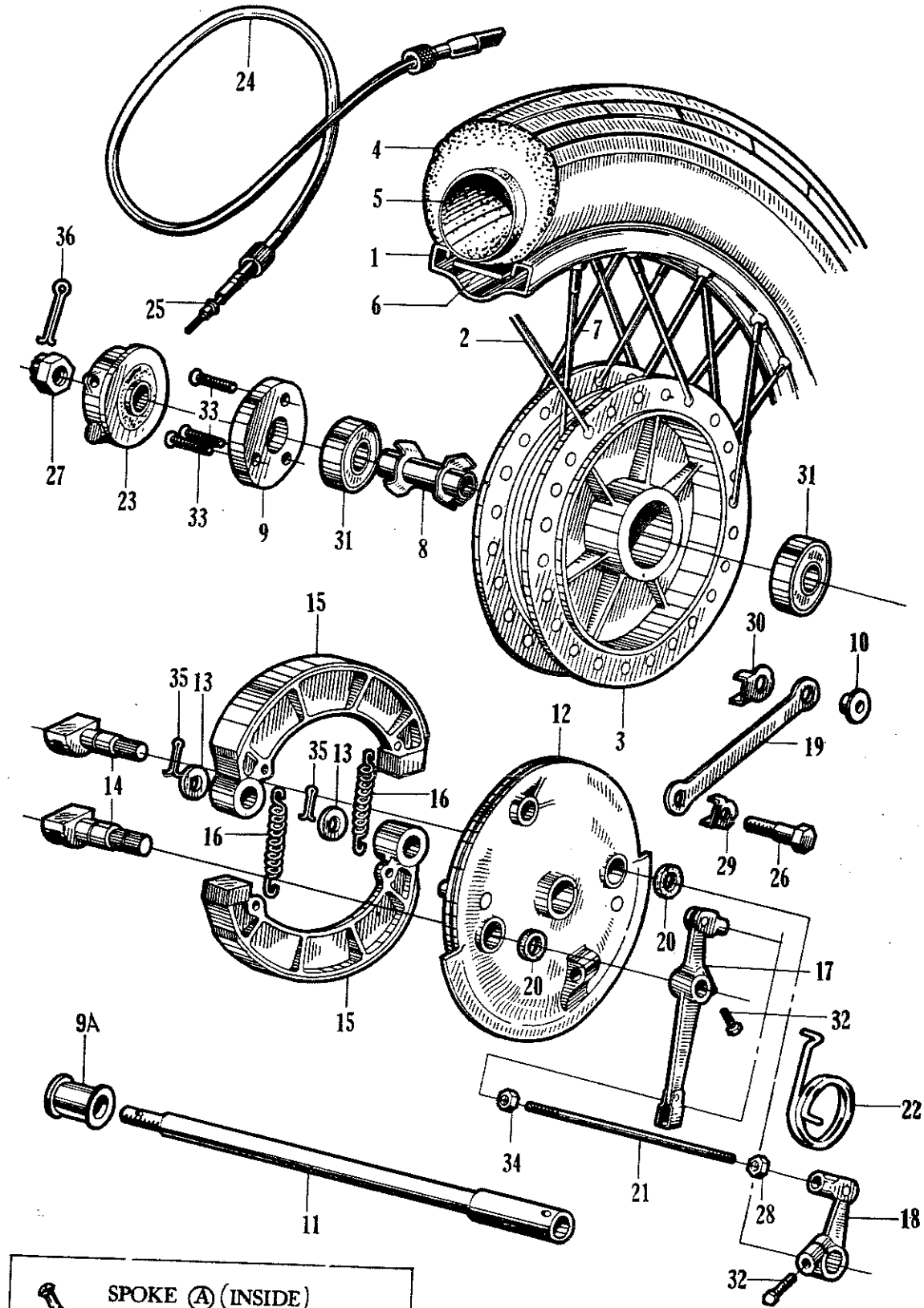
REF. NO.	H/C	NEW PART NUMBER	DESCRIPTION	ORDER IN MULTIPLES OF	NO. REQD.	REMARKS
0		06450-216-000...	NO LONGER AVAILABLE.....		1	
1		03125 44701-216-000...	RIM, FRONT WHEEL.....		1	
2		03126 97284-521481....	SPOKE A, FRONT.....	10	18	
3		03127 44601-216-000...	HUB, FRONT WHEEL.....		1	
4		05279 44711-216-000...	TIRE, FRONT WHEEL, 250X18..		1	
5		05280 44712-216-000...	TUBE, FRONT WHEEL, 250X18..		1	
6		03121 44713-205-000...	FLAP, TIRE.....		1	
7		03129 97682-521461....	SPOKE B, FRONT.....	10	18	
8		03131 44620-222-000...	COLLAR, FRONT AXLE DISTANCE		1	
9		04802 44641-273-000...	RETAINER, FRONT WHEEL BEARING		1	
9A		11663 44311-216-000...	COLLAR, FRONT WHEEL SIDE...		1	F CB160-1070464 TO
10		03143 45448-222-000...	PIECE, STOPPER ARM DISTANCE		1	F CB160-9000001 TO CB160-9007000 CB160-1000001 TO CB160-1070463
		11664 45448-216-000...	PIECE, STOPPER ARM DISTANCE		1	F CB160-1070464 TO
11		03147 44301-216-000...	AXLE, FRONT WHEEL.....		1	
12		03153 45100-216-000...	PANEL, FRONT BRAKE.....		1	
13		03154 45106-222-300...	WASHER, ANCHOR PIN.....		2	
14		03157 45131-216-000...	CAM, FRONT BRAKE.....		2	
15		03160 45120-216-000...	SHOE, FRONT BRAKE.....		2	
16		03163 45133-216-000...	SPRING, FRONT BRAKE SHOE...		2	
17		03166 45410-216-000...	ARM A, FRONT BRAKE.....		1	
18		03169 45421-216-000...	ARM B, FRONT BRAKE.....		1	
19		03173 45431-216-000...	ARM, FRONT BRAKE STOPPER...		1	F CB160-9000001 TO CB160-9007000 CB160-1000001 TO CB160-1070463
		11665 45431-216-010...	ARM, FRONT BRAKE STOPPER...		1	F CB160-1070464 TO
20		04839 45134-250-000...	DUST SEAL, FRONT BRAKE CAM.		2	
21		03183 45441-216-000...	ROD, FRONT BRAKE.....		1	
22		03189 45461-222-000...	SPRING, FRONT BRAKE ARM RETURN		1	
23		03311 44800-216-000...	BOX, SPEEDOMETER GEAR.....		1	
24		03317 44830-216-000...	CABLE, SPEEDOMETER.....		1	
25		44831-216-000...	NOT SOLD. THIS PART IS INCLUDED IN 44830-216-000		1	
26		03372 90126-222-000...	BOLT, FRONT BRAKE STOPPER ARM		1	
27		05191 90359-273-000...	NUT, CASTLE, 14 M/M.....		1	
28		03412 90322-216-000...	NUT, 6 M/M.....		1	
29		03431 90532-222-000...	WASHER A, TONGUED, 8.2 M/M.		1	
30		03432 90533-222-000...	WASHER B, TONGUED, 8.2 M/M.		1	
31		08418 96140-63020.....	BEARING, BALL, 6302R.....		2	
32		05427 92000-06020.....	BOLT, HEX., 6X20.....	10	2	
33		05579 93600-06016.....	SCREW, CROSS., 6X16.....	10	3	

CB-160

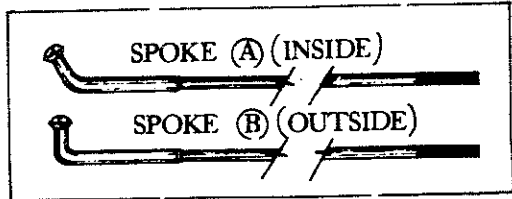
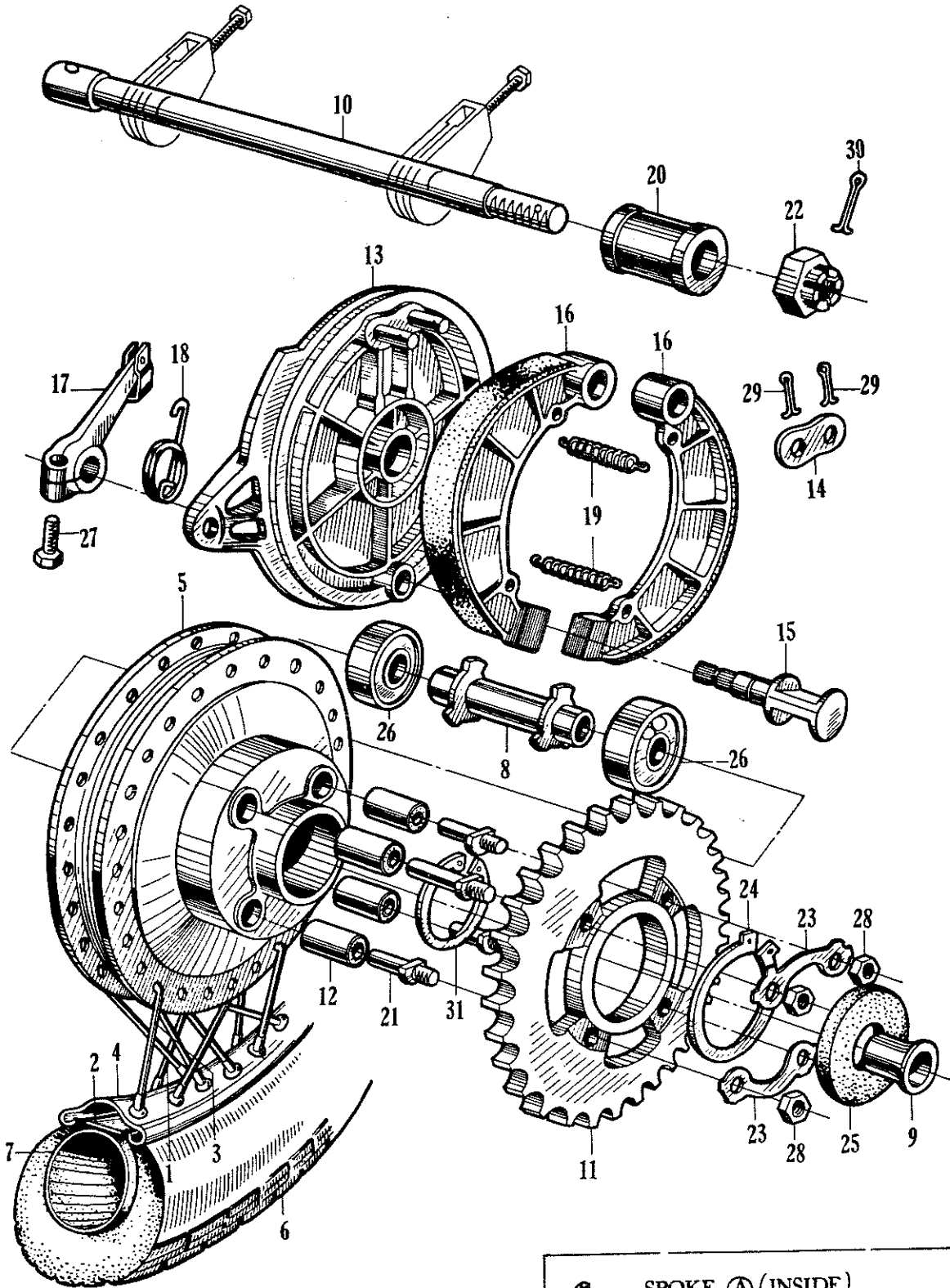
F-13 Front Wheel

REF. NO.	H C	NEW PART NUMBER	DESCRIPTION	ORDER IN MULTIPLES OF	NO. REQD.	REMARKS
34		05808 94002-06000.....	NUT, THIN, 6 M/M.....	10	1	
35		05840 94201-25200.....	PIN, COTTER, 2.5X20 M/M.....	10	2	
36		05842 94201-30250.....	PIN, COTTER, 3.0X25 M/M.....	10	1	

# F-13 Front Wheel



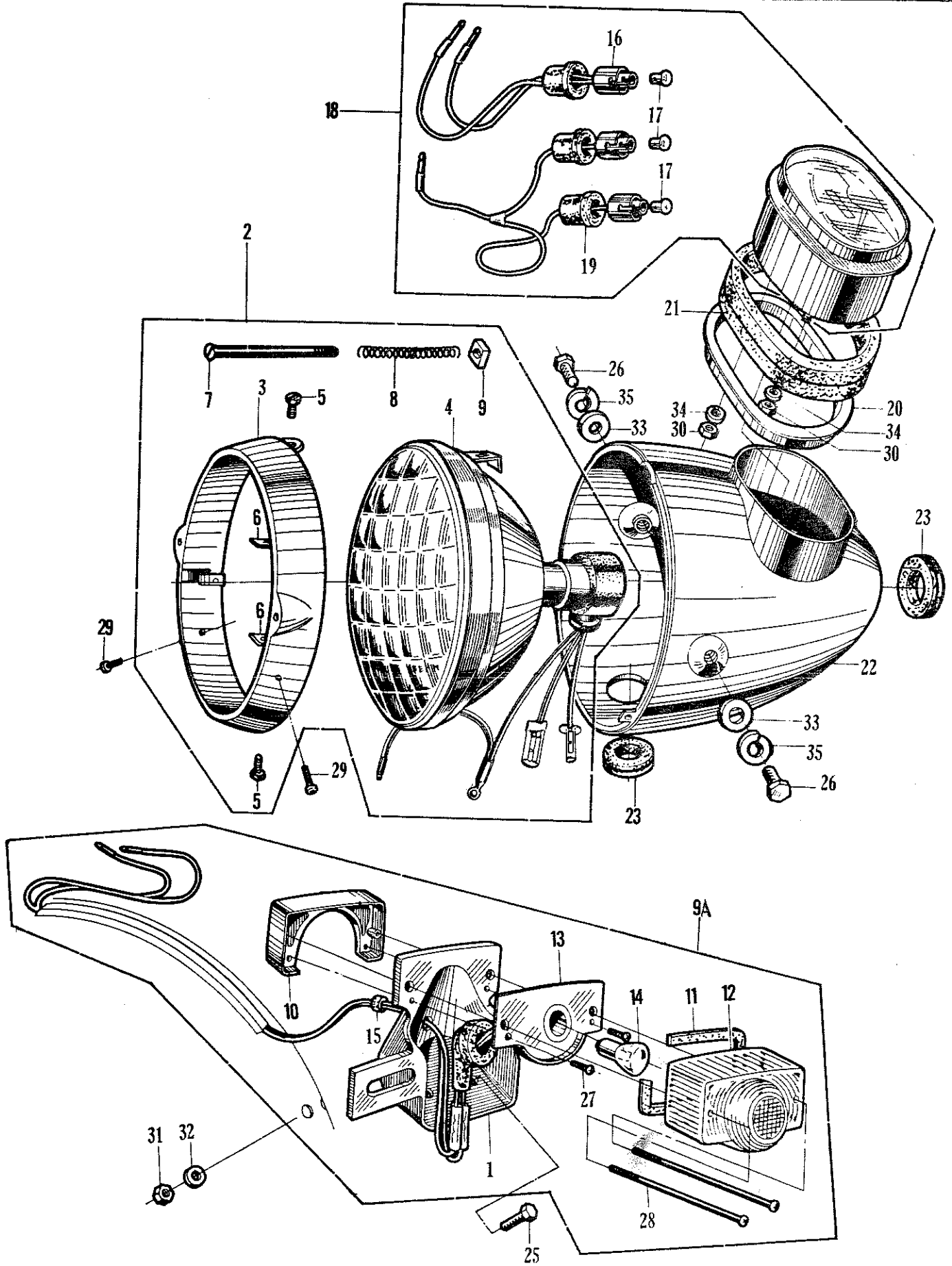
# F-14 Rear Wheel



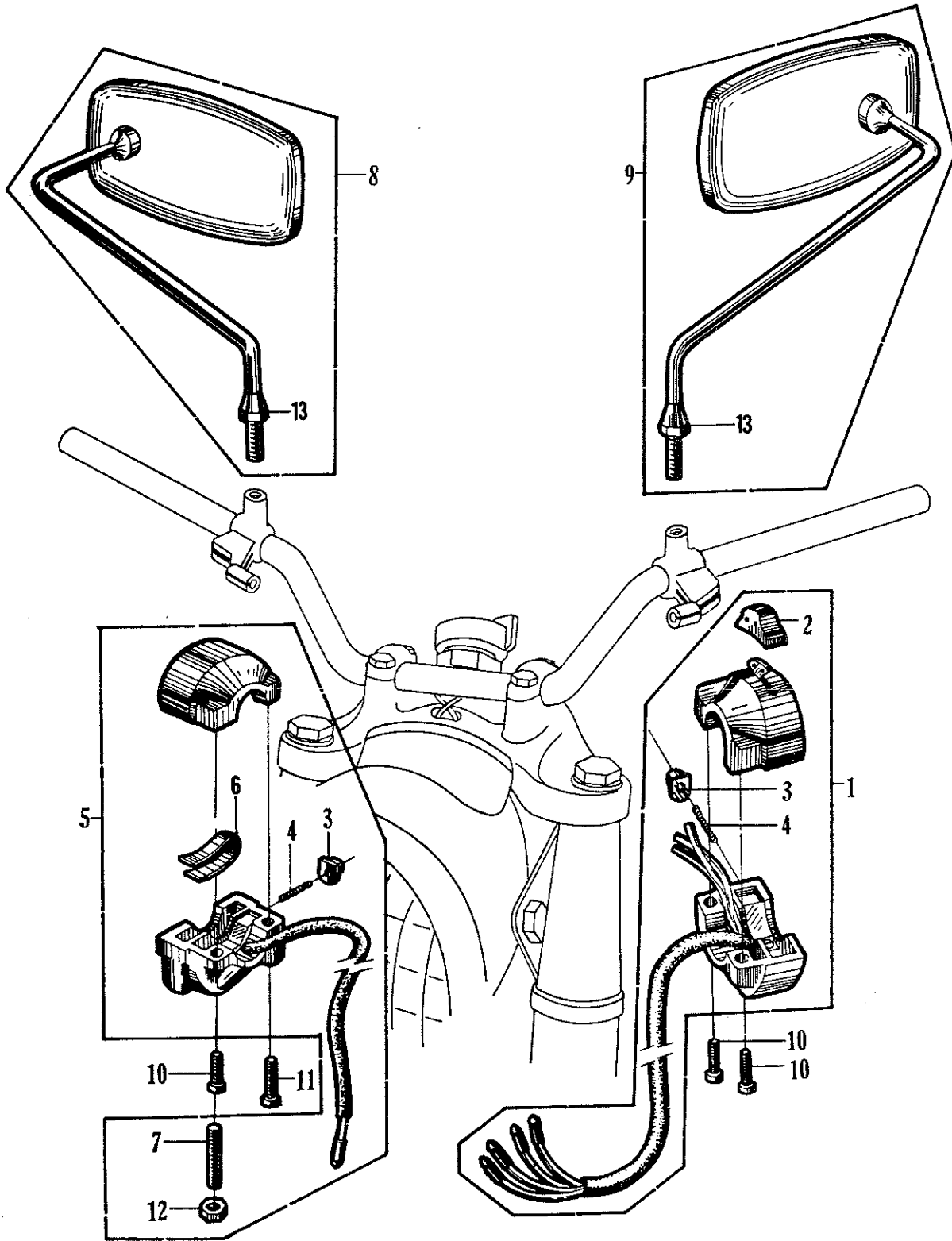
REF. NO.	H/C	NEW PART NUMBER	DESCRIPTION	ORDER IN MULTIPLES OF	NO. REQD.	REMARKS
0	06911	06430-216-000...	WHEEL ASSY, REAR..... COMPOSED OF REF #1-8, 12, 25, 26 & 31		1	
1	03126	97284-521481....	SPOKE A, REAR.....	10	18	
2	03121	44713-205-000...	FLAP, TIRE.....		1	
3	03129	97682-521461....	SPOKE B, REAR.....	10	18	
4	03262	42701-216-000...	RIM, REAR WHEEL.....		1	
5	03263	42601-216-000...	HUB, REAR WHEEL.....		1	
6	05302	42711-216-000...	TIRE, REAR WHEEL, 275X18...		1	
7	05290	44712-268-000...	TUBE, REAR WHEEL, 275X18...		1	
8	03264	42620-216-000...	COLLAR, REAR AXLE DISTANCE.		1	
9	03265	42311-216-000...	COLLAR, REAR WHEEL SIDE....		1	
10	03275	42301-216-000...	AXLF, REAR WHEEL.....		1	
11	03297	41201-217-000...	FINAL DRIVEN SPROCKET 38T..		1	
	03298	41201-216-810...	FINAL DRIVEN SPROCKET 55T..		1	OPTIONAL
	03299	41201-216-820...	FINAL DRIVEN SPROCKET 58T..		1	OPTIONAL
	03300	41201-216-830...	FINAL DRIVEN SPROCKET 39T..		1	OPTIONAL
	03301	41201-216-840...	FINAL DRIVEN SPROCKET 40T..		1	OPTIONAL
	03302	41201-216-850...	FINAL DRIVEN SPROCKET 41T..		1	OPTIONAL
12	03308	41241-222-000...	BUSHING, REAR WHEEL DAMPER.	4		
13	03322	43100-216-000...	PANEL, REAR BRAKE.....		1	
14	03323	43106-222-300...	WASHER, REAR BRAKE ANCHOR PIN		1	
15	03326	43141-216-000...	CAM, REAR BRAKE.....		1	
16	03328	43120-216-000...	SHOE, REAR BRAKE.....	2		
17	03331	43410-216-000...	ARM, REAR BRAKE.....		1	
18	03332	43437-216-000...	SPRING, REAR BRAKE ARM.....		1	
19	03163	45133-216-000...	SPRING, BRAKE SHOE.....	2		
20	03338	42313-216-000...	COLLAR, SIDE, REAR BRAKE PANEL		1	
21	03400	90128-216-000...	BOLT, DRIVEN SPROCKET FIXING		4	
22	05183	90306-273-000...	NUT, REAR AXLE.....		1	
23	03423	90523-222-000...	WASHER, TONGUED, 8 M/M.....	2		
24	03436	90664-216-000...	CIRCLIP, 58 M/M.....		1	
25	03444	90757-216-000...	DUST SEAL, REAR WHEEL.....		1	
26	10413	96140-63030.....	BEARING, BALL, 6303R.....	2		
27	05429	92000-06022.....	BOLT, HEX., 6X22.....	10	1	
28	05809	94002-08000.....	NUT, THIN, 8 M/M.....	10	4	
29	05840	94201-25200.....	PIN, COTTER, 2.5X20 M/M.....	10	2	
30	05843	94201-30300.....	PIN, COTTER, 3.0X30 M/M.....	10	1	
31	05358	94520-47000.....	CIRCLIP, 47 M/M.....		1	

REF. NO.	H C	NEW PART NUMBER	DESCRIPTION	ORDER IN MULTIPLES OF	NO. REQD.	REMARKS
1		02916 84701-216-000Z..	BRACKET, TAILLIGHT.....		1	
2		02944 33100-216-670...	LIGHT ASSY., HEAD.....		1	
3		02945 33101-216-670...	RIM, HEAD LIGHT.....		1	
4		02946 33120-216-670...	SEAL REAM UNIT, HEAD LIGHT.		1	
5		04454 33125-200-020...	SCREW, UNIT HOLDER.....		2	
6		08439 33128-200-030...	NUT, UNIT HOLDER.....		2	
7		00764 33102-001-003...	SCREW, BEAM ADJUSTING.....		1	
8		01967 33107-030-003...	SPRING, BEAM ADJUSTING.....		1	
9		00766 33117-001-003...	NUT, BEAM ADJUSTING.....		1	
9A		02957 33700-216-000...	LIGHT ASSY., TAIL.....		1	
10		04475 33705-268-670...	HOLDER, TAIL LIGHT LENS....		1	
11		04477 33709-268-810...	PACKING, TAIL LIGHT LENS...		1	
12		04479 33701-268-680...	LENS, TAIL LIGHT.....		1	
13		02958 33710-216-000...	SOCKET, TAIL LIGHT.....		1	
14		04486 34906-268-810...	BULB, TAIL LIGHT.....	10	1	
15		04487 33714-268-000...	GROMMET, TAIL LIGHT CORD...		1	
16		02961 37700-216-000...	SOCKET, NEUTRAL LAMP.....		1	
17		04490 34902-259-000...	BULB, DASH.....	10	3	
18		02965 37200-216-670...	SPEEDOMETER.....		1	
19		02966 37201-216-000...	SOCKET, PILOT BULB.....		1	
20		02967 37241-216-000...	FRAME, SPEEDOMETER FIXING..		1	
21		02970 37242-222-000...	PACKING, SPEEDOMETER.....		1	
22		03071 61301-216-820Z..	CASF, HEAD LIGHT.....		1	
23		04691 61302-268-020...	GROMMET, HEAD LIGHT CASE...		2	
25		05419 92000-06012.....	BOLT, HEX., 6X12.....	10	2	
26		05469 92000-0901602...	BOLT, HEX., 8X16.....	10	2	
27		05690 93500-04010.....	SCREW, CROSS., 4X10.....	10	2	
28		05607 93700-0306002...	SCREW, CROSS., 3X60.....	10	2	
29		05625 93700-0501202...	SCREW, CROSS., 5X12.....	10	2	
30		05799 94001-05000.....	NUT, HEX., 5 M/M.....	10	2	
31		05801 94001-06000.....	NUT, HEX., 6 M/M.....	10	2	
32		05907 94101-06000.....	WASHER, FLAT, 6 M/M.....	10	2	
33		05910 94101-08200.....	WASHER, FLAT, 8 M/M.....	10	2	
34		05896 94111-05000.....	WASHER, SPRING, 5 M/M.....	10	2	
35		05899 94111-08200.....	WASHER, SPRING, 8 M/M.....	10	2	

# F-15 Head Light . Tail Light . Speedometer



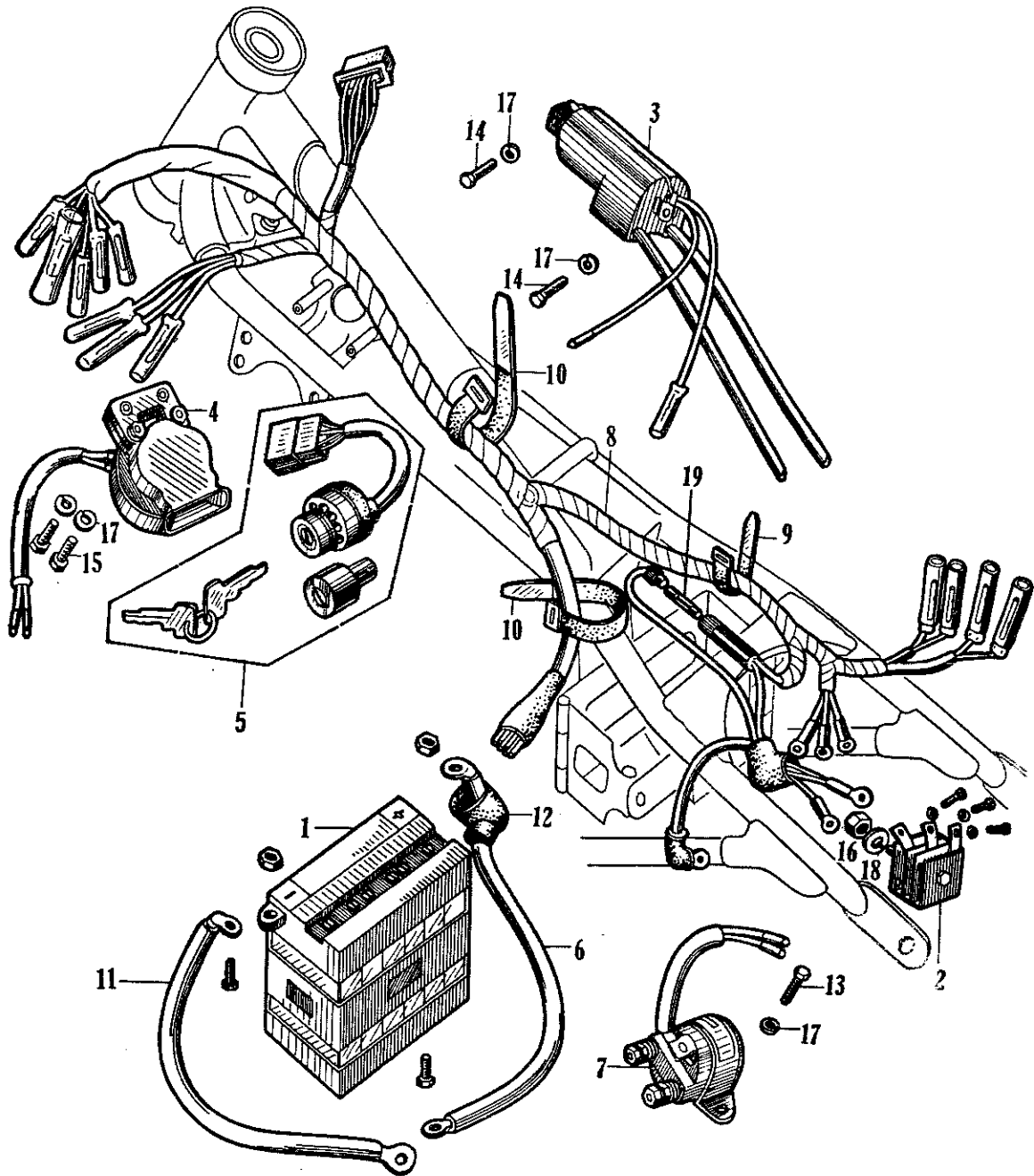
# F-16 Dimmer Switch . Starter Switch



REF. NO.	H/C	NEW PART NUMBER	DESCRIPTION	ORDER IN MULTIPLES OF	NO. REQD.	REMARKS
1	02979	35300-216-820...	NOT AVAILABLE, USE..... 35300-216-671		1	F CB160-9000001 TO CB160-9007000 CB160-1000001 TO CB160-1091027
	11988	35300-216-671...	SWITCH ASSY., DIMMER, W/HORN BUTTON		1	F CB160-1091028 TO
2		35316-216-300...	NOT AVAILABLE, USE 35316-259-300		1	
	04530	35316-259-300...	KNOB, DIMMER SWITCH.....	10	1	
3		35317-216-300...	NOT AVAILABLE, USE 35317-259-300		2	
	04531	35317-259-300...	BUTTON, HORN SWITCH PUSH...		2	
4		35318-216-300...	NOT AVAILABLE, USE 35318-259-000		2	
	04532	35318-259-000...	SPRING, HORN BUTTON.....	10	2	
5	07437	35250-216-600...	SWITCH ASSY., STARTER BUTTON		1	
6	03083	53163-205-010...	ADJUSTER, THROTTLE GRIP....		1	
7	05143	90124-268-000...	SCREW, THROTTLE GRIP ADJUSTING		1	
8	03463	88110-200-000...	MIRROR, BACK, RIGHT.....		1	
9	03464	88120-200-810...	MIRROR, BACK, LEFT.....		1	
10	05717	93500-05016.....	SCREW, CROSS., 5X16.....	10	3	
11	05723	93500-0502202...	SCREW, CROSS., 5X22.....	10	1	
12	05807	94002-05000.....	NUT, THIN, 5 M/M.....	10	1	
13	03410	90315-200-000...	NUT, MIRROR LOCKING.....		2	

REF. NO.	H C	NEW PART NUMBER	DESCRIPTION	ORDER IN MULTIPLES OF	NO. REQD.	REMARKS
1		19731 31500-307-671...	BATTERY.....		1	
2		02935 31700-216-000...	RECTIFIER ASSY., SILICON...		1	
3		02936 30500-216-000...	COIL ASSY., IGNITION.....		1	
4		02973 38100-216-000...	HORN ASSY.....		1	
5		02976 35010-216-000...	SWITCH ASSY., COMBINATION..		1	
6		02980 32401-216-000...	CABLE, STARTER AND BATTERY.		1	
7		02987 35850-216-154...	SWITCH ASSY., STARTER MAGNETIC		1	
8		07438 32100-216-600...	HARNESS, WIRE.....		1	F CB160-9000001 TO CB160-9007000 CB160-1000001 TO CB160-1047936
		32100-216-601...	NOT AVAILABLE,USE 32100-216-020		1	
		11970 32100-216-020...	HARNESS, WIRE.....		1	F CB160-1047937 TO
9		17900 32161-268-000...	BAND A, WIRE HARNESS.....		1	
10		04561 32163-268-000...	BAND B, WIRE HARNESS.....		2	F CB160-9000001 TO CB160-9007000 CB160-1000001 TO CB160-1047936
		04561 32163-268-000...	BAND B, WIRE HARNESS.....		3	F CB160-1047937 TO
11		02994 32601-216-000...	CABLE, BATTERY GROUND.....		2	
12		31468-268-000...	NOT SOLD. THIS PART IS INCLUDED IN 32401-216-000		1	
13		05417 92000-06010.....	BOLT, HEX., 6X10.....	10	2	
14		05427 92000-06020.....	BOLT, HEX., 6X20.....	10	2	
15		05432 92000-06025.....	BOLT, HEX., 6X25.....	10	2	
16		05809 94002-08000.....	NUT, THIN, 8 M/M.....	10	1	
17		05897 94111-06000.....	WASHER, SPRING, 6 M/M.....	10	6	
18		05898 94111-08000.....	WASHER, SPRING, 8 M/M.....	10	1	
19		04565 38201-250-000...	FUSE, 15 AMP.....	10	1	

# F-17 Wire Harness . Battery



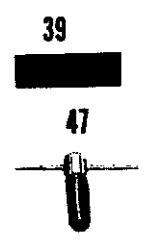
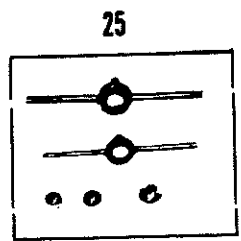
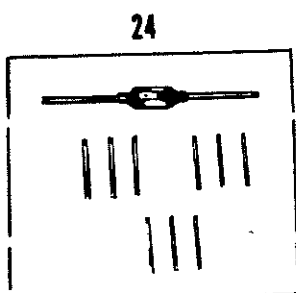
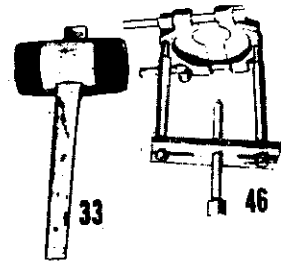
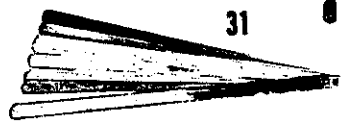
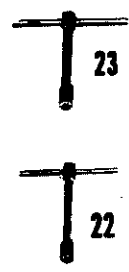
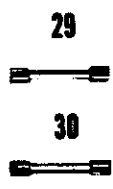
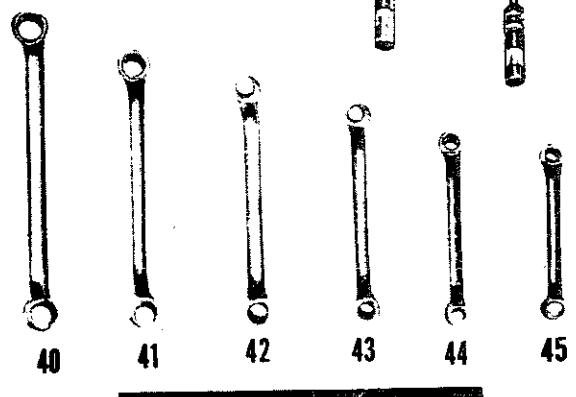
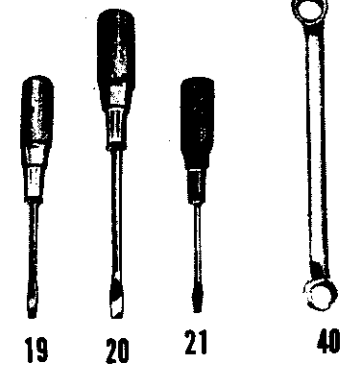
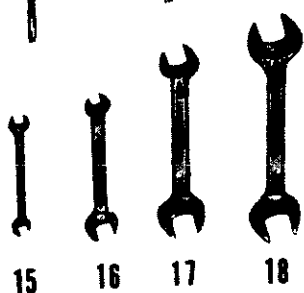
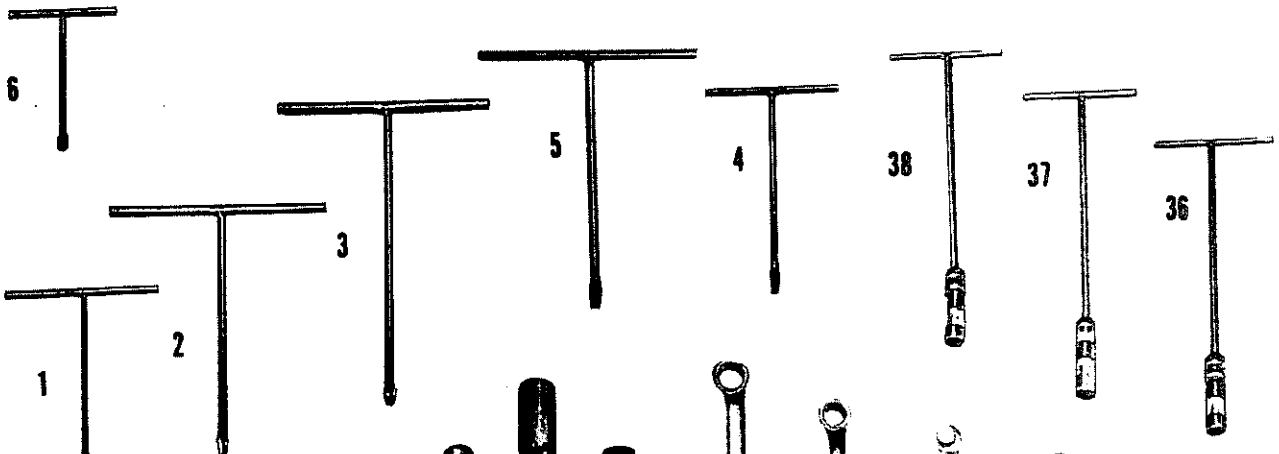
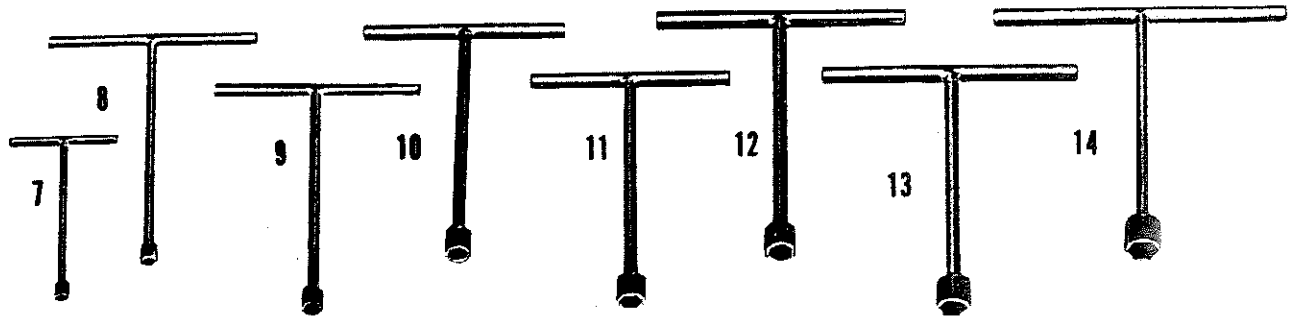


REF. NO.	H/C	NEW PART NUMBER	DESCRIPTION	ORDER IN MULTIPLES OF	NO. REQD.	REMARKS
1	08182	06110-217-000...	GASKET SET A..... COMPOSED OF		1	
	02249	12191-216-000...	GASKET, CYLINDER.....		1	
	02253	12251-217-000...	GASKET, CYLINDER HEAD.....		1	
	02254	12396-216-000...	GASKET, CYLINDER HEAD..... SIDE CAP		1	
	02256	12391-216-000...	GASKET, CYLINDER HEAD..... COVER		1	
	02258	12394-216-000...	GASKET, CYLINDER HEAD..... RIGHT SIDE COVER		1	
	02260	30391-216-000...	GASKET, POINT COVER.....		1	
	02265	16229-216-000...	GASKET, CARBURETOR..... INSULATOR		1	
	02269	91302-216-000...	O RING, 39X3MM.....		4	
	08181	06111-216-010...	GASKET SET B..... COMPOSED OF		1	
	02197	11394-216-000...	GASKET, RIGHT CRANKCASE.... COVER		1	
	02199	11395-216-000...	GASKET, LEFT CRANKCASE..... COVER		1	
	02200	11691-216-000...	GASKET, DYNAMO COVER.....		1	
	02202	91301-216-000...	O RING, 5.5X1.5 M/M.....		3	
	02205	11396-216-010...	GASKET, LOWER COVER.....		1	
	03529	90407-259-000...	PACKING, DRAIN COCK.....		1	
	00105	91302-001-000...	O RING, 27.5 M/M.....		1	
	02430	91304-216-000...	O RING, 11.5X2 M/M.....		1	
	02442	15219-216-000...	GASKET, OIL PUMP BODY.....		1	
	02455	91305-216-000...	O RING, 46X2 M/M.....		1	
	00272	91309-700-010...	O RING, 74.5X3 M/M.....		2	

REF. NO.	H/C	NEW PART NUMBER	DESCRIPTION	ORDER IN MULTIPLES OF	NO. REQD.	REMARKS
1	08976	17500-223-000S..	TANK, FUEL.....		1	
2	08977	17661-223-000...	RUBBER, R. KNEE GRIP.....		1	
3	08978	17662-223-000...	RUBBER, L. KNEE GRIP.....		1	
4	02765	17910-216-820...	CABLE, THROTTLE.....		1	
5	11782	18200-223-010...	PIPE, EXHAUST RIGHT.....		1	
6	11783	18220-223-020...	PIPE, EXHAUST LEFT.....		1	
7	11784	18240-223-020...	PROTECTOR A, EXHAUST PIPE..		1	
8	08984	18241-223-000...	PROTECTOR B, EXHAUST PIPE..		1	
9	13195	18260-241-000...	BRACKET A, EXHAUST PIPE....		1	
10	13196	18261-241-000...	BRACKET B, EXHAUST PIPE....		1	
11	08985	18320-223-010...	PIPE, MUFFLER HANGER.....		1	
12	11785	18371-223-000...	BAND, MUFFLER.....		1	
13	11786	18391-223-000...	PACKING, MUFFLER.....		1	
14	08986	22870-223-000...	CABLE, CLUTCH.....		1	
15	08994	45450-223-000...	CABLE, FRONT BRAKE.....		1	
16	04368	50524-273-000...	RUBBER, STAND STOPPER.....		1	
17	13194	50529-216-305...	PLATE, STAND STOPPER.....		1	
18	11501	50701-223-000B..	ARM, R. PILLION STEP.....		1	
19	11502	50721-223-000R..	ARM, L. PILLION STEP.....		1	
20	13197	52463-216-000Z..	CASE, UPPER REAR CUSHION...		1	
21	11516	53100-223-000...	PIPE, STEERING HANDLE.....		1	
22	11518	77190-223-000A..	SEAT, DUAL *BLACK*.....		1	
23	08658	87121-225-000...	EMBLEM, RIGHT.....		1	
24	08659	87122-225-000...	EMBLEM, LEFT.....		1	
25	11525	90121-223-000...	BOLT, REAR FORK PIVOT.....		1	
26	05199	90165-273-000...	BOLT, EXHAUST PIPE SETTING.		1	
27	05742	93500-06012.....	SCREW, CROSS, 6X12.....	10	3	
28	05747	93500-06018.....	SCREW, CROSS, 6X18.....	10	1	
29	05717	93500-05016.....	SCREW, CROSS, 5X16.....	10	1	
30	05723	93500-0502202...	SCREW, CROSS, 5X22.....	10	1	
31	05741	93500-0601002...	SCREW, CROSS, 6X10.....	10	3	
32	05803	94001-08000.....	NUT, HEX., 8MM.....	10	1	
33	05907	94101-06000.....	WASHER, FLAT, 6MM.....	10	3	
34	05909	94101-08000.....	WASHER, FLAT, 8MM.....	10	2	
35	05898	94111-08000.....	WASHER, SPRING, 8MM.....	10	2	



# Common Tool

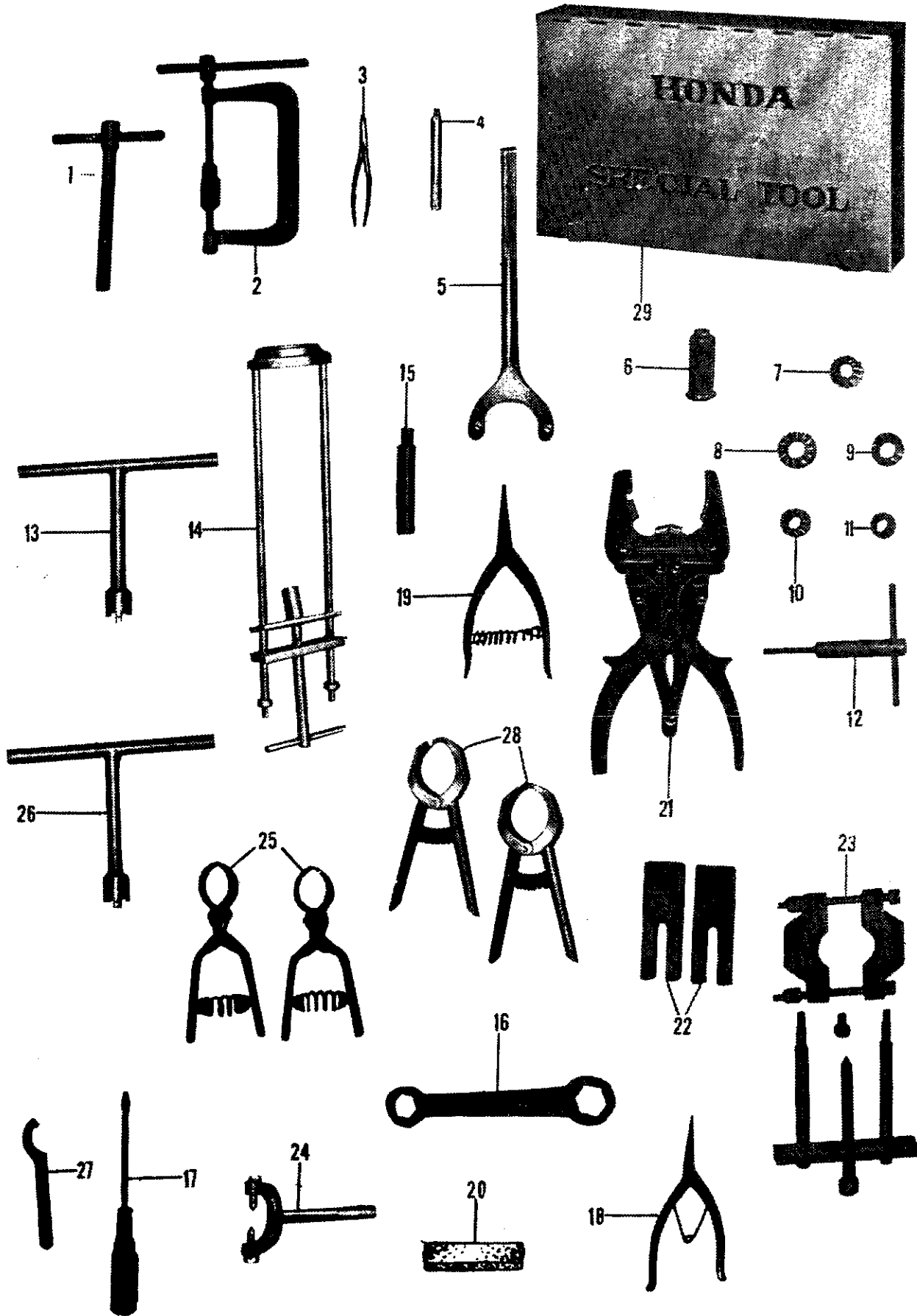


REF. NO.	H/C	NEW PART NUMBER	DESCRIPTION	ORDER IN MULTIPLES OF	NO. REQD.	REMARKS
0		07700-99900.....	NOT AVAILABLE, USE 07000-99901		1	
		11915 07000-99901.....	TOOL SET, COMMON..... COMPOSED OF REF #1-48		1	
1		06245 07776-99961.....	DRIVER, T-HANDLE CROSS HEAD, #2, 5 M/M		1	
2		06246 07776-99962.....	DRIVER, T-HANDLE CROSS HEAD, #3, 6 M/M		1	
3		06247 07776-99963.....	DRIVER, T-HANDLE CROSS HEAD, #4, 8 M/M		1	
4		06248 07776-99964.....	DRIVER, T-HANDLE MINUS HEAD, #2, 5 M/M		1	
5		06249 07776-99965.....	DRIVER, T-HANDLE MINUS HEAD, #3, 6 M/M		1	
6		06250 07777-99901.....	WRENCH, SOCKET, T-HANDLE, 8 M/M		1	
7		06251 07777-99902.....	WRENCH, SOCKET, T-HANDLE, 9 M/M		1	
8		06252 07777-99903.....	WRENCH, SOCKET, T-HANDLE, 10 M/M		1	
9		06253 07777-99906.....	WRENCH, SOCKET, T-HANDLE, 14 M/M		1	
10		06254 07777-99908.....	WRENCH, SOCKET, T-HANDLE, 17 M/M		1	
11		06255 07777-99909.....	WRENCH, SOCKET, T-HANDLE, 19 M/M		1	
12		06256 07777-99910.....	WRENCH, SOCKET, T-HANDLE, 21 M/M		1	
13		06257 07777-99911.....	WRENCH, SOCKET, T-HANDLE, 23 M/M		1	
14		06258 07777-99912.....	WRENCH, SOCKET, T-HANDLE, 26 M/M		1	
15		06264 07783-99902.....	SPANNER, DOUBLE HEAD, 8X9 M/M		1	
16		06265 07783-99904.....	SPANNER, DOUBLE HEAD, 10X14 M/M		1	
17		06266 07783-99907.....	SPANNER, DOUBLE HEAD, 17X19 M/M		1	
18		06268 07783-99910.....	SPANNER, DOUBLE HEAD, 21X23 M/M		1	
19		06270 07776-99903.....	DRIVER, SCREW, WITH WOODEN. HANDLE, 100 M/M		1	
20		06271 07776-99939.....	DRIVER, SCREW, WITH WOODEN. HANDLE, 150 M/M		1	
21		06272 07776-99913.....	DRIVER, SCREW, WITH PLASTIC HANDLE, 100 M/M		1	
22		06259 07779-99901.....	WRENCH, SOCKET, FOR INSERTING, STUD BOLT, 6 M/M		1	
23		06260 07779-99902.....	WRENCH, SOCKET, FOR INSERTING, STUD BOLT, 8 M/M		1	
24		06230 07996-99915.....	TAP, WITH HANDLE, 5.6.8 M/M		1	
25		06240 07996-99916.....	DIES, WITH HANDLE, 5.6.8 M/M		1	
26		06274 07782-99910.....	PLIER.....		1	
27		06275 07782-99927.....	PLIER, LONG NOSE.....		1	
28		06277 07782-99919.....	REMOVER, SNAP RING.....		1	
29		06261 07785-99902.....	SPANNER, NIPPLE, FOR TIGHTENING SPOKE		1	
30		06262 07785-99903.....	SPANNER, NIPPLE, FOR TIGHTENING SPOKE		1	

REF. NO.	H/C	NEW PART NUMBER	DESCRIPTION	ORDER IN MULTIPLES OF	NO. REQD.	REMARKS
31		06215 07139-99903.....	GAUGE, FEELER, TYPE 300M...		1	
32		06241 07139-99901.....	GAUGE, FEELER, TYPE 65M....		1	
33		06280 07786-99911.....	HAMMER, RUBBER.....		1	
34		06276 07782-99928.....	PLIERS, LONG NOSE SIDE CUTTING, 150MM		1	
35		06279 07782-99920.....	CLIP, HOSE 2PCS.....		1	
36		11916 07777-99921.....	WRENCH, T-HANDLE UNIVERSAL. SPARK PLUG, 10MM		1	
37		11917 07777-99922.....	WRENCH, T-HANDLE UNIVERSAL. SPARK PLUG, 12MM		1	
38		11918 07777-99923.....	WRENCH, T-HANDLE UNIVERSAL. SPARK PLUG, 14MM		1	
39		11919 07787-99902.....	OIL STONE, 100X25X12.7MM...		1	
40		11920 07778-99901.....	WRENCH, OFFSET, 10X12.....		1	
41		11921 07778-99902.....	WRENCH, OFFSET, 12X14.....		1	
42		08285 07778-99903.....	WRENCH, OFFSET, 14X17.....		1	
43		11922 07778-99904.....	WRENCH, OFFSET, 17X19.....		1	
44		11923 07778-99905.....	WRENCH, OFFSET, 21X23.....		1	
45		11924 07778-99906.....	WRENCH, OFFSET, 23X26.....		1	
46		06165 07784-99908.....	PULLER, UNIVERSAL BEARING..		1	
47		11925 07996-99944.....	WRENCH, T-HANDLE, TAP &.... REAMER, 10MM		1	
48		07790-99901.....	NOT SOLD. THIS PART IS INCLUDED IN 07000-99901		1	



# Special Tool



REF. NO.	H/C	NEW PART NUMBER	DESCRIPTION	ORDER IN MULTIPLES OF	NO. REQD.	REMARKS
0		07000-21601.....	NOT AVAILABLE, ORDER INDIVIDUAL TOOLS		1	
1	06062	07011-21601.....	PULLER, DYNAMO ROTOR.....		1	
2	06072	07031-21601.....	LIFTER, VALVE.....		1	
3	06077	07009-21603.....	TWEEZERS, VALVE CUTTER.....		1	
4	06086	07046-21601.....	DRIVER, VALVE GUIDE.....		1	
5	06094	07009-21605.....	HOLDER, DRIVE SPROCKET.....		1	
6	06100	07048-21601.....	DRIVER, BEARING.....		1	
7	06106	07001-21601.....	CUTTER, VALVE SEAT 90 ANGLE		1	
8	06112	07003-21601.....	CUTTER, VALVE SEAT 120..... ANGLE INLET		1	
9	06116	07004-21601.....	CUTTER, VALVE SEAT 120..... ANGLE EXHAUST		1	
10	06122	07005-21601.....	CUTTER, VALVE SEAT 30..... ANGLE INLET		1	
11	06127	07006-21601.....	CUTTER, VALVE SEAT 30..... ANGLE EXHAUST		1	
12	06133	07007-21601.....	HOLDER, VALVE SEAT CUTTER..		1	
13	06137	07083-21601.....	WRENCH, BOX T-HANDLE..... STEM NUT 29 M/M		1	
14	06141	07035-21601.....	PULLER, REAR FORK.....		1	
15	06145	07009-21615.....	DRIVER, REAR FORK PIVOT BOLT		1	
16	08285	07778-99903.....	WRENCH, 45 DEG DOUBLE OFFSET, 14X17		1	
17	06271	07776-99939.....	DRIVER, SCREW WITH WOODEN.. HANDLE 150 M/M		1	
18	06277	07782-99919.....	PLIER, SNAP RING.....		1	
19	06278	07782-99923.....	PLIER, SNAP RING A TYPE.....		1	
20	06315	07787-99904.....	OIL-STONE, 100X25X13 M/M...		1	
21	06312	07040-80501.....	PLIER, PISTON RING TOOL.....		1	
22	06157	07033-25001.....	BASE, PISTON.....		1	
23		07010-25017.....	NOT AVAILABLE, USE 07784-99908		1	
		06165	07784-99908.....	PULLER, UNIVERSAL BEARING..	1	
24	08097	07034-26801.....	PULLER, FRONT FORK.....		1	
25	06101	07032-20001.....	COMPRESSOR, PISTON RING.... 125 FOR CB125		1	
26	06070	07086-20001.....	WRENCH, BOX, LOCK NUT 16 M/M		1	
27	06152	07072-20001.....	SPANNER, PIN, 48 M/M.....		1	
28	06064	07032-20101.....	COMPRESSOR, PISTON RING.... 150 FOR CB160		1	



## Part No. Index

H/C	PART NUMBER	PAGE	H/C	PART NUMBER	PAGE	H/C	PART NUMBER	PAGE	H/C	PART NUMBER	PAGE
08182	06110-217-000...	79.	06253	07777-99906.....	83.	02153	11200-216-010...	19.	02349	13032-217-000...	4.
08181	06111-216-010...	79.	06254	07777-99908.....	83.	02154	11311-216-010...	19.	02350	13042-217-000...	4.
06911	06430-216-000...	71.	06255	07777-99909.....	83.	02159	11330-216-000...	28.	02351	13052-217-000...	4.
11915	07000-99901.....	83.	06256	07777-99910.....	83.	02162	11340-216-010...	12.	02318	13101-217-000...	4.
06106	07001-21601.....	87.	06257	07777-99911.....	83.	02197	11394-216-000...	28.	02319	13102-217-000...	4.
06112	07003-21601.....	87.	06258	07777-99912.....	83.	79.			02320	13103-217-000...	4.
06116	07004-21601.....	87.	11916	07777-99921.....	84.	02199	11395-216-000...	12.	02321	13104-217-000...	4.
06122	07005-21601.....	87.	11917	07777-99922.....	84.	79.			02322	13105-217-000...	4.
06127	07006-21601.....	87.	11918	07777-99923.....	84.	02205	11396-216-010...	19.	02325	13111-217-000...	4.
06133	07007-21601.....	87.	11920	07778-99901.....	84.	79.			02326	13115-200-000...	4.
06077	07009-21603.....	87.	11921	07778-99902.....	84.	02165	11431-216-000...	12.	02286	13421-216-000...	4.
06094	07009-21605.....	87.	08285	07778-99903.....	84.	02180	11641-216-000...	24.	02287	13482-216-000...	4.
06145	07009-21615.....	87.	87.			02171	11661-216-000...	12.	14749	13495-200-000...	15.
06062	07011-21601.....	87.	11922	07778-99904.....	84.	02200	11691-216-000...	12.	02356	13611-216-010...	4.
06072	07031-21601.....	87.	11923	07778-99905.....	84.	79.			12064	13615-216-020...	4.
06101	07032-20001.....	87.	11924	07778-99906.....	84.	02184	11751-216-000...	19.	02364	14100-216-010...	7.
06064	07032-20101.....	87.	06259	07779-99901.....	83.	02188	11781-216-000...	19.	02369	14410-216-003...	7.
06157	07033-25001.....	87.	06260	07779-99902.....	83.	02233	12021-216-000...	7.	02370	14411-216-000...	7.
08097	07034-26801.....	87.	06274	07782-99910.....	83.	02234	12023-216-000...	7.	27.		
06141	07035-21601.....	37.	06277	07782-99919.....	83.	02223	12100-217-600...	3.	02396	14431-216-000...	7.
06312	07040-80501.....	87.	87.			02249	12191-216-000...	3.	02399	14451-216-010...	7.
06086	07046-21601.....	87.	06279	07782-99920.....	84.	79.			02377	14500-216-000...	7.
06100	07048-21601.....	87.	06278	07782-99923.....	87.	02232	12200-217-050...	3.	02378	14501-216-000...	7.
06152	07072-20001.....	87.	06275	07782-99927.....	83.	02253	12251-217-000...	3.	02379	14503-216-000...	7.
06137	07083-21601.....	87.	06276	07782-99928.....	84.	79.			02383	14541-216-000...	7.
06070	07086-20001.....	87.	06264	07783-99902.....	83.	02226	12253-200-300...	7.	02381	14550-216-020...	7.
06241	07139-99901.....	84.	06265	07783-99904.....	83.	02236	12300-216-000...	3.	02387	14556-216-020...	7.
06215	07139-99903.....	84.	06266	07783-99907.....	83.	11404	12331-216-600...	3.	02371	14610-200-000...	7.
06270	07776-99903.....	83.	06268	07783-99910.....	83.	02247	12351-216-000...	3.	02403	14711-216-000...	7.
06272	07776-99913.....	83.	06165	07784-99908.....	84.	02244	12361-216-000...	3.	08078	14711-216-020...	7.
06271	07776-99939.....	83.	87.			02256	12391-216-000...	3.	02405	14721-216-000...	7.
87.			06261	07785-99902.....	83.	79.			08079	14721-216-020...	7.
06245	07776-99961.....	83.	06262	07785-99903.....	83.	02258	12394-216-000...	3.	02407	14751-216-000...	7.
06246	07776-99962.....	83.	06280	07786-99911.....	84.	23, 79.			08212	14751-216-810...	7.
06247	07776-99963.....	83.	11919	07787-99902.....	84.	02254	12396-216-000...	3.	02409	14761-216-000...	7.
06248	07776-99964.....	83.	06315	07787-99904.....	87.	79.			08213	14761-216-810...	7.
06249	07776-99965.....	83.	06230	07996-99915.....	83.	11944	13000-217-010...	4.	02410	14771-216-000...	7.
06250	07777-99901.....	83.	06240	07996-99916.....	83.	12063	13000-217-020...	4.	02412	14775-216-000...	7.
06251	07777-99902.....	83.	11925	07996-99944.....	84.	02347	13012-217-000...	4.	00189	14781-001-010...	7.
06252	07777-99903.....	83.	02148	11101-216-000...	16.	02348	13022-217-000...	4.	13857	14781-235-000...	7.

## Part No. Index

H/C	PART NUMBER	PAGE	H/C	PART NUMBER	PAGE	H/C	PART NUMBER	PAGE	H/C	PART NUMBER	PAGE
02438	15210-216-000...	28.	36.			02791	16951-216-000...	48.	13195	18260-241-000...	80.
02429	15213-216-000...	28.	07349	16162-259-004...	32.	04221	16952-268-000...	48.	13196	18261-241-000...	80.
02442	15219-216-000...	28.	36.			04222	16953-268-020...	48.	02824	18291-216-000...	59.
79.			07354	16163-217-004...	32.	04223	16955-268-020...	48.	11779	18300-216-670...	59.
02434	15231-205-000...	28.	36.			04224	16957-268-010...	48.	02833	18310-216-000...	59.
02435	15235-205-000...	28.	13142	16164-202-004...	32.	04225	16958-268-010...	48.	02834	18311-216-000...	59.
02427	15260-216-000...	28.	36.			00621	16960-011-000...	48.	08985	18320-223-010...	80.
02420	15266-200-000...	28.	12057	16171-217-004...	32.	04226	16960-268-010...	48.	02841	18330-216-000...	59.
11666	15271-216-000...	28.	36.			04227	16961-268-010...	48.	11785	18371-223-000...	80.
02431	15272-216-000...	28.	01875	16172-030-004...	32.	00626	16993-011-000...	48.	02843	18391-204-010...	59.
02419	15281-216-000...	28.	36.			02768	17210-217-000...	60.	11786	18391-223-000...	80.
19672	15281-216-010...	28.	04055	16173-250-004...	32.	02770	17231-216-000S..	52.	11780	18400-216-670...	59.
02441	15292-216-000...	28.	36.			04178	17255-259-000...	60.	02527	22100-217-000...	11.
02425	15421-216-000...	28.	04138	16175-260-004...	32.	02769	17310-217-000...	60.	02535	22120-216-000...	11.
02445	15441-216-000...	28.	36.			02771	17331-216-000S..	52.	02530	22201-217-600...	11.
02447	15450-216-000...	28.	00569	16176-001-004...	32.	02785	17500-216-000Z..	48.	02537	22351-216-000...	11.
02451	15481-216-000...	28.	36.			08976	17500-223-000S..	80.	08972	22351-216-010...	11.
02448	15594-216-000...	28.	07924	16181-202-004...	32.	04259	17611-268-000...	48.	02539	22401-216-600...	11.
02449	15595-216-000...	28.	36.			02810	17613-216-000...	48.	02541	22408-216-000...	11.
02453	15597-216-000...	28.	08366	16182-011-004...	32.	04204	17620-253-010...	48.	02543	22810-216-010...	12.
02183	15650-216-000...	16.	36.			04244	17631-253-000...	48.	08973	22810-216-030...	12.
02189	15761-202-000...	3.	12058	16185-217-004...	32.	02803	17640-216-000...	48.	02556	22815-216-010...	12.
03519	15772-259-000...	3.	36.			02806	17650-216-000...	48.	02550	22838-202-010...	11.
02727	16100-217-000...	32.	12059	16187-217-004...	32.	02796	17661-216-000...	48.	19802	22841-216-030...	12.
02758	16102-217-000...	36.	36.			08977	17661-223-000...	80.	11681	22841-216-010...	12.
12054	16111-217-004...	32.	12060	16189-040-004...	32.	02799	17662-216-000...	48.	02553	22844-200-000...	12.
12056	16118-217-004...	32.	36.			08978	17662-223-000...	80.	02552	22850-216-000...	11.
36.			12061	16193-217-004...	32.	02764	17910-216-000...	40.	02560	22870-216-000...	40.
12055	16119-217-004...	36.	36.			02765	17910-216-820...	80.	08986	22870-223-000...	80.
02733	16122-202-004...	32.	12062	16194-217-004...	32.	11782	18200-223-010...	80.	02562	22875-216-000...	12.
36.			02270	16211-216-000...	3.	02816	18210-216-000...	59.	02563	22903-200-000...	11.
00543	16123-011-004...	32.	02274	16213-216-000...	3.	08957	18210-216-010...	59.	02567	23211-216-000...	15.
36.			02265	16229-216-000...	3.	02820	18220-216-000...	59.	02570	23221-216-000...	15.
02743	16133-205-004...	32.	79.			08958	18220-216-010...	59.	02531	23311-200-000...	11.
36.			02278	16231-216-303...	3.	11783	18220-223-020...	80.	02572	23420-216-000...	15.
02730	16139-217-004...	32.	03582	16242-259-000...	3.	02822	18231-216-000...	59.	02574	23431-216-000...	15.
36.			12044	16250-217-004...	32.	08981	18231-223-000...	59.	02576	23441-216-000...	15.
02731	16141-217-004...	32.	12043	16274-217-004...	32.	08982	18233-223-000...	59.	02578	23451-216-000...	15.
02759	16146-217-004...	36.	36.			11784	18240-223-020...	80.	02580	23460-216-000...	15.
02732	16151-217-004...	32.	02790	16950-216-000...	48.	08984	18241-223-000...	80.	02583	23471-216-000...	15.

## Part No. Index

H/C	PART NUMBER	PAGE	H/C	PART NUMBER	PAGE	H/C	PART NUMBER	PAGE	H/C	PART NUMBER	PAGE
02585	23801-216-000...	15.	02644	28302-200-000...	28.	02514	31202-216-003...	24.	02981	35350-216-000...	55.
02586	23801-216-810...	15.	00423	28303-001-000...	28.	02515	31202-216-004...	24.	08214	35350-216-016...	55.
02587	23801-216-820...	15.	02650	28311-200-000...	28.	02513	31202-216-005...	24.	02493	35752-216-000...	16.
02590	23811-206-000...	15.	00425	28322-001-000...	28.	02518	31204-216-004...	24.	02494	35753-205-000...	16.
02193	23931-216-000...	15.	00424	28324-001-000...	28.	02521	31205-216-004...	24.	17273	35753-286-000...	16.
17980	23932-246-000...	15.	02482	30200-216-000...	23.	19731	31500-307-671...	76.	02987	35850-216-154...	76.
02593	24211-216-000...	16.	02484	30201-216-003...	23.	02935	31700-216-000...	76.	02965	37200-216-670...	72.
02595	24261-216-000...	16.	02485	30201-216-004...	23.	11970	32100-216-020...	76.	02966	37201-216-000...	72.
02598	24301-216-000...	16.	02483	30201-216-005...	23.	07438	32100-216-600...	76.	02967	37241-216-000...	72.
11946	24421-230-000...	16.	02487	30202-216-003...	23.	17900	32161-268-000...	76.	02970	37242-222-000...	72.
02606	24430-216-000...	16.	02488	30202-216-004...	23.	02980	32401-216-000...	76.	02961	37700-216-000...	72.
02603	24434-216-000...	16.	02486	30202-216-005...	23.	02495	32402-216-000...	24.	02973	38100-216-000...	76.
02608	24435-216-000...	16.	02490	30205-216-003...	23.	02994	32601-216-000...	76.	04565	38201-250-000...	76.
02614	24438-216-000...	16.	02491	30205-216-004...	23.	02498	32911-216-000...	24.	03242	40510-216-000Z..	63.
02599	24445-200-000...	16.	02489	30205-216-005...	23.	02500	32912-216-000...	24.	03247	40530-216-810...	63.
02600	24446-200-000...	16.	02523	30220-216-000...	23.	02504	32971-205-000...	24.	03249	40530-217-000...	63.
02612	24610-216-000...	19.	02993	30280-216-000...	23.	04559	32983-268-000...	76.	08081	40531-216-003...	63.
02620	24621-200-000...	19.	17687	30361-235-000...	23.	02944	33100-216-670...	72.	03237	40543-216-000...	63.
02616	24641-216-000...	19.	02245	30370-216-000...	23.	02945	33101-216-670...	72.	03298	41201-216-810...	71.
02618	24651-216-000...	19.	02260	30391-216-000...	23.	00764	33102-001-003...	72.	03299	41201-216-820...	71.
02619	24652-200-000...	19.	79.			01967	33107-030-003...	72.	03300	41201-216-830...	71.
02624	24700-216-000...	12.	02936	30500-216-000...	76.	00766	33117-001-003...	72.	03301	41201-216-840...	71.
02633	24781-205-000...	12.	03810	30700-259-600...	7.	02946	33120-216-670...	72.	03302	41201-216-850...	71.
02654	28101-216-003...	24.	10039	30700-259-810...	7.	04454	33125-200-020...	72.	03297	41201-217-000...	71.
02656	28110-216-000...	24.	02502	30903-216-000...	23.	08439	33128-200-030...	72.	03308	41241-222-000...	71.
02658	28117-216-000...	27.	02506	30905-216-000...	23.	02957	33700-216-000...	72.	03275	42301-216-000...	71.
02653	28120-201-040...	24.	17752	30905-216-305...	23.	04479	33701-268-680...	72.	03265	42311-216-000...	71.
03987	28125-253-020...	24.	14722	30906-235-000...	4.	04475	33705-268-670...	72.	03338	42313-216-000...	71.
03988	28126-253-030...	24.	20097	31100-216-671...	24.	04477	33709-268-810...	72.	03263	42601-216-000...	71.
03989	28128-253-030...	24.	02465	31101-216-603...	24.	02958	33710-216-000...	72.	03264	42620-216-000...	71.
02635	28211-216-000...	19.	02466	31101-216-604...	24.	04487	33714-268-000...	72.	03262	42701-216-000...	71.
11975	28211-216-010...	19.	02464	31101-216-605...	24.	04490	34902-259-000...	72.	05302	42711-216-000...	71.
02638	28215-216-000...	19.	02468	31102-216-603...	24.	04486	34906-268-810...	72.	03322	43100-216-000...	71.
02637	28221-216-000...	19.	02469	31102-216-671...	24.	02976	35010-216-000...	76.	03323	43106-222-300...	71.
11976	28221-216-010...	19.	02467	31102-216-672...	24.	07437	35250-216-600...	75.	03328	43120-216-000...	71.
02639	28223-216-000...	19.	02472	31104-216-004...	24.	11988	35300-216-671...	75.	03326	43141-216-000...	71.
02642	28250-216-000...	19.	02509	31200-216-004...	24.	02979	35300-216-820...	75.	03331	43410-216-000...	71.
02191	28258-216-000...	19.	02511	31201-216-003...	24.	04530	35316-259-300...	75.	03335	43431-216-000...	63.
02649	28281-216-000...	19.	02512	31201-216-004...	24.	04531	35317-259-300...	75.	03332	43437-216-000...	71.
02646	28301-216-000...	28.	02510	31201-216-005...	24.	04532	35318-259-000...	75.	03341	43460-216-000...	55.

## Part No. Index

H/C	PART NUMBER	PAGE	H/C	PART NUMBER	PAGE	H/C	PART NUMBER	PAGE	H/C	PART NUMBER	PAGE
03342	43488-216-000...	55.	12031	50100-216-305Z..	51.	03057	51451-216-000...	43.	03230	52463-216-010E..	64.
02931	43492-216-000...	55.	02852	50301-200-315...	51.	11508	51451-216-010...	44.	03232	52465-216-010...	64.
02932	43495-216-000...	55.	02853	50302-200-305...	51.	03056	51470-216-000...	43.	03233	52483-222-810...	64.
03147	44301-216-000...	67.	02855	50327-216-000Z..	51.	04671	51493-273-000...	43.	03076	53100-216-000...	40.
11663	44311-216-000...	44.	11762	50500-216-670B..	55.	44.			11516	53100-223-000...	80.
67.			02874	50522-222-000...	55.	03059	51494-222-000...	43.	11646	53126-216-810...	47.
03127	44601-216-000...	67.	02879	50524-222-000...	55.	03066	51500-216-000Z..	43.	04734	53131-268-000...	40.
03131	44620-222-000...	67.	04368	50524-273-000...	80.	11661	51500-216-010S..	44.	03086	53141-205-000...	40.
04802	44641-273-000...	67.	02881	50525-222-000...	55.	03067	51520-216-000Z..	43.	03083	53163-205-010...	75.
03125	44701-216-000...	67.	13194	50529-216-305...	80.	11662	51520-216-010S..	44.	03084	53165-205-000...	40.
05279	44711-216-000...	67.	02895	50610-216-000B..	55.	03038	51602-216-000Z..	43.	07792	53165-283-000...	40.
05280	44712-216-000...	67.	02901	50661-216-000...	55.	44.			03085	53166-205-000...	40.
05290	44712-268-000...	71.	11501	50701-223-000B..	80.	03039	51606-216-000Z..	43.	07793	53166-283-000...	40.
03121	44713-205-000...	67.	02904	50703-216-000...	55.	44.			04715	53171-268-010...	40.
71.			01938	50705-024-000...	55.	03044	51608-216-000...	43.	04717	53172-268-010...	40.
03311	44800-216-000...	67.	01939	50712-024-000...	55.	44.			18276	53170-216-670...	40.
03317	44830-216-000...	67.	07720	50715-283-000...	55.	03041	51611-216-000Z..	43.	18278	53190-216-670...	40.
03153	45100-216-000...	67.	02905	50721-216-000Z..	55.	11657	51611-216-010Z..	44.	11754	53180-028-670...	40.
03154	45106-222-300...	67.	11502	50721-223-000B..	80.	03043	51612-216-000Z..	43.	04725	53192-268-000...	40.
03160	45120-216-000...	67.	03052	51400-216-000Z..	43.	11658	51612-216-010Z..	44.	03013	53200-216-000Z..	47.
03157	45131-216-000...	67.	11659	51400-216-010S..	44.	03037	51622-222-000...	43.	09830	53211-222-000...	47.
03163	45133-216-000...	67.	03060	51401-216-000...	43.	44.			03016	53212-200-305...	47.
71.			44.			11514	51634-216-000...	44.	03019	53214-200-000...	47.
04839	45134-250-000...	67.	03053	51410-216-000...	43.	03203	52100-216-000Z..	63.	03020	53215-200-000...	47.
03166	45410-216-000...	67.	11505	51410-216-010...	44.	03204	52108-216-300...	63.	12114	53215-230-000...	47.
03169	45421-216-000...	67.	03058	51420-216-000Z..	43.	03205	52109-222-810...	63.	03018	53220-216-000...	47.
03173	45431-216-000...	67.	11660	51420-216-010S..	44.	03199	52141-216-000...	63.	03091	53230-216-000...	40.
11665	45431-216-010...	67.	03062	51432-216-000...	43.	04875	52144-268-000...	63.	04597	53631-268-020...	47.
03183	45441-216-000...	67.	13075	51442-216-000...	43.	04876	52145-268-000...	51.	03098	53740-216-000...	47.
11664	45448-216-000...	67.	11507	51442-216-010...	44.	03222	52400-216-000A..	64.	03106	53750-216-000...	47.
03143	45448-222-000...	67.	03054	51443-222-000...	43.	03223	52400-216-000B..	64.	03099	53761-216-000...	47.
03188	45450-216-000...	40.	44.			03225	52400-216-000C..	64.	03101	53762-216-000...	47.
08994	45450-223-000...	80.	03055	51444-222-000...	43.	03224	52400-216-000E..	64.	03102	53763-216-000...	47.
03189	45461-222-000...	67.	44.			03227	52401-216-000...	64.	08094	53764-283-000...	47.
03036	45465-216-000...	47.	03063	51445-216-000...	43.	04918	52424-268-000...	64.	03105	53765-216-000...	47.
04852	45465-270-000...	40.	44.			03226	52460-216-010...	64.	02902	57701-216-000Z..	55.
12029	46500-216-315...	55.	03064	51446-222-000...	43.	13197	52463-216-000Z..	80.	03193	61100-217-000S..	47.
02908	46500-216-670...	55.	44.			03228	52463-216-010A..	64.	11677	61100-217-010S..	47.
02912	46514-216-000...	55.	03065	51447-216-000...	43.	03229	52463-216-010B..	64.	03071	61301-216-820Z..	72.
02851	50100-216-000Z..	51.	44.			03231	52463-216-010C..	64.	04691	61302-268-020...	72.

## Part No. Index

H/C	PART NUMBER	PAGE	H/C	PART NUMBER	PAGE	H/C	PART NUMBER	PAGE	H/C	PART NUMBER	PAGE
11882	77100-216-670A..	52.	03345	90109-216-000...	48.	02683	90451-216-000...	20.	02710	91205-222-000...	12.
03002	77100-216-810A..	52.	05130	90114-268-020...	40.	02690	90452-216-000...	4.	02712	91206-216-000...	15.
11518	77100-223-000A..	80.	03363	90115-216-000...	51.	02684	90453-216-000...	16.	03442	91254-216-000...	64.
02913	80100-217-010...	63.	05132	90118-268-000...	47.	03424	90503-222-000...	47.	13780	91255-216-000...	44.
02863	80121-216-000...	63.	05133	90119-253-000...	63.	05216	90506-273-000...	43.	02267	91301-200-000...	3.
02865	80122-216-010...	63.	03367	90121-216-000...	63.	44, 47.			02202	91301-216-000...	12.
02867	80123-216-010...	63.	11525	90121-223-000...	80.	03422	90507-222-000...	40.	79.		
02921	83500-216-000Z..	60.	05142	90123-273-000...	43.	03422	90522-222-000...	55.	00105	91302-001-000...	16.
02924	83541-216-000...	60.	44, 47.			03423	90523-222-000...	71.	79.		
02927	83631-222-000...	51.	05143	90124-268-000...	75.	03425	90526-216-000...	63.	02269	91302-216-000...	3.
02928	83632-216-000...	51.	03372	90126-222-000...	67.	03426	90527-200-000...	64.	79.		
02930	83635-216-000...	51.	03376	90127-222-000...	63.	03428	90529-216-000...	55.	02394	91303-216-000...	7.
02916	84701-216-000Z..	72.	03400	90128-216-000...	71.	12030	90529-216-010...	55.	02430	91304-216-000...	28.
03459	87121-217-000...	48.	03384	90133-216-000...	63.	03431	90532-222-000...	67.	79.		
08658	87121-225-000...	80.	03396	90151-222-000...	55.	03432	90533-222-000...	67.	02455	91305-216-000...	28.
03462	87122-217-000...	48.	03401	90157-222-000...	60.	03434	90538-216-000...	48.	79.		
08659	87122-225-000...	80.	03402	90162-222-000...	63.	05220	90543-273-000...	43.	00272	91309-700-010...	28.
11774	87504-028-670...	63.	05199	90165-273-000...	80.	44.			79.		
03463	88110-200-000...	75.	00459	90206-001-000...	7.	02621	90603-200-000...	7.	05408	92000-05020.....	23.
03464	88120-200-810...	75.	02675	90231-200-010...	28.	19.			05415	92000-06008.....	59.
03447	89010-216-000...	60.	03404	90304-216-000...	47.	03436	90664-216-000...	71.	05417	92000-06010.....	15.
03450	89101-216-000...	60.	05183	90306-273-000...	71.	11678	90667-216-000...	44.	19, 48, 76.		
03451	89201-200-000...	60.	05408	90308-216-000...	64.	02217	90701-216-000...	19.	05418	92000-0601002...	63.
05241	89202-273-000...	60.	09926	90314-200-010...	75.	02213	90701-222-000...	16.	05419	92000-06012.....	44.
03453	89203-200-000...	60.	05190	90321-268-000...	40.	02210	90702-200-000...	15.	60, 63, 72.		
05250	89204-268-000...	60.	03412	90322-216-000...	67.	07399	90704-259-000...	24.	05421	92000-06014.....	51.
05249	89216-264-000...	60.	01227	90349-001-000...	51.	04018	90741-253-000...	4.	63.		
03455	89231-216-000...	60.	63.			03443	90755-222-000...	43.	05425	92000-06018.....	8.
05252	89235-253-000...	60.	05197	90354-268-000...	63.	03444	90757-216-000...	71.	11, 16, 19.		
16062	90001-823-000...	36.	05191	90359-273-000...	67.	03445	90758-216-000...	43.	05427	92000-06020.....	43.
02663	90009-216-020...	7.	02692	90404-216-000...	28.	11679	90758-216-010...	44.	67, 76.		
05368	90012-216-000...	7.	03529	90407-259-000...	19.	02693	91001-200-000...	15.	05429	92000-06022.....	3.
02672	90031-216-000...	16.	79.			02697	91001-216-000...	4.	27, 71.		
02665	90061-216-000...	16.	02676	90416-200-000...	16.	08000	91101-253-020...	27.	05432	92000-06025.....	12.
02666	90062-216-000...	16.	00484	90417-001-000...	23.	02701	91103-222-000...	4.	31, 40, 76.		
02669	90063-200-010...	16.	08276	90427-259-000...	24.	02704	91201-216-000...	15.	05434	92000-06028.....	27.
02668	90063-216-000...	15.	02679	90431-216-000...	28.	02706	91202-216-000...	28.	05438	92000-06035.....	12.
19.			11546	90441-216-000...	3.	02708	91204-200-000...	19.	19.		
11540	90064-250-000...	55.	16, 19.			02715	91204-216-000...	23.	05444	92000-06045.....	3.
08220	90107-216-010...	64.	02681	90451-200-000...	15.	02716	91205-216-000...	27.	05448	92000-06055.....	19.

## Part No. Index

H/C	PART NUMBER	PAGE	H/C	PART NUMBER	PAGE	H/C	PART NUMBER	PAGE	H/C	PART NUMBER	PAGE
							05910 94101-08200.....	72.		71.	
05452	92000-06070.....	60.	48.						03129	97682-521461.....	67.
05465	92000-08010.....	47.	05756 93500-06032.....	3.		05896 94111-05000.....	72.				
05468	92000-08016.....	47.	12, 31.			05897 94111-06000.....	8.		71.		
52.			05759 93500-06038.....	12.		27, 32, 36, 48, 52, 59, 60.			12116	98066-60714.....	8.
05469	92000-0801602....	72.	05762 93500-06042.....	31.		63, 76.			06924	99001-10140.....	60.
05471	92000-08020.....	55.	05578 93600-06014.....	16.		05898 94111-08000.....	44.		07989	99001-17190.....	60.
05474	92000-08025.....	43.	05579 93600-06016.....	67.		52, 55, 59, 76, 80.			07988	99002-15000.....	60.
05477	92000-08028.....	59.	05581 93600-06020.....	27.		05899 94111-08200.....	72.		05242	99003-10000.....	60.
05480	92000-08032.....	47.	05607 93700-0306002...	72.		05900 94111-10000.....	51.		05243	99003-20000.....	60.
05481	92000-0803202...	40.	05624 93700-05012.....	27.		55, 63.			05244	99003-30000.....	60.
05484	92000-08038.....	55.	05625 93700-0501202...	72.		05824 94201-10100.....	32.		05245	99003-40000.....	60.
59.			05634 93700-0502502...	23.		36.			05246	99003-50000.....	60.
05505	92000-08099.....	51.	05647 93700-06016.....	31.		05831 94201-16150.....	56.		12045	99124-217-0350..	32.
10893	92000-10044.....	51.	11543 93700-06036.....	12.		05835 94201-20200.....	56.		36.		
05868	92700-06038.....	28.	05799 94001-05000.....	8.		63.			12046	99124-217-0380..	32.
05869	92700-06040.....	3.	72.			05838 94201-20350.....	60.		36.		
05873	92700-06101.....	15.	05801 94001-06000.....	3.		05840 94201-25200.....	68.		12047	99124-217-0400..	32.
16, 19.			16, 19, 27, 31, 40, 48, 52.			71.			36.		
07981	92700-0304930...	44.	59, 60, 63, 72.			05842 94201-30250.....	56.		12048	99124-217-0420..	32.
05397	92800-12000.....	19.	05803 94001-08000.....	19.		68.			36.		
05671	93500-0300802...	47.	44, 56, 80.			05843 94201-30300.....	71.		12049	99124-217-0450..	32.
48.			05805 94001-10000.....	51.		05847 94201-40650.....	51.		36.		
05673	93500-0301002...	47.	55.			05848 94251-06000.....	47.		12050	99125-08504.....	32.
05690	93500-04010.....	72.	05807 94002-05000.....	75.		06933 94301-10140.....	3.		36.		
05713	93500-05012.....	23.	05808 94002-06000.....	60.		15, 16, 19.			12037	99125-08804.....	32.
05717	93500-05016.....	60.	63, 68.			05362 94510-20000.....	15.		36.		
75, 80.			05809 94002-08000.....	71.		05372 94510-26000.....	28.		12038	99125-09004.....	32.
05723	93500-0502202...	75.	76.			05373 94510-35000.....	4.		36.		
80.			05818 94012-08020.....	63.		05358 94520-47000.....	71.		12039	99125-09204.....	35.
05741	93500-0601002...	80.	05788 94021-06000.....	12.		20099 95001-50000.....	48.		36.		
05742	93500-06012.....	16.	05790 94021-08000.....	3.		05349 95001-50190.....	48.		12040	99125-09804.....	35.
27, 80.			16, 19.			05344 95002-50000.....	48.		39.		
05744	93500-06014.....	55.	05903 94101-03000.....	47.		08418 96140-63020.....	67.		12041	99125-10004.....	35.
05745	93500-06016.....	32.	05905 94101-05000.....	32.		10413 96140-63030.....	71.		39.		
36.			36.			05354 96201-30000.....	12.				
05747	93500-06018.....	23.	05907 94101-06000.....	3.		63.					
80.			12, 16, 19, 40, 51, 52, 55.			07990 96211-08000.....	51.				
05749	93500-06020.....	12.	60, 63, 72, 80.			05893 96211-10000.....	12.				
16, 31.			05909 94101-08000.....	19.		28.					
05753	93500-06025.....	12.	44, 47, 52, 55, 63, 80.			03126 97284-521481....	67.				