

FIGURE 01 - 2—ENGINE GASKET SET

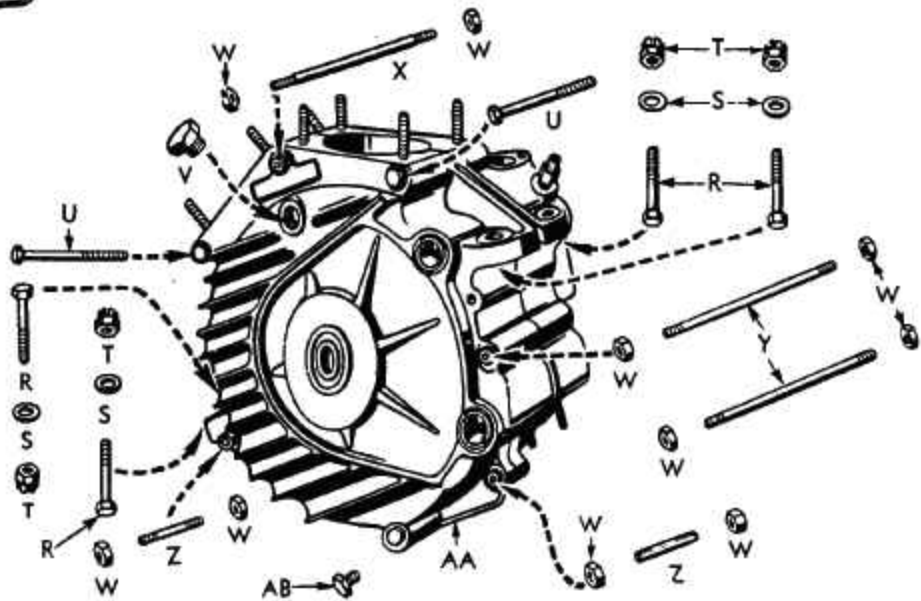
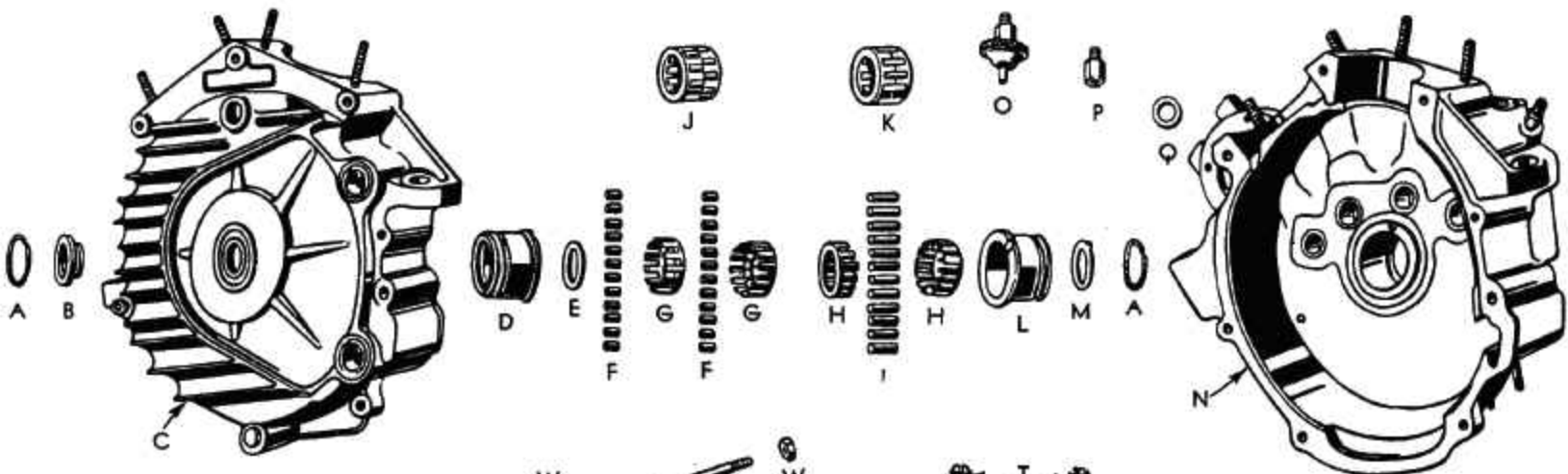


FIGURE 01 - 3—CRANKCASE AND FITTINGS

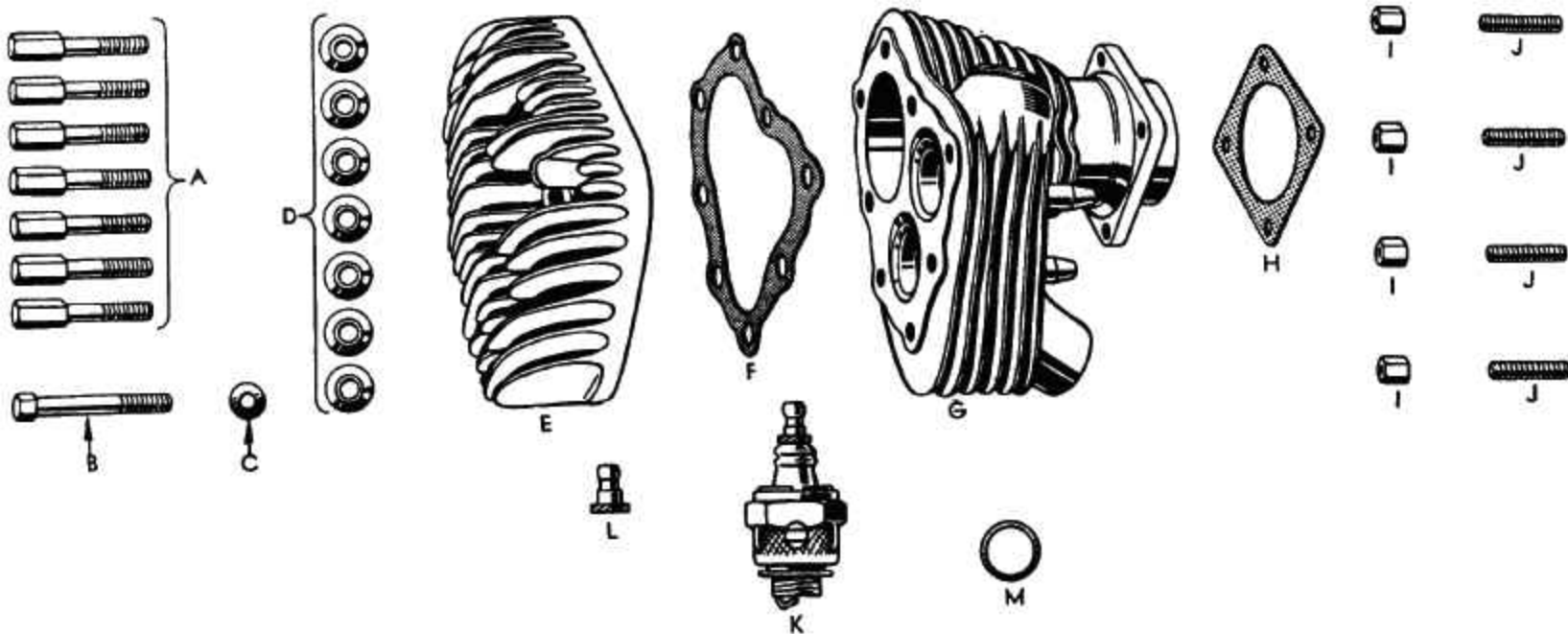
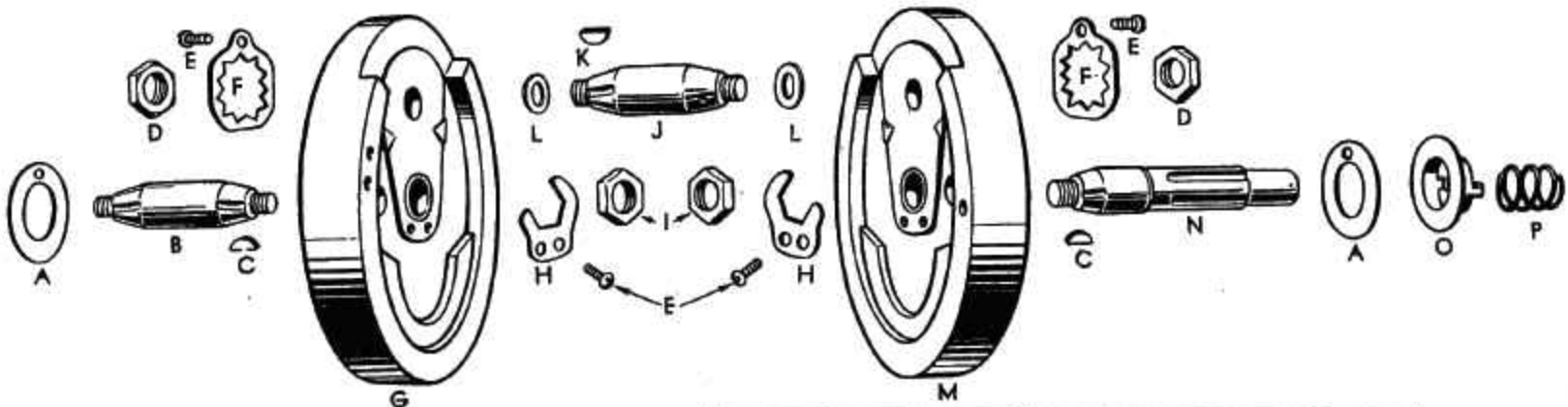


FIGURE 01-4—CYLINDER AND CYLINDER HEAD



KEY	ITEM	AFR'S NO.	GROUP
A	PART OF COLLAR SET	357-26A0102A
B	SHAFT	352-29A0102B
C	KEY	361-120102B
D	NUT	364-370102
E	SCREW	0300102B
F	WASHER	368-120102
G	FLYWHEEL	338-320102A
H	WASHER	368-290102B
I	NUT	364-290102B
J	PIN	348-29A0102
K	KEY	1650-180102
L	WASHER	372-210102
M	FLYWHEEL	339-370102A
N	SHAFT	355-37C0102C
O	RING	355-390102B
P	SPRING	355-37B0102B
Q	FLYWHEEL, SET	331-370102A

RA PD 335685

FIGURE 01 - 5—FLYWHEELS AND SHAFT

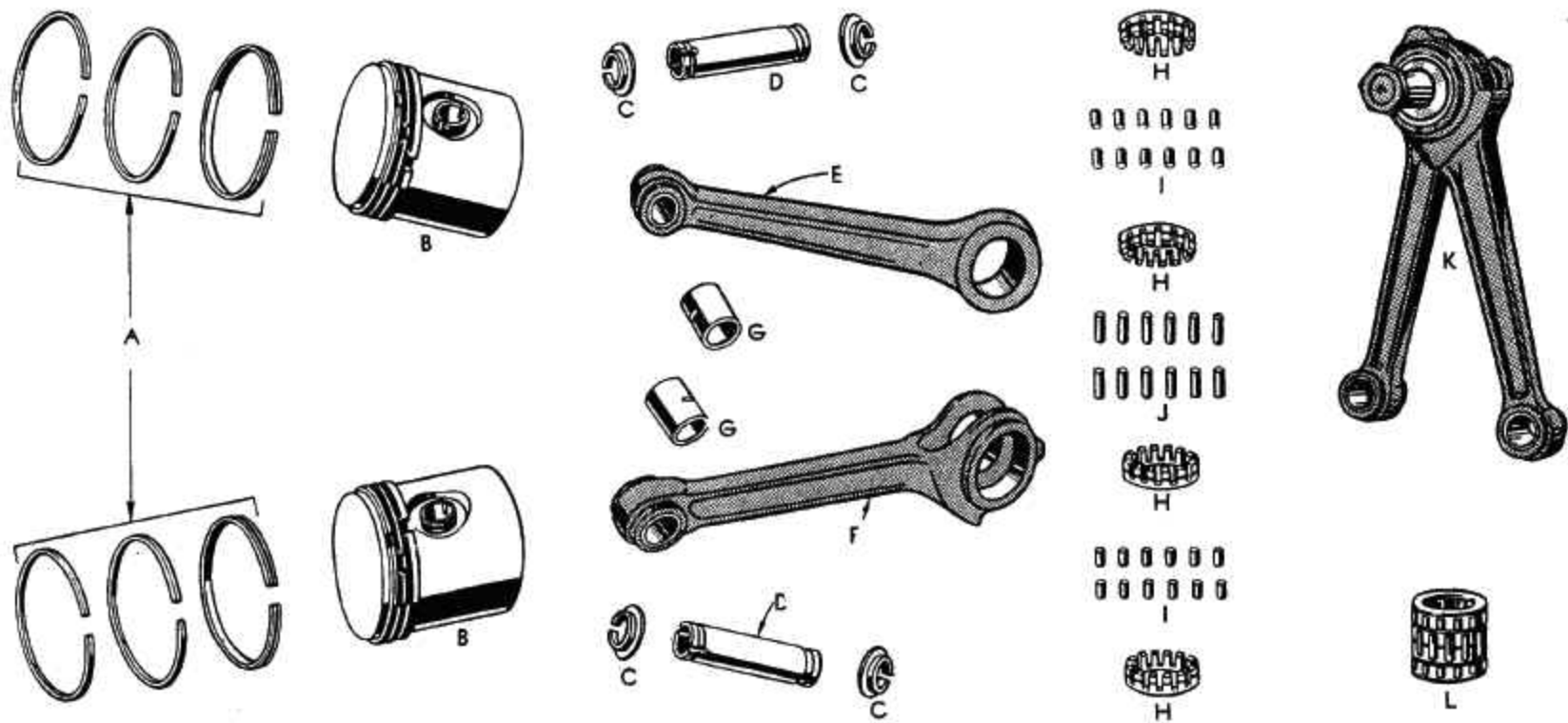


FIGURE 01 - 6—PISTONS, CONNECTING ROD AND ROD BEARINGS

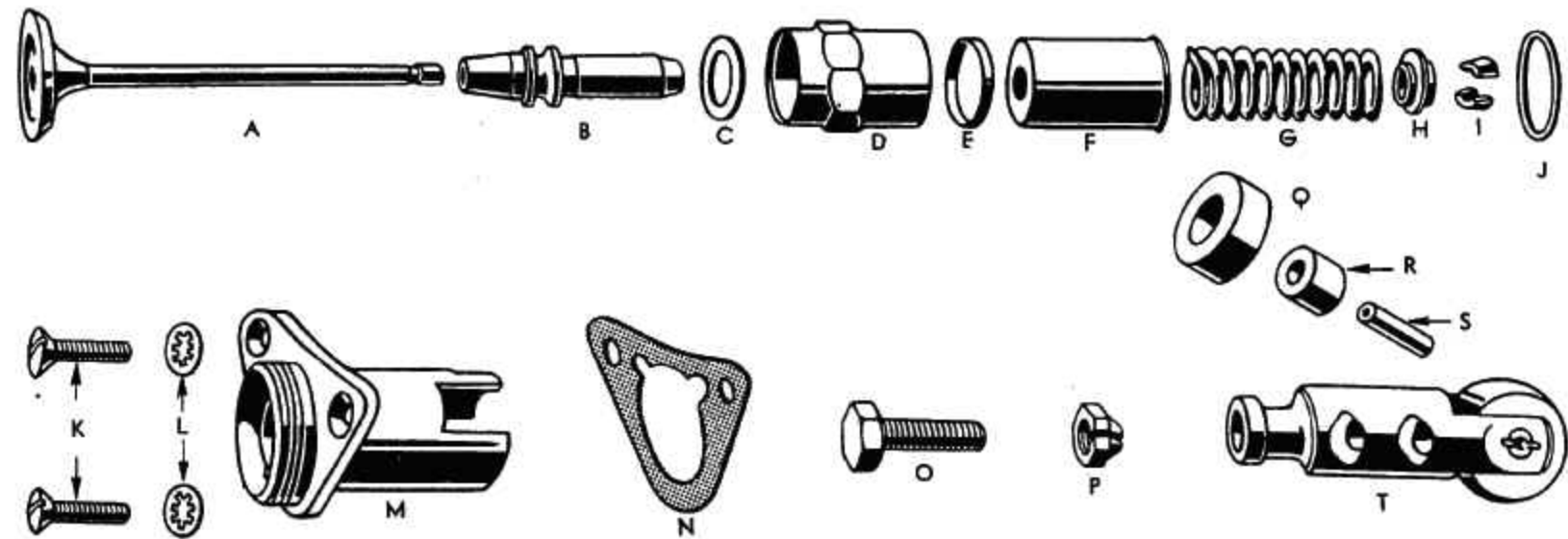
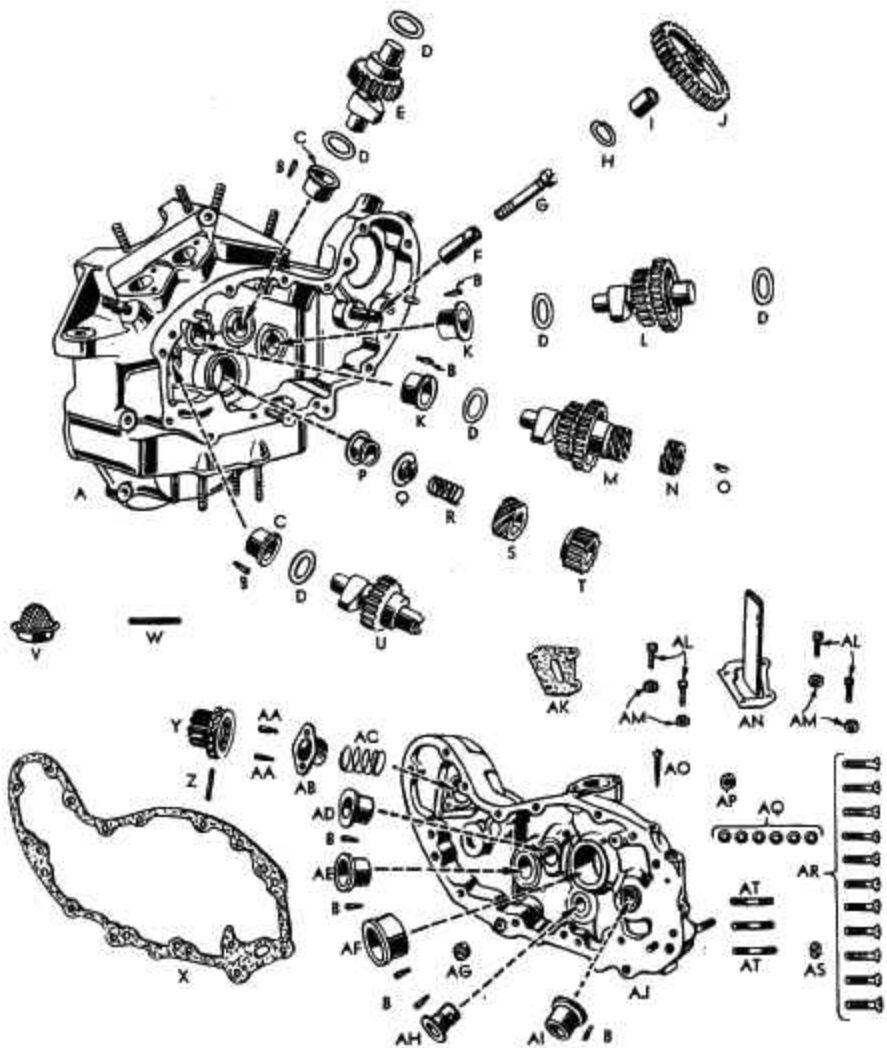


FIGURE 01 - 7—VALVE, FITTINGS AND TAPPETS



RA PD 335688

FIGURE 01 - 8—TIMING GEARS, BUSHINGS AND GEAR COVERS

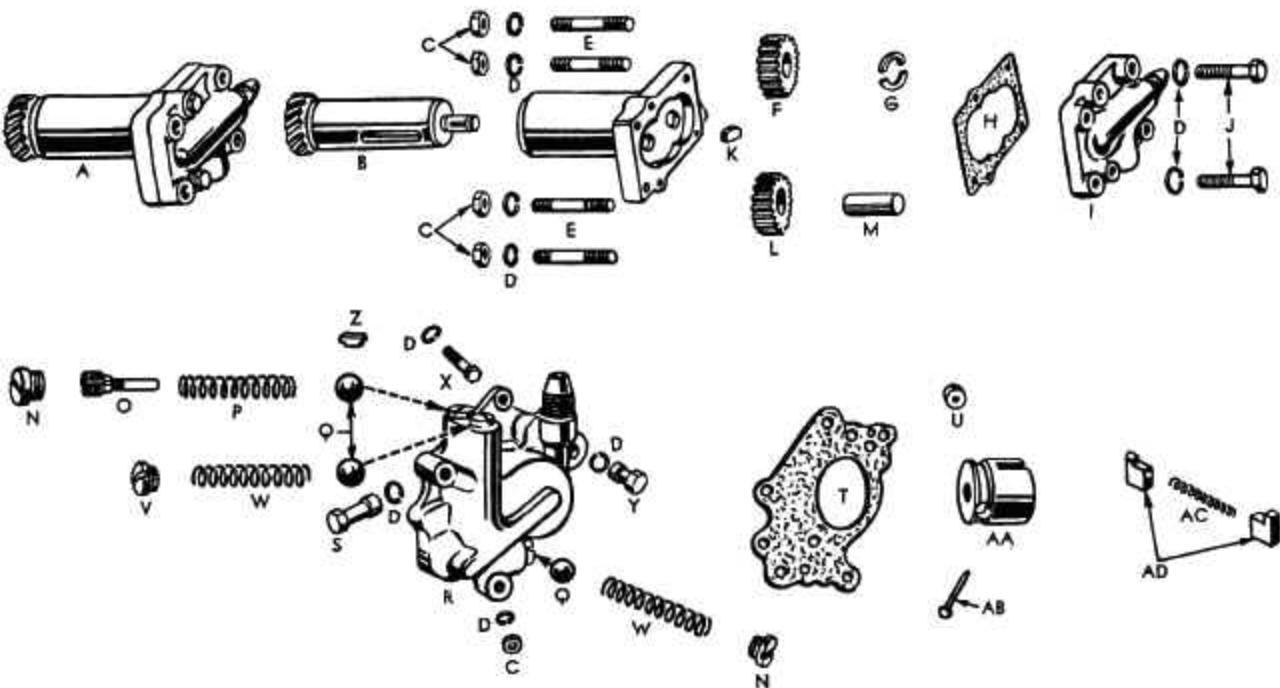
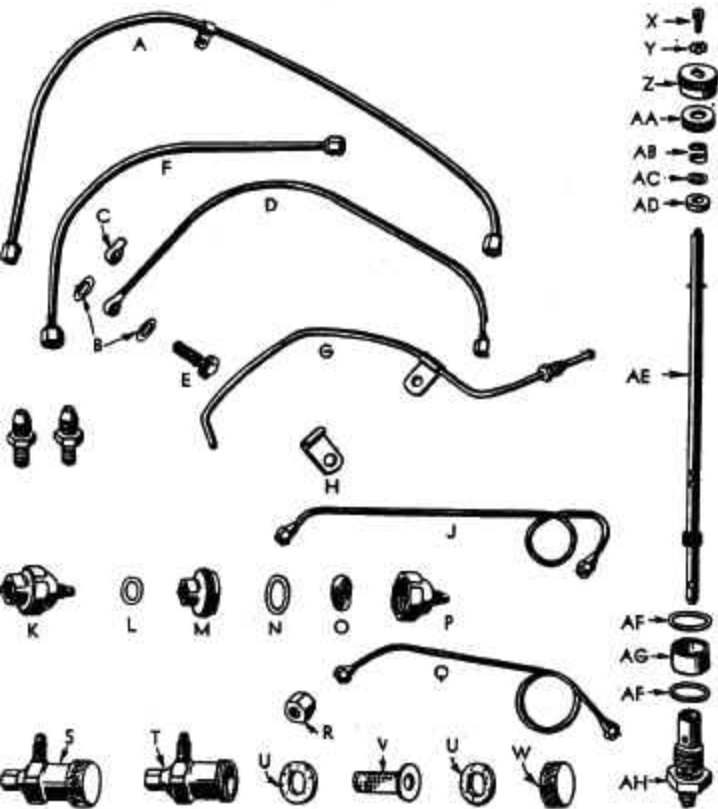


FIGURE 01 - 9—OIL FEED AND SCAVENGER PUMP

RA PD 335689



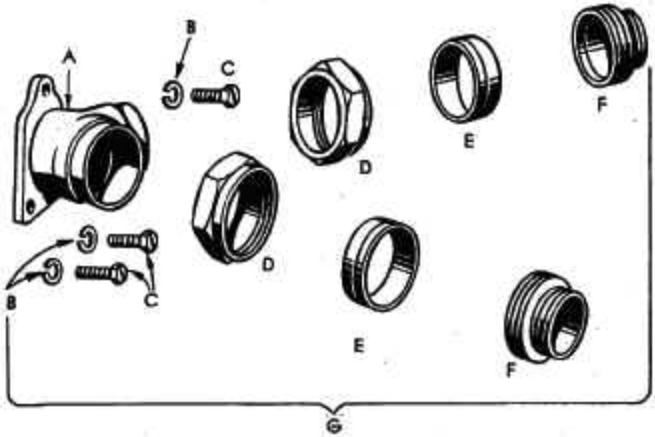
- X → [Washer]
- Y → [Nipple]
- Z → [Cap]
- AA → [Cap]
- AB → [Spinny]
- AC → [Washer]
- AD → [Seal]



- AF → [Washer]
- AG → [Spacer]
- AF → [Washer]
- AD → [Seal]
- AE → [Rod]
- AF → [Washer]
- AG → [Spacer]
- AH → [Nipple]

KEY	ITEM
A	PIPE,
B	WASH
C	NIPPL
D	PIPE,
E	BOLT
F	PIPE,
G	PIPE,
H	CLIP
I	NIPPL
J	PIPE,
K	STRA
L	WASH
M	CAP
N	WASH
O	SCRE
P	BASE
Q	PIPE,
R	NUT
S	STRA
T	BODY
U	WASH
V	SCRE
Y	WASH
W	CAP
X	SCRE
Y	WASH
Z	KNOB
AA	CAP
AB	SPINN
AC	WASH
AD	SEAL
AE	ROD
AF	WASH
AG	SPAC
AH	NIPPL

FIGURE 01 - 10—OIL AND FUEL PIPES



KEY	ITEM
A	PIPE, INLET
B	WASHER
C	BOLT
D	NUT
E	BUSHING
F	NIPPLE
G	PIPE, INLET

FIGURE 01-11—INLET PIPES

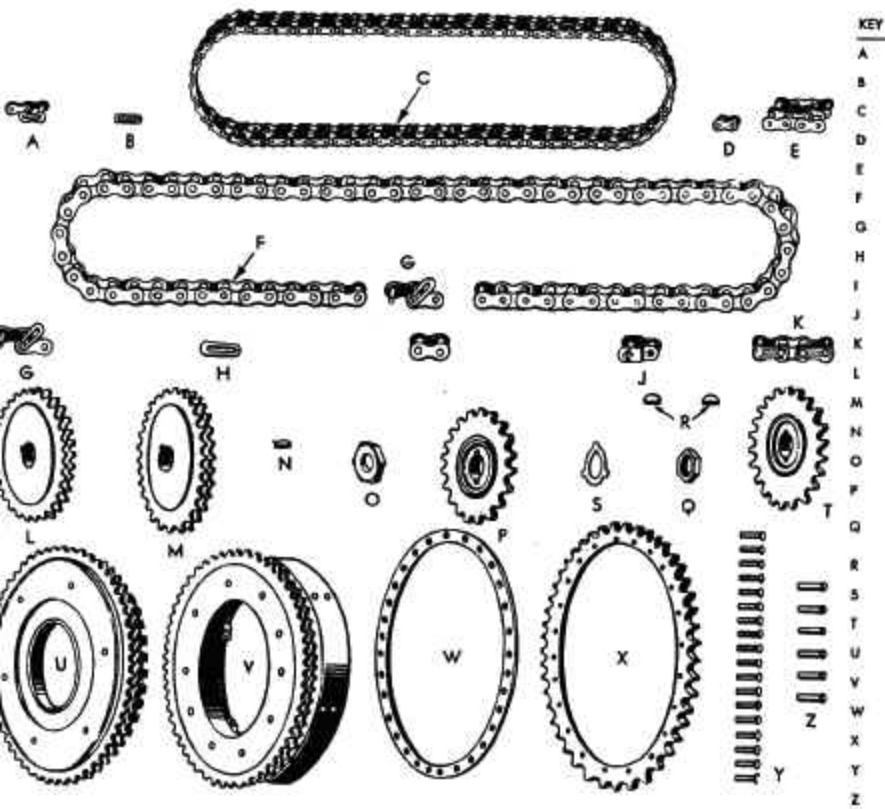


FIGURE 02 - 1—CHAINS, REPAIR LINKS AND SPROCKETS

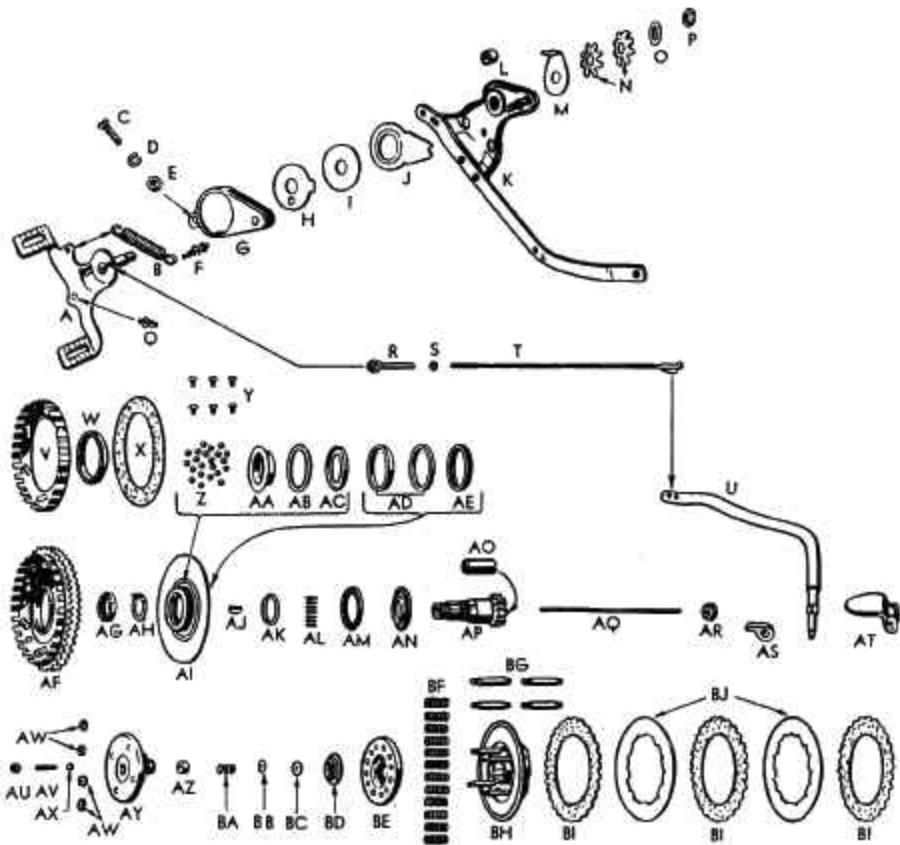


FIGURE 02-2—CLUTCH PARTS, 1940

RA PD 335693

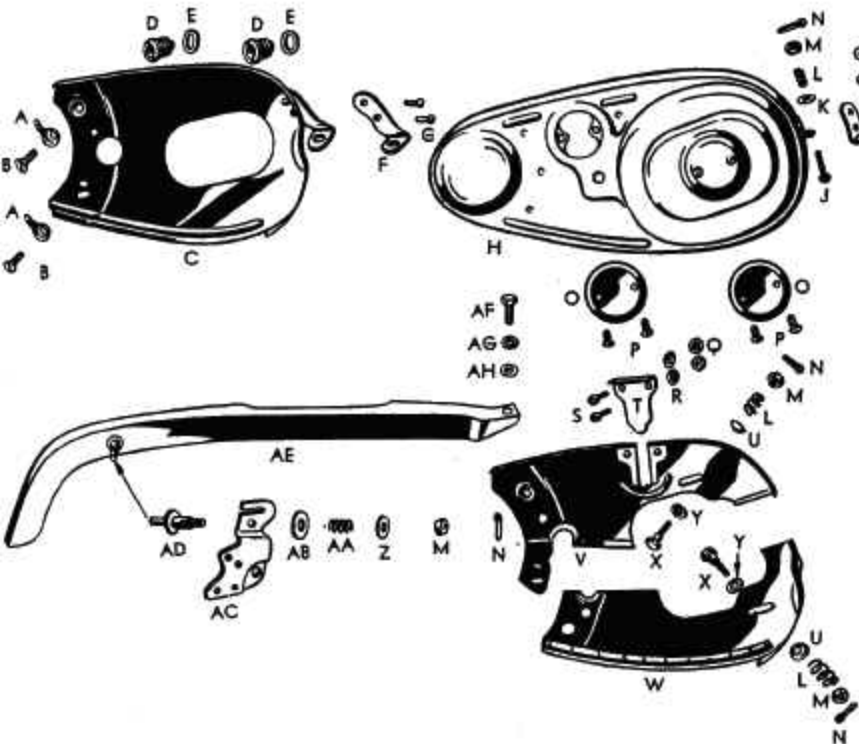


FIGURE 02-4—CHAIN GUARD

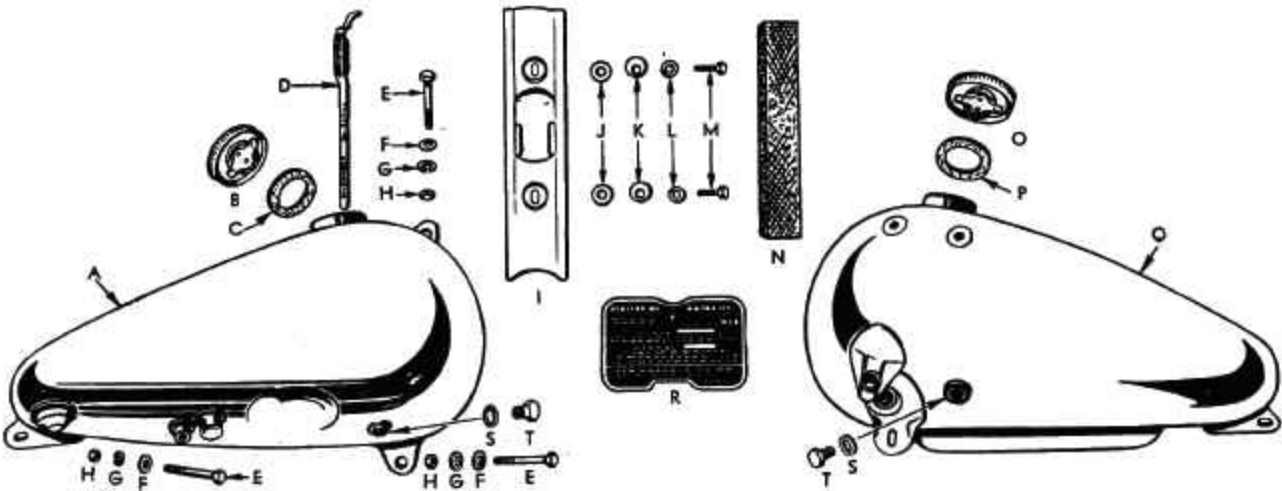
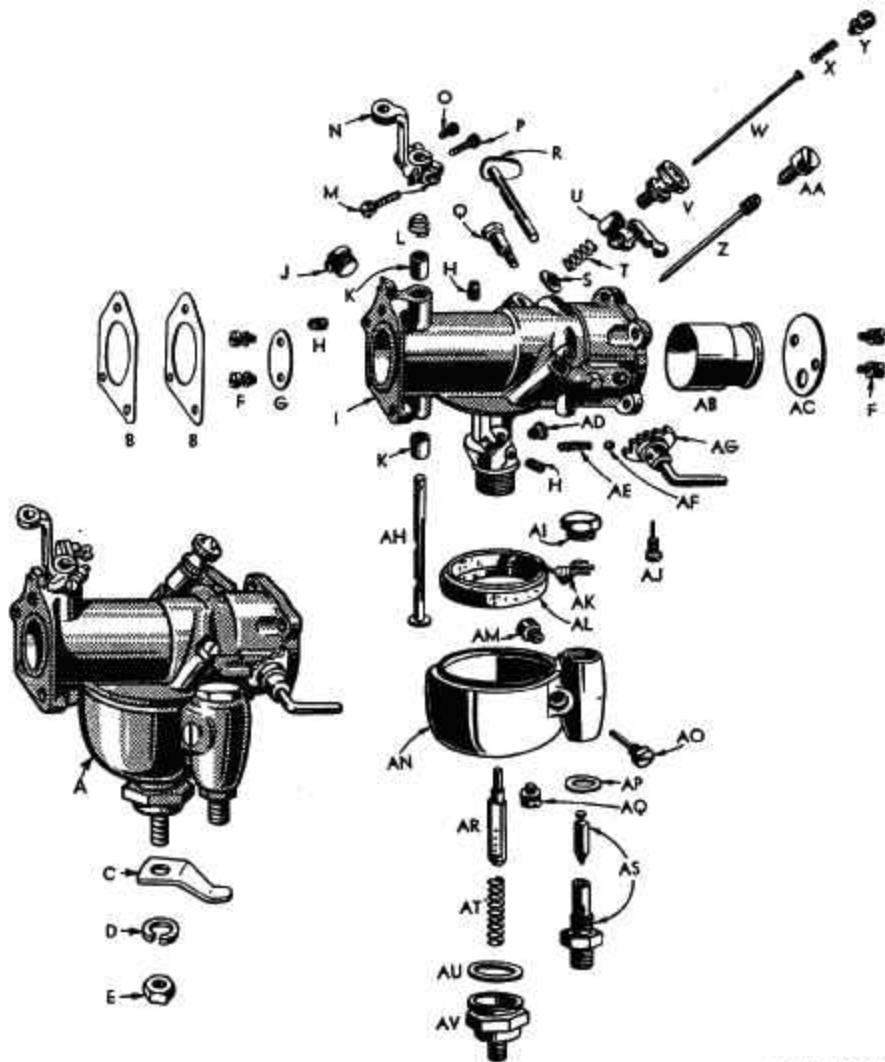


FIGURE 03-1—FUEL AND OIL TANK



RA PD 335697

FIGURE 03-2—CARBURETOR

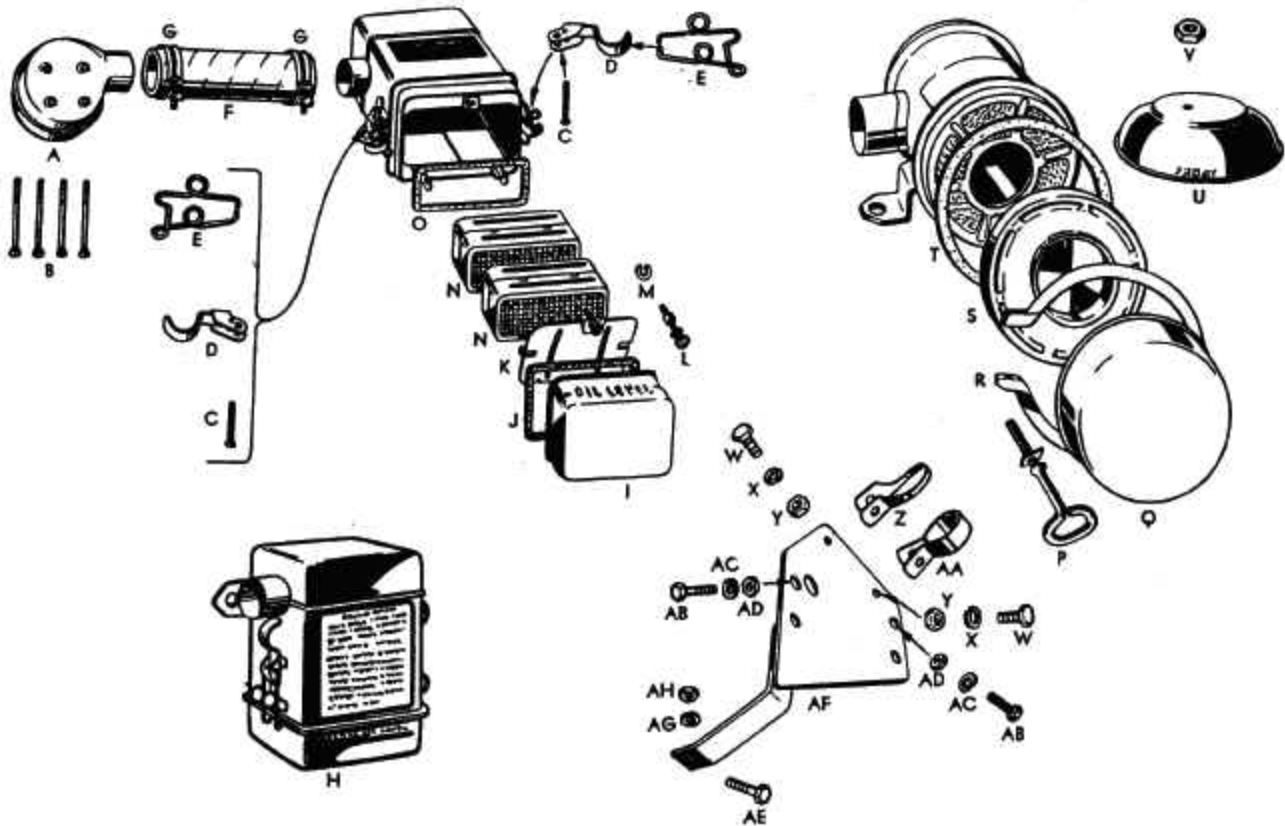


FIGURE 03 - 3—OIL BATH AIR CLEANER

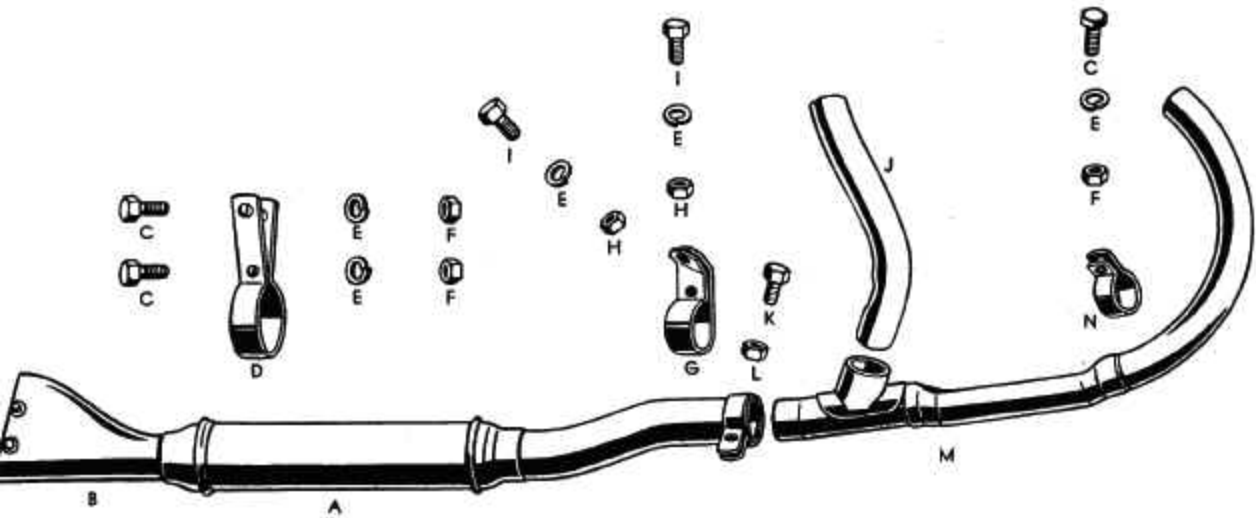


FIGURE 04 - 1—MUFFLER AND EXHAUST PIPES

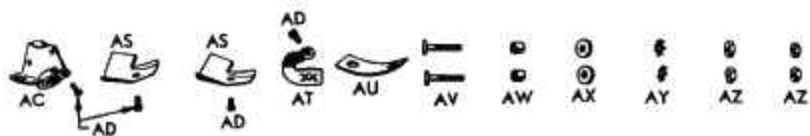
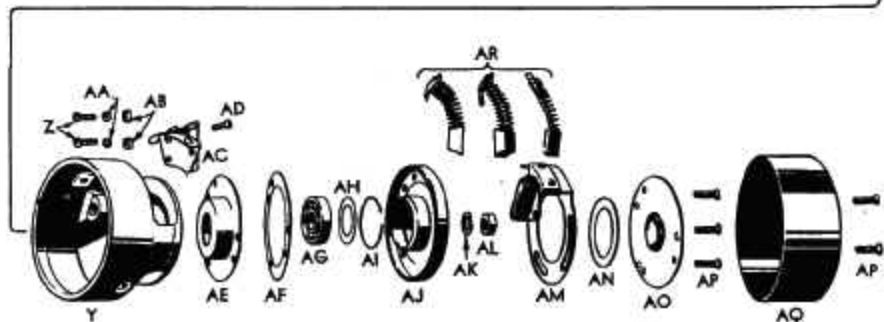
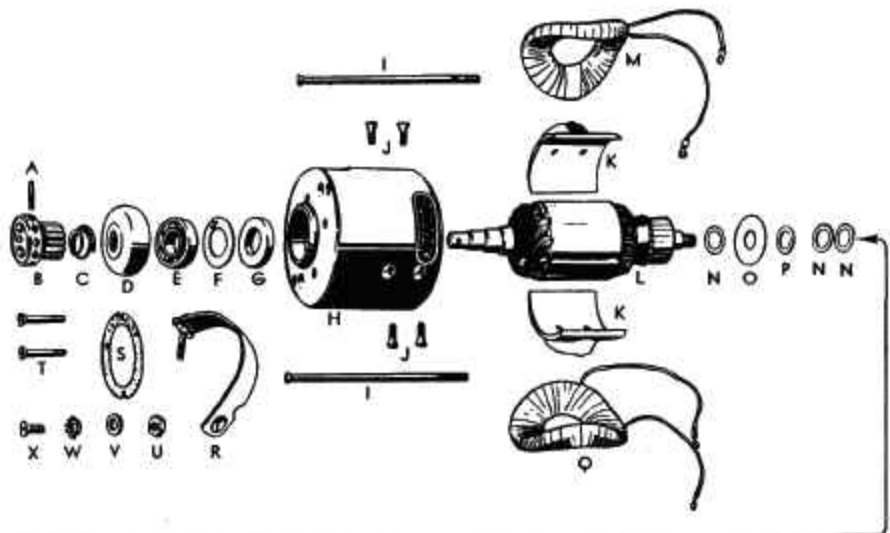


FIGURE 06-1—GENERATOR, ARMATURE AND FIELDS

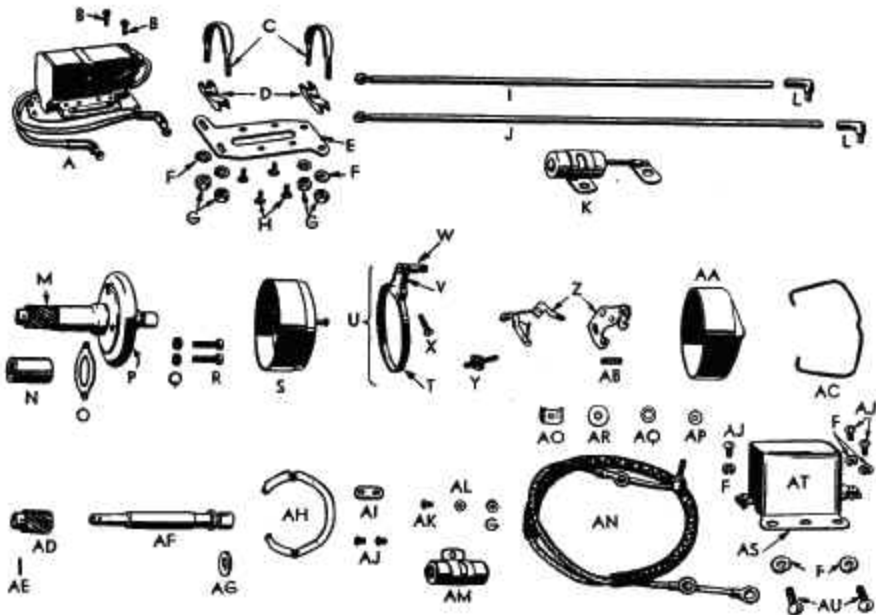


FIGURE 06-2—RELAY, TIMER AND SPARK COIL

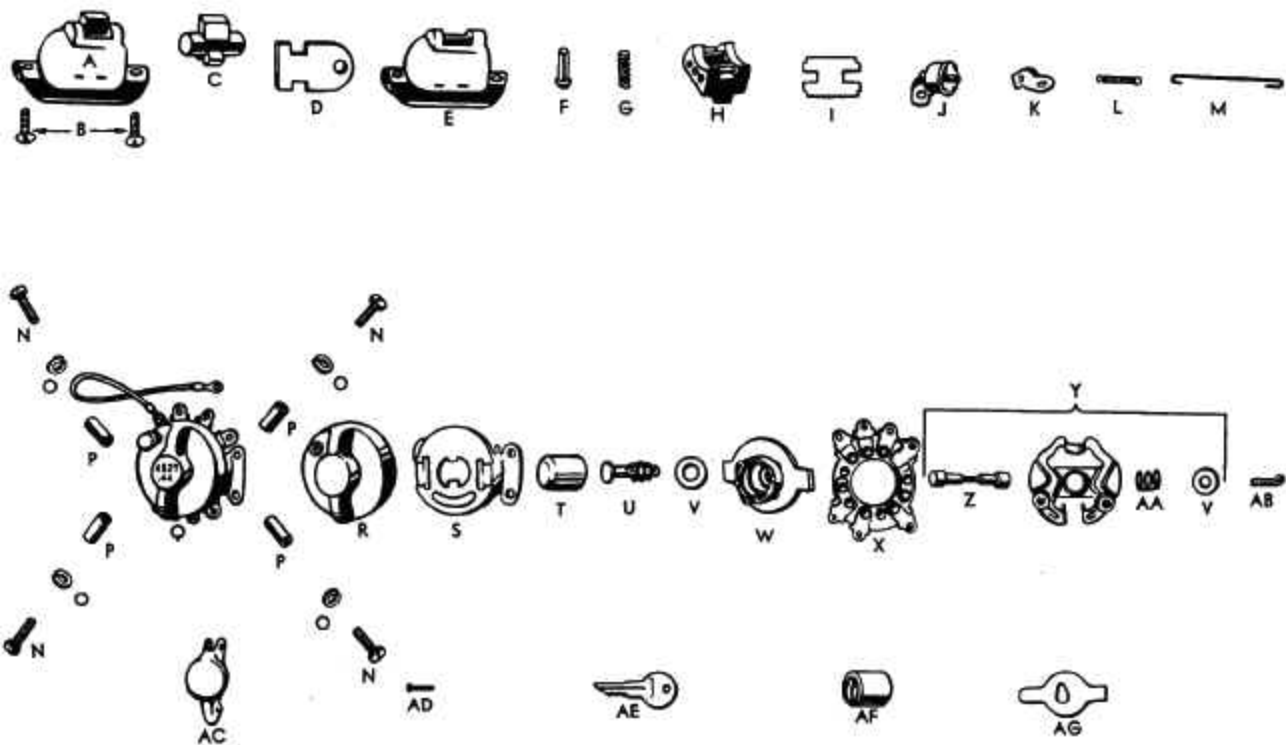


FIGURE 06-4—SWITCHES - HANDLEBAR, IGNITION AND STOPLIGHT

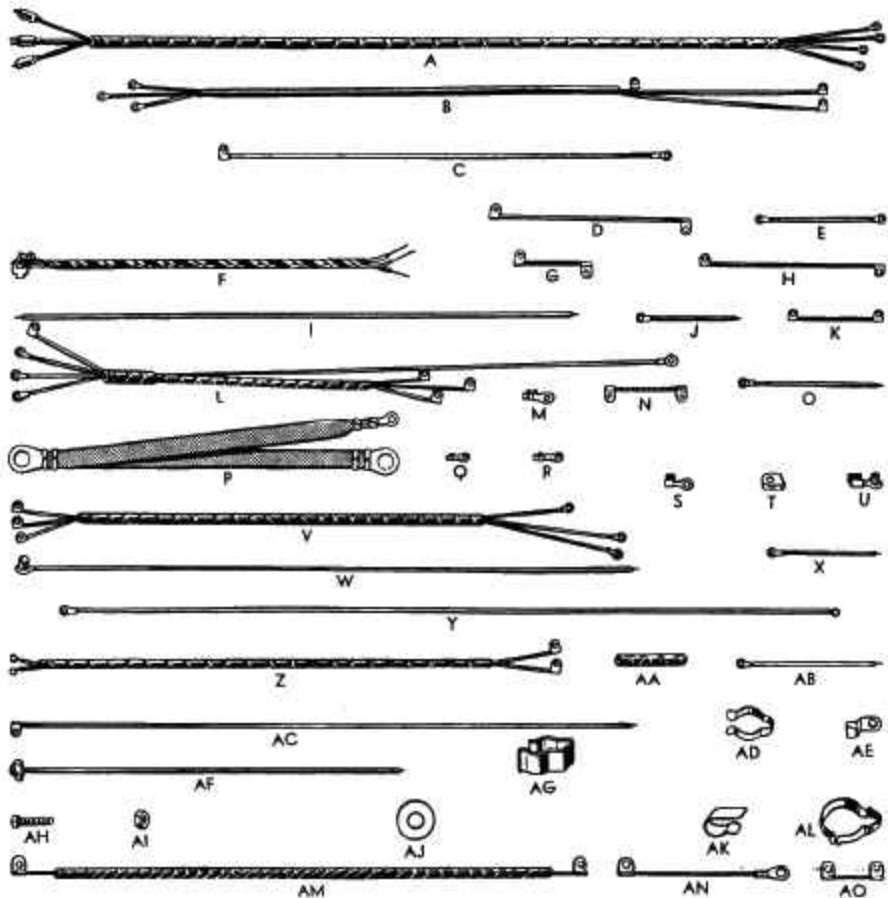


FIGURE 06 - 5—WIRING

RA PD 335704



FIGURE 06 - 6—GENERATOR FIELD SWITCHES

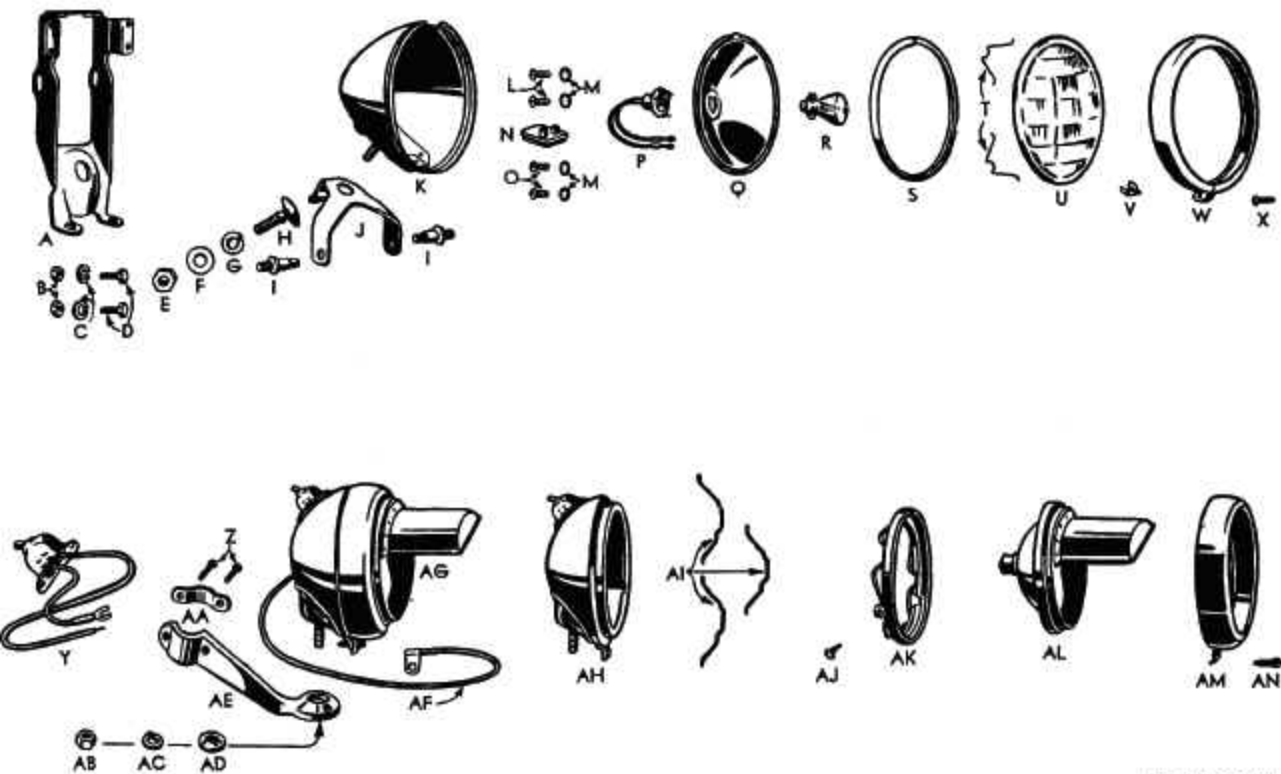


FIGURE 06-7—HEADLIGHT AND BLACK OUT DRIVING LIGHT

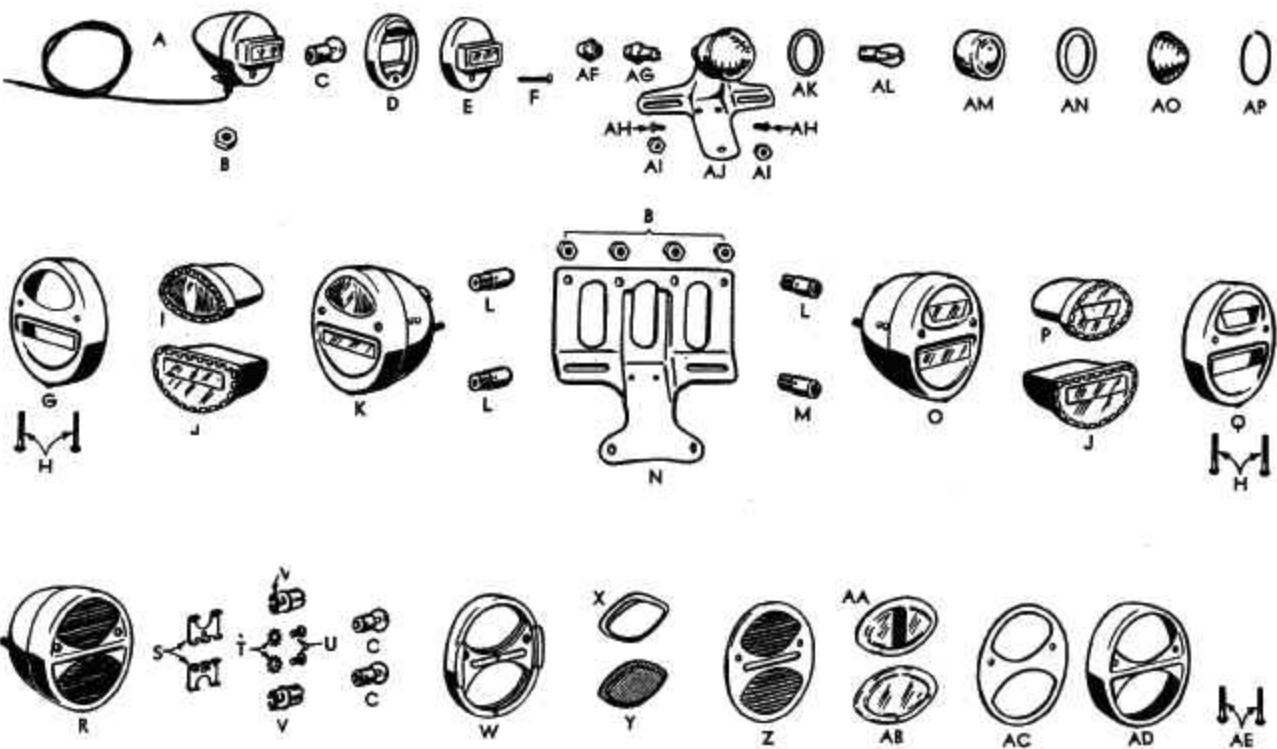


FIGURE 06 - 8—FRONT MARKER LIGHT AND TAIL AND STOP LIGHT

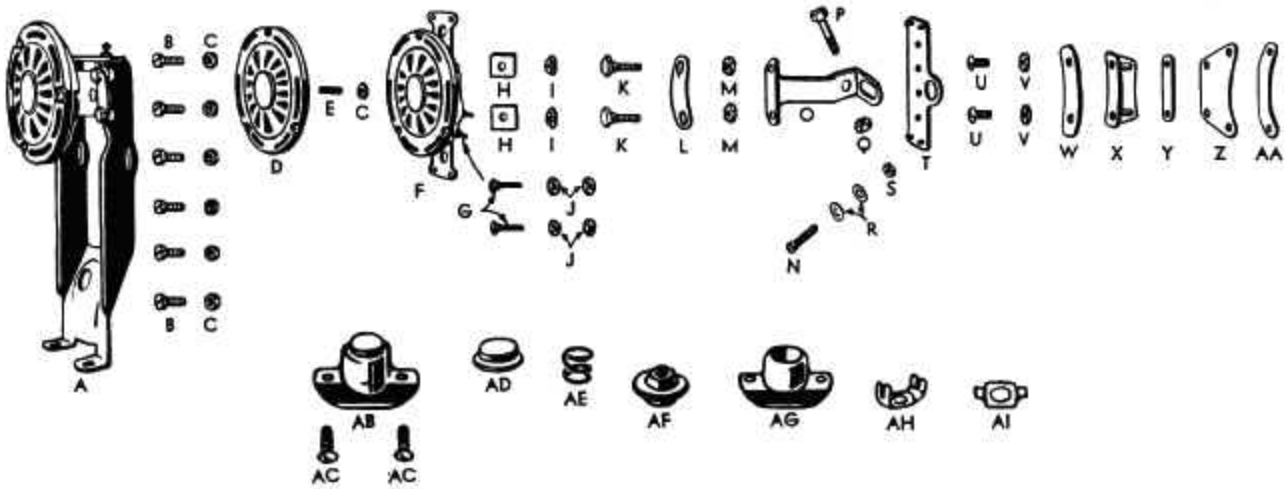


FIGURE 06 - 9—HORN AND HORN SWITCH

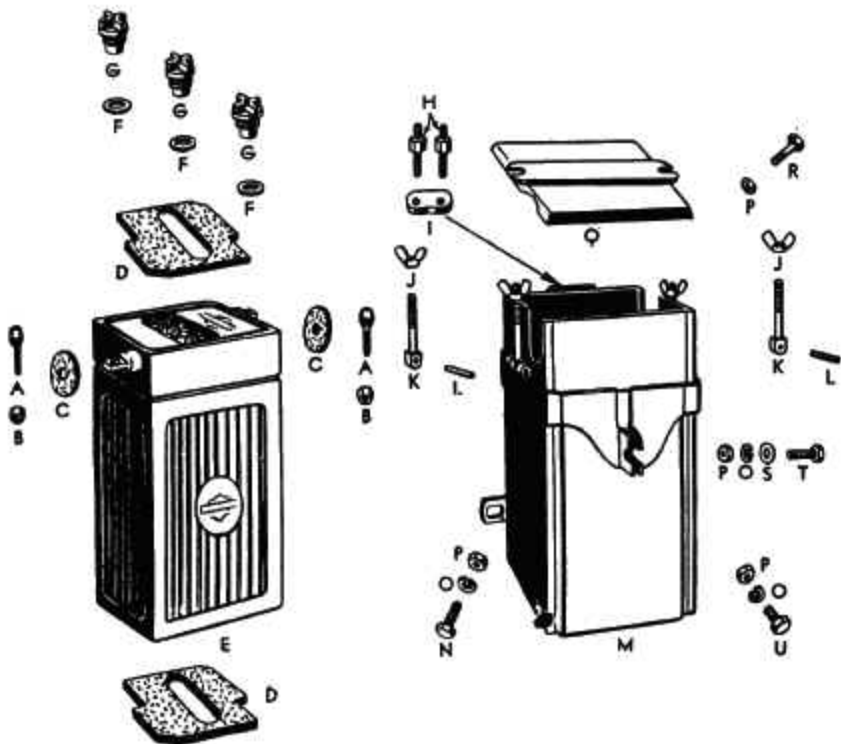


FIGURE 06-10—BATTERY

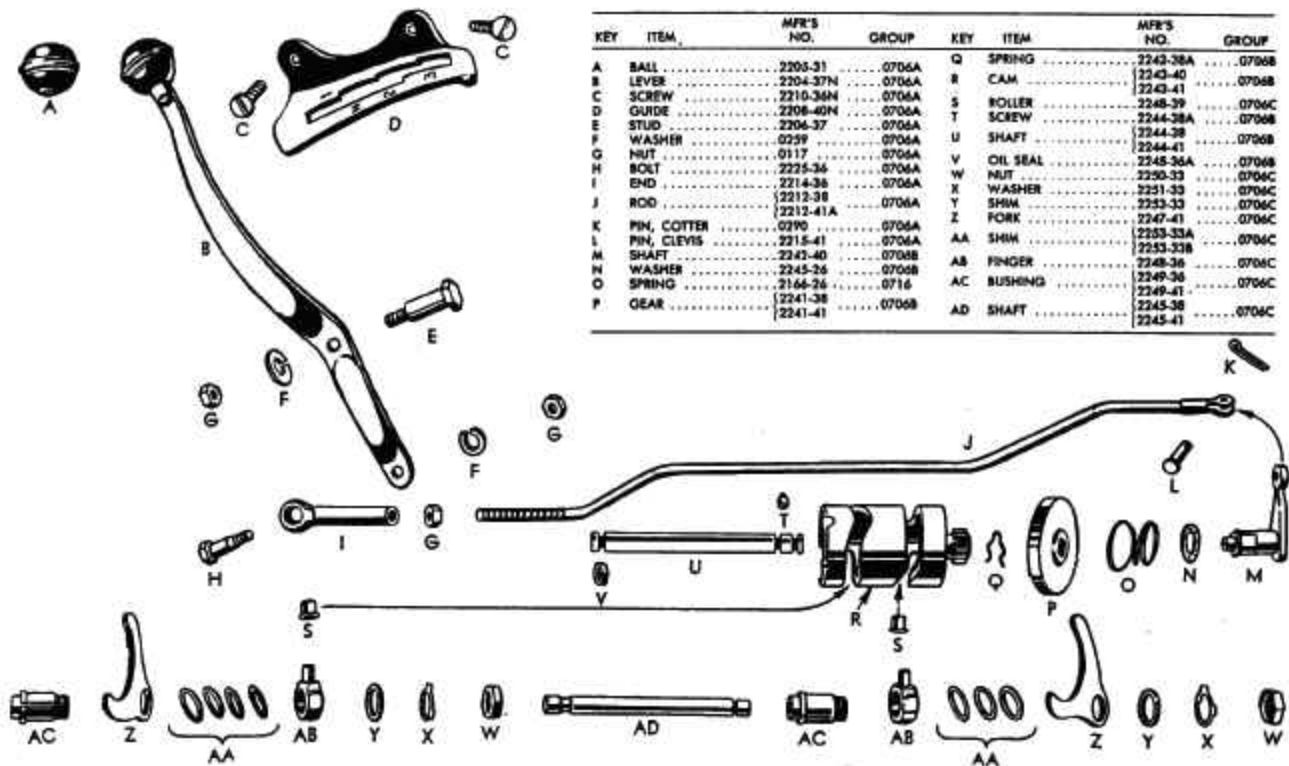


FIGURE 07-1—TRANSMISSION—SHIFTER GROUP

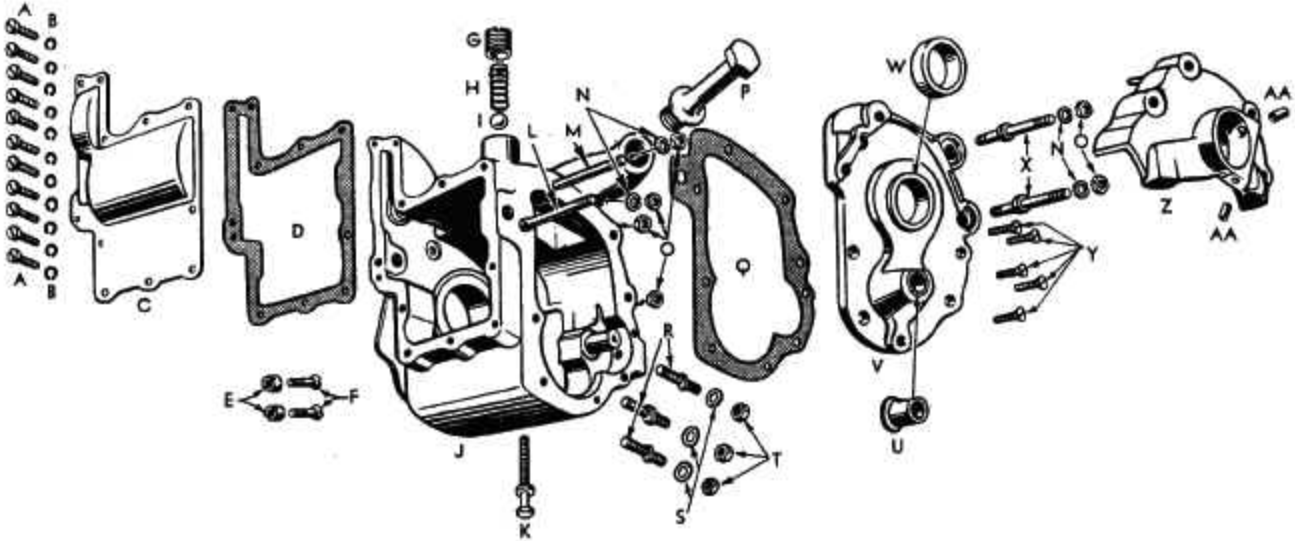


FIGURE 07-2—OUTER TRANSMISSION PARTS

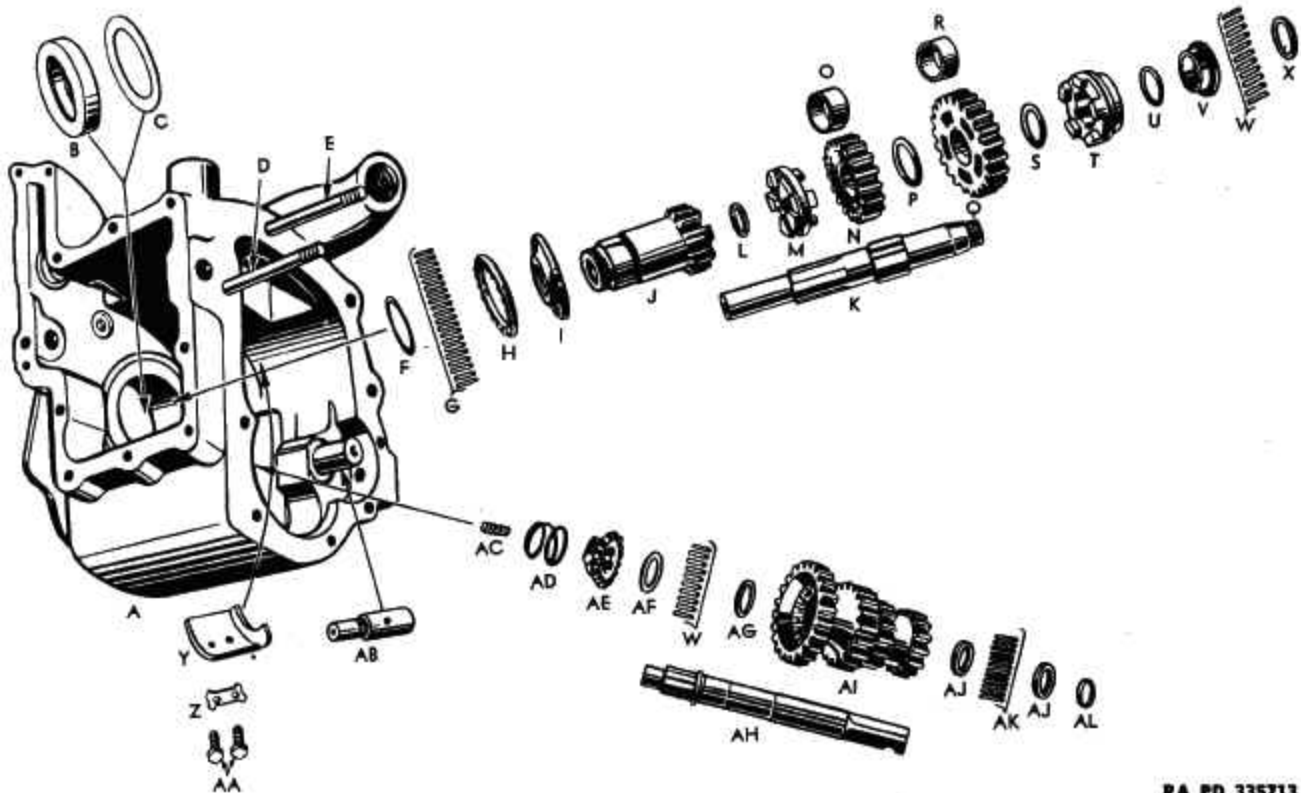


FIGURE 07 - 3—INNER TRANSMISSION PARTS

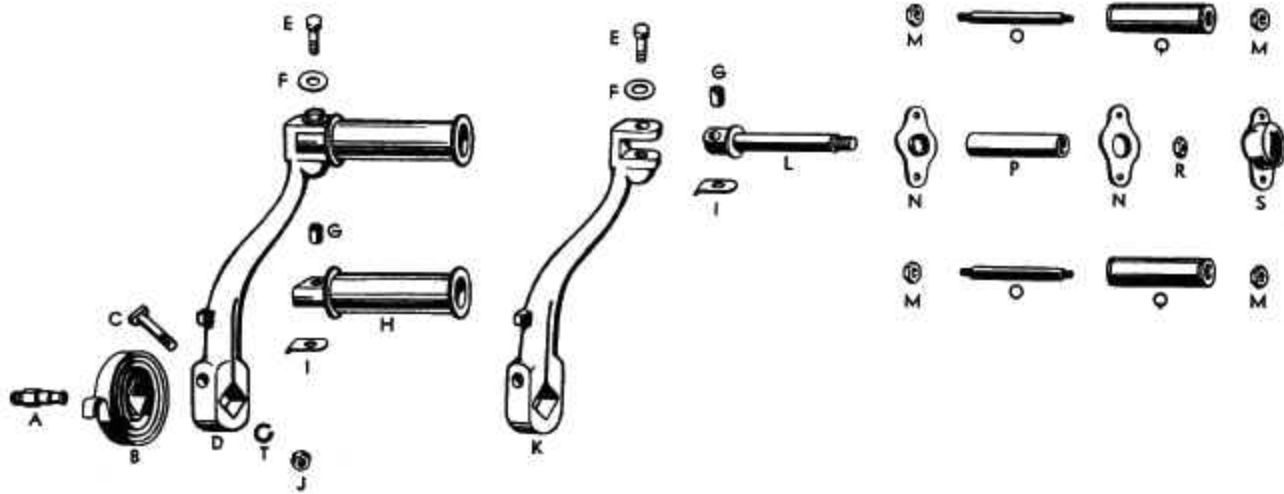


FIGURE 07 - 4—STARTER CRANK AND PEDAL

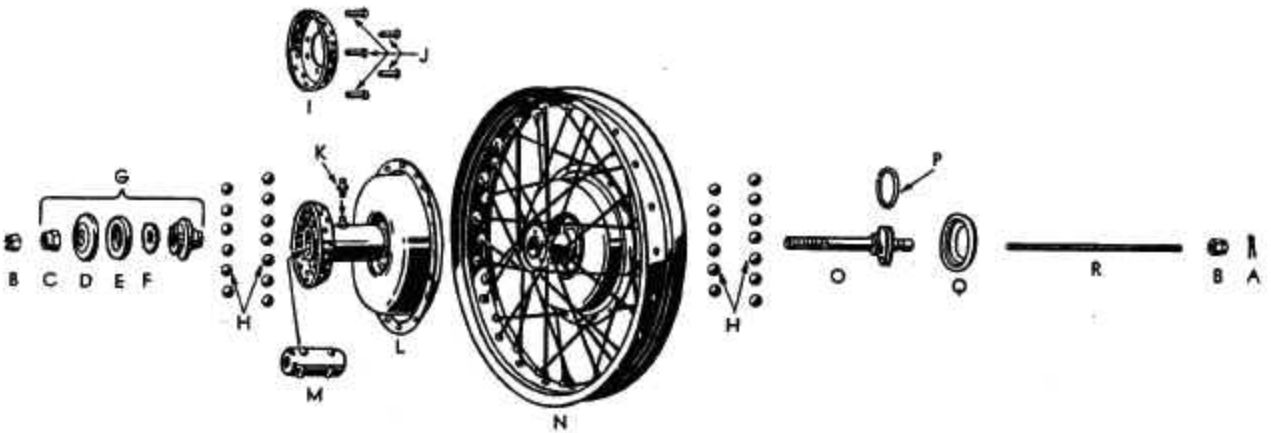


FIGURE 10 - 1—FRONT WHEEL, HUB AND AXLE PARTS

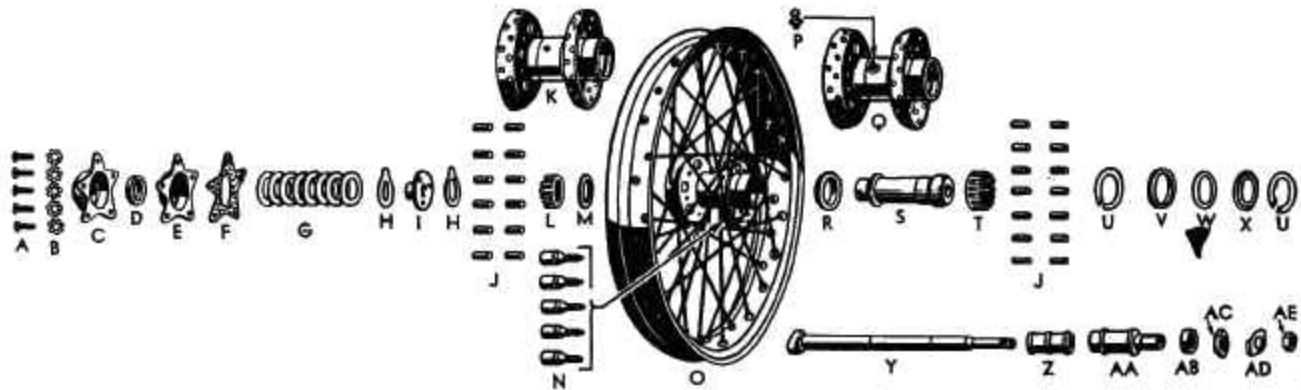


FIGURE 11-1—REAR WHEEL, HUB AND AXLE PARTS

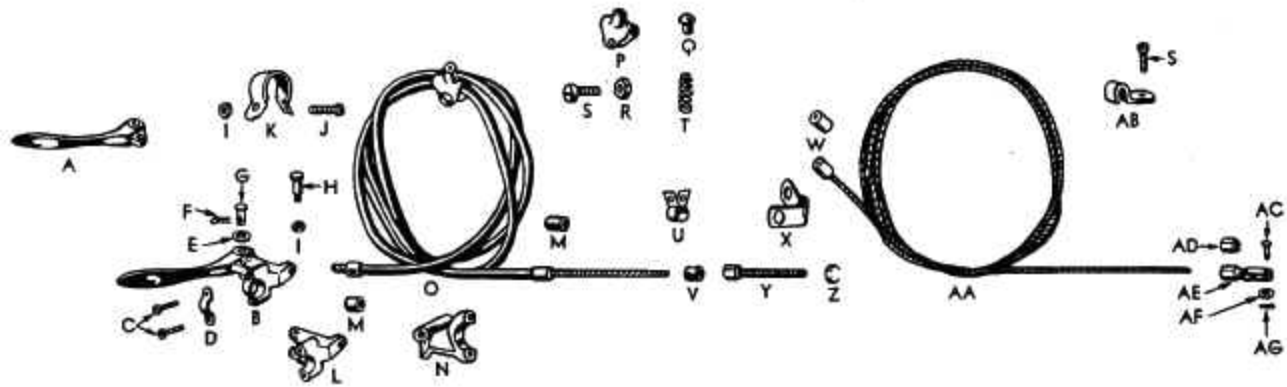
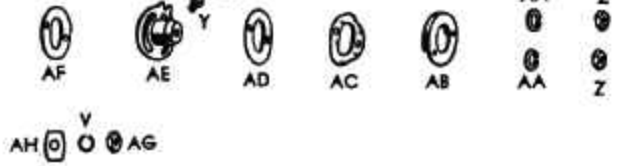


FIGURE 12-1—FRONT BRAKE CONTROL PARTS



FIGURE 12-2—FRONT BRAKE PARTS



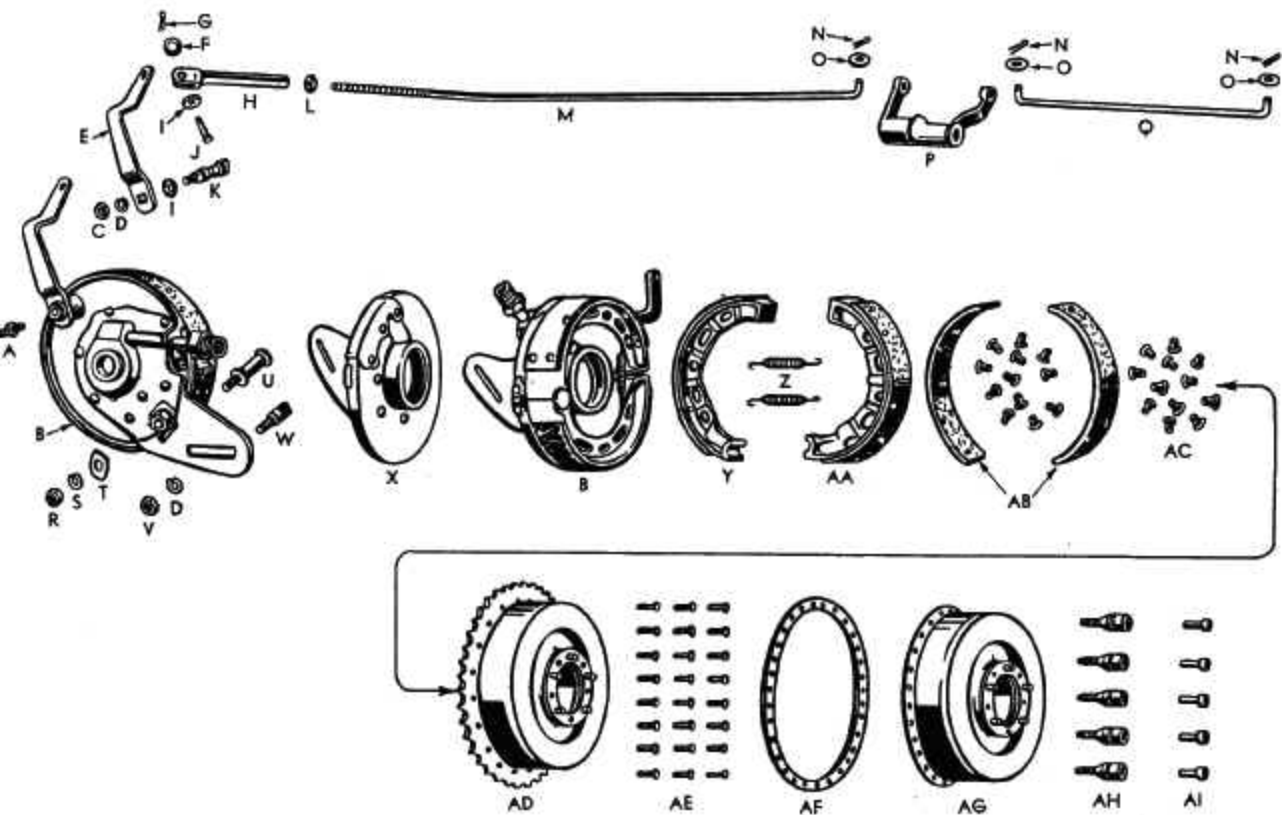


FIGURE 12-3—REAR WHEEL BRAKE PARTS

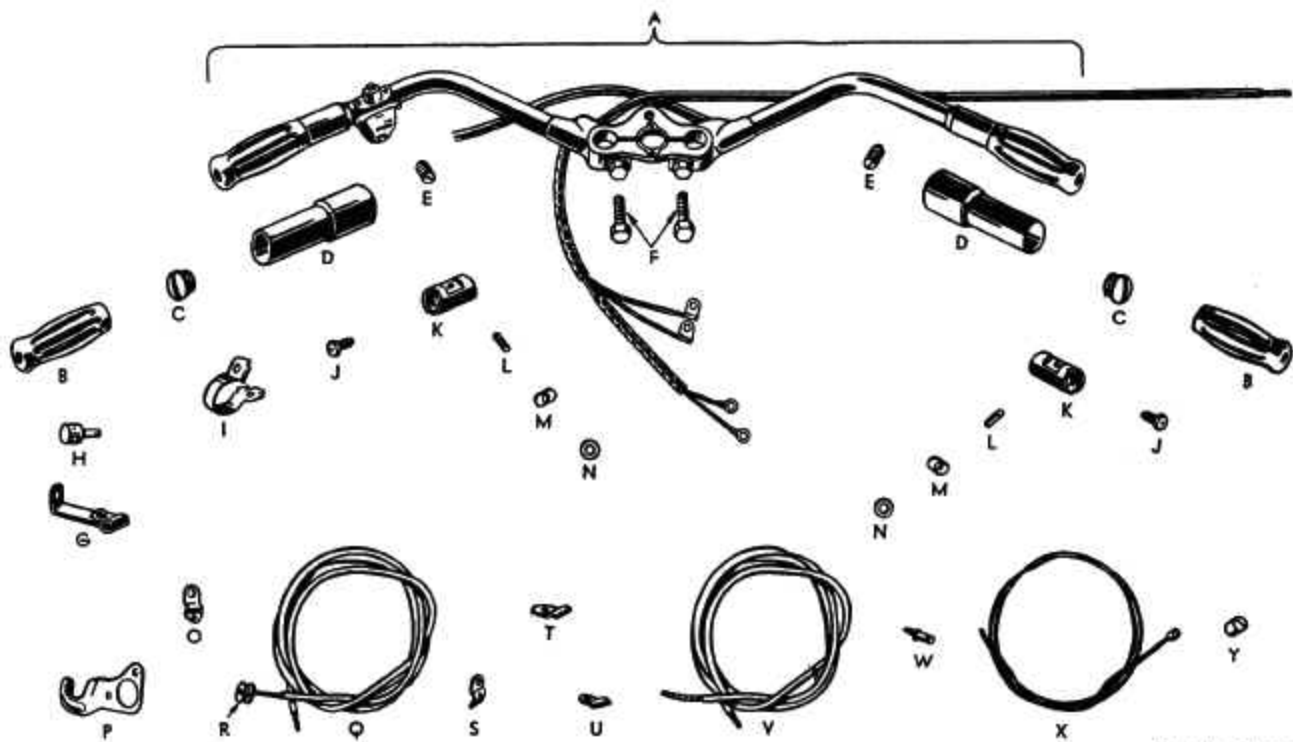


FIGURE 14-1—HANDLEBARS AND CONTROLS.

RA PD 335720

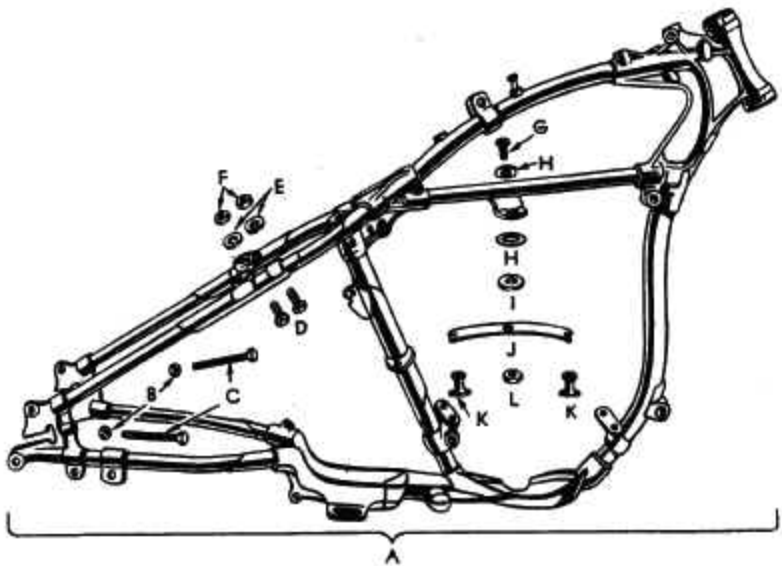


FIGURE 15 - 1—FRAME

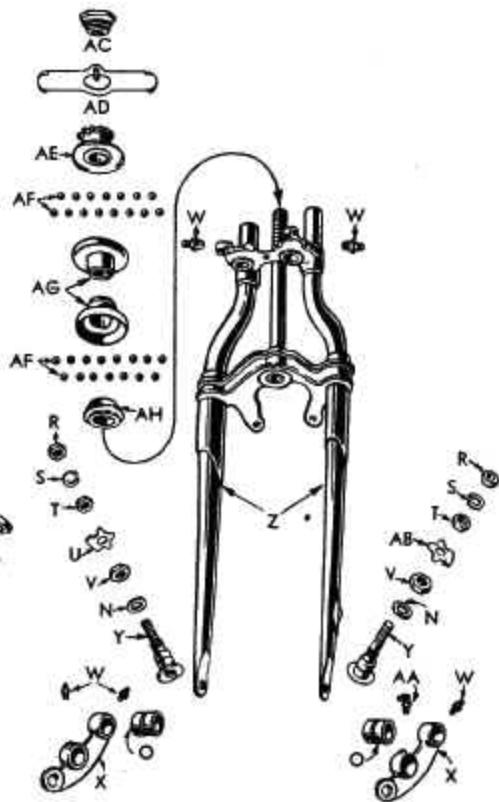
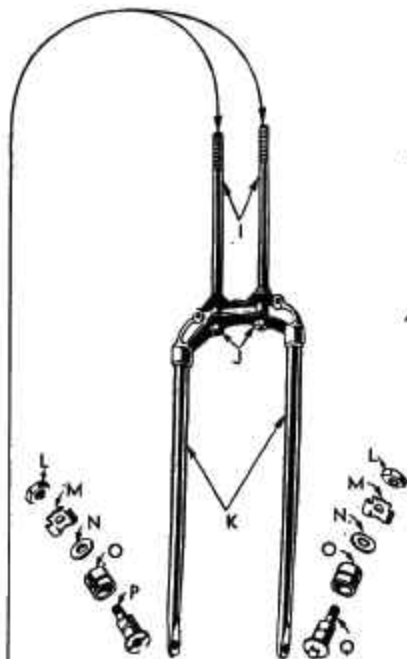
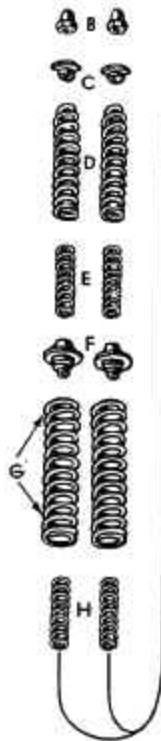


FIGURE 15 - 2—FORK AND FRAME HEAD BEARINGS

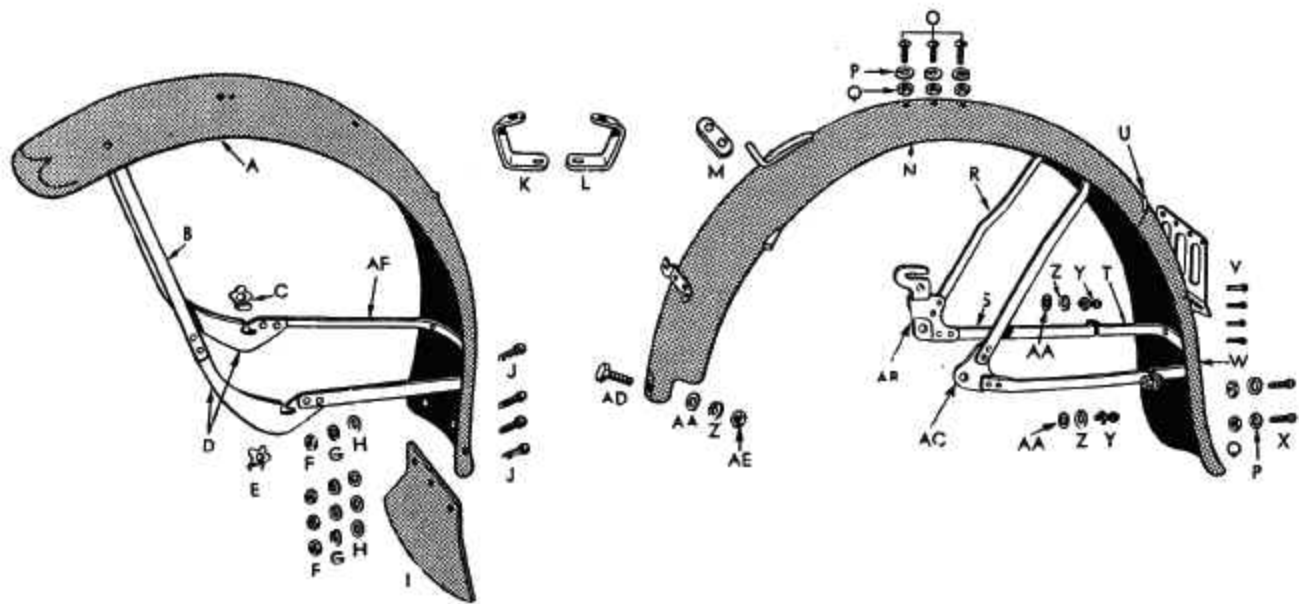


FIGURE 17-1—MUDGUARD (FENDER) GROUP

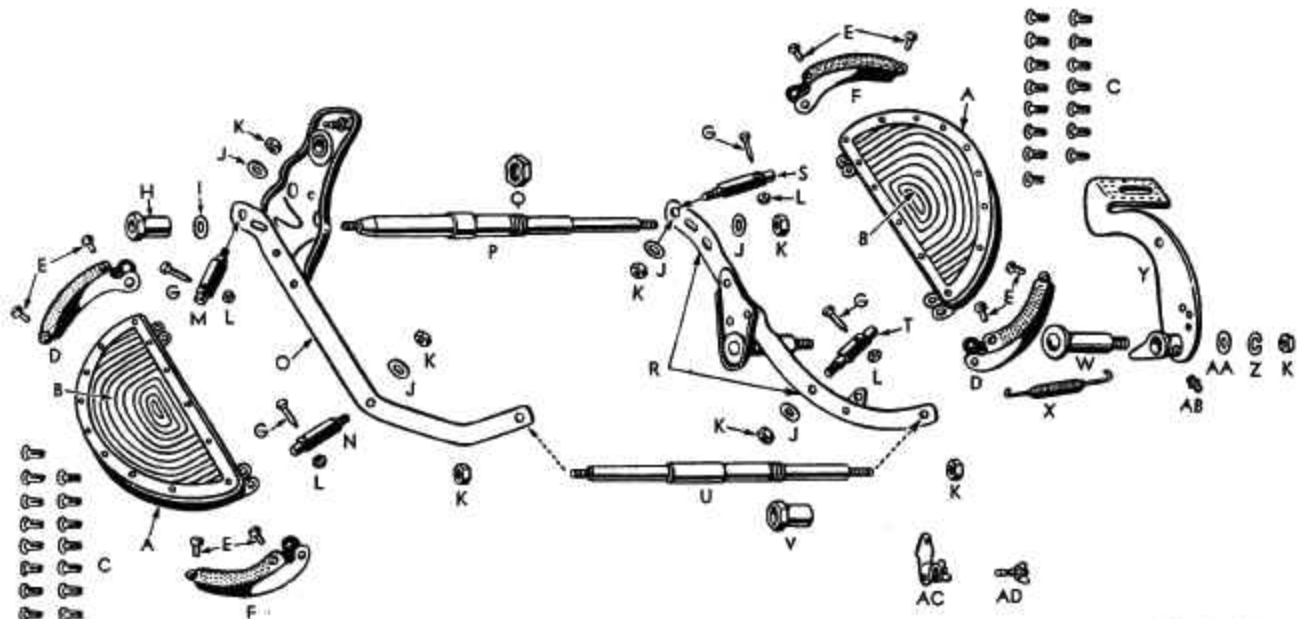
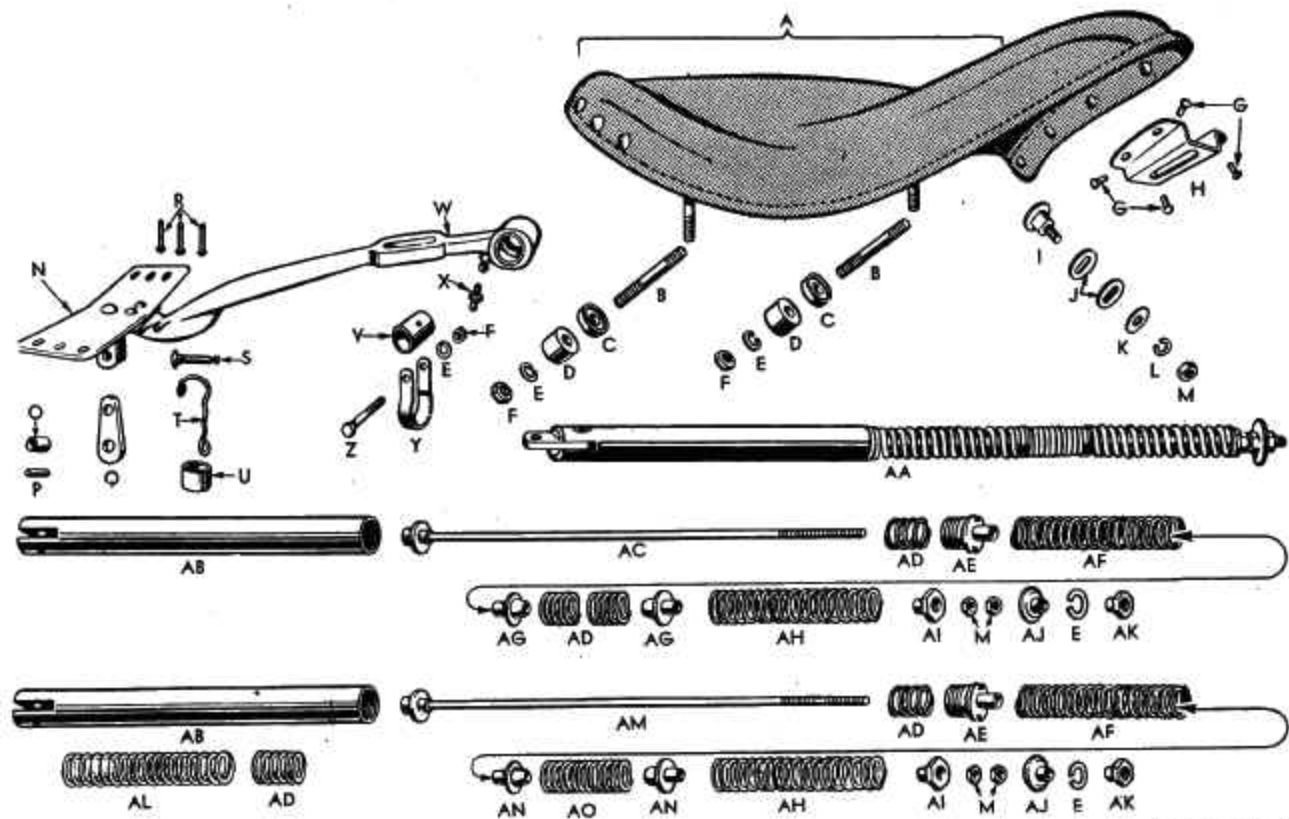


FIGURE 17 - 2—FOOTBOARD



RA PD 335726

FIGURE 18 - 1—SADDLE AND SEAT POST PLUNGER

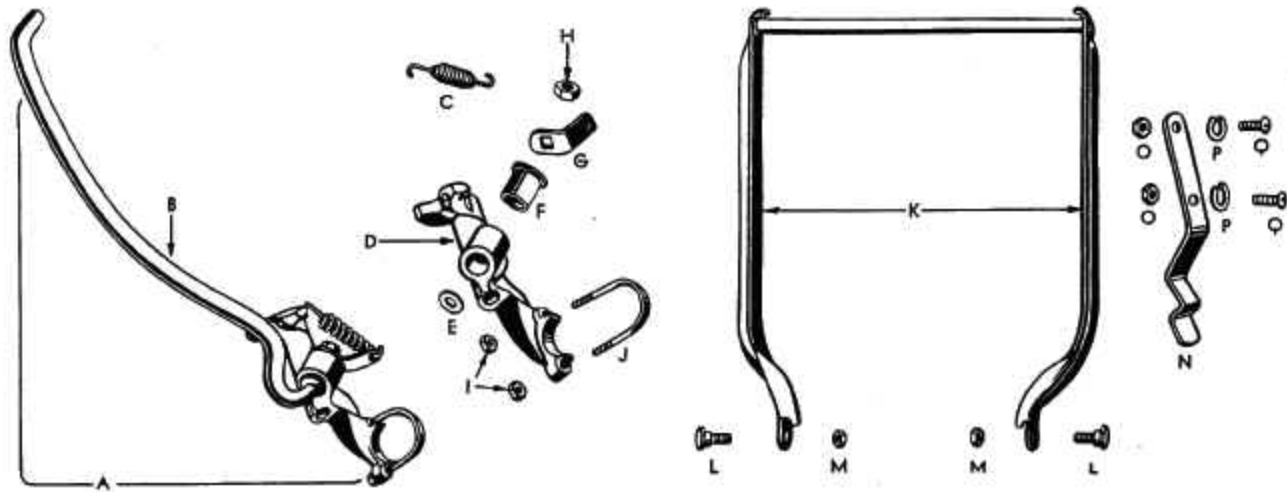


FIGURE 22 - 2— JIFFY STAND AND REAR STAND

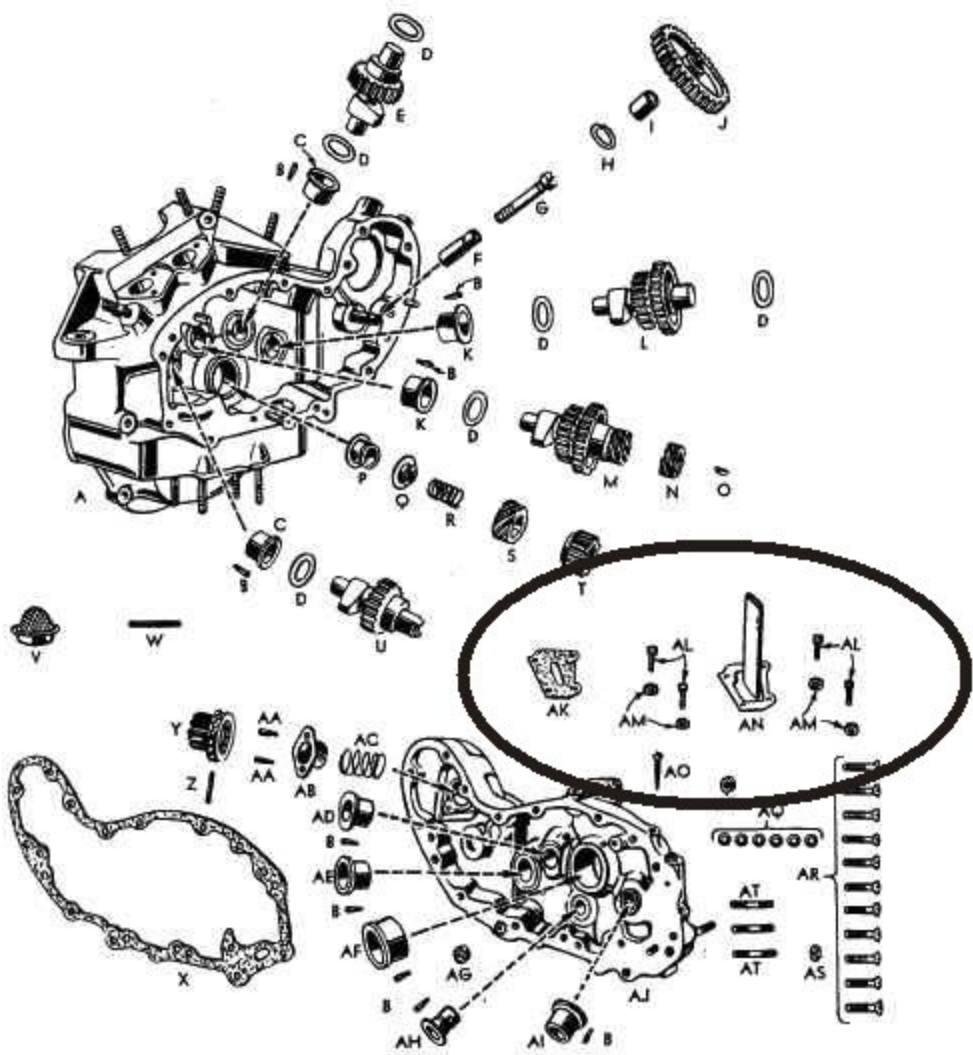


FIGURE 01 - 8—TIMING GEARS, BUSHINGS AND GEAR COVERS

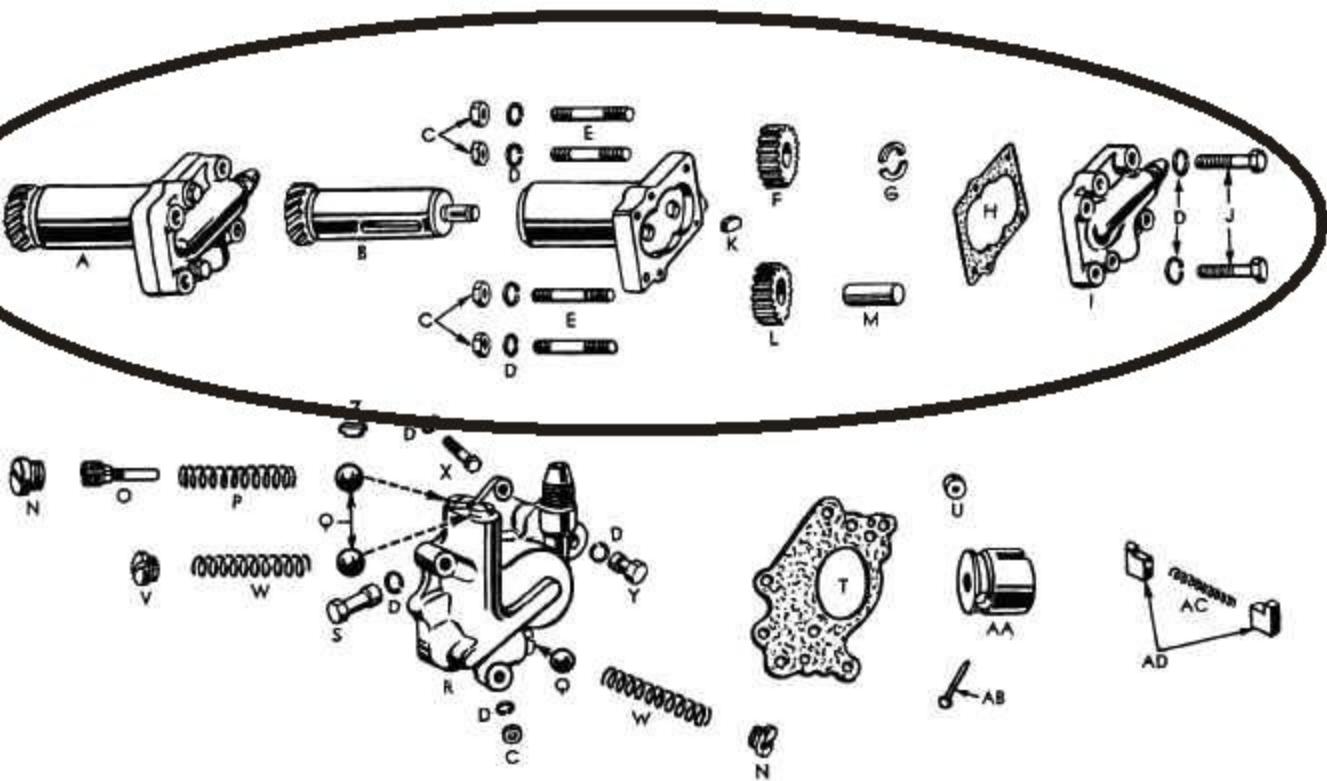
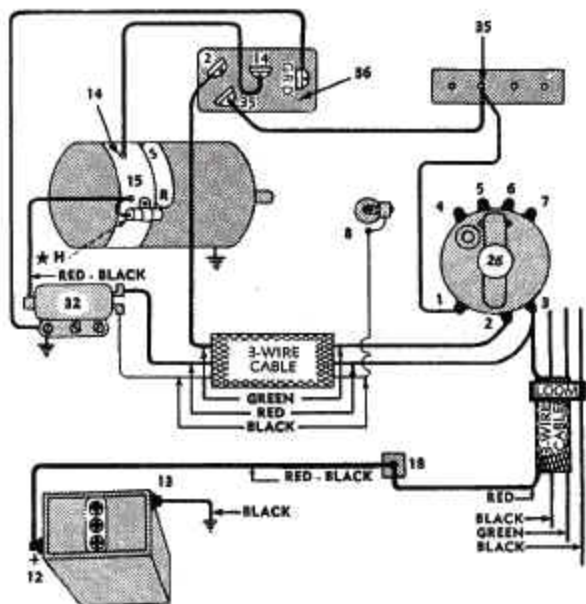


FIGURE 01 - 9—OIL FEED AND SCAVENGER PUMP

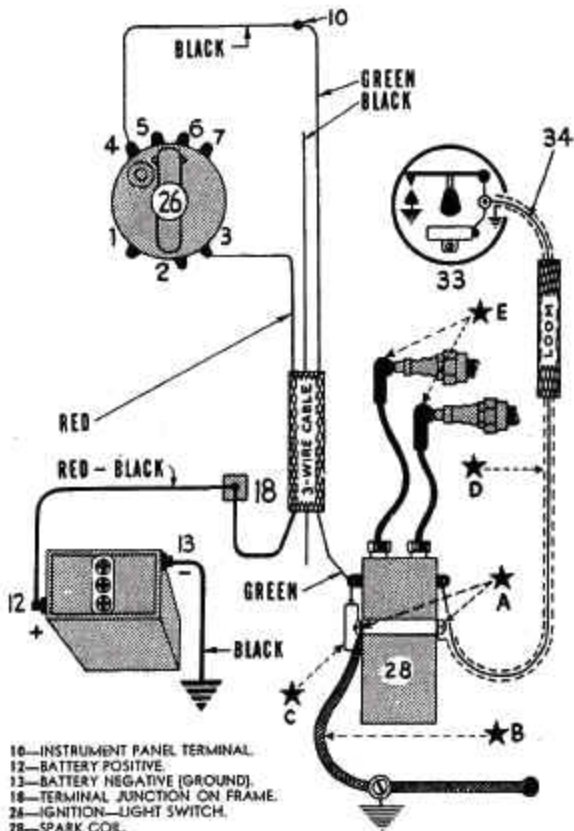
RA PD 335689

MOTORCYCLE, SOLO (HARLEY-DAVIDSON MODEL WLA)



- 1 to 7—SWITCH TERMINALS
 8—GENERATOR SIGNAL LIGHT
 12—BATTERY POSITIVE POST
 13—BATTERY NEGATIVE POST
 14—GENERATOR TERMINAL TO SWITCH
 15—GENERATOR TERMINAL TO RELAY
 18—FRONT JUNCTION TERMINAL (UNDER SADDLE)
 26—IGNITION-LIGHT SWITCH
 32—RELAY
 35—TERMINAL FOR BLACKOUT LIGHT
 36—MAGNETIC SWITCH FOR BLACKOUT LIGHT
 ★—NOISE SUPPRESSION CONDENSER

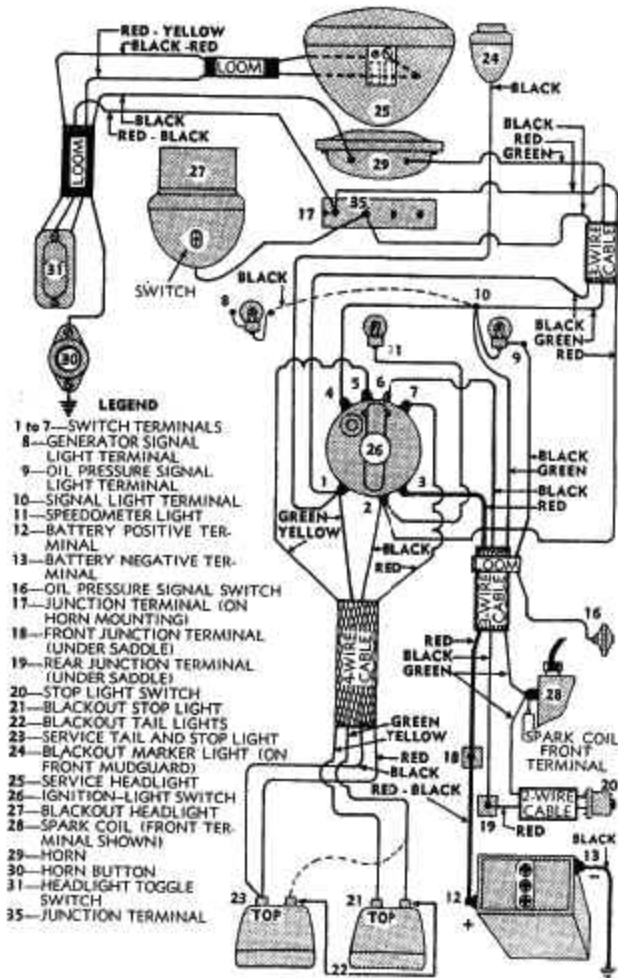
MOTORCYCLE, SOLO (HARLEY-DAVIDSON MODEL WLA)



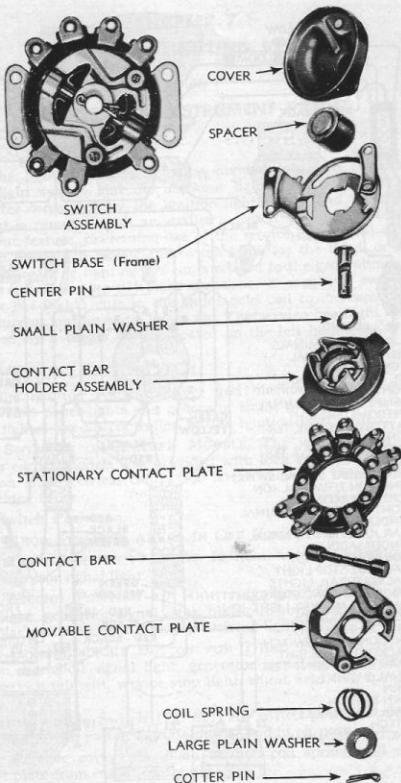
- 10—INSTRUMENT PANEL TERMINAL.
 12—BATTERY POSITIVE.
 13—BATTERY NEGATIVE (GROUND).
 18—TERMINAL JUNCTION ON FRAME.
 26—IGNITION—LIGHT SWITCH.
 28—SPARK COIL.
 33—CIRCUIT BREAKER.
 34—COIL TO TIMER WIRE.

- *C—NOISE SUPPRESSION CONDENSER.
 *D—SHIELDED COIL TO TIMER WIRE.
 *E—SPARK PLUG SUPPRESSORS.

SWITCHES AND INSTRUMENT PANEL



MOTORCYCLE, SOLO (HARLEY-DAVIDSON MODEL WLA)



RA PD 310285

Figure 81—Ignition-light Switch, Disassembled

