

HOW TO USE THIS CATALOG
SERIAL NUMBERS
V.I.N. TABLE
COLOR CHART
BULK HOSE
CYLINDER / CYLINDER HEAD
CRANKSHAFT / CONNECTING ROD / PISTON (1)
CRANKSHAFT / CONNECTING ROD / PISTON (2)
CAMSHAFT / VALVE
CAM CHAIN / CAM CHAIN ADJUST
CLUTCH
CLUTCH ADJUSTER / LEFT CRANKCASE COVER
TRANSMISSION
UPPER CRANKCASE / SHIFT DRUM
LOWER CRANKCASE / KICK STARTER
ALTERNATOR / POINTS / ADVANCER
STARTER MOTOR
OIL PUMP / FILTER / RIGHT CRANKCASE COVER
CARBURETOR (1)
CONTROL LEVERS (1) / CABLES(1) / HANDLEBAR (1)
CONTROL LEVERS (2) / CABLES(2) / HANDLEBAR (2)
FRONT SHOCK ABSORBER
FRONT FORK / FRONT FENDER
FUEL TANK (1)
FUEL TANK (2)
FRAME
SEAT / AIR PUMP
CENTER STAND
MUFFLER
AIR CLEANER / TOOL CASE / TOOLS
SWING ARM / CHAIN CASE
REAR SHOCK ABSORBER
FRONT WHEEL
REAR WHEEL
HEADLIGHT / SPEEDOMETER
TAILLIGHT (1)
TAILLIGHT (2)
TURN SIGNAL SWITCH / HORN SWITCH (1)
TURN SIGNAL SWITCH / HORN SWITCH (2)
WIRE HARNESS / BATTERY

HOW TO USE THIS CATALOG

This parts catalog is to be used when ordering replacement parts for the model (s) specified on the microfiche strip.

CATALOG PAGE BREAKDOWN (Generic layout-sample data only)

4= MODEL 5= MODEL 6= MODEL 7= MODEL			E-1						
④			Engine Serial Number						
Ref.	Description	MODEL-ID*	From	To	AREA	ORG	QTY	Part Number	H/C
1	COVER SET, CYLINDER HEAD	4	15240057	-----	AC	JPN	1	12310-PE2-020	20317D7
	COVER SET, CYLINDER HEAD		-----	12234811	A	USA	1	12310-PE2-030	2210888
①	②	③	⑤		⑥	⑦	⑧	⑨	⑩

KEY TO CATALOG PAGE BREAKDOWN

- Ref.** - Reference numbers correspond to the reference numbers on the illustrations. All illustrations are representative only and do not necessarily correspond exactly to the actual part. "N" signifies the part is not illustrated.

- Description*** - Describes the part for the related part number.

Abbreviations:

ASSY.	- Assembly	V	- Volt
COMP.	- Complete	W	- Wait
L(100L)	- Link(100Links)	A.C.	- Alternating Current
R.	- Right	D.C.	- Direct Current
L.	- Left	KPH	- Kilometers Per Hour
IN.	- Inlet	MPH	- Miles Per Hour
EX.	- Exhaust	A.M.	- Attaching Mark
FR.	- Front	T.M.	- Transcript Mark
RR.	- Rear	A	- Amperce
HEX.	- Hexagonal	WL	- With Labeling
STD.	- Standard	WOL	- Without Labeling
MM	- Millimeter	T (22T)	- Tooth
G	- Gram	C.D.I.	- Capacitive Discharge Ignition

- MODEL-ID*** - Model indicator code is unique per catalog (not consistent with other catalogs).

- Each catalog will be represented with applicable model indicators and models.

- Serial Number** - Applies to Engine or Frame serial numbers depending on the section. The serial numbers of the vehicle (frame, engine, carburetor) should be checked prior to ordering parts for a specific unit. In cases where a part has been modified, the serial number of the vehicle bearing the modification is listed in the 'SERIAL NUMBER' column. The modification parts are controlled by each pertinent serial number below.
Engine serial number - Engine group parts (Block numbers beginning with 'E').
Carburetor Identification number - Carburetor component parts.
Frame serial number - Frame group parts (Block numbers beginning with 'F').
 A serial number chart and serial number locations are provided.
 Note - Some models may be controlled by one serial number only.

- AREA*** - Applicable area code type is defined in the serial number chart.

- ORG*** - Manufacturing origin of the unit.

- QTY** - Quantity required per unit as specified.

- "AR" in place of the quantity indicates AS REQUIRED.
- (") Parenthosos in the quantity required indicate "optional".

- Part Number** - Part number corresponds to the reference number and application. Several part numbers may be listed under one (1) reference number. For your convenience the current supersede chain, as of print date, has been listed. Supersede chains are subject to change without notice.

- H/C** - The Honda Code and Part Number share a 1 to 1 relationship.

MAKE-UP OF PART NUMBERS

All parts are classified into two groups consisting of "GENERAL PARTS" and "STANDARD PARTS". All parts are numbered in accordance with the system described below:

General Parts

Example: Driver Seat Assembly Part No.	77400-034-071ZA
Function No.	77
Component No.	400
Model Code No.	-634-
Modification Process Design	671
Color Code**	ZA

A. Additional Information - The section index located at the bottom of each microfiche grid lists section titles. The Engine and Frame sections have separate section indexes.

Note:

- Rear view mirrors are standard equipment on all street legal models.

*When columns become full, additional data is displayed on a second line.

**The color code at the end of a part number indicates a color. Color codes such as ZA, ZB, ZC . . . , except ZZ, do not indicate the actual color. Actual colors are represented in code, between asterisks in the part description.

SERIAL NUMBERS

Models and applicable serial numbers

Models and applicable serial Nos. given in this parts catalog can be identified as follows
Parts with types are exclusive for models destined for countries designated
If no types are listed, parts are for common use

Model	Applicable Engine Serial No	Applicable Frame Serial No	Applicable Carburetor Identification No
CA85	C95E-100001 ~	C95*100001 ~	

Color Tables

Color Chart

- (WL) = Stripes and labels other than caution labels are included in parts whose part name end in (WL).
- (WOL) = Stripes and labels are not included in parts whose part name end in (WOL).

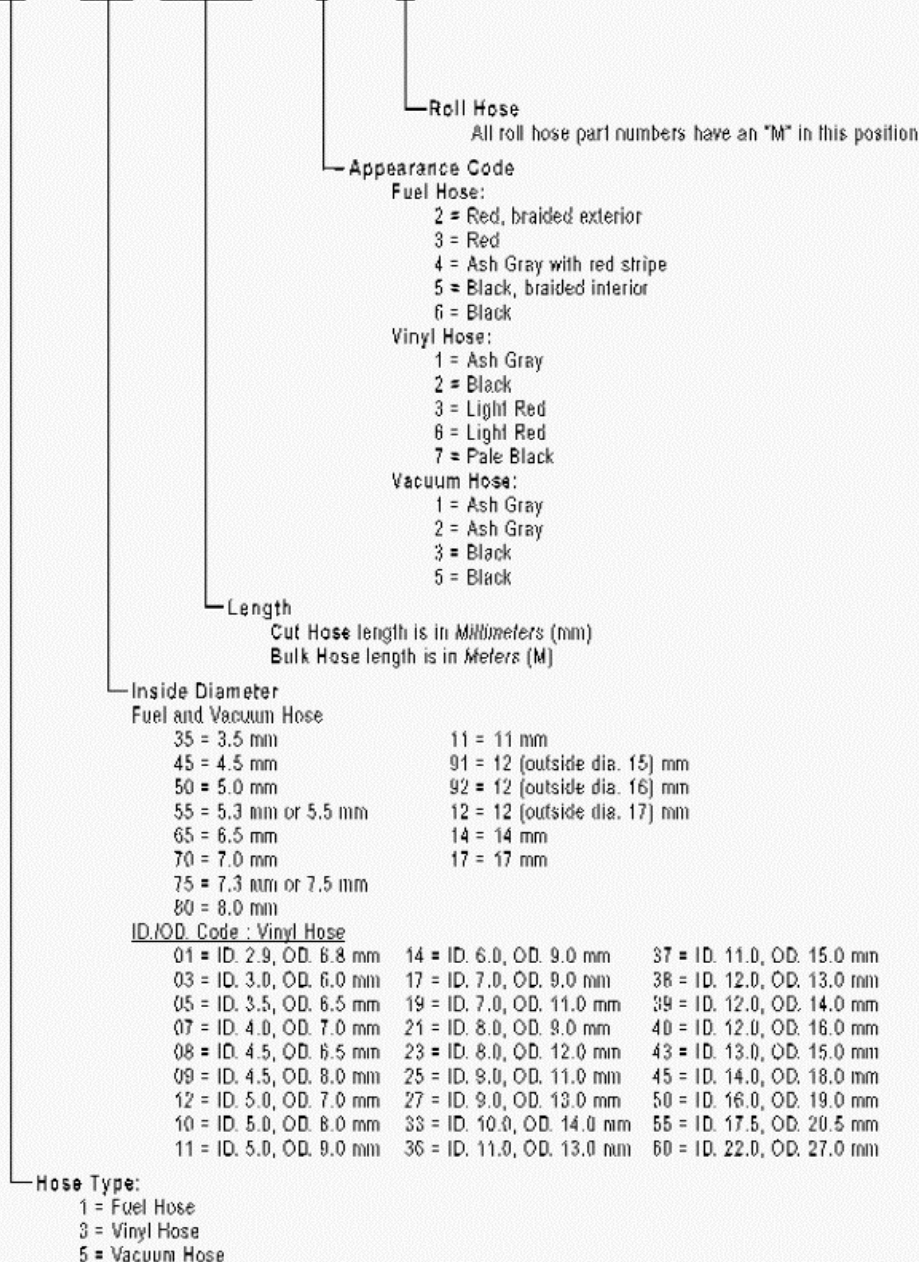
COLOR CODE TABLE (Color Descriptions omitted from the main text of the catalog)

TYPE OF PARTS	COLOR CODE	COLOR DESCRIPTION
PAINTED PARTS	A	WHITE
	B	BLACK
	C	SCARLET
	E	ROYAL BLUE
	N	DARK BLUE
	Q	MARQUEM BLUE
	R	IVORY YELLOW
	S	DARK SILVER
	T	METALLIC SILVER
	Z	PRIMER
	ZZ	PRIMER
XW	CHROME	
VINYL PARTS	A	BLACK
	B	BLUE
	D	LIGHT BLUE
	E	SCARLET
	G	DARK ROSE
	N	ELEPHANT GRAY & IVORY
	Q	WHITE
	V	IVORY

BULK HOSE PART NUMBER PATTERN

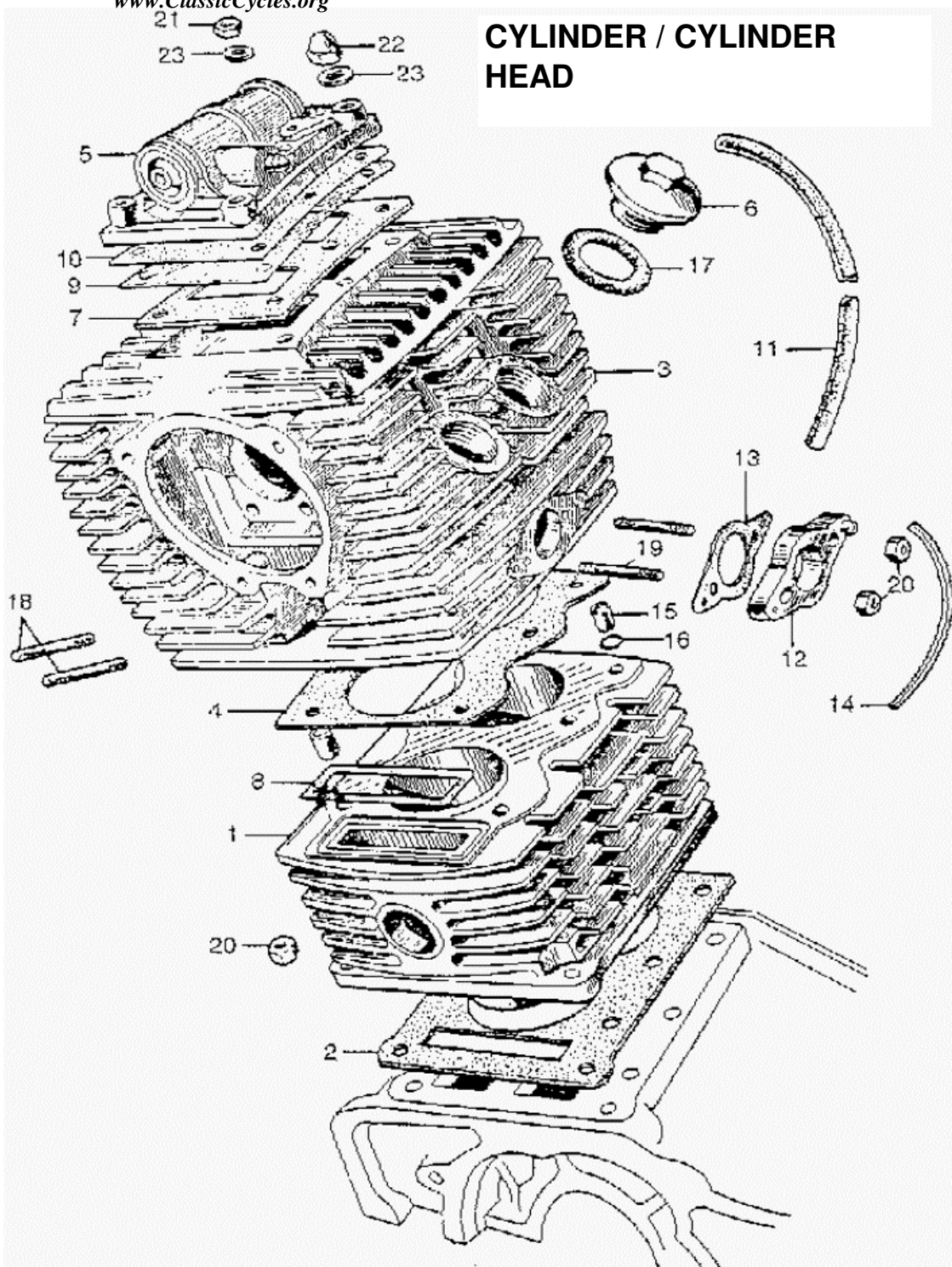
Construction of Fuel and Vacuum Hose Part Number

Example: 9 5 0 0 1 - 7 5 0 0 1 - 4 0 M



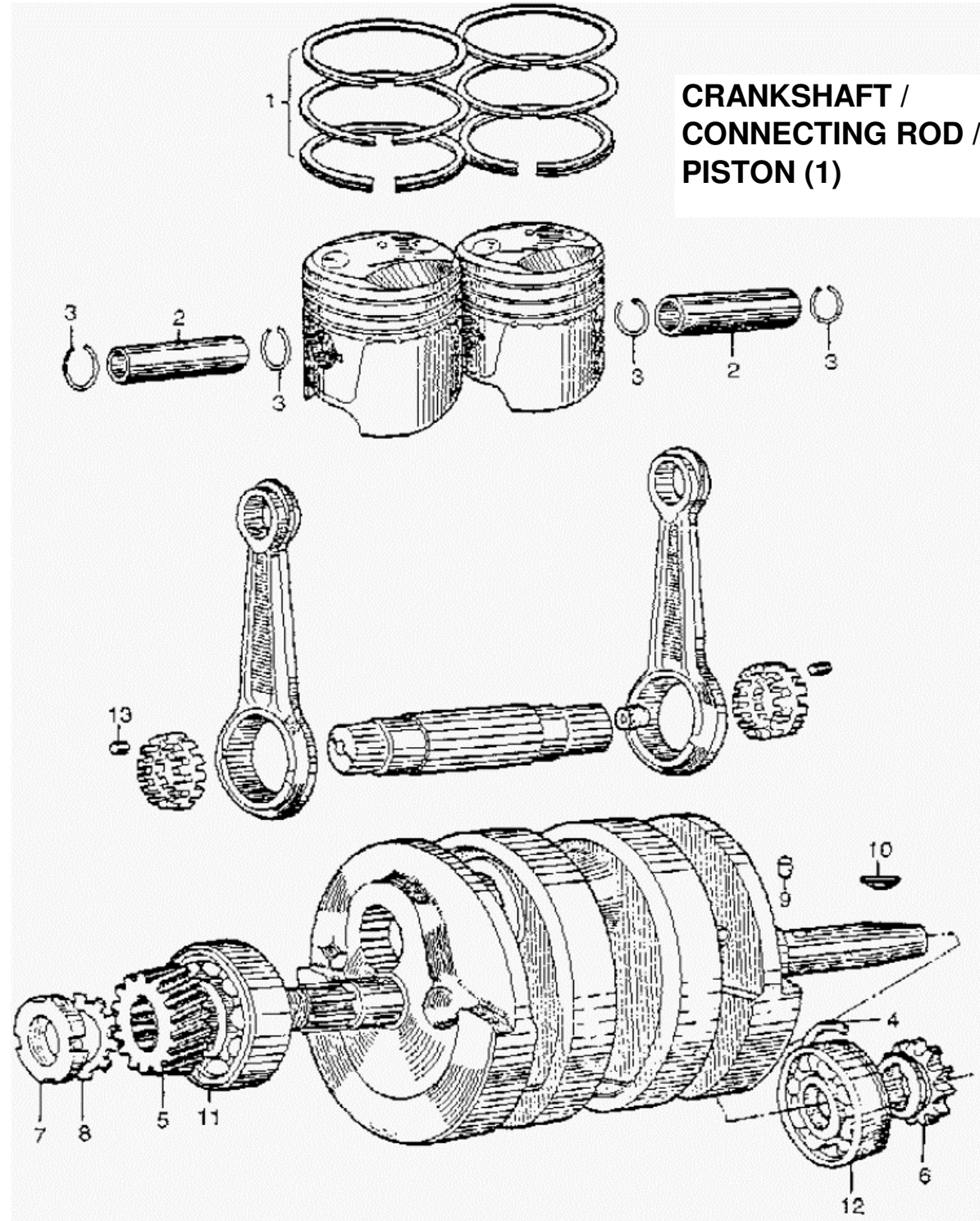
CYLINDER / CYLINDER HEAD

1	CYLINDER	12100-207-030
1	CYLINDER	12101-201-020
1	CYLINDER	12101-206-000
2	GASKET, CYLINDER	12191-201-000
3	CYLINDER HEAD	12200-207-030
4	GASKET, CYL HD	12251-207-010
5	COVER, CYLINDER HEAD	12300-202-000
5	COVER, CYLINDER HEAD	12300-206-000
5	COVER, CYLINDER HEAD	12301-200-000
6	CAP, VALVE ADJ.	12361-200-000
7	GASKET, CYL HD CVR	12391-202-000
8	GASKET	12901-200-000
9	PLATE	15755-202-000
10	GASKET, BREATHER SHIE	15759-202-000
11	TUBE, BREATHER	15761-202-000
12	INSULATOR	16211-201-000
12	INSULATOR	16211-201-010
12	INSULATOR, CARBURETO	16211-201-020
13	GASKET	16229-201-000
14	TUBE, AIR VENT	16231-200-000
15	PIN A, DOWEL (10X14)	90703-200-000
15	PIN A, DOWEL (10X14)	94301-10140
16	O-RING (10X1.6)	91301-200-000
17	O-RING (33.5X3)	91302-200-000
17	O-RING (33.5X3)	91302-943-003
17	O-RING (33.5X3.0)	91304-HB3-003
18	BOLT, STUD (6X40)	90038-250-000
18	BOLT, STUD (6X40)	90051-200-000
18	BOLT, STUD (6X35)	92700-06035
18	BOLT, STUD (6X35)	92700-06035-0B
18	BOLT, STUD (6X40)	92700-06040
18	BOLT, STUD (6X40)	92700-06040-0B
18	BOLT, STUD (6X28)	92900-06028-0B
18	BOLT, STUD (6X28)	92900-06028-08
19	BOLT, STUD (6X40)	92700-06040
19	BOLT, STUD (6X40)	92700-06040-0B
19	BOLT, STUD (6X28)	92900-06028-0B
19	BOLT, STUD (6X28)	92900-06028-08
20	NUT, HEX. (6MM)	90310-KA3-711
20	NUT, HEX. (6MM)	94000-06000-0S
20	NUT, HEX. (6MM)	94001-06000
20	NUT, HEX. (6MM)	94001-06000-0S
20	NUT, HEX. (6MM)	94001-06008-0S
20	NUT, HEX. (6MM)	94001-06200-0S
20	NUT, HEX. (6MM)	94030-06000
21	NUT, HEX. (8MM)	94001-08000
21	NUT, HEX. (8MM)	94030-08000
21	NUT, HEX. (8MM)	94030-08200
22	NUT, CAP (8MM)	90012-286-000
22	NUT, CAP (8MM)	94021-08000
22	NUT, CAP (8MM)	94021-08000-0S
22	NUT, CAP (8MM)	94022-08000-0S
23	WASHER, PLAIN (8MM)	94101-08000



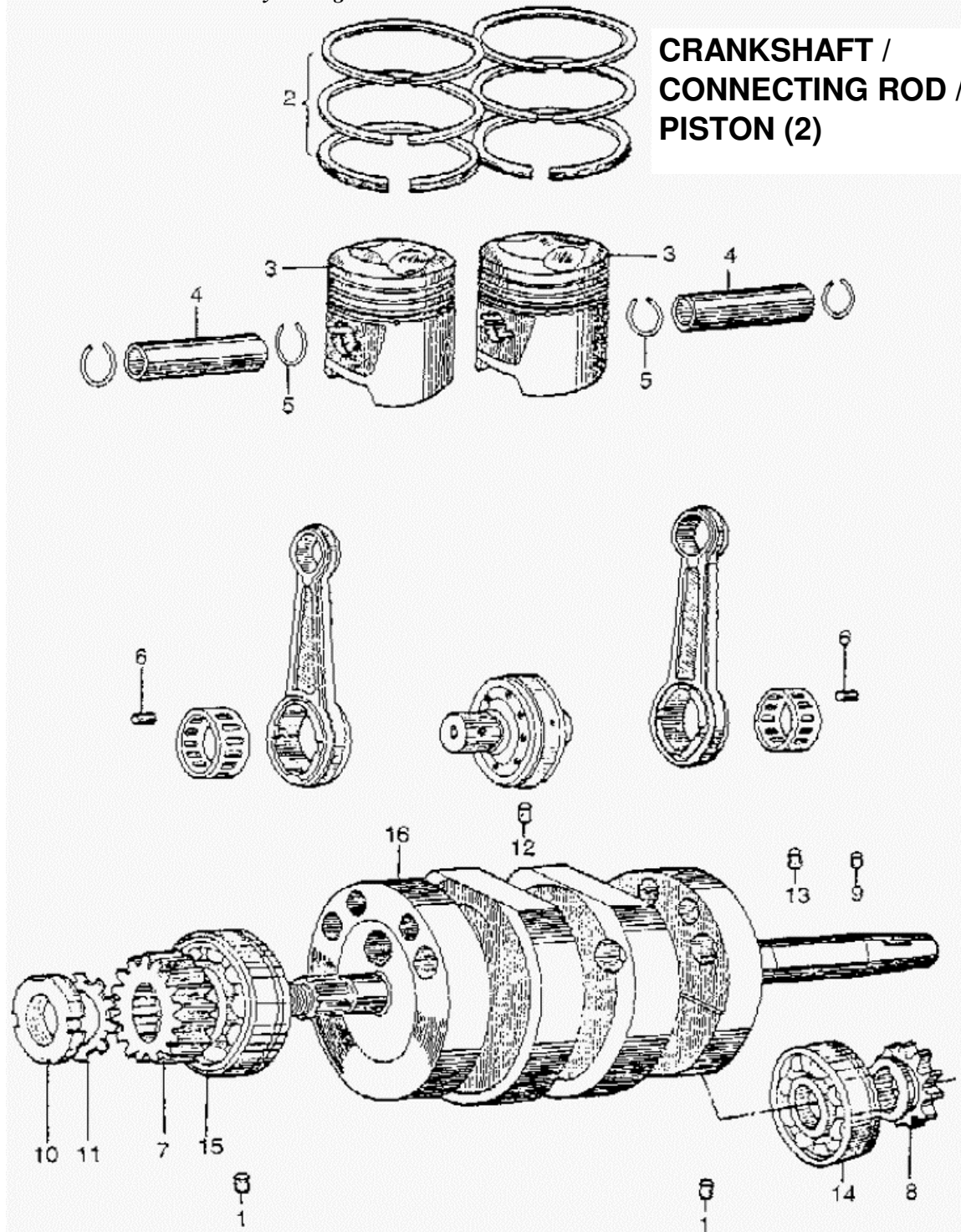
1	RING SET (STD)	13010-201-000
1	RING SET (STD)	13011-201-000
1	RING SET (OS 0.25)	13020-201-000
1	RING SET (OS 0.25)	13021-201-000
1	RING SET (OS 0.50)	13030-201-000
1	RING SET (OS 0.50)	13031-030-000
1	RING SET (OS 0.50)	13031-201-000
1	RING SET (0.75)	13040-201-000
1	RING SET (0.75)	13041-201-000
1	RING SET (1.00)	13050-201-000
1	RING SET (1.00)	13051-201-000
2	PIN, PISTON	13111-207-000
2	PIN, PISTON	13111-707-000
3	CLIP, PISTON PIN	13115-200-000
3	CLIP (14MM)	94601-14000
4	RING A	13495-200-010
5	GEAR, PRIMARY DRIVE	13611-202-000
5	GEAR, PRIMARY DRIVE	13611-202-020
6	SPROCKET, TIMING	14311-202-000
6	SPROCKET, TIMING	14311-202-020
7	NUT, LOCK (16MM)	90231-KCS-651
7	NUT, LOCK (16MM)	90231-200-010
8	WASHER, LOCK (16MM)	90431-216-000
8	WASHER, LOCK (16MM)	90431-216-010
9	PIN	90719-200-000
10	KEY (4MM)	90741-202-000
11	BEARING (N304SHS)	91001-202-000
12	BEARING (6304SHS)	91001-205-000
12	BEARING (N304SHS)	91012-202-010
13	ROLLER (2.5X8.5)	91101-205-010

**CRANKSHAFT /
CONNECTING ROD /
PISTON (1)**

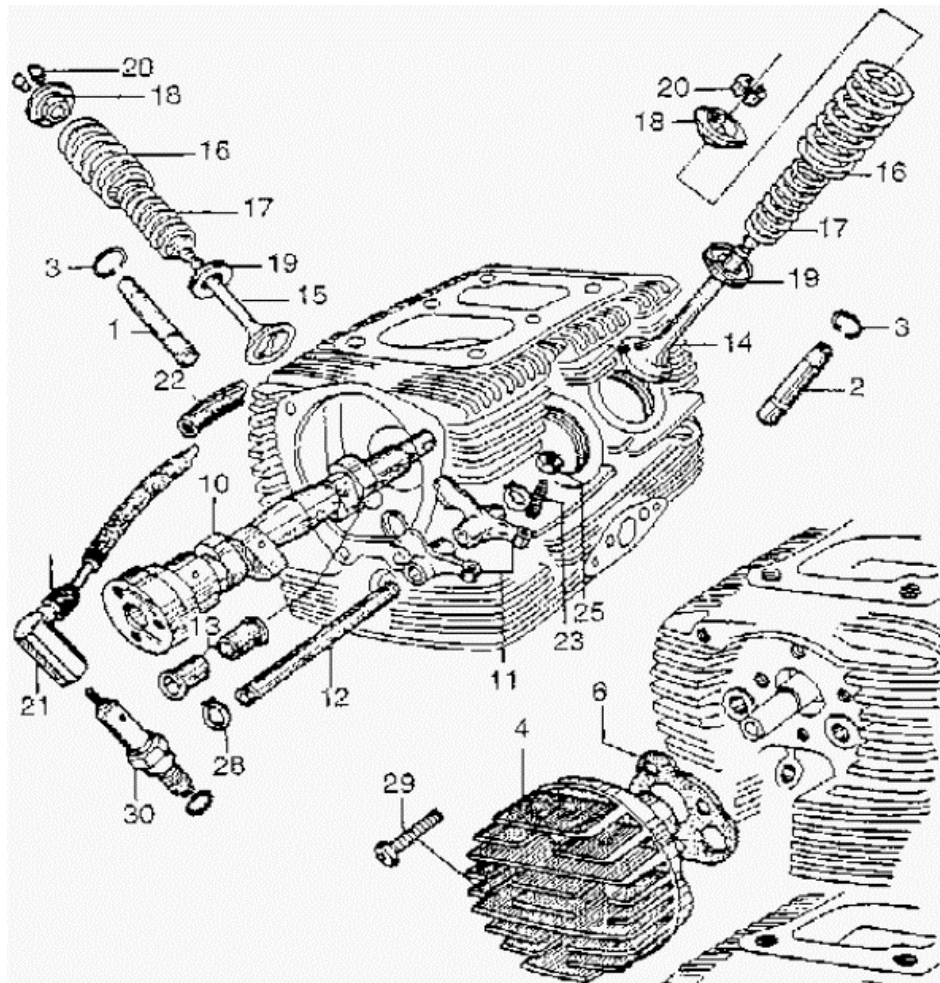


1	PIN, KNOCK (6X10)	90701-202-000
2	RING SET (STD)	13010-201-000
2	RING SET (STD)	13011-201-000
2	RING SET (OS 0.25)	13020-201-000
2	RING SET (OS 0.25)	13021-201-000
2	RING SET (OS 0.50)	13030-201-000
2	RING SET (OS 0.50)	13031-030-000
2	RING SET (OS 0.50)	13031-201-000
2	RING SET (0.75)	13040-201-000
2	RING SET (0.75)	13041-201-000
2	RING SET (1.00)	13050-201-000
2	RING SET (1.00)	13051-201-000
3	PISTON	13101-206-000
3	PISTON	13101-206-010
3	PISTON (OS 0.25)	13102-206-000
3	PISTON (OS 0.25)	13102-206-010
3	PISTON (OS 0.50)	13103-206-000
3	PISTON (OS 0.50)	13103-206-010
3	PISTON (0.75)	13104-206-000
3	PISTON (0.75)	13104-206-010
3	PISTON (1.00)	13105-206-000
3	PISTON (1.00)	13105-206-010
4	PIN, PISTON	13111-207-000
4	PIN, PISTON	13111-707-000
5	CLIP, PISTON PIN	13115-200-000
5	CLIP (14MM)	94601-14000
6	PLATE, R.	13497-202-000
6	PLATE	90402-202-000
7	GEAR, PRIMARY DRIVE	13611-202-020
8	SPROCKET, TIMING	14311-202-000
8	SPROCKET, TIMING	14311-202-020
9	DOWEL, FLYWHEEL	30906-200-000
9	DOWEL, FLYWHEEL	30906-216-000
9	DOWEL, FLYWHEEL	30906-235-000
10	NUT, LOCK (16MM)	90231-KCS-651
10	NUT, LOCK (16MM)	90231-200-010
11	WASHER, LOCK (16MM)	90431-216-000
11	WASHER, LOCK (16MM)	90431-216-010
12	PIN, KNOCK (8X8)	90701-205-000
13	PIN	90719-200-000
14	BEARING (N304SHS)	91001-202-020
15	BEARING (N304SHS)	91012-202-010
16	CRANKSHAFT	13000-205-385
16	CRANKSHAFT	13000-206-000
16	CRANKSHAFT	13000-207-020
16	CRANKSHAFT	13000-207-325

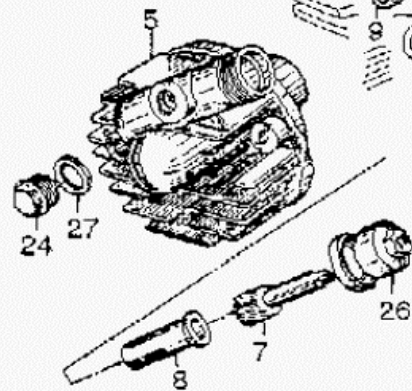
CRANKSHAFT / CONNECTING ROD / PISTON (2)



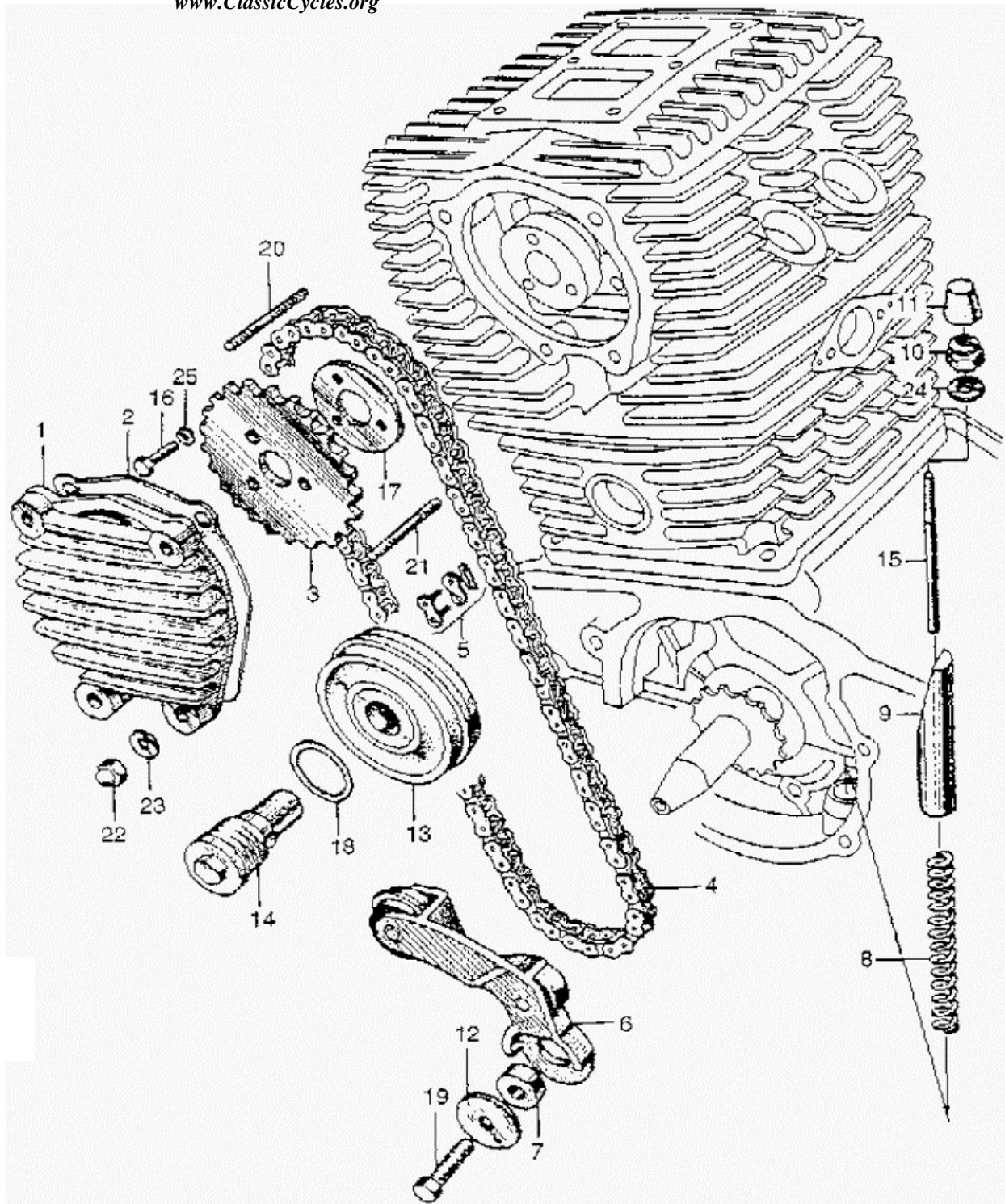
1	GUIDE, EX. VALVE	12023-205-000
2	GUIDE, VALVE	12204-200-305
3	CLIP, VALVE GUIDE	12253-200-300
4	CVR, R. CYL HD SIDE	12331-202-000
5	CVR, R. CYL HD SIDE	12331-205-020
6	GASKET, R.	12394-200-000
7	GEAR	12431-205-000
8	BUSH, TACH GR	12441-205-000
9	GEAR	14100-205-030
10	CAMSHAFT	14101-206-000
11	ARM, VALVE ROCKER	14431-200-000
11	ARM, VALVE ROCKER	14431-206-000
12	PIN	14451-200-000
13	COLLAR	14491-200-000
14	VALVE, IN.	14711-200-020
15	VALVE, EX.	14721-205-000
16	SPRING, VALVE	14751-200-000
17	SPRING, VALVE	14761-200-000
18	RETAINER, VLV SPR	14771-011-000
19	SEAT, VALVE SPRING	14775-200-000
20	COTTER, VALVE	14781-001-010
21	CAP ASSY.	30700-MG7-000
21	CAP ASSY.	30700-243-610
21	CAP ASSY.	30700-259-600
22	TUBE	32762-200-010
23	SCREW, TAPPET ADJ.	90012-200-000
23	SCREW, TAPPET ADJ.	90012-333-000
24	BOLT, SEALING (12MM)	90081-205-000
25	NUT, TAPPET ADJ.	90206-001-000
26	NUT, SEALING (20MM)	90241-205-000
27	WASHER (12MM)	90451-205-000
28	CIRCLIP (10MM)	90601-200-000
28	CIRCLIP (10MM)	94510-10000
29	SCREW, PAN (6X20)	93500-06020
29	SCREW, PAN (6X20)	93500-06020-0A
30	SPARK PLUG (D9H)	98066-58710
30	SPARK PLUG (D8HS)	98066-58714
30	SPARK PLUG (D8HA)	98066-58717
30	SPARK PLUG (D9H)	98066-58717-00
30	SPARK PLUG (D10HS)	98066-60710
30	SPARK PLUG (D10HS)	98066-60714



CAMSHAFT / VALVE

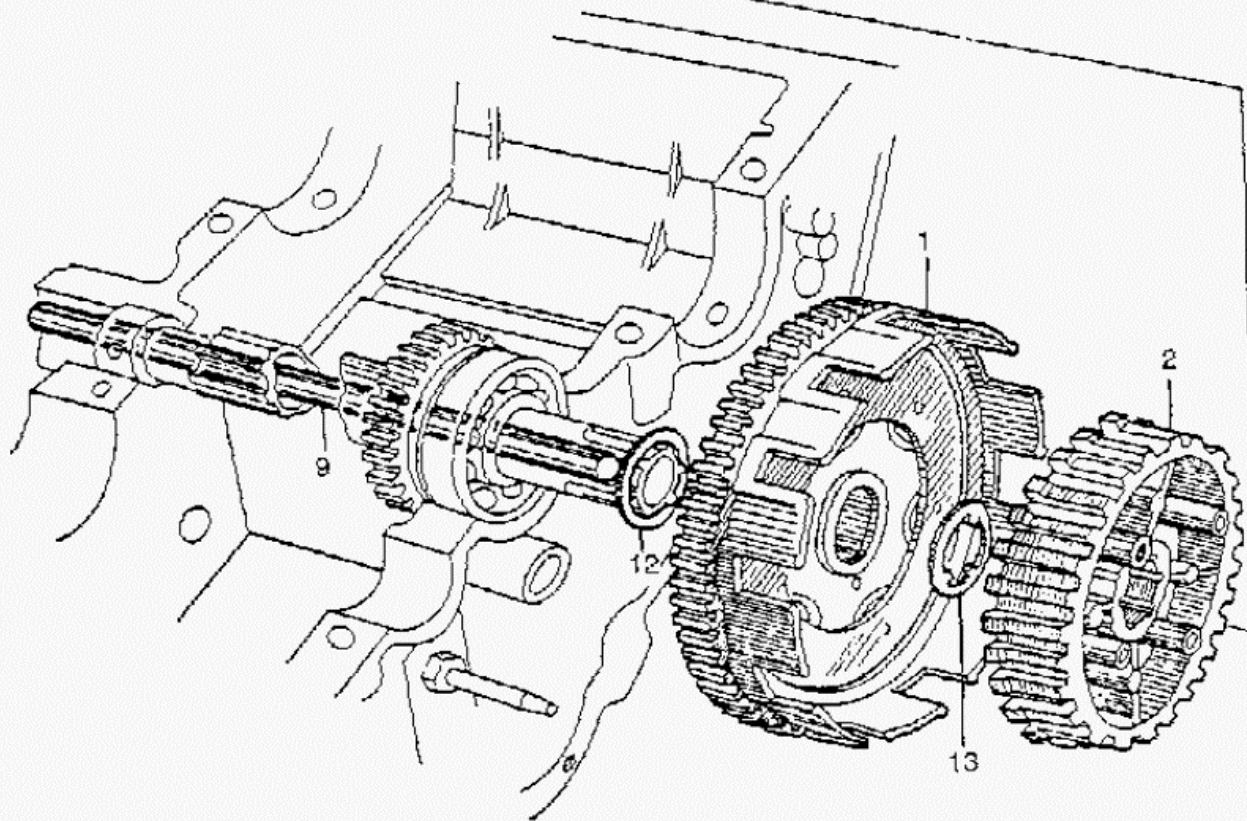
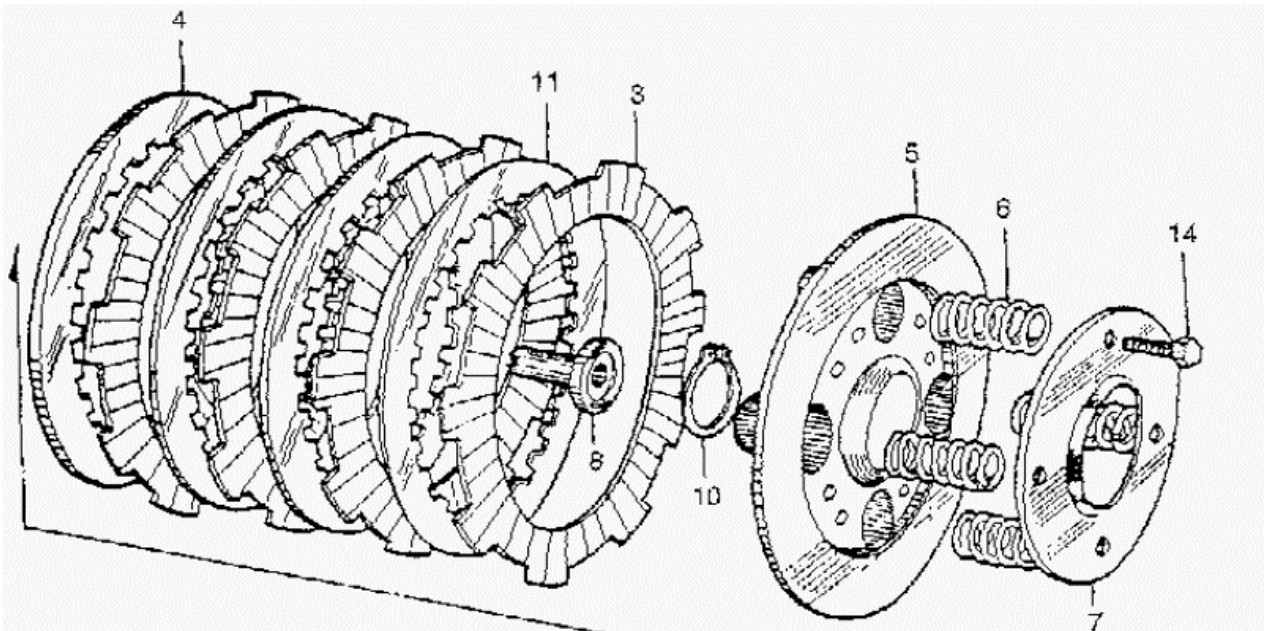


1	CVR, L. CYL HD SIDE	12341-202-000
2	GASKET, L.	12395-200-000
3	SPROCKET, CAM	14321-200-000
4	CHAIN, CAM (DK219)	14401-200-004
5	JOINT, CAM CHAIN	14411-216-000
5	JOINT (DK219)	14411-259-000
6	TENSIONER, CAM CHAIN	14500-202-000
7	PIVOT	14536-200-000
8	SPRING	14541-200-000
9	GUIDE	14545-200-000
10	NUT	14572-200-000
11	CAP	14573-200-000
12	PLATE	14592-202-000
13	ROLLER	14610-200-000
13	ROLLER	14610-235-000
14	PIN	14615-202-000
15	SCREW	90009-200-000
16	BOLT, KNOCK (6MM)	90081-200-000
17	WASHER (37.5MM)	90482-200-000
18	O-RING (17X2.5)	91303-200-000
18	O-RING (17.0X2.5)	91333-KE5-003
19	BOLT, HEX. (8X25)	92000-08025
19	BOLT, HEX. (8X25)	92000-08025-0A
19	BOLT, HEX. (8X26)	92000-08026
19	BOLT, HEX. (8X25)	92101-08025-0A
20	BOLT, STUD (6X31)	92700-06031
20	BOLT, STUD (6X18)	92900-06018-0B
21	BOLT, STUD (6X27)	92712-06027
22	NUT, CAP (6MM)	94021-06000
22	NUT, CAP (6MM)	94021-06000-0S
22	NUT, CAP (6MM)	94021-06020
22	NUT, CAP (6MM)	94021-06020-0S
22	NUT, CAP (6MM)	94022-06020
23	WASHER, PLAIN (6MM)	94101-06000
23	WASHER, PLAIN (6MM)	94101-06080
23	WASHER, PLAIN (6MM)	94101-06800
24	WASHER, PLAIN (8MM)	94101-08000
25	WASHER, SPRING (6MM)	94111-06000

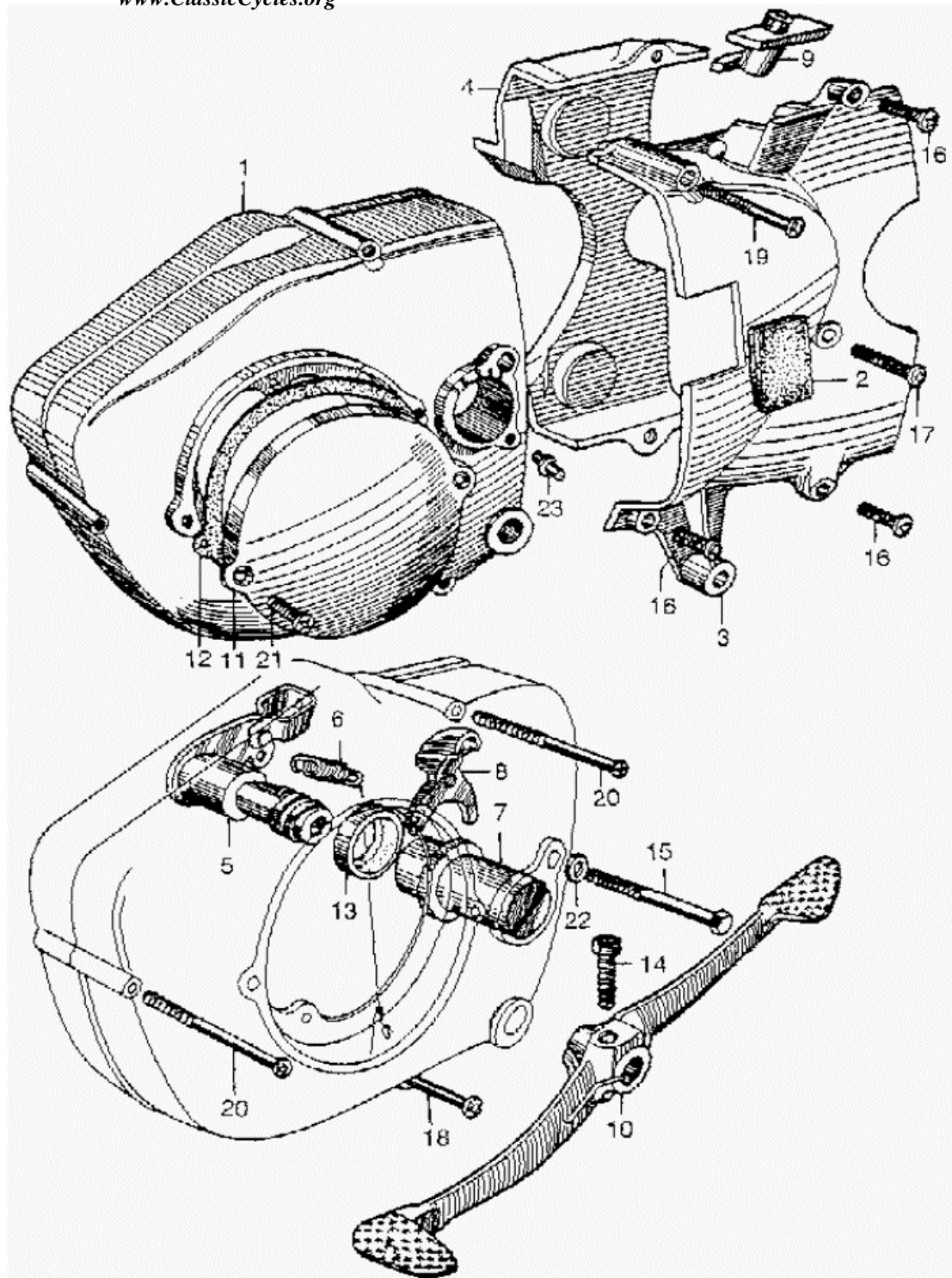


CAM CHAIN / CAM CHAIN ADJUST

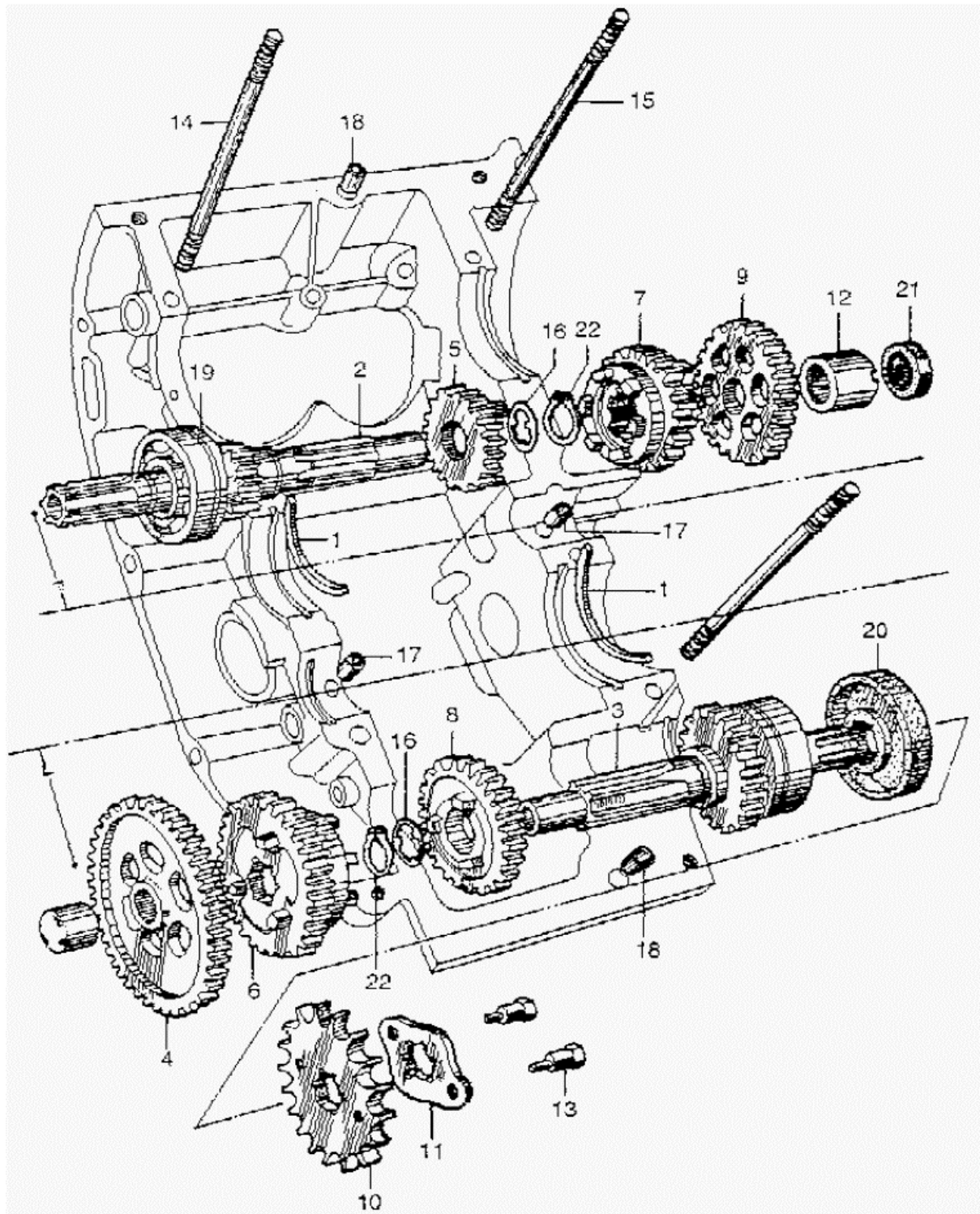
1	CLUTCH OUTER	22100-205-000
1	CLUTCH OUTER	22100-205-020
2	CENTER, CLUTCH	22120-202-000
2	CENTER, CLUTCH	22120-202-010
3	DISK, CL FRICTION	22201-200-000
3	DISK, CL FRICTION	22201-216-000
3	DISK, CL FRICTION	22201-217-600
3	DISK, CL FRICTION	22201-240-000
4	PLATE B, CLUTCH	22321-200-000
5	PLATE, CLU PRESS	22351-200-010
6	SPRING, CLUTCH	22401-205-000
6	SPRING, CLUTCH	22401-230-000
7	PLATE	22408-200-000
7	PLATE	22408-230-000
8	PIECE	22838-200-000
8	PIECE	22838-202-000
8	PIECE	22838-202-010
9	ROD, CLUTCH LIFTER	22850-200-010
10	RING A SET (20MM)	22903-200-000
11	PLATE A, CLUTCH	23311-200-000
12	WASHER B (20MM)	90452-200-000
13	WASHER C (20MM)	90453-200-000
14	BOLT, HEX. (6X20)	92000-06020
14	BOLT, HEX. (6X20)	92101-06020-0A



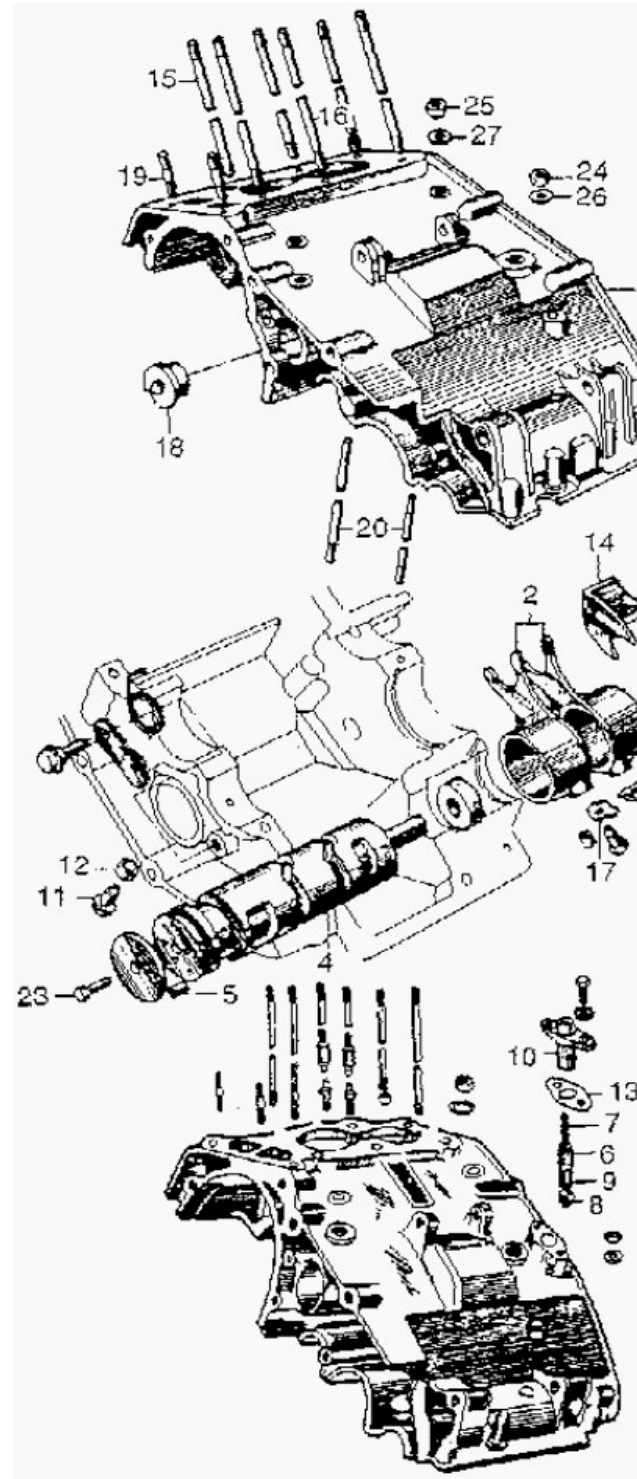
1	COVER, L. CRANKCASE	11340-201-030
2	COVER, CLUTCH	11655-202-000
3	COVER A, DRIVE CHAIN	11661-202-010
4	COVER B, DRIVE CHAIN	11665-200-000
5	THREAD	22810-200-010
5	THREAD	22810-224-010
6	SPRING	22815-200-000
7	ADJUSTER, CLUTCH	22841-200-010
7	ADJUSTER, CLUTCH	22841-202-000
8	PIECE	22844-200-000
8	PIECE	22844-200-010
9	JOINT, CLUTCH CABLE	22875-200-000
9	JOINT, CLUTCH CABLE	22875-224-000
9	JOINT, CLUTCH CABLE	22875-351-000
10	PEDAL, GEARSHIFT	24701-203-000
10	RUBBER, SHIFT PEDAL	24781-205-000
10	RUBBER, SHIFT PEDAL	24781-268-000
10	RUBBER, SHIFT PEDAL	95011-40000
11	COVER, POINTS	30371-201-000
12	GASKET, POINTS COVER	30391-201-000
13	OIL SEAL (2226298)	91205-200-000
13	OIL SEAL	91205-200-005
14	BOLT, HEX. (6X22)	92000-06022
14	BOLT, HEX. (6X22)	92000-06022-00
14	BOLT, HEX. (6X22)	92101-06022-0A
15	BOLT, HEX. (6X50)	92000-06050
15	BOLT, HEX. (6X50)	92000-06050-0A
15	BOLT, HEX. (6X55)	92000-06055
15	BOLT, HEX. (6X55)	92000-06055-0A
15	BOLT, HEX. (6X55)	92101-06055-0A
16	SCREW, PAN (6X20)	93500-06020
16	SCREW, PAN (6X20)	93500-06020-0A
17	SCREW, PAN (6X30)	93500-06030
17	SCREW, PAN (6X30)	93500-06030-0A
18	SCREW, PAN (6X40)	93500-06040
18	SCREW, PAN (6X40)	93500-06040-0A
19	SCREW, PAN (6X50)	93500-06050
19	SCREW, PAN (6X50)	93500-06050-0A
20	SCREW, PAN (6X60)	93500-06060
20	SCREW, PAN (6X60)	93500-06060-0A
21	SCREW, OVAL (5X16)	93700-05016-0B
21	SCREW, OVAL (5X16)	93700-05016-02
22	WASHER, PLAIN (6MM)	94101-06000
22	WASHER, PLAIN (6MM)	94101-06080
22	WASHER, PLAIN (6MM)	94101-06800
23	FITTING, GREASE	96201-30000
23	FITTING (A.45)	96201-30001



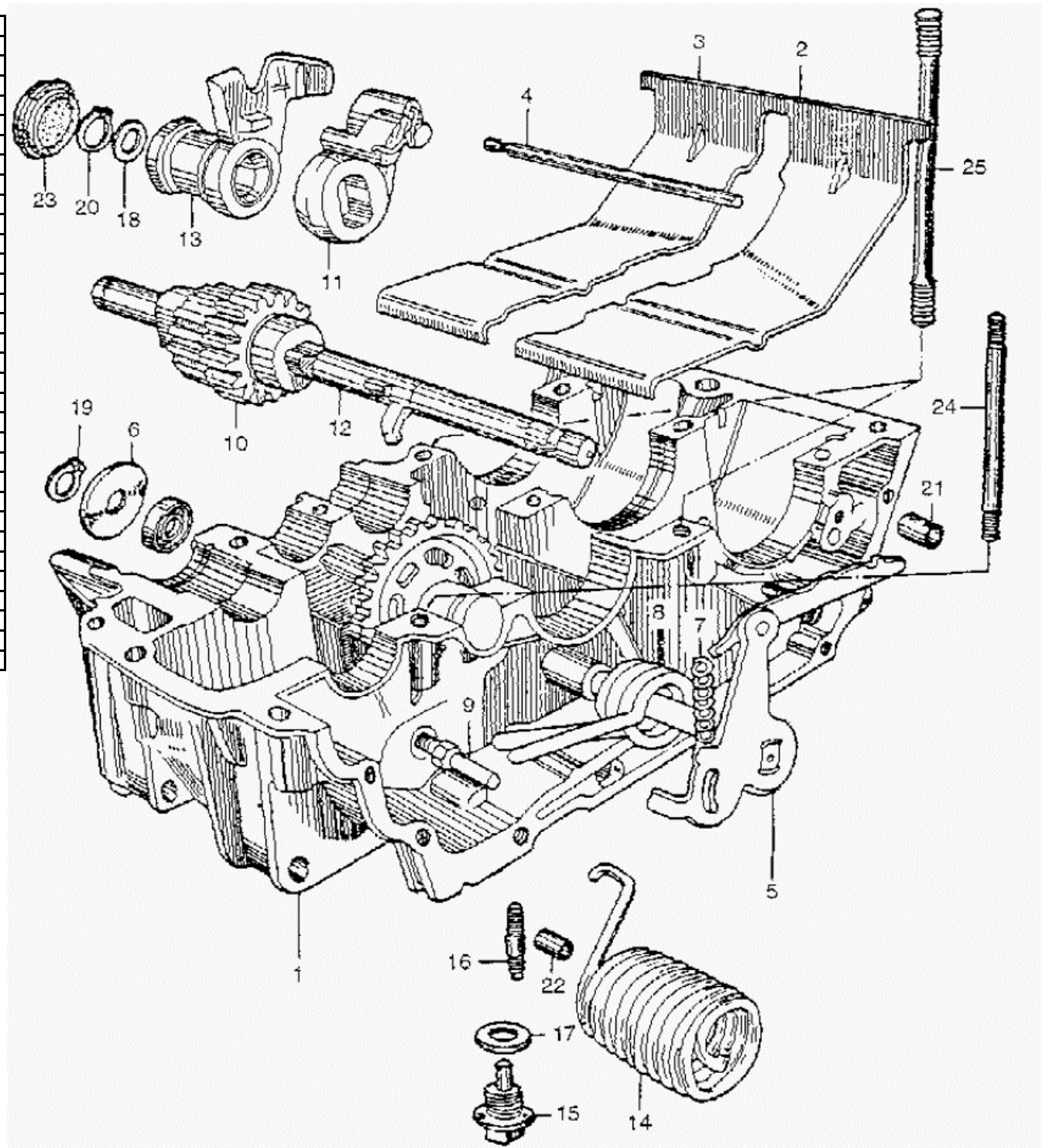
1	SET-RING B	13492-200-000
2	MAINSHAFT, TRANS	23211-205-010
2	MAINSHAFT, TRANS	23211-205-020
2	MAINSHAFT, TRANS	23211-205-030
3	COUNTERSHAFT, TRANS	23221-205-000
3	COUNTERSHAFT, TRANS	23221-205-010
4	GEAR	23420-205-010
5	GEAR	23430-205-000
6	GEAR	23441-205-000
7	GEAR	23451-205-000
8	GEAR	23460-205-000
9	GEAR	23470-205-000
9	GEAR	23470-205-010
10	SPROCKET (15T)	23801-KC6-000
10	SPROCKET (14T)	23801-KF9-900
10	SPROCKET (14T) (STD)	23801-028-000
10	SPROCKET (14T)	23801-030-010
10	SPROCKET (15T)	23801-030-811
10	SPROCKET (14T)	23801-046-000
10	SPROCKET, DRIVE	23801-052-010
10	SPROCKET (14T)	23801-107-760
10	SPROCKET, DRIVE	23801-121-000
10	SPROCKET (15T)	23801-324-000
11	PLATE	23811-200-010
11	PLATE	23811-206-000
12	BUSH (15MM)	23931-200-000
13	BOLT	90025-205-000
14	BOLT, STUD (8X139)	90062-200-000
15	BOLT, STUD (8X111)	90063-200-010
16	WASHER A (20MM)	90451-200-000
17	DOWEL (6MM)	90702-200-000
18	PIN A, DOWEL (10X14)	90703-200-000
18	PIN A, DOWEL (10X14)	94301-10140
20	OIL SEAL (20X47X10)	91202-200-000
21	OIL SEAL (8X25X8)	91204-MB0-013
21	OIL SEAL (8X25X8)	91206-200-000
21	OIL SEAL (8X25X8)	91206-200-005
22	CIRCLIP (20MM)	94510-20000
22	CIRCLIP (20MM)	94510-20120



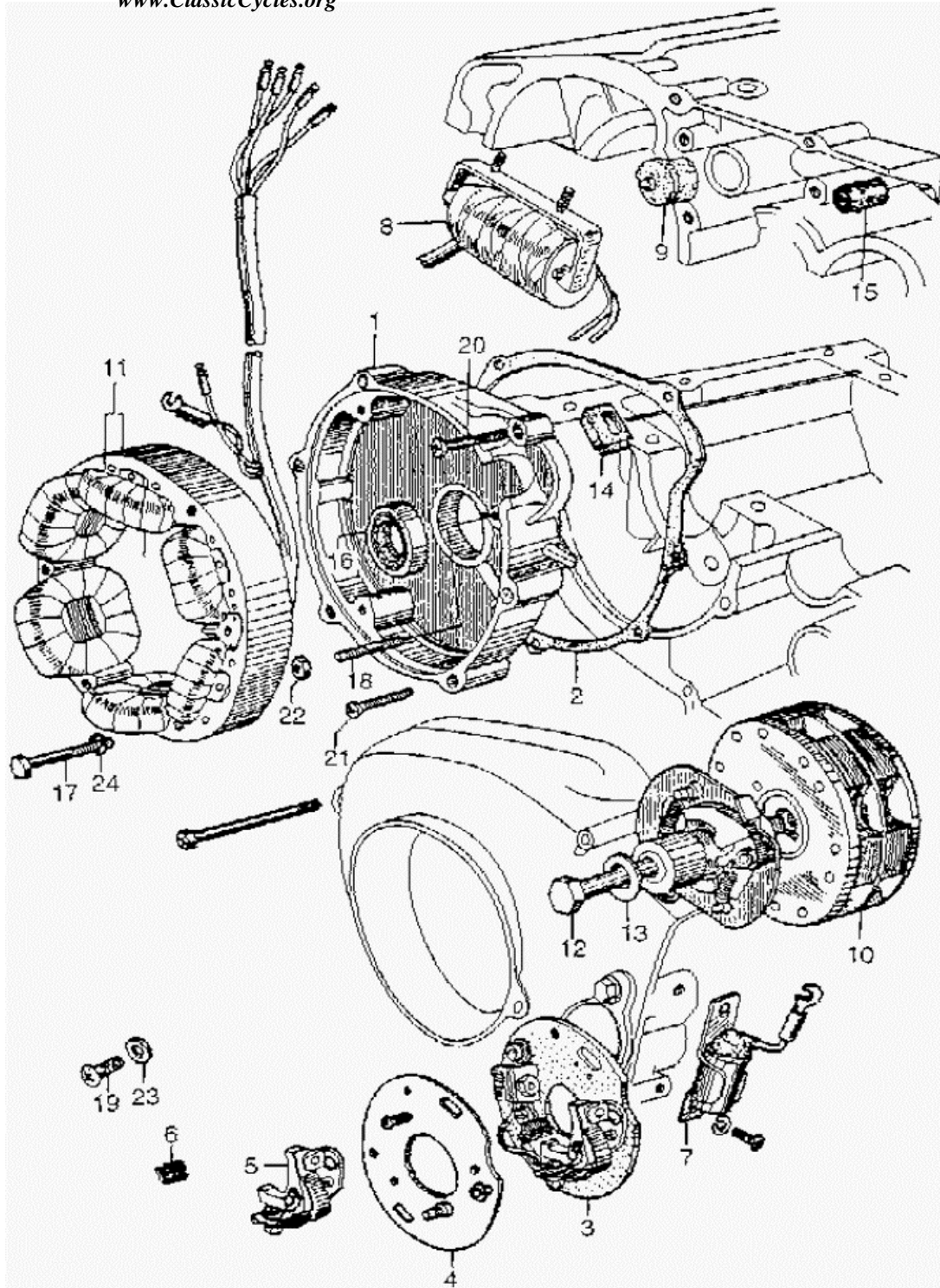
CAP, BREATHER	15715-202-000
COLLAR, BREATHER CAP	15716-202-000
BODY, BREATHER	15721-202-000
SPRING	15727-205-000
VALVE, BREATHER	15731-202-000
SPRING	15732-201-000
1 CRANKCASE (UPPER)	11101-205-070
1 CRANKCASE (UPPER)	11101-205-100
2 FORK, GEARSHIFT	24211-205-000
3 PIN	24261-216-000
4 DRUM, GEARSHIFT	24301-203-000
5 PIN, GEARSHIFT DRUM	24421-200-000
5 PIN, GEARSHIFT DRUM	24421-230-000
6 STOPPER, SHIFT DRUM	24431-205-000
7 SPRING, DRUM STOPPER	24435-205-000
8 ROLLER	24436-205-000
9 PIN	24437-205-000
10 GUIDE, DRUM STOPPER	24441-205-000
11 SCREW	24445-200-000
12 COLLAR	24446-200-000
13 GASKET	24449-205-000
14 STATOR	35752-200-000
15 BOLT A, CYL STUD	90031-200-000
16 BOLT C, CYL STUD	90033-205-000
17 WASHER	90416-200-000
18 RUBBER (26MM)	90802-200-000
18 RUBBER (26MM)	90802-200-010
19 BOLT, STUD (6X27)	92700-06027
20 BOLT, STUD (6X113)	92700-06113
21 SCREW, PAN (6X12)	93500-06012
21 SCREW, PAN (6X12)	93500-06012-0A
21 SCREW, PAN (6X12)	93500-06012-00
22 SCREW, PAN (6X20)	93500-06020
22 SCREW, PAN (6X20)	93500-06020-0A
23 SCREW, FLAT (6X16)	93600-06016
23 SCREW, FLAT (6X16)	93600-06016-0A
24 NUT, HEX. (6MM)	90310-KA3-711
24 NUT, HEX. (6MM)	94000-06000-0S
24 NUT, HEX. (6MM)	94001-06000
24 NUT, HEX. (6MM)	94001-06000-0S
24 NUT, HEX. (6MM)	94001-06008-0S
24 NUT, HEX. (6MM)	94001-06200-0S
24 NUT, HEX. (6MM)	94030-06000
25 NUT, HEX. (8MM)	94001-08000
25 NUT, HEX. (8MM)	94030-08000
25 NUT, HEX. (8MM)	94030-08200
26 WASHER, PLAIN (6MM)	94101-06000
26 WASHER, PLAIN (6MM)	94101-06080
26 WASHER, PLAIN (6MM)	94101-06800
27 WASHER, PLAIN (8MM)	94101-08000



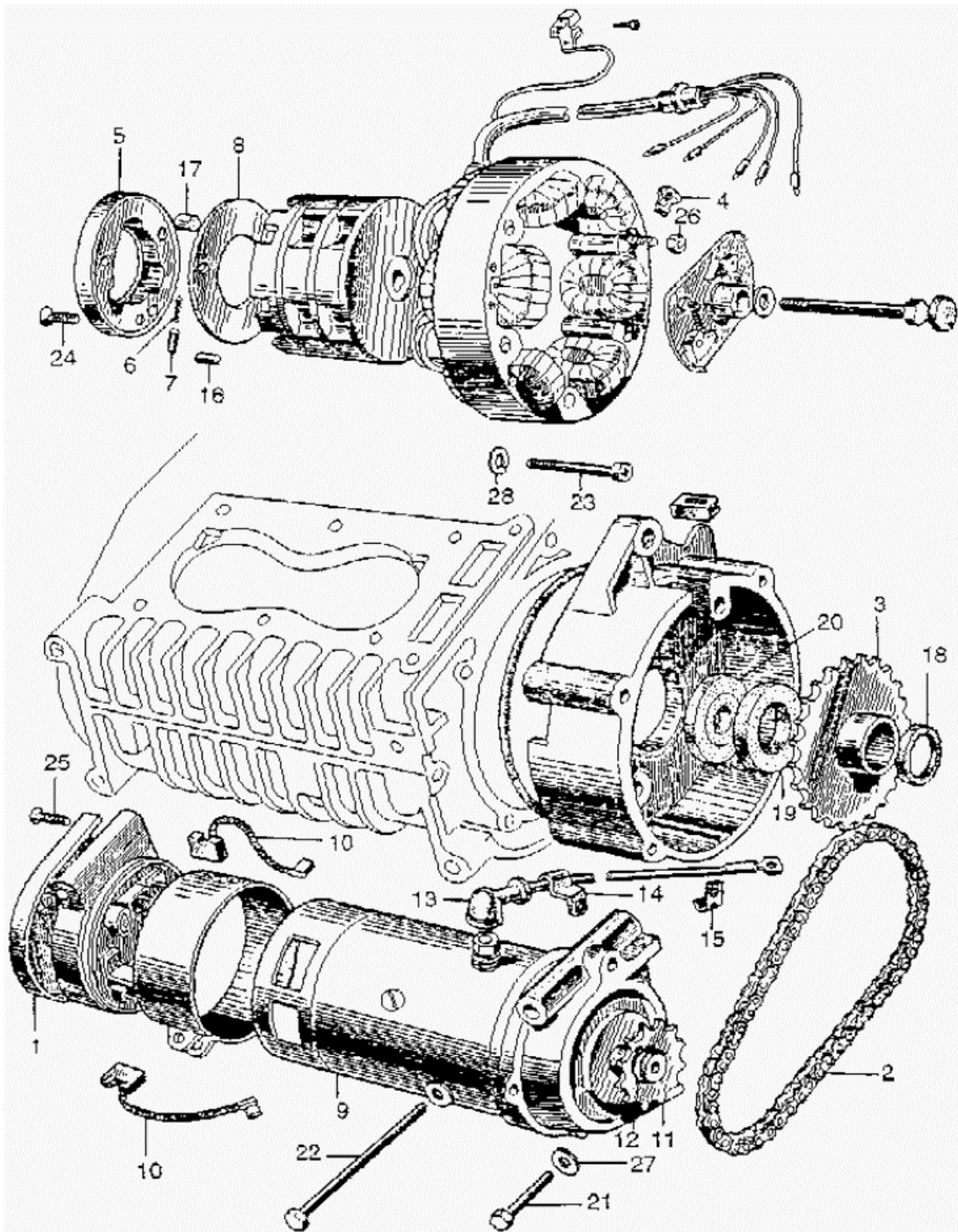
1	CRANKCASE (LOWER)	11200-203-000
1	CRANKCASE (LOWER)	11200-203-020
2	SEPARATOR, R. OIL	11761-205-000
3	SEPARATOR, L. OIL	11771-205-000
4	BAR, SEPARATOR	11781-200-000
5	SPINDLE, GEARSHIFT	24610-201-000
6	STOPPER	24621-200-000
7	SPRING	24641-200-000
7	SPRING	24641-216-000
8	SPRING	24651-200-000
9	PIN	24652-200-000
10	PINION, KICK STARTER	28211-205-000
11	RATCHET	28221-200-010
12	SPINDLE	28251-200-000
13	BUSH	28258-200-000
14	SPRING, KICK STARTER	28261-200-000
15	BOLT, DRAIN VALVE	90013-205-000
15	BOLT, DRAIN VALVE	90013-230-000
16	BOLT, STUD (8X32)	90064-200-000
17	GASKET, DRAIN VALVE	90407-205-000
17	GASKET, DRAIN	90407-367-690
18	WASHER (15MM)	90454-200-000
18	WASHER (15X1)	90457-HB3-000
19	CIRCLIP (12MM)	90603-200-000
20	SET-RING (15MM)	90604-200-000
20	CIRCLIP (15MM)	94510-15000
21	PIN, KNOCK (8.5X11)	90701-200-000
22	PIN A, DOWEL (10X14)	90703-200-000
22	PIN A, DOWEL (10X14)	94301-10140
23	RUBBER (30MM)	90803-200-000
24	BOLT, STUD (6X93)	92700-06092
24	BOLT, STUD (6X93)	92700-06093
25	BOLT, STUD (8X110)	92700-08110



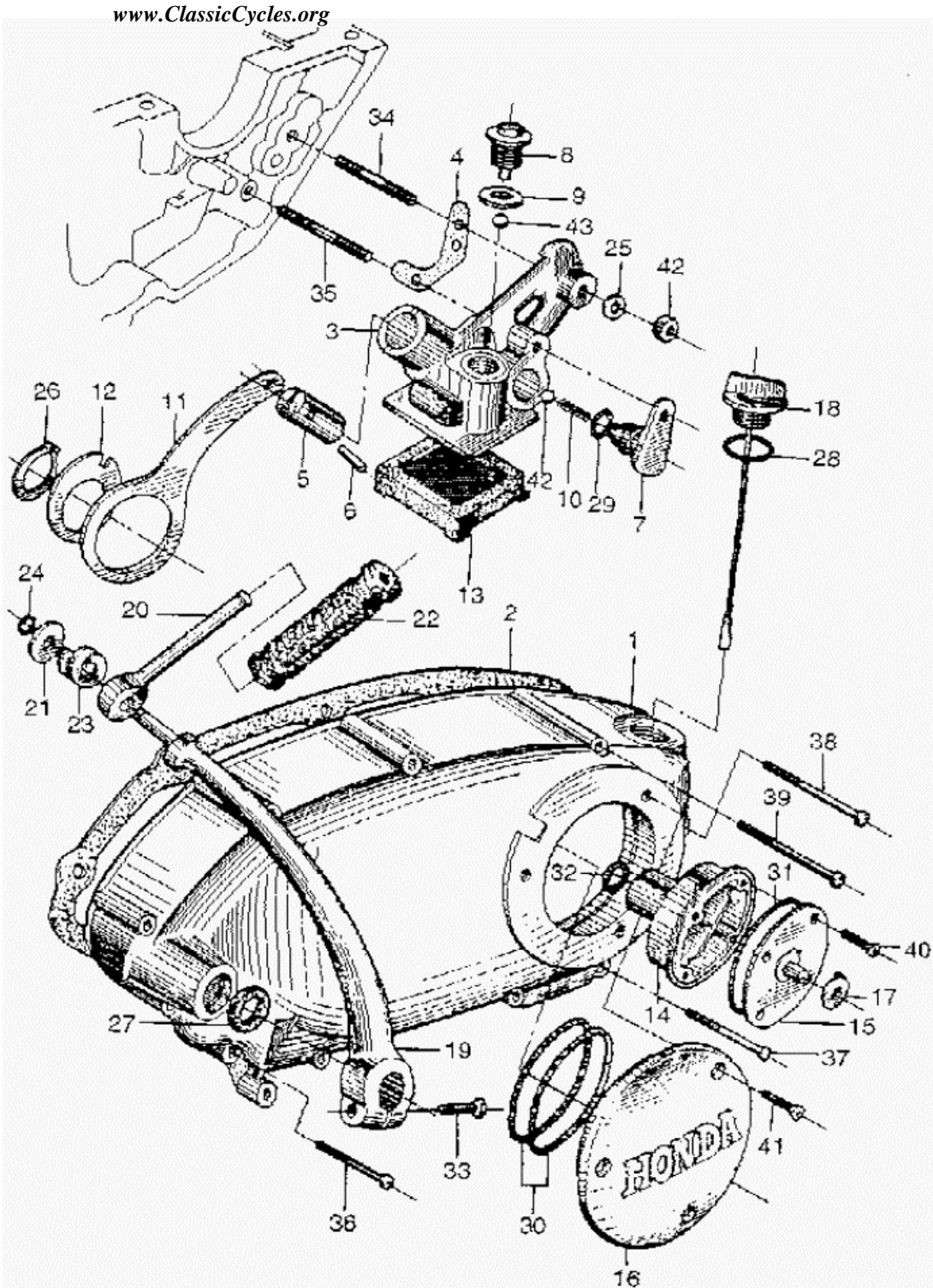
1	BASE	11321-201-020
2	GASKET	11392-200-000
3	PLATE, POINT BASE	30200-003-004
3	PLATE, POINT BASE	30200-039-005
3	PLATE, POINTS BASE	30200-039-154
4	PLATE, POINTS BASE	30201-003-004
4	PLATE, POINTS	30201-205-014
5	POINTS	30202-253-014
6	FELT, OIL	30205-205-014
7	CONDENSER	30250-205-034
7	CONDENSER	30251-003-004
8	COIL, IGNITION	30500-202-004
8	COIL, IGNITION	30500-230-000
9	ALTERNATOR ASSY.	31100-205-094
9	RUBBER (26MM)	90802-200-000
10	ROTOR	31102-205-094
11	STATOR ASSY.	31103-205-094
12	BOLT	31104-201-004
13	WASHER	31105-200-000
14	GROMMET	32971-200-000
15	GROMMET, WIRE	32971-205-000
16	OIL SEAL (17.9X38X5)	91305-202-010
17	BOLT, HEX. (6X30)	92000-06030
17	BOLT, HEX. (6X30)	92101-06030-0A
18	BOLT, STUD (6X40)	92700-06040
18	BOLT, STUD (6X40)	92700-06040-0B
18	BOLT, STUD (6X28)	92900-06028-0B
18	BOLT, STUD (6X28)	92900-06028-08
19	SCREW, PAN (5X12)	93500-05012
19	SCREW, PAN (5X12)	93500-05012-0A
20	SCREW, PAN (6X22)	93500-06022
20	SCREW, PAN (6X22)	93500-06022-0A
21	SCREW, PAN (6X50)	93500-06050
21	SCREW, PAN (6X50)	93500-06050-0A
22	NUT, HEX. (6MM)	90310-KA3-711
22	NUT, HEX. (6MM)	94000-06000-0S
22	NUT, HEX. (6MM)	94001-06000
22	NUT, HEX. (6MM)	94001-06000-0S
22	NUT, HEX. (6MM)	94001-06008-0S
22	NUT, HEX. (6MM)	94001-06200-0S
22	NUT, HEX. (6MM)	94030-06000
23	WASHER, PLAIN (5MM)	94101-05000
24	WASHER, SPRING (6MM)	94111-06000



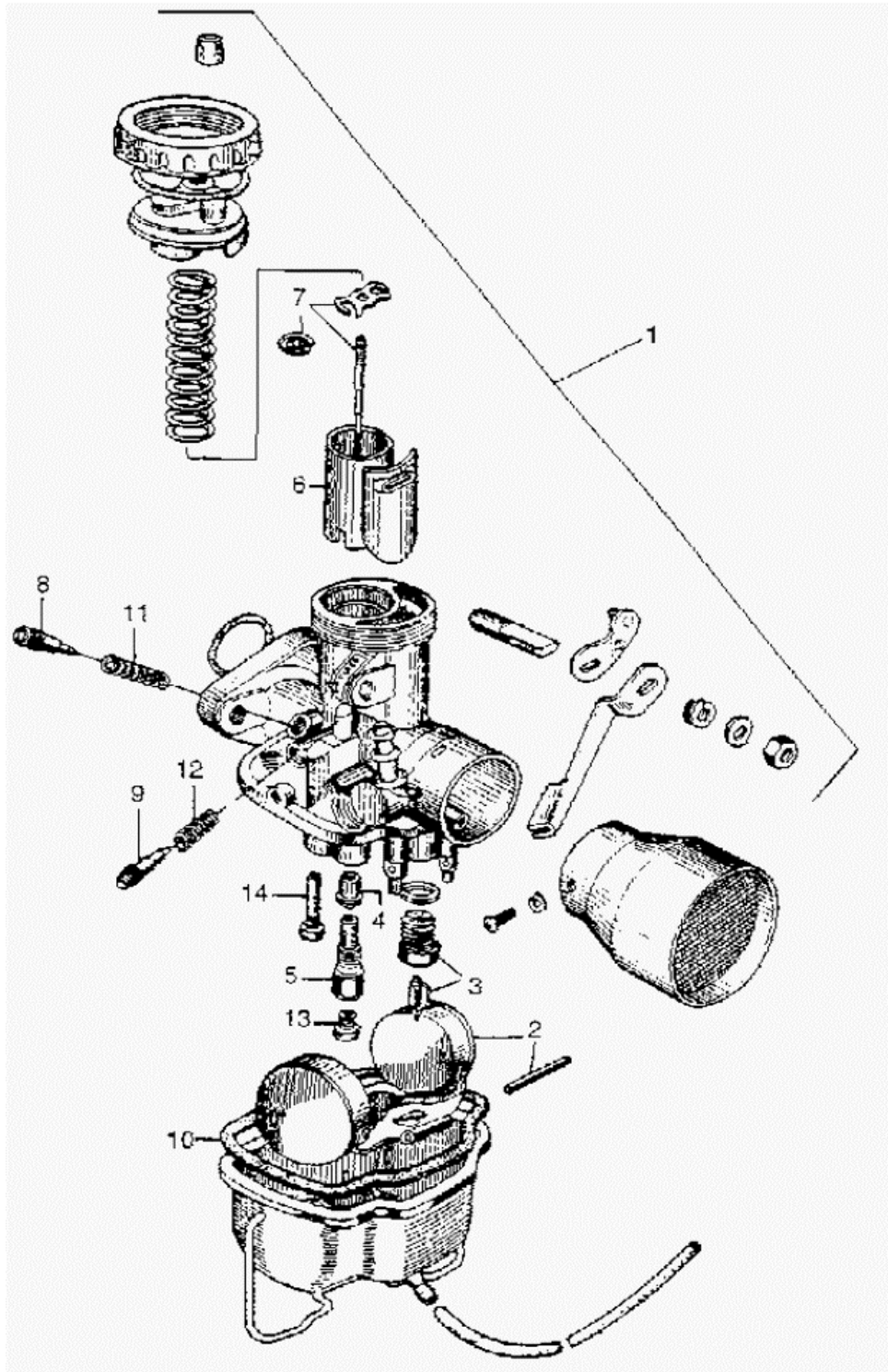
1	COVER	11641-201-020
2	CHAIN (DK219H)	28101-201-003
3	SPROCKET, STARTER	28110-201-020
4	PLATE	28117-201-000
5	CLUTCH OUTER	28120-201-040
6	SPRING	28125-253-020
7	CAP	28126-253-030
8	PLATE	28128-253-030
9	MOTOR ASSY., STARTER	31200-201-054
10	BRUSH	31201-253-014
11	SPROCKET	31202-253-003
11	SPROCKET	31202-253-004
12	CIRCLIP (13MM)	31203-253-003
12	CIRCLIP (13MM)	31203-253-004
12	CIRCLIP (13MM)	94510-13000
13	CABLE, STARTER MOTOR	32401-201-000
14	CLAMP A	32911-201-000
15	CLAMP B	32912-201-000
16	PIN, KNOCK (6X17.5)	90701-250-000
16	PIN, KNOCK (6X17.5)	90704-259-000
17	ROLLER (10.2X9.5)	91101-253-020
18	OIL SEAL (18X27X5)	91201-201-000
19	OIL SEAL (28X38X5.5)	91207-201-010
20	OIL SEAL (17.9X38X5)	91305-202-010
21	BOLT, HEX. (6X20)	92000-06020
21	BOLT, HEX. (6X20)	92101-06020-0A
22	BOLT, HEX. (6X70)	92000-06070
22	BOLT, HEX. (6X70)	92000-06070-0A
22	BOLT, HEX. (6X70)	92101-06070-0A
23	SCREW, PAN (6X50)	93500-06050
23	SCREW, PAN (6X50)	93500-06050-0A
24	SCREW, FLAT (6X20)	93600-06020
24	SCREW, FLAT (6X20)	93600-06020-0A
25	SCREW, OVAL (5X12)	93700-05012
26	NUT, HEX. (6MM)	90310-KA3-711
26	NUT, HEX. (6MM)	94000-06000-0S
26	NUT, HEX. (6MM)	94001-06000
26	NUT, HEX. (6MM)	94001-06000-0S
26	NUT, HEX. (6MM)	94001-06008-0S
26	NUT, HEX. (6MM)	94001-06200-0S
26	NUT, HEX. (6MM)	94030-06000
27	WASHER, PLAIN (6MM)	94101-06000
27	WASHER, PLAIN (6MM)	94101-06080
27	WASHER, PLAIN (6MM)	94101-06800
28	WASHER, SPRING (6MM)	94111-06000



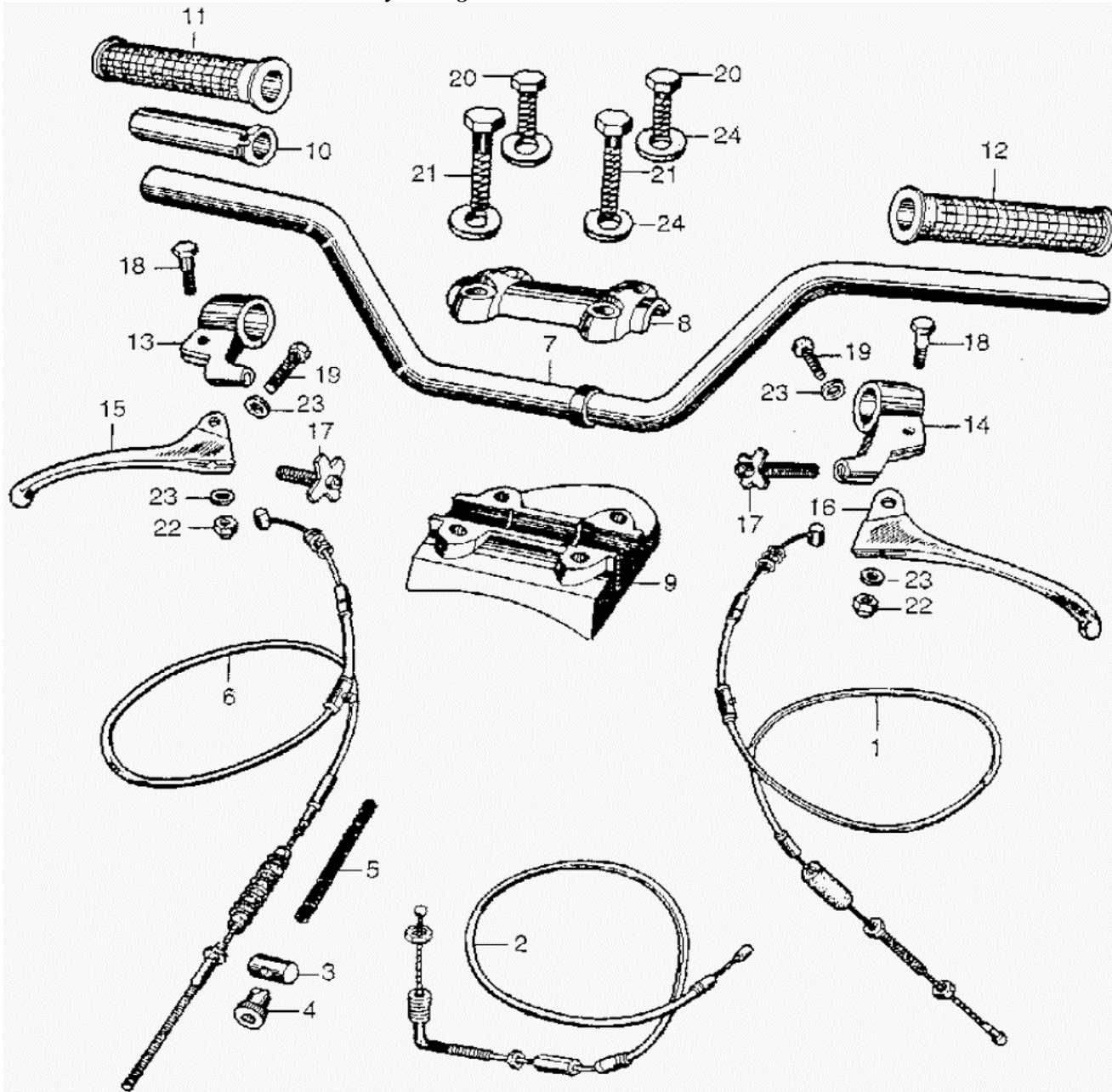
1	COVER, R. CRANKCASE	11331-203-010
2	GASKET, R.	11394-203-010
3	BODY, OIL PUMP	15210-200-030
3	BODY, OIL PUMP	15210-205-010
4	GASKET PUMP, BODY	15219-200-000
5	PLUNGER, PUMP	15231-200-000
5	PLUNGER, PUMP	15231-205-000
6	PIN, PUMP PLUNGER	15235-200-000
6	PIN, PUMP PLUNGER	15235-205-000
7	GUIDE, OUTLET VALVE	15260-200-000
8	BOLT, SUCTION VALVE	15265-200-000
8	BOLT, SUCTION VALVE	15265-200-010
9	GASKET	15266-200-000
10	SPRING, CHECK VALVE	15272-200-000
11	ROD, PUMP	15281-205-000
12	WASHER	15292-200-000
13	SCREEN, PUMP FILTER	15421-200-000
13	SCREEN, PUMP FILTER	15421-202-000
14	ROTOR, OIL FILTER	15440-200-030
14	ROTOR, OIL FILTER	15440-202-000
15	CAP, OIL FILTER	15451-200-020
16	COVER, OIL FILTER	15481-200-030
17	WASHER	15493-202-000
18	DIPSTICK, OIL	15650-200-010
19	ARM, KICK STARTER	28301-200-000
20	PEDAL, STARTER	28302-200-000
21	WASHER	28303-001-000
22	RUBBER, KICK STARTER	28311-200-000
22	RUBBER B	95011-52000
23	SPRING	28322-001-000
24	CLIP	28324-001-000
25	WASHER, PUMP LOCKING	90404-202-000
26	CIRCLIP (26MM)	90602-200-000
26	CIRCLIP (26MM)	94510-26000
27	OIL SEAL (14X28X8)	91203-200-000
28	O-RING (27.5MM)	91302-001-000
28	O-RING (27.5X2.6)	91302-001-710
29	O-RING (10.9X2)	91304-200-000
30	O-RING (64.5X2)	91305-200-020
30	O-RING (64X2)	91307-639-000
31	O-RING (54.5X1.5)	91306-200-010
32	O-RING (13.3X1.7)	91307-200-010
33	BOLT, HEX. (8X25)	92000-08025
33	BOLT, HEX. (8X25)	92000-08025-0A
33	BOLT, HEX. (8X25)	92101-08025-0A
34	BOLT, STUD (6X42)	92700-06042
34	BOLT, STUD (6X28)	92900-06028-0B
35	BOLT, STUD (6X47)	92720-06047-30
36	SCREW, PAN (6X40)	93500-06040
37	SCREW, PAN (6X50)	93500-06050
38	SCREW, PAN (6X60)	93500-06060
39	SCREW, PAN (6X65)	93500-06065
40	SCREW, FLAT (4X16)	93600-04016
41	SCREW, OVAL (6X18)	93700-06018-02
42	NUT, HEX. (6MM)	90310-KA3-711
42	NUT, HEX. (6MM)	94000-06000-0S
43	BALL (#10) (5/16)	96211-10000



1	CARBURETOR ASSY.	16100-206-004
1	CARBURETOR ASSY.	16100-206-014
2	FLOAT SET	16013-046-004
2	FLOAT SET	16013-116-700
2	FLOAT SET	16013-116-704
2	FLOAT SET	16122-201-004
2	FLOAT SET	16122-202-004
3	VALVE SET, FLOAT	16011-051-004
3	VALVE SET, FLOAT	16011-098-004
3	VALVE SET, FLOAT	16011-134-004
3	VALVE SET, FLOAT	16011-375-004
3	VALVE SET, FLOAT	16123-011-004
3	VALVE SET, FLOAT	16123-011-014
3	VALVE SET, FLOAT	16125-259-004
4	NEEDLE, JET	16133-205-004
5	HOLDER, NEEDLE JET	16139-205-004
6	VALVE, THROTTLE	16141-206-004
6	VALVE, THROTTLE	16141-217-004
6	VALVE, THROTTLE	16141-223-004
7	NEEDLE, JET	16151-207-004
8	SCREW, AIR	16162-202-004
9	SCREW, THROTTLE STOP	16163-202-004
10	WASHER	16172-030-004
10	WASHER	16172-202-004
11	SPRING, AIR SCREW	16181-202-004
12	SPRING	16182-011-004
12	SPRING	16182-202-004
13	JET, MAIN (#85)	99102-08504
13	JET, MAIN (#88)	99102-08804
13	JET (#90) (STD)	99102-09004
13	JET, MAIN (#92)	99102-09204
13	JET, MAIN (#95)	99102-09504
13	JET, MAIN (#100)	99102-10004
13	JET, MAIN (#105)	99102-10504
13	JET, MAIN (#85)	99114-051-0850
13	JET, MAIN #88	99114-051-0880
13	JET, MAIN (#90)	99114-051-0900
13	JET, MAIN (#92)	99114-051-0920
13	JET, MAIN (#95)	99114-051-0950
13	JET, MAIN (#92)	99114-09204
14	JET, SLOW (#35)	99129-03504
14	JET, SLOW (#38)	99129-03804
14	JET, SLOW (#40)	99129-04004



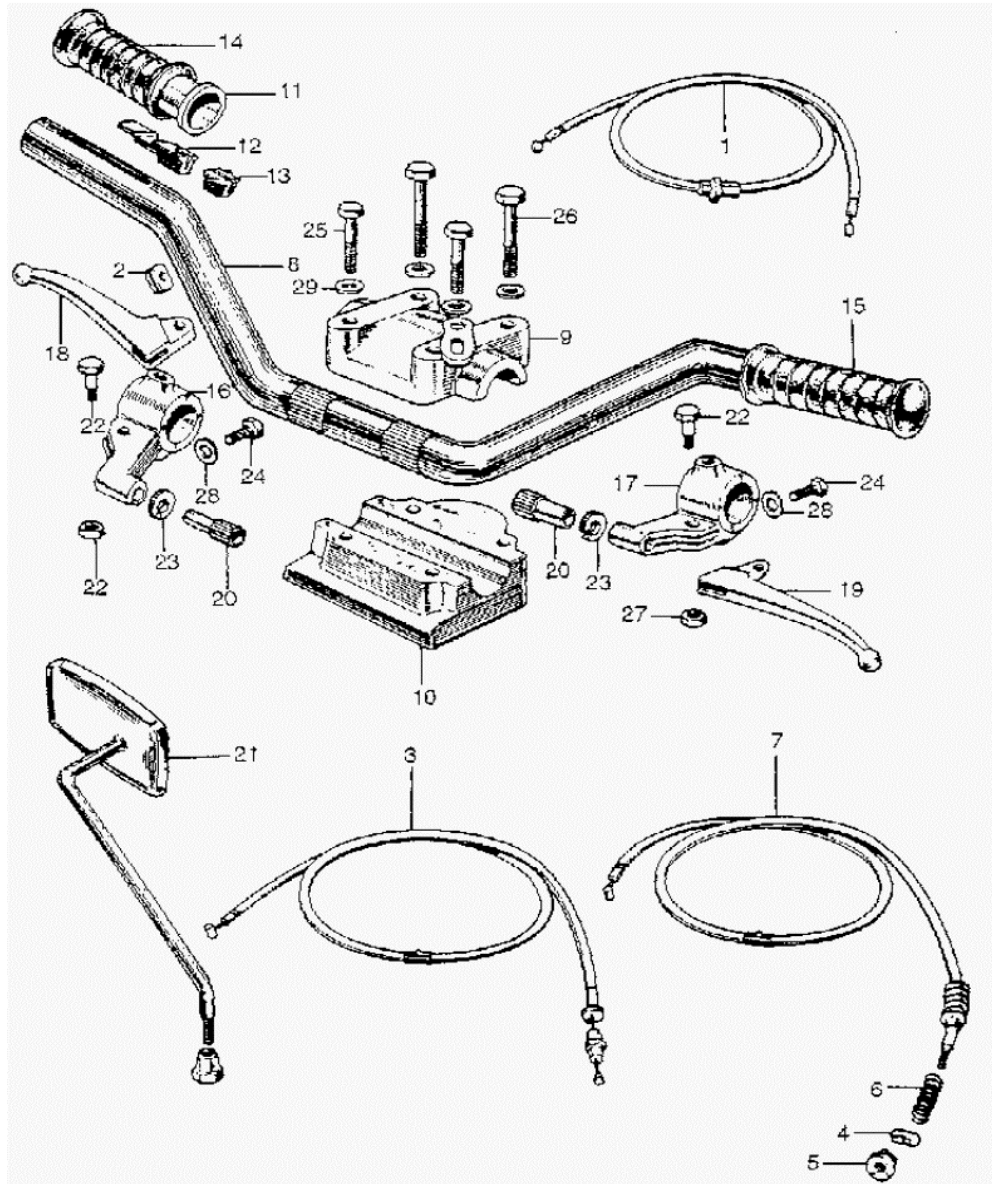
1	CABLE, THROTTLE	17910-203-000
2	CABLE, CLUTCH	22870-203-000
3	JOINT, BRAKE ARM	43453-250-000
3	JOINT, BRAKE ARM	95015-32000
3	JOINT, BRAKE ARM	95015-32001
4	NUT B	43486-250-000
4	NUT B	95015-42000
5	SPRING, FR.	45435-250-000
6	CABLE, FR. BRAKE	45450-203-000
6	CABLE, FR. BRAKE	45450-203-010
7	HANDLEBAR	53100-203-000
7	HANDLEBAR	53100-210-305
8	HOLDER, HANDLEBAR	53131-203-000
9	HOLDER, HANDLEBAR	53132-203-010
10	PIPE, THROTTLE GRIP	53141-205-000
11	GRIP, R. HANDLEBAR	53165-205-000
12	GRIP, L. HANDLE	53166-205-000
13	BRACKET, R.	53171-262-010
13	BRACKET, R.	53171-268-010
14	BRACKET, L.	53172-205-010
14	BRKT, L. HANDLEBAR	53172-268-010
15	LEVER, R. HANDLE	53170-074-670
15	LEVER, R. HANDLE	53170-216-670
15	LEVER, R. HANDLE	53170-286-670
15	LEVER, R. HANDLE	53170-329-000
15	LEVER, R. HANDLE	53170-329-010
15	LEVER, R. HANDLE	53170-369-700
15	LEVER, R. HANDLEBAR	53175-205-010
15	LEVER, R. HANDLE	53175-216-000
15	LEVER, R. HANDLE	53175-216-660
15	LEVER, R. HANDLE	53175-216-670
15	LEVER, R. HANDLE	53175-268-000
15	LEVER, R. HANDLE	53175-271-000
15	LEVER, R. HANDLE	53175-286-000
15	LEVER, R. HANDLE	53175-329-000
15	LEVER, R. HANDLEBAR	53175-369-700
15	LEVER, R. HANDLEBAR	53175-402-700
16	LEVER, L. HANDLE	53178-205-010
16	LEVER, L. HANDLE	53178-216-000
16	LEVER, L. HANDLE	53178-216-660
16	LEVER, L. HANDLE	53178-216-670
16	LEVER, L. HANDLE	53178-268-000
16	LEVER, L. HANDLE	53178-271-000
16	LEVER, L. HANDLE	53178-286-000
16	LEVER, L. HANDLE	53178-329-000
16	LEVER, L. HANDLE	53178-369-700
16	LEVER, L. HANDLE	53190-074-670
16	LEVER, L. HANDLE	53190-216-670
16	LEVER, L. HANDLE	53190-286-670
16	LEVER, L. HANDLE	53190-329-000
16	LEVER, L. HANDLE	53190-329-010
16	LEVER, L. HANDLE	53190-369-700
16	LEVER, L. HANDLE	53190-371-980
17	BOLT, RR.	53192-030-000
17	BOLT	53192-205-000
18	SCREW	90114-028-000
18	BOLT	90114-205-000
18	BOLT	90114-268-020



18	BOLT	90114-310-000
19	BOLT, HEX. (6X35)	92000-06035-0A
19	BOLT, HEX. (6X35)	92101-06035-0A
20	BOLT, HEX. (8X38)	92000-08038-0B
20	BOLT, HEX. (8X38)	92000-08038-02
20	BOLT, HEX. (8X38)	92101-08038-0B
21	BOLT, HEX. (8X60)	92000-08060-02

22	NUT, CAP (6MM)	94021-06020
23	WASHER, PLAIN (6MM)	94101-06200
24	WASHER, PLAIN (8MM)	94101-08200

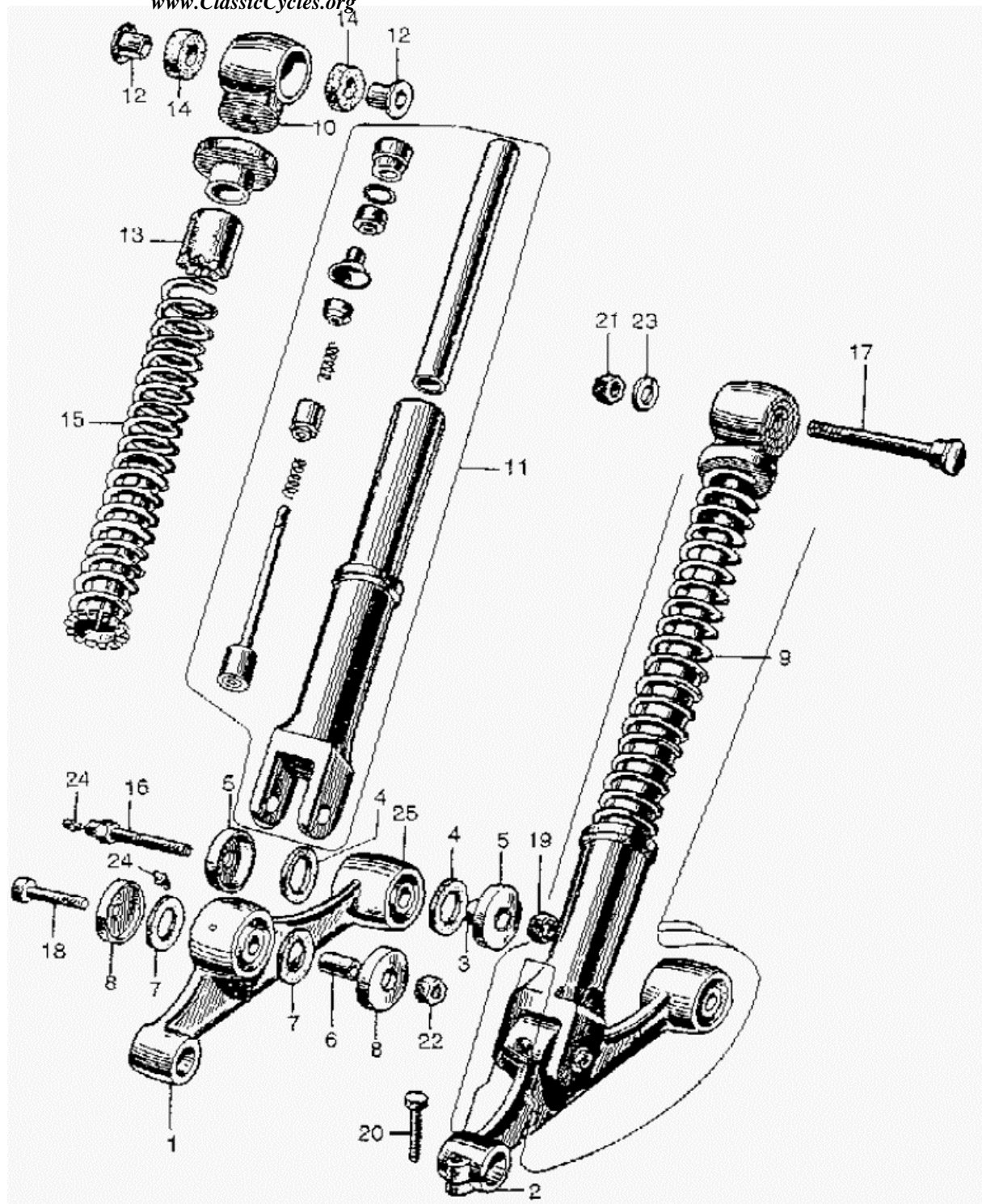
1	CABLE, THROTTLE	17910-212-000
2	GROMMET	17911-023-000
3	CABLE, CLUTCH	22870-212-000
4	JOINT, BRAKE ARM	43453-250-000
4	JOINT, BRAKE ARM	95015-32000
4	JOINT, BRAKE ARM	95015-32001
5	NUT B	43486-250-000
5	NUT B	95015-42000
6	SPRING, FR.	45435-250-000
7	CABLE, FR. BRAKE	45450-212-000
8	HANDLEBAR	53100-212-305
8	HANDLEBAR	53100-215-010
8	HANDLEBAR	53100-225-000
9	HOLDER, HANDLEBAR	53131-203-000
10	HOLDER, HANDLEBAR	53132-203-010
11	PIPE, THROTTLE GRIP	53141-271-000
12	HINGE, THROTTLE WIRE	53161-250-000
13	HOLDER (OUTER)	53162-042-000
13	HOLDER (OUTER)	53162-271-000
14	RUBBER, R. GRIP	53165-271-000
15	GRIP, L. HANDLE	53166-271-000
16	BRACKET, R.	53171-268-010
17	BRKT, L. HANDLEBAR	53172-268-010
18	LEVER, R. HANDLE	53170-074-670
18	LEVER, R. HANDLE	53170-216-670
18	LEVER, R. HANDLE	53170-286-670
18	LEVER, R. HANDLE	53170-329-000
18	LEVER, R. HANDLE	53170-329-010
18	LEVER, R. HANDLE	53170-369-700
18	LEVER, R. HANDLE	53175-216-000
18	LEVER, R. HANDLE	53175-216-660
18	LEVER, R. HANDLE	53175-216-670
18	LEVER, R. HANDLE	53175-271-000
18	LEVER, R. HANDLE	53175-286-000
18	LEVER, R. HANDLE	53175-329-000
18	LEVER, R. HANDLEBAR	53175-369-700
18	LEVER, R. HANDLEBAR	53175-402-700
19	LEVER, L. HANDLE	53178-216-000
19	LEVER, L. HANDLE	53178-216-660
19	LEVER, L. HANDLE	53178-216-670
19	LEVER, L. HANDLE	53178-271-000
19	LEVER, L. HANDLE	53178-286-000
19	LEVER, L. HANDLE	53178-329-000
19	LEVER, L. HANDLE	53178-369-700
19	LEVER, L. HANDLE	53190-074-670
19	LEVER, L. HANDLE	53190-216-670
19	LEVER, L. HANDLE	53190-286-670
19	LEVER, L. HANDLE	53190-329-000
19	LEVER, L. HANDLE	53190-329-010
19	LEVER, L. HANDLE	53190-369-700
19	LEVER, L. HANDLE	53190-371-980
20	BOLT	53192-203-000
21	MIRROR, R.	88110-041-000
21	MIRROR, R.	88110-200-000
21	MIRROR, R.	88110-263-000
21	MIRROR, L.	88120-041-811
21	MIRROR, L.	88120-200-810
21	MIRROR, L.	88120-263-810



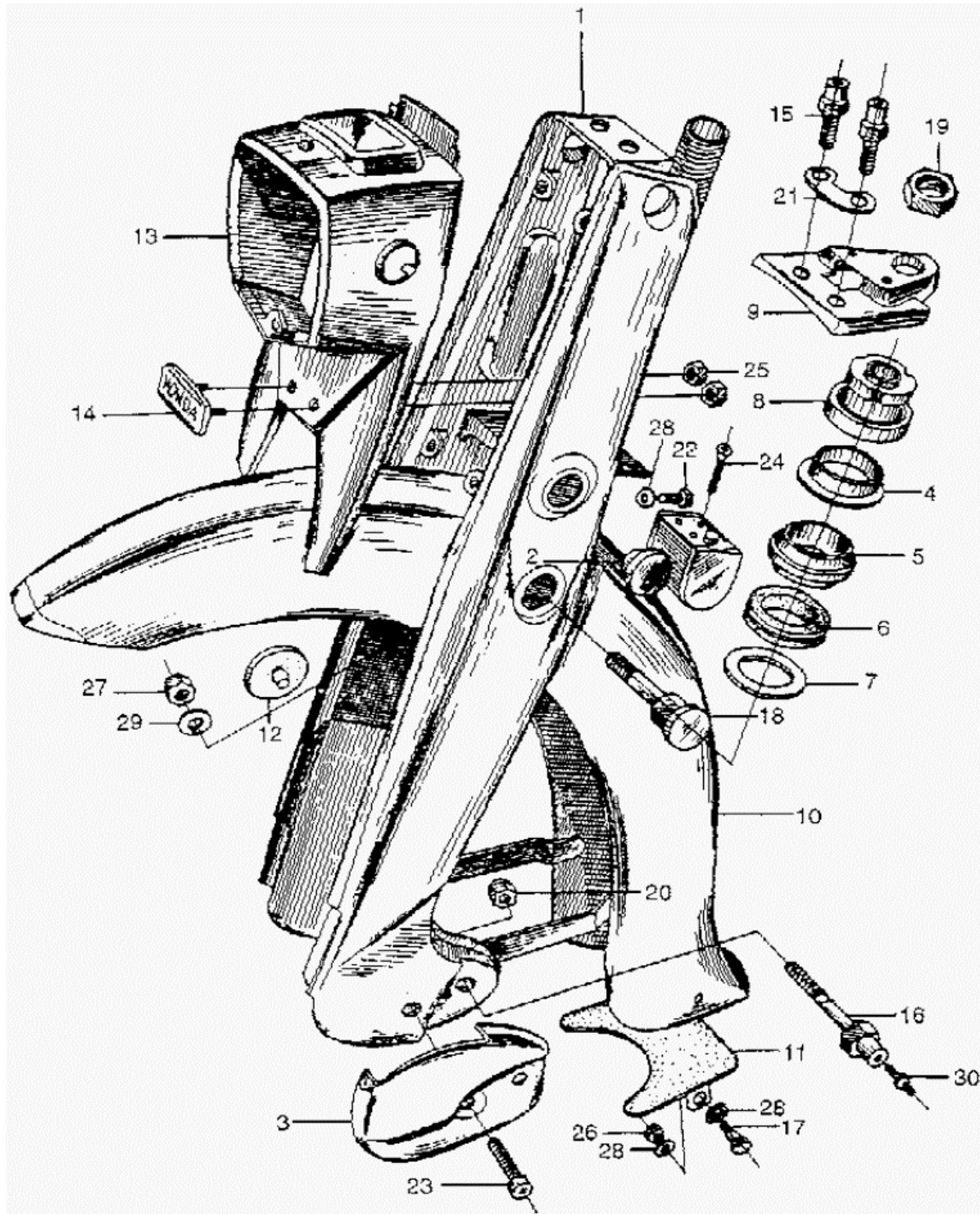
22	BOLT	90114-268-020
22	BOLT	90114-310-000
23	NUT, FIXING	90321-268-000
23	NUT, FIXING	90321-315-670
23	NUT, FIXING	90321-968-000
24	BOLT, HEX. (6X25)	92000-06025-02
24	BOLT, HEX. (6X25)	92101-06025-0B
25	BOLT, HEX. (8X38)	92000-08038-0B
25	BOLT, HEX. (8X38)	92000-08038-02
25	BOLT, HEX. (8X38)	92101-08038-0B
26	BOLT, HEX. (8X55)	92000-08055-02

27	NUT, HEX. (6MM)	90310-KA3-711
27	NUT, HEX. (6MM)	94000-06000-0S
27	NUT, HEX. (6MM)	94001-06000
27	NUT, HEX. (6MM)	94001-06000-0S
27	NUT, HEX. (6MM)	94001-06008-0S
27	NUT, HEX. (6MM)	94001-06200-0S
27	NUT, HEX. (6MM)	94030-06000
28	WASHER, PLAIN (6MM)	94101-06000
28	WASHER, PLAIN (6MM)	94101-06080
28	WASHER, PLAIN (6MM)	94101-06800
29	WASHER, PLAIN (8MM)	94101-08200

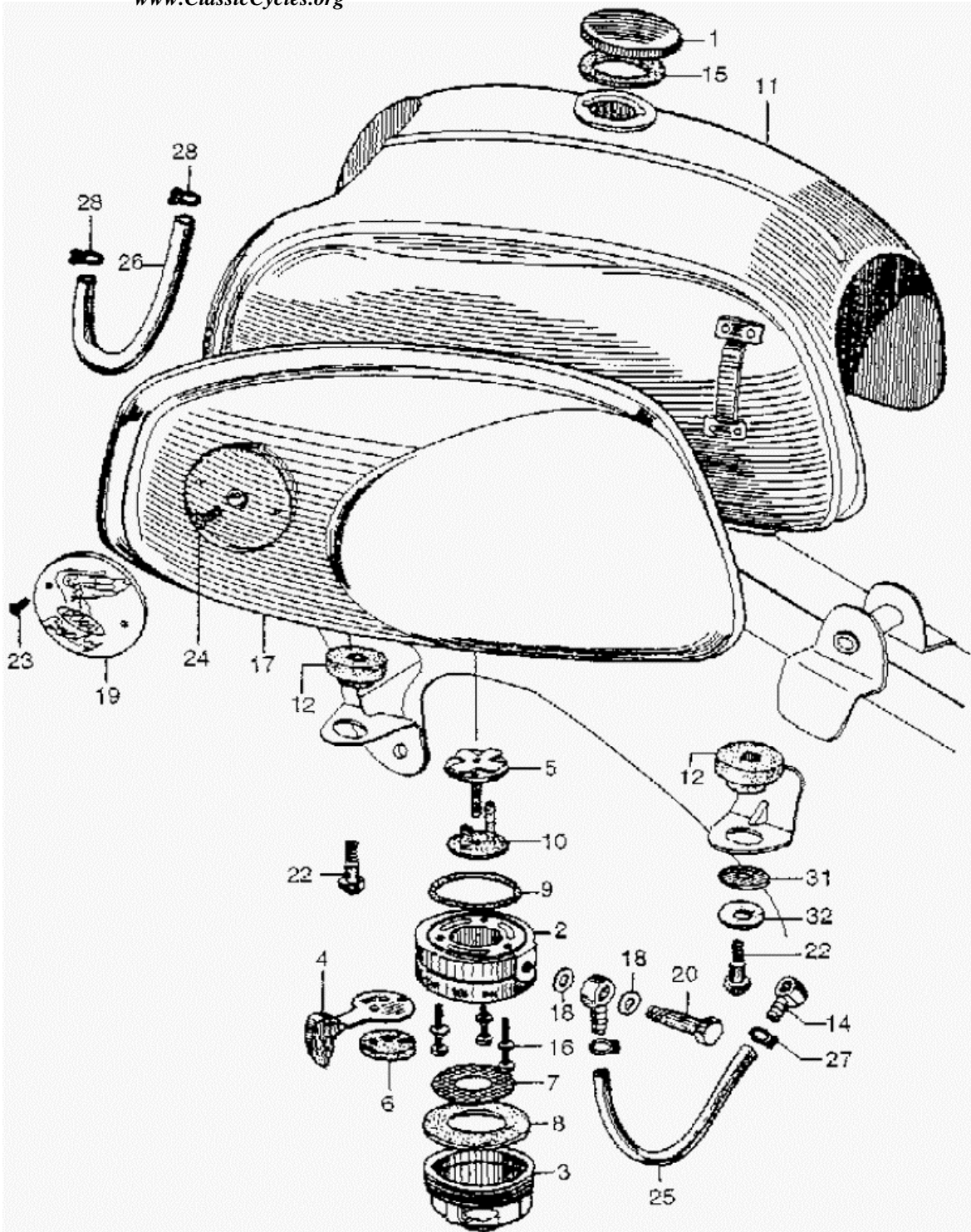
1	ARM, R. FR.	51210-202-010
2	ARM, L. FR.	51220-202-010
3	COLR, FR. ARM PIVOT	51231-200-000
4	DUST SEAL, FR.	51232-250-000
5	CAP, FR.	51233-200-000
6	COLLAR, FR. (LOWER)	51234-200-000
7	DUST SEAL, FR. FORK	51235-200-000
8	CAP, FR. (LOWER)	51236-200-000
9	FORK ASSY., FR.	51400-212-810
10	METAL, FR. FORK	51410-250-000
10	METAL, FR. FORK	51410-250-010
11	METAL, FR. FORK	51434-202-010
12	COLLAR, FR. FORK	51510-250-000
13	RUBBER, FR.	51519-200-010
14	BUSH, FORK RUBBER	51632-250-000
15	SPRING, FR. FORK	51800-200-000
16	BOLT, FR. ARM PIVOT	90125-200-000
16	BOLT, FR. ARM PIVOT	90125-200-010
17	BOLT, FR. SHOCK	90147-205-010
18	BOLT, FR. FORK	90149-212-000
18	BOLT, FR. FORK	90149-250-000
19	NUT, LOCK (12MM)	90353-250-000
20	BOLT, HEX. (8X30)	92000-08030
20	BOLT, HEX. (8X30)	92000-08030-0A
20	BOLT, HEX. (8X30)	92100-08030-0A
20	BOLT, HEX. (8X30)	92101-08030-0A
21	NUT, HEX. (10MM)	94001-10000
21	NUT, HEX. (10MM)	94030-10000
21	NUT, HEX. (10MM)	94030-10000-0S
22	NUT, HEX. (10MM)	94002-10000
22	NUT, HEX. (10MM)	94002-10000-0S
22	NUT, HEX. (10MM)	94002-10000-08
23	WASHER, SPRING (8MM)	94111-10000
24	FITTING, GREASE	96201-30000
24	FITTING (A.45)	96201-30001
25	BUSH, FR. ARM PIVOT	51214-202-000



1	FORK, FR.	51100-202-000Z
1	FORK, FR.	51100-202-030Z
2	CAP, FR. FORK SIDE	51241-205-000
3	COVER, R. FR. FORK	51611-200-000
3	COVER, L. FR. FORK	51612-200-000
4	RACE, STEERING CONE	53211-200-305
5	RACE, STEERING CONE	53212-200-305
6	DUST SEAL	53214-200-000
7	WASHER	53215-200-000
8	THREAD (UPPER)	53220-205-000
9	PLATE	53231-203-010Z
10	FENDER, FR.	61100-200-000Z
11	MUDGUARD, FR.	61114-200-000
12	RUBBER, FR. FENDER	61122-200-000
13	CASE, HEADLIGHT	61301-215-000Z
14	EMBLEM, LIGHT CASE	87101-212-000
15	BOLT	90117-203-000
16	BOLT, FR. ARM PIVOT	90125-200-000
16	BOLT, FR. ARM PIVOT	90125-200-010
17	BOLT, FR.	90143-202-000
18	BOLT, FR. SHOCK	90147-205-010
19	NUT	90304-200-000
20	NUT, LOCK (12MM)	90353-250-000
21	WASHER	90532-205-000
22	BOLT, HEX. (6X12)	92000-06012
22	BOLT, HEX. (6X12)	92101-06012
22	BOLT, HEX. (6X12)	92101-06012-0A
23	SCREW, PAN (6X12)	93500-06012
23	SCREW, PAN (6X12)	93500-06012-0A
23	SCREW, PAN (6X12)	93500-06012-00
24	SCREW, OVAL (6X12)	93700-06012
24	SCREW, OVAL (6X12)	93700-06012-0A
25	NUT, HEX. (4MM)	94001-04000
25	NUT, HEX. (4MM)	94001-04000-0S
26	NUT, HEX. (5MM)	94001-05000
26	NUT, HEX. (5MM)	94001-05000-0S
27	NUT, HEX. (10MM)	94001-10000
27	NUT, HEX. (10MM)	94030-10000
27	NUT, HEX. (10MM)	94030-10000-0S
28	WASHER, PLAIN (6MM)	94101-06000
28	WASHER, PLAIN (6MM)	94101-06080
28	WASHER, PLAIN (6MM)	94101-06800
29	WASHER, SPRING (8MM)	94111-10000
30	FITTING, GREASE	96201-30000



1	CAP, FUEL FILLER	17620-203-000
1	CAP, FUEL FILLER	17620-259-000
1	CAP, FUEL FILLER	17620-292-020
1	CAP, FUEL FILLER	17620-317-000
1	CAP, FUEL FILLER	17620-329-000
1	CAP, FUEL FILLER	17620-329-010
1	CAP, FUEL FILLER	17620-402-000
1	CAP, FUEL FILLER	17620-402-010
2	PETCOCK ASSY.	16950-202-000
2	PETCOCK ASSY.	16950-257-000
2	PETCOCK ASSY.	16950-259-010
2	BODY, PETCOCK	16951-202-000
2	BODY, PETCOCK	16951-259-010
3	CAP, FUEL STRAINER	16952-257-000
4	LEVER, PETCOCK	16953-250-010
5	PLATE, PETCOCK	16954-250-000
6	GASKET B, PETCOCK	16956-250-010
7	SCREEN	16957-250-010
8	GASKET	16958-250-010
9	GASKET, PETCOCK	16959-250-000
9	GASKET, PETCOCK	17993-250-000
10	GASKET A, PETCOCK	16995-250-020
11	TANK, FUEL	17500-200-010Z
12	RUBBER, FR.	17611-200-010
13	RUBBER B, RR.	17614-259-000
14	JOINT	17625-250-000
15	GASKET	17631-259-000
15	GASKET	17631-329-000
15	GASKET	17631-329-003
16	COVER, R.	17640-201-000
17	COVER, L.	17650-201-000
18	GASKET	17791-250-000
19	EMBLEM, L. FUEL TANK	87020-070-010
19	EMBLEM, L.	87121-028-600
19	EMBLEM, R. FUEL TANK	87121-030-000
19	EMBLEM, R. FUEL TANK	87121-056-000
19	EMBLEM, R. FUEL TANK	87121-200-020
19	EMBLEM, R. FUEL TANK	87121-201-010
19	EMBLEM, R. FUEL TANK	87121-217-000
19	EMBLEM, L.	87122-028-600
19	EMBLEM, L. FUEL TANK	87122-030-000
19	EMBLEM, R. FUEL TANK	87122-056-000
19	EMBLEM, R. FUEL TANK	87122-200-020
19	EMBLEM, L.	87122-201-010
19	EMBLEM, R. FUEL TANK	87122-217-000
20	BOLT	90168-250-010
21	WASHER (8.5MM)	90521-259-000
22	BOLT, HEX. (8X12)	92000-08012
22	BOLT, HEX. (8X12)	92000-08012-0A
22	BOLT, HEX. (8X12)	92100-08012-0A
22	BOLT, HEX. (8X12)	92200-08012-0A
23	SCREW, PAN (3X8)	93500-03008-0B
23	SCREW, PAN (3X8)	93500-03008-02
24	SCREW, OVAL (5X10)	93700-05010
25	TUBE, FUEL (5.0X190)	00000-00638
25	TUBE, FUEL (5.0X190)	00000-00639



Continued on next page.

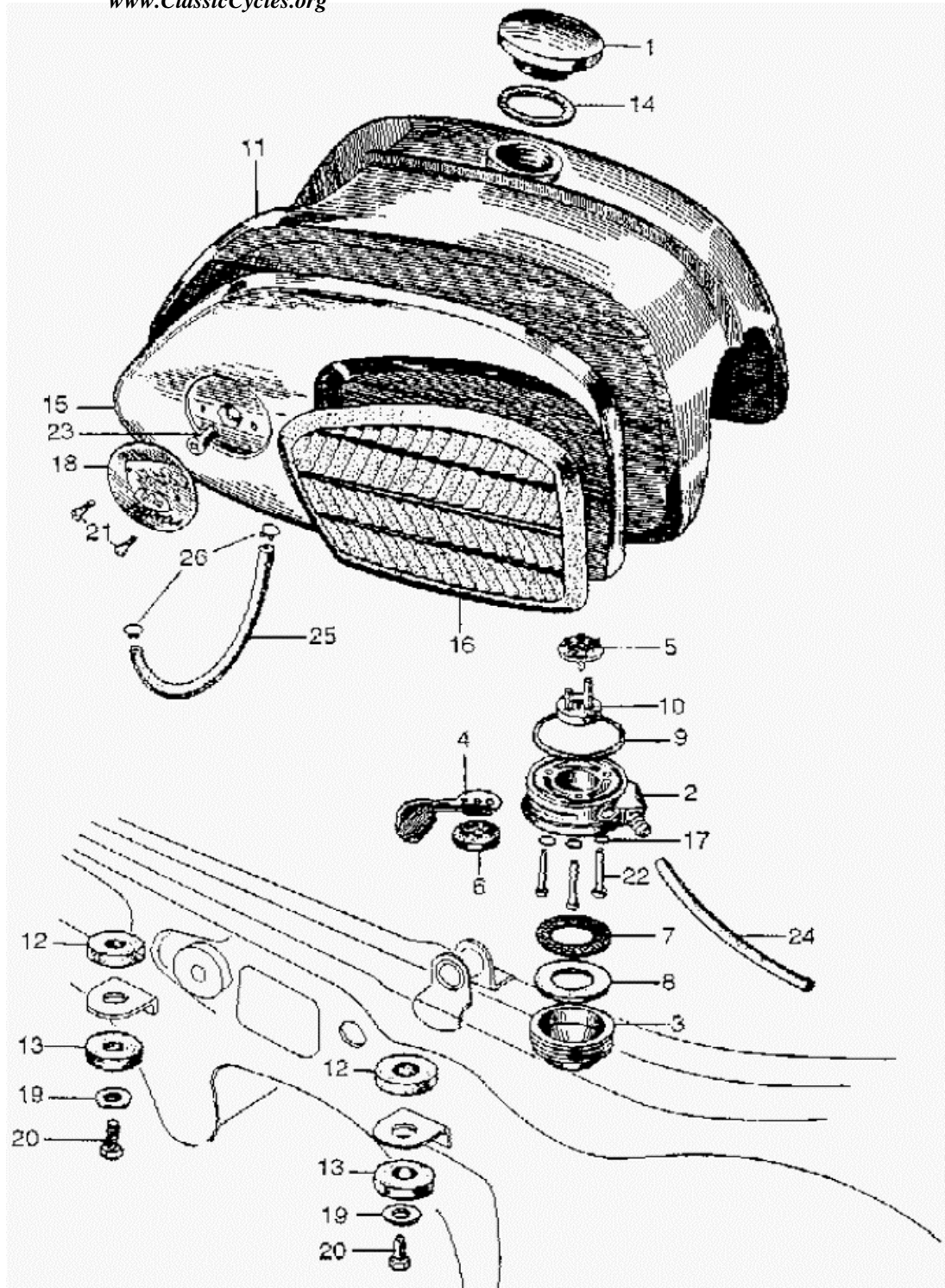
Previous page continued -----

25	TUBE, FUEL	15761-045-000
25	TUBE, FUEL (5.0X190)	16968-001-222
25	TUBE, FUEL (5X150)	16968-202-222
25	TUBE, FUEL (5X450)	16968-205-222
25	TUBE, FUEL (5X450)	16968-205-322
25	TUBE, FUEL (5.0X190)	16968-270-222
25	TUBE, FUEL (5X150)	16969-268-222
25	TUBE, FUEL (5X450)	17645-259-010
25	TUBE, FUEL (5.0X190)	17741-268-222
25	TUBE (5X450)	95001-50000
25	TUBE (5X320)	95001-50000-90
25	TUBE (5X450)	95001-50100
25	TUBE (5X450)	95001-50110
25	TUBE (5X150)	95001-50150
25	TUBE (5X150)	95001-50165
25	TUBE (5X190)	95001-50168
25	TUBE (5X180)	95001-50180
25	TUBE (5X190)	95001-50190
25	TUBE (5X450)	95001-50200
25	TUBE (5X190)	95001-50210
25	TUBE (5X450)	95001-50220
25	TUBE (5X250)	95001-50250
25	TUBE, FUEL (5X450)	95001-50450
25	TUBE, FUEL (5X450)	95001-50620
25	TUBE, FUEL (5X450)	95001-50830
25	BULK HOSE (5.5X8000)	95001-55008-60M
26	TUBE, FUEL (7X224)	16851-822-000
26	TUBE, FUEL (7X224)	16969-271-222
26	TUBE (7X224)	95001-70000
26	TUBE (7X224)	95001-70170
26	TUBE (7X224)	95001-70224
26	TUBE (7X224)	95001-70330
26	TUBE (7X224)	95001-70350
27	CLIP, TUBE (C9)	95002-50000
28	CLIP, TUBE (C11)	95002-70000

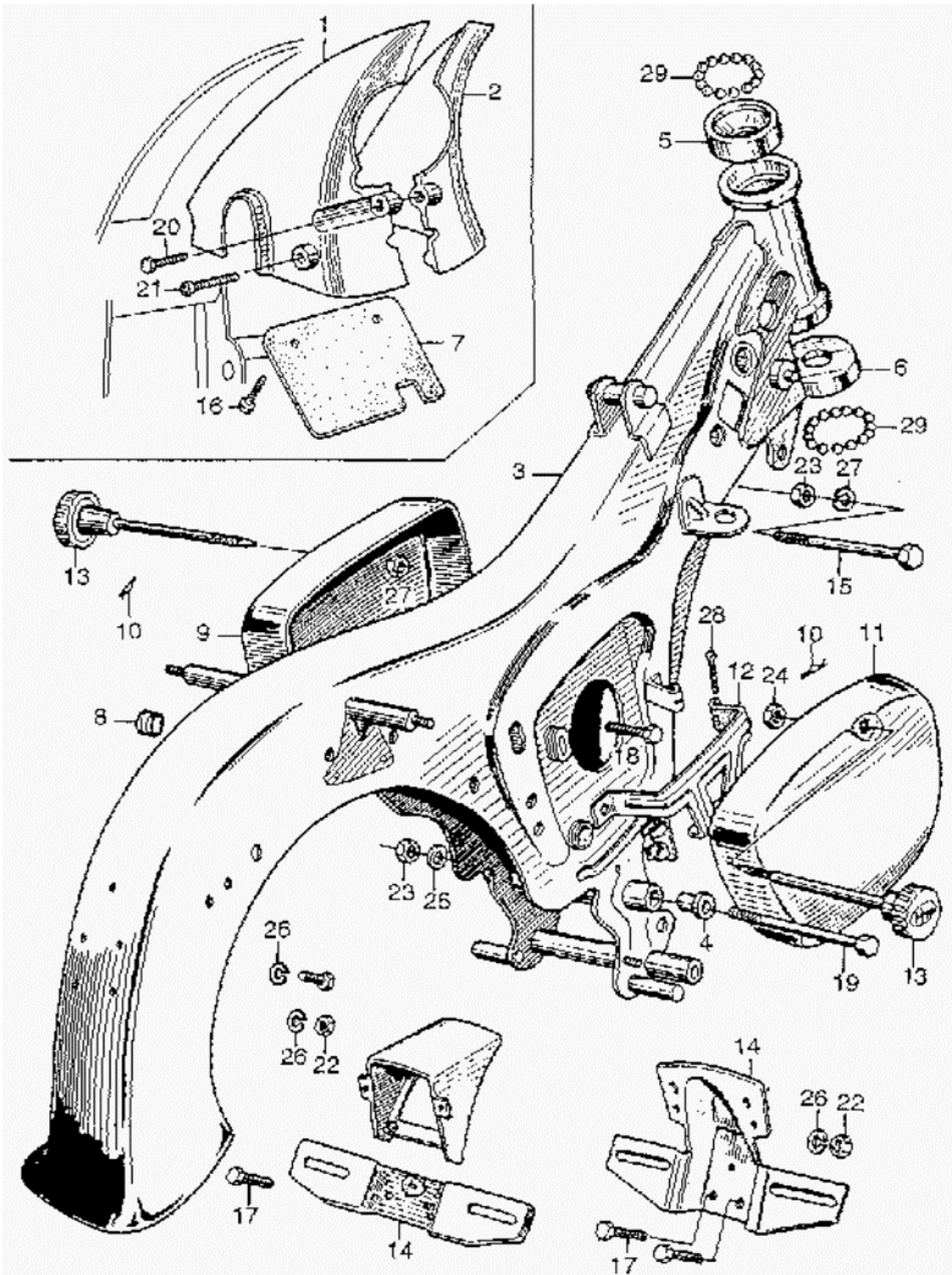
Next page continued -----

23	SCREW, OVAL (5X10)	93700-05010
24	TUBE, FUEL (5.0X190)	00000-00638
24	TUBE, FUEL (5.0X190)	00000-00639
24	TUBE, FUEL	15761-045-000
24	TUBE, FUEL (5.0X190)	16968-001-222
24	TUBE, FUEL (5X150)	16968-202-222
24	TUBE, FUEL (5X450)	16968-205-222
24	TUBE, FUEL (5X450)	16968-205-322
24	TUBE, FUEL (5.0X190)	16968-270-222
24	TUBE, FUEL (5X150)	16969-268-222
24	TUBE, FUEL (5X450)	17645-259-010
24	TUBE, FUEL (5.0X190)	17741-268-222
24	TUBE (5X450)	95001-50000
24	TUBE (5X320)	95001-50000-90
24	TUBE (5X450)	95001-50100
24	TUBE (5X450)	95001-50110
24	TUBE (5X144)	95001-50144
24	TUBE (5X150)	95001-50150
24	TUBE (5X150)	95001-50165
24	TUBE (5X190)	95001-50168
24	TUBE (5X180)	95001-50180
24	TUBE (5X190)	95001-50190
24	TUBE (5X450)	95001-50200
24	TUBE (5X190)	95001-50210
24	TUBE (5X450)	95001-50220
24	TUBE (5X250)	95001-50250
24	TUBE, FUEL (5X450)	95001-50450
24	TUBE, FUEL (5X450)	95001-50620
24	TUBE, FUEL (5X450)	95001-50830
24	BULK HOSE (5.5X8000)	95001-55008-60M
25	TUBE, FUEL (7X224)	16851-822-000
25	TUBE, FUEL (7X224)	16969-271-222
25	TUBE (7X224)	95001-70000
25	TUBE (7X224)	95001-70170
25	TUBE (7X224)	95001-70224
25	TUBE (7X224)	95001-70330
25	TUBE (7X224)	95001-70350
26	CLIP, TUBE (C9)	95002-50000
26	CLIP, TUBE (C11)	95002-70000

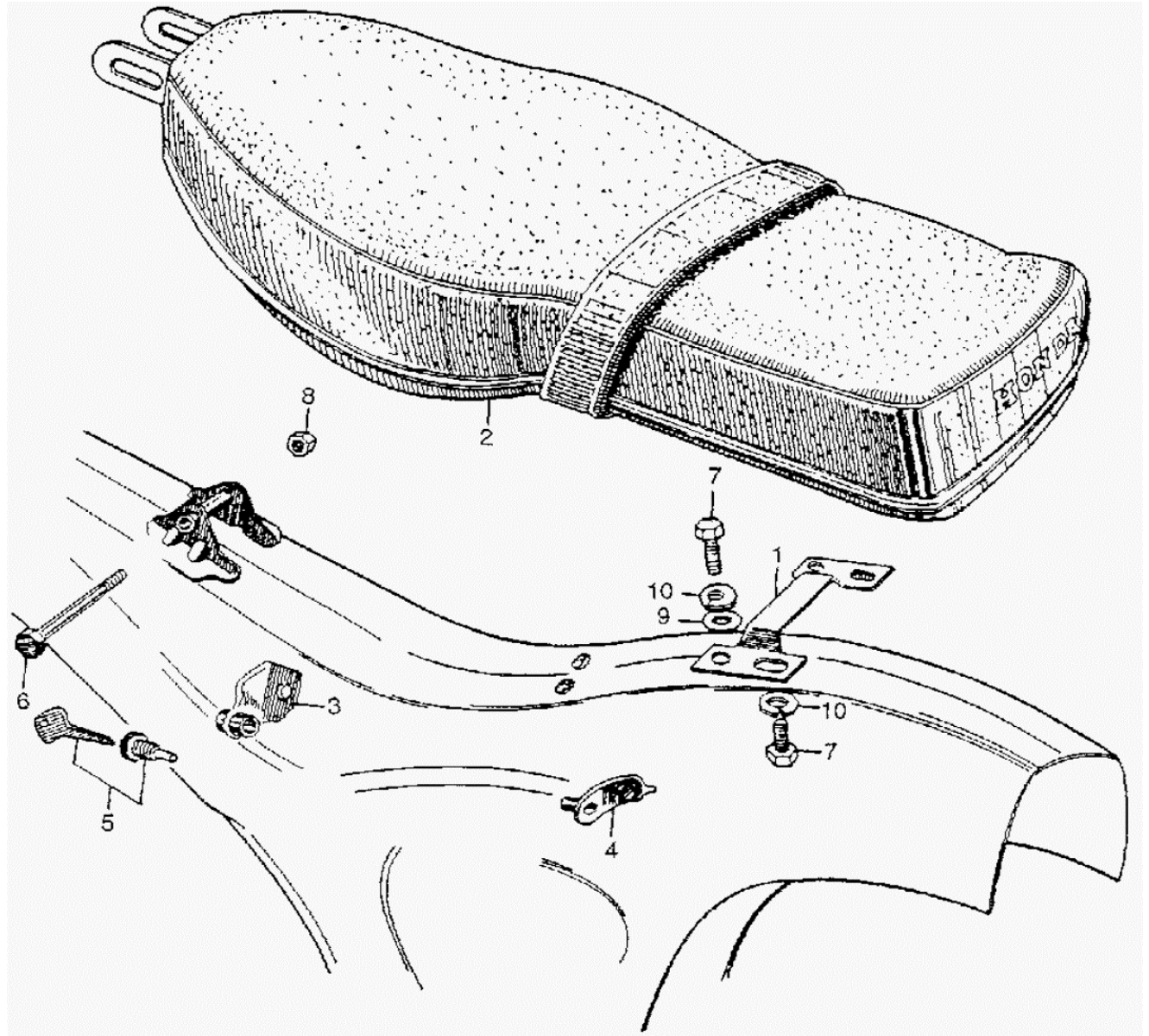
1	CAP, FUEL FILLER	17620-259-000
1	CAP, FUEL FILLER	17620-292-020
1	CAP, FUEL FILLER	17620-317-000
1	CAP, FUEL FILLER	17620-329-000
1	CAP, FUEL FILLER	17620-329-010
1	CAP, FUEL FILLER	17620-402-000
1	CAP, FUEL FILLER	17620-402-010
2	PETCOCK ASSY.	16950-202-000
2	PETCOCK ASSY.	16950-257-000
2	PETCOCK ASSY.	16950-259-010
2	BODY, PETCOCK	16951-202-000
2	BODY, PETCOCK	16951-259-010
3	CAP, FUEL STRAINER	16952-257-000
4	LEVER, PETCOCK	16953-250-010
5	PLATE, PETCOCK	16954-250-000
6	GASKET B, PETCOCK	16956-250-010
7	SCREEN	16957-250-010
8	GASKET	16958-250-010
9	GASKET, PETCOCK	16959-250-000
10	GASKET A, PETCOCK	16995-250-020
11	TANK, FUEL	17500-212-000Z
11	TANK, FUEL	17500-212-010Z
12	RUBBER, FR.	17611-200-010
12	RUBBER, FUEL TANK	17611-259-000
13	RUBBER B, RR.	17614-259-000
14	GASKET	17631-259-000
14	GASKET	17631-329-000
14	GASKET	17631-329-003
15	COVER, R.	17640-212-000
15	COVER, L.	17681-212-000
16	RUBBER, R. KNEE GRIP	17661-212-000
16	RUBBER, L. KNEE GRIP	17662-212-000
17	GASKET, PETCOCK	17993-250-000
18	EMBLEM, L. FUEL TANK	87020-070-010
18	EMBLEM, L.	87121-028-600
18	EMBLEM, R. FUEL TANK	87121-030-000
18	EMBLEM, R. FUEL TANK	87121-056-000
18	EMBLEM, R. FUEL TANK	87121-200-020
18	EMBLEM, R. FUEL TANK	87121-201-010
18	EMBLEM, R. FUEL TANK	87121-217-000
18	EMBLEM, L.	87122-028-600
18	EMBLEM, L. FUEL TANK	87122-030-000
18	EMBLEM, R. FUEL TANK	87122-056-000
18	EMBLEM, R. FUEL TANK	87122-200-020
18	EMBLEM, L.	87122-201-010
18	EMBLEM, R. FUEL TANK	87122-217-000
19	WASHER (8.5MM)	90521-259-000
20	BOLT, HEX. (8X12)	92000-08012
20	BOLT, HEX. (8X12)	92000-08012-0A
20	BOLT, HEX. (8X12)	92100-08012-0A
20	BOLT, HEX. (8X12)	92200-08012-0A
21	SCREW, PAN (3X8)	93500-03008-0B
21	SCREW, PAN (3X8)	93500-03008-02
22	SCREW, PAN (5X24)	93500-05024
22	SCREW, PAN (5X25)	93500-05025
22	SCREW, PAN (5X25)	93500-05025-0A



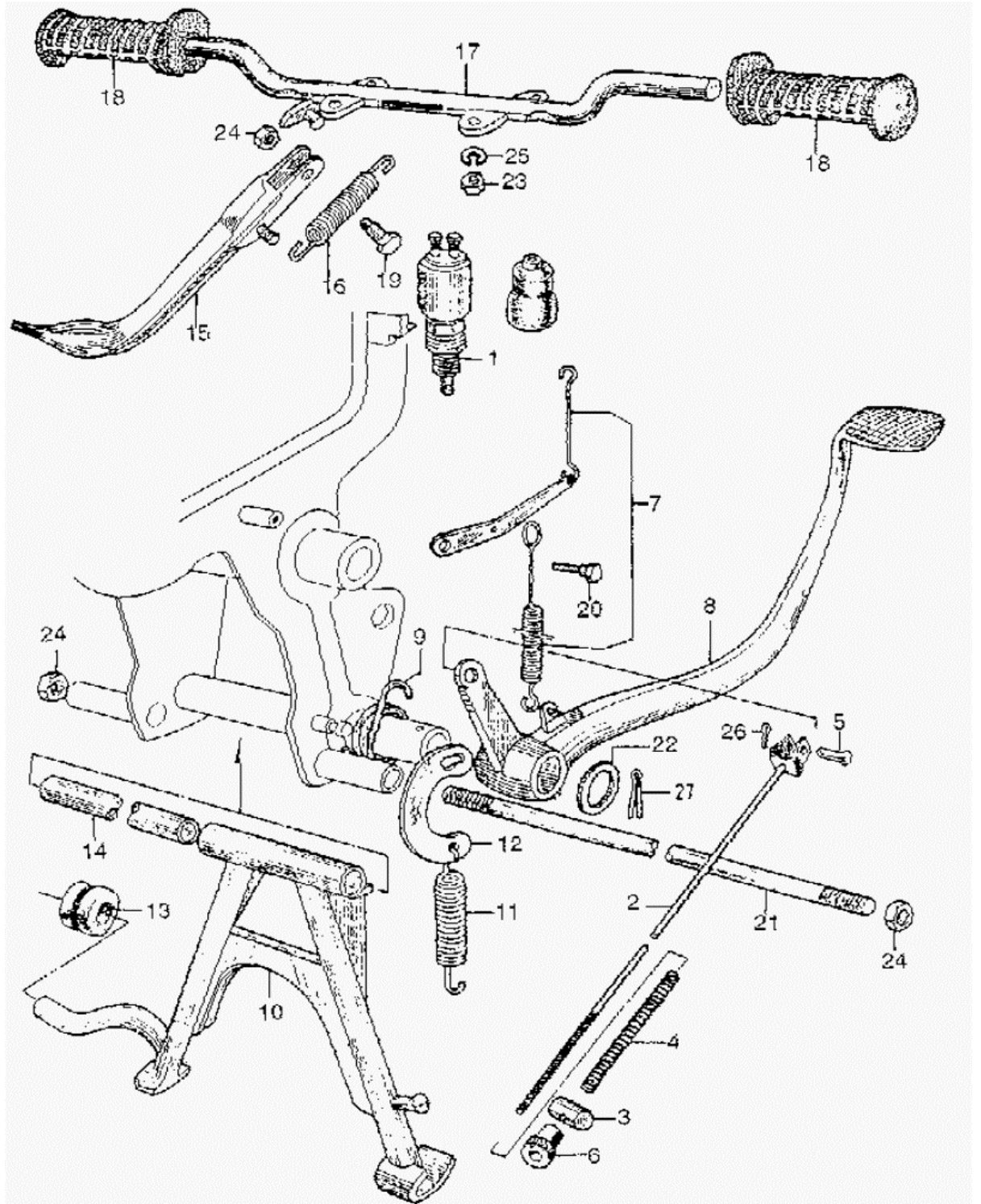
1	SHIELD, R.	17261-205-010
2	SHIELD, L.	17361-200-000
3	FRAME	50100-212-000Z
3	FRAME	50100-212-010Z
4	BUSH	50101-250-320
5	RACE, STEERING BALL	50301-200-315
5	RACE, STEERING BALL	50301-268-000
5	RACE, STEERING BALL	50301-268-010
5	RACE, STEERING BALL	50301-268-305
5	RACE, STEERING BALL	50302-200-000
5	RACE, STEERING BALL	50302-200-305
6	RACE, STEERING BALL	50301-268-000
6	RACE, STEERING BALL	50301-268-010
6	RACE, STEERING BALL	50301-268-305
6	RACE, STEERING BALL	50302-200-305
7	MUDGUARD, FRAME	50311-201-000
8	PLUG	50329-250-000
9	COVER, TOOL *NH1*	83500-200-000B
9	COVER, TOOL *R2*	83500-200-000C
9	COVER, TOOL *PB5*	83500-200-000E
10	CLIP, TOOL BOX LATCH	83543-001-000
10	PIN, LOCK (6MM)	94251-06000
11	BOX, BATTERY	83600-201-000Z
12	BAND, BATTERY *NH1*	83631-201-000B
13	LATCH, TOOL BOX	83650-003-000
14	BRKT, LICENSE PLATE	84701-212-000Z
14	BRKT, LICENSE PLATE	84701-271-000Z
14	BRKT, LICENSE PLATE	84701-271-305Z
15	BOLT, ENGINE HANGER	90105-200-000
16	BOLT, HEX. (5X8)	92000-05008
16	BOLT, HEX. (5X8)	92000-05008-0A
16	BOLT, HEX. (5X8)	92101-05008-0A
16	BOLT, HEX. (5X8)	92200-05008
16	BOLT, HEX. (5X8)	92200-05008-0A
17	BOLT, HEX. (6X14)	92000-06014
17	BOLT, HEX. (6X14)	92101-06014-0A
18	BOLT, HEX. (6X20)	92000-06020
18	BOLT, HEX. (6X20)	92101-06020-0A
19	BOLT, HEX. (10X40)	92000-10040
19	BOLT, HEX. (10X40)	92000-10040-0A
19	BOLT, HEX. (10X40)	92101-10040-0A
20	SCREW, PAN (6X12)	93500-06012
20	SCREW, PAN (6X12)	93500-06012-0A
20	SCREW, PAN (6X12)	93500-06012-00
21	SCREW, PAN (6X18)	93500-06018
22	NUT, HEX. (6MM)	90310-KA3-711
22	NUT, HEX. (6MM)	94000-06000-0S
22	NUT, HEX. (6MM)	94001-06000
22	NUT, HEX. (6MM)	94030-06000
23	NUT, HEX. (10MM)	94001-10000
23	NUT, HEX. (10MM)	94030-10000
24	NUT, HEX. (6MM)	94002-06000
25	WASHER, PLAIN (10MM)	94101-10000
26	WASHER, SPRING (6MM)	94111-06000
27	WASHER, SPRING (8MM)	94111-10000
28	PIN, COTTER (3.0X45)	94201-30450
29	BALL (#8) (1/4)	96211-08000



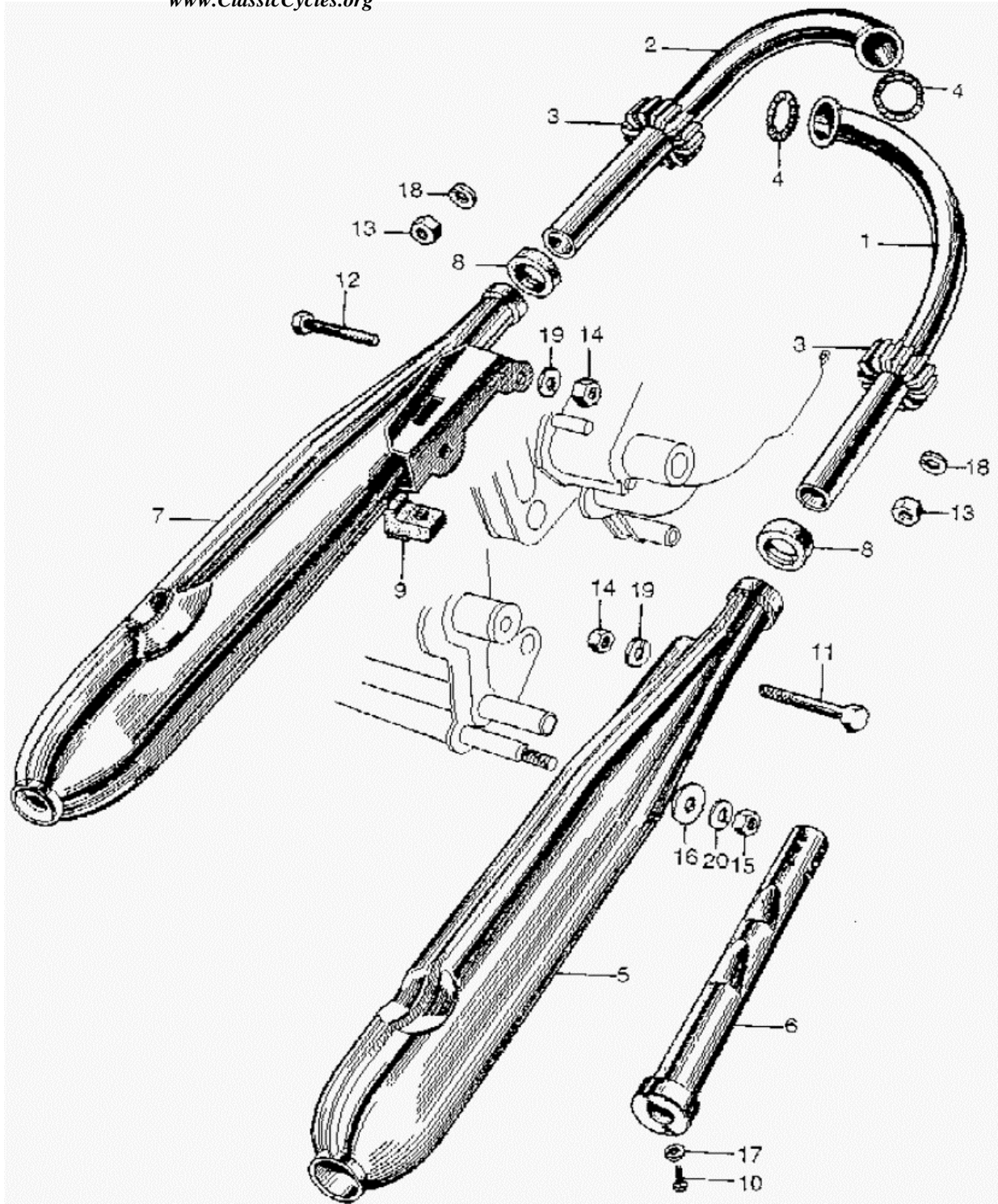
1	STAY, SEAT SETTING	77124-215-000
2	SEAT *NH1L*	77200-215-010A
2	SEAT *B2L*	77200-215-010B
2	SEAT *R2L*	77200-215-010E
3	PLATE, FR.	89421-200-000
4	PLATE, RR.	89422-200-000
5	KEY ASSY., PUMP	89423-253-000
6	BOLT, SEAT SETTING	90101-272-000
7	BOLT, HEX. (8X16)	92000-08016
7	BOLT, HEX. (8X16)	92000-08016-0A
7	BOLT, HEX. (8X16)	92101-08016-0A
7	BOLT, HEX. (8X16)	92200-08016-0A
8	NUT, HEX. (8MM)	94001-08000
8	NUT, HEX. (8MM)	94030-08000
8	NUT, HEX. (8MM)	94030-08200
9	WASHER, PLAIN (8MM)	94101-08000
10	WASHER, SPRING (8MM)	94111-08000



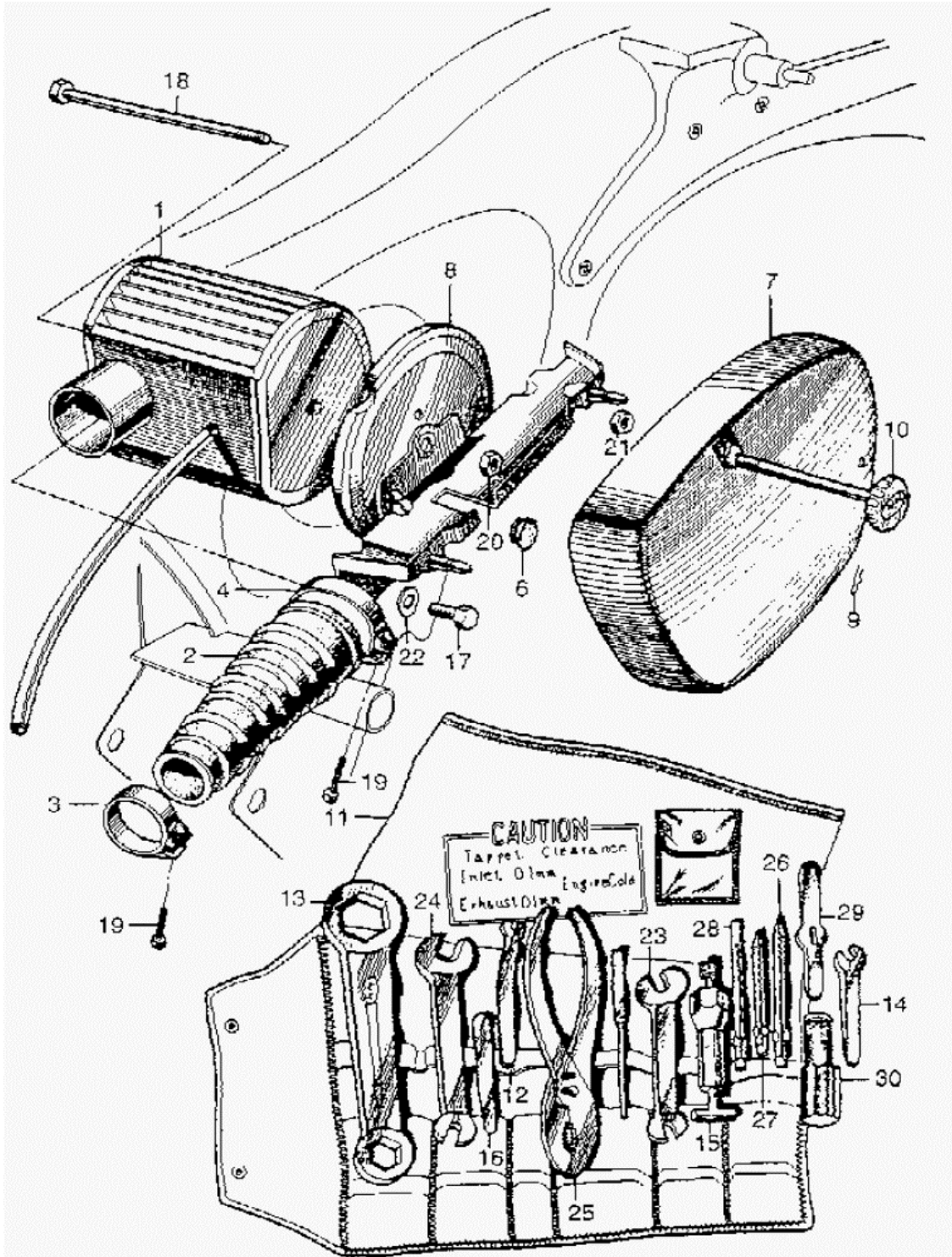
1	SWITCH, STOP LAMP	35351-259-000
2	ROD, RR. BRAKE	43450-200-000
2	ROD, RR. BRAKE	43451-230-000
2	ROD, RR. BRAKE	43451-235-000
3	JOINT, BRAKE ARM	43453-250-000
3	JOINT, BRAKE ARM	95015-32000
3	JOINT, BRAKE ARM	95015-32001
4	SPRING, RR.	43472-212-000
4	SPRING A, BRAKE ROD	95014-73100
4	SPRING A, BRAKE ROD	95014-73300
5	PIN, BRAKE ROD JOINT	43472-250-000
5	PIN A	95015-51000
6	NUT B	43486-250-000
6	NUT B	95015-42000
7	ARM ASSY.	43510-200-000
8	PEDAL, BRAKE	46500-200-000
9	SPRING, BRAKE PEDAL	46514-200-000
10	STAND, MAIN *NH1*	50500-201-010B
11	SPRING, MAIN STAND	50522-200-000
12	HOOK	50523-200-000
13	RUBBER	50524-200-010
13	RUBBER	50524-212-000
14	COLLAR	50525-200-000
15	BAR, SIDE STAND	50530-200-010
16	SPRING, SIDE STAND	50542-200-000
16	SPRING, SIDE STAND	95014-72200
16	SPRING B, SIDE STAND	95014-72201
16	SPRING B, SIDE STAND	95014-72203
16	SPRING, SIDE STAND	95014-72204
17	BAR, STEP *NH1*	50610-201-010B
18	RUBBER, STEP	50661-200-000
18	RUBBER, STEP	50661-204-000
19	BOLT	90108-200-000
20	SCREW	90128-200-000
21	BOLT	90151-201-000
22	WASHER (21.5MM)	90522-200-000
23	NUT, HEX. (8MM)	94001-08000
23	NUT, HEX. (8MM)	94030-08000
23	NUT, HEX. (8MM)	94030-08200
24	NUT, HEX. (10MM)	94002-10000
24	NUT, HEX. (10MM)	94002-10000-0S
24	NUT, HEX. (10MM)	94002-10000-08
25	WASHER, SPRING (8MM)	94111-08000
26	PIN, COTTER (2.0X15)	94201-20150
27	PIN, COTTER (3X30)	94201-30300
27	PIN, COTTER (3.0X40)	94201-30400
27	PIN, COTTER (3.0X45)	94201-30450



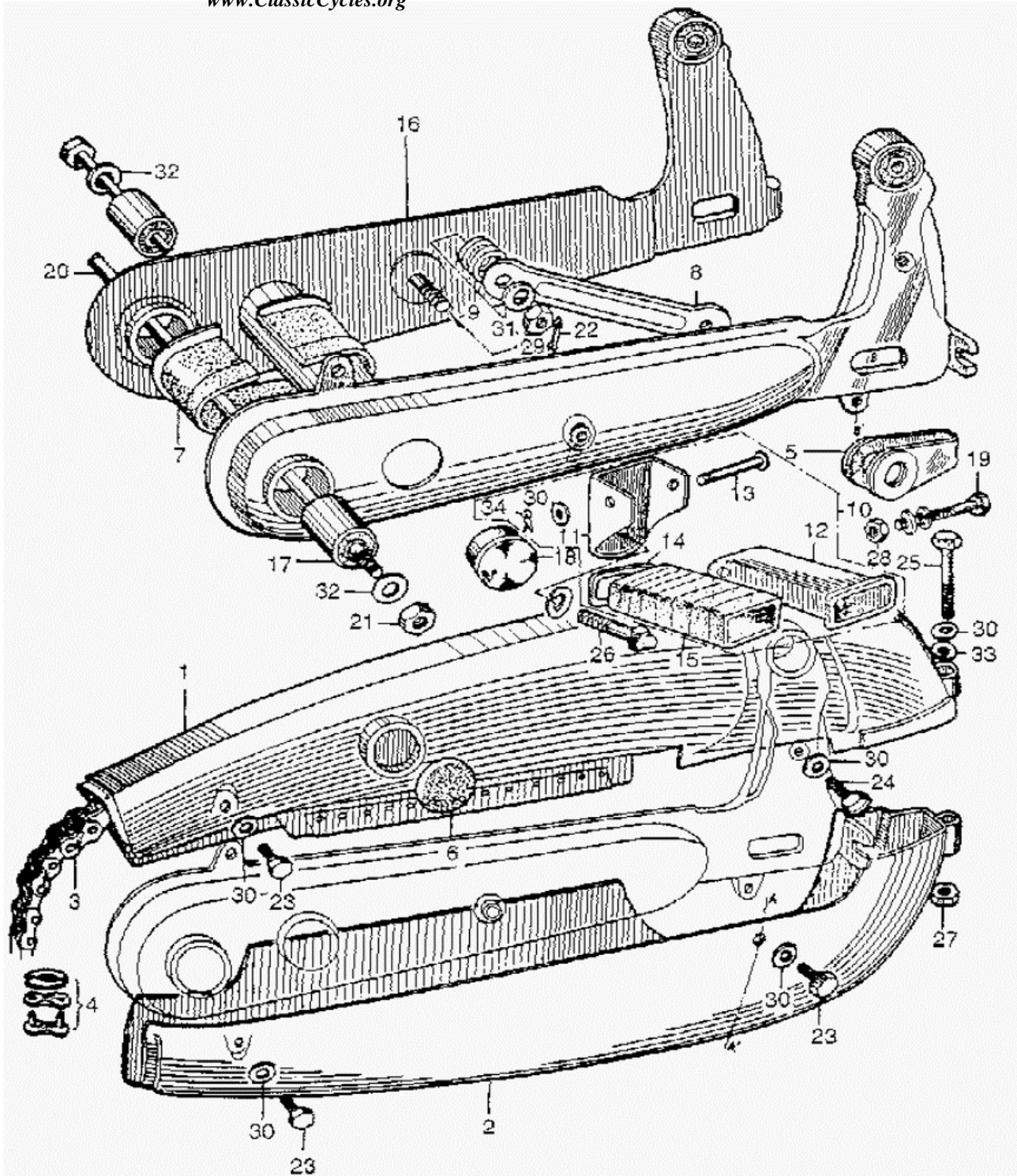
1	PIPE, R. EX.	18210-200-030
1	PIPE, R. EX.	18220-212-000
2	PIPE, L. EX.	18220-201-020
2	PIPE, L. EX.	18220-201-030
2	PIPE, L. EX.	18220-212-000
3	JOINT, EX. PIPE	18231-200-010
4	GASKET, EX. PIPE	18291-202-000
4	GASKET, EX. PIPE	18291-202-306
5	MUFFLER, R.	18310-200-050
5	MUFFLER, R.	18310-200-060
5	MUFFLER, R.	18310-212-000
5	MUFFLER, R.	18310-212-007
6	PIPE, EX. DIFFUSER	18311-200-050
6	PIPE, EX. DIFFUSER	18311-212-000
7	MUFFLER, L.	18330-200-040
7	MUFFLER, L.	18330-200-050
7	MUFFLER, L.	18330-212-000
7	MUFFLER, L.	18330-212-007
8	GASKET, MUFFLER	18391-200-000
8	GASKET, MUFFLER	18391-204-000
8	GASKET, MUFFLER	18391-204-010
9	RUBBER	50543-200-000
9	RUBBER	50543-212-000
10	BOLT, HEX. (5X8)	92000-05008
10	BOLT, HEX. (5X8)	92000-05008-0A
10	BOLT, HEX. (5X8)	92101-05008-0A
10	BOLT, HEX. (5X8)	92200-05008
10	BOLT, HEX. (5X8)	92200-05008-0A
11	BOLT, HEX. (8X55)	92000-08055
11	BOLT, HEX. (8X55)	92000-08055-0A
11	BOLT, HEX. (8X55)	92101-08055-0A
12	BOLT, HEX. (8X75)	92000-08075
12	BOLT, HEX. (8X75)	92000-08075-0A
12	BOLT, HEX. (8X75)	92101-08075-0A
13	NUT, HEX. (6MM)	90310-KA3-711
13	NUT, HEX. (6MM)	94000-06000-0S
13	NUT, HEX. (6MM)	94001-06000
13	NUT, HEX. (6MM)	94001-06000-0S
13	NUT, HEX. (6MM)	94001-06008-0S
13	NUT, HEX. (6MM)	94001-06200-0S
13	NUT, HEX. (6MM)	94030-06000
14	NUT, HEX. (8MM)	94001-08000
14	NUT, HEX. (8MM)	94030-08000
14	NUT, HEX. (8MM)	94030-08200
15	NUT, HEX. (10MM)	94001-10000
15	NUT, HEX. (10MM)	94030-10000
15	NUT, HEX. (10MM)	94030-10000-0S
16	WASHER, PLAIN (10MM)	94101-10000
17	WASHER, SPRING (5MM)	94101-5000
18	WASHER, SPRING (6MM)	94101-6000
19	WASHER, SPRING (8MM)	94101-8000
20	WASHER, SPRING (8MM)	94101-10000



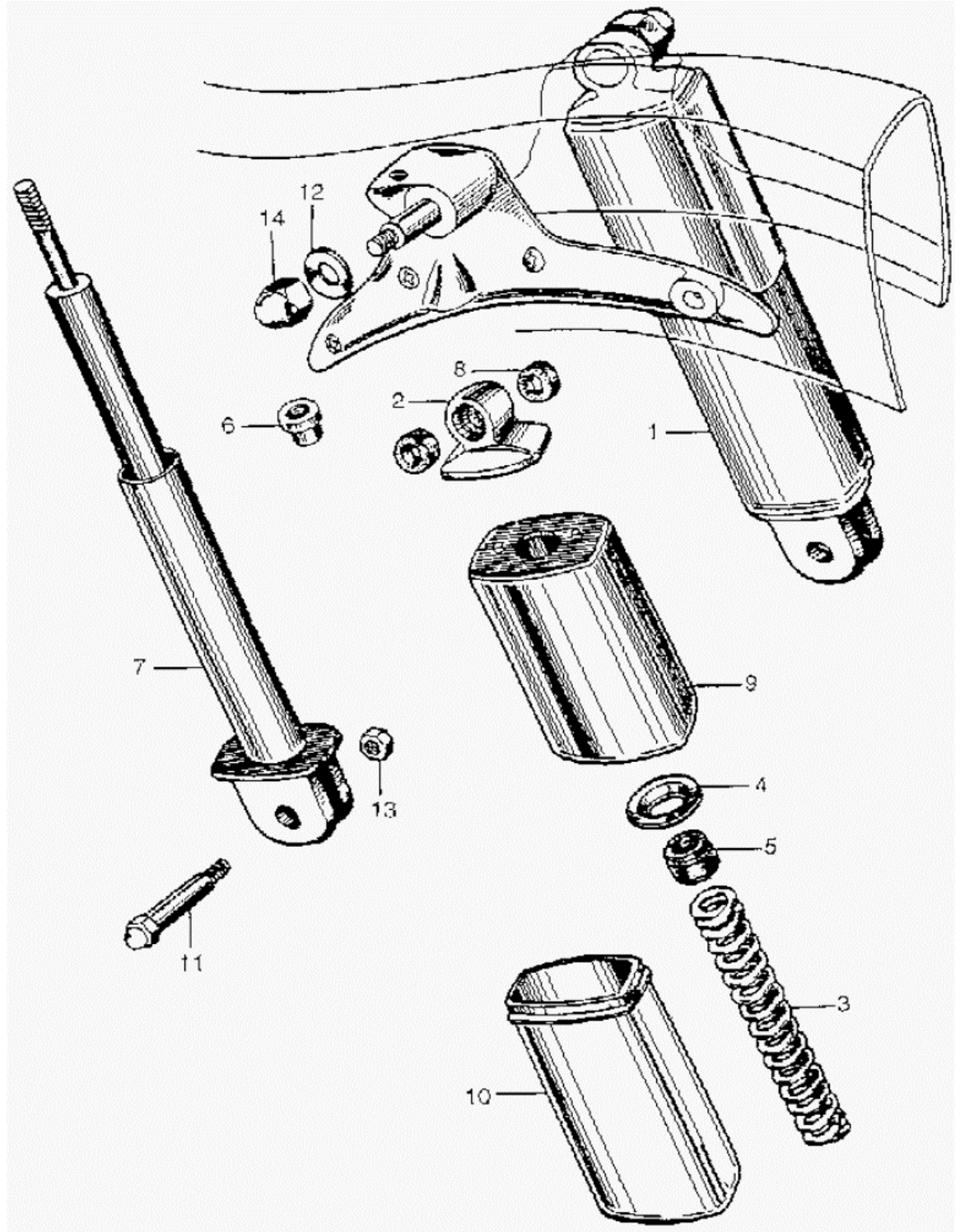
1	ELEMENT, AIR CLEANER	17211-205-020
2	TUBE	17253-200-020
2	TUBE	17253-202-000
3	CIRCLIP A	17255-200-000
3	BAND A	17255-202-000
4	CIRCLIP B	17256-200-000
4	BAND B	17256-202-000
6	RUBBER	50391-250-010
7	COVER SIDE, R. BLOCK *N	83500-201-000B
8	BOARD, TOOL TRAY	83530-200-000Z
8	TOOL SET	89010-202-000
9	CLIP, TOOL BOX LATCH	83543-001-000
9	PIN, LOCK (6MM)	94251-06000
10	LATCH, TOOL BOX	83650-003-000
11	BAG, TOOL	89101-200-000
12	WRENCH	07908-KE90200
12	WRENCH, TAPPET ADJ.	89201-200-000
13	WRENCH, AXLE	89022-200-000
13	WRENCH, AXLE	89202-200-000
14	SPANNER (9MM)	89203-200-000
15	WRENCH, SPARK PLUG	89216-001-000
15	WRENCH, SPARK PLUG	89216-028-010
15	WRENCH, SPARK PLUG	89216-033-000
15	WRENCH, SPARK PLUG	89216-041-000
15	WRENCH, SPARK PLUG	89216-041-010
15	WRENCH, SPARK PLUG	89216-264-000
15	WRENCH, BOX (P16X17)	99004-16170
15	WRENCH, SPARK PLUG	99004-18230
16	GAUGE	89231-200-000
17	BOLT, HEX. (6X12)	92000-06012
17	BOLT, HEX. (6X12)	92101-06012
17	BOLT, HEX. (6X12)	92101-06012-0A
18	BOLT, HEX. (6X112)	92000-06112
18	BOLT, HEX. (6X112)	92101-06110-0A
19	SCREW, PAN (5X18)	93500-05018
19	SCREW, PAN (5X18)	93500-05018-0A
20	NUT, HEX. (6MM)	90310-KA3-711
20	NUT, HEX. (6MM)	94000-06000-0S
20	NUT, HEX. (6MM)	94001-06000
20	NUT, HEX. (6MM)	94001-06000-0S
20	NUT, HEX. (6MM)	94001-06008-0S
20	NUT, HEX. (6MM)	94001-06200-0S
20	NUT, HEX. (6MM)	94030-06000
21	NUT, HEX. (6MM)	94002-06000
21	NUT, HEX. (6MM)	94002-06000-0S
22	WASHER, PLAIN (6MM)	94101-06000
22	WASHER, PLAIN (6MM)	94101-06080
22	WASHER, PLAIN (6MM)	94101-06800
23	SPANNER (10X14)	99001-10140
24	WRENCH (17X19)	99001-17190
25	PLIERS (150MM)	99002-15000
26	SCREWDRIVER 1 (NO.2)	99003-10000
27	DRIVER 2 (NO.3)	99003-20000
28	SCREWDRIVER 3	99003-30000
29	LEVER, TIRE	99003-40000
30	GRIP	99003-50000



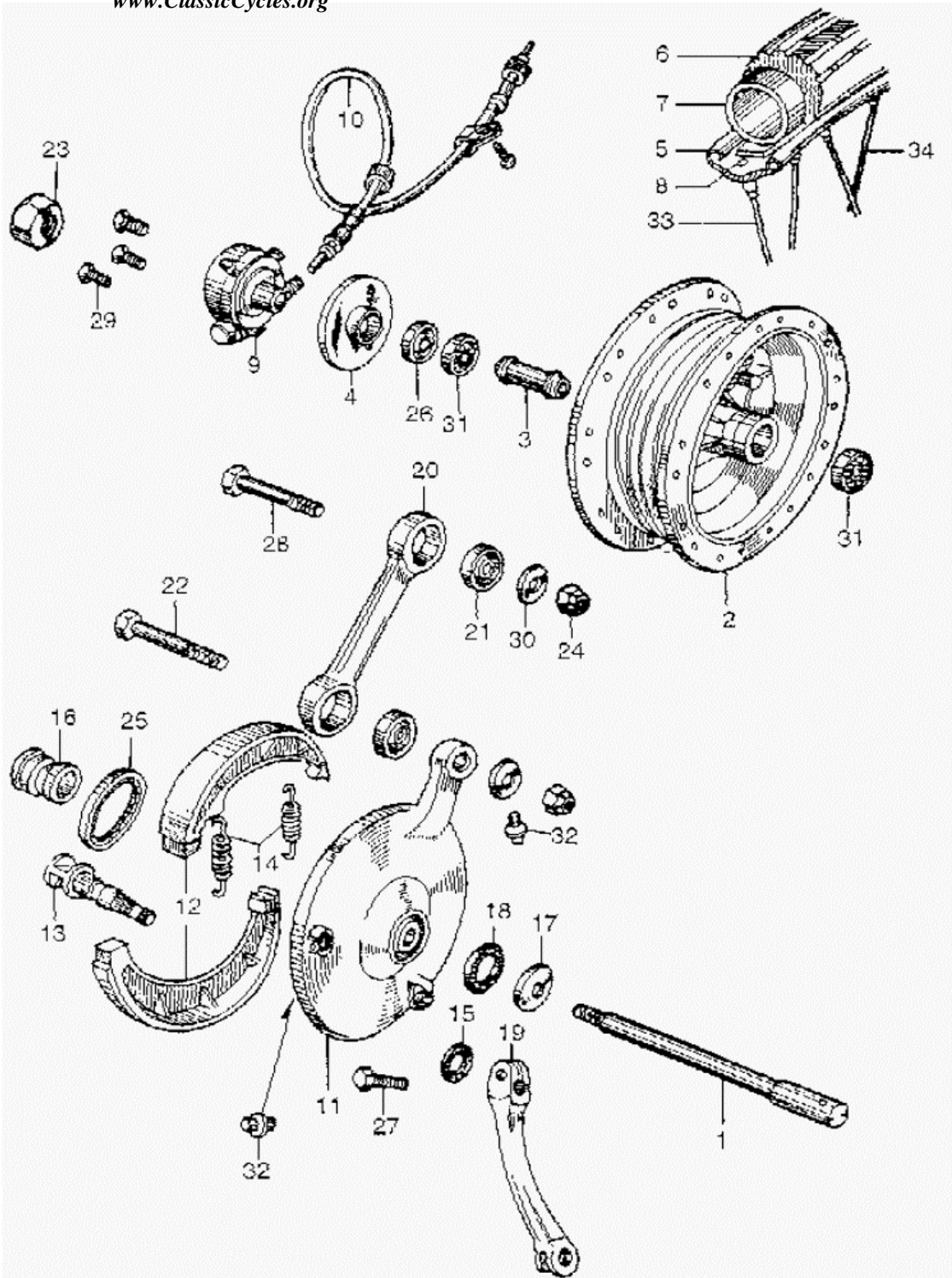
1 CASE, DRIVE CHAIN	40510-202-010Z
1 CASE, DRIVE CHAIN	40510-212-000Z
2 CASE, DRIVE CHAIN	40520-202-010Z
2 CASE, DRIVE CHAIN	40520-212-000Z
3 CHAIN, DRIVE (104L)	405W3-KA8-505
3 CHAIN, DRIVE	40530-219-005
3 CHAIN, DRIVE	40530-440-950
4 MASTER LINK	40531-200-000
5 ADJUSTER, L.	40542-202-000
5 ADJUSTER, L.	40543-202-010
5 ADJUSTER, L.	40544-212-000
6 CAP, CHAIN CASE	40545-001-000
7 GASKET	40591-200-000
8 TORQUE LINK, RR.	43131-200-000
9 SPRING, STOPPER ARM	43434-250-000
10 STEP ASSY., PILLION	50700-257-010
11 STAY	50702-257-010
12 BAR, PILLION STEP	50706-257-000
13 PIN, PILLION STEP	50713-257-000
14 SEAT	50716-257-000
15 RUBBER, PILLION STEP	50718-257-000
16 SWINGARM	52100-203-000Z
16 SWINGARM	52100-203-305Z
17 BUSH	52119-250-000
18 CAP	52161-200-000
19 BOLT, CHAIN ADJUSTER	90119-205-000
20 BOLT, SWINGARM PIVOT	90121-200-000
21 NUT, SWINGARM	90308-250-000
22 CLIP, LATCH (10MM)	90652-200-000
22 CLIP, LATCH (10MM)	90652-253-000
23 BOLT, HEX. (6X8)	92000-06008-02
23 BOLT, HEX. (6X8)	92100-06008-0B
23 BOLT, HEX. (6X8)	92101-06008-0B
24 BOLT, HEX. (6X14)	92000-06014-02
25 BOLT, HEX. (6X45)	92000-06045
25 BOLT, HEX. (6X45)	92000-06045-0A
25 BOLT, HEX. (6X45)	92101-06045-0A
26 BOLT, CAP (10X30)	92500-10030-02
27 NUT, HEX. (6MM)	90310-KA3-711
27 NUT, HEX. (6MM)	94000-06000-0S
27 NUT, HEX. (6MM)	94001-06000
27 NUT, HEX. (6MM)	94001-06000-0S
27 NUT, HEX. (6MM)	94001-06008-0S
27 NUT, HEX. (6MM)	94001-06200-0S
27 NUT, HEX. (6MM)	94030-06000
28 NUT, HEX. (6MM)	94001-06020
28 NUT, HEX. (6MM)	94001-06020-0S
29 NUT, HEX. (10MM)	94002-10000
29 NUT, HEX. (10MM)	94002-10000-08
30 WASHER, PLAIN (6MM)	94101-06080
30 WASHER, PLAIN (6MM)	94101-06800
31 WASHER, PLAIN (10MM)	94101-10000
32 WASHER, PLAIN (12MM)	94101-12000
32 WASHER, FLAT (12MM)	94101-12000-00
32 WASHER, PLAIN (12MM)	94101-12200
33 WASHER, SPRING (6MM)	94111-06000
34 PIN, COTTER (1.6X15)	94201-16150
34 PIN, COTTER (1.6X25)	94201-16250



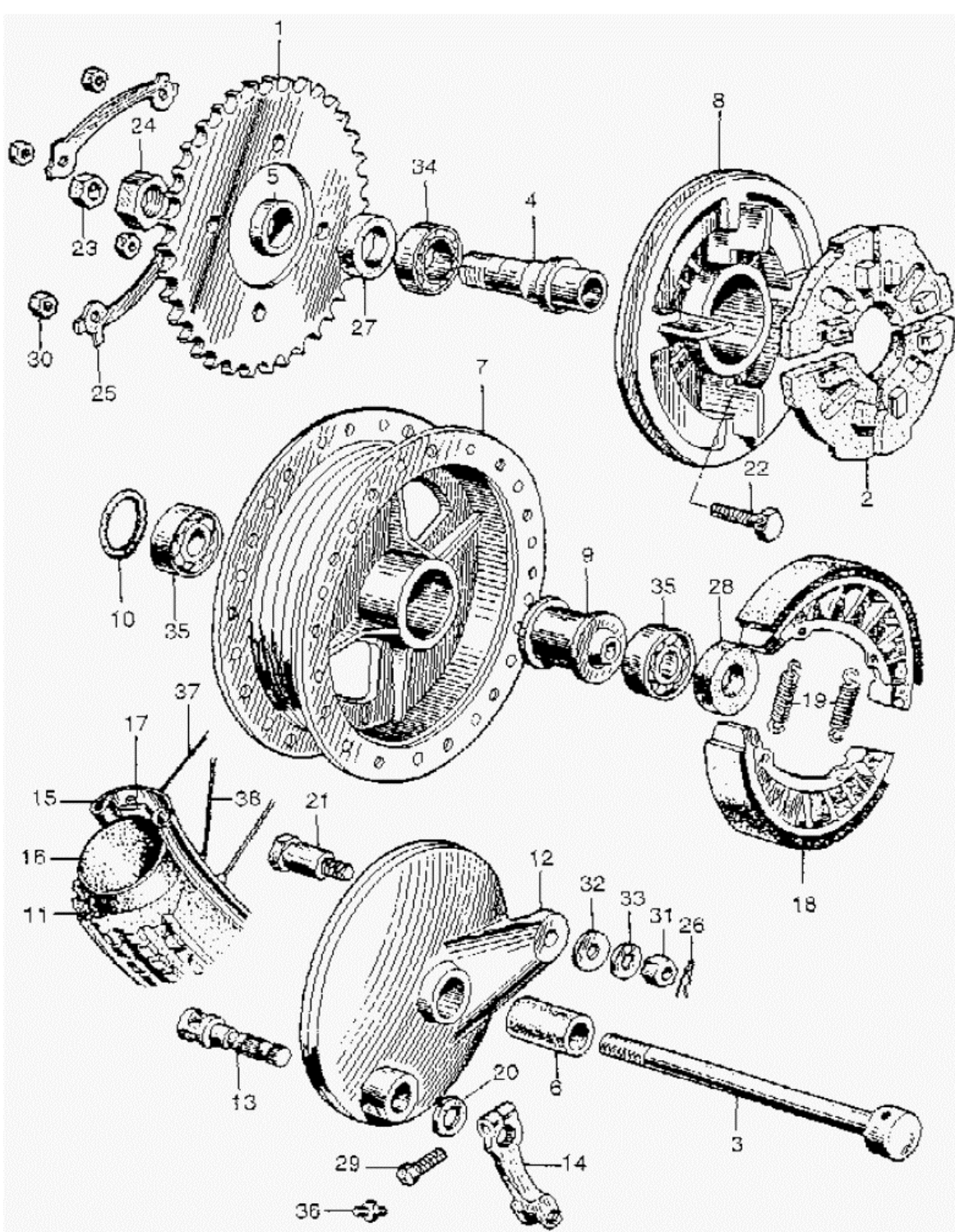
1	S/ABS, RR. *NH1*	52400-212-810B
1	S/ABS, RR. *R2*	52400-212-810C
1	S/ABS, RR. *PB5*	52400-212-810E
2	METAL, RR. SHOCK	52403-250-030
3	SPRING, RR. SHOCK	52407-200-010
4	SEAT, RR.	52408-250-000
5	RUBBER, RR.	52413-250-010
6	NUT, RR. (UPPER)	52421-250-000
7	METAL, RR. SHOCK	52437-200-040
7	METAL, RR. SHOCK	52437-200-050
8	BUSH, RR.	52442-250-000
9	CASE, SHOCK *NH1*	52523-250-060B
9	CASE, SHOCK *R2*	52523-250-060C
9	CASE, SHOCK *PB5*	52523-250-060E
9	CASE, SHOCK (UPPER)	52523-250-060Z
10	CASE, RR. (LOWER)	52525-250-040
11	BOLT, RR. SHOCK	90107-200-010
12	WASHER (10.3MM)	90527-200-000
12	WASHER (10.3MM)	90527-230-000
13	NUT, HEX. (10MM)	94001-10000
13	NUT, HEX. (10MM)	94030-10000
13	NUT, HEX. (10MM)	94030-10000-0S
14	NUT, CAP (10MM)	94021-10020
14	NUT, CAP (10MM)	94021-10020-0S



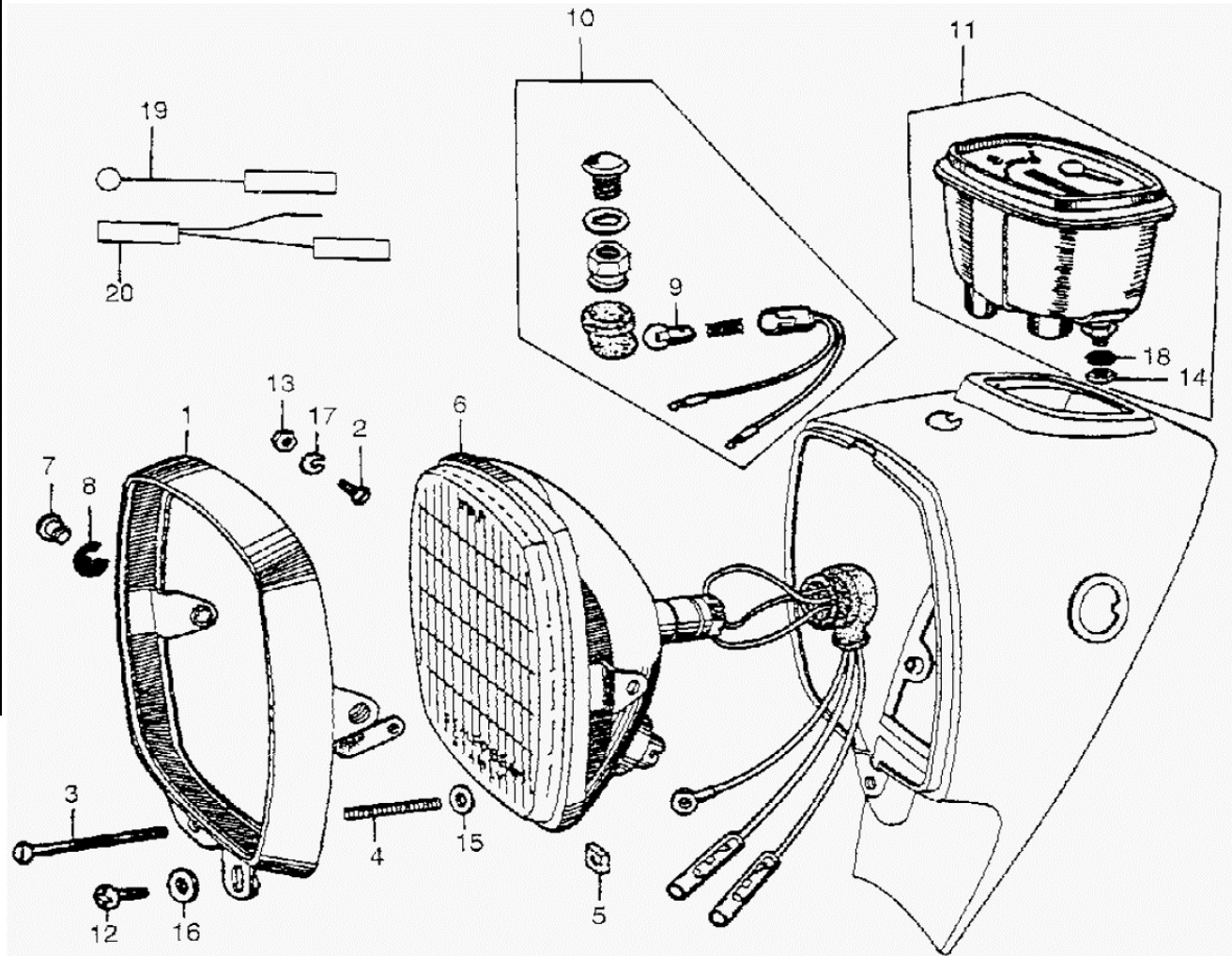
1	AXLE, FR. WHEEL	44301-202-000
2	HUB, FR. WHEEL	44601-202-000
2	HUB, FR. WHEEL	44601-202-010
2	HUB, FR. WHEEL	44601-202-020
3	COLLAR, FR.	44620-202-000
3	COLLAR, FR.	44620-202-010
4	RETAINER, FR.	44641-202-000
4	RETAINER, FR.	44641-202-010
5	RIM, WHEEL	44701-202-010
6	TIRE, FR. WHEEL	44711-200-000
6	TIRE, FR. WHEEL	44711-219-000
6	TIRE, FR. WHEEL	44711-219-010
6	TIRE, FR. (3.00-16)	44711-230-000
7	TUBE, WHEEL	0Y400-41900
7	TUBE, WHEEL	08400-41900
7	TUBE (2.75/3.00-16)	42712-167-003
7	TUBE (2.75/3.00-16)	42712-167-005
7	TUBE, TIRE	44712-200-000
8	FLAP, TIRE (17)	42713-102-005
8	FLAP, TIRE	44713-200-000
9	BOX	44800-202-010
10	CABLE, SPEEDOMETER	44830-200-000
10	CABLE, SPEEDOMETER	44830-200-305
11	PANEL, FR. BRAKE	45100-202-010
11	PANEL, FR. BRAKE	45100-202-020
12	SHOE, BRAKE	45120-200-000
13	CAM, FR. BRAKE	45131-200-010
14	SPRING, BRAKE SHOE	45133-250-000
15	DUST SEAL, BRAKE CAM	45134-250-000
16	SPACER, FR.	45141-202-000
17	CAP, FR. PANEL DUST	45142-250-000
17	CAP, FR.	45142-271-000
18	RING, FR.	45143-222-000
18	DUST SEAL, FR.	45435-271-000
19	ARM, FR. BRAKE	45410-200-010
20	TORQUE LINK, FR.	45433-202-000
21	BUSH	45437-254-330
22	BOLT, FR.	90104-200-000
23	NUT, AXLE	90305-200-000
24	NUT (10MM)	90351-250-000
24	NUT (10MM)	90351-268-000
25	OIL SEAL (43X58X8)	91251-200-000
25	OIL SEAL (50X64X8)	91251-250-000
26	OIL SEAL (22X35X8)	91254-200-000
27	BOLT, HEX. (6X20)	92000-06020
27	BOLT, HEX. (6X20)	92101-06020-0A
28	BOLT, HEX. (10X40)	92000-10040
28	BOLT, HEX. (10X40)	92000-10040-0A
28	BOLT, HEX. (10X40)	92101-10040-0A
29	SCREW, FLAT (6X12)	93600-06012
29	SCREW, FLAT (6X12)	93600-06012-0A
30	WASHER, PLAIN (10MM)	94101-10000
31	BEARING (6302Z)	96120-63020
31	BEARING (6202U)	96140-62020
32	FITTING, GREASE	96201-30000
32	FITTING (A.45)	96201-30001
33	SPOKE A, FR.	97422-41111-11
34	SPOKE B, FR.	97687-41108-11

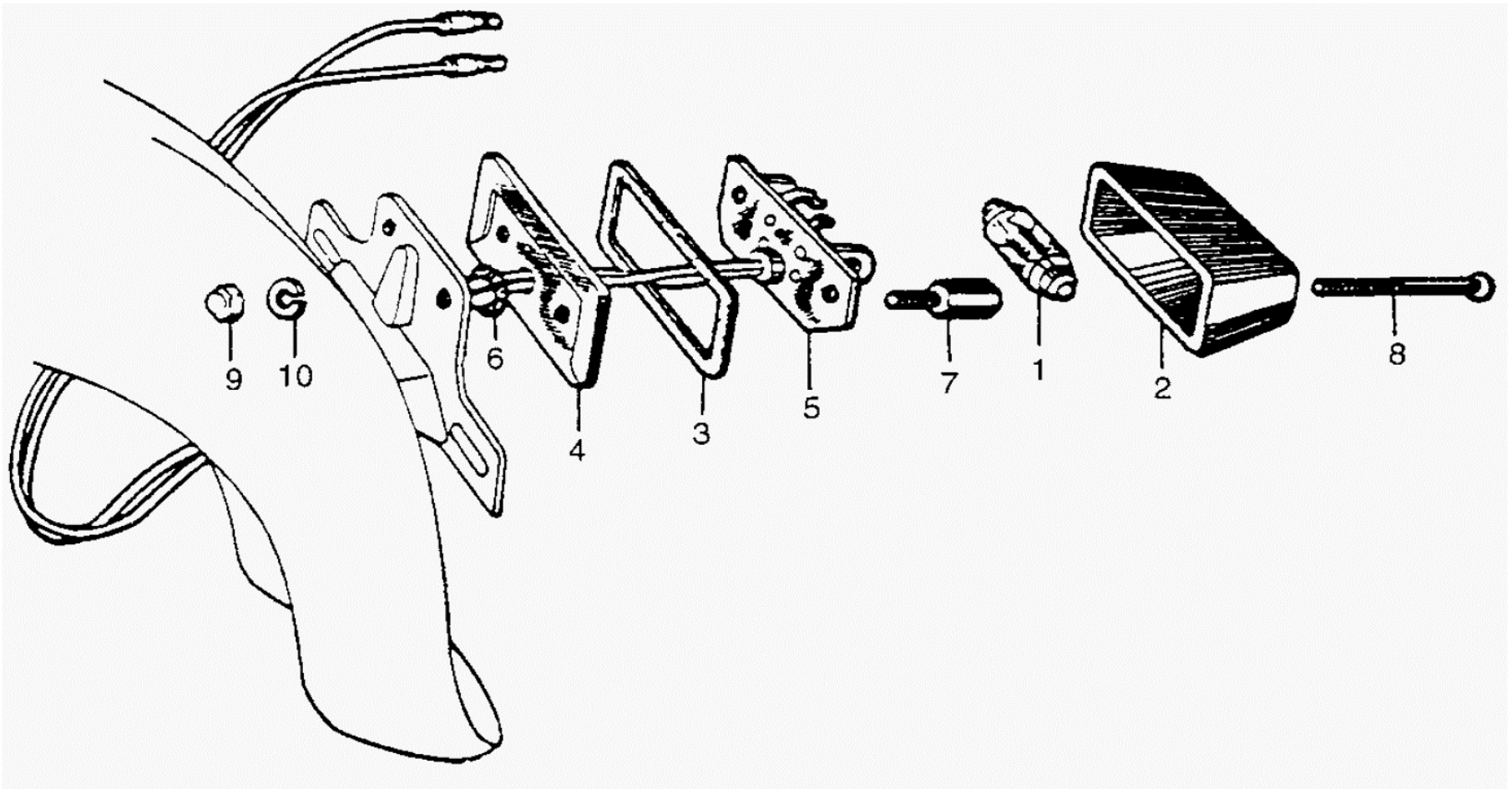


1	SPROCKET	41201-201-000
2	DAMPER, RR. WHEEL	41241-202-000
3	AXLE, RR. WHEEL	42301-202-000
4	SLEEVE, RR. AXLE	42303-202-000
5	COLLAR, RR.	42304-202-010
5	COLLAR, RR.	42304-212-000
6	COLLAR, RR.	42313-202-010
7	HUB, RR. WHEEL	42601-202-000
8	FLANGE, FINAL DRIVEN	42610-200-000
9	COLLAR, RR.	42620-200-000
10	O-RING (39.5MM)	42653-200-000
11	TIRE, RR. WHEEL	42711-200-000
11	TIRE, RR. WHEEL	42711-219-000
11	TIRE, RR. WHEEL	42711-219-010
11	TIRE, RR. (3.00-16)	42711-230-000
12	PANEL, RR. BRAKE	43100-202-000
13	CAM, RR. BRAKE	43141-200-010
14	ARM, RR. BRAKE	43411-200-000
15	RIM, WHEEL	44701-202-010
16	TUBE, WHEEL	0Y400-41900
16	TUBE, WHEEL	08400-41900
16	TUBE (2.75/3.00-16)	42712-167-003
16	TUBE (2.75/3.00-16)	42712-167-005
16	TUBE, TIRE	44712-200-000
17	FLAP, TIRE (17)	42713-102-005
17	FLAP, TIRE	44713-200-000
18	SHOE, BRAKE	45120-200-000
19	SPRING, BRAKE SHOE	45133-250-000
20	DUST SEAL, BRAKE CAM	45134-250-000
21	BOLT, RR.	90127-200-000
22	SCREW	90128-200-000
22	BOLT, HEX. (8X30)	92000-08030
22	BOLT, HEX. (8X30)	92000-08030-0A
22	BOLT, HEX. (8X30)	92100-08030-0A
22	BOLT, HEX. (8X30)	92101-08030-0A
23	NUT, AXLE	90305-200-000
24	NUT, RR. AXLE SLEEVE	90307-200-000
25	WASHER, TONGUE (8MM)	90523-200-000
26	CLIP, LATCH (10MM)	90652-200-000
26	CLIP, LATCH (10MM)	90652-253-000
27	OIL SEAL (29X47X8)	91253-200-000
27	OIL SEAL (30X47X8)	91253-212-000
28	OIL SEAL (22X35X8)	91254-200-000
29	BOLT, HEX. (6X20)	92000-06020
29	BOLT, HEX. (6X20)	92101-06020-0A
30	NUT, HEX. (8MM)	94001-08000
30	NUT, HEX. (8MM)	94030-08000
30	NUT, HEX. (8MM)	94030-08200
31	NUT, HEX. (10MM)	94002-10000
31	NUT, HEX. (10MM)	94002-10000-0S
31	NUT, HEX. (10MM)	94002-10000-08
32	WASHER, PLAIN (10MM)	94101-10000
33	WASHER (12MM)	94111-12000
34	BEARING (6005)	96100-60050
34	BEARING (6005)	96100-60050-00
35	BEARING (6202)	96100-62020
35	BEARING (6202)	96100-62020-00
36	FITTING (A.45)	96201-30001
37	SPOKE A, RR.	97506-52110-11



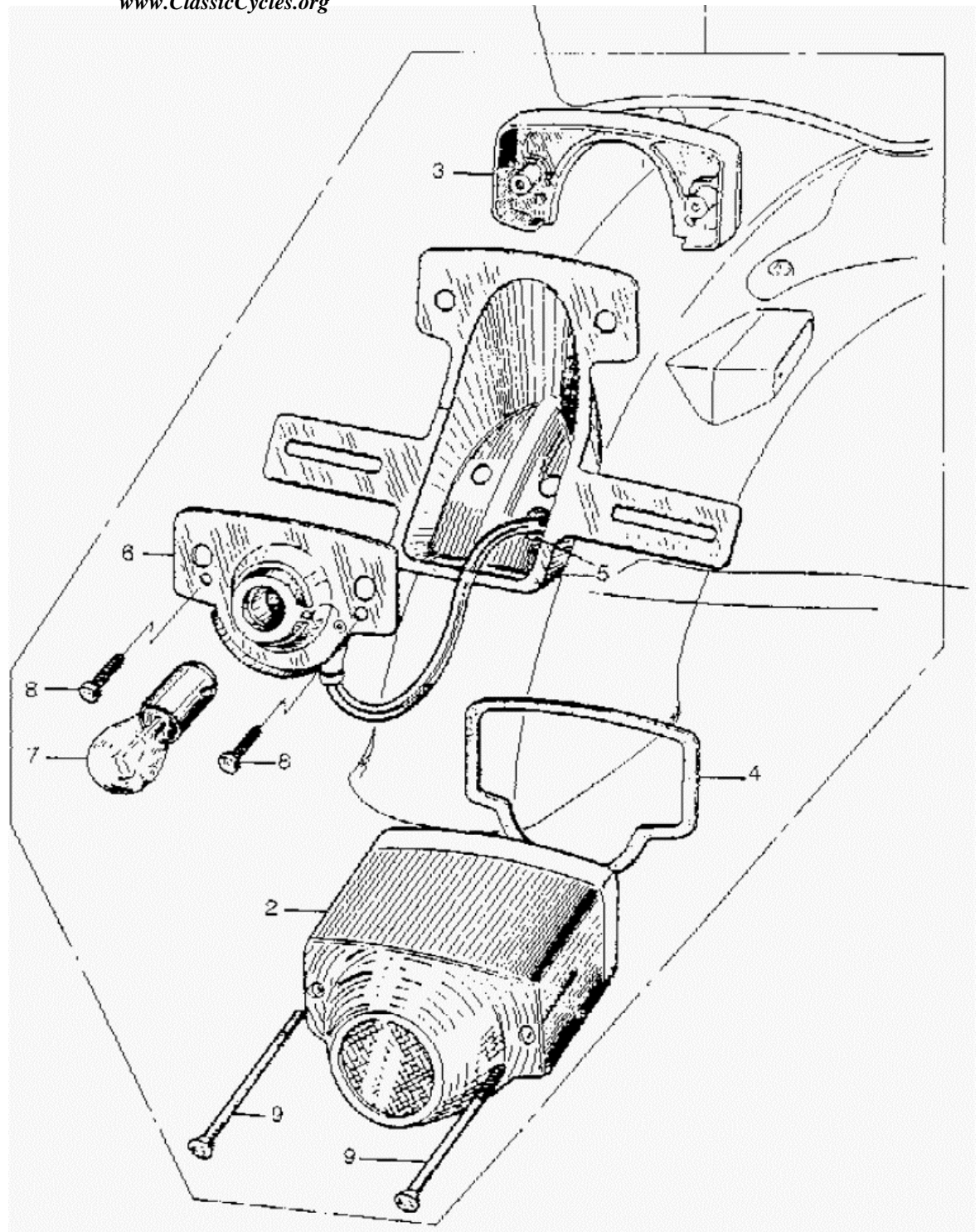
1	RIM, HEADLIGHT	33101-203-000
2	SCREW (3MM)	33102-200-003
3	SCREW	33103-200-020
4	SPRING	33107-200-023
5	NUT	33117-200-023
6	HEADLIGHT ASSY.	33100-203-000
6	HEADLIGHT UNIT	33120-203-000
7	SCREW, HEADLIGHT	33125-200-030
8	NUT, HEADLIGHT	33128-200-030
8	NUT, UNIT HOLDER	33128-292-670
9	BULB, DASH (6V3W)	34902-202-000
10	LIGHT, NEUTRAL PILOT	35450-215-000
10	LIGHT, NEUTRAL PILOT	37700-202-000
11	SPEEDOMETER ASSY.	37200-215-008
12	SCREW, PAN (6X12)	33114-200-000
12	SCREW, PAN (6X12)	33127-259-222
12	SCREW, PAN (6X12)	93500-06012-0B
12	SCREW, PAN (6X12)	93500-06012-02
13	NUT, HEX. (3MM)	94001-03000
13	NUT, HEX. (3MM)	94001-03000-0S
14	NUT, HEX. (5MM)	94001-05000
14	NUT, HEX. (5MM)	94001-05000-0S
15	WASHER, PLAIN (4MM)	94101-04000
16	WASHER, PLAIN (6MM)	94101-06000
16	WASHER, PLAIN (6MM)	94101-06080
16	WASHER, PLAIN (6MM)	94101-06800
17	WASHER, SPRING (3MM)	94111-03000
18	WASHER, SPRING (5MM)	94111-05000
19	WIRE A, PILOT LAMP	35451-262-305
20	SUB-WIRE B	35463-262-305



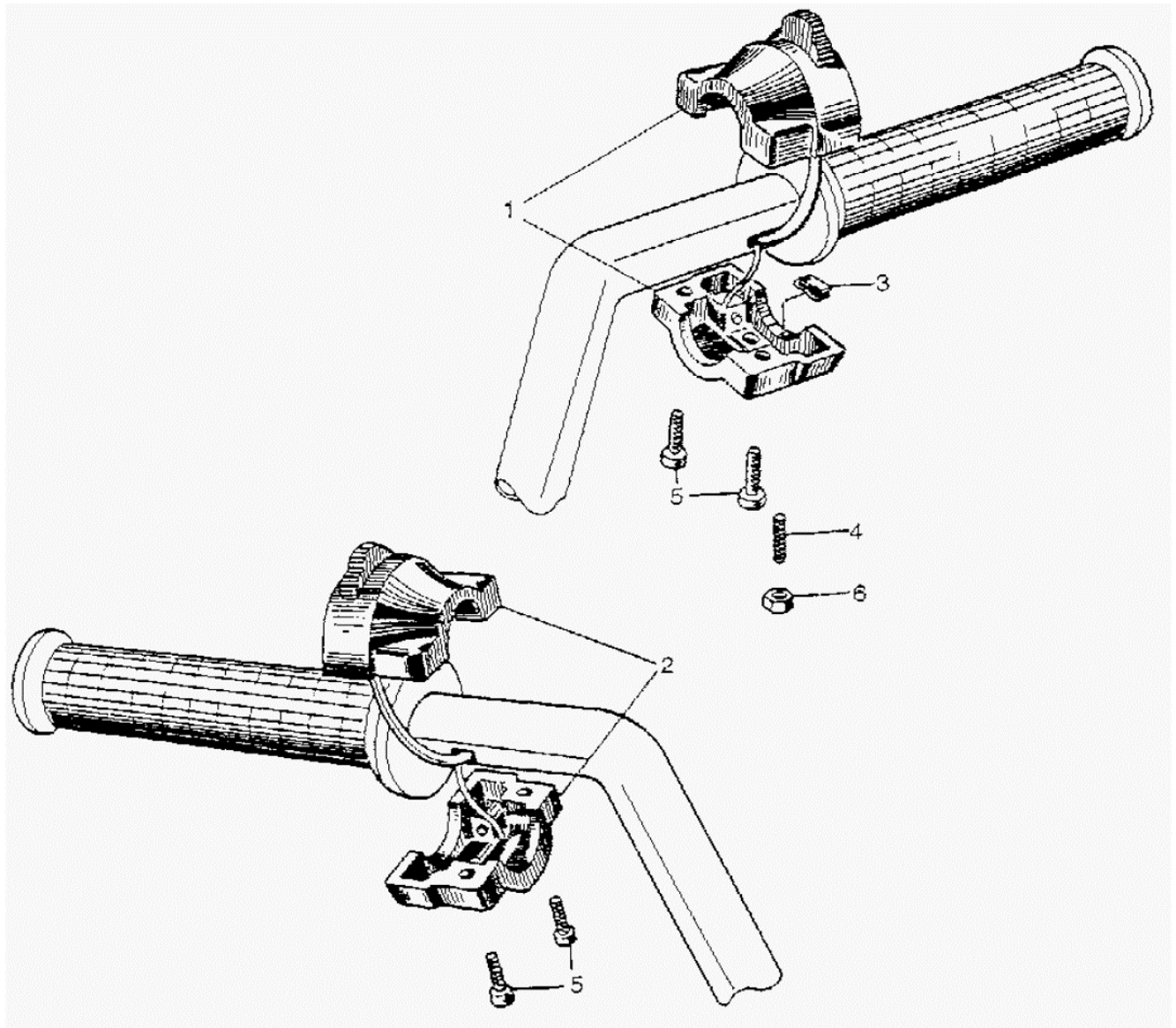


1	BULB (6V8/4W)	33701-257-000
2	LENS, TAILLIGHT	33702-255-000
3	GASKET	33704-255-000
4	PLATE	33705-262-000
5	SOCKET, TAILLIGHT	33720-203-010
6	GROMMET B	33714-268-000
6	GASKET B, TAIL WIRE	33742-242-000
7	SCREW, RR. TURN SIGNAL BAS	90148-250-000
8	SCREW, OVAL (3X30)	93700-03030-02
9	NUT, CAP (4MM)	94021-04020
10	WASHER, SPRING (4MM)	94111-04000

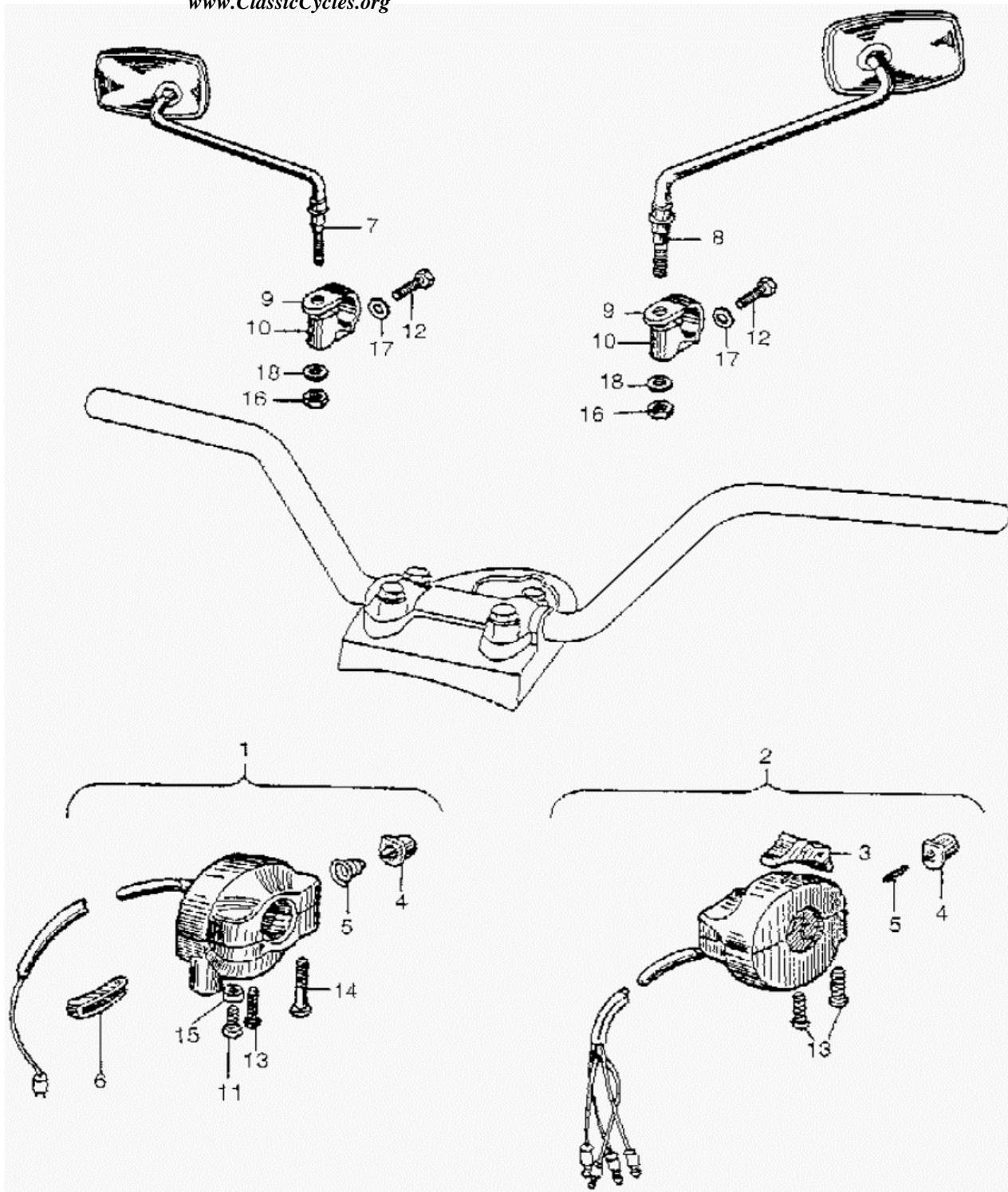
1	TAILLIGHT ASSY.	33700-202-810
2	LENS, TAILLIGHT	33701-268-680
3	PLATE	33705-268-670
4	GASKET	33709-268-810
5	GROMMET B	33714-268-000
5	GASKET B, TAIL WIRE	33742-242-000
6	SOCKET, TAILLIGHT	33765-202-600
7	BULB (6V17/5.3W)	34906-202-670
8	SCREW, PAN (4X10)	93500-04010
8	SCREW, PAN (4X10)	93500-04010-0A
8	SCREW, PAN (4X10)	93500-04010-1A
9	SCREW, OVAL (3X60)	93700-03060
9	SCREW, OVAL (3X60)	93700-03060-0A
9	SCREW, OVAL (3X60)	93700-03060-0B
9	SCREW, OVAL (3X60)	93700-03060-02



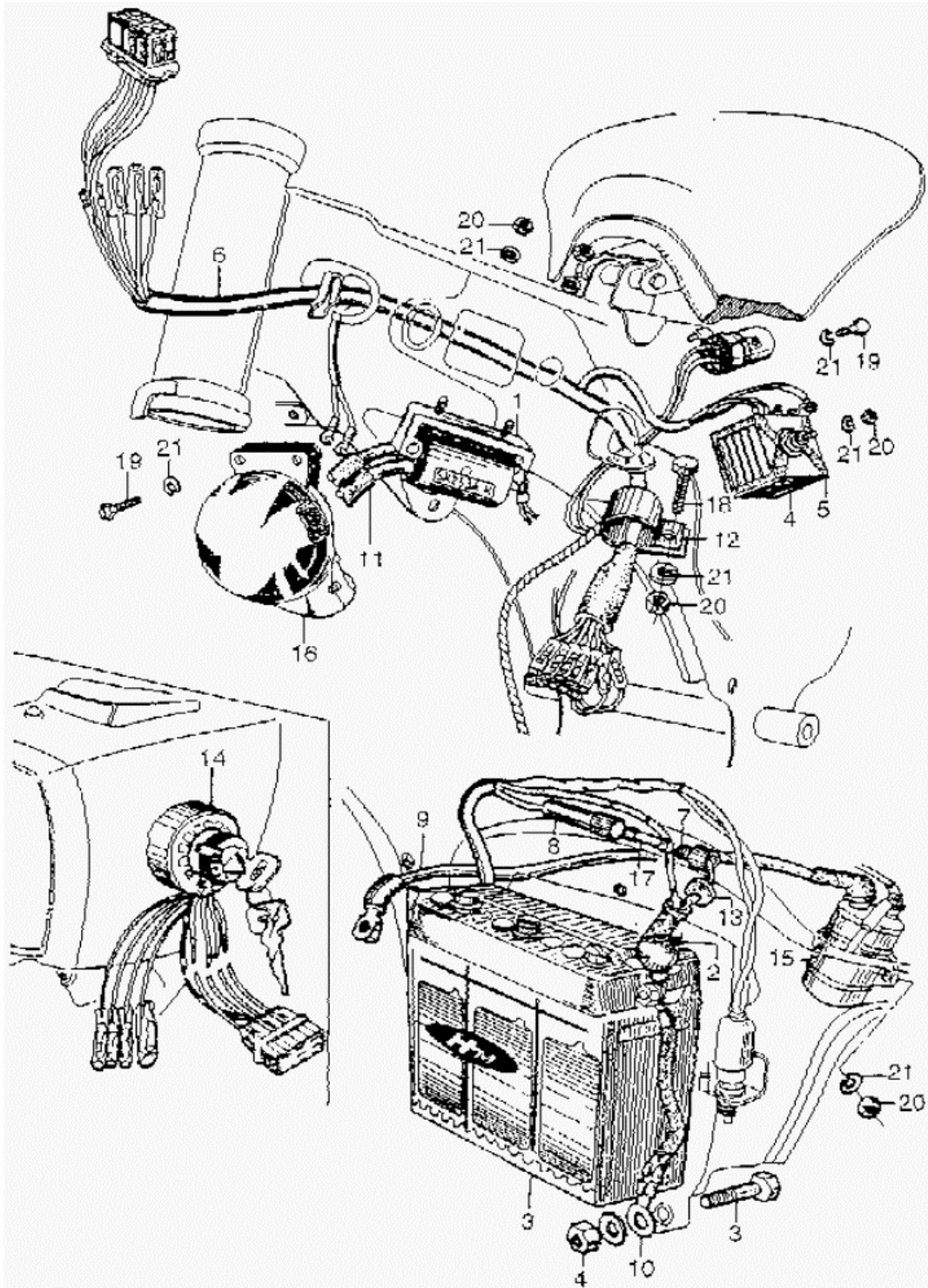
1	SWITCH, HORN BUTTON	35300-212-000
1	SWITCH, HORN BUTTON	35300-223-000
1	SWITCH, DIMMER	35300-284-810
2	SWITCH, STARTER	35800-215-000
3	ADJUSTER	53163-271-000
4	SCREW	90124-268-000
5	SCREW, PAN (5X14)	93500-05014
5	SCREW, PAN (5X14)	93500-05014-0A
6	NUT, HEX. (5MM)	94001-05000
6	NUT, HEX. (5MM)	94001-05000-0S



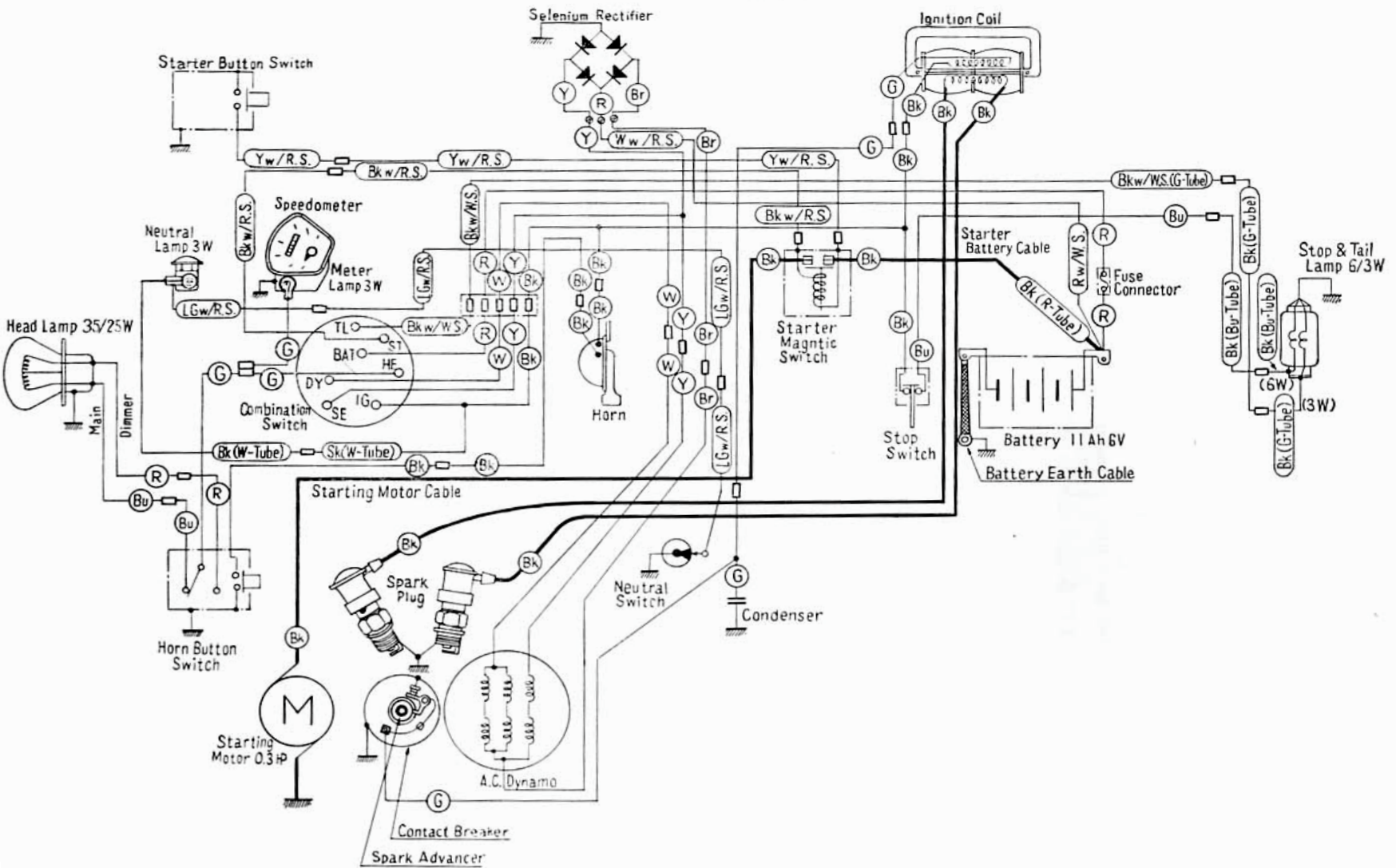
1 SWITCH, STARTER	35250-281-000
2 SWITCH, HORN BUTTON	35300-212-000
2 SWITCH, HORN BUTTON	35300-223-000
2 SWITCH ASSY.	35300-257-010
2 SWITCH ASSY.	35300-268-810
2 SWITCH ASSY.	35300-271-000
2 SWITCH ASSY.	35300-272-000
2 SWITCH ASSY.	35300-281-000
2 SWITCH, DIMMER	35300-284-810
3 KNOB, DIMMER SWITCH	35316-259-300
4 BUTTON	35317-259-300
5 SPRING, BUTTON	35318-259-000
6 ADJUSTER	53163-205-010
7 MIRROR, R.	88110-257-810
8 MIRROR, L.	88120-257-810
9 BRKT, MIRROR (UPPER)	88131-257-810
10 BRKT, MIRROR (LOWER)	88132-257-810
11 SCREW	90124-268-000
12 BOLT, HEX. (6X16)	92000-06016
12 BOLT, HEX. (6X16)	92000-06016-0A
12 BOLT, HEX. (6X16)	92000-06016-1A
12 BOLT, HEX. (6X16)	92100-06016-0A
12 BOLT, HEX. (6X16)	92101-06016-0A
12 BOLT, HEX. (6X16)	92200-06016-0A
13 SCREW, PAN (5X16)	93500-05016-0B
13 SCREW, PAN (5X16)	93500-05016-02
14 SCREW, PAN (5X25)	93500-05025-0B
14 SCREW, PAN (5X25)	93500-05025-02
15 NUT, HEX. (5MM)	94001-05000
15 NUT, HEX. (5MM)	94001-05000-0S
16 NUT, HEX. (8MM)	94001-08000
16 NUT, HEX. (8MM)	94030-08000
16 NUT, HEX. (8MM)	94030-08200
17 WASHER, PLAIN (6MM)	94101-06000
17 WASHER, PLAIN (6MM)	94101-06080
17 WASHER, PLAIN (6MM)	94101-06800
18 WASHER, PLAIN (8MM)	94101-08000



1	COIL, IGNITION	30500-202-004
1	COIL, IGNITION	30500-230-000
2	COVER	31468-253-000
3	BATTERY ASSY.	31500-201-000
4	RECTIFIER ASSY.	31700-250-000
6	WIRE HARNESS	32100-203-010
6	WIRE HARNESS	32100-205-305
6	WIRE HARNESS	32100-215-000
7	CONNECTOR B, FUSE	32106-253-010
8	CONNECTOR A, FUSE	32112-253-010
9	CABLE	32402-201-010
10	CABLE	32601-201-000
11	TUBE	32762-200-010
12	CLIP A	32933-250-010
13	GROMMET, WIRE	32983-001-000
13	GROMMET	32983-011-000
14	LOCK, HANDLEBAR	35010-202-000
14	LOCK, HANDLEBAR	35100-202-000
14	LOCK, HANDLEBAR	53600-202-003
15	SWITCH ASSY.	35850-201-000
15	SWITCH ASSY.	35850-205-000
16	HORN ASSY.	38100-200-000
16	HORN ASSY.	38100-212-000
16	HORN ASSY.	38100-212-004
17	FUSE (15A)	38201-250-000
17	FUSE A (15A)	98200-11500
18	BOLT, HEX. (6X12)	92000-06012
18	BOLT, HEX. (6X12)	92101-06012
18	BOLT, HEX. (6X12)	92101-06012-0A
19	BOLT, HEX. (6X20)	92000-06020
19	BOLT, HEX. (6X20)	92101-06020-0A
20	NUT, HEX. (6MM)	90310-KA3-711
20	NUT, HEX. (6MM)	94000-06000-0S
20	NUT, HEX. (6MM)	94001-06000
20	NUT, HEX. (6MM)	94001-06000-0S
20	NUT, HEX. (6MM)	94001-06008-0S
20	NUT, HEX. (6MM)	94001-06200-0S
20	NUT, HEX. (6MM)	94030-06000
21	WASHER, SPRING (6MM)	94111-06000



WIRING DIAGRAM OF CB92 & CA95



HONDA OEM PARTS & ACCESSORIES

Click on links below

[OEM parts & online schematics](#)

[Cruiser Customizing](#)

[J&P Cycles Motorcycle Parts](#)

[Save Up to 45% on Motorcycle Tires](#)

[JC Whitney Motorcycle Parts & Accessories](#)

[Motorcycle Boots](#)

[Motorcycle Helmets](#)

[Motorcycle Jackets](#)

[Find Your OEM Parts - Save Up to 25%](#)

[Mega Motor Madness](#)

[Shop Revzilla for the latest in Motorcycle Accessories](#)



www.ClassicCycles.org