

# **FLAT RATE TIME CHART**

**HONDA MOTORCYCLE**

**MODEL C50, C65**



**HONDA MOTOR CO., LTD.**

**SERVICE DIVISION**

# **FLAT RATE TIME CHART**

## **HONDA MOTORCYCLE**

### **MODEL C50, C65**



**HONDA MOTOR CO., LTD.**

**SERVICE DIVISION**

# HOW TO USE THIS CHART

## 1. PURPOSE

This Flat Rate Time Chart is provided for the purpose of standardizing the time for work covered by Warranty Claim as specified in the Honda Service Manual, Policy & Guide. No matter how long the actual time expended is, the Flat Rate Time shall be used for computing the labor charge. This may also be utilized for figuring out the charges of regular customer works.

## 2. BASIC CONDITIONS

The contents of this Chart have been arranged on the basis of the following conditions:

- A. Full set of common tools and special tools are available and ready for immediate use by the mechanics.
- B. Service work is done according to the instructions in the Shop Manual.
- C. The indicated times have been compiled from average times recorded by mechanics having from 6 months to 1 year Honda experience.
- D. This Chart prescribes only the times required for individual jobs.

## 3. JOB NUMBER

Each job is numbered for easy reference. The first group of job numbers (E02 for example) is the reference number of each component block and the second group (-12 for example) basically relates to reference number of each part indicated on diagram except for numbers over 50 which are not indicated.

## 4. FLAT RATE TIME

The Flat Rate Time (abbreviated as FRT), the time allowed for performing each job, is shown in hours and tenth of an hour.

Example: 11.5=11 hours 30 minutes  
0.3=18 minutes

## 5. LABOR CHARGE

The labor charge shall be computed by using the hourly labor rate specified by Honda. Distributors are responsible for computing the labor charge.

## 6. UNIT

The figure in the column of "Unit" indicates the number of pieces to which the FRT applies, e.g. Unit 2 FRT 1.0 means 1 hour shall cover replacing 2 pieces.

## 7. RELATIONSHIP WITH PARTS LIST

Reference numbers of component blocks and parts as well as diagrams are based on Parts List. Therefore, reference to Parts List may easily be done. Please note that part numbers are indicated for the purpose of reference only. For placing orders be sure to refer to Parts List and Parts News.

## 8. HOW TO FIGURE TIME FOR MULTIPLE JOB

When two or more job units are performed simultaneously:

- A. When the job units are unrelated and not overlapping, the time for each job shall be totaled.

**Example:** Replacement of Piston and Fuel Tank (C50)

Job No.	Description	Part No.	Unit	FRT
E02-02	PISTON.....	13101-036-010	1	1.0
F05-01	TANK, fuel .....	17500-041-680	1	0.4

The above two shall be totaled:  $1.0+0.4=1.4$

- B. When the job units are related and overlapping:

(a) the time for the last job shall be applied;

**Example:** Replacement of Kick Starter Pinion and Kick Starter Spring (C50)

Job No.	Description	Part No.	Unit	FRT
E09-08	PINION, kick starter .....	28211-040-010	1	2.0
E09-13	SPRING, kick starter.....	28281-035-010	1	1.0

The last job: 2.0

(b) or, the time for the most major job (the job which requires the longest time) shall be applied.

**Example:** Replacement of Cylinder Head, Cylinder Head Gasket and Cylinder (C50)

Job No.	Description	Part No.	Unit	FRT
E01-04	HEAD, cylinder .....	12200-036-020	1	1.1
E01-05	GASKET, cylinder head .....	12251-036-000	1	0.5
E01-02	CYLINDER .....	12101-041-680	1	0.9

The most major work: 1.1

- C. When the job units are overlapping partly, reduce the time of overlapping job from the total.

**Example:** Replacement of Cylinder and Kick Starter Pinion (C50)

Job No.	Description	Part No.	Unit	FRT
E01-02	CYLINDER .....	12101-041-680	1	0.9
E09-08	PINION, kick starter.....	28211-040-010	1	2.0
G04-01	Engine Removal and Mounting ...		1	0.4

Engine Removal and Mounting is overlapping, therefore,  $0.9+2.0-0.4=2.5$

## 9. VALIDITY

The Flat Rate Times in this Chart shall be effective from May 1, 1967. In the event any changes are made to the Flat Rate Time, it will be preceded by announcement.

May 1967

Foreign Service Dept.  
**HONDA MOTOR CO., LTD.**

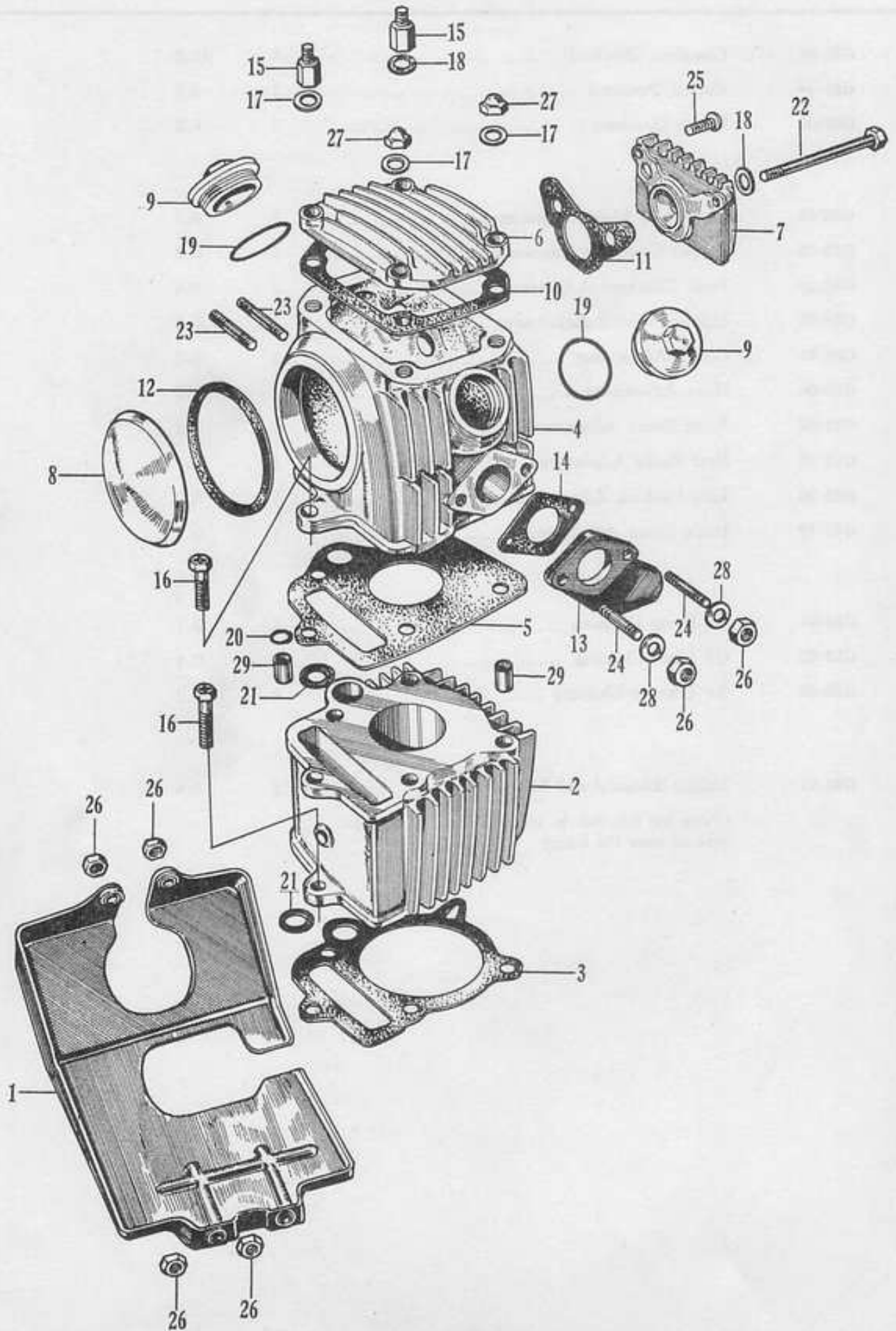
# INDEX

Ref. No.	Component Block	Page	Page in Parts List
<b>GENERAL SERVICE</b>			
G	General Service.....	1	-
<b>ENGINE GROUP (REMOVAL &amp; MOUNTING)</b>			
E- 1	Cylinder • Cylinder Head .....	2	2
E- 2	Crankshaft • Piston .....	4	4
E- 3	Camshaft • Valve .....	4	6
E- 4	Cam Chain • Cam Chain Tensioner .....	6	8
E- 5	Crankcase • Cylinder Stud.....	6	10
E- 6	Clutch .....	8	12
E- 7	Oil Pump • Right Crankcase Cover .....	10	14
E- 8	Transmission .....	12	16
E- 9	Gear Change .....	14	18
E-10	Gear Shift .....	14	20
E-11	Left Crankcase Cover • Dynamo.....	16	22
E-12	Carburetor .....	18	24
<b>FRAME GROUP (REMOVAL &amp; MOUNTING)</b>			
F- 1	Steering Handle .....	20	28
F- 2	Front Cushion .....	22	32
F- 3	Front Fork • Front Fender .....	24	34
F- 4	Front Cover • Air Cleaner.....	24	36
F- 5	Fuel Tank • Seat .....	26	38
F- 6	Frame Body .....	26	42
F- 7	Stand • Step • Muffler .....	28	44
F- 8	Rear Fork • Chain Case.....	30	48
F- 9	Rear Cushion .....	32	52
F-10	Front Wheel .....	34	56
F-11	Rear wheel.....	36	58
F-12	Head Light • Winker .....	38	60
F-13	Wire Harness • Battery .....	40	64

## G General Service

Job No.	Description	Unit	FRT	Labor Charge
G01-01	Complete Overhaul .....	1	11.0	
G01-02	Engine Overhaul .....	1	4.5	
G01-03	Frame Overhaul .....	1	6.5	
G02-01	Carburetor Idling Adjustment .....	1	0.2	
G02-02	Tappet Clearance Adjustment .....	1	0.2	
G02-03	Point Clearance Adjustment .....	1	0.4	
G02-04	Ignition Timing Adjustment .....	1	0.4	
G02-05	Clutch Adjustment .....	1	0.2	
G02-06	Horn Adjustment .....	1	0.2	
G02-07	Front Brake Adjustment.....	1	0.2	
G02-08	Rear Brake Adjustment .....	1	0.2	
G02-09	Rear Cushion Adjustment .....	1	0.2	
G02-10	Drive Chain Adjustment.....	1	0.5	
G03-01	Oil Pump Cleaning .....	1	0.7	
G03-02	Oil Filter Cleaning .....	1	0.4	
G03-03	Air Cleaner Cleaning .....	1	0.2	
G04-01	Engine Removal and Mounting .....	1	0.4	
	(Time for this job is included in the engine jobs of over 0.4 hour)			

# E-1 Cylinder · Cylinder Head



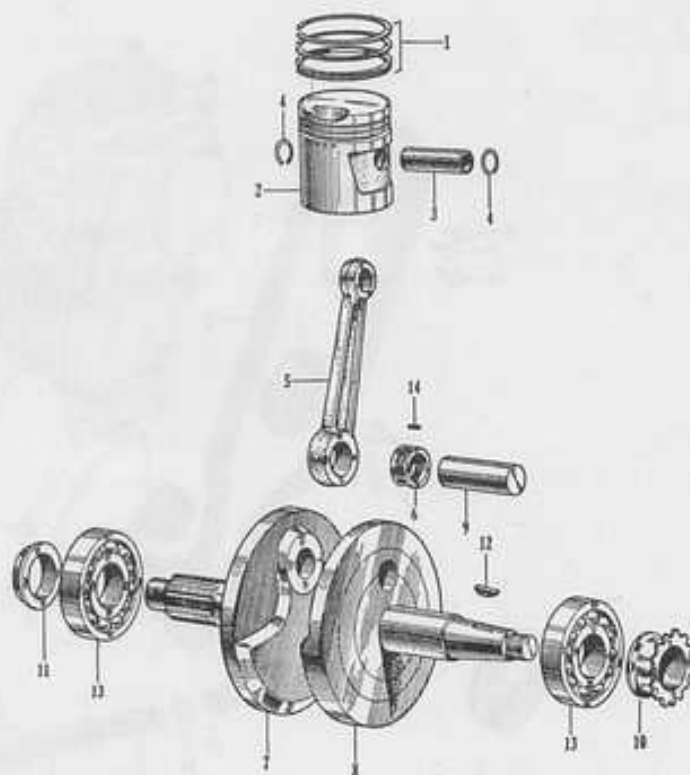
## E-1 Cylinder • Cylinder Head

Job. No.	Description	Part No.	Unit		FRT	Labor Charge
			C50	C65		
E01-01	GUARD, dust.....	11911-040-000	1	1	0.1	
E01-02	CYLINDER.....	12101-041-680	1	-	0.9	
		12101-040-811	-	1	0.9	
E01-03	GASKET, cylinder.....	12191-035-010	1	1	0.7	
E01-04	HEAD, cylinder.....	12200-036-020	1	-	1.1	
		12200-035-601	-	1	1.1	
E01-05	GASKET, cylinder head.....	12251-036-000	1	-	0.5	
		12251-035-000	-	1	0.5	
E01-06	COVER, cylinder head.....	12301-035-000	1	1	0.5	
E01-07	COVER, cylinder head right side.....	12331-035-000	1	1	0.2	
E01-08	COVER, cylinder head left side.....	12341-040-000	1	1	0.2	
E01-09	CAP, tappet adjusting hole.....	12361-035-000	2	2	0.1	
E01-10	GASKET, cylinder head cover.....	12391-035-000	1	1	0.5	
E01-11	GASKET, cylinder head right side cover...	12394-035-000	1	1	0.2	
E01-12	GASKET, cylinder head left side cover.....	12395-035-000	1	1	0.2	
E01-13	INSULATOR, carburator.....	16211-040-010	1	1	0.4	
E01-14	GASKET, inlet pipe.....	17119-035-000	1	1	0.4	
E01-15	BOLT, hanger.....	90081-040-000	2	2	0.1	
E01-16	BOLT, H.S., 6 mm.....	90082-035-000	3	3	0.1	
E01-17	WASHER, sealing, 6 mm.....	90442-035-000	3	3	0.1	
E01-18	WASHER A, sealing, 6 mm.....	90443-035-000	2	2	0.1	
E01-19	O RING, 31.5 mm.....	91302-001-020	2	2	0.1	
E01-20	GASKET, rubber, 2.5 mm.....	91306-035-000	1	1	0.9	
E01-21	PACKING, rubber, 16 mm.....	91303-035-000	2	2	0.9	
E01-22	BOLT, hex., 6×111.....	92000-6111	1	1	0.2	
23	STUD, 6×30.....	92700-0603003	2	2		
24	STUD, 6×37.....	92700-06037	2	2		
25	SCREW, cross., 6×10.....	93700-06010	2	2		
26	NUT, hex., 6 mm.....	94001-06000	6	6		
27	NUT, blind, 6 mm.....	94021-06000	2	2		
28	WASHER, flat, 6 mm.....	94101-06000	2	2		
29	PIN, knock, 8×14A.....	94301-08140	2	2		

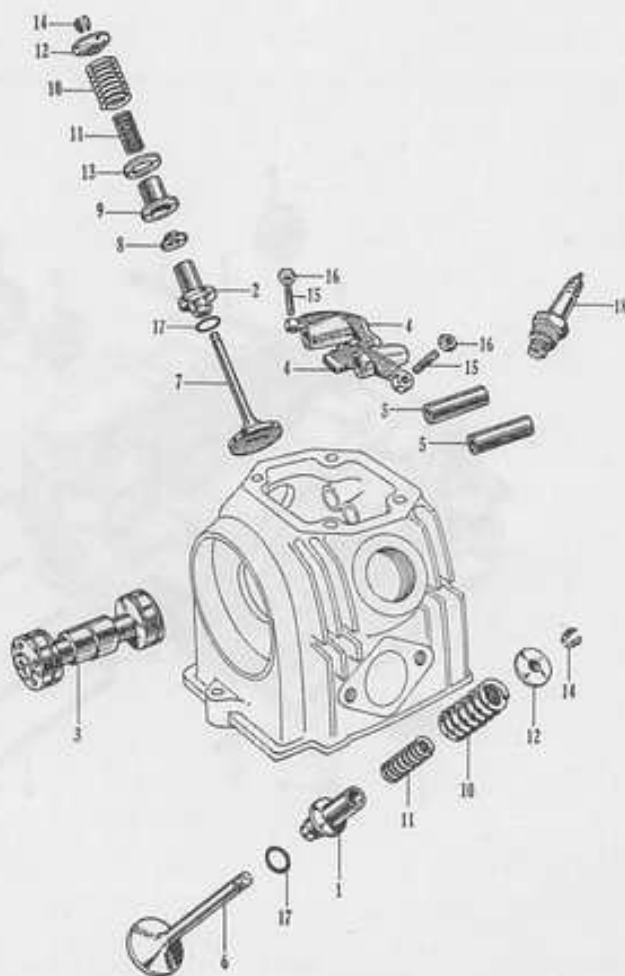
## E-2 Crankshaft • Piston / E-3 Camshaft • Valve

Job. No.	Description	Part No.	Unit C50 C65	FRT	Labor Charge
<b>E-2 Crankshaft • Piston</b>					
E02-00	CRANKSHAFT ASSY. ....	13000-041-010	1 -	2.9	
		13000-036-020	- 1	2.9	
E02-01	RING-SET, piston (S.T.D.) ....	13010-036-000	1 -	1.0	
		13010-035-000	- 1	1.0	
E02-02	PISTON (S.T.D.) ....	13101-036-010	1 -	1.0	
		13101-035-010	- 1	1.0	
E02-03	PIN, piston ....	13111-036-000	1 -	1.0	
		13111-035-000	- 1	1.0	
E02-04	CLIP, piston pin ....	13115-001-000	2 2	1.0	
E02-05	ROD, connecting ....	13201-036-000	1 1	2.7	
E02-06	RETAINER, roller ....	13211-035-000	1 1	2.7	
E02-07	CRANKSHAFT, right.....	13310-035-030	1 1	2.7	
E02-08	CRANKSHAFT, left ....	13321-041-010	1 -	2.7	
		13221-035-020	- 1	2.7	
E02-09	PIN, crank ....	13381-035-010	1 1	2.7	
E02-10	SPROCKET, timing.....	14311-035-000	1 1	2.7	
E02-11	COLLAR, 17 mm ....	22911-035-010	1 1	0.6	
E02-12	KEY, woodruff ....	90741-035-000	1 1	0.5	
E02-13	BEARING, ball, 6304 ....	91001-035-000	2 2	2.7	
E02-14	ROLLER, 2.5×10 ....	91101-001-030	22 22	2.7	
<b>E-3 Camshaft • Valve</b>					
E03-01	GUIDE, inlet valve ....	12021-035-811	1 1	1.0	
E03-02	GUIDE, exhaust valve.....	12023-051-310	1 1	1.0	
E03-03	CAMSHAFT ....	14101-040-000	1 1	1.0	
E03-04	ARM, valve rocker ....	14431-035-000	2 2	0.7	
E03-05	SHAFT, valve rocker arm.....	14451-035-000	2 2	0.7	
E03-06	VALVE, inlet.....	14711-036-000	1 -	1.0	
		14711-035-000	- 1	1.0	
E03-07	VALVE, exhaust ....	14721-036-000	1 -	1.0	
		14721-035-000	- 1	1.0	
E03-08	SEAL, valve stem.....	14730-028-000	1 1	1.0	
E03-09	CAP, valve stem seal ....	14731-028-000	1 1	1.0	
E03-10	SPRING, outer, valve ....	14751-035-600	2 2	1.0	
E03-11	SPRING, inner, valve ....	14761-035-000	2 2	1.0	
E03-12	RETAINER, valve spring ....	14771-035-600	2 2	1.0	
E03-13	SEAT, valve inner spring ....	14776-028-000	1 1	1.0	
E03-14	COTTER, valve.....	14781-001-010	4 4	1.0	
E03-15	SCREW, tappet adjusting ....	90012-200-000	2 2	0.2	
E03-16	NUT, tappet adjusting.....	90206-001-000	2 2	0.2	
E03-17	O RING, 9.5×1.6 ....	91306-028-000	2 2	0.1	
E03-18	PLUG, spark (N.G.K.).....	98050-57711	1 1	0.1	

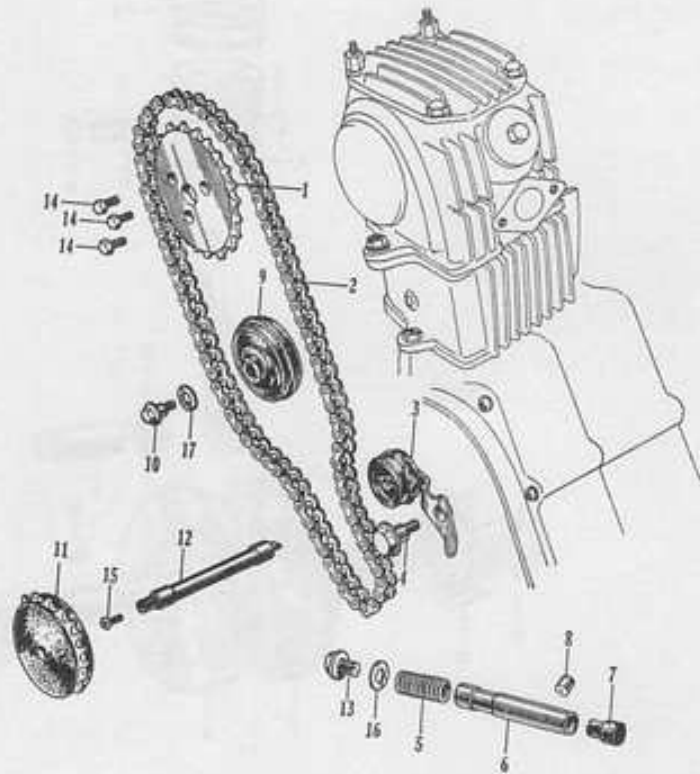
E-2



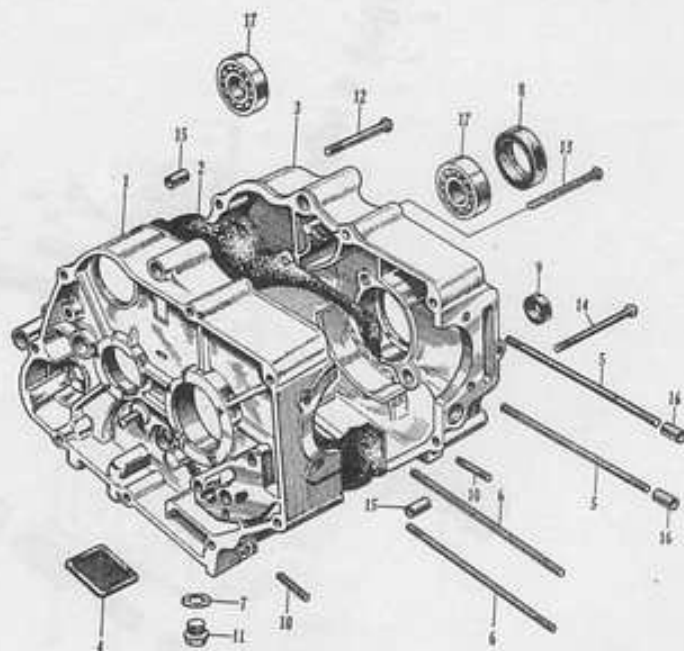
E-3



E-4



E-5



## E-4 Cam Chain · Cam Chain Tensioner / E-5 Crankcase · Cylinder Stud

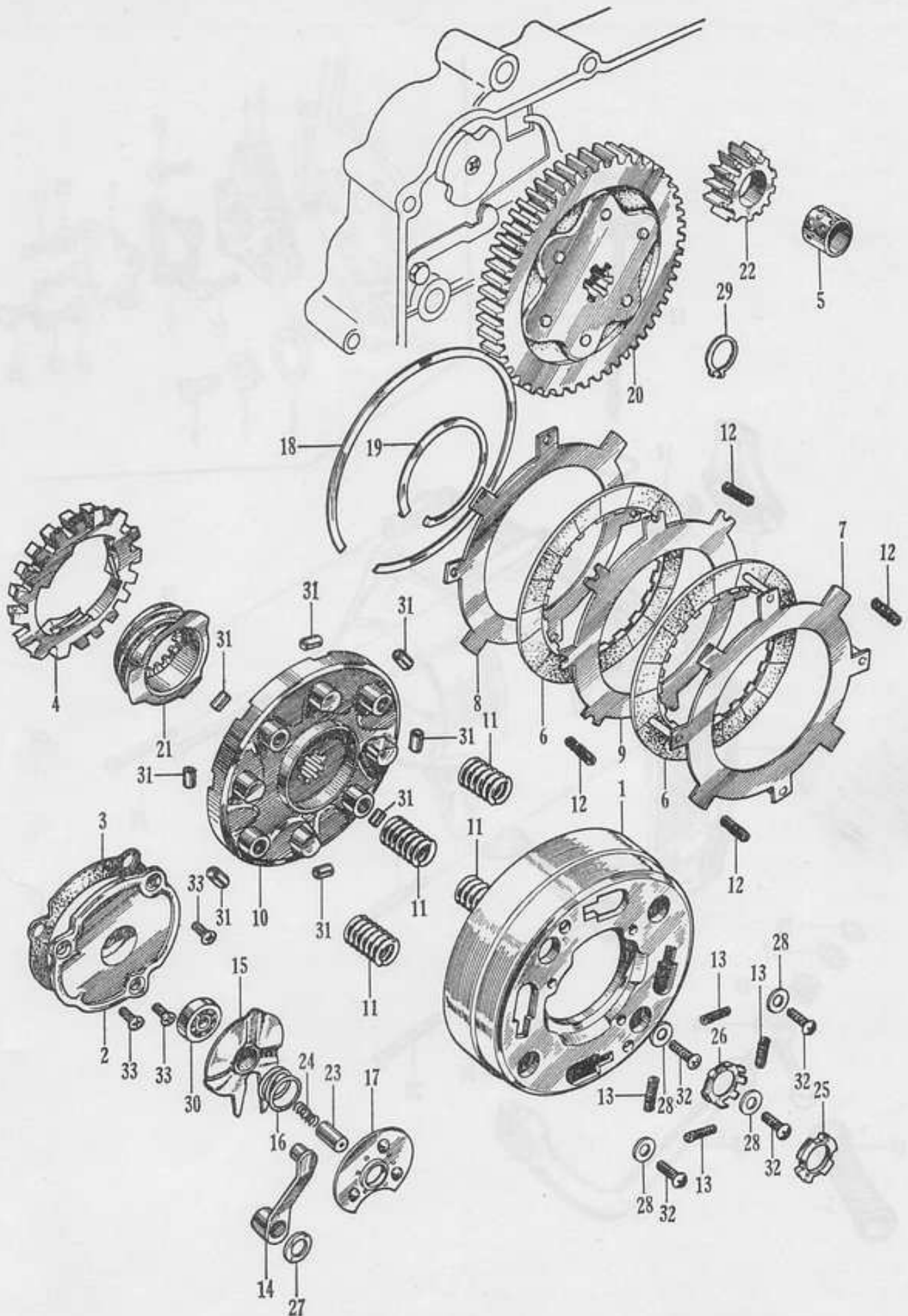
Job. No.	Description	Part No.	Unit		FRT	Labor Charge
			C50	C65		
<b>E-4 Cam Chain · Cam Chain Tensioner</b>						
E04-01	SPROCKET, cam .....	14321-035-000	1	1	1.0	
E04-02	CHAIN, cam .....	14401-035-005	1	1	1.0	
E04-03	ARM, cam chain tensioner .....	14500-035-000	1	1	0.5	
E04-04	PIVOT, cam chain tensioner.....	14531-035-000	1	1	0.5	
E04-05	SPRING, tensioner .....	14541-035-000	1	1	0.2	
E04-06	ROD, tensioner push .....	14551-035-000	1	1	0.2	
E04-07	RUBBER, tensioner push rod head.....	14566-035-000	1	1	0.2	
E04-08	STRAINER, oil damper .....	14591-035-000	1	1	0.2	
E04-09	ROLLER, cam chain guide .....	14610-035-010	1	1	1.1	
E04-10	PIN, guide roller .....	14615-035-000	1	1	1.1	
E04-11	SPROCKET, cam chain guide .....	14670-035-030	1	1	1.4	
E04-12	SPINDLE, cam chain guide sprocket.....	14675-035-050	1	1	1.4	
E04-13	BOLT, sealing, 14 mm.....	90081-035-000	1	1	0.3	
E04-14	BOLT, knock, 5 mm .....	90083-035-000	3	3	0.9	
E04-15	SCREW, taper, 4 mm .....	90091-035-010	1	1	1.4	
E04-16	WASHER, sealing, 14 mm .....	90441-035-000	1	1	0.3	
E04-17	WASHER, 8 mm .....	90481-035-000	1	1	1.1	

### E-5 Crankcase · Cylinder Stud

E05-01	CRANKCASE, right .....	11100-039-080	1	1	2.6	
E05-02	GASKET, left crankcase .....	11191-035-020	1	1	2.6	
E05-03	CRANKCASE, left .....	11200-035-030	1	1	2.6	
E05-04	SCREEN, oil filter .....	15421-035-010	1	1	0.2	
E05-05	STUD, cylinder .....	90031-035-010	2	2	0.9	
E05-06	STUD B, cylinder.....	90032-035-000	2	2	0.9	
E05-07	PACKING, drain cock.....	90407-259-000	1	1	0.9	
E05-08	OIL-SEAL, 17-25-9.....	91203-035-000	1	1	0.1	
E05-09	OIL-SEAL, S11.6-24-10 .....	91203-001-000	1	1	2.6	
E05-10	STUD, 6×24 .....	92700-0602401	2	2	1.0	
E05-11	BOLT, drain cock.....	92800-12000	1	1	0.1	
12	SCREW, cross., 6×48.....	93500-0604820	1	1		
13	SCREW, cross., 6×60.....	93500-0606020	3	3		
14	SCREW, cross., 6×65.....	93500-0606520	4	4		
15	PIN, knock, 8×20A.....	94301-08120	2	2		
E05-16	PIN, knock, 8×14A.....	94301-08140	2	2	0.9	
E05-17	BEARING, ball, 6203 .....	96100-62030	2	2	2.6	

## E-6 Clutch

Job. No.	Description	Part No.	Unit		FRT	Labor Charge
			C50	C65		
E06-01	OUTER, clutch .....	22101-040-000	1	1	0.6	
E06-02	COVER, clutch outer .....	22111-040-000	1	1	0.5	
E06-03	GASKET, clutch outer cover .....	22119-040-000	1	1	0.5	
E06-04	CENTER, clutch .....	22120-040-020	1	1	0.5	
E06-05	GUIDE, clutch center .....	22131-035-020	1	1	0.6	
E06-06	DISK, clutch friction .....	22201-040-000	2	2	0.6	
E06-07	PLATE A, clutch .....	22310-001-020	1	1	0.6	
E06-08	PLATE B, clutch .....	22321-001-030	1	1	0.6	
E06-09	PLATE C, clutch .....	22331-023-000	1	1	0.6	
E06-10	PLATE, drive .....	22351-040-010	1	1	0.6	
E06-11	SPRING, clutch .....	22401-040-000	4	4	0.6	
E06-12	SPRING, clutch free .....	22411-001-010	4	4	0.6	
E06-13	SPRING, clutch damper .....	22421-040-000	4	4	0.6	
E06-14	LEVER, clutch .....	22811-040-010	1	1	0.4	
E06-15	PLATE, clutch cam .....	22820-041-000	1	1	0.4	
E06-16	SPRING, cam plate side .....	22825-046-000	1	1	0.4	
E06-17	RETAINER, ball .....	22860-046-000	1	1	0.4	
E06-18	SET-RING, 101.5 mm .....	22901-001-000	1	1	0.6	
E06-19	SET-RING, 45 mm .....	22901-040-000	1	1	0.6	
E06-20	GEAR, primary driven .....	23110-036-000	1	1	0.6	
E06-21	GEAR, outer drive .....	23112-041-010	1	1	0.5	
E06-22	GEAR, primary drive .....	23120-036-010	1	1	0.5	
E06-23	THROUGH, oil .....	25551-040-000	1	1	0.4	
E06-24	SPRING, oil through .....	25555-033-000	1	1	0.4	
E06-25	NUT, lock, 14 mm .....	90231-001-000	1	1	0.5	
E06-26	WASHER, lock, 14 mm .....	90431-001-000	1	1	0.5	
E06-27	WASHER, 12.2 mm .....	90482-001-010	1	1	0.4	
E06-28	WASHER, stopper .....	90483-040-000	4	4	0.6	
E06-29	CIR-CLIP, 17 mm .....	90601-001-000	1	1	0.6	
E06-30	BEARING, ball, 6000 .....	91002-001-000	1	1	0.4	
E06-31	ROLLER, 8×10 .....	91102-001-010	8	8	0.6	
32	SCREW, cross., 5×8 .....	93500-05008	4	4		
33	SCREW, cross., 5×10 .....	93600-05010	3	3		



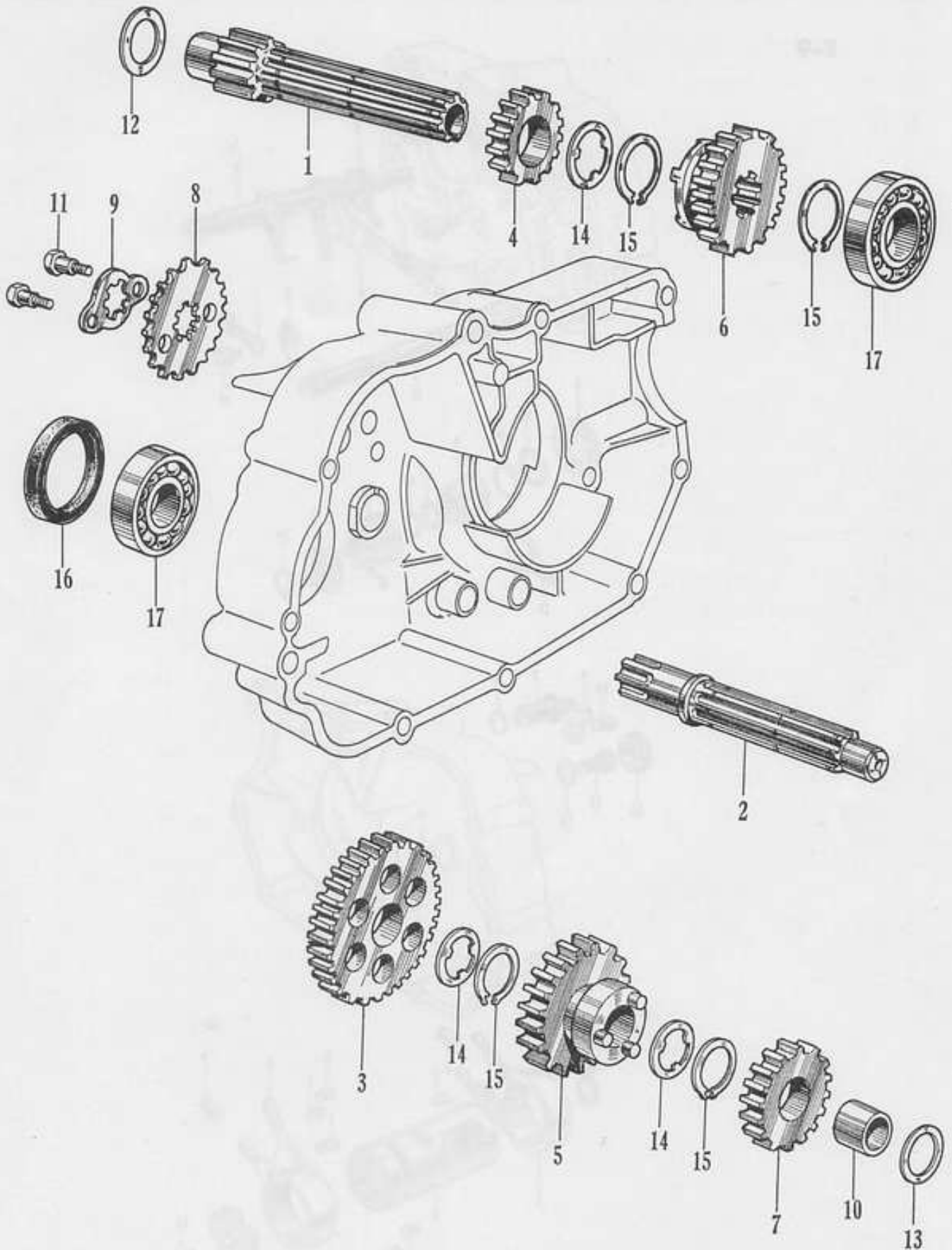


## E-7 Oil Pump • Right Crankcase Cover

Job. No.	Description	Part No.	Unit		FRT	Labor Charge
			C50	C65		
E07-01	COVER, right crankcase .....	11330-040-020	1	1	0.4	
E07-02	GASKET, right crankcase cover .....	11394-035-000	1	1	0.4	
E07-03	GASKET, oil pump body .....	15119-035-020	1	1	0.7	
E07-00	PUMP ASSY., oil .....	15300-035-000	1	1	0.7	
E07-04	BODY, oil pump .....	15311-035-000	1	1	0.7	
E07-05	COVER, oil pump .....	15321-035-000	1	1	0.7	
E07-06	GASKET, oil pump cover .....	15329-035-000	1	1	0.7	
E07-07	ROTOR, inner, oil pump .....	15331-035-000	1	1	0.7	
E07-08	ROTOR, outer, oil pump .....	15332-035-000	1	1	0.7	
E07-09	SHAFT, oil pump drive .....	15382-035-000	1	1	0.8	
E07-10	PIN, oil pump knock .....	15383-035-000	1	1	0.8	
E07-11	PACKING, oil cap .....	15619-001-000	1	1	0.1	
E07-12	GAUGE, oil level .....	15650-040-000	1	1	0.1	
E07-13	PLATE, clutch lifter .....	22830-041-000	1	1	0.5	
E07-14	BOLT, clutch adjusting .....	22843-040-000	1	1	0.5	
E07-15	ARM, kick starter .....	28301-040-000	1	1	0.1	
E07-16	PEDAL, kick starter .....	28302-001-000	1	1	0.1	
E07-17	WASHER, kick starter knuckle .....	28303-001-000	1	1	0.1	
E07-18	RUBBER, kick starter .....	28311-001-000	1	1	0.1	
E07-19	SPRING, kick starter knuckle .....	28322-001-000	1	1	0.1	
E07-20	CLIP, kick starter knuckle .....	28324-001-000	1	1	0.1	
E07-21	NUT, 8 mm .....	90281-001-000	1	1	0.1	
E07-22	WASHER, 8 mm .....	90485-040-000	1	1	0.1	
E07-23	OIL-SEAL, SB type, 14-24-5 .....	91202-216-000	1	1	0.4	
E07-24	O RING, 8 mm .....	91303-001-000	1	1	0.1	
25	BOLT, hex., 6×16 .....	92000-06016	3	3		
26	BOLT, hex., 6×20 .....	92000-06020	1	1		
27	SCREW, cross., 5×10 .....	93500-05010	3	3		
28	SCREW, cross., 6×38 .....	93500-0603820	6	6		
29	SCREW, cross., 6×65 .....	93500-0606520	2	2		
30	WASHER, spring, 5 mm .....	94111-05000	3	3		

## E-8 Transmission

Job. No.	Description	Part No.	Unit		FRT	Labor Charge
			C50	C65		
E08-01	SHAFT, main, transmission .....	23211-041-000	1	1	2.3	
E08-02	SHAFT, counter, transmission .....	23221-041-000	1	1	2.3	
E08-03	GEAR, low, counter shaft .....	23421-041-000	1	1	2.3	
E08-04	GEAR, second, main shaft.....	23431-040-030	1	1	2.3	
E08-05	GEAR, second, counter shaft .....	23441-041-000	1	1	2.3	
E08-06	GEAR, top, main shaft .....	23471-041-000	1	1	2.3	
E08-07	GEAR, top, counter shaft .....	23481-041-000	1	1	2.3	
E08-08	SPROCKET, drive .....	23800-041-000	1	1	0.3	
E08-09	PLATE, drive sprocket fixing .....	23802-041-000	1	1	0.3	
E08-10	COLLAR, gear .....	23911-041-000	1	1	2.3	
E08-11	BOLT, drive sprocket fixing.....	90084-041-000	2	2	2.3	
E08-12	WASHER, thrust .....	90451-001-000	1	1	2.3	
E08-13	WASHER, thrust, 13.5 mm .....	90451-035-000	1	1	2.3	
E08-14	WASHER, spline, 17 mm .....	90461-001-000	3	3	2.3	
E08-15	CIR-CRIP, 17 mm .....	90601-001-000	4	4	0.3	
E08-16	OIL-SEAL, 17-29-5.....	91203-035-000	1	1	2.3	
E08-17	BEARING, ball, 6203 .....	96100-62030	2	2	2.3	





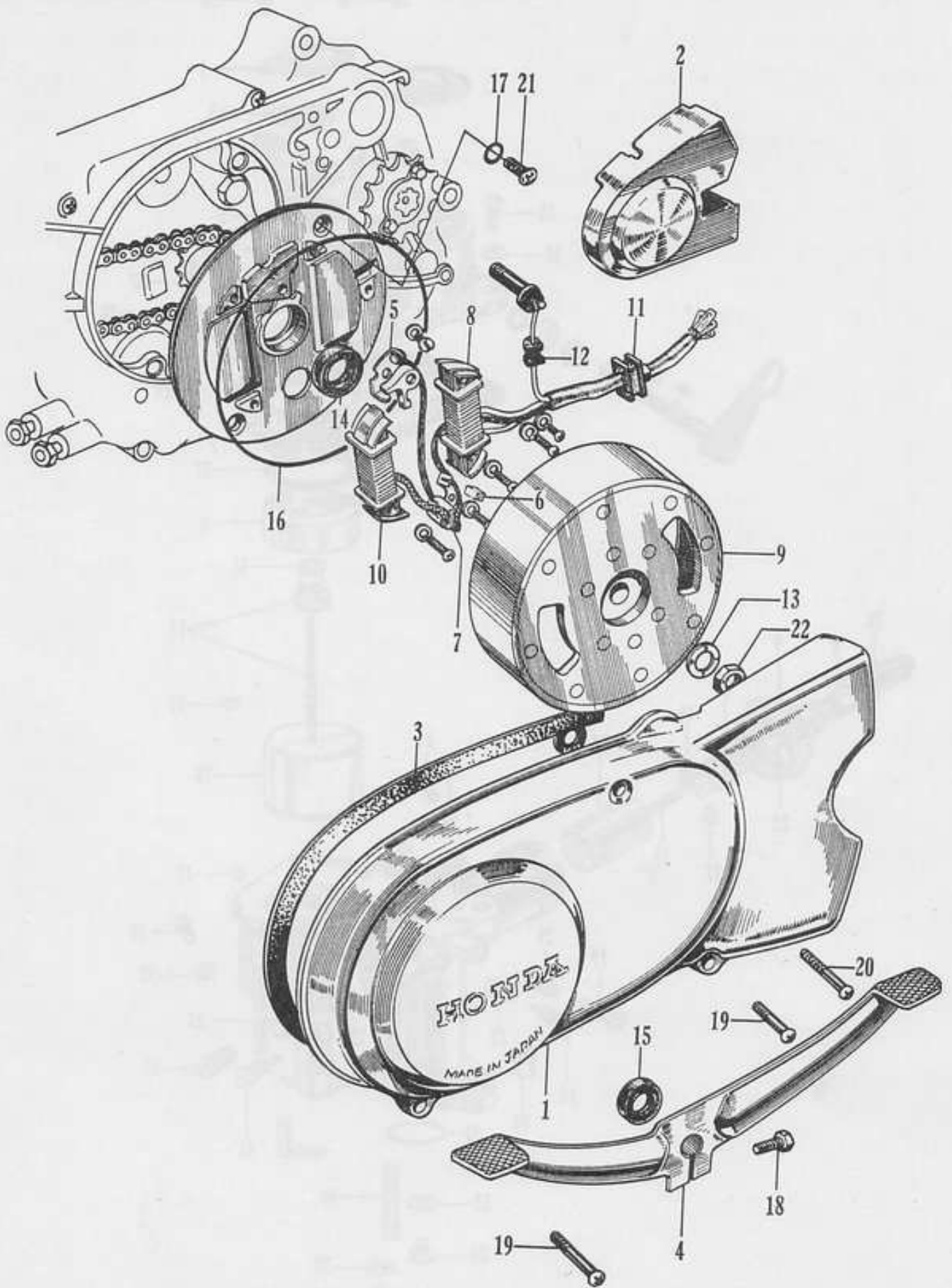
## E-9 Gear Change / E-10 Gear Shift

Job. No.	Description	Part No.	Unit		FRT	Labor Charge
			C50	C65		
<b>E-9 Gear Change</b>						
E09-01	STOPPER, shift drum.....	24430-041-000	1	1	1.0	
E09-02	SPRING, shift drum stopper.....	24435-040-000	1	1	1.0	
E09-03	SPINDLE, gear shift .....	24610-040-010	1	1	1.0	
E09-04	ARM, gear shift .....	24630-040-000	1	1	1.0	
E09-05	SPRING, gear shift arm.....	24641-001-000	1	1	1.0	
E09-06	SPRING, gear shift return .....	24651-001-000	1	1	1.0	
E09-07	PIN, shift return spring.....	24652-035-000	1	1	1.0	
E09-08	PINION, kick starter .....	28211-040-010	1	1	2.0	
E09-09	RATCHET, kick starter .....	28221-035-040	1	1	2.0	
E09-10	SPRING, kick starter ratchet .....	28223-035-010	1	1	2.0	
E09-11	SPINDLE, kick starter .....	28251-035-030	1	1	2.0	
E09-12	RETAINER, kick spring .....	28262-035-020	1	1	1.0	
E09-13	SPRING, kick starter .....	28281-035-010	1	1	1.0	
E09-14	PIVOT, shift drum stopper arm .....	90023-035-000	1	1	1.0	
E09-15	WASHER, thrust, 17 mm .....	90451-040-000	1	1	2.0	
E09-16	WASHER, 25 mm.....	90482-035-000	1	1	2.0	
E09-17	CIR-CLIP, 22.5 mm .....	90601-035-000	1	1	2.0	
E09-18	CIR-CLIP, 25 mm.....	90602-035-000	1	1	2.0	
E09-19	CIR-CLIP, 16 mm.....	94510-16100	1	1	1.0	
<hr/>						
<b>E-10 Gear Shift</b>						
E10-01	FORK, gear shift.....	24211-041-000	2	2	2.0	
E10-02	PIN, shift fork guide .....	24261-001-000	2	2	2.0	
E10-03	CLIP, gear shift fork guide pin .....	24263-028-000	2	2	2.0	
E10-04	DRUM, gear shift.....	24301-041-000	1	1	1.0	
E10-05	PIN, gear shift drum .....	24421-200-000	4	4	1.0	
E10-06	PLATE, side, gear shift drum .....	24425-041-000	1	1	0.4	
E10-07	CONTACT, neutral switch .....	35750-001-010	1	1	2.0	
E10-08	ROTOR, neutral switch .....	35753-035-000	1	1	0.4	
E10-09	PLATE, contact fixing .....	35755-001-020	1	1	0.4	
E10-10	O RING, 7×1.6.....	37551-001-000	1	1	0.2	
E10-11	WASHER, side, shift drum .....	90417-041-000	1	1	0.2	
E10-12	PLUG, rubber, 19 mm.....	90801-035-000	1	1	0.2	
13	BOLT, hex., 6×16 .....	92000-06016	1	1		
14	SCREW, cross., 6×12.....	93500-06012	1	1		
15	SCREW, cross., 6×16.....	93600-06016	1	1		

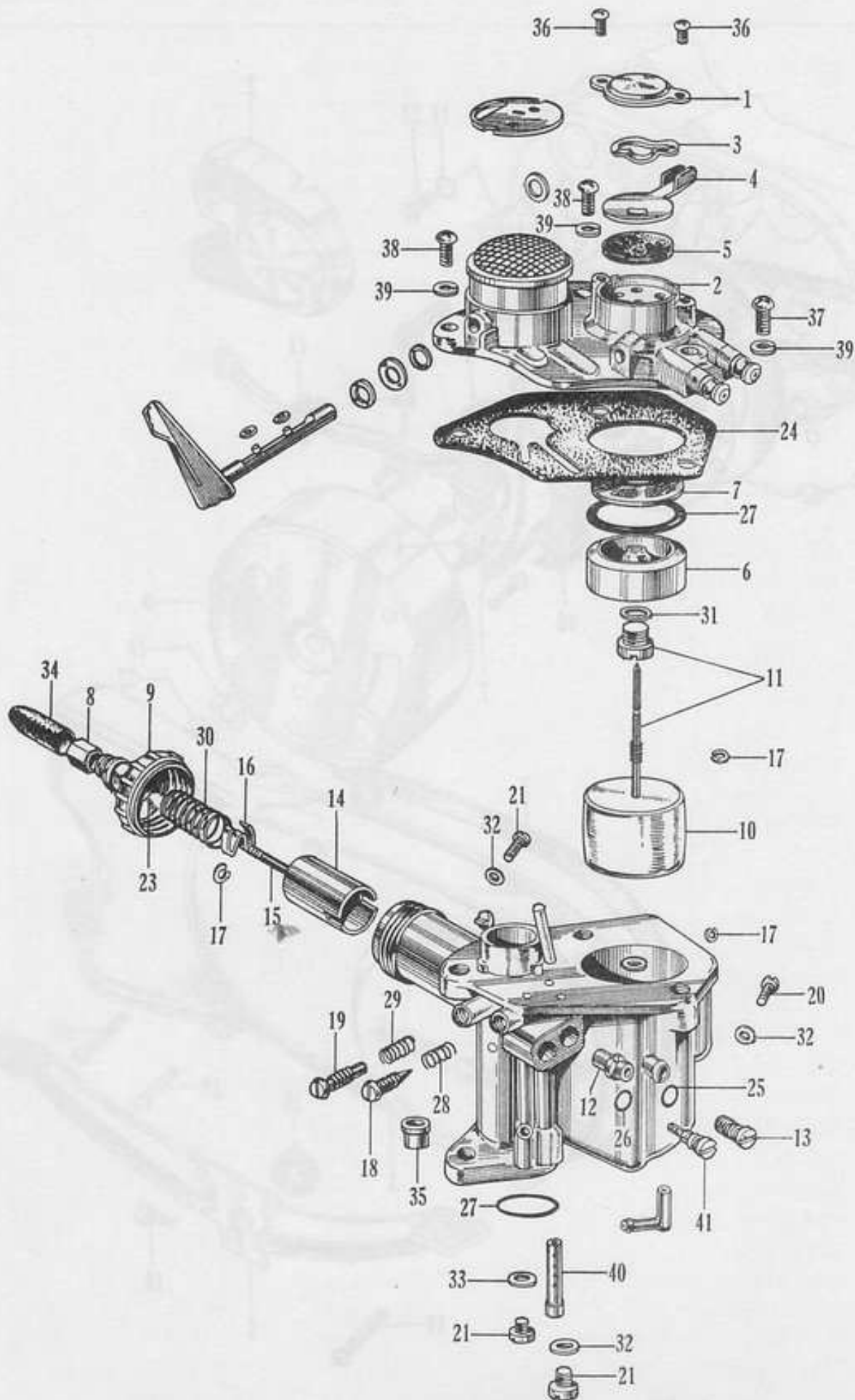
## E-11 Left Crankcase Cover • Dynamo

Job. No.	Description	Part No.	Unit		FRT	Labor Charge
			C50	C65		
E11-01	COVER, left crankcase .....	11341-040-000	1	1	0.3	
E11-02	COVER, inner, drive sprocket .....	11371-041-000	1	1	0.3	
E11-03	GASKET, left crankcase cover .....	11401-041-000	1	1	0.1	
E11-04	PEDAL, gear change .....	24701-001-020	1	1	0.5	
E11-05	BREAKER, contact .....	30202-041-005	1	-	0.5	
		30202-035-006	-	1	0.5	
E11-06	FELT, oil .....	30205-041-005	1	-	0.5	
		30205-035-006	-	1	0.5	
E11-07	CONDENSER .....	30250-041-005	1	-	0.5	
		30250-035-006	-	1	0.5	
E11-08	COIL, primary .....	30540-041-005	1	-	0.5	
		30540-040-006	-	1	0.5	
E11-00	A.C. GENERATOR ASSY., fly wheel .....	31100-041-000	1	-	0.5	
		31100-040-000	-	1	0.5	
E11-00	STATOR ASSY. ....	31141-041-005	1	-	0.5	
		31102-040-006	-	1	0.5	
E11-09	FLY WHEEL .....	31121-041-005	1	-	0.5	
		31121-035-006	-	1	0.5	
E11-10	COIL, light .....	31631-041-005	1	-	0.4	
		31631-040-006	-	1	0.4	
E11-11	GROMMET, cord .....	32971-035-000	1	1	0.4	
E11-12	GROMMET, neutral switch cord .....	32981-035-000	1	1	0.5	
E11-13	WASHER, magneto fixing .....	90426-035-000	1	1	0.5	
E11-14	OIL-SEAL, 18.9×30×5 .....	91202-035-000	1	1	0.3	
E11-15	OIL-SEAL, S11.6-24-10 .....	91203-001-000	1	1	0.5	
E11-16	O RING, 107×2 .....	91301-035-000	1	1	0.5	
17	O RING, 6×1.7 .....	91317-703-000	2	2		
18	BOLT, hex., 6×22 .....	92000-06022	1	1		
19	SCREW, cross., 6×22 .....	93500-06022	2	2		
20	SCREW, cross., 6×40 .....	93500-0604020	1	1		
21	SCREW, cross., 6×16 .....	93600-06016	2	2		
22	NUT, hex., 10 mm .....	94001-10000	1	1		

# E-11 Left Crankcase Cover · Dynamo



# E-12 Carburetor



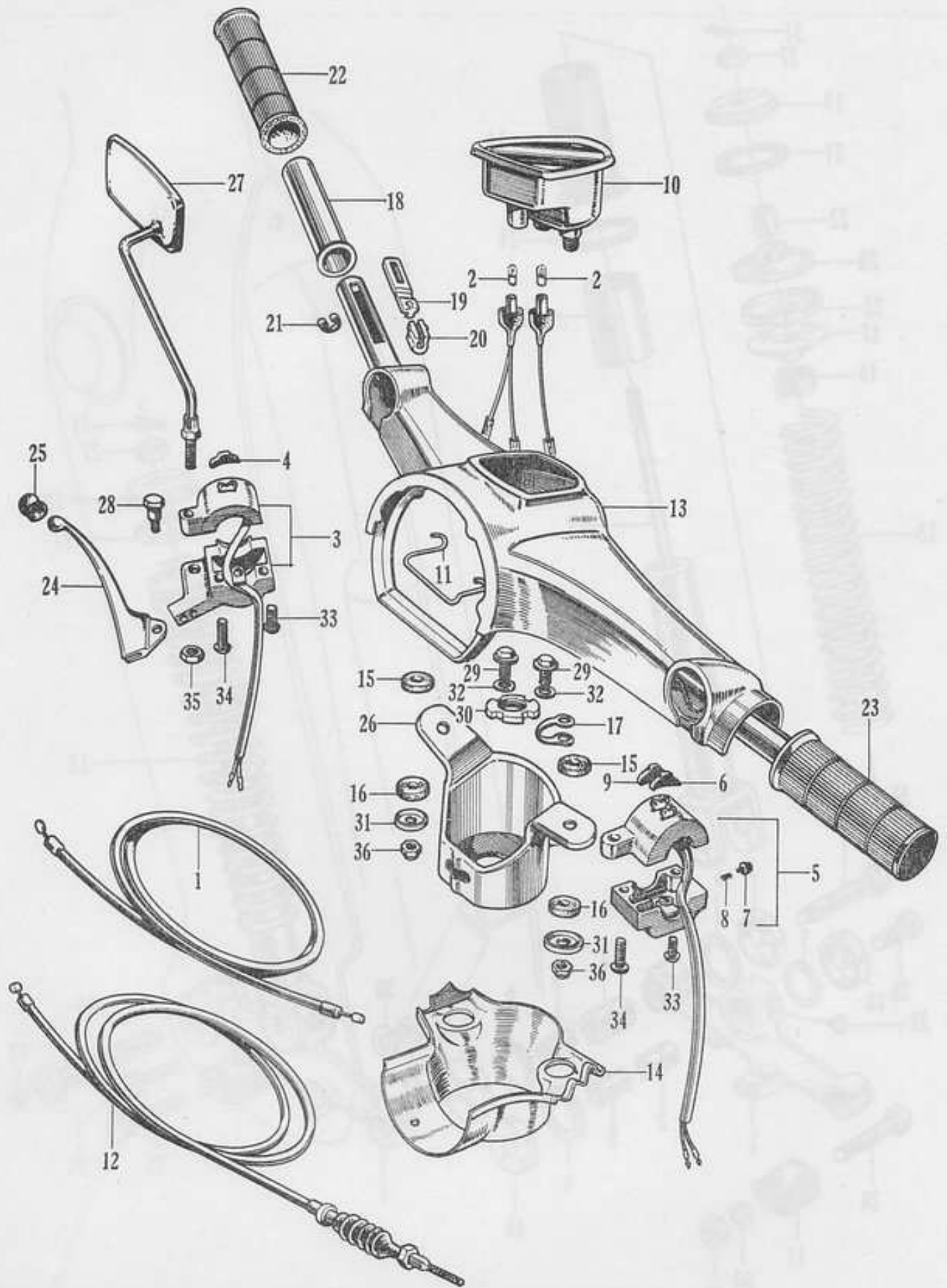
## E-12 Carburetor

Job. No.	Description	Part No.	Unit		FRT	Labor Charge
			C50	C65		
E12-00	CARBURETOR ASSY. ....	16100-041-680	1	-	0.4	
		16100-040-810	-	1	0.4	
E12-01	COVER, cock.....	16111-001-004	1	1	0.5	
E12-02	COVER, float chamber .....	16112-040-004	1	1	0.5	
E12-03	WASHER, cock lever .....	16113-001-004	1	1	0.5	
E12-04	LEVER, cock .....	16114-001-004	1	1	0.5	
E12-05	PACKING, cock .....	16115-001-004	1	1	0.5	
E12-06	CUP, filter .....	16116-001-004	1	1	0.5	
E12-07	NET, filter .....	16117-001-004	1	1	0.5	
E12-08	ADJUSTER, cable .....	16118-040-004	1	1	0.2	
E12-09	TOP .....	16119-040-004	1	1	0.2	
E12-10	FLOAT .....	16122-001-004	1	1	0.5	
E12-11	VALVE-SET, float .....	16125-041-004	1	-	0.4	
		16125-040-004	-	1	0.4	
E12-12	JET, needle.....	16133-041-004	1	-	0.5	
		16133-040-004	-	1	0.5	
E12-13	HOLDER, needle jet .....	16139-040-004	1	1	0.5	
E12-14	VALVE, throttle .....	16141-040-004	1	1	0.2	
E12-15	NEEDLE, jet .....	16151-041-004	1	-	0.2	
		16151-040-004	-	1	0.2	
E12-16	PLATE, needle clip.....	16156-001-004	1	1	0.2	
E12-17	CLIP, bar .....	16157-259-004	3	3	0.5	
E12-18	SCREW, air .....	16162-001-004	1	1	0.5	
E12-19	SCREW, throttle stop .....	16163-001-004	1	1	0.2	
20	SCREW, drain .....	16164-040-004	-	1		
21	SCREW, drain .....	16164-041-680	1	1		
22	SCREW, plug.....	16164-259-004	1	2		
23	WASHER, top .....	16171-040-004	1	1		
E12-24	GASKET, float chamber.....	16172-040-004	1	1	0.5	
25	O RING, 4.5 mm .....	16175-001-004	1	1		
26	O RING, 2.8 mm .....	16175-260-004	1	1		
27	O RING, 23.0 mm.....	16176-001-004	2	2		
28	SPRING, air screw .....	18181-001-004	1	1		
29	SPRING, throttle stop screw.....	18181-250-004	1	1		
30	SPRING, throttle .....	16185-001-004	1	1		
31	WASHER, 7 mm .....	16188-001-004	1	1		
32	WASHER, 6 mm .....	16188-002-004	2	2		
33	WASHER, 7 mm .....	16189-040-004	2	2		
34	CAP, cable .....	16194-040-004	1	1		
35	RING, insulator.....	16196-040-004	2	2		
36	SCREW, cross., 3x5 .....	93500-03005	2	2		
37	SCREW, cross., 5x16.....	93500-05016	1	1		
38	SCREW, cross., 5x12.....	93500-05012	2	2		
39	WASHER, spring, 5 mm .....	94111-05000	3	3		

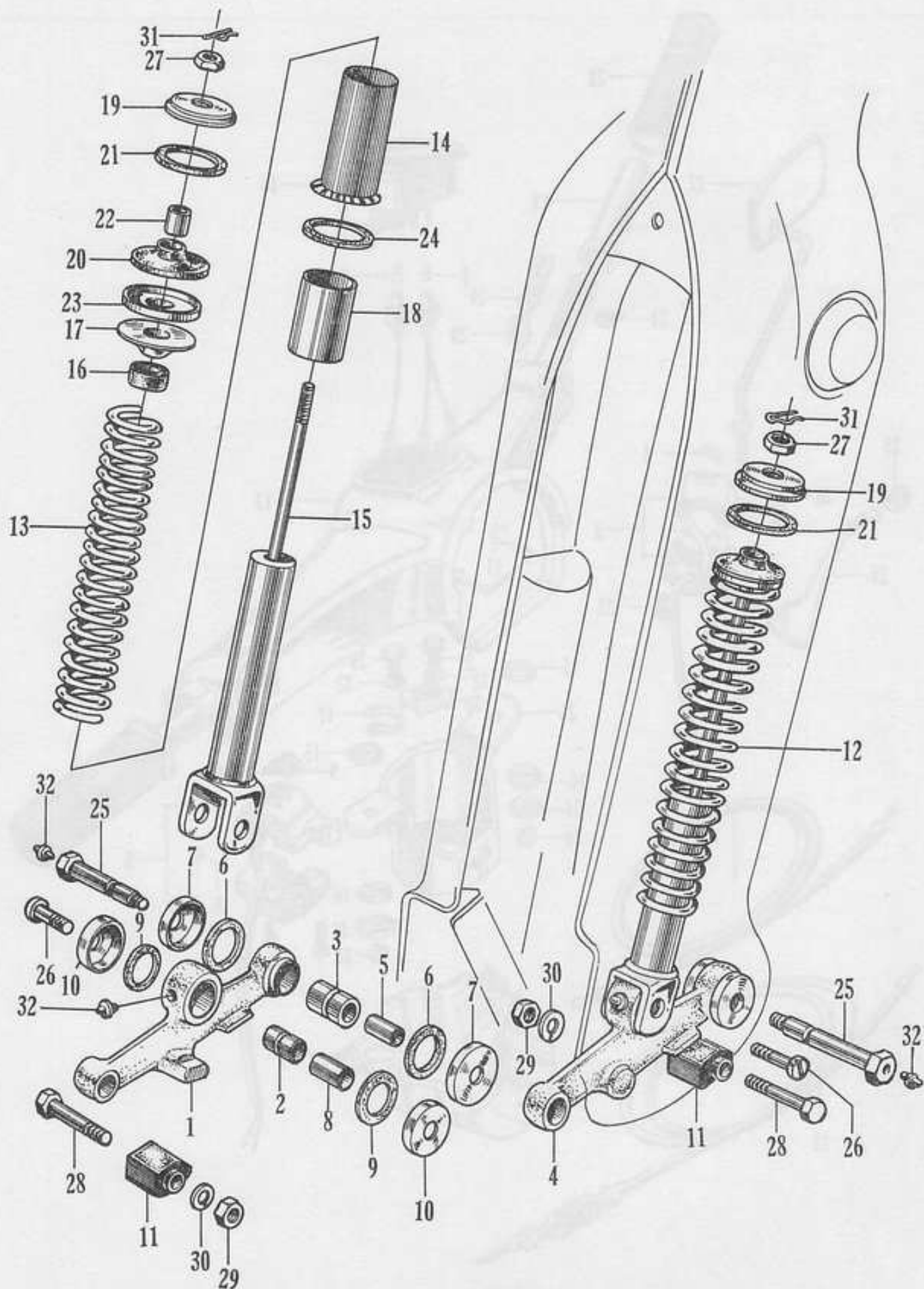
## F-1 Steering Handle

Job. No.	Description	Part No.	Unit		FRT	Labor Charge
			C50	C65		
F01-01	CABLE, throttle.....	17910-041-000	1	1	0.2	
F01-02	BULB, speedometer.....	34908-001-000	2	2	0.3	
F01-03	SWITCH ASSY., winker.....	35251-041-000	1	1	0.2	
F01-04	KNOB, winker switch.....	35253-259-300	1	1	0.2	
F01-05	SWITCH ASSY., horn button & lighting...	35300-041-000	1	1	0.4	
F01-06	KNOB, horn button switch.....	35316-259-300	1	1	0.4	
F01-07	BUTTON, push, horn button switch.....	35317-001-310	1	1	0.4	
F01-08	SPRING, push button.....	35318-259-000	1	1	0.4	
F01-09	KNOB, dimmer switch.....	35319-041-300	1	1	0.4	
F01-10	SPEEDOMETER ASSY. ....	37200-041-680	1	-	0.3	
		37200-040-680	-	1	0.3	
F01-11	SPRING, speedometer setting.....	37244-041-010	1	1	0.3	
F01-12	CABLE, front brake.....	45450-041-000	1	1	0.2	
F01-13	HANDLE, steering.....	53100-041-000	1	1	0.9	
F01-14	COVER, under, handle.....	53120-041-000	1	1	0.5	
F01-15	RUBBER A, handle cushion.....	53133-041-010	2	2	0.1	
F01-16	RUBBER B, handle cushion.....	53134-041-000	2	2	0.1	
F01-17	PLATE, handle earth.....	53135-041-000	1	1	0.4	
F01-18	PIPE, throttle grip.....	53141-001-010	1	-	0.2	
		53141-034-000	-	1	0.2	
F01-19	HINGE, throttle cable.....	53161-001-000	1	-	0.2	
		53161-033-000	-	1	0.2	
F01-20	HOLDER, outer, throttle.....	53162-001-020	1	1	0.2	
F01-21	ADJUSTER, throttle grip.....	53163-001-000	1	1	0.2	
F01-22	RUBBER, right grip.....	53165-040-000	1	1	0.1	
F01-23	RUBBER, left grip.....	53166-040-000	1	1	0.1	
F01-24	LEVER, right, steering handle.....	53175-001-000	1	1	0.1	
F01-25	CAP, rubber, handle lever.....	53180-001-670	1	1	0.5	
F01-26	BRIDGE, fork top.....	53231-041-020	1	1	0.1	
F01-27	MIRROR, back, right.....	88110-041-000	1	1	0.1	
F01-27	MIRROR, back, left.....	88120-041-811	1	1	0.1	
F01-28	SCREW, handle lever pivot.....	90114-001-000	1	1	0.5	
F01-29	BOLT, top bridge setting.....	90117-001-000	2	2	0.5	
F01-30	NUT, steering head stem.....	90304-001-000	1	1	0.1	
F01-31	WASHER, handle setting.....	90518-041-000	2	2	0.5	
32	WASHER, toothed.....	90552-001-000	2	2		
33	SCREW, cross., 5×16.....	93500-05016	2	2		
34	SCREW, cross., 5×30.....	93500-05030	2	2		
35	NUT, hex., 6 mm.....	94001-06000	1	1		
36	NUT, blind, 8 mm.....	94022-08000	2	2		

# F-1 Steering Handle



## F-2 Front Cushion



## F-2 Front Cushion

Job. No.	Description	Part No.	Unit		FRT	Labor Charge
			C50	C65		
F02-01	ARM, right, front suspension .....	51310-041-000	1	1	0.5	
F02-02	BUSHING, under, front cushion .....	51311-041-000	2	2	0.5	
F02-03	BUSHING, front arm pivot .....	51312-041-000	2	2	0.5	
F02-04	ARM, left, front suspension .....	51320-041-000	1	1	0.5	
F02-05	COLLAR, front arm pivot.....	51331-041-000	2	2	0.5	
F02-06	DUST-SEAL, front arm pivot.....	51332-001-000	4	4	0.5	
F02-07	CAP, front arm pivot dust-seal .....	51333-001-000	4	4	0.5	
F02-08	COLLAR, front cushion under distance ...	51334-041-000	2	2	0.5	
F02-09	DUST-SEAL, front cushion under.....	51335-001-000	4	4	0.5	
F02-10	CAP, front cushion under dust-seal .....	51336-001-000	4	4	0.5	
F02-11	STOPPER, front arm rebound.....	51351-041-000	2	2	0.5	
F02-12	CUSHION ASSY., front.....	51400-041-000	2	2	0.4	
F02-13	SPRING, front cushion .....	51401-041-010	2	2	0.4	
F02-14	GUIDE, front cushion spring .....	51409-001-020	2	2	0.4	
F02-15	METAL, bottom, front cushion .....	51420-041-000	2	2	0.5	
F02-16	RUBBER, front cushion stopper .....	51475-041-000	2	2	0.5	
F02-17	NUT, front cushion lock .....	51482-041-000	2	2	0.5	
F02-18	COLLAR, outer, front cushion.....	51486-041-030	2	2	0.5	
F02-19	WASHER, front cushion joint.....	51487-041-000	2	2	0.5	
F02-20	RUBBER A, front cushion joint.....	51488-041-000	2	2	0.5	
F02-21	RUBBER B, front cushion joint .....	51489-041-000	2	2	0.5	
F02-22	COLLAR, upper, front cushion .....	51491-041-000	2	2	0.5	
F02-23	SEAT, rubber, front cushion .....	51492-041-000	2	2	0.5	
F02-24	SEAT, front cushion spring .....	51507-001-010	2	2	0.4	
F02-25	BOLT, front arm pivot .....	90125-041-000	2	2	0.5	
F02-26	BOLT, under, front cushion .....	90149-041-010	2	2	0.5	
F02-27	NUT, lock, 7 mm .....	90308-041-000	2	2	0.5	
28	BOLT, hex., 8×42 .....	92000-08042	2	2		
F02-29	NUT, hex., 8 mm .....	94001-08000	2	2	0.5	
F02-30	WASHER, spring, 8 mm .....	94111-08000	2	2	0.5	
F02-31	PIN, lock, 6 mm .....	94251-06000	2	2	0.5	
F02-32	NIPPLE, grease, 4.5 mm.....	96201-30000	4	4	0.1	

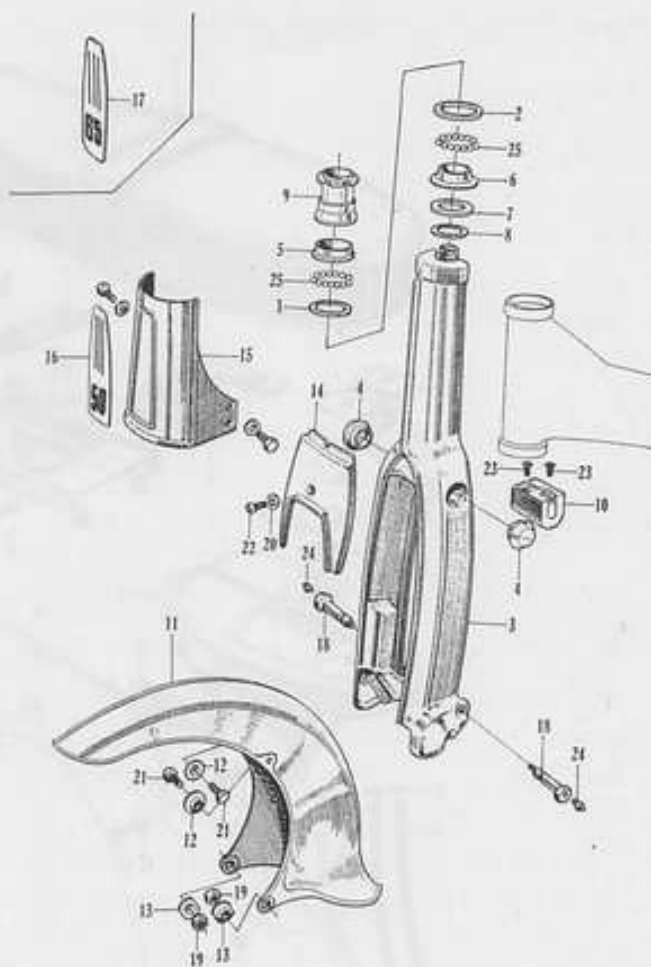
## F-3 Front Fork · Front Fender / F-4 Front Cover · Air Cleaner

Job. No.	Description	Part No.	Unit		FRT	Labor Charge
			C50	C65		
<b>F-3 Front Fork · Front Fender</b>						
F03-01	RACE, steering top ball .....	50301-030-305	1	1	0.9	
F03-02	RACE, steering bottom ball .....	50302-030-305	1	1	0.5	
F03-03	FORK, front .....	51100-041-000	1	1	1.5	
F03-04	CAP, side, front fork .....	51341-001-000XL	2	2	0.1	
F03-05	RACE, steering top cone .....	53211-030-000	1	1	0.5	
F03-06	RACE, steering bottom cone.....	53212-030-000	1	1	0.9	
F03-07	DUST-SEAL, steering head .....	53214-001-010	1	1	0.5	
F03-08	WASHER, steering head dust-seal .....	53215-001-000	1	1	0.5	
F03-09	THREAD, steering head top.....	53220-041-000	1	1	0.5	
F03-10	LOCK, steering handle .....	53600-001-020	1	1	0.3	
F03-11	FENDER, front.....	61100-041-010	1	1	0.4	
F03-12	METAL, upper, front fender fixing .....	61117-001-010	2	2	0.1	
F03-13	METAL, under, front fender fixing .....	61142-001-000	2	2	0.1	
F03-14	COVER, center, fork .....	61150-041-010	1	1	0.1	
F03-15	COVER, top, front .....	64309-041-000	1	1	0.3	
F03-16	EMBLEM, top cover .....	87130-041-000	1	-	0.1	
F03-17	EMBLEM, top cover .....	87130-040-000	-	1	0.1	
F03-18	BOLT, front arm pivot .....	90125-041-000	2	2	0.5	
F03-19	NUT, self lock, 8 mm .....	90349-001-000	2	2	0.1	
F03-20	WASHER, 6 mm .....	90501-041-000	1	1	0.1	
21	BOLT, hex., 6×20 .....	92000-06020	2	2		
22	SCREW, cross., 6×12.....	93500-06012	1	1		
23	SCREW, cross., 6×12.....	93600-06012	2	2		
24	NIPPLE, grease, 4.5 mm.....	96201-30000	2	2		
25	BALL, steel, $\frac{3}{8}$ .....	96211-06000	42	42		

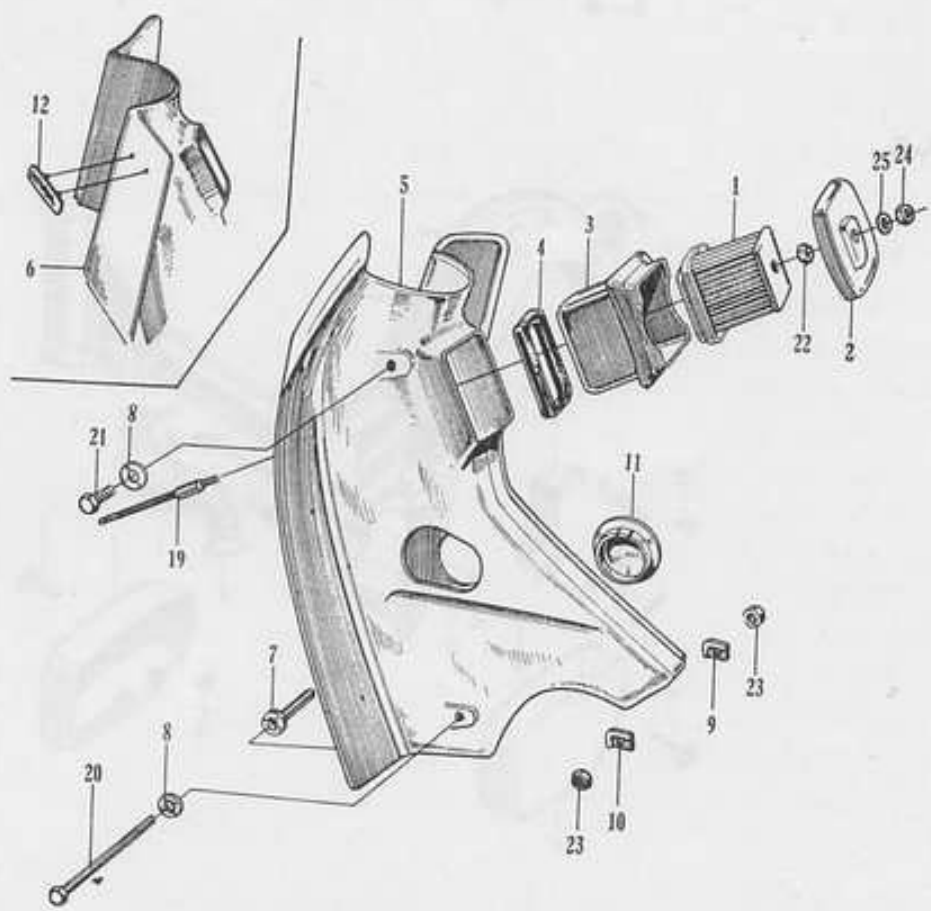
### F-4 Front Cover · Air Cleaner

F04-01	ELEMENT, air cleaner .....	17211-001-020	1	1	0.2	
F04-02	COVER, air cleaner.....	17220-001-020	1	1	0.1	
F04-03	CASE, air cleaner.....	17221-001-020	1	1	0.1	
F04-04	PACKING, air cleaner case .....	17252-001-010	1	1	0.1	
F04-05	COVER, front .....	64301-041-000XL	1	-	0.2	
F04-06	COVER, front .....	64301-040-000XL	-	1	0.2	
F04-07	COLLAR A, front cover setting.....	64345-001-010	2	2	0.1	
F04-08	WASHER, front cover setting .....	64347-001-000	4	4	0.1	
F04-09	WASHER, right, front cover setting .....	64348-003-000	1	1	0.1	
F04-10	WASHER, left, front cover setting .....	64349-003-000	1	1	0.1	
F04-11	CAP, front cover .....	64365-040-000XL	1	1	0.1	
F04-12	EMBLEM, front cover .....	87102-040-010	-	1	0.1	

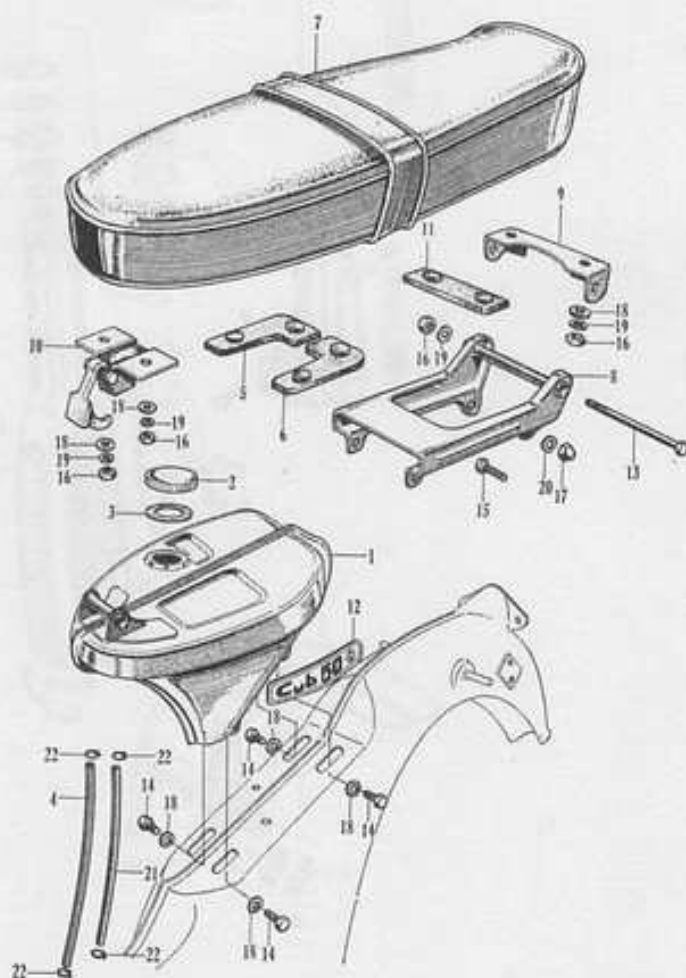
F-3



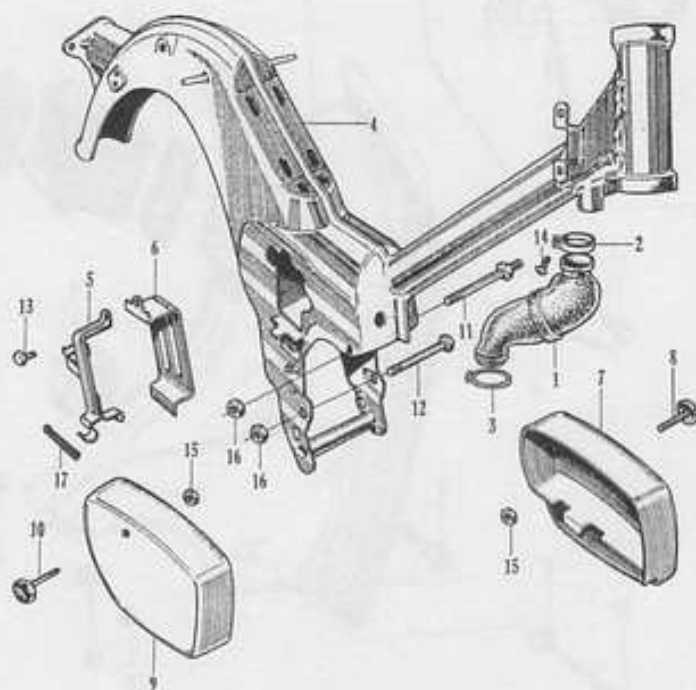
F-4



F-5



F-6



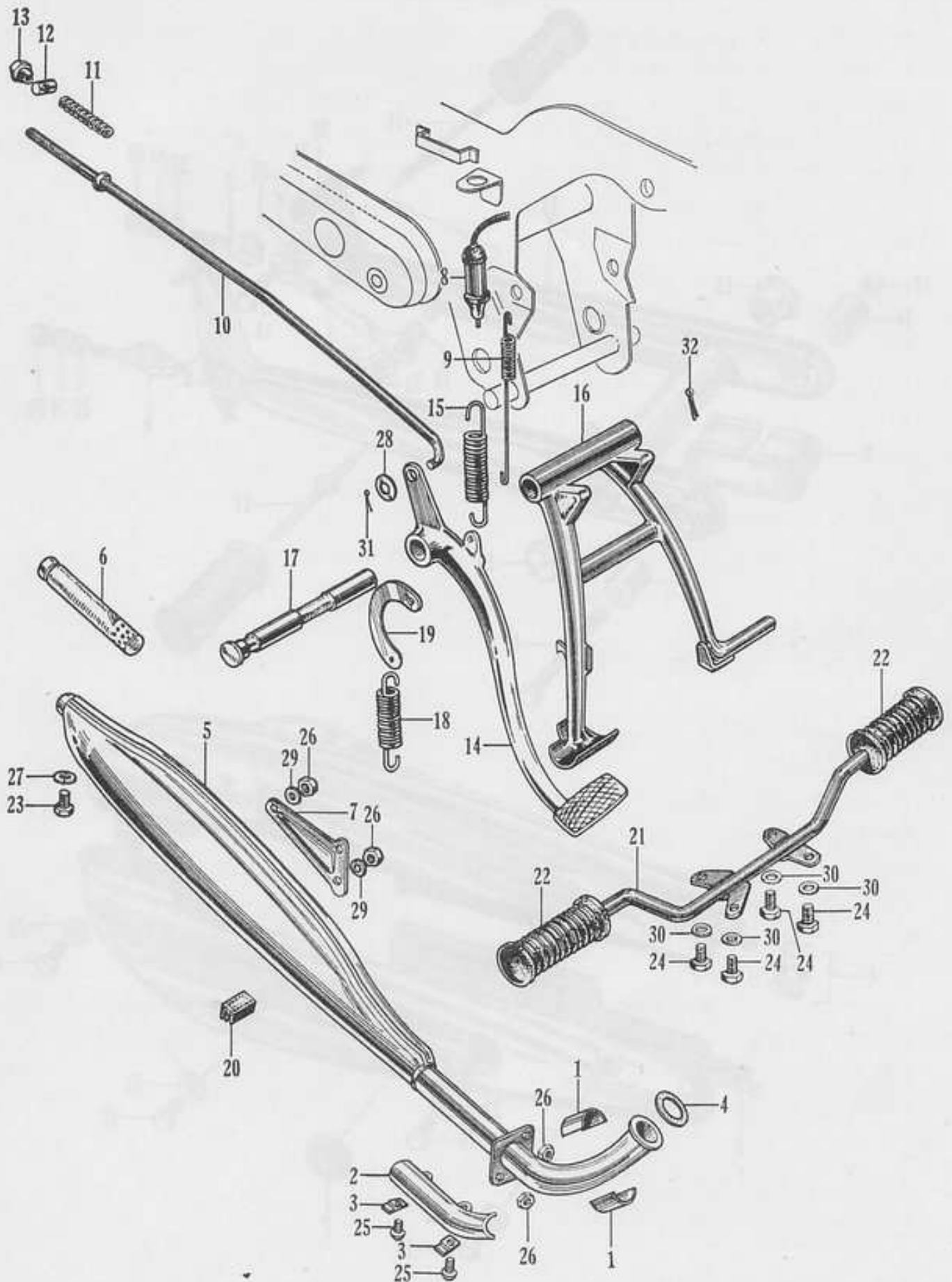
## F-5 Fuel Tank · Seat / F-6 Frame Body

Job. No.	Description	Part No.	Unit		FRT	Labor Charge
			C50	C65		
<b>F-5 Fuel Tank · Seat</b>						
F05-01	TANK, fuel .....	17500-041-680	1	-	0.4	
		17500-040-813	-	1	0.4	
F05-02	CAP, fuel filler .....	17620-041-000	1	-	0.1	
		17620-001-000	-	1	0.1	
F05-03	PACKING, fuel filler cap .....	17631-001-000	1	1	0.1	
F05-04	TUBE, fuel breather .....	17681-001-010	1	1	0.2	
F05-05	RUBBER, right, seat stopper .....	77151-041-000	1	-	0.1	
		77151-001-000	-	1	0.1	
F05-06	RUBBER, left, seat stopper .....	77152-041-000	1	-	0.1	
		77152-001-000	-	1	0.1	
F05-07	SEAT .....	77100-041-810N	1	-	0.2	
		77200-034-600N	-	1	0.2	
F05-08	BRACKET A, double seat .....	77221-001-810	1	-	0.2	
		77221-040-600	-	1	0.2	
F05-09	BRACKET B, double seat .....	77222-001-810	1	1	0.2	
F05-10	CATCH ASSY., double seat .....	77230-001-810	1	1	0.2	
F05-11	RUBBER, rear, seat stopper .....	77241-001-810	1	1	0.1	
F05-12	EMBLEM, right, fuel tank .....	87121-041-640	1	-	0.1	
		87121-040-680	-	1	0.1	
F05-12	EMBLEM, left, fuel tank .....	87122-041-640	1	-	0.1	
		87122-040-680	-	1		
13	BOLT, double seat hinge .....	90101-001-810	1	1		
14	BOLT, hex., 6×24 .....	92000-0602402	4	4		
15	BOLT, hex., 8×16 .....	92000-08016	2	2		
16	NUT, hex., 6 mm .....	94001-06000	5	5		
17	NUT, blind, 8 mm .....	94021-08020	2	2		
18	WASHER, flat, 6 mm .....	94101-06000	8	8		
19	WASHER, spring, 6 mm .....	94111-06000	5	5		
20	WASHER, spring, 8 mm .....	94111-08000	2	2		
F05-21	TUBE, fuel, 3.5×260 .....	95001-35260	1	1	0.2	
F05-22	CLIP, fuel tube, 5 mm .....	95002-50000	4	4	0.2	
<b>F-6 Frame Body</b>						
F06-01	TUBE, air cleaner connecting .....	17253-041-690	1	-	0.2	
		17253-040-020	-	1	0.2	
F06-02	BAND, air cleaner connecting .....	17255-001-010	1	1	0.1	
F06-03	BAND B, air cleaner connecting .....	17256-041-000	1	1	0.1	
F06-04	BODY, frame .....	50100-041-010	1	-	6.5	
		50100-040-020	-	1	6.5	
F06-05	BODY, frame .....	50373-040-000	1	1	0.1	
F06-06	PLATE, battery support .....	50381-040-000	1	1	0.1	
F06-07	BOX, tool .....	83500-041-000XL	1	1	0.1	
F06-08	LATCH, tool box .....	83550-001-000	1	1	0.1	
F06-09	BOX, battery .....	83600-041-000XL	1	1	0.1	
F06-10	LATCH, battery box .....	83650-003-000	1	1	0.1	
F06-11	BOLT A, rear, engine support .....	90112-003-000	1	1	0.1	
F06-12	BOLT, under, rear engine .....	90116-001-010	1	1	0.1	
13	BOLT, hex., 6×12 .....	92000-06012	1	1		
14	SCREW, cross., 4×22 .....	93500-04022	1	1		
15	NUT, hex., 6 mm .....	94001-06000	2	2		
16	NUT, hex., 8 mm .....	94001-08000	2	2		
17	PIN, cotter, 3.0×45 .....	94201-30450	1	1		

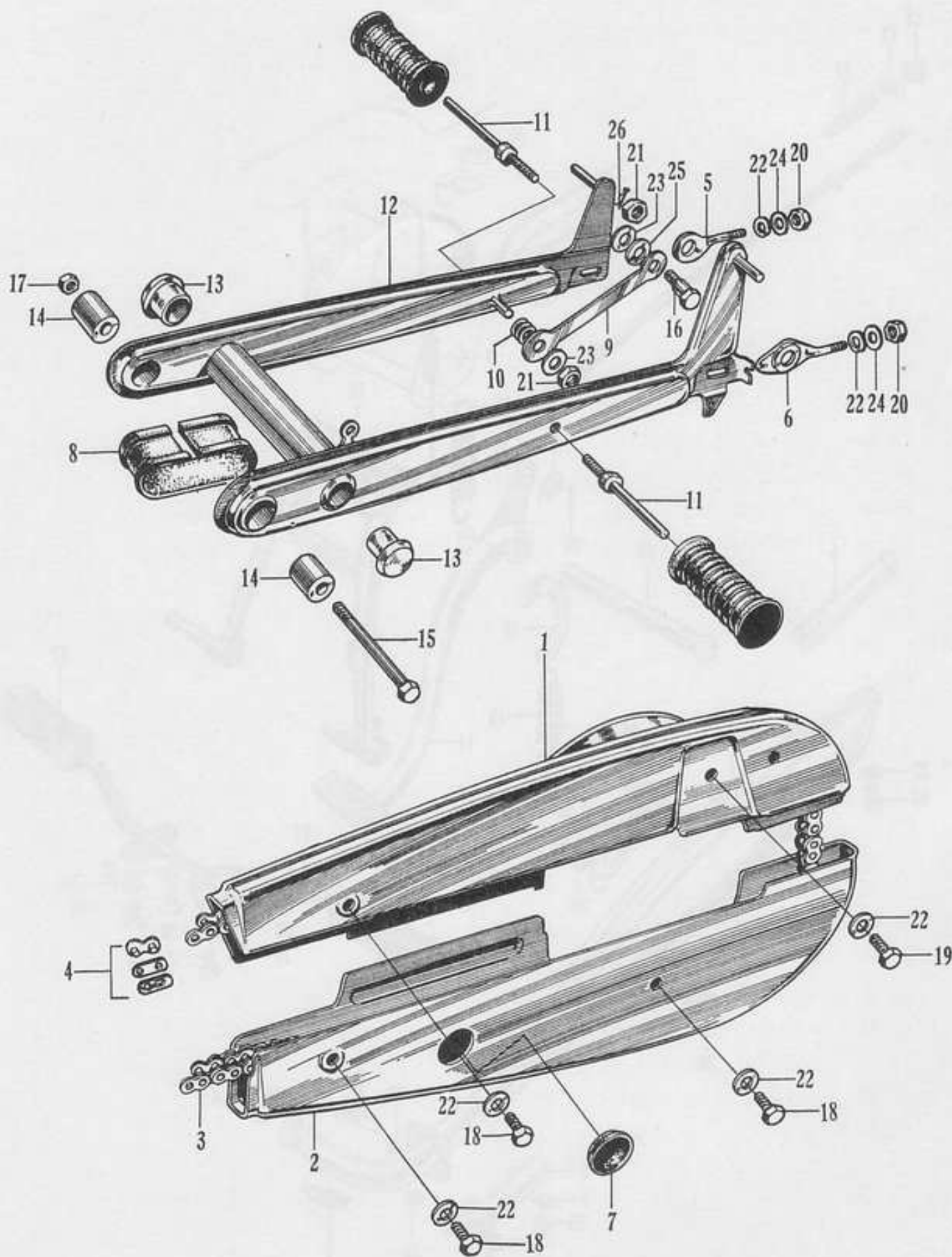
## E-7 Stand · Step · Muffler

Job. No.	Description	Part No.	Unit		FRT	Labor Charge
			C50	C65		
F07-01	COLLAR, exhaust pipe joint.....	18233-040-010	2	2	0.2	
F07-02	COVER, exhaust pipe.....	18240-040-000	1	1	0.1	
F07-03	BAND B, exhaust cover setting .....	18272-220-000	2	2	0.1	
F07-04	GASKET, exhaust pipe .....	18291-001-010	1	1	0.2	
F07-05	MUFFLER, exhaust.....	18300-041-000	1	1	0.2	
F07-06	PIPE, exhaust diffusor .....	18311-041-000	1	1	0.2	
F07-07	STAY, upper, muffler .....	18315-041-000	1	1	0.2	
F07-08	SWITCH ASSY., stop.....	35350-040-000	1	1	0.2	
F07-09	SPRING, stop switch .....	35357-041-000	1	1	0.1	
F07-10	ROD, brake .....	43450-001-010	1	1	0.2	
F07-11	SPRING, rear brake rod .....	43472-001-000	1	1	0.1	
F07-12	JOINT, front brake arm .....	45461-001-000	1	1	0.1	
F07-13	NUT, front brake adjust .....	45462-001-000	1	1	0.1	
F07-14	PEDAL, brake .....	46500-041-000	1	1	0.2	
F07-15	SPRING, brake pedal .....	46514-041-000	1	1	0.1	
F07-16	STAND, main .....	50500-041-000B	1	1	0.3	
F07-17	PIPE, rear brake pivot .....	50512-041-000	1	1	0.2	
F07-18	SPRING, main stand .....	50522-041-000	1	1	0.1	
F07-19	HOOK, main stand spring.....	50523-001-000	1	1	0.1	
F07-20	RUBBER, main stand stopper .....	50524-001-000	1	1	0.1	
F07-21	BAR, step .....	50610-040-000B	1	1	0.2	
F07-22	RUBBER, step .....	50661-051-000	2	2	0.1	
F07-23	BOLT, hex., 5×8.....	92000-0500840	1	1	0.1	
F07-24	BOLT, hex., 8×22 .....	92000-08022	4	4	0.1	
F07-25	SCREW, cross., 5×14.....	93500-05014	2	2	0.1	
F07-26	NUT, hex., 6 mm .....	94001-06000	4	4	0.1	
F07-27	WASHER, flat, 5 mm .....	94101-05000	1	1	0.1	
F07-28	WASHER, flat, 6 mm .....	94101-06000	1	1	0.2	
F07-29	WASHER, spring, 6 mm .....	94111-06000	2	2	0.1	
F07-30	WASHER, spring, 8 mm .....	94111-08000	4	4	0.1	
F07-31	PIN, cotter, 1.6×15 .....	94201-16150	1	1	0.2	
F07-32	PIN, cotter, 3.0×25 .....	94201-30250	1	1	0.1	

# F-7 Stand · Step · Muffler



# F-8 Rear Fork · Chain Case



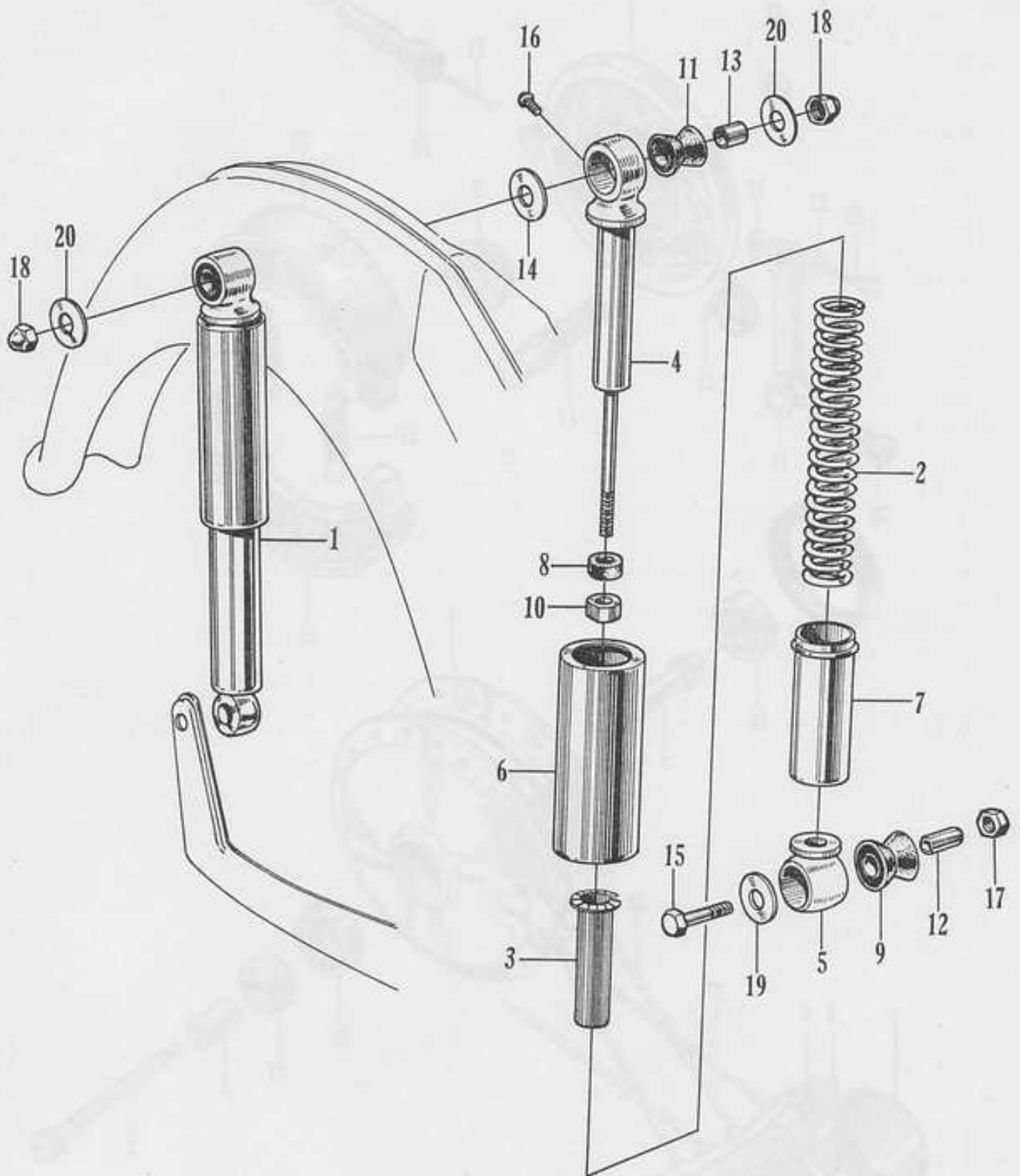
## F-8 Rear Fork · Chain Case

Job. No.	Description	Part No.	Unit		FRT	Labor Charge
			C50	C65		
F08-01	CASE, upper, drive chain .....	40510-041-000	1	-	0.2	
		40510-051-010	-	1	0.2	
F08-02	CASE, lower, drive chain .....	40520-041-000	1	-	0.2	
		40520-051-010	-	1	0.2	
F08-03	CHAIN, drive (98L).....	40530-011-003	1	-	0.4	
		40530-035-005	-	1	0.4	
F08-04	LINK, drive chain .....	40531-001-003	1	-	0.2	
		40531-035-005	-	1	0.2	
F08-05	ADJUSTER, right, drive chain.....	40543-051-000	1	-	0.1	
		40543-040-000	-	1	0.1	
F08-06	ADJUSTER, left, drive chain .....	40544-051-000	1	-	0.1	
		40544-040-000	-	1	0.1	
F08-07	CAP, chain case peep hole .....	40545-001-000XL	1	1	0.1	
F08-08	PACKING, drive chain case.....	40591-001-000	1	1	0.2	
F08-09	LINK, rear brake torque .....	43431-001-020	1	1	0.4	
F08-10	SPRING, rear brake torque link.....	43434-250-000	1	1	0.2	
F08-11	BAR, pillion step .....	50700-001-810	1	1	0.1	
F08-12	FORK, rear .....	52100-041-680	1	-	1.0	
		52100-040-681	-	1	1.0	
F08-13	CAP, side, cross member .....	52161-001-010XL	2	2	0.1	
F08-14	BUSH, rubber, rear fork pivot.....	52181-001-300	2	2	1.0	
F08-15	BOLT, rear fork pivot .....	90121-030-000	1	1	0.2	
F08-16	BOLT, rear brake torque .....	90127-001-010	1	1	0.1	
F08-17	NUT, axle .....	90305-001-000	1	1	0.1	
18	BOLT, hex., 6×6 .....	92000-06006	3	3		
19	BOLT, hex., 6×16 .....	92000-06016	1	1		
20	NUT, hex., 6 mm .....	94001-06000	2	2		
21	NUT, hex., 8 mm .....	94001-08000	2	2		
22	WASHER, flat, 6 mm .....	94101-06000	6	6		
23	WASHER, flat, 8 mm .....	94101-08000	2	2		
24	WASHER, spring, 6 mm .....	94111-06000	2	2		
25	WASHER, spring, 10 mm .....	94111-10000	1	1		
26	PIN, lock, 8 mm .....	94251-08000	1	1		

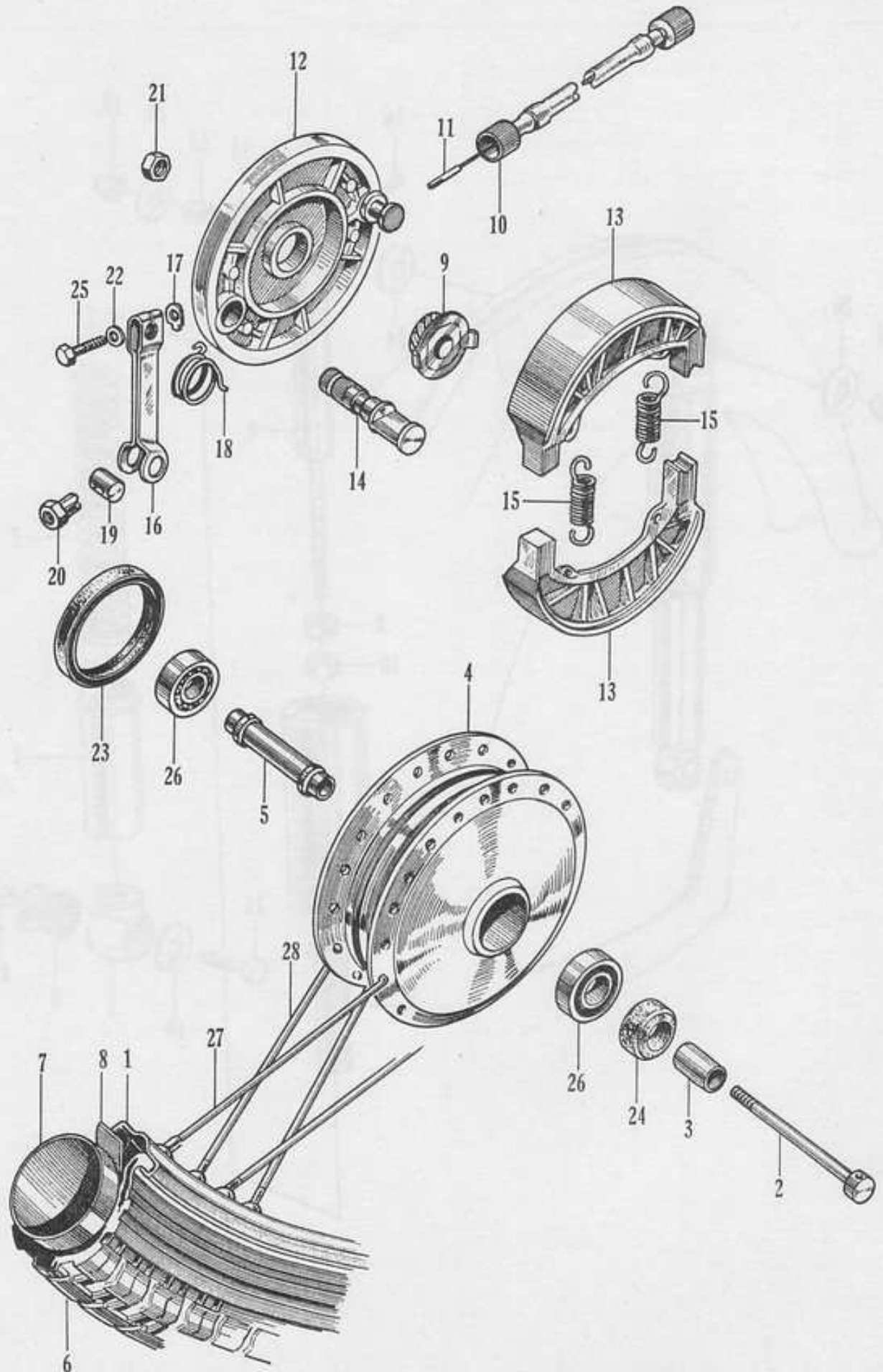
## F-9 Rear Cushion

Job. No.	Description	Part No.	Unit		FRT	Labor Charge
			C50	C65		
F09-01	CUSHION ASSY., rear .....	52400-041-000	1	-	0.2	
		52400-040-010	-	1	0.2	
F09-02	SPRING, rear cushion.....	52401-041-000	1	-	0.5	
		52401-040-000	-	1	0.5	
F09-03	GUIDE, rear cushion spring.....	52409-001-010	1	-	0.5	
F09-04	METAL, upper, rear cushion .....	52410-001-070	1	-	0.5	
		52410-033-000	-	1	0.5	
F09-05	METAL, bottom, rear cushion.....	52420-001-020	1	-	0.5	
F09-06	CASE, upper, rear cushion .....	52460-011-000	1	-	0.5	
		52410-034-000	-	1	0.5	
F09-07	CASE, bottom, rear cushion.....	52465-001-050	1	-	0.5	
		52465-035-000	-	1	0.5	
F09-08	RUBBER, rear cushion stopper .....	52475-001-040	1	-	0.5	
		52475-035-000	-	1	0.5	
F09-09	BUSHING, lower, rear cushion .....	52476-001-020	1	-	0.2	
		52489-028-000	-	1	0.2	
F09-10	NUT, rear cushion lock .....	52481-001-030	1	-	0.5	
		52481-035-000	-	1	0.5	
F09-11	BUSHING, upper, rear cushion .....	52485-001-020	1	-	0.2	
		52485-001-010	-	1	0.2	
F09-12	COLLAR, rear cushion lower bushing .....	52486-001-000	1	-	0.2	
		52486-035-000	-	1	0.2	
F09-13	COLLAR, rear cushion upper bushing .....	52488-001-010	1	-	0.2	
		52496-040-000	-	1	0.2	
F09-14	WASHER, 12.2×2.6.....	90526-035-000	2	2	0.2	
15	BOLT, hex., 10×44 .....	92000-10044	2	2		
16	SCREW, cross., 6×5 .....	93500-06005	2	-		
17	NUT, blind, 10 mm .....	94021-10000	2	2		
18	NUT, blind, 10 mm .....	94021-10020	2	2		
19	WASHER, flat, 10 mm .....	94101-10000	2	2		
20	WASHER, flat, 12 mm .....	94101-12000	2	2		

# F-9 Rear Cushion



# F-10 Front Wheel



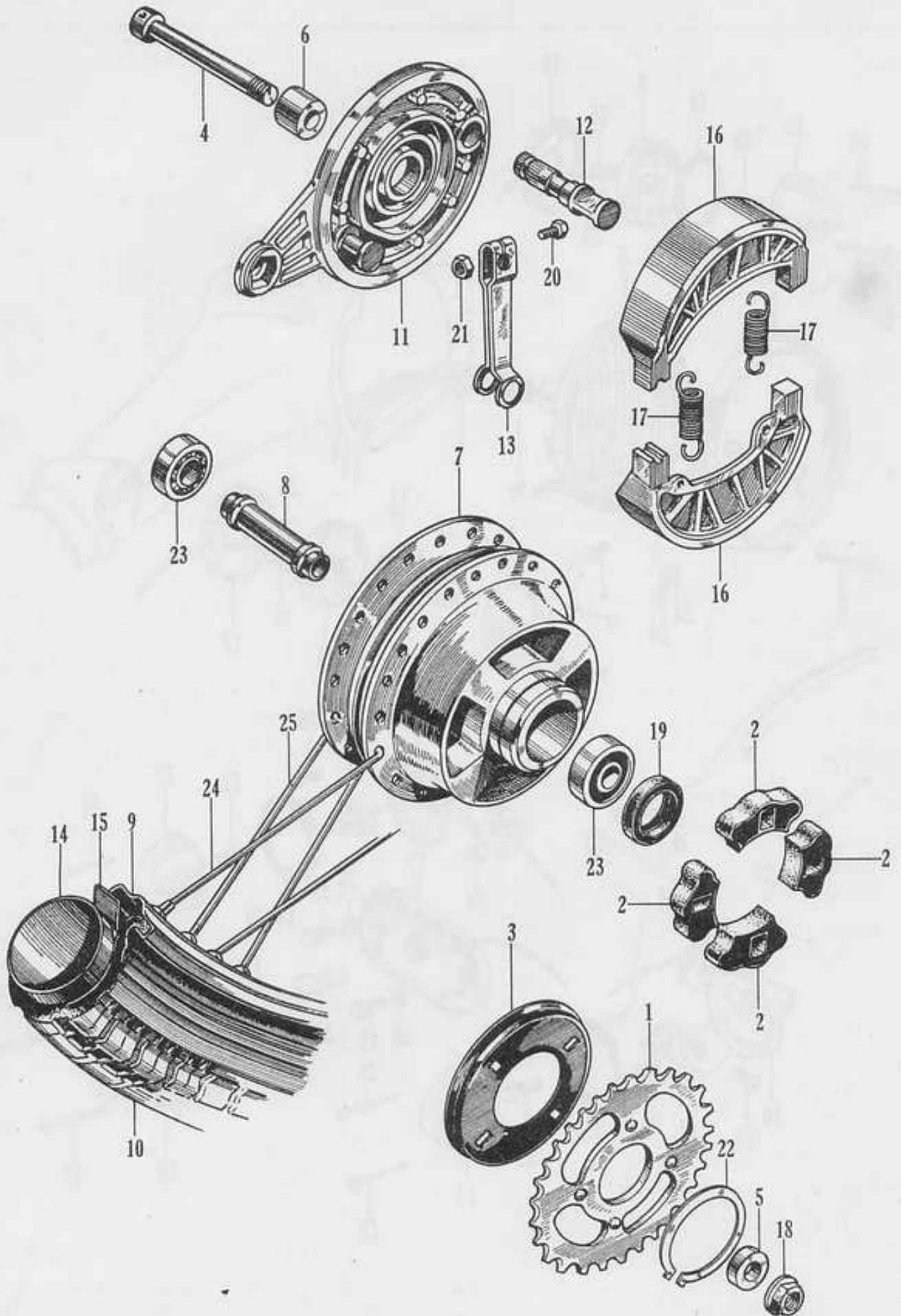
## F-10 Front Wheel

Job. No.	Description	Part No.	Unit		FRT	Labor Charge
			C50	C65		
F10-01	RIM, wheel.....	42701-001-050	1	1	2.0	
F10-02	AXLE, front wheel .....	44301-041-000	1	1	0.2	
F10-03	COLLAR, side, front wheel .....	44311-041-000	1	1	0.2	
F10-04	HUB, front wheel.....	44601-035-000	1	1	2.4	
F10-05	COLLAR, front axle distance .....	44620-001-010	1	1	0.9	
F10-06	TIRE, front wheel .....	44711-001-000	1	1	0.4	
F10-07	TUBE, wheel .....	44712-001-000	1	1	0.4	
F10-08	FLAP, tire .....	44713-001-000	1	1	0.4	
F10-09	GEAR, speedometer.....	44806-001-000	1	1	0.2	
F10-10	CABLE, speedometer .....	44830-041-000	1	1	0.2	
F10-11	CABLE, inner, speedometer .....	44831-041-000	1	1	0.3	
F10-12	PANEL, front brake .....	45100-041-000	1	1	0.3	
F10-13	SHOE, brake .....	45120-001-010	2	2	0.3	
F10-14	CAM, front brake.....	45131-030-000	1	1	0.3	
F10-15	SPRING, brake shoe .....	45133-001-010	2	2	0.3	
F10-16	ARM, front brake.....	45410-028-000	1	1	0.1	
F10-17	NUT, front brake arm setting .....	45436-001-000	1	1	0.1	
F10-18	SPRING, front brake arm .....	45437-001-000	1	1	0.1	
F10-19	JOINT, front brake arm.....	45461-001-000	1	1	0.1	
F10-20	NUT, front brake adjust.....	45462-001-000	1	1	0.1	
F10-21	NUT, axle .....	90305-001-000	1	1	0.1	
F10-22	WASHER, brake arm.....	90525-001-000	1	1	0.1	
F10-23	OIL-SEAL, 45587 .....	91251-001-020	1	1	0.2	
F10-24	OIL-SEAL, 21357.....	91252-035-000	1	1	0.2	
F10-25	BOLT, hex., 6x25 .....	92000-06025	1	1	0.1	
F10-26	BEARING, ball, 6300R .....	96140-63000	1	1	0.2	
F10-27	SPOKE A .....	97147-211661-2	1	1	0.1	
28	SPOKE B .....	97351-211641-2				set

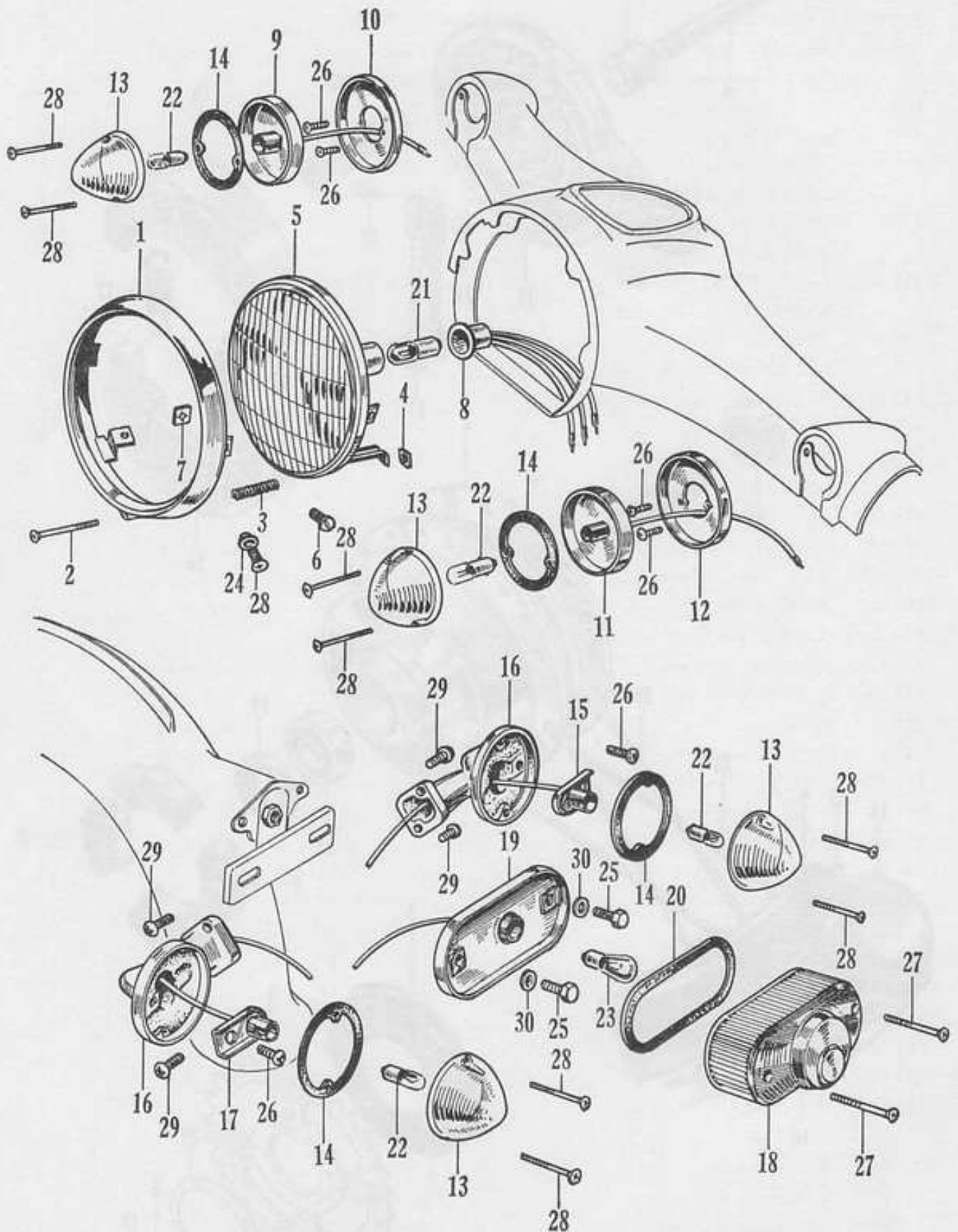
## F-11 Rear Wheel

Job. No.	Description	Part No.	Unit		FRT	Labor Charge
			C50	C65		
F11-01	SPROCKET, final driven (39T) .....	41201-041-000	1	-	0.5	
F11-01	SPROCKET, final driven (41T) .....	41201-051-000	-	1	0.5	
F11-02	DAMPER, rear wheel .....	41241-051-000	4	4	0.3	
F11-03	COVER, rear wheel damper .....	41245-051-000	1	1	0.5	
F11-04	AXLE, rear wheel .....	42301-041-010	1	-	0.2	
		42301-051-000	-	1	0.2	
F11-05	COLLAR, side, rear wheel .....	42304-051-000	1	1	0.2	
F11-06	COLLAR, side, rear brake panel.....	42313-051-000	1	1	0.2	
F11-07	HUB, rear wheel .....	42601-051-000	1	1	2.4	
F11-08	COLLAR, rear axle distance.....	42620-051-000	1	1	0.9	
F11-09	RIM, rear wheel .....	42701-001-050	1	1	2.0	
F11-10	TIRE, rear wheel.....	42711-001-000	1	1	0.4	
F11-11	PANEL, rear brake .....	43100-051-000	1	1	0.4	
F11-12	CAM, rear brake .....	43141-001-000	1	1	0.4	
F11-13	ARM, rear brake .....	43410-001-010	1	1	0.2	
F11-14	TUBE, wheel.....	44712-001-000	1	1	0.4	
F11-15	FLAP, tire .....	44713-001-000	1	1	0.4	
F11-16	SHOE, brake .....	45120-001-010	2	2	0.4	
F11-17	SPRING, brake shoe .....	45133-001-010	2	2	0.4	
F11-18	NUT, rear axle .....	90305-041-000	1	1	0.1	
F11-19	OIL-SEAL, 26376.....	90753-051-000	1	1	0.3	
20	BOLT, hex., 6x30 .....	92000-06030	1	1		
21	NUT, hex., 6 mm .....	94001-06000	1	1		
F11-22	CIR-CLIP, 50 mm.....	94510-50000	1	1	0.4	
F11-23	BEARING, ball, 6301R .....	96140-63010	2	2	0.7	
F11-24	SPOKE A, rear.....	97282-421641-3	1	1	0.1	
25	SPOKE B, rear.....	97519-421641-2	set	set	2.0	

# F-11 Rear Wheel



# F-12 Head Light • Winker



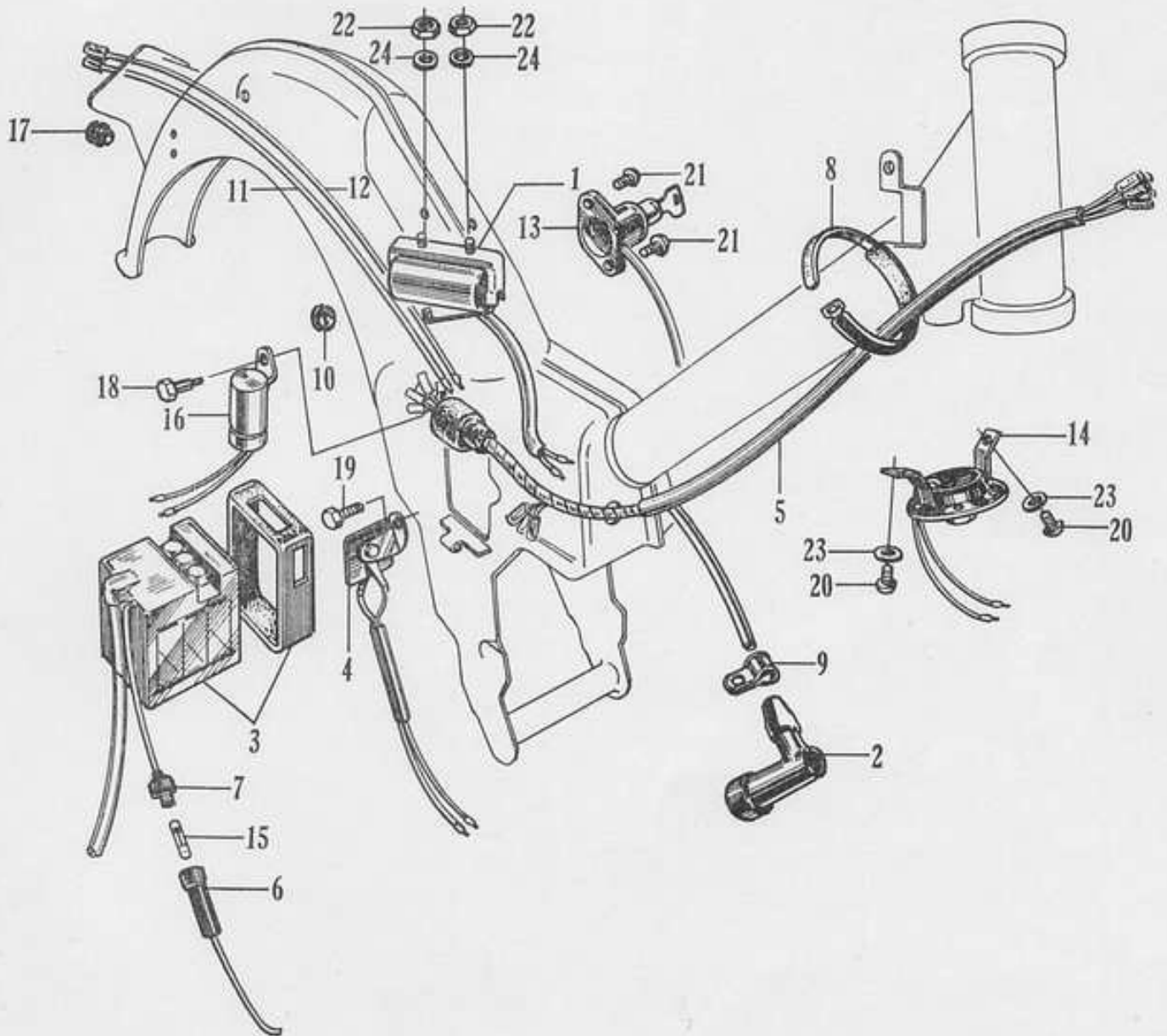
## F-12 Head Light · Winker

Job. No.	Description	Part No.	Unit		FRT	Labor Charge
			C50	C65		
F12-00	LIGHT ASSY., head .....	33100-041-010	1	1	0.1	
F12-01	RIM, head light (Stanley) .....	33101-041-003	1	1	0.1	
	RIM, head light (Hirose) .....	33101-041-005	1	1	0.1	
F12-02	SCREW, adjust (Stanley) .....	33102-001-003	1	1	0.1	
	SCREW, adjust (Hirose).....	33102-001-005	1	1	0.1	
F12-03	SPRING, adjust screw (Stanley) .....	33107-030-003	1	1	0.1	
	SPRING, adjust screw (Hirose) .....	33107-041-005	1	1	0.1	
F12-04	NUT, beam adjust (Stanley) .....	33117-001-003	1	1	0.1	
	NUT, beam adjust (Hirose) .....	33117-001-005	1	1	0.1	
F12-05	LIGHT UNIT, head (Stanley) .....	33121-041-003	1	1	0.1	
	LIGHT UNIT, head (Hirose) .....	33121-041-005	1	1	0.1	
F12-06	PIN, holder (Stanley) .....	33125-200-033	2	2	0.1	
	PIN, holder (Hirose) .....	33125-200-025	2	2	0.1	
F12-07	NUT, unit holder (Stanley) .....	33128-200-033	2	2	0.1	
	NUT, unit holder (Hirose).....	33128-200-015	2	2	0.1	
F12-08	SOCKET, head light (Stanley).....	33130-041-003	1	1	0.1	
	SOCKET, head light (Hirose) .....	33130-041-005	1	1	0.1	
F12-51	LAMP ASSY., right front winker .....	33400-041-000	1	1	0.2	
F12-09	SOCKET, right front winker .....	33410-041-010	1	1	0.2	
F12-10	BASE, right front winker .....	33411-041-000	1	1	0.2	
F12-52	LAMP ASSY., left front winker .....	33450-041-000	1	1	0.2	
F12-11	SOCKET, left front winker .....	33460-041-010	1	1	0.2	
F12-12	BASE, left front winker .....	33461-041-000	1	1	0.2	
F12-53	LAMP ASSY., right rear winker.....	33600-041-000	1	1	0.2	
F12-13	LENS, winker .....	33602-041-671	1	1	0.1	
F12-14	PACKING, winker lens .....	33604-041-000	1	1	0.1	
F12-15	SOCKET, right rear winker .....	33610-041-000	1	1	0.3	
F12-16	BASE, rear winker .....	33611-041-000	1	1	0.3	
F12-54	LAMP ASSY., left rear winker .....	33650-041-000	1	1	0.3	
F12-17	SOCKET, left rear winker .....	33655-041-000	1	1	0.3	
F12-55	LIGHT ASSY., tail .....	33700-041-000	1	1	0.2	
F12-18	LENS, tail light .....	33701-041-000	1	1	0.1	
F12-19	SOCKET, tail light .....	33703-041-000	1	1	0.1	
F12-20	PACKING, tail light lens .....	33709-041-000	1	1	0.1	
F12-21	BULB, head light .....	34901-001-020	1	1	0.1	
F12-22	BULB, winker .....	34905-001-000	1	1	0.1	
F12-23	BULB, tail light .....	34906-030-010	1	1	0.1	
F12-24	WASHER, head light setting .....	90520-041-010	2	2	0.1	
25	BOLT, hex., 5×12 .....	92000-0501240	2	2		
26	SCREW, cross., 4×6 .....	92500-04006	6	6		
27	SCREW, cross., 4×45.....	93500-0404502	2	2		
28	SCREW, cross., 5×12 .....	93500-0501202	10	10		
29	SCREW, cross., 5×18.....	93700-05018	4	4		
30	WASHER, spring, 5 mm .....	94111-05000	2	2		

## F-13 Wire Harness • Battery

Job. No.	Description	Part No.	Unit		FRT	Labor Charge
			C50	C65		
F13-01	COIL, ignition .....	30500-041-000	1	-	0.4	
		30500-040-000	-	1	0.4	
F13-02	CAP, noise suppressor .....	30700-259-600	1	1	0.1	
F13-03	BATTERY .....	31500-040-000	1	1	0.2	
F13-04	RECTIFIER, selenium .....	31700-041-000	1	1	0.2	
F13-05	HARNESS, wire .....	32100-041-000	1	1	1.4	
F13-06	CONNECTOR B, fuse .....	32106-253-000	1	1	0.1	
F13-07	CONNECTOR A, fuse .....	32112-253-010	1	1	0.1	
F13-08	BAND, wire harness .....	32161-001-000	1	1	0.1	
F13-09	CLIP, high tension cord.....	32906-011-010	1	1	0.1	
F13-10	GROMMET, wire cord .....	32983-011-000	1	1	0.3	
F13-11	CORD, sub, tail light .....	33711-041-000	1	1	0.3	
F13-12	CORD, sub, stop light.....	33713-041-000	1	1	0.3	
F13-13	SWITCH-KIT, combination .....	35010-041-000	1	1	0.3	
	SWITCH ASSY., combination .....	35100-041-000	1	1		
F13-14	HORN .....	38100-041-000	1	1	0.2	
F13-15	FUSE .....	38201-001-000	1	1	0.1	
F13-16	RELAY, winker.....	38300-041-000	1	1	0.3	
F13-17	GROMMET, tail light cord .....	32982-011-000	1	1	0.2	
F13-18	BOLT, winker relay setting .....	90157-001-000	1	1	0.1	
19	BOLT, hex., 6×12 .....	92000-06012	1	1		
20	SCREW, cross., 5×12.....	93500-05012	2	2		
21	SCREW, cross., 6×8 .....	93500-06008	2	2		
22	NUT, hex., 6 mm .....	94001-06000	2	2		
23	WASHER, flat, 5 mm .....	94101-05000	2	2		
24	WASHER, flat, 6 mm .....	94101-06000	2	2		

# F-13 Wire Harness · Battery





MEMO

MEMO

